



PHONES

0 (800) 800 130  
(050) 462 0 130  
(063) 462 0 130  
(067) 462 0 130

130  
COM.UA

Internet store of  
autogoods



SKYPE

km-130

CAR RECEIVERS — Receivers • Media receivers and stations • Native receivers • CD/DVD changers • FM-modulators/USB adapters • Flash memory • Facia plates and adapters • Antennas • Accessories |  
CAR AUDIO — Car audio speakers • Amplifiers • Subwoofers • Processors • Crossovers • Headphones • Accessories | TRIP COMPUTERS — Universal computers • Model computers • Accessories |  
GPS NAVIGATORS — Portable GPS • Built-in GPS • GPS modules • GPS trackers • Antennas for GPS navigators • Accessories | VIDEO — DVR • TV sets and monitors • Car TV tuners • Cameras • Videomodules  
• Transcoders • Car TV antennas • Accessories | SECURITY SYSTEMS — Car alarms • Bike alarms • Mechanical blockers • Immobilizers • Sensors • Accessories | OPTIC AND LIGHT — Xenon • Bixenon • Lamps  
• LED • Stroboscopes • Optic and Headlights • Washers • Light, rain sensors • Accessories | PARKTRONICS AND MIRRORS — Rear parktronic • Front parktronic • Combined parktronic • Rear-view mirrors  
• Accessories | HEATING AND COOLING — Seat heaters • Mirrors heaters • Screen-wipers heaters • Engine heaters • Auto-refrigerators • Air conditioning units • Accessories | TUNING — Vibro-isolation  
• Noise-isolation • Tint films • Accessories | ACCESSORIES — Radar-detectors • Handsfree, Bluetooth • Windowlifters • Compressors • Beeps, loudspeakers • Measuring instruments • Cleaners • Car seats  
• Miscellaneous | MOUNTING — Installation kits • Upholstery • Grilles • Tubes • Cable and wire • Tools • Miscellaneous | POWER — Batteries • Converters • Start-charging equipment • Capacitors  
• Accessories | MARINE AUDIO AND ELECTRONICS — Marine receivers • Marine audio speakers • Marine subwoofers • Marine amplifiers • Accessories | CAR CARE PRODUCTS — Additives • Washer fluid •  
Care accessories • Car polish • Flavors • Adhesives and sealants | LIQUID AND OIL — Motor oil • Transmission oil • Brake fluid • Antifreeze • Technical lubricant



In store "130" you can find and buy almost all necessary goods for your auto in Kyiv and other cities, delivery by ground and postal services. Our experienced consultants will provide you with exhaustive information and help you to choose the very particular thing. We are waiting for you at the address

<https://130.com.ua>

# RYOBI®

## R18RS

ORIGINAL INSTRUCTIONS  
TRADUCTION DES INSTRUCTIONS ORIGINALES  
ÜBERSETZUNG DER ORIGINALANLEITUNG  
TRADUCCIÓN DE LAS INSTRUCCIONES ORIGINALES  
TRADUZIONE DELLE ISTRUZIONI ORIGINALI  
VERTALING VAN DE ORIGINELE INSTRUCTIES  
TRADUÇÃO DAS INSTRUÇÕES ORIGINAIS  
OVERSÆTTELSE AF DE ORIGINALE INSTRUKTIONER  
ÖVERSÄTTNING AV DE URSPRUNGLIGA INSTRUKTIONERNA  
ALKUPERÄISTEN OHJEIDEN SUOMENNO  
OVERSETTELSE AV DE ORIGINALE INSTRUKSJONENE  
ПЕРЕВОД ОРИГИНАЛЬНЫХ ИНСТРУКЦИЙ  
TŁUMACZENIE INSTRUKCJI ORYGINALNEJ  
PŘEKLAD ORIGINALNÍCH POKYNŮ  
AZ EREDETI ÚTMUTATÓ FORDÍTÁSA  
TRADUCEREA INSTRUCȚIUNILOR ORIGINALE  
TULKOTS NO ORIĢINĀLĀS INSTRUKCIJAS  
ORIGINALIŲ INSTRUKCIJŲ VERTIMAS  
ORIGINALJUHENDI TÕLGE  
PRIJEVOD ORIGINALNIH UPUTA  
PREVOD ORIGINALNIH NAVODIL  
PREKLAD ORIGINALNYCH POKYNOV  
ΜΕΤΑΦΡΑΣΗ ΤΩΝ ΠΡΩΤΟΤΥΠΩΝ ΟΔΗΓΙΩΝ  
ORIJ NAL TALIMATLARIN TERCÜMESİ  
ПЕРЕКЛАД ОРИГІНАЛЬНИХ ІНСТРУКЦІЙ



EN  
FR  
DE  
ES  
IT  
NL  
PT  
DA  
SV  
FI  
NO  
RU  
PL  
CS  
HU  
RO  
LV  
LT  
ET  
HR  
SL  
SK  
EL  
TR  
UK





<b>Important!</b>	It is essential that you read the instructions in this manual before assembling, maintaining and operating the product.
<b>Attention!</b>	Il est essentiel que vous lisiez les instructions contenues dans ce manuel avant d'assembler, d'entretenir et d'utiliser le produit.
<b>Achtung!</b>	Es ist wichtig, dass Sie vor Zusammenbau, Wartung und Benutzung des Produktes die Anweisungen in dieser Anleitung lesen.
<b>¡Atención!</b>	Resulta fundamental que lea este manual de instrucciones antes de realizar el montaje, el mantenimiento y de utilizar este producto
<b>Attenzione!</b>	E' importante leggere le istruzioni contenute nel presente manuale prima di montare il prodotto, svolgere le operazioni di manutenzione sullo stesso e metterlo in funzione.
<b>Let op!</b>	Het is van essentieel belang dat u de instructies in deze gebruiksaanwijzing leest voor u het product monteert, onderhoudt en gebruikt.
<b>Atenção!</b>	É fundamental que leia as instruções deste manual antes da montagem, manutenção e operação do aparelho.
<b>OBS!</b>	Det er vigtigt, at man læser instrukserne i denne brugsanvisning, inden man samler, vedligeholder og betjener produktet.
<b>Observera!</b>	Det är viktigt att du läser instruktionerna i manualen före montering, användning och underhåll av produkten.
<b>Huomio!</b>	On tärkeää, että luet tämän käsikirjan ohjeet ennen tuotteen kokoamista, huoltoa ja käyttöä.
<b>Advarsel!</b>	Det er viktig at du leser instruksjonene i denne manualen før sammensetting, vedlikehold og bruk av produktet
<b>Внимание!</b>	Необходимо прочитать инструкции в данном руководстве перед сборкой, обслуживанием и эксплуатацией этого изделия.
<b>Uwaga!</b>	Koniecznienależyprzeczytaćinstrukcjezawartewtym podręczniku przed montażem, obsługą oraz konserwacją produktu.
<b>Důležitost upozornění!</b>	Neinstalujte, neprovádějte údržbu ani nepoužívejte tento výrobek dříve, než si přečtete pokyny uvedené v tomto návodu.
<b>Figyelem!</b>	Fontos, hogy a termék összeszerelése, karbantartása és használatá elöött elolvassa a kézikönyvben található utasításokat.
<b>Atenție!</b>	Este esențial să citiți instrucțiunile din acest manual înainte de asamblare, efectuarea întreținerii și operarea produsului.
<b>Uzmanību!</b>	Ir svarīgi izlasīt šīs rokasgrāmatas instrukcijas pirms uzstādīšanas, apkopes un precas darbināšanas.
<b>Dėmesio!</b>	Prieš surenkant, prižiūrint ir naudojant gaminį, būtina perskaityti šiame vadove pateiktus nurodymus.
<b>Tähtis!</b>	Enne masina kokkupanekut, hooldamist ja kasutama hakkamist tuleb käesolevas juhendis esitatud juhised kindlasti läbi lugeda.
<b>Upozorenje!</b>	Vrlo je važno da ste prije sklapanja, održavanja i rada s ovim proizvodom pročitali upute u ovom priručniku.
<b>Pomembno!</b>	Pomembno je da pred montažo vzdrževanjem in uporabo tega izdelka preberete navodila v tem priročniku.
<b>Upzornenie!</b>	Je dôležitú, aby ste si pred montážou, údržbou a obsluhou produktu prečítali pokyny v tomto návode.
<b>Προσοχή!</b>	Είναι πολύ σημαντικό να διαβάσετε τις οδηγίες στο παρόν εγχειρίδιο πριν συναρμολογήσετε, συντηρήσετε ή λειτουργήσετε το προϊόν.
<b>Dikkat!</b>	Ürünün montajını, bakımını yapmadan ve ürünü çalıştırmadan önce bu kılavuzda yer alan talimatları okumanız önemlidir.
<b>Важливо!</b>	Дуже важливо, щоб ви прочитали інструкції в цьому керівництві перед складанням, обслуговуванням та експлуатацією цієї машини.

Subject to technical modification | Sous réserve de modifications techniques | Technische Änderungen vorbehalten | Bajo reserva de modificaciones técnicas | Con riserva di eventuali modifiche tecniche | Technische wijzigingen voorbehouden | Com reserva de modificações técnicas | Med forbehold for tekniske ændringer | Med förbehåll för tekniska ändringar | Tekniset muutokset varataan | Med forbehold om tekniske ændringer | могут быть внесены технические изменения | Z zastrzeżeniem modyfikacji technicznych | Změny technických údajů vyhrazeny | A műszaki módosítás jogát fenntartjuk | Sub rezerva modificărilor tehnice | Paturam tiesības mainīt tehniskos raksturlielumus | Pasiliekan teisę daryti techninius pakeitimus | Tehnilised muudatused võimalikud | Podloženo tehničkim promjenama | Tehnične spremembe dopuščene | Právo na technické zmeny je vyhradené | Υπό την επιφύλαξη τεχνικών τροποποιήσεων | Teknik değışiklik hakkı saklıdır | Є об'єктом для технічних змін





EN
FR
DE
ES
IT
NL
PT
DA
SV
FI
NO
RU
PL
CS
HU
RO
LV
LT
ET
HR
SL
SK
EL
TR
UK

Safety, performance, and dependability have been given top priority in the design of your reciprocating saw.

### INTENDED USE

The reciprocating saw is intended to be used only by adults who have read and understood the instructions and warnings in this manual and can be considered responsible for their actions. With appropriate blades fitted, the reciprocating saw is designed to cut wood, plastic, drywall and metal up to the depth described in the specification table. The reciprocating saw is designed for handheld use; it is not to be mounted onto a workbench unless specific instructions are given about how to do this by the manufacturer of the product.

Do not use the product in any way other than those stated for intended use.

### ⚠ WARNING

**Read all safety warnings and all instructions.** Failure to follow the warnings and instructions may result in electric shock, fire and/or serious injury.

Save all warnings and instructions for future reference.

### RECIPROCATING SAW SAFETY WARNINGS

- **Hold power tool by insulated gripping surfaces, when performing an operation where the cutting accessory may contact hidden wiring.** Cutting accessory contacting a “live” wire may make exposed metal parts of the power tool “live” and could give the operator an electric shock.
- **Protect your lungs.** Wear a dust mask if operation is dusty.

### RESIDUAL RISKS

Even when the reciprocating saw is used as prescribed, it is still impossible to completely eliminate certain residual risk factors. The following hazards may arise and the operator should pay special attention to avoid the following:

- Injury caused by vibration
  - Use the lowest speed setting which achieves the task. Limit exposure. See risk reduction.
- Injury caused by dust
  - Wear eye protection at all times. Wear appropriate dust mask with suitable filters that can protect against particles from the material being worked on. Do not eat, drink, or smoke in the work area. Ensure adequate ventilation.
- Electric shock
  - The blade may contact hidden wiring causing parts of the product to become live. Always hold the product by the designated handles and take care when blind cutting into walls and floors where cables may be hidden.

**NOTE:** When working on walls, ceilings, or floors, take care to avoid electric cables and gas or water pipes. The product must be operated with both hands.

- Injury from contact with the cutting blade

- The blades are very sharp and will become hot during use. Wear gloves when changing blades. Keep hands away from the cutting area at all times. Clamp the workpiece whenever possible.
- Injury caused by noise
  - Prolonged exposure to noise will increase the risk of hearing damage, and the effects are cumulative. When using power tools for any extended period of time, wear hearing protection.

### RISK REDUCTION

It has been reported that vibrations from handheld tools may contribute to a condition called Raynaud’s Syndrome in certain individuals. Symptoms may include tingling, numbness and blanching of the fingers, usually apparent upon exposure to cold. Hereditary factors, exposure to cold and dampness, diet, smoking, and work practices are all thought to contribute to the development of these symptoms. There are measures that can be taken by the operator to possibly reduce the effects of vibration:

- Keep your body warm in cold weather. When operating the product, wear gloves to keep the hands and wrists warm. It is reported that cold weather is a major factor contributing to Raynaud’s Syndrome.
- After each period of operation, exercise to increase blood circulation.
- Take frequent work breaks. Limit the amount of exposure per day.

If you experience any of the symptoms of this condition, immediately discontinue use and see your doctor about these symptoms.

### ⚠ WARNING

Injuries may be caused or aggravated by prolonged use of a tool. When using any tool for prolonged periods, ensure you take regular breaks.

### KNOW YOUR PRODUCT

See page 79.

1. Blade
2. Shoe assembly
3. Blade clamp
4. Toolless blade change system
5. Hex key
6. Battery port
7. Switch trigger
8. Lock-off button

### OPERATION

#### ADJUSTING THE SHOE ASSEMBLY

- The product has a shoe assembly that pivots up and down in both directions to ensure the shoe is flat against the cutting surface at all times. The adjustable shoe also slides in and out, which allows for the use of the blade teeth at different positions on the blade.
- Press the saw blade into the saw blade holder up to the stop. Make sure that the saw blade is fixed securely.





## OPERATION TIPS

### ⚠ WARNING

Be careful not to twist or bend the saw blade.

- Do not force the product.
- Use cutting oil when cutting soft metals and steel. Cutting oil also keeps the blades cool, increases cutting action, and prolongs blade life.
- Clamp the workpiece firmly and cut close to the clamping point to eliminate any vibration of the work. When cutting conduit pipe or angle iron, secure the workpiece with a vise, if possible, and cut close to the vise. To cut a thin-sheet material, place the material between two hardboards or plywood and clamp the layers to eliminate vibration and material tearing.
- Always keep a firm forward pressure on the tool to keep the shoe in contact with the workpiece.
- Do not use cracked or distorted saw blades. Do not use saw blades that are damaged or deformed.

### ⚠ WARNING

Dust from certain paints, coatings, and materials may cause irritation or allergic reactions. Dust from wood such as oak, beech, MDF, and others are carcinogenic. Materials containing asbestos should only be worked on or processed by qualified specialist operators.

### ⚠ WARNING

Always wear safety goggles or safety glasses with side shields when operating the product. Failure to do so could result in objects being thrown into your eyes resulting in possible serious injury.

## MAINTENANCE

### ⚠ WARNING

The product should never be connected to a power supply when assembling parts, making adjustments, cleaning, performing maintenance, or when the product is not in use. Disconnecting the product will prevent accidental starting that could cause serious injury.

- When servicing, use only identical replacement parts. Use of any other parts may create a hazard or cause product damage.
- Avoid using solvents when cleaning plastic parts. Most plastics are susceptible to various types of commercial solvents and may be damaged by their use. Use clean cloths to remove dirt and carbon dust.
- Do not, at any time, let brake fluids, gasoline, petroleum-based products, penetrating oils, etc., come in contact with plastic parts. They contain chemicals that can damage, weaken, or destroy plastic.
- Always wear safety goggles or safety glasses with side

shields during power tool operation or when blowing dust. If operation is dusty, also wear a dust mask.

- For greater safety and reliability, all repairs should be performed by an authorised service centre.

## GENERAL

Avoid using solvents when cleaning plastic parts. Most plastics are susceptible to various types of commercial solvents and may be damaged by their use. Use clean cloths to remove dirt, carbon dust, etc.

Electrical tools used on fiberglass material, wallboard, spackling compounds, or plaster are subject to accelerated wear and possible premature failure because the fiberglass chips and grindings are highly abrasive to bearings, brushes, and commutators. We do not recommend using the product for extended periods of time on these types of materials.

### ⚠ WARNING

Do not use compressed air to blow dust from the product. This practice is dangerous and can cause dirt and grit to be blasted into someone's eyes, causing injury.

## LUBRICATION

All of the bearings in the product are lubricated with a sufficient amount of high grade lubricant for the life span of the product under normal operating conditions. Therefore, no further lubrication is required.

## ENVIRONMENTAL PROTECTION



Recycle raw materials instead of disposing of as waste. The machine, accessories, and packaging should be sorted for environmentally friendly recycling.

## SYMBOLS ON THE PRODUCT



Safety Alert



No-load speed



Volts



Direct current



Revolutions or reciprocations per minute



CE Conformity



Eurasian Conformity Mark



Ukrainian mark of conformity



Please read the instructions carefully before starting the product.



Waste electrical products should not be disposed of with household waste. Please recycle where facilities exist. Check with your local authority or retailer for recycling advice.

EN
FR
DE
ES
IT
NL
PT
DA
SV
FI
NO
RU
PL
CS
HU
RO
LV
LT
ET
HR
SL
SK
EL
TR
UK

**SYMBOLS IN THIS MANUAL**



Note



Parts or accessories sold separately



Speed, minimum



Speed, maximum



Wood



Plastic



Metal



DANGER: Sharp blade



Wear non-slip, heavy duty gloves

The following signal words and meanings are intended to explain the levels of risk associated with this product:

**⚠ DANGER**

Indicates an imminently hazardous situation, which, if not avoided, will result in death or serious injury.

**⚠ WARNING**

Indicates a potentially hazardous situation, which, if not avoided, could result in death or serious injury.

**⚠ CAUTION**

Indicates a potentially hazardous situation, which, if not avoided, may result in minor or moderate injury.

**CAUTION**

(Without Safety Alert Symbol) Indicates a situation that may result in property damage.



Votre scie sabre a été conçue en donnant priorité à la sécurité, à la performance et à la fiabilité.

### UTILISATION PRÉVUE

Cette scie sabre est destinée à n'être utilisée que par des adultes ayant lu et compris les instructions et avertissements présents dans ce manuel, et pouvant être considérés responsables de leurs actions. Avec les lames adaptées en place, la scie sabre est destinée à couper le bois, le plastique, les plaques de plâtre et le métal sur une épaisseur maximale correspondant à celle indiquée dans le tableau des caractéristiques. La scie sabre est destinée à être utilisée à la main, elle ne doit pas être fixée à un établi à moins que des instructions spécifiques n'aient été données dans ce sens par le fabricant du produit.

Ne vous servez pas de ce produit pour d'autres utilisations que celles décrites au chapitre des utilisations prévues.

### ⚠ AVERTISSEMENT

**Lisez tous les avertissements de sécurité et toutes les instructions.** Le non-respect des avertissements et instructions peut entraîner une décharge électrique, un incendie et/ou de graves blessures.

**Conserver tous les avertissements et toutes les instructions pour pouvoir s'y reporter ultérieurement.**

### AVERTISSEMENTS DE SÉCURITÉ CONCERNANT LA SCIE SABRE

- **Lorsque vous effectuez une opération où l'accessoire de coupe risque d'entrer en contact avec un câble électrique caché, maintenez l'outil par ses surfaces isolées.** Un accessoire de coupe qui entre en contact avec un câble "sous tension" est susceptible de véhiculer le courant électrique vers les parties métalliques de l'outil et de provoquer un choc électrique à l'opérateur.
- **Protégez vos poumons.** Portez un écran facial ou un masque anti-poussière si le travail génère de la poussière.

### RISQUES RÉSIDUELS

Même lorsque le produit est utilisé selon les prescriptions, il reste impossible d'éliminer totalement certains facteurs de risque résiduels. Les dangers suivants risquent de se présenter en cours d'utilisation et l'utilisateur doit prêter particulièrement garde aux points suivants :

- **Blessures dues aux vibrations**
  - Utilisez le réglage de vitesse le plus bas qui permet d'accomplir la tâche. Limitez l'exposition. Voir « Réduction des risques ».
- **Blessures dues à la poussière**
  - Portez toujours une protection oculaire. Portez un masque anti-poussière approprié équipé de filtres adaptés capables de vous protéger contre les poussières en provenance du matériau sur lequel vous travaillez. Ne mangez pas, ne buvez pas, et ne fumez pas dans l'espace de travail. Assurez une ventilation correcte à l'espace de travail.
- **Décharge électrique**
  - La lame peu entrer en contact avec des câbles électriques cachés sous tension. L'outil peut

devenir conducteur. Tenez toujours le produit par les poignées destinées à cet effet et prenez garde lors des coupes aveugles dans les murs et dans les sols susceptibles de contenir des câbles cachés.

**REMARQUE:** Lorsque vous travaillez sur des murs, des plafonds ou des sols, prenez garde de ne pas entrer en contact avec des câbles électriques ou des tuyaux d'eau ou de gaz. Le produit doit être utilisé des deux mains.

- **Blessures dues à l'entrée en contact avec la lame de coupe**
  - Les lames sont très coupantes et deviennent très chaudes en cours de fonctionnement. Portez des gants lorsque vous changez de lame. Gardez en permanence vos mains éloignées de la zone de coupe. Fixez la pièce à travailler lorsque cela est possible.
- **Blessures dues au bruit**
  - Une exposition prolongée au bruit augmente le risque de lésions auditives, et les effets sont cumulatifs. Lorsque vous utilisez des outils à moteur pendant une longue période, portez une protection auditive.

### RÉDUCTION DES RISQUES

Il a été reporté que les vibrations engendrées par les outils tenus à la main peuvent contribuer à l'apparition d'un état appelé le syndrome de Raynaud chez certaines personnes. Les symptômes peuvent comprendre des fourmillements, un engourdissement et un blanchiment des doigts, généralement par temps froid. Des facteurs héréditaires, l'exposition au froid et à l'humidité, le régime alimentaire, le tabagisme et les habitudes de travail peuvent contribuer au développement de ces symptômes. Certaines mesures peuvent être prises par l'utilisateur pour aider à réduire les effets des vibrations:

- Gardez votre corps au chaud par temps froid. Lorsque vous utilisez l'appareil, portez des gants afin de garder vos mains et vos poignets au chaud. Le temps froid est considéré comme un facteur contribuant très largement à l'apparition du syndrome de Raynaud.
- Après chaque session de travail, pratiquez des exercices qui favorisent la circulation sanguine.
- Faites des pauses fréquentes. Limitez la quantité d'exposition journalière.

Si vous ressentez l'un des symptômes associés à ce syndrome, arrêtez immédiatement le travail et consultez votre médecin pour lui en faire part.

### ⚠ AVERTISSEMENT

L'utilisation prolongée d'un outil est susceptible de provoquer ou d'aggraver des blessures. Assurez-vous de faire des pauses de façon régulière lorsque vous utilisez tout outil de façon prolongée.

### APPRENEZ À CONNAÎTRE VOTRE PRODUIT

Voir la page 77.

1. Lame
2. Patin
3. Bride de lame
4. Système de changement de lame sans outil
5. Clé hexagonale





6. Réceptacle de la batterie
7. Gâchette-interrupteur
8. Bouton de déverrouillage de la gâchette

## UTILISATION

### RÉGLAGE DU PATIN PIVOTANT

- Le produit est équipé d'un patin pivotant afin d'assurer le positionnement à plat du patin sur la surface de coupe. Le patin coulisse aussi d'avant en arrière pour utiliser la denture de la lame à différents emplacements.
- Pousser la lame dans le porte Outil jusqu'à la butée. Assurez-vous que la lame est correctement fixée.

### CONSEILS D'UTILISATION

#### ⚠ AVERTISSEMENT

Prenez garde de ne pas tordre ou vriller les lames.

- Ne faites pas forcer l'outil.
- Utilisez de l'huile de coupe pour la coupe des métaux tendres et de l'acier. L'huile de coupe permet également de refroidir la lame, d'augmenter l'efficacité de la coupe, et de prolonger la durée de vie des lames.
- Immobilisez fermement la pièce à usiner et coupez près du point de serrage pour éliminer toute vibration du matériau en train d'être coupé. Lorsque vous coupez des tuyaux, des tubes, ou des cornières métalliques, bloquez si possible votre pièce à usiner dans un étau et coupez près de l'étau. Pour couper un matériau fin, « sandwichez-le » entre deux panneaux durs ou du contreplaqué et serrez les couches pour éliminer vibrations et déchirures.
- Maintenez toujours une pression ferme vers l'avant sur l'outil pour garder la semelle en contact avec la pièce.
- N'utilisez pas de lame endommagée, fissurée ou tordue.

#### ⚠ AVERTISSEMENT

La sciure en provenance de certaines peintures, vernis et matériaux est susceptible de provoquer des irritations ou des réactions allergiques. La sciure de bois tels que le chêne, le hêtre, l'aggloméré et autres est cancérigène. Les matériaux contenant de l'amiante ne doivent être travaillés ou traités que par du personnel spécialisé.

#### ⚠ AVERTISSEMENT

Portez toujours des lunettes de sécurité ou des lunettes de protection équipées de volets latéraux lorsque vous coupez des matériaux. Dans le cas contraire, des objets pourraient être projetés vers vos yeux et provoquer de graves blessures.

## ENTRETIEN

#### ⚠ AVERTISSEMENT

Le produit ne doit jamais être branché à une source de courant lorsque vous-y montez des pièces, lorsque vous effectuez des réglages, lorsque vous le nettoyez, lorsque vous l'entretenez, ou lorsque vous ne l'utilisez pas. Le fait de débrancher le produit évitera toute mise en marche accidentelle susceptible de provoquer de graves blessures.

- N'effectuez les réparations qu'en utilisant des pièces détachées identiques. L'utilisation de toute autre pièce est susceptible de présenter un danger ou d'endommager votre outil.
- Évitez d'utiliser des solvants pour nettoyer les parties en plastique. La plupart des plastiques sont susceptibles d'être endommagés par les solvants disponibles dans le commerce. Utilisez un chiffon propre pour essuyer les impuretés, la poussière, etc.
- Ne laissez jamais du liquide de frein, de l'essence, des produits pétroliers, des huiles pénétrantes, etc. entrer en contact avec les éléments en plastique. Ces produits chimiques contiennent des substances qui peuvent endommager, fragiliser ou détruire le plastique.
- Portez toujours un masque oculaire ou des lunettes de protection à volets latéraux lorsque vous utilisez l'outil électrique ou lorsque vous soufflez de la poussière. Si l'opération génère des poussières, portez également un masque anti-poussière.
- Pour plus de sécurité et de fiabilité, toutes les réparations doivent être effectuées par un service après-vente agréé.

### GENERALITES

Évitez d'utiliser des solvants pour nettoyer les parties en plastique. La plupart des plastiques sont susceptibles d'être endommagés par les solvants disponibles dans le commerce. Utilisez un chiffon propre pour essuyer les impuretés, la poussière, etc.

Les outils électriques utilisés sur des matériaux en fibre de verre, des plaques de plâtre, des panneaux de revêtement, ou du plâtre ont tendance à s'user plus rapidement et à présenter des défaillances prématurées car les poussières en provenance de ces matériaux sont très abrasives pour les roulements, les charbons, les interrupteurs, etc. Nous recommandons de ne pas utiliser ce produit pendant de longues périodes de temps avec ce genre de matériau.

#### ⚠ AVERTISSEMENT

N'utilisez pas d'air comprimé pour retirer la poussière du produit. Cette pratique est dangereuse et susceptible de projeter des saletés et des poussières et de blesser les yeux de quelqu'un.

### LUBRIFICATION

Tous les roulements de ce produit sont lubrifiés avec une quantité suffisante d'huile de haute qualité pour toute sa durée de vie dans des conditions d'utilisation normales.





Par conséquent, aucune lubrification supplémentaire n'est nécessaire.

## PROTECTION DE L'ENVIRONNEMENT



Recyclez les matières premières au lieu de les jeter avec les ordures ménagères. Pour protéger l'environnement, l'outil, les accessoires et les emballages doivent être triés.

## SYMBOLES APPLIQUÉS SUR LE PRODUIT



Alerte de sécurité

$n_0$

Vitesse à vide

v

Volts



Courant continu

min<sup>-1</sup>

Nombre de tours ou de mouvements par minute



Conformité CE



Marque de conformité d'Eurasie



Marque de conformité ukrainienne



Veuillez lire attentivement les instructions avant de mettre l'appareil en marche.



Les produits électriques hors d'usage ne doivent pas être jetés avec les ordures ménagères. Recyclez-les par l'intermédiaire des structures disponibles. Contactez les autorités locales ou votre distributeur pour vous renseigner sur les conditions de recyclage.

## ICÔNES DE CE MANUEL



Remarque



Pièces détachées et accessoires vendus séparément



Vitesse, minimum



Vitesse, maximum



Bois



Plastique



Métal



DANGER: Lame coupante



Portez des gants de protection solides et antidérapants.

Les symboles suivants, et les noms qui leur sont associés, permettent d'expliquer les différents niveaux de risques liés à l'utilisation de cet outil.

### DANGER

Imminence d'un danger qui, si l'on n'y prend garde, peut entraîner des blessures graves voire mortelles.

### AVERTISSEMENT

Situation potentiellement dangereuse qui, si l'on n'y prend garde, peut entraîner des blessures graves voire mortelles.

### ATTENTION

Situation potentiellement dangereuse qui, si l'on n'y prend garde, peut entraîner des blessures moyennes ou légères.

### ATTENTION

(Sans symbole de sécurité) Indique une situation pouvant provoquer des dommages matériels.



EN
FR
DE
ES
IT
NL
PT
DA
SV
FI
NO
RU
PL
CS
HU
RO
LV
LT
ET
HR
SL
SK
EL
TR
UK

Sicherheit, Leistung und Zuverlässigkeit hatten oberste Priorität bei der Entwicklung Ihrer Säbelsäge.

### BESTIMMUNGSGEMÄSSE VERWENDUNG

Die Säbelsäge ist nur für den Gebrauch durch Erwachsene vorgesehen, die die Bedienungsanleitung gelesen und verstanden haben und als verantwortlich für ihre Handlungen erachtet werden können. Mit geeignetem Sägeblatt ist die Säbelsäge geeignet, um Holz, Kunststoff, Trockenwände und Metall bis zu der in den technischen Daten genannten Schnitttiefe zu sägen. Die Säbelsäge wurde für den handgeführten Gebrauch konstruiert; sie darf nicht an einen Arbeitstisch montiert werden, außer spezielle Anweisungen des Produktherstellers bestehen.

Benutzen Sie das Produkt nicht für andere Aufgaben, als die genannten bestimmungsgemäßen Verwendungen.

### ⚠️ WARNUNG

**Lesen Sie alle Sicherheitshinweise und Anweisungen.** Versäumnisse bei der Einhaltung der Sicherheitshinweise und Anweisungen können elektrischen Schlag, Brand und/oder schwere Verletzungen verursachen.

**Bewahren Sie alle Sicherheitshinweise und Anweisungen für die Zukunft auf.**

### STICHSÄGE SICHERHEITSWARNUNGEN

- **Halten Sie das Elektrowerkzeug an den isolierten Griffflächen, wenn Sie Arbeiten ausführen, bei denen das Einsatzwerkzeug verborgene Stromleitungen treffen kann.** Der Kontakt mit einer spannungsführenden Leitung kann auch metallene Geräteteile unter Spannung setzen und zu einem elektrischen Schlag führen.
- **Schützen Sie Ihre Lungen!** Tragen Sie einen Gesichtsschutz oder eine Staubschutzmaske, wenn beim Arbeiten Staub entsteht.

### RESTRISIKEN

Auch wenn das Produkt wie vorgeschrieben benutzt wird, ist es unmöglich ein gewisses Restrisiko vollständig auszuschließen. Die folgenden Gefahren können bei der Benutzung entstehen, und der Benutzer sollte besonders auf folgende Punkte achten:

- Durch Vibrationen verursachte Verletzungen.
  - Benutzen Sie die niedrigste Geschwindigkeit, mit der die Aufgabe bewältigt werden kann. Begrenzen Sie die Belastung. Siehe "Risikoverringering".
- Durch Staub verursachte Verletzungen.
  - Tragen Sie immer einen Augenschutz. Tragen Sie eine angemessene Staubschutzmaske mit geeigneten Filtern, die Sie vor dem Staub des bearbeiteten Materials schützt. Essen, trinken oder rauchen Sie nicht in dem Arbeitsbereich. Sorgen Sie für ausreichende Belüftung des Arbeitsbereichs.
- Stromschlag
  - Die Säbelsäge kann in Kontakt mit versteckten Kabeln kommen und dadurch Teile des Produktes unter Spannung setzen. Halten Sie das Produkt immer an den vorgesehenen Griffen und seien Sie vorsichtig, wenn Sie in Wänden oder Böden sägen, wo Sie möglicherweise versteckte Kabel nicht sehen können.

**HINWEIS:** Achten Sie beim Arbeiten in Wänden, Decken oder Böden darauf keine elektrischen Kabel oder Gas- oder Wasserleitungen zu treffen. Das Produkt muss mit beiden Händen betrieben werden.

- Verletzungen durch Kontakt mit dem Sägeblatt.
  - Die Sägeblätter sind sehr scharf und werden bei Benutzung heiß. Tragen Sie Handschuhe beim Wechseln von Sägeblättern.. Halten Sie Ihre Hände immer von dem Sägebereich fern. Klemmen Sie das Werkstück wann immer möglich fest.
- Durch Lärm verursachte Verletzungen.
  - Längere Lärmbelastung erhöht die Gefahr von Gehörschaden und der Effekt ist kumulativ. Tragen Sie einen Gehörschutz, wenn Sie Elektrowerkzeug für längere Zeit benutzen.

### RISIKOVERRINGERUNG

Vibrationen von in der Hand gehaltenen Werkzeugen können bei einigen Personen zu einem Zustand, der Raynaud-Syndrom genannt wird, führen. Symptome sind u.a. Kribbeln, Taubheitsgefühl und episodische Weißfärbung der Finger und treten normalerweise bei Kälte auf. Man geht davon aus, dass ererbte Faktoren, Kälte und Feuchtigkeit, Essgewohnheiten, Rauchen und Arbeitsweise zur Entwicklung dieser Symptome beitragen. Der Anwender kann Maßnahmen ergreifen, um die Auswirkungen der Vibrationen möglicherweise zu verringern:

- Halten Sie den Körper bei Kälte warm. Tragen Sie beim Betrieb des Geräts Handschuhe, um Hände und Handgelenke warm zu halten. Berichten zu Folge ist kaltes Wetter ein wesentlicher Faktor, der zum Raynaud Syndrom beiträgt.
- Betätigen Sie sich nach jedem Einsatz körperlich, um den Blutkreislauf zu steigern.
- Machen Sie regelmäßig Pausen. Beschränken Sie die Beanspruchung pro Tag.

Sollten bei Ihnen eines der zuvor beschriebenen Symptome / Zustände auftreten, stellen Sie unverzüglich den Betrieb ein und suchen Sie bezüglich der Symptome einen Arzt auf.

### ⚠️ WARNUNG

Verletzungen können durch lange Benutzung eines Werkzeugs entstehen oder verschlimmert werden. Machen Sie regelmäßig Pause, wenn Sie ein Werkzeug für lange Zeit benutzen.

### MACHEN SIE SICH MIT IHREM PRODUKT VERTRAUT

Siehe Seite 77.

1. Sägeblatt
2. Führungsplatte
3. Sägeblattklemmung
4. Werkzeugloses Sägeblatt-Wechselsystem
5. Sechskantschlüssel
6. Akkuaufnahme
7. Schalterdrücker
8. Entriegelungsknopf des Ein-/Ausschalters





## BETRIEB

### EINSTELLEN DER FÜHRUNGSPLATTE

- Das Produkt ist mit einer in beiden Richtungen schwenkbaren Führungsplatte ausgestattet, um sicherzustellen, dass die Platte immer an der zu schneidenden Fläche anliegt. Die verstellbare Führungsplatte kann herausgezogen oder hineingeschoben werden, um Sägezähne an unterschiedlichen Positionen auf dem Sägeblatt zu nutzen.
- Drücken Sie das Sägeblatt bis zum Anschlag in den Sägeblatthalter. Stellen Sie sicher, dass das Sägeblatt sicher befestigt ist.

### TIPPS ZUR BEDIENUNG

#### ⚠ WARNUNG

Achten Sie darauf, dass Sie die Sägeblätter nicht verdrehen oder verbiegen.

- Betätigen Sie das Werkzeug nicht mit Gewalt.
- Verwenden Sie Schneidöl, wenn Sie weiche Metalle und Stahl sägen. Schneidöl kühlt auch das Sägeblatt, verbessert die Sägeleistung und verlängert die Lebensdauer des Sägeblattes.
- Klemmen Sie das Werkstück gut fest und schneiden Sie nah am Klemmpunkt entlang, um Vibrationen am zu schneidenden Werkstück zu vermeiden. Klemmen Sie beim Schneiden von Leitungen, Rohren oder Kanteisen das Werkstück nach Möglichkeit in einen Schraubstock und sägen Sie nah am Schraubstock. Zum Sägen von dünnen Blechen, legen Sie das Material zwischen zwei Hartfaser- oder Sperrholzplatten und klemmen die Schichten fest, um Vibrationen und Einreißen des Materials zu verhindern.
- Achten Sie immer auf einen festen Druck auf das Werkzeug, um die Führungsplatte in Kontakt mit dem Werkstück zu halten.
- Rissige Sägeblätter oder solche, die ihre Form verändert haben, dürfen nicht verwendet werden! Keine Sägeblätter benutzen die beschädigt oder verformt sind.

#### ⚠ WARNUNG

Staub von bestimmten Farben, Beschichtungen und Materialien können Irritationen oder allergische Reaktionen der Atemwege verursachen. Staub von Holz wie Eiche, Buche, Faserstoffplatten und anderen ist krebserregend. Asbesthaltige Materialien dürfen nur von qualifizierten Spezialisten bearbeitet oder verarbeitet werden.

#### ⚠ WARNUNG

Tragen Sie bei der Verwendung von Werkzeugen immer eine Schutzbrille mit Seitenschutz. Die Missachtung dieser Anweisung kann dazu führen, dass Fremdkörper in Ihre Augen fliegen und schwere Augenverletzungen verursachen können.

## WARTUNG UND PFLEGE

#### ⚠ WARNUNG

Das Produkt darf niemals an die Stromversorgung angeschlossen sein, wenn Sie Teile zusammenbauen, Einstellungen vornehmen, reinigen, Wartungsarbeiten durchführen, oder wenn das Produkt nicht benutzt wird. Trennen des Produktes von der Stromversorgung verhindert ein unbeabsichtigtes Einschalten, das schwere Verletzungen verursachen könnte.

- Verwenden Sie zur Wartung nur Original Ersatzteile. Der Einsatz von anderen Teilen kann eine Gefahr verursachen oder das Produkt beschädigen.
- Vermeiden Sie beim Reinigen der Plastikteile den Einsatz von Lösungsmitteln. Die meisten Kunststoffe können durch im Handel erhältliche Lösungsmittel beschädigt werden. Verwenden Sie einen sauberen Lappen für die Reinigung von Verschmutzungen, Karbonstaub usw.
- Lassen Sie niemals Bremsflüssigkeiten, Benzine, Produkte auf Erdölbasis, Rostlöser usw. mit den Plastikteilen in Kontakt geraten. Diese chemischen Produkte enthalten Substanzen, die den Kunststoff beschädigen, schwächen oder zerstören können.
- Tragen Sie beim Arbeiten mit motorbetriebenen Werkzeugen oder beim Wegblasen von Staub immer eine Schutzbrille mit Seitenschutz. Tragen Sie außerdem bei staubigen Arbeiten eine Atemschutzmaske.
- Alle Reparaturen sollten zur besseren Sicherheit und Zuverlässigkeit von einem autorisierten Kundendienst durchgeführt werden.

### ALLGEMEIN

Vermeiden Sie beim Reinigen der Plastikteile den Einsatz von Lösungsmitteln. Die meisten Kunststoffe können durch im Handel erhältliche Lösungsmittel beschädigt werden. Verwenden Sie einen sauberen Lappen für die Reinigung von Verschmutzungen, Karbonstaub usw.

Elektrische Geräte, die zur Bearbeitung von Glasfasermaterial, Gipsplatten und Verkleidungsplatten verwendet werden, werden schneller abgenutzt und versagen möglicherweise vorzeitig, weil die Späne und Sägespäne dieser Materialien sehr angreifend für Lager, Bürsten, Kollektoren usw. sind. Wir empfehlen nicht das Produkt für längere Zeit mit diesen Materialien zu benutzen.

#### ⚠ WARNUNG


Benutzen Sie keine Druckluft, um Staub von dem Produkt zu entfernen. Diese Vorgehensweise ist gefährlich und kann Schmutz und Späne wegblasen und die Augen einer Person verletzen.

### ÖLEN








Alle Lagerelemente in dem Produkt sind mit genug qualitativ hochwertigem Schmiermittel für die gesamte Lebensdauer des Produktes unter normalen Betriebsbedingungen geölt. Es ist daher keine zusätzliche Schmierung erforderlich.



**UMWELTSCHUTZ**

 Recyceln Sie die Rohstoffe, anstatt sie im Haushaltsabfall zu entsorgen. Zum Schutz der Umwelt müssen das Gerät, die Zubehörteile und die Verpackungen getrennt entsorgt werden.

**SYMBOLE AUF DEM PRODUKT**

-  Sicherheitswarnung
- $n_o$  Leerlaufdrehzahl
- v Volt
-  Gleichstrom
- min<sup>-1</sup> Anzahl Umdrehungen oder Bewegungen pro Minute
-  CE-Konformität
-  EurAsian Konformitätszeichen
-  Ukrainisches Prüfzeichen
-  Bitte lesen Sie die Anweisungen sorgfältig durch, bevor Sie das Produkt einschalten.
-  Elektrische Geräte sollten nicht mit dem übrigen Müll entsorgt werden. Bitte entsorgen Sie diese an den entsprechenden Entsorgungsstellen. Wenden Sie sich an die örtliche Behörde oder Ihren Händler, um Auskunft über die Entsorgung zu erhalten.



GEFAHR: Scharfes Sägeblatt




Tragen Sie rutschfeste, strapazierfähige Handschuhe.

Mit den folgenden Symbolen wird die Bedeutung der verschiedenen Risikostufen, die mit dem Produkt einhergehen, dargestellt.

- GEFAHR**  
Bezeichnet eine unmittelbare Gefahrensituation, die, falls nicht vermieden, zum Tode oder schweren Verletzungen führen kann.
- WARNUNG**  
Bezeichnet eine mögliche Gefahrensituation, die, falls nicht vermieden, zum Tode oder schweren Verletzungen führen kann.
- ACHTUNG**  
Bezeichnet eine mögliche Gefahrensituation, die, falls nicht vermieden, zu kleineren und mittleren Verletzungen führen kann.
- ACHTUNG**  
(Ohne Warnsymbol) weist auf eine Situation hin, die zu Sachschaden führen kann.

**SYMBOL IN DIESER BEDIENUNGSANLEITUNG**

-  Bitte beachten
-  Teile oder Zubehör getrennt erhältlich
-  Hubzahl, Minimum
-  Hubzahl, Maximum
-  Holz
-  Kunststoff
-  Metall



Seguridad, desempeño y fiabilidad han sido las prioridades en el diseño de su sierra de vaivén.

### USO PREVISTO

A sierra de vaivén está diseñado para ser utilizado por adultos que hayan leído y comprendido las instrucciones y advertencias recogidas en este manual y que puedan ser considerados responsables de sus acciones. Con láminas adecuadas instaladas, la sierra de vaivén ha sido diseñada para cortar madera, plástico, yeso y metal hasta la profundidad descrita en la tabla de especificaciones. La sierra de vaivén ha sido diseñada para uso manual; no debe montarla sobre un banco de trabajo a menos que el fabricante del producto dé instrucciones específicas para hacerlo.

Utilice el producto exclusivamente para el uso para el que fue diseñado.

### ⚠ ADVERTENCIA

**Lea todas las instrucciones y advertencias de seguridad.** No seguir las advertencias e instrucciones correctamente puede provocar descargas eléctricas, incendios y/o daños graves.

Guarde todas estas advertencias e instrucciones para futuras referencias.

### AVISOS DE SEGURIDAD SOBRE LA SIERRA DE VAIVÉN

- **Sujete la herramienta eléctrica por las superficies de sujeción aislantes cuando realice una operación en la que el accesorio de corte pueda entrar en contacto con el cableado oculto.** El accesorio de corte que esté en contacto con un cable "vivo" puede transmitir corriente a las piezas metálicas de la herramienta que estén expuestas y el operador podría sufrir una descarga eléctrica.
- **Proteja sus pulmones.** Póngase una pantalla facial o una mascarilla antipolvo si la operación que está realizando lo requiere.

### RIESGOS RESIDUALES

Incluso cuando se utiliza el producto según las instrucciones, sigue siendo imposible eliminar por completo ciertos factores de riesgo residuales. Pueden surgir los siguientes riesgos durante el uso y el operador debe prestar especial atención para evitar lo siguiente:

- Lesiones por vibración
  - Utilice el ajuste de velocidad más bajo que logra la tarea. Limite la exposición. Consulte el apartado "Reducción De Riesgos".
- Lesiones causadas por el polvo
  - Utilice siempre gafas de protección. Use las correspondientes mascarillas antipolvo con filtros adecuados que puedan protegerlo contra el polvo del material de trabajo. No comer, beber o fumar en el área de trabajo. Asegure una ventilación adecuada del lugar de trabajo.

- Descarga eléctrica
  - La cuchilla podría entrar en contacto con un cable escondido electrificando así las piezas del aparato. Sujete siempre el producto por las asas designadas y tenga cuidado al cortar en las paredes y los pisos donde los cables se pueden ocultar.

**NOTA:** Cuando se trabaja en paredes, techos o pisos, tenga cuidado para evitar los cables eléctricos y tuberías de gas o agua. El producto debe ser operado con las dos manos.

- Lesiones debido al contacto con la lámina de corte
  - Las láminas están muy afiladas y se calientan con el uso. Use guantes para cambiar las cuchillas. Mantenga siempre las manos apartadas de la zona de corte. Siempre que sea posible, fije la pieza de trabajo.
- Lesiones causadas por el ruido
  - La exposición prolongada al ruido aumentará el riesgo de daños a la audición, y los efectos son acumulativos. Al utilizar herramientas eléctricas durante cualquier período de tiempo prolongado, utilice protección para los oídos.

### REDUCCIÓN DEL RIESGO

Se ha informado de que las vibraciones de las herramientas de mano puede contribuir a una condición llamada síndrome de Raynaud en ciertos individuos. Los síntomas pueden incluir hormigueo, entorpecimiento y decoloración de los dedos, generalmente aparentes cuando tiene lugar una exposición al frío. Se considera que los factores hereditarios, exposición al frío y a la humedad, dieta, tabaquismo y prácticas de trabajo contribuyen al desarrollo de estos síntomas. Existen medidas que pueden ser tomadas por el operador para reducir los efectos de vibración:

- Mantenga su cuerpo caliente durante el tiempo frío. Al manipular la unidad, utilice guantes para mantener las manos y las muñecas calientes. Hay informes que indican que el tiempo frío es un gran factor que contribuye al síndrome de Raynaud.
- Después de cada período de funcionamiento, realice ejercicios para aumentar la circulación sanguínea.
- Haga pausas de trabajo frecuentes. Limite la cantidad de exposición por día.

Si siente alguno de los síntomas de esta enfermedad, interrumpa inmediatamente el uso y consulte a su médico estos síntomas.

### ⚠ ADVERTENCIA

El uso prolongado de la herramienta puede provocar o agravar lesiones. Al utilizar cualquier herramienta durante períodos prolongados asegúrese de tomar descansos regulares.

### CONOZCA EL PRODUCTO

Consulte la página 77.

1. Hoja
2. Montaje del calzo







3. Abrazadera de la hoja
4. Sistema de cambio de lámina sin herramientas
5. Llave hexagonal
6. Puerto de la batería
7. Gatillo del interruptor
8. Botón para liberar el gatillo

## FUNCIONAMIENTO

### AJUSTAR EL JUEGO DE ZAPATAS

- El producto incluye un juego de zapatas que gira arriba y abajo en ambas direcciones para garantizar que la zapata está nivelada contra la superficie de corte en todo momento. La zapata ajustable también se desliza adentro y afuera, lo que permite usar los dientes en diferentes posiciones de la hoja.
- Presione la hoja de la sierra en el soporte de la cuchilla hasta que se detenga. Asegúrese de que la hoja de la sierra está bien sujeta.

### CONSEJOS DE FUNCIONAMIENTO

#### ⚠ ADVERTENCIA

Tenga cuidado de no retorcer o doblar las hojas.

- No fuerce la herramienta.
- Utilice aceite de corte al cortar metales blandos y acero. El aceite de corte también mantiene las láminas frescas, aumenta la acción de corte y prolonga la vida de la lámina.
- Sujete firmemente la pieza de trabajo y corte cerca del punto de sujeción para eliminar las vibraciones de la pieza a cortar. Al cortar conductos, tuberías o hierro angular, fije la pieza de trabajo en un torno de banco si es posible y sierra cerca del torno. Para cortar un material de chapa fina, colóquelo entre dos paneles duros o contrachapado y fije las capas para eliminar la vibración y la rotura del material.
- Mantenga siempre una firme presión delantera en la herramienta para que el patín esté en contacto con la pieza.
- No use hojas rajadas o deformadas. No use hojas dañadas o deformadas.

#### ⚠ ADVERTENCIA

El polvo de ciertas pinturas, revestimientos y materiales puede causar irritación o reacciones alérgicas en el sistema respiratorio. El polvo de madera como el roble, la haya, el MDF y otros es cancerígeno. El material que contiene amianto sólo debe ser trabajado o procesado por operadores especialistas cualificados.

#### ⚠ ADVERTENCIA

Lleve siempre gafas de seguridad o gafas de protección con pantallas laterales cuando utilice herramientas eléctricas. Si incumple esta instrucción, pueden proyectarse cuerpos extraños a sus ojos y provocarle graves lesiones oculares.

## MANTENIMIENTO

#### ⚠ ADVERTENCIA

No enchufe nunca la lijadora a la toma de corriente cuando monte piezas, realice ajustes, limpie la herramienta o incluso cuando no la utilice. Desconectar la herramienta evitará el arranque accidental que podría causar lesiones graves.

- Utilice solo piezas de recambio idénticas cuando esté realizando labores de mantenimiento de la máquina. El uso de otras piezas puede ocasionar riesgos o daños en el producto.
- Evite el uso de disolventes para limpiar las piezas de plástico. La mayor parte de los plásticos pueden resultar dañados con los disolventes que se venden en el mercado. Utilice un paño limpio para quitar las impurezas, el polvo, etc.
- No permita en ningún momento que las piezas de plástico entren en contacto con líquido de frenos, gasolina, productos derivados del petróleo, aceites penetrantes, etc. Estos productos químicos contienen sustancias que pueden deteriorar, debilitar o destruir el plástico.
- Siempre use gafas de seguridad o gafas de seguridad con protección lateral durante el funcionamiento de la herramienta eléctrica o cuando ésta desprenda polvo. Si la superficie de trabajo es polvorienta, use también una careta específica.
- Para una mayor seguridad y fiabilidad, todas las reparaciones deben ser realizadas por un centro de servicio autorizado.

### GENERAL

Evite el uso de disolventes para limpiar las piezas de plástico. La mayor parte de los plásticos pueden resultar dañados con los disolventes que se venden en el mercado. Utilice un paño limpio para quitar las impurezas, el polvo, etc.

Las herramientas eléctricas utilizadas en material de fibra de vidrio, placas de yeso o paneles de revestimiento suelen desgastarse más rápidamente y tener fallos o averías prematuramente ya que la viruta y el serrín resultantes de la fibra de vidrio son muy abrasivos para los cojinetes, las escobillas, los interruptores, etc. No recomendamos utilizar el aparato durante largos períodos de tiempo en estos tipos de materiales.

#### ⚠ ADVERTENCIA

No use aire comprimido para eliminar el polvo del producto. Esta práctica es peligrosa y puede hacer que la suciedad y el polvo salgan disparados y dañen los ojos de alguien.

### LUBRICACIÓN

Todos los cojinetes de este producto están lubricados con una cantidad suficiente de lubricante de alta calidad para la vida del producto en condiciones normales de



funcionamiento. Por lo tanto, no es menester prever ninguna lubricación adicional.

## PROTECCIÓN DEL MEDIO AMBIENTE



Recicle las materias primas en lugar de tirarlas a la basura doméstica. Para proteger el medio ambiente, debe separar la herramienta, los accesorios y los embalajes.

## SÍMBOLOS EN EL PRODUCTO



Atención

$n_0$

Velocidad sin carga

v

Voltios



Corriente directa

$\text{min}^{-1}$

Número de revoluciones o movimientos por minuto



Conformidad con CE



Certificado EAC de conformidad



Marca de conformidad ucraniana



Por favor, lea atentamente las instrucciones antes de encender el producto.



Los productos eléctricos de desperdicio no deben desecharse con desperdicios caseros. Por favor recícelos donde existan dichas instalaciones. Compruebe con su autoridad local o minorista para reciclar.

## SÍMBOLOS EN ESTE MANUAL



Nota



Las piezas o accesorios se venden por separado



Velocidad, mínimo



Velocidad, máxima



Madera



Plástico



Metal



PELIGRO Cuchilla afilada



Use guantes de trabajo resistentes, antideslizantes.

Los siguientes símbolos y palabras detallan los niveles de cuidado necesarios para usar este producto.

### ⚠ PELIGRO

Indica una situación inminente de peligro que, si no se evita, provocará la muerte o lesiones graves.

### ⚠ ADVERTENCIA

Indica una situación potencialmente peligrosa que, si no se evita, podría causar la muerte o lesiones graves.

### ⚠ PRECAUCIÓN

Indica una situación potencialmente peligrosa que, si no se evita, puede provocar lesiones leves o moderadas.

### PRECAUCIÓN

(Sin símbolo de seguridad) Indica una situación que podría ocasionar daños materiales.



E' stata data massima priorità a sicurezza, prestazioni e affidabilità nel design di questa sega reciprocante.

## UTILIZZO

La sega reciprocante è adatta per essere utilizzata da adulti che hanno letto e compreso le istruzioni e gli avvertimenti nel presente manuale e che possono quindi essere considerati responsabili delle loro azioni. Con le lame adatte, la sega reciprocante potrà svolgere le operazioni per le quali è stata progettata come tagliare legno, plastica, cartongesso, e metallo fino alla profondità indicata nella tabella delle specifiche. La sega reciprocante è progettata per essere utilizzata manualmente; non deve essere montata su un tavolo da lavoro a meno che non siano state date istruzioni specifiche dalla ditta produttrice del prodotto. Non utilizzare il prodotto in modi diversi da quelli indicati.

## ⚠ AVVERTENZE

**Leggere tutti gli avvertimenti e le istruzioni di sicurezza.** La mancata osservanza delle avvertenze e delle istruzioni potrà causare scosse elettriche, incendi e/o gravi lesioni personali.

**Conservare tutte le istruzioni e le avvertenze per eventuali riferimenti futuri.**

## AVVERTENZE DI SICUREZZA SEGA RECIPROCANTE

- **Reggere l'utensile dalle superfici isolate quando si svolge un'operazione nella quale le lame potrebbero toccare dei cavi nascosti.** Se la lama taglia un cavo "vivo" le parti esposte dell'elettro utensile potrebbero fare da conduttore e causare scosse elettriche.
- **Proteggere i polmoni.** Se l'utilizzo dell'apparecchio produce polvere, indossare una maschera facciale o una maschera antipolvere.

## RISCHI RESIDUI

Anche quando il prodotto viene utilizzato come indicato, sarà ancora impossibile eliminare completamente alcuni fattori di rischio residuo. Si potranno verificare i seguenti rischi e l'operatore dovrà prestare particolare attenzione per evitare quanto segue:

- Lesioni causate da vibrazioni
  - Utilizzare le impostazioni di velocità più bassa per svolgere il lavoro necessario. Limitare l'esposizione. Vedere "Riduzione Rischio".
- Lesioni causate dalla polvere
  - Indossare sempre occhiali di protezione. Indossare un'adeguata maschera per il controllo della polvere con filtri che siano in grado di proteggere dalla polvere prodotta dal materiale sul quale si sta lavorando. Non mangiare, bere, né fumare nell'area di lavoro. Assicurarsi una adeguata ventilazione del luogo di lavoro.
- Scosse elettriche
  - La lama potrà entrare in contatto con cavi nascosti facendo mettendo "sotto tensione" alcune parti del prodotto. Reggere sempre il prodotto dai manici indicati e fare attenzione quando operazioni di taglio in muri e pavimenti potranno andare a toccare cavi nascosti.

**NOTE:** Quando si lavora su pareti, soffitti o pavimenti, evitare cavi elettrici o tubi del gas o dell'acqua. Il prodotto deve essere messo in funzione con entrambe le mani.

- Lesioni da contatto con lame di taglio
  - Le lame sono molto affilate e si surriscaldano durante l'utilizzo. Indossare guanti quando si cambiano le lame. Tenere sempre le mani lontane dalle zone di taglio. Ancorare il pezzo sul quale si sta lavorando ogniqualvolta sia possibile.
- Lesioni causate dal rumore.
  - L'esposizione prolungata al rumore aumenterà il rischio di danni all'udito, gli effetti saranno cumulativi. Indossare cuffie di protezione, quando si utilizzano elettro utensili per un lungo periodo di tempo.

## RIDUZIONE DEL RISCHIO

Si è accertato che le vibrazioni causate da utensili a mano possono contribuire a causare una condizione chiamata Sindrome di Raynaud in alcune persone. I sintomi, comprendenti formicolio, intorpidimento e perdita di colore alle dita, si verificano di solito quando ci si espone al freddo. Fattori ereditari, esposizione a freddo e umidità, una dieta scorretta, fumo e condizioni di lavoro non sicure potranno contribuire allo sviluppo di questi sintomi. È possibile prendere delle precauzioni per ridurre le vibrazioni:

- Tenere il corpo al caldo a basse temperature. Quando si utilizza l'utensile, indossare guanti e tenere le mani e i polsi caldi. Le basse temperature contribuiscono a causare la Sindrome di Raynaud.
- Dopo aver utilizzato l'utensile per un certo periodo, fare degli esercizi per stimolare la circolazione del sangue.
- Fare spesso delle pause. Limitare la quantità di esposizione giornaliera.

Nel caso in cui si provino i sintomi di questa condizione, interrompere immediatamente l'utilizzo dell'utensile e consultare un dottore.

## ⚠ AVVERTENZE

L'utilizzo prolungato dell'utensile potrà causare o aggravare lesioni già esistenti. Quando si utilizza questo utensile per periodi di tempo prolungati, assicurarsi di fare sempre delle pause regolari.

## FAMILIARIZZARE CON IL PRODOTTO

Vedere a pagina 77.

1. Lama
2. Montaggio scarpa
3. Morsetto lama
4. Sistema di cambio lama senza utensili
5. Chiave esagonale
6. Porta batterie
7. Grilletto interruttore
8. Pulsante di sblocco del grilletto

## FUNZIONAMENTO

### REGOLARE IL GRUPPO PATTINO

- Il prodotto è dotato di un gruppo pattino che gira in su e in giù in entrambe le direzioni per assicurare che lo



stesso sia sempre piatto contro la superficie di taglio. Il pattino regolabile scivola dentro e fuori il che permette sempre di utilizzare il dente della lama in diverse posizioni sulla lama.

- Premere la lama nel reggilame fino a che non si arresti. Assicurarsi che la lama sia fissata in maniera sicura.

## CONSIGLI PER UN ADEGUATO FUNZIONAMENTO

### ⚠ AVVERTENZE

Fare attenzione a non fare torcere né piegare le lame.

- Non forzare l'utensile.
- Utilizzare olio per utensili di taglio quando si tagliano metalli morbidi e acciaio. L'olio per utensili di taglio mantiene le lame fredde, aumenta l'azione di taglio e prolunga la durata delle lame.
- Ancorare le parti sulle quali si sta lavorando saldamente e tagliare vicino ai punti di ancoraggio per eliminare le vibrazioni dal la parte sulla quale si sta lavorando. Quando si tagliano canaline, tubi o angolari profilati, ancorare il pezzo sul quale si sta lavorando con dei morsetti ove possibile e svolgere le operazioni di taglio seguendo il segno. Per tagliare materiale in fogli sottili, posizionare il materiale tra due pannelli di truciolato o compensato e ancorare i fogli per eliminare le vibrazioni e il materiale che si lacera durante le operazioni di lavoro.
- Applicare una pressione costante in avanti così che la scarpa rimanga appoggiata sul pezzo da lavorare.
- Non utilizzare lame rotte o storte. Non utilizzare lame danneggiate o deformate.

### ⚠ AVVERTENZE

La polvere di alcune vernici, rivestimenti e materiali potrà causare irritazioni o reazioni allergiche al sistema respiratorio. La polvere prodotta da legno come quercia, betulla, pannelli di fibra a media densità (MDF) e altri tipi di legname è cancerogena. Materiali contenenti amianto devono essere lavorati o manipolati solo da operatori specializzati qualificati.

### ⚠ AVVERTENZE

Durante l'uso di un utensile, indossare sempre occhiali di sicurezza o occhiali di protezione muniti di schermi laterali. La mancata osservanza di questa norma, nel caso di proiezione di corpi estranei, potrebbe causare gravi lesioni.

## MANUTENZIONE

### ⚠ AVVERTENZE

Durante il montaggio di componenti, l'esecuzione di regolazioni, le operazioni di pulizia dell'apparecchio o quando non viene utilizzata, la levigatrice non deve mai essere collegata alla presa di corrente. Scollegare l'utensile preventivamente l'avvio accidentale che potrà causare gravi lesioni personali.

- Quando si svolgono operazioni di manutenzione, utilizzare solo ricambi identici. Utilizzare parti di ricambio diverse potrebbe causare rischi o danneggiare il prodotto.
- Evitare di utilizzare solventi quando si puliscono le parti in plastica. La maggior parte dei materiali plastici rischia di essere danneggiata dall'uso dei solventi disponibili in commercio. Utilizzare un panno pulito per rimuovere lo sporco, la polvere, ecc.
- Non lasciare che liquidi per freni, benzina, prodotti a base di petrolio, oli penetranti, ecc, entrino in contatto con le parti in plastica. Tali prodotti chimici contengono sostanze che possono danneggiare, indebolire o distruggere la plastica.
- Indossare sempre occhiali di sicurezza o occhiali di sicurezza con schermi laterali durante le operazioni con l'elettrotensile o quando si aspira della polvere. Nel caso in cui si preveda che le operazioni di lavoro causeranno polvere, indossare sempre una maschera anti-polvere.
- Per maggiore sicurezza e affidabilità, tutte le riparazioni dovranno essere svolte da un centro servizi autorizzato.

## GENERALE

Evitare di utilizzare solventi quando si puliscono le parti in plastica. La maggior parte dei materiali plastici rischia di essere danneggiata dall'uso dei solventi disponibili in commercio. Utilizzare un panno pulito per rimuovere lo sporco, la polvere, ecc.

Gli apparecchi elettrici utilizzati su prodotti in fibra di vetro, lastre di gesso o pannelli di rivestimento tendono ad usurarsi più rapidamente e a presentare precoci problemi di funzionamento dal momento che trucioli e segatura prodotti da tali materiali risultano molto abrasivi nei confronti dei componenti di apparecchi elettrici quali gli ingranaggi, le spazzole, gli interruttori, ecc. Non raccomandiamo di utilizzare il prodotto per lunghi periodi di tempo su questi tipi di materiali.

### ⚠ AVVERTENZE

Non utilizzare aria compressa per rimuovere la polvere dal prodotto. Questa pratica è pericolosa e potrà causare a sporco e sabbia di essere soffiati verso occhi di operatori ed eventuali osservatori causando lesioni.

## LUBRIFICAZIONE

Tutti i cuscinetti in questo prodotto sono stati lubrificati con una quantità di lubrificante ad alto indice di viscosità per tutta la durata del prodotto nelle normali condizioni di funzionamento. Di conseguenza, non è necessario effettuare alcuna lubrificazione supplementare.

## TUTELA DELL'AMBIENTE



Riciclare le materie prime anziché gettarle tra i rifiuti domestici. Per tutelare l'ambiente, l'apparecchio, gli accessori e gli imballaggi devono essere smaltiti separatamente.

**SIMBOLI SUL PRODOTTO**

-  Allarme di sicurezza
- $n_o$  Velocità a vuoto
- $v$  Volt
-  Corrente diretta
- $\text{min}^{-1}$  Numero di giri o di movimenti al minuto
-  Conformità CE
-  Marchio di conformità EurAsian
-  Marchio di conformità ucraino
-  Leggere attentamente le istruzioni prima di utilizzare il prodotto.
-  I prodotti elettrici non devono essere smaltiti con i rifiuti domestici. Vi sono strutture per smaltire tali prodotti. Informarsi presso il proprio Comune o rivenditore di sicurezza per smaltire adeguatamente tali rifiuti.

questo prodotto.

**⚠ PERICOLO**  
Indica una situazione immediatamente pericolosa che, se non evitata, potrà causare gravi lesioni o morte.

**⚠ AVVERTENZE**  
Indica una situazione potenzialmente pericolosa che, se non evitata, potrà causare gravi lesioni o morte.

**⚠ ATTENZIONE**  
Indica una situazione potenzialmente pericolosa che, se non evitata, potrà causare lesioni minori o moderate.

**ATTENZIONE**  
(Senza simbolo di allarme in materia di sicurezza) Indica una situazione che può provocare danni materiali.

**SIMBOLI NEL MANUALE**

-  Note
-  Parti o accessori venduti separatamente
-  Velocità, minimo
-  Velocità, massima
-  Legno
-  Plastica
-  Metallo
-  **PERICOLO: Lama affilata.**
-  Indossare guanti anti-scivolo da lavoro.

I seguenti simboli indicano i livelli di rischio associati a





Veiligheid, prestaties en betrouwbaarheid kregen topprioriteit in het ontwerp van uw reciprozaagmachine.

## BEOOGD GEBRUIK

De reciprozaagmachine is uitsluitend geschikt om te worden gebruikt door volwassenen die de instructies en waarschuwingen in deze gebruiksaanwijzing hebben gelezen en begrepen en die als verantwoordelijk voor hun handelingen kunnen worden beschouwd. Indien geschikte zaagbladen zijn geïnstalleerd, is de reciprozaagmachine geschikt om hout, kunststof, gipsplaat en metaal te zagen tot een diepte die beschreven is in de specificatietabel. De reciprozaagmachine is ontworpen voor manueel gebruik; ze mag niet op een werkbank worden gemonteerd tenzij specifieke instructies hiertoe door de fabrikant van het product werden gegeven.

## ⚠ WAARSCHUWING

**Lees alle veiligheidswaarschuwingen en instructies.** Wanneer u deze en de instructies niet opvolgt, kan dit leiden tot electrocutie, brand en/of ernstige letstels.

**Bewaar alle waarschuwingen en instructies voor toekomstig gebruik.**

## VEILIGHEIDSWAARSCHUWINGEN RECIPROZAAGMACHINE.

- **Houd de machine aan de geïsoleerde handvatten vast wanneer u werkt op plaatsen waar de accessoire een verborgen snoer kan raken.** Wanneer de accessoire een spanningvoerende leiding raakt, kunnen de blootgestelde onderdelen van de machine onder spanning komen waardoor de gebruiker wordt geëlectrocuteerd.
- **Bescherm uw longen.** Draag een gezichtsmasker of een stofmasker bij werkzaamheden waarbij stofdeeltjes vrijkomen.

## RESTRISCO'S

Zelfs wanneer het product zoals voorgeschreven wordt gebruikt, blijft het onmogelijk om alle restrisico's te voorkomen. De volgende gevaren kunnen optreden bij gebruik en de gebruiker dient speciaal op te letten om het volgende te voorkomen:

- Letsel veroorzaakt door trillingen
  - Gebruik de laagste snelheidsinstelling die voor de opdracht volstaat. Beperk blootstelling. Zie "Risico's Beperken".
- Verwonding veroorzaakt door stof
  - Draag altijd gezichtsbescherming. Draag een geschikt stofmasker met aangepaste filters die bescherming kunnen bieden tegen het materiaal dat wordt bewerkt. Eten, drinken of roken verboden in het werkgebied. Zorg voor voldoende ventilatie op de werkplaats.
- Elektrische schok
  - Het zaagblad kan in contact komen met verborgen kabels waardoor onderdelen van het product onder spanning kunnen komen te staan. Houd het product altijd aan de handvatten vast en wees voorzichtig wanneer u blind door een wand of vloer boort

waarbij kabels verborgen kunnen zijn.

**OPMERKING:** Wanneer u werkt in muren, plafonds of vloeren, moet u voorzichtig zijn om elektrische kabels en gas- of waterleidingen te vermijden. Het product moet met beide handen worden bediend.

- Letsels door contact met het zaagblad
  - De zaagbladen zijn heel scherp en worden tijdens gebruik warm. Draag handschoenen wanneer u de zaagbladen vervangt. Houd steeds de handen weg van het zaagbereik. Klem het werkstuk indien mogelijk vast.
- Letsels veroorzaakt door geluid
  - Langdurige blootstelling aan geluid verhoogt het risico op gehoorschade en de gevolgen hiervan zijn cumulatief. Wanneer u het gereedschap gedurende langere tijd gebruikt, draagt u gehoorbescherming.

## RISICOBEPERKING

Er zijn meldingen dat trillingen van handwerktuigen bij sommige mensen bijdragen tot het Syndroom van Raynaud. Symptomen kunnen ondermeer tintelingen, gevoelloosheid en bleek worden van de vingers omvatten, wat normaal gezien duidelijk wordt bij blootstelling aan koude. Erfelijke factoren, blootstelling aan koude en vocht, dieet, roken en werkroutine kunnen allemaal bijdragen tot de ontwikkeling van deze symptomen. Er kunnen door de bediener maatregelen worden genomen om de gevolgen van de trillingen te beperken:

- Houd bij koud weer uw lichaam warm. Draag handschoenen wanneer u de machine gebruikt om handen en polsen warm te houden. Men neemt aan dat koud weer een belangrijke factor is die bijdraagt tot het Syndroom van Raynaud.
- Doe oefeningen om de bloeddoorstroming te bevorderen na elke periode van gebruik.
- Neem regelmatig een pauze. Beperk het aantal uren dat u per dag wordt blootgesteld.

Wanneer u enige van de symptomen van deze aandoening ervaart, stop dan onmiddellijk met het gebruik van het toestel en raadpleeg uw dokter

## ⚠ WAARSCHUWING

Letstels kunnen optreden of verergeren door langdurig gebruik van een gereedschap. Als u een werktuig gedurende langere periodes gebruikt, neem dan regelmatig pauze.

## KEN UW PRODUCT

Zie pagina 77.

1. Zaagblad
2. Schoenmontage
3. Bladklem
4. Gereedschapsloos zaagbladvervangsysteem
5. Inbusleutel
6. Accupoort
7. Aan-/uitschakelaar
8. Ontgrendelknop van de drukschakelaar





EN
FR
DE
ES
IT
<b>NL</b>
PT
DA
SV
FI
NO
RU
PL
CS
HU
RO
LV
LT
ET
HR
SL
SK
EL
TR
UK

## BEDIENING

### SCHOENMONTAGE AANPASSEN

- Het product heeft een schoenmontage die in beide richtingen op en neer gaat om ervoor te zorgen dat de schoen zich altijd vlak tegen het zaagoppervlak bevindt. De afstelbare schoen schuift ook in en uit, wat het mogelijk maakt dat een getand zaagblad in verschillende posities op het zaagblad kan worden gebruikt.
- Druk het zaagblad in de zaagbladhouder tot aan de stop. Zorg ervoor dat het zaagblad stevig is vastgemaakt.

### GEBRUIKSTIPS

**⚠ WAARSCHUWING**  
Zorg ervoor de zaagbladen niet te buigen of plooiën.

- Forceer de machine niet.
- Gebruik zaagolie wanneer u zachte metalen en staal zaagt. Zaagolie houdt de zaagbladen koel en verbetert de zaagprestaties en verlengt het zaagbladleven.
- Klem het werkstuk stevig vast en zaag dicht bij het klempunt om trillingen aan het werkstuk dat wordt gezaagd, te vermijden. Wanneer u een leiding, pijp of hoekijzer zaagt, klem dan, indien nodig, het werkstuk vast in een bankschroef en zaag dicht bij de bankschroef. Om dunne plaatstaal te zagen, plaatst u het materiaal tussen twee stukken hard- of multiplexhout en klemt u de lagen vast om trilling en scheuren in het materiaal te voorkomen.
- Blijf altijd stevige voorwaartse druk op het gereedschap uitoefenen, zodat het schuurvlak contact blijft houden met het werkstuk.
- Gebruik geen gebarsten of gebogen zaagbladen. Gebruik geen zaagbladen die beschadigd of vervormd zijn.

**⚠ WAARSCHUWING**  
Stof van bepaalde verven, coatings of materialen kunnen irritatie of allergische reacties aan de ademhalingswegen veroorzaken. Stof van hout, zoals eik, beuk, MDF en anderen zijn kankerverwekkend. Materiaal dat asbest bevat mag uitsluitend door een gekwalificeerde specialist worden bewerkt of verwerkt.

**⚠ WAARSCHUWING**  
Draag altijd een veiligheidsbril of een beschermbril met zijschotjes wanneer u met gereedschap werkt. Er kunnen wegspattende deeltjes in uw ogen komen en ernstig oogletsel veroorzaken als u zich hier niet aan houdt.

## ONDERHOUD

**⚠ WAARSCHUWING**  
De stekker van de schuurmachine mag niet in het stopcontact zitten als u onderdelen monteert, afstellingen wijzigt, de machine schoonmaakt of de klaar bent met u werk. Wanneer u het werktuig ontkoppelt, voorkomt dit accidenteel starten, wat ernstige letsels kan veroorzaken.

- Gebruik voor vervanging uitsluitend originele reserveonderdelen. Gebruik van niet originele onderdelen kan gevaar opleveren of schade aan de machine veroorzaken.
- Voorkom het gebruik van oplosmiddelen wanneer u kunststof onderdelen reinigt. De meeste kunststoffen kunnen worden beschadigd door de in de handel zijnde oplosmiddelen. Gebruik een schone doek om vuil of stof te verwijderen.
- Remvloeistof, benzine, producten op basis van petroleum, kruipolie, enz mogen nooit in contact komen met kunststof onderdelen. Deze chemicaliën bevatten namelijk stoffen die kunststof kunnen beschadigen, verzwakken of aantasten.
- Draag altijd een veiligheidsbril of gezichtsbescherming met zijdelinge bescherming terwijl u het werktuig gebruikt of wanneer u stof blaast. Als het werk stof veroorzaakt, draag dan ook een stofmasker.
- Alle reparaties moeten worden uitgevoerd door een Erkend Ryobi Servicecentrum teneinde de veilige en betrouwbare werking van de machine te garanderen.

### ALGEMEEN

Voorkom het gebruik van oplosmiddelen wanneer u kunststof onderdelen reinigt. De meeste kunststoffen kunnen worden beschadigd door de in de handel zijnde oplosmiddelen. Gebruik een schone doek om vuil of stof te verwijderen.

Gereedschap dat voor bewerking van glasvezeldelen, gipsplaten of bekledingsplaten wordt gebruikt, loopt meer risico om voortijdig te slijten of defect te raken. Het zaagsel en slijpsel dat uit deze materialen ontstaat, heeft een zeer schurende werking op bepaalde onderdelen van elektrisch gereedschap, zoals overbrengingen, borstels, schakelaars, enz. We raden niet aan dat u het product gebruik gedurende langere periodes op deze types materiaal.

**⚠ WAARSCHUWING**  
Gebruik geen perslucht om stof van het product te verwijderen. Deze praktijk is gevaarlijk en kan ertoe leiden dat vuil en grind kan worden weggeblazen en in de ogen van iemand kan terecht komen.

### SMERING

Alle lagers in het product zijn gesmeerd met voldoende kwalitatief smeermiddel voor de gehele levensduur van het product bij normale gebruiksomstandigheden. Extra smering is daarom niet noodzakelijk.



## MILIEUBESCHERMING



Zorg dat grondstoffen worden gerecycleerd in plaats van weggegooid als afval. Om het milieu te beschermen dient de machine, de accessoires en de verpakking gesorteerd bij een erkend recyclingcentrum te worden angeleverd.



GEVAAR: Scherp zaagblad



Draag zware, antislip handschoenen.

## SYMBOLEN OP HET PRODUCT



Veiligheidswaarschuwing

$n_o$

Onbelast toerental

v

Volt



Gelijkstroom

min<sup>-1</sup>

Aantal toeren of omwentelingen per minuut



EU-conformiteit



EurAsian-symbool van overeenstemming



Oekraïens conformiteitssymbool



Lees zorgvuldig de instructies voor u het product start.



Elektrisch afval mag niet samen met ander huishoudafval worden weggegooid. Gelieve te recycleren indien de mogelijkheid bestaat. Neem contact op met uw gemeente of handelaar om advies te krijgen over recyclage.

De volgende kernwoorden en verklaringen zijn bedoeld om de gevaren die op dit toestel betrekking hebben, te verklaren.

### GEVAAR

Wijst op een gevaarlijke situatie die, indien ze niet wordt vermeden, kan leiden tot ernstige verwondingen of de dood.

### WAARSCHUWING

Wijst op een mogelijk gevaarlijke situatie die, indien ze niet wordt vermeden, kan leiden tot ernstige verwondingen of de dood.

### LET OP

Wijst op een mogelijk gevaarlijke situatie die, indien ze niet wordt vermeden, kan leiden tot lichte of middelmatige verwondingen.

### LET OP

(Zonder veiligheidssymbool) Geeft een situatie aan die materiële schade zou kunnen veroorzaken.

## SYMBOLEN IN DE GEBRUIKSAANWIJZING



Opmerking



Onderdelen of accessoires afzonderlijk gekocht



Snelheid, minimaal



Snelheid, max.



Hout



Kunststof



Metaal

Segurança, desempenho e fiabilidade foram as prioridades na conceção da sua serra de sabre.

### UTILIZAÇÃO PREVISTA

A serra de sabre foi desenhado para ser utilizado por adultos que tenham lido e compreendido as instruções e avisos recolhidos neste manual e que possam ser considerados responsáveis das suas ações. Com lâminas adequadas instaladas, a serra de sabre destina-se a cortar madeira, plástico, gesso e metal até à profundidade descrita na tabela de especificações. A serra de sabre destina-se a ser utilizada à mão; não deve ser montada sobre uma bancada de trabalho, a menos que sejam dadas instruções específicas pelo fabricante do produto.

Utilize o produto exclusivamente para o uso para o qual foi concebido.

### ⚠ AVISO

**Leia todos os avisos de segurança e todas as instruções.** O incumprimento em seguir os s e as instruções pode ter como consequências o choque eléctrico, incêndio e/ou lesões graves.

Guarde todos os avisos e instruções para futuras consultas.

### AVISOS DE SEGURANÇA SOBRE A SERRA DE SABRE

- **Segure a ferramenta eléctrica pelas superfícies de pega isoladas, ao realizar uma operação em que o acessório possa entrar em contacto com fios eléctricos escondidos.** O acessório de corte que entre em contacto com um fio "ligado" pode tornar as peças de metal da ferramenta eléctrica condutivas e tal pode causar um choque eléctrico ao operador.
- **Proteja os seus pulmões.** Use uma protecção facial ou uma máscara anti-poeiras se o trabalho provocar poeiras.

### RISCOS RESIDUAIS

Mesmo quando se utiliza o produto segundo as instruções, continua a ser impossível eliminar por completo certos fatores de risco residuais. Podem surgir os seguintes riscos durante o uso e o operador deve prestar especial atenção para evitar o seguinte:

- Lesões por vibração
  - Use a configuração de velocidade mais baixa que alcança a tarefa. Limite a exposição. Consulte o ponto "Redução De Riscos".
- Prejuízo causado pela poeira
  - Use sempre protecção para os olhos. Use uma máscara de controlo de poeiras adequada com os filtros certos para protecção contra a poeira e partículas libertadas pelo material a ser trabalhado. Não coma, beba ou fume na área de trabalho. Assegure uma ventilação adequada do local de trabalho.

### ■ Choque eléctrico

- A lâmina pode entrar em contacto com cablagem oculta, fazendo com que partes do produto fiquem "eletrizadas". Segure sempre o produto pelas asas designadas e tome cuidado ao cortar em paredes e pisos onde os cabos podem ficar escondidos.

**NOTA:** Quando trabalhar em paredes, tetos ou pisos, tome cuidado para evitar cabos eléctricos e tubos de gás ou água. O produto deve ser operado com as duas mãos.

### ■ Lesões decorrentes do contacto com a lâmina de corte

- As lâminas são muito afiadas e ficam quentes durante a utilização. Use luvas ao trocar as lâminas. Mantenha sempre as mãos afastadas da área de corte. Sempre que possível, fixe a peça de trabalho.

### ■ Lesões provocadas pelo ruído

- A exposição prolongada ao ruído irá aumentar o risco de danos auditivos e os efeitos são cumulativos. Ao utilizar ferramentas eléctricas durante qualquer período de tempo prolongado, utilize protecção auditiva.

### REDUÇÃO DO RISCO

Foi reportado que as vibrações das ferramentas de mão podem contribuir para uma doença designada de Síndrome de Raynaud em determinados indivíduos. Os sintomas podem incluir formigueiro, entorpecimento e empalidezimento dos dedos, habitualmente visível aquando da exposição ao frio. Estima-se que os factores hereditários, exposição ao frio e humidade, dieta, tabagismo e práticas de trabalho contribuem todos para o desenvolvimento destes sintomas. Existem medidas que podem ser tomadas pelo operador para possivelmente reduzir os efeitos da vibração:

- Mantenha o seu corpo quente durante o tempo frio. Ao operar a unidade, use luvas para manter as mãos e os pulsos quentes. Encontra-se reportado que o tempo frio é um grande factor que contribui para o Síndrome de Raynaud.
- Após cada período de operação, exercite para aumentar a circulação sanguínea.
- Faça pausas frequentes no trabalho. Limite o tempo de exposição por dia.

Caso sinta algum dos sintomas desta doença, interrompa de imediato a sua utilização e consulte o seu médico sobre estes sintomas.

### ⚠ AVISO

As lesões podem ser causadas ou agravadas pelo uso prolongado de uma ferramenta. Ao usar qualquer ferramenta durante períodos prolongados, assegure-se que faz intervalos regulares.

### CONHEÇA O SEU PRODUTO

Consulte a página 77.

1. Lâmina

2. Montagem do calço
3. Braçadeira de lâmina
4. Sistema de troca de lâmina sem ferramentas
5. Chave hexagonal
6. Orifício da bateria
7. Interruptor selector
8. Botão de desbloqueio do gatilho

## OPERAÇÃO

### AJUSTE DO CALÇO

- Este produto inclui um calço que roda para cima e para baixo em ambas as direções de modo a assegurar que o mesmo fica sempre plano em relação à superfície de corte. O calço ajustável também desliza para dentro e para fora, o que permite a utilização dos dentes da lâmina em diferentes posições da mesma.
- Pressione a serra da lâmina até ao suporte da mesma até que esta pare. Assegure-se que a lâmina de serra está bem fixa.

### CONSELHOS DE FUNCIONAMENTO

#### ⚠ AVISO

Tenha cuidado para não torcer ou dobrar as lâminas.

- Não force a ferramenta.
- Utilize óleo de corte ao cortar metais macios e aço. O óleo de corte também mantém as lâminas frescas, aumenta a ação de corte e prolonga a vida da lâmina.
- Fixe a peça firmemente e corte perto do ponto de fixação para eliminar qualquer vibração da peça de trabalho ao ser cortada. Quando cortar barras, tubos ou ângulos de ferro, realize o trabalho num torno se possível e aproxime a serra ao torno. Para cortar um material de chapa fina, coloque o material entre dois painéis duros ou contraplacados e fixe as camadas para eliminar a vibração e rasgos do material.
- Mantenha sempre uma firme pressão de avanço sobre a ferramenta, para manter o patim em contacto com a peça de trabalho.
- Não utilize lâminas fendidas nem distorcidas. Não utilize lâminas danificadas ou deformadas.

#### ⚠ AVISO

O pó de certas pinturas, revestimentos e materiais pode causar irritação ou reações alérgicas no sistema respiratório. O pó de madeira como o carvalho, a faia, o MDF e outros é cancerígeno. O material que contém amianto apenas deve ser trabalhado ou processado por operadores especialistas qualificados.

#### ⚠ AVISO

Use sempre óculos de segurança ou óculos de protecção munidos de resguardos laterais quando utilizar ferramentas. A falta de cumprimento desta instrução pode ocasionar a projecção de corpos estranhos para os olhos e provocar lesões oculares graves.

## MANUTENÇÃO

#### ⚠ AVISO

A sua lixadeira nunca deve ser ligada a uma tomada de corrente quando montar peças, efectuar ajustes, quando limpar a sua ferramenta ou quando não a utilizar. Desligar a ferramenta irá prevenir o arranque acidental que poderia causar graves lesões.

- Ao realizar serviços de manutenção, use apenas peças de substituição idênticas. O uso de quaisquer outras peças pode criar perigo ou causar danos ao aparelho.
- Evite usar solventes ao limpar as peças de plástico. A maioria dos plásticos pode ser danificada pelos solventes vendidos no comércio. Utilize um pano limpo para remover as sujidades, o pó, etc.
- Nunca, em qualquer momento, deixe que fluidos de travagem, gasolina, produtos petrolíferos, óleos de perfuração, etc., entrem em contacto com as peças de plástico. Estas substâncias contêm produtos químicos que podem danificar, enfraquecer ou destruir o plástico.
- Use sempre óculos de protecção ou óculos de segurança com protecções laterais durante a operação da ferramenta eléctrica ou quando estiver a levantar poeira no ar. Caso a operação seja poeirenta, use também uma máscara contra o pó.
- Para uma maior segurança e fiabilidade, todas as reparações devem ser realizadas por um centro de assistência autorizado.

### GERAL

Evite usar solventes ao limpar as peças de plástico. A maioria dos plásticos pode ser danificada pelos solventes vendidos no comércio. Utilize um pano limpo para remover as sujidades, o pó, etc.

As ferramentas eléctricas utilizadas em equipamentos de fibra de vidro, placas de gesso, painéis de revestimento têm tendência a desgastarem-se mais rapidamente e a apresentar falhas prematuras, dado que as aparas e a serradura provenientes destes materiais são com efeito muito abrasivas para as peças das ferramentas eléctricas como por exemplo as engrenagens, as escovas, os interruptores, etc. Não recomendamos a utilização do aparelho durante longos períodos de tempo nestes tipos de materiais.

#### ⚠ AVISO


Não use ar comprimido para eliminar o pó do produto. Esta prática é perigosa e pode fazer com que a sujidade e poeiras sejam projetadas e ferir os olhos de alguém.

### LUBRIFICAÇÃO








Todos os rolamentos deste produto estão lubrificados com um montante suficiente de lubrificante de elevado nível, de acordo com a duração de vida do produto em condições normais de funcionamento. Por conseguinte, não requer nenhuma lubrificação suplementar.



**PROTECÇÃO DO AMBIENTE**

 Recicle os materiais em vez de pô-los directamente no lixo doméstico. Para proteger o ambiente, a ferramenta, os acessórios e as embalagens devem ser seleccionados.

**SÍMBOLOS NO PRODUTO**

-  Alerta de Segurança
- $n_0$  Velocidade em vazio
- v Volts
-  Corrente directa
- min<sup>-1</sup> Número de rotações ou movimentos por minuto
-  Conformidade CE
-  Marca de conformidade EurAsian
-  Marca de conformidade ucraniana
-  Por favor, leia atentamente as instruções antes de acender o produto.
-  Os aparelhos eléctricos antigos não devem ser eliminados juntamente com o lixo doméstico. Recicle onde existem instalações para o efeito. Verifique com as suas Autoridades Locais ou revendedor para obter informações sobre reciclagem.

**SÍMBOLOS NESTE MANUAL**

-  Nota
-  As peças ou acessórios vendem-se separadamente
-  Velocidade, mínimo
-  Velocidade, máximo
-  Madeira
-  Plástico
-  Metal



PERIGO: Lâmina afiada



Use luvas de trabalho resistentes, antideslizantes.

As seguintes palavras de sinal e significados destinam-se a explicar os níveis de risco associados a este produto.

**PERIGO**  
Indica uma situação de perigo iminente, a qual, se não for evitada, pode resultar em morte ou ferimentos graves.

**AVISO**  
Indica uma situação potencialmente perigosa que, se não for evitada, pode resultar em morte ou ferimentos graves.

**CAUTELA**  
Indica uma situação potencialmente perigosa que, se não for evitada, pode resultar em ferimentos leves ou moderados.

**CAUTELA**  
(Sem símbolo de segurança) Indica uma situação que pode provocar danos materiais.



Sikkerhed, ydelse og driftssikkerhed har fået topprioritet i designet af stiksav.

### TILTÆNK ANVENDELSESFORMÅL

Stiksaven er kun beregnet til at blive brugt af voksne, som har læst og forstået instrukserne og advarslerne i denne brugsanvisning, og som kan betragtes som værende ansvarlige for deres handlinger. Med passende klinger monteret er stiksaven konstrueret til at save træ, plast, gips og metal op til den dybde, der er beskrevet i specifikationstabellen. Stiksaven er designet til håndholdt brug; den må ikke monteres på et arbejdsbord, med mindre dette anbefales specifikt af producenten af produktet.

Produktet må kun bruges til de formål, der er angivet under formålsbestemt/korrekt brug.

### ⚠ ADVARSEL

**Alle sikkerhedsadvarsler og alle anvisninger skal læses.** Hvis advarslen og instruktionerne ikke følges, kan det medføre elektrisk stød og/eller alvorlig personskade.

Gem alle advarsler og brugsanvisninger til senere brug.

### SIKKERHEDSADVARSLER VEDR. STIKSAVE

- **Hold maskinværktøjet i de isolerede gribeoverlader, når der arbejdes på steder, hvor man kan komme til at skære i skjulte ledninger.** Hvis der skæres i en strømførende ledning, kan det gøre udsatte metaldele af maskinværktøjet strømførende og give operatøren elektrisk stød.
- **Beskyt dine lunger.** Brug ansigtsskærm eller støvmaske, hvis der dannes støv under arbejdet.

### UUNDGÅELIGE RISICI

Selv om produktet anvendes som foreskrevet, er det stadig umuligt at eliminere visse uundgåelige risikofaktorer fuldstændigt. Følgende risici kan opstå under brug, og operatøren bør være særligt opmærksom for at undgå følgende:

- Personskader forårsaget af vibration
  - Brug den laveste hastighedsindstilling, som kan klare opgaven. Begræns eksponering. Se "Risikoreduktion".
- Personskader forårsaget af støv
  - Wear eye protection at all times. Benyt passende støvmaske med egnede filtre, der kan beskytte mod støv fra det materiale, der arbejdes med. Undlad at spise, drikke eller ryge i arbejdsområdet. Sørg for tilstrækkelig ventilation på arbejdspladsen.
- Elektrisk stød
  - Klingen kan ramme skjulte ledninger, hvorved dele af produktet kan blive "elektrisk". Hold altid produktet i de hertil indrettede håndtag, og pas på ved blindskæring i vægge og gulve, hvor der kan være skjulte kabler.

**BEMÆRK:** Når der arbejdes i vægge, lofter eller

gulve, skal man sørge for at undgå el-, gas- eller vandledninger. Produktet skal betjenes med begge hænder.

- Personskade pga. kontakt med klingen.
  - Klingerne er meget skarpe og bliver varme under brug. Benyt handsker, når der skiftes klinger. Hænderne skal altid holdes på afstand af skæreamrådet. Emnet skal så vidt muligt altid fastspændes.
- Personskader forårsaget af støj
  - Langvarig eksponering for støj vil øge risikoen for høreskader, og virkningerne er kumulative. Når man anvender elektriske værktøjer i længere tid ad gangen, skal man benytte hørevern.

### RISIKOREDUKTION

Der er rapporteret om, at vibrationer fra håndholdte værktøjer kan være medvirkende til en lidelse kaldet Raynauds syndrom hos visse personer. Symptomerne herpå kan være prikken, følelseløshed og blegning af fingrene, der normalt viser sig ved kuldepåvirkning. Faktorer som arvelighed, udsættelse for kulde og fugt, kost, rygning og arbejdsvaner menes alle at medvirke til udviklingen af disse symptomer. Der findes forholdsregler, som operatøren kan træffe for at begrænse påvirkningen fra vibrationer:

- Hold kroppen varm i koldt vejr. Brug handsker, så hænder og vriste holdes varme under arbejdet. Der er rapporteret om, at koldt vejr er en væsentlig faktor til Raynauds syndrom.
- Motionér efter hver arbejdsperiode for at øge blodcirkulationen.
- Hold hyppige arbejdspauser. Begræns eksponeringen for vibrationer pr. dag.

Hvis du mærker nogen af symptomerne på denne tilstand, skal du straks ophøre med arbejdet og søge læge.

### ⚠ ADVARSEL

Længere tids brug af et værktøj kan forårsage - eller forværre - personskader. Når man bruger et værktøj i længere perioder ad gangen, skal man huske at holde hyppige pauser.

### KEND PRODUKTET

Se side 77.

1. Klinge
2. Samling af sko
3. Klingefastspænding
4. Værktøjsfrit klingskiftesystem
5. Sekskantnøgle
6. Batteriåbning
7. Kontaktduløser
8. Start-stopknappens oplåsningsknap



**BETJENING**

**JUSTERA SLÄDEN**

- Produkten har en slåde går upp och ner i båda riktningar för att se till att skon ligger an mot underlaget hela tiden. Den justerbara släden förs även in och ut så att bladets tänder används i olika lägen.
- Tryck in sågbladet i hållaren tills det tar emot. Kontrollera att sågbladet sitter ordentligt.

**BRUGSTIPS**

**⚠ ADVARSEL**  
Pas på ikke at vride eller bukke klingerne.

- Undlad at tvinge værktøjet.
- Brug skæreeolie, når der saves i bløde metaller og stål. Skæreeolie holder desnuden klingerne afkølet, øger effektiviteten, og forlænger klingernes levetid.
- Emnet skal spændes ordentligt fast, og der skal skæres tæt på fastspændingspunktet for at undgå evt. vibrationer i emnet. Ved skæring af vandledninger, rør eller vinkeljern skal emnet så vidt muligt fastspændes i en skruestik, og der skal saves tæt på skruestikken. Til savning af tynde plader skal emnematerialet anbringes mellem plader af træ eller krydsfiner, hvorved lagene fastspændes for at udelukke vibration og sønderrivning af materialet.
- Sørg for altid at holde et fast fremadrettet tryk på værktøjet for at holde skoen i kontakt med arbejdsområdet.
- Använd aldrig spruckna eller vridna sågblad. Använd inte sågblad som är trasiga eller deformerade.

**⚠ ADVARSEL**  
Støv fra visse typer maling, belægninger og materialer kan forårsage irritation eller allergiske reaktioner i åndedrætssystemet. Støv fra træ som fx eg, bøg, MDF og andre er kræftfremkaldende. Materiale, som indeholder asbest, må kun bearbejdes eller håndteres af hertil kvalificerede specialoperatører.

**⚠ ADVARSEL**  
Brug altid sikkerhedsbriller eller beskyttelsesbriller med sideafskærmning, når der arbejdes med redskaber og værktøj. Hvis denne regel ikke overholdes, kan man få slynget fremmedlegemer i øjnene og komme alvorligt til skade.

**VEDLIGEHOLDELSE**

**⚠ ADVARSEL**  
Slibemaskinen må aldrig være tilsluttet stikkontakten under montering af dele, indstilling, rensning, eller når den ikke er i brug. Ved at afbryde forbindelsen til strømforsyningen forhindrer man utilsigtet start af produktet, hvilket kan medføre alvorlige personskader.

- I forbindelse med servicearbejde må der kun bruges originale reservedele. Brug af alternative dele kan forårsage farlige situationer eller ødelægge produktet.
- Undgå brug af opløsningsmidler til rengøring af plastdele. De fleste plasttyper bliver ødelagt, hvis de renses med almindelige gængse opløsningsmidler. Fjern snavs, støv m.v. med en ren klud.
- Sørg for, at bremsevæske, benzin, petroleumsebase produkter, penetreringsolie, mv., aldrig kommer i kontakt med plastdele. Disse kemiske produkter indeholder stoffer, som kan beskadige, mørne eller ødelægge plastmaterialet.
- Bær altid sikkerhedsbriller med sideskjolde under betjening af elværktøjet eller ved støv-ophvirvling. Hvis der ophvirvles støv under arbejdet, bæres også støvmaske.
- For bedre sikkerhed og pålidelighed skal alt reparationsarbejde udføres på et autoriseret servicecenter.

**GENERELT**

Undgå brug af opløsningsmidler til rengøring af plastdele. De fleste plasttyper bliver ødelagt, hvis de renses med almindelige gængse opløsningsmidler. Fjern snavs, støv m.v. med en ren klud.

Elektriske værktøjer, som bruges på glasfiber, gipsplader og beklædningsplader har tendens til at blive slidt hurtigere og evt. få flere driftsproblemer. Spåner og savsmuld fra disse materialer har nemlig en kraftig slibevirkning på det elektriske værktøjs dele, fx lejer, kulbørster, omskiftere osv. Vi anbefaler, at man ikke bruger produktet i længere tid med disse typer materialer.

**⚠ ADVARSEL**  
Undlad at bruge trykluft til at fjerne støv fra produktet. Denne praksis er farlig og kan bevirke, at der blæses snavs og grus, hvilket kan beskadige andres øjne.

**SMØRING**

Alle lejerne i produktet er smurt for produktets levetid under normale driftsbetingelser med en tilstrækkelig mængde højkvalitetssmøremiddel. Det er derfor ikke nødvendigt med yderligere smøring.

## MILJØBESKYTTELSE



Råmaterialerne skal genbruges og ikke bortskaffes som almindeligt affald. Af hensyn til miljøet skal redskab, tilbehør og emballage sorteres.

## SYMBOLER PÅ PRODUKTET



Sikkerheds Varsel



Tomgangshastighed



Volt



Direkte strøm



Antal omdrejninger eller bevægelser pr. Minut



CE Overensstemmelse



EurAsian overensstemmelsesmærke



Ukrainsk overensstemmelsesmærke



Læs venligst vejledningen omhyggeligt inden start af produktet.



Elektriske affaldsprodukter bør ikke afskaffes sammen med husholdningsaffald. Genbrug venligst hvor faciliteterne tillader dette. Tjek med din lokale kommune eller forhandler for genbrugsråd.

## IKON I DENNE BRUGSANVISNING



Bemærk



Dele eller tilbehør, der sælges separat



Hastighed, mindste



Hastighed, max



Træ



Plastik



Metal



FARE: Skarp klinge



Brug friktionsfri, kraftige handsker.

De følgende ikoner og betydninger er beregnet til at forklare risikoen involveret i at anvende denne enhed.

### ⚠ FARE

Indikerer en umiddelbart farlig situation, som - hvis den ikke afværges - vil medføre dødsfald eller alvorlig personskade.

### ⚠ ADVARSEL

Indikerer en potentielt farlig situation, som - hvis den ikke afværges - kan medføre dødsfald eller alvorlig personskade.

### ⚠ VÆR OPMÆRKSOM

Indikerer en potentielt farlig situation, som - hvis den ikke afværges - kan medføre mindre eller middelsvær personskade.

### VÆR OPMÆRKSOM

(Uden sikkerhedssymbol) indikerer en situation som kan føre til skade af personlig ejendom.

Säkerhet, prestanda och pålitlighet har varit högsta prioritet vid design av din sticksåg.

### ANVÄNDNINGSMOMRÅDE

Sticksågen är enbart avsedd att användas av vuxna som har läst och är införstådda med instruktioner och varningar i denna bruksanvisning och kan anses vara ansvariga för sina åtgärder. Med korrekt blad på plats kan sticksågen användas för att såga i trä, plast, gips och metall till det djup som anges i tabellen med specifikationer. Sticksågen ska hållas i händerna – den får inte monteras på någon arbetsbänk om inte specifika instruktioner för detta har lämnats av tillverkaren.

### ⚠ VARNING

Läs alla säkerhetsvarningar och anvisningar. Att inte följa en och instruktionerna kan resultera i elstöt, brand och/eller allvarlig skada.

Behåll dessa varningar och anvisningar för framtida referens.

### SÄKERHETSVARNINGAR FÖR STICKSÅG

- **Greppa verktyget i dess isolerade delar när du utför arbeten där maskinen kan komma i kontakt med dolda elkablar.** Vid kontakt med en strömförande kabel kan de exponerade delarna på verktyget bli strömförande och ge användaren en elektrisk stöt.
- **Skydda dina lungor.** Använd en hel ansiktsmask eller en mask som skyddar mot damm, om arbetet alstrar mycket damm.

### RESIDUALRISK

Även om produkten används enligt instruktionerna går det inte att eliminera alla eventuella riskfaktorer. Följande risker kan uppstå vid användning och operatören ska vara extra uppmärksam för att undvika följande:

- Skador orsakade av vibrationer
  - Använd lägst möjliga hastighet för uppgiften. Begränsa exponeringen. Se "Riskreducering".
- Skador orsakade av damm
  - Bär alltid ögonskydd. Använd lämplig dammask med passande filter som skyddar mot damm från materialet som bearbetas. Åt, drick eller rök inte på arbetsområdet. Se till att arbetsplatsen är tillräckligt ventilerad.
- Elektrisk stöt
  - Bladet kan komma i kontakt med dolda aktiva kablar och göra produkten strömförande. Håll alltid produkten i handtagen och var försiktig vid kapning i väggar och golv där det kan finnas dolda kablar.

**NOTERA:** Vid arbete i väggar, golv eller tak ska du vara noga med att undvika el-, gas- och vattenledningar. Håll alltid produkten med båda händerna.
- Skador vid kontakt med sågbladet
  - Bladen är mycket vassa och blir heta under användning. Använd handskar vid byte av blad. Håll alltid händerna på säkert avstånd från sågområdet.

Kläm alltid fast arbetsstycket om så är möjligt.

- Skador orsakade av buller
  - Exponering för buller under längre tidsperioder ökar risken för hörselskador och effekten ackumuleras. När elverktyg används längre perioder ska alltid hörselskydd användas.

### RISKMINSKNING

Det finns rapporter om att vibrationer från handhållna verktyg kan bidra till ett tillstånd som kallas Raynauds syndrom för vissa personer. Symptomen brukar vara att det sticker i fingrarna och att de domnar bort; fingrarna kan också bli vita, särskilt vid kyla. Årftliga faktorer, kyla och fukt, diet, rökning och arbetsrutiner tros alla bidra till att orsaka dessa symptom. Det finns förebyggande åtgärder som du kan vidta för att försöka minska vibrationernas påverkan:

- Håll dig varm när du arbetar i kallt väder. Använd handskar för att hålla kvar värmen i händer och handleder. Kyla har rapporterats som en viktig del i utvecklandet av Raynauds syndrom.
- Träna och rör på dig efter varje användningstillfälle för att öka blodcirkulationen.
- Ta ofta pauser från arbetet. Begränsa tiden du utsätter dig varje dag.

Upphör omedelbart om du upplever några av dessa symptom och uppsök din läkare.

### ⚠ VARNING

Risk för person- eller slitageskador vid användning av verktyget under lång tid. Om verktyget används under längre perioder krävs regelbundna pauser.

### LÄR KÄNNA DIN PRODUKT

Se sidan 77.

1. Sägklinga
2. Skomontage
3. Bladklämma
4. Bladbyte utan verktyg
5. Sexkantsnyckel
6. Batteriport
7. Avtryckare
8. Knapp för upplåsning av gasreglaget

### ANVÄNDNING

#### JUSTERA SLÄDEN

- Produkten har en släde går upp och ner i båda riktningar för att se till att skon ligger an mot underlaget hela tiden. Den justerbara släden förs även in och ut så att bladets tänder används i olika lägen.
- Tryck in sågbladet i hållaren tills det tar emot. Kontrollera att sågbladet sitter ordentligt.

EN  
FR  
DE  
ES  
IT  
NL  
PT  
DA  
SV  
FI  
NO  
RU  
PL  
CS  
HU  
RO  
LV  
LT  
ET  
HR  
SL  
SK  
EL  
TR  
UK



## TIPS FÖR ANVÄNDNING

### VARNING

Var försiktigt så att du inte vrider eller bänder sågbladen.

- Använd inte kraft mot verktyget.
- Använd sågolja vid sågning av mjuka metaller och stål. Sågolja kylar även bladen, förbättrar sågverkan och förlänger bladets livslängd.
- Spänn fast arbetsstycket ordentligt och säga nära fastspänningspunkten för att begränsa vibrationerna i arbetsstycket. Spänn fast arbetsstycket i ett skruvstöd om det är möjligt och säga nära skruvstället när du sågar i ledning, rör eller vinkeljärn. För att säga i tunt material ska arbetsstycket placeras mellan två trä- eller plywoodskivor och lagren klämmas samman för att eliminera vibrationer och att materialet slitns sönder.
- Säkerställ ett stadigt och framåtriktat tryck på verktyget för att konstant hålla skon i kontakt med arbetsstycket.
- Använd aldrig spruckna eller vridna sågblad. Använd inte sågblad som är trasiga eller deformerade.

### VARNING

Damm från viss typ av färg, ytor och material kan skapa irritation eller allergiska reaktioner i andningssystemet. Damm från trä som ek, bok, MDF och annat är cancerframkallande. Material som innehåller asbest får enbart bearbetas av specialutbildade användare.

### VARNING

Använd alltid säkerhetsglasögon eller skyddsglasögon försedda med sidoskydd vid arbete med verktyg. Underlåtenhet att följa denna föreskrift kan leda till att främmande partiklar slungas mot ögonen och framkallar allvarliga ögonskador.

## UNDERHÅLL

### VARNING

Slipmaskinen får aldrig vara nätansluten då du monterar komponenter, utför inställningar, rengör verktyget eller då du inte använder det. Om du kopplar ur verktyget från eluttaget så förhindrar du oavsiktlig start som kan resultera i allvarliga skador.

- Använd endast identiska originaldelar när du servar maskinen. Användning av andra delar kan orsaka fara eller produktskada.
- Undvik att använda lösningsmedel vid rengöring av plastdelar. Flertalet plaster kan skadas vid användning av vissa lösningsmedel som säljs i affärerna. Använd en ren tygrasa för att torka bort smuts, damm, osv.
- Låt aldrig bromsvätska, bensin, petroleumbaserade produkter, penetrerande oljor och liknande komma i kontakt med plastdelar. Dessa ämnen innehåller kemiska produkter som kan skada, försvaga eller

förstöra plasten.

- Använd alltid skyddsglasögon när du använder verktyget eller när du blåser damm. Använd en ansiktsmask om det dammar mycket.
- För säkerhet och pålitlighet ska alla reparationer utföras av auktoriserat reparationscenter.

## ALLMÄNT

Undvik att använda lösningsmedel vid rengöring av plastdelar. Flertalet plaster kan skadas vid användning av vissa lösningsmedel som säljs i affärerna. Använd en ren tygrasa för att torka bort smuts, damm, osv.

Elektriska verktyg som används på glasfiber, gipsplattor eller beklädnadspaneler tenderar att slitas snabbare och få funktionsavbrott i förtid på grund av att spän och sågspän som härstammar från dessa material angriper kugghjul, elborstar, strömbrytare, osv. Vi rekommenderar inte att produkten används under längre tidsperioder på dessa typer av material.

### VARNING

Använd inte tryckluft för att blåsa bort smuts/damm från produkten. Denna metod är riskfylld och kan göra att smuts och skräp flyger iväg och orsakar ögonskador.

## SMÖRJNING

Alla lager i produkten har smorts med tillräcklig mängd högklassig smörjmedel för produktens livslängd under normala driftförhållanden. Därför behövs ingen ytterligare smörjning.

## MILJÖSKYDD



Råmaterialen ska återvinnas i stället för att kastas i hushållsavfallet. För att skona miljön ska verktyget, tillbehören och emballagen sorteras.

## SYMBOLER PÅ PRODUKTEN



Säkerhetsvarning



Tomgångshastighet



Volt



Likström



Antal varv eller rörelser per minut



CE-konformitet



EurAsian överensstämmelsesymbol



Ukrainskt märke för överensstämmelse







Läs alla instruktioner noggrant innan du startar produkten.



Gamla elektroniska produkter ska inte kastas med hushållssoporna. Återvinn där sådana faciliteter finns. Kontrollera med din lokala myndighet eller säljaren för att få återvinningstips.

## SYMBOLER I MANUALEN



Notera



Delar och utrustning säljs separat



Hastighet, minsta



Hastighet, maximum



Trä



Plast



Metall



FARA: Vass klinga



Används halkfria, grova skyddshandskar.

Följande signalord och betydelser är tänkta att förklara de olika risknivåerna som är associerade med denna produkt.

### FARA

Visar på en direkt riskfylld situation som, om den inte undviks, kan orsaka dödsfall eller allvarlig personskada.

### VARNING

Visar på en potentiellt riskfylld situation som, om den inte undviks, kan orsaka dödsfall eller allvarlig personskada.

### FÖRSIKTIGHET

Visar på en potentiellt riskfylld situation som, om den inte undviks, kan orsaka mindre eller måttlig personskada.

### FÖRSIKTIGHET

(Utan säkerhetssymbolen) Indikerar en situation som kan leda till egendomsskada.



Kehyssahan suunnittelussa on pidetty etusijalla turvallisuutta, suorituskykyä ja luotettavuutta.

## KÄYTTÖTARKOITUS

Kehyssaha on tarkoitettu vain sellaisten aikuisten käytettäväksi, jotka ovat lukeneet ja ymmärtäneet tämän käsikirjan ohjeet ja varoitukset ja joita voidaan pitää vastuullisina teoistaan. Kun kehysahaan on asennettu asianmukaiset terät, se on suunniteltu puun, muovin, kipsilevyjen ja metallin leikkaamiseen teknisten tietojen taulukossa mainittuun syvyyteen saakka. Kehyssaha on tarkoitettu käsikäyttöön; sitä ei saa asentaa työpenkkiin, ellei tuotteen valmistaja erityisesti neuvo toisin.

Älä käytä tätä tuotetta millään muulla tavalla kuin mihin se on tarkoitettu.

## VAROITUS

**Lue kaikki turvallisuusvaroitukset ja ohjeet.** ten ja ohjeiden laiminlyönnistä voi seurata sähköisku, tulipalo ja/tai vakava loukkaantuminen.

Säästä kaikki varoitukset ja ohjeet tulevaa käyttöä varten.

## KEHYSSAHAN TURVALLISUUSVAROITUKSET

- **Pidä kiinni sähkötyökalusta vain kahvasta jossa tartuntapinta, erityisesti kun työstät materiaalia, jossa on mahdollisesti piilossa olevia johtoja.** Jos leikkuri koskettaa sähköistettyä johtoa, työkalun metalliosat voivat sähköistyä ja aiheuttaa käyttäjälle sähköiskun.
- **Suojele keuhkojasi.** Käytä kasvonsuojusta tai kasvoamaria, mikäli työstä syntyy pölyä.

## KÄYTÖN RISKIT

Vaikka tuotetta käytettäisiin ohjeiden mukaisesti, ei ole mahdollista täysin eliminoida tiettyjä käyttöön liittyviä riskitekijöitä. Käytössä voi aiheutua seuraavia vaaroja, ja käyttäjän tulee kiinnittää erityistä huomiota niiden välttämiseen:

- **Tärinän aiheuttama vamma**
    - Käytä aina tehtävästä hoituvaa pienintä nopeusasetusta. Vältä altistumista. Katso kohta Riskien Vähentäminen.
  - **Pölyn aiheuttama vamma**
    - Käytä aina suojalaseja. Käytä asianmukaista pölynaamaria, jossa on asianmukaiset suodattimet, jotka suojaavat työmateriaalista irtoavalta pölyltä sekä hiomalaikan hankaavilta hiukkasilta. Älä syö, juo tai tupakoi työalueella. Huolehdi työpaikalla riittävästä tuuletuksesta.
  - **Sähköisku**
    - Terä saattaa koskettaa piilossa olevia johtoja, jolloin tuotteeseen saattaa johtua sähköä. Pitele tuotetta aina merkityistä kahvoista ja ole varovainen leikatellasi seinän- tai lattian vierustaa, jossa saattaa olla näkymättömissä olevia johtoja.
- HUOM:** Kun käsittelet seinä-, kattoja tai lattiaa, varo

osumasta sähköjohtoihin ja kaasu- tai vesiputkiin. Tuotetta on käytettävä molemmiin käsiin.

- **Leikkuuterää koskettamisesta aiheutuva vamma**
  - Terät ovat hyvin teräviä ja kuumenevat käytössä. Käytä käsineitä vaihtaessasi terä. Pidä kädet aina poissa leikkuualueelta. Kiinnitä työkalupale puristimilla aina kun mahdollista.
- **Melun aiheuttama vamma**
  - Pitkäaikaan altistuminen melulle kasvattaa kuulovaurion riskiä, ja vaikutukset ovat kumulatiivisia. Käytä kuulosuojaimia käyttäessäsi sähkötyökaluja pitemmän aikaa.

## RISKIEN VÄHENTÄMINEN

Raporttien mukaan käsikäyttöisten laitteiden tärinä voi joidenkin kohdalla myötävaikuttaa Raynaud's Syndromen (Raynauodin oireen) ilmenemiseen. Oireita ovat pistely, turtuus ja sormien kalpeneminen, yleensä kylmässä ilmassa. Perinnölliset tekijät, kylmyys ja kosteus, ruokavalio, tupakointi sekä työtavat voivat kaikki myötävaikuttaa näiden oireiden ilmenemiseen. Käyttäjä voi ehkäistä tärinän aiheuttamia vaikutuksia seuraavasti:

- Pidä itsesi lämpimänä kylmällä säällä. Käytä laitteen käytön aikana käsineitä, jotta kätesi ja ranteesi pysyvät lämpöisinä. Raporttien mukaan kylmä ilma on tärkeä tekijä Raynaud's Syndromen (Raunauodin oireiden) ilmenemisessä.
- Harjoita kunkin käyttöjakson jälkeen liikuntaa, jotta verenkierto lisääntyy.
- Pidä työn aikana säännöllisesti taukoja. Rajoita päivittäisen tärinän määrä.

Jos mitään yllä mainittuja oireita ilmenee, lopeta heti laitteen käyttö ja kerro oireista lääkärille.

## VAROITUS

Laitteen pitkittynyt käyttö voi aiheuttaa tai vaikeuttaa vammoja. Kun käytät mitä tahansa laitetta pitkiä aikoja, muista pitää säännöllisiä taukoja.

## TUNNE TUOTTEESI

Katso sivu 77.

1. Terä
2. Kenkäkokooppa
3. Terän kiinnike
4. Työkaluja tarvitsematon terän vaihtojärjestelmä
5. Kuusioavain
6. Akkutilla
7. Liipaisin
8. Liipaisimen lukinnan vapautusnappi

## KÄYTTÖ

### KENKÄKOKOONPANO SÄÄTÄMINEN

- Tuotteessa on kenkäkokooppa, joka kääntyy ylöspäin sen takaamiseksi, että kenkä istuu aina tasaisesti leikkuupintaa vasten. Säädettävä kenkä liukuu lisäksi sisään ja ulos, jolloin terän hampaita



voidaan käyttää eri asennossa terällä.

- Paina sahanterä sahanterän pidikkeeseen rajoittimeen saakka. Varmista, että sahanterä on tiukasti kiinni.

## KÄYTTÖVINKKEJÄ

### VAROITUS

Varo, ettet taipuva terä.

- Älä pakota laitetta.
- Käytä leikkuuöljyä leikatessasi pehmeitä metalleja tai terästä. Leikkuuöljy pitää terät viileinä, tehostaa leikkuutoimintoa ja pidentää terän käyttöikää.
- Kiinnitä työkappale tukevasti puristimella ja leikkaa puristuskohdan läheltä, jotta työkappale ei tärisisi. Kun leikkaat johdinta, putkea tai kulmarautaa, kiinnitä työkappale ruuvipenkkiin ja sahaa läheltä ruuvipenkkiä, jos mahdollista. Voit leikata ohuita materiaaleja laittamalla ne kovalevyn tai vanerin palasten väliin ja puristamalla kerrokset yhteen, jotta materiaali ei tärisie eikä repeydy.
- Pidä aina tukeva eteenpäin suuntautuva paine työkalussa, jotta kenkä pysyy kosketuksissa työkalupäleeseen.
- Älä käytä lohjenneita tai vääristyneitä sahanteriä. Älä käytä vaurioituneita tai vääristyneitä sahanteriä.

### VAROITUS

Erilaisista maaleista, pinnoitteista ja materiaaleista syntyvä pöly saattaa aiheuttaa ärsytystä tai allergisia reaktioita hengitysteissä. Esim. tammen, pyökin ja MDF:n puupöly on karsinogeenistä. Vain asiaan erikoistuneet työntekijät saavat käsitellä tai työstää asbestia sisältäviä materiaaleja.

### VAROITUS

Käytä aina tavanomaisia tai sivusuojilla varustettuja suojalaseja, kun käytät työkaluja. Tämän ohjeen laiminlyönti voi aiheuttaa kappaleiden sinkoutumista silmiin käytön aikana ja aiheuttaa täten vakavia silmävammoja.

## HUOLTO

### VAROITUS

Hiomakonetta ei saa koskaan kytkeä verkkovirtaan kun asennat osia, teet säätö- ja puhdistustöitä tai kun et käytä sitä. Laitteen irrottaminen pistorasiasta estää sitä käynnistymättä vahingossa, jolloin vältetään mahdollisilta vakavilta vammoilta.

- Huollossa tulee käyttää ainoastaan identtisiä varaosia. Muunlaisten osien käyttö voi aiheuttaa vaaran tai vioittaa laitetta.
- Älä puhdista muoviosia liuottimilla. Suurin osa muoveista ei siedä markkinoilla olevia määrättyjä

liuotteita, jotka vahingoittavat niitä. Käytä puhdasta riepua lian, pölyn jne. puhdistukseen.

- Älä koskaan päästä jarrunesteitä, bensiiniä, öljytuotteita, läpäiseviä öljyjä tms. kosketuksiin muoviosien kanssa. Nämä kemialliset aineet voivat vaurioittaa, heikentää tai tuhota muovin.
- Käytä aina sähkölaitetta käyttäessäsi tai pölyä puhaltaessasi suojalaseja, joissa on sivusuojaimet. Käytä lisäksi pölynaamarია, jos työ on pölyistä.
- Jotta laite toimisi turvallisesti ja luotettavasti, kaikki korjaukset tulee antaa valtuutetun huoltopisteen hoidettavaksi.

## YLEISTÄ

Älä puhdista muoviosia liuottimilla. Suurin osa muoveista ei siedä markkinoilla olevia määrättyjä liuotteita, jotka vahingoittavat niitä. Käytä puhdasta riepua lian, pölyn jne. puhdistukseen.

Lasikuidun, kipsin, pinnoitteiden ja laastin käsittelyyn käytetyillä sähkötyökaluilla on taipumus kulua nopeammin, ja ne saattavat rikkoutua nopeammin sen takia, että lasikuitulastut ja hiomapöly kuluttavat laakereita, harjoja, kollektoreja jne. nopeasti. Emme suosittele, että tuotetta käytetään pitkiä aikoja tämän tyyppisten materiaalien kanssa.

### VAROITUS

Älä poista pölyä tuotteesta paineilmalla. Tämä on vaarallista, ja voi aiheuttaa sen, että roskaa ja pölyä sinkoutuu laitteesta ja vahingoittaa ihmisten silmiä.

## VOITELU

Tuotteen laitteen laakerit on voideltu laitteen eliniäksi normaaliolosuhteissa riittävällä määrällä korkealaatuista voiteluainetta. Tästä syystä työkalu ei kaipaa lisävoitelua.

## YMPÄRISTÖNSUOJELU



Älä hävitä raaka-aineita jätteinä vaan vie ne kierrätykseen. The machine, accessories, and packaging should be sorted for environment-friendly recycling.

## TUOTTEESSA OLEVAT SYMBOLIT



Turvavaroitus



Tyhjäkäyntinopeus



Voltti



Tasavirta



Kierrosten tai liikkeiden määrä minuutissa



CE-vastaavuus



EurAsian-vaatimustenmukaisuusmerkki



Ukrainalainen säästömerkintä



Lue ohjeet huolella ennen laitteen käyttöä.



Käytöstä poistettavia sähkölaitteita ei pidä hävittää talousjätteiden mukana. Ne on mahdollisuuksien mukaan pantava kiertoon. Kierrätysohjeita antavat kunnan viranomaiset ja vähittäiskauppiat.

## TÄMÄN KÄSIKIRJAN KUVAKE



Huom



Osat ja lisävarusteet on hankittava erikseen



Nopeus, pienin



Nopeus, maksimimomentti



Puu



Muovi



Metalli



VAARA: Terävä terä



Käytä luusumattomia raskaan käytön käsineitä.

Seuraavat signaalisanat ja merkitykset on tarkoitettu selittämään tähän tuotteeseen liittyviä riskin tasoja.

### VAARA

Ilmoittaa välittömästä vaaratilanteesta, joka saattaa aiheuttaa kuoleman tai vakavan vamman.

### VAROITUS

Ilmoittaa mahdollisesta vaaratilanteesta, joka saattaa aiheuttaa kuoleman tai vakavan vamman.

### VAROITUS

Ilmoittaa mahdollisesta vaaratilanteesta, joka saattaa aiheuttaa pienen tai kohtalaisen vamman.

### VAROITUS

(Ilman varoitusmerkkiä) Tilanne, joka voi aiheuttaa materiaalista vahinkoa.



Sikkerhet, ytelse og driftssikkerhet er gitt topp prioritet i konstruksjonen av din bajonettsag.

### TILTENKT BRUK

Bajonettsagen skal kun brukes av voksne som har lest og forstått anvisningene og advarslene i denne brukermanualen og som kan anses å være ansvarlige for sine handlinger. Når de riktige bladene er satt på, kan bajoettsagen kutte tre, plast, gipsvegg og metall inntil dybden som er beskrevet i tabellen. Bajonettsagen er ment som håndholdt verktøy, den må ikke festes på en snekkerbenk unntatt når produsenten har gitt spesifikke instruksjoner for produktet.

Ikke bruk produktet på noe annen måte enn det som er beskrevet som tiltenkt bruk.

### ⚠ ADVARSEL

**Les alle sikkerhetsadvarslene og alle instruksjonene.** Dersom man ikke holder seg til advarsler og instruksjoner kan det føre til elektrisk støt, brann og/eller alvorlig personskade.

Ta vare på alle advarsler og anvisninger for senere bruk.

### BAJONETTSAG SIKKERHETSADVARSLER

- **Hold det elektriske verktøyet på de isolerte gripeflatene når du foretar arbeid der skjæreredskapen kan få kontakt med skjulte strømførende elektriske ledninger.** Skjæreredskap som får kontakt med strømførende elektriske ledninger kan føre til at metalldelene på verktøyet blir strømførende og at brukeren kan få støt.
- **Beskytt lungene dine.** Bruk ansiktsskjerm eller støvmaske dersom sagingen er støvdannende.

### GJENVÆRENDE RISIKO

Også når produktet brukes som beskrevet, er det ikke mulig å utelukke risiko for brukere eller personer i nærheten. Følgende farer kan oppstå ved bruk og operatøren bør være spesielt oppmerksom på å unngå/sikre følgende:

- Personskader pga. vibrasjon
  - Bruk laveste fart som får utført jobben. Begrens eksponering. Se "Farereduksjon".
- Skader skapt av støv.
  - Bruk alltid øyebeskyttelse. Bruk en adekvat støvmaske med passende filtre som kan beskytte mot støvet som genereres av arbeidsemne. Ikke spis, drikk eller røyk i arbeidsområdet. Sørg for tilfredsstillende ventilasjon av arbeidsområdet.
- Elektrisk støt
  - Bladet kan komme i kontakt med skjulte ledninger og slik føre til at produktet blir «strømførende». Hold produktet alltid i de dertil tiltenkte håndtakene og pass på at du ikke kutter blindt inn i vegger og gulv der det kan være skjulte kabler.

**NB:** Når det arbeides på vegger, tak eller gulv må det påses at det ikke bores i elektriske ledninger og vann-

eller gassrør. Produktet må brukes med begge hender.

- Personskade ved kontakt med sagbladet
  - Sagbladene er meget skarpe og blir meget varme ved bruk. Bruk hansker når du skifter bladene. Hold hendene til enhver tid unna kutteområdet. Klem fast arbeidsemne når det er mulig.
- Personskader pga. støv
  - Lang eksponering til støv øker faren for hørselskader og effekten er akkumulerende. Når du bruker elektrisk verktøy over en lenger tidsperiode, bruk hørselvern.

### FAREREDUKSJON

Det foreligger rapporter om at vibrasjoner fra håndholdt verktøy for enkelte personer kan bidra til en tilstand som kalles Raynauds Syndrome. Symptomene kan omfatte følelsesløshet og gjøre fingrene bleke, vanligvis synlig ved eksponering til lave temperaturer. Arvelige faktorer, eksponering mot lave temperaturer og fuktighet, diett, røyking og arbeidspraksis blir alle ansett for å kunne bidra til å utvikle disse symptomene. Brukeren kan iverksette tiltak for mulig å redusere virkningene av vibrasjonene:

- Hold kroppen din varm i kaldt vær. Bruk hansker og hold hender og vrister varme ved bruk av gressklipperen. Det er rapportert at kaldt vær er en viktig faktor som bidrar til Raynauds Syndrome.
- Etter hver arbeidsperiode bør det utføres øvelser for å øke blodsirkulasjonen.
- Ta ofte pauser fra arbeidet som utføres. Begrens mengden av eksponering pr. dag.

Hvis du opplever noen av symptomene på denne tilstanden må du øyeblikkelig avbryte arbeidet og oppsøke en lege med disse symptomene.

### ⚠ ADVARSEL

Skader kan oppstå eller forsterkes ved forlenget bruk av et verktøy. Når du bruker et verktøy over en lenger tidsperiode, husk å ta regelmessige pauser.

### KJENN DITT PRODUKT.

Se side 77.

1. Blad
2. Skomonerer
3. Bladklemme
4. Bladskifte uten verktøy
5. Sekskantnøkkel
6. Batteridør
7. Strømbryter
8. Strømbryterens frigjøringsknapp

### BRUK

#### JUSTERE HOLDERENHET

- Produktet har en holder som går opp og ned i begge retninger for å sikre at skoen til enhver tid ligger flatt mot kutteoverflaten. Den justerbare skoen glir også inn og ut slik at du kan bruke bladtaggene i forskjellige

EN
FR
DE
ES
IT
NL
PT
DA
SV
FI
NO
RU
PL
CS
HU
RO
LV
LT
ET
HR
SL
SK
EL
TR
UK



posisjoner på bladet.

- Trykk sagbladet inn i sagbladholderen til det stopper. Sjekk at sagbladet er festet godt.

#### BRUKERTIPS

##### ADVARSEL

Vær forsiktig slik at du ikke vrir eller bøyer bladet.

- Ikke press verktøyet.
- Bruk skjæreolje når du kutter myke metaller og stål. Skjæreolje holder også bladet kjølig, øker kutteeffekten og forlenger sagbladets levetid.
- Fest arbeidsstykket forsvarlig med tvinge eller på annen måte og kapp så nær festestedet som mulig for å eliminere vibrasjoner i arbeidsstykket som skal kappes. Når du skal skjære kanaler, rør eller vinklet jern, fest om mulig arbeidsstykket i en skrustikke og sag nære skrustikken. For å sage tynne metallplater, legg materialet mellom to treplater eller sponplater og klem lagene sammen for å unngå vibrasjoner og materialsitasje.
- Hold alltid et fast trykk lang frem på verktøyet for å holde sålen i kontakt med arbeidsemnet.
- Ikke bruk knekte eller vridde sagblad. Ikke bruk sagblad som har skader eller er deformerte.

##### ADVARSEL

Støv fra visse malingtyper, belegg og materialer vil kunne skape irritasjoner eller allergiske reaksjoner i åndedrettssystemet. Støv fra tresorter som eik, bjørk, fiberplater og andre er kreftfremkallende. Materialer som inneholder må kun bearbeides av kvalifiserte spesialoperatører.

##### ADVARSEL

Bruk alltid sikkerhetsbriller eller vernebriller med sidebeskyttelse når du bruker verktøy. Hvis dette ikke følges kan det føre til at fremmedlegemer kastes inn i øynene dine med påfølgende alvorlige øyenskader.

#### VEDLIKEHOLD

##### ADVARSEL

Sliperen skal aldri være koplet til en stikkontakt når du monterer deler, foretar innstillinger, gjør rent verktøyet eller når du ikke bruker det.

- Når vedlikehold utføres, må kun identiske reservedeler brukes. Bruk av andre deler kan skape fare eller føre til skade på produktet.
- Unngå bruk av løsemidler når du rengjør plastdelene. De fleste plastmaterialene kan skades ved bruk av løsningsmidlene som fås i handelen. Bruk en ren klut til å tørke bort smuss, støv osv.
- Du må aldri la bremsevæske, drivstoff,

petroleumbaserte produkter, rustoppløsende olje osv. komme i kontakt med plastikkdeler. Slike kjemiske produkter inneholder stoffer som kan skade, svekke eller ødelegge platen.

- Bruk alltid vernebriller eller sikkerhetsbriller med sidebeskyttelse ved bruk av elektrisk verktøy eller når det blåses støv. Hvis arbeidet utløser støv, bruk også en støvmaske.
- For edre sikkerhet og pålitelighet skal alle reparasjoner utføres av et autorisert verksted.

#### GENERELT

Unngå bruk av løsemidler når du rengjør plastdelene. De fleste plastmaterialene kan skades ved bruk av løsningsmidlene som fås i handelen. Bruk en ren klut til å tørke bort smuss, støv osv.

Elektroverktøy som brukes på glassfibermaterialer, sponplater og beklenningspaneler slites hurtigere og svikter tidligere siden flis og spon fra disse materialene er meget slipende for enkelte deler av elektriske verktøy som lagere, børster, brytere osv. Vi anbefaler ikke at produktet brukes over lengre tid på slike typer materialer.

##### ADVARSEL

Ikke bruk komprimert luft til å fjerne støv fra produktet. En slik fremgangsmåte er farlig og kan føre til at smuss slenges ut og skader øynene til noen.

#### SMØRING

Alle lager i dette produktet skal smøres med en tilstrekkelig mengde med et høyverdig smøremiddel for å sikre lang levetid under normale driftsforhold. Det er derfor nødvendig med tilleggs smøring.

#### MILJØVERN



Resirkuler råmaterialer istedenfor å kaste dem i søppelen. Verktøyet, tilbehørene og emballasjen bør sorteres for miljøvennlig resirkulering.

#### SYMBOLER PÅ PRODUKTET



Sikkerhetsalarm



Hastighet ubelastet



Volt



Likestrøm



min<sup>-1</sup>

Antall omdreininger eller bevegelser pr. Minutt



CE samsvar



EurAsian Konformitetstegn





Ukrainsk merke for konformitet



Les instruksjonene nøye før apparatet tas i bruk.



Avfall fra elektriske produkter skal ikke kastes sammen med husholdningsavfall. Vennligst resirkulervedeksisterende avfallsbehandlingssted. Undersøk hos dine lokale myndigheter eller forhandler for råd om resirkulering.

## ADVARSEL

(Uten sikkerhetssymbol) Indikerer en situasjon som kan resultere i skader på eiendom.

EN  
FR  
DE  
ES  
IT  
NL  
PT  
DA  
SV  
FI  
**NO**  
RU  
PL  
CS  
HU  
RO  
LV  
LT  
ET  
HR  
SL  
SK  
EL  
TR  
UK

## SYMBOLER I MANUALEN



Nb



Deler eller tilbehør solgt separat



Hastighet, minimum



Hastighet, maks



Tre



Plast



Metall



FARE: Skarpt blad



Bruk kraftige, sklisikre hansker.

Følgende symboler og betydninger forklarer risikonivået som er assosiert med dette produktet.

### FARE

Indikerer en umiddelbart farlig situasjon, som, dersom den ikke unngås, kan føre til alvorlig personskade eller død.

### ADVARSEL

Indikerer en potensiell farlig situasjon, som, dersom den ikke unngås, kan føre til alvorlig personskade eller død.

### ADVARSEL

Indikerer en potensiell farlig situasjon, som, dersom den ikke unngås, kan føre til mindre eller moderate skader.



При разработке этой сабельной пилы особое внимание уделялось безопасности, производительности и надежности.

### НАЗНАЧЕНИЕ

Сабельной пилой могут пользоваться только компетентные взрослые, которые прочли инструкции по технике безопасности, осознали опасности, связанные с эксплуатацией изделия, и могут считаться ответственными за свои действия. При использовании соответствующих режущих полотен сабельная пила предназначена для разрезания древесины, пластика, гипсокартона и металла на глубину, указанную в таблице технических характеристик. Сабельная пила является ручным инструментом, она не предназначена для крепления с помощью зажима или установки на верстак.

Используйте устройство строго по назначению, указанному в настоящем руководстве.

### ⚠ ОСТОРОЖНО

**Прочтите все указания и инструкции по технике безопасности.** Несоблюдение предостережений и инструкций может привести к поражению электрическим током, возгоранию и/или серьезным травмам.

Сохраните все предупреждения и инструкции для дальнейшего использования.

### ПРЕДОСТЕРЕЖЕНИЕ ОТНОСИТЕЛЬНО БЕЗОПАСНОГО ПОЛЬЗОВАНИЯ САБЕЛЬНОЙ ПИЛЫ

- При работе держите инструмент за рукоятки с электроизолирующим покрытием, так как пыльное полотно может наткнуться на скрытую электропроводку. В результате контакта полотна с проводом, находящимся под напряжением, металлические части инструмента также могут оказаться под напряжением, что приведет к поражению работающего электрическим током.
- Предохраняйте легкие. При пыльных работах также пользуйтесь защитным забралом и респиратором.

### ОСТАТОЧНЫЕ РИСКИ

Даже когда изделие используют согласно инструкциям, невозможно полностью устранить факторы риска. Следующие опасности могут возникнуть во время его использования, и во избежание их рабочий должен обратить особое внимание на следующее:

- Травмы, вызываемые вибрацией
  - Используйте минимальную скорость, достаточную для выполнения задачи. Ограничивайте воздействие. См "Снижение Риска".
- Травмы, вызываемые пылью
  - Всегда надевайте защитные очки. Носите респиратор с надлежащими фильтрами,

которые могут защитить от пыли, источником которой является обрабатываемый материал и абразивные частицы. Не ешьте, не пейте и не курите в рабочей зоне. Обеспечьте надлежащую вентиляцию на рабочем месте.

- Поражение электрическим током
  - Пыльное полотно может задеть скрытую проводку, при этом детали изделия окажутся под напряжением. Держите изделие только за предназначенные для этого ручки и будьте осторожны при пилении стен и полов, где могут быть скрыты кабели..

**ПРИМЕЧАНИЕ:** При выполнении работ на стенах, потолках или полах следите за тем, чтобы не задеть электрические кабели и газовые или водопроводные трубы. Во время эксплуатации изделия держите его обеими руками.

- Травма от контакта с режущим полотном
  - Режущее полотно будет нагреваться во время использования. Выполняйте замену полотна в перчатках. Не допускайте попадания рук в зону реза. По возможности закрепляйте заготовку.
- Травмы, вызываемые шумом
  - Длительное воздействие шума увеличивает опасность повреждения слуха, и это воздействие носит кумулятивный характер. При использовании электроинструмента в течение длительного времени носите средства защиты органов слуха.

### СНИЖЕНИЕ РИСКА

Считается, что вибрация ручного инструмента может привести к проявлению у отдельных лиц так называемой болезни Рейно (Raynaud's Syndrome). К симптомам могут относиться покалывание, онемение и побеление пальцев (как при переохлаждении). Считают, что наследственные факторы, охлаждение и влажность, диета, курение и практический опыт способствуют развитию этих симптомов. Ниже приводятся меры, которые может принять оператор для снижения воздействия вибрации:

- Одевайтесь теплее в холодную погоду. При работе с устройством пользуйтесь перчатками, чтобы руки и запястья были в тепле. Считается, что холодная погода является основным фактором, способствующим возникновению болезни Рейно (Raynaud's Syndrome).
- После каждого этапа работы выполните упражнения для усиления кровообращения.
- Чаще делайте перерывы в работе. Сократите длительность ежедневного пребывания на открытом воздухе.

При появлении каких-либо из указанных симптомов сразу же прекратите работу и обратитесь по их поводу к врачу.





### **⚠ ОСТОРОЖНО**

Продолжительное использование инструмента без перерыва может привести к травмам. При использовании инструмента в течение длительного времени делайте регулярные перерывы.

- EN
- FR
- DE
- ES
- IT
- NL
- PT
- DA
- SV
- FI
- NO
- RU**
- PL
- CS
- HU
- RO
- LV
- LT
- ET
- HR
- SL
- SK
- EL
- TR
- UK

### **ИЗУЧИТЕ ИЗДЕЛИЕ**

Стр 77.

1. Лезвие
2. Подошва
3. Зажим лезвия
4. Безинструментальная система замены полотна
5. Шестигранный гаечный ключ
6. Гнездо подключения батареи
7. Курковый выключатель
8. Кнопка разблокировки курка

### **ЭКСПЛУАТАЦИЯ**

#### **УСТАНОВКА ПОДОШВЫ**

- В изделии имеется подошва, которая поворачивается вверх и вниз в обоих направлениях, чтобы подошва всегда плотно прилегала к разрезаемой поверхности. Регулируемая подошва также задвигается и выдвигается, что позволяет использовать зубцы режущего полотна в различных положениях.
- Вставьте пыльное полотно в держатель до упора. Убедитесь в том, что пыльное полотно надежно закреплено.

#### **СОВЕТЫ ПО ЭКСПЛУАТАЦИИ**

### **⚠ ОСТОРОЖНО**

Не допускайте перекручивания или изгиба режущих полотен.

- Не увеличивайте скорость работы инструмента.
- Используйте смазочно-охлаждающую жидкость при резке мягких металлов и стали. Смазочно-охлаждающая жидкость способствует охлаждению полотна, повышает эффективность резания и продлевает срок службы полотна.
- Надежно закрепите заготовку и выполняйте резание ближе к точке крепления, чтобы избежать вибрации обрабатываемой заготовки. При резании желобов, труб или углового металла зажмите заготовку в тиски (при возможности) и выполняйте резание ближе к тискам. Чтобы разрезать тонколистовой материал, поместите материал между двумя листами ДВП или фанеры и зажмите листы, чтобы исключить вибрацию и разрыв материала.
- Всегда сохраняйте нажим на инструмент для обеспечения соприкосновения опорной подошвы с обрабатываемым изделием.
- Не используйте треснувшие или искаженные пыльные полотна. Не используйте пыльные полотна, которые повреждены или деформированы.

### **⚠ ОСТОРОЖНО**

Пыль, представляющая собой частицы определенных красок, покрытий и материалов, может вызвать раздражение или аллергические реакции дыхательной системы. Пыль от дуба, бука, МДФ и прочей древесины является канцерогенной. К обработке материалов, содержащих асбест, допускаются только опытные квалифицированные операторы.

### **⚠ ОСТОРОЖНО**

При работе всегда пользуйтесь защитными очками с боковыми протекторами. При несоблюдении этого правила техники безопасности посторонние предметы могут попасть в глаза и привести к тяжелым травмам.

### **ТЕХНИЧЕСКОЕ ОБСЛУЖИВАНИЕ**

### **⚠ ОСТОРОЖНО**

Не допускайте подключения инструмента к источнику питания при сборке его деталей, выполнении регулировки, чистки, технического обслуживания или в тех случаях, когда он не используется. Отключение устройства от сети предотвращает случайный запуск, который может привести к тяжелым телесным повреждениям.

- При проведении текущего ремонта используйте только идентичные запчасти. Использование других запчастей может представлять опасность или повредить изделия.
- Избегайте использования растворителей во время чистки пластмассовых частей. Многие пластмассы чувствительны к воздействию различных бытовых растворителей и в результате их использования могут разрушиться. Для снятия грязи, пыли и пр. пользуйтесь чистой тряпкой.
- Никогда не допускайте контакта тормозной жидкости, бензина, продуктов на нефтяной основе, пропиточного масла и т. д. с пластмассовыми частями. Эти химикаты содержат вещества, которые могут испортить, ослабить или разрушить пластмассу.
- Всегда надевайте предохранительные или защитные очки с боковыми защитными экранами при работе с данным инструментом или сдувании пыли. Если во время работы образуется много пыли, также надевайте пылезащитную маску.
- Для большей безопасности и надежности все ремонтные работы должны проводиться авторизованным сервисным центром.

#### **ОБЩИЕ УКАЗАНИЯ**

Избегайте использования растворителей во время чистки пластмассовых частей. Многие пластмассы чувствительны к воздействию различных бытовых



растворителей и в результате их использования могут разрушиться. Для снятия грязи, пыли и пр. пользуйтесь чистой тряпкой.

Электрические инструменты, используемые для обработки материалов из стекловолокна, древесноволокнистых плит, поверхностей, покрытых шпатлевкой или штукатуркой, подвержены более быстрому износу и преждевременному выходу из строя, так как крошка стекловолокна и шлифовальная пыль оказывают сильное истирающее действие на подшипники, щетки, коллектор и т.д. Мы не рекомендуем эксплуатировать изделие в течение длительного периода времени без перерыва с этими видами материалов.

#### **⚠ ОСТОРОЖНО**

Не пользуйтесь сжатым воздухом для выдувания пыли из изделия. Это опасно, так как в результате грязь и песок могут попасть в глаза и привести к их травме.

#### **СМАЗКА**

Все подшипники в изделии смазаны достаточным количеством высокосортной смазки для продолжительной эксплуатации изделия в нормальных рабочих условиях. Поэтому дополнительная смазка не требуется.

#### **ЗАЩИТА ОКРУЖАЮЩЕЙ СРЕДЫ**



Утилизируйте как сырье, а не выбрасывайте как мусор. Машина, аксессуары и упаковка должны быть отсортированы.

#### **УСЛОВНЫЕ ОБОЗНАЧЕНИЯ НА ПРОДУКТЕ**



Внимание

$n_0$

Скорость на холостом ходу

V

Вольт



Постоянный ток

min<sup>-1</sup>

Оборотов или возвратно-поступательных движений в минуту



Соответствие требованиям CE

Знак Евразийского Соответствия

Сертификат Соответствия

№ TC RU C-DE.AE61.B.07908

Срок действия Сертификата Соответствия По 07.07.2017

Некоммерческая организация Учреждение сертификации и экспертизы «Сертэкс» 109044 РФ, город Москва, 3-й Крутицкий переулок, дом 11



Украинский знак стандартизации



Внимательно прочтите данные инструкции перед использованием продукта.



Отработанная электротехническая продукция должна уничтожаться вместе с бытовыми отходами. Утилизируйте, если имеется специальное техническое оборудование. По вопросам утилизации проконсультируйтесь с местным органом власти или предприятием розничной торговли.

#### **ОБОЗНАЧЕНИЯ В РУКОВОДСТВЕ**



Примечание

Детали или принадлежности, приобретаемые отдельно



Скорость, минимальная



Скорость, максимальная



Древесина



Пластик



Металл



ОПАСНО: Острый режущий диск



Надевайте нескользящие перчатки для работы в тяжелых условиях.

Следующие сигнальные слова и значения предназначены, чтобы объяснить уровни риска, связанного с этим изделием.

**ВНИМАНИЕ**

(Без Символа Тревоги Безопасности) Указывает ситуацию, которая может кончатся повреждением собственности.

**Транспортировка:**

Категорически не допускается падение и любые механические воздействия на упаковку при транспортировке.

При разгрузке/погрузке не допускается использование любого вида техники, работающей по принципу зажима упаковок.

**Хранение:**

Необходимо хранить в сухом месте.

Необходимо хранить вдали от источников повышенных температур и воздействия солнечных лучей.

При хранении необходимо избегать резкого перепада температур.

Хранение без упаковки не допускается.

**Срок службы изделия:**

Срок службы изделия составляет 5 лет.

Не рекомендуется к эксплуатации по истечении 5 лет хранения с даты изготовления без предварительной проверки.

**Дата изготовления** (код даты) отштампован на поверхности корпуса изделия.

Пример:

W17 Y2015, где Y2015 - год изготовления

W17 – неделя изготовления

Определить месяц изготовления можно согласно приведенной ниже таблице, на примере 2015 года.

**Обратите внимание!** Количество недель в месяце различается от года в год.

Месяц	Январь	Февраль	Март	Апрель	Май	Июнь	Июль	Август	Сентябрь	Октябрь	Ноябрь	Декабрь	Год
Неделя	01	05	09	14	18	22	27	31	36	40	44	49	2015
	02	06	10	15	19	23	28	32	37	41	45	50	
	03	07	11	16	20	24	29	33	38	42	46	51	
	04	08	12	17	21	25	30	34	39	43	47	52	
	05	09	13	18	22	26	31	35	40	44	48	53	
			14			27							



W przypadku tej piły bagietowej zwrócono szczególną uwagę na zapewnienie bezpieczeństwa, wysokiej wydajności oraz niezawodności.

## PRZEZNACZENIE

Piła bagietowa może być używana wyłącznie przez dorosłe osoby, które przeczytały i zrozumiały instrukcje oraz ostrzeżenia podane w tym podręczniku oraz, które mogą odpowiadać za swoje działania. Piła bagietowa z założonymi odpowiednimi ostrzami umożliwia cięcie drewna, tworzywa sztucznego, płyty gipsowo-kartonowej oraz metalu o głębokości podanej w tabeli specyfikacji. Piła bagietowa jest przeznaczona do użytku ręcznego; nie należy mocować jej do stołu warsztatowego, jeśli producent produktu nie udostępnił odpowiednich instrukcji. Nie należy używać tego produktu niezgodnie z przeznaczeniem.

## ⚠ OSTRZEŻENIE

Zapoznaj się ze wszystkimi zasadami bezpieczeństwa i instrukcjami. Nieprzestrzeganie instrukcji i zasad bezpieczeństwa zawartych w ostrzeżeniach grozi porażeniem prądem elektrycznym, pożarem lub poważnymi obrażeniami.

Zachowaj wszystkie ostrzeżenia i instrukcje do wykorzystania w przyszłości.

## OSTRZEŻENIA W ZAKRESIE BEZPIECZEŃSTWA DOTYCZĄCE PIŁY BAGIETOWEJ

- **Urządzenie elektryczne należy trzymać za izolowany uchwyt, gdy zachodzi ryzyko przewiercenia przewodu pod napięciem.** Kontakt z przewodem pod napięciem może spowodować przepływ prądu przez metalowe elementy urządzenia i porażenie operatora.
- **Chronić układ oddechowy.** Załóżcie ochronę na twarz lub maskę przeciwpyłową w wypadku gdy przy pracy wydziela się pył.

## RYZYKO ZWIĄZANE Z UŻYTKOWANIEM

Nawet jeśli produkt jest używany zgodnie z zaleceniami, nadal nie jest możliwe wyeliminowanie określonych czynników ryzyka. Następujące zagrożenia mogą wystąpić podczas używania urządzenia i operator powinien zwracać szczególną uwagę na poniższe punkty:

- **Urazy ciała spowodowane przez wibracje**
  - Należy ustawić najniższą prędkość umożliwiającą wykonanie zadania. Ograniczyć narażenie na kontakt. Patrz "Ograniczenie Ryzyka".
- **Urazy ciała spowodowane pyłem**
  - Zawsze nosić okulary ochronne. Należy nosić odpowiednią maskę przeciwpyłową z odpowiednimi filtrami, chroniącą przed pyłem z obrabianego materiału. Nie jeść, nie pić i nie palić w miejscu pracy. Należy zapewnić odpowiednią wentylację miejsca pracy.
- **Porażenie prądem elektrycznym**
  - Ostrze może zetknąć się z ukrytymi przewodami, w rezultacie czego części produktu mogą być pod napięciem. Produkt zawsze należy trzymać za odpowiednie uchwyty i należy zachować

ostrożność w przypadku cięcia otworów w ścianach i podłogach, gdzie mogą przebiegać kable.

**UWAGA:** Przy wykonywaniu prac na ścianach, sufitach lub podłogach należy unikać kontaktu z przewodami elektrycznymi oraz rurami gazowymi i wodnymi. Produkt należy obsługiwać, trzymając go dwiema rękoma.

- **Urazy ciała spowodowane kontaktem z ostrzem**
  - Ostrza są bardzo ostre i podczas pracy są gorące. Podczas wymiany ostrzy należy nosić rękawice. Przez cały czas należy trzymać ręce z dala od obszaru cięcia. Jeśli to możliwe, należy unieruchomić obrabiany materiał.
- **Urazy ciała spowodowane hałasem**
  - Długotrwałe narażenie na hałas zwiększa ryzyko uszkodzenia słuchu i efekty urazów kumulują się. W przypadku używania elektronarzędzi przez wydłużony okres czasu należy nosić środki ochrony słuchu.

## OGRANICZENIE RYZYKA

Badania dowodzą, że wibracje powodowane przez narzędzia ręczne mogą wywoływać u niektórych osób objawy syndromu Raynauda. Typowe objawy to mrowienie, drętwienie i blednięcie palców, widoczne zwykle po wystawieniu na działanie zimna. Uważa się, że czynniki dziedziczne, wystawienie na działanie zimna i wilgoci, dieta, palenie papierosów i przyjęte zwyczaje przyczyniają się do rozwoju tych objawów. Istnieją środki zaradcze, które może podjąć operator narzędzia, aby zmniejszyć efekt wibracji:

- Zadbaj w niskich temperaturach o ciepłotę własnego ciała, zakładając odpowiednie ubranie. Podczas obsługi urządzenia należy nosić rękawice, aby dłonie i nadgarstki były ciepłe. Wiadomo, że niskie temperatury są główną przyczyną powstawania objawu Raynauda.
- Podczas przerw w pracy należy wykonywać ćwiczenia poprawiające krążenie krwi..
- Podczas pracy robić częste przerwy. Ograniczyć ekspozycję w ciągu dnia.

W razie doświadczenia dowolnego z wymienionych objawów, należy niezwłocznie zaprzestać użytkowania tego urządzenia i skontaktować się z lekarzem.

## ⚠ OSTRZEŻENIE

Długotrwałe użytkowanie narzędzia może spowodować obrażenia ciała lub nasilić dolegliwości zdrowotne. W przypadku używania narzędzia przed dłuższy czas należy pamiętać o regularnych przerwach.

## INFORMACJE O PRODUKCIE

Patrz strona 77.

1. Tarcza
2. Zespół stopy
3. Zacisk ostrza
4. System wymiany ostrza bez użycia narzędzi
5. Klucz do śrub sześciokątnych
6. Gniazdo akumulatora
7. Przycisk uruchamiający
8. Przycisk odblokowania spustu przepustnicy







EN
FR
DE
ES
IT
NL
PT
DA
SV
FI
NO
RU
PL
CS
HU
RO
LV
LT
ET
HR
SL
SK
EL
TR
UK

## OBSŁUGA

### REGULACJA ZESPOŁU STOPY

- Produkt posiada zespół stopy, który odchyła się w górę i w dół w obu kierunkach, zapewniając płaskie przyleganie stopy do ciętej powierzchni przez cały czas pracy. Regulowana stopa również wsuwa i wysuwa się, co umożliwi wykorzystanie zębów ostrza przy różnych pozycjach ostrza.
- Docisnąć ostrze piły do uchwytu ostrza piły aż do oporu. Należy upewnić się, że ostrze piły jest dobrze zamocowane.

### WSKAZÓWKI DOTYCZĄCE OBSŁUGI

**⚠ OSTRZEŻENIE**  
 Uważać, aby nie zginać brzeszczotów w osi poziomej ani pionowej.

- Nie używać siły podczas obsługi narzędzia.
- W przypadku cięcia metali miękkich oraz stali należy używać olej do cięcia. Olej do cięcia chłodzi ostrza, zwiększa wydajność cięcia oraz wydłuża żywotność ostrza.
- Zaciśnąć bezpiecznie obrabiany przedmiot i wykonać cięcie w pobliżu miejsca zacisku, aby wyeliminować drgania obrabianego przedmiotu. W przypadku przecinania przewodów, rur lub kątowników, obrabiany przedmiot należy, jeśli to możliwe, zaciśnąć w imadle i wykonywać cięcie blisko imadła. Aby przeciąć cienką stalową blachę, należy umieścić materiał pomiędzy dwiema płytami pilśniowymi lub sklejkowymi i zaciśnąć warstwy, aby uniknąć wibracji i rozdarcia materiału.
- Zawsze mocno dociskać narzędzie, pchając je w przód, tak by stopa pozostawała w kontakcie z obrabianym przedmiotem.
- Nie używać pękniętych lub uszkodzonych ostrzy. Nie używać ostrzy piły, które są uszkodzone lub zdeformowane.

**⚠ OSTRZEŻENIE**  
 Pył z określonych farb, powłok oraz materiałów może powodować podrażnienie lub reakcje alergiczne układu oddechowego. Pył z drzew takich jak dąb, brzoza, z płyt MDF itp. jest rakotwórczy. Materiał zawierający azbest może być obsługiwany wyłącznie przez specjalnie wykwalifikowanych operatorów.

**⚠ OSTRZEŻENIE**  
 Kiedy używacie narzędzi, zakładajcie zawsze okulary ochronne lub okulary zabezpieczające wyposażone w boczne osłony. W przeciwnym wypadku może dojść do uszkodzenia wzroku przez uderzenie obcym przedmiotem.

## KONSERWACJA

**⚠ OSTRZEŻENIE**  
 Wasza szlifierka nie powinna być podłączona do gniazdka elektrycznego, kiedy zakładacie części, wykonujecie regulacje, podczas jej czyszczenia bądź kiedy jej nie używacie. Odłączenie urządzenia zapobiegnie jego przypadkowemu uruchomieniu, które groziłoby poważnym zranieniem.

- Do napraw używać wyłącznie identycznych zamienników. Użycie jakiegokolwiek innej części mogłoby spowodować zagrożenie lub też uszkodzić wasze narzędzie.
- Nie stosować rozpuszczalników do czyszczenia elementów plastikowych. Większość tworzyw sztucznych, mogłoby zostać uszkodzone przez użycie rozpuszczalników dostępnych w sprzedaży. Używajcie czystej szmatki do mycia zabrudzeń, pyłu, itd.
- Nie wolno dopuścić do kontaktu plastikowych części z płynem hamulcowym, benzyną, produktami ropopochodnymi, olejami penetrującymi itp. Substancje te zawierają produkty chemiczne, które mogłyby uszkodzić, osłabić lub zniszczyć plastik.
- Podczas użytkowania elektronarzędzi lub wydmuchiwanie pyłu należy zawsze nosić okulary ochronne z osłonami bocznymi. Jeśli wykonywanej pracy towarzyszy powstawanie pyłu, należy również stosować maskę przeciwpyłową.
- Aby zapewnić wyższy poziom bezpieczeństwa i niezawodności, wszystkie naprawy powinny być przeprowadzane przez autoryzowany punkt serwisowy.

### OGÓLNE

Nie stosować rozpuszczalników do czyszczenia elementów plastikowych. Większość tworzyw sztucznych, mogłoby zostać uszkodzone przez użycie rozpuszczalników dostępnych w sprzedaży. Używajcie czystej szmatki do mycia zabrudzeń, pyłu, itd.  
 Stosowanie elektronarzędzi do obróbki włókna szklanego, płyt gipsowo-kartonowych, tynku lub innych materiałów budowlanych powoduje ich szybsze zużycie i ryzyko przedwczesnego uszkodzenia z powodu właściwości ściernych pyłu i opiłków przedostających się do łożysk, szczerotek, komutatora itp. Nie zalecamy używania produktu przed długi czas do obróbki materiałów tego typu.

**⚠ OSTRZEŻENIE**  
 Nie używać sprężonego powietrza do usuwania pyłu z produktu. Takie działanie jest niebezpieczne i może powodować wydmuchanie pyłu i zanieczyszczeń oraz uraz oczu.

### SMAROWANIE

Wszystkie łożyska produktu są smarowane przy użyciu odpowiedniej ilości wysokiej jakości smaru na cały okres eksploatacji produktu przy uwzględnieniu normalnych warunków roboczych. W wyniku czego, nie zachodzi potrzeba dodatkowego smarowania.



## OCHRONA ŚRODOWISKA



Surowce należy oddawać do powtórnego przetworzenia zamiast wyrzucać je na śmieci. Z myślą o ochronie środowiska, narzędzie, akcesoria i opakowania powinny być sortowane.

## SYMBOLE PRODUKTU



Alarm bezpieczeństwa



Prędkość bez obciążenia



Wolt



Prąd stały



Ilość obrotów czy ruchów na minutę



Zgodność CE



Znak zgodności EurAsian



Ukraiński znak zgodności



Przed uruchomieniem produktu należy dokładnie przeczytać te instrukcje.



Zużyte produkty elektryczne nie powinny być utylizowane z odpadami domowymi. Prosimy poddawać recyklingowi w odpowiednich miejscach. Informacje o właściwych metodach recyklingu można uzyskać u władz lokalnych lub sprzedawcy.

## SYMBOLE W INSTRUKCJI



Uwaga



Części lub akcesoria sprzedawane oddzielnie



Bieg, minimalne



Bieg, maksymalny



Drewno



Tworzywo sztuczne



Metal



**NIEBEZPIECZEŃSTWO:** Tarcza tnąca powinna być ostra



Zakładać antypoślizgowe, grube rękawice ochronne.

Poniższe symbole i nazwy które im nadano, pozwalają wyjaśnić różne poziomy ryzyka związanego z używaniem tego narzędzia.

### **NIEBEZPIECZEŃSTWO**

Oznacza bezpośrednio niebezpieczną sytuację, która, jeśli nie zostanie uniknięta, spowoduje śmierć lub poważne urazy ciała.

### **OSTRZEŻENIE**

Oznacza potencjalnie niebezpieczną sytuację, która, jeśli nie zostanie uniknięta, może spowodować śmierć lub poważne urazy ciała.

### **UWAGA**

Oznacza potencjalnie niebezpieczną sytuację, która, jeśli nie zostanie uniknięta, może spowodować niewielkie lub umiarkowane urazy ciała.

### **UWAGA**

(Bez symbolu bezpieczeństwa) Wskazuje na sytuację mogącą spowodować straty materialne.



Bezpečnost, výkon a spolehlivost byli hlavní prioritou při návrhu vaší pily ocasky.

### ZAMÝŠLENÉ POUŽITÍ

Pila ocaska je určena pouze pro používání dospělými osobami, které si přečetly a řádně pochopily pokyny a varování v této příručce a jsou zodpovědné za své konání. S příslušnými namontovanými čepelemi je pila ocaska určena k řezání dřeva, plastu, sádkartonu a kovu až do hloubky popsané v tabulce technických parametrů. Pila ocaska je určena pro ruční použití; není určena pro montáž na pracovní stůl, pokud nejsou dány konkrétní instrukce výrobcem produktu.

Nepoužívejte výrobek jinak než je uvedeno v určeném použití.

### ⚠ VAROVÁNÍ

**Přečtěte si všechny pokyny a bezpečnostní varování.** Nedodržování upozornění a těchto pokynů může vést k úrazu elektrickým proudem, ke vzniku požáru nebo vážnému zranění.

**Uchovejte si všechny pokyny a varování pro budoucí nahlédnutí.**

### BEZPEČNOSTNÍ VAROVÁNÍ K PILE OCASCĚ

- **Držte elektricky poháněný nástroj za izolované úchopové plochy, když nástroj používáte s vrtacím příslušenstvím, které může přijít do styku se skrytými vodiči.** Kontakt s „živým“ vodičem způsobí, že kovové části elektricky poháněného nástroje se stanou také „živými“ a způsobí elektrický úraz obsluze.
- **Chraňte Vaše plíce.** Při práci používejte obličejový štít nebo protiprašný respirátor, pokud při práci vznikají jemné odpadové piliny.

### ZBYTKOVÁ RIZIKA

Dokonce, i když se výrobek provozuje jak je předepsáno, je stále nemožné zcela eliminovat veškeré zbytkové rizikové faktory. Následující nebezpečí mohou nastat při používání; vyhýbejte se:

- **Poranění způsobené vibracemi**
  - Použijte nejnižší nastavení rychlosti pro splnění úkolu. Limit expozice. Viz "Snižování Rizik".
- **Zranění způsobené prachem**
  - Vždy noste ochranu očí. Používejte vhodnou masku proti prachu s vhodnými filtry, které mohou chránit proti prachu z materiálů. V pracovní oblasti výrobku nejíst, nepít, ani nekouřit. Zajistit dostatečné větrání pracoviště.
- **Úraz el. proudem**
  - Kotouč se může dotknout skrytého elektrického vedení, což může způsobit, že část výrobku se stane „živým“. Vždy držte produkt za určené rukojeti a dejte pozor při řezání naslepo do stěn a podlah, kde mohou být skryty kabely.

**POZNÁMKA:** Při práci na stěnách, stropech nebo podlahách buďte opatrní a vyhněte se elektrickým

kabelům a plynovému nebo vodnímu potrubí. Výrobek musí být provozován oběma rukama.

- **Zranění z kontaktu s řezným kotoučem**
  - Kotouče jsou velmi ostré a během používání se zahřívají. Při výměně kotouče noste ochranné rukavice. Udržujte vždy ruce v bezpečné vzdálenosti od řezného prostoru. Upínejte obrobek kdykoli je to možné.
- **Zranění způsobené hlukem**
  - Dlouhodobé vystavení hluku zvyšuje riziko poškození sluchu a účinky jsou kumulativní. Při používání elektrického nářadí po delší dobu používejte ochranu sluchu.

### SNÍŽENÍ RIZIKA

Bylo zjištěno, že vibrace z ručních pracovních nástrojů mohou u některých osob přispívat ke stavu tzv. Raynaud's Syndromu (Raynaudovu syndromu). Mezi jeho příznaky patří brnění, necitlivost a zblednutí prstů, patrné obvykle po pobytu v chladu. Vědci se domnívají, že k rozvoji těchto příznaků přispívají dědičné faktory, pobyt v chladu a vlhku, strava, kouření a pracovní návyky. Uživatel může omezit případné působení vibrací použitím vhodných opatření:

- Za chladného počasí se teple oblečte. Při práci s nástrojem si navlékněte rukavice, abyste udrželi ruce a zápěstí v teple. Bylo zjištěno, že chladné počasí je hlavním faktorem přispívajícím k Raynaud's Syndromu (Raynaudovu syndromu).
- Během práce si v pravidelných intervalech zacvičte, abyste zvýšili krevní oběh.
- Zařazujte časté pracovní přestávky. Omezte dobu práce za den.

Jakmile pocítíte některý z výše uvedených příznaků tohoto syndromu, okamžitě přerušete práci a vyhledejte lékaře.

### ⚠ VAROVÁNÍ

Poranění mohou být způsobena, či zhoršena, prodlouženým používáním nástroje. Když používáte jakýkoliv nástroj delší dobu, dělejte pravidelné přestávky.

### SEZNAMTE SE S VÝROBKEM

Viz strana 77.

1. Pilový kotouč
2. Sestava podložky
3. Svorka čepele
4. Změna kotouče bez nářadí
5. Klíč pro šestihranné šrouby a matice
6. Otvor pro baterie
7. Spínač spouště
8. Pojistka proti nechtěnému spuštění nářadí

### OBSLUHA

#### SEŘÍZENÍ SESTAVY PODLOŽKY

- Produkt má sestavu podložky, která se otáčí na nahoru a dolů v obou směrech, aby se zajistilo, že bude sestava podložky kolmo k řezné ploše po celou dobu.

EN  
FR  
DE  
ES  
IT  
NL  
PT  
DA  
SV  
FI  
NO  
RU  
PL  
CS  
HU  
RO  
LV  
LT  
ET  
HR  
SL  
SK  
EL  
TR  
UK



Seřizovatelná podložka se rovněž posouvá dovnitř a ven, což umožňuje použití ozubený kotouč v různých pozicích na kotouči.

- Zatlačte pilový kotouč do držáku pilového kotouče až na doraz. Ověřte si, zda je pilový kotouč řádně upevněn.

## TIPY TÝKAJÍCÍ SE PROVOZU

### ⚠ VAROVÁNÍ

Dávejte pozor, aby se kotouč nestočil či neohnul.

- Nepoužívejte nadměrnou sílu na nástroj.
- Používejte při řezání měkkých kovů a oceli olej pro řezání. Olej pro řezání také udržuje čepce chladné, zvyšuje řezací výkon a prodlužuje životnost kotouče.
- Pevně obrobek upněte a řezajte v blízkosti bodu upnutí, abyste zabránili vibraci obrobku během řezání. Když řezáte potrubí, roury nebo tvarovaný kov, upněte obrobek ve svěráku, je-li to možné a pilu uzavřete ve svěráku. Pro plynulé řezání tenkých materiálů navrštěte materiál mezi dřevovláknité desky nebo překližky a upněte vrstvy pro eliminaci vibrací a trhání materiálů.
- Vždy na nástroj pevně přitlačte směrem dopředu, aby bota přiléhala na opracováváný předmět.
- Nepoužívejte prasklé nebo polámané pilové kotouče. Nepoužívejte kotouče prasklé, pokřivené či poškozené.

### ⚠ VAROVÁNÍ

Prach z určitých barev, laků a materiálů může způsobit podráždění nebo alergické reakce na dýchací ústrojí. Prach ze dřeva, jako je dub, buk, překližka a jiných, je karcinogenní. Materiál obsahující azbest se nesmí nikdy zpracovávat nebo pouze zpracovávat kvalifikovaným specialistou.

### ⚠ VAROVÁNÍ

Z bezpečnostních důvodů používejte při práci uzavřené ochranné brýle (s boční ochranou). Pochybení tak může způsobit vniknutí cizího tělesa do očí a způsobit vážná osobní poranění.

## ÚDRŽBA

### ⚠ VAROVÁNÍ

Při nasazování příslušenství, čištění nebo seřizování brusky vždy brusku odpojte od elektrické sítě. Stejně musí být bruska odpojena od elektrické sítě, pokud brusku nepoužíváte. Odpojením předejdete náhodnému spuštění a tím vážnému osobnímu poranění.

- Při údržbě používejte pouze stejné náhradní díly. Použití jakýchkoliv jiných dílů může vytvořit nebezpečí nebo způsobit poškození výrobku.
- Vyhněte se používání rozpouštědel, když čistíte plastové díly. Většina ředidel běžně dostupných v

obchodní síti se nehodí k čištění plastových částí, neboť narušuje povrch plastů. K odstranění nečistot, prachu apod. používejte čistý hadr.

- Nikdy nenechte přijít brzdové kapaliny, petrolej, výrobky založené na petroleji, pronikavé oleje, atd. do kontaktu s plastovými součástmi. Tyto výrobky obsahují chemikálie, které mohou poškodit, oslabit nebo zničit plastové části, případně snížit jejich životnost.
- Vždy noste bezpečnostní brýle nebo bezpečnostní brýle s postranními štítky, když obsluhujete elektricky poháněný nástroj nebo při rodmýchávání (tvorbě) prachu. Pokud pracujete v prachu, noste také respirátor.
- Pro lepší bezpečnost a bezporuchoavost by mělo opravy provádět pověřené autorizované servisní středisko.

## OBECNĚ

Vyhňte se používání rozpouštědel, když čistíte plastové díly. Většina ředidel běžně dostupných v obchodní síti se nehodí k čištění plastových částí, neboť narušuje povrch plastů. K odstranění nečistot, prachu apod. používejte čistý hadr.

Elektrické nářadí používané k opracování materiálu ze skleněného vlákna, sádrových desek, obkladových desek se snadněji opotřebává a má kratší životnost, protože třísky a kovové piliny vznikající při řezání kovů odírají některé díly elektronářadí, jako jsou převody, kartáče, spouštěče apod. Proto se nedoporučuje používat tento nástroj po dlouhou dobu na tyto druhy materiálů.

### ⚠ VAROVÁNÍ

K odstranění prachu z produktu nepoužívejte nikdy stlačený vzduch. Tato činnost je nebezpečná a může způsobit odhození nečistot a štěrku a někomu poranit zrak.

## MAZÁNÍ

Veškerá ložiska nářadí byla výrobcem namazána dostatečným množstvím vysoce účinného maziva, které stačí na celou dobu životnosti produktu při normálních podmínkách používání. Žádné další mazání nářadí není nutné.

## OCHRANA ŽIVOTNÍHO PROSTŘEDÍ



V rámci možností neodhazujte vysloužilé nářadí do domovního odpadu a upřednostněte jeho recyklaci. V souladu s předpisy na ochranu životního prostředí odkládejte vysloužilé nářadí, příslušenství i obalový materiál do tříděného odpadu.

## SYMBOLY NA VÝROBKU



Bezpečnostní výstraha



Otáčky naprázdno



Napětí



Stejnoseměrný proud

min<sup>-1</sup> Počet otáček nebo pohybů (kmitů) za minutu



Shoda CE



Euroasijská značka shody



Ukrajinská značka shody



Před použitím přístroje si prosím řádně přečtete tyto pokyny.



Odpad elektrických výrobků se nesmí likvidovat v domovním odpadu. Recyklujte prosím na sběrných místech. Ptejte se u místních úřadů nebo prodejce na postup při recyklaci.

zranění.

### POZOR

Upozorňuje na možnou nebezpečnou situaci, která může vést k menšímu nebo lehkému zranění.

### POZOR

(Bez bezpečnostního výstražného symbolu) Určuje situaci, která může mít za následek vážné poškození.

EN  
FR  
DE  
ES  
IT  
NL  
PT  
DA  
SV  
FI  
NO  
RU  
PL  
CS  
HU  
RO  
LV  
LT  
ET  
HR  
SL  
SK  
EL  
TR  
UK

## IKONA V NÁVODU



Poznámka



Díly nebo příslušenství jsou v prodeji samostatně



Rychlost, minimum



Rychlost, maximum



Dřevo



Plast



Kov



NEBEZPEČÍ: Ostrý kotouč



Navlékněte si pevné neklouzavé rukavice.

Následující signální slova a významy jsou vhodné pro vysvětlení úrovně nebezpečí spojených s tímto výrobkem.

### NEBEZPEČÍ

Upozorňuje na bezprostředně nebezpečnou situaci, která vede k usmrcení nebo těžkému zranění.

### VAROVÁNÍ

Upozorňuje na možnou nebezpečnou situaci, která by mohla vést ke smrtelnému úrazu nebo k závažnému



A lengőfűrész tervezésekor a biztonság, a teljesítmény és a megbízhatóság voltak a legfontosabb szempontok.

## RENDELTESSZERŰ HASZNÁLAT

Ezt a lengőfűrész csak felnőttek használhatják, akik elolvasták és megértették a kézikönyvben lévő utasításokat és figyelmeztetéseket, és felelősnek lehet őket tekinteni a tetteikért. Megfelelő fűrészlapokkal felszerelve a lengőfűrész fa, műanyag, gipszkarton és fém vágására lett kialakítva a műszaki táblázatban leírt mélységekben. A lengőfűrész kézi használatra készült; a termék gyártója által megadott specifikus utasítások nélkül nem szerelhető munkapadra.

### ▲ FIGYELEM

**Olvassa el az összes biztonsági figyelmeztetést és utasítást.** A figyelmeztetések és előírások be nem tartása elektromos áramütést, tüzet és/vagy súlyos sérülést eredményezhet.

**A jövőbeli felhasználásra őrizze meg az összes figyelmeztetést és útmutatót.**

## LENGŐFŰRÉSZ BIZTONSÁGI FIGYELMEZTETÉSEK

- **A szerszámgépet a szigetelt felületén fogja, ha olyan műveletet végez vele, melynek során rejtett feszültség alatt lévő vezetéket is elvághat.** A feszültség alatt lévő vezetékekkel történő érintkezés során a szerszám fém alkatrészei áram alá kerülhetnek, minek következtében a kezelőt áramütés érheti.
- **Védje a tüdejét.** Amennyiben a munkálatok során por termelődik, használjon arc- vagy porvédő álarcot is.

## VISSZAMARADÓ KOCKÁZATOK

Még a termék rendeltetészerű használata esetén sem lehet teljesen kiküszöbölni minden kockázati tényezőt. A gép használata során a következő veszélyek merülhetnek fel, és a kezelőnek különösen oda kell figyelnie az alábbiak elkerülésére:

- Vibráció okozta sérülések
  - Használja a feladat elvégzésére még alkalmas legalacsonyabb fordulatszám-beállítást. Korlátozza a kitétséget. Lásd "Kockázatsökkentés".
- Por okozta sérülések
  - Mindig viseljen védőszemüveget. Viseljen megfelelő szűrővel ellátott porvédő maszkot, ami meg tudja óvni a megmunkált anyagból származó portól és a leváló szemcséktől. Ne egyen, igyon vagy dohányozzon a munkaterületen. Biztosítson megfelelő szellőztetést.
- Áramütés
  - A vágóeszköz rejtett vezetékekhez érhet, ami miatt a termék feszültség alá kerülhet. A terméket mindig a fogantyújánál fogja, és legyen óvatos falakba és padlókba végzett bevágásokkor, ha ott rejtett kábelek lehetnek.

**MEGJEGYZÉS:** Ha falon, mennyezetben vagy padlón dolgozik, vigyázzon az azokban található elektromos kábelekkel, gáz- és vízcsovekkel. A termék két kézzel kell működtetni.

- Fűrészlap érintése okozta sérülés
  - A fűrészlapok nagyon élesek, és a használat közben felforrósodnak. A fűrészlapok cseréjekor viseljen kesztyűt. A kezeit mindig tartsa távol a vágási területtől. Amikor lehetséges, szorítókkal rögzítse a munkadarabot.
- Zaj okozta sérülések
  - A zajnak való hosszú idejű kitétség növeli a halláskárosodás kockázatát, és az ilyen hatások összeadódnak. Amikor hosszabb ideig használ szerszámgépeket, viseljen fülvédőt.

## KOCKÁZATCSÖKKENTÉS

Arról számoltak be, hogy a kéziszerszámok használata során fellépő vibráció bizonyos személyeknél hozzájárulhat az úgynevezett Raynaud-szindróma (Raynaud's Syndrome) nevű állapot kialakulásához. A tünetei lehetnek: az ujjak zsibbadása, elfehéredése, szúrások érzése, amelyek hidegnek kitéve gyakran felerősödnek. Az öröklődő tényezők, a hidegnek kitétség és verejtékezés, a diéta, a dohányzás és munka közben alkalmazott fogások valószínűleg mind hozzájárulhatnak ezen tünetek megjelenéséhez. A vibráció hatásainak csökkentése érdekében a kezelőnek be kell tartania az alábbi óvintézkedéseket:

- Hideg időben tartsa melegen a testét. A gép használatakor viseljen kesztyűt a kéz és a csukló melegen tartásához. Arról számoltak be, hogy a hideg időjárásnak fontos szerepe van a Raynaud-szindróma kialakulásában.
- Bizonyos időtartamú használat után mindig végezzen gyakorlatokat a vérkeringés javításához.
- Gyakran tartson munkaszünetet. Korlátozza a napi munkaidőt.

Ha ezen állapot bármelyik tünetét tapasztalja, azonnal hagyja abba a munkát, és tájékoztassa az orvosát a tünetekről.

### ▲ FIGYELEM

A gép hosszabb idejű folyamatos használata sérüléseket okozhat vagy súlyosbíthatja a tüneteket. Ha a gépet hosszú időn át kell használnia, tartson gyakran szünetet.

## ISMERJE MEG A TERMÉKET

Lásd 77. oldal

1. Fűrészlemez
2. Szorítószerszám
3. Késrögzítő
4. Szerszám nélküli fűrészlapcsere rendszer
5. Imbuszkulcs
6. Akkumulátornyílás
7. Be - ki kapcsológomb
8. Ravasz kireteszélő gomb

## HASZNÁLAT

### A TALP SZERELVÉNY BEÁLLÍTÁSA

- A terméken egy talp egység található, amely mindkét irányban képes felfelé és lefelé billenni, hogy a talp mindig felfeküdjön a vágási felületre. Az állítható talp







ki- és becsúszthatató, így a fűrészlap különböző részei vehetnek részt a vágásban.

- Nyomja felfelé ütközésig a fűrészlapot a fűrészlaptartóba. Ügyeljen a fűrészlap biztos rögzítésére.

## TIPPEK A HASZNÁLATHOZ

### ▲ FIGYELEM

Ügyeljen rá, hogy a fűrészlap ne hajoljon el és ne csavarodjon meg.

- Ne erőltesse a gépet.
- Puha fémek és acél vágásakor használjon vágóolajat. A vágóolaj hidegen tartja a fűrészlapot, növeli a vágási műveletet és meghosszabbítja a fűrészlap élettartamát.
- Erősen rögzítse a munkadarabot, és közvetlenül a rögzítési pont közelében vágjon, hogy kiküszöbölje a munkadarab vibrációját. Vezeték, cső vagy szögvas vágásakor hacsak lehetséges, rögzítse a munkadarabot egy satuba, és a satuhoz közel vágjon. A vékony lemezanyag finomvágásához fogja be az anyagot farostlemez vagy furnérlap közé, és szorítsa össze a rétegeket, hogy megszüntesse a vibrációt és az anyag elhasználódását.
- Mindig előrenyomva tartsa a szerszámot, hogy a saru érintkezzen a munkadarabbal.
- Ne használjon megrepedt vagy deformálódott fűrészlapokat. Ne használjon károsodott vagy deformálódott fűrészlapokat.

### ▲ FIGYELEM

Bizonyos festékekből, bevonatokból és anyagokból a por irritációt vagy allergiás reakciót válthat ki a légzőrendszerben. A fából, pl. tölgy, bükk, MDF stb. származó por rákkeltő. Az azbesztet tartalmazó anyaggal csak szakképzett kezelők dolgozhatnak, illetve csak ők dolgozhatják azt fel.

### ▲ FIGYELEM

Viseljen mindig biztonsági szemüveget vagy oldallappal ellátott védőszemüveget, amikor valamilyen szerszámot használ. Ennek az előírásnak a be nem tartása által a felhasználó szemébe idegen test kerülhet és ez súlyos szemsérülést okozhat.

## KARBANTARTÁS

### ▲ FIGYELEM

Soha ne tartsa a csiszológépet hálózatra csatlakoztatott állapotban a tartozékok felszerelése, beállítások, tisztítások alkalmával, ill. ha nem használja a gépet. A szerszám hálózatról történő leválasztása megakadályozza a véletlen bekapcsolódást, ami súlyos sérülést okozhat.

- Szervizeléskor csak azonos cserealkatrészeket

használjon. Bármilyen más alkatrész használata veszélyes és a termék károsodását okozhatja.

- A műanyag részek tisztításakor tartózkodjon a tisztítószeres használatától. A kereskedelmi forgalomban kapható oldószeres rongáló hatással vannak a műanyagból készült elemek többségére. A por és egyéb szennyeződések stb. tisztítására használjon egy tiszta ruhadarabot.
- A műanyag részek semmilyen körülmények között nem érintkezhetnek fékolajjal, benzinnel, petróleum alapú termékekkel, beszívódó olajokkal stb. Ezen anyagok olyan vegyületeket tartalmaznak, amelyek károsíthatják, meggyengíthetik vagy tönkretelhetik a műanyagot.
- Elektromos szerszámok használatakor vagy a por kifúvásakor mindig viseljen védőszemüveget, ami a szemet oldalról is védi. Ha a használat poros környezetben történik, vegyen fel egy pormaszkot is.
- A nagyobb biztonság és megbízhatóság érdekében minden javítást hivatalos szervizközpontban kell elvégeztetni.

## ÁLTALÁNOS

A műanyag részek tisztításakor tartózkodjon a tisztítószeres használatától. A kereskedelmi forgalomban kapható oldószeres rongáló hatással vannak a műanyagból készült elemek többségére. A por és egyéb szennyeződések stb. tisztítására használjon egy tiszta ruhadarabot.

Azok az elektromos szerszámok, amelyeket üvegszálás munkadarabokon, gipszkartonon lapokon ill. burkolólapokon használnak, jobban ki vannak téve a gyors elhasználódásnak és az idő előtti meghibásodásoknak, mert az ilyen anyagokból származó forgács és por rendkívül súroló hatású az elektromos szerszámok alkatrészeire (fogaskerekek, szénkefék, kapcsolók stb.). Nem javasoljuk a termék ezen típusú anyagokon való hosszabb idejű használatát.

### ▲ FIGYELEM

Ne használjon sűrített levegőt a pornak a termékről való eltávolításához. Ez a gyakorlat veszélyes, és szennyeződések és porszemcsék kifújását, valamint a szem sérülését okozhat.

## KENÉS

A termékben lévő összes csapágy a termék teljes élettartamára elegendő kenőanyaggal van feltöltve, normál körülmények közötti használat esetén. Ebből kifolyólag nincs szükség arra, hogy a gép belső részeit kenje.

## KÖRNYEZETVÉDELEM



Segítse elő az alapanyagok újrahasznosítását azzal, hogy nem helyezi el őket a háztartási szemétként. Környezetvédelmi megfontolásból az elhasznált gépet és tartozékokat, valamint a csomagolóanyagokat szelektív módon kell gyűjteni.

EN
FR
DE
ES
IT
NL
PT
DA
SV
FI
NO
RU
PL
CS
<b>HU</b>
RO
LV
LT
ET
HR
SL
SK
EL
TR
UK



## SZIMBÓLUMOK A TERMÉKEN



Biztonsági figyelmeztetés

$n_o$

Üresjárat fordulatszám

v

Volt



Egyenáram

min<sup>-1</sup>

Fordulatok ill. löketek száma percenként



CE megfeleléség



Eurázsiai megfeleléségi jelzés



Ukrainai megfeleléségi nyilatkozat



Kérjük, olvassa át gondosan ezt az útmutatót a termék beindítása előtt.



A kiselejtezett elektromos termékeket nem szabad a háztartási hulladékkal együtt kidobni. Ezeket újra kell hasznosítani, ha van rá lehetőség. Az újrahasznosítással kapcsolatban érdeklődjön a helyi önkormányzatnál vagy a termék forgalmazójánál.

A következő jelölőszavak és jelentések arra szolgálnak, hogy megmagyarázzák a termékkel kapcsolatos veszélyességi szinteket.



**VESZÉLY**

Egy bekövetkező veszélyes helyzetet jelez, ami, ha nem előzik meg, halált vagy komoly sérülést eredményez.



**FIGYELEM**

Egy potenciálisan bekövetkező veszélyes helyzetet jelez, ami, ha nem előzik meg, halált vagy súlyos sérülést eredményezhet.



**VIGYÁZAT**

Egy potenciálisan veszélyes helyzetet jelez, ami, ha nem előzik meg, kisebb vagy mérsékelt súlyos sérülést eredményezhet.

**VIGYÁZAT**

(Biztonsági figyelmeztető szimbólum nélkül) Egy olyan helyzetet jelez, ami anyagi kárt eredményezhet.

## A KÉZIKÖNYVBEN HASZNÁLT SZIMBÓLUMOK



Megjegyzés



Külön értékesített alkatrészek és kiegészítők



Fordulatszám, minimális



Fordulatszám, maximális



Fa



Műanyag



Fém



**VESZÉLY: Éles fűrészlap**



Viseljen nem csúszós, nehéz igénybevételre tervezett kesztyűt.



EN  
FR  
DE  
ES  
IT  
NL  
PT  
DA  
SV  
FI  
NO  
RU  
PL  
CS  
HU  
RO  
LV  
LT  
ET  
HR  
SL  
SK  
EL  
TR  
UK

Au fost acordate priorități maxime asupra siguranței, performanței și fiabilității în proiectarea your reciprocating saw.

## DOMENIU DE APLICAȚII

Ferăstrăul tip sabie este destinat a fi folosit doar de adulții care au citit și înțeles instrucțiunile și avertizările din acest manual și pot fi considerați responsabili pentru acțiunile lor. Având montate lamele corespunzătoare, ferăstrăul tip sabie este proiectat pentru tăierea lemnului, plasticului, pereților de rigips și a metalului până la o adâncime menționată în tabelul cu specificații. Ferăstrăul tip sabie este destinat pentru uzul domestic; nu trebuie montat pe un banc de lucru decât dacă au fost date instrucțiuni specifice din partea producătorului produsului.

### ⚠ AVERTISMENT

**Citiți toate avertismentele și instrucțiunile de siguranță.** Neurmarea avertizării și instrucțiunilor ar putea cauza electrocutare, incendii și/sau vătămare gravă.

**Salvați toate avertizările și instrucțiunile pentru o consultare ulterioară.**

## AVERTIZĂRI DE SIGURANȚĂ A FERĂSTRĂULUI TIP SABIE.

- **În cazul în care efectuați operații în locuri în care accesoriul de tăiere poate intra în contact cu cabluri ascunse, țineți unealta electrică de suprafețe de prindere izolate.** Accesoriul de tăiere ce intră în contact cu un cablu sub curent ar putea alimenta electric părțile metalice expuse ale unelei electrice și ar putea expune operatorul la un șoc electric.
- **Protejați-vă plămânii.** Purtați un ecran facial sau o masca antipraf dacă tăierea generează praf.

## RISCURI REZIDUALE

Chiar dacă produsul este folosit așa cum este descris, este totuși imposibil să se elimine complet anumiți factori de risc reziduali. Următoarele pericole ar putea apărea în timpul folosirii iar operatorul trebuie să acorde o atenție specială pentru a evita următoarele:

- **Vătămare cauzată de vibrații.**
  - Folosiți setarea cu viteza cea mai scăzută pentru a îndeplini sarcina. Limitați expunerea. Vezi "Reducerea Riscului"
- **Vătămare cauzată de praf.**
  - Purtați întotdeauna ochelari de protecție. Purtați mască de protecție împotriva prafului cu filtre corespunzătoare ce vă pot proteja de praful de la materialul la care se lucrează. Nu mâncați, beți sau fumați în zona de lucru. Asigurați aerisire adecvată la locul de muncă.
- **Electrocutare**
  - Lama poate veni în contact cu firele electrice ascunse cauzând piesele produsului să devină conductoare de electricitate. Țineți întotdeauna

produsul de mânerle desemnate și acordați atenție când tăiați în pereți și podele căci pot fi ascunse cabluri electrice.

**NOTĂ:** Atunci când lucrați la pereți, tavane sau podele, fiți atent pentru a evita cablurile electrice și țevile de gaz sau apă. Produsul trebuie să fie operat cu ambele mâini.

- **Vătămare de la contactul cu lama tăietoare.**
  - Lamele sunt foarte ascuțite și vor deveni fierbinți în timpul folosirii. Purtați mănuși la schimbarea lamelor. Țineți întotdeauna ferite mâinile de zona de tăiere. Prindeți în clemă piesa de lucru oricând e posibil.
- **Vătămare cauzată de zgomot.**
  - Expunerea prelungită la zgomot va crește riscul de vătămare a auzului și efectele sunt cumulative. Atunci când folosiți aparate electrice pentru o perioadă prelungită de timp, purtați protecție pentru auz.

## REDUCEREA RISCULUI

S-a raportat faptul că vibrațiile produse de unelte manuale pot contribui, la anumite persoane, la o afecțiune denumită Sindromul Raynaud. Simptomele pot include furnicături, amorțeală și albirea degetelor, care apare, de obicei, după expunerea la frig. Factori ereditari, expunerea la frig și umiditate, dieta, fumatul și practicile de muncă contribuie la dezvoltarea acestor simptome. Există măsurător care pot fi efectuate de către operator pentru a reduce efectele de vibrațiilor:

- **Păstrați-vă temperatura corporală ridicată pe vreme rece.** Când operați unitatea purtați mănuși pentru a vă menține mâinile și încheieturile la căldură. S-a constatat că vremea rece este un factor major care contribuie la sindromul Raynaud.
- După fiecare perioadă de operare, trebuie făcute exerciții pentru a crește circulația sângelui.
- Trebuie făcute pauze la intervale de timp regulate. Limitați expunerea zilnică.

Dacă sunt experimentate oricare dintre simptomele acestei afecțiuni, trebuie întrerupt utilizarea și consultat un medic.

### ⚠ AVERTISMENT

Poti fi cauzate, sau agravate vătămări prin folosirea prelungită a sculei. Atunci când folosiți o sculă pentru perioade prelungite, asigurați-vă că luați pauze regulate.

## CUNOAȘTEȚI-VĂ PRODUSUL.

Vezi pagina 77.

1. Lamă
2. Asamblarea pantofului.
3. Clemă lamă
4. Sistem de schimbare a lamei fără cheie.
5. Cheie hexagonală
6. Port acumulator
7. Declanșator comutator
8. Butonul de deblocare a butonului de pornire





## OPERAREA

### REGLAREA ANSAMBLULUI SABOTULUI.

- Produsul are un ansamblu sabot care pivotează în sus și în jos în ambele direcții pentru a se asigura că tot timpul sabotul este drept față de suprafața de tăiere. Sabotul reglabil de asemenea culisează în interior și exterior ceea ce permite folosirea dintelui lamei în diferite poziții pe lamă.
- Apăsăți lama ferăstrăului în suportul lamei suportului pentru a o opri. Asigurați-vă ca lama ferăstrăului este fixată sigur.

### SFATURI PRIVIND OPERAREA

#### ⚠ AVERTISMENT

Aveți grijă să nu răsuciți sau îndoiți lamele.

- Nu forțați unealta.
- Folosiți ulei de ungere la tăiere când tăiați metale moi și oțel. Uleiul de ungere la tăiere menține de asemenea lamele reci, crește acțiunea de tăiere și prelungeste durata de funcționare a lamei.
- Prindeți piesa de lucru ferm și aproape de punctul de pierdere pentru a elimina orice fel de vibrații ale acesteia. La tăierea conductelor, țevilor sau cornier, prindeți piesa de lucru într-o menhină și tăiați în apropierea acesteia. Pentru a tăia o foaie de material subțire, așezați materialul între două placaje și prindeți în cleme straturile pentru a elimina vibrația și uzura materialului.
- Mențineți întotdeauna o apăsare fermă înainte pe unealtă pentru a menține talpa în contact cu piesa de prelucrat.
- Nu folosiți lame de ferăstrău crăpate sau deformat. Nu folosiți lame de ferăstrău care sunt deteriorate sau deformat.

#### ⚠ AVERTISMENT

Praful de la anumite vopsele, tencuieli și materiale pot cauza iritații sau reacții alergice ale sistemului respirator. Praful de la lemn precum stejarul, fagul, PAL-ul și altele sunt cancerigene. Materialul conținând azbest trebuie să fie prelucrat sau procesat doar ce către operatori specialiști calificați.

#### ⚠ AVERTISMENT

Purtați întotdeauna ochelari de siguranță sau ochelari de protecție cu ecrane laterale atunci când utilizați mașini electrice. Nerespectarea acestei reguli poate antrena proiectarea de corpuri străine în ochi și poate provoca răni grave.

## ÎNTREȚINEREA

#### ⚠ AVERTISMENT

Mașina de șlefuit nu trebuie niciodată să fie conectată la priză atunci când montați piese, efectuați reglaje, curățați mașina sau atunci când nu o utilizați. Deconectarea unelei previne pornirea accidentală care poate conduce la rănirea gravă.

- Atunci când efectuați proceduri de service, utilizați doar piese de schimb identice. Utilizarea altor piese poate crea situații periculoase sau poate conduce la deteriorarea produsului.
- Evitați utilizarea solvenților atunci când curățați piesele din plastic. Majoritatea materialelor plastice pot să fie deteriorate prin utilizarea unor solvenți vânduți în comerț. Utilizați o cârpă curată pentru a curăța murdăriile, praful etc.
- Nu lăsați niciun moment ca lichidele de frână, produsele pe bază de petrol, uleiurile penetrante etc să intre în contact cu părțile din plastic. Aceste produse chimice conțin substanțe care pot afecta, slăbi sau distruge plasticul.
- Atunci când operați scula electrică sau când îndepărtați praful, purtați întotdeauna ochelari de protecție sau ochelari de protecție cu apărători laterale. Dacă mediu de lucru este plin de praf, purtați întotdeauna o mască împotriva prafului.
- Pentru o mai mare siguranță și încredere, toate reparațiile trebuie să fie îndeplinite la un centru service autorizat.

### GENERALITĂȚI

Evitați utilizarea solvenților atunci când curățați piesele din plastic. Majoritatea materialelor plastice pot să fie deteriorate prin utilizarea unor solvenți vânduți în comerț. Utilizați o cârpă curată pentru a curăța murdăriile, praful etc.

Aparatele electrice utilizate pentru fibra de sticlă, plăci de fibră, compuși de mastic sau ipsos sunt supuse uzurii accelerate și riscului de deteriorare prematură, deoarece așchiile și resturile provenind din prelucrarea fibrei de sticlă sunt foarte abrazive pentru rulmenți, bușe, comutatoare etc. Nu recomandăm folosirea produsului pentru perioade prelungite de timp pe aceste tipuri de materiale.

#### ⚠ AVERTISMENT


Nu folosiți aer comprimat pentru a îndepărta praful de pe produs. Această practică este periculoasă și poate cauza mizeria și pilitura să fie aruncată și să vătămeze ochii cuiva.

### LUBRIFIEREA





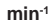





Toți rulmenții din interiorul produsului sunt lubrifiați cu o cantitate suficientă de lubrifiant de calitate înaltă pentru durata produsului în condiții normale de folosire. În consecință, nici o ungere suplimentară nu este necesară.



**PROTECȚIA MEDIULUI ÎNCONJURĂTOR**

 Reciclați materiile prime în loc să le aruncați la gunoi, împreună cu deșeurile menajere. Pentru a proteja mediul înconjurător, mașina, accesoriile acesteia și ambalajele trebuie triate.

**SIMBOLURILE DE PE PRODUS**

-  Avertizare de siguranță
-  Viteză în gol
-  Voltj
-  Curent continuu
-  Număr de rotații sau de mișcări pe minut
-  Conform CE
-  Marcaj de conformitate EurAsian
-  Semn de conformitate ucrainean
-  Citiți instrucțiunile cu atenție înainte de pornirea produsului.
-  Deșeurile produselor electrice nu trebuie sc îndălurate împreună cu deșeurile casnice. Vă rugăm reciclați acolo unde există facilități. Verificați la autoritatea dvs locală sau la vânzător pentru sfaturi privind reciclarea.

**SIMBOLURILE DIN MANUAL**

-  Notă
-  Piese sau accesorii vândute separat
-  Viteză, minim
-  Viteză, maxim
-  Lemn
-  Plastic
-  Metal



PERICOL: Pânză ascuțită



Purtați mănuși care nu alunecă, destinate pentru operațiuni grele.

Rmătoarele cuvinte simbol și înțelesul lor au intenția de a explica nivelele de risc asociate cu acest produs.

**PERICOL**

Indică o situație imediată de pericol, care dacă nu este evitată va rezulta în deces sau rănire gravă.

**AVERTISMENT**

Indică o situație potențială de pericol, care dacă nu este evitată poate rezulta în deces sau rănire gravă.

**PRECAUȚIE**

Indică o situație potențial periculoasă, care dacă nu este eviată, poate rezulta în vătămare minoră sau moderată.

**PRECAUȚIE**

(Fără simbol de alertă de siguranță) Indică o situație ce poate rezulta în distrugerea proprietății.



Izstrādājot šo zobenzāģi, īpaša uzmanība veltīta drošībai, veiktspējai un uzticamībai.

## PAREDZĒTĀ LIETOŠANA

Zobenzāģi drīkst lietot tikai pieaugušie, kuri ir izlasījuši un sapratuši šīs rokasgrāmatas norādījumus un brīdinājumus un kuri spēj atbildēt par savu rīcību. Ar pareiziem asmeņiem zobenzāģis ir paredzēts koka, plastmasas, rīgpīša un metāla griešanai līdz specifiskācijai tabulā norādītajam dzījumam. Zobenzāģis ir paredzēts lietošanai, turot to rokās; to nav paredzēts uzstādīt uz darbagalda, ja vien ierīces ražotājs nav sniedzis īpašus norādījumus.

### ▲ BRĪDINĀJUMS

**Izlasiet visus drošības brīdinājumus un visas instrukcijas.** Brīdinājumu un instrukciju neievērošana var izraisīt elektrošoku, aizdegšanos un/vai nopietnus ievainojumus.

Visus brīdinājumus un norādījumus saglabājiet turpmākām uziņām.

## ZOBENZĀĢA DROŠĪBAS BRĪDINĀJUMI

- Darbos, kuros instruments var saskarties ar slēptiem vadiem, turiet instrumentu aiz izolētajām satvēršanas virsmām. Griezējinstrumenta saskare ar strāvu vadošajām vietām var padarīt arī atklātās metāla daļas vadošas un radīs operatoram elektrisko triecienu.
- Aizsargājiet plaušas. Ja darbs ir putekļains, valkājiet putekļu masku.

## PALIEKOŠIE RISKI

Pat tad, ja ierīce tiek lietota, kā aprakstīts, joprojām nav iespējams pilnībā novērst atsevišķus riska faktorus. Lietošanas laikā var rasties šādas briesmas un strādniekam īpaša uzmanība jāpievērš šim:

- Vibrācijas radīti bojājumi
  - Izmantojiet zemāko ātruma iestatījumu, ar kuru var paveikt darbu. Ierobežojiet iedarbību. Skatīt "Risku Samazināšana".
- Putekļu izraisītas traumas
  - Vienmēr lietojiet aizsargbrilles. Valkājiet atbilstošu putekļu aizsargmasku ar piemērotiem filtriem, kas var pasargāt no putekļiem. Darba vietā neēdiet, nedzeriet un nesmēķējiet. Darba vietā nodrošiniet atbilstošu ventilāciju.
- Elektriskās strāvas triecieni
  - Asmens var nonākt saskarē ar apslēptām elektroinstalācijām, un ierīces detaļas tādējādi var kļūt "spriegumaktīvas". Vienmēr turiet ierīci aiz speciālajiem rokturiem un uzmanieties, griežot nezināmās sienās un grīdā, kur var būt apslēpti vadi..

**PIEZĪME:** Veicot darbus sienās, griestos vai grīdā, uzmanieties, lai nemonāktu saskarē ar elektrības kabeļiem un gāzes vai ūdens caurulēm. Ierīce lietošanas laikā jātur ar abām rokām.

- Miesas bojājumi no saskares ar griezējasmēni

- Asmeņi ir ļoti asi un lietošanas laikā uzkarst. Asmeņu nomaigšanas laikā valkājiet cimdus. Vienmēr turiet rokas drošā attālumā no griešanas vietas. Nostipriniet apstrādājamo materiālu, kad vien iespējams.

- Trokšņa radītas traumas
  - Ilgstoša trokšņa iedarbība palielinās dzirdes bojājumu risku, turklāt troksnim ir kumulatīva ietekme. Izmantojot elektroinstrumentus ilgstoši, lietojiet dzirdes aizsarglīdzekļus.

## RISKA SAMAZINĀŠANA

Ir ticis ziņots, ka vibrācijas no rokas instrumentiem atsevišķos cilvēkos var veicināt kaiti, ko sauc par Reino sindromu. Simptomi var ietvert pirkstu tīnkšķēšanu, nejutīgumu un nobālēšanu, parasti aukstā laikā. Tiek uzskatīts, ka tradicionālie faktori, aukstums un mitrums, uzturs, smēķēšana un darba prakse sekmē šo simptomu attīstību. Operators var veikt pasākumus, lai iespējami samazinātu vibrācijas efektu:

- Aukstā laikā ķermenim jābūt siltam. Darbinot ierīci, nēsājiet cimdus, lai rokas un plaukostas locītavas būtu siltas. Ir pētījumi, ka auksts laiks ir galvenais faktors, kas veicina Reino sindromu.
- Ik pēc laika apturiet darbu un veiciet vingrinājumus, kas uzlabo asins cirkulāciju.
- Strādājot jābūt biežiem pārtraukumiem. Ierobežojiet iedarbības ilgumu dienā.

Ja jūs izjūtat kādu no šiem simptomiem, nekavējoties apturiet ierīces lietošanu un sazinieties ar ārstu par šiem simptomiem.

### ▲ BRĪDINĀJUMS

Ilgstoša instrumenta lietošana var izraisīt traumas vai pasliktināt veselības stāvokli. Ilgstoši lietojot jebkuru instrumentu, pārliecinieties, ka tiek veikti regulāri pārtraukumi.

## IERĪCES IEPAZĪŠANA

Skatīt 77. lpp.

1. Ripa
2. Zāģa balsts
3. Asmens skava
4. Asmens nomaigšanas bez instrumentiem
5. Sešstūrveida uzgriežņu atslēga
6. Akumulatora savienojuma ligzda
7. Slēdža mēlīte
8. Drošinātāja poga

## EKSPLUATĀCIJA

### ZĀĢA BALSTA REGULĒŠANA

- Ierīcei ir zāģa balsts, kas bīdās uz augšu un uz leju abos virzienos, lai nodrošinātu, ka balsts vienmēr atrodas tieši pret griežamo virsmu. Regulējamais balsts arī bīdās iekšā un ārā, kas ļauj izmantot asmens zobus dažādās asmens vietās.
- Iespiediet zāģa asmeni līdz galam zāģa asmens



turētājā. Pārliecinieties, ka zāģa asmens ir droši nostiprināts.

## LIETOŠANAS IETEIKUMI

### ⚠ BRĪDINĀJUMS

Rīkojieties uzmanīgi, lai nesavērtu vai nesaliektu asmeņus.

- Nepārslogojiet instrumentu.
- Griežot mīkstos metālos un tēraudā, izmantojiet griešanas eļļu. Griešanas eļļa arī dzesē asmeņus, uzlabo griešanu un pagarina asmeņu kalpošanas laiku.
- Stingri iespīlējiet darbu un grieziet iespīlēšanas punkta tuvumā, lai mazinātu griežamās detaļas vibrāciju. Griežot cauruļvadu, cauruli vai leņķdzelzi, iespīlējiet to skrūvspīlēs (ja iespējams) un zāģējiet skrūvspīļu tuvumā. Griežot plānu loksnes materiālu, novietojiet materiālu starp divām kokšķiedras plātnēm vai saplākšņiem un nostipriniet loksnes, lai samazinātu vibrāciju un materiāla plīšanu.
- Vienmēr saglabājiet stingru uz priekšu vērstu spiedienu uz instrumentu, lai saglabātu pēdas saskarsmi ar apstrādājamo materiālu.
- Nelietojiet iekaisējušus un saliektus zāģa asmeņus. Nelietojiet bojātus un deformētus zāģa asmeņus.

### ⚠ BRĪDINĀJUMS

Putekļi no dažādām krāsām, klājumiem un materiāliem var izraisīt kairinājumu vai alerģijas reakcijas elpošanas sistēmai. Putekļi no tādiem kokiem, kā ozols, dižskābardis, šķiedrkartons un citiem ir kancerogēni. Ar azbestu saturošu materiālu būtu jāstrādā tikai kvalificētiem speciālistiem.

### ⚠ BRĪDINĀJUMS

Strādājot ar produktiem, vienmēr valkājiet drošības brilles vai aizsargbrilles ar sānu aizsargiem. Ja tas netiek ievērots, jūsu acis var lidot objekti, tādējādi radot nopietnas traumas

## APKOPE

### ⚠ BRĪDINĀJUMS

Instrumentu nekad nevajadzētu pievienot barošanas padevei, veicot daļu montāžu, regulēšanu, tīrīšanu vai apkopi vai arī laikā, kad instruments netiek izmantots. Atslēdzot instrumentu, tiek novērsta nejausa ieslēgšanās, kas varētu izraisīt nopietnu traumu.

- Veicot apkopi, izmantojiet tikai identiskas rezerves daļas. Jebkādi citu detaļu izmantošana var izraisīt bīstamību vai produkta bojājumus.
- Tīrot plastmasas daļas, izvairieties no šķīdinātāju lietošanas. Vairums plastmasu ir jutīgas pret dažāda veida pārdošanā esošajiem šķīdinātājiem un to

izmantošanas rezultātā var tikt bojātas. Izmantojiet tīru drānu, lai notīrītu netīrumus, oglekļa putekļus utt.

- Nekādā gadījumā plastmasas daļām neļaujiet nonākt saskarē ar bremžu šķidrumu, benzīnu, naftas izstrādājumiem, eļļām ar paaugstinātu mitrināšanas spēju utt. Ķīmikālijas var sabojāt, novājināt vai iznīcināt plastmasas detaļas.
- Elektroiinstrumenta darbības vai putekļu pūšanas laikā vienmēr izmantojiet aizsargbrilles vai drošības brilles ar sānu aizsargiem. Ja darbība ir saistīta ar putekļu rašanos, uzlieciet arī putekļu masku.
- Lielākas drošības un uzticamības labad visi remontī jāveic pilnvarotā apkopes centrā.

## VISPĀRĪGI

Tīrot plastmasas daļas, izvairieties no šķīdinātāju lietošanas. Vairums plastmasu ir jutīgas pret dažāda veida pārdošanā esošajiem šķīdinātājiem un to izmantošanas rezultātā var tikt bojātas. Izmantojiet tīru drānu, lai notīrītu netīrumus, oglekļa putekļus utt.

Elektroiinstrumenti, kurus izmanto stikla šķiedras materiāla, ģipša plāksnes, plastikāta savienojumu vai apmetuma apstrādei, ātrāk nodilst un var priekšlaicīgi nolietoties, jo stikla šķiedras šķembas un putekļi ļoti abrazīvi iedarbojas, piemēram, uz gultņiem, sukām un komutatoriem. Nav ieteicams lietot ierīci ilgstoši, griežot šāda veida materiālus.

### ⚠ BRĪDINĀJUMS

Putekļu tīrīšanai no preces neizmantojiet saspiestu gaisu. Tas ir bīstami, jo gružus un skaidas var iepūst kādam acīs.

## ELĻOŠANA

Visi izstrādājuma gultņi tiek eļļoti ar pietiekamu augstas kvalitātes smērvielas daudzumu, lai nodrošinātu produkta kalpošanas laiku normālos lietošanas apstākļos. Tāpēc papildu eļļošana nav nepieciešama.

## VIDES AIZSARDZĪBA



Tā vietā, lai izejmateriālus izmestu atkritumos, nododiet tos atsevišķai pārstrādei. Mašīna, aksesuāri un iepakojums ir jāsašķirto un jānodod videi draudzīgā atkārtotas pārstrādes vietā.

## UZ PRECES ESOŠIE SIMBOLI



Drošības brīdinājums



Apgrīzieni bez slodzes



Volti



Līdzstrāva



Apgrīzieni minūtē



CE atbilstība





EurAsian atbilstības marķējums



Ukrainas apstiprinājuma zīme



Pirms iedarbināt izstrādājumu, lūdzu, uzmanīgi izlasiet norādījumus.



Izlietotie elektroprodukti nedrīkst tikt izmesti kopā ar mājāsaimniecības atkritumiem. Lūdzu, nododiet tos attiecīgajās atkārtošanas vietās. Sazinieties ar savu vietējo varas pārstāvi vai izplatītāju, lai noskaidrotu, kur iespējama atkārtota pārstrāde.

### UZMANĪBU

Norāda uz potenciāli bīstamu situāciju, kas, ja netiek novērsta, var izraisīt vieglus vai vidējus miesas bojājumus.

### UZMANĪBU

(Bez drošības trauksmes simbola), kas norāda, uz situāciju, kas var novest pie īpašuma bojājuma.

## SIMBOLI ROKASGRĀMATĀ



Piezīme



Atsevišķi nopērkamās daļas vai piederumi



Apgriezieni, minimālais



Apgriezieni, maksimums



Koks



Plastmasa



Metāls



BĪSTAMI: Ass asmens



Valkājiet neslidošus darba cimdus.

Lai izskaidrotu risku, kas saistīti ar izstrādājumu, līmeni, paredzēti šādi norādījuma vārdi un jēdzieni.

### BĪSTAMI

Norāda uz nenovēršami bīstamu situāciju, kas, ja netiks novērsta, izraisīs nāvi vai nopietnus miesas bojājumus.

### BRĪDINĀJUMS

Norāda uz potenciāli bīstamu situāciju, kas, ja netiks novērsta, var izraisīt nāvi vai nopietnus miesas bojājumus.



Projektuojant slankųjį pjūklą, didžiausias prioritetas suteiktas saugai, eksploatacinėms savybėms ir patikimumui.

## NAUDOJIMO PASKIRTIS

Slankusis pjūklas skirtas naudoti tik suaugusiems, kurie yra perskaitę ir suprastę šiame vadove pateiktus nurodymus bei įspėjimus ir gali būti laikomi atsakingi už savo veiksmus. Su pritaistytais atitinkamomis geležtėmis, slankusis pjūklas skirtas pjauti medieną, plastiką, gipskartonį ir metalą gyliu, nurodytu specifikacijų lentelėje. Slankusis pjūklas – rankinis: jo negalima montuoti prie staklių, jeigu įrankio gamintojas nėra pateikęs specialių nurodymų.

Gaminį galima naudoti tik pagal paskirtį.

### ⚠ ĮSPĖJIMAS

**Perskaitykite visus saugos įspėjimus ir visą instrukciją.** Įspėjimų ir instrukcijų nesilaikymas gali sukelti elektros smūgį, gaisrą ir (ar) sunkius sužeidimus.

**Kad tinkamai naudotumėte įrankį, žr. visus perspėjimus ir nurodymus.**

## SLANKIOJO PJŪKLO SAUGOS ĮSPĖJIMAI

- **Elektrinį įrankį laikykite už izoliuotų paviršių, kad darbo metu pjovimo įrankio priedas nesusiliestų su paslėptais laidais.** Pjovimo metu priedas, prisilietęs prie laido, prijungto prie maitinimo šaltinio, gali aktyvuoti metalines elektrinio įrankio detales ir sukelti operatoriui elektros smūgį.
- **Saugokite plaučius.** Dėvėkite kaukę nuo dulkių, jei tektų dirbti ten, kur išsiskiria dulksė.

## ŠALUTINIS PAVOJUS

Net naudojant gaminį griežtai pagal paskirtį neįmanoma visiškai atmesti kai kurių liktinių rizikos veiksnių. Būkite budrūs atlikdami priežiūros ar valymo darbus: po įrankio naudojimo geležtę kurį laiką išlieka įkaitusi.

- Vibracijos sukeliama pažeidimai
  - Nustatykite lėčiausią greitį, kuriuo galima atlikti darbą. Ribokite buvimą darbo aplinkoje. Žr. "Rizikos Veiksnių Mažinimas".
- Dulkių sukeliama žala
  - Visada dėvėkite akių apsaugos priemones. Dėvėkite tinkamą dulkių apsauginę kaukę su specialiais filtrais, galinčiais apsaugoti nuo dulkių, kurias sukelia apdirbama medžiaga. Darbo vietoje negalima valgyti, gerti ar rūkyti. Darbo vieta turi būti tinkamai vėdinama.
- Elektros smūgis
  - Geležtė gali prisiliesti prie paslėptų laidų ir gaminio dalys gali tapti srovės laidininkais. Būtinai laikykite gaminį paėmę už specialiai skirtų rnkėnų ir atsargiai pjaukite sienas bei grindis, kur nesimato paslėptų kabelių.

**PASTABA:** Šlifuojant sienas ar pjaunant jose angas, reikia būti atsargiems ir nepažeisti elektros laidų ar dujotiekio arba vandentiekio vamzdžių. Gaminį reikia

valdyti abiem rankomis.

- Sužeidimai prisilietus prie pjovimo geležčių
  - Geležtės labai aštrios ir pjaunant įkaista. Keičiant geležtes, reikia mūvėti pirštines. Rankas būtinai reikia laikyti atokiai nuo pjovimo srities. Jeigu yra galimybė, ruošinį reikia prispausti.
- Triukšmo sukeliama trauma.
  - Ilgai būnant triukšme padidėja pavojus pakenkti klausai ir šis triukšmo poveikis ilgainiui didėja. Naudojant elektrinius įrankius labai ilgai, reikia dėvėti klausos apsaugos priemones.

## RIZIKOS MAŽINIMAS

Turime pranešimų, kad vibracija nuo ranka laikomų įrankių kai kuriems asmenims gali turėti neigiamos įtakos vystantis Raynaud sindromui. Šios ligos požymiai yra pirštų dilgčiojimas, nutirpimas ir pabalimas, paprastai pasireiškiantis nuo šalčio. Šie simptomai vystosi dėl paveldimų veiksnių, nesisaugant nuo šalčio ir drėgmės, dėl mitybos, rūkymo ir darbo praktikos. Operatorius gali imtis šių priemonių, kurios gali sumažinti vibracijos poveikį:

- Apsirenkite kuo šilčiau šaltu oru. Dirbant šiuo prietaisu mūvėkite pirštines, kad plaštakos ir riešai būtų laikomi šilčiau. Turime pranešimų, kad Raynaud sindromas labiausiai vystosi nuo šalto oro sąlygų.
- po darbo kiekvieną kartą pasportuokite, kad pagerėtų kraujo apytaka;
- dažnai darykite darbo pertraukas. Apribokite darbo laikotarpį per dieną.

Jei jums pasireiškia kokie nors šios būklės simptomai, nedelsdami nutraukite darbą ir kreipkitės į gydytoją.

### ⚠ ĮSPĖJIMAS

Ilgai naudojant įrankį, galima susižaloti arba pakenkti sveikatai. Ilgiau naudojant įrankius, reikia reguliariai daryti pertraukas.

## GERAI IŠMANYKITE APIE GAMINĮ

*Žiūrėti 77 psl.*

1. Geležtė
2. Avalynės komplektas
3. Geležčių spaustuvas
4. Geležčių keitimo nenaudojant įrankių sistema
5. Šešiakampis veržliaraktis
6. Baterijos gnybtas
7. Perjungiklis
8. Blokavimo mygtukas

## VEIKIMAS

### ŠLIUŽĖS SISTEMOS REGULIAVIMAS

- Gaminyje įtaisyta šliužės sistema, kuri sukais aukštytyn ir žemyn abiem kryptimis, kad šliužė visada būtų lygi pjovimo paviršiaus atžvilgiu. Reguluojama šliužė taip pat slysta į vidų ir išorę, dėl ko geležtė su dantimis galima pjauti pasukus įvairiomis padėtimis.
- Įspauskite pjūko geležtę į laikiklį iki ribotuvo. Pjūko



geležtė turi būti tvirtai įtaisyta.

## NAUDINGI EKSPLOATAVIMO PATARIMAI

### ⚠ ĮSPĖJIMAS

Atsargiai – pjūkle geležčių neišlenkite ir nepasukite.

- Nenaudokite įrankio jėga.
- Pjaunant minkštuosius metalus ir plieną, gaminį reikia patepti pjovimo alyva. Pjovimo alyva taip pat neleidžia įkaisti geležtėms, gerina pjovimo efektyvumą ir pailgina geležčių naudojimo trukmę.
- Ruošinį gerai suspauskite ir pjaukite arti suspausto taško, kad būtų pašalinta bet kokia pjaunamo ruošinio vibracija. Jei pjaunate izoliacinius vamzdžius ar kampuočius, jei įmanoma, ruošinį suspauskite gnybtuose, ir pjaukite arti gnybtų. Norėdami pjauti plonius lakštus, padėkite medžiagą tarp dviejų statybinio kartono arba klijuotos faneros plokščių ir prispauskite sluoksnius, kad įrenginys neviruotų ir medžiaga neplyštų.
- Visada laikykite įrankį tvirtai prispaudę, kad trinkelė neatitrūktų nuo ruošinio.
- Negalima naudoti įtrūkusių arba išsikraipusių pjūkle geležčių. Negalima naudoti apgadintų arba deformuotų pjūkle geležčių.

### ⚠ ĮSPĖJIMAS

Tam tikrų dažų, gruntų ir medžiagų dulkės gali dirginti ar sukelti alergines kvėpavimo sistemos reakcijas. Ažuolo, beržo, medienos plaušų plokščių ir kitos dulės kancerogeninės. Medžiagas, kurių sudėtyje yra asbesto, gali pjauti ar apdirbti tik kvalifikuoti specialistai.

### ⚠ ĮSPĖJIMAS

Visada užsidėkite apsauginius akinius arba akinius su šoniniais skydais, kai dirbate su šiuo įrankiu. Neužsidėjęs, į jūsų akis gali patekti nuolaužų, kurios gali rimtai sužaloti.

## PRIEŽIŪRA

### ⚠ ĮSPĖJIMAS

Niekada nelaikykite įrankio prijungto prie elektros maitinimo šaltinio, kai montuojate detales, reguliuojate, valote, atliekate priežiūros darbus arba kai įrankis nėra naudojamas. Atjungus įrankį sumažėja galimybė, kad jis netikėtai užsives ir ką nors sunkiai sužeis.

- Sugedusias detales keiskite tik originaliomis atsarginėmis detalėmis. Kitų detalių naudojimas gali sukelti pavojų ar sugadinti įrankį.
- Valydami plastikines detales, nenaudokite tirpiklių. Daugelis plastikų jautrūs įvairių tipų komerciniams tirpikliams ir juos naudojant galima pažeisti plastikines detales. Valydami purvą, anglies dulkes ir kt. naudokite

švarią šluostę.

- Stabdžių skysčiai, gazolinas ir benzino produktai, skvarbiuos alyvos ir pan. jokiū būdu negali patekti ant plastiko dalių. Juose yra chemikalų, kurie gali sugadinti, pažeisti arba susilpninti plastiką.
- Dirbdami su elektriniu įrankiu ar kai pučiamos dulkės, visada dėvėkite apsauginius akinius ar akinius su šonine apsauga. Jei darbo metu kyla dulkės, taip pat dėvėkite kaukę nuo dulkių.
- Kad būtų saugiau ir patikimiau, visus remonto darbus turi atlikti įgaliotasis techninio aptarnavimo centras.

## PAGRINDINIAI

Valydami plastikines detales, nenaudokite tirpiklių. Daugelis plastikų jautrūs įvairių tipų komerciniams tirpikliams ir juos naudojant galima pažeisti plastikines detales. Valydami purvą, anglies dulkes ir kt. naudokite švarią šluostę.

Su stiklo pluošto medžiagomis, sieninėmis plokštėmis, kibirkščiuojančiais junginiais ar tinku darbo metu naudojami elektriniai įrankiai greitai susidėvi ir sugenda todėl, kad stiklo pluošto atplaišos ir šlifavimo likučiai agresyviai veikia guolius, šepetčius, komutatorius, ir t. t. Nepartina labai ilgai gaminių pjauti šio tipo medžiagų.

### ⚠ ĮSPĖJIMAS

Dulkių nuo gaminių negalima šalinti suspaustu oru. Darbas pavojingas ir nesvarumai bei nuopjovos gali būti išpūstos ir sužeisti akis.

## SUTEPIMAS

Kad įprastomis darbo sąlygomis perforatorius ilgai nesusidėvėtų, visi jo guoliai sutepti reikiamu kiekiu aukštos klasės tepalo. Todėl daugiau jo tepti nebereikia.

## APLINKOS APSAUGA



Žaliavines medžiagas perdirbkite pakartotinai, o ne išmeskite kaip atliekas. Mechanizmas, priedai ir pakuotės turi būti laikomi pakartotinai perdirbti aplinkai nekenksmingu būdu.

## SIMBOLIAI ANT ĮRENGINIO



Pranešimas apie saugumą

$n_o$

Greitis be apkrovimo

v

Voltai

≡

Nuolatinė srovė

min<sup>-1</sup>

Apsukos ar judėjimas per minutę

CE

CE suderinimas

EAC

„EurAsian“ atitikties ženklas



Ukrainos atitikties ženklas



Prieš pradėdant naudoti šį prietaisą, prašome atidžiai perskaityti šias instrukcijas.



Elektrinių produktų atliekos neturi būti metamos kartu su namų ūkio atliekomis. Prašome perdirbkite jas ten, kur yra tokios perdirbimo bazės. Dėl perdirbimo patarimo kreipkitės į savo vietinę savivaldybę ar pardavėją.

## ATSARGIAI

(Be įspėjamojo šauktuko) Reiškia situaciją, kurioje galima sugadinti turtą.

EN  
FR  
DE  
ES  
IT  
NL  
PT  
DA  
SV  
FI  
NO  
RU  
PL  
CS  
HU  
RO  
LV  
LT  
ET  
HR  
SL  
SK  
EL  
TR  
UK

## SIMBOLIAI VADOVE



Pastaba



Detalės arba priedai yra parduodami atskirai



Greitis, minimalus



Greitis, maksimalus



Mediena



Plastikas



Metalas



PAVOJUS: Aštri geležtė



Mūvėkite neslystančias, tvirtas apsaugines pirštines.

Šie signaliniai žodžiai yra skirti nurodyti su prietaiso naudojimu susijusio pavojaus lygį.

### ⚠ PAVOJUS

Rodo grėšiančią pavojingą situaciją, kurios neišvengus galima patirti mirtiną arba sunkų sužalojimą.

### ⚠ ĮSPĖJIMAS

Rodo potencialiai pavojingą situaciją, kurios neišvengus galima patirti mirtiną arba sunkų sužalojimą.

### ⚠ ATSARGIAI

Rodo potencialiai pavojingą situaciją, kurios neišvengus galima patirti nesunkų arba vidutinio sunkumo sužalojimą.



Lehtsaie konstrueerimisel on peaeesmärgiks olnud toote ohutus, tootlikkus ja töökindlus.

### OTSTARBEKOHANE KASUTAMINE

See lehtsaag on ette nähtud kasutamiseks vaid täiskasvanud töötaja poolt, kes on selle kasutusjuhendi juhised ja hoiatused läbi lugenud ja mõistab vastutust nende täitmise eest. Nõuetekohase saelehe paigaldamisel saab lehtsaagi kasutada puidu, plasti, kipsplaadi ja metalli lõikamiseks tehniliste andmete tabelis esitatud paksuse ulatuses. Lehtsaag on ette nähtud ainult käes kasutamiseks, seda ei tohi paigaldada tööpingile kui selleks pole antud tootja erijuhiseid.

Ärge kasutage seadet ühelgi muul viisil kui mainitud sihtotstarbeks.

### ▲ HOIATUS

**Lugege kõik ohuhoiatused ja juhised läbi.** Hoiatuse ja juhiste eiramise puhul on oht saada elektrilööki või raskeid kehavigastusi ning/või põhjustada tulekahju.

Hoidke kõik hoiatused ja juhised edaspidiseks juhindumiseks alles.

### LEHTSAIE OHUHOIATUS

- **Töötamisel kohtades, kus lõikeriist võib kokku puutuda varjatud elektrijuhtmetega, hoidke tööriista kinni ainult isoleeritud käepidemetest.** Kui kinnitusdetail või puur satub kontakti pingele all olevate juhtmetega, jäävad tööriista isoleerimata metallosad pingele alla ja kasutaja võib saada elektrilöögi.
- **Kaitske oma hingamisorganeid.** Tolmustes kohtades töötamisel kandke näomaski või respiraatorit.

### JÄÄKRISKID

Isegi siis, kui seadet kasutatakse kirjeldatud viisil, ei ole võimalik kõrvaldada kõiki jääkriskide mõjureid. Töötamise ajal võivad tekkida järgmised ohud, millele operaator peab pöörama erilist tähelepanu.

- Vibratsioonist põhjustatud kehavigastus
  - Kasutage töötoiminguks vajalikku madalaimat kiirusesätet. Piirake kokkupuudet. Consulte el apartado "Reducción De Riesgos".
- Tolmust põhjustatud kehavigastus
  - Kandke alati silmakaitsevahendeid. Kandke tolmutmaski, millel on ettenähtud filtrid, mis kaitsevad materjalist tekkiva tolmu ja abrasiivmaterjalide peenosakeste eest. Ärge töökohal sööge, jooge ega suitsetage. Ensure adequate workplace ventilation.
- Elektrilööki
  - Lõiketera võib sattuda kokkupuutesse varjatud juhtmetikuga ja seadme osad satuvad pingele alla. Hoidke seadet alati ettenähtud käepidemetest ja olge ettevaatlik varjatud kaablite suhtes, kui teete sisselõikeid seintesse ja põrandatesse.

**MÄRKUS:** Avade puurimisel seintesse, põrandatesse olge ettevaatlik, et vältida kaableid, gaasi- ja veetorstikke. Seadmega töötamisel tuleb seda hoida

kahe käega.

- Saelehega kokkupuutest tingitud kehavigastus
  - Saelehed on väga teravad ja kuumenevad kasutamise ajal. Kandke saelehtede vahetamise ajal kaitsekindaid. Hoidke käed alati lõikamispiirkonnast eemal. Võimaluse korral kinnitage toorik kruustangide vahele.
- Mürast põhjustatud vigastus
  - Pidev müra põhjustab kuulmiskahjustusi ja selle mõju on kuhjuv. Kui kasutate tööriista pika ajaperioodi vältel, kandke kuulmiskaitsevahendeid.

### RISKI ALANDAMINE

Teadaolevalt võib käsitööriistade kasutamine põhjustada mõnedel inimestel seisundit, mida nimetatakse Raynaud' sündroomiks. Los síntomas pueden incluir hormigueo, entorpecimiento y decoloración de los dedos, generalmente aparentes cuando tiene lugar una exposición al frío. Nende sümptomite puhul tuleb hoiduda külmast ja niiskusest, dieedist ning suitsetamisest ja kasutada õigeid töövõtteid. Vibratsiooni mõju vähendamiseks tuleb rakendada järgmisi abinõusid.

- Külma ilmaga hoidke oma keha soe. Kandke kindaid, et hoida oma käed ja randmed soojad. Uuringud näitavad, et Raynaud's Syndrome ilmneb põhiliselt külma ilmaga.
- Pärast külmas töötamist tehke harjutusi, et verevarustust kiirendada.
- Tehke regulaarselt töovaheaegasid. Piirake tööperioodi pikkust.

Kui ilmnevad haigustunnused, lõpetage kohe töö ja pöörduge arsti poole.

### ▲ HOIATUS

Seadme pikaajalisel kasutamisel võite saada kehavigastusi või vigastused võivad süveneda. Seadme kasutamisel pika aja jooksul tuleb teha korralisi vaheaegasid.

### ÕPPIGE OMA TOODET TUNDMA

Vt lk 77.

1. Saeketas
2. Tugitaldmik
3. Lõiketera kinnitusklemm
4. Saelehe kiirvahetusüsteem
5. Kuuskantvõti
6. Aku ühenduspesa
7. Lülitusnupp
8. Vabastusnupp

### KASUTAMINE

#### TALDMIKU REGULEERIMINE

- Seadmel on taldmik, mis pöörduv üles-alla ja tagab, et taldmik on seatud tihedalt vastu lõigatavat pinda. Reguleeritavat taldmiku on võimalik nihutada ka sisse-välja, mis võimaldab kasutada saelehte hambaid erinevates asendites.



- Vajutage saeleht saelehe hoidikusse lõpuni sisse. Veenduge, et saeleht on kindlalt kinni.

## KASUTUSJUHISED

### HOIATUS

Olge ettevaatlik, et saelehte mitte väänata või painutada.

- Ärge kasutage töötamisel liigset jõudu.
- Pehmete metallide ja terase saagimisel kasutage saeõli. Saeõli jahutab saelehte, parandab lõiketoimet ja pikendab saelehe tööiga.
- Kinnitage toorik liikumatult ja saagige kinnituskoha lähedalt, et tooriku vibratsiooni vältida. Karpprofiilide, torude ja nurkterase saagimisel kinnitage toorik võimaluse korral kruustangide vahele ning saagige kruustangide lähedalt. Õhukese lehtmaterjali saagimisel pange see kahe puिताastplaadi või vineeritüki vahele ning suruge pakk kinni, et nii vibratsiooni ja materjali rebimist vähendada.
- Alati hoidke tööriistale avaldatavat survet suunaga ettepoole, et tööriista tald oleks tööpinnaga kontaktis.
- Ärge kasutage pragunenud ega väändunud saelehte. Ärge kasutage saelehti, mis on vigastatud või deformeerunud.

### HOIATUS

Mõnede värvide tolm, pinnakatted ja materjalid võivad põhjustada hingamisteede ärritust või allergilisi reaktsioone. Tamme- ja pöökpuu, MDF-i ja sarnaste materjalide tolm on kantserogeenne. Asbesti sisaldavaid materjale tohivad lõigata vastava väljaõppega eriooperaatorid.

### HOIATUS

Kandke toodet kasutades küljekaitsetega ohutusvõi kaitseprille. Selle eiramine võib tähendada, et võõrkehad võivad sattuda teile silma, mis võib põhjustada tõsise vigastuse.

## HOOLDUS

### HOIATUS

Masina kokkupanekul, reguleerimisel, puhastamisel, hooldamisel ja töövaheaegadel tuleb lihvasin elektrivõrgust lahti ühendada. Lihvasina elektrivõrgust lahtiühendamine väldib selle tahtmatu käivitumise, mis võib põhjustada raske kehavigastuse.

- Kasutage teenindamisel ainult täpselt sobivaid varuosi. Muude osade kasutamine võib tekitada ohuolukorra ja põhjustada seadme vigastumise.
- Vältige plastosade puhastamisel lahustite kasutamist. Enamik plaste on tundlikud kaubandusvõrgust saadaolevate lahustite suhtes ja võivad nende mõjul oma omadusi kaotada. Tolmust, õlist, määrdest ja

muust mustusest puhastamiseks kasutage puhast riidelappi.

- Ärge laske plastosadel mitte mingil juhul sattuda kokkupuutesse auto pidurivedeliku, bensiini, bensiinipõhiste toodete, immutusõlidega või muude samalaadsete vedelikega. Kemikaalid võivad kahjustada, nõrgendada või hävitada plastiku.
- Töötamisel ja tolmü ärapuhumisel kandke alati silmamaski või küljekaitsetega kaitseprille. Kui töötlemine on tolmune, siis kandke tolmumaski.
- Kõik remonttööd tuleb lasta teha volitatud hoolduskeskuses, et tagada masina ohutus ja töövoime.

## ÜLDKIRJELDUS

Vältige plastosade puhastamisel lahustite kasutamist. Enamik plaste on tundlikud kaubandusvõrgust saadaolevate lahustite suhtes ja võivad nende mõjul oma omadusi kaotada. Tolmust, õlist, määrdest ja muust mustusest puhastamiseks kasutage puhast riidelappi.

Elektrivõrgust kasutamisel klaaskiudmaterjalide, seinapaneelide, pahtlasegu või kipsi lihvimiseks võib kaasneda masinaosade kiirenenud kulumine ning võimalikud rikked, sest klaaskiududest ja teistest peenosakestest koosnev väga abrasiivne lihvimistolm kulutab laagreid, kollektori harju, kommutaatorit ja teisi mootoriosi. Seda tüüpi materjalide pikaajaline töötlemine selle seadme abil ei ole soovitatav.

### HOIATUS

Ärge kasutage tööriistalt tolmumustuse eemaldamiseks suruõhku. Selline kasutusviis on ohtlik ja võib põhjustada mustuse ja abrasiivkübemete väljapuhumist ja tekitada kellelegi silmakahjustusi.

## MÄÄRIMINE

Kõik selle tööriista laagrid on tehases täidetud piisava hulga kvaliteetse määrdega, mis tagab tavatingimustes nende töövoime kogu kasutusea jooksul. Seetõttu ei ole täiendav määrimine vajalik.

## KESKKONNAKAITSE



Taaskasutage materjale nende jäätmekäitluse andmise asemel. Masin, selle lisaseadmed ja pakend tuleb jäätmekäitluseks keskkonnasõbralikult sorteerida.

## MASINAL OLEVAD SÜMBOLID



Ohutusalane teave



Kiirus ilma koormuseta



Volt





Alalisvool





Pöörete või löökide arv minutis

 CE vastavus

 Euraasia vastavusmärk


 Ukraina vastavusmärgis

 Lugege enne masina kasutamist juhised hoolikalt läbi.

 Mittekasutatavaid elektritooteid ei tohi visata olmejäätmete hulka. Vaid tuleb viia vastavasse kogumispunkti. Vajadusel küsige sellekohast nõu oma edasimüüjalt või vastavalt kohaliku omavalitsuse institutsioonilt.


### KASUTUSJUHENDIS KASUTATUD SÜMBOLID

 Märkus

 Eraldi ostetavad osad või tarvikud


 Velocidad, mínimo


 Velocidad, máxima

 Puit


 Plast


 Metall


 OHT: Terav lõikeketas

 Kandke libisemiskindlaid, tugevdatud kaitsekindlaid.

Järgnevad märguandesõnad ja tähendused on mõeldud selle toote kasutamiseiga seotud riskitasemete kirjeldamiseks.

 **OHT.**  
Osutab ähvardavale ohuolukorrale, mille mittevältimine lõpeb surma või tõsise vigastusega.

 **HOIATUS**  
Osutab võimalikule ohuolukorrale, mille mittevältimine võib lõppeda surma või tõsise kehavigastusega.

 **ETTEVAATUST**  
Osutab võimalikule ohuolukorrale, mille mittevältimine võib lõppeda väiksemate või mõõdukate kehavigastustega.

**ETTEVAATUST**  
(Ilma ohutussümbolita) Viitab olukorrale, mis võib põhjustada kahjustusi varale.





U razvoju ove sabljaste pile dati su maksimalni prioriteti sigurnosti, performansama i pouzdanosti.

### NAMJENA

Sabljasta pila namijenjena je za korištenje samo od strane odraslih osoba koje su pročitale i razumiju upute i upozorenja u ovom priručniku te se mogu smatrati odgovornim za svoje radnje. Kada su postavljene odgovarajuće oštrice, sabljasta pila namijenjena je za rezanje drva, plastike, suhozida i metala do dubine opisane u tablici specifikacija. Sabljasta pila namijenjena je za ručno rukovanje; ne montira se na radni stol bez specifičnih uputa koje su date od strane proizvođača proizvoda.

Nemojte koristiti proizvod na bilo koji drugi način od onog za koji je namijenjen.

### ⚠ UPOZORENJE

**Pročitajte sva sigurnosna upozorenja i sve upute.** Nepridržavanje upozorenja i uputa navedenih u nastavku može dovesti do električnog udara, požara i/ili ozbiljnih tjelesnih ozljeda.

**Spremite sva upozorenja i upute za buduće korištenje.**

### SIGURNOSNA UPOZORENJA ZA SABLJASTU PILU

- **Kad izvodite radove na mjestima gdje pribor za rezanje može doći u kontakt sa skrivenim ožičenjem ili svojim vlastitim kablom, držite alat za izoliranu površinu za hvatanje.** Dodirivanje „žive“ žice priborom za rezanje može izložiti metalne dijelove alata električnoj energiji i može dovesti do strujnog udara na operatera.
- **Zaštitite svoja pluća.** Ako se pri korištenju stvara prašina, dobro je da nosite zaštitu za lice ili masku.

### PREOSTALE OPASNOSTI

Čak i kad je proizvod korišten kao što je prethodno opisano, još uvijek nije moguće potpuno isključiti ostale čimbenike opasnosti. Može doći do sljedećih opasnosti prilikom korištenja i operater mora obratiti posebnu pozornost kako bi izbjegao sljedeće:

- Ozljede uzrokovane vibracijom
  - Koristite postavku najmanje brzine kojom završavate zadatak. Ograničite izloženost. Pogledajte „Smanjenje Opasnosti“.
- Ozljede uzrokovane prašinom
  - Uvijek nosite zaštitna sredstva za oči. Nosite odgovarajuću masku s prikladnim filterima koji štite od prašine. Nemojte jesti, piti ili pušiti u radnom području. Osigurajte odgovarajuću ventilaciju radnog mjesta.
- Strujni udar
  - Oštrica može dotaknuti skriveno ožičenje uzrokujući da dijelovi proizvoda budu pod „naponom“. Uvijek proizvod držite za ručke i vodite brigu kod rezanja u zidovima i podovima gdje može biti skrivenih kabela.

**NAPOMENA:** Kada radite u zidovima, podovima ili stropovima, pazite da izbjegnute električne kabele, cijevi za plin i vodu. Proizvodom se mora raditi s obje ruke.

- Ozljede od kontakta s pločom za rezanje
  - Oštrice su vrlo oštre i postaju vrlo vruće tijekom korištenja. Nosite rukavice tijekom izmjene oštrica. Držite ruke dalje od područja rezanja. Pričvrstite izradak gdje got je moguće.
- Ozljede uzrokovane bukom.
  - Produljeno izlaganje buci povećava opasnost oštećenja sluha, a učinak je kumulativan. Kada koristite AKU alate za dulje vremensko razdoblje, nosite zaštitu za sluh.

### SMANJENJE OPASNOSTI

Prijavljeno je da vibracije alata koje se drži u ruci kod određenih pojedinaca mogu doprinijeti stanju pod nazivom Raynaud's Syndrome. Simptomi mogu uključivati trnce, ukočenost i bjelinu prstiju, obično uočljivo po izlaganju hladnoći. Smatra se da nasljedne osobine, izlaganje hladnoći i vlazi, dijeta, pušenje i radni postupci pridonose razvoju ovih simptoma. Postoje mjere koje operator može poduzeti kako bi smanjio moguće učinke vibracije:

- Održavajte svoje tijelo toplim u hladnim vremenskim uvjetima. Kad radite s uređajem nosite rukavice kako biste ruke i zglobove održavali toplima. Prijavljeno je da je hladnoća glavni čimbenik koji doprinosi Raynaud's Syndrome.
- Nakon svakog perioda rada vježbajte kako biste povećali cirkulaciju krvi.
- Uzmajte česte stanke u radu. Ograničite količinu izlaganja po danu.

Ako osjetite neke od simptoma ovog stanja, odmah prekinite korištenje i obratite se svome liječniku vezano uz ove simptome.

### ⚠ UPOZORENJE

Ozljede mogu biti uzrokovane ili izazvane produljenim vremenskim razdobljem korištenja alata. Kada koristite bilo koji alat dulje vremena, osigurajte da uzimate povremene stanke.

### UPOZNAJTE SVOJ PROIZVOD

*Pogledajte stranicu 77.*

1. Oštrica
2. Sklop
3. Spojnica oštrice
4. Sustav zamjene oštrice bez alata
5. Ključ sa šesterokutnom glavom
6. Ulaz za bateriju
7. Sklopka za pokretanje
8. Blokada otkopca



## RAD

### PODEŠAVANJE SKLOPA

- Proizvod ima sklop koji se podiže i spušta u oba smjera kako bi osigurao da je sklop cijelo vrijeme ravan naspram površine rezanja. Podesivi sklop također klizi unutra i van, što omogućuje korištenje zuba oštrica u različitim položajima na oštrici.
- Pritisnite list pile u držač lista pile kako bi se zaustavila. Provjerite je li list pile čvrsto pričvršćen.

### SAVJETI ZA RAD

#### ⚠ UPOZORENJE

Pazite da ne uvijate ili savijate list.

- Nemojte alat koristiti iznad njegovih mogućnosti.
- Koristite ulje za podmazivanje prilikom rezanja mekih metala i čelika. Ulje za podmazivanje održava oštricu hladnom, povećava radnju rezanja i produljuje vijek trajanja oštrice.
- Učvrstite izradak i režite blizu učvrstne točke kako biste eliminirali bilo kakve vibracije izratka dok se izrezuje. Prilikom rezanja cjevovoda, cijevi ili kutnog željeza, učvrstite izradak u škrip ako je moguće i pilite blizu škripa. Za rezanje tankih listova materijala, postavite materijal između dvije šperploče ili iverice i spojite slojeve kako biste eliminirali vibraciju i habanje materijala.
- Kako biste održali kontakt papučice i radnog komada, alat držite tako da ga pritišćete prema naprijed.
- Nemojte koristiti slomljene ili iskorištene oštrice pile. Nemojte koristiti oštrice pile koje su oštećene ili deformirane.

#### ⚠ UPOZORENJE

Prašina iz određenih boja, premaza i materijala mogu uzrokovati iritacije ili alergijske reakcije u respiratornom sustavu. Prašina iz drveta poput hrasta, bukve, MDF-a i ostalog je karcinogena. Materijalom koji sadrži azbest trebaju uvijek raditi ili obrađivati kvalificirani stručnjaci.

#### ⚠ UPOZORENJE

Dok upotrebljavate uređaj uvijek nosite sigurnosne naočale ili zaštitne naočale opremljene bočnim štitnicima. Nepoštovanje ovog upozorenja može dovesti do prskanja stranih tijela u vaše oči i prouzročiti teške ozljede oka.

## ODRŽAVANJE

#### ⚠ UPOZORENJE

Proizvod nikad ne smije biti priključen na izvor napajanja kada sastavljate dijelove, vršite podešenja, čistite, izvodite održavanje ili kada se proizvod ne koristi. Iskapčanje alata sprječava slučajno pokretanje koje može dovesti do ozbiljnih osobnih ozljeda.

- Prilikom servisiranja koristite samo identične zamjenske dijelove. Korištenje nekih drugih dijelova može dovesti do opasnosti ili uzrokovati oštećenje alat.
- Prilikom čišćenja plastičnih dijelova izbjegavajte koristiti kemijska sredstva. Većina plastika je podložna različitim vrstama komercijalnih kemijskih sredstava za čišćenje i mogu se oštetiti prilikom njihovog korištenja. Za uklanjanje nečistoća, prašine, ulja masti i drugog upotrebljavajte čistu krpu.
- Nikada ne dopustite kontakt plastičnih dijelova s tekućinom za kočnice, benzinom, proizvodima na bazi petroleja, sredstvima za odmašćivanje, idr. Ti kemijski proizvodi sadrže tvari koje mogu oštetiti, oslabiti ili uništiti plastiku.
- Uvijek tijekom rada s električnim alatom ili prilikom ispuhivanja prašine nosite zaštitne naočale i zaštitne naočale s bočnim štitnicima. Ako radite u prašini nosite i masku za zaštitu od prašine.
- Radi veće sigurnosti i pouzdanosti, sve popravke treba izvoditi ovlašteni servisni centar.

### OPĆENITO

Prilikom čišćenja plastičnih dijelova izbjegavajte koristiti kemijska sredstva. Većina plastika je podložna različitim vrstama komercijalnih kemijskih sredstava za čišćenje i mogu se oštetiti prilikom njihovog korištenja. Za uklanjanje nečistoća, prašine, ulja masti i drugog upotrebljavajte čistu krpu.

Električni alati korišteni na stakloplastici, zidnim pločama, pregradnim pločama ili plastici podložni su ubrzanom trošenju i mogućem prijevremenom kvaru jer iverje i strugotine stakloplastike su vrlo abrazivni za ležajeve, četkice, sklopke itd. Ne preporučujemo korištenje proizvoda za dulje vremensko razdoblje na ovim vrstama materijala.


#### ⚠ UPOZORENJE

Nemojte koristiti komprimirani zrak za uklanjanje prašine iz proizvoda. Ove čestice su opasne i mogu uzrokovati prijavštinu i biti odbačene te ozlijediti nečije oči.

### PODMAZIVANJE

Svi ležajevi u ovom proizvodu podmazani su s dovoljnom količinom visokokvalitetnog sredstva za podmazivanje za životni vijek proizvoda u normalnim radnim uvjetima. Stoga nije potrebno daljnje podmazivanje.





## ZAŠTITA OKOLIŠA

 Sirovine reciklirajte, umjesto da ih odlažete kao otpad. Kako biste zaštitili okoliš, alat, dodatke i ambalažu treba odvojeno bacati u otpad.

## SIMBOLI NA PROIZVODU

-  Sigurnosno upozorenje
- $n_o$  Brzina bez opterećenja
- v Volti
-  Istosmjerna struja
- min<sup>-1</sup> Broj okreta ili pokreta u minuti
-  Sukladno CE
-  EurAsian znak konformnosti
-  Ukrajinska oznaka za sukladnost
-  Molimo vas da prije pokretanja uređaja pažljivo pročitate upute.
-  Otpadni električni proizvodi ne treba da se odlažu s otpadom iz domaćinstva. Molimo da reciklirate gdje je to moguće. Potražite savjet od lokalnih vlasti ili prodavca kako reciklirati.

## IKONE U OVOM PRIRUČNIKU

-  Napomena
-  Dijelovi ili pribor prodan odvojeno
-  Brzina, minimalna
-  Brzina, maksimum
-  Drvo
-  Plastika
-  Metal



OPASNOST: Oštra oštrica



Nosite zaštitne rukavice velike debljine koje se ne klizu.

Slijedeće riječi upozorenja i značenja imaju namjeru da objasne nivo rizika u vezi s ovim proizvodom.

### OPASNOST

Naznačuje prijeteću opasnu situaciju, koja ako se ne izbjegne dovodi do smrti ili ozbiljnih ozljeda.

### UPOZORENJE

Naznačuje potencijalno opasnu situaciju, koja ako se ne izbjegne dovodi do smrti ili ozbiljnih ozljeda.

### OPREZ

Naznačuje potencijalno opasnu situaciju, koja ako se ne izbjegne dovodi do lakših ili srednjih ozljeda.

### OPREZ

(Bez simbola upozorenja sigurnosti) Označava situaciju koja može izazvati oštećenje imovine



Varnost, učinkovitost in zanesljivost so bile pri načrtovanju vaše električne žage lisičji rep ključnega pomena.

### NAMEN UPORABE

Električna žaga lisičji rep je namenjena odraslim, ki so prebrali in razumeli navodila in opozorila v tem priročniku ter ki so odgovorni za svoja dejanja. S pritrjenimi ustreznimi rezili je električna žaga lisičji rep oblikovana za rezanje lesa, plastike, suhomontažnih sten in kovine do globine, opisane v tabeli specifikacij. Električna žaga lisičji rep je oblikovana za ročno uporabo; ne nameščajte je na delovni pult, če proizvajalec izdelka za to ni podal specifičnih navodil.

Izdelka ne uporabljajte na noben način, ki ni predpisan za to napravo.

### ⚠ OPOZORILO

**Preberite vsa varnostna opozorila in navodila.** Neupoštevanje opozoril in navodil lahko privede do električnega udara, požara in/ali resnih poškodb.

**Vsa opozorila in vsa navodila shranite za bodočo referenco.**

### VARNOSTNA OPOZORILO ZA ELEKTRIČNO ŽAGO LISIČJI REP

- **Električno orodje držite pri delu za izolirane držalne površine.** Če se pripomočki za rezanje dotaknejo žice, ki je pod električno napetostjo, lahko izpostavljeni kovinski deli električnega orodja povzročijo električni udar.
- **Zaščitite pljuča.** Če se pri delu dviguje prah, nosite tudi zaščitno za obraz oziroma protiprašno masko.

### PREOSTALA TVEGANJA

Nekateri preostalih dejavnikov tveganja ni mogoče povsem odpraviti, tudi če ta izdelek uporabljate v skladu z navodili. Med uporabo se lahko pojavijo nekatere nevarnosti, upravljavec pa naj bo pozoren na naslednje:

- Poškodbe zaradi vibracij
  - Uporabite najnižjo nastavitve hitrosti, s katero lahko opravite nalogo. Omejite izpostavljenost. Glejte »Zmanjševanje Tveganj«.
- Poškodbe zaradi prahu
  - Vedno nosite zaščito za oči. Nosite ustrezno masko za zaščito pri izpostavljenosti prahu, ki lahko zaščiti pred prahom, ki nastaja pri obdelovanju materiala. V delovnem območju je prepovedano jesti, piti in kaditi. Zagotovite primerno prezračevanje prostora.
- Električni udar
  - Rezilo lahko pride v stik s skritimi žicami, kar povzroči, da po delih izdelka steče električni tok. Izdelek vedno držite za ročaje in bodite previdni pri slepem rezanju v stene in tla, kjer so lahko skriti kablji.

**OPOMBA:** Pri delu v stenah, stropih ali tleh pazite, da se izognite električnim kablom ali plinskimi ali vodovodnim napeljavam. Izdelek je treba upravljati z obema rokama.

- Poškodba zaradi stika z rezilom
  - Rezila so zelo ostra in med uporabo postanejo vroča. Ko zamenjujete rezila, nosite rokavice. Z rokami nikoli ne posegajte v območje rezanja. Obdelovanec vpnite, kadar koli je mogoče.
- Poškodbe zaradi hrupa
  - Daljša izpostavljenost hrupu poveča tveganje za poškodbe sluha in učinki se seštevajo. Kadar električna orodja uporabljate dalj časa, nosite zaščitno opremo za ušesa.

### ZMANJŠANJE TVEGANJA

Ugotovljeno je bilo, da lahko pri nekaterih posameznikih vibracije ročnih orodij povzročijo Raynaudov sindrom. Simptomi so lahko mravljinici, otrplost in pobledele prsti, kar je običajno vidno, kadar je oseba izpostavljena mrazu. Dedni dejavniki, izpostavljenost mrazu in vlagi, dieta, kajenje in delovne navade naj bi pripomogle k razvoju teh simptomov. Za zmanjšanje učinkov vibracij lahko upravljavec upošteva naslednja navodila:

- Poskrbite, da bo vaše telo na mrazu toplo. Med upravljanjem nosite rokavice in tako ohranjajte toploto vaših dlani in zapestij. Kot poročajo, je mraz glavni dejavnik, ki prispeva k Raynaudovemu sindromu.
- Po vsakem obdobju upravljanja naprave telovadite in tako pospešite krvni obtok.
- Pogosto si vzemite odmor. Omejite dnevno količino izpostavljenosti.

Če zaznavate kakršnekoli simptome takšnega stanja, takoj prenehajte z uporabo naprave in se posvetujte z zdravnikom.

### ⚠ OPOZORILO

Zaradi daljše uporabe orodja lahko pride do poškodb oz. se morebitne poškodbe poslabšajo. Kadar orodje uporabljate dalj časa, si večkrat vzemite odmor.

### SPOZNAJTE SVOJ IZDELEK

*Glej stran 77.*

1. Rezilo
2. Zavorna čeljust
3. Objemka rezila
4. Menjalni sistem za rezilo brez orodja
5. Šestrobi ključ
6. Priklop za bateriji
7. Sprožilo stikala
8. Gumb za zaklep delovanja

### DELOVANJE

#### NASTAVITEV DRSENGA ČEVLJA

- Proizvod ima drsni čevljev gibljiv gor in dol v obe smeri in tako zagotavlja, da je čevljev vedno plosko postavljen na rezalno površino. Nastavljivi čevljev lahko drsi navznoter in navzven, kar omogoča uporabo rezalnih zob v različnih položajih na listu.
- Potisnite list žage v držalo dokler se ne ustavi. Prepričajte se, da je list varno pritrjen.



## NASVETI ZA UPRAVLJANJE

### ⚠ OPOZORILO

Pazite, da ne zvijete ali skrivite rezil.

- Orodja ne preobremenjujte.
- Pri rezanju mehkih kovin in jekla uporabljajte rezalno olje. Rezalno olje hladi rezila, poveča rezanje in podaljša življenjsko dobo rezila.
- Dobro pričvrstite delovni material in režite čim bližje pritrdilni točki; s tem se izognete neželenim vibracijam delovnega materiala med rezanjem. Kadar režete vode, cevi ali kotne železne palice, jih, če je le mogoče, dajte v primež in žagajte blizu primeža. Za rezanje materiala v tankih ploščah položite material med dve lesenitki ali vezani plošči in sloje vpnite, da izničite vibracije ter cefranje materiala.
- Na orodje stalno pritiskajte v smeri naprej, da bo prislon ostal v stiku z obdelovancem.
- Ne uporabljajte počenih ali ukrivljenih listov. Ne uporabljajte listov, ki so poškodovani ali deformirani.

### ⚠ OPOZORILO

Prah z določenih delov, premazi in materiali lahko povzročijo draženje ali alergijske reakcije dihal. Prah z lesa, kot je hrast, bukev, MDF-plošče ali drugi, je karcinogen. Materiale, ki vsebujejo azbest naj obdeluje ali procesira zgolj usposobljen specialističen upravljavec.

### ⚠ OPOZORILO

Pri delu z napravo vedno uporabljajte varovalne naočnike ali varnostna očala s stranskimi ščitniki. Če tega ne storite, vam lahko v oko prileti predmet in povzroči resno poškodbo.

## VZDRŽEVANJE

### ⚠ OPOZORILO

Ko sestavljate dele, prilagajate, čistite ali vzdržujete orodje, ali ko orodje ne uporabljajte, ga nikoli ne imejte priključenega na vir napajanja. Če odklopite orodje, se naprava ne more po nesreči sama zagnati, kar bi sicer lahko povzročilo hude poškodbe.

- Ob servisiranju uporabljajte samo identične nadomestne dele. Uporaba drugih delov lahko pomeni tveganje ali povzroči škodo na izdelku.
- Pri čiščenju plastičnih delov se izogibajte toplom. Večina vrst plastik se lahko pri uporabi različnih komercialnih topil poškoduje. Za odstranjevanje umazanije, saj in podobnega uporabljajte čisto krpo.
- Zavorna tekočina, gorivo, izdelki na osnovi nafte, prodirajoče olje ipd. nikoli ne smejo priti v stik s plastičnimi deli. Kemikalije lahko poškodujejo, oslabijo ali uničijo plastiko.

- Vedno nosite zaščitna očala s stranskimi ščitniki, ko uporabljate električna orodja ali ko spihujete prah. Če pri delu nastaja prah, nosite tudi zaščitno masko proti prahu.
- Zaradi večje varnosti in zanesljivosti naj vsa popravila izvaja pooblaščen servisni center.

## SPLOŠNO

Pri čiščenju plastičnih delov se izogibajte toplom. Večina vrst plastik se lahko pri uporabi različnih komercialnih topil poškoduje. Za odstranjevanje umazanije, saj in podobnega uporabljajte čisto krpo.

Električna orodja, ki jih uporabljate na steklenih vlaknih, zidnih ali mavčnih ploščah ter izravnalnih masah se hitreje obrabijo in se lahko hitreje okvarijo, saj odkruški in ostružki steklenih vlaken lahko odrgnejo ležaje, ščetke, komutatorje itd. Ne priporočamo uporabe izdelka za daljše obdobje pri tovrstnih materialih.

### ⚠ OPOZORILO

Iz izdelka prahu ne spihujte s stisnjenim zrakom. Takšno ravnanje je nevarno in lahko povzroči dvig umazanije ter peska in posledično poškoduje oči.

## MAZANJE

Vsi ležaji na napravi so namazani z dovolj kakovostnega maziva, tako da mazanje naprave ob normalni uporabi do konca življenjske dobe naprave ni več potrebno. Zato dodatno mazanje ni potrebno.

## ZAŠČITA OKOLJA



Namesto, da napravo zavržete, reciklirajte surovine. Napravo, pribor in embalažo je treba sortirati za okolju prijazno recikliranje.

## SIMBOLI NA IZDELKU



Varnostni alarm



Hitrost brez obremenitve



Volti



Enosmerni tok



Vrtljajev ali nihajev na minuto



Skladnost CE



EurAsian oznaka o skladnosti



Ukrajinska oznaka za skladnost



Pred zagonom naprave pozorno preberite navodila.



Odpadne električne izdelke ne odlagajte skupaj z ostalimi gospodinjskimi odpadki. Reciklažo opravljajte na predpisanih mestih. Za nasvet se obrnite na lokalne oblasti.

## SIMBOLI V PRIROČNIKU



Opomba



Deli ali dodatki so na prodaj ločeno



Hitrost



Hitrost, največja



Les



Plastika



Kovina



NEVARNOST: Ostro rezilo



Nosite si neдрseče, močne delovne zaščitne rokavice.

Sledeče signalne besede in pomeni naj bi pojasnili ravni tveganja, ki so povezane s tem izdelkom.

### **NEVARNOST**

Označuje neizogibno nevarno stanje, ki lahko povzroči smrt ali hude poškodbe, če ga ne preprečite.

### **OPOZORILO**

Označuje morebitno nevarno stanje, ki bi lahko povzročilo smrt ali hude poškodbe, če ga ne preprečite.

### **POZOR**

Označuje morebitno nevarno stanje, ki lahko povzroči manjše ali zmerne poškodbe, če se ga ne preprečite.

### **POZOR**

(Brez simbola Varnostni alarm) Označuje stanje, ki lahko privede do poškodovanja lastnine.



Na dosiahnutie jednoduchkej obsluhy a prevádzky boli pri navrhovaní tejto priamočiarej píly najvyššou prioritou bezpečnosť, výkon a spoľahlivosť.

## ÚČEL POUŽITIA

Táto priamočiara píla je určená len na použitie dospelými osobami, ktoré si prečítali a porozumeli pokynom a výstrahám v tomto návode a možno ich považovať za zodpovedajúce za svoje činy. Priamočiara píla s nasadenými vhodnými čepeľami je určená na rezanie dreva, plastu, sadrokartónu a kovu do hĺbky popísanej v tabuľke špecifikácií. Priamočiara píla je určená na ručné použitie a nesmie sa montovať na pracovný stôl, pokiaľ tak výslovne neuvádza výroba produktu.

Tento produkt nepoužívajte žiadnym iným spôsobom, ako je uvedené v účele použitia.

## VAROVANIE

**Prečítajte si všetky bezpečnostné výstrahy a pokyny.** Ak nerespektujete a inštrukcie, môže to mať za následok úraz elektrickým prúdom, požiar a/alebo vážne zranenie.

**Odložte všetky výstrahy a pokyny pre budúce použitie.**

## PRIAMOČIARA PÍLA – BEZPEČNOSTNÉ VÝSTRAHY

- **Pri vykonávaní operácie, kedy môže rezacie príslušenstvo prísť do kontaktu so skrytým vedením, držte nástroj za izolované úchopné miesta.** Pri kontakte rezacieho príslušenstva so „živým“ vodičom by mohli byť obnažené kovové diely pod prúdom a spôsobiť obsluhujúcemu úder elektrickým prúdom.
- **Chráňte si pľúca.** Ak pri práci vzniká prach, používajte tvárovú alebo protiprachovú masku.

## ZVYŠKOVÁ RIZIKOVOSŤ

Aj keď sa nástroj používa podľa predpisu, nie je možné eliminovať určité zvyškové rizikové faktory. Pri použití vznikajú nasledujúce riziká a obsluhujúca osoba musí venovať zvláštnu pozornosť, aby nedošlo k nasledovnému:

- Zranenie spôsobené vibráciami
  - Použitie najnižšie nastavenie rýchlosti potrebné na vykonanie danej úlohy. Obmedzte expozíciu. Pozrite časť "Znižovanie Rizika".
- Zranenie spôsobené prachom
  - Vždy používajte chrániče zraku. Používajte primeranú masku na zachytávanie prachu s vhodnými filtrami, ktoré dokážu chrániť pred prachom z opracúvaného materiálu. Na pracovisku nejedzte, nepite ani nefajčite. Zabezpečte primerané vetranie pracoviska.
- Zásah elektrickým prúdom
  - Ostrie sa môže dostať do kontaktu so skrytú kabelážou, čo by mohlo spôsobiť, že niektoré časti produktu budú pod prúdom. Produkt vždy držte za určené rukoväte a dávajte pozor pri rezaní do stien a podláh, kde sa môžu nachádzať skryté káble.

**POZNÁMKA:** Pri práci na stenách, stropoch alebo dlážkach dávajte pozor, aby ste nezasiahli elektrické káble a plynové či vodovodné potrubie. Produkt sa musí obsluhovať oboma rukami.

- Zranenie pri kontakte s rezným ostrím
  - Čepele sú veľmi ostré a pri práci budú veľmi horúce. Pri výmene čepele používajte rukavice. Držte ruky neustále mimo dosahu priestoru rezania. Upnite obrobok vždy, keď je to možné.
- Zranenie spôsobené hlukom
  - Dlhodobé vystavovanie hluku zvyšuje riziko poškodenia sluchu a účinky sú kumulatívne. Pri používaní mechanických nástrojov dlhšiu dobu používajte ochranu sluchu.

## OBMEDZENIE RIZIKA

Boli hlásené prípady, kedy vibrácie z ručných nástrojov u niektorých osôb prispeli k stavu nazývanému Raynaudov syndróm. K symptómom patria: tŕpnutie, znecitlivenie a blednutie prstov, zvyčajne zjavné po vystavení zime. Je známe, že k vývoju týchto symptómov prispievajú: dedičné faktory, vystavovanie zime a vlhkosti, diéta, fajčenie a pracovné návyky. Opatrenia, ktoré môže vykonať obsluhujúca osoba na možné zníženie účinkov vibrácií:

- V studenom počasí udržiavajte svoje telo v teple. Pri práci so zariadením noste rukavice, aby ste mali ruky a zápästia v teple. Boli hlásené prípady, kedy hlavným faktorom prispievajúcim k Raynaudovmu syndrómu bolo studené počasie.
- Po každom určitom časovom úseku prevádzky cvičte, aby ste zlepšili krvný obeh.
- Počas práce si doprajte časté prestávky. Obmedzte počet vystavení za deň.

Ak zistíte ktorýkoľvek zo symptómov tohto stavu, okamžite prerušte používanie zariadenia, navštívte svojho lekára a povedzte mu o symptómoch.

## VAROVANIE

Dlhodobé používanie nástroja môže spôsobiť alebo zhoršiť poranenia. Pri používaní nástroja príliš dlhé obdobia si vždy doprajte pravidelné prestávky.

## OBOZNÁMTE SA S VAŠÍM PRODUKTOM

Vid' strana 77.

1. Ostrie
2. Jednotka pätky
3. Svorka čepele
4. Systém na výmenu ostria bez použitia nástrojov
5. Šesthranný kľúč
6. Otvor na akumulátory
7. Spínač
8. Poistné tlačidlo





## PREVÁDZKA

### ΠΡΟΣΑΡΜΟΓΗ ΔΙΑΤΑΞΗΣ ΣΙΑΓΟΝΑΣ

- Το προϊόν διαθέτει μια διάταξη σιαγόνας που στρέφεται προς τα πάνω και προς τα κάτω και στις δύο κατευθύνσεις, διασφαλίζοντας ότι η σιαγόνα παραμένει επίπεδη κόντρα στην επιφάνεια κοπής συνεχώς. Η ρυθμιζόμενη σιαγόνα γλιστράει επίσης μέσα και έξω, επιτρέποντας τη χρήση των δοντιών της λεπίδας σε διαφορετικές θέσεις στη λεπίδα.
- Πιέστε τη λεπίδα κόπτη στη θήκη λεπίδας κόπτη προς τα πάνω για να σταματήσει. Βεβαιωθείτε ότι η λεπίδα κόπτη έχει σταθεροποιηθεί.

### RADY K OBSLUHE

#### ⚠ VAROVARIE

Dbajte na to aby ste ostria neskrúcali ani neohýbali.

- Na nástroj nevyvíjajte silu.
- Pri rezaní mäkkých kovov a ocele používajte rezné masťavo. Rezné masťavo okrem iného ochladzuje ostria, zvyšuje účinnosť rezania a predlžuje životnosť ostria.
- Obrobok pevne uchyťte a reže ho v blízkosti bodu uchytenia, aby sa eliminovali prípadné vibrácie rezaného obrobku. Pri rezaní prívodných rúrok alebo oceľových uholníkov uchyťte obrobok podľa možnosti do zveráka a reže v blízkosti uchytenia. Pri rezaní tenkého materiálu umiestnite tento materiál medzi dve drevotrieskové dosky alebo preglejky a uchyťte tieto vrstvy, aby sa eliminovali vibrácie a trhanie materiálu.
- Vždy udržiajte stály tlak na náradie smerom dopredu, aby ste udržali pätku v kontakte s obrobkom.
- Μη χρησιμοποιείτε ραγισμένες ή φθαρμένες λεπίδες κόπτη. Μη χρησιμοποιείτε χαλασμένες ή παραμορφωμένες λεπίδες κόπτη.

#### ⚠ VAROVARIE

Prach z niektorých farieb, náterov a materiálov môže spôsobiť podráždenie alebo alergické reakcie dýchacím systémom. Prach z dreva, napríklad, dubu, buku MDF a iných, je karcinogénny. S materiálom obsahujúcim azbest môžu manipulovať alebo ho spracovávať len kvalifikovaní obsluhujúci – špecialisti.

#### ⚠ VAROVARIE

Pri práci s výrobkami vždy noste bezpečnostné okuliare s bočnými chráničmi. V opačnom prípade to môže spôsobiť, že úlomky vám vletia do očí, čo môže zapríčiniť vážne zranenie.

## ÚDRŽBA

#### ⚠ VAROVARIE

Orodje izključite iz električne napetosti, vedno ko nameščate pribor, spreminjate nastavitve, ga čistite, vzdržujete ali ko orodja ne uporabljate. Pri odpojenji nástroja zabranite náhodnému spusteniu, ktoré by mohlo spôsobiť závažné poranenie.

- Pri servise používajte len originálne náhradné diely. Použitie iných dielov môže predstavovať riziko alebo spôsobiť poškodenie produktu.
- Vyhýbajte sa použitiu rozpúšťadiel pri čistení plastových častí. Večina plastických materialov je občutlivja na različne vrste komercialno dostupnih topil in jih z njihovo uporabo lahko poškodujemo. Na odstránenie špiny, uhlíkového prachu a pod. použite čisté tkaniny.
- Dbajte na to, aby do kontaktu s plastovými dielmi nikdy neprišli do kontaktu brzdové kvapaliny, benzín, ropné produkty, prenikavé oleje a pod. Chemikálie môžu poškodiť, oslabiť či zničiť plast.
- Pri práci s mechanickým nástrojom alebo ofukovaní prachu vždy používajte ochranné okuliare alebo ochranné okuliare s bočnými chráničmi. Ak pri práci vzniká prach, používajte aj protiprachovú masku.
- Pre vyššiu bezpečnosť a spoľahlivosť sa musia všetky opravy vykonávať v autorizovanom servisnom centre.

### VŠEOBECNÉ

Vyhýbajte sa použitiu rozpúšťadiel pri čistení plastových častí. Večina plastických materialov je občutlivja na različne vrste komercialno dostupnih topil in jih z njihovo uporabo lahko poškodujemo. Na odstránenie špiny, uhlíkového prachu a pod. použite čisté tkaniny.

Elektrické náradie, ktoré sa používa na prácu so sklenými vláknami, sádrokartónovými a obkladovými doskami, majú tendenciu sa rýchlejšie opotrebovať a prednostne sa poškodiť. Prach z týchto materiálov pôsobí na časti náradia ako sú ozubené kolesá, uhlíky, vypínače, veľmi abrazívne. Neodporúčame požívanie tohto produktu na dlhšie práce na týchto typoch materiálov.


#### ⚠ VAROVARIE

Na odstraňovanie prachu z produktu nepoužívajte stlačený vzduch. Tento zvyk je nebezpečný a môže spôsobiť odfúknuť hliny a štrku poraniti niekoho zrak.








### MAZANIE

Všetky ložiská v produkte sú namazané dostatočným množstvom mazivom vysokej akosti na celú životnosť produktu pri bežných prevádzkových podmienkach. Pretonie je potrebné žiadne ďalšie mazanie.



**OCHRANA ŽIVOTNÉHO PROSTREDIA**

 Surové materiály recyklujte, nelikvidujte ich ako odpad. Stroj, príslušenstvo a obaly by sa mali triedene recyklovať spôsobom šetrným k životnému prostrediu.

**SYMBOLY NA PRODUKTE**

-  Výstražná značka
- $n_o$  Otáčky bez zataženia
- v Napätie
-  Jednosmerný prúd
- min<sup>-1</sup> Počet otáčok za minútu
-  CE konformita
-  Euroázijská značka zhody
-  Ukrajinské označenie zhody
-  Pred spustením zariadenia si pozorne prečítajte tento návod.
-  Opatrované elektrické zariadenia by ste nemali odhadzovať do domového odpadu. Prosíme o recykláciu ak je možné. Kontaktujte miestne úrady, alebo predajcu pre viac informácií ohľadom ekologického spracovania.

**SYMBOLY V NÁVODE**

-  Poznámka
-  Diely alebo príslušenstvo predávané samostatne
-  Rýchlosť, min.
-  Rýchlosť, max.
-  Drevo
-  Plast
-  Kov



**NEBEZPEČENSTVO:** Ostré čepele



Používajte protišmykové odolné rukavice.

Nasledujúce značky a významy vysvetľujú úroveň rizika spojeným s výrobkom.

**⚠ NEBEZPEČENSTVO**

Označuje bezprostredne nebezpečnú situáciu, ktorá, ak jej nepredídete, spôsobí usmrtenie alebo vážne poranenie.

**⚠ VAROVANIE**

Označuje potenciálne nebezpečnú situáciu, ktorá, ak jej nepredídete, môže spôsobiť usmrtenie alebo vážne poranenie.

**⚠ UPOZORNENIE**

Označuje potenciálne nebezpečnú situáciu, ktorá, ak jej nepredídete, môže spôsobiť menšie alebo stredne závažné poranenie.

**UPOZORNENIE**

(Bez výstražnej značky s výkričníkom) Označuje situáciu, ktorá môže zapríčiniť škody na majetku.



Στον σχεδιασμό του παλινδρομικού πριονιού σας έχει δοθεί μέγιστη προτεραιότητα στην ασφάλεια, την απόδοση και την αξιοπιστία.

### ΠΡΟΟΡΙΖΟΜΕΝΗ ΧΡΗΣΗ

Το παλινδρομικό πριόνι διατίθεται για χρήση μόνο από ενήλικες που έχουν διαβάσει και κατανοήσει τις οδηγίες και τις προειδοποιήσεις του παρόντος εγχειριδίου και μπορούν να θεωρηθούν υπεύθυνοι για τις πράξεις τους. Με τις κατάλληλες λεπίδες, το παλινδρομικό πριόνι είναι σχεδιασμένο για την κοπή ξύλου, πλαστικού, γυψοσανίδας και μετάλλου, έως το βάθος που περιγράφεται στον πίνακα προδιαγραφών. Το παλινδρομικό πριόνι είναι σχεδιασμένο για χειροκίνητη χρήση; Δεν πρέπει να τοποθετείται σε πάγκους εργασίας, εκτός εάν παρέχονται συγκεκριμένες οδηγίες από τον κατασκευαστή του προϊόντος.

Μην χρησιμοποιείτε το προϊόν με τρόπο διαφορετικό από αυτόν που αναφέρεται για τη χρήση του.

### ⚠ ΠΡΟΕΙΔΟΠΟΙΗΣΗ

**Διαβάστε όλες τις συστάσεις ασφαλείας και τις οδηγίες.** Αν δεν τηρηθούν οι προειδοποιήσεις και οδηγίες, υπάρχει κίνδυνος ηλεκτροπληξίας, φωτιάς και / ή σοβαρού τραυματισμού.

**Φυλάσσετε όλες τις προειδοποιήσεις και οδηγίες για μελλοντική χρήση.**

### ΠΡΟΕΙΔΟΠΟΙΗΣΕΙΣ ΑΣΦΑΛΕΙΑΣ ΠΑΛΙΝΔΡΟΜΙΚΟΥ ΠΡΙΟΝΙΟΥ

- **Κρατάτε το εργαλείο από τις μονωμένες επιφάνειες λαβής όταν εκτελείτε εργασίες όπου το εξάρτημα κοπής μπορεί να έρθει σε επαφή με κρυφές καλωδιώσεις.** Η επαφή του εξαρτήματος κοπής με «ζωντανό» καλώδιο (ηλεκτροφόρο) μπορεί να μεταφέρει τον ηλεκτρισμό στα εκτεθειμένα μεταλλικά εξαρτήματα του εργαλείου, προκαλώντας ηλεκτροπληξία στον χειριστή.
- **Προστατέψτε τους πνεύμονές σας.** Φορέστε προστατευτική προσωπίδα ή μάσκα κατά της σκόνης αν η εργασία δημιουργεί σκόνη.

### ΆΛΛΟΙ ΚΙΝΔΥΝΟΙ

Ακόμη και όταν το προϊόν χρησιμοποιείται σύμφωνα με τις οδηγίες, δεν είναι δυνατή η απόλυτη απαλειφή συγκεκριμένων παραγόντων κινδύνου. Κατά τη χρήση μπορεί να προκύψουν οι ακόλουθοι κίνδυνοι και ο χειριστής πρέπει να δίδει ιδιαίτερη προσοχή προς αποφυγή των εξής:

- Τραυματισμοί από τον κραδασμό
  - Επιλέξτε τη χαμηλότερη ρύθμιση ταχύτητας που σας βοηθάει να ολοκληρώσετε την εργασία. Περιορίστε την έκθεση. Βλ. "Μείωση Κινδύνου".
- Τραυματισμός που προκαλείται από τη σκόνη
  - Να φοράτε συνέχεια, προστατευτικά γυαλιά. Φοράτε κατάλληλη μάσκα προστασίας με τα σωστά φίλτρα που προστατεύουν από τη σκόνη που προέρχεται από το υλικό εργασίας. Μην τρώτε, πίνετε ή καπνίζετε στον χώρο εργασίας. Βεβαιωθείτε ότι υπάρχει επαρκής εξαερισμός του χώρου εργασίας.
- Ηλεκτροπληξία
  - Η λεπίδα μπορεί να περιέχει κρυφή καλωδίωση, ενεργοποιώντας ηλεκτρικά τμήματα του προϊόντος.

Κρατάτε πάντα το προϊόν από τις ειδικές λαβές και προσέχετε όταν πραγματοποιείτε "τυφλές" κοπές σε τοίχους και δάπεδα όπου μπορεί να κρύβονται καλώδια.

**ΣΗΜΕΙΩΣΗ** Όταν εργάζεστε σε τοίχους, οροφές ή δάπεδα, φροντίστε να αποφεύγετε ηλεκτρικά καλώδια και σωλήνες αερίου ή νερού. Το προϊόν πρέπει να χρησιμοποιείται κρατημένο και με τα δύο χέρια.

- Τραυματισμός από επαφή με τη λεπίδα κοπής
  - Οι λεπίδες είναι πολύ αιχμηρές και θερμαίνονται κατά τη χρήση. Φοράτε γάντια όταν αλλάζετε λεπίδες. Διατηρείτε συνεχώς τα χέρια σας μακριά από την περιοχή κοπής. Πιάστε με σφιγκτήρα το τεμάχιο εργασίας όποτε είναι δυνατό.
- Τραυματισμοί λόγω θορύβου
  - Η παρατεταμένη έκθεση στο θόρυβο αυξάνει τον κίνδυνο ακουστικής βλάβης και οι επιπτώσεις είναι αθροιστικές. Όταν χρησιμοποιείτε ηλεκτρικά εργαλεία για μεγάλα διαστήματα, φοράτε προστατευτικά ακοής.

### ΜΕΙΩΣΗ ΚΙΝΔΥΝΟΥ

Υπάρχουν αναφορές ότι οι κραδασμοί από εργαλεία χειρός ενδεχομένως να συμβάλλουν στην εκδήλωση της πάθησης Συνδρόμου Raynaud, σε ορισμένα άτομα. Τα συμπτώματα περιλαμβάνουν κνησμό, μούδιασμα και λευκότητα των δακτύλων, που εμφανίζονται συνήθως μετά την έκθεση σε κρύο. Κληρονομικοί παράγοντες, έκθεση σε κρύο και υγρασία, κάπνισμα και πρακτικές εργασίας θεωρείται ότι συμβάλλουν στην εκδήλωση των συμπτωμάτων. Μπορούν να ληφθούν μέτρα από το χειριστή για την πιθανή μείωση των επιδράσεων κραδασμών:

- Διατηρείτε το σώμα σας ζεστό όταν ο καιρός είναι ψυχρός. Φοράτε γάντια κατά τον χειρισμό του μηχανήματος, για να διατηρείτε ζεστά τα χέρια και τους καρπούς σας. Ο ψυχρός καιρός είναι κύριος παράγοντας που συμβάλλει στην εκδήλωση του συνδρόμου Raynaud.
- Μετά από κάθε περίοδο λειτουργίας, κάνετε ασκήσεις για να αυξάνετε την κυκλοφορία αίματος.
- Κάνετε τακτικά διαλείμματα κατά την εργασία. Περιορίζετε το σύνολο έκθεσης ανά ημέρα.

Αν παρουσιάσετε οποιοδήποτε σύμπτωμα αυτής της πάθησης, διακόψτε αμέσως τη χρήση και συμβουλευτείτε τον γιατρό σας για τα συμπτώματα.

### ⚠ ΠΡΟΕΙΔΟΠΟΙΗΣΗ

Υπάρχει κίνδυνος πρόκλησης ή επιδείνωσης τραυματισμού, από την παρατεταμένη χρήση εργαλείου. Όταν χρησιμοποιείτε το εργαλείο για μεγάλες περιόδους, κάνετε τακτικά διαλείμματα.

### ΓΝΩΡΙΣΤΕ ΤΟ ΠΡΟΪΟΝ ΣΑΣ

Βλέπε σελίδα 77.

1. Λάμα
2. Επένδυση σιαγόνων
3. Σφιγκτήρας λεπίδας
4. Σύστημα αλλαγής λεπίδων χωρίς εργαλεία
5. Εξαγωνικό κλειδί
6. Θύρα μπαταρίας
7. Διακόπτης
8. Κουμπί απασφάλισης της σκανδάλης





EN
FR
DE
ES
IT
NL
PT
DA
SV
FI
NO
RU
PL
CS
HU
RO
LV
LT
ET
HR
SL
SK
<b>EL</b>
TR
UK

## ΛΕΙΤΟΥΡΓΙΑ

### ΠΡΟΣΑΡΜΟΓΗ ΔΙΑΤΑΞΗΣ ΣΙΑΓΟΝΑΣ

- Το προϊόν διαθέτει μια διάταξη σιαγόνας που στρέφεται προς τα πάνω και προς τα κάτω και στις δύο κατευθύνσεις, διασφαλίζοντας ότι η σιαγόνα παραμένει επίπεδη κόντρα στην επιφάνεια κοπής συνεχώς. Η ρυθμιζόμενη σιαγόνα γλιστράει επίσης μέσα και έξω, επιτρέποντας τη χρήση των δοντιών της λεπίδας σε διαφορετικές θέσεις στη λεπίδα.
- Πιέστε τη λεπίδα κόπτη στη θήκη λεπίδας κόπτη προς τα πάνω για να σταματήσει. Βεβαιωθείτε ότι η λεπίδα κόπτη έχει σταθεροποιηθεί.

### ΣΥΜΒΟΥΛΕΣ ΛΕΙΤΟΥΡΓΙΑΣ

**⚠ ΠΡΟΕΙΔΟΠΟΙΗΣΗ**  
Προσέχετε να μην στρίβετε ή λυγίζετε τις λεπίδες.

- Μην πιέζετε υπερβολικά το εργαλείο.
- Χρησιμοποιείτε λάδι κοπής όταν κόβετε μαλακά μέταλλα και ατσάλι. Το λάδι κοπής διατηρεί τις λεπίδες δροσερές, αυξάνει τη δράση κοπής και παρατείνει τη διάρκεια ζωής των λεπίδων.
- Πιάστε το κομμάτι στο οποίο εργάζεστε καλά και κόψτε κοντά στο σημείο συγκράτησης για να μην προκαλούνται κραδασμοί κατά την κοπή. Κατά την κοπή αγωγών ή σιδερογωνιών, πιάστε το τεμάχιο στο οποίο εργάζεστε σε μέγιστη αν είναι δυνατό και κόψτε κοντά σε αυτήν. Για να κόψετε ένα λεπτό έλασμα, τοποθετήστε το υλικό ανάμεσα σε δύο σκληρές σανίδες ή κόντραπλακέ και πιάστε τα στρώματα για να εξουδετερώσετε τους κραδασμούς και την πιθανότητα απόσχισης του υλικού.
- Διατηρείτε πάντοτε μια σταθερή πίεση του εργαλείου προς τα εμπρός, προκειμένου να διατηρηθεί η επαφή του πέλματος με το αντικείμενο εργασίας.
- Μη χρησιμοποιείτε ραγισμένες ή φθαρμένες λεπίδες κόπτη. Μη χρησιμοποιείτε χαλασμένες ή παραμορφωμένες λεπίδες κόπτη.

**⚠ ΠΡΟΕΙΔΟΠΟΙΗΣΗ**  
Η σκόνη από ορισμένα χρώματα, επιχρίσματα και υλικά μπορεί να προκαλέσει ερεθισμό ή αλλεργικές αντιδράσεις στο αναπνευστικό σύστημα. Η σκόνη από ξύλο, όπως η δρυς, οξιά, MDF και άλλα είναι καρκινογόνος. Υλικά που περιέχουν αμίαντο πρέπει να υποβάλλονται σε επεξεργασία μόνο από εξειδικευμένο έμπειρο προσωπικό.

**⚠ ΠΡΟΕΙΔΟΠΟΙΗΣΗ**  
Φοράτε πάντα γυαλιά ασφαλείας ή προστατευτικά γυαλιά με παλιά ελάσματα όταν χρησιμοποιείτε εργαλεία. Η μη τήρηση της σύστασης αυτής μπορεί να προκαλέσει την προβολή ξένων σωμάτων στα μάτια σας επιφέροντας σοβαρές οφθαλμικές βλάβες.

## ΣΥΝΤΗΡΗΣΗ

**⚠ ΠΡΟΕΙΔΟΠΟΙΗΣΗ**  
Το τριβείο σας δεν πρέπει ποτέ να είναι συνδεδεμένο με πρίζα την ώρα που τοποθετείτε εξαρτήματα, πραγματοποιείτε ρυθμίσεις, όταν καθαρίζετε το εργαλείο ή όταν δεν το χρησιμοποιείτε. Η αποσύνδεση του εργαλείου εμποδίζει την τυχαία εκκίνησή του που θα μπορούσε να προκαλέσει σοβαρό τραυματισμό.

- Κατά τη συντήρηση, χρησιμοποιείτε μόνο πανομοιότυπα ανταλλακτικά. Η χρήση οποιουδήποτε άλλου ανταλλακτικού μπορεί να παρουσιάσει κίνδυνο ή να προκαλέσει ζημιά στο εργαλείο σας.
- Αποφύγετε τη χρήση διαλυτών κατά τον καθαρισμό πλαστικών εξαρτημάτων. Τα περισσότερα πλαστικά μπορούν να υποστούν ζημιά από τη χρήση ορισμένων διαλυτών που διατίθενται στο εμπόριο. Χρησιμοποιήστε ένα καθαρό πανάκι για να καθαρίσετε τις ακαθαρσίες, τη σκόνη, κλπ.
- Σε καμία περίπτωση μην επιτρέπεται τα υγρά φρένων, η βενζίνη, προϊόντα με βάση το πετρέλαιο, έλαια που διεισδύουν κλπ. να έρχονται σε επαφή με πλαστικά τμήματα. Τα προϊόντα αυτά περιέχουν χημικές ουσίες που μπορούν να προξενήσουν ζημιά, να μειώσουν ή να καταστρέψουν το πλαστικό.
- Φοράτε πάντα προστατευτικά γυαλιά ή γυαλιά ασφαλείας με πλαϊνές ασπίδες κατά τον χειρισμό μηχανοκίνητων εργαλείων ή σε εργασίες με σκόνη. Αν η εργασία προκαλεί σκόνη, φοράτε και ειδική μάσκα.
- Για μεγαλύτερη ασφάλεια και αξιοπιστία, όλες οι επισκευές πρέπει να διεξάγονται από ένα εξουσιοδοτημένο κέντρο σέρβις.

### ΓΕΝΙΚΑ

Αποφύγετε τη χρήση διαλυτών κατά τον καθαρισμό πλαστικών εξαρτημάτων. Τα περισσότερα πλαστικά μπορούν να υποστούν ζημιά από τη χρήση ορισμένων διαλυτών που διατίθενται στο εμπόριο. Χρησιμοποιήστε ένα καθαρό πανάκι για να καθαρίσετε τις ακαθαρσίες, τη σκόνη, κλπ.  
Τα ηλεκτρικά εργαλεία που χρησιμοποιούνται σε εξοπλισμούς από φάιμπεργκλας, σε γυψοσανίδες, σε πανό επένδυσης ή σε γύψο, έχουν την τάση να φθείνουν γρηγορότερα και να παρουσιάζουν πρόωρες βλάβες, επειδή τα ρινίσματα και το πριονίδι που προέρχονται από τα υλικά αυτά είναι πολύ λειαντικά για έδρανα, βούρτσες, διακόπτες κλπ. Δεν προτείνουμε τη χρήση του προϊόντος για παρατεταμένο χρονικό διάστημα σε αυτούς τους τύπους υλικών.

**⚠ ΠΡΟΕΙΔΟΠΟΙΗΣΗ**  
Μην χρησιμοποιείτε πεπιεσμένο αέρα για την αφαίρεση σκόνης από το προϊόν. Αυτή η πρακτική είναι επικίνδυνη και μπορεί να προκαλέσει την εκτίναξη σκόνης και υπολειμμάτων με πιθανό τραυματισμό των ματιών.



## ΛΙΠΑΝΣΗ

Όλα τα έδρανα στο προϊόν έχουν λιπανθεί με επαρκή ποσότητα λιπαντικού υψηλής ποιότητας για όλη τη διάρκεια ζωής του προϊόντος, υπό φυσιολογικές συνθήκες λειτουργίας. Συνεπώς, δε χρειάζεται καμία επιπλέον λίπανση.

## ΠΡΟΣΤΑΣΙΑ ΤΟΥ ΠΕΡΙΒΑΛΛΟΝΤΟΣ



Ανακυκλώνετε τις πρώτες ύλες αντί να τις πετάτε ως απορρίμματα. Για την προστασία του περιβάλλοντος, πρέπει να γίνεται ι διαλογή του εργαλείου, των εξαρτημάτων και των συσκευασιών του.

## ΣΥΜΒΟΛΑ ΣΤΟ ΠΡΟΪΟΝ



Προειδοποίηση ασφάλειας



Ταύτητα στ εν



Βλτ



Συνεχές ρεύμα



Αριθμός στρών ή κινήσεων ανά λεπτό



Συμμόρφωση CE



EurAsian σήμα πιστότητας



Ουκρανικό σήμα συμμόρφωσης



Παρακαλούμε διαβάστε προσεκτικά τις οδηγίες πριν χρησιμοποιήσετε το προϊόν.



Τα ηλεκτρικά προϊόντα προς απόρριψη δεν θα πρέπει να απορρίπτονται μαζί με τα οικιακά απόβλητα. Παρακαλούμε ανακυκλώστε όπου υπάρχουν οι αντίστοιχες εγκαταστάσεις. Μιλήστε με τις τοπικές αρχές ή τον πωλητή για να σας ενημερώσουν σχετικά με τα προγράμματα ανακύκλωσης.

## ΣΥΜΒΟΛΑ ΣΤΟ ΕΓΧΕΙΡΙΔΙΟ



Σημείωση



Ανταλλακτικά και εξαρτήματα πωλούνται χωριστά



Ταχύτητα, ελάχιστη



Ταχύτητα, ανώτατος



Ξύλο



Πλαστικό



Μέταλλο



ΚΙΝΔΥΝΟΣ: Αιχμηρή λεπίδα



Φοράτε αντιολισθητικά γάντια βαριάς χρήσης

Οι ακόλουθες προειδοποιητικές λέξεις και έννοιες προορίζονται να εξηγήσουν τα επίπεδα κινδύνου που συνδέονται με αυτό το προϊόν:

### ⚠ ΚΙΝΔΥΝΟΣ

Υποδεικνύει μια επικείμενη επικίνδυνη κατάσταση, η οποία, αν δεν αποφευχθεί, θα οδηγήσει σε θάνατο ή σοβαρό τραυματισμό.

### ⚠ ΠΡΟΕΙΔΟΠΟΙΗΣΗ

Υποδεικνύει μια δυνητικά επικίνδυνη κατάσταση, η οποία, αν δεν αποφευχθεί, θα οδηγήσει σε θάνατο ή σοβαρό τραυματισμό.

### ⚠ ΠΡΟΣΟΧΗ

Υποδεικνύει μια δυνητικά επικίνδυνη κατάσταση, η οποία, αν δεν αποφευχθεί, ενδέχεται να οδηγήσει σε ελαφρύ ή μέτριο τραυματισμό.

### ΠΡΟΣΟΧΗ

(Χωρίς σύμβολο προειδοποίησης ασφάλειας) Υποδεικνύει μια κατάσταση που μπορεί να οδηγήσει σε υλικές ζημιές.

Kılıç testereniz tasarlanırken temel öncelik güvenlik, performans ve güvenilirlik özelliklerine verilmiştir.

## KULLANIM AMACI

Kılıç testere, bu kılavuздaki talimatları ve uyarıları okumuş ve anlamış ve eylemlerinden sorumlu tutulabilecek yetişkinler tarafından kullanılması amaçlanmaktadır. Kılıç testere, uygun bıçaklar takılarak teknik özellikler tablosunda belirtilen derinlikte ahşap, plastik, alçıpan ve metal kesim işleri için tasarlanmıştır. Kılıç testere elle kullanılmak üzere tasarlanmıştır; ürünün üreticisi tarafından özel talimatlar verilmediği sürece tezgah üzerine monte edilmemelidir.

Bu ürünün belirtilen kullanım amacı dışında herhangi bir amaçla kullanmayın.

## ⚠ UYARI

### Tüm güvenlik uyarılarını ve talimatlarını okuyun.

Uyarılarını ve talimatların yerine getirilmemesi elektrik çarpması, yangın ve/veya ciddi yaralanmalara yol açabilir.

Tüm uyarıları ve talimatları daha sonra başvurmak üzere saklayın.

## KILIÇ TESTERE GÜVENLİK UYARILARI

- Kesici aksesuarlar gizli kablo tesisatını kesebileceği için, matkapla çalışırken izolasyonlu tutma yüzeylerinden tutun. Kesici aksesuarın elektrik geçen kabloyla temas etmesi, elektrikli aletin metal parçalarının elektrikle yüklenmesine ve kullanıcının elektrikle çarpılmasına neden olabilir.
- Akciğerlerinizi koruyun. Çalışma toz çıkartıyorsa, yüz koruyucusu ya da toz maskesi kullanınız.

## ARDIL RİSKLER

Ürün belirtildiği şekilde kullanıldığı zaman bile belirli artık risk faktörlerinin tamamen ortadan kaldırılması mümkün değildir. Kullanım sırasında aşağıdaki tehlikeler ortaya çıkabilir ve operatör bunlardan kaçınmak için özellikle dikkat etmelidir:

- Titreşim kaynaklı yaralanma
  - Використовуйте найменше значення швидкості, яке виконує задачу. Марузійет seviyesini sınırlandırın. Bkz. "Risk Azaltma".
- Toz kaynaklı yaralanmalar
  - Her zaman göz koruyucu takın. İşlenmekte olan materyalden çıkan toza ve taşlama diskinden çıkan aşındırıcı parçacıklara karşı koruma sağlayabilecek uygun filtrelerle sahip doğru bir toz maskesi takın. Çalışma alanı içinde bir şey yemeyin, içmeyin veya sigara içmeyin. Çalışma yerinin uygun şekilde havalandırıldığından emin olun.
- Elektrik çarpması
  - Bıçak gizlenmiş kablolarla temas ederek ürünün parçalarına "güç verilmesine" neden olabilir. Завжди тримайте виріб за призначені ручки і будьте обережні при сліпому візанні в стіни і підлоги, де можуть бути приховані кабелі.

**NOT:** Duvar, tavan veya zemin üzerinde çalışırken elektrik kablolarından ve gaz veya su borularından uzak durmaya dikkat edin. Продукт повинен експлуатуватися обома руками.

- Kesme bıçağına temas nedeniyle yaralanma
  - Bıçaklar çok keskindir ve kullanım sırasında ısınır. Bıçakları değiştirirken eldiven takın. Ellerinizi her zaman kesme alanından uzak tutun. İş parçasını mümkün olduğunda kelepçelerle sabitleyin.
- Gürültü kaynaklı tahribat
  - Тривала дія шуму збільшує ризик пошкодження слуху, і ефекти накопичуються. Elektrikli aletler uzun süre kullanıldığında kulak tıkacı takılmalıdır.

## RİSK AZALTMA

El aletlerinden gelen titreşimlerin bazı kişilerde Raynaud Sendromu denen bir duruma neden olabileceği bildirilmiştir. Karıncalanma, hissizlik ve parmakların sararması gibi genelde soğuğa maruz kaldıktan sonra görülen semptomlar oluşabilir. Kalıtsal faktörler, soğuğa ve neme maruz kalmak, diyet, sigara ve çalışma pratikleri de bu semptomların oluşmasına neden olabilecek etkenler olarak kabul edilmektedir. Operatör titreşim etkilerini azaltabilecek önlemler alabilir:

- Soğuk havalarda vücudunuzu sıcak tutun. Ürünü çalıştırırken ellerinizi ve bileklerinizi sıcak tutmak için eldiven takın. Soğuk havanın Raynaud Sendromunun ana tetikleyicilerinden olduğu bildirilmiştir.
- Her operasyon sürecinden sonra kan dolaşımını arttırmak için egzersiz yapın.
- Sık sık işe ara verin. Günlük maruziyet miktarını sınırlandırın.

Bu rahatsızlığın semptomlarından herhangi birini görürseniz, aleti kullanmayı derhal bırakın ve bir doktora görünün.

## ⚠ UYARI

Bir aletin uzun süre kullanılması nedeniyle yaralanmalar olabilir veya mevcut yaraların durumu kötüleşebilir. Herhangi bir aleti uzun bir süre boyunca kullanırken düzenli olarak ara vermeyi ihmal etmeyin.

## ÜRÜNÜZÜ TANIYIN

Sayfa 77'ya bakın.

1. Bıçak
2. Balata montajı
3. Bıçak kelepçesi
4. Aletsiz bıçak değiştirme sistemi
5. Altıgen anahtar
6. PİL bağlantı noktası
7. Tetik anahtar
8. Çalıştırma düğmesinin kilit açma düğmesi

## ÇALIŞTIRMA

### BALATA DÜZENEGİNİN AYARLANMASI

- Ürün, balatanın kesim yüzeyine her zaman düz olmasını sağlamak için her iki yönde yukarı ve aşağı hareket eden bir balata düzeneğine sahiptir. Ayarlanabilir balata ayrıca bıçak dişinin bıçak üzerinde farklı konumlarda kullanılmasını sağlayarak içe ve dışa doğru kayar.
- Ürün, balatanın kesim yüzeyine her zaman düz olmasını sağlamak için her iki yönde yukarı ve aşağı hareket eden bir balata düzeneğine sahiptir. Ayarlanabilir balata ayrıca bıçak dişinin bıçak üzerinde farklı konumlarda kullanılmasını sağlayarak içe ve dışa doğru kayar.

### KULLANMA İPUÇLARI

#### ⚠ UYARI

Bıçakları bükmemeye ve eğmemeye özen gösterin.

- Alete güç uygulamayın.
- Yumuşak metalleri ve çelik ürünleri keserken kesme yağı kullanın. Kesme yağı bıçakları soğuk tutar, kesme işini artırır ve bıçağın ömrünü uzatır.
- İş parçasını iyice sıkıştırın ve kesilen iş parçasının titremesini yok etmek için sıkıştırma noktasına yakın olarak kesim yapın. Su borusu, boru veya köşebent demiri keserken mümkünse iş parçasını bir mengeneyle sıkıştırın ve testereyi mengeneyle yakın tutun. İnce sac materyalleri kesmek için materyali iki elyaf tahta veya kontrol plak arasına yerleştirin ve titreşimi ve materyal yırtılmasını ortadan kaldırmak için tabakaları kelepçe yardımıyla sabitleyin.
- Pabucun işlenecek parçayla sürekli temas etmesi için, alet üzerine her an ileriye doğru baskı uygulayın.
- Çatlak ya da şekli bozulmuş testere bıçaklarını kullanmayın. Hasarlı ya da deforme olmuş testere bıçaklarını kullanmayın.

#### ⚠ UYARI

Belirli boyalardan, kaplamalardan veya materyallerden kaynaklanan toz solunum sisteminde tahrişe veya alerjik reaksiyona neden olabilir. Meşe, kayın, MDF ve diğer ağaçlar gibi ahşaptan kaynaklanan toz kanserojendir. Asbest içeren materyal yalnızca nitelikli uzman operatörler tarafından işlenmeli ve üzerinde çalışma yapılmalıdır.

#### ⚠ UYARI

Aletler kullanırken daima güvenlik gözlükleri veya yan ekranlı koruma gözlükleri kullanın. Bu uyarının dikkate alınmaması gözlerinizin içine yabancı cisimlerin kaçmasına ve ciddi göz yaralanmalarına yol açabilir.

## BAKIM

#### ⚠ UYARI

Parçaları taktığınızda zımpara makineniz asla prize bağlı olmamalıdır, aleti temizlediğinizde veya artık kullanmadığınızda ayarları gerçekleştirin. Cihazın fişini prizden çekmek, ciddi kişisel yaralanmalara neden olabilecek aletin yanlışlıkla çalışma riskini ortadan kaldırır.

- Servis hizmetinde sadece aynı yedek parçaları kullanın. Diğer parçaları kullanmak tehlike yaratabilir ya da hasara neden olabilir.
- Plastik parçaları temizlerken solventleri kullanmaktan kaçının. Plastiklerin çoğu ticari kullanımlı uçucu maddeler karşı hassastır. Lekeleri, tozu, vb. temizlemek için temiz bir bez kullanınız.
- Asla fren hidroliğinin, benzinin, petrol esaslı ürünlerin, yüzeye işleyen yağların vb. plastik parçalarla temas etmesine izin vermeyin. Bu kimyasal ürünler, plastiğe zarar verebilecek, kırılır hale getirebilecek ya da yok edebilecek maddeler içermektedir.
- Elektrikli aletlerle çalışma veya toz üfleme işlemi esnasında daima yan siperlikleri bulunan koruyucu gözlükler kullanın. İşlem tozlu olucaksa aynı zamanda bir toz maskesi de kullanın.
- Güvenliği ve güvenilirliği arttırmak için tüm onarım çalışmaları yetkili bir servis merkezi tarafından gerçekleştirilmelidir.

### GENEL

Plastik parçaları temizlerken solventleri kullanmaktan kaçının. Plastiklerin çoğu ticari kullanımlı uçucu maddeler karşı hassastır. Lekeleri, tozu, vb. temizlemek için temiz bir bez kullanınız.

Cam elyafı malzemeler, alçı plakaları, dolgu alçısı veya alçı üzerinde kullanılan elektrikli aletler daha hızlı aşınabilir ve erken arızalara neden olabilir, çünkü cam elyafı malzemelerin talaşları ile kalıntılarının rulmanlar, fırçalar, komütatör gibi parçalar üzerinde son derece aşındırıcı etkisi vardır. Ürünün bu tür materyaller üzerinde uzun süre kullanılmasını önermiyoruz.

#### ⚠ UYARI

Üründeki tozu temizlemek için sıkıştırılmış hava kullanmayın. Bu uygulama tehlikelidir, kirin ve taneciklerin fırlamasına ve gözlerinizin yaralanmasına neden olabilir.

### YAĞLAMA

Üründeki tüm yataklar normal çalışma koşullarında ürünün hizmet ömrü boyunca yeterli miktarda yüksek kalite yağ ile yağlanır. Buna göre, fazladan yağlama yapılmasına gerek yoktur.



**ÇEVRENİN KORUNMASI**

Ham maddeleri çöp olarak atmak yerine geri dönüştürün. Çevreyi korumak için, alet, aksesuarlar ve ambalajlar tasnif edilmelidir.

**ÜRÜN ÜZERİNDEKİ SEMBOLLER**

Güvenlik Uyarısı

$n_o$   
v

Bota hız

Volt



Doğru akım

$\text{min}^{-1}$

Saniyede devir veya hareket sayısı



CE Uygunluğu



EurAsian Uyumluluk işareti



Ukrayna uygunluk işareti



Ürünü çalıştırmadan önce, lütfen aşağıdaki talimatları dikkatlice okuyun.



Atık elektrikli ürünler evsel atıklarla birlikte atılmamalıdır. Tesis bulunuyorsa lütfen geri dönüşüme verin. Geri dönüşümle ilgili tavsiye için Yerel Makamlarla veya bayi ile irtibat kurun.

**SİMBOLURİ DİN ACEST MANUAL**

Not



Parçalar ya da aksesuarlar ayrı olarak satılır.



Hız, minimum



Hız, en



Ahşap



Plastik



Metal



TEHLİKE: Keskin bıçak



Kaymaz, ağır iş eldivenleri takın

Aşağıdaki işaret sözcükleri ve anlamları, bu ürünle ilişkili risk seviyelerini açıklamaya yöneliktir:

**⚠ TEHLİKE**

Önlenmemesi durumunda ölüm veya ciddi yaralanma ile sonuçlanacak, tehdit edici tehlikeli bir durumu gösterir.

**⚠ UYARI**

Önlenmemesi durumunda ölüm veya ciddi yaralanma ile sonuçlanabilecek potansiyel olarak tehlikeli bir durumu gösterir.

**⚠ DİKKAT**

Önlenmemesi durumunda önemsiz veya orta derece yaralanma ile sonuçlanabilecek potansiyel olarak tehlikeli bir durumu gösterir.

**DİKKAT**

(Güvenlik Uyarı Sembölü Yok) Mal hasarına neden olabilecek bir durumu gösterir.



Безпеці, продуктивності і надійності наданий вищий пріоритет в дизайні вашої шабельної пилки.

## ПРИЗНАЧЕННЯ

Ця шабельна пилка призначена для використання тільки дорослими, які читали і зрозуміли інструкції та попередження в цьому посібнику і можуть вважатися відповідальними за свої дії. З встановленими відповідними лезами, шабельна пилка призначена для різання дерева, пластика, гіпсокартона і метала до глибини, описаної в таблиці специфікації. Шабельна пилка призначена для портативного використання; вона не повинна бути встановлена на верстаті, якщо спеціальні інструкції не надані виробником продукту.

Для довбання та свердлення кам'яної кладки, може бути використаний режим молотка.

## ⚠ ПОПЕРЕДЖЕННЯ

**Прочитайте всі правила безпеки та інструкції.** Недотримання попереджень та інструкцій може призвести до ураження електричним струмом, пожежі та / або серйозної травми.

**Збережіть всі інструкції і вказівки для майбутнього використання.**

## ПОПЕРЕДЖЕННЯ ТЕХНИКИ БЕЗПЕКИ ШАБЕЛЬНОЇ ПИЛКИ

- **Тримайте електроінструмент за ізольовані поверхні при виконанні дій, при яких ріжучий інструмент може торкнутися прихованої проводки.** Ріжучі прилади при контакті з проводом під напругою можуть зробити незахищені металеві частини електроінструменту під напругою і можуть вдарити оператора електричним струмом.
- **Захистіть ваші легені.** Носіть маску для обличчя або маску від пилу, якщо операція курна.

## ЗАЛИШКОВІ РИЗИКИ

Навіть коли продукт використовується як написано, залишається неможливим повністю усунути деякі залишкові чинники ризику. Наступні небезпеки можуть виникнути і оператор повинен звернути особливу увагу, щоб уникнути наступного:

- Травми, викликані вібрацією
  - Використовуйте найменше налаштування швидкості, яке виконує завдання. Обезуйте вплив. Дивіться "ЗНИЖЕННЯ РИЗИКУ".
- Травми, викликані пилом.
  - Носіть захист для очей у весь час. Носіть відповідну захисну маску від пилу з підходящими фільтрами, які можуть захистити від частинок оброблюваного матеріалу. Не їйте, не пийте і не паліть в робочій зоні. Забезпечте достатню вентиляцію на робочому місці.
- Ураження електричним струмом
  - Лезо може зв'язатися з прихованою проводкою викликаючи частини продукту, стати під напругою. Завжди тримайте виріб за призначені ручки і будьте обережні при сліпому візанні в стіни і підлоги, де можуть бути приховані кабелі.

**ПРИМІТКА:** При роботі на стінах, стелі, або підлозі, дбайте про уникнення електричних кабелів і газових або водопровідних труб. Продукт повинен експлуатуватися обома руками.

- Травми від контакту з ріжучим лезом
  - Леза дуже гострі і нагріватимуться під час використання. Одягайте рукавички, коли замінюєте леза. Тримайте руки увесь час подалі від зони різання. Затисніть заготовлю, коли це можливо.
- Травми, викликані шумом
  - Тривала дія шуму збільшує ризик пошкодження слуху, і ефекти накопичуються. При використанні електроінструментів протягом тривалого періоду часу, використовуйте засоби захисту органів слуху.

## ЗНИЖЕННЯ РИЗИКУ

Повідомлялося, що вібрації від ручних інструментів у певних осіб можуть сприяти стану, який називається синдромом Рейно. Симптоми можуть включати поколювання, оніміння і збліднення пальців, як правило, очевидні при впливі холоду. Спадкові фактори, вплив холоду і вогкості, дієта, куріння і робоча практика, всі ці чинники роблять свій внесок у розвиток цих симптомів. Ці заходи можуть бути прийняті оператором, щоб можливо зменшити вплив вібрації:

- Тримайте тіло в теплі в холодну погоду . При експлуатації приладу, одягайте рукавички, щоб тримати руки і зап'ястя у теплі. Повідомлялося, що холодна погода є основним чинником, що сприяє синдрому Рейно.
- Після кожного періоду роботи, здійснійте вправи для підвищення кровообігу.
- Робіть часті перерви в роботі. Зробіть обмеження кількості впливу на день.

Якщо ви відчуваєте будь-які з симптомів цього стану, негайно припиніть використання і зверніться до лікаря з цими симптомами.

## ⚠ ПОПЕРЕДЖЕННЯ

Тривале використання інструменту може викликати або посилити травми. При використанні інструменту протягом тривалого періоду, робіть регулярні перерви.

## ЗНАЙТЕ СВІЙ ПРОДУКТ.

Дивіться сторінку 77.

1. Лезо
2. Блок підшви
3. Зажим леза
4. Система заміни леза без допомоги інструментів
5. Шестигранний ключ
6. Гніздо для акумулятора
7. Гачок перемикача
8. Кнопка блокування





EN
FR
DE
ES
IT
NL
PT
DA
SV
FI
NO
RU
PL
CS
HU
RO
LV
LT
ET
HR
SL
SK
EL
TR
<b>UK</b>

## ФУНКЦІОНУВАННЯ

### ВУЗОЛ КОЛОДКИ

- Продукт має вузол колодки, що поворачується вгору і вниз в обох напрямках, щоб переконатися, що колодка увесь час є плоскою проти ріжучої поверхні. Регульована колодка ковзає всередині і зовні, що дозволяє використовувати зубці леза при різних положеннях леза.
- Натисніть лезо пилки в утримувач леза пилки до упору. Переконайтеся, що лезо пилки надійно закріплені.

### ГАЧОК ПЕРЕМИКАЧА

**⚠ ПОПЕРЕДЖЕННЯ**  
Будьте обережні, щоб не крутити або не згинати лезо пилки.

- Не перевантажуйте продукт.
- Використовуйте мастильно-охолодну емульсію при різанні м'яких металів і сталі. Мастильно-охолодна емульсія також зберігає леза охолодними, збільшує ріжучу дію, і продовжує строк служби леза.
- Міцно затисніть заготовлю і розрізайте близько до точки затиснення, щоб усунути будь-які вібрації заготовлі. При різанні трубок для дротів або кутового заліза, закріпіть заготовку лещатами, якщо це можливо, і відріжте близько до лещат. Щоб різати тонколистий матеріал, помістіть матеріал між двома твердими деревноволокнистими плитами або листами фанери та затисніть шари, щоб запобігти вібрації і розриву матеріалу.
- Постійно здійснюйте поступальне надавлювання на прилад, щоб насадка контактувала із заготовкою.
- Не використовуйте тріснуті або леза пилки. Не використовуйте леза пилки, які були пошкоджені або деформовані.

**⚠ ПОПЕРЕДЖЕННЯ**  
Пил від деяких фарб, покриттів і інших матеріалів може викликати роздратування або алергічні реакції. Пил від дерев, таких як дуб, бук, МДФ та інших подібних матеріалів може бути канцерогенним. Тільки кваліфіковані фахівці повинні мати можливість використовувати продукт на матеріалах, що містять азбест.

**⚠ ПОПЕРЕДЖЕННЯ**  
Завжди надягайте захисні окуляри або захисні окуляри з бічними щитками при експлуатації продукту. Недотримання цієї вимоги може привести до попадання об'єктів в очі, що може спричинити можливі серйозні травми.

## ОБСЛУГОВУВАННЯ

**⚠ ПОПЕРЕДЖЕННЯ**  
Продукт не повинен бути підключений до джерела живлення при складанні деталей, регулюванні, чищенні, проведених технічного обслуговування або коли продукт не використовується. Відключення продукту буде запобігати випадковому запуску, який може призвести до серйозних травм.

- При обслуговуванні використовуйте тільки ідентичні запасні частини. Використання будь-яких інших деталей може створити небезпеку або спричинити пошкодження продукту.
- Не використовуйте розчинники для очищення пластмасових деталей. Більшість пластмас вразливі до різних видів комерційних розчинників і може бути пошкоджена їх використанням. Використовуйте чисті ганчірки для видалення бруду і вугільного пилу.
- Ніколи не дозволяйте гальмівній рідині, бензину, продуктам на основі нафти, і проникаючим маслам вступати в контакт з пластиковими деталями. Вони містять хімічні речовини, які можуть зашкодити, послабити або знищити пластик.
- Завжди надягайте захисні окуляри або захисні окуляри з бічними щитками під час роботи електродвигуна або при здуванні пилу. Якщо робота пильна, також носіть захисну маску.
- Для більшої безпеки і надійності, всі ремонтні роботи повинні виконуватися в авторизованому сервісному центрі.

### ЗАГАЛЬНІ

Не використовуйте розчинники для очищення пластмасових деталей. Більшість пластмас вразливі до різних видів комерційних розчинників і може бути пошкоджена їх використанням. Використовуйте чисті ганчірки для видалення бруду і вугільного пилу. Електричні інструменти, використовувані на скловолоконному матеріалі, стінних панелях, мастиках або штукатурці підлягають прискореному зносу і можлива їх передчасна відмова, бо скловолокняна стружка і шліфування є дуже абразивним для підшипників, щіток, комутаторів і т.д. Ми не рекомендуємо використовувати продукт протягом тривалого періоду часу для цих типів матеріалів.

**⚠ ПОПЕРЕДЖЕННЯ**  
Не використовуйте стиснене повітря для видалення пилу з продукту. Ця практика небезпечна і приводить до попадання бруду і пилу у очі.

### ЗМАЩУВАННЯ

Всі підшипники в продукті змащені достатньою кількістю високоякісного мастила для всього терміну служби продукту при нормальних умовах експлуатації. Таким чином, додаткове змащення не потрібно.



## ЗАХИСТ НАВКОЛИШНЬОГО СЕРЕДОВИЩА.



Переробляйте сировину замість утилізації в якості відходів. Машини, обладнання та упаковка повинні бути відсортовані для дружно́ї для навколишнього середовища утилізації.

## СИМВОЛИ НА ПРОДУКТІ



Попередження безпеки

$n_o$

Швидкість без навантаження

v

Вольти



Постійний струм

min<sup>-1</sup>

Оберти або зворотно-поступальні рухи у хвилину



СЕ відповідність



Євразійський знак відповідності



Український знак відповідності



Будь ласка, уважно прочитайте інструкцію перед запуском продукту.



Відходи електротехнічної продукції не слід викидати разом із побутовими відходами. Будь ласка, переробляйте там, де наявне устаткування. Перевірте з вашим місцевим органом влади або продавцем для консультацій з приводу переробки.

## СИМВОЛИ В ЦЬОМУ КЕРІВНИЦТВІ



Примітка



Запчастини та аксесуари, що продаються окремо



Швидкість, мінімальна



Швидкість, максимальна



Дерево



Пластик



метал



Тримайте руки подалі від лез



Носіть неслизькі, надміцні рукавички

Наступні сигнальні слова і змісти призначені для пояснення рівнів ризику, пов'язаних з продуктом.

### НЕБЕЗПЕКА

Вказує на неминуче небезпечну ситуацію, яка, якщо її не уникнути, може призвести до смерті або серйозних травм.

### ПОПЕРЕДЖЕННЯ

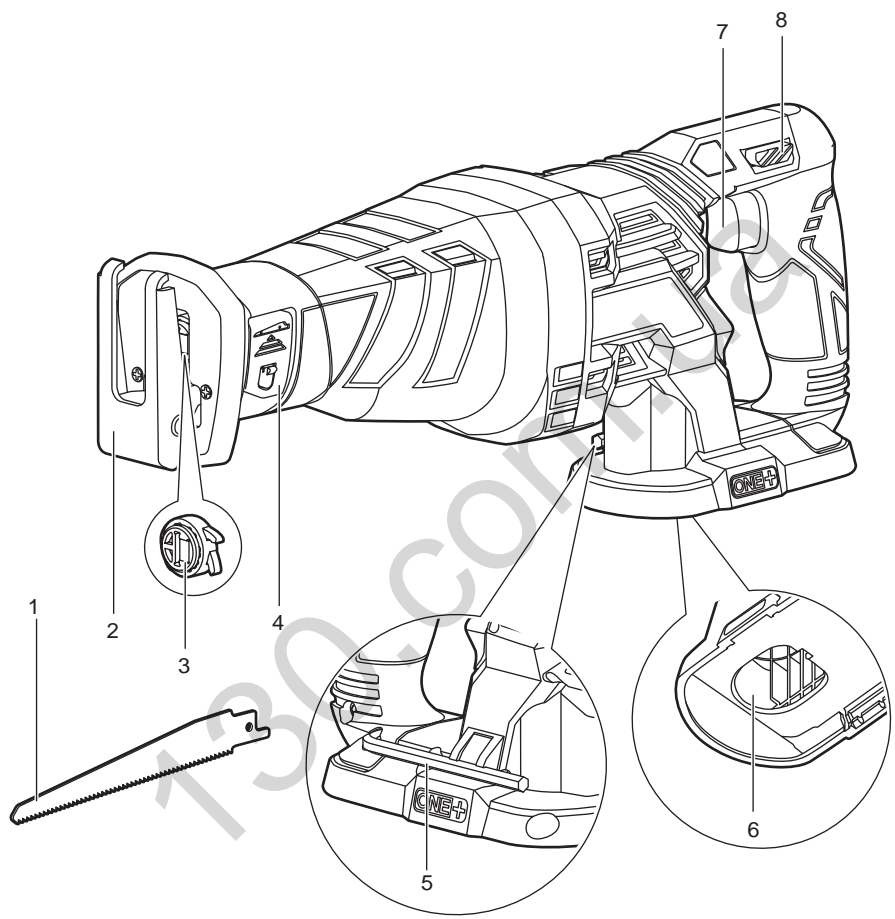
Вказує на потенційно небезпечну ситуацію, яка, якщо її не уникнути, може призвести до смерті або серйозних травм.

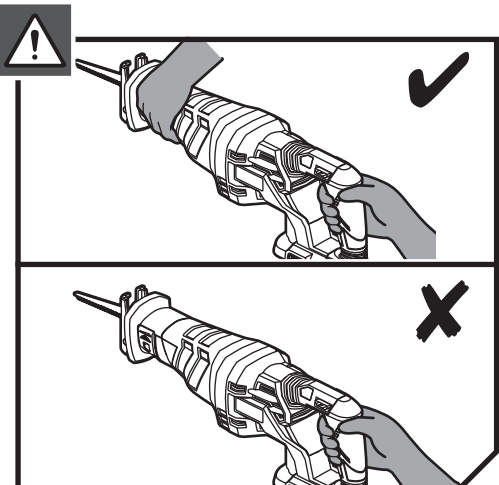
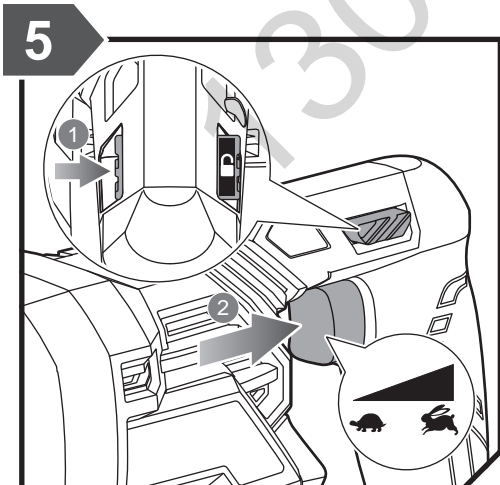
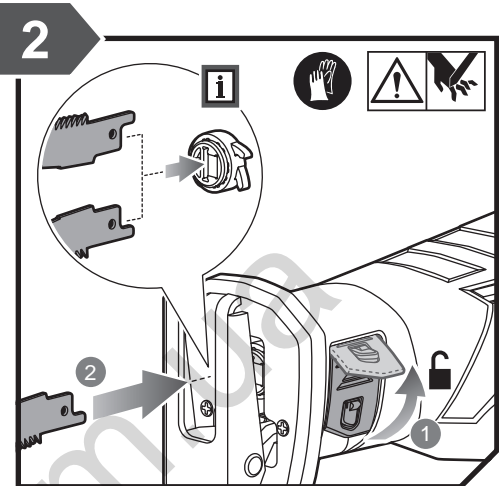
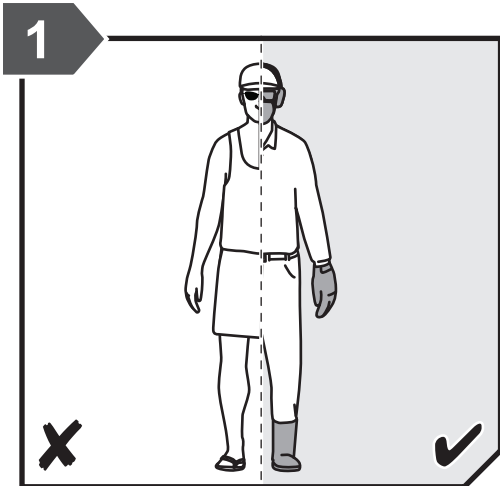
### ПОПЕРЕДЖЕННЯ

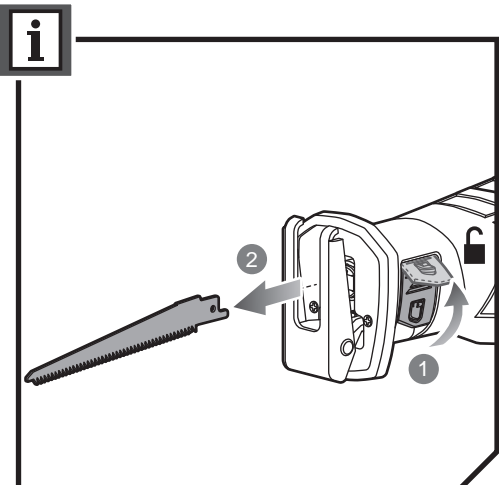
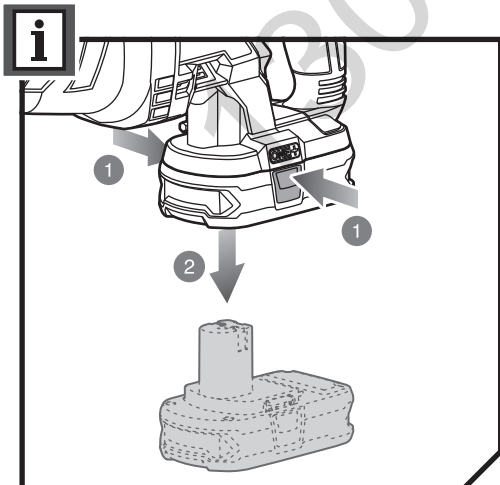
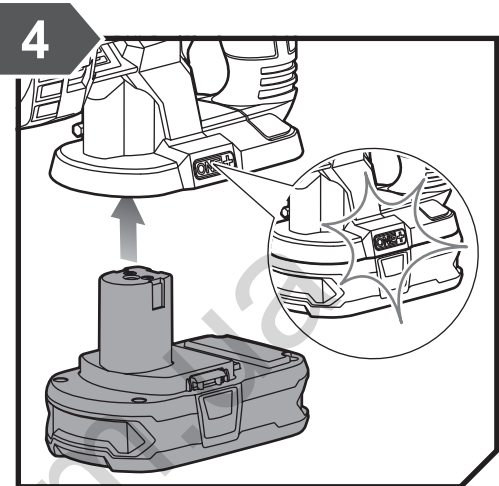
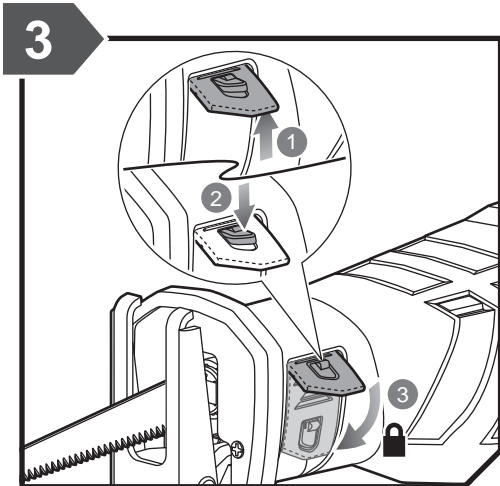
Вказує на потенційно небезпечну ситуацію, яка, якщо її не уникнути, може призвести до середньої або легкої травми.

### ПОПЕРЕДЖЕННЯ

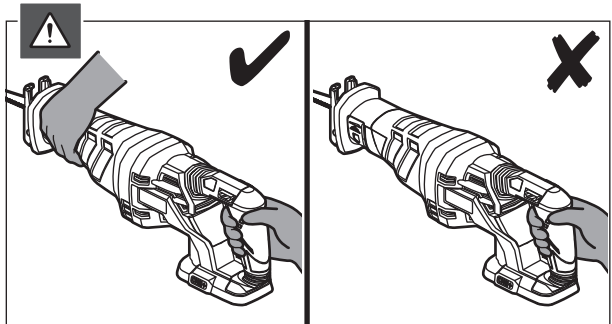
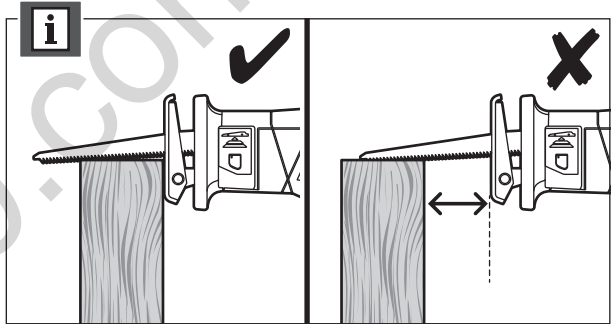
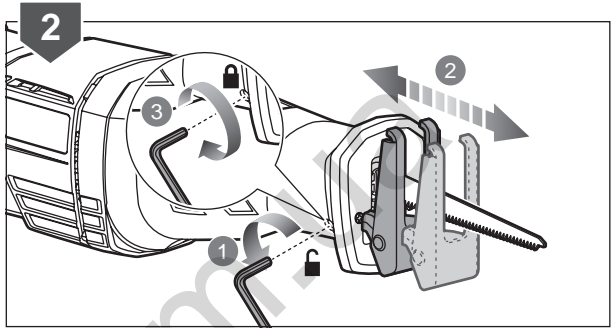
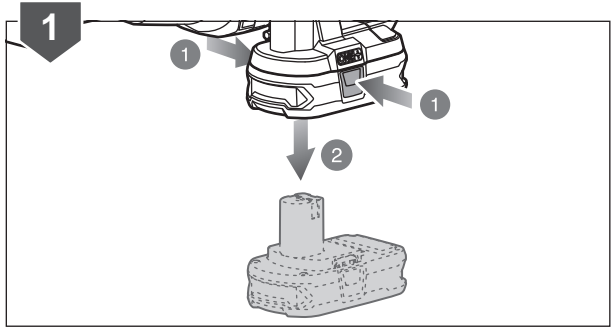
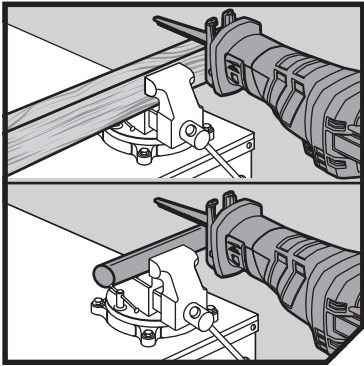
(Без попереджуючих символів) Вказує на ситуацію, яка може призвести до пошкодження майна.

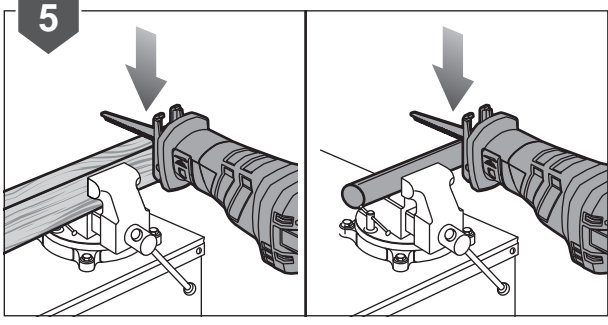
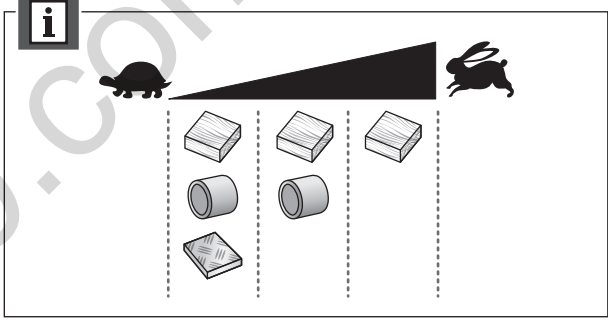
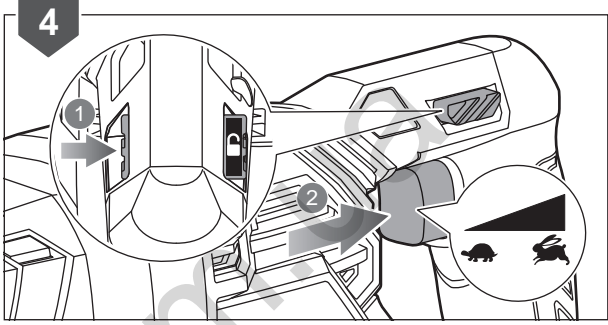
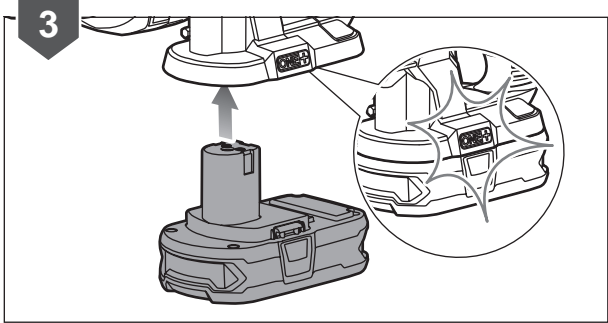


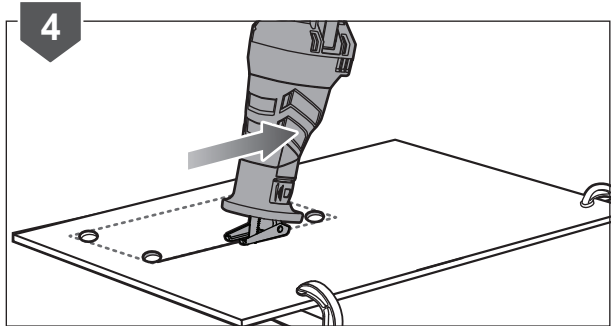
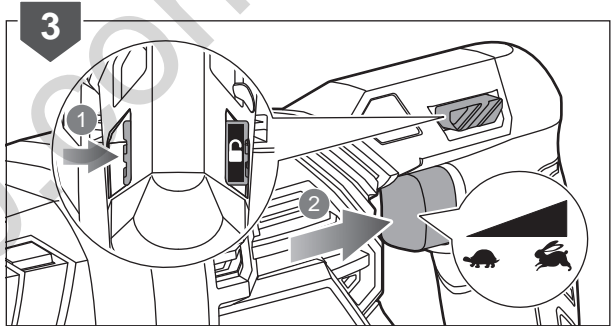
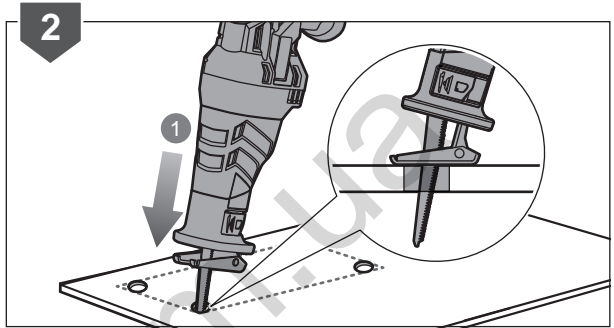
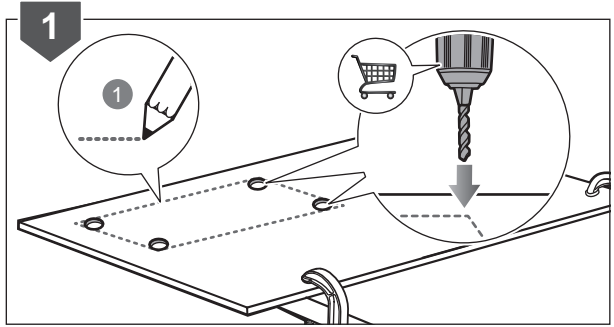
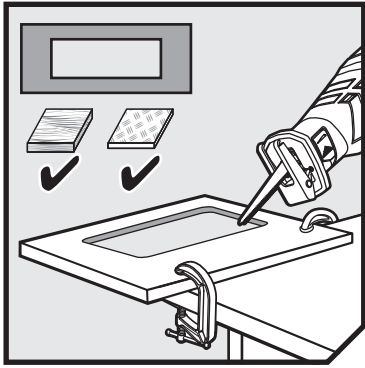












130.com.ua



English	Français	Deutsch	Español	Italiano	Nederlands
Product specifications	Caractéristiques de l'appareil	Produkt-Spezifikationen	Especificaciones del producto	Specifiche prodotto	Productspecificaties
Reciprocating saw	Scie sabre	Säbelsäge	Sierra de vaivén	Motosega reciprocante	Reciprozaagmachine
Model	Modèle	Modell	Modelo	Modello	Merk
Voltage	Tension	Spannung	Tensión	Voltaggio	Spanning
Strokes per minute	Oscillations par minute	Hubzahl pro Minute	Golpe por minuto	Giri al minuto	Slagen per minuut
Length of stroke	Course de la lame	Hublänge	Longitud de carrera	Lunghezza dei colpi	Slaglänge
Weight - excluding battery pack	Poids - sauf pack batterie	Gewicht - ohne Akkupack	Peso - Excluyendo conjunto de batería	Peso - Senza gruppo batteria	Gewicht - exclusief accupack
Weight (According to EPTA-Procedure 01/2003)	Poids (Selon la procédure EPTA 01/2003)	Gewicht (Gemäß EPTA-Verfahren 01/2003)	Peso Según el procedimiento EPTA 01/2003	Peso (Secondo quanto indicato dalla EPTA- Procedura 01/2003)	Gewicht (Overeenkomstig de EPTA-procedure 01/2003)
Measured sound values determined according to EN 60745:	Valeurs du son mesuré déterminées selon EN 60745:	Gemäß EN 60745: gemessene Schallwerte	Valores medidos del sonido en función de la norma EN 60745:	Valori del suono misurati determinati secondo lo standard EN 60745:	Gemeten geluidswaarden bepaald in overeenstemming met EN 60745:
A-weighted sound pressure level	Niveau de pression sonore pondéré-A	A-bewerteter Schalldruckpegel	Nivel de presión acústica ponderada en A	Livello di pressione sonora pesato A	A-gewogen geluidsdrukniveau
Uncertainty K	Incertitude K	Unsicherheit K	Incertidumbre K	Incerteza K	Onzekerheid K
A-weighted sound power level	Niveau de puissance sonore pondéré-A	A-bewerteter Schalleistungspegel	Nivel de potencia acústica ponderada en A	Livello di potenza sonora pesato A	A-gewogen geluidsniveau
Uncertainty K	Incertitude K	Unsicherheit K	Incertidumbre K	Incerteza K	Onzekerheid K
The vibration total values (triaxial vector sum) determined according to EN 60745:	La valeur totale des vibrations (somme vectorielle triaxiale) a été déterminée selon EN 60745:	Die Vibrationsgesamtwerte (dreiaxiale Vektorsumme) wurden nach EN 60745:	Los valores totales de vibración (Suma vectorial triaxial) se han determinado según la norma EN 60745:	I valori di vibrazione totali (somma vettore triassiale) sono determinati secondo gli standard EN 60745:	De totale trillingswaarden (triaxiale vectorsom) werden vastgesteld in overeenstemming met EN 60745:
Vibration emission level:	Niveau d'émission de vibrations :	Vibrationspegel	Nivel de emisión de vibración:	Livello di emissioni vibrazioni:	Trillingsemis�ieniveau:
Cutting board	Coupe des planches	Sägen von Spanplatte	Cortar placas	Tagliare la assi	Platen zagen
Uncertainty K	Incertitude K	Unsicherheit K	Incertidumbre K	Incerteza K	Onzekerheid K
Cutting wooden beam	Faisceau de découpe du bois	Sägen von Holzbalken	Cortar vigas de madera	Tagliare assi di legno	Zagen van houten balken
Uncertainty K	Incertitude K	Unsicherheit K	Incertidumbre K	Incerteza K	Onzekerheid K





Português	Dansk	Svenska	Suomi	Norsk	Русский	
Especificações do produto	Produktspecifikationer	Produktspecifikationer	Tuotteen tekniset tiedot	Produktspesifikasjoner	Характеристики изделия	
Serra de sabre	Stiksav	Sticksåg	Kehyssaha	Bajonettsgag	Сабельная пила	
Modelo	Brand	Modellnummer	Mallinnumero	Modell	Модель	R18RS
Voltagem	Spænding	Spänning	Jännite	Spenning	Напряжение	18 V
Traçado por minuto	Slag pr. minut	Slag per minut	Iskua minuutissa	Slag pr. minutt	Проходов за минуту	0 - 2900 min <sup>-1</sup>
Comprimento de golpe	Slaglængde	Slaglängd	Iskun pituus	Bladets kuttelengde	Длина хода	28 mm
Peso - excluindo conjunto de bateria	Vægt - Batteri medfølger ikke	Vikt - Batteri medfølger ej	Paino - ilman akkua	Vekt - uten batteripakke	Вес - без аккумуляторной батареи	2,4 kg
Peso (According to EPTA-Procedure 01/2003)	Vægt (I henhold til EPTA-procedure 01/2003)	Vikt (According to EPTA-Procedure 01/2003)	Paino (EPTA-menetelmän 01/2003 mukaan)	Vekt (I henhold til EPTA-prosedyre 01/2003)	Вес (According to EPTA-Procedure 01/2003)	2,8 kg
Valores medidos do som em função da norma EN 60745:	Målte lydverdier bestemt iht. EN 60745.	Uppmätta ljudvärden enligt EN 60745:	Mitatut arvot määritetty EN 60745 standardin mukaan.	Målte lydverdier bestemt iht. EN 60745:	Измеренные значения параметров звука определены в соответствии с EN 60745:	
Nível de pressão sonora ponderada A	A-vægtet lydtryksniveau	A-vägd ljudtrycksnivå	A-painotettu äänenpainetaso	A-vektet lydtryknivå	Уровень A-взвешенного звукового давления	$L_p = 80,5 \text{ dB(A)}$
Incerteza K	Usikkerhed K	Osäkerhet K	Epätarkkuus K	Usikkerhet K	Погрешность K	3 dB
Nível de potência sonora ponderada A	A-vægtet lydeffektniveau	A-vägd lydeffektsnivå	A-painotettu äänenheho	A-vektet lydeffektnivå	Уровень A-взвешенной звуковой мощности	$L_w = 91,5 \text{ dB(A)}$
Incerteza K	Usikkerhed K	Osäkerhet K	Epätarkkuus K	Usikkerhet K	Погрешность K	3 dB
Os valores totais de vibração (Soma vectorial triaxial) foram determinados de acordo com a norma EN 60745:	De totale vibrationsverdier (triaxial vektorsum) er bestemt i henhold til EN 60745:	De totala vibrationsvärdena (triaxial vektorsumma) bestäms enligt EN 60745:	Tärinän kokonaisarvot (kolmiakselinen vektorisumma) määritettyä standardien EN 60745 mukaisesti:	De totale vibrasjonsverdiene (triax vektor-sum) er fastsatt i henhold til EN 60745:	Суммарное значение вибрации (сумма векторов по трем координатным осям) определено в соответствии со стандартом EN 60745:	
Valor de emissão de vibração	Vibrations-emissionsniveau:	Vibrationsnivå:	Tärinätaso:	Utslippsnivå for vibrasjoner:	Уровень вибрации:	
Cortar placas	Skæring af brædder	Skär skivor	Laudat leikkaamiseen	Skjæring av plater	Режет доски	$a_{h,b} = 15,6 \text{ m/s}^2$
Incerteza K	Usikkerhed K	Osäkerhet K	Epätarkkuus K	Usikkerhet K	Погрешность K	1,5 m/s <sup>2</sup>
Corte de viga de madeira	Skæring af træbjælke	Sågbalk i trä	Puupalkin leikkaaminen	Kapping av trebjelker	Распиловка деревянных балок	$a_{h,wb} = 16,2 \text{ m/s}^2$
Incerteza K	Usikkerhed K	Osäkerhet K	Epätarkkuus K	Usikkerhet K	Погрешность K	1,5 m/s <sup>2</sup>





Polski	Čeština	Magyar	Română	Latviski	Lietuviškai	Eesti
Parametry techniczne	Technické údaje produktu	Termék műszaki adatai	Specificatiile produsului	Produkta specifikācijas	Gaminio techninės savybės	Toote tehnilised andmed
Pila bagnetowa	Pily ocasky	Lengőfűrész	Ferăstrău tip sabie	Zobenzāģi	Slankujj pjūklā	Lehtsae
Numer modelu	Značka	Típus	Număr serie	Modelis	Modelis	Mudeli tāhis
Napięcie	Elektrické napětí	Feszültség	Tensiune	Spriegums	Ītampa	Pinge
Liczba skoków na minutę	Rázy za minutu	Lökét percenként	Curse pe minut	Gājiens minūtē	Smūgiai per minutę	Kāikude arv minutis
Skok	Délka dráhy	Lökethossz	Lungimea cursei	Gājiena garums	Smūgio ilgis	Kāigupikkus
Waga - bez akumulatora	Hmotnost - bez baterie	Tömeg - akkumulátor nélkül	Greutate - exclusiv acumulatorul	Svars - izņemot akumulatora iepakojumu	Svoris - neįskaitant baterijos paketo	Mass - välja arvatud akupakett
Waga (Zgodnie z procedurą EPTA 01/2003)	Hmotnost (Dle protokolu EPTA 01/2003)	Tömeg A 01/2003 EPTA-eljárás szerint	Greutate (în conformitate cu Procedura EPTA din 01/2003)	Svars (Saskaņā ar EPTA procedūru 01/2003)	Svoris (Pagal Europos elektrinių įrankių asociacijos (EPTA) nustatytą tvarką 01/2003)	Mass (Vastavalt EPTA-protseduurile 01/2003)
Zmierzone wartości akustyczne zgodnie z normą EN 60745:	Naměřené hodnoty hluku zjištěné dle EN 60745:	A hang értékek meghatározása az EN 60745: szerint történt:	Valori de sunet măsurate determinate în conformitate cu EN 60745:	Izmērītās skaņas vērtības ir noteiktas saskaņā ar EN 60745:	Išmatuotos garso vertės nustatytos pagal EN 60745:	Mõõteväärtused on kindlaks määratud vastavalt standardile EN 60745:
A-wažony poziom ciśnienia hałasu	Hladina akustického tlaku vážená funkcí A	A-súlyozott hangnyomásszint	Nivel de presiune acustică ponderată A	A-līmeņa skaņas spiediena līmenis	A svertinis garso slėgio lygis	A-kaalutud helirõhu tase
Niepowność pomiaru K	Nejistota K	Bizonytalanság K	Incertitudine K	NeNOTEIKTĪBA K	Nepastovumas K	Määramatus K
A-wažony poziom natężenia hałasu	Hladina akustického výkonu vážená funkcí A	A-súlyozott hangteljesítményszint	Nivel de putere acustică ponderată A	A-līmeņa skaņas jaudas līmenis	A svertinis garso galios lygis	A-kaalutud helivõimsuse tase
Niepowność pomiaru K	Nejistota K	Bizonytalanság K	Incertitudine K	NeNOTEIKTĪBA K	Nepastovumas K	Määramatus K
Wartości sumaryczne drgań (suma wektora trójosiowego) określone zgodnie z normą EN 60745:	Celkové hodnoty vibrací (Trojsoj vektorový součet) určené v souladu s EN 60745:	A vibráció teljes értékei (háromtengelyű vektorösszeg), az EN 60745 szerint meghatározva:	Valorile totale ale vibrațiilor (sumă vector triaxială) au fost determinate în conformitate cu EN 60745:	Vibrācijas kopējās vērtības (triaksiālā vektoru summa) ir noteiktas atbilstoši EN 60745:	The vibration total values (triaxial vector sum) determined according to EN 60745:	Vibratsiooni üldväärtus (kolme suuna vektorsumma) on kindlaks määratud vastavalt standarditele EN 60745:
Poziom emisji wibracji:	Hladina vibračních emisí:	Vibrációkibocsátási szint:	Nivel de emisie vibrații:	Vibrācijas emisijas līmenis:	Vibracijų emisijų lygis:	Vibratsioonemissiooni tase.
Cięcie płyt	Řezání Karton	Deszkák vágása	Tăiere placaje	Dēļi griešana	Pjovimo plokštės	Plaadid lõikamine
Niepowność pomiaru K	Nejistota K	Bizonytalanság K	Incertitudine K	NeNOTEIKTĪBA K	Nepastovumas K	Määramatus K
Przecinanie belek drewnianych	Řezání dřevěného trámu	Fagerendák vágása	Tăierea plăcilor de lemn	Cutting wooden beam	Medinis pjovimo tašas	Prusside saagimiseks
Niepowność pomiaru K	Nejistota K	Bizonytalanság K	Incertitudine K	NeNOTEIKTĪBA K	Nepastovumas K	Määramatus K







Hrvatski	Slovensko	Slovenčina	Ελληνικά	Türkçe	українська мова	
Specifikacije proizvoda	Specifikacije izdelka	Špecifikácie produktu	Προδιαγραφές Προϊόντος	Ürün Özellikleri	Технічні характеристики продукту	
Sabljaste pile	Recipročna žaga	Priamočiarej píly	Παλινδρομικό πριόνι	Kilic testereniz	шабельної пилки	
Marka	Znamka	Značka	Μοντέλο	Marka	Μodelь	R18RS
Napon	Napetost	Napätie	Τάση	Gerilim	Напруга	18 V $\overline{\text{---}}$
Poteza po minuti	Gibov na minuto	Záberov za minútu	Περάσματα ανά λεπτό	Dakikada strok	Ударів на хвилину	0 - 2900 min <sup>-1</sup>
Duljina poteza	Dolžina hoda	Dĺžka zdvihu	Μήκος περάσματος	Strok uzunluğu	Довжина ходу	28 mm
Težina - baterija nije uključena	Teža - razen baterij	Hmotnosť - okrem jednotky akumulátora	Βάρος - χωρίς μπαταρία	Ağırlık - Harici batarya takımı	Вага (без акумулятора)	2,4 kg
Težina (Prema EPTA-postupku 01/2003)	Teža (Skladno s postopkom EPTA 01/2003)	Hmotnosť (Podľa EPTA-Procedure 01/2003)	Βάρος (Σύμφωνα με την Διαδικασία EPTA 01/2003)	Ağırlık (According to EPTA-Procedure 01/2003)	Вага (Згідно Процедури EPTA 01/2003)	2,8 kg
Mjerena vrijednost zvuka određena je prema EN 60745:	Izmerjene zvočne vrednosti določene v skladu s standardom EN 60745:	Namerané hodnoty určené podľa EN 60745:	Μετρημένες τιμές ήχου σύμφωνα με το EN 60745:	EN 60745: e göre hesaplanmış ses değerleri:	Вимірні значення шуму визначаються відповідно до EN 60745:	
Ponderirana razina tlaka zvuka	A-izmerjena raven zvočnega tlaka	Vážená A hladina akustického tlaku	A-σταθμισμένο επίπεδο πίεσης ήχου	A ağırlıklı ses basınç seviyesi	A-зважений рівень звукового тиску	$L_p = 80,5 \text{ dB(A)}$
Neodređenost K	Negotovost K	Neurčitost K	Αβεβαιότητα K	Belirsizlik K	Невизначеність K	3 dB
Ponderirana razina zvučne snage	A-izmerjena raven zvočne moči	Vážená A hladina akustického výkonu	A-σταθμισμένο επίπεδο έντασης ήχου	A ağırlıklı ses gücü seviyesi	A-зважений рівень звукової потужності	$L_w = 91,5 \text{ dB(A)}$
Neodređenost K	Negotovost K	Neurčitost K	Αβεβαιότητα K	Belirsizlik K	Невизначеність K	3 dB
Ukupne vrijednosti vibracija (troosni vektorski zbir) određuju se u skladu s EN 60745:	Efektivná vrednost vibracij (triaksialna vektorska vsota) določena v skladu z EN 60745:	Celkové hodnoty vibrácií (suma trojosového vektora) stanovené podľa EN 60745:	Οι συνολικές τιμές κραδασμών (τρισζωνικό διανυσματικό άθροισμα) καθορίστηκαν σύμφωνα με τα EN 60745:	Titreşim toplam değerleri (üçekseni vektör toplamı) EN 60745 standartlarına göre belirlenmiştir:	Загальне значення вібрації (триаксіальна векторна сума) визначається відповідно до EN 60745:	
Razina vrijednosti vibracija:	Raven emisij vibracij:	Úroveň emisij vibrácií:	Επίπεδο εκπομπών κραδασμών:	Titreşim emisyon seviyesi:	Рівень емісії вібрації	
Rezanje ploče	Rezanje plošče	Rezanie dosky	Κοπή σανίδες	Kesim tahtası	Дошка для нарізання	$a_{h,b} = 15,6 \text{ m/s}^2$
Neodređenost K	Negotovost K	Neurčitost K	Αβεβαιότητα K	Belirsizlik K	Невизначеність K	1,5 m/s <sup>2</sup>
Zraka za rezanje drveta	Rezanje trama	Rezanie drevených trámov	Κοπή ξύλινης δοκού	Ahşap kiriş kesimi	Різка дерев'яну балку	$a_{h,wb} = 16,2 \text{ m/s}^2$
Neodređenost K	Negotovost K	Neurčitost K	Αβεβαιότητα K	Belirsizlik K	Невизначеність K	1,5 m/s <sup>2</sup>



English	Français	Deutsch	Español	Italiano	Nederlands
Maximum cutting capacity (Wood)	Capacité maximale de coupe (Bois)	Maximale Schnittleistung (Holz)	Máxima capacidad de corte (Madera)	Capacità di taglio massima (Legno)	Max. zaagcapaciteit (Hout)
Maximum cutting capacity (Steel)	Capacité maximale de coupe (Acier)	Maximale Schnittleistung (Stahl)	Máxima capacidad de corte (Acero)	Capacità di taglio massima (Acciaio)	Max. zaagcapaciteit (Staal)
Maximum cutting capacity (Plastic pipe)	Capacité maximale de coupe (Tuyau plastique)	Maximale Schnittleistung (Kunststoffrohr)	Máxima capacidad de corte (Tubo plástico)	Capacità di taglio massima (Tubo di plastica)	Max. zaagcapaciteit (Kunststof buis)
Replacement parts	Pièces de Rechange	Ersatzteile	Piezas de repuesto	Parti di ricambio	Vervangonderdelen
Reciprocating saw blade set	Jeu de lames pour scie sabre	Sägeblatt-Set für Säbelsäge	Juego de cuchillas para sierra de vaivén	Set motosega reciprocante	Reciprozaagbladset

Polski	Čeština	Magyar	Română	Latviski	Lietuviškai	Eesti
Maksymalna zdolność cięcia (Drewno)	Maximální řezací kapacita (Dřevo)	Maximális vágási teljesítmény (Fa)	Capacitate maximă de tăiere (Lemn)	Maksimālā griešanas jauda (Koks)	Didžiausias pjovimo pajėgumas (Mediena)	Maksimaalne lõikevõime (Puit)
Maksymalna zdolność cięcia (Stal)	Maximální řezací kapacita (Ocel)	Maximális vágási teljesítmény (Acél)	Capacitate maximă de tăiere (Oțel)	Maksimālā griešanas jauda (Tērauds)	Didžiausias pjovimo pajėgumas (Plienas)	Maksimaalne lõikevõime (Teras)
Maksymalna zdolność cięcia (Plastikowa rura)	Maximální řezací kapacita (Plastové potrubí)	Maximális vágási teljesítmény (Műanyag cső)	Capacitate maximă de tăiere (Țeavă de plastic)	Maksimālā griešanas jauda (Plastmasas caurule)	Didžiausias pjovimo pajėgumas (Plastikinis vamzdis)	Maksimaalne lõikevõime (Plasttoru)
Części zamienne	Náhradní díly	Cserealkatrészek	Piese de schimb	Rezerves daļas	Atsarginės detalės	Asendusosad
Zestaw ostrza piły bagnetowej	Sada listů šavlové pily	Lengőfűrész fűrészlapkészlet	Set lame pentru ferăstrău tip sabie	Zobenzāģa asmeņu komplekts	Dvipusio pjūklo geležčių komplektas	Lehtsae saelehtede komplekt



Português	Dansk	Svenska	Suomi	Norsk	Русский	
Capacidade de corte máxima (Madeira)	Max skærekapacitet (Træ)	Maximal sågkapacitet (Trä)	Maksimileikkusyvyyks (Puu)	Maksimum skjærekapasitet (Tre)	Максимальная производительность резания (Древесина)	200 mm
Capacidade de corte máxima (Aço)	Max skærekapacitet (Stål)	Maximal sågkapacitet (Stål)	Maksimileikkusyvyyks (Teräs)	Maksimum skjærekapasitet (Stål)	Максимальная производительность резания (Сталь)	20 mm
Capacidade de corte máxima (Tubo plástico)	Max skærekapacitet (Plasticrør)	Maximal sågkapacitet (Plastrør)	Maksimileikkusyvyyks (Muoviputki)	Maksimum skjærekapasitet (Plastrør)	Максимальная производительность резания (Пластиковая труба)	50 mm
Peças de substituição	Reserve dele	Utbytesdelar	Varaosat	Reserve deler	Запасные части	
Conjunto de lâminas para serra de vaivém	Klingesæt til stiksav	Bladsats för sticksåg	Kehyssahan teräsarja	Sett med sagblader for bevægelig sag	Набор пильных полотен для сабельной пилы	RAK06RB

Hrvatski	Slovensko	Slovenčina	Ελληνικά	Türkçe	українська мова	
Maksimalni kapacitet rezanja (Drvo)	Največja rezalna kapaciteta (Les)	Maximálna kapacita rezania (Drevo)	Μέγιστη δυνατότητα κοπής (Ξύλο)	Maksimum kesme kapasitesi (Ahşap)	Максимальна потужність різання (Дерево)	200 mm
Maksimalni kapacitet rezanja (Čelik)	Največja rezalna kapaciteta (Jeklo)	Maximálna kapacita rezania (Oceľ)	Μέγιστη δυνατότητα κοπής (Χάλυβας)	Maksimum kesme kapasitesi (Çelik)	Максимальна потужність різання (Сталь)	20 mm
Maksimalni kapacitet rezanja (Plastična cev)	Največja rezalna kapaciteta (Plastična cev)	Maximálna kapacita rezania (Plastová rúrka)	Μέγιστη δυνατότητα κοπής (Πλαστικός σωλήνας)	Maksimum kesme kapasitesi (Plastik boru)	Максимальна потужність різання (Пластмасова трубка)	50 mm
Zamjena dijelova	Nadomestni deli	Náhradné diely	Ανταλλακτικά	Yedek parçalar	Запасні частини	
Komplet oštrica za sabljastu pilu	Komplet žaginih listov za sabljasto žago	Súprava ostrí priamočiarej píly	" Σετ λεπίδων παλινδρομού προιονού"	Kılıç testere bıçak takımı	Набір лез шабельної пилки	RAK06RB



English	Français	Deutsch	Español	Italiano	Nederlands
<b>Battery and charger</b>	<b>Batterie et chargeur</b>	<b>Akku und Ladegerät</b>	<b>Batería y cargador</b>	<b>Batteria e caricatore</b>	<b>Accu en lader</b>
Compatible battery pack (not included)	Pack batterie compatible (non compris)	Kompatible Akkus (nicht im Lieferumfang enthalten)	Packs de Batería compatibles (no incluido)	Gruppo batterie compatibile (non incluso)	Compatibel accupack (niet inbegrepen)
Lithium-Ion	Lithium-Ion	Lithium-Ionen	ión-litio	Ioni di litio	Lithium-ion
Compatible charger (not included)	Chargeur compatible (non compris)	Kompatible Ladegerät (nicht im Lieferumfang enthalten)	Cargador compatible (no incluido)	Caricatore compatibile (non incluso)	Compatibele oplader (niet inbegrepen)

Polski	Čeština	Magyar	Română	Latviski	Lietuviškai
<b>Akumulator i ładowarka</b>	<b>Baterie a nabíječka</b>	<b>Akkumulátor és töltő</b>	<b>Baterie și încărcător</b>	<b>Akumulators un lādētājs</b>	<b>Baterija ir įkroviklis</b>
Pasujące akumulatory (nie dołączona)	Kompatibilní akumulátor (nepřibalen)	Kompatibilis akkumulátor (nem tartozék)	Acumulatori compatibili (neinclus)	Saderīgu akumulatoru komplekts (nav kompl.)	Suderinamas baterijos paketas (nepriedama)
Li-Ion	Lithium iontový akumulátor	Litiumion	Litiu-ion	Litija-jonu	Litis-jonas
Odpowiednia ładowarka (nie dołączona)	Kompatibilní nabíječka (nepřibalen)	Kompatibilis töltő (nem tartozék)	Încărcător compatibil (neinclus)	Saderīgs lādētājs (nav kompl.)	Tinkamas įkroviklis (nepriedama)

Português	Dansk	Svenska	Suomi	Norsk	Русский	
Bateria e carregador	Batteri og oplader	Batteri och laddare	Akku ja laturi	Batteri og lader	Батарея и зарядное устройство	
Baterias compatíveis (não incluída)	Kompatibelt batteri (medfølger ikke)	Kompatibelt batteripack (inte inkluderat)	Yhteensopiva akku (ei mukana)	Kompatible batteripakker (ikke inkludert)	Совместимая аккумуляторная батарея (не входит в комплект поставки)	RB18L13 RB18L15 RB18L20 RB18L25 RB18L40 RB18L50
lão-Lítio	Lithium-ion	Litiumjon	Litiumioni	Litium-ion	Литий-ионная аккумуляторная батарея	
Carregador compatível (não incluída)	Kompatibel oplader (medfølger ikke)	Passande laddare (inte inkluderat)	Yhteensopiva laturi (ei mukana)	Kompatibel lader (ikke inkludert)	Совместимое зарядное устройство (не входит в комплект поставки)	BCS618 BCL14181H BCL14183H

Eesti	Hrvatski	Slovensko	Slovenčina	Ελληνικά	Türkçe	українська мова	
Aku ja laadija	Baterija i punjač	Baterija in polnilnik	Akumulátor a nabíjačka	Μπαταρία και φορτιστής	Batarya ve şarj aleti	Акумулятор і зарядний пристрій	
Ühilduvad akupaketid (ei ole komplektis)	Kompatibilno pakiranje baterija (nije uključeno)	Zdrüžljive baterije (ni priložen)	Kompatibilná jednotka akumulátorov (nie je súčasťou balenia)	Συμβατή μπαταρία (δεν περιλαμβάνεται)	Uyumlu pil takımı (dahil değildir)	Сумісний акумулятор (не входить в комплект)	RB18L13 RB18L15 RB18L20 RB18L25 RB18L40 RB18L50
Litiumioon	Litij-ion	Litij-ionska	Litium-iónová	Λιθίου-iónτων	Lityum-lyon	Літій-іонний	
Kasutatav laadija (ei ole komplektis)	Kompatibilni punjač (nije uključeno)	Zdrüžljiv polnilac (ni priložen)	Kompatibilná nabíjačka (nie je súčasťou balenia)	Συμβατός φορτιστής (δεν περιλαμβάνεται)	Uyumlu şarj cihazı (dahil değildir)	Сумісний зарядний пристрій (не входить в комплект)	BCS618 BCL14181H BCL14183H



## EN WARNING

The vibration emission level given in this information sheet has been measured in accordance with a standardised test given in EN 60745 and may be used to compare one tool with another. It may be used for a preliminary assessment of exposure. The declared vibration emission level represents the main applications of the tool. However if the tool is used for different applications, with different accessories or poorly maintained, the vibration emission may differ. This may significantly increase the exposure level over the total working period.

An estimation of the level of exposure to vibration should also take into account the times when the tool is switched off or when it is running but not actually doing the job. This may significantly reduce the exposure level over the total working period. Identify additional safety measures to protect the operator from the effects of vibration such as: maintain the tool and the accessories, keep the hands warm, organisation of work patterns.

## FR AVERTISSEMENT

Le niveau d'émission des vibrations indiqué dans cette feuille d'information a été mesuré en concordance avec un test normalisé fourni par EN60745 et peut être utilisé pour comparer un outil à un autre. Il peut être utilisé pour une évaluation préliminaire de l'exposition. Le niveau déclaré d'émission des vibrations s'applique à l'utilisation principale de l'outil. Toutefois, si l'outil est utilisé pour des applications différentes, avec des accessoires différents, ou mal entretenu, l'émission de vibrations peut être différente. Le niveau d'exposition peut en être augmenté de façon significative tout au long de la période de travail.

Une estimation du niveau d'exposition aux vibrations doit aussi prendre en compte les périodes où l'outil est arrêté ainsi que les périodes où il fonctionne sans vraiment travailler. Le niveau d'exposition pendant la durée totale du travail peut en être réduit de façon significative. Prenez en considération les mesures additionnelles de sécurité à prendre pour protéger l'opérateur des effets des vibrations telles que: maintien de l'outil et de ses accessoires, maintien des mains au chaud, organisation du travail.

## DE WARNUNG

Der in diesem Informationsblatt genannte Schwingungspegel wurde entsprechend dem standardisierten Test von EN60745 gemessen und kann benutzt werden um das Werkzeug mit anderen zu vergleichen. Er kann benutzt werden, um eine vorausgehende Einschätzung der Exposition durchzuführen. Der genannte Schwingungspegel repräsentiert den Haupteinsatzbereich des Werkzeugs. Jedoch kann das Werkzeug für verschiedene Einsatzbereiche benutzt werden. Mit unterschiedlichen Zusatzgeräten oder bei schlechter Wartung kann der Schwingungspegel unterschiedlich sein. Dadurch kann die Expositionshöhe über die gesamte Arbeitszeit signifikant erhöht werden.

Eine Einschätzung der Exposition zu Schwingungen sollte auch die Zeiten wenn das Werkzeug ausgeschaltet ist, oder wenn es angeschaltet aber nicht in Betrieb ist, in Betracht ziehen. Dadurch kann die Expositionshöhe über die gesamte Arbeitszeit signifikant reduziert werden. Identifizieren Sie zusätzliche Sicherheitsmaßnahmen um die Bedienungsperson vor den Effekten der Schwingungen zu schützen, wie zum Beispiel: Das Werkzeug und Zusatzgeräte warten, Hände warmhalten und Organisation der Arbeitszeiten.

## ES ADVERTENCIA

El nivel de emisión de las vibraciones que figura en esta hoja de información se ha medido según una prueba estandarizada que figura en EN60745 y puede ser utilizado para comparar una herramienta con otra. Puede ser utilizado para una evaluación preliminar de la exposición. El nivel de emisión de las vibraciones declarado representa las principales aplicaciones de la herramienta. No obstante, si la herramienta se utiliza para diferentes aplicaciones, con diferentes accesorios o no recibe el mantenimiento adecuado, la emisión de las vibraciones puede ser diferente. Esto puede aumentar significativamente el nivel de exposición durante el período de trabajo total.

Una estimación del nivel de exposición a la vibración también debe tener en cuenta el tiempo en el que la herramienta está desconectada o cuando está conectada pero no está realizando ningún trabajo. Esto puede reducir significativamente el nivel de exposición durante el período de trabajo total. Identificar las medidas de seguridad adicionales para proteger al operador de los efectos de las vibraciones, tales como: mantenimiento de la herramienta y de los accesorios, y la organización de los patrones de trabajo.

## IT AVVERTENZE

Il livello di vibrazioni indicato in questo foglio informativo è stato misurato seguendo un test svolto secondo i requisiti indicati dallo standard EN60745 e potrà essere utilizzato per paragonare un utensile con un altro. Potrà essere utilizzato per una valutazione preliminare dell'esposizione a vibrazioni. Il livello dichiarato di emissioni di vibrazioni viene indicato tenendo conto delle applicazioni principali dell'utensile. Comunque se l'utensile viene utilizzato per applicazioni diverse con accessori diversi o non viene correttamente conservato, il livello delle vibrazioni potrà variare. Ciò potrà significativamente aumentare il livello di esposizione alle vibrazioni durante il periodo di lavoro totale.

Una valutazione del livello di esposizione alle vibrazioni dovrà inoltre prendere in considerazione i tempi in cui l'utensile viene spento o è acceso ma non viene utilizzato. Ciò potrà significativamente ridurre il livello di esposizione in un periodo totale di funzionamento. Ulteriori misure di sicurezza per proteggere l'operatore dagli effetti delle vibrazioni come: conservare correttamente l'utensile e i suoi accessori, tenere le mani calde e organizzare i tempi di lavoro.

## NL WAARSCHUWING

Het trillingsemissieniveau dat op dit informatieblad wordt gegeven, is gemeten in overeenstemming met een gestandaardiseerde test, vastgelegd in EN60745 en mag worden gebruikt om machines met elkaar te vergelijken. Het verklaarde trillingsemissieniveau geeft de hoofdtoepassing van het gereedschap weer. Als de machine echter voor andere toepassingen of met andere accessoires wordt gebruikt of slecht wordt onderhouden, kan de trillingsemissie verschillen. Dit kan de blootstelling gedurende de gehele werkduur aanzienlijk verhogen.

Bij een schatting van het niveau van blootstelling aan trillingen moet ook rekening worden gehouden met het aantal keren dat de machine wordt uitgeschakeld of draait, maar niet wordt gebruikt. Dit kan het niveau van blootstelling gedurende de gehele werkduur aanzienlijk verlagen. Stel bijkomende veiligheidsmaatregelen op om de gebruiker tegen de gevolgen van trillingen te beschermen: zoals onderhoud het gereedschap en de accessoires, houd de handen warm, de organisatie van werktijden.

## PT AVISO

O nível de emissão de vibrações fornecido nesta folha de informações foi medido em conformidade com o teste uniformizado descrito em EN60745 e pode ser usado para comparar uma ferramenta com outra. Este pode ser usado para uma avaliação preliminar da exposição. O nível de emissão de vibração declarado refere-se à aplicação principal da ferramenta. Contudo, se a ferramenta for usada para aplicações diferentes, com acessórios diferentes ou não for devidamente mantida, a emissão de vibrações pode diferir. Isto pode fazer aumentar significativamente o nível de exposição ao longo do período de trabalho total.

Uma estimativa do nível de exposição às vibrações deve ter, também, em consideração o tempo durante o qual a ferramenta está desligada ou em que está ligada mas não está a realizar qualquer trabalho. Isto pode reduzir significativamente o nível de exposição durante o período total de trabalho. Identifique medidas adicionais de segurança que protejam o operário dos efeitos da vibração como a manutenção da ferramenta e dos acessórios, a manutenção das mãos quentes e a organização de padrões de trabalho.

## DA ADVARSEL

Det angivne niveau for vibrationsemission på denne oplysningsside er blevet målt iht. en standardtest ifølge EN60745 og kan bruges til at sammenligne værktøjer indbyrdes. Det kan bruges til en foreløbig eksponeringsvurdering. Det opgivne niveau for vibrationsemission gælder, når værktøjet bruges til sit hovedformål. Men hvis værktøjet bruges til andre formål, med forskelligt eller med dårligt vedligeholdt ekstraudstyr, kan vibrationsemissionen variere. Dette kan medføre en betragtelig stigning i eksponeringsniveauet set over hele arbejdsperioden.

Et skøn over niveauet for vibrationseksponering bør også tage højde for de perioder, hvor værktøjet er slukket, eller hvor det er tændt uden faktisk at være i brug. Dette kan medføre en betragtelig reduktion i eksponeringsniveauet set over hele arbejdsperioden. Træf ekstra sikkerhedsforanstaltninger til beskyttelse af operatøren mod virkningerne fra vibrationen som fx: vedligeholdelse værktøj og ekstraudstyr, holde hænderne varme, organisere arbejdsmonstre.





## SV VARNING

Vibrationsnivåerna som uppges i det här dokumentet har uppmäts i enlighet med ett standardiserat test som beskrivs i EN60745 och som kan användas för att jämföra verktyg. Det kan användas som en preliminär bedömning av den vibration som användaren utsätts för. De deklarerade vibrationsvärdena motsvarar de som uppstår när verktyget används i sitt huvudsyfte. Om verktyget används i andra syften, med andra tillbehör eller om verktyget är dåligt underhållet kan vibrationsnivåerna vara tillräckligt öka vibrationsnivåerna över den totala arbetsperioden.

En uppskattning av vibrationsnivåerna som användaren utsätts för ska också ta hänsyn till de stunder då verktyget är avstängt och när det går på tomgång. Detta kan kraftigt minska vibrationsnivåerna över den totala arbetsperioden. Andra säkerhetsåtgärder som kan skydda användaren från effekterna av vibrationer är: underhållning av verktyget och tillbehören, hålla händerna varma och organisera arbets sättet.

## FI VAROITUS

Tämän tiedotteen tärnätäso on mitattu EN60745-standardien mukaisilla testeillä, ja niitä voidaan käyttää verrattaessa laitetta toiseen. Sitä voidaan käyttää arvioitaessa tärnävaikutusta. Ilmoitettu tärnätäso vastaa laitteen pääasiallista käyttötarkoitusta. Jos laitetta kuitenkin käytetään muuhun tarkoitukseen, muilla lisälaitteilla tai huonosti huollettuina, tärnätäso saattaa poiketa ilmoitetusta arvosta. Tämä voi kasvatatta kokonaisaltistumista huomattavasti koko työjakson kuluessa.

Tärnän altistumistasoa arvioitaessa tulee huomioida ajat, jolloin laite on sammutettu tai kun se on käynnissä, mutta sitä ei käytetä varsinaiseen työskentelyyn. Tämä voi vähentää kokonaisaltistumista huomattavasti koko työjakson kuluessa. Käytä muitakin suojakeinoja turvataksesi käyttäjän tärnävaikutukselta, kuten: huolla laite ja lisälaitteet, pidä kätesi lämpiminä, organiso työnykuku.

## NO ADVARSEL

Vibrasjonsnivået som oppgis på dette informasjonsarket er målt i henhold til en standardisert test gitt i EN60745 og kan brukes til å sammenligne ett verktoy med et annet. Det kan brukes til en foreløpig vurdering av eksponering. Det erklærte vibrasjonsnivået representerer hovedanvendelsen for verktøyet. Dersom verktøyet brukes for andre anvendelser, med forskjellig tilbehør eller med dårlig vedlikehold, vil vibrasjonsnivået kunne være annerledes. Det kan gi en betydelig økning av eksponeringsnivået over den totale arbeidsperioden.

En beregning av nivået for eksponering til vibrasjoner må også ta hensyn til den tiden verktøyet er slått av eller er i gang men ikke i faktisk bruk for å utføre den tenkte oppgaven. Dette kan gi en betydelig økning av eksponeringsnivået over den totale arbeidsperioden. Identifiser ytterligere sikkerhetstiltak for å beskytte den som bruker verktøyet fra virkningen av vibrasjoner, tiltak som: Vedlikehold verktøyet og tilbehøret, hold hendene varme, organiser arbeidsmetodene.

## RU ОСТОРОЖНО!

Уровень вибрации, приведенный в данном справочном листе, измерен согласно стандартизованным испытаниям, определенным в EN60745 и может использоваться для сравнения различных инструментов. Значение уровня может использоваться для предварительной оценки влияния вибрации. Заявленный уровень вибрации действителен для основного применения инструмента. Однако, если инструмент используется для других целей, с другими приспособлениями, или плохо обслуживается, уровень вибрации может отличаться от указанного. Это может значительно увеличить величину воздействия за общее время работы.

При оценке уровня воздействия вибрации следует также принять во внимание время простоев и холостой ход (когда инструмент выключен и когда включен, но работа не производится). Эти факторы могут значительно уменьшить величину воздействия вибрации за общее время работы. Определите дополнительные меры безопасности, защищающие работающего от влияния вибрации: техническое обслуживание инструмента и принадлежностей, недопущение охлаждения рук, соответствующие приемы и распорядок работы.

## PL OSTRZEŻENIE

Deklarowany poziom drgań został zmierzony za pomocą standardowej metody pomiaru określonej normą EN60745 i jego wyniki mogą służyć do porównywania tego urządzenia z innymi. Deklarowana wartość drgań może służyć do wstępnej oceny narażenia operatora na drgania. Deklarowany poziom drgań dotyczy podstawowych zastosowań urządzenia. Jednak w przypadku użycia urządzenia do innych zastosowań, z innymi przystawkami lub w przypadku niewłaściwego stanu technicznego urządzenia poziom drgań może odbiegać od deklarowanego. Może być to przyczyną zwiększenia stopnia narażenia operatora na drgania w całym okresie wykonywania pracy.

Podczas oceny narażenia na drgania należy również uwzględnić czas wyłączenia urządzenia oraz czas, w którym urządzenie jest włączone, jednak praca nie jest wykonywana. Czas te mogą znacznie zmniejszyć stopień narażenia operatora na drgania w całym okresie wykonywania pracy. Należy określić dodatkowe środki ochrony operatora przed skutkami drgań, przykładowo: dbać o stan techniczny urządzenia i przystawek, dbać o zachowanie ciepłoty dłoni, odpowiednio zorganizować harmonogram wykonywania prac.

## CS VAROVÁNÍ

Hodnota vibračních emisí uvedená v tomto informačním listu byla naměřena standardizovaným testem podle EN60745 a ji použít k porovnání s hodnotami jiných nástrojů. Může se používat k předběžnému odhadu vystavení vibracím. Uznávaná hodnota vibračních emisí reprezentuje hlavní použití nástroje. Nicméně pokud se nástroj používá pro jiné použití, s různými doplňky nebo se nedostatečně neudrží, mohou se vibrační emise lišit. Toto může výrazně zvýšit úroveň vystavení nad celkové pracovní období.

Odhad úrovně vystavení vibracím by měl vzít taktéž v potaz časy, kdy je chvění vypnuto, nebo když přístroj běží, ale nevykonává práci. Toto může výrazně snížit úroveň vystavení nad celkové pracovní období. Určete doplňující bezpečnostní opatření pro ochranu obsluhy před různými vibracemi, například: Udržujte nástroj a doplňky, udržujte ruce v teple, organizujte pracovní schéma.

## HU FIGYELMEZTÉS

A vibráció-kibocsátás adatai alapján megadott értékek az EN60745 által meghatározott szabványosított mérési eljárás szerint lettek megmértve, amely lehetővé teszi a különböző szerszámok összehasonlítását. Használható a kitettségek előzetes felmérésére is. A nyilatkozatban szereplő kibocsátási érték a szerszám főbb alkalmazási területeire vonatkozik. Ugyanakkor, ha a szerszámot más alkalmazásokra, más kiegészítőkkel használják vagy rosszul tartják karban, a vibráció-kibocsátás értéke ettől eltérő is lehet. Ez jelentősen növelheti a kitettség szintjét a gép teljes használati időtartama során.

A vibrációnak való kitettség szintjének becslésekor figyelembe kell venni azokat az időintervallumokat is, amikor a szerszám ki van kapcsolva, vagy működik, de nem végeznek munkát vele. Ez jelentősen csökkentheti a kitettség szintjét a gép teljes használati időtartama során. Tegyünk további óvintézkedéseket a kezelő vibrációval szembeni megvédése érdekében: tartsa karban a szerszámot és a tartozékokat, tartsa melegen a kezét, tervezzék meg a munkafolyamatot.

## RO AVERTISMENT

Nivelul emisiilor de vibrații prezentat în cadrul acestei fișe cu informații a fost măsurat în conformitate cu un test standardizat furnizat în EN60745 și poate fi folosit la a compara o unealtă cu o alta. Poate fi folosit la o evaluare preliminară a expunerii. Nivelul declarat al emisiilor de vibrații reprezintă aplicațiile principale ale uneltei. Cu toate acestea, în cazul în care unealta este utilizată pentru aplicații diferite, cu accesorii diferite sau întreținute necorespunzător, emisiile de vibrații pot diferi. Acestea pot crește semnificativ nivelul de expunere pe întreaga perioadă de lucru.

O estimare a nivelului de expunere la vibrații trebuie, de asemenea, să țină cont de tălile în care unealta este oprită sau de tălile în care aceasta funcționează fără a efectua propriu-zis sarcina de lucru. Acestea pot reduce semnificativ nivelul de expunere pe întreaga perioadă de lucru. Identificați măsuri de siguranță suplimentare pentru a proteja operatorul de efectele vibrațiilor, precum: întreținerea uneltei și a accesoriilor, păstrarea mâinilor calde, organizarea de modele de lucru.







## LV BRĪDĪNĀJUMS

Šajā datu lapā dotā vibrāciju emisijas vērtība ir mērīta saskaņā ar standartizēto testu, kas dots EN60745 un kuru var izmantot, lai salīdzinātu vienu instrumentu ar citu. To var izmantot aptuvenam ekspozīcijas novērtējumam. Deklarētais vibrāciju emisijas līmenis atbilst galvenajiem instrumenta pielietojumiem. Tomēr, ja instrumentu lieto citiem pielietojumiem, ar citiem piederumiem vai tas tiek slīkti apkopts, vibrāciju emisijas vērtība var atšķirties. Tas var ievērojami palielināt ekspozīcijas līmeni visā darba periodā.

Vibrāciju ekspozīcijas līmeņa novērtējumam jāņem vērā laiks, kad instruments ir izslēgts vai ir ieslēgts, bet nevis nekādu darbu. Tas var ievērojami samazināt ekspozīcijas līmeni visā darba periodā. Identificējiet papildu drošības pasākumus, lai aizsargātu operatoru no vibrāciju iedarbības, piemēram, veiciet instrumenta un piederumu apkopi, turiet rokas siltas un pielāgojiet darba grafiku.

## LT ĮSPĖJIMAS

Šiame lapе nurodytas vibracijos emisijos lygis buvo išmatuotas pagal standartinį testą, aprašytą EN60745, ir gali būti naudojamas vieno įrankio su kitu palyginimui. Jis gali būti naudojamas preliminariam pavojaus įvertinimui. Deklaruotas vibracijos emisijos lygis priekšriaamas pagrindinėms įrankio taikymo situoms. Tačiau, jei įrankis naudojamas kitiems tikslams, su kitokiais priedais ar įrankis prastai prižiūrimas, vibracijos emisija gali skirtis. Per visą darbo laikotarpį tai gali žymiai padidinti vibracijos keliamą pavojų.

Nustatant vibracijos keliamą pavojų taip pat būtina atsižvelgti į tai, kiek kartų įrankis yra išjungtas ar kai jis veikia, bet juo iš tikrųjų nedirbama. Per visą darbo laikotarpį tai gali žymiai sumažinti vibracijos keliamą pavojų. Naudokite papildomas apsaugos priemonės dirbančiam asmeniui apsaugoti nuo vibracijos poveikio, pvz.: prižiūrėti įrankį ir jo priedus, rankas laikyti šiltais, organizuoti darbo sesijas.

## ET HOIATUS

Sellel infolehel esitad vibratsioonitaseme väärtus on mõõdetud standardis EN60745 kirjeldatud katsemeetodiga ja seda võib kasutada tööriistade omavaheliseks võrdlemiseks. Seda võib kasutada vibratsioonimõju eelhindamiseks. Deklareeritud vibratsioonitaseme väärtus kehtib tööriista tavakasutamisel. Kui aga kasutate tööriista muudeks kasutusotstarveteks, eriotstarbeliste tarvikutega või kui tööriist on puudulikult hooldatud, siis võib vibratsiooniväärtus erineda. Sellistel juhtudel võib tööperioodi summaarne vibratsioonitase suurendada märgatavalt.

Vibratsiooniväärtuse taset tuleb arvesse võtta ka sel ajal, kui tööriist on välja lülitatud või kui tööriist pöörleb, kuid ei tee tööoperatsiooni. Sellistel juhtudel võib tööperioodi ajal summaarne vibratsioonitase väheneda märgatavalt. Määrake kindlaks täiendavad ohutusmeetmed, et kaitsa operaatorit vibratsioonimõjude eest – tööriistade ja tarvikute hooldamine, kätte soojas hoidmine ja töövahetuste organiseerimine.

## HR UPOZORENJE

Razina vrijednosti vibracija data u ovoj tablici s informacijama mjerena je skladno normiranom testu pruženom u EN60745 i može se koristiti za usporedbu jednog alata s drugim. Može se koristiti u početnom usklađivanju izloženosti. Objavljena razina vrijednosti vibracija predstavlja glavnu primjenu alata. Međutim, ako se alat koristi za druge primjene, s različitim dodatnim priborom ili je slabo održavan, vrijednost vibracija može se razlikovati. Ovo može značajno povećati razinu izloženosti tijekom ukupnog radnog razdoblja.

U procjeni razine izloženosti na vibraciju također treba uzeti u obzir vrijeme kada je alat isključen ili kada je pokrenut no ne i stvarno vrijeme rada. Ovo može značajno smanjiti razinu izloženosti tijekom ukupnog radnog razdoblja. Odredite dodatne sigurnosne mjere za zaštitu operatora od učinaka vibracije poput: održavanje alata i pribora, održavanje toplih ruku, organizacija obrazaca za rad.

## SL OPOZORILO

Nivo emisij vibracij, naveden v tem informacijskem listu, je bil izmerjen v skladu s standardiziranim testom, ki je podan v EN60745, podatek pa se lahko uporablja za primerjavo enega orodja z drugim. Uporablja se ga lahko za predhodno oceno izpostavljenosti. Naveden nivo emisij vibracij predstavlja glavne uporabe orodja. Vendar, če se orodje uporablja v druge namene in z različnimi nastavki oz. če je orodje slabo vzdrževano, se lahko emisije vibracij razlikujejo. To lahko občutno poveča nivo izpostavljenosti v skupnem delovnem času.

Ocena nivoja izpostavljenosti vibracijam bi morala prav tako upoštevati, koliko krat je orodje bilo izključeno ali je v delovanju in pravzaprav ne opravlja svojega dela. To lahko občutno zmanjša nivo izpostavljenosti v skupnem delovnem času. Upoštevajte dodatne varnostne ukrepe, da bi jih upravljavca zaščitili pred vplivom vibracij, kot je: vzdržujte orodje in nastavke, pazite, da so roke tople, organizirajte delovne vzorce.

## SK VAROVANIE

Úroveň emisie vibrácií, uvedená v tomto informačnom hárku bola nameraná v súlade so standardizovaným testom, daný normou EN60745 a môže sa použiť na porovnanie jedného nástroja s druhým. Môže sa použiť na predbežné určenie miery vystavenia sa vibráciám. Uvedená úroveň emisie vibrácií predstavuje hlavné aplikácie nástroja. Avšak keď sa nástroj používa na iné aplikácie, s rôznym príslušenstvom alebo má zvlá údržbu, úroveň vibrácií sa môže líšiť. Týmto sa môže výrazne zvýšiť úroveň vystavenia sa vibráciám počas celkového času práce.

Odhad úrovne vystavenia sa vibráciám by sa mal brať tiež do úvahy, vtedy, keď sa nástroj vypne, alebo potom, keď beží ale v skutočnosti sa nevykonáva práca. Týmto sa môže výrazne znížiť úroveň vystavenia sa vibráciám počas celkového času práce. Nasledovné doplnujúce bezpečnostné opatrenia pomáhajú chrániť operátora od účinkov vibrácií: údržba nástroja a príslušenstva, udržiavanie teplých rúk, organizácia práce.

## EL ΠΡΟΕΙΔΟΠΟΙΗΣΗ

Τα επίπεδα εκπομπών κραδασμών που παρέχονται στο παρόν ενημερωτικό φυλλάδιο, έχουν μετρηθεί βάσει τυποποιημένης δοκιμής που προβλέπεται στο EN60745 και μπορούν να συγκριθούν για τη σύγκριση του εργαλείου με άλλα. Μπορούν επίσης να χρησιμοποιηθούν για προκαταρκτική αξιολόγηση της έκθεσης. Τα δηλωμένα επίπεδα εκπομπών κραδασμών αφορούν τις βασικές εφαρμογές του εργαλείου. Ωστόσο, αν το εργαλείο χρησιμοποιείται για διαφορετικές εφαρμογές, με διαφορετικά εξαρτήματα ή με κακή συντήρηση, η εκπομπή κραδασμών μπορεί να διαφέρει. Αυτό μπορεί να αυξήσει σημαντικά το επίπεδο έκθεσης στη συνολική περίοδο εργασίας.

Η εκτίμηση των επιπέδων έκθεσης σε κραδασμούς θα πρέπει επίσης να λαμβάνει υπ' όψη τις χρονικές περιόδους κατά τις οποίες το εργαλείο είναι απενεργοποιημένο ή λειτουργεί χωρίς να χρησιμοποιείται σε συγκεκριμένη εργασία. Αυτό μπορεί να μειώσει σημαντικά το επίπεδο έκθεσης στη συνολική περίοδο εργασίας. Εφαρμοστέα επιπρόσθετα μέτρα ασφαλείας για την προστασία του χειριστή από τις επιπτώσεις των κραδασμών, όπως τα εξής: συντηρείτε το εργαλείο και τα εξαρτήματα, διατηρείτε τα χέρια ζεστά, οργανώστε μοτίβα εργασίας.

## TR UYARI

Bu bilgi sayfasında verilen titreşim emisyon seviyesi, EN60745 standardında belirtilen standartlaştırılmış bir teste uygun olarak ölçülmüş ve bir aleti diğerleriyle karşılaştırmak için kullanılabilir. Ön maruz kalma tespiti için kullanılabilir. Beyan edilen titreşim emisyonu aletin asıl uygulamalarını temsil etmektedir. Ancak alet, farklı aksesuarlarla veya yetersiz bakımlı olarak farklı uygulamalar için kullanılırsa titreşim emisyonu düşebilir. Bu durum toplam çarşma süresi boyunca maruz kalma seviyesini önemli ölçüde artırır.

Titreşime maruz kalma seviyesinin değerlendirilmesi aynı zamanda alet kapalı ve arından çarşır ancak gerek anlamda iş yapmadığı zamanlar da göz önünde bulundurulmalıdır. Bu durum toplam çarşma süresi boyunca maruz kalma seviyesini önemli ölçüde azaltır. Operatörü titreşimin etkilerinden korumak için ilave güvenlik önlemleri belirleyin, örneğin: aletin ve aksesuarlarının bakımını yapın, operatörün ellerini sıcak tutun, çarşma modellerini organize etme.

## UK ПОПЕРЕДЖЕННЯ

Рівень вібрації, зазначений у цьому інформаційному листку, був розрахований відповідно зі стандартизованим випробуванням, наведеним в EN 60745 і може використовуватися для порівняння одного інструмента з іншим. Він може бути використаний для попередньої оцінки впливу. Зазначений рівень вібрації представляє основні застосування інструменту. Тим не менш, якщо інструмент використовується для різних додатків, з різними аксесуарами і недоглянутий, рівень вібрації може відрізнятись. Це може значно підвищити рівень впливу протягом усього робочого періоду.

При оцінюванні рівня впливу вібрації необхідно також враховувати час, коли інструмент вимкнений або коли він працює, але насправді не виконує ніякої роботи. Це може значно зменшити рівень впливу протягом усього робочого періоду. Для захисту оператора від впливу вібрації, визначте додаткові заходи безпеки, такі як: ретельний догляд за інструментом і приладами, тримання рук в теплі, і організація схеми роботи.





## EN GARANTIE

In addition to any statutory rights resulting from the purchase, this product is covered by a guarantee as stated below.

- The guarantee period is 24 months for consumers and commences on the date when the product was purchased. This date has to be documented by an invoice or other proof of purchase. The product is designed and dedicated to consumer and private use only. So there is no guarantee provided in case of professional or commercial use.
- There is, in some cases (i.e. promotion, range of tools), a possibility to extend the warranty period over the period described above using the registration on the [www.ryobitools.eu](http://www.ryobitools.eu) website. The eligibility of the tool is clearly displayed in stores and/or on packaging. The end user needs to register his/her newly-acquired tools online within 8 days from the date of purchase. The end user may register for the extended warranty in his country of residence if listed on the online registration form where this option is valid. Furthermore, end users must give their consent to the storage of the data which are required to enter online and they have to accept the terms and conditions. The registration confirmation receipt, which is sent out by e-mail, and the original invoice showing the date of purchase will serve as proof of the extended warranty. Your statutory rights remain unaffected.
- The guarantee covers all defects of the product during the warranty period due to defaults in workmanship or material at the purchase date. The guarantee is limited to repair and/or replacement and does not include any other obligations including but not limited to incidental or consequential damages. The warranty is not valid if the product has been misused, used contrary to the instruction manual, or being incorrectly connected. This guarantee does not apply to:
  - any damage to the product that is the result of improper maintenance
  - any product that has been altered or modified
  - any product where original identification (trade mark, serial number) markings have been defaced, altered or removed
  - any damage caused by non-observance of the instruction manual
  - any non CE product
  - any product which has been attempted to be repaired by a non-qualified professional or without prior authorization by Techtronic Industries
  - any product connected to improper power supply (amps, voltage, frequency)
  - any damage caused by external influences (chemical, physical, shocks) or foreign substances
  - normal wear and tear of spare parts
  - inappropriate use, overloading of the tool
  - use of non-approved accessories or parts
  - carburettor after 6 months, carburettor adjustments after 6 months
  - power tool accessories provided with tool or purchased separately. Such exclusions include but is not limited to screw driver bits, drill bits, abrasive discs, sand paper and blades, lateral guide
  - components (parts and accessories) subject to natural wear and tear, including but not limited to carbon brushes, chuck, power cord, auxiliary handle, sanding plate, dust bag, dust exhaust tube
- For servicing, the product must be sent or presented to a RYOBI authorized service station listed for each country in the following list of service station addresses. In some countries your local RYOBI dealer undertakes to send the product to the RYOBI service organisation. When sending a product to a RYOBI service station, the product should be safely packed without any dangerous contents such as petrol, marked with sender's address and accompanied by a short description of the fault.
- A repair/replacement under this guarantee is free of charge. It does not constitute an extension or a new start of the guarantee period. Exchanged parts or tools become our property. In some countries delivery charges or postage will have to be paid by the sender.
- This guarantee is valid in the European Community, Switzerland, Iceland, Norway, Liechtenstein, Turkey and Russia. Outside these areas, please contact your authorized RYOBI dealer to determine if another warranty applies.

### AUTHORISED SERVICE CENTRE

To find an authorised service centre near you, visit <http://uk.ryobitools.eu/header/service-and-support/service-agents>.

## FR GARANTIE

En plus des droits statutaires liés à l'achat, ce produit est couvert par une garantie telle que décrite ci-dessous.

- La durée de la garantie accordée au consommateur est de 24 mois à partir de la date d'achat. Cette date doit être authentifiée par une facture ou tout autre preuve d'achat. Le produit a été conçu en vue d'une utilisation strictement privée. Aucune garantie ne s'applique donc en cas d'utilisation professionnelle ou commerciale.
- Il existe, dans certains cas (par exemple promotion, gamme d'outils), une possibilité d'étendre la période de garantie au-delà de la période précédemment décrite en utilisant le formulaire d'enregistrement présent sur le site Internet [www.ryobitools.eu](http://www.ryobitools.eu). L'éligibilité d'un outil est clairement affichée dans les points de vente et/ou sur l'emballage. L'utilisateur final doit enregistrer son/ses outil(s) nouvellement acheté(s) en ligne dans les 8 jours qui suivent la date d'achat. L'utilisateur a la possibilité de s'enregistrer pour l'extension de garantie dans son pays de résidence si celui-ci est listé dans le formulaire d'enregistrement en ligne où cette option est valide. L'utilisateur final doit donner son consentement pour l'enregistrement des données requises pour accéder au site et doit accepter les termes et conditions. La confirmation d'enregistrement, envoyée par courrier électronique, ainsi que la facture originale mentionnant la date d'achat serviront de preuve de l'extension de garantie. Vos droits statutaires restent inchangés.
- La garantie couvre les défauts des pièces et de main d'oeuvre du produit pendant la période de garantie à partir de la date d'achat. La garantie n'inclut aucune autre obligation, tel que, mais sans s'y limiter, les dommages accessoires ou indirects. La garantie est non valable en cas de mauvaise utilisation du produit, d'utilisation contraire aux instructions du mode d'emploi, ou en cas de branchement incorrect. Cette garantie ne s'applique pas pour :
  - tout dommage au produit résultant d'un mauvais entretien
  - tout produit ayant été altéré ou modifié
  - tout produit dont les marquages originaux d'identification (marque, numéro de série) ont été dégradés, altérés ou retirés
  - tout dommage causé par le non-respect des instructions du mode d'emploi
  - tout produit non CE
  - tout produit ayant subi une tentative de réparation par du personnel non qualifié ou sans autorisation préalable de Techtronic Industries
  - tout produit raccordé à une alimentation secteur non conforme (ampérage, voltage, fréquence)
  - tout dommage causé par des influences extérieures (chimiques, physiques, chocs) ou par des substances étrangères
  - l'usure normale des pièces consommables
  - une utilisation inappropriée, une surcharge de l'outil
  - l'utilisation de pièces ou accessoires non agréés
  - carburateurs âgés de plus de 6 mois, réglages du carburateur après 6 mois
  - accessoires d'outil à moteur fournis avec l'outil ou achetés séparément. De telles exclusions incluent de façon non exhaustive les embouts de vissage, les forets, les disques de ponçage, le papier de verre et les lames, les guides latéraux
  - composants (pièces et accessoires) sujets à une usure naturelle, incluant de façon non exhaustive les charbons, les mandrins, les câbles secteur, les poignées auxiliaires, les semelles de ponçage, les sacs à poussières, les tubes d'extraction de la poussière
- Si le produit doit être réparé, envoyez-le à un service après-vente agréé RYOBI dont vous trouverez ci-dessous la liste pour chaque pays. Dans certains pays, votre revendeur RYOBI se chargera d'envoyer le produit à un centre de réparation RYOBI. Lorsque vous envoyez un produit à un service après-vente RYOBI, celui-ci doit être correctement emballé, sans contenir aucun produit dangereux tel que de l'essence, et vous devez indiquer votre adresse ainsi qu'une courte description du problème.
- Une réparation / un remplacement sous garantie est gratuit(e). Ceci ne constituera pas une extension de garantie ni un nouveau départ de la période de garantie. Les pièces ou les outils remplacés deviennent notre propriété. Dans certains pays, les frais de port devront être assumés par l'expéditeur.
- Cette garantie est valable au sein de l'Europe, de la Suisse, de l'Islande, de la Norvège, du Liechtenstein, de la Turquie, de la Russie. En dehors de ces zones, veuillez contacter votre distributeur agréé RYOBI pour déterminer si une autre garantie s'applique.

### SERVICE APRÈS-VENTE AGRÉÉ

Pour trouver le service après-vente agréé le plus proche, rendez-vous sur <http://fr.ryobitools.eu/header/service-and-support/service-agents>.



## DE GARANTIE

Zusätzlich zu den aufgrund des Kaufs entstehenden gesetzlichen Rechten, ist dieses Produkt von der unten aufgeführten Garantie abgedeckt.

- Die Garantiezeit für Endverbraucher beträgt 24 Monate für und beginnt ab dem Kaufdatum des Produktes. Dieses Datum muss durch eine Rechnung oder einen anderen Kaufbeleg dokumentiert sein. Das Produkt ist ausschließlich für den Privategebrauch entwickelt und bestimmt. Deshalb wird keine Garantie im Fall von professionellem oder kommerziellem Einsatz angeboten.
- In einigen Fällen (z.B. Promotion, auf eine bestimmte Produktpalette oder auf bestimmte Produkte begrenzt) besteht die Möglichkeit die Garantiezeit über den oben genannten Zeitraum, durch Registrierung auf der Webseite [www.ryobitools.eu](http://www.ryobitools.eu), zu verlängern. Der verlängerte Garantieanspruch für ein bestimmtes Produkt wird deutlich in den Geschäften und/oder auf der Verpackung des Produktes gezeigt. Der Endverbraucher muss seine neu gekauften Produkte innerhalb von 8 Tagen ab Kaufdatum registrieren. Der Endverbraucher kann sich für die erweiterte Garantie im Land seines permanenten Wohnsitzes registrieren, wenn diese Möglichkeit in dem Online-Formular gegeben ist. Des weiteren müssen die Endverbraucher ihr Einverständnis zur Speicherung der online angegebenen Daten geben und die Geschäftsbedingungen annehmen. Die per E-Mail verschickte Bestätigung der Registrierung und die Originalrechnung mit Kaufdatum dienen als Nachweis für die verlängerte Garantie. Ihre gesetzlichen Rechte bleiben unangetastet.
- Die Garantie deckt während der Garantiezeit ab Kaufdatum alle Produktmängel aufgrund von Material- oder Herstellungsmängeln ab. Diese Garantie ist auf Reparatur und/oder Ersatz beschränkt und enthält keine weiteren Verpflichtungen einschließlich aber nicht beschränkt auf beiläufige oder resultierende Schäden. Die Garantie ist nicht gültig, wenn das Produkt missbräuchlich oder entgegen der Bedienungsanleitung benutzt, oder falsch angeschlossen wurde. Diese Garantie gilt nicht für:
  - Jegliche Schäden die an dem Produkt aufgrund falscher Wartung entstehen.
  - Jedes Produkt das verändert oder modifiziert wurde.
  - Jedes Produkt an dem die originale Identifizierung (Markenzeichen, Seriennummer) verunstaltet, verändert oder entfernt wurden.
  - Jede Beschädigung die durch Nichtbeachtung der Bedienungsanleitung verursacht wurde.
  - Jedes Produkt ohne CE Zeichen.
  - Jedes Produkt das von einer unqualifizierten Person oder ohne vorherige Genehmigung von Technronic Industries versucht wurde zu reparieren.
  - Jedes Produkt das an eine falsche Stromversorgung (Ampere, Spannung, Frequenz) angeschlossen wurde.
  - Jede Beschädigung die von äußeren Einflüssen (chemisch, physisch, Stöße) oder fremden Substanzen verursacht wurde.
  - Normaler Verschleiß und Abnutzung von Ersatzteilen.
  - Zweckwidrige Benutzung, Überlastung des Werkzeugs.
  - Benutzung von nicht zugelassenem Zubehör oder Teilen.
  - Den Vergaser nach 6 Monaten, die Vergasereinstellung nach 6 Monaten.
  - Mit dem Werkzeug gelieferte oder separat erhältliche Zubehör. Diese Ausnahmen sind einschließlich aber nicht beschränkt auf Schraubeinsätze, Bohrer, Schleifscheiben, Sandpapier und Klingen, seitliche Führungen.
  - Komponenten (Teile und Zubehör) die normalem Verschleiß unterliegen, einschließlich aber nicht beschränkt auf Kohlebürsten, Spannfutter, Netzkabel, Zusatzhandgriffe, Schleifplatten, Staubbeutel, Staubabzugschläuche
- Zur Wartung muss das Produkt eingeschickt werden oder einem für jedes Land in der folgenden Liste aufgeführten autorisierten RYOBI Kundendienst gebracht werden. In einigen Ländern schickt Ihr örtlicher RYOBI Händler das Produkt an den RYOBI Kundendienst. Wenn ein Produkt an den RYOBI Kundendienst geschickt wird, sollte es sicher verpackt werden, ohne gefährlichen Inhalt, wie Treibstoff, mit der Absenderadresse versehen sein und eine kurze Beschreibung des Fehlers enthalten.
- Reparatur/Ersatz unter dieser Garantie sind kostenfrei. Das stellt keine Verlängerung oder Neustart der Garantiezeit dar. Ausgewechselte Teile oder Werkzeuge treten in unseren Besitz über. In einigen Ländern müssen Lieferkosten oder Postgebühren von dem Absender getragen werden.
- Diese Garantie gilt in der Europäischen Gemeinschaft, Schweiz, Island, Norwegen, Liechtenstein, Türkei und Russland. Bitte kontaktieren Sie Ihren autorisierten RYOBI-Händler, um herauszufinden ob eine andere Gewährleistung außerhalb dieser Gebiete gültig ist.

### AUTORISIERTER KUNDENDIENST

Besuchen Sie <http://de.ryobitools.eu/header/service-and-support/service-agents>, um einen autorisierten Kundendienst in Ihrer Nähe zu finden.

## ES GARANTÍA

Además de cualquier derecho estatutario derivado de la compra, este producto está cubierto por la siguiente garantía.

- El período de garantía es de 24 meses para los consumidores y comienza a partir de la fecha de compra del producto. Esta fecha debe demostrarse con una factura u otra prueba de compra. El producto está diseñado y destinado al consumidor y únicamente para uso privado. Por tanto, no se ofrece ninguna garantía en caso de uso profesional o comercial.
- En algunos casos (como promociones o un conjunto de herramientas) existe la posibilidad de ampliar el período de garantía hasta el período descrito anteriormente mediante el registro en el sitio web [www.ryobitools.eu](http://www.ryobitools.eu). La elegibilidad de la herramienta se muestra claramente en las tiendas o en el embalaje. El usuario final debe registrar sus herramientas recién adquiridas en línea en los 8 días siguientes a la fecha de compra. El usuario final podrá registrarse para ampliar la garantía en su país de residencia si éste aparece en el formulario de registro en línea en que esta opción es válida. Además, los usuarios finales deben dar su consentimiento para que se guarden los datos que se solicitan para entrar en línea y aceptar los términos y condiciones. El recibo de la confirmación de registro, que se enviará por correo electrónico, y la factura original que muestre la fecha de compra servirán como prueba de la ampliación de la garantía. Sus derechos estatutarios permanecerán intactos.
- La garantía cubre, durante el período de garantía, todos los defectos del producto que se deban a fallos de la mano de obra o a fallos del material en la fecha de compra. La garantía tiene un límite de reparación o sustitución y no incluye ninguna otra obligación se deba a, aunque sin limitarse a ello, daños accidentales o incidentales. La garantía no es válida si se ha hecho un uso inadecuado del producto, si no se ha usado siguiendo el manual de instrucciones o si se ha conectado incorrectamente. Esta garantía no se aplica a:
  - cualquier daño del producto derivado de un mantenimiento inadecuado
  - cualquier producto que haya sido alterado o modificado
  - cualquier producto en el que las marcas de identificación originales (marca comercial, número de serie) hayan sido borradas, modificadas o eliminadas
  - cualquier daño causado por el incumplimiento del manual de instrucciones
  - cualquier producto que no sea CE
  - cualquier producto que haya intentado reparar un profesional no cualificado o sin una autorización previa de Technronic Industries
  - cualquier producto conectado a un suministro eléctrico inadecuado (amperios, tensión, frecuencia)
  - cualquier daño causado por influencias externas (de productos químicos, daños físicos, descarga eléctrica) o sustancias extrañas
  - desgaste o rotura normal de las piezas de repuesto
  - uso inadecuado, sobrecarga de la herramienta
  - uso de accesorios o piezas no homologados
  - carburador después de 6 meses, ajustes del carburador después de 6 meses
  - accesorios de las herramientas eléctricas suministrados con la herramienta o adquiridos por separado. Dichas exclusiones incluyen, aunque sin limitarse a ello, puntas de destornilladores, brocas, discos abrasivos, lijas de papel y cuchillas, guía lateral
  - componentes (piezas y accesorios) sujetos a desgaste y rotura natural, incluyendo, pero sin limitarse a ellos, escobillas de carbón, portabrocas, cable de alimentación, mango auxiliar, bolsa para el polvo, tubo de salida del polvo
- Para el servicio, el producto debe enviarse o entregarse en un punto de servicio técnico autorizado RYOBI enumerado para cada país en la siguiente lista de direcciones de servicio técnico. En algunos países su distribuidor local RYOBI se encarga de enviar el producto a la organización del servicio de RYOBI. Al enviar un producto a un punto de servicio técnico RYOBI, el producto debe embalarse de forma segura sin que contenga ninguna sustancia peligrosa como petróleo, debe llevar la dirección del remitente e ir acompañado de una breve descripción del fallo.
- Una reparación/sustitución dentro de esta garantía se realiza de forma gratuita. No constituye una ampliación ni un reinicio del período de garantía. Las piezas o herramientas que se cambian pasan a ser de nuestra propiedad. En algunos países los gastos de envío o del franqueo deberá pagarlos el remitente.
- Esta garantía es válida en la Comunidad Europea, Suiza, Islandia, Noruega, Liechtenstein, Turquía y Rusia. Fuera de estas zonas, póngase en contacto con su distribuidor autorizado RYOBI para determinar si se aplica otra garantía.

### SERVICIO TÉCNICO AUTORIZADO

Para encontrar el servicio técnico autorizado más cercano, visite <http://uk.ryobitools.eu/header/service-and-support/service-agents>.



## IT GARANZIA

Oltre ai legittimi diritti derivanti dall'acquisto del prodotto, quest'ultimo è coperto da garanzia come indicato nei seguenti punti.

- Il periodo di garanzia per il consumatore è di 24 mesi ed ha inizio dalla data in cui il prodotto è stato acquistato. Questa data deve essere documentata da una ricevuta o da altra prova d'acquisto. Il prodotto è stato disegnato e progettato solo per l'utilizzo privato del consumatore. La garanzia viene invalidata in caso di utilizzo professionale o commerciale.
- In alcuni casi (per esempio promozioni e gamme di prodotti) esiste la possibilità di estendere il periodo di garanzia oltre il periodo indicato sopra registrandosi sul sito web [www.ryobitools.eu](http://www.ryobitools.eu). L'idoneità del prodotto a rievolvere tale estensione viene indicata chiaramente nei punti vendita e/o sull'imballo. L'utente finale deve registrare il suo prodotto appena acquistato online entro 8 giorni dalla data d'acquisto. L'utente finale può accedere all'offerta nel suo paese quando la stessa è valida e qualora si sia registrato online. Inoltre, gli utenti finali devono dare il proprio consenso all'archiviazione dei dati che si inseriscono online indicando che i termini e le condizioni sono stati accettati. La ricevuta della conferma della registrazione verrà inviata via email e la fattura originale indicante la data d'acquisto verrà utilizzata come prova della garanzia estesa. I diritti legittimi dell'utente rimarranno invariati.
- La garanzia copre tutti i difetti di fabbricazione del prodotto durante il periodo di garanzia a causa di guasti di fabbricazione o di materiale alla data di acquisto. La garanzia è limitata alla riparazione e/o alla sostituzione e non include altri obblighi compreso ma non limitato a danni incidentali o consequenziali. La garanzia non è valida se il prodotto non è stato utilizzato come indicato nel manuale di istruzioni o se è stato collegato in maniera non corretta. La garanzia non si applica a:
  - qualsiasi danno al prodotto che sia il risultato di una scorretta manutenzione
  - qualsiasi prodotto che sia stato alterato o modificato
  - qualsiasi prodotto sul quale l'identificazione originale (marchio registrato, numero di serie) sia stata resa illeggibile, sia stata danneggiata o alterata
  - qualsiasi danno causato dalla non osservanza del manuale d'istruzioni
  - qualsiasi prodotto non contrassegnato con il marchio CE
  - qualsiasi prodotto che una persona non qualificata abbia tentato di riparare o che si è tentato di riparare senza l'autorizzazione delle Technonisanoc Industries
  - qualsiasi prodotto collegato a un'alimentazione non corretta (per amp, voltaggio, frequenza)
  - qualsiasi danno causato da agenti esterni (chimici, fisici o shock) o da sostanze estranee
  - normale usura di parti di ricambio
  - utilizzo non appropriato, sovraccaricamento di utensili
  - utilizzo non approvato di accessori o parti
  - carburatore dopo 6 mesi, regolazioni al carburatore dopo 6 mesi
  - elettrotensili forniti con l'utensile o separatamente. Tali esclusioni comprendono ma non sono limitate a punte per giraviti, punte per trapani, dischi abrasivi, carta vetrata e lame, guida laterale
  - componenti (parti e accessori) soggetti a normale usura, compreso ma non limitatamente a spazzole al carbonio, mandrino, cavo dell'alimentazione, manico ausiliario, piastra di levigazione, sacchetto per la polvere, tubo di scarico polvere
- Per servizi di manutenzione, il prodotto dovrà essere mandato o presentato presso un punto di servizio clienti autorizzato RYOBI indicato nella seguente lista. In alcune nazioni il rivenditore RYOBI si occuperà di inviare il prodotto al più vicino servizio clienti Ryobi. Quando si invia un prodotto a un servizio clienti RYOBI, il prodotto dovrà essere correttamente imballato senza eventuali contenuti pericolosi quali carburanti, e contrassegnato con l'indirizzo della persona che lo ha inviato e accompagnato da una breve descrizione del problema riscontrato.
- Si garantisce una riparazione/sostituzione gratuita quando il prodotto è coperto da garanzia. Questa sostituzione o riparazione non costituisce una estensione o un nuovo inizio di un periodo di garanzia. Le parti o l'utensile cambiati sono di proprietà della ditta. In alcune nazioni i costi di consegna o invio dovranno essere pagati dalla persona che spedisce.
- Questa garanzia è valida all'interno della Comunità Europea, in Svizzera, Islanda, Norvegia, Liechtenstein, Turchia e Russia. Al di fuori di queste aree, si prega di contattare il proprio gestore autorizzato RYOBI per determinare se si applica un'altra garanzia.

### CENTRO SERVIZI AUTORIZZATO

Per individuare il più vicino centro servizi autorizzato, visitare il sito <http://uk.ryobitools.eu/header/service-and-support/service-agents>.

## NL GARANTIE

Bovenop de statutaire rechten als gevolg van de aankoop, wordt dit product gedekt door een garantie, zoals deze hieronder wordt beschreven.

- De garantieperiode bedraagt 24 maanden voor consumenten en begint vanaf de datum waarop het product werd aangekocht. Deze datum moet worden gedocumenteerd door een factuur of ander aankoopbewijs. Het product is uitsluitend ontworpen en bedoeld voor particuliere gebruikers. De garantie vervalt bij professioneel of commercieel gebruik.
- In enkele gevallen (vb. promotie, gereedschapsaanbod) bestaat er een mogelijkheid om de garantieperiode te verlengen met dezelfde periode als deze hierboven beschreven met behulp van de registratie op de website [www.ryobitools.eu](http://www.ryobitools.eu). Of het product al of niet in aanmerking komt, is duidelijk aangegeven in winkels en/of de verpakking. De eindgebruiker dient zijn/haar nieuw werktuig binnen de 8 dagen na de aankoopdatum online registreren. De eindgebruiker kan zich aanmelden voor de uitgebreide garantie in zijn verblijfsland als dit op het online registratieformulier is opgenomen wanneer deze optie geldig is. Bovendien moet de eindgebruiker zijn toestemming geven om informatie te gebruiken die nodig is om toegang te krijgen tot de website en dient de algemene voorwaarden te accepteren. Het ontvangstbewijs van dit registratieformulier, dat via e-mail wordt verzonden, en de originele factuur die de aankoopdatum vermeldt dienen als bewijs van de uitgebreide garantie. Uw statutaire rechten blijven onveranderd.
- De garantie dekt alle defecten van het product gedurende de garantieperiode als gevolg van fouten in het werk of materiaal op de aankoopdatum. De garantie is beperkt tot de reparatie en/of vervanging en omvat geen andere verplichtingen waaronder, maar niet beperkt tot, incidentele of gevolgschade. De garantie is niet geldig als het product werd misbruikt, in tegenspraak met de gebruiksaanwijzing werd gebruikt of foutief werd verbonden. Deze garantie geldt niet voor:
  - schade aan het product als gevolg van foutief onderhoud
  - als het product op enigerlei wijze werd gewijzigd
  - als originele markeringen ter identificatie (handelsmerk, serienummer) van het product werden verwijderd of gewijzigd
  - voor schade als gevolg van het niet in acht nemen van deze gebruiksaanwijzing
  - een niet EC-product
  - een product, waaraan een niet-gekwalificeerde vakman reparaties uitvoerde of waaraan reparaties werden uitgevoerd zonder voorafgaande toestemming van Technonisanoc Industries
  - een product dat werd aangesloten aan een foutieve krachtbron (amps, spanning, frequentie)
  - schade veroorzaakt door externe invloeden (chemische, fysieke schokken) of vreemde stoffen
  - normale slijtage van reserve-onderdelen
  - foutief gebruik, overbelasting van het werktuig
  - gebruik van niet-goedgekeurde accessoires of onderdelen
  - de carburator na 6 maanden, carburatorafstellingen na 6 maanden
  - gereedschapsaccessoires die met het werktuig worden meegeleverd of afzonderlijk worden aangekocht. Deze uitsluitingen omvatten, maar zijn niet beperkt tot schroevendraaiers, boorstiften, slijpschijven, schuurpapier en -bladen, laterale geleiders
  - componenten (onderdelen en accessoires) die onderhevig zijn aan natuurlijke slijtage met inbegrip van, maar niet beperkt tot, koolborstels, boorhouders, stroom snoeren, bijkomende handvatten, schuurplaten, stofzakken, stofuitlaatbuizen
- Voor onderhoud moet het product naar een geautoriseerd RYOBI-onderhoudsstation worden gestuurd of gebracht. Een lijst met de adressen van deze stations per land is hier opgenomen. In bepaalde landen verzendt uw plaatselijke RYOBI-verdelers het product naar de RYOBI-onderhoudsorganisatie. Als een product naar een RYOBI-onderhoudsstation wordt gezonden, moet het product veilig zijn verpakt zonder gevaarlijke inhoud, zoals benzine, met aanduiding van het adres van de verzender en met inbegrip van een korte beschrijving van de fout.
- Een reparatie/vervanging onder deze garantie is gratis. Dit heeft geen gevolgen voor de duur van deze garantie of betekent niet dat de garantie wordt verlengd of opnieuw begint. Vervangen onderdelen of werktuigen worden onze eigendom. In bepaalde landen moeten verzendings- of leveringskosten door de verzender worden betaald.
- Deze garantie is geldig in de Europese Unie, Zwitserland, IJsland, Noorwegen, Liechtenstein, Turkije en Rusland. Buiten deze landen neemt u contact op met uw geautoriseerde RYOBI-verdelers om te bepalen of er een andere garantie geldt is.

### GEAUTORISEERD ONDERHOUDSCENTRUM

Om een geautoriseerd onderhoudscentrum in uw buurt te vinden, surf u naar <http://uk.ryobitools.eu/header/service-and-support/service-agents>.



## PT GARANTIA

Além de qualquer direito estatutário derivado da compra, este produto está coberto com a seguinte garantia.

1. O período de garantia é de 24 meses para os consumidores e começa a partir da data de compra do produto. Esta data deve ser comprovada com uma factura ou outra prova de compra. O produto foi desenhado e destinado ao consumidor e apenas para uso privado. Portanto, não se oferece qualquer garantia em caso de uso profissional ou comercial.
2. Em alguns casos (como promoções ou um conjunto de ferramentas) existe a possibilidade de ampliar o período de garantia até ao período descrito anteriormente através do registo no website [www.ryobitools.eu](http://www.ryobitools.eu). A elegibilidade da ferramenta mostra-se claramente nas lojas ou na embalagem. O utilizador final deve registar as suas ferramentas recém-adquiridas on-line nos 8 dias seguintes à data de compra. O utilizador final poderá registar-se para ampliar a garantia no seu país de residência se este aparecer no formulário de registo on-line em que esta opção é válida. Além disso, os utilizadores finais devem dar o seu consentimento para se guardarem os dados que se solicitam para entrar on-line e aceitar os termos e condições. A confirmação de registo, que será enviada por correio electrónico, e a factura original que mostre a data de compra servirão como prova da ampliação da garantia. Os seus direitos estatutários permanecerão intactos.
3. A garantia cobre, durante o período de garantia, todos os defeitos do produto que se devam a falhas da mão-de-obra ou a falhas do material na data de compra. A garantia tem um limite de reparação ou substituição e não inclui qualquer outra obrigação que se deva a, embora sem se limitar a tal, danos accidentais ou incidentais. A garantia não é válida se se fez um uso inadequado do produto, se não se usou seguindo o manual de instruções ou se foi ligado incorrectamente. Esta garantia não se aplica a:
  - qualquer dado do produto derivado de uma manutenção inadequada
  - qualquer produto que tenha sido alterado ou modificado
  - qualquer produto em que as marcas de identificação originais (marca comercial, número de série) tenham sido apagadas, modificadas ou eliminadas
  - qualquer dano causado por incumprimento do manual de instruções
  - qualquer produto que não seja CE
  - qualquer produto que um profissional não qualificado tenha tentado reparar ou sem uma autorização prévia de Techtronic Industries
  - qualquer produto ligado a um fornecimento eléctrico inadequado (ampérios, tensão, frequência)
  - qualquer dano causado por influências externas (de produtos químicos, danos físicos, descarga eléctrica) ou substâncias estranhas
  - desgaste ou ruptura normal das peças de substituição
  - uso inadequado, sobrecarga da ferramenta
  - uso de acessórios ou peças não homologadas
  - carburador após 6 meses, ajustes do carburador após 6 meses
  - acessórios das ferramentas eléctricas fornecidos com a ferramenta ou adquiridos em separado. Ditas exclusões incluem, embora sem se limitarem a tal, pontas de chave de fendas, brocas, discos abrasivos, lixas de papel e lâminas, guia lateral
  - componentes (peças e acessórios) sujeitos a desgaste e ruptura natural, incluindo, mas sem limitar a eles, escovas de carvão, portabrocas, cabo de alimentação, mangueira auxiliar, bolsa para o pó, tubo de saída do pó
4. Para o serviço, o produto deve ser enviado ou entregue num ponto de serviço técnico autorizado RYOBI enumerado para cada país na seguinte lista de moradas de serviço técnico. Em alguns países o seu distribuidor local RYOBI encarrega-se de enviar o produto para a organização do serviço de RYOBI. Ao enviar um produto a um ponto de serviço técnico RYOBI, o produto deve ser embalado de forma segura sem que contenha qualquer substância perigosa como petróleo, deve levar a morada do remetente e ir acompanhado de uma breve descrição da falha.
5. Uma reparação/substituição dentro desta garantia realiza-se de forma gratuita. Não constitui uma ampliação nem um reinício do período de garantia. As peças e ferramentas que se alterem passam a ser da nossa propriedade. Em alguns países os gastos de envio ou da franquia deverá pagá-los o remetente.
6. Esta garantia é válida na Comunidade Europeia, Suíça, Islândia, Noruega, Liechtenstein, Turquia e Rússia. Fora destas zonas, entre em contacto com o seu distribuidor autorizado RYOBI para determinar se se aplica outra garantia.

### CENTRO DE ASSISTÊNCIA AUTORIZADO

Para encontrar um centro de assistência autorizado próximo de si, visite <http://uk.ryobitools.eu/header/service-and-support/service-agents>.

## DA GARANTI

Ud over de lovbestemte rettigheder ved køb, er dette produkt dækket af en garanti som angivet nedenfor.

1. Garantien er 24 måneder for forbrugerne og træder i kraft den dato, hvor produktet bliver købt. Denne dato skal dokumenteres af en faktura eller andet købsbevis. Produktet er designet og beregnet til privat brug. Så der er ingen garanti i tilfælde af erhvervs-mæssig brug.
2. Der er i visse tilfælde (f.eks. kampagner eller udvalgt produkter) mulighed for at forlænge garantien i perioden beskrevet ovenfor ved at registrere produktet på [www.ryobitools.dk](http://www.ryobitools.dk). Bærettigelsen af produktet vises tydeligt i butikker og / eller på emballagen. Slutbruger skal registrere hans/hendes ny erhvervede produkter online indenfor 8 dage fra købsdatoen. Slutbruger kan tilmelde sig den udvidede garanti i sit bopælsland, hvis det er opført på den online tilmeldingsformular. Desuden skal slutbrugere give deres samtykke til lagring af de data, der er nødvendige for at komme ind på nettet, og de er nødt til at acceptere vilkår og betingelser. Kvitteringen på modtagelsen af registreringerne, som udsendes via e-mail, og den originale faktura, der angiver købsdatoen, fungerer som bevis på den udvidede garanti. Dine lovbestemte rettigheder forbliver uændret.
3. Garantien dækker alle fejl ved produktet i løbet af garantiperioden, som kan føres tilbage til fabriktions- eller materialefejl på købsdatoen. Garantien begrænser sig til reparation og/eller udskiftning og omfatter ikke andre forpligtelser inklusiv, men ikke begrænset til, skader eller følgeskader. Garantien er ikke gyldig, hvis produktet har været udsat for misbrug, anvendelse i strid med brugsanvisningen eller har været tilsat forkert. Denne garanti dækker ikke:
  - Enhver skade på produktet som følge af ukorrekt vedligeholdelse
  - Ethvert produkt, som er blevet ændret eller modificeret
  - Ethvert produkt, hvor de originale identifikationsmærker (varemærke, serienummer) er blevet ødelagt, ændret eller fjernet
  - Enhver skade, der skyldes manglende overholdelse af brugsanvisningen
  - Ethvert produkt uden CE-mærkning
  - Ethvert produkt, som har været udsat for forsøg på reparation af en uautoriseret fagmand eller uden accept fra Techtronic Industries
  - Ethvert produkt, der har været sluttet til forkert strømforsyning (ampere, spænding, frekvens)
  - Enhver skade, der skyldes udefra kommende påvirkninger (kemisk, fysisk, stød) eller fremmedlegemer
  - normal slitage på reservedele
  - Forkert anvendelse, overbelastning af produktet
  - Brug af ikke-godkendt tilbehør eller (reserve)dele
  - Karburator efter 6 måneder, karburatorjusteringer efter 6 måneder
  - Tilbehør til elprodukter, der er forsynet med værktøj eller købt separat. Sådanne undtagelser inkluderer, men er ikke begrænset til, skruetrækkerbits, borebits, silbeskiver, sandpapir og knive, sideføring
  - komponenter (dele og tilbehør), der udsættes for naturlig slitage, inklusive, men ikke begrænset til, kulbørster, spændepatron, strømforsyningskabel, hjælpéhåndtag, slibeplade, støvsugerpose, støvsugningsrør
4. Til servicering skal produktet indleveres til eller forevies et autoriseret RYOBI serviceværksted for det pågældende land. I nogle lande vil din lokale RYOBI-forhandler sende produktet til RYOBI's serviceorganisation. Når et produkt indleveres til et RYOBI serviceværksted, skal det emballeres forsvarligt uden farligt indhold (som f.eks. benzin), være forsynet med afsenderadresse og ledsaget af en kort beskrivelse af fejlen.
5. Reparation/udskiftning i henhold til denne garanti er gratis. Den medfører ikke forlængelse eller ny start af garantiperioden. Udskiftede dele eller værktøjer overgår til vores ejendom. I nogle lande skal leveringsomkostninger eller porto betales af afsenderen.
6. Denne garanti er gyldig i EU, Schweiz, Island, Norge, Liechtenstein, Tyrkiet og Rusland. Uden for disse områder bedes man venligst kontakte sin autoriserede RYOBI-forhandler for at få opklaret, om evt. andre garantier er gældende.

### AUTORISEREDE SERVICEVÆRKSTEDER

Find nærmeste autoriserede serviceværksted på <http://dk.ryobitools.eu/header/service-and-support/service-agents>.



## SV GARANTI

Förutom de lagstadgade rättigheter som följer köpet omfattas denna produkt av en garanti som anges nedan.

1. Garantitiden är 24 månader för konsumenter och börjar den dag då produkten köptes. Detta datum måste kunna dokumenteras av en faktura eller annat inköpsbevis. Produkten är utformad och avsedd för konsumenter och ska endast användas för privat bruk. Det innebär att ingen garanti lämnas vid yrkesmässig eller kommersiell användning.
2. I vissa fall (t.ex. marknadsföring, sortiment av verktyg), finns det en möjlighet att förlänga garantitiden under den period som beskrivs ovan genom registrering på hemsidan [www.ryobitools.eu](http://www.ryobitools.eu). De verktyg det gäller för framgår tydligt i butiker och/eller på förpackningen. Slut användaren måste registrera sitt nyinköpta verktyg på nätet inom 8 dagar från inköpsdatum. Slut användaren kan registrera sig för den utökade garantitiden i sitt hemland om det framgår på registreringsformuläret online där detta alternativ är giltigt. Dessutom måste slut användarna ge sitt samtycke till lagring av de uppgifter som krävs för att komma in på nätet och de måste godkänna villkoren. Registrerings bevis skickas ut via e-post och den ursprungliga fakturan som visar inköpsdatum fungerar som bevis på förlängd garanti. Dina lagstadgade rättigheter påverkas inte.
3. Garantin täcker alla fel på produkten under garantitiden som beror på fel i utförande eller material vid inköpsdatumet. Garantin är begränsad till reparation och/eller utbyte och inkluderar inte några andra åtgärder, inklusive men inte begränsat till oförutsedda skador eller följdskador. Garantin gäller inte om produkten har använts på fel sätt, använts på ett sätt som inte följer användarhandboken eller som har anslutits på ett felaktigt sätt. Denna garanti gäller inte för:
  - skador på produkten som beror på felaktigt underhåll
  - om produkten har ändrats eller modifierats
  - en produkt där den ursprungliga identifieringen (varumärke, serienummer) har förstörts, ändrats eller tagits bort
  - skador som orsakas av att användarhandboken inte har följts
  - alla produkter som inte följer CE-bestämmelser
  - en produkt som är icke-kvalificerad yrkesperson eller en person som inte har behörighet från Techtronic Industries har försökt att reparera
  - en produkt som ansluts till elluttaget (ampere, spänning, frekvens) på fel sätt
  - skador som orsakas av yttre påverkan (kemiska, fysikaliska, stöt) eller främmande ämnen
  - normalt slitage av reservdelar
  - felaktig användning, överbelastning av verktyget
  - användning av icke-godkända tillbehör eller delar
  - förgasare efter 6 månader, justering av förgasare efter 6 månader
  - elverktygstillbehör som medföljer verktyget eller köps separat. Sådana undantag inkluderar men är inte begränsat till skruvmejseldelar, bormejslar, slipskivor, sandpapper och blad, sidostyrning
  - komponenter (delar och tillbehör) med förbehåll för normalt slitage, inklusive men inte begränsat till kolborstar, chuck, nätkabel, extrahandtag, slipningsplåt, dammpåse, dammrör
4. För service, måste produkten skickas eller presenteras till en RYOBI-godkänd servicestation som anges för varje land i följande lista med adresser. I vissa länder ombesörjer den lokala RYOBI-återförsäljaren att skicka produkten till RYOBI-serviceorganisationen. När en produkt skickas till en RYOBI-servicestation, ska produkten förpackas på ett säkert sätt utan farligt innehåll som bensin, märkt med avsändarens adress tillsammans med en kort som beskriver felet.
5. En reparation/utbyte som sker under denna garanti är gratis. Den utgör inte en förlängning eller en ny start på garantitiden. Utbyts delar eller verktyg blir vår egendom. I vissa länder måste leveranskostnader eller porto betalas av avsändaren.
6. Denna garanti gäller i EU, Schweiz, Island, Norge, Liechtenstein, Turkiet och Ryssland. Utanför dessa områden ska du kontakta din auktoriserade RYOBI-återförsäljare för att avgöra om en annan garanti gäller.

## AUKTORISERAT SERVICECENTER

Du hittar närmaste auktoriserade servicecenter genom att gå till <http://uk.ryobitools.eu/header/service-and-support/service-agents>.

## FI TAKUUS

Hankinnasta koituvien laillisten oikeuksien lisäksi tätä tuotetta hallitsee alla kuvattu takuu.

1. Takuukausi on 24 kuukautta kuluttajille ja alkaa tuotteen ostopäivästä. Tämän päivän on oltava merkitty kuittiin tai muuhun todisteseen hankinnasta. Tämä tuote on suunniteltu ja tarkoitettu ainoastaan kuluttajien yksityiskäyttöön. Ammatti- ja kaupalliseen käyttöön ei näin ollen ole takuuta.
2. Joissain tapauksissa (kuten tarjous, laitesarjat) takuukausta voidaan pidentää kuvattua kautta pidemmäksi rekisteröimällä tuote osoitteessa [www.ryobitools.eu](http://www.ryobitools.eu). Takuun pidentysmahdollisuus ilmoitetaan selkeästi kaupassa ja/tai pakkauksessa. Loppukäyttäjän on rekisteröitävä uusi laitteensa online 8 päivän sisällä sen hankkimisesta. Loppukäyttäjä voi rekisteröityä saadakseen jatkettuun takuun asuinmaassaan, jos se mainitaan online-rekisteröintilomakkeessa. Lisäksi, loppukäyttäjän on annettava suostumuksensa tallentaa syötetyt tiedot online, ja hänen on hyväksyttävä ehdot. Sähköpostitse lähetettävä rekisteröintivahvistus ja alkuperäinen kuitti, josta ilmenee hankintapäivä, toimivat todisteena takuun jatkamisesta. Lailliset oikeutesi eivät muutu.
3. Takuu kattaa takuuaikana kaikki tuotteen viat, jotka johtuvat valmistus- tai materiaaliavista hankintapäivänä. Takuu rajoittuu korjaukseen ja/ tai vaihtoon eikä sisällä mitään muita velvoitteita, mukaan lukien mm. satunnaiset ja seuraamukselliset vauriot. Takuu ei ole voimassa, jos tuotetta on vääринkäytetty tai käytetty käyttöoppaan vastaisesti tai se on kytketty virheellisesti. Takuu ei kata seuraavia:
  - tuotteelle koituneet vahingot, jotka johtuvat virheellisestä ylläpidosta
  - tuote, jota on muunneltu
  - tuote, jossa alkuperäiset tunnisteet (tavaramerkki, sarjanumero) ovat turmeltuneet tai niitä on muutettu tai ne on poistettu
  - käyttöoppaan laiminlyönnistä johtuvat vauriot
  - ei-EC-tuotteet
  - tuotteet, joita on yrittänyt korjata ei-pätevä asentaja tai jonka korjaukseen ei ole saatu Techtronic Industriesiltä hyväksyntää etukäteen
  - tuotteet, jotka on kytketty vääринlaiseen virtalähteeseen (virta, jännite, taajuus)
  - vauriot, jotka johtuvat ulkoisista syistä (kemikaalit, fyysiset tekijät, iskut) tai vieraista aineista
  - normaali varaosien kuluminen
  - virheellinen käyttö, laitteen ylikuormitus
  - muiden kuin hyväksytyjen lisävarusteiden ja osien käyttö
  - kaasutin 6 kuukauden jälkeen, kaasuttimen säätö 6 kuukauden jälkeen
  - laitteen mukana tulleet tai erikseen hankitut sähkölaitteiden lisävarusteet. Tällaiset poistojat sisältävät mm. ruuvinvääntimet, terät, poranterät, hiontakiekot, hiiekkapaperi ja terät, sivuohjain
  - komponentit (osat ja lisävarusteet), joihin kohdistuu luonnollista kulumista, mukaan lukien mm. hiiliharjat, istukka, virtajohto, lisäkahva, hiontalevy, pölypussit, pölyn poistoputki
4. Huollon saaminen edellyttää, että tämä tuote lähetetään tai vietään RYOBI:n valtuuttamaan huoltoon, jonka luetaan maittain seuraavassa huoltojen osoiteluettelossa. Joissain maissa paikallinen RYOBI-jälleenmyyjä hoitaa tuotteen lähettämisen RYOBI-huoltoon. Kun tuote lähetetään RYOBI-huoltoon, se on pakattava turvallisesti ilman mitään vaarallista sisältöä, kuten bensiiniä, siihen on merkittävä lähettäjän osoite ja sen mukana on lähetettävä vian kuvaus.
5. Tämän takuun puitteissa tapahtuva korjaaminen/vaihto on ilmaista. Se ei merkitse takuujakson jatkamista tai uuden kauden alkua. Vaihdetuista osista ja laitteista tulee meidän omaisuuttamme. Joissain maissa lähettäjän on maksettava toimituskulut tai postimaksu.
6. Tämä takuu on voimassa Euroopan Yhteisössä, Sveitsissä, Islannissa, Norjassa, Liechtensteinissa, Turkissa ja Venäjällä. Jos olet näiden alueiden ulkopuolella, ota yhteys valtuutettuun RYOBI-jälleenmyyjään, joka voi kertoa, onko joku muu takuu voimassa.

## VALTUUTETTU HUOLTO

Voit etsiä lähimmän valtuutetun huollon sivulta <http://fi.ryobitools.eu/header/service-and-support/service-agents>.

## NO GARANTI

I tillegg til enhver lovbestemt rettighet som følge av dette kjøpet er dette produktet dekket av en garanti som beskrevet nedenfor.

- Garantitiden er 24 måneder for forbrukere, og starter på produktets kjøpsdato. Denne datoen må dokumenteres av faktura eller annet kjøpsbevis. Produktet er konstruert og beregnet på forbrukere og kun privat bruk. Det gis ingen garanti ved profesjonell eller kommersiell bruk.
- Det er, i noen tilfeller, (dvs. markedsføring, serie av verktøy), mulig å utvide garantitiden ut over den perioden som er nevnt ovenfor ved bruk av registrering på nettstedet [www.ryobitools.eu](http://www.ryobitools.eu). Verktøyets garantiberegning vises klart i butikkene og/eller på emballasjen. Sluttbruker må registrere sitt nylig innkjøpte verktøy på nettet innen 8 dager etter kjøpsdatoen. Sluttbruker kan registrere seg for utvidet garanti i det landet hvor vedkommende bor hvis dette landet er ført opp på nettregistreringsskjemaet hvor dette alternativet er gyldig. Sluttbruker må også gi sin tillatelse til lagring av de data som er påkrevet å registrere på nettet, og må akseptere vilkår og betingelser. Registreringsbekreftelsen, som sendes som epost, og den originale kvitteringen som viser kjøpsdatoen, vil gjelde som bevis på den utvidede garantien. Dine lovbestemte rettigheter vil fortsatt gjelde.
- Garantien gjelder alle defekter på produktet i garantitiden som følge av feil på arbeid eller materialer på kjøpsdatoen. Garantien er begrenset til reparasjon og/eller utskifting av produktet, og inkluderer ingen annen forpliktelse, inklusive men ikke begrenset til tilfældige eller direkte eller indirekte følgeskader. Garantien gjelder ikke dersom produktet er misbrukt, brukt i strid med brukermanualens instruksjoner eller vært feilaktig tilkoblet. Denne garantien gjelder ikke:
  - enhver skade på produktet som følge av utlirekkelig vedlikehold
  - et produkt som er endret eller modifisert
  - ethvert produkt hvor original identifikasjonsmerke (varemerke, serienummer) er tildekket, endret eller fjernet
  - enhver skade som følge av at instruksjoner i brukermanualen ikke er fulgt
  - ethvert ikke-CE-produkt
  - ethvert produkt som er forsøkt reparert av en ukvalifisert person, eller uten forutgående tillatelse av Techtronic Industries
  - ethvert produkt som er tilkoblet uriktig strømkilde (ampere, spenning, frekvens)
  - enhver skade forårsaket av eksterne påvirkninger (kjemiske, fysiske eller slag) eller fremmede substanser
  - normal situasjon på reservedeler
  - feilaktig bruk, overbelastning av verktøyet
  - bruk av ikke godkjent tilbehør eller reservedeler
  - forgasser etter 6 måneder, forgasserjusteringer etter 6 måneder
  - tilbehør til elektrisk verktøy, enten levert med verktøyet eller kjøpt separat. Slike unntak inkluderer men er ikke begrenset til skrutrekkerbits, bor, slipeskiver, sandpapir, og blader, sidestyre
  - komponenter (deler og tilbehør) gjenstand for normal slitasje, inklusive, men ikke begrenset til karbonborster, chuck, elektrisk ledning, hjelpéhåndtak, slipeskiver, støvpose, støvuttrekkslange
- For ettersyn og reparasjoner må produktet leveres til et RYOBI- autorisert servicesenter ført opp for det enkelte land i følgende liste av servicestasjonadresser. I noen land vil din lokale RYOBI-forhandler sørge for å sende produktet til RYOBI's serviceorganisasjon. Når et produkt sendes til en RYOBI servicestasjon må produktet være forsvarlig emballert uten farlig innhold som bensin, merket med senders navn og adresse og medsendt en kort beskrivelse av feilen.
- En reparasjon/utskifting i henhold til denne garantien er gratis. Den representerer ikke en forlengelse av garantiperioden eller en ny start på garantiperioden. Utskiftede deler eller verktøy blir vår eiendom. I noen land vil leveringskostnader eller porto måtte betales av sender.
- Denne garantien er gyldig i EU, Sveits, Island, Norge, Liechtenstein, Tyrkia og Russland. Utenfor disse områdene ber vi om at du kontakter en autorisert Ryobi-forhandler for å finne ut om en annen garanti gjelder.

### AUTORISERT SERVICESENTER

For å finne et autorisert servicesenter i nærheten, gå til <http://no.ryobitools.eu/header/service-and-support/service-agents>.

## RU ГАРАНТИЯ

В дополнение к законным правам, вытекающим из факта покупки, на данный продукт распространяются следующие гарантийные обязательства.

- Гарантийный период составляет 24 месяца для покупателей и начинается с даты приобретения продукта. Дата приобретения подтверждается документально товарным чеком или другим доказательством покупки. Данный продукт предназначен для использования только в личных целях. Гарантия не предоставляется в случае профессионального или коммерческого использования данного продукта.
- В некоторых случаях (например, при продвижении продукта, приобретении некоторых видов инструментов) возможно продление гарантийного срока при регистрации продукта на веб-сайте [www.ryobitools.eu](http://www.ryobitools.eu). Применимость продукта разъясняется в магазинах при продаже и/или на упаковке продукта. Конечному пользователю следует зарегистрировать вновь приобретенный инструмент через Интернет в течение 8 дней с даты покупки. Конечный пользователь может зарегистрировать продукт для получения расширенной гарантии в стране проживания, если данная возможность предоставляется интернет-формой регистрации. Также, конечный пользователь должен дать свое согласие на хранение данных, требуемых при заполнении формы через Интернет, и принять условия соглашения. Уведомление о подтверждении регистрации, отправляемое по электронной почте, и оригинальный товарный чек с датой покупки служат доказательством расширенной гарантии. Законные права потребителя при этом остаются в силе.
- Данная гарантия распространяется на все дефекты продукта, связанные с производственным браком или браком материалов в момент приобретения, в течение гарантийного периода. Данная гарантия ограничивается ремонтом и/или заменой и не включает другие обязательства, в том числе, связанные с побочным или косвенным ущербом. Гарантия недействительна в случае ненадлежащего использования, использования с нарушением инструкций руководства по эксплуатации или неправильного подключения продукта. Гарантия недействительна, если:
  - повреждение продукта вызвано ненадлежащим техническим обслуживанием
  - продукт подвергся изменениям или был модифицирован
  - оригинальная маркировка (товарный знак, заводской номер) необработана, изменена или удалена
  - повреждение вызвано несоблюдением инструкций данного руководства
  - отсутствует маркировка CE
  - была попытка отремонтировать продукт неквалифицированным лицом или без предварительного согласования с компанией Techtronic Industries
  - продукт подключался к ненадлежащему источнику питания (неадекватная сила тока, напряжение, частота)
  - повреждение вызвано внешним воздействием (химические, физические, удары) или посторонними веществами
  - это связано с нормальным износом заменяемых деталей
  - это связано с ненадлежащим использованием, перегрузкой инструмента
  - это связано с использованием нерекондованных принадлежностей или деталей
  - карбюратор использовался свыше 6 месяцев, регулировка карбюратора после 6 месяцев
  - принадлежности для инструмента, поставляемые с инструментом или приобретаемые отдельно. В том числе, отверточные насадки, сверла, абразивные круги, наждачная бумага и шлифовальные полотна, боковая направляющая
  - компоненты (детали и принадлежности) подверженные естественному износу, в том числе, угольные щетки, зажимной патрон, кабель питания, дополнительная ручка, шлифовальная пластина, пылесборник, трубка отвода пыли
- Для проведения технического обслуживания продукт следует представить в официальный центр технического обслуживания компании RYOBI в соответствии со списком по каждой стране. В некоторых странах дилерам компании RYOBI потребуются пересылка продукта в соответствующий сервисный центр компании RYOBI. При отправке продукта в центр технического обслуживания RYOBI, продукт следует упаковать надлежащим образом без содержания любых опасных веществ (таких как бензин) с указанием адреса отправителя и кратким описанием неисправности.
- Ремонт/замена продукта по условиям данной гарантии осуществляются бесплатно. В данном случае не предусмотрено продление срока гарантии или начало нового гарантийного периода. Заменяемые детали или инструмент становятся собственностью компании. В некоторых странах оплата доставки и почтовые расходы ложатся на отправителя.
- Данная гарантия действительна в странах ЕС, Швейцарии, Исландии, Норвегии, Лихтенштейне, Турции и России. Для получения информации о применении данной гарантии в других регионах обращайтесь к официальному дилеру компании RYOBI.

### УПОЛНОМОЧЕННЫЙ СЕРВИСНЫЙ ЦЕНТР

Чтобы найти ближайший уполномоченный сервисный центр, обратитесь к веб-сайту <http://uk.ryobitools.eu/header/service-and-support/service-agents>





## PL GWARANCJA

Oprócz wszelkich praw ustawowych wynikających z zakupu, ten produkt jest objęty gwarancją jak podano poniżej.

- Okres gwarancji wynosi 24 miesiące dla konsumentów i rozpoczyna się w dniu, w którym produkt został zakupiony. Ta data musi być udokumentowana przez fakturę lub inny dowód zakupu. Produkt został zaprojektowany i jest przeznaczony wyłącznie do użytku konsumenckiego i prywatnego. W związku z tym gwarancja nie jest udzielana w przypadku zastosowań profesjonalnych i komercyjnych.
- Nie ma, w niektórych przypadkach (promocja tj. zakres narzędzi), możliwość przedłużenia okresu gwarancji w okresie opisanym powyżej przy rejestracji na stronie internetowej [www.ryobitools.eu](http://www.ryobitools.eu). Kwalifikowalność narzędzia jest wyraźnie określona w sklepach oraz/lub na opakowaniu. Użytkownik końcowy musi zarejestrować swoje nowo zakupione narzędzia online w ciągu 8 dni od daty zakupu. Użytkownik końcowy może zarejestrować się w celu rozszerzenia gwarancji w swoim kraju zamieszkania, jeśli jest on wymieniony w formularzu rejestracji online, kiedy ta opcja jest ważna. Ponadto użytkownicy końcowi muszą wyrazić zgodę na przechowywanie danych, które są wymagane do zalogowania online oraz muszą zaakceptować regulamin. Otrzymanie potwierdzenia rejestracji, które jest wysyłane na adres e-mail oraz oryginalna faktura z podaną datą zakupu będą służyć jako dowód przedłużonej gwarancji. Twoje prawa ustawowe pozostają nienaruszone.
- Gwarancja obejmuje wszystkie wady produktu w okresie gwarancyjnym, spowodowane usterekami w wykonaniu lub materiale w chwili nabycia. Gwarancja jest ograniczona do naprawy oraz/lub wymiany i nie obejmuje żadnych innych obowiązków w tym m.in. odpowiedzialności za szkody przypadkowe lub wtórne. Gwarancja nie jest ważna, jeśli produkt był używany w niewłaściwy sposób, był wykorzystywany w sposób niezgodny z instrukcją obsługi lub był nieprawidłowo podłączony. Ta gwarancja nie obejmuje:
  - uszkodzenia produktu, które jest wynikiem nieprawidłowej konserwacji
  - produktu, który został przerobiony lub zmodyfikowany
  - produktu, w którym znieskształcono, zmieniono lub usunięto oryginalne oznaczenia (nazwę handlową, numer seryjny)
  - uszkodzeń spowodowanych nieprzestrzeganiem instrukcji obsługi
  - produktu bez certyfikatu CE
  - produktu, który był naprawiany przez niewykwalifikowaną osobę lub bez uprzedniej autoryzacji firmy Technronic Industries
  - produktu podłączonego do nieprawidłowego źródła zasilania (napięcie, napięcie, częstotliwość)
  - uszkodzeń spowodowanych przez czynniki zewnętrzne (chemiczne, fizyczne, uderzenia) lub obce substancje
  - normalnego zużycia części zamiennych
  - niewłaściwego użytkowania, przeciążenia narzędzia
  - stosowania niezatwierdzonych akcesoriów lub części
  - gaźnika po 6 miesiącach, regulacji gaźnika po 6 miesiącach
  - akcesoriów do elektronarzędzi dostarczonych z narzędziem lub zakupionych osobno. Takie wykluczenia obejmują m.in. bity śrubokręta, wiertła, tarcze ściernie, papier ścierny i ostrza, prowadnicę ukośną
  - elementów (części i akcesoriów) podlegających naturalnemu zużyciu, w tym m.in. szczerok, uchwyty, przewodu zasilającego, dodatkowego uchwyty, tarczy ścierniej, torby na pył, przewodu wyrzutu pyłu
- W celu serwisowania produkt należy wysłać lub okazać w autoryzowanym centrum serwisowym RYOBI wymienionym dla każdego kraju na poniższej liście adresów stacji serwisowych. W niektórych krajach lokalny dealer firmy RYOBI zobowiązuje się wysłać produkt do centrum serwisowego firmy RYOBI. W przypadku wysyłki produktu do centrum serwisowego RYOBI, produkt należy dobrze zapakować, bez umieszczenia żadnych niebezpiecznych rzeczy, tj. paliwa i oznaczyć adresem nadawcy oraz krótkim opisem usterek.
- Naprawa/wymiana w ramach tej gwarancji jest bezpłatna. Nie stanowi to przedłużenia lub nowego rozpoczęcia okresu gwarancji. Wymieniane części lub narzędzia stają się naszą własnością. W niektórych krajach koszty wysyłki lub pocztowe będą musiały być opłacone przez nadawcę.
- Ta gwarancja obowiązuje na terytorium Wspólnoty Europejskiej, Szwajcarii, Islandii, Norwegii, Liechtenstein, Turcji i Rosji. Poza tymi obszarami należy skontaktować się z autoryzowanym dealerm RYOBI aby sprawdzić, czy dostępna jest jeszcze inna gwarancja

### AUTORYZOWANY PUNKT SERWISOWY

Najbliższy autoryzowany punkt serwisowy można wyszukać w witrynie internetowej <http://uk.ryobitools.eu/header/service-and-support/service-agents>.

## CS ZÁRUKA

Navíc k zákonným právům, které vznikají nákupem, je k výrobku poskytována záruka.

- Záruka je období 24 měsíců pro spotřebitele a začíná běžet datem nákupu produktu. Toto datum musí být zadokumentováno fakturou nebo jiným důkazem o koupi. Tento výrobek je určen a vyhrazen jen pro domácí a soukromé používání. Záruka se tedy neposkytuje pro profesionální ani komerční používání.
- Existuje, v některých případech (tj. propagace, určité nástroje), možnost prodloužení doby záruky nad výše uvedené období pomocí registrace na stránkách [www.ryobitools.eu](http://www.ryobitools.eu). Vhodnost nástroje je jasně vyobrazena v prodejních a/nebo na obalu. Koncový uživatel musí zaregistrovat své nově pořízené nástroje online během 8 dní od data nákupu. Koncový uživatel se může zaregistrovat k prodloužení doby záruky v zemi jeho trvalého bydliště, pokud je uvedeno v online registračním formuláři, kde je tato možnost platná. Navíc musí koncový uživatel poskytnout souhlas s uchováním údajů, které jsou zapotřebí do online registru a musí přijmout podmínky smlouvy. Přijetí potvrzení o registraci, odeslané e-mailem, a originální faktura udávající datum nákupu slouží jako důkaz prodloužené záruky. Vaše zákonná práva zůstávají nedotčena.
- Záruka pokrývá veškeré vady produktu během záruky způsobené vadami při zpracování nebo v materiálu v době nákupu. Záruka se omezuje na opravu a/nebo výměnu a nezahrnuje žádné jiné závazky včetně, ale ne omezené na související nebo následné škody. Záruka neplatí, pokud, pokud se produkt nesprávně používal, používal v rozporu s návodem nebo byl nesprávně zapojen. Záruku nelze uplatnit v následujících případech:
  - jakákoliv škoda na výrobku v důsledku nesprávné údržby
  - jákykoliv výrobek byl pozmeněn či modifikován
  - jakýkoliv výrobek, kde byly původní identifikační značky (obchodní značka, výrobní číslo) odstraněny, pozmeněny či modifikovány
  - jakákoliv škoda způsobená nedodržením návodu k obsluze
  - výrobek nemá značku CE
  - každý výrobek, kde došlo k pokusu jej opravit nequalifikovanou osobou nebo bez předchozího souhlasu společnosti Technronic Industries
  - každý výrobek při připojení nesprávnému napájení (proud, napětí, frekvence)
  - každý výrobek, který se používal s nesprávnou palivovou směsí (palivo, olej, podíl oleje)
  - běžné opotřebení a spotřební náhradní díly
  - nehodné používání, přetěžování nástroje
  - použití neschválených doplňků nebo dílů
  - karburátor po 6 měsících, seřízení karburátoru po 6 měsících
  - doplňky elektrických nástrojů dodaných s nástrojem či zakoupených zvlášť. Takové výjimky, včetně, ale ne omezených na, nástavce šroubováku, vrtáky, brusné kotouče, brusný papír a nože, příčné vedení
  - komponenty (díly a doplňky) podléhající běžnému opotřebení a spotřebě, včetně, ale ne omezené, uhlikových kartáčů, sklíčidla, síťového kabelu, doplňkové rukojeti, brusné desky, vaku pro prach, odsávací trubky prachu
- Pro servis výrobku je třeba zaslat nebo předložit pověřenému servisnímu středisku RYOBI dle seznamu adres servisních středisek. V některých zemích váš místní prodejce RYOBI provádí odeslání výrobku servisní organizaci RYOBI. Při zaslání výrobku servisnímu středisku RYOBI by se měl výrobek bezpečně zabalit bez nebezpečného obsahu jako benzín, označit adresou odesílatele a přiložit list krátkým popisem vady.
- Oprava/výměna během záruky je bezplatná. Neznaменá prodloužení ani začátek nového záručního období. Vyměněné díly či nástroje se stávají naším vlastnictvím. V některých zemích doručení či poštovné platí odesílatele.
- Záruka je platná v Evropské unii, Švýcarsku, Islandu, Norsku, Lichtenštejnsku, Turecku a Rusku. U ostatních oblastí prosím kontaktujte pověřeného prodejce RYOBI pro upřesnění, zda platí jiná záruka.

### POVĚŘENÉ SERVISNÍ STŘEDISKO

Pro nalezení nejbližšího pověřeného servisního střediska navštivte <http://uk.ryobitools.eu/header/service-and-support/service-agents>.





## HU GARANCIA

A vásárlással összefüggő esetleges törvényi adta jogok mellett a termékre az alábbiakban részletezett garancia vonatkozik.

- A garancia időtartama a fogyasztók számára 24 hónap, ami a termék megvásárlásának napjától számítódik. Ezt a dátumot számlával vagy a vásárlást igazoló más dokumentummal kell igazolni. A terméket kizárólag a vevő állítja, személyes célokra való használatra tervezték és készítették. Ezért a garancia nem vonatkozik a profik általi vagy üzleti célokra való használatra.
- Egyes esetekben (pl. promóció, bizonyos termékcsaládok) lehetőség van a garancia időtartamának a fent leírt garanciaperióduson túli meghosszabbítására a [www.ryobitools.eu](http://www.ryobitools.eu) webhelyen történő regisztrációval. Az, hogy egy adott gép jogosult-e erre, egyértelműen fel van tüntetve a boltokban és/vagy a csomagoláson. A végfelhasználónak a vásárlás napjától számított 8 napon belül regisztrálnia kell az újonnan beszerzett gépet. A végfelhasználó a kiterjesztett garanciáért a lakóhelye szerinti országban regisztrálhat, ha az szerepel az online regisztrációs űrlapon. Emellett a végfelhasználónak hozzá kell járulnia az online belépéshoz szükséges adatai tárolásához és el kell fogadnia a szerződési feltételeket. A regisztráció e-mailben küldött visszaigazolása, valamint a vásárlást igazoló eredeti számla szolgálnak a kiterjesztett garancia érvényesítésére. A törvényi adta jogai nem sérülnek.
- A garancia a garancia időtartama alatt a termék összes olyan hibájára kiterjed, amelyek a vásárlás napján is fennálló gyártási vagy anyaghiba miatt következnek be. A garancia javításra és/vagy cserére korlátozódik, és nem tartalmaz további kötelezettséget, beleértve, de nem kizárólag a véletlenszerű vagy következetes károka vonatkozó kötelezettségeket sem. A garancia nem érvényes a termék helytelen használatára, a használati utasításban leírtakkal ellentétben használatára vagy hibás csatlakoztatás esetén. A garancia nem vonatkozik a következőkre:
  - a termék helytelen karbantartásból eredő esetleges károsodásokra
  - átalakított vagy módosított termékekre
  - olyan termékre, melyen az eredeti azonosító jelöléseket (védjegy, sorozatszám) megrongálták, átalakították vagy eltávolították
  - a használati utasítás be nem tartásával összefüggő károka
  - a CE minősítéssel nem rendelkező termékre
  - a nem képzett szakember által vagy a Techtronic Industries előzetes jóváhagyása nélkül javított termékre
  - a nem megfelelő tápforrásokhoz (áramerősség, feszültség, frekvencia) csatlakoztatott termékre
  - külső hatások (vegyi, fizikai, ütés) vagy idegen anyagok által okozott károsodásokra
  - a cserealkatrészek normál kopására és elhasználódására
  - helytelen használatra, a szerszám túlterhelésére
  - nem jóváhagyott tartozékok vagy alkatrészek használatára
  - a karburátorra 6 hónap elteltével, a karburátor beállítására 6 hónap elteltével
  - a szerszámgéphez mellékelt vagy külön megvásárolt szerszámgép tartozékokra. A kizárások közé tartoznak még, de nem kizárólag a csavarhúzó bitek, fűrészbitek, csiszolókorongok, csiszolópapírok és korongok, oldalsó vezetők
  - természetes elhasználódásnak és kopásnak kitett összetevőkre (alkatrészek és tartozékok), beleértve, de nem kizárólag a szénkeféket, tokmányokat, tápkábeleket, kiegészítő fogantyúkat, csiszolólapokat, porzsákokat, porkifúvó csöveket.
- A szervizeléshez a terméket el kell küldeni vagy be kell mutatni valamelyik hivatalos RYOBI szervizközpontban, melyek elérhetősége az egyes országokban az alábbiakban van megadva. Egyes országokban a RYOBI kereskedő vállalja, hogy elküldi a terméket a RYOBI szervizbe. A termékek a RYOBI szervizállomásra való küldésekora a terméket biztonságosan be kell csomagolni, mindenféle veszélyes anyagot, pl. üzemanyagot el kell távolítani belőle, meg kell adni a feladó címét és a hiba rövid leírását.
- A garancia keretében végzett javítás/cseréje ingyenes. Ugyanakkor ez nem jelenti a garancia időtartamának kiterjesztését vagy új garanciaperiódus kezdetét. A kicserélt alkatrészek vagy szerszámgépek a mi tulajdonunkban maradnak. Egyes országokban a szállítási vagy a postaköltségeket a feladó fizeti.
- Ez a garancia az Európai Közösségben, Svájcban, Izlandon, Norvégiában, Liechtensteinben, Törökországban és Oroszországban érvényes. Ezen területeken kívül az érvényes garancia-feltételeket illetően lépjen kapcsolatba a hivatalos RYOBI forgalmazóval.

### HIVATALOS SZERVIZKÖZPONT

A legközelebbi hivatalos szervizközpont megtalálásához látogasson el a <http://uk.ryobitools.eu/header/service-and-support/service-agents>.

## RO GARANȚIE

În plus față de alte drepturi statutare rezultând din achiziție, produsul este acoperit de o garanție ca cea menționată mai jos.

- Perioada de garanție este de 24 de luni pentru consumatori și începe de la data la care produsul a fost achiziționat. Această dată trebuie să fie dovădită de o factură sau altă dovadă de cumpărare. Produsul este proiectat și dedicat pentru consumatori și doar pentru uz privat. Ca urmare nu există nicio garanție asigurată în caz de folosire profesională sau comercială.
- Există, în anumite cazuri (de ex. promoții, game de produse) o posibilitate de a prelungi perioada de garanție peste perioada descrisă mai sus folosind înregistrarea pe site-ul [www.ryobitools.eu](http://www.ryobitools.eu). Eligibilitatea aparatului este afișată clar în magazine și/sau ambalaj. Utilizatorul final se poate înregistra pentru o garanție extinsă în țara sa de reședință dacă e listată pe formularul de înregistrare online acolo unde opțiunea este validă. Mai mult, utilizatorii finali trebuie să și dea consimțământul cu privire la păstrarea datelor ce sunt cerute a fi introduse online și trebuie să accepte termenii și condițiile. Notificarea de confirmare a înregistrării, ce este trimisă prin email, și factura originală ce arată data achiziționării vor servi ca dovadă a garanției extinse. Drepturile dvs statutare rămând neafectate.
- Garanția acoperă toate defectele produsului în timpul perioadei de garanție cauzate de defecte din procesul de producție sau ale materialului la data achiziționării. Garanția este limitată la reparație și/sau înlocuire și nu include alte obligații incluzând dar nelimitându-se la pagube accidentale sau secundare. Garanția nu este validă dacă produsul a fost folosit greșit, folosit contrar instrucțiunilor din manual sau a fost conectat incorect. Această garanție nu se aplică la:
  - orice defecțiune a produsului ca rezultat a întreținerii necorespunzătoare
  - orice produs ce a fost schimbat sau modificat
  - orice produs unde marcajul original de identificare (marcă comercială, număr serie) a fost deteriorat, schimbat sau modificat
  - orice defecțiune cauzată de nerespectarea manualului de instrucțiuni
  - orice produs non CE
  - orice produs care a fost încercat să fie reparat de către o persoană necalificată sau fără autorizare în prealabil de către Techtronic Industries
  - orice produs conectat necorespunzător la sursa de curent (amperi, voltaj, frecvență)
  - orice defecțiune cauzată de influențe externe (chimice, fizice, șocuri) sau substanțe străine
  - uzura normală a pieselor de schimb
  - folosire necorespunzătoare, suprasolicitare a sculei
  - folosire de accesorii și părți neaprobate
  - carburator după 6 luni, reglări ale carburatorului după 6 luni
  - accesoriile sculelor de putere furnizate cu scula sau achiziționate separat. Asemenea excluderi includ dar nu se limitează la capete de surbubelnă, burghie, discuri abrazive, smirgheluri, discuri de șlefuit, ghid lateral
  - o componentă (părți și accesorii) subiect a uzurii naturale, incluzând dar nelimitându-se la perii de carbon, mandrine, cablu electric, mâner auxiliar, placă de șlefuit, sac pentru praf, tub de evacuare praf
- Pentru servicii, produsul trebuie să fie trimis sau prezentat la un punct de service RYOBI autorizat listat pentru fiecare țară în următoarea listă cu adrese ale punctelor de service. În anumite țări reprezentantul dvs local RYOBI se angajează să trimită produsul la un punct de service RYOBI. Atunci când se trimite un produs la un punct de service RYOBI, produsul trebuie să fie împachetat cu grijă fără a conține produse periculoase precum benzină, marcat cu adresa expeditorului și însoțit de o scurtă descriere a defecțiunii.
- Repararea/inlocuirea în timpul garanției este fără niciun cost. Nu constituie o prelungire sau un nou început a perioadei de garanție. Părțile sau aparatele schimbate devin proprietatea noastră. În anumite țări taxele de expediere trebuie să fie plătite de către expeditor.
- Garanția este valabilă în Uniunea Europeană, Elveția, Islanda, Norvegia, Liechtenstein, Turcia și Rusia. În afara acestor zone, vă rugăm contactați reprezentantul dvs local autorizat RYOBI pentru a determina dacă se aplică altă garanție.

### CENTRU DE SERVICE AUTORIZAT

Pentru a găsi un centru de service autorizat lângă dvs., vizitați <http://uk.ryobitools.eu/header/service-and-support/service-agents>.



## LV GARANTĪJA

Papildus visām likumā paredzētajām tiesībām saistībā ar iegādi šim izstrādājumam ir turpinājumā izklāstītā garantija.

- Garantijas periods patērētājiem ir 24 mēneši, un tas sākas izstrādājuma iegādes dienā. Šim datumam ir jābūt dokumentētam rēķinā vai citā iegādi apliecinošā dokumentā. Šis izstrādājums ir izgatavots un paredzēts vienīgi patērētājam un privātai lietošanai. Profesionālas vai komerciālas lietošanas gadījumā garantija nav spēkā.
- Atsevišķos gadījumos (piem., akcija, vairāki instrumenti) pastāv iespēja pagarināt garantijas periodu virs šeit minētā perioda, reģistrējot to [www.ryobitools.eu](http://www.ryobitools.eu) vietnē. Instrumenta pielietojums ir skaidri norādīts veikalos un/vai uz iepakojuma. Lietotājiem ir jāreģistrē savi jauniegūtie instrumenti tiešsaistē 8 dienu laikā no iegādes datuma. Lietotājs var reģistrēties pagarinātajai garantijai savā dzīvesvietas valstī, ja tā ir norādīta tiešsaistes reģistrācijas veidlapā, kur pieejama šī iespēja. Turklāt lietotājiem ir jāievada dati tiešsaistē, jādod piekrišana šo datu uzglabāšanai un jāpiekrīt noteikumiem. Saņemtais reģistrācijas apstiprinājums, kas izsūtīts pa e-pastu, un rēķina oriģināls, kurā redzams iegādes datums, ir pagarinātās garantijas pierādījums. Jūsu likumā paredzētās tiesības netiek ietekmētas.
- Garantija attiecas uz visiem izstrādājuma bojājumiem, kas radušies garantijas perioda laikā iegādes dienā esošo izgatavošanas vai materiāla defektu dēļ. Garantija ir ierobežota līdz remontam un/vai nomaigai un neietver citus pienākumus, ieskaitot, bet neaprobežojoties ar nejausiem vai netiesiem zaudējumiem. Garantija nav spēkā, ja izstrādājums ir lietots nepareizi vai neievērojot rokasgrāmatas norādījumus vai tici nepareizi savienots. Garantija netiecas uz:
  - izstrādājuma bojājumiem, kas radušies nepareizas apkopes dēļ;
  - izstrādājumiem, kas tikuši pielāgoti vai pārveidoti;
  - izstrādājumiem, kuru oriģinālais identifikācijas marķējums (preču zīme, sērijas numurs) ticis sabojāts, pārveidots vai noņemts;
  - bojājumiem, kurus izraisījis rokasgrāmatas norādījumu neievērošana;
  - izstrādājumiem bez CE marķējuma;
  - izstrādājumiem, kurus ir mēģinājis remontēt nekvalificēts speciālists vai kuri remontēti bez Techtronic Industries atļaujas;
  - izstrādājumiem, kas tikuši pievienoti neatbilstoši energopadevei (apmēri, spriegums, frekvence);
  - bojājumiem, kurus izraisījis ārēja iedarbība (ķīmiska, fiziska, triecieni) vai svešas vielas;
  - normālu detaļu nolietojumu un nodilumu;
  - instrumenta nepareizu lietošanu, pārslozdi;
  - neapstiprinātu detaļu un piederumu lietošanu;
  - karburatoru pēc 6 mēnešiem, karburatoru regulējumiem pēc 6 mēnešiem;
  - elektroinstrumenta piederumiem, kas piegādāti kopā ar instrumentu vai iegādāti atsevišķi. Šie izņēmumi ietver, bet neaprobežojas ar skrūvgrieža uzgaliem, urbja uzgaliem, abrazīvajiem diskkiem, smilšpapīru, asmeņiem un sānu vadotni;
  - komponentiem (detaļām un piederumiem), kas ir pakļauti dabiskam nodilumam un nolietojumam, ietverot, bet neaprobežojoties ar oglekļa sukām, patronu, elektrības vadu, palīgrokturi, slīpēšanas loksni, putekļu maisu un putekļu izvades cauruli.
- Ja nepieciešams veikt remontu, izstrādājums jānosūta vai jānodod RYOBI pilnvarotam servisa centram, kas norādīts pie attiecīgās valsts servisa centru adresu sarakstā. Atsevišķās valstīs vietējais RYOBI dīleris uzņemas nosūtīt izstrādājumu RYOBI servisa organizācijai. Nosūtīt izstrādājumu RYOBI servisa centram, izstrādājumam jābūt droši iepakotam bez bīstama satura, piemēram, degvielas, marķētam ar sūtītāja adresi un kopā ar īsu aprakstu par defektu.
- Remonts/nomaiga šīs garantijas ietvaros ir bez maksas. Tas nepagarina un neuzsāk jaunu garantijas periodu. Nomainītās detaļas un instrumenti nonāk mūsu īpašumā. Atsevišķās valstīs piegādes maksa un pasta izdevumi jāsedz sūtītājam.
- Šī garantija ir derīga Eiropas Kopienā, Šveicē, Islandē, Norvēģijā, Līhtenšteinā, Turcijā un Krievijā. Ārpus šiem reģioniem, Līdz, sazinieties ar savu pilnvaroto RYOBI dīleri, lai noskaidrotu, vai ir spēkā cita garantija.

### AUTORIZĒTS APKALPOŠANAS CENTRS

Lai atrastu tuvāko autorizēto apkalpošanas centru, apmeklējiet <http://uk.ryobitools.eu/header/service-and-support/service-agents>.

## LT GARANTĪJA

Be įstatymais nustatytų teisių, įgyjamų nusipirkus šį produktą, produktui taikoma toliau nurodyta garantija.

- Pirkėjams galiojantis garantinis periodas yra 24 mėnesiai ir prasideda nuo produkto pirkimo datos. Data turi būti nurodyta sąskaitoje-faktūroje arba kitame pirkimą įrodančiame dokumente. Produkta sukurtas ir skirtas tik naudojimui ir tik asmeniniam naudojimui. Todėl garantija netaikoma produktą naudojan profesionaliai ar komerciniams tikslais.
- Kai kuriais atvejais yra galimybė pratęsti garantinį laikotarpį iki toliau nurodyto laikotarpio, prieš tai užsiregistravus [www.ryobitools.eu](http://www.ryobitools.eu) svetainėje. Įrankio tinkamumo aiškiai parodytas parduotuvsė ir (arba) ant pakuotės. Galutinis naudotojas turi užregistruoti savo naujai įsigytus įrankius internetu per 8 dienas nuo jų pirkimo datos. Galutinis naudotojas gali užsiregistruoti dėl garantijos pratęsimo savo šalyje, jei ši pateikta registracijos internetu formoje, kurioje galimas šis pasirinkimas. Be to, galutiniai naudotojai privalo duoti savo sutikimą laikyti duomenis, kuriuos reikia įvesti internete, ir jie turi sutikti su sąlygomis ir nuostatomis. Registracijos patvirtinimo pranešimas, išsiunčiamas el. paštu, ir originali sąskaita faktūra, kurioje nurodyta pirkimo data, įrodo pratęsta garantiją. Jūsų įstatymuose nustatytiems teisėms nebūs pakenkta.
- Garantiniu laikotarpiu garantija taikoma visiems produkto trūkumams, atsiradusiems dėl prastos darbo kokybės arba prastų produkto medžiagų pirkimo dieną. Garantija taikoma tik taisymui ir (arba) pakeitimui ir joje nenumatyti jokie kiti įsipareigojimai, įskaitant, bet neapsiribojant atsitiktine ar susijusia žala. Garantija negalioja produktą netinkamai naudojant, priešingai vadove nurodytoms instrukcijoms, arba netinkamai prijungus. Garantija netaikoma šiais atvejais:
  - produktui padarytai žalai netinkamai atliekant produkto techninę priežiūrą;
  - pakeistam arba modifikuotam produktui;
  - bet kokiems produktams, kurių originalios identifikacijos (prekės ženklas, serijos numeris) žymės buvo sugadintos, pakeistos ar pašalintos;
  - bet kokiai žalai, patirtai nesaikant naudojimo vadovo;
  - bet kokiam CE nepaženklintam produktui;
  - bet kokiam produktui, kurį bandė taisyti nekvalifikuotas specialistas, arba iš anksto negavus „Techtronic Industries“ leidimo;
  - bet kokiam produktui, įjungtam į netinkamą maitinimo tinklą (amperai, įtampa, dažnis);
  - bet kokiai žalai, kilusiai dėl išorinio poveikio (cheminis, fizinis poveikis, smūgiai) arba pašalinių medžiagų;
  - įprastam atsarginių dalių dėvėjimuisi;
  - produktą netinkamai naudojant arba jį perkrovus;
  - naudojant nepatvirtintus priedus arba dalis;
  - karbiuratoriu po 6 mėnesių, karbiuratoriaus reguliavimui po 6 mėnesių;
  - elektrinio įrankio priedams, pateiktiems kartu su įrankiu ar pirktiems atskirai; Prie tokių išimčių priskaitomi, neapsiribojant, atsuktuvu antgaliai, gražto antgaliai, abrazyviniai diskai, švitrinis popierius ir asmenys, šoninis kreiptuvas;
  - komponentai (daly ir priedai), kurie dėvėsi savaime, įskaitant, bet neapsiribojant anglies šepetėliais, griebtuvu, maitinimo laidu, papildoma rankena, šlifavimo plokštė, dulkių maišeliu, dulkių išmetimo vamzdeliu.
- Norint atlikti techninį aptarnavimą, produktą reikia nusiųsti arba pristatyti į vieną iš RYOBI įgaliotų techninio aptarnavimo punktų, esančių kiekvienoje šalyje toliau pateiktame aptarnavimo punktų adresu sąrašė. Kai kuriose šalyse Jūsų vietinis RYOBI pardavėjas gali nusiųsti produktą į RYOBI techninio aptarnavimo punktą. Siunčiant produktą į RYOBI techninio aptarnavimo punktą, produktą reikia saugiai supakuoti, prieš tai iš jo pašalinus pavojingas medžiagas, pavyzdžiui, benzina, nurodyti siuntėjo adresą ir pridėti trumpą gedimo aprašymą.
- Pagal šią garantiją taisymo ar keitimo darbai atliekami nemokamai. Garantijoje nenumatytas garantijos pratęsimas ar naujo garantinio laikotarpio pradėjimas. Pakeistos dalys arba įrankiai tampa mūsų nuosavybe. Kai kuriose šalyse pristatymo ar siuntimo paštu išlaidas turi padengti siuntėjas.
- Ši garantija taikoma Europos bendrijoje, Šveicarijoje, Islandijoje, Norvegijoje, Lichtenšteine, Turkiijoje ir Rusijoje. Kitose šalyse kreipkitės į savo įgaliotą RYOBI pardavėją, norėdami sužinoti, ar taikoma kita garantija.

### ĮGALIOTAS TECHNINĖS PRIEŽIŪROS CENTRAS

Jei norite surasti įgaliotą techninės priežiūros centrą netoli Jūsų, apsilankykite interneto svetainėje <http://uk.ryobitools.eu/header/service-and-support/service-agents>.

## ET GARANTI

Lisaks ostu puhul kaasnevate seadusjärgsetele õigustele kehtib tootele allpool esitatud tingimustega garantiid.

1. Ostja poolt ostetud tootele on kehtestatud garantiiperiood 24 kuud ja see hakkab kehtima toote ostmise kumpäeval. See kumpäev on märgitud arvele või muule ostu tõendavale dokumendile. Toode on ette nähtud ostjale ainult isiklikuks kasutamiseks. Kui toodet kasutatakse ametialastel või ärilistel eesmärkidel, siis garantiid ei kehti.
2. Mõnel juhul (nt reklaam, seadmete seeria) on võimalik pikendada garantiiperioodi pikemaks ajaks kui ülal mainitud, kui kasutatakse registreerimise veebisaidil [www.ryobitools.eu](http://www.ryobitools.eu) kaudu. Registreerimise tingimused on välja pandud kauplustesse ja/või on pakendil. Lõppkasutaja peab oma uued tööriistad veebis registreerima 8 päeva jooksul alates ostukoopäevast. Lõppkasutaja võib registreerida end pikendatud garantiiks oma asukohamaal, kui see on esitatud veebis registreerimise loendil, seal kus see valik on olemas. Peale selle, lõppkasutajad peavad andma nõusoleku enda andmete salvestamiseks, mida vajatakse veebi siseneamiseks ja nõustuma esitatud tingimustega. Pikendatud garantiid kehtivust tõendab e-postiga saadetud registreerimise kinnitusteade ja algupärane arve, millel on ostukoopäev. Teie seadusjärgsed õigused jäävad mõjutamata.
3. Garantii kehtib kõikide ostukoopäevast kehtima hakkaval garantiiperioodil ilmnenu rike teatud, mis on tingitud töötlemis- või materjalvigadest. Garantii on piiratud remondi ja/või asendamise ja ei sisalda muid kohustusi, kuid mitte ainult, kaasneda või tuleneva kahju eest. Garantii ei kehti, kui toodet on väärasutatud, kasutusjuhendis nimetatud otstarbele mittevastavalt kasutatud või toode on ebaõigesti ühendatud. See garantiid ei rakendu järgmistel juhtudel:
  - tootel on mingi vigastus, mis on põhjustatud ebaõigest kasutamisest,
  - toodet on mingil viisil ümber ehitatud või muudetud,
  - toote algupärane tuvastusmarkeerimine (kaubamärk, seerianumber) on kahjustatud, ümber tehtud või eemaldatud,
  - tootel on mingi vigastus, mis on tingitud kasutusjuhendi mittejälgimisest, toode ei ole CE-märgisega,
  - toodet on püüdnud parandada ebapädev spetsialist või seda on tehtud ilma Technronic Industries volitusteta,
  - toode on ühendatud selleks mitteettnähtud elektritoitevõrguga (väär voolu tugevus, pinge või sagedus),
  - tootel on vigastus välismõjudest (keemilised või füüsilised mõjud või löögid),
  - toote varuosadel ilmneb tavapärane kulumine,
  - toodet on ebaõigesti kasutatud või üle koormatud,
  - tootel on kasutatud mitteettnähtud tarvikuid või osi,
  - toote karburaator pärast 6 kuu mõödumist, toote karburaatori sätteid pärast 6 kuu mõödumist,
  - ajamiga tööriista tarvikud, mis tarnitakse koos tööriistaga või on ostetud eraldi. See välistab hõlmab, kuid mitte ainult, kruvikeeraja otsakuid, puure, abrasiivõikekettaid, lihvpaperit, lihvketaid ja lõikekettaid, küljühikut,
  - toote koosteosadel (osad ja tarvikud) ilmneb tavapärane kulumine järgmistel detailidel (kuid mitte ainult): stisinkharjad, puuripadrun, toitejuhe, lisakäepide, lihvplaat, tulumokk, tolmü arastamistoru.
4. Hooldamiseks tuleb toode saata või tuua mõnda RYOBI volitatud hoolduspunkti, mis on esitatud loendis iga riigi jaoks ja milles on hoolduspunkti aadressid. Mõnes riigis kohustus RYOBI edasimüüja saatma toote RYOBI hoolduskeskusse. Kui toode saadetakse RYOBI hoolduskeskusse, tuleb toode turvaliselt ära pakkida ilma, et sellesse jääks ohtlikku sisu, näiteks bensiin ja pakendile tuleb märkida saatja aadress ja rikke lühikirjeldus.
5. Selle garantiid alusel tehtud remont/asendus on tasuta. Sellega ei kaasne garantiiperioodi pikenedmine või uue garantiiperioodi algus. Asendatud osad ja tööriistad jäävad meie omandusse. Mõnes riigis tuleb saate- või postikulud tasuta saatja poolt.
6. See garantiid kehtib Euroopa Liidus, Šveitsis, Islandil, Norras, Liechtensteinis, Türgis ja Venemaal. Väljaspool neid riike võtke ühendust Ryobi volitatud edasimüüjaga, et teada saada teistsuguste garantiide kehtivus.

### VOLITATUD HOOLDUSKESKUS

Oma volitatud hoolduskeskuse leiate veebisaidil <http://uk.ryobitools.eu/header/service-and-support/service-agents>.

## HR JAMSTVO

U dodatku svih zakonskih prava koja proizlaze kao rezultat kupnje, ova proizvod pokriven je jamstvom kao što je utvrđeno u nastavku.

1. Jamstveno razdoblje je 24 mjeseca za korisnike, a započinje na datum kupnje proizvoda. Ovaj datum treba biti dokumentiran računom ili nekim drugim dokazom o kupnji. Proizvod je dizajniran i namijenjen samo za korisnike i osobno korištenje. Stoga nema omogućenog jamstava u slučaju profesionalnog ili komercijalnog korištenja.
2. U nekim slučajevima (primjerice promocije, paleta alata) postoji mogućnost produljenog jamstvenog razdoblja preko gore navedenog razdoblja korištenjem registracije na web mjestu [www.ryobitools.eu](http://www.ryobitools.eu). Sukladnost alata jesno je prikazana u trgovini i/ili na pakiranju. Krajnji korisnik treba registrirati svoje novo pribavljene alate na mreži unutar 8 dana od datuma kupnje. Krajnji korisnik može se registrirati za produljeno trajanje jamstva u svojoj zemlji stanovanja ako je navedena na mrežnom obrascu za registraciju gdje je ova opcija valjana. Nadalje, krajnji korisnici moraju dati svoje odobrenje za spremanje podatka koji su potrebni za unos na mreži i moraju prihvatiti uvjete i odredbe. Primitak potvrde o registraciji, koja se šalje e-poštom i originalni račun koji prikazuje datum kupnje služe kao dokaz produljenog jamstva. Vaša zakonska prava ostaju nepromijenjena.
3. Jamstvo pokriva sve kvarove proizvoda tijekom jamstvenog razdoblja zbog pogreški u izradi ili materijalu na datum kupnje. Jamstvo je ograničeno na popravak i/ili zamjenu i ne uključuje nikakve druge obveze uključujući no ne ograničavajući se na slučajne ili posljedne štete. Jamstvo nije valjano ako je proizvod pogrešno korišten, korišten suprotno od korisničkog priručnika ili je nepravilno priključen. Ovo jamstvo se ne primjenjuje na:
  - svako oštećenje proizvoda koje je rezultat nepravilnog održavanja
  - svaki proizvod koji je izmijenjen ili modificiran
  - svaki proizvod gdje su originalne identifikacijske oznake (zaštitni znak, serijski broj) izbrisane, zamijenjene ili uklonjene
  - svako oštećenje uzrokovano neprikladnim korištenjem korisničkog priručnika
  - svaki proizvod koji nije CE
  - svaki proizvod koji je pokušao popraviti neovlašten profesionalac ili bez prethodnog odobrenja od strane Technronic Industries
  - svaki proizvod priključen na nepravilno napajanje energijom (amperi, napon, frekvencija)
  - svako oštećenje uzrokovano vanjskim utjecajima (kemijsko, fiziko, udar) ili stranim stvarima
  - normalno trošenje i habanje rezervnih dijelova
  - nepravilno korištenje, preopterećenje alata
  - korištenje neodobrenog dodatnog pribora ili dijelova
  - rasplinjača nakon 6 mjeseci, podešavanje rasplinjača nakon 6 mjeseci
  - Dodatni pribor aku-alata koji je omogućen s atomom ili kupljen zasebno. Ovakva izuzeća uključuju no ne ograničavaju se na svrdla za odvijanje, svrdla za bušenje, brusne diskove, papir za brušenje i oštice, poprečne vodilice
  - Komponente (dijelovi i dodatni pribor) koji su predmet prirodnog trošenja i habanja, uključujući no ne ograničavajući se na ugljične četke, glave, kabel za napajanje, pomoćnu ručku, ploču za brušenje, vrećicu za prašinu, cijev za izbacivanje prašine
4. Za servisiranje, proizvod se mora poslati ili predati ovlaštenoj stanici za servis tvrtke RYOBI navedenoj za svaku zemlju u sljedećem popisu adresa stanica za servis. U nekim zemljama vaš lokalni RYOBI zastupnik obavezan je poslati proizvod u servisnu organizaciju tvrtke RYOBI. Priklonom slanja proizvoda u stanicu za servis tvrtke RYOBI, proizvod treba biti sigurno pakiran bez ikakvog opasnog sadržaja poput benzina, s označenom adresom pošiljatelja i pripadajućim kratkim opisom pogreške.
5. Popravak/zamjena pod ovim jamstvom se ne naplaćuje. Ne produljuje zakonsko ili ne započinje novo jamstveno razdoblje. Zamijenjeni dijelovi ili alati postaju naše vlasništvo. U nekim zemljama pošiljatelj plaća poštarinu.
6. Ovo jamstvo je valjano u Europskoj zajednici, Švicarskoj, Islandu, Norveškoj, Lihtenštajnu, Turskoj i Rusiji. Izvan ovih područja molimo vas da postkultivate vašeg ovlaštenog zastupnika tvrtke RYOBI kako biste odredili ako se primjenjuje druga jamstva.

### OVLAŠTENI SERVISNI CENTAR

Za pronalazjenje ovlaštenog servisnog centra pored vas posjetite <http://uk.ryobitools.eu/header/service-and-support/service-agents>.

## SL GARANCIJA

Poleg kakršnih koli zakonskih pravic, ki jih pridobite z nakupom, za ta izdelek velja tudi garancija, kot je opisano spodaj.

1. Garancijsko obdobje je 24 mesecev za potrošnike in se začne z datumom nakupa. Ta datum mora biti dokumentiran z računom ali drugim dokazilom o nakupu. Izdelek je namenjen in posvečen le potrošniški in zasebni uporabi. Zato garancija ne velja za profesionalno ali komercialno uporabo.
2. V nekaterih primerih (npr. promocija, obseg orodij) obstaja možnost podaljšanja garancijskega obdobja prek zgoraj opisanega obdobja, kar je mogoče storiti z registracijo na spletnem mestu [www.ryobitools.eu](http://www.ryobitools.eu). Namen orodja je jasno označen v trgovinah in/ali na embalaži. Končni uporabnik mora svoje novo orodje registrirati prek spleta v 8 dneh od datuma nakupa. Končni uporabnik se lahko registrira za podaljšano garancijo v svoji državi, kjer ima stalno prebivališče, če je država vključena na seznam v obrazcu za registracijo, kjer je ta možnost veljavna. Poleg tega mora končni uporabnik odobriti shranjevanje podatkov, ki so potrebni za spletni vstop, in morajo sprejeti pogoje in določila. Potrdilo o registraciji, ki se pošlje po e-pošti, ter originalni račun, na katerem je naveden datum nakupa, veljata kot dokazilo o podaljšani garanciji. Vaše zakonske pravice ostanejo nespremenjene.
3. Garancija krije vse okvare izdelka med garancijskim obdobjem zaradi napak v izdelavi ali materialu na datum nakupa. Garancija je omejena na popravilo/zamenjavo in ne vključuje drugih obveznosti, med drugim ne vključuje obveznosti zaradi nenamerne ali posledične škode. Garancija ni veljavna, če je bil izdelek zloražen, uporabljen v nasprotju z navodili za uporabo ali nepravilno priključen. Garancija ne velja:
  - za kakršno koli poškodbo izdelka, ki je posledica neprimerne vzdrževanja,
  - če je bil izdelek spremenjen ali modificiran,
  - če so originalne identifikacijske oznake (blagovna znamka, serijska številka) na izdelku poškodovane, spremenjene ali odstranjene,
  - če je do poškodbe prišlo zaradi neupoštevanja navodil za uporabo,
  - za katera koli izdelka, ki niso skladni z oznako CE,
  - če je izdelek poskusil opraviti neusposobljen strokovnjak ali brez predhodne odobritve družbe Techntron Industries,
  - če je bil izdelek priključen na neustrezno električno omrežje (jakost, napetost, frekvenca),
  - če je do poškodbe prišlo zaradi zunanjih vplivov (kemični, fizični, udarci) ali tujih snovi,
  - za normalno obrabo nadomestnih delov,
  - neustrezne uporabe, preobremenitve orodja,
  - uporabe neodobrenih dodatkov ali delov,
  - za uplinjač po 6 mesecih, prilagoditve uplinjača po 6 mesecih,
  - za dodatke električnega orodja, priložene orodju ali na prodaj ločeno – takšne omejitve med drugim vključujejo nastavke za vijačenje, vrtnale svedre, abrazivne diske, brusni papir in rezila, bočna vodila,
  - za sestavne dele (dele in dodatke), ki so podvrženi normalni obrabi, med drugim za karbonske krtačke, vpenjalno glavo, električni kabele, dodatni ročaj, brusno ploščo, vrečo za prah, cev za odvod prahu.
4. Za servisiranje je treba izdelek poslati ali prinesiti v pooblaščen servisni center RYOBI, ki je za vsako državo naveden na naslednjem seznamu z naslovi servisnih centrov. V nekaterih državah pošiljanje izdelka servisnemu centru RYOBI prevzame lokalni trgovec z izdelki RYOBI. Za pošiljanje servisnemu centru RYOBI mora biti izdelek varno zapakiran, brez kakršnih koli nevarnih snovi, npr. gorivo, označen z naslovom pošiljatelja, priložen pa mora biti kratek opis napake.
5. Popravilo/nadomestilo v sklopu te garancije je brezplačno. Ne pomeni podaljšanja ali novega začetka garancijskega obdobja. Zamenjani deli ali orodja postanejo naša last. V nekaterih državah mora stroške pošiljanja ali dostave poravnati pošiljatelj.
6. Ta garancija je veljavna v Evropski skupnosti, Švici, na Islandiji, Norveškem, v Lichtensteinu, Turčiji in Rusiji. Izven teh področij stopite v stik s pooblaščenim trgovcem RYOBI, da ugotovite, ali velja katera druga garancija.

### POOBLAŠČEN SERVISNI CENTER

Pooblaščen servisni center blizu vas poiščite na <http://uk.ryobitools.eu/header/service-and-support/service-agents>.

## SK ZÁRUKA

Okrem zákonných práv vyplývajúcich zo zakúpenia je tento produkt pokrytý zárukou, ako je uvedené nižšie.

1. Záručná doba pre spotrebiteľov je 24 mesiacov a začína dňom zakúpenia produktu. Tento dátum musí byť zdokumentovaný faktúrou alebo iným dokladom o kúpe. Tento produkt je navrhnutý a určený len na spotrebiteľné a osobné použitie. Takže v prípade profesionálneho alebo komerčného použitia neplatí žiadna záruka.
2. V niektorých prípadoch (napr. reklamná akcia, rad produktov) existuje možnosť predĺženia záručnej doby nad dobu uvedenú vyššie pomocou registrácie na webovej stránke [www.ryobitools.eu](http://www.ryobitools.eu). Spôsobilosť nástroja je zreteľne zobrazená v obchodoch a ha obale. Koncový používateľ si musí zaregistrovať svoje novonadobudnuté nástroje online do 8 dní odo dňa zakúpenia. Koncový používateľ sa môže zaregistrovať za účelom získania predĺženej záruky vo svojej krajine, ak je uvedená v online registračnom formulári, kde je táto možnosť platná. Okrem toho musia koncoví používatelia poskytnúť súhlas k uloženiu údajov, ktoré sa zadávajú online a musia súhlasiť so zmluvnými podmienkami. Doklad s potvrdením o registrácii, ktorý posielame prostredníctvom e-mailu a originálny faktúry s uvedeným dátumom zakúpenia slúžia ako dôkaz predĺženej záruky. Vaše zákonné práva ostávajú nedotknuté.
3. Táto záruka pokrýva všetky poruchy produktu počas záručnej doby, ktoré vznikli následkom nedostatkov vo vypracovaní alebo materiáli v deň zakúpenia. Táto záruka je obmedzená na opravu alebo výmenu a nezahŕňa ďalšie povinnosti, napríklad vedľajšie alebo následné škody. Táto záruka je neplatná, ak bol produkt poživývny nesprávne, používaný v rozpore s návodom na použitie alebo nesprávne pripojený. Táto záruka sa nevzťahuje na:
  - akékoľvek poškodenie produktu, ku ktorému došlo následkom nesprávnej údržby
  - akýkoľvek produkt, ktorý bol pozmenený alebo upravený
  - akýkoľvek produkt, na ktorom boli poškodené pozmenené alebo odstránené originálne identifikačné znaky (obchodná známka, sériové číslo)
  - akékoľvek poškodenie spôsobené následkom nedodržania návodu na použitie
  - akýkoľvek produkt iný ako CE
  - akýkoľvek produkt, o ktorého opravu sa pokúšal nekvalifikovaný odborník alebo v prípade opravy bez predchádzajúceho oprávnenia od spoločnosti Techntron Industries
  - akýkoľvek produkt pripojený k nesprávne napájaciemu zdroju (prúd, napätie, frekvencia)
  - akékoľvek poškodenie spôsobené vonkajšími vplyvmi (chemické, fyzické, nárazy) alebo cudzími látkami
  - bežné opotrebenie náhradných dielov
  - nesprávne používanie a preťažovanie nástroja
  - používanie neschváleného príslušenstva alebo dielov
  - karburátor po 6 mesiacoch, úpravy karburátora po 6 mesiacoch
  - príslušenstvo pre elektrické nástroje dodané s nástrojom alebo zakúpené samostatne. Takého výnimky sa vzťahujú napríklad na hroty skrutkovačov, vrtáky, brusné kotúče, brusné papiere a ostria a bočné vedenie
  - komponenty (diely a príslušenstvo), ktoré podliehajú prirodzenému opotrebeniu, napríklad uhlíkové kefy, skľučovadlo, napájací kábel, pomocná rukoväť, leštiaca doska, vrečko na prach, rúrka na vyfukovanie prachu
4. Na servis sa musí produkt odoslať alebo predložiť autorizovanému servisnému centru RYOBI uvedenému pre každú krajinu v nasledujúcom zozname adres servisných staníc. V niektorých krajinách pošle produkt do servisnej organizácie RYOBI váš miestny predajca produktov RYOBI. Pri odosielaní produktu do servisnej stanice RYOBI musí byť produkt bezpečne zabalený bez akéhokoľvek nebezpečného obsahu, napríklad paliva, označený adresou odosielateľa a musí byť k nemu priložený krátky popis poruchy.
5. Oprava či výmena v rámci tejto záruky je bezplatná. Nevyplýva z nej predĺženie či nový začiatok záručnej doby. Vymenené diely alebo nástroje sa stávajú našim vlastníctvom. V niektorých krajinách doručovací poplatok alebo poštovné platí odosielateľ.
6. Táto záruka je platná v Európskej únii, Švajčiarsku, na Islande, v Nórsku, Lichtenštajnsku, Turecku a Rusku. Mimo týchto oblastí kontaktujte autorizovaného predajcu spoločnosti Ryobi, u ktorého zistíte, či platí nejaká iná záruka.

### AUTORIZOVANÉ SERVISNÉ CENTRUM

Ak chcete nájsť najbližšie autorizované servisné centrum, navštívte stránku <http://uk.ryobitools.eu/header/service-and-support/service-agents>.



## EL ΕΓΓΥΗΣΗ

Επιπροσθέτως τυχόν νομικών δικαιωμάτων που προκύπτουν από την αγορά, το προϊόν καλύπτεται από εγγύηση όπως αναφέρεται παρακάτω.

- Η περίοδος εγγύησης είναι 24 μήνες για τους καταναλωτές και τίθεται σε ισχύ από την ημερομηνία αγοράς του προϊόντος. Η ημερομηνία αυτή πρέπει να τεκμηριώνεται από τιμολόγιο ή άλλη απόδειξη αγοράς. Το προϊόν είναι σχεδιασμένο μόνο για καταναλωτική και ιδιωτική χρήση. Η εγγύηση δεν ισχύει σε περίπτωση επαγγελματικής ή εμπορικής χρήσης.
- Σε ορισμένες περιπτώσεις (δηλ. προώθηση, σειρά εργαλείων) υπάρχει η δυνατότητα παράτασης της περιόδου εγγύησης πέραν της αναφερόμενης περιόδου παραπάνω, μέσω εγγραφής στην ιστοσελίδα [www.ryobitools.eu](http://www.ryobitools.eu). Η δυνατότητα συμμετοχής του εκάστοτε εργαλείου δηλώνεται σαφώς στα καταστήματα και/ή τη συσκευασία του. Ο τελικός χρήστης πρέπει να εγγραφεί αναφέροντας τα στοιχεία του εργαλείου online εντός 8 ημερών από την ημερομηνία αγοράς. Ο τελικός χρήστης μπορεί να εγγραφεί για την παρατεταμένη εγγύηση στη χώρα κατοικίας του αν περιέχεται στην online φόρμα εγγραφής, όπου ισχύει αυτή η επιλογή. Επιπλέον, οι τελικοί χρήστες πρέπει να δώσουν τη συγκατάθεσή τους για την αποθήκευση των δεδομένων που συλλέγονται online και πρέπει να δεχθούν τους όρους και τις διατάξεις. Η απόδειξη επιβεβαίωσης εγγραφής, που αποστέλλεται μέσω e-mail και το πρωτότυπο τιμολόγιο που φέρει την ημερομηνία αγοράς, λειτουργούν ως αποδεικτικά στοιχεία για την παρατεταμένη περίοδο εγγύησης. Τα νομικά δικαιώματά σας δεν επηρεάζονται.
- Η εγγύηση καλύπτει κάθε τυχόν ατέλεια του προϊόντος στη διάρκεια ισχύος της, εξαιτίας κατασκευαστικών ατελειών ή ατελειών του υλικού κατά την ημερομηνία αγοράς. Η εγγύηση περιορίζεται στην επισκευή και/ή αντικατάσταση και δεν περιλαμβάνει άλλες υποχρεώσεις, συμπεριλαμβανόμενες μεταξύ άλλων θηπικές ή αποθηκικές ζημιές. Η εγγύηση δεν ισχύει αν το προϊόν έχει χρησιμοποιηθεί με εσφαλμένο τρόπο, αντίθετα με τις οδηγίες του εγχειριδίου χρήσης ή έχει συνδεθεί εσφαλμένα. Η εγγύηση δεν ισχύει στα κάτωθι:
  - οποιαδήποτε βλάβη στο προϊόν ως συνέπεια εσφαλμένης συντήρησης
  - οποιαδήποτε τροποποίηση ή παραλλαγή του προϊόντος
  - προϊόντα ή αρχική ταυτοποίηση των οποίων (σήμα κατατεθέν, σειριακός αριθμός) έχει αλλοιωθεί, αλλάξει ή αφαιρεθεί
  - οποιαδήποτε βλάβη προκληθεί από μη τήρηση των οδηγιών στο εγχειρίδιο λειτουργίας
  - οποιαδήποτε μη CE προϊόν
  - οποιαδήποτε προϊόν στο οποίο έχει γίνει απόπειρα επισκευής από μη ειδικευμένο επαγγελματία ή χωρίς προηγούμενη εξουσιοδότηση της Techtronic Industries
  - οποιαδήποτε προϊόν συνδεθεί σε ακατάλληλη παροχή ρεύματος (αμπερ, τάση, συχνότητα)
  - οποιαδήποτε βλάβη προκληθεί από εξωτερικές επιρροές (χημικές, φυσικές, κρυσταλλικές) ή ξζνες υασιές
  - φυσική φθορά των ανταλλακτικών
  - ανάρμοστη χρήση, υπερφόρτωση του εργαλείου
  - χρήση μη εγκεκριμένων εξαρτημάτων ή ανταλλακτικών
  - καρμπυρατέρ μετά από 6 μήνες, προσαρμογές καρμπυρατέρ μετά από 6 μήνες
  - εξαρτήματα εργαλείου που παρέχονται με το εργαλείο ή αγοράστηκαν ξεχωριστά. Οι εξαιρέσεις αυτές περιλαμβάνουν μεταξύ άλλων εξαρτήματα καταβιδιών, εξαρτήματα τριτανιών, λειαντικούς δίσκους, γυαλόχαρτο και λεπίδες, πλεουρικό οδηγό
  - ενότιτες (εξαρτήματα και ανταλλακτικά) που υπόκεινται σε φυσική φθορά, συμπεριλαμβανομένων μεταξύ άλλων ψηκρών, τασκ, καλυδίων ρεύματος, βοηθητικών λαβών, πλακετών λείανσης, σακούλων σκόνης, σωλήνων εξάτμισης σκόνης
- Για απτήματα σέρβις, το προϊόν πρέπει να σταλεί ή παραδοθεί σε εξουσιοδοτημένο σταθμό σέρβις της RYOBI, όπως αναγράφονται για κάθε χώρα στην παρακάτω λίστα. Σε ορισμένες χώρες, ο τοπικός αντιπρόσωπος της RYOBI αναλαμβάνει την αποστολή του προϊόντος στον οργανισμό σέρβις RYOBI. Όταν στέλνετε ένα προϊόν σε σταθμό σέρβις της RYOBI, το προϊόν θα πρέπει να είναι συσκευασμένο με ασφάλεια, χωρίς επικίνδυνα περιεχόμενα όπως βενζίνη και με αναφορά της διεύθυνσης του αποστολέα, ενώ θα πρέπει να συνοδεύεται και από σύντομη περιγραφή του προβλήματος.
- Επισκευές / αντικαταστάσεις στα πλαίσια της εγγύησης παρέχονται δωρεάν. Δεν παρέχεται παράταση ή επανεκκίνηση της περιόδου εγγύησης. Τα εξαρτήματα ή εργαλεία που αντικαθίστανται, περιέχονται στην ιδιοκτησία μας. Σε ορισμένες χώρες, ισχύουν χρεώσεις παράδοσης ή ταχυδρομικά τέλη που καταβάλλονται από τον αποστολέα.
- Η εγγύηση ισχύει στην Ευρωπαϊκή Κοινότητα, την Ελβετία, την Ισλανδία, τη Νορβηγία, το Λιχτενστάιν, την Τουρκία και τη Ρωσία. Εκτός αυτών των περιοχών, παρακαλούμε επικοινωνήστε με τον εξουσιοδοτημένο αντιπρόσωπο της RYOBI για να εξεκριβώσετε εάν ισχύουν άλλες εγγυήσεις.

## ΕΞΟΥΣΙΟΔΟΤΗΜΕΝΟ ΚΕΝΤΡΟ ΣΕΡΒΙΣ

Για να εντοπίσετε ένα εξουσιοδοτημένο κέντρο σέρβις στην περιοχή σας, επισκεφτείτε τη σελίδα <http://uk.ryobitools.eu/header/service-and-support/service-agents>.

## TR GARANTİ

Bu satın alma işleminden doğan tüm yasal haklara ek olarak, bu ürün aşağıda açıklanan garanti kapsamındadır.

- Garanti süresi tüketiciler için 24 aydır ve bu süre ürünün satın alınması ile başlar. Bu tarih fatura veya başka bir satın alma belgesi ile kanıtlanmalıdır. Ürün sadece tüketici ve bireysel kullanım için tasarlanmıştır ve sunulmuştur. Profesyonel veya ticari amaçlı kullanımlarda garanti verilmaz.
- Bazı durumlarda (örn. tanıtım, aletlerin düzenlenmesi), yukarıda belirtilen garanti süresi uzatılabilir. Bunun için [www.ryobitools.eu](http://www.ryobitools.eu) Internet sitesindeki kaydı yapmak gerekir. Aletin nitelikleri mağazalarda ve/veya ambalaj üzerinde açıkça belirtilmiştir. Son kullanıcı, aleti satın aldıktan sonra en geç 8 gün içinde aletin kaydını çevrim içi olarak yapmalıdır. Son kullanıcı, garanti uzatma seçeneğinin geçerli olduğu ülkelerden birindeyse kayıt yaptırarak bu fırsattan yararlanabilir. Ayrıca, son kullanıcılar çevrim içi giriş yapmak için gerekli olan verilerin saklanmasına izin vermesi, şartlar ve koşulları kabul etmelidir. E-posta ile gönderilen kayıt onay belgesi ve satın alma tarihini belgeleyen orijinal fatura garantinin uzatılmasını sağlamak için kanıt niteliği taşımaktadır. Yasal haklarını aynı kalacaktır.
- Garanti, ürünün satın alın tarihindeki tüm işçilik ve malzeme kusurlarından kaynaklanan tüm sorunları garanti süresi içinde kapsamaktadır. Garanti onarım ve/veya değiştirilme işi sınırlıdır ve sadece istenmeyen arızalar, vb. durumlarda herhangi bir sorumluluk kabul edilmez. Ürünün yanlış kullanılması, kullanım kılavuzuna uygun kullanılmaması veya yanlış bağlanıtı kurulumu durumunda garanti geçerliliğini yitirir. Garanti kapsamı dıındaki durumlar:
  - bakımın yanlış yapılmasından kaynaklanan tüm hasarlar
  - ürünün değiştirilmesi veya düzenlenmesi
  - ürünün orijinal teşhis (ticari sembol, seri numarası) işaretlerinin tahrip olması, değiştirilmesi veya çıkarılması
  - kullanım kılavuzunun dikkate alınmaması nedeniyle oluşan tüm hasarlar
  - ürünün AB ürünü olmaması
  - ürünün kalifiye olmayan bir kişi tarafından veya Techtronic Industries'in izni olmadan onarılmaya çalışılması
  - ürünün yanlış güç desteğine (amper, voltaj, frekans) bağlanması
  - dış etkenler (kimyasal, fiziksel, darbeler) veya yabancı cisimlerden kaynaklanan arızalar
  - yedek parçaların normal aşınması ve yıpranması
  - yanlış kullanım, aletin fazla yüklenmesi
  - onaylanmayan aksesuarların veya parçaların kullanılması
  - karbüratörü sistemlerde karbüratör ayarlarının 6 ayın ardından yapılması
  - elektronik alet aksesuarlarının alet ile birlikte veya ayrı olarak satın alınması. Akülü vidalama uçları, matkap uçları, aşındırıcı diskler, zımpara kağıdı ve bıçaklar, yatay kılavuz gibi parçaların dahil olduğu, ancak bu parçalarla sınırlı olmayan istisnalar
  - karbon fırçalar, kovan, elektrik kablosu, yardımcı kol, kumlama plakası, toz torbası, toz egzoz borusu gibi parçaların bulunduğu, ancak bu parçalarla sınırlı olmayan doğal aşınma ve yıpranmaya maruz kalan bileşenler
- Tamir işlemi için ürünün, her ülke için listelenmiş olan aşağıdaki servis istasyonuna adreslerinde bulunan bir RYOBI yetkili servis istasyonuna gönderilmesi veya verilmesi gerekir. Bazı ülkelerde yerel RYOBI satıcınız ürünü RYOBI servis istasyonuna gönderme işlemi üstlenir. RYOBI servis istasyonuna gönderilen ürün; içinde petrol gibi tehlikeli maddeler olmadan emniyetli bir şekilde paketlenmeli, gönderilen adresini ve sorunun kısa bir açıklamasını içermelidir.
- Bu garanti kapsamında gerçekleşen bir onarım/değişim ücretsizdir. Bu tarz işlemler garanti süresini uzatmaz veya denetimden geçirilmez. Değiştirilen parçalar veya aletler firmamıza ait olur. Bazı ülkelerde teslimat masrafları veya posta ücreti gönderici tarafından ödenmelidir.
- Bu garanti Avrupa Birliği, İsviçre, İzlanda, Norveç, Lihtenştayn, Türkiye ve Rusya'da geçerlidir. Bu bölgelerin dışında yer alan müşterilerin diğer garanti seçenekleri için yetkili RYOBI satıcısına danışmaları gerekir.

## YETKİLİ SERVİS MERKEZİ

En yakın yetkili servis merkezini öğrenmek için <http://uk.ryobitools.eu/header/service-and-support/service-agents> sitesine girin.

## **UK** ГАРАНТІЯ

На додаток до любых законних прав, що впливають з покупки, цей продукт покривається гарантією, як зазначено нижче.

1. Гарантійний термін складає 24 місяців для споживачів і, починається з дати придбання продукту. Ця дата повинна бути задокументована рахунком або іншим документом, що підтверджує покупку. Продукт розроблений і призначений для споживача і тільки для приватного використання. Таким чином, немає ніякої гарантії, у разі професійного або комерційного використання.
2. Наведені деякі випадки (наприклад, підтримка, ряд інструментів), можливості розширення гарантійного терміну протягом періоду, описаного вище, з використанням реєстрації на сайті [www.ryobitools.eu](http://www.ryobitools.eu). Придатність інструменту чітко відображається в магазинах та / або на упаковці. Кінцевий користувач повинен зареєструвати його / її ново придбаний інструмент онлайн протягом 8 днів з моменту покупки. Кінцевий користувач може зареєструватися на розширену гарантію у своїй країні проживання, якщо ця країна є в онлайн формі реєстрації, де ця опція діє. Крім того, кінцеві користувачі повинні дати свою згоду на зберігання даних, які необхідні для онлайн входу і вони повинні прийняти терміни та умови. Квитанція підтвердження реєстрації, яка розсилається по електронній пошті, та оригінал рахунку-фактури із зазначенням дати покупки будуть служити доказом розширеної гарантії. Ваші законні права залишаються в силі.
3. Гарантія покриває всі дефекти продукту протягом гарантійного періоду, пов'язані з недоліками виготовлення або матеріалу на дату покупки. Гарантія обмежується ремонтом та / або заміною, і не покриває будь-які інші зобов'язання, включаючи, але не обмежуючись випадковим або непрямими збитками. Гарантія не діє, якщо продукт неправильно використовувалася всупереч інструкції, або був неправильно підключений. Ця гарантія не поширюється на:
  - будь-яке пошкодження продукту, яке є результатом неправильного технічного обслуговування
  - будь-який продукт, який був вивозомінений або модифікований
  - будь-який продукт, де оригінальні ідентифікаційні (торгова марка, серійний номер) маркування були зіпсовані, змінені або видалені
  - будь-який збиток, заподіяний в результаті недотримання керівництва з експлуатації
  - будь-який не СЕ продукт
  - будь-який виріб, який був відремонтований некваліфікованим спеціалістом або без попереднього дозволу Techtronic Industries
  - будь-який продукт підключений до неналежащего живлення (підсилювачі, напруга, частота)
  - будь-який збиток, заподіяний зовнішнім впливом (хімічним, фізичним, ударами) або сторонніми речовинами
  - передбачене зношення запасних частин
  - неправильне використання, перевантаження інструменту
  - використання незатверджених запасних частин або аксесуарів
  - карбюратор через 6 місяців, коригування карбюратора після 6 місяців
  - аксесуари електроінструменту надані з інструментом або куплені окремо. Такі винятки включають, але не обмежуються гвинтовою викруткою, свердлами, абразивними дисками, наждачним папером і лезами, бінчим спрямовуючим пристроєм
  - компоненти (частини та аксесуари), схильні до природного зносу, в тому числі, але не обмежуючись щіткою, патроном, шнуром живлення, додатковою рукояткою, шліфувальними пластинами, мішком для пилу, витяжною трубою
4. Для обслуговування виріб має бути відправлено або представлено в уповноважений RYOBI центр технічного обслуговування, перерахований для кожної країни в наступному списку адресів технічних центрів. У деяких країнах місцевий дилер RYOBI зобов'язується відправити виріб в сервісні організації RYOBI. При відправці продукту до станції технічного обслуговування RYOBI, продукт повинен бути надійно упакований, без жодного небезпечного вмісту, такого як бензин, відмічений адресою відправника і супроводжуватися коротким описом несправності.
5. Ремонт / заміна по гарантії безкоштовні. Це не розширює або не починає новий гарантійний термін. Замінені частини або інструменти стають нашою власністю. У деяких країнах вартість доставки або відсилки повинні бути оплачені відправником.
6. Ця гарантія дійсна в Європейському Співтоваристві, Швейцарії, Ісландії, Норвегії, Ліхтенштейні, Туреччині та Росії. За межами цих областей, будь ласка, зв'яжіться з офіційним дилером RYOBI, щоб визначити, якщо поширюється інша гарантія

### **АВТОРИЗОВАНІ СЕРВІСНІ ЦЕНТРИ**

Для отримання оновленого переліка авторизованих сервісних центрів, відвідайте <http://uk.ryobitools.eu/header/service-and-support/service-agents>



**EN** EC DECLARATION OF CONFORMITY

Techtronic Industries GmbH  
Max-Eyth-Straße 10, 71364 Winnenden, Germany

Herewith we declare that the product

Reciprocating saw  
Brand: Ryobi  
Model number: R18RS  
Serial number range: 44481501000001 - 44481501999999

is in conformity with the following European Directives and harmonised standards  
2006/42/EC, 2014/30/EU, 2011/65/EU  
EN55014-1:2006+A1:2009+A2:2011, EN 55014-2:2015,  
EN60745-1:2009+A11:2010, EN60745-2-11:2010

RoHS documentation is compiled according to EN 50581:2012

  
Andrew John Eyre (BEng, CEng, MIET)  
Vice President, Regulatory & Safety  
Winnenden, Jun. 08, 2016

Authorised to compile the technical file:  
Alexander Krug, Managing Director  
Techtronic Industries GmbH  
Max-Eyth-Straße 10, 71364 Winnenden, Germany

CE

**FR** DÉCLARATION DE CONFORMITÉ EC

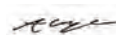
Techtronic Industries GmbH  
Max-Eyth-Straße 10, 71364 Winnenden, Germany

Déclarons par la présente que le produit

Scie sabre  
Marque: Ryobi  
Numéro de modèle: R18RS  
Étendue des numéros de série: 44481501000001 - 44481501999999

est conforme aux Directives Européennes et Normes Harmonisées suivantes  
2006/42/EC, 2014/30/EU, 2011/65/EU  
EN55014-1:2006+A1:2009+A2:2011, EN 55014-2:2015,  
EN60745-1:2009+A11:2010, EN60745-2-11:2010

La documentation RoHS a été dressée d'après EN 50581:2012

  
Andrew John Eyre (BEng, CEng, MIET)  
Vice-Président, Réglementation & Sécurité  
Winnenden, Jun. 08, 2016

Autorisé à rédiger le dossier technique:  
Alexander Krug, Directeur Général  
Techtronic Industries GmbH  
Max-Eyth-Straße 10, 71364 Winnenden, Germany

CE

**DE** EC KONFORMITÄTSEKTLÄRUNG


Techtronic Industries GmbH  
Max-Eyth-Straße 10, 71364 Winnenden, Germany

Hiermit erklären wir, dass die Produkte

Säbelsäge  
Marke: Ryobi  
Modellnummer: R18RS  
Seriennummernbereich: 44481501000001 - 44481501999999

den folgenden europäischen Richtlinien und harmonisierten Normen entspricht  
2006/42/EC, 2014/30/EU, 2011/65/EU  
EN55014-1:2006+A1:2009+A2:2011, EN 55014-2:2015,  
EN60745-1:2009+A11:2010, EN60745-2-11:2010

RoHS Dokumentation ist gemäß EN 50581:2012 zusammengestellt

  
Andrew John Eyre (BEng, CEng, MIET)  
Vizepräsident, Vorschriften und Sicherheit  
Winnenden, Jun. 08, 2016

Autorisiert die technische Datei zu erstellen:  
Alexander Krug, Geschäftsführer  
Techtronic Industries GmbH  
Max-Eyth-Straße 10, 71364 Winnenden, Germany

CE

**ES** DECLARACIÓN EC DE CONFORMIDAD


Techtronic Industries GmbH  
Max-Eyth-Straße 10, 71364 Winnenden, Germany

Por la presente declaramos que los productos

Sierra de vaivén  
Marca: Ryobi  
Número de modelo: R18RS  
Intervalo del número de serie: 44481501000001 - 44481501999999

se encuentra en conformidad con las siguientes Directivas Europeas y normas armonizadas  
2006/42/EC, 2014/30/EU, 2011/65/EU  
EN55014-1:2006+A1:2009+A2:2011, EN 55014-2:2015,  
EN60745-1:2009+A11:2010, EN60745-2-11:2010

Documentación sobre restricción de sustancias peligrosas (RoHS) recopilada según la norma EN 50581:2012

  
Andrew John Eyre (BEng, CEng, MIET)  
Vicepresidente, Director General de Normativa y Seguridad  
Winnenden, Jun. 08, 2016

Autorizado para elaborar la ficha técnica:  
Alexander Krug, Administrador Ejecutivo  
Techtronic Industries GmbH  
Max-Eyth-Straße 10, 71364 Winnenden, Germany

CE

**IT** DICHIARAZIONE DI CONFORMITÀ EC


Techtronic Industries GmbH  
Max-Eyth-Straße 10, 71364 Winnenden, Germany

Si dichiara con la presente che il prodotto

Motos Sega reciprocante  
Marca: Ryobi  
Numero modello: R18RS  
Gamma numero seriale: 44481501000001 - 44481501999999

è conforme alle seguenti Direttive Europee e ai seguenti standard armonizzati  
2006/42/EC, 2014/30/EU, 2011/65/EU  
EN55014-1:2006+A1:2009+A2:2011, EN 55014-2:2015,  
EN60745-1:2009+A11:2010, EN60745-2-11:2010

La documentazione RoHS è stata compilata come indicato dalle norme EN 50581:2012

  
Andrew John Eyre (BEng, CEng, MIET)  
Vice-Presidente, Dipartimento Regolazioni & Sicurezza  
Winnenden, Jun. 08, 2016

Autorizzato per compilare il file tecnico:  
Alexander Krug, Direttore Amministrativo  
Techtronic Industries GmbH  
Max-Eyth-Straße 10, 71364 Winnenden, Germany

CE

**NL** EC CONFORMITEITSVERKLARING


Techtronic Industries GmbH  
Max-Eyth-Straße 10, 71364 Winnenden, Germany

Hierbij verklaren wij dat het product

Reciprozaagmachine  
Merk: Ryobi  
Modelnummer: R18RS  
Serienummerbereik: 44481501000001 - 44481501999999

is in overeenstemming met de volgende Europese Richtlijnen en geharmoniseerde normen  
2006/42/EC, 2014/30/EU, 2011/65/EU  
EN55014-1:2006+A1:2009+A2:2011, EN 55014-2:2015,  
EN60745-1:2009+A11:2010, EN60745-2-11:2010

RoHS-documentatie is samengesteld in overeenstemming met EN 50581:2012

  
Andrew John Eyre (BEng, CEng, MIET)  
Vice-president, Regelgeving en Veiligheid  
Winnenden, Jun. 08, 2016

Afgevaardigde voor het samenstellen van de technische fiche:  
Alexander Krug, Directeur  
Techtronic Industries GmbH  
Max-Eyth-Straße 10, 71364 Winnenden, Germany

CE

**PT** DECLARAÇÃO EC DE CONFORMIDADE

Techtronic Industries GmbH  
Max-Eyth-Straße 10, 71364 Winnenden, Germany

*Pelo presente declaramos que os produtos*

Serra de sabre  
Marca: Ryobi  
Número do modelo: R18RS  
Intervalo do número de série: 44481501000001 - 44481501999999

*se encontra em conformidade com as seguintes Directivas Europeias e normas harmonizadas*

2006/42/EC, 2014/30/EU, 2011/65/EU  
EN55014-1:2006+A1:2009+A2:2011, EN 55014-2:2015,  
EN60745-1:2009+A11:2010, EN60745-2-11:2010

Documentação sobre restrição de substâncias perigosas (RoHS) compilada segundo a norma EN 50581:2012

Andrew John Eyre (BEng, CEng, MIET)  
Vice-Presidente, Regulação e Segurança  
Winnenden, Jun. 08, 2016

Autorizado para compilar o ficheiro técnico:

Alexander Krug, Administrador Executivo  
Techtronic Industries GmbH  
Max-Eyth-Straße 10, 71364 Winnenden, Germany

CE

**DA** EC OVERENSSTEMMELSEERKLÆRING

Techtronic Industries GmbH  
Max-Eyth-Straße 10, 71364 Winnenden, Germany

*Vi erklærer hermed, at produktet*

Silksav  
Brand: Ryobi  
Modelnummer: R18RS  
Serienummerområde: 44481501000001 - 44481501999999

*er i overensstemmelse med følgende EU-direktiver og harmoniserede standarder*

2006/42/EC, 2014/30/EU, 2011/65/EU  
EN55014-1:2006+A1:2009+A2:2011, EN 55014-2:2015,  
EN60745-1:2009+A11:2010, EN60745-2-11:2010

RoHS-dokumentationen er udarbejdet i henhold til EN 50581:2012

Andrew John Eyre (BEng, CEng, MIET)  
Vicepræsident, Regler og Sikkerhed  
Winnenden, Jun. 08, 2016

Bemyndiget til at udarbejde det tekniske kartotek:

Alexander Krug, Administrerende Direktør  
Techtronic Industries GmbH  
Max-Eyth-Straße 10, 71364 Winnenden, Germany

CE

**SV** EC-KONFORMITETSDEKLARATION

Techtronic Industries GmbH  
Max-Eyth-Straße 10, 71364 Winnenden, Germany

*Härmed deklarerar vi att produkterna*

Silksåg  
Märke: Ryobi  
Modellnummer: R18RS  
Serienummerintervall: 44481501000001 - 44481501999999

*är i enlighet med följande EU-direktiv och harmoniserade standarder*

2006/42/EC, 2014/30/EU, 2011/65/EU  
EN55014-1:2006+A1:2009+A2:2011, EN 55014-2:2015,  
EN60745-1:2009+A11:2010, EN60745-2-11:2010

RoHS-dokumentation sammanställd enligt EN 50581:2012

Andrew John Eyre (BEng, CEng, MIET)  
Vice President, Regelverk och Säkerhet  
Winnenden, Jun. 08, 2016

Godkänd att sammanställa den tekniska filen:

Alexander Krug, VD  
Techtronic Industries GmbH  
Max-Eyth-Straße 10, 71364 Winnenden, Germany

CE

**FI** EC-SÄÄNNÖSTEN NOUDATTAMINEN

Techtronic Industries GmbH  
Max-Eyth-Straße 10, 71364 Winnenden, Germany

*Ilmoittamme täten, että tuotteet*

Keihyssaha  
Tuotemerkki: Ryobi  
Mallinumero: R18RS  
Sarjanumeroalue: 44481501000001 - 44481501999999

*noudattaa seuraavia EU-direktiivejä ja harmonoituja standardeja*

2006/42/EC, 2014/30/EU, 2011/65/EU  
EN55014-1:2006+A1:2009+A2:2011, EN 55014-2:2015,  
EN60745-1:2009+A11:2010, EN60745-2-11:2010

RoHS-dokumentaatio on koottu standardin EN 50581:2012 mukaisesti

Andrew John Eyre (BEng, CEng, MIET)  
Varatoimitusjohtaja, Säädöstenmukaisuus ja Turvallisuus  
Winnenden, Jun. 08, 2016

Valtuutettu kokoamaan tekninen tiedosto:

Alexander Krug, Toimitusjohtaja  
Techtronic Industries GmbH  
Max-Eyth-Straße 10, 71364 Winnenden, Germany

CE

**NO** EC-SAMSVARERKLÆRING

Techtronic Industries GmbH  
Max-Eyth-Straße 10, 71364 Winnenden, Germany

*Herved erklærer vi at produktet*

Bajonettsgag  
Merke: Ryobi  
Modellnummer: R18RS  
Serienummerserie: 44481501000001 - 44481501999999

*er i samsvar med følgende europeiske direktiver og harmoniserte standarder*

2006/42/EC, 2014/30/EU, 2011/65/EU  
EN55014-1:2006+A1:2009+A2:2011, EN 55014-2:2015,  
EN60745-1:2009+A11:2010, EN60745-2-11:2010

RoHS dokumentasjonen er skrevet i samsvar med EN 50581:2012

Andrew John Eyre (BEng, CEng, MIET)  
Visepresident, Forskrifter og Sikkerhet  
Winnenden, Jun. 08, 2016

Autorisert til å sette sammen den tekniske filen:

Alexander Krug, Administrerende Direktør  
Techtronic Industries GmbH  
Max-Eyth-Straße 10, 71364 Winnenden, Germany

CE

**RU** ЗАЯВЛЕНИЕ О СООТВЕТСТВИИ ТРЕБОВАНИЯМ ЕС

Techtronic Industries GmbH  
Max-Eyth-Straße 10, 71364 Winnenden, Germany

*Настоящим мы заявляем, что данный продукт*

Сабельная пила  
Марка: Ryobi  
Номер модели: R18RS  
Диапазон заводских номеров: 44481501000001 - 44481501999999

*соответствует требованиям следующих Директив ЕС и согласованных стандартов*

2006/42/EC, 2014/30/EU, 2011/65/EU  
EN55014-1:2006+A1:2009+A2:2011, EN 55014-2:2015,  
EN60745-1:2009+A11:2010, EN60745-2-11:2010

Документация RoHS соответствует стандарту EN 50581:2012

Andrew John Eyre (BEng, CEng, MIET)  
Вице-Президент По Технике Безопасности И Стандартам  
Winnenden, Jun. 08, 2016

Лицо, ответственное за подготовку технической документации:

Alexander Krug, Директор  
Techtronic Industries GmbH  
Max-Eyth-Straße 10, 71364 Winnenden, Germany

CE



**(PL) DEKLARACJA ZGODNOŚCI EC**

Techtronic Industries GmbH  
Max-Eyth-Straße 10, 71364 Winnenden, Germany

*Niniejszym deklarujemy, że produkty*  
Pila bagnetowa  
Marka: Ryobi  
Numer modelu: R18RS  
Zakres numerów seryjnych: 44481501000001 - 44481501999999

jest zgodny z następującymi dyrektywami europejskimi i zharmonizowanymi normami  
2006/42/EC, 2014/30/EU, 2011/65/EU  
EN55014-1:2006+A1:2009+A2:2011, EN 55014-2:2015,  
EN60745-1:2009+A11:2010, EN60745-2-11:2010

Dokumentacja RoHS została opracowana zgodnie z normą EN 50581:2012

Andrew John Eyre (BEng, CEng, MIET)  
Wiceprezes ds. Zgodności Prawnej i Bezpieczeństwa  
Winnenden, Jun. 08, 2016



Osoba upoważniona do sporządzenia dokumentu technicznego:  
Alexander Krug, Dyrektor Zarządzający  
Techtronic Industries GmbH  
Max-Eyth-Straße 10, 71364 Winnenden, Germany

**(RO) DECLARAȚIE DE CONFORMITATE EC**

Techtronic Industries GmbH  
Max-Eyth-Straße 10, 71364 Winnenden, Germany

*Prin prezenta, declarăm că produsele*  
Ferăstrău tip sabie  
Marcă: Ryobi  
Număr serie: R18RS  
Gamă număr serie: 44481501000001 - 44481501999999

este în conformitate cu următoarele Directive Europene și standarde armonizate  
2006/42/EC, 2014/30/EU, 2011/65/EU  
EN55014-1:2006+A1:2009+A2:2011, EN 55014-2:2015,  
EN60745-1:2009+A11:2010, EN60745-2-11:2010

Documentația RoHS este întocmită în conformitate cu EN 50581:2012

Andrew John Eyre (BEng, CEng, MIET)  
Vicepreședinte, Reglementare & Siguranță  
Winnenden, Jun. 08, 2016



Autorizat să completeze fișa tehnică:  
Alexander Krug, Director General  
Techtronic Industries GmbH  
Max-Eyth-Straße 10, 71364 Winnenden, Germany

**(CS) PROHLÁŠENÍ O SHODĚ EC**

Techtronic Industries GmbH  
Max-Eyth-Straße 10, 71364 Winnenden, Germany

*Tímto prohlašujeme, že výrobky*  
Pily ocasky  
Značka: Ryobi  
Číslo modelu: R18RS  
Rozsah sériových čísel: 44481501000001 - 44481501999999

že tento výrobek je v souladu s evropskými a harmonizovanými standardy  
2006/42/EC, 2014/30/EU, 2011/65/EU  
EN55014-1:2006+A1:2009+A2:2011, EN 55014-2:2015,  
EN60745-1:2009+A11:2010, EN60745-2-11:2010

RoHS dokumentace sestavena dle EN 50581:2012

Andrew John Eyre (BEng, CEng, MIET)  
Viceprezident, Normy a Bezpečnost  
Winnenden, Jun. 08, 2016



Pověřeni ke kompilaci technického souboru:  
Alexander Krug, Generální ředitel  
Techtronic Industries GmbH  
Max-Eyth-Straße 10, 71364 Winnenden, Germany

**(LV) EC ATBILSTĪBAS DEKLARĀCIJA**

Techtronic Industries GmbH  
Max-Eyth-Straße 10, 71364 Winnenden, Germany

*Ar šo paziņojam, ka produkti*  
Zobenzāģi  
Modeļa numurs: R18RS  
Zīmols: Ryobi  
Sērijas numura intervāls: 44481501000001 - 44481501999999

atbilst šādam Eiropas direktīvām un saskaņotajiem standartiem  
2006/42/EC, 2014/30/EU, 2011/65/EU  
EN55014-1:2006+A1:2009+A2:2011, EN 55014-2:2015,  
EN60745-1:2009+A11:2010, EN60745-2-11:2010

RoHS dokumentācija ir izstrādāta saskaņā ar EN 50581:2012

Andrew John Eyre (BEng, CEng, MIET)  
Viceprezidents, Darba Drošības Noteikumi  
Winnenden, Jun. 08, 2016



Pilnvarots sastādīt tehnisko failu:  
Alexander Krug, Izpilddirektors  
Techtronic Industries GmbH  
Max-Eyth-Straße 10, 71364 Winnenden, Germany

**(HU) EC IZJAVA O USKLADENOSTI**

Techtronic Industries GmbH  
Max-Eyth-Straße 10, 71364 Winnenden, Germany

*Ezúton kijelentjük, hogy a termékek*  
Lengőfűrész  
Márka: Ryobi  
Típuszám: R18RS  
Sorozatszám tartomány: 44481501000001 - 44481501999999

megfelel az alábbi Európai Irányelvek és harmonizált szabványok vonatkozó rendelkezéseinek  
2006/42/EC, 2014/30/EU, 2011/65/EU  
EN55014-1:2006+A1:2009+A2:2011, EN 55014-2:2015,  
EN60745-1:2009+A11:2010, EN60745-2-11:2010

A RoHS dokumentáció összeállítása az EN 50581:2012 szerint történt

Andrew John Eyre (BEng, CEng, MIET)  
Alelnök, Megfelelőségi és Biztonsági Területek  
Winnenden, Jun. 08, 2016



A műszaki dokumentáció összeállítására felhatalmazott:  
Alexander Krug, Ügyvezető Igazgató  
Techtronic Industries GmbH  
Max-Eyth-Straße 10, 71364 Winnenden, Germany

**(LT) EC ATITIKTIES DEKLARACIJA**

Techtronic Industries GmbH  
Max-Eyth-Straße 10, 71364 Winnenden, Germany

*Mēs paziņojam, ka šie produkti*  
Slankuļi pjūklā  
Prekš zēnklas: Ryobi  
Modelio numeris: R18RS  
Serijinio numero diapazonas: 44481501000001 - 44481501999999

pagamintas laikantis toliau nurodytųjų Europos Direktyvų ir darniųjų standartų  
2006/42/EC, 2014/30/EU, 2011/65/EU  
EN55014-1:2006+A1:2009+A2:2011, EN 55014-2:2015,  
EN60745-1:2009+A11:2010, EN60745-2-11:2010

Tam tikrų pavojingų medžiagų naudojimo elektros ir elektroninėje įrangoje apribojimo dokumentai sudaryti pagal standartą EN 50581:2012

Andrew John Eyre (BEng, CEng, MIET)  
Kontrolės Ir Saugos Viceprezidentas  
Winnenden, Jun. 08, 2016



Igaliautas sudaryti techninį failą:  
Alexander Krug, Generalinis Direktorius  
Techtronic Industries GmbH  
Max-Eyth-Straße 10, 71364 Winnenden, Germany



**ET** EC VASTAVUSDEKLARATSIOON

Techtronic Industries GmbH  
Max-Eyth-Straße 10, 71364 Winnenden, Germany

*Kinnitame, et see toode*

Lehtsae  
Mark: Ryobi  
Mudelil number: R18RS  
Seerianumbri vahemik: 44481501000001 - 44481501999999

vastab järgmistele Euroopa direktiividele ja harmoniseeritud standarditele

2006/42/EC, 2014/30/EU, 2011/65/EU  
EN55014-1:2006+A1:2009+A2:2011, EN 55014-2:2015,  
EN60745-1:2009+A11:2010, EN60745-2-11:2010

RoHS dokumendid on koostatud vastavuses standardi EN 50581:2012 nõuetele.

CE

Andrew John Eyre (BEng, CEng, MIET)  
Asepresident Standardiseerimise Ja Ohutuse Alal  
Winnenden, Jun. 08, 2016

Tehnilise faili koostamiseks volitatud isik:

Alexander Krug, Tegevdirektor  
Techtronic Industries GmbH  
Max-Eyth-Straße 10, 71364 Winnenden, Germany

**HR** EC IZJAVA O USKLADENOSTI

Techtronic Industries GmbH  
Max-Eyth-Straße 10, 71364 Winnenden, Germany

*Opvime izjavljujemo da su proizvodi*

Sabijaste pile  
Marka: Ryobi  
Broj modela: R18RS  
Raspon serijskog broja: 44481501000001 - 44481501999999

usklađen sa sljedećim Europskim Direktivama i usklađenim normama

2006/42/EC, 2014/30/EU, 2011/65/EU  
EN55014-1:2006+A1:2009+A2:2011, EN 55014-2:2015,  
EN60745-1:2009+A11:2010, EN60745-2-11:2010

RoHS dokumentacija sukladna je EN 50581:2012

CE

Andrew John Eyre (BEng, CEng, MIET)  
Potpredsjednik za Pravila i Sigurnost  
Winnenden, Jun. 08, 2016

Ovlašten da sastavi tehničku datoteku:

Alexander Krug, Direktor Upravljanja  
Techtronic Industries GmbH  
Max-Eyth-Straße 10, 71364 Winnenden, Germany

**SL** IZJAVA EC O SKLADNOSTI

Techtronic Industries GmbH  
Max-Eyth-Straße 10, 71364 Winnenden, Germany

*Izjavljamo, da je izdelek*

Recipročna žaga  
Znamka: Ryobi  
Številka modela: R18RS  
Razpon serijskih števil: 44481501000001 - 44481501999999

v skladu s sledečimi evropskimi direktivami in harmoniziranimi standardi

2006/42/EC, 2014/30/EU, 2011/65/EU  
EN55014-1:2006+A1:2009+A2:2011, EN 55014-2:2015,  
EN60745-1:2009+A11:2010, EN60745-2-11:2010

Dokumentacija RoHS je sestavljena skladno s standardom EN 50581:2012

CE

Andrew John Eyre (BEng, CEng, MIET)  
Podpredsednik, Zakonodajne In Varnostne Zadeve  
Winnenden, Jun. 08, 2016

Pooblaščen oseba za sestavo tehnične dokumentacije:

Alexander Krug, Izvršni Direktor  
Techtronic Industries GmbH  
Max-Eyth-Straße 10, 71364 Winnenden, Germany

**SK** PREHLÁSENIE O ZHODE EC

Techtronic Industries GmbH  
Max-Eyth-Straße 10, 71364 Winnenden, Germany

*Týmto vyhlasujeme, že výrobok*

Priamočiarej píly  
Značka: Ryobi  
Číslo modelu: R18RS  
Rozsah sériových čísiel: 44481501000001 - 44481501999999

je v súlade s nasledujúcimi Európskymi smernicami a harmonizovanými normami

2006/42/EC, 2014/30/EU, 2011/65/EU  
EN55014-1:2006+A1:2009+A2:2011, EN 55014-2:2015,  
EN60745-1:2009+A11:2010, EN60745-2-11:2010

Dokumentácia RoHS je zostavená podľa EN 50581:2012

CE

Andrew John Eyre (BEng, CEng, MIET)  
Viceprezident, Regulácia a Bezpečnosť  
Winnenden, Jun. 08, 2016

Oprávnená osoba na zostavenie technického súboru:

Alexander Krug, Generálny Riaditeľ  
Techtronic Industries GmbH  
Max-Eyth-Straße 10, 71364 Winnenden, Germany

**EL** ΕΚ ΔΗΛΩΣΗ ΣΥΜΜΟΡΦΩΣΗΣ

Techtronic Industries GmbH  
Max-Eyth-Straße 10, 71364 Winnenden, Germany

*Δια του παρόντος δηλώνουμε ότι το προϊόν*

Παλινδρομικό πριόνι  
Μάρκα: Ryobi  
Αριθμός μοντέλου: R18RS  
Εύρος σειριακών αριθμών: 44481501000001 - 44481501999999

είναι σύμφωνα με τις παρακάτω Ευρωπαϊκές Οδηγίες και εναρμονισμένα πρότυπα

2006/42/EC, 2014/30/EU, 2011/65/EU  
EN55014-1:2006+A1:2009+A2:2011, EN 55014-2:2015,  
EN60745-1:2009+A11:2010, EN60745-2-11:2010

Τα έγγραφα RoHS συντάσσονται σύμφωνα με το EN 50581:2012

CE

Andrew John Eyre (BEng, CEng, MIET)  
Αντιπρόεδρος, Τμήμα Πωλήσεων & Ασφάλειας  
Winnenden, Jun. 08, 2016

Εξουσιοδοτημένο άτομο για σύνταξη τεχνικού αρχείου:

Alexander Krug, Διευθυντής Συμβούλου  
Techtronic Industries GmbH  
Max-Eyth-Straße 10, 71364 Winnenden, Germany

**TR** EC UYGUNLUK BEYANI

Techtronic Industries GmbH  
Max-Eyth-Straße 10, 71364 Winnenden, Germany

*Böylelikle beyan ederiz ki; ürün*

Kılıç testere  
Marka: Ryobi  
Model numarası: R18RS  
Seri numarası aralığı: 44481501000001 - 44481501999999

aşağıdaki Avrupa Direktifleri ve uyumlaştırılmış standartlara uygundur

2006/42/EC, 2014/30/EU, 2011/65/EU  
EN55014-1:2006+A1:2009+A2:2011, EN 55014-2:2015,  
EN60745-1:2009+A11:2010, EN60745-2-11:2010

RoHS belgeleri EN 50581:2012 uyarınca derlenmiştir

CE

Andrew John Eyre (BEng, CEng, MIET)  
Başkan Vekili, Düzenleme ve Güvenlik  
Winnenden, Jun. 08, 2016

Teknik dosya hazırlamaya yetkilidir:

Alexander Krug, Genel Müdür  
Techtronic Industries GmbH  
Max-Eyth-Straße 10, 71364 Winnenden, Germany

**UK** ДЕКЛАРАЦІЯ ПРО ВІДПОВІДНІСТЬ

Techtronic Industries GmbH  
Max-Eyth-Straße 10, 71364 Winnenden, Germany

При цьому ми заявляємо, що продукт  
шабельної пилки

Марка: Ryobi  
Номер моделі: R18RS  
Діапазон серійного номеру: 44481501000001 - 44481501999999

у відповідності з наступними європейськими директивами та гармонізованими  
стандартами

2006/42/EC, 2014/30/EU, 2011/65/EU  
EN55014-1:2006+A1:2009+A2:2011, EN 55014-2:2015,  
EN60745-1:2009+A11:2010, EN60745-2-11:2010

Документація RoHS складена відповідно до EN 50581:2012



Andrew John Eyre (BEng, CEng, MIET)  
Vice President, Regulatory & Safety  
Winnenden, Jun. 08, 2016

CE

Дозвіл на складання технічного файла:  
Alexander Krug, Managing Director  
Techtronic Industries GmbH  
Max-Eyth-Straße 10, 71364 Winnenden, Germany

130.com.ua

130.com.ua



130.com.ua

**Techtronic Industries GmbH**  
Max-Eyth-Straße 10,  
71364 Winnenden, Germany

961152593-02