



PHONES

0 (800) 800 130  
(050) 462 0 130  
(063) 462 0 130  
(067) 462 0 130

130  
COM.UA

Internet store of  
autogoods



SKYPE

km-130

CAR RECEIVERS — Receivers • Media receivers and stations • Native receivers • CD/DVD changers • FM-modulators/USB adapters • Flash memory • Facia plates and adapters • Antennas • Accessories |  
 CAR AUDIO — Car audio speakers • Amplifiers • Subwoofers • Processors • Crossovers • Headphones • Accessories | TRIP COMPUTERS — Universal computers • Model computers • Accessories |  
 GPS NAVIGATORS — Portable GPS • Built-in GPS • GPS modules • GPS trackers • Antennas for GPS navigators • Accessories | VIDEO — DVR • TV sets and monitors • Car TV tuners • Cameras • Videomodules  
 • Transcoders • Car TV antennas • Accessories | SECURITY SYSTEMS — Car alarms • Bike alarms • Mechanical blockers • Immobilizers • Sensors • Accessories | OPTIC AND LIGHT — Xenon • Bixenon • Lamps  
 • LED • Stroboscopes • Optic and Headlights • Washers • Light, rain sensors • Accessories | PARKTRONICS AND MIRRORS — Rear parktronic • Front parktronic • Combined parktronic • Rear-view mirrors  
 • Accessories | HEATING AND COOLING — Seat heaters • Mirrors heaters • Screen-wipers heaters • Engine heaters • Auto-refrigerators • Air conditioning units • Accessories | TUNING — Vibro-isolation  
 • Noise-isolation • Tint films • Accessories | ACCESSORIES — Radar-detectors • Handsfree, Bluetooth • Windowlifters • Compressors • Beeps, loudspeakers • Measuring instruments • Cleaners • Car seats  
 • Miscellaneous | MOUNTING — Installation kits • Upholstery • Grilles • Tubes • Cable and wire • Tools • Miscellaneous | POWER — Batteries • Converters • Start-charging equipment • Capacitors  
 • Accessories | MARINE AUDIO AND ELECTRONICS — Marine receivers • Marine audio speakers • Marine subwoofers • Marine amplifiers • Accessories | CAR CARE PRODUCTS — Additives • Washer fluid •  
 Care accessories • Car polish • Flavors • Adhesives and sealants | LIQUID AND OIL — Motor oil • Transmission oil • Brake fluid • Antifreeze • Technical lubricant



In store "130" you can find and buy almost all necessary goods for your auto in Kyiv and other cities, delivery by ground and postal services. Our experienced consultants will provide you with exhaustive information and help you to choose the very particular thing. We are waiting for you at the address

<https://130.com.ua>

# RYOBI®

## OLP1832BX

ORIGINAL INSTRUCTIONS  
TRADUCTION DES INSTRUCTIONS ORIGINALES  
ÜBERSETZUNG DER ORIGINALANLEITUNG  
TRADUCCIÓN DE LAS INSTRUCCIONES ORIGINALES  
TRADUZIONE DELLE ISTRUZIONI ORIGINALI  
VERTALING VAN DE ORIGINELE INSTRUCTIES  
TRADUÇÃO DAS INSTRUÇÕES ORIGINAIS  
OVERSETTELSE AF DE ORIGINALE INSTRUKTIONER  
ÖVERSÄTTNING AV DE URSPRUNGLIGA INSTRUKTIONERNA  
ALKUPERÄISTEN OHJEIDEN SUOMENNO  
OVERSETTELSE AV DE ORIGINALE INSTRUKSJONENE  
ПЕРЕВОД ОРИГИНАЛЬНЫХ ИНСТРУКЦИЙ  
TŁUMACZENIE INSTRUKCJI ORYGINALNEJ  
PŘEKLAD ORIGINÁLNÍCH POKYNŮ  
AZ EREDETI ÚTMUTATÓ FORDÍTÁSA  
TRADUCEREA INSTRUCȚIUNILOR ORIGINALE  
TULKOTS NO ORIĢINĀLĀS INSTRUKCIJAS  
ORIGINALIŲ INSTRUKCIJŲ VERTIMAS  
ORIGINALJUHENDI TÕLGE  
PRIJEVOD ORIGINALNIH UPUTA  
PREVOD ORIGINALNIH NAVODIL  
PREKLAD ORIGINÁLNYCH POKYNOV  
ПРЕВОД ОТ ОРИГИНАЛНИТЕ ИНСТРУКЦИИ  
ПЕРЕКЛАД ОРИГИНАЛЬНИХ ИНСТРУКЦІЙ  
ORIJINAL TALĪMATLAR



EN  
FR  
DE  
ES  
IT  
NL  
PT  
DA  
SV  
FI  
NO  
RU  
PL  
CS  
HU  
RO  
LV  
LT  
ET  
HR  
SL  
SK  
BG  
UK  
TR





- Important!** It is essential that you read the instructions in this manual before assembling, maintaining and operating the product.
- Attention!** Il est essentiel que vous lisiez les instructions contenues dans ce manuel avant d'assembler, d'entretenir et d'utiliser le produit.
- Achtung!** Es ist wichtig, dass Sie vor Zusammenbau, Wartung und Benutzung des Produktes die Anweisungen in dieser Anleitung lesen.
- ¡Atención!** Resulta fundamental que lea este manual de instrucciones antes de realizar el montaje, el mantenimiento y de utilizar este producto
- Attenzione!** È importante leggere le istruzioni contenute nel presente manuale prima di montare il prodotto, svolgere le operazioni di manutenzione sullo stesso e metterlo in funzione.
- Let op!** Het is van essentieel belang dat u de instructies in deze gebruiksaanwijzing leest voor u het product monteert, onderhoudt en gebruikt.
- Atenção!** É fundamental que leia as instruções deste manual antes da montagem, manutenção e operação do aparelho.
- OBS!** Det er vigtigt, at man læser instrukserne i denne brugsanvisning, inden man samler, vedligeholder og betjener produktet.
- Observera!** Det är viktigt att du läser instruktionerna i manualen före montering, användning och underhåll av produkten.
- Huomio!** On tärkeää, että luet tämän käsikirjan ohjeet ennen tuotteen kokoamista, huoltoa ja käyttöä.
- Advarsel!** Det er viktig at du leser instruksjonene i denne manualen før sammensetning, vedlikehold og bruk av produktet
- Внимание!** Необходимо прочитать инструкции в данном руководстве перед сборкой, обслуживанием и эксплуатацией этого изделия.
- Uwaga!** Koniecznie należy przeczytać instrukcje zawarte w tym podręczniku przed montażem, obsługą oraz konserwacją produktu.
- Důležité upozornění!** Neinstalujte, neprovádějte údržbu ani nepoužívejte tento výrobek dříve, než si přečtete pokyny uvedené v tomto návodu.
- Figyelem!** Fontos, hogy a termék összeszerelése, karbantartása és használatá elött elolvassa a kézikönyvben található utasításokat.
- Atenție!** Este esențial să citiți instrucțiunile din acest manual înainte de asamblare, efectuarea întreinerii și operarea produsului.
- Uzmanību!** Ir svarīgi izlasīt šīs rokasgrāmatas instrukcijas pirms uzstādīšanas, apkopes un precas darbināšanas.
- Dėmesio!** Prieš surenkant, prižiūrint ir naudojant gaminį, būtina perskaityti šiose vadove pateiktus nurodymus.
- Tähtis!** Enne masina kokkupanekut, hooldamist ja kasutama hakkamist tuleb käesolevas juhendis esitatud juhised kindlasti läbi lugeda.
- Upozorenje!** Vrlo je važno da ste prije sklapanja, održavanja i rada s ovim proizvodom pročitali upute u ovom priručniku.
- Pomembno!** Pomembno je da pred montažo vzdrževanjem in uporabo tega izdelka preberete navodila v tem priročniku.
- Upozornenie!** Je dôležité, aby ste si pred montážou, údržbou a obsluhou produktu prečítali pokyny v tomto návode.
- Важно!** Исключительно важно е да прочетете инструкциите в настоящото ръководство, преди да преминете към сглобяване, поддръжка или работа с продукта.
- Важливо!** Дуже важливо, щоб ви прочитали інструкції в цьому керівництві перед складанням, обслуговуванням та експлуатацією цієї машини.
- Önemli!** Ürünü monte etmeden, kullanmadan ve bakımını yapmadan önce bu kılavuzdaki talimatları okumanız önemlidir.

Subject to technical modification | Sous réserve de modifications techniques | Technische Änderungen vorbehalten | Bajo reserva de modificaciones técnicas | Con riserva di eventuali modifiche tecniche | Technische wijzigingen voorbehouden | Com reserva de modificações técnicas | Med forbehold for tekniske ændringer | Med förbehåll för tekniska ändringar | Tekniset muutokset varataan | Med forbehold om tekniske endringer | могут быть внесены технические изменения | Z zastrzeżeniem modyfikacji technicznych | Změny technických údajů vyhrazeny | A műszaki módosítás jogát fenntartjuk | Sub rezerva modificărilor tehnice | Paturam tiesības mainīt tehniskos raksturlielumus | Pasliiekant teisę daryti techninius pakeitimus | Tehnilised muudatused võimalikud | Podloženo tehničkim promjenama | Tehnične spremembe dopuščene | Právo na technické zmeny je vyhradené | Подлежи на технически модификации | Є об'єктом для технічних змін | Teknik değişikliğe tabidir.



Safety, performance, and dependability have been given top priority in the design of your cordless lopper.

### INTENDED USE

The cordless lopper is intended for outdoor use only. For safety reasons, the product must be adequately controlled by using two-handed operation.

The product is designed for cutting and pruning small limbs and branches. Do not use the product for cutting non-wood items. The product is intended to use for cutting branches with a diameter of up to 32 mm (softwood) and 28 mm (hardwood). Do not cut thick branches which diameter are thicker than these values.

The product has a fixed length of 0.85 m.

The product should not to be used by children or by persons not wearing adequate personal protective equipment and clothing.

Do not use the product for any other purpose.

### GENERAL POWER TOOL SAFETY WARNINGS

#### WARNING

**Read all safety warnings instructions, illustrations, and specifications provided with this power tool.** Failure to follow all instructions listed below may result in electric shock, fire, and/or serious injury.

**Save all warnings and instruction for future reference.**

The term "power tool" in the warnings refers to your mains-operated (corded) power tool or battery-operated (cordless) power tool.

### WORK AREA SAFETY

- **Keep work area clean and well lit.** Cluttered or dark areas invite accidents.
- **Do not operate power tools in explosive atmospheres, such as in the presence of flammable liquids, gases or dust.** Power tools create sparks which may ignite the dust or fumes.
- **Keep children and bystanders away while operating a power tool.** Distractions can cause you to lose control.

### ELECTRICAL SAFETY

- **Power tool plugs must match the outlet. Never modify the plug in any way. Do not use any adapter plugs with earthed (grounded) power tools.** Unmodified plugs and matching outlets will reduce risk of electric shock.
- **Avoid body contact with earthed or grounded surfaces, such as pipes, radiators, ranges, and refrigerators.** There is an increased risk of electric shock if your body is earthed or grounded
- **Do not expose power tools to rain or wet conditions.** Water entering a power tool will increase the risk of electric shock.
- **Do not abuse the cord. Never use the cord for carrying, pulling or unplugging the power tool.**

**Keep cord away from heat, oil, sharp edges or moving parts.** Damaged or entangled cords increase the risk of electric shock.

- **When operating a power tool outdoors, use an extension cord suitable for outdoor use.** Use of a cord suitable for outdoor use reduces the risk of electric shock
- **If operating a power tool in a damp location is unavoidable, use a residual current device (RCD) protected supply.** Use of an RCD reduces the risk of electric shock.

### PERSONAL SAFETY

- **Stay alert, watch what you are doing and use common sense when operating a power tool. Do not use a power tool while you are tired or under the influence of drugs, alcohol or medication.** A moment of inattention while operating power tools may result in serious personal injury.
- **Use personal protective equipment. Always wear eye protection.** Protective equipment such as dust mask, non-skid safety shoes, hard hat, or hearing protection used for appropriate conditions will reduce personal injury.
- **Prevent unintentional starting. Ensure the switch is in the off-position before connecting to power source and/or battery pack, picking up or carrying the tool.** Carrying power tools with your finger on the switch or energising power tools that have the switch on invites accidents.
- **Remove any adjusting key or wrench before turning the power tool on.** A wrench or a key left attached to a rotating part of the power tool may result in personal injury.
- **Do not overreach. Keep proper footing and balance at all times.** This enables better control of the power in unexpected situations.
- **Dress properly. Do not wear loose clothing or jewellery. Keep your hair, clothing and gloves away from moving parts.** Loose clothes, jewellery or long hair can be caught in moving parts.
- **If devices are provided for the connection of dust extraction and collection facilities, ensure these are connected and properly used.** Use of dust collection can reduce dust-related hazards.

### POWER TOOL USE AND CARE

- **Do not force the power tool. Use the correct power tool for your application.** The correct power tool will do the job better and safer at the rate for which it was designed.
- **Do not use the power tool if the switch does not turn it on and off.** Any power tool that cannot be controlled with switch is dangerous and must be repaired.
- **Disconnect the plug from the power source and/or the battery pack from the power tool before making any adjustments, changing accessories, or storing power tools.** Such preventive safety measures reduce the risk of starting the power tool accidentally.
- **Store idle power tools out of the reach of children**

and do not allow persons unfamiliar with the power tool or these instructions to operate the power tool. Power tools are dangerous in the hands of untrained users.

- **Maintain power tools. Check for misalignment or binding of moving parts, breakage of parts and any other condition that may affect the power tool's operation. If damaged, have the power tool repaired before use.** Many accidents are caused by poorly maintained power tools.
- **Keep cutting tools sharp and clean.** Properly maintained cutting tools with sharp cutting edges are less likely to bind and are easier to control.
- **Use the power tool, accessories and tool bits etc. in accordance with these instructions, taking into account the working conditions and the work to be performed.** Use of the power tool for operations different from those intended could result in a hazardous situation.

#### BATTERY TOOL USE AND CARE

- **Recharge only with the charger specified by the manufacturer.** A charger that is suitable for one type of battery pack may create a risk of fire when used with another battery pack.
- **Use power tools only with specifically designated battery packs.** Use of any other battery packs may create a risk of injury and fire.
- **When battery pack is not in use, keep it away from other metal objects, like paper clips, coins, keys, nails, screws or other small metal objects, that can make a connection from one terminal to another.** Shorting the battery terminals together may cause burns or a fire.
- **Under abusive conditions, liquid may be ejected from the battery; avoid contact. If contact accidentally occurs, flush with water. If liquid contacts eyes, additionally seek medical help.** Liquid ejected from the battery may cause irritation or burns.

#### SERVICE

- **Have your power tool serviced by a qualified repair person using only identical replacement parts.** This will ensure that safety of the power tool is maintained.

#### CORDLESS LOPPER SAFETY WARNINGS

##### DANGER

Keep hands away from the blade. Contact with the blade will result in serious personal injury.

- Never allow children, persons with reduced physical, sensory, or mental capabilities or lack of experience and knowledge, or people unfamiliar with these instructions to use the product. Local restrictions may limit the age of operator.
- The product has a fixed length of 0.85m.

- Do not use the product when there is a possibility of thunderstorm or lightning. Store the product safely indoors.
- Beware of overhead power lines.
- Ensure all guards and handles are properly fitted and are in good condition.
- Wear full eye and head protection while operating the product.
- Wear heavy long trousers, boots, and gloves. Do not wear loose fitting clothing, accessories, or use the product with bare feet.
- Do not start using the product until you have a clear work area, secure footing, and a planned retreat path away from the falling branches or limbs.
- Do not use the product while tired, ill, or under the influence of drugs, alcohol, or medication.
- During operation, hold the product with both hands. Use one hand to firmly grasp the front hand grip. Use the other hand to grasp the rear handle and operate the trigger release and on/off trigger.
- Ensure that the lopper is correctly located in a designated working position before starting the product.
- Never operate the product with the cutting means closer than 10 m from overhead power lines.
- Take frequent work breaks. Limit the amount of exposure per day.
- Keep firm footing and balance. Do not overreach. Overreaching can result in loss of balance and can result in serious injury.
- Do not operate the lopper with a damaged or excessively worn cutting device.
- Do not modify the product in any way or use it to power any attachments or devices not recommended by the manufacturer.
- Identify the quick release mechanism and practice using it before you start using the product. Its correct use may prevent serious injury in the case of an emergency. Never wear additional clothing over the harness or otherwise restrict access to the quick release mechanism
- Do not operate the product in poor lighting. Use the product in daylight or good artificial light.
- Do not operate the lopper if the cutting mechanism does not work properly.
- To protect yourself from falling branches, do not stand directly under the branch or limb being cut. This product should not be held at an angle over 60° from ground level.
- Turn off the product and remove the battery pack. Make sure all moving parts have come to a complete stop:
  - before servicing
  - before clearing a blockage
  - before checking, cleaning, and working on the product
  - before changing accessories
  - after striking a foreign object
  - before leaving the product unattended
  - before performing maintenance



- Keep the product clean of clippings and other materials. They may become lodged between the jaw and blade.

#### ADDITIONAL SAFETY WARNINGS

- Do not let familiarity gained from frequent use of tools allow you to become complacent and ignore tool safety principles. A careless action can cause severe injury within a fraction of a second.
- Keep handles and grasping surfaces dry, clean, and free from oil and grease. Slippery handles and grasping surfaces do not allow for safe handling and control of the tool in unexpected situations.
- Do not cut where there is a risk of hidden wiring.
- Do not cut wires.
- Keep the working area free from wires and cables (example: fairy lights).
- Do not use a battery pack or tool that is damaged or modified. Damaged or modified batteries may exhibit unpredictable behaviour resulting in fire, explosion or risk of injury.
- Do not expose a battery pack or tool to fire or excessive temperature. Exposure to fire or temperature above 130° C may cause explosion.
- Follow all charging instructions and do not charge the battery pack or tool outside the temperature range specified in the instructions. Charging improperly or at temperatures outside the specified range may damage the battery and increase the risk of fire.
- Never service damaged battery packs. Service of battery packs should only be performed by the manufacturer or authorised service providers.
- Keep the area clear of all bystanders, children, and pets while cutting.
- When cutting a limb under tension, be alert for spring back so that you will not be struck when the tension in the wood fibers is released.
- Maintain product with care. Keep the cutting edge sharp and clean for best performance and to reduce the risk of injury. Follow the instructions for lubricating and changing accessories.
- Keep handles dry, clean, and free from oil and grease.
- Before use and after any impact, check that there are no damaged parts. Any part that is damaged should be properly repaired or replaced by an authorised service centre.
- If the product is dropped, suffers heavy impact, or begins to vibrate abnormally, immediately stop the product and inspect for damage or identify the cause of the vibration. Any damage should be properly repaired or replaced by an authorised service centre.
- Check for damaged parts. Before further use of the product, a guard or other part that is damaged should be carefully checked to determine that it will operate properly and perform its intended function.
- Service on the product must be performed by qualified repair personnel only. Service or maintenance performed by unqualified personnel could result in injury to the user or damage to the product.
- Save these instructions. Refer to them frequently and

use them to instruct others who may use the product. If you loan someone the product, loan them these instructions also to prevent misuse of the product and possible injury.

#### ADDITIONAL BATTERY SAFETY WARNINGS

##### ⚠ WARNING

To reduce the risk of fire, personal injury, and product damage due to a short circuit, never immerse your tool, battery pack or charger in fluid or allow a fluid to flow inside them. Corrosive or conductive fluids, such as seawater, certain industrial chemicals, and bleach or bleach-containing products, etc., can cause a short circuit.

#### TRANSPORTATION AND STORAGE

- Stop the product, remove the battery pack, and allow it to cool before storing or transporting.
- Clean all foreign material from the product.
- After each use, clean the body and handles of the product with a soft, dry cloth.
- After each use, clean the debris from the blades with a stiff brush, and then carefully apply a rust-preventative lubricant before refitting the blade protector. Use a recommended rust-preventative lubricant spray to apply an even distribution and reduce the risk of personal injury from contact with the blades. For information about suitable spray product, check with your local authorised service centre.
- Lubricate the blades lightly before and after use if necessary using the above method.
- For transportation in a vehicle, secure the product against movement or falling to prevent injury to persons or damage to the product.
- Store the product in a cool, dry, and well-ventilated place that is inaccessible to children. Keep away from corrosive agents such as garden chemicals and de-icing salts. Do not store outdoors.

#### TRANSPORTING LITHIUM BATTERIES

Transport the battery in accordance with local and national provisions and regulations.

Follow all special requirements on packaging and labelling when transporting batteries by a third party. Ensure that no batteries can come in contact with other batteries or conductive materials while in transport by protecting exposed connectors with insulating, nonconductive caps or tape. Do not transport batteries that are cracked or leaking. Check with the forwarding company for further advice.



## MAINTENANCE

### WARNING

Use only original manufacturer's replacement parts, accessories, and attachments. Failure to do so can cause possible injury, can contribute to poor performance, and may void your warranty.

### WARNING

Before inspecting, cleaning, or servicing the product; stop the motor, wait for all moving parts to stop, and remove the battery. Failure to follow these instructions can result in serious personal injury or property damage.

### WARNING

Servicing requires extreme care and knowledge and should be performed only by a qualified service technician. Have the product serviced by an authorised service centre only. When servicing, use only original replacement parts.

- Turn off and remove the battery pack before conducting any maintenance or cleaning work.
- You may make adjustments and repairs described in this manual. For other repairs, contact an authorised service centre.
- After each use, clean the product with a soft, dry cloth. Any part that is damaged should be properly repaired or replaced by an authorised service centre.
- Check all nuts, bolts, and screws at frequent intervals for proper tightness to ensure that the product is in safe working condition.
- Avoid using solvents when cleaning plastic parts. Most plastics are susceptible to damage from various types of commercial solvents and may be damaged by their use. Use clean cloths to remove dirt, dust, oil, or grease.
- Do not at any time let brake fluids, gasoline, petroleum-based products, or penetrating oils, come in contact with plastic parts. Chemicals can damage, weaken or destroy plastic which may result in serious personal injury.

**NOTE:** To ensure long and reliable service, carry out the following maintenance regularly.

- Check for obvious defects such as loose, dislodged, or damaged blade; loose fixings; and worn or damaged components.
- Check if the covers and guards are undamaged and correctly fitted. Carry out necessary maintenance or repairs before using the product.
- Always clean the cutting blades after operation.
- Visually check the condition of the cutting edges of the cutting blade. Any damaged blade should be properly repaired or replaced by an authorised service centre.
- Store the product and make sure the cutting mechanism has stopped before setting the product down.

## CLEARING A BLOCKAGE

See pages 147 - 148.

- If the blades are jammed by splinters or bark between the blades and can't be released by pushing the trigger 3 to 4 times, follow this procedure:
  - Wear goggles and gloves.
  - Remove the battery.
  - Use a piece of wood or a rubber hammer and hit against the blade.
  - Apply force only to the area where the blade is shown. Do not hit the spring.
- Be aware of the spring-loaded blades. Keep hands away from the blades, they will open suddenly.
- When the blockage debris has cleared:
  - Insert the battery.
  - When the blades are released, push the trigger before continuing to cut so that the blades can open fully.

## RESIDUAL RISKS

Even when the product is used as prescribed, it is still impossible to completely eliminate certain residual risk factors. The following hazards may arise in use and the operator should pay special attention to avoid the following:

- injury caused by vibration
  - Always use the right tool for the job, use designated handles and restrict working time and exposure.
- injury caused by contact with blades
  - Ensure that the blade protectors are fitted when the product is not in use. Keep hands and feet away from the blades at all times.
- injury caused by thrown-out pieces of the workpiece (wood chips, splinters)
  - Wear eye and head protection at all times.

## RISK REDUCTION

It has been reported that vibrations from hand-held tools may contribute to a condition called Raynaud's Syndrome in certain individuals. Symptoms may include tingling, numbness, and blanching of the fingers, usually apparent upon exposure to cold. Hereditary factors, exposure to cold and dampness, diet, smoking, and work practices are all thought to contribute to the development of these symptoms. There are measures that can be taken by the operator to possibly reduce the effects of vibration:

- Keep your body warm in cold weather. When operating the product, wear gloves to keep the hands and wrists warm. It is reported that cold weather is a major factor contributing to Raynaud's Syndrome.
- After each period of operation, exercise to increase blood circulation.
- Take frequent work breaks. Limit the amount of exposure per day.

If you experience any of the symptoms of this condition, immediately discontinue use and see your physician.

## ⚠ WARNING

Injuries may be caused or aggravated by prolonged use of a tool. When using any tool for prolonged periods, ensure you take regular breaks.

## KNOW YOUR PRODUCT

See page 141.

1. Cutting blade
2. Hook
3. Handle
4. Lock out trigger
5. Battery port
6. Trigger
7. Blade sheath

## SYMBOLS ON THE PRODUCT



Safety alert



Please read the instructions carefully before starting the product.



Wear eye, ear, and head protection.



Wear non-slip, heavy-duty protective gloves.



Wear non-slip safety footwear when using the product.



Do not expose to rain or damp condition.



Electrical hazard. Keep at least 10 m away from the overhead electric-powered lines.



Beware of thrown or flying objects. Keep all bystanders, especially children and pets, at least 15m away from the operating area.



Keep hands away from blades.



Remove the battery pack before starting any work on the product.



Waste electrical products should not be disposed of with household waste. Please recycle where facilities exist. Check with your Local Authority or retailer for recycling advice.



Conforms to all regulatory standards in the country in the EU where the product is purchased.



EurAsian Conformity Mark



Ukrainian mark of conformity

## SYMBOLS IN THIS MANUAL



Lock



Unlock



Parts or accessories sold separately



Note



Warning

The following signal words and meanings are intended to explain the levels of risk associated with this product:

### ⚠ DANGER

Indicates an imminently hazardous situation, which, if not avoided, will result in death or serious injury.

### ⚠ WARNING

Indicates a potentially hazardous situation, which, if not avoided, could result in death or serious injury.

### ⚠ CAUTION

Indicates a potentially hazardous situation, which, if not avoided, may result in minor or moderate injury.

### CAUTION

Without safety alert symbol

Indicates a situation that may result in property damage.

EN

FR

DE

ES

IT

NL

PT

DA

SV

FI

NO

RU

CS

PL

HU

RO

LV

LT

ET

HR

SL

SK

BG

UK

TR





Lors de la conception de l'ébrancheur sans fil, l'accent a été mis sur la sécurité, les performances et la fiabilité.

### UTILISATION PRÉVUE

L'ébrancheur sans fil est destiné à un usage en extérieur. Pour des raisons de sécurité, l'appareil doit être manipulé de manière appropriée, en utilisant les deux mains.

Le produit est conçu pour couper et élaguer les branchages de toutes tailles. Ne pas utiliser le produit pour couper des éléments autres que le bois. Le produit est destiné à être utilisé pour l'élagage des branches d'un diamètre maximal de 32 mm (bois tendres) et de 28 mm (bois durs). Ne pas couper de branches épaisses d'un diamètre supérieur aux valeurs indiquées.

Le produit a une longueur fixe de 0,85 m.

N'utilisez pas le produit pour un usage autre que ceux listés ci-dessus. Le produit ne doit pas être utilisé par des enfants ou par des personnes ne portant pas des équipements et vêtements de sécurité.

### AVERTISSEMENTS GÉNÉRAUX CONCERNANT LES OUTILS ÉLECTRIQUES

#### ⚠ AVERTISSEMENT

**Lire tous les avertissements de sécurité et toutes les instructions.** Ne pas suivre les avertissements et instructions peut donner lieu à un choc électrique, un incendie et/ou une blessure sérieuse.

**Conserver tous les avertissements et toutes les instructions pour pouvoir s'y reporter ultérieurement.**

Le terme «outil» dans les avertissements fait référence à votre outil électrique alimenté par le secteur (avec cordon d'alimentation) ou votre outil fonctionnant sur batterie (sans cordon d'alimentation).

### SÉCURITÉ DE LA ZONE DE TRAVAIL

- **Conserver la zone de travail propre et bien éclairée.** Les zones en désordre ou sombres sont propices aux accidents.
- **Ne pas faire fonctionner les outils électriques en atmosphère explosive, par exemple en présence de liquides inflammables, de gaz ou de poussières.** Les outils électriques produisent des étincelles qui peuvent enflammer les poussières ou les fumées.
- **Maintenir les enfants et les personnes présentes à l'écart pendant l'utilisation de l'outil.** Les distractions peuvent vous faire perdre le contrôle de l'outil.

### SÉCURITÉ ÉLECTRIQUE

- **Il faut que les fiches de l'outil électrique soient adaptées au socle. Ne jamais modifier la fiche de quelque façon que ce soit. Ne pas utiliser d'adaptateurs avec des outils à branchement de terre.** Des fiches non modifiées et des socles adaptés réduiront le risque de choc électrique.
- **Éviter tout contact du corps avec des surfaces reliées à la terre telles que les tuyaux, les radiateurs, les cuisinières et les réfrigérateurs.** Il

existe un risqué accru de choc électrique si votre corps est relié à la terre.

- **Ne pas exposer les outils à la pluie ou à des conditions humides.** La pénétration d'eau à l'intérieur d'un outil augmentera le risque de choc électrique.
- **Ne pas maltraiter le cordon. Ne jamais utiliser le cordon pour porter, tirer ou débrancher l'outil. Maintenir le cordon à l'écart de la chaleur, du lubrifiant, des arêtes ou des parties en mouvement.** Des cordons endommagés ou emmêlés augmentent le risque de choc électrique.
- **Lorsqu'on utilise un outil à l'extérieur, utiliser un prolongateur adapté à l'utilisation extérieure.** L'utilisation d'un cordon adapté à l'utilisation extérieure réduit le risque de choc électrique.
- **Si l'usage d'un outil dans un emplacement humide est inévitable, utiliser une alimentation protégée par un dispositif à courant différentiel résiduel (RCD).** L'usage d'un RCD réduit le risque de choc électrique.

### SÉCURITÉ DES PERSONNES

- **Rester vigilant, regarder ce que vous êtes en train de faire et faire preuve de bon sens dans votre utilisation de l'outil. Ne pas utiliser un outil lorsque vous êtes fatigué ou sous l'emprise de drogues, d'alcool ou de médicaments.** Un moment d'inattention en cours d'utilisation d'un outil peut entraîner des blessures graves des personnes.
- **Utiliser un équipement de sécurité. Toujours porter une protection pour les yeux.** Les équipements de sécurité tels que les masques contre les poussières, les chaussures de sécurité antidérapantes, les casques ou les protections acoustiques utilisés pour les conditions appropriées réduiront les blessures de personnes.
- **Éviter tout démarrage intempestif. S'assurer que l'interrupteur est en position arrêté avant de brancher l'outil au secteur et/ou au bloc de batteries, de le ramasser ou de le porter.** Porter les outils en ayant le doigt sur l'interrupteur ou brancher des outils dont l'interrupteur est en position marche est source d'accidents.
- **Retirer toute clé de réglage avant de mettre l'outil en marche.** Une clé laissée fixée sur une partie tournante de l'outil peut donner lieu à des blessures de personnes.
- **Ne pas se précipiter. Garder une position et un équilibre adaptés à tout moment.** Cela permet un meilleur contrôle de l'outil dans des situations inattendues.
- **S'habiller de manière adaptée. Ne pas porter de vêtements amples ou de bijoux. Garder les cheveux, les vêtements et les gants à distance des parties en mouvement.** Des vêtements amples, des bijoux ou les cheveux longs peuvent être pris dans des parties en mouvement.
- **Si des dispositifs sont fournis pour le raccordement d'équipements pour l'extraction et la récupération des poussières, s'assurer qu'ils sont connectés et correctement utilisés.** Utiliser des collecteurs de poussière peut réduire le risqué dus aux poussières.





EN
FR
DE
ES
IT
NL
PT
DA
SV
FI
NO
RU
PL
CS
HU
RO
LV
LT
ET
HR
SL
SK
BG
UK
TR

## UTILISATION ET ENTRETIEN DES OUTILS ÉLECTRIQUES

- **Ne pas forcer l'outil. Utiliser l'outil adapté à votre application.** L'outil adapté réalisera mieux le travail et de manière plus sûre au régime pour lequel il a été construit.
- **Ne pas utiliser l'outil si l'interrupteur ne permet pas de passer de l'état de marche à arrêt et vice versa.** Tout outil qui ne peut pas être commandé par l'interrupteur est dangereux et il faut le réparer.
- **Débrancher la fiche de la source d'alimentation en courant et/ou le bloc de batteries de l'outil avant tout réglage, changement d'accessoires ou avant de ranger l'outil.** De telles mesures de sécurité préventives réduisent le risque de démarrage accidentel de l'outil.
- **Conserver les outils à l'arrêt hors de la portée des enfants et ne pas permettre à des personnes ne connaissant pas l'outil ou les présentes instructions de le faire fonctionner.** Les outils sont dangereux entre les mains d'utilisateurs novices.
- **Observer la maintenance de l'outil. Vérifier qu'il n'y a pas de mauvais alignement ou de blocage des parties mobiles, des pièces cassées ou toute autre condition pouvant affecter le fonctionnement de l'outil. En cas de dommages, faire réparer l'outil avant de l'utiliser.** De nombreux accidents sont dus à des outils mal entretenus.
- **Garder affûtés et propres les outils permettant de couper.** Des outils destinés à couper correctement entretenus avec des pièces coupantes tranchantes sont moins susceptibles de bloquer et sont plus faciles à contrôler.
- **Utiliser l'outil, les accessoires et les lames etc., conformément à ces instructions, en tenant compte des conditions de travail et du travail à réaliser.** L'utilisation de l'outil pour des opérations différentes de celles prévues pourrait donner lieu à des situations dangereuses.

## UTILISATION DES OUTILS FONCTIONNANT SUR BATTERIES ET PRÉCAUTIONS D'EMPLOI

- **Ne recharger qu'avec le chargeur spécifié par le fabricant.** Un chargeur qui est adapté à un type de bloc de batteries peut créer un risque de feu lorsqu'il est utilisé avec un autre type de bloc de batteries.
- **N'utiliser les outils qu'avec des blocs de batteries spécifiquement désignés.** L'utilisation de tout autre bloc de batteries peut créer un risque de blessure et de feu.
- **Lorsqu'un bloc de batteries n'est pas utilisé, le maintenir à l'écart de tout autre objet métallique, par exemple trombones, pièces de monnaie, clés, clous, vis ou autres objets de petite taille qui peuvent donner lieu à une connexion d'une borne à une autre.** Le court-circuitage des bornes d'une batterie entre elles peut causer des brûlures ou un feu.
- **Dans de mauvaises conditions, du liquide peut être éjecté de la batterie; éviter tout contact. En cas de contact accidentel, nettoyer à l'eau. Si le liquide**

**entre en contact avec les yeux, rechercher en plus une aide médicale.** Le liquide éjecté des batteries peut causer des irritations ou des brûlures.

## MAINTENANCE ET ENTRETIEN

- **Faire entretenir l'outil par un réparateur qualifié utilisant uniquement des pièces de rechange identiques.** Cela assurera que la sécurité de l'outil est maintenue.

## MISES EN GARDE DE SÉCURITÉ CONCERNANT L'ÉBRANCHEUR

### DANGER

Ne pas approcher les mains de la lame. Le contact avec la lame peut entraîner de graves blessures.

- Ne laissez jamais les enfants, les personnes aux capacités physiques, sensorielles ou mentales réduites ou manquant d'expérience et de connaissances, ou les personnes non familiarisées avec ces instructions utiliser ce produit. Les lois locales peuvent imposer un âge minimum à l'opérateur.
- Le produit a une longueur fixe de 0,85 m.
- N'utilisez jamais le produit en cas de risque d'orage ou d'éclairs. Rangez le produit en sécurité à l'intérieur.
- Prendre garde aux lignes électriques aériennes.
- Assurez-vous que toutes les protections et poignées sont bien en place et en bon état.
- Portez une protection auditive et oculaire totale lorsque vous utilisez ce produit.
- Portez toujours un pantalon long et épais, des bottes et des gants. Ne pas porter de vêtements ou d'accessoires non ajustés, ni utiliser le produit sans chaussures.
- Ne commencez pas à utiliser le produit avant de disposer d'une aire de travail dégagée, d'avoir un bon appui au sol, ainsi qu'un chemin de repli éloigné de la zone de chute des branches.
- N'utilisez pas d'outil électrique si vous êtes fatigué ou sous l'influence de l'alcool, de drogues ou de médicaments.
- En cours d'opération, maintenez le produit des deux mains. Agrippez fermement la poignée avant avec une main. Agrippez la poignée arrière avec l'autre main et agissez sur le verrouillage de gâchette et sur la gâchette marche/arrêt.
- S'assurer que le produit est correctement placé dans une position de travail avant de démarrer le produit.
- Ne jamais utiliser le produit avec les accessoires de coupe à moins de 10 m des lignes aériennes.
- Faites des pauses fréquentes. Limitez la quantité d'exposition journalière.
- Gardez un bon appui et un bon équilibre. Ne pas se précipiter. Un travail en extension excessive peut entraîner une perte d'équilibre et provoquer de graves blessures.
- N'utilisez pas la machine si son dispositif de coupe est endommagé ou usé de façon excessive.





- Ne modifiez la machine d'aucune façon et n'utilisez pas de pièces ou accessoires non recommandés par le fabricant.
- Repérez le mécanisme de libération rapide et entraînez-vous à sa manipulation avant de commencer à utiliser la machine. Son utilisation correcte peut empêcher de graves blessures en cas d'urgence. Ne portez jamais aucun vêtement supplémentaire par dessus le harnais qui serait susceptible de gêner le fonctionnement du mécanisme de libération rapide.
- N'utilisez pas cet outil dans une zone mal éclairée. Veillez à ce que votre zone de travail soit bien éclairée (lumière du jour ou lumière artificielle).
- Ne pas utiliser l'ébrancheur si le mécanisme de coupe ne fonctionne pas correctement.
- Pour vous protéger des chutes de branches, ne vous tenez pas directement sous la branche que vous êtes en train de couper. Le produit ne doit pas être tenu à un angle supérieur à 60° par rapport au sol.
- Afin de réduire le risque de blessure causée par des pièces mobiles en contact, toujours arrêter le produit, s'assurer que toutes les pièces mobiles se sont immobilisées et retirer la batterie avant :
  - nettoyer ou dégager la cause d'un blocage
  - laisser le produit sans surveillance
  - mettre en place ou retirer des accessoires
  - travailler sur le produit, de le vérifier ou de l'entretenir
- Maintenir le produit exempt de copeaux et autres matériaux. Ceux-ci pourraient venir se loger entre la mâchoire et la lame.

#### INSTRUCTIONS DE SÉCURITÉ ADDITIONNELLES

- Ne pas relâcher sa vigilance en cas d'utilisation fréquente de certains outils et ne pas ignorer les principes de sécurité des outils.
- Une action imprudente peut entraîner de graves blessures en une fraction de seconde.
- Gardez les poignées et les surfaces de préhension sèches, propres et exemptes d'huile et de graisse.
- Des poignées et des surfaces de préhension glissantes ne permettent pas une manipulation et un contrôle de l'outil en toute sécurité en cas de situation imprévue.
- Ne pas utiliser un outil ou un pack de batterie endommagé ou modifié.
- Des batteries endommagées ou modifiées peuvent présenter un comportement imprévisible pouvant causer un incendie, une explosion ou un risque de blessure.
- Ne pas exposer un outil ou un pack de batterie au feu ou à des températures excessives.
- L'exposition au feu ou à des températures excessives supérieures à 130 °C peut provoquer une explosion.
- Suivre toutes les instructions de chargement et ne pas charger l'outil ou le pack de batterie en dehors de la plage de températures spécifiée dans les instructions.
- Un chargement incorrect ou à des températures en dehors de la plage spécifiée peut endommager la batterie et augmenter le risque d'incendie.

#### MISES EN GARDE DE SÉCURITÉ SUPPLÉMENTAIRES CONCERNANT LA BATTERIE

##### AVERTISSEMENT

Pour réduire le risque d'incendie, de blessures corporelles et de dommages cau-sés par un court-circuit, ne jamais immerger l'outil, le bloc-piles ou le chargeur dans un liquide ou laisser couler un fluide à l'intérieur de celui-ci. Les fluides corrosifs ou conducteurs, tels que l'eau de mer, certains produits chim-iques industriels, les produits de blanchiment ou de blanchi-ment, etc., Peuvent provoquer un court-circuit.





EN
FR
DE
ES
IT
NL
PT
DA
SV
FI
NO
RU
PL
CS
HU
RO
LV
LT
ET
HR
SL
SK
BG
UK
TR

## TRANSPORT ET STOCKAGE

- Arrêtez le produit, retirez la batterie, et laissez-les refroidir avant de les ranger ou de les transporter.
- Débarrassez l'appareil de tous les corps étrangers.
- Après chaque utilisation, utilisez un chiffon propre et sec pour nettoyer le corps et les poignées du produit.
- Après chaque utilisation, retirez les débris des lames à l'aide d'une brosse dure, puis appliquez délicatement un lubrifiant antirouille avant de remettre en place le protège-lame. Pour une distribution régulière et pour réduire le risque de blessure lié au contact avec les lames, utiliser un spray de lubrifiant anti-rouille recommandé. Pour obtenir des informations sur un aérosol adapté, contactez votre service après-vente agréé local.
- Lubrifier légèrement les lames avant et après utilisation si nécessaire, en observant la méthode décrite plus haut.
- Pour le transport dans un véhicule, empêcher tout mouvement ou chute du produit pour éviter les blessures physiques, les dégradations du produit ou la perte de carburant.
- Rangez la en un endroit frais, sec et correctement ventilé, hors de portée des enfants. Ne la rangez pas à proximité d'agents corrosifs tels que produits chimiques de jardinage ou sels de dégel. Ne rangez pas à l'extérieur.

## TRANSPORT DES BATTERIES AU LITHIUM

Transportez les batteries en conformité avec les dispositions et règlements locaux et nationaux. Respectez toutes les exigences légales particulières concernant l'emballage et l'étiquetage des batteries lorsque vous confiez leur transport à un tiers. Assurez-vous qu'aucune batterie ne puisse entrer en contact avec une autre batterie ou avec des matériaux conducteurs lors de son transport en isolant les bornes électriques avec du ruban adhésif ou des capuchons isolants. Ne transportez pas une batterie qui serait fendue ou qui fuirait. Demandez conseil au transporteur pour de plus amples informations.

## ENTRETIEN

**⚠ AVERTISSEMENT**

N'utilisez que des pièces détachées et accessoires d'origine constructeur. Le non respect de cette précaution peut entraîner de mauvaises performances, des blessures, et annuler votre garantie.

**⚠ AVERTISSEMENT**

Avant de procéder à l'inspection, au nettoyage ou à l'entretien du produit, arrêtez le moteur, attendez l'arrêt des pièces en mouvement et retirez la batterie. Le non respect de ces consignes peut entraîner de graves blessures ou d'importants dégâts matériels.

## ⚠ AVERTISSEMENT

Les réparations demandent un soin et des connaissances extrêmes et ne doivent être effectuées que par un réparateur qualifié. Pour l'entretien et les réparations, apportez le produit à un service après-vente agréé. N'utilisez que des pièces détachées d'origine constructeur pour les opérations d'entretien.

- Coupez l'alimentation et retirez le pack batterie avant toute opération d'entretien ou de nettoyage.
- Vous pouvez effectuer les réglages et réparations décrits dans ce manuel. Pour d'autres réparations ou conseils, faites vous assister par un service après-vente agréé.
- Après chaque utilisation, utilisez un chiffon propre et sec pour nettoyer le produit. Toute pièce endommagée doit être correctement remplacée ou réparée par un service après-vente agréé.
- Vérifier le bon serrage de tous les écrous, boulons et vis avant chaque utilisation et régulièrement pour s'assurer que le produit est en bon état de marche.
- Evitez d'utiliser des solvants pour nettoyer les parties en plastique. La plupart des plastiques sont susceptibles d'être endommagés par un grand nombre de solvants du commerce. Utilisez des chiffons propres pour retirer la saleté, les poussières, l'huile, la graisse, etc.
- Ne laissez jamais du liquide de frein, de l'essence, des produits pétroliers, des huiles pénétrantes, etc. entrer en contact avec les parties en plastique. Les produits chimiques peuvent endommager, affaiblir ou détruire les plastiques, ce qui pourrait entraîner de graves blessures.

**REMARQUE:** Pour garantir la fiabilité et la longue durée de vie utile de la machine, procéder régulièrement aux travaux de maintenance suivants.

- Vérifiez l'appareil du point de vue des défauts visibles comme une lame mal serrée, délogée ou endommagée, une fixation desserrée et des composants usés ou endommagés.
- Vérifiez que les caches et les protections ne sont pas endommagés et sont correctement fixés. Effectuez les travaux nécessaires de maintenance et de réparation avant d'utiliser le produit.
- Toujours nettoyer les lames après utilisation.
- Vérifier visuellement l'état des bords tranchants de la lame de coupe. Toute lame endommagée doit être correctement réparée ou remplacée auprès d'un centre agréé de service après-vente.
- Remiser le produit et vérifier que le mécanisme de coupe s'est arrêté avant de poser le produit.

## DÉGAGEMENT D'UN BLOCAGE

Voir pages 147 - 148.

- Si les lames sont bloquées par des éclats de bois ou des morceaux d'écorce et qu'elles ne peuvent être dégagées, observer la procédure suivante :
  - Porter des lunettes et des gants.
  - Retirez le pack batterie.





- Frapper la lame avec un morceau de bois ou un maillet en caoutchouc.
- Exercer une force uniquement à l'endroit indiqué. Ne pas frapper le ressort.
- Faire attention aux lames à ressort. Ne pas approcher les mains des lames, celles-ci s'ouvriront subitement.
- Une fois le blocage dégageé :
  - Insérer la batterie.
  - Une fois les lames dégagées, appuyer sur la gâchette avant de poursuivre la coupe. Ceci permettra aux lames de s'ouvrir complètement.

## RISQUES RÉSIDUELS

Même lorsque le produit est utilisé selon les prescriptions, il reste impossible d'éliminer totalement certains facteurs de risque résiduels. Les dangers suivants risquent de se présenter en cours d'utilisation et l'utilisateur doit prêter particulièrement garde à ce qui suit:

- Blessures dues aux vibrations
  - Utilisez toujours un outil adapté au travail à effectuer, servez-vous des poignées appropriées et limitez le temps de travail et d'exposition.
- Contact avec les lames
  - S'assurer que les protections des lames sont en place lorsque le produit n'est pas utilisé. Gardez en permanence vos pieds et vos mains éloignés des lames.
- Éléments projetés en provenance de l'élément coupé (copeaux, éclats)

## RÉDUCTION DES RISQUES

Il a été reporté que les vibrations engendrées par les outils à main peuvent contribuer à l'apparition d'un état appelé le Syndrome de Raynaud chez certaines personnes. Les symptômes peuvent comprendre des fourmillements, un engourdissement et un blanchiment des doigts, généralement par temps froid. Des facteurs héréditaires, l'exposition au froid et à l'humidité, le régime alimentaire, le tabagisme et les habitudes de travail peuvent contribuer au développement de ces symptômes. Certaines mesures peuvent être prises par l'utilisateur pour aider à réduire les effets des vibrations:

- Gardez votre corps au chaud par temps froid. Lorsque vous utilisez le produit, portez des gants afin de garder vos mains et vos poignets au chaud. Le temps froid est considéré comme un facteur contribuant très largement à l'apparition du Syndrome de Raynaud.
- Après chaque session de travail, pratiquez des exercices qui favorisent la circulation sanguine.
- Faites des pauses fréquentes. Limitez la quantité d'exposition journalière.

Si vous ressentez l'un des symptômes associés à ce syndrome, arrêtez immédiatement le travail et consultez votre médecin pour lui en faire part.

## ⚠ AVERTISSEMENT

L'utilisation prolongée d'un outil est susceptible de provoquer ou d'aggraver des blessures. Assurez-vous de faire des pauses de façon régulière lorsque vous utilisez tout outil de façon prolongée.

## APPRENEZ À CONNAÎTRE VOTRE PRODUIT

Voir page 141.

1. Lame de coupe
2. Logement du manche
3. Manette de verrouillage
4. Gâchette
5. Gaine de la lame
6. Crochet

## SYMBOLES APPLIQUÉS SUR LE PRODUIT



Alerte de sécurité



Veillez lire attentivement le mode d'emploi avant de démarrer la machine.



Portez une protection oculaire et auditive ainsi qu'un casque.



Portez des gants de protection solides et antidérapants.



Portez des chaussures de sécurité antidérapantes lorsque vous utilisez le produit.



N'exposez pas ce produit à la pluie ou à des conditions humides.



Danger électrique. Restez éloigné d'au moins 10 m des lignes électriques aériennes.



Prenez garde à la projection d'objets au sol et dans les airs. Gardez tous les passants, en particulier les enfants et les animaux, éloignés d'au moins 15m de distance de la zone de travail.



Gardez vos mains à l'écart des lames.



Cet outil est conforme à l'ensemble des normes réglementaires du pays de l'UE où il a été acheté.



Marque de conformité d'Eurasie





Marque de conformité ukrainienne



Les produits électriques hors d'usage ne doivent pas être jetés avec les ordures ménagères. Recyclez-les par l'intermédiaire des structures disponibles. Contactez les autorités locales ou votre distributeur pour vous renseigner sur les conditions de recyclage.

EN
<b>FR</b>
DE
ES
IT
NL
DA
SV
FI
NO
RU
PL
CS
HU
RO
LV
LT
ET
HR
SL
SK
BG
UK
TR

### SYMBOLES DE CE MANUEL



Verrouillage



Déverrouillage



Pièces détachées et accessoires vendus séparément



Remarque



Avertissement

Les signaux et mots suivants sont destinés à indiquer le niveau de risque associé au produit :

**⚠ DANGER**

Imminence d'un danger qui, si l'on n'y prend garde, peut entraîner la mort ou des blessures graves.

**⚠ AVERTISSEMENT**

Situation potentiellement dangereuse qui, si l'on n'y prend garde, peut entraîner la mort ou des blessures graves.

**⚠ ATTENTION**

Situation potentiellement dangereuse qui, si l'on n'y prend garde, peut entraîner des blessures moyennes ou légères.

**ATTENTION**

Sans symbole d'alerte de sécurité

Indique une situation pouvant entraîner des dommages matériels.

Sicherheit, Leistung und Zuverlässigkeit hatten oberste Priorität bei der Entwicklung Ihrer Akku-Astschere.

### BESTIMMUNGSGEMÄSSE VERWENDUNG

Die Akku-Astschere ist für den Gebrauch im Freien vorgesehen. Aus Sicherheitsgründen muss das Produkt durch die Benutzung immer mit beiden Händen immer ausreichend kontrolliert werden.

Das Produkt ist zum Schneiden und Entasten von kleinen Ästen und Zweigen vorgesehen. Schneiden Sie mit dem Produkt keine Gegenstände, die nicht aus Holz sind. Das Produkt ist zum Schneiden von Ästen mit einem Durchmesser von bis zu 32 mm (Weichholz) und bis zu 28 mm (Hartholz) vorgesehen. Schneiden Sie keine dicken Äste, deren Durchmesser diese Werte überschreitet.

Das Produkt hat eine fixe Länge von 0,85m.

Verwenden Sie das Produkt nicht für andere, als die oben aufgeführten Zwecke. Das Produkt darf nicht von Kindern oder Personen, die nicht die erforderliche persönliche Schutzausstattung und -kleidung tragen, verwendet werden.

### ALLGEMEINE SICHERHEITSHINWEISE FÜR ELEKTROWERKZEUGE

#### ⚠️ WARNUNG

Lesen Sie alle Sicherheitshinweise und Anweisungen. Versäumnisse bei der Einhaltung der Sicherheitshinweise und Anweisungen können elektrischen Schlag, Brand und/oder schwere Verletzungen verursachen.

Bewahren Sie alle Sicherheitshinweise und Anweisungen für die Zukunft auf.

Der in den Sicherheitshinweisen verwendete Begriff „Elektrowerkzeug“ bezieht sich auf netzbetriebene Elektrowerkzeuge (mit Netzkabel) und auf akkubetriebene Elektrowerkzeuge (ohne Netzkabel).

### ARBEITSPLATZSICHERHEIT

- Halten Sie Ihren Arbeitsbereich sauber und gut beleuchtet. Unordnung oder unbeleuchtete Arbeitsbereiche können zu Unfällen führen.
- Arbeiten Sie mit dem Elektrowerkzeug nicht in explosionsgefährdeter Umgebung, in der sich brennbare Flüssigkeiten, Gase oder Stäube befinden. Elektrowerkzeuge erzeugen Funken, die den Staub oder die Dämpfe entzünden können.
- Halten Sie Kinder und andere Personen während der Benutzung des Elektrowerkzeugs fern. Bei Ablenkung können Sie die Kontrolle über das Gerät verlieren.

### ELEKTRISCHE SICHERHEIT

- Der Anschlussstecker des Elektrowerkzeuges muss in die Steckdose passen. Der Stecker darf in keiner Weise verändert werden. Verwenden Sie keine Adapterstecker gemeinsam mit

schutzgeerdeten Elektrowerkzeugen. Unveränderte Stecker und passende Steckdosen verringern das Risiko eines elektrischen Schlages!.

- Vermeiden Sie Körperkontakt mit geerdeten Oberflächen wie von Rohren, Heizungen, Herden und Kühlschränken. Es besteht ein erhöhtes Risiko durch elektrischen Schlag, wenn Ihr Körper geerdet ist.
- Halten Sie Elektrowerkzeuge von Regen oder Nässe fern. Das Eindringen von Wasser in ein Elektrowerkzeug erhöht das Risiko eines elektrischen Schlages.
- Zweckentfremden Sie das Kabel nicht, um das Elektrowerkzeug zu tragen, aufzuhängen oder um den Stecker aus der Steckdose zu ziehen. Halten Sie das Kabel fern von Hitze, Öl, scharfen Kanten oder sich bewegenden Geräteeilen. Beschädigte oder verwickelte Kabel erhöhen das Risiko eines elektrischen Schlages.
- Wenn Sie mit einem Elektrowerkzeug im Freien arbeiten, verwenden Sie nur Verlängerungskabel, die auch für den Außenbereich geeignet sind. Die Anwendung eines für den Außenbereich geeigneten Verlängerungskabels verringert das Risiko eines elektrischen Schlages.
- Wenn der Betrieb des Elektrowerkzeuges in feuchter Umgebung nicht vermeidbar ist, verwenden Sie einen Fehlerstromschutzschalter. Der Einsatz eines Fehlerstromschutzschalters vermindert das Risiko eines elektrischen Schlages.

### SICHERHEIT VON PERSONEN

- Seien Sie aufmerksam, achten Sie darauf, was Sie tun, und gehen Sie mit Vernunft an die Arbeit mit einem Elektrowerkzeug. Benutzen Sie kein Elektrowerkzeug, wenn Sie müde sind oder unter dem Einfluss von Drogen, Alkohol oder Medikamenten stehen. Ein Moment der Unachtsamkeit beim Gebrauch des Elektrowerkzeuges kann zu ernsthaften Verletzungen führen.
- Tragen Sie persönliche Schutzausrüstung und immer eine Schutzbrille. Das Tragen persönlicher Schutzausrüstung, wie Staubmaske, rutschfeste Sicherheitsschuhe, Schutzhelm oder Gehörschutz, je nach Art und Einsatz des Elektrowerkzeuges, verringert das Risiko von Verletzungen.
- Vermeiden Sie eine unbeabsichtigte Inbetriebnahme. Vergewissern Sie sich, dass das Elektrowerkzeug ausgeschaltet ist, bevor Sie es an die Stromversorgung und/oder den Akku anschließen, es aufnehmen oder tragen. Wenn Sie beim Tragen des Elektrowerkzeuges den Finger am Schalter haben oder das Gerät eingeschaltet an die Stromversorgung anschließen, kann dies zu Unfällen führen.
- Entfernen Sie Einstellwerkzeuge oder Schraubenschlüssel, bevor Sie das Elektrowerkzeug einschalten. Ein Werkzeug oder Schlüssel, der sich in einem drehenden Geräteeil befindet, kann zu Verletzungen führen.
- Vermeiden Sie eine abnormale Körperhaltung.



**Sorgen Sie für einen sicheren Stand und halten Sie jederzeit das Gleichgewicht.** Dadurch können Sie das Elektrowerkzeug in unerwarteten Situationen besser kontrollieren.

- **Tragen Sie geeignete Kleidung. Tragen Sie keine weite Kleidung oder Schmuck. Halten Sie Haare, Kleidung und Handschuhe fern von sich bewegenden Teilen.** Lockere Kleidung, Schmuck oder lange Haare können von sich bewegenden Teilen erfasst werden.
- **Wenn Staubabsaug- und -auffangeinrichtungen montiert werden können, vergewissern Sie sich, dass diese angeschlossen sind und richtig verwendet werden.** Verwendung einer Staubabsaugung kann Gefährdungen durch Staub verringern.

#### VERWENDUNG UND BEHANDLUNG DES ELEKTROWERKZEUGES

- **Überlasten Sie das Gerät nicht. Verwenden Sie für Ihre Arbeit das dafür bestimmte Elektrowerkzeug.** Mit dem passenden Elektrowerkzeug arbeiten Sie besser und sicherer im angegebenen Leistungsbereich.
- **Benutzen Sie kein Elektrowerkzeug, dessen Schalter defekt ist.** Ein Elektrowerkzeug, das sich nicht mehr einoder ausschalten lässt, ist gefährlich und muss repariert werden.
- **Ziehen Sie den Stecker aus der Steckdose und/oder entfernen Sie den Akku, bevor Sie Geräteeinstellungen vornehmen, Zubehörteile wechseln oder das Gerät weglegen.** Diese Vorsichtsmaßnahme verhindert den unbeabsichtigten Start des Elektrowerkzeuges.
- **Bewahren Sie unbenutzte Elektrowerkzeuge außerhalb der Reichweite von Kindern auf. Lassen Sie Personen das Gerät nicht benutzen, die mit diesem nicht vertraut sind oder diese Anweisungen nicht gelesen haben.** Elektrowerkzeuge sind gefährlich, wenn sie von unerfahrenen Personen benutzt werden.
- **Pflegen Sie Elektrowerkzeuge mit Sorgfalt. Kontrollieren Sie, ob bewegliche Teile einwandfrei funktionieren und nicht klemmen, ob Teile gebrochen oder so beschädigt sind, dass die Funktion des Elektrowerkzeuges beeinträchtigt ist. Lassen Sie beschädigte Teile vor dem Einsatz des Gerätes reparieren.** Viele Unfälle haben ihre Ursache in schlecht gewarteten Elektrowerkzeugen.
- **Halten Sie Schneidwerkzeuge scharf und sauber.** Sorgfältig gepflegte Schneidwerkzeuge mit scharfen Schneidkanten verklemmen sich weniger und sind leichter zu führen.
- **Verwenden Sie Elektrowerkzeug, Zubehör, Einsatzwerkzeuge usw. entsprechend diesen Anweisungen. Berücksichtigen Sie dabei die Arbeitsbedingungen und die auszuführende Tätigkeit.** Der Gebrauch von Elektrowerkzeugen für andere als die vorgesehenen Anwendungen kann zu gefährlichen Situationen führen.

#### VERWENDUNG UND BEHANDLUNG DES AKKUWERKZEUGES

- **Laden Sie die Akkus nur in Ladegeräten auf, die vom Hersteller empfohlen werden.** Für ein Ladegerät, das für eine bestimmte Art von Akkus geeignet ist, besteht Brandgefahr, wenn es mit anderen Akkus verwendet wird.
- **Verwenden Sie nur die dafür vorgesehenen Akkus in den Elektrowerkzeugen.** Der Gebrauch von anderen Akkus kann zu Verletzungen und Brandgefahr führen.
- **Halten Sie den nicht benutzten Akku fern von Büroklammern, Münzen, Schlüsseln, Nägeln, Schrauben oder anderen kleinen Metallgegenständen, die eine Überbrückung der Kontakte verursachen könnten.** Ein Kurzschluss zwischen den Akkukontakten kann Verbrennungen oder Feuer zur Folge haben.
- **Bei falscher Anwendung kann Flüssigkeit aus dem Akku austreten. Vermeiden Sie den Kontakt damit. Bei zufälligem Kontakt mit Wasser abspülen. Wenn die Flüssigkeit in die Augen kommt, nehmen Sie zusätzlich ärztliche Hilfe in Anspruch.** Austretende Akkuflüssigkeit kann zu Hautreizungen oder Verbrennungen führen.

#### SERVICE

- **Lassen Sie Ihr Elektrowerkzeug nur von qualifiziertem Fachpersonal und nur mit Original-Ersatzteilen reparieren.** Damit wird sichergestellt, dass die Sicherheit des Elektrowerkzeuges erhalten bleibt.

#### SICHERHEITSHINWEISE FÜR ASTSCHEREN

##### GEFAHR

Halten Sie Ihre Hände von den Messern fern. Kontakt mit dem Messer könnte zu schweren Verletzungen führen.

- Lassen Sie niemals Kinder, Personen mit eingeschränkter körperlicher, sensorischer oder mentaler Fähigkeiten oder mangelnder Erfahrung und Wissen oder Personen die mit diesen Anweisungen nicht vertraut sind, das Produkt benutzen. Die lokale Gesetzgebung regelt das Mindestalter des Benutzers.
- Das Produkt hat eine fixe Länge von 0,85m.
- Benutzen Sie das Produkt niemals, wenn die Möglichkeit von Gewitter oder Blitz besteht. Bewahren Sie das Produkt sicher in geschlossenen Räumen auf.
- Achten Sie auf Freileitungen.
- Stellen Sie sicher, dass alle Schutzabdeckungen und Griffe ordnungsgemäß befestigt und in gutem Zustand sind.
- Tragen Sie bei Einsatz dieses Geräts vollen Augen- und Gehörschutz.
- Tragen Sie lange, schwere Hosen, Stiefel und Handschuhe. Tragen Sie keine locker sitzende Kleidung oder Zubehör. Gehen Sie nicht barfuß.







- Fangen Sie nicht an das Produkt zu benutzen, bevor Sie über einen sauberen Arbeitsplatz, sicheren Stand und einen Rückzugsweg weg von den fallenden Ästen oder Zweigen verfügen.
- Benutzen Sie kein Elektrowerkzeug, wenn Sie müde sind oder unter dem Einfluss von Drogen, Alkohol oder Medikamenten stehen.
- Halten Sie das Produkt bei der Benutzung mit beiden Händen fest. Benutzen Sie eine Hand, um den vorderen Griff fest zu halten. Benutzen Sie die andere Hand, um den hinteren Griff zu halten und die Auslöseverriegelung und den An/Aus Schalter zu bedienen.
- Stellen Sie sicher, dass das Produkt korrekt positioniert ist, bevor Sie es starten.
- Benutzen Sie das Produkt niemals, wenn Freileitungen sich innerhalb von 10m im Umkreis der Schneidwerkzeuge befinden.
- Machen Sie regelmäßig Pausen. Beschränken Sie die Beanspruchung pro Tag.
- Sorgen Sie für einen sicheren Stand und halten Sie das Gleichgewicht. Vermeiden Sie eine abnormale Körperhaltung. Eine abnormale Körperhaltung kann zu einem Verlust des Gleichgewichts führen und schwere Verletzungen verursachen.
- Betreiben Sie das Produkt nicht mit beschädigtem oder übermäßig abgenutztem Schneidwerkzeug.
- Verändern Sie Ihr Produkt nicht auf irgendeine Weise, oder verwenden es, um Anbauteile oder Geräte, die nicht vom Hersteller Ihres Produktes empfohlen sind, anzutreiben.
- Ermitteln Sie, wie der Schnellverschluss funktioniert und üben Sie dessen Benutzung, bevor Sie das Produkt benutzen. Dessen richtige Benutzung kann im Notfall schwere Verletzungen verhindern. Tragen Sie niemals zusätzliche Kleidung über dem Tragegeschirr oder schränken den Zugriff zu dem Schnellverschluss anderweitig ein.
- Nicht bei schlechter Beleuchtung verwenden. Benutzen Sie das Produkt nur bei Tageslicht oder bei guter künstlicher Beleuchtung.
- Benutzen Sie das Produkt nicht, wenn der Schneidmechanismus nicht einwandfrei funktioniert.
- Um sich vor fallenden Ästen zu schützen, dürfen Sie nicht direkt unter dem Ast oder Zweig stehen, der geschnitten wird. Die Astschere sollte nicht in einem Winkel größer als 60° zum Bodenoberfläche gehalten werden.
- Um die Verletzungsgefahr durch sich bewegende Teile zu verringern, stoppen Sie das Produkt immer, stellen sie sicher, dass alle sich bewegende Teile gestoppt sind und entfernen Sie den Akku, bevor
  - Sie reinigen oder eine Blockierung entfernen
  - Sie das Produkt unbeaufsichtigt zurücklassen
  - Sie Anbauteile montieren oder entfernen.
  - Sie das Produkt prüfen, warten oder daran arbeiten
- Halten Sie das Gerät sauber von Schnittgut und anderem Material. Sie können zwischen Klemmbacke und Messer stecken bleiben.

## ZUSÄTZLICHE SICHERHEITSWARNUNGEN

- Wiegen Sie sich nicht in falscher Sicherheit und setzen Sie sich nicht über die Sicherheitsregeln für Elektrowerkzeuge hinweg, auch wenn sie nach vielfachem Gebrauch mit dem Elektrowerkzeug vertraut sind.
- Achtlloses Handeln kann binnen Sekunden zu schweren Verletzungen führen.
- Halten Sie Griffe und Griffflächen trocken, sauber und frei von Öl und Fett.
- Rutschige Griffe und Griffflächen erlauben keine sichere Bedienung und Kontrolle des Elektrowerkzeugs in unvorhergesehenen Situationen.
- Benutzen Sie keinen beschädigten oder veränderten Akku.
- Beschädigte oder veränderte Akkus können sich unvorhersehbar verhalten und zu Feuer, Explosion oder Verletzungsgefahr führen.
- Setzen Sie einen Akku keinem Feuer oder zu hohen Temperaturen aus.
- Feuer oder Temperaturen über 130 °C können eine Explosion hervorrufen.
- Befolgen Sie alle Anweisungen zum Laden und laden Sie den Akku oder das Akkuwerkzeug niemals außerhalb des in der Betriebsanleitung angegebenen Temperaturbereichs.
- Falsches Laden oder Laden außerhalb des zugelassenen Temperaturbereichs kann den Akku zerstören und die Brandgefahr erhöhen.
- Halten Sie während des Schneidens den Bereich frei von umstehenden Personen, Kindern und Tieren.
- Beim Schneiden eines Astes unter Spannung auf Zurückschnellen achten, damit man bei Entfernung des Widerstands nicht durch zurückschnellendes Holz getroffen wird.
- Pflegen das Produkt sorgfältig. Halten Sie die Schneidkante scharf und sauber, um die beste Leistung zu erzielen und das Verletzungsrisiko zu senken. Befolgen Sie die Anweisungen zum Ölen und dem Austausch von Zubehörteilen.
- Halten Sie die Griffe trocken, sauber und frei von Öl und Schmierstoffen.
- Überprüfen Sie vor jeder Benutzung und nach jedem Schlag, dass keine Teile beschädigt sind. Jedes beschädigte Teil muss durch den autorisierten Kundendienst ordnungsgemäß repariert oder ausgetauscht werden.
- Wenn das Produkt fallen gelassen wurde oder einen schweren Schlag erhielt oder anfängt, ungewöhnlich zu vibrieren, stoppen Sie das Produkt sofort und überprüfen es auf Schäden oder identifizieren Sie die Ursache der Vibration. Jeder Schaden sollte durch den autorisierten Kundendienst ordnungsgemäß repariert oder ausgetauscht werden.
- Überprüfen Sie beschädigte Teile. Vor dem weiteren Einsatz des Werkzeugs muss eine beschädigte Schutzvorrichtung oder ein anderes beschädigtes Teil sorgfältig überprüft werden um festzustellen ob es seine Funktion erfüllt.



- Service und Wartung des Gerätes erfordert besonderen Schutz und Kenntnisstand. Durch unqualifiziertes Personal durchgeführte Wartungs- oder Pflegearbeiten können zur Verletzung des Benutzers oder der Beschädigung des Produkts führen.
- Bewahren Sie diese Anleitung auf. Lesen Sie sie regelmäßig nach und verwenden Sie sie um andere, die dieses Werkzeug verwenden sollten, einzuweisen. Sollten Sie dieses Werkzeug an jemanden ausleihen, geben Sie der Person auch diese Anweisungen um eine Fehlbedienung des Produkts und mögliche Verletzungen zu vermeiden.
- Schneiden Sie nicht dort, wo das Risiko verborgener Kabel besteht.
- Zerschneiden Sie keine Kabel.
- Halten Sie den Arbeitsbereich frei von Kabeln und Drähten (z.B.: Lichterketten).

## WEITERE SICHERHEITSHINWEISE ZUM AKKU

### ⚠️ WARNUNG

Um die durch einen Kurzschluss verursachte Gefahr eines Brandes, von Verletzungen oder Produktbeschädigungen zu vermeiden, tauchen Sie das Werkzeug, den Wechselakku oder das Ladegerät nicht in Flüssigkeiten ein und sorgen Sie dafür, dass keine Flüssigkeiten in die Geräte und Akkus eindringen. Korrodierende oder leitfähige Flüssigkeiten, wie Salzwasser, bestimmte Chemikalien und Bleichmittel oder Produkte, die Bleichmittel enthalten, können einen Kurzschluss verursachen.

## TRANSPORT UND LAGERUNG

- Stoppen Sie das Produkt, entfernen den Akku und lassen es abkühlen, bevor Sie es lagern oder transportieren.
- Entfernen Sie alle Fremdkörper vom Produkt.
- Reinigen Sie das Gehäuse und die Griffe nach jeder Benutzung des Produktes mit einem weichen, trockenen Lappen.
- Reinigen Sie nach jeder Benutzung den Schmutz mit einer harten Bürste und tragen dann vorsichtig ein Öl als Rostschutz auf, bevor Sie den Transportschutz wieder anbringen. Verwenden Sie ein empfohlenes Schmierstoffspray mit Rostschutz, um einen gleichmäßigen Auftrag zu erzielen und das Risiko persönlicher Verletzung durch Berührung der Messer zu verringern. Fragen Sie Ihren autorisierten Kundendienst nach einem geeignete Spray-Produkt.
- Bei Bedarf schmieren Sie die Messer vor und nach jeder Nutzung leicht nach der oben beschriebenen Methode.
- Sichern Sie die Maschine beim Transport in einem Fahrzeug gegen Bewegung oder Herunterfallen, um Verletzungen und Beschädigung des Produkts zu verhindern.

- Lagern Sie das Produkt an einem kühlen, trockenen und gut belüfteten Ort, der Kindern keinen Zugang bietet. Von korrodierend wirkenden Stoffen, wie Gartenchemikalien und Enteisungssalzen, fernhalten. Nicht im Freien lagern.

## TRANSPORT VON LITHIUM AKKUS

Transportieren Sie den Akku gemäß Ihren örtlichen und nationalen Bestimmungen und Regeln.

Befolgen Sie alle besonderen Anforderungen für Verpackung und Beschriftung, wenn Sie Akkus von Dritten transportieren lassen. Stellen Sie sicher, dass beim Transport kein Akku in Kontakt mit anderen Akkus oder leitenden Materialien kommt, indem Sie die freien Anschlüsse mit Isolierband, nichtleitenden Kappen oder Klebeband schützen. Transportieren Sie keine Akkus die gebrochen oder undicht sind. Befragen Sie Ihre Transportfirma nach weiteren Informationen.

## WARTUNG UND PFLÉGE

### ⚠️ WARNUNG

Verwenden Sie ausschließlich original Ersatzteile, Zubehör und Aufsätze des Herstellers. Nichtbefolgen kann mögliche Verletzungen oder schlechte Leistung verursachen und Ihre Garantie ungültig machen.

### ⚠️ WARNUNG

Vor dem Untersuchen, Reinigen oder Warten des Produktes, stoppen Sie den Motor, warten Sie ab, bis alle beweglichen Teile angehalten haben, und entfernen Sie den Akku. Bei Nichteinhaltung dieser Hinweise besteht die Gefahr schwerer Verletzungen oder Materialschäden.

### ⚠️ WARNUNG

Service und Wartung des Gerätes erfordert besonderen Sorgfalt und Kenntnisstand und sollte nur durch qualifiziertes Personal durchgeführt werden. Bringen Sie das Produkt zur Wartung zu einem autorisierten Kundendienst. Verwenden Sie zur Wartung ausschließlich Original-Ersatzteile des Herstellers.

- Schalten Sie das Gerät aus und entfernen Sie den Akku vor der Durchführung von Wartungs- oder Reinigungsarbeiten.
- Sie dürfen die in dieser Bedienungsanleitung beschriebenen Einstellungen und Reparaturen durchführen. Für andere Reparaturen oder Rat, ziehen Sie einen autorisierten Kundendienst hinzu.
- Reinigen Sie das Produkt nach jeder Benutzung mit einem weichen, trockenen Lappen. Jedes beschädigte Teil muss durch den autorisierten Kundendienst ordnungsgemäß repariert oder ausgetauscht werden.
- Überprüfen Sie Bolzen, Muttern und Schrauben immer wieder, ob alle fest angezogen sind, so dass das Produkt in einem sicheren Zustand ist.



- Vermeiden Sie beim Reinigen der Plastikteile den Einsatz von Lösungsmitteln. Die meisten Plastikteile können durch den Gebrauch der handelsüblichen Solventien beschädigt werden, was sich auch auf ihre Leistung auswirken kann. Verwenden Sie saubere Tücher um Verunreinigungen wie Staub, Öl, Schmierstoffe usw. zu entfernen.
- Lassen Sie niemals Bremsflüssigkeit, Benzine, Produkte auf Erdölbasis, Rostlöser usw. mit den Plastikteilen in Kontakt geraten. Chemikalien können Plastik beschädigen, aufweichen oder zerstören, was zu schweren Verletzungen führen kann.

**HINWEIS:** Um eine lange und zuverlässige Nutzungsdauer zu gewährleisten, führen Sie regelmäßig die folgenden Wartungsmaßnahmen durch.

- Suchen Sie nach offensichtlichen Defekten, wie zum Beispiel lose verschobene oder beschädigte Schneidwerkzeuge, lose Befestigungen und abgenutzte oder beschädigte Komponenten.
- Prüfen Sie, ob die Abdeckungen und Schutzvorrichtungen unversehrt und korrekt befestigt sind. Führen Sie notwendige Wartungs- oder Reparaturarbeiten am Produkt vor der Nutzung aus.
- Reinigen Sie nach jedem Gebrauch die Schneidwerkzeuge.
- Unterziehen Sie die Schneidkanten des Schneidwerkzeugs einer Sichtprüfung. Jeder Schaden sollte durch den autorisierten Kundendienst ordnungsgemäß repariert oder ausgetauscht werden.
- Verstauen Sie das Produkt und stellen Sie sicher, dass der Schneidmechanismus stillsteht, bevor Sie das Produkt absetzen.

## LÖSEN EINER BLOCKIERUNG

Siehe Seiten 147 - 148.

- Wenn die Messer durch Splitter oder Rinde blockiert sind und die Blockade nicht durch drei- bis viermaliges Drücken des Ein-/Ausschalters behoben werden kann, befolgen Sie diese Schritte:
  - Setzen Sie eine Schutzbrille auf und ziehen Sie Schutzhandschuhe an.
  - Entnehmen Sie den Akku.
  - Nehmen Sie ein Stück Holz oder einen Gummihammer und schlagen Sie gegen das Messer.
  - Schlagen Sie nur in dem Bereich, wie gezeigt auf Bilder. Schlagen Sie nicht auf die Feder.
- Achten Sie auf das durch die Feder gespannte Messer. Halten Sie die Hände von den Messern fern, sie werden sich plötzlich öffnen.
- Wenn die Blockade durch den Fremdkörper beseitigt wurde:
  - Setzen Sie den Akku ein.
  - Wenn sich die Messer frei bewegen, drücken Sie den Ein-/Ausschalter bevor Sie weiterschneiden, damit sich die Messer vollständig öffnen können.

## RESTRISIKEN

Sogar wenn das Produkt wie vorgeschrieben benutzt wird, ist es unmöglich ein gewisses Restrisiko vollständig zu beseitigen. Die folgenden Gefahren können bei der Benutzung entstehen, und der Benutzer sollte besonders auf folgende Punkte achten:

- Durch Vibrationen verursachte Verletzungen
  - Benutzen Sie immer das richtige Werkzeug für die Aufgabe; benutzen Sie die vorgesehenen Griffe und schränken die Arbeitszeit und Exposition ein.
- Kontakt mit Messern
  - Stellen Sie sicher, dass der Transportschutz montiert ist, wenn das Produkt nicht benutzt wird. Halten Sie immer Hände und Füße von den Schneidwerkzeugen fern.
- Verletzungen durch herausgeschleuderte Teile des Werkstücks (Holzspäne und Splitter)

## RISIKOVERRINGERUNG

Vibrationen von in der Hand gehaltenen Werkzeugen können bei einigen Personen zu einem Zustand, der Raynaud-Syndrom genannt wird, führen. Symptome sind u.a. Kribbeln, Taubheitsgefühl und episodische Weißfärbung der Finger und treten normalerweise bei Kälte auf. Man geht davon aus, dass ererbte Faktoren, Kälte und Feuchtigkeit, Essgewohnheiten, Rauchen und Arbeitsweise zur Entwicklung dieser Symptome beitragen. Der Anwender kann Maßnahmen ergreifen, um die Auswirkungen der Vibrationen möglicherweise zu verringern:

- Halten Sie den Körper bei Kälte warm. Tragen Sie beim Betrieb des Gerätes Handschuhe, um Hände und Handgelenke warm zu halten. Berichten zu Folge ist kaltes Wetter ein wesentlicher Faktor, der zum Raynaud Syndrom beiträgt.
- Betätigen Sie sich nach jedem Einsatz körperlich, um den Blutkreislauf zu steigern.
- Machen Sie regelmäßige Pausen. Beschränken Sie die Beanspruchung pro Tag.

Sollten bei Ihnen Symptome dieses Zustands auftreten, stellen Sie unverzüglich den Betrieb ein und suchen Sie in Hinblick auf die Symptome einen Arzt auf.

## ⚠ WARNUNG

Verletzungen können durch lange Benutzung eines Werkzeugs entstehen oder verschlimmert werden. Machen Sie regelmäßig Pause, wenn Sie ein Werkzeug für lange Zeit benutzen.

## MACHEN SIE SICH MIT IHREM PRODUKT VERTRAUT

Siehe Seite 141.

1. Schneidmesser
2. Griffgehäuse
3. Sperrauflöser
4. Auslöser
5. Messerscheide
6. Haken



**SYMBOLE AUF DEM PRODUKT**



Sicherheitswarnung



Bitte lesen Sie die Anweisungen sorgfältig, bevor Sie das Gerät einschalten.



Tragen Sie Augen, Gehör und Kopfschutz.



Tragen Sie rutschfeste, strapazierfähige Schutzhandschuhe.



Tragen Sie rutschfeste Sicherheitsschuhe, wenn Sie dieses Produkt benutzen.



Nicht Regen oder feuchten Bedingungen aussetzen.



Elektrische Gefährdung. Halten Sie sich mindestens 10 m von Freileitungen fern.



Achten Sie auf geschleuderte oder fliegende Objekte. Halten Sie unbeteiligte Personen (insbesondere Kinder und Tiere) mindestens 15m vom Arbeitsbereich fern.



Halten Sie die Hände von den Klingen fern!



Dieses Gerät entspricht allen gesetzlichen Normen des Landes der Europäischen Union, in dem es gekauft wurde.



EurAsian Konformitätszeichen



Ukrainisches Prüfzeichen



Elektrische Geräte sollten nicht mit dem übrigen Müll entsorgt werden. Bitte entsorgen Sie diese an den entsprechenden Entsorgungsstellen. Wenden Sie sich an die örtliche Behörde oder Ihren Händler, um Auskunft über die Entsorgung zu erhalten.

**SYMBOLE IN DIESER BEDIENUNGSANLEITUNG**



Schließen



Öffnen



Teile oder Zubehör getrennt erhältlich



HINWEIS



WARNUNG

Mit den folgenden Symbolen wird die Bedeutung der verschiedenen Risikostufen, die mit dem Produkt einhergehen, dargestellt.

**GEFAHR**

Weist auf eine unmittelbare gefährliche Situation hin, die, falls nicht vermieden, zu Tod oder ernsthafter Verletzung führen kann.

**WARNUNG**

Weist auf eine mögliche gefährliche Situation hin, die, falls nicht vermieden, zu Tod oder ernsthafter Verletzung führen kann.

**VORSICHT**

Weist auf eine mögliche gefährliche Situation hin, die, falls nicht vermieden, zu einer leichten oder mittleren Verletzung führen kann.

**VORSICHT**

Ohne Sicherheitswarnsymbol  
Bezeichnet eine Situation die zu Sachbeschädigungen führen kann.



La seguridad, el rendimiento y la fiabilidad han sido las máximas prioridades a la hora de diseñar esta podadora inalámbrica.

### USO PREVISTO

La podadora inalámbrica se utilizará al aire libre. Por razones de seguridad, es necesario controlar el producto correctamente utilizando las dos manos.

El producto está diseñado para cortar y podar ramas pequeñas. No utilice el producto para cortar cosas que no sean de madera. El producto se utilizará para cortar ramas con un diámetro de hasta 32 mm (madera suave) y 28 mm (madera dura). No corte ramas gruesas cuyo diámetro sea superior a estos valores.

El producto tiene una longitud fija de 0,85 m.

No utilice el producto para cualquier otro propósito que no sea alguno de los mencionados anteriormente. El producto no debería ser utilizado por niños o por personas que no lleven ropa o un equipo adecuados de protección personal.

### ALERTA DE SEGURIDAD GENERAL

#### ⚠ ADVERTENCIA

**Lea detenidamente todas las advertencias y todas las instrucciones.** El incumplimiento de las instrucciones que se indican a continuación puede ocasionar diversos accidentes como incendios, descargas eléctricas y/o graves heridas corporales.

Guarde estas advertencias e instrucciones para poder consultarlas posteriormente.

El término “herramienta eléctrica” que se emplea en las siguientes instrucciones de seguridad designa tanto las herramientas eléctricas que se conectan a la red de alimentación eléctrica como las herramientas sin cable.

### SEGURIDAD DEL LUGAR DE TRABAJO

- **El lugar de trabajo debe estar limpio y bien iluminado.** Las zonas oscuras o poco despejadas pueden provocar accidentes.
- **No utilice herramientas eléctricas en presencia de elementos explosivos, por ejemplo en lugares donde haya líquidos, gases o polvo inflamables.** Las chispas generadas por las herramientas eléctricas pueden producir un incendio o provocar una explosión.
- **Cuando se utiliza una máquina eléctrica, los niños, las demás personas y los animales deben permanecer lejos de la zona de trabajo.** De lo contrario, podrían distraerle y hacerle perder el control de la herramienta.

### SEGURIDAD ELÉCTRICA

- **El enchufe de la herramienta eléctrica debe corresponder a la toma de corriente. No modifique ni haga ninguna operación de mantenimiento en el enchufe. No utilice adaptadores con herramientas eléctricas con conexión a tierra o a masa.** De este modo, evitará el riesgo de recibir una descarga eléctrica.

- **Evite todo contacto con superficies que tengan conexión a tierra o a masa (es decir, tubos, radiadores, cocinas, neveras, etc.).** El riesgo de recibir una descarga eléctrica aumenta si una parte de su cuerpo está en contacto con elementos que tienen conexión a tierra o a masa.
- **No exponga las herramientas eléctricas a la lluvia o a la humedad.** El riesgo de recibir una descarga eléctrica aumenta si entra agua en la herramienta eléctrica.
- **Compruebe que el cable de alimentación está en buen estado. No sostenga la herramienta por el cable de alimentación ni tire del cable para desenchufarla. Mantenga el cable de alimentación lejos de toda fuente de calor, aceite, objetos con bordes cortantes y elementos en movimiento.** El riesgo de recibir una descarga eléctrica aumenta si el cable de alimentación está dañado o anudado.
- **Cuando trabaje al aire libre, utilice exclusivamente alargaderas diseñadas para tal fin.** De este modo, evitará el riesgo de recibir una descarga eléctrica.
- **Si se ve obligado a utilizar la herramienta en un ambiente húmedo, enchúfela a una toma de corriente protegida por un dispositivo diferencial residual (DDR).** El uso de un dispositivo DDR reduce los riesgos de descargas eléctricas.

### SEGURIDAD PERSONAL

- **Preste mucha atención a lo que está haciendo y use su sentido común al trabajar con una herramienta eléctrica. No utilice la herramienta eléctrica cuando esté cansado o bajo los efectos del alcohol o de drogas, o si toma medicamentos.** No olvide nunca que basta con un segundo de inatención para herirse gravemente.
- **Utilice dispositivos de protección. Protéjase siempre la vista.** De acuerdo a las condiciones de trabajo, lleve también una mascarilla antipolvo, calzado antideslizante, un casco o elementos de protección auditiva para evitar heridas graves.
- **Evite que la máquina se ponga en marcha accidentalmente. Compruebe que el interruptor está en la posición “apagado” antes de enchufar la herramienta a una toma de corriente o colocar la batería, y antes de coger o transportar la herramienta.** Para evitar el riesgo de accidentes, no desplace la herramienta con el dedo en el gatillo y no la enchufe ni coloque la batería si el interruptor está en la posición “funcionamiento”.
- **Retire las llaves de apriete antes de poner en marcha la herramienta.** Si deja una llave de apriete en uno de los elementos móviles de la herramienta, se puede producir un accidente con heridas corporales graves.
- **Mantenga siempre el equilibrio. Afírmese bien en sus piernas y no extienda demasiado el brazo.** Una posición de trabajo estable permite controlar mejor la herramienta en caso de producirse algún imprevisto.
- **Utilice ropa adecuada. No utilice prendas amplias ni joyas. Mantenga el cabello, la ropa y los guantes lejos de las piezas móviles.** Las prendas amplias, las





joyas y el cabello largo pueden engancharse en los elementos que están en movimiento.

- **Si la herramienta se suministra con un dispositivo aspirador de polvo, cerciése de que esté correctamente instalado y que se utiliza como corresponde.** De este modo, reducirá el riesgo de accidentes.

#### UTILIZACIÓN Y MANTENIMIENTO DE LAS HERRAMIENTAS ELÉCTRICAS

- **No fuerce la herramienta. Utilice la herramienta que mejor se adecue al trabajo que desee realizar.** Tendrá un rendimiento más eficaz y trabajará con más seguridad si la utiliza al régimen para el que ha sido diseñada.
- **No utilice una herramienta eléctrica si el interruptor no funciona correctamente.** Una herramienta que no se puede poner en marcha y apagar correctamente es peligrosa y debe repararse obligatoriamente.
- **Desenchufe la herramienta o retire la batería de la herramienta antes de efectuar cualquier ajuste, cambiar un accesorio o guardar la herramienta.** De este modo, reducirá el riesgo de que la herramienta se ponga en marcha inadvertidamente.
- **Guarde las herramientas eléctricas fuera del alcance de los niños. No deje que esta herramienta sea utilizada por personas que desconozcan su funcionamiento o las instrucciones de seguridad indicadas en este manual de instrucciones.** Las herramientas eléctricas son peligrosas cuando están en manos de personas inexpertas.
- **Efectúe cuidadosamente el mantenimiento de las herramientas. Controle la alineación de las piezas móviles. Cerciése de que ninguna pieza esté rota. Controle el montaje y todos los elementos que puedan afectar el funcionamiento de la herramienta. Si una pieza se encuentra dañada, hágala reparar antes de utilizar la herramienta.** Muchos accidentes se producen porque no se ha realizado un mantenimiento adecuado de las herramientas.
- **Mantenga sus herramientas limpias y bien afiladas.** Si la herramienta de corte está bien afilada y limpia, es menos probable que se bloquee y podrá controlarla mejor.
- **Utilice la herramienta eléctrica, los accesorios, las puntas de atornillar, etc. siguiendo las presentes instrucciones de uso, teniendo en cuenta las características de uso y el trabajo que deba realizar.** Para evitar situaciones peligrosas, utilice la herramienta eléctrica únicamente para las tareas para las que ha sido diseñada.

#### INSTRUCCIONES DE SEGURIDAD ESPECÍFICAS PARA LAS HERRAMIENTAS SIN CABLE

- **Cargue la batería exclusivamente con el cargador recomendado por el fabricante.** Un cargador adaptado a determinada clase de batería puede producir un incendio si se emplea con una batería diferente.
- **Sólo se debe emplear una clase de batería específica con una herramienta sin cable.** El uso de

cualquier otra batería puede provocar un incendio.

- **Cuando no utilice la batería, manténgala alejada de objetos metálicos como clips, monedas, llaves, tornillos, clavos o cualquier otro objeto que podría conectar los contactos entre sí.** Un cortocircuito en los contactos de la batería puede provocar quemaduras o incendios.
- **Evite todo contacto con el líquido de la batería en caso de pérdida debida a una utilización incorrecta. Si llegara a producirse, enjuague inmediatamente con agua la zona afectada.** Si sus ojos se ven afectados, consulte a un médico. El líquido proyectado de una batería puede provocar irritaciones o quemaduras.

#### MANTENIMIENTO

- **Las reparaciones deben quedar en manos de un técnico cualificado, utilizando únicamente piezas de recambio originales.** De este modo, podrá utilizar su herramienta eléctrica sin peligro.

#### ADVERTENCIAS DE SEGURIDAD DE LA PODADORA

##### PELIGRO

Mantenga las manos alejadas de la cuchilla. Si entra en contacto con la hoja se pueden producir lesiones personales graves.

- Nunca deje que utilicen este aparato niños, personas con capacidad física, sensorial o mental reducida, personas sin experiencia ni conocimientos ni personas que no estén familiarizadas con estas instrucciones. Las regulaciones locales pueden restringir la edad del operario.
- El producto tiene una longitud fija de 0,85 m.
- No utilice el aparato cuando existe una posibilidad de truenos o relámpagos. Mantenga el producto en seguridad en un espacio interior.
- Tenga cuidado con las líneas eléctricas aéreas.
- Asegúrese de que todas las protecciones y mangos están bien ajustados y en buenas condiciones.
- Use gafas de protección total para los ojos y oídos al utilizar este producto.
- Use guantes, botas y pantalones resistentes. No lleve ropa suelta, accesorios ni utilice el producto descalzo.
- No empiece a usar el producto hasta que el área de trabajo esté despejada, tenga los pies firmes y cuente con una zona planificada para alejarse de la caída de ramas.
- No utilice una herramienta eléctrica cuando esté cansado o bajo la influencia de drogas, alcohol o medicamentos.
- Durante la operación, fije el aparato con las dos manos. Utilice una mano para sujetar con firmeza la empuñadura frontal. Utilice la otra empuñadura para sujetar el mango trasero y manejar el gatillo de liberación y el interruptor de encendido y apagado (On/Off).

EN  
FR  
DE  
ES  
IT  
NL  
PT  
DA  
SV  
FI  
NO  
RU  
PL  
CS  
HU  
RO  
LV  
LT  
ET  
HR  
SL  
SK  
BG  
UK  
TR





- Asegúrese de que el producto esté correctamente colocado en una posición de trabajo adecuada antes de empezar ningún trabajo con el producto.
- Nunca utilice el producto para cortar a menos de 10 metros de las líneas eléctricas aéreas.
- Haga pausas de trabajo frecuentes. Limite la cantidad de exposición por día.
- Mantenga su pisada firme y su equilibrio. No se extienda demasiado. Un sobreesfuerzo puede dar lugar a la pérdida del equilibrio y a lesiones graves.
- No utilice la máquina con un dispositivo de corte dañado o excesivamente desgastado.
- No modifique su producto de ningún modo ni lo utilice para alimentar accesorios o dispositivos no recomendados por el fabricante para su producto.
- Identifique el mecanismo de liberación rápida y practique utilizándolo antes de empezar a usar la máquina. Su uso correcto puede evitar lesiones graves en caso de emergencia. No use ropa adicional sobre el arnés, ya que podría limitar el acceso al mecanismo de liberación rápida.
- No trabaje con esta herramienta en una zona mal iluminada. Use el producto de día o bajo luz artificial bien iluminada.
- No utilice la podadora si el mecanismo de corte no funciona correctamente.
- Para protegerse de las ramas que caen no se quede directamente debajo de la rama o extremidad que esté cortando. El aparato no debe sujetarse a un ángulo de más de 60° desde el nivel del suelo.
- Para reducir el riesgo de lesión asociado con el contacto con las piezas móviles, detenga siempre el producto y asegúrese de que todas las piezas móviles se han detenido por completo y saque la batería antes:
  - limpieza y desobstrucción de bloqueo
  - dejar el producto desatendido
  - instalar o retirar accesorios
  - inspeccionar, mantener o trabajar con el producto.
- Mantenga el producto limpio de recortes y otros materiales. Podrían incrustarse entre la boca y la cuchilla.
- La exposición al fuego o a una temperatura excesiva superior a 130 °C puede provocar una explosión.
- Siga todas las instrucciones de carga y no cargue el paquete de baterías o la herramienta fuera del rango de temperatura especificado en las instrucciones.
- La carga inadecuada o a temperaturas fuera del rango especificado puede dañar la batería e incrementar el riesgo de fuego.
- Evite que haya transeúntes, niños y mascotas en la zona mientras corta.
- Cuando corte una rama que esté sometida a una tensión, tenga cuidado para evitar el golpe brusco que puede provocar el corte.
- Cuide el producto. Mantenga el borde de corte afilado y limpio para obtener el mejor rendimiento y reducir el riesgo de lesión. Lubrique y cambie los accesorios siguiendo las instrucciones del manual.
- Mantenga las asas secas, limpias y libres de aceite y grasa.
- Antes de su uso y después de algún golpe, compruebe que no hay piezas dañadas. Cualquier pieza dañada debe ser sustituida o reparada adecuadamente por un centro de servicio autorizado.
- Si el aparato se cae, sufre un impacto fuerte o empieza a vibrar de manera anormal, párelo inmediatamente y compruebe si está dañado o identifique el motivo de la vibración. La reparación de daños y la sustitución de piezas deben ser realizadas por un centro de servicio autorizado.
- Cércele de que ninguna pieza esté deteriorada. Antes de volver a usar el producto, debe comprobarse minuciosamente otras piezas dañadas para determinar si funcionará correctamente y realizará su función prevista.
- La reparación del producto sólo debe realizarse por personal de reparación calificado. Las labores de servicio o mantenimiento realizado por personal no cualificado podría provocar lesiones al usuario o daños al producto.
- Guarde estas instrucciones. Consúltelas frecuentemente y úselas para instruir a los demás que pueden utilizar este producto. Si presta esta herramienta a alguien, préstele también estas instrucciones para evitar el mal uso del producto y posibles lesiones.
- No cortar cuando exista riesgo de presencia de cables ocultos.
- No cortar cables.
- Deje la zona libre de alambres y cables (ejemplo: luces decorativas).

#### AVISOS DE SEGURIDAD ADICIONALES

- Aunque se familiarice con el uso de la herramienta, no se relaje e ignore los principios de seguridad.
- Una acción imprudente puede provocar lesiones graves en una fracción de segundo.
- Mantenga los mangos y las superficies de agarre secos, limpios y libres de aceite o grasa.
- Los mangos y superficies de sujeción resbaladizas no le permiten una sujeción y un control seguro de la herramienta en situaciones inesperadas.
- No utilice un paquete de baterías o una herramienta que esté dañado o modificado.
- Las baterías dañadas o modificadas pueden presentar un comportamiento impredecible y provocar fuego, explosión o riesgo de lesión.
- No exponga el paquete de baterías o la herramienta al fuego o a temperaturas excesivas.





EN
FR
DE
<b>ES</b>
IT
NL
PT
DA
SV
FI
NO
RU
PL
CS
HU
RO
LV
LT
ET
HR
SL
SK
BG
UK
TR

## ADVERTENCIAS DE SEGURIDAD DE LA BATERÍA ADICIONAL

### ⚠ ADVERTENCIA

Para reducir el riesgo de incendio, lesión personales y daños al producto debido a un cortocircuito, no sumerja nunca la herramienta, el paquete de baterías o el cargador en líquido ni permita que fluya un fluido dentro de ellos. Los fluidos corrosivos o conductivos, como el agua de mar, ciertos productos químicos industriales y blanqueadores o lejías que contienen, etc., Pueden causar un cortocircuito.

## TRANSPORTE Y ALMACENAMIENTO

- Detenga el producto, retire la batería y deje que ambos se enfríen antes de guardarlos o transportarlos.
- Limpie todo el material extraño que pueda permanecer en el producto.
- Después de cada uso, limpie la estructura y los mangos del aparato con un paño seco y suave.
- Después de cada uso, limpie los restos de las láminas con un cepillo duro y, a continuación, aplique cuidadosamente un lubricante que prevenga el óxido antes de volver a colocar el protector de la lámina. Utilice un pulverizador lubricante anticorrosivo recomendado para aplicar una capa uniforme y reducir el riesgo de lesión personal debido a contacto con las cuchillas. Para más información sobre el producto pulverizador apropiado, consulte a su centro de asistencia autorizado local.
- Si fuera necesario, lubrique ligeramente las cuchillas antes y después de su uso utilizando el método explicado anteriormente.
- Para transportar el producto, sujételo de modo que no se mueva ni se caiga para evitar lesiones personales o daños al producto.
- Guarde en una zona seca y bien ventilada, a la que no puedan acceder los niños. Evite el contacto con agentes corrosivos tales como productos químicos de jardinería o sales descongelantes. No almacenar al aire libre.

## TRANSPORTE DE BATERÍAS DE LITIO

Transporte la batería de conformidad con las disposiciones y las normativas locales y nacionales.

Cuando las baterías sean transportadas por un tercero, cumpla los requisitos especiales relativos al embalaje y etiquetado. Asegúrese de que ninguna batería entra en contacto con otra batería o con materiales conductores durante el transporte, proteja los conectores expuestos con tapones o tapas aislantes no conductoras. No transporte baterías con fisuras o fugas. Para más asesoramiento, póngase en contacto con la empresa de distribución.

## MANTENIMIENTO

### ⚠ ADVERTENCIA

Utilice sólo piezas y accesorios de recambio originales del fabricante. Si no lo hace podría ocurrir un mal funcionamiento, podrían producirse daños o podría quedar anulada la garantía.

### ⚠ ADVERTENCIA

Antes de inspeccionar, limpiar o realizar un mantenimiento del producto; detenga el motor, espere a que todas las piezas móviles se detengan y quite la batería. El incumplimiento de estas instrucciones puede ocasionar heridas graves o importantes daños materiales.

### ⚠ ADVERTENCIA

Las reparaciones requieren tener mucho cuidado y conocimiento y sólo debe realizarse por un técnico de servicio calificado. Para operaciones de servicio, lleve el producto a un centro de servicio autorizado. Utilice solo recambios originales del fabricante para las operaciones de mantenimiento.

- Desconecte y remueve la batería antes de realizar cualquier trabajo de mantenimiento o limpieza.
- Usted puede realizar los ajustes y reparaciones descritos en este manual del usuario. Para otras reparaciones o consejos, busque la ayuda de un centro de servicio autorizado.
- Limpiar el producto con un paño suave seco después de cada uso. Cualquier pieza dañada debe ser sustituida o reparada adecuadamente por un centro de servicio autorizado.
- Compruebe todas las tuercas, pernos y tornillos antes de cada uso y a intervalos frecuentes para verificar si están bien apretados y asegurarse de que el producto se pueda utilizar de forma segura.
- Evite el uso de disolventes para limpiar las piezas de plástico. La mayoría de los plásticos son susceptibles a daños de varios tipos de solventes comerciales y pueden dañarse por su uso. Use un paño limpio para limpiar la suciedad, polvo, aceite, grasa, etc. de la herramienta.
- No permita en ningún momento que las piezas de plástico entren en contacto con líquido de frenos, gasolina, productos derivados del petróleo, aceites penetrantes, etc. Las sustancias químicas pueden dañar, debilitar o destruir el plástico, lo cual puede resultar en lesiones personales graves.

**OBSERVACIÓN:** Para asegurarse un servicio fiable, realice las labores de mantenimiento regularmente.

- Compruebe que no existen defectos obvios como cuchillas sueltas, desplazadas o dañadas, fijaciones sueltas, o componentes desgastados o dañados.
- Compruebe que las cubiertas y las protecciones no tengan daños y estén correctamente instaladas. Realice las operaciones de mantenimiento y reparación





necesarias antes de utilizar el producto.

- Limpie siempre las cuchillas de corte después de utilizarlas.
- Compruebe visualmente el estado de los filos de la cuchilla de corte. Cualquier cuchilla dañada debería repararse adecuadamente o ser sustituida en un centro de servicio autorizado.
- Guarde el producto y asegúrese de que el mecanismo de corte se ha detenido antes de dejar el producto.

### ELIMINACIÓN DE UNA OBSTRUCCIÓN

Ver páginas 147 - 148.

- Si las cuchillas se atascan con astillas o cortezas atrapadas entre las cuchillas y no se pueden soltar presionando el gatillo 3 o 4 veces, siga el procedimiento descrito a continuación:
  - Utilice gafas y guantes de protección.
  - Extraiga la batería.
  - Utilice un trozo de madera o un martillo de goma y golpee contra la cuchilla.
  - Ejerza fuerza únicamente en la zona de la cuchilla que se indica. No golpee el muelle.
- Tenga cuidado con las cuchillas con resorte. Mantenga las manos alejadas de las cuchillas, ya que se abrirán de repente.
- Tras retirar los restos que provocaban el atasco:
  - Inserte la batería.
  - Una vez liberadas las cuchillas, presione el gatillo antes de seguir cortando para que las cuchillas se puedan abrir por completo.

### RIESGOS RESIDUALES

Incluso cuando se utiliza el producto según las instrucciones, sigue siendo imposible eliminar por completo ciertos factores de riesgo residuales. Los siguientes peligros pueden surgir en el uso y el operador debe prestar especial atención para evitar lo siguiente:

- Lesiones por vibración
  - Utilice siempre la herramienta adecuada para el trabajo, utilice los mangos pertinentes y limite el tiempo de trabajo y de exposición.
- Contacto con las cuchillas
  - Asegúrese de que los protectores de las cuchillas están colocados cuando no se use el producto. Mantenga las manos y los pies apartados de las láminas en todas las circunstancias.
- Piezas proyectadas de la pieza de trabajo (virutas de madera, astillas)

### REDUCCIÓN DEL RIESGO

Se ha informado de que las vibraciones de las herramientas de mano puede contribuir a una condición llamada síndrome de Raynaud en ciertos individuos. Los síntomas pueden incluir hormigueo, entorpecimiento y decoloración de los dedos, generalmente aparentes cuando tiene lugar una exposición al frío. Se considera que los factores hereditarios, exposición al frío y a la humedad, dieta, tabaquismo y prácticas de trabajo contribuyen al desarrollo de estos síntomas. Existen medidas que pueden ser tomadas por el operador para reducir los efectos de vibración:

- Mantenga su cuerpo caliente durante el tiempo frío. Al manipular el producto, utilice guantes para mantener las manos y las muñecas calientes. Hay informes que indican que el tiempo frío es un gran factor que contribuye al síndrome de Raynaud.
- Después de cada período de funcionamiento, realice ejercicios para aumentar la circulación sanguínea.
- Haga pausas de trabajo frecuentes. Limite la cantidad de exposición por día.

Si siente alguno de los síntomas de esta enfermedad, interrumpa inmediatamente el uso y consulte a su médico estos síntomas.

### ⚠ ADVERTENCIA

El uso prolongado de una herramienta puede causar o agravar lesiones. Al utilizar cualquier herramienta durante períodos prolongados asegúrese de tomar descansos regulares.

### CONOZCA SU PRODUCTO

Véase la página 141.

1. Hoja de corte
2. Carcasa del mango
3. Botón de bloqueo
4. Gatillo
5. Funda de la cuchilla
6. Gancho

### SÍMBOLOS EN EL PRODUCTO



Advertencia



Por favor lea las instrucciones detenidamente antes de arrancar la máquina.



Póngase protección para los ojos, los oídos y la cabeza.



Utilice guantes protectoras antideslizantes resistentes.



Utilice calzado de seguridad antideslizante cuando utilice este producto.



No lo exponga a la lluvia o a lugares húmedos.



Peligro eléctrico. Manténgase al menos a 10 m de los cables situados por encima.



Tenga cuidado con los objetos volátiles o lanzados. Mantenga a todos los espectadores, especialmente a los niños y las mascotas, por lo menos a 15 metros de la zona de trabajo.



Mantenga las manos alejadas de las hojas.



Esta herramienta responde a todas las normas reglamentarias del país de la UE donde se ha comprado.



Certificado EAC de conformidad



Marca de conformidad ucraniana



Los productos eléctricos de desperdicio no deben desecharse con desperdicios caseros. Por favor reciclelos donde existan dichas instalaciones. Compruebe con su autoridad local o minorista para reciclar.

### SÍMBOLOS EN ESTE MANUAL



Cierre



Desbloquear



Las piezas o accesorios se venden por separado



Nota



Advertencia

Lo siguientes símbolos y sus significados pretenden explicar los niveles de riesgo asociados a este producto.

#### **⚠ PELIGRO**

Indica una situación potencialmente peligrosa que, de no evitarse, puede ocasionar la muerte o heridas de gravedad.

#### **⚠ ADVERTENCIA**

Indica una situación peligrosa que, de no evitarse, puede ocasionar la muerte o heridas de gravedad.

#### **⚠ ADVERTENCIA**

Indica una situación potencialmente peligrosa que, de no evitarse, puede ocasionar heridas leves.

#### **ADVERTENCIA**

Sin símbolo de alerta de seguridad

Indica una situación que puede causar daños en las cosas.



Durante la progettazione di queste cesoie a batteria è stata data la massima priorità a sicurezza, prestazioni e affidabilità.

### UTILIZZO RACCOMANDATO

Le cesoie a batteria sono destinate all'uso in esterni. Per ragioni di sicurezza, l'utensile deve essere adeguatamente controllato utilizzando sempre due mani.

Il prodotto è progettato per il taglio e la potatura di piccoli rami. Non utilizzare il prodotto per tagliare oggetti non legnosi. Il prodotto dev'essere utilizzato per tagliare rami di diametro fino a 32 mm (legno morbido) e 28 mm (legno duro). Non tagliare rami spessi il cui diametro sia superiore a tali valori.

Il prodotto ha una lunghezza fissa di 0,85 m.

Non utilizzare il prodotto per scopi non indicati sopra. Il prodotto non dovrà essere utilizzato da bambini o da persone che non indossino un adeguato equipaggiamento anti-infortunistico e abiti di protezione.

### AVVERTENZE GENERALI DI SICUREZZA

#### AVVERTENZA

**Leggere con attenzione tutte le avvertenze e tutte le istruzioni.** La mancata osservanza delle istruzioni riportate di seguito potrebbe provocare incidenti quali incendi, scosse elettriche e/o gravi lesioni fisiche.

**Conservare le presenti avvertenze ed istruzioni per poterle consultare in seguito.**

Il termine "apparecchio elettrico" utilizzato nelle norme di sicurezza seguenti indica sia gli apparecchi elettrici da collegare alla rete di alimentazione sia gli apparecchi elettrici a batteria.

### SICUREZZA DELL'AMBIENTE DI LAVORO

- **Mantenere pulito e ben illuminato l'ambiente di lavoro.** Aree non ordinate o non illuminate possono causare incidenti.
- **Non utilizzare apparecchi elettrici in un ambiente in cui vi siano sostanze esplosive, ad esempio in prossimità di liquidi, di gas o di polveri infiammabili.** Le scintille provocate dagli apparecchi elettrici possono appiccare il fuoco o farle esplodere.
- **Quando si utilizza un apparecchio elettrico, tenere bambini, estranei ed animali domestici lontani dall'area di lavoro.** Potrebbero infatti essere causa di distrazione e fare perdere il controllo dell'apparecchio.

### SICUREZZA ELETTRICA

- **La spina dell'apparecchio elettrico deve essere adeguata alla presa in cui verrà inserita. Non intervenire mai sulla spina. Non utilizzare mai adattatori con apparecchi elettrici messi a terra o a massa.** In questo modo è possibile evitare i rischi di scosse elettriche.
- **Evitare eventuali contatti con le superfici messe a terra o a massa (vale a dire tubi, radiatori, cucine,**

**frigoriferi, ecc.).** I rischi di scosse elettriche aumentano se una parte del proprio corpo è a contatto con superfici messe a terra o a massa.

- **Non esporre l'apparecchio elettrico alla pioggia o all'umidità.** Infatti, i rischi di scosse elettriche aumentano se all'interno di un apparecchio elettrico vi è un'infiltrazione di acqua.
- **Controllare che il cavo d'alimentazione sia in buono stato. Non tenere l'apparecchio per il cavo d'alimentazione e non tirare mai il cavo per scollegarlo dall'alimentazione elettrica. Mantenere il cavo d'alimentazione lontano da qualsiasi fonte di calore, olio, oggetti taglienti ed organi in movimento.** I rischi di scosse elettriche aumentano se il cavo è danneggiato o aggrovigliato.
- **Qualora si lavori all'esterno, utilizzare solo prolunghe concepite per un tale impiego.** In questo modo è possibile evitare i rischi di scosse elettriche.
- **Se non è possibile evitare di utilizzare l'apparecchio in un ambiente umido, collegarsi ad un impianto di alimentazione elettrica protetto da un interruttore differenziale (RCD).** L'utilizzo di un interruttore RCD limita i rischi di scosse elettriche.

### SICUREZZA PERSONALE

- **Durante l'utilizzo di un apparecchio elettrico, rimanere vigili, prestare molta attenzione a ciò che si fa e agire con buon senso. Non utilizzare l'apparecchio elettrico quando si è stanchi, sotto l'effetto di alcol o di droghe oppure se si stanno assumendo medicinali.** Non dimenticare mai che basta un secondo di distrazione per ferirsi in modo grave.
- **Utilizzare dispositivi di protezione. Proteggere sempre gli occhi.** A seconda delle situazioni, indossare anche una maschera antipolvere, calzature antiscivolo, un casco o protezioni uditive, onde evitare i rischi di lesioni fisiche gravi.
- **Evitare qualunque avvio accidentale. Assicurarsi che l'interruttore sia in posizione di "arresto" prima di collegare l'apparecchio ad una presa o di inserire la batteria, nonché quando si intende afferrare o trasportare l'apparecchio.** Onde evitare i rischi di incidenti, non spostare l'apparecchio mantenendo il dito sul grilletto e non collegarlo all'alimentazione elettrica né inserire la batteria se l'interruttore si trova in posizione di "marcia".
- **Prima di avviare l'apparecchio, togliere le chiavi di serraggio.** Una chiave di serraggio che rimane inserita in un elemento mobile dell'apparecchio può provocare gravi lesioni fisiche.
- **Mantenersi sempre in equilibrio. Rimanere bene in equilibrio sulle gambe e non distendere troppo lontano le braccia.** Una posizione di lavoro stabile consente di avere un maggiore controllo dell'apparecchio nel caso in cui si verifichi una situazione improvvisa.
- **Indossare un abbigliamento adatto. Non indossare indumenti ampi o gioielli. Mantenere i capelli, gli indumenti e i guanti a distanza dai componenti**





**mobili.** Gli abiti ampi, i gioielli e i capelli lunghi potrebbero rimanere impigliati nelle parti in movimento dell'apparecchio.

- **Nel caso in cui l'apparecchio abbia in dotazione un dispositivo di aspirazione della polvere, assicurarsi che quest'ultimo venga installato ed utilizzato in modo corretto.** In questo modo è possibile evitare i rischi di incidenti.

## UTILIZZO E MANUTENZIONE DEGLI APPARECCHI ELETTRICI

- **Non forzare l'apparecchio. Utilizzare l'apparecchio adeguato al lavoro da effettuare.** L'apparecchio offrirà migliori prestazioni e sarà più sicuro se utilizzato al regime per il quale è stato concepito.
- **Non utilizzare un apparecchio elettrico se l'interruttore non ne consente l'avvio e l'arresto.** Un apparecchio che non può essere acceso e spento correttamente è pericoloso e pertanto deve essere assolutamente riparato.
- **Scollegare l'apparecchio o rimuovere la batteria prima di procedere ad eventuali regolazioni, alla sostituzione degli accessori o prima di riporlo.** In questo modo è possibile ridurre i rischi di avvio involontario dell'apparecchio.
- **Riporre gli apparecchi elettrici fuori dalla portata dei bambini. Non consentire l'utilizzo dell'apparecchio a persone che non lo conoscono o che non sono venute a conoscenza delle presenti norme di sicurezza.** Gli apparecchi elettrici diventano strumenti pericolosi nelle mani di persone che non sanno utilizzarli.
- **Effettuare un'accurata manutenzione dei propri apparecchi. Controllare l'allineamento dei componenti mobili. Verificare che non vi siano componenti rotti. Controllare il montaggio ed altri eventuali fattori importanti per il corretto funzionamento dell'apparecchio.** In caso di componenti danneggiati, fare riparare l'apparecchio prima di utilizzarlo. Molti incidenti sono dovuti ad una cattiva manutenzione degli apparecchi.
- **Mantenere gli apparecchi sempre puliti ed affilati.** Se un utensile di taglio viene mantenuto pulito e adeguatamente affilato, le probabilità che si blocchi saranno inferiori e l'utilizzatore potrà conservare un maggiore controllo dell'apparecchio.
- **Utilizzare l'apparecchio elettrico, i relativi accessori, gli inserti, ecc. attenendosi alle presenti indicazioni per l'uso, tenendo conto delle condizioni di utilizzo e delle applicazioni previste.** Onde evitare situazioni di pericolo, utilizzare l'apparecchio elettrico solo per i lavori per cui è stato concepito.

## NORME DI SICUREZZA SPECIFICHE PER GLI APPARECCHI A BATTERIA

- **Per ricaricare la batteria dell'apparecchio, utilizzare esclusivamente il caricabatteria raccomandato dal produttore.** Un caricabatteria adatto ad un certo tipo di batteria potrebbe provocare un incendio se utilizzato con un altro tipo di batteria.

- **Con un apparecchio a batteria deve essere utilizzato esclusivamente un tipo di batteria specifico.** L'impiego di una batteria non conforme può provocare un incendio.
- **Quando la batteria non viene utilizzata, conservarla a distanza da oggetti metallici, come ad esempio fermagli, monete, chiavi, viti, chiodi o qualunque altro oggetto che potrebbe fare da ponte tra i due poli.** La messa in cortocircuito dei poli della batteria può provocare ustioni o incendi.
- **Evitare qualunque contatto con il liquido della batteria in caso di fuoriuscite dovute ad un utilizzo improprio. Nel caso in cui si verifichi questo tipo di situazione, sciacquare abbondantemente con acqua pulita la zona interessata.** In caso di contatto con gli occhi, consultare un medico. Il liquido fuoriuscito dalla batteria può provocare irritazioni o ustioni.

## MANUTENZIONE

- **Eventuali riparazioni devono essere effettuate da un tecnico qualificato, che utilizzerà solo parti di ricambio originali.** In questo modo sarà possibile utilizzare l'apparecchio elettrico in totale sicurezza.

## AVVERTENZE DI SICUREZZA PER LE CESOIE

### PERICOLO

Tenere le mani distanti dalle lame. Il contatto con la lama potrà causare gravi lesioni personali.

- Non lasciare mai che bambini, persone con ridotte capacità fisiche, sensoriali o mentali o mancanza di esperienza e conoscenza o persone non familiari con queste istruzioni utilizzino il prodotto. Leggi locali possono limitare l'età dell'operatore.
- Il prodotto ha una lunghezza fissa di 0,85 m.
- Non utilizzare il prodotto in caso di tempeste o fulmini. Riporre il prodotto all'interno.
- Fare attenzione alle linee elettriche sovrastanti.
- Assicurarsi che tutti gli schermi e manici siano correttamente montati e siano in ottime condizioni.
- Indossare occhiali e cuffie di protezione mentre si utilizza questo prodotto.
- Indossare stivali e guanti pesanti e pantaloni lunghi. Non indossare indumenti ampi o accessori, né usare il prodotto a piedi nudi.
- Non iniziare a utilizzare il prodotto se non si ha a disposizione un'area di lavoro sgombra, un saldo equilibrio e se non si è pianificata una via di fuga da eventuali rami o fronde in caduta.
- Non utilizzare un elettrotensile se stanchi o sotto l'influenza di droghe, alcool o farmaci.
- Durante le operazioni, reggere il prodotto con entrambe le mani. Utilizzare una mano per afferrare saldamente il manico anteriore. Utilizzare l'altra mano per afferrare il manico posteriore e mettere in funzione il dispositivo di rilascio grilletto e il grilletto on/off (accesso/spento).
- Prima di avviarlo, assicurarsi che il prodotto sia





posizionato correttamente nel luogo di lavoro designato. Non utilizzare mai il prodotto con le lame entro 10 m dalle linee di alimentazione sovrastanti.

- Fare spesso delle pause. Limitare la quantità di esposizione giornaliera.
- Mantenere sempre un appoggio saldo e l'equilibrio. Non protendersi. Protendersi troppo potrà causare una perdita di equilibrio e gravi lesioni.
- Non mettere in funzione l'utensile se presenta parti di taglio danneggiate o eccessivamente usurate.
- Non modificare il prodotto in alcun modo nè utilizzarlo per alimentare accessori o dispositivi non raccomandati dalla ditta produttrice dello stesso.
- Identificare il meccanismo a rilascio veloce e fare pratica nell'utilizzarlo prima di mettere in funzione la macchina. L'utilizzo corretto può prevenire gravi lesioni in caso d'emergenza. Non indossare mai altri capi di abbigliamento sulla cinghia in caso contrario limitare l'accesso al meccanismo a rilascio veloce.
- Norme di sicurezza generali non utilizzare questo apparecchio in una zona scarsamente illuminata. Utilizzare il prodotto con la luce del giorno o con una buona illuminazione artificiale.
- Non utilizzare le cesoie se il meccanismo di taglio non funziona correttamente.
- Proteggersi da rami in caduta, non rimanere in piedi direttamente sotto il ramo o la parte che si sta tagliando. Non reggere il prodotto a un angolo superiore ai 60° dal livello del suolo.
- Per ridurre il rischio di lesioni associato al contatto con le parti in movimento, arrestare sempre il motore, assicurarsi che tutte le parti in movimento si siano fermate ed estrarre la batteria prima di:
  - rimuovere o pulire un eventuale blocco
  - Lasciare il prodotto incustodito
  - Installare o rimuovere gli accessori
  - Operazioni di controllo, manutenzione e lavoro sul prodotto.
- Mantenere il prodotto libero dagli sfalci e da altri materiali. Potrebbero restare incastrati fra la morsa e la lama.

#### ULTERIORI AVVERTENZE DI SICUREZZA

- Non consentire che la familiarità conseguita con l'uso frequente degli utensili faccia diventare disinvolti al punto di ignorare i principi di sicurezza.
- Eventuali disattenzioni potranno causare gravi lesioni in una frazione di un secondo.
- tenere manici e superfici da ancoraggio asciutte, pulite, e libere da olio e grasso.
- Impugnature o manici scivolosi non permetteranno di controllare e gestire in maniera sicura l'utensile in situazioni inaspettate.
- Non utilizzare batterie o strumenti danneggiati o alterati.
- Le batterie danneggiate o alterate potrebbero avere un comportamento imprevedibile e causare incendi, esplosioni o rischio di lesioni.
- Non esporre le batterie o gli utensili a temperature eccessive.

- L'esposizione al fuoco o a temperature eccessive oltre i 130 °C potrebbero causare l'esplosione.
- Seguire tutte le istruzioni per la ricarica e non ricaricare le batterie o gli utensili all'infuori dell'intervallo di temperature specificato nelle istruzioni.
- Eseguire la ricarica in modo improprio o all'infuori dell'intervallo specificato potrebbe danneggiare la batteria e aumentare il rischio d'incendio.
- Durante il taglio mantenere l'area sgombra da astanti, bambini e animali.
- Quando si taglia un ramo sotto tensione, prestare attenzione che un possibile ritorno elastico potrebbe colpire l'operatore quando la tensione nelle fibre del legno si allenta.
- Riporre il prodotto con cura. Mantenere la lama affilata e pulita per ottenere prestazioni ottimali e ridurre il rischio di lesioni. Lubrificare e sostituire gli accessori in base alle istruzioni.
- Mantenere i manici puliti, e rimuovere eventuali tracce di olio e grasso.
- Prima dell'utilizzo e dopo ogni impatto, controllare che non vi siano parti danneggiate. Riparare eventuali parti danneggiate o farle sostituire da un centro servizi autorizzato.
- Se il prodotto cade, subisce impatti pesanti o inizia a vibrare in maniera anomala, arrestarlo e controllare eventuali danni per identificare la causa delle vibrazioni. Riparare eventuali danni o far sostituire i pezzi da un centro servizi autorizzato.
- Verificare che non vi siano componenti danneggiati. Prima di continuare ad utilizzare l'apparecchio, verificare se un componente o un accessorio danneggiato è in grado di continuare a funzionare e di svolgere il suo compito.
- Far svolgere la dovuta manutenzione sul prodotto solo da personale autorizzato. Eventuali operazioni di manutenzione o pulizia svolte da personale non qualificato potrà causare lesioni all'operatore o danni al prodotto.
- Conservare le istruzioni. Fare riferimento ad esse frequentemente e utilizzarle per istruire altre persone. Prestare sempre l'utensile assieme alle sue istruzioni per prevenire un eventuale utilizzo scorretto del prodotto ed evitare di riportare probabili lesioni.
- Non tagliare ove ci sia il rischio della presenza di un cavo nascosto.
- Non tagliare i cavi elettrici
- Mantenere l'area di lavoro libera da fili e cavi (esempio: luci decorative).



## AVVERTENZE AGGIUNTIVE PER LA SICUREZZA DELLA BATTERIA

### ⚠ AVVERTENZE

Per ridurre il rischio d'incendio, di lesioni o di danni al prodotto causati da corto circuito, non immergere mai l'utensile, la batteria ricaricabile o il carica batterie in un liquido e non lasciare mai penetrare alcun liquido all'interno dei dispositivi e delle batterie. I fluidi corrosivi o conduttori come acqua salata, alcuni agenti chimici, agenti candeggianti o prodotti contenenti agenti candeggianti potrebbero provocare un corto circuito.

### TRASPORTO E RIPONIMENTO

- Arrestare il prodotto, rimuovere le batterie e lasciare che si raffreddi prima di riporlo o trasportarlo.
- Rimuovere eventuali materiali di scarto dal prodotto.
- Dopo ogni utilizzo, pulire il corpo dell'utensile e le impugnature del prodotto con un panno asciutto morbido.
- Dopo ogni utilizzo, rimuovere gli scarti dalle lame con una spazzola rigida, e quindi applicare attentamente un lubrificante per prevenire la ruggine prima di reinstallare il proteggi lame. Utilizzare uno spray lubrificante antiruggine consigliato, equamente distribuito per ridurre il rischio di lesioni personali dal contatto con le lame. Per informazioni su un prodotto spray adatto, controllare con il proprio centro servizi autorizzato.
- Lubrificare leggermente le lame prima e dopo l'uso se necessario utilizzando il metodo di cui sopra.
- Per il trasporto, assicurare il prodotto contro ogni movimento o contro eventuali cadute per evitare lesioni a persone o danni al prodotto.
- Riporre in un luogo asciutto e ben ventilato non accessibile ai bambini, tenerlo a distanza da agenti corrosivi, come le sostanze chimiche per il giardinaggio e il fondente chimico. Non riporre all'esterno.

### TRASPORTARE BATTERIE AL LITO

Trasportare la batteria secondo quanto indicato dalle norme e regolamentazioni locali e nazionali. Seguire tutte le istruzioni speciali riportate sulla scatola e sull'etichetta quando si fanno trasportare batterie da eventuali terzi. Assicurarsi che le batterie non entrino in contatto con altre batterie o materiali conduttivi durante il trasporto proteggendo i connettori esposti con tappi isolanti, non conduttivi o nastro adesivo. Non trasportare batterie rotte o che perdono liquidi. Rivolgersi alla ditta distributrice per ulteriori consigli.

## MANUTENZIONE

### ⚠ AVVERTENZA

Utilizzare solo parti di ricambio, accessori e dispositivi originali della ditta produttrice. In caso contrario si potranno causare lesioni, prestazioni basse e la garanzia verrà invalidata.

### ⚠ AVVERTENZA

Prima di ispezionare, pulire o eseguire la manutenzione del prodotto, arrestare il motore, attendere che tutte le parti in movimento si siano fermate e rimuovere la batteria. La mancata osservanza di queste norme può provocare gravi lesioni o notevoli danni materiali.

### ⚠ AVVERTENZA

Le operazioni di manutenzione devono essere svolte con grande attenzione e accortezza solo da un tecnico qualificato. Per la manutenzione, portare il prodotto presso un centro servizi autorizzato. Quando si svolgono le operazioni di manutenzione, utilizzare solo parti di ricambio originali della ditta produttrice.

- Spegner l'utensile e rimuovere la batteria prima di effettuare qualsiasi intervento di manutenzione o pulizia.
  - L'operatore potrà fare le regolazioni e riparazioni descritte nel presente manuale. Per altre riparazioni o consigli, rivolgersi a un centro servizi autorizzato.
  - Dopo ogni uso, pulire il prodotto con una panno morbido e asciutto. Riparare eventuali parti danneggiate o farle sostituire da un centro servizi autorizzato.
  - Controllare che tutti i dadi, i bulloni e le viti siano adeguatamente serrati prima di ogni utilizzo e a intervalli frequenti, per accertarsi che il prodotto possa funzionare in sicurezza.
  - Evitare di utilizzare solventi quando si puliscono le parti in plastica. La maggior parte dei materiali plastici è soggetta a danni di vario tipo da solventi commerciali e può essere danneggiata dal contatto con gli stessi. Utilizzare un panno pulito per rimuovere tracce di sporco, polvere, olio, grasso ecc.
  - Evitare che sostanze come sostanze per freni, benzina, prodotti a base di petrolio, oli penetranti, ecc. entrino in contatto con parti in plastica. Agenti chimici potranno danneggiare, indebolire o distruggere la plastica il che potrà causare gravi lesioni a persone.
- NOTA:** Per assicurare un funzionamento affidabile e di lunga durata, svolgere regolarmente la seguente manutenzione.
- Verificare la presenza di difetti ovvi come una lama lenta, dislocata o danneggiata, viti lente e componenti usurati o danneggiati.
  - Verificare che i coperchi e le protezioni non siano danneggiati e che siano fissati correttamente. Prima di usare il prodotto svolgere le manutenzione o le riparazioni necessarie.



- Dopo l'utilizzo pulire sempre le lame.
- Controllare visivamente la condizione dei bordi di taglio della lama. Un'eventuale lama danneggiata dev'essere adeguatamente riparata o sostituita da parte di un centro assistenza autorizzato.
- Riporre il prodotto appoggiandolo solo dopo essersi accertati che il meccanismo di taglio si sia arrestato.

## RIMUOVERE UN BLOCCO

Vedere le pagine 147 - 148.

- Se le lame si inceppano a causa di schegge o di frammenti di corteccia e non si riesce a sbloccarle premendo 3 o 4 volte il grilletto, procedere come segue.
  - Indossare occhiali e guanti.
  - Rimuovere il gruppo batterie.
  - Colpire la lama con un pezzo di legno o un martello di gomma.
  - Applicare la forza solo sull'area della lama visibile. Non colpire la molla.
- Fare attenzione alle lame caricate a molla. Tenere le mani distanti dalle lame, in quanto si apriranno improvvisamente.
- Quando i detriti che bloccano le lame sono stati rimossi:
  - Inserire la batteria.
  - Dopo aver sbloccato le lame, premere il grilletto prima di continuare il taglio in modo da far aprire le lame completamente.

## RISCHI RESIDUI

Anche quando il prodotto viene utilizzato come indicato, è impossibile eliminare completamente alcuni fattori di rischio residuo. Si potranno verificare i seguenti rischi durante l'utilizzo e l'operatore dovrà prestare attenzione speciale per evitare quanto segue:

- Lesioni causate da vibrazioni
  - Utilizzare sempre l'utensile adatto per svolgere il lavoro, utilizzare i manici appositi e limitare le ore di lavoro e l'esposizione.
- Contatto con le lame
  - Assicurarsi che i proteggilama siano installati quando il prodotto non è utilizzato. Tenere sempre mani e piedi lontani dalle lame.
- Parti scagliate dal pezzo sul quale si sta lavorando (schegge e trucioli di legno)

## RIDUZIONE DEL RISCHIO

Si è accertato che le vibrazioni causate da utensili a mano possono contribuire a causare una condizione chiamata Sindrome di Raynaud in alcune persone. I sintomi, comprendenti formicolio, intorpidimento e perdita di colore alle dita, si verificano di solito quando ci si espone al freddo. Fattori ereditari, esposizione a freddo e umidità, una dieta scorretta, fumo e condizioni di lavoro non sicure potranno contribuire allo sviluppo di questi sintomi. È possibile prendere delle precauzioni per ridurre le vibrazioni:

- Tenere il corpo al caldo a basse temperature. Quando si utilizza il prodotto indossare guanti per tenere le mani e i polsi caldi. Le basse temperature contribuiscono a

causare la Sindrome di Raynaud.

- Dopo aver utilizzato l'utensile per un certo periodo, fare degli esercizi per stimolare la circolazione del sangue.
- Fare spesso delle pause. Limitare la quantità di esposizione giornaliera.

Nel caso in cui si provino i sintomi di questa condizione, interrompere immediatamente l'utilizzo dell'utensile e consultare un dottore.

## ⚠ AVVERTENZA

Il prolungato utilizzo dell'utensile potrà causare o aggravare lesioni. Quando si utilizza questo utensile per periodi di tempo prolungati, assicurarsi di fare sempre delle pause regolari.

## FAMILIARIZZARE CON IL PRODOTTO

Vedere pagina 141.

1. Lama di taglio
2. Alloggiamento maniglia
3. Interruttore di blocco
4. Grilletto
5. Fodero lama
6. Gancio

## SIMBOLI SUL PRODOTTO



Avvertenza



Leggere attentamente le istruzioni prima di avviare l'utensile.



Indossare protezione occhi, orecchie e testa.



Indossare guanti di protezione resistenti e anti-scivolo.



Indossare calzature anti-scivolo con questo prodotto.



Non esporre a pioggia o umidità.



Rischio elettrico. Tenere ad almeno 10 m dai cavi sospesi.



Fare attenzione ad oggetti scagliati o lanciati dall'utensile. Tenere lontani tutti gli osservatori, soprattutto bambini e animali, ad almeno 15m dalla zona di funzionamento.





Tenere le mani lontane dalle lame.



Questo apparecchio è conforme a tutte le norme vigenti nel paese dell'UE in cui è stato acquistato.



Marchio di conformità EurAsian



Marchio di conformità ucraino



I prodotti elettrici non devono essere smaltiti con i rifiuti domestici. Vi sono strutture per smaltire tali prodotti. Informarsi presso il proprio Comune o rivenditore di sicurezza per smaltire adeguatamente tali rifiuti.

### SIMBOLI NEL PRESENTE MANUALE



Blocco



Sblocco



Parti o accessori venduti separatamente



Note



Avvertenze

Le parole e i messaggi di avvertimento spiegano i livelli di rischio associato con il prodotto.

#### **PERICOLO**

Indica una situazione pericolosa che, se non evitata attentamente, potrà causare gravi lesioni alla persona o morte.

#### **AVVERTENZA**

Indica una situazione potenzialmente pericolosa che, se non evitata attentamente, potrà causare gravi lesioni alla persona o morte

#### **ATTENZIONE**

Indica una situazione potenzialmente pericolosa che, se non evitata attentamente, potrà causare lesioni minori o moderate alla persona.

### ATTENZIONE

Senza simbolo di allerta di sicurezza

Indica una situazione che potrà risultare in gravi danni a cose.

EN

FR

DE

ES

IT

NL

PL

PT

DA

SV

FI

NO

RU

PL

CS

HU

RO

LV

LT

ET

HR

SL

SK

BG

UK

TR





Bij het ontwerp van uw draadloze takkenschaar hebben veiligheid, prestaties en betrouwbaarheid de hoogste prioriteit gekregen.

### VOORGESCHREVEN GEBRUIK

De draadloze takkenschaar is bedoeld voor gebruik buitenshuis. Omwille van veiligheidsredenen moet het product correct worden bediend door steeds twee handen te gebruiken.

Het product is bedoeld voor het knippen en snoeien van dunne scheuten en takken. Gebruik het product niet voor het doorknippen van materialen die niet van hout zijn. Het product is bedoeld voor het snoeien van takken met een maximale diameter van 32 mm (naaldhout) en 28 mm (hardhout). Snoei geen takken met een diameter die dikker is dan de genoemde diktes.

Het product heeft een vaste lengte van 0,85 m.

Gebruik het product voor andere doeleinden dan deze die hierboven zijn opgelijst. Het product mag niet worden gebruikt door kinderen of personen die geen geschikte beschermuitrusting en -kledij dragen.

### ALGEMENE VEILIGHEIDSWAARSCHUWINGEN

#### ⚠ WAARSCHUWING

Lees aandachtig alle waarschuwingen en alle voorschriften. Als u onderstaande voorschriften niet opvolgt, kan dit leiden tot ongelukken zoals brand, elektrische schokken en/of ernstig lichamelijk letsel.

**Bewaar deze waarschuwingen en voorschriften zorgvuldig om ze ook later te kunnen inzien.**

Met de term "elektrisch apparaat" in onderstaande veiligheidsvoorschriften worden alle type apparaten aangeduid, dus zowel apparaten met een netsnoer als apparaten met een accupak.

#### VEILIGHEID VAN DE WERKPLEK

- **Zorg dat uw werkruimte opgeruimd en goed verlicht is.** Rommelige of donkere plaatsen nodigen uit tot ongevallen.
- **Gebruik elektrische apparaten nooit in een explosieve atmosfeer, bijvoorbeeld in de buurt van ontvlambare vloeistoffen, van gassen of van stofdeeltjes.** Door de vonken van elektrische apparaten kunnen deze in brand raken of ontploffen.
- **Houd kinderen, omstanders en huisdieren op afstand als u een elektrisch apparaat gebruikt.** Zij zouden u kunnen afleiden, waardoor u de macht over het apparaat verliest.

#### ELEKTRISCHE VEILIGHEID

- **De stekker van een elektrisch apparaat moet zonder meer passen op het stopcontact.** Ga niet aan de stekker knoeien. Gebruik nooit een verloopstekker voor elektrische apparaten met aardaansluiting. Zo beperkt u de kans op elektrische schokken.
- **Voorkom aanraking van geaarde oppervlakken**

(bijv. buizen, radiatoren, fornuizen, koelkasten, enz.). Het gevaar voor elektrische schokken wordt groter als een deel van uw lichaam in aanraking is met een geaard oppervlak.

- **Stel een elektrisch apparaat niet bloot aan regen of vochtigheid.** Het gevaar voor elektrische schokken wordt groter als er water binnentreedt in een elektrisch apparaat.
- **Houd het netsnoer in goede staat. Til uw apparaat nooit op aan het netsnoer en probeer niet om de stekker uit het stopcontact te halen door aan het snoer te trekken.** Houd het snoer uit de buurt van warmtebronnen, olie, snijdende voorwerpen en bewegende onderdelen. Het gevaar voor elektrische schokken wordt groter als het netsnoer beschadigd is of in de knoop zit.
- **Bij gebruik buitenshuis moeten eventuele verlengsnoeren geschikt zijn voor een dergelijk gebruik.** Zo beperkt u de kans op elektrische schokken.
- **Als u niet anders kunt dan het apparaat in een vochtige omgeving gebruiken, sluit het dan in ieder geval aan op een stroomgroep die beveiligd is met een aardlekschakelaar.** Door toepassing van een aardlekschakelaar wordt het gevaar voor elektrische schokken beperkt.

#### PERSOONLIJKE VEILIGHEID

- **Blijf attent, kijk goed naar wat u doet en gebruik uw gezond verstand als u een elektrisch apparaat gebruikt.** Gebruik het elektrisch apparaat niet wanneer u vermoeid bent of onder invloed bent van drank of drugs, of wanneer u medicijnen gebruikt. Vergeet niet dat zelfs één seconde onoplettendheid ernstig lichamelijk letsel kan veroorzaken.
- **Gebruik persoonlijke beschermingsmiddelen. Bescherm altijd uw ogen.** Draag afhankelijk van de omstandigheden ook een stofmasker, schoenen met antislipzolen, een veiligheidshelm of gehoorbeschermers om gevaar voor ernstig lichamelijk letsel te beperken.
- **Zorg dat het apparaat niet ongewild in werking kan treden. Zorg ervoor dat de schakelaar op "uit" staat voordat u het apparaat op de stroom aansluit of het accupak in het apparaat steekt of wanneer u het apparaat meeneemt of vervoert.** Beperk het gevaar voor ongelukken: verplaats het apparaat niet terwijl u een vinger op de schakelaar houdt en steek de stekker niet in het stopcontact / steek het accupak niet in het apparaat als de schakelaar op "aan" staat.
- **Verwijder de stelsleutels voordat u het apparaat in werking zet.** Een achtergebleven stelsleutel die aan een bewegend onderdeel vastzit, kan ernstig lichamelijk letsel veroorzaken.
- **Zorg dat u altijd uw evenwicht goed kunt bewaren. Ga altijd stevig op uw benen staan en reik niet te ver weg met uw arm.** Door een stabiele werkpositie bent u beter in staat om uw gereedschap in bedwang te houden als er iets onverwachts gebeurt.
- **Draag geschikte kleding. Draag geen wijde kleding of sierraden. Houd uw haren, kleding en**





handschoenen uit de buurt van de bewegende delen. Wijde kleding, sierraden of lange haren kunnen beklemd raken in de bewegende delen.

- **Zorg ervoor dat het stofzuigsysteem goed is geïnstalleerd en ook wordt gebruikt wanneer het apparaat daarmee is uitgerust.** Zo voorkomt u gevaar voor ongelukken.

## GEBRUIK EN ONDERHOUD VAN APPARATEN MET SNOER

- **U mag het apparaat niet overbelasten. Gebruik een apparaat dat geschikt is voor het werk dat u gaat doen.** Uw elektrisch apparaat zal veiliger en zekerder werken als u het gebruikt op het toerental waarvoor het berekend is.
- **Gebruik een elektrisch apparaat niet als u het niet meer met de schakelaar aan en uit kunt zetten.** Een apparaat dat niet meer op de normale manier aan-en uitgezet kan worden, is gevaarlijk en moet absoluut worden gerepareerd.
- **Trek de stekker van het apparaat uit het stopcontact of haal de accu uit het apparaat, voordat u instellingen uitvoert, accessoires verwisselt of het apparaat opbergt.** Zo verkleint u het risico dat het apparaat ongewild in werking treedt.
- **Berg elektrische apparaten weg buiten bereik van kinderen.** Laat het apparaat niet gebruiken door personen die het apparaat niet kennen of geen kennis hebben genomen van de veiligheidsvoorschriften. Elektrische apparaten zijn gevaarlijk in handen van onervaren personen.
- **Houd uw gereedschap in goede staat van werking. Controleer de uitlijning van de bewegende delen. Kijk of er geen onderdelen zijn gebroken. Controleer de montage en alle andere elementen die de goede werking van het gereedschap kunnen beïnvloeden.** Als er iets beschadigd is, dient u uw apparaat eerst te laten herstellen voordat u het weer gebruikt. Ongelukken zijn vaak te wijten aan de slechte staat van onderhoud van het gereedschap.
- **Houd uw gereedschap altijd scherp en schoon.** Wanneer het mes van snijgereedschap goed scherp en schoon is, bestaat er minder kans dat het geblokkeerd raakt. Ook kunt u het apparaat dan beter onder controle houden.
- **Gebruik het elektrisch apparaat, de accessoires, de hulpstukken, enz. in overeenstemming met deze gebruiksvorschriften en houd daarbij rekening met de gebruiksomstandigheden en de gewenste toepassingen.** Gebruik een elektrisch apparaat uitsluitend voor de toepassingen waarvoor het bestemd is om gevaarlijke situaties te vermijden.

## SPECIEFIE VEILIGHEIDSVORSCHRIFTEN VOOR APPARATEN ZONDER SNOER

- **Laad het accupak van uw apparaat alleen op met behulp van het laadapparaat dat door de fabrikant is voorgeschreven.** Een lader die voor een bepaald type accu bedoeld is, kan brand veroorzaken als die voor een ander type accu wordt gebruikt.

- **Accugereedschap mag alleen in combinatie met een bepaald type accu worden gebruikt.** Het gebruik van andere accu's kan brand veroorzaken.
- **Houd de accu, wanneer deze niet gebruikt wordt, uit de buurt van metalen voorwerpen zoals paperclips, geldstukken, sleutels, spijkers, schroeven en andere metalen voorwerpen die verbinding tussen de klemmen zouden kunnen maken.** Kortsluiting van de klemmen van de accu kan brandwonden of brand veroorzaken.
- **Zorg dat u niet met accuvloeistof in aanraking komt als dit uit de accu is gelekt bij verkeerd gebruik. Mocht dit gebeuren, dan dient u de betreffende plekken overvloedig met helder water te spoelen.** Raadpleeg ook een arts als er vloeistof in uw ogen is gekomen. De uit een accu gestoten vloeistof kan irritaties of brandwonden veroorzaken.

## ONDERHOUD

- **Eventuele reparaties mogen alleen door een bekwame vakman worden uitgevoerd met gebruik van originele reservedelen.** Zo kunt u het elektrisch apparaat veilig blijven gebruiken.

## VEILIGHEIDSWAARSCHUWINGEN M.B.T. DE TAKKENSCHAAR

### GEVAAR

Houd uw handen uit de buurt van het mes. Contact met het maaiblاد kan leiden tot ernstige letsels.

- Laat kinderen, personen met verminderde fysieke, zintuiglijke of mentale vermogens of een gebrek aan ervaring of kennis of mensen die niet vertrouwd zijn met deze gebruiksaanwijzingen, het product niet gebruiken. De plaatselijke wetgeving kan beperkingen opleggen i.v.m. de leeftijd van de bediener.
- Het product heeft een vaste lengte van 0,85 m.
- Gebruik het product niet wanneer er kans is op onweer of bliksem. Bewaar het product veilig binnenshuis.
- Wees voorzichtig in de buurt van hoogspanningskabels.
- Zorg ervoor dat alle beschermers, handvatten correct zijn gemonteerd en zich in goede staat bevinden.
- Draag volledige gezichts- en gehoorbescherming terwijl u het product bedient.
- Draag een stevige, lange broek, laarzen en handschoenen. Draag geen loszittende kleding of accessoires en gebruik het product niet blootsvoets.
- Start het product niet tot het werkgebied vrij is gemaakt, u stevig op de grond staat en een ontsnappingsroute hebt weg van de vallende takken.
- Gebruik een elektrisch werktuig niet wanneer u moe of onder de invloed van drugs, alcohol of medicijnen bent.
- Tijdens het gebruik product met beide handen vasthouden. Gebruik een hand om het voorste handvast stevig vast te houden. Gebruik de andere hand om het achterste handvat vast te nemen en de gashendel en aan-/uitschakelaar te bedienen.

EN
FR
DE
ES
IT
<b>NL</b>
PT
DA
SV
FI
NO
PL
RU
CS
HU
RO
LV
LT
ET
HR
SL
SK
BG
UK
TR





- Zorg ervoor dat het product in de aangegeven werkstand is geplaatst voordat u het product gebruikt.
  - Gebruik het product nooit wanneer de snijmesses minder dan 10 m verwijderd zijn van een hoogspanningskabel.
  - Neem regelmatig een pauze. Beperk het aantal uren dat u per dag wordt blootgesteld.
  - Bewaar steeds een stevige houvast en goed evenwicht. Overrek u niet. Overreiken kan leiden tot evenwichtsverlies en ernstige verwondingen.
  - Bedien de machine niet met een beschadigd of uiterst versleten maai-apparaat.
  - Wijzig het product nooit of gebruik het niet om voorzetstukken of apparaten aan te drijven die niet door de fabrikant van het product worden aangeraden.
  - Zoek het snelle ontgrendelmechanisme en oefen dit voor u de machine begint te gebruiken. Een goed gebruik kan ernstig letsel vermijden bij een noodgeval. Draag nooit kleding over het harnas of kleding dat de toegang tot de snelsluiting beperkt.
  - Gebruik dit apparaat niet op plekken waar u niet goed kunt zien. Gebruik het product bij daglicht of bij goed kunstmatig licht.
  - Gebruik de takkenschaar niet als het snijmechanisme niet goed werkt.
  - Om uzelf tegen vallende takken te beschermen, mag u niet direct onder de tak staan die wordt afgezaagd. Het product mag niet in een hoek groter dan 60° vanaf de bodem worden gehouden.
  - Om het risico van letsel veroorzaakt door het aanraken van bewegende onderdelen te verminderen, moet het product altijd worden stilgezet en moeten alle bewegende onderdelen tot stilstand zijn gekomen en dient de accu te worden verwijderd voordat:
    - blokkering schoon- of vrijmaken
    - het product onbeheerd achterlaten
    - u voorzetstukken installeert of verwijdert
    - ontrollen, onderhoud of werken aan het product.
  - Houd het product vrij van snoeijsel en andere materialen. Dit kan vast komen te zitten tussen de bek en het snijmes.
- Stel accu's of gereedschap niet bloot aan vuur of hoge temperaturen.
  - Blootstelling aan vuur of extreme temperaturen boven 130°C kan explosies veroorzaken.
  - Volg alle instructies en laad de accu of het gereedschap niet op buiten het temperatuurbereik dat in de handleiding wordt aangegeven.
  - Onjuist opladen of opladen bij temperaturen buiten het aangegeven bereik kan schade aan de accu veroorzaken en risico op brand verhogen.
  - Zorg ervoor dat tijdens het snijden de omgeving vrij is van alle omstanders, kinderen en huisdieren.
  - Wanneer een tak wordt gezaagd die onder spanning staat, wees dan bedacht op het terugveren zodat u niet wordt geraakt wanneer de veerkracht in de houtvezels wordt vrijgelaten.
  - Onderhoud het product zorgvuldig. Houd de snijrand scherp en schoon voor de beste prestaties en om het risico op letsel te verminderen. Smeer de accessoires en vervang ze volgens de voorschriften.
  - Houd de handvatten droog, schoon en vrij van olie en vet.
  - Voor gebruik en na elke impact controleert u op beschadigde onderdelen. Een beschadigd onderdeel moet door een geautoriseerd onderhoudscentrum goed worden gerepareerd of vervangen.
  - Als u het product laat vallen, het een ernstige impact ondergaat of abnormaal begint te trillen, legt u het product onmiddellijk stil en controleert u het op schade of zoekt u naar de oorzaak van de trillingen. Enige schade moet direct worden gerepareerd of vervangen door een bevoegd onderhoudscentrum.
  - Controleer of er niets beschadigd is aan het apparaat. Voordat u het product verder gebruikt moeten zorgvuldig worden bekeken of er andere onderdelen zijn beschadigd om vast te stellen dat het goed werkt en naar behoren functioneert.
  - Het onderhoud van het toestel mag enkel door erkend onderhoudspersoneel worden uitgevoerd. Service of onderhoud dat door niet-gekwalificeerd personeel wordt uitgevoerd kan leiden tot verwondingen bij de gebruiker of schade aan het product.
  - Bewaar deze instructies. Raadpleeg ze regelmatig en gebruik ze om anderen die dit product mogelijk gebruiken, te instrueren. Als u dit werktuig aan iemand uitleent, leer dan deze instructies ook mee uit om te voorkomen dat het gereedschap verkeerd wordt gebruikt of om mogelijke verwondingen te voorkomen.
  - Niet knippen op plaatsen waar verborgen draden kunnen zitten.
  - Knip geen draden door.
  - Houd het werkgebied vrij van draden en kabels (bijvoorbeeld: kerstverlichting).

#### **BIJKOMENDE VEILIGHEIDSWAARSCHUWINGEN**

- Voorkom dat u door het frequent gebruik van gereedschappen laks wordt en de veiligheidsvoorschriften uit het oog verliest.
- Een onzorgvuldige handeling kan binnen enkele seconden leiden tot ernstige verwondingen
- Houd handvatten en grepen droog, schoon en vrij van olie en vet.
- Gladde handvatten en grepen laten u niet toe om de machine veilig te bedienen en in onverwachte situaties te controleren?.
- Gebruik geen beschadigde of gewijzigde accu of gereedschap.
- Beschadigde of gewijzigde accu's kunnen onvoorspelbaar gedrag vertonen en leiden tot brand, explosies, of het risico op letsel.



**EXTRA WAARSCHUWINGEN  
BATTERIJVEILIGHEID**

**⚠ WAARSCHUWING**

Voorkom brand, persoonlijk letsel of materiële schade door kortsluiting en dompel het gereedschap, de wisselaccu en het laadtoestel niet onder in vloeistoffen en waarborg dat geen vloeistoffen in de apparaten en accu's kunnen dringen. Corrosieve of geleidende vloeistoffen zoals zout water, bepaalde chemicaliën, bleekmiddelen of producten die bleekmiddelen bevatten, kunnen een kortsluiting veroorzaken.

**TRANSPORT EN OPSLAG**

- Leg het product stil, verwijder de batterij en laat beide afkoelen voor u ze opbergt of transporteert.
- Verwijder alle vreemde voorwerpen van het product.
- Reinig na elk gebruik het lichaam en de handvaten van het product met een zachte doek.
- Verwijder na elk gebruik het afval van de bladen met een stijve borstel en breng dan voorzichtig een tegen roest beschermend smeermiddel aan voordat u de bladbescherming weer terugplaatst. Gebruik een aanbevolen roestwerende smeermiddelspray voor een gelijkmatige verdeling en om het risico op persoonlijk letsel als gevolg van contact met de messen te voorkomen. Ga voor informatie over een geschikte spray naar uw plaatselijke bevoegde onderhoudscentrum.
- Smeer de messen zo nodig licht in voor en na gebruik. Hanteer daarvoor de bovenstaande methode.
- Voor transport beveilig u het product tegen bewegen of vallen om lichamelijke letsels of schade aan het product te voorkomen.
- Bewaar op een koele, droge en goed geventileerde plaats die niet toegankelijk is voor kinderen. Houd corrosieve producten, zoals tuinchemicaliën en strooizout uit de buurt van het apparaat. Bewaar niet buitenshuis.

**VERVOEREN VAN LITHIUM BATTERIJEN**

Vervoer de accu in overeenstemming met de plaatselijke en nationale voorzieningen en regelgevingen. Respecteer alle speciale voorwaarden op de verpakking en etikettering wanneer u de accu's door derden laat transporteren. Zorg ervoor dat de accu's tijdens het transport niet in contact komen met andere batterijen of geleidende materialen door blootliggende connectoren met isolerende, niet-geleidende doppen of plakband te beschermen. Geen gekraakte of lekkende accu's vervoeren. Controleer bij het doorsturende bedrijf voor verder advies.

**ONDERHOUD**

**⚠ WAARSCHUWING**

Gebruik uitsluitend originele vervangonderdelen, accessoires en voorzetstukken van de fabrikant. Als u dit niet doet, kan dit mogelijks letsels of slechte prestaties veroorzaken waardoor uw garantie kan vervallen.

**⚠ WAARSCHUWING**

Alvorens het product te inspecteren, reinigen of onderhouden dient u de motor te stoppen, te wachten totdat alle bewegende delen tot stilstand zijn gekomen en de accu te verwijderen. Het niet opvolgen van deze aanwijzingen kan resulteren in ernstig lichamelijk letsel of grote materiële schade.

**⚠ WAARSCHUWING**

Het onderhoud vereist extreme voorzichtigheid en deskundigheid en mag enkel door een gekwalificeerde onderhoudstechnicus worden uitgevoerd. Voor onderhoud brengt u het product naar een geautoriseerd onderhoudscentrum. Gebruik uitsluitend originele vervangonderdelen wanneer u onderhoudswerken aan de machine uitvoert.

- Schakel het apparaat uit en verwijder de accu voordat u onderhouds- of reinigingswerkzaamheden uitvoert.
- U kunt de afstellingen en reparaties die in deze gebruiksaanwijzing worden vermeld, uitvoeren. Voor andere herstellingen of advies, vraagt u hulp in een geautoriseerd onderhoudscentrum.
- Na elk gebruik, reinigt u het product met een zachte, droge doek. Een beschadigd onderdeel moet door een geautoriseerd onderhoudscentrum goed worden gerepareerd of vervangen.
- Controleer alle moeren, bouten en schroeven regelmatig en vóór elk gebruik om te garanderen dat het product in veilige staat verkeert.
- Vermijd het gebruik van oplosmiddelen wanneer u kunststof onderdelen schoonmaakt. De meeste soorten plastic zijn gevoelig voor schade, veroorzaakt door verschillende soorten commerciële oplosmiddelen en kunnen door hun gebruik worden beschadigd. Gebruik schone doeken om vuil, stof, olie, vet, etc. te verwijderen.
- Laat op geen elk moment remvloeistoffen, benzine, producten op petroleumbasis, penetrerende oliën, etc. in contact komen met kunststof onderdelen. Chemische stoffen kunnen kunststof beschadigen, verzwakken of vernietigen, wat kan leiden tot ernstige verwondingen.

**OPMERKING:** Voor een lange en betrouwbare werking moet het volgende onderhoud regelmatig worden uitgevoerd.

- Controleer of er duidelijk zichtbare defecten aan het product zijn, zoals losse, verplaatste of beschadigde messen, losse aansluitingen en versleten of beschadigde onderdelen.



- Controleer of kappen en beveiligingselementen onbeschadigd zijn en correct zijn geplaatst. Voer vóór gebruik van het product onderhoud of de nodige reparaties uit.
- Reinig de snijmesses na gebruik altijd.
- Voer een visuele inspectie uit van de snijranden van het snijmes. Een beschadigd snijmes moet correct worden hersteld of vervangen door een erkend onderhoudscentrum.
- Berg het product op en zorg er daarbij voor dat het snijmechanisme tot stilstand is gekomen voordat u het product neerzet.

## OBSTRUCTIE VERWIJDEREN

Zie pagina 147 - 148.

- Als de bladen vastzitten doordat er splinters of stukken bast tussen zitten, en ze niet losgemaakt kunnen worden door de trekker 3-4 keer over te halen, volg dan deze procedure:
  - Draag handschoenen en een veiligheidsbril.
  - Accupack verwijderen.
  - Sla met een stuk hout of een rubberen hamer op het blad.
  - Zorg ervoor dat u alleen het blad zelf raakt. Sla niet op de veer.
- Wees voorzichtig met de op een veer werkende bladen. De bladen zullen plotseling openspringen. Houd uw handen dus uit de buurt.
- Wanneer de blokkering verwijderd is:
  - Plaats de batterij in het apparaat.
  - Haal nadat de bladen los zijn gemaakt de trekker over voordat u verdergaat met knippen, zodat de bladen volledig geopend kunnen worden

koude. Erfelijke factoren, blootstelling aan koude en vocht, dieet, roken en werkroutine kunnen allemaal bijdragen tot de ontwikkeling van deze symptomen. Er kunnen door de bediener maatregelen worden genomen om de gevolgen van de trillingen te beperken:

- Houd bij koud weer uw lichaam warm. Draag handschoenen terwijl u het product gebruikt om de handen en polsen warm te houden. Men neemt aan dat koud weer een belangrijke factor is die bijdraagt tot het Syndroom van Raynaud.
- Doe oefeningen om de bloedsomloop te bevorderen na elke periode van gebruik.
- Neem regelmatig een pauze. Beperk het aantal uren dat u per dag wordt blootgesteld.

Wanneer u enige van de symptomen van deze aandoening ervaart, stop dan onmiddellijk met het gebruik van het toestel en raadpleeg uw dokter

### ⚠ WAARSCHUWING

Letsels kunnen worden veroorzaakt of ernstiger worden door verlengd gebruik van een werktuig. Als u een werktuig gedurende langere periodes gebruikt, neem dan regelmatig pauze.

### KEN UW PRODUCT

Zie pagina 141.

1. Snijblad
2. Handgreepbehuizing
3. Noodschakelaar
4. Aan-/uit-hendel
5. Bladschede
6. Haak

### RESTRISICO'S

Zelfs wanneer het product zoals voorgeschreven wordt gebruikt, is het nog steeds onmogelijk om bepaalde restrisico's volledig te elimineren. De volgende gevaren kunnen zich voordoen tijdens het gebruik en de gebruiker dient in het bijzonder aandacht te hebben om de volgende situaties te vermijden:

- Letsels veroorzaakt door trillingen
  - Gebruik altijd het juiste gereedschap voor de taak, gebruik de toegewezen handvaten en beperk de gebruikstijd en blootstelling.
- Contact met bladen
  - Zorg ervoor dat de mesbeschermers zijn geplaatst wanneer het product niet in gebruik is. Houd handen en voeten steeds weg van de zaagbladen.
- Uitgeworpen stukken van het werkstuk (houtzaagsel, splinters)

### RISICOBEPERKING

Er zijn meldingen dat trillingen van handwerkhuizen bij sommige mensen bijdragen tot het Syndroom van Raynaud. Symptomen kunnen ondermeer tintelingen, gevoelloosheid en bleek worden van de vingers omvatten, wat normaal gezien duidelijk wordt bij blootstelling aan

### SYMBOLEN OP HET PRODUCT



Waarschuwing



Gelieve de instructies zorgvuldig te lezen voordat u de machine in gebruik neemt.



Draag gezichts-, gehoor- en hoofdbescherming.



Draag zware antislip beschermhandschoenen.



Draag anti-slipschoeisel wanneer u het product gebruikt.



Stel niet bloot aan regen of vocht.





Elektrisch gevaar. Houd tenminste 10m afstand van overhangende leidingen.



Houd rekening met weggeslingerde of rondvliegende voorwerpen. Houd alle omstanders, in het bijzonder kinderen en huisdieren, op tenminste 15m afstand van het werkgebied.



Houd handen weg van snijbladen.



Dit apparaat voldoet aan alle geldende normen van Lid-Staat van de Europese Unie waar het werd gekocht.



EurAsian-symbool van overeenstemming



Oekraïens conformiteitssymbool



Elektrisch afval mag niet samen met ander huishoudafval worden weggegooid. Gelieve te recycleren indien de mogelijkheid bestaat. Neem contact op met uw lokaal bestuur of handelaar om advies te krijgen over recyclage.

## SYMBOLLEN IN DEZE GEBRUIKSAANWIJZING



Vergrendeling



Ontgrendelen



Onderdelen of accessoires afzonderlijk verkocht



Opmerking



Waarschuwing

De volgende signaalwoorden en betekenissen zijn bedoeld om de gevaarniveaus die met het product zijn verbonden, te verklaren:

### **GEVAAR**

Wijst op een gevaarlijke situatie die, als ze niet wordt voorkomen, dodelijk kan zijn of ernstige verwondingen kan veroorzaken.

### **WAARSCHUWING**

Wijst op een mogelijks gevaarlijke situatie die, als ze niet wordt voorkomen, dodelijk kan zijn of ernstige verwondingen kan veroorzaken.

### **LET OP**

Wijst op een mogelijks gevaarlijke situatie die, als ze niet wordt voorkomen, kleine of middelmatige verwondingen kan veroorzaken.

### **LET OP**

Zonder veiligheidswaarschuwingssymbool

Wijst op een situatie die kan leiden tot materiële schade.



No design da sua tesoura-serrote eléctrica recarregável demos prioridade à segurança, ao desempenho e à fiabilidade.

### USO PREVISTO

A tesoura-serrote eléctrica recarregável destina-se a ser utilizada ao ar livre. Por motivos de segurança, o produto tem obrigatoriamente de ser controlado adequadamente, utilizando ambas as mãos durante a operação.

O produto foi concebido para cortar e podar ramos pequenos e ramadas. Não utilize o produto para cortar outros materiais para além de madeira. O produto destina-se a cortar ramos até 32 mm de diâmetro (madeira mole, de espécies resinosas) e até 28 mm de diâmetro (madeira dura, de espécies folhosas). Não corte ramos mais grossos do que os valores de diâmetro especificados.

O produto tem um comprimento fixo de 85 cm.

Não use o produto para qualquer finalidade que não esteja listada acima. O produto não deve ser usada por crianças ou por pessoas que não usem o equipamento de protecção pessoal e vestuário adequados.

### AVISOS GERAIS DE SEGURANÇA

#### ADVERTÊNCIA

**Leia com atenção todas as advertências e todas as instruções.** O incumprimento das instruções seguintes pode ocasionar acidentes como incêndios, choques eléctricos e/ou ferimentos graves.

**ConsERVE estas advertências e instruções para poder consultá-las mais tarde.**

O termo “ferramenta eléctrica” utilizado nas instruções de segurança seguintes designa tanto as ferramentas eléctricas que se ligam à corrente como as ferramentas eléctricas sem fio.

### SEGURANÇA DO ESPAÇO DE TRABALHO

- **Mantenha a sua área de trabalho limpa e bem iluminada.** As áreas desordenadas ou escuras são um convite para acidentes.
- **Não utilize ferramentas eléctricas num ambiente explosivo, como por exemplo perto de líquidos, gases ou poeiras inflamáveis.** As centelhas provenientes das ferramentas eléctricas podem incendiá-los ou fazê-los explodir.
- **Mantenha as crianças, visitantes e animais domésticos afastados quando utilizar uma ferramenta eléctrica,** porque poderiam distraí-lo e fazer-lhe perder o controlo da ferramenta.

### SEGURANÇA ELÉCTRICA

- **A ficha da ferramenta eléctrica deve estar adaptada à tomada. Nunca faça nenhuma intervenção na ficha. Nunca utilize um adaptador com ferramentas eléctricas ligadas à terra ou à massa.** Evitará assim os riscos de choque eléctrico.
- **Evite qualquer contacto com superfícies ligadas à terra ou à massa (isto é, tubos, radiadores, fogões,**

**frigoríficos, etc.).** Os riscos de choques eléctricos aumentam se uma parte do corpo ficar em contacto com superfícies ligadas à terra ou à massa.

- **Nunca exponha uma ferramenta eléctrica à chuva nem à humidade.** Os riscos de choque eléctrico aumentam se a água penetrar numa ferramenta eléctrica.
- **ConsERVE o fio de alimentação em bom estado. Nunca segure a ferramenta pelo fio de alimentação e nunca puxe o fio para a desligar. Mantenha o fio de alimentação afastado de qualquer fonte de calor, de óleo, de objectos afiados ou de elementos em movimento.** Os riscos de choque eléctrico aumentam se o fio estiver danificado ou emaranhado.
- **Quando trabalhar no exterior, utilize unicamente extensões concebidas para uma utilização no exterior.** Evitará assim os riscos de choque eléctrico.
- **Se não puder evitar a utilização da ferramenta em ambiente húmido, ligue-se a uma alimentação eléctrica protegida por um dispositivo diferencial residual (DDR).** A utilização de um dispositivo DDR limita os riscos de choques eléctricos.

### SEGURANÇA PESSOAL

- **Mantenha-se vigilante, observe bem o que faz e demonstre bom senso quando utiliza uma ferramenta eléctrica. Não utilize a sua ferramenta se estiver cansado, sob a influência de bebidas alcoólicas ou de drogas ou se tomar medicamentos.** Nunca se esqueça que basta um segundo de falta de atenção para se ferir gravemente.
- **Utilize dispositivos de protecção. Proteja sempre os olhos.** Conforme as circunstâncias, use também uma máscara anti-poeira, calçado antiderrapante, um capacete ou protecções auditivas para evitar os riscos de ferimentos graves.
- **Evite qualquer arranque por descuido. Certifique-se de que o interruptor está em “Desligar” antes de ligar a ferramenta a uma tomada ou de inserir a bateria, mesmo quando pega ou transporta a ferramenta.** Para evitar os riscos de acidentes, não desloque a ferramenta com o dedo no gatilho e não a ligue à corrente / não insira a bateria se o interruptor estiver na posição “Ligar”.
- **Retire as chaves de aperto antes de ligar a sua ferramenta.** Uma chave de aperto mantida presa num elemento móvel da ferramenta pode provocar ferimentos graves.
- **Tenha o cuidado de se encontrar sempre em posição de equilíbrio. Fique sempre bem apoiado nas pernas e não estique demasiado o braço.** Uma posição de trabalho estável permite controlar melhor a sua ferramenta em caso de evento fortuito.
- **Use roupas adequadas. Não use roupas folgadas nem jóias. Mantenha os cabelos, as roupas e as luvas afastadas das peças móveis.** As roupas folgadas, as jóias e os cabelos compridos podem ficar presos nos elementos em movimento.
- **Se a ferramenta for entregue com um sistema de aspiração da poeira, o mesmo deve ser instalado e utilizado correctamente.** Evitará assim os riscos de



acidentes.

## UTILIZAÇÃO E MANUTENÇÃO DAS FERRAMENTAS ELÉCTRICAS

- **Não force a sua ferramenta. Utilize a ferramenta adaptada ao trabalho que quer efectuar.** A sua ferramenta eléctrica será mais eficaz e mais segura se a utilizar no regime para o qual foi concebida.
- **Não utilize uma ferramenta eléctrica se o interruptor não permitir pô-la em funcionamento e pará-la.** Uma ferramenta que não pode ser ligada e desligada correctamente é perigosa e deve ser reparada imperativamente.
- **Desligue a ferramenta da corrente ou retire a bateria da ferramenta antes de efectuar ajustes, substituir acessórios ou arrumar a ferramenta.** Desse modo reduz os riscos de arranque da ferramenta por descuido.
- **Arrume as ferramentas eléctricas fora do alcance das crianças. Não deixe as pessoas que não conhecem a ferramenta ou que não leram estas instruções de segurança utilizar a ferramenta.** As ferramentas eléctricas são perigosas em mãos de pessoas sem experiência.
- **Trate as ferramentas com cuidado. Verifique o alinhamento das peças móveis. Verifique se nenhuma peça está partida. Controle a montagem e qualquer outro elemento que possa afectar o funcionamento da ferramenta.** Se houver peças danificadas, mande reparar a sua ferramenta antes de a utilizar. Muitos acidentes são devidos a uma má manutenção das ferramentas.
- **Conserve as suas ferramentas limpas e afiadas.** Uma ferramenta de corte bem afiada e limpa corre menos riscos de bloquear e é mais fácil de controlar.
- **Utilize a sua ferramenta eléctrica, os acessórios, as pontas, etc. conforme estas instruções de utilização, levando em conta as condições de utilização assim como as aplicações desejadas.** Para evitar situações perigosas, utilize a sua ferramenta eléctrica apenas para trabalhos para os quais foi concebida.

## INSTRUÇÕES DE SEGURANÇA ESPECÍFICAS ÀS FERRAMENTAS SEM FIO

- **Carregue a bateria somente com o carregador recomendado pelo fabricante.** Um carregador adaptado a um certo tipo de bateria pode desencadear um incêndio se for utilizado com outro tipo de bateria.
- **Só se deve utilizar um tipo de bateria específica com uma ferramenta sem fio.** O uso de qualquer outra bateria pode provocar um incêndio.
- **Quando a bateria não for utilizada, mantenha-a afastada de objectos metálicos como cliques, moedas, chaves, parafusos, pregos ou qualquer outro objecto que possa ligar os contactos entre si.** O curto-circuito dos contactos da bateria pode provocar queimaduras ou incêndios.
- **Evite qualquer contacto com o líquido da bateria em caso de fuga da bateria devido a uma utilização abusiva. Se isso ocorrer, lave a zona afectada com água limpa abundante.** Se os olhos forem atingidos,

consulte também um médico. O líquido projectado de uma bateria pode provocar irritações ou queimaduras.

## MANUTENÇÃO

- **As reparações devem ser efectuadas por um técnico qualificado, utilizando unicamente peças sobresselentes de origem.** Desse modo poderá utilizar a sua ferramenta eléctrica com toda a segurança.

## AVISOS DE SEGURANÇA DA TESOURA-SERROTE

### ⚠ PERIGO

Mantenha as mãos afastadas da lâmina. O contacto com a lâmina pode resultar em graves danos corporais.

- Nunca deixe que o aparelho seja utilizado por crianças, pessoas com capacidade física, sensorial ou mental reduzida, pessoas sem experiência nem conhecimentos nem pessoas que não estejam familiarizadas com estas instruções. A legislação local pode restringir a idade do operador.
- O produto tem um comprimento fixo de 85 cm.
- Não utilize o aparelho quando existe uma possibilidade de trovões ou relâmpagos. Guarde o produto com segurança num espaço interior.
- Tenha cuidado com cabos eléctricos aéreos.
- Assegure-se de que todas as protecções e cabos estão bem ajustados e em boas condições.
- Use óculos de protecção total para os olhos e ouvidos ao utilizar este produto.
- Use óculos de protecção total para os olhos e ouvidos ao utilizar este produto. Não use roupas largas nem acessórios, nem utilize o produto se estiver descalço.
- Não comece a usar o produto até que tenha uma área de trabalho clara, base segura e um caminho de retirada planeada afastado da queda de ramos.
- Não utilize a ferramenta eléctrica quando se sentir cansado ou se se encontrar sob a influência de drogas, álcool ou medicamentos.
- Durante a operação, segure o aparelho com as duas mãos. Utilize uma mão para segurar com firmeza a empunhadura frontal. Utilize a outra empunhadura para segurar o cabo traseiro e manusear o gatilho de libertação e o interruptor de ligar e desligar (On/Off).
- Antes de dar arranque ao produto, certifique-se de que o produto está correctamente localizado numa posição de trabalho designada.
- Nunca utilize o produto se os meios de corte estiverem a menos de 10 m de distância de cabos eléctricos aéreos.
- Faça pausas frequentes no trabalho. Limite o tempo de exposição por dia.
- Mantenha-se bem apoiado e equilibrado. Não se aproxime em demasia. Um sobre-esforço pode dar lugar à perda do equilíbrio e a lesões graves.
- Não opere a máquina com um dispositivo de corte





danificado ou excessivamente desgastado.

- Não modifique o seu produto de nenhum modo nem o utilize para alimentar acessórios ou dispositivos não recomendados pelo fabricante para o seu produto.
- Identifique o mecanismo de libertação rápida e pratique utilizando-o antes de começar a usar a máquina. A sua utilização correta pode prevenir lesões graves em caso de uma emergência. Nunca use roupas adicionais sobre o arnês nem restrinja, de outro modo, o acesso ao mecanismo de libertação rápida.
- Não utilize esta ferramenta numa zona com pouca luz. Utilize o produto à luz do dia ou com uma luz artificial eficaz.
- Não utilize a tesoura-serrote se o mecanismo de corte não estiver a funcionar correctamente.
- Para proteger-se dos ramos que caem não fica mesmo em baixo do ramo ou extremidade que estiver a cortar. O aparelho não deve fixar-se a um ângulo de mais de 60° do nível do solo.
- Para reduzir o risco de ferimentos associados ao contacto com peças móveis, desligue sempre o produto, certifique-se de que todas as peças móveis pararam completamente e desmonte o conjunto de baterias, antes de fazer o seguinte:
  - limpeza e desobstrução de bloqueio
  - deixar o produto sem vigilância
  - instalar ou remover acessórios
  - verificar, fazer a manutenção ou funcionar com o produto
- antenha o produto limpo de aparas e de outros materiais. Estes materiais podem ficar alojados entre a mandíbula e a lâmina.

#### AVISOS DE SEGURANÇA ADICIONAIS

- Estar familiarizado com as ferramentas por as utilizar com frequência não é razão para se tornar descuidado e para ignorar os princípios de segurança referentes a ferramentas.
- Uma ação imprudente pode provocar lesões graves numa fração de segundo.
- Mantenha os cabos e as superfícies de agarre secos, limpos e livres de óleo ou gordura.
- Os cabos e superfícies de fixação resvaladiças não permitem uma fixação e um controlo seguro da ferramenta em situações inesperadas.
- Não use um conjunto de baterias ou uma ferramenta que tenha sido sofrido danos ou modificações.
- Baterias danificadas ou modificadas podem ter um comportamento imprevisível, resultando em incêndio, explosão ou risco de ferimentos.
- Não exponha um conjunto de baterias ou uma ferramenta ao fogo ou a temperaturas excessivas.
- A exposição ao fogo ou a temperaturas excessivas (acima de 130 °C) pode causar uma explosão.
- Siga todas as instruções de carregamento e não dê carga ao conjunto de baterias ou à ferramenta fora da amplitude de temperaturas especificada nas instruções.

- O carregamento feito de forma incorrecta ou sob temperaturas fora da amplitude especificada pode danificar a bateria e aumentar o risco de incêndio.
- Durante o corte, mantenha a área desimpedida de quaisquer espectadores, crianças e animais de estimação.
- Quando cortar uma pernada que esteja tensada, esteja alerta em relação ao efeito de ricochete, de modo a não ser atingido quando a tensão das fibras de madeira for libertada.
- Mantenha o produto com cuidado. Mantenha as arestas de corte afiadas e limpas, para obter o melhor desempenho possível e para reduzir o risco de ferimentos. Lubrifique e mude os acessórios segundo as instruções.
- Mantenha os manípulos secos, limpos e livres de óleo e graxa.
- Antes do seu uso e após qualquer impacto, comprove que não há peças danificadas. Qualquer peça danificada deve ser substituída ou reparada adequadamente por um centro de serviço autorizado.
- Se o aparelho cair, sofrer um impacto forte ou começar a vibrar de maneira anormal, pare-o imediatamente e verifique se está danificado ou identifique o motivo da vibração. Qualquer dano deve ser devidamente reparado ou substituído por um centro de assistência autorizado.
- Verifique se nenhuma peça está danificada. Antes de voltar a usar o produto, inspecione cuidadosamente outras peças que estejam danificadas, para se certificar de que irão funcionar correctamente e que irão desempenhar as funções a que se destinam.
- A assistência neste aparelho deve ser realizada apenas por pessoal de reparação qualificado. A assistência ou manutenção realizadas por pessoal não qualificado poderão provocar lesões para o utilizador ou danos para o aparelho.
- Guarde as presentes instruções. Consulte-as frequentemente e utilize-as para informar outros que possam usar este aparelho. Se emprestar esta ferramenta a alguém, empreste também estas instruções para impedir uma utilização incorrecta do aparelho e possíveis lesões.
- Não corte onde houver o risco de fios condutores ocultos.
- Não corte fios condutores, nem outros tipos de fios ou arames.
- Mantenha a área de trabalho livre de arames e cabos (por exemplo: extensões de luzes decorativas).



## AVISOS DE SEGURANÇA ADICIONAIS DAS BATERIAS

### ⚠️ AVISO

Para evitar o risco de incêndio, de feridas ou de danificação do produto causado por um curto-circuito, não imerja a bateria intercambiável ou o carregador em líquidos e assegure-se de que líquidos não penetrem nos aparelhos ou nas baterias. Líquidos corrosivos ou condutivos como água salgada, determinadas substâncias químicas ou produtos que contenham branqueadores podem causar um curto-circuito.

## TRANSPORTE E ARMAZENAMENTO

- Pare o produto, retire a bateria e deixe que ambos arrefeçam antes de guardar ou de transportar.
- Limpe todos os materiais estranhos do produto.
- Após cada utilização, limpe a estrutura e as pegas do aparelho com um pano seco e macio.
- Após cada utilização, limpe os detritos das lâminas com uma escova dura e, em seguida, aplique cuidadosamente um lubrificante que previne a ferrugem antes de voltar a colocar o protetor de lâmina. Utilize um lubrificante em spray para a prevenção do aparecimento de ferrugem recomendado para aplicar uma distribuição uniforme e reduzir o risco de ferimentos pessoais resultantes do contacto com as lâminas. Para mais informações sobre o produto pulverizador apropriado, verifique com o seu centro de assistência autorizado local.
- Se necessário, lubrifique ligeiramente as lâminas antes de utilizar o método indicado acima.
- Para transportar, prenda o aparelho de modo a evitar que este se mova ou caia, para evitar lesões ou danos no produto.
- Guarde-o num local fresco e seco e bem ventilado a que as crianças não consigam aceder. Mantenha-o afastado de substâncias corrosivas, tais como produtos químicos utilizados em jardinagem e sais de descongelação. Não armazenar ao ar livre.

## TRANSPORTE DE BATERIAS DE LÍTIU

Transporte a bateria em conformidade com as disposições e os regulamentos locais e nacionais.

Respeite os requisitos especiais que existam na embalagem e a etiquetagem durante o transporte de baterias por terceiros. Assegure-se que não há risco de uma bateria entrar em contacto com outra bateria nem com materiais condutores durante o transporte, protegendo os conectores expostos com tampas ou fita isoladoras e não condutoras. Não transporte baterias com fissuras ou fugas. Contacte a empresa transitária para mais aconselhamento.

## MANUTENÇÃO

### ⚠️ ADVERTÊNCIA

Utilize apenas peças de substituição, acessórios e encaixes do fabricante original. A inobservância desta indicação pode causar um fraco desempenho, possíveis lesões e poderá anular a sua garantia.

### ⚠️ ADVERTÊNCIA

Antes de inspeccionar, limpar ou fazer manutenção ao produto, desligue o motor, espere até todas as peças móveis terem parado completamente e desmonte o conjunto de baterias. O incumprimento destas instruções pode ocasionar ferimentos graves ou estragos materiais importantes.

### ⚠️ ADVERTÊNCIA

Os serviços de manutenção requerem extremo cuidado e conhecimentos e devem apenas ser realizado por um técnico de assistência qualificado. Para operações de serviço, leve o produto a um centro de serviço autorizado. Durante as operações de manutenção, utilize peças de substituição originais do fabricante.

- Antes de fazer quaisquer trabalhos de manutenção ou limpeza ao produto, desligue e desmonte o conjunto de baterias.
- Pode realizar os ajustes e reparações descritos neste manual do utilizador. Para outros reparos ou conselhos, procurar a ajuda de um centro de serviço autorizado.
- Limpar o produto com um pano suave seco depois de cada uso. Qualquer peça danificada deve ser substituída ou reparada adequadamente por um centro de serviço autorizado.
- Antes de cada utilização e a intervalos regulares, inspeccione e certifique-se de que todas as porcas, parafusos e outros fixadores estão apertados com firmeza, para garantir que o produto está em condições que permitem o funcionamento em segurança.
- Evite usar solventes ao limpar as peças de plástico. A maioria dos plásticos é susceptível de sofrer danos de vários tipos de solventes comerciais e podem ser danificados pelo seu uso. Use panos limpos para remover a sujidade, a poeira, o óleo, a gordura, etc.
- Nunca, em qualquer momento, deixe que fluidos de travagem, gasolina, produtos petrolíferos, óleos de perfuração, etc., entrem em contacto com as peças de plástico. Os químicos podem danificar, enfraquecer ou destruir o plástico, o que pode resultar em lesões graves.

**NOTA:** Para garantir a longa duração e a utilização fiável do produto, faça com regularidade a manutenção seguidamente descrita.

- Inspeccione, procurando defeitos óbvios, como por exemplo a lâmina solta, deslocada ou danificada, fixações soltas e componentes desgastados ou danificados.



- Certifique-se de que as tampas e as guardas não estão danificadas e que estão correctamente montadas. Antes de utilizar o produto, faça os trabalhos de reparação e manutenção necessários.
- Limpe sempre as lâminas de corte a seguir à utilização.
- Faça uma verificação visual das condições do gume da lâmina de corte. Qualquer lâmina danificada deve ser correctamente reparada ou substituída por um centro de assistência autorizado.
- Quando armazenar o produto, antes de assentar o produto, certifique-se de que o mecanismo de corte parou completamente.

## ELIMINAR UMA OBSTRUÇÃO

Ver páginas 147 - 148.

- Se as lâminas ficarem bloqueadas por resíduos (por exemplo, lascas ou cascas encravadas entre as lâminas) e não puderem ser libertadas premindo o gatilho 3 ou 4 vezes, siga este procedimento:
  - Use óculos de protecção e luvas.
  - Retire a bateria.
  - Bata na lâmina usando um bocado de madeira ou um martelo de borracha.
  - Aplique força apenas na área onde a lâmina estiver à vista. Não bata na mola.
- Tenha cuidado com as lâminas, porque estão comprimidas por mola. Mantenha as mãos afastadas das lâminas, porque irão abrir-se subitamente.
- Quando tiver desobstruído os resíduos que estavam a causar o bloqueio:
  - Introduza a bateria.
  - Quando as lâminas forem libertadas, prima o gatilho antes de continuar a cortar, para que as lâminas possam abrir completamente.

## RISCOS RESIDUAIS

Mesmo quando se utiliza o produto segundo as instruções, continua a ser impossível eliminar por completo certos fatores de risco residuais. Os seguintes perigos podem surgir na utilização e o operador deve prestar especial atenção para evitar o seguinte:

- Lesões por vibração
  - Use sempre a ferramenta certa para o trabalho, use pegas concebidas e restrinja o tempo e exposição de trabalho.
- Contacto com as lâminas
  - Quando o produto não estiver a ser utilizado, certifique-se de que os protectores da lâmina estão aplicados. Mantenha as mãos e os pés afastados das lâminas em todas as circunstâncias.
- Pedacos projetados da peça de trabalho (lascas de madeira, farpas)

## REDUÇÃO DO RISCO

Foi reportado que as vibrações das ferramentas de mão podem contribuir para uma doença designada de Síndrome de Raynaud em determinados indivíduos. Os sintomas podem incluir formigamento, entorpecimento

e empalidecimento dos dedos, habitualmente visível aquando da exposição ao frio. Estima-se que os factores hereditários, exposição ao frio e humidade, dieta, tabagismo e práticas de trabalho contribuem todos para o desenvolvimento destes sintomas. Existem medidas que podem ser tomadas pelo operador para possivelmente reduzir os efeitos da vibração:

- Mantenha o seu corpo quente durante o tempo frio. Ao operar o produto, use luvas para manter as mãos e os pulsos quentes. Encontra-se reportado que o tempo frio é um grande factor que contribui para o Síndrome de Raynaud.
- Após cada período de operação, exercite para aumentar a circulação sanguínea.
- Faça pausas frequentes no trabalho. Limite o tempo de exposição por dia.

Caso sinta algum dos sintomas desta doença, interrompa de imediato a sua utilização e consulte o seu médico sobre estes sintomas.

### ⚠ ADVERTÊNCIA

O uso prolongado de uma ferramenta pode causar o agravar lesões. Ao usar qualquer ferramenta durante períodos prolongados, assegure-se que faz intervalos regulares.

## CONHEÇA O SEU APARELHO

Ver a página 141.

1. Lâmina de corte
2. Carcaça da pega
3. Gatilho de bloqueio
4. Gatilho
5. Bainha da lâmina
6. Gancho

## SÍMBOLOS NO PRODUTO



Aviso



Agradecemos que leia atentamente as instruções antes de iniciar a máquina.



Coloque protecção para olhos, ouvidos e cabeça.



Utilize luvas protectoras antideslizantes resistentes.



Utilize calçado de segurança antideslizante quando utilizar este produto.



Não o exponha à chuva ou a condições de humidade.





Perigo eléctrico. Mantenha-se, pelo menos, a 10 m dos cabos situados acima.



Tenha cuidado com os objectos voláteis ou lançados. Mantenha todos os espectadores, especialmente crianças e animais de estimação, a pelo menos 15m da área de funcionamento.



Mantenha as mãos afastadas das lâminas.



Esta ferramenta obedece a todas as normas regulamentares do país da UE onde foi comprada.



Marca de conformidade EurAsian



Marca de conformidade ucraniana



Os aparelhos eléctricos antigos não devem ser eliminados juntamente com o lixo doméstico. Recicle onde existem instalações para o efeito. Verifique com as suas Autoridades Locais ou revendedor para obter informações sobre reciclagem.

## SÍMBOLOS NESTE MANUAL



Bloqueio



Abrir



As peças ou acessórios vendem-se separadamente



Nota



Aviso

As seguintes palavras de sinal e significados destinam-se a explicar os níveis de risco associados a este produto:

### **⚠ PERIGO**

Indica uma situação perigosa iminente, que, se não evitada, poderá resultar em morte ou ferimentos graves.

### **⚠ ADVERTÊNCIA**

Indica uma situação potencialmente perigosa, que, se não evitada, poderá conduzir à morte ou graves lesões.

### **⚠ ADVERTÊNCIA**

Indica uma situação potencialmente perigosa, que, se não evitada, poderá resultar em pequenas ou moderadas lesões.

### **ADVERTÊNCIA**

Sem símbolo de alerta de segurança

Indica uma situação que pode resultar em danos de propriedade.



Sikkerhed, ydeevne og pålidelighed er blevet givet topprioritet i designet af din trådløse grensaks.

### TILTÆNK ANVENDELSESFORMÅL

Den trådløse grensaks er beregnet til udendørs brug. Af sikkerhedsmæssige årsager skal produktet betjenes med to hænder, så man kan kontrollere det ordentligt.

Produktet er designet til at beskære og afkorte grene og kviste. Anvend ikke produktet til at beskære genstande der ikke er i træ. Produktet er beregnet til at bruge til at beskære grene med en diameter på op til 32 mm (blødt træ) og 28 mm (hårdt træ). Skær ikke tykke grene, som har en diameter, der er over disse værdier.

Produktet har en fast længde på 0,85 m.

Produktet må kun bruges til de ovennævnte formål. Produktet må ikke bruges af børn eller personer, som ikke bærer tilstrækkeligt med personlige værnemidler og -beklædning.

### GENERELLE SIKKERHEDSADVARSLER

#### ADVARSEL

Læs alle advarsler og anvisninger grundigt igennem. Hvis nedenstående forskrifter ikke overholdes, kan der ske uheld og ulykker som brand, elektrisk stød og/eller alvorlige personskader.

Gem vejledningen med advarsler og anvisninger til senere opslag.

Betegnelsen "elektrisk værktøj" i de efterfølgende sikkerhedsanvisninger gælder både elektriske værktøjer, som tilsluttes lysnettet med ledning, og batteridrevne værktøjer.

### SIKRE ARBEJDSOMGIVELSER

- **Sørg for at holde arbejdsstedet rent og ryddeligt og for at have godt lys til arbejdet.** Rodede eller mørke områder inviterer til ulykker.
- **Brug ikke elektriske redskaber eller værktøjer i eksplosionsfarlige omgivelser, f.eks. i nærheden af brændbare væsker, dampe eller letantændeligt støv.** Gnister fra elektriske redskaber eller værktøjer kan antænde disse væsker, dampe eller støvansamlinger eller forårsage eksplosion.
- **Hold børn, tilskuere og husdyr på afstand ved arbejde med elektriske redskaber eller værktøjer.** De kan virke distraherende, så man mister kontrollen over værktøjet eller redskabet.

### ELEKTRISK SIKKERHED

- **Det elektriske værktøjs stikprop skal passe til den stikkontakt, den sættes i. Forsøg aldrig at ombygge stikpropen.** Brug aldrig adaptere med elektriske redskaber eller værktøjer, som kræver jordforbindelse. Så er der mindre fare for at få elektrisk stød.
- **Undgå kontakt med jordforbundne flader (dvs. rør, radiatorer, komfurer, køleskabe o.l.).** Der er større risiko for at få elektrisk stød, hvis en del af kroppen er i

berøring med en jordforbunden flade.

- **Elektriske redskaber eller værktøjer må ikke udsættes for regn eller fugt.** Faren for elektrisk stød øges, hvis der trænger vand ind i et elektrisk værktøj.
- **Hold den strømførende ledning i god stand. Løft aldrig værktøjet eller redskabet i ledningen, og træk aldrig i ledningen for at rykke stikket ud af stikkontakten. Hold fødeledningen væk fra varmekilder, olie, genstande med skarpe kanter og elementer i bevægelse.** Faren for elektrisk stød er større, hvis ledningen er beskadiget eller viklet sammen.
- **Ved arbejde udendørs må der kun anvendes forlængerledninger beregnet til udendørs brug.** Så er der mindre fare for at få elektrisk stød.
- **Hvis man ikke kan undgå at bruge værktøjet i fugtige omgivelser, skal det tilsluttes en strømforsyning beskyttet med en fejlstrømsafbryder (RCD).** Når der anvendes fejlstrømsafbryder, er der mindre fare for elektrisk stød.

### PERSONLIG SIKKERHED

- **Hold opmærksomheden koncentreret om arbejdet, og brug sund fornuft, når der arbejdes med elektrisk værktøj.** Det elektriske redskab eller værktøj må aldrig bruges, hvis man er træt, påvirket af spiritus eller narkotika eller tager medicin. Glem aldrig, at man blot skal være uopmærksom en brøkdæl af et sekund for at komme alvorligt til skade.
- **Brug sikkerhedsudstyr. Beskyt altid øjnene.** Alt efter forholdene skal der bruges støvmaske, skridsikre sko, hjelm eller høreværn for ikke at komme alvorligt til skade.
- **Undgå utilsigtet igangsættelse. Se efter, som start-stopknappen er på "stop", inden redskabet eller værktøjet tilsluttes en stikkontakt eller batteriet sættes i, og før redskabet eller værktøjet tages op eller flyttes.** For at forebygge ulykker må redskabet eller værktøjet ikke flyttes med fingeren på start-stopknappen. og det må heller ikke tilsluttes stikkontakten/batteriet på ikke sættes på, hvis start-stopknappen er på "start".
- **Tag spændnøglerne ud, inden værktøjet sættes i gang.** Man kan komme alvorligt til skade, hvis spændnøglen bliver siddende på en af redskabets eller værktøjets bevægelige dele.
- **Pas på ikke at tabe balancen. Fordel vægten på begge ben, og lad være med at strække armen for langt ud.** I en stabil arbejdsstilling kan man bedre styre redskabet eller værktøjet, hvis der sker noget uventet.
- **Vær klædt rigtigt til formålet. Undgå løsthængende tøj og smykker.** Hold hår, tøj og handsker væk fra de bevægelige dele. Løsthængende tøj, smykker og langt hår kan sætte sig fast i de bevægelige dele.
- **Hvis redskabet eller værktøjet leveres med støvsugersystem, skal det monteres og anvendes korrekt.** Derved forebygges uheld og ulykker.





## ANVENDELSE OG VEDLIGEHOLDELSE AF ELEKTRISKE REDSKABER OG VÆRKTØJER

- Pres ikke værktøjet. Brug det redskab eller værktøj, der passer til opgaven. Det elektriske redskab eller værktøj er mere effektivt og sikkert, hvis det anvendes med den hastighed, det er beregnet til.
- Brug ikke det elektriske værktøj, hvis det ikke kan startes og standses med start-stopknappen. Hvis redskabet eller værktøjet ikke kan tændes og slukkes rigtigt, er det farligt og skal repareres.
- Træk stikket ud af stikkontakten, eller fjern batteriet inden indstillinger eller skift af tilbehør, og før redskabet eller værktøjet stilles væk. Derved formindskes risikoen for, at redskabet eller værktøjet starter ved et uheld.
- Opbevar elektrisk værktøj utilgængeligt for børn. Lad ikke andre, som ikke kender redskabet eller værktøjet, og som ikke har læst disse sikkerhedsregler, bruge det. Elektrisk værktøj er farligt, hvis det kommer i ukyndige hænder.
- Vedligehold redskaber og værktøj omhyggeligt. Se efter, om de bevægelige dele er rettet ind. Se alle dele efter for brud. Undersøg, om alt er monteret rigtigt, og kontroller alle øvrige forhold, som kan have indflydelse på værktøjets drift. Hvis der er beskadigede dele, skal redskabet eller værktøjet repareres inden yderligere brug. Mange uheld og ulykker skyldes forkert eller manglende vedligeholdelse af værktøj og redskaber.
- Hold værktøjer og redskaber rene og skarpe. Et rent og skarpt skæreværktøj eller -redskab er mindre tilbøjeligt til at sætte sig fast og lettere at styre.
- Anvend det elektriske værktøj, tilbehøret, indsatsen m.v. i overensstemmelse med disse forskrifter, og tag ligeledes hensyn til driftsforholdene og den pågældende opgave. For at undgå farlige situationer må det elektriske redskab eller værktøj kun anvendes til de formål, det er beregnet til.

## SÆRLIGE SIKKERHEDSREGLER FOR BATTERIDREVNE REDSKABER OG VÆRKTØJER

- Oplad kun redskabets eller værktøjets batteri med den af fabrikanten anførte oplader. En oplader beregnet til en bestemt type batteri kan forårsage brand, hvis den anvendes til en anden type batteri.
- Der må kun anvendes en bestemt type batteri til det batteridrevne redskab eller værktøj. Hvis der anvendes andre batterier, kan der opstå brand.
- Når batteriet ikke er i brug, må det ikke komme i berøring med metalgenstande som papirklemmer, mønter, nøgler, skruer, søm eller andre genstande, der kan skabe forbindelse mellem batterikontakterne. Kortslutning af batteriets kontakter kan forårsage forbrændinger eller brand.
- Undgå berøring med batterivæsken, hvis den siver ud efter fejlagtig håndtering. Hvis det skulle ske, skylles det berørte område grundigt med rent vand. Hvis man har fået væske i øjnene, søges også læge. Væskestænk fra et batteri kan forårsage irritation eller forbrændinger.

## VEDLIGEHOLDELSE

- Reparationer skal overlades til en fagmand, som udelukkende anvender originale reservedele. Derefter kan det elektriske redskab eller værktøj igen bruges sikkert.

## GRENSAKS SIKKERHEDSADVARSLER

### ⚠ FARE

Hold hænderne væk fra bladet. Kontakt med kniven kan medføre alvorlige personskader.

- Produktet må aldrig benyttes af børn, personer med begrænsede fysiske, sensoriske eller mentale evner eller manglende erfaring og viden, eller af folk, der ikke er fortrolige med denne brugsanvisning. Lokale love kan have indflydelse på den tilladte brugerage.
- Produktet har en fast længde på 0,85 m.
- Undlad at bruge produktet, hvis der er risiko for torden og lynnedslag. Produktet skal opbevares sikkert indendørs.
- Pas på strømledninger ovenover.
- Sørg for, at alle afskærmninger og håndtag er korrekt monteret og i god stand.
- Benyt fuldt øjen- og høreværn under arbejde med dette produkt.
- Bær kraftige, lange bukser, støvler og handsker. Bær ikke løstsiddende tøj, tilbehør, og brug ikke produktet med bare fødder.
- Undlad at bruge produktet, før du har et ryddet arbejdsområde, et sikkert fodfæste og en planlagt flugtvej fra det faldende grene eller kviste.
- Undlad at bruge et elværktøj, hvis du er træt eller påvirket af narkotika, alkohol eller medikamenter.
- Under drift skal produktet holdes med begge hænder. Hold godt fast i det forreste håndgreb med én hånd. Hold godt fast i baghåndtaget med den anden hånd, og betjen udløserknappen og Tænd/Sluk-udløseren.
- Sørg for, at produktet er korrekt placeret i en beregnet arbejdsposition, før produktet startes. Betjen aldrig produktet med skæreelementerne tættere på end 10 m fra strømledninger ovenover.
- Hold hyppige arbejdspauser. Begræns eksponeringen for vibrationer pr. dag.
- Hold et godt fodfæste og balance. Overstræk ikke. Ved at læne sig for langt frem risikerer man at miste balancen og øge risikoen for alvorlige personskader.
- Undlad at bruge maskinen med beskadiget eller meget slidt klippeudstyr.
- Man må ikke ændre produktet på nogen måde eller bruge det til at drive evt. tilbehørsdele eller enheder, der ikke er anbefalet af producenten til brug med produktet.
- Lokalisér hurtigudløsningsmekanismen, og øv dig i at bruge denne, inden du tager maskinen i brug. Korrekt brug af denne funktion kan forhindre alvorlige personskader i en nødsituation. Man må aldrig bære anden beklædning uden på skulderstroppen eller på anden måde begrænse adgangen til den hurtige





udløsemekanisme.

- Må ikke anvendes under dårlige lysforhold. Anvend produktet i dagslys eller godt kunstigt lys.
- Betjen ikke grensaksen, hvis skæremekanismen ikke virker ordentligt.
- For at beskytte sig selv mod nedfaldende grene skal man undgå at stille sig lige under den gren eller kvist, der afskæres. Produktet må ikke holdes i en vinkel større end 60° fra jordoverfladen.
- For at reducere risikoen for tilskadekomst i forbindelse med kontakt med bevægelige dele skal du altid stoppe motoren og sikre, at alle bevægelige dele er stoppet fuldstændigt og tage batteriet ud før:
  - rengøre eller fjerne en blokering
  - at efterlade produktet uden opsyn
  - installation og fjernelse af tilbehørsdele
  - kontrol, vedligeholdelse eller arbejde på produktet.
- Hold batteriet fri for metalspåner og andre materialer. De kan sætte sig fast mellem kæben og bladet.

#### EKSTRA SIKKERHEDSADVARSLER

- Lad ikke fortroligheden, der er opstået ud fra hyppig brug af et redskab, påvirke dig til at være tilbagelænet og ignorere sikkerhedsprincipper.
- En uforsigtig handling kan forårsage alvorlige personskader på en brøkdæl af et sekund.
- Hold håndtagene og gribebladerne tørre, rene og fri for olie og fedt.
- Glatte håndtag og gribeblader umuliggør sikker håndtering og kontrol af redskabet i uventede situationer.
- Brug ikke et batteri eller værktøj, der er beskadiget eller modificeret.
- Beskadigede eller modificerede batterier kan være ustabile, hvilket kan medføre brand, eksplosion eller personskade.
- Udsæt ikke et batteri eller værktøj for brand eller høje temperaturer.
- Hvis batterier eller værktøj udsættes for temperaturer over 130 °C, kan det medføre eksplosion.
- Følg vejledningen for opladning, og oplad ikke batteriet eller værktøjet uden for det temperaturområde, der er angivet i vejledningen.
- Forkert opladning eller opladning ved temperaturer uden for det angivne område kan beskadige batteriet og øge risikoen for brand.
- Ryd området for omkringstående, børn og kæledyr under beskæring.
- Under oversavning af grene, der sidder i spænd, skal man passe på ikke at blive ramt, når spændingen i træfibrene frigøres.
- Produktet skal vedligeholdes med omhu. Hold skærekanten skarp og ren for den bedste ydeevne og for at reducere risikoen for tilskadekomst. Følg vejledningen for smøring og udskiftning af tilbehørsdele.
- Hold håndtagene tørre, rene og fri for olie og fedt.
- Inden ibrugtagning og efter enhver ydre påvirkning skal man kontrollere, at der ikke findes beskadigede

dele. Enhver del, som bliver beskadiget, skal repareres ordentligt eller udskiftes på et autoriseret servicecenter.

- Hvis produktet tabes, udsættes for stød eller begynder at vibrere unormalt, skal man omgående stoppe det og inspicere det for skader eller lokalisere årsagen til vibrationen. Enhver beskadiget del skal repareres ordentligt eller udskiftes på et autoriseret servicecenter.
- Kontrollér beskadigede dele. Før yderligere brug af produktet, bør andre dele der er beskadigede tjekkes omhyggeligt for at afgøre, om det vil fungere ordentligt og udføre dets beregnede funktion.
- Service på græsslåmaskinen bør udelukkende udføres af en kvalificeret person. Service eller vedligeholdelse udført af ukvalificerede personer kan medføre personskader på brugeren eller skader på produktet.
- Gem disse instruktioner. Referer ofte til instruktionerne så du let kan instruere andre i brugen af græsslåmaskinen. Hvis dette værktøj udlånes til andre, skal denne vejledning medfølge - også for at forhindre misbrug af produktet med evt. personskader til følge.
- Skær ikke, hvor der er risiko for skjult ledningsføring.
- Skær ikke ledninger.
- Hold arbejdsområdet fri for ledninger og kabler (eksempel: kulørte lamper).

#### YDERLIGERE SIKKERHEDSADVARSLER OM BATTERI

##### ⚠ ADVARSEL

Før at undgå risiko for brand, kvæstelser eller beskadigelse af produktet forårsaget af kortslutning må værktøjet, batteripakken eller opladeren ikke nedsænkes i vand. Sørg ligeledes for, at der ikke trænger væske ind i enhederne og batterierne. Korroderende eller ledende væsker, f.eks. saltvand, bestemte kemikalier, blegestoffer eller produkter, som indeholder blegestoffer, kan forårsage kortslutning.

#### TRANSPORT OG OPBEVARING

- Stop produktet, fjern batteriet, og lad begge dele køle af inden opbevaring eller transport.
- Afrens alle fremmedlegemer fra produktet.
- Produktlegemet og -håndtagene skal rengøres med en blød klud efter hver brug.
- Efter hver brug skal man fjerne affald fra knivene med en stiv børste og derefter forsigtigt påføre rustbeskyttelsesmiddel, inden man genmonterer knivbeskytteren. Brug et anbefalet rustforebyggende smøremiddelspray til påføring i en jævn fordeling, og reducer risikoen for personskade ved kontakt med klingerne. For information mht. passende sprayprodukt henvises til det lokale autoriserede servicecenter.
- Smør om nødvendigt klingerne let før og efter brug ved hjælp af ovenstående metode.
- Til transport skal man sikre produktet, så den ikke kan bevæge sig eller vælte; dette for at forebygge





personskader eller skader på produktet.

- Opbevar den på et køligt, tørt og godt ventileret sted utilgængeligt for børn. Opbevar motorsaven på afstand af ætsende midler som f.eks. havekemikalier og optøningsalt. Må ikke opbevares udendørs.

## TRANSPORT AF LITHIUM-BATTERIER

Batteriet skal transporteres i henhold til lokale og nationale forskrifter og love.

Når batterier skal transporteres af tredjepart, skal alle specielle krav til emballering og mærkning efterleves. Man skal sikre sig, at ingen batterier kan komme i kontakt med andre batterier eller ledende materialer under transporten ved at beskytte blottede konnektorer med isolerende, ikke-ledende hætter eller tape. Undlad at transportere batterier med revner eller utætheder. Rådfør dig desuden hos spedistoren.

## VEDLIGEHOLDELSE

### ⚠ ADVARSEL

Brug kun originale reservedele, ekstraudstyr og tilbehør fra producenten. I modsat fald er der fare for personskader, dårlig maskinydelse og annullering af garantien.

### ⚠ ADVARSEL

Før produktet inspiceres, rengøres eller efterses; stop motoren, vent på at alle bevægelige dele stopper, og fjern batteriet. Hvis disse regler ikke overholdes, kan man komme alvorligt til skade eller forårsage betydelige materielle skader.

### ⚠ ADVARSEL

Vedligeholdelse kræver stor omhyggelighed og viden og kun bør udføres af en kvalificeret tekniker. Servicering af produktet skal ske på et autoriseret servicecenter. Brug kun originale reservedele fra maskinproducenten i forbindelse med servicearbejde.

- Sluk produktet og fjern batteripakken, inden der udføres vedligeholdelses- eller rengøringsarbejde.
- Du kan lave justeringer og reparationer beskrevet i denne brugervejledning. For andre reparationer eller råd skal man søge assistance på et autoriseret servicecenter.
- Produktet skal rengøres med en blød klud efter hver brug. Enhver del, som bliver beskadiget, skal repareres ordentligt eller udskiftes på et autoriseret servicecenter.
- Tjek alle møtrikker, bolte og skruer før brug og ved regelmæssige intervaller for at sikre, at de er strammet ordentligt og at produktet er i en sikker funktionstilstand.
- Undgå brug af opløsningsmidler til rengøring af plastdele. De fleste typer plastic kan tage skade ved brug af forskellige opløsemidler. Snavs, støv, olie, fedt, mv., fjernes med rene klude.
- Sørg for, at bremsevæske, benzin, petroleumbaserede produkter, penetreringsolie, mv., aldrig kommer i

kontakt med plastdele. Kemikalier kan beskadige, blødgøre eller ødelægge plast, hvilket kan medføre alvorlige personskader.

**BEMÆRK:** Følgende vedligeholdelse udføres regelmæssigt for at sikre langvarig og pålidelig betjening.

- Tjek for tydelige defekter såsom en løst, løsnet eller beskadiget klinge, løs stramning og slidte eller beskadigede komponenter.
- Tjek, at afskærmninger er ubeskadigede og korrekt tilpasset. Udfør den nødvendige vedligeholdelse eller reparationer, før produktet bruges.
- Gør altid skæreklingerne rene efter brug.
- Lav et synstjek af tilstanden på skæreklingens skærekanter. Alle beskadigede klinger skal repareres ordentligt eller udskiftes af et autoriseret servicecenter.
- Opbevar produktet, og sørg for, at skæremekanismen er stoppet, før produktet sættes ned.

## AFHJÆLPNING AF TILSTOPNING

Se side 147 - 148.

- Hvis klingerne bliver blokeret af splinter eller bark mellem klingerne, som ikke kan fjernes ved at trykke på aftrækkeren 3-4 gange, så følg denne procedure:
  - Bær sikkerhedsbriller og handsker.
  - Fjern batteriet.
  - Brug et stykke træ eller en gummihammer, og slå mod klingens.
  - Anvend kun kraft på det område, hvor klingens kan ses. Sørg for ikke at ramme fjederen.
- Vær opmærksom på fjederbelastede klinger. Hold hænderne på afstand af klingerne. De åbner sig pludseligt.
- Efter fjernelse af det blokerende affald:
  - Sæt batteriet i.
  - Når klingerne er frigjort, så tryk på aftrækkeren, inden du fortsætter med at skære, så klingerne kan åbne sig helt.

## UUNDGÅELIGE RISICI

Selv om produktet anvendes som foreskrevet, er det stadig umuligt at eliminere visse uundgåelige risikofaktorer fuldstændigt. Følgende risici kan opstå under brug, og operatøren bør være særligt opmærksom for at undgå følgende:

- Personskader forårsaget af vibration
  - Brug altid det rigtige værktøj i forhold til arbejdsopgaven, benyt de hertil indrettede håndtag, og sørg for at begrænse arbejds- og eksponeringstiden.
- Kontakt med knive
  - Sørg for, at klingskærmene er monteret, når produktet ikke er i brug. Hold altid hænder og fødder på afstand af klinger.
- Udslyngede dele af emnet (træspåner, splinter)

## RISIKOREDUKTION

Der er rapporteret om, at vibrationer fra håndholdte værktøjer kan være medvirkende til en lidelse kaldet





Raynauds syndrom hos visse personer. Symptomerne herpå kan være prikken, følelsesløshed og blegning af fingrene, der normalt viser sig ved kuldepåvirkning. Faktorer som arvelighed, udsættelse for kulde og fugt, kost, rygning og arbejdsvaner menes alle at medvirke til udviklingen af disse symptomer. Der findes forholdsregler, som operatøren kan træffe for at begrænse påvirkningen fra vibrationer:

- Hold kroppen varm i koldt vejr. Brug handsker, så hænder og vrister holdes varme under arbejdet. Der er rapporteret om, at koldt vejr er en væsentlig faktor til Raynauds syndrom.
- Motionér efter hver arbejdsperiode for at øge blodcirkulationen.
- Hold hyppige arbejdspauser. Begræns eksponeringen for vibrationer pr. dag.

Hvis du mærker nogen af symptomerne på denne tilstand, skal du straks ophøre med arbejdet og søge læge.

#### ⚠ ADVARSEL

Længere tids brug af et værktøj kan forårsage - eller forværre - personskader. Når man bruger et værktøj i længere perioder ad gangen, skal man huske at holde hyppige pauser.

#### KEND PRODUKTET

Se side 141.

1. Kniv
2. Håndtagshus
3. Låseaktivering
4. Udløser
5. Klingskede
6. Krog

#### SYMBOLER PÅ PRODUKTET



Sikkerheds Varsel



Læs venligst vejledningen grundigt igennem før maskinen tages i brug.



Benyt øjen-, høre- og hovedværn.



Brug friktionsfri, kraftige beskyttelseshandsker.



Benyt skridsikkert sikkerhedsfodtøj, når produktet anvendes.



Må ikke udsættes for regn eller bruges på fugtige steder.



Elektrisk fare. Hold en afstand til luftledninger på mindst 10 m.



Pas på udslyngede eller flyvende objekter. Sørg for, at tilskuere (især børn og dyr) er mindst 15m fra arbejdsområdet.



Hold hænderne på afstand af knivene.



Dette redskab overholder alle lovkrav og standarder i det EU-land, hvor det er købt.



EurAsian overensstemmelsesmærke



Ukrainsk overensstemmelsesmærke



Elektriske affaldsprodukter bør ikke afskaffes sammen med husholdningsaffald. Genbrug venligst hvor faciliteterne tillader dette. Tjek med din lokale kommune eller forhandler for genbrugsråd.

#### SYMBOLER I DENNE BRUGSANVISNING



Lås



Oplås



Dele eller tilbehør, der sælges separat



Bemærk



Advarsel

Formålet med nedenstående signalord og betydninger er at tydeliggøre risikoniveauet i forbindelse med produktet:

#### ⚠ FARE

Indikerer en meget farlig situation, som hvis ikke undgås, kan føre til alvorlige skader og i værste fald døden.

#### ⚠ ADVARSEL

Indikerer en potentielt farlig situation, som hvis ikke undgås, kan føre til alvorlige skader og i værste fald døden.

#### ⚠ PAS PÅ

Indikerer en potentielt farlig situation, som hvis ikke undgås, kan føre til mindre eller moderate skader.

#### PAS PÅ

Uden sikkerhedsadvarselssymbol

Indikerer en situation, som kan medføre materiel skade.



EN
FR
DE
ES
IT
NL
PT
DA
<b>SV</b>
FI
NO
RU
PL
CS
HU
RO
LV
LT
ET
HR
SL
SK
BG
UK
TR

Säkerhet, prestanda och pålitlighet har fått högsta prioritet vid utformningen av din sladdlösa grensax.

### ANVÄNDNINGSSOMRÅDE

Den sladdlösa grensaxen är avsedd för användning utomhus. Av säkerhetsskäl ska båda händerna användas för korrekt manövrering av produkten.

Produkten är avsedd för kapning och beskärning av små grenar och kvistar. Använd inte produkten för att kapa föremål som inte är av trä. Produkten är avsedd för att kapa grenar med en diameter upp till 32 mm (barträ) och 28 mm (lövträ). Kapa inte tjocka grenar med en diameter som överstiger dessa värden.

Produkten har en fast längd på 0,85 m.

Använd inte produkten till något annat än vad som anges ovan. Produkten får inte användas av barn eller av personer som inte tillräcklig personlig skyddsutrustning och -kläder.

### ALLMÄNNA SÄKERHETSFORESKRIFTER

#### ⚠ VARNING

Läs noga alla varningar och alla instruktioner. Underlåtenhet att respektera dessa föreskrifter kan leda till olyckor som brand, elektriska stötar och/eller allvarliga kroppsskador.

para dessa varningar och instruktioner för senare behov.

Termen "elektriskt verktyg" som används i nedanstående säkerhetsföreskrifter används både om elektriska verktyg som ansluts till nätet och om sladdlösa elektriska verktyg.

### SÄKERHET PÅ ARBETSPLATSEN

- Se till att arbetsutrymmet är rent och har en tillräcklig belysning. Skräpiga och mörka utrymmen inbjuder till olyckor.
- Använd inte elektriska verktyg i explosiv miljö, t. ex. i närheten av lättantändliga vätskor, gaser eller damm. Gnistor från elektriska verktyg kan sätta eld på dem eller få dem att explodera.
- Håll barn, besökare och husdjur på avstånd när du använder ett elektriskt verktyg. De kan störa dig och få dig att förlora kontrollen över verktyget.

### ELEKTRISK SÄKERHET

- Det elektriska verktygets stickkontakt skall vara anpassad till uttaget. Gör aldrig några ingrepp på stickkontakten. Använd aldrig en adapter med jordade elektriska verktyg. Du minskar därmed riskerna för elektriska stötar.
- Undvik all kontakt med jordade ytor (som t. ex. rör, värmeelement, spisar, kylskåp, etc.). Riskerna för elektriska stötar ökar, om någon kroppsdel är i kontakt med jordade ytor eller med jordförbindelsen.
- Utsätt inte elektriska verktyg för regn eller fukt. Riskerna för elstöt ökar, om vatten tränger in i ett elektriskt verktyg.
- Se till att nätsladden alltid är i gott skick. Håll inte

i verktyget i sladden och dra inte i verktyget eller i sladden för att koppla ur det. Håll nätsladden på avstånd från värmekällor, olja, vassa föremål och rörliga delar. Riskerna för elektriska stötar ökar om nätsladden är skadad eller tilltrasslad.

- Vid arbete utomhus skall du använda endast förlängningssladdar avsedda för utomhusanvändning. Du minskar därmed riskerna för elektriska stötar.
- Om du är absolut tvungen att använda ditt verktyg i en fuktig omgivning, anslut det till ett eluttag som skyddas av en brytare för differentialström (RDD). Användning av en RDD-anordning begränsar riskerna för elektriska stötar.

### PERSONLIG SÄKERHET

- Var vaksam, titta på vad du gör och använd ditt sunda förnuft när du använder ett elektriskt verktyg. Använd inte verktyget om du är trött, påverkad av alkohol eller droger eller om du tar mediciner. Glöm inte att om du är ouppmärksam bara bråkdelen av en sekund kan du skada dig allvarligt.
- Använd skyddsanordningar. Skydda alltid ögonen. Beroende på arbetsförhållandena bör du även använda en skyddsmask mot damm, halksäkra skor, en skyddshjälm eller hörselskydd för att undvika risker för allvarliga kroppsskador.
- Undvik oavsiktlig igångsättning. Kontrollera att strömbrytaren är ställd på "av" innan du ansluter verktyget till ett uttag och/eller lägger i batteriet, liksom då du tar eller transporterar verktyget. För att undvika risker för olyckor skall du inte bära omkring verktyget med fingret på avtryckaren och inte ansluta det om strömbrytaren är i påslaget läge.
- Plocka bort spännycklarna innan du sätter i gång verktyget. En spännyckel som är fäst i en rörlig del av verktyget kan försäsa allvarliga kroppsskador.
- Se till att du alltid håller balansen. Stå stadigt på båda benen och sträck inte ut armen för långt. En stabil arbetsposition gör att man bättre kan kontrollera sitt verktyg, om någonting oförutsett händer.
- Använd lämpliga kläder. Ha inte lösa kläder eller smycken. Håll håret, kläderna och handskarna på avstånd från rörliga delar. Lösa kläder, smycken och långt hår kan fastna i rörliga delar.
- Om verktyget levereras med en anordning som suger upp damm, skall du se till att den monteras och används på rätt sätt. Du minskar därmed riskerna för olyckor.

### ANVÄNDNING OCH UNDERHÅLL AV ELEKTRISKA VERKTYG

- Kör inte verktyget för hårt. Använd ett verktyg som är anpassat till det arbete du vill utföra. Verktyget är effektivare och säkrare om det används med den hastighet som det är konstruerat för.
- Använd inte ett elektriskt verktyg, om det inte går att sätta i gång det och stoppa det med strömbrytaren. Ett verktyg som inte kan sättas på och stängas av korrekt är farligt och måste absolut repareras.





- **Koppla ur verktyget eller ta ut batteriet ur verktyget innan du utför inställningar, byter tillbehör eller ställer undan verktyget för förvaring.** Du minskar då riskerna för oläglig igångsättning av verktyget.
- **Förvara elektriska verktyg utom räckhåll för barn. Låt inte personer som inte känner till verktyget eller inte har tagit del av dessa säkerhetsföreskrifter använda det.** Elektriska verktyg är farliga i händerna på ovana personer.
- **Sköt väl om dina verktyg. Kontrollera de rörliga delarnas inställning. Kontrollera att ingen del är skadad. Kontrollera monteringen och alla andra delar som kan påverka verktygets funktion.** Om någon del är skadad, låt reparera verktyget innan du använder det. Många olyckor beror på en slarvig skötsel av verktygen.
- **Kom ihåg att hålla verktygen rena och vässade.** Ett väl slipat och rent skärverktyg riskerar mindre att blockeras och du kan då kontrollera det bättre.
- **Använd ditt elektriska verktyg, dess tillbehör, bits, osv. enligt dessa föreskrifter och ta hänsyn till användningsförhållandena och önskade tillämpningar.** Använd ditt elektriska verktyg endast för arbeten till vilka det är anpassat, för att undvika farliga situationer.

#### VIKTIGA SÄKERHETSFÖRESKRIFTER FÖR SLADDLÖSA VERKTYG

- **Ladda upp batteriet i ditt verktyg endast med den laddare som anges av fabrikanter.** En laddare som är anpassad till en viss typ av batteri kan förorsaka brand, om den används med batterier av en annan typ.
- **Endast en särskild typ av batteri får användas med ett sladdlöst verktyg.** Användning av andra slags batterier kan förorsaka brand.
- **Då batteriet inte används ska det hållas på avstånd från metallföremål som t. ex. gem, mynt, nycklar, skruvar, spikar eller andra föremål som kan förbinda kontakter sinsemellan.** Kortslutning av batteripolerna kan förorsaka brännskador eller brand.
- **Undvik all kontakt med batterivätska, i händelse av läcka från batteriet p.g.a. en felaktig användning. Om detta ändå händer, skölj omedelbart det berörda området med en stor mängd rent vatten.** Om du får vätska i ögonen, sök även läkarhjälp. Vätska som strömmar ut ur ett batteri kan förorsaka irriterationer eller brännskador.

#### UNDERHÅLL

- **Alla reparationer måste utföras av en kompetent tekniker, som använder endast ursprungliga reservdelar.** Du kan då använda ditt elektriska verktyg i all trygghet.

#### SÄKERHETSVARNINGAR FÖR GREN SAX

##### FARA

Håll händerna borta från bladet. Om du kommer i kontakt med kniven när den är i rörelse kan du bli allvarligt skadad.





EN
FR
DE
ES
IT
NL
PT
DA
SV
FI
NO
RU
PL
CS
HU
RO
LV
LT
ET
HR
SL
SK
BG
UK
TR

- rengöring eller rensning av ett stopp
- att lämna produkten utan tillsyn
- installation eller borttagning av tillbehör
- kontroll, underhåll eller arbete på maskinen
- Håll produkten ren från klipp och annat material. Detta kan fastna mellan käftarna och bladet.

#### YTTERLIGARE SÄKERHETSFORESKRIFTER

- Låt inte den erfarenhet som följer med vana vid verktygsanvändning göra dig oförsiktig och ignorera säkerhetsprinciper för verktygsanvändningen.
- En oförsiktig handling kan orsaka allvarlig personskada på bara bråkdelen av en sekund.
- Håll handtag och grepp torra, rena och fria från olja och smörjfett.
- Håll handtag och grepp innebär osäker hantering och dålig kontroll över verktyget i oväntade situationer.
- Använd inte en batterienhet eller ett verktyg som är skadat eller har modifierats.
- Skadade eller modifierade batterier kan bete sig oförutsägbart, vilket kan leda till brand, explosion eller risk för olycksfall.
- Utsätt inte en batterienhet eller ett verktyg för eld eller mycket höga temperaturer.
- Exponering för eld eller mycket höga temperaturer över 130 °C kan orsaka explosion.
- Följ alla anvisningar för laddning och ladda inte batterienheten eller verktyget vid en temperatur utanför det intervall som anges i anvisningarna.
- Att ladda på felaktigt sätt eller vid temperaturer utanför det angivna intervallet kan skada batteriet och ökar brandrisken.
- Se till att inga åskådare, barn eller husdjur befinner sig i området medan du kappar.
- När en gren som är åtspänd sågas, skall man vara uppmärksam på tillbakafjädring så att man inte träffas då spänningen i träfibren lossas.
- Underhåll maskinen noga. Håll skärkanten vass och ren för bästa prestanda och för att minska olycksrisken. Följ instruktionerna för smörjning av, och byte av, tillbehör.
- Håll handtagen torra, rena och fria från olja och fett.
- Kontrollera före användning och efter påverkan att det inte finns några skadade delar. Skadade delar skall repareras ordentligt eller bytas ut av en auktoriserad servicefirma.
- Om produkten tappas, utsätts för hårda slag eller börjar vibrera onormalt mycket ska produkten omedelbart stoppas och kontrolleras för eventuella skador eller orsak till vibrationerna. Eventuella skador ska repareras ordentligt eller bytas ut av ett auktoriserat servicecenter.
- Kontrollera delarna för att upptäcka eventuella skador. Före ytterligare drift av produkten, bör andra skadade delar kontrolleras noggrant för att avgöra om de fungerar korrekt och kan uppfylla sin avsedda funktion.
- Service på produkten får endast utföras av kvalificerad reparationspersonal. Service eller underhåll som utförs av icke utbildad personal kan leda till skador på användare eller produkt.

- Spara dessa instruktioner. Läs igenom dem regelbundet och använd dem för att instruera andra om hur man använder den här produkten. Om du lånar ut verktyget till någon ska även dessa instruktioner lånas ut för att förebygga felanvändning av produkten för att minska risken för skada.
- Skär inte om det finns en risk för dold ledningsdragning.
- Skär inte av ledningar.
- Se till att arbetsområdet är fritt från vajrar och kablar (exempel: ljusslingor).

#### YTTERLIGARE SÄKERHETSVARNINGAR FÖR BATTERIER

##### ⚠ VARNING

För att undvika den fara för brand, personskador eller produktskador som orsakas av en kortslutning, doppa inte ner verktyget, utbytesbatteriet eller laddaren i vätskor och se till att ingen vätska kan tränga in i apparaterna eller batterierna. Korroderande eller ledande vätskor, som saltvatten, vissa kemikalier, blekningsmedel eller produkter som innehåller blekmedel, kan orsaka en kortslutning.

#### TRANSPORT OCH FÖRVARING

- Stoppa produkten, ta ur batteriet och låt de båda svalna före transport eller förvaring.
- Ta bort allt främmande material från produkten.
- Efter varje användning ska produktens yttre och handtag rengöras med en torr, mjuk trasa.
- Efter varje användning ska skräp rensas bort från bladen med en styv borste, rostskyddsmedel appliceras och bladskyddet fästas på nytt. Använd ett rekommenderat rostskyddande smörjmedelssprej för att tillämpa ett jämnt lager och minska risken för personskada vid kontakt med bladen. Information om lämpligt rostskyddsspray finns hos auktoriserat servicecenter.
- Om nödvändigt, smörj bladen lätt före och efter användningen genom metoden ovan.
- Vid transport ska produkten säkras mot rörelser eller fallande för att förhindra personskador eller att produkten skadas.
- Förvara den svalt och välventilerat på en plats där barn inte kan komma åt den. Förvara på avstånd från frätande medel, t.ex. trädgårdskemikalier och vägsalt. Förvara den inte utomhus.

#### TRANSPORTERA LITIUMBATTERIER

Transportera batteriet enligt lokala och nationella lagar och regleringar.

Följ alla specifika krav på förpackning och etiketter när batteri transporteras av tredje part. Se till att batteriet inte kommer i kontakt med andra batterier eller ledande material genom att skydda exponerade kontakter med isolerande, icke ledande skydd eller tejp. Transportera inte batterier som är spruckna eller läcker. Kontrollera med



vidarebefordrande företag för mer information.

## UNDERHÅLL

### ⚠ VARNING

Använd enbart ersättningsdelar och tillbehör från tillverkaren. Om inte kan det eventuellt orsaka skador, sämre resultat och kan upphäva garantin.

### ⚠ VARNING

Före inspektion, rengöring eller underhåll av produkten: stoppa motorn, vänta tills alla rörliga delar har stannat och ta ur batteriet. Underlåtenhet att följa dessa föreskrifter kan försäkra allvarliga kroppsskador eller stora materiella skador.

### ⚠ VARNING

Att serva produkten kräver extrem försiktighet och kunskap och bör endast utföras av en kvalificerad servicetekniker. Vid service ska produkten lämnas till auktoriserat servicecenter. Under servicearbete ska enbart tillverkarens originaltillbehör användas.

- Slå från och ta bort batterierna innan du utför något underhålls- eller rengöringsarbete.
- Du kan göra de justeringar och reparationer som beskrivs i den här manualen. För andra reparationer eller för råd ska du alltid vända till auktoriserat servicecenter.
- Efter rengöring ska maskinen alltid rengöras med en mjuk torr trasa. Skadade delar skall repareras ordentligt eller bytas ut av en auktoriserad servicefirma.
- Kontrollera alla muttrar, bultar och skruvar före varje användning och med täta intervall, så att de är ordentligt åtdragna och så att produkten är i säkert skick för användning.
- Undvik att använda lösningsmedel vid rengöring av plastdelar. De flesta plasterna är mottagliga för skador från olika varianter av kommersiella lösningsmedel och kan skadas om sådana används. Använd en ren och torr trasa för att avlägsna smuts, damm, olja, fett, osv.
- Låt aldrig bromsvätska, bensin, bensinbaserade produkter, penetrerande oljor, etc., komma i kontakt med plastdelarna. Kemikalier kan skada, försvaga eller förstöra plast vilket kan orsaka allvarlig personskada.

**NOTERA:** För att säkerställa lång och pålitlig användning, utför följande underhållsåtgärder regelbundet.

- Kontrollera om det finns tydliga fel, som lösa, felplacerade eller skadade blad, lösa fästen och slitna eller skadade komponenter.
- Kontrollera att kåpor och skydd inte är skadade och har monterats korrekt. Utför nödvändigt underhåll eller reparationer innan du använder produkten.
- Rengör alltid skärbladen efter användning.
- Kontrollera visuellt skicket på skärbladets egg. Eventuella skadade blad ska repareras korrekt eller bytas ut av en auktoriserad serviceverkstad.

- Förvara produkten och säkerställ att skärmekanismen har stannat innan du sätter ifrån dig produkten.

## RENSA BLOCKERADE RÖR

Se sida 147 - 148.

- Om bladen blockeras av träsplinter eller bark mellan bladen och inte kan frigöras genom att man trycker på utlösaren 3 till 4 gånger, gör som följer:
  - Använd skyddsglasögon och handskar.
  - Ta bort batteripacket.
  - Använd ett trästycke eller en gummihammare och slå på bladet.
  - Använd kraft endast på det område där bladet syns. Slå inte på fjädern.
- Var försiktig med fjäderförspända blad. Håll händerna på avstånd från bladen, de öppnas upp plötsligt.
- När det blockerande skräpet har avlägsnats:
  - Sätt i batteriet.
  - När bladen frigges, tryck på utlösaren innan du fortsätter skära, så att bladen kan öppnas helt.

## KVARSTÅENDE RISKER

Även om produkten används enligt instruktionerna går det inte att eliminera alla eventuella riskfaktorer. Följande risker kan uppkomma under bruk och användaren ska vara extra uppmärksam för att undvika följande:

- Skada orsakad av vibration
  - Använd alltid rätt verktyg för arbetet, håll ordentligt i handtagen och begränsa arbetstid och exponering.
- Kontakt med skärblad
  - Se till att bladskydden sitter på när produkten inte används. Håll alltid händer och fötter på säkert avstånd från bladen.
- Kringkastade delar av arbetsstycket (träflisor, stickor).

## RISKMINSKNING

Det finns rapporter om att vibrationer från handhållna verktyg kan bidra till ett tillstånd som kallas Raynauds syndrom för vissa personer. Symptomen brukar vara att det sticker i fingrarna och att de domnar bort; fingrarna kan också bli vita, särskilt vid kyla. Årftliga faktorer, kyla och fukt, diet, rökning och arbetsrutiner tros alla bidra till att orsaka dessa symptom. Det finns förebyggande åtgärder som du kan vidta för att försöka minska vibrationernas påverkan:

- Håll dig varm när du arbetar i kallt väder. Använd handskar för att hålla händer och handleder varma under användning. Kyla har rapporterats som en viktig del i utvecklandet av Raynauds syndrom.
- Träna och rör på dig efter varje användningstillfälle för att öka blodcirkulationen.
- Ta ofta pauser från arbetet. Begränsa tiden du utsätter dig varje dag.

Upphör omedelbart om du upplever några av dessa symptom och uppsök din läkare.

## ⚠ VARNING

Risk för person- eller slitageskador vid användning av verktyget under lång tid. Om verktyget används under längre perioder krävs regelbundna pauser.

## LÄR KÄNNA PRODUKTEN

Se sida 141.

1. Skärblad
2. Handtagshölje
3. Låslösare
4. Avtryckare
5. Bladskydd
6. Hake

## SYMBOLER PÅ PRODUKTEN



Säkerhetsvarning



Läs instruktionerna ordentligt innan start av maskinen.



Använd alltid ögon-, hörsel- och ansiktsskydd.



Använd kraftiga, halkskyddade handskar.



Bär halkskyddade säkerhetsskor när du använder produkten.



Utsätt inte för regn eller våta omgivningar.



Elektrisk fara. Håll ett avstånd på minst 10 meter till ovanförliggande kraftledningar.



Se upp med kringkastade eller flygande föremål. Håll alla åskådare, barn och husdjur på minst 15 meters avstånd från arbetsområdet.



Håll händerna borta från bladen.



Detta verktyg uppfyller alla standarder i de EU-länder där det kan köpas.



EurAsian överensstämmelsesymbol



Ukrainskt märke för överensstämmelse



Gamla elektroniska produkter ska inte kastas med hushållssoporna. Återvinn där sådana faciliteter finns. Kontrollera med din lokala myndighet eller säljaren för att få återvinningstips.

## SYMBOLER I MANUALEN



Lås



Lås upp



Delar och utrustning säljs separat



Notera



Varning

Följande signalord och betydelser är avsedda att beskriva risknivåer associerade med produkten:

### ⚠ FARA

Indikerar en överhängande farlig situation som kan, om den inte undviks, resultera i dödsfall eller allvarlig skada.

### ⚠ VARNING

Indikerar en potentiellt farlig situation som kan, om den inte undviks, resultera i dödsfall eller allvarlig skada.

### ⚠ PÅMINNELSE

Indikerar en potentiellt farlig situation som kan, om den inte undviks, resultera i mindre eller medelstora skador.

### PÅMINNELSE

Utan säkerhetssymbol

Visar på en situation som kan orsaka skada på egendom.



Turvallisuus, tehokkuus ja käyttövarmuus ovat akkukäyttöisten oksasaksimme tärkeimpiä ominaisuuksia.

## KÄYTTÖTARKOITUS

Akkukäyttöiset oksasakset on tarkoitettu ulkokäyttöön. Turvallisuuden varmistamiseksi tuotetta on ohjattava hallintakahvoilla kahdella kädellä.

Laitte on tarkoitettu risujen ja oksien leikkaamiseen ja karsimiseen. Laitetta ei saa käyttää muun kuin puun leikkaamiseen. Laitte on tarkoitettu leikkaamaan oksia, joiden läpimitta on korkeintaan 32 mm (pehmeä puu) ja 28 mm (kova puu). Sillä ei saa leikata läpimitaltaan näitä mittoja paksumpia oksia.

Tuotteen kiinteä pituus on 0,85 m.

Älä käytä tuotetta mihinkään käyttötarkoitukseen, jota ei luetella yllä. Tuotetta eivät saa käyttää lapset tai henkilöt, joilla ei ole riittäviä henkilökohtaisia suojavarusteita ja -vaatetusta.

## YLEISET TURVALLISUUSVAROITUKSET

### ⚠ VAROITUS

Lue kaikki varoitukset ja ohjeet huolellisesti. Näiden ohjeiden laiminlyönti voi aiheuttaa onnettomuuksia kuten tulipalon, sähköiskun ja/tai vakavia ruumiinvammoja.

Säilytä nämä varoitukset ja ohjeet myöhempiä tarvetta varten.

Turvallisuusohjeissa käytetty "sähkötyökalu" termi tarkoittaa sekä verkkovirtaan kytkettäviä että johdottomia työkaluja.

## TYÖSKENTELYALUEEN TURVALLISUUS

- Pidä työskentelyalue puhtaana ja hyvin valaistuna. Epäjärjestyksessä olevat ja pimeät alueet myötävaikuttavat onnettomuuksiin.
- Älä käytä sähkötyökaluja räjähdysvaarallisessa ympäristössä, kuten helposti syttyvien nesteiden, kaasun tai pölyn läheisyydessä. Sähkötyökaluista lähtevät kipinät voivat sytyttää ne palamaan tai räjäyttää ne.
- Pidä lapset, ulkopuoliset ja kotieläimet syrjässä, kun työskentelet sähkötyökaluilla. Vaarana on huomion pois kääntyminen ja työkalun hallinnan menettäminen.

## SÄHKÖTURVALLISUUS

- Sähkötyökalun pistokkeen on sovelluttava pistokyttimeen. Älä koskaan korjaa pistoketta. Älä koskaan käytä sovitinta maadoitettujen sähkötyökalujen kanssa. Vältä sähköiskuvaaran.
- Älä koske maadoitettuihin pintoihin (putket, lämpöpatterit, liedet, jääkaapit jne.). Sähköiskuvaara kasvaa, jos joku ruumiinosa on kosketuksessa maadoitettuihin pintoihin.
- Älä jätä sähkötyökalua sateeseen tai kosteaan paikkaan. Sähköiskuvaara kasvaa, jos sähkötyökalun sisäosiin pääsee vettä.

- Pidä liitäntäjohto hyväkuntoisena. Älä koskaan pidä työkalua liitäntäjohdosta, äläkä vedä liitäntäjohdosta sen irrottamiseksi verkkovirrasta. Pidä liitäntäjohto kaukana lämpölähteistä, öljystä, terävistä esineistä ja liikkuvista osista. Sähköiskuvaara kasvaa, jos liitäntäjohto on villainen tai sotkuilla.
- Kun työskentelet ulkona, käytä yksinomaan ulkokäyttöön sopivia jatkojohtoja. Vältä sähköiskuvaaran.
- Jos et pysty välttämään työkalun käyttöä kosteassa ympäristössä, kytke se differentiaalivirtalaitteella (DDR) suojattuun virransyöttöön. RCD -laitteen käyttö rajoittaa sähköiskuvaaraa.

## HENKILÖTURVALLISUUS

- Pysy valppaana, katso mitä teet ja käytä tervettä järkeä kun käytät sähkötyökalua. Älä käytä sähkötyökalua mikäli olet väsynyt, alkoholin tai huumeiden vaikutuksen alainen tai mikäli olet lääkekuurilla. Muista aina, että hetken kestävä huolimattomuus voi johtaa vakavaan loukkaantumiseen.
- Käytä suojalaitteita. Suojaa aina silmät. Olosuhteista riippuen, käytä myös pölynsuojanaamaria, liukumattomia turvajalkineita, suojakypärää ja kuulonsuojaimia vakavien ruumiinvammojen välttämiseksi.
- Ehkäise vahingossa tapahtuvat käynnistykset. Varmista, että katkaisin on "seis" asennossa ennen, kuin kytket työkalun verkkovirtaan tai asennat siihen akun sekä myös silloin, kun kannat tai kuljetat työkalua. Onnettomuuksien ehkäisemiseksi, älä siirrä työkalua sormen ollessa liipaisimella äläkä kytke sitä verkkovirtaan tai asenna siihen akkua, kun katkaisin on "käynnissä" asennossa.
- Poista kiristysavaimet ennen kuin käynnistät työkalun. Työkalun liikkuvaan osaan unohtunut kiristysavain voi aiheuttaa vakavia ruumiinvammoja.
- Etsi aina asento, jossa pysyt tasapainossa. Pysyttele tukevasti jaloillasi äläkä kurkotta käsiavartta liian kauas. Tukeva työskentelyasento sallii työkalun moitteettoman hallinnan kaikissa olosuhteissa.
- Käytä sopivia pukimia. Älä pukeudu väljiin vaatteisiin ja koruihin. Pidä hiukset, pukeimet ja käsineet kaukana liikkuvista osista. Väljät vaatteet, korut ja pitkät hiukset voivat tarttua liikkuviin osiin.
- Jos työkalun mukana toimitetaan pölynkokoajajärjestelmä, asenna ja käytä sitä oikein. Vältä tapaturmavaaran.

## SÄHKÖTYÖKALUJEN KÄYTTÖ JA HUOLTO

- Älä pakota työkalua. Käytä työhön sopivaa työkalua. Sähkötyökalu on tehokkaampi ja varmempi, jos käytät sitä sille sopivalla pyörimisnopeudella.
- Älä käytä sähkötyökalua, jos sitä ei voida käynnistää ja sammuttaa katkaisimella. Työkalu, jota ei voida käynnistää ja katkaista oikealla tavalla on vaarallinen ja se on korjattava välittömästi.
- Kytke työkalu irti verkkovirrasta tai poista akku ennen, kuin ryhdyt tekemään säätöjä tai vaihtamaan varusteita tai ennen varastointia. Vältä





epähuomiossa tapahtuvat työkalun käynnistykset.

- **Varastoi sähkötyökalut aina lasten ulottumattomiin. Älä anna kokemattomien tai turvallisuusohjeita tuntemattomien henkilöiden käyttää työkalua.** Sähkötyökalut ovat vaarallisia kokemattomien henkilöiden käsissä.
- **Pidä työkaluista hyvää huolta. Tarkista liikkuvien osien kohtisuoruus. Tarkista, ettei yksikään osa ole rikkoutunut. Tarkista asennus ja kaikki osat, jotka voivat vaikuttaa haitallisesti työkalun toimintaan.** Mikäli viallisia osia on, korjauta työkalu ennen sen käyttöä. Onnettomuuksien aiheuttajana on usein työkalun huolimaton kunnossapito.
- **Pidä työkalut puhtaina ja terävinä.** Kiinni tarttuminen on harvinaisempaa ja hallinnan säilyttäminen helpompaa, kun leikkuutyökalu on hyvin teroitettu ja puhdas.
- **Käytä sähkötyökalua, sen varusteita, teriä jne. näiden käyttöohjeiden mukaisesti ja huomioi käyttöolosuhteet sekä toivotut käyttötarkoitukset.** Vaarallisten tilanteiden ehkäisemiseksi, älä käytä työkalua muuhun, kuin sille tarkoitettuun työhön.

## JOHDOTTOMIA TYÖKALUJA KOSKEVAT ERIKOIS-TURVAOHJEET

- **Älä lataa työkalun akkua muulla, kuin valmistajan suosittelemalla latauslaitteella.** Latauslaite on tarkoitettu ennalta määräytyille akkutyypeille ja se voi aiheuttaa tulipalon, jos sitä käytetään muuntotyypisen akun lataukseen.
- **Johdottoman työkalun kanssa tulee käyttää vain yhtä erityistä akkutyyppeä.** Muunlaisten akkujen käyttö voi aiheuttaa tulipalon.
- **Kun akku ei ole käytössä, pidä se kaukana metalliesineistä kuten liittimistä, kolikoista, avaimista, nautoista, ruuveista ja muista esineistä, jotka saattavat aiheuttaa napojen keskinäisen kytkeytymisen.** Akun napojen oikosulkuun saattaminen voi aiheuttaa palovammoja tai tulipalon.
- **Vältä koskemasta akkunesteeseen liian raskaan käytön aiheuttaman vuodon yhteydessä. Mikäli näin tapahtuu, huuhtele välittömästi saastunut alue runsaalla puhtaalla vedellä.** Jos nestettä on joutunut silmiin, ota yhteys lääkäriin. Akkuneste voi aiheuttaa ärsytysherkkyyttä tai palovammoja.

## HUOLTO

- **Kaikki korjaustyöt on annettava ammattitaitoisen huoltomiehen tehtäväksi ja vaihdossa on käytettävä yksinomaan alkuperäisiä varaosia.** Näin toimien voit käyttää sähkötyökalua täysin turvallisesti.

## OKSASAKSIEN TURVAOHJEET

### ⚠ VAARA

Pidä kädet erossa teristä. Terän koskettaminen voi aiheuttaa vakavan vamman.

- **Älä koskaan salli lasten tai ihmisten, joiden fyysiset tai henkiset kyvyt tai aistit ovat heikentyneet tai joilta**

puuttuu kokemusta tai tietämystä, tai näitä ohjeita tuntemattomien käyttää tuotetta. Paikalliset säädökset saattavat asettaa rajoituksia käyttäjän iälle.

- Tuotteen kiinteä pituus on 0,85 m.
- Älä käytä tuotetta, jos on ukkosen tai salamoinnin mahdollisuus. Varastoi tuote turvallisesti sisätiloihin.
- Varo yläpuolella kulkevia sähköjohtoja.
- Varmista, että kaikki suojukset ja kahvat ovat kunnolla paikoillaan ja hyvässä kunnossa.
- Käytä tuotetta käyttäessäsi täysisiä suojalaseja ja kuulosuojaimia.
- Käytä paksuja pitkiä housuja, saappaita ja käsineitä. Vältä löysiä vaatteita ja asusteita sekä laitteen käyttämistä paljain jaloin.
- Älä aloita tuotteen käyttöä, ennen kuin sinulla on esteetön työalue, vakaa jalansija ja suunniteltu poistumisreitti putoavien oskien tieltä.
- Älä käytä työkalua, mikäli olet alkoholin tai huumeiden vaikutuksen alainen tai jos olet lääkekuurilla.
- Pitele tuotetta käytön aikana molemmin käsin. Tartu etukahvaan yhdellä kädellä. Tartu toisella kädellä takakahvaan ja käytä sillä liipaisimen vapautinta ja on/off-liipaisinta.
- Varmista ennen laitteen käynnistämistä, että se on asetettu oikein sille suunniteltuun työskentelyasentoon.
- Laitetta ei saa käyttää alle 10 metrin päässä yläpuolella kulkevista sähköjohtoista.
- Pidä työn aikana säännöllisesti taukoja. Rajoita päivittäisen tärinän määrä.
- Pidä vakaa tasapaino. Älä kurkota liian pitkälle. Liian pitkälle kurotteleminen voi johtaa tasapainon menetykseen ja vakavaan loukkaantumiseen.
- Älä käytä laitetta, jos leikkuuosaa on vioittunut tai pahastu kulunut.
- Älä muuntele tuotetta millään tavoin tai käytä sitä minkään lisävarusteen tai laitteen virtalähteenä, jos valmistaja ei suosittele sitä tuotteellesi.
- Paikanna pikavapautusmekanismi ja harjoittele sen käyttöä ennen kuin alat käyttää laitetta. Sen asianmukainen käyttö voi hätätilanteessa estää vakavan loukkaantumisen. Älä koskaan käytä vaatteita valjaiden päällä tai muutoin estä pikavapautusmekanismin käyttöä.
- Älä käytä tätä työkalua huonosti valaistussa paikassa. Käytä tuotetta päivänvalossa tai hyvässä keinovalossa.
- Oksasaksia ei saa käyttää, jos leikkausmekanismi ei toimi virheettömästi.
- Jotta olisit suojassa putoilevilta oksilta, älä seiso suoraan leikattavan oksan alla. Tuotetta ei saa pidellä yli 60° kulmassa maanpintaan nähden.
- Jos joudut koskemaan puhaltimen liikkuviin osiin, vältä loukkaantumisriskiä sammuttamalla laite aina, varmistamalla, että kaikki liikkuvat osat ovat kokonaan pysähtyneet, ja ottamalla akku pois laitteesta ennen kuin:
  - ennen tukoksen poistamista
  - tuotteen jättäminen valvomatta
  - asennat tai irrotat lisävarusteita







- tuotteen tarkastusta, ylläpitoa ja huoltoa
- Pidä laite puhtaana leikkuujätteestä ja muista roskista. Ne voivat juuttua leukoihin ja teriin.

### MUITA TURVALLISUUSVAROITUKSIA

- Älä ole huolimaton ja laiminlyö turvaohjeita vain siksi, että olet kokenut muiden laitteiden käytössä.
- Huolimaton toiminto voi aiheuttaa välittömän loukkaantumisen.
- Pidä kädensijat ja tartuntapinnat kuivina ja puhtaina liasta, öljystä ja rasvasta.
- Liukkaat kahvat ja tartuntapinnat tekevät käytöstä vaarallista, eikä laitetta voi hallita odottamattomissa tilanteissa.
- Vaurioitunutta tai muunneltua akkua tai työkalua ei saa käyttää.
- Vaurioituneet tai muunnellut akut voivat käyttäytyä odottamattomasti, ja ne voivat johtaa tulipaloon, räjähdykseen, vaaraan tai tapaturmaan.
- Älä altista akkua tai työkalua tulelle tai liian korkealle lämpötilalle.
- Tullelle tai yli 130°C:n lämpötilalle altistuminen voi johtaa räjähdykseen.
- Noudata kaikkia latausohjeita äläkä lataa akkua tai työkalua muissa kuin ohjeissa määritellyissä lämpötilaolosuhteissa.
- Virheellinen lataus tai määritellyistä poikkeavat lämpötilat saattavat johtaa akun vaurioitumiseen ja lisätä tulipalon vaaraa.
- Pidä sivulliset, lapset ja lemmikkieläimet poissa alueelta leikkaamisen aikana.
- Kun leikkaat oksaa, joka on jännityksen alainen, ole vaarovainen, ettei se iske sinua, kun puukuitujen jännite vapautetaan.
- Huolla tuote huolella. Pidä leikkurin reuna terävänä ja puhtaana suorituskyvyn maksimoimiseksi ja tapaturmavaaraan minimoimiseksi. Voitele ja vaihda lisävarusteet ohjeiden mukaisesti.
- Pidä kädensijat kuivina ja puhtaina liasta, öljystä ja rasvasta.
- Tarkista ennen käyttöä ja aina iskun jälkeen, että laitteessa ei ole vioittuneita osia. Valtuutetun huoltopisteen on korjattava tai vaihdettava vioittuneet osat asianmukaisesti.
- Jos tuote putoaa, saa kovan iskun tai alkaa täristä normaalia enemmän, sammuta se heti ja tarkista se vaurioiden varalta tai paikanna tärinän syy. Valtuutetun huoltopisteen on korjattava tai vaihdettava vioittuneet osat asianmukaisesti.
- Tarkista, ettei yksikään osa ole vioittunut. BMuut vaurioituneet osat on tarkastettava huolellisesti ennen laitteen käytön jatkamista, että toimivatko ne oikein ja käyttötarkoituksensa mukaisesti.
- Ainoastaan pätevien huoltohenkilöiden tulee huoltaa ruohonleikkuri. Siitä, että epäpätevä henkilö huoltaa laitetta, saattaa seurata käyttäjän loukkaantuminen ja laitteen vioittuminen.
- Säilytä nämä ohjeet. Pidä ne aina saatavilla ja neuvo muita ruohonleikkurin käyttäjiä lukemaan ne. Jos lainaat

tämän työkalun, lainaa sen mukana nämä ohjeet, jotta sitä käytetään oikein ja välttyään loukkaantumisilta.

- Älä leikkaa, jos on olemassa riski piilossa olevista johdoista.
- Älä leikkaa johtoja.
- Varmista, ettei työskentelyalueella ole virtajohtoja ja -kaapeleita (esimerkki: koristevalot).

### LISÄÄ AKUN TURVALLISUUSVAROITUKSIA

#### VAROITUS

Jotta vältetään lyhytsulun aiheuttama tulipalon, loukkaantumisen tai tuotteen vahingoittumisen vaara, älä koskaan upota työkalua, vaihtoakkuja tai latauslaitetta nesteeseen ja huolehdi siitä, ettei mitään nesteitä pääse tunkeutumaan laitteiden tai akkujen sisään. Syövyttävät tai sähköä johtavat nesteet, kuten suolavesi, tietyt kemikaalit ja lalkaisuaineet tai valkaisuaineita sisältävät tuotteet voivat aiheuttaa lyhytsulun.

### KULJETUS JA VARASTOITAESSA

- Sammuta tuote, irrota akku ja anna molempien jäähtyä ennen varastointia ja kuljetusta.
- Puhdista laitteesta kaikki vieraat materiaalit.
- Puhdista tuotteet runko ja kahvat pehmeällä, kuivalla liinalla jokaisen käyttökerran jälkeen.
- Puhdista roskat jokaisen käyttökerran jälkeen teristä kovalla harjalla ja levitä sen jälkeen huolella ruosteestoitoiteluainetta ennen teränsuojuksen kiinnittämistä. Levitä tasaisesti joka puolelle kerros suositeltua ruosteestoitoitelusuihketta ja vähennä riskiä teriin koskemisesta johtuvasta henkilövahingosta. Lisätietoja asianmukaisesta suihkeesta saa paikallisesta valtuutetusta huollosta.
- Voitele terät tarvittaessa kevyesti ennen käyttöä ja käytön jälkeen edellä kuvatulla menetelmällä.
- Kiinnitä tuote kuljettaessa siten, että se ei pääse liikkumaan tai kaatumaan, jotta välttyä loukkaantumisilta ja vaurioilta.
- Varastoi laite viileään, kuivaan ja hyvin tuuletettuun paikkaan, jossa lapset eivät pääse siihen käsiksi. Pidä poissa syövyttäviltä aineilta kuten puutarhakemikaaleilta ja jäänsulatussuolalta. Älä säilytä ulkona.

### LITIUMAKKIJEN KULJETTAMINEN

Kuljeta akkua paikallisten ja kansallisten ehtojen ja säädösten mukaisesti.

Noudata kaikkia pakkaamista ja nimeämistä koskevia erikoissäädöksiä, kun kolmas osapuoli kuljettaa akkuja. Varmista, että mikään akku ei kosketa muita akkuja tai johtavaa materiaalia kuljetuksen aikana suojaamalla paljaat navat eristävillä, johtamattomilla korkeilla tai teipillä. Älä kuljeta akkuja, jotka ovat halkeilleet tai vuotavat. Kysy välityritykseltä lisäneuvoja.



**HUOLTO**

**VAROITUS**

Käytä ainoastaan alkuperäisiä valmistajan tuottamia varaosia, lisälaitteita ja lisävarusteita. Tämän noudattamatta jättäminen voi johtaa loukkaantumiseen ja huonoon tulokseen ja voi mitätöidä takuun.

**VAROITUS**

Ennen kuin laite tarkastetaan, puhdistetaan tai huolletaan, pysäytä moottori, odota liikkuvien osien pysähtyvän ja ota akku pois. Näiden ohjeiden laiminlyönti voi aiheuttaa vakavia vammoja ja suuria materiaalisia vahinkoja.

**VAROITUS**

Huolto kaippaa suurta huolellisuutta ja hyvää työkalun tuntemusta: Se on annettava pätevän teknikon tehtäväksi. Kun tuote vaatii huoltoa, vie tuote valtuutettuun huoltoon. Käytä huollossa ainoastaan alkuperäisiä valmistajan tuottamia varaosia.

- Kytke virta pois ja irrota akku ennen kuin teet mitään puhdistus- tai huoltotoimenpidettä.
- Voit tehdä tässä käyttöoppaassa kuvattuja säätöjä ja korjauksia. Pyydä apua valtuutetusta huollosta muiden korjaus- tai neuvontatarpeiden tapauksessa.
- Puhdista tuote aina käytön jälkeen pehmeällä ja kuivalla liinalla. Valtuutetun huoltopisteen on korjattava tai vaihdettava vioittuneet osat asianmukaisesti.
- Tarkista kaikkien muttereiden, pulttien ja ruuvien kireys ennen jokaista käyttökertaa ja säännöllisin aikaväleihin laitteen turvallisuuden takaamiseksi.
- Älä puhdista muoviosia liuottimilla. Suurin osa muoveista ei siedä markkinoilla olevia määrättyjä liuotteita, jotka vahingoittavat niitä. Poista lika, pöly, öljy, rasva tms. puhtailla rievuilla.
- Älä koskaan päästä jarrunesteitä, bensiiniä, öljytuotteita, läpäiseviä öljyjä tms. kosketuksiin muoviosien kanssa. Kemikaalit voivat vioittaa, heikentää ja tuhota muovia, mikä saattaa aiheuttaa vakavan loukkaantumisen.

**HUOMAUTUS:** Suorita seuraavat kunnossapitoimet säännöllisesti, jotta laite pysyy pitkään hyvässä käyttökunnossa.

- Tarkista ilmeisten vikojen, kuten löystyneen, paikaltaan siirtyneen tai vioittuneen terän, löystyneiden kiinnikkeiden ja kuluneiden tai vioittuneiden osien varalta.
- Varmista, että suojukset ja turvalaitteet ovat vahingoittumattomat ja kunnollisesti kiinnitettyt. Teetä leikkuriin tarvittava huolto ja korjaukset ennen leikkurin käyttöä.
- Tarkista leikkuuterät aina ennen laitteen käytön jälkeen.
- Tarkista leikkuuterien leikkuureunojen kunto silmämääräisesti. Kaikki vaurioituneet terät täytyy korjata oikein tai vaihtaa valtuutetussa huoltoliikkeessä.

- Pane laite säilöön varmistaen, että leikkumeکانismit on pysähtynyt, ennen kuin lasket tuotteen alas.

**TUKOKSEN POISTAMINEN**

*Katso sivut 147 - 148.*

- Jos terien väliin juuttuneet säleet tai kuoren kappaleet ovat jumittaneet terät eikä niitä saa poistettua työntämällä liipaisinta 3 tai 4 kertaa, tee seuraavasti:
  - Suojaudu suojalasein ja -käsinein.
  - Irrota akku laitteesta.
  - Kopauta terää puunkappaleella tai kumivasaralla.
  - Kohdista isku vain kohtaan, jossa terä näkyy. Älä iske jouseen.
- Varo jousikuormitteisia teriä. Pidä kädet loitolla teristä, sillä ne voivat avautua äkisti.
- Kun jumituneet roskat on poistettu:
  - Laita akku paikalleen.
  - Kun terät on vapautettu, työnnä liipaisinta ennen kuin jatkat leikkaamista, jotta terät voivat avautua kokonaan.

**KÄYTTÖÖN LIITTYVÄT RISKIT**

Vaikka tuotetta käytettäisiin ohjeiden mukaisesti, ei ole mahdollista täysin eliminoida tiettyjä käyttöön liittyviä riskitekijöitä. Käytössä voi aiheutua seuraavia vaaroja, ja käyttäjän tulee kiinnittää erityistä huomiota niiden välttämiseen:

- Tärinän aiheuttama vamma
  - Käytä aina työhön sopivaa laitetta, käytä nimettyjä kahvoja ja rajoita työaikaa sekä altistumista.
- Kosketus teriin
  - Varmista, että teräsuojukset kiinnitetään aina, kun tuotteen käyttö päätetään. Pidä kädet ja jalat aina kaukana teristä.
- Sinkoutuneet puukappaleet (puulastut, tikut)

**RISKIEN VÄHENTÄMINEN**

Raporttien mukaan käsikäyttöisten laitteiden tärinä voi joidenkin kohdalla myötävaikuttaa Raynaud's Syndromen (Raynauodin oireen) ilmenemiseen. Oireita ovat pistely, turtuus ja sormien kalpeneminen, yleensä kylmässä ilmassa. Perinnölliset tekijät, kylmyys ja kosteus, ruokavalio, tupakointi sekä työtavat voivat kaikki myötävaikuttaa näiden oireiden ilmenemiseen. Käyttäjät voi ehkäistä tärinän aiheuttamia vaikutuksia seuraavasti:

- Pidä itsesi lämpimänä kylmällä säällä. Käytä tuotteen käytön aikana käsineitä, jotta kätesi ja ranteesi pysyvät lämpöisinä. Raporttien mukaan kylmä ilma on tärkeä tekijä Raynaud's Syndromen (Raunauodin oireiden) ilmenemisessä.
- Harjoita kunkin käyttöjakson jälkeen liikuntaa, jotta verenkierto lisääntyy.
- Pidä työn aikana säännöllisesti taukoja. Rajoita päivittäisen tärinän määrä.

Jos mitään yllä mainittuja oireita ilmenee, lopeta heti laitteen käyttö ja kerro oireista lääkärille.

## VAROITUS

Laitteen pitkittynyt käyttö voi aiheuttaa tai vaikeuttaa vammoja. Kun käytät mitä tahansa laitetta pitkiä aikoja, muista pitää säännöllisiä taukoja.

## TUNNE TUOTTEESI

Katso sivu 141.

1. Leikkuuterä
2. Kahvakotelo
3. Lukitusliipaisin
4. Liipaisin
5. Teräsuojus
6. Koukku

## TUOTTEESSA OLEVAT SYMBOLIT



Varoitus



Lue ohjeet huolellisesti ennen laitteen käynnistämistä.



Käytä suojalaseja, kuulosuojaimia ja kypärää



Käytä luisumattomia raskaan käytön suojakäsineitä.



Käytä tätä tuotetta käyttäessäsi luisumattomia turvajalkineita.



Älä altista konetta sateelle tai kosteudelle.



Sähköiskun vaara. Pysy vähintään 10 metrin päässä yläpuolisista sähköjohdoista.



Varo sinkoutuneita ja muita lentäviä esineitä. Pidä kaikki sivulliset vähintään 15 metrin päässä toiminta-alueelta – erityisesti lapset ja lemmikit.



Pidä kädet kaukana teristä.



Tämä työkalu on sen EU-maan kaikkien sääntömääräisten standardien mukainen, josta se on ostettu.



EurAsian-vaatimustenmukaisuusmerkki



Ukrainalainen säädöstenmukaisuusmerkintä



Käytöstä poistettavia sähkölaitteita ei pidä hävittää talousjätteiden mukana. Ne on mahdollisuuksien mukaan pantava kiertoon. Kierrätysohjeita antavat kunnan viranomaiset ja vähittäiskauppiaat.

## TÄMÄN KÄSIKIRJAN SYMBOLIT



Lukko



Avaa



Osat ja lisävarusteet on hankittava erikseen



Huom



Varoitus

Seuraavien merkien tarkoitus on selittää, miten vakava riski tuotteeseen liittyy.

### VAARA

Ilmaisee välitöntä vaaratilannetta, joka ellei sitä vältetä, johtaa kuolemaan tai vakavaan loukkaantumiseen.

### VAROITUS

Ilmaisee potentiaalisen vaaratilanteen, joka ellei sitä vältetä, johtaa kuolemaan tai vakavaan loukkaantumiseen.

### HUOMAUTUS

Ilmaisee potentiaalisen vaaratilanteen, joka ellei sitä vältetä, saattaa johtaa pienempään tai keskivaikeaan loukkaantumiseen.

### HUOMAUTUS

Ilman turvallisuusvaroitusymbolia ilmoittaa tilanteesta, jossa omaisuutta saattaa vaurioitua.



Sikkerhet, ytelse og pålitelighet har fått topp prioritet ved konstruksjonen av denne kabelfrie grensaksen.

### TILTENKT BRUK

Den trådløse grensaksen er beregnet for utendørs bruk. Av sikkerhetshensyn må produktet betjenes på forsvarlig vis med to hender.

Produktet er designet for å klippe og beskjære små kvister og grener. Ikke bruk produktet for å kutte ting som ikke er av tre. Produktet er beregnet til bruk for å kutte greiner med diameter opp til 32 mm (bartre) og 28 mm (hard ved). Ikke kutt tykke greiner med tykkere diameter enn disse verdiene. Produktet har en fast lengde på 0,85 m.

Ikke bruk produktet til annet enn det som er beskrevet over. Produktet skal ikke brukes av barn eller personer som ikke bruker tilstrekkelig personlig verneutstyr og verneklær.

### GENERELLE SIKKERHETSADVARSLER

#### ADVARSEL

**Les nøye gjennom alle advarslene og instruksene.** Hvis forskriftene nedenfor ikke overholdes, kan det forårsake ulykker som brann, elektrisk støt og/eller alvorlige personskader.

**Ta vare på disse advarslene og instruksene for å se i dem senere.**

Ordet "elektroverktøy" som brukes i sikkerhetsforskriftene nedenfor betegner både elektroverktøy med ledning og elektroverktøy uten ledning.

### ARBEIDSSOMRÅDETS SIKKERHET

- **Hold arbeidsområdet rent og godt belyst.** Uryddige og dårlig opplyste områder fører lett til ulykker.
- **Bruk ikke elektroverktøy i eksplosive omgivelser, for eksempel i nærheten av brennbare væsker, gass eller støv.** Gnister fra elektroverktøy kan sette fyr på dem eller få dem til å eksplodere.
- **Hold barn, besøkende og dyr unna når du bruker et elektroverktøy.** De kan avlede oppmerksomheten din og få deg til å miste kontroll over verktøyet.

### ELEKTRISK SIKKERHET

- **Elektroverktøyet støpsel skal passe til stikkkontakten. Ikke foreta noe på støpselet.** Bruk aldri en adapter sammen med jordete elektroverktøy. Dermed unngår du faren for elektrisk støt.
- **Unngå all kontakt med jordete overflater (rør, radiatorer, komfyrer, kjøleskap o.l.).** Faren for elektrisk støt øker hvis en del av kroppen er i kontakt med jordete overflater.
- **Ikke utsett et elektroverktøy for regn eller fuktighet.** Faren for elektrisk støt øker hvis det kommer vann inn i elektroverktøyet.
- **Sørg for å holde kablen i god stand. Hold aldri verktøyet i kablen og dra aldri i kablen for å trekke støpselet ut av stikkkontakten.** Hold kablen unna enhver varmekilde, olje, skarpe gjenstander

og bevegelige deler. Faren for elektrisk støt øker hvis kablen er skadet eller floket.

- **Når du arbeider utendørs, må du kun bruke forlengelseskabler som er beregnet på utendørs bruk.** Dermed unngår du faren for elektrisk støt.
- **Hvis du ikke kan unngå å bruke verktøyet i fuktige omgivelser, skal du koble deg til et strømmett som er beskyttet med en reststrømminnretning.** Bruken av en reststrømminnretning begrenser faren for elektrisk støt.

### PERSONLIG SIKKERHET

- **Vær alltid på vakt, følg godt med det du gjør og bruk sunn fornuft når du bruker et elektroverktøy. Bruk ikke elektroverktøyet hvis du er trett, påvirket av alkohol eller narkotika, eller hvis du tar medisiner.** Husk at uforsiktighet i en brøkdel av et sekund er nok til at du kan skade deg selv alvorlig.
- **Bruk verneutstyr. Beskytt alltid øynene.** Alt etter omstendighetene, bør du også bruke støvmaske, skliskre sko, hjelm eller hørselvern for å beskytte deg mot alvorlige personskader.
- **Unngå utilsikket start. Påse at av/på bryteren står på "av" før du kobler verktøyet til en stikkontakt eller setter inn batteriet, og når du skal ta eller frakte verktøyet.** For å unngå all fare for ulykke, skal du ikke ha fingeren på av/på bryteren når du frakter verktøyet, ikke koble det til strømmettet eller sette inn batteriet hvis bryteren står på "på".
- **Ta ut skrunøkene før du starter verktøyet.** Hvis en skrunøkkel blir liggende fast på en bevegelig del av verktøyet, kan det forårsake alvorlige personskader.
- **Pass på at du alltid holder balansen. Stå støtt på bena og strekk ikke armen for langt.** Hvis du står i en stabil arbeidsstilling, kan du lettere kontrollere verktøyet dersom det skjer noe uventet.
- **Bruk egnede klær. Bruk ikke løstsittende klær og smykker. Sørg for å holde håret, klærne og hanskene unna bevegelige deler.** Løstsittende klær, smykker og langt hår kan fanges opp av bevegelige deler.
- **Hvis verktøyet er levert med et støvavsugingssystem, må du påse at det er riktig installert og at det brukes.** Du unngår dermed faren for ulykker.

### BRUK OG VEDLIKEHOLD AV ELEKTROVERKTØY

- **Ikke bruk makt på verktøyet ditt. Bruk det verktøyet som egner seg til det arbeidet du skal utføre.** Elektroverktøyet er mer effektivt og sikkert hvis det brukes i det turtallet det er konstruert for.
- **Bruk ikke et elektroverktøy hvis du ikke får startet og stoppet det med av/på bryteren.** Et verktøy som ikke kan slås på og av ordentlig er farlig og må absolutt repareres.
- **Kople verktøyet fra strømmen eller ta batteriet ut av verktøyet før du foretar innstillinger, skifter ut tilbehør eller rydder bort verktøyet.** Dermed reduseres faren for at verktøyet starter utilsikket.
- **Rydd elektroverktøyene dine utenfor barns rekkevidde.** La ikke personer som ikke kjenner

EN
FR
DE
ES
IT
NL
PT
DA
SV
FI
NO
RU
PL
CS
HU
RO
LV
LT
ET
HR
SL
SK
BG
UK
TR





**verktøyet eller ikke har lest disse forskriftene bruke verktøyet.** Elektroverktøy er farlige når de brukes av uerfarne personer.

- **Vedlikehold verktøyene dine omhyggelig. Kontroller de bevegelige delenes innstilling. Sjekk at ingen deler er brukket. Kontroller monteringen og alle andre elementer som kan virke inn på verktøyets drift.** Hvis enkelte deler er skadet, må du få verktøyet reparert før du tar det i bruk igjen. Mange ulykker skyldes dårlig vedlikehold av verktøyene.
- **Hold verktøyene dine rene og skarpe.** Et skjæreverktøy som er rent og godt skjerpet har ikke så lett for å låses fast og er lettere å kontrollere.
- **Bruk elektroverktøyet, tilbehørene, bitsene osv. i henhold til denne bruksanvisningen og ta hensyn til bruksforholdene og de ønskede bruksområdene.** For å unngå farlige situasjoner, skal du bare bruke elektroverktøyet til de arbeidsoppgavene det er konstruert for.

#### **SPESIELLE SIKKERHETSFRSKRIFTER FOR OPP-LADBARE VERKTØY**

- **Lad verktøyets batteri kun opp med det ladeapparatet som anbefales av fabrikanten.** Et ladeapparat som egner seg til en viss batteritype kan forårsake brann hvis det brukes med en annen batteritype.
- **Det skal bare brukes en bestemt batteritype med et oppladbart verktøy.** Bruken av et annet batteri kan forårsake brann.
- **Når batteriet ikke er i bruk, skal det holdes unna metallgjenstander som binders, mynter, nøkler, skruer, spikre og andre små gjenstander som kan koble kontaktene til hverandre.** Kortslutning av batteriets kontakter kan medføre brannårsaker eller brann.
- **Unngå all kontakt med batterivæsken dersom batteriet lekker på grunn av misbruk. Hvis det skulle hende, må det berørte området skylles rikelig med rent vann.** Hvis du har fått væske i øynene, må du dessuten oppsøke en lege. Væske som kommer ut av batteriet kan forårsake sår eller brannårsaker.

#### **VEDLIKEHOLD**

- **Reparasjoner må kun foretas av en kvalifisert tekniker og med originale reservedeler.** Da kan du bruke elektroverktøyet trygt.

#### **SIKKERHETSADVARSLER FOR GRENSAKSER**

##### **⚠ FARE**

Hold hendene unna knivbladet. Kontakt med kniven kan føre til alvorlig personskade.

- Du må aldri la barn, personer med redusert fysisk, sensorisk eller mental kapasitet eller mangel på erfaring og kunnskap eller personer som ikke kjenner disse instruksene, bruke produktet. Lokale forskrifter kan begrense en alder av operatøren.
- Produktet har en fast lengde på 0,85 m.

- Du må ikke bruke produktet når det er fare for torden og lyn. Produktet oppbevares innendørs.
- Vokt deg for kraftledninger.
- Påse at alle verneanordninger og håndtak er påsatt riktig og i god stand.
- Ha på deg passende vernebriller og hørselvern når du bruker produktet.
- Bruk tykke langbukser, støvler og hansker. Ikke bruk løstsittende klær eller smykker. Ikke bruk produktet med ubeskyttede føtter.
- Ikke start å bruke produktet inntil du har et ryddet arbeidsområde, står trygt, og en planlagt fluktvéi unna fallende grener eller kvister er klarlagt.
- Ikke bruk elektrisk verktøy når du er sliten eller under påvirkning av narkotiske stoffer, alkohol eller medisiner som kan påvirke din reaksjonsevne og/eller dømmekraft.
- Når du bruker produktet, må du alltid holde det med begge hender. Bruk en hånd for å holde godt rundt fronthåndtaket. Bruk den andre hånden til å holde i bakre håndtak og betjene utløseren og på/av knappen.
- Se til at produktet er riktig plassert i tiltenkt arbeidsposisjon før start av produktet.
- Aldri bruk produktet med knivbladet nærmere enn 10 meter fra kraftledninger.
- Ta ofte pauser fra arbeidet som utføres. Begrens mengden av eksponering pr. dag.
- Ha god fotfeste og ballanse til enhver tid. Ikke len deg for langt. Å bøye seg for langt over ting kan føre til at man mister balansen og resultere i alvorlige personskader.
- Ikke bruk maskinen med skadet eller meget slitt klippeutstyr.
- Ikke modifiser produktet på noen måte eller bruk det til å drive tilleggsutstyr eller utstyr som ikke er anbefalt av produsenten for ditt produkt.
- Finn ut hvordan du skal bruke hurtigutløsermekanismen og øv deg på å bruke den før du tar i bruk maskinen. Riktig bruk kan hindre alvorlige personskader dersom en nødsituasjon skulle oppstå. Du må aldri bruke ekstra klær over selen eller på annen måte hindre hurtigutløsermekanismen.
- Ikke bruk i dårlig lys. Bruk produktet i dagslys eller under godt kunstig lys.
- Ikke bruk grensaksen hvis kuttemekanismen ikke fungerer som den skal.
- For å beskytte deg selv mot fallende grener, må du ikke stå direkte under en gren; pass på å påføre dine lemmer kuttskader. Produktet bør ikke holdes i en vinkel over 60° fra bakkenivå.
- For å redusere risikoen for skade i forbindelse med kontakt med bevegelige deler, stopp alltid produktet og se til at alle bevegelige deler har kommet til en fullstendig stopp. Ta ut batteriet før:
  - rengjøring eller fjernes en blokkering
  - etterlater produktet uten tilsyn
  - installasjon eller fjerning av påsatser
  - kontroll, vedlikehold og arbeider på produktet.





- Hold produktet rent for avskjær og andre materialer. De kan sette seg fast mellom kjeven og knivbladet.

### SPEISIELLE SIKKERHETSADVARSLER

- Ikke la hyppig bruk av verktøyet føre til at du blir lettfeilig og ignorerer sikkerhetsprinsipper.
- En uforsiktig handling kan føre til alvorlige personskader på en brøkdell av et sekund.
- Hold håndtak og andre holdeoverflater tørre, rene og fri for olje og smøring.
- Unngå at håndtak og andre holdeoverflater er glatte for det reduserer sikker håndtering og styring av verktøyet i uforutsette situasjoner.
- Ikke bruk et batteri eller verktøy som er skadet eller endret.
- Batterier som er skadd eller endret, kan oppføre seg uforutsigbart, noe som kan føre til brann, eksplosjon og personskade.
- Ikke utsett batteriet eller verktøyet for ild eller høy temperatur.
- Eksposering for brann eller høy temperatur over 130 °C kan føre til eksplosjon.
- Alle ladeinstruksjoner må følges. Ikke lad batteriet eller verktøyet hvis omgivelsestemperaturen er utenfor området som er angitt i bruksanvisningen.
- Feil lading eller lading ved temperaturer utenfor det angitte området kan ødelegge batteriet og øke risikoen for brann.
- Hold området fritt for alle voksne, barn og kjæledyr under bruk.
- Når du sager av en gren som står i spenn, må du være oppmerksom på at den kan slå tilbake, slik at du ikke blir truffet når spenningen utløses.
- Vedlikehold produktet med omtanke. Hold ytterkanten skarp og ren for best ytelse og for å redusere skade. Følg instruksjonene for smøring og skifte av tilbehør.
- Hold håndtakene tørre, rene og fri for olje og fett.
- Før bruk og etter hvert slag, sjekk for skadede deler. Enhver del som er skadet må repareres eller skiftes ut ved et autorisert serviceverksted.
- Dersom produktet faller i bakken, får et sterkt slag eller starter å vibrere unormalt, stans produktet omgående og sjekk for skader eller finn ut hva som er årsaken for vibrasjonene. Enhver skade må repareres helt eller delen skiftes av et autorisert serviceverksted.
- Se etter deler som er skadet. Før du bruker produktet mer, bør andre ødelagte deler sjekkes nøye for å sikre at de vil fungere som de skal og gi trygg drift.
- Service skal utføres av et kvalifisert serviceverksted. Service eller vedlikehold utført av ukyndig person kan føre til skader på brukeren eller på produktet.
- Ta vare på disse instruksjonene. Les dem regelmessig og brukt for å instruere andre brukere. Hvis du låner noen dette verktøyet, la dem også få låne brukermanualen for å unngå feil bruk av produktet og mulig skade.
- Ikke kutt der det er en fare for skjult kabling.
- Ikke kutt ledninger.

- Hold arbeidsområdet fritt for ledninger og kabler (eksempel: felys).

### EKSTRA ADVARSLER FOR BATTERISIKKERHET

#### ⚠ ADVARSEL

For å unngå fare for en brann forårsaket av en kortslutning, av personskader eller skader av produktet, må det forhindres at batteripakken eller laderen dypes i væsker og også sørges for at ingen væsker kan komme inn i apparatene eller batteriene. Korroderende og ledende væsker som saltvann, visse kjemikalier og blekemidler eller produkt som inneholder blekemidler kan forårsake en kortslutning.

### TRANSPORT OG LAGRING

- Slå av produktet og la det kjøles ned før lagring eller transport.
- Fjern alle fremmedelementer fra produktet.
- Etter hver bruk, rens produktets ytre med en myk tørt klut.
- Etter hvert bruk, fjern avfall fra bladene med en stiv børste og påfør forsiktig antirustsmøring før du setter på bladbekyttelsen igjen. Bruk anbefalte rustforebyggende smørespray for å påføre et jevnt lag og redusere faren for personskader på grunn av kontakt med bladene. For mer informasjon om passende sprayprodukter, ta kontakt med ditt lokale autoriserte servicesenter.
- Smør bladene lett før og etter bruk ved behov ved bruk av metoden ovenfor.
- Ved transport må produktet sikres mot å komme i bevegelse eller falle for å unngå skade på personer eller produktet.
- Lagres på et kjølig, tørt og godt ventilert sted som er utilgjengelig for barn. Hold den borte fra korrosive materialer, så som ugressmidler og veisalt. Ikke oppbevar utendørs.

### TRANSPORTERE LITUM-BATTERIER

Transporter batteriet i samsvar med lokale og nasjonale forskrifter og bestemmelser.

Følg alle spesielle krav når det gjelder pakking og merking når tredje part skal transportere batteriene. Pass på at batteriene ikke kan komme i kontakt med andre batterier eller ledende materialer når de transporteres ved at du beskytter åpne koblinger med isolerende, ikkeledende hetter eller tape. Ikke transportert batterier som har sprekker eller lekket. Sjekk med transportfirmaet for ytterligere råd.

### VEDLIKEHOLD

#### ⚠ ADVARSEL

Bruk kun produsentens originale reservedeler, tilleggsutstyr og påsatser. Dersom dette ikke følges, kan det forårsake personskader, dårlig funksjon og kan annullere garantien din.



### ⚠ ADVARSEL

Før du kontrollerer, rengjør eller utfører service på produktet: Stopp motoren, vent til alle bevegelige deler stopper og ta ut batteriet. Hvis disse forskriftene ikke overholdes, kan det medføre alvorlige skader og betydelige materielle skader.

### ⚠ ADVARSEL

Service krever meget stor forsiktighet og kunnskap og bør utføres kun av kvalifisert teknisk personale. For service skal produktet leveres til et autorisert serviceverksted. For service av maskinen, bruk kun produsentens originale reservedeler.

- Slå av og fjern batteriet før du rengjør eller utfører vedlikehold på produktet.
- Du kan foreta justeringer og reparasjoner som er beskrevet i denne brukermanualen. For andre typer reparasjoner eller råd anbefales det å kontakte et autorisert servicesenter.
- Etter hver bruk, rens produktet med en myk tørr klut. Enhver del som er skadet må repareres eller skiftes ut ved et autorisert serviceverksted.
- Kontroller alle løse muttere, bolter og skruer før du bruker enheten. Sjekk ofte at disse er tilstrekkelig tilstrammet, slik at du er sikret et trygt arbeidsmiljø.
- Unngå bruk av løsemidler når du rengjør plastdelene. De fleste plastikkstoffene vil bli skadet dersom forskjellige tilgjengelige løsemiddel brukes på gressklipperen. Bruk rene kluter til å fjerne skitt, støv, olje og fett, etc.
- Ikke på noe tidspunkt må du la bremsevæske, bensin, petroleumbaserte produkter, rustoppløsende oljer og lignende komme i kontakt med plastdelene. Kjemiske stoffer kan skade, svekke eller ødelegge plastikk som da kan føre til alvorlige personskader.

**MERK:** Utfør følgende vedlikehold regelmessig for å sikre lang og pålitelig service.

- Se etter åpenbare defekter som løst, løsnet eller skadet blad, løse fester og slitte og skadde deler.
- Sørg for at dekslene og beskyttelsene er foruten skade og er riktig montert. Utfør alt nødvendig vedlikehold eller reparasjoner før du bruker produktet.
- Rengjør alltid knivbladene etter bruk.
- Ta en visuell kontroll av tilstanden på skjærekanten på knivbladet. Alle skader på knivbladet bør repareres eller byttes ut av et autorisert servicesenter.
- Oppbevar produktet og sørg for at kuttemekanismen har stoppet før du setter produktet ned.

### FJERNING AV EN BLOKKERING

Se Fig. 147 - 148.

- Hvis bladene er fastkjørt på grunn av splintere eller bark mellom bladene og ikke kan frigis ved å skyve utløseren 3 til 4 ganger, følg denne prosedyren:
  - Bruk vernebriller og hansker.
  - Fjern batteripakken.
  - Bruk et stykke tre eller en gummihammer og støt

mot bladet.

- Bruk makt kun på det området der bladet vises. Ikke støt mot fjæren.
- Vær oppmerksom på de fjærlastede bladene. Hold hendene borte fra bladene, de kommer til å åpne seg plutselig.
- Når blokkeringsavfallet er fjernet:
  - Sett inn batteriet.
  - Når bladene er frigitt, skyv utløseren før du forsetter å kutte, slik at bladene kan åpnes fullstendig.

### GJENVÆRENDE RISIKO

Selv om utstyret brukes som beskrevet er det ikke mulig å unngå enhver gjenværende risiko. Følgende faresituasjoner kan oppstå ved bruk, og operatøren må legge spesielt vekt på å unngå følgende:

- Personskade på grunn av vibrasjon
  - Bruk alltid riktig verktøy til jobben, bruk håndtakene og begrens arbeidstiden og eksponeringen.
- Kontakt med knivbladene
  - Sikre at bladskjermen er på plass når produktet er i bruk. Hold på ethvert tidspunkt hender og føtter vekk fra bladene.
- Biter av trevirke (trefliser, splinter)

### FAREREDUKSJON

Det foreligger rapporter om at vibrasjoner fra håndholdt verktøy for enkelte personer kan bidra til en tilstand som kalles Raynauds Syndrome. Symptomene kan omfatte følelsesløshet og gjøre fingrene bleke, vanligvis synlig ved eksponering til lave temperaturer. Arvelige faktorer, eksponering mot lave temperaturer og fuktighet, diett, røyking og arbeidspraksis blir alle ansett for å kunne bidra til å utvikle disse symptomene. Brukeren kan iverksette tiltak for mulig å redusere virkningene av vibrasjonene:

- Hold kroppen din varm i kaldt vær. Bruk hansker og hold hender og håndledd varme ved bruk av produktet. Det er rapportert at kaldt vær er en viktig faktor som bidrar til Raynauds Syndrome.
- Etter hver arbeidsperiode bør det utføres øvelser for å øke blodsirkulasjonen.
- Ta ofte pauser fra arbeidet som utføres. Begrens mengden av eksponering pr. dag.

Hvis du opplever noen av symptomene på denne tilstanden må du øyeblikkelig avbryte arbeidet og oppsøke en lege med disse symptomene.

### ⚠ ADVARSEL

Hvis man bruker verktøyet for lenge av gangen, kan det føre til eller forverre allerede eksisterende personskade. Når du bruker et verktøy over en lenger tidsperiode, husk å ta regelmessige pauser.

### KJENN PRODUKTET DITT

Se side 141.

1. Kappekniver

2. Håndtakshus
3. Låsetrigger
4. Avtrekker
5. Bladhylse
6. Krok

## SYMBOLER PÅ PRODUKTET



Sikkerhetsalarm



Vennligst les instruksjonene nøye før du starter maskinen.



Bruk beskyttelse for øyne, hørsel og ansikt.



Bruk sklisikre og kraftige beskyttelseshansker.



Anvend glisikkert fottøy ved bruk av dette produktet.



Ikke utsette for regn eller fuktige forhold.



Elektriske farer. Ha en avstand på minst 10 meter fra overliggende ledninger.



Vær oppmerksom på utkastede eller flygende gjenstander. Hold tilskuere, spesielt barn og dyr, på god avstand, det vil si minst 15 meter fra arbeidsområdet



Hold hendene vekke fra kniven.



Dette verktøyet overholder samtlige standarder i det EU-landet det er kjøpt i.



EurAsian Konformitetstegn



Ukrainsk merke for konformitet



Avfall fra elektriske produkter skal ikke kastes sammen med husholdningsavfall. Vennligst resikulervedeksisterende avfallsbehandlingssted. Undersøk hos dine lokale myndigheter eller forhandler for råd om resikulering.

## SYMBOLER I DENNE MANUALEN



Lås



Låse opp



Deler eller tilbehør solgt separat



Nb



Advarsel

Følgende signalord og meninger har til hensikt å forklare graden av risiko forbundet med bruken av dette produktet.

### FARE

Indikerer en øyeblikkelig farlig situasjon, som, hvis ikke unngås, kan resultere i død eller alvorlig personskade.

### ADVARSEL

Indikerer en potensiell farlig situasjon, som, hvis ikke unngås, kan resultere i død eller alvorlig personskade.

### FORSIKTIGHETSREGEL

Indikerer en potensiell farlig situasjon, som, hvis ikke unngås, kan resultere i mindre eller moderat personskade.

### FORSIKTIGHETSREGEL

Uten sikkerhetsvarselsymbol

Indikerer en situasjon som kan føre til skade på eiendom.





В основе конструкции вашего беспроводного сучкорезного устройства лежат принципы безопасности, продуктивности и надежности.

## НАЗНАЧЕНИЕ

Беспроводное сучкорезное устройство предназначено для использования вне помещений. Из соображений безопасности всегда необходимо эксплуатировать инструмент, управляя им двумя руками.

Изделие разработано для обрезки и подрезки небольших сучков и ветвей. Резка недеревянных предметов с помощью изделия не допускается. Изделие предназначено для обрезки ветвей диаметром до 32 мм (мягкая древесина) и 28 мм (твердая древесина). Обрезка ветвей, толщина которых превышает эти значения, не допускается.

Изделие имеет фиксированную длину - 0,85 м.

Используйте инструмент только в вышеперечисленных целях. К использованию устройством не должны допускаться дети или лица без соответствующих средств защиты и одежды.

## ОБЩИЕ ПРАВИЛА БЕЗОПАСНОСТИ

### ⚠ ОСТОРОЖНО

Ознакомьтесь со всеми инструкциями по технике безопасности, иллюстрациями и техническими характеристиками, входящими в комплект изделия. Несоблюдение всех инструкций, указанных ниже, может привести к поражению электрическим током, пожару и / или телесному повреждению. Сохраните все предупреждения и инструкции по технике безопасности для последующего использования.

Термин "электроинструмент" в данном описании относится к инструментам с питанием от сети (проводные) и от аккумуляторных батарей (беспроводные).

### БЕЗОПАСНОСТЬ НА РАБОЧЕМ МЕСТЕ

- Рабочая зона должна быть свободна и хорошо освещена. Загромождение или плохое освещение рабочей зоны может привести к несчастным случаям.
- Не используйте электроинструмент во взрывоопасной среде, например в присутствии легковоспламеняющихся жидкостей, газов или пыли. В электроинструментах происходит искрообразование, что может привести к воспламенению пыли или газа.
- Не допускайте присутствия детей и посторонних лиц при работе с инструментом. Невнимательность может привести к утрате контроля.

### ЭЛЕКТРОБЕЗОПАСНОСТЬ

- Вилка кабеля питания инструмента должна соответствовать используемой розетке. Не подвергайте вилку кабеля каким-либо

изменениям. Не используйте какие-либо переходники с электроинструментами с заземляющим проводом. Использование оригинальных штепсельных вилок и соответствующих розеток предотвращает опасность поражения электрическим током.

- Не допускайте контакта частей тела с поверхностями заземленных предметов, таких как трубы, радиаторы отопления, кухонные плиты, холодильники. При соприкосновении частей тела человека с заземленными участками возрастает опасность поражения электрическим током.
- Не допускайте попадания влаги на изделие и не используйте его во влажной атмосфере. Попавшая внутрь инструмента вода повышает опасность поражения электрическим током.
- Обращайтесь с кабелем питания надлежащим образом. Не используйте кабель для переноски, перемещения или отключения инструмента от сети питания. Оберегайте кабель от источников тепла, масляных и острых предметов и движущихся деталей. Поврежденные или запутанные провода повышают опасность поражения электрическим током.
- При работе с электроинструментом вне помещений пользуйтесь удлинительным кабелем, предназначенным для наружного применения. Использование кабеля, предназначенного для наружного применения, снижает опасность поражения электрическим током.
- Если нет возможности избежать работы в условиях повышенной влажности, подключайте инструмент через устройство защитного отключения. При использовании устройства защитного отключения снижается опасность поражения электрическим током.

### ЛИЧНАЯ БЕЗОПАСНОСТЬ

- Соблюдайте осторожность, следите за своими действиями и пользуйтесь здравым смыслом при работе с электроинструментом. Не пользуйтесь инструментом в состоянии усталости или под воздействием наркотических средств, алкоголя или медицинских препаратов. Малейшая невнимательность при работе с инструментом может привести к тяжкому телесному повреждению.
- Используйте средства индивидуальной защиты. Всегда надевайте средства защиты зрения. Средства защиты, такие как пылезащитная маска, нескользящая защитная обувь, шлем-каска, средства защита органов слуха, используемые надлежащим образом, снижают опасность телесного повреждения.
- Не допускайте случайного запуска. Перед подключением к источнику питания или установкой аккумуляторной батареи, подъемом или перемещением инструмента убедитесь, что переключатель находится в положении





«выключено». Во избежание несчастных случаев при перемещении инструмента не держите пальцы на переключателе инструмента и не подключайте его к источнику питания при включенном положении переключателя.

- **Перед включением инструмента уберите все регулировочные и гаечные ключи.** Гаечные или регулировочные ключи, оставленные на вращающихся частях инструмента, могут привести к телесному повреждению.
- **Не перенапрягать.** Старайтесь сохранять устойчивость и подыскивайте твердую опору. Это обеспечивает лучшую управляемость электроинструментом в непредвиденных ситуациях.
- **Одевайтесь соответствующим образом. Не надевайте свободную одежду и украшения. Не допускайте попадания волос, одежды и перчаток в движущиеся части.** Свободная одежда, украшения и длинные волосы могут попасть в движущиеся части.
- **Если в инструменте предусмотрено использование устройства удаления и сбора пыли, обеспечьте их надежное крепление и надлежащее использование.** Использование пылесборника снижает опасность, связанную с пылеобразованием.
- **Не нарушайте правила техники безопасности, даже несмотря на длительный опыт работы с инструментами.** Неосторожное действие может стать причиной тяжелых травм в течение доли секунды.

## ИСПОЛЬЗОВАНИЕ И ОБРАЩЕНИЕ С ИНСТРУМЕНТОМ

- **Не прикладывайте чрезмерных усилий при работе с данным инструментом. В каждом случае используйте надлежащий электроинструмент.** Правильно выбранный электроинструмент позволяет выполнить работу, для которой он предназначен, более качественно и более безопасно.
- **Не пользуйтесь инструментом, если выключатель не включается или не выключается.** Любой электроинструмент, не управляемый выключателем, представляет опасность и должен быть отремонтирован.
- **Перед выполнением каких-либо регулировок, заменой приспособлений или хранением инструмента отключите вилку кабеля источника питания и/или аккумуляторной батареи от электроинструмента.** Такие меры предосторожности помогут предотвратить опасность случайного пуска инструмента.
- **Храните неиспользуемые электроинструменты в месте, недоступном для детей, а также не допускайте к использованию данного инструмента лиц, не знакомых с его работой или не ознакомленных с данными инструкциями.** Инструмент в руках неподготовленного лица представляет опасность.
- **Бережно обращайтесь с инструментом.**

**Проверяйте инструмент на отсутствие перекосов или заклинивания движущихся частей, их неисправности или других причин, которые могут отразиться на работе инструмента. При повреждении инструмента перед его дальнейшим использованием его следует отремонтировать.** Многие несчастные случаи вызваны ненадлежащим обращением с инструментом.

- **Содержите режущее устройство в чистоте и заточенном виде.** При надлежащем техническом обслуживании режущего инструмента снижается вероятность застревания режущих частей и облегчается управляемость.
- **Используйте инструмент, принадлежности, насадки и т.п. в соответствии с данными указаниями, и принимая во внимание условия работы и выполняемую работу.** Использование данного электроинструмента не по назначению может создать опасную ситуацию.
- **Держите ручки и поверхности захватывания сухими, чистыми, не допускайте попадания на них смазочных веществ.** Скользкие ручки и поверхности захватывания не позволяют безопасно управлять и контролировать инструмент в непредвиденных ситуациях.

## ЭКСПЛУАТАЦИЯ УСТРОЙСТВА С АККУМУЛЯТОРНЫМ ПИТАНИЕМ И УХОД ЗА НИМ

- **Зарядку выполняйте только с использованием зарядного устройства, указанного изготовителем.** Зарядное устройство, подходящее к одному типу аккумуляторных батарей, может создать опасность возгорания при использовании с аккумуляторными батареями другого типа.
- **Используйте электрические устройства только со специально предназначенными для них аккумуляторными батареями.** Использование аккумуляторных батарей другого типа может привести к телесным повреждениям или возгоранию.
- **Если аккумуляторная батарея не используется, храните ее отдельно от других металлических предметов, например канцелярских скрепок, монет, ключей, гвоздей, винтов и других мелких металлических предметов, которые могут привести к замыканию контактов батареи.** Замыкание контактов батареи может вызвать ожоги или привести к возгоранию.
- **При ненормальных условиях из батареи может вытечь жидкость, избегайте контакта с ней. Если этого избежать не удалось, смойте жидкость водой. Если жидкость попала в глаза, после их промывания обратитесь за медицинской помощью.** Жидкость, вытекшая из батареи, может вызвать раздражение или ожог.
- **Не используйте поврежденный или модифицированный аккумуляторный блок и инструмент.** Поврежденные или модифицированные аккумуляторы могут вести себя непредсказуемо, что может привести к пожару,

EN  
FR  
DE  
ES  
IT  
NL  
PT  
DA  
SV  
FI  
NO  
RU  
PL  
CS  
HU  
RO  
LV  
LT  
ET  
HR  
SL  
SK  
BG  
UK  
TR





взрыву или послужить причиной травмы.

- **Не подвергайте аккумуляторный блок и инструмент воздействию огня и высокой температуры.** Воздействие огня или температуры выше 130°C может привести к взрыву.
- **Заряжайте аккумуляторные блоки и инструмент в соответствии с инструкцией, не подвергая их при этом воздействию температур вне диапазона, указанного в инструкции.** Несоблюдение инструкций и зарядка при воздействии температур вне диапазона, указанного в инструкции, может привести к повреждению аккумулятора и повысить риск возгорания.

## ОБСЛУЖИВАНИЕ

- **Техническое обслуживание и ремонт инструмента должно выполняться только квалифицированным специалистом с использованием взаимозаменяемых запасных частей.** Это обеспечит нормальное техническое состояние устройства.
- **Обслуживание аккумуляторных блоков с признаками повреждения не допускается.** Обслуживание аккумуляторных блоков должно выполняться производителем или авторизованным сервисным центром.

## ТРЕБОВАНИЯ БЕЗОПАСНОСТИ ПРИ ИСПОЛЬЗОВАНИИ СУЧКОРЕЗНОГО УСТРОЙСТВА

### ⚠ ОПАСНО

Не прикасайтесь к лезвию руками. В результате контакта с режущим лезвием можно получить серьезную травму.

- Никогда не позволяйте детям или людям с ограниченными физическими, сенсорными или умственными способностями, а также людям, незнакомым с этими инструкциями, использовать это устройство. Местные инструкции могут ограничить возраст оператора.
- Изделие имеет фиксированную длину - 0,85 м.
- Не используйте изделие, когда существует вероятность грозы или молнии. В целях безопасности храните изделие в помещении.
- Берегитесь линий электропередач над головой.
- Убедитесь в том, что все устройства защиты и ручки должным образом установлены и находятся в хорошем состоянии.
- Используйте надежные приспособления для защиты глаз и органов слуха при работе с продуктом.
- Надевайте длинные плотные брюки, ботинки и перчатки. Не используйте свободную одежду, аксессуары и не работайте с изделием босиком.
- Не начинайте использование инструмента, пока не расчищена рабочая зона, не обеспечена опора и не подготовлен путь отхода от падающих веток или сучьев.
- Не пользуйтесь инструментом в состоянии

усталости или под воздействием наркотических средств, алкоголя или медицинских препаратов.

- Во время эксплуатации изделия держите его обеими руками. Одной рукой крепко возьмитесь за переднюю ручку. Одной рукой крепко возьмитесь за заднюю ручку, разблокируйте рычажок Вкл/Выкл, а затем нажмите на него.
- Перед включением инструмента убедитесь, что он правильно установлен в предназначенное рабочее положение.
- Эксплуатация изделия на расстоянии ближе чем 10 м от линий электропередач не допускается.
- Чаще делайте перерывы в работе. Сократите длительность ежедневного пребывания на открытом воздухе.
- Держать устойчивую опору и баланс. Не перенапрягаться. Попытка дотянуться слишком далеко может вызвать потерю равновесия и привести к серьезной травме.
- Не используйте инструмент с поврежденным или сильно изношенным режущим устройством.
- Запрещается каким-либо образом изменять конструкцию изделия или использовать насадки или устройства, не рекомендованные производителем вашего изделия.
- Найдите механизм быстрого освобождения и опробуйте его перед началом использования устройства. Его правильное использование может предотвратить серьезные травмы в случае возникновения чрезвычайной ситуации. Никогда не носите одежду поверх ремня и никаким иным образом не ограничивайте доступ к механизму быстрого освобождения.
- Не работайте при недостаточном освещении. Используйте изделие при дневном свете или хорошем искусственном освещении.
- Использование сучкорезного устройства при ненадлежащей работе режущего механизма не допускается.
- Во избежание получения травмы от падающих веток не стойте прямо под срезаемой веткой. Устройство не следует держать под углом более 60° от уровня земли.
- Чтобы снизить риск получения травмы при контакте с подвижными деталями, всегда выключайте изделие, дожидаясь остановки всех подвижных деталей и извлекайте аккумулятор перед тем, как:
  - очистка или устранение засора
  - Оставление изделия без присмотра
  - установка и снятие насадок
  - проверка, техобслуживание и эксплуатация устройства.
- Поддерживайте чистоту изделия, удаляя обрезки и другие материалы с его поверхности. Возможно их застревание между захватом и лезвием.

## ДОПОЛНИТЕЛЬНЫЕ УКАЗАНИЯ ПО БЕЗОПАСНОСТИ

- Не нарушайте правила техники безопасности, даже несмотря на длительный опыт работы с





инструментами.

- Неосторожное действие может стать причиной тяжелых травм в течение доли секунды.
- Держите ручки и поверхности захватывания сухими, чистыми, не допускайте попадания на них смазочных веществ.
- Скользкие ручки и поверхности захватывания не позволяют безопасно управлять и контролировать инструмент в непредвиденных ситуациях.
- Не используйте поврежденный или модифицированный аккумуляторный блок и инструмент.
- Поврежденные или модифицированные аккумуляторы могут вести себя непредсказуемо, что может привести к пожару, взрыву или послужить причиной травмы.
- Не подвергайте аккумуляторный блок и инструмент воздействию огня и высокой температуры.
- Воздействие огня или температуры выше 130°C может привести к взрыву.
- Заряжайте аккумуляторные блоки и инструмент в соответствии с инструкцией, не подвергая их при этом воздействию температур вне диапазона, указанного в инструкции.
- Несоблюдение инструкций и зарядка при воздействии температур вне диапазона, указанного в инструкции, может привести к повреждению аккумулятора и повысить риск возгорания.
- В процессе резки убедитесь в отсутствии прохожих, детей и животных в рабочей зоне.
- При отпиливании натянутых веток будьте готовы быстро уклониться, чтобы не попасть под удар, когда волокна будут перепилены.
- Бережно обращайтесь с устройством. Чтобы снизить риск травм и улучшить производительность инструмента всегда содержите режущий край чистым и острым. Выполняйте инструкции по проведению смазки и замене принадлежностей.
- Содержите ручки в сухом и чистом виде, очищайте их от масла и смазки.
- Перед использованием устройства или после него убедитесь, что в нем нет поврежденных деталей. В случае повреждения какой-либо детали необходимо обратиться в авторизованный сервисный центр для выполнения надлежащего ремонта или замены.
- Если устройство уронили, оно издает громкий стук или начинает чрезмерно вибрировать, немедленно остановите его и проверьте на наличие повреждений или выясните причину вибрации. Любые поврежденные детали должны быть надлежащим образом отремонтированы или заменены в авторизованном сервисном центре.
- Проверяйте поврежденные детали. Перед последующим использованием инструмента необходимо проверить остальные детали на целостность и способность выполнять свою функцию.
- Обслуживание изделия должно быть выполнено квалифицированным персоналом ремонта только. Ремонт или техническое обслуживание, выполняемое неквалифицированным персоналом, может привести к травме работающего или к повреждению устройства.

- Сохранить эти инструкции. Обращаться к ним, часто и использовать их, чтобы инструктировать других, кто может использовать это изделие. При передаче данного инструмента в пользование другим лицам передайте им также данные инструкции, чтобы избежать его ненадлежащего использования и получения телесных повреждений.
- Запрещается резать в местах, где может находиться скрытая проводка.
- Запрещается обрезать провода.
- На рабочем месте не должно быть кабелей (пример: китайские фонарики).

## ТРЕБОВАНИЯ БЕЗОПАСНОСТИ ПРИ ИСПОЛЬЗОВАНИИ ДОПОЛНИТЕЛЬНОЙ АККУМУЛЯТОРНОЙ БАТАРЕИ

### ⚠ ОСТОРОЖНО

Для предотвращения опасности пожара в результате короткого замыкания, травм и повреждения изделия не опускайте инструмент, сменный аккумулятор или зарядное устройство в жидкости и не допускайте попадания жидкости внутрь устройств или аккумуляторов. Коррозионные и проводящие жидкости, такие как соленый раствор, определенные химикаты, отбеливающие средства или содержащие их продукты, могут привести к короткому замыканию.

## ТРАНСПОРТИРОВКА И ХРАНЕНИЕ

- Остановите устройство, извлеките батарею и дайте им остыть перед постановкой на хранение или транспортировкой.
- Очистите устройство от всех посторонних материалов.
- После каждого использования протирайте корпус и ручки изделия мягкой сухой тканью.
- После каждого использования, очистите лезвия от мусора жесткой щеткой, а затем аккуратно нанесите на него антикоррозионную смазку перед установкой защитного приспособления для лезвия. Нанесите рекомендованную антикоррозионную смазку с помощью распылителя равномерным слоем, чтобы снизить риск травмы при контакте с лезвиями. Для получения информации о подходящих распыляемых смазках свяжитесь с местным авторизованным сервисным центром.
- При необходимости до и после использования смажьте лезвие, как указано выше.
- Для транспортировки закрепите изделие так, чтобы оно не могло перемещаться или упасть во избежание травмирования персонала или повреждения изделия.
- Храните его в прохладном, сухом, хорошо проветриваемом и недоступном для детей месте. Не держите бензопилу рядом с коррозионными веществами, такими как садовые химикаты или размораживающая соль. Не храните на открытом воздухе.

EN  
FR  
DE  
ES  
IT  
NL  
PT  
DA  
SV  
FI  
NO  
RU  
PL  
CS  
HU  
RO  
LV  
LT  
ET  
HR  
SL  
SK  
BG  
UK  
TR





## ТРАНСПОРТИРОВКА ЛИТIEВЫХ БАТАРЕЙ

Транспортируйте аккумуляторную батарею в соответствии с местными и государственными правилами и положениями.

При транспортировке батарей третьей стороной соблюдайте все специальные требования по упаковке и маркировке. Проверьте, чтобы аккумуляторные батареи не вступали в контакт с другими батареями или проводимыми материалами при транспортировке, для этого защитите оголенные разъемы изоляцией, изолирующими колпачками или лентами. Не переносите батареи с повреждениями или утечками. За дальнейшими консультациями обратитесь в транспортно-экспедиционную компанию.

## ТЕХНИЧЕСКОЕ ОБСЛУЖИВАНИЕ

### ⚠ ОСТОРОЖНО

Используйте только оригинальные запчасти, аксессуары и насадки от производителя. Невыполнение этого требования может привести к травме, к снижению производительности и к аннулированию гарантии.

### ⚠ ОСТОРОЖНО

Перед проверкой, очисткой или обслуживанием изделия выключите двигатель, дождитесь остановки всех подвижных деталей и извлеките аккумулятор. Несоблюдение настоящих правил техники безопасности ведет к тяжелым травмам и крупному материальному ущербу.

### ⚠ ОСТОРОЖНО

Обслуживание требует чрезвычайной заботы и знания и должно быть выполнено только квалифицированным техником обслуживания. Обратитесь в авторизованный сервисный центр для техобслуживания. При выполнении технического обслуживания используйте только оригинальные запчасти от производителя.

- Перед проведением технического обслуживания или очистки выключите устройство и извлеките аккумуляторный блок.
- Вы можете также выполнить другие виды регулировки и ремонтные работы, описанные в данном руководстве. Для проведения других ремонтных работ или за получением рекомендаций обращайтесь в авторизованный сервисный центр.
- После каждого использования протирайте изделие мягкой сухой тканью. В случае повреждения какой-либо детали необходимо обратиться в авторизованный сервисный центр для выполнения надлежащего ремонта или замены.
- Перед каждым использованием и через определенные промежутки времени проверяйте затяжку всех гаек, болтов и винтов, чтобы убедиться, что инструмент находится в безопасном для эксплуатации состоянии.

- При очистке пластмассовых деталей не допускается использовать растворители. Большинство пластмасс восприимчиво, чтобы повредиться от различных типов коммерческих растворителей и может быть повреждено их использованием. Для очистки от грязи, пыли, масла, смазки и т.п. используйте протирочную тряпку.
- Не допускайте взаимодействия тормозных жидкостей, бензина, нефтепродуктов, пропиточных масел и т.п. с пластмассовыми деталями. Химические реагенты могут повредить, ослабить или разрушить пластмассовые детали, что может привести к тяжелым физическим травмам.

**ПРИМЕЧАНИЕ:** Для обеспечения длительной и надежной службы регулярно проводите техническое обслуживание изделия.

- Проверьте инструмент на наличие явных дефектов, таких как расшатанные или поврежденные лезвия, незакрученные крепления и изношенные или поврежденные детали.
- Все крышки и защитные устройства должны быть целые и правильно установлены. Перед использованием инструмента выполните необходимое техническое обслуживание и ремонт.
- Перед началом работы очистите лезвия.
- Визуально проверьте состояние режущих поверхностей лезвия. В случае наличия признаков повреждения необходимо обратиться в авторизованный сервисный центр для ремонта или замены лезвия.
- Перед завершением работы дождитесь остановки режущего механизма.

## ОЧИСТКА ЗАСОРЕНИЯ

См. стр. 147 - 148.

- При заклинивании лезвий вследствие попадания между ними щепы или коры и невозможности их высвобождения путем 3-4 нажатий на курок выполните следующие действия:
  - Наденьте защитные очки и перчатки.
  - Снимите аккумуляторную батарею.
  - Постучите по лезвию деревянным брусом или резиновым топором.
  - Усилие допускается только там, где видно лезвие. Запрещается стучать по пружине.
- Остерегайтесь нагруженных пружины лезвий. Не касайтесь лезвий руками, поскольку они могут внезапно раскрыться.
- После извлечения сора:
  - Установите аккумулятор.
  - После высвобождения лезвий нажмите на курок для их полного раскрытия и продолжайте работу.

## БУДЬТЕ ВСЕГДА ОСТОРОЖНЫ

Даже когда изделие используют согласно инструкциям, невозможно полностью устранить факторы риска. При эксплуатации могут возникнуть следующие ситуации, которым пользователь должен уделять особое внимание, чтобы избежать проблем:

- Травмы, вызываемые вибрацией



- Применяйте инструмент только по своему назначению, используйте надлежащие ручки и соблюдайте рабочий режим.
- Контакт с лезвиями
  - Когда инструмент не используется, на лезвиях должны быть установлены защитные устройства. Не допускайте попадания рук и ног в зону работы режущих приспособлений.
- Отбрасываемые части обрабатываемой древесины (древесная стружка, щепа и т.п.)

### СНИЖЕНИЕ РИСКА

Считается, что вибрация ручного инструмента может привести к проявлению у отдельных лиц так называемой болезни Рейно (Raynaud's Syndrome). К симптомам могут относиться покалывание, онемение и побеление пальцев (как при переохлаждении). Считают, что наследственные факторы, охлаждение и влажность, диета, курение и практический опыт способствуют развитию этих симптомов. Ниже приводятся меры, которые может принять оператор для снижения воздействия вибрации:

- Одевайтесь теплее в холодную погоду. При эксплуатации изделия носите перчатки, чтобы сохранить руки и запястья в тепле. Считается, что холодная погода является основным фактором, способствующим возникновению болезни Рейно (Raynaud's Syndrome).
- После каждого этапа работы выполните упражнения для усиления кровообращения.
- Чаще делайте перерывы в работе. Сократите длительность ежедневного пребывания на открытом воздухе.

При появлении каких-либо из указанных симптомов сразу же прекратите работу и обратитесь по их поводу к врачу.

### ⚠ ОСТОРОЖНО

Слишком продолжительное использование инструмента может привести к травме. При использовании инструмента в течение длительного времени делайте регулярные перерывы.

### ИЗУЧИТЕ УСТРОЙСТВО

См. стр. 141.

1. Режущее лезвие
2. Корпус рукояти
3. Курок блокировки
4. Курковый выключатель
5. Кожух режущего полотна
6. Крюк

### УСЛОВНЫЕ ОБОЗНАЧЕНИЯ НА ПРОДУКТЕ



Внимание



Перед использованием прибора внимательно ознакомьтесь с данной инструкцией.



Носите устройства защиты зрения и слуха, а также защитную каску.



Надевайте нескользящие защитные перчатки для тяжелых условий работы.



При работе с данным изделием надевайте нескользящую защитную обувь.



Не подвергайте инструмент воздействию дождя и не используйте в условиях повышенной влажности.



Опасность поражения электрическим током. Используйте на расстоянии не менее 10 метров от воздушных линий электропередач.



Помните об опасности, которую представляют собой отбрасываемые устройством или вылетающие из-под него предметы. Не допускайте приближения посторонних лиц, особенно детей и домашних животных к рабочей зоне ближе чем на 15 м



Не касайтесь режущих полотен.



Настоящий инструмент отвечает всем официальным стандартам страны ЕС, в которой он был приобретен.



Знак Евразийского Соответствия Сертификат Соответствия № TC RU C-DE.PC52.B.01383 Срок действия Сертификата Соответствия По 18.09.2023 АНО экспертизы и контроля качества - Центр сертификации «Евро-Тест» 123060, город Москва, улица Маршала Рыбалко, дом 2, корпус 9, помещение 638.



Украинский знак стандартизации



Отработанная электротехническая продукция должна уничтожаться вместе с бытовыми отходами. Утилизируйте, если имеется специальное техническое оборудование. По вопросам утилизации проконсультируйтесь с местным органом власти или предприятием розничной торговли.

## УСЛОВНЫЕ ОБОЗНАЧЕНИЯ В ДАННОМ РУКОВОДСТВЕ



Сцепить



Расцепить



Детали или принадлежности,  
приобретаемые отдельно



Примечание



Осторожно

Следующие сигнальные слова и значения предназначены для того, чтобы объяснить уровень риска, связанного с этим изделием:

### **ОПАСНО**

Указывает неизбежно опасную ситуацию, которая, если не избежать, кончится смертельным или серьезным ущербом.

### **ОСТОРОЖНО**

Указывает потенциально опасную ситуацию, которая, если не избежать, может кончиться смертельным или серьезным ущербом.

### **ПРЕДОСТЕРЕЖЕНИЕ**

Указывает потенциально опасную ситуацию, которая, если не избежать, может кончиться малым или уменьшенным ущербом.

### **ПРЕДОСТЕРЕЖЕНИЕ**

Употребляется без предупреждающего знака

Указывает на ситуацию, которая может привести к повреждению имущества.

**Транспортировка:**

Категорически не допускается падение и любые механические воздействия на упаковку при транспортировке.

При разгрузке/погрузке не допускается использование любого вида техники, работающей по принципу зажима упаковки.

**Хранение:**

Необходимо хранить в сухом месте.

Необходимо хранить вдали от источников повышенных температур и воздействия солнечных лучей.

При хранении необходимо избегать резкого перепада температур.

Хранение без упаковки не допускается.

**Срок службы изделия:**

Срок службы изделия составляет 5 лет.

Не рекомендуется к эксплуатации по истечении 5 лет хранения с даты изготовления без предварительной проверки.

**Дата изготовления** (код даты) отштампован на поверхности корпуса изделия.

Пример:

W17 Y2015, где Y2015 - год изготовления

W17 – неделя изготовления

Определить месяц изготовления можно согласно приведенной ниже таблице, на примере 2015 года.

**Обратите внимание!** Количество недель в месяце различается от года в год.

Месяц	Январь	Февраль	Март	Апрель	Май	Июнь	Июль	Август	Сентябрь	Октябрь	Ноябрь	Декабрь	Год
Неделя	01	05	09	14	18	22	27	31	36	40	44	49	2015
	02	06	10	15	19	23	28	32	37	41	45	50	
	03	07	11	16	20	24	29	33	38	42	46	51	
	04	08	12	17	21	25	30	34	39	43	47	52	
	05	09	13	18	22	26	31	35	40	44	48	53	
			14			27							





Bezpieczeństwo, efektywność i niezawodność były czynnikami o najwyższym priorytecie w trakcie projektowania Państwa bezprzewodowego sekatora.

## PRZEZNACZENIE

Sektor bezprzewodowy przeznaczony jest do stosowania poza pomieszczeniami. Ze względów bezpieczeństwa produkt należy obsługiwać dwiema rękami.

Produkt przeznaczony jest do przycinania niewielkich gałęzi. Nie stosować produktu do cięcia materiałów innych niż drewno. Produkt przeznaczony jest do cięcia gałęzi o średnicy do 32 mm (drewno miękkie) lub 28 mm (drewno twarde). Nie ciąć grubych gałęzi o średnicy przekraczającej podane powyżej wartości.

Produkt ma stałą długość równą 0,85 m.

Nie wolno używać produktu do jakiegokolwiek celu, który nie jest wyszczególniony powyżej. Produkt nie może być używany przez dzieci lub osoby, które nie noszą odpowiednich środków ochrony osobistej oraz odzieży ochronnej.

## OGÓLNE OSTRZEŻENIA DOTYCZĄCE BEZPIECZEŃSTWA

### ⚠ OSTRZEŻENIE

Przeczytajcie uważnie wszystkie ostrzeżenia i zalecenia. Nie przestrzeganie przedstawionych niżej zaleceń mogłoby pociągnąć za sobą wypadki takie jak pożary, porażenia prądem elektrycznym i/lub poważne obrażenia ciała.

Zachowajcie te ostrzeżenia i zalecenia, aby móc się do nich odnieść w późniejszym czasie.

Wyrażenie «elektronarzędzie» używane w poniższych przepisach bezpieczeństwa oznacza zarówno elektronarzędzia przewodowe jak i elektronarzędzia bezprzewodowe (akumulatorowe).

### BEZPIECZEŃSTWO W STREFIE ROBOCZEJ

- **Dopilnujcie, aby wasza przestrzeń robocza była czysta i dobrze oświetlona.** „Zagrazone” i słabo oświetlone miejsca pracy to częsta przyczyna wypadków.
- **Nie używajcie elektronarzędzi w otoczeniu wybuchowym, na przykład w pobliżu płynów, gazu czy też pyłów łatwopalnych.** Iskry wytworzone przez elektronarzędzia mogłyby doprowadzić do ich zapalenia czy wybuchu.
- **Kiedy używacie elektronarzędzi, trzymajcie z dala dzieci i osoby postronne dotyczy to również zwierząt.** Mogłyby one odwrócić waszą uwagę i spowodować utratę kontroli nad narzędziem.

### BEZPIECZEŃSTWO ELEKTRYCZNE

- **Wtyczka elektronarzędzia musi być dostosowana do gniazda. Nigdy nie dokonujcie interwencji (napraw) na wtyczce. Nigdy nie używajcie adaptatora z elektronarzędziami uziemnionymi lub**

**połączonymi z korpusem.** W ten sposób unikniecie ryzyka porażenia prądem.

- **Unikajcie wszelkiego kontaktu z powierzchniami uziemnionymi lub połączonymi z korpusem (takimi jak: przewody, grzejniki, kuchenki, lodówki, itd.)** Ryzyko porażenia prądem elektrycznym wzrasta, kiedy jakaś część waszego ciała styka się z powierzchniami uziemnionymi lub połączonymi z korpusem.
- **Nie wystawiajcie waszego elektronarzędzia na deszcz czy wilgoć.** Ryzyko porażenia prądem elektrycznym wzrasta, kiedy woda wnika do elektronarzędzia.
- **Przewód zasilający należy utrzymywać w dobrym stanie. Nie trzymajcie nigdy narzędzia za przewód zasilający i nigdy nie ciągnijcie za przewód zasilający w celu wyłączenia narzędzia. Trzymajcie przewód zasilający z dala od wszelkiego źródła ciepła, oleju czy wszelkich ostrych przedmiotów i poruszających się części.** Ryzyko porażenia prądem elektrycznym wzrasta, jeżeli przewód jest uszkodzony lub zaplątany.
- **Kiedy pracujecie na zewnątrz (w plenerze), używajcie wyłączanie przedłużaczy przewidzianych do użytku na zewnątrz.** W ten sposób unikniecie ryzyka porażenia prądem.
- **Jeżeli już musicie używać waszego narzędzia w wilgotnym otoczeniu, podłączcie się do zasilania elektrycznego zabezpieczonego urządzeniem ochronnym różnicowoprądowym (RCD).** Użycie urządzenia RCD zmniejsza ryzyko porażenia prądem elektrycznym.

### BEZPIECZEŃSTWO OSOBISTE

- **Podczas użytkowania elektronarzędzia, zachowajcie czujność, patrzcie uważnie na to co robicie i odwołujcie się do zdrowego rozsądku. Nie używajcie waszego narzędzia, kiedy jesteście zmęczeni, pod wpływem alkoholu, narkotyków czy leków.** Nigdy nie zapomnijcie, że wystarczy ułamek sekundy nieuwagi, aby doszło do poważnego zranienia.
- **Używajcie środków ochronnych. Należy zawsze chronić oczy.** Aby uniknąć ryzyka poważnych obrażeń ciała, w zależności od warunków pracy zakładajcie maskę przeciwpyłową, obuwie przeciwpoślizgowe, kask lub ochrony słuchowe.
- **Unikajcie wszelkiego przypadkowego włączenia. Przed podłączeniem waszego narzędzia do gniazda lub włożeniem akumulatora upewnijcie się czy wyłącznik jest na ”wyłączone”, to samo kiedy bierzecie do ręki czy przenosicie narzędzie.** Aby uniknąć ryzyka wypadków, nie przenoście waszego narzędzia trzymając palec na włączniku i nie podłączajcie go do gniazda /nie wkładajcie akumulatora, kiedy wyłącznik jest w pozycji „włączone”.
- **Wymijcie klucze zaciskowe przed uruchomieniem waszego narzędzia.** Klucz zaciskowy, który pozostaje przyцепiony do ruchomej części narzędzia może spowodować poważne obrażenia ciała.
- **Zawsze zachowujcie pozycję równowagi. Opierajcie się dobrze na waszych nogach i nie wyciągajcie ramion zbyt daleko.** W razie nieprzewidzianego





wydarzenia, stabilna pozycja przy pracy umożliwiają lepsze panowanie nad narzędziem.

- **Noście odpowiednie ubrania. Nie noście luźnych ubrań, czy też biżuterii. Dopilnujcie by wasze włosy, ubrania i rękawice były oddalone od ruchomych części.** Luźne ubrania, biżuteria i długie włosy, mogą zostać pochwycone przez poruszające się części.
- **Jeżeli wasze narzędzie zostało dostarczone z systemem zasysania pyłu, dopilnujcie by był on poprawnie zainstalowany i używany.** W ten sposób unikniecie ryzyka wypadku.

#### SPOSÓB UŻYCIA I KONSERWACJA ELEKTRONARZĘDZI

- **Nie przeciążajcie waszego narzędzia. Należy używać narzędzia dostosowanego do prac, które chcecie wykonać.** Wasze narzędzie będzie bardziej wydajne i pewne, jeżeli będziecie je używali w zakresie przewidzianych obciążeń.
- **Nie używajcie waszego elektronarzędzia jeżeli wyłącznik nie pozwala na jego zatrzymanie i uruchomienie.** Narzędzie, które nie może być poprawnie włączone i wyłączone jest niebezpieczne i musi być obowiązkowo naprawione.
- **Przed przystąpieniem do regulowania, wymiany akcesoriów czy przechowywania narzędzia, odłączcie narzędzie z zasilania lub wyciągnijcie z niego akumulator.** W ten sposób ograniczycie ryzyko przypadkowego uruchomienia narzędzia.
- **Przechowujcie wasze elektronarzędzia poza zasięgiem dzieci. Nie pozwalajcie używać narzędzia osobom, które go nie znają bądź nie zapoznały się z niniejszymi przepisami bezpieczeństwa.** Elektronarzędzia są niebezpieczne w rękach niedoświadczonych osób.
- **Konserwujcie starannie wasze narzędzia. Sprawdźcie ustawienie ruchomych części. Sprawdźcie czy jakaś część nie jest zepsuta. Skontrolujcie montaż i wszelkie elementy, które mogłyby ujemnie wpłynąć na działanie narzędzia. Jeżeli jakieś części są uszkodzone, dajcie wasze narzędzie do naprawy zanim zaczniecie go używać.** Przyczyną wielu wypadków była zła konserwacja narzędzi.
- **Zachowujcie wasze narzędzia zawsze naostrzone i czyste.** Narzędzie tnące dobrze naostrzone i czyste przedstawia mniejsze ryzyko zablokowania i łatwiej zachować nad nim kontrolę.
- **Używajcie narzędzie elektryczne, jego akcesoria, nasadki, etc. zgodnie z niniejszą instrukcją obsługi biorąc pod uwagę warunki użytkowania i pożądane zastosowania.** Aby uniknąć niebezpiecznych sytuacji, nie używajcie waszego narzędzia do prac, do których nie było ono zaprojektowane.

#### WYMogi BEZPIECZEŃSTWA SPECYFICZNE DLA ELEKTRONARZĘDZI BEZPRZEWODOWYCH

- **Ładujcie akumulator waszego narzędzia jedynie ładowarką zalecaną przez producenta.** Ładowarka odpowiednia dla pewnego typu akumulatorów może wywołać pożar, jeżeli jest używana z innym typem

akumulatora.

- **Do narzędzia bezprzewodowego należy stosować tylko specyficzny dla niego akumulator.** Użycie jakiegokolwiek innego akumulatora może spowodować pożar.
- **Kiedy akumulator nie jest używany, trzymajcie go z daleka od przedmiotów metalowych, jak: spinacze, monety, klucze, śrubki, gwoździe czy wszelkie przedmioty mogące doprowadzić do połączenia płytek stykowych.** Zwarcie płytek stykowych baterii akumulatorowych może spowodować poparzenia lub pożary.
- **Unikajcie wszelkiego kontaktu z płynem akumulatorowym, w przypadku wycieku wynikłego z niewłaściwego użycia. Gdyby do tego doszło, przepłukajcie obficie dotkniętą strefę czystą wodą. Jeżeli wasze oczy zostały dotknięte, zasięgnijcie również porady lekarza.** Płyn, który wyprysnął z akumulatora może spowodować podrażnienia skóry lub poparzenie.

#### KONSERWACJA

- **Naprawy powinny być wykonywane przez wyspecjalizowanego technika i jedynie przy użyciu oryginalnych części zamiennych.** W ten sposób możecie bezpiecznie używać waszego elektronarzędzia.

#### SEKATOR — OSTRZEŻENIA DOTYCZĄCE BEZPIECZEŃSTWA

##### NIEBEZPIECZEŃSTWO

Nie zbliżać dłoni do ostrza. Kontakt z ostrzem może powodować poważne obrażenia ciała.

- Nie wolno pozwalać używać tego produktu dzieciom lub osobom o ograniczonych zdolnościach fizycznych, sensorycznych lub umysłowych ani osobom, które nie przeczytały tych instrukcji. Przepisy lokalne mogą ograniczać dopuszczalny wiek operatora.
- Produkt ma stałą długość równą 0,85 m.
- Nie wolno używać produktu, gdy występuje ryzyko burzy lub wyładowań atmosferycznych. Produkt należy przechowywać w bezpiecznym miejscu wewnątrz pomieszczenia.
- Zwracać uwagę na napowietrzne linie energetyczne.
- Należy dopilnować, aby wszystkie osłony i uchwyty były odpowiednio zamontowane i znajdowały się w dobrym stanie.
- Należy nosić pełne zabezpieczenie oczu i uszu podczas obsługi produktu.
- Należy zakładać grube, długie spodnie, wysokie buty i rękawice. Nie nosić luźnych ubrań i akcesoriów ani nie używać produktu z bosymi stopami.
- Nie należy rozpoczynać używania produktu zanim obszar pracy nie będzie dobrze przygotowany, operator zajmie pewną pozycję oraz określi drogę ewakuacji w przypadku spadających gałęzi lub konarów.
- Nie używać urządzeń elektrycznych w stanie zmęczenia

EN
FR
DE
ES
IT
NL
PT
DA
SV
FI
NO
RU
<b>PL</b>
CS
HU
RO
LV
LT
ET
HR
SL
SK
BG
UK
TR





lub będąc pod wpływem leków, alkoholu lub środków odurzających.

- Podczas obsługi produkt należy trzymać obiema rękoma. Przytrzymać jedną ręką przedni uchwyt. Chwyć drugą ręką tylny uchwyt i obsługiwać przycisk zwalniania spustu oraz spust wł./wytł.
- Przed uruchomieniem produktu należy upewnić się, że jest on prawidłowo ustawiony w opisanym w instrukcji położeniu roboczym.
- Nigdy nie używać produktu tak, by części tnące znajdowały się mniej niż 10 m od nadpowietrznych linii energetycznych.
- Podczas pracy robić częste przerwy. Ograniczyć ekspozycję w ciągu dnia.
- Stać stabilnie, zachowując równowagę. Nie sięgać zbyt daleko. Nadmierne wychylenie się może spowodować utratę równowagi i może spowodować poważne urazy ciała.
- Nie uruchamiać urządzenia z uszkodzonym lub nadmiernie zużytym elementem tnącym.
- Nie należy modyfikować produktu w żaden sposób ani używać go do napędzania innych urządzeń, które nie są zalecane przez producenta jako współpracujące z produktem.
- Należy sprawdzić, w jaki sposób należy obsługiwać mechanizm szybkiego zwalniania i przeciwić używanie go przed uruchomieniem maszyny. Prawidłowe użycie może zapobiec poważnym obrażeniom ciała w razie nagłej sytuacji. Nigdy nie należy zakładać dodatkowej odzieży na uprząż, ponieważ spowodowałoby to ograniczenie dostępu do mechanizmu szybkiego zwalniania.
- Nie pracować w słabym oświetleniu. Produkt należy używać przy świetle dziennym lub przy dobrym oświetleniu sztucznym.
- Nie używać sekatora, jeśli mechanizm tnący nie działa prawidłowo.
- Aby uniknąć uderzenia przez spadającą gałąź, nie należy stać bezpośrednio pod podcinaną gałęzią lub konarem. Produktu nie wolno trzymać pod kątem powyżej 60° względem poziomu ziemi.
- Aby zmniejszyć ryzyko wypadku wynikające z zetknięcia z częściami w ruchu, zawsze zatrzymać produkt i sprawdzić, czy wszystkie części ruchome całkowicie się zatrzymały, a także wyjąć akumulator przed:
  - czyszczenie lub usuwanie blokady
  - pozostawianie produktu bez nadzoru
  - montaż lub demontaż osprzętu
  - sprawdzenie, konserwacja lub obsługa produktu.
- Na bieżąco usuwać z produktu ścinki i inne przedmioty. Mogą one zakleszczać się między szczęką i ostrzem.

#### **DODATKOWE OSTRZEŻENIA DOTYCZĄCE BEZPIECZENSTWA**

- Nie należy dopuszczać do tego, aby wcześniejsza znajomość obsługi podobnych narzędzi doprowadziła do ignorowania zasad bezpiecznego posługiwania się narzędziem.

- Nieostrożna obsługa może spowodować poważne urazy ciała w ciągu ułamka sekundy.
- Uchwyt i powierzchnie do trzymania muszą zawsze być suche, czyste i wolne od smaru oraz oleju.
- Śliskie uchwyty i powierzchnie do trzymania nie umożliwiają bezpiecznej obsługi i kontrolowania narzędzia w nieoczekiwanych sytuacjach.
- Nie stosować uszkodzonych ani zmodyfikowanych akumulatorów i narzędzi.
- Uszkodzone lub zmodyfikowane akumulatory mogą zachowywać się w sposób nieprzewidywalny, co może prowadzić do pożaru, wybuchu lub ryzyka obrażeń.
- Nie narażać akumulatora lub narzędzia na działanie ognia lub zbyt wysokich temperatur.
- Narażenie na działanie ognia lub temperatury powyżej 130°C może spowodować wybuch.
- Przestrzegać wszystkich instrukcji ładowania i nie ładować akumulatora ani narzędzia poza podanym w instrukcji zakresem temperatur.
- Ładowanie w niewłaściwy sposób lub w temperaturze poza określonym zakresem może doprowadzić do uszkodzenia akumulatora i wzrostu zagrożenia pożarowego.
- Dbać o to, aby w pobliżu nie znajdowali się gapie, dzieci ani zwierzęta domowe.
- Kiedy tniecie naprężoną gałąź, bądźcie gotowi do szybkiego oddalenia się, w taki sposób by uniknąć uderzenia, kiedy napięcie włókien drewna odpręża się.
- Zachować ostrożność podczas konserwacji tego urządzenia. Aby zminimalizować ryzyko obrażeń ciała i aby krawędź tnąca działała jak najlepiej, należy utrzymywać ją w czystości i w stanie naostrzonym. Przestrzegać instrukcji smarowania i wymiany przystawek i akcesoriów.
- Uchwyt utrzymywać w czystości, muszą być zawsze suche, wolne od oleju i smarów.
- Przed użyciem oraz po jakimkolwiek uderzeniu należy sprawdzić, czy żadna część nie jest uszkodzona. Każdą uszkodzoną część należy odpowiednio naprawić lub wymienić w autoryzowanym punkcie serwisowym.
- W przypadku upuszczenia produktu, narażenia jej na silne uderzenie lub w przypadku wystąpienia nietypowych wibracji należy natychmiast zatrzymać produkt i sprawdzić, czy nie ma oznak uszkodzenia lub ustalić przyczynę wibracji. Wszelkie uszkodzone części muszą być odpowiednio naprawione lub wymienione w autoryzowanym punkcie serwisowym.
- Kontrolować stan techniczny poszczególnych elementów. Przed dalszym używaniem produktu należy dokładnie sprawdzić inne uszkodzone części i ustalić, czy produkt będzie działał poprawnie i spełniał swoją funkcję.
- Kosiarkę powinien naprawiać wyłącznie wykwalifikowany personel serwisowy. Dokonanie naprawy lub konserwacji przez osobę niewykwalifikowaną grozi zranieniem użytkownika i uszkodzeniem urządzenia.
- Zachować ten podręcznik. Należy do niego wracać systematycznie i używać go do instruowania innych





osób, które mogą obsługiwać kosiarkę. W przypadku wypożyczenia narzędzia innej osobie, należy dołączyć do niego instrukcję, aby zapobiec niewłaściwemu użytkowaniu narzędzia i możliwości zranienia.

- Nie ciąć w miejscach, w których mogą występować ukryte przewody.
- Nie ciąć kabli.
- Należy dbać o to, aby na obszarze pracy nie było drutów i kabli (przykład: lampki świecące).

## AKUMULATOR — DODATKOWE OSTRZEŻENIA DOTYCZĄCE BEZPIECZEŃSTWA

### ⚠ OSTRZEŻENIE

Aby uniknąć niebezpieczeństwa pożaru, obrażeń lub uszkodzeń produktu na skutek zwarcia, nie wolno zanurzać narzędzia, akumulatora wymiennego ani ładowarki w cieczach i należy zatroszczyć się o to, aby do urządzeń i akumulatorów nie dostały się żadne ciecze. Zwarcie spowodować mogą korodujące lub przewodzące ciecze, takie jak woda morska, określone chemikalia i wybielacze lub produkty zawierające wybielacze.

## TRANSPORT I PRZECHOWYWANIE

- Przed schowaniem lub transportem produktu należy zatrzymać go, wyjąć akumulator i odczekać, aż ostygnie.
- Usunąć z produktu wszelkie zanieczyszczenia.
- Po każdym użyciu należy wyczyścić korpus oraz uchwyty produktu miękką, suchą szmatką.
- Po każdym użyciu należy usunąć pozostałości z ostrzy za pomocą sztywnej szczotki, a następnie, przed montażem osłony ostrza, ostrożnie nanieść środek smarny chroniący przed rdzą. W celu zapewnienia równomiernego zużycia i ograniczenia ryzyka obrażeń spowodowanych kontaktem z ostrzami stosować zalecany smar antykorozyjny w aerozolu. Informacje na temat odpowiedniego produktu natryskowego można uzyskać w lokalnym autoryzowanym punkcie serwisowym.
- W razie potrzeby nieznacznie nasmarować ostrza przed rozpoczęciem pracy i po jej zakończeniu, stosując opisaną powyżej metodę.
- W przypadku transportu produktu należy zabezpieczyć go przed przemieszczaniem się lub upadkiem, aby nie dopuścić do obrażeń ciała lub uszkodzenia urządzenia.
- Należy przechowywać urządzenie w chłodnym, suchym i dobrze wentylowanym miejscu, które jest niedostępne dla dzieci. Nie chowajcie jej w pobliżu czynników żrących, takich jak ogrodowe produkty chemiczne czy sole odmrażające. Nie przechowywać na zewnątrz.

## TRANSPORTOWANIE AKUMULATORÓW LITOWYCH

Akumulatory należy transportować zgodnie z lokalnymi i krajowymi przepisami i regulacjami.

Należy postępować zgodnie z wszystkimi specjalnymi

wymaganiami dotyczącymi pakowania i etykietowania akumulatorów podczas transportu przez stronę trzecią. Upewnij się, że żadne akumulatory nie zetkną się z innymi akumulatorami lub materiałami przewodzącymi podczas transportu. W tym celu należy zabezpieczyć odkryte złącza nieprzewodzącymi nakładkami izolacyjnymi lub taśmą izolacyjną. Nie należy transportować pękniętych ani nieszczelnych akumulatorów. Szczegółowe porady można uzyskać w firmie spedycyjnej.

## KONSERWACJA

### ⚠ OSTRZEŻENIE

Należy stosować wyłącznie oryginalne części zamienne, akcesoria oraz przystawki producenta. W przeciwnym razie może dojść do obrażeń ciała, niskiej wydajności oraz do unieważnienia gwarancji.

### ⚠ OSTRZEŻENIE

Przed przystąpieniem do kontroli, czyszczenia lub serwisowania produktu zatrzymać silnik, poczekać na wyhamowanie wszystkich ruchomych części i zdemontować akumulator. Nie zastosowanie się do tych zaleceń może spowodować ciężkie obrażenia ciała lub duże straty materialne.

### ⚠ OSTRZEŻENIE

Serwisowanie wymaga wyjątkowej staranności i wiedzy. Może być wykonywane wyłącznie przez wykwalifikowany personel serwisowy. Serwisowanie produktu należy zlecić autoryzowanemu przedstawicielowi serwisu. Do serwisowania należy stosować wyłącznie oryginalne części zamienne producenta.

- Przed przystąpieniem do konserwacji lub czyszczenia należy zawsze wyłączyć urządzenie i wyjąć akumulator.
- Możesz wykonywać czynności regulacyjne i naprawcze opisane w tej instrukcji obsługi. W przypadku innych napraw lub pytań należy zwrócić się o pomoc do autoryzowanego punktu serwisowego.
- Po każdym użyciu należy wyczyścić produkt miękką, suchą szmatką. Każdą uszkodzoną część należy odpowiednio naprawić lub wymienić w autoryzowanym punkcie serwisowym.
- Często (w tym przed każdym użyciem) sprawdzać wszystkie nakrętki, śruby i wkręty pod kątem należytego dokręcenia, aby mieć pewność, że produkt jest bezpieczny.
- Unikać stosowania rozpuszczalników do czyszczenia plastikowych części. Większość plastików jest wrażliwa na rozmaite rozpuszczalniki dostępne w handlu i może ulec uszkodzeniu przez ich stosowanie. Do usuwania brudu, kurzu, oleju, smaru itp. należy używać czystej szmatki.
- Nie wolno dopuścić do kontaktu plastikowych części z płynem hamulcowym, benzyną, produktami ropopochodnymi, olejami penetrującymi itp. Substancje chemiczne mogą uszkodzić, osłabić lub zniszczyć



tworzywo sztuczne, co może spowodować poważne obrażenia ciała.

**OBJAŚNIENIE:** Aby zapewnić długotrwałą i niezawodną eksploatację, regularnie przeprowadzać wymienione poniżej prace konserwacyjne.

- Sprawdzić pod kątem oczywistych usterek, takich jak luźne, przemieszczone lub uszkodzone ostrza, luźne elementy mocujące czy zużyte lub uszkodzone komponenty.
- Sprawdzić, czy pokrywy i osłony są nieuszkodzone i prawidłowo zamontowane. Przed przystąpieniem do pracy z produktem wykonać niezbędne prace konserwacyjne i naprawy.
- Zawsze czyścić ostrza tnące po użyciu.
- Przeprowadzić oględziny krawędzi tnących ostrza tnącego. Wszelkie uszkodzone ostrza powinny zostać prawidłowo naprawione lub wymienione przez autoryzowany serwis.
- Odłożyć produkt do miejsca przechowywania, upewniwszy się, że mechanizm tnący zatrzymał się.

#### USUWANIE ZABLOKOWANYCH ELEMENTÓW

*Patrz str. 147 - 148.*

- Jeśli ostrza zostaną zakleszczone, gdy dostaną się pomiędzy nie odłamki lub kora, i nie będzie ich można zwolnić, 3- lub 4-krotnie naciskając spust, należy wykonać następującą procedurę:
  - Nosić okulary ochronne i rękawice.
  - Wyjąć akumulator.
  - Uderzyć w ostrze kawałkiem drewna lub gumowym młotkiem.
  - Przykładać siłę wyłącznie w miejscu, w którym ostrze jest odsłonięte. Nie uderzać w sprężynę.
- Zwracać uwagę na ostrza, na które oddziałuje naprężona sprężyna. Trzymać dłonie z dala od ostrzy, ponieważ ich rozwarcie następuje nagle.
- Po usunięciu zakleszczonych pozostałości:
  - Włożyć akumulator.
  - Po swobodnym rozwarciu się ostrzy puścić spust przed kontynuacją cięcia, tak by ostrza mogły się w pełni otworzyć.

#### RYZYKO ZWIĄZANE Z UŻYTKOWANIEM

Nawet jeśli produkt jest używany zgodnie z zaleceniami, nadal jest możliwe wyeliminowanie określonych czynników ryzyka. Następujące zagrożenia mogą wystąpić podczas używania urządzenia i operator powinien zwracać szczególną uwagę na poniższe punkty:

- Urazy ciała spowodowane przez wibracje
  - Zawsze należy używać do określonego zadania odpowiednich narzędzi, korzystać z przeznaczonych do tego uchwytów i stosować się do zaleceń dotyczących czasu pracy i narażenia.
- Kontakt z ostrzami
  - Osłony ostrzy muszą być zamontowane, kiedy produkt nie jest używany. Nigdy nie zbliżać rąk i nóg w pobliże ostrzy.
- Odrzucone kawałki obrabianego materiału (drzazgi, wióry)

#### OGRANICZENIE RYZYKA

Badania dowodzą, że wibracje powodowane przez narzędzia ręczne mogą wywoływać u niektórych osób objawy syndromu Raynauda. Typowe objawy to mrowienie, drętwienie i blednięcie palców, widoczne zwykle po wystawieniu na działanie zimna. Uważa się, że czynniki dziedziczne, wystawienie na działanie zimna i wilgoci, dieta, palenie papierosów i przyjęte zwyczaje przyczyniają się do rozwoju tych objawów. Istnieją środki zaradcze, które może podjąć operator narzędzia, aby zmniejszyć efekt wibracji:

- Zadbaj w niskich temperaturach o ciepłotę własnego ciała, zakładając odpowiednie ubranie. Podczas obsługi produktu należy nosić rękawice, aby dłonie i nadgarstki były ciepłe. Wiadomo, że niskie temperatury są główną przyczyną powstawania objawu Raynauda.
- Podczas przerw w pracy należy wykonywać ćwiczenia poprawiające krążenie krwi..
- Podczas pracy robić częste przerwy. Ograniczyć ekspozycję w ciągu dnia.

W razie doświadczenia dowolnego z wymienionych objawów, należy niezwłocznie zaprzestać użytkowania tego urządzenia i skontaktować się z lekarzem.

#### ⚠ OSTRZEŻENIE

Długotrwałe użytkowanie narzędzia może spowodować obrażenia ciała lub nasilić dolegliwości zdrowotne. W przypadku używania narzędzia przed dłuższy czas należy pamiętać o regularnych przerwach.

#### ZAPOZNAJ SIĘ ZE SWOIM PRODUKTEM

*Patrz str. 141.*

1. Ostrze
2. Uchwyt na obudowie
3. Spust blokady
4. Przycisk uruchamiający
5. Osłona noża
6. Hak

#### SYMBOLE PRODUKTU



Alarm bezpieczeństwa



Przed uruchomieniem urządzenia prosimy uważnie przeczytać instrukcję.



Stosować środki ochrony oczu, uszu i głowy.



Nosić nieślizgające się, trwałe rękawice ochronne.



Podczas korzystania z tego produktu należy zakładać wysokie, antypoślizgowe obuwie ochronne.



Nie wystawiać urządzenia na działanie deszczu ani nie używać w miejscach o dużej wilgotności.



Zagrożenie związane z prądem elektrycznym. Zachować odległość przynajmniej 10 metrów od napowietrznych linii elektrycznych.



Uwaga na odrzucone przedmioty. Wszystkie osoby postronne, a szczególnie dzieci i zwierzęta, muszą znajdować się w odległości przynajmniej 15 metrów od miejsca pracy.



Nie zbliżać rąk do ostrzy.



Narzędzie to spełnia wymogi wszystkich norm reglamentacji kraju UE, w którym było ono zakupione.



Znak zgodności EurAsian



Ukraiński znak zgodności



Zużyte produkty elektryczne nie powinny być utylizowane z odpadami domowymi. Prosimy poddawać recyklingowi w odpowiednich miejscach. Informacje o właściwych metodach recyklingu można uzyskać u władz lokalnych lub sprzedawcy.

## SYMBOLE W TYM PODRĘCZNIKU



Blokada



Odkręcenie uchwytu



Części lub akcesoria sprzedawane oddzielnie



Objaśnienie



Ostrzeżenie!

Następujące wyrażenia i znaczenia wyrażają poziom zagrożenia związanego z tym produktem:

### ⚠ NIEBEZPIECZEŃSTWO

Wskazuje na realne zagrożenie, które może spowodować śmierć lub poważne zranienie, jeżeli się nie uniknie tego niebezpieczeństwa.

### ⚠ OSTRZEŻENIE

Wskazuje na potencjalne zagrożenie, które może spowodować śmierć lub poważne zranienie, jeżeli się nie uniknie tego niebezpieczeństwa.

### ⚠ UWAGA

Wskazuje na potencjalne zagrożenie, które może spowodować mniejsze lub bardziej poważne zranienie, jeżeli się nie uniknie tego niebezpieczeństwa.

### UWAGA

Bez symbolu ostrzeżenia

Sytuacja, która może grozić uszkodzeniem mienia.



Při konstrukci těchto akumulátorových nůžek na větve hrály hlavní roli bezpečnost, výkon a spolehlivost.

### ZAMÝŠLENÉ POUŽITÍ

Akumulátorové nůžky na větve jsou určeny pro venkovní použití. Z bezpečnostních důvodů je nutné s produktem řádně manipulovat oběma rukama.

Produkt je určen pro řezání a přeřezávání drobných výrůstků a větví. Produkt nepoužívejte na řezání ne dřevěných materiálů. Produkt je určen na řezání větví o průměru až 32 mm (měkké dřevo) a 28 mm (tvrdé dřevo). Neřežte silné větve o průměru přesahujícím tyto hodnoty.

Výrobek má pevnou délku 0,85 m.

Nepoužívejte tento nástroj pro zde neuvedené účely. Výrobek smí být používán dospělými osobami a ne dětmi nebo osobami, které nenosí odpovídající osobní ochranné vybavení a oděv.

### VŠEOBECNÁ BEZPEČNOSTNÍ VAROVÁNÍ

#### VAROVÁNÍ

**Přečtěte si všechny bezpečnostní upozornění a pokyny.** Nedodržení uvedených pokynů může způsobit požár, úraz elektrickým proudem a/nebo jiné vážné zranění.

**Uchovejte všechny pokyny a upozornění, abyste se k nim mohli v budoucnosti vrátit.**

Termíny „elektronářadí“ nebo elektrické nářadí používané v následující části označují elektrické nářadí, které se zapojuje do elektrické sítě, nebo akumulátorové elektrické nářadí.

### ZABEZPEČENÍ PRACOVNÍŠTĚ

- Pracovní plocha musí být čistá a dostatečně osvětlená. Zaházené nebo tmavé oblasti vedou k nehodám.
- Elektrické nářadí nikdy nepoužívejte v místech, kde hrozí nebezpečí výbuchu, například v blízkosti hořlavých kapalin, plynů nebo prachu. Jiskření vznikající při práci s elektronářadím může způsobit požár nebo explozi.
- Při práci s elektronářadím pracujte v bezpečné vzdálenosti od okolních osob, dětí a domácích zvířat. Při práci nerozptylujte svou pozornost, abyste měli nářadí trvale pod kontrolou.

### ELEKTRICKÁ BEZPEČNOST

- Koncovka napájecího kabelu musí být kompatibilní se zásuvkou elektrické sítě. Na kabelové koncovce nikdy neprovádějte žádné změny. K zapojení uzemněného elektrického nářadí nebo nářadí připojeného na kostru nepoužívejte síťový adaptér. Vyhnete se tak nebezpečí úrazu elektrickým proudem.
- Při práci se nedotýkejte uzemněných nebo ukostřených ploch (jako například rozvodů, topení, kamen, ledničky apod.). Nebezpečí úrazu elektrickým proudem se zvyšuje, pokud je některá část těla uživatele v kontaktu s uzemněnými plochami nebo

uzemněním.

- **Chraňte elektrické nářadí před deštěm a vlhkem.** Při vniknutí vody do nářadí se zvyšuje riziko úrazu elektrickým proudem.
- **Napájecí kabel je nutné udržovat v dobrém technickém stavu. Nářadí nikdy nadržte za napájecí kabel a neodpojujte je z elektrické sítě taháním za kabel. Napájecí kabel ponechte v dostatečné vzdálenosti od zdrojů tepla, olejů a ostrých předmětů.** Pokud je napájecí kabel poškozený nebo překroucený, zvyšuje se riziko úrazu elektrickým proudem.
- **Pokud pracujete venku, používejte pouze prodlužovací kabely vhodné pro práci ve venkovním prostředí.** Vyhnete se tak nebezpečí úrazu elektrickým proudem.
- **Pokud nelze zabránit použití nářadí ve vlhkém prostředí, použijte zdroj s proudovým chráničem (ochranou pro zbytkový proud).** Použití proudového chrániče snižuje riziko úrazu elektrickým proudem.

### OSOBNÍ BEZPEČNOST

- **Budte opatrní, při práci s elektronářadím pozorně sledujte, co děláte, a řiďte se zdravým rozumem. Nepoužívejte elektrické nářadí, pokud jste unavení, pod vlivem alkoholu, drog nebo užíváte-li léky, které snižují pozornost.** Nezapomeňte, že i pouhý okamžik nepozornosti může být příčinou závažného úrazu.
- **Používejte osobní ochranné prostředky. Vždy chraňte své oči.** V závislosti na pracovních podmínkách používejte protiprašný respirátor, protiskluzovou obuv, přílbu a chrániče sluchu. Snižíte tak riziko tělesného úrazu.
- **Vyvarujte se tak náhodnému spuštění nářadí. Před připojením nářadí ke zdroji elektrického napětí (do elektrické sítě nebo před zasunutím akumulátoru) a před přenášením nářadí zkontrolujte, zda je spínač nářadí ve vypnuté poloze.** Zbytečně se nevystavujte riziku úrazu a při přenášení nářadí nebo při zasouvání akumulátoru nadržte prst na spínači a nepřepínejte spínač do polohy „zapnuto“.
- **Před zapnutím nářadí odstraňte utahovací klíče.** Uťahovací klíč nasazený na některý z pohyblivých se dílů nářadí může způsobit vážný úraz.
- **Vždy pracujte v rovnovážné a stabilní poloze. Stůjte pevně oběma nohama na stabilní ploše, ruce nenatahujte příliš daleko nebo vysoko.** Stabilní pracovní poloha umožňuje lepší kontrolu nářadí v případě nepředvídané události.
- **Noste vhodný přiléhavý pracovní oděv. Nenoste široký plandající oděv a šperky. Vlasy, oděv a rukavice ponechte v dostatečné vzdálenosti od pohyblivých se částí nářadí.** Široký oděv, šperky a dlouhé vlasy by se v nich mohly zachytit.
- **Pokud je nářadí dodáno se sběrným vakem / odsávačem prachu, zkontrolujte, zda jsou odsávací prachu nebo sběrný vak řádně nasazený na nářadí.** Snižíte tak rizika související se vznikem prachu.





## POUŽÍVÁNÍ A ÚDRŽBA ELEKTRICKÉHO NÁŘADÍ

- Na nářadí netlačte. Nářadí vybírejte podle povahy práce, kterou chcete provádět. Elektrické nářadí nepřetěžujte, dodržujte předepsaný pracovní režim, nářadí tak bude bezpečnější a účinnější.
- Nářadí nepoužívejte, pokud ho nelze zapnout nebo vypnout hlavním spínačem. Nářadí, které nelze správně zapnout a vypnout, je nebezpečné a je bezpodmínečně nutné ho nechat opravit.
- Před vykonáním jakýchkoliv úprav, výměnou příslušenství nebo uskladněním elektrického nářadí odpojte zástrčku z elektrické sítě. Omezíte tak riziko nechtěného spuštění nářadí.
- Nářadí uskladněte mimo dosah dětí. Nedovoľte nezkušeným uživatelům a nepoučeným osobám, které se neseznámily s bezpečnostními předpisy, používat toto nářadí. Nářadí může být nebezpečné v rukou nezkušených osob.
- Nářadí udržujte v pořádku a čistotě. Zkontrolujte, zda jsou pohyblivé prvky stroje v zákrty. Zkontrolujte, zda žádný díl není zlomený. Zkontrolujte správnost montáže nářadí a funkčnost všech dílů, které mohou narušit bezpečný provoz nářadí. Pokud je některý díl nářadí poškozen, nářadí dále nepoužívejte a nechte ho opravit. Řada úrazů bývá zapříčiněna nesprávnou údržbou nářadí.
- Nářadí udržujte čisté a naostřené. Správně naostřené a čisté nářadí bude méně blokovat. Nářadí tak budete mít lépe pod kontrolou.
- Elektrické nářadí a jeho příslušenství používejte v souladu s pokyny v návodu a dodržujte doporučené podmínky používání vzhledem k povaze práce. Abyste se nedostali do nebezpečné situace, nářadí používejte pouze k předepsaným účelům.

### SPECIFICKÉ BEZPEČNOSTÍ POKYNY PŘI POUŽÍVÁNÍ AKUMULÁTOROVÉHO ELEKTRONÁŘADÍ

- K nabíjení akumulátoru použijte pouze nabíječku doporučenou výrobcem. Při použití nevhodné nabíječky, která není kompatibilní s vaším modelem akumulátoru, můžete způsobit požár.
- Akumulátorové nářadí je možné používat pouze s dobíjecím akumulátorem. Používání jiného typu baterií může způsobit požár.
- Pokud akumulátor nepoužíváte, uschovejte ho v dostatečné vzdálenosti od kovových (vodivých) předmětů, jakými jsou např. kancelářské svorky, mince, klíče, hřebíky, šrouby a jiné kovové předměty, které by mohly vytvořit spojení mezi svorkami akumulátoru. Zkratování kontaktů může způsobit jiskření, popálení, případně požár.
- Elektrolytu, který může vytékat z akumulátoru při jeho nesprávném používání, se v žádném případě nedotýkejte. Pokud dojde k potřísnění pokožky chemikáliemi, omyjte postižené místo čistou vodou. Při zasažení očí vyhledejte lékaře. Kontakt s chemikáliemi, které mohou vytékat z akumulátoru, může způsobit podráždění nebo popálení.

## ÚDRŽBA

- Opravy smí být prováděny pouze kvalifikovaným opravářem za pomoci originálních náhradních dílů. Jen tak jsou splněny základní požadavky na bezpečnost elektrického nářadí.

### BEZPEČNOSTNÍ VÝSTRAHY K NŮŽKÁM NA VĚTVĚ

#### NEBEZPEČÍ

Udržujte ruce v dostatečné vzdálenosti od ostří. Kontakt s nožem může způsobit vážné osobní poranění.

- Produkt není určen pro používání osobami, včetně dětí se sníženými tělesnými, smyslovými nebo duševními schopnostmi nebo s nedostatkem zkušeností a znalostí, pokud neprošli školením ohledně používání, čištění či údržby. Místní předpisy mohou omezovat dobu obsluhy.
- Výrobek má pevnou délku 0,85 m.
- Nikdy nepoužívejte nástroj, když hrozí bouřka a blesky. Skladujte výrobek bezpečně ve vnitřních prostorech.
- Dbejte na dráty elektrického vedení.
- Zkontrolujte, zda jsou všechny bezpečnostní kryty, rukojeti správně instalovány a v dobrém stavu.
- Při práci s výrobkem používejte kompletní ochranu zraku a sluchu.
- Noste pevné, dlouhé kalhoty, boty a ochranné brýle. Nenoste volné oblečení ani doplňky a mějte nohy obuté.
- Nezačínejte řezat, dokud není pracovní zóna vyčištěná, dokud nebudete stát pevně oběma nohama na zemi a dokud nebudete mít promyšlenou únikovou cestu před padajícím stromem či větvemi.
- Elektrický nástroj nepoužívejte, pokud jste unaveni nebo pod vlivem drog, alkoholu nebo léků.
- Během provozu držte výrobek oběma rukama. Jednou rukou pevně uchopte přední rukojeť. Druhou rukou uchopte zadní rukojeť a použijte uvolňovací a spoušť a spoušť zapnutí/vypnutí.
- Před spuštěním výrobku se ujistěte, že je umístěn v požadované pracovní poloze.
- Výrobek nikdy nepoužívejte s ostřím blíže než 10 m od drátů elektrického vedení.
- Zařazujte časté pracovní přestávky. Omezte dobu práce za den.
- Udržujte bezpečné postavení a rovnováhu. Nepřečehujte se. Přeceňování může mít za následek ztrátu rovnováhy a vážné poranění.
- Nepokoušejte se stroj provozovat s poškozeným nebo velmi opotřebovaným řezacím zařízením.
- V žádném případě neupravujte výrobek nebo jej nepoužívejte k napájení jakéhokoliv příslušenství či zařízení, které není odpořeno výrobcem pro váš výrobek.
- Vyhledejte si jak obsluhovat rychlospojku a naučte se ji používat před první obsluhou nástroje. Její správné používání může zabránit v nouzi vážným poraněním.







Nikdy nenoste doplňující oděv přes popruhy nebo jinak neomezuje přístup k rychlospojce.

- Neprovozujte při slabém osvětlení. Používejte ve výrobek dne nebo v dobrém umělém osvětlení.
- Nůžky na větve nepoužívejte, pokud stříhací mechanismus nefunguje správně.
- Chraňte se před padajícími větvemi, nestůjte pod nebo na větví, kterou řežete. Výrobek nedržte v úhlu větším jak 60° vůči úrovni země.
- Pro snížení rizika úrazu způsobeného kontaktem s pohyblivými částmi produkt vždy zastavte a ujistěte se, že se všechny pohyblivé části zastavily. Baterii vyjměte před:
  - čištění nebo odstranění ucpávký
  - ponechání výrobku bez dozoru
  - demontáží a montáží příslušenství
  - kontrola, údržba nebo práce na nástroji
- Produkt udržujte čistý bez ústřížků a podobně. Mohou se usadit mezi čelist a ostří.

### DOPLŇUJÍCÍ BEZPEČNOSTNÍ VAROVÁNÍ

- Nenechte se ukolébat znalostmi získanými při častém používání nástrojů a neignorujte bezpečnostní pravidla.
- Nedbalá činnost může způsobit poranění ze zlomu sekundy.
- Udržujte rukojeti a úchopové oblasti suché, čisté a bez mastnot a oleje.
- Kluzké rukojeti a úchopové plochy neumožňují bezpečnou manipulaci a kontrolu nad nástrojem v neočekávaných situacích.
- Nepoužívejte baterie ani nástroj, který je poškozený nebo upravený.
- Poškozené nebo upravené baterie se mohou chovat nepředvídatelně a důsledkem může být požár, výbuch nebo riziko zranění.
- Nevystavujte baterii ani nástroj ohni nebo příliš vysokým teplotám.
- Vystavení ohni nebo příliš vysokým teplotám převyšujícím 130°C může způsobit výbuch.
- Postupujte podle všech pokynů k nabíjení a nenabíjejte baterie nebo nástroj mimo teplotní rozsah uvedený v pokynech.
- Nesprávné nabíjení nebo při teplotách mimo uvedený rozsah může poškodit baterii a zvýšit riziko požáru.
- V okolí při stříhání nesmí být přihlížející, děti ani zvířata.
- Při obtížném řezání větví buďte připravení, abyste mohli rychle ustoupit, dříve než dřevěná vlákna zcela povolí.
- Vždy zacházejte s opatností. Pro co nejlepší výkon a snížení rizika úrazu udržujte řezací hrany ostré a čisté. Postupujte dle pokynů pro mazání a výměnu příslušenství.
- Udržujte rukojeti suché, čisté a bez mastnot a oleje.
- Před prací s nástrojem a po nárazu zkontrolujte možné poškození dílů. Jakýkoliv poškozený díl je nutné správně opravit nebo nechat vyměnit v autorizovaném servisním středisku.
- Pokud začne po pádu, silných nárazech nástroj

nenormálně vibrovat, zastavte nástroj a ihned zjistěte příčinu vibrací a rozsah škod. Pokud je nějaká část poškozena, musí se nechat řádně opravit nebo vyměnit pověřeným servisním střediskem.

- Zkontrolujte, zda nejsou nějaké díly poškozeny. Před dalším použitím výrobku zkontrolujte další poškozené díly a zvažte, zda bude výrobek řádně fungovat.
- Nářadí musí být opravováno pouze odborným opravářem s příslušnou technickou kvalifikací. Neodborná údržba nebo opravy prováděné svépomocí mohou být příčinou úrazu nebo poškození nástroje.
- Uschovejte tyto pokyny. Přečtěte si pokyny uvedené v části o používání nářadí, ve které jsou uvedeny informace o používání nástroje. Pokud budete tento nástroj někomu půjčovat, půjčete je s těmito pokyny, abyste zabránili nesprávnému použití výrobku a možnému poranění.
- Neprovádějte řez tam, kde hrozí přerušení skrytých vodičů.
- Nestříhejte vodiče.
- Dbejte, aby se v pracovní oblasti nenacházely žádné dráty či kabely (například: k venkovnímu dekoračnímu osvětlení).

### DOPLŇUJÍCÍ BEZPEČNOSTNÍ UPOZORNĚNÍ K BATERII

#### ⚠ VAROVÁNÍ

Abyste zabránili nebezpečí požáru způsobeného zkratem, poraněním nebo poškozením výrobku, neponořujte nářadí, výměnnou baterii nebo nabíječku do kapalin a zajistěte, aby do zařízení a akumulátorů nevnikly žádné tekutiny. Korodující nebo vodivé kapaliny, jako je slaná voda, určité chemikálie a bělicí prostředky nebo výrobky, které obsahují bělidlo, mohou způsobit zkrat.

### TRANSPORT A SKLADOVÁNÍ

- Před skladováním a transportem výrobku vyndejte akumulátor a nechte výrobek vždy vychladnout.
- Odstraňte z výrobku všechny cizí materiál.
- Po každém použití očistěte těleso a rukojeti výrobku měkkým a suchým hadříkem.
- Po každém použití očistěte nečistoty z nožů tvrdým štětcem a poté opatrně naneste antikoroziní přípravek před upevněním krytu nože. Používejte doporučené mazivo ve spreji a dbejte přitom na snižování rizika úrazu stykem s ostřím. Informace o vhodném spreji získáte u místního pověřeného servisního střediska.
- Před použitím a podle potřeby po použití ošetřete výše uvedeným způsobem čepele tenkou vrstvou maziva.
- Při transportu výrobku zajistěte proti pohybům nebo pádu, abyste zabránili poranění osob nebo poškození výrobku.
- Ukládejte v chladných, suchých a dobře větraných





prostorech, které nejsou přístupné dětem. Nářadí neuskładňujte v blízkosti žíravých látek, jako například v blízkosti zahrádkářských nebo zahradnických chemických přípravků nebo soli na zimní spání komunikací. Neskladujte mimo budovu.

## TRANSPORT LITHIOVÝCH BATERÍ

Přenos baterie dle místních a národních opatření a předpisů.

Dodržte všechny zvláštní požadavky na balení a značení při transportu baterií třetí stranou. Zajistěte, aby žádné baterie nepřišly do kontaktu s jinými bateriemi nebo vodivými materiály při transportu pomocí ochrany nekrytých kontaktů prostřednictvím izolace, nevodivých krytek či lepicích pásek. Nepřepravujte prasklé nebo baterie s unikajícím elektrolytem. Ptejte se u zásilkové společnosti na další radu.

## ÚDRŽBA

### ⚠ VAROVÁNÍ

Používejte pouze originální příslušenství, doplňky a náhradní díly výrobce. Zanedbání může zapříčinit možné poranění, slabý výkon a může dojít ke ztrátě záruky.

### ⚠ VAROVÁNÍ

Před kontrolou, čištěním nebo servisem produktu zastavte motor, vyčkejte do zastavení všech pohyblivých dílů a vyjměte baterii. Nedodržení tohoto pokynu může způsobit vážné zranění nebo materiální škody.

### ⚠ VAROVÁNÍ

Údržba vyžaduje extrémní péči a znalosti a měla by být prováděna pouze kvalifikovaným servisním technikem. Pro servis vraťte výrobek do autorizovaného servisního centra. Při údržbě používejte pouze původní náhradní díly výrobce.

- Před údržbou nebo čištěním výrobek vypněte a vyjměte baterii.
- Můžete provádět v návodu k obsluze uvedené opravy a seřízení. Pro jiné opravy nebo poradenství, požádejte o pomoc autorizované servisní středisko.
- Po každém použití setřete nástroj měkkým a suchým hadříkem. Jakýkoliv poškozený díl je nutné správně opravit nebo nechat vyměnit v autorizovaném servisním středisku.
- Pravidelně a před každým použitím kontrolujte, zda jsou matice, šrouby a šroubky řádně utažené, aby byl výrobek v bezpečném provozním stavu.
- Vyhněte se používání rozpouštědel, když čistíte plastové díly. Mnoho plastů je citlivých na poškození různými typy komerčních rozpouštědel a mohou být jimi poškozeny. Používejte čisté utěrky pro odstranění nečistot, prachu, oleje, mastnoty, atd.
- Nikdy nenechte přijít brzdové kapaliny, petroleje, výrobky založené na petroleji, pronikavé oleje, atd. do kontaktu

s plastovými součástmi. Chemikálie mohou poškodit, oslabit nebo zničit plast, který může mít za následek vážná osobní poranění.

**POZNÁMKA:** Aby výrobek sloužil dlouze a spolehlivě, pravidelně provádějte následující údržbu.

- Zkontrolujte, zda nevidíte nějaké zřejmé vady, např. uvolněnou, vykloubenou nebo poškozenou čepel, uvolněné šrouby a opotřebované či poškozené díly.
- Zkontrolujte, zda nejsou kryty a chrániče poškozené nebo špatně namontované. Před použitím výrobku proveďte nezbytnou údržbu, popř. opravy.
- Řezné nástroje po práci vždy očistěte.
- Zkontrolujte vizuálně stav ostří. Poškozené ostří je potřeba nechat řádně opravit nebo vyměnit v autorizovaném servisním centru.
- Uložte produkt a zkontrolujte, že před složením produktu se stříhací mechanismus zastavil.

## ODSTRANĚNÍ PŘÍČINY ZABLOKOVÁNÍ

Viz strana 147 - 148.

- Pokud se čepele zaseknou třískami nebo kúrou mezi ostřími a zaseknutí nelze odstranit třemi až čtyřmi stisky spouště, postupujte následovně:
  - Nasadte si ochranné brýle a navlékněte ochranné rukavice.
  - Vyjměte akumulátorový modul.
  - Kouskem dřeva nebo gumovou palicí udeřte do čepele.
  - Použijte sílu pouze v místě, kde je odkryté ostří. Nezasáhněte pružinu.
- Pozor na odpružení čepelí. Nepřibližujte ruce k čepelím, protože se náhle rozevřou.
- Po odstranění příčiny zaseknutí:
  - Vložte baterii.
  - Když jsou čepele uvolněné, stiskněte před dalším řezáním spoušť, aby se čepele rozevřely naplno.

## ZBYTKOVÁ RIZIKA

Dokonce, i když se výrobek provozuje jak je předepsáno, je stále nemožné zcela eliminovat veškeré zbytkové rizikové faktory. Následující nebezpečí mohou nastat při používání; vyhněte se:

- Poranění způsobené vibracemi
  - Pro danou práci vždy používejte správný nástroj, navržené rukojeti a dodržujte pracovní dobu a expozici.
- Kontakt s noži
  - Když se výrobek nepoužívá, musí být nasazen chrániče čepelí. Ruce a nohy udržujte celou dobu mimo kotouče.
- Odmršťování úlomků obrobku (piliny, třísky)

## SNÍŽENÍ RIZIKA

Bylo zjištěno, že vibrace z ručních pracovních nástrojů mohou u některých osob přispívat ke stavu tzv. Raynaud's Syndrome (Raynaudovu syndromu). Mezi jeho příznaky patří brnění, necitlivost a zblednutí prstů, patrné obvykle po pobytu v chladu. Vědci se domnívají, že k rozvinutí těchto





příznaků přispívají dědičné faktory, pobyt v chladu a vlhku, strava, kouření a pracovní návyky. Uživatel může omezit případné působení vibrací použitím vhodných opatření:

- Za chladného počasí se teple oblečte. Při práci s výrobkem si navlékněte rukavice, abyste udrželi ruce a zápěstí v teple. Bylo zjištěno, že chladné počasí je hlavním faktorem přispívajícím k Raynaud's Syndrome (Raynaudovu syndromu).
- Během práce si v pravidelných intervalech zacvičte, abyste zvýšili krevní oběh.
- Zařazujte časté pracovní přestávky. Omezte dobu práce za den.

Jakmile pocítíte některý z výše uvedených příznaků tohoto syndromu, okamžitě přerušete práci a vyhledejte lékaře.

### ⚠ VAROVÁNÍ

Poranění mohou být způsobena, či zhoršena, prodlouženým používáním nástroje. Když používáte jakýkoliv nástroj delší dobu, dělejte pravidelně přestávky.

### POZNEJTE SVŮJ NÁSTROJ

Viz strana 141.

1. Žací nůž
2. Kryt rukojeti
3. Samovypínací mechanismus
4. Spoušť
5. Pouzdro na ostří
6. Háč

### SYMBOLY NA VÝROBKU



Bezpečnostní výstraha



Před spuštěním přístroje si řádně přečtete pokyny.



Používejte ochranu zraku, hlavy a sluchu.



Navlékněte si pevné neklouzavé pracovní rukavice.



Noste neklouzavou bezpečnostní obuv, když používáte tento výrobek.



Nevystavujte dešti nebo nepoužívejte ve vlhkých podmínkách.



Rizika související s elektrickou energií. Udržujte alespoň 10 m od venkovních rozvodů elektřiny.

Dávejte pozor na odmrštěné nebo odletující předměty. Všechny přihlízející, zvláště děti a zvířata udržujte ve vzdálenosti alespoň 15m od pracovní oblasti.



Udržujte ruce mimo nože.



Toto nářadí je v souladu se všemi normami a předpisy platnými v zemi EU, ve které bylo zakoupeno.



Euroasijská značka shody



Ukrajinská značka shody



Odpad elektrických výrobků se nesmí likvidovat v domovním odpadu. Recyklujte prosím na sběrných místech. Ptejte se u místních úřadů nebo prodejce na postup při recyklaci.

### SYMBOLY V NÁVODU



Zamknuto



Odemknuto



Díly nebo příslušenství jsou v prodeji samostatně



Poznámka



Varování

Následující signální slova a významy jsou vhodné pro vysvětlení úrovní nebezpečí spojených s tímto výrobkem.

#### ⚠ NEBEZPEČÍ

Označuje bezprostředně rizikovou situaci, které je třeba předejít, jinak bude jejím následkem smrt nebo vážné zranění.

#### ⚠ VAROVÁNÍ

Označuje možnou rizikovou situaci, které je třeba předejít, jinak jejím následkem může být smrt nebo vážné zranění.

#### ⚠ VAROVÁNÍ

Označuje možnou rizikovou situaci, které je třeba předejít, jinak jejím následkem může být smrt nebo vážné zranění.

#### VAROVÁNÍ

Bez symbolu bezpečnostní výstrahy

Určuje situaci, která může mít za následek vážné poškození.





EN
FR
DE
ES
IT
NL
PT
DA
SV
FI
NO
RU
PL
CS
<b>HU</b>
RO
LV
LT
ET
HR
SL
SK
BG
UK
TR

Az ágvágó tervezése során elsődleges szempont volt a biztonság, a teljesítmény és a megbízhatóság.

### RENDELTETÉSSZERŰ HASZNÁLAT

A vezeték nélküli ágvágó kültéri használatra készült. Biztonsági okokból a terméket kétfézes működtetéssel megfelelő ellenőrzés alatt kell tartani.

A terméket kis ágak és gallyak vágásához és metszéséhez alakítottuk ki. Ne használja a terméket nem fa anyag vágására. A termék legfeljebb 32 mm átmérőjű (puhafa) és 28 mm átmérőjű (keményfa) ágak vágására szolgál. Ne vágjon az említett értékeknél nagyobb átmérőjű ágakat.

A termék hossza 0,85 m.

Ne használja a terméket a fent leírtaktól eltérő célra. A terméket nem használhatják gyerekek, illetve megfelelő személyi védelmi eszközöket és ruházatot nem viselő személyek.

### ÁLTALÁNOS BIZTONSÁGI FIGYELMEZTETÉSEK

#### ⚠ FIGYELMEZTETÉS

**Figyelmesen olvassa el az összes figyelmeztetést és utasítást.** Az alább részletezett előírások be nem tartása olyan baleseteket okozhat, mint pl. tűz, áramütés és/vagy súlyos testi sérülések.

Őrizze meg ezeket a figyelmeztetéseket és utasításokat a későbbi tájékozódásra is.

Az alábbi biztonsági előírásokban az „elektromos szerszám” kifejezés mind az elektromos hálózatra csatlakoztatható (normál kivitelezésű), mind a vezeték nélküli (akkumulátoros) szerszámot egyaránt jelöli.

### A MUNKATERÜLET BIZTONSÁGA

- Gondoskodjon a munkaterület rendszeres takarításáról és kellő megvilágításáról. A rendetlen vagy sötét munkaterületek balesetekhez vezethetnek.
- Ne használjon elektromos szerszámokat robbanásveszélyes környezetben, például gyúlékony folyadékok, gázok vagy porok közelében. Az elektromos szerszám motorjából származó szikra tüzet és robbanást okozhat.
- Tartsa távol a gyermekeket, a többi személyt és a háziállatokat az elektromos szerszámot igénylő munkálatok végzése alatt. A gyermekek és más személyek elvonhatják a figyelmét, és emiatt elveszítheti a szerszám felett az uralmát.

### ELEKTROMOS BIZTONSÁGI ELŐÍRÁSOK

- Az elektromos szerszám csatlakozóvillája meg kell hogy feleljen a dugaszoló aljzatnak. Soha ne alakítsa át / ne módosítsa a csatlakozó dugaszt. Soha ne használjon adaptert földelt elektromos szerszámokkal. Ezáltal elkerülheti az áramütés veszélyét.
- Kerülje a földelő (testelő) felületekkel való bármilyen érintkezést (például csővezeték, radiátor, gáz-vagy villanytűzhely, hűtőszekrény stb.). Az áramütés veszélye nő azzal, ha testének valamely része földelt (testelő) felülethez ér.

- Elektromos szerszámot ne tegyen ki esőnek vagy páranak, nedvességnek. Az áramütés veszélye megnő, ha a víz az elektromos szerszámba megy.
- Ügyeljen arra, hogy az elektromos hálózati tápvezeték mindig jó állapotban legyen. Soha ne tartsa a szerszámot a tápvezetékénél fogva, illetve soha ne a szinórnál fogva húzza ki azt a hálózati aljzataból. Tartsa távol a hálózati tápvezetékét hőforrásoktól, olajos dolgoktól, éles peremektől / tárgyaktól és mozgásban lévő részeketől. Az áramütés veszélye megnő, ha a vezeték sérült ill. össze van gubancolva.
- Ha a szabadban dolgozik, kizárólag kültéri használatra gyártott és jóváhagyott hosszabbítót vegyen igénybe. Ezáltal elkerülheti az áramütés veszélyét.
- Amennyiben mégis elkerülhetetlen, hogy nedves / párás környezetben dolgozzon, akkor csatlakoztassa a szerszámot olyan hálózatra, amelyben maradékáram-működtetésű áramvédőkapszoló (ÁVK-RCD) van. Az ÁVK használata nagyban csökkenti az áramütés veszélyét.

### SZEMÉLYI BIZTONSÁG

- Mindig óvatosan és körültekintően cselekedjen, győződjön meg a jó ítélőképességéről, ha elektromos szerszámot használ. Ne használja az elektromos szerszámot, ha fáradt, szeszest italt vagy kábítószerrel fogyasztott, illetve ha orvosságot szed. Soha ne feledje, hogy egy pillanatnyi figyelmetlenség is elegendő ahhoz, hogy súlyosan megsérüljön.
- Használjon védőfelszerelést. Használjon mindig valamilyen biztonsági eszközt a szem védelmére. Amennyiben a körülmények megkívánják, hordjon porvédő maszkot, csúszásgátló talppal ellátott cipőt, sisakot és hallásvédő eszközt (fülvédőt, fül dugót) is a súlyos testi sérülésekkel járó balesetek elkerülése érdekében.
- Kerülje a szerszám véletlenszerű beindítását. Bizonyosodjon meg arról, hogy a kapcsoló „ki” állásban van, mielőtt a szerszámot a dugaszoló aljzathoz csatlakoztatja vagy akkumulátort helyez bele, és hasonlóképp, ha kezébe veszi vagy áthelyezi / szállítja a szerszámot. A balesetveszély elkerülése érdekében soha ne helyezze át / szállítsa a szerszámot úgy, hogy ujjá a ravaszon van, valamint ne csatlakoztassa azt / ne helyezzen bele akkumulátort, ha a kapcsoló „be” állásban van.
- Távolítsa el a beállítókulcsokat a szerszámról, mielőtt bekapcsolja. A szerszám valamely mozgó részére rögzülő csavarkulcs súlyos testi sérüléssel járó balesetet okozhat.
- Ügyeljen arra, hogy munka közben mindig stabilan, egyensúlyban álljon. Álljon fél-terpesz állásban, és ne nyújtsa túl messze a karját. A stabil munkapozíció hozzásegíti ahhoz, hogy jobban uralma alatt tartsa a szerszámot, és nagyobb biztonsággal védje ki a nem várt eseményeket.
- A munkának megfelelő ruházatot viseljen. Munka közben ne hordjon bő ruhát és ékszert. Ügyeljen arra is, hogy tartsa távol haját, ruháját és kesztyűjét





a mozgó részegységektől. A bő ruhát, az ékszert és a hosszú haját a szerszám mozgó részei bekaphatják.

- Ha a szerszámhoz porszivó eszköz van mellékelve, ügyeljen arra, hogy azt megfelelőképp szereje fel és használja. Ezáltal jelentősen csökken a baleset veszélye.

## AZ ELEKTROMOS SZERSZÁMOK HASZNÁLATA ÉS KARBANTARTÁSA

- Ne erőltesse a szerszámot. Mindig az elvégzendő munkának megfelelő eszközt használja. Az elektromos szerszám hatékonysága, valamint az igénybevétel biztonsága akkor maximális, ha rendeltetésének és teljesítményének megfelelően használja.
- Ne használja az elektromos szerszámot, ha a be-ki kapcsológomb nem teszi lehetővé a szerszám bekapcsolását illetve leállítását. Egy olyan szerszám, amelyet nem lehet megfelelőképp be-és kikapcsolni, az veszélyes, és feltétlenül meg kell javíttatni.
- Szüntesse meg a szerszám elektromos csatlakoztatását, ill. vegye ki az akkumulátort a szerszámból, mielőtt bármilyen beállításhoz, tartozékcserehez vagy a szerszám elrakásához kezdene. Ezáltal jelentősen csökken a szerszám véletlenszerű beindításának veszélyét.
- Az elektromos szerszámot gyermekek számára nem hozzáférhető helyen kell tárolni. Ne hagyja, hogy olyan személyek használják a szerszámot, akik nem ismerik a működését, vagy nincsenek tudomással a biztonsági előírásokról. Tapasztalatlan kezek között az elektromos szerszámok veszélyesek lehetnek.
- Gondoskodjon a szerszám kellő karbantartásáról. Ellenőrizze a mozgó alkatrészek beállítását. Ellenőrizze, hogy egyetlen alkatétel sem tört el. Ellenőrizze az összes alkatrész felszerelését / illeszkedését és minden egyéb körülményt, ami befolyásolhatja a szerszám működését. Ha meghibásodást észlel, javíttassa meg a szerszámot, mielőtt újra használatba veszi. Számos baleset a szerszámok nem megfelelő karbantartására vezethető vissza.
- Ügyeljen arra, a vágószerszámok mindig tiszták és élesek legyenek. Ha a vágószerszám éle jól meg van élesítve és tiszta, akkor kevésbé hajlamos arra, hogy beszoruljon / megakadjon, így jobban megtarthatja uralmát a szerszám felett.
- Az elektromos szerszámot, a tartozékokat, a szerszámfejeket stb. a jelen használati utasításoknak megfelelően, a használati feltételeknek ill. a kívánt alkalmazásnak a figyelembevételével használja. A veszélyes helyzetek elkerülése érdekében az elektromos szerszámokat kizárólag olyan munkálatokra használja, amelyre azokat tervezték / fejlesztették.

## A VEZETÉK NÉLKÜLI SZERSZÁMOKRA VONATKOZÓ SPECIÁLIS BIZTONSÁGI ELŐÍRÁSOK

- Kizárólag a gyártó által előírt töltővel töltse a szerszám akkumulátorát. Az előírástól eltérő típusú, nem az akkumulátorhoz való töltő használata tüzet okozhat.

- Egy akkumulátoros (vezeték nélküli) szerszámhoz csak az adott, neki megfelelő, speciális akkumulátor használható. Bármilyen más típusú akkumulátor használata tüzet okozhat.
- A használaton kívüli akkumulátort tartsa távol az olyan fémtárgyaktól, mint pl. gémkapocs, pénzérme, kulcs, csavar, szög és bármilyen olyan tárgy, mely rövidre zárhatja az akkumulátor sarkait. Az akkumulátor saruinak (csatlakozó sarkainak) rövidre zárása égési sérüléseket és tüzet idézhet elő.
- Kerüljön bármiféle kontaktust, érintkezést az akkumulátorfolyadékkal, abban az esetben, ha a túlzott használat következtében szivárogni kezdene. Amennyiben ez mégis megtörténne, öblítse le az érintett felületet tiszta, bő vízzel. Ha a folyadék szembe került, forduljon ezek után orvoshoz is. Az akkumulátorból kikerülő folyadék irritációt válthat ki, és égési sérüléseket okozhat.

## KARBANTARTÁS

- A javítási munkálatokat egy olyan, erre képzett szakemberre kell bízni, aki kizárólag eredeti cserealkatrészeket használ. Az elektromos szerszámot így teljes biztonságban tudja majd használni.

## AZ ÁGVÁGÓ BIZTONSÁGI FIGYELMEZTETÉSEI

### ⚠ VESZÉLY

Tartsa távol a kezét a pengétől. A késsel való érintkezés súlyos személyi sérülést eredményezhet.

- Ne hagyja, hogy gyerekek, csökkent fizikai, érzékelési vagy értelmi képességgel rendelkező személyek, vagy akiknek nincs meg a tapasztalatuk és tudásuk ehhez, vagy az utasításokat nem ismerő személyek működtessék, tisztítsák vagy karbantartsák a terméket. A helyi előírások korlátozhatják a kezelő életkorát.
- A termék hossza 0,85 m.
- Ne használja a terméket, ha vihar vagy villámlás lehetősége áll fenn. Biztonságosan, beltérben tárolja a terméket.
- Ügyeljen a feje felett futó elektromos vezetékekre.
- Ügyeljen rá, hogy az összes védőburkolat és fogantyú megfelelően felszerelt és jó állapotú legyen.
- Viseljen teljes szem- és fülvédőt a termék használata közben.
- Viseljen vastag anyagból készült, hosszú nadrágot, csizmát és kesztyűt. Ne viseljen laza ruházatot, kiegészítőket, illetve ne használja mezítláb a terméket.
- Ne kezdje meg a termék használatát, amíg meg nem tisztította a munkaterületet, nem vett fel stabil testtartást és nincs meg a tervezett menekülési útvonal az ágak vagy törzs dőlése esetére.
- Ne használja a szerszámgépet, ha fáradt vagy alkohol, gyógyszer illetve más tudatmódosító szerek hatása alatt áll.
- A használat során mindkét kezével tartsa a terméket. Az egyik kezével erősen fogja meg az elülső fogantyút.





A másik kezével fogja meg a hátsó fogantyút, és működtesse a kioldóreteszt és a kioldókapcsolót.

- A termék elindítása előtt biztosítsa, hogy az megfelelően helyezkedik el egy kijelölt munkahelyzetben.
- A terméket soha ne használja a vágóeszközzel olyan helyen, ahol a magasban az elektromos vezetékek 10 méternél közelebb vannak.
- Gyakran tartson munkaszünetet. Korlátozza a napi munkaidőt.
- Stabilan álljon és vegyen fel megfelelő egyensúlyt. Ne hajoljon ki túlságosan. A túlzott kinyúlás egyensúlyvesztést és súlyos sérülést eredményezhet.
- Ne használja a gépet sérült vagy túlságosan elhasználódott vágóeszközzel.
- Semmilyen módon ne módosítsa a terméket, illetve ne használja a termék gyártója által nem ajánlott más tartozékok vagy eszközök működtetésére.
- Keresse meg a gyorskioldó mechanizmust, és gyakorolja be a használatát, mielőtt elkezdené használni a gépet. A helyes használat megakadályozhatja a súlyos sérüléseket vészhelyzetben. Ne viseljen további ruházatot a hevederen felül, és ne korlátozza más módon a gyorskioldó mechanizmushoz való hozzáférést.
- Ne használja a gépet gyenge megvilágítás esetén. Nappal vagy jó mesterséges megvilágításnál használja a terméket.
- Ne üzemeltesse az ágvágót, ha a vágómechanizmus nem megfelelően működik.
- A leeső ág okozta sérülések elkerülésére ne álljon közvetlenül a vágott ág vagy törzs alá. A termék tilos 60°-nál nagyobb szögben tartani a talajhoz képest.
- A forgó alkatrészek megérintéséből eredő balesetveszély csökkentésére minden esetben állítsa le a terméket és győződjön meg arról, hogy minden mozgó alkatrész megállt, illetve a következő esetekben távolítsa el az akkumulátort:
  - tisztítás vagy eltömődés megszüntetése
  - a termék felügyelet nélkül hagyása
  - felszerelnie vagy eltávolítania a tartozékokat
  - ellenőrzi, karbantartja vagy dolgozik a terméken.
- A terméket tisztítsa meg a nyesedékektől és más anyagoktól. Ezek megakadhatnak a befogó és a penge között.

## TOVÁBBI BIZTONSÁGI FIGYELMEZTETÉSEK

- Ne töltse el elégedettséggel az, hogy a gyakori eszközhasználatból kellő jártasságot szerzett, és ne hagyja figyelmen kívül az eszköz biztonsági alapelveit.
- Egy figyelmetlen művelet a másodperc törtrésze alatt súlyos sérüléseket okozhat.
- A fogantyúkat és a fogófelületeket tartsa szárazon, tisztán, olajtól és kenőzsírtól mentesen.
- A csúszós fogantyúk és fogófelületek nem teszik lehetővé a gép kezelését és irányítását egy váratlan helyzetben.
- Ne használjon sérült vagy átalakított akkucsomagot vagy eszközt.

- A sérült vagy átalakított akkumulátor előre nem látható módon üzemelhet, ami tüzet, robbanást, más kockázatot vagy sérülést okozhat.
- Ne tegye ki az akkucsomagot vagy az eszközt túl magas hőmérsékleti hatásnak és ne tegye tűzbe ezeket.
- A tűznek vagy a 130°C feletti hőmérsékletnek való kitettség robbanást okozhat.
- Tartsa be az összes feltöltési utasítást és ne töltse az akkucsomagot vagy az eszközt az utasításban megadott hőmérséklet-tartományon kívül.
- A helytelen töltés vagy a megadott tartományon kívüli hőmérsékleten való feltöltés az akkumulátort károsíthatja, és a tűzveszély kockázatát növelheti.
- Vágás során ne engedjen a területre bárméskodókat, gyerekeket és állatokat.
- Amikor feszülő ágat fűrészel, legyen mindig kész arra, hogy gyorsan el tudjon futni úgy, hogy ne üsse meg a visszacsapódó ág.
- A termék karbantartását kellő alapossgal végezze. A vágóélek legyenek élesek és tiszták; így a berendezés a lehető leghatékonyabban működik, és kisebb lesz a sérülés veszélye. Tartozékcsere és kenés esetén kövesse az utasításokat.
- A fogantyúkat tartsa szárazon, tisztán, olajtól és kenőzsírtól mentesen.
- Használat előtt és amennyiben a gépet bármilyen behatás éri, ellenőrizze, hogy az alkatrészek nem sérültek. A sérült alkatrészeket egy hivatalos szervizközpontban kell megjavíttatni vagy kicseréltetni.
- Ha a gép leesett, erős ütést kapott vagy rendellenesen kezd vibrálni, azonnal állítsa le a gépet, és vizsgálja át sérülések tekintetében vagy azonosítsa a vibráció okát. Minden sérülést hivatalos szervizközpontban kell megjavíttatni vagy kicseréltetni.
- Ellenőrizze a sérült alkatrészeket. A termék további használata előtt gondosan ellenőrizze a többi megrongálódott alkatrészt, hogy megfelelően fognak-e működni és el tudják-e látni a feladatukat.
- A termék szervizelését csak szakképzett szervizszakemberrel szabad elvégeztetni. A nem szakképzett szakember által végzett szervizelés vagy karbantartás a kezelő súlyos sérülését vagy a termék károsodását eredményezheti.
- Őrizze meg ezt az útmutatót. Időnként olvassa el és használja olyanok betanítására, akik használhatják a terméket. Ha kölcsönadja valakinek a szerszámot, mellékelje a használati utasítást is, hogy elkerülje a termék helytelen használatát és az esetleges sérüléseket.
- Ne vágjon olyan helyen ahol rejtett vezetékek lehetnek.
- Ne vágjon el a vezetékeket.
- A munkaterületet ne legyenek kábelek és vezetékek (például világítófűzők).





## AZ AKKUMULÁTOR KIEGÉSZÍTŐ BIZTONSÁGI FIGYELMEZTETÉSEI

### ▲ FIGYELEM

A rövidzárlat általi tűz, sérülések vagy termékárosodások veszélye elkerülésére ne merítse a szerszámot, a cserélhető akkut vagy a töltőkészüléket folyadékokba, és gondoskodjon arról, hogy ne hatoljanak folyadékok a készülékekbe és az akkukba. A korrozív hatású vagy vezetőképes folyadékok, mint pl. a sós víz, bizonyos vegyi anyagok, fehérítők vagy fehérítő tartalmú termékek, rövidzárlatot okozhatnak.

## SZÁLLÍTÁS ÉS TÁROLÁS

- Szállítás és tárolás előtt állítsa le a terméket, vegye ki az akkumulátort és hagyja lehűlni mindkettőt.
- Minden idegen anyagtól tisztítsa meg a terméket.
- Minden egyes használat után egy puha, száraz ruhával tisztítsa meg a termék házát és fogantyúit.
- Egy kemény kefével minden használat után tisztítsa meg a kést a hulladékoktól, majd a késvédő felszerelése előtt kenjen rá rozsdásodásgátlót. Használjon ajánlott rozsdagátló permetet az egyenletes eloszlathoz, és hogy csökkentse a kések megérintése miatt keletkező személyi sérülés kockázatát. A megfelelő permetezhető termékről kérdezze a helyi hivatalos szervizközpontot.
- Szükség esetén a fenti módszerrel enyhén olajozza be a késeket használat előtt és után.
- Szállításkor rögzítse a terméket elmozdulás és leesés ellen, hogy elkerülje a sérüléseket és a termék sérülését.
- Hűvös, száraz és jól szellőztetett, gyerekektől elzárt helyiségben tárolja. Ne tárolja olyan oxidálószerrel közelében, mint pl. kerti munkáknál használatos vegyszerek vagy jégmentesítő sók. Ne tárolja a szabadban.

## LÍTIUM AKKUMULÁTOROK SZÁLLÍTÁSA

Az akkumulátorokat a helyi és nemzeti előírásokkal és szabályokkal összhangban szállítsa.

Az akkumulátorok külső fél általi szállításakor kövesse a csomagolásra és a címkézésre vonatkozó speciális előírásokat. Ügyeljen arra, hogy az akkumulátorok ne érhessenek más akkumulátorokhoz vagy vezető anyagokhoz szállítás közben; ehhez a szabadon maradt csatlakozókat védje szigetelő fedéllel vagy szalaggal. Ne szállítson repedt vagy szivárgó akkumulátorokat. További információért vegye fel a kapcsolatot a továbbítást végző céggel.

## LÍTIUM AKKUMULÁTOROK SZÁLLÍTÁSA

Az akkumulátorokat a helyi és nemzeti előírásokkal és szabályokkal összhangban szállítsa.

Az elemek külső fél általi szállításakor kövesse a csomagolásra és a címkézésre vonatkozó speciális előírásokat. Ügyeljen arra, hogy az akkumulátorok ne érhessenek más akkumulátorokhoz vagy vezető

anyagokhoz szállítás közben; ehhez a szabadon maradt csatlakozókat védje szigetelő fedéllel vagy szalaggal. Ne szállítson repedt vagy szivárgó akkumulátorokat. További információért vegye fel a kapcsolatot a továbbítást végző céggel.

## KARBANTARTÁS

### ▲ FIGYELMEZTETÉS

Csak a gyártó eredeti cserealkatrészeit, tartozékait és szereléseit használja. Ennek figyelmen kívül hagyása gyenge motorteljesítményt, esetleges sérülést és a jótállás elvesztését okozhatja.

### ▲ FIGYELMEZTETÉS

A termék vizsgálata, tisztítása vagy szervizelése előtt állítsa le a motort, várjon, amíg minden mozgó alkatrész leáll és távolítsa el az akkumulátort. Ezeknek az előírásoknak a be nem tartása súlyos testi sérüléssel járó baleseteket és jelentős anyagi károkat idézhet elő.

### ▲ FIGYELMEZTETÉS

szervizelés különös figyelmet és hozzáértést igényel, és csak szakképzett szerelő végezheti el. A szervizeléshez vigye el a terméket egy hivatalos szervizközpontba. Szervizeléskor csak eredeti, gyártó által előállított cserealkatrészeket használjon.

- Bármilyen karbantartási vagy tisztítási munka végrehajtása előtt kapcsolja ki a készüléket és vegye ki az akkucsomagot.
- A használati útmutatóban leírt beállításokat és javításokat Ön is elvégezheti. További javításokért vagy tanácsért kérjen segítséget egy hivatalos szervizközpontban.
- Minden egyes használat után egy puha, száraz ruhával tisztítsa meg a terméket. A sérült alkatrészeket egy hivatalos szervizközpontban kell megjavíttatni vagy kicseréltetni.
- Minden használat előtt és gyakori időközönként ellenőrizzen minden anyacsavart és csavart a megfelelő meghúzás szempontjából, hogy biztosítsa a termék biztonságos üzemi állapotát.
- A műanyag részek tisztításakor tartózkodjon a tisztítószerek használatától. A legtöbb műanyag érzékeny a különböző típusú kereskedelmi oldószerekre és azok használata esetén károsodhat. Egy tiszta ruhát használjon a kosz, por, olaj, kenőzsír, stb. eltávolítására.
- A műanyag részek semmilyen körülmények között nem érintkezhetnek fékolajjal, benzinnel, petróleum alapú termékekkel, beszívódó olajokkal stb. A vegyszerek károsíthatják, gyengíthetik vagy tönkreteszhetik a műanyagot, ami súlyos személyi sérülést eredményezhet.

**MEGJEGYZÉS:** A hosszú és megbízható élettartam biztosítása érdekében végezze el rendszeresen az alábbi





karbantartásokat.

- Ellenőrizze, nincs-e jól látható meghibásodás, például laza, kimozdult vagy sérült kés, laza rögzítés, elhasználódott vagy sérült alkatrészek.
- Ellenőrizze, hogy a védőberendezések sértetlenek-e és megfelelően fel vannak-e szerelve. A termék használata előtt végezze el a szükséges karbantartást és javításokat.
- Használat után mindig tisztítsa meg a vágóéleket.
- Vizuálisan ellenőrizze a vágópengék vágóéleit. A megrongálódott pengét megfelelően javíttassa meg, vagy cseréltesse ki egy hivatalos szervizközpontban.
- A termék eltávolásához győződjön meg róla, hogy a vágómechanizmus leállt, mielőtt a terméket letenné.

### ELTÖMÖDÉS MEGSZÜNTETÉSE

Lásd 147 - 148. oldal.

- Ha a kések közé szilánk vagy fakéreg szorult és az indítógomb 3-4 szeri megnyomásával sem tudja kiszabadítani, akkor a következő szerint járjon el:
  - Viseljen védőszemüveget és kesztyűt.
  - Vegye ki az akkumulátort.
  - Egy fadarabbal vagy egy gumikalapáccsal üssön a késekre.
  - Csak azon a területen fejtse ki erőt ahol a kés látható. Ne üssön a rugóra.
- Figyeljen a rugós késekre. Tartsa távol a kezét a késektől, mert hirtelen fognak kinyílni.
- Amikor az elakadást megszüntette:
  - Helyezze vissza az akkumulátort.
  - Amikor a kések kiszabadultak, a vágás folytatása előtt, nyomja meg az indítógombot, hogy a kések teljesen kinyílhassanak.

### FENNMARADÓ KOCKÁZAT

Még a termék rendeltetészerű használata esetén sem lehet teljesen kiküszöbölni minden kockázati tényezőt. A gép használata során a következő veszélyek merülhetnek fel, és a kezelőnek különösen oda kell figyelnie az alábbiak elkerülésére:

- A vibráció sérüléseket okozhat
  - Mindig a munkához megfelelő célszerszámot használja, használja a gépre szerelt fogantyúkat, és korlátozza a munkaidőt és a vibrációnak való kitettséget.
- Késekkel való érintkezés
  - Győződjön meg arról, hogy a késvédők a helyükön vannak, amikor a terméket nem használja. A kezét és a lábát mindig tartsa távol a késektől.
- A fadarabból kibottott részek (faforgács, szilánkok)

### KOCKÁZATCSÖKKENTÉS

Arról számoltak be, hogy a kéziszerszámok használata során fellépő vibráció bizonyos személyeknél hozzájárulhat az úgynevezett Raynaud-szindróma (Raynaud's Syndrome) nevű állapot kialakulásához. A tünetei lehetnek: az ujjak zsibbadása, elfehéredése, szúrások érzése, amelyek hidegnek kitéve gyakran

felerosódnak. Az örökklődő tényezők, a hidegnek kitettség és verejtékezés, a diéta, a dohányzás és munka közben alkalmazott fogások valószínűleg mind hozzájárulhatnak ezen tünetek megjelenéséhez. A vibráció hatásainak csökkentése érdekében a kezelőnek be kell tartani az alábbi övintézkedéseket:

- Hideg időben tartsa melegen a testét. A termék használatakor viseljen kesztyűt a kéz és a csukló melegen tartásához. Arról számoltak be, hogy a hideg időjárásnak fontos szerepe van a Raynaud-szindróma kialakulásában.
- Bizonyos időtartamú használat után mindig végezzen gyakorlatokat a vérkeringés javításához.
- Gyakran tartson munkaszünetet. Korlátozza a napi munkaidőt.

Ha ezen állapot bármelyik tünetét tapasztalja, azonnal hagyja abba a munkát, és tájékoztassa az orvosát a tünetekről.

### ▲ FIGYELMEZTETÉS

A gép hosszabb idejű folyamatos használata sérüléseket okozhat vagy súlyosbíthatja a tüneteket. Ha a gépet hosszú időn át kell használnia, tartson gyakran szünetet.

### ISMERJE MEG A TERMÉKET

Lásd 141. oldal.

1. Vágókés
2. Kar burkolata
3. Indító retesz
4. Kíldő
5. Penge borítása
6. Horog

### SZIMBÓLUMOK A TERMÉKEN



Biztonsági figyelmeztetés



A gép bekapcsolása előtt figyelmesen olvassa el az útmutatót.



Viseljen szem-, fül- és fejdédőt.



Viseljen csúszásgátló bevonatú, nehéz igénybevételre tervezett védőkesztyűt.



A termék használata közben csúszásmentes biztonsági lábbelit viseljen.



Ne tegye ki esőnek, és ne használja nedves környezetben.







Áramütés veszélye. Tartson legalább 10 méter távolságot a felsővezetésektől.



Figyeljen a kivetett vagy repülő tárgyakra. Az összes nézelődő, különösen a gyerekek és a háziállatok, legyenek legalább 15m-es távolságra a használati területtől.



Tartsa a kezeit távol a késektől.



Ez a szerszám minden, a vásárlás európai uniós országában hatályos szabványnak megfelel.



Eurázsiai megfelelőségi jelzés



Ukrainai megfelelőségi nyilatkozat



A kiselejtezett elektromos termékeket nem szabad a háztartási hulladékkal együtt kidobni. Ezeket újra kell hasznosítani, ha van rá lehetőség. Az újrahasznosítással kapcsolatban érdeklődjön a helyi önkormányzatnál vagy a termék forgalmazójánál.

## A KÉZIKÖNYVBEN HASZNÁLT SZIMBÓLUMOK



Retesz



Szétnyitás



Külön értékesített alkatrészek és kiegészítők



Megjegyzés



Figyelem

A következő jelölőszavak és jelölések arra szolgálnak, hogy megmagyarázzák a termékkel kapcsolatos veszélyességi szinteket:

### ⚠ VESZÉLY

Egy bekövetkező veszélyes helyzetet jelez, ami, ha nem előzik meg, halált vagy komoly sérülést eredményez.

### ⚠ FIGYELMEZTETÉS

Egy potenciálisan bekövetkező veszélyes helyzetet jelez, amit, ha nem előznek meg, halált vagy komoly sérülést eredményezhet.

### ⚠ FIGYELEMFELHÍVÁS

Egy potenciálisan veszélyes helyzetet jelez, ami, ha nem előzik meg, kisebb vagy mérsékelt sérülést eredményezhet.

### FIGYELEMFELHÍVÁS

Biztonsági figyelmeztető szimbólum nélkül

Egy olyan helyzetet jelez, ami anyagi kárt eredményezhet.



Siguranța, performanța și fiabilitatea au constituit principalele noastre preocupări la proiectarea foarfecii dvs. electrice fără fir.

### UTILIZARE PREVĂZUTĂ

Foarfeca electrică fără fir este destinată utilizării la exterior. Din motive de siguranță, produsul trebuie manevrat corespunzător, cu ambele mâini.

Produsul este destinat pentru tăierea și retezarea crăcilor mici și ramurilor. Nu folosiți produsul pentru tăierea unor articole care nu sunt din lemn. Produsul este destinat utilizării la tăierea ramurilor cu un diametru de până la 32 mm (lemn de esență moale) și 28 mm (lemn de esență tare). Nu tăiați ramuri groase al căror diametru este mai gros decât aceste valori.

Produsul are o lungime fixă de 0,85 m.

Nu folosiți produsul pentru niciun alt scop nemenționat mai sus. Produsul nu trebuie folosit de copii sau persoane ce nu poartă echipamentul și hainele de protecție corespunzătoare.

### AVERTISMENTE GENERALE PRIVIND SIGURANȚA

#### ⚠ AVERTISMENT

**Citiți, cu atenție, toate avertismentele și toate instrucțiunile.** Nerespectarea acestor instrucțiuni ar putea provoca accidente, cum ar fi incendii, electrocutare și/sau răni corporale grave.

**TPăstrați aceste avertismente și instrucțiuni, pentru a le putea consulta ulterior.**

Termenul „mașină electrică” utilizat în măsurile de siguranță de mai jos se referă atât la mașinile electrice care se conectează la priză, cât și la mașinile electrice fără fir.

### SIGURANȚA LOCULUI DE MUNCĂ

- **Aveți grijă ca spațiul dumneavoastră de muncă să fie tot timpul curat și bine iluminat.** Zonele dezordonate și întunecate prezintă pericol de accidente.
- **Nu utilizați mașini electrice într-un mediu exploziv, de exemplu în apropiere de lichide, gaze sau prafuri inflamabile.** Scânteele provenite de la mașinile electrice le pot incendia și provoca o explozie.
- **Țineți copiii, vizitatorii și animalele domestice la distanță când folosiți o mașină electrică.** Aceștia ar putea să vă distragă atenția și să pierdeți controlul mașinii.

### SIGURANȚA ELECTRICĂ

- **Fișa mașinii electrice trebuie să fie adaptată la priză. Nu modificați niciodată fișa. Nu folosiți, niciodată, adaptoare cu mașinile electrice legate la pământ sau la masă.** Evitați astfel riscurile de electrocutare.
- **Evitați contactul cu suprafețe care sunt legate la pământ sau la masă (țevi, calorifere, mașini de gătit, frigider etc.).** Riscul de electrocutare crește, dacă o

parte a corpului dumneavoastră este în contact cu o suprafață care este legată la pământ sau la masă.

- **Nu expuneți o mașină electrică la ploaie sau umiditate.** Riscul de electrocutare crește dacă apa intră în mașina electrică.
- **Păstrați cablul de alimentare în bună stare. Nu țineți niciodată mașina de cablul de alimentare și nu trageți de cablu ca să o scoateți din priză. Țineți cablul de alimentare departe de sursele de căldură, să nu intre în contact cu ulei, cu obiecte tăioase și cu elemente în mișcare.** Riscul de electrocutare crește, în cazul în care cablul este deteriorat sau încurcat.
- **Când lucrați în aer liber, utilizați numai prelungitoare pentru exterior.** Evitați astfel riscurile de electrocutare.
- **Dacă nu puteți evita utilizarea mașinii dumneavoastră într-un mediu umed, conectați-o la o sursă de alimentare electrică protejată printr-un dispozitiv de protecție la curent diferențial rezidual (DDR).** Utilizarea unui dispozitiv de protecție la curent diferențial rezidual limitează riscurile de electrocutare.

### SIGURANȚA PERSONALĂ

- **Fiți vigilenți, priviți cu atenție ceea ce faceți și utilizați mașinile electrice cu discernământ. Nu utilizați mașina electrică dacă sunteți obosit, ați băut alcool sau ați consumat droguri, sau dacă luați medicamente.** Nu uitați, niciodată, că o secundă de neatenție este suficientă pentru a vă răni foarte grav.
- **Utilizați dispozitive de protecție. Protejați-vă întotdeauna ochii.** În funcție de condiții, purtați și o mască antipraf, încălțăminte antiderapantă, o cască sau protecții auditive, pentru a evita riscurile de răni corporale grave.
- **Evitați orice pornire accidentală. Asigurați-vă că întrerupătorul este în poziția „oprit” înainte de a introduce mașina dumneavoastră în priză sau de a introduce bateria, precum și când prindeți sau transportați mașina.** Pentru a evita riscurile de accident, nu deplasați niciodată mașina ținând degetul pe trăgaci și nu o conectați la priză / nu introduceți bateria dacă întrerupătorul este în poziția „pornit”.
- **Scoateți cheile de strângere înainte de a porni mașina.** O cheie de strângere care a rămas prinsă de un element mobil al mașinii poate provoca răni corporale grave.
- **Aveți grijă să vă păstrați echilibrul în permanență. Țineți-vă bine pe picioare și nu întindeți brațul prea departe.** O poziție de lucru stabilă vă permite să controlați mai bine mașina în cazul unor evenimente neașteptate.
- **Purtați îmbrăcăminte adecvată. Nu purtați haine largi sau bijuterii.** Aveți grijă să vă țineți la distanță de piesele mobile părul, îmbrăcămintea și mânușile. Hainele largi, bijuteriile și părul lung se pot agăța în elementele mobile.
- **Dacă mașina este livrată cu un sistem de aspirare a prafului, aveți grijă ca acesta să fie instalat și utilizat corect.** Evitați astfel riscurile de accidente.





## UTILIZAREA ȘI ÎNTREȚINEREA MAȘINILOR ELECTRICE

- **Nu forțați mașina. Utilizați mașini adaptate lucrului pe care doriți să-l faceți.** Mașina dumneavoastră electrică va fi mai eficientă și mai sigură dacă o utilizați în regimul pentru care a fost concepută.
- **Nu utilizați o mașină electrică, dacă întrerupătorul nu permite pornirea și oprirea acesteia.** O mașină care nu poate fi pornită și oprită corect este periculoasă și trebuie să fie obligatoriu reparată.
- **Scoateți mașina dumneavoastră din priză sau scoateți bateria din mașină înainte de a efectua reglaje, de a schimba accesoriilor sau de a depozita mașina.** Veți reduce astfel riscurile de pornire involuntară a mașinii.
- **Păstrați mașinile electrice într-un loc unde nu sunt la îndemâna copiilor. Nu lăsați persoane care nu sunt familiarizate cu mașina sau care nu au luat la cunoștință aceste măsuri de siguranță să folosească mașina.** Mașinile electrice sunt periculoase în mâna persoanelor fără experiență.
- **Întrețineți cu grijă mașinile. Controlați alinierea pieselor mobile. Verificați că nici o piesă nu este stricată. Controlați montarea și toate celelalte elemente care ar putea afecta funcționarea mașinii. Dacă există piese defecte, reparați mașina înainte de a o utiliza.** Numeroase accidente se produc din cauza unei întrețineri necorespunzătoare a mașinilor.
- **Păstrați-vă mașinile curate și bine ascuțite.** O sculă de tăiere bine ascuțită și curată riscă mai puțin să se blocheze și puteți astfel să-i păstrați mai bine controlul.
- **Utilizați mașina dumneavoastră electrică, accesoriile, vârfurile etc. conform instrucțiunilor de utilizare, ținând seama de condițiile de utilizare și de aplicațiile dorite.** Pentru a evita situațiile periculoase, folosiți mașina electrică numai pentru lucrările pentru care a fost concepută.

## MĂSURI DE SIGURANȚĂ SPECIFICE MAȘINILOR ELECTRICE FĂRĂ FIR

- **Nu încărcați bateria mașinii decât cu încărcătorul recomandat de producător.** Un încărcător adaptat la un anumit tip de baterie poate declanșa un incendiu, dacă este utilizat cu un alt tip de baterie.
- **Pentru o mașină fără fir trebuie să utilizați numai un anumit tip de baterie.** Utilizarea altor tipuri de baterie poate provoca incendii.
- **Când bateria nu este utilizată, țineți-o la distanță de obiectele metalice cum ar fi agrafe de birou, monede, chei, șuruburi, cuie sau orice alt obiect susceptibil de a conecta contactele între ele.** Scurtcircuitarea bornelor bateriei poate provoca arsuri sau incendii.
- **Evitați orice contact cu lichidul din baterie în caz de scurgere a bateriei ca urmare a unei utilizări abuzive. În caz de contact cu lichidul, spălați din abundență zona atinsă cu apă curată. Dacă vă sunt atinși ochii, consultați, de asemenea, un medic.** Lichidul proiectat dintr-o baterie poate provoca iritații sau arsuri.

## ÎNTREȚINEREA

- **Orice reparație trebuie să fie efectuată de către un tehnician calificat, utilizând numai piese de schimb originale.** Veți putea astfel să vă utilizați mașina electrică în deplină siguranță.

## AVERTISMENTE PRIVIND SUGURANȚA FOARFECII ELECTRICE

### ▲ PERICOL

Nu apropiați mâinile de lamă. Contactul cu lama poate cauza vătămări corporale grave.

- Nu lăsați niciodată copiii, persoanele cu capacități fizice, senzoriale sau mintale reduse sau cu lipsă de experiență și cunoștințe sau persoanele nefamiliarizate cu aceste instrucțiuni să folosească produsul. Reglementările locale pot restricționa vârsta operatorului.
- Produsul are o lungime fixă de 0,85 m.
- Nu folosiți produsul când există probabilitate de tunete sau fulgere. Păstrați produsul în siguranță în spațiu interior.
- Feriți-vă de firele electrice aeriene.
- Asigurați-vă că toate apărătorile și mânerul sunt corespunzător fixate și că se află în stare bună.
- Purtați protecție completă a ochilor și urechilor în timpul operării produsului.
- Purtați pantaloni lungi, groși, cizme și mănuși. Nu purtați haine largi, accesoriilor și nu folosiți produsul în picioarele goale.
- Nu începeți să folosiți produsul până când nu aveți o zonă de lucru liberă, o poziție sigură a picioarelor și o cale de retragere ferită de ramurile sau crengile în cădere.
- Nu folosiți unealta electrică în timp ce sunteți obosit sau sub influența drogurilor, a alcoolului sau a medicamentelor.
- În timpul operării, țineți produsul cu ambele mâini. Folosiți o mână pentru o apucare fermă a mânerului frontal. Folosiți cealaltă mână pentru a apuca mânerul posterior și operați trăgaciul de pornire/oprire.
- Înainte de a începe lucrul, asigurați-vă că produsul este corect așezat în poziția de lucru.
- Nu utilizați niciodată aparatul cu dispozitivul de tăiere la o distanță mai mică de 10m de liniile electrice aeriene.
- Trebuie făcute pauze la intervale de timp regulate. Limitați expunerea zilnică.
- Mențineți sprijin ferm pe picioare și echilibru. Nu vă aplecați excesiv. Întinderea excesivă poate rezulta în pierderea echilibrului și poate rezulta în vătămare gravă.
- Nu utilizați mașina cu un dispozitiv e tăiere deteriorat sau uzat excesiv.
- Nu modificați produsul dvs. în niciun fel pentru a alimenta orice accesoriu sau dispozitive nerecomandate de producătorul acestui produs.





- Identificați mecanismul de eliberare rapidă și faceți câteva probe înainte de a folosi aparatul. Folosirea corespunzătoare poate preveni vătămarea gravă în cazul unei urgențe. Nu purtați niciodată haine suplimentare peste centură sau în altfel să restricționați accesul la mecanismul de eliberare rapidă.
- Nu utilizați în condiții de iluminare necorespunzătoare. Folosiți produsul pe timpul zilei sau dacă aveți o sursă de lumină artificială bună.
- Nu operați foarfeca electrică dacă mecanismul de tăiere nu funcționează corect.
- Pentru a vă proteja de crengile ce cad, nu stați direct sub creanga sau membrul ce vine tăiat. Produsul nu trebuie ținut la un unghi mai mare de 60° față de nivelul solului.
- Pentru a reduce riscul de rănire datorat contactului cu piesele în mișcare, întotdeauna opriți aparatul, asigurați-vă că toate piesele în mișcare s-au oprit complet și scoateți bateria înainte:
  - curățarea sau eliminarea unui blocaj
  - lăsarea produsului fără supraveghere
  - instalarea sau îndepărtarea atașamentelor/accesoriilor
  - verificarea, întreținerea sau exploatarea produsului
- Produsul trebuie păstrat fără resturi sau urme de alte materiale. Acestea se pot depune între falcă și lamă.

#### AVERTIZĂRI SUPLIMENTARE DE SIGURANȚĂ

- Obişnuița dobândită prin utilizarea frecventă a instrumentelor nu trebuie să vă facă impasibili și să ignorați principiile de siguranță privind instrumentele.
- O acțiune neatență poate cauza vătămarea gravă într-o fracțiune de secundă.
- Țineți mânerul și suprafețele de apucare uscate, curate, fără ulei sau grăsime.
- Mănerul alunecoase și suprafețele neregulate nu permit o manipulare sigură și un control al aparatului în situații neașteptate.
- Nu utilizați acumulatori sau unelte deteriorate sau modificate.
- Acumulatorii deteriorați sau modificați au un comportament imprevizibil și prezintă pericol de incendiu, explozie sau accidentare.
- Nu expuneți acumulatorii sau uneltele la foc sau temperaturi excesive.
- Expunerea la foc sau temperaturi peste 130°C prezintă pericol de explozie.
- Respectați toate instrucțiunile de încărcare și nu încărcați acumulatorul sau uneltele la temperaturi din afara intervalului specificat în instrucțiuni.
- Încărcarea necorespunzătoare sau la o temperatură din afara intervalului specificat poate deteriora acumulatorul și crește riscul de incendiu.
- Asigurați-vă că în timpul tăierii trecătorii, copiii și animalele de companie stau la distanță.
- Atunci când tăiați o ramură sub tensiune, fiți pregătit să vă îndepărtați repede pentru a evita să fiți lovit atunci când tensiunea din fibrele lemnului este eliberată.

- Întrețineți produsul cu atenție. Păstrați muchiile de tăiere curate și ascuțite pentru a obține cele mai bune performanțe și pentru a reduce riscurile de accidentare. Respectați instrucțiunile de lubrifiere și pentru schimbarea accesoriilor.
- Mențineți mânerul uscat, curat și fără urme de ulei și vaselină.
- Înainte de folosire și după fiecare impact, verificați să nu existe părți/piese deteriorate. Orice piesă deteriorată trebuie să fie reparată în mod corespunzător sau înlocuită de un service autorizat.
- Dacă produsul este scăpat, suferă un impact dur sau începe să vibreze anormal, opriți imediat produsul și inspectați dacă este deteriorat sau identificați cauza vibrației. Orice deteriorare trebuie reparată corespunzător sau înlocuită la un centru service autorizat.
- Verificați părțile deteriorate. Înainte de utilizarea în continuare a produsului, trebuie verificate toate componentele deteriorate pentru a determina dacă produsul va funcționa corespunzător.
- Service-ul produsului trebuie să fie făcut doar de către personal calificat. Serviciul sau de întreținere efectuate de personal necalificat poate duce la rănirea utilizatorului sau deteriorarea produsului.
- Salvați aceste instrucțiuni. Referiți-vă la ele frecvent și folosiți-le pentru a instrui alte persoane care ar putea folosi acest produs. Dacă împrumutați unei persoane această unealtă, împrumutați-le de asemenea și aceste instrucțiuni pentru a preveni utilizarea necorespunzătoare a acestui produs și eventualele accidente.
- Nu tăiați acolo unde există riscul de a fi cablaje ascunse.
- Nu tăiați cablurile.
- Nu lăsați în zona de lucru fire și cabluri (exemplu: instalații de iluminare decorativă).

#### AVERTISMENTE SUPLIMENTARE PRIVIND SIGURANȚA LA UTILIZAREA BATERIILOR

##### ⚠ AVERTISMENT

Pentru a reduce pericolul unui incendiu și evitarea rănilor sau deteriorarea produsului în urma unui scurtcircuit nu imersați scula, acumulatorul de schimb sau încărcătorul în lichide și asigurați-vă să nu pătrundă lichide în aparate și acumulatori. Lichidele corosive sau cu conductibilitate, precum apa sărată, anumite substanțe chimice și înalbitori sau produse ce conțin înalbitori, pot provoca un scurtcircuit.

#### TRANSPORTAREA ȘI DEPOZITAREA

- Opriți produsul, scoateți acumulatorul și lăsați-le să se răcească înainte de a le depozita sau transporta.
- Curățați toate materialele străine din produs.
- După fiecare folosire, curățați corpul și mânerul produsului cu o cârpă moale și uscată.





- După fiecare folosire, curățați resturile de pe lame/discuri cu o perie tare și apoi cu atenție aplicați un lubrifiant de prevenire a ruginii înainte a atașa protecția lamei/discului. Utilizați un spray lubrifiant recomandat care să prevină rugină și aplicați-l în mod uniform și reduceți riscul de rănire ca urmare a contactului cu lamele. Pentru informații privind spray-ul corespunzător, întrebați centrul dvs service local autorizat.
- Lubrifiați ușor lamele înainte și după utilizare, dacă este necesar, utilizând metoda de mai sus.
- Pentru transportare, fixați produsul împotriva mișcării sau căderii pentru a preveni vătămarea persoanelor sau deteriorarea produsului.
- Depozitați-l într-un loc răcoros, uscat și bine aerisit ce este inaccesibil copiilor. Nu-l depozitați în apropiere de agenți corozivi cum ar fi produși chimici de grădinărit sau săruri antigel. Nu depozitați în aer liber.

### TRANSPORTAREA ACUMULATORILOR PE LITIU

Transportați bateria în conformitate cu prevederile și reglementările locale și naționale.

Urmați toate cerințele speciale de pe ambalaj și etichete atunci când transportați acumulatorii la o parte terță. Asigurați-vă că în timpul transportului nicio baterie nu vine în contact cu alte baterii sau materiale conducătoare de electricitate prin protejarea bornelor expuse cu bandă sau capace izolatoare non conducătoare de electricitate. Nu transportați acumulatori ce sunt crăpați sau au scurgeri. Verificați cu compania de transport pentru sfaturi ulterioare.

### ÎNȚREȚINEREA

#### ⚠ AVERTISMENT

Folositi doar piese de schimb, accesorii si atasamente originale ale producatorului Neurmarea acestora poate cauza posibila vătămarea, slaba funcționare și ar putea anula garanția.

#### ⚠ AVERTISMENT

Înainte de a inspecta, curăța sau efectua lucrări de întreținere a produsului, opriți motorul, așteptați ca toate părțile în mișcare să se oprească și scoateți bateria. Nerespectarea acestor măsuri poate provoca răniri grave sau daune materiale considerabile.

#### ⚠ AVERTISMENT

Service-ul necesită atenție și cunoștințe deosebite și trebuie îndeplinit doar de către un tehnician service calificat. Pentru service, duceți produsul la un centru service autorizat. La efectuarea serviciului, folosiți doar piese de schimb originale ale producătorului.

- Opriți echipamentul și îndepărtați bateria înainte de a efectua orice tip de lucrări de întreținere sau de curățare.
- Puteți face reglaje și reparații descrise în acest manual de instrucțiuni. Pentru alte reparații sau sfaturi, căutați asistență din partea unui centru service autorizat.

- După fiecare folosire curățați produsul cu o cârpă moale și uscată. Orice piesă deteriorată trebuie să fie reparată în mod corespunzător sau înlocuită de un service autorizat.
- Verificați înainte de fiecare utilizare și periodic ca toate șuruburile, piulițele și bolțurile filetate să fie strânse adecvat, pentru a asigura siguranța în utilizare a produsului.
- Evitați să folosiți solvenți pentru curățarea pieselor din plastic. Majoritatea pieselor din plastic sunt susceptibile să se deterioreze de la tipurile diferite de solvenți comerciali și pot fi deteriorate. Utilizați cârpe curate pentru a îndepărta praful, uleiul, vaselina etc.
- Nu lăsați deloc lichidul de frână, benzina, produsele pe bază de petrol, uleiurile penetrante etc., să intre în contact cu piesele din plastic. Detergenții chimici pot deteriora, slăbi sau distruge plasticul, ce poate rezulta în vătămare personală gravă.

**OBSERVAȚIE:** Pentru o durată de viață lungă și fiabilă, efectuați următoarele lucrări de întreținere în mod regulat.

- Verificați să nu existe defecte evidente, de ex. lame deteriorate, slăbite sau dislocate, siguranțe nefixate sau alte componente uzate sau deteriorate.
- Verificați ca toate capacele și apărătoarele să fie în stare bună și corect montate. Realizați toate operațiile de întreținere sau reparațiile necesare înainte de a utiliza produsul.
- Curățați întotdeauna lamele de tăiere după operare.
- Verificați vizual starea muchiilor de tăiere ale lamei. Orice lamă defectă trebuie reparată adecvat sau înlocuită de un centru de service autorizat.
- Depozitați produsul și asigurați-vă că mecanismul de tăiere s-a oprit înainte de a pune produsul jos.

### ELIBERAREA UNUI BLOCAJ

Vezi paginile 147 - 148.

- Dacă lamele sunt blocate de așchii sau de coji de copac aflate între lame și nu se pot scoate apăsând trăgaciul de 3 - 4 ori, urmați această procedură:
  - Purtați mănuși și ochelari de protecție.
  - Scoateți acumulatorul.
  - Utilizați o bucată de lemn sau un ciocan de cauciuc și loviți lama.
  - Aplicați o forță numai în zona unde se vede lama. Nu loviți arcul.
- Atenție la lamele cu arcuiri! Țineți mâinile la distanță față de lame! Acestea se vor deschide brusc.
- După scoaterea deșeurilor și deblocare:
  - Inserați bateria.
  - După deblocarea lamelor, apăsați trăgaciul înainte de a continua tăierea, astfel încât lamele să se poată deschide complet.

### RISCURI REZIDUALE

Chiar dacă produsul este folosit așa cum a fost prescris, este totuși imposibil să se elimine complet amănunțio factori de risc reziduali. Următoarele pericole pot apărea în timpul folosirii și operatorul trebuie să acorde atenție specială pentru a evita următoarele:



- Vătămare cauzată de vibrație
  - Folosiți întotdeauna aparatul potrivit pentru sarcină, folosiți mânerul prevăzute și restricționați timpul de lucru și expunerea.
- Contact cu discurile
  - Asigurați-vă că protecțiile pentru lamă sunt montate când produsul nu este utilizat. Țineți tot timpul mâinile și picioarele ferite de lame.
- Părți aruncate din piesa de lucru (așchii de lemn, fragmente de lemn)

## REDUCEREA RISCULUI

S-a raportat faptul că vibrațiile produse de uneltele manuale pot contribui, la anumite persoane, la o afecțiune denumită Sindromul Raynaud. Simptomele pot include furnicături, amorțeală și albirea degetelor, care apare, de obicei, după expunerea la frig. Factori ereditari, expunerea la frig și umiditate, dieta, fumatul și practicile de muncă contribuie la dezvoltarea acestor simptome. Există măsurător care pot fi efectuate de către operator pentru a reduce efectele de vibrațiilor:

- Păstrați-vă temperatura corporală ridicată pe vreme rece. Când operați produsul purtați mănuși pentru a menține calde mâinile și încheieturile. S-a constatat că vremea rece este un factor major care contribuie la sindromul Raynaud.
- După fiecare perioadă de operare, trebuie făcute exerciții pentru a crește circulația sângelui.
- Trebuie făcute pauze la intervale de timp regulate. Limitați expunerea zilnică.

Dacă sunt experimentate oricare dintre simptomele acestei afecțiuni, trebuie întreruptă utilizarea și consultat un medic.

### ⚠ AVERTISMENT

Pot fi cauzate sau agravate vătămarile de la folosirea prelungită a aparatului. Atunci când folosiți o sculă pentru perioade prelungite, asigurați-vă că luați pauze regulate.

## CUNOAȘTEȚI-VĂ PRODUSUL

Vezi pagina 141.

1. Lamă de tăiere
2. Carcasă mâner
3. Declanșator blocabil
4. Declanșator
5. Teacă lamă
6. Cârlig

## SIMBOLURILE DE PE PRODUS



Avertizare de siguranță



Vă rugăm citiți instrucțiunile cu atenție înainte de pornirea aparatului.



Purtați protecție pentru ochi, auz și cap.



Purtați mănuși care nu alunecă, de protecție la sarcinile dificile.



Purtați întotdeauna încălțăminte de siguranță antiderapantă când utilizați acest produs.



Nu expuneți la ploaie sau umezeală.



Pericol electric. Păstrați o distanță de cel puțin 10 m față de cablurile suspendate.



Feriți-vă de obiecte proiectate sau în zbor. Țineți toți trecătorii, în special copiii și animalele de companie la cel puțin 15 metri de zona de operare.



Țineți mâinile departe de lame.



Acest aparat este conform cu ansamblul normelor reglementare din țara din UE în care a fost cumpărat.



Marcaj de conformitate EurAsian



Semn de conformitate ucrainean



Deșeurile produselor electrice nu trebuie scum înlăturate împreună cu deșeurile casnice. Vă rugăm reciclați acolo unde există facilități. Verificați la autoritatea dvs locală sau la vânzător pentru sfaturi privind reciclarea.

## SIMBOLURI DIN ACEST MANUAL



Piedică



Deblocare



Piese sau accesorii vândute separat



Notă



Avertisment

Următoarele cuvinte de semnalizare sunt destinate a explica nivelele de risc asociate cu acest produs:

**⚠ PERICOL**

Indică o situație periculoasă iminentă, care dacă nu este evitată va cauza decesul sau vătămarea gravă.

**⚠ AVERTISMENT**

Indică o situație periculoasă iminentă, care dacă nu este evitată poate rezulta în deces sau vătămare gravă.

**⚠ ATENȚIE**

Indică o situație potențial periculoasă, care dacă nu este evitată poate cauza vătămarea moderată sau ușoară.

**ATENȚIE**

Fără a simbolul de alertă privind siguranța

Indică o situație care poate duce la pagube materiale.

130.com.ua



Radot jūsu bezvadu zaru šķēres, drošībai, veikspējai un uzticamībai ir pievērsta vislielākā vērība.

## PAREDŽĒTAIS LIETOJUMS

Bezvadu zaru šķēres ir paredzētas lietošanai ārpus telpām. Drošības nolūkos, trimmeri jāizmanto, to atbilstoši vadot ar abām rokām.

Izstrādājums ir radīts mazu zaru un pazuuru apgriešanai un formēšanai. Neizmantojiet izstrādājumu citu materiāli kā koka griešanai. Izstrādājums ir paredzēts zaru griešanai ar diametru līdz 32 mm (mīkstai koksnei) un 28 mm (cietai koksnei). Negrieziet resnus zarus, kuru diametrs ir lielāks kā šīs vērtības.

Produktam ir nemainīgs garums 0,85 m.

Neizmantojiet ierīci citiem nolūkiem, kas nav iepriekš uzskaitīti. Ierīci nedrīkst izmantot bērni vai personas bez atbilstošiem individuālajiem aizsardzības līdzekļiem un apģērbu.

## VISPĀRĪGIE DROŠĪBAS BRĪDINĀJUMI

### ⚠ BRĪDINĀJUMS

Izlasiet visus drošības tehnikas brīdinājumus un instrukcijas. Brīdinājumu un instrukciju neievērošana ir bīstama; tā var izraisīt elektrisko triecienu, aizdegšanos un/vai nopietnas traumas.

Saglabājiet visus brīdinājumus un instrukcijas uzziņām nākotnē.

Termiņš „elektroinstrumenti” brīdinājumā norāda gan uz elektrotīkla barošanas, gan akumulatora elektroinstrumentiem.

## DROŠĪBA DARBA ZONĀ

- Darba zonai jābūt tīrai un labi apgaismotai. Nekārtīgās vai tumšās vietās ir paaugstināts negadījumu risks.
- Nelietojiet elektroinstrumentus eksplozīvā vidē, piemēram, uzliesmojošu šķidrumu, gāzu vai putekļu tuvumā. Elektroinstrumenti rada dzirksteles, kas var aizdedzināt putekļus vai tvaikus.
- Kad strādājat ar elektroinstrumentiem, bērniem un citiem vērotājiem jāstāv atstātus. Ārēji traucēkļi var izraisīt kontroles zudumu pār instrumentu.

## ELEKTRISKĀ DROŠĪBA

- Elektroinstrumentu barošanas kontaktspraudņiem jāatbilst ligzdām. Spraudni aizliegts jebkādā veidā modificēt. Ar zemētiem elektroinstrumentiem aizliegts izmantot spraudņu adapterus. Oriģinālie (nemodificēti) spraudņi un atbilstošas ligzdas mazinās elektriskā triecienu risku.
- Ķermenis nedrīkst pieskarties zemētām virsmām, piemēram, caurulēm, radiatoriem, plītim un ledusskapjiem. Pastāv palielināts elektriskā triecienu risks, ja jūsu ķermenis ir zemētā.
- Neļaujiet elektroinstrumentam atrasties lietū vai mitrumā. Ūdens iekļūšana elektroinstrumentā palielinās elektriskā triecienu risku.

- Izmantojiet barošanas vadu tikai mērķiem, kuriem tas paredzēts. Nekādā gadījumā neizmantojiet barošanas vadu elektroinstrumenta nešanai, vilkšanai vai atvienošanai no elektrotīkla (velkot aiz tā). Turiet vadu atstātus no karstuma, eļļas, asām malām vai kustīgām daļām. Bojāti vai sapinušies vadi palielina elektriskā triecienu risku.
- Strādājot ar elektroinstrumentu ārā, izmantojiet lietošanai ārā piemērotu pagarinātāju. Atbilstoša pagarinātāja lietošana samazina elektriskā triecienu risku.
- Ja nav iespējams izvairīties no elektroinstrumenta lietošanas mitrumā, barošanas sistēma jāaizsargā ar paliekošās strāvas ierīci. Paliekošās strāvas ierīces izmantošana mazinā elektriskā triecienu risku.

## INDIVIDUĀLĀ DROŠĪBA

- Strādājot ar elektroinstrumentiem, esiet uzmanīgi, sekojiet savām darbībām un vadieties pēc veselā saprāta. Neizmantojiet elektroinstrumentus, ja esat noguris vai, lietojot narkotikas, alkoholu vai medikamentus. Mirkļi neuzmanības, lietojot elektroinstrumentus, var izraisīt nopietnas traumas.
- Izmantojiet individuālo aizsardzības aprīkojumu. Obligāti valkājiet acu aizsarglīdzekļus. Aizsarglīdzekļi, piemēram, putekļu maskas, neslīdoši darba apavi, ķiveres vai dzirdes aizsarglīdzekļi, tos atbilstoši izmantojot, mazinās traumatisma risku.
- Nepieļaujiet nejašu ieslēgšanu. Pirms instrumenta pieslēgšanas barošanas avotam un/vai akumulatoram, tā pacelšanas vai nešanas slēdzim jābūt izslēgtā pozīcijā. Elektroinstrumentu nešana, pirkstam atrodoties uz slēdža, vai pieslēgšana barošanai, ja slēdzis ir ieslēgtā pozīcijā, rada traumatisma risku.
- Pirms elektroinstrumentu ieslēgšanas izņemiet regulēšanas vai uzgriežņu atslēgas. Uzgriežņu vai regulēšanas atslēga, kas atstāta piestiprināta pie elektroinstrumenta rotējošās daļas, var izraisīt traumas.
- Nesniedzieties pārāk tālu. Pastāvīgi saglabājiet pareizu kāju pozīciju un līdzsvaru. Tas ļauj drošāk kontrolēt elektroinstrumentu negaidītās situācijās.
- Valkājiet atbilstošu apģērbu. Nevalkājiet valģu apģērbu vai rotaslietas. Turiet savus matus, apģērbu un cimdus atstātus no kustīgajām daļām. Valģus apģērbs, rotaslietas vai gari mati var iekerties kustīgajās daļās.
- Ja var pievienot putekļu nosūkšanas un savākšanas ierīces, tās jāpievieno un pareizi jālieto. Putekļu savākšana var mazināt ar putekļiem saistītos riskus.

## ELEKTROINSTRUMENTU LIETOŠANA UN KOPŠANA

- Nepārslogojiet elektroinstrumentu. Izmantojiet savam uzdevumam atbilstošu elektroinstrumentu. Pareizais elektroinstrumentiņš paveiks darbu labāk un drošāk, ja to lieto ar tam paredzēto slodzi.
- Neizmantojiet elektroinstrumentu, ja nedarbojas slēdzis. Jebkurš elektroinstrumentiņš, kuru nav iespējams vadīt ar slēdzi, ir bīstams, un tam jāveic remonts.
- Atvienojiet spraudni no barošanas avota un/vai akumulatoru no elektroinstrumenta, pirms veikt

EN
FR
DE
ES
IT
NL
PT
DA
SV
FI
NO
RU
PL
CS
HU
RO
<b>LV</b>
LT
ET
HR
SL
SK
BG
UK
TR







jebkādas regulēšanas darbus, mainītu piederumus vai glabātu elektroinstrumentu. Šāda profilaktiskie drošības pasākumi mazina elektroinstrumenta nejaušas iedarbināšanas risku.

- **Glabājiet elektroinstrumentus bērniem nepieejamā vietā un neļaujiet tos lietot personām, kas nepārzina attiecīgo elektroinstrumentu vai šīs instrukcijas.** Neapmācītu lietotāju rokās elektroinstrumenti ir bīstami.
- **Elektroinstrumentu kopšana.** Pārbaudiet kustīgo daļu noregulējumu vai ķeršanos, detaļu lūšanu un jebkuru citus traucēkļus, kas var ietekmēt elektroierīces lietošanu. Ja elektroinstrumenti ir bojāti, pirms lietošanas tam jāveic remonts. Daudzus negadījumus izraisa slikti kopti elektroinstrumenti.
- **Zāģēšanas instrumentiem jābūt asiem un tīriem.** Pareizi koptiem zāģēšanas instrumentiem ir asas griezošās virsmas, tādēļ tie mazāk ķeras, un tos ir vieglāk vadīt.
- **Izmantojiet elektroinstrumentu, piederumus un instrumentu asmeņus utt. atbilstoši šīm instrukcijām, ņemot vērā darba apstākļus un veicamos darbus.** Ja elektroinstrumenti tiek izmantoti darbiem, kuriem tie nav paredzēti, tas var izraisīt bīstamas situācijas.

#### AKUMULATORA LIETOŠANA UN APRŪPE

- **Uzlādējiet tikai ar ražotāja norādītu lādētāju.** Lādētājs, kas paredzēts lietošanai ar vienu akumulatoru, var būt ugunsbīstams, ja to izmanto ar citu akumulatoru.
- **Izmantojiet elektroinstrumentus tikai ar tiem paredzētiem akumulatoriem.** Jebkuru citu akumulatoru lietošana rada traumatiska un ugunsbīstamības riskus.
- **Kamēr akumulators netiek lietots, turiet to atstatu no citiem metāla priekšmetiem, piemēram papīra skavām, monētām, atslēgām, naglām, skrūvēm vai citiem maziem metāla priekšmetiem, kas var radīt savienojumu starp spailēm.** Akumulatora spailu īsslēgums var izraisīt apdegumus vai aizdegšanos.
- **Pie nepareizas apiešanās no akumulatora var izklūst šķidrums; izvairieties no saskares ar to. Ja saskare tomēr nejauši notiek, skalojiet skarto vietu ar ūdeni. Ja šķidrums nokļūst acīs, papildus nepieciešama arī medicīniskā palīdzība.** No akumulatora izklūvušais šķidrums var izraisīt kairinājumu vai apdegumus.

#### APKOPE

- **Elektroinstrumentu kopšana drīkst veikt tikai kvalificēts remonta speciālists, kas izmanto tikai pareizās rezerves daļas.** Tādā veidā tiek nodrošināta elektroinstrumenta drošība.

#### ZARU ŠĶĒRU DROŠĪBAS BRĪDINĀUMI

##### BĪSTAMI

Turiet rokas atstatu no asmens. Saskaršanās ar asmeni var izraisīt smagus ievainojumus.

- Nekad neļaujiet bērniem, cilvēkiem ar samazinātām fiziskajām spējām, maņu vai garīgiem traucējumiem, vai cilvēkiem ar pieredzes un zināšanu trūkumu, vai cilvēkiem, kuri nav iepazinušies ar instrukcijām, izmantot šo ierīci. Vietējie statūti vai noteikt ierobežojumus operatora vecumam.
- Produktam ir nemainīgs garums 0,85 m.
- Nedarbiniet precī, ja pastāv zibens iesperšanas risks. Glabājiet precī iekštelpās.
- BUzmanieties no elektrības vadiem virs galvas.
- Pārliecinieties, ka visi aizsargi un rokturi ir atbilstoši uzstādīti un ir labā stāvoklī.
- Darbinot precī, valkājiet pilnus acu un ausu aizsargus.
- Valkājiet smagas, garas bikses, zābakus un cimdus. Nevalkājiet valīgu apģērbu, aksesuārus, neizmantojiet izstrādājumu ja kājās nav apavu.
- Nesāciet izmantot ierīci pirms jūs neesat atbrīvojis darba vietu, nodrošinājis stabilu stāju un izplānojis glābšanas ceļu no kritošiem zariem vai koku daļām.
- Neizmantojiet elektroierīci, ja esat noguris vai narkotisko vielu, alkohola vai medikamentu ietekmē.
- Darbības laikā, turiet precī ar abām rokām. Izmantojiet vienu roku, lai cieši satvertu priekšējo rokturi. Izmantojiet otru roku, lai satvertu aizmugurējo rokturi un izmantotu atbrīvošanas slēdži un ieslēgšanas/izslēgšanas slēdži.
- Pirms izstrādājuma iedarbināšanas nodrošiniet, ka tas atrodas darbam paredzētajā vietā un stāvoklī.
- Nekad neizmantojiet izstrādājumu, ja griešanas aprīkojums atrodas tuvāk par 10 m no gaisā novilktiem elektrības vadiem.
- Strādājot jābūt biežiem pārtraukumiem. Ierobežojiet iedarbības ilgumu dienā.
- Visada tīrītai stovēkite ir išlaikykite pusiausvyrā. Nepersitempkite. Stiepšanās var radīt līdzsvara zudumu un var novest pie nopietnas traumas.
- Nedarbiniet ierīci, ja griežējs ir bojāts vai pārmērīgi nodilis.
- Nekādā gadījumā nepārveidojiet ierīci un neizmantojiet to lai darbinātu citu aprīkojumu vai ierīces, kuras neiesaka ierīces ražotājs.
- Identificējiet ātrās atbrīvošanas mehānismu un iemācieties to lietot pirms jūs esat sācis lietot šo ierīci. Šī mehānisma pareiza izmantošana var pasargāt jūs no ievainojumiem ārkārtas gadījumos. Nekad nevelciet citu apģērbu virs turētāja vai jebkādā citā veidā apgrūtiniet piekļuvi ātrās atlaišanas mehānismam.
- Nelietojiet sliktā apgaismojumā. Lietojiet izstrādājumu dienas gaismā vai labā mākslīgā apgaismojumā.
- Neizmantojiet zaru šķēres, ja griešanas mehānisms nedarbojas pareizi.
- Lai pasargātu sevi no kritošiem zariem, nestāviet tieši zem tiem. Produktu nevajadzētu turēt leņķī virs 60° no zemes.
- Lai samazinātu kustīgo daļu radīto ievainojumu risku, vienmēr apturiet dzinēju un pārliecinieties, ka visas kustīgās daļas ir pilnīgi apstājušās un izņemiet akumulatoru pirms:
  - nosprostoju tīrīšana vai aizvākšana





- izstrādājuma atstāšana bez uzraudzības
  - piederumu uzstādīšanas vai noņemšanas
  - ierīces pārbaudīšana, apkope vai darbināšana.
- Uzturiet izstrādājumu tīru no skaidām un citiem materiāliem. Tās var tikt iespiestas starp asmeni un zokli.

#### PAPILDU DROŠĪBAS BRĪDINĀJUMI

- Neļaujiet biežas instrumentu lietošanas radītam pieradumam ļaut palikt nevērtīgam un neievērot instrumentu drošības principus.
- Neuzmanīga rīcība var radīt smagas traumas tikai dažu sekunžu laikā.
- Rokturiem un citām satverošām virsmām ir jābūt sausām, tīrām un bez eļļas un smērvielu plankumiem.
- Negaidītās situācijās slideni rokturi un slidena satvēriena virsmas padara darbarīka lietošanu nedrošu un nekontrolējamu.
- Neizmantojiet akumulatoru bloku, kas ir bojāts vai pārveidots.
- Bojāts vai pārveidots akumulatoru bloks var izraisīt neparedzamu darbību, kas var izraisīt uzliesmošanu, sprādzienu vai ievainojumu risku.
- Nepakļaujiet akumulatoru bloku vai instrumentu liesmu vai paaugstinātas temperatūras iedarbībai.
- Pakļaujot liesmām vai paaugstinātai temperatūrai virs 130°C var izraisīt sprādzienu.
- Ievērojiet visas lādēšanas instrukcijas un nelādējiet akumulatoru bloku vai instrumentu, ja temperatūra ir ārpus diapazona, kas norādīts instrukcijās.
- Nepareiza lādēšana vai lādēšana temperatūrā, kas ir ārpus norādītā diapazona, var izraisīt akumulatora bojājumus un palielināt uzliesmošanas risku.
- Veicot griešanu, nodrošiniet ka darba zonā neatrodas nepiederošas personas, bērni un dzīvnieki.
- Ja zāģējat zaru, kurš ir nosprīgots, esiet vienmēr gatavs ātri doties projām, lai nesāņētu sietienu ar zaru, kad tas atbrīvosies no nosprīgojuma.
- Veiciet rūpīgu ražojuma apkopi. Labākai veikspējai un ievainojumu riska samazināšanai, uzturiet griezēja asmeņus asus un tīrus. Izpildiet eļļošanas un piederumu maiņas norādījumus.
- Turiet rokturus sausus, tīrus un bez eļļas un smērvielām.
- Pirms lietošanas un pēc jebkura trieciena, pārbaudiet, vai nav bojātu daļu. Jebkura bojāta detaļa jānodod remontam vai nomaīņai pilnvarotā apkopes centrā.
- Ja ierīce tiek nomesta, tā ir saskārusies ar smagu triecienu vai tā sāk nevaldāmi vibrēt, nekavējoties izslēdziet ierīci un centieties atrast bojājumu vai arī cēloni šādai vibrācijai. Jebkāda tehniska apkope ir jāveic tikai autorizētos tehniskās apkopes centros.
- Pārbaudiet bojātās daļas. Pirms tālākas izstrādājuma izmantošanas, pārējās bojātās daļas ir rūpīgi jāpārbauda, lai noteiktu, vai tās atbilstoši darbosies un veiks to paredzētās funkcijas.
- Šī zoliapjovē remontuoti turi tik kvalificuotas remonto darbus atliekantis personālas. Nekvalificēta personāla veiktas apkopes vai uzturēšanas rezultātā lietotājs var gūt savainojumus vai ražojums var tikt sabojāts.

- Ilsaugokite šias instrukcijas. Bieži to pārlasiet un izmantojiet to, lai apmācītu citas personas, kas var lietot šo ražojumu. Ja kādam aizdodāt šo instrumentu, dodiet līdzi arī šo pamācību, lai izvairītos no produkta nepareizas lietošanas un iespējamām traumām.
- Negrieziet vietās, kurās pastāv slēptu vadu pastāvēšanas risks.
- Negrieziet vadus.
- Atbrīvojiet plaujamo zonu no stieplēm un vadiem (piemēram: ziemassvētku lampiņas).

#### PAPILDU AKUMULATORU BLOKA DROŠĪBAS BRĪDINĀJUMI

##### ⚠ BRĪDINĀJUMS

Lai novērstu īssavienojuma izraisītu aizdegšanās, savainojumu vai produkta bojājuma risku, neiegremdējiet instrumentu, maināmo akumulatoru vai uzlādes ierīci šķidrumos un rūpējieties par to, lai ierīcēs un akumulatoros neieklejūtu šķidrumus. Koroziju izraisoši vai vadītspējīgi šķidrumi, piemēram, sālsūdens, noteiktas ķīmikālijas, balinātāji vai produkti, kas satur balinātājus, var izraisīt īssavienojumu.

#### TRANSPORTĒŠANA UN UZGLABĀŠANA

- Apturiet ierīci, izņemiet bateriju un ļaujiet abiem atdzist pirms uzglabāšanas vai transportēšanas.
- Notīriet visus svešķermeņus no izstrādājuma.
- Pēc katras lietošanas reizes, notīriet ierīci un tās rokturus ar mīkstu, sausu audumu.
- Pēc katras lietošanas reizes, notīriet iežus no asmeņiem ar stingru otiņu, un uzmanīgi uzklājiet pretrūsu aizsargājošu eļļu, pirms pieliekat asmeņu aizsargus. Izmantojiet ieteikto rūsas aizsardzības smērvielas aerosolu, lai panāktu vienmērīgu tās uzklāšanu un samazinātu ievainojumu risku, kas radušies no saskarsmes ar asmeņiem. Konsultējieties ar vietējo autorizēto pārstāvi, lai iegūtu informāciju par piemērotiem līdzekļiem.
- Viegli ieeļļojiet asmeņus pirms un pēc lietošanas, ja nepieciešams, izmantojot iepriekš minēto metodi.
- Transportējot nostipriniet ierīci, lai tā nekustētos un neapgāztos, jo tas var izraisīt miesas bojājumus un ierīces bojājumus.
- Uzglabājiet to vēsā, sausā un labi vēdinātā vietā, kurai nevar piekļūt bērni. Neglabājiet to vietā, kur tuvumā atrodas korozīvas vielas, piemēram dārza darbos izmantojamas ķīmikālijas vai atsaldēšanai domāta sāls. Neuzglabājiet ārpus telpām.

#### LITIJA AKUMULATORU PĀRVADĀŠANA

Pārvadājiet akumulatoru saskaņā ar vietējiem un valsts nosacījumiem un noteikumiem.

Ja akumulatoru pārvadāšanu veic trešā puse, ievērojiet visas īpašās prasības par iepakojšanu un marķēšanu. Transportējot nodrošiniet, lai akumulatori nesaskaras ar citiem akumulatoriem vai vadošiem materiāliem, atsegtos





savienotājus aizsargājot ar izolējošiem, nevadošiem vāciņiem vai lenti. Nepārvietojiet akumulatorus, kas ir iekļauti vai ar noplūdi. Konsultējieties ar pārsūtīšanas uzņēmumu.

## APKOPE

### ⚠ BRĪDINĀJUMS

Lietojiet tikai oriģinālās ražotāja rezerves daļas, piederumus un uzgaļus. Pretējā gadījumā var tikt radīti ievainojumi un parādīts slikts sniegums, kā arī var tikt anulēta garantija.

### ⚠ BRĪDINĀJUMS

Pirms pārbaudīt, tīrīt vai apkalpot izstrādājumu, apturiet motoru, nogaidiet līdz visas kustīgās daļas pilnībā apstājas un izņemiet akumulatoru. Ja šos noteikumus neievēro, tad ir iespējamas smagas traumas vai ievērojami materiālie zaudējumi.

### ⚠ BRĪDINĀJUMS

Aptarnavimā atlikti būtina itin atdīzai, todēl rekomēduojame, kad tehniņē apziūrā vykdytų kvalifikuotas specialistas. Lai veiktu remontu, nogādājiet ierīci pilnvarotā servisa centrā. Veicot apkopi, lietojiet tikai oriģinālās ražotāja rezerves daļas.

- Izslēdziet un noņemiet akumulatoru bloku, pirms veikt jebkādas apkopes vai tīrīšanas darbus.
- Daudzus šajā lietotāja rokasgrāmatā aprakstītos regulēšanas un remontdarbus varat veikt pats. Cita veida remontam vai konsultācijām, vērsieties pēc padoma autorizētā servisa centrā.
- Pēc katras lietošanas reizes notīriet precī ar mīkstu, sausu drāniņu. Jebkura bojāta detaļa jānodod remontam vai nomaigai pilnvarotā apkopes centrā.
- Pārbaudiet visus uzgriežņus un skrūves pirms katras lietošanas kā arī ar regulāriem intervāliem, vai tie ir novilkti, lai nodrošinātu izstrādājuma drošu lietošanas stāvokli.
- Tīrot plastmasas detaļas, nelietojiet šķīdinātājus. Komercināli tirpikliem ļengvai pažeidžia daugelį plastikinių dalių paviršiu ir gali jas apgadinti. Lietojiet tīru audumu, lai notīrītu neffrumus, putekļus, smērvielas u.c.
- Neļaujiet bremžu šķidrūmam, benzīnam, naftas produktiem, smērvielām u.c. saskarties ar plastmasas detaļām. Ķīmiskie līdzekļi var sabojāt vai iznīcināt plastmasas elementus, kas savukārt var radīt smagus miesas bojājumus.

**PIEZĪME:** Lai nodrošinātu ilgu un uzticamu kalpošanu, veiciet regulāru apkopi.

- Pārbaudiet, vai nav redzamu defektu kā vaļņgs, nepareizi stāvošs vai bojāts asmens, vaļņgi stiprinājumi vai nodilušas vai bojātas daļas.
- Pārbaudiet, vai vāki un aizsargi nav bojāti un ir kārtīgi uzlikti. Veiciet nepieciešamo apkopi vai remontu, pirms

izmantot izstrādājumu.

- Vienmēr pēc darba notīriet griešanas asmeņus.
- Visuāli pārbaudiet asmens griešanas malas stāvokli. Jebkurš bojāts asmens ir atbilstoši jāremontē vai jānomaina pilnvarotā servisa centrā.
- Noliekot izstrādājumu uz virsmas, pārliecinieties, ka griešanas mehānisms ir apstājies.

## NOSPROSTOJUMA NOVĒRŠANA

*Skatiet 147 - 148. lpp.*

- Ja asmeņus nosprosto tajos iesprūdušas skaidas vai mizas, un asmeņus nevar atbrīvot 3 līdz 4 reizes nospiežot slēdzi, tālāk veiciet sekojošas darbības:
  - Valkājiet aizsargbrilles un cimdus.
  - Noņemiet akumulatoru.
  - Izmantojot koka gabalu vai gumijas āmuru, uzsitiet pret asmeni.
  - Pielietojiet spēku tikai asmens redzamajai daļai. Nesitiet pa atspēri.
- Uzmanieties no atspērotiem asmeņiem. Turiet rokas atstatu no asmeņiem, tie pēkšņji atvērsies.
- Kad nosprostošie priekšmeti ir iztīrīti:
  - Ievietojiet akumulatoru.
  - Kad asmeņi ir atbrīvoti, nospiediet slēdža mēlīti, pirms turpināt veikt griezumus, lai asmeņi pilnīgi atvērtos.

## OBJEKTĪVIE RISKI

Pat ka prece ir lietotā kā noteikts, nav iespējams pilnībā novērst noteiktus riska faktorus. Lietošanas laikā var rasties šādas bīstamas situācijas, un lietotājam ir jāpievērš pastiprināta uzmanība, lai tās novērstu:

- Vibrācijas radīts ievainojums
  - Vienmēr izmantojiet pareizos rīkus tiem paredzētajam darbam, izmantojiet norādītos rokturus un ierobežojiet laiku, cik ilgi izmantojat ierīci.
- Saskarsme ar asmeņiem
  - Nodrošiniet, ka izstrādājuma asmens aizsargi ir uzstādīti, arī kad izstrādājums netiek lietots. Turiet rokas un kājas pa gabalu no asmeņiem visu laiku.
- No apstrādājamā materiāla izmestas daļas (koka skaidas, šķembas)

## RISKA SAMAZINĀŠANA

Ir ticis ziņots, ka vibrācijas no rokas instrumentiem atsevišķos cilvēkos var veicināt kaiti, ko sauc par Reino sindromu. Simptomi var ietvert pirkstu tīnkšķēšanu, nejutīgumu un nobālēšanu, parasti aukstā laikā. Tiek uzskatīts, ka tradicionālie faktori, aukstums un mitrums, uzturs, smēķēšana un darba prakse sekmē šo simptomu attīstību. Operators var veikt pasākumus, lai iespējami samazinātu vibrācijas efektu:

- Aukstā laikā ķermeņim jābūt siltam. Kad darbināt precī valkājiet cimdus, lai rokas un plaukstu locītavas būtu siltas. Ir pētījumi, ka auksts laiks ir galvenais faktors, kas veicina Reino sindromu.
- Ik pēc laika apturiet darbu un veiciet vingrinājumus, kas uzlabo asins cirkulāciju.
- Strādājot jābūt biežiem pārtraukumiem. Ierobežojiet



iedarbības ilgumu dienā.

Ja jūs izjūtat kādu no šiem simptomiem, nekavējoties apturiet ierīces lietošanu un sazinieties ar ārstu par šiem simptomiem.

### ⚠ BRĪDINĀJUMS

Ilgstoša preces lietošana var radīt ievainojumus vai pasliktināt jau esošos. Ilgstoši lietojot jebkuru instrumentu, pārliecinieties, ka tiek veikti regulāri pārtraukumi.

### PAZĪSTIET SAVU IERĪCI

Skatīt 141. lappusi

1. Cērtošais asmens
2. Roktura korpus
3. Bloķēšanas mēlīte
4. Mēlīte
5. Asmens uzlika
6. Āķis

### UZ PRECES ESOŠIE SIMBOLI



Drošības brīdinājums



Pirms iedarbināt mašīnu, lūdzu rūpīgi izlasiet instrukcijas.



Izmantojiet acu, ausu un galvas aizsargu.



Nēsājiet neslīdošus, smagam darbam piemērotus aizsargcimdus.



Kad izmantojat šo izstrādājumu, lietojiet neslīdošus aizsargapavus.



Nepakļaujiet lietum vai mitriem apstākļiem.



Elektriskā bīstamība. Turieties vismaz 10 m attālumā no gaisvadu elektrolīnijām.



Sargieties no izmestiem vai lidojošiem priekšmetiem. Rūpējieties, lai visi tuvumā stāvošie, īpaši bērni un dzīvnieki atrastos vismaz 15m attālumā no darba zonas



Neturiet rokas asmeņu tuvumā.



Darbarīks atbilst visām normām ES valstī, kurā tas ir iegādāts.



EurAsian atbilstības marķējums



Ukrainas apstiprinājuma zīme



Izlietotie elektroprodukti nedrīkst tikt izmesti kopā ar mājāsaimniecības atkritumiem. Lūdzu, nododiet tos attiecīgajās atkārtošanas vietās. Sazinieties ar savu vietējo varas pārstāvi vai izplatītāju, lai noskaidrotu, kur iespējama atkārtota pārstrāde.

### SIMBOLI ŠAJĀ ROKASGRĀMATĀ



Bloķētājs



Atbloķēt



Atsevišķi nopērkamās daļas vai piederumi



Piezīme



Brīdinājums

Šādi signālvārdi un nozīmes ir paredzētas, lai izskaidrotu ar precīzi saistītā riska līmeņus:

#### ⚠ BĪSTAMI

Norāda draudošo bīstamo situāciju, kas, ja no tās neizvairās, var novest pie nāves vai nopietnas traumas.

#### ⚠ BRĪDINĀJUMS

Norāda potenciālo bīstamo situāciju, kas, ja no tās neizvairās, var novest pie nāves vai nopietnas traumas.

#### ⚠ UZMANĪBU

Norāda potenciālo bīstamo situāciju, kas, ja no tās neizvairās, var novest pie nelielas vai vidējas traumas.

#### UZMANĪBU

Bez drošības brīdinājuma apzīmējuma

Norāda uz situāciju, kas var radīt īpašuma bojājumus.



Gaminant šį akumuliatorinį šakų genėtuvą didžiausia svarba buvo teikiama jo saugai, efektyvumui ir patikimumui.

## NAUDOJIMO PASKIRTIS

Akumuliatorinis šakų genėtuvas skirtas naudoti lauke. Darbo šiuo įrenginiu saugą galima užtikrinti tik dirbant abiem rankomis.

Gaminys skirtas mažoms šakelėms ir šakoms karpyti bei genėti. Nenaudokite šio gaminio ne mediniams daiktams karpyti. Gaminys skirtas iki 32 mm skersmens (minkšto medžio) ir 28 mm skersmens (kietmedžio) šakoms karpyti. Nekarpykite storų šakų, kurių skersmuo yra didesnis nei pirmiau nurodytas.

Gaminys yra fiksotu, 0,85 m ilgio.

Nenaudokite grandininio pjūklo jokiai kitai, aukščiau nenurodytai paskirčiai. Grandininio pjūklo negali naudoti vaikai ar asmenys, nedėvintys atitinkamų asmeninės apsaugos priemonių ir aprangos.

## BENDRIEJI SAUGOS ĮSPĖJIMAI

### ⚠ ĮSPĖJIMAS

**Perskaitykite visus saugos įspėjimus ir nurodymus.** Nesilaikant įspėjimų ir nurodymų, galima patirti elektros smūgį, gali kilti gaisras ir (arba) rimtai susižaloti.

**Visus įspėjimus ir instrukcijas saugokite, nes jų gali prireikti ateityje.**

Terminas „elektros įrankis“ įspėjimuose reiškia jūsų iš tinklo arba baterija (belaidį) maitinamą elektros įrankį.

## DARBO VIETOS SAUGA

- **Darbo vieta turi būti švari ir gerai apšviesta.** Nelaimingi atsitikimai įvyksta netvarkingose ar tamsiose vietose.
- **Neekspluatuokite elektros įrankio sprogioje aplinkoje, pavyzdžiui, jei yra degių skysčių, dujų arba dulkių.** Dirbant su elektros įrankiu, susidaro kibirkštys, kurios gali uždegti dulkes arba dūmus.
- **Dirbdami su elektros įrankiu, artį neprileisite vaikų ir pašalinių asmenų.** Dėl išsiblašymo, galite prarasti kontrolę.

## ELEKTROS SAUGA

- **Elektros įrankių kištukai turi atitikti maitinimo lizdą. Niekada nekeiskite kištuko konstrukcijos. Nenaudokite jokių adapterio kištukų su įžemintais elektros įrankiais.** Nemodifikuoti kištukai ir tinkantys maitinimo lizdai sumažina elektros smūgio grėsmę.
- **Nesilieskite prie įžemintų paviršių, pavyzdžiui, vamzdžių, radiatorių, viryklių ir šaldytuvų.** Įžeminius savo kūną, atsiranda žymiai didesnė elektros smūgio grėsmė.
- **Nenaudokite elektros įrankių lietuje ar drėgmėje.** Dėl vandens, patekusio į elektros įrankį, padidėja elektros smūgio grėsmė.
- **Tinkamai elkitės su laidu. Neneškite, nevilkite elektros įrankio ir netraukite kištuko iš maitinimo lizdo už laido. Saugokite laidą nuo karščio, tepalo,**

**aštrių kraštų ir judančių detalių.** Dėl pažeisto arba supainiota laido padidėja elektros smūgio grėsmė.

- **Ekspluatuodami elektros įrankį lauke, naudokite ilginamąjį laidą, tinkantį dirbti lauke.** Naudojant laidą, tinkantį dirbti lauke, sumažėja elektros smūgio grėsmė.
- **Jei su elektros įrankiu reikia dirbti drėgnoje vietoje, naudokite maitinimą, apsaugotą liekamosios srovės įrenginiu (RCD).** Naudojant RCD, sumažėja elektros smūgio grėsmė.

## ASMENINĖ SAUGA

- **Būkite budrūs, žiūrėkite, ką darote, ir galvokite, dirbdami su elektros įrankiu. Nedirbkite su elektros įrankiu, jei esate pavargę, apsaugotą nuo narkotinių medžiagų, alkoholio arba vaistų.** Dėl neatidumo, dirbant su elektros įrankiais, galima rimtai susižaloti.
- **Naudokite individualias darbo saugos priemones. Visada dėvėkite akių apsaugos priemones.** Darbo saugos priemonės, pavyzdžiui, priešdulkinė puskaukė, neslystanti apsauginė avalynė, šalmas arba klausos apsaugos priemonės, sumažins riziką susižaloti.
- **Būkite atsargūs, kad įrankis atsitiktinai neįsijungtų. Prieš įjungdami į maitinimo šaltinį ir (arba) įdėdami baterijos paketą, pakeldami arba nešdami įrankį, patikrinkite, ar jungiklis yra išjungtas.** Jei įrankį nešite uždėję pirštą ant jungiklio arba jei tuo metu įjungsite maitinimą, gali nutikti nelaimingų atsitikimų.
- **Prieš įjungdami elektros įrankį, ištraukite bet kokį reguliavimo raktą arba veržliaraktį.** Veržliaraktis arba raktas, paliktas pritvirtintas prie judančios elektros įrankio detalės, gali sužeisti.
- **Nepersitempkite. Visada stovėkite ant tinkamo pagrindo, kad išlaikytumėte pusiausvyrą.** Taip netikėtose situacijose geriau suvaldysite elektros įrankį.
- **Tinkamai apsirenkite. Nesidėkite laisvų drabužių ar papuošalų. Plaukus, drabužius ir pirštines laikykite atokiau nuo judančių dalių.** Laisvus drabužius, papuošalus ar ilgus plaukus gali prispausti judančios dalys.
- **Jei kartu tiekiami prietaisai, skirti dulкėms ištraukti ir joms surinkti, patikrinkite, ar jos prijungtos, ir tinkamai naudokite.** Surenkant dulkes, gali sumažėti su dulкėmis susijusių pavojų.

## ELEKTROS ĮRANKIO NAUDOJIMAS IR PRIEŽIŪRA

- **Dirbdami su elektros įrankiu, nenaudokite jėgos. Savo darbams naudokite tinkamą elektros įrankį.** Su tinkamu elektros įrankiu darbą atliksite geriau ir saugesniu greičiu, kuriam jis buvo suprojektuotas.
- **Nenaudokite elektros įrankio, jei jungiklis neįsijungia ir neišsijungia.** Bet koks elektros įrankis, kurio negalima reguliuoti jungiklio, yra pavojingas ir turi būti remontuojamas.
- **Prieš reguliuodami elektros įrankius, keisdami priedus arba sandėliuodami, ištraukite kištuką iš maitinimo šaltinio ir (arba) baterijos paketą iš įrankio.** Tokios prevencinės saugos priemonės apsaugo, kad elektros įrankis atsitiktinai neįsijungtų.
- **Nenaudojamus elektros įrankius laikykite vaikams**





nepasiekiamoje vietoje ir neleiskite jų naudoti asmenims, kurie nėra susipažinę su jais ar perskaitę šias instrukcijas. Elektros įrankiai nekvalifikuotų naudotojų rankose yra pavojingi.

- **Techniškai prižiūrėkite elektros įrankius. Tikrinkite, ar tinkama judančių dalių lygiuotė ir ar nėra sukibusios jos, ar nėra jos įtrūkusios ir ar nėra kitų sąlygų, kurios trukdytų tinkamai eksploatuoti elektros įrankį. Jei elektros įrankis sulūžo, prieš jį pradėdami vėl eksploatuoti, suremontuokite.** Daug nelaimingų atsitikimų nutinka dėl netinkamai prižiūrimų elektros prietaisų.
- **Pjovimo įrankiai turi būti aštrūs ir švarūs.** Tinkamai prižiūrėti ir aštrūs pjovimo įrankiai rečiau įstringa ir yra lengviau valdomi.
- **Elektros įrankį, priedus ir detales naudokite pagal šias instrukcijas, atsižvelgdami į darbo sąlygas bei atliekamą patį darbą.** Naudojant elektros prietaisą ne pagal naudojimo paskirtį, gali susidaryti pavojingos situacijos.

#### BATERINIO ĮRANKIO NAUDOJIMAS IR PRIEŽIŪRA

- **Pakartotinai kraukite tik su gamintojo nurodytu įkrovikliu.** Vieno tipo baterijų paketui tinkantis įkroviklis gali kelti gaisro grėsmę kitokiam baterijų paketui.
- **Elektros įrankius naudokite tik su jiems specialiai suprojektuotais baterijų paketais.** Naudojant kitokius baterijų paketus, galima susižaloti arba gali užsidegti.
- **Kai baterijos paketas nenaudojamas, jo negalima laikyti šalia kitų metalinių objektų, pavyzdžiui, sąvaržėlių, monetų, raktų, vinių, varžtų ar kitų mažų metalinių daiktų, kurie vieną išvadą gali sujungti su kitu.** Sutrumpinus vieną baterijos išvadą su kitu, galima nusideginti arba gali užsidegti.
- **Netinkamomis sąlygomis iš baterijos gali ištėkėti skystis; nelieskite jo.** Jei netyčia prisiliečiate, nuplaukite vandeniu. Patekus į akis, papildomai kreipkitės į gydytoją. Iš baterijos ištėkėjęs skystis gali sudirginti arba nudeginti.

#### REMONTAS

- **Jūsų elektros įrankį turi remontuoti kvalifikuotas remontininkas, naudojantis tik identiškas atsargines detales.** Taip užtikrinsite elektros įrankio saugą.

#### ŠAKŲ GENĖTUVO NAUDOJIMO SAUGOS TAISYKLĖS

##### ▲ PAVOJUS

Laikykite rankas atokiai nuo peilio. Prisilietę prie geležtės galite sunkiai susižeisti.

- Jokiu būdu neleiskite naudoti krūmapjovės vaikams, asmenims su fiziniais, jutimaisiais ar psichiniais sutrikimais, ar žmonėms, neturintiems reikiamos patirties ir žinių, arba nesusipažinusiems su šiomis instrukcijomis. Vietos įstatymai gali apriboti įrengimo operatoriaus amžių.
- Gaminy yra fiksuoto, 0,85 m ilgio.
- Gaminio negalima naudoti, jeigu yra perkūnijos ar žaibavimo grėsmė. Gaminį reikia saugiai laikyti uždaroje patalpoje.
- Saugokite kabančių antžeminių elektros linijų.
- Patikrinkite, ar visi apsauginiai įtaisai ir rankenos tinkamai sumontuotos ir geros būklės.
- Naudodami šį įrenginį, dėvėkite pilną akių ir klausos apsaugą.
- Dėvėkite ilgą storą kelnę, avėkite ilgus batus ir mėvėkite pirštines. Nedėvėkite laisvų drabužių, papuošalų; nesinaudokite gaminiu būdami basi.
- Nepradėkite naudoti krūmapjovės, kol tinkamai neparuoštas genėjimo plotas, nėra tvirtu pagrindu po kojomis ir nenumatytas atitraukimo takas nuo krintančių šakų ir šakelių.
- Nesinaudokite įrankiu, kai esate pavargę ar paveikti narkotinių medžiagų, alkoholio ar vaistų.
- Pjaunant, gaminį reikia laikyti suėmus abiem rankomis. Viena ranka tvirtai suimkite priekinį suėmimo įtaisą. Kita ranka suimkite galinę rankeną ir naudokite spragtuką atleidimo įtaisą bei jį./išj. spragtuką.
- Prieš įjungdami įrenginį įsitikinkite, kad jis yra tinkamai nustatytas į nurodytą darbinę padėtį.
- Niekada nesinaudokite gaminiu, jei pjovimo priemonė yra arčiau nei 10 m nuo kabančių antžeminių elektros linijų.
- dažnai darykite darbo pertraukas. Aprobokite darbo laikotarpį per dieną.
- Visada tvirtai stovėkite ir išlaikykite pusiausvyrą. Nepersitempkite. Per plačiai užsimojūs, galima netekti pusiausvyros ir sunkiai susižeisti.
- Prietaiso nenaudokite, jei pjovimo įtaisas yra pažeistas ar žymiai nusidėjęs.
- Gaminio negalima modifikuoti ir naudoti su įtaisais ar prietaisais, kurių nerekomenduoja gaminio gamintojas.
- Nustatykite greito atleidimo mechanizmą ir pasipraktikuokite, kaip juo naudotis prieš pradėdami genėti. Teisingai naudojant šį įtaisą, galima apsaugoti nuo sužeidimų įvykus avarijai. Jokiu būdu nemėvėkite palaidų drabužių virš papildomos atramos ar kitaip nekludykite spartaus atpalaidavimo mechanizmo.
- Dirbkite gerai apšviestoje aplinkoje. Naudokite šį gaminį dienos šviesoje ar esant geram dirbtiniam apšvietimui.
- Nesinaudokite šakų genėtuvu, jei karpymo mechanizmas tinkamai neveikia.
- Kad ant jūsų nekristų šakelės, nestovėkite po genima šakele ar šaka. Įrankio negalima laikyti pakreipto didesniu kaip 60° kampu nuo žemės lygio.
- Kad išvengtumėte pavojaus susižaloti palietus judančias dalis, būtina išjunkite gaminį, įsitikinkite, ar visos judančios dalys visiškai sustojo, ir išimkite akumuliatorių, prieš:
  - valant ar šalinant užsikimšimą
  - gaminio palikimas be priežiūros
  - Montuojant ar nuimant įtaisus
  - krūmapjovės patikra, priežiūra ar naudojimas.
- Ant gaminio neturi likti nuopjovų ir kitų medžiagų – jis turi būti švarus. Antraip jos gali užstrigti tarp žiaunos

EN
FR
DE
ES
IT
NL
PT
DA
SV
FI
NO
PL
RU
CS
HU
RO
LV
<b>LT</b>
ET
HR
SL
SK
BG
UK
TR



ir peilio.

## PAPILDOMI SAUGOS ĮSPĖJIMAI

- Nepasitikėkite vien savo patirtimi, įgyta dažnai naudojantis įrankiais, – neignoruokite įrankio naudojimo saugos taisyklių.
- Nerūpestingai elgiantis, galima susižeisti per sekundės dalį.
- Rankenos ir suėmimo paviršiai turi būti sausi, švarūs ir nesutepti alyva ar tepalais.
- Jeigu rankenos ar suėmimo paviršiai slidūs, krūmaplovę naudoti ir valdyti nesaugu netikėtomis situacijomis.
- Nenaudokite akumuliatorių bloko ar įrankio, kuris yra sugadintas arba pakeistas.
- Sugadinti arba pakeisti akumulatoriai gali veikti neprognozuojamai ir dėl to gali kilti gaisras, sprongimas arba pavojus susižaloti.
- Neleiskite, kad akumuliatorių blokas patektų į ugnį arba kad jį veiktų per didelė temperatūra.
- Patekus į ugnį arba veikiant aukštesnei kaip 130 °C temperatūrai gali kilti sprongimas.
- Laikykitės visų įkrovimo instrukcijų ir neįkraukite akumuliatorių bloko ar įrankio jei temperatūra yra už instrukcijose nurodyto diapazono ribų.
- Netinkamai įkraunant arba jei temperatūra yra už nurodyto diapazono ribų gali būti sugadinti akumulatoriai ir padidėti gaisro pavojus.
- Karpymo metu darbo vietoje neturi būti pašalinių asmenų, vaikų ir augintinių.
- Kai jūs pjaunate įtemptą šaką, būkite pasiruošę greitai pasitraukti, kad negautumėte smūgio, sumažėjus įtempimui medienos pluoštuose.
- Rūpestingai prižiūrėkite prietaisą. Pjovimo įtaiso ašmenys turi būti aštrūs ir švarūs, taip užtikrinsite didžiausią efektyvumą ir sumažinsite pavojų susižeisti. Laikykitės tepimo ir papildomų detalių keitimo instrukcijų.
- Rankenas reikia visada sausiai nuvalyti, kad jos nebūtų suteptos alyva ir riebalais.
- Prieš naudodami įrenginį ir po bet kokio jo sutrenkimo patikrinkite, ar nėra pakenktų dalių. Bet kurią apgadintą detalę leidžiama remontuoti arba keisti tik autorizotame aptarnavimo centre.
- Numetus krūmaplovę, jai stipriai susitrenkus ar pradėjus neįprastai vibruoti, ją reikia nedelsiant sustabdyti ir patikrinti, ar nepakenkta arba nustatyti vibravimo priežastį. Pakenktos dalys turi būti tinkamai sutaisytos arba pakeistos įgaliotame techninio aptarnavimo centre.
- Patikrinkite, ar nėra pažeistų detalių. Prieš toliau naudojant įrenginį reikia atidžiai patikrinti kitas sugadintas dalis ir įsitikinti, kad įrenginys veiks tinkamai ir atliks numatytas funkcijas.
- Šią žoliaplovę remontuoti turi tik kvalifikuotas remonto darbus atliekantis personalas. Jei priežiūros ar remonto darbus atlieka nekvalifikuoti darbuotojai, vartotojui gresia sužalojimo pavojus arba prietaisas gali būti sugadintas.
- Išsaugokite šias instrukcijas. Dėl saugaus darbo

išsaugokite šias instrukcijas ir pastoviai jas peržiūrėkite bei apmokykite kitus. Jei šį įrankį skolinatė kitam asmeniui, pridėkite ir instrukcijas, kad jis įrankį naudotų teisingai ir nesusižalotų.

- Nepjaukite ten, kur gali būti paslėptų laidų.
- Nepjaukite laidų.
- Pasirūpinkite, kad darbo vietoje nebūtų laidų ir kabelių (pavyzdžiui: kalėdinių elektrinių girliandų).

## PAPILDOMI AKUMULATORIAUS SAUGOS ĮSPĖJIMAI

### ⚠ ĮSPĖJIMAS

Siekdami išvengti trumpojo jungimo sukeliama gaisro pavojaus, sužalojimų arba produkto pažeidimų, neikiškite įrankio, keičiamo akumulatoriaus arba įkroviklio į skysčius ir pasirūpinkite, kad į prietaisus arba akumulatorius nepatektų jokių skysčių. Koroziją sukeliantys arba laidūs skysčiai, pvz., sūrus vanduo, tam tikri chemikalai ir balikliai arba produktai, kurių sudėtyje yra baliklių, gali sukelti trumpąjį jungimą.

## GABENIMAS IR LAIKYMAS

- Prieš gaminį padedant į sandėlį ar gabenant, jį reikia sustabdyti, išimti bateriją ir palaukti, kol įtaisai atvės.
- Nuo įrankio nuvalykite visas pašalines medžiagas.
- Po kiekvieno panaudojimo nuvalykite įtaiso korpusą ir rankenas minkšta sausa servetėle.
- Po kiekvieno panaudojimo nuvalykite sąnašas nuo geležčių standžiu šepetėliu, po to rūpestingai ištepkite nuo rūdijimo apsaugančiu tepalu ir tik tada uždėkite geležčių apsauginį įrenginį. Naudokite rekomenduojamą purškiamą apsaugos nuo rūdžių tepalą, kad tolygiai padengtumėte paviršius ir sumažintumėte riziką susižaloti prisilietus prie peilio ašmenų. Informacijos apie tinkamą purškiamąjį tepalą kreipkitės į vietinį įgaliotą techninio aptarnavimo centrą.
- Jei būtina, prieš naudojimą ir po naudojimo šiek tiek patepkite peilius, kaip nurodyta pirmiau.
- Paruošiant gabenimui, gaminį reikia pritvirtinti, kad nejudėtų ir nenukristų, nes priešingu atveju jis gali sužaloti žmones arba sugesti pats.
- Laikykite vėsioje, sausoje, gerai vėdinamoje ir vaikams nepasiekiamoje vietoje. Nelaikykite jo arti nuo tokių koroziją sukeliančių reagentų kaip cheminės sodininkystės medžiagos arba druskos, naudojamos prieš apledėjimą. Nelaikykite lauke.

## LIČIO BATERIJŲ GABENIMAS

Gabenkite bateriją pagal įmonės ir valstybinius reikalavimus ir taisykles.

Gabendama baterijas, trečioji šalis privalo vadovautis ant pakuotės ar etikečių nurodytais specialiaisiais reikalavimais. Pasirūpinkite, kad gabenant baterijos nesuliečiamos su kitomis baterijomis ar laidžiomis medžiagomis: ant jungiamųjų elementų uždėkite izoliuojančius, nelaidžius apsauginius dangtelius arba šiuos elementus apvyniokite



juosta. Negabenkite įtrūkusių ar pratekančių baterijų. Išsamesnio patarimo kreipkitės į gabentojo įmonę.

## PRIEŽIŪRA

### ⚠ ĮSPĖJIMAS

Keitimui naudokite tik originalias gamintojo atsargines dalis. Neoriginalios dalys gali būti sužeidimų ir įrenginio blogo veikimo priežastis, ir dėl to gali būti anuliuotas garantinis pažymėjimas.

### ⚠ ĮSPĖJIMAS

Prieš tikrindami, valydami ar techniškai prižiūrėdami gaminį, išjunkite variklį, palaukite, kol sustos visos judančios dalys, ir išimkite akumuliatorių. Šių nurodymų nesilaikymas gali tapti sunkių sužalojimų ar didelių materialinių nuostolių priežastimi.

### ⚠ ĮSPĖJIMAS

Aptarnavimą atlikti būtina itin atidžiai, todėl rekomenduojame, kad techninę apžiūrą vykdytų kvalifikuotas specialistas. Jei reikia atlikti techninio aptarnavimo darbus, nugabenkite gaminį į įgaliotą techninio aptarnavimo centrą. Atlikdami prietaiso techninę priežiūrą, keitimui naudokite tik originalias, prietaiso gamintojo atsargines dalis.

- Prieš atlikdami bet kokius techninės priežiūros ar valymo darbus, išjunkite įrenginį ir išimkite akumuliatorių paketą.
- Prietaisą galite reguliuoti ir remontuoti, kaip aprašyta šiame naudotojo vadove. Dėl kitų dalių taisymo ar pagalbos taisant reikia kreiptis į įgaliotą techninio aptarnavimo centrą.
- Po kiekvieno naudojimo, išvalykite įrenginį sausu švelnaus audinio gabalėliu. Bet kurią apgadintą detalę leidžiama remontuoti arba keisti tik autorizuotame aptarnavimo centre.
- Reguliariai ir prieš kiekvieną naudojimą tikrinkite, ar tinkamai užveržti visi sraigčiai, varžtai ir veržlės, kad užtikrintumėte saugą darbo aplinką.
- Valydami plastikinės detales, nenaudokite tirpiklių. Komerčiniai tirpikliai lengvai pažeidžia daugelį plastikinių dalių paviršių ir gali jas apgadinti. Valydami purvą, dulkes, tepalus, alyvas ir t. t., naudokite švarias šluostes.
- Neleiskite stabdžių skysčiams, benziniui, naftos produktams, persisunkiantiems tepalams ir kt. susiliesti su plastikinėmis dalimis. Chemikalai gali pažeisti, susilpninti arba suardyti platiką ir dėl to galima rimtai susižaloti.

**PASTABA:** Norėdami, kad gaminys ilgai ir patikimai veiktų, reguliariai atlikite toliau nurodytus techninės priežiūros darbus.

- Patikrinkite, kad nebūtų akivaizdžių defektų, tokių kaip atspalaidavę ar pažeisti ašmenys, nepriveržtas tvirtinimas ir susidėvėję ar sugadinti komponentai.

- Patikrinkite, kad dangčiai ir apsaugos būtų nepažeisti ir tinkamai pritvirtinti. Prieš naudodamiesi gaminiu atlikite visus būtinus techninės priežiūros ir remonto darbus.
- Po darbo visada nuvalykite karpymo peilius.
- Apžiūrėkite karpymo peilio ašmenis. Apgadintas peilis turi būti tinkamai sutaisytas arba pakeistas įgaliotajame techninės priežiūros centre.
- Padėkite gaminį į vietą, prieš tai įsitikinę, kad karpymo mechanizmas visiškai sustojo.

## KAMŠČIO VALYMAS

Žr. 147 - 148 psl.

- Jei tarp peilių patektų skiedrų arba žievės ir peiliai užstrigtų, ir jums nepavyktų jų atlaisvinti paspaudus gaiduką 3–4 kartus, atlikite toliau nurodytus veiksmus.
  - Užsidėkite darbo akinius ir pirštines.
  - Išimkite akumuliatorių.
  - Pakalkite peilį mediniu arba guminiu plaktuku.
  - Kalkite tik ten, kur pavaizduotas peilis. Nekalkite spyruoklės.
- Atkreipkite dėmesį į peilius su spyruoklėmis. Patraukite rankas nuo peilių – jie staigiai atsilaisvins.
- Kai peilius užkimsę nešvarumai bus pašalinti:
  - Įdėkite akumuliatorių.
  - Kai peiliai bus atlaisvinti, pirma paspauskite gaiduką, kad peiliai iki galo atsidadytų, tada pjaukite toliau.

## ŠALUTINIAI PAVOJAI

Net naudojant gaminį pagal nurodymus, neįmanoma visiškai atmesti visų pavojaus veiksnių. Gali kilti toliau nurodyti pavojai, todėl operatorius turi būti itin dėmesingas, kad išvengtų šių dalykų:

- Vibracijos sukeltas sužalojimas
  - Kiekvieną darbą atlikite jam skirtu įrankiu, naudokite atitinkamas rankenas ir ribokite darbo bei buvimo sveikatai žalingoje aplinkoje laiką.
- Sąlytis su ašmenimis
  - Kai įrenginys nenaudojamas, geležčių apsauginiai dėklai turi būti uždėti. Rankas ir kojas reikia visada laikyti atokiai nuo geležčių.
- Pjaunant ruošinį iššokančios dalys (medienos skiedros, atplaišos, šipuliai)

## RIZIKOS MAŽINIMAS

Turime pranešimų, kad vibracija nuo ranka laikomų įrankių kai kuriems asmenims gali turėti neigiamos įtakos vystantis Raynaud sindromui. Šios ligos požymiai yra pirštų dilgčiojimas, nutirpimas ir pabalimas, paprastai pasireiškiantis nuo šalčio. Šie simptomai vystosi dėl paveldimų veiksnių, nesisaugant nuo šalčio ir drėgmės, dėl mitybos, rūkymo ir darbo praktikos. Operatorius gali imtis šių priemonių, kurios gali sumažinti vibracijos poveikį:

- Apsirenkite kuo šilčiau šaltu oru. Naudojant gaminį, reikia mūvėti pirštines, kad plaštakos ir riešai neatšaltų. Turime pranešimų, kad Raynaud sindromas labiausiai vystosi nuo šalto oro sąlygų.

EN  
FR  
DE  
ES  
IT  
NL  
PT  
DA  
SV  
FI  
NO  
RU  
PL  
CS  
HU  
RO  
LV  
LT  
ET  
HR  
SL  
SK  
BG  
UK  
TR





- po darbo kiekvieną kartą pasportuokite, kad pagerėtų kraujo apytaka;
- dažnai darykite darbo pertraukas. Apribokite darbo laikotarpį per dieną.

Jei jums pasireiškia kokie nors šios būklės simptomai, nedelsdami nutraukite darbą ir kreipkitės į gydytoją.

### ⚠ ĮSPĖJIMAS

Ilgiau naudojant, įrankis kelia sužeidimų pavojų ir apsunkina darbą. Ilgiau naudojant įrankius, reikia reguliariai daryti pertraukas.

### PAŽINKITE SAVO GRANDININĮ PJŪKLĄ

Žr. 141 psl.

1. Pjovimo geležtė
2. Rankenos korpusas
3. Užrakinimo fiksatorius
4. Perjungiklis
5. Žirklių dėklas
6. Kablys

### SIMBOLIAI ANT ĮRENGINIO



Pranešimas apie saugumą



Atidžiai perskaitykite instrukcijas prieš pradėdami naudoti mechanizmą.



Dėvėkite akių, ausų ir galvos apsaugą.



Mūvėkite neslystančias, tvirtas apsaugines pirštines.



Naudodamiesi šiuo gaminiu visada avėkite avalynę neslystančiais padais.



Nenaudoti lyjant ar esant drėgnoms sąlygoms.



Elektros pavojus. Įrankį nuo viršuje esančių laidų laikykite bent 10 m atstumu.



Saugokitės išmetamų arba skrendančių objektų. Visi pašaliniai asmenys, ypač vaikai ir naminiai gyvūnai, turi būti ne arčiau kaip 15m nuo darbo vietos.



Rankas laikykite toliau nuo geležčių.



Šis prietaisas atitinka visas reglamentuotas normas ES šalies, kur jis buvo nupirktas.



„EurAsian“ atitikties ženklas



Ukrainos atitikties ženklas



Elektrinių produktų atliekos neturi būti metamos kartu su namų ūkio atliekomis. Prašome perdirbkite jas ten, kur yra tokios perdirbimo bazės. Dėl perdirbimo patarimo kreipkitės į savo vietinę savivaldybę ar pardavėją.

### SIMBOLIAI VADOVE



Blokėtąjs



Atrakinti



Detalės arba priedai yra parduodami atskirai



Pastaba



Įspėjimas!

Toliau pateikti signaliniai žodžiai skirti paaiškinti rizikos, susijusios su gaminiu, lygius:

#### ⚠ PAVOJUS

Reiškia ypač pavojingą padėtį, kurios neišvengus bus patirti sunkūs ar net mirtini sužeidimai.

#### ⚠ ĮSPĖJIMAS

Reiškia potencialiai pavojingą situaciją, kurios neišvengus galimi sunkūs ar net mirtini sužeidimai.

#### ⚠ ATSARGIAI

Reiškia potencialiai pavojingą situaciją, kurios neišvengus galimi lengvi ar vidutinio sunkumo sužeidimai.

#### ATSARGIAI

Be įspėjamųjų simbolių  
Reiškia nuosavybės žalos tikimybę.



Juhtmeta oksalõikuri juures on peetud esmatähtsaks ohutust, töövõimet ja töökindlust.

## OTSTARBEKOHANE KASUTAMINE

Juhtmeta oksalõikur on mõeldud kasutamiseks välitingimustes. Ohutuse tagamise eesmärgil peab töötamise ajal hoidma tööriista kahe käega, et seda saaks piisavalt kontrollida.

Toode on mõeldud noorte okste lõikamiseks ja kärpimiseks. Ärge kasutage toodet mitte puidust asjade lõikamiseks. Tootega võib lõigata oksti, mille läbimõõt on kuni 32 mm (okaspuupuit) ja 28 mm (lehtpuupuit). Ärge lõigake jämedamaid oksti.

Tootel on fikseeritud pikkus 0,85 m.

Ärge kasutage saagi mingiks muuks otstarbeks kui alpool loetletud. Saagi ei tohi kasutada lapsed ja need inimesed, kes ei kanna nõuetekohast kaitsevarustust ja riietust.

## OHUTUSE ÜLDESKIRJAD

### ⚠ HOIATUS

Lugege kõik hoiatused ja ohutusjuhised läbi. Hoiatuste ja juhiste eiramine puhul on oht saada elektrilööki või raskeid kehavigastusi ning/või põhjustada tulekahju.

**Hoidke hoiatusi ja juhiseid edaspidiseks juhendumiseks alles.**

Hoiatustes kasutatav termin (mehaaniline) elektritööriista tähendab elektritoitevõrgust või akust toidet saavat mehaanilist tööriista.

## TÖÖKOHA OHUTUS

- **Hoidke töökoht puhas ja hästi valgustatud.** Korrastamata ja pimedas kohas töötamisel võivad juhtuda õnnetused.
- **Ärge kasutage mehaanilisi tööriistu plahvatusohtlikes keskkondades, näiteks kergestisüttivate vedelike, gaaside läheduses ja tolmuses kohas.** Elektrilised tööriistad võivad tekitada sädemeid, mis võivad tolmu või gaasid süüdata.
- **Elektrilise tööriistaga töötamisel hoidke lapsed ja kõrvalisi isikud eemale.** Tähelepanu hajumise korral võib teil kontroll kaduda.

## ELEKTRIOHUTUS

- **Elektripistik peab pistikupessa sobima.** Ärge püüdke pistiku konstruktsiooni mingil moel muuta. Ärge ühendage maanduskontaktiga elektrilisi tööriistu elektrivõrku läbi vahepistmike. Pistiku ja pistikupesa konstruktsiooni muutmise korral tekib elektrilöögi oht.
- **Töötamisel hoiduge kehalisest kontaktist maandatud pindadega, näiteks torude, radiaatorite, elektripliitide ja külmikutega.** Kehaosaade maandamisel tekib suurendatud elektrilöögi oht.
- **Ärge jätke elektrilisi tööriistu vihma kätte või niiskesse kohta.** Vee sattumisel elektrilise tööriista sisemusse suureneb elektrilöögi oht.

- **Ärge kasutage toitekaablit nõuetevastaselt.** Ärge kasutage toitekaablit tööriista kandmiseks, vedamiseks ja pistikupesast välja tõmbamiseks. Hoidke toitekaablit eemale küttekehadest, õlist, teravatest servadest ja liikuvatest osadest. Vigastatud või keerdus toitekaablid suurendavad elektrilöögi ohtu.
- **Väljas töötamisel kasutage välitingimustes kasutamiseks lubatud pikendusjuhtmeid.** Välitingimustes kasutatav pikendusjuhe vähendab elektrilöögi ohtu.
- **Kui niisketes oludes töötamine on vältimatu, siis kasutage rikkevoolu-kaitseülilülitiga (RCD) kaitstud toitevõrku.** RCD kasutamine vähendab elektrilöögi ohtu.

## ISIKUKAITSE

- **Tööriistaga töötamisel jälgige tööpiirkonda ja kasutage sealjuures tervet mõistust.** Ärge kasutage tööriista siis, kui te olete väsinud, uimastite, alkoholi või ravimite mõju all. Hetkeline tähelepanu hajumine tööriista kasutamise ajal võib põhjustada raske kehavigastuse.
- **Kasutage isikukaitsevahendeid. Kandke silmade kaitsevahendeid.** Kui tööolud seda nõuavad tuleb kasutada isikukaitsevahendeid, näiteks tolumumaski, libisemiskindlaid tööjalatseid, kiivrit ja kuulmiskaitsevahendeid, mis kehavigastuste riski vähendavad.
- **Vältige tööriista tahmatut käivitamist. Enne toitekaabli või aku ühendamist, tööriista lülitit või teisaldamist veenduge, et tööriista lüliti on välja lülitatud asendis.** Õnnetuste vältimiseks ärge hoidke tööriista kandmise ajal sõrme lüliti ega ühendage tööriista toitevõrku siis, kui selle lüliti on sisse lülitatud.
- **Enne tööriista sisselülitamist eemaldage sellelt reguleervõti või mutrivõti.** Elektrilise tööriista külge jäetud reguleervõti või mutrivõti võivad põhjustada tõsise kehavigastuse.
- **Ärge küünitage end liigselt välja.** Hoidke end pidevalt jalgadel ja tasakaalus. Siis on teil parem kontroll tööriista üle ootamatu olukorra tekkimisel.
- **Kandke tööks sobivat riietust.** Ärge kandke lõtvu riideid ja ehteid. Hoidke juukseid, riietusesemed ja töökindad liikuvatest osadest eemal. Lahtised riietusesemed, ehted ja pikad juukseid võivad haakuda liikuvate osade külge.
- **Kui tööriistal on tolmu eraldamis- või kogumisseadised, siis veenduge, et need on nõuetekohaselt ühendatud ja kasutatavad.** Tolmukoguri kasutamisega saab vähendada tolmu seotud riske.

## ELEKTRILISE TÖÖRIISTA KASUTAMINE JA KOR-RASHOID

- **Ärge koormake tööriista üle.** Kasutage tööks sobivat tööriista. Õigesti valitud tööriist töötab paremini ja ohutumalt selles võimsuspiirkonnas, millele on see ette nähtud.
- **Ärge kasutage tööriista, kui selle lüliti ei lülita seda**





sisse ja välja. Lülitiga lülitamatu tööriista kasutamine on ohtlik ja see tuleb lasta ära remontida.

- Enne tööriista reguleerimist, tarvikute vahetamist või hoiustamist võtke toitekaabel pistikupesast välja või eemaldage aku. Need ennetavad turvameetmed vähendavad tööriista tahtmatu käivitumise riski.
- Hoidke kasutuses mitteolevaid tööriistu lastele kättesaamatus kohas ja ärge lubage tööriista mittetundvaid või kasutusjuhendiga mittetutvunud isikuid tööriista kasutada. Oskamatu kasutaja käes olev tööriist on ohtlik.
- Hoidke tööriist korras. Kontrollige liikuvate osade tsentreeritust, kinnitust ja vigastusi ning muude osade seisundit, mis võivad mõjustada tööriista tööd. Kui mõni osa on vigastatud, siis laske tööriist enne kasutamist ära parandada. Halvasti hooldatud tööriistad põhjustavad palju õnnetusi.
- Hoidke lõikeriistad teravad ja puhtad. Teravate lõikeservadega ja nõuetekohaselt hooldatud lõikeriistad jäävad harvemini kinni ja neid on kergem juhtida.
- Tööriistade, tarvikute, otsakute ja muude lisaseadmete kasutamisel juhenduge nende kasutusjuhenditest, võttes arvesse tehtavat tööd ja tööolusid. Tööoperatsiooniks mitte ettenähtud tööriista kasutamine võib tekitada ohtliku olukorra.

#### AKUTÖÖRIISTA KASUTAMINE JA KORRASHOID

- Laadige akut ainult tootja poolt ettenähtud laadimiseseadmega. Akule mittesobiva laadimiseseadme kasutamine võib põhjustada tulekahju.
- Kasutage akutööriista ainult selleks ettenähtud akudega. Muu aku kasutamine võib põhjustada kehavigastuse või tulekahju.
- Sel ajal kui aku ei ole kasutusel, hoidke seda eemal teistest metallesemetest, nagu kirjklambrid, mündid, võtmed, naelad, kruvid või muudest väikestest metallobjectidest, mis võivad akuklemmid lühistada. Aku klemmide lühistamine võib põhjustada põletust või tulekahju.
- Aku vale kasutamise korral võib akuvedelik välja voolata. Vältige kokkupuudet väljavoolava vedelikuga. Akuvedeliku nahale sattumisel peske see veega maha. Silma sattumisel tuleb pöörduda arsti poole. Akuvedelik võib tekitada nahaärritust või põletust.

#### TEENINDUS

- Laske oma elektritööriista hooldada väljaõppinud teenindustöötajal. Remondil tohib kasutada ainult originaal-varuosi. Sellega on tagatud tööriista ohutus.

#### OKSALÕIKURI OHUTUSJUHISED

##### OHT.

Hoidke käed lõiketerast eemal. Kokkupuutumisel lõiketeraga võite saada raske kehavigastuse.

- Ärge lubage lapsi ega piiratud füüsiliste, sensoorsete ja vaimsete võimetega inimesi ega kogemuste ja

teadmisteta ning käesolevate juhistega mittetutvunud inimesi seadet kasutada. Kohalikud regulatsioonid võivad seada kasutaja vanusele piiranguid.

- Tootel on fikseeritud pikkus 0,85 m.
- Ärge mingil juhul kasutage oksasaagi kui on äikese või välgu oht. Hoidke seadet ruumis.
- Hoiduge kõrgemalasetsevate elektriliinide eest.
- Veenduge, et kõik kaitsekatted ja käepidemed on nõuetekohaselt kinnitatud ning heas seisundis.
- Kandke selle seadme kasutamisel kaitseprille ja kõrvaklappe.
- Kandke tugevast riidest pikki pükse, saapaid ja kindaid. Ärge kandke avarat riietust, ehteid ega kasutage toodet paljajalu.
- Ärge alustage toote kasutamist enne kui tööpiirkond on vaba, teil on kindel jalgealune ja varem plaanitud taganemistee langevate okste või tüve eest.
- Ärge kasutage tööriista siis, kui te olete väsinud, uimastite, alkoholi või ravimite mõju all.
- Hoidke seadet kasutamise ajal mõlema käega. Haarake ühe käega eesmisest käepidemest. Ühe käega haarake eesmisest käepidemest ja kasutage sisse/välja lülitamiseks päästikut.
- Enne toote käivitamist veenduge, et toode paikneb täpselt määratud tööasendis.
- Hoidke toote lõikeosad kõrgemalasetsevatest elektriliinidest vähemalt 10 m kaugusel.
- Tehke regulaarselt töövahegaesid. Piirake tööperioodi pikkust.
- Hoidke kindlat jalgade asendit ja tasakaalu. Ärge kummardage. Liigse ette küünitamise tõttu võite kaotada tasakaalu ja see võib põhjustada raskeid vigastusi.
- Ärge kasutage masinat, kui selle lõikeseade on vigastatud või väga kulunud.
- Ärge püüdke seadet mingil moel muuta või kasutada seda mingite seadmete või seadiste käitamiseks, mis ei ole tootja poolt soovitatud.
- Tehke kindlaks, kuidas kasutada kiirvabastusmehhanismi ja proovige seda enne kasutamise alustamist. Selle õige kasutamine võimaldab ära hoida hädaolukorras tekkida võiva raske kehavigastuse. Ärge mingil juhul kandke rakmete peal riietusesemeid, muidu piirate juurdepääsu kiirvabastusmehhanismile.
- Ärge kasutage seadet halva valgustatuse korral. Kasutage toodet päevavalguse või hea tehisvalguse korral.
- Ärge kasutage oksalõikurit, kui selle lõikemehhanism ei tööta korralikult.
- Enda kaitsmiseks allakukkuvate okste eest ärge seiske vahetult selle lõigatava haru ega tüve all, mida saetakse. Seadet tuleb hoida maapinnast nurga all mis on üle 60°.
- Et vähendada liikuvate osadega kokkupuutumist tingitud vigastuste ohtu, peatage alati mootor, veenduge, et kõik liikuvad osad on täielikult peatunud ja võtke aku välja, enne:





- puhastamine ja ummistuse kõrvaldamine
  - toote jätmisel järelevalveta
  - tarvikuid paigaldama või eemaldama.
  - seadme kontrollimine, hooldamine või teenindamine.
- Hoidke toode puhas, eemaldage sellelt löikejäätmel ja muud materjalid. Need võivad jääda alasi ja lõiketera vahele.

## TÄIENDAVAD OHUTUSJUHISED

- Ärge muutuge hooletuks ega ignoreerige tööriista ohutusnõudeid, kui te seadet juba tunnete ja olete seda tihti kasutanud.
- Hooletu tegutsemine võib põhjustada raske kehavigastuse mõne sekundi mürdosa jooksul.
- Hoidke tööriista käepidemed ja haardepinnad kuivana, puhtana ja ärge laske neile sattuda õli või mäaret.
- Libedad käepidemed ja haardepinnad ei võimalda tööriista turvaliselt haarata ja ootamatutes olukordades kontrollida.
- Ärge kasutage vigast või ümbertehtud akut ega tööriista.
- Vigased või ümbertehtud akud võivad toimida ettearvatult, mille tagajärjeks on tulekahju, plahvatus või vigastuste oht.
- Ärge jätke akut või tööriista tule lähedale ega liiga kõrge temperatuuri kätte.
- Tuli või temperatuur üle 130 °C võib põhjustada plahvatust.
- Järgige kõiki laadimisjuhiseid ning ärge laadige akut ega tööriista väljaspool juhistes määratletud temperatuurivahemikku.
- Vale laadimine või laadimine väljaspool määratletud temperatuurivahemikku võib akut rikkuda ja suurendada tulekahju ohtu.
- Lõikamise ajal hoidke kõrvalised isikud, lapsed ja lemmikloomad eemal.
- Pinge all oleva oksa saagimisel hoolitsege, et te sellega pihta ei saaks, kui puukiududes olev pinge vabaneb.
- Olge seadme kasutamisel ettevaatlik. Parima soorituse ja vigastuste riski vähendamiseks hoidke lõikeserv terav ja puhas. Järgige määrimise ja tarvikute juhiseid.
- Hoidke tööriista käepidemed kuivana, puhtana ja ärge laske neile sattuda õli või mäaret.
- Enne töötamise alustamist kontrollige, et seadme osad ei ole vigastatud. Vigastatud osad tuleb lasta pädeval hooldajal parandada või asendada.
- Kui seade on maha kukkunud, saanud tugeva löögi või hakkab ebanormaalselt vibreerima, seisake seade viivitamatult ja kontrollige see üle vigastuste suhtes. Kõik vigastused tuleb lasta volitatud hooldustöökojas parandada või asendada.
- Kontrollige vigastatud osad üle. Enne toote edasist kasutamist peab hoolikalt kontrollima teisi kahjustatud osasid, et kindlaks määrata, kas toode töötab korralikult ja kas seda saab kasutada ettenähtud otstarbel.
- Toote hooldustöid peaks teostama ainult kvalifitseeritud remondipersonal. Väljaõppeta töötajate poolt tehtud teenindus ja hooldus võib põhjustada kasutajale

kehavigastusi või tingida varakahju.

- Säilitage need juhendid. Vaadake neid sageli ning kasutage neid teiste selle toote kasutajate juhendamiseks. Kui te tööriista välja laenate, siis andke käesolev kasutusjuhend kaasa, et vältida selle väärkasutamist ja võimalikke vigastusi.
- Ärge lõigake kohas, kus on varjatud elektrijuhtme oht.
- Ärge lõigake juhtmeid.
- Ärge hoidke tööpiirkonnas juhtmeid ja kaableid (näiteks jõulutuled).

## AKU LISAOHUTUSJUHISED

### ⚠ HOIATUS

Lühisest põhjustatud tuleohtu, vigastuste või toote kahjustuste vältimiseks ärge kastke tööriista, vahetusakut ega laadimisaset vedelikku ning jälgige, et vedelikke ei tungiks seadmetesse ega akusse. Korrodeeruvad või elektrit juhtivad vedelikud, nagu soolvesi, teatud kemikaalid ja pleegitusained või pleegitusaineid sisaldavad tooted, võivad põhjustada lühist.

## TRANSPORTIMINE JA HOIUSTAMINE

- Enne hoiule panekut või teisaldamist seisake mootor, võtke aku välja ja laske jahtuda.
- Puhastage seade kõikidest võõrkehadest.
- Pärast iga kasutuskorda pühkige seadme korpust ja käepidemed pehme kuiva lapiga puhtaks.
- Pärast iga kasutuskorda pühkige praht teradelt ära tugeva harjaga ja kandke seejärel neile roostetõrjemääret, enne kui tera kaitses uuesti kohale panete. Kasutage soovitatud roostet ennetavat määrdespreid, et määre ühtlaselt peale kanda ja vähendada teradega kokkupuutest tingitud kehaliste vigastuste ohtu. Teavet sellise aerosoolvahendi kohta saate oma kohalikust hoolduskeskusest
- Vajaduse korral määrige veidi terasid enne ja pärast kasutamist eelpool kirjeldatud viisil.
- Vedamise ajal tõkestage kultivaator liikuma hakkamise ja alla kukkumise vastu, et vältida kehavigastusi ja masinaosade kahjustamist.
- Hoidke kuivas ja hästi ventileeritud kohas, mis on lastele juurdepääsmatu. Hoidke kettsaagi eemal söövitavatest ainetest nagu aiakemikaalid ja jäätõrjevahendid. Ärge hoiustage õues.

## LIITUMAKUDE TEISALDAMINE

Akude transportimisel juhendage kasutuskohas kehtivatest ja riiklikest määrustest ja eeskirjadest.

Akude transportimisel allettevõtjate poolt järgige kõiki spetsiaalseid pakkimise ja tähistamise nõudeid. Veenduge, et akud ei satu kokkupuutesse teiste akude ega voolu juhtivate materjalidega, transportimise ajal kaitske klemme voolu mittejuhtivate isoleerkatete või teibiga. Ärge transportige pragunenud või lekkivaid akusid. Küsige lisateavet transportettevõttelt.



## HOOLDUS

### ⚠ HOIATUS

Kasutage ainult tootja originaalvaruosi, tarvikuid ja tööorganeid. Selle nõude eiramine võib põhjustada, kehavigastuse, tootluse languse ja teile antud garantii tühistamise.

### ⚠ HOIATUS

Enne toote kontrollimist, puhastamist või hooldamist, peatage mootor, oodake, kuni kõik liikuvad osad peatuvad ja eemaldage aku. Nende ohutuseeskirjade mittejärgimine võib kaasa tuua raskeid kehavigastusi või vara kahjustamise.

### ⚠ HOIATUS

Hooldamine nõuab ülimalt korraldusi ja teadmisi ning tuleks teostada ainult kvalifitseeritud hooldustehnikute poolt. Hoolduseks andke seade volitatud hoolduskeskusesse. Muruniiduki hooldamisel kasutage ainult tootja originaalvaruosi.

- Enne hooldus- ja puhastustööd lülitage tööriist välja ja eemaldage aku.
- Lubatud on teha ainult selles kasutusjuhendis kirjeldatud reguleerimis- ja parandustoiminguid. Muude remonditööde tellimiseks ja abi saamiseks pöörduge volitatud hoolduskeskusesse.
- Pühkige trimmer pärast iga kasutuskorda pehme kuiva lapiga puhtaks. Vigastatud osad tuleb lasta pädeval hooldajal parandada või asendada.
- Iga kord enne kasutamist ja sagedaste intervallide tagant kontrollige, kas kõik mutrid, poldid ja kruvid on tugevalt kinni ning veenduge, et tööriist on kasutamiseks ohutu.
- Vältige plastosade puhastamisel lahustite kasutamist. Enamik plastikuid on erinevat tüüpi poes müüdavate lahuste kahjustuste suhtes altid ja võivad saada neid kasutades kahjustatud. Mustusest, tolmust, õlist, määrdest jne puhastamiseks kasutage puhast riidelappi.
- Ärge laske plastosadel mitte mingil juhul sattuda kokkupuutesse auto pidurivedeliku, bensiini, bensiinipõhiste toodete, immutusõlidega või muude samalaadsete vedelikega. Kemikaalid võivad plaste rikkuda, nõrgendada või neile hävitavalt mõjuda, mis võib põhjustada raske kehavigastuse.

**MÄRKUS.** Et tagada pikaajaline ja töökindel kasutamine, teostage regulaarselt järgmisi hooldustöid.

- Kontrollige, kas on nähtavaid defekte (nt lahtine või vigane lõiketera, lahtine kinnitus, kulunud või kahjustunud osad).
- Kontrollige, kas katted ja kaitsed on terved ning õigesti paigaldatud. Enne toote kasutamist teostage vajalikud hooldus- ja remonditööd.
- Alati pärast kasutamist puhastage lõiketerad ära.
- Kontrollige visuaalselt lõiketera lõikeservade

seisukorda. Vigased terad tuleb lasta volitatud teeninduses korralikult ära parandada või välja vahetada.

- Hoiustage toode ja veenduge, et lõikemehhanism on enne toote mahaasetamist peatunud.

## UMMISTUSE KÕRVALDAMINE

Vaadake lehti 147 - 148.

- Kui pilpad või puukoor on terade vahele kinni kiilunud ja terasid ei saa vabastada, lükates päästikut 3–4 korda, toimige järgmiselt.
  - Kandke kaitseprille ja kindaid.
  - Võtke akupakett välja.
  - Lööge puutüki või kummihaamriga vastu tera.
  - Kasutage jõudu vaid selles kohas, kus on näidatud tera. Ärge lööge vedru.
- Olge ettevaatlik vedruga terade puhul. Hoidke käed teradest eemale, need tulevad ootamatult lahti.
- Kui kinnikiilunud prügi on eemaldatud:
  - Sisestage aku.
  - Kui terad on vabastatud, vajutage enne lõikamise jätkamist päästikule, nii et terad saavad täielikult avaneda.

## JÄÄKRISKID

Isegi siis, kui kultivaatorit kasutatakse kirjeldatud viisil, ei ole võimalik kõrvaldada kõiki jääkriskide mõjureid. Töötamise ajal võivad tekkida järgmised ohud, millele operaator peab pöörama erilist tähelepanu.

- Vibratsioonist põhjustatud kehavigastus
  - Kasutage töötamiseks õiget seadet, kasutage ettenähtud käepidemid, piirake tööaega ja kokkupuudet vibratsiooniga.
- Kokkupuude lõiketeradega
  - Kontrollige, et lõiketeral on kaitsekate peal, kui toodet ei kasutata. Hoidke käed ja jalad lõiketeradest kogu aeg eemal.
- Saetavalt puidult välja paiskuvad tükid (saelõiked, pinnud)

## RISKI ALANDAMINE

Teadaolevalt võib käsitööriistade kasutamine põhjustada mõnedel inimestel seisundit, mida nimetatakse Raynaud' sündroomiks. Süntomidena võib ilmned a sõrmede tuimus ja valkjaks muutumine, mis tavaliselt ilmneb külmas töötamisel. Nende süntomite puhul tuleb hoiduda külmast ja niiskusest, diidist ning suitsetamisest ja kasutada õigeid tööõtteid. Vibratsiooni mõju vähendamiseks tuleb rakendada järgmisi abinõusid.

- Külma ilmaga hoidke oma keha soe. Kandke kindaid, et hoida oma käed ja randmed soojad. Uuringud näitavad, et Raynaud's Syndrome ilmneb põhiliselt külma ilmaga.
- Pärast külmas töötamist tehke harjutusi, et verevarustust kiirendada.
- Tehke regulaarselt töövahega. Piirake tööperioodi pikkust.

Kui ilmnevad haigustunnused, lõpetage kohe töö ja pöörduge arsti poole.

### ⚠ HOIATUS

Seadme pikaajalisel kasutamisel võite saada kehavigastusi ja varasemad vigastused võivad süveneda. Seadme kasutamisel pika aja jooksul tuleb teha korralisi vaheaegasid.

### ÕPPIGE OMA TOODET TUNDMA

Vt leht 141.

1. Lõiketera
2. Käepideme korpus
3. Lahtilukustuse nupp
4. Päästik
5. Tera vutlar
6. Haak

### MASINAL OLEVAD SÜMBOLID



Ohutusalane teave



Enne seadme kasutamist lugege palun kasutusjuhend hoolega läbi.



Kandke silma- ja kuulmiskaitsevahendeid ning kiivrit.



Kandke libisemiskindlaid, tugevdatud kaitsekindlaid.



Kandke selle toote kasutamisel alati libisemiskindlaid turvajalatsid.



Ärge jätke vihma kätte või kasutage niiskes kohas.



Elektrilöögi oht. Hoidke seadet elektriliinidest vähemalt 10 m kaugusel.



Hoiduge ülespaisatud ja lendavate esemete eest. Hoidke kõik kõrvalseisjad, eriti lapsed ja lemmikloomad tööalalt vähemalt 15 meetri kaugusele.



Hoidke käed lõiketeradest eemal.



Vastab kõigile eeskirjadele EL-i liikmesriigis, kus toode on ostetud.



Euraasia vastavusmärk



Ukraina vastavusmargis



Mittekasutatavaid elektrotooteid ei tohi visata olmejäätmete hulka. Vaid tuleb viia vastavasse kogumispunkti. Vajadusel küsige sellekohast nõu oma edasimüüjalt või vastavalt kohaliku omavalitsuse institutsioonilt.

### KASUTUSJUHENDI SÜMBOLID



Lukk



Lahtikeeramine



Eraldi ostetavad osad või tarvikud



Märkus



Hoiatus

Järgnevad märksõnad ja selgitused on mõeldud selle toote kasutamise seotud riskitasemete kirjeldamiseks.

#### ⚠ OHT.

Viitab kohe tekkivale ohtlikule olukorrale, mis, kui ei väldita, lõpeb surma või tõsise vigastusega.

#### ⚠ HOIATUS

Viitab võimalikule ohtlikule olukorrale, mis, kui ei väldita, võib lõppeda surma või tõsise vigastusega.

#### ⚠ ETTEVAATUST

Viitab võimalikule ohtlikule olukorrale, mis, kui ei väldita, võib lõppeda väiksemate või keskmiste vigastustega.

#### ETTEVAATUST

Ilma hoiatussümbolita

Osutab olukorrale, mis võib põhjustada varakahju.



Vodeću ulogu u dizajnu vašeg bežičnog rezača grana imaju sigurnost, performanse i pouzdanost.

## NAMJENA

Bežični rezač grana namijenjen je uporabi na vanjskom prostoru. Iz sigurnosnih razloga proizvod za vrijeme rukovanja uvijek držite pod kontrolom držeći ga s obje ruke.

Proizvod je osmišljen za rezanje i obrezivanje malih stabala i grana. Nemojte koristiti proizvod za rezanje bilo kojih drugih materijala osim drveta. Proizvod je namijenjen rezanju grana promjera do 32 mm (meko drvo) i 28 mm (tvrdo drvo). Nemojte rezati debele grane promjera većeg od ovih vrijednosti.

Utvrđena duljina proizvoda iznosi 0,85 m.

Nemojte koristiti proizvod za bilo koju svrhu koja nije navedena. Proizvod ne smiju koristiti djeca ili osobe koje ne nose odgovarajuću zaštitnu odjeću i obuću.

## OPĆA SIGURNOSNA PRAVILA

### ⚠ UPOZORENJE

**Pažljivo pročitajte sva upozorenja i sve upute.** Nepodržavanje ovih uputa može prouzročiti nezgode poput požara, strujnih udara i/ili teških tjelesnih ozljeda.

Sačuvajte ova upozorenja i upute kako biste ih naknadno mogli konzultirati.

Pojam «električni alat» koji se upotrebljava u sigurnosnim uputama označava električne alate sa žicom, kao i bežične električne alate.

## SIGURNOST RADNOG PROSTORA

- **Neka vaša radna površina bude čista i dobro osvijetljena.** Zatrpani i neosvijetljeni radni prostori izazivaju nezgode.
- **Električne alate nemojte upotrebljavati u eksplozivnoj okolini, primjerice u blizini zapaljivih tekućina, plina ili prašine.** Iskre koje izlaze iz električnih alata mogu ih zapaliti ili izazvati eksploziju.
- **Djecu, posjetitelje i domaće životinje držite dalje od mjesta na kojem upotrebljavate električni alat.** Mogli bi vas ometi te biste zbog toga mogli izgubiti nadzor nad alatom.

## ELEKTRIČNA SIGURNOST

- **Utikač električnog alata uvijek mora biti prilagođen utičnici.** Nikada ne mijenjajte utikač. Nikada nemojte upotrebljavati prilagodnik s električnim alatom s uzemljenjem. Tako ćete izbjeći opasnost od strujnog udara.
- **Izbjegavajte svaki kontakt s uzemljenim površinama poput cijevi, radijatora, kuhala, hladnjaka itd.** Opasnost od strujnog udara povećava se ako je dio vašeg tijela u dodiru s uzemljenim površinama.
- **Električni alat nemojte izlagati kiši ili vlazi.** Opasnost od strujnog udara povećava se ako u električni alat uđe voda.
- **Pazite da kabel za napajanje bude u dobrom stanju.**

**Alat nikad nemojte držati za kabel za napajanje, a kabel nemojte vući ni prilikom isključivanja iz struje.** Kabel za napajanje držite dalje od izvora topline, ulja, oštih predmeta i pokretnih dijelova. Opasnost od strujnog udara povećava se ako je kabel oštećen ili zapetljan.

- **Ako radite na otvorenom, upotrebljavajte samo produžne kabele koji su namijenjeni uporabi na otvorenom.** Tako ćete izbjeći opasnost od strujnog udara.
- **Ako alat morate rabiti u vlažnoj okolini, uređaj priključite na električnu utičnicu zaštićenu uređajem za rezidualnu struju.** Uporaba uređaja za rezidualnu struju smanjuje opasnost od strujnog udara.

## OSOBNA SIGURNOST

- **Budite koncentrirani, dobro gledajte što radite i oslonite se na zdravi razum dok upotrebljavate električni alat.** Ne koristite se električnim alatom ako ste umorni, pod utjecajem alkohola ili droga ili ako uzimate lijekove. Uvijek imajte na umu da je dovoljna samo jedna sekunda nepažnje kako biste se teško ozlijedili.
- **Rabite zaštitnu opremu. Uvijek zaštitite oči.** Ovisno o uvjetima, a kako biste izbjegli teške tjelesne ozljede, nosite i masku protiv prašine, protuklizne cipele, kacigu ili štitnike za uši.
- **Izbjegavajte svako nenamjerno pokretanje alata. Uvjerite se da je prekidač u položaju «isključeno» prije uključivanja alata u struju ili umetanja baterije, kao i kad uzimate ili prenosite alat.** Kako biste izbjegli opasnost od nezgoda, alat nemojte prenositi dok vam je prst na prekidaču i nemojte ga uključivati u struju dok je prekidač u položaju «uključeno».
- **Uklonite ključeve za stezanje prije uključivanja vašeg alata u struju.** Ključ za stezanje koji je ostao pričvršćen za pokretni dio alata može prouzročiti teške tjelesne ozljede.
- **Uvijek držite dobru ravnotežu tijela. Stabilno stojte na nogama i nemojte stajati predaleko od alata.** Stabilan položaj pri radu omogućava bolju kontrolu nad alatom u slučaju nepredviđenog događaja.
- **Nosite odgovarajuću odjeću.** Nemojte nositi široku odjeću i nakit. Pazite na to da kosu, odjeću i rukavice držite dalje od pokretnih dijelova alata. Široka odjeća, nakit i duga kosa mogu se zaplesti u pokretne dijelove alata.
- **Ako se vaša alat isporučuje sa sustavom usisavanja prašine, provjerite je li on pravilno postavljen i koristite li se kako treba.** Tako ćete izbjeći opasnost od nezgoda.

## UPORABA I ODRŽAVANJE ELEKTRIČNIH ALATA

- **Ne primjenjujte silu.** Upotrebljavajte alat koji je prilagođen onome što želite raditi. Vaš električni alat bit će učinkovitiji i njegova uporaba sigurnija ako ga budete upotrebljavali za ono čemu je namijenjen.
- **Ne upotrebljavajte električni alat ako prekidač ne omogućava da ga uključite i isključite.** Alat koji se ne može ispravno uključiti i isključiti opasan je i potrebno ga je popraviti.





- **Alat isključite iz struje ili uklonite bateriju prije nego ga podešavate, mijenjate dodatke ili ga spremate.** Tako ćete smanjiti opasnost od slučajnog uključivanja alata.
- **Odlazite svoj alat izvan dosega djece. Osobe koje ne poznaju alat ili nisu pročitale ove upute ne smiju ga upotrebljavati.** Električni alat postaje opasan u rukama neiskusnih korisnika.
- **Brižno održavajte alat. Kontrolirajte položaj pokretnih dijelova. Provjeravajte da nema slomljenih dijelova. Provjerite kako su dijelovi postavljeni te sve drugo što bi moglo utjecati na ispravan rad alata. Ako su neki dijelovi oštećeni, popravite ih prije ponovne uporabe alata.** Mnogobrojne nezgode događaju se zbog lošeg održavanja alata.
- **Alat držite čistim i naoštrenim.** Dobro naoštren i čist alat za rezanje rjeđe će se blokirati i moći ćete ga bolje kontrolirati.
- **Električni alat, dodatke i nastavke itd. koristite u skladu s ovdje navedenim uputama za upotrebu, imajući na umu uvjete upotrebe kao i željenu namjenu.** Kako biste izbjegli opasne situacije, električni alat upotrebljavajte samo za poslove za koje je namijenjen.

#### POSEBNE SIGURNOSNE UPUTE ZA BEŽIČNI ALAT

- **Bateriju vašeg alata ponovno puniti samo pomoću punjača koji je preporučio proizvođač.** Punjač prilagođen određenom tipu baterije može izazvati požar ako se koristi s nekim drugim tipom baterije.
- **Za bežični alat treba upotrebljavati samo jednu određenu vrstu baterije.** Uporaba svih drugih baterija može izazvati požar.
- **Ako ne koristite bateriju, držite je dalje od metalnih predmeta poput spajalica, kovanica, ključeva, vijaka, čavala i drugih predmeta koji bi mogli izazvati kontakt.** Kratki spoj među kontaktima baterije može izazvati opekline ili požar.
- **Izbjegavajte svaki dodir s tekućinom baterije u slučaju njenog curenja koje je nastalo zbog neispravne uporabe baterije. Ako dođe do kontakta, obilno isperite taj dio tijela čistom vodom. Ako je došlo do kontakta s očima, obratite se liječniku.** Tekućina iz baterije može prouzročiti nadraženost i opekline.

#### ODRŽAVANJE

- **Popravke treba obaviti ovlaštenu servisera samo s originalnim rezervnim dijelovima.** Tako ćete moći sigurno upotrebljavati vaš električni alat.

#### SIGURNOSNA UPOZORENJA ZA REZAČ GRANA

##### OPASNOST

Držite ruke dalje od oštrice. Dodir s oštricom može dovesti do ozbiljnih osobnih ozljeda.

- Nikada ne dopustite djeci, osobe smanjenih tjelesnih, osjetilnih ili mentalnih mogućnosti ili osoba koje ne raspolažu iskustvom ili osobama koj nisu upoznate s

ovim uputama da koriste proizvod. Moguće je da lokalni propisi propisuju starosnu dob rukovatelja.

- Utvrdjena duljina proizvoda iznosi 0,85 m.
- Nemojte raditi s proizvodom kada postoji opasnost od grmljavinskog nevremena. Spremite proizvod na sigurno u zatvorenom prostoru.
- Pazite na ovišene električne vodove.
- Osigurajte da su svi štitnici, ručke pravilno pričvršćeni i u dobrom stanju.
- Kada radite s ovim proizvodom nosite zaštitu za oči i sluh.
- Nosite hlače s dugim nogavicama, čizme i rukavice. Nemojte nositi labavu i ovišenu odjeću i dodatke ili koristiti proizvod bosonogi.
- Ne koristite proizvod ako nemate čisto radno područje, sigurno gažište i planirani put izvlačenja od padajućih grana ili stabala.
- Nemojte koristiti električni alat kad ste umorni ili pod utjecajem droge, alkohola ili lijekova.
- Tijekom rada, držite proizvod s obje ruke. Koristite jednu ruku za čvrsto hvatanje prednje ručke. Koristite drugu ruku za hvatanje stražnje ručke i rad sa sklopkom za otpuštanje i uključivanje/isključivanje.
- Prije pokretanja proizvoda provjerite je li proizvod smješten na za njega namijenjenu radnu lokaciju.
- Nikada nemojte rukovati proizvodom tako da je rezna oštrica bliže od 10 m od ovišenih električnih vodova.
- Uzimajte česte stanke u radu. Ograničite količinu izlaganja po danu.
- Zauzmite čvrst stav i ravnotežu. Ne sežite preko određene granice. Naginjanje preko ruba može dovesti do gubitka ravnoteže i uzrokovati ozbiljne ozljede.
- Nemojte raditi s uređajem s oštećenim ili istrošenim reznim uređajem.
- Ne modificirajte proizvod ni na koji način ili ga ne koristite za pokretanje nekih priključaka ili uređaja koje ne preporučuje proizvođač za vaš proizvod.
- Pronađite brzi mehanizam za otpuštanje i vježbajte korištenje prije nego počnete koristiti uređaj. Njegovo pravilno korištenje sprječava ozbiljne povrede u slučaju nužde. Nikada ne nosite dodatnu odjeću preko kopče ili na drugi način ne ograničavajte pristup mehanizmu za brzo otpuštanje.
- Nemojte raditi u slabom osvjetljenju. Koristite proizvod po dnevnom svjetlu ili pri dobroj vještačkoj rasvjeti.
- Nemojte rukovati proizvodom ako rezni mehanizam ne radi ispravno.
- Kako biste se zaštitili od grana u padu, nemojte stajati izravno ispod grane ili stabla kojeg režete. Proizvod se ne smije držati pod kutom većim od 60° od površine tla.
- Kako biste rizik od ozljeda zbog dodira s pokretnim dijelovima sveli na minimum, uvijek prvo zaustavite proizvod i provjerite jesu li se potpuno zaustavili svi pokretni dijelovi te izvadite bateriju prije:
  - čišćenje i odblokiranje
  - ostavljanje proizvoda bez nadzora
  - ugradnje ili uklanjanja priključaka
  - provjere, održavanja ili rada na uređaju







- Održavajte proizvod čistim, nemojte dopustiti taloženje reznih otpadaka i drugih materijala. Otpaci se mogu zaglaviti između čeljusti i noža.

#### DODATNA SIGURNOSNA UPOZORENJA

- Nemojte dopustiti da vas poznavanje alata zbog česte uporabe opusti toliko da zanemarite sigurnosne principe rukovanja alatom.
- Nepažljiv rad može uzrokovati ozbiljne povrede unutar djelića sekunde.
- Održavajte ručke i površine hvata suhim, čistim i da na njima nema ulja i masti.
- Skliske ručke i površine za hvatanje ne omogućuju sigurno rukovanje i kontrolu alata u neočekivanim situacijama.
- Nemojte koristiti bateriju ili alat koji su oštećeni ili modificirani.
- Oštećene ili modificirane baterije mogu imati nepredvidivo ponašanje, što može dovesti do požara, eksplozije ili rizika od tjelesnih ozljeda.
- Nemojte izlagati bateriju ili alat vatri ili visokim temperaturama.
- Izlaganje vatri ili temperaturama višim od 130°C može dovesti do eksplozije.
- Slijedite sve upute za punjenje i nemojte puniti bateriju ili alat na temperaturama izvan temperaturnog raspona specificiranog u uputama.
- Nepravilno punjenje ili punjenje na temperaturama izvan specificiranog raspona može oštetiti bateriju i povećati rizik od požara.
- Za vrijeme rezanja u okolini se ne smiju nalaziti promatrači, djeca i kućni ljubimci.
- Kad režete granu koja je zategnuta, budite spremni da se brzo udaljite tako da vas ona ne bi udarila kad se zategnutost vlakana u drvetu otpušta.
- Pažljivo održavajte proizvod. Kako biste postigli najbolji radni učinak i smanjili rizik od ozljeda, pazite na oštrinu i čistoću rezača. Slijedite upute za podmazivanje i promjenu dodatnog pribora.
- Održavajte ručke suhim, čistim i da na njima nema ulja i masti.
- Prije korištenja i nakon svakog udara provjerite da nema oštećenih dijelova. Svaki oštećeni dio trebao bi pravilno popraviti ili zamijeniti ovlaštenu servisni centar.
- Ako je proizvod ispao, pretrpio težak udar ili abnormalno vibrira, odmah zaustavite proizvod i provjerite na oštećenje ili identificirajte uzrok vibracija. Svaki oštećeni dio trebao bi pravilno popraviti ili zamijeniti ovlaštenu servisni centar.
- Zamijenite oštećene dijelove. Prije daljnje uporabe proizvoda, ostale dijelove koji su oštećeni trebalo bi pažljivo provjeriti kako bi se utvrdilo radi li ispravno i obavlja li svoju predviđenu funkciju.
- Servis na ovom uređaju obavlja samo kvalificirano osoblje. Servis ili održavanje od strane nekvalificirane osobe može dovesti do ozljeda korisnika ili oštećenja uređaja.
- Sačuvajte ovo upute. Često ih čitajte i koristite za obuku drugih koji bi mogli koristiti ovaj proizvod. Ako nekom

posudite ovaj alat, isto tako mu posudite i ove pute kako biste spriječili pogrešnu uporabu uređaja i moguće ozljede.

- Ne režite tamo gdje postoji opasnost od skrivenog ožičenja.
- Ne režite žice.
- U radnom području ne smiju se nalaziti žice i kabeli (primjer: lampice za bor).

#### DODATNA SIGURNOSNA UPOZORENJA ZA BATERIJU

##### ⚠ UPOZORENJE

Zbog izbjegavanja opasnosti od požara jednim kratkim spojem, opasnosti od ozljeda ili oštećenja proizvoda, alat, izmjenjivi akumulator ili napravu za punjenje ne uronjavati u tekućine i pobrinite se za to, da u uređaje ili akumulator ne prodiru nikakve tekućine. Korozirajuće ili vodljive tekućine kao slana voda, određene kemikalije i sredstva za bijeljenje ili proizvodi koji sadrže sredstva bijeljenja, mogu prouzročiti kratak spoj.

#### PRIJEVOZ I SKLADIŠTENJE

- Zaustavite uređaj, uklonite bateriju i omogućite da se ohladi prije spremanja ili transporta.
- Očistite svaki strani materijal s uređaja.
- Nakon svakog korištenja, očistite kućište sa suhom mekom krpom.
- Nakon svakog korištenja, očistite ostatke s oštrica sa čvrstom četkom i potom pažljivo primjenite sredstvo protiv hrđe prije ponovnog postavljanja štitnika oštrice. Upotrijebite preporučeni sprej za sprječavanje hrđanja koji je potrebno nanijeti ravnomjerno na nož kako bi se smanjio rizik od tjelesne ozljede zbog dodira s noževima. Za informacije o prikladnim proizvodima kao sprej, provjerite kod lokalnog ovlaštenog servisnog centra.
- Prema potrebi neznatno podmažite noževe prije i nakon upotrebe pomoću gore navedene metode.
- Za prijevoz, osigurajte uređaj protiv pomicanja ili pada kako biste spriječili povrede osoba ili oštećenja na uređaju.
- Skladištite ga na suhom i dobro ventiliranom mjestu koje nije pristupačno djeci. Nemojte ju ostavljati u blizini korozivnih agenasa kao ni vrtnih kemijskih proizvoda i soli za odmrzavanje. Ne ostavljajte na otvorenom.

#### TRANSPORTIRANJE LITIJUMSKIH BATERIJA

Transportirajte bateriju u skladu s lokalnim i nacionalnim pravilima i zakonima.

Slijedite sve specijalne zahtjeve na pakiranju i naljepnicama prilikom transporta baterije od treće strane. Osigurajte da baterija ne može doći u kontakt s drugim baterijama ili provodnim materijalima tijekom transporta tako da zaštitite izložene priključke s izolacijom, kapićama koje ne provode energiju ili trakom. Nemojte transportirati baterije koje su polomljene ili cure. Provjerite kod kompanije koja transportira za daljnju pomoć.



## ODRŽAVANJE

### ⚠ UPOZORENJE

Koristite samo originalne zamjenske dijelove, dodatni pribor i priključke od proizvođača. Nepoštivanje ovih uputa može dovesti do mogućih ozljeda, loše učinkovitosti i može dovesti do poništenja jamstva.

### ⚠ UPOZORENJE

Prije pregledavanja, čišćenja ili servisiranja proizvoda; zaustavite motor, pričekajte da se zaustave svi pokretni dijelovi i izvadite bateriju. Nepoštivanje ove upute može dovesti do teških tjelesnih ozljeda ili velike materijalne štete.

### ⚠ UPOZORENJE

Servisiranje iziskuje krajnju pažnju i znanje i treba da ga vrši samo kvalificirani serviser. Radi servisa, donesite proizvod u ovlaštenu servisnu centar. Prilikom servisiranja, koristite samo originalne zamjenske dijelove od proizvođača.

- Prije provođenja bilo kakvih radova održavanja ili čišćenja, isključite i uklonite komplet baterija.
- Možete izvršiti podešavanja i popravke koji su opisani u ovom priručniku. Za ostale popravke ili savjete, potražite pomoć ovlaštenog servisnog centra.
- Nakon svakog korištenja proizvod obrišite sa suhom mekom krpom. Svaki oštećeni dio trebao bi pravilno popraviti ili zamijeniti ovlaštenu servisnu centar.
- Prije svake upotrebe i u čestim vremenskim intervalima provjeravajte jesu li sve matice, svornjaci i vijci dobro zategnuti kako biste bili sigurni da se proizvod nalazi u sigurnom radnom stanju.
- Prilikom čišćenja plastičnih dijelova izbjegavajte koristiti kemijska sredstva. Većina plastičnih dijelova osjetljiva je na oštećenje različitim vrstama komercijalnih vrsta otapala i mogu se oštetiti njihovom uporabom. Za uklanjanje prljavštine, prašine, ulja, masnoće itd., koristite čistu krpu.
- Nikada ne dopustite kontakt plastičnih dijelova s tekućinom za kočnice, benzinom, proizvodima na bazi petroleja, sredstvima za odmašćivanje, idr. Kemikalije mogu oštetiti, oslabiti ili uništiti plastiku što može dovesti do ozbiljnih osobnih ozljeda.

**NAPOMENA:** Kako biste osigurali dug i pouzdan rad proizvoda redovito provodite sljedeće radnje održavanja.

- Provjerite na vidljive neispravnosti i oštećenja, kao što su primjerice labavi, izmješteni ili oštećeni noževi, labavo pričvršćene komponente i istrošeni ili oštećeni dijelovi.
- Provjerite jesu li svi poklopci i štitnici neoštećeni i ispravno ugrađeni. Prije korištenja proizvoda provedite potrebno održavanje ili popravke.
- Prije rada uvijek očistite rezne oštrice.
- Vizualno provjerite stanje reznih rubova i rezne oštrice.

Oštećenu rezu oštricu smije popraviti ili zamijeniti isključivo ovlaštenu servisnu centar.

- Pohanite proizvod i prije odlaganja provjerite je li zaustavljen rezni mehanizam.

## ČIŠĆENJE BLOKADA

Pogledajte stranice 147 - 148.

- Ako su noževi zaglavljivi zbog iverja ili kore između noževa i nije ih moguće osloboditi uzastopnim pritiskom na okidač 3 ili 4 puta, slijedite ovaj postupak:
  - Nosite naočale i rukavice.
  - Uklonite bateriju.
  - Nož udarite komadom drva ili gumenim čekićem.
  - Primjenjujte silu samo na područje na kojem je nož vidljiv. Nemojte udariti oprugu.
- Pazite na opružno opterećene noževe. Ruke držite podalje od noževa, oni će se naglo otvoriti.
- Nakon uklanjanja ostataka koji su uzrokovali blokadu:
  - Umetnite bateriju.
  - Kada se noževi oslobode, pritisnite okidač prije nego što nastavite s rezanjem, tako da se noževi mogu potpuno otvoriti.

## OSTALE OPASNOSTI

Čak i kad je proizvod korišten kao što je prethodno opisano, još uvijek nije moguće potpuno isključiti ostale čimbenike opasnosti. Može doći do sljedećih opasnosti prilikom korištenja i operater mora obratiti posebnu pozornost kako bi izbjegao sljedeće:

- Ozljede uzrokovane vibracijom
  - Uvijek koristite pravi alat za posao, koristite označenu kopču i ograničite radno vrijeme i izloženost.
- Kontakt s oštricom
  - Provjerite jesu li štitnici noža pričvršćeni kada proizvod nije u uporabi. Držite ruke i stopala dalje od oštrice cijelo vrijeme.
- Izbacivanje komada izratka (drveno iverje, odlomci)

## SMANJENJE OPASNOSTI

Prijavljeno je da vibracije alata koje se drži u ruci kod određenih pojedinaca mogu doprinijeti stanju pod nazivom Raynaud's Syndrome. Simptomi mogu uključivati trnce, ukočenost i bjelinu prstiju, obično uočljivo po izlaganju hladnoći. Smatra se da nasljedne osobine, izlaganje hladnoći i vlazi, dijeta, pušenje i radni postupci pridonose razvoju ovih simptoma. Postoje mjere koje operater može poduzeti kako bi smanjio moguće učinke vibracije:

- Održavajte svoje tijelo toplim u hladnim vremenskim uvjetima. Kad radite s proizvodom nosite rukavice kako biste ruke i zglobove održavali toplima. Prijavljeno je da je hladnoća glavni čimbenik koji doprinosi Raynaud's Syndrome.
- Nakon svakog perioda rada vježbajte kako biste povećali cirkulaciju krvi.
- Uzimajte česte stanke u radu. Ograničite količinu izlaganja po danu.

Ako osjetite neke od simptoma ovog stanja, odmah prekinite korištenje i obratite se svome liječniku vezano uz ove simptome.

### ⚠ UPOZORENJE

Povrede mogu biti uzrokovane ili zadobivene produljenim korištenjem alata. Kada koristite bilo koji alat dulje vremena, osigurajte da uzimate povremene stanke.

### UPOZNAJTE SVOJ PROIZVOD

Pogledajte stranicu 141.

1. Nož za rezanje
2. Kućište ručke
3. Okidač za otključavanje
4. Sklopka za pokretanje
5. Korice oštrice
6. Kopča

### SIMBOLI NA PROIZVODU



Sigurnosno upozorenje



Molimo da pažljivo pročitate upute prije pokretanja stroja.



Nosite zaštitu za vid, sluh i glavu



Nosite zaštitne rukavice velike debljine koje se ne kliznu.



Nosite obuću protiv klizanja prilikom korištenja ovog proizvoda.



Ne izlažite kiši ili vlažnim uvjetima.



Električna opasnost. Držite se najmanje 10 metara daleko od vodova nad glavom.



Čuvajte se odbačenih ili letećih predmeta. Držite sve promatrače naročito djecu i kućne ljubimce, na udaljenosti najmanje 15m od radnog područja.



Držite ruke dalje od oštrica.



Ovaj alat usklađen je sa svim normama i propisima zemlje Europske unije u kojoj je kupljen.



EurAsian znak konformnosti



Ukrajinska oznaka za sukladnost



Otpadni električni proizvodi ne treba da se odlažu s otpadom iz domaćinstva. Molimo da reciklirate gdje je to moguće. Potražite savjet od lokalnih vlasti ili prodavca kako reciklirati.

### SIMBOLI U OVOM PRIRUČNIKU



Brava



Otključavanje



Dijelovi ili pribor prodan odvojeno



Napomena



Upozorenje

Sljedeće signalne riječi i značenja namijenjeni su objašnjenju razina opasnosti koje su vezane uz ovaj proizvod:

#### ⚠ OPASNOST

Ukazuje na neposrednu opasnu situaciju, koja, ukoliko se ne izbjegne, može rezultirati smrću ili opasnim povredama

#### ⚠ UPOZORENJE

Ukazuje na moguću opasnu situaciju, koja, ukoliko se ne izbjegne, može rezultirati smrću ili opasnim povredama

#### ⚠ UPOZORENJE

Ukazuje na moguću opasnu situaciju, koja, ukoliko se ne izbjegne, može rezultirati manjim ili blažim povredama

#### UPOZORENJE

Bez sigurnosnog simbola upozorenja

Naznačuje situaciju koja može rezultirati oštećenjem imovine.



Brezžične škarje za veje so zasnovane in izdelane za zagotavljanje najvišje ravni varnosti, učinkovitosti in zanesljivosti delovanja.

## NAMEN UPORABE

Brezžične škarje za veje so namenjeni uporabi na prostem. Zaradi varnosti je zahtevano dvoročno krmiljenje naprave.

Izdelek je zasnovan za rezanje in obrezovanje tanjših debel in vej. Izdelka uporabljajte samo za rezanje lesa. Izdelek se uporablja za rezanje vej s premerom do 32 mm (mehki les) in 28 mm (trdi les). Ne režite vej s premerom, večjim od teh vrednosti.

Izdelek je fiksne dolžine 0,85 m.

Izdelka ne uporabljajte drugače, kot je navedeno zgoraj. Izdelka ne smejo uporabljati otroci ali osebe, ki ne nosijo ustrezne osebne varovalne opreme in oblačil.

## SPLOŠNA VARNOSTNA OPOZORILA

### ⚠ OPOZORILO

**Preberite vsa varnostna opozorila in navodila.** Neupoštevanje opozoril in navodil lahko povzroči udar elektrike, požar in/ali težke poškodbe.

**Shranite vsa opozorila in navodila za kasnejšo uporabo.**

Izraz «električna naprava» v opozorilih se nanaša na (ožičeno) napravo na omrežno napajanje ali na (brežžično) napravo na akumulatorsko napajanje.

### VARNOST DELOVNEGA OBMOČJA

- **Delovno območje naj bo čisto in dobro osvetljeno.** V neurejenih in temnih območjih se rade zgodijo nesreče.
- **Električne naprave ne uporabljajte v eksplozivnem okolju, na primer blizu vnetljivih tekočin, plina ali prahu.** Iskre, ki jih povzročajo električne naprave, lahko zanetijo ogenj ali povzročijo eksplozijo.
- **Med uporabo električne naprave naj vas ne motijo otroci in drugi opazovalci.** Motnje lahko povzročijo izgubo kontrole.

### ELEKTRIČNA VARNOST

- **Vtiči električne naprave morajo ustrezati vtičnicam.** Vtičev nikoli ne spreminjajte. Z ozemljeno električno napravo ne uporabljajte adapterjev. Nespremenjeni vtiči in ustrezne vtičnice zmanjšujejo nevarnost električnega udara.
- **Izogibajte se dotika telesa z ozemljenimi površinami, kot so cevi, radiatorji, štedilniki in hladilniki.** Če je vaše telo v stiku z ozemljenimi površinami, je povečana nevarnost električnega udara.
- **Električne naprave ne izpostavljajte dežju in vlagi.** Če pride v električno napravo voda, je povečana nevarnost električnega udara.
- **Pazite, da je napajalni kabel v dobrem stanju.** Napajalnega kabla nikoli ne uporabljajte za prenašanje naprave ali za vlečenje vtiča iz vtičnice. Pazite, da kabel ne pride v stik z vročino, oljem, ostrimi robovi in gibajočimi se deli. Poškodovani

in zavozlani kabli povečujejo nevarnost električnega udara.

- **Če uporabljate električno napravo na prostem, uporabite podaljševalni kabel, primeren za zunanjo uporabo.** Uporaba kabla, primernege za zunanjo uporabo, zmanjšuje nevarnost električnega udara.
- **Če se ne morete izogniti uporabi električne naprave na vlažnem mestu, uporabljajte zaščitno stikalo na diferenčni tok (RCD).** Uporaba RCD stikala zmanjšuje nevarnost električnega udara.

### OSEBNA VARNOST

- **Pri delu bodite pozorni, pazite kaj delate in električne naprave uporabljajte razumno.** Ne uporabljajte električne naprave, če ste utrujeni, pod vplivom alkohola ali drog ali če jemljete zdravila. Ne pozabite, da se lahko že trenutek nepozornosti konča z resno telesno poškodbo.
- **Uporabljajte osebno zaščitno opremo. Vedno nosite zaščito za oči.** Zaščitna oprema, kot so protiprašna maska, čevlji z nedrsečimi podplati, čelada ali ščitniki sluha, uporabljena v pravih okoliščinah, bo zmanjšala možnosti za telesne poškodbe.
- **Izogibajte se nenamernemu zagonu naprave. Preverite ali je stikalo v položaju za izklop, preden napravo priključite na omrežje in/ali akumulator, preden jo vzamete v roke ali prenašate.** Električne naprave ne prenašajte s prstom na stikalu in ne priključujte je na omrežje z vklopljenim stikalom, saj lahko povzročite nesrečo.
- **Preden napravo vklopite, odstranite ključ za nastavitev.** Če ostane ključ ali orodje za nastavitve pritrjeno na vrteči se del naprave, lahko pride do telesne poškodbe.
- **Rok ne stegujte predaleč. V vsakem trenutku poskrbite za varno oporo nog in ravnotežje.** To vam omogoča boljši nadzor nad električno napravo ob nepričakovanih dogodkih.
- **Oblecite se primerno. Ne nosite ohlapnih oblačil ali nakita.** Pazite, da so vaši lasje, obleka in rokavice stran od gibajočih se delov naprave. Gibajoči se deli lahko zgrabijo ohlapna oblačila, nakit ali dolge lase.
- **Če so naprave opremljene s priključkom za odvajanje in zbiranje prahu, poskrbite, da je ta nameščen in pravilno uporabljen.** Uporaba zbiralnika prahu lahko zmanjša nevarnost v zvezi s prahom.

### UPORABA IN NEGA ELEKTRIČNE NAPRAVE

- **Električne naprave ne preobremenjujte. Za svoj namen uporabite pravo napravo.** Vaša naprava bo učinkovitejša in varnejša, če jo boste uporabljali na način, za katerega je bila zasnovana.
- **Naprave ne uporabljajte, če je s stikalom ne morete vklopiti in izklopiti.** Vsaka električna naprava, ki je ni mogoče kontrolirati s stikalom, je nevarna in mora obvezno v popravilo.
- **Pred izvajanjem nastavitvev, menjavo pripomočkov ali shranjevanjem naprave izvlecite vtič iz omrežja in/ali akumulator iz električne naprave.** Tako zmanjšate nevarnost nenamernega vklopa električne naprave.





- Električno napravo, ki je ne potrebujete, shranite izven dosega otrok in ne dovolite, da bi jo uporabljale osebe, ki električne naprave ne poznajo ali ne poznajo teh navodil. Električne naprave so v rokah neukih oseb nevarne.
- Skrbno vzdržujte svoje električne naprave. Preverite poravnavo ali zatikanje pomicnih delov. Preverite, da noben del ni poškodovan in vsa stanja, ki bi lahko vplivala na delovanje električne naprave. Če so sestavni deli poškodovani, jih pred uporabo naprave popravite. Veliko nesreč povzročijo prav slabo vzdrževane električne naprave.
- Rezila naj bodo vedno ostra in čista. Pravilno vzdrževana rezila z ostrimi rezalnimi robovi se manj zatikajo in jih je lažje kontrolirati.
- Električne naprave, dodatni pribor, orodne nastavke ipd. uporabljajte v skladu s temi navodili, pri čemer upoštevajte delovne pogoje in delo, ki ga je treba opraviti. Uporaba električne naprave za opravila, za katera ni namenjena, je lahko nevarna.

#### UPORABA IN NEGA AKUMULATORSKIH NAPRAV

- Akumulator polnite samo s polnilnikom, ki ga predpisuje proizvajalec. Polnilnik, ki je primeren za eno vrsto akumulatorja, lahko povzroči požar, če ga uporabljamo za drugo vrsto.
- Električne naprave uporabljajte samo s točno določenimi akumulatorji. Uporaba drugačnih akumulatorjev lahko povzroči poškodbe in požar.
- Ko akumulator ni v uporabi, ga varno shranite, tako da ni v stiku s kovinskimi predmeti, kot so sponke, kovanci, ključi, žebli, vijaki ali drugi majhni kovinski predmeti, ki bi lahko sklenili oba pola akumulatorja. Kratak stik obeh polov akumulatorja lahko povzroči opekline ali požar.
- Ob grobem ravnanju lahko iz akumulatorja izteče tekočina. Izogibajte se vsakemu stiku z njo. Če se to le zgodi, izperite prizadeto območje s čisto vodo. Če pride tekočina v stik z očmi, pojdite po izpiranju k zdravniku. Tekočina iz akumulatorja lahko povzroči draženje kože ali opekline.

#### SERVISIRANJE

- Popravila električne naprave naj izvaja samo usposobljen serviser z originalnimi nadomestnimi deli. To bo ohranjalo varno delovanje vaše električne naprave.

#### VARNOSTNA OPOZORILA ZA ŠKARJE ZA VEJE

##### NEVARNOST

Z rokami ne segajte v bližino rezila. Če se dotaknete rezila, lahko to povzroči hude telesne poškodbe.

- Nikoli ne dovolite otrokom, osebam z zmanjšanimi fizičnimi, senzoričnimi ali mentalnimi zmoglostmi ali osebam s pomanjkanjem izkušenj ali znanja ter osebam, ki niso seznanjene s temi navodili, da uporabljajo izdelek. Lokalni predpisi se morda nanašajo tudi na minimalno starost upravitelja.
- Izdelek je fiksne dolžine 0,85 m.
- Izdelka ne uporabljajte, kadar obstaja možnost nevihte ali strele. Izdelek hranite na varnem v notranjosti.
- Bodite pozorni na nadzemne električne vode.
- Zagotovite, da so vsa varovala in ročaji pravilno nameščeni in v dobrem stanju.
- Pri uporabi izdelka vedno nosite popolno zaščito za oči in sluh.
- Nosite trdne, dolge hlače, čevlje in rokavice. Med uporabo izdelka ne nosite ohlapnih oblačil, dodatkov oziroma ga ne uporabljajte, ko ste bos.
- Izdelka ne uporabljajte, dokler nimate neoviranega delovnega območja, trdno podlago in načrtovano pot proč od padajočih vej.
- Električnega orodja ne uporabljajte, ko ste utrujeni oz. pod vplivom drog, alkohola ali zdravil.
- Med delovanjem držite izdelek z obema rokama. Z eno roko trdno primate sprednji ročaj. Z drugo roko primate zadnji ročaj in upravljajte mehanizem za sprožitev in sprožilec za vklop/izklop.
- Pred začetkom uporabe orodja se prepričajte, da je nameščen v predvidenem delovnem položaju.
- Rezila izdelka morajo biti med uporabo od nadzemnih električnih vodov oddaljena vsaj 10 m.
- Pogosto si vzemite odmor. Omejite dnevno količino izpostavljenosti.
- Pazite na ravnotežje in ne pretiravajte. Nesiahajte priliš daleko. Če sežete predaleč, lahko izgubite ravnotežje, kar lahko vodi do hude poškodbe.
- Naprave ne uporabljajte, če ima poškodovano ali zelo obrabljeno rezilo.
- Izdelka ne smete na noben način spreminjati ali ga uporabljati za napajanje priključkov oz. naprav, ki jih ne priporoča proizvajalec izdelka.
- Preden začnete uporabljati napravo, poiščite hitri odpenjalni mehanizem in vadite njegovo uporabo. Pravilna uporaba lahko prepreči hude telesne poškodbe v nujnem primeru. Nikoli ne nosite oblačil prek traka za nošenje ali kako drugače omejite dostop do mehanizma za hitro sprostitev.
- S cepilnikom ne upravljajte pri slabi osvetljavi. Uporabljajte izdelek pri dnevni svetlobi ali dobri umetni svetlobi.
- Škarij za veje ne uporabljajte, če rezilo ne deluje pravilno.
- da bi se zavarovali pred padajočimi vejami, ne stojte neposredno po vejo, ki jo režete. Izdelka ne držite pod kotom, večjim od 60°, glede na tla.
- Za zmanjšanje nevarnosti poškodb zaradi stika s premikajočimi se deli vedno zaustavite izdelek, se prepričajte, da so premikajoči deli zaustavljeni, in odstranite akumulator, preden:
  - čiščenje ali ko odstranjujete blokado
  - pustiti izdelek brez nadzora
  - nameščanjem ali odstranjevanjem pripomočkov,
  - pregledovanjem, vzdrževanjem ali delu na izdelku.
- Z izdelka odstranite odrezke in drug material. Ti se lahko zagodijo med čeljust in rezilo.





## DODATNA VARNOSTNA OPOZORILA

- Pazite, da zaradi pogoste uporabe orodja ne postanete preveč samozavestni pri svojem delu in ne namenite pozornosti upoštevanju varnostnih načel uporabe.
- Nepredvidnost lahko že v delčku sekunde povzroči hudo poškodbo.
- Ročajji in površine za prijem naj bodo suhe in čiste, na njih naj ne bo olja ter maščobe.
- Če so ročajji ali površine za prijem spolzke, ni zagotovljeno varno rokovanje in upravljanje z orodjem v nepričakovanih situacijah.
- Poškodovanega ali spremenjenega akumulatorja oziroma orodja ne uporabljajte.
- Poškodovani ali spremenjeni akumulatorji lahko delujejo na nepredvidljiv način, kar lahko povzroči požar, eksplozijo ali nevarnost telesne poškodbe.
- Akumulatorja ali orodja ne izpostavljajte ognju ali previsokim temperaturam.
- Ob izpostavljenosti ognju ali temperaturam, višjim od 130 °C, lahko pride do eksplozije.
- Dosledno upoštevajte navodila za polnjenje in akumulatorja oziroma orodja ne polnite izven temperaturnega razpona, predpisanega v navodilih.
- Ob nepravilnem polnjenju oziroma polnjenju pri temperaturah izven predpisanega razpona se lahko poškoduje akumulator in poveča nevarnost požara.
- Na območju uporabe orodja ne smejo biti prisotne nobene druge osebe, otroci in ljubljenci.
- Pri žaganju veje pod napetostjo pazite, da ne odskoči nazaj, da vas nebi udarila pri sprostitvi napetosti v lesnih vlaknih.
- Z izdelkom ravnajte skrbno. Poskrbite, da bodo robovi rezil ostri in čisti za najboljše delovanje naprave in za zmanjšanje tveganj poškodbe. Sledite navodilom za mazanje in menjavo dodatkov.
- Ročajji naj bodo suhi, čisti in brez madežev olja ali masti.
- Pred uporabo in po vsakem udarcu se prepričajte, da ni poškodovanih delov. Vsak poškodovani del mora ustrezno popraviti ali zamenjati pooblaščen servisni center.
- Če izdelek pade, močno trči ali začne nenormalno vibrirati, ga nemudoma zaustavite in preverite, ali je poškodovan oziroma poiščite vzrok vibriranja. Vsakršno poškodbo mora ustrezno popraviti ali zamenjati pooblaščen servisni center.
- Preverite, ali so kje poškodovani deli. Pred nadaljnjo uporabo naprave, je treba natančno pregledati druge poškodovane dele in ugotoviti, ali bodo ustrezno delovali in opravljali predvideno funkcijo.
- Servis izdelka mora opraviti usposobljena oseba. Če servisiranje ali vzdrževanje opravlja nequalificirana oseba, lahko to privede do telesnih poškodb uporabnika ali do škode na napravi.
- Shranite ta navodila. Pogosto jih pregledujte in jih uporabljajte za učenje ostalih, ki bodo uporabljali ta izdelek. Če to orodje komu posodite, mu zraven priložite tudi ta navodila, da preprečite napačno uporabo izdelka in mogoče poškodbe.

- Ne režite na mestih, kjer so morda skriti kabli.
- Ne režite žic.
- Z delovnega območja odstranite vse žice in kable (Na primer: okrasnih lučk).

## DODATNA VARNOSTNA OPOZORILA ZA BATERIJO

### ⚠ OPOZORILO

V izogib, s kratkim stikom povzročene nevarnosti požara, poškodb ali okvar na proizvodu, orodja, izmenljivega akumulatorja ali polnilne naprave ne potaplajte v tekočine in poskrbite, da ne bo prihajalo do vdora tekočin v naprave in akumulatorje. Korozivne ali prevodne tekočine, kot so slana voda, določene kemikalije in belila ali proizvodi, ki le ta vsebujejo, lahko povzročijo kratek stik.

## TRANSPORT IN SHRANJEVANJE

- Ustavite napravo, odstranite baterijo in počakajte, da se ohladi, preden ju shranite ali transportirate.
- Očistite vse tuje z izdelka.
- Po vsaki uporabi z mehko suho krpo očistite trup in ročaje izdelka.
- Po vsaki uporabi s trdo krtačo z rezila odstranite ostanke, nato pa previdno nanesite mazivo proti rji, preden znova namestite zaščito rezila. Uporabite priporočeno mazalno razpršilo proti rji, da zagotovite enakomeren nanos in zmanjšate nevarnost telesne poškodbe zaradi stika z rezili. Za informacije o ustreznem spreju se obrnite na lokalni pooblaščen servisni center.
- Rezila po potrebi rahlo namažite na zgoraj navedeni način pred in po uporabi.
- Za transport zavarujte izdelek pred premiki ali padci, da preprečite poškodbe oseb ali izdelka.
- Shranite jo na suhem in dobro prezračenem mestu, ki ni na dosegu otrok. Hranite proč od jedkih sredstev, kot so kemikalije za vrtnarjenje in soli za odmrzovanje. Ne shranjujte na prostem.

## PREVAŽANJE LITIJEVIH AKUMULATORJEV

Akumulator prevažajte v skladu z lokalnimi in državnimi uredbami in predpisi.

Upoštevajte vse posebne zahteve glede pakiranja in označevanja, kadar prevoz opravlja tretja oseba. Zagotovite, da akumulatorji med prevozom ne morejo priti v stik z drugimi akumulatorji ali prevodnimi materiali, tako da zaščitite izpostavljene konektorje z neprevodnimi izolacijskim pokrovčki ali trakom. Ne prevažajte poškodovanih akumulatorjev oz. akumulatorjev, ki puščajo. Za nadaljnje informacije se obrnite na posredništvo.

EN  
FR  
DE  
ES  
IT  
NL  
PT  
DA  
SV  
FI  
NO  
RU  
PL  
CS  
HU  
RO  
LV  
LT  
ET  
HR  
SL  
SK  
BG  
UK  
TR



## VZDRŽEVANJE

### ⚠ OPOZORILO

Uporabljajte le originalne rezervne dele in dodatke, ki jih priporoča proizvajalec. V nasprotnem primeru naprava lahko slabo deluje, povzroči poškodbe, garancija pa ne velja več.

### ⚠ OPOZORILO

Preden izdelek pregledate, očistite in servisirate, zaustavite motor, počakajte, da se vsi premikajoči deli zaustavijo, in odstranite akumulator. Če ne boste upoštevali teh navodil, lahko pride do težke telesne poškodbe ali materialne škode.

### ⚠ OPOZORILO

Servisiranje zahteva posebno pozornost in znanje in naj jo zato opravlja samo izurjeni servisni tehnik. Za servisiranje odnesite izdelek na pooblaščen servis. Pri servisiranju uporabljajte samo originalne nadomestne dele.

- Pred vzdrževanjem ali čiščenjem izklopite baterijski sklop in ga odstranite.
- Opravljati smete le nastavitve in popravila, ki so opisana v teh navodilih za uporabo. Za druga popravila ali nasvete se posvetujte s pooblaščenim storitvenim centrom.
- Po vsaki uporabi izdelek očistite z mehko in suho krpo. Vsak poškodovani del mora ustrezno popraviti ali zamenjati pooblaščen servisni center.
- Pogosto preverjajte, ali so vse matice in vijaki dobro priviti in tako zagotovite varno delovno stanje opreme.
- Pri čiščenju plastičnih delov se izogibajte topilom. Večina plastičnih delov je zelo dovzetna za poškodbe s strani različnih vrst raztopil. Use clean cloths to remove dirt, dust, oil, or grease.
- Zavorna tekočina, gorivo, izdelki na osnovi nafte, prodirajoče olje ipd. nikoli ne smejo priti v stik s plastičnimi deli. Kemikalije lahko plastiko poškodujejo, oslabiljo ali uničijo, kar lahko privede do resnih telesnih poškodb.

**OPOMBA:** Za dolgotrajno in zanesljivo delovanje redno izvajajte spodnja vzdrževalna dela.

- Preverite, ali so prisotne okvare, npr. zrahljano, izpeto ali poškodovano rezilo, zrahljana pritrčila in obrabljeni ali poškodovani sestavni deli.
- Preverite, ali so pokrovi ter varovala nepoškodovani in pravilno nameščeni. Pred uporabo izdelka izvedite potrebno vzdrževanje ali popravila.
- Po delovanju vedno očistite rezila.
- Vizualno preverite stanje robov rezila. Poškodovana rezila morajo ustrezno popraviti ali zamenjati v pooblaščenem servisnem centru.
- Preden izdelek shranite in ga odložite, se prepričajte, da je rezilo zaustavljeno.

## ODPRAVLJANJE ZAMAŠITVE

Glejte stran 147 - 148.

- Če se rezila zataknejo zaradi trsk ali lubja, ki se zagodzi med rezila, in blokade ne morete sprostiti s 3- do 4-kratnim pritiskom na sprožilec, uporabite naslednji postopek:
  - Nosite zaščitna očala in rokavice.
  - Odstranite baterijo.
  - S kosom lesa ali gumijastim kladivom udarite po rezilu.
  - Silo uporabite samo na območju, kjer je vidno rezilo. Ne udarjajte po vzmeti.
- Bodite previdni pri vzmetnih rezilih. Ne približujte rok rezilom, ker se bodo nenadoma razprla.
- Ko očistite drobir, ki je povzročil blokado:
  - Vstavite baterijo.
  - Po sprostitvi rezil pred nadaljevanjem rezanja pritisnite na sprožilec, da se lahko rezila povsem razprejo.

## REZIDUALNA TVEGANJA

Tudi če izdelek uporabljate tako, kot je predpisano, še vedno ne moremo izključiti določenih preostalih dejavnikov tveganja. Med uporabo se lahko pojavijo naslednje nevarnosti, upravljavec pa naj bo pozoren na sledeče:

- Poškodbe zaradi vibracij
  - Vedno uporabljajte pravo orodje za opravilo, uporabite ustrezne ročaje in omejite delovni čas in izpostavljenost.
- Stik z rezili
  - Prepričajte se, da so nameščena varovala rezil, kadar naprava ni v uporabi. Roke in noge držite vedno proč od rezil.
- Delci, ki odletijo iz obdelovanca (odkruški, trske)

## ZMANJŠANJE TVEGANJA

Ugotovljeno je bilo, da lahko pri nekaterih posameznikih vibracije ročnih orodij povzročijo Raynaudov sindrom. Simptomi so lahko mravljinca, otrplost in pobledele prsti, kar je običajno vidno, kadar je oseba izpostavljena mrazu. Dedni dejavniki, izpostavljenost mrazu in vlagi, dieta, kajenje in delovne navade naj bi pripomogle k razvoju teh simptomov. Za zmanjšanje učinkov vibracij lahko upravljavec upošteva naslednja navodila:

- Poskrbite, da bo vaše telo na mrazu toplo. Med upravljanjem nosite rokavice in tako ohranjajte toploto vaših dlani in zapestij. Kot poročajo, je mraz glavni dejavnik, ki prispeva k Raynaudovemu sindromu.
- Po vsakem obdobju upravljanja naprave telovadite in tako pospešite krvni obtok.
- Pogosto si vzemite odmor. Omejite dnevno količino izpostavljenosti.

Če zaznavate kakršne koli simptome takšnega stanja, takoj prenehajte z uporabo naprave in se o simptomih posvetujte z zdravnikom.

## ⚠ OPOZORILO

Daljša uporaba orodja lahko privede do poškodb ali pa so poškodbe lahko hujše. Kadar orodje uporabljate dalj časa, si večkrat vzemite odmor.

## SPNOZAJTE SVOJ IZDELEK

Glejte stran 141.

1. Rezilo
2. Ohišje ročaja
3. Zaklepna tipka
4. Sprožilec
5. Nožnica rezila
6. Kavelj

## SIMBOLI NA IZDELKU



Varnostni alarm



Prosimo, da si pred zagonom naprave pozorno preberete navodila.



Nosite zaščito za oči, ušesa in glavo.



Nadenite si neдрseče zaščitne rokavice za težka dela.



Ko uporabljate izdelek, nosite zaščitno obutev, ki ne drsi.



Ne izpostavljajte ga dežju ali vlagi.



Nevarnost električnega udara. Držite najmanj 10 m proč od nadzemskih napeljav.



Pazite na izvržene ali leteče predmete. Prisotni (še posebej otroci in živali) naj bodo med obratovanjem oddaljeni vsaj 15m od delovnega območja.



Roke držite proč od rezil.



Ustreza vsem predpisanim standardom v državi članici EU, kjer je bil kupljen izdelek.



EurAsian oznaka o skladnosti



Ukrajinska oznaka za skladnost



Odpadne električne izdelke odlagajte skupaj z ostalimi gospodinjstvi odpadki. Reciklažo opravljajte na predpisanih mestih. Za reciklažni nasvet se obrnite na lokalne oblasti.

## SIMBOLI V TEM PRIROČNIKU



Uzamknutie



Odklep



Deli ali dodatki so na prodaj ločeno



Opomba



Opozorilo

Naslednje besedne oznake in njihovi pomeni služijo za razlago stopnje tveganja pri uporabi izdelka.

### ⚠ NEVARNOST

Označuje neizbežno tvegano stanje, ki če se ji ne izognete lahko povzroči smrt ali resno poškodbo.

### ⚠ OPOZORILO

Označuje morebitno tvegano stanje, ki če se ji ne izognete lahko povzroči smrt ali resno poškodbo.

### ⚠ POZOR

Označuje morebitno tvegano stanje, ki če se mu ne izognete lahko povzroči manjšo ali srednje resno poškodbo.

### POZOR

Brez simbola za varnostno opozorilo

Prikazuje situacijo, ki lahko povzroči materialno škodo.





Bezpečnosť, efektivita a spoľahlivosť boli prvoradáre pri navrhovaní vášho akumulátorového prerezávača.

## ÚČEL POUŽITIA

Akumulátorový prerezávač je určený na exteriérové použitie. Z bezpečnostných dôvodov musí byť krovinorez náležite ovládaný pomocou oboch rúk.

Výrobok je určený na rezanie a prerezávanie malých konárov a vetví. Výrobok nepoužívajte na rezanie nedrevených predmetov. Výrobok je určený na rezanie vetví do priemeru 32 mm (mäkké drevo) alebo do priemeru 28 mm (tvrdé drevo). Nerezte vetvy, ktorých priemer je väčší ako uvádzajú hodnoty.

Tento výrobok má pevnú dĺžku 0,85 m.

Nepoužívajte produkt na iné účely, ako sú uvedené vyššie. Tento produkt nesmú používať deti ani osoby, ktoré nie sú vybavené primeranými osobnými ochrannými pomôckami a odevom.

## VŠEOBECNÉ BEZPEČNOSTNÉ VÝSTRAHY

### ⚠ VAROVANIE

**Prečítajte si všetky varovania a všetky inštrukcie. Ak nedodržíte varovania a inštrukcie, môže to mať za následok zranenie elektrickým prúdom, požiar a/alebo vážne zranenie.**

**Všetky varovania a inštrukcie uschovajte pre použitie v budúcnosti.**

Výraz „elektrický nástroj“ v varovaniach označuje nástroj napájaný z elektrického siete (drôtový) alebo nástroj napájaný z batérií (pracdrôtový).

## BEZPEČNOSŤ PRACOVNEJ OBLASTI

- **Pracovnú oblasť udržiavajte čistú a dobre osvetlenú.** Prepchané alebo tmavé miesta zvyšujú pravdepodobnosť nehôd.
- **Elektrické nástroje neprevádzkujte vo výbušných atmosférach, v prítomnosti horľavých kvapalín, plynov alebo prachu.** Elektrické nástroje produkujú iskry, ktoré môžu vznietiť prach alebo výpary.
- **Držte deti a okolostojacich ďalej počas prevádzkovania elektrického nástroja.** Rozptýlenie môže spôsobiť stratu kontroly.

## ELEKTRICKÁ BEZPEČNOSŤ

- **Zásuvky elektrických nástrojov sa musia zhodovať so zásuvkou.** Nikdy a žiadnym spôsobom neupravujte zástrčku. Nepoužívajte žiadne zástrčky s adaptérom spolu s uzemnenými elektrickými nástrojmi. Neupravené a zhodné zásuvky znížia riziko zranenia elektrickým prúdom.
- **Vyhýbajte sa kontaktu s uzemnenými povrchmi, ako sú potrubia, radiátory a chladničky.** Ak je vaše telo uzemnené, existuje tu zvýšené riziko zranenia elektrickým prúdom.
- **Elektrické nástroje nevystavujte dažďu alebo vlhkému prostrediu.** Vniknutie vody do elektrického nástroja zvýši riziko zranenia elektrickým prúdom.

- **Nepoškodzujte kábel. Nikdy nepoužívajte kábel na prenášanie, ťahanie alebo odpájanie elektrického nástroja.** Kábel držte ďalej od horúcich, zoalejovaných predmetov, predmetov s ostrými hranami alebo pohyblivých častí. Poškodené alebo zamotané káble zvyšujú riziko zranenia elektrickým prúdom.
- **Pri prevádzke elektrických nástrojov vonku použite predlžovací kábel vhodný na použitie vonku.** Použitie kábla vhodného na použitie vonku znižuje riziko úrazu elektrickým prúdom.
- **Ak sa nedá vyhnúť použitiu elektrického nástroja na vlhkom mieste, použite zariadenie na ochranu napájania pred zvyškovým prúdom (RCD).** Použitie RCD znižuje riziko úrazu elektrickým prúdom.

## OSOBNÁ BEZPEČNOSŤ

- **Buďte opatrní, sledujte, čo robíte a používajte zdravý rozum pri prevádzkovaní elektrického nástroja.** Elektrický nástroj nepoužívajte, keď ste unavení alebo pod vplyvom drog, alkoholu alebo liekov. Chvilka nepozornosti počas prevádzkovania elektrických nástrojov môže spôsobiť vážne osobné zranenie.
- **Používajte osobné ochranné pomôcky. Vždy majte ochranu očí.** Ochranné pomôcky ako sú protiprachová maska, protišmyková pracovná obuv, tvrdá ochrana hlavy alebo ochrana sluchu, ktoré sa používajú vo vhodných podmienkach znížia riziko osobného zranenia.
- **Zabráňte náhodnému spusteniu. Ubezpečte sa, či je spínač v polohe off (vyp) pred pripojením k elektrickému zdroju a/alebo pripojením súpravy batérií, dvíhaním alebo prenášaním nástroja.** Prenášanie elektrického nástroja s prstom na spínači alebo spustené elektrické nástroje, ktoré sú zapnuté môže spôsobiť nehodu.
- **Pred zapnutím elektrického nástroja vyberte z neho všetky nastavovacie kľúče.** Kľúč, ktorý necháte pripevnený k otáčajúcej sa časti elektrického nástroja môže spôsobiť osobné zranenie.
- **Nepreháňajte. Vždy udržiajte správnu polohu chodidiel a rovnováhu.** Takto sa umožní lepšia kontrola nad elektrickým nástrojom v nepredvídaných situáciách.
- **Vhodne sa oblečte. Nenoste voľné oblečenie alebo šperky. Udržujte svoje vlasy, oblečenie a rukavice mimo otáčajúcich sa častí.** Voľné oblečenie, šperky alebo dlhé vlasy sa môžu zachytiť do pohybujúcich sa častí.
- **Ak sú zariadenia vybavené pripojením na odsávanie prachu a zbernými zariadeniami, zabezpečte, aby boli tieto pripojené a správne použité.** Použitie odsávania prachu môže znížiť riziká spojené s prachom.

## POUŽÍVANIE ELEKTRICKÉHO NÁSTROJA A STAROSTLIVOSŤ O ň

- **Nepresilujte elektrický nástroj. Používajte správny výkon na jeho aplikáciu.** Správny elektrický nástroj spraví prácu lepšie a bezpečnejšie pri hodnotách, na





ktoré bol navrhnutý.

- **Elektrický nástroj nepoužívajte, ak sa nedá pomocou spínača zapnúť a vypnúť.** Akýkoľvek elektrický nástroj, ktorý nie je možné ovládať pomocou spínača je nebezpečný a musí sa dať opraviť.
- **Pred vykonávaním akýchkoľvek nastavení, výmenou príslušenstva alebo odkladaním elektrických nástrojov odpojte zástrčku od napájania a/alebo súpravu batérií od elektrického nástroja.** Takéto preventívne bezpečnostné opatrenia znížia riziko náhodného spustenia elektrického nástroja.
- **Nečinné elektrické nástroje skladujte mimo dosahu detí a nedovoľte osobám, ktoré nie sú oboznámené s elektrickým nástrojom alebo týmito inštrukciami, aby elektrický nástroj prevádzkovali.** Elektrické nástroje sú v rukách neškolených osôb nebezpečné.
- **Na elektrických nástrojoch vykonávajte údržbu.** Kontrolujte, či sú pohyblivé časti vyrovnané alebo nie sú ohnuté, či jeho časti nie sú zlomené a všetky iné okolnosti, ktoré môžu zasahovať do prevádzky elektrického nástroja. Ak je elektrický nástroj poškodený, nechajte ho pred použitím opraviť. Mnoho nehôd je spôsobených zlou údržbou elektrických nástrojov.
- **Rezné nástroje udržiavajte ostré a čisté.** Správne udržiavané rezacie nástroje s ostrými reznými hranami sa menej pravdepodobne zalepia a ľahšie sa ovládajú.
- **Elektrický nástroj, príslušenstvo, vrtáky nástroja atď. používajte v súlade s týmito inštrukciami, berte do úvahy pracovné podmienky a prácu, ktorá sa bude vykonávať.** Použitie elektrického nástroja na ine operácie, ako tie, na ktoré je určený môže mať za následok nebezpečnú situáciu.

## POUŽITIE A OŠETROVANIE SÚPRAVY BATÉRIÍ

- **Nabíjajte ich len nabíjačkou špecifikovanou výrobcom.** Nabíjačka, ktorá je vhodná len na jeden typ súpravy batérií môže znamenať riziko požiaru, keď sa používa s inou súpravou batérií.
- **Elektrický nástroj použite len so špecificky určenou súpravou batérií.** Použitie iných súprav batérií môže znamenať riziko zranenia a požiaru.
- **wwwKeď sa súprava batérií nepoužíva, držte ju ďalej od kovových predmetov, ako sú spinky na papier, mince, kľúče, klince, skrutky alebo iné malé kovové predmety, ktoré môžu vytvoriť spojenie z jednej svorky na druhú.** Skratovanie svoriek batérie môže spôsobiť popálenie alebo požiar.
- **Za nepriaznivých podmienok môže vytečť z batérie kvapalina; vyhýbajte sa kontaktu s ňou. Ak sa neje nechtiac dotknete, vypláchnite vodou. Ak sa kvapalina dostane do kontaktu s očami, vyhľadajte lekársku pomoc.** Kvapalina vytečená z batérie môže spôsobiť podráždenie alebo popálenie.

## SERVIS

- **Nechajte svoj elektrický nástroj opraviť kvalifikovanému servisnému technikovi len s použitím identických náhradných dielov.** Týmto sa zabezpečí, že sa zachová bezpečnosť elektrického

nástroja.

## BEZPEČNOSTNÉ VÝSTRAHY PRE PREREZÁVAČ

### ⚠ NEBEZPEČENSTVO

Udržujte ruky v bezpečnej vzdialenosti od čepele. Pri kontakte s ostrím by mohlo dôjsť k závažnému poraneniu osôb.

- Nikdy nedovoľte deťom, osobám so zníženými fyzickými, duševnými alebo zmyslovými schopnosťami alebo s nedostatočnými skúsenosťami a znalosťami alebo osobám, ktoré nie sú oboznámené s týmto návodom, používať produkt. Miestne platné predpisy môžu obmedzovať dobu použitia kosačky.
- Tento výrobok má pevnú dĺžku 0,85 m.
- Nepoužívajte produkt, keď hrozí búrka alebo úder bleskom. Produkt skladujte v bezpečí interiéru.
- Dávajte pozor na nadzemné elektrické vedenia.
- Skontrolujte, či sú všetky ochranné kryty, rukoväte a nárazové ostrie správne nasadené a v dobrom stave.
- Pri práci s týmto zariadením používajte chrániče zraku a sluchu.
- Vždy noste dlhé a hrubé nohavice, vysokú obuv a rukavice. Nenoste voľný odev, doplnky ani výrobok nepoužívajte naboso.
- Nepúšťajte sa do práce s produktom, kým nevyčistíte pracovisko, nezaistíte si pevný postoj a nebudete mať naplánovanú únikovú trasu od vetiev alebo konárov.
- Nepoužívajte mechanický nástroj, keď ste unavení alebo pod vplyvom drog, alkoholu alebo liekov.
- Počas práce držte produkt oboma rukami. Jednou rukou pevne uchopíte prednú rukoväť. Druhou rukou uchopíte zadnú rukoväť a obsluhujte hlavný spínač a poistku spínača.
- Pred spustením výrobku výrobok správne umiestnite do predpísanej pracovnej polohy.
- Výrobok nikdy neprevádzkujte s rezným náradím bližšie než 10 m od nadzemných elektrických vedení.
- Počas práce si doprajte časté prestávky. Obmedzte počet vystavení za deň.
- Udržujte bezpečný postoj a rovnováhu. Nepreceňujte sa. Pri siahaní príliš ďaleko môžete stratiť rovnováhu a utrpieť závažné poranenie.
- Nepracujte s nástrojom, ktorý má poškodené alebo nadmerne opotrebené rezacie zariadenie.
- Produkt žiadnym spôsobom nemodifikujte, ani ho nepoužívajte na poháňanie žiadnych nástavcov alebo zariadení, ktoré neodporučal výrobca produktu.
- Oboznámte sa s činnosťou mechanizmu rýchleho uvoľnenia a vyskúšajte si jeho používanie predtým, ako začnete používať zariadenie. Jeho správne použitie môže zabrániť vážnemu poraneniu v prípade ohrozenia. Nikdy nenoste na postroji ďalší odev ani nijako inak neobmedzujte prístup k mechanizmu rýchleho uvoľnenia.
- Nepracujte pri nedostatočnom osvetlení. Produkt





používajte za denného svetla alebo pri dobrom umelom osvetlení.

- Ak rezný mechanizmus nefunguje správne, prerezávač nepoužívajte.
- Na ochranu pred padajúcimi vetvami nestojte priamo pod pileným konárom alebo vetvou. Produkt sa nesmie držať v uhle väčšom ako 60° od úrovne zeme.
- Aby ste znížili riziko poranenia pri kontakte s pohyblivými časťami, vždy výrobok zastavte, skontrolujte, že sa všetky pohyblivé časti úplne zastavili, a batériu vyberte pred:
  - čistenie alebo odstránenie upchatia
  - ponechanie produktu bez dozoru
  - montáž alebo demontáž nástavcov
  - kontrola, údržba alebo práca na produkte.
- Z výrobku odstraňujte zvyšky a iný materiál. Môžu sa zachytiť medzi čeľusť a čepeľ.

#### AKUMULÁTOR – BEZPEČNOSTNÉ VÝSTRAHY

- Nedovoľte, aby znalosti získané počas častého používania náradia spôsobili, že budete ignorovať princípy bezpečnosti pre náradie.
- Nedbanlivosť môže spôsobiť závažné poranenie v zlomku sekundy.
- Rukoväte a úchopné povrchy udržiavajte suché, čisté a bez zvyškov oleja či maziva.
- Kľzké rukoväte a úchopné povrchy neumožňujú bezpečnú manipuláciu a ovládanie nástroja v neočakávaných situáciách.
- Poškodenú alebo upravenú súpravu batérií alebo náradie nepoužívajte.
- Poškodené alebo upravené batérie môžu vykazovať nepredvídateľné správanie s následkom požiaru, výbuchu alebo poranenia.
- Súpravu batérií ani náradie nevystavujte účinkom ohňa ani nadmerných teplôt.
- Vystavenie účinkom ohňa alebo nadmernej teploty nad 130 °C môže spôsobiť výbuch.
- Dodržiavajte všetky pokyny na nabíjanie a súpravu batérií ani náradie nenabíjajte mimo rozsahu teplôt, ktorý je uvedený v pokynoch.
- Nesprávne nabíjanie alebo nabíjanie pri teplotách mimo uvedeného rozsahu môže poškodiť batériu a zvýšiť riziko vzniku požiaru.
- Počas rezania zabráňte prístupu na plochu okolostojacim, deťom a zvieratám.
- Keď režete konár pod pnutím, buďte pripravení, aby ste mohli rýchle odskočiť, keď napätie v drevených vláknach náhle povolí.
- Údržbu nástroja vykonávajte opatrne. Udržujte rezné hrany ostré a čisté pre najlepší výkon a zníženie rizika poranenia. Dodržiavajte pokyny na mazanie a výmenu príslušenstva.
- Rukoväte udržiavajte suché a čisté, bez zvyškov oleja či maziva.
- Pred použitím a po každom náraze skontrolujte, či nie sú nejaké diely poškodené. Akýkoľvek poškodený diel sa musí náležite opraviť alebo vymeniť v autorizovanom

servisnom centre.

- Ak produkt spadne, utrpí silný náraz alebo začne neštandardne vibrovať, okamžite ho zastavte s kontrolou, či nedošlo k poškodeniu alebo zistite príčinu vibrácií Akékoľvek poškodenie sa musí náležite opraviť alebo vymeniť v autorizovanom servisnom centre.
- Skontrolujte všetky poškodené časti. Pred ďalším použitím výrobku je potrebné starostlivo skontrolovať poškodené diely aby sa mohlo určiť, či budú pracovať správne.
- Stroj smie byť opravovaný iba v autorizovanom servise. Pri vykonaní servisu alebo údržby ne kvalifikovaným pracovníkom môže dôjsť k poraneniu používateľa alebo poškodeniu produktu.
- Uschovajte si tieto pokyny. Dôkladne si prečítajte pokyny uvedené v časti informácie o používaní stroja. Ak niekomu nástroj požičiate, priložte k nemu aj tento návod, aby nemohlo dôjsť k nesprávnemu používaniu nástroja a možnému poraneniu.
- Nestrihajte na miestach s rizikom výskytu skrytej kabeláže.
- Nestrihajte drôty.
- Udržujte pracovný priestor bez drôtov a káblov (príklad: svietiace pásy).

#### DOPLNKOVÉ BEZPEČNOSTNÉ VÝSTRAHY PRE BATÉRIU

##### ⚠ VAROVANIE

Aby ste zabránili nebezpečenstvu požiaru spôsobeného skratom, poraneniam alebo poškodeniam výrobku, neponárajte náradie, výmennú batériu alebo nabíjačku do kvapalín a postarajte sa o to, aby do zariadení a akumulátorov nevnikli žiadne tekutiny. Korodujúce alebo vodivé kvapaliny, ako je slaná voda, určité chemikálie a bieliace prostriedky alebo výrobky, ktoré obsahujú bieliadlo, môžu spôsobiť skrat.

#### PREPRAVA A SKLADOVANIE

- Pred uskladnením alebo prepravou zastavte produkt, vyberte akumulátor a nechajte oboje vychladnúť.
- Odstráňte zo zariadenia všetky cudzie materiály.
- Po každom použití vyčistite telo a rukoväte produktu suchou tkaninou.
- Po každom použití vyčistite sutinu z ostrí pomocou tvrdej kefy a predtým, ako znova namontujete ochranný kryt ostria, dôkladne naneste prostriedok proti hrdzaveniu. Používajte odporúčaný sprej s mazivom s protikoróznymi účinkami na rovnomerné aplikovanie a redukovanie rizika osobného poranenia kontaktom s čepeľami. Informácie o vhodnom sprejovom produkte dostanete v miestnom autorizovanom servisnom centre.
- V prípade potreby podľa hore uvedeného spôsobu namažte v zľahka čepele a pred a po použití.
- Pri preprave zaistite produkt pred pohybom alebo





pádom, aby nedošlo k poraneniu osôb alebo poškodeniu produktu.

- Odložte ho na suché a dobre vetrané miesto, na ktoré nemajú prístup deti. Náradie neuskladňujte v blízkosti žieravých látok, ako napríklad v blízkosti záhradníckych chemických prípravkov alebo solí na zimný posyp komunikácií. Neskladujte v exteriéri.

## PREPRAVA LÍTOVÝCH AKUMULÁTOROV

Akumulátor prepravujte v súlade s miestnymi smernicami a nariadeniami.

Keď akumulátory prepravuje tretia strana, dodržiavajte všetky požiadavky na balení a označení. Zabezpečte, aby počas prepravy akumulátory neprišli do kontaktu s inými akumulátormi ani vodivými materiálmi – chráňte obnažené konektory pomocou izolácie, nevodivými viečkami alebo páskou. Neprepravujte akumulátory, ktoré sú prasknuté alebo vytekajú. Ďalšie pokyny zistíte u nasledujúcej spoločnosti.

## ÚDRŽBA

### ⚠ VAROVANIE

Používajte len originálne náhradné diely, príslušenstvo a nástavce výrobcu. V opačnom prípade môže dôjsť k možnému poraneniu, nedostatočnému výkonu a strate platnosti záruky.

### ⚠ VAROVANIE

Pred kontrolou, čistením alebo vykonávaním servisu na výrobku zastavte motor, počkajte na úplne zastavenie všetkých pohyblivých častí a vyberte batériu. Nedodržanie týchto pokynov môže spôsobiť vážne zranenia alebo poškodenie majetku.

### ⚠ VAROVANIE

Údržba vyžaduje extrémnu starostlivosť a znalosti, a musí byť prevádzaná výhradne v autorizovanom servise. Ak chcete vykonať servis, prineste produkt do autorizovaného servisného centra. Pri servise používajte len originálne náhradné diely výrobcu.

- Vypnite a vyberte sadu batérií pred vykonávaním akejkoľvek údržby alebo čistenia.
- Môžete vykonávať úpravy a opravy popísané v tejto príručke. Pri ostatných opravách alebo ak potrebujete radu, vyhľadajte pomoc v autorizovanom servisnom centre.
- Po každom použití vyčistite produkt mäkkou suchou tkaninou. Akýkoľvek poškodený diel sa musí náležite opraviť alebo vymeniť v autorizovanom servisnom centre.
- Skontrolujte všetky skrutky, matice v častých intervaloch či sú riadne utiahnuté, aby sa zaistila bezpečná prevádzka stroja.
- Pri čistení plastových dielov nepoužívajte rozpúšťadlá. Veľa plastov je citlivých na poškodenie rôznymi typmi komerčných rozpúšťadiel a môžu byť nimi poškodené.

Use clean cloths to remove dirt, dust, oil, or grease.

- Dbajte na to, aby do kontaktu s plastovými dielmi nikdy neprišli do kontaktu brzdové kvapaliny, benzín, ropné produkty, prenikavé oleje a pod. Chemikálie môžu poškodiť, oslabiť či zničiť plast, čo môže spôsobiť závažné osobné poranenie.

**POZNÁMKA:** Na zabezpečenie dlhej a spoľahlivej prevádzky pravidelne vykonávajte nasledujúcu údržbu.

- Skontrolujte bežné poruchy, ako je uvoľnený, vytlačený alebo poškodený nôž, uvoľnené upevnenie a opotrebované či poškodené súčasti.
- Skontrolujte, že kryty a chrániče nie sú poškodené a že sú správne namontované. Pred používaním výrobku vykonajte potrebnú údržbu a opravy.
- Po použití vždy vyčistite reznú čepeľ.
- Vizuálne skontrolujte stav rezných hrán reznej čepele. Každá poškodená čepeľ musí byť náležite opravená alebo vymenená v autorizovanom servisnom stredisku.
- Výrobok uskladnite a pred položením výrobku skontrolujte, že sa rezný mechanizmus zastavil.

## ODSTRÁNENIE UPCHATIA

*Pozrite strany 147 - 148.*

- Ak sa čepele zaseknú zachytením črepiny alebo vetvy medzi čepeľami a nemožno ich uvoľniť 3 až 4 stlačeními vypínača, postupujte podľa tohto postupu:
  - Používajte okuliare a rukavice.
  - Vyberte jednotku akumulátora.
  - Kusom dreva alebo gumeným kladivom udrte v smere proti čepeľi.
  - Silu aplikujte len na oblasť, kde je znázomená čepeľ. Neudierajte do pružiny.
- Dávajte pozor na čepele s pružinou. Ruky držte v bezpečnej vzdialenosti od čepeľí; otvoria sa náhle.
- Po odstránení zablokovania nečistotami:
  - Vložte batériu.
  - Po uvoľnení čepeľí uvoľnite vypínač a potom pokračujte v strihaní tak, že sa čepele môžu úplne otvoriť.

## ZVÝŠKOVÉ RIZIKÁ

Aj keď sa nástroj používa podľa predpisu, nie je možné eliminovať určité zvyškové rizikové faktory. Pri použití vznikajú nasledujúce riziká a obsluhujúca osoba musí venovať zvláštnu pozornosť, aby nedošlo k nasledovnému:

- Zranenie spôsobené vibráciami
  - Vždy používajte vhodný nástroj pre danú úlohu, používajte určené rukoväte a obmedzte pracovný čas a mieru rizika.
- Kontakt s ostriami
  - Uistite sa, že v čase, keď sa výrobok nepoužíva, má nasadený chránič nožov. Ruky a nohy nikdy nedávajte do blízkosti ostří.
- Vyvrhnuté kusy obrobku (drevené triesky, odštepý)

## OBMEDZENIE RIZIKA

Boli hlásené prípady, kedy vibrácie z ručných nástrojov u niektorých osôb prispeli k stavu nazývanému Raynaudov





syndróm. K symptómom patria: trpnutie, znečítlenie a blednutie prstov, zvyčajne zjavné po vystavení zime. Je známe, že k vývoju týchto symptómov prispievajú: dedičné faktory, vystavovanie zime a vlhkosti, diéta, fajčenie a pracovné návyky. Opatrenia, ktoré môže vykonať obsluhujúca osoba na možné zníženie účinkov vibrácií:

- V studenom počasí udržiavajte svoje telo v teple. Pri práci s produktom noste rukavice, aby ste mali ruky a zápästia v teple. Boli hlásené prípady, kedy hlavným faktorom prispievajúcim k Raynaudovmu syndrómu bolo studené počasie.
- Po každom určitom časovom úseku prevádzky cvičte, aby ste zlepšili krvný obeh.
- Počas práce si doprajte časté prestávky. Obmedzte počet vystavení za deň.

Ak zistíte ktorýkoľvek zo symptómov tohto stavu, okamžite prerušte používanie zariadenia, navštívte svojho lekára a povedzte mu o symptómoch.

#### VAROVANIE

Pri dlhodobom alebo zvýšenom používaní môže dôjsť k zraneniam. Pri používaní nástroja príliš dlhé obdobia si vždy doprajte pravidelné prestávky.

#### OBOZNÁMTE SA S VAŠIM PRODUKTOM

Pozrite stranu 141.

1. Rezné ostrie
2. Kryt rúčky
3. Blokovací spínač
4. Spínač
5. Kryt čepele
6. Hák

#### SYMBOLY NA PRODUKTE



Výstražná značka



Pred zapnutím zariadenia si prosím prečítajte inštrukcie.



Používajte chrániče zraku, sluchu a hlavy.



Používajte protišmykové odolné ochranné rukavice.



Pri používaní tohto produktu používajte nešmyklavú obuv.



Nevystavujte dažďu ani nepoužívajte vo vlhkom prostredí.



Riziko úrazu elektrickým prúdom. Nechoďte bližšie ako 10 m od elektrického vedenia nad hlavou.



Pozor na vymrštené alebo odletujúce objekty. Všetky okolostojace osoby (najmä deti a domáce zvieratá) musia stáť minimálne 15m od miesta práce



Ruky nedávajte do blízkosti ostrí.



Vyhovuje všetkým regulačným normám v krajine EÚ, v ktorej bol výrobok zakúpený.



Ukrajinské označenie zhody



Opotrebované elektrické zariadenia by ste nemali odhadzovať do domového odpadu. Prosíme o recykláciu ak je možné. Kontaktujte miestne úrady, alebo predajcu pre viac informácií ohľadom ekologického spracovania.

#### SYMBOLY V TOMTO NÁVODE



Zamknuté



Odomknuté



Diely alebo príslušenstvo predávané samostatne



Poznámka



Varovanie

Nasledujúce signálne slová a významy slúžia na vysvetlenie úrovni rizika súvisiacich s produktom:

#### NEBEZPEČENSTVO

Označuje bezprostredne nebezpečnú situáciu, ktorá môže vyústiť v smrť, alebo vážne zranenie.

#### VAROVANIE

Označuje potenciálne nebezpečnú situáciu, ktorá môže vyústiť v smrť, alebo vážne zranenie.

#### VÝSTRAHA

Označuje potenciálne nebezpečnú situáciu, ktorá môže vyústiť v ľahké, alebo stredne ťažké zranenie.

#### VÝSTRAHA

Bez symbolu bezpečnostného alarmu

Označuje situáciu, ktorá môže zapríčiniť poškodenie majetku.





EN
FR
DE
ES
IT
NL
PT
DA
SV
FI
NO
RU
PL
CS
HU
RO
LV
LT
ET
HR
SL
SK
<b>BG</b>
UK
TR

Безопасността, производителността и надеждността са аспектите, на които е даден най-голям приоритет при проектирането на вашия безкабелен моторен трион.

### ПРЕДНАЗНАЧЕНИЕ

Безкабелният моторен трион е предназначен за използване на открито. От съображения за сигурност, продуктът трябва да бъде управляван адекватно чрез работа с двете ръце.

Продуктът е предназначен за рязане и кастрене на малки клони. Не използвайте продукта за рязане на елементи, които не са от дърво. Продуктът е предназначен за рязане на клони с диаметър до 32 мм (мека дървесина) и 28 мм (твърда дървесина). Не режете дебели клони с диаметър, по-голям от горепосочените стойности.

Продуктът е с фиксирана дължина от 0,85 м.

Не използвайте продукта за цели, различни от описаните по-горе. Продуктът не трябва да се използва от деца, както и от лица, които не носят подходящи лични предпазни средства и облекло.

### ОБЩИ ПРЕДУПРЕЖДЕНИЯ ЗА БЕЗОПАСНОСТ

#### ПРЕДУПРЕЖДЕНИЕ

Прочетете всички предупреждения относно безопасността и всички инструкции. Неспазването на предупрежденията и инструкциите може да доведе до токов удар, пожар и/или сериозни наранявания.

Съхранявайте всички предупреждения и инструкции за бъдещи справки. Терминът „електрически инструмент“ в предупрежденията се отнася за вашия инструмент - със захранване от електрическата мрежа (с кабел) или на батерия (безжичен).

### БЕЗОПАСНОСТ НА РАБОТНАТА ЗОНА

- Поддържайте работното пространство чисто и добре осветено. Безпорядъкът или тъмнината в работното пространство са предпоставка за злополуки.
- Не използвайте електрически инструменти в експлозивни среди, например в присъствието на запалителни течности, газове или прах. По време на работа електрическите инструменти произвеждат искри, които могат да възпламенят прах или пари.
- Дръжте децата и страничните наблюдатели далече, докато боравите с електрически инструмент. Ако вниманието ви бъде отклонено, може да загубите контрола над електрическия инструмент.

### ЕЛЕКТРИЧЕСКА БЕЗОПАСНОСТ

- Щепселът на електрическия инструмент трябва да е съвместим с контакта. В никакъв случай не внасяйте изменения в конструкцията на щепсела. Когато работите със занулени електрически

инструменти, не използвайте адаптери за щепсела. Използването на оригиналните щепсели и контакти намалява риска от токов удар.

- Избягвайте допир със заземени повърхности, като тръби, радиатори, печки и хладилници. Когато тялото ви е заземено, рискът от възникване на токов удар е по-голям.
- Не излагайте продукта на дъжд или влажни условия. Проникването на вода в електрическия инструмент повишава опасността от токов удар.
- Не насилвайте захранващия кабел. Никога не носете, не изключвайте и не дърпайте електрическия инструмент за кабела. Предпазвайте кабела от нагряване, омасляване, допир до остри ръбове или до подвижни звена на машини. Повредените или усукани кабели увеличават риска от токов удар.
- Когато работите с електрически инструмент на открито, използвайте само удължителни кабели, предназначени за работа на открито. Използването на удължител, предназначен за работа на открито, намалява риска токов удар.
- Ако не можете да избегнете използването на електрически инструмент на влажно място, използвайте RCD (прекъсвач със защитно изключване). Използването на RCD намалява опасността от електрически удар.

### ЛИЧНА БЕЗОПАСНОСТ

- Бъдете бдителни, внимавайте какво правите и проявявайте благоразумие, когато боравите с електрически инструмент. Не използвайте електрическия инструмент, когато сте уморени или под влиянието на наркотични вещества, алкохол или лекарства. Миг невнимание, докато боравите с електрически инструмент, е достатъчен за получаването на сериозни наранявания.
- Използвайте лична защитна екипировка. Винаги носете защитни очила. Защитната екипировка, като маска против прах, пригодени против плъзгане защитни обувки, твърда шапка или антифони, използвани за подходящите условия, ще намали опасността от физически наранявания.
- Не допускате нежелано стартиране. Преди да вдигате или носите инструмента и преди да го включвате в електрическата мрежа и/или батерия, винаги проверявайте дали превключателят е на позиция OFF (изкл). Носенето на инструмента с пръст върху превключателя или включването му към електричеството, докато превключателят му е на включен, е предпоставка за злополуки.
- Махнете всички гаечни или френски ключове за настройка преди да включите инструмента. Помощен инструмент, забравен на въртящ се елемент, може да доведе до физически наранявания.
- Не се протягайте, за да работите на трудно достижими места. Винаги стъпвайте стабилно по време на работа и пазете равновесие. Това дава възможност за по-добър контрол над





електрическия инструмент в неочаквани ситуации.

- **Обличайте се целесъобразно. Не носете широки дрехи или украшения. Дръжте косата, дрехите и ръкавиците си на безопасно разстояние от подвижните елементи.** Широките дрехи, украшенията, дългите коси могат да бъдат захванати и увлечени от движещи се елементи.
- **Ако устройствата са оборудвани със съоръжение за издърпване и събиране на прах, уверете се, че е то свързано и функционира правилно.** Използването на устройства за събиране на прах ще намали рисковете, свързани с работа в прашни условия.

## ИЗПОЛЗВАНЕ И ОБСЛУЖВАНЕ НА ЕЛЕКТРИЧЕСКИЯ ИНСТРУМЕНТ

- **Не насилвайте продукта.** Използвайте електрическия инструмент, съобразно неговото предназначение. Правилно подобреният електрически инструмент ще свърши работата по-добре и по-безопасно в зададения от производителя диапазон на натоварване.
- **Не използвайте електрически инструменти, чиито пусков прекъсвач е повреден.** Електрически инструмент, който не може да бъде контролиран посредством превключвател, е опасен и трябва да бъде ремонтиран.
- **Изключете щепсела от източника на захранване и/или батерията от електрическия инструмент, преди да извършвате каквито и да е корекции, да смените принадлежностите и преди съхраняване на електрическите инструменти** Тази мярка премахва опасността от задействане на електрическия инструмент по невнимание.
- **Съхранявайте незаетите електрически инструменти на недостъпни за деца места и не позволявайте на лица, незапознати с инструмента или с тези указания, да боравят с него.** Когато са в ръцете на неопитни потребители, електрическите инструменти могат да бъдат изключително опасни.
- **Поддържайте електрическите инструменти в изправност. Проверявайте за неизправности или заклиняване в подвижните елементи, за счупени части или други обстоятелства, които могат да влошат работата на електрическия инструмент. Преди да използвате електрическия инструмент, се погрижете повредите да бъдат отстранени.** Много от трудовите злополуки се дължат на недобре поддържани електрически инструменти.
- **Поддържайте режещите инструменти винаги добре заточени и чисти.** Инструменти, за които е полагана правилна грижа и са с добре наточени режещи елементи, се управляват по-лесно и вероятността да заядат е по-малка.
- **Използвайте електрическите инструменти, принадлежностите и режещите и др. части съобразно тези указания, като се съобразявате с работните условия и с работата, която ще извършвате.** Използването на електрически

инструменти за различни от предвидените от производителя приложения повишава опасността от възникване на трудови злополуки.

- **Използване и обслужване на инструмента с батерия**
- **Презареждайте единствено със зарядното устройство, посочено от производителя.** Зарядно устройство, подходящо за зареждане на един вид батерии, може да предизвика риск от пожар, ако бъде използвано за други батерии.
- **Използвайте електрически инструменти с батерии единствено със специално предназначение за тях батерии.** Използването на всякакви други батерии може да създаде риск от нараняване и пожар.
- **Когато батерията не се използва, съхранявайте я далеч от други метални обекти, като например кламери, монети, ключове, гвоздеи, гайки или други малки метални обекти, които могат да направят връзка между клемите.** Късото съединение от клемите може да доведе до изгаряния или пожар.
- **При неправилно използване батерията може да отдели течност; избягвайте контакт.** Ако случайно настъпи контакт, промийте с вода. Ако течността влезе в контакт с очите, потърсете допълнително медицинска помощ. Отделената от батерията течност може да причини възпаление или изгаряния.

## СЕРВИЗНО ОБСЛУЖВАНЕ

- **Ремонтът на електрическите инструменти трябва да се извършва само от квалифицирани специалисти и само с използването на оригинални резервни части.** По този начин се гарантира поддържането на безопасност при работа с електрическия инструмент..

## ПРЕДУПРЕЖДЕНИЯ ЗА БЕЗОПАСНОСТ ЗА МОТОРНИЯ ТРИОН

### ОПАСНОСТ

Дръжте ръцете си далече от острието. Контактът с острието може да доведе до сериозни физически наранявания.

- **Никога не позволявайте продуктът да бъде използван от: деца; лица с намалени физически, сетивни или умствени способности; лица без необходимите опит и знания; лица, които не са запознати с настоящите инструкции.** Местните наредби могат да налагат ограничения за възрастта на оператора.
- **Продуктът е с фиксирана дължина от 0,85 m.**
- **Не използвайте продукта, когато има условия за възникване на гръмотевични бури или мълнии.** Съхранявайте продукта на сигурно и закрито място.
- **Пазете се от въздушни електропроводи.**
- **Уверете се, че всички предпазители и ръкохватки са поставени на мястото им и са в изправност.**





- Носете пълна защитна екипировка за очите и слуха ви, когато боравите с продукта.
- Носете здрави дълги панталони, ботуши и ръкавици. Не носете широки дрехи, аксесоари и не използвайте продукта с боси крака.
- Не започвайте работа с продукта, преди да е осигурена чиста работна зона, стабилна опора и планиран път за оттегляне далече от падащите клони и ветки.
- Не използвайте електрическия инструмент, когато сте уморени или под влиянието на наркотични вещества, алкохол или лекарства.
- Дръжте продукта с двете ръце, когато работите с него. Хванете здраво предната ръкохватка с едната си ръка. Използвайте другата си ръка, за да хванете задната ръкохватка и да управлявате фиксатора на спусъка, както и спусъка за включване/изключване.
- Преди да стартирате продукта, се уверете се, че е правилно разположен в определената работна позиция.
- Никога не работете с продукта с режещи елементи на разстояние, по-близо от 10 м от въздушни електропроводи.
- Редовно излизайте в почивка. Ограничете излагането на вибрации на ден.
- Заемайте стабилна позиция и пазете баланс. Не се протягайте, за да работите на трудно достижими места. Прекомерното протягане може да доведе до загуба на равновесие, а това е предпоставка за сериозно нараняване.
- Не работете с моторния трион, ако режещият механизъм не е изправен.
- Не модифицирайте продукта по никакъв начин и не го използвайте за захранване или задвижване на приставки и устройства, които не са препоръчани от производителя на вашия продукт.
- Запознайте се с механизма за бързо освобождаване и упражнявайте използването му, преди да започнете да работите с машината. Правилното използване на този механизъм може да предотврати сериозно нараняване при възникване на извънредна ситуация. Никога не носете допълнително облекло над ремъка за закачане, защото така се блокира достъпът до механизма за бързо освобождаване.
- Не използвайте тази машина при слабо осветление. Използвайте продукта през деня или при добро изкуствено осветление.
- Не работете с моторния трион, ако режещият механизъм не е изправен.
- За да се предпазите от падащи клони, не стойте директно под клоните или стъблата, които режете. Продуктът не трябва да се държи под ъгъл, по-голям от 60° спрямо земната повърхност.
- За да намалите риска от наранявания, причинени от контакт с движещи се части, винаги изключвайте продукта, уверявайте се, че всички движещи се части са спрели напълно, а също така изваждайте батерията преди:
  - почистване или отстраняване на препятствия

- оставяне на продукта без надзор
  - монтирате или демонтирате допълнителни приставки
  - проверка, поддръжка или работа по продукта.
- Не допускате в продукта да попаднат изрезки и други материали. Те може да се забият между челюстта и острието.

#### ДОПЪЛНИТЕЛНИ ПРЕДУПРЕЖДЕНИЯ ЗА БЕЗОПАСНОСТ

- Не позволявайте опита ви с често използване на инструменти да ви направи прекалено самоуверени и да ви накара да игнорирате принципите за безопасност.
- Едно небрежно действие може да доведе до сериозно нараняване в рамките само на секунда.
- Поддържайте ръкохватките и повърхностите за захващане сухи, чисти и неомаслени.
- Хлъзгавите ръкохватки и повърхности за захващане не дават възможност за безопасно управление и контролиране на инструмента при възникване на неочаквани ситуации.
- Не използвайте акумулаторна батерия или инструмент, които са повредени или променени по някакъв начин.
- Повредените или променени батерии могат да работят по непредсказуем начин, което да доведе до пожар, възникване или опасност от наранявания.
- Не излагайте акумулаторната батерия или инструмент на огън или прекалено висока температура.
- Излагането на огън или на температура над 130°C може да причини взрив.
- Следвайте всички инструкции за зареждане и не зареждайте акумулаторната батерия или инструмента извън температурния диапазон, посочен в инструкциите.
- Неправилното зареждане или зареждането при температури извън посочения диапазон може да повреди батерията и да увеличи риска от пожар.
- Не допускайте наблюдатели, деца и домашни любимци до работната зона, докато режете.
- Когато режете клон, който е под огън, бъдете готови да отскочите бързо назад, за да не ви удари, когато дървесните нишки се отпуснат.
- Поддържайте грижливо продукта. Поддържайте режещия ръб остър и чист за най-добра производителност и за намаляване на риска от нараняване. Следвайте инструкциите за смазване и смяна на принадлежностите.
- Поддържайте ръкохватките сухи, чисти и неомаслени.
- Преди употреба и след всяко въздействие проверете дали няма повредени части. Всяка повредена част трябва да бъде поправена или заменена от упълномощен сервизен център.
- Ако продуктът бъде изпуснат, претърпи силен удар или започне да вибрира неестествено, незабавно изключете продукта и проверете за повреди или





се опитайте да идентифицирате причината за вибрирането. Поправките и замените на части при повреда трябва да се извършват от оторизиран сервизен център.

- Проверявайте за повредените части. Преди да продължите работата си с инструмента, другите повредени части трябва да бъдат щателно проверени, за да се определи дали продуктът ще работи правилно и ще извършва функцията си по предназначение.
- Само квалифициран сервизен техник може да ремонтира този продукт. Ремонт или поддръжка, извършени от неквалифицирано лице, може да доведе до нараняване на потребителя или до повреди в продукта.
- Запазете това ръководство. Препорочайте го редовно и го използвайте, когато трябва да инструктирате друго лице, което ще борави с този продукт. Ако заемате на някого инструмента, предайте му също и тези инструкции, за да предотвратите неправилното използване на продукта и възможно нараняване.
- Не режете там, където може да има скрити кабели.
- Не режете кабели.
- Внимавайте в зоната на работа да няма проводници и кабели (пример: празнични лампички).

## ДОПЪЛНИТЕЛНИ ПРЕДУПРЕЖДЕНИЯ ЗА БЕЗОПАСНОСТ ЗА БАТЕРИЯТА

### ⚠ ПРЕДУПРЕЖДЕНИЕ

За да избегнете опасността от пожар, предизвикана от късо съединение, както и нараняванията и повредите на продукта, не потапяйте инструмента, сменяемата акумулаторна батерия или зарядното устройство в течности и се погрижете в уредите и акумулаторните батерии да не попадат течности. Течностите, предизвикващи корозия или провеждащи електричество, като солена вода, определени химикали, избелващи вещества или продукти, съдържащи избелващи вещества, могат да предизвикат късо съединение.

## ТРАНСПОРТИРАНЕ И СЪХРАНЕНИЕ

- Спрете продукта, свалете батерията и изчакайте и двете да се охладят, преди да транспортирате уреда или да го приберете за съхранение.
- Почистете продукта от всички чужди частици.
- След всяко използване почиствайте корпуса и дръжките на уреда с мека и суха кърпа.
- След всяко използване почиствайте остриетата от отломки с твърда четка, след което смазвайте с препарат против ръжда, преди да монтирате отново протектора на острието. Използвайте препоръчителен антикорозионен смазочен спрей, за да нанесете равномерен слой и да намалите риска от физическо нараняване поради контакт

с остриетата. За повече информация относно подходящ смазочен спрей се обърнете към вашия местен оторизиран сервизен център.

- Ако е необходимо, намажете леко остриетата преди и след употреба по гореописания метод.
- Когато транспортирате продукта, го обезопасете така, че да не може да се движи или да падне, защото това може да доведе до евентуални наранявания на хора или повреди по продукта.
- Съхранявайте я на хладно, сухо и добре проветрявано място, което е недостъпно за деца. Не го оставяйте в близост до корозивни материали като градински химикали или соли за размразяване. Не съхранявайте на открито.

## ТРАНСПОРТИРАНЕ НА ЛИТИЕВИ БАТЕРИИ

Транспортирайте батериите в съответствие с местните и национални постановления и разпоредби.

Спазвайте всички специални изисквания за пакетиране и етикетирание, когато транспортирате батерии чрез трето лице. Уверете се, че батериите не влизат в контакт с други батерии или проводими материали по време на транспортиране, като предпазите откритите конектори с изолация, непроводими капачета или лента. Не транспортирайте батерии, които са спукани или текат. Свържете се със следната компания за допълнителен съвет.

## ПОДДРЪЖКА

### ⚠ ПРЕДУПРЕЖДЕНИЕ

Използвайте само оригинални резервни части, аксесоари и приставки от производителя. В противен случай може да се влоши работата на инструмента или да получите тежки контузии, а гаранцията ви ще стане невалидна.

### ⚠ ПРЕДУПРЕЖДЕНИЕ

Преди извършване на проверка, почистване или обслужване на продукта спрете двигателя, изчакайте всички движещи се части да спрат и извадете батерията. При неспазване на тези указания може да се причинят тежки телесни повреди и сериозни материални щети.

### ⚠ ПРЕДУПРЕЖДЕНИЕ

Сервизното обслужване изисква изключително внимание и специфични познания и следва да бъде извършвано само от квалифициран техник. За сервизно обслужване занесете продукта в оторизиран сервизен център. При извършване на сервизни дейности използвайте само оригинални резервни части от производителя.

- Изключете и извадете батерията, преди да извършите каквито и да било дейности по профилактика или почистване.



- Можете да правите настройки и поправки, описани в това ръководство на потребителя. За други поправки или съвети потърсете съдействие от оторизиран сервизен център.
- Всеки път след употреба почиствайте продукта с мека и суха кърпа. Всяка повредена част трябва да бъде поправена или заменена от упълномощен сервизен център.
- Проверявайте всички гайки, болтове и винтове преди всяко използване и на чести интервали за правилно затягане, за да се уверите, че izdelieto е в безопасно работно състояние.
- Избягвайте използването на разтворители при почистването на пластмасовите части. Повечето пластмаси са чувствителни към различни видове разтворители и може да се повредят при използването на такива. Use clean cloths to remove dirt, dust, oil, or grease.
- В никакъв случай не позволявайте пластмасовите части да влизат в контакт със спирачни течности, нефтени продукти, проникващи масла и т.н. Химикалите могат да повредят, отслабят или унищожат пластмасата, което може да доведе до сериозни физически наранявания.

**ЗАБЕЛЕЖКА:** За да гарантирате дългосрочна и надеждна експлоатация на продукта, редовно извършвайте следните операции по поддръжка.

- Проверявайте за видими дефекти, като разхлабено, разместено или повредено острие, хлабави връзки и износени или повредени компоненти.
- Проверете дали капациите и предпазители са без повреди и дали са правилно поставени. Извършвайте необходимите дейности по профилактика или ремонт, преди да използвате продукта.
- Винаги почиствайте режещите остриета след работа.
- Извършвайте визуална проверка на режещите ръбове на режещото острие. Всяко повредено острие трябва надлежно да се ремонтира или смени от оторизиран сервизен център.
- Съхранявайте продукта, като внимавате режещият механизъм да бъде спрял преди да оставите продукта на земята.

### ОТСТРАНЯВАНЕ НА ЗАПУШВАНЕ

Вж. стр. 147 - 148.

- Ако между остриетата има заседнали трески или влакна и не могат да бъдат освободени чрез натискане на спусъка 3–4 пъти, следвайте тази процедура:
  - Носете очила и ръкавици.
  - Отстранете батерията.
  - Ударете острието с парче дърво или гумен чук.
  - Прилагайте сила само в зоната, в която се показва острието. Не удяйте пружината.
- Внимавайте за пружинните остриета. Дръжте ръцете си далеч от остриетата, тъй като те се отварят внезапно.

- Когато натрупаните отпадъци бъдат почистени:
  - Поставете батерията.
  - Когато остриетата са освободени, натиснете спусъка, преди да продължите рязането, така че остриетата да могат да се отворят напълно.

### НЕПРЕДВИДЕНИ РИСКОВЕ

Дори когато продуктът се използва по предназначение, е невъзможно напълно да се ограничи влиянието на определени рискови фактори. Рисковете, описани по-долу, може да възникнат по време на употреба и операторът трябва да внимава за избягването на следното:

- Нараняване, причинено от вибрация
  - Винаги използвайте подходящия инструмент за съответната дейност и предназначението за целта ръкохватки, като ограничавате времето на работа и излагането на рискове.
- Контакт с остриетата
  - Уверете се, че предпазители на остриетата са поставени, когато продуктът не се използва. Винаги дръжте ръцете и краката си далеч от остриетата.
- Отхвъркнали отломки от материала (дървени стружки, трески)

### НАМАЛЯВАНЕ НА РИСКА

Известно е, че вибрациите, произвеждани от ръчни инструменти може да предизвикат у някои индивиди заболяване, наречено Синдром на Рейнолд (Raynaud's Syndrome). Симптомите може да включват изтръпване, схващане и изледняване на пръстите, обикновено се събелязват при излагане на студ. Смята се, че наследствените фактори, излагането на студ и влага, диетите, пушенето и някои работни навици допринасят за развитието на тези симптоми. Могат да се вземат някои мерки, които могат да се предприемат от оператора, за да се намалят ефектите от вибрациите:

- Поддържайте телесната температура в студено време. Когато работите с продукта, носете ръкавици, за да поддържате ръцете и китките си топли. Според изследвания главният фактор, допринасящ за развитието на Raynaud's Syndrome, е студено време.
- Правете упражнения за активизиране на кръвообращението след всеки работен цикъл.
- Редовно излизайте в почивка. Ограничете излагането на вибрации на ден.

При поява на някой от симптомите на това заболяване, незабавно прекратете употребата на инструмента и посетете лекар.

### ⚠ ПРЕДУПРЕЖДЕНИЕ

Продължителното използване на инструмента може да доведе до наранявания или влошаване. При използване на инструмента за продължителни периоди от време правете чести почивки.



## ОПОЗНАЙТЕ ВАШИЯ ПРОДУКТ

Вж. страница 141.

1. Режещо острие
2. Корпус на ръкохватката
3. Бутон за блокиране на тригера
4. Спусък
5. Ножница на острието
6. Кука

## СИМВОЛИ НА ПРОДУКТА



Предупреждение относно безопасността



Прочетете инструкциите внимателно, преди да стартирате машината.



Носете защитни средства за очите, слуха и главата.



Носете здрави предпазни ръкавици, пригодени против плъзгане.



Носете непързалици се защитни обувки, когато използвате продукта.



Не излагайте на дъжд и на влажни условия.



Опасност от електричество. Дръжте на поне 10 m разстояние от наземни кабели.



Внимавайте за изхвърлени или летящи обекти. Не допускайте странични наблюдатели, особено деца и домашни животни, на по-малко от 15 m от работната зона.



Дръжте ръцете си далеч от остриетата.



Тази машина е в съответствие с нормативната уредба на държавата от ЕС, където е била закупена.



EurAsian знак за съответствие



Украински знак за съответствие



Електрическите уреди не трябва да се изхвърлят заедно с битовите отпадъци. Рециклирайте, където има възможност. Обърнете се за съвет по рециклирането към местните власти или разпространителите.

## СИМВОЛИ В НАСТОЯЩОТО РЪКОВОДСТВО



Ключалка



Отключване



Частите или принадлежностите се продават отделно



Забележка



Предупреждение

Следните сигнални думи и техните съответни значения обясняват нивата на опасност, свързани с употребата на този продукт:

### **ОПАСНОСТ**

Указва неминуемо опасна ситуация, която ако не бъде избегната, ще доведе до сериозни наранявания или смърт.

### **ПРЕДУПРЕЖДЕНИЕ**

Указва потенциално опасна ситуация, която ако не бъде избегната, може да доведе до сериозни наранявания или смърт.

### **ВНИМАНИЕ**

Указва потенциално опасна ситуация, която ако не бъде избегната, може да доведе до дребни или средни наранявания.

### **ВНИМАНИЕ**

Без предупредителен символ за безопасност

Указва ситуация, която може да доведе до имуществени щети.



Головними міркуваннями при розробці цього бездротового приладу для різки гілок були безпека, ефективність та надійність.

### ПЕРЕДБАЧУВАНОМУ ВИКОРИСТАННІ

Бездротовий пристрій для різки гілок призначений для використання на вулиці. Задля безпеки керування інструментом має здійснюватися обома руками.

Пристрій призначений для різання та обрізки дрібних сучків та гілок. Заборонено використання пристрою для різання не дерев'яних об'єктів. Пристрій призначений для різання гілок із діаметром до 32 мм (м'яка деревина) та 28 мм (жорстка деревина). Заборонено різання товстих гілок із діаметром, що перебільшує наведені показники.

Продукт має фіксовану довжину 0,85 м.

Не використовуйте продукт для будь-якої мети, не перерахованої вище. Продукт не призначений для використання дітьми або особами, які не мають відповідних засобів індивідуального захисту та одягу.

### ЗАГАЛЬНІ ЗАХОДИ БЕЗПЕКИ

#### ⚠ ПОПЕРЕДЖЕННЯ

Вивчіть всі правила безпеки, інструкції, ілюстрації і специфікації, що поставляються з пристроєм. Недотримання наведених нижче вказівок може призвести до ураження електричним струмом, пожежі, і/або отруєння оксидом вуглецю, що може привести до серйозних травм або до летального випадку. Збережіть всі інструкції і вказівки для майбутнього використання.

**Збережіть всі інструкції і вказівки для майбутнього використання.**

Термін «електроінструмент» «в попередження відноситься до Вашого мережевого (з кабелем) електроінструменту або з батарейним живленням (бездротового) електроінструменту.

### БЕЗПЕКА РОБОЧОГО МІСЦЯ

- Утримуйте робоче місце в чистоті і добре освітленим. Безлад на робочому місці або темні місця спричиняють аварії.
- Не використовуйте електроінструменти у вибухонебезпечній атмосфері, наприклад, у присутності легкозаймистих рідин, газів або пилу. Електричні інструменти створюють іскри, що можуть запалити пил або пари.
- Тримайте дітей та сторонніх осіб подалі під час роботи електроінструментом. Відволікання уваги може призвести до втрати контролю.

### ЕЛЕКТРОБЕЗПЕКА

- Вилка живлення електроінструменту повинна відповідати розетці. Ніколи не змінюйте вилку. Не використовуйте ніякі вилки-перехідники з заземленими (замкнутими на землю)

електроінструментами. Не змінені вилки та відповідні розетки зменшують ризик ураження електричним струмом.

- Уникайте контакту тіла з заземленими поверхнями, такими як труби, радіатори, плити та холодильники. Існує підвищений ризик ураження електричним струмом, якщо ваше тіло заземлене.
- Не піддавайте електроінструменти впливу дощу або вологих умов. Вода, що потрапила в електроінструмент збільшує ризик ураження електричним струмом.
- Не зловжуйте шнур. Ніколи не використовуйте шнур живлення для перенесення, переміщення або вилучення вилки з розетки. Тримайте шнур подалі від тепла, масла, гострих кромок або рухомих частин. Пошкоджені або заплутані шнури збільшують ризик ураження електричним струмом.
- При роботі з електроінструментом на вулиці, використовуйте подовжувач, відповідний для використання на відкритому повітрі. Використання кабелю, придатного для використання на відкритому повітрі, знижує ризик ураження електричним струмом.
- При роботі з електроінструментом у вологому середовищі використовуйте залишковий поточний пристрій (ЗПП) захищеного живлення. Використання ЗПП знижує ризик ураження електричним струмом.

### ОСОБИСТА БЕЗПЕКА

- Будьте уважні, дивіться, що ви робите, і використовуйте здоровий глузд при роботі з електроприладами. Не використовуйте електроінструмент, якщо Ви втомилася або перебуваєте під впливом наркотиків, алкоголю або ліків. Найменша необережність при роботі з електроінструментом може призвести до серйозних травм.
- Використовуйте персональне захисне обладнання. Завжди надягайте захисні окуляри. Захисне устаткування, наприклад, респіратор, взуття на нековзній підшві, захисний шолом або засоби захисту органів слуху, використовувані в належних умовах, зменшать ризик отримання травми.
- Запобігайте випадковому запуску. Переконайтеся, що вимикач знаходиться у вимкненому положенні перед підключенням до джерела живлення та / або акумуляторної батареї, підніманням або переміщенням інструменту. Не переносьте електроінструмент з пальцем на вимикачі або подачею живлення на інструмент, який має перемикач, щоб запобігти нещасного випадку.
- Перед включенням електроінструменту знімайте регульовальний або гайковий ключ. Гайковий ключ або регульовальний ключ, залишений на обертаємій частині електроінструменту, може призвести до травми.
- Не тягніться. Зберігайте правильну стійку і





баланс весь час. Це дозволяє краще контролювати інструмент в несподіваних ситуаціях.

- **Одягайтеся правильно. Не носіть вільний одяг або прикраси. Тримайте волосся, одяг і рукавички подалі від рухомих частин.** Вільний одяг, прикраси або довге волосся можуть потрапити в рухомі частини.
- **Якщо є пристрої для підключення для збору пилу, переконайтеся, що вони під'єднані і використовуються правильно.** Використання пилосбірника знижує небезпеку, пов'язану з запиленістю.

## ВИКОРИСТАННЯ ТА ДОГЛЯД ЗА ЕЛЕКТРОІНСТРУМЕНТОМ

- **Не перевантажуйте електроінструмент.** Використовуйте відповідний для вашої потреби електроінструмент. Електроінструмент виконає роботу краще і безпечніше при швидкості, для якої він був розроблений.
- **Не використовуйте електроінструмент, якщо перемикач не включає та вимикає його.** Будь-який електроінструмент, який не може управлятися за допомогою перемикача, є небезпечним і має бути відремонтований.
- **Відключіть вилку від джерела живлення та / або від акумулятора електроінструменту, перш ніж робити будь-які регулювання, зміну приладдя або при зберіганні електроінструменту.** Такі профілактичні заходи безпеки зменшують ризик випадкового включення електроінструмента.
- **Зберігайте непрацюючі електроприлади у недоступному для дітей місці і не дозволяйте особам, які не знайомі з інструкціями електричного прилада або з даними інструкціями, працювати з електроприладами.** Електроінструменти небезпечні в руках недосвідчених користувачів.
- **Обслуговуйте електроінструмент.** Перевірте розрегульовані або зв'язані рухомі частини, поломані частини і будь-які інші умови, які можуть вплинути на роботу електроінструменту. Якщо пошкоджений, відремонтуйте електроінструмент перед використанням. Багато нещасних випадків є наслідком поганого догляду за електроінструментом.
- **Тримайте ріжучий інструмент гострим і чистим.** Добре доглянутий ріжучий інструмент з гострими ріжучими крайками рідше зв'язується і легше контролюється.
- **Використовуйте електроінструмент, аксесуари та насадки відповідно до цих інструкцій, беручи до уваги умови роботи і роботу, що повинна бути виконана.** Використання електричного інструменту для операцій, які відрізняються від призначених, може призвести до небезпечної ситуації.
- Використання і догляд інструменту на батарейках
- **Перезаряджати тільки за допомогою зарядного пристрою, зазначеного виробником.** Зарядний пристрій, що підходить для одного типу акумуляторів, може створити ризик загоряння при

використанні з іншим акумуляторним блоком.

- **Використовуйте електроінструменти тільки з призначеними для них акумуляторами.** Використання будь-яких інших акумуляторів, може створити ризик отримання травми і пожежі.
- **Коли акумулятор не використовується, тримайте його подалі від металевих предметів, таких як скріпки, монети, ключі, цвяхи, шурупи, або інші дрібні металеві предмети, які можуть підключити один контакт до іншого.** Коротке замикання контактів акумулятора може призвести до опіків або пожежі.
- **У важких умовах експлуатації, рідина може бути випущена з батареї; уникайте контакту.** При випадковому контакті змийте водою. Якщо рідина потрапила в очі, зверніться за медичною допомогою. Рідина з акумулятора може викликати роздратування або опіки.

## СЕРВІС

- **Дозволяйте обслуговувати ваш електроінструмент тільки кваліфікованому персоналу, використовуючи тільки ідентичні запасні частини.** Це буде гарантувати безпечне обслуговування електроінструменту.

## ЗАУВАЖЕННЯ З ТЕХНІКИ БЕЗПЕКИ ЩОДО ВИКОРИСТАННЯ ПРИСТРОЮ ДЛЯ ОБРІЗАННЯ ГЛОК

### ⚠ НЕБЕЗПЕКА

Тримайте руки подалі від леза. Контакт із лезом може спричинити серйозні травми у користувача.

- Ніколи не дозволяйте дітям, людям зі зниженими фізичними, сенсорними або розумовими здібностями або з недостатнім досвідом і знаннями, або людям, не знайомим з цими інструкціями, користуватися виробом. Місцеве законодавство може обмежувати вік оператора.
- Продукт має фіксовану довжину 0,85 м.
- Не використовуйте продукт, якщо є ризик блискавки. Зберігайте продукт безпечно в приміщенні.
- Остерігайтеся лінії електропередач над головою.
- Переконайтеся, що всі захисні щитки та ручки приладдані належним чином і знаходяться у робочому стані..
- Носіть повний захист очей та слуху під час роботи з продуктом.
- Носіть важкі довгі штани, чоботи і рукавички. Не одягайте просторий одяг, аксесуари, та не використовуйте пристрій босоніж.
- Не починайте роботу з виробом, доки не буде забезпечена чиста робоча зона, безпечна точка опори та запланований шлях відходу від падаючих гілок та сучків.
- Не використовуйте електроінструмент, якщо Ви втомилися або перебуваєте під впливом наркотиків, алкоголю або ліків.





- Завжди тримайте виріб обома руками при роботі. Використовуйте одну руку, щоб міцно тримати передню руку зчеплення. Використовуйте іншу руку, щоб схопити за задню рукоятку і управляти звільненням гачкя включення / виключення.
  - Переконайтеся, що продукт правильно розташований в зазначеному робочому положенні перед запуском продукту.
  - Не використовуйте машину в будь-якому положенні, що може викликати попадання будь-якої частини в межах 10 м від повітряних ліній електропередачі.
  - Регулярно йдуть на перерву. Лімітуйте кількість роботи на день.
  - Тримайте міцну опору і рівновагу. Не тягніться. Необроблених може призвести до втрати рівноваги і може призвести до серйозних травм.
  - Не використовуйте прилад з пошкодженим або надмірно зношеним ріжучим пристроєм.
  - Не змінюйте свій інструмент, або не використовуйте його для живлення будь-якого приладдя або пристроїв, не рекомендованих виробником для вашої пилки.
  - Ідентифікуйте механізм швидкого вивільнення та попрактикуйтеся у його використанні, перш ніж почати використовувати продукт. Його правильне використання може запобігти серйозним травмам в разі виникнення надзвичайної ситуації. Ніколи не носіть додатковий одяг зверху ременів або інакшим чином не обмежуйте доступ до механізму швидкого вивільнення.
  - Не використовуйте при поганому освітленні. Використовуйте продукт при денному світлі або при хорошему штучному освітленні.
  - Не використовуйте пристрій для підрізання гілок, якщо ріжучий механізм не працює належним чином.
  - Для захисту від гілок, що падають, не стійте прямо під гілкою або сучком, який ви підрізаєте. Не розміщати пристрій під кутом більш ніж 60 ° над рівнем землі.
  - Щоб зменшити ризик травмування від частин, що рухаються, завжди після вимкнення двигуна переконайтеся, що рухомі частини повністю зупинилися, та виймайте акумулятор перед:
    - очищення або розчищення засмічення
    - залишенням продукту без нагляду
    - installing or removing attachments
    - перед перевіркою, проведенням технічного обслуговування, або роботою з продуктом
  - Зберігайте пристрій чистим від уламків та інших матеріалів. Вони можуть застрягти між фіксатором та лезом.
- ДОДАТКОВІ ЗАГАЛЬНІ ПОПЕРЕДЖЕННЯ ЩОДО БЕЗПЕКИ**
- Не дозволяйте звичці від частого використання пристрою стати причиною втрати пильності та ігнорувати принципи безпеки роботи з пристроєм.
  - Необережні дії можуть стати причиною серйозного травмування менш ніж за секунду.
  - Тримайте ручки та різальні поверхні сухими, чистими та очищеними від олії та мастил.
  - Ковзкі ручки та різальні поверхні не призначені для безпечного утримування та контролювання пристрою у неочікуваних ситуаціях.
  - Заборонено використовувати акумулятор або пристрій, що були пошкоджені або модифіковані.
  - Використання пошкоджених або модифікованих акумуляторів може мати передбачувані наслідки, серед яких: виникнення пожежі, вибуху та ризик травмування.
  - Уникайте загоряння та високої температури акумулятору або пристрою.
  - Загоряння або висока температура понад 130°C можуть стати причиною вибуху.
  - Дотримуйтесь усіх інструкцій щодо заряджання пристрою та уникайте заряджання поза діапазоном температур, що позначені у інструкції.
  - Неправильне заряджання або заряджання при температурі, поза межами позначеними в інструкції, може пошкодити акумулятор та підвищити ризик виникнення пожежі.
  - Тримайте робочу зону вільною від сторонніх осіб, дітей та домашніх тварин під час різання.
  - При різанні кінцівок, що під напругою, будьте напоготові відпруження, щоб ви не будете вражен напругою деревних волокон при звільненні.
  - Використовуйте пристрій з обережністю. Тримайте край ріжучої пластини гострим та чистим для кращої роботи пристрою та зниження ризику травмування. Дотримуйтесь інструкцій щодо змащення і заміни приладдя.
  - Тримайте ручки сухими, чистими, і вільними від масла і мастила.
  - Перед використанням і після кожної дії, переконайтеся, що немає пошкоджених частин. Будь-яка пошкоджена деталь, має бути правильно відремонтована або замінена в авторизованому сервісному центрі.
  - Якщо продукт впаде, постраждав від важкого впливу або починає вібрувати, негайно зупиніть обладнання та перевірте на наявність пошкоджень або визначте причину вібрації. Будь-яке пошкодження має бути правильно відремонтовано або замінено в авторизованому сервісному центрі.
  - Перевірте пошкоджені частини. Перед подальшим використанням пристрою, захисний щиток або інша частина, яка пошкоджена, повинні бути ретельно перевірені, щоб визначити, що вони будуть правильно працювати і виконувати свої функції.
  - Обслуговування виробу має виконуватись тільки кваліфікованим ремонтним персоналом. Загальне або технічне обслуговування некваліфікованим персоналом може призвести до ризику травми користувача або пошкодження виробу.
  - Збережіть ці інструкції. Частіше звертайтеся до нього, та використовуйте його, щоб інструктувати інших, хто може використовувати цей виріб. І якщо ви передасте цей пристрій кому-небудь, передайте



також і ці інструкції, щоб запобігти неправильному використанню виробу та можливим травмам.

- Не різати, якщо існує ризик пошкодження прихованої проводки.
- Не розрізати проводку.
- Утримуйте робочу зону вільною від дротів та кабелів (приклад: електрична гірлянда).

### ДОДАТКОВІ ПОПЕРЕДЖЕННЯ З ТЕХНІКИ БЕЗПЕКИ ЩОДО ВИКОРИСТАННЯ АКУМУЛЯТОРІВ

#### ⚠ ПОПЕРЕДЖЕННЯ

Для запобігання небезпеці пожежі в результаті короткого замикання, травмам і пошкодженню виробів не занурюйте інструмент, змінний акумулятор або зарядний пристрій у рідину і не допускайте потрапляння рідини всередину пристроїв або акумуляторів. Корозійні і струмопровідні рідини, такі як солоний розчин, певні хімікати, вибілювальні засоби або продукти, що їх містять, можуть призвести до короткого замикання.

### ТРАНСПОРТУВАННЯ ТА ЗБЕРІГАННЯ

- Перед зберіганням або транспортуванням зупиніть виріб, видаліть акумуляторну батарею та дайте їм охолонути.
- Очистіть всі сторонні матеріали з продукту.
- Після кожного використання, очистіть основну частину і ручки продукту м'якою сухою тканиною.
- Після кожного використання, очистіть леза від сміття жорсткою щіткою, а потім ретельно нанесіть мастило від іржі перед установкою протектора леза. Використовуйте рекомендований антикорозійний мастильний розпилювач для рівномірного розподілу та зменшення ризику травмування при контакті з лезами. Для отримання інформації про відповідний аерозольний продукт, зв'яжіться з вашим місцевим уповноваженим сервісним центром.
- Якщо необхідно, злегка змастіть леза перед та після використання за описаним вище способом.
- Для транспортування, забезпечіть машину від руху або падіння, щоб запобігти травми людей або пошкодження машини.
- Зберігайте продукт в прохолодному, сухому і добре провітрюваному місці, недоступному для дітей. Зберігати подалі від агресивних агентів, таких як садові хімікати і солей проти обледеніння. Не зберігайте на відкритому повітрі.

### ТРАНСПОРТУВАННЯ ЛІТІСВИХ БАТАРЕЙ

Транспортуйте батарею відповідно до місцевих та національних положень та правил.

Дотримуйтесь усіх спеціальних вимог щодо пакування та маркування при транспортуванні батареї третьою стороною. Переконайтеся, що батареї не можуть вступати в контакт з іншими батареями або провідними матеріалами при транспортуванні, захищаючи відкриті

роз'єми ізоляційними непровідячими кришками або стрічкою. Не перевозити батареї, які мають тріщини або протечки. Консультуйтеся з експедиторською компанією для подальших консультацій.

### ТЕХНІЧНЕ ОБСЛУГОВУВАННЯ

#### ⚠ ПОПЕРЕДЖЕННЯ

Використовуйте тільки оригінальні запасні частини, аксесуари та обладнання від виробника. Невиконання цієї вимоги може привести до можливої травми, поганій продуктивності та може призвести до втрати гарантії.

#### ⚠ ПОПЕРЕДЖЕННЯ

Перед оглядом, чищенням або обслуговуванням приладу вимкніть двигун та почекайте, поки всі рухомі частини зупиняться, вийміть акумулятор. Недотримання цих інструкцій може призвести до серйозних травм або пошкодження майна.

#### ⚠ ПОПЕРЕДЖЕННЯ

Обслуговування вимагає крайньої обережності і знання і повинно бути виконане тільки кваліфікованим фахівцем. Для обслуговування, доставте продукт до авторизованого сервісного центру. При технічному обслуговуванні використовуйте тільки ідентичні заміні частини.

- Вимкніть пристрій, вийміть акумулятор та переконайтеся, що всі рухомі частини повністю зупинились перед очищенням або технічним обслуговуванням пристрою.
- Ви можете зробити регулювання та ремонт, описані в цьому посібнику користувача. Для інших ремонтних робіт, зверніться до авторизованого сервісного агента.
- Після кожного використання, очистіть виріб м'якою сухою тканиною. Будь-яка пошкоджена деталь, має бути правильно відремонтована або замінена в авторизованому сервісному центрі.
- Перевірте всі гайки, болти і гвинти після короткого проміжка часу на правильну герметичність, щоб забезпечити продукт у безпечному робочому стані.
- Під час чищення пластикових частин уникайте використання розчинників. Більшість пластиків чутливі до різних типів технічних розчинників і можуть бути пошкоджені при їх використанні. Щоб видалити з виробу бруд, пил, масло або мастило, користуйтеся чистою тканиною.
- Завжди уникайте контакту гальмівної рідини, бензину, продуктів на основі бензину або просочувального мастила з пластиковими деталями. Хімікати можуть пошкодити, розм'якшити або зруйнувати пластик, що може призвести до серйозної травми.

**ПРИМІТКА:** Для забезпечення надійного і довгострокового використання пристрою, регулярно



виконуйте технічне обслуговування.

- Перевірте наявність очевидних дефектів, таких як незакріплені та пошкоджені леза, їх зміщення, ненадійну фіксацію, наявність зношених або пошкоджених компонентів.
- Переконайтеся, що кришки та захисні кожухи справні і правильно встановлені. Перед використанням слід провести необхідне технічне обслуговування або ремонт.
- Завжди очищуйте ріжучі леза після використання.
- Візуально перевіряйте стан ріжучих кромок лез. Кожна пошкоджена частина повинна бути відремонтована чи замінена в авторизованому сервісному центрі.
- Зберігайте пристрій, лише переконавшись, що ріжучий механізм зупинився.

### УСУНЕННЯ БЛОКУВАННЯ

Дивіться сторінки 147 - 148.

- Якщо леза заблоковані осколками чи корою між ними, і не можуть бути звільнені, натисніть тригер три-чотири рази, та виконайте наступні дії:
  - Одягніть захисні окуляри та рукавиці.
  - Від'єднайте акумуляторну батарею.
  - Використайте шматок дерева або гумовий молоток, щоб натиснути на лезо.
  - Застосовуйте силу тільки у зоні, де показано лезо. Не вдарте по пружині.
- Зверніть увагу на леза з пружинними фіксаторами. Тримайте руки якомога далі від лез, вони можуть відкриватися раптово.
- Коли блокування усунуто:
  - Вставте акумулятор.
  - Коли леза звільнені, натисніть тригер, перш ніж продовжувати розрізати таким чином, щоб леза могли бути повністю відкритими.

### НЕПЕРЕДБАЧЕНІ РИЗИКИ

Навіть за належного використання інструмента неможливо повністю нейтралізувати певні фактори залишкового ризику. Наступні небезпеки можуть виникати при використанні продукту та оператору слід звернути особливу увагу, щоб уникнути наступного:

- Травми спричинені вібрацією.
  - Завжди використовуйте правильний інструмент для роботи, використовуйте призначені ручки і обмежіть час роботи і вплив.
- Контакт з лезами
  - Переконайтеся що захисні щитки ножів встановлені, коли прилад не експлуатується. Завжди тримайте ноги та руки подалі від ножів.
- Викиньте шматки заготовки (тріску, щербинь).

### ЗНИЖЕННЯ РИЗИКУ

Відомі випадки, коли вібрація від ручних інструментів сприяє появі так званого синдрому Рейно. Симптоми схожі на ті, що з'являються під впливом холоду, включаючи поколювання, оніміння та збліднення

пальців. Вважається, що спадкові чинники, вплив холоду і сирості, харчування, куріння і деякі звички роботи сприяють розвитку цих симптомів. Можна прийняти деякі заходи, які можуть бути прийняті оператором, щоб зменшити вплив вібрації:

- Підтримувати температуру тіла в холодну погоду. При використанні інструменту надягайте рукавички, щоб тримати руки та зап'ястки у теплі. Згідно з дослідженнями, основний внесок в розвиток синдрому Рейно, є холодна погода.
- Вправа для активації кровообігу після кожного запуску.
- Регулярно йдуть на перерву. Лімітуйте кількість роботи на день.

Наступ кожного з симптомів цього захворювання, негайно припинити використання інструменту і зверніться до лікаря.

**⚠ ПОПЕРЕДЖЕННЯ**

Тривале використання інструменту може призвести до травмування або загострення існуючої травми. При використанні приладу протягом тривалого періоду часу, часті перерви.

### ЗНАЙ СВІЙ ПРОДУКТ

Дивіться сторінку 141.

1. Ріжучий диск
2. Ручка корпусу
3. Затиска клямка
4. Клямка
5. Футляр для леза
6. Гак

### СИМВОЛИ НА ПРОДУКТІ



Попередження



Перед початком роботи с пристроєм уважно прочитайте інструкції.



Носіть захист очей, слуху, і голови.



Носіть неслизькі, надміцні рукавички.



Носіть нековзне захисне взуття при використанні продукту.



Не піддавайте впливу дощу або вогкому стану.







Ризик ураження електричним струмом. Підтримуйте відстань до ліній електропередач мін. 10 м.



Остерігайтеся кинутих або літаючих об'єктів. Тримайте всіх перехожих, особливо дітей і домашніх тварин, принаймні 15 м від робочої зони.



Тримайте руки подалі від лез



Відповідає всім нормативним стандартам в країнах ЄС, де вироб було придбано.



Євразійська знак відповідності.



Український знак відповідності



Не викидати відпрацьовані електричні прилади разом із побутовими відходами Утилізувати у спеціально призначених закладах. За консультацією по утилізації приладу зверніться до органу місцевої влади або дилера

#### ПОПЕРЕДЖЕННЯ

Вказує на потенційно небезпечну ситуацію, яка, якщо її не уникнути, може призвести до смерті або серйозних травм.

#### УВАГА

Вказує на потенційно небезпечну ситуацію, яка, якщо її не уникнути, може призвести до легкої або середньої травми.

#### УВАГА

Без попереджуючих символів

Вказує на ситуацію, яка може призвести до пошкодження майна.

### СИМВОЛИ В ЦЬОМУ ПОСІБНИКУ



Блокувати



Розблокувати



Запчастини та аксесуари, що продаються окремо



ПРИМІТКА



Попередження

Наступні сигнальні слова і змісти призначені для пояснення рівнів ризику, пов'язаних з продуктом:

#### НЕБЕЗПЕКА

Вказує на неминуче небезпечну ситуацію, яка, якщо її не уникнути, може призвести до смерті або серйозних травм.

Kablosuz budama makasının tasarımında güvenlik, performans ve güvenilirliğe en yüksek öncelik verilmiştir.

### KULLANIM AMACI

Kablosuz budama makası dış mekanda kullanılmak üzere tasarlanmıştır. Güvenlik nedenleriyle ürün iki elle kullanılarak uygun şekilde kontrol edilmelidir.

Ürün küçük dal ve yaprakları kesip budamak için tasarlanmıştır. Ürünü ağaç dışı cisimleri kesmek için kullanmayın. Ürün, çapları 32 mm'ye (yumuşak ağaç) ve 28 mm'ye (sert ağaç) kadar dalları kesmekte kullanılmak üzere tasarlanmıştır. Çapları yukarıdaki değerleri aşan kalın dalları kesmeyin.

Bu ürün 0,85 metrelik sabit uzunluğa sahiptir.

Ürünü yukarıda listelenenler dışında herhangi bir amaçla kullanmayın. Ürün çocuklar veya uygun kişisel koruyucu ekipman ve kıyafet giymeyen kişiler tarafından kullanılamaz.

### GENEL GÜVENLİK UYARILARI

#### ⚠ UYARI

**Tüm uyarıları ve tüm talimatları dikkatli bir şekilde okuyun.** Aşağıda sunulan talimatlarla uyulmaması, yangınlar, elektrik çarpmaları gibi kazalara ve/veya ciddi fiziksel yaralanmalara neden olabilir.

**Bu uyarıları ve talimatları daha sonra bakabilmek için saklayın.**

Aşağıdaki güvenlik talimatlarında kullanılan «elektrikli alet» terimi, kablolu elektrikli aletleri belirttiği gibi, kablosuz elektrikli aletleri de belirtmektedir.

### ÇALIŞMA ORTAMININ GÜVENLİĞİ

- Çalışma ortamınızı temiz ve iyi aydınlatılmış şekilde tutun. Dağınık ya da karanlık alanlar kazalara davetiye çıkarır.
- Patlayıcı bir ortamda, örneğin yanıcı sıvıların, gazların ya da tozların yakınında elektrikli aletler kullanmayın. Elektrikli aletlerden kaynaklanan kıvılcıklar bunların alev almasına veya patlamasına neden olabilir.
- Elektrikli bir alet kullandığınızda, çocukları, ziyaretçileri ve evcil hayvanları uzak tutun. Bunlar sizin dikkatinizi dağıtabilir ve aletin kontrolünü kaybetmenize sebep olabilirler.

### ELEKTRİK GÜVENLİĞİ

- Elektrikli aletin fişi prize uygun olmalıdır. Fişe asla müdahale etmeyin. Topraklanmış elektrikli aletler ile birlikte asla adaptör kullanmayın. Böylece elektrik çarpması risklerini önlemiş olursunuz.
- Topraklanmış yüzeyler (yani borular, radyatörler, ocaklar, buzdolapları, vs.) ile her türlü temastan kaçının. Vücudunuzun herhangi bir bölümünün topraklanmış yüzeyler ile temas etmesi, elektrik çarpması risklerini artırır.
- Elektrikli bir aleti yağmura ya da neme maruz bırakmayın. Suyun elektrikli aletin içine girmesi elektrik

çarpması riskini artırır.

- Elektrik kordonunu daima iyi durumda tutmaya özen gösterin. Aletinizi asla besleme kordonundan tutmayın ve aleti prizden çekmek için asla kordondan çekmeyin. Besleme kordonunu her türlü ısı veya yağ kaynağından, kesici nesnelere ve hareket halindeki parçalardan uzak tutun. Kordonun zarar görmüş ya ya da dolanmış olması, elektrik çarpması risklerini artırır.
- Dışarıda çalıştığınızda, yalnızca dış kullanim için tasarlanmış uzatma kabloları kullanın. Böylece elektrik çarpması risklerini önlemiş olursunuz.
- Aletinizi nemli bir ortamda kullanmaktan başka bir seçeneğiniz bulunmuyorsa, aletinizi bir diferansiyel artık akım düzenleyici (DDR) tarafından korunan bir elektrik beslemesine bağlayın. Bir DDR düzenleyicinin kullanılması elektrik çarpması risklerini azaltır.

### KİŞİSEL GÜVENLİK

- Elektrikli bir alet kullandığınızda, tetikte olun, yaptığınız işe iyi bakın ve sağduyunuzu kullanın. Yorgun olduğunuzda, alkol veya uyuşturucuların etkisi altında olduğunuzda, ya da ilaç alıyorsanız elektrikli aletinizi kullanmayın. Ciddi şekilde yaralanmanız için bir saniyelik dikkatsizliğin bile yeterli olduğunu asla unutmayın.
  - Güvenlik tertibatları kullanın. Gözlerinizi daima koruyun. Koşullara göre, ciddi fiziksel yaralanma risklerini önlemek için aynı zamanda bir toz maskesi, kaymayı önleyen ayakkabılar, bir kask ya da kulak koruyucuları kullanın.
  - Her tür istem dışı çalışmaya engel olun. Aletinizi bir prize takmadan veya bataryayı içine yerleştirmeden önce ve ayrıca aleti ele aldığınızda veya taşıdığınızda elektrik anahtarının «kapalı» konumunda olduğundan emin olun. Kaza risklerini önlemek için, parmağınız tetik düğmesindenken aletinizin yerini değiştirmeyin ve elektrik anahtarı «açık» konumdayken aletinizi prize takmayın / içine bataryayı yerleştirmeyin.
  - Aletinizi çalıştırmadan önce sıkıma anahtarlarını çıkarın. Aletin hareket eden bir parçasına takılı kalan bir sıkıma anahtarı, ciddi fiziksel yaralanmalara sebep olabilir.
  - Dengenizi korumaya daima özen gösterin. Bacaklarınızın üzerinde iyice destek alın ve kolunuzu çok ileri uzatmayın. Dengeli bir çalışma pozisyonu, beklenmedik bir durumda aleti daha iyi kontrol edebilmeyi sağlar.
  - Uygun giysiler giyin. Bol giysiler ya da takılar kullanmayın. Saçlarınızı, giysilerinizi ve eldivenlerinizi hareketli parçalardan uzak tutmaya özen gösterin. Bol giysiler, takılar ve uzun saçlar hareket halindeki parçalarca yakalanabilir.
  - Eğer aletinize birlikte bir toz emici sistem sağlanmışsa, bu sistemin doğru şekilde monte edilmiş ve kullanılıyor olduğundan emin olun. Böylece kaza risklerini önlersiniz.
- ### ELEKTRİKLİ ALETLERİN KULLANIMI VE BAKIMI
- Aletinizi zorlamayın. Yapmak istediğiniz işe uygun olan aleti kullanın. Elektrikli aletinizi yapım amacına



uygun motor hızında kullandığınızda, aletiniz daha verimli ve daha güvenli olacaktır.

- **Elektrik anahtarı çalıştırılıp durdurulmasını sağlamayan bir elektrikli aleti kullanmayın.** Düzgün şekilde açılıp kapatılmayan bir alet tehlikelidir ve mutlaka onarılmalıdır.
- **Ayarlamalar yapmadan, aksesuarları değiştirmeden veya aleti yerine kaldırmadan önce aletinizi prizden çekin veya aletin bataryasını çıkarın.** Böylece aletin istem dışı çalışma risklerini azaltmış olursunuz.
- **Elektrikli aletlerinizi, çocukların ulaşamayacağı yerlere kaldırın. Aleti tanımayan ya da güvenlik talimatlarını okumamış olan kişilerin aleti kullanmasına izin vermeyin.** Elektrikli aletler deneyimsiz kişilerin ellerinde tehlikelidir.
- **Aletlerinizin bakımını itina ile yapın. Hareketli parçaların hizalamasını kontrol edin. Hiçbir parçanın kırılmış olmadığını kontrol edin. Montajı ve aletin çalışmasını etkileyebilecek başka her tür parçayı kontrol edin. Hasar görmüş parçalar varsa, aletinizi kullanmadan önce tamir ettirin.** Birçok kaza, aletlerin kötü bakımından kaynaklanmaktadır.
- **Aletlerinizi temiz ve bileniş şekilde tutmaya özen gösterin.** İyilemiş ve temiz bir kesim aletin takılma riski azalır ve siz onu kontrol altında daha kolay tutabilirsiniz.
- **Elektrikli aletinizi, aksesuarlarını, uçları, vs. kullanım koşullarını ve ayrıca arzu edilen uygulamaları dikkate alarak, bu kullanım talimatlarına uygun bir şekilde kullanın.** Tehlikeli durumları önlemek için, elektrikli aletinizi sadece tasarım amacına uygun işler için kullanın.

## KABLOSUZ ALETLERE ÖZGÜ GÜVENLİK TALİMATLARI

- **Aletinizin bataryasını, sadece üretici tarafından belirtilmiş olan şarj aleti ile şarj edin.** Belirli bir tip bataryaya uygun olan bir şarj aleti, başka tipte bir batarya ile kullanıldığında bir yangını tetikleyebilir.
- **Kablosuz bir alet ile sadece özel bir tip batarya kullanılmalıdır.** Başka türden herhangi bir bataryanın kullanılması bir yangına sebep olabilir.
- **Batarya kullanılmadığı zaman, ataç, bozuk para, anahtar, vida, çivi gibi metal nesnelere ya da kutupların arasında temas oluşturabilecek başka her türlü nesneden uzak tutun.** Batarya kutuplarının kısa devre yapması, yanıklara ya da yangınlara sebep olabilir.
- **Bataryada aşırı bir kullanımdan dolayı sızıntı meydana gelmesi halinde, batarya sıvısı ile her türlü temastan kaçının.** Böyle bir durum olursa, temas eden bölgeyi bol duru su ile durulayın. Gözlerinize temas etmesi durumunda, bir doktora da başvurun. Bir bataryadan fışkıran sıvı, tahrişlere ya da yanıklara sebep olabilir.

## BAKIM

- **Onarımlar, yetkili bir teknisyen tarafından ve yalnızca orijinal yedek parçalar kullanılarak yapılmalıdır.** Böylece, elektrikli aletinizi tam güvenli bir şekilde kullanabilirsiniz.

## BUDAMA MAKASI GÜVENLİK UYARILARI

### ⚠ TEHLİKE

Ellerinizi bıçaktan uzak tutun. Bıçakla temas ciddi fiziksel yaralanmalara neden olabilir.

- Hiçbir zaman çocukların, fiziksel, duyuşal veya zihinsel becerileri kısıtlı veya tecrübesiz ve bilgisi yetersiz kişilerin veya bu talimatları bilmeyen insanların bu ürünü kullanmasına izin vermeyin. Yerel yönetmelikler kullanıcının yaşına kısıtlama getirebilir.
- Bu ürün 0,85 metrelik sabit uzunluğa sahiptir.
- Gök gürtülü fırtına ya da şimşek çakması olasılığı olduğunda ürünü kullanmayın. Ürünü emniyetli bir şekilde iç mekanda saklayın.
- Baş üstü seviyesindeki güç hatlarına dikkat edin.
- Tüm korumaların, kulpların doğru şekilde takıldığından ve iyi durumda olduğundan emin olun.
- Ürünü kullanırken her zaman kulak tıkaçı ve güvenlik gözlüğü takın.
- Uzun ağır iş pantolonu, botu ve eldiveni giyin. Bol giysiler giymeyin, aksesuar takmayın ve ürünü yalın ayak kullanmayın.
- Çalışma alanını temizleyene, ayağınızı basacağınız güvenli bir yer ve düşen küçük veya ana dallardan uzakta planlı bir geri çekilme yolu hazırlayana kadar ürünü kullanmaya başlamayın.
- Yorgunken veya uyuşturucu, alkol veya ilaç etkisi altındayken bir elektrikli alet kullanmayın.
- Kullanım esnasında ürünü iki elinizle tutun. Bir elinizle ön kulp sapını sıkıca kavrayın. Diğer elinizle arka kulbu kavrayın ve tetik serbest bırakma düğmesine ve açma/kapama tetiğine basın.
- Çalıştırmadan önce ürünün doğru şekilde belirlenen çalışma pozisyonunda olduğundan emin olun. Kesilecek iş yüksek gerilim hatlarının 10 metreden daha yakınıdaysa asla ürünü çalıştırmayın.
- Sık çalışma molası verin. Günlük maruz kalma miktarını sınırlayın.
- Yere sağlam basın ve dengede durun. Yukarıya doğru erişmeye çalışmayın. Aşırı uzanmak denge kaybına yol açabilir ve ciddi yaralanmalarla sonuçlanabilir.
- Ürünü hasar görmüş ya da iyice aşınmış bıçaklarla kullanmayın.
- Ürünü hiçbir şekilde modifiye etmeyin ya da üreticinin tavsiye etmediği herhangi bir eklenti ya da cihaza güç vermek için kullanmayın.
- Hızlı serbest bırakma mekanizmasını tanıyın ve ürünü kullanmaya başlamadan önce bunu kullanarak pratik yapın. Doğru şekilde kullanılması acil bir durumda ciddi yaralanmaları önleyebilir. Hiçbir zaman kayış tertibatının üzerine ek kıyafet giymeyin, aksi hâlde hızlı serbest bırakma mekanizmasına erişim kısıtlanabilir.
- Kötü aydınlatmalı koşullarda kullanmayın. Ürünü gün ışığında ya da iyi yapay aydınlatmayla kullanın.
- Kesme düzeneği düzgün çalışmıyorsa, budama makasını kullanmayın.





- Düşen dallardan korunmak için, kesilen dalların hemen altında durmayın. Bu ürün zemin düzeyinden en fazla 60° açıyla kullanılmalıdır.
- Hareketli parçalara temastan kaynaklanabilecek yaralanma riskini azaltmak için her zaman ürünü durdurun, hareketli tüm parçaların tamamen durduğundan emin olun ve pil paketini çıkarın:
  - Makine üzerinde temizlik, bakım veya herhangi bir çalışma yapmadan önce
  - ürün gözetimsiz bıraktığınızda
  - ek parçaları takarken veya sökürken
  - motoru durdurun ve buji kablosunu bujiden ayırın.
- Ürünü kesiklerden ve diğer malzemelerden arındırın. Bunlar çeneyle bıçak arasına sıkışabilir.

## EK GÜVENLİK UYARILARI

- Ürünü sık kullanmanın verdiği alışkanlığın dikkatsiz davranmanıza neden olmasına izin vermeyin ve alet güvenliği ilkelerini göz ardı etmeyin.
- Dikkatsizce yapılan bir davranış birkaç saniye içinde ciddi yaralanmaya neden olabilir.
- Kulpları ve kavrama yüzeylerini kuru, temiz ve yağdan ve gresten arındırılmış hâlde tutun.
- Kaygan kulplar ve kavrama yüzeyleri beklenmedik durumlarda aletin güvenli şekilde taşınmasına ve kontrol edilmesine izin vermez.
- Hasar görmüş ya da değiştirilmiş pil paketi ya da aleti kullanmayın.
- Hasar görmüş ya da değiştirilmiş piller yangın, patlama ya da yaralanma riskine yol açabilecek beklenmeyen davranış sergileyebilir.
- Pil paketi ya da aleti ateş ya da aşırı ısıya maruz bırakmayın.
- Ateş ya da 130°C üzerinde ısıya maruz bırakıldığında patlama olabilir.
- Şarj işlemine ilişkin tüm talimatlara uyun ve pil paketi ya da aleti talimatlarda belirtilen sıcaklık aralığı dışında şarj etmeyin.
- Belirtilen sıcaklık aralığı dışında şarj edildiğinde pil zarar görebilir ve yangın riski artar.
- Kesim sırasında bölgedeki bütün izleyicileri, çocukları ve evcil hayvanları uzaklaştırın.
- Gergin bir ana dalı keserken odun liflerindeki gerginlik serbest kaldığında sıkışmamanız için geri savrulmasına karşı tetikte olun.
- Ürünün bakımını eksik bırakmayın. En iyi performansı sağlamak ve yaralanma riskini düşürmek için bıçak ağzlarının temiz ve keskin olmasına dikkat edin. Yağlama ve aksesuar değişimi için talimatlara uyun.
- Tutamakların kuru, temiz, yağ ve gresten arınmış olmasını sağlayın.
- Her kullanım öncesi ve her hangi bir darbeden sonra hasarlı parça olmadığını kontrol edin. Hasarlı her tür parça yetkili servis merkezi tarafından uygun şekilde onarılmalı veya değiştirilmelidir.
- Eğer ürün düşerse, ağır darbe alırsa veya anormal şekilde titresemeye başlarsa ürünü derhal durdurun ve hasara karşı inceleyin veya titreşimin nedenini belirleyin. Her tür hasar yetkili servis merkezi tarafından

uygun şekilde onarılmalı veya değiştirilmelidir.

- Hasarlı parçaları kontrol edin. Hasarlı makineyi, korumayı veya başka bir parçayı kullanmadan önce doğru şekilde çalıştığı ve amaçlandığı işlevi yerine getirdiği dikkatli bir şekilde kontrol edilmelidir..
- Ürün üzerindeki bakım çalışmaları sadece nitelikli onarım personeli tarafından yapılmalıdır. Nitelsiz personel tarafından yapılan servis veya bakım çalışmaları kullanıcının yaralanma veya ürünün hasar görme riski ile sonuçlanabilir.
- Bu talimatları saklayın. Sık sık bunlara başvurun ve bunları diğer kullanıcıları bilgilendirmek için kullanın. Eğer bu aleti bir başkasına ödünç verirsiniz ürünün yanlış kullanılmasını ve olası yaralanmaları önlemek için bu talimatları da birlikte verin.
- Gizli elektrik teli bulunma riski içeren yerlerde kesim yapmayın.
- Elektrik teli kesmeyin.
- Çalışma alanını tellerden arındırın (örnek: küçük süsleme ışıkları).

## PİL İÇİN EK GÜVENLİK UYARILARI

### ⚠ UYARI

Bir kısa devreden kaynaklanan yangın, yaralanma veya ürün hasarları tehlikesini önlemek için aleti, güç paketini veya şarj cihazını asla sıvıların içine daldırmayın ve cihazların ve pillerin içine sıvı girmesini önleyin. Tuzlu su, belirli kimyasallar, aşartıcı madde veya aşartıcı madde içeren ürünler gibi korozif veya iletken sıvılar kısa devreye neden olabilir.

## TAŞIMA VE DEPOLAMA

- Depolama ya da nakliyeden önce ürünü durdurun, pilini çıkarın ve soğumasını sağlayın
- Üründeki tüm yabancı maddeleri temizleyin.
- Her kullanım sonrası ürünün gövdesini ve kulplarını yumuşak ve kuru bir bezle temizleyin.
- Her kullanımdan sonra bıçaklardaki kalıntıları sert bir fırçayla temizleyin ve ardından, bıçak koruyucuyu tekrar takmadan önce dikkatlice, paslanma önleyici bir yağlama maddesi sürün. Eşit bir dağılım uygulamak için paslanma önleyici bir yağlama yağı kullanın ve bıçaklarla temastan kaynaklanacak yaralanma riskini azaltın. Uygun sprey ürünü hakkında bilgi almak için yerel yetkili servis merkezinizle görüşün.
- Gerekliyse, yukarıdaki yöntemi kullanarak bıçakları kullanımdan önce ve sonra hafifçe yağlayın.
- Taşınacağı zaman insanların yaralanmasını veya ürünün zarar görmesini önlemek amacıyla ürünü hareket etmemesi veya düşmemesi için sabitleyin.
- Çocukların erişemeyeceği serin, kuru ve iyi havalandırılan bir yerde depolayın. Bahçe kimyasalları ve buz çözücü tuzlar gibi korozif maddelerden uzak tutun. Açık alanda depolamayın.



## LITYUM PİLLERİN NAKLIYESİ

Pili yerel ve ulusal hükümlere ve yönetmeliklere göre nakledin.

Piller üçüncü bir şahıs tarafından nakledilirken ambalaj ve etiket üzerindeki tüm özel gereksinimlere uyun. Açıktaki konektörleri iletken olmayan yalıtım başlıkları veya bandı ile koruyarak pillerin nakliye sırasında diğer pillerle veya iletken materyallerle temas etmediğinden emin olun. Çatlak veya sızıntı yapan pilleri nakletmeyin. Daha fazla bilgi için nakliye şirketine danışın.

## BAKIM

### ⚠ UYARI

Sadece orijinal üreticinin yedek parçalarını, aksesuarlarını ve ek parçalarını kullanın. Aksi hâlde olası yaralanmalara, zayıf performansa neden olabilir ve garantinizi geçersiz kılabilir.

### ⚠ UYARI

Ürünü kontrol etmeden, temizlemeden ya da bakıma almadan önce motoru durdurun, bütün hareketli parçaların durmasını bekleyin ve pili çıkarın. Bu talimatlara uymamak ciddi fiziksel yaralanma veya mal hasarı ile sonuçlanabilir.

### ⚠ UYARI

Servis çalışması en yüksek düzeyde dikkat ve bilgi gerektirir ve sadece nitelikli bir servis teknisyeni tarafından yapılmalıdır. Servis için ürünü onarım amacıyla size en yakın yetkili servis merkezine göndermenizi öneriyoruz. Servis yapılırken sadece aynı yedek parçaları kullanın.

- Bakım ya da temizlik işlemi için ürünü kapatın ve pil paketini çıkarın.
- Sadece bu kılavuzda açıklandığı şekilde ayar veya onarım yapın. Diğer onarımlar için yetkili servis temsilcisini arayın.
- Her kullanım sonrası ürünü yumuşak ve kuru bir bezle temizleyin. Hasarlı her tür parça yetkili servis merkezi tarafından uygun şekilde onarılmalı veya değiştirilmelidir.
- Her kullanımdan önce ve sık aralıklarla tüm somun, cıvata ve vidaların uygun sıkılıkta olduğunu ve bu şekilde ürünün emniyetli kullanım koşullarına sahip olduğunu kontrol edin.
- Plastik parçaları temizlerken çözücü kullanmaktan kaçının. Plastik parçaların büyük bölümü çeşitli tipte ticari çözücülerden kaynaklı hasara duyarlıdır ve kullanılmaları nedeniyle zarar görebilir. Kiri, tozu, yağı veya gresi gidermek için temiz bez kullanın.
- Fren sıvılarının, benzinin, petrol bazlı ürünlerin veya nüfuz edici yağların hiçbir zaman plastik parçalara temas etmesine izin vermeyin. Kimyasal maddeler plastik parçalara zarar verebilir, zayıflatabilir veya yok edebilir ve ciddi fiziksel yaralanma ile sonuçlanabilir.

**NOTE:** Uzun ve güvenilir bir hizmet için, düzenli olarak aşağıdaki bakım işlemlerini gerçekleştirin.

- Gevşek, ayrılmış ya da zarar görmüş bıçak, gevşek sabitleyiciler ve aşınmış ya da zarar görmüş bileşenler gibi gözle görülür hatalar var mı diye kontrol edin..
- Kapak ve muhafazaların zarar görmemiş ve doğru şekilde takılmış olduğunu kontrol edin. Ürünü kullanmadan önce gerekli bakım ve tamirati gerçekleştirin.
- Her işlemten sonra kesici bıçakları temizleyin.
- Kesici bıçağın kesici yüzlerini gözle kontrol edin. Her hasarlı bıçağın onarımı ya da parça değişimi yetkili bir servis merkezinde gerektiği gibi yapılmalıdır..
- Her hasarlı bıçağın onarımı ya da parça değişimi yetkili bir servis merkezinde gerektiği gibi yapılmalıdır.

## TIKANIKLIĞIN GIDERİLMESİ

Bkz. sayfa 147 - 148.

- Bıçaklar aralarına girmiş kıymık veya ağaç kabuklarıyla tıkanır ve tetiği 3 ya da 4 kez itmekle açılmazsa, aşağıdaki yöntemi uygulayın:
  - Koruyucu gözlük ve eldiven kullanın.
  - Pili takımını çıkartın.
  - Bir tahta parçası ya da lastik çekiçle bıçağın üzerine vurun.
  - Sadece bıçağın görünür olduğu yere güç uygulayın. Yayın üzerine vurmayın.
- Yaylı bıçaklara dikkat edin. Ellerinizi bıçaklardan uzakta tutun; bıçaklar aniden açılır.
- Bıçakları tıkayan döküntü temizlendiği zaman:
  - Pili takın.
  - Bıçaklar serbest kaldığı zaman, bütünüyle açılabilmesi için kesmeye devam etmeden önce tetiği itin.

## ARTIK RİSKLER

Ürün belirtilen şekilde kullanıldığında bile belirli artık risk faktörlerini tamamen ortadan kaldırmak mümkün değildir. Kullanım sırasında aşağıdaki tehlikeler ortaya çıkabilir ve kullanıcının aşağıdaki durumları önlemek için özellikle dikkatli olması gerekir:

- Titreşim nedeniyle yaralanma.
  - İş için her zaman doğru aleti kullanın, belirtilen saplardan tutun; çalışma ve maruz kalma süresini sınırlandırın.
- Bıçaklarla temas
  - Ürün kullanılmadığı zaman kanat koruyucularının takılı olmasını sağlayın. Ellerinizi ve ayaklarınızı daima bıçaklardan uzak tutun.
- Çalışma parçasından fırlayan parçalar (odun parçası ve kıymıklar) nedeniyle yaralanma

## RİSK AZALTMA

El aletlerinden kaynaklanan titreşimlerin belirli kişilerde Raynaud Sendromu adı verilen bir durumu etkilediği bildirilmiştir. Semptomlar içerisinde parmaklarda genellikle soğuğa maruz kaldığında açığa çıkan karıncalanma, hissizlik ve ağrı yer bulunabilir. Kalıtsal faktörler,

soğuğa ve neme maruz kalma, diyet, sigara içme ve çalışma uygulamalarının hepsinin bu semptomların gelişimini etkilediği düşünülmektedir. Titreşim etkilerini azaltmak için kullanıcı tarafından alınabilecek önlemler vardır:

- Soğuk havada vücut ısınızı koruyun. Ürünü kullanırken ellerinizi ve bileklerinizi sıcak tutmak için eldiven giyin. Soğuk havanın Raynaud Sendromu'nu etkileyen önemli bir faktör olduğu bildirilmiştir.
- Her kullanım süresinden sonra kan dolaşımını artırmak için egzersiz yapın.
- Sık çalışma molası verin. Günlük maruz kalma miktarını sınırlayın.

Eğer bu durumla ilgili herhangi bir semptom görürseniz çalışmayı derhal bırakın ve bu semptomlar hakkında doktorunuza başvurun.

#### ⚠ UYARI

Ürünün uzun süre kullanılması nedeniyle yaralanmalar meydana gelebilir veya kötüleşebilir. Herhangi bir alet uzun süre kullanıldığında düzenli molalar verdiğinizden emin olun.

#### ÜRÜNÜNÜZÜ TANIYIN

Bkz. sayfa 141.

1. Kesme bıçağı
2. Tutamak yuvası
3. Tetik kilitleme düğmesi
4. Tetik
5. Bıçak kılıfı
6. Kanca

#### ÜRÜN ÜZERİNDEKİ SEMBOLLER



Güvenlik ikazı



Lütfen makineyi çalıştırmadan önce talimatları dikkatlice okuyun.



Kulak tıkacı, gözlük ve kask takın.



Kaymaz, ağır iş eldiveni giyin.



Ürünü kullanırken kaymaz güvenlik ayakkabısı giyin.



Ürünü yağmura veya nemli koşullara maruz bırakmayın.



Elektrik tehlikesi. Yüksek gerilim hatlarından en az 10 metre uzakta tutun.



Fırlayan ve sıçrayan nesnelere dikkat edin. Üçüncü şahısları, özellikle çocukları ve evcil hayvanları çalışma alanından en az 15m uzakta tutun.



Ellerinizi bıçaklardan uzak tutun



Ürünün satın alındığı AB ülkesindeki tüm düzenleyici standartlara uygundur.

EurAsian Uygunluk İşareti



Ukrayna uygunluk işareti.



Atık elektrikli ürünler evsel atıklarla birlikte atılmamalıdır. Lütfen tesislerin mevcut olduğu yerlerde geri dönüştürün. Geri dönüşüm tavsiyesi için bölgenizdeki yetkili mercie veya satıcıya başvurun.

#### BU KILAVUZDAKİ SEMBOLLER



Kilit



Kilidi açın



Ayrı satılan parçalar veya aksesuarlar



Not



Uyarı

Aşağıdaki işaret sözcükler ve anlamları bu ürünle ilişkili risk seviyelerinin açıklanmasına yöneliktir:

#### ⚠ TEHLİKE

Önlenmemesi durumunda ölüm veya ciddi yaralanma ile sonuçlanacak ciddi tehlike içeren bir durumu gösterir.

#### ⚠ UYARI

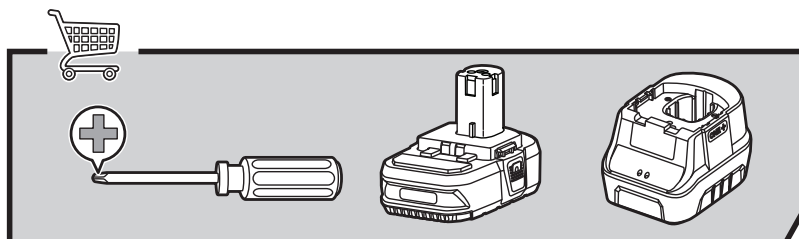
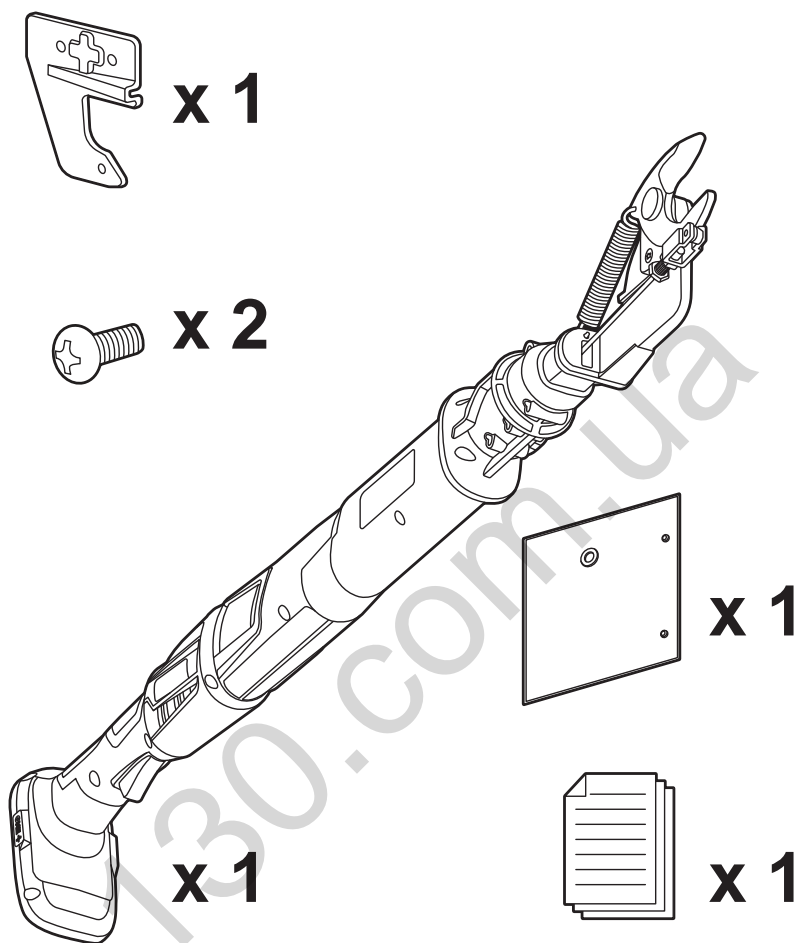
Önlenmemesi durumunda ölüm veya ciddi yaralanma ile sonuçlanabilecek potansiyel olarak tehlikeli bir durumu gösterir.

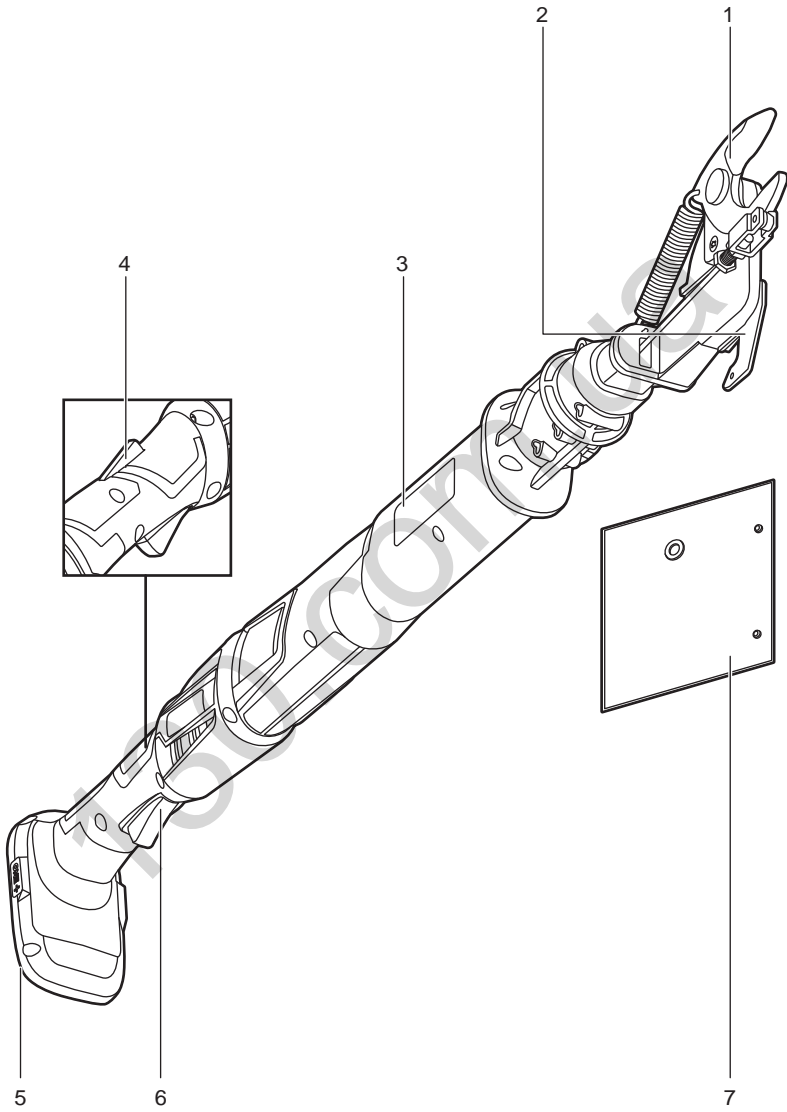
#### ⚠ İKAZ

Önlenmemesi durumunda önemsiz veya orta derece yaralanma ile sonuçlanabilecek potansiyel olarak tehlikeli bir durumu gösterir.

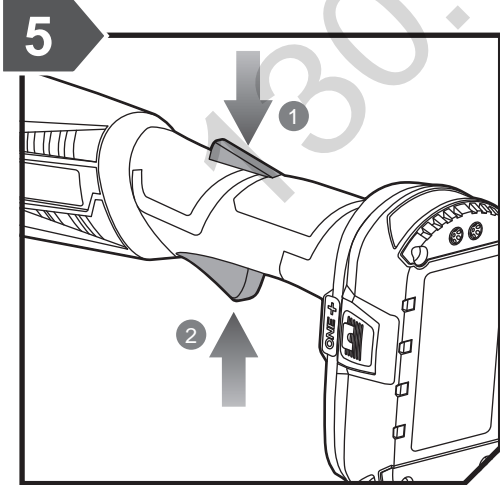
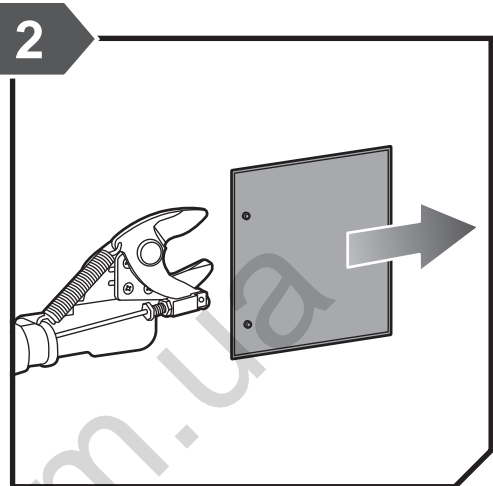
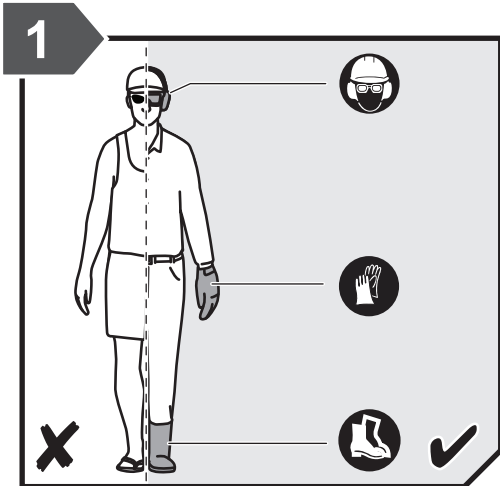
#### İKAZ

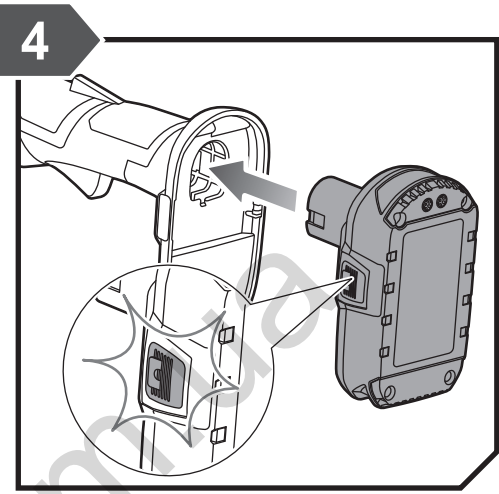
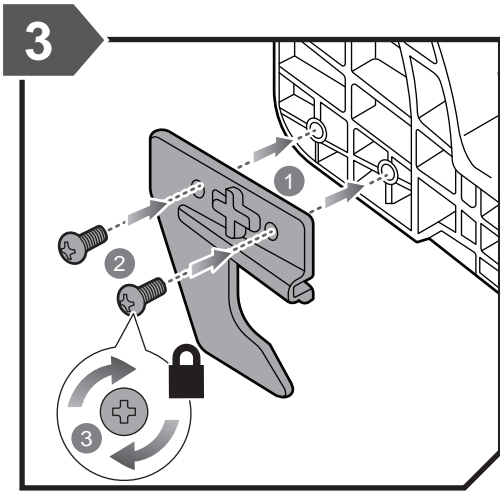
Güvenlik uyarısı sembolü olmadığında Maddi hasarla sonuçlanabilecek bir durumu gösterir.





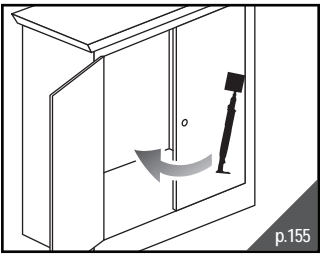
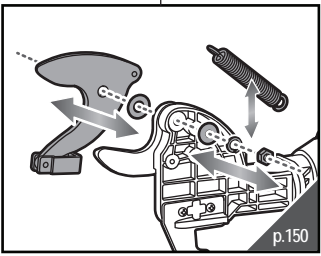
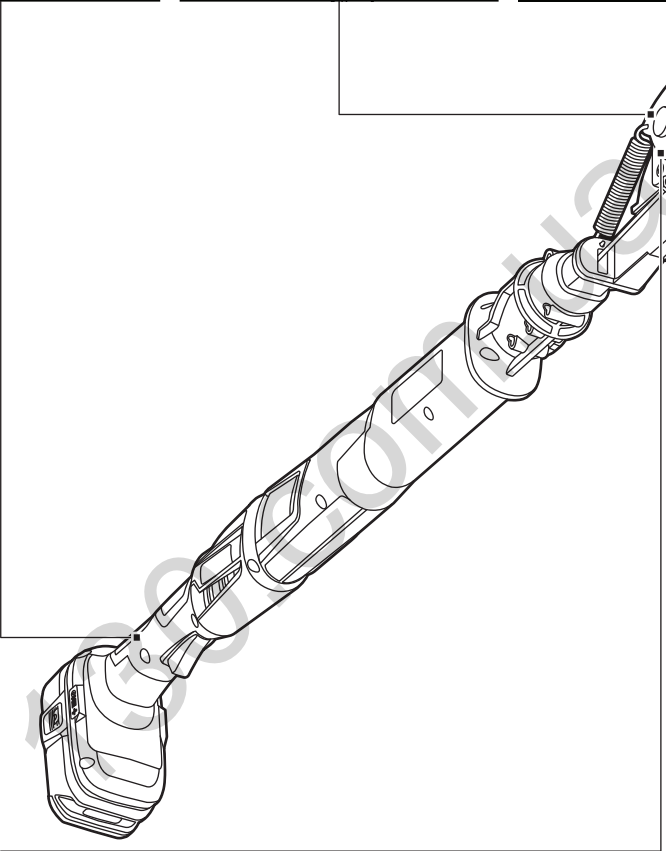
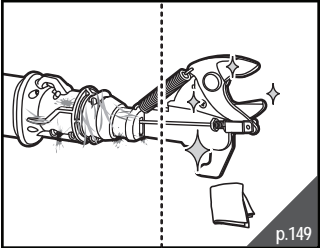
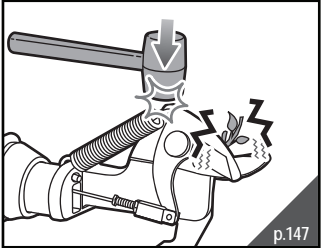
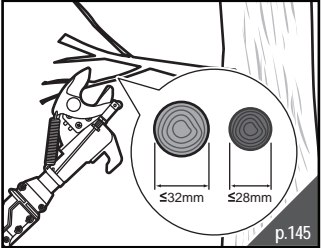


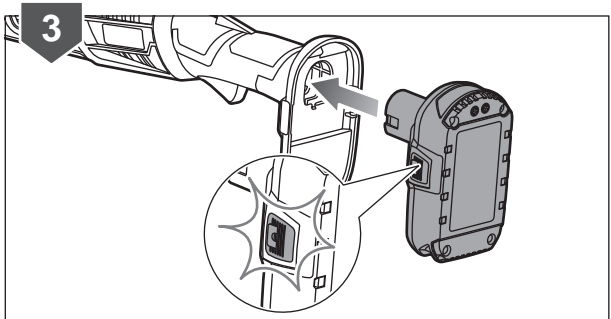
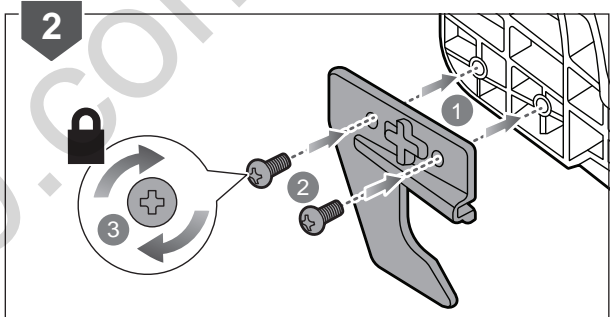
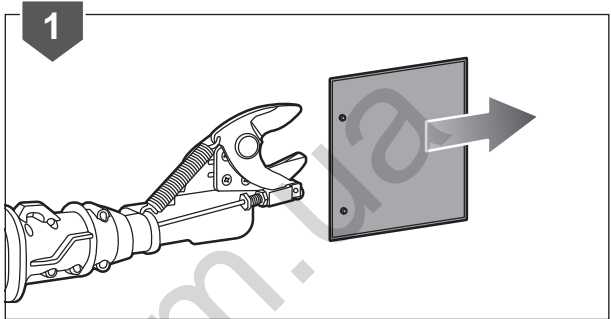
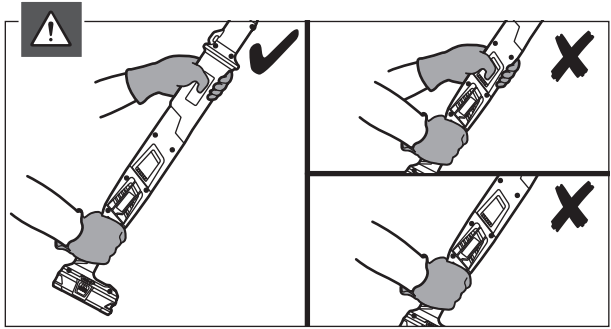
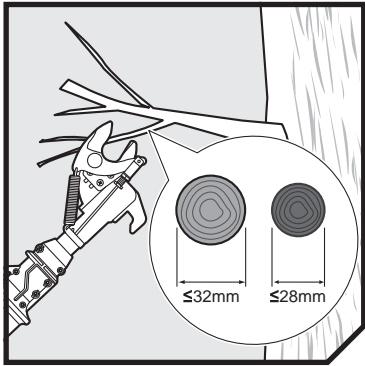


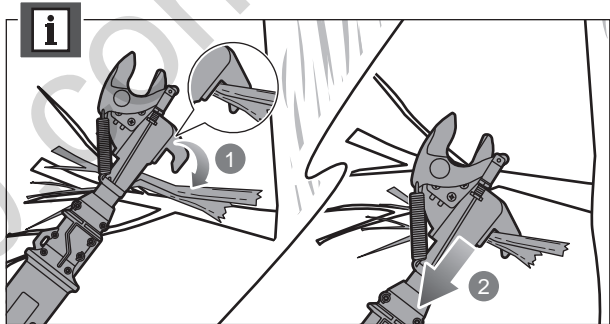
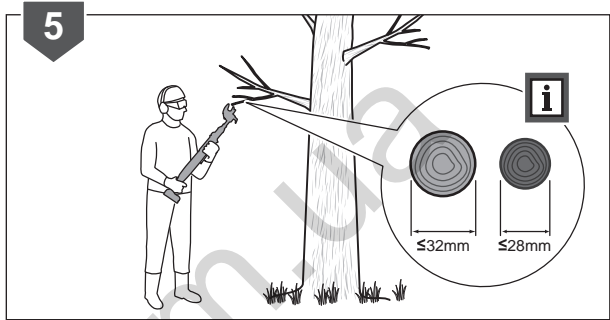
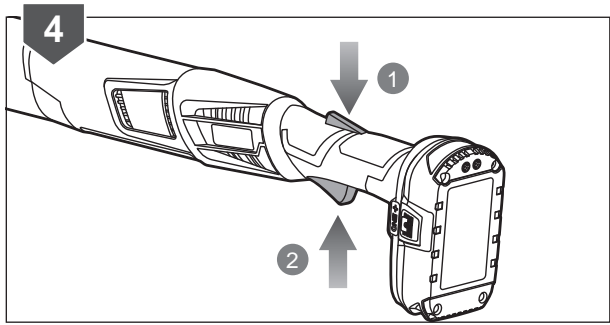


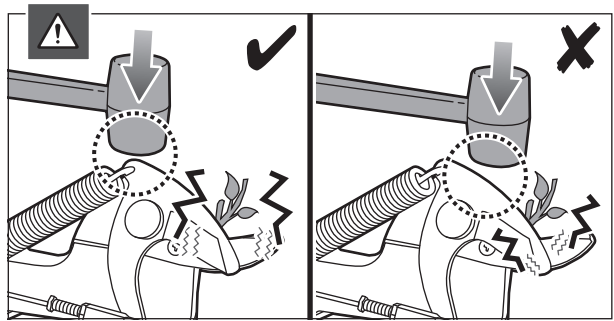
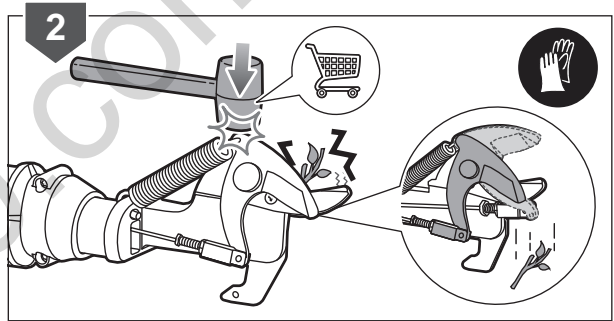
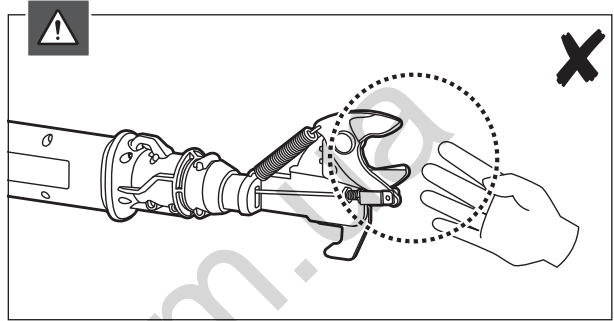
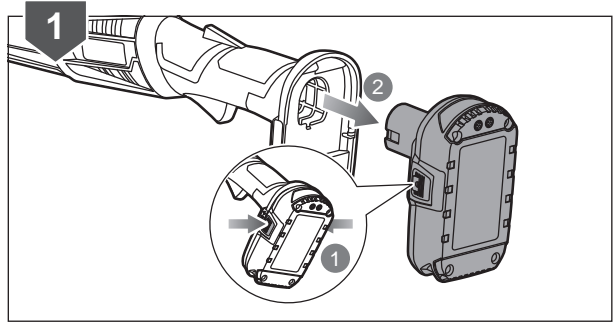
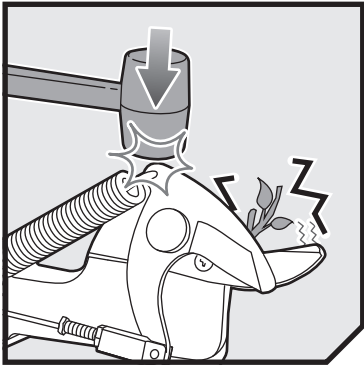
130.COM

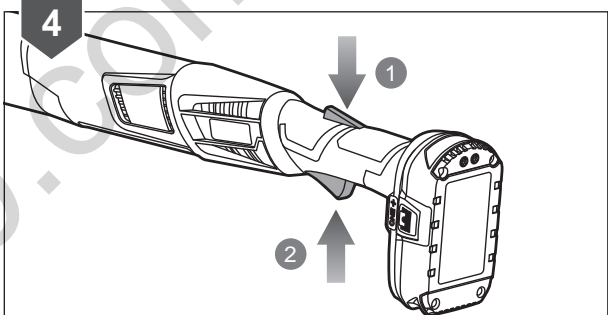
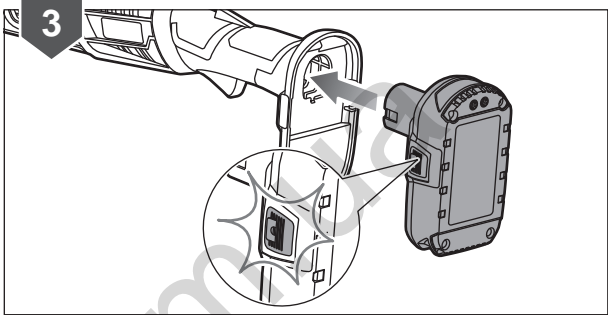
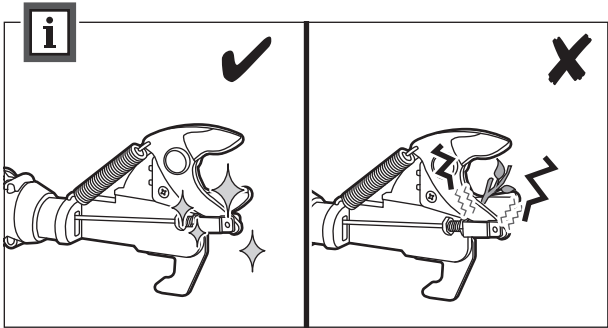






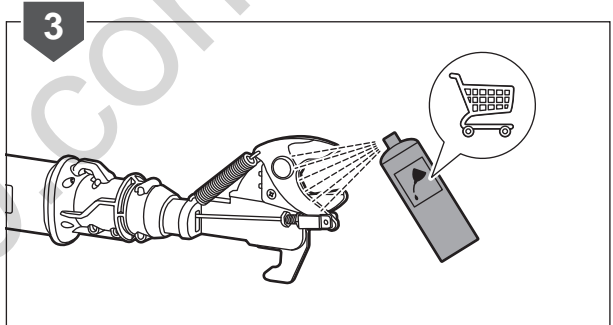
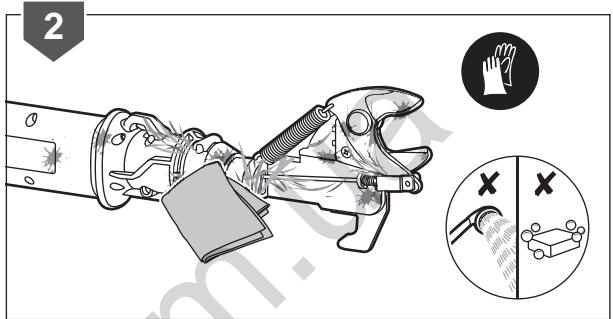
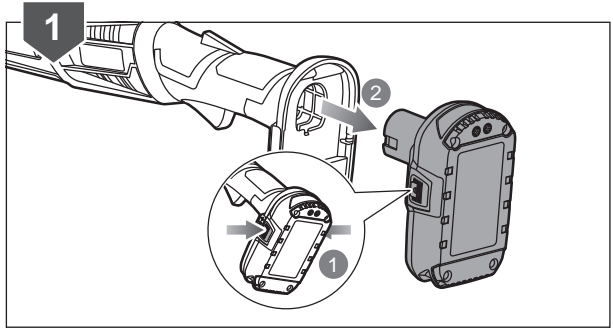
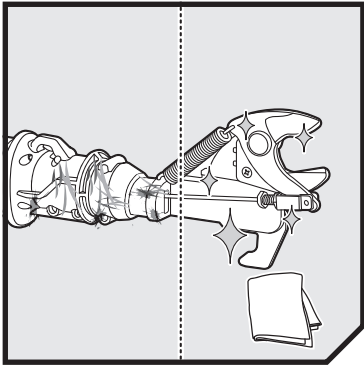




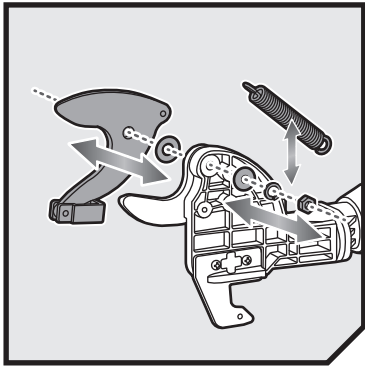


130.com

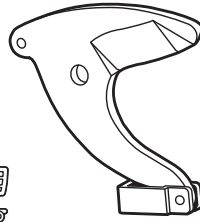




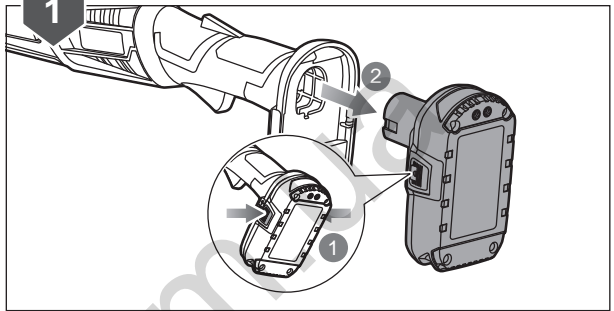




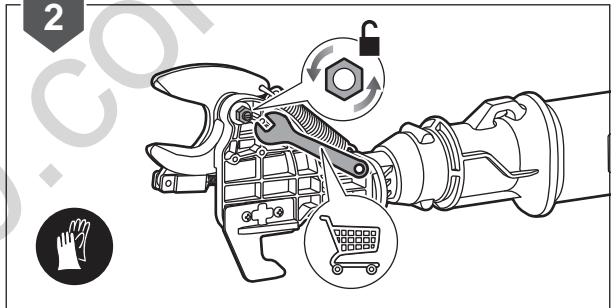
RAC313



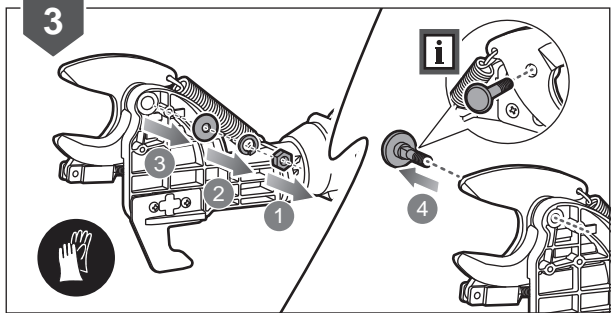
1

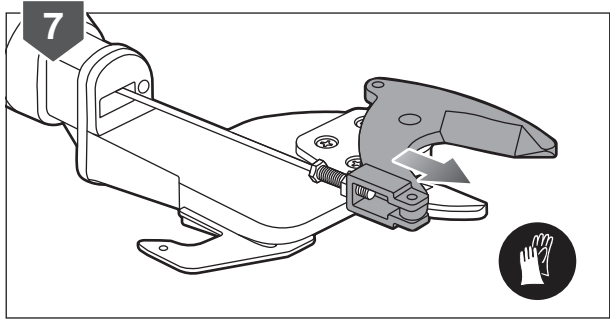
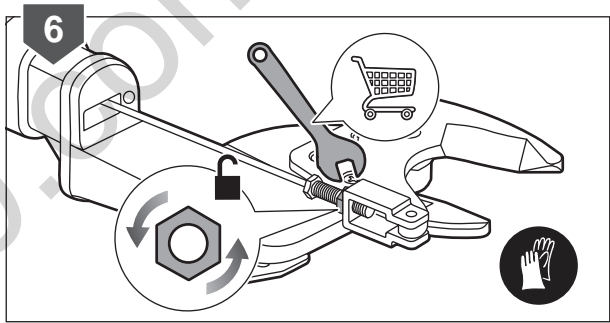
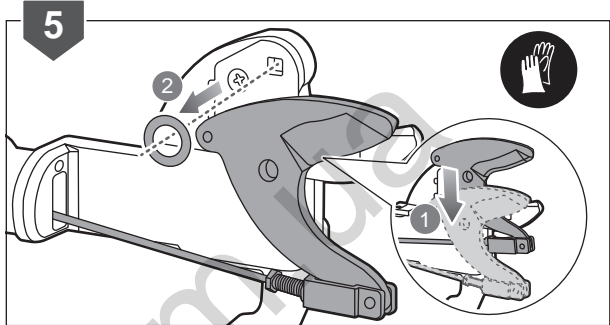
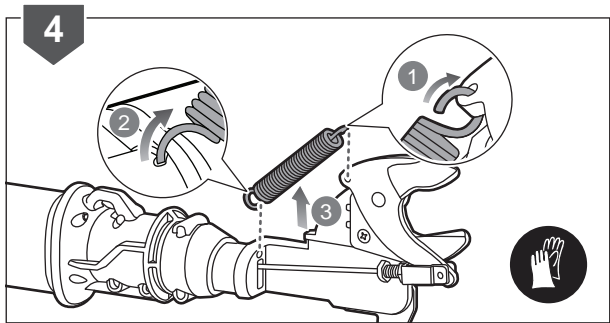


2



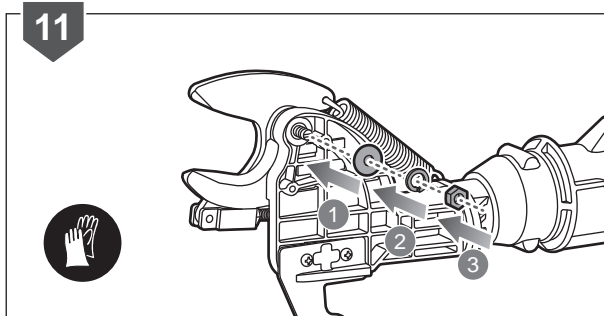
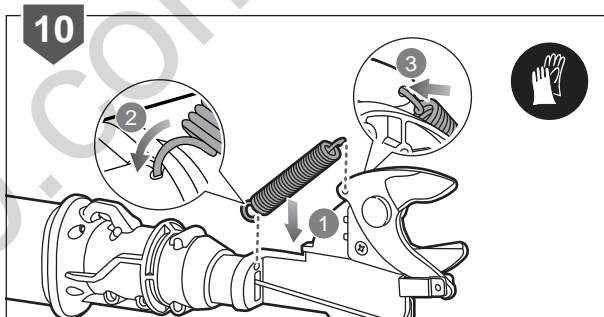
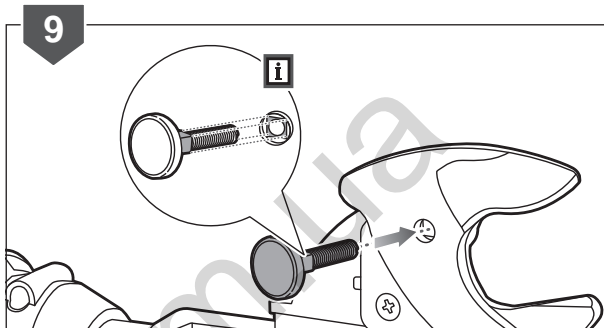
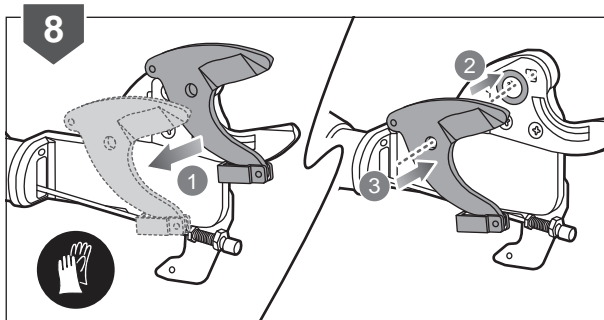
3

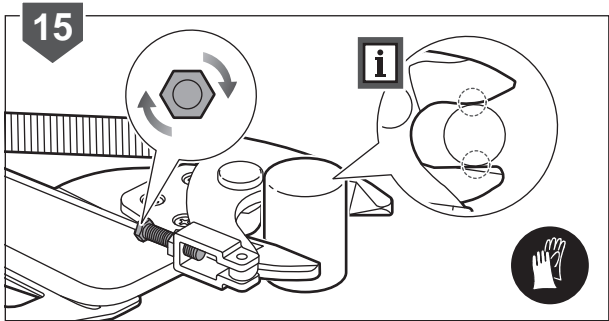
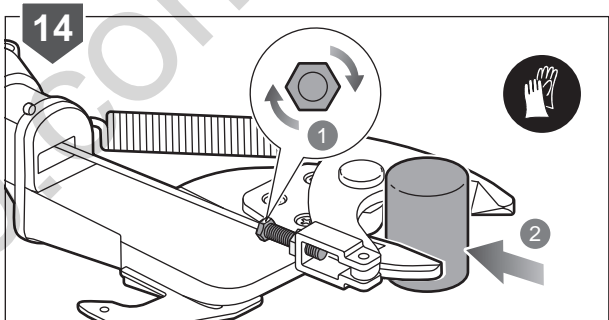
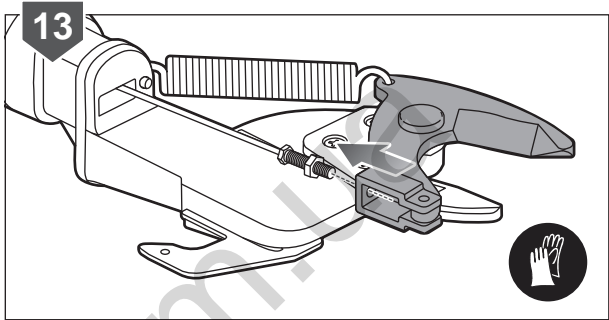
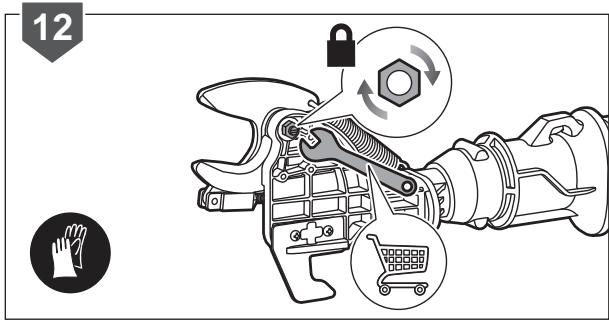


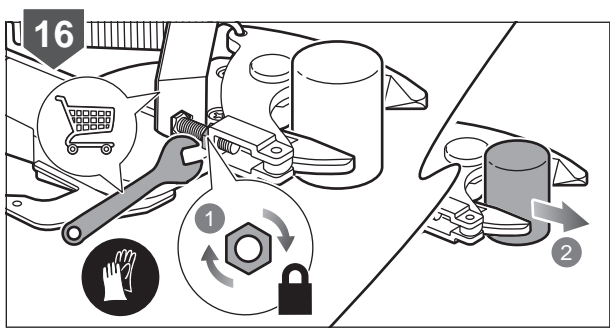


130



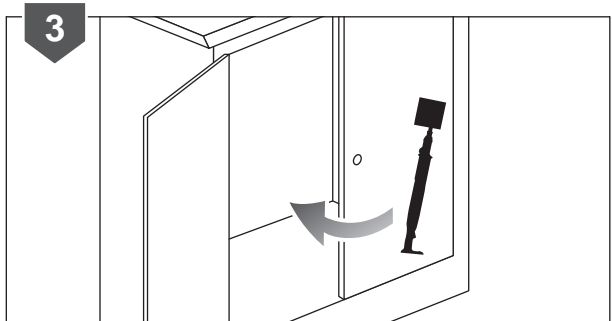
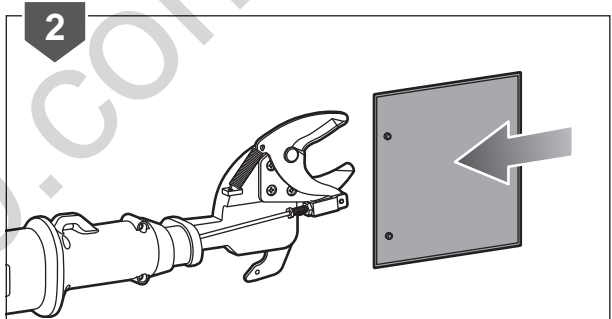
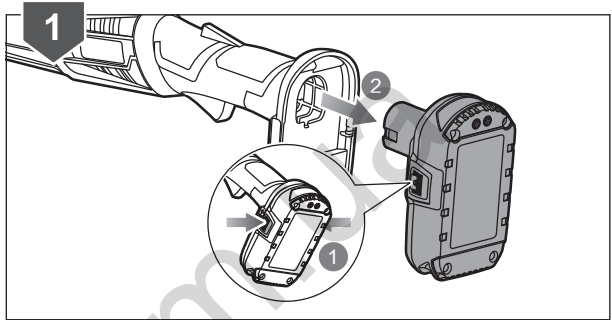
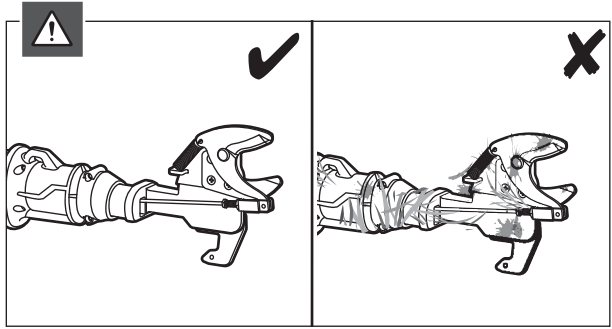
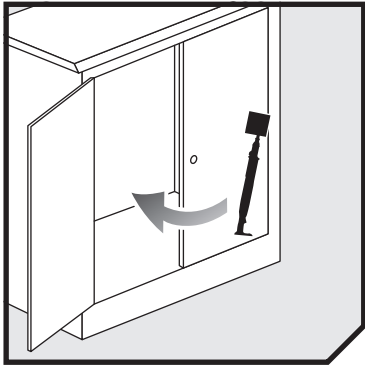






130.com.ua







English	Français	Deutsch	Español	Italiano
<b>Product specifications</b>	<b>Caractéristiques produit</b>	<b>Produkt-Spezifikationen</b>	<b>Características del producto</b>	<b>Caratteristiche del prodotto</b>
Cordless lopper	Ébrancheur sans fil	Akku-Astschere	Podadora inalámbrica	Troncarami a batteria
Model	Modèle	Modellnummer	Modelo	Modello
Rated Voltage	Tension nominale	Nennspannung	Tensión nominal	Voltaggio nominale
Cutting capacity	Capacité de coupe	Schnittbreite Durchmesser	Capacidad de corte	Capacità di taglio
32 mm (softwood), 28 mm (hardwood)	32 mm (bois tendres), 28 mm (bois dur)	32 mm (Weichholz), 28 mm (Hartholz)	32 mm (madera blanda), 28 mm (madera dura)	32 mm (legno morbido), 28 mm (legno duro)
Product length	Longueur	Länge	Longitud	Lunghezza
Noise emission values determined according to EN 60745-1:	Valeurs d'émission sonore déterminées selon la norme EN 60745-1 :	Geräuschemissionswerte gemäß EN 60745-1:	Valores de emisiones de ruido determinados de acuerdo con lo establecido en la norma EN 60745-1:	Valori di emissione sonora determinati secondo EN 60745-1:
Sound Pressure Level at Operator Position	Niveau de pression sonore au niveau de l'opérateur	Schalldruckpegel an der Position des Anwenders	Niveles de presión acústica en el puesto del operario	Livello di pressione sonora alla posizione dell'operatore
Uncertainty	Incertitude	Unsicherheit	Incetidumbre	Incertezza
A-weighted sound power level	Niveau de puissance sonore pondéré-A	A-bewerteter Schalleleistungspegel	Nivel de potencia acústica ponderada en A	Livello di potenza sonora pesato A
Uncertainty	Incertitude	Unsicherheit	Incetidumbre	Incertezza
Vibration total values determined according to EN 60745-1:	Valeurs totales de vibration déterminées selon la norme EN 60745-1 :	Vibrationswerte gemäß EN 60745-1:	Valores totales de vibración determinados de acuerdo con lo establecido en la norma EN 60745-1:	Valori totali delle vibrazioni determinati secondo EN 60745-1:
Vibration emission value(front/rear)	Valeur d'émission de vibration (avant/arrière)	Schwingungsemissionswert (vorne/hinten)	Valor de emisión de vibración (parte delantera/ parte posterior)	Valore di emissione vibrazioni (davanti/retro)
Uncertainty	Incertitude	Unsicherheit	Incetidumbre	Incertezza
Weight (without battery)	Poids (sans batterie)	Gewicht (ohne Akku)	Peso (sin la batería)	Peso (senza batterie)
Weight with the heaviest battery pack	Poids avec le pack de batterie le plus lourd	Gewicht mit dem schwersten Akkusatz	Peso con el paquete de baterías más pesado	Peso con la batteria più pesante
Cutting cycle time	Durée du cycle de coupe	Schneidezykluszeit	Tiempo del ciclo de corte	Durata del ciclo di taglio
3-4 seconds Recommended use: stop 7 seconds between every other cut.	3-4 secondes Usage recommandé : marquer une pause de 7 secondes toutes les deux coupes.	3-4 Sekunden Empfohlene Nutzung: Pausieren Sie nach jedem zweiten Schnitt 7 Sekunden lang.	3-4 segundos Uso recomendado: detenga el funcionamiento del producto de 7 segundos cada dos cortes.	3-4 secondi Uso consigliato: interrompere 7 secondi tra ogni taglio.





Nederlands	Português	Dansk	Svenska	
<b>Productgegevens</b>	<b>Características do aparelho</b>	<b>Produktspecifikationer</b>	<b>Produktspecifikationer</b>	
Snoerloze takkenschaar	Tesoura-serrote eléctrica recarregável	Ledningsfri beskærersaks	Trådlös träsax	
Model	Modelo	Model	Modell	OLP1832B
Toegekende spanning	Tensão nominal	Mærkespænding	Spänning	18 V DC
Snijcapaciteit	Capacidade de corte	Skærekapacitet	Trimningskapacitet	
32 mm (zacht hout), 28 mm (hardhout)	32 mm (madeira macia), 28 mm (madeira dura)	32 mm (blødt træ), 28 mm (hårdt træ)	32 mm (lövträd), 28 mm (barträd)	
Lengte	Comprimento	Længde	Längd	0,85m
Waarden voor geluidsemisssie bepaald overeenkomstig EN 60745-1:	Valores de emissão de ruído obtidos de acordo com a Norma EN 60745-1:	Støjemissionsværdier fastsat i henhold til EN 60745-1:	Bullernivåer fastställda enligt EN 60745-1:	
Geluidsdrukniveau op positie gebruiker	Níveis de pressão acústica no posto do utilizador	Lydtryksniveau ved operatørens øre	Ljudtrycksnivå vid användarens position	LpA = 69,2 dB(A)
Onzekerheid	Incerteza	Usikkerhed	Osäkerhet	K= 2,5 dB
A-gewogen geluidsniveau	Nível de potência sonora ponderada A	A-vægtet lydeffektniveau	A-vägd ljudeffektsnivå	LWA = 80,2 dB(A)
Onzekerheid	Incerteza	Usikkerhed	Osäkerhet	K= 2,5 dB
Totaalwaarden voor vibratie bepaald overeenkomstig EN 60745-1:	Valores totais de vibrações obtidos de acordo com a Norma EN 60745-1:	Samlede værdier for vibration fastsat i henhold til EN 60745-1:	Totala vibrationsvärden fastställda enligt EN 60745-1:	
Trillingsemisssiewaarde (voorzijde/achterzijde)	Valor de emissão de vibrações (frente/traseira)	Vibrationsemmissionsværdi (forside/bagside)	Emissionsvärde vibration (framsida/baksida)	ah = 0,3/0,9 m/s <sup>2</sup>
Onzekerheid	Incerteza	Usikkerhed	Osäkerhet	K = 1,5 m/s <sup>2</sup>
Gewicht (zonder batterij)	Peso (sem a bateria)	Vægt (uden batteri)	Vikt (utan batteri)	1,93kg
Gewicht met de zwaarste accu	Peso com o conjunto de baterias mais pesado de todos	Vægt med det tungeste batteri	Vikt med tyngsta batterienhet	2,66 kg
Knipcyclustijd	Tempo do ciclo de corte	skærecyklustid	Tid för kapningscykel	
3-4 seconden Aanbevolen gebruik: wacht om de 2 sneden 7 seconden.	3-4 segundos Utilização recomendada: parar 7 segundos entre cada corte.	3-4 sekunder Anbefalet brug: Stop 7 sekunder mellem hvert andet snit.	3-4 sekunder Rekommenderad användning: stoppa 7 sekunder mellan varje klipp.	







Suomi	Norsk	Русский	Polski
<b>Tuotteen tekniset tiedot</b>	<b>Produktspesifikasjoner</b>	<b>Характеристики изделия</b>	<b>Parametry techniczne</b>
Akkukäyttöiset oksasakset	Trådløs grenkapper	Беспроводное сучкорезное устройство	Sektor bezprzewodowy
Malli	Modell	Модель	Model
Nimellisjännite	Nominell spenning	Номинальное напряжение	Napięcie znamionowe
Leikkauskapasiteetti	Klippekapasitet	Сокращение вместимости	Szerokość cięcia
32 mm (havupuu), 28 mm (lehtipuu)	32 mm (mykt tre), 28 mm (hardt tre)	32 мм (мягкое дерево), 28 мм (твердое дерево)	32 mm (drewno miękkie), 28 mm (drewno twarde)
pituus	Lengde	Длина	Długość
Standardin EN 60745-1 mukaiset melupäästöarvot:	Støyemissionsverdier fastsatt etter EN 60745-1:	Значения уровней шума получены в соответствии со стандартом EN 60745-1:	Poziomy emisji hałas określone zgodnie z normą EN 60745-1:
Käyttäjään kohdistuva äänenpainetaso	Lydtrykknivå ved operatørens posisjon	Уровень звукового давления на месте оператора	Poziom ciśnienia dźwięku w pobliżu operatora
Epätarkkuus	Usikkerhet	Погрешность	Niepełność pomiaru
A-painotettu äänenteho	A-vektet lydeffektivå	Уровень A-взвешенной звуковой мощности	A-ważony poziom natężenia hałasu
Epätarkkuus	Usikkerhet	Погрешность	Niepełność pomiaru
Standardin EN 60745-1 mukaiset värähtelöarvot:	Totalt støysjonsverdier bestemt i henhold til EN 60745-1:	Общие значения вибрации получены в соответствии со стандартом EN 60745-1:	Łączne poziomy wibracji określone zgodnie z normą EN 60745-1:
Tärinäpäästöarvo (etuosa/takaosa)	Verdien på utslippet fra vibreringen (foran/bak)	Значение вибрационного воздействия (спереди/сзади)	Poziom emisji wibracji (przód/tył)
Epätarkkuus	Usikkerhet	Погрешность	Niepełność pomiaru
Paino (ilman akkua)	Vekt (uten batteri)	Масса (без батарей)	Ciężar (bez akumulatora)
Paino painavimman akun kanssa	Vekt med det tyngste batteriet	Вес с самым тяжелым аккумуляторным блоком	Ciężar z najcięższym akumulatorem
Leikkausjaksoaika	Kuttesyklusid	Продолжительность цикла резки	Czas cyklu cięcia
3-4 sekuntia Suositeltu käyttö: odota 7 sekuntia joka toisen leikkauksen välillä.	3-4 sekunder Anbefalt bruk: stopp 7 sekunder mellom hver annet kutt.	3-4 секунд Рекомендованное применение: после каждого второго среза останавливайтесь на 7 секунды.	3-4 sekund Zalecany sposób pracy: zatrzymywać na 7 sekundy co drugie cięcie.



Čeština	Magyar	Română	Latviski	
<b>Technické údaje produktu</b>	<b>Termék műszaki adatai</b>	<b>Specificațiile produsului</b>	<b>Produkta specifikācijas</b>	
Akumulátorový odvětvovač	Vezeték nélküli ágvágó	Foarfecă fără fir	Bezvadu zaru šķēres	
Model	Típus	Model	Modelis	OLP1832B
Jmenovité napětí	Névleges feszültség	Tensiunea nominală	Nominālais spriegums	18 V DC
Řezací kapacita	Vágási teljesítmény	Lungimea de tăiere	Griešanas dziļums	
32 mm (mëkké dřevo), 28 mm (tvrdé dřevo)	32 mm (puhafa), 28 mm (keményfa)	32 mm (lemn moale), 28 mm (lemn tare)	32 mm (mīkstai koksnei), 28 mm (cietai koksnei)	
Délka	Hosszúság	Lungime	Garums	0,85m
Hodnoty hladiny hluku určeny podle EN 60745-1:	A zajkibocsátási értékek meghatározása az EN 60745-1 szabvány szerint történt.	Valori ale emisiilor sonore determinate conform EN 60745-1:	Trokšņu līmeņa vērtības, kas noteiktas saskaņā ar EN 60745-1:	
Hladina akustického tlaku v poloze obsluhy	Hangnyomásszint a kezelő pozíciójában	Nivelurile de presiune a zgomotului în poziția operatorului	Skaņas spiediena līmenis operatora līmenī	LpA = 69,2 dB(A)
Nejistota	Bizonytalanság	Incertitudine	Nenoteiktība	K= 2,5 dB
Hladina akustického výkonu vážená funkcí A	A-súlyozott hangteljesítményszint	Nivel de putere acustică ponderată A	A-līmeņa skaņas jaudas līmenis	LWA = 80,2 dB(A)
Nejistota	Bizonytalanság	Incertitudine	Nenoteiktība	K= 2,5 dB
Hodnoty vibrací celkem určeny podle EN 60745-1:	A rezgés kibocsátási értékek meghatározása az EN 60745-1 szabvány szerint történt.	Valori ale vibrațiilor determinate conform EN 60745-1:	Vibrāciju kopējās vērtības, kas noteiktas saskaņā ar EN 60745-1:	
Úroveň vibrací (přední/zadní)	Rezgés kibocsátási értéke (első/hátsó)	Valoarea vibrațiilor (față/spate)	Vibrāciju veidošanās vērtība (priekša/aizmugure)	ah = 0,3/0,9 m/s <sup>2</sup>
Nejistota	Bizonytalanság	Incertitudine	Nenoteiktība	K = 1,5 m/s <sup>2</sup>
Hmotnost (bez baterie)	Tömeg (akkumulátor nélkül)	Greutate (fără acumulator)	Svars (bez baterijas)	1,93kg
Hmotnost s nejtěžšími bateriemi	Súly a legnehezebb akkusomaggal	Greutatea cu cel mai greu acumulator	Svars ar smagāko akumulatoru bloku	2,66 kg
Délka řezného cyklu	Vágás ciklusideje	Durată ciclului de tăiere	Griešanas cikla laiks	
3-4 vteřin Doporučený režim používání: Po každém druhém stříhu odvětvovač na 7 sekundy vypne.	3-4 másodperc Ajánlott használat: minden vágás előtt álljon meg 7 másodpercre.	3-4 secunde Utilizare recomandată: opriți-vă 7 secunde între tăieri.	3-4 sekundes Ieteicamais pielietojums: apturiet uz 7 sekundēm ik pēc otrā griezienu.	

Lietuviškai	Eesti	Hrvatski	Slovensko
<b>Gaminio techninės savybės</b>	<b>Toote tehnilised andmed</b>	<b>Specifikacije proizvoda</b>	<b>Specifikacije izdelka</b>
Akumulatorinis šakų genėtuvas	Juhtmeta lõikur	Bežični rezač grana	Brezžični obrezovalnik
Modelis	Mudel	Model	Model
Nominali įtampa	Nimipinge	Nazivni napon	Nazivna napetost
Pjovimo talpa	Lõikevõimsus	Duljina rezanja	Kapaciteta rezanja
32 mm (minkštoji mediena), 28 mm (kietmedis)	32 mm (pehme puit), 28 mm (kõva puit)	32 mm (meko drvo), 28 mm (tvrdro drvo)	32 mm (mehak les), 28 mm (trd les)
Ilgis	Pikkus	Duljina	Dolžina
Triukšmo emisijos vertės nustatytos pagal EN 60745-1:	Müratase mis määratakse vastavalt standardile EN 60745-1:	Vrijednosti emisije buke određene su u skladu sa standardom EN 60745-1:	Vrednosti emisij hrupa, določene v skladu z EN 60745-1:
Garso spaudimo lygis operatoriui	Mürarõhu tase kasutaja kõrvade kõrgusel	Razine zvučne snage u položaju operatora	Ravni zvočnega tlaka na mestu upravljavca
Nepastovumas	Määramatus	Neodređenost	Negotovost
A-svertinis akustinis lygis	A-kaalutud helivõimsuse tase	Ponderirana razina zvučne snage	A-izmerjena raven zvočne moči
Nepastovumas	Määramatus	Neodređenost	Negotovost
Vibracijos bendrosios vertės nustatytos pagal EN 60745-1:	Vibratsioonitase, mis määratakse vastavalt standardile EN 60745-1:	Ukupne vrijednosti vibracije određene su u skladu sa standardom EN 60745-1:	Skupne vrednosti vibracij, določene v skladu z EN 60745-1:
Vibracijos emisijos vertė (priekis / galas)	Vibratsioonitase (ees/taga)	Vrijednost emisije vibracija (sprijeda/straga)	Vrednost oddajanja vibracij (spredaj/zadaj)
Nepastovumas	Määramatus	Neodređenost	Negotovost
Svoris (be baterijos)	Kaal (ilma akuta)	Težina (bez baterije)	Teža (brez baterije)
Svoris su sunkiausiu akumuliatorių bloku	Kaal koos raskeima akuga	Težina s najtežom baterijom	Teža z najtežjim akumulatorjem
Genėjimo ciklo trukmė	Lõiketšükli aeg	Vrijeme ciklusa rezanja	Trajanje rezalnega cikla
3-4 sekundžių Rekomenduojamas naudojimas: darykite 7 sekundžių pertraukas tarp kiekvieno pjūvio.	3-4 sekundit Soovitusilik kasutamine: peatuge 7 sekundit pärast iga teist lõiget.	3-4 sekundi Preporučena upotreba: zastanite 7 sekunde između svakog reza.	3-4 sekund Priporočena uporaba: počakajte 7 sekunde med posameznimi rezi.



Slovenčina	България	Українська	Turce	
<b>Špecifikácie produktu</b>	<b>Технически характеристики</b>	<b>Технічні характеристики пристрою</b>	<b>Ürün teknik özellikleri</b>	
Akumulátorový prerezávač	Безжична лозарска ножица	Бездротовий пристрій для обрізання гілок	Kablosuz budama makası	
Modelis	Модел	Модель	Model	OLP1832B
Menovité napätie	Номинален волтаж	Номинальна напруга	Nominal voltaj	18 V DC
Kapacita rezania	Капацитет на рязане	Ріжуча здатність	Kesme Kapasitesi	
32 mm (mäkké drevo), 28 mm (tvrdé drevo)	32 mm (мека дървесина), 28 mm (твърда дървесина)	32 mm (деревина хвойних порід), 28 mm (деревина листяних порід)	32 mm (yumuşak ağaç), 28 mm (sert ağaç)	
Dĺžka	Дължина	Довжина рейки	Uzunluk	0,85M
Hodnoty emisii hluku stanovené podľa normy EN 60745-1:	Стойности на шумови емисии, определени според EN 60745-1:	Значення викидів шуму, визначени згідно з EN 60745-1:	EN 60745-1'e göre belirlenmiş ses emisyon değerleri :	
Hladiny akustického tlaku na mieste obsluhujúcej osoby	Нива на шумово налягане на мястото на оператора	Рівень звукового тиску на робочому місці оператора	Kullanıcı Konumunda Ses Basıncı Seviyesi (LpA)	LpA = 69,2 dB(A)
Neurčitost	Променливост	#N/A	#N/A	K= 2,5 dB
Vážená A hladina akustického výkonu	Ниво на силата на шума с равнище A	A-зважений рівень звукової потужності	A ağırlıklı ses gücü seviyesi	LWA = 80,2 dB(A)
Neurčitost	Променливост	#N/A	#N/A	K= 2,5 dB
Celkové hodnoty vibrácií stanovené podľa normy EN 60745-1:	Общи стойности на вібрація, определени според EN 60745-1:	Загальні значення вібрації, визначені згідно з EN 60745-1:	EN 60745-1'e göre belirlenmiş toplam titreşim değerleri:	
Hodnota emisii vibrácií (vpredu/vzadu)	Стойности на изльчените вібрації (отпред/отзад)	Рівень вібрації (перед/зад)	Titreşim emisyon değeri (ön/arka)	ah = 0,3/0,9 m/s <sup>2</sup>
Neurčitost	Променливост	Похибка	Belirsiz	K = 1,5 m/s <sup>2</sup>
Hmotnosť (bez akumulátora)	Тегло (без батерията)	Вага (без акумулятора)	Ağırlık (batarya hariç)	1,93kg
Hmotnosť s najťažšou súpravou batérii	Тегло с най-тежката батерия	Маса з найбільш важким акумулятором	En ağır pil paketiyle ağırlık	2,66 kg
Čas cyklu rezania	Време на цикла на рязане	Час циклу різання	Kesme döngüsü süresi	
3-4 sekúnd Odporúčané použitie: pred vykonaním ďalšieho rezu zastavte na 7 sekundy.	3-4 секунди Препоръчителна употреба: спирайте по 7 секунди между всяко отделно срязване.	3-4 секунд Рекомендоване використання: зупиняйтеся на 7 секунди між кожним наступним розрізом.	3-4 saniye Tavsiye edilen kullanım: her kesim arasında 7 saniye durun.	



English	Français	Deutsch	Español	Italiano	Nederlands
<b>Battery and charger</b>	<b>Batterie et chargeur</b>	<b>Akku und Ladegerät</b>	<b>Batería y cargador</b>	<b>Batteria e caricatore</b>	<b>Accu en oplader</b>
Model	Modèle	Modellnummer	Modelo	Modello	Model
Battery pack	Batterie	Akku	Batería	Batteria	Accu
-not included	-Non compris	-Nicht im Lieferumfang enthalten	-No incluido	-Non incluso	-Niet inbegrepen
Charger	Chargeur	Ladegerät	Cargador	Caricatore	Lader
-not included	-Non compris	-Nicht im Lieferumfang enthalten	-No incluido	-Non incluso	-Niet inbegrepen
Compatible battery packs	Packs Batterie Compatibles	Kompatible Akkus	Paquetes de batería compatibles	Gruppo batterie compatibili	Compatibele accupacks
Compatible charger	Chargeur compatible	Passendes Ladegerät	Cargador compatible	Caricatore compatibile	Compatibele oplader
<b>Replacement parts</b>	<b>Pièces de Rechange</b>	<b>Ersatzteile</b>	<b>Piezas de repuesto</b>	<b>Parti di ricambio</b>	<b>Vervangonderdelen</b>
Cutting blade assembly	Ensemble de lames de coupe	Messermontage	Conjunto de cuchillas de corte	Gruppo lame di taglio	Snijmes



Português	Dansk	Svenska	Suomi	Norsk	Русский	
<b>Bateria e carregador</b>	<b>Batteri og oplader</b>	<b>Batteri och batteriladdare</b>	<b>Akku ja laturi</b>	<b>Batteri og lader</b>	<b>Аккумуляторная батарея и зарядное устройство</b>	
Modelo	Model	Modell	Malli	Modell	Модель	OLP1832BX
Bateria	Batteri	Batteri	Akku	Batteri	Аккумулятор	
-Não incluído	-Medfølger ikke	-Medföljer inte	-Ei mukana	-Ikke inkludert	-В комплект не входит	
Carregador	Oplader	Batteriladdare	Laturi	Lader	Зарядное устройство	
-Não incluído	-Medfølger ikke	-Medföljer inte	-Ei mukana	-Ikke inkludert	-В комплект не входит	
Baterias Compatíveis	Kompatible batterier	Kompatibla batteripaket	Yhteensopivat akut	Kompatible batteripakker	Совместимая аккумуляторная батарея	RB18L13, RB18L15, RB18L20, RB18L25, RB18L26, RB18L40, RB18L50
Carregador compatível	Kompatibel oplader	Kompatibel laddare	Yhteensopiva laturi	Kompatibel lader	Совместимое зарядное устройство	BCL-1800, BCL1418, BCL1418IV, BCL14181H, BCL14183H, BCS618G, RC18150U, RC18627U, RC18115, RC18120
<b>Peças de substituição</b>	<b>Reserve dele</b>	<b>Utbytesdelar</b>	<b>Varaosat</b>	<b>Erstatningsdeler</b>	<b>Запасные части</b>	
Conjunto da lâmina de corte	Klinge enhed	Skärbladsenhet	Teräyksikkö	Kuttebladmontering	Лезвие в сборе	RAC313





Polski	Čeština	Magyar	Română	Latviski	Lietuviškai	Eesti
<b>Akumulator i ładowarka</b>	<b>Nabiječka a baterie</b>	<b>Akkumulátor és töltő</b>	<b>Bateria și încărcătorul</b>	<b>Akumulators un lādētājs</b>	<b>Akumulatorius ir įkroviklis</b>	<b>Aku ja laadija</b>
Model	Model	Típus	Model	Modelis	Modelis	Mudel
Akumulator	Baterie	Akkumulátor	Acumulator	Akumulators	Baterija	Aku paketiga
-Brak w zestawie	-Není obsaženo	-Nem tartozék	-Nu este inclus	-Nav iekļauts	-Nepriedama	-Ei ole komplektis
Ładowarka	Nabiječka	Töltő	Încărcător	Lādētājs	Įkroviklis	Laadija
-Brak w zestawie	-Není obsaženo	-Nem tartozék	-Nu este inclus	-Nav iekļauts	-Nepriedama	-Ei ole komplektis
Pasujące akumulatory	Kompatibilní akumulátory	Kompatibilis akkumulátorok	Acumulatori compatibili	Savietojami akumulatoru komplekti	Suderinami baterijos paketai	Ühilduvad akupaketid
Zgodna ładowarka	Kompatibilní nabiječka	Kompatibilis töltő	Încărcător compatibil	Saderīgs lādētājs	Suderinamas įkroviklis	Ühilduv laadija
<b>Części zamienne</b>	<b>Náhradní díly</b>	<b>Cserealkatrészek</b>	<b>Piese de schimb</b>	<b>Rezerves daļas</b>	<b>Atsarginės detalės</b>	<b>Asendusosad</b>
Zespół noża tnącego	Sestava čepeli	Vágókés sz-erelvény	Ansambļu lamā tālstoare	Griešanas as-mens mezglis	Pjovimo peilio blokas	Lõiketera komplekt





Hrvatski	Slovensko	Slovenčina	България	Українська	Turce	
<b>Baterija i punjač</b>	<b>Baterija in polnilnik</b>	<b>Akumulátor a nabijačka</b>	<b>Батерия и зарядно устройство</b>	<b>Акумулятор і зарядний пристрій</b>	<b>Pil ve şarj cihazı</b>	
Model	Model	Modelis	Модел	Модель	Model	OLP1832BX
Baterija	Akumulator	Batéria	Батерия	Акумуляторна батерия	Batarya takımı	
-Nije uključeno	-Ni priloženo	-Nie je súčasťou balenia	-Не е включено	-не входить в комплект	-dahil değildir	
Punjač	Polnilec	Nabijačka	Зарядно устройство	Зарядний пристрій	Şarj cihazı	
-Nije uključeno	-Ni priloženo	-Nie je súčasťou balenia	-Не е включено	-не входить в комплект	-dahil değildir	
Kompatibilna pakiranja baterija	Združljive baterije	Kompatibilné jednotky akumulátorov	Съвместими батерии	Сумісні блоки батареї	Uyumlu pil takımları	RB18L13, RB18L15, RB18L20, RB18L25, RB18L26, RB18L40, RB18L50
Kompatibilni punjači	Združljiv polnilec	Kompatibilná nabijačka	Съвместимо зарядно устройство	Сумісний зарядний пристрій	Uyumlu şarj cihazı	BCL-1800, BCL1418, BCL1418IV, BCL14181H, BCL14183H, BCS618G, RC18150U, RC18627U, RC18115, RC18120
<b>Zamjena dijelova</b>	<b>Nadomestni deli</b>	<b>Náhradné diely</b>	<b>Резервни части</b>	<b>Запасні частини</b>	<b>Yedek Parça</b>	
Sklop rezne oštrice	Sestav rezila	Zostava reznej čepele	Модул с режещо острие	Лезо у зборі	Kesici bıçak takımı	RAC313





## EN Vibration level

### ⚠ WARNING

The declared vibration value has been measured with a standard test method and may be used to compare one tool with another.

The declared vibration value may be used in a preliminary assessment of exposure.

The vibration emission during actual use of power tool can differ from the declared total value depending on the ways in which the tool is used.

Identify safety measures to protect yourself based on an estimation of exposure in the actual conditions of use, taking account of all parts of the operating cycle such as the times when the tool is switched off and when it is running idle in addition to the trigger time.

## FR Niveau de vibrations

### ⚠ AVERTISSEMENT

La valeur déclarée totale des vibrations a été mesurée selon une méthode de test standardisée qui peut être utilisée pour comparer un outil avec un autre.

La valeur déclarée totale des vibrations peut également être utilisée pour évaluer par avance le niveau d'exposition.

La valeur des vibrations réellement produites durant l'utilisation de l'outil électrique peuvent différer de la valeur totale déclarée, en fonction de la manière dont l'outil est utilisé.

Identifiez les mesures de sécurité à prendre pour vous protéger, sur la base d'une estimation de l'exposition réelle, en tenant compte de tous les éléments du cycle d'utilisation tels que le temps d'arrêt de l'outil et le temps de son fonctionnement au ralenti, en plus du temps de fonctionnement normal.

## DE Vibrationsgrad

### ⚠ WARNUNG

Der angegebene Vibrationswert wurde durch eine Standard-Testmethode ermittelt und kann dazu verwendet werden, ein Werkzeug mit einem anderen zu vergleichen.

Der angegebene Vibrationswert kann für eine Voraburteilung der Exponierung herangezogen werden.

Die Vibrationsemissionen bei der tatsächlichen Benutzung von Elektrowerkzeugen kann sich, abhängig von der Art der Benutzung des Werkzeugs, von dem genannten Wert unterscheiden.

Identifizieren Sie aufgrund einer Einschätzung der Exponierung unter tatsächlichen Einsatzbedingungen Maßnahmen zum eigenen Schutz, unter Berücksichtigung aller Bestandteile des Betriebszyklus, wie die Zeiten zu denen das Werkzeug ausgeschaltet ist, und zu denen es sich zusätzlich zu den Auslösezeitpunkten im Leerlauf befindet.

## ES Nivel de vibración

### ⚠ ADVERTENCIA

El valor declarado de vibraciones se ha medido con un método de prueba estándar y puede utilizarse para comparar una herramienta con otra.

El valor declarado de vibraciones puede utilizarse en una evaluación preliminar de exposición.

La emisión de las vibraciones durante el uso real de la herramienta eléctrica puede diferir del valor total declarado según el uso que se le dé a la herramienta.

Identifique las medidas de seguridad para protegerse en base a una estimación de la exposición en las condiciones reales de uso, teniendo en cuenta todas las partes del ciclo de funcionamiento, como los tiempos en que la herramienta está apagada y cuando está en ralentí, además del tiempo de activación.

## IT Livello di vibrazioni

### ⚠ AVVERTENZE

Il valore delle vibrazioni dichiarato deve essere misurato con un metodo di test standard e può essere utilizzato per paragonare un utensile a un altro.

Il valore dichiarato delle vibrazioni può essere utilizzato nella valutazione preliminare dell'esposizione.

L'emissione delle vibrazioni durante l'utilizzo dell'utensile può essere diversa dal valore totale dichiarato a seconda dei modi in cui l'utensile viene utilizzato.

Individuare misure di sicurezza per proteggersi basate su una stima dell'esposizione nelle attuali condizioni di utilizzo, prendendo in considerazione tutte le parti del ciclo operativo come i tempi in cui l'utensile viene spento o quando funziona al minimo oltre al tempo di attivazione.

## NL Trillingsniveau

### ⚠ WAARSCHUWING

De aangegeven trillingswaarde werd gemeten met behulp van een standaard testmethode en kan worden gebruikt om gereedschap met elkaar te vergelijken.

De aangegeven trillingswaarde kan worden gebruikt in een voorlopige blootstellingsanalyse.

De trillingsemisatie tijdens het gebruik van het werktuig kan verschillen van de aangegeven totale waarde, afhankelijk van de manier waarop het werktuig wordt gebruikt.

Neem veiligheidsmaatregelen om uzelf te beschermen op basis van een inschatting van de blootstelling in de huidige gebruiksomstandigheden, rekening houdend met alle onderdelen van de bedrijfs-cyclus, zoals de tijd dat het werktuig wordt uitgeschakeld en het stationair draait, bovenop de bedrijfstijd.

## PT Nível de vibração

### ⚠ AVISO

O valor de vibração declarado foi medido com um método de teste padrão e pode ser usado para comparar uma ferramenta com outra.

O valor de vibração declarado pode ser utilizado numa avaliação preliminar da exposição.

A emissão das vibrações durante o uso real da ferramenta eléctrica pode diferir do valor total declarado segundo o uso que se der à ferramenta.

Identifique as medidas de segurança para se proteger com base numa estimativa de exposição nas actuais condições de uso, tendo em conta todas as peças do ciclo de funcionamento, como as vezes que a ferramenta é desligada e quando está a trabalhar em ralentí para além do tempo de gatilho.

## DA Vibrationsniveau

### ⚠ ADVARSEL

Den erklærede vibrationsværdi er målt i henhold til en standard-testmetode og kan bruges til at sammenligne forskellige værktøjer indbyrdes.

Den erklærede vibrationsværdi kan bruges som en foreløbig vurdering af eksponeringen.

Vibrationsemissionen ved praktisk brug af elværktøjet kan variere fra den erklærede totalværdi, alt efter hvordan værktøjet anvendes.

Tærf passende sikkerhedsforanstaltninger for at beskytte dig selv ud fra den skønnede eksponering for risici under de aktuelle anvendelsesforhold, hvor du - ud over den effektive arbejdstid - også tager højde for de varierende perioder, som fx når værktøjet er slukket, og når det kører i tomgang.

## SV Vibrationsnivå

### ⚠ VARNING

Det angivna vibrationsvärdet har uppmätts med en standardmetod och kan användas för att jämföra med andra kraftverktyg.

Det angivna vibrationsvärdet kan användas i en preliminär analys av vibrationerna som användaren utsätts för.

De vibrationer som uppstår vid användningen av el-verktyget kan skilja sig från det uppgivna totalvärdet beroende på det sätt som verktyget används på.

Viktig säkerhetsåtgärd för ditt personliga skydd utifrån den exponering som sker under användningen, ta hänsyn till all användning som då verktyget är avstängt och när det går på tomgång förutom den faktiska brukstiden.

## FI Tärinätaaso

### ⚠ VAROITUS

Ilmoitettu tärinäarvo on mitattu tavallisin testimenetelmän, ja sitä voidaan käyttää verrattaessa laitetta toiseen.

Ilmoitettua tärinäarvoa voidaan käyttää arvioitaessa tärinävaikutusta.

Sähkötyökalun todellisen käytön aikainen tärinä saattaa poiketa ilmoitetusta kokonaisarvosta, laitteen käyttötavasta riippuen.

Määritä käyttäjän suojakeinot, jotka perustuvat todellisten käyttöolosuhteiden tärinävaikutusarvoon, ottaen huomioon kaikki käyttäjän osat, kuten ajan, jonka laite on sammuksissa ja käy tyhjääkynnillä, varsinaisen sahausajan lisäksi.

## NO Vibrasjonsnivå

### ⚠ ADVARSEL

Den oppgitte vibrasjonsverdien er målt med en standard testmetode og kan benyttes for å sammenligne ett verktyg med et annet.

Den oppgitte vibrasjonsverdien kan benyttes for en foreløpig angivelse av eksponering.

Vibrasjonene ved faktisk bruk av et elektrisk verkøy kan skille seg fra oppgitte totalverdier avhengig av måten verktøyet brukes på.

Identifiser sikkeringstiltak som beskytter deg selv, basert på et anslag for eksponering i den faktiske bruksituasjonen der man tar hensyn til alle bruksykluserne, som tidspunktet da maskinen ble slått av og når den går på tomgang i tillegg til tiden når verktøyet arbeider.

## RU Уровень вибрации

### ⚠ ОСТОРОЖНО!

Заявленная величина вибрации измерялась в соответствии со стандартной методикой проведения испытаний и может использоваться для сравнения одного инструмента с другим.

Заявленная величина вибрации может использоваться при предварительной оценке характеристик.

Уровень вибрации при работе электроинструмента может отличаться от заявленной общей величины вибрации в зависимости от условий его использования.

Выберите средства защиты оператора с учетом реальных условий эксплуатации, принимая во внимание все факторы рабочего цикла, такие как время, в течение которого инструмент был выключен, и время его работы в холостом режиме.

## PL Poziom drgań

### ⚠ OSTRZEŻENIE

Deklarowany poziom drgań został zmierzony za pomocą standardowej metody pomiaru i jego wyniki mogą służyć do porównywania tego urządzenia z innymi.

Deklarowana wartość drgań może służyć do wstępnej oceny narażenia operatora na wibracje.

Emisja drgań podczas użytkowania elektronarzędzi może różnić się od zadeklarowanej wartości, w zależności od sposobu użytkowania urządzenia.

Określili zasady bezpieczeństwa, oparte na oszacowaniu narażenia operatora w rzeczywistych warunkach użytkowania, uwzględniając wszystkie elementy cyklu operacyjnego, takie jak czasy wyłączenia oraz czasy pracy bez obciążenia, oprócz czasu pracy przy wciśniętym przycisku uruchamiania.

## CS Úroveň vibrací

### ⚠ VAROVÁNÍ

Uznaná hodnota vibrací byla naměřena pomocí standardního testovacího postupu a lze ji použít k porovnání s jiným nástrojem.

Uznaná hodnota vibrací se může používat k předběžnému odhadu vystavování vibracím.

Aktuální hodnoty vibrací během používání nástroje se mohou lišit od výše uvedených a mohou se lišit dle použitého nástroje.

Určete bezpečnostní opatření pro vlastní ochranu, která jsou založena na odhadu vystavení v aktuálních podmínkách používání, popisu všech částí pracovního cyklu jako doby, kdy je nástroj vypnut a když běží naprázdno, kromě doby spuštění.

## HU Vibrációs szint

### ⚠ FIGYELMEZTETÉS

A megadott vibrációs érték szabványos tesztmódszerrel lett meghatározva, és két szerszám összehasonlításakor is használható.

A megadott vibrációs érték a vibrációnak való kitettség előzetes becsüléséhez is felhasználható.

A vibráció-kibocsátás a szerszám gép tényleges használat során eltérhet a nyilatkozatban szereplő teljes értéktől, ez függ a gép használatának módjától.

Határozza meg a saját védelmét szolgáló óvintézkedéseket az adott használati körülmények között érvényes kitettség felmérésével, figyelembe véve a használat teljes időtartamát, vagyis beleértve azokat az időszakokat, amikor a gép ki van kacsolva, vagy bekapcsoltt állapotban üresjárásban működik.

## RO Nivelul vibrațiilor

### ⚠ AVERTISMENT

Valoarea declarată a vibrațiilor a fost măsurată cu o metodă de testare standard și poate fi utilizată pentru a compara o unealtă cu alta.

Valoarea declarată a vibrațiilor poate fi utilizată în-tr-o evaluare preliminară a expunerii.

Emisia de vibrații în timpul folosirii efective a uneltei electrice poate diferi de valoarea totală declarată în funcție de modulurile în care este utilizată unealta.

Identificați măsurile de siguranță pentru a vă proteja, pe baza estimării expunerii la condițiile efective de utilizare, luând în considerare toate etapele ciclului de operare, precum momentele în care unealta este oprită și atunci când funcționează în gol, suplimentar momentului declanșării.



## LV Vibrācijas līmenis

### ⚠ BRĪDINĀJUMS

Nosauktais vibrācijas līmenis ir ticis izmērīts ar standarta pārbaudes metodi un var tikt izmantots, lai salīdzinātu vienu instrumentu ar citu.

Nosauktā vibrācijas vērtība var tikt izmantota sākotnējās iedarbības novērtējumam.

Elektroinstrumenta vibromeisija reālā darba laikā var atšķirties no norādītās kopējās vērtības atkarībā no veidiem, kā instrumentus tiek lietoti.

Nosakiet drošības pasākumus, lai sevi aizsargātu, balstoties uz saskares ilguma novērtējumu atbilstoši lietošanas apstākļiem, ņemot vērā visas lietošanas cikla daļas, tostarp laikus, kad instrumentus tiek izslēgti un kad tas darbojas tukšgaitā papildus darbināšanas laikam.

## LT Vibracijos lygis

### ⚠ IŠPĒJIMAS

Deklaruotas vibrācijas lygis yra išmatuotas standartinio testo metu ir gali būti naudojamas vieno įrankio su kitu palyginimui.

Deklaruotas vibracijos lygis gali būti naudojamas preliminariam pavojaus įvertinimui.

Elektrinio įrankio naudojimo metu vibracijos lygis gali skirtis nuo deklaruotos bendrosios vertės pagal įrankio naudojimo būdus.

Nustatykite saugumo priemones, kad apsisaugotumėte, kurios pagrįstos pavojaus įvertinimo pačiose naudojimo sąlygose, atkreipiant dėmesį į visas darbo ciklo dalis, pvz. laikotarpį, kai įrankis yra išjungtas ir kai veikia tuščiaja eiga bei perjungimo laiką.

## ET Vibratsioonitase

### ⚠ HOIATUS

Deklareeritud vibratsiooniväärtus on mõõdetud standardse testimismeetodiga ja seda võib kasutada tööriistade omavaheliseks võrdlemiseks.

Deklareeritud vibratsiooniväärtust võib kasutada mürataseme eelhindamiseks.

Olenevalt seadme kasutusviisist võib mehaanilise tööriista töötamisel ilmneva vibratsioonimissioon, mille suurus erineb deklareeritud väärtustest.

Kasutaja kaitsmiseks seadmega töötamisel tuleb kindlaks teha turvameetmed, mis põhinevad tegelikes kasutustingimustes esinevale vibratsioonile, sealjuures tuleb arvesse võtta kõiki töötsükli osi, lisaks sisselülitatud olekule näiteks ka vibratsiooni väljalülitamise ajal ja tühikäigul.

## HR Razina vibracije

### ⚠ UPOZORENJE

Objavljena vrijednost vibracija je izmjerena standardnom metodom testiranja i može se koristiti za usporedbu jednog alata s drugim.

Objavljena vrijednost vibracija može se koristiti u početnom usklađivanju izloženosti.

Razina vibracija tijekom trenutačne uporabe AKU alata može se razlikovati od deklarirane ukupne vrijednosti ovisno o načinima na koje se alat koristi.

Identificirajte sigurnosne mjere za svoju zaštitu na temelju procjene izloženosti u trenutim uvjetima korištenja, uzevši u obzir sve dijelove radnog ciklusa kao što su vrijeme kada je alat isključen i kada je pokrenut u praznom hodu u dodatku vremenu pokretanja.

## SL Raven vibracij

### ⚠ OPOZORILO

Navedena vrednost vibracij je bila izmerjena s standardno metodo testiranja in se lahko uporabi za primerjavo različnih orodij.

Navedena vrednost vibracij se lahko uporabi za predhodne ocene izpostavljenosti.

Emisije med dejansko uporabo električnega orodja se od navedene vrednosti lahko razlikujejo, odvisno od načina, kako se orodje uporablja.

Ugotovite varnostne ukrepe za zaščito upravljavca, ki temeljijo na oceni izpostavljenosti v dejanskih pogojih uporabe, pri tem pa je treba upoštevati vse dele delovnega cikla – npr. ko je orodje izključeno in ko je v prostem teku in čas zagona.

## SK Úroveň vibrácií

### ⚠ VAROVANIE

Deklarovaná hodnota vibrácií bola meraná podľa štandardnej testovacej metódy a možno ju použiť na porovnanie jedného nástroja s iným.

Deklarovaná hodnota vibrácií sa dá použiť aj v predbežnom odhade expozície.

Úroveň emisií počas samotného používania elektrického nástroja sa môže líšiť od deklarovanej celkovej hodnoty v závislosti od toho, ktorý nástroj sa používa.

Identifikujte bezpečnostné opatrenia na vašu ochranu ne zanedbajte posúdenia skutočných podmienok použitia, pričom vezmite do úvahy všetky časti prevádzkového cyklu, napríklad časov, kedy je nástroj vypnutý a kedy pracuje na voľnobehu okrem času spúšťania.

## BG Ниво на вибрация

### ⚠ ВНИМАНИЕ

Посочената стойност за вибрациите е измерена с помощта на стандартен тест и може да се използва за сравнение с друг инструмент.

Посочената стойност за вибрациите може да бъде използвана в предварително оценяване за излагане на вибрация.

Вибрациите по време на действителната употреба на електромеханичния инструмент може да се различават от обявената обща стойност в зависимост от начините, по които се използва инструментът.

Определете мерки за безопасност за собствена защита според преценка за излагането на вибрация в реални условия, като се вземат предвид всички елементи на работния цикъл, като например времето, в което инструментът е изключен и когато работи на празен ход, както и времето за задействане.

## UK Рівень вібрації

### ⚠ ПОПЕРЕДЖЕННЯ

Оголошене значення вібрації було виміряно за допомогою стандартного методу випробування і може бути використане для порівняння одного інструмента з іншим.

Він може бути використаний для попередньої оцінки впливу.

Емісія вібрації під час фактичного використання електрострументу може відрізнятись від заявленого значення залежно загального використання інструменту.

Визначити заходи безпеки, щоб захистити себе на основі оцінки впливу в реальних умовах використання, з урахуванням всіх частин робочого циклу, коли інструмент вимкнений, і коли він працює в холостому режимі, доповнюючи робоче положення.



## **TR** Titreşim seviyesi

### **UYARI**

Beyan edilen titreşim değeri standart bir test yöntemi ile ölçülmüştür ve bir aleti diğerleriyle karşılaştırmak için kullanılabilir.

Beyan edilen titreşim değeri bir maruz kalma ön değerlendirmesinde kullanılabilir.

Güç destekli aletin fiili kullanımı sırasında meydana gelen titreşim emisyonu aletin kullanıma şekline bağlı olarak beyan edilen toplam değerden farklı olabilir.

Kendinizi korumak için aletin açılıp kapatılma sayısı ve tetik süresinin yanı sıra rölantide çalıştığı zaman gibi çalışma döngüsünde yer alan tüm parçaları dikkate alarak gerçek kullanım koşullarında maruz kalma hesaplamasına dayalı güvenlik önlemlerini belirleyin.

130.com.ua

## EN RYOBI® WARRANTY APPLICATION CONDITIONS

In addition to any statutory rights resulting from the purchase, this product is covered by a warranty as stated below.

- The warranty period is 24 months for consumers and commences on the date when the product was purchased. This date has to be documented by an invoice or other proof of purchase. The product is designed and dedicated to consumer and private use only. So there is no warranty provided in case of professional or commercial use. This warranty applies only on new products.
- There is a possibility to extend for a part of the range of power tools (AC/DC) the warranty period over the period described above using the registration on the [www.ryobitools.eu](http://www.ryobitools.eu) website. The eligibility of products for extended warranty is clearly displayed in stores and / or on packaging and is contained within the product documentation. The end user is required to register his/her newly-acquired products online within 30 days from the date of purchase. The end user may register for the extended warranty in his/her country of residence if listed on the online registration form where this option is valid. Furthermore, end users must give their consent to the storage of their personal data that is required to be entered online. They must also accept the terms and conditions. The registration confirmation receipt, which is sent out by e-mail, and the original invoice showing the date of purchase will serve as proof of the extended warranty.
- The warranty covers all defects of the product during the warranty period due to faults in workmanship or material at the purchase date. The warranty is limited to repair and/or replacement and does not include any other obligations including but not limited to incidental or consequential damages. The warranty is not valid if the product has been misused, used contrary to the instruction manual, or has been incorrectly connected to a power supply. This warranty does not apply to:
  - any damage to the product that is the result of improper or lack of maintenance
  - any product that has been altered or modified
  - any product where original identification (trade mark, serial number) markings have been defaced, altered or removed
  - any damage caused by non-observance of the instruction manual
  - any product not displaying the CE approval mark on the rating plate
  - any product that has been attempted to be repaired by a non-authorised warranty service centre or without prior authorisation by Techtronic Industries
  - any product connected to improper power supply (amps, voltage, frequency)
  - any product used with inappropriate fuel mixture (fuel, oil, ratio of oil/ fuel mixture)
  - any damage caused by external influences (water, chemical, physical, shocks) or foreign substances
  - normal wear and tear spare parts
  - inappropriate use, overloading of the tool
  - use of non-approved accessories or parts
  - Accessories provided with the tool or purchased separately including but not limited to blades, saw chains, cutting lines, etc.
  - Any periodic adjustments to or maintenance cleaning of carburettors
  - Components (parts and accessories) subject to natural wear and tear, including but not limited to bump knobs, drive belts, clutch, blades of hedge trimmers or lawn mowers, harness, cable throttle, carbon brushes, power cord, tines, felt washers, hitch pins, blower fans, blower and vacuum tubes, vacuum bag and straps, guide bars, saw chains, hoses, connector fittings, spray nozzles, wheels, spray wands, inner reels, outer spools, cutting lines, spark plugs, air filters, gas filters, mulching blades, etc.
- For servicing, the product must be sent or presented to a RYOBI authorised service station listed for each country in the following list of service station addresses. In some countries your local RYOBI dealer undertakes to send the product to the RYOBI service organisation. When sending a product to a RYOBI service station, the product should be safely packed without any dangerous contents such as petrol, marked with sender's address and accompanied by a short description of the fault.
- A repair / replacement under this warranty is free of charge. It does not constitute an extension or a new start of the warranty period. Exchanged parts or products become our property. In some countries delivery charges or postage will have to be paid by the sender. Your statutory rights arising from the purchase of the product remain unaffected.
- This warranty is valid in the European Community, Switzerland, Iceland, Norway, Liechtenstein, Turkey and Russia. Outside these areas, please contact your authorised RYOBI dealer to determine if another warranty applies.

### AUTHORISED SERVICE CENTRE

To find an authorised service centre near you, visit <http://uk.ryobitools.eu/header/service-and-support/service-agents>.

## FR RYOBI® CONDITIONS D'APPLICATION DE LA GARANTIE

En plus des droits statutaires liés à l'achat, ce produit est couvert par une garantie telle que décrite ci-dessous.

- La durée de la garantie accordée au consommateur est de 24 mois à partir de la date d'achat. Cette date doit être authentifiée par une facture ou tout autre preuve d'achat. Le produit a été conçu en vue d'une utilisation strictement privée. Aucune garantie ne s'applique donc en cas d'utilisation professionnelle ou commerciale.
- Il existe pour une partie de la gamme « jardin » (AC/DC), une possibilité d'étendre la période de garantie au-delà de la période précédemment décrite en utilisant le formulaire d'enregistrement présent sur le site Internet [www.ryobitools.eu](http://www.ryobitools.eu). L'éligibilité d'un outil est clairement affichée dans les points de vente et/ou sur l'emballage et la documentation. L'utilisateur final doit enregistrer son/ses outil(s) nouvellement acheté(s) en ligne dans les 30 jours qui suivent la date d'achat. L'utilisateur a la possibilité de s'enregistrer pour l'extension de garantie dans son pays de résidence si celui-ci est listé dans le formulaire d'enregistrement en ligne où cette option est validée. L'utilisateur final doit donner son consentement pour l'enregistrement des données requises pour accéder au site et doit accepter les termes et conditions. La confirmation d'enregistrement, envoyée par courrier électronique, ainsi que la facture originale mentionnant la date d'achat serviront de preuve de l'extension de garantie.
- La garantie couvre pendant la période de garantie les défauts des produits liés à la fabrication et aux matériaux à la date d'achat. La garantie est limitée à la réparation et/ou au remplacement et n'inclut aucune autre obligation, tel que, mais sans s'y limiter, les dommages accessoires ou indirects. La garantie est non valable en cas de mauvaise utilisation du produit, d'utilisation contraire aux instructions du mode d'emploi, ou en cas de branchement incorrect. Cette garantie ne s'applique pas pour :
  - tout dommage au produit résultant d'un mauvais entretien
  - tout produit ayant été altéré ou modifié
  - tout produit dont les marquages originaux d'identification (marque, numéro de série) ont été dégradés, altérés ou retirés
  - tout dommage causé par le non-respect des instructions du mode d'emploi
  - tout produit non CE
  - tout produit ayant subi une tentative de réparation par du personnel non qualifié ou sans autorisation préalable de Techtronic Industries
  - tout produit raccordé à une alimentation secteur non conforme (ampérage, voltage, fréquence)
  - tout produit utilisé avec un mélange inapproprié (essence, huile, pourcentage d'huile)
  - tout dommage causé par des influences extérieures (chimiques, physiques, chocs) ou par des substances étrangères
  - l'usure normale des pièces consommables
  - une utilisation inappropriée, une surcharge de l'outil
  - l'utilisation de pièces ou accessoires non agréés
  - Tout réglage périodique ou tout nettoyage de maintenance des carburateurs
  - les composants (pièces et accessoires) sujets à une usure naturelle, incluant de façon non exhaustive les têtes de fil à frapper, les courroies de transmission, les embrayages, les lames des taille-haies ou des tondeuses à gazon, les harnais, les câbles d'accélérateur, les charbons, les cordons d'alimentation, les fraises de cultivateurs, les rondelles feutre, les goupilles de fraise, les turbines et lame de broyage des souffleurs, les tubes de soufflage et d'aspiration des souffleurs, les sacs de souffleurs et leurs lanières, les guides-chaîne, les chaînes de tronçonneuses, les tuyaux et raccords, les buses et lances de nettoyeurs haute pression, les roues, les recharges de fil des têtes de coupe, les têtes de coupe, le fil de coupe, les bougies d'allumage, les filtres à air, les filtres à essence, etc.
- Si le produit doit être réparé, envoyez-le à un service après-vente agréé RYOBI dont vous trouverez ci-dessous la liste pour chaque pays. Dans certains pays, votre revendeur RYOBI se chargera d'envoyer le produit à un centre de réparation RYOBI. Lorsque vous envoyez un produit à un service après-vente RYOBI, celui-ci doit être correctement emballé, sans contenir aucun produit dangereux tel que de l'essence, et vous devez indiquer votre adresse ainsi qu'une courte description du problème.
- Une réparation / un remplacement sous garantie est gratuit(e). Ceci ne constituera pas une extension de garantie ni un nouveau départ de la période de garantie. Les pièces ou les outils remplacés deviennent notre propriété. Dans certains pays, les frais de port devront être assumés par l'expéditeur. Vos droits statutaires restent inchangés.
- Cette garantie est valable au sein de l'Europe, de la Suisse, de l'Islande, de la Norvège, du Liechtenstein, de la Turquie, de la Russie. En dehors de ces zones, veuillez contacter votre distributeur agréé RYOBI pour déterminer si une autre garantie s'applique.

### SERVICE APRÈS-VENTE AGRÉÉ

Pour trouver le service après-vente agréé le plus proche, rendez-vous sur <http://fr.ryobitools.eu/header/service-and-support/service-agents>

## DE RYOBI® GARANTIEBEDINGUNGEN

Zusätzlich zu den gesetzlichen Rechten aus dem Kauf gilt für dieses Produkt die nachstehend aufgeführte Garantie.

- Der Garantiezeitraum beträgt für Verbraucher 24 Monate und beginnt mit dem Datum des Kaufs. Dieses Datum muss durch eine Rechnung oder einen anderen Kaufbeleg dokumentiert werden. Dieses Produkt wurde ausschließlich zur privaten Nutzung durch Verbraucher entwickelt. Für den Fall einer professionellen bzw. kommerziellen Nutzung besteht daher keine Garantie.
- Es besteht die Möglichkeit, für einen Teil des Sortiments der Gartenwerkzeuge (AC/DC) den Garantiezeitraum über den oben genannten Zeitraum hinaus zu verlängern, indem der Verbraucher die Registrierung auf der Website [www.ryobitools.eu](http://www.ryobitools.eu) durchführt. Die Berechtigung der Werkzeuge für die Garantieverlängerung ist deutlich im Geschäft und/oder auf der Verpackung beschrieben und in der Produktdokumentation erwähnt. Der Verbraucher muss das neu erworbene Gerät online innerhalb von 30 Tagen ab dem Kaufdatum registrieren. Der Verbraucher kann das Gerät zwecks Garantieverlängerung in seinem Wohnsitzland/Heimatland registrieren, wenn dieses Land auf dem Online-Registrierungsformular aufgeführt und die Option gültig ist. Darüber hinaus muss der Verbraucher seine Zustimmung zur Speicherung der Daten geben, die online eingegeben werden müssen, und er muss die allgemeinen Geschäftsbedingungen akzeptieren. Die Bestätigung der Registrierung, die per E-Mail versandt wird, und die Originalrechnung mit dem Kaufdatum gelten als Beleg für die Garantieverlängerung.
- Die Garantie deckt alle Defekte des Geräts während des Garantiezeitraums ab, die auf zum Zeitpunkt des Kaufs bestehende Verarbeitungs- oder Materialfehler zurückzuführen sind. Die Garantie beschränkt sich auf Reparatur und/oder Ersatz und beinhaltet keine anderen Verpflichtungen, insbesondere keinen Schadenersatz für Folge- oder Nebenschäden. Die Garantie gilt nicht, wenn das Gerät fehlerhaft eingesetzt wurde, gegensätzlich zur Bedienungsanleitung eingesetzt wurde oder falsch angeschlossen wurde. Die Garantie gilt nicht für Folgendes:
  - Schäden am Gerät, die auf unkorrekte Wartung zurückzuführen sind
  - Geräte, an denen Veränderungen vorgenommen wurden
  - Produkte, bei denen die ursprüngliche Identifizierung (Handelsmarke, Seriennummer) unleserlich gemacht, verändert oder entfernt wurde
  - Schäden durch Nichtbeachtung der Bedienungsanleitung
  - nicht-CE-zertifizierte Geräte
  - Geräte, an denen durch nicht-qualifizierte Personen oder ohne vorherige Genehmigung von Techtronic Industries Reparaturversuche vorgenommen wurden
  - Geräte, die eine unkorrekte Energiequellen (Ampere, Volt, Frequenz) angeschlossen wurden
  - Geräte, die mit einer fehlerhaften Treibstoffmischung (Treibstoff, Öl, Ölanteil) betrieben wurden
  - Schäden durch äußere Einflüsse (chemisch, physisch, Stöße) oder Fremdstoffe
  - normaler Verschleiß von Ersatzteilen
  - unangemessene Nutzung, Überlastung des Geräts
  - Nutzung nicht genehmigter Zubehörteile oder Ersatzteile
  - Regelmäßige Einstellung oder Wartungsreinigung des Vergasers
  - Komponenten (Ersatzteile und Zubehörteile), die natürlicherem Verschleiß unterliegen, einschließlich, aber nicht begrenzt auf Service- und Wartungssets, Kohlebürsten, Lager, Spannvorrichtungen, SDS-Bohreraufnahme Bit-Adapter, Netzkabel, Zusatzhandgriff, Transportkoffer, Schließplatten, Staubbeutel, Staubabführungen, Filzunterlegscheiben, Bolzen und Federn von Schlagschraubern, einschließlich, aber nicht beschränkt auf Fadenköpfe, Antriebsriemen, Kupplungen, die Klingen von Heckenschere oder Rasenmähern, Kabelstränge, Gaszüge, Zinken, Steckbolzen, Lüfter, Saug- und Gebläserohre oder Düsen, Fangsäcke und Gurte, Führungsschienen, Sägeketten, Schläuche, Verbinder, Sprühdüsen, Räder, Sprühstäbe, innere Rollen, äußere Spulen, Schneidfäden, Zündkerzen, Luftfilter, Benzin-/ Ölfilter, Hackseil-Messer usw.
- Zum Service muss das Gerät zu einer von RYOBI autorisierten Servicestation gebracht oder dorthin gesendet werden. Die Servicestationen für die einzelnen Länder sind in der folgenden Liste aufgeführt. In einigen Ländern sendet Ihr RYOBI-Händler vor Ort das Gerät an das RYOBI-Serviceunternehmen. Beim Einsenden an die RYOBI-Servicestation sollte das Gerät sicher verpackt sein, ohne gefährliche Inhalte wie Benzin, und es sollte mit der Adresse des Absenders und einer kurzen Beschreibung des Fehlers versehen sein.
- Eine Reparatur bzw. ein Ersatz gemäß dieser Garantie ist kostenlos. Hieraus ergibt sich weder eine Garantieverlängerung noch der Beginn eines neuen Garantiezeitraums. Die ausgetauschten Ersatzteile oder Werkzeuge gehen in unser Eigentum über. In einigen Ländern müssen die Zustellgebühren oder die Versandkosten vom Absender gezahlt werden. Ihre gesetzlichen Rechte aus dem Kauf des Geräts bleiben hiervon unberührt.
- Diese Garantie gilt in der Europäischen Union, der Schweiz, Island, Norwegen, Liechtenstein, der Türkei und Russland. Bitte wenden Sie sich außerhalb dieser Gebiete an Ihren autorisierten RYOBI-Händler, um festzustellen, ob eine andere Garantie gilt.

### AUTORISIERTER KUNDENDIENST

Besuchen Sie <http://de.ryobitools.eu/header/service-and-support/service-agents>, um einen autorisierten Kundendienst in Ihrer Nähe zu finden.

## ES CONDICIONES DE APLICACIÓN DE LA GARANTÍA DE RYOBI®

Además de cualquier derecho legal derivado de la compra, este producto está cubierto por una garantía que se indica a continuación.

- El periodo de garantía es de 24 meses para consumidores y comienza en la fecha en que se comprara el producto. Dicha fecha debe documentarse con una factura u otro comprobante de compra. El producto está diseñado y concebido únicamente para el uso privado del consumidor. Por lo tanto, no se ofrece garantía en caso de uso profesional o comercial.
- Existe la posibilidad de ampliar el periodo de garantía respectivo a una parte de la gama de herramientas de jardinería (CA/CC) durante el periodo descrito más arriba y mediante el registro en el sitio web [www.ryobitools.eu](http://www.ryobitools.eu). La elegibilidad de las herramientas para que se amplie el periodo de garantía se muestra claramente en las tiendas o en el embalaje y está incluida en la documentación del producto. El usuario final tiene que registrar en línea sus herramientas recientemente adquiridas en un plazo de 30 días a partir de la fecha de compra. El usuario final podrá registrarse para obtener la garantía ampliada en su país de residencia si este aparece en la lista del formulario de registro en línea cuando esta opción sea válida. Además, los usuarios finales deberán dar su consentimiento al almacenamiento de los datos necesarios para el acceso en línea y tienen que aceptar los términos y condiciones. El recibo de confirmación de registro, que se envía por correo electrónico, y la factura original que muestra la fecha de compra servirán como comprobante para la garantía ampliada.
- La garantía cubre todos los defectos del producto durante el periodo de garantía debido a fallos de mano de obra o material en la fecha de compra. La garantía se limita a la reparación o sustitución y no incluye ninguna otra obligación como, por ejemplo, daños accidentales o consecuentes. La garantía no es válida si se ha usado mal el producto, se ha usado contraviniendo el manual de instrucciones o se ha conectado de forma incorrecta. Esta garantía no es aplicable a:
  - ningún daño en el producto que sea consecuencia de un mantenimiento inadecuado
  - ningún producto que haya sido alterado o modificado
  - ningún producto en el que los marcados de identificación originales (marca comercial, número de serie) se hayan borrado, modificado o eliminado
  - ningún daño provocado por no seguir el manual de instrucciones
  - ningún producto que no sea CE
  - ningún producto que haya sufrido un intento de reparación por parte de un profesional no cualificado o sin la autorización previa de Techtronic Industries.
  - ningún producto conectado a un suministro eléctrico inadecuado (amperios, voltaje, frecuencia)
  - ningún producto usado con una mezcla de combustible inadecuada (combustible, aceite, porcentaje de aceite)
  - ningún daño causado por influencias externas (químicas, físicas, impactos) o sustancias extrañas
  - desgaste normal de piezas de repuesto
  - uso inadecuado, sobrecarga de la herramienta
  - uso de accesorios o piezas no aprobados
  - Cualquier ajuste periódico o limpieza de mantenimiento de los carburadores
  - Componentes (piezas y accesorios) sujetos al desgaste natural incluyendo, entre otros, pomos de golpes, correas de transmisión, embragues, cuchillas de cortasetos o cortacésped, arneses, cable del acelerador, escobillas de carbono, cables eléctricos, discos, discos de fieltro, pasadores de enganche, ventiladores de soplador, tubos de aspiración y de soplado, bolsas y correas de aspiración, barras guías, cadenas de sierra, mangueras, herrajes de conectores, boquillas pulverizadoras, ruedas, lanzas pulverizadoras, bobinas interiores, carretes exteriores, líneas de corte, bujías, filtros de aire, filtros de gas, cuchillas de compostaje, etc.
- Para su mantenimiento, el producto debe enviarse o presentarse a una estación de servicio de RYOBI autorizada que figure en la siguiente lista de direcciones de estaciones de servicio por países. En algunos países, su distribuidor RYOBI local se responsabiliza de enviar el producto a la compañía de servicio de RYOBI. Cuando se envíe un producto a una estación de servicio de RYOBI, este debe estar empaquetado de forma segura sin contenidos peligrosos como gasolina, marcado con la dirección del remitente y acompañado de una breve descripción del fallo.
- Una reparación / sustitución con esta garantía es gratuita. No constituye una ampliación ni un nuevo comienzo del periodo de garantía. Las piezas o herramientas intercambiadas pasan a ser de nuestra propiedad. En algunos países, los gastos de envío o correo tendrá que pagarlos el remitente. Sus derechos legales derivados de esta compra de la herramienta no se verán afectados.
- Esta garantía es válida en la Unión Europea, Suiza, Islandia, Noruega, Liechtenstein, Turquía y Rusia. Fuera de estas zonas, póngase en contacto con su distribuidor de RYOBI autorizado para determinar si es aplicable otra garantía.

### SERVICIO TÉCNICO AUTORIZADO

Para encontrar el servicio técnico autorizado más cercano, visite <http://es.ryobitools.eu/header/service-and-support/service-agents>.



## IT CONDIZIONI DI VALIDITÀ DELLA GARANZIA RYOBI®

In aggiunta ai diritti di legge risultanti dall'acquisto, il prodotto è coperto dalla garanzia sotto descritta.

- Il periodo di garanzia è di 24 mesi per i consumatori, a decorrere dalla data di acquisto del prodotto. La data deve essere documentata da una fattura o altra prova d'acquisto. Il prodotto è progettato e destinato solo all'utilizzo privato dei consumatori. Pertanto non viene fornita alcuna garanzia in caso di uso professionale o commerciale.
- Per una serie di utensili da giardino (CA/CC) è possibile prolungare il periodo di garanzia oltre quello descritto, registrandosi sul sito web [www.ryobitools.eu](http://www.ryobitools.eu). Gli utensili per i quali è possibile prolungare il periodo di garanzia sono chiaramente indicati nei negozi e/o sulle confezioni e nella documentazione dei prodotti. L'utente deve registrare online l'utensile acquistato entro 30 giorni dalla data di acquisto. L'utente può registrarsi per la garanzia prolungata nel proprio paese di residenza, se questo è elencato nel modulo di registrazione online dove questa opzione sia valida. Inoltre gli utenti devono fornire il proprio consenso alla conservazione dei dati da immettere online e devono accettare le condizioni generali. La conferma di registrazione, inviata tramite e-mail, e la fattura originale indicante la data di acquisto, costituiscono la prova della garanzia prolungata.
- La garanzia copre tutti i difetti del prodotto durante il periodo di garanzia, risultanti da manodopera o materiali alla data di acquisto. La garanzia è limitata alla riparazione e/o sostituzione e non include alcun altro obbligo quali, a mero titolo esemplificativo, i danni incidentali o consequenziali. La garanzia non è valida se il prodotto è stato usato scorrettamente, in modo contrario al manuale di istruzioni o se è stato collegato in modo errato. La garanzia non è valida per:
  - qualsiasi danno al prodotto dovuto a manutenzione errata;
  - qualsiasi prodotto che sia stato alterato o modificato;
  - qualsiasi prodotto le cui marcature di identificazione originali (marchi di fabbrica, numero di serie) siano state cancellate, alterate o rimosse;
  - qualsiasi danno causato dalla non osservanza delle istruzioni del manuale;
  - qualsiasi prodotto privo di omologazione CE;
  - qualsiasi prodotto che sia stato sottoposto a un tentativo di riparazione da parte di un professionista non qualificato oppure senza la previa autorizzazione di Techtronic Industries;
  - qualsiasi prodotto collegato a un'alimentazione errata (per ampere, tensione, frequenza);
  - qualsiasi prodotto usato con una miscela di carburante errata (carburante, olio, percentuale di olio);
  - qualsiasi danno causato da influenze esterne (chimiche, fisiche, urti) o sostanze estranee;
  - la normale usura delle parti di ricambio;
  - uso inappropriato, sovraccarico dell'utensile;
  - uso di accessori o parti non omologate;
  - qualsiasi regolazione periodica o pulizia di manutenzione dei carburatori;
  - componenti (parti e accessori) soggetti alla normale usura compresi, a mero titolo esemplificativo, testine a filo, cinghie di trasmissione, frizioni, lame di tagliasiepi o tagliaerba, imbragature, cavi di accelerazione, spazzole al carbonio, cavi di alimentazione, denti, rondelle di feltro, perni di aggancio, ventole dei soffiatori, tubi di soffiatori e aspiratori, sacchetti e cinghie per aspirapolvere, barre guida, catene per seghe, tubi, raccordi di connessione, ugelli di spruzzo, ruote, erogatori, bobine interne ed esterne, linee di taglio, candele, filtri dell'aria, filtri del gas, lame per mulching ecc.
- Per la manutenzione il prodotto dev'essere spedito o portato presso uno dei centri assistenza autorizzati RYOBI elencati per ogni paese nel seguente elenco di indirizzi dei centri. In alcuni paesi il rivenditore locale RYOBI si incarica di inviare il prodotto all'organizzazione di assistenza RYOBI. Quando si invia un prodotto a un centro assistenza RYOBI, imballarlo in modo sicuro senza contenuti pericolosi come la benzina, apporre l'indirizzo del mittente e accompagnarlo da una breve descrizione del guasto.
- La riparazione/sostituzione ai sensi della presente garanzia è gratuita. Non costituisce un prolungamento o un nuovo inizio del periodo di garanzia. Le parti o gli utensili scambiati diventano di nostra proprietà. In alcuni paesi i costi di consegna o di spedizione postale devono essere pagati dal mittente. I diritti di legge derivanti dall'acquisto dell'utensile rimangono inalterati.
- La presente garanzia è valida in Unione Europea, Svizzera, Islanda, Norvegia, Liechtenstein, Turchia e Russia. Al di fuori di tali aree contattare il rivenditore autorizzato RYOBI per sapere se è valida un'altra garanzia.

### CENTRO SERVIZI AUTORIZZATO

Per individuare il più vicino centro servizi autorizzato, visitare il sito <http://it.ryobitools.eu/header/service-and-support/service-agents>.

## NL RYOBI® GARANTIEVOORWAARDEN

Naast de wettelijke rechten die voortvloeien uit de aankoop, wordt dit product gedekt door een garantie, zoals hieronder staat vermeld.

- De garantietermijn voor consumenten bedraagt 24 maanden en gaat in op de datum waarop het product is gekocht. Deze datum moet worden gedocumenteerd met een factuur of een ander aankoopbewijs. Het product is uitsluitend ontworpen en bedoeld voor persoonlijk gebruik door consumenten. Er wordt dus geen garantie gegeven voor professioneel of commercieel gebruik.
- Voor een deel van ons aanbod van tuingeredschappen (AC/DC) is het mogelijk om de garantietermijn te verlengen over de boven beschreven termijn, met behulp van de website [www.ryobitools.eu](http://www.ryobitools.eu). De gereedschappen die in aanmerking komen voor de verlenging van de garantietermijn wordt duidelijk weergegeven in winkels en/of verpakkingen en staat beschreven in de productdocumentatie. De eindgebruiker moet zijn/haar nieuw gekochte gereedschappen binnen 30 dagen na aankoop online registreren. De eindgebruiker kan zich registreren voor de verlengde garantietermijn als zijn woonland staat vermeld op het online registratieformulier waar deze optie geldig is. Bovendien moeten eindgebruikers toestemming geven voor de opslag van de gegevens die online ingevuld moeten worden en moeten ze de algemene voorwaarden accepteren. Het ontvangstbewijs van de registratie, dat per e-mail wordt verzonden en de oorspronkelijke factuur met de aankoopdatum vormt het bewijs van de verlengde garantietermijn.
- De garantie dekt tijdens de garantietermijn alle gebreken van het product vanwege defecten in vakmanschap of materiaal op de aankoopdatum. De garantie is beperkt tot reparatie en/of vervanging en bevat geen andere verplichtingen, waaronder maar niet beperkt tot incidentele of gevolgschade. De garantie is niet geldig als het product is misbruikt, in strijd met de gebruiksaanwijzing wordt gebruikt of onjuist is aangesloten. Deze garantie geldt niet voor:
  - alle schade aan het product die het gevolg is van onjuist onderhoud
  - elk product dat is veranderd of aangepast
  - elk product waar de oorspronkelijke identificatie (handelsmerk, serienummer) is beschadigd, gewijzigd of verwijderd
  - alle schade die is veroorzaakt door het niet opvolgen van de gebruiksaanwijzing
  - elk niet-CE-product
  - elk product waar een poging tot reparatie is gedaan door een niet-erkende professional of zonder voorafgaande toestemming door Techtronic Industries.
  - elk product dat is verbonden met een verkeerde voeding (amperage, spanning, frequentie)
  - elk product dat wordt gebruikt met een verkeerd brandstofmengsel (brandstof, olie, oliegehalte)
  - alle schade die is veroorzaakt door externe invloeden (chemisch, fysisch, schokken) of vreemde stoffen
  - normale slijtage van reserveonderdelen
  - ongepast gebruik, overbelasting van het gereedschap
  - gebruik van niet-goedgekeurde accessoires of onderdelen
  - Alle periodieke aanpassingen aan of het onderhoud en reiniging van carburateurs
  - Componenten (onderdelen en accessoires) die onderhevig zijn aan natuurlijke slijtage, waaronder maar niet beperkt tot stookknoppen, aandrijfriemen, koppelingen, messen van hegtrimmers of grasmaaiers, harnas, gaskabel, koolstofborstels, stroomsnoeren, tanden, viltringen, koppelingsspannen, blazers, blaas- en zuigbuizen, zuigzakken en -riemen, geleidingsstaven, zaagkettingen, slangen, koppelingen, mondstukken, wielen, spuitstukken, binnenhaspels, buitenhaspels, snijdraden, bogies, luchtfilters, gasfilters, maaimessen, etc.
- Voor onderhoud moet het product worden verzonden of gebracht naar een erkend servicestation van RYOBI die voor elk land staan vermeld in de volgende lijst met adressen voor servicestations. In sommige landen zal uw lokale RYOBI-dealer het product verzenden naar de RYOBI-serviceorganisatie. Wanneer u het product naar een servicestation van RYOBI verzendt, moet het product veilig worden verpakt zonder enige gevaarlijke inhoud, zoals benzine, met het adres van de afzender en vergezeld van een korte beschrijving van het defect.
- Een reparatie/vervangende die onder deze garantie valt is gratis. Het vormt geen verlenging of een nieuwe start van de garantietermijn. Verwisselde onderdelen of gereedschappen worden ons eigendom. In sommige landen moeten de verzendkosten door de afzender worden betaald. Uw wettelijke rechten die voortvloeien uit de aankoop van het gereedschap blijven onaangetast.
- Deze garantie is geldig in de Europese Gemeenschap, Zwitserland, IJsland, Noorwegen, Liechtenstein, Turkije en Rusland. Buiten deze gebieden moet u contact opnemen met uw erkende RYOBI-dealer om vast te stellen of er een andere garantie van toepassing is.

### GEAUTORISEERD ONDERHOUDSCENTRUM

Om een geautoriseerd onderhoudscentrum in uw buurt te vinden, surf u naar <http://nl.ryobitools.eu/header/service-and-support/service-agents>.



## PT CONDIÇÕES DE APLICAÇÃO DA GARANTIA RYOBI®

Para além de quaisquer direitos previstos por lei resultantes da compra, este produto está coberto por uma garantia conforme descrição abaixo.

- O período da garantia é de 24 meses para consumidores particulares e inicia-se na data de compra do produto. Esta data tem de ser documentada por uma factura ou por outra prova de compra. O produto foi concebido para e destina-se apenas a consumidores particulares e uso privado. Assim, não é dada garantia em caso de utilização por profissionais ou uso comercial.
- Para uma parte da gama de ferramentas de jardim (AC/DC) existe a possibilidade de prolongamento do período da garantia para além do período descrito acima, mediante registo no Web site [www.ryobitools.eu](http://www.ryobitools.eu). A elegibilidade das ferramentas para prolongamento do período da garantia é claramente visível nas lojas e/ou nas embalagens e está contida na documentação do produto. O utilizador final tem de fazer o registo online das suas ferramentas recém-adquiridas no prazo de 30 dias após a data de compra. O utilizador final pode fazer o registo para prolongamento da garantia no seu país de residência, desde que esteja listado no formulário de registo online e para os casos em que esta opção seja válida. Para além disso, os utilizadores finais têm de autorizar o armazenamento dos dados cujo preenchimento lhes for solicitado online e têm de aceitar os termos e as condições. O recibo de confirmação do registo é enviado por e-mail e, em conjunto com a factura original ostentando a data de compra, servirá de prova do prolongamento da garantia.
- A garantia cobre todos os defeitos do produto durante o período da garantia devidos a defeitos de fabrico ou de material à data da compra. A garantia está limitada à reparação e/ou substituição e não inclui quaisquer outras obrigações, incluindo mas não se limitando a, perdas complementares ou indirectas. A garantia não é válida se o produto tiver sido utilizado incorrectamente, utilizado de forma contrária ao Manual de Instruções ou se as respectivas ligações tiverem sido feitas incorrectamente. Esta garantia não se aplica ao seguinte:
  - quaisquer danos ao produto que sejam resultado de manutenção incorrecta
  - qualquer produto que tenha sido alterado ou modificado
  - qualquer produto cujas marcações de identificação de origem (marca comercial, número de série) tiverem sido apagadas, alteradas ou retiradas
  - quaisquer danos causados pelo incumprimento do Manual de Instruções
  - qualquer produto que não seja da Comunidade Europeia
  - qualquer produto ao qual tenha sido feita, ou tentada fazer, uma reparação por outra pessoa que não um profissional habilitado ou sem autorização prévia da Techtronic Industries.
  - qualquer produto ligado a uma fonte de alimentação eléctrica incorrecta (Amperes, Voltagem e Frequência)
  - qualquer produto utilizado com uma mistura de combustível incorrecta (combustível, óleo, percentagem de óleo)
  - qualquer dano causado por influências externas (químicas, físicas, impactos) ou substâncias estranhas
  - desgaste e degradação normal de sobresselentes
  - utilização incorrecta, sobrecarga da ferramenta
  - utilização de acessórios ou peças não aprovados
  - quaisquer ajustes periódicos a, ou limpeza de manutenção de, carburadores
  - Componentes (peças e acessórios) sujeitos a desgaste e degradação natural, incluindo mas não se limitando a, maganetas anti-choque, correias de transmissão, embraiagens, lâminas de recortadores de sebes ou corta-relvas, arneses, cabos de acelerador, escovas de carvão, cabos eléctricos, dentes, anilhas de feltro, pinos de engate, ventoinhas do soprador, tubos do soprador e do aspirador, cintas e sacos do aspirador, barras de guia, correntes de serra, mangueiras, peças de ligação, bocais de pulverização, rodas, varinhas de pulverização, bobinas interiores, bobinas exteriores, linhas de corte, velas de ignição, filtros do ar, filtros de gasolina, lâminas trituradoras, etc.
- Para assistência, o produto tem de ser enviado para, ou apresentado em, um posto de assistência autorizado RYOBI, conforme listado para cada país na lista de moradas de postos de assistência seguinte. Nalguns países, o seu concessionário RYOBI local encarrega-se de enviar o produto para a organização de assistência RYOBI. Quando enviar um produto para um posto de assistência RYOBI, o produto deve ser embalado de forma segura, sem conter nenhuns conteúdos perigosos (por exemplo, gasolina), marcado com o endereço do remetente e acompanhado por uma breve descrição da avaria.
- Uma reparação/substituição ao abrigo desta garantia é gratuita. Não constitui um prolongamento a, nem um novo início de, o período da garantia. As peças ou ferramentas substituídas tornam-se propriedade nossa. Nalguns países, o remetente terá de pagar os custos de entrega ou a remessa postal. Os seus direitos previstos por lei resultantes da compra da ferramenta mantêm-se inalterados
- Esta garantia é válida na Comunidade Europeia, Suíça, Islândia, Noruega, Liechtenstein, Turquia e Rússia. Fora destas áreas, entre em contacto com o seu concessionário autorizado RYOBI para determinar se existe outra garantia aplicável.

### CENTRO DE ASSISTÊNCIA AUTORIZADO

Para encontrar um centro de assistência autorizado próximo de si, visite <http://pt.ryobitools.eu/header/service-and-support/service-agents>.

## DA RYOBI® BETINGELSER FOR GARANTI

Udover lovbestemte rettigheder, som resulterer af købet, er dette produkt dækket af en garanti, som anført herunder.

- Garantiperioden er 24 måneder for forbrugere og begynder på den dato, som produktet blev købt. Denne dato skal dokumenteres af en faktura eller andet bevis for købt. Produktet er udelukkende designet og dedikeret til forbrugere og privat brug. Så der ydes ingen garanti til tilfældige af professionelle eller kommerciel brug.
- Der er en mulighed for at forlænge garantiperioden for en del af udvalget af haveværktøj (AC/DC), hen over den ovenfor beskrevne periode vha. registrering på hjemmesiden [www.ryobitools.eu](http://www.ryobitools.eu). Berettigelsen af værktøjet til forlængelse af garantiperioden er tydeligt vist i butikker og/eller på emballage/og indeholdt i produktokumentationen. Slutbruger skal registrere hans/hendes nyligt indkøbte værktøj online indenfor 30 dage efter købsdatoen. Slutbruger kan registrere sig for den forlængede garanti i sit land, hvis han/hun er opført på den online registreringsformular, hvor denne mulighed er gyldig. Derudover skal slutbrugere give deres samtykke til at opbevare data, som er påkrævet at indtaste online, og de er nødt til at acceptere vilkår og betingelser. Registreringsbekræftelseskvitteringen, som sendes ud på e-mail, og den originale faktura, som viser købsdatoen, vil fungere som bevis for den forlængede garanti.
- Garantien dækker alle defekter, som et produkt måtte have i løbet af garantiperioden, og som skyldes produktionsfejl eller materialefejl på købsdatoen. Garantien er begrænset til reparation og/eller udskiftning og inkluderer ikke andre forpligtelser, inklusiv men ikke begrænset til tilfældige skader eller følgeskader. Garantien er ugyldig, hvis produktet er blevet misbrugt, brugt uden at overholde vejledningen, eller det er blevet forkert tilslettet. Denne garanti gælder ikke:
  - Beskadigelse af produktet, som er et resultat af uegnet vedligeholdelse
  - Et produkt der er blevet ændret eller modificeret
  - Et produkt hvor de originale identifikationsmærkninger (varemærke, serienummer) er blevet ødelagt, ændret eller fjernet.
  - Enhver beskadigelse forårsaget af manglende overholdelse af vejledningen
  - Ethvert ikke CE-produkt
  - Ethvert produkt som er blevet forårsaget af en ukvalificeret professionel eller uden tidligere foranstaltning af Techtronic Industries.
  - Ethvert produkt som er tilslettet uegnet strømforsyning (ampere, spænding, frekvens)
  - Ethvert produkt som bruges med uegnet brændstoftilblanding (brændstof, olie, procentdel olie)
  - Enhver skade forårsaget af ekstern påvirkning (kemisk, fysisk, chok) eller fremmedelementer
  - Normal slid på reservedele
  - Uegnet brug, overbelastning af værktøjet
  - Brug af ikke-godkendt tilbehør eller dele
  - Alle regelmæssige justeringer eller vedligeholdelsesrengøring af karburatorer
  - Komponenter (dele og tilbehør) som er udsat for naturlig slid og ælde, inklusiv men ikke begrænset til drejeknapper, drivrem, greb, klinger til hæktrimmere eller plæneklippere, sele, kabel gasspjæld, kulbørster, elledning, tænder, filtskiver, ophængstapper, blæserventilatorer, blæser- og sugeslanger, sugespøse og stropper, styrestænger, savkæder, slanger, forbindelsespakninger, sprøjtedyser, hjul, sprøjtestave, indvendige ruller, udvendige ruller, udvendige spoler, skærelinjer, tændrør, luftfilter, gasfilter, tildækningsblade etc.
- For eftersyn skal produktet sendes til eller præsenteres for en RYOBI-autoriseret service værksted, som er oplyst for hvert land i den følgende liste over service værksted adresser. I nogle lande påtager din lokale RYOBI-forhandler sig ansvaret for at sende produktet til RYOBI-serviceorganisationen. Når et produkt sendes til en RYOBI-service værksted, skal det pakkes sikkert ind uden noget farligt indhold som benzin, mærkes med afsenderens adresse og med en kort beskrivelse af fejlen.
- En reparation/erstatning under denne garanti er gratis. Den udgør ikke en forlængelse eller en ny start på garantiperioden. Uvedlejede dele eller værktøjer bliver vores ejendom. I nogle lande skal leveringsafgifter eller porto betales af afsenderen. Dine lovbestemte rettigheder i forbindelse med købet forbliver uanfægtede
- Denne garanti gælder i EU, Schweiz, Island, Norge, Liechtenstein, Tyrkiet og Rusland. Udenfor disse områder bedes du kontakte din autoriserede RYOBI-forhandler for at afgøre, om en anden garanti gælder.

### AUTORISEREDE SERVICEVÆRKSTEDER

Find nærmeste autoriserede serviceværksted på <http://dk.ryobitools.eu/header/service-and-support/service-agents>.



## SV RYOBI® ANVÄNDNINGSVILLKOR FÖR GARANTI

Förutom eventuella lagstadgade rättigheter som uppstår genom köpet, täcks den här produkten av en garanti som anges nedan.

- Garantiperioden är 24 månader för konsumenter och börjar gälla från det datum då produkten köptes. Detta datum måste dokumenteras på en faktura eller annat köpbevis. Produkten är utformad och avsedd för konsumenter och privat bruk. Därmed tillhandahålls ingen garanti vid yrkesmässigt eller kommersiellt bruk.
- Det finns möjlighet att förlänga garantiperioden för en del av utbudet för trädgårdsverktyg (AC/DC) under den period som anges ovan genom att använda registreringen på webbplatsen www.ryobitools.eu. De verktyg som är berättigade till en förlängning av garantiperioden visas tydligt i butiker och/eller på förpackningen/och anges i produktokumentationen. Slutanvändaren behöver registrera hans/hennes nyförvävade verktyg online inom 30 dagar från köpdatumet. Slutanvändaren kan registrera sig för den förlängda garantin i det land där han/hon bor om landet finns angivet i registreringsformuläret online och där detta alternativ är giltigt. Dessutom måste slutanvändaren ge sitt medgivande till lagring av data vilket krävs vid registrering online samt acceptera villkoren. Bekräftelsekvittot för registreringen som skickas ut via e-post och originalfakturan som visar köpdatumet kommer att gälla som bevis för den förlängda garantin.
- Garanti täcker alla produktdefekter under garantiperioden som beror på brister i utförande eller material vid köpdatumet. Garantin är begränsad gällande reparation och/eller utbyte och inkluderar inte några skyldigheter inklusive men inte begränsat till oförutsedda skador eller följdskador. Garantin är inte giltig om produkten har missbrukats, använts i strid med bruksanvisningen eller inte anslutits på rätt sätt. Denna garanti täcker inte:
  - eventuella skador på produkten som uppstått till följd av felaktigt underhåll
  - produkter som har ändrats eller modifierats
  - produkter där ursprungliga identifieringsmärkningarna (varumärke, serienummer) har målats över, ändrats eller tagits bort
  - eventuella skador som uppstått till följd av att bruksanvisningen inte efterföljts
  - alla icke CE-produkter
  - eventuella produkter som har försökts repareras av en icke-kvalificerad yrkesman eller utan föregående medgivande från Techtronic Industries.
  - eventuella produkter som anslutits till felaktig strömförsörjning (ampere, volt, frekvens)
  - eventuella produkter som använts med olämplig bränsleblandning (bränsle, olja, oljeprocent)
  - eventuella skador som uppstått till följd av yttre påverkan (kemisk, fysisk, stöt) eller främmande ämnen
  - normalt slitage av reservdelar
  - olämplig användning, överbelastning av verktyget
  - användningen av icke-godkända tillbehör eller delar
  - Eventuella periodiska justeringar av eller vid underhållsrengöring av förgasare
  - Komponenter (delar och tillbehör) är föremål för naturligt slitage, inklusive men inte begränsat till tryckknappar, drivremmar, koppling, blad till kantrimrar eller gräsklippare, sele, gasreglagevajer, kolborstar, strömsladd, spetsar, filtbrickor, kopplingsprint, blåsfåkt, blås- och sugrör, sugpåse och remmar, styrskenor, sägkedjor, slangar, anslutningsdonördel, spraymunstycken, hjul, spraystavar, innerrullar, ytterspolar, skärtråd, tändstift, luftfilter, gasfilter, sönderdelningsblad osv.
- Vid service måste produkten skickas eller uppvisas för en RYOBI- auktoriserad servicestation som står angiven för varje land i följande adresslista över servicestationer. I vissa länder tar din lokala RYOBI- återförsäljare på sig ansvaret att skicka produkten till RYOBI- serviceorganisationen. När en produkt skickas till en RYOBI-servicestation, ska produkten paketeras säkert utan något farligt innehåll såsom bensin, markeras med avsändarens adress samt en kort beskrivning av felet.
- En reparation/ett utbyte under denna garanti är kostnadsfri. Det utgör inte en förlängning eller förnyelse av garantiperioden. Utbyta delar eller verktyg blir vår egendom. I vissa länder måste leveranskostnader eller porto betalas av avsändaren. Dina lagstadgade rättigheter som härrör från köpet av verktyget förblir opåverkade
- Denna garanti är giltig i Europeiska gemenskapen: Schweiz, Island, Norge, Liechtenstein, Turkiet och Ryssland. Utanför dessa länder, kontakta din auktoriserade RYOBI-återförsäljare för att avgöra om en annan garanti gäller.

### AUKTORISERAT SERVICECENTER

Du hittar närmaste auktoriserade servicecenter genom att gå till <http://se.ryobitools.eu/header/service-and-support/service-agents>.

## FI RYOBI®-TAKUUN SOVELTAMISEHDOT

Tällä tuotteella on oston luomien lakisäästeisten oikeuksien ohella alla mainitun mukainen takuu.

- Takuun kesto on kuluttajille 24 kuukautta ja takuuaika alkaa tuotteen ostohetkestä. Tämän päivämäärän tulee lukea laskussa tai muussa ostositotteesta. Tuote on suunniteltu ja tarkoitettu vain kuluttajien ja yksityiseen käyttöön. Takuu ei siis kata ammatti- eikä kaupallista käyttöä.
- Joidenkin puutarhatyökalujen (AC/DC) takuun kesto on mahdollista laajentaa yllä mainittua kesto pidemmäksi verkkosivuston [www.ryobitools.eu](http://www.ryobitools.eu) rekisteröinnin kautta. Työkalujen kelpoisuus takujakson laajennukseen näkyy selkeästi myymälöissä ja/tai pakkauskissa ja/tai tämä tieto sisältyy tuotedokumentaatioon. Loppukäyttäjän täytyy rekisteröidä vasta hankittu työkalu internetissä 30 päivän kuluessa ostopäivämäärästä. Loppukäyttäjän voi rekisteröidä laajennetun takuun kotimaassaan, jos se on luettuna online-rekisteröintilomakkeessa, jossa mainitaan, missä tämä vaihtoehto on voimassa. Loppukäyttäjien täytyy lisäksi hyväksyä tietojen tallennus, jotka heidän täytyy antaa online-tilassa sekä ehdot. Rekisteröinnin vahvistuskuitti, joka lähetetään sähköpostitse, ja alkuperäinen ostopäivämäärän ilmaiseva lasku toimivat laajennetun takuun tositteina.
- Takuu kattaa kaikki tuotteen takuuaikana tulevat viat, joiden aiheuttajina ovat tuotteesta ostopäivänä olleet valmistus- tai materiaali viat. Takuu on rajoitettu korjaukseen ja/tai vaihtoon eikä se sisällä mitään muita velvoitteita mukaan lukien satunnaisia ja seurannaisvahinkoja, mutta rajoittamatta niihin. Takuu ei päde, jos tuotetta on käytetty väärin, käyttöohjeen vastaisesti tai jos se on liitetty virheellisesti. Tämä takuu ei kata:
  - virheellisesti huolosta johtuvia vaurioita
  - muunnettua tai muutettua tuotetta
  - tuotetta, jonka alkuperäiset tunnistemerkinnät (tavaramerkki, sarjanumero) on turmeltu, muutettu tai poistettu
  - tämän käyttöoppaan laiminlyönnistä johtuvia vaurioita
  - ei-CE-tuotetta
  - tuotetta, jota on yrittänyt korjata epäpätevä ammattilainen tai joka on korjattu ilman Techtronic Industrien ennakkolupaa.
  - tuotetta, joka on liitetty virheelliseen teholahteeseen (ampeirit, jännite, taajuus)
  - tuotetta, jossa on käytetty väärää polttoaineseosta (polttoaine, öljy, öljyprosentti)
  - ulkoisten vaikutusten (kemiallinen, fyysinen, iskut) tai vieraiden aineiden aiheuttamaa vauriota
  - normaaleja kuluvia varaosia
  - virheellistä käyttöä, työkalun ylikuormitusta
  - ei-hyväksytyjen tarvikkeiden tai osien käyttöä
  - Kaasutinten säännöllistä säätöä tai ylläpitävää puhdistusta
  - Luonnollisesti kuluvia komponentteja (osia tai tarvikkeita), joihin sisältyvät puskunupit, käyttöihinat, kytkin, pensasleikkuriin tai ruohonleikkuriin terät, valjaat, kaasuvaijeri, hiiharijat, virtajohto, piikit, huopatiivisteet, sokkatapit, puhallinten tuuletimet, puhallin- ja imuputket, imuriin säkit tai hinnat, terälevyt, sahankeijut, letkut, liitososat, suihkusuihuttimet, pyörät, ruiskutusputket, sisä- ja ulkokelat, leikkuusimmat, hehkutulpat, ilmansuodattimet, kaasusuodattimet, silppuperät yms. näihin kuitenkin rajoittamatta.
- Tuote on lähetettävä huollettavaksi valituttuun RYOBI-huoltoon tai näytettävä silleä. Niiden osissa kussakin maassa löytyvät seuraavasta luettelosta. Joissakin maissa paikallinen RYOBI-jälleenmyyjä huolehtii tuotteen lähetyksestä RYOBI-huolto-organisaatioon. Kun tuote lähetetään RYOBI-huoltoon, se täytyy pakata hyvin ilman vaarallisia aineita, kuten polttoainetta, ja pakkaukseen täytyy merkitä lähettäjän nimi sekä vian lyhyt kuvaus.
- Takuun kattama korjaus/vaihto on maksuton. Se ei tarkoita takuuaajan laajennusta tai alkamista alusta. Vahdetut osat tai työkalut siirtyvät valmistajan omistukseen. Joissakin maissa lähettäjän täytyy maksaa lähetyskustannukset tai postikulut. Työkalun oston luomat lakisäästeiset oikeudet pysyvät koskemattomina
- Tämä takuu on voimassa Euroopan yhteisössä, Sveitsissä, Islannissa, Norjassa, Liechtensteinissä, Turkissa ja Venäjällä. Ota näiden alueiden ulkopuolella yhteyttä omaan valituttuun RYOBI-jälleenmyyjään ja selvitä, onko jotain muuta takuuta.

### VALTUUTETTU HUOLTO

Voit etsiä lähimmän valtuutetun huollon sivulta <http://fi.ryobitools.eu/header/service-and-support/service-agents>.

## NO RYOBI® GARANTIBETINGELSER

I tillegg til eventuelle lovbestemte rettigheter som følger av kjøpet, er dette produktet dekket av en garanti som angitt nedenfor.

- Garantiperioden er 24 måneder for konsumenter og gjelder fra den datoen som produktet ble kjøpt. Denne datoen skal dokumenteres med en faktura eller annet kjøpsbevis. Produktet er designet og beregnet kun til konsument- og privat bruk. Så det gis ingen garanti ved profesjonell eller kommersiell bruk.
- For en del av utvalget av hageverktøy (AC/DC) er det mulighet til å utvide garantiperioden i den perioden som er beskrevet ovenfor ved bruk av registreringene på nettstedene [www.ryobitools.eu](http://www.ryobitools.eu). Kvalifiseringen av verktøyene for en utvidelse av garantiperioden er tydelig vist i butikker og 7eller på pakningen / og finnes innen produktdokumentasjonen. Sluttbrukeren må registrere sine nylig anskaffede verktøy online innen 30 dager etter kjøpsdato. Sluttbrukeren kan registrere seg for den utvidede garantien i sitt land hvis det er opplistet på online registreringsskjemaet der dette alternativet er gyldig. Videre må sluttbrukere gi sitt samtykke til oppbevaring av dataene som kreves for å gå online, og de må godta vilkår og betingelser. Registreringsbekreftelsen, som sendes ut på e-post, og den originale fakturaen som viser kjøpsdato, vil tjene som bevis for den utvidede garantien.
- Garantien dekker alle defekter i produktet under garantiperioden på grunn av defekter i utførelse eller materiale på kjøpsdato. Garantien er begrenset til å reparere og/eller erstatte og inkluderer ikke noen andre forpliktelser, inkludert, men ikke begrenset til, tilfeldige eller følgesmessige skader. Garantien er ikke gyldig hvis produktet har blitt misbrukt, brukt på annen måte enn det som beskrives i bruksanvisningen eller er koblet til på feil måte. Denne garantien gjelder ikke for:
  - enhver skade på produktet som er resultat av utilstrekkelig vedlikehold
  - ethvert produkt som har blitt endret eller modifisert
  - ethvert produkt der de originale identifiseringsmerkene (varemerke, serienummer) har blitt uleselig, er endret eller fjernet
  - enhver skade som forårsakes av ikke-overholdelse av instruksjonshåndboken
  - ethvert ikke-CE-produkt
  - ethvert produkt som har blitt forsøkt reparert eller av en ikke-kvalifisert fagperson eller uten tidligere autorisasjon fra Techntron Industries.
  - ethvert produkt tilkoblet feil strømforsyning (ampere, spenning, frekvens)
  - ethvert produkt som brukes med feil drivstoffblanding (drivstoff, olje, prosentandel olje)
  - enhver skade som er forårsaket av eksterne påvirkninger (kjemiske, fysiske, støt) eller fremmede stoffer
  - normal slitasje og sliteserøvedeler
  - feil bruk, overbelastning av verktøyet
  - bruk av ikke-godkjent tilbehør eller deler
  - Eventuelle periodiske justeringer av eller vedlikeholdsrengjøring av forbrennere
  - Komponenter (deler og tilbehør) som er underlagt naturlig slitasje, inkludert, men ikke begrenset til bulkknøtter, drivreimer, clutch, blader på hektrimmere eller gressklippere, seler, kabelspjeld, karbonbørster, strømledning, kniver, feltpakninger, heispinner, blåsevifter, blåse- og vakuumslangler, vakuumpose og reimer, førerstenger, sagkjeder, strømpere, koblingsmonteringer, spraydyser, hjul, spraystenger, indre spoler, ytre spoler, kuttelinjer, tennplugger, luftfilter, gassfilter, mulchingblader osv.
- For service må produktet sendes eller fremlegges for en RYOBI- autorisert servicestasjon opplistet for hvert land i den følgende listen over servicestasjonsadresser. I noen land sender den lokale RYOBI-forhandleren produktet til RYOBI serviceorganisasjonen. Ved å sende et produkt til en RYOBI servicestasjon skal produktet være sikkert pakket uten noe farlig innhold, slik som bensin, merket med senderens adresse og fulgt av en kort beskrivelse av feilen.
- En reparasjon/erstatning under denne garantien er gratis. Den utgjør ingen forlengelse eller en ny start av garantiperioden. Utvekslede deler eller verktøy blir vår eiendom. I noen land vil leveringskostnader eller franking måtte betales av senderen. Dine lovbestemte rettigheter som oppstår fra kjøp av verktøyet forblir uberørt.
- Denne garantien er gyldig i EU, Sveits, Island, Norge, Liechtenstein, Tyrkia og Russland. Utenfor disse områdene ta kontakt med din autoriserte RYOBI-forhandler om en annen garanti gjelder.

### AUTORISERT SERVICESENTER

For å finne et autorisert servicecenter i nærheten, gå til <http://no.ryobitools.eu/header/service-and-support/service-agents>.

## RU УСЛОВИЯ ПРИМЕНЕНИЯ ГАРАНТИИ НА ПРОДУКЦИЮ RYOBI®

Помимо законных прав, возникающих при покупке, данное изделие покрывается гарантией в соответствии с приведенными ниже пунктами.

- Гарантийный период для покупателя составляет 24 месяца с даты покупки изделия. Дата покупки должна быть подтверждена полностью заполненным гарантийным талоном и чеком о покупке. Данное изделие предназначено только для частного использования покупателем. Поэтому гарантия не распространяется на использование в профессиональных или коммерческих целях.
- Предусмотрена возможность продления для части изделий линейки садовых инструментов (AC/DC) гарантийного периода с помощью регистрации на сайте [www.ryobitools.eu](http://www.ryobitools.eu). Право инструмента на продление гарантийного периода четко указано в магазинах и / или на упаковке / и содержится в сопутствующей инструменту документации. Конечный пользователь должен зарегистрировать свой приобретенный инструмент в течение 30 дней с даты покупки. Конечный пользователь может зарегистрировать свой инструмент на продление гарантии в стране своего проживания, если она указана в форме онлайн-регистрации. Кроме того, конечный пользователь должен дать свое согласие на хранение данных, которые необходимо ввести в онлайн-форму и принять правила и условия. Подтверждение регистрации, которое вы получите по электронной почте, заполненный гарантийный талон и оригинальный чек, в котором указана дата покупки, будут служить доказательством продленной гарантии.
- Гарантия покрывает в течение гарантийного периода все дефекты качества или материала изделия на дату покупки. Гарантия ограничена ремонтом и / или заменой и не включает никакие другие обязательства, включая, но не ограничиваясь случайными или косвенными убытками. Гарантия становится недействительной, если изделие использовалось не по назначению, вопреки инструкциям, данным в Руководстве пользователя или было неправильно подключено. Настоящая гарантия не распространяется на:
  - любые повреждения изделия в результате неправильного технического обслуживания или недостаточного ухода за инструментом
  - любые изделия, подвергшиеся изменениям и модификации
  - любые изделия, оригинальные идентификационные отметки которого (торговая марка, серийный номер) были повреждены, изменены или удалены
  - любые повреждения, вызванные несоблюдением инструкций Руководства пользователя
  - любые изделия, не сертифицированные маркировкой "CE" для продажи в Европейском союзе
  - любые изделия, подвергшиеся попыткам ремонта неквалифицированным работником или без предварительного утверждения компании Techntron Industries.
  - любые изделия, подключенные к неправильному источнику питания (сила тока, напряжение, частота)
  - любые изделия, в которых использовались несоответствующие топливные смеси (топливо, масло, процент масла)
  - любые повреждения, вызванные внешними воздействиями (химические, физические, удары) или посторонними веществами
  - естественный износ запасных деталей
  - несоответствующее использование, перегрузка инструмента
  - использование неутвержденных аксессуаров и неоригинальных запасных деталей
  - любые регулярные регулировки, техническое обслуживание или чистка карбюраторов
  - компоненты (детали и аксессуары), подверженные естественному износу, включая, но не ограничиваясь фиксаторы шпильки приводные ремни, ценные муфты, лезвия триммеров и газонокосилок, плечевые ремни, кабельный дроссельный регулятор, угольные щетки, кабели питания, зубья, войлочные шайбы, фиксирующие шпильки, вентиляторы воздуховодки, трубки воздуховодки и пылесоса, мешок для сбора мусора и ремни, пыльные шины, пыльные цепи, шланги, соединительные детали, распылительные насадки, колеса, распрыскивательные переходники, внутренние катушки и шпильки, режущую леску, свечи зажигания, воздушные и топливные фильтры, мульчирующие лезвия и др.
- Для проведения технического обслуживания изделие следует направлять в авторизованные сервисные центры RYOBI, указанные для каждой страны в приведенном ниже списке адресов станций сервисного обслуживания. В некоторых странах местные дилеры RYOBI отправляют изделия в сервисные организации RYOBI. При отправке изделия в сервисный центр RYOBI, изделие должно быть безопасно упаковано и не содержать никаких опасных веществ, таких как бензин, должен быть подписан адрес отправителя и сопровождаться кратким описанием неисправности.
- Ремонт / замена проводится в рамках настоящей гарантии бесплатно. Он не продлевает гарантию и не начинает новый гарантийный период. Заменяемые детали и инструменты становятся нашей собственностью. В некоторых странах отправитель должен оплачивать стоимость отправки. Ваши законные права, возникающие при покупке инструмента, остаются неизменными
- Данная гарантия действительна в Европейском Сообществе, Швейцарии, Исландии, Норвегии, Лихтенштейне, Турции и России. Вне указанных территорий обращайтесь к своему авторизованному дилеру RYOBI, чтобы узнать, применяются ли условия каких-либо других гарантий.

### УПОЛНОМОЧЕННЫЙ СЕРВИСНЫЙ ЦЕНТР

Чтобы найти ближайший уполномоченный сервисный центр, обратитесь к веб-сайту <http://ru.ryobitools.eu/header/service-and-support/service-agents>.

## PL WARUNKI GWARANCJI RYOBI®

Oprócz praw ustawowych wynikających z zakupu produkt jest objęty gwarancją, której warunki podano poniżej.

- Okres gwarancyjny wynosi 24 miesiące dla konsumentów i rozpoczyna się w dniu zakupu produktu. Datę zakupu należy udokumentować fakturą lub innym dowodem zakupem. Produkt został zaprojektowany i jest przeznaczony do użytku komercyjnego i prywatnego. W związku z tym gwarancja nie obejmuje zastosowań profesjonalnych i komercyjnych.
- Istnieje możliwość wydłużenia okresu gwarancyjnego dla części asortymentu narzędzi ogrodniczych (AC/DC) poprzez zarejestrowanie produktu na stronie internetowej [www.ryobitools.eu](http://www.ryobitools.eu). Kwalifikowalność narzędzi do wydłużenia okresu gwarancyjnego jest wyraźnie określona w sklepach i/lub na opakowaniu oraz w dokumentacji produktu. Użytkownik końcowy musi zarejestrować nowo kupione narzędzia online w ciągu 30 dni od daty zakupu. Użytkownik końcowy może zarejestrować się w celu przedłużenia gwarancji w swoim kraju zamieszkania, jeżeli jest on wymieniony w formularzu rejestracji online, gdzie opcja ta obowiązuje. Ponadto użytkownicy końcowi muszą wyrazić zgodę na przechowywanie danych, wprowadzanych na stronie internetowej i zaakceptowanie regulamin. Dowodem wydłużenia gwarancji jest wysłane pocztą elektroniczną potwierdzenie rejestracji i oryginalny fakturę potwierdzającej datę zakupu.
- Gwarancja obejmuje wszystkie wady produktu ujawnione w okresie gwarancyjnym wynikające usterki wykonania lub materiału obecnego w dniu zakupu. Gwarancja jest ograniczona do naprawy i/lub wymiany i nie obejmuje żadnych innych zobowiązań, w tym między innymi odpowiedzialności za szkody przypadkowe lub wtórne. Gwarancja nie obowiązuje, jeżeli produkt był nieprawidłowo używany, używany niezgodnie z instrukcją lub nie był prawidłowo podłączony. Gwarancja nie obejmuje:
  - uszkodzenia produktu wynikającego z nieprawidłowej konserwacji,
  - produktu, który został zmieniony lub zmodyfikowany,
  - produktu, którego oryginalne oznaczenie (znak towarowy, numer seryjny) zostało zniszczone, zmienione lub usunięte,
  - jakichkolwiek uszkodzeń wynikających z nieprzestrzegania instrukcji,
  - jakiegokolwiek produktu bez certyfikatu CE,
  - jakiegokolwiek produktu, który próbowano naprawiać z pomocą niewykwalifikowanej osoby lub bez uzyskania wcześniejszej zgody firmy Techtronic Industries.
  - jakiegokolwiek produktu podłączonego nie nieprawidłowego źródła zasilania (nieprawidłowe napięcie prądu, napięcie, czystość),
  - jakiegokolwiek produktu, który był używany z nieprawidłową mieszanką paliwową (paliwo, olej, procentowy udział oleju),
  - jakichkolwiek uszkodzeń spowodowanych wpływem czynników zewnętrznych (chemicznych, fizycznych, drgań) lub substancji obcych,
  - normalnego zużycia części zamiennych,
  - nieprawidłowego użycia, przeciążenia narzędzia,
  - stosowania niezatwierdzonych akcesoriów lub części,
  - jakichkolwiek okresowych regulacji lub czyszczenia gaźników w ramach konserwacji
  - elementów (części i akcesoriów) podlegających naturalnemu zużyciu, obejmujących, między innymi, kopułki do zwalniania żyłki, pasy napędowe, sprzęgło, ostrza przycinarek do żywopłotów lub kosiarzek do trawy, urząz, przepustnicę linkową, szczołki węglowe, przewód zasilania, zęby, podkładki filcowe, kołki podnośnika, wentylatory dmuchawy, rury nadmuchowe i ssawne, worek na śmieci i paski, prowadnice, łańcuchy piły, węże, mocowanie złącz, dysze natryskowe, koła, opręta natryskowe, szpule wewnętrzne, szpule zewnętrzne, filtry gazu, ostrza do ściółkowania itp.
- W celu serwisowania produkt należy wysłać lub okazać w autoryzowanym punkcie serwisowym RYOBI znajdującym się na przedstawionym poniżej wykazie punktów serwisowych w poszczególnych krajach. W niektórych krajach lokalny dystrybutor produktów RYOBI podejmuje się wysyłki produktu do centrum serwisowego RYOBI. W przypadku wysyłki do punktu serwisowego RYOBI produkt — pozbawiony jakichkolwiek niebezpiecznych substancji, na przykład benzyny — należy bezpiecznie zapakować i dołączyć adres nadawcy oraz krótki opis usterki.
- Naprawa/wymiana w ramach niniejszej gwarancji jest bezpłatna. Nie stanowi jednak o przedłużeniu lub rozpoczęciu od nowa biegu okresu gwarancyjnego. Wymienione części lub narzędzia stają się naszą własnością. W przypadku niektórych krajów nadawca będzie musiał uregulować koszty dostawy lub opłaty pocztowe. Prawa ustawowe wynikające z zakupu narzędzia pozostają niezmienione.
- Niniejsza gwarancja obowiązuje w Unii Europejskiej, Szwajcarii, Islandii, Norwegii, Liechtensteinie, Turcji i Rosji. Poza tymi obszarami należy skontaktować się z autoryzowanym dostawcą produktów RYOBI i ustalić, czy obowiązuje inna gwarancja.

### AUTORYZOWANY PUNKT SERWISOWY

Najbliższy autoryzowany punkt serwisowy można wyszukać w witrynie internetowej <http://pl.ryobitools.eu/header/service-and-support/service-agents>.

## CS ZÁRUČNÍ PODMÍNKY RYOBI®

Kromě zákonných práv vyplývajících z koupě výrobku se na tento výrobek vztahuje také níže uvedené záruka.

- Záruční doba pro spotřebitele je 24 měsíců a začíná datem nákupu výrobku. Datum musí být zaznamenáno na faktuře nebo jiném dokladu o koupi. Tento výrobek je navržen a určen pouze pro soukromé účely spotřebitelů. Záruka se tedy nevztahuje na profesionální nebo komerční využití výrobku.
- U některých zahradních nástrojů (AC/DC) je možné záruční dobu prodloužit. K tomu je nutná registrace na stránkách [www.ryobitools.eu](http://www.ryobitools.eu). Možnost prodloužené záruční doby výrobků je jasně uvedena v prodejních, popř. na obalech nebo v dokumentech o výrobku. Koncový uživatel musí svůj nový nástroj zaregistrovat online do 30 dnů od data nákupu. Koncový uživatel se může k prodloužené záruční době zaregistrovat v zemi trvalého pobytu, pokud je tato uvedena na internetovém registračním formuláři u výrobku, kde je tato možnost dostupná. Koncoví uživatelé musí dále souhlasit s uložením osobních údajů, která musí zadat na internetu, a přijmout obchodní podmínky. E-mail s potvrzením registrace a původní faktura s datem koupě poslouží jako důkaz o prodloužené záruce.
- Záruka se vztahuje na veškeré vady na výrobku v rámci záruční doby způsobené výrobními vadami nebo vadami materiálu v době koupě. Záruka je omezena na opravu, popřípadě výměnu a nezahrnuje žádné další povinnosti, včetně mimo jiné vedlejších či následných odškodnění. Záruka neplatí při použití výrobku k nevhodným účelům, v rozporu s uživatelskou příručkou nebo při nesprávném zapojení. Záruka se nevztahuje na:
  - veškeré škody na výrobku způsobené nesprávnou údržbou
  - veškeré produkty, které byly pozděněji nebo upraveny
  - veškeré produkty, kde byly původní identifikační prvky (obchodní značka, sériové číslo) poničeny, pozděněji nebo odstraněny
  - veškeré škody způsobené nedodržováním pokynů uživatelské příručky
  - veškeré produkty bez CE certifikace
  - veškeré produkty, které se pokusí opravit nekvalifikovaný odborník nebo opravy bez předchozího svolení společnosti Techtronic Industries.
  - veškeré produkty zapojené do nesprávného elektrického zdroje (proud, napětí, frekvence)
  - veškeré produkty používané s nevhodnou palivovou směsí (paliwo, olej, procento oleje)
  - veškeré škody způsobené externími vlivy (chemickými, fyzickými, nárazy) nebo cizími látkami
  - běžné opotřebování dílů
  - nevhodné použití, přetěžování nástroje
  - použití neschválených příslušenství nebo dílů
  - veškerá pravidelná seřízení nebo čištění v rámci údržby karburátorů
  - komponenty (díly a příslušenství) podléhající opotřebení, včetně mimo jiné nárazových koleček, posuvných pásů, spojek, nožů plotových nůžek a sekaček na trávu, popruhu, plynového lanka, karbonových kartáčů, napájecího kabelu, zubů, plstěných podložek, závažných kolíků, větráků fukaru, trubic fukaru a vysavače, vaku a popruhu vysavače, vodících lišt, pilových řetězů, hadic, konektorů, trysek, kol, stříkacích tyčí, vnitřních cívek, vnějších kotoučů, řezných strun, zapalovacích svíček, vzduchových filtrů, plynových filtrů, mulčovačích nožů atd.
- K provedení servisu musí být výrobek zaslán nebo předán do autorizovaného servisního centra společnosti RYOBI, jejichž adresy jsou uvedeny podle zemi v seznamu servisních center. V některých zemích za vás výrobek pošle servisní organizaci RYOBI sám prodejce výrobků této značky. Při zaslání výrobku do servisního centra RYOBI je potřeba výrobek bezpečně zabalit bez nebezpečného obsahu jako benzín, opatřit adresou odesílatele a připojit krátký popis závady.
- Oprava, popř. výměna v rámci této záruky je zdarma. Neznamená to prodloužení nebo začátek nové záruční lhůty. Vyměněné díly nebo nástroje přejdou do našeho vlastnictví. V některých zemích platí poštovné odesílatele. Vaše zákonná práva vyplývající z koupě tohoto nástroje zůstávají nedotčena.
- Tato záruka platí v Evropském Společenství, Švýcarsku, Norsku, Lichtenštejnsku, Turecku, Rusku a na Islandu. Mimo tato území kontaktujte autorizovaného prodejce značky RYOBI, který zjistí, zda se na výrobek vztahuje jiná záruka.

### POVĚŘENÉ SERVISNÍ STŘEDISKO

Pro nalezení nejbližšího pověřeného servisního střediska navštivte <http://cz.ryobitools.eu/header/service-and-support/service-agents>.

## **HU** A RYOBI® GARANCIA ALKALMAZÁSÁNAK FELTÉTELEI

A vásárlásból adódó törvényben rögzített jogok mellett a termékre az alábbi garancia vonatkozik.

1. A fogyasztói garancia tartama 24 hónap, mely a termék vásárlásának napjával kezdődik. Ezt a dátumot számlával vagy a vásárlást igazoló egyéb dokumentummal kell bizonyítani. A termék rendelkezése csak fogyasztói és magáncéllú használat. Ezért professzionális vagy kereskedelmi használat esetén a garancia nem érvényes.
2. A kerti szerszámok (egyenáramú/váltóáramú) egy részénél a garancia időtartama a [www.ryobitools.eu](http://www.ryobitools.eu) weboldalon regisztrálva meghosszabbítható. Az áruházakban, a csomagoláson, illetve a termék dokumentációjában egyértelműen jelezzük, hogy az adott termék garanciája meghosszabbítható-e. A végfelhasználónak a vásárlás dátumától számított 30 napon belül regisztrálnia kell az újonnan vásárolt szerszámot. A végfelhasználó akkor regisztrálhat a kiterjesztett garanciára, ha az ország, ahol lakik, fel van sorolva az online regisztrációs űrlapon azon országok között, ahol választható ez az opció. Ezenkívül a végfelhasználónak bele kell egyeznie az online regisztrálás során szükséges adatok tárolásába, és el kell fogadnia a felhasználási feltételeket. A kiterjesztett garanciát a regisztráció beérkezésétől e-mailben küldött visszaigazolás és a vásárlás dátumát tartalmazó eredeti számla igazolja.
3. A garancia a termék vásárlásakor fennálló, a gyártás során keletkezett hibákra és anyaghibákra érvényes a garanciális időtartamon belül. A garancia csak a javításra/cseréire korlátozódik, és nem terjed ki semmilyen egyéb kötelezettségre, nem kizárólagosan ideértve a véletlen vagy szándékos rongálást. A garancia nem érvényes, ha a terméket nem megfelelően, a használati utasításban foglaltakkal ellentétben, illetve nem megfelelően csatlakoztatva használták. A garancia nem vonatkozik:
  - a terméket a nem megfelelő karbantartás következtében ért károsodásra – megváltoztatott vagy átalakított termékre
  - olyan termékre, melyen az eredeti azonosítókat (védjegy, sorozatszám) megrongálták, megváltoztatták vagy eltávolították
  - a használati utasítás be nem tartásából eredő kárra
  - CE jelöléssel nem rendelkező termékekre
  - olyan termékre, melyet nem képzett, illetve a Techtronic Industries által nem feljogosított szerelő javított
  - nem megfelelő (áramerősségű, feszültségű, frekvenciájú) áramforrásra csatlakoztatott termékre
  - nem megfelelő üzemanyag-keverékkel (üzemanyag, olaj, olaj aránya) használt termékre
  - külső (fizikai, utás) hatásokból vagy idegen anyagokból eredő károkra
  - a cserélhető alkatrészek természetes kopására és elhasználódására
  - a szerszám helytelen használatára, tülerhelésére
  - nem jóváhagyott tartozékok és alkatrészek használatára
  - A karburátorok rendszeres beállítása, karbantartása, tisztítása
  - A természetes kopásnak és elhasználódásnak kitett alkatrészek és kiegészítők, például (de nem kizárólag) damildobok, ékszíjak, foglalatok, sövényvágók és fűnyírók kése, heveder, gázbowden, szénkefék, tápkábel, kultivátorfogak, ficalátétek, akasztószögek, fűvókészülékek ventilátora, fűvő- és szívócsövek, szívózsák és pántok, terelőrudak, fűrészláncok, tömlők, csatlakozószervevények, permetezőfejek, kerekék, permetezőszárak, belső dobok, külső csévék, vágódamilok, gyűjtőgyertyák, légszűrők, gázsűrők, mulcsozókeések stb.
4. A terméket javításra el kell vinni egy meghatalmazott RYOBI szervizbe; ezeket az egyes országokhoz a következő listában találja. Egyes országokban a helyi RYOBI kereskedő vállalja a termék elszállítását a RYOBI szervizbe. A terméket veszélyes tartalom, például benzín nélkül csomagolva, a feladó címét feltüntetve, a hiba rövid leírásával együtt küldje el a RYOBI szervizbe.

5. A jelen garancia hatálya alatt végzett javítás, illetve csere ingyenes. Nem jelenti a garanciális időtartam újraindulását. A kicserélt alkatrészek és szerszámok a mi tulajdonunkba kerülnek. Egyes országokban a szállítás vagy postázás költségét a feladó viseli. A vevőnek a szerszám megvásárlásából adódó törvényes jogai nem változnak.

6. Jelen garancia az Európai Közösségben, Svájcban, Izlandon, Norvégiában, Liechtensteinben, Törökországban és Oroszországban érvényes. E területen kívül kérdezze meg a RYOBI forgalmazót, hogy milyen garancia van érvényben.

### **HIVATALOS SZERVIZKÖZPONT**

A legközelebbi hivatalos szervizközpont megtalálásához látogasson el a <http://hu.ryobitools.eu/header/service-and-support/service-agents>.

## **RO** CONDIȚII DE APLICARE A GARANȚIEI PENTRU PRODUSELE RYOBI®

În plus față de condițiile statutare rezultate din achiziționarea acestui produs, acesta este acoperit de garanția stipulată mai jos.

1. Perioada de garanție este de 24 de luni pentru consumatori și începe de la data achiziționării produsului. Data de începere a garanției trebuie demonstrată cu o factură sau altă dovadă a cumpărării produsului. Produsul este destinat și conceput doar pentru utilizare în scopuri personale. Din acest motiv, nu se oferă garanție pentru utilizarea sa în scop profesional sau comercial.
2. Există posibilitatea de extindere a perioadei de garanție pentru gama de unelte electrice pentru grădină (de CA/CC) peste perioada stipulată mai sus prin înscrisura produsului pe website-ul [www.ryobitools.eu](http://www.ryobitools.eu). Eligibilitatea pentru perioada de extindere a garanției este afișată în mod clar în magazinele de vânzare și/sau pe ambalaj sau este inclusă în documentația livrată împreună cu produsul. Utilizatorul final este obligat să-și înregistreze produsul online în termen de maxim 30 de zile de la achiziția acestuia. Utilizatorul final poate înregistra produsul pentru garanția extinsă oferită în țara sa de rezidență dacă aceasta este listată în formularul de înregistrare online și dacă această opțiune este validă. În plus, utilizatorul final trebuie să-și dea acordul pentru stocarea datelor personale solicitate la înregistrarea online și trebuie să accepte termenii și condițiile. Mesajul de confirmare a înregistrării, trimis prin e-mail și factura originală cu data achiziției vor dovedi perioada de garanție extinsă.
3. Garanția acoperă toate defecțiunile produsului survenite în perioada de garanție datorate defectelor de execuție sau materialelor folosite, începând cu data achiziției acestuia. Garanția este limitată la reparare și/sau înlocuire și nu include alte obligații, inclusiv, dar fără a se limita la daune accidentale sau rezultate pe cale de consecință. Garanția își pierde valabilitatea dacă produsul este utilizat necorespunzător, utilizat neconform cu instrucțiunile de utilizare din manualul cu instrucțiuni sau conectat incorect. Garanția nu se aplică în cazul:
  - oricărei defecțiuni survenite în urma întrerederii necorespunzătoare a produsului
  - oricărui produs alterat sau modificat
  - oricărui produs la care inscripțiile cu datele de identificare (marca comercială, numărul de serie) au fost șterse, modificate sau îndepărtate
  - oricărei defecțiuni datorate neconformării cu instrucțiunile din manualul de utilizare
  - oricărui produs necertificat CE
  - oricărui produs asupra căruia au fost efectuate tentative de reparare de către personal necalificat sau fără autorizație prealabilă din partea Techtronic Industries.
  - oricărui produs conectat la o sursă de alimentare necorespunzătoare (curent, tensiune, frecvență)
  - oricărui produs utilizat cu un amestec de carburant necorespunzător (combustibil, ulei, proporții de adaos ulei)
  - oricărui defecțiuni datorate unor influențe externe (chimice, fizice, șocuri) sau substanțe străine
  - uzurii și fisurării normale a pieselor de rezervă
  - utilizării neadecvate, suprasolicitării uneltei
  - utilizării de piese și accesorii neaprobate
  - Operațiunile de curățare sau reglare periodică a carburatoarelor
  - Componentele (piese și accesorii) supuse uzurii și defectării normale, care includ, fără a se limita la manșoane de protecție, curele de transmisie, ambreiaj, lamele de la tăietoarele de arbore sau gazon, harnașamente, cablu de accelerație, perii de cărbune, cordon de alimentare, dinți, discuri de păslă, știfturi de siguranță, ventilatoare de suflantă, tuburi de aspirare sau suflare, sac de colectare resturi și banda de susținere a acestuia, bare de ghidare, lanțuri de fierăstrău, furtunuri, accesorii de conectare, duze de pulverizare, volante, baghete de pulverizare, moșoare interne, carcase exterioare pentru moșoare, fire tăietoare, bujii, filtre de aer, filtre de gaz, lame de tocător, etc.
4. Pentru efectuarea reparațiilor, produsul trebuie trimis sau adus la un centru de reparații autorizat RYOBI din lista următoare de centre de reparații prezentate pentru fiecare țară. În anumite țări, reprezentatul local RYOBI va trimite produsul spre reparare la sediul central de reparații RYOBI. Atunci când trimiteți produsul spre reparare la un centru de reparații RYOBI, acesta trebuie ambalat în siguranță, fără conținut periculos (cum ar fi benzină), marcat cu adresa expeditorului și însoțit de o scurtă descriere a defectului.
5. Repararea/înlocuirea în perioada de garanție este gratuită. Aceasta nu este însoțită de o prelungire sau o reînțiere a perioadei de garanție. Piesele sau uneltele schimbate devin proprietatea dvs. În anumite țări, taxele de expediție sau poștale vor fi suportate de expeditor. Drepturile dvs. statutare rezultate din achiziția produsului rămân neschimbate.
6. Această garanție este valabilă în Comunitatea Europeană, Elveția, Islanda, Norvegia, Liechtenstein, Turcia și Rusia. În afara acestor zone, vă rugăm să contactați reprezentantul dvs. local RYOBI pentru a determina dacă se aplică alt tip de garanție.

### **CENTRU DE SERVICE AUTORIZAT**

Pentru a găsi un centru de service autorizat lângă dvs., vizitați <http://uk.ryobitools.eu/header/service-and-support/service-agents>.

## LV RYOBI® GARANTIJAS PIEMĒROŠANAS NOSACĪJUMI

Papildus jebkādam likumiskajām tiesībām, kuras rodas, veicot pirkumu, izstrādājums tiek nodrošināts ar tālāk tekstā noteikto garantiju.

1. Garantijas periods patērētājiem ir 24 mēneši, tā atskaitē tiek sākta no datuma, kurā veikta izstrādājuma iegāde. Šim datumam jābūt dokumentētām rēķinā vai citā pirkumu apliecināso dokumentā. Izstrādājums ir radīts un paredzēts tikai patērētāja privātai lietošanai. Saistībā ar iepriekšminēto, garantija netiek nodrošināta profesionālās vai komerciālas lietošanas gadījumā.
2. Pastāv iespēja pagarināt daļas no dārza instrumentu klāsta (Maignstrāvas/akumulatoru) garantiju ilgāk par iepriekš minēto periodu, izmantojot reģistrāciju interneta vietnē [www.ryobitools.eu](http://www.ryobitools.eu). Instrumenti, kas pakļauti garantijas perioda pagarināšanai, tiek skaidri apzīmēti veikalos un/vai uz iepakojuma un izstrādājumu komplektējošajā dokumentācijā. Gala lietotājam nepieciešams reģistrēt tā iegādāto jauno instrumentu 30 dienu laikā no pirkuma datuma. Gala lietotājs var reģistrēties pagarinātajai garantijai savā mītnes valstī, ja tā minēta tiešsaistes reģistrācijas veidlapā, kurā šī iespēja ir aktīva. Bez tam, gala lietotājam ir jāsniedz pierādīšana tiešsaistes ievadīšanai nepieciešamo datu glabāšanai un jāpiekrīt noteikumiem un nosacījumiem. Reģistrācijas apstiprinājums, kas tiek nosūtīts, izmantojot e-pastu, un rēķina oriģināls, kurā norādīts iegādes datums, kalpo kā pagarinātās garantijas apstiprinājums.
3. Garantija attiecas uz visiem izstrādājumu defektiem garantijas periodā, kas saistīti ar ražošanas vai materiālu defektiem no pirkuma datuma. Šī garantija tiek ierobežota ar remontu un/vai nomaiņu un neietver jebkādas citas saistības, tajā skaitā, bet ne tikai, cēloņsakarīgos vai saistītos bojājumus. Garantija nav spēkā, ja izstrādājums ir nepareizi lietots, izmantots pretēji norādēm lietošanas rokasgrāmatā vai bijis nepareizi pieslēgts. Šī garantija netiek attiecināta uz:
  - jebkādiem izstrādājuma bojājumiem, kas radušies nepareizas uzturēšanas rezultātā
  - jebkuru izstrādājumu, kas ticis pārveidots vai mainīts
  - jebkuru izstrādājumu, kura oriģinālās identifikācijas (preču zīme, sērijas numurs) marķējums ir ticis nodzēsts, mainīts vai noņemts
  - jebkādiem bojājumiem, kuri radušies neievērojot norādes lietošanas rokasgrāmatā
  - jebkādam izstrādājumam bez CE sertifikācijas
  - jebkuram izstrādājumam, kura remontu mēģinājis veikt nekvalificēts personāls vai bez Technonic Industries iekšējās autorizācijas.
  - jebkuram izstrādājumam, kurš bijis pieslēgts neatbilstoši parametriem (strāvas, sprieguma, frekvences) sprieguma avotam
  - jebkuram izstrādājumam, kurš bijis izmantots ar nepareizu degvielas maisījumu (degviela, eļļa, eļļas procentuālais saturs)
  - jebkuriem bojājumiem, kuri radušies ārējas iedarbības (ķīmiskas, fiziskas, triecieni) vai vielu ietekmē
  - detaļu normāla lietošanas nodarīta rezultātā
  - nepareizas lietošanas vai instrumentu pārslodzes rezultātā
  - neapstiprinātu detaļu vai aprīkojuma lietošanas rezultātā
  - jebkādu periodiskus karburatoru regulēšanas darbus vai apkopes tīrīšanu
  - Komponentus (daļas un aksesuārus), kas pakļauti dabīgam nodilumam, ieskaitot, bet neaprobežojoties ar atsitiena pogām, piedziņas sīksnādi, sāļojumi, krūmu šķēru un pļaujmašīnu asmeņiem, uzskabēm, droseļu trošlēm, oglekļa sukām, elektrības vadiem, tapām, filca aplākšņiem, sakābes tapām, pūtēja ventilatoriem, pūtēja un sūkšanas caurulēm, savākšanas maisiem un sīksnādi, vadotņu plankām, zaģu ķēdēm, šļūtenēm, savienojumu uzgaļiem, izsmidzinātāja uzgaļiem, riteņiem, izsmidzinātāja caurulēm, iekšējām spoļēm, ārējām spoļēm, pļaušanas aukām, aizdedzes svečēm, gaisa filtriem, degvielas filtriem, mulčēšanas asmeņiem, utt.
4. Servisa nodrošināšanai, izstrādājums ir jānodod pilnvarotā RYOBI servisa centrā, kas norādīts katrai valstij tālāk minētajā servisa centru adresē sarakstā. Dažās valstīs jūsu vietējais RYOBI izplatītājs uzņemas izstrādājumu nosūtīšanu uz RYOBI servisa organizāciju. Nosūtīt izstrādājumu uz RYOBI servisa centru, izstrādājuma jābūt droši iepakotam, tas nedrīkst saturēt bīstamas vielas kā degvielu, sūtiņjam jābūt marķētam ar sūtiņtāja adresi un īsu ķurjemes aprakstu.
5. Remonts/nomaiņa šīs garantijas ietvaros ir bezmaksas. Tas nerada garantijas perioda pagarināšanu vai jaunu garantiju. Nominālais daļas vai instrumentu kļūd par mūsu īpašumu. Dažās valstīs piegādes vai pasta izmaksas būs jāapmaksā sūtiņtājam. Jūsu likumiskās tiesības, kas nodibinās, iegādājoties instrumentu, paliek nemainīgas
6. Šī garantija ir spēkā Eiropas Kopienā, Šveicē, Islandē, Norvēģijā, Līhtenšteinā, Turcijā un Krievijā. Ārpus šīm teritorijām, lūdz, sazinieties ar jūsu pilnvaroto RYOBI izplatītāju, lai noteiktu, vai ir piemērojama cita garantija.

### AUTORIZĒTS APKALPOŠANAS CENTRS

Lai atrastu tuvāko autorizēto apkalpošanas centru, apmeklējiet <http://uk.ryobitools.eu/header/service-and-support/service-agents>.

## LT „RYOBI®“ GARANTIJOS TAIKĪMO SĀLYGOS

Papildant bet kokias įstatymuose numatytas perkant atsiřandantis teises, šiam įrenginiui taikoma toliau nurodyta garantija.

1. Vartotojams suteikiama 24 mėnesių trukmės garantija nuo įrenginio įsigijimo datos. Ši data turi būti nurodyta sąskaitoje faktūroje ar kitame pirkimą įrodančiame dokumente. Šis įrenginys skirtas tik vartotojų rinkai ir asmeniniam naudojimui. Todėl garantija netaikoma, jei įrenginys naudojamas profesinėms ar komercinėms reikmėms.
2. Įsigijus tam tikrus šio įrenginio (AC/DC), suteikiama galimybė pratęsti garantiją, kad ji galioūt ilgiau, nei nurodyta pirmiau, naudojantis registracija interneto svetainėje [www.ryobitools.eu](http://www.ryobitools.eu). Ar galima pratęsti įrenginio garantiją laikotarpi, aiškiai nurodoma parduotuėse ir (arba) ant įrenginio pakuoės, ir (arba) įrenginio dokumentuose. Galutinis naudotojas turi užregistruoti savo naujai įsigytą įrenginį per 30 dienų nuo įsigijimo datos. Galutinis naudotojas gali registruotis išplėstinei garantijai savo gyvenamojoje šalyje, jei ji nurodyta internetinėje registracijos formoje, kurioje siūloma tokia galimybė. Be to, galutiniai naudotojai turi sutikti su duomenų, kuriuos reikia įvesti internetu, saugojimu ir svetainės naudojimo sąlygomis. Kaip išplėstinės garantijos įrodymas naudojamas registracijos patvirtinimo kvitas, atsiunčiamas el. paštu, ir originali sąskaita faktūra, kurioje nurodyta įsigijimo data.
3. Ši garantija apima visus garantiniui laikotarpiu aptiktus įrenginio trūkumus, atsiradusius dėl gamybos arba medžiaginių defektų nuo įsigijimo datos. Ši garantija ribojama remontu ir (arba) pakeitimu, ji neapima jokių kitų įsipareigojimų, įskaitant (bet tuo neapsiribojant) šalutinius arba antrinius nuostolius. Garantija anuliuojama, jei įrenginys buvo naudojamas netinkamai, naudojamas ne pagal naudojimo instrukciją arba netinkamai prijungtas. Ši garantija netaikoma:
  - jokiai įrenginiui padarytai žalai, kurią lemė netinkama techninė priežiūra;
  - jokiai įrenginiui, kuris buvo keičiamas ar modifikuojamas;
  - jokiai įrenginiui, kurio originalūs identifikavimo ženklai (prekės ženklas, serijos numeris) buvo sugadinti, pakeisti arba pašalinti;
  - jokiai žalai, kurią lemė naudojimo instrukcijos nesilaikymas;
  - jokiais CE ženklu nepažymėtais įrenginiais;
  - jokiai įrenginiui, kuri bėdė remontuoti nekvalifikuoti asmenys arba kuris buvo remontuojamas be „Technonic Industries“ leidimo;
  - jokiai įrenginiui, kuris buvo prijungtas prie netinkamo maitinimo tinklo (netinkamos srovės, įtampos, dažnio);
  - jokiai įrenginiui, kuris buvo naudojamas su netinkamu degalų mišiniu (degalai, alyva, mašymo santykis);
  - jokiai žalai, kurią lemė išorinis poveikis (cheminis, fizinis, smūgiai) arba pašalinės medžiagos;
  - dėvimosioms dalims;
  - netinkamam naudojimui, įrenginio perkrovai;
  - nepatvirtintų priedų arba dalių naudojimui;
  - jokiai reguliariam karburatorių reguliavimui arba priežiūros ir valymo darbams
  - Komponentams (dalims ir priedams), kurie natūraliai dėvisi, įskaitant (bet tuo neapsiribojant) spyruklinės galvutes, pavarų diržus, sankabą, gyvatvorių genėtuvą ar žolijapūtį geležtes, diržus, trosinį drošelį, anglinius šepetėlius, maitinimo kabelį, virbus, fetro poveržles, prikabinimo kaiščius, pūstuvo ventilatorius, pūstuvo ir siurblio vamzdžius, siurblio maišą ir diržus, kreipiamuosius strypus, pjūkle grandines, žarneles, jungiamąsias detales, purškimo antgalius, ratus, purškimo liestukus, vidines rites, išorines rites, pjovimo vielą, uždegimo žvakės, oro filtrus, dujų filtrus, mulčiavimo geležtes ir pan.
4. Prieikite atlikti priežiūros darbus, įrenginį reikia siųsti arba atvežti RYOBI įgaliotam priežiūros centrui, nurodytam kiekvienos šalies priežiūros centrų adresų sąraše. Kai kuriose šalyse vietinis RYOBI atstovas siunčia įrenginį RYOBI priežiūros organizacijai. Siunčiant įrenginį RYOBI priežiūros centrui, reikia saugiai jį supakuoti pašalinant visas pavojingas medžiagas, pvz., benzina, nurodyti ant pakuoės siuntėjo adresą ir pridėti trumpą gedimo aprašymą.
5. Pagal šią garantiją remontas / keitimas atliekami nemokamai. Tokie veiksmai netaikomi garantijos pratęsimu arba naujo garantinio laikotarpio pradžia. Dalys arba įrenginiai, kuriuos pakeitėme, tampa mūsų nuosavybe. Kai kuriose šalyse pristatymo ir pašto išlaidas turi padengti siuntėjas. Įstatymuose numatytos jūsų teisės, atsiřandantis perkant įrenginį, lieka nepakeistos
6. Ši garantija galioja Europos bendrijoje, Šveicarijoje, Islandijoje, Norvegijoje, Lichtenšteine, Turkiijoje ir Rusijoje. Jei gyvenate ne šiose šalyse, kreipkitės į įgaliotąjį RYOBI atstovą ir sužinokite, ar jums taikoma kita garantija.

### ĮGALIOTOS TECHNINĖS PRIEŽIŪROS CENTRAS

Jei norite surasti įgaliotą techninės priežiūros centrą netoli Jūsų, apsilankykite interneto svetainėje <http://uk.ryobitools.eu/header/service-and-support/service-agents>.

## ET RYOBI® GARANTIINGIMUSED

Lisaks toote ostust tulenevatele seadusjärgsetele õigustele, kehtib tootele ka alltoodud garantiiga.

1. Tarbijatele on garantiiaeg 24 kuud ja algab sellel kuupäeval, mil toode osteti. Selle kuupäeva tõestuseks on vaja arvet või mõnda teist tõendit ostu sooritamise kohta. Toode on mõeldud etarbijatele ainult isiklikuks kasutamiseks. Seega ei kehti garantiid ostu kasutamisel kutsetegevuses või kaubanduslikel eesmärkidel.
2. Teatud osale (vahelduvvoolu/alalisvoolu) aiatööriistadele on võimalik pikendada eespool toodud garantiiaega, kasades toote registreerimist veebilehel [www.ryobitools.eu](http://www.ryobitools.eu). Teave tööriista võimaliku pikendatud garantiiaja kohta on selgelt esile toodud poodides ja/või pakendil / ning see sisaldub toote dokumentatsioonis. Lõpptarbijaja peab registreerima oma uued tööriistad interneti teel 30 päeva jooksul pärast ostupäeva. Lõppkasutaja võib registreerida pikendatud garantiiaja saamise oma elukohariigis, kui veebis olevas registreerimisvormis on see valik lubatud. Lisaks peavad kasutajad andma oma nõusoleku veebis nõutud sisestatavate andmete säilitamiseks ning nad peavad nõustuma tingimustega. E-posti teel saadetav registreerimise kinnitus ja arve originaal, kus on näha ostu sooritamise kuupäev, on pikendatud garantiiaja tõestuseks.
3. Garantii katab kõik defektid toote garantiiaja jooksul, kui ostu kuupäeval ilmnevad talitus- või materjalivead. Garantii piirub toote remondi ja/või väljavahetamisega ning ei sisalda muid kohustusi, muu hulgas ettenägematuid või kaudseid kahjusid. Garantii ei kehti, kui toodet ei ole kasutatud sisetihatselisel või kooskõlas kasutusjuhendiga või see on valesti ühendatud. Garantii ei kehti järgmistel põhjustel:
  - toode on kahjustatud vale hoolduse tõttu
  - toode on muudetud
  - toote algupärased identifitseerimisnõuanded (kaubamärk, seerianumber) on rikutud, muudetud või eemaldatud
  - kahju on tekkinud kasutusjuhendi mittejärgimisest
  - tootel puudub CE-märgis
  - toode on püüdnud remondida vastavalt kvalifikatsiooni mitte omav isik või ilma firma Techtronic Industries eelneva loata.
  - toode on ühendatud valesse teiteallikasse (voolutugevus, pinge, sagedus)
  - tootega kasutati sobimatut kütusesegu (kütus, õli, õli protsent)
  - välismõjude (keemilised, füüsikalised, elektrilöögid) või võõrkehade tekitatud kahju
  - tavapärase kulumine ja katkised varuosad
  - ebaõige kasutamine, tööriista ülekoormamine
  - heakskiitmata tarvikute või osade kasutamine
  - Karburaatorite korralised reguleerimistööd või hooldus- ja puhastustööd
  - Komponentid (osad ja tarvikud), mida iseloomustab kulumine ja vananemine, muu hulgas puutenupud, kiilrihmad, sidur, heklöökurite või muruniidukite lõiketerad, rakmed, gaasitross, süsinikharjad, toitejuhe, freesiterad, vildist seibid, tihvtid, õhuventilaatorid, puhuri- ja imuritord, kogumiskott ja riimad, juhikud, saeketid, voolikud, liitmikud, pihusti otsakud, rattad, pitsi varred, sisemised poolid, välimised poolid, jõhvud, sütekeelünald, õhufiltrid, gaasifiltrid, multšimisterad jne.
4. Hoolduseks peab toote saatma või viima RYOBI volitatud teenindusse, mille aadressi leiata järgnevast teeninduspunktile nimekirjast vastava riigi alt. Mõnedes riikides võtab kohalik RYOBI edasimüüja enda kanda kohustuse saata toode RYOBI teenindusorganisatsiooni. Tootte saatmisel RYOBI teenindusse peab toode olema ohutult pakitud ja ei tohi sisaldada ohtlikke aineid (nt bensiini), kirjas peab olema saatja aadress ja lisatud vea lühikirjeldus.
5. Garantii alusel tehtavad remonditööd / asendamine on tasuta. See ei pikenda garantiid kehtivusaega ega tähistu vae garantiiaja algust. Väljavahetatud osad või tööriistad kuuluvad meile. Mõnedes riikides maksab kätetoimetamis- ja postikulud saatja. Teile jäävad kehtima tööriista ostust tulenevad seadusjärgsed õigused
6. See garantii kehtib Euroopa Ühenduse territooriumil, Šveitsis, Islandil, Norras, Liechtensteinis, Türgis ja Venemaal. Väljaspool neid piirkondi võtke ühendust volitatud RYOBI edasimüüjaga, et teha kindlaks kas kehtib mõni teine garantii.

## VOLITATUD HOOLDUSKESKUS

Oma volitatud hoolduskeskuse leiate veebisaidilt <http://uk.ryobitools.eu/header/service-and-support/service-agents>.

## HR UVJETI PRIMJENE JAMSTVA TVRTKE RYOBI®

Osim svim zakonskim pravima koja proizlaze iz kupnje, ovaj je proizvod pokriven jamstvom kako je navedeno u nastavku.

1. Jamstveno razdoblje za potrošače traje 24 mjeseca i počinje s datumom na koji je proizvod kupljen. Taj datum mora se dokumentirati računom ili drugim dokazom o kupnji. Proizvod je konstruiran i namijenjen samo za privatnu upotrebu korisnika. Stoga se jamstvo ne daje u slučaju profesionalne ili komercijalne uporabe.
2. Postoji mogućnost da se za dio asortimana vrtnih alata pokretanih izmjeničnom strujom (AC/DC) proizvodi gore navedeno jamstveno razdoblje putem registriranja na mrežnom mjestu [www.ryobitools.eu](http://www.ryobitools.eu). Uvjeti koje je potrebno zadovoljiti kako bi se proizvelo jamstveno razdoblje jasno su istaknuli u prodavaonicama i / ili na pakiranju i / nalaze se unutar dokumentacije proizvoda. Krajnji korisnik mora registrirati svoje novo kupljene alate na mreži u roku od 30 dana od datuma kupnje. Krajnji korisnik može se registrirati za produženo jamstvo u svojoj zemlji boravišta ako se nalazi na popisu u mrežnom obrascu za registraciju gdje je ta opcija važeća. Nadalje, krajnji korisnici moraju dati svoj pristanak na pohranu podataka koji su potrebni za mrežni ulazak i moraju prihvatiti odredbe i uvjete. Potvrda o prijemu registracije, koja se šalje putem e-pošte, kao i originalni račun s vidljivim datumom kupnje poslužuje č kao dokaz produženog jamstva.
3. Jamstvo pokriva sve nedostatke proizvoda tijekom jamstvenog razdoblja koji su nastali zbog neispravnosti prilikom izrade ili materijala s datumom kupnje. Jamstvo je ograničeno na popravak i/ili zamjenu i ne obuhvaća nikakve druge obveze, uključujući, ali ne ograničavajući se na slučajne ili posljedične štete. Jamstvo ne vrijedi ako je proizvod bio zlorabljivan, korišten u suprotnosti s priručnikom s uputama ili ako je pogrešno spojen. Ovo jamstvo ne primjenjuje se na:
  - svako oštećenje proizvoda koje je rezultat nepravilnog održavanja
  - svaki proizvod koji je izmijenjen ili modificiran
  - svaki proizvod gdje su originalne identifikacijske oznake (zaštitni znak, serijski broj) izbrisane, zamijenjene ili uklonjene
  - svako oštećenje uzrokovano neprikladnim korištenjem priručnika
  - svaki proizvod koji nije CE
  - svaki proizvod koji je pokušao popraviti neovlašten profesionalac ili bez prethodnog odobrenja od strane Techtronic Industries
  - svaki proizvod priključen na nepravilno napajanje energijom (amperi, napon, frekvencija)
  - Svaki proizvod korišten s neodgovarajućom mješavinom (gorivo, ulje, postotak ulja)
  - svako oštećenje uzrokovano vanjskim utjecajima (kemijsko, fiziko, udar) ili stranim stvarima
  - normalno trošenje i habanje rezervnih dijelova
  - nepravilno korištenje, preopterećenje alata
  - korištenje neodobrenog dodatnog pribora ili dijelova
  - rasplinjača nakon 6 mjeseci, podešavanje rasplinjača nakon 6 mjeseci
  - komponente (dijelovi i dodatni pribor) koji su predmet prirodnog trošenja i habanja, uključujući no ne ograničavajući se na gumbe za otpuštanje, pogonske remene, spojku, oštrice trimera za grmlje ili kosilicu, kope, sajle gasa, ugljene četke, kabele za napajanje, nožve, podloške, ztike za zglobnu vezu, ventilatore puhalice, cijevi za ispuhavanje i usisavanje, vakuumske vrećice i trake, vodilice, lance pile, crijeva, priključene elemente, mlaznice za raspršivanje, kotače, koplja za raspršivanje, unutarnje kolote, vanjske kaleme, flaksove, svjećice, filtre za zrak, filtre za plin, oštrice za usitnjavanje itd.
4. Za potrebe servisiranja, proizvod se mora poslati ili odnijeti u ovlaštenu servisnu postaju tvrtke RYOBI navedenu na sljedećem popisu s adresama servisnih postaja u svakoj zemlji. U nekim zemljama, vaš lokalni RYOBI zastupnik obvezuje se da će poslati proizvod u servisnu organizaciju tvrtke RYOBI. Kada se proizvod šalje u neku servisnu postaju tvrtke RYOBI, proizvod se mora sigurno pakirati bez jednog od opasnih sadržaja kao što je benzin, na njemu mora pisati adresa pošiljatelja i mora biti popraćen kratkim opisom kvara.
5. Popravak / zamjena pod ovim jamstvom su besplatni. Oni ne predstavljaju produženje ili novi početak jamstvenog razdoblja. Zamijenjeni dijelovi ili alati postaju naše vlasništvo. U nekim državama troškove isporuke ili poštarinu mora platiti pošiljatelj. Vaša zakonska prava koja proizlaze iz kupnje alata ostaju nepromijenjena
6. Ovo jamstvo vrijedi u Europskoj uniji, Švicarskoj, Islandu, Norveškoj, Lichtenštajnu, Turskoj i Rusiji. Izvan tih područja vas molimo da se obratite svojem ovlaštenom zastupniku tvrtke RYOBI kako biste utvrdili primjenjuje li se drugo jamstvo.

## OVLAŠTENI SERVISNI CENTAR

Za pronalazjenje ovlaštenog servisnog centra pored vas posjetite <http://uk.ryobitools.eu/header/service-and-support/service-agents>.

## SL POGOJI ZA VELJAVNOST GARANCIJE RYOBI®

Poleg morebitnih zakonsko določenih pravic, ki izvirajo iz nakupa, za ta izdelek velja spodaj navedena garancija.

- Garancijsko obdobje je za potrošnike 24 mesecev in začne teči z dnem nakupa izdelka. Ta datum mora biti dokumentiran z računom ali drugim dokazilom o nakupu. Izdelek je zasnovan in namenjen izključno za potrošniško zasebno uporabo. V primeru strokovne oziroma komercialne uporabe izdelka garancija ne velja.
- Obstaja možnost podaljšanja garancije na del naše ponudbe vrtnih orodij (AC/DC) prek obdobja garancije, opisanega zgoraj, s pomočjo registracije na spletnem mestu [www.ryobitools.eu](http://www.ryobitools.eu). Ustreznost orodij za podaljšanje garancijskega obdobja je jasno prikazana v trgovinah in/ali na embalaži oziroma je navedena v dokumentaciji izdelka. Končni uporabnik mora registrirati svoje novo orodje na spletu v 30 dneh po datumu nakupa. Končni uporabnik lahko registrira podaljšano garancijo v svoji državi bivanja, če je na obrazcu spletne registracije navedeno, da ta možnost velja za njegovo državo. Poleg tega morajo končni uporabniki podati svoje soglasje za shranjevanje podatkov, ki so potrebni za spletni dostop in morajo sprejeti pogoje in določila uporabe spletnega mesta. Potrdilo o registraciji, ki ga pošljemo preko e-pošte, in originalni račun, ki prikazuje datum nakupa, služita kot dokazilo o podaljšani garanciji.
- Garancija krije vse okvare izdelka, do katerih pride v garancijskem obdobju zaradi napak v izdelavi ali materialu, ki so bile prisotne ob datumu nakupa. Garancija je omejena na popravilo in/ali zamenjavo in ne vključuje nobenih drugih obveznosti, med drugim vključno z naključno ali posledično škodo. Garancija ne velja, če je bil izdelek napačno uporabljen, uporabljen v nasprotju z navodili iz priročnika za uporabo ali če ni bil pravilno povezan. Ta garancija ne velja za:
  - škodo na izdelku, ki je posledica neustreznega vzdrževanja
  - spremenjen ali prilagojen izdelek
  - izdelek, katerega originalna identifikacijska oznaka (blagovna znamka, serijska številka) je bil poškodovan, spremenjena ali odstranjena
  - škoda, ki je posledica neupoštevanja navodil iz priročnika za uporabo
  - izdelek, ki nima oznake CE
  - izdelek, ki ga je poskušal opraviti ne kvalificiran strokovnjak ali ki je bil popravljen brez predhodne odobritve s strani družbe Techtronic Industries.
  - izdelek, ki je bil povezan na neustrezno napajanje (amperska moč, napetost, frekvenca)
  - izdelek, ki je bil uporabljen z neustrezno mešanico goriva (gorivo, olje, odstotek olja)
  - škodo, ki jo povzročijo zunanji vplivi (kemični, fizični, mehanski) ali tuje snovi
  - rezervne dele, ki so podvrženi običajni uporabi
  - neprimerno uporabo, preobremenitev orodja
  - uporabo neodobrenih dodatkov ali delov
  - Vsako redno prilagajanje ali vzdrževalno čiščenje uplinjačev
  - Komponente (sestavni in rezervni deli), ki so podvrženi običajni obrabi, med drugim vključno z gumbi odbijača, pogonskimi jermeni, sklopko, rezili obrezovalnikov za žive meje ali kosilnic za trato, nosilnimi pasovi, kabli, dušilnimi ventili, oglikovimi krtačami, napajalnimi kabli, zobci, tesnili iz filca, veznimi zatiči, ventilatorji pihalnika, cevmi pihalnika in sesalnika, vrečko in pasovi sesalnika, vodilnimi palicami, verigami motorne žage, cevami, priključki, razpršilnimi šobami, kolesi, razpršilnimi palicami, notranjimi kolesci, zunanji motki, rezalnimi vrvicami, vžigalnimi svečkami, zračnimi filtri, plinskimi filtri, rezili za mulčenje itd.
- Za servisiranje morate izdelek poslati ali prinesiti v pooblaščen servisni center družbe RYOBI, ki je naveden za vsako državo na naslednjem seznamu naslovov servisnih centrov. V nekaterih državah se vaš lokalni posrednik družbe RYOBI obveže, da bo poslal izdelek na servis družbe RYOBI. Ko pošiljate izdelek v servisni center družbe RYOBI, mora biti izdelek varno zapakiran in ne sme vsebovati nobenih nevarnih snovi, kot je npr. bencin, opremljen pa mora biti z naslovom pošiljatelja in vsebovati kratek opis napake.
- Popravilo/zamenjava v skladu s to garancijo sta brezplačni storitvi. To pa ne predstavlja podaljšanja ali ponovnega začetka garancijskega obdobja. Zamenjani deli ali orodja postanejo naša last. V nekaterih državah stroške dostave ali poštno plača pošiljatelj. Vaše zakonsko določene pravice, ki izvirajo iz nakupa orodja, ostajajo nespremenjene.
- Ta garancija velja v Evropski skupnosti, Švici, Islandiji, na Norveškem, v Lihtenštajnu, v Turčiji in Rusiji. Izven teh območij se obrnite na svojega pooblaščenega posrednika izdelkov RYOBI, dealer ki vam bo povedal, ali velja kakšna druga garancija.

### POOBLAŠČEN SERVISNI CENTER

Pooblaščen servisni center blizu vas poiščite na <http://uk.ryobitools.eu/header/service-and-support/service-agents>.

## SK ZÁRUČNÉ PODMIENKY RYOBI®

Na tento výrobok sa okrem všetkých zákonných práv, vyplývajúcich z nákupu, vzťahuje záruka v nasledovnom znení.

- Záručná doba pre spotrebiteľa je 24 mesiacov a začína plynúť odo dňa, kedy bol výrobok zakúpený. Tento dátum musí byť doložený faktúrou alebo iným dokladom o zakúpení. Výrobok je navrhnutý a určený pre spotrebiteľov a len na súkromné používanie. Preto sa záruka sa neposkytuje v prípade použitia na profesionálne a komerčné účely.
- V prípade záhradného náradia (na striedavý/jednosmerný prúdu AC/DC), existuje možnosť predĺženia záručnej doby oproti záručnej dobe, uvedenej vyššie, s využitím on-line registrácie na webovej stránke [www.ryobitools.eu](http://www.ryobitools.eu). Označenie na náradí o nároku na predĺženie záručnej doby je zreteľne uvedené v obchodoch a/alebo na obale a je uvedené v dokumentácii k výrobku. Koncový používateľ musí zaregistrovať svoje novozískané náradie on-line do 30 dní odo dňa nákupu. Koncový používateľ sa môže zaregistrovať na predĺženie záruky v krajine svojho bydliska, ak je v on-line registračnom formulári uvedená táto možnosť. Ďalej musia koncoví používatelia ešte dať svoj súhlas k uchovávaní údajov, ktoré je potrebné zadať on-line a musia súhlasiť s podmienkami. Potvrdenie o prijatí registrácie, ktorú je zaslané e-mailom a originál faktúry, v ktorej je uvedený dátum nákupu, slúžia ako dôkaz o predĺženej záruke.
- Záruka sa vzťahuje na všetky poruchy výrobku v záručnej dobe, spôsobené chybami materiálu alebo spracovania k dátumu nákupu. Táto záruka je omezená na opravu a/alebo výmenu a nezahtáva ďalšie povinnosti, vrátane, okrem iných, náhodné alebo následné škody. Táto záruka je neplatná, ak bol výrobok nesprávne používaný, bol používaný v rozpore s návodom na použitie alebo bol nesprávne zapojený. Táto záruka sa nevzťahuje na:
  - akékoľvek poškodenie výrobku, ktoré bolo spôsobené nesprávnou obsluhou
  - akýkoľvek výrobok, ktorý bol zmenený alebo upravený
  - akýkoľvek výrobok, na ktorom bolo poškodené, upravené alebo odstránené identifikačné označenie (ochranná známka, výrobné číslo)
  - akékoľvek škody, spôsobené nedodržaním návodu na obsluhu
  - akýkoľvek výrobok, ktorý neobsahuje označenie CE
  - akýkoľvek výrobok, ktorý sa pokúšal opraviť nekvalifikovaný odborník alebo bol opravovaný bez predchádzajúceho súhlasu zo strany spoločnosti Techtronic Industries.
  - akýkoľvek výrobok, pripojený k nesprávnemu napájaciemu zdroju (ampéry, napätie, frekvencia)
  - akýkoľvek výrobok, používaný s nesprávnou palivovou zmesou (palivo, olej, percento oleja)
  - akékoľvek poškodenia, spôsobené vonkajšími vplyvmi (chemickými, fyzikálnymi, nárazmi) alebo cudzorodými látkami
  - bežné opotrebovanie náhradných dielov
  - nehodné použitie, preťažovanie nástroja
  - používanie neschváleného príslušenstva a dielov
  - Akékoľvek pravidelné úpravy alebo čistenie karburátorov, vykonávaných vrámci údržby
  - Súčiastky (diely a príslušenstvo), ktoré podliehajú prirodzenému opotrebeniu, okrem iných, otočné gombíky, hnače remene, spojka, nože na nožnice na živý plot alebo kosačky na trávu, popruhy, lanko škrtiacej klapky, uhľiky, napájací kábel, radičky, pistené podložky, závesné klice, lopatky fúkačov, trubice vysávača a fúkača, vak do vysávača a popruhy, vodiace lišty, reťazové pily, hadice, spojovacie armatúry, trysky, kolesá, striekacie rúrky, vnútorné cievky, vonkajšie cievky, žacie lanká, zapalovacie sviečky, vzduchové filtre, benzínové filtre, mulčovacie nože atď.
- Na opravu musí byť výrobok odoslaný alebo doručený do autorizovaného servisného strediska RYOBI, uvedeného pre každú krajinu v nasledovnom zozname adries servisných stredísk. V niektorých krajinách miestny zástupca RYOBI preberá na seba záväzok zaslať tovar do servisnej organizácii RYOBI. Pri odosielaní výrobku do servisného strediska RYOBI je potrebné výrobok bezpečne zabaliť bez akéhokoľvek nebezpečného obsahu, ako je benzín, s vyznačením adresy odosiadateľa, s krátkym popisom poruchy.
- Oprava/výmena je vrámci tejto záruky bezplatná. Neznamená to predĺženie záruky alebo spustenie novej záručnej doby. Vymenené diely alebo nástroje sa stávajú našim vlastníctvom. V niektorých krajinách náklady na odoslanie alebo poštné musí zaplatiť odosiadateľ. Vaše zákonné práva, vyplývajúce z nákupu náradia, zostávajú nedotknuté
- Táto záruka platí v Európskej únii, Švajčiarsku, Islande, Nórsku, Lihtenštajnsku, Turesku a Rusku. Ak sa nachádzate mimo týchto oblastí, obráťte sa na autorizovaného predajcu RYOBI na určenie, či sa dá uplatniť iná záruka.

### AUTORIZOVANÉ SERVISNÉ CENTRUM

Ak chcete nájsť najbližšie autorizované servisné centrum, navštívte stránku <http://uk.ryobitools.eu/header/service-and-support/service-agents>.



## **BG** УСЛОВИЯ ЗА ВАЛИДНОСТ НА ГАРАНЦИЯТА НА RYOBI®

В допълнение към законоустановените права, произтичащи от покупката, този продукт е обхванат от гаранция, както е изложено по-долу.

- Гаранционният срок е 24 месеца за клиенти и започва да тече от деня на закупуване на продукта. Тази дата трябва да се докаже с фактура или друго доказателство за покупка. Продуктът е изработен и предназначен само за потребителска и лична употреба. Следователно не се дава гаранция в случай на използване от професионалисти или с търговска цел.
- Съществува възможност за удължаване на гаранционния срок за част от диалогана на гаранцията на градински инструменти (AC/DC) след изтичането на описания тук чрез регистрация на уеб сайта [www.ryobitools.eu](http://www.ryobitools.eu). В магазините и/или на опаковката или вътре в документацията на продукта е показано ясно дали инструментът отговаря на условията за такова удължаване на гаранционния срок. Крайният потребител трябва да регистрира своите новопридобити инструменти онлайн в рамките на 30 дни от датата на покупка. Крайният потребител може да се регистрира за удължена гаранция в държавата си на пребиваване, ако е посочена във формуляра за онлайн регистрация като място, където тази опция е валидна. Освен това крайните потребители трябва да дадат съгласието си за съхранение на данните, които са задължителни за ползване онлайн, и трябва да приемат общите условия. Полученото потвърждение за регистрация, изпратено по електронна поща, и оригиналната фактура, показваща датата на покупка, ще служат като доказателство за удължената гаранция.
- Гаранцията покрива всички дефекти на продукта по време на гаранционния срок, които се дължат на проблеми в изработката или материалите към момента на покупката. Гаранцията е ограничена до ремонт и/или замяна и не включва други задължения, включително, но не само, случайни или косвени щети. Гаранцията е невалидна, ако продуктът е използван неправилно или в противоречие с ръководството с инструкции, както и ако е свързан неправилно. Тази гаранция не важи за:
  - щети по продукта в резултат на неправилна профилактика
  - продукти, които са били изменени или модифицирани
  - продукт, при който оригиналните маркировки за идентификация (търговска марка, сериен номер) са изтрети, променени или премахнати
  - повреда, причинена от неспазване на ръководството с инструкции
  - продукт без CE маркировка
  - продукт, за който е направен опит за ремонт от невалидиращ специалист или без предварително разрешение от Techtronic Industries.
  - продукт, свързан към неподходящо електрохранване (ампераж, волтаж, честота)
  - продукт, използван с неподходяща горивна смес (гориво, масло, процент масло)
  - щети, причинени от външни влияния (химични, физични, удари) или чужди вещества
  - нормално износване на резервни части
  - неподходяща употреба, претоварване на инструмента
  - използване на неодобриени аксесори или части
- Всякакви периодични настройки или почистване с цел извършване на поддръжка на карбуратори
- Компоненти (части и аксесори), подложени на естествено износване, включително, но не само, копчета за тласкане, задвижващи ремъци, съединители, остриета на ножици за жив плет или косачки за трева, презарими, кабелен дротел, карбонови четки, ذخаранващ кабел, остриета, филцови шайби, осигурителни шифтове, вентилатори на уреди за обдухване, тръби за обдухване и всмукване, торба за отпадъци и ремъци, водещи шини, вериги за триони, маркучи, фитинги на конектори, дюзи, копела, пръскалки, вътрешни и външни макири, режещо влакно, запалителни свещи, въздушни филтри, горивни филтри, остриета за мулчиране и др.
- За обслужване продуктът трябва да се изпрати или занесе на оторизиран сервиз на RYOBI, посочен за всяка държава в следния списък с адреси на сервизи. В някои държави местният търговец на RYOBI носи отговорността да изпрати продукта до сервизен център на RYOBI. При изпращане на продукт до сервиз на RYOBI той трябва да е опакован безопасно без опасност съдържание, напр. бензин, да е маркиран с адреса на подателя и придружен от кратко описание на повредата.
- Ремонтът/замяната по силата на тази гаранция са безплатни. Те не водят до удължаване или подновяване на гаранционния срок. Сменените части или инструменти стават наша собственост. В някои държави таксите за доставка или изпращане трябва да се платят от подателя. Законоустановените ви права, произтичащи от закупуването на инструмента, остават незасегнати
- Тази гаранция е валидна в Европейската общност, Швейцария, Исландия, Норвегия, Лихтенщайн, Турция и Русия. Извън тези области се свържете с упълномощения търговец на RYOBI, за да се установи дали е приложима друга гаранция.

### УПЪЛНОМОЩЕН СЕРВИЗЕН ЦЕНТЪР

За да намерите упълномощен сервизен център близо до вас, посетете <http://uk.ryobitools.eu/header/service-and-support/service-agents>.

## **UK** ГАРАНТИЙНИ УМОВИ ДЛЯ RYOBI®

Окрім загалом установлених законом прав, що стосуються покупки, цей пристрій покривається гарантією, що зазначено нижче.

- Гарантійний період для споживачів складає 24 місяці і починається з моменту придбання цього пристрою. Ця дата повинна бути задокументована у гарантійному талоні або чеку, що підтверджує покупку. Цей пристрій був розроблений і призначений тільки для споживчого та приватного використання. У разі професійного або комерційного використання цього пристрою, він втрачає гарантію.
- Існує можливість продовжити гарантійний період, понад період описаний вище, для частини лінійки садових інструментів (перемінного/ постійного струму) за допомогою реєстрації на сайті [www.ryobitools.eu](http://www.ryobitools.eu). Пристрої, які мають право на подовження гарантійного періоду, мають чіткі позначки щодо цього в магазинах і / або на упаковці / та документатії до пристрою. Кінцевий користувач повинен зареєструвати його/її новопридбаний пристрій онлайн протягом 30 днів з дати покупки. Кінцевий користувач може зареєструватися для подовження гарантійного періоду в своїй країні постійного перебування, якщо вона є доступною у відповідній опції онлайн форми реєстрації. Крім того, кінцеві користувачі повинні дати свою згоду на зберігання даних, які необхідні для введення онлайн, а також вони повинні прийняти правила та умови. Отримання підтвердження реєстрації, яке відправляється на адресу електронної пошти, та оригінал гарантійного талона із зазначеною датою покупки буде слугувати доказом подовженої гарантії.
- Гарантія поширюється на всі дефекти пристрою протягом гарантійного терміну щодо недотримання стандартів виробництва або матеріалів на дату придбання. Гарантія обмежується ремонтом та/або заміною, та не включає в себе будь-яких інших зобов'язань, в тому числі, але необмежена у разі випадкових та подальших пошкоджень. Гарантія не діє, якщо пристрій використовувався неналежним чином, всупереч інструкції з експлуатації або був неправильно підключений до мережі. Дана гарантія не поширюється на:
  - пристрої, що були пошкоджені у результаті неправильного технічного обслуговування;
  - пристрої, що були видозмінені або модифіковані;
  - пристрої, оригінальні ідентифікаційні (товарний знак, серійний номер) маркування яких було пошкоджене, змінене або видалено;
  - будь-які пошкодження, заподіяні недотриманням інструкції з експлуатації;
  - пристрої, що не мають маркування CE;
  - пристрої, що були відремонтовані невалідікованим фахівцем або за відсутності попереднього дозволу від Techtronic Industries;
  - пристрої, підключені до невідповідного джерела живлення (сила току, напруження, частота);
  - пристрої, що використовувались із невідповідною паливною сумішшю (паливом, оливою, відсотковою часткою оливи);
  - будь-які пошкодження спричинені зовнішнім впливом (хімічними, фізичним, стрибком напруги) або сторонніми речовинами;
  - нормальну амортизацію запасних частин;
  - невідповідне використання, перевантаження пристрою;
  - використання не підтверджених запасних частин або аксесуарів;
  - Будь-які періодичні коригування або технічне очищення карбураторів
  - Компоненти (частини та аксесуари) з урахуванням нормального зношування, враховуючи але без обмеження на імпульсні кнопки, ремені приводу, зчеплення, леза кущоріза або газонокосарки, ремені, троси дротельного клапану, вугільні щітки, шнурки живлення, зубці, фетрові підкладки, зріпні штирі, вентилятори повітродувки, трубки пилососа та повітродувки, вакуумні мішки та накладки, напрямні, панцюги, гнучкі шланги, з'єднувальні фітинги, розпилювальні насадки, колеса, жорсткі сопла, внутрішні котушки, зовнішні золотники, ріжучу волосінку, свічки запалення, повітряні фільтри, протигазові фільтри, мультисувальні леза, т.д.
- Для обслуговування, пристрій має бути відправлений або поданий до одного з авторизованих сервісних центрів RYOBI, які перелічені для кожної країни у наступному переліку адрес сервісних центрів. У деяких країнах місцевий дилер RYOBI зобов'язується відправити пристрій до сервісного центру RYOBI. При відправленні пристрою до сервісного центру RYOBI, пристрій має бути надійно упакований без будь-якого небезпечного вмісту, наприклад бензину, з позначеною адресою відправника та супроводжується коротким описом несправності.
- Ремонт / заміна відповідно до цієї гарантії здійснюється безкоштовно. Це не є основою для подовження або початку нового гарантійного періоду. Замінені частини або прилади переходять до власності компанії. У деяких країнах вартість доставки або поштові витрати повинні бути сплачені відправником. Загально встановлені права покупця на пристрій залишаються незмінними
- Ця гарантія діє в Європейському Союзі, Швейцарії, Ісландії, Норвегії, Лихтенштейні, Туреччині та Росії. За межами цих зон, будь ласка, зверніться до офіційного дилера RYOBI, щоб визначити, чи застосовується інша гарантія.

### АВТОРИЗОВАНІ СЕРВІСНІ ЦЕНТРИ

Для отримання оновленого переліку авторизованих сервісних центрів, відвідайте <http://uk.ryobitools.eu/header/service-and-support/service-agents>.



## TR RYOBI® GARANTİ UYGULAMA KOŞULLARI

Alımdan kaynaklanan yasal haklara ek olarak, ürün aşağıda belirtilen garanti kapsamındadır.

1. Tüketiciler için 24 ay olan garanti süresi, ürünün satın alındığı tarihte başlar. Bu tarihin bir fatura ya da alım kantıtyla belgelenmesi gerekir. Ürün sadece tüketim ve özel kullanım için geliştirilmiş ve adanmıştır. Bu nedenle, profesyonel ya da ticari kullanım halinde garanti kapsamı sağlanmaz.
2. Bahçe aletlerinin bir bölümü (AC/DC) için [www.ryobitools.eu](http://www.ryobitools.eu) sayfasındaki kayıt işlemini kullanarak garantinin belirtilen süresinin ötesine uzatma imkanı mevcuttur. Aletlerin garanti süresinin uzatılmasına uygun olup olmadığı mağazalarda ve / veya ambalajda açıkça belirtilmiş olup, ürün dokümantasyonunda gösterilir. Son kullanıcının yeni aldığı aletleri satın alma tarihini izleyen 30 gün içinde kaydetmesi gerekir. Son kullanıcı ikamet ettiği ülkede, bu seçeneğin geçerli olduğu çevrimiçi kayıt formunda belirtilmişse, uzatılmış garanti süresi için kayıt yaptırabilir. Dahası, son kullanıcıların çevrimiçi giriş için gerekli verilerin kaydedilmesine izin vermemi ve hüküm ve koşulları kabul etmelidir. E-posta ile gönderilen kayıt teyit makbuzu ve alım tarihini gösteren orijinal fatura uzatılmış garantinin kanıtı olarak değerlendirilir.
3. Garanti, ürünün alım tarihindeki işçilik ve malzeme kusurları nedeniyle garanti süresi içinde oluşacak bütün arızalarını kapsar. Bu garanti onarım ve değiştirmeyle sınırlı olup, tesadüfi ya da dolaylı hasarlar da dahil, ancak bunlarla kısıtlı olmayan başka hiçbir taahhüdü kapsamaz. Garanti, ürünün kötü, kullanıcı kılavuzuna aykırı kullanılmış ya da yanlış bağlanmış olması halinde geçerli değildir. Bu garanti aşağıdakileri kapsamaz:
  - ürende, yanlış bakımdan kaynaklanan herhangi bir hasar
  - değiştirilmiş ya da modifiye edilmiş herhangi bir ürün
  - orijinal tanıtmı işaretleri (ticari marka, seri numarası) silinmiş, değiştirilmiş ya da kaldırılmış herhangi bir ürün
  - kullanma kılavuzuna uymamaktan kaynaklanmış herhangi bir hasar
  - herhangi bir AT dışı ürün
  - kalifiye olmamış personel tarafından ya da önceden Techtronic Industries onayı alınmadan onarılmış herhangi bir ürün.
  - uygunsuz güç kaynağına (amper, voltaj, frekans) bağlanmış herhangi bir ürün
  - uygunsuz bir yakıt karışımıyla (yakıt, yağ, yap yüzdesi) kullanılmış herhangi bir ürün
  - harici etkenlerden (kimyasal, fiziksel, darbe) veya yabancı cisimlerden kaynaklanan her türlü hasar
  - normal aşınır ve yıpranır aksam
  - uygunsuz kullanım, aletin aşırı yüklenmesi
  - onaysız aksesuar veya parça kullanımı
  - Karbüratörlere uygulanacak her türlü periyodik ayar, bakım veya temizlik
  - Darbe Düğmeleri, Tahrik Kayışları, Kavrama, Çit Budama ya da Çim Bıçme Makinelerinin Bıçakları, Kayış Koşumlar, Kablo Gaz, Kömür Fırçalar, Güç Kablo, Dişler, Keçe Rondelalar, Bağlantı Pimleri, Üfleyci Pervaneleri, Üfleyci ve Vakum Boruları, Vakum Torbası ve Kayışları, Kılavuz Çubuklar, Zincir Testere, Hortumlar, Konektör bağlantıları, Püskürtme Memeleri, Çarklar, Püskürtme Çubukları, Dahili Makaralar, Harici Makaralar, Kesme Telleri, Bujiler, Hava Filtreleri, Gaz Filtreleri, Malçlama Bıçakları vb. gibi parçaları kapsayan, ancak bunlarla sınırlı olmayan, aşınma ve yıpranmaya tabi bileşenler (aksam ve aksesuarlar).
4. Ürünün servis için her ülkede aşağıdaki servis istasyonları adres listesinde yer alan yetkili bir RYOBI servis istasyonuna gönderilmesi ya götürülmesi gereklidir. Bazı ülkelerde, yerel RYOBI distribütörünüz ürünü RYOBI servis teşkilatına göndermeyi üstlenir. Bir ürün bir RYOBI servis istasyonuna gönderilirken, ürünün güvenli bir biçimde ambalajlanması, benzin gibi tehlikeli maddeler içermemesi, gönderenin adresini taşıması ve anzanın kısa bir açıklamasını içermesi gerekir.
5. Bu garanti kapsamında yapılacak onarım / değişiklik ücretsizdir. Garanti süresinin uzatılması ya da yeniden başlatılması anlamına gelmez. Değiştirilmiş parçalar veya aletler bize ait olur. Bazı ülkelerde teslimat ücretleri veya posta giderlerinin gönderici tarafından ödenmesi gerekir. Alımdan kaynaklanan yasal haklarınız etkilenmez.
6. Bu Garanti Avrupa Topluluğu, İsviçre, İzlanda, Norveç, Liechtenstein, Türkiye ve Rusya'da geçerlidir. Bu alanların dışında, başka bir garantinin geçerli olup olmadığını belirlemek için lütfen yetkili RYOBI distribütörünüzle irtibata geçin.

### YETKİLİ SERVİS MERKEZİ

En yakın yetkili servis merkezini öğrenmek için <http://uk.ryobitools.eu/header/service-and-support/service-agents> sitesine girin.

**EN** DECLARATION OF CONFORMITY

Techtronic Industries GmbH  
Max-Eyth-Straße 10, 71364 Winnenden, Germany

Herewith we declare that the product

Cordless lopper  
Brand: RYOBI  
Model: OLP1832BX  
Serial number range: 46281201000001- 46281201999999

is in conformity with the following European Directives and harmonised standards  
2006/42/EC, 2014/30/EU, 2011/65/EU, EN 55014-1:2017; EN 55014-2:2015;  
EN 60745-1:2009+A11:2010, EN ISO 12100:2010; EN 50581:2012

Andrew John Eyre (BEng, CEng, MIET)  
Vice President, Regulatory & Safety  
Winnenden, Oct 31, 2018

Authorised to compile the technical file:  
Alexander Krug, Managing Director  
Techtronic Industries GmbH  
Max-Eyth-Straße 10, 71364 Winnenden, Germany

CE

**DE** KONFORMITÄTSERKLÄRUNG

Techtronic Industries GmbH  
Max-Eyth-Straße 10, 71364 Winnenden, Germany

Hiermit erklären wir, dass die Produkte

Akku-Astscherer  
Marke: RYOBI  
Modellnummer: OLP1832BX  
Seriennummernbereich: 46281201000001- 46281201999999

mit den folgenden europäischen Richtlinien und harmonisierten Normen entspricht  
2006/42/EC, 2014/30/EU, 2011/65/EU, EN 55014-1:2017; EN 55014-2:2015;  
EN 60745-1:2009+A11:2010, EN ISO 12100:2010; EN 50581:2012

Andrew John Eyre (BEng, CEng, MIET)  
Vizepräsident, Vorschriften und Sicherheit  
Winnenden, Oct 31, 2018

Autorisiert die technische Datei zu erstellen:  
Alexander Krug, Geschäftsführer  
Techtronic Industries GmbH  
Max-Eyth-Straße 10, 71364 Winnenden, Germany

CE

**FR** DÉCLARATION DE CONFORMITÉ

Techtronic Industries GmbH  
Max-Eyth-Straße 10, 71364 Winnenden, Germany

Déclarons par la présente que le produit

Ebrancheur sans fil  
Marque: RYOBI  
Numéro de modèle: OLP1832BX  
Étendue des numéros de série: 46281201000001- 46281201999999

est conforme aux Directives Européennes et Normes Harmonisées suivantes  
2006/42/EC, 2014/30/EU, 2011/65/EU, EN 55014-1:2017; EN 55014-2:2015;  
EN 60745-1:2009+A11:2010, EN ISO 12100:2010; EN 50581:2012

Andrew John Eyre (BEng, CEng, MIET)  
Vice-Président, Réglementation & Sécurité  
Winnenden, Oct 31, 2018

Autorisé à rédiger le dossier technique:  
Alexander Krug, Directeur Général  
Techtronic Industries GmbH  
Max-Eyth-Straße 10, 71364 Winnenden, Germany

CE

**ES** DECLARACIÓN DE CONFORMIDAD

Techtronic Industries GmbH  
Max-Eyth-Straße 10, 71364 Winnenden, Germany

Por la presente declaramos que los productos

Podadora inalámbrica  
Marca: RYOBI  
Número de modelo: OLP1832BX  
Intervalo del número de serie: 46281201000001- 46281201999999

se encuentra en conformidad con las siguientes Directivas Europeas y normas armonizadas  
2006/42/EC, 2014/30/EU, 2011/65/EU, EN 55014-1:2017; EN 55014-2:2015;  
EN 60745-1:2009+A11:2010, EN ISO 12100:2010; EN 50581:2012

Andrew John Eyre (BEng, CEng, MIET)  
Vicepresidente, Director General de Normativa y Seguridad  
Winnenden, Oct 31, 2018

Autorizado para elaborar la ficha técnica:  
Alexander Krug, Administrador Ejecutivo  
Techtronic Industries GmbH  
Max-Eyth-Straße 10, 71364 Winnenden, Germany

CE

**IT DICHIARAZIONE DI CONFORMITÀ**

Techtronic Industries GmbH  
Max-Eyth-Straße 10, 71364 Winnenden, Germany

*Si dichiara con la presente che il prodotto*

Troncarami a batteria  
Marca: RYOBI  
Numero modello: OLP1832BX  
Gamma numero seriale: 46281201000001- 46281201999999

*è conforme alle seguenti Direttive Europee e ai seguenti standard armonizzati*  
2006/42/EC, 2014/30/EU, 2011/65/EU, EN 55014-1:2017; EN 55014-2:2015;  
EN 60745-1:2009+A11:2010, EN ISO 12100:2010; EN 50581:2012

Andrew John Eyre (BEng, CEng, MIET)  
Vice-Presidente, Dipartimento Regolazioni & Sicurezza  
Winnenden, Oct 31, 2018

Autorizzato per compilare il file tecnico:  
Alexander Krug, Direttore Amministrativo  
Techtronic Industries GmbH  
Max-Eyth-Straße 10, 71364 Winnenden, Germany

CE

**PT DECLARAÇÃO DE CONFORMIDADE**

Techtronic Industries GmbH  
Max-Eyth-Straße 10, 71364 Winnenden, Germany

*Pelo presente declaramos que os produtos*

Tesoura-serrote eléctrica recarregável  
Marca: RYOBI  
Número do modelo: OLP1832BX  
Intervalo do número de série: 46281201000001- 46281201999999

*se encontra em conformidade com as seguintes Directivas Europeias e normas harmonizadas*  
2006/42/EC, 2014/30/EU, 2011/65/EU, EN 55014-1:2017; EN 55014-2:2015;  
EN 60745-1:2009+A11:2010, EN ISO 12100:2010; EN 50581:2012

Andrew John Eyre (BEng, CEng, MIET)  
Vice-Presidente, Regulação & Segurança  
Winnenden, Oct 31, 2018

Autorizado para compilar o ficheiro técnico:  
Alexander Krug, Administrador Executivo  
Techtronic Industries GmbH  
Max-Eyth-Straße 10, 71364 Winnenden, Germany

CE

**NL CONFORMITEITSVERKLARING**

Techtronic Industries GmbH  
Max-Eyth-Straße 10, 71364 Winnenden, Germany

*Hierbij verklaren wij dat het product*

Snoerloze takkenschaar  
Merk: RYOBI  
Modelnummer: OLP1832BX  
Serienummerbereik: 46281201000001- 46281201999999

*is in overeenstemming met de volgende Europese Richtlijnen en geharmoniseerde normen*  
2006/42/EC, 2014/30/EU, 2011/65/EU, EN 55014-1:2017; EN 55014-2:2015;  
EN 60745-1:2009+A11:2010, EN ISO 12100:2010; EN 50581:2012

Andrew John Eyre (BEng, CEng, MIET)  
Vice-president, Regelgeving en Veiligheid  
Winnenden, Oct 31, 2018

Afgevaardigde voor het samenstellen van de technische fiche:  
Alexander Krug, Directeur  
Techtronic Industries GmbH  
Max-Eyth-Straße 10, 71364 Winnenden, Germany

CE

**DA OVERENSSTEMMELSESERKLÆRING**

Techtronic Industries GmbH  
Max-Eyth-Straße 10, 71364 Winnenden, Germany

*Vi erklærer hermed, at produktet*

Ledningsfri beskærersaks  
Brand: RYOBI  
Modelnummer: OLP1832BX  
Serienummerområde: 46281201000001- 46281201999999

*er i overensstemmelse med følgende EU-direktiver og harmoniserede standarder*  
2006/42/EC, 2014/30/EU, 2011/65/EU, EN 55014-1:2017; EN 55014-2:2015;  
EN 60745-1:2009+A11:2010, EN ISO 12100:2010; EN 50581:2012

Andrew John Eyre (BEng, CEng, MIET)  
Vicepræsident, Regler og Sikkerhed  
Winnenden, Oct 31, 2018

Bemyndiget til at udarbejde det tekniske kartotek:  
Alexander Krug, Administrerende Direktør  
Techtronic Industries GmbH  
Max-Eyth-Straße 10, 71364 Winnenden, Germany

CE

**SV** KONFORMITETSDEKLARATION

Techtronic Industries GmbH  
Max-Eyth-Straße 10, 71364 Winnenden, Germany

Härmed deklarerar vi att produkterna

Trådlös trådsax  
Märke: RYOBI  
Modellnummer: OLP1832BX  
Serienummerintervall: 46281201000001- 46281201999999

är i enlighet med följande EU-direktiv och harmoniserade standarder  
2006/42/EC, 2014/30/EU, 2011/65/EU, EN 55014-1:2017; EN 55014-2:2015;  
EN 60745-1:2009+A11:2010, EN ISO 12100:2010; EN 50581:2012



Andrew John Eyre (BEng, CEng, MIET)  
Vice President, Regelverk och Säkerhet  
Winnenden, Oct 31, 2018

Godkänd att sammanställa den tekniska filen:  
Alexander Krug, VD  
Techtronic Industries GmbH  
Max-Eyth-Straße 10, 71364 Winnenden, Germany

CE

**NO** SAMSVARERKLÆRING

Techtronic Industries GmbH  
Max-Eyth-Straße 10, 71364 Winnenden, Germany

Herved erklærer vi at produktet

Trådløs grenkapper  
Märke: RYOBI  
Modellnummer: OLP1832BX  
Serienummerserie: 46281201000001- 46281201999999

er i samsvar med følgende europeiske direktiver og harmoniserte standarder  
2006/42/EC, 2014/30/EU, 2011/65/EU, EN 55014-1:2017; EN 55014-2:2015;  
EN 60745-1:2009+A11:2010, EN ISO 12100:2010; EN 50581:2012



Andrew John Eyre (BEng, CEng, MIET)  
Visepresident, Forskrifter og Sikkerhet  
Winnenden, Oct 31, 2018

Autorisert til å sette sammen den tekniske filen:  
Alexander Krug, Administrerende Direktør  
Techtronic Industries GmbH  
Max-Eyth-Straße 10, 71364 Winnenden, Germany

CE

**FI** SÄÄNNÖSTEN NOUDATTAMINEN

Techtronic Industries GmbH  
Max-Eyth-Straße 10, 71364 Winnenden, Germany

Ilmoitamme täten, että tuotteet

Akkukäyttöiset oksasakset  
Tuotemerkki: RYOBI  
Mallinumero: OLP1832BX  
Sarjanumeroalue: 46281201000001- 46281201999999

noudattaa seuraavia EU-direktiivejä ja harmonoituja standardeja  
2006/42/EC, 2014/30/EU, 2011/65/EU, EN 55014-1:2017; EN 55014-2:2015;  
EN 60745-1:2009+A11:2010, EN ISO 12100:2010; EN 50581:2012



Andrew John Eyre (BEng, CEng, MIET)  
Varatoimitusjohtaja, Säädöstenmukaisuus ja Turvallisuus  
Winnenden, Oct 31, 2018

Valtuutettu kokoamaan tekninen tiedosto:  
Alexander Krug, Toimitusjohtaja  
Techtronic Industries GmbH  
Max-Eyth-Straße 10, 71364 Winnenden, Germany

CE

**RU** ЗАЯВЛЕНИЕ О СООТВЕТСТВИИ ТРЕБОВАНИЯМ

Techtronic Industries GmbH  
Max-Eyth-Straße 10, 71364 Winnenden, Germany

Настоящим мы заявляем, что данный продукт

Беспроводное сучкорезное устройство  
Марка: RYOBI  
Номер модели: OLP1832BX  
Диапазон заводских номеров: 46281201000001- 46281201999999

соответствует требованиям следующих Директив ЕС и согласованных стандартов  
2006/42/EC, 2014/30/EU, 2011/65/EU, EN 55014-1:2017; EN 55014-2:2015;  
EN 60745-1:2009+A11:2010, EN ISO 12100:2010; EN 50581:2012



Andrew John Eyre (BEng, CEng, MIET)  
Вице-Президент По Технике Безопасности И Стандартам  
Winnenden, Oct 31, 2018

Лицо, ответственное за подготовку технической документации:  
Alexander Krug, Директор  
Techtronic Industries GmbH  
Max-Eyth-Straße 10, 71364 Winnenden, Germany

CE

**PL** DEKLARACJA ZGODNOŚCI

Techtronic Industries GmbH  
Max-Eyth-Straße 10, 71364 Winnenden, Germany

*Niniejszym deklarujemy, że produkty*

Sektor bezprzewodowy  
Marka: RYOBI  
Numer modelu: OLP1832BX  
Zakres numerów seryjnych: 46281201000001- 46281201999999

*jest zgodny z następującymi dyrektywami europejskimi i zharmonizowanymi normami*

2006/42/EC, 2014/30/EU, 2011/65/EU, EN 55014-1:2017; EN 55014-2:2015;  
EN 60745-1:2009+A11:2010, EN ISO 12100:2010; EN 50581:2012

Andrew John Eyre (BEng, CEng, MIET)  
Wiceprezes ds. Zgodności Prawnej i Bezpieczeństwa  
Winnenden, Oct 31, 2018

Osoba upoważniona do sporządzenia dokumentu technicznego:

Alexander Krug, Dyrektor Zarządzający  
Techtronic Industries GmbH  
Max-Eyth-Straße 10, 71364 Winnenden, Germany

CE

**HU** MEGFELELŐSÉGI NYILATKOZAT

Techtronic Industries GmbH  
Max-Eyth-Straße 10, 71364 Winnenden, Germany

*Ezúton kijelentjük, hogy a termék*

Vezeték nélküli ágvágó  
Marka: RYOBI  
Típuszám: OLP1832BX  
Sorozatszám tartomány: 46281201000001- 46281201999999

*megfelel az alábbi Európai Irányelvek és harmonizált szabványok vonatkozó rendelkezéseinek*

2006/42/EC, 2014/30/EU, 2011/65/EU, EN 55014-1:2017; EN 55014-2:2015;  
EN 60745-1:2009+A11:2010, EN ISO 12100:2010; EN 50581:2012

Andrew John Eyre (BEng, CEng, MIET)  
Alelnök, Megfelelőségi és Biztonsági Területek  
Winnenden, Oct 31, 2018

A műszaki dokumentáció összeállítására felhatalmazott:

Alexander Krug, Ügyvezető Igazgató  
Techtronic Industries GmbH  
Max-Eyth-Straße 10, 71364 Winnenden, Germany

CE

**CS** PROHLÁŠENÍ O SHODĚ

Techtronic Industries GmbH  
Max-Eyth-Straße 10, 71364 Winnenden, Germany

*Tímto prohlašujeme, že výrobky*

Akumulátorový odvětvovač  
Značka: RYOBI  
Číslo modelu: OLP1832BX  
Rozsah sériových čísel: 46281201000001- 46281201999999

*že tento výrobek je v souladu s evropskými a harmonizovanými standardy*  
2006/42/EC, 2014/30/EU, 2011/65/EU, EN 55014-1:2017; EN 55014-2:2015;  
EN 60745-1:2009+A11:2010, EN ISO 12100:2010; EN 50581:2012

Andrew John Eyre (BEng, CEng, MIET)  
Viceprezident, Normy a Bezpečnost  
Winnenden, Oct 31, 2018

Pověření ke kompilaci technického souboru:

Alexander Krug, Generální Ředitel  
Techtronic Industries GmbH  
Max-Eyth-Straße 10, 71364 Winnenden, Germany

CE

**RO** DECLARAȚIE DE CONFORMITATE

Techtronic Industries GmbH  
Max-Eyth-Straße 10, 71364 Winnenden, Germany

*Prin prezenta, declarăm că produsele*

Foarfecă fără fir  
Marcă: RYOBI  
Număr serie: OLP1832BX  
Gamă număr serie: 46281201000001- 46281201999999

*este în conformitate cu următoarele Directive Europene și standarde armonizate*  
2006/42/EC, 2014/30/EU, 2011/65/EU, EN 55014-1:2017; EN 55014-2:2015;  
EN 60745-1:2009+A11:2010, EN ISO 12100:2010; EN 50581:2012

Andrew John Eyre (BEng, CEng, MIET)  
Vicepreședinte, Reglementare & Siguranța  
Winnenden, Oct 31, 2018

Autorizat să completeze fișa tehnică:

Alexander Krug, Director General  
Techtronic Industries GmbH  
Max-Eyth-Straße 10, 71364 Winnenden, Germany

CE

**LV** ATBILSTĪBAS DEKLARĀCIJA

Techtronic Industries GmbH  
Max-Eyth-Straße 10, 71364 Winnenden, Germany

Ar šo paziņojam, ka produkti

Bezvadū zaru šķēres  
Zīmols: RYOBI  
Modeļa numurs: OLP1832BX  
Sērijas numura intervāls: 46281201000001- 46281201999999

atbilst šādām Eiropas direktīvām un saskaņotajiem standartiem  
2006/42/EC, 2014/30/EU, 2011/65/EU, EN 55014-1:2017; EN 55014-2:2015;  
EN 60745-1:2009+A11:2010, EN ISO 12100:2010; EN 50581:2012

Andrew John Eyre (BEng, CEng, MIET)  
Viceprezidents, Darba Drošības Noteikumi  
Winnenden, Oct 31, 2018

Pilnvarots sastādīt tehnisko failu:  
Alexander Krug, Izpilddirektors  
Techtronic Industries GmbH  
Max-Eyth-Straße 10, 71364 Winnenden, Germany

CE

**ET** VASTAVUSDEKLARATSIOON

Techtronic Industries GmbH  
Max-Eyth-Straße 10, 71364 Winnenden, Germany

Kinnitame, et see toode

Juhtmeta lõikur  
Mark: RYOBI  
Modeli number: OLP1832BX  
Seerianumbri vahemik: 46281201000001- 46281201999999

vastab järgmistele Euroopa direktiividele ja harmoneeritud standarditele  
2006/42/EC, 2014/30/EU, 2011/65/EU, EN 55014-1:2017; EN 55014-2:2015;  
EN 60745-1:2009+A11:2010, EN ISO 12100:2010; EN 50581:2012

Andrew John Eyre (BEng, CEng, MIET)  
Asepresident Standardiseerimise Ja Ohutuse Alal  
Winnenden, Oct 31, 2018

Tehnilise faili koostamiseks volitatud isik:  
Alexander Krug, Tegevdirektor  
Techtronic Industries GmbH  
Max-Eyth-Straße 10, 71364 Winnenden, Germany

CE

**LT** ATITIKTIES DEKLARACIJA

Techtronic Industries GmbH  
Max-Eyth-Straße 10, 71364 Winnenden, Germany

Mes pareiškiame, kad šie produktai

Akumulatorinis šakų genėtuvas  
Prekės ženklas: RYOBI  
Modelio numeris: OLP1832BX  
Serijinio numerio diapazonas: 46281201000001- 46281201999999

pagamintas laikantis toliau nurodytųjų Europos Direktyvų ir darniųjų standartų  
2006/42/EC, 2014/30/EU, 2011/65/EU, EN 55014-1:2017; EN 55014-2:2015;  
EN 60745-1:2009+A11:2010, EN ISO 12100:2010; EN 50581:2012

Andrew John Eyre (BEng, CEng, MIET)  
Kontrolės Ir Saugos Viceprezidentas  
Winnenden, Oct 31, 2018

Ilgalios sudaryti techninį failą:  
Alexander Krug, Generalinis Direktorius  
Techtronic Industries GmbH  
Max-Eyth-Straße 10, 71364 Winnenden, Germany

CE

**HR** IZJAVA O USKLADENOSTI

Techtronic Industries GmbH  
Max-Eyth-Straße 10, 71364 Winnenden, Germany

Ovime izjavljujemo da su proizvodi

Bežični rezač grana  
Marka: RYOBI  
Broj modela: OLP1832BX  
Raspon serijskog broja: 46281201000001- 46281201999999

usklađen sa sljedećim Europskim Direktivama i usklađenim normama  
2006/42/EC, 2014/30/EU, 2011/65/EU, EN 55014-1:2017; EN 55014-2:2015;  
EN 60745-1:2009+A11:2010, EN ISO 12100:2010; EN 50581:2012

Andrew John Eyre (BEng, CEng, MIET)  
Potpredsjednik za Pravila i Sigurnost  
Winnenden, Oct 31, 2018

Ovlašten da sastavi tehničku datoteku:  
Alexander Krug, Direktor Upravljanja  
Techtronic Industries GmbH  
Max-Eyth-Straße 10, 71364 Winnenden, Germany

CE

**SL** IZJAVA O SKLADNOSTI

Techtronic Industries GmbH  
Max-Eyth-Straße 10, 71364 Winnenden, Germany

*Izjavljamo, da je izdelek*  
Brezžični obrezovalnik  
Znamka: RYOBI  
Številka modela: OLP1832BX  
Razpon serijskih števil: 46281201000001- 46281201999999

*v skladu s sledečimi evropskimi direktivami in harmoniziranimi standardi*  
2006/42/EC, 2014/30/EU, 2011/65/EU, EN 55014-1:2017; EN 55014-2:2015;  
EN 60745-1:2009+A11:2010, EN ISO 12100:2010; EN 50581:2012

Andrew John Eyre (BEng, CEng, MIET)  
Podpredsednik, Zakonodajne In Varnostne Zadeve  
Winnenden, Oct 31, 2018

Pooblaščen oseba za sestavo tehnične dokumentacije:  
Alexander Krug, Izvršni Direktor  
Techtronic Industries GmbH  
Max-Eyth-Straße 10, 71364 Winnenden, Germany

CE

**BG** ДЕКЛАРАЦИЯ НА ЗА СЪОТВЕТВИЕ

Techtronic Industries GmbH  
Max-Eyth-Straße 10, 71364 Winnenden, Germany

С настоящето декларираме, че продуктите  
Безжична лозарска ножица  
Марка: RYOBI  
Номер на модела: OLP1832BX  
Обхват на серийни номера: 46281201000001- 46281201999999

отговаря на следните директиви на ЕС и хармонизирани стандарти  
2006/42/EC, 2014/30/EU, 2011/65/EU, EN 55014-1:2017; EN 55014-2:2015;  
EN 60745-1:2009+A11:2010, EN ISO 12100:2010; EN 50581:2012

Andrew John Eyre (BEng, CEng, MIET)  
Вицепрезидент, Правни Услуги И Безопасност  
Winnenden, Oct 31, 2018

Упълномощено лице за съставяне на техническия файл:  
Alexander Krug, Изпълнителен Директор  
Techtronic Industries GmbH  
Max-Eyth-Straße 10, 71364 Winnenden, Germany

CE

**SK** PREHLÁSENIE O ZHODE

Techtronic Industries GmbH  
Max-Eyth-Straße 10, 71364 Winnenden, Germany

*Týmto vyhlasujeme, že výrobok*  
Akumulátorový prerezávač  
Značka: RYOBI  
Číslo modelu: OLP1832BX  
Rozsah sériových čísel: 46281201000001- 46281201999999

*je v súlade s nasledujúcimi Európskymi smernicami a harmonizovanými normami*  
2006/42/EC, 2014/30/EU, 2011/65/EU, EN 55014-1:2017; EN 55014-2:2015;  
EN 60745-1:2009+A11:2010, EN ISO 12100:2010; EN 50581:2012

Andrew John Eyre (BEng, CEng, MIET)  
Viceprezident, Regulácia a Bezpečnosť  
Winnenden, Oct 31, 2018

Oprávnená osoba na zostavenie technického súboru:  
Alexander Krug, Generálny Riaditeľ  
Techtronic Industries GmbH  
Max-Eyth-Straße 10, 71364 Winnenden, Germany

CE

**UK** ДЕКЛАРАЦИЯ ПРО ВІДПОВІДНІСТЬ

Techtronic Industries GmbH  
Max-Eyth-Straße 10, 71364 Winnenden, Germany

При цьому ми заявляємо, що продукт  
Бездротовий пристрій для обрізання гілок  
Марка: RYOBI  
Номер моделі: OLP1832BX  
Діапазон серійного номеру: 46281201000001- 46281201999999

у відповідності з наступними європейськими директивами та гармонізованими стандартами  
2006/42/EC, 2014/30/EU, 2011/65/EU, EN 55014-1:2017; EN 55014-2:2015;  
EN 60745-1:2009+A11:2010, EN ISO 12100:2010; EN 50581:2012

Andrew John Eyre (BEng, CEng, MIET)  
Вице-президент, регулювання і безпека  
Winnenden, Oct 31, 2018

Дозвіл на складання технічного файла:  
Alexander Krug, керуючий Директор  
Techtronic Industries GmbH  
Max-Eyth-Straße 10, 71364 Winnenden, Germany

CE

**TR UYGUNLUK BEYANI**

Techtronic Industries GmbH  
Max-Eyth-Straße 10, 71364 Winnenden, Germany

*İş bu belge ile bu ürünün*

Kablosuz budama makası  
Marka: RYOBI  
Model numarası: OLP1832BX  
Seri numarası aralığı: 46281201000001- 46281201999999

*aşağıdaki Avrupa Direktiflerine ve uyumlaştırılmış standartlara uygun olduğunu  
beyan ediyorum*

2006/42/EC, 2014/30/EU, 2011/65/EU, EN 55014-1:2017; EN 55014-2:2015;  
EN 60745-1:2009+A11:2010, EN ISO 12100:2010; EN 50581:2012



Andrew John Eyre (BEng, CEng, MIET)  
Kıdemli Mühendislik Yöneticisi  
Winnenden, Oct 31, 2018

CE

Teknik dosyayı derlemekle yetkili sorumlu:  
Alexander Krug, İdari Müdür  
Techtronic Industries GmbH  
Max-Eyth-Straße 10, 71364 Winnenden, Germany

130.com.ua





130.com.ua

**Techtronic Industries GmbH**  
Max-Eyth-Straße 10,  
71364 Winnenden, Germany

960994110-02