



PHONES

0 (800) 800 130  
(050) 462 0 130  
(063) 462 0 130  
(067) 462 0 130

130  
COM.UA

Internet store of  
autogoods



SKYPE

km-130

CAR RECEIVERS — Receivers • Media receivers and stations • Native receivers • CD/DVD changers • FM-modulators/USB adapters • Flash memory • Facia plates and adapters • Antennas • Accessories |  
 CAR AUDIO — Car audio speakers • Amplifiers • Subwoofers • Processors • Crossovers • Headphones • Accessories | TRIP COMPUTERS — Universal computers • Model computers • Accessories |  
 GPS NAVIGATORS — Portable GPS • Built-in GPS • GPS modules • GPS trackers • Antennas for GPS navigators • Accessories | VIDEO — DVR • TV sets and monitors • Car TV tuners • Cameras • Videomodules  
 • Transcoders • Car TV antennas • Accessories | SECURITY SYSTEMS — Car alarms • Bike alarms • Mechanical blockers • Immobilizers • Sensors • Accessories | OPTIC AND LIGHT — Xenon • Bixenon • Lamps  
 • LED • Stroboscopes • Optic and Headlights • Washers • Light, rain sensors • Accessories | PARKTRONICS AND MIRRORS — Rear parktronic • Front parktronic • Combined parktronic • Rear-view mirrors  
 • Accessories | HEATING AND COOLING — Seat heaters • Mirrors heaters • Screen-wipers heaters • Engine heaters • Auto-refrigerators • Air conditioning units • Accessories | TUNING — Vibro-isolation  
 • Noise-isolation • Tint films • Accessories | ACCESSORIES — Radar-detectors • Handsfree, Bluetooth • Windowlifters • Compressors • Beeps, loudspeakers • Measuring instruments • Cleaners • Car seats  
 • Miscellaneous | MOUNTING — Installation kits • Upholstery • Grilles • Tubes • Cable and wire • Tools • Miscellaneous | POWER — Batteries • Converters • Start-charging equipment • Capacitors  
 • Accessories | MARINE AUDIO AND ELECTRONICS — Marine receivers • Marine audio speakers • Marine subwoofers • Marine amplifiers • Accessories | CAR CARE PRODUCTS — Additives • Washer fluid •  
 Care accessories • Car polish • Flavors • Adhesives and sealants | LIQUID AND OIL — Motor oil • Transmission oil • Brake fluid • Antifreeze • Technical lubricant



In store "130" you can find and buy almost all necessary goods for your auto in Kyiv and other cities, delivery by ground and postal services. Our experienced consultants will provide you with exhaustive information and help you to choose the very particular thing. We are waiting for you at the address

<https://130.com.ua>

# RYOBI®

## OCS1830

ORIGINAL INSTRUCTIONS  
TRADUCTION DES INSTRUCTIONS ORIGINALES  
ÜBERSETZUNG DER ORIGINALANLEITUNG  
TRADUCCIÓN DE LAS INSTRUCCIONES ORIGINALES  
TRADUZIONE DELLE ISTRUZIONI ORIGINALI  
VERTALING VAN DE ORIGINELE INSTRUCTIES  
TRADUÇÃO DAS INSTRUÇÕES ORIGINAIS  
OVERSÆTTELSE AF DE ORIGINALE INSTRUKTIONER  
ÖVERSÄTTNING AV DE URSPRUNGLIGA INSTRUKTIONERNA  
ALKUPERÄISTEN OHJEIDEN SUOMENNO  
OVERSETTELSE AV DE ORIGINALE INSTRUKSJONENE  
ПЕРЕВОД ОРИГИНАЛЬНЫХ ИНСТРУКЦИЙ  
TŁUMACZENIE INSTRUKCJI ORYGINALNEJ  
PŘEKLAD ORIGINÁLNÍCH POKYNŮ  
AZ EREDETI ÚTMUTATÓ FORDÍTÁSA  
TRADUCEREA INSTRUCȚIUNILOR ORIGINALE  
TULKOTS NO ORIĢINĀLĀS INSTRUKCIJAS  
ORIGINALIŲ INSTRUKCIJŲ VERTIMAS  
ORIGINAALJUHENDI TÕLGE  
PRIJEVOD ORIGINALNIH UPUTA  
PREVOD ORIGINALNIH NAVODIL  
PREKLAD ORIGINÁLNYCH POKYNOV  
ПРЕВОД ОТ ОРИГИНАЛНИТЕ ИНСТРУКЦИИ  
ПЕРЕКЛАД ОРИГИНАЛЬНИХ ИНСТРУКЦІЙ  
ORIJINAL TALĪMATLAR



EN  
FR  
DE  
ES  
IT  
NL  
PT  
DA  
SV  
FI  
NO  
RU  
PL  
CS  
HU  
RO  
LV  
LT  
ET  
HR  
SL  
SK  
BG  
UK  
TR





- Important!** It is essential that you read the instructions in this manual before assembling, maintaining and operating the product.
- Attention!** Il est essentiel que vous lisiez les instructions contenues dans ce manuel avant d'assembler, d'entretenir et d'utiliser le produit.
- Achtung!** Es ist wichtig, dass Sie vor Zusammenbau, Wartung und Benutzung des Produktes die Anweisungen in dieser Anleitung lesen.
- ¡Atención!** Resulta fundamental que lea este manual de instrucciones antes de realizar el montaje, el mantenimiento y de utilizar este producto
- Attenzione!** È importante leggere le istruzioni contenute nel presente manuale prima di montare il prodotto, svolgere le operazioni di manutenzione sullo stesso e metterlo in funzione.
- Let op!** Het is van essentieel belang dat u de instructies in deze gebruiksaanwijzing leest voor u het product monteert, onderhoudt en gebruikt.
- Atenção!** É fundamental que leia as instruções deste manual antes da montagem, manutenção e operação do aparelho.
- OBS!** Det er vigtigt, at man læser instrukserne i denne brugsanvisning, inden man samler, vedligeholder og betjener produktet.
- Observera!** Det är viktigt att du läser instruktionerna i manualen före montering, användning och underhåll av produkten.
- Huomio!** On tärkeää, että luet tämän käsikirjan ohjeet ennen tuotteen kokoamista, huoltoa ja käyttöä.
- Advarsel!** Det er viktig at du leser instruksjonene i denne manualen før sammensetning, vedlikehold og bruk av produktet
- Внимание!** Необходимо прочитать инструкции в данном руководстве перед сборкой, обслуживанием и эксплуатацией этого изделия.
- Uwaga!** Koniecznie należy przeczytać instrukcje zawarte w tym podręczniku przed montażem, obsługą oraz konserwacją produktu.
- Důležité upozornění!** Neinstalujte, neprovádějte údržbu ani nepoužívejte tento výrobek dříve, než si přečtete pokyny uvedené v tomto návodu.
- Figyelem!** Fontos, hogy a termék összeszerelése, karbantartása és használatá elött elolvassa a kézikönyvben található utasításokat.
- Atenție!** Este esențial să citiți instrucțiunile din acest manual înainte de asamblare, efectuarea întreinerii și operarea produsului.
- Uzmanību!** Ir svarīgi izlasīt šīs rokasgrāmatas instrukcijas pirms uzstādīšanas, apkopes un precas darbināšanas.
- Dėmesio!** Prieš surenkant, prižiūrint ir naudojant gaminį, būtina perskaityti šiam vadove pateiktus nurodymus.
- Tähtis!** Enne masina kokkupanekut, hooldamist ja kasutama hakkamist tuleb käesolevas juhendis esitatud juhised kindlasti läbi lugeda.
- Upozorenje!** Vrlo je važno da ste prije sklapanja, održavanja i rada s ovim proizvodom pročitali upute u ovom priručniku.
- Pomembno!** Pomembno je da pred montažo vzdrževanjem in uporabo tega izdelka preberete navodila v tem priročniku.
- Upozornenie!** Je dôležité, aby ste si pred montážou, údržbou a obsluhou produktu prečítali pokyny v tomto návode.
- Важно!** Исключительно важно е да прочетете инструкциите в настоящото ръководство, преди да преминете към сглобяване, поддръжка или работа с продукта.
- Важливо!** Дуже важливо, щоб ви прочитали інструкції в цьому керівництві перед складанням, обслуговуванням та експлуатацією цієї машини.
- Önemli!** Ürünü monte etmeden, kullanmadan ve bakımını yapmadan önce bu kılavuzdaki talimatları okumanız önemlidir.

Subject to technical modification | Sous réserve de modifications techniques | Technische Änderungen vorbehalten | Bajo reserva de modificaciones técnicas | Con riserva di eventuali modifiche tecniche | Technische wijzigingen voorbehouden | Com reserva de modificações técnicas | Med forbehold for tekniske ændringer | Med förbehåll för tekniska ändringar | Tekniset muutokset varataan | Med forbehold om tekniske endringer | могут быть внесены технические изменения | Z zastrzeżeniem modyfikacji technicznych | Změny technických údajů vyhrazeny | A műszaki módosítás jogát fenntartjuk | Sub rezerva modificațiilor tehnice | Paturam tiesības mainīt tehniskos raksturlielumus | Pasliiekant teisę daryti techninius pakeitimus | Tehnilised muudatused võimalikud | Podloženo tehničkim promjenama | Tehnične spremembe dopuščene | Právo na technické zmeny je vyhradené | Подлежи на технически модификации | Є об'єктом для технічних змін | Teknik değişikliğe tabidir.





Safety, performance, and dependability have been given top priority in the design of your cordless chainsaw.

### INTENDED USE

The cordless chainsaw is only intended for use outdoors. For safety reasons the product must be adequately controlled by using two-handed operation at all times.

The product is designed for cutting branches, trunks, logs and beams of a diameter determined by the cutting length of the guide bar. It is only designed to cut wood. It is only to be used in domestic application by adults who have received adequate training on the hazards and preventative measures/actions to be taken whilst using it.

Do not use the product for any purpose not listed above. It is not to be used for professional tree services. The product is not to be used by children or by persons not wearing adequate personal protective equipment and clothing.

### ⚠ WARNING

When using the product, the safety rules must be followed. For your own safety and that of bystanders, you must read and fully understand these instructions before operating the product. You should attend a professionally organized safety course in the use, preventative actions, first-aid and maintenance of chainsaws. Please keep these instructions safe for later use.

### ⚠ WARNING

Chainsaws are potentially dangerous tools. Accidents involving the use of chainsaws often result in loss of limbs or death. It is not just the chainsaw that is the hazard. Falling branches, toppling trees, rolling logs can all kill. Diseased or rotting timber poses additional hazards. You should assess your capability of completing the task safely. If there is any doubt, leave it to a professional tree surgeon.

### GENERAL SAFETY WARNINGS

### ⚠ WARNING

Read all safety warnings and all instructions. Failure to follow the warnings and instructions may result in electric shock, fire and/or serious injury.

### Save all warnings and instructions for future reference.

The term "power tool" in the warnings refers to your mains-operated (corded) power tool or battery-operated (cordless) power tool.

### WORK AREA SAFETY

- **Keep work area clean and well lit.** Cluttered or dark areas invite accidents.
- **Do not operate power tools in explosive atmospheres, such as in the presence of flammable liquids, gases or dust.** Power tools create sparks which may ignite the dust or fumes.
- **Keep children and bystanders away while operating**

**a power tool.** Distractions can cause you to lose control.

### ELECTRICAL SAFETY

- **Power tool plugs must match the outlet. Never modify the plug in any way. Do not use any adapter plugs with earthed (grounded) power tools.** Unmodified plugs and matching outlets will reduce risk of electric shock.
- **Avoid body contact with earthed or grounded surfaces, such as pipes, radiators, ranges and refrigerators.** There is an increased risk of electric shock if your body is earthed or grounded.
- **Do not expose power tools to rain or wet conditions.** Water entering a power tool will increase the risk of electric shock.
- **Do not abuse the cord. Never use the cord for carrying, pulling or unplugging the power tool. Keep cord away from heat, oil, sharp edges or moving parts.** Damaged or entangled cords increase the risk of electric shock.
- **When operating a power tool outdoors, use an extension cord suitable for outdoor use.** Use of a cord suitable for outdoor use reduces the risk of electric shock.
- **If operating a power tool in a damp location is unavoidable, use a residual current device (RCD) protected supply.** Use of an RCD reduces the risk of electric shock.

### PERSONAL SAFETY

- **Stay alert, watch what you are doing and use common sense when operating a power tool. Do not use a power tool while you are tired or under the influence of drugs, alcohol or medication.** A moment of inattention while operating power tools may result in serious personal injury.
- **Use personal protective equipment. Always wear eye protection.** Protective equipment such as dust mask, non-skid safety shoes, hard hat or hearing protection used for appropriate conditions will reduce personal injuries.
- **Prevent unintentional starting. Ensure the switch is in the off-position before connecting to power source and/or battery pack, picking up or carrying the tool.** Carrying power tools with your finger on the switch or energising power tools that have the switch on invites accidents.
- **Remove any adjusting key or wrench before turning the power tool on.** A wrench or a key left attached to a rotating part of the power tool may result in personal injury.
- **Do not overreach. Keep proper footing and balance at all times.** This enables better control of the power tool in unexpected situations.
- **Dress properly. Do not wear loose clothing or jewellery. Keep your hair, clothing and gloves away from moving parts.** Loose clothes, jewellery or long hair can be caught in moving parts.
- **If devices are provided for the connection of dust**

EN
FR
DE
ES
IT
NL
PT
DA
SV
FI
NO
PL
RU
CS
HU
RO
LV
LT
ET
HR
SL
SK
BG
UK
TR





extraction and collection facilities, ensure these are connected and properly used. Use of dust collection can reduce dust-related hazards.

#### POWER TOOL USE AND CARE

- **Do not force the power tool. Use the correct power tool for your application.** The correct power tool will do the job better and safer at the rate for which it was designed.
- **Do not use the power tool if the switch does not turn it on and off.** Any power tool that cannot be controlled with the switch is dangerous and must be repaired.
- **Disconnect the plug from the power source and/or the battery pack from the power tool before making any adjustments, changing accessories or storing power tools.** Such preventive safety measures reduce the risk of starting the power tool accidentally.
- **Store idle power tools out of the reach of children and do not allow persons unfamiliar with the power tool or these instructions to operate the power tool.** Power tools are dangerous in the hands of untrained users.
- **Maintain power tools. Check for misalignment or binding of moving parts, breakage of parts and any other condition that may affect the power tool's operation. If damaged, have the power tool repaired before use.** Many accidents are caused by poorly maintained power tools.
- **Keep cutting tools sharp and clean.** Properly maintained cutting tools with sharp cutting edges are less likely to bind and are easier to control.
- **Use the power tool, accessories and tool bits etc, in accordance with these instructions, taking into account the working conditions and the work to be performed.** Use of the power tool for operations different from those intended could result in a hazardous situation.

#### BATTERY TOOL USE AND CARE

- **Recharge only with the charger specified by the manufacturer.** A charger that is suitable for one type of battery pack may create a risk of fire when used with another battery pack.
- **Use power tools only with specifically designated battery packs.** Use of any other battery packs may create a risk of injury and fire
- **When battery pack is not in use, keep it away from other metal objects, like paper clips, coins, keys, nails, screws or other small metal objects, that can make a connection from one terminal to another.** Shorting the battery terminals together may cause burns or a fire.
- **Under abusive conditions, liquid may be ejected from the battery; avoid contact. If contact accidentally occurs, flush with water. If liquid contacts eyes, additionally seek medical help.** Liquid ejected from the battery may cause irritation or burns.

#### SERVICE

- **Have your power tool serviced by a qualified repair person using only identical replacement parts.** This will ensure that the safety of the power tool is maintained.

#### ADDITIONAL GENERAL SAFETY WARNINGS

- Some regions have regulations that restrict the use of the product. Check with your local authority for advice.
- Never allow children or people unfamiliar with the instructions to use the product. Local regulations may restrict the age of the operator.
- Ensure before each use that all controls and safety devices function correctly. Do not use the product if the "off" switch does not stop the motor.
- Wear full eye and hearing protection, strong sturdy boots and gloves, as well as head protection while operating the product. Use a face mask if operation is dusty.
- Use of hearing protection reduces the ability to hear warnings (shouts or alarms). The operator must pay extra attention to what is going on in the work area.
- Keep firm footing and balance. Do not overreach. Overreaching can result in loss of balance and can increase the risk of kickback.
- Do not wear loose fitting clothing, short trousers, or jewellery of any kind.
- Secure long hair so it is above shoulder level to prevent entanglement in moving parts.
- Beware of thrown, flying, or falling objects. Keep all bystanders, children, and animals at least 15 m away from the work area.
- Do not operate in poor lighting. The operator requires a clear view of the work area to identify potential hazards.
- Operating similar tools nearby increases both the risk of hearing injury and the potential for other persons to enter your work area.
- Keep all parts of your body away from any moving part.
- Inspect the product before each use. Check for correct operation of all controls, including the chain brake. Check for loose fasteners, make sure all guards and handles are properly and securely attached. Replace any damaged parts before use.
- Do not modify the product in any way or use parts and accessories which are not recommended by the manufacturer.

#### WARNING

If the product is dropped, suffers heavy impact or begins to vibrate abnormally, immediately stop the product and inspect for damage or identify the cause of the vibration. Any damage should be properly repaired or replaced by an authorised service centre.

#### CHAINSAW SAFETY WARNINGS

- **Keep all parts of the body away from the saw chain when the chainsaw is operating. Before you start the chainsaw, make sure the saw chain is not**



**contacting anything.** A moment of inattention while operating chainsaws may cause entanglement of your clothing or body with the saw chain.

- **Always hold the chainsaw with your right hand on the rear handle and your left hand on the front handle.** Holding the chainsaw with a reversed hand configuration increases the risk of personal injury and should never be done.
- **Hold the power tool by insulated gripping surface only, because the saw chain may contact hidden wiring.** Saw chains contacting a "live" wire may make exposed metal parts of the power tool "live" and could give the operator an electric shock.
- **Wear safety glasses and hearing protection. Further protective equipment for head, hands, legs and feet is recommended.** Adequate protective clothing will reduce personal injury by flying debris or accidental contact with the saw chain.
- **Do not operate a chainsaw in a tree.** Operation of a chainsaw while up in a tree may result in personal injury.
- **Always keep proper footing and operate the chainsaw only when standing on fixed, secure and level surface.** Slippery or unstable surfaces such as ladders may cause a loss of balance or control of the chainsaw.
- **When cutting a limb that is under tension be alert for spring back.** When the tension in the wood fibres is released the spring loaded limb may strike the operator and/or throw the chainsaw out of control.
- **Use extreme caution when cutting brush and saplings.** The slender material may catch the saw chain and be whipped toward you or pull you off balance.
- **Carry the chainsaw by the front handle with the chainsaw switched off and away from your body. When transporting or storing the chainsaw always fit the guide bar cover.** Proper handling of the chainsaw will reduce the likelihood of accidental contact with the moving saw chain.
- **Follow instructions for lubricating, chain tensioning and changing accessories.** Improperly tensioned or lubricated chain may either break or increase the chance for kickback.
- **Keep handles dry, clean, and free from oil and grease.** Greasy, oily handles are slippery causing loss of control.
- **Cut wood only. Do not use chainsaw for purposes not intended. For example: do not use chainsaw for cutting plastic, masonry or non-wood building materials.** Use of the chainsaw for operations different than intended could result in a hazardous situation.

#### Causes and operator prevention of kickback:

Kickback may occur when the nose or tip of the guide bar touches an object, or when the wood closes in and pinches the saw chain in the cut.

Tip contact in some cases may cause a sudden reverse reaction, kicking the guide bar up and back towards the operator.

Pinching the saw chain along the top of the guide bar may push the guide bar rapidly back towards the operator.

Either of these reactions may cause you to lose control of the saw which could result in serious personal injury. Do not rely exclusively upon the safety devices built into your saw. As a chainsaw user, you should take several steps to keep your cutting jobs free from accident or injury.

Kickback is the result of tool misuse and/or incorrect operating procedures or conditions and can be avoided by taking proper precautions as given below:

- **Maintain a firm grip, with thumbs and fingers encircling the chainsaw handles, with both hands on the saw and position your body and arm to allow you to resist kickback forces.** Kickback forces can be controlled by the operator, if proper precautions are taken. Do not let go of the chainsaw.
- **Do not overreach and do not cut above shoulder height.** This helps prevent unintended tip contact and enables better control of the chainsaw in unexpected situations.
- **Only use replacement bars and chains specified by the manufacturer.** Incorrect replacement bars and chains may cause chain breakage and/or kickback.
- **Follow the manufacturer's sharpening and maintenance instructions for the saw chain.** Decreasing the depth gauge height can lead to increased kickback.

#### ADDITIONAL CHAINSAW SAFETY WARNINGS

- It is recommended to cut logs on a saw-horse or cradle when operating the product the first time.
- Ensure all guards, handles and spiked bumper are properly fitted and are in good condition.
- Persons using this chainsaw should be in good health. The chainsaw is a heavy unit so the operator requires to be physically fit. The operator should be alert, have good vision, mobility, balance and manual dexterity. If there is any doubt, do not operate the chainsaw.
- Do not start using the product until you have a clear work area, secure footing, and a planned retreat path away from the falling tree.
- Beware of the emission of lubricant mist and saw dust. Wear a mask or respirator if required.
- Do not cut vines and/or small undergrowth (less than 75 mm in diameter).
- Always hold the chainsaw with both hands when operating the saw. Use a firm grip with thumbs and fingers encircling the chainsaw handles. Right hand must be on the rear handle and left hand on the front handle.
- Before starting the tool, make sure the saw chain is not contacting any object.
- Do not modify your tool in any way or use it to power any attachments or devices not recommended by the manufacturer for your saw.
- There should be a first-aid kit containing large wound dressings and a means to summon attention (e.g., whistle) close to the operator. A larger more comprehensive kit should be reasonably nearby.

EN
FR
DE
ES
IT
NL
PT
DA
SV
FI
NO
RU
PL
CS
HU
RO
LV
LT
ET
HR
SL
SK
BG
UK
TR





- The operator may be tempted to remove the helmet if there is no danger of falling objects in the work area, but remember the helmet, particularly with the mesh visor, can help reduce the potential for injury to the face and head if kickback occurs.
- An incorrectly tensioned chain can jump off the guide bar and could result in serious injury or fatality. The length of chain depends on the temperature. Check the tension frequently.
- You should get used to your new chainsaw by making simple cuts on securely supported wood. Do this whenever you have not operated the saw for some time.
- To reduce the risk of injury associated with contacting moving parts, always stop the motor, apply chain brake, remove the battery pack and make sure all moving parts have come to a stop before:
  - cleaning or clearing a blockage
  - leaving the product unattended
  - installing or removing attachments
  - checking, maintenance or working on the machine
- The size of the work area depends on the job being performed as well as the size of the tree or work piece involved. For example, felling a tree requires a larger work area than making other cuts, i.e., bucking cuts, etc. The operator needs to be aware and in control of everything happening in this work area.
- Do not cut with your body in line with the guide bar and chain. If you do experience kickback this will help prevent the chain coming into contact with your head or body.
- Do not use a back and forward sawing motion, let the chain do the work, keep the chain sharp and don't try to push the chain through the cut.
- Do not put pressure on the saw at the end of the cut. Be ready to take on the weight of the saw as it cuts free from the wood. Failure to do so could result in possible serious personal injury.
- Do not stop the saw in the middle of a cutting operation. Keep the saw running until it is already removed from the cut.

**Push and pull**

The reaction force is always opposite to the direction the chain is moving. Thus, the operator must be ready to control the tendency for the machine to pull away (forward motion) when cutting on the bottom edge of the bar and the push backwards (towards the operator) when cutting along the top edge.

**Saw jammed in the cut**

Stop the chainsaw and make it safe. Do not try to force the chain and bar out of the cut as this is likely to break the chain which may swing back and strike the operator. This situation normally occurs because the wood is incorrectly supported and forcing the cut to close under compression thereby pinching the blade. If adjusting the support does not release the bar and chain, use wooden wedges or a lever to open the cut and release the saw. Never try to start the chainsaw when the guide bar is already in a cut or kerf.

**Personal protective equipment**

Good quality, personal protective equipment as used by professionals will help to reduce the risk of injury to the operator. The following items should be used when operating your chainsaw:

**Safety helmet**

- should comply with EN 397 and be CE marked

**Hearing protection**

- should comply with EN 352-1 and be CE marked

**Eye and face protection**

- should be CE marked and comply with EN 166 (for safety glasses) or EN 1731 (for mesh visors)

**Gloves**

- should comply with EN381-7 and be CE marked

**Leg protection (chaps)**

- should comply with EN381-5, be CE marked and provide all-round protection.

**Chainsaw safety boots**

- should comply with EN ISO 20345:2004 and be marked with a shield depicting a chainsaw to show compliance with EN 381-3. (Occasional users may use steel toe-cap safety boots with protective gaiters which conform to EN 381-9 if the ground is even and there is little risk of tripping or catching on undergrowth)

**Chainsaw jackets for upper body protection**

- should comply with EN 381-11 and be CE marked

**INSTRUCTIONS CONCERNING THE PROPER TECHNIQUES FOR BASIC FELLING, LIMBING, AND CROSS-CUTTING**

**Understanding the forces within the wood**

When you understand the directional pressures and stresses inside the wood you can reduce the “pinches” or at least expect them during your cutting. Tension in the wood means the fibers are being pulled apart and if you cut in this area the “kerf” or cut will tend to open as the saw goes through. If a log is being supported on a saw horse and the end is hanging unsupported over the end then tension is created on the upper surface due to the weight of the overhanging log stretching the fibers. Likewise, the underside of the log will be in compression and the fibers are being pushed together. If a cut is made in this area the kerf will have the tendency to close up during the cut. This would pinch the blade.

**Felling a tree**

See page 267 - 268.

When bucking and felling operations are being performed by two or more persons at the same time, the felling operations should be separated from the bucking operation by a distance of at least twice the height of the tree being felled. Trees should not be felled in a manner that would endanger any person, strike any utility line or cause any property damage. If the tree does make contact with any utility line, the company should be notified immediately.

The chainsaw operator should keep on the uphill side of the terrain as the tree is likely to roll or slide downhill after it is felled.





An escape path should be planned and cleared as necessary before cuts are started. The escape path should extend back and diagonally to the rear of the expected line of fall.

Before felling is started, consider the natural lean of the tree, the location of larger branches and the wind direction to judge which way the tree will fall.

Remove dirt, stones, loose bark, nails, staples and wire from the tree.

Do not attempt to fell trees which are rotten or have been damaged by wind, fire, lightning, etc. This is extremely dangerous and should only be completed by professional tree surgeons.

### 1. Notching undercut

See page 267 - 268.

Make the notch 1/3 the diameter of the tree, perpendicular to the direction of falls. Make the lower horizontal notching cut first. This will help to avoid pinching either the saw chain or the guide bar when the second notch is being made.

### 2. Felling back cut

See page 267 - 268.

Make the felling back cut at least 50 mm/2 in higher than the horizontal notching cut. Keep the felling back cut parallel to the horizontal notching cut. Make the felling back cut so enough wood is left to act as a hinge. The hinge wood keeps the tree from twisting and falling in the wrong direction. Do not cut through the hinge.

As the felling gets close to the hinge, the tree should begin to fall. If there is any chance that the tree may not fall in desired direction or it may rock back and bind the saw chain, stop cutting before the felling back cut is complete and use wedges of wood, plastic or aluminium to open the cut and drop the tree along the desired line of fall.

When the tree begins to fall remove the chainsaw from the cut, stop the motor, put the chainsaw down, then use the retreat path planned. Be alert for overhead limbs falling and watch your footing.

### Removing buttress roots

See page 268.

A buttress root is a large root extending from the trunk of the tree above the ground. Remove large buttress roots prior to felling. Make the horizontal cut into the buttress first, followed by the vertical cut. Remove the resulting loose section from the work area. Follow the correct tree felling procedure after you have removed the large buttress roots.

### Bucking a log

See page 269.

Bucking is cutting a log into lengths. It is important to make sure your footing is firm and your weight is evenly distributed on both feet. When possible, the log should be raised and supported by the use of limbs, logs or chocks. Follow the simple directions for easy cutting. When the log is supported along its entire length, it is cut from the top (overbuck).

When the log is supported on one end, cut 1/3 the diameter from the underside (underbuck). Then make the finished

cut by overbucking to meet the first cut.

When the log is supported on both ends, cut 1/3 the diameter from the top (overbuck). Then make the finished cut by underbucking the lower 2/3 to meet the first cut.

When bucking on a slope always stand on the uphill side of the log. When "cutting through", to maintain complete control release the cutting pressure near the end of the cut without relaxing your grip on the chainsaw handles. Don't let the chain contact the ground. After completing the cut, wait for the saw chain to stop before you move the chainsaw. Always stop the motor before moving from tree to tree.

### Limbing a tree

See page 270.

Limbing is removing the branches from a fallen tree. When limbing leave larger lower limbs to support the log off the ground. Remove the small limbs in one cut. Branches under tension should be cut from the bottom up to avoid binding the chainsaw.

### Springpoles

See page 270.

A springpole is any log, branch, rooted stump, or sapling which is bent under tension by other wood so that it springs back if the wood holding it is cut or removed.

On a fallen tree, a rooted stump has a high potential of springing back to the upright position during the bucking cut to separate the log from the stump. Watch out for springpoles—they are dangerous.

#### ⚠ WARNING

Springpoles are dangerous and could strike the operator, causing the operator to lose control of the chainsaw. This could result in severe or fatal injury to the operator. This should be done by trained users.

### RESIDUAL RISKS

Even when the product is used as prescribed, it is still impossible to completely eliminate certain residual risk factors. The following hazards may arise in use and the operator should pay special attention to avoid the following:

- Injury caused by vibration
  - Always use the right tool for the job, use designated handles and restrict working time and exposure.
- Damage to hearing due to exposure to noise
  - Wear hearing protection and limit exposure.
- Injury caused by contact with exposed saw teeth of the chain
- Injury caused by thrown-out pieces of the workpiece (wood chips, splinters)
- Injury caused by dust and particles
- Injury to the skin caused by contact with lubricants
- Parts ejected from the saw chain (cutting/injection hazards)
- Unforeseen, abrupt movement, or kickback of the guide bar (cutting hazards)





## RISK REDUCTION

It has been reported that vibrations from hand-held tools may contribute to a condition called Raynaud's Syndrome in certain individuals. Symptoms may include tingling, numbness and blanching of the fingers, usually apparent upon exposure to cold. Hereditary factors, exposure to cold and dampness, diet, smoking and work practices are all thought to contribute to the development of these symptoms. There are measures that can be taken by the operator to possibly reduce the effects of vibration:

- Keep your body warm in cold weather. When operating the unit wear gloves to keep the hands and wrists warm. It is reported that cold weather is a major factor contributing to Raynaud's Syndrome.
- After each period of operation, exercise to increase blood circulation.
- Take frequent work breaks. Limit the amount of exposure per day.
- Protective gloves available from professional chainsaw retailers are designed specifically for chainsaw use which give protection, good grip and also reduce the effect of handle vibration. These gloves should comply with EN381-7 and must be CE marked.

If you experience any of the symptoms of this condition, immediately discontinue use and see your physician.

### WARNING

Injuries may be caused, or aggravated, by prolonged use of a tool. When using any tool for prolonged periods, ensure you take regular breaks.

## KNOW YOUR PRODUCT

See page 261.

1. Front hand guard/Chain brake
2. Front handle
3. Rear handle
4. Chain
5. Guide bar
6. Spiked bumper
7. Chain lubricant cap
8. Trigger release
9. Switch trigger
10. Sprocket cover
11. Chain tensioner adjustment ring
12. Chain tensioner knob
13. Guide bar cover
14. Chain catcher

## SAFETY DEVICES

### Low kickback saw chain

A low-kick-back saw chain helps to reduce the possibility of a kickback event.

The rakers (depth gauges) ahead of each cutter can minimize the force of a kickback reaction by preventing the cutters from digging in too deeply. Only use replacement guide bar and chain combinations recommended by the manufacturer.

As saw chains are sharpened, they lose some of the low kickback qualities and extra caution is required. For your safety, replace saw chains when cutting performance decreases.

### Spiked bumper

The integral bumper spike may be used as a pivot when making a cut. It helps to keep the body of the chainsaw steady while cutting. When cutting, push the machine forward until the spikes dig into the edge of the wood, then by moving the rear handle up or down in the direction of the cutting line it can help ease the physical strain of cutting

### Guide bars

Generally, guide bars with small radius tips have somewhat lower potential for kickback. You should use a guide bar and matching chain which is just long enough for the job. Longer bars increase the risk of loss of control during sawing. Regularly check the chain tension. When cutting smaller branches (less than the full length of the guide bar) the chain is more likely to be thrown off if the tension is not correct.

### Chain brake

Chain brakes are designed to quickly stop the chain rotating. When the chain brake lever/hand guard is pushed towards the bar, the chain should stop immediately. A chain brake does not prevent kickback. It only lowers the risk of injury should the chain bar contact the operator's body during a kickback event. The chain brake should be tested before each use for correct operation in both the run and brake positions.

### Chain catcher

A chain catcher prevents the saw chain from being thrown back towards the operator if the saw chain comes loose or breaks.

## ASSEMBLY

### WARNING

If any parts are damaged or missing do not operate this product until the parts are replaced. Failure to heed this warning could result in serious personal injury.

## ASSEMBLING SAW CHAIN AND GUIDE BAR

See page 262 - 263.

1. Make sure to remove the battery pack from the product. Wear protective gloves.
2. Unscrew the chain tensioner knob and remove the sprocket cover.
3. The saw chain should face in the direction of chain rotation. If they face backwards, turn the loop over.
4. Place the chain drive links into the bar groove.
5. Position the chain so there is a loop at the back of the bar.
6. Hold the chain in position on the bar and place the loop around the drive sprocket. Lower the bar so that the bolt goes through the hole in the attached chain tension assembly. You may need to rotate this assembly so the

bolt and hole align. You may rotate this assembly again to apply some tension to the chain which will help keep it in place.

7. Replace the sprocket cover and turn the chain tensioner knob until nearly tight, turn the chain tension adjustment ring until the saw chain is properly tensioned. The guide bar must then be pushed upwards, check chain tension again, do not tension the chain too tight.
8. After the chain is well-tensioned, tighten the knob again.

### ADJUSTING THE CHAIN TENSION

See page 263. See page 273.

1. Loosen the chain tensioner knob slightly by turning it counterclockwise.
2. To increase the chain tension, turn the chain tensioner adjustment ring clockwise and check the chain tension frequently. To reduce the chain tension, turn the chain tensioner adjustment ring counterclockwise and check the chain tension frequently.
3. The chain tension is correct when the gap between the cutter in the chain and the bar is between 4 mm - 5.5 mm. Pull the chain in the middle of the lower side of the bar downwards (away from the bar) and measure the distance between the bar and the chain cutters.
4. Tighten the chain tensioner knob by turning it clockwise.

## OPERATION

### ADDING CHAIN LUBRICATING OIL

See page 262.

#### ⚠ WARNING

Never work without chain lubricant. If the saw chain is running without lubricant, guide bar and saw chain can be damaged. It is therefore essential to check the oil level in the oil level gauge frequently and every time before starting to use the chain saw.

1. Clear surface around the oil cap to prevent contamination.
2. Unscrew and remove the cap from the oil tank.
3. Pour the oil into the oil tank and monitor the oil level gauge. Ensure that no dirt enters the oil tank while filling.
4. Put the oil cap back on and tighten it up. Wipe away any spillage.
5. One full oil tank will enable you to use the saw for 20-40 min.

### Recommended chain lubricating oil

- The manufacturer recommends you use only Ryobi chainsaw lubricating oil. (Available from your authorised Ryobi service centre)

### INSTALLING THE BATTERY PACK

See page 263.

1. Place the battery pack in the chainsaw. Align raised ribs on battery pack with grooves in the chain saw's battery port.
2. Make sure the latches on the battery pack snap in place and that the battery pack is secured in the chainsaw before beginning operation.

### HOLDING THE CHAIN SAW

See page 263.

Always hold the chain saw with your right hand at the rear handle and your left hand at the front handle. Grip both handles with the thumbs and fingers encircling the handles. Ensure that your left hand is holding the front handle so that your thumb is underneath.

### STARTING THE CHAIN SAW

See page 263.

1. Before starting for operation, you should install the battery pack in the machine, and make sure chain brake is in run position by pulling chain brake lever / hand guard toward the front handle.
2. To start the product: pull the trigger release, and then press the switch trigger.

### CHECKING AND OPERATING CHAIN BRAKE

1. Engage the chain brake by rotating your left hand around the front handle. Allow the back of your hand to push the chain brake lever/hand guard toward the bar while the chain is rotating rapidly. Be sure to maintain both hands on the saw handles at all times.
2. Reset the chain brake back into the Run position by grasping the top of the chain brake lever / hand guard and pulling toward the front handle until you hear a click.

#### ⚠ WARNING

If the chain brake does not stop the chain immediately, or if the chain brake will not stay in the run position without assistance, take the saw to an authorised service centre for repair prior to use.

## TRANSPORTATION AND STORAGE

See page 275, 276.

- Stop the product, remove the battery pack, and allow the product to cool down before storing or transporting.
- Clean all foreign material from the product. Store it in a cool dry and well-ventilated place that is inaccessible to children. Keep away from corrosive agents, such as garden chemicals and de-icing salts. Do not store outdoors.
- Fit the guide bar cover before storing the product or during transportation.
- For transportation, secure the product against movement or falling to prevent injury to persons or damage to the product.

## MAINTENANCE

#### ⚠ WARNING

Use only original manufacturer's replacement parts, accessories and attachments. Failure to do so can cause possible injury, contribute to poor performance, and may void your warranty.

**⚠ WARNING**

Servicing requires extreme care and knowledge and should be performed only by a qualified service technician. For service, bring the product to an authorised service centre for repair. When servicing, use only original replacement parts.

**⚠ WARNING**

Remove the battery before adjustment, maintenance or cleaning. Failure to do so could result in serious personal injury.

- You may only make adjustments or repairs described in this manual. For other repairs, contact an authorised service centre.
- Consequences of improper maintenance may cause the chain brake and other safety features to not function correctly, thus increasing the potential for serious injury. Keep your chainsaw professionally maintained and safe.
- Sharpening the chain safely is a skilled task. Therefore the manufacturer strongly recommends that a worn or dull chain is replaced with a new one, available from your authorised Ryobi service centre. The part number is available in the product specification table in this manual.
- Follow instructions for lubricating and chain tension checking and adjustment.
- After each use, clean the product with a soft dry cloth.
- Check all nuts, bolts and screws at frequent intervals for security to ensure the product is in safe working condition. Any part that is damaged should be properly repaired or replaced by an authorised service centre.

**REPLACING GUIDE BAR AND SAW CHAIN**

See page 271 - 272.

1. Make sure to remove the battery. Wear protective gloves.
2. Unscrew the chain tensioner knob by turning it counterclockwise until the sprocket cover comes loose.
3. Remove the sprocket cover. Remove the bar and saw chain from product.
4. To replace the bar with a new one, remove the screw of the chain tension assembly. Mount the chain tension assembly on to the new bar and tighten the screw.
5. Put the new chain in the correct direction onto the bar and make sure that the drive links are aligned in the bar groove.
6. Attach the bar to the chain saw and loop the chain around the drive sprocket.
7. Replace the sprocket cover.
8. Adjust the chain tension. Refer to the "Adjusting the chain tension" section.

**⚠ WARNING**

A dull or improperly sharpened chain can cause excessive motor speed during cutting which may result in severe motor damage.

**⚠ WARNING**

Improper chain sharpening increases the potential of kickback.

**⚠ WARNING**

Failure to replace or repair a damaged chain can cause serious injury.

**⚠ WARNING**

The saw chain is sharp. Always wear protective gloves when performing maintenance to the chain.

**INSPECTING AND CLEANING THE CHAIN BRAKE**

See page 274.

- Always keep the chain brake mechanism clean by lightly brushing the linkage free from dirt.
- Always test the chain brake performance after cleaning. Refer to "Operation - Checking and Operating Chain Brake" earlier in this manual for additional information.

**MAINTENANCE SCHEDULE**

Daily check	
Bar lubrication	Before each use
Chain tension	Before each use and frequently
Chain sharpness	Before each use, visual check
For damaged parts	Before each use
For loose fasteners	Before each use
Chain brake function	Before each use
Inspect and clean	
Bar	Before each use
Complete saw	After each use
Chain brake	Every 5 hours*

\* Hours of operation

**SYMBOLS ON THE PRODUCT**



Safety alert



Read and understand all instructions before operating the product, follow all warnings and safety instructions.



Wear eye, ear and head protection.



Wear non-slip safety footwear when using the product.



Wear non-slip, heavy duty gloves.



Beware of chain saw kickback and avoid contact with bar tip.



Do not expose to rain or damp condition.



Hold and operate the saw properly with both hands.



Do not operate the saw using only one hand.



Conforms to all regulatory standards in the country in the EU where the product is purchased.



EurAsian Conformity Mark



Ukrainian mark of conformity



Waste electrical products should not be disposed of with household waste. Please recycle where facilities exist. Check with your local authority or retailer for recycling advice.



The guaranteed sound power level is 96 dB



Bar and chain lubricant



Minimum lubricant level



Lock



Unlock



Set the chain brake to the RUN position.



Rotate to adjust chain tension  
+ = Tighten the chain  
- = Loosen the chain



Set the chain brake to the BRAKE position.



Moving direction of the chain.  
(Marked under the sprocket cover)

$V_0$  : 10 m/s

No-load chain speed is 10 m/s

L max: 300mm

Maximum guide bar length is 300 mm

## SYMBOLS IN THIS MANUAL



Parts or accessories sold separately



Note



Warning



Wear eye and face protection.



Wear upper body protection.



Wear leg protection.



Stop the product.

The following signal words and meanings are intended to explain the levels of risk associated with this product.

### **⚠ DANGER**

Indicates an imminently hazardous situation, which, if not avoided, will result in death or serious injury.

### **⚠ WARNING**

Indicates a potentially hazardous situation, which, if not avoided, could result in death or serious injury.

### **⚠ CAUTION**

Indicates a potentially hazardous situation, which, if not avoided, may result in minor or moderate injury.

### **CAUTION**

Without safety alert symbol

Indicates a situation that may result in property damage.





Votre tronçonneuse sans fil a été conçue en donnant priorité à la sécurité, à la performance et à la fiabilité.

### UTILISATION PRÉVUE

La tronçonneuse sans fil est uniquement destinée à une utilisation en extérieur. Pour des raisons de sécurité, l'appareil doit être manipulé de manière appropriée, en utilisant les deux mains.

Le produit est destiné à la coupe des branches, troncs, bûches, et poutres d'un diamètre déterminé par la longueur de coupe du guide-chaîne. Il n'est autorisé de l'utiliser que pour couper du bois. Il ne doit être utilisé que de façon privée par des adultes ayant reçu un entraînement approprié couvrant les risques et mesures préventives liés à son utilisation.

N'utilisez pas le produit pour un usage autre que ceux listés ci-dessus. Il ne doit pas être utilisé de façon professionnelle pour l'abattage et l'élagage des arbres. Le produit ne doit pas être utilisé par des enfants ou par des personnes ne portant pas des équipements et vêtements de sécurité.

#### AVERTISSEMENT

Suivez les règles de sécurité lorsque vous utilisez le produit. Pour votre sécurité et celle des passants, veuillez lire ces instructions avant d'utiliser le produit. Il est conseillé de suivre un stage professionnel de sécurité ayant trait à l'utilisation et à l'entretien des tronçonneuses, ainsi qu'aux mesures préventives et aux premiers soins. Veuillez conserver ces instructions pour vous y reporter ultérieurement.

#### AVERTISSEMENT

Les tronçonneuses sont des outils potentiellement dangereux. Les accidents impliquant l'utilisation de tronçonneuses causent souvent la perte d'un membre ou la mort. La tronçonneuse en elle-même n'est pas le seul risque. La chute de branches et d'arbres et la rotation des bûches peuvent tuer. Le bois malade ou pourri crée des risques supplémentaires. Vous devez jauger votre capacité à effectuer une tâche de façon sûre. En cas de doute, confiez le travail à un bûcheron professionnel.

### AVERTISSEMENTS GÉNÉRAUX DE SÉCURITÉ

#### AVERTISSEMENT

**Lisez tous les avertissements et indications.** Le non-respect des avertissements et instructions indiqués ci-après peut entraîner une décharge électrique, un incendie et/ou de graves blessures.

**Veuillez conserver tous les avertissements et toutes les instructions pour pouvoir vous y reporter ultérieurement.**

La notion d'« outil électrique » mentionnée dans les avertissements se rapporte à des outils électriques raccordés au secteur (avec câble de raccordement) et à

des outils électriques fonctionnant sur batterie (sans câble de raccordement).

### SÉCURITÉ DANS LA ZONE DE TRAVAIL

- **Maintenez la zone de travail propre et bien éclairée.** Un lieu de travail en désordre ou mal éclairé augmente le risque d'accidents.
- **N'utilisez pas l'outil électrique dans un environnement présentant des risques d'explosion et où se trouvent des liquides, des gaz ou poussières inflammables.** Les outils électriques génèrent des étincelles risquant d'enflammer les poussières ou les vapeurs.
- **Tenez les enfants et autres personnes éloignés durant l'utilisation de l'outil électrique.** En cas d'inattention vous risqueriez de perdre le contrôle de l'appareil.

### SÉCURITÉ RELATIVE AU SYSTÈME ÉLECTRIQUE

- **La fiche de secteur de l'outil électrique doit être appropriée à la prise de courant. Ne modifiez en aucun cas la fiche. N'utilisez pas de fiches d'adaptateur avec des outils électriques avec mise à la terre.** Les fiches non modifiées et les prises de courant appropriées réduisent le risque de décharge électrique.
- **Évitez le contact physique avec des surfaces mises à la terre tels que tuyaux, radiateurs, fours et réfrigérateurs.** Il existe un risque accru de décharge électrique si votre corps est relié à la terre.
- **N'exposez pas ce produit à la pluie ou à des conditions humides.** La pénétration d'eau dans un appareil augmente le risque de décharge électrique.
- **N'utilisez pas le câble à d'autres fins que celles prévues, n'utilisez pas le câble pour porter l'outil électriques ou pour l'accrocher ou encore pour le débrancher de la prise de courant. Maintenez le câble éloigné des sources de chaleur, des parties grasses, des bords tranchants ou des parties de l'appareil en rotation.** Un câble endommagé ou torsadé augmente le risque de décharge électrique.
- **Au cas où l'outil électrique serait utilisé à l'extérieur, utiliser une rallonge appropriée pour les applications extérieures.** L'utilisation d'une rallonge électrique appropriée pour les applications extérieures réduit le risque de décharge électrique.
- **Si une utilisation de l'outil électrique dans un environnement humide ne peut pas être évitée, utilisez un disjoncteur différentiel.** Un disjoncteur différentiel réduit le risque de décharge électrique.

### SÉCURITÉ DES PERSONNES

- **Restez vigilant, regardez ce que vous faites et faites preuve de bon sens lorsque vous utilisez l'appareil. N'utilisez pas cette tronçonneuse lorsque vous êtes fatigué ou sous l'influence de l'alcool, de drogues ou de médicaments.** Un moment d'inattention lors de l'utilisation de la machine suffit à provoquer de graves blessures.
- **Portez des équipements de protection.** Portez toujours des lunettes de protection. Les équipements





de sécurité tels que les masques anti-poussière, les chaussures de sécurité antidérapantes, les casques ou les protections acoustiques utilisés pour les conditions appropriées réduiront les blessures

- **Évitez toute mise en service accidentelle. Assurez-vous que l'interrupteur est en position « arrêt » avant le raccordement au secteur et/ou l'insertion de la batterie, ainsi qu'avant de saisir ou de transporter l'outil.** Le transport d'un outil électrique avec votre doigt sur l'interrupteur ou la mise sous tension d'un outil dont l'interrupteur est en position « marche » est propice aux accidents.
- **Enlevez tout outil de réglage ou toute clé avant de mettre l'outil électrique en marche. Une clé ou un outil se trouvant sur une partie en rotation peut causer des blessures.**
- **Ne travaillez pas en extension, gardez une position et un équilibre adaptés à tout moment.** Cela permet un meilleur contrôle de l'outil dans des situations inattendues.
- **Portez des vêtements appropriés. Ne portez pas de vêtements amples ni de bijoux. Maintenez vos cheveux, vêtements et gants éloignés des parties de l'appareil en rotation.** Des vêtements amples, des bijoux ou des cheveux longs peuvent être happés par des pièces en mouvement.
- **Si des dispositifs servant à aspirer ou à recueillir les poussières doivent être utilisés, vérifiez que ceux-ci soient effectivement raccordés et qu'ils sont correctement utilisés.** L'utilisation d'un dispositif d'aspiration des poussières peut réduire les dangers dus aux poussières.

#### UTILISATION ET EMPLOI SOIGNEUX D'OUTILS ÉLECTRIQUES

- **Ne faites pas forcer l'outil. Utilisez l'outil électrique adapté au travail à effectuer.** Un outil électrique approprié effectuera un meilleur travail dans de meilleures conditions de sécurité s'il est utilisé dans les limites de ses capacités.
- **N'utilisez pas un outil électrique dont l'interrupteur est défectueux.** Un outil électrique qui ne peut plus être mis en ou hors fonctionnement est dangereux et doit être réparé.
- **Débranchez la fiche secteur de la source de courant et/ou le bloc de batterie de l'outil électrique avant d'effectuer tout réglage, tout changement d'accessoire, et avant de le ranger.** Cette mesure de précaution empêche de mettre en marche l'outil électrique par mégarde.
- **Rangez les outils à l'arrêt hors de portée des enfants et ne laissez pas des personnes qui ne sont pas familières avec l'outil ou les présentes instructions le faire fonctionner.** Les outils sont dangereux entre les mains d'utilisateurs novices.
- **Prenez soin de l'outil électrique. Vérifiez que les pièces en mouvement fonctionnent correctement et qu'elles ne sont pas coincées, et contrôlez si des parties sont cassées ou endommagées de telle sorte que le bon fonctionnement de l'outil électrique s'en trouve entravé. Faites réparer ces**

**parties endommagées avant d'utiliser l'appareil.** De nombreux accidents sont dus à des outils électriques mal entretenus.

- **Maintenez les outils de coupe aiguisés et propres.** Des outils soigneusement entretenus avec des bords tranchants bien aiguisés se coincent moins souvent et peuvent être guidés plus facilement.
- **Utilisez l'outil, les accessoires et les lames etc., conformément à ces instructions, en tenant compte des conditions de travail et du travail à réaliser.** L'utilisation des outils électriques à d'autres fins que celles prévues peut entraîner des situations dangereuses.

#### UTILISATION ET EMPLOI SOIGNEUX DES OUTILS ÉLECTRIQUES SANS FIL

- **Ne chargez pas les accumulateurs que dans des chargeurs recommandés par le fabricant.** Un chargeur approprié à un type spécifique de batterie peut engendrer un risque d'incendie lorsqu'il est utilisé avec une autre batterie.
- **Dans les outils électriques, n'utilisez que les blocs de batteries spécialement prévus pour ceux-ci.** L'utilisation de tout autre bloc de batterie peut entraîner des blessures et des risques d'incendie.
- **Lorsqu'un bloc de batterie n'est pas utilisé, maintenez-le à l'écart de tout autre objet métallique, par exemple trombones, pièces de monnaie, clés, clous, vis ou autres objets de petite taille qui peuvent donner lieu à une connexion d'une borne à une autre.** Un court-circuit entre les contacts de batterie peut provoquer des brûlures ou un incendie.
- **En cas d'utilisation abusive, du liquide peut sortir du bloc de batterie. Évitez tout contact avec ce liquide. En cas de contact accidentel, rincez soigneusement avec de l'eau. En cas de contact avec les yeux, consultez également un médecin.** Le liquide qui sort du bloc de batterie peut entraîner des irritations de la peau ou causer des brûlures.

#### TRAVAUX D'ENTRETIEN

- **Ne faites réparer l'outil électrique que par du personnel qualifié et seulement avec des pièces de rechange d'origine.** Ceci permet d'assurer la sécurité de l'appareil.

#### INSTRUCTIONS DE SÉCURITÉ GÉNÉRALE ADDITIONNELLES

- La législation de certaines régions restreint l'utilisation du produit. Contactez les autorités locales pour obtenir des conseils.
- Ne laissez jamais les enfants ou les personnes non familiarisées avec ces instructions utiliser le produit. Les lois locales peuvent imposer un âge minimum à l'opérateur.
- Avant chaque utilisation, assurez-vous que toutes les commandes et tous les organes de sécurité fonctionnent correctement. N'utilisez pas le produit si son interrupteur « arrêt » est inopérant à arrêter le moteur.
- Portez une protection complète des yeux et des oreilles,

EN
FR
DE
ES
IT
NL
PT
DA
SV
FI
NO
PL
RU
CS
HU
RO
LV
LT
ET
HR
SL
SK
BG
UK
TR





des bottes de travail et des gants solides ainsi qu'une protection de tête lors de l'utilisation du produit. Portez un masque anti-poussière si l'opération est poussiéreuse.

- L'utilisation d'une protection auditive réduit la capacité à entendre les avertissements (cris ou alarmes). L'utilisateur doit redoubler d'attention en ce qui concerne les événements survenant dans la zone de travail.
- Gardez un bon appui et un bon équilibre. Ne travaillez pas en extension. Un travail en extension excessive peut entraîner une perte d'équilibre et augmenter le risque de rebond.
- Ne portez pas de vêtements amples, de pantalons courts ou de bijoux d'aucune sorte.
- Si vous avez les cheveux longs, attachez-les au-dessus du niveau des épaules afin d'éviter qu'ils ne se prennent dans les parties en mouvement.
- Prenez garde à la projection et à la chute d'objets. Gardez tous les passants (en particulier les enfants et les animaux) éloignés d'au moins 15 m de distance de la zone de travail.
- N'utilisez pas cet outil dans une zone mal éclairée. L'opérateur doit avoir une bonne vue d'ensemble de la zone de travail pour identifier les dangers éventuels.
- L'utilisation d'outils similaires alentour augmente le risque d'atteinte à l'audition ainsi que le risque que d'autres personnes entrent dans la zone de travail.
- Maintenez toutes les parties de votre corps éloignées des parties en mouvement.
- Vérifiez le produit avant chaque utilisation. Vérifiez le fonctionnement correct de toutes les commandes, frein de chaîne compris. Vérifiez le bon serrage des attaches. Assurez-vous que toutes les protections et toutes les poignées sont bien en place et bien verrouillées. Remplacez toute pièce endommagée avant utilisation.
- Ne modifiez la machine d'aucune façon et n'utilisez pas de pièces ni d'accessoires non recommandés par le fabricant.

#### AVERTISSEMENT

Si le produit est tombé, a subi un choc important ou se met à vibrer de façon anormale, arrêtez-le immédiatement et recherchez les dommages éventuels ou identifiez la cause des vibrations. Toute pièce endommagée doit être correctement remplacée ou réparée par un service après-vente agréé.

#### AVERTISSEMENTS DE SÉCURITÉ RELATIFS À LA TRONÇONNEUSE

- **Gardez toutes les parties du corps éloignées de la chaîne de la tronçonneuse lorsqu'elle est en fonctionnement. Avant de mettre la tronçonneuse en marche, assurez-vous que rien ne soit en contact avec la chaîne.** Un moment d'inattention lors de l'utilisation d'une tronçonneuse est susceptible d'entraîner l'enchevêtrement de vos habits ou de votre corps dans sa chaîne.
- **Tenez toujours la tronçonneuse avec votre main**

**droite sur la poignée arrière et votre main gauche sur la poignée avant.** Le maintien de la tronçonneuse avec la position des mains inversée augmente le risque de blessures et ne doit jamais être effectué.

- **Ne maintenez l'outil électrique que par ses surfaces de préhension isolées, car sa chaîne est susceptible d'entrer en contact avec des câbles électriques cachés.** L'entrée en contact avec un fil électrique d'un câble « sous tension » pourrait véhiculer cette tension électrique vers les parties métalliques de l'outil et exposer l'opérateur à une décharge électrique.
- **Portez des lunettes de sécurité et une protection auditive. L'utilisation d'équipement de protection supplémentaire pour la tête, les mains, les jambes et les pieds est recommandée.** Des vêtements de protection adéquats permet de réduire les risques de blessures provoquées par la projection de débris ou la mise en contact accidentelle avec la chaîne de la tronçonneuse.
- **N'utilisez pas de tronçonneuse dans un arbre.** L'utilisation d'une tronçonneuse en hauteur dans un arbre est susceptible de provoquer des blessures.
- **Gardez toujours un bon appui de vos pieds au sol et n'utilisez la tronçonneuse que lorsque vous vous tenez debout sur une surface fixe, sûre et horizontale.** Les surfaces glissantes ou instables telles que les échelles peuvent entraîner une perte d'équilibre ou de maîtrise de la tronçonneuse.
- **Lorsque vous coupez une branche sous tension, prenez garde à l'effet ressort.** Une fois la tension des fibres du bois relâchée, la branche sous tension pourrait frapper l'opérateur et/ou causer une perte de contrôle de la tronçonneuse.
- **Soyez particulièrement prudent lors de la coupe de broussailles et de jeunes arbres.** Les fins branchages sont susceptibles d'être agrippés par la chaîne de la tronçonneuse et de venir vous fouetter ou de vous faire perdre l'équilibre.
- **Transportez la tronçonneuse par sa poignée avant, moteur coupé et éloignée de votre corps. Mettez toujours le fourreau de protection du guide-chaîne en place lorsque vous transportez ou rangez la tronçonneuse.** Une manipulation correcte de la tronçonneuse réduit la probabilité de mise en contact accidentelle avec la chaîne en mouvement.
- **Respectez les instructions concernant la lubrification, la tension de la chaîne et le changement d'accessoires.** Une chaîne mal tendue ou mal lubrifiée peut casser ou augmenter le risque de rebond.
- **Gardez les poignées propres, sèches, et exemptes d'huile et de graisse.** Des poignées grasses ou huileuses sont glissantes et peuvent entraîner une perte de contrôle.
- **Ne coupez que du bois. N'utilisez pas cette tronçonneuse pour un usage autre que ceux prévus. Par exemple, n'utilisez pas la tronçonneuse pour couper du plastique, de la maçonnerie ou des matériaux n'étant pas à base de bois.** L'utilisation détournée de l'appareil peut entraîner des situations dangereuses.





EN
<b>FR</b>
DE
ES
IT
NL
PT
DA
SV
FI
NO
PL
RU
CS
HU
RO
LV
LT
ET
HR
SL
SK
BG
UK
TR

## Causes et prévention du rebond :

Il peut se produire un rebond si l'extrémité du guide-chaîne entre en contact avec un objet ou si la chaîne coupante se pince et se bloque dans le bois pendant la coupe.

Dans certains cas, le contact avec le nez du guide-chaîne peut provoquer une réaction inverse soudaine, faisant rebondir le guide-chaîne vers le haut et en direction de l'opérateur.

Le pincement de la chaîne au niveau du haut du guide-chaîne est susceptible de le repousser rapidement le guide-chaîne en direction de l'opérateur.

Chacune de ces réactions est susceptible de vous faire perdre le contrôle de la machine et d'entraîner de graves blessures. Ne vous fiez pas exclusivement aux éléments de protection de votre tronçonneuse. Vous devez également prendre différentes mesures pour éviter les risques d'accidents ou de blessures.

Le rebond est le résultat d'une utilisation incorrecte de l'outil et/ou de mauvaises procédures ou conditions d'utilisation, et il peut être évité en prenant les précautions adéquates indiquées ci-dessous :

- **Maintenez fermement la tronçonneuse des deux mains, vos pouces et vos doigts enserrant ses poignées, et positionnez votre corps et vos bras de façon à pouvoir résister aux forces de rebond.** Les forces de rebond peuvent être maîtrisées par l'opérateur si des précautions adaptées sont prises. Ne lâchez pas la tronçonneuse.
- **Ne travaillez pas en extension et ne tronçonnez pas au-dessus du niveau des épaules.** Vous aiderez ainsi à éviter le contact accidentel avec le nez du guide-chaîne et à améliorer le contrôle de la tronçonneuse en cas de situation inattendue.
- **N'utilisez que les chaînes et guides-chaînes indiqués par le fabricant.** Des chaînes et guides-chaînes de rechange de type incorrect pourraient entraîner une rupture de la chaîne et/ou un rebond.
- **Respectez les instructions du fabricant pour l'aiguisage et l'entretien de la chaîne.** La diminution de la hauteur du limiteur de profondeur est susceptible d'augmenter le risque de rebond.

## AVERTISSEMENTS DE SÉCURITÉ SUPPLÉMENTAIRES CONCERNANT LES TRONÇONNEUSES

- Il est recommandé de couper les bûches sur un chevalet ou sur un berceau lors de la première utilisation du produit.
- Assurez-vous que toutes les protections et poignées ainsi que la griffe d'abattage sont bien en place et en bon état.
- Les utilisateurs de cette tronçonneuse doivent être en bonne santé. Ce produit pesant un certain poids, l'utilisateur doit être en bonne forme physique. L'utilisateur doit être vigilant, avoir une bonne vue, une bonne mobilité, un bon sens de l'équilibre, et être adroit de ses mains. En cas de doute, n'utilisez pas la tronçonneuse.
- Ne commencez pas à utiliser le produit avant de disposer d'une zone de travail dégagée, d'avoir un bon appui au sol, ainsi qu'un chemin de repli éloigné de la

zone de chute de l'arbre.

- Prenez garde aux projections de brouillard d'huile et de sciure. Portez un masque ou un respirateur au besoin.
- Ne coupez pas de vigne et/ou de petites broussailles (de moins de 75 mm de diamètre).
- Tenez toujours la tronçonneuse des deux mains lorsque vous l'utilisez. Tenez la tronçonneuse fermement, vos doigts entourant les poignées. La main droite doit tenir la poignée arrière et la main gauche la poignée avant.
- Avant de mettre l'outil en marche, assurez-vous que rien n'est en contact avec la chaîne de la tronçonneuse.
- Ne modifiez votre outil d'aucune façon, et ne l'utilisez pas pour faire fonctionner des accessoires ou appareils non recommandés par le fabricant de la tronçonneuse.
- Il devrait toujours y avoir une trousse de premiers soins contenant de grands pansements et un dispositif permettant d'attirer l'attention (par ex. un sifflet) à proximité de l'utilisateur. Une trousse de premiers soins mieux fournie doit aussi se trouver à distance raisonnablement proche.
- L'opérateur pourrait être tenté de retirer son casque si aucun risque de chute d'objets n'est présent, mais rappelez-vous que le casque, en particulier s'il est équipé d'une visière à grille, peut aider à réduire les risques de blessures infligées au visage et à la tête en cas de rebond.
- Une chaîne mal tendue peut dérailler du guide-chaîne et provoquer de graves blessures potentiellement mortelles. La longueur de la chaîne varie en fonction de la température. Vérifiez fréquemment sa tension.
- Familiarisez-vous avec votre nouvelle tronçonneuse en effectuant des coupes simples dans du bois bien calé. Faites-le si vous n'avez pas utilisé la tronçonneuse depuis longtemps.
- Pour réduire le risque de blessures occasionnées par le contact avec les éléments en mouvement, il convient de toujours arrêter le moteur, actionner le frein de chaîne, retirer le bloc de batterie et s'assurer que tous les éléments en mouvement se sont bien arrêtés avant de :
  - nettoyer ou dégager la cause d'un blocage ;
  - laisser le produit sans surveillance ;
  - mettre en place ou retirer des accessoires ;
  - travailler sur le produit, de le vérifier ou de l'entretenir.
- La superficie de la zone de travail dépend du travail à effectuer tout autant que de la taille de l'arbre ou de la pièce à usiner. Par exemple, l'abattage d'un arbre demande une zone de travail plus importante que les autres coupes, telles que le tronçonnage, etc. L'opérateur doit être conscient de son environnement de travail et opérer un contrôle total sur tout événement pouvant s'y produire.
- Ne coupez pas en ayant votre corps aligné avec le guide-chaîne et avec la chaîne. En cas de rebond, vous aiderez ainsi à éviter que la chaîne n'entre en contact avec votre tête ou votre corps.
- N'effectuez pas de mouvements de sciage d'avant en arrière, laissez la chaîne faire le travail, gardez la





chaîne affûtée et ne tentez pas de la pousser dans la coupe.

- N'exercez pas de pression sur la tronçonneuse en fin de coupe. Tenez-vous prêt à supporter le poids de la tronçonneuse une fois celle-ci libérée en fin de coupe. Le non-respect de cet avertissement peut entraîner de graves blessures.
- N'arrêtez pas la tronçonneuse en pleine opération de coupe. Gardez la tronçonneuse en fonctionnement jusqu'à ce qu'elle soit sortie de la coupe.

### Poussée et traction

La force de réaction s'exerce toujours dans la direction opposée au sens de rotation de la chaîne. Ainsi, l'opérateur doit être prêt à contrôler la tendance de la machine à tracter (mouvement vers l'avant) lors de la coupe avec le côté bas de la chaîne et à pousser (vers l'opérateur) lors de la coupe avec le côté supérieur.

### Tronçonneuse coincée dans la coupe

Arrêtez la tronçonneuse et sécurisez-la. Ne tentez pas de faire sortir de force la chaîne et le guide-chaîne de la coupe, vous risqueriez de provoquer le bris de la chaîne qui pourrait alors basculer en arrière et frapper l'opérateur. Cette situation se produit généralement lorsque le bois est mal soutenu et force la coupe à se resserrer sous la pression, entraînant le pincement de la chaîne et du guide-chaîne. Si le réglage du support ne parvient pas à dégager la chaîne et le guide-chaîne, ouvrez la coupe à l'aide de coins ou d'un levier. Ne tentez jamais de mettre la tronçonneuse en marche lorsque le guide-chaîne se trouve déjà dans une coupe ou dans un trait d'abattage.

### Équipement de protection individuel

Un équipement de protection individuel de bonne qualité utilisé par des professionnels aide à réduire le risque de blessures infligées à l'opérateur. Les éléments suivants doivent être utilisés lorsque vous utilisez votre tronçonneuse :

#### Casque de sécurité

- doit être conforme à EN 397 et porter l'inscription CE

#### Protection auditive

- doit être conforme à EN 352-1 et porter l'inscription CE

#### Protection oculaire et faciale

- doit porter l'inscription CE et être conforme à EN 166 (pour les lunettes de sécurité) ou EN 1731 (pour les visières à grille)

#### Gants

- doivent être conformes à EN 381-7 et porter l'inscription CE

#### Protèges-jambes (jambières)

- doivent être conformes à EN381-5, porter l'inscription CE et protéger tout le tour des jambes.

#### Bottes de protection pour tronçonneuse

- doivent être conformes à EN ISO 20345:2004 et porter un pictogramme de tronçonneuse indiquant la conformité à EN 381-3. (Les utilisateurs occasionnels peuvent porter des chaussures de

sécurité à embouts acier et des guêtres de sécurité conformes à EN 381-9 si le sol est régulier et que le risque de trébucher ou de s'emmêler dans des broussailles est faible)

#### Vestes de protection du haut du corps pour tronçonneuse

- doit être conforme à EN 381-11 et porter l'inscription CE

### INSTRUCTIONS CONCERNANT LES TECHNIQUES DE BASE ADÉQUATE POUR L'ABATTAGE, LE TRONÇONNAGE, ET L'ÉBRANCHAGE

#### Compréhension des forces présentes dans le bois

Une fois comprises les pressions directionnelles et les tensions présentes dans le bois, vous pouvez réduire les « pincements » ou au moins les prévoir en cours de coupe. Une tension dans le bois signifie que les fibres subissent une force de traction et que si vous coupez dans cette zone, le « trait de coupe » ou la coupe auront tendance à s'ouvrir à mesure que la tronçonneuse progressera. Si une bûche est soutenue par un chevalet et que son extrémité pend sans être soutenue à son extrémité, une tension se crée alors sur son dessus à cause du poids de la partie qui dépasse et qui étire les fibres. De la même façon, le dessous de la bûche sera comprimé et les fibres seront compressées. Si une coupe est effectuée dans cette zone, le trait de coupe aura tendance à se refermer en cours de coupe. La chaîne et le guide-chaîne s'en trouveront pincés.

#### Abattage d'un arbre

Voir pages 267 - 268.

Lorsque des opérations de tronçonnage et d'abattage sont effectuées simultanément par deux personnes ou plus, les opérations d'abattage et de tronçonnage doivent être séparées par une distance égale à au moins deux fois la hauteur de l'arbre à abattre. Les arbres ne doivent pas être abattus d'une façon qui pourrait mettre quiconque en danger, atteindre toute conduite ou toute ligne électrique ou causer des dommages à la propriété d'autrui. En cas de contact avec toute conduite ou ligne électrique, prévenez immédiatement la compagnie d'exploitation.

Si le terrain est en pente, restez toujours en haut du terrain car l'arbre risque de rouler ou de glisser au bas de la pente une fois abattu.

Un chemin de repli doit être prévu et déblayé au besoin avant de commencer les coupes. Le chemin de repli doit s'étendre vers l'arrière et en diagonale par rapport à la ligne de chute prévue.

Avant de commencer l'abattage, prenez en compte l'inclinaison naturelle de l'arbre, la position des plus grosses branches ainsi que la direction du vent pour juger du chemin de chute de l'arbre.

Débarrassez l'arbre de la terre, des pierres, des écorces détachées, des clous, des agrafes et des câbles.

N'essayez pas d'abattre des arbres qui sont pourris, ou ont été endommagés par le vent, le feu, la foudre, etc. Ceci est extrêmement dangereux et ne doit être réalisé que par des bûcherons professionnels.

#### 1. Entaille d'abattage

Voir pages 267 - 268.



Effectuez l'entaille sur 1/3 du diamètre de l'arbre, perpendiculairement à la direction de chute. Commencez par l'entaille horizontale inférieure. Vous aiderez ainsi à éviter de pincer soit la chaîne ou le guide-chaîne lors de la coupe de la deuxième entaille.

## 2. Trait d'abattage

*Voir pages 267 - 268.*

Effectuez le trait d'abattage au moins 50 mm au dessus de l'entaille d'abattage horizontale. Gardez le trait d'abattage parallèle à l'entaille d'abattage horizontale. Effectuez le trait d'abattage de façon à laisser assez de bois pour que se forme une charnière. La charnière évite que l'arbre ne se vrille et chute dans la mauvaise direction. Ne coupez pas dans la charnière.

À mesure que la coupe se rapproche de la charnière, l'arbre doit commencer à tomber. S'il existe une possibilité que l'arbre ne chute pas dans la direction prévue ou qu'il bascule et coince la chaîne, arrêtez la coupe avant que le trait d'abattage ne soit terminé et utilisez des coins en bois, en plastique ou en aluminium pour ouvrir la coupe et faire tomber l'arbre le long de la ligne de chute prévue.

Lorsque l'arbre commence à tomber, retirez la tronçonneuse de la coupe, arrêtez le moteur, posez la tronçonneuse, puis empruntez le chemin de repli prévu. Prenez garde à la chute de branches hautes et assurez vous pas.

## Coupe des racines de contrefort

*Voir page 268.*

Une racine de contrefort est une grosse racine partant du tronc de l'arbre jusqu'au sol. Coupez les grosses racines avant de procéder à l'abattage. Effectuez tout d'abord une entaille horizontale dans le contrefort, puis une entaille verticale. Dégagez la partie ainsi coupée de la zone de travail. Procédez à l'abattage après avoir retiré les racines de contrefort.

## Coupe d'un tronçon

*Voir page 269.*

Le tronçonnage consiste à débiter une bûche en plusieurs tronçons. Il est important de vous assurer que votre appui au sol est ferme et que votre poids est bien réparti sur vos deux pieds. Lorsque cela est possible, la bûche doit être relevée et soutenue à l'aide de branches, de bûches ou de cales. Suivez les instructions de base pour une coupe facile. Lorsque la bûche est soutenue sur toute sa longueur, coupez-la par le dessus (tronçonnage par-dessus).

Lorsque la bûche est soutenue par une extrémité, coupez 1/3 de son diamètre par le dessous (tronçonnage par dessous). Effectuez ensuite la coupe finale par le dessus en rejoignant la première coupe.

Lorsque la bûche est soutenue par ses deux extrémités, coupez 1/3 de son diamètre par le dessus (tronçonnage par-dessus). Effectuez ensuite la coupe finale par le dessous aux 2/3 en rejoignant la première coupe.

Lorsque vous tronçonnez dans une pente, tenez-vous toujours en amont de la bûche. Lorsque vous atteignez la fin de la coupe, pour garder un contrôle total, relâchez la pression de coupe lorsque vous approchez de la fin de la coupe sans desserrer votre maintien des poignées de la

tronçonneuse. Ne laissez pas la chaîne entrer en contact avec le sol. Une fois la coupe terminée, attendez l'arrêt complet de la chaîne avant de déplacer la tronçonneuse. Arrêtez toujours le moteur avant de passer d'un arbre à un autre.

## Ébranchage d'un arbre

*Voir page 270.*

L'ébranchage consiste à retirer les branches d'un arbre abattu. Lorsque vous procédez à un ébranchage, laissez les plus grosses branches inférieures en place pour soulever le tronc du sol. Retirez les petites branches en une seule coupe. Les branches sous tension doivent être coupées du dessous vers le dessus afin d'éviter de coincer la tronçonneuse.

## Élément contraint

*Voir page 270.*

Un fouet est une branche, souche déracinée ou un arbrisseau qui est fléchi par un autre morceau de bois, de telle sorte qu'il se détend brusquement lorsque l'on coupe ou retire le morceau ce bois le retenant.

La souche déracinée d'un arbre abattu risque fortement de se détendre et de revenir en position verticale pendant la coupe pour la séparer du tronc. Attention aux fouets, ils sont dangereux.

### ⚠ AVERTISSEMENT

Les fouets sont dangereux car ils peuvent vous frapper et vous faire perdre le contrôle de la tronçonneuse, ce qui peut entraîner des blessures graves ou mortelles. Ceci doit être effectué par des utilisateurs entraînés.

### RISQUES RÉSIDUELS

Même lorsque le produit est utilisé selon les prescriptions, il reste impossible d'éliminer totalement certains facteurs de risque résiduels. Les dangers suivants risquent de se présenter en cours d'utilisation et l'utilisateur doit prêter particulièrement garde à ce qui suit :

- Blessures dues aux vibrations.
  - Utilisez toujours un outil adapté au travail à effectuer, servez-vous des poignées appropriées et limitez le temps de travail et d'exposition.
- Perte d'audition provoquée par l'exposition au bruit.
  - Portez une protection auditive et limitez le temps d'exposition.
- Blessures dues à l'entrée en contact avec les dents visibles de la chaîne
- Blessures provoquées par des éléments coupés projetés (copeaux et éclats)
- Blessures provoquées par l'inhalation de poussières et particules
- Blessures provoquées par contact de la peau avec de l'huile ou du lubrifiant
- Projection d'éléments en provenance de la chaîne (risques de coupures/injections).
- Mouvement brusque et imprévu ou rebond du guide-chaîne (risques de coupures).

EN  
FR  
DE  
ES  
IT  
NL  
PT  
DA  
SV  
FI  
NO  
RU  
PL  
CS  
HU  
RO  
LV  
LT  
ET  
HR  
SL  
SK  
BG  
UK  
TR





## RÉDUCTION DES RISQUES

Il a été reporté que les vibrations engendrées par les outils tenus à la main peuvent contribuer à l'apparition d'un état appelé le syndrome de Raynaud chez certaines personnes. Les symptômes peuvent comprendre des fourmillements, un engourdissement et un blanchiment des doigts, généralement par temps froid. Des facteurs héréditaires, l'exposition au froid et à l'humidité, le régime alimentaire, le tabagisme et les habitudes de travail peuvent contribuer au développement de ces symptômes. Certaines mesures peuvent être prises par l'utilisateur pour aider à réduire les effets des vibrations:

- Gardez votre corps au chaud par temps froid. Lorsque vous utilisez l'appareil, portez des gants afin de garder vos mains et vos poignets au chaud. Le temps froid est considéré comme un facteur contribuant très largement à l'apparition du syndrome de Raynaud.
- Après chaque session de travail, pratiquez des exercices qui favorisent la circulation sanguine.
- Faites des pauses fréquentes. Limitez la quantité d'exposition journalière.
- Les gants de protection disponibles auprès des revendeurs professionnels de tronçonneuses sont spécialement destinés à l'utilisation avec une tronçonneuse, ils procurent une bonne protection et une bonne accroche, et ils réduisent également les effets des vibrations des poignées. Ces gants doivent être conformes à EN 381-7 et porter l'inscription CE.

Si vous ressentez l'un des symptômes associés à ce syndrome, arrêtez immédiatement le travail et consultez votre médecin pour lui en faire part.

### AVERTISSEMENT

L'utilisation prolongée d'un outil est susceptible de provoquer ou d'aggraver des blessures. Assurez-vous de faire des pauses de façon régulière lorsque vous utilisez tout outil de façon prolongée.

## APPRENEZ À CONNAÎTRE VOTRE PRODUIT

Voir page 261.

1. Protège-main avant/frein de chaîne
2. Poignée avant
3. Poignée arrière
4. Chaîne
5. Guide-chaîne
6. Griffes d'abattage
7. Bouchon du réservoir d'huile
8. Bouton de déverrouillage de la gâchette
9. l'interrupteur
10. Carter de pignon
11. Bague de réglage de la tension de la chaîne
12. Bouton de tension de chaîne
13. Fourreau de guide-chaîne
14. Attrape-chaîne

## ÉLÉMENTS DE SÉCURITÉ

### Chaîne à faible tendance au rebond

Une chaîne à faible rebond aide à réduire la possibilité qu'un rebond se produise.

Les limiteurs de profondeur situés à l'avant de chaque dent peuvent réduire la force de l'effet de rebond en évitant que les dents ne s'enfoncent trop profondément dans la zone de rebond. N'utilisez que les combinaisons de chaînes et guides-chaînes de rechange recommandés par le fabricant.

Redoublez de vigilance après avoir aiguisé la chaîne de votre tronçonneuse, car l'aiguisage rend la chaîne moins résistante au rebond. Pour votre sécurité, remplacez les chaînes des tronçonneuses lorsque leurs performances de coupe diminuent.

### Griffe d'abattage

Toute la griffe d'abattage peut être utilisée comme pivot lors d'une coupe. Cela aide à garder le corps de la tronçonneuse stable en cours de coupe. Lors de la coupe, poussez la machine vers l'avant jusqu'à ce que les pointes s'enfoncent dans le bord du bois, puis en déplaçant la poignée arrière vers le bas et vers le haut dans le sens du trait de coupe, facilitez la libération des efforts de coupe.

### Guide-chaîne

Les guides-chaîne ayant un rayon plus faible à leur extrémité présentent généralement une plus faible tendance au rebond. Vous devriez utiliser un guide-chaîne et une chaîne juste assez longs pour le travail à effectuer. Des guides-chaînes plus longs augmentent le risque de perte de contrôle en cours de coupe. Vérifiez régulièrement la tension de la chaîne. Lors de la coupe de branches courtes (plus courtes que le guide-chaîne) la chaîne a plus de chances de se faire éjecter si la tension n'est pas correcte.

### Frein de chaîne

Le frein de chaîne a été conçu pour permettre d'arrêter rapidement la chaîne de tourner. La chaîne doit s'arrêter immédiatement lorsque le levier du frein/protège-main est poussé vers l'avant. Un frein de chaîne n'empêche pas l'effet de rebond. Il ne fait que diminuer le risque de blessures en cas de contact du guide-chaîne avec le corps de l'opérateur en cas de rebond. Le frein de chaîne doit être testé avant chaque utilisation afin de vérifier son bon fonctionnement à la fois en position de fonctionnement et en position de frein.

### Attrape-chaîne

Un bloqueur empêche la chaîne de reculer vers l'opérateur si elle se détend ou se casse.

## MONTAGE

### AVERTISSEMENT

Si une quelconque pièce ou partie de cette tronçonneuse est manquante ou endommagée, ne l'utilisez pas avant d'avoir changé la pièce. Le non-respect de cet avertissement pourrait entraîner de graves blessures.





## MONTAGE DE LA CHAÎNE ET DU GUIDE-CHAÎNE

Voir pages 262 - 263.

1. Assurez-vous de retirer le bloc de batterie de l'appareil. Portez des gants de protection.
2. Dévissez le bouton de tension de la chaîne puis retirez le carter de pignon.
3. La chaîne doit être orientée vers son sens de rotation. Si elles sont orientées dans le sens inverse, retournez la boucle que vous avez formée.
4. Placez les maillons d'entraînement dans le rail du guide.
5. Positionnez la chaîne de façon à former une boucle à l'arrière du guide.
6. Maintenez la chaîne en place sur le guide-chaîne et enroulez sa boucle autour du pignon. Abaissez le guide-chaîne de façon que le boulon traverse le trou de l'ensemble tensionneur de chaîne attendant. Vous aurez peut-être à faire pivoter cet ensemble pour aligner le trou avec le boulon. Vous pouvez faire pivoter cet ensemble à nouveau pour appliquer une certaine tension à la chaîne, ce qui aidera à la maintenir en place.
7. Remettez le carter de pignon en place et tournez la bague de tension de la chaîne jusqu'à ce que la chaîne soit correctement tendue. Le guide-chaîne doit alors être poussé vers le haut. Vérifiez à nouveau la tension de la chaîne. Ne tendez pas la chaîne de façon excessive.
8. Une fois la chaîne correctement tendue, serrez à nouveau le bouton.

## RÉGLAGE DE LA TENSION DE LA CHAÎNE

Voir page 263. Voir page 273.

1. Desserrez légèrement le bouton de tension de la chaîne en le tournant dans le sens inverse des aiguilles d'une montre.
2. Pour augmenter la tension de la chaîne, tournez la bague de réglage de tension dans le sens des aiguilles d'une montre et vérifiez régulièrement la tension de la chaîne. Pour diminuer la tension de la chaîne, tournez la bague de réglage de tension dans le sens inverse des aiguilles d'une montre et vérifiez régulièrement la tension de la chaîne.
3. La tension est correcte lorsque le jeu entre la dent de la chaîne et le guide-chaîne est de 3 mm à 4 mm. Tirez la chaîne vers le bas au niveau du milieu de la partie inférieure du guide-chaîne (de façon à l'éloigner du guide-chaîne) et mesurez la distance entre le guide-chaîne et les dents de coupe.
4. Serrez le bouton de tension de la chaîne en le tournant dans le sens des aiguilles d'une montre.

## UTILISATION

### AJOUT D'HUILE DE LUBRIFICATION DE CHAÎNE

Voir page 262.

## ⚠ AVERTISSEMENT

Ne travaillez jamais sans huile de lubrification de chaîne. Si la chaîne tourne sans lubrifiant, cela peut endommager la chaîne et le guide-chaîne. Il est donc essentiel de vérifier fréquemment le niveau d'huile à l'aide de la jauge, ainsi qu'à chaque démarrage.

1. Nettoyez la surface autour du bouchon d'huile pour éviter toute contamination.
2. Dévissez et retirez le bouchon du réservoir d'huile.
3. Versez l'huile dans le réservoir d'huile et vérifiez la jauge de niveau d'huile. Prenez garde de ne pas faire pénétrer de saletés dans le réservoir d'huile lors de son remplissage.
4. Remettez le bouchon d'huile en place et serrez-le. Essuyez toute huile renversée.
5. Un réservoir d'huile plein vous permet d'utiliser la tronçonneuse pendant 20 - 40 minutes.

### Huile lubrifiante pour chaîne recommandée

- Le fabricant vous recommande de n'utiliser que de l'huile pour chaîne de marque Ryobi (disponible auprès de votre service après-vente agréé Ryobi).

### MISE EN PLACE DU BLOC DE BATTERIE.

Voir page 263.

1. Mettez le bloc de batterie en place dans l'outil. Alignez les languettes du bloc de batterie avec les rainures du logement de la batterie de l'appareil.
2. Assurez-vous que les mécanismes de verrouillage du bloc de batterie se clipsent et que le bloc de batterie est fixé à l'appareil avant toute mise en marche.

### COMMENT TENIR LA TRONÇONNEUSE

Voir page 263.

Tenez toujours la tronçonneuse avec votre main droite sur la poignée arrière et votre main gauche sur la poignée avant. Agrippez les deux poignées de façon que vos pouces et vos doigts les encerclent. Assurez-vous que votre main gauche tient la poignée avant de telle façon que votre pouce se trouve en dessous.

### DÉMARRAGE DE LA TRONÇONNEUSE

Voir page 263.

1. Avant de commencer l'utilisation, vous devez mettre en place le bloc de batterie dans la machine, et vous assurer que le frein de chaîne est en position de fonctionnement en tirant sur son levier/sur le protège-mains en direction de la poignée avant.
2. Pour mettre la machine en marche: pour libérer l'interrupteur, manœuvrer le bouton de déverrouillage.

### VÉRIFICATION ET UTILISATION DU FREIN DE CHAÎNE

1. Actionnez le frein de chaîne en faisant tourner votre main gauche autour de la poignée avant. À l'aide du dos de votre main, poussez le levier du frein de chaîne/ sur le protège-mains en direction du guide-chaîne alors que la chaîne est en rotation rapide. Assurez-vous de maintenir les poignées de la tronçonneuse des deux mains en permanence.





- Remettez le frein de chaîne en position « RUN » (MARCHE) en saisissant la partie supérieure du levier de frein/protège-mains et en le tirant vers la poignée avant jusqu'à entendre un clic.

#### ⚠ AVERTISSEMENT

Si le frein de chaîne ne stoppe pas immédiatement la chaîne, ou s'il ne reste pas en position de fonctionnement sans y être aidé, apportez la tronçonneuse à un service après-vente après-vente agréé pour la faire réparer avant de continuer à l'utiliser.

#### TRANSPORT ET STOCKAGE

Voir page 275, étape 276.

- Arrêtez le produit, retirez la batterie, et laissez-les refroidir avant de les ranger ou de les transporter.
- Débarrassez l'appareil de tous les corps étrangers. Rangez-le dans un endroit frais, sec et correctement ventilé, hors de portée des enfants. Ne le rangez pas à proximité d'agents corrosifs tels que des produits chimiques de jardinage ou des sels de dégel. Ne le rangez pas à l'extérieur.
- Mettez le fourreau de protection du guide-chaîne en place avant de ranger l'appareil, ainsi qu'au cours de son transport.
- Pour le transport, attachez le produit pour l'empêcher de bouger ou de tomber, afin d'éviter toute blessure et tout dommage matériel.

#### ENTRETIEN

#### ⚠ AVERTISSEMENT

N'utilisez que des pièces détachées et accessoires d'origine constructeur. Le non-respect de cette précaution peut entraîner de mauvaises performances, des blessures, et annuler votre garantie.

#### ⚠ AVERTISSEMENT

Les opérations d'entretien demandent un soin et des connaissances extrêmes et ne doivent être effectuées que par un technicien de service qualifié. Pour l'entretien et les réparations, apportez le produit à un service après-vente agréé. N'utilisez que des pièces détachées identiques pour effectuer les réparations.

#### ⚠ AVERTISSEMENT

Retirez la batterie avant tout réglage et toute opération d'entretien ou de nettoyage. Le non respect/non-respect de cet avertissement peut entraîner de graves blessures.

- Vous n'êtes autorisé à effectuer que les réglages ou réparations décrits dans ce manuel. Pour toute autre réparation, contactez un service après-vente agréé.
- Les conséquences d'un mauvais entretien peuvent être la rupture de la chaîne et le mauvais fonctionnement

des dispositifs de sécurité, ce qui augmente les risques de blessures graves. Gardez votre tronçonneuse entretenue professionnellement et sûre.

- L'affûtage de la chaîne en toute sécurité est une opération demandant un certain savoir-faire. Le fabricant vous recommande donc de remplacer toute chaîne usée ou émoussée par une neuve, disponible auprès de votre service après-vente agréé Ryobi. Vous pourrez trouver la référence de la pièce dans le tableau des caractéristiques présent dans ce manuel.
- Respectez les instructions concernant la lubrification, la vérification de la tension de la chaîne et son réglage.
- Après chaque utilisation, utilisez un chiffon propre et sec pour nettoyer le produit.
- Vérifiez régulièrement le bon serrage des écrous, vis et boulons pour vous assurer que le produit soit toujours en bon état de fonctionnement. Toute pièce endommagée doit être correctement remplacée ou réparée par un service après-vente agréé.

#### REMPLACEMENT DU GUIDE-CHAÎNE ET DE LA CHAÎNE

Voir pages 271 - 272.

- Assurez-vous d'avoir retiré la batterie. Portez des gants de protection.
- Dévissez le bouton de serrage de la chaîne en le tournant dans le sens inverse des aiguilles d'une montre jusqu'à ce que le carter de pignon soit desserré.
- Retirez le carter de pignon. Retirez le guide-chaîne ainsi que la chaîne de l'appareil.
- Pour remplacer le guide-chaîne par un nouveau, retirez la vis de l'ensemble tensionneur de la chaîne. Montez l'ensemble tensionneur de chaîne sur le nouveau guide-chaîne et serrez la vis.
- Mettez la nouvelle chaîne en place sur le guide-chaîne (dans le bon sens) et assurez-vous que les maillons d'entraînement sont bien alignés dans le sillon du guide-chaîne.
- Assemblez le guide-chaîne sur la tronçonneuse puis passez la chaîne autour du pignon d'entraînement.
- Remettez le carter de pignon en place.
- Réglez la tension de la chaîne. Reportez-vous au chapitre « Réglage de la tension de la chaîne ».

#### ⚠ AVERTISSEMENT

Une chaîne émoussée ou mal affûtée peut entraîner un sursrégime moteur en cours de coupe et être la cause de graves dommages au moteur.

#### ⚠ AVERTISSEMENT

Un mauvais aiguisage de la chaîne augmente le risque de rebond.

#### ⚠ AVERTISSEMENT

Si vous ne remplacez pas ou ne réparez pas une chaîne endommagée, vous vous exposez à des risques de blessures corporelles graves.





## ⚠ AVERTISSEMENT

La chaîne est très coupante. Portez toujours des gants de protection lorsque vous assurez son entretien.

## VÉRIFICATION ET NETTOYAGE DU FREIN DE CHAÎNE

Voir page 274.

- Gardez toujours le mécanisme de frein de chaîne propre en en brossant légèrement l'accouplement pour en retirer la saleté.
- Testez toujours l'efficacité du frein de chaîne après l'avoir nettoyé. Reportez-vous à la section « Utilisation – Frein de chaîne » de ce manuel pour plus d'informations.

## PÉRIODICITÉ D'ENTRETIEN

Vérification quotidienne	
Lubrification du guide	Avant chaque utilisation
Tension de la chaîne	Avant chaque utilisation et fréquemment
Affûtage de la chaîne	Avant chaque utilisation, vérification visuelle
Pièces éventuellement endommagées	Avant chaque utilisation
Attaches mal serrées	Avant chaque utilisation
Bon fonctionnement du frein de chaîne	Avant chaque utilisation
Vérification et nettoyage	
Guide-chaîne	Avant chaque utilisation
Tronçonneuse dans son ensemble	Après chaque utilisation
Frein de chaîne	Toutes les 5 heures*

\*Heures de fonctionnement

## SYMBOLES APPLIQUÉS SUR LE PRODUIT



Avertissement



Lisez et comprenez toutes les instructions avant d'utiliser le produit, respectez tous les avertissements et toutes les instructions de sécurité.



Portez une protection oculaire et auditive ainsi qu'un casque.



Portez des chaussures de sécurité antidérapantes lorsque vous utilisez le produit.



Portez des gants de protection résistantssolides et antidérapants.



Prenez garde au phénomène de rebond de la tronçonneuse et évitez le contact avec l'extrémité du guide-chaîne.



N'exposez pas ce produitNe pas exposer à la pluie ou à des conditions humides.



Tenez et utilisez votre tronçonneuse avec vos deux mains.



N'utilisez pas votre tronçonneuse en la tenant avec une seule main.



Cet outil est conforme à l'ensemble des normes réglementaires du pays de l'UE où il a été acheté.



Marque de qualité EurAsian



Marque de conformité ukrainienne



Les produits électriques hors d'usage ne doivent pas être jetés avec les ordures ménagères. Recyclez-les par l'intermédiaire des structures disponibles. Contactez les autorités localesles autorités locales ou votre distributeur pour vous renseigner sur les conditions de recyclage.



Le niveau de puissance sonore garanti est de 96 dB



Lubrifiant pour chaîne et guide-chaîne



Niveau minimum de lubrifiant



Verrouillage



Déverrouillage



Réglez le frein à chaîne sur la position MARCHE.



Tournez pour régler la tension de la chaîne  
+ = Serrez la chaîne  
- = Détendre la chaîne



Réglez le frein à chaîne sur la position FREIN.



Sens de déplacement de la chaîne  
(Indiqué sous le carter de chaîne)

$V_0$  : 10 m/s      Vitesse de la chaîne à vide: 10 m/s

L max: 300mm      Longueur maximale du guide-chaîne:  
300 mm

## SYMBOLES DE CE MANUEL



Pièces détachées et accessoires vendus séparément



Remarque



Avertissement



Portez une protection oculaire et faciale.



Portez une protection du haut du corps.



Portez une protection des jambes.



Arrêtez l'appareil.

Les symboles suivants, et les noms qui leur sont associés, permettent d'expliquer les différents niveaux de risques liés à l'utilisation de cet outil.

### **DANGER**

Imminence d'un danger qui, si l'on n'y prend garde, peut entraîner la mort ou des blessures graves.

### **AVERTISSEMENT**

Situation potentiellement dangereuse qui, si l'on n'y prend garde, peut entraîner la mort ou des blessures graves.

### **ATTENTION**

Situation potentiellement dangereuse qui, si l'on n'y prend garde, peut entraîner des blessures moyennes ou légères.

### **ATTENTION**

Sans symbole d'alerte de sécurité

Indique une situation pouvant entraîner des dommages matériels.



Sicherheit, Leistung und Zuverlässigkeit hatten oberste Priorität bei der Entwicklung Ihrer Akku-Kettensäge.

### BESTIMMUNGSGEMÄSSE VERWENDUNG

Die Akku-Kettensäge ist nur zum Einsatz im Freien vorgesehen. Aus Sicherheitsgründen muss das Produkt durch die Benutzung immer mit beiden Händen immer ausreichend kontrolliert werden.

Das Produkt wurde zum Sägen von Zweigen, Ästen, Stämmen und Balken mit einem Durchmesser, der durch die Schnittlänge der Führungsschiene bestimmt wird, entwickelt. Sie darf ausschließlich zum Schneiden von Holz verwendet werden. Es sollte nur von Erwachsenen, die ausreichend über die Gefahren und Vorbeugungs-/ Schutzmaßnahmen unterwiesen wurden, für den Hausgebrauch verwendet werden.

Verwenden Sie das Produkt nicht für andere, als die bestimmungsgemäße Verwendung. Es darf nicht im Rahmen professioneller Baumarbeiten eingesetzt werden. Das Produkt darf nicht von Kindern oder Personen, die nicht die erforderliche persönliche Schutzausstattung und -kleidung tragen, verwendet werden.

#### ⚠️ WARNUNG

Die Sicherheitsregeln müssen befolgt werden, wenn dieses Produkt benutzt wird. Lesen Sie für Ihre eigene Sicherheit und die von Zuschauern diese Anweisungen, bevor Sie das Produkt benutzen. Sie sollten einen professionell organisierten Kurs über die Nutzung und Wartung von Kettensägen, Präventivmaßnahmen und Erste-Hilfe besuchen. Bitte bewahren Sie die Anweisungen zum späteren Nachschlagen auf.

#### ⚠️ WARNUNG

Kettensägen sind potenziell gefährliche Werkzeuge. Unfälle mit Kettensägen führen oft zum Verlust von Gliedmaßen oder zum Tode. Es ist nicht nur das Produkt, die gefährlich ist. Fallende Äste, umfallende Bäume, rollende Baumstämme können töten. Krankes oder verfaultes Holz stellt eine weitere Gefahr dar. Sie sollten Ihre Fähigkeiten, die Aufgabe sicher zu bewältigen abschätzen. Wenn Sie irgendwelche Bedenken haben, überlassen Sie die Arbeit einem professionellen Baumpfleger.

### ALLGEMEINE SICHERHEITSWARNUNGEN

#### ⚠️ WARNUNG

**Lesen Sie alle Sicherheitshinweise und Anweisungen.** Versäumnisse bei der Einhaltung der Sicherheitshinweise und Anweisungen können elektrischen Schlag, Brand und/oder schwere Verletzungen verursachen.

**Bewahren Sie alle Sicherheitshinweise und Anweisungen für die Zukunft auf.**

Der in den Sicherheitshinweisen verwendete Begriff „Elektrowerkzeug“ bezieht sich auf netzbetriebene

Elektrowerkzeuge (mit Netzkabel) und auf akkubetriebene Elektrowerkzeuge (ohne Netzkabel).

### ARBEITSPLATZSICHERHEIT

- **Halten Sie Ihren Arbeitsbereich sauber und gut beleuchtet.** Unordnung oder unbeleuchtete Arbeitsbereiche können zu Unfällen führen.
- **Arbeiten Sie mit dem Elektrowerkzeug nicht in explosionsgefährdeter Umgebung, in der sich brennbare Flüssigkeiten, Gase oder Stäube befinden.** Elektrowerkzeuge erzeugen Funken, die den Staub oder die Dämpfe entzünden können.
- **Halten Sie Kinder und andere Personen während der Benutzung des Elektrowerkzeugs fern.** Bei Ablenkung können Sie die Kontrolle über das Gerät verlieren.

### ELEKTRISCHE SICHERHEIT

- **Der Anschlussstecker des Elektrowerkzeuges muss in die Steckdose passen. Der Stecker darf in keiner Weise verändert werden. Verwenden Sie keine Adapterstecker gemeinsam mit schutzgeerdeten Elektrowerkzeugen.** Unveränderte Stecker und passende Steckdosen verringern das Risiko eines elektrischen Schlages.
- **Vermeiden Sie Körperkontakt mit geerdeten Oberflächen wie von Rohren, Heizungen, Herden und Kühlschränken.** Es besteht ein erhöhtes Risiko durch elektrischen Schlag, wenn Ihr Körper geerdet ist.
- **Halten Sie Elektrowerkzeuge von Regen oder Nässe fern.** Das Eindringen von Wasser in ein Elektrowerkzeug erhöht das Risiko eines elektrischen Schlages.
- **Zweckentfremden Sie das Kabel nicht, um das Elektrowerkzeug zu tragen, aufzuhängen oder um den Stecker aus der Steckdose zu ziehen. Halten Sie das Kabel fern von Hitze, Öl, scharfen Kanten, oder sich bewegenden Geräteteilen.** Beschädigte oder verwickelte Kabel erhöhen das Risiko eines elektrischen Schlages.
- **Wenn Sie mit einem Elektrowerkzeug im Freien arbeiten, verwenden Sie nur Verlängerungskabel, die auch für den Außenbereich geeignet sind.** Die Anwendung eines für den Außenbereich geeigneten Verlängerungskabels verringert das Risiko eines elektrischen Schlages.
- **Wenn der Betrieb des Elektrowerkzeuges in feuchter Umgebung nicht vermeidbar ist, verwenden Sie einen Fehlerstromschutzschalter.** Der Einsatz eines Fehlerstromschutzschalters vermindert das Risiko eines elektrischen Schlages.

### SICHERHEIT VON PERSONEN

- **Seien Sie aufmerksam, achten Sie darauf, was Sie tun und gehen Sie mit Vernunft an die Arbeit mit einem Elektrowerkzeug. Benutzen Sie kein Elektrowerkzeug, wenn Sie müde sind oder unter dem Einfluss von Drogen, Alkohol oder Medikamenten stehen.** Ein Moment der Unachtsamkeit beim Gebrauch des Elektrowerkzeuges kann zu ernsthaften Verletzungen führen.

EN
FR
DE
ES
IT
NL
PT
DA
SV
FI
NO
RU
PL
CS
HU
RO
LV
LT
ET
HR
SL
SK
BG
UK
TR





- **Tragen Sie persönliche Schutzausrüstung und immer eine Schutzbrille.** Das Tragen persönlicher Schutzausrüstung, wie Staubmaske, rutschfeste Sicherheitsschuhe, Schutzhelm oder Gehörschutz, je nach Art und Einsatz des Elektrowerkzeuges, verringert das Risiko von Verletzungen.
- **Vermeiden Sie eine unbeabsichtigte Inbetriebnahme.** Vergewissern Sie sich, dass das Elektrowerkzeug ausgeschaltet ist, bevor Sie es an die Stromversorgung und/oder den Akku anschließen, es aufnehmen oder tragen. Wenn Sie beim Tragen des Elektrowerkzeugs den Fingern am Schalter haben oder das Gerät eingeschaltet an die Stromversorgung anschließen, kann dies zu Unfällen führen.
- **Entfernen Sie Einstellwerkzeuge oder Schraubenschlüssel, bevor Sie das Elektrowerkzeug einschalten.** Ein Werkzeug oder Schlüssel, der sich in einem drehenden Geräteteil befindet, kann zu Verletzungen führen.
- **Vermeiden Sie eine abnormale Körperhaltung.** Sorgen Sie für einen sicheren Stand und halten Sie jederzeit das Gleichgewicht. Dadurch können Sie das Elektrowerkzeug in unerwarteten Situationen besser kontrollieren.
- **Tragen Sie geeignete Kleidung.** Tragen Sie keine weite sitzende Kleidung oder Schmuck. Halten Sie Haare, Kleidung und Handschuhe fern von sich bewegenden Teilen. Lockere Kleidung, Schmuck oder lange Haare können von sich bewegenden Teilen erfasst werden.
- **Wenn Staubabsaug- und -auffangeinrichtungen montiert werden können, vergewissern Sie sich, dass diese angeschlossen sind und richtig verwendet werden.** Verwendung einer Staubabsaugung kann Gefährdungen durch Staub verringern.

#### VERWENDUNG UND BEHANDLUNG DES ELEKTROWERKZEUGES

- **Überlasten Sie das Gerät nicht.** Verwenden Sie für Ihre Arbeit das dafür bestimmte Elektrowerkzeug. Mit dem passenden Elektrowerkzeug arbeiten Sie besser und sicherer im angegebenen Leistungsbereich.
- **Benutzen Sie kein Elektrowerkzeug, dessen Schalter defekt ist.** Ein Elektrowerkzeug, das sich nicht mehr ein- oder ausschalten lässt, ist gefährlich und muss repariert werden.
- **Ziehen Sie den Stecker aus der Steckdose und/oder entfernen Sie den Akku, bevor Sie Geräteeinstellungen vornehmen, Zubehörteile wechseln oder das Gerät weglegen.** Diese Vorsichtsmaßnahme verhindert den unbeabsichtigten Start des Elektrowerkzeuges.
- **Bewahren Sie unbenutzte Elektrowerkzeuge außerhalb der Reichweite von Kindern auf.** Lassen Sie Personen das Gerät nicht benutzen, die mit diesem nicht vertraut sind oder diese Anweisungen nicht gelesen haben. Elektrowerkzeuge sind gefährlich, wenn sie von unerfahrenen Personen benutzt werden

- **Pflegen Sie Elektrowerkzeuge mit Sorgfalt.** Kontrollieren Sie, ob bewegliche Teile einwandfrei funktionieren und nicht klemmen, ob Teile gebrochen oder so beschädigt sind, dass die Funktion des Elektrowerkzeuges beeinträchtigt ist. Lassen Sie beschädigte Teile vor dem Einsatz des Gerätes reparieren. Viele Unfälle haben ihre Ursache in schlecht gewarteten Elektrowerkzeugen.
- **Halten Sie Schneidwerkzeuge scharf und sauber.** Sorgfältig gepflegte Schneidwerkzeuge mit scharfen Schneidkanten verkleben sich weniger und sind leichter zu führen.
- **Verwenden Sie Elektrowerkzeug, Zubehör, Einsatzwerkzeuge usw. entsprechend diesen Anweisungen.** Berücksichtigen Sie dabei die Arbeitsbedingungen und die auszuführende Tätigkeit. Der Gebrauch von Elektrowerkzeugen für andere als die vorgesehenen Anwendungen kann zu gefährlichen Situationen führen.

#### VERWENDUNG UND BEHANDLUNG DES AKKUWERKZEUGES

- **Laden Sie die Akkus nur in Ladegeräten auf, die vom Hersteller empfohlen werden.** Für ein Ladegerät, das für eine bestimmte Art von Akku geeignet ist, besteht Brandgefahr, wenn es mit anderen Akkus verwendet wird.
- **Verwenden Sie nur die dafür vorgesehenen Akkus in den Elektrowerkzeugen.** Der Gebrauch von anderen Akkus kann zu Verletzungen und Brandgefahr führen.
- **Halten Sie den nicht benutzten Akku fern von Büroklammern, Münzen, Schlüsseln, Nägeln, Schrauben oder anderen kleinen Metallgegenständen, die eine Überbrückung der Kontakte verursachen könnten.** Ein Kurzschluss zwischen den Akkukontakten kann Verbrennungen oder Feuer zur Folge haben.
- **Bei falscher Anwendung kann Flüssigkeit aus dem Akku austreten; vermeiden Sie den Kontakt damit.** Bei zufälligem Kontakt mit Wasser abspülen. Wenn die Flüssigkeit in die Augen kommt, nehmen Sie zusätzlich ärztliche Hilfe in Anspruch. Austretende Akkuflüssigkeit kann zu Hautreizungen oder Verbrennungen führen.

#### SERVICE

- **Lassen Sie Ihr Elektrowerkzeug nur von qualifiziertem Fachpersonal und nur mit Original-Ersatzteilen reparieren.** Damit wird sichergestellt, dass die Sicherheit des Elektrowerkzeugs erhalten bleibt.

#### ZUSÄTZLICHE ALLGEMEINE SICHERHEITSWARNUNGEN

- In einigen Regionen können Vorschriften die Benutzung dieses Produkts einschränken. Lassen Sie sich von Ihrer örtlichen Behörde beraten.
- Erlauben Sie niemals Kindern oder Personen, die mit diesen Anweisungen nicht vertraut sind, das Produkt





zu benutzen. Die lokale Gesetzgebung regelt das Mindestalter des Benutzers.

- Stellen Sie vor jeder Benutzung sicher, dass alle Bedienelemente und Sicherheitsvorrichtung ordnungsgemäß funktionieren. Benutzen Sie das Produkt nicht, wenn der "Aus" Schalter den Motor nicht stoppt.
- Tragen Sie vollen Augen- und Gehörschutz, feste, robuste Handschuhe, Sicherheitsschuhe mit rutschfester Sohle sowie Kopfschutz, während Sie das Produkt benutzen. Verwenden Sie eine Gesichtsmaske, wenn die Arbeit staubig ist.
- Das Tragen von Gehörschutz verringert Ihre Fähigkeit Warnungen zu hören (Warnungen oder Zurufe). Der Benutzer muss dem Geschehen, was im Arbeitsbereich vor sich geht ganz besondere Beachtung schenken.
- Sorgen Sie für einen sicheren Stand und halten Sie das Gleichgewicht. Vermeiden Sie eine abnormale Körperhaltung. Eine abnormale Körperhaltung kann zu einem Verlust des Gleichgewichts und die Gefahr eines Rückschlags erhöhen.
- Tragen Sie keine locker sitzende Kleidung, kurze Hosen oder jeglichen Schmuck.
- Binden Sie lange Haare zurück, so dass diese sich über Schulterhöhe befinden um zu verhindern, dass sie sich in beweglichen Teilen verfangen.
- Achten Sie auf geschleuderte oder fallende Objekte. Halten Sie unbeteiligte Personen (insbesondere Kinder und Tiere) mindestens 15m vom Arbeitsbereich fern.
- Nicht bei schlechter Beleuchtung verwenden. Der Benutzer braucht einen ungehinderten Blick auf den Arbeitsbereich, um mögliche Gefahren zu erkennen.
- Der Betrieb ähnlicher Werkzeuge in der Umgebung erhöht das Risiko von Gehörschäden und die Wahrscheinlichkeit, dass andere Personen Ihren Arbeitsbereich betreten.
- Halten Sie alle Körperteile von den sich bewegenden Teilen fern.
- Untersuchen Sie das Produkt vor jeder Benutzung. Überprüfen Sie für den ordnungsgemäßen Betrieb alle Bedienelemente, einschließlich der Kettenbremse. Überprüfen Sie auf lockere Verschlüsse, stellen Sie sicher, dass alle Schutzabdeckungen und Griffe ordnungsgemäß und sicher befestigt sind. Ersetzen Sie vor der Benutzung jegliche beschädigten Teile.
- Verändern Sie die Maschine nicht auf irgendeine Weise, und verwenden Sie keine Teile oder Zubehör die vom Hersteller nicht empfohlen sind.

#### **WARNUNG**

Wenn das Produkt fallen gelassen wurde oder einen schweren Schlag erhielt oder ungewöhnlich vibriert, stoppen Sie das Produkt sofort und überprüfen es auf Schäden oder identifizieren Sie die Ursache der Vibration. Jeder Schaden sollte durch den autorisierten Kundendienst ordnungsgemäß repariert oder ausgetauscht werden.

#### **SICHERHEITSWARNUNGEN FÜR KETTENSÄGEN**

- **Halten Sie bei laufender Säge alle Körperteile von der Kettensäge fern. Vergewissern Sie sich vor dem Starten der Säge, dass die Sägekette nichts berührt.** Beim Arbeiten mit einer Kettensäge kann ein Moment der Unachtsamkeit dazu führen, dass das Bekleidung oder Körperteile von der Sägekette erfasst werden.
- **Halten Sie die Kettensäge immer mit der rechten Hand am hinteren Griff und mit der linken Hand am vorderen Griff.** Ein Festhalten der Kettensäge in umgekehrter Arbeitshaltung erhöht das Risiko von Verletzungen und darf nicht angewendet werden.
- **Das Elektrowerkzeug darf nur an den isolierten Griffflächen gehalten werden, weil die Sägekette verdeckte Leitungen berühren kann.** Sägeketten, die einen spannungsführenden Draht berühren, machen metallene Teile des Elektrowerkzeugs spannungsführend und könnten dem Bediener einer elektrischen Schlag versetzen.
- **Tragen Sie eine Schutzbrille- und Gehörschutz. Weitere Schutzausrüstung für Kopf, Hände, Beine und Füße wird empfohlen.** Passende Schutzkleidung mindert die Verletzungsgefahr durch herumfliegendes Spanmaterial und zufälliges Berühren der Sägekette.
- **Arbeiten Sie mit der Kettensäge nicht auf einem Baum.** Bei Betrieb auf einem Baum besteht Verletzungsgefahr.
- **Achten Sie immer auf einen festen Stand, und benutzen Sie die Kettensäge nur, wenn Sie auf einer festem, sicherem und ebenem Grund stehen.** Rutschiger Untergrund oder instabile Standflächen wie auf einer Leiter können zum Verlust des Gleichgewichts oder zum Verlust der Kontrolle über die Kettensäge führen.
- **Rechnen Sie beim Schneiden eines unter Spannung stehenden Astes damit, dass dieser zurückfedert.** Wenn die Spannung in den Holzfasern freikommt, kann der gespannte Ast die Bedienperson treffen und / oder die Kettensäge der Kontrolle entreißen.
- **Seien Sie besonders vorsichtig beim Schneiden von Unterholz und jungen Bäumen.** Das dünne Material kann sich in der Sägekette verfangen und auf Sie schlagen oder Sie aus dem Gleichgewicht bringen.
- **Tragen Sie die Kettensäge am vorderen Handgriff im ausgeschalteten Zustand und am Vordergriff, die Sägeketten von Ihrem Körper abgewandt. Bei Transport oder Aufbewahrung der Kettensäge stets die Schutzabdeckung aufziehen.** Sorgfältiger Umgang mit der Kettensäge verringert die Wahrscheinlichkeit einer versehentlichen Berührung mit der laufenden Sägekette.
- **Befolgen Sie Anweisungen zum Schmierung, die Kettenspannung dem Spannen der Kette und dem Wechseln von Zubehör .** Eine unsachgemäß gespannte oder geschmierte Kette kann entweder reißen oder das Rückschlagrisiko erhöhen.
- **Halten Sie Griffe trocken, sauber und frei von Öl und Fett.** Fettige, ölige Griffe sind rutschig und führen zum Verlust der Kontrolle.

EN
FR
<b>DE</b>
ES
IT
NL
PT
DA
SV
FI
NO
RU
PL
CS
HU
RO
LV
LT
ET
HR
SL
SK
BG
UK
TR







- **Nur Holz sägen. Die Kettensäge nicht für Arbeiten verwenden, für die sie nicht bestimmt ist. Verwenden Sie die Kettensäge nicht zum Sägen von Plastik, Mauerwerk oder Baumaterialien, die nicht aus Holz sind.** Die Verwendung der Kettensäge für nicht bestimmungsgemäße Arbeiten kann zu gefährlichen Situationen führen.

#### Ursachen und Vermeidung eines Rückschlags :

Wenn die Spitze der Führungsschiene einen Gegenstand berührt oder wenn sich die Kette beim Sägen im Schnittpalt verklemmt und blockiert, kann ein Rückschlag auftreten.

Ein Kontakt mit der Spitze kann in manchen Fällen zu einer plötzlichen, entgegengesetzten Reaktion führen, wobei die Führungsschiene hoch und zurück gegen den Benutzer geschlagen wird.

Wenn die Sägekette an der Oberseite der Führungsschiene eingeklemmt wird, kann sich die Führungsschiene sehr schnell zurück, in Richtung des Benutzers bewegen.

Jede dieser Reaktionen kann dazu führen, dass Sie die Kontrolle über die Säge verlieren und sich möglicherweise schwer verletzen. Verlassen Sie sich nicht ausschließlich auf die in der Kettensäge eingebauten Sicherheitseinrichtungen. Als Benutzer einer Kettensäge sollten Sie verschiedene Maßnahmen ergreifen, um unfall- und verletzungsfrei arbeiten zu können.

Ein Rückschlag ist die Folge eines falschen oder fehlerhaften Gebrauchs des Elektrowerkzeugs. Er kann durch geeignete Vorsichtsmaßnahmen, wie nachfolgend beschrieben werden:

- **Halten Sie die Säge mit beiden Händen fest, wobei Daumen und Finger die Griffe der Kettensäge umschließen. Bringen Sie den Körper und die Arme in eine Stellung, in der Sie den Rückschlagkräften standhalten können.** Die Kräfte eines Rückschlags können durch den Benutzer unter Kontrolle gehalten werden, wenn die richtigen Vorsichtsmaßnahmen ergriffen werden. Niemals die Kettensäge loslassen.
- **Vermeiden Sie eine abnormale Körperhaltung und sägen Sie nicht über Schulterhöhe.** Das hilft, unbeabsichtigten Kontakt mit der Spitze zu vermeiden und ermöglicht eine bessere Kontrolle des Produktes in unerwarteten Situationen.
- **Verwenden Sie ausschließlich die durch den Hersteller vorgeschriebenen Ersatzschiene und -ketten.** Falsche Ersatzschiene und -ketten können Kettenbruch und/oder Rückschlag verursachen.
- **Halten Sie sich an die Anweisungen des Herstellers für das Schärfen und die Wartung der Sägekette.** Zu niedrige Tiefenbegrenzer erhöhen die Neigung zum Rückschlag.

#### ZUSÄTZLICHE SICHERHEITSWARNUNGEN FÜR KETTENSÄGEN

- Es wird empfohlen, Baumstämme auf einem Sägebock zu sägen, wenn Sie das Produkt zum ersten Mal benutzen.
- Stellen Sie sicher, dass alle Schutzabdeckungen, Griffe und Ablängdorne ordnungsgemäß befestigt und in gutem Zustand sind.

- Personen, die das Produkt benutzen, sollten bei guter Gesundheit sein. Das Produkt ist ein schweres Gerät, deshalb sollte der Benutzer körperlich fit sein. Der Benutzer sollte aufmerksam sein, und gutes Sehvermögen, Beweglichkeit, Balance und Handfertigkeit besitzen. Wenn irgendwelche Zweifel bestehen, benutzen Sie das Produkt nicht.
- Fangen Sie nicht an das Produkt zu benutzen, bevor Sie über einen sauberen Arbeitsplatz, sicheren Stand und einen Rückzugsweg weg von dem fallenden Baum verfügen.
- Nehmen Sie sich vor Abgasen, Schmieröldunst und Sägespänen in Acht. Tragen Sie, wenn nötig, eine Maske oder Atemgerät.
- Sägen Sie keine Rebstöcke und/oder kurzes Buschwerk(weniger als 75 mm Durchmesser).
- Halten Sie die Kettensäge beim Betrieb immer mit beiden Händen. Die Griffe der Kettensäge mit den Daumen auf einer Seite und den Fingern auf der anderen Seite gut festhalten. Die rechte Hand muss an dem hinteren Griff sein und die linke Hand an dem vorderen Griff.
- Achten Sie vor dem Starten der Hochentaster darauf, dass keine Gegenstände die Sägekette berühren.
- Verändern Sie Ihr Produkt nicht auf irgendeine Weise, oder verwenden es, um Anbauteile oder Geräte die nicht vom Hersteller Ihres Produktes empfohlen sind anzutreiben.
- Eine Verbandskasten mit Verbandsmaterial für große Wunden und einem Mittel, um Hilfe zu rufen (z.B. Pfeife) sollten bei dem Benutzers sein. Ein größerer, umfangreicherer Verbandskasten sollte in der Nähe ein.
- Der Benutzer kann versucht sein den Helm abzunehmen, wenn an dem Arbeitsplatz keine Gefahr von fallenden Gegenständen besteht, aber vergessen Sie nicht, der Helm, besonders mit dem Gittervisier, kann die Gefahr von Verletzungen am Gesicht und Kopf verringern, wenn ein Rückschlag auftritt.
- Eine falsch gespannte Kette kann von der Führungsschiene springen und zu schweren Verletzungen oder den Tod führen. Die Länge der Kette ist von der Temperatur abhängig. Überprüfen Sie die Kettenspannung regelmäßig.
- Sie sollten sich mit Ihrer neuen Kettensäge vertraut machen, indem Sie einfache Schnitte in sicher abgestütztem Holz machen. Machen Sie dass immer dann, wenn Sie die Kettensäge längere Zeit nicht benutzt haben.
- Damit die Gefahr durch sich bewegende Teile verringert wird, stoppen Sie immer den Motor, entfernen den Akku und stellen sicher, dass alle sich bewegenden Teile gestoppt haben bevor Sie:
  - Sie reinigen oder eine Blockierung entfernen
  - Sie das Produkt unbeaufsichtigt zurücklassen
  - Sie Anbauteile montieren oder entfernen.
  - Sie das Produkt prüfen, warten oder daran arbeiten
- Die Größe des Arbeitsbereichs hängt von der durchgeführten Aufgabe, der Größe des Baums oder des Arbeitsstücks ab. Zum Beispiel erfordert das





Fällen eines Baumes einen größeren Arbeitsbereich wie das Ablängen. Der Benutzer muss aufmerksam sein und alles unter Kontrolle haben, was in seinem Arbeitsbereich passiert.

- Sägen Sie nicht mit Ihrem Körper in einer Linie mit Führungsschiene und Kette. Wenn Sie einen Rückschlag erleben, verringert das die Chance, dass die Kette Ihren Kopf oder Körper trifft.
- Machen Sie keine Hin- und Her-Bewegungen beim Sägen; lassen Sie die Kette die Arbeit machen. Halten Sie die Kette scharf und versuchen Sie nicht, die Kette durch den Schnitt zu drücken.
- Am Ende des Schnitts keinen Druck auf die Säge ausüben. Seien Sie bereit, die Säge zu entlasten, wenn sie das Holz durchsäht hat. Nichtbeachtung kann zu schweren Verletzungen führen.
- Stoppen Sie die Säge nicht während des Sägevorgangs. Lassen Sie die Säge laufen, bis sie den Sageschnitt beendet hat.

#### Drücken und ziehen

Die Reaktionskraft wirkt immer in die entgegengesetzte Richtung der Kettenaufrichtung. Deshalb muss der Benutzer bereit sein die Tendenz der Maschine wegzuziehen (in einer Vorwärtsbewegung), wenn mit der Unterseite der Schiene gesägt wird, und rückwärts zu drücken (in Richtung Benutzer) wenn mit der Oberseite gesägt wird.

#### Säge in dem Sagespalt verklemmt

Stoppen Sie die Kettensäge und sichern Sie die Säge. Versuchen Sie nicht, die Kette und Führungsschiene mit Gewalt aus dem Sagespalt zu entfernen, weil dadurch die Kette zurückschnellen, und den Benutzer verletzen kann. Diese Situation entsteht meistens, weil das Holz falsch abgestützt wird und der Sagespalt zugedrückt wird und die Schiene einklemmt. Wenn die Verstellung der Stütze die Schiene und Kette nicht löst, benutzen Sie Holzkeile oder einen Hebel, um den Schnitt zu öffnen und die Säge zu lösen. Versuche Sie niemals die Kettensäge zu starten, wenn die Führungsschiene bereits in einem Schnitt oder einer Kerbe ist.

#### Benutzen Sie eine persönliche Schutzausrüstung.

Persönliche Schutzausrüstung guter Qualität, wie sie von Profis benutzt wird, hilft die Gefahr von Verletzungen des Benutzers zu verringern. Die folgenden Artikel sollten beim Einsatz Ihres Produktes benutzt werden.

##### Sicherheitshelm

- sollte EN 397 erfüllen und CE gekennzeichnet sein.

##### Gehörschutz

- sollte EN 352-1 erfüllen und CE gekennzeichnet sein.

##### Augen- und Gesichtsschutz

- sollte CE gekennzeichnet sein und EN 166 erfüllen (für Sicherheitsbrillen) oder EN 1731 (für Gittervisiere)

##### Handschuhe

- sollte EN381-7 erfüllen und CE gekennzeichnet sein.

#### Beinschutz (Beinschützer)

- sollten EN381-5 erfüllen, CE gekennzeichnet sein und Rundumschutz bieten.

#### Kettensägen Sicherheitsschuhe

- sollten EN ISO 20345:2004 erfüllen und mit der Abbildung einer Kettensäge gekennzeichnet sein, um darzustellen, dass EN 381-3 erfüllt wird. (Gelegentliche Benutzer können Sicherheitsschuhe mit Stahl-Vorderkappen und Schutzgamaschen, die EN 381-9 erfüllen, benutzen, wenn der Boden eben ist und geringe Gefahr von Stolpern oder von Verfangen im Buschwerk besteht)

#### Kettensägenjacken zum Schutz des Oberkörpers

- sollte EN 381-11 erfüllen und CE gekennzeichnet sein.

#### ANWEISUNGEN ÜBER DIE RICHTIGE TECHNIK ZUM FÄLLEN, ENTASTEN UND DURCHSÄGEN.

##### Verstehen Sie die Kräfte in dem Holz

Wenn Sie die gerichteten Drucke und Spannungen in dem Holz verstehen, können Sie die "Klemmungen" verringern oder mindestens beim Sägen darauf vorbereitet sein. Spannung im Holz bedeutet, dass die Fasern auseinander gezogen werden, und wenn Sie in diesem Bereich sägen, wird die "Kerbe" oder der Schnitt sich öffnen, während Sie sägen. Wenn ein Baumstamm auf einem Holzbock liegt und ein Ende nicht gestützt wird, dann entsteht Spannung an der Oberseite, weil das Gewicht des überhängenden Baumstamms die Fasern dehnt. Ähnlich wie die Unterseite des Baumstamms komprimiert und die Fasern zusammengedrückt. Wenn ein Schnitt in diesem Bereich gemacht wird, wird die Kerbe dazu tendieren, sich beim Sägen zu schließen. Das würde die Schiene einklemmen.

##### Fällen eines Baumes

*Siehe Seiten 267 - 268.*

Wird von zwei oder mehreren Personen gleichzeitig zugeschnitten und gefällt, so sollte der Abstand zwischen den fallenden und zuschneidenden Personen mindestens die doppelte Höhe des zu fallenden Baumes betragen. Beim Fällen von Bäumen ist darauf zu achten, dass andere Personen keiner Gefahr ausgesetzt werden, keine Versorgungsleitungen getroffen und keine Sachschäden verursacht werden. Sollte ein Baum mit einer Versorgungsleitung in Berührung kommen, so ist das Versorgungsunternehmen sofort in Kenntnis zu setzen.

Der Bediener der Kettensäge sollte sich immer bergaufwärts des Baums befinden, da dieser nach dem Fällen wahrscheinlich bergabwärts rollen oder rutschen wird.

Es sollte eine Fluchtroute eingeplant und, sofern erforderlich, vor Beginn der Fällarbeiten freigeräumt werden. Die Fluchtroute sollte hinter der erwarteten Falllinie diagonal nach hinten führen.

Berücksichtigen Sie, bevor Sie mit dem Fällen beginnen, die natürliche Neigung des Baums, die Lage größerer Äste und die Windrichtung, um einschätzen zu können in welche Richtung der Baum fallen wird.

Entfernen sie Schmutz, Steine, lose Rinde, Nägel, Klammern und Draht vom bzw. aus dem Baum.





Versuchen Sie nicht, Bäume zu fällen, die verfault sind oder durch Wind, Feuer, Blitz usw. beschädigt wurden. Das ist extrem gefährlich und sollte von professionellen Baumpfleger durchgeführt werden.

### 1. Kerbschnitt setzen

*Siehe Seiten 267 - 268.*

Führen Sie die Kerbe über 1/3 des Baumdurchmessers senkrecht zur Fallrichtung aus. Führen Sie zuerst den unteren horizontalen Fallkerb aus. Das hilft ein Einklemmen der Sägekette oder der Führungsschiene zu vermeiden, wenn die zweite Kerbe geschnitten wird.

### 2. Fällschnitt setzen

*Siehe Seiten 267 - 268.*

Führen Sie den Fällschnitt mindestens 50 mm höher als den waagerechten Fallkerb aus. Führen Sie den Fällschnitt parallel zum waagerechten Fallkerb aus. Führen Sie den Fällschnitt so aus, dass genügend Holz stehen bleibt, um als Bruchleiste zu dienen. Die Bruchleiste hindert den Baum daran, sich zu verdrehen und in die falsche Richtung zu fallen. Schneiden Sie nicht durch die Bruchleiste!

Wenn der Fällschnitt sich der Bruchleiste nähert, sollte der Baum zu fallen beginnen. Sollte die Gefahr bestehen, dass der Baum nicht in die gewünschte Richtung fällt, oder zurückschwankt und die Sägekette einklemmt, hören Sie mit dem Schneiden auf, bevor der Fällschnitt vollständig ausgeführt ist, und verwenden Sie Holz-, Plastik- oder Aluminiumkeile, um den Schnitt zu erweitern und den Baum in der gewünschten Fallrichtung fallen zu lassen.

Ziehen Sie, sobald der Baum zu fallen beginnt, die Kettensäge aus dem Schnitt, schalten Sie den Motor aus, setzen sie die Kettensäge ab und folgen Sie dann dem geplanten Rückzugspfad. Achten Sie auf fallende hoch liegende Äste und einen sicheren Halt.

### Wurzelansätze entfernen

*Siehe Seite 268.*

Ein Wurzelansatz ist eine große Wurzel, die über dem Erdbereich aus dem Stamm des Baums vorsteht. Große Wurzelansätze müssen vor dem Fällen entfernt werden. Den Wurzelansatz erst horizontal und danach vertikal anschneiden. Das lose Wurzelstück aus dem Arbeitsbereich entfernen. Das korrekte Vorgehen zum Fällen des Baums einhalten, nachdem die großen Wurzelansätze entfernt wurden.

### Baumstamm ablängen

*Siehe Seite 269.*

Ablängen ist das Schneiden eines Baumstamms in Stücke. Es ist wichtig, dass Sie einen festen Stand haben und ihr Gewicht gleichmäßig auf beide Füße verteilt ist. Sofern möglich, sollte der Stamm erhöht liegen und durch Äste, Stämme oder Holzkeile gestützt werden. Befolgen Sie die folgenden Anweisungen, um sich das Schneiden zu erleichtern: Wenn der Stamm über die gesamte Länge gestützt wird, wird er von oben geschnitten (Oberschnitt).

Wenn der Stamm an einem Ende gestützt wird, schneiden Sie durch ein Drittel des Durchmessers von der Unterseite (Unterschnitt). Führen Sie dann den abschließenden Schnitt als Oberschnitt aus, der auf den ersten Schnitt trifft.

Wenn der Stamm an beiden Enden gestützt wird, schneiden Sie durch ein Drittel des Durchmessers von der Oberseite (Oberschnitt). Führen Sie dann den abschließenden Schnitt als Unterschnitt über die unteren 2/3 aus, der auf den ersten Schnitt trifft.

Stehen Sie beim Ablängen in Hanglage immer auf der vom Stamm aus höher gelegenen Seite. Um beim Abschluss des Schnitts vollkommen die Kontrolle zu behalten, verringern Sie den Schnittdruck gegen Ende des Schnitts ohne Ihren festen Griff um die Griffe der Kettensäge zu lösen. Lassen Sie die Kette nicht in Kontakt mit dem Boden geraten. Warten sie nach Beendigung des Schnitts bis die Sägekette angehalten hat bevor sie die Kettensäge bewegen. Schalten Sie immer den Motor aus, bevor Sie sich von Baum zu Baum bewegen.

### Entasten

*Siehe Seite 270.*

Entasten ist das Entfernen von Zweigen von einem gefällten Baum. Belassen Sie beim Entasten größere unten liegende Äste als Stützen, um den Baum über dem Boden zu halten. Entfernen Sie kleinere Äste in einem Schnitt. Äste, die unter Spannung stehen, sollten von unten nach oben geschnitten werden, um ein Einklemmen der Kettensäge zu vermeiden.

### Gespanntes Holz

*Siehe Seite 270.*

Gespanntes Holz ist ein Stamm, Ast, verwurzelter Stumpf oder Schößling, der von anderem Holz unter Spannung gebogen wird und zurückschnellt, wenn das andere Holz geschnitten oder entfernt wird.

Bei einem gefällten Baum ist es sehr wahrscheinlich, dass ein verwurzelter Stumpf wieder in seine aufrechte Stellung zurückschnellt, wenn der Stamm beim Ablängen vom Stumpf getrennt wird. Auf gespanntes Holz achten, da dies sehr gefährlich ist.

#### ⚠️ WARNUNG

Gespanntes Holz ist gefährlich und kann die Bedienperson treffen und zum Verlust der Kontrolle über die Kettensäge führen. Das kann zu schweren oder tödlichen Verletzungen der Bedienperson führen. Das sollte von geschulten Benutzern durchgeführt werden.

#### RESTRISIKEN

Sogar wenn das Produkt wie vorgeschrieben benutzt wird, ist es unmöglich ein gewisses Restrisiko vollständig zu beseitigen. Die folgenden Gefahren können bei der Benutzung entstehen, und der Benutzer sollte besonders auf folgende Punkte achten:

- Durch Vibrationen verursachte Verletzungen.
  - Benutzen Sie immer das richtige Werkzeug für die Aufgabe; benutzen Sie die vorgesehenen Griffe und schränken die Arbeitszeit und Exposition ein.
- Lärm kann zu Gehörschaden führen.
  - Tragen Sie einen Gehörschutz und schränken Sie die Belastung ein.
- Verletzungen durch Kontakt mit den freiliegenden Sägezähnen der Kette





- Verletzungen durch herausgeschleuderte Teile des Werkstücks (Holzspäne und Splitter)
- Verletzungen durch Inhalation von Staub und Fremdkörpern.
- Verletzungen durch Hautkontakt mit Schmierstoffen
- Teile die von der Sägekette wegfliegen (Schnittgefahr/ Gefahr wegspritzender Teile).
- Unvorhergesehene, abrupte Bewegungen oder Rückschlag der Führungsschiene (Schnittgefahr).

### RISIKOVERRINGERUNG

Vibrationen von in der Hand gehaltenen Werkzeugen können bei einigen Personen zu einem Zustand, der Raynaud-Syndrom genannt wird, führen. Symptome sind u.a. Kribbeln, Taubheitsgefühl und episodische Weißfärbung der Finger und treten normalerweise bei Kälte auf. Man geht davon aus, dass ererbte Faktoren, Kälte und Feuchtigkeit, Essgewohnheiten, Rauchen und Arbeitsweise zur Entwicklung dieser Symptome beitragen. Der Anwender kann Maßnahmen ergreifen, um die Auswirkungen der Vibrationen möglicherweise zu verringern:

- Halten Sie den Körper bei Kälte warm. Tragen Sie beim Betrieb des Geräts Handschuhe, um Hände und Handgelenke warm zu halten. Berichten zu Folge ist kaltes Wetter ein wesentlicher Faktor, der zum Raynaud Syndrom beiträgt.
- Betätigen Sie sich nach jedem Einsatz körperlich, um den Blutkreislauf zu steigern.
- Machen Sie regelmäßig Pausen. Beschränken Sie die Beanspruchung pro Tag.
- Schutzhandschuhe die von professionellen Kettensägenhändlern erhältlich sind, sind speziell zur Benutzung mit Kettensägen entwickelt und bieten Schutz, sicheren Griff und reduzieren auch den Effekt des vibrierenden Griffs. sollte EN381-7 erfüllen und CE gekennzeichnet sein.

Sollten bei Ihnen Symptome dieses Zustands auftreten, stellen Sie unverzüglich den Betrieb ein und suchen Sie in Hinsicht auf die Symptome einen Arzt auf.

**⚠️ WARNUNG**

Verletzungen können durch lange Benutzung eines Werkzeugs entstehen oder verschlimmert werden. Machen Sie regelmäßig Pause, wenn Sie ein Werkzeug für lange Zeit benutzen.

### MACHEN SIE SICH MIT IHREM PRODUKT VERTRAUT

Siehe Seite 261.

1. Vorderer Handschutz/Kettenbremse
2. Vorderer Haltegriff
3. Hinterer Haltegriff
4. Kette
5. Führungsschiene
6. Krallenanschlag
7. Kettenöltank-Deckel
8. Drückerefreigabe

9. Schalterdrücker
10. Zahnkranzabdeckung
11. Ring zum Einstellen der Kettenspannung
12. Kettenspannknopf
13. Abdeckung Führungsschiene
14. Kettenfang

### SCHUTZVORRICHTUNGEN

#### Sägekette mit geringem Rückschlag

Eine Sägekette mit geringer Rückschlaggefahr kann die Wahrscheinlichkeit eines Rückschlags reduzieren.

Die Räumzähne (Eingriffmesser) vor jedem Sägezahn können die Stärke der Rückschlagreaktion gering halten, indem sie verhindern, dass die Sägezähne der Rückschlagzone zu tief eingreifen. Verwenden Sie ausschließlich die durch den Hersteller empfohlenen Kombinationen von Ersatzschiene und -ketten.

Beim Schleifen von Sägeketten verlieren diese etwas an Qualität, die den Rückschlag gering halten, und es ist daher besondere Vorsicht geboten. Zu Ihrer eigenen Sicherheit, ersetzen Sie Sägeketten, wenn die Sägeleistung sich verschlechtert.

#### Krallenanschlag

Die integrierte Anschlagkralle kann als Drehpunkt verwendet werden, wenn ein Schnitt durchzuführen ist. Es ist hilfreich, beim Sägen das Gehäuse der Säge stabil zu halten. Drücken Sie beim Sägen die Maschine nach vorne, bis die Metalldorne in die Holzkannte dringen, wenn Sie dann den hinteren Griff nach oben oder unten in Richtung des Schnitts heben, kann die physische Belastung des Sägens verringert werden.

#### Führungsschienen

Im allgemeinen haben Führungsschienen mit Spitzen mit kleinerem Radius haben ein geringeres Rückschlagspotential. Sie sollten eine Führungsschiene mit passender Kette benutzen, die gerade lange genug für die Aufgabe ist. Längere Führungsschienen erhöhen die Gefahr eines Kontrollverlustes beim Sägen. Überprüfen Sie die Kettenspannung regelmäßig. Beim Sägen kleinerer Äste (dünner als die volle Länge der Führungsschiene), ist die Gefahr, dass die Kette abgeworfen wird, wenn die Spannung nicht richtig ist, größer.

#### Kettenbremse

Kettenbremsen sind dazu vorgesehen, die Kette schnell zum Stillstand zu bringen. Wenn der Kettenbremshebel/ Handschutz in Richtung Schiene gedrückt wird, muss die Kette sofort zum Stillstand gebracht werden. Eine Kettenbremse kann Rückschlag nicht verhindern. Sie verringert nur das Verletzungsrisiko, wenn die Führungsschiene den Körper des Benutzers bei einem Rückschlag trifft. Der ordnungsgemäße Betrieb der Kettenbremse sollte vor jeder Benutzung getestet werden, in der Betriebs- und Bremsposition

#### Kettenfang

Ein Kettenfang verhindert, dass die Kette in Richtung Benutzer geschleudert wird, wenn die Kette sich lockert oder reißt.



## MONTAGE

### WARNUNG

Falls Teile fehlen oder beschädigt, sind sollte das Gerät nicht in Betrieb genommen werde, bevor alles korrekt ersetzt wurde. Die Nichtbeachtung dieser Warnung kann zu schweren Personenschäden führen.

## MONTAGE DER KETTE UND FÜHRUNGSSCHIENE

Siehe Seiten 262 - 263.

1. Stellen Sie sicher, dass Sie den Akkupack aus der Maschine entfernt haben. Tragen Sie Schutzhandschuhe.
2. Lockern Sie den Kettenspannknopf und entfernen die Zahnkranzabdeckung.
3. Die Sägekette muss auf die Richtung der Kettenrotation ausgerichtet sein. Wenn sie rückwärts zeigt, die Schleife umdrehen.
4. Setzen Sie die Kettenglieder in die Schienennut.
5. Die Kette so platzieren, dass sich an der Rückseite der Schiene eine Schleife bildet.
6. Halten Sie die Kette in Position auf der Schiene und führen die Schlaufe um den Zahnkranz. Senken Sie die Schiene, so dass die Schraube durch das Loch in der angebrachten Kettenspannvorrichtung gesteckt werden kann. Sie müssen die Kettenspannvorrichtung vielleicht drehen, so dass die Schraube und das Loch ausgerichtet sind. Sie können die Kettenspannvorrichtung nochmal drehen, um die Kette etwas mehr zu spannen, wodurch sie besser in Position bleibt.
7. Schließen Sie die Zahnkranzabdeckung und drehen den Kettenspannknopf, bis die Kette fast gespannt ist, drehen Sie den Ring zum Einstellen der Kettenspannung, bis die Kette gespannt ist. Die Führungsschiene muss dann nach oben gedrückt werden. Überprüfen Sie die Kettenspannung nochmal. Spannen Sie die Kette nicht zu fest.
8. Nachdem die Kette gut gespannt ist, ziehen Sie den Knopf wieder fest.

## KETTENSPIGUNG EINSTELLEN

Siehe Seite 263. Siehe Seite 273.

1. Lösen Sie den Kettenspannknopf ein wenig, indem Sie ihn gegen den Uhrzeigersinn drehen.
2. Drehen Sie den Ring zum Einstellen der Kettenspannung im Uhrzeigersinn, um die Kettenspannung zu erhöhen, und überprüfen Sie dabei regelmäßig die Kettenspannung. Drehen Sie den Ring zum Einstellen der Kettenspannung gegen den Uhrzeigersinn, um die Kettenspannung zu verringern, und prüfen Sie dabei regelmäßig die Kettenspannung.
3. Die Kettenspannung ist richtig eingestellt, wenn der Abstand zwischen den Zähnen der Kette und der Schiene 4 mm - 5.5 mm beträgt. Ziehen Sie die Kette an der unteren Seite der Schiene in der Mitte nach unten (von der Schiene weg) und messen dann den Abstand zwischen der Schiene und den Zähnen der Kette.
4. Ziehen Sie den Kettenspannknopf fest, indem Sie ihn im Uhrzeigersinn drehen.

## BETRIEB

## KETTENÖL HINZUFÜGEN

Siehe Seite 262.

### WARNUNG

Arbeiten Sie niemals ohne Kettenschmierung. Wenn die Säge ohne Schmierung läuft, können die Führungsschiene und die Sägekette beschädigt werden. Es ist deshalb unerlässlich, den Ölstand an der Füllstandsanzeige regelmäßig zu kontrollieren und jedes Mal, bevor Sie mit der Arbeit mit der Kettensäge beginnen.

1. Reinigen Sie die Oberfläche um den Tankdeckel, um Verunreinigung zu verhindern.
2. Schrauben Sie den Deckel auf und nehmen Sie ihn vom Öltank.
3. Füllen Sie das Öl in den Öltank und beobachten sie dabei den Ölmesstab. Achten Sie darauf, dass kein Schmutz in den Öltank gerät während sie das Öl einfüllen.
4. Setzen Sie den Deckel wieder auf und drehen Sie ihn fest. Wischen Sie verschüttetes Öl ab.
5. Ein gefüllter Öltank ermöglicht Ihnen die Verwendung der Säge für 20 - 40min.

## Empfohlenes Kettenschmieröl

- Der Hersteller empfiehlt, dass Sie nur Ryobi Kettenschmieröl verwenden. (Erhältlich von Ihrem Ryobi Kundendienst)

## EINSETZEN DES AKKUPACKS

Siehe Seite 263.

1. Setzen Sie den Akku in das Produkt ein. Richten Sie die erhöhten Stege auf dem Akku mit den Rillen in dem Akkufach aus.
2. Stellen Sie sicher, dass die Verriegelungen des Akkupacks einrastet und der Akkupack sicher im Produkt sitzt ist, bevor Sie die Kettensäge in Betrieb nehmen.

## HALTEN DER KETTENSÄGE

Siehe Seite 263.

Halten Sie die Kettensäge immer mit der rechten Hand am hinteren Griff und mit der linken Hand am vorderen Griff. Halten Sie beide Griffe mit fest umschlossenen Daumen und Fingern fest. Achten Sie darauf, dass ihre linke Hand den vorderen Griff so hält, dass ihr Daumen sich unter ihm befindet.

## STARTEN DER KETTENSÄGE

Siehe Seite 263.

1. Bevor Sie mit der Benutzung starten, sollten Sie den Akku in die Maschine einlegen und sicherstellen, dass die Kettenbremse in der Betriebsposition ist, indem Sie den Kettenbremshebel/Handschutz in Richtung vorderen Griff ziehen.
2. Drücken Sie zum Starten der Maschine die Drückerfreigabe und den Ein-/Ausschalter.





EN
FR
<b>DE</b>
ES
IT
NL
PT
DA
SV
FI
NO
RU
PL
CS
HU
RO
LV
LT
ET
HR
SL
SK
BG
UK
TR

## ÜBERPRÜFUNG UND BETRIEB DER KETTENBREMSE

1. Betätigen Sie die Kettenbremse, indem Sie die linke Hand um den vorderen Griff drehen. Drücken Sie den Kettenbremshebel/Handschutz mit Ihrem Handrücken in Richtung Führungsschiene während die Kette sich schnell bewegt. Stellen Sie sicher, dass sich beide Hände immer an den Griffen befinden.
2. Stellen Sie die Kettenbremse zurück auf die Betriebsposition, indem Sie die Oberseite des Hebels der Kettenbremse/Handschutzes greifen und in Richtung Griff ziehen.

### ⚠️ WARNUNG

Falls die Kettenbremse die Kette nicht sofort anhält, oder falls die Kettenbremse nicht in der Laufstellung ohne Hilfe bleibt, bringen Sie die Säge zu einer zugelassene Reparaturstelle und erst nach der Reparatur wieder benutzen.

## TRANSPORT UND LAGERUNG

Siehe Seite 275, 276.

- Stoppen Sie das Produkt, entfernen den Akkupack und lassen das Werkzeug abkühlen, bevor Sie es einlagern oder transportieren
- Entfernen Sie alle Fremdkörper vom Produkt. Lagern Sie das Gerät an einem kühlen, trockenen und gut belüfteten Ort, der Kindern keinen Zugang bietet. Von korrodierend wirkenden Stoffen, wie Gartenchemikalien und Enteisungssalzen, fernhalten. Nicht im Freien lagern.
- Setzen Sie immer die Abdeckung der Führungsschiene auf, bevor Sie das Produkt einlagern oder während des Transports.
- Sichern Sie die Maschine beim Transport gegen Bewegung oder fallen, um Verletzungen und Beschädigung der Maschine zu verhindern.

## WARTUNG UND PFLEGE

### ⚠️ WARNUNG

Verwenden Sie ausschließlich original Ersatzteile, Zubehör und Aufsätze des Herstellers. Nichtbefolgung kann mögliche Verletzungen oder schlechte Leistung verursachen und Ihre Garantie ungültig machen.

### ⚠️ WARNUNG

Service und Wartung des Gerätes erfordert besonderen Sorgfalt und Kenntnisstand und sollte nur durch qualifiziertes Personal durchgeführt werden. Bringen Sie das Produkt zur Wartung zu einem autorisierten Kundendienst. Beim Service sollten Sie nur originale Ersatzteile benutzen.

### ⚠️ WARNUNG

Entfernen Sie vor Einstellungen, Wartung oder Reinigung den Akku. Nichtbeachtung dieser Warnung kann zu schweren Verletzungen führen.

- Sie dürfen nur die in dieser Bedienungsanleitung beschriebenen Einstellungen oder Reparaturen durchführen. Kontaktieren Sie Ihren autorisierten Kundendienst für andere Reparaturen.
- Durch falsche Wartung können die Kettenbremse und andere Sicherheitsfunktionen nicht ordnungsgemäß funktionieren, und dadurch die Gefahr schwerer Verletzungen erhöhen. Halten Sie Ihre Kettensäge immer professionell gewartet und sicher.
- Das Schärfen der Kette ist eine anspruchsvolle Aufgabe. Deshalb empfiehlt der Hersteller, dass eine abgenutzte oder stumpfe Kette mit einer neuen ersetzt wird, erhältlich bei Ihrem Ryobi Kundendienst. Die Teilenummer ist in der Tabelle der Produktspezifikation in dieser Bedienungsanleitung aufgeführt.
- Befolgen Sie die Anweisungen zur Schmierung der Kette und Kettenspannung und -einstellung.
- Reinigen Sie das Produkt nach jeder Benutzung mit einem weichen, trockenen Lappen.
- Überprüfen Sie Bolzen, Muttern und Schrauben immer wieder ob alles gesichert sind, so dass das Produkt in einem sicheren Betriebszustand ist. Jedes beschädigte Teil sollte durch den autorisierten Kundendienst ordnungsgemäß repariert oder ausgetauscht werden.

## ERSETZEN DER FÜHRUNGSSCHIENE UND DER SÄGEKETTE

Siehe Seiten 271 - 272.

1. Stellen Sie sicher, dass der Akku entfernt ist. Tragen Sie Schutzhandschuhe.
2. Lösen Sie den Kettenspannungsknopf, indem Sie ihn gegen den Uhrzeigersinn drehen, bis die Zahnkranzabdeckung sich abnehmen lässt.
3. Nehmen Sie die Zahnkranzabdeckung ab. Entfernen Sie Schiene und Sägekette von dem Werkzeug.
4. Um die Führungsschiene mit einer neuen zu ersetzen, entfernen Sie die Schraube von der Kettenspannvorrichtung. Montieren Sie die Kettenspannvorrichtung auf die neue Führungsschiene und ziehen Sie die Schraube fest.
5. Führen Sie die neue Kette in der richtigen Richtung auf die Schiene und vergewissern sich, dass die Kettenglieder mit der Schienennut ausgerichtet sind.
6. Befestigen Sie die Schiene an der Kettensäge und führen die Kette um den Zahnkranz.
7. Setzen Sie die Zahnkranzabdeckung wieder auf.
8. Stellen Sie die Kettenspannung ein. Lesen Sie den Abschnitt "Einstellen der Kettenspannung".

### ⚠️ WARNUNG

Eine stumpfe oder falsch geschärfte Kette kann zu übermäßiger Motordrehzahl beim Sägen und schweren Motorschaden führen.



**⚠️ WARNUNG**  
Falsches Schleifen der Kette erhöht das Rückschlagpotenzial.

**⚠️ WARNUNG**  
Wenn eine beschädigte Kette nicht ersetzt oder repariert wird, kann es zu schweren Verletzungen kommen.

**⚠️ WARNUNG**  
Die Sägekette ist extrem scharf. Bei Wartungsarbeiten an der Kette immer Schutzhandschuhe tragen.

**ÜBERPRÜFEN UND REINIGEN DER KETTENBREMSE**  
Siehe Seite 274.

- Halten Sie den Kettenbremsmechanismus immer sauber, indem Sie das Gestänge vorsichtig abbürsten.
- Testen Sie nach der Reinigung immer die Funktionsfähigkeit der Kettenbremse. Lesen Sie "Bedienung - Überprüfung und Betrieb der Kettenbremse" in dieser Bedienungsanleitung für zusätzliche Informationen.

**WARTUNGSPLAN**

Tägliche Kontrollen	
Schmierung Schiene	Vor jedem Gebrauch
Kettenspannung	Vor jeder Benutzung und öfters
Kettenschärfe	Vor jeder Benutzung, Sichtprüfung
Beschädigte Teile	Vor jedem Gebrauch
Lose Befestigungsteile	Vor jedem Gebrauch
Kettenbremse-Funktion	Vor jedem Gebrauch
Inspezieren und Reinigen	
Schwert	Vor jedem Gebrauch
Komplette Säge	Nach jeder Verwendung
Kettenbremse	Alle 5 Stunden*

\*Betriebsstunden

**SYMBOLE AUF DEM PRODUKT**



Sicherheitswarnung



Lesen und verstehen Sie alle Anweisungen, bevor Sie das Produkt benutzen, befolgen Sie alle Warnungen und Sicherheitsanweisungen.



Tragen Sie Augen, Gehör und Kopfschutz.



Tragen Sie rutschfeste Sicherheitsschuhe, wenn Sie dieses Produkt benutzen.



Tragen Sie rutschfeste, schwere Schutzhandschuhe.



Achten Sie auf Rückschlag der Kettensäge und vermeiden Sie den Kontakt mit der Schienenspitze.



Nicht Regen oder feuchten Bedingungen aussetzen.



Halten Sie Ihre Kettensäge bei der Arbeit mit beiden Händen.



Verwenden Sie Ihre Kettensäge niemals, in dem Sie sie nur mit einer Hand halten.

Dieses Gerät entspricht allen gesetzlichen Normen des Landes der Europäischen Union, in dem es gekauft wurde.



EurAsian Konformitätszeichen



Ukrainisches Prüfzeichen



Elektrische Geräte sollten nicht mit dem übrigen Müll entsorgt werden. Bitte entsorgen Sie diese an den entsprechenden Entsorgungsstellen. Wenden Sie sich an die örtliche Behörde oder Ihren Händler, um Auskunft über die Entsorgung zu erhalten.



Der garantierte Schalleistungspegel beträgt 96 dB(A).



Schmierung für Schiene und Kette



Minimaler Schmierstoffpegel



Schließen



Öffnen



Stellen Sie die Kettenbremse auf die Position RUN.



Drehen zum Einstellen der Kettenspannung  
 + = Kette festziehen  
 - = Kette lockern



Stellen Sie die Kettenbremse auf die Position BRAKE.



Drehrichtung der Kette (Markierung unter der Zahnkranzabdeckung)

$V_0$  : 10 m/s

Kettengeschwindigkeit im Leerlauf:  
 10 m/s

L max: 300mm

Maximale Länge der Führungsschiene: 300 mm

## VORSICHT

Ohne Sicherheitswarnsymbol

Weist auf eine Situation hin, die zu Sachbeschädigungen führen kann.

EN

FR

DE

ES

IT

NL

PT

DA

SV

FI

NO

RU

PL

CS

HU

RO

LV

LT

ET

HR

SL

SK

BG

UK

TR

## SYMBOLE IN DIESER BEDIENUNGSANLEITUNG



Teile oder Zubehör getrennt erhältlich



Hinweis



Warnung



Tragen Sie Augen- und Gesichtsschutz.



Tragen Sie einen Oberkörperschutz



Tragen Sie einen Beinschutz.



Das Produkt anhalten.

Mit den folgenden Symbolen wird die Bedeutung der verschiedenen Risikostufen, die mit dem Produkt einhergehen, dargestellt.

### ⚠ GEFAHR

Weist auf eine unmittelbare gefährliche Situation hin, die, falls nicht vermieden, zu Tod oder ernsthafter Verletzung führen kann.

### ⚠ WARNUNG

Weist auf eine mögliche gefährliche Situation hin, die, falls nicht vermieden, zu Tod oder ernsthafter Verletzung führen kann.

### ⚠ VORSICHT

Weist auf eine mögliche gefährliche Situation hin, die, falls nicht vermieden, zu einer leichten oder mittleren Verletzung führen kann.





La seguridad, el rendimiento y la fiabilidad han sido las máximas prioridades a la hora de diseñar esta motosierra inalámbrica.

### USO PREVISTO

La motosierra inalámbrica se debe utilizar exclusivamente en el exterior. Por razones de seguridad, la herramienta debe controlarse de forma adecuada utilizando las dos manos en todo momento.

Este producto está diseñado para el corte de ramas, troncos, leña y vigas de un diámetro determinado por la longitud de corte de la barra guía. Su uso se limita al corte de madera. Sólo debe utilizarse en usos domésticos por adultos que hayan recibido una formación adecuada sobre los riesgos y las acciones/medidas preventivas a tener en cuenta durante su utilización.

No utilice el producto para cualquier otro propósito que no sea alguno de los mencionados anteriormente. No debe ser utilizado para servicios profesionales de tala de árboles. El producto no debería ser utilizado por niños o por personas que no lleven ropa o un equipo adecuados de protección personal.

#### ⚠ ADVERTENCIA

Al utilizar el producto, deben seguirse las normas de seguridad. Por su propia seguridad y la de los transeúntes, debe leer y comprender todas estas instrucciones antes de empezar a utilizar el aparato. Debe asistir a un curso de seguridad organizado profesionalmente sobre uso, medidas preventivas, primeros auxilios y mantenimiento de motosierras. Guarde las instrucciones para usarlas en el futuro.

#### ⚠ ADVERTENCIA

Las motosierras son herramientas potencialmente peligrosas. Los accidentes que impliquen el uso de motosierras a menudo pueden causar la pérdida de miembros o la muerte. La motosierra no es la única que conlleva riesgo. Las ramas que caen, el derribo de árboles, o troncos rodantes pueden causar la muerte. La madera enferma o podrida implica peligros adicionales. Debes evaluar tu capacidad para completar la tarea de manera segura. En caso de duda, déjelo en manos de un profesional de árboles.

### ALERTA DE SEGURIDAD GENERAL

#### ⚠ ADVERTENCIA

Lea todas las advertencias de peligro e instrucciones. El incumplimiento de las advertencias e instrucciones puede provocar descargas eléctricas, incendios y/o lesiones graves.

Conserve estas advertencias e instrucciones para poder consultarlas posteriormente.

El término "herramienta eléctrica" que aparece en las advertencias se refiere a su herramienta eléctrica (con

cable) o con batería (sin cables).

### ZONA DE TRABAJO

- **Mantenga el área de trabajo limpia y bien iluminada.** Las zonas oscuras o poco despejadas pueden provocar accidentes.
- **No utilice herramientas eléctricas en entornos inflamables, como puede ser en presencia de líquidos inflamables, gases o polvo.** Las herramientas eléctricas crean chispas que pueden inflamar el polvo o el humo.
- **Mantenga a los niños y personas ajenas alejadas de la zona en la que está utilizando la herramienta eléctrica.** Las distracciones pueden hacer que pierda el control de la herramienta.

### SEGURIDAD ELÉCTRICA

- **Las conexiones de la herramienta eléctrica deben corresponder a los de la toma de corriente. No modifique el enchufe de ninguna manera. No utilice ningún adaptador con herramientas eléctricas conectadas a tierra.** Utilizar enchufes sin modificar y tomas correspondientes reducirán el riesgo de descargas eléctricas.
- **Evite el contacto corporal con superficies conectadas a tierra, como tuberías, radiadores, estufas y refrigeradores.** Existe un mayor riesgo de descargas eléctricas si su cuerpo está conectado a tierra.
- **No exponga este producto a la lluvia o humedad.** Si entra agua en una herramienta eléctrica podría aumentar el riesgo de descargas eléctricas.
- **Utilice correctamente el cable. No utilice el cable para llevar, tirar o desconectar el cable de la herramienta. Mantenga el cable lejos del calor, aceite, bordes afilados o partes móviles.** Los cables dañados o enredados aumentan el riesgo de descargas eléctricas.
- **A la hora de utilizar herramientas eléctricas al aire libre, utilice un alargador adecuado para uso en exteriores.** El uso de un cable adecuado para uso en exteriores reduce el riesgo de descargas eléctricas.
- **Si es inevitable utilizar una herramienta eléctrica en un lugar húmedo, utilice un dispositivo de corriente residual (RCD) como protección.** El uso de un RCD reduce el riesgo de descargas eléctricas.

### SEGURIDAD PERSONAL

- **Manténgase alerta y atento a lo que está haciendo y utilice el sentido común al utilizar una herramienta eléctrica. No utilice una herramienta eléctrica cuando esté cansado o bajo la influencia de drogas, alcohol o medicamentos.** En un momento de descuido, mientras utiliza herramientas eléctricas podrían ocurrir lesiones personales graves.
- **Utilice un equipo de protección personal. Utilice siempre dispositivos de protección ocular.** El equipo de protección como las máscaras de polvo, calzado antideslizante de seguridad, cascos rígidos o unas condiciones adecuadas reducirán los daños corporales.





EN
FR
DE
<b>ES</b>
IT
NL
PT
DA
SV
FI
NO
PL
RU
CS
HU
RO
LV
LT
ET
HR
SL
SK
BG
UK
TR

- Evite la puesta en marcha accidental de la herramienta. Asegúrese de que el interruptor está en posición OFF antes de conectar la herramienta a una toma de corriente y/o batería, y levantar o transportar la herramienta. El transporte de herramientas con el dedo sobre el interruptor o la conexión de herramientas eléctricas con el interruptor en ON puede causar accidentes.
- Extraiga cualquier llave de ajuste antes de encender la herramienta eléctrica. Una llave que se encuentra conectada a una pieza de rotación puede resultar en lesiones personales.
- No se extienda demasiado. Afírmese bien en sus piernas y no extienda demasiado el brazo. Esto permite un mejor control de la herramienta eléctrica en situaciones inesperadas.
- Lleve ropa adecuada. No use ropa holgada o joyas. Mantenga su cabello, ropa y guantes lejos de las piezas móviles. La ropa suelta, joyas o el cabello largo pueden quedar atrapados en las piezas móviles.
- Si existen dispositivos para la conexión de accesorios de recogida y extracción de polvo, asegúrese de que están conectados y que se utilizan adecuadamente. El uso de accesorios de recogida de polvo puede reducir riesgos relacionados con el polvo.

#### USO Y CUIDADO DE LA HERRAMIENTA ELÉCTRICA

- No fuerce el producto. Utilice la herramienta correcta para su aplicación. La herramienta correcta hará un trabajo más seguro y mejor para el que ha sido diseñada.
- No utilice la herramienta eléctrica si el interruptor de encendido no responde. Cualquier herramienta que no puede ser controlada con el interruptor de encendido es peligrosa y debe ser reparada.
- Desconecte el enchufe de la fuente de alimentación y/o extraiga la batería de la herramienta eléctrica antes de hacer cualquier ajuste, cambiar accesorios o almacenar herramientas eléctricas. Estas medidas preventivas de seguridad reducen el riesgo de arranque accidental de la herramienta.
- Coloque las herramientas eléctricas a ralentí fuera del alcance de los niños y no permita que personas no familiarizadas con la herramienta o con estas instrucciones la utilicen. Las herramientas eléctricas son peligrosas en manos de personas no capacitadas.
- Realice labores de mantenimiento de las herramientas eléctricas. Compruebe la alineación o unión de las piezas móviles, si existe rotura de piezas o cualquier otro problema que pueda afectar al funcionamiento de la herramienta. Si alguna pieza está dañada, la herramienta eléctrica debería repararse antes de volver a utilizarla. Muchos accidentes son causados por un mantenimiento deficiente.
- Mantenga las herramientas de corte bien afiladas y limpias. Las herramientas de corte con bordes de corte afilados que tienen un mantenimiento adecuado reducen su deterioro y son más fáciles de controlar.
- Utilice la herramienta, accesorios, partes eléctricas,

etc., de acuerdo con estas instrucciones, teniendo en cuenta las condiciones de trabajo y el trabajo que se va a realizar. Utilizar la herramienta eléctrica para realizar trabajos diferentes a los que esta herramienta está destinada podría dar como resultado una situación peligrosa.

#### USO Y CUIDADO DE LA HERRAMIENTA

- Recargue la unidad solamente con el cargador especificado por el fabricante. Podría haber un riesgo de incendio cuando se utilice un cargador con una batería para la que no está diseñado.
- Utilice sólo herramientas eléctricas específicamente diseñadas para ellos. Utilizar cualquier otro tipo de baterías puede causar lesiones o un riesgo de incendio.
- Cuando la batería no está en uso, manténgala alejada de otros objetos metálicos como clips, monedas, llaves, clavos, tornillos u otros objetos metálicos pequeños que puedan crear una conexión desde una terminal a otra. Causar un cortocircuito en los terminales de la batería puede causar quemaduras o un incendio.
- En condiciones abusivas, podría salir expulsado líquido de la batería, por lo que debería evitar el contacto con éste. Si se produce un contacto accidental, enjuáguese las manos con agua. Si el líquido entra en contacto con los ojos, acuda inmediatamente al médico. Si el líquido es expulsado de la batería y entra en contacto con él, podría causar irritación o quemaduras.

#### MANTENIMIENTO

- Su herramienta eléctrica debería ser reparada por personas cualificadas, que deberían utilizar únicamente piezas de repuesto idénticas. Esto garantizará la seguridad a la hora de utilizar la herramienta eléctrica.

#### ADVERTENCIAS GENERALES DE SEGURIDAD ADICIONALES

- Algunas regiones tienen normas que limitan el uso del producto. Consulte con su autoridad local para obtener información.
- Nunca permita que niños o personas no familiarizadas con las instrucciones utilicen este producto. Las regulaciones locales pueden restringir la edad del operario.
- Antes de cada uso, asegúrese de que todos los controles y dispositivos de seguridad funcionan correctamente. No utilice el aparato si el interruptor "off" no para el motor.
- Use protección ocular y auditiva total, botas y guantes fuertes y resistentes, además de protección para la cabeza mientras utiliza el producto. Utilice una máscara para la cara si el ambiente de trabajo es polvoriento.
- El uso de dispositivos de protección auditiva reducirá su capacidad para oír posibles advertencias (gritos o alarmas). El operador debe prestar atención extra a lo que está sucediendo en el área de trabajo.
- Mantenga su pisada firme y su equilibrio. No se extienda demasiado. Estirarse demasiado puede





resultar en la pérdida de equilibrio y puede aumentar el riesgo de retroceso.

- No use ropa holgada, pantalones cortos ni joyería de ningún tipo.
- Recoja el cabello largo para que quede por encima del nivel de los hombros y evitar así que se enmarañe en cualquier pieza móvil.
- Tenga cuidado con los objetos proyectados, volantes o que caigan. Mantenga a los transeúntes, a los niños y a los animales a 15 m de distancia de la zona de operación.
- No trabaje con esta herramienta en una zona mal iluminada. El operador debe tener una visión clara de la zona de trabajo para identificar peligros potenciales.
- Utilizar herramientas similares a poca distancia aumenta tanto el riesgo de lesión auditiva como el riesgo potencial de que otras personas accedan a su área de trabajo.
- Mantenga las piezas en movimiento alejadas de su cuerpo.
- Inspeccione la máquina antes de cada uso. Compruebe el correcto funcionamiento de todos los controles incluyendo el freno de cadena. Compruebe que no haya piezas de sujeción sueltas, asegúrese de que todas las protecciones y mangos están bien sujetos. Sustituya cualquier pieza dañificada antes de su utilización.
- No modifique la herramienta de modo alguno ni utilice piezas o accesorios que no sean los recomendados por el fabricante.

#### ⚠ ADVERTENCIA

Si el aparato se cae, sufre un impacto fuerte o empieza a vibrar de manera anormal, párelo inmediatamente y compruebe si está dañado o identifique el motivo de la vibración. La reparación de daños y la sustitución de piezas deben ser realizadas por un centro de servicio autorizado.

#### ADVERTENCIAS DE SEGURIDAD DE LA MOTOSIERRA

- **Mantenga todas las partes de su cuerpo alejadas de la cadena de la sierra cuando la motosierra se encuentre en funcionamiento. Antes de arrancar la motosierra, asegúrese de que la cadena de la sierra no está en contacto con nada.** Un momento de distracción en el manejo de la motosierra puede provocar que se enrede su ropa o su cuerpo con la motosierra.
- **Sujete siempre la herramienta con la mano derecha en la empuñadura trasera y la mano izquierda en la empuñadura delantera.** Sujetar la motosierra con la mano de forma invertida incrementa el riesgo de sufrir daños personales, por lo que nunca debe realizarse de ese modo.
- **Sostenga la herramienta eléctrica solamente con las superficies aisladas, ya que la motosierra pueda tener cables ocultos.** El contacto de la motosierra

con un cable con corriente puede cargar las partes metálicas de la herramienta y puede provocar una descarga eléctrica.

- **Use gafas de seguridad y protección para los oídos. Se recomienda además el uso de equipos de protección para cabeza, manos, piernas y pies.** Una ropa de protección apropiada reducirá el riesgo de lesiones personales causadas por partículas volátiles o por el contacto accidental con la motosierra.
- **No utilice la motosierra en un árbol.** Utilizar la motosierra cuando se encuentra sobre un árbol puede provocar lesiones personales.
- **Mantenga siempre el equilibrio necesario y maneje la motosierra sólo cuando se encuentre sobre una superficie fija, firme y nivelada.** Las superficies resbaladizas o inestables, como las escaleras, pueden provocar una pérdida del equilibrio o del control de la motosierra.
- **Al cortar una rama que se encuentre bajo tensión, esté alerta por el efecto de retroceso.** Cuando la tensión de las fibras de madera se libera, la rama catapultada puede golpear al usuario y/o a la motosierra y dejarla fuera de control.
- **Tenga extremo cuidado al cortar los arbustos y brotes.** El material delgado puede bloquear la motosierra y lanzarla hacia usted o hacerle perder el equilibrio.
- **Lleve la motosierra por el mango delantero con la motosierra apagada y alejada de su cuerpo. Cuando transporte o guarde la herramienta, coloque siempre la cobertura de la barra guía.** Sujetar adecuadamente la motosierra reducirá la probabilidad de un contacto accidental con la cadena móvil de la sierra.
- **Siga las instrucciones para lubricar, tensar la cadena y cambiar los accesorios.** Una cadena mal tensada o lubricada incorrectamente puede romperse o incrementar el riesgo de retroceso.
- **Mantenga las asas secas, limpias y libres de aceite y grasa.** Los mangos grasientos y aceitosos son resbaladizos, provocando la pérdida de control.
- **Corte únicamente madera. No utilice la motosierra para fines diferentes de los aquí indicados. Por ejemplo, no utilice la motosierra para cortar plástico, mampostería o materiales de construcción que no sean de madera.** Utilizar la motosierra para realizar trabajos diferentes a los que esta herramienta está destinada podría dar como resultado una situación peligrosa.

#### Causas y prevención de retroceso:

Se puede producir un efecto de retroceso si el extremo de la espada toca un objeto o si la cadena se pellizca y se bloquea en la madera durante el corte.

El contacto con la punta, en algunos casos, puede ocasionar una reacción inversa repentina, provocando que la barra guía salte hacia el usuario.

Apretar la cadena de la sierra a lo largo de la parte superior de la barra de guía puede hacer que la barra de guía retroceda rápidamente hacia el operador.

Ambas reacciones provocan la pérdida de control de



EN
FR
DE
<b>ES</b>
IT
NL
PT
DA
SV
FI
NO
RU
PL
CS
HU
RO
LV
LT
ET
HR
SL
SK
BG
UK
TR

la motosierra, con el consiguiente riesgo de lesiones de gravedad. No confíe exclusivamente en los dispositivos de seguridad integrados en la motosierra. Como usuario de una motosierra, deberá adoptar una serie de medidas para evitar accidentes y lesiones durante los trabajos de corte.

El retroceso es el resultado de un uso incorrecto de la herramienta y/o de condiciones o procedimientos de manejo incorrectos, y se puede evitar tomando las precauciones necesarias según lo indicado abajo:

- **Sujete firmemente con ambas manos las empuñaduras de la motosierra, y coloque su cuerpo y el brazo de forma que puedan resistir la fuerza del retroceso.** La fuerza del retroceso puede ser controlada por el usuario si se toman las precauciones adecuadas. No suelte la motosierra.
- **No realice sobreesfuerzos y no corte por encima de la altura del hombro.** Esto ayuda a impedir el contacto accidental del extremo de la barra y permite un mejor control de la motosierra en situaciones inesperadas.
- **Utilice solo las cadenas y barras especificadas por el fabricante.** El uso de barras y cadenas de recambio incorrectas podría provocar una ruptura de la cadena y/o un retroceso.
- **Siga las instrucciones de afilado y mantenimiento del fabricante de la motosierra.** Disminuir la altura del calibre de profundidad puede ocasionar un incremento del retroceso.

#### ADVERTENCIAS ADICIONALES DE SEGURIDAD DE LA MOTOSIERRA

- Se recomienda cortar troncos sobre un caballete o un soporte al utilizar el producto por primera vez.
- Asegúrese de que todas las protecciones, mangos y paragolpes dentado están debidamente instalados y en buen estado.
- Las personas que utilicen este motosierra deberían gozar de buena salud. El producto es una unidad pesada por lo que el operario debe estar en buena forma física. El operario debe estar alerta, tener buena visión, movilidad, equilibrio y destreza manual. En caso de duda, no utilice la motosierra.
- No empiece a usar el producto hasta que el área de trabajo esté despejada, tenga los pies firmes y cuente con una zona planificada para alejarse de la caída del árbol.
- Tenga cuidado con la emisión de neblina del lubricante y aserrín. Use una máscara o respirador, si es necesario.
- No corte vides y/o maleza pequeña (menos de 75 mm de diámetro).
- Sujete siempre la motosierra con ambas manos cuando la esté utilizando. Sujétela firmemente con los pulgares y los dedos alrededor de las asas. La mano derecha debe estar en el mango trasero y la mano izquierda en el mango delantero.
- Antes de arrancar la herramienta, asegúrese de que la cadena de la sierra no esté tocando ningún objeto.
- No modifique la herramienta de ninguna manera, ni la utilice para alimentar dispositivos o accesorios no recomendados por el fabricante para su sierra.

- Debe haber un kit de primeros auxilios con vendajes grandes para heridas y un medio para llamar la atención (por ejemplo, un silbato) cerca del operario. Del mismo modo, debe haber un kit más amplio y completo cerca.
- El operario puede estar tentado a quitarse el casco si no hay peligro de caída de objetos en el área de trabajo, pero recuerde que el casco, especialmente si tiene pantalla de rejilla, puede ayudar a reducir la posibilidad de lesiones en el rostro y la cabeza en caso de retroceso.
- Una cadena mal tensada puede saltar fuera de la barra de guía, resultando en lesiones graves o la muerte. La longitud de la cadena depende de la temperatura. Compruebe frecuentemente la tensión.
- Debe familiarizarse con su nueva motosierra haciendo cortes simples en madera con un apoyo seguro. Haga esto cada vez que haya pasado algún tiempo sin utilizar la sierra.
- Para reducir el riesgo de lesiones causadas por el contacto con piezas móviles, detenga siempre el motor, aplique el freno de cadena, retire la batería y asegúrese de que todas las partes móviles se hayan detenido completamente antes de:
  - limpieza y desobstrucción de bloqueo
  - dejar el producto desatendido
  - instalar o retirar accesorios
  - tareas de comprobación, mantenimiento o reparación de la herramienta
- La extensión de la zona de trabajo depende de la tarea realizada así como del tamaño del árbol o de la pieza en cuestión. Por ejemplo, la tala de un árbol requiere una mayor área de trabajo que la realización de otros cortes, por ejemplo, cortes de división de troncos, etc. El operario tiene que estar atento y tener bajo control todo lo que ocurre en esta área de trabajo.
- No corte con su cuerpo en línea con la barra de guía y la cadena. En caso de retroceso, esto ayudará a evitar que la cadena entre en contacto con su cabeza o su cuerpo.
- No utilice un movimiento de vaivén hacia atrás y hacia delante mientras sierra, deje que la cadena haga el trabajo, mantenga la cadena afilada y no intente empujar la cadena a través del corte.
- No aplique presión sobre la sierra al final del corte. Prepárese para aguantar el peso de la sierra cuando ésta sobrepase la madera. De otro modo, podría sufrir lesiones personales graves.
- No detenga la sierra en medio de una operación de corte. Mantenga la sierra funcionando hasta que ya esté retirada del corte.

#### Empuje y arrastre

La reacción es siempre opuesta a la dirección de movimiento de la cadena. Así, el operario debe estar preparado para controlar la tendencia de la máquina a apartarse (movimiento hacia delante) al cortar en el borde inferior de la barra y a empujar (hacia el operario) cuando se corta a lo largo del borde superior.





### Sierra atascada en el corte

Detenga la motosierra y asegúrela. No intente forzar la cadena y la barra fuera del corte, ya que es probable que se rompa la cadena, pudiendo girar hacia tras y golpear al operario. Normalmente esta situación se debe a que la madera está mal apoyada y fuerza el corte bajo compresión, pellizcando así la hoja. Si la barra y la cadena no se liberan mediante el ajuste del soporte, use cuñas de madera o una palanca para abrir el corte y liberar la sierra. No intente arrancar la motosierra cuando la barra de guía ya esté en un corte o ranura.

### Equipo de protección personal

Los equipos de protección individual de buena calidad, como los utilizados por profesionales, ayudarán a reducir el riesgo de lesiones al operario. Al utilizar su motosierra, debe utilizar los siguientes elementos:

#### Casco de seguridad

- debe cumplir la norma EN 397 y poseer el marcado CE

#### Protección auditiva

- debe cumplir la norma EN 352-1 y poseer el marcado CE

#### Protección ocular y para el rostro

- deben poseer el marcado CE y cumplir la norma EN 166 (para gafas de seguridad) o EN 1731 (para pantallas de rejilla)

#### Guantes

- debe cumplir la norma EN381-7 y poseer el marcado CE

#### Protección para las piernas (pantalones de seguridad)

- deben cumplir la norma EN381-5, poseer el marcado CE y proporcionar una protección completa.

#### Botas de seguridad para la motosierra

- deben cumplir la norma EN ISO 20345:2004 y poseer un marcado que represente una motosierra para demostrar su conformidad con la norma EN 381-3. (Los usuarios ocasionales pueden utilizar botas de seguridad con punta de acero con polainas protectoras, de acuerdo con la norma EN 381-9 si el suelo está nivelado y hay poco riesgo de tropezar o engancharse en la maleza)

#### Chaquetas adecuadas para motosierra para protección de la parte superior del cuerpo

- debe cumplir la norma EN 381-11 y poseer el marcado CE

### INSTRUCCIONES RELATIVAS A TÉCNICAS ADECUADAS PARA TALA BÁSICA, CORTE DE RAMAS Y CORTE TRANSVERSAL

#### Comprender las fuerzas dentro de la madera

Cuando se entienden las presiones y tensiones direccionales dentro de la madera, pueden reducirse los "pellizcos" o por lo menos prevenirlos durante el corte. La tensión en la madera significa que las fibras están siendo separadas y, si se corta en esta área, el corte tenderá a abrirse a medida que la sierra lo atraviesa. Si se está apoyando el tronco sobre un caballete y el extremo queda

colgando sin soporte, se crea tensión en la superficie superior debido al peso del tronco que sobresale, estirando las fibras. Del mismo modo, la parte inferior del tronco estará en compresión, por lo que las fibras tienden a unirse. Si se hace un corte en esta zona, el corte de separación tenderá a cerrarse durante el corte. Esto podría pellizcar la hoja de corte.

#### Talar un árbol

Véase la página 267 - 268.

Cuando dos o más personas realizan operaciones de corte y tala al mismo tiempo, la operación tala debería realizarse a una distancia de la operación de corte de al menos dos veces la altura del árbol que se está talando. Los árboles no deberían talarse de forma que puedan poner a alguien en peligro, alcanzar la línea de suministro o causar daños a la propiedad. Si el árbol se pone en contacto con cualquier línea de suministro, las empresas deberían ser notificadas inmediatamente.

El operario de la motosierra debe mantenerse en la parte más elevada del terreno puesto que es probable que el árbol ruede o resbale hacia abajo una vez talado.

Debe planificarse y despejar una vía de escape ya que es necesario antes de iniciar los cortes. La ruta de retirada debe extenderse hacia atrás y en diagonal hacia la parte posterior de la línea de caída prevista.

Antes de empezar la tala, tenga en cuenta la inclinación natural del árbol, la ubicación de las ramas más grandes y la dirección del viento para evaluar cómo caerá el árbol.

Elimine la suciedad, piedras, trozos de corteza suelta, clavos, estribos o cualquier alambre que pueda estar en el árbol.

No intente talar árboles que estén podridos o dañados por el viento, el fuego, relámpagos, etc. Esta tarea es extremadamente peligrosa y solo debería ser realizada por taladores profesionales.

#### 1. Corte inferior de entalle (muesca)

Véase la página 267 - 268.

Realice la muesca de 1/3 del diámetro del árbol, perpendicular a la dirección de la caída. Realice primero la muesca horizontal inferior. Esto ayudará a evitar que se pellizque la cadena de la sierra o la barra de guía al realizar la segunda muesca.

#### 2. Corte por cara opuesta

Véase la página 267 - 268.

Realice el corte trasero por lo menos 50 mm (2 pulgadas) por encima de la muesca horizontal. Mantenga el corte trasero paralelo al corte de la muesca horizontal. Haga el corte trasero para que haya suficiente madera para que funcione como una bisagra. La bisagra de madera evita que el árbol se retuerza y caiga en la dirección errónea. No corte a través de la bisagra.

A medida que se acerca el corte a la bisagra, el árbol debería comenzar a caer. Si hay alguna posibilidad de que el árbol pueda no caer en la dirección deseada o que pueda balancearse hacia atrás o atascar la cadena de la motosierra, detenga el corte antes de completar el corte trasero y utilice cuñas de madera, plástico o aluminio para abrir el corte y dejar caer el árbol en la línea deseada.

Cuando el árbol empiece a caer, retire la motosierra



del corte, detenga el motor, coloque la motosierra en el suelo y, a continuación, use la ruta de retirada planeada. Esté alerta para evitar las ramas que puedan caer y preste atención siempre por donde camine.

### Eliminación de las raíces fulcreas

Véase la página 268.

Una raíz fulcrea es una raíz grande que sale del tronco del árbol por encima del suelo. Elimine las raíces fulcreas antes de talar el árbol. Primero realice el corte horizontal en la raíz fulcrea, y luego el vertical. Retire de la zona de trabajo la sección suelta de madera que ha cortado. Después de eliminar las raíces fulcreas grandes, siga el procedimiento correcto para talar el árbol.

### Corte transversal de un tronco

Véase la página 269.

Este aserrado se realiza longitudinalmente. Es importante asegurarse de que el suelo donde se encuentra sea firme y que su peso se distribuya uniformemente en ambos pies. Cuando sea posible el tronco debería ser levantado y apoyado mediante ramas, troncos o cuñas. Siga estas sencillas instrucciones para realizar un corte fácil: Cuando el tronco esté apoyado en toda su longitud, se corta desde la parte superior (corte desde arriba).

Cuando el tronco esté apoyado en un extremo, corte 1/3 del diámetro a partir de la parte inferior (corte desde abajo). A continuación, realice el corte final cortando desde arriba para encontrar el primer corte.

Cuando el tronco está apoyado en ambos extremos, corte 1/3 del diámetro de la parte superior (overbuck). A continuación, realice el corte final cortando desde arriba 2/3 más abajo para encontrar el primer corte.

Cuando se realice el corte en una pendiente, sitúese siempre en la parte superior del terreno detrás del tronco. Al realizar un corte transversal y para mantener el control completo, libere la presión de corte cerca del extremo del corte sin relajar la fuerza que ejerce sobre las empuñaduras de la herramienta. No deje que la cadena toque el suelo. Después de completar el corte, espere hasta que la cadena se detenga antes de mover la herramienta. Detenga siempre el motor antes de pasar a otro árbol.

### Desramado un árbol

Véase la página 270.

La poda en este contexto se refiere a quitar las ramas de un árbol talado. Al podar, deje que las ramas más grandes apoyen el tronco en el suelo. Quite las ramas pequeñas de un solo corte. Las ramas bajo tensión deben cortarse desde la parte inferior hacia arriba para evitar que se atasque la motosierra.

### Rama flexible doblada

Véase la página 270.

Una rama con acción de resorte es cualquier tronco, rama, tocón con raíz o árbol joven que está curvado con tensión bajo la acción de otra pieza de madera que, cuando se corta o se retira, libera la rama que recupera bruscamente su posición original.

En un árbol caído, es muy probable que un tocón con raíces vuelva de golpe a su posición vertical al realizar el

corte de tronzado para separar el tronco del tocón. Tenga mucho cuidado con las ramas con acción de resorte, porque son peligrosas.

### ⚠ ADVERTENCIA

Las ramas con acción de resorte son peligrosas porque pueden golpear al operario haciéndole perder el control de la motosierra. Esto puede causar al operario lesiones graves o incluso fatales. Esta tarea debe ser realizada por usuarios capacitados.

### RIESGOS RESIDUALES:

Incluso cuando se utiliza el producto según las instrucciones, sigue siendo imposible eliminar por completo ciertos factores de riesgo residuales. Los siguientes peligros pueden surgir en el uso y el operador debe prestar especial atención para evitar lo siguiente:

- Lesiones por vibración
  - Utilice siempre la herramienta adecuada para el trabajo, utilice los mangos pertinentes y limite el tiempo de trabajo y de exposición.
- La exposición al ruido puede causar pérdidas de audición.
  - Use protección para los oídos y limite el tiempo de exposición
- lesión por contacto con los dientes de sierra de la cadena expuestos
- lesión causada por piezas proyectadas de la pieza de trabajo (trozos de madera y astillas)
- Lesión causada por la inhalación de polvo y partículas
- lesión causada por contacto de la piel con el lubricante o aceite
- Piezas eyectadas por la motosierra (peligro de corte/inyección)
- Movimiento brusco o retroceso violento e imprevisto de la barra guía (riesgo de cortes).

### REDUCCIÓN DEL RIESGO

Se ha informado de que las vibraciones de las herramientas de mano puede contribuir a una condición llamada síndrome de Raynaud en ciertos individuos. Los síntomas pueden incluir hormigueo, entorpecimiento y decoloración de los dedos, generalmente aparentes cuando tiene lugar una exposición al frío. Se considera que los factores hereditarios, exposición al frío y a la humedad, dieta, tabaquismo y prácticas de trabajo contribuyen al desarrollo de estos síntomas. Existen medidas que pueden ser tomadas por el operador para reducir los efectos de vibración:

- Mantenga su cuerpo caliente durante el tiempo frío. Al manipular la unidad, utilice guantes para mantener las manos y las muñecas calientes. Hay informes que indican que el tiempo frío es un gran factor que contribuye al síndrome de Raynaud.
- Después de cada período de funcionamiento, realice ejercicios para aumentar la circulación sanguínea.
- Haga pausas de trabajo frecuentes. Limite la cantidad

EN
FR
DE
ES
IT
NL
PT
DA
SV
FI
NO
RU
PL
CS
HU
RO
LV
LT
ET
HR
SL
SK
BG
UK
TR

de exposición por día.

- Los guantes de protección disponibles en tiendas de motosierras profesionales están diseñados específicamente para el uso de motosierras, ofreciendo protección y buen agarren, reduciendo también el efecto de la vibración en el mango. Estos guantes deben cumplir la norma EN381-7 y poseer el marcado CE.

Si siente alguno de los síntomas de esta enfermedad, interrumpa inmediatamente el uso y consulte a su médico estos síntomas.

#### ADVERTENCIA

El uso prolongado de una herramienta puede causar o agravar lesiones. Al utilizar cualquier herramienta durante períodos prolongados asegúrese de tomar descansos regulares.

### CONOZCA SU PRODUCTO

Véase la página 261.

1. Protección de la mano delantera/Freno de la cadena
2. Mango delantero
3. Mango trasero
4. Cadena
5. Espada
6. Espiga del parachoques
7. Tapón de aceite de la cadena
8. Liberador del gatillo
9. Gatillo del interruptor
10. Cubierta de la rueda dentada
11. Anillo de ajuste del tensor de la cadena
12. Mando del tensor de la cadena
13. Cubierta de la barra de guía
14. Pasador de la cadena

### DISPOSITIVOS DE SEGURIDAD

#### Cadena de bajo retroceso

Una motosierra con poco nivel de retroceso ayuda a reducir la posibilidad de retroceso.

Las puntas (limitadores de profundidad) situadas delante de cada cuchilla reducen la fuerza de la reacción de retroceso evitando que las cuchillas se claven con demasiada profundidad en la zona de retroceso. Utilice solamente combinaciones de cadena y barras de guía recomendadas por el fabricante.

Cuando las cadenas se afilan, pierden parte de sus cualidades de bajo retroceso, por lo que se requiere mayor precaución. Por su seguridad, sustituya las cadenas de la sierra cuando disminuya el rendimiento de corte.

#### Espiga del parachoques

La espiga integral del parachoques puede usarse como pivote al hacer un corte. Ayuda a mantener el cuerpo de la motosierra estable durante el corte. Al cortar, empuje la herramienta hacia adelante hasta que las púas se claven en el borde de la madera y, a continuación, moviendo el mango trasero arriba o abajo en la dirección de la línea de corte, puede ayudar a aliviar la tensión física de corte

### Espadas

Por lo general, las barras de guía con puntas esféricas pequeñas tienen menos probabilidades de retroceso. Debe utilizar una barra de guía y una cadena adecuada que sea lo bastante larga para el trabajo. Las barras más largas aumentan el riesgo de pérdida de control durante el aserrado. Compruebe regularmente la tensión de la cadena. Al cortar ramas más pequeñas (con menor longitud que la barra guía), existen más posibilidades de que la cadena sea proyectada si la tensión no es correcta.

### Freno de la cadena

El freno de la cadena está diseñado para detener rápidamente la rotación de la cadena. Cuando la palanca del freno/protección de la mano se presiona hacia la espada, la cadena debe detenerse inmediatamente. El freno de la cadena no evita el retroceso. Sólo reduce el riesgo de lesiones en caso de que la barra de la cadena entre en contacto con el cuerpo del operario durante un retroceso. El freno de cadena debe probarse antes de cada para comprobar que funciona correctamente en posición de funcionamiento y de frenado.

### Pasador de la cadena

Un resguardo para la cadena evita que la sierra de cadena retroceda hacia el usuario si esta se afloja o se rompe.

### MONTAJE

#### ADVERTENCIA

En caso de que se dañe o falte alguna pieza, no utilice este producto hasta que se hayan reemplazado las piezas. No prestar atención a esta advertencia podría resultar en lesiones personales.

### MONTAJE DE LA CADENA Y LA BARRA DE GUÍA

Véase la página 262 - 263.

1. Asegúrese de retirar la batería de la unidad. Use guantes de protección.
2. Afloje la perilla del tensor de la cadena y retire la tapa del piñón.
3. La motosierra debe estar orientada hacia la dirección de rotación de la cadena. Si están orientadas hacia atrás, dé la vuelta a la cadena.
4. Coloque los eslabones de la cadena sobre las ranura de la barra.
5. Coloque la cadena de forma que quede una vuelta en la parte trasera de la espada.
6. Mantenga la cadena en su lugar sobre la barra y enróllela en el piñón. Baje la barra de manera que el perno encaje en el orificio en el conjunto de tensión de la cadena. Puede que tenga que rotar este conjunto para que el perno y el orificio coincidan. También tendrá que rotar el conjunto para aplicar tensión a la cadena que ayudará a mantenerla en su lugar.
7. Sustituya la tapa del piñón y gire la perilla del tensor de la cadena hasta el próximo ajuste, gire el anillo de ajuste de tensión de la cadena hasta que la cadena esté perfectamente ajustada. A continuación, la barra





de guía debe empujarse hacia arriba. Vuelva a revisar la tensión de la cadena. No tense la cadena con demasiada fuerza.

- Después de que la cadena esté bien tensada, apriete la perilla de nuevo.

### AJUSTE DE LA TENSIÓN DE LA CADENA

Véase la página 263. Véase la página 273.

- Afloje la perilla del tensor de la cadena girándolo ligeramente hacia la izquierda.
- Para incrementar la tensión de la cadena, gire el anillo de ajuste del tensionador en sentido de las agujas del reloj y compruebe la tensión de la cadena con frecuencia. Para reducir la tensión de la cadena, gire el anillo de ajuste del tensionador en sentido contrario a las agujas del reloj y compruebe la tensión de la cadena con frecuencia.
- La tensión de la cadena es correcta cuando el espacio entre la cuchilla de la cadena y la barra mide entre 3 mm y 4 mm. Tire de la cadena en el centro de la parte inferior de la barra hacia abajo (alejándola de la barra) y mida la distancia entre la barra y los cortadores de la cadena.
- Apriete la perilla del tensor de la cadena girándola hacia la derecha.

### UTILIZACIÓN

#### AÑADA ACEITE LUBRICANTE PARA LA CADENA

Véase la página 262.

#### ⚠ ADVERTENCIA

Nunca trabaje sin lubricante de cadena. Si la motosierra está funcionando sin lubricante, la barra de guía y la motosierra pueden estropearse. Por tanto, es imprescindible comprobar el nivel de aceite en el indicador de nivel de aceite con frecuencia y siempre antes de empezar a utilizar la motosierra.

- Limpie el área alrededor de la tapa del aceite para prevenir la contaminación.
- Desatornille y retire la tapa del depósito de aceite.
- Vierta el aceite en el depósito de aceite y controle el indicador de nivel de aceite. Asegúrese de que no entre suciedad en el depósito de aceite durante la operación de llenado.
- Coloque la tapa del depósito y apriétela. Limpie cualquier posible derrame.
- Un depósito lleno de aceite le permitirá usar la sierra durante 20-40 minutos.

#### Aceite lubricante para cadenas recomendado

- El fabricante recomienda utilizar únicamente el aceite lubricante de motosierra Ryobi. (Se encuentra disponible en el centro de asistencia autorizado de Ryobi)

#### INSTALACIÓN DE LA BATERÍA

Véase la página 263.

- Coloque la batería en la herramienta. Alinee las nervaduras salientes de la batería con los surcos del puerto de la batería del producto.

- Asegúrese de que los pasadores del paquete de baterías encajan en su sitio y de que el paquete de baterías quede fijado al producto antes de comenzar la operación.

#### SUJECIÓN DE LA MOTOSIERRA

Véase la página 263.

Sujete siempre la herramienta con la mano derecha en la empuñadura trasera y la mano izquierda en la empuñadura delantera. Sujete las empuñaduras con ambas manos. Asegúrese de que su mano izquierda sostiene el asa frontal y que su pulgar está debajo.

#### ARRANQUE DE LA MOTOSIERRA

Véase la página 263.

- Antes de iniciar la operación, debe instalar la batería en la máquina y asegurarse de que el freno de la cadena está en posición de funcionamiento tirando de la palanca del freno de cadena/protección manual hacia el mango delantero.
- Para arrancar el motor: tire del desbloqueo del gatillo y después presione el gatillo del interruptor.

#### COMPROBACIÓN Y FUNCIONAMIENTO DEL FRENO DE CADENA

- Accione el freno de cadena girando con la mano izquierda el mango delantero. Usando la palma de la mano, empuje la palanca del freno de cadena/protección manual en dirección a la barra mientras la cadena está girando rápidamente. Asegúrese de mantener ambas manos sobre los mangos de la sierra en todo momento.
- Vuelva a colocar el freno de cadena en posición de funcionamiento sujetando la parte superior de la palanca del freno de cadena/protección manual y tirando de ella hacia el mango delantero hasta que oiga un clic.

#### ⚠ ADVERTENCIA

Si el freno no detiene la cadena inmediatamente, o si el freno no queda fijo en la posición de funcionamiento por sí mismo, lleve la motosierra a un centro oficial de reparación.

#### TRANSPORTE Y ALMACENAMIENTO

Véase la página 275 - 276.

- Detenga el producto, retire la batería y deje que ambos se enfríen antes de guardarlos o transportarlos.
- Limpie todo el material extraño que pueda permanecer en el producto. Guarde en una zona seca y bien ventilada, a la que no puedan acceder los niños. Evite el contacto con agentes corrosivos tales como productos químicos de jardinería o sales descongelantes. No almacenar al aire libre.
- Coloque la cubierta de la barra de guía antes de almacenar la unidad o durante el transporte.
- Para transportar el producto, sujételo de modo que no se mueva ni se caiga para evitar lesiones personales o daños al producto.



## MANTENIMIENTO

### ⚠ ADVERTENCIA

Utilice sólo piezas y accesorios de recambio originales del fabricante. Si no lo hace podría ocurrir un mal funcionamiento, podrían producirse daños o podría quedar anulada la garantía.

### ⚠ ADVERTENCIA

Las reparaciones requieren tener mucho cuidado y conocimiento y sólo debe realizarse por un técnico de servicio calificado. Para operaciones de servicio, lleve el producto a un centro de servicio autorizado. Utilice solo recambios originales del fabricante para las operaciones de mantenimiento.

### ⚠ ADVERTENCIA

Extraiga la batería antes de realizar operaciones de ajuste, mantenimiento o limpieza. Si no lo hace podría haber un riesgo de lesiones graves.

- Usted solo puede realizar los ajustes o reparaciones descritos en este manual. Para otras reparaciones o consejos, busque la ayuda de un centro de servicio autorizado.
- Las consecuencias de un mantenimiento inadecuado pueden hacer que el freno de cadena y otras características de seguridad no funciones correctamente, aumentando así la posibilidad de lesiones graves. Mantenga la motosierra con un mantenimiento profesional y segura.
- El afilado de la cadena de manera segura es una tarea especializada. Por tanto, el fabricante recomienda encarecidamente que una cadena opaca o desgastada se sustituya por otra nueva, que se encuentra disponible en el centro de asistencia autorizado de Ryobi. El nombre de la pieza se encuentra disponible en la tabla de especificaciones de producto de este manual..
- Siga las instrucciones para lubricar, ajustar y comprobar la tensión de la cadena.
- Limpiar el producto con un paño suave seco después de cada uso.
- Verifique a intervalos frecuentes si todas las tuercas, pernos y tornillos están apretados apropiadamente para asegurarse de que el equipo esté en buenas condiciones de trabajo. Cualquier pieza dañada debe ser sustituida o reparada adecuadamente por un centro de servicio autorizado.

## SUSTITUCIÓN DE LA BARRA DE GUÍA Y DE LA CADENA

Véase la página 271 - 272.

1. Asegúrese de retirar la batería. Use guantes de protección.
2. Afloje la perilla del tensor de la cadena girándolo hacia la izquierda hasta que se suelte la tapa del piñón.

3. Retire la tapa de la rueda dentada. Retire la barra y la cadena de la herramienta.
4. Para sustituir la barra por una nueva, retire el tornillo del soporte de tensión de cadena. Monte el soporte de tensión de cadena en la nueva barra y apriete el tornillo.
5. Coloque la nueva cadena en la dirección correcta en la barra y compruebe que las conexiones de transmisión están alineadas con la ranura de la barra.
6. Instale la barra en la motosierra y enrolle la cadena alrededor del piñón motriz.
7. Vuelva a colocar la tapa del piñón.
8. Ajuste la tensión de la cadena. Consulte la sección "Ajuste de la tensión de la cadena".

### ⚠ ADVERTENCIA

Una cadena desgastada o mal afilada puede causar velocidad excesiva del motor durante el corte, lo que puede resultar en daños graves al motor.

### ⚠ ADVERTENCIA

El afilado inadecuado de la cadena aumenta el riesgo de retroceso.

### ⚠ ADVERTENCIA

Si no se sustituye o se repara a tiempo una cadena dañada, puede ocasionar lesiones graves.

### ⚠ ADVERTENCIA

La cadena está muy afilada. Utilice siempre guantes de protección cuando vaya a realizar alguna actividad de mantenimiento de la cadena.

## INSPECCIONAR Y LIMPIAR EL FRENO DE CADENA

Véase la página 274.

- Mantenga siempre limpio el mecanismo de freno de la cadena cepillando suavemente la conexión para mantenerla libre de suciedad.
- Compruebe siempre el funcionamiento del freno de la cadena tras limpiarlo. Consulte la sección "Funcionamiento – Funcionamiento del freno de la cadena" del manual para obtener más información.

## PROGRAMA DE MANTENIMIENTO

### Revisión diaria

Lubricación de la barra	Antes de cada uso
Tensión de la cadena	Antes de cada uso y con frecuencia
Filo de la cadena	Antes de cada uso, inspección visual
Si hay piezas dañadas	Antes de cada uso
Si hay sujetadores sueltos	Antes de cada uso

Funcionamiento del freno de cadena	Antes de cada uso
<b>Inspeccionar y limpiar</b>	
Barra	Antes de cada uso
Sierra completa	Después de cada uso
Freno de la cadena	Cada 5 horas*

\*Horas de funcionamiento

## SÍMBOLOS EN EL PRODUCTO



Advertencia



Lea y comprenda todas las instrucciones antes de manipular el producto, respete las advertencias y las instrucciones de seguridad.



Póngase protección para los ojos, los oídos y la cabeza.



Utilice calzado de seguridad antideslizante cuando utilice este producto.



Use guantes de trabajo resistentes, antideslizantes.



Tenga cuidado con el rebote de la sierra y evite el contacto con el extremo de la espada.



No la exponga a la lluvia o a lugares húmedos.



Sostenga y utilice la motosierra con ambas manos.



No utilice la motosierra sosteniéndola con una sola mano.



Esta herramienta responde a todas las normas reglamentarias del país de la UE donde se ha comprado.



Certificado EAC de conformidad



Marca de conformidad ucraniana



Los productos eléctricos de desperdicio no deben desecharse con desperdicios caseros. Por favor recíclelos donde existan dichas instalaciones. Compruebe con su autoridad local o minorista para reciclar.



El mejor nivel de potencia sonora es de 96 dB



Lubricante para la barra y cadena



Nivel mínimo de lubricante



Cierre



Desbloquear



Coloque el freno de cadena en la posición RUN (funcionamiento).



Gire para ajustar la tensión de la cadena

+ = Apriete la cadena  
- = Aflojar de la cadena



Coloque el freno de cadena en la posición BRAKE (freno).



Dirección de movimiento de la cadena.  
(Marca debajo de la tapa del piñón)

$V_0$ : 10 m/s

Velocidad de la cadena sin carga:  
10 m/s

L max: 300mm

Longitud máxima de la barra de guía:  
300 mm

## SÍMBOLOS EN ESTE MANUAL



Las piezas o accesorios se venden por separado



Nota



Advertencia



Use protección ocular y para el rostro.



Use protección para la parte superior del cuerpo.



Use protección para las piernas.



Detener el producto.

Los siguientes símbolos y palabras detallan los niveles de cuidado necesarios para usar este producto.

**⚠ PELIGRO**

Indica una situación potencialmente peligrosa que, de no evitarse, puede ocasionar la muerte o heridas de gravedad.

**⚠ ADVERTENCIA**

Indica una situación peligrosa que, de no evitarse, puede ocasionar la muerte o heridas de gravedad.

**⚠ ADVERTENCIA**

Indica una situación potencialmente peligrosa que, de no evitarse, puede ocasionar heridas leves.

**ADVERTENCIA**

Sin símbolo de alerta de seguridad

Indica una situación que puede causar daños en las cosas.

130.com.ua



Durante la progettazione di questa sega elettrica a batteria è stata data la massima priorità a sicurezza, prestazioni e affidabilità.

### UTILIZZO RACCOMANDATO

La sega elettrica a batteria è destinata al solo uso all'aperto. Per ragioni di sicurezza, l'utensile deve essere adeguatamente controllato utilizzando sempre due mani.

Questo utensile è progettato per tagliare rami, fusti, tronchi, e rami di un diametro determinato dalla lunghezza di taglio della barra di guida. Questo utensile è adatto solo a tagliare legname. Il prodotto dovrà essere utilizzato solo per lavori domestici da adulti che abbiano ricevuto le adeguate istruzioni sui rischi e misure/azioni preventive dovranno essere prese mentre lo si utilizza.

Non utilizzare il prodotto per scopi non indicati sopra. Il prodotto non deve essere utilizzato per lavori professionali di taglio alberi. Il prodotto non dovrà essere utilizzato da bambini o da persone che non indossino un adeguato equipaggiamento anti-infortunistico e abiti di protezione.

#### ⚠ AVVERTENZA

Quando si utilizza questo prodotto, seguire eventuali norme di sicurezza. Per la sicurezza dell'utente e quella degli osservatori, leggere e comprendere le istruzioni prima di mettere in funzione il prodotto. L'utente deve partecipare a un corso professionale organizzato sulla sicurezza nell'utilizzo, sulle azioni preventive, sul pronto soccorso e la manutenzione delle motoseghe. Conservare le istruzioni per eventuali riferimenti futuri.

#### ⚠ AVVERTENZA

Le motoseghe sono utensili potenzialmente pericolosi. Incidenti con motoseghe risultano spesso in perdita di parti del corpo o morte. La motosega non è l'unico pericolo. Anche rami in caduta, alberi tagliati e tronchi rotolanti possono uccidere. Il legno marcio o malato può costituire un ulteriore pericolo. Valutare la propria capacità nel completare il compito in maniera sicura. Nel dubbio, lasciar lavorare un professionista o medico degli alberi.

### AVVERTENZE GENERALI DI SICUREZZA

#### ⚠ AVVERTENZA

**Leggere tutte le avvertenze di sicurezza e le istruzioni.** La mancata osservanza di tutte le istruzioni potrà causare scosse elettriche, incendi e/o gravi lesioni personali.

**Conservare le presenti avvertenze ed istruzioni per poterle consultare in seguito.**

Il termine "elettroutensile" nelle avvertenze fa riferimento a un elettroutensile che funziona con una spina (con cavo) o a batterie (senza cavo).

### AMBIENTE DI LAVORO

- **Mantenere l'area di lavoro pulita e ben illuminata.** Aree di lavoro disordinate o non illuminate adeguatamente potranno causare incidenti.
- **Non mettere in funzione gli elettroutensili in atmosfere esplosive, come in presenza di liquidi infiammabili, gas o polvere.** Gli elettroutensili creano scintille che possono causare incendi a contatto con polveri e fumi.
- **Tenere bambini ed eventuali osservatori lontani mentre si mette in funzione l'elettroutensile.** Eventuali distrazioni potranno causare una perdita di controllo.

### SICUREZZA ELETTRICA

- **La spina dell'elettroutensile deve corrispondere alla presa. Non modificare la spina in alcun modo. Non utilizzare spine adattatrici con elettroutensili con messa a terra (presa di terra).** Spine non modificate e prese corrispondenti ridurranno il rischio di scosse elettriche.
- **Evitare il contatto del corpo con superfici con messa a terra come tubi, radiatori, piani cottura e refrigeratori.** Rischio aumentato di scosse elettriche se il corpo viene collegato con messa a terra.
- **Non esporre il prodotto a pioggia o umidità.** Nel caso in cui dell'acqua entrerà nell'elettroutensile il rischio di scosse elettriche aumenterà.
- **Non sottoporre a sforzi il cavo dell'alimentazione. Non trasportare né tirare o scollegare l'elettroutensile dal cavo. Tenere il cavo lontano da calore, olio, angoli appuntiti o parti in movimento.** Cavi danneggiati o intrecciati potranno far aumentare il rischio di scosse elettriche.
- **Quando si mette in funzione un elettroutensile all'esterno, utilizzare una prolunga adatta all'esterno.** Utilizzare un cavo adatto agli esterni per ridurre il rischio di scosse elettriche.
- **Nel caso in cui non si possa fare a meno di mettere in funzione un elettroutensile in un luogo umido, utilizzare un dispositivo di corrente residua (RCD).** Utilizzare un RCD ridurrà il rischio di scosse elettriche.

### SICUREZZA PERSONALE

- **Mantenere sempre l'attenzione e utilizzare buon senso quando si utilizza un elettroutensile. Non utilizzare un elettroutensile se stanchi o sotto l'influenza di droghe, alcool o farmaci.** Un momento di disattenzione durante le operazioni potrà risultare in gravi lesioni personali.
- **Utilizzare equipaggiamento di protezione personale. Indossare sempre occhiali di protezione.** Utilizzare sempre equipaggiamento di protezione come maschere per la polvere, calzature antiscivolo, caschi o cuffie di protezione per ridurre rischi di lesioni alla persona.
- **Prevenire l'avvio accidentale. Assicurarsi che l'interruttore sia sulla posizione off (spento) prima di collegare l'utensile all'alimentazione e/o al gruppo batterie, o prima di afferre e trasportare**







**l'utensile.** Trasportare elettroutensili tenendo un dito sull'interruttore o con l'elettroutensile acceso potrà causare incidenti.

- **Rimuovere eventuali chiavi o dispositivi di regolazione prima di accendere l'elettroutensile.** Una chiave o un dispositivo di blocco collegato a una parte rotante dell'utensile potrà risultare in gravi lesioni personali.
- **Non protendersi. Rimanere bene in equilibrio sulle gambe e non distendere troppo lontano le braccia.** Ciò permetterà un miglior controllo dell'elettroutensile in situazioni inaspettate.
- **Indossare un abbigliamento adatto. Non utilizzare abiti con parti svolazzanti o gioielli. Tenere capelli, vestiti e guanti lontani dalle parti in movimento.** Abiti con parti svolazzanti, gioielli o capelli lunghi potranno rimanere impigliati nelle parti in movimento.
- **Nel caso in cui vengano forniti dispositivi per l'estrazione e la raccolta della polvere, assicurarsi che gli stessi siano collegati e utilizzati correttamente.** Utilizzare il sacchetto di raccolta della polvere può ridurre rischi collegati alla polvere.

#### UTILIZZO E MANUTENZIONE ELETTROUTENSILI

- **Non forzare il prodotto. Utilizzare l'elettroutensile corretto per il proprio lavoro.** L'elettroutensile corretto svolgerà in maniera migliore e più sicura il lavoro per il quale è stato progettato.
- **Non utilizzare l'elettroutensile se l'interruttore non si accende e spegne.** Un elettroutensile che non può essere controllato dall'interruttore è pericoloso e deve essere riparato.
- **Scollegare la presa dall'alimentazione e/o il gruppo batterie dall'elettroutensile prima di svolgere le eventuali regolazioni, cambiare gli accessori o riporre elettroutensili.** Queste misure di sicurezza preventive ridurranno il rischio di avvio dell'elettroutensile.
- **Riporre elettroutensili lontano dalla portata dei bambini e non permettere a persone che non conoscano il funzionamento dell'elettroutensile o queste istruzioni di metterlo in funzione.** Gli elettroutensili possono essere pericolosi se utilizzati da personale non preparato.
- **Svolgere sempre le operazioni di manutenzione sull'elettroutensile. Controllare l'eventuale allineamento scorretto o blocco delle parti in movimento, la rottura di parti e qualsiasi altra condizione che potrà influenzare il funzionamento dell'elettroutensile. In caso di danni far riparare l'elettroutensile prima di utilizzarlo.** Elettroutensili sui quali non sono state svolte le dovute operazioni di manutenzione possono essere causa di incidenti.
- **Mantenere tutti gli utensili affilati e appuntiti.** Utensili per operazioni di taglio con parti taglienti sui quali sono state svolte le corrette operazioni di manutenzione non si bloccheranno e saranno più facili da controllare.
- **Utilizzare l'elettroutensile, i suoi accessori, le punte ecc. assieme a queste istruzioni tenendo conto delle condizioni di lavoro e del lavoro da svolgere.** Utilizzare l'elettroutensile per operazioni diverse da

quelle indicate potrà causare situazioni pericolose.

#### UTILIZZO E MANUTENZIONE DI UN UTENSILE A BATTERIE

- **Ricaricare solo con il caricatore indicato dalla ditta produttrice.** Un caricatore adatto per un tipo di batterie potrà creare un rischio di incendio se utilizzato con un altro gruppo batterie.
- **Utilizzare elettroutensili solo con i gruppi batteria indicati.** L'utilizzo di gruppi batteria diversi da quelli indicati potrà causare rischi di lesioni e incendi.
- **Quando il gruppo batterie non viene utilizzato, tenerlo lontano da oggetti in metallo come fermagli, monete, chiavi, chiodi, viti o altri piccoli oggetti che potranno fare da tramite da un terminale all'altro.** Cortocircuitare i terminali della batteria assieme potrà causare scottature o incendi.
- **Se sottoposto a stress, la batteria potrà perdere dei liquidi; evitare il contatto. Se si entra accidentalmente in contatto con tali liquidi, lavarsi immediatamente con acqua. Se il liquido entra negli occhi, rivolgersi a un medico.** Il liquido espulso dalla batteria potrà causare irritazioni o scottature.

#### MANUTENZIONE

- **Far svolgere la manutenzione da personale qualificato utilizzando solo parti di ricambio identiche.** Ciò permette di mantenere la sicurezza dell'elettroutensile.

#### AVVERTENZE DI SICUREZZA GENERALI ADDIZIONALI

- Alcune regioni hanno norme che limitano l'utilizzo del prodotto. Rivolgersi alle autorità locali per eventuali consigli.
- Tenere il prodotto lontano dalla portata dei bambini e di persone che non ne conoscano l'uso o le istruzioni di funzionamento. Leggi locali possono limitare l'età dell'operatore.
- Assicurarsi prima di ciascun utilizzo che tutti i comandi e i dispositivi di sicurezza funzionino correttamente. Non utilizzare l'utensile se l'interruttore "off" (spento) non arresta il motore.
- Durante l'uso del prodotto indossare protezioni totali per occhi e udito, scarpe da lavoro rinforzate e guanti, nonché un elmetto di protezione. Utilizzare una mascherina per il volto in caso di polvere nell'ambiente in cui si opera.
- L'utilizzo di dispositivi di protezione ridurrà la capacità di ascoltare eventuali segnali d'allarme (grida o avvertimenti). L'operatore dovrà prestare attenzione a ciò che accade nella zona di lavoro.
- Mantenere sempre un appoggio saldo e l'equilibrio. Non protendersi. Protendersi eccessivamente potrà causare una perdita di equilibrio e aumentare il rischio di contraccollo.
- Non indossare abbigliamento con parti svolazzanti, pantaloni corti o gioielli di alcun tipo.
- Assicurare i capelli lunghi al di sopra delle spalle per evitare che rimangano impigliati nelle parti in movimento.





- Fare attenzione agli oggetti che potranno essere scagliati dall'utensile, agli oggetti volanti o che cadono. Tenere osservatori, bambini e animali ad almeno 15 metri di distanza dall'area delle operazioni.
- Norme di sicurezza generali non utilizzare questo apparecchio in una zona scarsamente illuminata. L'area di lavoro deve essere pulita per essere in grado di individuare potenziali rischi.
- Mettere in funzione utensili simili troppo vicino al proprio corpo aumenterà il rischio di lesioni all'udito e i rischi potenziali per le persone che entrano nell'area di lavoro.
- Tenere tutte le parti del proprio corpo lontane dalle parti in movimento.
- Controllare l'utensile prima di ogni utilizzo. Assicurarsi che tutti i controlli compreso il freno della catena funzionino correttamente. Controllare parti allentate, assicurarsi che tutti gli schermi e i manici siano correttamente collegati e assicurati. Sostituire le parti danneggiate prima dell'utilizzo.
- Non modificare l'utensile in alcun modo né utilizzare parti e accessori non raccomandati dalla ditta produttrice.

**⚠ AVVERTENZA**

Se il prodotto cade, subisce impatti pesanti o inizia a vibrare in maniera anomala, arrestarlo e controllare eventuali danni per identificare la causa delle vibrazioni. Riparare eventuali danni o far sostituire i pezzi da un centro servizi autorizzato.

**AVVERTENZE DI SICUREZZA MOTOSEGA**

- **Tenere tutte le parti del corpo lontane dalla motosega quando l'utensile è in funzione. Prima di avviare la motosega assicurarsi che l'utensile non entri in contatto con alcun altro corpo estraneo.** Un momento di disattenzione durante l'utilizzo della motosega potrà far impigliare l'abbigliamento dell'operatore e intrappolare parti del corpo nell'utensile.
- **Reggere sempre la motosega con la mano destra sul manico posteriore e la mano sinistra su quello anteriore.** Reggere la motosega impugnandola in modo diverso da come indicato potrà aumentare il rischio di lesioni personali e non dovrebbe mai essere fatto.
- **Reggere l'elettrotensile solo dall'impugnatura isolata perchè la motosega potrà entrare in contatto con i cavi nascosti.** Una motosega che tocca un cavo "vivo" potrà esporre le parti "vive" in metallo dell'elettrotensile causando scosse elettriche all'operatore.
- **Indossare occhiali e cuffie di protezione. Si raccomanda di utilizzare ulteriore attrezzatura di protezione per testa, mani, gambe e piedi.** Un adeguato abbigliamento protettivo ridurrà il rischio di lesioni personali causate da eventuali oggetti scagliati o di contatto accidentale con la motosega.
- **Non mettere in funzione la motosega in un albero.**

Operazioni con la motosega mentre si è su un albero potranno causare lesioni personali.

- **Mantenere sempre l'equilibrio e mettere in funzione la motosega solo quando si sta in piedi su una superficie fissa, sicura e ben equilibrata.** Superfici scivolose o instabili come le scale potranno causare una perdita di equilibrio o controllo della motosega.
- **Quando si taglia un ramo sotto tensione fare attenzione all'eventuale contraccolpo.** Quando si rilascia la tensione delle fibre del legno, il contraccolpo del ramo potrà colpire l'operatore e/o far perdere allo stesso il controllo della motosega.
- **Fare estrema attenzione quando si tagliano rami e arbusti.** I materiali dallo spessore più esiguo potranno rimanere impigliati nella motosega ed essere scagliati contro l'operatore o far perdere allo stesso l'equilibrio.
- **Trasportare la motosega dal manico anteriore con il dispositivo spento e lontano dal proprio corpo. Installare sempre la copertura della barra di guida quando si trasporta o ripone la motosega.** Una gestione corretta della motosega ridurrà la probabilità di eventuale contatto accidentale con la sega in movimento.
- **Seguire le istruzioni per lubrificare e tensionare la catena o cambiare gli accessori.** Una catena non correttamente tensionata o lubrificata potrà rompersi o aumentare la possibilità di contraccolpi.
- **Mantenere i manici puliti, e rimuovere eventuali tracce di olio e grasso.** Manici sporchi e unti sono scivolosi, e causano perdita di controllo.
- **Tagliare solo il legno. Non utilizzare la motosega per scopi non consentiti. Per esempio, non utilizzare la motosega per tagliare plastica, materiali edili, o materiali non legnosi.** Utilizzare la motosega per operazioni diverse da quelle indicate potrà causare rischi.

**Cause e prevenzione di eventuali rimbalzi:**

Può verificarsi un contraccolpo se la punta della barra di guida entra a contatto con un oggetto o se la catena si incastra e si blocca nel legno durante il taglio.

Il contatto con la punta potrà causare una reazione improvvisa, facendo scattare la barra di guida indietro e verso l'operatore.

Tirare la catena lungo la parte superiore della barra di guida potrà spingere l'utensile rapidamente verso l'operatore.

Queste reazioni possono causare all'operatore la perdita di controllo della sega, portando a gravi lesioni personali. Non affidarsi soltanto ai dispositivi di sicurezza predisposti sulla sega. L'operatore deve adottare altre misure di sicurezza per garantire che le operazioni di taglio non siano pericolose e non portino a infortuni.

Il contraccolpo è il risultato di un utilizzo scorretto dell'utensile e/o di procedure o condizioni di funzionamento non adeguate e potrà essere evitato prendendo le adeguate precauzioni, come indicato di seguito:

- **Mantenere una presa salda, con i pollici e le dita attorno al manico della motosega e con entrambe le mani sulla motosega, posizionando il corpo e il braccio in modo da resistere alla forza del**





**contraccolpo.** Le forze del contraccolpo non possono essere controllate dall'operatore, se vengono prese adeguate precauzioni. Non lasciar andare la motosega.

- **Non protendersi e non tagliare al di sopra dell'altezza della spalla.** Ciò aiuterà a prevenire il contatto non intenzionale con la punta e garantirà un controllo migliore della motosega in situazioni inaspettate.
- **Utilizzare solo barre e catene di ricambio specificate dalla ditta produttrice.** Sostituzioni non corrette di barre e catene potranno causare rotture e/o contraccolpi.
- **Leggere tutte le istruzioni del produttore in merito all'affilamento della catena e tutte le relative istruzioni di manutenzione.** Diminuire l'altezza della profondità dell'indicatore potrà aumentare il rischio di contraccolpi.

#### AVVERTENZE DI SICUREZZA ADDIZIONALI PER LA MOTOSEGA

- Si raccomanda di tagliare tronchi su un cavalletto o un supporto quando si mette in funzione il prodotto per la prima volta.
- Assicurarsi che tutti gli schermi, i manici e i respingenti dentati siano stati correttamente montati e siano in ottime condizioni.
- Gli operatori del presente utensile dovranno essere in buona salute. Il prodotto è pesante quindi l'operatore deve essere in grado di reggerlo. L'operatore dovrà essere attento, avere un'ottima vista, mobilità ed equilibrio oltre a destrezza manuale. Nel dubbio, non mettere in funzione la motosega.
- Non iniziare a utilizzare il prodotto senza essersi prima assicurati prima un'area di lavoro pulita, massimo equilibrio e una via di fuga ben chiara da un eventuale albero in caduta.
- Fare attenzione alle emissioni di lubrificante e segatura. Indossare una maschera o un respiratore se necessario.
- Non tagliare viti e/o piccoli arbusti (con un diametro inferiore a 75 mm).
- Reggere sempre la motosega con entrambe le mani mentre è in funzione. Afferrare energicamente le impugnature della sega avvolgendovi attorno il pollice e le dita. Mettere sempre la mano destra sul manico posteriore e quella sinistra sul manico anteriore.
- Prima di avviare l'utensile, assicurarsi che la motosega non entri in contatto con eventuali oggetti.
- Non modificare l'utensile in alcun modo nè utilizzare prolunghe o dispositivi non raccomandati dalla ditta produttrice della motosega.
- Tenere sempre un kit di pronto soccorso con cerotti e bende grandi e un dispositivo per attirare l'attenzione (come un fischiello) accanto all'operatore. Tenere anche a portata di mano un kit più grande e meglio fornito.
- L'operatore potrà essere tentato di rimuovere il casco nel caso in cui non vi siano rischi di oggetti che cadono nella zona, ma ricordare che il casco e in particolare il casco con lo schermo di protezione, potranno ridurre

eventuali rischi di lesioni al volto e alla testa nel caso si verifichino contraccolpi.

- Una catena non correttamente tensionata può fuoriuscire dalla barra di guida e potrebbe risultare in gravi lesioni o incidenti. La lunghezza della catena dipende dalla temperatura. Controllare frequentemente la tensione.
- Familiarizzare con la propria motosega facendo tagli semplici su legno saldamente assicurato. Farlo quando la motosega non è stata messa in funzione per qualche tempo.
- Per ridurre il rischio di lesioni associate con il contatto con le parti in movimento, arrestare sempre il motore, applicare il freno della catena, rimuovere il gruppo batterie e assicurarsi che tutte le parti in movimento si siano arrestate prima di:
  - rimuovere o pulire un eventuale blocco
  - Lasciare il prodotto incustodito
  - Installare o rimuovere gli accessori
  - Svolgere le operazioni di controllo, manutenzione e lavoro sull'utensile
- la dimensione della zona di lavoro dipende dall'operazione da eseguire e dalla dimensione degli alberi o degli elementi coinvolti. Per esempio, tagliare un albero richiede un'area di lavoro più grande di quella di cui si ha bisogno per altri tipi di taglio, come per esempio tagliare un tronco in pezzi più piccoli, ecc. L'operatore deve essere attento e mantenere il controllo di tutto ciò che accade nella zona di lavoro.
- Non tagliare con il corpo allineato alla barra di guida e alla catena. In caso di contraccolpi ciò eviterà che la catena entri in contatto con la testa o il corpo dell'operatore.
- Non fare movimenti di taglio in avanti e indietro, lasciare che la catena faccia il suo lavoro, mantenere la catena affilata e non tentare di spingere la catena attraverso il taglio.
- Non esercitare pressione sulla sega al termine del taglio. Essere pronti ad accollarsi il peso della motosega mentre si libera dal legno. La mancata osservanza di queste regole potrà causare gravi lesioni personali.
- Non arrestare la motosega a metà delle operazioni di taglio. Lasciare la motosega in funzione fino a che non venga rimossa dal taglio.

#### Spinta e trazione

La forza di reazione è sempre contraria alla direzione di movimento della catena. L'operatore dovrà essere pronto a controllare la tendenza della macchina ad allontanarsi (movimento in avanti) quando si taglia sulla parte inferiore della barra e a spingere indietro (verso l'operatore) quando si taglia lungo l'estremità inferiore.

#### Motosega incastrata nel taglio

Arrestare la motosega e fare in modo che sia sicura. Non tentare di forzare la catena e la barra fuori dal taglio dal momento che ciò potrà rompere la catena che potrà rimbalzare e colpire l'operatore. Questa situazione si verifica normalmente se il legno viene sostenuto in maniera scorretta permettendo al taglio di chiudersi a causa





della compressione e facendo quindi incastrare la lama. Se regolare il supporto non rilascia la barra e la catena, utilizzare delle zeppe in legno o una leva per aprire il taglio e rilasciare la motosega. Non tentare di avviare la motosega quando la barra di guida è già stata inserita nel taglio o nell'intaccatura.

### Equipaggiamento protettivo personale

Un equipaggiamento protettivo personale di ottima qualità come utilizzato dai professionisti aiuterà a ridurre il rischio di lesioni all'operatore. Le seguenti voci devono essere utilizzate quando si mette in funzione la motosega:

#### Casco di sicurezza

- deve essere conforme allo standard EN 397 ed essere contrassegnato CE

#### Cuffie di protezione

- deve essere conforme allo standard EN 352-1 ed essere contrassegnato CE

#### Protezione occhi e viso

- devono essere contrassegnate con il marchio CE e rispettare lo standard EN 166 (per gli occhiali di sicurezza) o lo standard EN 1731 (per visori con rete)

#### Guanti

- deve essere conforme allo standard EN381-7 ed essere contrassegnato CE

#### Protezione gambe (sovrappantaloni)

- deve essere conforme allo standard EN381-5, ed essere contrassegnata dal marchio CE e fornire una protezione totale.

#### Stivali di sicurezza motosega

- devono rispettare lo standard EN ISO 20345:2004 ed essere contrassegnati con uno scudo che indica una motosega per indicare la compatibilità con lo standard EN 381-3. (gli utenti occasionali potranno utilizzare stivali di sicurezza con punta in acciaio con ghette di protezione secondo quanto indicato dallo standard EN 381-9 se il pavimento è ben equilibrato e ci sono ben pochi rischi di inciampare o rimanere impigliati nell'erba)

#### Giacche anti-infortunistiche per una protezione totale della parte superiore del corpo

- deve essere conforme allo standard EN 381-11 ed essere contrassegnato CE

### ISTRUZIONI RIGUARDANTI LE TECNICHE ADATTE PER TAGLI DI BASE, TAGLIO DEI RAMI E TAGLIO INCROCIATO

#### Studiare le forze delle fibre del legno

Quando si comprendono le pressioni direzionali e le forze all'interno del legno, si possono ridurre le probabilità che la lama "si inceppi" nel legno o almeno prevenire che ciò avvenga durante le fasi di taglio. La tensione nel legno indica che le fibre si stanno separando e se si taglia in quest'area l'intaccatura o taglio tenderà ad aprirsi quando la sega lo attraverserà. Se un tronco viene sostenuto su un cavalletto e l'estremità dello stesso non viene sostenuta, si creerà tensione sulla superficie superiore a causa delle fibre del tronco sospeso che si allungano. Allo stesso modo

la parte interna del tronco si comprimerà e le fibre verranno schiacciate assieme. Se si procede a far un taglio in questa zona l'intaccatura avrà la tendenza di chiudersi durante il taglio. Ciò intrappolerà la lama.

#### Tagliare un albero.

*Vedere le pagine 267 - 268.*

Quando le operazioni di taglio e disboscamento vengono svolte da due o più persone allo stesso tempo, le due operazioni dovranno essere separate l'una dall'altra e svolte a una distanza di almeno due volte l'altezza dell'albero che si sta tagliando. Gli alberi non dovranno essere tagliati in modo da mettere in pericolo delle persone, colpire cavi elettrici o causare danni alla proprietà. Se l'albero entra in contatto con una linea elettrica, la compagnia ne dovrà essere immediatamente notificata.

Si consiglia all'operatore di mettersi sul lato a monte del terreno, poiché è più probabile che un albero rotoli o scivoli verso valle una volta abbattuto.

Progettare sempre una via di fuga e tenerla sempre pronta, prima di avviare le operazioni di taglio. La via di fuga deve essere tracciata alle spalle dell'operatore e in maniera diagonale rispetto alla linea di caduta dell'albero.

Prima di avviare le operazioni di taglio, considerare l'inclinazione dell'albero, la posizione dei rami più grandi e la direzione del vento per capire dove cadrà l'albero.

Rimuovere sporco, pietre, pezzi di corteccia, chiodi, fermagli e cavi dall'albero.

Non tentare di tagliare alberi marci o danneggiati da vento, fuoco o fulmini, ecc. Tali operazioni sono estremamente pericolose e dovranno essere svolte solo da un professionista come un medico degli alberi.

#### 1. Incidere il taglio

*Vedere le pagine 267 - 268.*

Fare una incisione di 1/3 del diametro dell'albero, perpendicolare alla direzione della caduta. Fare prima il taglio orizzontale inferiore. Ciò aiuterà ad evitare che la catena o la barra di guida rimangano impigliate quando si fa il secondo taglio.

#### 2. Taglio posteriore di caduta

*Vedere le pagine 267 - 268.*

Fare il taglio di caduta a una altezza di almeno 50 mm/2 volte più in alto del taglio di intaccatura. Tenere il taglio di caduta parallelo al taglio orizzontale. Fare il taglio in modo che venga lasciato abbastanza legno e che lo stesso possa agire come cerniera. Il legno della cerniera farà in modo che l'albero non si pieghi su se stesso e cada nella direzione sbagliata. Non tagliare la cerniera.

Man mano che il taglio si avvicina al cardine, l'albero inizierà a cadere. Nel caso in cui vi sia la possibilità che l'albero non cada nella direzione desiderata o che ondeggi avanti e indietro bloccando la catena, arrestare le operazioni di taglio prima che il taglio finale sia completato e utilizzare cunei di legno, plastica o alluminio per aprire il taglio e far cadere l'albero lungo la linea di caduta desiderata.

Quando l'albero inizia a cadere rimuovere la motosega dal taglio, arrestare il motore, mettere giù la motosega, quindi seguire la linea di fuga programmata. Fare



attenzione ad eventuali rami sospesi che cadono dall'alto e fare attenzione al proprio equilibrio.

### Rimozione dei contrafforti

Vedere pagina 268.

I contrafforti sono protuberanze legnose che si sviluppano nell'angolo tra le radici laterali e la loro inserzione al fusto, interessando la porzione basale del fusto stesso. È necessario rimuovere queste protuberanze prima di abbattere un albero. Praticare prima un taglio orizzontale nel contrafforte, seguito da un taglio verticale. Eliminare queste porzioni dalla zona di lavoro. Dopo aver eliminato tutti gli elementi cadenti, attenersi alla procedura di abbattimento appropriata.

### Tagliare un tronco in pezzi più piccoli

Vedere pagina 269.

Questa operazione consiste nel tagliare un tronco in pezzi piccoli. Assicurarsi sempre l'equilibrio e che il peso sia distribuito in maniera uguale su entrambi i piedi. Ove possibile, il tronco dovrà essere alzato e supportato utilizzando rami, tronchi o pezzi di legno. Seguire le direzioni semplici per tagli facili. Quando il tronco è sostenuto lungo tutta la sua lunghezza, viene tagliato dalla parte superiore (taglio dall'alto).

Quando il tronco viene sostenuto a una estremità, tagliare un diametro di 1/3 dalla parte interna (taglio dal basso). Fare il taglio finale dall'alto per incontrare il primo taglio.

Quando il tronco è sostenuto da entrambe le parti, tagliare un diametro di 1/3 dalla parte superiore (taglio dall'alto). Fare quindi un taglio finale a 2/3 dalla parte inferiore per incontrare il primo taglio.

Quando si svolgono le operazioni di taglio su un piano scosceso, posizionarsi sempre sulla parte più in alto. Quando si passa al "taglio finale", per mantenere il completo controllo rilasciare la pressione di taglio vicino all'estremità di taglio senza rilasciare la presa sulle impugnature della motosega. Non lasciare che la motosega entri in contatto con il terreno. Dopo aver completato il taglio, attendere che la motosega si arresti prima di spostare la motosega. Arrestare sempre il motore prima di spostarsi da un albero all'altro.

### Tagliare rami da un albero abbattuto

Vedere pagina 270.

Tale operazione consiste nel rimuovere rami da un albero abbattuto. Quando si svolgono queste operazioni lasciare i rami inferiori in modo che sostengano il tronco lontano dal terreno. Rimuovere i rami piccoli con un taglio. I rami sotto tensione dovranno essere tagliati dal basso verso l'alto per evitare di bloccare la motosega.

### Astoni elastici

Vedere pagina 270.

Un astone elastico è un qualsiasi elemento dell'albero (ramo, ceppaia radicata o giovane pertica) piegatosi sotto tensione a causa di altri elementi e che, se il corpo che lo trattiene venisse reciso o rimosso, manifesterebbe un ritorno elastico improvviso.

Una ceppaia radicata ha un grosso potenziale di ritorno elastico alla sua posizione verticale durante l'operazione

di sezionamento che separa il fusto dalla ceppaia stessa. Prestare attenzione agli astoni elastici, poiché sono pericolosi.

### ⚠ AVVERTENZA

Gli astoni elastici sono pericolosi e potrebbero colpire l'operatore provocando la perdita di controllo della sega a catena. Le conseguenze possono essere anche letali per l'operatore. Queste operazioni dovranno essere svolte da operatori preparati.

### RISCHI RESIDUI:

Anche quando il prodotto viene utilizzato come indicato, è impossibile eliminare completamente alcuni fattori di rischio residuo. Si potranno verificare i seguenti rischi durante l'utilizzo e l'operatore dovrà prestare attenzione speciale per evitare quanto segue:

- Lesioni causate da vibrazioni
  - Utilizzare sempre l'utensile adatto per svolgere il lavoro, utilizzare i manici appositi e limitare le ore di lavoro e l'esposizione.
- L'esposizione al rumore può causare lesioni all'udito.
  - Indossare cuffie di protezione e limitare l'esposizione.
- lesioni da contatto con i denti esposti della catena
- lesioni causate da parti del pezzo sul quale si sta lavorando (schegge e pezzi di legno) scagliate verso l'operatore.
- Lesioni causate dall'inalazione di polvere e particelle
- Lesioni causate dal contatto di lubrificante o olio con la pelle
- Parti che potranno essere scagliate dalla motosega (rischio di taglio/iniezione)
- Movimenti non previsti e improvvisi o rimbalzi della barra di guida (rischio di taglio).

### RIDUZIONE DEL RISCHIO

Si è accertato che le vibrazioni causate da utensili a mano possono contribuire a causare una condizione chiamata Sindrome di Raynaud in alcune persone. I sintomi, comprendenti formicolio, intorpidimento e perdita di colore alle dita, si verificano di solito quando ci si espone al freddo. Fattori ereditari, esposizione a freddo e umidità, una dieta scorretta, fumo e condizioni di lavoro non sicure potranno contribuire allo sviluppo di questi sintomi. È possibile prendere delle precauzioni per ridurre le vibrazioni:

- Tenere il corpo al caldo a basse temperature. Quando si utilizza l'utensile, indossare guanti e tenere le mani e i polsi caldi. Le basse temperature contribuiscono a causare la Sindrome di Raynaud.
- Dopo aver utilizzato l'utensile per un certo periodo, fare degli esercizi per stimolare la circolazione del sangue.
- Fare spesso delle pause. Limitare la quantità di esposizione giornaliera.
- I guanti protettivi disponibili presso negozi professionali per motoseghe sono disegnati specificatamente per l'utilizzo con tali utensili e per garantire protezione,



ottima impugnatura e ridurre l'effetto delle vibrazioni del manico. Questi guanti devono rispettare lo standard EN381-7 ed essere contrassegnati con marchio CE.

Nel caso in cui si provino i sintomi di questa condizione, interrompere immediatamente l'utilizzo dell'utensile e consultare un dottore.

#### **⚠ AVVERTENZA**

Il prolungato utilizzo dell'utensile potrà causare o aggravare lesioni. Quando si utilizza questo utensile per periodi di tempo prolungati, assicurarsi di fare sempre delle pause regolari.

#### **FAMILIARIZZARE CON IL PRODOTTO**

Vedere pagina 261.

1. Protezione mano anteriore/freno catena
2. Manico anteriore
3. Manico posteriore
4. Catena
5. Barra di guida
6. Respingente protezione dentate
7. Tappo dell'olio
8. Rilascio della leva
9. Grilletto interruttore
10. Coperchio ruota dentata
11. Anello di regolazione tensionatore catena
12. Manopola tensionatore catena
13. Coperchio barra di guida
14. Recuperatore della catena

#### **DISPOSITIVI DI SICUREZZA**

##### **Catena a contraccolpo basso**

Una catena a basso contraccolpo aiuta a ridurre la possibilità di contraccolpi.

I limitatori di spessore posti davanti a ciascun dente tagliente possono ridurre al minimo la forza prodotta da una reazione di contraccolpo, impedendo ai denti di penetrare in profondità una volta raggiunta la zona di contraccolpo. Utilizzare solo combinazioni di barra di guida e catena di ricambio raccomandati dalla ditta produttrice.

L'affilamento delle catene attenua via via le caratteristiche di contraccolpo basso e pertanto vanno trattate con maggiore cautela. Per la propria sicurezza, sostituire la catena della motosega quando le prestazioni di taglio diminuiscono.

##### **Respingente protezione dentate**

Il respingente protezione dentata integrale può essere utilizzato come sostegno quando si svolgono delle operazioni di taglio. Aiuta a mantenere il corpo della motosega fermo durante le operazioni di taglio. Durante le operazioni di taglio, spingere l'utensile in avanti fino a che le punte non entrino dentro il legno, quindi muovendo il manico posteriore su o giù nella direzione della linea di taglio si allenterà lo sforzo fisico del taglio.

##### **Barre di guida**

Di solito le barre di guida con punte da un diametro piccolo hanno un potenziale di rimbalzo più basso. Si dovrà

utilizzare una barra di guida e una catena compatibile che sia abbastanza lunga per il lavoro. Le barre più lunghe aumentano il rischio di perdita di controllo durante le operazioni di taglio. Controllare regolarmente la tensione della catena. Quando si tagliano rami più piccoli (di lunghezza inferiore alla lunghezza della barra di guida) è più probabile che la catena venga spostata se la tensione non è corretta.

##### **Freno della catena**

Il freno della catena è stato studiato per un arresto brusco della catena. Quando si spinge la leva del freno verso la barra, la catena dovrebbe arrestarsi immediatamente. Il freno della catena non impedisce il contraccolpo. Diminuisce solo il rischio di lesioni se la barra entra in contatto con il corpo dell'operatore durante un incidente di contraccolpo. Il freno della catena dovrà essere testato prima di ogni utilizzo per un corretto funzionamento nelle posizioni di avvio e freno.

##### **Recuperatore della catena**

Una protezione evita che la sega venga scagliata contro l'operatore qualora dovesse allentarsi o rompersi.

#### **MONTAGGIO**

#### **⚠ AVVERTENZA**

Nel caso in cui un componente manchi o sia danneggiato, non tentare di utilizzare l'apparecchio prima di averlo sostituito. La mancata osservanza di queste avvertenze potrà causare gravi lesioni personali.

#### **MONTAGGIO CATENA E BARRA DI GUIDA**

Vedere le pagine 262 - 263.

1. Assicurarsi di rimuovere il gruppo batterie dall'unità. Indossare guanti di protezione.
2. Svitare la manopola del tensionatore catena e rimuovere il coperchio della ruota dentata.
3. La catena della sega dovrebbe essere rivolta nella direzione della ruotazione catena. Se sono rivolti in direzione opposta, rovesciare il cerchio.
4. Posizionare i collegamenti di trasmissione della catena nel solco della barra.
5. Posizionare la catena in modo da formare un cerchio sulla parte posteriore della barra.
6. Reggere la catena in posizione sulla barra e posizionare l'anello attorno alla ruota dentata di trazione. Abbassare la barra in modo che il bullone entri nel foro del gruppo tensionamento catena collegato. Si potrà dover ruotare questo gruppo in modo che il bullone e il foro rimangano allineati. Si potrà dover ruotare di nuovo il gruppo per applicare tensione alla catena per mantenerla al suo posto.
7. Riposizionare il coperchio della ruota dentata e girare la manopola del tensionatore catena fino a che non sia serrata, girare l'anello di regolazione tensionamento catena fino a che la catena non sia correttamente tensionata. La barra di guida deve essere spinta verso l'alto. Controllare di nuovo la tensione. Non tensionare troppo la catena.

8. Dopo aver tensionato correttamente la catena, serrare di nuovo la manopola.

### REGOLAZIONE DELLA TENSIONE DELLA CATENA

Vedere pagina 263. Vedere pagina 273.

1. Allentare la manopola del tensionatore catena girandola in senso anti-orario.
2. Per aumentare la tensione della catena, girare l'anello di regolazione tensionatore catena in senso orario e controllare frequentemente la tensione della catena. Per ridurre la tensione della catena, girare l'anello di regolazione tensionatore catena in senso anti-orario e controllare la tensione della catena frequentemente.
3. La tensione della catena è corretta quando lo spazio tra la lama nella catena e la barra è tra i 3 mm e i 4 mm. Estrarre la catena nel centro del lato inferiore della barra rivolta verso il basso (lontano dalla barra) e misurare la distanza tra la barra e i dispositivi di taglio della catena.
4. Serrare la manopola del tensionatore catena girandola in senso orario.

## UTILIZZO

### AGGIUNGERE OLIO LUBRIFICANTE PER CATENE

Vedere pagina 262.

#### ⚠ AVVERTENZA

Non lavorare mai senza lubrificante sulla catena. Se la catena della sega gira senza lubrificante, la barra di guida e la catena della sega potranno essere danneggiate. È essenziale controllare l'indicatore del livello dell'olio frequentemente ogni volta prima di iniziare ad utilizzare la motosega.

1. Pulire attorno al tappo dell'olio per prevenire eventuale contaminazione.
2. Svitare e rimuovere il tappo dal serbatoio dell'olio.
3. Versare l'olio nel serbatoio e monitorare l'indicatore livello dell'olio. Assicurarsi che non entri sporco nel serbatoio dell'olio mentre si riempie lo stesso di olio.
4. Rimettere il tappo dell'olio e serrare. Rimuovere eventuali tracce di olio versato.
5. Un serbatoio pieno di olio permetterà di utilizzare la motosega per 20- 40 minuti.

### Olio lubrificante per catene raccomandato

- La ditta produttrice raccomanda di utilizzare solo olio lubrificante per motoseghe Ryobi. (Disponibile dal proprio centro servizi autorizzato Ryobi).

### INSTALLARE IL GRUPPO BATTERIE

Vedere pagina 263.

1. Inserire il gruppo batterie nel prodotto come mostrato. Allineare le costole rialzate sul gruppo batterie con il solco sul vano batterie del prodotto.
2. Prima di iniziare ad utilizzare l'apparecchio, accertarsi che i dispositivi di bloccaggio posti sulla batteria si innestino correttamente e che la batteria sia adeguatamente fissata.

### REGGERE LA MOTOSEGA

Vedere pagina 263.

Reggere sempre la motosega con la mano destra sul manico posteriore e la mano sinistra su quello anteriore. Afferrare entrambi i manici con i pollici e le dita attorno ai manici. Assicurarsi che la mano sinistra regga il manico anteriore in modo che il pollice sia nella parte sottostante.

### AVVIO DELLA MOTOSEGA

Vedere pagina 263.

1. Prima di avviare le operazioni, installare il gruppo batterie nell'utensile, assicurandosi che il freno della catena sia nella posizione di avvio tirando la leva/schermo mani del freno della catena verso l'impugnatura anteriore.
2. Per avviare la macchina: tirare la sicura del grilletto e poi premere l'interruttore a grilletto.

### CONTROLLARE E METTERE IN FUNZIONAMENTO IL FRENO DELLA CATENA

1. Inserire il freno della catena ruotandolo con la mano sinistra attorno al manico anteriore. Con il retro della mano, spingere la leva del freno della catena/lo schermo di protezione mani verso la barra mentre la catena ruota rapidamente. Assicurarsi di mantenere entrambe le mani sui manici della motosega in qualsiasi momento.
2. Riportare il freno della catena nella posizione di Avvio afferrando la parte superiore della leva del freno catena/schermo mani e spingerla verso il manico anteriore fino a che non si senta uno scatto.

#### ⚠ AVVERTENZA

Se il freno della catena non blocca la catena immediatamente, o se non rimane bloccato nella posizione di funzionamento automaticamente senza che l'operatore lo regga in questa posizione, far controllare la sega da un centro assistenza autorizzato prima di utilizzare l'utensile.

### TRASPORTO E RIPONIMENTO

Vedere le pagine 275 - 276.

- Arrestare il prodotto, rimuovere la batteria, e lasciarlo raffreddare prima di riporlo o trasportarlo.
- Rimuovere eventuali materiali di scarto dal prodotto. Riporre in un luogo asciutto e ben ventilato non accessibile ai bambini. tenerlo a distanza da agenti corrosivi, come le sostanze chimiche per il giardinaggio e il fondente chimico. Non riporre all'esterno.
- Montare il coperchio della barra di guida prima di riporre l'unità o durante le fasi di trasporto.
- Per il trasporto, assicurare il prodotto contro ogni movimento o contro eventuali cadute per evitare lesioni a persone o danni al prodotto.

**MANUTENZIONE**

**⚠ AVVERTENZA**

Utilizzare solo parti di ricambio, accessori e dispositivi originali della ditta produttrice. In caso contrario si potranno causare lesioni, prestazioni basse e la garanzia verrà invalidata.

**⚠ AVVERTENZA**

Le operazioni di manutenzione devono essere svolte con grande attenzione e accortezza solo da un tecnico qualificato. Per la manutenzione, portare il prodotto presso un centro servizi autorizzato. Quando si svolgono le operazioni di manutenzione, utilizzare solo parti di ricambio originali della ditta produttrice.

**⚠ AVVERTENZA**

Rimuovere la batteria prima di svolgere le operazioni di regolazione, manutenzione o pulizia. La mancata osservanza di queste norme potrà causare gravi lesioni alla persona.

- Sarà solo possibile svolgere le regolazioni o riparazioni indicate nel presente manuale. Per altre riparazioni o consigli, rivolgersi a un centro servizi autorizzato.
- Le conseguenze di una manutenzione scorretta potranno impedire al freno della catena e ad altre funzioni di sicurezza di funzionare correttamente, aumentando la probabilità di lesioni gravi. Svolgere sempre le operazioni di manutenzione in maniera professionale e fare in modo che l'utensile sia sempre sicuro.
- Affilare la catena in modo sicuro è un compito che richiede attenzione e professionalità. A questo proposito la ditta produttrice raccomanda che una catena consumata o rovinata venga sostituita con una nuova catena, disponibile presso il centro servizi autorizzato Ryobi. Il numero della parte è disponibile nella tabella specifiche prodotto nel presente manuale.
- Seguire le istruzioni per lubrificare, controllare e regolare il tensionamento catena.
- Dopo ogni uso, pulire il prodotto con un panno morbido e asciutto.
- Controllare frequentemente dadi, bulloni e viti, verificando che siano stati assicurati correttamente per fare in modo che l'utensile garantisca condizioni di lavoro ottimali. Riparare eventuali parti danneggiate o farle sostituire da un centro servizi autorizzato.

**SOSTITUIRE LA BARRA DI GUIDA E LA CATENA**

Vedere le pagine 271 - 272.

1. Assicurarsi di aver rimosso la batteria. Indossare guanti di protezione.
2. Svitare la manopola del tensionatore catena girandolo in senso anti-orario fino a che la ruota dentata non si sia allentata.
3. Rimuovere il coperchio della ruota dentata. Rimuovere

- la barra e la motosega dall'unità.
4. Per sostituire la barra con una nuova, rimuovere la vite del gruppo di tensionamento della sega. Montare il gruppo di tensionamento della sega sulla nuova barra e serrare la vite.
  5. Mettere la nuova catena nella direzione corretta sulla barra e assicurarsi che i connettori della trazione siano allineati con il solco sulla barra.
  6. Montare la barra sulla motosega e collegare la catena attorno alla ruota dentata della trazione.
  7. Riposizionare il coperchio della ruota dentata.
  8. Regolare la tensione della catena. Far riferimento alla sezione "Regolare la tensione della catena".

**⚠ AVVERTENZA**

Una catena smussata o incorrettamente affilata potrà causare una velocità del motore eccessiva durante le operazioni di taglio il che potrà risultare in gravi danni al motore.

**⚠ AVVERTENZA**

Se la catena non è affilata correttamente, si aumenta il potenziale di contraccolpo.

**⚠ AVVERTENZA**

La mancata sostituzione o riparazione di una catena danneggiata può causare lesioni gravi.

**⚠ AVVERTENZA**

La catena è affilata. Indossare sempre un paio di guanti per eseguire interventi di manutenzione sulla catena.

**ISPEZIONARE E PULIRE IL FRENO DELLA CATENA.**

Vedere pagina 274.

- Tenere sempre il meccanismo del freno della catena pulito mantenendo gli anelli della catena puliti.
- Testare sempre le prestazioni del freno della catena dopo le operazioni di pulizia. Far riferimento al paragrafo "Funzionamento – Controllo e Funzionamento Freno Catena" nel presente manuale per ulteriori informazioni.

**PROGRAMMA DI MANUTENZIONE**

<b>Controllo quotidiano</b>	
Lubrificazione barra	Prima di ogni utilizzo B
Tensione catena	Prima di ogni utilizzo e frequentemente
Affilatura catena	Prima di ogni utilizzo, fare un controllo.
Parti danneggiate	Prima di ogni utilizzo B
Coperchi allentati	Prima di ogni utilizzo B
Funzione freno catena	Prima di ogni utilizzo B
<b>Ispezionare e pulire</b>	

Barra	Prima di ogni utilizzo B
Sega completa	Dopo ogni utilizzo
Freno della catena	Ogni 5 ore*

\*Ore di funzionamento

### SIMBOLI SUL PRODOTTO



Avvertenza



Leggere e comprendere tutte le istruzioni prima di mettere in funzione il prodotto, seguire tutte le istruzioni e le avvertenze di sicurezza.



Indossare protezione occhi, orecchie e testa.



Indossare calzature anti-scivolo con questo prodotto.



Indossare guanti anti-scivolo da lavoro.



Fare attenzione al rimbalzo della motosega ed evitare il contatto con la punta della barra.



Non esporre a pioggia o umidità.



Tenere ed utilizzare la motosega con entrambe le mani.



Non utilizzare la motosega tenendola con una sola mano.



Questo apparecchio è conforme a tutte le norme vigenti nel paese dell'UE in cui è stato acquistato.



Marchio di conformità EurAsian



Marchio di conformità ucraino



I prodotti elettrici non devono essere smaltiti con i rifiuti domestici. Vi sono strutture per smaltire tali prodotti. Informarsi presso il proprio Comune o rivenditore di sicurezza per smaltire adeguatamente tali rifiuti.



Il livello di potenza sonora garantito è 96 dB



Lubrificante barra e catena



Livello lubrificante minimo



Blocco



Sblocco



Posizionare il freno della sega in posizione RUN (funzionamento).



Ruotare per regolare la tensione della catena  
+ = Serrare la catena  
- = Allentare la catena



Posizionare il freno della sega in posizione BRAKE (freno).



Direzione movimento della catena. (Indicata sotto il coperchio della ruota dentata)

$V_0$ : 10 m/s

Velocità catena senza carico: 10 m/s

L max: 300mm

Lunghezza massima barra di guida: 300 mm

### SIMBOLI NEL PRESENTE MANUALE



Parti o accessori venduti separatamente



Note



Avvertenze



Indossare maschere protettive per il volto e gli occhi.



Indossare protezioni per la parte superiore del corpo.



Indossare protezioni per le gambe.



Arrestare l'utensile.



I seguenti simboli indicano i livelli di rischio associati a questo prodotto.

**⚠ PERICOLO**

Indica una situazione pericolosa che, se non evitata attentamente, potrà causare gravi lesioni alla persona o morte.

**⚠ AVVERTENZA**

Indica una situazione potenzialmente pericolosa che, se non evitata attentamente, potrà causare gravi lesioni alla persona o morte.

**⚠ ATTENZIONE**

Indica una situazione potenzialmente pericolosa che, se non evitata attentamente, potrà causare lesioni minori o moderate alla persona.

**ATTENZIONE**

Senza simbolo di allerta di sicurezza

Indica una situazione che potrà risultare in gravi danni a cose.

EN  
FR  
DE  
ES  
**IT**  
NL  
PT  
DA  
SV  
FI  
NO  
RU  
PL  
CS  
HU  
RO  
LV  
LT  
ET  
HR  
SL  
SK  
BG  
UK  
TR

130.com.ua





Bij het ontwerp van uw draadloze kettingzaag hebben veiligheid, prestaties en betrouwbaarheid de hoogste prioriteit gekregen.

### VOORGESCHREVEN GEBRUIK

Deze draadloze kettingzaag is alleen bedoeld voor gebruik buiten. Omwille van veiligheidsredenen moet het product correct worden bediend door steeds twee handen te gebruiken.

Het product is ontworpen voor het zagen van takken, boomstammen, houtblokken en balken in een diameter die wordt bepaald door de zaaglengte van het zwaard. Het werd uitsluitend ontworpen om hout te zagen. Het mag alleen worden gebruikt voor huishoudelijke toepassingen door volwassenen die voldoende opleiding hebben gekregen over de gevaren en preventieve maatregelen/handelingen die tijdens het gebruik moeten worden genomen.

Gebruik het product voor andere doeleinden dan deze die hierboven zijn opgelijst. Het mag niet worden gebruikt voor professionele boomsdiensten. Het product mag niet worden gebruikt door kinderen of personen die geen geschikte beschermuitrusting en -kledij dragen.

#### ⚠ WAARSCHUWING

Wanneer u het product gebruikt, moeten de veiligheidsregels worden opgevolgd. Voor uw eigen veiligheid en deze van omstanders, moet u deze instructies lezen en begrijpen voor u het product gebruikt. U volgt best een professioneel georganiseerde veiligheidskursus inzake het gebruik, preventieve acties, eerste hulp en onderhoud van kettingzagen. Bewaar de instructies voor later gebruik.

#### ⚠ WAARSCHUWING

Kettingzagen zijn potentieel gevaarlijke werktuigen. Ongevalen met kettingzagen leiden vaak tot het verlies van ledematen of de dood. Niet enkel de kettingzaag is een gevaar. Vallende takken, omvallende bomen, rollende boomstammen kunnen allemaal de dood veroorzaken. Zieke of rottende bomen vormen een bijkomend gevaar. U moet altijd verzekeren dat u in staat bent om de opdracht veilig te vervullen. Bij twijfel laat u het over aan een professionele boomchirurg.

### ALGEMENE VEILIGHEIDSWAARSCHUWINGEN

#### ⚠ WAARSCHUWING

**Lees alle veiligheidswaarschuwingen en instructies.** Wanneer niet de waarschuwingen en instructies niet opvolgt, kan dit leiden tot elektrische schok en/of ernstig letsel.

**Bewaar deze waarschuwingen en voorschriften zorgvuldig om ze ook later te kunnen inzien.**

De term "elektrisch gereedschap" in de waarschuwingen verwijst naar gereedschap dat met de stroomtoevoer is verbonden (met snoer) of accu-aangedreven (snoerloos) gereedschap.

### WERKOMGEVING

- **Houd de werkplek schoon en goed verlicht.** Vervuilde of donkere plekken nodigen uit tot ongevallen.
- **Gebruik elektrische werktuigen niet in explosieve omgevingen, zoals in de aanwezigheid van ontvlambare vloeistoffen, gassen of stof.** Elektrisch gereedschap kan vonken veroorzaken die het stof of de gassen kunnen ontsteken.
- **Houd kinderen en omstanders weg terwijl u elektrisch gereedschap gebruikt.** Wanneer u wordt afgeleid, kunt u de controle verliezen.

### ELEKTRISCHE VEILIGHEID

- **Stekkers van elektrisch gereedschap moeten overeenkomen met de contactdoos. Wijzig de stekker nooit. Gebruik geen adapters met gearde elektrische werktuigen.** Niet-gewijzigde stekkers en overeenkomstige contactdozen zullen het risico op elektrische schok verminderen.
- **Vermijd lichaamscontact met een geaard oppervlak, zoals buizen, radiatoren, kookfornuizen en koelkasten.** Er bestaat een verhoogd risico voor elektrische schokken als uw lichaam is geaard.
- **Stel het product niet bloot aan regen of natte omstandigheden.** Water dat een elektrisch werktuig binnendringt, verhoogt het risico op elektrische schokken.
- **Misbruik het snoer niet. Gebruik het snoer nooit om het elektrisch werktuig te dragen, eraan te trekken of het uit de contactdoos te trekken. Houd het snoer weg van hitte, olie, scherpe randen of bewegende onderdelen.** Beschadigde of verstrikte snoeren verhogen het risico op elektrische schokken.
- **Gebruik een verlengsnoer geschikt voor buitenshuis gebruik wanneer u een elektrisch werktuig buitenshuis gebruikt.** Het gebruik van een snoer dat geschikt is voor buitenshuis gebruik, vermindert het risico op elektrische schokken.
- **Als het gebruik van een elektrisch werktuig op een vochtige plaats onvermijdelijk is, gebruikt u een contactdoos die beschermd is door een aardlekschakelaar.** Het gebruik van een aardlekschakelaar vermindert het risico op elektrische schokken.

### PERSOONLIJKE VEILIGHEID

- **Blijf alert, kijk naar wat u doet en gebruik uw gezond verstand wanneer u elektrisch gereedschap gebruikt.** Gebruik een elektrisch werktuig niet wanneer u moe of onder de invloed van drugs, alcohol of medicijnen bent. Een ogenblik van onoplettendheid terwijl u elektrisch gereedschap gebruikt, kan leiden tot ernstige verwondingen.
- **Gebruik een persoonlijke beschermuitrusting. Draag altijd gehoorbescherming.** Beschermondere delen, zoals een stofmasker, antislipschoeisel, helm of gehoorbescherming dat op een geschikte manier wordt gebruikt, zal het risico op verwondingen verlagen.
- **Ongewenst starten voorkomen. Zorg ervoor dat de schakelaar zich in de uit-stand bevindt voor u**





de machine met een stroombron en/of accupack verbindt, de machine opheft of draagt. Wanneer u elektrisch gereedschap draagt met de vinger op de schakelaar of wanneer het gereedschap met de stroombron is verbonden, kan dit leiden tot ongevallen.

- **Verwijder alle afstelsleutels voor u het elektrisch werktuig inschakelt.** Een sleutel die op een draaiend onderdeel van het elektrisch gereedschap werd achtergelaten, kan leiden tot verwondingen.
- **Overrek u niet. Ga altijd stevig op uw benen staan en reik niet te ver weg met uw arm.** Dit maakt een betere controle van het werktuig in onverwachte omstandigheden mogelijk.
- **Draag geen wijde kleding, dassen of sieraden die klem kunnen raken en u naar de bewegende delen toe kunnen trekken. Draag geen losse kledij of juwelen. Houd uw haar, kledij en handschoenen weg van de bewegende onderdelen.** Losse kledij, juwelen of lang haar kan in bewegende onderdelen verstrikt raken.
- **Als er apparaten worden geleverd voor de verbinding met een stofextractie en verzamelfaciliteiten, zorgt u ervoor dat deze zijn verbonden en goed worden gebruikt.** Het gebruik van een stofverzamelaar vermindert stof-gerelateerde gevaren.

#### GEbruIK VAN EN ZORG VOOR UW ELEKTRISCH GE-REEDSCHAP

- **Forceer het product niet. Gebruik het correcte werktuig voor uw toepassing.** Het juiste werktuig zal de taak beter en veiliger uitvoeren aan het tempo waarvoor het werd ontworpen.
- **Gebruik het elektrisch werktuig niet als de schakelaar het niet kan in- of uitschakelen.** Een elektrisch werktuig dat niet met behulp van de schakelaar kan worden bediend, is gevaarlijk en moet worden gerepareerd.
- **Trek de stekker uit de contactdoos en/of ontkoppel het accupack van het gereedschap voor u de machine afstelt, accessoires wisselt of het werktuig opbergt.** Zulke preventieve veiligheidsmaatregelen kunnen het risico op ongewenst starten van de machine verminderen.
- **Bewaer ongebruikt elektrisch gereedschap buiten het bereik van kinderen en niet-opgeleide personen die het gereedschap of deze gebruiksaanwijzingen niet kennen.** Elektrisch gereedschap is gevaarlijk in de handen van niet-opgeleide gebruikers.
- **Onderhoud elektrisch gereedschap. Controleer op verkeerde aflijning of verstrikt raken van bewegende delen, defecten van onderdelen en alle andere situaties die de werking van het werktuig kunnen beïnvloeden. Indien beschadigd, laat u het elektrisch gereedschap repareren voor gebruik.** Veel ongevallen worden veroorzaakt door slecht onderhouden elektrische werktuigen.
- **Houd de zaagwerktuigen scherp en schoon.** Correct onderhouden zaagwerktuigen met scherpe randen zijn minder geneigd om verstrikt te raken en kunnen makkelijker worden bestuurd.
- **Gebruik het werktuig, de accessoires en**

**werktuigonderdelen, etc. in overeenstemming met deze instructies en houd rekening met de bedrijfsomstandigheden en het uit te voeren werk.** Het gebruik van een elektrisch werktuig voor zaken die niet in het voorgeschreven gebruik zijn beschreven, kan leiden tot gevaarlijke situaties.

#### GEbruIK EN ONDERHOUD VAN HET ACCU-ANGE-DREVEN WERKTUIG

- **Herlaad enkel met de oplader die door de fabrikant is gespecificeerd.** Een oplader die voor een type accupack is geschikt kan een brandgevaar betekenen wanneer het met een ander accupack wordt gebruikt.
- **Gebruik elektrisch gereedschap uitsluitend met de specifiek toegewezen accupacks.** Het gebruik van andere accupacks kan leiden tot risico's op letsels en brand.
- **Wanneer het accupack niet wordt gebruikt, moet u het weg houden van andere metalen objecten, zoals papierclips, munten, sleutels, spijkers, schroeven of andere kleine metalen voorwerpen die een verbinding kan maken van een terminal naar een andere.** De batterijterminals kortsluiten kan leiden tot brandwonden of brand.
- **In oneigenlijke omstandigheden, kan een vloeistof uit de accu lekken; vermijd contact hiermee. Als per ongeluk contact voorkomt, spoelt u met water. Als de vloeistof in contact komt met de ogen, dient u bijkomend medische hulp te raadplegen.** Vloeistof die uit de accu lekt, kan irritatie of brandwonden veroorzaken.

#### ONDERHOUD

- **Laat uw elektrisch gereedschap onderhouden door een gekwalificeerd onderhoudspersoon en gebruik hierbij uitsluitend identieke vervangonderdelen.** Dit zal ervoor zorgen dat de veiligheid van het werktuig wordt behouden.

#### BIJKOMENDE ALGEMENE VEILIGHEIDSWAARSCHUWINGEN

- Enkele regio's hebben regels die het gebruik van het product beperken. Raadpleeg uw lokale autoriteit voor advies.
- Laat kinderen of mensen die niet vertrouwd zijn met de gebruiksaanwijzingen, het product nooit gebruiken. De plaatselijke wetgeving kan beperkingen opleggen i.v.m. de leeftijd van de bediener.
- Controleer voor elk gebruik of alle bedieningsknoppen en veiligheidsinrichtingen goed functioneren. Gebruik het product niet als de "uit"-knop de motor niet stillegt.
- Draag bij gebruik van het apparaat volledige oog- en gehoorbescherming, sterke stevige laarzen, handschoenen en hoofdbescherming. Gebruik een stofmasker indien de bediening van het toestel veel stof veroorzaakt.
- Het gebruik van gehoorbescherming vermindert de mogelijkheid om waarschuwingen (verbaal of alarmen) te horen. De gebruiker moet extra aandacht hebben voor wat er op de werkplaats gebeurt.
- Bewaar steeds een stevige houvast en goed



evenwicht. Overrek u niet. Overreiken kan leiden tot evenwichtsverlies en dit kan het risico op terugslag verhogen.

- Draag geen loszittende kledij, korte broek of juwelen.
- Maak lang haar vast boven schouderhoogte om te voorkomen dat het verstrikt raakt in de bewegende delen.
- Pas op voor weggeslingerde, rondvliegende of vallende voorwerpen. Houd omstaanders, kinderen en huisdieren op tenminste 15 m afstand van het werkgebied.
- Gebruik dit apparaat niet op plekken waar u niet goed kunt zien. De gebruiker heeft een duidelijk overzicht nodig van het werkgebied om mogelijke gevaren te identificeren.
- Het gebruik van gelijksoortige apparaten in de nabijheid verhoogt het risico van letsel en de mogelijkheid dat er andere mensen in uw werkgebied komen.
- Houd alle lichaamsdelen weg van de bewegende delen.
- Controleer de machine voor elk gebruik. Controleer of alle bedieninstrumenten correct werken, met inbegrip van de kettingrem. Controleer op losse verbinders. Zorg ervoor dat alle beschermers en handvatten correct en stevig zijn vastgemaakt. Vervang alle beschadigde onderdelen voor gebruik.
- Het apparaat op geen enkele wijze aanpassen of reserveonderdelen gebruiken die niet worden aanbevolen door de fabrikant.

#### ⚠ WAARSCHUWING

Als u het product laat vallen, het een ernstige impact ondergaat of abnormaal begint te trillen, legt u het product onmiddellijk stil en controleert u het op schade of zoekt u naar de oorzaak van de trillingen. Enige schade moet direct worden gerepareerd of vervangen door een bevoegd onderhoudscentrum.

#### VEILIGHEIDSWAARSCHUWINGEN KETTINGZAAG

- **Houd alle lichaamsdelen weg van de zaagketting terwijl de kettingzaag werkt. Voor u de kettingzaag start, zorgt u ervoor dat de zaagketting met niets in contact komt.** Een korte onoplettendheid tijdens het werken met een kettingzaag kan ertoe leiden dat uw kledij of lichaam met de kettingzaag verstrikt raakt.
- **Houd de kettingzaag altijd vast met de rechterhand op het achterste handvat en de linkerhand op het voorste handvat.** Als u de kettingzaag in een omgekeerde configuratie vasthoudt, wordt het risico op lichamelijke letsels groter.
- **Houd het gereedschap alleen aan de geïsoleerde handvatten vast omdat de kettingzaag in contact kan komen met verborgen kabels.** Zaagkettingen die in contact komen met een spanningvoerende kabel kunnen metalen onderdelen van het gereedschap blootleggen, waardoor ook het gereedschap "onder spanning" komt te staan, waardoor de bediener een elektrische schok kan krijgen
- **Draag een veiligheidsbril en gehoorbescherming. Een bijkomende beschermuitrusting voor het**

**hoofd, de handen, benen en voeten is aangewezen.**

Een aangepaste beschermkledij vermindert lichamelijke letsels veroorzaakt door rondvliegend afval of accidenteel contact met de zaagketting.

- **Gebruik de kettingzaag niet in een boom.** Als u de kettingzaag in een boom gebruikt, kan dit leiden tot lichamelijke letsels.
- **Zorg ervoor dat u altijd stevig vast staat en gebruik de kettingzaag alleen wanneer u op een vast, stabiel en effen oppervlak staat.** Een glad of onstabiel oppervlak, zoals een ladder kan ertoe leiden dat u het evenwicht of de controle over de kettingzaag verliest.
- **Wanneer u een tak onder spanning doorzaagt, pas dan op voor de terugslag.** Wanneer de spanning in de houtvezels vrijkomt, kan de tak die onder spanning staat de gebruiker raken en/of ervoor zorgen dat hij de controle over de kettingzaag verliest.
- **Weest uiterst voorzichtig als u hout en twijgen zaagt.** Het dunne materiaal kan verstrikt raken in de kettingzaag en in uw richting worden geworpen of u uit uw evenwicht trekken.
- **Draag de kettingzaag aan het voorste handvat en zorg ervoor dat de kettingzaag is uitgeschakeld en zich weg van uw lichaam bevindt. Wanneer u de kettingzaag transporteert of opbergt, dient u altijd het zwaarddeksel te bevestigen.** Als u de kettingzaag goed hanteert, zal dit de kans op accidenteel contact met de bewegende zaagketting verminderen.
- **Volg de instructies voor het smeren, aanspannen van de zaagketting en het vervangen van accessoires.** Een foutief aanspannen of gesmeerde ketting kan breken of de kans op terugslag verhogen.
- **Houd de handvatten droog, schoon en vrij van olie en vet.** Vettige handen zijn glad, waardoor u de controle kunt verliezen.
- **Zaag uitsluitend hout. Gebruik de kettingzaag niet voor niet-voorgescreven doeleinden. Gebruik de kettingzaag bijvoorbeeld niet voor het zagen van kunststof, metselwerk of bouw materiaal dat niet uit hout is gemaakt.** Als u de kettingzaag voor andere doeleinden gebruikt dan deze die werden voorgeschreven, kan dit tot gevaarlijke situaties leiden.

#### Oorzaken en het voorkomen van terugslag:

Terugslag kan gebeuren wanneer de neus of de punt van het zaagblad een voorwerp raakt of het hout de kettingzaag afknelt in de zaagsnede.

Soms kan het contact van de punt leiden tot een plotse omgekeerde reactie, waardoor het zwaard wordt teruggeworpen en in de richting van de gebruiker wordt gegooid.

Wanneer u de zaagketting langs de bovenkant van het zwaard klemt, kan het zwaard snel achteruit in de richting van de gebruiker wordt geduwd.

Door beide reacties kan men de controle over de zaag verliezen wat kan resulteren in ernstig letsel. Vertrouw niet uitsluitend op de veiligheidsvoorzieningen die in uw zaag zijn ingebouwd. Als gebruiker van de kettingzaag dient u diverse stappen te ondernemen om uw zaagwerkzaamheden te vrijwaren van ongelukken of letsels.



Terugslag is het resultaat van misbruik van het gereedschap en /of foutieve bedieningsprocedures of omstandigheden en kunnen worden vermeden door de volgende voorzorgen te nemen:

- **Houd een stevige greep met de duimen en vingers rond de kettingzaaghandvatten, met beide handen op de zaag en plaats uw lichaam en arm zo dat u terugslagkrachten kunt weerstaan.** Terugslagkrachten kunnen door de gebruiker worden gecontroleerd als de nodige voorzorgen worden genomen. Laat de kettingzaag niet los.
- **Overreik niet en zaag niet boven schouderhoogte.** Dit helpt voorkomen dat de punt ongewild contact maakt en geeft u betere controle over de kettingzaag in onverwachte omstandigheden.
- **Gebruik uitsluitend vervangswaarden en -kettingen die door de fabrikant zijn gespecificeerd.** Een foutief vervangswaard of -ketting kan leiden tot kettingbreuk en/of terugslag.
- **Volg de slijp- en onderhoudsaanwijzingen van de fabrikant voor de kettingzaag op.** Het verminderen van de dieptemeterhoogte kan leiden tot verhoogde terugslag.

#### BIJKOMENDE VEILIGHEIDSWAARSCHUWINGEN M.B.T. DE KETTINGZAAG

- Het is aangewezen om houtbokken op een zaagbank of krat wanneer u het product voor het eerst gebruikt.
- Zorg ervoor dat alle beschermers, handvatten en buffer goed zijn bevestigd en in goede staat zijn.
- De gebruikers van deze kettingzaag moeten in goede gezondheid verkeren. Het product is een zwaar toestel, waardoor de gebruiker fysiek fit moet zijn om het te gebruiken. De gebruiker moet alert zijn, een goed zicht hebben, mobiel zijn, een goed evenwicht hebben en handig zijn. Als u twijfelt, gebruik dan de kettingzaag niet.
- Start het product niet tot uw werkruimte vrij is, zorg dat u stevig op de voeten staat en bereid een ontsnappingsroute voor weg van een vallende boom.
- Pas op voor de emissie van smeermiddel mist en zaagsel. Draag indien nodig een masker of ademhalingstoestel.
- Zaag geen wijnranken en/of lage ondergroei (minder dan 75 mm in diameter)
- Houd de kettingzaag tijdens gebruik altijd met beide handen vast. Zorg voor een stevige grip waarbij duimen en vingers de handgrepen van de kettingzaag omsluiten. De rechterhand moet zich op het achterste handvat bevinden en de linkerhand op het voorste handvat.
- Voor u het werktuig start, zorgt u ervoor dat de zaagketting met geen enkel voorwerp in contact komt.
- Wijzig uw werktuig nooit of gebruik het niet om voorzetstukken of apparaten die niet door de fabrikant van uw zaag werden aangeraden, aan te drijven.
- Er moet zich een eerstephulpkit met grote wondverbanden en een middel om de aandacht te trekken (vb. een fluitje) in de buurt van de gebruiker

bevinden. Een uitgebreidere kit moet zich op redelijke afstand bevinden.

- De gebruiker kan geneigd zijn om de helm af te nemen als er geen gevaar bestaat voor vallende voorwerpen in het werkgebied, maar onthoud dat de helm, in het bijzonder met het gelaatscherm in gaas, ook kan helpen om het risico op mogelijke gelaats- of hoofdletsels te verminderen als er terugslag is.
- Een foutief aangespannen ketting kan van het zwaard afspringen, wat kan leiden tot ernstige verwondingen of de dood. De lengte van de ketting hangt af van de temperatuur. Controleer regelmatig de spanning.
- U dient vertrouwd te worden met uw nieuwe kettingzaag door enkele eenvoudige zaagbewegingen te maken op een goed ondersteund stuk hout. Do dit altijd wanneer u de kettingzaag gedurende een zekere tijd niet hebt gebruikt.
- Om het risico te verminderen op letsels die samenhangen met contact aan bewegende onderdelen, legt u de motor altijd stil, activeert u de kettingrem, verwijdert u het batterijpack en zorgt u ervoor dat alle bewegende onderdelen zijn stilgevallen voor:
  - blokkering schoen- of vrijmaken
  - het product onbeheerd achterlaten
  - u voorzetstukken installeert of verwijdert
  - er controles, onderhoud of werkzaamheden worden uitgevoerd op de machine
- De omvang van het werkkerrein is afhankelijk van het werk dat wordt uitgevoerd, alsmede het formaat van de desbetreffende boom of het werkstuk. Het vellen van een boom, bijvoorbeeld, veronderstelt een groter werkgebied dan nodig is voor andere zaagbewegingen, vb. het in stukken zagen van een houtblok, etc. De gebruiker moet zich bewust zijn van alles wat zich in het werkbereik afspeelt en er de controle over hebben.
- Zaag niet terwijl uw lichaam zich in lijn met het zwaard en de ketting bevindt. Als u een terugslag ervaart, zal dit helpen voorkomen dat de ketting in contact komt met uw hoofd of lichaam.
- Gebruik geen voor- en achterwaartse beweging, maar laat de ketting zijn werk doen. Houd de ketting scherp en probeer de ketting niet door de zaagsnede te forceren.
- Oefen geen druk uit op de zaag aan het einde van de zaagsnede. Wees klaar op het gewicht van de kettingzaag op te vangen als deze zich vrij van het hout zaagt. Wanneer u dit niet doet kan dit leiden tot ernstige letsels.
- Stop het zagen niet in het midden van een zaagbeweging. Laat de zaag draaien tot ze uit de zaagsnede is verwijderd.

#### Duwen en trekken

De reactiekracht is altijd tegenovergesteld aan de richting waarin de ketting beweegt. De gebruiker moet klaar zijn om de trekbeweging van de machine (voorwaartse beweging), te beheersen wanneer hij met de onderste rand van het zwaard zaagt en de duwbeweging (in de richting van de gebruiker) wanneer hij met de bovenste rand zaagt.





## Zaag zit vast in de zaagsnede

Stop de kettingzaag en beveilig deze. Probeer de ketting en het zwaard niet uit de zaagsnede te forceren aangezien de kans groot is dat de ketting breekt en terugslaat, waardoor de gebruiker wordt geraakt. Deze situatie doet zich normaal voor omdat het hout foutief wordt ondersteund en de zaagsnede onder druk komt te staan, waardoor het zaagblad vast raakt. Als u de steun afstelt, laat u het zwaard en de ketting niet los, maar gebruik houten spieën of een hefboom om de zaagsnede te openen en de zaag te bevrijden. Probeer de kettingzaag nooit te starten wanneer het zwaard zich reeds in een zaagsnede of insnijding bevindt.

## Persoonlijke beschermuitrusting

Goede kwaliteit, persoonlijke beschermuitrusting, zoals gebruikt door profs help u het risico voor de gebruiker te verminderen. De volgende items moeten worden gebruikt wanneer u de kettingzaag bedient:

### Veiligheidshelm

- moet overeenstemmen met EN 397 en CE-gemarkeerd zijn.

### Gehoorbescherming

- moet overeenstemmen met EN 352-1 en CE-gemarkeerd zijn.

### Oog- en gezichtsbescherming

- moet CE-gemarkeerd zijn en overeenstemmen met EN 166 (voor veiligheidsbril) of EN 1731 (voor gezichtsmaskers in gaas)

### Handschoenen

- moet overeenstemmen met EN381-7 en CE-gemarkeerd zijn.

### Beenbeschermers (chaps)

- moeten overeenstemmen met EN391-5 en CE-gemarkeerd zijn en een algemene bescherming bieden.

### Veiligheidslaarzen kettingzaag

- moeten overeenstemmen met EN ISO 20345:2004 en gemarkeerd zijn met een schild dat een kettingzaag afbeeldt om de overeenstemming met EN 381-3 aan te duiden. (Occasionele gebruikers kunnen veiligheidslaarzen met stalen punt met beschermende beenkappen gebruiken die overeenstemmen met EN 381-9 als de bodem vlak is er een maar weinig risico bestaat om te struikelen of in de ondergroei verstrikt te raken)

### Kettingzaagjassen voor bescherming van het bovenlichaam

- moet overeenstemmen met EN 381-11 en CE-gemarkeerd zijn.

## INSTRUCTIES MET BETREKKING TOT CORRECTE TECHNIEKEN VOOR HET VELLEN VAN BOMEN, SNOEIEN VAN TAKKEN EN DWARSZAGEN.

### De krachten in het hout begrijpen

Als u de directionele druk en kracht in het hout begrijpt, kunt u de "knelpunten" verminderen of ze tenminste tijdens het zagen voorspellen. Spanning in het hout betekent dat de vezels uit elkaar worden getrokken en als u in deze

omgeving de "insnijding" doorzaagt, zal de zaagsnede zich willen openen naargelang de zaag zich een weg door het hout baant. Als een houtblok op een zaagbank wordt ondersteund en het uiteinde hangt niet-ondersteund over, wordt spanning gecreëerd aan het buitenste oppervlak omwille van het gewicht van de overhangende blok die de vezels uitrekt. Op dezelfde manier zal de onderzijde van het houtblok onder druk staan en worden de vezels samengedrukt. Als u in deze buurt een insnede maakt, zal de zaagsnede de neiging hebben om zich tijdens het zagen te sluiten. Dit zou het zaagblad inklemmen.

### Een boom vellen

*Zie afb. 267 - 268.*

Als u een boom in stukken zaagt of velt, moet dit door twee of meer personen tegelijk worden uitgevoerd en moet het vellen van het verzagen worden verwijderd door een afstand van tenminste twee keer de hoogte van de te vellen boom. Bomen mogen niet worden geveld op een manier dat iemand in gevaar zou kunnen komen, een nutsleiding kan worden geraakt of er zich materiële schade kan voordoen. Als de boom in contact komt met een nutsleiding, moet de nutsmaatschappij onmiddellijk worden verwittigd.

De gebruiker van de kettingzaag moet heuvelopwaarts staan op het terrein omdat de boom, nadat deze geveld is, zeer waarschijnlijk omlaag zal rollen of glijden.

Er moet een ontsnappingsroute worden gepland en vrijgemaakt, voor het zagen begint. De ontsnappingsroute moet weg van en diagonaal ten opzichte van de achterzijde van de verwachte vallijn worden gelegd.

Voor u met het vellen start, moet u de natuurlijke helling van de boom overwegen, de locatie van grotere takken en de windrichting om te oordelen waar de boom zal neerkomen.

Verwijder vuil, stenen, losse schors, nagels, nietjes en draden van de boom.

Probeer geen bomen te vellen die rot zijn of beschadigd zijn door wind, brand, bliksem, etc. Dit is uiterst gevaarlijk en mag uitsluitend door professionele boomchirurgen worden uitgevoerd.

### 1. Valkerf aanbrengen

*Zie afb. 267 - 268.*

Maak de valkerf 1/3 de diameter van de boom, zijdelings tot de richting van de val. Zorg ervoor dat de ondersnede eerst wordt aangebracht. Dit helpt voorkomen dat de kettingzaag of het zwaard vast komen te zitten wanneer de tweede snede wordt gemaakt.

### 2. Velsnede

*Zie afb. 267 - 268.*

Maak de velsnede tenminste 50 mm/2 hoger dan de valkerf. Houd de velsnede parallel tot de valkerf. Maak de velsnede zo dat er voldoende hout overblijft om als scharnier te werken. Het scharnierhout zorgt ervoor dat de boom omkantelt en in de verkeerde richting valt. Zaag niet door het scharnier.

Naarmate het vellen dicht bij de scharnier komt, moet de boom beginnen vallen. Als de kans bestaat dat de boom niet in de gewenste richting valt of terugkantelt en de zaagketting klemt, stopt u met zagen voor de velsnede voltooid is en gebruikt u houten, kunststof of aluminium spieën om de zaagsnede te openen en de boom in de gewenste vallijn te doen vallen.







Wanneer de boom begint te vallen, verwijdert u de kettingzaag uit de snede, legt u de motor stil, de kettingzaag neer en gebruikt u de geplande ontsnappingsroute. Wees alert voor vallende overhangende takken en let op waar u de voeten neerzet.

### Hoofdwortels verwijderen

Zie pagina 268.

Zoals de naam al zegt, is een hoofdwortel een grote wortel die boven de grond vanuit de stam groeit. Verwijder grote hoofdwortels voorafgaand aan het vellen. Maak eerst een horizontale zaagsnede in de hoofdwortel, gevolgd door een verticale zaagsnede. Verwijder het losgezaagde stuk van de werkplek. Volg de juiste boomvelprocedure nadat u de grote hoofdwortels hebt verwijderd.

### Afkorten

Zie pagina 269.

Verzagen betekent dat u een houtblok in stukken zaagt. Het is belangrijk te zorgen dat u stevig op de voeten staat en dat uw gewicht evenredig over beide voeten is verdeeld. Indien mogelijk, moet het houtblok worden opgeheven en ondersteund door takken, houtblokken of schoren. Volg de eenvoudige aanwijzingen voor gemakkelijk zagen. Wanneer het houtblok over de hele lengte wordt ondersteund, wordt het vanaf de bovenzijde gezaagd (bovensnede)

Wanneer het blok aan een zijde wordt ondersteund, zaagt u 1/3 de diameter vanaf de onderzijde (ondersnede). Dan maakt u de laatste zaagsnede langs de bovenzijde om de eerste zaagsnede te ontmoeten.

Wanneer het houtblok aan beide zijden wordt ondersteund, zaagt u 1/3 de diameter vanaf de bovenzijde (bovensnede). Dan maakt u de afgewerkte snede door de onderste 2/3 langs onder te zagen om de eerste snede te ontmoeten.

Wanneer u op een helling verzaagt, staat u altijd aan de bovenzijde van het houtblok. Wanneer u "doorzaagt" laat u de zaagdruk in de buurt van het einde van de zaagsnede los om de controle te behouden zonder uw grip op de kettingzaaghandvatten te verliezen. Laat de ketting de grond niet raken. Nadat u de zaagsnede hebt voltooid, wacht u tot de zaagketting is stilgevallen tot u de kettingzaag beweegt. Leg de motor altijd stil voor u van boom naar boom beweegt.

### Takken afzagen

Zie pagina 270.

Takken afzagen is het verwijderen van de takken van een geveld boom. Wanneer u de takken afzaagt, laat u de grotere, lager takken hangen om het houtblok van de grond te ondersteunen. De kleinere takken in een zaagsnede verwijderen. Takken onder spanning moeten vanaf de rand naar boven worden gezaagd om te vermijden dat de kettingzaag verstrikt raakt.

### Terugverende tak

Zie pagina 270.

Met een gebogen tak bedoelen we in deze handleiding elke stam, tak, boomstronk of twijg die onder spanning gebogen staat door een ander stuk hout zodat het in zijn

oorspronkelijke positie terugspringt zodra het hout dat de 'gebogen tak' in diens positie houdt, wordt gezaagd of verwijderd.

Bij een omgevallen boom is de kans groot dat een in de grond gewortelde boomstronk terugspringt in zijn oorspronkelijke positie tijdens het kortzagen om de stam van de stronk te scheiden. Pas op voor takken onder spanning, deze zijn gevaarlijk.

### ⚠ WAARSCHUWING

Takken onder spanning zijn gevaarlijk en kunnen ervoor zorgen dat de gebruiker de controle over de kettingzaag verliest. Dit kan resulteren in ernstig of fataal letsel voor de gebruiker. Dit moet door ervaren gebruikers worden uitgevoerd.

### RESTRISICO'S

Zelfs wanneer het product zoals voorgeschreven wordt gebruikt, is het nog steeds onmogelijk om bepaalde restrisico's volledig te elimineren. De volgende gevaren kunnen zich voordoen tijdens het gebruik en de gebruiker dient in het bijzonder aandacht te hebben om de volgende situaties te vermijden:

- Letsels veroorzaakt door trillingen
  - Gebruik altijd het juiste gereedschap voor de taak, gebruik de toegewezen handvaten en beperk de gebruikstijd en blootstelling.
- Blootstelling aan geluid kan gehoorletsels veroorzaken.
  - Draag gehoorbescherming en beperk de blootstelling.
- Letsels door contact met de blootgestelde zaagtanden van de ketting
- Letsels veroorzaakt door weggegooide onderdelen van het werkstuk (zaagsel en splinters)
- Letsels veroorzaakt door het inhaleren van stof en deeltjes.
- Letsels veroorzaakt door huidcontact met het smeermiddel of de olie
- Stukken die uit de kettingzaag worden weggegooid (snij/injectiegevaar)
- Onvoorziene, plotse bewegingen of terugslag van het zwaard (snijgevaar).

### RISICOBEPERKING

Er zijn meldingen dat trillingen van handwerktuigen bij sommige mensen bijdragen tot het Syndroom van Raynaud. Symptomen kunnen ondermeer tintelingen, gevoelloosheid en bleek worden van de vingers omvatten, wat normaal gezien duidelijk wordt bij blootstelling aan koude. Erfelijke factoren, blootstelling aan koude en vocht, dieet, roken en werkroutine kunnen allemaal bijdragen tot de ontwikkeling van deze symptomen. Er kunnen door de bediener maatregelen worden genomen om de gevolgen van de trillingen te beperken:

- Houd bij koud weer uw lichaam warm. Draag handschoenen wanneer u de machine gebruikt om handen en polsen warm te houden. Men neemt aan dat

EN
FR
DE
ES
IT
<b>NL</b>
PT
DA
SV
FI
NO
RU
PL
CS
HU
RO
LV
LT
ET
HR
SL
SK
BG
UK
TR





koud weer een belangrijke factor is die bijdraagt tot het Syndroom van Raynaud.

- Doe oefeningen om de bloeddorstrooming te bevorderen na elke periode van gebruik.
- Neem regelmatig een pauze. Beperk het aantal uren dat u per dag wordt blootgesteld.
- Beschermhandschoenen verkrijgbaar bij professionele kettingzaaghandelaars zijn specifiek ontworpen voor gebruik met kettingzagen die bescherming bieden, een goede greep en de gevolgen van handgreeptrillingen verminderen. Deze handschoenen moeten overeenstemmen met EN381-7 en moet CE-gemarkeerd zijn.

Wanneer u enige van de symptomen van deze aandoening ervaart, stop dan onmiddellijk met het gebruik van het toestel en raadpleeg uw dokter

### ⚠ WAARSCHUWING

Letsels kunnen worden veroorzaakt of ernstiger worden door verlengd gebruik van een werktuig. Als u een werktuig gedurende langere periodes gebruikt, neem dan regelmatig pauze.

### KEN UW PRODUCT

Zie pagina 261.

1. Voorste handbescherming/Kettingrem
2. Voorste handvat
3. Achterste handvat
4. Ketting
5. Zaagblad
6. Steunklauw
7. Kettingoliedop
8. Gashendelontgrendeling
9. Aan-/uitschakelaar
10. Kettingwieldeksel
11. Kettingspannerafstelling
12. Kettingspannerknop
13. Zwaarddeksel
14. Kettingvanger

### VEILIGHEIDSVORZIENINGEN

#### Zaagketting met lage terugslag

Een kettingzaag met weinig terugslag helpt de kans voor terugslag verminderen.

De dieptestellernok (tanddiepte) voor elke snijschakel kan de kracht van de terugslagreactie verminderen door te voorkomen dat de snijschakels zich te diep in het terugslaggebied ingraven. Gebruik uitsluitend een vervangzwaard en -kettingcombinatie, aangeraden door de fabrikant.

Wanneer zaagkettingen worden geslepen, verliezen ze iets van hun lage terugslag-functionaliteit en dient men extra op te letten. Voor uw veiligheid vervangt u de zaagkettingen wanneer de zaagprestaties verminderen.

#### Steunklauw

De geïntegreerde bumperspike kan als middelpunt worden gebruikt wanneer u een insnede maakt. Het helpt om het

lichaam van de kettingzaag stabiel te houden tijdens het zagen. Tijdens het zagen drukt u de machine voorwaarts tot de pinnen zich in de rand van het hout zetten en door het achterste handvat naar boven of onder in de zaagrichting te bewegen, wat kan helpen om de fysieke inspanning van het zagen te verlichten

#### Zaagbladen

Over het algemeen hebben zwaarden met kleine schuifpunten een ietwat lager potentieel voor terugslag. U dient een zwaard en passende ketting te gebruiken die net lang genoeg is voor het werk. Langere zwaarden verhogen het risico op controleverlies tijdens het zagen. Controleer regelmatig de spanning. Wanneer u kleinere takken zaagt (kleiner dan de volledige lengte van het zwaard) is de kans dat de ketting wordt afgeworpen groter als de spanning niet correct is.

#### Kettingrem

Kettingremmen zijn ontworpen om het draaien van de ketting snel te stoppen. Wanneer de kettingremhendel/handbescherming naar het zaagblad wordt geduwd, moet de ketting onmiddellijk stoppen. Een kettingrem voorkomt geen terugslag. Het vermindert het risico op letsels in geval het zwaard in contact komt met het lichaam van de gebruiker tijdens terugslag. De kettingrem moet worden getest voor elk gebruik op correcte werking in de stand draaien en rem.

#### Kettingvanger

Een kettingvanger voorkomt bij losraken of breken van de ketting dat deze in de richting van de gebruiker springt.

### MONTAGE

### ⚠ WAARSCHUWING

Als er onderdelen zijn beschadigd of ontbreken, gebruik dan het toestel niet vooraleer de onderdelen werden vervangen. Wanneer u deze waarschuwing niet in acht neemt, kan dit leiden tot ernstige letsels.

### ZAAGKetting EN ZWAARD MONTEREN

Zie afb. 262 - 263.

1. Zorg ervoor dat het batterijpack uit de machine is verwijderd. Draag beschermhandschoenen.
2. Schroef de kettingspannerknop los en verwijder het kettingwieldeksel.
3. De zaagketting moet zich tegenover de richting van de kettingrotatie bevinden. Als deze naar achteren wijzen, moet u de lus omdraaien.
4. Plaats de kettingaandrijvingsschakels in de zwaardgroef.
5. Plaats de ketting dusdanig dat er aan de achterzijde van het zaagblad een lus is.
6. Houd de ketting in positie op het zwaard en plaats de lus rond het aandrijfkettingwiel. Breng het zwaard naar beneden zodat de bout door de opening in de bevestigde kettingspanningsinstallatie past. U moet deze installatie misschien omdraaien zodat de bout en opening zich met elkaar aflijnen. U moet deze installatie



misschien opnieuw omdraaien om de ketting wat aan te spannen zodat deze op haar plaats wordt gehouden.

- Plaats het kettingwieldeksel terug en draai aan de kettingspannerknop tot hij bijna helemaal vast zit, draai aan de kettingspannerafstelring tot de zaagketting goed is aangespannen. Het zwaard moet dan naar boven worden geduwd. Controleer de kettingspanning opnieuw. Span de ketting niet te strak aan.
- Nadat de ketting goed is aangespannen, spant u de knop opnieuw aan.

### DE KETTINGSPANNING AANPASSEN

Zie pagina 263. Zie pagina 273.

- Maak de kettingspannerknop een klein beetje los door deze tegen de richting van de wijzers van de klok te draaien.
- Om de kettingspanning te verhogen, draait u de kettingspannerafstelring in de richting van de wijzers van de klok en controleert u de kettingspanning regelmatig. Om de kettingspanning te verlagen, draait u de kettingspannerafstelring tegen de richting van de wijzers van de klok en controleert u de kettingspanning regelmatig.
- De kettingspanning is correct wanneer de opening tussen de zaag in de ketting en het zwaard tussen de 3 en 4 mm is. Trek de ketting in het midden van de onderste zijde van het zwaard naar beneden (weg van het zwaard) en meet de afstand tussen het zwaard en de kettingsnijders.
- Span de kettingwspannerknop aan door deze in de richting van de wijzers van de klok te draaien.

## BEDIENING

### KETTINGSMEEROLIE TOEVOEGEN

Zie pagina 262.

#### ⚠ WAARSCHUWING

Werk nooit zonder kettingsmeerolie. Als de zaagketting zonder smeermiddel dreigt te vallen, kunnen het zwaard en de zaagketting beschadigd raken. Het is daarom van essentieel belang om het oliepeil in de oliepeilmeter regelmatig te controleren en telkens voor u de kettingzaag begint te gebruiken.

- Maak de omgeving rond de oliedop schoon om vervuiling te vermijden.
- Schroef de dop los en verwijder ze van de olietank.
- Giet de olie in de olietank en controleer de oliepeilmeter. Zorg ervoor dat er geen vuil in de olietank terecht komt wanneer u de machine met olie vult.
- Plaats de oliedop terug en span aan. Veeg gemorste olie af.
- Een volle olietank stelt u in staat om de zaag gedurende 20-40 minuten te gebruiken.

### Aangewezen kettingsmeerolie

- De fabrikant raadt aan dat u uitsluitend Ryobi kettingzaagsmeerolie gebruikt. (Verkrijgbaar bij uw geautoriseerd Ryobi servicecentrum)

### ACCUPACK INSTALLEREN

Zie pagina 263.

- Bevestig het batterijpak in het toestel. Lijn de opgeheven ribben op het accupack met de groeven in de accupoot van het product.
- Controleer vóór gebruik of de lipjes op de accu vastklikken en of de accu aan het product is bevestigd.

### KETTINGZAAG VASTHOUDEN

Zie pagina 263.

Houd de kettingzaag altijd vast met de rechterhand op het achterste handvat en de linkerhand op het voorste handvat. Grijp beide handvatten met de duimen en vingers vast en omvat ze volledig. Zorg ervoor dat de linkerhand het voorste handvat vasthoudt en de duim zich onderaan bevindt.

### KETTINGZAAG OPSTARTEN

Zie pagina 263.

- Voor u de werken start, moet u het batterijpak in de machine installeren en ervoor zorgen dat de kettingrem zich in de stand "draaien" bevindt door de kettingremhendel/handbeschermer in de richting van het voorste handvat te trekken.
- Om de machine te starten: haal de vergrendeling van de trekker over, en druk dan op de trekschakelaar.

### KETTINGREM CONTROLEREN EN TESTEN

- Activeer de kettingrem door de linkerhand rond het voorste handvat te draaien. Met de achterzijde van uw hand drukt u de kettingremhendel/handbeschermer in de richting van het zwaard terwijl de ketting snel ronddraait. Zorg ervoor dat u beide handen altijd op de handvatten van de zaag houdt.
- Zet de kettingrem terug in de stand "Draaien" door de bovenkant van de kettingremhendel/handbeschermer vast te nemen en deze in de richting van het voorste handvat te trekken tot u een klik hoort.

#### ⚠ WAARSCHUWING

Indien de kettingrem de ketting niet onmiddellijk stopt, of indien de kettingrem niet in de draaistand wil blijven zonder hulp, breng dan de kettingzaag naar een erkend Homeliteonderhoudscentrum voor herstel vooraleer u het opnieuw gebruikt.

### TRANSPORT EN OPSLAG

Zie afb. 275 - 276.

- Leg het product stil, verwijder de batterij en laat afkoelen voor u het toestel opbergt of transporteert.
- Verwijder alle vreemde voorwerpen van het product. Bewaar op een koele, droge en goed geventileerde plaats die niet toegankelijk is voor kinderen. Houd corrosieve producten, zoals tuinchemicaliën en strooizout uit de buurt van het apparaat. Bewaar niet buitenshuis.
- Plaats het zwaarddeksel terug voor u de machine opbergt of tijdens het transport.



- Voor transport beveilig u het product tegen bewegen of vallen om lichamelijke letsels of schade aan het product te voorkomen.

## ONDERHOUD

### ⚠ WAARSCHUWING

Gebruik uitsluitend originele vervangonderdelen, accessoires en voorzetstukken van de fabrikant. Als u dit niet doet, kan dit mogelijks letsels of slechte prestaties veroorzaken waardoor uw garantie kan vervallen.

### ⚠ WAARSCHUWING

Het onderhoud vereist extreme voorzichtigheid en deskundigheid en mag enkel door een gekwalificeerde onderhoudstechnicus worden uitgevoerd. Voor onderhoud brengt u het product naar een geautoriseerd onderhoudscentrum. Gebruik uitsluitend originele vervangonderdelen wanneer u onderhoudswerken aan de machine uitvoert.

### ⚠ WAARSCHUWING

Verwijder de batterij voor u de machine afstelt, onderhoudt of reinigt. Als u dit niet doet, kan dit leiden tot ernstige lichamelijke letsels.

- U mag uitsluitend de afstellingen of herstellingen uitvoeren die in deze gebruiksaanwijzing worden beschreven. Voor andere herstellingen of advies, vraagt u hulp in een geautoriseerd onderhoudscentrum.
- De gevolgen van foutief onderhoud kunnen ertoe leiden dat de kettingrem en andere veiligheidsvoorzieningen niet correct werken, waardoor de kans op ernstige letsels verhoogt. Houd uw kettingzaag professioneel onderhouden en veilig.
- Het veilig slijpen van de ketting is een taak die gespecialiseerde kennis vereist. De fabrikant raadt daarom aan om een versleten of botte ketting door een nieuw exemplaar te vervangen, verkrijgbaar bij uw geautoriseerd Ryobi servicecentrum. Het onderdeelnummer is beschikbaar in de productspecificatie in deze gebruiksaanwijzing
- Volg de instructies voor het smeren en de afstelling en controle van de kettingspanning.
- Na elk gebruik, reinigt u het product met een zachte, droge doek.
- Controleer regelmatig of alle moeren, bouten en vijzen goed zijn vastgemaakt om zeker te zijn dat het toestel veilig kan worden gebruikt. Een beschadigd onderdeel moet door een geautoriseerd onderhoudscentrum goed worden gerepareerd of vervangen.

## ZWAARD EN ZAAGKETING VERVANGEN

Zie afb. 271 - 272.

1. Zorg ervoor dat u de batterij verwijdert. Draag beschermhandschoenen.
2. Schroef de kettingspannerknop los door deze tegen de

richting van de wijzers van de klok te draaien tot het kettingwieldeksel loskomt.

3. Verwijder het kettingwieldeksel. Verwijder het zwaard en de zaagketting van de machine.
4. Verwijder de schroef van de kettingspanning om de balk te vervangen. Monteer de kettingspanning op de nieuwe balk en draai de schroef vast.
5. Plaats de nieuwe ketting in de correcte richting op het zwaard en zorg ervoor dat de drijfstangen in de zwaardgroef zijn afgelijnd.
6. Maak het zwaard aan de kettingzaag vast en leg de ketting rond het aandrijfkettingwiel.
7. Plaats het kettingwieldeksel terug.
8. Stel de kettingspanning af. Raadpleeg het hoofdstuk "Kettingspanning afstellen".

### ⚠ WAARSCHUWING

Een bot of ondeskundig geslepen ketting kan ertoe leiden dat de motor overdreven snel loopt tijdens het zagen, wat kan leiden tot ernstige motorschade.

### ⚠ WAARSCHUWING

Onjuist slijpen van de ketting vergroot het risico op terugslag.

### ⚠ WAARSCHUWING

Nalatigheid bij het vervangen of repareren van een beschadigde ketting kan resulteren in ernstig letsel.

### ⚠ WAARSCHUWING

De zaagketting is zeer scherp. Draag altijd beschermende handschoenen tijdens het uitvoeren van onderhoud aan de ketting.

## KETTINGREM INSPECTEREN EN REINIGEN

Zie pagina 274.

- Houd het kettingremmechanisme altijd schoon door de drijvers vrij van vuil te houden en licht af te borstelen.
- Test altijd de kettingremprestatie na het reinigen. Raadpleeg "Bediening - Bediening van de kettingrem" eerder in deze handleiding voor aanvullende informatie.

## ONDERHOUDSSCHEMA

Dagelijkse controle	
Zaagbladsmering	Voor elk gebruik
Kettingspanning	Voor elk gebruik en regelmatig
Kettingscherpte	Voor elk gebruik, visuele controle
Op beschadigde onderdelen	Voor elk gebruik
Op losse binders	Voor elk gebruik
Kettingremfunctie	Voor elk gebruik

Controleer en reinig	
Zwaard	Voor elk gebruik
Volledige zaag	Na elk gebruik
Kettingrem	Elke 5 uur*

\*Uren in gebruik

### SYMBOLEN OP HET PRODUCT



Waarschuwing



Lees en begrijp alle instructies voor u het product bedient, volg alle waarschuwingen en veiligheidsinstructies.



Draag gezichts-, gehoor- en hoofdbescherming.



Draag anti-slipschoeisel wanneer u het product gebruikt.



Draag zware, antislip handschoenen.



Pas op voor de terugslag van de kettingzaagmachine en vermijd contact met de zwaardtip.



Stel niet bloot aan regen of vocht.



Houd de kettingzaag altijd met uw twee handen vast bij gebruik.



Gebruik de kettingzaag niet door deze met één hand vast te houden.



Dit apparaat voldoet aan alle geldende normen van Lid-Staat van de Europese Unie waar het werd gekocht.



EurAsian-symbool van overeenstemming



Oekraïens conformiteitssymbool



Elektrisch afval mag niet samen met ander huishoudafval worden weggegooid. Gelieve te recycleren indien de mogelijkheid bestaat. Neem contact op met uw lokaal bestuur of handelaar om advies te krijgen over recyclage.



Het gegarandeerde geluidsniveau bedraagt 96 dB.



Zwaard- en kettingsmeermiddel



Minimum smeermiddelpil



Vergrendeling



Ontgrendelen



Zet de kettingrem op de stand RUN (UITVOEREN).



Draai om de kettingspanning aan te passen  
+ = Ketting aanspannen  
- = Ketting losmaken



Zet de kettingrem op de stand BRAKE (REM).



Beweegrichting van de ketting. (Gemarkeerd onder het kettingwieldekseel)

$V_0$  : 10 m/s

Onbelaste kettingsnelheid: 10 m/s

L max: 300mm

Maximum zwaardlengte: 300 mm

### SYMBOLEN IN DEZE GEBRUIKSAANWIJZING



Onderdelen of accessoires afzonderlijk verkocht



Opmerking



Waarschuwing



Draag oog- en gezichtsbescherming.



Draag bescherming voor het bovenlichaam.



Draag beenbescherming.



Product stoppen

De volgende kernwoorden en verklaringen zijn bedoeld om de gevarenniveaus die op dit toestel betrekking hebben, te verklaren.

**⚠ GEVAAR**

Wijst op een gevaarlijke situatie die, als ze niet wordt voorkomen, dodelijk kan zijn of ernstige verwondingen kan veroorzaken.

**⚠ WAARSCHUWING**

Wijst op een mogelijks gevaarlijke situatie die, als ze niet wordt voorkomen, dodelijk kan zijn of ernstige verwondingen kan veroorzaken.

**⚠ LET OP**

Wijst op een mogelijks gevaarlijke situatie die, als ze niet wordt voorkomen, kleine of middelmatige verwondingen kan veroorzaken.

**LET OP**

Zonder veiligheidswaarschuwingssymbool

Wijst op een situatie die kan leiden tot materiële schade.

130.com.ua



No design da sua electroserra recarregável demos prioridade à segurança, ao desempenho e à fiabilidade.

### USO PREVISTO

A electroserra recarregável destina-se a ser utilizada apenas ao ar livre. Por razões de segurança, o aparelho tem que ser adequadamente controlado através da operação com as duas mãos em todos os momentos.

Este produto é concebido para cortar ramos, troncos, cepos e vigas de um diâmetro determinado pelo comprimento de corte da barra-guia. Apenas foi concebida para cortar madeira. Só deve ser utilizado em aplicações domésticas por adultos que tenham recebido formação adequada sobre os perigos e medidas/ações preventivas a tomar durante a sua utilização.

Não use o produto para qualquer finalidade que não esteja listada acima. Não deve ser usado para serviços profissionais de corte de árvores. O produto não deve ser usada por crianças ou por pessoas que não usem o equipamento de protecção pessoal e vestuário adequados.

#### ⚠ ADVERTÊNCIA

Ao utilizar o produto, devem seguir-se as normas de segurança. Para sua própria segurança e a dos transeuntes, deve ler e compreender todas estas instruções antes de começar a utilizar o aparelho. Deve participar num curso de segurança organizada profissional sobre a utilização, ações preventivas, primeiros socorros e manutenção de motosserras. Guarde as instruções para usá-las no futuro.

#### ⚠ ADVERTÊNCIA

As moto-serras são ferramentas potencialmente perigosas. Os acidentes que envolvem o uso frequente de moto-serras podem causar a perda de membro ou a morte. A moto-serra não é a única que implica risco. Os ramos que caem, o derrube de árvores, ou troncos a girar podem causar a morte. A madeira doente ou podre implica perigos adicionais. Deve avaliar a sua capacidade para efetuar a tarefa de forma segura. Em caso de dúvida, peça a um profissional de corte de árvores para fazer o trabalho.

### AVISOS GERAIS DE SEGURANÇA

#### ⚠ ADVERTÊNCIA

**Leia todos os avisos de segurança e todas as instruções.** O facto de não seguir os avisos e as instruções pode conduzir a choque eléctrico, fogo e/ou lesão grave.

**ConsERVE estas advertências e instruções para que possa consultá-las mais tarde.**

O termo "ferramenta eléctrica" nos avisos refere-se à ferramenta operada através de ligação à rede eléctrica (com fios) ou à ferramenta operada através de bateria (sem fios).

### AMBIENTE DE TRABALHO

- **Mantenha a área de trabalho limpa e bem iluminada.** As áreas desordenadas ou escuras são um convite para acidentes.
- **Não opere ferramentas eléctricas em atmosferas explosivas, tais como na presença de líquidos inflamáveis, gases ou poeira.** As ferramentas eléctricas criam faíscas que podem causar a inflamação de poeiras ou vapores.
- **Ao operar esta ferramenta eléctrica, mantenha as crianças e as pessoas presentes afastadas.** Distracções podem fazer com que perca o controlo.

### SEGURANÇA ELÉCTRICA

- **As fichas eléctricas da ferramenta têm de responder à tomada. Nunca altere a ficha seja de que maneira for. Não use quaisquer fichas adaptadoras com ferramentas de ligação com terra.** As fichas não modificadas e tomadas compatíveis reduzirão o risco de choque eléctrico.
- **Evite o contacto do corpo com superfícies com ligação terra ou enterradas, tais como tubos, radiadores, fogões e frigoríficos.** Há um aumento do risco de choque eléctrico se o seu corpo estiver ligado à terra.
- **Não exponha este produto à chuva ou humidade elevada.** A entrada de água na ferramenta eléctrica aumentará o risco de choque eléctrico.
- **Não abuse do cabo de alimentação. Nunca use o cabo para carregar, puxar ou retirar a ficha da ferramenta da tomada. Mantenha o cabo afastado do calor, óleo, pontas afiadas ou peças móveis.** Os cabos danificados ou emaranhados aumentam o risco de choque eléctrico.
- **Ao operar uma ferramenta eléctrica ao ar livre, use um cabo de extensão apropriado para o uso ao ar livre.** A utilização de um cabo apropriado para o uso ao ar livre reduz o risco de choque eléctrico.
- **Se operar uma ferramenta eléctrica num local húmido é inevitável, use uma fonte com protecção de dispositivo de corrente residual (RCD).** O uso de um RCD reduz o risco de choque eléctrico.

### SEGURANÇA PESSOAL

- **Ao operar esta ferramenta eléctrica, permaneça alerta, tenha em atenção ao que está a fazer e use o bom senso.** Não utilize a ferramenta eléctrica quando se sentir cansado ou se se encontrar sob a influência de drogas, álcool ou medicamentos. Um momento de desatenção enquanto opera estas ferramentas eléctricas pode resultar em ferimentos graves.
- **Utilizar equipamento de protecção. Use sempre protecção para os olhos.** O equipamento de protecção tal como a máscara contra pó, calçado antiderrapante de segurança, capacete, ou protecção para os ouvidos, usado para condições apropriadas irá reduzir a probabilidade de ferimentos.
- **Evite o arranque involuntário. Assegure-se de que o interruptor se encontra na posição de**







desligado antes de o ligar à fonte de energia e/ou bateria, levantando ou transportando a ferramenta. Transportar ferramentas eléctricas com o seu dedo no interruptor ou ligar à corrente ferramentas eléctricas que têm o interruptor ligado são um convite a acidentes.

- **Remova qualquer chave de ajuste antes de ligar a ferramenta eléctrica.** Uma chave-inglesa ou uma chave colocada numa peça móvel da ferramenta eléctrica pode causar lesões pessoais.
- **Não se aproxime em demasia. Fique sempre bem apoiado nas pernas e não estique demasiado o braço.** Isto possibilita um melhor controlo da ferramenta eléctrica em situações inesperadas.
- **Use roupas adequadas. Não use roupa larga ou acessórios de jóias. Mantenha o seu cabelo, roupa e luvas longe das peças móveis.** A roupa larga, jóias ou cabelo comprido podem ficar presos nas peças móveis.
- **Se são fornecidos os dispositivos para a ligação de espaços de extracção e recolha de pó, assegure-se de que estes se encontram conectados e usados correctamente.** A utilização de um colector de pó pode reduzir os perigos relacionados com o pó.

#### UTILIZAÇÃO E MANUTENÇÃO DA FERRAMENTA ELÉCTRICA

- **Não force o produto. Use a ferramenta eléctrica correcta para a sua aplicação.** A ferramenta fará o seu trabalho melhor e de forma mais segura trabalhando ao ritmo para que foi concebida.
- **Não use uma ferramenta caso o interruptor não ligue e desligue a ferramenta eléctrica correctamente.** Qualquer ferramenta eléctrica que não possa ser controlada com o interruptor é perigosa e deve ser reparada.
- **Desligue a ficha da alimentação eléctrica e/ou a bateria da ferramenta antes de proceder a quaisquer ajustes, mudança de acessórios ou de armazenar ferramentas eléctricas.** Estas medidas de segurança preventivas reduzem o risco de arranque acidental da ferramenta eléctrica.
- **Armazene as ferramentas eléctricas fora do alcance das crianças e não permita que pessoas não familiarizadas com a ferramenta eléctrica ou com estas instruções utilizem a ferramenta eléctrica.** As ferramentas eléctricas são perigosas nas mãos de utilizadores inexperientes.
- **Realize a manutenção das ferramentas eléctricas. Verifique se existe desalinhamento ou emperramento das peças móveis, ruptura das peças e qualquer outra condição que possa ter afectado o funcionamento da ferramenta eléctrica. Se danificado, mande a ferramenta eléctrica ser reparada antes de a utilizar.** Muitos acidentes são causados por ferramentas eléctricas com fracas manutenções.
- **Mantenha as ferramentas de corte afiadas e limpas.** É menos provável que as ferramentas de corte com uma correcta manutenção e com pontas de corte afiadas fiquem presas e são mais fáceis de controlar.
- **Utilize a ferramenta, acessórios, peças eléctricas,**

etc., de acordo com estas instruções, tendo em conta as condições de trabalho e o trabalho que se vai realizar. O uso da ferramenta eléctrica para as operações diferentes daquelas a que se destina podem causar uma situação perigosa.

#### UTILIZAÇÃO E MANUTENÇÃO DA BATERIA

- **Recarregue apenas com o carregador especificado pelo fabricante.** Um carregador que seja adequado para um tipo de bateria pode causar risco de incêndio, quando utilizado com outra bateria.
- **Use ferramentas eléctricas somente com baterias especificamente concebidas.** O uso de qualquer outro tipo de bateria pode causar risco de lesões e incêndio.
- **Quando a bateria não estiver a ser utilizada, mantenha-a afastada de outros objectos metálicos como clipes de papel, moedas, chaves, pregos, parafusos, ou outros pequenos objectos metálicos que podem fazer a ligação de um terminal para outro.** Ligar os terminais da bateria em conjunto pode causar queimaduras ou um incêndio.
- **Sob circunstâncias abusivas, o líquido pode ser ejectado da bateria, evite o contacto. Se o contacto ocorrer acidentalmente, limpe com água abundante. Se o líquido entrar em contacto com os olhos, procure adicionalmente assistência médica.** O líquido ejectado da bateria pode causar irritação ou queimaduras.

#### MANUTENÇÃO

- **A manutenção da sua ferramenta eléctrica deve ser efectuada por uma pessoa qualificada para reparações, utilizando apenas peças de substituição idênticas.** Isto assegurará que a segurança da ferramenta eléctrica é mantida.

#### AVISOS GERAIS DE SEGURANÇA ADICIONAIS

- Algumas regiões têm normas que limitam o uso do produto. Consulte a sua autoridade local para obter informação.
- Nunca permita que crianças ou pessoas que não estejam familiarizadas com estas instruções utilizem o produto. A legislação local pode restringir a idade do operador.
- Certifique-se antes de cada uso que todos os controlos e dispositivos de segurança funcionam corretamente. Não utilize o aparelho se o interruptor "off" não parar o motor.
- Quando utilizar o produto, use sempre protecção completa para os olhos e para os ouvidos, botas e luvas resistente, bem como protecção para a cabeça. Use uma máscara de rosto caso a operação seja poeirenta.
- O uso da protecção auditiva reduz a sua capacidade de ouvir avisos (gritos ou alarmes). O operador deve prestar atenção extra àquilo que está a acontecer na área de trabalho.
- Mantenha-se bem apoiado e equilibrado. Não se aproxime em demasia. O esticar-se pode resultar em perda de equilíbrio e pode aumentar o risco de ressalto.





- Não use roupa folgada, calças curtas ou joias de qualquer tipo.
- Prenda o cabelo comprido para que fique acima do nível dos ombros para evitar que fique emaranhado em peças móveis.
- Cuidado com os objetos projetados, voadores ou em queda. Mantenha os transeuntes, as crianças e os animais a 15 m de distância da zona de operação.
- Não utilize esta ferramenta numa zona com pouca luz. O operador necessita de uma visão clara da área de trabalho para identificar potenciais perigos.
- Operar ferramentas similares nas proximidades aumenta tanto o risco de lesão auditiva e o potencial para outras pessoas entrarem na sua área de trabalho.
- Mantenha qualquer peça em movimento longe do seu próprio corpo.
- Inspeccione a máquina antes de cada uso. Verifique o correto funcionamento de todos os controlos, incluindo o travão da corrente. Verifique que não há peças de fixação soltas, assegure-se de que todas as proteções e cabos estão bem fixos. Substitua qualquer peça danificada antes da utilização.
- Não modifique a máquina em qualquer forma nem use peças e acessórios que não sejam recomendados pelo fabricante.

**⚠ ADVERTÊNCIA**

Se o aparelho cair, sofrer um impacto forte ou começar a vibrar de maneira anormal, pare-o imediatamente e verifique se está danificado ou identifique o motivo da vibração. Qualquer dano deve ser devidamente reparado ou substituído por um centro de assistência autorizado.

**AVISOS DE SEGURANÇA DA MOTOSSERRA**

- **Mantenha todas as partes do corpo distanciadas da corrente da serra quando a motosserra estiver em funcionamento. Antes de iniciar a motosserra, certifique-se que a corrente da serra não se encontra em contacto com nada.** Um momento de distração ao operar a motosserra pode causar emaranhamento da sua roupa ou corpo com a motosserra.
- **Segure sempre a motosserra com a sua mão direita na pega traseira e com a sua mão esquerda na pega dianteira.** Segurar a motosserra com uma configuração da mão invertida aumenta o risco de lesão pessoal e deva nunca ser feito.
- **Segure na ferramenta elétrica apenas através das superfícies isoladas, dado que a motosserra pode contar cabos ocultos.** O contacto da motosserra com um cabo com tensão elétrica pode expor as peças metálicas da ferramenta à corrente elétrica, o que pode provocar um choque ao operador.
- **Use óculos de segurança proteção para os ouvidos. Recomenda-se ainda equipamento de proteção para a cabeça, mãos, pernas e pés é recomendado.** A roupa de proteção adequada reduzirá o risco de lesões pessoais causadas por detritos esvoaçantes ou contacto accidental com a motosserra.

- **Não opere uma motosserra numa árvore.** A utilização de uma motosserra enquanto se encontra em cima de uma árvore pode causar lesões pessoais.
- **Mantenha sempre o equilíbrio adequado dos pés e opere a motosserra apenas quando se encontra sobre uma superfície fixa, firme e nivelada.** As superfícies escorregadiças ou instáveis tais como escadas podem causar uma perda de equilíbrio ou o controlo da motosserra.
- **Ao cortar um ramo que esteja sob tensão, esteja alerta para o efeito de ricochete.** Quando a tensão nas fibras de madeira é libertada, o ramo catapultado pode atingir o operador e/ou atirar a motosserra e ficar fora de controlo.
- **Use extrema cautela ao cortar os arbustos e rebentos.** O material delgado pode apanhar a motosserra e ser atirado para si ou tirar-lhe o equilíbrio.
- **Transporte a motosserra pela pega frontal com a motosserra desligada e afastada do seu corpo. Ao transportar ou armazenar a motosserra, coloque sempre a capa da barra guia.** O segurar adequadamente na motosserra reduzirá a probabilidade de contacto accidental com a corrente móvel da serra.
- **Siga as instruções para a lubrificação, tensionamento da corrente e mudança dos acessórios.** Uma corrente com a tensão ou a lubrificação incorretas também pode quebrar ou aumento o risco de ricochete.
- **Mantenha os manipuladores secos, limpos e livres de óleo e graxa.** As pegas gordurosas e oleosas são escorregadias, provocando a perda de controlo.
- **Corte apenas madeira. Não utilize a motosserra para fins a que não se destina. Por exemplo, não use a motosserra para cortar plástico, alvenaria ou materiais de construção que não sejam de madeira.** O uso da motosserra para as operações diferentes daquelas a que se destina podem causar uma situação perigosa.

**Causas e prevenção do utilizador do ricochete:**

Pode ocorrer um coice quando a ponta da barra-guia toca num objecto ou se a corrente da serra ficar entalada e bloquear-se na madeira durante o corte.

O contacto com a ponta, em alguns casos, pode causar uma reação reversa rapidíssima, fazendo com que a barra guia salte para o operador.

Apertar a corrente da serra ao longo do topo da barra guia pode fazer com que esta recue rapidamente na direcção do operador.

Qualquer uma destas reacções pode fazer com que perca o controlo da serra e levar a graves ferimentos pessoais. Não dependa exclusivamente dos dispositivos de segurança incorporados na sua serra. Enquanto utilizador da serra, deverá tomar uma série de medidas tendentes a garantir que as operações de corte decorrem livres de acidentes ou ferimentos.

O ricochete é o resultado de uma má utilização da ferramenta e/ou condições ou procedimentos de operação incorretos e pode ser evitado tomando as precauções apropriadas conforme indicado abaixo:





- **Segure firmemente, com os polegares e os dedos que cercam as pegas da motosserra, com ambas as mãos na serra e posicione o seu corpo e braço para permitir-lhe resistir à força do ricochete.** As forças do ricochete podem ser controladas pelo operador, se as precauções apropriadas forem tomadas. Não largue a motosserra.
- **Não se estenda e não corte acima da altura do ombro.** Isto ajuda a impedir o contacto da ponta não intencional e permite um melhor controlo da motosserra em situações inesperadas.
- **Utilize apenas correntes e barras sobressalentes do fabricante.** As barras e as correntes de substituição incorretas podem causar uma rutura da corrente e/ou ricochete.
- **Siga as instruções de afiação e manutenção do fabricante da corrente da serra.** Diminuir a altura do calibre da profundidade pode conduzir a aumentos do ricochete.

#### ADVERTÊNCIAS ADICIONAIS DE SEGURANÇA DA MOTO-SERRA

- É recomendável cortar os troncos num cavalete de serrador ou num suporte ao operar o aparelho pela primeira vez.
- Certifique-se de todas as proteções, pegas e para-choques dentado estão devidamente instalados e em boas condições.
- As pessoas que utilizam esta motosserra devem gozar de boa saúde. O produto é uma unidade pesada pelo que o operador deve estar em boa forma física. O operador deve estar alerta, ter boa visão, mobilidade, equilíbrio e destreza manual. Em caso de qualquer dúvida, não opere a serra elétrica.
- Não comece a usar o produto até que tenha uma área de trabalho clara, base segura e um caminho de retirada planeada afastado da queda da árvore.
- Cuidado com a emissão da névoa de lubrificante e serrim. Utilize uma máscara ou respirador, se necessário.
- Não corte as videiras e/ou mato pequeno (menos de 75 mm de diâmetro).
- Segure sempre a motosserra com ambas as mãos ao operar a serra. Segure firmemente na ferramenta, com os polegares e os dedos envolvendo as pegas da serra de corrente. A mão direita deve estar na pega traseira e a mão esquerda sobre a pega dianteira.
- Antes de iniciar a ferramenta, certifique-se que a corrente não está em contacto com qualquer objeto.
- Não modifique a sua ferramenta em qualquer forma nem a utilize para alimentar quaisquer acessórios ou dispositivos não recomendados pelo fabricante para a sua serra.
- Deve haver um kit de primeiros socorros que contenha grandes pensos para feridas e um meio para chamar a atenção (por exemplo, um apito) próximo do operador. Um kit maior e mais abrangente deve estar, razoavelmente, nas proximidades.
- O operador pode ficar tentado a remover o capacete, caso não exista perigo de queda de objetos na

área de trabalho, mas lembre-se que o capacete, particularmente com a viseira de malha, pode ajudar a reduzir o potencial de lesões no rosto e na cabeça em caso de ressalto.

- Uma corrente incorretamente sujeita a tensão pode saltar fora da barra de guia e pode resultar em ferimentos graves ou morte. O comprimento da corrente depende da temperatura. Verifique a tensão regularmente.
- Deve familiarizar-se com a sua nova motosserra fazendo cortes simples em madeira firmemente apoiada. Faça isto sempre que não tenha operado a serra há algum tempo.
- Para reduzir o risco de lesões associadas com o contacto com partes móveis, pare sempre o motor, aplique o travão da corrente, retire a bateria e certifique-se de que todas as peças móveis pararam completamente antes de:
  - limpeza e desobstrução de bloqueio
  - deixar o produto sem vigilância
  - instalar ou remover acessórios
  - proceder à verificação, manutenção ou trabalho na máquina
- O tamanho da área de trabalho depende do trabalho a ser realizado, bem como do tamanho da árvore ou da peça alvo da intervenção. Por exemplo, abater uma árvore requer uma maior área de trabalho do que para fazer outros cortes, como por exemplo, cortes de divisão de troncos, etc. O operador precisa estar atento e em controlo de tudo o que está a acontecer nesta área de trabalho.
- Não corte com o seu corpo em linha com a barra de guia e corrente. Caso ocorra um ressalto, isto ajudará a evitar a corrente de entrar em contacto com a sua cabeça ou corpo.
- Não utilize um movimento de serrar para trás e para a frente, deixe a corrente fazer o trabalho, mantenha a corrente afiada e não tente empurrar a corrente através do corte.
- Não exerça pressão na serra no fim do corte. Prepare-se para aguentar com o peso da serra quando esta se liberta da madeira. O incumprimento desta indicação pode causar possíveis lesões pessoais graves.
- Não pare a serra a meio de uma operação de corte. Mantenha a serra a funcionar até que tenha sido removida do corte.

#### Pressão e tracção

A força de reacção é sempre oposta ao sentido de deslocação da corrente. Como tal, o operador deve estar preparado para controlar a tendência para a máquina se afastar (movimento para a frente) ao cortar na borda inferior da barra e a empurrar para trás (na direcção do operador) ao cortar ao longo da borda superior.

#### Serra encravada no corte

Pare a motosserra e tome-a segura. Não tente forçar a corrente e a barra do corte, visto que é provável que isto quebre a corrente, a qual pode balançar para trás e atingir o operador. Esta situação ocorre normalmente porque a madeira está incorretamente apoiada e a forçar o corte





demasiado perto sob compressão trilhando assim a lâmina. Caso, ao ajustar o suporte não liberte a barra e a corrente, use cunhas de madeira ou uma alavanca para abrir o corte e libertar a serra. Nunca tente iniciar a motosserra quando a barra guia já se encontra num corte ou ranhura.

### Equipamento de proteção pessoal

Os equipamentos de proteção individual de boa qualidade, conforme os utilizados por profissionais, ajudarão a reduzir o risco de ferimentos ao operador. Os itens seguintes devem ser utilizados ao operar a sua motosserra:

#### Capacete de segurança

- deverá cumprir a norma EN 397 e possuir a marcação CE

#### Proteção auricular

- deverá cumprir a norma EN 352-1 e possuir a marcação CE

#### Proteção para os olhos e rosto

- devem possuir a marcação CE e cumprir com EN 166 (para óculos de segurança) ou EN 1731 (para viseiras de malha)

#### Guantes

- deverá cumprir a norma EN381-7 e possuir a marcação CE

#### Proteção das pernas (perneiras)

- deve cumprir com a norma EN381-5, possuir a marcação CE e fornecer uma proteção completa.

#### Botas de segurança para motosserra

- deve cumprir com a norma EN ISO 20345:2004 e possuir uma marcação a ilustrar uma motosserra para demonstrar a conformidade com EN 381-3. (Os utilizadores ocasionais podem usar botas de segurança com biqueira de aço com polainas de proteção conformes à EN 381-9, caso o piso seja nivelado e exista pouco risco de tropeçar ou ficar preso na vegetação rasteira)

#### Casacos próprios para motosserra para proteção da parte superior do corpo

- deverá cumprir a norma EN 381-11 e possuir a marcação CE

## INSTRUÇÕES SOBRE AS TÉCNICAS ADEQUADAS PARA ABATE BÁSICO, CORTAR RAMOS E CORTE TRANSVERSAL

### Compreender as forças dentro da madeira

Quando compreende as pressões e tensões direcionais dentro da madeira, pode reduzir os "beliscões", ou pelo menos prevê-los durante o corte. A tensão na madeira significa que as fibras estão a ser separadas e se cortar nesta área, a área de separação ("kerf") ou corte tendem a abrir à medida que a serra passa. Se um tronco está a ser apoiado sobre um cavalete e a extremidade está pendurada sem apoio sobre a extremidade, então a tensão é criada na superfície superior devido ao peso do tronco suspenso, esticando as fibras. Da mesma forma, a parte inferior do tronco estará em compressão e as fibras são empurradas umas contra as outras. Se um corte é feito nesta área, o corte de separação terá tendência a fechar-se durante o corte. Isto iria trilhar a lâmina.

### Abater uma árvore

Ver a página 267 - 268.

Quando as operações de cortar e abater estão a ser realizadas por duas ou mais pessoas ao mesmo tempo, a operação de abate deve ser separada da operação de corte por uma distância de pelo menos duas vezes a altura da árvore que vai cair. As árvores não devem ser abatidas de alguma forma que possa pôr alguém em perigo, atingir alguma linha de fornecimento ou causar danos de propriedade. Se a árvore entrar em contacto com alguma linha de fornecimento, a empresa deve ser notificada de imediato.

O operador da serra de corrente deve manter-se no lado mais alto de um terreno inclinado, já que é provável que a árvore role ou deslize pelo terreno abaixo aquando do abate.

Um percurso de escape deve ser planeado e desobstruído conforme necessário antes de se iniciar os cortes. O percurso de fuga deve estender-se para trás e na diagonal à traseira da linha de queda prevista.

Antes de iniciar o abate, tenha em conta a inclinação natural da árvore, a localização dos ramos maiores e a direção do vento para avaliar a forma como a árvore irá cair.

Remova a sujidade, pedras, casca solta, pregos, estribos e arames da árvore.

Não tente derrubar árvores que estão podres ou que tenham sido danificadas por vento, fogo, relâmpagos, etc. Isto é extremamente perigoso e só deve ser realizado por cortadores de árvores profissionais.

#### 1. Corte inferior de entalhe

Ver a página 267 - 268.

Faça o entalhe com 1/3 do diâmetro da árvore, perpendicular ao sentido das quedas. Realize o corte de entalhe horizontal inferior primeiro. Isto ajudará a evitar trilhar a corrente da serra ou a barra de guia quando o segundo entalhe está a ser feito.

#### 2. Corte pela face oposta

Ver a página 267 - 268.

Faça o corte de abate para trás com pelo menos 50 mm (2 polegadas) mais alto do que o corte de entalhadura horizontal. Mantenha o corte de abate para trás paralelo ao corte de entalhadura horizontal. Faça o corte de abate para trás de modo a que resta madeira suficiente para atuar como uma dobradiça. A articulação da madeira evita que a árvore se torça e caia na direção errada. Não corte através da articulação.

À medida que o abate se aproxima da dobradiça, a árvore deve começar a cair. Se houver qualquer possibilidade da árvore não cair no sentido desejado de poder balançar para trás e vincar a motosserra, pare de cortar antes que o corte de abate para trás esteja concluído e use cunhas de madeira, plástico ou alumínio para abrir o corte e deixar cair a árvore sobre a linha desejada.

Quando a árvore começa a cair, remova a motosserra do corte, pare o motor, coloque a motosserra para baixo e, em seguida, use o caminho de retirada planeado. Esteja alerta para ramos suspensos que possam cair e preste atenção ao seu equilíbrio.





## Remoção dos sustentáculos

Ver a página 268.

Um sustentáculo é uma raiz de grandes dimensões que se prolonga do tronco da árvore acima do solo. Deverá remover sustentáculos grandes antes de realizar o abate. Efectue primeiro o corte horizontal no sustentáculo e, só depois, o corte vertical. Remova a secção solta da área de trabalho. Siga o procedimento de abate de árvores correcto depois de terem sido removidos os sustentáculos grandes.

### Cortar transversalmente um tronco

Ver a página 269.

Decepar consiste em cortar um tronco em comprimentos. É importante certificar-se que o seu equilíbrio é firme e que o seu peso está distribuído uniformemente em ambos os pés. Quando possível o tronco deve ser levantado e suportado pelo uso de ramos, troncos ou calços. Siga a instrução simples para um corte fácil. Quando o tronco é suportado ao longo de todo o comprimento, é cortado a partir do topo (overbuck).

Quando o tronco é suportado numa extremidade, corte 1/3 do diâmetro do lado de baixo (underbuck). Em seguida, efectue o corte final overbucking para encontrar o primeiro corte.

Quando o tronco está apoiado em ambas as extremidades, corte 1/3 do diâmetro a partir de cima (overbuck). Em seguida, efectue o corte final underbucking 2/3 mais baixo para encontrar o primeiro corte.

Ao cortar numa inclinação, fique sempre no lado de cima do tronco. Ao cortar transversalmente, para manter o controlo total, liberte a pressão de corte perto da extremidade do corte sem relaxar o seu aperto nas pegas da motosserra. Não deixe a corrente entrar em contacto com o chão. Após ter terminado o corte, aguarde que a corrente da serra pare antes de deslocar a motosserra. Pare sempre o motor antes de se deslocar de árvore em árvore.

### Cortar ramos de uma árvore

Ver a página 270.

Desbastar consiste em remover os ramos de uma árvore abatida. Ao desbastar, deixe os ramos maiores inferiores para apoiar o tronco do chão. Remova os ramos com um só corte. Os ramos sob tensão devem ser cortados a partir do fundo para evitar comprometer a motosserra.

### Pequena árvore dobrada

Ver a página 270.

Um tranchão tensado é qualquer toro, ramo, cepo com raízes ou árvore jovem que está dobrada e tensada por outro lenho e que efectua um movimento de ricochete se o lenho que a estava a segurar for cortado ou removido.

Numa árvore abatida, um cepo com raízes oferece um elevado potencial de regressar à posição vertical num movimento repentino, durante o corte transversal para separar o toro do cepo. Tenha atenção a tranchões tensados, pois são muito perigosos.

## ⚠ ADVERTÊNCIA

Os tranchões tensados são perigosos, podendo atingir o operador, fazendo com que perca o controlo da serra de corrente. Esta situação poderá conduzir a ferimentos graves ou mesmo mortais. Isto deve ser realizado por utilizadores formados.

## RISCOS RESIDUAIS:

Mesmo quando se utiliza o produto segundo as instruções, continua a ser impossível eliminar por completo certos fatores de risco residuais. Os seguintes perigos podem surgir na utilização e o operador deve prestar especial atenção para evitar o seguinte:

- Lesões por vibração
  - Use sempre a ferramenta certa para o trabalho, use pegas concebidas e restrinja o tempo e exposição de trabalho.
- A exposição ao ruído pode provocar perda de audição.
  - Use proteção para os ouvidos e limite o tempo de exposição
- lesão por contacto com os dentes da serra da corrente expostos
- lesão causada por peças projetadas da peça de trabalho (bocados de madeira e estilha)
- Lesão causada pela inalação de poeira e partículas
- lesão causada por contacto da pele com o lubrificante ou óleo
- Peças ejetadas pela motosserra (perigos de corte/injeção)
- Movimentos imprevistos ou ressalto e abruptos da barra guia (perigos de corte).

## REDUÇÃO DO RISCO

Foi reportado que as vibrações das ferramentas de mão podem contribuir para uma doença designada de Síndrome de Raynaud em determinados indivíduos. Os sintomas podem incluir formigueiro, entorpecimento e empalidecimento dos dedos, habitualmente visível aquando da exposição ao frio. Estima-se que os factores hereditários, exposição ao frio e humidade, dieta, tabagismo e práticas de trabalho contribuem todos para o desenvolvimento destes sintomas. Existem medidas que podem ser tomadas pelo operador para possivelmente reduzir os efeitos da vibração:

- Mantenha o seu corpo quente durante o tempo frio. Ao operar a unidade, use luvas para manter as mãos e os pulsos quentes. Encontra-se reportado que o tempo frio é um grande factor que contribui para o Síndrome de Raynaud.
- Após cada período de operação, exercite para aumentar a circulação sanguínea.
- Faça pausas frequentes no trabalho. Limite o tempo de exposição por dia.
- As luvas protetoras disponíveis nos retalhistas de motosserra profissional são especificamente concebidas para uso de motosserra que dão proteção, boa aderência e também reduzem o efeito de vibração





da pega. Estas luvas devem cumprir com a norma EN381-7 e têm que ter a marcação CE.

Caso sinta algum dos sintomas desta doença, interrompa de imediato a sua utilização e consulte o seu médico sobre estes sintomas.

#### **⚠️ ADVERTÊNCIA**

O uso prolongado de uma ferramenta pode causar o agravar lesões. Ao usar qualquer ferramenta durante períodos prolongados, assegure-se que faz intervalos regulares.

### **CONHEÇA O SER APARELHO**

Ver a página 261.

1. Guarda-mão frontal/Travão da corrente
2. Pega frontal
3. Pega traseira
4. Corrente
5. Barra-guia
6. Grampo pára-choques
7. Tampão do óleo da corrente
8. Libertador do actuador
9. Interruptor selector
10. Capa da roda dentada
11. Anel de ajuste do tensor de corrente
12. Botão do tensor de corrente
13. Capa da barra guia
14. Retentor de corrente

### **DISPOSITIVOS DE SEGURANÇA**

#### **Serra de corrente de baixo coice**

Uma corrente de serra com reduzido ressalto ajuda a reduzir a possibilidade de um evento de ressalto.

Os limitadores de profundidade à frente de cada dente de corte podem minimizar a força de uma reacção de coice, prevenindo que os dentes de corte penetrem com profundidade na zona de coice. Utilize apenas combinações de barras de guia e correntes de substituição que sejam recomendadas pelo fabricante.

Com a continuação de afiação, as correntes da serra vão perdendo as suas qualidade de baixo coice, sendo necessário empregar cautela adicional. Por sua segurança, substitua as correntes da serra quando diminuir o rendimento de corte.

#### **Grampo pára-choques**

O grampo pára-choques integral pode ser usado como uma articulação ao realizar um corte. Ajuda a manter o corpo da motosserra estável durante o corte. Ao cortar, empurre a máquina para a frente até que os picos se introduzam na borda da madeira e, em seguida, movendo a pega traseira para cima ou para baixo na direcção da linha de corte pode ajudar a aliviar a tensão física do corte

#### **Barras-guia**

De modo geral, as barras guia com pontas esféricas pequenas têm menos probabilidades de ressalto. Deve usar uma barra de guia e uma corrente correspondente

que seja apenas o suficientemente comprida para o trabalho. As barras mais compridas aumentam o risco de perda de controlo durante o corte de serra. Verifique regularmente a tensão da corrente. Ao cortar ramos mais pequenos (menos que o comprimento total da barra de guia), é provável que a corrente seja projetada caso a tensão não seja a correta.

#### **Travão da corrente**

Os travões de corrente foram concebidos para pararem rapidamente a corrente, impedindo-a de girar. Quando a alavanca do travão da corrente/guarda-mão é empurrada contra a barra, a corrente pára imediatamente. O travão da corrente não impede o coice. Apenas reduz o risco de lesão, caso a barra da corrente entre em contacto com o corpo do operador durante um evento de ressalto. O travão da corrente deve ser testado antes de cada utilização quanto à sua correta operação em ambas as posições de funcionamento e travagem.

#### **Retentor de corrente**

Um apanhador de corrente impede que a corrente da serra seja projectada para trás, na direcção do operador, se a corrente se soltar ou se partir.

### **MONTAGEM**

#### **⚠️ ADVERTÊNCIA**

Se qualquer peça estiver danificada ou em falta, não utilize este produto até as peças serem repostas. A inobservância deste aviso pode resultar em graves ferimentos pessoais.

### **MONTAR A CORRENTE DA SERRA E A BARRA DE GUIA**

Ver a página 262 - 263.

1. Assegure-se de que retirou o conjunto de baterias da unidade. Use luvas de protecção.
2. Desaparafuse o manípulo tensor da corrente e retire a tampa da roda dentada.
3. A motosserra deve estar virada na direcção da rotação da corrente. Se estiverem virados para trás, vire o anel.
4. Coloque as ligações da direcção da corrente na ranhura da barra.
5. Posicione a corrente, de modo a ficar um anel na parte posterior da barra.
6. Mantenha a corrente no seu lugar sobre a barra e enrole-a no pinhão. Baixe a barra de forma que o perno encaixe no orifício no conjunto de tensão da cadeia. Pode necessitar de rodar este conjunto para que o perno e o orifício coincidam. Também terá que rodar o conjunto para aplicar tensão na corrente que ajudará a mantê-la no seu lugar.
7. Substitua a tampa do pinhão e rode o botão do tensor da corrente até ao próximo ajuste, rode o anel de ajustamento de tensão da corrente até que a corrente esteja perfeitamente ajustada. Em seguida, a barra de guia tem que ser empurrada para cima. Verifique a tensão da corrente novamente. Não sujeita a tensão a corrente com muito aperto.





- Depois de o corrente estar bem tensionada, aperte novamente o botão.

### AJUSTE DA TENSÃO DA CORRENTE

Ver a página 263. Ver a página 273.

- Solte o manípulo tensor da corrente ligeiramente rodando-o no sentido contrário ao dos ponteiros do relógio.
- Para aumentar a tensão da corrente, gire o anel de ajuste do tensor da corrente no sentido dos ponteiros do relógio e verifique a tensão da corrente frequentemente. Para reduzir a tensão da corrente, gire o anel de ajuste do tensor da corrente no sentido contrário ao dos ponteiros do relógio e verifique a tensão da corrente frequentemente.
- A tensão da corrente está correta quando o espaço livre entre o cortador na corrente e a barra seja de 3 mm a 4 mm. Puxe a corrente no meio do lado inferior da barra para baixo (afastando da barra) e meça a distância entre a barra e os cortadores da corrente.
- Aperte o botão do tensor da corrente girando-o para a direita.

## UTILIZAÇÃO

### ADICIONAR ÓLEO LUBRIFICANTE DA CORRENTE

Ver a página 262.

#### ⚠ ADVERTÊNCIA

Nunca trabalhe sem lubrificante da corrente. Se a motosserra estiver a funcionar sem lubrificante, a barra guia e a moto-serra podem ficar danificadas. Por conseguinte, é indispensável verificar o nível de óleo no medidor de nível do óleo regularmente e sempre antes de começar a usar a motosserra.

- Limpe a superfície ao redor da tampa do óleo para evitar a contaminação.
- Desaparafuse e remova o tampão do depósito do óleo.
- Verta o óleo no depósito de óleo e monitorize o indicador de nível de óleo. Certifique-se que não entra sujidade no depósito de óleo enquanto abastece de óleo.
- Coloque o tampão do depósito de óleo novamente e aperte-o. Limpe qualquer respingo.
- Um depósito cheio de óleo permite que usar a serra durante 20-40 minutos.

### Óleo lubrificante da corrente recomendado

- O fabricante recomenda utilizar apenas o óleo lubrificante de moto-serra Ryobi. (Está disponível no centro de assistência autorizado da Ryobi)

### INSTALAR A BATERIA

Ver a página 263.

- Coloque a bateria na ferramenta. Alinhe as nervuras salientes da bateria com as ranhuras na porta da bateria do produto.
- Antes de começar a operação, certifique-se de que os trincos na bateria encaixam em posição e que a bateria está fixada em segurança no produto.

### SEGURAR NA MOTOSSERRA

Ver a página 263.

Segure sempre a motosserra com a sua mão direita na pega traseira e com a sua mão esquerda na pega dianteira. Segure ambas as pegas com os polegares e os dedos que cercam as pegas. Assegure-se de que a sua mão esquerda está a segurar o manípulo frontal de modo a que o polegar esteja por baixo.

### ARRANQUE DA MOTO-SERRA

Ver a página 263.

- Antes de iniciar a operação, deve instalar a bateria na máquina e certificar-se de que o travão da corrente está na posição de funcionamento puxando a alavanca do travão da corrente/proteção manual na direção da pega dianteira.
- Para iniciar a máquina: puxe o libertador do gatilho e, em seguida, prima o gatilho do interruptor.

### VERIFICAÇÃO E FUNCIONAMENTO DO TRAVÃO DE CORREIA

- Acione o travão da corrente rodando a sua mão esquerda ao redor da pega dianteira. Usando a palma da sua mão, empurre a alavanca do travão da corrente/proteção manual na direção da barra enquanto a corrente está a rodar rapidamente. Certifique-se que mantém ambas as mãos sobre as pegas da serra em todos os momentos.
- Redefina o travão da corrente de volta para a posição de funcionamento segurando no cimo da alavanca do travão da corrente/proteção manual e puxando em direção à pega dianteira até ouvir um clique.

#### ⚠ ADVERTÊNCIA

Se o travão de corrente não pára a corrente de imediato, ou se o travão de corrente não permaneça na posição de funcionamento sem auxílio, leve a serra a um centro de assistência autorizado para a reparar antes de usar.

## TRANSPORTE E ARMAZENAMENTO

Ver a página 275 - 276.

- Pare o produto, retire a bateria e deixe que ambos arrefeçam antes de guardar ou de transportar.
- Limpe todos os materiais estranhos do produto. Guarde-o num local fresco e seco e bem ventilado a que as crianças não consigam aceder. Mantenha-o afastado de substâncias corrosivas, tais como produtos químicos utilizados em jardinagem e sais de descongelação. Não armazenar ao ar livre.
- Coloque a capa da barra de guia antes de guardar a unidade, ou durante o transporte.
- Para transportar, prenda o aparelho de modo a evitar que este se mova ou caia, para evitar lesões ou danos no produto.



**MANUTENÇÃO**

**⚠️ ADVERTÊNCIA**

Utilize apenas peças de substituição, acessórios e encaixes do fabricante original. A inobservância desta indicação pode causar um fraco desempenho, possíveis lesões e poderá anular a sua garantia.

**⚠️ ADVERTÊNCIA**

Os serviços de manutenção requerem extremo cuidado e conhecimentos e devem apenas ser realizado por um técnico de assistência qualificado. Para operações de serviço, leve o produto a um centro de serviço autorizado. Durante as operações de manutenção, utilize peças de substituição originais do fabricante.

**⚠️ ADVERTÊNCIA**

Retire a bateria antes de qualquer operação de ajuste, manutenção ou limpeza. O incumprimento desta instrução pode conduzir a lesões graves.

- Só pode proceder aos ajustes ou reparações descritas neste manual. Para outros reparos ou conselhos, procurar a ajuda de um centro de serviço autorizado.
- As consequências de uma manutenção inadequada podem fazer com que o travão da corrente e outras características de segurança não funcionem corretamente, aumentando assim o potencial para ferimentos graves. Mantenha a sua motosserra profissionalmente mantida e segura.
- Afiar a corrente de forma segura é uma tarefa especializada. Portanto, o fabricante recomenda encarecidamente que uma corrente opaca ou desgastada se substitua por outra nova, que se encontra disponível no centro de assistência autorizado da Ryobi. O nome da peça encontra-se disponível na tabela de especificações de produto deste manual.
- Siga as instruções para lubrificação e verificação e ajuste da tensão da corrente.
- Limpar o produto com um pano suave seco depois de cada uso.
- Verifique todas as porcas, pregos e parafusos com intervalos frequentes para confirmar a tensão apropriada e se certificar que o equipamento está em condições seguras de funcionamento. Qualquer peça danificada deve ser substituída ou reparada adequadamente por um centro de serviço autorizado.

**SUBSTITUIÇÃO DA BARRA DE GUIA E CORRENTE DA SERRA**

Ver a página 271 - 272.

1. Certifique-se que remove a bateria. Use luvas de protecção.
2. Desaparafuse o manípulo tensor da corrente rodando-o no sentido contrário ao dos ponteiros do relógio até que a tampa da roda dentada se solte.
3. Remova a capa da roda dentada. Retire a lâmina e a

- corrente da unidade.
4. Para substituir a barra por uma barra nova, desmonte o parafuso do conjunto tensor da corrente. Monte o conjunto tensor da corrente na barra nova e dê aperto ao parafuso.
5. Coloque a nova corrente na direção correta na barra e certifique-se de que as ligações de transmissão estão alinhadas com a ranhura da barra.
6. Instale a barra na motosserra e enrole a corrente em torno da roda dentada motriz.
7. Volte a colocar a tampa da roda dentada.
8. Ajuste a tensão da corrente. Consulte a secção "Ajustar a tensão da corrente".

**⚠️ ADVERTÊNCIA**

Uma corrente embotada ou imprópria afiada pode causar excessiva velocidade do motor durante o corte, o que pode resultar em graves danos ao motor.

**⚠️ ADVERTÊNCIA**

Uma afiação inadequada da corrente aumenta o potencial de coice.

**⚠️ ADVERTÊNCIA**

A não substituição ou reparação de uma corrente danificada pode provocar ferimentos graves.

**⚠️ ADVERTÊNCIA**

A corrente da serra é muito afiada. Use sempre luvas de protecção quando realizar trabalhos de manutenção na corrente.

**INSPEÇÃO E LIMPEZA DO TRAVÃO DA CORRENTE**

Ver a página 274.

- Mantenha sempre o mecanismo de travagem da corrente limpo, escovando levemente a ligação mantendo-a sem sujidade.
- Teste sempre o desempenho do travão da corrente após a limpeza. Consulte a secção "Operação – Actuação do travão de corrente" mais atrás no presente manual para mais informações.

**CALENDRÁRIO DE MANUTENÇÃO**

Verificação diária	
Lubrificação da barra	Antes de cada uso
Tensão da corrente	Antes de cada utilização e frequentemente
Afiação da corrente	Antes de cada utilização, verificação visual
Por peças danificadas	Antes de cada uso
Por fixadores soltos	Antes de cada uso
Função de travagem da corrente	Antes de cada uso

Inspeccionar e Limpar:	
Barra	Antes de cada uso
Serra completa	após cada utilização
Travão da corrente	Cada 5 horas*

\*Horas de Funcionamento

## SÍMBOLOS NO PRODUTO



Aviso



Leia e compreenda todas as instruções antes de manipular o produto, respeite os alertas e as instruções de segurança.



Coloque proteção para olhos, ouvidos e cabeça.



Utilize calçado de segurança antideslizante quando utilizar este produto.



Use luvas de trabalho resistentes, antideslizantes.



Tenha cuidado com o ressalto da serra e evite o contacto com o extremo da barra.



Não o exponha à chuva ou a condições de humidade.



Segure e utilize a serra de corrente com ambas as mãos.



Não utilize a serra de corrente segurando-a com uma só mão.



Esta ferramenta obedece a todas as normas regulamentares do país da UE onde foi comprada.



Marca de conformidade EurAsian



Marca de conformidade ucraniana



Os aparelhos eléctricos antigos não devem ser eliminados juntamente com o lixo doméstico. Recicle onde existem instalações para o efeito. Verifique com as suas Autoridades Locais ou revendedor para obter informações sobre reciclagem.



O melhor nível de potência sonora é de 96 dB



Lubrificante para a barra e correia



Nível mínimo de lubrificante



Bloqueio



Abrir



Passa o travão da corrente para a posição de Trabalhar (RUN).



Gire para ajustar a tensão da corrente  
+ = Aperte a correia  
- = Desapertar a corrente



Passa o travão da corrente para a posição de Travão (BRAKE).



Direcção de movimento da corrente.  
(Marque debaixo da tampa do pinhão)

$V_0$  : 10 m/s

Velocidade da corrente sem carga:  
10 m/s

L max: 300mm

Comprimento máximo da barra guia:  
300 mm

## SÍMBOLOS NESTE MANUAL



As peças ou acessórios vendem-se separadamente



Nota



Aviso



Use proteção para os olhos e rosto.



Use proteção para a parte superior do corpo.



Use proteção para as pernas.



Pare o produto.

As seguintes palavras de sinal e significados destinam-se a explicar os níveis de risco associados a este produto.



**⚠ PERIGO**

Indica uma situação perigosa iminente, que, se não evitada, poderá resultar em morte ou ferimentos graves.

**⚠ ADVERTÊNCIA**

Indica uma situação potencialmente perigosa, que, se não evitada, poderá conduzir à morte ou graves lesões.

**⚠ ADVERTÊNCIA**

Indica uma situação potencialmente perigosa, que, se não evitada, poderá resultar em pequenas ou moderadas lesões.

**ADVERTÊNCIA**

Sem símbolo de alerta de segurança

Indica uma situação que pode resultar em danos de propriedade.

EN  
FR  
DE  
ES  
IT  
NL  
**PT**  
DA  
SV  
FI  
NO  
RU  
PL  
CS  
HU  
RO  
LV  
LT  
ET  
HR  
SL  
SK  
BG  
UK  
TR

130.com.ua



Ved udformningen af din ledningsfri kædesav har vi givet topprioritet til sikkerhed, ydelse og driftssikkerhed.

### TILTÆNKT ANVENDELSESFORMÅL

Den ledningsfri kædesav er kun beregnet til udendørsbrug. Af sikkerhedshensyn skal produktet altid kontrolleres omhyggeligt ved at fastholde det med begge hænder.

Produktet er beregnet til at save i grene, træstammer, kævlér og bjælker med en diameter, der bestemmes af sværdets savelængde. Den er kun beregnet til skæring i træ. Det må kun anvendes i husholdninger af voksne, der har modtaget behørig uddannelse i færemomenterne og de forebyggende foranstaltninger/tiltag, der skal træffes under brug.

Produktet må kun bruges til de ovennævnte formål. Det må ikke bruges til professionelt træarbejde. Produktet må ikke bruges af børn eller personer, som ikke bærer tilstrækkeligt med personlige værnemidler og -beklædning.

#### ⚠ ADVARSEL

Når produktet anvendes, skal sikkerhedsreglerne efterleves. Af hensyn til egen og andres sikkerhed skal man læse og forstå denne brugsanvisning, inden produktet anvendes. Du bør deltage i et professionelt organiseret sikkerhedskursus i brug, forebyggende foranstaltninger, førstehjælp og vedligeholdelse af kædesave. Disse sikkerhedsregler skal opbevares med henblik på senere brug.

#### ⚠ ADVARSEL

Kædesave er potentielt farlige værktøjer. Ulykker i forbindelse med brug af kædesave medfører ofte tab af lemme dele eller død. Det er ikke kun selve kædesaven, som er farlig. Nedfaldende grene, væltende træer, rullende træstammer kan alt sammen være dræbende. Dødt eller råddent træ udgør også færemomenter. Man skal vurdere, om man føler sig i stand til at fuldføre opgaven på sikker vis. Hvis der er den mindste tvivl, skal man overlade opgaven til en professionel trækirurg.

### GENERELLE SIKKERHEDSADVARSLER

#### ⚠ ADVARSEL

**Alle sikkerhedsadvarsler og alle anvisninger skal læses.** Manglende overholdelse af advarslerne og anvisningerne kan medføre elektrisk stød, brand og/eller alvorlige personskader.

**Gem vejledningen med advarsler og anvisninger til senere opslag.**

Med udtrykket "elværktøj" i advarslerne henvises til dit lysnet-drevne (via ledning) elværktøj eller batteridrevne (ledningsfri) elværktøj.

### ARBEJDSOMGIVELSER

■ **Hold arbejdsområdet rent og godt oplyst.** Rodede eller mørke områder inviterer til ulykker.

- **Brug ikke elværktøjer i eksplosive omgivelser som fx i nærheden af brandbar væske, gas eller støv.** Elværktøjer udløser gnister, som kan antænde støvet eller dampene.
- **Der må ikke være børn og tilskuere i nærheden, når et elværktøj anvendes.** Distractioner kan medføre, at du mister kontrollen.

### ELEKTRISK SIKKERHED

- **Elværktøjets elstik skal passe til elnetkontakten. Elstikket må aldrig modificeres på nogen som helst måde. Undlad brug af adapterstik til jordede (stelforbundne) elværktøjer.** Umodificerede elstik og passende elnetkontakter reducerer faren for elektrisk stød.
- **Undgå kropskontakt med jordede eller stelforbundne overflader som fx rør, radiatorer, komfurer og køleskabe.** Der er forøget risiko for elektrisk stød, hvis din krop er forbundet med jord eller stel.
- **Dette produkt må ikke udsættes for regn eller fugt.** Hvis der trænger vand ind i et elværktøj, øges faren for elektrisk stød.
- **Undlad at misbruge ledningen. Ledningen må aldrig bruges til at bære eller trække i elværktøjet eller til at trække stikket ud. Ledningen må ikke komme i nærheden af varme, olie, skarpe kanter eller bevægelige dele.** Beskadigede eller sammenfiltrede ledninger øger faren for elektrisk stød.
- **Når et elværktøj anvendes i det fri, skal der bruges en forlængerledning, der er egnet til udendørs brug.** Brug af ledninger beregnet til udendørs brug reducerer faren for elektrisk stød.
- **Hvis man er nødt til at bruge et elværktøj i fugtige omgivelser, skal strømforsyningen have en fejlstrømsafbryder (RCD-afbryder).** Brug af fejlstrømssikring reducerer faren for elektrisk stød.

### PERSONLIG SIKKERHED

- **Når man bruger et elværktøj, skal man være agtpågivende, iagttage hvad man gør og bruge sund fornuft. Undlad at bruge et elværktøj, hvis du er træt eller påvirket af narkotika, alkohol eller medikamenter.** Et øjeblikks uopmærksomhed under brug af motoriserede værktøjer kan medføre alvorlige personskader.
- **Brug personlige værnemidler. Brug altid øjenværn.** Værnemidler som fx støvmaske, skridfast sikkerheds fodtøj, hjelm eller høreværn anvendt korrekt i forhold til de givne forhold reducerer faren for personskader.
- **Forebyg utilsigtet start. Kontrollér, at kontakten er i pos. OFF (=slukket), inden værktøjet sluttes til strømkilde og/eller batteri, samles op eller bæres.** At bære elværktøjer med fingeren på kontakten eller at slutte strøm til elværktøjer med tændt kontakt er at invitere til ulykker.
- **Fjern evt. skruenøgler, inden der tændes for elværktøjet.** En efterladt skruenøgle fastgjort til en roterende del af elværktøjet kan medføre personskader.
- **Overstræk ikke. Sørg for altid at have godt fodfæste**





og god balance. Dette giver bedre kontrol over elværktøjet i uventede situationer.

- **Vær ordentligt klædt på. Bær ikke løftsiddende tøj eller smykker. Sørg for, at hår, tøj og handsker ikke kommer i nærheden af bevægelige dele.** Løstsiddende tøj, smykker eller langt hår kan hænge fast i bevægelige dele.
- **Hvis der findes anordninger for tilslutning af støvudsugnings- og -opsamlingsudstyr, skal disse tilsluttes og anvendes korrekt.** Brug af støvopsamling kan reducere støvrelaterede faremomenter.

## BRUG OG PLEJE AF ELVÆRKTØJ

- **Undlad at tvinge produktet. Brug elværktøjet til det tiltænkte anvendelsesformål.** Det korrekte elværktøj klarer opgaven bedre og sikrere med den hastighed, det er designet til.
- **Elværktøjet må ikke tages i brug, hvis TÆND/SLUK-kontakten ikke virker.** Et elværktøj, der ikke kan kontrolleres med TÆND/SLUK-kontakten, er farligt og skal repareres.
- **Inden udførelse af justeringer, udskiftning af tilbehør eller opbevaring af elværktøjer skal elstikket trækkes ud af elnetkontakten, og/eller batteriet skal tages ud af elværktøjet.** Disse forebyggende sikkerhedsforanstaltninger reducerer faren for utilsigtet start af elværktøjet.
- **Når elværktøjer ikke bruges, skal de opbevares utilgængeligt for børn; personer, som ikke er fortrolige med elværktøjet eller denne brugsanvisning, må ikke anvende elværktøjet.** Elværktøjer er farlige i hænderne på ukyndige brugere.
- **Elværktøjer skal vedligeholdes. Kontrollér, om der er forforket indjusterede eller forbundne bevægelige dele, afbrækkede dele samt andre tilstande, som kan påvirke elværktøjets funktionsmåde.** Hvis der konstateres skader, skal elværktøjet repareres inden brug. Mange ulykker skyldes dårligt vedligeholdte elværktøjer.
- **Skærende værktøjer skal holdes skarpe og rene.** Korrekt vedligeholdte skærende værktøjer med skarpe skær er mindre tilbøjelige til at binde/blokere og er lettere at kontrollere.
- **Brug elværktøjet, tilbehøret og værktøjs-bits osv. som foreskrevet i denne brugsanvisning, og tag højde for arbejdsforholdene og den aktuelle arbejdsopgave.** Brug af elværktøjet i strid med de tiltænkte anvendelsesformål kan medføre farlige situationer.

## BRUG OG PLEJE AF BATTERIVÆRKTØJ

- **Opladning må kun finde sted med den af producenten foreskrevne oplader.** En oplader, der er beregnet til én type batteri, kan udgøre en brandrisiko, hvis den bruges til en anden batteritype.
- **Brug kun elværktøjer sammen med specifikt godkendte batterier.** Brug af andre batterityper kan medføre fare for personskade og brand.
- **Når batteriet ikke bruges, må det ikke opbevares sammen med metalgenstande som fx papirclips, mønter, nøgler, søm, skruer eller andre**

**metalgenstande, som kan skabe forbindelse mellem batteriets poler.** Hvis batteriets poler kortsluttes, kan det forårsage forbrændinger eller ildebrand.

- **Hvis batteriet misbruges, kan der sprøjte væske ud af det; undgå kontakt med batterivæsken. Ved kontakt med batterivæsken skylles med vand. Hvis der kommer væske i øjnene, søges desuden læge.** Udsprøjt batterivæske kan forårsage irritation eller forbrændinger.

## VEDLIGEHOLDELSE

- **Sørg for, at elværktøjet serviceres af en kvalificeret reparatør, som kun benytter sig af originale reservedele.** Herved garanteres sikkerheden for elproduktet.

## YDERLIGERE GENERELLE SIKKERHEDSADVARSLER

- Nogle områder har regler, som begrænser brugen af produktet. Forhør dig hos de lokale myndigheder.
- Lad aldrig børn eller personer uden kendskab til brugsanvisningen bruge produktet. Lokale love kan have indflydelse på den tilladte bruger alder.
- Inden hver brug skal man kontrollere, at alle betjenings-elementer og alt sikkerhedsudstyr fungerer upåklageligt. Undlad at bruge produktet, hvis motoren ikke kan standses med "SLUK"-kontakten.
- Bær beskyttelsesbriller og høreværn, kraftige, solide støvler og handsker samt hovedbeskyttelse under anvendelsen af dette produkt. Anvend ansigtsmaske hvis det udførte arbejde støver meget.
- Vær opmærksom på, at høreværn begrænser evnen til at høre advarsler (alarmer eller råb). Operatøren skal være ekstra opmærksom på, hvad der sker i arbejdsområdet.
- Hold et godt fodfæste og balance. Overstræk ikke. Ved at læne sig for langt frem risikerer man at miste balancen og øge risikoen for tilbageslag ('kickback').
- Undlad at bære løstsiddende tøj, korte bukser eller smykker af enhver art.
- Langt hår skal bindes op over skulderniveau, så det ikke risikerer at vikle sig ind i bevægelige dele.
- Pas på udslyngede, flyvende eller faldende objekter. Tilskuere, børn og kæledyr skal have en sikkerhedsafstand på mindst 15 m til arbejdsområdet.
- Må ikke anvendes under dårlige lysforhold. Operatøren skal have tydeligt overblik over arbejdsområdet, så han/hun kan identificere evt. faremomenter.
- Brug af lignende værktøjer i nærheden øger både risikoen for høreskader og for, at uvedkommende personer kommer ind i dit arbejdsområde.
- Hold alle legemsdele på afstand af alle bevægelige dele.
- Husk altid at inspicere maskinen inden brug. Kontrollér, at alle betjenings-elementer inkl. kædebremsen fungerer fejlfrit. Kontrollér for løse fastgørelses-elementer og at alle skærme og håndtag er fastgjort ordentligt og sikkert. Udskift evt. beskadede dele inden brug.
- Undgå at ændre ved maskinen på nogen som helst måde eller at bruge dele og tilbehør, som ikke anbefales af producenten.





### ⚠ ADVARSEL

Hvis produktet tabes, udsættes for stød eller begynder at vibrere unormalt, skal man omgående stoppe det og inspicere det for skader eller lokalisere årsagen til vibrationen. Enhver beskadiget del skal repareres ordentligt eller udskiftes på et autoriseret servicecenter.

### SIKKERHEDSADVARSLER VEDR KÆDESAV.

- **Hold alle legemsdele på afstand af kæden under brug af kædesaven. Inden man starter kædesaven, skal man sikre sig, at kæden ikke er i kontakt med noget.** Et øjeblik opmærksomhed under brug af kædesaven kan bevirke, at tøj eller legemsdele filtreres sammen med kædesaven.
- **Hold altid kædesaven med højre hånd på det bageste håndtag og venstre hånd på det forreste håndtag.** Hvis man holder kædesaven omvendt, øges risikoen for personskade, hvorfor man aldrig bør gøre dette.
- **Elværktøjet må kun fastholdes i den isolerede gribefflade, da kædesaven kan komme i kontakt med skjulte ledninger.** Savkæder, som kommer i kontakt med en strømførende ledning, kan gøre udsatte metaldele på elværktøjet strømførende og give operatøren elektrisk stød.
- **Benyt sikkerhedsbriller og høreværn.** Det anbefales, at man benytter yderligere værnemidler for hoved, hænder, ben og fødder. Passende beskyttelsestøj vil reducere personskader som følge af flyvende affaldsstykker eller utilsigtet kontakt med savkæden.
- **Undlad at benytte en kædesav oppe i et træ.** Brug af en kædesav oppe i et træ kan medføre personskader.
- **Sørg altid for at have godt fodfæste, og benyt kun saven, når du står på en fast, sikker og plan overflade.** Glatte eller ustabile overflader som fx stiger kan bevirke, at man mister balancen eller kontrollen med kædesaven.
- **Når der saves i en gren, der er under spænding, skal man være opmærksom på tilbagespring.** Når spændingen i træfibrene frigøres, risikerer man, at den fjederbelastede gren rammer operatøren, og/eller at kædesaven kommer ud af kontrol.
- **Vær ekstremt forsigtig ved savning af buske og unge træer.** Det slanke materiale kan sætte sig fast i savkæden og blive pisket ind mod dig eller trække dig ud af balance.
- **Kædesaven skal bæres i det forreste håndtag, mens den er slukket, og holdes ud fra kroppen.** Når man transporterer eller opbevarer kædesaven, skal man altid montere sværdsleden. Korrekt håndtering af kædesaven vil reducere sandsynligheden for utilsigtet kontakt med den bevægelige savkæde.
- **Følg vejledningen for smøring, kædestramning og udskiftningstilbehør.** En forkert spændt eller smurt kæde kan enten knække eller øge risikoen for tilbageslag ('kickback').
- **Hold håndtagene tørre, rene og fri for olie og fedt.**

Fedtede og oliebelagte håndtag er glatte og kan bevirke, at mister kontrollen.

- **Der må kun saves i træ. Undlad at bruge kædesaven til formål, den ikke er beregnet til. Undlad fx at bruge kædesaven til at save i plast, murværk eller byggematerialer, der ikke består af træ.** Brug af kædesaven i strid med det tiltænkte anvendelsesformål kan medføre farlige situationer.

### Årsager til og operatør-forestillinger mod tilbageslag ('kickback'):

Tilbageslag kan forekomme, hvis sværdspidsen rammer en fast overflade, eller hvis savkæden kommer i klemme i træet og sidder fast i snittet.

Sværdspids-kontakt kan i visse tilfælde forårsage en pludselig modsat reaktion og kaste sværdet op og ind mod operatøren.

Hvis savkæden blokeres langs toppen af sværdet, risikerer man, at sværdet presses hurtigt tilbage mod operatøren.

Begge disse reaktioner kan medføre, at man mister kontrollen over redskabet og føre til alvorlige ulykker, der kan være livsfarlige. MAN MÅ IKKE udelukkende forlade sig på motorsavens indbyggede sikkerhedsanordninger. Som motorsavsbruger bør man overholde nogle bestemte forholdsregler for at minimere ulykkesrisikoen.

Tilbageslag ('kickback') er resultatet af forkert brug af værktøjet og/eller forkerte arbejdsmetoder eller -forhold og kan undgås ved at træffe nedenstående forholdsregler:

- **Bevar et fast greb, med tommelfingre og øvrige fingre omkring kædesavens håndtag, med begge hænder på saven, og placér kroppen og armen på en sådan måde, så du kan modstå tilbageslagskræfterne.** Tilbageslagskræfter kan kontrolleres af operatøren, hvis der træffes de rigtige forholdsregler. Undlad at slippe kædesaven.
- **Undgå at læne dig for langt frem eller save over skulderhøjde.** Dette hjælper dig med at undgå utilsigtet sværdspids-kontakt og giver dig bedre kontrol med kædesaven i uventede situationer.
- **Brug kun de typer reservesværd og -kæder, der er foreskrevet af producenten.** Ikke-godkendte reservesværd og -kæder kan forårsage kædebrud og/eller tilbageslag ('kickback').
- **Følg kædeproducentens anvisninger for filing og justering af kæden.** Reduktion af dybdeindstillingen kan medføre øget tilbageslag ('kickback').

### EKSTRA SIKKERHEDSADVARSLER VEDR. KÆDESÅVEN

- Det anbefales, at man saver kævlér på en savbuk eller i en holder, når man bruger produktet for første gang.
- Sørg for, at alle afskærmninger, håndtag og barkstøtte er korrekt monteret og i god stand.
- Personer, som benytter denne kædesav, skal være sunde og raske. Produktet er tungt, hvorfor operatøren skal være i god fysisk form. Operatøren bør være opmærksom, have et godt syn, mobilitet, balance og godt håndelag. Hvis der er den mindste tvivl, skal man undlade at bruge kædesaven.



EN
FR
DE
ES
IT
NL
PT
<b>DA</b>
SV
FI
NO
RU
PL
CS
HU
RO
LV
LT
ET
HR
SL
SK
BG
UK
TR

- Undlad at bruge produktet, før du har et ryddet arbejdsområde, et sikkert fodfæste og en planlagt flugtvej fra det faldende træ.
- Pas på udledningen af smøremiddelåge og savsmuld. Benyt evt. maske eller åndedrætsværn.
- Undgå at save i vinstokke og/eller lav underskov (mindre end 75 mm i diameter).
- Hold altid kædesaven fast med begge hænder under arbejdet. Sørg for, at fingrene omslutter håndtagene helt. Højre hånd skal være på bageste håndtag og venstre hånd på forreste håndtag.
- Inden man starter værktøjet, skal man sikre sig, at savkæden ikke er i kontakt med noget.
- Man må ikke ændre værktøjet på nogen måde eller bruge det til at drive evt. tilbehørsdele eller enheder, der ikke er anbefalet af producenten til brug med saven.
- Der bør være en førstehjælpskasse med store bandager og et middel til at tilkalde opmærksomhed (fx fløjte) tæt ved operatøren. Et større og mere omfattende sæt bør være inden for rimelig rækkevidde.
- Operatøren kan måske blive fristet til at aftage hjelmen, hvis der ikke er fare for nedfaldende genstande i arbejdsområdet; men husk på, at hjelmen, især med visirmaske, kan bidrage til at mindske risikoen for skader i ansigt og hoved i tilfælde af tilbageslag ('kickback').
- En forkert spændt kæde kan springe af sværdet og medføre alvorlige personskader eller dødsfald. Kædens længde afhænger af temperaturen. Kædens spænding skal kontrolleres hyppigt.
- Man skal gøre sig fortrolig med sin nye kædesav ved at foretage simple snit i sikkert fastspændt træ. Dette skal gøres, når man ikke har brugt saven i nogen tid.
- For at mindske risikoen for skader i forbindelse med kontakt med bevægelige dele skal man altid stoppe motoren, aktivere kædebremsen, fjerne batteriet og sørge for, at alle bevægelige dele er fuldstændigt stoppet, inden:
  - rengøre eller fjerne en blokering
  - at efterlade produktet uden opsyn
  - installation og fjernelse af tilbehørsdele
  - kontrollerer, vedligeholder eller foretager arbejde på maskinen
- Størrelsen af "arbejdsstedet" afhænger af, hvilken opgave der udføres, og af det pågældende træes eller træstykkets størrelse. Fx kræver fældning af et træ et større arbejdsområde, end når man foretager andre savesnit, dvs. savbuksnit o.lign. Operatøren skal være bevidst om og have kontrol med alt, hvad der sker i arbejdsområdet.
- Undgå at save med kroppen i lige linje med sværdet og kæden. Hvis man kommer ud for tilbageslag ('kickback'), vil dette bidrage til at forebygge, at kæden kommer i kontakt med ens hoved eller krop.
- Undgå at bruge frem- og tilbagegående savebevægelser; lad kæden gøre arbejdet, hold kæden skarp, og forsøg ikke at presse den gennem snittet.
- Undlad at tynde saven nedad i slutningen af snittet.

Vær parat til at holde savens vægt, når den saver sig gennem træet. Manglende overholdelse af denne anvisning kan medføre alvorlige personskader.

- Undgå at stoppe saven i midten af en saveoperation. Hold saven kørende, til den er taget ud af saverillen.

### Skub og træk

Motorsaven vil altid trække modsat kædens omdrejningsretning. Dermed skal operatøren være parat til at styre maskinens tendens til at trække sig væk (fremad), når der saves på sværdets underkant, og til at skubbe sig bagud (mod operatøren), når der saves på overkanten.

### Sav har sat sig fast i saverillen.

Stop kædesaven, og gør den sikker. Man skal undgå at tvinge kæden og sværdet ud af saverillen, da man herved risikerer at knække kæden, som så kan slå tilbage og ramme operatøren. Denne situation opstår normalt, fordi træet er forkert understøttet og tvinger saverillen til at lukke under sammenpresning og derved fastklemme klingens. Hvis man ikke kan løsne sværdet og kæden ved at justere understøttelsen, kan man bruge trækiler eller en løftestang til at åbne saverillen og frigøre saven. Forsøg aldrig at starte kædesaven, når sværdet allerede befinder sig i en saverille eller -fuge.

### Personlige værnemidler

Personlige værnemidler af god kvalitet, som anvendes af professionelle, bidrager til at mindske risikoen for personskader på operatøren. Man bør benytte følgende udstyr, når man arbejder med en kædesav:

#### Sikkerhedshjelm

- skal opfylde kravene iht. EN 397 og skal være CE-mærket

#### Høreværn

- skal opfylde kravene iht EN 352-1 og skal være CE-mærket

#### Øjen- og ansigtsværn

- skal være CE-mærket og opfylde EN 166 (for sikkerhedsbriller) eller EN 1731 (for visirmasker)

#### Handsker

- skal opfylde kravene iht. EN381-7 og skal være CE-mærket

#### Benværn (chaps)

- skal opfylde EN381-5, være CE-mærket og yde allround-beskyttelse.

#### Sikkerhedsstøvler til kædesave

- skal opfylde EN ISO 20345:2004 og være mærket med et emblem, der forestiller en kædesav og indikerer opfyldelse af EN 381-3. (Lejlighedsvis brugere kan anvende sikkerhedsstøvler med stål-tåkappe sammen med beskyttende gamacher, som opfylder EN 381-9, hvis underlaget er plant, og der er lille risiko for at snuble eller hænge fast i bundvegetationen)

#### Kædesavsjakker til beskyttelse af overkroppen

- skal opfylde kravene iht EN 381-11 og skal være CE-mærket





## VEJLEDNING VEDR. KORREKT TEKNIK TIL GRUNDLÆGGENDE FÆLDNING, AFGRENING OG TVÆRSAVNING

### Forståelse af kræfterne i træet

Når man forstår de retningsbestemte trykkræfter og belastninger inde i træet, kan man begrænse "fastklemningerne" eller i det mindste være forbredt på dem under savearbejdet. Spændinger i træet betyder, at fibre trækkes fra hinanden, og hvis man saver i dette område, vil "saverillen" eller snittet være tilbøjelig til at åbne sig, når saven går igennem. Hvis en kævle understøttes på en savbuk, og enden rager ud over enden uden understøttelse, og der derefter genereres spænding på den øverste overflade som følge af vægten af den overhængende kævle, vil fibre blive strukket. På samme måde vil kævlens underside blive sammenpresset, så fibre presses sammen. Hvis der foretages et snit i dette område, vil saverillen have tendens til at lukke sig sammen under savningen. Herved vil klingens fastklemning.

### Fældning af et træ

Se side 267 - 268.

Når der udføres afkørnings- og fældningsarbejde af to eller flere personer på samme tid, skal fældningsarbejdet adskilles fra afkørningsarbejdet med en afstand på mindst to gange højden af det træ, der skal fældes. Træer må ikke fældes på en måde, som kan bringe personer i fare, ramme forsyningslinjer eller forårsage materielle skader. Hvis træet berører en forsyningslinje, skal det pågældende selskab underrettes øjeblikkeligt.

Når man fælder et træ på en skråning, skal man stille sig på den højestliggende side af træet, der sandsynligvis vil rulle eller skride ned af bakke, når det er fældet.

Der skal planlægges og ryddes en flugtvej, inden savningen påbegyndes. Flugtvejen skal forløbe bag ved og diagonalt på bagsiden af den forventede faldlinje.

Før fældningen påbegyndes, skal man tage bestik af træets naturlige hældning, placeringen af større grene samt vindretningen for at vurdere, hvilken vej træet vil falde.

Fjern snavs, sten, løs bark, søm, hæfteklammer og wire fra træet.

Forsøg ikke at fælde træer, som er rådne eller er blevet beskadiget af vind, brand, lynnedslag osv. Dette er ekstremt farligt og bør kun udføres af professionelle trækirurger.

#### 1. Fremstilling af forhug

Se side 267 - 268.

Lav forhugget over 1/3 af træets diameter, retvinklet på faldretningen. Lav først det nederste horisontale forhug. Dette vil hjælpe med at undgå fastklemning af enten savkæden eller sværdet, når man laver det andet forhug.

#### 2. Fældnings-baghug

Se side 267 - 268.

Lav fældnings-baghugget mindst 50 mm højere end det horisontale forhug. Sørg for, at fældnings-baghugget er parallelt med det horisontale forhug. Lav fældnings-baghugget således, at der er nok træ tilbage til, at det kan fungere som et hængsel. Hængseltræet forhindrer træet i at vride sig og falde i den forkerte retning. Undgå at save gennem hængslet.

I takt med at fældningen kommer tæt på hængslet, bør træet begynde at falde. Hvis der er nogen som helst risiko for, at træet ikke falder i den ønskede retning, eller at det vipper bagud og binder savkæden, skal man stoppe med at save, inden fældningsnittet er færdigt, og i stedet bruge kiler af træ, plast eller aluminium til at åbne snittet og få træet til at falde langs den ønskede faldlinje.

Når træet begynder at falde, fjerner man kædesaven fra snittet, stopper motoren, sætter kædesaven ned, og benytter derefter den planlagte flugtvej. Vær opmærksom på nedfaldende grene, og hold øje med, hvor du træder.

### Fjerning af brætrødder

Se side 268.

En brætrod er en af de store rødder, der stikker ud fra træstammen over jorden. De store brætrødder skal saves over, inden træet fældes. Sav først vandret ind og derefter lodret ned i hver brætrod. De opståede, løse rodstykker skal fjernes fra arbejdsområdet. Begynd derefter at fælde træet med brug af korrekt arbejdsteknik.

### Afkortning af en stamme

Se side 269.

Med afkortning menes opskæring af en stamme i kortere længder. Det er vigtigt at sikre sig, at man har et solidt fodfæste, og at ens vægt er jævnt fordelt på begge fødder. Stammen bør så vidt muligt løftes og understøttes ved hjælp af grene, kævler eller klodser. Følg den enkle vejledning for nem savning. Når stammen er understøttet over hele længden, saver man den fra oversiden.

Når stammen er understøttet i den ene ende, saver man 1/3 diameter fra undersiden af stammen. Man afslutter derefter snittet via savning ovenfra ned til det første snit.

Når stammen er understøttet i begge ender, saver man 1/3 diameter fra oversiden af stammen. Man afslutter derefter snittet ved at save de nederste 2/3 nedefra op til det første snit.

Ved afkortning af en stamme, der ligger på en skråning, skal man altid stå på siden oven for stammen. Når man "saver igennem", skal man - for at bevare den fulde kontrol - lette savetrykket nær slutningen af snittet, men uden at slippe grebet om kædesavens håndtag. Undlad at lade kæden røre ved jorden. Efter et udført snit skal man vente, til savkæden stopper, inden man atter bevæger kædesaven. Man skal altid stoppe motoren, inden man går fra træ til træ.

### Afgrening af et træ

Se side 270.

Med afgrening menes afsavning af grene fra et fældet træ. Under afgreningen skal man lade de nederste større grene sidde, så stammen holdes oppe fra jorden. Fjern de små grene i ét snit. Grene under spænding skal afsaves nedefra for at undgå, at kædesaven sætter sig fast.

### Fjederpæl

Se side 270.

"Træ i spænd" kan være alle slags stamme- og grenstykker, stubbe på rødder eller ungtræer, der er bragt i spænd under





vægten af et andet træ(stykke), og som vil springe tilbage i den oprindelige stilling, hvis man fælder eller fjerner det træ, der tynger.

Når man laver det sidste snit, inden et fældet træ vælter, vil stubben på rødder sandsynligvis springe tilbage i lodret stilling. Vær på vagt over for træstammer mv. i spænd – de er farlige!

#### ADVARSEL

Træstammer mv., der står i spænd, er farlige, fordi man risikerer at blive ramt af dem og miste kontrollen over motorsaven. Dette kan medføre alvorlige ulykker, der kan være livsfarlige. Dette må kun gøres af øvede brugere.

### UUNDGÅELIGE RISICI

Selv om produktet anvendes som foreskrevet, er det stadig umuligt at eliminere visse uundgåelige risikofaktorer fuldstændigt. Følgende risici kan opstå under brug, og operatøren bør være særligt opmærksom for at undgå følgende:

- Personskader forårsaget af vibration
  - Brug altid det rigtige værktøj i forhold til arbejdsopgaven, benyt de hertil indrettede håndtag, og sørg for at begrænse arbejds- og eksponeringstiden.
- Eksponering for støj kan medføre høreskader.
  - Benyt høreværn, og begræns eksponering
- Fare for personskade som følge af kontakt med blottede kædetænder
- Fare for personskade pga. udslyngede emne dele (træspåner og splinter)
- Personskade som følge af inhalering af støv og partikler
- Fare for personskade pga. hudkontakt med smøremiddel eller olie
- Dele udslyngt fra savkæden (fare for skæring/ injektion)
- Uforudsete, pludselige bevægelser eller tilbageslag ('kickback') af styresværdet (fare for skæring).

### RISIKOREDUKTION

Der er rapporteret om, at vibrationer fra håndholdte værktøjer kan være medvirkende til en lidelse kaldet Raynauds syndrom hos visse personer. Symptomerne herpå kan være prikken, følelsesløshed og blegning af fingrene, der normalt viser sig ved kuldepåvirkning. Faktorer som arvelighed, udsættelse for kulde og fugt, kost, rygning og arbejdsvaner menes alle at medvirke til udviklingen af disse symptomer. Der findes forholdsregler, som operatøren kan træffe for at begrænse påvirkningen fra vibrationer:

- Hold kroppen varm i koldt vejr. Brug handsker, så hænder og vriste holdes varme under arbejdet. Der er rapporteret om, at koldt vejr er en væsentlig faktor til Raynauds syndrom.
- Motionér efter hver arbejdsperiode for at øge blodcirkulationen.

- Hold hyppige arbejdspauser. Begræns eksponeringen for vibrationer pr. dag.
- Beskyttelseshandsker fra professionelle kædesavsforhandlere er designet specielt til kædesavsbrug og yder beskyttelse, godt greb og formindsker desuden effekten af håndtagenes vibrationer. Disse skal opfylde EN381-7 og skal være CE-mærket.

Hvis du mærker nogen af symptomerne på denne tilstand, skal du straks ophøre med arbejdet og søge læge.

#### ADVARSEL

Længere tids brug af et værktøj kan forårsage - eller forværre - personskader. Når man bruger et værktøj i længere perioder ad gangen, skal man huske at holde hyppige pauser.

### KEND PRODUKTET

Se side 261.

1. Forreste håndskærm/kædebremse
2. Forhåndtag
3. Baghåndtag
4. Kæde
5. Sværd
6. Bumper spike
7. Kædeolie-dæksel
8. Gashåndtagets udløserknop
9. Kontaktudløser
10. Kædehjulsskærm
11. Justeringsring til kædestrammer
12. Kædestrammeknap
13. Sværdskede
14. Fangetag

### SIKKERHEDSUDSTYR

#### Sikkerhedskæde (lav tilbageslags-effekt)

En low-kickback-savkæde bidrager til at reducere risikoen for tilbageslag ('kickback').

Rytterne (dybdestop), der sidder foran hver af savtænderne, kan mindske tilbageslagseffekten, idet de forhindrer savtænderne i at skære for dybt i det farlige område øverst på sværdspiden. Brug kun de kombinationer af reservesværd og -kæder, der er foreskrevet af producenten. Man skal være ekstra påpasselig med kæder, der er blevet fileet, da disse har mistet en del af deres evne til at modvirke tilbageslag. Af sikkerhedshensyn skal savkæder udskiftes, så snart deres ydelse aftager.

#### Bumper spike

Den integrerede "bumper spike" (spids stop til at holde saven stabil ved træ) kan bruges som drejetap, når der skæres. Dette bidrager til at holde selve kædesaven stabil under arbejdet. Når man saver, skal man skubbe maskinen fremad, indtil tænderne griber ind i kanten af træet, og dernæst bevæge det bageste håndtag op eller ned i retning af skærelinjen for at begrænse den fysiske anstrengelse ved savningen.





## Sværdtyper

Generelt har styresværd med tyndere spids lavere tendens til tilbageslag ("kickback") Man bør bruge et sværd og en tilhørende kæde, som lige netop er lang nok til den pågældende arbejdsopgave. Længere svær øger risikoen for at miste kontrollen under savningen. Man skal kontrollere kædespændingen med jævne mellemrum. Når man saver mindre grene (mindre end sværdets fulde længde), er kæden mere tilbøjelig til at springe af, hvis den ikke er korrekt spændt.

## Kædebremse

Kædebremsen er beregnet til at standse kæden hurtigt, når gashåndtaget slippes. Når kædebremsegreb/-håndskærm skubbes fremad mod sværdet, skal kæden standse øjeblikkeligt. Kædebremsen forhindrer ikke tilbageslag. Dette reducerer kun risikoen for personskader, hvis sværdet skulle komme i kontakt med operatørens krop i tilfælde af et tilbageslag ("kickback"). Kædebremsen skal funktionstestes inden hver brug i både drifts- og bremseposition.

## Fangetap

En kædefanger forhindrer savkæden i at blive slynget tilbage mod brugeren, hvis savkæden bliver løs eller knækker.

## MONTERING

### ⚠ ADVARSEL

Hvis dele enten er beskadiget eller mangler, så anvend ikke produktet før disse dele er udskiftet. Manglende overholdelse af denne advarsel kan medføre alvorlig personskade.

## MONTERING AF SAVKÆDE OG SVÆRD

Se side 262 - 263.

1. Husk at tage batteriet ud af enheden. Benyt beskyttelseshandsker.
2. Skru kædespændeknappen af, og fjern kædehjulsdækslet.
3. Savkæden skal vende i kædens rotationsretning. Hvis de peger i forkert retning, skal kædeløkken vendes om.
4. Anbring kædestyreleddene i sværdrillen.
5. Anbring kæden, så der dannes en løkke bag på sværdet.
6. Hold kæden fast på sværdet, og anbring løkken omkring drivkædehjulet. Sænk sværdet således, at bolten går gennem hullet i det påmonterede kædestrammemodul. Det kan være nødvendigt at dreje dette modul, for at få bolten til at passe til hullet. Man kan evt. dreje dette modul igen for at øge spændingen af kæden, så den bedre holdes på plads.
7. Genmonter kædehjulsdækslet, og spænd kædestrammerknappen næsten helt til; drej kædestrammejusteringsringen, indtil savkæden er korrekt spændt. Sværdet skal da presses opad. Kontrollér kædespændingen igen. Undgå at stramme kæden for hårdt.
8. Når kæden er ordentligt spændt, spændes knappen til.

## JUSTERING AF KÆDESTRAMNING

Se side 263. Se side 273.

1. Løsn kædestrammeknappen ved at dreje den imod uret.
2. Man øger kædestramningen ved at dreje kædespændejusteringsringen i urets retning og kontrollere kædespændingen hyppigt. Man reducerer kædestramningen ved at dreje kædespændejusteringsringen imod urets retning og kontrollere kædespændingen hyppigt.
3. Kædespændingen er korrekt, når mellemrummet mellem skæret i kæden og sværdet ligger mellem 3 og 4 mm. Træk ud i kæden midt på undersiden af sværdet (væk fra sværdet), og mål afstanden mellem sværdet og kædens skæretænd.
4. Spænd kædestrammeknappen til ved at dreje den i urets retning.

## VEKSELSTRØM

## PÅFØRING AF KÆDESMØREOLIE

Se side 262.

### ⚠ ADVARSEL

Man må aldrig arbejde uden kædesmøring. Hvis savkæden kører uden smøremiddel, risikerer man at ødelægge sværd og savkæde. Det er derfor vigtigt at kontrollere oliestanden i oliestandsmåleren ofte, og altid inden man begynder at bruge kædesaven.

1. Rens overfladen omkring oliedækslet for at forhindre forurening.
2. Løsn og fjern dækslet fra olietanken.
3. Hæld olie i olietanken, og hold øje med oliestandsmåleren. Sørg for, at der ikke kommer snavs i olietanken under påfyldningen.
4. Påsæt oliedækslet igen, og spænd det fast. Evt. spildt olie tørres af.
5. På en fuld olietank kan man benytte saven i 20-40 minutter.

## Anbefalet kædesmøreolie

- Producenten anbefaler, at man kun bruger Ryobi's egen kædesavsmøreolie. (Fås på autoriserede Ryobi-servicecentre)

## INSTALLERING AF BATTERI

Se side 263.

1. Anbring batterienheden på redskabet. Sørg for, at kilerne på batteriet går ind i kilesporene i produktets batteri-indgang.
2. Sørg for, at palerne på batteriet klikker på plads, og at batteriet sidder fast i produktet, før det tages i brug.

## FASTHOLDNING AF KÆDESAVEN

Se side 263.

Hold altid kædesaven med højre hånd på det bageste håndtag og venstre hånd på det forreste håndtag. Grib om begge håndtag, så tommelfingeren og de øvrige fingre omslutter håndtaget. Sørg for, at venstre hånd holder om forhåndtaget, således at tommelfingeren vender nedad.







## START AF KÆDESAVEN

Se side 263.

1. Inden ibrugtagning skal man indsætte batteriet i maskinen og sikre sig, at kædebremsen er i driftsposition ved at trække kædebremsegrebet/håndtaget ind mod det forreste håndtag.
2. Man starter maskinen ved at tryk på udløseren til aftrækkeren, og tryk derefter afbryderudløseren.

## KONTROL OG BETJENING AF KÆDEBREMSE

1. Man aktiverer kædebremsen ved at dreje venstre hånd omkring det forreste håndtag. Med bagsiden af hånden presser man kædebremsehåndtaget/håndbeskyttelsen ind mod sværdet, mens kæden roterer hurtigt. Husk altid at holde begge hænder på savens håndtag.
2. Sæt kædebremsen tilbage i pos. Run (=Kør) ved at tage fat i det øverste af kædebremsehåndtaget/håndbeskyttelsen og trække det i retning mod forhåndtaget, til der høres et klik.

### ⚠ ADVARSEL

Hvis kæde bremsen ikke stopper kæden med det samme, eller hvis kæde bremsen ikke vil blive i køre stillingen uden hjælp, tage saven til en autoriseret service agent for reparation før brug.

## TRANSPORT OG OPBEVARING

Se side 275 - 276.

- Stop produktet, fjern batteriet, og lad det køle af inden opbevaring eller transport.
- Afrens alle fremmedlegemer fra produktet. Opbevar den på et køligt, tørt og godt ventileret sted utilgængeligt for børn. Opbevar motorsaven på afstand af ætsende midler som f.eks. havekemikalier og optøningsalt. Må ikke opbevares udendørs.
- Montér sværdsmeden inden opbevaring eller transport af enheden.
- Til transport skal man sikre produktet, så den ikke kan bevæge sig eller vælte; dette for at forebygge personskader eller skader på produktet.

## VEDLIGEHOLDELSE

### ⚠ ADVARSEL

Brug kun originale reservedele, ekstraudstyr og tilbehør fra producenten. I modsat fald er der fare for personskader, dårlig maskindrykning og annullering af garantien.

### ⚠ ADVARSEL

Vedligeholdelse kræver stor omhyggelighed og viden og kun bør udføres af en kvalificeret tekniker. Servicering af produktet skal ske på et autoriseret servicecenter. Brug kun originale reservedele fra maskinproducenten i forbindelse med servicearbejde.

### ⚠ ADVARSEL

Husk at fjerne batteriet inden justering, vedligeholdelse eller rengøring. Gør man ikke det, er der fare for alvorlige personskader.

- Man kan selv foretage de justeringer eller reparationer, der er beskrevet i denne brugsanvisning. For andre reparationer eller råd skal man søge assistance på et autoriseret servicecenter.
- Konsekvenser af forkert vedligeholdelse kan være, at kædebremsen og andre sikkerhedsanordninger ikke fungerer rigtigt, hvilket øger potentialet for alvorlige personskader. Sørg for at vedligeholde kædesaven professionelt og sikkert.
- Sikker opslibning af kæden kræver specialviden. Derfor anbefaler producenten på det kraftigste, at en slidt eller uskarp kæde udskiftes med en ny, der fås på autoriserede Ryobi-servicecentre. Reservodelsnummeret fremgår af produktspecifikationstabellen i denne brugsanvisning.
- Følg vejledningen i smøring og kontrol/justering af kædespænding.
- Produktet skal rengøres med en blød klud efter hver brug.
- Tjek ofte alle møtrikker, bolte og skruer om de sidder godt fast og sørg for at græsslāmaskinen fungerer ordentligt. Enhver del, som bliver beskadiget, skal repareres ordentligt eller udskiftes på et autoriseret servicecenter.

## UDSKIFTNING AF SVÆRD OG SAVKÆDE

Se side 271 - 272.

1. Husk af udtage batteriet. Benyt beskyttelseshandsker.
2. Løsn kædespændeknappen ved at dreje den imod uret, til kædehjulsdækslet løsnes.
3. Fjern kædehjulsdækslet. Fjern sværdet og savkæden fra enheden.
4. For at udskifte savsværdet med et nyt skal du fjerne skruen til kædestrammerenheden. Sæt kædestrammerenheden på det nye sværd, og stram skruen.
5. Montér den nye kæde i den rigtige retning på sværdet, og sørg for, at styreleddene indjusteres i sværdillen.
6. Fastgør sværdet til kædesaven, og sæt kæden på drivkædehjulet
7. Udskift kædehjulsdækslet.
8. Justér kædespændingen. Se afsnittet "Justering af kædespænding".

### ⚠ ADVARSEL

En uskarp eller forkert opsløbet kæde kan forårsage meget høj motorhastighed under savningen, hvilket kan medføre alvorlige motorskader.

### ⚠ ADVARSEL

Forkert kædefilling øger risikoen for tilbageslag.

EN  
FR  
DE  
ES  
IT  
NL  
PT  
DA  
SV  
FI  
NO  
RU  
PL  
CS  
HU  
RO  
LV  
LT  
ET  
HR  
SL  
SK  
BG  
UK  
TR





### ⚠ ADVARSEL

Ved at arbejde videre med en beskadiget kæde udsætter man sig for alvorlig ulykkesrisiko.

### ⚠ ADVARSEL

Savkæden er meget skarp. Brug altid arbejdshandsker, når der udføres vedligeholdelse på kæden.

## INSPEKTION OG RENGØRING AF KÆDEBREMSEN

Se side 274.

- Kædebremsens mekanisme skal altid holdes ren ved at børste den fri for snavs.
- Man skal altid funktionsteste bremsen efter rengøring. Se "Betjening - kontrol og betjening af kædebremse" tidligere i denne brugsanvisning for yderligere information.

## VEDLIGEHOLDELSESOVERSIGT

Daglig kontrol	
Stangsmøring	Inden hver brug
Kædespænding	Inden hver brug - og hyppigt
Kædeskarphed	Inden hver brug, visuel kontrol
For beskadigede dele	Inden hver brug
For løse spænder	Inden hver brug
Kædebremsefunktion	Inden hver brug
Kontroller og rengør	
Sværd	Inden hver brug
Hele saven	Efter hvert brug
Kædebremse	Hver 5. time*

\*Driftstimer

## SYMBOLER PÅ PRODUKTET



Sikkerheds Varsel



Alle vejledninger skal læses og forstås, inden produktet benyttes; følg alle advarsler og sikkerhedsinstrukser.



Benyt øjen-, høre- og hovedværn.



Benyt skridsikkert sikkerhedsfodtøj, når produktet anvendes.



Brug friktionsfri, kraftige handsker.



Pas på tilbageslag ("kickback") fra kædesaven, og undgå kontakt med sværdspiden.



Må ikke udsættes for regn eller bruges på fugtige steder.



Hold og styr motorsaven med begge hænder.



Anvend aldrig motorsaven med kun én hånd.



Dette redskab overholder alle lovkraft og standarder i det EU-land, hvor det er købt.



EurAsian overensstemmelsesmærke



Ukrainsk overensstemmelsesmærke



Elektriske affaldsprodukter bør ikke afskaffes sammen med husholdningsaffald. Genbrug venligst hvor faciliteterne tillader dette.



Tjek med din lokale kommune eller forhandler for genbrugsråd.



Det garanterede lydeffektniveau er 96 dB.



Sværd- og kædesmørelie



Minimal smøremiddelstand



Lås



Oplås



Sæt kædebremsen i ARBEJDSSTILLING (RUN).



Roterer for at justere kædespændingen  
+ = Stram kæden  
- = Løsn kæden



Sæt kædebremsen i BREMSESTILLING (BRAKE).



Kædens bevægelsesretning.  
(Markeret under kædehjulsdækslet)

$V_0$  : 10 m/s Tomgangs-kædehastighed: 10 m/s

L max: 300mm Maksimal sværdlængde: 300 mm

## SYMBOLER I DENNE BRUGSANVISNING



Dele eller tilbehør, der sælges separat



Bemærk



Advarsel



Benyt øjen- og ansigtsværn.



Benyt overkropsværn.



Benyt benværn.



Stop produktet.

De følgende ikoner og betydninger er beregnet til at forklare risikoen involveret i at anvende denne enhed.

### **FARE**

Indikerer en meget farlig situation, som hvis ikke undgås, kan føre til alvorlige skader og i værste fald døden.

### **ADVARSEL**

Indikerer en potentielt farlig situation, som hvis ikke undgås, kan føre til alvorlige skader og i værste fald døden.

### **PAS PÅ**

Indikerer en potentielt farlig situation, som hvis ikke undgås, kan føre til mindre eller moderate skader.

### **PAS PÅ**

Uden sikkerhedsadvarselssymbol

Indikerer en situation, som kan medføre materiel skade.

Säkerhet, prestanda och pålitlighet har fått högsta prioritet vid utformningen av din sladdlösa motorsåg.

## ANVÄNDNINGSMÅL

Den sladdlösa motorsågen är endast avsedd för användning utomhus. Av säkerhetsskäl ska produkten hela tiden kontrolleras med båda händerna.

Produkten är designad för att skära grenar, stammar, stockar och balkar upp till diameter som klingans såglängd. Du får endast såga i trä, inte i några andra material. Den får enbart användas till privata ändamål av vuxna som har utbildats gällande de risker som finns och försiktighetsåtgärder som ska vidtas vid användning.

Använd inte produkten till något annat än vad som anges ovan. Den är inte avsedd för yrkesmässigt bruk. Produkten får inte användas av barn eller av personer som inte tillräckligt personlig skyddsutrustning och -kläder.

### ⚠ VARNING

När man använder apparaten måste säkerhetsföreskrifterna följas. För egen och åskådares säkerhet måste du läsa och vara helt införstådd med dessa instruktioner innan du använder produkten. Du bör gå en yrkesmässigt organiserad utbildning för användning, förebyggande åtgärder, första hjälpen och underhåll av motorsågar. Förvara instruktionerna på ett säkert ställe för användning vid senare tillfälle.

### ⚠ VARNING

Motorsågar är potentiellt mycket farliga redskap. Olyckor med motorsågar leder ofta till stympling eller dödsfall. Det är inte bara kedjan som är farlig. Fallande grenar och träd, rullande stockar kan också döda. Dött eller ruttet timmer är extra farligt. Kontrollera alltid att arbetet kan utföras på säkert sätt. Om du tvekar ska du lämna det till yrkesarbetare.

## ALLMÄNNA SÄKERHETSFÖRESKRIFTER

### ⚠ VARNING

Läs alla säkerhetsvarningar och alla instruktioner. Om du inte följer varningarna och anvisningarna kan du orsaka elektrisk stöt, brand och allvarlig skada.

Spara dessa varningar och instruktioner för senare behov.

Termen "kraftverktyg" i varningarna hänvisar till ditt eldrivna (med sladd) verktyg eller ditt batteridrivna (utan sladd) verktyg.

## ARBETSMILJÖ

- **Håll arbetsområdet rent och välupplyst.** Oordnade och mörka områden inbjuder till olyckor.
- **Använd inte kraftverktyg i explosiva atmosfärer, exempelvis i närheten av brännbara vätskor, gaser eller damm.** Kraftverktyg ger upphov till gnistor vilka kan antända damm eller ångor.

- **Håll barn och åskådare borta när du använder ett kraftverktyg.** Distractioner kan få dig att tappa kontrollen.

## ELSÄKERHET

- **Kraftverktygets kontakt måste matcha uttaget. Modifiera inte kontakten på något sätt. Använd inga adapterkontakter med jordade kraftverktyg.** Omodifierade kontakter och matchande uttag minskar risken för elektrisk stöt.
- **Undvik kroppskontakt med jordade ytor, som exempelvis rör, element, spis och kylskåp.** Det föreligger en förhöjd risk för elektrisk stöt om din kropp är jordad.
- **Exponera inte produkten för regn eller våta förhållanden.** Vatten som tränger in i ett kraftverktyg ökar risken för elektrisk stöt.
- **Misshandla inte sladden. Använd aldrig sladden för att bära, dra eller koppla bort kraftverktyget. Håll sladden borta från värme, olja, vassa kanter och rörliga delar.** Skadade eller intrasslade elsladdar ökar risken för elektrisk stöt.
- **Använd en förlängningssladd avsedd för utomhusbruk när du använder kraftverktyget utomhus.** Användning av en sladd lämplig för utomhusbruk minskar risken för elektrisk stöt.
- **Använd en jordfelsbrytare om det är oundvikligt att använda ett kraftverktyg i en fuktig miljö.** Användningen av en jordfelsbrytare minskar risken för elektrisk stöt.

## PERSONLIG SÄKERHET

- **Var uppmärksam på vad du gör och använd sunt förnuft när du använder ett kraftverktyg. Använd inte ett kraftverktyg när du är trött eller påverkad av droger, alkohol eller mediciner.** Ett ögonblicks ouppmärksamhet när du använder kraftverktyg kan orsaka allvarlig personskada.
- **Använd skyddsutrustning. Bär alltid ögonskydd.** Skyddsutrustning, som exempelvis andningsskydd, halkskyddade säkerhetsskor, huvudskydd och hörselskydd minskar i tillämpliga fall risken för personskador.
- **Förhindra oavsiktlig start. Säkerställ att strömbrytaren är i av-läge innan du ansluter till uttaget och/eller batteripaketet, innan du lyfter upp verktyget och innan du bär det.** Att bära kraftverktyg med fingret på avtryckaren eller kraftverktyg som är igång bjuder in olyckor.
- **Ta bort eventuella justerings- eller skiftnycklar innan du startar kraftverktyget.** En skiftnyckel eller justeringsnyckel som lämnas kvar i en roterande del av kraftverktyget kan orsaka personskada.
- **Sträck dig inte. Ha alltid ett bra fotfäste och en god balans.** Det ger dig bättre kontroll över kraftverktyget i oväntade situationer.
- **Klä dig korrekt. Använd inte löst åtsittande kläder eller smycken. Håll ditt hår, dina kläder och handskar borta från rörliga delar.** Lössittande kläder, smycken och långt hår kan fastna i rörliga delar.



- Om några uppsamlingsenheter för damm och avfall medföljer ska dessa vara ansluta och användas på ett korrekt sätt. Användningen av en dammuppsamlare kan minska dammrelaterade faror.

#### ANVÄND OCH TA HAND OM KRAFTVERKTYGET

- Tvinga inte produkten. Använd rätt kraftverktyg för ditt jobb. Rätt kraftverktyg gör jobbet bättre och säkrare om det används i den takt som det är designat för.
- Använd inte kraftverktyget om strömbrytaren inte fungerar för att stänga av och sätta på verktyget. Alla kraftverktyg som inte kan kontrolleras med strömbrytaren är farliga och måste repareras.
- Koppla från eluttaget och/eller batteripaketet från elverktyget före justeringar, byte av tillbehör eller förvaring. Sådana förebyggande åtgärder minskar risken för att kraftverktyget startar oavsiktligt.
- Förvara avstängda kraftverktyg utom räckhåll för barn och låt inte personer som är obekanta med kraftverktyg, eller dessa instruktioner, använda kraftverktyget. Kraftverktyg är farliga i händerna på otränade användare.
- Underhåll dina kraftverktyg. Kontrollera så att inga rörliga delar är felinriktade eller sitter fast, att inga delar har gått sönder samt att ingenting annat föreligger som kan påverka kraftverktygets användning. Reparera kraftverktyget innan användning om det är skadat. Många olyckor uppstår på grund av dåligt underhållna kraftverktyg.
- Håll skärverktyg vassa och rena. Korrekt underhållna skärverktyg med vassa skärkanter fastnar inte lika lätt och är lättare att kontrollera.
- Använd kraftverktyget, tillbehören och borrarspetsar etc. i enlighet med dessa anvisningar och ta hänsyn till arbetsförhållanden och det jobb som ska utföras. Användning av kraftverktyget till andra saker än det är avsett för kan resultera i en farlig situation.

#### ANVÄNDNING OCH UNDERHÅLL AV BATTERIET

- Använd endast den batteriladdare som tillverkaren rekommenderar. En batteriladdare som passar en typ av batteripack kan vara en brandfara om den används med en annan typ av batteripack.
- Använd eldrivna verktyg med batteripaket som är speciellt utformade för användning tillsammans med produkterna. Om du använder andra batteripaket ökar du risken för skador och brand.
- När batteripaketet inte används ska det hållas bort från metallföremål som gem, mynt, nycklar, spikar, skruvar och andra små metallföremål som kan kortsluta batteriets kontakter. Vid kortslutning av batteriets kontakter finns det risk för brännskador eller brand.
- Vätska kan läcka ut från batteripaketet vid felaktig användning; undvik kontakt med vätskan. Spola med vatten om du kommer i kontakt med den. Uppsök omedelbart läkarhjälp om du får vätska i ögonen. Den kan orsaka irritation och brännskador.

#### UNDERHÅLL

- Låt en kvalificerad serviceperson serva ditt kraftverktyg med identiska utbytesdelar. Detta säkerställer att kraftverktygets säkerhet bibehålls.

#### YTTERLIGARE SÄKERHETSFORESKRIFTER

- I vissa regioner finns regleringar som begränsar användning av produkten. Ta kontakt med lokala myndigheter för information.
- Låt aldrig barn eller personer som inte har läst dessa anvisningar använda produkten. Lokala regler kan åldersbegränsa användningen av gräsclipparen.
- Kontrollera före användning så att reglage och säkerhetsanordningar fungerar som de ska. Använd inte produkten om "Off"-låget inte stoppar motorn.
- Använd komplett ögonskydd och hörselskydd, kraftiga skor och handskar samt hjälm när du använder produkten. Använd en ansiktsmask om användningen är dammig.
- När du använder hörselskydd minskar din förmåga att uppfatta varningar (skrik och alarm). Du måste vara extra uppmärksam på vad som sker i arbetsområdet.
- Bibehåll ett bra fötfäste och bra balans. Sträck dig inte. Sträck dig inte för långt så att du tappar balansen och ökar risken för bakslag.
- Bär inte löst sittande kläder, korta byxor eller smycken av något slag.
- Sätt upp hår som är längre än till axlarna så att det inte trasslas in i rörliga delar.
- Se upp med kringflygande, iväggkastade och fallande föremål. Håll åskådare, barn och husdjur på minst 15 meters avstånd.
- Använd endast i god belysning. Operatören måste ha god överblick över arbetsområdet för att upptäcka potentiella faror.
- Användning av liknande maskiner i närheten ökar risken för både hörselskador och för andra personer i närheten av arbetsområdet.
- Håll alla kroppsdelar borta från rörliga delar.
- Se över maskinen inför varje användning. Se till att alla reglage fungerar som de ska, inklusive kedjebromsen. Kontrollera för lösa fästen, se till att alla skydd och handtag sitter ordentligt på plats. Byt ut eventuella skadade delar före användning.
- Modifiera inte maskinen på något sätt och använd inte delar eller tillbehör som inte rekommenderats av tillverkaren.

#### VARNING

Om produkten tappas, utsätts för hårda slag eller börjar vibrera onormalt mycket ska produkten omedelbart stoppas och kontrolleras för eventuella skador eller orsak till vibrationerna. Eventuella skador ska repareras ordentligt eller bytas ut av ett auktoriserat servicecenter.

EN
FR
DE
ES
IT
NL
PT
DA
<b>SV</b>
FI
NO
RU
PL
CS
HU
RO
LV
LT
ET
HR
SL
SK
BG
UK
TR





## SÄKERHETSFÖRESKRIFTER FÖR MOTORSÅG

- **Håll alla kroppsdelar på säkert avstånd från klingan när motorsågen är i gång. Innan du startar motorsågen ska du kontrollera att klingan inte vidrör något.** Ett ögonblick med bristande uppmärksamhet vid användning av motorsåg kan göra att kläder eller kroppsdelar kommer in i sågklingan.
- **Håll alltid motorsågen med höger hand på bakre handtaget och vänster hand på det främre.** Om du håller motorsågen med omvänd fattning ökar risken för personskada. Undvik detta alltid.
- **Håll i verktygets isolerade handtag eftersom klingan kan komma i kontakt med dolda ledningar.** Om klingan kommer i kontakt med en "aktiv" ledning kan metalldelar exponeras och ge användaren en elektrisk stöt.
- **Använd ögon- och hörselskydd. Vi rekommenderar även användning av skydd för huvud, händer, ben och fötter.** Korrekta skyddskläder minskar risken för personskador på grund av kringflygande skräp eller beröring av sågklingan.
- **Använd inte motorsågen i träd.** Användning av motorsåg när användaren befinner sig uppe i ett träd kan leda till personskador.
- **Se till att alltid stå stadigt och använd enbart motorsågen när du står på fast, säkert och jämnt underlag.** Hala eller instabila underlag som stegar kan göra att balansen eller kontroll av motorsågen förloras.
- **Vid kapning av grenar som är belastade ska du vara beredd på att den kan fjädra tillbaka.** När spänningen i träfibren lossas kan den belastade grenen slå till användaren och/eller kasta iväg motorsågen.
- **Var extremt försiktig när du kapar buskar och skott.** Det tunnare materialet kan fastna i kedjan och piska till mot dig eller dra dig ur balans.
- **Bär motorsågen i främre handtaget med motorsågen avslagen och håll den borta från kroppen. Vid transport eller förvaring av motorsågen ska alltid sågskyddet vara på.** Korrekt hantering av motorsågen minskar risken för beröring av misstag med sågklingan i rörelse.
- **Följ instruktionerna för smörjning, spänna kedjan och byte av tillbehör.** Felaktigt spänd eller smord kedja kan antingen gå av eller öka risken för bakslag.
- **Håll handtagen torra, rena och fria från olja och fett.** Feta och oljiga handtag kan glida och göra att du förlorar kontroll.
- **Kapa enbart trä. Använd inte motorsågen för annat än avsett. Använd exempelvis inte motorsågen för att kapa plats, sten eller byggnadsmaterial som inte är trä.** Användning av motorsågen för saker som den inte är avsedd för kan leda till riskfyllda situationer.

### Orsaker och förhindran av bakslag:

Ett kast kan uppstå när spetsen på svärdet rör vid ett föremål eller om kedjan kilas fast i träet under arbetet.

Vidröring med spetsen kan orsaka en plötslig omvänd reaktion, slå klingan bakåt och uppåt mot användaren.

Om man nyper sågkedjan längs översidan av guidestaven

så kan guidestaven tryckas tillbaka mot operatören.

Båda dessa reaktioner kan medföra förlorad kontroll över sågen, och innebär risk för svåra skador. Förlita dig inte enbart på sågens inbyggda säkerhetsfunktioner. I egenskap av användare av motorsåg, bör du vidta flera olika åtgärder för att hålla alla sågningsarbeten fria från olycksfall och skador.

Bakslag beror på felaktig användning och/eller felaktiga procedurer eller förutsättningar och kan undvikas genom att vidta försiktighetsåtgärder enligt nedan:

- **Ha ett fast grepp med tumme och fingrar runt motorsågens handtag, båda händerna på sågen och se till att kroppen och armarna är beredda på bakslag.** Kraften i bakslag kan kontrolleras av användaren om man vidtar korrekta försiktighetsåtgärder. Släpp inte taget om motorsågen.
- **Sträck dig inte och kapa inte ovanför axelhöjd.** På så sätt undviks oönskad beröring med spetsen och det ger bättre kontroll på motorsågen i oväntade situationer.
- **Använd enbart ersättningsklingor och -kedjor som rekommenderas av tillverkaren.** Felaktiga ersättningsklingor och -kedjor kan leda till att kedjan går av och/eller bakslag.
- **Följ tillverkarens anvisningar beträffande slipning och skötsel av sågkedjan.** Minskning av djupet kan leda till ökade bakslag.

### YTTERLIGARE VARNINGAR GÄLLANDE MOTORSÅGAR

- Vi rekommenderar att kapa stockar på sågbock eller i vaggva första gången produkten används.
- Se till att alla skydd, handtag och spikskydd sitter ordentligt och är i gott skick.
- Personer som använder motorsågen bör ha god fysik. Produkten är tung så användaren måste vara fysiskt stark. Användaren ska vara alert, ha god syn, mobilitet, balans och kropps kontroll. Om det råder tveksamhet ska motorsågen inte användas.
- Börja inte använda produkten innan arbetsområdet är rensat, har säkert fotfäste och en planerad reträttväg bort från fallande träd.
- Se upp för utsläpp av smörjmedel och sågdamm. Använd mask eller respirator vid behov.
- Kapa inte smågrenar eller undervegetation (under 75 mm i diameter).
- Håll alltid motorsågen med båda händerna under användning. Håll ett stadigt grepp med tumme och fingrar runt motorsågens handtag. Höger hand på bakre handtaget och vänster hand på främre.
- Innan du startar motorsågen ska du kontrollera att klingan inte vidrör något.
- Modifiera inte enheten och använd den inte för att driva tillbehör eller enheter som inte rekommenderas av tillverkaren av sågen.
- Det ska finnas första hjälpen-utrustning med omslag för större sår och sätt att tillkalla hjälp (exempelvis visselpipa) i närheten av användaren. Ett större mer komplett utrustningspaket ska finnas i rimlig närhet.
- Användaren kan frestas att ta av hjälmen om det inte





finns risk för fallande föremål på arbetsområdet men kom ihåg att hjälmen, speciellt om den har nätvisir, kan hjälpa till att minska risken för skador på ansikte och huvud vid bakslag.

- En felaktigt spänd kedja kan hoppa av klingan och leda till allvarlig personskada eller dödsfall. Kedjans längd är beroende på temperatur. Kontrollera spänningen regelbundet.
- Se till att vänja dig vid en ny motorsåg genom enklare kapning av ordentligt säkrat trä. Gör alltid det när du inte har använt sågen under en längre tid.
- För att minska risken för skador som kan uppkomma vid kontakt med rörliga delar ska motorn alltid stoppas, kedjebromsen aktiveras, batteriet tas bort och alla rörliga delar ska ha stoppat före:
  - rengöring eller rensning av ett stopp
  - att lämna produkten utan tillsyn
  - installation eller borttagning av tillbehör
  - kontroll, underhåll eller arbete på maskinen
- Arbetsområdets storlek beror på det arbete som utförs samt storleken på det träd eller arbetsstycke som sågas. Exempelvis kräver trädfällning större arbetsområde än andra kapningar, som på sågbock, etc. Användaren ska vara uppmärksam och ha kontroll på allt som händer på arbetsområdet.
- Kapa inte med kroppen i linje med klingan och kedjan. Om det skulle bli bakslag hjälper detta till att förhindra kedjan att komma i kontakt med ditt huvud eller din kropp.
- Rör inte motorsågen fram och tillbaka vid kapning, låt kedjan arbeta, håll kedjan vass och försök inte trycka igenom klingan genom trä.
- Utsätt inte sågen för tryck i slutet av sågningen. Var beredd på att ta emot den extra vikten av sågen när den går igenom trä. Om du inte följer dessa anvisningar finns det risk för allvarliga personskador.
- Stoppa inte sågen mitt i en kapning. Låt kedjan gå tills den är borttagen från kapet.

### Dra och skjut

Reaktionskraften är alltid i motsatt riktning till kedjans rörelseriktning. Därför måste användaren vara beredd att kontrollera tendensen för maskinen att dra iväg (röra sig framåt) vid kapning nära basen på klingan och trycka bakåt (röra sig bakåt) vid kapning nära toppen på klingan.

### Sågen har fastnat i kapet

Stoppa motorsågen och var försiktig. Försök inte tvinga ut klingan ur kapet eftersom kedjan då kan gå av och slå bakåt och träffa användaren. Detta inträffar oftast på grund av att trästycket inte har bra stöd och man försöker tvinga och trycka ned klingan som därvid kommer i kläm. Om korrigerig av stödet inte gör att klingan släpps loss kan du använda tråkilar eller någon spak för att öppna kapet och få loss sågen. Försök aldrig starta motorsågen om klingan sitter fast i ett kap eller brott.

### Personlig skyddsutrustning

Personlig skyddsutrustning i hög kvalitet, sådan som används yrkesmässigt, hjälper till att minska risken för

personskada på användaren. Följande bör användas vid bruk av motorsågen:

#### Skyddshjäl

- ska uppfylla EN 397 och vara CE-märkt

#### Hörselskydd

- ska uppfylla EN 352-1 och vara CE-märkt

#### Ögon- och ansiktsskydd

- ska vara CE-märkta och uppfylla EN 166 (skyddsglasögon) eller EN 1731 (nätvisir)

#### Arbetshandskar

- ska uppfylla EN381-7 och vara CE-märkt

#### Benskydd (chaps)

- ska uppfylla EN 381-5, vara CE-märkta och ge allroundskydd.

#### Skyddsövlar för motorsågsbruk

- ska uppfylla EN ISO 20345:2004 och vara märkta med en sköld och en motorsåg för att visa att de uppfyller EN 381-3. (Tillfälliga användare kan använda skyddsövlar med ståltåhatta som uppfyller EN 381-9 om underlaget är jämnt och det finns minimal risk för att falla eller fastna i undervegetation)

#### Motorsågsjacka för skydd av överkroppen

- ska uppfylla EN 381-11 och vara CE-märkt

### INSTRUKTIONER FÖR KORREKT TEKNIK VID GRUNDLÄGGANDE TRÄDFÄLLNING, GRENKAPNING OCH KAPNING

#### Förståelse för de krafter som finns i trä

När man förstår det riktade tryck och påfrestningarna inuti trä kan man minska "klämningar" eller åtminstone vara förberedd på dem vid kapning. Spänningar i träet innebär att fibrer dras isär och om man kapar i det området kommer kapet att öppnas upp allteftersom sågen går igenom. Om en stock stöds på en sågbock och ena änden hänger utan stöd skapas spänning i den övre delen på grund av vikten från överhänget och det sträcker fibrerna. Samtidigt är undersidan av stocken under tryck och fibrerna där trycks samman. Om man kapar i detta område kommer kapet att ha en tendens att stänga sig under kapningen. Och då kommer sågklingan i kläm.

#### Fälla träd

*Se sida 267 - 268*

Vid samtidig kapning och fällning som utförs av två personer eller flera ska fällningen skjulas från kapningen med minst dubbla avståndet motsvarande höjden på det träd som fälls. Träden ska inte fällas på så sätt att det utsätter någon person för fara, kan falla över kablar eller orsaka skador på egendom. Om träd skulle komma i kontakt med kablar ska företaget omedelbart meddelas.

Användaren av motorsågen skall hålla sig i terrängens motlutning eftersom trädet med all sannolikhet kommer att rulla eller glida nedåt efter fällningen.

En reträttväg ska finnas planerad och rensad vid behov innan kapning påbörjas. Reträttvägen ska sträcka sig bakåt och diagonalt mot den förväntade fallriktningen.

Innan fällningen kan påbörjas ska den naturliga lutningen på trädet kontrollera, placering av större grenar och

EN
FR
DE
ES
IT
NL
PT
DA
<b>SV</b>
FI
NO
RU
PL
CS
HU
RO
LV
LT
ET
HR
SL
SK
BG
UK
TR







vindriktningen för att bedöma åt vilket håll trädet kommer att falla.

Ta bort skräp, stenar, lösa barkbitar, spikar, klamrar och vajrar från trädet.

Fäll inte träd som är ruttna eller har skadats av vind, eld, blixtnedslag, etc. Det är extremt farligt och får endast utföras av professionella trädfällare.

### 1. Skåra underifrån

Se sida 267 - 268

Gör skåran 1/3 av trädets diameter och vinkelrätt mot det håll trädet ska falla. Gör den lägre horisontella skåran först. På så sätt kläms inte sågklingan när den andra skåran görs.

### 2. Fällskåra på baksidan

Se sida 267 - 268

Gör fällskåran på baksidan minst 50 mm/2 tum högre upp än den horisontella skåran underifrån. Se till att fällskåran är parallell med horisontella skåran underifrån. Gör fällskåran så att du lämnar tillräckligt med trä för att det ska kunna fungera som gångjärn. Trågångjärnet gör att trädet inte vrider sig och faller i fel riktning. Skår inte igenom gångjärnet.

När fällskåran närmar sig gångjärnet ska trädet börja falla. Om det finns risk att trädet inte kommer att falla i önskad riktning eller det kan gunga tillbaka och klämma fast sågklingan ska du sluta kapa innan fällskåran är klar och använd kilar av trä, plats eller aluminium för att öppna skåran och fälla trädet i önskad riktning.

När trädet börjar falla tar du bort motorsågen från skåran, stoppar motorn, lägger ner motorsågen och använder den planerade reträttvägen. Var uppmärksam på grenar som faller och var du sätter fötterna.

### Avlägsna rotben

Se sida 268.

Ett rotben är en stor rot som sticker ut från trädstammen ovan mark. Avlägsna stora rotben före fällning. Gör först ett horisontellt skår i rotbenet och därefter ett vertikalt skår. Avlägsna den resulterande lösa sektionen från arbetsplatsen. Använd korrekt trädfällningsteknik när du har avlägsnat de stora rotbenen.

### Kapa upp en stam

Se sida 269.

Kapa upp är att dela en trästam i delar. Det är viktigt att du har bra fotfäste och att vikten är lika fördelad på båda fötterna. Om det är möjligt ska stocken resas och stötas med grenar, stockar eller kilar. Följ de enkla anvisningarna för vanlig kapning. Om stocken har stöd över hela längden ska den kapas uppifrån (överkapning).

Om stocken har stöd från ena hållet ska ca 1/3 av diametern kapas underifrån (underkapning). Avsluta sedan med att göra resterande kapning uppifrån så att det möter den första skåran.

Om stocken stöds i båda ändar ska ca 1/3 av diametern kapas uppifrån (överkapning). Avsluta sedan med att göra resterande kapning, 2/3 av diametern, underifrån så att det möter den första skåran.

Om du kapar i en slutning ska du alltid stå på den övre sidan av stocken. När du "sågar igenom" ska du för att

behålla kontrollen släppa på trycket mot slutet av skåran för utan att släppa det fasta greppet om handtagen. Låt inte kedjan komma i kontakt med marken. När du kapat klart ska du vänta tills kedjan stannat innan du flyttar motorsågen. Stoppa alltid motorn när du går från träd till träd.

### Kvista av träd

Se sida 270.

Att kvista av träd innebär att grenarna tas bort från ett fällt träd. Vid kvistning ska större nedre grenar lämnas kvar som stöd för stammen på marken. Ta bort de mindre grenarna med ett skår. Grenar i spänning ska kapas nerifrån och upp för att inte motorsågen ska klämmas.

### Hävstång

Se sida 270.

Fjädrande trä är alla stockar, grenar, rotade stubbar, eller ungräd som är böjda under spänning av annat trä så att det fjädrar tillbaka om det trä som håller det på plats sågas av eller avlägsnas.

För fallna träd, är det stor risk att en rotad stubbe fjädrar tillbaka under kapning av stocken från stubben. Se upp för fjädrande trä. Det är farligt.

#### ! VARNING

Fjädrande trä är farligt och kan träffa användaren av sågen så att denne tappar kontrollen över motorsågen. Detta kan medföra svåra eller dödliga skador för användaren av sågen. Det får enbart utföras av utbildad användare.

### KVARSTÅENDE RISKER

Även om produkten används enligt instruktionerna går det inte att eliminera alla eventuella riskfaktorer. Följande risker kan uppkomma under bruk och användaren ska vara extra uppmärksam för att undvika följande:

- Skada orsakad av vibration
  - Använd alltid rätt verktyg för arbetet, håll ordentligt i handtagen och begräns arbetstid och exponering.
- Exponering för buller kan orsaka hörselskador.
  - Använd hörselskydd och begränsa exponeringen
- Personskada från kontakt med blottade sågtänder på kedjan
- Personskada orsakad av utkastade delar av arbetsstycket (fiisor och splitter)
- Skador orsakade av inandning av damm eller andra partiklar
- Personskada orsakad av hudkontakt med smörjmedel eller olja
- Delar skjuts iväg från kedjan (skår-/sticksår)
- Oförutsedd, abrupt förflyttning eller återkast av svärdet (risk för kapning).

### RISKMINSKNING

Det finns rapporter om att vibrationer från handhållna verktyg kan bidra till ett tillstånd som kallas Raynauds syndrom för vissa personer. Symptomen brukar vara att





det sticker i fingrarna och att de domnar bort; fingrarna kan också bli vita, särskilt vid kyla. Årftliga faktorer, kyla och fukt, diet, rökning och arbetsrutiner tros alla bidra till att orsaka dessa symptom. Det finns förebyggande åtgärder som du kan vidta för att försöka minska vibrationernas påverkan:

- Håll dig varm när du arbetar i kallt väder. Använd handskar för att hålla kvar värmen i händer och handleder. Kyla har rapporterats som en viktig del i utvecklandet av Raynauds syndrom.
- Träna och rör på dig efter varje användningstillfälle för att öka blodcirkulationen.
- Ta ofta pauser från arbetet. Begränsa tiden du utsätter dig varje dag.
- Skyddshandskar som köps från motorsågsfackbutik är avsedda specifikt för motorsågsanvändning och ger skydd, bra grepp och minskar påverkan av vibration i handtagen. Dessa handskar ska uppfylla EN 381-7 och vara CE-märkta.

Upphör omedelbart om du upplever några av dessa symptom och uppsök din läkare.

#### ⚠ VARNING

Risk för person- eller slitageskador vid användning av verktyget under lång tid. Om verktyget används under längre perioder krävs regelbundna pauser.

### LÄR KÄNNA PRODUKTEN

Se sida 261.

1. Främre handskydd/kedjebroms
2. Främre handtag
3. Bakre handtag
4. Kedja
5. Svärd
6. Stötdämpningsspets
7. Kedjeoljlock
8. Avtryckarfrigöring
9. Avtryckare
10. Sägtandskydd
11. Justeringsring, kedjespänning
12. Vred, kedjespänning
13. Klingskydd
14. Kedjestoppare

### SÄKERHETSENHETER

#### Sågkedja med låg kastrisk

En såg med "low-kick-back" hjälper till att minska risken för bakslag.

Underställningsklackarna (djupmätarna) framför varje sågtand kan minimera kaststyrkan genom att hindra sågtänderna från att skära för djupt i kastzonen. Använd enbart kombinationer av klinga och kedja som rekommenderas av tillverkaren vid utbyte.

Då sågkedjan slipas, förloras en del av dess antikastegenskaper och extra försiktighet bör iakttas. För säkerhets skull ska kedjan bytas ut när effekten försämras.

### Stötdämpningsspets

Den integrerade stötdämpningsspetsen kan användas som en svängtapp vid sågning. Det hjälper till att hålla motorsågen stabil under kapningen. Vid kapning förs motorsågen framåt tills tänderna biter i träkanten, sedan förs bakre handtaget upp och ned i kapningsriktningen för att minska spänningen i kapningen

### Svärd

Generellt har klingor med mindre radie något lägre risk för kickbacks. Använd en guideklinga och en passande kedja som är lagom lång för arbetet. Längre klingor ökar risken för förlorad kontroll under sågning. Kontrollera kedjespänningen regelbundet. Vid kapning av mindre grenar (mindre än klingans halva längd) finns det större risk att kedjan lossnar om inte spänningen är korrekt.

### Kedjebroms

Kedjebromsen är utformad för att snabbt stoppa kedjan från att rotera. Då kedjebromsens spak/handskyddet trycks mot svärdet, skall kedjan stanna omedelbart. En kedjebroms förebygger inte kast. Den sänker bara risken för skada om sågklingan skulle komma i kontakt med användaren vid ett bakslag. Kedjebromsen ska testas före alla användningstillfällen så att den fungerar korrekt i både såg- och bromsläge.

### Kedjestoppare

En kedjefångare förhindrar sågens kedja att kastas bakåt mot operatören om kedjan lossnar eller går av.

### MONTERING

#### ⚠ VARNING

Om några delar är skadade eller saknas, använd inte denna produkt innan delarna har bytts ut. Att inte följa denna säkerhetsvarning kan leda till allvarlig kroppsskada.

### SÄTTA SAMMAN SÅGKEDJAN OCH KLINGAN

Se sida 262 - 263

1. Se till att batteriet är borttaget från enheten. Bär skyddshandskar.
2. Skruva loss vredet för kedjespänning och ta bort sågtandskyddet.
3. Sågkedjan ska vara i samma riktning som kedjans rotation. Vänd på slingan, om de är bakåtriktade.
4. Placera kedjans drivlänkar i spåret.
5. Placera kedjan så att det finns en slinga vid svärdets bakre ände.
6. Håll kedjan på plats på svärdet och lägg öglan runt drivhjulet. Sänk svärdet så att bulten går genom hålet i kedjespänningen. Du kanske måste rotera kedjespänningen så att bulten och hålet passas in. Du kan rotera kedjespänningen på nytt för att späna kedjan och på så sätt hålla den på plats.
7. Byt ut locket och vrid vredet för kedjespänning nästan helt i botten, vrid justeringsringen tills kedjan är lagom spänd. Klingan måste sedan tryckas uppåt. Kontrollera kedjespänningen på nytt. Spänn inte kedjan för hårt.



8. När kedjan är lagom spänd drar du åt vredet igen.

### INSTÄLLNING AV KEDJESPÄNNING

Se sida 263. Se sida 273.

1. Lossa vredet för kedjespänning genom att vrida det moturs.
2. För att öka kedjespänningen ska du vrida justeringsringen för kedjespänning medurs och kontrollera kedjespänningen ofta. För att minska kedjespänningen ska du vrida justeringsringen för kedjespänning moturs och kontrollera kedjespänningen ofta.
3. Kedjespänningen är lagom om glappet mellan kedjan och klingan på mitten är 3-4 mm. Dra i kedjan på mitten av nedre sidan av klingan (bort från klingan) och mät avståndet mellan klingan och kedjans tänder.
4. Dra åt vredet för kedjespänning genom att vrida det medurs.

### ANVÄNDNING

#### SMÖRJA KEDJAN MED OLJA

Se sida 262.

#### ⚠ VARNING

Arbeta aldrig utan smörjolja. Om motorsågen går utan smörjolja kan svärd och sågkedja förstöras. Därför måste oljenivån kontrolleras ofta och före varje användning av motorsågen.

1. Gör rent runt oljelocket för att förhindra nedsmutsning av oljan.
2. Skruva av och ta av locket från oljebehållaren.
3. Häll olja i oljebehållaren och läs av på oljemätaren. Se till att skräp inte kommer in i oljebehållaren under påfyllningen.
4. Sätt tillbaka oljelocket och dra åt det. Torka bort eventuellt spill.
5. En full oljebehållare räcker under 20-40 minuter.

#### Rekommenderad kedjeolja

- Tillverkaren rekommenderar att du enbart använder Ryobi smörjolja för motorsåg. (Finns hos din auktoriserade Ryobi-återförsäljare.)

#### MONTERA BATTERIPACKET

Se sida 263.

1. Sätt fast batteripacket på bormaskinen. Passa in räfflorna på batteripaketet med skärorna i produktens batteriport.
2. Säkerställ att hakarna på batteripaketet snäpper in på plats och att batteripaketet är säkert fäst vid produkten innan du börjar använda den.

#### HÅLLA MOTORSÅGEN

Se sida 263.

Håll alltid motorsågen med höger hand på bakre handtaget och vänster hand på det främre. Håll i båda handtagen med tummar och fingrar runt om handtagen. Se till att vänster hand håller främre handtaget med tummen nedåt.

### STARTA MOTORSÅGEN

Se sida 263.

1. Före användning måste du installera batteriet i maskinen och se till att kedjebromsen är i driftsläge genom att dra i kedjebromsreglaget/handskyddet mot det främre handtaget.
2. Starta maskinen: dra i reglagefrigöringen och tryck sedan in brytarknappen.

### KONTROLLERA OCH ANVÄNDA KEDJEBROMSEN

1. Aktivera kedjebromsen genom att vrida vänster hand runt det främre handtaget. Använd baksidan på handen och tryck kedjebromsreglaget/handskyddet mot staven medan kedjan roterar hastigt. Var noga med att ha båda händerna på handtagen hela tiden.
2. Återställ kedjebromsen till driftläget genom att ta tag i toppen av kedjebromsreglaget/handskyddet och dra mot främre handtaget tills ett klickande ljud hörs.

#### ⚠ VARNING

Lämna sågen till en auktoriserad serviceagent för reparation innan användning om kedjebromsen inte stoppar kedjan omedelbart eller om kedjebromsen inte stannar kvar i KÖR-läge utan hjälp.

### TRANSPORT OCH FÖRVARING

Se sida 275 - 276

- Stoppa produkten, ta ur batteriet och låt svalna före transport eller förvaring.
- Ta bort allt främmande material från produkten. Förvara den svält och välventilerat på en plats där barn inte kan komma åt den. Förvara på avstånd från frätande medel, t.ex. trädgårdskemikalier och vägsalt. Förvara den inte utomhus.
- Sätt på sågklingsskyddet före förvaring av enheten och under transport.
- Vid transport ska produkten säkras mot rörelser eller fallande för att förhindra personskadorna eller att produkten skadas.

### UNDERHÅLL

#### ⚠ VARNING

Använd enbart ersättningsdelar och tillbehör från tillverkaren. Om inte kan det eventuellt orsaka skador, sämre resultat och kan upphäva garantin.

#### ⚠ VARNING

Att serva produkten kräver extrem försiktighet och kunskap och bör endast utföras av en kvalificerad servicetekniker. Vid service ska produkten lämnas till auktoriserat servicecenter. Under servicearbete ska enbart tillverkarens originaltillbehör användas.



### ⚠ VARNING

Ta bort batteriet före justeringar, underhåll och rengöring. Om det inte efterlevs kan det leda till allvarlig personskada.

- Du får enbart göra justeringar eller reparationer som nämns i denna manual. För andra reparationer eller för råd ska du alltid vända till auktoriserat servicecenter.
- Följden av eftersatt underhåll kan bli att kedjebromsen och andra skydd inte fungerar som de ska och därmed ökar risken för allvarlig personskada. Se till att motorsågen sköts professionellt och hålls säker.
- Slipa kedjan är en uppgift som kräver stor kunskap. Därför rekommenderar tillverkaren att en sliten eller slö kedja byts ut mot en ny som finns hos din auktoriserade Ryobi-återförsäljare. Artikelnumret finns angivet i specifikationstabellen i manualen.
- Följ instruktionerna för smörjning samt kontroll och justering av kedjespänning.
- Efter rengöring ska maskinen alltid rengöras med en mjuk torr trasa.
- För att vara säker på att maskinen är säker att använda, kontrollera alla muttrar, bultar och skruvar regelbundet för att säkerställa att de är åtdragna ordentligt. Skadade delar skall repareras ordentligt eller bytas ut av en auktoriserad servicefirma.

### ERSÄTTA SÅGKLINGA OCH -KEDJA

Se sida 271 - 272

1. Se till att batteriet är borttaget. Bär skyddshandskar.
2. Skruva loss vredet för kedjespänning genom att vrida det moturs tills sågtandskyddet lossnar.
3. Ta bort sågtandskyddet. Ta bort klingan och kedjan från enheten.
4. För att ersätta sågsvärdet med ett nytt, ta bort skruven för kedjespänningsenheten. Montera kedjespänningsenheten på det nya sågsvärdet och dra åt skruven.
5. Sätt på den nya kedjan med rätt riktning på klingan och se till att drivlänkarna ligger rätt i spåren på klingan.
6. Fäst klingan på motorsågen och dra kedjan runt drivhjulet.
7. Sätt tillbaka sågtandskyddet.
8. Justera kedjespänningen. Se avsnittet "Justera kedjespänningen".

### ⚠ VARNING

En slö eller dåligt vass kedja kan orsaka för högt motorvarv under kapningen vilket kan ge svåra skador på motorn.

### ⚠ VARNING

Felaktig slipning av kedjan ökar risken för kast.

### ⚠ VARNING

Svåra skador kan uppstå om man underlåter att byta ut eller reparera en skadad kedja.

### ⚠ VARNING

Sågkedjan är mycket vass. Använd alltid skyddshandskar vid underhåll av kedjan.

### SE ÖVER OCH RENGÖRA KEDJEBROMSEN

Se sida 274.

- Se till att kedjebromsen alltid är ren genom att borsta av länkarna så de är fria från skräp.
- Prova alltid kedjebromsens funktion efter rengöring. Läs "Användning – Kontrollera och använd kedjebromsen" tidigare i denna bruksanvisning för ytterligare information.

### UNDERHÅLLSSCHEMA

#### Daglig kontroll

Svärdsmörjning	Före varje användning
Kedjespänning	Före varje användning och regelbundet
Kedjeslipning	Före varje användning, visuellt
Skadade delar	Före varje användning
Lösa fästankordningar	Före varje användning
Kedjebromsfunktionen	Före varje användning

#### Inspektera och rengör

Stöd	Före varje användning
Hela sågen	Efter varje användning
Kedjebroms	Var femte timma*

\*Användningstimmar

### SYMBOLER PÅ PRODUKTEN



Säkerhetsvarning



Läs igenom och var införstådd med alla instruktioner före användning av produkten, var uppmärksam på alla varningar och säkerhetsinstruktioner.



Använd alltid ögon-, hörsel- och ansiktsskydd.



Bär halkskyddade säkerhetsskor när du använder produkten.



Används halkfria, grova skyddshandskar.



Se upp för kickback från motorsågen och undvik kontakt med spetsen.



Utsätt inte för regn eller våta omgivningar.

EN  
FR  
DE  
ES  
IT  
NL  
PT  
DA  
SV  
FI  
NO  
RU  
PL  
CS  
HU  
RO  
LV  
LT  
ET  
HR  
SL  
SK  
BG  
UK  
TR





Håll i och använd kedjesågen med båda händerna.



Använd inte kedjesågen med bara en hand.



Detta verktyg uppfyller alla standarder i de EU-länder där det kan köpas.



EurAsian överensstämmelsesymbol



Ukrainskt märke för överensstämmelse



Gamla elektroniska produkter ska inte kastas med hushållssoporna. Återvinn där sådana faciliteter finns. Kontrollera med din lokala myndighet eller säljaren för att få återvinningstips.



Garanterad ljudnivå är 96 dB



Svärd- och kedjesmörjningsmedel



Minsta smörjoljenivå



Lås



Lås upp



Ställ in kedjebromsen på läget KÖR.



Rotera för att ställa in kedjespänningen  
+ = Spänna kedjan  
- = Lossa kedjan



Ställ in kedjebromsen på läget BROMSA.



Kedjans riktning.  
(Märkt under locket)

$V_0$  : 10 m/s

Kedjehastighet utan belastning: 10 m/s

L max: 300mm Max längd på klingan: 300 mm

## SYMBOLER I MANUALEN



Delar och utrustning säljs separat



Notera



Varning



Använd ögon- och ansiktsskydd.



Använd skydd för överkroppen.



Använd benskylld.



Stäng av produkten.

Följande signalord och betydelser är tänkta att förklara de olika risknivåerna som är associerade med denna produkt.

### ⚠ FARA

Indikerar en överhängande farlig situation som kan, om den inte undviks, resultera i dödsfall eller allvarlig skada.

### ⚠ VARNING

Indikerar en potentiellt farlig situation som kan, om den inte undviks, resultera i dödsfall eller allvarlig skada.

### ⚠ PÅMINNELSE

Indikerar en potentiellt farlig situation som kan, om den inte undviks, resultera i mindre eller medelstora skador.

### PÅMINNELSE

Utan säkerhetssymbol

Visar på en situation som kan orsaka skada på egendom.



Turvallisuus, tehokkuus ja käyttövarmuus ovat johdottoman moottorisahamme tärkeimpiä ominaisuuksia.

## KÄYTTÖTARKOITUS

Johdoton moottorisaha on tarkoitettu vain ulkokäyttöön. Turvallisuussyistä tuotteen on oltava asianmukaisesti hallinnassa ja käyttäjän on pideltävä sitä aina kaksin käsin.

Tuote on tarkoitettu oksien, puunrunkojen, tukkien ja paalujen, sahaamiseen, joiden halkaisija on terälevyn pituutta pienempi. Sillä saa sahata vain puuta. Sitä saa käyttää vain kotitalouskohteissa ja käyttäjän on oltava aikuinen, joka on saanut riittävän koulutuksen sen käytön aikaisista vaaroista ja varoimista.

Älä käytä tuotetta mihinkään käyttötarkoitukseen, jota ei luetella yllä. Tämä tuote ei ole tarkoitettu ammattikäyttöön. Tuotetta eivät saa käyttää lapset tai henkilöt, joilla ei ole riittäviä henkilökohtaisia suojavarusteita ja -vaatetusta.

### VAROITUS

Noudata turvallisuussääntöjä tuotetta käyttäessäsi. Sinun tulee oman ja sivullisten turvallisuuden vuoksi lukea ja ymmärtää nämä ohjeet täysin ennen tuotteen käyttöä. Osallistu ammatillisesti järjestettyyn turvallisuuskurssiin moottorisahojen käytössä, varoimissa, ensiavussa ja huollossa. Säilytä ohjeet tulevaa käyttöä varten.

### VAROITUS

Moottorisahat saattavat olla vaarallisia. Moottorisahan käyttöön liittyvät onnettomuudet johtavat usein raajan tai hengen menetykseen. Vaarana ei ole ainoastaan moottorisaha. Putoavat oksat, kaatuvat puut ja pyörivät tukit voivat myös olla hengenvaarallisia. Sairas tai lahonnut puu on myös vaarallinen. Arvioi kykyisi suorittaa tehtävä turvallisesti. Jos epäilet kykyjäsi, jätä työ ammatilliselle "puukirurgille".

## YLEISET TURVALLISUUSVAROITUKSET

### VAROITUS

Lue kaikki turvallisuusvaroitukset ja ohjeet. Varoitusten ja ohjeiden laiminlyönnistä voi seurata sähköisku, tulipalo ja/tai vakava loukkaantuminen.

Säilytä nämä varoitukset ja ohjeet myöhempää tarvetta varten.

Sana "sähköyökalu" viittaa varoituksissa verkkovirta- (langalliseen) tai akkukäyttöiseen (langattomaan) sähköyökaluun.

## TYÖYMPÄRISTÖ

- **Pidä työalue siistinä ja valoisana.** Epäjärjestyksessä olevat ja pimeät alueet myötävaikuttavat onnettomuuksiin.
- **Älä käytä sähköyökalua räjähdysalttiissa paikoissa, kuten helposti syttyvien nesteiden tai kaasujen tai pölyn läheisyydessä.** Sähköyökalut kipinöivät, mikä saattaa sytyttää pölyn tai höyryt.

- **Pidä lapset ja sivulliset loitolla, kun käytät sähköyökaluja.** Häiriöt voivat saada koneen riistäytymään hallinnasta.

## SÄHKÖTURVALLISUUS

- **Pistokkeen on sovittava pistorasiaan. Älä koskaan muunna pistoketta millään tavalla. Älä käytä maadoitettujen sähköyökalujen kanssa minkäänlaisia sovittipistokkeita.** Alkuperäiset pistokkeet ja niitä vastaavat pistorasiat pienentävät sähköiskun vaaraa.
- **Älä kosketa maadoitettuihin pintoihin, kuten putkiin, lämpöpattereihin, heloihin tai jääkaappeihin.** Jos ruumiisi on maadoitettu, sähköiskun vaara on suurempi.
- **Älä altista tuotetta satelle tai kosteudelle.** Sähköyökaluun joutunut vesi kasvattaa sähköiskun vaaraa.
- **Pidä huolta sähköjohdosta. Älä koskaan kannata tai vedä sähköyökalua johdosta tai irrota pistoketta johdosta vetämällä. Pidä johto etäällä kuumista paikoista, öljystä, terävistä kulumista ja liikkuvista osista.** Vioittunut tai takkuinen johto lisää sähköiskun vaaraa.
- **Kun käytät sähköyökalua ulkotiloissa, käytä ulkokäyttöön sopivaa jatkojohtoa.** Ulkokäyttöön sopivan johdon käyttö pienentää sähköiskun vaaraa.
- **Jos sähköyökalua on pakko käyttää kosteissa tiloissa, käytä jännösvirtalaitteella (RCD) suojattua pistorasiaa.** RCD:n käyttö pienentää sähköiskun vaaraa.

## KÄYTTÄJÄN TURVALLISUUS

- **Ole valpas, katso mitä teet ja käytä maalaisjärkeä, kun käytät sähköyökalua. Älä käytä sähköyökalua väsyneenä tai huumeiden, alkoholin tai lääkkeiden vaikutuksen alaisena.** Tarkkaamattomuus sähköyökalua käytettäessä saattaa johtaa vakavaan loukkaantumiseen.
- **Käytä henkilökohtaisia suojavarusteita. Käytä aina suojalaseja.** Suojalaitteet, kuten pölynaamari, luistamattomat suojakengät, kypärä ja kuulosuojaimet vähentävät loukkaantumisen vaaraa.
- **Älä anna koneen käynnistyä vahingossa. Varmista, että katkaisin on poissa päältä, ennen kuin kytket koneen virtalähteeseen ja/tai akkuun ja ennen kuin nostat tai kannat konetta.** Sähköyökalun kantaminen sormi katkaisimella ja virran kytkeminen koneeseen, joka on päällä, saattaa johtaa onnettomuuksiin.
- **Irrota säätöavaimet ja jakoavaimet ennen sähköyökalun käynnistystä.** Sähköyökalun pyörivään osaan jätetty jako- tai säätöavain saattaa johtaa loukkaantumiseen.
- **Älä kurkota liian pitkälle. Pysyttele tukevasti jaloillasi äläkä kurkota käsivartta liian kauas.** Tällöin sähköyökalua on helpompi hallita odottamattomissa tilanteissa.
- **Älä pukeudu väljiin vaatteisiin, kravattiin tai koruihin, jotka voivat juuttua liikkuviin osiin. Älä käytä väljiä vaatteita tai koruja. Pidä hiukset, vaatteet ja käsineet etäällä liikkuvista osista.** Löysät vaatteet, korut ja pitkät hiukset saattavat tarttua







liikkuviin osiin.

- Jos laitetta varten on pölynpoisto- ja keräyslaite, kytkä se asianmukaisesti ja käytä sitä oikein. Pölyn kerääminen voi vähentää pölyyn liittyviä vaaroja.

## SÄHKÖTYÖKALUN KÄYTTÖ JA HUOLTO

- Älä pakota tuotetta. Käytä työhön sopivaa sähkötyökäluä. Asianmukainen sähkötyökälu hoitaa työt paremmin ja turvallisemmin sillä vauhdilla, jota varten se on suunniteltu.
- Älä käytä sähkötyökäluä, jos se ei käynnisty ja sammuu katkaisimesta. Jos sähkötyökäluä ei voida hallita katkaisimella, se on vaarallinen ja vaatii korjaamista.
- Irrota pistoke virranlähteestä ja/tai akku työkooneesta, ennen kuin teet säätöjä, vaihdat varusteita tai varastoit koneen. Tällaiset varoimet pienentävät sitä vaaraa, että kone käynnistyisi vahingossa.
- Varasto sähkötyökälu pois lasten ulottuvilta äläkä anna kenenkään, joka ei tunne työkonetta tai näitä ohjeita, käyttää sitä. Sähkötyökälu ovat vaarallisia kouluttamattomien käyttäjien käsissä.
- Huolla sähkötyökälu. Tarkista, että liikkuvat osat on kohdistettu oikein ja että ne liikkuvat kunnolla, että osia ei ole rikkoutunut ja että mikään muu seikka ei häiritse sähkötyökälu toimintaa. Jos sähkötyökälu vioittuu, korjaa se ennen käyttöä. Onnettomuudet johtuvat usein sähkötyökälujen huonosta huollosta.
- Pidä leikkuutyökälu terävinä ja puhtaina. Asianmukaisesti huolletut leikkuutyökälu, joiden leikkupinnat ovat teräviä, eivät jumiuudu helposti ja niitä on helppo hallita.
- Käytä työkonetta, lisävarusteita, teriä jne. näiden ohjeiden mukaisesti, ja huomioi työolosuhteet ja tehtävän työn laatu. Työkooneen käyttö muuhun kuin sille tarkoitettuun työhön voi aiheuttaa vaarallisia tilanteita.

## AKKUKÄYTTÖISEN TYÖKALUN KÄYTTÖ JA HOITO

- Käytä lataukseen ainoastaan valmistajan suosittelemaa laturia. Yhden tyyppiselle akulle sopivan laturin käyttö toisenlaisen akun kanssa voi olla vaarallista.
- Käytä sähkötyökäluä ainoastaan sitä varten suunniteltujen akkujen kanssa. Muiden akkujen käyttö voi johtaa loukkaantumiseen ja tulipaloon.
- Kun akkuä ei käytetä, pidä se erillään metalliesineistä, kuten paperiliittimistä, kolikoista, avaimista, nauloista, ruuveista ja muista pienistä metalliesineistä, jotka voivat yhdistää akun navat. Akun napojen oikosulkeminen voi aiheuttaa palovammoja ja tulipalon.
- Jos akkuä käsitellään väärin, siitä voi vuotaa nestettä; älä kosketa sitä. Jos kosketat sitä vahingossa, huuhtelee se vedellä. Jos nestettä pääsee silmiin, hakeudu lisäksi lääkärin hoitoon. Akusta vuotanut neste voi ärsyttää ihoa ja aiheuttaa palovammoja.

## HUOLTO

- Huollata työkoone pätevällä huoltomiehellä, joka käyttää ainoastaan asianmukaisia varaosia. Tämä varmistaa, että sähkötyökälu on turvallinen.

## MUITA YLEISIÄ TURVALLISUUSVAROITUKSIA

- Joillain alueilla vallitsee säädöksiä, jotka rajoittavat tämän tuotteen käyttöä. Pyydä paikallisilta viranomaisilta neuvoa.
- Älä anna lasten tai käyttöohjeita tuntemattomien ihmisten käyttää tuotetta. Paikalliset säädökset saattavat asettaa rajoituksia käyttäjän iälle.
- Varmista aina ennen käyttöä, että kaikki hallinta- ja turvallisuuslaitteet toimivat asianmukaisesti. Älä käytä tuotetta, jos Off-kytkin ei sammuta moottoria.
- Käytä silmien- ja kuulonsuojaimia, vahvoja saappaita ja käsineitä sekä päänsuojaa, kun käytät tuotetta. Käytä suojanaamaria, jos työntekosi on pölyistä.
- Kuulosuojaimet vaikeuttavat varoitusten kuulemista (hälytyksiä ja huutoja). Käyttäjän on kiinnitettävä enemmän huomiota siihen, mitä työalueella tapahtuu.
- Pidä vakaa tasapaino. Älä kurkota liian pitkälle. Liian pitkälle kurottelu voi aiheuttaa tasapainon menetyksen ja kasvattaa takapotkun vaaraa.
- Älä käytä löysiä vaatteita, shortseja tai minkäänlaisia koruja.
- Sido pitkät hiukset hartioiden yläpuolelle, jotta ne eivät pääse tarttumaan liikkuviin osiin.
- Varo sinkoutuneita, lentäviä ja putoavia esineitä. Pidä sivulliset, lapset ja lemmikit 15 metrin etäisyydellä työalueesta.
- Älä käytä tätä työkaluä huonosti valaistussa paikassa. Käyttäjällä on oltava esteetön näkyvyys työalueelle, jotta hän näkee mahdolliset vaaratekijät.
- Samankaltaisten laitteiden käyttö lähettyvillä kasvattaa kuulovaurion riskiä sekä vaaraa, että joku muu tulee työalueellesi.
- Pidä kaikki ruumiinosat kaukana liikkuvista osista.
- Tarkasta laite aina ennen käyttöä. Tarkista kaikkien hallintalaitteiden, mukaan lukien teräketjujarron, asianmukainen toiminta. Tarkista kiinnikkeiden kireys ja että kaikki suojukset ja kahvat on kiinnitetty tukevasti. Vaihda kaikki vioittuneet osat ennen käyttöä.
- Älä muunna laitetta millään tavoin tai käytä osia tai lisävarusteita, jotka eivät ole valmistajan suosittelempia.

### VAROITUS

Jos tuote putoaa, saa kovan iskun tai alkaa tärästä normaalia enemmän, sammuta se heti ja tarkista se vaurioiden varalta tai paikanna tärinän syy. Valtuutetun huoltopisteen on korjattava tai vaihdettava vioittuneet osat asianmukaisesti.

## MOOTTORISAHAN TURVALLISUUSVAROITUKSET

- Pidä kaikki rungon osat pois teräketjun lähettyviltä moottorisahan ollessa päällä. Varmista ennen moottorisahan käynnistämistä, ettei teräketju





ole kosketuksissa mihinkään. Herpaantuminen hetkiseksi moottorisahan käytön aikana saattaa aiheuttaa vaaturuksesi tai vartalosi sotkeutumisen teräketjuun.

- **Pidä aina oikealla kädellä kiinni takakädensijasta ja vasemmalla kädellä etukädensijasta.** Moottorisahan pitteleminen kädet vastakkaisessa asennossa lisää loukkaantumisen riskiä, eikä niin tule koskaan tehdä.
- **Pitele sähkötyökäluä ainoastaan eristetyistä kosketuspinoista, sillä moottorisaha saattaa osua kätettyihin johtoihin.** Jos teräketju koskettaa sähköistettyä johtoa, työkalun metalliosat voivat sähköistyä ja aiheuttaa käyttäjälle sähköiskun.
- **Käytä suojalaseja ja kuulosuojaimia.** Suosittelemme myös pään, käsien, raajojen ja jalcojen suojavarusteiden käyttöä. Asianmukainen suojavaatetus vähentää loukkaantumisia, jotka johtuvat lentävistä pirstaleista tai tahattomasta kosketuksesta teräketjuun.
- **Älä käytä moottorisahaa puussa.** Moottorisahan käyttö ylhäällä puussa saattaa johtaa loukkaantumiseen.
- **Ota aina hyvä jalansija ja käytä moottorisahaa vain, kun seisot kiinteällä, turvallisella tasapinnalla.** Liukkaat tai epävakaa pinnat, kuten tikkaat, voivat saada käyttäjän menettämään tasapainon tai sahan hallinnan.
- **Muista sahatessasi jännitettyä oksaa, että se potkaisee katketessaan takaisin.** Puun kuitujen jännityksen vapautuessa taipunut oksa saattaa osua käyttäjään ja/tai aiheuttaa moottorisahan hallinnan menetyksen.
- **Ole erityisen varovainen sahatessasi pensaita ja puun vesoja.** Ohuet oksat saattavat osua teräketjuun ja iskeytyä sinuun tai saada sinut menettämään tasapainosi.
- **Kanna moottorisahaa etukavasta ja sammuta se sekä pidä se poissa vartalosi lähetyviltä.** Käytä aina ketjunsuojasta, kun kuljetat moottorisahaa tai jätät sen varastoon. Moottorisahan asianmukainen käyttö vähentää satunnaisen kosketuksen todennäköisyyttä liikkuvan teräketjun kanssa.
- **Noudata voiteluun, ketjun kiristykseen ja lisävarusteiden vaihtoon liittyviä ohjeita.** Huonosti kiristetty tai voideltu ketju saattaa katketa tai saada sahan iskemään takaisin.
- **Pidä kädensijat kuivina ja puhtaina liasta, öljystä ja rasvasta.** Rasvaiset ja öljyiset kahvat ovat liukkaat ja aiheuttavat hallinnan menettämisen.
- **Sahaa ainoastaan puuta. Älä käytä moottorisahaa muihin kuin sille suunniteltuihin tarkoituksiin.** Esimerkki: älä käytä moottorisahaa muovin, tiilen tai muiden kuin puusta valmistettujen rakennusmateriaalien sahaamiseen. Moottorisahan käyttö muuhun kuin sille tarkoitettuun työtehtävään voi aiheuttaa vaarallisia tilanteita.

#### Takapotkun syyt ja sen esto:

Takapotku voi ilmaantua, kun terälevyn pää tai kärki koskettaa esinettä tai kun ketju tarttuu ja puristuu puun leikkauskohtaan.

Joissakin tapauksissa kärkikosketus saattaa aiheuttaa äkillisen vastakkaisen reaktion ja potkaista terälevyn ylös ja taakse kohti käyttäjää.

Teräketjun joutuminen puristuksiin saattaa heittää terälevyn käyttäjää kohteen.

Kumpikin näistä reaktioista voi aiheuttaa sahan hallinnan menetyksen, joka voi johtaa vakavaan tapaturmaan. Älä luota yksinomaan sahan rakennettuihin turvalaitteisiin. Moottorisahan käyttäjänä sinun on tehtävä useita varotoimia, jotta sahaustöissä ei tapahtuisi onnettomuuksia tai vammautumisia.

Takapotku johtuu työkalun väärästä käytöstä ja/tai vääristä toimenpiteistä tai tilanteista, jotka voidaan välttää alla olevia asianmukaisia varotoimenpiteitä noudattaen:

- **Pitele moottorisahaa tukevasti kahvoista siten, että peukalot ja sormet ylläpitävät kaivat molempien käsien pidellessä sahaa. Aseta vartalosi ja kätesi siten, että voit vastustaa takapotkun voimaa.** Käyttäjät pystyy hallitsemaan takapotkun voiman, jos hän ryhtyy asianmukaisiin varotoimiin. Älä päästä otettasi irti moottorisahasta.
- **Älä kirkota liian kauaksi äläkä sahaa harteita korkeammalla.** Tämä auttaa tahattoman kärkikosketuksen estämisessä ja mahdollistaa moottorisahan paremman hallinnan odottamattomissa tilanteissa.
- **Käytä ainoastaan valmistajan suosittelemia terälevyjä ja ketjuja.** Epäasianmukaiset terälevyt ja ketjut voivat saada ketjun katkeamaan ja/tai sahan iskemään takaisin.
- **Noudata valmistajan antamia teräketjun teroitusja kunnossapito-ohjeita.** Syvyytulkun korkeuden pienentäminen voi aiheuttaa voimakkaamman takapotkun.

#### MUITA MOOTTORISAHAN TURVALLISUUSVAROITUKSIA

- Suositellaan, että tukit pilkotaan sahapukilla tai telineessä, kun tuotetta käytetään ensimmäistä kertaa.
- Varmista, että kaikki suojukset, kahvat ja piikillinen puskurit ovat kunnolla paikoillaan ja hyvässä kunnossa.
- Moottorisahan käyttäjän terveyden on oltava hyvä. Tuote on painava, joten käyttäjän tulee olla hyväkuntoinen. Käyttäjän on oltava valpas ja hänen näkönsä, liikkuvuutensa, tasapainonsa ja ketteryytensä hyviä. Jos epäilet asiaa, älä käytä moottorisahaa.
- Älä aloita tuotteen käyttöä, ennen kuin sinulla on esteetön työalue, vakaa jalansija ja suunniteltu poistumisreitti kaatuvan puun tieltä.
- Varo voiteluainesumua ja sahanpurua. Käytä tarvittaessa maskia tai hengityslaitetta.
- Älä sahaa köynnöksiä ja/tai pientä alakasvillisuutta (halkaisijaltaan alle 75 mm).
- Pitele moottorisahaa aina kaksin käsin sitä käyttäessäsi. Ota teräketjun kahvoista kiinni lujalla otteella peukalot ja sormet kahvojen ympärillä. Pidä oikealla kädellä kiinni takakädensijasta ja vasemmalla kädellä etukädensijasta.
- Ennen kuin käynnistät laitteen, varmista että teräketju ei kosketa mitään esinettä.

EN
FR
DE
ES
IT
NL
PT
DA
SV
<b>FI</b>
NO
RU
PL
CS
HU
RO
LV
LT
ET
HR
SL
SK
BG
UK
TR





- Älä muuntele laitetta millään tavoin tai käytä sitä minkään lisävarusteen tai laitteen virtalähteenä, jos valmistaja ei suosittele sitä sahalleisi.
- Käyttäjän lähellä on oltava ensiapupakkaus, jossa on suuria haavasiteitä ja keino kutsua apua (esim. pilli). Suurempi ja täydellisempi pakkaus on oltava suhteellisen lähellä.
- Käyttäjää voi houkuttaa ottaa kypärä pois, jos työalueella ei ole putoavien esineiden vaaraa, mutta pidä mielessä, että kypärä ja erityisesti verkkosuojus voi auttaa pienentämään kasvojen ja pään vammaa, jos tapahtuu takapotku.
- Väärin kiristetty ketju voi hypätä pois terälevyltä ja aiheuttaa vakavan vamman tai kuoleman. Ketjun pituus riippuu lämpötilasta. Tarkista kireys säännöllisesti.
- Totuttele käyttämään uutta moottorisahaa sahaamalla yksinkertaisia leikkauksia tukevasti tuettuun puuhun. Tee näin aina kun et ole käyttänyt sahaa pitempään aikaan.
- Jotta liikkuvien osien kosketukseen liittyvä riski olisi pienempi, sammuta aina moottori, laita teräjarru päälle, irrota akku ja varmista, että kaikki liikkuvat osat ovat pysähtyneet, ennen kuin:
  - ennen tukoksen poistamista
  - tuotteen jättäminen valvomatta
  - asennat tai irrotat lisävarusteita
  - tarkistat tai huollat laitetta tai työskentelet sen parissa
- Työalueen koko riippuu suoritetusta työstä sekä kysymyksessä olevan puun tai leikkauskohteen koosta. Esimerkiksi puun kaataminen vaatii laajemman työalueen kuin muiden leikkausten tekeminen – esim. karsinta. Käyttäjän on oltava tietoinen kaikesta työalueella tapahtuvasta ja pystyttävä hallitsemaan sitä.
- Älä sahaa siten, että vartalosi olisi samassa linjassa terälevyn ja ketjun kanssa. Jos moottorisaha potkaisee takaisin, tällainen asento auttaa estämään ketjuja osumasta päänäsi tai vartalosi.
- Älä käytä edestakalista sahausliikettä; anna ketjun tehdä työ; pidä ketju terävänä äläkä yritä painaa terää leikkauksen läpi.
- Älä paina sahaa sahausksen lopussa. Ole valmis kannattamaan sahan painon sen leikkautuessa puun läpi. Muutoin seurauksena voi olla vakava loukkaantuminen.
- Älä pysäytä sahaa keskellä leikkausta. Pidä saha käynnissä, kunnes se on irti leikkauksesta.

### Työntö ja veto

Reaktiovoima on aina ketjun liikkumissuunnan päinvastainen voima. Käyttäjän on näin ollen oltava valmis hallitsemaan laitteen taipumusta vetäytyä pois (liike eteenpäin) leikattaessa terälevyn alareunalla ja työntää taaksepäin (käyttäjää khden) leikattaessa yläreunalla.

### Leikkaukseen jumittunut saha

Sammuta moottorisaha ja tee se turvalliseksi. Älä yritä pakottaa ketjuja ja teräleVVYä ulos leikkauksesta, sillä tämä saattaisi rikkoa ketjun, joka voi sitten sinkoutua taaksepäin

ja osia käyttäjään. Näin tapahtuu tavallisesti sen takia, että puu on tuettu virheellisesti ja pakottaa leikkauksen sulkeutumaan, jättäen terän puristuksiin. Jos tuen säätäminen ei vapauta terälevyä ja ketjuja, käytä puukilloja tai vipua avataksesi leikkauksen ja vapauttaaksesi sahan. Älä koskaan yritä käynnistää moottorisahaa, jos terälevy on leikkauksessa tai uurroksessa.

### Henkilöstön suojaimet

Laadukkaat ammattilaisten käyttämät henkilösuojat auttavat pienentämään käyttäjän loukkaantumiseriskisiä. Moottorisahaa käytettäessä on käytettävä seuraavia varusteita:

#### Suojakypärä

- sen tulee noudattaa EN 397 -standardia ja olla CE-merkitty

#### Kuulosuojaimet

- sen tulee noudattaa EN 352-1 standardia ja olla CE-merkitty

#### Suojalasit ja kasvosuojus

- niiden tulee olla CE-merkittyjä ja noudattaa EN 166 -standardia (suojalasit) ja EN 1731 -standardia (verkkovisiiri)

#### Käsineet

- sen tulee noudattaa EN381-7 -standardia ja olla CE-merkitty

#### Jalkasuojat

- niiden tulee noudattaa EN381-5-standardia, olla CE-merkittyjä ja suojata kaikilta suunnilta.

### Moottorisahan suojajalkineet

- niiden tulee noudattaa EN ISO 20345:2004 -standardia, ja niissä tulee olla moottorisahaa kuvaava kilpi todisteena EN 381-3 -standardin noudattamisesta. (Joskus käyttäjät voivat käyttää teräskärkisiä suojajalkineita ja säärystimiä, jotka noudattavat EN 381-9 -standardia, jos maa on tasaista ja kaatumisen ja alakasvullisuuteen takertumisen vaara on hyvin pieni)

### Moottorisahatakki suojaamaan ylävartaloa

- sen tulee noudattaa EN 381-11 standardia ja olla CE-merkitty

## OHJEET PUUN KAADON, KARSINNAN JA PILKKOMISEN OIKEISTA TEKNIIKOISTA

### Puun voimien ymmärtäminen

Kun ymmärrät puun sisällä vallitsevat suunnatut paineet ja voimat, voit vähentää "puristumisia" tai vähintäänkin ennakoita ne sahatessasi. Puun jännite merkitsee sitä, että kuituja vedetään erilleen, ja jos sahaat tällaista aluetta, uurre tai leikkaus avautuu sahan mennessä puun läpi. Jos tukkia kannatellaan sahapukissa ja sen pääty riippuu tukematta päädyistä, yläpintaan syntyy jännitystä sen takia, että riippuva tukki venyttää kuituja. Vastaavasti, tukin alapinta puristuu kokoon ja kuituja työnnetään yhteen. Jos tätä aluetta sahataan, uurre pyrkii sulkeutumaan sahausksen aikana. Tällöin terä jää puristuksiin.

### Puun kaataminen

*Katso Kuva 267 - 268.*





Karsiminen ja kaataminen suoritetaan kahden tai useamman henkilön toimesta, mutta kaataminen erottuu karsimisesta sikäli, että etäisyyden tulee olla vähintään kaksi kertaa niin suuri kuin kaadettavan puun korkeus. Puita ei tule kaataa siten, että ihmiset ovat vaarassa tai että ne voivat osua sähkölinjaan tai aiheuttaa omaisuusvahinkoja. Mikäli puu on kosketuksissa sähkölinjaan, sähkölaitokselle tulee ilmoittaa siitä välittömästi.

Moottorisahan käyttäjän tulisi olla maastossa ylämäen puolella, koska puu todennäköisesti pyörii tai liikuu mäkeä alas kaaduttuaan.

Pakoreitti tulee suunnitella ja tarvittaessa raivata ennen sahaamisen aloittamista. Perääntymisreitin tulee ulottautua viivostasi suunnitellun kaatumislinjan taakse.

Ota huomioon ennen kaatamisen aloittamista puun luonnollinen kallistuma, suurempien oksien sijainti ja tuulen suunta arvioidaksesi mihin suuntaan puu kaatuu.

Irrota puusta muta, kivet, irrallinen kaarna, naulat, niitit ja rautalangat.

Älä yritä kaataa lahoja tai tuulen, tulen, salaman tms. vahingoittamia puita. Se on erittäin vaarallista, ja ainoastaan ammattilaisten puukirurgien tulisi suorittaa tällaiset toimet.

#### 1. Alasahaus

*Katso Kuva 267 - 268.*

Leikkaa puuhun noin 1/3 paksuinen lovi suorassa kulmassa kaatumissuuntaan nähden. Saha ensin alempi, vaakasuora lovi. Näin ketju ei jää puristuksiin, kun teet toisen loven.

#### 2. Kaatosahaus

*Katso Kuva 267 - 268.*

Tee kaatoleikkaus vähintään 50 mm/2 tuumaa korkeammalle kuin kaatolovi. Pidä kaatosahaus samansuuntaisena vaakasuoran, alemman loven kanssa. Tee kaatosahaus siten, että puuta jää jäljelle, jotta se toimisi saranana. Pitopuu estää puun kääntymisen ja kaatumisen väärään suuntaan. Älä sahaa saranan läpi.

Kaatosahauksen lähestyessä saranaa puun pitäisi ruveta kaatumaan. Jos on mahdollisuus, ettei puu ehkä kaadukaan haluttuun suuntaan tai että se kallistuu takaisin puristaen moottorisahaa, lopeta sahaaminen ennen kuin kaatosahaus on suoritettu loppuun ja käytä puista, muovista tai alumiinista kiilaa avataksesi loven ja kaataaksesi puun halutun kaatolinjan mukaisesti.

Kun puu alkaa kaatua, poista moottorisaha lovesta, pysäytä moottori, aseta moottorisaha maahan ja käytä suunniteltua perääntymisreittiä. Varo, ettei päällessi putoa oksia, ja katso minne astut.

#### Ulkonevien juurien poistaminen

*Katso sivu 268.*

Ulkoneva juuri on suuri rungosta maan päälle ulottuva juuri. Poista isot ulkonevat juuret ennen puun kaatamista. Tee ensin vaakasuuntainen leikkaus ulkonevaan juureen, ja sen jälkeen pystysuuntainen leikkaus. Poista tästä lähtevä irrallinen osa työskentelyalueelta. Kun olet poistanut isot ulkonevat juuret, jatka puun kaatamistoimia oikeaa tekniikkaa noudattamalla.

#### Tukin apteraus

*Katso sivu 269.*

Apteraus tarkoittaa rungon leikkaamista paloiksi. On tärkeää, että seisot tukevasti ja että painosi jakautuu tasaisesti molemmille jaloille. Mikäli mahdollista, runko tulee nostaa ja se tulee tukea oksien, pölkkyjen tai pölkkyjen varaan. Noudata näitä yksinkertaisia ja helppoja leikkausohjeita: Jos tukki on tuettu koko matkalta, se leikataan yläpuolelta.

Kun runko on tuettu toisesta päästä, sahataan halkaisijasta 1/3 alapuolelta (rungon ali). Saha sitten loput ylhäältä, jotta yhtyisit ensimmäisen sahauskeen.

Kun runkoa tuetaan molemmista päistä, sahataan halkaisijasta 1/3 yläpuolelta. Leikkaa sitten alapuolelta 2/3 siten, että leikkaus kohtaa ensimmäisen loven.

Kun pilkot rinteessä, seisoo aina tukkiin nähden ylärinteessä. Kun leikkaat tukkia poikki, lakkaa painamasta sahaa lähellä leikkauksen loppua ilman, että helliät otettasi moottorisahan kädensijoista, jotta saha pysyisi hallinnassa. Alla anna ketjun koskettaa maata. Kun leikkaus on valmis, anna ketjun pysähtyä ennen kuin liikutat sahaa. Pysäytä moottori aina ennen kuin liikut puun luota toiselle.

#### Puun karsiminen

*Katso sivu 270.*

Oksimisella tarkoitetaan oksien poistamista kaatuneesta puusta. Jätä oksissa suuremmat, alempana sijaitsevat oksat tukemaan maassa olevaa runkoa. Poista pienet oksat yhdellä sahauskella. Jännitetyt oksat tulee leikata alhaalta latvaan päin moottorisahan puristumisen välttämiseksi.

#### Riuku

*Katso sivu 270.*

Jousiriuku on mikä tahansa tukki, oksa, juurellinen kanto tai nuori puu, joka on taipunut toisen puun alle ja joka ponnahtaa ylös, jos sitä painava puu katkaistaan ja poistetaan.

Kaatuneessa puussa juurellinen kanto voi mahdollisesti ponnahtaa ylös pystyasentoon katkaisun aikana, jolloin tukkiosa eroaa kannosta. Varo jousiriukuja; ne ovat vaarallisia.

#### VAROITUS

Jousiriutu ovat vaarallisia ja voivat iskeä sahan käyttäjää ja aiheuttaa sahan hallinnan menetyksen. Tämä voi aiheuttaa vakavan tai kohtalokkaan vamman käyttäjälle. Tämä tulee jättää koulutetun käyttäjän tehtäväksi.

#### KÄYTTÖÖN LIITTYVÄT RISKIT

Vaikka tuotetta käytettäisiin ohjeiden mukaisesti, ei ole mahdollista täysin eliminoida tiettyjä käyttöön liittyviä riskitekijöitä. Käytössä voi aiheutua seuraavia vaaroja, ja käyttäjän tulee kiinnittää erityistä huomiota niiden välttämiseen:

- Tärinän aiheuttama vamma
  - Käytä aina työhön sopivaa laitetta, käytä nimettyjä kahvoja ja rajoita työaikaa sekä altistumista.
- Liian kova melu voi aiheuttaa kuulovamman.
  - Käytä suojalaseja ja rajoita altistumista.



- loukkaantuminen ketjun suojaamattomiin hampaisiin koskettamisesta
- loukkaantuminen työkappaleesta sinkoutuneiden osien takia (puulastut tai tikut)
- Pölyn ja hiukkasten hengittämistä aiheutunut vamma
- loukkaantuminen johtuen ihokosketuksesta voiteluaineen tai öljyn kanssa
- Teräketjusta sinkoutuvat osat (leikkuu/lävistysvaara)
- Terälevyn odottamaton, äkillinen liike tai takapotku (leikkuuvaara).

## RISKIEN VÄHENTÄMINEN

Raporttien mukaan käsikäyttöisten laitteiden tärinä voi joidenkin kohdalla myötävaikuttaa Raynaud's Syndromen (Raynaudin oireen) ilmenemiseen. Oireita ovat pistely, turtuus ja sormien kalpeneminen, yleensä kylmässä ilmassa. Perinnölliset tekijät, kylmyys ja kosteus, ruokavalio, tupakointi sekä työtavat voivat kaikki myötävaikuttaa näiden oireiden ilmenemiseen. Käyttäjä voi ehkäistä tärinän aiheuttamia vaikutuksia seuraavasti:

- Pidä itsesi lämpimänä kylmällä säällä. Käytä laitteen käytön aikana käsineitä, jotta kätesi ja ranteesi pysyvät lämpöisinä. Raporttien mukaan kylmä ilma on tärkeä tekijä Raynaud's Syndromen (Raunaudin oireiden) ilmenemisessä.
- Harjoita kunkin käyttöjakson jälkeen liikuntaa, jotta verenkierto lisääntyisi.
- Pidä työn aikana säännöllisesti taukoja. Rajoita päivittäisen tärinän määrä.
- Ammatilliselta moottorisahojen jälleenmyyjältä saatavat suojakäsineet on suunniteltu erityisesti moottorisahakäyttöön; ne tarjoavat suojaa ja hyvän otteen ja vaimentavat lisäksi kahvan tärinävaikutusta. Tällaisten käsineiden tulee noudattaa EN381-7 standardia ja olla CE-merkitty

Jos mitään yllä mainittuja oireita ilmenee, lopeta heti laitteen käyttö ja kerro oireista lääkärille.

## VAROITUS

Laitteen pitkittynyt käyttö voi aiheuttaa tai vaikeuttaa vammoja. Kun käytät mitä tahansa laitetta pitkiä aikoja, muista pitää säännöllisiä taukoja.

## TUNNE TUOTTEESI

Katso sivu 261.

1. Käden etusuojaus/Ketjujarru
2. Etukädensija
3. Takakädensija
4. Ketju
5. Terälevy
6. Moottorisahan kuorituki
7. Ketjuöljysäiliön tulppa
8. Liipaisimen vapautin
9. Liipaisin
10. Vetopyörän suoja
11. Ketjunkiristimen säätörengas
12. Ketjunkiristimen säätönuppi

13. Terälevyn suojus
14. Ketjun pidäte

## SUOJALAITTEET

### Pienitakapotkuinen teräketju

Takapotkua vaimentava teräketju auttaa vähentämään takapotkun mahdollisuutta.

Höylähampaat (syvyysmitat) kunkin leikkurin edessä voivat minimoida takapotkun reaktion voiman estämällä leikkureita kaivautumasta liian syvälle takapotkuvyöhykkeellä. Käytä ainoastaan valmistajan suosittelemia vaihtoterälevy ja –teräketjuyhdistelmiä.

Kun teräketjuja teroitetaan, ne menettävät jonkin verran pienitakapotkuominaisuuksistaan. Noudata sen vuoksi erityistä varovaisuutta. Vaihda turvallisuutesi vuoksi sahan teräketju suorituskyvyn heiketessä.

### Moottorisahan kuorituki

Sisään rakennettua moottorisahan kuoritukea voidaan käyttää nivelpisteenä katkaistaessa. Se auttaa pitämään moottorisahan rungon vakaana sahattaessa. Työnä laitetta sahataksesi eteenpäin kunnes piikit tunkeutuvat puun reunaan; liikuta sitten takakahvaa ylös tai alas leikkulinjalla pienentääksesi sahausksen rasitusta.

### Terälevyt

Yleisesti, terälevyt, joiden kärjen säde on pienempi, ovat vähemmän alltiita takapotkulle. Käytä terälevyä ja sitä vastaavaa teräketjuja, joka on riittävän pitkä työhön. Pitempi terälevy lisää vaaraa, että saha riistyytyy hallinnasta sahattaessa. Tarkista ketjun kireys säännöllisesti. Kun sahaat pienempiä oksia (terälevyn koko pituutta pienempiä), teräketju irtoaa todennäköisemmin jos kireys ei ole oikea.

### Ketjujarru

KETJUJARRU (kuvaa 3) Ketjujarrut on tarkoitettu pysäyttämään nopeasti ketjun pyöriminen. Kun ketjujarrun vipu/kädensuojaus työnnetään terälevyä kohti, ketjun tulisi pysähtyä heti. Ketjujarru ei estä takapotkua. Se pienentää loukkaantumisriskiä vain, jos terälevy koskettaa käyttäjän ruumista takaiskun yhteydessä. Ketjujarrun toiminta tulee testata ennen jokaista käyttökertaa sekä käyttö- että jarruasennossa.

### Ketjun pidäte

Ketjusieppari estää sahaketjuja heittäytymästä takaisin käyttäjää kohti, jos sahaketju irtoaa tai katkeaa.

## KOKOONPANO

### VAROITUS

Jos osia puuttuu, älä käytä työkalua ennen, kuin olet hankkinut puuttuvan osan. Muutoin seurauksena voi olla vakava loukkaantuminen.

## TERÄKETJUN JA TERÄLEVYN KOKOAMINEN

Katso Kuva 262 - 263.

1. Muista irrottaa akku laitteesta. Käytä suojakäsineitä.



2. Avaa ketjun kiristin ja irrota vetopyörän suoja.
3. Teräketjun tulee osoittaa sen pyörimissuuntaan. Jos ne ovat taaksepäin, käännä silmukka toispäin.
4. Aseta ketjun vetolenkit terälevyn uraan.
5. Aseta ketju niin, että terän takana on silmukka.
6. Pidä ketjua paikoillaan terälevyllä ja pujota silmukka vetopyörän ympärillä. Laske terälevy siten, että pultti kulkee kiinnitetyn ketjunkturistyskokoonpanon reiän läpi. Voit joutua kääntämään kokoonpanoa, jotta pultti ja reikä osuvat kohdakkain. Voit kääntää tätä kokoonpanoa uudelleen kiristääkseen ketjua, mikä auttaa pitämään sen paikoillaan.
7. Asenna vetopyörän suojus takaisin ja käännä ketjunkturistysnuppia, kunnes se on lähes tiukalla; kierrä sitten ketjunkturistysnuppia, kunnes ketju on oikealla kireydellä. Terälevy on sitten työnnettävä ylöspäin. Tarkista ketjun kireys uudelleen. Älä kiristä ketjua liikaa.
8. Kun ketju on kiristetty, kiristä nuppi uudelleen.

### KETJUN JÄNNITTEEN SÄÄTÖ

Katso sivu 263. Katso sivu 273.

1. Löysennä ketjunkturistimen säätönuppia hieman kiertämällä sitä vastapäivään.
2. Jos haluat kiristää ketjua, käännä ketjunkturistimen säätönuppia myötäpäivään; tarkista ketjun kireys säännöllisesti. Jos haluat löysentää ketjua, käännä ketjunkturistimen säätönuppia vastapäivään ja tarkista ketjun kireys säännöllisesti.
3. Ketjun kireys on oikea, kun ketjun ja terälevyn välinen rako on 3–4 mm. Vedä ketjua alapuolen keskikohdasta (poispäin terälevystä) ja mitata terälevyn ja ketjun välinen rako.
4. Kiristä ketjun kiristysnuppi kääntämällä sitä myötäpäivään.

### KÄYTTÖ

#### KETJUN VOITELUÖLJYN LISÄÄMINEN

Katso sivu 262.

#### VAROITUS

Älä koskaan työskentele ilman voiteluöljyä. Jos sahan teräketjua käytetään ilman voiteluainetta, terälevy ja teräketju voivat vioittua. Näin ollen on tärkeää tarkistaa öljyn määrä mitta-asteikosta säännöllisesti aina ennen moottorisahan käyttöä.

1. Puhdista öljysäiliön korkin ympäristö, jotta se ei likaannu.
2. Ruuvaa öljysäiliön tulppa auki.
3. Kaada öljysäiliöön öljyä ja pidä silmällä säiliön öljytason mittaa. Kun täytät öljyä, pidä huoli että säiliöön ei pääse liikaa.
4. Aseta öljysäiliön tulppa paikoilleen ja kiristä se. Pyyhi läikkyneet öljy pois.
5. Täydellä öljysäiliöllä voidaan sahata 20–40 minuuttia.

### Suosittelu teräketjuöljy

- Valmistaja suosittelee käyttämään ainoastaan Ryobin moottorisahan voiteluöljyä. (Sitä on saatavilla valtuutetusta Ryobi-huollosta.)

### AKUN ASENTAMINEN

Katso sivu 263.

1. Aseta akku paikoilleen. Kohdista akun harjanteet laiteen akkutilan uriin.
2. Ennen kuin alat käyttää tuotetta, varmista, että akkupakkauksen salvat napsahtavat paikoilleen ja että akku on tuotteessa oikein paikallaan.

### MOOTTORISAHAN PITELEMINEN

Katso sivu 263.

Pidä aina oikealla kädellä kiinni takakädensijasta ja vasemmallalla kädellä etukädensijasta. Pidä kiinni molemmista kädensijoista siten, että sormet kietoutuvat niiden ympärille. Varmista, että pidät vasenta kättä siten, että peukalo on etukädensijan alapuolella.

### MOOTTORISAHAN KÄYNNISTÄMINEN

Katso sivu 263.

1. Ennen kuin aloitat käytön, asenna akku laitteeseen ja varmista, että ketjujarru on käyttöasennossa, vetämällä ketjujarruvipua/käsisuojusta etukahvaa kohden.
2. Käynnistä laite: vedä liipaisin vapautinta ja paina sitten liipaisinkytkintä.

### KETJUN JARRUN TARKISTAMINEN JA KÄYTTÖ

1. Kytke ketjujarru päälle kiertämällä vasenta kättä etukahvan ympärillä. Työnnä käden takapuolella ketjujarrun vipua/käsisuojusta tankoa kohden ketjun pyöriessä nopeasti. Muista pitää molemmat kädet sahan kahvoilla kaiken aikaa.
2. Palauta ketjujarru käyttöasentoon ottamalla kiinni ketjujarrun vivun/käsisuojan yläosasta ja vetämällä sitä etukahvaa kohden, kunnes kuulet napsahduksen.

#### VAROITUS

Jos ketjujarru ei pysäytä teräketjua välittömästi tai jos siitä on pidettävä kiinni käytön aikana, ettei se pääsisi vapautumaan, vie moottorisaha korjattavaksi valtuutettuun korjaamoon ennen, kuin käytät sitä uudelleen.

#### KULJETUS JA VARASTOITAESSA

Katso Kuva 275 - 276.

- Sammuta tuote, irrota akku ja anna sen jäähtyä ennen varastointia ja kuljetusta.
- Puhdista laitteesta kaikki vieraat materiaalit. Varastoi laite viileään, kuivaan ja hyvin tuuletettuun paikkaan, jossa lapset eivät pääse siihen käsiksi. Pidä poissa syövyttäviltä aineilta kuten puutarhakemikaaleilta ja jäänsulatussuolalta. Älä säilytä ulkona.
- Aseta terälevyn suojus paikoilleen ennen laitteen varastointia ja kuljetusta.
- Kiinnitä tuote kuljetettaessa siten, että se ei pääse

EN
FR
DE
ES
IT
NL
PT
DA
SV
FI
NO
RU
PL
CS
HU
RO
LV
LT
ET
HR
SL
SK
BG
UK
TR





liikkumaan tai kaatumaan, jotta välttyä loukkaantumisilta ja vaurioilta.

## HUOLTO

### VAROITUS

Käytä ainoastaan alkuperäisiä valmistajan tuottamia varaosia, lisälaitteita ja lisävarusteita. Tämän noudattamatta jättäminen voi johtaa loukkaantumiseen ja huonoon tulokseen ja voi mitätöidä takuun.

### VAROITUS

Huolto kaipaa suurta huolellisuutta ja hyvää työkalun tuntemusta: Se on annettava pätevän teknikon tehtäväksi. Kun tuote vaatii huoltoa, vie tuote valtuutettuun huoltoon. Käytä huollossa ainoastaan alkuperäisiä valmistajan tuottamia varaosia.

### VAROITUS

Irrota akku ennen säätöjä, huoltoa ja puhdistusta. Muutoin seurauksena voi olla vakava loukkaantuminen.

- Sinulla on lupa suorittaa ainoastaan tässä käsikirjassa kuvattuja säätöjä ja korjauksia. Pyydä apua valtuutetusta huollosta muiden korjaus- tai neuvontarpeiden tapauksessa.
- Virheellinen huolto voi aiheuttaa sen, että ketjujarru ja muut turvallisuusominaisuudet eivät toimi asianmukaisesti, mikä kasvattaa vakavan loukkaantumisen vaaraa. Pidä moottorisahasi ammattimaisesti huollettuna ja turvallisena.
- Ketjun teroittaminen turvallisesti vaatii taitoa. Tästä syystä valmistaja suosittelee, että kulunut tai tylsä ketju vaihdetaan uuteen; uuden ketjun voi hankkia valtuutetusta Ryobi-huollosta. Osanumero ilmoitetaan tuotteen teknisten tietojen taulukossa tässä käsikirjassa.
- Noudata ohjeita voitelusta ja ketjun kireyden tarkistamisesta ja säädöstä.
- Puhdista tuote aina käytön jälkeen pehmeällä ja kuivalla liinalla.
- Varmista aina, että ruuvit ja mutterit ovat tiukasti kiinni, jotta leikkuri olisi aina turvallinen ja käyttövalmis. Valtuutetun huoltopisteen on korjattava tai vaihdettava vioittuneet osat asianmukaisesti.

## TERÄLEVYN JA TERÄKETJUN ASENTAMINEN

Katso Kuva 271 - 272.

1. Muista irrottaa akku. Käytä suojakäsineitä.
2. Ruuvaa ketjünkireyden säätönappi auki vastapäivään siten, että vetopyörän suoja irtoaa.
3. Irrota vetopyörän suoja. Irrota terälevy ja ketju laitteesta.
4. Jos haluat vaihtaa sahalaipan uuteen, irrota ruuvi ketjun kiristyskokoopanoista. Kiinnitä ketjun kiristyskokoopano uuteen sahalaippaan ja kiristä ruuvi.
5. Aseta uusi ketju oikean suuntaisesti terälevylle ja varmista, että vetosilmukat ovat kohdakkain terälevyn uran kanssa.

6. Kiinnitä terälevy moottorisahaan ja pujota ketju vetopyörän ympäri.
7. Asenna vetopyörän suoja.
8. Säädä ketjun kireys. Viittaa kohtaan Ketjun kireyden säätäminen.

### VAROITUS

Tylsä tai virheellisesti teroitettu teräketju voi saada moottorin käymään liian suurilla kierroksilla sahattaessa, mikä saattaa aiheuttaa vakavan moottorivaurion.

### VAROITUS

Ketjun väärä teroitus lisää takapotkun mahdollisuutta.

### VAROITUS

Vaurioituneen ketjun vaihtamisen tai korjaamisen laiminlyönti voi aiheuttaa vakavan vamman.

### VAROITUS

Teräketju on erittäin terävä. Käytä aina suojakäsineitä, kun suoritat ketjun kunnossapitotoimia.

## KETJUJARRUN TARKISTAMINEN JA PUHDISTAMINEN

Katso sivu 274.

- Pidä ketjujarrumeکانisimi aina puhtaana harjaamalla sen puhtaaksi.
- Testaa ketjujarrun toiminta aina puhdistuksen jälkeen. Katso lisätietoja aiempaan tässä käsikirjassa olevasta kohdasta "Käyttö – ketjujarrun käyttö".

## POLTOAINESEKOITUKSEN MÄÄRÄ

Päivittäinen tarkastus	
Teräketjun kireys	Ennen jokaista käyttöä
Teräketjun terävyys	Ennen jokaista käyttökertaa ja säännöllisesti
Viallisten varaosien varalta	Ennen jokaista käyttökertaa, silmämääräinen tarkastus
Irtonaisten kansien varalta	Ennen jokaista käyttöä
Irtonaisten kiinnitysosien varalta	Ennen jokaista käyttöä
Ketjun jarrutustoiminto	Ennen jokaista käyttöä
Tarkasta ja puhdista	
Terälevy	Ennen jokaista käyttöä
Koko saha	jokaisen käytön jälkeen
Ketjujarru	5 tunnin välein*

\*Käyttötunnit

## TUOTTEESSA OLEVAT SYMBOLIT



Varoitus



Lue ja ymmärrä kaikki ohjeet ennen tuotteen käyttöä ja noudata kaikkia varoituksia ja turvallisuusohjeita.



Käytä suojalaseja, kuulosuojaimia ja kypärää



Käytä tätä tuotetta käyttäessäsi luisumattomia turvajalkineita.



Käytä luisumattomia raskaan käytön käsiineitä.



Varo teräketjun takapotkua äläkä kosketa terälevyn kärkeä.



Älä altista konetta sateelle tai kosteudelle.



Pidä ja käytä moottorisahaa kaksin käsin.



Älä käytä moottorisahaa yhdellä kädellä.



Tämä työkalu on sen EU-maan kaikkien sääntömääräisten standardien mukainen, josta se on ostettu.



EurAsian-vaatimustenmukaisuusmerkki



Ukrainalainen säädöstenmukaisuusmerkintä



Käytöstä poistettavia sähkölaitteita ei pidä hävittää talousjätteiden mukana. Ne on mahdollisuuksien mukaan pantava kiertoon. Kierrätysohjeita antavat kunnan viranomaiset ja vähittäiskauppiat.



Taattu äänenteho on 96 dB.



Terälevyn ja ketjun voitelu



Voiteluaineen minimitaso



Lukko



Avaa



Aseta ketjujarru käyntiasentoon (RUN).



Kierrä säätääksesi ketjun kireys  
+ = Kiristä ketju  
- = Löysennä ketjua



Aseta ketjujarru jarruasentoon (BRAKE).



Ketjun liikesuunta.  
(Merkitty vetopyörän suojan alle)

$V_0$  : 10 m/s

Ketjun nopeus kuormittamattomana:  
10 m/s

L max: 300mm

Terälevyn maksimipituus: 300 mm

## TÄMÄN KÄSIKIRJAN SYMBOLIT



Osat ja lisävarusteet on hankittava erikseen



Huom



Varoitus



Käytä suojalaseja ja kasvosuojusta.



Käytä vartalonsuojusta.



Käytä jalkasuojusta.



Pysäytä moottori.

Seuraavat signaalisanat ja merkitykset on tarkoitettu selittämään tähän tuotteeseen liittyviä riskin tasoja.

### ⚠ VAARA

Ilmaisee välitöntä vaaratilannetta, joka ellei sitä vältetä, johtaa kuolemaan tai vakavaan loukkaantumiseen.

### ⚠ VAROITUS

Ilmaisee potentiaalisen vaaratilanteen, joka ellei sitä vältetä, johtaa kuolemaan tai vakavaan loukkaantumiseen.

 **HUOMAUTUS**

Ilmaisee potentiaalisen vaaratilanteen, joka ellei sitä vältetä, saattaa johtaa pienempään tai keskivaikeaan loukkaantumiseen.

**HUOMAUTUS**

Ilman turvallisuusvaroitussymbolia

Ilmoittaa tilanteesta, jossa omaisuutta saattaa vaurioitua.

130.com.ua



Sikkerhet, ytelse og pålitelighet har fått topp prioritet ved konstruksjonen av denne kabelfrie motorsagen.

### TILTENKT BRUK

Motorsagen skal bare brukes utendørs. Av sikkerhetsmessige årsaker må produktet holdes under kontroll ved alltid å holde det med to hender.

Produktet er ment til kutting av grener, stammer, tømmerstokker og bjelker på en diameter som bestemmes av lengden på sagsverdet. Den kan kun brukes til saging i tre. Det er kun til privat bruk og skal kun brukes av voksne som har fått tilstrekkelig opplæring om farene og forebyggende tiltak/handlinger som skal iverksettes under bruk.

Ikke bruk produktet til annet enn det som er beskrevet over. Skal ikke brukes i profesjonell trefelligsvirksomhet. Produktet skal ikke brukes av barn eller personer som ikke bruker tilstrekkelig personlig verneutstyr og verneklær.

### ⚠ ADVARSEL

Når produktet brukes må sikkerhetsreglene følges. For din egen sikkerhet og sikkerheten til tilskuerne, må du ha lest og forstått disse instruksene før du tar i bruk produktet. Du bør være med på et profesjonelt sikkerhetskurs vedvarende bruk, forebyggende tiltak, førstehjelp og vedlikehold av kjedesager. Vennligst ta vare på instruksjonene for fremtidig bruk.

### ⚠ ADVARSEL

En kjedesag er et potensielt farlig verktøy. Ulykker der kjedesager er innblandet fører ofte til tap av ekstremiteter eller død. Det er ikke kjedesagen i seg selv som er farlig. Fallende grener, veltende trær, rullende tømmerstokker kan drepe. Dødt eller råtnende trevirke utgjør en ytterligere fare. Du bør vurdere dine evner for å kunne fullføre oppgavene trygt. Ved tvil, la heller en profesjonell trefeller utføre jobben.

### GENERELLE SIKKERHETSADVARSLER

### ⚠ ADVARSEL

**Les alle sikkerhetsadvarslene og alle instruksjonene.** Å unnlate å følge advarslene og instruksjonene kan føre til elektrisk støt, brann og alvorlig personskade.

**Ta vare på disse advarslene og instruksene for å se i dem senere.**

Begrepet "elektrisk verktøy" i advarslene gjelder ditt elektriske verktøy koblet til strømmettet (med ledning) eller batteridrevet (uten ledning) elektrisk verktøy.

### ARBEIDSOMGIVELSER

- **Hold arbeidsområdet rent, ryddig og godt opplyst.** Uryddige og dårlig opplyste områder fører lett til ulykker.
- **Ikke bruk elektrisk verktøy i eksplosive atmosfærer, som der det finnes brennbare væsker, gasser eller støv.** Elektrisk verktøy skaper gnister som kan antenne støv eller gasser.

- **Hold barn og andre på avstand når et elektrisk verktøy brukes.** Distraksjon kan føre til tap av kontroll.

### ELEKTRISK SIKKERHET

- **Støpslet på det elektriske verktøyet må stemme med stikkkontakten.** Foreta aldri noen form for endringer av støpslet. Ikke bruk noen form for adapterstøpsel til jordet elektrisk verktøy. Umodifiserte støpsler og passende stikkontakter vil redusere risikoen for elektrisk støt.
- **Unngå kroppskontakt med jodede overflater, som vannrør, radiatorer, kokeapparater og kjøleaggregater.** Det er økt risiko for elektrisk støt dersom kroppen din har kontakt med jord.
- **Ikke utsett produktet for regn eller høy fuktighet.** Vann som trenger inn i et elektrisk verktøy vil øke faren for elektrisk støt.
- **Ikke misbruk den elektriske ledningen.** Bruk aldri ledningen til å bære det elektriske verktøyet eller trekke støpslet ut av stikkkontakten. Hold ledningen vekk fra varme, olje, skarpe kanter eller bevegelige deler. Skadet eller sammenfloknet ledning øker risikoen for elektrisk støt.
- **Når du bruker det elektriske verktøyet utendørs, bruk en skjøtledning som er tilpasset utendørs bruk.** Bruk av ledning som er tilpasset utendørs bruk reduserer risikoen for elektrisk støt.
- **Dersom bruk av elektrisk verktøy i fuktige omgivelser ikke er til å unngå, bruk en strømkrets med sikring som er tilpasset verktøyet.** Bruk av strømkrets med sikring reduserer risikoen for elektrisk støt.

### PERSONLIG SIKKERHET

- **Vær våken, se på hva du gjør og bruk fornuft når du arbeider med et elektrisk verktøy.** Ikke bruk elektrisk verktøy når du er sliten eller under påvirkning av narkotiske stoffer, alkohol eller medisiner som kan påvirke din reaksjonsevne og/eller dømmekraft. Et øyeblikks uoppmerksomhet når elektrisk verktøy brukes kan føre til alvorlige personskade.
- **Bruk personlig verneutstyr.** Bruk alltid øyebeskyttelse. Verneutstyr som støvmaske, sklisikre vernesko, hjelm eller hørselsvern brukt i passende sammenhenger vil redusere risikoen for personskade.
- **Unngå utilsiktet start.** Sørg for at bryteren er i posisjon OFF før utstyret kobles til strømmettet og / eller batteripakken, plukkes opp eller bæres. Å bære det elektriske verktøyet med fingeren på startknappen eller koble strøm til et elektrisk verktøy med bryteren i ON inviterer til ulykker.
- **Fjern justeringsnøkler og annet verktøy før du setter strøm på det elektriske verktøyet.** En fastnøkkel eller annet verktøy festet til en roterende del av et elektrisk verktøy når det startes kan føre til personskade.
- **Ikke len deg for langt.** Sørg for godt fotfeste og god balanse til enhver tid. Dette gir bedre kontroll over det elektriske verktøyet i en uventet situasjon.
- **Kle deg riktig.** Ikke bruk løstsittende plagg og/eller løsthengende smykker. Hold hår, klær og hansker vekk fra bevegelige deler. Løse plagg, smykker og

EN  
FR  
DE  
ES  
IT  
NL  
PT  
DA  
SV  
FI  
NO  
RU  
PL  
CS  
HU  
RO  
LV  
LT  
ET  
HR  
SL  
SK  
BG  
UK  
TR





langt hår kan fanges opp av bevegelige deler.

- Hvis det finnes tilkoblingsmuligheter for oppsagnings- og oppsamlingsutstyr for støv, sørg for at dette blir tilkoblet og brukt på riktig måte. Bruk av støvoppsamler kan redusere støvrelatert faresituasjoner.

## BRUK OG BEHANDLING AV ELEKTRISK VERKTØY

- Ikke press maskinen. Bruk korrekt elektrisk verktøy for jobben som skal gjøres. Riktig elektrisk verktøy vil gjøre jobben bedre og tryggere når det brukes slik det var tiltenkt.
- Ikke bruk verktøyet hvis bryteren ikke slår verktøyet av og på. Ethvert elektrisk verktøy som ikke kan kontrolleres med bryteren er farlig og må repareres før det kan brukes.
- Trekk støpslet ut av den elektriske kontakten og/eller batteripakken fra det elektriske verktøyet før du foretar endringer, skifter tilbehør eller lagrer det elektriske verktøyet. Slike forebyggende sikkerhetstiltak reduserer risikoen for utilsikket start av det elektriske verktøyet.
- Oppbevar elektrisk verktøy som ikke brukes utenfor barns rekkevidde og la ikke personer som ikke er kjent med det elektriske verktøyet eller dets instruksjoner bruke det. Elektrisk verktøy er farlig i hendene på uerfarne brukere.
- Vedlikehold av elektrisk verktøy. Kontroller for feilinnretting og at bevegelige deler løper fritt, at det ikke finnes ødelagte deler og enhver annen tilstand som kan påvirke det elektriske verktøyets drift. Hvis skadet må det elektriske verktøyet repareres før bruk. Mange ulykker skyldes dårlig vedlikeholdt elektrisk verktøy.
- Hold skjæredeskaper skarpe og rene. Korrekt vedlikeholdt skjæreverktøy med skarpe skjærekanter har mindre mulighet for å blokkere seg og er lettere å kontrollere.
- Bruk det elektriske verktøyet, tilbehøret, verktøytbits etc i henhold til disse instruksjonene, der du tar hensyn til arbeidsforholdene og det arbeidet som skal utføres. Bruk av elektrisk verktøy på en måte det ikke var tiltenkt kan skape farlige situasjoner.

## BATTERIPRODUKTER - BRUK OG STELL

- Lad bare med ladere som er spesifisert av produsenten. En lader som passer til en type batteripakke kan skape risiko for brann dersom den brukes til en annen type batteripakke.
- Bruk batteriprodukter kun med spesielt tiltenkte batteripakker. Bruk av andre batteripakker kan føre til risiko for skade og brann.
- Når batteripakken ikke er i bruk, hold den vekke fra metallgjenstander som binders, mynter, nøkler, spiker, skruer og annet som kan forbinde de to terminalene med hverandre. Kortslutning av batteriterminalene kan føre til brenning eller brann.
- Dersom batteriet misbrukes kan det slippe ut væske, unngå hudkontakt med væsken. Hvis du får kontakt med væsken fra batteriet, skyll med rikelige mengder vann. Hvis væsken får kontakt

med øynene må det søkes medisinsk hjelp. Væske som kommer ut av batteriet kan føre til irritasjon eller brannskade.

## VEDLIKEHOLD

- Sørg for at reparasjoner og vedlikehold av ditt elektriske verktøy utføres av kvalifiserte teknikere som kun bruker originale erstatningsdeler. Dette vil sørge for at sikkerheten med det elektriske verktøyet ivaretas.

## GENERELLE TILLEGSSIKKERHETSADVARSLER

- Noen regioner har bestemmelser som begrenser bruk av dette produktet. Spør de lokale myndigheter for råd.
- Ikke tillat at barn eller personer som ikke er kjent med brukermanualen bruker produktet. Lokale forskrifter kan begrense en alder av operatøren.
- Kontroller før hver bruk at alle styreenheter og sikkerhetsanordninger fungerer som de skal. Ikke bruk dette produktet hvis "av" knappen ikke stanser motoren.
- Bruk vernebriller og hørselsvern, kraftige støvler, vernehansker og vernehjelm når du bruker motorsagen. Bruk ansiktsmaske ved støv.
- Bruk av hørselsvern reduserer muligheten for å høre advarsler (rop eller alarmer). Brukeren må være ekstra oppmerksom med hensyn til hva som skjer på arbeidsområdet.
- Ha god fotfeste og ballanse til enhver tid. Ikke len deg for langt. Å bøye seg for langt over ting kan føre til at man mister balansen og øker faren for kickback.
- Ikke bruk løstsittende klær, korte bukser og smykker uansett type.
- Sørg for at langt hår ikke når lenger ned en til skuldrene for å hindre at det kan fanges opp av roterende deler.
- Pass deg for gjenstander som blir slengt ut, flyr eller faller gjennom lufta. Hold tilskuere, barn og kjæledyr 15 m unna arbeidsområde.
- Ikke bruk i dårlig lys. Operatøren må ha klar sikt over arbeidsfeltet for å identifisere potensielle farer.
- Bruk av lignende utstyr i nærheten øker faren for både hørselskade og muligheten for at andre kommer inn i din arbeidssone.
- Hold alle deler av kroppen vekke fra bevegelige deler.
- Sjekk maskinen før hver bruk. Sjekk at alle kontrollene fungerer som de skal, inkludert kjedebremsen. Sjekk for løse fester, kontroller at alle vern og håndtak er satt på riktig og festet godt. Erstatt alle skadede deler før fortsatt bruk.
- Du må ikke endre maskinen på noe måte eller bruke deler og tilbehør som ikke er anbefalt brukt av produsenten.

### ⚠ ADVARSEL

Dersom produktet faller i bakken, får et sterkt slag eller starter å vibrere unormalt, stans produktet omgående og sjekk for skader eller finn ut hva som er årsaken for vibrasjonene. Enhver skade må repareres helt eller delen skiftes av et autorisert serviceverksted.



EN
FR
DE
ES
IT
NL
PT
DA
SV
FI
<b>NO</b>
RU
PL
CS
HU
RO
LV
LT
ET
HR
SL
SK
BG
UK
TR

## KJEDESAG SIKKERHETSADVARSLER

- **Hold alle kroppsdelenes unna kjedesagen når kjedesagen er i gang. Før du starter kjedesagen, påse at sagen ikke er i kontakt med noe.** Et øyeblikk med oppmerksomhet når du bruker kjedesagen kan føre til at klærne eller kroppen blir klemt inn i sagens kjede.
- **Hold kjedesagen alltid med høyre hånd på bakhåndtaket og venstre hånd på fremre håndtak.** Hvis man holder kjedesagen omvendt, øker risikoen for personskade og det bør derfor aldri gjøres.
- **Hold dette motorverktøyet kun i de isolerte håndtakene fordi sagens kjede kan ha kontakt med en skjult ledningsføring.** Kjeder som er i kontakt med strømførende ledninger kan gjøre metalldeleer til elektroverktøyet strømførende, noe som kan føre til at brukeren får elektrisk støt.
- **Bruk vernebriller og hørselvern. Annet verneutstyr for hode, hender, bein og føtter anbefales.** Passende verneklær vil redusere personskader utløst av smuss som slenges ut og utilsikket kontakt med kjede.
- **Ikke bruk kjedesagen i et tre.** Bruk av kjedesagen mens man befinner seg i et tre kan føre til personskader.
- **Stå alltid stødig og bruk kjedesagen kun når du står på en fast, sikker og jevn overflate.** Et glatt eller ustabil underlag som stiger kan føre til at man taper balansen eller mister kontrollen over kjedesagen.
- **Når du kutter en gren som er under spenning, vær oppmerksom på at det kan sprette tilbake.** Når spenningen i trefibrene slippes, kan den fjærbelastede grenen sprette tilbake på operatøren og/eller slenge kjedesagen ut av kontroll.
- **Vær ekstremt forsiktig når du kutter busker og skudd.** Slikt tynt materiale kan hekte seg fast i kjede og bli slengt mot deg eller dra deg ut av balanse.
- **Bær kjedesagen ved å holde i fronthåndtaket ved at kjedesagen er skrudd av og alltid unna kroppen. Når du skal transportere eller lagre kjedesagen, sett alltid på dekslet.** Riktig håndtering av kjedesagen vil redusere sannsynligheten for utilsikket kontakt med kjedesagen som er i bevegelse.
- **Følg instruksene for smøring, kjedestramming og bytte av tilleggsutstyr.** Et feilstrammet eller feilsmurt kjede kan sprekke eller øke faren for kickback.
- **Hold håndtakene tørre, rene og fri for olje og fett.** Håndtak som er fettete eller tilsølt med olje kan føre til at du mister kontrollen over sagen.
- **Kun til trekutting. Ikke bruk kjedesagen for annet enn tilsikket bruk.** F.eks. må du ikke bruke kjedesagen for å kutte plast, mur eller byggematerialer som ikke er tre. Bruk av kjedesagen for arbeider som avviker fra de tilsiktede, kan føre til farlige situasjoner.

### Årsaker til kickback og hvordan hindre de:

Det kan oppstå tilbakeslag når tuppen på sverdet kommer borti en gjenstand eller når sagkjeden knipes eller låses fast i treverket under sagingen.

Kontakt med tuppen kan i noen tilfeller føre til en plutselig reversreaksjon, slik at sagsverdet spretter bakover mot brukeren.

Blokkering av sagkjedet langs toppen av sverdet vil kunne skyve sverdet hurtig tilbake mot brukeren.

Begge disse reaksjonene kan medføre at du mister styringen på sagen, og det kan føre til alvorlige personskader. Du må ikke bare stole blindt på de sikkerhetsanordninger som er innebygget i sagen. Som bruker av en motorsag må du ta flere forholdsregler for å beskytte deg mot ulykker og skader.

En kickback er resultatet av misbruk av verktøyet og/eller feil bruksprosedyrer eller forhold som kan unngås ved å ta riktige forholdsregler som følger:

- **Hold verktøyet fast, med tommelen og fingrene rundt kjedesagens håndtak, med begge hendene på sagen og med kroppen og armene slik at du klarer å motstå kickback.** Kickback-kreftene kan kontrolleres av brukeren hvis man tar de riktige forholdsreglene. Ikke slipp taket på kjedesagen.
- **Ikke strekk deg over den og ikke kutt over skulderhøyde.** Det bidrar til å hindre utilsikket kontakt med tuppen og sikrer bedre kontroll over kjedesagen i uventede situasjoner.
- **Bruk kun reservedeler for skinnen og kjede i samsvar med produsentens spesifikasjoner.** Feil reservedeler for skinnen og kjede kan føre til at kjede brister og/eller kickback.
- **Følg fabrikantens anvisninger for kvessing og vedlikehold av sagkjedet.** Ved å minske høyden på dybdemåleren, er det større fare for kickback.

## GENERELLE TILLEGGSADVARSLER FOR KJEDESAGEN

- Det anbefales å kutte tømmer på en sagbukk eller lignende når man bruker produktet for første gang.
- Påse at alle verneanordninger, håndtak og piggvernet er påsatt riktig og i god stand.
- Personer som bruker denne kjedesagen bør ha god helse. Produktet er tungt. Brukeren må derfor være i god fysisk form. Brukeren må være oppmerksom, ha godt syn, mobilitet, balanse og være høyrehendt. Dersom et foreligger noe tvil rundt dette, bør kjedesagen ikke brukes.
- Ikke start å bruke produktet inntil du har et ryddet arbeidsområde, står trygt, og en planlagt fluktvei unna et fallende tre er klarlagt.
- Pass deg for utslipp av smøredamp og sagstøv. Bruk maske eller helmaske ved behov.
- Ikke kutt slynplanter og/eller buskas (mindre enn 75 mm i diameter).
- Hold kjedesagen alltid med begge hender når du bruker den. BRUK ET FAST GREP, og grip om håndtakene med alle fingrene. Høyre hånd må være på bakre håndtak og venstre håndtak på fronthåndtaket.
- Før du starter kjedesagen, påse at sagen ikke er i kontakt med noe objekt.
- Du må ikke modifisere verktøyet på noe måte eller bruke det til å drive tilleggsutstyr eller andre enheter som ikke er anbefalt av produsenten av din sag.
- Du bør ha et førstekjelpsskrin med store sårbind og utstyr for å tilkalle hjelp (f.eks. fløyte) stående nær deg. Et større, mer velutstyrt skrin bør være innen rekkevidde.





- Brukeren kan være fristet til å fjerne hjelmen hvis det ikke er fare for fallende objekter i arbeidsområde, men husk at hjelmen, spesielt med gittervernet, kan bidra til å redusere potensiell fare for skader i fjeset og hode ved kickback.
- Feil spenning i kjede kan føre til at sagsverdet spretter av og fører til alvorlige personskader eller død. Kjødens lengde er avhengig av temperaturen. Sjekk spenningen ofte.
- Du kan bli vant til din nye kjedesag ved å gjøre enkle kutt på trygt støttet trevirke. Gjør det hver gang du ikke har brukt sagen på en stund.
- For å minske faren for personskader forårsaket av kontakt med bevegelige deler, stans alltid motoren, sett på bremsen, fjern batteriet og sikre at alle bevegelige deler har stanset før:
  - rengjøring eller fjernes en blokkering
  - etterlater produktet uten tilsyn
  - installasjon eller fjerning av påsatser
  - sjekk, vedlikehold og arbeid på maskinen
- Størrelsen på arbeidsområdet avhenger av hvilken jobb som skal gjøres, og av størrelsen på det treet eller det arbeidsstykket du skal arbeide med. F.eks. krever felling av et tre et større arbeidsområde enn når man bare kutter, f.eks. oppkapping osv. Brukeren må være oppmerksom og ha kontroll over alt som skjer i arbeidsområde.
- Ikke kutt hvis du har kroppen på linje med sagsverdet og kjede. Hvis det oppstår kickback vil du slik bidra til å hindre at kjede kan komme i kontakt med hode eller kroppen din.
- Ikke bruk en bakover og framover sagebevegelse, la kjede gjøre arbeidet, hold kjede skarpt og ikke prøv å dytte kjede gjennom kuttet.
- Ikke trykk på sagen ved slutten av kuttet. Vær klar for å ta imot vekten av sagen når den har kuttet gjennom treet. Å unnlate å gjøre det kan føre til alvorlig personskade.
- Ikke stans sagen midt i kutteprosessen. Hold sagen i gang inntil den helt er fjernet fra kuttet.

### Skyvende og trekkende

Reaksjonskraften går alltid motsatt vei av den retningen sagkjeden beveger seg. Derfor må brukeren være klar til å styre maskinens tendens til å dra unna (bevegelse framover) når det kuttet med nedre kant av skinnen og dytt bakover (mot brukeren) når man kutter med øvre kant.

### Sag kjørt fast i kuttet.

Stans kjedesagen og sikre den. Ikke prøv å forsere kjede og skinnen ut av kuttet for det vil sannsynligvis føre til at kjede vil briste og slå mot brukeren. Denne situasjonen oppstår vanligvis når trevirket ikke er støttet opp riktig slik at kuttet blir presset sammen etterhvert som man fortsetter, noe som klemmer bladet i kuttet. Hvis justering av støtten ikke løser skinnen og kjedet, bruk trekklør eller et brekkjern for å åpne kuttet og frigjøre sagen. Du må aldri prøve å starte kjedesagen når sagsverdet allerede er i et kutt eller sagsnitt.

### Personlig verneutstyr

Personlig verneutstyr av god kvalitet som profesjonelle bruker, vil hjelpe til å redusere faren for personskader hos brukeren. Følgende ting bør brukes når du bruker kjedesagen:

#### Vernehjelm

- bør være iht. EN 397 og merket med CE

#### Hørselvern

- bør være iht EN 352-1 og merket med CE

#### Beskyttelse for øyne og ansiktet

- bør være CE-merket og iht. EN 166 (for vernebriller) eller EN 1731 (for masker med gitter)

#### Hansker

- bør være iht. EN381-7 og merket med CE

#### Beinbeskyttelse (chaps)

- bør være iht. EN 381-5, være CE-merket og gi helhetlig beskyttelse.

#### Kjedesag vernestøvler

- bør være iht. EN ISO 20345:2004, være merket med et piktogram med kjedesag for å vise at det er iht. EN 381-3. (De som bruker enheten av og til kan bruke vernesco med ståltopp og gamasjer iht. EN 381-9 hvis bakken er jevn og det er liten fare for å å snuble eller hekte seg fast i lyngen)

#### Kjedesagjakke for å beskytte kroppen

- bør være iht EN 381-11 og merket med CE

## ANVISNINGER OM RIKTIG TEKNIKK FOR GRUNNLEGGENDE FELLING, KVISTING OG KRYSSKUTTING

### Å forstå kreftene i trevirke

Når du har forstått retningstrykk og stresskrefter i trevirke, kan du redusere "klem" eller i det minste forvente de under kutting. Spenninger i trevirke betyr at fibre blir dratt fra hverandre og his du kutter inn i et slikt område, vil sagsnittet eller kuttet prøve å åpne seg mens sagen går gjennom. Hvis et tømmer er støttet opp på en sagbukk og enden henger uten støtte over enden, da vil spenningen som oppstår strekke fibre på øvre overflate på grunn av vekten på det overhengende tømmeret. Tilsvarende vil undersiden være i kompresjon og fibre blir presset sammen. Hvis et kutt gjøres i dette område, vil sagsnittet ha en tendens til å lukke seg under kuttet. Det vil klemme kjede.

### Felle et tre

Se side 267 - 268.

Når oppkapping og felling gjøres av to eller flere personer samtidig, bør fellingen gjøres adskilt fra kappingen på en avstand minst dobbel så stor som høyden på treet som felles. Trær bør ikke felles på en slik måte at man setter personer i fare, treffer en strømledning eller forårsaker materielle skader. Hvis treet kommer i kontakt med en strømledning, må selskapet kontaktes omgående.

Motorsagbrukeren bør stå høyere enn treet i en evt. skråning, slik at treet mest sannsynlig vil rulle eller gli nedover skråningen etter at det er felt.

Man bør ha en fluktvei klar og rensket etter behov før man starter kappingen. Fluktveien bør være utvidet bakover og





diagonalt for bakkdelen av forventet falllinje.

Før du starter felling, ta med i beregningen treets naturlige helling, hvor større grener er og vindretningen for å avveie hvor treet vil falle.

Fjern møkk, steiner og løst bark, spiker, stifter og wire fra treet.

Ikke forsøk å felle trær som er råtnete eller har blitt skadet av vinn, brann, lyn osv. Det er ekstremt farlig og skal kun utføres av profesjonelle trefellere.

### 1. Lage styreskjær

Se side 267 - 268.

Lag et snitt på 1/3 av treets diameter, loddrett til fallretningen. Lag den nedre vannrette innsnittet først. Slik vil du unngå at kjede eller sagsverdet blir klemt når det andre snittet lages.

### 2. Lage felleskjæret

Se side 267 - 268.

Lag felleskjæret minst 50 mm høyere enn det vannrette styreskjæret. Hold felleskjæret parallelt til styreskjæret. Lag felleskjæret slik at det er nok trevirke igjen for at det blir som en hengsel. Hengselen hindrer at treet vil vri seg og falle i feil retning. Ikke kutt gjennom hengselen.

Når felleskjæret nærmer seg hengselen, bør treet starte å falle. Hvis det er noe mulighet for at treet ikke vil falle i ønsket retning eller kan bikke bakover og klemme sagens kjede, stans kuttingen før felleskjæret er kuttet ferdig og bruk så kiler i tre, plastikk eller aluminium for å åpne kuttet, slik at treet kan falle i ønsket retning.

Når treet begynner å falle, fjern kjedesagen fra kuttet, stans motoren, sett ned kjedesagen og bruk deretter veien som var planlagt for tilbaketrekking. Vær oppmerksom på grener som kan falle ovenfra og pass på hvor du trækker.

### Fjerne støtterøtter

Se side 268.

En støtterot er en stor rot som går ut fra stammen på treet over jorden. Støtterøtter bør fjernes før treet felles. Sag først det vannrette kuttet inn i roten, deretter det vertikale. Fjern den løse delen fra arbeidsområdet. Følg korrekt prosedyre for felling etter at du har fjernet de store støtterøttene.

### Kappe opp stammen.

Se side 269.

Kappe opp stammen i mindre lengder. Det er viktig at du står stødig og vekten er fordelt jevnt på begge føtter. Hvis mulig, skal tømmerstokken løftes og støttes ved hjelp av grener, andre stokker eller klosser. Følg disse enkle anvisningene for lettere kapping. Når tømmerstokken er støttet over hele lengden, kutter du ovenfra.

Når tømmerstokken er støttet i en ende, kutt 1/3 av diameteren fra undersiden. Deretter fullfører du kuttet ovenfra slik at du møter kuttet fra undersiden.

Når tømmerstokken er støttet i begge ender, kutt 1/3 av diameteren fra oversiden. Deretter fullfører du kuttet nedenfra slik at du møter det første kuttet.

Kutter du i en skråning, stå alltid på oversiden av tømmerstokken. Når du kutter gjennom, slipp opp kuttetrykket nær enden av kuttet for å beholde kontrollen,

men uten å slippe opp grepet på kjedesagens håndtak. Kjede må ikke komme i kontakt med bakken. Etter at du har fullført kuttet, vent til kjedesagen har stanset før du flytter kjedesagen. Stopp alltid motoren før du går fra et tre til neste.

### Kviste et tre

Se side 270.

Å kviste betyr å fjerne grener fra treet som er felt. Under kvistingen la større grener lenger ned bli igjen for å støtte opp tømmerstokken. Fjern de små grenene i ett kutt. Grener under spenning bør kuttes fra undersiden og opp for å unngå at sagen går i klem.

### Fjærstokk

Se side 270.

En stamme som står i spenn, kan være alle stammer, gjenstående stubber eller renninger som er bøyd av andre trær og står i spenn, slik at de vil slå opp når det som holder dem fjernes eller sages bort.

På et nedfelt tre kan rotstubben ha høy risiko for å slå tilbake når du kapper stammen fri fra stubben. Se opp for stammer som står i spenn, de er farlige.

### ⚠ ADVARSEL

Stammer som står i spenn er farlige; de kan slå til brukeren slik at han mister kontrollen over sagen. Dette kan forårsake alvorlig eller dødelig skade på brukeren. Dette bør kun gjøres av erfarne brukere.

### GJENVÆRENDE RISIKO

Selv om utstyret brukes som beskrevet er det ikke mulig å unngå enhver gjenværende risiko. Følgende faresituasjoner kan oppstå ved bruk, og operatøren må legge spesielt vekt på å unngå følgende:

- Personskade på grunn av vibrasjon
  - Bruk alltid riktig verktøy til jobben, bruk håndtakene og begrenns arbeidstiden og eksponeringen.
- Eksponering for støv kan føre til hørselskader.
  - Bruk hørselvern og begrenns eksponeringen.
- Fare for personskade ved berøring av de eksponerte tennene.
- Fare for personskade hvis biter av arbeidsemne blir slengt ut (treplint og flis)
- Skader som følge av inhalering av støv og partikler
- Fare for personskade ved ved hudkontakt med smøreremiddel eller olje
- Deler som slenges ut av kjedesagen (kutte/innskytingsfare)
- Uforutsette brå bevegelser eller tilbakeslag fra sverdet (fare for kuttskader).

### FAREREDUKSJON

Det foreligger rapporter om at vibrasjoner fra håndholdt verktøy for enkelte personer kan bidra til en tilstand som kalles Raynauds Syndrome. Symptomene kan omfatte følelsesløshet og gjøre fingrene bleke, vanligvis synlig



ved eksponering til lave temperaturer. Arvelige faktorer, eksponering mot lave temperaturer og fuktighet, diett, røyking og arbeidspraksis blir alle ansett for å kunne bidra til å utvikle disse symptomene. Brukeren kan iverksette tiltak for mulig å redusere virkningene av vibrasjonene:

- Hold kroppen din varm i kaldt vær. Bruk hansker og hold hender og vrister varme ved bruk av gressklipperen. Det er rapportert at kaldt vær er en viktig faktor som bidrar til Raynauds Syndrome.
- Etter hver arbeidsperiode bør det utføres øvelser for å øke blodsirkulasjonen.
- Ta ofte pauser fra arbeidet som utføres. Begrens mengden av eksponering pr. dag.
- Vernehansker fås hos profesjonelle forhandlere av kjedesager og er spesielt utformet til bruk med kjedesagen slik at de beskytter, gir godt grep og også reduserer effekten av håndtakvibrasjonene. Disse hanskene bør være iht. EN381-7 og må være CE-merket.

Hvis du opplever noen av symptomene på denne tilstanden må du øyeblikkelig avbryte arbeidet og oppsøke en lege med disse symptomene.

#### ADVARSEL

Hvis man bruker verktøyet for lenge av gangen, kan det føre til eller forverre allerede eksisterende personskade. Når du bruker et verktøy over en lenger tidsperiode, husk å ta regelmessige pauser.

#### KJENN PRODUKTET DITT

Se side 261.

1. Håndvern/kjedebremser
2. Fremre håndtak
3. Bakre håndtak
4. Kjede
5. Sverd
6. Fenderlist
7. Løkk for oljetank
8. Utløser for gasshåndtak
9. Strømbryter
10. Tanndeksel
11. Justeringsring kjedespenning
12. Kjedespenningsknott
13. Sagsverddeksel
14. Kjedefanger

#### SIKKERHETSANORDNINGER

##### Sagkjede med lav risiko for tilbakeslag

Et sagkjede med lav kickback bidrar til å redusere muligheten for at kickback oppstår.

Renseknastene (dybdeknastene) foran hver tann kan minske kraften i et tilbakeslag ved at de hindrer tennene å grave seg for dypt ned i tilbakeslagssonen. Ved utskifting må du kun bruke sagsverd og kjeder som produsenten anbefaler i kombinasjon med hverandre.

Når du kvesser tennene, mister de noe av sin evne til å hindre tilbakeslag, og da må du være ekstra forsiktig. For

din sikkerhet, bør du skifte kjede når det begynner å kappe dårligere.

##### Fenderlist

Den integrerte fenderlisten kan brukes som dreiesenter når man gjør et kutt. Det hjelper å holde motoren til kjedesagen rolig under kuttingen. Når du kutter, dytt maskinen forover inntil piggene graver seg inn i treverkets kant, deretter flytter du øverste håndtak oppover eller nedover, dvs. i retning av kuttelinjen slik at man letter på den fysiske tyngden kuttingen utgjør.

##### Sverd

Generelt sett har sverd med liten radius på tuppen noe mindre potensiale for tilbakeslag. Du bør bruke et sagsverd og passende kjede som er passende stort for jobben. Lange sverd øker risikoen for at man kan tape styringen under sagingen. Sjekk kjedespenningen regelmessig. Når du kutter mindre grener (under full lengde på sagsverdet), er det større mulighet for at kjede spretter av hvis spenningen ikke er riktig.

##### Kjedebremser

Kjedebremsen er konstruert for å stoppe kjedens rotasjon øyeblikkelig. Når hendelen for kjedebremsen trykkes mot sverdet, skal kjeden stoppe øyeblikkelig. En kjedebremser forhindrer ikke tilbakeslag. Det vil kun redusere risikoen for personskade dersom sagsverdet kommer i kontakt med brukerens kroppsdeler ved en kickback. Kjedebremsen bør testes før hvert bruk at den fungerer som den skal i begge posisjoner, åpen og utløst.

##### Kjedefanger

En kjedefanger hindrer at sagkjedet blir kastet tilbake mot operatøren hvis det løsner eller ryker.

#### MONTERING

#### ADVARSEL

Om noen deler er skadet eller mangler ikke bruk dette produktet før det er reparert eller erstattet. Å ikke følge denne advarselen kan føre til alvorlig personskade.

##### MONTERING AV KJEDESAGEN OG SAGSVERDET

Se side 262 - 263.

1. Påse at du fjerner batteriet fra enheten. Bruk vernehansker.
2. Skru opp skjedespenningsknotten og fjern tanndekslet.
3. Sagkjede bør være vendt i retning av kjederotasjonen. Hvis de snur bakover, snur du løkken.
4. Plasser kjedeledene i sporet på sverdet.
5. Legg kjeden slik at det er en fri løkke ved bakenden på sverdet.
6. Hold kjede i riktig posisjonen i forhold til sverdet og ta det rund drivtennene. Senk sverdet slik at boltene går gjennom hullet i den påsatte kjedespenningsenheten. Det kan hende at du må rotere enheten for å justere hullet. Du kan så rotere denne enheten nok en gang for å få litt spenning i kjeden slik at den sitter bedre på plass.



- Skift tannhjuldekselet og skru kjedespenningsknotten inntil den er nesten stram, skru på justeringsringen for kjedespenning inntil kjede er under riktig spenning. Sagsverdet må så dyttes oppover. Sjekk kjedespenningen på nytt. Ikke stram kjede for fast.
- Etter at kjede er spent riktig, stram knotten på nytt.

### JUSTERE KJEDESTRAMMINGEN

Se side 263. Se side 273.

- Løsne på kjedespenningsknotten ved å skru den litt mot klokken.
- For å øke kjedespenningen, skrur du justeringsringen med klokken og husk å sjekke kjedespenningen ofte. For å redusere kjedespenningen, skrur du justeringsringen mot klokken og husk å sjekke kjedespenningen ofte.
- Kjedespenningen er riktig når mellomrommet mellom kutterne i kjede og sverdet er mellom 3 mm og 4 mm. Dra i kjede midt på undersiden av sverdet nedover (unna sverdet) og mål avstanden mellom sverdet og kjedekutterne.
- Spenn kjedespenningsknotten ved å skru den litt med klokken.

### BETJENING

#### FYLL KJEDESMØREOLJE

Se side 262.

#### ⚠ ADVARSEL

Du må aldri jobbe uten kjedesmøring. Hvis kjede går uten smøring, kan sagsverdet og kjede bli skadet. Derfor er det nødvendig å sjekke oljenivået i oljemåleren ofte og hver gang man starter å jobbe med kjedesagen igjen.

- Rengjør område rundt oljedekselet for å hindre forurensing.
- Skru opp og ta av dekslet til oljetanken.
- Hell oljen inn i oljetanken og følg med på oljemåleren. Pass på at smuss ikke kommer inn i oljetanken mens du fyller på oljen.
- Sett tilbake oljedekselet og skru fast. Tørk bort eventuelt søl.
- En full oljetank er nok til å bruke aken i 20 - 40 minutter.

#### Anbefalt kjedesmørelje

- Produsenten anbefaler at du kun bruker Ryobi smørelje for kjedesager. (Kan fås på ditt autoriserte Ryobi servicesenter)

#### INSTALLER BATTERIPAKKEN

Se side 263.

- Plasser drillen på batteripakken. Tilpass den hevede ribben på batteripakken til sporet i trimmerens batteriport.
- Pass på at hakene på batteriet klikker på plass, og at batteriet er godt festet til produktet før drift.

#### VEDLIKEHOLD AV KJEDESAGEN

Se side 263.

Hold kjedesagen alltid med høyre hånd på bakhåndtaket og venstre hånd på fremre håndtak. Ta tak i begge håndtak

slik at du griper rundt med tommel og fingre. Påse at din venstre hånd holder fronthåndtaket slik at tommelen er under.

#### STARTE KJEDESAGEN

Se side 263.

- Før du starter arbeidet, må du sette batteriet inn i maskinen og sjekke at kjedebremsen er i fri ved å dra kjedebremsspaken/håndvernet mot fronthåndtaket.
- For å starte maskinen: trekk i utløseren og trykk deretter på bryterens utløser

#### SJEKK OG BRUK AV KJEDEBREMS

- Utløs kjedebremsen ved å rotere din venstre hånd rundt fronthåndtaket. Med håndbaken dytter du kjedebremsspaken/ håndvernet mot sverdet mens kjede roterer raskt. Påse å at du til enhver tid holder i saghåndtakene.
- Sett kjedebremsen tilbake til fri ved å ta tak i kjedebremsspaken / håndvernet og dra fronthåndtaket inntil du hører et klikk.

#### ⚠ ADVARSEL

Hvis kjedebremsen ikke stopper kjedet øyeblikkelig, eller hvis kjedebremsen ikke vil holde seg i kjørestilling uten hjelp, ta sagen med til et autorisert servicesenter for reparasjon før bruk.

#### TRANSPORT OG LAGRING

Se side 275 - 276.

- Slå av produktet og la det kjøles ned før lagring eller transport.
- Fjern alle fremmedelemerter fra produktet. Lagres på et kjølig, tørt og godt ventilert sted som er utilgjengelig for barn. Hold den borte fra korrosive materialer, så som ugressmidler og veisalt. Ikke oppbevar utendørs.
- Sett på sverddekslet før du lagrer enheten eller under transport.
- Ved transport må produktet sikres mot å komme i bevegelse eller falle for å unngå skade på personer eller produktet.

#### VEDLIKEHOLD

#### ⚠ ADVARSEL

Bruk kun produsentens originale reservedeler, tilleggsutstyr og påsatser. Dersom dette ikke følges, kan det forårsake personskader, dårlig funksjon og kan annullere garantien din.

#### ⚠ ADVARSEL

Service krever meget stor forsiktighet og kunnskap og bør utføres kun av kvalifisert teknisk personale. For service skal produktet leveres til et autorisert serviceverksted. For service av maskinen, bruk kun produsentens originale reservedeler.



### ⚠ ADVARSEL

Fjern batteriet før du utfører justeringer, vedlikehold eller rengjøring. Hvis denne advarselen ikke følges, kan det føre til alvorlig personskade.

- Du kan bare foreta justeringer og reparasjoner som er beskrevet i denne brukermanualen. For andre typer reparasjoner eller råd anbefales det å kontakte et autorisert servicesenter.
- Følgene etter uriktig vedlikehold kan føre til at kjede sprekker og andre sikkerhetsfunksjoner ikke virker som de skal, slik at det øker faren for alvorlige skader. Utfør profesjonelt vedlikehold på kjedesagen og oppbevar trygt.
- Kvessing av kjeden på en sikker måte er en avansert operasjon. Derfor anbefaler produsenten sterkt at et slitt og sløvt kjede skiftes ut med et nytt som kan kjøpes fra ditt autoriserte Ryobi servicesenter. Delenummeret står i tabellen over produktspesifikasjoner i denne manualen.
- Følg anvisningene for smøring samt kontroll og justering av kjedespenningen.
- Etter hver bruk, rens produktet med en myk tørr klut.
- Kontroller all mutter, bolter og skruer med jevne mellomrom at de er skrudd fast for å sikre at utstyret er i driftssikker stand. Enhver del som er skadet må repareres eller skiftes ut ved et autorisert serviceverksted.

### SKIFTE SAGSVERDET OG KJEDE

Se side 271 - 272.

1. Forsikre deg om at batteriet er fjernet. Bruk vernehansker.
2. Skru opp kjedespenningsknotten ved å skru den mot klokken inntil tanndekelet har løsnet.
3. Fjern tanndekelet. Ta sverdet og kjede av enheten.
4. Fjern skruen fra kjedestrammingen når sverdet skal skiftes. Monter kjedestrammingen på det nye sverdet, og stram til skruen.
5. Sett det nye kjede i riktig retning på sverdet og sikre at kjøreleddene er i flukt med fordypningene på sverdet.
6. Fest sverdet til kjedesagen og legg kjede rundt drivtennene.
7. Sett på igjen tanndekelet.
8. Juster kjedespenningen. Se i kapitlet "Juster kjedespenningen".

### ⚠ ADVARSEL

Et uskarpt eller feil kvasset kjede kan føre til overdreven motorhastighet under kutting, som kan utløse alvorlig motorskade.

### ⚠ ADVARSEL

Feil kvessing øker risikoen for tilbakeslag.

### ⚠ ADVARSEL

Hvis du unnlater å skifte eller å reparere en skadet kjede, kan det føre til alvorlige personskader.

### ⚠ ADVARSEL

Tenne på sagkjeden er veldig skarpe. Du må alltid bruke hansker når du vedlikeholder kjeden.

### KONTROLL OG RENGJØRING AV KJEDEBREMSEN

Se side 274.

- Hold alltid mekanismen til kjedebremsen ren ved lett å børste over leddene slik at de er smussfrie.
- Sjekk alltid at kjedebremsen fungerer etter rengjøring. Se "Drift - Sjekk og bruk kjedebremsen" tidligere i denne manualen for ytterligere informasjon.

### VEDLIKEHOLDSPLAN

#### Daglig sjekk

Sverdsmøring	Før hver gangs bruk:
Kjedestramming	Før hver bruk og regelmessig
Kjedekarphet	Før hver bruk, visuell kontroll
Skadede deler	Før hver gangs bruk:
Løse festemidler	Før hver gangs bruk:
Kjedebremsefunksjon	Før hver gangs bruk:
<b>Undersøk og rengjør:</b>	
Skinne	Før hver gangs bruk:
Hele sagan	etter hvert bruk
Kjedebremse	Hvert 5 time*

\*Antall timer drift

### SYMBOLER PÅ PRODUKTET



Sikkerhetsalarm



Les og forstå alle instruksjoner før du tar i bruk produktet, følg alle advarsler og sikkerhetsanvisninger.



Bruk beskyttelse for øyne, hørsel og ansiktet.



Anvend glisikkert fottegg ved bruk av dette produktet.



Bruk kraftige, sklisikre hansker.



Vær klar over faren for tilbakeslag fra kjedesagen og unngå kontakt med sverdtuppen.



Ikke utsette for regn eller fuktige forhold.



Hold og bruk kjedesagen med begge hender.



Hold ikke kjedesagen med bare én hånd når du bruker den.



Dette verktøyet overholder samtlige standarder i det EU-landet det er kjøpt i.



EurAsian Konformitetstegn



Ukrainsk merke for konformitet



Avfall fra elektriske produkter skal ikke kastes sammen med husholdningsavfall. Vennligst resirkulervedeksisterende avfallsbehandlingssted. Undersøk hos dine lokale myndigheter eller forhandler for råd om resirkulering.



Garantert lydnivå er 96 dB



Smøring for sverd og kjede



Minimum nivå på smøremiddel



Lås



Låse opp



Still kjedebremsen til kjørestilling.



Roter for å justere kjedestrømmingen  
+ = Stramming av kjeden  
- = Løsning av kjeden



Still kjedebremsen til bremsestilling.



Bevegelsesretning på kjedet.  
(Merket under tannhjuldekslet)

$V_0$  : 10 m/s

Tomgangskjedehastighet: 10 m/s

L max: 300mm

Maks. lengde på sagkjede: 300 mm

## SYMBOLER I DENNE MANUALEN



Deler eller tilbehør solgt separat



Nb



Advarsel



Bruk beskyttelse for øyne og ansiktet.



Bruk verneutstyr for øvre kroppsdeler.



Bruk beinbeskyttelse.



Stopp produktet.

Følgende symboler og betydninger forklarer risikonivået som er assosiert med dette produktet.

### ⚠ FARE

Indikerer en øyeblikkelig farlig situasjon, som, hvis ikke unngås, kan resultere i død eller alvorlig personskaade.

### ⚠ ADVARSEL

Indikerer en potensiell farlig situasjon, som, hvis ikke unngås, kan resultere i død eller alvorlig personskaade.

### ⚠ FORSIKTIGHETSREGEL

Indikerer en potensiell farlig situasjon, som, hvis ikke unngås, kan resultere i mindre eller moderat personskaade.

### FORSIKTIGHETSREGEL

Uten sikkerhetsvarselsymbol

Indikerer en situasjon som kan føre til skade på eiendom.





В основе конструкции вашей беспроводной цепной пилы лежат принципы безопасности, продуктивности и надежности.

### НАЗНАЧЕНИЕ

Беспроводная цепная пила предназначена для использования только вне помещений. Из соображений безопасности всегда необходимо эксплуатировать инструмент, управляя им двумя руками.

Данный инструмент предназначен для распила веток, стволов, бревен и бруса, диаметр которых определяется длиной резания пильной шины. Предназначено только для распила дерева. Инструмент предназначен только для бытового применения взрослыми, прошедшими соответствующее обучение на предмет потенциальной опасности, профилактических мер и действий, предпринимаемых при эксплуатации.

Используйте инструмент только в вышеперечисленных целях. Он не предназначен для использования профессиональными службами озеленения. К использованию устройством не должны допускаться дети или лица без соответствующих средств защиты и одежды.

### ⚠ ОСТОРОЖНО

При использовании устройства необходимо соблюдать правила техники безопасности. В целях вашей безопасности и безопасности окружающих необходимо прочитать и полностью уяснить настоящие инструкции перед эксплуатацией устройства. Вам необходимо пройти профессионально организованные курсы по безопасности эксплуатации, профилактическим действиям, первой помощи и техническому обслуживанию цепных пил. Сохраните данные инструкции для последующего использования.

### ⚠ ОСТОРОЖНО

Цепные пилы являются потенциально опасными инструментами. Несчастные случаи, связанные с использованием цепных пил, обычно приводят к повреждениям конечностей и летальному исходу. Но не только сама цепная пила может быть источником опасности. Падающие ветви, сваливающиеся деревья, укатывающиеся бревна могут убить человека. Поврежденная или сгнившая древесина представляет дополнительную опасность. Вы должны оценить свою способность выполнять поставленные задачи безопасно. Если у вас есть сомнения, доверьте эту работу профессиональному специалисту по резке дерева.

## ОБЩИЕ ПРАВИЛА БЕЗОПАСНОСТИ

### ⚠ ОСТОРОЖНО

**Прочтите все предупреждения и инструкции по технике безопасности.** Несоблюдение приводимых ниже предупреждений и инструкций может привести к поражению электрическим током, возгоранию или тяжким телесным повреждениям.

**Сохраните все предупреждения и инструкции по технике безопасности для последующего использования.**

Термин "электроинструмент" в данном описании относится к инструментам с питанием от сети (проводные) и от аккумуляторных батарей (беспроводные).

### БЕЗОПАСНОСТЬ НА РАБОЧЕМ МЕСТЕ

- **Рабочая зона должна быть свободна и хорошо освещена.** Загромождение или плохое освещение рабочей зоны может привести к несчастным случаям.
- **Не используйте электроинструмент во взрывоопасной среде, например в присутствии легковоспламеняющихся жидкостей, газов или пыли.** В электроинструментах происходит искрообразование, что может привести к воспламенению пыли или газа.
- **Не допускайте присутствия детей и посторонних лиц при работе с инструментом.** Невнимательность может привести к утрате контроля.

### ЭЛЕКТРОБЕЗОПАСНОСТЬ

- **Вилка кабеля питания инструмента должна соответствовать используемой розетке. Не подвергайте вилку кабеля каким-либо изменениям. Не используйте какие-либо переходники с электроинструментами с заземляющим проводом.** Использование оригинальных штепсельных вилок и соответствующих розеток предотвращает опасность поражения электрическим током.
- **Не допускайте контакта частей тела с поверхностями заземленных предметов, таких как трубы, радиаторы отопления, кухонные плиты, холодильники.** При соприкосновении частей тела человека с заземленными участками возрастает опасность поражения электрическим током.
- **Не допускайте попадания влаги на изделие и не используйте его во влажной атмосфере.** Попавшая внутрь инструмента вода повышает опасность поражения электрическим током.
- **Обращайтесь с кабелем питания надлежащим образом. Не используйте кабель для переноски, перемещения или отключения инструмента от сети питания. Оберегайте кабель от источников тепла, масляных и острых предметов и движущихся деталей.** Поврежденные или





запутанные провода повышают опасность поражения электрическим током.

- При работе с электроинструментом вне помещений пользуйтесь удлинительным кабелем, предназначенным для наружного применения. Использование кабеля, предназначенного для наружного применения, снижает опасность поражения электрическим током.
- Если нет возможности избежать работы в условиях повышенной влажности, подключайте инструмент через устройство защитного отключения. При использовании устройства защитного отключения снижается опасность поражения электрическим током.

### ЛИЧНАЯ БЕЗОПАСНОСТЬ

- Соблюдайте осторожность, следите за своими действиями и пользуйтесь здравым смыслом при работе с электроинструментом. Не пользуйтесь инструментом в состоянии усталости или под воздействием наркотических средств, алкоголя или медицинских препаратов. Малейшая невнимательность при работе с инструментом может привести к тяжкому телесному повреждению.
- Используйте средства индивидуальной защиты. Всегда надевайте средства защиты зрения. Средства защиты, такие как пылезащитная маска, нескользящая защитная обувь, шлем-каска, средства защита органов слуха, используемые надлежащим образом, снижают опасность телесного повреждения.
- Не допускайте случайного запуска. Перед подключением к источнику питания или установкой аккумуляторной батареи, подъемом или перемещением инструмента убедитесь, что переключатель находится в положении «выключено». Во избежание несчастных случаев при перемещении инструмента не держите пальцы на переключателе инструмента и не подключайте его к источнику питания при включенном положении переключателя.
- Перед включением инструмента уберите все регулировочные и гаечные ключи. Гаечные или регулировочные ключи, оставленные на вращающихся частях инструмента, могут привести к телесному повреждению.
- Не перенапрягайте. Старайтесь сохранять устойчивость и подыскивайте твердую опору. Это обеспечивает лучшую управляемость электроинструментом в непредвиденных ситуациях.
- Одевайтесь соответствующим образом. Не надевайте свободную одежду и украшения. Не допускайте попадания волос, одежды и перчаток в движущиеся части. Свободная одежда, украшения и длинные волосы могут попасть в движущиеся части.
- Если в инструменте предусмотрено использование устройства удаления и сбора пыли, обеспечьте их надежное крепление и

надлежащее использование. Использование пылесборника снижает опасность, связанную с пылеобразованием.

### ИСПОЛЬЗОВАНИЕ И ОБРАЩЕНИЕ С ИНСТРУМЕНТОМ

- Не прикладывайте чрезмерных усилий при работе с данным инструментом. В каждом случае используйте надлежащий электроинструмент. Правильно выбранный электроинструмент позволяет выполнить работу, для которой он предназначен, более качественно и более безопасно.
- Не пользуйтесь инструментом, если выключатель не включается или не выключается. Любой электроинструмент, не управляемый выключателем, представляет опасность и должен быть отремонтирован.
- Перед выполнением каких-либо регулировок, заменой приспособлений или хранением инструмента отключите вилку кабеля источника питания и/или аккумуляторной батареи от электроинструмента. Такие меры предосторожности помогут предотвратить опасность случайного пуска инструмента.
- Храните неиспользуемые электроинструменты в месте, недоступном для детей, а также не допускайте к использованию данного инструмента лиц, не знакомых с его работой или не ознакомленных с данными данными инструкциями. Инструмент в руках неподготовленного лица представляет опасность.
- Бережно обращайтесь с инструментом. Проверяйте инструмент на отсутствие перекосов или заклинивания движущихся частей, их неисправности или других причин, которые могут отразиться на работе инструмента. При повреждении инструмента перед его дальнейшим использованием его следует отремонтировать. Многие несчастные случаи вызваны ненадлежащим обращением с инструментом.
- Содержите режущее устройство в чистоте и заточенном виде. При надлежащем техническом обслуживании режущего инструмента снижается вероятность застревания режущих частей и облегчается управляемость.
- Используйте инструмент, принадлежности, насадки и т.п. в соответствии с данными указаниями, и принимая во внимание условия работы и выполняемую работу. Использование данного электроинструмента не по назначению может создать опасную ситуацию.

### ЭКСПЛУАТАЦИЯ УСТРОЙСТВА С АККУМУЛЯТОРНЫМ ПИТАНИЕМ И УХОД ЗА НИМ

- Зарядку выполняйте только с использованием зарядного устройства, указанного изготовителем. Зарядное устройство, подходящее к одному типу аккумуляторных батарей, может создать опасность возгорания при использовании с





аккумуляторными батареями другого типа.

- **Используйте электрические устройства только со специально предназначенными для них аккумуляторными батареями.** Использование аккумуляторных батарей другого типа может привести к телесным повреждениям или возгоранию.
- **Если аккумуляторная батарея не используется, храните ее отдельно от других металлических предметов, например канцелярских скрепок, монет, ключей, гвоздей, винтов и других мелких металлических предметов, которые могут привести к замыканию контактов батареи.** Замыкание контактов батареи может вызвать ожоги или привести к возгоранию.
- **При ненормальных условиях из батареи может вытечь жидкость, избегайте контакта с ней. Если этого избежать не удалось, смойте жидкость водой. Если жидкость попала в глаза, после их промывания обратитесь за медицинской помощью.** Жидкость, вытекшая из батареи, может вызвать раздражение или ожог.

## ОБСЛУЖИВАНИЕ

- **Техническое обслуживание и ремонт инструмента должно выполняться только квалифицированным специалистом с использованием взаимозаменяемых запасных частей.** Это обеспечит нормальное техническое состояние устройства.

## ДОПОЛНИТЕЛЬНЫЕ ОБЩИЕ УКАЗАНИЯ ПО БЕЗОПАСНОСТИ

- В некоторых регионах существуют правила, ограничивающие использование этого продукта. Проконсультируйтесь с местными органами власти.
- Не допускайте к работе с данным устройством детей и лиц, незнакомых с инструкциями по использованию изделия. Местные инструкции могут ограничить возраст оператора.
- Убедитесь перед каждым использованием, что все элементы управления и предохранительные устройства функционируют правильно. Не используйте устройство, если невозможно остановить двигатель выключателем.
- При работе с инструментом используйте средства полной защиты органов слуха и зрения, носите прочные устойчивые ботинки и перчатки, а также средства защиты головы. Используйте маску лица, если действие пыльно.
- Использование средств защиты органов слуха снижает способность услышать предупреждения (крики или сигналы). Работающий уделять повышенное внимание к происходящему в зоне работы.
- Держать устойчивую опору и баланс. Не перенапрягать. Перенапряжение может вызвать потерю равновесия и увеличить опасность возникновения отскока.
- Не допускается ношение слишком свободной одежды, коротких брюк, ювелирных изделий.

- Соберите длинные волосы выше плеч, чтобы предотвратить их попадание в движущиеся части.
- Остерегайтесь отлетающих или падающих предметов. Не допускайте прохожих, детей и домашних животных ближе чем на 15 м от рабочей зоны.
- Не работайте при недостаточном освещении. Оператор должен четко видеть рабочую зону в целях выявления потенциальных опасностей.
- Эксплуатация аналогичных устройств вблизи рабочей зоны повышает риск повреждения слуха и опасность появления посторонних лиц в вашей рабочей зоне.
- Не допускайте попадания частей тела в движущиеся детали.
- Проверяйте устройство перед каждым использованием. Проверьте правильную работу всех элементов управления, включая тормоз пыльной цепи. Проверьте надежность креплений, убедитесь, что все защитные приспособления и ручки правильно и надежно закреплены. Перед использованием замените поврежденные детали.
- Запрещается каким-либо образом изменять конструкцию устройства или использования детали и принадлежности, не рекомендованные производителем.

### ОСТОРОЖНО

Если устройство уронили, оно издает громкий стук или начинает чрезмерно вибрировать, немедленно остановите его и проверьте на наличие повреждений или выясните причину вибрации. Любые поврежденные детали должны быть надлежащим образом отремонтированы или заменены в авторизованном сервисном центре.

## ПРЕДОСТЕРЕЖЕНИЯ ОТНОСИТЕЛЬНО БЕЗОПАСНОГО ПОЛЬЗОВАНИЯ ЦЕПНОЙ ПИЛЫ

- **Не приближайте режущую цепь к телу во время работы пилы. Перед запуском цепной пилы удостоверьтесь, что пыльная цепь ни к чему не прикасается.** Минутная невнимательность при работе с цепной пилой может привести к тому, что пыльная цепь зацепит вашу одежду или тело.
- **Всегда держите пилу правой рукой за заднюю рукоятку, а левой рукой – за переднюю рукоятку.** Работа цепной пилой с обратным положением рук повышает опасность телесных повреждений и ни в коем случае не допускается.
- **Держите электроинструмент только за изолированную поверхность рукоятки, так как пыльная цепь может войти в контакт со скрытой электропроводкой.** Касание провода, находящегося под напряжением, режущей цепью может вызвать протекание электрического тока через металлические части электроинструмента и привести к поражению оператора электрическим током.





- **Надевайте защитные очки и средства защиты слуха. Рекомендуется дополнительное защитное снаряжение для головы, рук, ног и ступней.** Соответствующая защитная одежда уменьшит опасность телесных повреждений отлетающими отходами пиления или при случайном контакте с пильной цепью.
- **Не используйте цепную пилу, если вы находитесь на дереве.** Эксплуатация цепной пилы при нахождении на дереве может привести к телесному повреждению.
- **Всегда имейте надлежащую опору и эксплуатируйте цепную пилу только при нахождении на неподвижной, безопасной и ровной поверхности.** Скользкие или неустойчивые поверхности, например, стремянки, могут привести к потере равновесия или потере управления цепной пилой.
- **При пиление согнутой напряженной ветви остерегайтесь ее распрямления.** Когда натяжение в древесных волокнах высвобождается, то напряженная ветвь может ударить оператора и/или нарушить управляемость цепной пилы.
- **Будьте крайне осторожны при пиление кустарника и молодых деревьев.** Тонкий лесоматериал может быть захвачен пильной цепью, хлестнуть вас или вывести из равновесия.
- **Переносите цепную пилу за переднюю ручку, в выключенном состоянии, не прижимая к телу.** При транспортировке или хранении цепной пилы всегда надевайте на пильную шину защитное приспособление. Надлежащее обращение с цепной пилой снижает опасность случайного контакта с движущейся пильной цепью.
- **Следуйте инструкциям по смазке, натяжению цепи и замене принадлежностей.** Неправильно натянутая или смазанная цепь может порваться или увеличить опасность отскока.
- **Содержите ручки в сухом и чистом виде, очищайте их от масла и смазки.** Если на ручки попало смазка и масло, они становятся скользкими, вызывая потерю контроля.
- **Цепная пила предназначена только для пиления древесины. Используйте цепную пилу только по прямому назначению.** Например, не используйте цепную пилу для пиления пластика, каменной кладки или недревесных строительных материалов. Во избежание опасности соблюдайте указанное для цепной пилы предназначение.

**Причины отскоков и меры защиты оператора от них**

Если носок шины натолкнется на препятствие или пильная цепь зажмется в дереве во время работы, бензопила может отскочить.

Контакт с вершиной в некоторых случаях может вызвать внезапную отдачу, которая отбрасывает пильную шину вверх и назад в направлении оператора.

Заклинивание цепной пилы в верхней части направляющей может привести к отскоку в направлении оператора.

И в первом и во втором случае можно потерять контроль за бензопилой и получить тяжелые травмы. Не надейтесь только на средства безопасности самой бензопилы. Во избежание несчастных случаев и травм, необходимо принимать различные меры предосторожности.

Отскок является результатом неправильного использования инструмента и/или нарушений правил или условий его эксплуатации. Этого следует избегать, соблюдая указанные ниже меры предосторожности.

- **Поддерживайте надежный захват так, чтобы большие пальцы (с одной стороны) и остальные пальцы (с другой стороны) крепко охватывали рукоятки цепной пилы, держите пилу обеими руками, расположите тело и руки таким образом, чтобы противостоять усилию отскока.** Оператор может справиться с усилием отскока, если предприняты надлежащие меры предосторожности. Не выпускайте пилу из рук.
- **Не перенапрягайтесь и не пилите выше уровня плеч.** Это поможет избежать непреднамеренного касания пилы и позволит лучше управлять цепной пилой в непредвиденных ситуациях.
- **Используйте запасные шины и цепи, только указанные производителем.** Ненадлежащие запасные шины и цепи могут привести к обрыву цепи и/или отскоку.
- **При обслуживании и заточке пильной цепи соблюдайте инструкции изготовителя.** Уменьшение высоты ограничителя подачи может привести к увеличению отдачи.

**ДОПОЛНИТЕЛЬНЫЕ ПРЕДУПРЕЖДЕНИЯ О ТЕХНИКЕ БЕЗОПАСНОСТИ ЦЕПНОЙ ПИЛЫ**

- При работе с инструментом в первый раз рекомендуется пилить бревна на козлах или на опорах.
- Убедитесь в том, что все устройства защиты, ручки и зубчатый упор должным образом установлены и находятся в хорошем состоянии.
- Лица, эксплуатирующие данную цепную пилу, должны находиться в хорошем физическом состоянии. Изделие имеет достаточно большой вес, поэтому оператор должен быть в хорошей физической форме. Оператор должен быть осторожным, иметь хорошее зрение, обладать подвижностью, чувством равновесия и ловкостью рук. При наличии любых сомнений не эксплуатируйте цепную пилу.
- Не начинайте использование инструмента, пока не расчищена рабочая зона, не обеспечена опора и не подготовлен путь отхода от падающего дерева.
- Остерегайтесь выбросов паров смазки и опилок. При необходимости надевайте маску или респиратор.
- Не допускается пиление вьющихся растений и/или молодого подлеска (диаметром менее 75 мм).
- При работе всегда держите цепную пилу обеими руками. Крепко держите бензопилу, обхватив рукоятки пальцами. Правой рукой нужно держать заднюю рукоятку, а левой рукой – переднюю





рукоятку.

- Перед запуском инструмента удостоверьтесь, что пильная цепь не прикасается к какому-либо предмету.
- Запрещается каким-либо образом изменять конструкцию устройства или использовать насадки или устройства, не рекомендованные производителем для вашей пилы.
- Рядом с оператором должна находиться аптечка первой помощи, содержащая крупные перевязочные материалы и сигнальные средства (например, свисток). В пределах досягаемости должен находиться большой, более полный комплект.
- Оператор может снять шлем, если нет опасности падения предметов в рабочей зоне, но должен помнить о том, что шлем, особенно с сетчатым козырьком, снижает опасность травмирования лица и головы при отскоке.
- Неправильно натянутая цепь может выскочить из пильной шины и нанести тяжкие телесные повреждения, вплоть до смертельного исхода. Длина цепи зависит от температуры. Регулярно проверяйте натяжение.
- Необходимо привыкнуть к новой цепной пиле, делая простые пропилы на надежно подпертом дереве. Делайте это каждый раз, когда пила некоторое время не эксплуатировалась.
- Для снижения риска получения травмы, связанной с касанием движущихся частей, обязательно выключите двигатель, заблокируйте тормоз цепи, снимите батарею и убедитесь, что все движущиеся части остановились перед выполнением следующих операций:
  - очистка или устранение засора
  - Оставление изделия без присмотра
  - установка и снятие насадок
  - проверка, техобслуживание и ремонт устройства
- Размеры рабочей зоны зависят от вида работ и размеров дерева. Например, валка дерева требует большей рабочей зоны, чем другие виды пиления – раскряжевка и т.д. Оператор должен знать и контролировать все, что происходит в этой рабочей зоне.
- Не располагайте ваше тело на одной линии с пильной шиной и цепью. Если действительно произойдет отскок, то это поможет предотвратить соприкосновение цепи с головой или телом.
- Не перемещайте пилу вперед-назад, дайте цепи свободно работать. Поддерживайте цепь наточенной. Не пытайтесь протолкнуть цепь через пропил.
- Не нажимайте на бензопилу в конце распиловки. Будьте готовы принять вес пилы, когда пиление в древесине закончится. Невыполнение данного требования может привести к получению серьезной травмы.
- Не останавливайте пилу в процессе пиления. Не выключайте пилу, пока она не выйдет из пропила.

## **Возвратно-поступательная тяга**

Рабочая тяга всегда противоположна направлению движения пильной цепи. Поэтому оператор должен быть готов противостоять тенденции инструмента к вытягиванию наружу (движение вперед) при пилении нижним краем шины и толчку назад (к оператору) при пилении верхним краем.

## **Пилу заклинило в пропиле**

Остановите цепную пилу и обеспечьте ее безопасное состояние. Не пытайтесь с излишним усилием вынуть цепь и шину из пропила, так как при этом цепь может порваться, отлететь назад и ударить оператора. Такая ситуация обычно возникает из-за того, что дерево неправильно поддерживается и сдвигает пропил, заставляя его закрыться, таким образом защемляя зубья пилы. Если регулировкой подпоры не удастся освободить шину и цепь, используйте для расширения пропила и освобождения пилы деревянные клинья или рычаг. Никогда не запускайте цепную пилу, если пильная шина находится в пропиле.

## **Индивидуальные средства защиты**

Высококачественные индивидуальные средства защиты, используемые профессионалами, снижают опасность получения оператором телесных повреждений. При эксплуатации цепной пилы должны использоваться следующие средства:

### **Каска**

- должна соответствовать EN 397 и иметь маркировку CE

### **Устройства защиты слуха**

- должна соответствовать EN 352-1 и иметь маркировку CE

### **Средства защиты органов зрения и слуха**

- должны иметь маркировку CE и соответствовать EN 166 (для бесосколочных стекол) или 1731 EN (для сетчатых козырьков)

### **Перчатки**

- должна соответствовать EN381-7 и иметь маркировку CE

### **Защита ног (защитные гетры)**

- должны соответствовать EN381-5, иметь маркировку CE и обеспечивать полную защиту.

### **Защитная обувь**

- должна соответствовать EN ISO 20345:2004 и быть маркирована знаком, изображающим цепную пилу, что указывает на соответствие EN 381-3. (Непостоянные пользователи могут использовать защитную обувь со стальным носком и защитными гетрами, которые соответствуют EN 381-9, если поверхность грунта ровная и опасность потери сцепления или захвата подростом невелика)

### **Куртка для работы с цепной пилой, для защиты верхней части тела**

- должна соответствовать EN 381-11 и иметь маркировку CE







## ИНСТРУКЦИИ ПО ПРАВИЛЬНЫМ СПОСОБАМ ОСНОВНОЙ ВАЛКИ, ОБРЕЗАНИЯ СУЧЬЕВ И ПОПЕРЕЧНОГО ПИЛЕНИЯ

### Описание сил, действующих в древесине

Когда вы представляете себе направление давлений и напряжений в древесине, можно устранить возникновение защемлений или, по крайней мере, ожидать их в процессе пиления. Натяжение в древесине приводит к тому, что слои растягиваются и, если пилить эту область, то пропилом будет стремиться расойдаться по мере прохождения пилы. Если бревно лежит на козлах для пилки дров, а конец свисает без опоры, то напряжение создается на верхней поверхности из-за веса свисающего конца бревна, растягивающего слои древесины. Аналогично, нижняя сторона бревна будет под давлением, и слои древесины сжимаются. Если пропил будет делаться в этой области, то он будет стремиться замкнуться во время пиления. Это приводит к защемлению зубьев пилы.

### Валка деревьев

См. стр. 267 - 268.

Если работы по раскряжке и валке выполняются несколькими лицами одновременно, работы по валке должны быть удалены от работ по раскряжке на расстояние не менее чем две высоты валимого дерева. Валка деревьев не должна производиться способом, представляющим опасность для любого лица, а также вызывающим повреждение линий электропередачи или наносящим материальный ущерб. Если произойдет контакт дерева с какой-либо линией электропередачи, следует немедленно известить об этом соответствующую энергетическую компанию.

При валке на косогоре стойте всегда выше дерева, т.к. после падения оно может покатыться вниз.

Путь отхода должен быть продуман и, при необходимости, расчищен до начала пиления. Путь отхода должен идти назад и вбок относительно ожидаемого направления падения.

Перед началом валки определите естественный наклон дерева, расположение крупных ветвей и направление ветра, чтобы оценить предположительный путь падения дерева.

Удалите с дерева грязь, камни, отставшую кору, гвозди, скобы и провода.

Не производите валку гнилых деревьев, деревьев, поврежденных ветром, огнем, молнией и т.п. Это чрезвычайно опасно и должно выполняться только профессиональными рабочими по уходу за деревьями.

#### 1. Валочный пропил

См. стр. 267 - 268.

Сделайте так называемый обратный пропил на 1/3 от диаметра дерева перпендикулярно к направлению падения и с той же стороны. Сначала сделайте нижний горизонтальный обратный пропил. Это поможет предотвратить защемление пильной цепи или шины при выполнении второго пропила.

#### 2. Валочный пропил

См. стр. 267 - 268.

Сделайте валочный пропил выше горизонтального обратного пропила минимум на 50 мм. Поддерживайте валочный пропил параллельным горизонтальному обратному пропилу. Сделайте валочный пропил таким образом, чтобы осталось достаточно древесины для перемычки. Перемычка на дереве предотвращает вращение дерева и обеспечивает падение в нужном направлении. Не перепиливайте перемычку.

Как только валочный пропил дойдет до перемычки, дерево должно начать падать. Если существует возможность того, что дерево не упадет в нужном направлении или отклонится назад и зажмет пильную цепь, прекратите пиление до завершения валочного пропила и используйте деревянные, пластиковые или алюминиевые клинья, чтобы разжать пропил и наклонить дерево в нужную сторону падения.

Когда дерево начнет падать, выньте цепную пилу из пропила, остановите двигатель, отложите цепную пилу, а затем воспользуйтесь подготовленным путем отхода. Остерегайтесь падения ветвей сверху и следите за своей опорой.

### Обрезание несущих корней

См. стр. 268.

Несущие корни - это крупные корни, отходящие от ствола к земле. Обрежьте эти корни перед валкой дерева. Сделайте сначала горизонтальный разрез (А) в корне, затем вертикальный (В). Удалите вырезанную часть (С) из рабочей зоны. Удалив несущие корни, приступайте к валке дерева.

### Раскряжка бревен

См. стр. 269.

Раскряжка - это распиловка бревна по длине. Необходимо обеспечить устойчивую опору и равномерное распределение веса на обе ноги. По возможности, бревно нужно поднять и подпереть с помощью ветвей, бревен или деревянных чурок. Соблюдайте простые правила для облегчения пиления. Если бревно подперто по всей длине, оно пилится сверху (надпил).

Если бревно подперто с одного конца, пропилите 1/3 диаметра снизу (подпил). Затем завершите пиление, сделав надпил до встречи с первым пропилом.

Если бревно поддерживается с обоих концов, пропилите 1/3 диаметра сверху (надпил). Затем завершите пиление, сделав подпил на 2/3 снизу до встречи с первым пропилом.

Если раскряжка выполняется на склоне, следует всегда находиться на верхней по склону стороне бревна. При сквозном пропилировании, чтобы сохранить полный контроль до конца, ослабьте давление на пилу при приближении к концу пропила, не ослабляя захват рукояток цепной пилы. Не допускайте контакта цепи с землей. После завершения пиления подождите, пока цепь пилы остановится, прежде чем перемещать цепную пилу. Всегда останавливайте двигатель, прежде чем перейти от дерева к дереву.







## Сучкование дерева

См. стр. 270.

Сучкование – это удаление сучьев с поваленного дерева. При сучковании, не обрезайте первыми крупные нижние ветви, чтобы они поддерживали дерево над землей. Срезайте небольшие ветки за один проход. Напряженные ветви следует пилить снизу вверх, во избежание заклинивания цепной пилы.

## Пружинящие стволы

См. стр. 270.

Хлыст (А) - это ветка, выкорчеванный корень или куст, натянутый под давлением другим деревом. Хлыст может резко выпрямиться, если отрезать держащее его дерево.

Пень поваленного дерева часто возвращается в вертикальное положение, когда ствол отрезают от него до конца. Будьте осторожны! Хлысты опасны.

### **⚠ ОСТОРОЖНО**

Хлысты могут ударить рабочего и вывести бензопилу из-под его контроля. Что ведет тяжелым и даже смертельным травмам. Это должно выполняться квалифицированными пользователями.

### **БУДЬТЕ ВСЕГДА ОСТОРОЖНЫ**

Даже когда изделие используют согласно инструкциям, невозможно полностью устранить факторы риска. При эксплуатации могут возникнуть следующие ситуации, которым пользователь должен уделять особое внимание, чтобы избежать проблем:

- Травмы, вызываемые вибрацией
  - Применяйте инструмент только по своему назначению, используйте надлежащие ручки и соблюдайте рабочий режим.
- Воздействие шума может привести к повреждению слуха.
  - Носите устройства защиты слуха и ограничивайте продолжительность шумового воздействия
- травма от контакта с зубцами цепи
- травма, вызываемая отлетающими частицами обрабатываемого материала (опилки и щепки)
- Травмы, вызываемые вдыханием пыли и ворсинок
- травма, вызываемая попаданием смазки или масла на кожу
- Части, выброшенные из пильной цепи (опасность порезов и проникающих травм)
- Внезапное резкое движение или отскок пильной шины (опасность порезов).

### **СНИЖЕНИЕ РИСКА**

Считается, что вибрация ручного инструмента может привести к проявлению у отдельных лиц так называемой болезни Рейно (Raynaud's Syndrome). К симптомам могут относиться покалывание, онемение и побеление пальцев (как при переохлаждении).

Считают, что наследственные факторы, охлаждение и влажность, диета, курение и практический опыт способствуют развитию этих симптомов. Ниже приводятся меры, которые может принять оператор для снижения воздействия вибрации:

- Одевайтесь теплее в холодную погоду. При работе с устройством пользуйтесь перчатками, чтобы руки и запястья были в тепле. Считается, что холодная погода является основным фактором, способствующим возникновению болезни Рейно (Raynaud's Syndrome).
- После каждого этапа работы выполните упражнения для усиления кровообращения.
- Чаще делайте перерывы в работе. Сократите длительность ежедневного пребывания на открытом воздухе.
- Защитные перчатки, продаваемые поставщиками профессиональных цепных пил, предназначены специально для использования с цепной пилой, они обеспечивают защиту, хороший захват, а также уменьшают воздействие вибрации рукоятки. Эти перчатки должны соответствовать EN381-7 и иметь маркировку CE.

При появлении каких-либо из указанных симптомов сразу же прекратите работу и обратитесь по их поводу к врачу.

### **⚠ ОСТОРОЖНО**

Слишком продолжительное использование инструмента может привести к травме. При использовании инструмента в течение длительного времени делайте регулярные перерывы.

### **ИЗУЧИТЕ УСТРОЙСТВО**

См. стр. 261.

1. Передний защитный щиток тормоз пильной цепи
2. Передняя ручка
3. Задняя ручка
4. Пильная цепь
5. Шина
6. Шип Бампера
7. Крышка масляного бака
8. Кнопка разблокировки курка
9. Курковый выключатель
10. Крышка звездочки
11. Кольцо регулятора натяжения цепи
12. Ручка натяжения цепи
13. Защитное приспособление пильной шины
14. Уловитель цепи

### **УСТРОЙСТВА БЕЗОПАСНОСТИ**

#### **Противоотскоковая пильная цепь**

Пильная цепь с низкой отдачей снижает опасность отскока.

Ограничители глубины перед каждым зубом пильной цепи могут сократить силу отскока, не давая зубьям слишком глубоко врезаться в дерево. Используйте запасные пильные шины и цепи, только рекомендуемые





EN
FR
DE
ES
IT
NL
PT
DA
SV
FI
NO
<b>RU</b>
PL
CS
HU
RO
LV
LT
ET
HR
SL
SK
BG
UK
TR

производителем.

Будьте вдвойне бдительны после заточки цепи: она легче отскакивает. Для вашей безопасности производите замену цепей пилы при остановке процесса резания.

### Шип Бампера

Составной шип бампера может использоваться как центр при создании среза. Это поможет надежно удерживать корпус цепной пилы при пилении. При выполнении пиления нажимайте на инструмент от себя, пока упорные зубья не войдут в край древесины, а затем двигайте задней рукояткой вверх-вниз на линии пропила – это поможет уменьшить физическую нагрузку при пилении.

### Шина

Как правило, у пильных шин с небольшим радиусом режущих концов вероятность отбрасывания несколько ниже. Необходимо использовать пильную шину и подходящую цепь, которая имеет длину, достаточную для работы. Увеличенная длина шины повышает опасность потери управляемости во время пиления. Регулярно проверяйте натяжение цепи. При пилении небольших ветвей (короче полной длины пильной шины) цепь может соскочить, если ее натяжение установлено неправильно.

### Тормоз цепи

Этот тормоз предназначен для быстрой остановки пильной цепи. При перемещении вперед тормоз пильной цепи/защитный щиток должен немедленно останавливать цепь. Тормоз пильной цепи не предупреждает отскоков. Это только снижает опасность телесного повреждения в случае соприкосновения пильной шины с телом оператора при возникновении отскока. Тормоз пильной цепи должен проверяться перед каждым использованием на предмет правильной работы в обоих положениях – рабочем положении и положении торможения.

### Уловитель цепи

Ограничитель цепи предотвращает отбрасывание пильной цепи в сторону оператора при ее ослаблении и разрыве.

### СБОРКА

#### **⚠ ОСТОРОЖНО**

Если любые части повреждены, или отсутствуют не использовать это изделие, пока части не заменены. Пренебрежение данным предупреждением может привести к тяжкому телесному повреждению.

### СБОРКА ПИЛЬНОЙ ЦЕПИ И ПИЛЬНОЙ ШИНЫ

См. стр. 262 - 263.

1. Обязательно снимите батарею с устройства. Надевайте защитные перчатки.
2. Отверните ручку натяжного устройства цепи и снимите крышку цепного колеса.

3. Пильная цепь должна быть обращена в направлении вращения цепи. Если они смотрят в другую сторону, переверните пильную цепь.
4. Поместите звенья привода цепи в паз шины.
5. Наденьте всю цепь на шину.
6. Держите цепь в положении на шине и зацепите петлей вокруг ведущего зубчатого барабана. Опустите шину, так чтобы болт вошел в отверстие модуля натяжения цепи. Вам может понадобится повернуть этот модуль, поэтому болт и отверстие должны совмещены. Вы можете повернуть этот модуль повторно, чтобы придать некоторое натяжение цепи, что поможет поставить ее на место.
7. Замените крышку цепной шестерни и поверните затяжной маховик до прочного натяжения, поверните регулировочное кольцо натяжения цепи до прочного натяжения цепной пилы. Затем необходимо толкнуть пильную шину вверх. Вновь проверьте натяжение цепи. Не натягивайте цепь слишком сильно.
8. Когда цепь будет холошо растянута, затяните маховик заново.

### РЕГУЛИРОВКА НАТЯЖЕНИЯ ЦЕПИ

См. стр. 263. См. стр. 273.

1. Слегка ослабьте ручку натяжного устройства цепи, вращая ее против часовой стрелки.
2. Чтобы увеличить натяжение цепи, поворачивайте кольцо регулировки натяжного устройства цепи по часовой стрелке и часто проверяйте натяжение цепи. Чтобы уменьшить натяжение цепи, поворачивайте кольцо регулировки натяжного устройства цепи против часовой стрелки и часто проверяйте натяжение цепи.
3. Натяжение цепи правильное, если зазор между зубом цепи и шиной составляет 3-4 мм. Вытяните цепь вниз в середине нижней стороны шины (от шины) и измерьте расстояние между шиной и зубьями цепи.
4. Затяните затяжной маховик цепи поворотом по часовой стрелке.

### ЭКСПЛУАТАЦИЯ

#### СМАЗКА ЦЕПИ СМАЗОЧНЫМ МАСЛОМ

См. стр. 262.

#### **⚠ ОСТОРОЖНО**

Никогда не работайте без смазки цепи. При использовании цепи пилы без смазки пильная шина и цепь пилы могут получить повреждения. Поэтому важно регулярно проверять уровень масла по указателю уровня масла и каждый раз перед началом использования цепной пилы.

1. Протрите поверхность около масляного колпачка во избежание загрязнения.
2. Открутите и снимите крышку с масляного бака.
3. Залейте масло в масляный бак и проверьте указатель уровня масла. При заливке масла не





допускайте попадания грязи в масляный бак.

- Поставьте масляный колпачок на место и заверните его. Вытрите все подтеки.
- Один полный масляный бак позволяет эксплуатировать пилу в течение 20-40 минут.

#### Рекомендуемое смазочное масло цепи

- Производитель рекомендует использовать смазочное масло для цепной пилы только марки Ryobi. (Его можно получить в авторизованном сервисном центре Ryobi.)

#### УСТАНОВКА АККУМУЛЯТОРНОЙ БАТАРЕИ

См. стр. 263.

- Установите аккумуляторную батарею на инструмент. Вставьте выступающую контактную колодку аккумуляторного блока в гнездо батарейного отсека устройства.
- Крючки на блоке аккумулятора должны защелкнуться и аккумуляторный блок должен быть надежно зафиксирован перед началом работ.

#### КАК ДЕРЖАТЬ ЦЕПНУЮ ПИЛУ

См. стр. 263.

Всегда держите пилу правой рукой за заднюю рукоятку, а левой рукой – за переднюю рукоятку. Обхватите обе рукоятки, используя большой и остальные пальцы рук. Большой палец левой руки, удерживающей переднюю рукоятку, должен располагаться снизу.

#### ЗАПУСК ЦЕПНОЙ ПИЛЫ

См. стр. 263.

- Перед началом работы необходимо установить в инструмент батарею и перевести тормоз пильной цепи в рабочее положение, потянув рычаг тормоза цепи/устройство защиты рук к передней рукоятке.
- Чтобы запустить инструмент: потяните ручку освобождения спускового крючка, затем нажмите на спусковой крючок переключателя.

#### ПРОВЕРКА И ИСПОЛЬЗОВАНИЕ ТОРМОЗА ЦЕПИ

- Включите тормоз пильной цепи, вращая левую руку вокруг передней рукоятки. При быстром вращении цепи тыльной стороной кисти толкните рычаг тормоза пильной цепи/устройство защиты рук к шине. Постоянно держите пилу обеими руками за обе рукоятки.
- Верните тормоз пильной цепи в рабочее положение, взявшись за верх рычага тормоза пильной цепи/устройства защиты рук и потянув его к передней рукоятке до щелчка.

#### **⚠ ОСТОРОЖНО**

Если тормоз цепи не останавливает цепь немедленно, или если тормоз цепи не будет оставаться в управляемом положении без помощи, отнести пилу в авторизованный центр обслуживания для ремонта до использования.

#### ТРАНСПОРТИРОВКА И ХРАНЕНИЕ

См. стр. 275 - 276.

- Остановите устройство, извлеките батарею и дайте им остыть перед постановкой на хранение или транспортировкой.
- Очистите устройство от всех посторонних материалов. Храните его в прохладном, сухом, хорошо проветриваемом и недоступном для детей месте. Не держите бензопилу рядом с коррозионными веществами, такими как садовые химикаты или размораживающая соль. Не храните на открытом воздухе.
- Перед хранением или транспортировкой пилы наденьте на пильную шину крышку.
- Для транспортировки закрепите изделие так, чтобы оно не могло перемещаться или упасть во избежание травмирования персонала или повреждения изделия.

#### ТЕХНИЧЕСКОЕ ОБСЛУЖИВАНИЕ

#### **⚠ ОСТОРОЖНО**

Используйте только оригинальные запчасти, аксессуары и насадки от производителя. Невыполнение этого требования может привести к травме, к снижению производительности и к аннулированию гарантии.

#### **⚠ ОСТОРОЖНО**

Обслуживание требует чрезвычайной заботы и знания и должно быть выполнено только квалифицированным техником обслуживания. Обратитесь в авторизованный сервисный центр для техобслуживания. При выполнении технического обслуживания используйте только оригинальные запчасти от производителя.

#### **⚠ ОСТОРОЖНО**

Извлекайте батарею перед регулировкой, обслуживанием или очисткой. Несоблюдение этого правила может привести к серьезным травмам.

- Вы можете выполнять работы по регулировке и обслуживанию, которые описаны в данном руководстве. Для проведения других ремонтных работ или за получением рекомендаций обращайтесь в авторизованный сервисный центр.
- Следствием неправильного технического обслуживания может быть неверная работа тормоза пильной цепи и других средств безопасности, что повышает опасность причинения тяжких телесных повреждений. Поддерживайте цепную пилу в безопасном состоянии и выполняйте профессиональное техобслуживание.
- Безопасная отточка цепи - задача, требующая навыка. Таким образом, производитель строго рекомендует производить замену изношенной и





тупой цепи на новую, которую можно получить в авторизованном сервисном центре Ryobi. Номер детали доступен в таблице спецификаций изделия в руководстве.

- Соблюдайте инструкции по смазке, проверке натяжения цепи и регулировке.
- После каждого использования протирайте изделие мягкой сухой тканью.
- Проверить все болты, задвижки, и винты, через короткие интервалы, на надлежащую плотность, чтобы убедиться, что оборудование находится в безопасном, рабочем состоянии. В случае повреждения какой-либо детали необходимо обратиться в авторизованный сервисный центр для выполнения надлежащего ремонта или замены.

### ЗАМЕНА ПИЛЬНОЙ ШИНЫ И ЦЕПИ

См. стр. 271 - 272.

1. Произведите снятие батареи. Надевайте защитные перчатки.
2. Отверните ручку натяжного устройства цепи, вращая ее против часовой стрелки, пока крышка цепного колеса не открепится.
3. Снимите крышку цепного колеса. Снимите шину и цепь с устройства.
4. Чтобы заменить шину цепной пилы, выкрутите винт блока натяжителя цепи. Установите блок натяжителя цепи на новую шину и закрутите винт.
5. Поместите новую цепь на шину в правильном направлении и удостоверьтесь в том, что приводные звенья расположены в канавке шины.
6. Прикрепите шину к цепной пиле и наденьте цепь на ведущую звездочку.
7. Установите на место крышку цепного колеса.
8. Регулировка натяжения цепи. См. раздел «Регулировка натяжения цепи». "Adjusting the chain tension" section.

#### ОСТОРОЖНО

Тупая или неправильно заточенная цепь может привести к чрезмерно высокой частоте вращения двигателя во время пиления, что может вызвать серьезное повреждение двигателя.

#### ОСТОРОЖНО

При плохой затопке цепи вырастает опасность отскока.

#### ОСТОРОЖНО

Во избежание тяжелых травм заменяйте или ремонтируйте поврежденную пильную цепь.

#### ОСТОРОЖНО

Цепь очень острая. При обслуживании цепи всегда пользуйтесь защитными перчатками.

### ОСМОТР И ОЧИСТКА ТОРМОЗА ПИЛЬНОЙ ЦЕПИ

См. стр. 274.

- Всегда содержите в чистоте механизм тормоза пильной цепи, бережно очищая соединения от грязи щеткой.
- После очистки всегда проверяйте работу тормоза пильной цепи. См. дополнительную информацию в разделе "Работа - Тормоз пильной цепи" настоящего руководства.

### СПИСОК ОБСЛУЖИВАНИЯ

Ежедневная проверка	
Смазка Шины	Перед каждым использованием
Напряженность Цепи	Перед каждым использованием и регулярно
Острота Цепи	Перед каждым использованием, визуальная проверка
На поврежденные части	Перед каждым использованием
На свободные застёжки	Перед каждым использованием
Цепной тормоз	Перед каждым использованием
Осмотр и Чистка	
Шина	Перед каждым использованием
Целостность пилы	после каждого использования
Тормоз цепи	Каждые 5 часов*

\*Часы Действия

### УСЛОВНЫЕ ОБОЗНАЧЕНИЯ НА ПРОДУКТЕ



Внимание



Внимательно прочитайте все инструкции перед началом работы с продуктом, соблюдайте все предупреждения и инструкции по безопасности.



Носите устройства защиты зрения и слуха, а также защитную каску.



При работе с данным изделием надевайте нескользящую защитную обувь.



Надевайте нескользящие перчатки для работы в тяжелых условиях.





Не забывайте о возможности отскока пильной цепи и не прикасайтесь к концу пильной шины.



Не подвергайте инструмент воздействию дождя и не используйте в условиях повышенной влажности.



Работайте бензопилой, держа ее обеими руками.



Не работайте бензопилой, держа ее одной рукой.



Настоящий инструмент отвечает всем официальным стандартам страны ЕС, в которой он был приобретен.



Знак Евразийского Соответствия Сертификат Соответствия № TC RU C-DE.PC52.B.00789 Срок действия Сертификата Соответствия По 28.11.2021 ООО «Региональный центр оценки соответствия» 123060 г. Москва ул. Маршала Рыбалко дом 2 корпус 9 помещение 638



Украинский знак стандартизации



Обработанная электротехническая продукция должна уничтожаться вместе с бытовыми отходами. Утилизируйте, если имеется специальное техническое оборудование. По вопросам утилизации проконсультируйтесь с местным органом власти или предприятием розничной торговли.



Гарантированный уровень звуковой мощности 96 дБ



Смазка пильной шины и цепи



Минимальный уровень смазки



Сцепить



Расцепить



Установите тормоз пильной цепи в положение РАБОТА.



Поверните для регулировки натяжения цепи  
+ = Затяните цепь  
- = Ослабьте цепь



Установите тормоз пильной цепи в положение ТОРМОЗ.



Направление перемещения цепи.  
(Отмечено под цепной шестерней)

$V_0$  : 10 m/s

Скорость цепи на холостом ходу: 10 m/s

L max: 300mm

Максимальная длина пильной шины: 300 mm

### УСЛОВНЫЕ ОБОЗНАЧЕНИЯ В ДАННОМ РУКОВОДСТВЕ



Детали или принадлежности, приобретаемые отдельно



Примечание



Осторожно



Надевайте средства защиты глаз и лица.



Надевайте защитную одежду для верхней части тела.



Надевайте защитную обувь.



Остановите устройство.

Следующие сигнальные слова и значения предназначены, чтобы объяснить уровни риска, связанного с этим изделием.

#### ОПАСНО

Указывает неизбежно опасную ситуацию, которая, если не избежать, кончится смертельным или серьезным ущербом.

**⚠ ОСТОРОЖНО**

Указывает потенциально опасную ситуацию, которая, если не избежать, может кончиться смертельным или серьезным ущербом.

**⚠ ПРЕДОСТЕРЕЖЕНИЕ**

Указывает потенциально опасную ситуацию, которая, если не избежать, может кончиться малым или уменьшенным ущербом.

**ПРЕДОСТЕРЕЖЕНИЕ**

Употребляется без предупреждающего знака  
Указывает на ситуацию, которая может привести к повреждению имущества.

**Транспортировка:**

Категорически не допускается падение и любые механические воздействия на упаковку при транспортировке.

При разгрузке/погрузке не допускается использование любого вида техники, работающей по принципу зажима упаковки.

**Хранение:**

Необходимо хранить в сухом месте.  
Необходимо хранить вдали от источников повышенных температур и воздействия солнечных лучей.  
При хранении необходимо избегать резкого перепада температур.  
Хранение без упаковки не допускается.

**Срок службы изделия:**

Срок службы изделия составляет 5 лет.  
Не рекомендуется к эксплуатации по истечении 5 лет хранения с даты изготовления без предварительной проверки.

**Дата изготовления** (код даты) отштампован на поверхности корпуса изделия.

Пример:  
W17 Y2015, где Y2015 - год изготовления  
W17 – неделя изготовления

Определить месяц изготовления можно согласно приведенной ниже таблице, на примере 2015 года.

**Обратите внимание!** Количество недель в месяце различается от года в год.

Месяц	Январь	Февраль	Март	Апрель	Май	Июнь	Июль	Август	Сентябрь	Октябрь	Ноябрь	Декабрь	Год
Неделя	01	05	09	14	18	22	27	31	36	40	44	49	2015
	02	06	10	15	19	23	28	32	37	41	45	50	
	03	07	11	16	20	24	29	33	38	42	46	51	
	04	08	12	17	21	25	30	34	39	43	47	52	
	05	09	13	18	22	26	31	35	40	44	48	53	
			14			27							





Bezpieczeństwo, efektywność i niezawodność były czynnikami o najwyższym priorytecie w trakcie projektowania Państwa bezprzewodowej piły łańcuchowej.

## PRZEZNACZENIE

Bezprzewodowa piła łańcuchowa przeznaczona jest do stosowania wyłącznie poza pomieszczeniami. Ze względów bezpieczeństwa produkt musi być odpowiednio kontrolowany – należy przez cały czas trzymać go obiema rękoma.

Produkt jest przeznaczony do cięcia gałęzi, pni, kłód i belek o średnicy określonej przez długość cięcia prowadnicy. Może być używana wyłącznie do cięcia drewna. Produkt może być używany wyłącznie do zastosowań domowych przez osoby dorosłe, które zostały odpowiednio przeszkolone w zakresie zagrożeń i środków/działań zaradczych, które należy podjąć w trakcie używania urządzenia.

Nie wolno używać produktu do jakiegokolwiek celu, który nie jest wyszczególniony powyżej. Produkt nie jest przeznaczony do zawodowej ścinki drewna. Produkt nie może być używany przez dzieci lub osoby, które nie noszą odpowiednich środków ochrony osobistej oraz odzieży ochronnej.

### ⚠ OSTRZEŻENIE

Podczas używania tego urządzenia należy przestrzegać odpowiednich zasad bezpieczeństwa. Ze względu na bezpieczeństwo użytkownika oraz osób postronnych, użytkownik musi w pełni zrozumieć te instrukcje przed rozpoczęciem używania produktu. Użytkownik powinien wziąć udział w profesjonalnie zorganizowanym kursie dotyczącym bezpiecznego użytkowania, działań zaradczych, pierwszej pomocy oraz konserwacji piłarki łańcuchowej. Niniejszą instrukcję należy przechowywać w bezpiecznym miejscu do późniejszego użytku.

### ⚠ OSTRZEŻENIE

Piłarki łańcuchowe są potencjalnie niebezpiecznymi narzędziami. Wypadki związane z użyciem piłarek łańcuchowych często skutkują utratą kończyn lub śmiercią. Nie tylko piłarka łańcuchowa jest niebezpieczna. Spadające konary i gałęzie, przewracające się drzewa lub staczające się kłody mogą stanowić śmiertelne niebezpieczeństwo. Spróchniałe drewno stanowi dodatkowe zagrożenie. Należy ocenić możliwość bezpiecznego wykonania zadania. W przypadku wątpliwości należy zwrócić się o pomoc do zawodowego drwala.

## OGÓLNE OSTRZEŻENIA DOTYCZĄCE BEZPIECZEŃSTWA

### ⚠ OSTRZEŻENIE

**Zapoznaj się ze wszystkimi zasadami bezpieczeństwa i instrukcjami.** Niezastosowanie się do ostrzeżeń i instrukcji może spowodować porażenie prądem, pożar oraz/lub poważne obrażenia ciała.

**Zachowajcie te ostrzeżenia i zalecenia, aby móc się do nich odnieść w późniejszym czasie.**

Termin "elektronarzędzia" stosowany w przedstawionych tu zasadach bezpieczeństwa odnosi się zarówno do urządzeń zasilanych z sieci energetycznej (przewodowych) jak i urządzeń zasilanych z akumulatora (bezprzewodowych).

## OTOCZENIE ROBOCZE

- **Miejsce pracy musi być utrzymywane w czystości i dobrze oświetlone.** Obszary zaśmiecone lub niewystarczająco oświetlone mogą być przyczyną wypadku.
- **Nie wolno uruchamiać urządzeń elektrycznych w miejscach, gdzie grozi to wybuchem, na przykład w pobliżu łatwopalnych cieczy, gazów lub pyłów.** Urządzenia elektryczne mogą wytwarzać iskry, które mogą być przyczyną zapłonu pyłów lub oparów.
- **Podczas używania narzędzi elektrycznych należy utrzymywać osoby postronne i dzieci z dala od miejsca pracy.** Odwrócenie uwagi operatora może spowodować utratę kontroli nad urządzeniem.

## ZASADY BEZPIECZEŃSTWA DOTYCZĄCE OBSŁUGI URZĄDZEŃ ELEKTRYCZNYCH

- **Wtyczki zasilania elektronarzędzi muszą pasować do gniazd sieciowych. Nie wolno modyfikować wtyczek w żaden sposób. Nie wolno używać żadnych przejściówek do podłączania urządzeń posiadających przewód zasilania z uziemieniem.** Stosowanie oryginalnych wtyczek i dopasowanych gniazd sieciowych zmniejsza ryzyko porażenia prądem.
- **Unikać kontaktu ciała z powierzchniami uziemionymi lub podłączonymi do bieguna zerowego, np. rury, instalacje grzewcze i chłodnicze.** Kontakt ciała z masą lub uziemieniem zwiększa ryzyko porażenia prądem.
- **Nie narażać tego produktu na działanie deszczu lub wody.** Przedostanie się wody do wnętrza elektronarzędzia zwiększa ryzyko porażenia prądem.
- **Nie uszkodzić przewodu zasilania. Nie wolno używać przewodu zasilania do przenoszenia, ciągnięcia urządzenia lub jego odłączania z gniazda sieciowego. Przewody elektryczne trzymać z dala od źródeł ciepła, oleju, ostrych krawędzi lub ruchomych elementów.** Uszkodzony lub zaplątany przewód elektryczny zwiększa ryzyko porażenia prądem.
- **W przypadku używania urządzenia na zewnątrz, ewentualne przedłużacze muszą być do tego przystosowane.** Zastosowanie przedłużacza przystosowanego do warunków zewnętrznych zmniejsza ryzyko porażenia prądem.
- **Jeśli nie można uniknąć użytkowania urządzenia elektrycznego w warunkach wilgotnych, należy je zasilac z obwodu zabezpieczonego wyłącznikiem różnicowo-prądowym (RCD).** Zastosowanie takiego wyłącznika pozwala zmniejszyć ryzyko porażenia prądem elektrycznym.





EN
FR
DE
ES
IT
NL
PT
DA
SV
FI
NO
RU
PL
CS
HU
RO
LV
LT
ET
HR
SL
SK
BG
UK
TR

## BEZPIECZEŃSTWO OSOBISTE

- Zachowywać skupienie, uważnie obserwować wykonywane czynności, stosować zasady zdrowego rozsądku podczas obsługi urządzenia. Nie używać urządzeń elektrycznych w stanie zmęczenia lub będąc pod wpływem leków, alkoholu lub środków odurzających. Moment nieuwagi podczas obsługi elektronarzędzia może być przyczyną poważnego zranienia.
- Stosować środki ochrony osobistej. Zawsze nosić okulary ochronne. Stosowanie takich środków ochrony osobistej jak maska przeciwpyłowa, obuwie antypoślizgowe, twarde nakrycie głowy, nauszniki pozwoli zmniejszyć ryzyko zranienia.
- Unikać możliwości przypadkowego uruchomienia urządzenia. Przed podłączeniem do zasilania/założeniem akumulatora lub w celu jego podniesienia lub przeniesienia należy upewnić się, że wyłącznik zasilania znajduje się w położeniu wyłączonym. Przenoszenie elektronarzędzia z palcem na wyłączniku lub podłączenie zasilania do urządzenia, w którym wyłącznik znajduje się w położeniu włączonym grozi wypadkiem.
- Usunąć wszelkie narzędzia i klucze przed włączeniem zasilania. Uruchomienie elektronarzędzia z kluczem założonym na ruchomym elemencie grozi poważnym wypadkiem.
- Nie sięgać zbyt daleko. Należy cały czas pewnie opierać stopy i utrzymywać równowagę. Zapewni to lepsze panowanie nad urządzeniem w nieprzewidzianych sytuacjach.
- Należy zakładać odpowiednią odzież ochronną. Nie zakładać luźnego ubioru ani biżuterii. Trzymać włosy, ubranie i okulary z dala od ruchomych elementów. Mogą być one wciągnięte przez ruchome części urządzenia.
- Jeśli używane urządzenie posiada przyłączy do wyciągu i gromadzenia kurzu, należy go używać w odpowiedni sposób. Stosowanie metod usuwania pyłu zmniejsza zagrożenie związane z jego gromadzeniem.

## UŻYTKOWANIE I KONSERWACJA URZĄDZEŃ ELEKTRYCZNYCH

- Nie przeciążać urządzenia. Używać odpowiedniego narzędzia do odpowiedniego rodzaju prac. Najlepsze efekty pracy, przy zachowaniu pełnego bezpieczeństwa, zapewni używanie urządzeń w zakresie parametrów znamionowych i stosownie do ich przeznaczenia.
- Nie używać tego urządzenia, jeśli wyłącznik nie pracuje poprawnie. Używanie elektronarzędzia bez sprawnego wyłącznika jest zbyt niebezpieczne - należy oddać je do naprawy.
- Przed przystąpieniem do regulacji, wymiany akcesoriów lub przed odłożeniem elektronarzędzia w miejsce przechowywania należy wyjąć wtyczkę z gniazda sieciowego lub wyjąć akumulator. Tego rodzaju środki zapobiegawcze pozwolą zmniejszyć ryzyko przypadkowego uruchomienia elektronarzędzia.
- Nieużywane urządzenia należy przechowywać poza

zasięgiem dzieci. Nie wolno zezwalać osobom nie obeznanym z obsługą urządzeń elektrycznych na ich używanie. Urządzenia elektryczne mogą być niebezpieczne w rękach osób nieposiadających odpowiedniego przygotowania.

- Urządzenia elektryczne wymagają konserwacji. Należy sprawdzać wyrównanie elementów ruchomych, sprawdzać, czy nie ma jakichkolwiek uszkodzeń, uwzględniać wszelkie aspekty mające wpływ na bezpieczną pracę urządzenia. W przypadku stwierdzenia uszkodzeń, oddać urządzenie do naprawy. Wiele wypadków spowodowane jest używaniem urządzeń w niewłaściwym stanie technicznym.
- Elementy tnące muszą być ostre i czyste. Odpowiednio ostre krawędzie tnące ułatwią prowadzenie urządzenia i są bardziej odporne na uszkodzenie.
- Wszelkie urządzenia, przystawki, akcesoria itp. należy używać zgodnie z dołączonymi instrukcjami obsługi, z uwzględnieniem warunków i charakteru wykonywanej pracy. Używanie narzędzi w sposób niezgodny z ich przeznaczeniem grozi poważnym niebezpieczeństwem.

## UŻYTKOWANIE I OBSŁUGA AKUMULATORA

- Ładować wyłącznie za pomocą ładowarki dostarczonej przez producenta. Ładowarka przeznaczona do jednego modelu akumulatora może być przyczyną pożaru w przypadku zastosowania do ładowania akumulatora innego typu.
- Używać narzędzi ręcznych z napędem elektrycznym wyłącznie z akumulatorami przeznaczonymi do tych urządzeń. Używanie innych akumulatorów wiąże się ze zwiększonym ryzykiem pożaru lub obrażeń ciała.
- Gdy akumulator nie jest używany, przechowywać go z dala od innych metalowych przedmiotów, np. spinaczy, monet, kluczy, gwoździ, śrub lub innych małych metalowych przedmiotów, które mogłyby utworzyć połączenie między stykami, prowadząc do zwarcia. Zwarcie styków akumulatora może spowodować oparzenia lub pożar.
- W przypadku niewłaściwej obsługi może dojść do wycieku płynu z akumulatora, należy unikać kontaktu z tym płynem. Miejsce ewentualnego kontaktu przepłukać wodą. W przypadku, gdy płyn dostanie się do oczu, po przemyciu zwrócić się o pomoc do lekarza. Płyn wyciekający z akumulatora może powodować podrażnienia i oparzenia.

## KONSERWACJA

- Urządzenie elektryczne powinno być naprawiane przez wykwalifikowany personel, z zastosowaniem identycznych części zamiennych. Dzięki temu zapewnione będzie bezpieczeństwo użytkownika urządzenia.

## DODATKOWE OGÓLNE OSTRZEŻENIA DOTYCZĄCE BEZPIECZEŃSTWA

- W niektórych regionach obowiązują przepisy ograniczające używanie produktu. Informacje na ten





temat można uzyskać w lokalnych urzędach.

- Nie wolno zezwalać ani dzieciom, ani osobom dorosłym nie zaznajomionym z tym podręcznikiem na obsługę tego produktu. Przepisy lokalne mogą ograniczać dopuszczalny wiek operatora.
- Przed użyciem należy sprawdzić, czy wszystkie przyrządy sterowania oraz zabezpieczenia działają prawidłowo. Nie należy używać produktu, jeśli wyłącznik („off”) nie umożliwi wyłączenia silnika.
- W trakcie użytkowania produktu nosić pełną ochronę wzroku i słuchu, solidne buty i rękawice, a także ochronę głowy. W przypadku dużego zapylenia zakładać maskę na twarz.
- Stosowanie środków ochrony słuchu zmniejsza słyszalność ostrzeżeń (alarmów, okrzyków). Należy zwracać większą uwagę na to, co dzieje się w miejscu pracy.
- Stać stabilnie, zachowując równowagę. Nie sięgać zbyt daleko. Nadmierne wychylenie się może spowodować utratę równowagi i zwiększa ryzyko odskoku.
- Nie należy nosić luźnego ubrania, krótkich spodenek ani żadnej biżuterii.
- Długie włosy należy związać, aby znajdowały się powyżej ramion i aby nie zostały pochwycone przez maszynę.
- Należy zwrócić uwagę na odrzucane, latające lub spadające obiekty. Osoby postronne, dzieci i zwierzęta muszą znajdować się w odległości przynajmniej 15 metrów od miejsca pracy.
- Nie pracować w słabym oświetleniu. Operator musi dobrze widzieć miejsce pracy, aby móc zidentyfikować potencjalne zagrożenia.
- Praca podobnych narzędzi w pobliżu zwiększa ryzyko urazu słuchu oraz wtargnięcia innej osoby na miejsce pracy.
- Wszystkie kończyny należy trzymać z dala od ruchomych elementów urządzenia.
- Przed każdym użyciem należy sprawdzić maszynę. Należy sprawdzić, czy wszystkie przyrządy urządzenia, w tym hamulec łańcucha, działają prawidłowo. Należy sprawdzić, czy mocowania nie są poluzowane, upewnić się, czy wszystkie osłony oraz uchwyty są prawidłowo i solidnie zamocowane. Wymienić wszystkie uszkodzone elementy przed rozpoczęciem użytkowania.
- Nie należy modyfikować maszyny w żaden sposób ani używać części i akcesoriów, które nie są zalecane przez producenta.

#### **⚠ OSTRZEŻENIE**

W przypadku upuszczenia produktu, narażenia jej na silne uderzenie lub w przypadku wystąpienia nietypowych wibracji należy natychmiast zatrzymać produkt i sprawdzić, czy nie ma oznak uszkodzenia lub ustalić przyczynę wibracji. Wszelkie uszkodzone części muszą być odpowiednio naprawione lub wymienione w autoryzowanym punkcie serwisowym.

#### **OSTRZEŻENIA BEZPIECZEŃSTWA DOTYCZĄCE PILARKI ŁAŃCUCHOWEJ**

- **Nie wolno zbliżać żadnych części ciała do łańcucha tnącego, gdy łańcuch jest w ruchu. Przed uruchomieniem pilarki łańcuchowej należy upewnić się, że pilarka łańcuchowa nie styła się z żadnym przedmiotem.** Chwila nieuwagi podczas obsługi pilarki łańcuchowej może spowodować wplątanie odzieży lub kontakt łańcucha tnącego z częścią ciała.
- **Pilarkę łańcuchową zawsze należy trzymać w taki sposób, aby prawa ręka spoczywała na tylnym uchwycie a lewa ręka na przednim uchwycie.** Trzymanie pilarki łańcuchowej z odwrotnym ustawieniem rąk zwiększa ryzyko obrażeń ciała i nigdy nie wolno trzymać pilarki w ten sposób.
- **Elektronarzędzie należy trzymać wyłącznie za powierzchnie uchwytów, ponieważ pilarka łańcuchowa może uszkodzić ukrytą instalację elektryczną pod napięciem.** Zetknięcie pilarki z przewodem pod napięciem spowoduje, że wszystkie metalowe części elektronarzędzia będą również pod napięciem, co w rezultacie spowoduje porażenie operatora prądem elektrycznym.
- **Należy nosić okulary ochronne i środki ochrony słuchu. Zalecamy stosowanie innych środków ochrony głowy, rąk, nóg oraz stóp.** Odpowiednia odzież robocza ograniczy ryzyko obrażeń ciała na skutek odrzucanych obiektów lub przypadkowego kontaktu z łańcuchem pilarki.
- **Nie używać pilarki łańcuchowej na drzewie.** Obsługa pilarki łańcuchowej na drzewie może spowodować obrażenia ciała.
- **Zawsze należy zapewnić odpowiednie oparcie dla nóg. Pilarkę łańcuchową można obsługiwać wyłącznie stojąc na stałej, stabilnej i równej powierzchni.** Śliskie lub niestabilne powierzchnie, takie jak drabiny mogą spowodować utratę równowagi lub kontroli nad pilarką łańcuchową.
- **Należy zachować ostrożność w przypadku przecinania naprężonej gałęzi, ponieważ występuje ryzyko odskoczenia gałęzi.** Gdy naprężenie włókien drewna zostanie zwolnione, gałąź może odskoczyć i uderzyć operatora oraz/lub spowodować utratę kontroli nad pilarką łańcuchową.
- **Należy zachować szczególną ostrożność podczas cięcia krzaków i młodych drzew.** Wiotki materiał może być pochwycony przez łańcuch pilarki, przyciągnięty do operatora lub operator może stracić równowagę.
- **Pilarkę łańcuchową należy trzymać za przedni uchwyt, gdy pilarka jest wyłączona i znajduje się z dala od ciała. W przypadku transportu lub przechowywania pilarki łańcuchowej zawsze należy zakładać osłonę przewodniczą.** Prawidłowa obsługa pilarki łańcuchowej ograniczy prawdopodobieństwo przypadkowego kontaktu z pracującym łańcuchem pilarki.
- **Należy postępować zgodnie z instrukcjami dotyczącymi smarowania, napinania łańcucha i wymiany akcesoriów.** Nieprawidłowo napięty lub





nienasmarowany łańcuch może pęknąć lub zwiększyć ryzyko odbicia piły.

- **Uchwyty utrzymywać w czystości, muszą być zawsze suche, wolne od oleju i smarów.** Uchwyty pokryte smarem i olejem są śliskie i mogą powodować utratę kontroli.
- **Należy ciąć wyłącznie drewno. Pilarkę łańcuchową należy używać wyłącznie zgodnie z jej przeznaczeniem. Na przykład nie należy używać pilarki łańcuchowej do cięcia plastiku, muru ani materiałów budowlanych innych niż drewniane.** Stosowanie pilarki łańcuchowej do prac niezgodnych z jej przeznaczeniem może doprowadzić do niebezpiecznych sytuacji.

#### Przyczyny odskoku i środki zaradcze:

Może dojść do odrzutu (odboju) jeżeli czubek prowadnicy łańcucha wchodzi w kontakt z przedmiotem lub gdy łańcuch tnący zaklinuje się czy zablokuje w drewnie podczas piłowania.

W niektórych przypadkach kontakt końcówki może spowodować gwałtowny odskok, na skutek czego prowadnica odskakuje do góry i do tyłu w stronę operatora. Zakleszczenie łańcucha piły na wysokości górnej krawędzi prowadnicy może spowodować gwałtowne odepchnięcie prowadnicy w stronę operatora.

W każdym przypadku, możecie utracić kontrolę nad piłą łańcuchową i poważnie się zranić. Nie wolno polegać jedynie na elementach zabezpieczających waszej piły łańcuchowej. W celu uniknięcia ryzyka wypadków czy zranienia powinniście podjąć różne środki bezpieczeństwa.

Odskok ma miejsce w rezultacie nieprawidłowego użycia oraz/lub niewłaściwych procedur roboczych lub warunków i można go uniknąć, stosując się do poniższych środków ostrożności:

- **Należy trzymać urządzenie w pewny sposób, tak aby kciuki i palce obejmowały uchwyty pilarki łańcuchowej, obie ręce znajdowały się na pilarcie oraz aby pozycja ciała i ramion była odpowiednia, aby oprzeć się odskokowi.** Siły odskoku mogą być kontrolowane przez operatora, jeśli zostaną zastosowane odpowiednie środki zaradcze. Nie wolno utracić kontroli nad pilarką łańcuchową.
- **Nie należy zbyt mocno wychylać się ani ciąć powyżej wysokości ramion.** Pomoże to wyeliminować niezamierzony kontakt końcówki i zapewni lepszą kontrolę nad pilarką łańcuchową w niespodziewanych sytuacjach.
- **Należy wyłącznie stosować prowadnice i łańcuchy określone przez producenta.** Nieprawidłowe zamienne prowadnice i łańcuchy mogą spowodować pęknięcie łańcucha oraz/lub odskok.
- **Przy ostrzeniu i konserwacji łańcucha należy przestrzegać zaleceń producenta.** Zmniejszenie wysokości głębokościomierza może zwiększyć siłę odskoku.

#### DODATKOWE OSTRZEŻENIA BEZPIECZEŃSTWA DOTYCZĄCE PILARKI ŁAŃCUCHOWEJ

- Zalecamy ciąć kłody na koźle w przypadku pierwszej obsługi produktu.

- Należy dopilnować, aby wszystkie osłony, uchwyty oraz oporowy zderzak zębaty było odpowiednio zamontowane i znajdowały się w dobrym stanie.
- Osoby używające pilarki łańcuchowej powinny być w dobrej kondycji zdrowotnej. Produkt jest ciężkim urządzeniem i w związku z tym operator powinien znajdować się w dobrej kondycji fizycznej. Operator powinien być czujny, skupiony, mieć dobrą widoczność, swobodę ruchu, zachowywać równowagę oraz manualną zręczność. W przypadku wątpliwości nie należy używać pilarki łańcuchowej.
- Nie należy rozpoczynać używania produktu zanim obszar pracy nie będzie dobrze przygotowany, operator zajmie pewną pozycję oraz określi drogę ewakuacji w przypadku spadającego drzewa.
- Należy uważać na emisję mgiełki środka smarnego oraz pyłu drzewnego. Należy nosić maskę lub respirator, jeśli jest to wymagane.
- Nie należy przecinać winorośli oraz/lub niewielkich roślin (o średnicy poniżej 75 mm).
- Piłę łańcuchową podczas pracy zawsze należy trzymać obiema rękami. Należy mocno trzymać piłę łańcuchową, palce powinny być wokół uchwytów. Prawa ręka musi znajdować się na tylnym uchwycie, a lewa ręka na przednim uchwycie.
- Przed uruchomieniem narzędzia należy upewnić się, że łańcuch pilarki nie dotyka żadnego obiektu.
- Nie należy modyfikować narzędzia w żaden sposób ani używać go do napędzania innych urządzeń, które nie są zalecane przez producenta jako współpracujące z pilarką.
- W pobliżu operatora powinien znajdować się zestaw pierwszej pomocy zawierający duże opatrunki oraz przyrząd do zrywania pomocy (np. gwizdek). Większy, lepiej wyposażony zestaw powinien znajdować się w bliskim sąsiedztwie.
- Operator może mieć pokusę zdjęcia kasku, jeśli nie ma ryzyka spadających obiektów w miejscu pracy, ale należy pamiętać, że kask, a w szczególności siatkową osłonę, może ograniczyć ryzyko obrażeń twarzy i głowy w przypadku odskoku.
- Nieprawidłowo napięty łańcuch może ześlizgnąć się z prowadnicy i może spowodować poważne obrażenia lub śmierć. Długość łańcucha zależy od temperatury. Należy regularnie sprawdzać napięcie łańcucha.
- Należy zaznajomić się z obsługą nowej pilarki łańcuchowej, wykonując proste cięcia na odpowiednio zabezpieczonym drewnie. Należy to zrobić w przypadku, gdy operator przez jakiś czas nie używał pilarki.
- Aby ograniczyć ryzyko obrażeń ciała związanych z kontaktem z ruchomymi częściami, zawsze należy zatrzymać silnik, włączyć hamulec łańcucha, wyjąć akumulator i sprawdzić, czy wszystkie ruchome części zatrzymały się przed wykonaniem następujących czynności:
  - czyszczenie lub usuwanie blokady
  - pozostawianie produktu bez nadzoru
  - montaż lub demontaż osprzętu
  - sprawdzanie, konserwacja lub obsługa maszyny

EN
FR
DE
ES
IT
NL
PT
DA
SV
FI
NO
RU
PL

CS
HU
RO
LV
LT
ET
HR
SL
SK
BG
UK







- Powierzchnia strefy roboczej zależy tak samo od rodzaju pracy do wykonania jak i od rozmiaru drzewa czy przedmiotu do obróbki. Np. ścięcie drzewa wymaga większego obszaru pracy niż wykonywanie innych cięć, takich jak przerzynanie itp. Operator musi być świadomy oraz musi kontrolować wszystko, co dzieje się na obszarze pracy.
- Nie należy ciąć, znajdując się w jednej linii z prowadnicą i łańcuchem. W przypadku odskoku pomoże to uniknąć kontaktu głowy lub ciała z łańcuchem.
- Nie należy wykonywać ruchów piłowania do przodu/ do tyłu. Piłowanie musi odbywać się za pomocą ruchu łańcucha. Łańcuch musi być ostry i nie można dociskać łańcucha do przecięcia.
- Pod koniec cięcia nie naciskajcie na piłę łańcuchową. Należy przygotować się do przejścia ciężaru pilarki, gdy przetnie ona drewno. W przeciwnym razie może dojść do poważnych obrażeń ciała.
- Nie należy zatrzymywać pilarki w połowie cięcia. Piła musi pracować aż do wyjścia z wrąbu.

### Ciąg i naciąg

Siła ciągu (nacisku) przejawia się zawsze w kierunku przeciwnym do ruchu łańcucha. W ten sposób operator musi być gotowy do kontrolowania tendencji odciągnięcia przez maszynę (ruch do przodu) przy cięciu dolnej krawędzi belki i dociągania (w stronę operatora) przy cięciu górnej krawędzi.

### Piła zablokowana we wrąbie.

Zatrzymać pilarkę łańcuchową w bezpieczny sposób. Nie próbować wyjmować na siłę łańcucha i prowadnicy z wrąbu, ponieważ może to spowodować pęknięcie łańcucha i w rezultacie odskoczenie i uderzenie łańcuchem operatora. Ta sytuacja z reguły ma miejsce przypadku, gdy drewno jest nieprawidłowo podparte i oddziałuje siła zamykania wrąbu, powodując zaklinowanie ostrza. Jeśli poprawienie podparcia nie pozwoli odblokować prowadnicy i łańcucha, należy użyć drewnianych klinów lub zastosować dźwignię w celu zwolnienia pilarki. Nigdy nie wolno usiłować uruchamiać pilarki łańcuchowej, gdy prowadnica znajduje się we wrąbie lub szczelinie.

### Środki ochrony osobistej

Dobrej jakości środki ochrony osobistej stosowane przez zawodowców pomogą ograniczyć ryzyko obrażeń ciała u operatora. W przypadku obsługi pilarki łańcuchowej powinny być używane następujące elementy:

#### Kask ochronny

- powinien być zgodny z normą EN 397 i mieć oznaczenie CE

#### Środki ochrony słuchu

- powinien być zgodny z normą EN 352-1 i mieć oznaczenie CE

#### Ochrona oczu i twarzy

- powinny mieć oznaczenie CE oraz być zgodne z normą EN 166 (dot. okularów ochronnych) lub EN 1731 (siatkowa osłona)

#### Rękawice

- powinien być zgodny z normą EN381-7 i mieć

oznaczenie CE

#### Ochrona nóg (pęknięcia)

- powinna być zgodna z normą EN 381 -5, mieć oznaczenie CE oraz zapewniać całościową ochronę.

#### Buty ochronne do pracy z pilarką łańcuchową

- powinny być zgodne z normą EN ISO 20345:2004 i być oznaczone symbolem przydatności do używania z pilarką łańcuchową, zgodnie z normą EN 381-3. (Sporadyczni użytkownicy mogą używać butów ochronnych z metalową wkładką ochronną oraz ochronnymi mieszkami zgodnymi z normą EN 381-9, jeśli podłoże jest równe i występuje niewielkie ryzyko przewrócenia się lub zaplątania się w roślinność)

#### Kurki przeznaczone do obsługi pilarki łańcuchowej zapewniające ochronę górnej części ciała

- powinien być zgodny z normą EN 381-11 i mieć oznaczenie CE

### INSTRUKCJE DOTYCZĄCE PRAWIDŁOWYCH TECHNIK PODSTAWOWEGO WYRĄBU, OKRZEŚWIANIA ORAZ CIĘCIA POPRZECZNEGO

#### Zrozumienie sił oddziałujących w przypadku drewna

Gdy użytkownik zrozumie naciski i naprężenia kierunkowe występujące wewnątrz drewna, będzie mógł ograniczyć częstość zakleszczenia narzędzia lub przynajmniej będzie w stanie przygotować się na nie podczas cięcia. Naprężenie drewna oznacza, że włókna rozciągają się i wycięcie wrąbu lub szczeliny w tym miejscu ma tendencję do rozchylania się w miarę zagłębienia piły. Jeśli kłoda opiera się na koźle i końcówka zwisa bez podparcia, wtedy występuje naprężenie górnej powierzchni na skutek ciężaru fragmentu zwisającej kłody, powodując rozciąganie włókien. W ten sam sposób spodnia część kłody będzie ściskana i włókna będą ze sobą ściskane. Jeśli cięcie wykonywane jest w tym obszarze, wrąb będzie miał tendencję do zamykania się podczas cięcia. Spowoduje to zakleszczenie ostrza.

#### Wyrąb drzewa

*Patrz str. 267 - 268.*

Przy przerzynaniu i wyrąbie przeprowadzanym jednocześnie przez dwie lub więcej osób, operacje wyrąbu powinny być oddzielone od operacji ogławiania odległością stanowiącą przynajmniej dwukrotność wysokości ścinanego drzewa. Drzew nie wolno ścinać w sposób, który może stanowić zagrożenie wobec jakiegokolwiek osoby, może dojść do zetknięcia z linią energetyczną lub do uszkodzenia mienia. Jeśli drzewo zetknie się z linią energetyczną, trzeba natychmiast powiadomić stosowne służby.

Jeżeli teren jest spadkowy, pozostanie na górze terenu, gdyż ścięte drzewo mogłoby się stoczyć czy ześliznąć na dół stoku.

Przed rozpoczęciem cięcia należy zaplanować i odpowiednio przygotować drogę ewakuacji. Droga ewakuacji powinna rozciągać się do tyłu i ukośnie do tyłu przewidywanej linii upadku drzewa.

Przed rozpoczęciem ścinki należy uwzględnić naturalne





pochylenie drzewa, rozmieszczenie większych konarów oraz kierunek wiatru, aby ustalić kierunek przewrócenia się drzewa.

Należy usunąć z drzewa zanieczyszczenia, luźną korę, gwoździe, kłamy oraz drut.

Nie należy ścinać drzew, które są spróchniałe lub zostały uszkodzone przez wiatr, pożar, uderzenie pioruna itp. Jest to bardzo niebezpieczne i powinno być wykonane przez zawodowego drwala.

### 1. Rzas podcinający

*Patrz str. 267 - 268.*

Należy wykonać wycięcie o średnicy 1/3 drzewa, prostopadłe do kierunku upadku drzewa. Najpierw należy wykonać niższe poziome cięcie. Pomoże to uniknąć zakleszczenia łańcucha pilarki lub prowadnicy podczas wykonywania drugiego cięcia.

### 2. Rzas ścinający

*Patrz str. 267 - 268.*

Rzas ścinający należy wykonać przynajmniej 50 mm powyżej poziomego rzazu podcinającego. Rzas ścinający należy wykonać równoległe do poziomego rzazu podcinającego. Rzas ścinający należy wykonać w taki sposób, aby pozostawić wystarczająco dużo drewna, które będzie pełnić funkcję zawiasu. Zadaniem zawiasu jest uniemożliwienie przekręcenia się drzewa i spadnięcia w nieprawidłowym kierunku. Nie należy przecinać zawiasu.

Gdy rzas zbliży się do zawiasu, drzewo powinno zacząć się przewracać. Jeśli występuje jakiegokolwiek ryzyko, że drzewo może przewrócić się w niezamierzonym kierunku lub odchylić się do tyłu i zakleszczyć pilarkę łańcuchową, należy przerwać cięcie przed zakończeniem cięcia i użyć klinów z drewna, tworzywa sztucznego lub aluminium, aby otworzyć rzas i powalić drzewo w odpowiednim kierunku.

Gdy drzewo zacznie się przewracać, należy wyjąć pilarkę łańcuchową z rzazu, wyłączyć silnik, odłożyć pilarkę łańcuchową i wycofać się zaplanowaną drogą ewakuacji. Należy zwrócić uwagę na spadające konary oraz na przeszkody leżące na ziemi.

### Cięcie głównych korzeni

*Patrz str. 268.*

Główny korzeń, to gruby korzeń wychodzący z pnia aż do ziemi. Należy ściąć grube korzenie przed przystąpieniem do ścinania drzewa. Wykonajcie najpierw poziome nacięcie w głównym korzeniu, a następnie nacięcie pionowe. Usunąć w ten sposób odciętą część ze strefy roboczej. Przystąpicie do ścinania drzewa po zdjęciu głównych korzeni.

### Przerzwanie kłody

*Patrz str. 269.*

Przerzanie to cięcie kłody na odcinki. Ważne jest pewne oparcie na obu nogach oraz odpowiednie rozłożenie ciężaru ciała. Gdy jest to możliwe, kłoda powinna być podniesiona i podparta przy użyciu konarów, kłód lub klocków. Należy postępować zgodnie z prostymi wskazówkami w zakresie cięcia. Gdy kłoda jest podparta na całej długości, jest ona cięta od góry (overbuck).

Gdy kłoda jest podparta na jednym końcu, należy przeciąć 1/3 średnicy od spodu (underbuck). Następnie należy

wykonać cięcie kończące, przecinając, aby zejść się z pierwszym cięciem.

Gdy kłoda jest podparta na obu końcach, należy przeciąć 1/3 średnicy od góry (overbuck). Następnie należy wykonać cięcie kończące, przecinając dolne 2/3, aby zejść się z pierwszym cięciem.

W przypadku przecinania na wzniesieniu zawsze należy stać powyżej kłody. W przypadku przecinania, aby zachować pełną kontrolę, należy zwolnić nacisk przy cięciu w pobliżu końca rzazu, bez luzowania chwytu na uchwytach pilarki łańcuchowej. Łańcuch nie może mieć kontaktu z ziemią. Po wykonaniu cięcia należy odczekać aż pilarka łańcuchowa zatrzyma się. Dopiero wtedy można przenieść pilarkę. Przechodząc od drzewa do drzewa, zawsze należy wyłączać silnik.

### Okrzesywanie drzewa

*Patrz str. 270.*

Okrzesywanie to usuwanie gałęzi zwalonego drzewa. W przypadku okrzesywania należy pozostawić większe dolne konary, aby unieść kłodę nad ziemią. Małe konary należy usunąć jednym cięciem. Naprężone gałęzie należy odcinać od dołu, aby nie dopuścić do zakleszczenia pilarki łańcuchowej.

### Sprężynujące drewno

*Patrz str. 270.*

Różga jest gałązką, pniakiem wyrwanym z korzeniami, lub drzewkiem które jest zgięte pod innym kątem drewna, tak że rozpręży się ono gwałtownie, kiedy tnie się lub zdejmuje kawałek drewna, który je przytrzymywał.

Pniak wyrwany z korzeniami obalonego drzewa również grozi rozprężeniem się i powrotem do pozycji pionowej podczas wykonywania odcinania tego pniaka od pnia. Uwaga na różgki, są one niebezpieczne.

### ⚠ OSTRZEŻENIE

Różgi są niebezpieczne, gdyż mogą was uderzyć co może doprowadzić do utraty kontroli nad piłą łańcuchową. I spowodować ciężkie a nawet śmiertelne obrażenia. Powinni to wykonywać przeszkoleni użytkownicy.

### RYZYKO ZWIĄZANE Z UŻYTKOWANIEM:

Nawet jeśli produkt jest używany zgodnie z zaleceniami, nadal nie jest możliwe wyeliminowanie określonych czynników ryzyka. Następujące zagrożenia mogą wystąpić podczas używania urządzenia i operator powinien zwracać szczególną uwagę na poniższe punkty:

- Urazy ciała spowodowane przez wibracje
  - Zawsze należy używać do określonego zadania odpowiednich narzędzi, korzystać z przeznaczonych do tego uchwytów i stosować się do zaleceń dotyczących czasu pracy i narażenia.
- Narażenie na hałas może spowodować utratę słuchu.
  - Należy nosić środki ochrony uszu oraz ograniczyć poziom narażenia
- urazy na skutek kontaktu z odsłoniętym zębem







łańcucha

- urazy spowodowane odrzucanymi obrabianymi obiektami (drzazgi i wióry)
- Urazy spowodowane wdychaniem pyłu i kurzu
- urazy spowodowane kontaktem ze środkiem smarnym lub olejem
- Części wyrzucone z pilarki łańcuchowej (zagrożenie zranienia)
- Niespodziewane i gwałtowne szarpnięcie lub odrzut prowadnicy (ryzyko przecięcia).

## OGRANICZENIE RYZYKA

Badania dowodzą, że wibracje powodowane przez narzędzia ręczne mogą wywoływać u niektórych osób objawy syndromu Raynauda. Typowe objawy to mrowienie, drętwienie i blednięcie palców, widoczne zwykle po wystawieniu na działanie zimna. Uważa się, że czynniki dziedziczne, wystawienie na działanie zimna i wilgoci, dieta, palenie papierosów i przyjęte zwyczaje przyczyniają się do rozwoju tych objawów. Istnieją środki zaradcze, które może podjąć operator narzędzia, aby zmniejszyć efekt wibracji:

- Zadbaj w niskich temperaturach o ciepłotę własnego ciała, zakładając odpowiednie ubranie. Podczas obsługi urządzenia należy nosić rękawice, aby dłonie i nadgarstki były ciepłe. Wiadomo, że niskie temperatury są główną przyczyną powstawania objawu Raynauda.
- Podczas przerw w pracy należy wykonywać ćwiczenia poprawiające krążenie krwi..
- Podczas pracy robić częste przerwy. Ograniczyć ekspozycję w ciągu dnia.
- Rękawice ochronne, które są dostępne u wyspecjalizowanych sprzedawców pił łańcuchowych, są przeznaczone specjalnie do obsługi pilarki łańcuchowej i zapewniają ochronę, pewny chwyt oraz ograniczają efekt wibracji uchwytu. Rękawice te powinny być zgodne z normą EN 381-7 i mieć oznaczenie CE.

W razie doświadczenia dowolnego z wymienionych objawów, należy niezwłocznie zaprzestać użytkowania tego urządzenia i skontaktować się z lekarzem.

## ⚠ OSTRZEŻENIE

Długotrwałe użytkowanie narzędzia może spowodować obrażenia ciała lub nasilić dolegliwości zdrowotne. W przypadku używania narzędzia przed dłuższy czas należy pamiętać o regularnych przerwach.

## ZAPOZNAJ SIĘ ZE SWOIM PRODUKTEM

*Patrz str. 261.*

1. Przednia osłona ręki/hamulec łańcucha
2. Przedni uchwyt
3. Tylny uchwyt
4. Łańcuch tnący
5. Prowadnica łańcucha
6. Kolec oporowy
7. Korek zbiornika oleju

8. Przycisk odblokowania spustu-włócznika
9. Przycisk uruchamiający
10. Osłona koła łańcuchowego
11. Pierścień regulacji napinacza łańcucha
12. Pokrętko napinacza łańcucha
13. Osłona prowadnicy
14. Trzpień ochronny łańcucha

## ELEMENTY ZABEZPIEZAJĄCE

### Łańcuch o słabej skłonności do odrzutu

Łańcuch odznaczający się dobrą odpornością na odskok pomaga ograniczyć ryzyko odskoku.

Ograniczniki głębokości znajdujące się z przodu każdego zęba mogą ograniczyć siłę efektu odrzutu unikając zbytniego zagłębienia się zębów w strefę odrzutu (odboju). Należy stosować wyłącznie kombinacje prowadnic i łańcuchów zalecanych przez producenta.

Zalecamy zdwojenie uwagi po naostrzeniu łańcucha waszej piły, gdyż ostrzenie czyni łańcuch mniej odpornym na odrzut. Ze względów bezpieczeństwa łańcuch pilarki należy wymienić, gdy pogorszy się jego skuteczność cięcia.

### Kolec oporowy

Zintegrowany kolec oporowy może służyć jako przegub podczas cięcia. Pomaga to zachować odpowiednią pozycję ciała podczas cięcia. Podczas cięcia należy popchnąć maszynę do przodu, aż kolce wbiją się w krawędź drewna. Następnie należy przesuwając tylny uchwyt do góry i na dół, zgodnie z kierunkiem cięcia. Pomoże to ograniczyć wysiłek fizyczny podczas cięcia.

### Prowadnica łańcucha

W zasadzie prowadnice z końcówkami o mniejszym promieniu mają mniejszą tendencję do odskoku. Użytkownik powinien używać prowadnicy oraz odpowiedniego łańcucha o właściwej długości dla danego zadania. Dłuższe prowadnice zwiększają ryzyko utraty kontroli podczas pilowania. Należy regularnie sprawdzać napięcie łańcucha. W przypadku cięcia mniejszych krawędzi (poniżej pełnej długości prowadnicy) łańcuch jest bardziej narażony na odrzut, jeśli napięcie jest nieprawidłowe.

### Hamulec łańcucha

Hamulec łańcucha został zaprojektowany, tak by umożliwić szybkie zatrzymanie poruszającego się łańcucha. Łańcuch musi się natychmiast zatrzymać, kiedy dźwignia hamulca/osłona ręki jest popchnięta do przodu. Hamulec łańcucha nie zapobiega efektowi odrzutu (odboju). Ogranicza to jedynie ryzyko obrażeń ciała, jeśli prowadnica zetknie się z ciałem operatora w przypadku odskoku. Hamulec łańcucha powinien być sprawdzony przed każdym użyciem. Należy sprawdzić jego działanie w położeniu roboczym oraz hamowania.

### Trzpień ochronny łańcucha

Wychwytnik łańcucha zapobiega wyrzutowi łańcucha wstecz w kierunku operatora w przypadku poluzowania lub pęknięcia łańcucha.





EN
FR
DE
ES
IT
NL
PT
DA
SV
FI
NO
RU
<b>PL</b>
CS
HU
RO
LV
LT
ET
HR
SL
SK
BG
UK
TR

## MONTAŻ

### ⚠ OSTRZEŻENIE

W przypadku uszkodzenia lub braku dowolnego podzespołu urządzenia, nie wolno go używać aż do wymiany podzespołu. W przeciwnym wypadku może dojść do poważnych obrażeń.

### MONTAŻ ŁAŃCUCHA I PROWADNICZY

*Patrz str. 262 - 263.*

- Należy pamiętać o wyjęciu akumulatora z urządzenia. Zakładać rękawice ochronne.
- Należy odkręcić pokrętkę napinacza łańcucha i zdjąć osłonę koła łańcuchowego.
- Łańcuch powinien być ustawiony zgodnie z kierunkiem obrotu łańcucha. Jeżeli są skierowane w odwrotnym kierunku, odwróćcie pętlę, którą uformowaliście.
- Umieścić ogniwa łańcucha w rowku prowadnicy.
- założyć łańcuch w taki sposób, by utworzył pętlę z tyłu prowadnicy.
- Przytrzymać łańcuch w odpowiednim położeniu na prowadnicy i założyć go na ząb koła łańcuchowego. Obniżyć prowadnicę, tak aby śruba przeszła przez otwór w zamocowanym zespole napinacza łańcucha. Może być konieczne obrócenie tego zespołu, tak aby spasaować śrubę i otwór. Można ponownie obrócić ten zespół, aby nieco napiąć łańcuch, co pozwoli utrzymać go na miejscu.
- Założyć osłonę koła łańcuchowego i obracać pokrętkę napinacza łańcucha, aż łańcuch będzie prawie mocno napięty, obrócić pierścień regulacji napinacza łańcucha aż do uzyskania odpowiedniego napięcia łańcucha. Prowadnica musi być wtedy podciągnięta do góry. Należy ponownie sprawdzić napięcie łańcucha. Nie należy zbyt mocno napinać łańcucha.
- Gdy łańcuch jest dobrze napięty, dokręcić ponownie pokrętkę.

### REGULACJA NAPIĘCIA ŁAŃCUCHA

*Patrz str. 263. Patrz str. 273.*

- Poluzować lekko pokrętkę napinacza, obracając go w lewo.
- Aby zwiększyć napięcie łańcucha, należy obrócić pierścień regulacji napinacza łańcucha w prawo i należy regularnie sprawdzać napięcie łańcucha. Aby zmniejszyć napięcie łańcucha, należy obrócić pierścień regulacji napinacza łańcucha w lewo i należy regularnie sprawdzać napięcie łańcucha.
- Napięcie łańcucha jest prawidłowe, gdy przestrzeń pomiędzy frezem łańcucha oraz prowadnicą wynosi 3-4 mm. Należy pociągnąć na dół łańcuch na środku dolnej strony prowadnicy (na zewnątrz prowadnicy) i zmierzcy odległość pomiędzy prowadnicą i frezami łańcucha.
- Dokręcić pokrętkę napinacza łańcucha, obracając je w prawo.

### SPOSÓB UŻYCIA

#### DOLEWANIE OLEJU SMAROWANIA ŁAŃCUCHA

*Patrz str. 262.*

### ⚠ OSTRZEŻENIE

Nigdy nie wolno pracować bez środka smarnego łańcucha. Jeśli łańcuch pilarki będzie pracował bez smarowania, może dojść do uszkodzenia łańcucha pilarki i prowadnicy. W związku z tym bardzo ważne jest sprawdzanie poziomu oleju w okienku poziomu oleju oraz za każdym razem przed rozpoczęciem pilarki łańcuchowej.

- Wyczyścić powierzchnię wokół korka oleju, aby nie dopuścić do zanieczyszczenia.
- Odkręcić i zdjąć korek oleju ze zbiornika oleju.
- Wlać olej do zbiornika oleju i kontrolować wskaźnik poziomu oleju. Podczas wlewania oleju należy zachować ostrożność, aby do zbiornika oleju nie dostały się żadne zanieczyszczenia.
- Założyć i przykręcić korek oleju. Wyrzucić rozlany olej.
- Jeden pełny zbiornik oleju umożliwia używanie pilarki przez 20–40 minut.

#### Zalecany olej smarowy łańcucha

- Producent zaleca stosowanie wyłącznie oleju smarowego Ryobi do pilarek łańcuchowych. (Można go kupić w autoryzowanym punkcie serwisowym Ryobi.)

### MONTAŻ AKUMULATORA

*Patrz str. 263.*

- Umieścić akumulator w wiertarce. Wyrównać występy akumulatora z rowkami w komorze akumulatora urządzenia.
- Przed rozpoczęciem pracy upewnić się, że zatrzaski baterii zatrzaskną się, a sama bateria zostanie zamocowana do produktu.

### TRZYMANIE PILARKI ŁAŃCUCHOWEJ

*Patrz str. 263.*

Pilarkę łańcuchową zawsze należy trzymać w taki sposób, aby prawa ręka spoczywała na tylnym uchwycie a lewa ręka na przednim uchwycie. Chwyć oba uchwyty palcami i kciukami w taki sposób, aby całe uchwyty były objęte dłońmi. Lewa ręka musi znajdować się na przednim uchwycie, tak aby kciuk znajdował się pod spodem.

### URUCHAMIANIE PILARKI ŁAŃCUCHOWEJ

*Patrz str. 263.*

- Przed rozpoczęciem pracy należy zainstalować akumulator w maszynie i upewnić się, że hamulec łańcucha jest pozycji roboczej, pociągając dźwignię hamulca łańcucha/osłonę ręki w stronę przedniego uchwytu.
- Aby uruchomić maszynę: pociągnąć za element zwalnający spust, a następnie nacisnąć spust przełączający.

### SPRAWDZANIE I OBSŁUGA HAMULCA ŁAŃCUCHA

- Włączyć hamulec łańcucha, obracając lewą ręką na przednich uchwycie. Gdy łańcuch porusza się szybko, za pomocą tylnej części dłoni należy popchnąć dźwignię hamulca ręcznego/osłonę ręki w stronę prowadnicy. Należy pamiętać, aby przez cały czas ręce znajdowały się na uchwytach pilarki.



2. Ustawić hamulec pilarki w położeniu roboczym, chwytając górną część dźwigni hamulca łańcucha/ osłony dłoni i pociągając w stronę przedniego uchwytu, aż do usłyszenia kliknięcia.

#### **⚠ OSTRZEŻENIE**

Jeśli hamulec nie zatrzyma niezwłocznie łańcucha lub jeśli nie pozostaje samoczynnie w położeniu umożliwiającym pracę pilarki, należy oddać pilarkę do serwisu w celu naprawy, a do tego momentu nie używać jej.

#### **TRANSPORT I PRZECHOWYWANIE**

*Patrz str. 275 - 276.*

- Przed schowaniem lub transportem produktu należy zatrzymać go, wyjąć akumulator i odczekać, aż ostygnie.
- Usunąć z produktu wszelkie zanieczyszczenia. Należy przechowywać urządzenie w chłodnym, suchym i dobrze wentylowanym miejscu, które jest niedostępne dla dzieci. Nie chować jej w pobliżu czynników żrących, takich jak ogrodowe produkty chemiczne czy sole odmrażające. Nie przechowywać na zewnątrz.
- Założyć osłonę prowadnicy przed schowaniem urządzenia lub podczas transportu.
- W przypadku transportu produktu należy zabezpieczyć go przed przemieszczaniem się lub upadkiem, aby nie dopuścić do obrażeń ciała lub uszkodzenia urządzenia.

#### **KONSERWACJA**

#### **⚠ OSTRZEŻENIE**

Należy stosować wyłącznie oryginalne części zamienne, akcesoria oraz przystawki producenta. W przeciwnym razie może dojść do obrażeń ciała, niskiej wydajności oraz do unieważnienia gwarancji.

#### **⚠ OSTRZEŻENIE**

Serwisowanie wymaga wyjątkowej staranności i wiedzy. Może być wykonywane wyłącznie przez wykwalifikowany personel serwisowy. Serwisowanie produktu należy zlecić autoryzowanemu przedstawicielowi serwisu. Do serwisowania należy stosować wyłącznie oryginalne części zamienne producenta.

#### **⚠ OSTRZEŻENIE**

Przed regulacją, konserwacją lub czyszczeniem należy wyjąć akumulator. W przeciwnym razie może dojść do poważnych obrażeń ciała.

- Użytkownik może jedynie wykonywać czynności regulacyjne i naprawcze opisane w tej instrukcji obsługi. W przypadku innych napraw lub pytań należy zwrócić się o pomoc do autoryzowanego punktu serwisowego.
- Konsekwencje nieprawidłowej konserwacji mogą

spowodować pęknięcie łańcucha oraz niezadziałanie funkcji zabezpieczającej, co może zwiększyć ryzyko poważnych obrażeń ciała. Należy zapewnić profesjonalną konserwację pilarki łańcuchowej.

- Bezpieczne ostrzenie łańcucha wymaga wprawy. W związku z tym producent zdecydowanie zaleca, aby zużyty lub tępy łańcuch wymienić na nowy łańcuch, który można zakupić w autoryzowanym centrum serwisowym Ryobi. Numer części można znaleźć w tabeli specyfikacji produktu w tym podręczniku.
- Należy postępować zgodnie z instrukcjami w zakresie smarowania oraz sprawdzania i regulacji napięcia łańcucha.
- Po każdym użyciu należy wyczyścić produkt miękką, suchą szmatką.
- Systematycznie sprawdzać, czy wszystkie nakrętki, wkręty i śruby są dobrze dokręcone, aby upewnić się, że kosiarka jest w bezpiecznym stanie. Każdą uszkodzoną część należy odpowiednio naprawić lub wymienić w autoryzowanym punkcie serwisowym.

#### **WYMIANA PROWADNICY I ŁAŃCUCHA PILARKI**

*Patrz str. 271 - 272.*

1. Należy pamiętać o wyjęciu akumulatora. Zakładać rękawice ochronne.
2. Odkręcić pokrętko napinacza łańcucha, obracając go w lewo, aż pokrywa koła łańcuchowego będzie luźna.
3. Zdjąć osłonę koła łańcuchowego. Wyjąć prowadnicę i łańcuch z pilarki.
4. Aby wymienić prowadnicę na nową, wykręcić śrubę zespołu napinającego łańcuch. Zamontować zespół napinający łańcuch na nowej prowadnicy i dokręcić śrubę.
5. Nałożyć nowy łańcuch w odpowiednim kierunku na prowadnicę i upewnić się, że ogniwa napędowe są odpowiednio ustawione w rowku prowadnicy.
6. Zamocować prowadnicę do pilarki łańcuchowej i nałożyć łańcuch na koło łańcuchowe.
7. Założyć osłonę koła łańcuchowego.
8. Wyreguluj naciąg łańcucha. Zapoznać się z sekcją „Regulacja napięcia łańcucha”.

#### **⚠ OSTRZEŻENIE**

Tępy lub nieprawidłowo naostrzony łańcuch może spowodować nadmierną prędkość silnika podczas cięcia, co może być przyczyną poważnego uszkodzenia silnika.

#### **⚠ OSTRZEŻENIE**

Złe naostrzenie łańcucha zwiększa ryzyko odrzutu.

#### **⚠ OSTRZEŻENIE**

Jeżeli nie przystąpić do wymiany czy naprawy uszkodzonego łańcucha, narażacie się na poważne obrażenia cielesne.

### ⚠ OSTRZEŻENIE

Łańcuch jest bardzo ostry. Noście zawsze rękawice ochronne podczas konserwacji łańcucha.

### KONTROLA I CZYSZCZENIE HAMULCA ŁAŃCUCHA

Patrz str. 274.

- Mechanizm hamulca łańcucha zawsze powinien być czysty. W tym celu należy lekko czyścić szczotką ogniwa, usuwając wszelkie zanieczyszczenia.
- Po czyszczeniu zawsze należy sprawdzać działanie hamulca łańcucha. Odnieście się do rozdziału tego podręcznika "Obsługa - Hamulec łańcucha" w celu pogłębienia informacji.

### HARMONOGRAM KONSERWACJI

Codzienna kontrola	
Smarowanie prowadnicy	Przed każdym użyciem
Naciąg łańcucha	Przed każdym użyciem i często
Ostrość łańcucha	Przed każdym użyciem, kontrola wizualna
Występowanie uszkodzeń	Przed każdym użyciem
Dokręcenie elementów mocujących	Przed każdym użyciem
Działanie hamulca łańcucha	Przed każdym użyciem
Sprawdzić i oczyścić	
Prowadnica	Przed każdym użyciem
Całą pilarkę	po każdym użyciu
Hamulec łańcucha	Co 5 godzin*

\*Godziny przepracowane

### SYMBOLE PRODUKTU



Alarm bezpieczeństwa



Należy przeczytać i zrozumieć wszystkie instrukcje przed rozpoczęciem obsługi produktu oraz przestrzegać wszystkich ostrzeżeń i instrukcji dotyczących bezpieczeństwa.



Stosować środki ochrony oczu, uszu i głowy.



Podczas korzystania z tego produktu należy zakładać wysokie, antypoślizgowe obuwie ochronne.



Zakładać antypoślizgowe, grube rękawice ochronne.



Uważaj na odrzut pilarki łańcuchowej i unikaj kontaktu z końcówką prowadnicy.



Nie wystawiać urządzenia na działanie deszczu ani nie używać w miejscach o dużej wilgotności.



Trzymajcie i obsługujcie waszą pilarkę dwoma rękami.



Nie używajcie waszej pilarki trzymając ją jedną ręką.



Narzędzie to spełnia wymogi wszystkich norm reglamentacji kraju UE, w którym było ono zakupione.



Znak zgodności EurAsian



Ukraiński znak zgodności



Zużyte produkty elektryczne nie powinny być utylizowane z odpadami domowymi. Prosimy poddawać recyklingowi w odpowiednich miejscach. Informacje o właściwych metodach recyklingu można uzyskać u władz lokalnych lub sprzedawcy.



Gwarantowany poziom mocy akustycznej wynosi 96 dB



Olej do smarowania prowadnicy i łańcucha



Minimalny poziom środka smarnego



Blokada



Odkręcenie uchwytu



Ustawić hamulec łańcucha w położeniu RUN („praca”).



Obróć, aby wyregulować naciąg łańcucha  
+ = Dokręcić łańcuch  
- = Poluzować łańcuch



Ustawić hamulec łańcucha w położeniu BRAKE („hamulec”).



Kierunku ruchu łańcucha.  
(Oznaczenie pod osłoną koła  
łańcuchowego)

$V_0$  : 10 m/s

Prędkość łańcucha bez obciążenia:  
10 m/s

L max: 300mm

Maksymalna długość prowadnicy:  
300 mm

## SYMBOLE W TYM PODRĘCZNIKU



Części lub akcesoria sprzedawane  
oddzielnie



Objaśnienie



Ostrzeżenie!



Należy nosić ochronę oczu i twarzy.



Należy nosić zabezpieczenie górnej  
części ciała.



Należy nosić ochronę nóg.



Zatrzymać urządzenie.

Poniższe symbole i nazwy które im nadano, pozwalają wyjaśnić różne poziomy ryzyka związanego z używaniem tego narzędzia.

### **NIEBEZPIECZEŃSTWO**

Wskazuje na realne zagrożenie, które może spowodować śmierć lub poważne zranienie, jeżeli się nie uniknie tego niebezpieczeństwa.

### **OSTRZEŻENIE**

Wskazuje na potencjalne zagrożenie, które może spowodować śmierć lub poważne zranienie, jeżeli się nie uniknie tego niebezpieczeństwa.

### **UWAGA**

Wskazuje na potencjalne zagrożenie, które może spowodować mniejsze lub bardziej poważne zranienie, jeżeli się nie uniknie tego niebezpieczeństwa.

### **UWAGA**

Bez symbolu ostrzeżenia

Sytuacja, która może grozić uszkodzeniem mienia.

Při konstrukci této akumulátorové řetězové pily hrály hlavní roli bezpečnost, výkon a spolehlivost.

### ZAMÝŠLENÉ POUŽITÍ

Akumulátorová řetězová pila je určena pouze k venkovnímu použití. Z bezpečnostních důvodů se musí výrobek vždy řádně obsluhovat oběma rukama.

Řetězová pila je navržena pro řezání větví, kmenů, klád a trámů o průměru stanoveného řezací délkou vodící lišty. Je povoleno pouze řezat do dřeva. Je možné používat pouze pro domácí používání dospělými osobami, které absolvovali odpovídající školení o rizicích a preventivních opatřeních/cinnostech, která mají být přijata během používání pily.

Nepoužívejte tento nástroj pro zde neuvedené účely. Tento nástroj není určen pro profesionální zpracování stromů. Výrobek smí být používán dospělými osobami a ne dětmi nebo osobami, které nenosí odpovídající osobní ochranné vybavení a oděv.

#### ⚠ VAROVÁNÍ

Při používání výrobku musí být dodrženy bezpečnostní předpisy. Pro vaši vlastní bezpečnost a přítomných osob je nutné si přečíst a plně pochopit tyto pokyny před použitím výrobku. Velmi doporučujeme účast na profesionálně organizovaném bezpečnostním kurzu o používání, preventivních opatřeních, první pomoci a údržbě řetězových pil. Tyto pokyny uschovejte pro příští použití.

#### ⚠ VAROVÁNÍ

Řetězové pily jsou velmi nebezpečné nástroje. Nehody způsobené používáním řetězové pily často končí ztrátou končetiny či smrtí. Nejde jen o to, že je pila nebezpečná. Padající větve, kácené stromy i odvalující se polena mohou usmrtit. Napadené nebo shnilé dřevo představuje další nebezpečí. Měli byste zhodnotit své schopnosti k bezpečnému dokončení úkolu. V případě pochyb neváhejte profesionální dřevorubce.

### VŠEOBECNÁ BEZPEČNOSTNÍ VAROVÁNÍ

#### ⚠ VAROVÁNÍ

**Přečtěte si všechny pokyny a bezpečnostní varování.** Opomenutí dodržování varování a pokynů uvedených níže může způsobit úraz elektrinou požár a/nebo vážná poranění osob.

**Uschovejte všechny pokyny a upozornění, abyste se k nim mohli v budoucnosti vrátit.**

Pojem „elektricky poháněný nástroj“ ve varování poukazuje na váš nástroj, který je napájen pomocí napájecího kabelu z elektrické sítě (s kabelem) nebo z baterie (bez přívodního kabelu).

### PRACOVNÍ PROSTŘEDÍ

- **Udržujte pracovní prostor čistý a dobře osvětlený.** Zatarasené nebo tmavé oblasti vedou k nehodám.
- **Neppracujte s tímto elektricky poháněným nástrojem ve výbušných prostředích, například v přítomnosti hořlavých kapalin, plynů nebo prachu.** Elektricky poháněné nástroje vytváří jiskry, které mohou zapálit prach nebo výpary.
- **Udržujte děti a přihlízející během práce s elektricky poháněným nástrojem stranou.** Rozptylování může způsobit ztrátu kontroly.

### ELEKTRICKÁ BEZPEČNOST

- **Zástrčky elektricky poháněného nástroje musí být shodné s elektrickou zásuvkou. Nepokoušejte se zástrčku jakýmkoliv způsobem upravovat. Nepoužívejte žádný adaptér zástrček se zemněným (uzemněným) elektricky poháněným nástrojem.** Neupravené zástrčky a shodné zásuvky snižují nebezpečí elektrického úrazu.
- **Předcházejte tělesnému kontaktu s uzemněnými nebo zemennými povrchy, například trubkami, radiátory, sporáky a lednicemi.** Je zde zvýšené nebezpečí zásahu elektrickým proudem, pokud je vaše tělo zemněno nebo uzemněno.
- **Nevystavujte tento přístroj dešti nebo vlhkým podmínkám.** Voda vnikající do elektricky poháněného nástroje zvyšuje nebezpečí elektrického úrazu.
- **Nepoškozujte napájecí kabel. Nikdy pro odpojování, táhnutí nebo přenašení elektricky poháněného nástroje nepoužívejte kabel. Udržujte kabel mimo horké plochy, olej, pohyblivé součásti nebo ostré hrany.** Poškozené nebo zamožtané kabely zvyšují nebezpečí elektrického úrazu.
- **Pokud používáte elektricky poháněný nástroj ve venkovním prostředí, používejte prodlužovací kabel vhodný pro venkovní prostředí.** Použití kabelu vhodného pro venkovní prostředí snižuje nebezpečí elektrického úrazu.
- **Pokud používáte elektricky poháněný nástroj ve vlhkém prostředí, je nezbytné používat proudový chránič (PCH).** Použitím PCH snížíte nebezpečí poranění elektrickým proudem.

### OSOBNÍ BEZPEČNOST

- **Buďte ve střehu, hlídejte, co děláte a používejte zdravý rozum při provozu tohoto elektricky poháněného nástroje. Elektrický nástroj nepoužívejte, pokud jste unaveni nebo pod vlivem drog, alkoholu nebo léků.** Chvilce nepozornosti při práci s tímto elektricky poháněným nástrojem může způsobit vážná poranění osob.
- **Používejte osobní ochrannou výbavu. Vždy noste ochranu očí.** Ochranná výbava jako respirátor, protiskluzová obuv, ochranná přilba nebo ochrana sluchu použitá pro příslušné podmínky snižuje osobní poranění.
- **Zabraňte náhodnému spuštění. Zabezpečte, aby byl spínač v poloze vypnutý (off) před připojením zdroje energie a/nebo bloku baterií, přípravou nebo**

EN  
FR  
DE  
ES  
IT  
NL  
PT  
DA  
SV  
FI  
NO  
RU  
PL  
CS  
HU  
RO  
LV  
LT  
ET  
HR  
SL  
SK  
BG  
UK  
TR





nesením nástroje. Nošení elektrického nástroje s vaším prstem na spínači nebo se zapojenou zástrčkou elektrického nástroje může při zapnutí vést k nehodě.

- **Odstraňte všechny seřizovací klíče nebo šroubováky, než zapnete poháněný nástroj.** Klíč nebo šroubovák ponechaný přiložený k pohyblivému dílu elektricky poháněného nástroje může způsobit poranění osob.
- **Nepřeceňujte se. Udržujte řádné postavení a rovnováhu po celou dobu práce.** Toto umožní lepší ovládání poháněného nástroje v neočekávaných situacích.
- **Správně se oblékejte. Nenoste volný oděv nebo šperky. Udržujte svoje vlasy, oděv a rukavice mimo pohyblivé se části.** Volný oděv, šperky nebo dlouhé vlasy mohou být zachyceny do pohyblivých dílů.
- **Pokud jsou zařízení vybavena přípojkou pro odsávání prachu a sběrným zařízením, ujistěte se, že jsou správně připojeny k nástroji, a že se správně používají.** Použití odsavače prachu může snížit nebezpečí související s prachem.

#### POUŽITÍ A PÉČE O NÁSTROJ

- **Nepoužívejte nadměrnou sílu na nástroj. Nářadí vybírejte podle povahy práce, kterou chcete provádět.** Správný elektricky poháněný nástroj bude svou práci provádět lépe a bezpečněji při práci, pro kterou byl navržen.
- **Elektricky poháněný nástroj nepoužívejte, pokud spínač nezapíná a nevyplíná.** Každý elektricky poháněný nástroj, který nemůže být ovládán spínačem, je nebezpečný a musí být opraven.
- **Odpojte zástrčku od zdroje napájení a/nebo bateriový modul dřívě, než provedete jakákoliv nastavení, výměnu příslušenství nebo než elektrický nástroj uložíte.** Také bezpečnostní preventivní opatření snižují riziko náhodného spuštění elektrického nástroje.
- **Ukládejte nečinný elektricky poháněný nástroj mimo dosah dětí a nenechávejte neznámé osoby pracovat s elektricky poháněným nástrojem nebo s těmito pokyny k obsluze elektrického nástroje.** Elektricky poháněné nástroje jsou nebezpečné v rukou nekvalifikovaných uživatelů.
- **Udržujte elektrické nástroje. Kontrolujte vychýlení nebo zasekávání pohyblivých dílů, rozbité části a každé jiné podmínky, které mohou ovlivnit funkci elektricky poháněných nástrojů. Zjistí-li se poškození, musí se elektricky poháněný nástroj před použitím opravit.** Mnoho úrazů je způsobeno nedostatečně udržovanými elektricky poháněnými nástroji.
- **Udržujte řezné nástroje ostré a čisté.** Řádně udržované řezné nástroje s ostrými řeznými hranami mají nízkou pravděpodobnost zaseknutí a jsou snadněji ovladatelné.
- **Poháněné nástroje, příslušenství a vrtáky, atd. používejte v souladu s těmito pokyny s ohledem k pracovním podmínkám a práci, která má být provedena.** Použití elektricky poháněného nástroje pro

práce jiné, než zamýšlené by mohlo mít za následek nebezpečnou situaci.

#### POUŽITÍ A PÉČE O NÁSTROJ NA BATERIE

- **Dobíjejte pouze nabíječkou určenou výrobcem.** Nabíječka, která je vhodná pro jeden typ akumulátoru může způsobit nebezpečí požáru, pokud se používá s jiným bateriovým modulem.
- **Elektrický nástroj používejte pouze s přesně určeným bateriovým modulem.** Použití jakéhokoliv jiného akumulátoru může způsobit nebezpečí poranění a požáru.
- **Pokud akumulátor nepoužíváte, uchovávejte jej mimo kovové předměty jako svorky pro papír, mince, klíče, hřebíky, šrouby nebo jiné malé kovové předměty, které mohou vytvořit propojení jednoho vývodu s druhým.** Zkratování vývodů baterie může způsobit požár nebo popáleniny.
- **Za nevhodných podmínek může z baterie vytékat kapalina; zabraňte kontaktu.** Pokud dojde k náhodnému kontaktu, omyjte vodou. Pokud kapalina přijde do kontaktu s očima, vyhledejte lékařskou pomoc. Kapalina vytečená z baterie způsobit podráždění nebo popáleniny.

#### ÚDRŽBA

- **Váš elektricky poháněný nástroj smí opravovat pouze kvalifikovaný opravárenský pracovník a musí používat pouze shodné náhradní díly.** Toto zajišťuje udržování bezpečnosti elektricky poháněného nástroje.

#### DOPLŇUJÍCÍ VŠEOBECNÁ BEZPEČNOSTNÍ VAROVÁNÍ

- Místní předpisy mohou omezovat použití výrobku. Ověřte si u svého orgánu místní správy toto nařízení.
- Nenechte děti nebo osoby neseznámené s těmito pokyny pracovat s výrobkem. Místní předpisy mohou omezovat dobu obsluhy.
- Před každým použitím se ujistěte, že všechny ovladače a jističe řádně fungují. Nástroj nepoužívejte, pokud přepínač „nevyplíná“ (off) motor.
- Při práci s výrobkem noste úplnou ochranu zraku a sluchu, pevné odolné boty a rukavice a ochranu hlavy. Používejte respirátor, pokud pracujete v prachu.
- Uvědomte si, že použití ochrany sluchu snižuje vaši schopnost slyšet varování (poplachy nebo výkřiky). Obsluha si musí být tohoto vědoma a platí speciální upozornění, aby si všímala události v jeho pracovní oblasti.
- Udržujte bezpečné postavení a rovnováhu. Nepřeceňujte se. Přeceňování může mít za následek ztrátu rovnováhy a zvýšení nebezpečí zpětného vrhu.
- Nenoste volný oděv, kraťasy nebo jakékoliv šperky.
- Dlouhé vlasy si svažte nad rameny, aby se nemohly zaplést do pohyblivých částí.
- Dávejte pozor na odhazované, padající nebo odlétávané předměty. Všechny přihlízející, zvláště děti a zvířata udržujte 15 m mimo pracovní oblasti.





- Neprovodujte při slabém osvětlení. Obsluha musí mít čistý výhled na pracovní oblast k identifikaci potenciálních nebezpečí.
- Obsluha podobných nástrojů zvyšuje jak nebezpečí poranění sluchu, tak osob vstupujících do zóny práce.
- Udržujte všechny části těla mimo pohyblivé součásti.
- Zkontrolujte nástroj před každým použitím. Ověřte správnou funkci všech ovládacích prvků včetně brzdy řetězu. Zkontrolujte včetně, zda nejsou uvolněny upínací a zda jsou všechny chrániče, vodící plechy a rukojeti řádně a bezpečně připojeny. Před použitím vyměřte jakékoli poškozené součásti.
- Nástroj nijak neupravujte nebo nepoužívejte příslušenství, jež nejsou doporučena výrobcem.

### **⚠ VAROVÁNÍ**

Pokud začne po pádu, silných nárazech nástroj nenormálně vibrovat, zastavte nástroj a ihned zjistěte příčinu vibrací a rozsah škod. Pokud je nějaká část poškozena, musí se nechat řádně opravit nebo vyměnit pověřeným servisním střediskem.

### **BEZPEČNOSTNÍ VAROVÁNÍ K ŘETĚZOVÉ PILE**

- **Udržujte všechny části těla v dostatečné vzdálenosti od řetězu, když řetězová pila pracuje. Před spuštěním řetězové pily zkontrolujte, zda se řetěz pily nedotýká žádného předmětu.** Chvilce nepozornosti při práci s řetězovou pilou může způsobit zamotání vašeho oděvu nebo těla do řetězu pily.
- **Vždy držte řetězovou pilu pravou rukou na zadní rukojeti a levou rukou na přední rukojeti.** Držení řetězové pily v opačném umístění rukou se zvyšuje nebezpečí poranění osob a nemělo by se nikdy používat.
- **Elektrický nástroj držte pouze za izolované úchopové plochy, protože může dojít ke styku pilového řetězu se skrytými vodiči.** Kontakt pilového řetězu s „živými“ vodiči způsobí, že kovové části elektrického nástroje se stanou také „živými“ a způsobí elektrický úraz obsluze.
- **Noste ochranné brýle a ochranu sluchu. Doporučuje se také nosit další ochranné pomůcky pro hlavu, ruce, nohy a chodidla.** Vhodný ochranný oděv sníží četnost poranění osob odlétávajícími úlomky nebo náhodného dotyku s řetězem pily.
- **Řetězovou pilu nepoužívejte na stromě.** Obsluha řetězové pily, když jste na stromě, může mít za následek poranění osob.
- **Vždy udržujte řádné postavení a obsluhujte pilu pouze při postavení na pevné, bezpečné a rovné ploše.** Kluzké a nestabilní plochy jako například žebříky mohou zapříčinit ztrátu rovnováhy a kontroly nad řetězovou pilou.
- **Když řežete větev, která je napnutá, buďte ve střehu před zpětným švihem.** Pokud se uvolní pnutí ve vláknech dřeva může napružená větev udeřit obsluhu anebo způsobit ztrátu kontroly nad řetězovou pilou.

- **Buďte velmi opatrní při řezání malých větviček a křovin.** Mohou se zachytit o zuby řetězu a být vymrštěny směrem k vám a narušit tak vaši rovnováhu.
- **Noste řetězovou pilu za přední rukojet' ve vypnutém stavu a směrem od vašeho těla. Pokud řetězovou pilu přepravujete nebo ukládáte, vždy připevněte kryt vodící lišty.** Správné držení řetězové pily snižuje pravděpodobnost náhodného dotyku s pohyblivým se řetězem pily.
- **Postupujte dle pokynů pro mazání, napnutí řetězu a výměnu příslušenství.** Nesprávně upnutý nebo namazaný řetěz může buď způsobit nebo zvýšit zpětný vrh.
- **Udržujte rukojeti suché, čisté a bez mastnot a oleje.** Rukojeti znečištěné mastnotou a olejem jsou kluzké, což způsobuje ztrátu kontroly.
- **Řezejte pouze dřevo. Nepoužívejte řetězovou pilu pro účely, pro které nebyla navržena. Například nepoužívejte řetězovou pilu pro řezání plastových, kamenných nebo nedřevěných stavebních materiálů.** Použití řetězové pily pro práce jiné, než zamýšlené, by mohlo mít za následek nebezpečnou situaci.

### **Příčiny a prevence zpětnému vrhu:**

Pokud konec vodící lišty narazí na cizí předmět nebo dojde kablokování řetězu při řezání, existuje nebezpečí zpětného vrhu.

Dotyk vrcholem vodící lišty může v některých případech způsobit náhlou zpětnou reakci, což je vyhození vodící lišty nahoru a zpět směrem k obsluze.

Sevření řetězu pily na horní části vodící lišty může vodící lištu rychle zatlačit zpět směrem k obsluze.

Ve všech uvedených případech může obsluha pily ztratit kontrolu nad náradím a způsobit si vážný úraz. Nespoléhejte pouze na ochranné prvky řetězové pily. Při obsluze řetězové pily je třeba dodržovat opatření k zajištění bezpečnosti a ochrany zdraví při práci.

Zpětný vrh je následkem nesprávného používání nástroje anebo nesprávných pracovních postupů nebo podmínek a lze se jim vyhnout prováděním správných opatření, viz níže:

- **Udržujte pevný úchop, palce a prsty obepínají rukojeti řetězové pily, oběma rukama na řetězové pile a rozestavte své tělo a ruce tak, abyste odolávali silám zpětného vrhu.** Síly zpětného vrhu mohou být ovládnány obsluhou, pokud provede správná opatření. Řetězovou pilu neopouštějte.
- **Nepřeceňujte se a neřežte nad úroveň ramen.** Toto pomáhá zabránit neúmyslnému kontaktu s vrcholem vodící lišty a umožňuje lepší ovládnání řetězové pily v neočekávaných situacích.
- **Používejte pouze náhradní vodící lišty a řetězy určené výrobcem.** Nesprávné náhradní vodící lišty a řetězy mohou způsobit zlomení řetězu anebo zpětný vrh.
- **Dodržujte pokyny výrobce při ostření a údržbě řetězu.** Zmenšení výšky hloubkoměru může vést ke zvýšenému zpětnému vrhu.





## DOPLŇJÍCÍ BEZPEČNOSTNÍ VAROVÁNÍ K ŘETĚZOVÉ PILE

- Doporúčujeme řezat polena na řezací koze nebo speciální podpěře (kolébce), když výrobek používáte poprvé.
- Zkontrolujte, zda jsou všechny bezpečnostní kryty, rukojeti a ozubené opěrky správně instalovány a v dobrém stavu.
- Osoby pracující s řetězovou pilou by měly mít dobrý zdravotní stav. Produkt je těžký přístroj, takže obsluha musí být fyzicky v pořádku. Obsluha musí být pozorná, mít dobrý výhled, mobilitu, rovnováhu a manuální zručnost. Jste-li na pochybách, nepracujte s nástrojem.
- Nezačínejte řezat, dokud není pracovní zóna vyčištěná, dokud nebudete stát pevně oběma nohama na zemi a dokud nebudete mít promyšlenou únikovou cestu před padajícím stromem.
- Dávejte si pozor na emise výparů z mazacího oleje a prachu z pilin. V případě nutnosti noste masku nebo respirátor.
- Neodfězavějte výhonky ani křoviny s malým průměrem (do 75 mm).
- Nástroj vždy držte během používání pevně oběma rukama. Držte řetězovou pilu pevně, prsty musí pevně spočívat na rukojeti. Pravou rukou držte zadní rukojeť a levou rukou přední rukojeť.
- Před nastartováním nástroje zkontrolujte, zda se řetěz nedotýká žádného předmětu.
- Nástroj nijak neupravujte nebo nepoužívejte pro pohon žádného příslušenství nebo zařízení, jež nejsou doporučena výrobcem.
- Na pracovišti obsluhy pily by se měla nacházet lékárnička s obvazy a prostředky pro upozornění (např. píšťalku). V rozumném dosahu by se pak měla nacházet obsáhlejší sada.
- Obslaha si může v době, kdy nehrozí nebezpečí pádu předmětů sundávat helmu, nicméně helma, zejména se síťovinovým průhledem může redukovat potenciální nebezpečí poranění obličeje a hlavy či zpětném vrhu.
- Nesprávně napnutý řetěz může vyskočit z vodící lišty a způsobit vážné či smrtelné poranění. Délka řetězu závisí na teplotě. Pravidelně kontrolujte napnutí řetězu.
- Měli byste si zvyknout na novou motorovou pilou tím, že budete provádět jednoduché řezy pevně podepřeného dřeva. Udělejte to vždy, když jste pilu nějakou dobu nepoužívali.
- Pro snížení nebezpečí poranění spojených s dotykem pohyblivých dílů vždy zastavte motor, použijte brzdu řetězu, vyndejte akumulátor a ujistěte se, že se všechny rotační díly zastavily před:
  - čištění nebo odstranění ucpávký
  - ponechání výrobku bez dozoru
  - demontáži a montáži příslušenství
  - kontrolou, údržbou nebo prací na nástroji
- Plocha pracovní zóny závisí na povaze práce, na velikosti stromu nebo řezaného materiálu. Např. při kácení stromu potřebujete více místa než při řezání větví. Obsluha musí být pozorná a mít pod kontrolou veškeré dění v pracovní oblasti.

- Neřežte v linii s vodící lištou a řetězem. Pokud budete vystaveni zpětnému vrhu, pomůže to zabránit kontaktu řetězu s vaší hlavou či tělem.
- Nepoužívejte při řezání pohyby plou vpřed a vzad, vlastní řezání nechte provádět řetěz, při řezání netlačte na řetěz.
- V konečné fázi řezu na řetězovou pilu netlačte. Buďte připraveni na hmotnost pily, když se uvolní ze dřeva. Pochybení tak může způsobit případné vážné osobní poranění.
- Nezastavujte pilu během řezání. Nechte pilu běžet, dokud se neuvolní z řezu.

### tlak a tah

Zpětné působení (reakce) je vždy v opačném směru oproti směru otáčení řetězu. Proto musí být obsluha připravena zvládnout tendenci nástroj odtažením (pohyb dopředu), při řezání na spodní straně lišty a tlačením dozadu (směrem k obsluze) při řezání horní stranou.

### Pila zaseknuta v řezu

Zastavte řetězovou pilu a zabezpečte ji. Netlačte na řetěz ani lištu, abyste ji dostali z řezu, protože se snadno zlomí řetěz, který pak následně odletí směrem k obsluze. K situaci dochází, pokud není dřevo řádně podepřeno, což nutí řez uzavírat pod tlakem s následkem sevření lišty. Pokud úpravou podpěry neuvolníte řetěz ani lištu, použijte dřevěné klíny nebo páku k otevření řezu a uvolnění pily. Nikdy se nepokoušejte spustit řetězovou pilu, když je vodící lišta již v řezu či zářezu.

### Prostředky osobní ochrany

Kvalitní osobní ochranné prostředky, které používají profesionálové, pomohou snížit riziko poranění obsluhy. Při obsluze řetězové pily je třeba použít následující:

#### Ochranná přilba

- ve shodě s EN 397 a označená značkou CE

#### Ochrana sluchu

- ve shodě s EN 352-1 a označená značkou CE

#### Ochrana zraku a obličeje.

- označená značkou CE a ve shodě s EN 166 (pro safety glasses) nebo EN 1731 (síťovinový průhled)

#### Rukavice

- ve shodě s EN381-7 a označená značkou CE

#### Ochrana dolních končetin (s vycpávkou)

- ve shodě s EN381-5, označená značkou CE a poskytuje všestrannou ochranu.

#### Bezpečnostní obuv odolnou řetězové pile

- ve shodě s EN ISO 20345:2004 a označeno štítek bránící průniku řetězové pily a označeno dle EN 381-3. (Občasní uživatelé mohou používat bezpečnostní obuv se špičkou vyztuženou ocelí dle EN 381-9, zpokud je podklad rovný a kde je malé riziko zakopnutí nebo zachycení porostem)

#### Ochranná bunda proti zásahu pilou pro horní část těla

- ve shodě s EN 381-1 a označená značkou CE





## POKYNY TÝKAJÍCÍ SE SPRÁVNÉ TECHNIKY PRO ZÁKLADNÍ KÁCENÍ, ODVĚTVOVÁNÍ A PŘÍČNÉ ŘEZÁNÍ

### Pochopení sil ve dřevě

Pokud porozumíte směrovým tlakům a pnutí ve dřevě můžete redukovat počet „sevření“, nebo je alespoň očekávat během řezání. Pnutí ve dřevě znamená, že vlákna dřeva jsou tažena od sebe a pokud vedete „zářez“ v této oblasti, nebo řez, bude mít tendenci se uvolňovat při púchodu pily. Je-li poleno podpořeno na stojanu pro dřevo („koza“) a konec visí nepodpřen pak je pnutí vytvářeno pnutí vláken na horní straně hmotností převislé části polena. Stejně tak je napnutá i spodní strana polena a vlákna jsou tlačena k sobě. Pokud je řez prováděn v této oblasti, bude mít zářez tendenci se během řezání uzavírat. Může dojít k sevření lišty.

### Kácení stromu

Viz strana 267 - 268.

Při přezávání a kácení jsou zapotřebí dvě a více osob současně, kácení by se mělo provádět odděleně od přezávání do vzdálenosti alespoň dvojnásobku výšky káceného stromu. Strom se nesmí kácet tak, aby neohrožoval žádné osoby, narážel do jakékoliv technického zařízení nebo způsobil jakékoliv vážné poškození. Pokud se strom dostane do kontaktu s nějakým technickým zařízením, musí se ihned kontaktovat firma, která toto zařízení provozuje.

Pokud má terén sklon, stůjte vždy nahoře na svahu, neboť pokácený strom se může skoulet ze svahu dolů.

Úniková cesta by se měla naplánovat a dle potřeby vyčistit před začátkem řezání. Úniková cesta by měla směřovat dozadu a úhlopříčně k předpokládané dráze pádu.

Než začnete kácet, uvědomte si přirozený náklon stromu, umístění velkých větví a směr větru, abyste posoudili, kterým směrem bude strom padat.

Ze stromu odstraňte nečistoty, kameny, volnou kůru, hřebíky, třmeny a drát.

Nekácejte stromy, které jsou strouchnivělé nebo byly poškozeny větrem, ohněm, bleskem atd. Je to velmi nebezpečné, proto přenechte tuto práci profesionálům.

#### 1. Zářez

Viz strana 267 - 268.

Provedte zásek do 1/3 průměru kmenu stromu ze strany, kam bude strom padat. Provedte nejprve spodní vodorovný řez. Pomáhá to proti sevření buď řetězové pily nebo vodící lišty, když by se provedl nejprve vodorovný zářez.

#### 2. Hlavní řez

Viz strana 267 - 268.

Hlavní řez provádějte minimálně 50 mm (2 palce) nad vodorovným zářezem záseku. Hlavní řez provádějte rovnoběžně s vodorovným řezem záseku. Zajistěte, aby při hlavním řezu zůstal dostatečný nedořez. Nedořez zabraňuje otáčení stromu a pádu nesprávným směrem. Neprořezávejte nedořez.

Jakmile bude hlavní řez blízko nedořezu, měl by strom začít padat. Je-li nějaká možnost, že strom nebude padat požadovaným směrem nebo se nakloní zpět a sevře řetěz pily, zastavte řezání před dokončením hlavního řezu a použijte klín ze dřeva, plastu nebo

hliníku abyste hlavní řez otevřeli a nechli padnout strom do požadovaného směru.

Jakmile začne strom padat, vyndejte řetězovou pilu z řezu, zastavte motor, položte pilu, pak použijte dřevo naplávanou únikovou cestu. Dávejte si pozor na pád horních větví a sledujte své postavení.

### Řezání kořenových náběhů

Viz strana 268.

Kořenový náběh je kořen vedoucí z kmene až k zemi. Než začnete kácet strom, odřežte kořenové náběhy. Proveďte nejdříve vodorovný zářez do kořenového náběhu a poté svislý zářez. Odstraňte odřezané části z pracovní zóny. Po odstranění náběhových kořenů můžete začít s kácením.

### Rozřezávání kmene

Viz strana 269.

Rozřezávání kmene je řezání na požadované délky. Je důležité, abyste si zajistili pevné postavení a rovnoměrně rozmístili svou hmotnost na obě nohy. Je-li to možné, nadzvedněte a podepřete kmen pomocí větví, kmenů nebo špalků. Nechte se vést přirozeným směrem pro snadné řezání. Je-li kmen podepřen po celé délce, vedte řez seshora (horní řez).

Je-li kmen podepřen na jednom konci, vedte řez zespu do 1/3 (zespu nahoru). Pak proveďte konečný řez seshora, tak abyste se setkali s prvním řezem.

Je-li kmen podepřen na jednom konci, vedte řez shora do 1/3 (shora dolů). Pak proveďte konečný řez zespu do zbylých 2/3 tak, abyste se setkali s prvním řezem.

Když řežete na svahu, vždy stůjte na horní straně pokáceného kmenu. Při přezávání, pro udržení maximální kontroly, uvolněte řezací tlak na konci řezu bez uvolnění úchopu na rukojetích řetězové pily. Nedovolte, aby řetěz přišel do kontaktu se zemí. Po dokončení řezu počkejte, až se řetěz pily zastaví, pak teprve pilu přesunujte. Před přemísťováním od stromu ke stromu vždy zastavujte motor.

### Odvětvování stromu

Viz strana 270.

Odvětvování je odstraňování větví z poraženého stromu. Při odvětvování ponechejte spodní větve jako podporu kmenu na zemi. Malé větve odstraňujte v jedno řezu. Velké větve pod pnutím by se měly ořezávat z horní strany, aby se zabránilo sevření řetězové pily.

### Pružina tyče

Viz strana 270.

Šlahoun je větev, pokácený strom nebo část keře, která se ohnula pod vahou dřeva a která se náhle vymršτί, jakmile začnete řezat nebo vyndávat kládu, která tento živý šlahoun drží.

Pokácený strom se může vymršτί do svislé polohy při odřezávání od kmene. Tyto živé překážky jsou nebezpečné.



## **VAROVÁNÍ**

Živé šlahouny jsou nebezpečné, protože vás mohou udeřit a můžete ztratit kontrolu nad řetězovou pilou. Tyto kritické situace mohou být příčinou vážného úrazu, v některých případech se smrtelnými následky. To mohou provádět pouze zkušení uživatelé.

## **ZBYTKOVÁ RIZIKA**

Dokonce, i když se výrobek provozuje jak je předepsáno, je stále nemožné zcela eliminovat veškeré zbytkové rizikové faktory. Následující nebezpečí mohou nastat při používání; vyhýbejte se:

- Poranění způsobené vibracemi
  - Pro danou práci vždy používejte správný nástroj, navržené rukojeti a dodržujte pracovní dobu a expozici.
- Vystavování hluku může způsobit poškození sluchu.
  - Noste ochranu sluchu a omezte vystavení.
- zranění z kontaktu s exponovanými zuby pily řetězu
- zranění způsobené odhozenými částmi obrobku (pilinami a třískami)
- Poranění způsobené inhalací prachu a částic
- zranění způsobené při styku pokožky s mazivem nebo olejem
- Od řetězu pily odlétávají částice (nebezpečí pořezání/vpíchnutí)
- Nepředvídaný, náhlý pohyb či zpětný ráz vodící lišty (nebezpečí pořezání).

## **SNÍŽENÍ RIZIKA**

Bylo zjištěno, že vibrace z ručních pracovních nástrojů mohou u některých osob přispívat ke stavu tzv. Raynaud's Syndrome (Raynaudovu syndromu). Mezi jeho příznaky patří brnění, necitlivost a zbledení prstů, patrné obvykle po pobytu v chladu. Vědci se domnívají, že k rozvinutí těchto příznaků přispívají dědičné faktory, pobyt v chladu a vlhku, strava, kouření a pracovní návyky. Uživatel může omezit případné působení vibrací použitím vhodných opatření:

- Za chladného počasí se teple oblečte. Při práci s nástrojem si navlékněte rukavice, abyste udrželi ruce a zápěstí v teple. Bylo zjištěno, že chladné počasí je hlavním faktorem přispívajícím k Raynaud's Syndrome (Raynaudovu syndromu).
- Během práce si v pravidelných intervalech zacvičte, abyste zvýšili krevní oběh.
- Zařaďte časté pracovní přestávky. Omezte dobu práce za den.
- U profesionálních prodejců řetězových pil jsou k dispozici speciální ochranné rukavice poskytující ochranu, dobrý úchop a rovněž redukuje účinek vibrací rukojeti. Rukavice musí být ve shodě s EN 381-7 a označeny značkou CE

Jakmile pocítíte některý z výše uvedených příznaků tohoto syndromu, okamžitě přerušete práci a vyhledejte lékaře.

## **VAROVÁNÍ**

Poranění mohou být způsobena, či zhoršena, prodlouženým používáním nástroje. Když používáte jakýkoliv nástroj delší dobu, dělejte pravidelně přestávky.

## **POZNEJTE SVŮJ NÁSTROJ**

Viz strana 261.

1. Ochranný kryt ruky/bezpečnostní brzda řetězu
2. Přední rukojeť
3. Zadní rukojeť
4. Ostrá část řetězu
5. Vodící lišta
6. Špička nárazníku
7. Uzávěr olejové nádrže
8. Pojistka proti nechtěnému spuštění nářadí
9. Spínač spouště
10. Kryt ozubeného kola
11. Seřizovací kroužek napnutí řetězu
12. Regulátor napnutí řetězu
13. Údržba vodící lišty
14. Úchytky lišty

## **BEZPEČNOSTNÍ ZAŘÍZENÍ**

### **Řetěz omezující nebezpečí zpětného vrhu**

Slabý zpětný vrh pomáhá redukovat possibility plného zpětného vrhu.

Omezovací zuby pilového řetězu mohou potlačit efekt zpětného vrhu a zamezit tak, aby zuby pily pronikly příliš hluboko do oblasti zpětného vrhu. Používejte pouze náhradní vodící lišty a řetězy doporučené výrobcem.

Po nabroušení řetězu buďte velmi opatrní, při naostření se oslabí ochrana proti zpětnému vrhu. Pro vaši bezpečnost měňte pilový řetěz když se řezací výkon sníží.

### **Špička nárazníku**

Integrovaná špička nárazníku se může používat otočená, když provádíte řez. Pomáhají udržovat stabilitu těla řetězové pily během řezání. Při řezání tlače nástroj dopředu, dokud se ozubené opěrky nebudou dotýkat okraje dřeva, pak pohybem zadní rukojeti nahoru nebo dolů ve směru řezu může zmírnit fyzickou zátěž řezání.

### **Vodící lišta**

Obecně platí, že vodící lišty s malými poloměry špičky mají nižší potenciál zpětného rázu (vrhu). Měli byste použít vodící lišty a odpovídající řetěz, které jsou dlouhé tak, aby provedly danou práci. Delší lišty zvyšují nebezpečí ztráty kontroly během řezání. Pravidelně kontrolujte napnutí řetězu. Při řezání menších větví (méně než celá délka vodící lišty) je více než pravděpodobné, že nesprávně napnutý řetěz bude odhazován.

### **Bezpečnostní brzda řetězu**

Cílem bezpečnostní brzdy je rychle zastavit řetěz. Řetěz se musí rychle zastavit, jakmile je brzdová páčka/ochranný kryt ruky sklopena dopředu. Brzda řetězu nezabrání efektu zpětného vrhu. Řádné napnutí tedy snižuje riziko poranění obsluhy způsobené řezací lištou při plném zpětném vrhu.





Brzda řetězu by se měla kontrolovat před každým použitím na řádnou funkci jak v jejím běhu a brzdných polohách.

### Úchytka lišty

Doraz řetězu zabraňuje odlinutí řetězu na obsluhu, pokud se řetěz uvolní nebo poškodí.

## MONTÁŽ

### VAROVÁNÍ

Pokud nějaké předměty chybí nebo jsou viditelně poškozeny, nepracujte s tímto výrobkem, dokud se součástí nevymění. Pochybení tak může způsobit vážné osobní poranění.

### MONTÁŽ VODÍCÍ LIŠTY A PILOVÉHO ŘETĚZU.

Viz strana 262 - 263.

1. Zajistěte vyjmutí akumulátoru z nástroje. Použijte ochranné brýle.
2. Odšroubujte regulátor napnutí řetězu a sejměte kryt ozubeného kola.
3. Jednotlivé řezné články řetězu musí být otočeny ve směru otáčení řetězu. Pokud směřují obráceně, otočte celý řetěz.
4. Nasaďte vodící články řetězu do drážky vodící lišty.
5. Nasaďte řetěz tak, aby vytvořil smyčku v zadní části vodící lišty.
6. Přidržte řetěz na liště a nasaďte smyčku řetězu na hnací řetězové kolo. Zasuňte lištu tak, že šroub projde otvorem v přiložené sestavě napínání řetězu. Sestavu lze otočit, aby se dal šroub provléct otvorem. Sestavu lze znovu otočit, aby se dosáhlo napnutí řetězu, které jej pomáhá udržet na daném místě.
7. Nasaďte kryt ozubeného kola a otáčejte regulátorem napnutí řetězu, až se téměř utáhne, otáčejte seřizovacím kroužkem napnutí, až je řetěz pily správně napnut. Vodící lišta se pak musí tlačit směrem nahoru. Opět zkontrolujte napnutí řetězu. Řetěz příliš nepřepínaje.
8. Po správném napnutí řetězu znovu utáhněte regulátor.

### SEŘÍZENÍ NAPNUTÍ ŘETĚZU

Viz strana 263. Viz strana 273.

1. Uvolněte regulátor napnutí řetězu mírným pootočením proti smyslu otáčení hodinových ručiček.
2. Pro zvýšení napnutí řetězu otáčejte seřizovací kroužek napnutí řetězu ve směru otáčení hodinových ručiček a často kontrolujte napnutí řetězu. Pro snížení napnutí řetězu otáčejte seřizovací kroužek napnutí řetězu proti směru otáčení hodinových ručiček a často kontrolujte napnutí řetězu.
3. Správně napnutý řetěz je, když je mezera mezi řezacím článkem řetězu a vodící lištou 3 mm až 4 mm. Zatahněte řetěz uprostřed spodní strany vodící lišty směrem dolů (od vodící lišty) a změřit vzdálenost mezi vodící lištou a řezným článkem řetězu.
4. Uvolněte regulátor napnutí řetězu otáčením ve směru otáčení hodinových ručiček.

## POUŽITÍ

### DOPLNĚNÍ MAZACÍHO OLEJE ŘETĚZU

Viz strana 262.

### VAROVÁNÍ

Nikdy nepracujte bez maziva řetězu. Pokud pila běží bez maziva, mohou se vodící lišta i řetěz poškodit. Je proto nezbytné pravidelně kontrolovat hladinu oleje olejovou měrkou často a pokaždé před používáním řetězové pily.

1. Vyčistěte oblast okolo víka olejové nádrže pro zabránění kontaminace.
2. Odšroubujte a sundejte víko z olejové nádrže.
3. Lijte do olejové nádrže olej a sledujte měрку hladiny oleje. Zajistěte, aby se při plnění oleje do olejové nádrže nedostaly žádné nečistoty.
4. Našroubujte víko olejové nádrže zpět a utáhněte. Setřete veškeré rozlité množství.
5. Jedna plná olejová nádrž vydrží na 20 – 40 minut používání řetězové pily.

### Doporučený mazací olej řetězu

- Výrobce doporučuje použití pouze olejů pro řetězové pily Ryobi. (Dostupné u pověřeného servisního střediska Ryobi)

### INSTALACE BATERIOVÉHO MODULU

Viz strana 263.

1. Umístěte akumulátorový modul na nástroj. Srovnejte vystouplé pásky na akumulátoru s drážkou v otvoru pro akumulátor sekačky.
2. Před použitím se ujistěte, že západky na bloku baterií zacvaknou na místo a blok baterií je zajištěn v produktu.

### DRŽENÍ ŘETĚZOVÉ PILY

Viz strana 263.

Vždy držte řetězovou pilu pravou rukou na zadní rukojeti a levou rukou na přední rukojeti. Držte řetězovou pilu pevně oběma rukama, palce a prsty musí obepínat rukojeti. Zajistěte, aby levá ruka držela přední rukojet tak, že je palec dole.

### SPUŠTĚNÍ ŘETĚZOVÉ PILY

Viz strana 263.

1. Před zahájením práce nainstalujte akumulátor do nástroje a ujistěte se, že je brzda řetězu v provozní poloze zatažením brzdy řetězu/krytu ruky k přední rukojeti.
2. Pro spuštění zatáhněte pojistku spínače a pak zmáčkněte spínač.

### KONTROLA A PROVOZ BRZDY ŘETĚZU

1. Levou rukou uchopte přední rukojet pro aktivaci brzdy řetězu. Hřbetem ruky tlačte brzdu řetězu stlačením páčky brzdy řetězu/chrániče ruky směrem k liště, až se začne řetěz rychle otáčet. Vždy mějte na rukojetích pily obě ruce.
2. Uvolněte brzdu řetězu uchopením a přesunutím páčky





brzdy řetězu/chrániče ruky směrem k přední rukojeti. Při uvolnění brzdy lze slyšet cvaknutí.

#### **⚠ VAROVÁNÍ**

Pokud brzda řetězu ihned nezastaví řetěz, nebo je třeba brzdu řetězu přidržovat, aby se neseplatila sama, před dalším použitím pily nechte pilu zkontrolovat a opravit v autorizovaném servisu.

#### **TRANSPORT A SKLADOVÁNÍ**

Viz strana 275 - 276.

- Před uskladněním nebo přepravou zařízení zastavte, vyjměte baterii a nechte ho vychladnout.
- Odstraňte z výrobku všechny cizí materiály. Ukládejte v chladných, suchých a dobře větraných prostorech, které nejsou přístupné dětem. Nářadí neuskładňujte v blízkosti žíravých látek, jako například v blízkosti zahradkářských nebo zahradnických chemických přípravků nebo soli na zimní sypaní komunikací. Neskladujte mimo budovu.
- Před skladováním nebo přepravováním vždy naumist'ujte kryt vodící lišty.
- Při transportu výrobku zajistěte proti pohybům nebo pádu, abyste zabránili poranění osob nebo poškození výrobku.

#### **ÚDRŽBA**

#### **⚠ VAROVÁNÍ**

Používejte pouze originální příslušenství, doplňky a náhradní díly výrobce. Zanedbání může zapříčinit možné poranění, slabý výkon a může dojít ke ztrátě záruky.

#### **⚠ VAROVÁNÍ**

Údržba vyžaduje extrémní péči a znalosti a měla by být prováděna pouze kvalifikovaným servisním technikem. Pro servis vraťte výrobek do autorizovaného servisního centra. Při údržbě používejte pouze původní náhradní díly výrobce.

#### **⚠ VAROVÁNÍ**

Před seřizováním, údržbou a čištěním vyjměte akumulátor. Pochybení tak může způsobit vážné poranění osob.

- Můžete provádět pouze v návodu k obsluze uvedené opravy a seřizení. Pro jiné opravy nebo poradenství, požádejte o pomoc autorizované servisní středisko.
- Důsledky nesprávné údržby mohou způsobit, že brzda řetězu a další bezpečnostní prvky nebudou správně fungovat, to znamená možnost vážného poranění. Udržujte svou řetězovou pilu profesionálně udržovanou a bezpečnou.
- Bezpečné ostření řetězu je odborný úkol. Proto výrobce velmi doporučuje opotřebený nebo tupý

řetěz nahradit novým, který je dostupný u pověřeného servisního střediska Ryobi. Číslo dílu je uvedeno v tabulce specifikací produktu v tomto návodu.

- Postupujte dle pokynů pro mazání, napnutí řetězu, kontrolu a seřizení.
- Po každém použití setřete nástroj měkkým a suchým hadříkem.
- Zkontrolujte všechny šrouby, matice v častých intervalech na řádné utažení, aby se zajistilo, že zařízení bude pracovat v bezpečných pracovních podmínkách. Jakýkoliv poškozený díl je nutné správně opravit nebo nechat vyměnit v autorizovaném servisním středisku.

#### **VÝMĚNA VODÍCÍ LIŠTY A ŘEZACÍHO ŘETĚZU**

Viz strana 271 - 272.

1. Ujistěte se, že je akumulátor demontován. Použijte ochranné brýle.
2. Uvolněte regulátor napnutí řetězu otáčením proti směru otáčení hodinových ručiček, až se kryt ozubeného kola uvolní.
3. Sundejte kryt ozubeného kola. Sundejte vodící lištu a řetěz z nástroje.
4. Při výměně lišty odmontujte šroub na utahovači řetězu. Namontujte utahovač řetězu na novou lištu a utáhněte šroub.
5. Umístěte nový řetěz ve správném směru na vodící lištu a ujistěte se, že jsou vodící články řetězu srovnány v drážce vodící lišty.
6. Připevněte lištu k řetězové pile a obtočte řetěz okolo hnacího ozubeného kola.
7. Nasadte kryt ozubeného kola.
8. Nastavte napnutí řetězu. Přečtěte si informace uvedené v části „Seřizení napnutí řetězu“.

#### **⚠ VAROVÁNÍ**

Nesprávně naostřený nebo tupý řetěz může nebezpečně zrychlit otáčky motoru při řezání a motor poškodit.

#### **⚠ VAROVÁNÍ**

Nesprávné naostření řetězu může být příčinou zpětného vrhu.

#### **⚠ VAROVÁNÍ**

Pokud nezajistíte výměnu nebo opravu poškozeného řetězu, vystavujete se nebezpečí vážného úrazu.

#### **⚠ VAROVÁNÍ**

Řetěz je velmi ostrý. Při údržbě řetězu vždy pracujte v rukavících.

#### **KONTROLA A ČIŠTĚNÍ BRZDY ŘETĚZU**

Viz strana 274.

- Mechanismus brzdy řetězu vždy udržujte čistý pomocí kartáče.
- Po vyčištění vždy zkontrolujte výkon brzdy řetězu. Více informací naleznete v kapitole „Provoz - Kontrola a provoz brzdy řetězu“.

## PLÁN ÚDRŽBY

Denní kontroly	
Mazání lišty	Před každým použitím
Napnutí řetězu	Před každým použitím a pravidelně
Ostrost řetězu	Před každým použitím, vizuální kontrola
Poškozené součásti	Před každým použitím
Uvolnění spojovacích prvků	Před každým použitím
Funkce brzdy řetězu	Před každým použitím
Prohlížejte a čistěte:	
Lišta	Před každým použitím
Úplnost pily	po každém použití
Bezpečnostní brzda řetězu	Každých 5 hodin*

\*Hodin provozu

## SYMBOLY NA VÝROBKU



Bezpečnostní výstraha



Řádně si návod přečtěte, porozumějte veškerým pokynům a dodržujte všechny bezpečnostní pokyny a bezpečnostní varování.



Používejte ochranu zraku, hlavy a sluchu.



Noste neklouzavou bezpečnostní obuv, když používáte tento výrobek.



Navlékněte si pevné neklouzavé rukavice.



Zabraňte zpětnému vrhu řetězové pily a kontaktu se špičkou vodící lišty.



Nevystavujte dešti nebo nepoužívejte ve vlhkých podmínkách.



Řetězovou pilu držte pevně oběma rukama.



Řetězovou pilu nikdy neobsluhujte jen jednou rukou.



Toto nářadí je v souladu se všemi normami a předpisy platnými v zemi EU, ve které bylo zakoupeno.



Euroasijská značka shody



Ukrajinská značka shody



Odpad elektrických výrobků se nesmí likvidovat v domovním odpadu. Recyklujte prosím na sběrných místech. Ptejte se u místních úřadů nebo prodejce na postup při recyklaci.



Zaručená hladina akustického výkonu je 96 dB.



Olaj pro lištu a řetěz



Minimální úroveň maziva



Zamknuto



Odemknuto



Nastavte brzdou řetězu do polohy RUN.



Otáčejte pro seřízení napnutí řetězu  
+ = Utáhněte řetěz  
- = Uvolnění řetězu



Nastavte brzdou řetězu do polohy BRAKE.



Směr pohybu řetězu.  
(Vyznačeno pod krytem ozubeného kola)

$V_0$  : 10 m/s

Rychlost řetězu naprázdno: 10 m/s

L max: 300mm

Maximální délka vodící lišty: 300 mm

## SYMBOLY V NÁVODU



Díly nebo příslušenství jsou v prodeji samostatně



Poznámka



Varování

EN  
FR  
DE  
ES  
IT  
NL  
PT  
DA  
SV  
FI  
NO  
RU  
PL  
CS  
HU  
RO  
LV  
LT  
ET  
HR  
SL  
SK  
BG  
UK  
TR



Noste ochranu sluchu a obličejce.



Noste ochranu horní části těla.



Noste ochranu dolních končetin.



Zastavte produkt.

Následující signální slova a významy jsou vhodné pro vysvětlení úrovně nebezpečí spojených s tímto výrobkem.

**⚠ NEBEZPEČÍ**

Označuje bezprostředně rizikovou situaci, které je třeba předejít, jinak bude jejím následkem smrt nebo vážné zranění.

**⚠ VAROVÁNÍ**

Označuje možnou rizikovou situaci, které je třeba předejít, jinak jejím následkem může být smrt nebo vážné zranění.

**⚠ VAROVÁNÍ**

Označuje možnou rizikovou situaci, které je třeba předejít, jinak jejím následkem může být smrt nebo vážné zranění.

**VAROVÁNÍ**

Bez symbolu bezpečnostní výstrahy

Určuje situaci, která může mít za následek vážné poškození.



Az akkumulátoros láncfűrész tervezése során elsődleges szempont volt a biztonság, a teljesítmény és a megbízhatóság.

### RENDELTESSZERŰ HASZNÁLAT

Az akkumulátoros láncfűrész csak kültéren használható. Biztonsági okokból a terméket mindig kétkézes műveletekkel kell irányítani.

A termék a láncvezető vágáshossza által meghatározott átmérőjű ágak, törzsek, rönkök és tönkök vágására alkalmas. Kizárólag fa vágása készült. Csak otthoni alkalmazásra használható olyan felnőttek által, akik megfelelő képzést kaptak a veszélyekről és a használatkor betartandó megelőző utasításokról/műveletekről.

Ne használja a terméket a fent leírtaktól eltérő célra. A láncfűrész nem használható professzionális favágási célokra. A terméket nem használhatják gyerekek, illetve megfelelő személyi védelmi eszközöket és ruházatot nem viselő személyek.

#### ⚠ FIGYELMEZTETÉS

A termék használatakor a biztonsági szabályokat be kell tartani. A saját és mások biztonsága érdekében a termék használata előtt el kell olvasnia és teljesen meg kell értenie ezt az útmutatót. Részt kell vennie egy a láncfűrész használatával, megelőző műveletekkel, elsősorlag és karbantartással kapcsolatos professzionális biztonsági tanfolyamon. Tartsa meg a kézikönyvet, hátha a későbbiekben szüksége lehet rá.

#### ⚠ FIGYELMEZTETÉS

A láncfűrészek potenciálisan veszélyes gépek. A láncfűrészek használatával összefüggő balesetek sokszor végtagvesztést vagy halált okoznak. Nem csak maga a láncfűrész veszélyes. A leeső ágak, kidőlő fák, guruló rönkök is lehetnek. A beteg vagy rothadó tönkök további veszélyt jelentenek. Minden erejével a feladat biztonságos befejezésére kell összpontosítania. Bármilyen kétség esetén hagyja a munkát egy profi favágóra.

### ÁLTALÁNOS BIZTONSÁGI FIGYELMEZTETÉSEK

#### ⚠ FIGYELMEZTETÉS

**Olvassa el az összes biztonsági figyelmeztetést és útmutatást.** A figyelmeztetések és utasítások be nem tartása elektromos áramütést, tüzet és/vagy súlyos sérülést eredményezhet.

**Őrizze meg ezeket a figyelmeztetéseket és utasításokat a későbbi tájékozódásra is.**

A figyelmeztetésekből a „szerszámgép” kifejezés az elektromos hálózatról (kábelrel) működtetett vagy akkumulátorról (kábel nélkül) működtetett gépet jelenti.

### MUNKATERÜLET

- **A munkaterületet tartsa tisztán és jól megvilágítva.** A rendetlen vagy sötét munkaterületek balesetekhez vezethetnek.
- **Az elektromos szerszámgépeket ne működtesse robbanásveszélyes környezetben, mint például robbanásveszélyes folyadékok, gázok vagy porok jelenlétében.** Az elektromos gépekben szikrák keletkeznek, amik begyűjthetik a port vagy a gőzöket.
- **Az elektromos szerszámgép használatakor a gyerekeket és a kívülállókat tartsa távol.** A figyelem elterelődése az irányítás elvesztését okozhatja.

### ELEKTROMOS BIZTONSÁG

- **A szerszámgép dugaszának illeszkednie kell az aljzathoz. Semmilyen módon ne módosítsa a dugaszt. A földelt elektromos gépekhez ne használjon adapter dugaszt.** A nem módosított és illeszkedő dugasz csökkenti az áramütés kockázatát.
- **Kerülje az érintkezést földelt felületekkel, mint például csövekkel, radiátorokkal és hűtőkkel.** Megnöveli az áramütés kockázatát, ha a teste földeltté válik.
- **Ne tegye ki a terméket esőnek vagy nedves környezet hatásának.** A szerszámgépekbe kerülő víz növeli az áramütés kockázatát.
- **Ne rongálja meg a kábelt. A szerszámgép kábelét soha ne használja a szerszám hordozására, húzására vagy kihúzására. A kábelt hőtől, olajtól, éles tárgyaktól vagy mozgó alkatrészekről tartsa távol.** A sérült vagy beakadt kábelek növelik az áramütés kockázatát.
- **Szerszámgépnek a szabadban való működtetésekor kültéri használatra is megfelelő hosszabbító kábelt használjon.** Kültéri használatra megfelelő hosszabbító kábel csökkenti az áramütés kockázatát.
- **Ha a szerszámgép használata nedves környezetben elkerülhetetlen, használjon áram-védőkacsolót (RCD).** Az RCD használata csökkenti az áramütés kockázatát.

### SZEMÉLYI BIZTONSÁG

- **Elektromos szerszámgép működtetésekor legyen mindig éber, figyeljen arra, amit csinál, és használja a józan eszét. Ne használja a szerszámgépet, ha fáradt vagy alkohol, gyógyszer illetve más tudatmódosító szerek hatása alatt áll.** A gép használata közben már egyetlen figyelmen kívül hagyott pillanat is súlyos személyi sérüléshez vezethet.
- **Használjon személyi védelmi eszközöket. Mindig viseljen védőszemüveget.** A védelmi felszerelések, mint például a pormaszk, a csúszásmentes biztonsági lábbelik, a védősisak vagy a fülvédő megfelelő használata csökkenti a személyi sérüléseket.
- **Kerülje el a véletlen bekapcsolást. A szerszám szállítása vagy felemelése, az áramellátás és/vagy akkumulátor csatlakoztatása előtt ellenőrizze, hogy a kapcsoló kikapcsolt állásban van.** Szerszámgépek szállítása a kapcsolón tartott ujjal vagy bekapcsolt szerszámgépek áram alá helyezése balesetekhez vezet.





- **A szerszámgepről bekapcsolás előtt távolítson el minden beállító kulcsot és csavarkulcsot.** Egy a szerszámgép forgó alkatrészén maradt beállító kulcs vagy csavarkulcs személyi sérülést eredményezhet.
- **Ne hajoljon ki túlságosan. Mindig tartson megfelelő testtartást és egyensúlyt.** Ez a szerszámgép jobb irányítását teszi lehetővé váratlan szituációkban.
- **Viseljen megfelelő ruházatot. Ne vegyen fel laza ruhát vagy ékszereket. A haját, a ruháit és a kesztyűjét tartsa távol a forgó alkatrészekről.** A laza ruházat, ékszerek vagy a hosszú haj beakadhatnak a mozgó alkatrészekbe.
- **Ha a gép el van látva porkivezető vagy -gyűjtő berendezésekhez való csatlakozási lehetőséggel, akkor ügyeljen rá, hogy ezeket csatlakoztassák és megfelelően használják.** A porfogó használata csökkentheti a porral kapcsolatos veszélyeket.

## A SZERSZÁMGÉP HASZNÁLATA ÉS KARBANTARTÁSA

- **Ne erőltesse a terméket. A feladathoz a megfelelő szerszámgépet használja.** A megfelelő szerszámgép jobb teljesítménnyel és sokkal biztonságosabban fog dolgozni olyan körülmények között, amilyenekre azt tervezték.
- **Ne használja a szerszámgépet, ha a kapcsoló nem kapcsol be és ki.** Bármilyen szerszámgép veszélyes, amit a kapcsolóval nem lehet irányítani, ezért azt meg kell javítani.
- **Bármilyen beállítás, tartozékcseré elvégzése vagy a szerszámgép tárolása előtt húzza ki a szerszámgépet a hálózathoz és/vagy vegye ki az akkumulátort a szerszámgépéből.** Az ilyen megelőző biztonsági óvintézkedések csökkentik a szerszámgép véletlen bekapcsolódásának kockázatát.
- **A használaton kívüli gépet gyerekek számára nem elérhető helyen tárolja, és ne hagyja, hogy a szerszámgépet vagy a kézikönyvet nem ismerő személyek használják a szerszámgépet.** Gyakorlatlan felhasználók kezében a szerszámgépek veszélyesek.
- **Tartsa megfelelő állapotban a szerszámgépeket. Ellenőrizze a mozgó alkatrészek akadását vagy helytelen beállítását, az alkatrészek törését és minden más körülményt, ami hatással lehet a szerszámgép működésére. Ha sérült, a szerszámgépet használat előtt meg kell javítani.** Sok balesetet a rosszul karbantartott szerszámgépek okoznak.
- **A vágószerszámok legyenek élesek és tiszták.** A megfelelően karbantartott, éles vágóéül vágószerszámok kevésbé akadnak be és könnyebben irányíthatók.
- **A szerszámgépet, a tartozékokat és a biteket stb. ezen utasításban leírtaknak megfelelően használja, figyelembe véve a munkakörülményeket és az elvégzendő feladatot.** A szerszámgép rendeltetésétől eltérő műveletekre való használata veszélyes helyzeteket eredményezhet.

## AKKUMULÁTOROS SZERSZÁMGÉP HASZNÁLATA ÉS KARBANTARTÁSA

- **Csak a gyártó által megadott töltővel töltsze az akkumulátorokat.** Egy adott akkumulátortípushoz való töltő egy másik típusú akkumulátorral való használata tűzveszélyes lehet.
- **A szerszámokat csak a hozzájuk való akkumulátorokkal üzemeltesse.** Más akkumulátorok használata tűzveszélyes lehet.
- **Az akkumulátort használaton kívül tartsa távol más fém tárgyaktól, úgymint gemkapcsoktól, érméktől, kulcsoktól, szögektől, csavaroktól vagy más kisméretű fém tárgyaktól, amelyek rövide zárhatják a két érintkezőt.** Az akkumulátor érintkezőinek rövide zárása tüzet vagy égéseket okozhat.
- **Nem megfelelő körülmények esetén folyadék távozhat az akkumulátorból, kerülje az azzal való érintkezést. Ha mégis érintkezik vele, öblítse le vízzel. Ha a folyadék szembe kerül, forduljon orvoshoz.** Az akkumulátorból kifolyt folyadék irritációt vagy égéseket okozhat.

## KARBANTARTÁS

- **A szerszámgépet csak szakképzett szervizszakemberrel szervizeltesse, csak azonos cserealkatrészeket használva.** Ez biztosítja, hogy a szerszámgép használata továbbra is biztonságos legyen.

## TOVÁBBI ÁLTALÁNOS BIZTONSÁGI FIGYELMEZTÉSEK

- Egyes régiókban olyan előírások érvényesek, amelyek korlátozzák a termék használatát. További információért forduljon a helyi önkormányzatához.
- Ne hagyja, hogy gyerekek vagy a termék használatát nem ismerő felnőttek használják a terméket. A helyi előírások korlátozhatják a kezelő életkorát.
- Minden használat előtt ellenőrizze, hogy az összes kezelőszerv és biztonsági eszköz megfelelően működik. Ne használja a gépet, ha a főkapcsoló nem állítja le a motort.
- A termék működtetése közben viseljen teljes szem- és hallásvédőt, erős és kemény csizmát és kesztyűt, valamint fejtvédőt. Poros műveletek végzésekor viseljen arcmaszkot.
- Fülvédő viseletek csak korlátozottan hallja a figyelmeztetéseket (riasztást vagy kiáltást). A kezelőnek jobban oda kell figyelnie arra, hogy mi folyik a munkaterületen.
- Stabilan álljon és vegyen fel megfelelő egyensúlyt. Ne hajoljon ki túlságosan. A túlzott kinyúlás egyensúlyvesztést eredményezhet és növelheti a visszarúgás kockázatát.
- Ne vegyen fel laza ruhát, rövidnadrágot, illetve semmilyen ékszert.
- Ha hosszú a haja, azt a vállvonal felett rögzítse, nehogy beakadjon valamilyen mozgó alkatrészbe.
- Figyeljen a kivetett, repülő vagy leeső tárgyra. A nézelődőket, gyerekeket és a háziállatokat tartsa 15 m távolságban a munkaterületől.





- Ne használja a gépet gyenge megvilágítás esetén. A kezelőnek tiszta látással kell rendelkeznie a munkaterületre, hogy azonosíthassa a potenciális veszélyeket.
- Hasonló gépek egymás közelében történő használata növeli a halláskárosodás veszélyét, valamint annak veszélyét, hogy más személyek lépnek be az Ön munkaterületére.
- A testrészeit tartsa távol a mozgó alkatrészekről.
- Minden használat előtt vizsgálja át a gépet. Ellenőrizze az összes kezelőszerv megfelelő működését, beleértve a láncfűrészt is. Keressen meglazult kötőelemeket, ügyeljen rá, hogy minden a védőburkolat és fogantyú megfelelően fel legyen szerelve és rögzítve. Használat előtt cserélje ki az összes sérült alkatrészt.
- Semmilyen módon ne módosítsa a gépet vagy használjon a gyártó által nem ajánlott alkatrészeket és tartozékokat.
- **Feszülő ág vágásakor figyeljen a visszarugózásra.** Ha a fa feszülő rostjai felszabadulnak, a visszarugózó ág eltalálhatja a kezelőt és/vagy megdobhatja a láncfűrészt.
- **Különleges figyelemmel járjon el a kisebb bozót és facseteték vágásakor.** A kisméretű darabok beakadhatnak a fűrészláncba és kivethetőnek a kezelő felé, vagy kilendíthetik az egyensúlyából.
- **A láncfűrészt kikapcsolt állapotban és a testétől távol tartva, az elülső fogantyúnál fogva szállítsa. A láncfűrészt szállításakor vagy tároláskor mindig helyezze fel a láncvezető védőburkolatát.** A láncfűrészt megfelelő kezelése csökkenti a mozgó fűrészláncsal való véletlen érintkezés kockázatát.
- **Tartsa be a kenésre, a láncfeszességre és a tartozékcsereire vonatkozó utasításokat.** A hibásan megfeszített vagy megkent lánc elszakadhat, és növeli a visszarugás esélyét is.
- **A fogantyúkat tartsa szárazon, tisztán, olajtól és kenőzsírtól mentesen.** A kenőzsíros és olajos fogantyúk csúszósak, és növelik az irányítás elvesztésének kockázatát.
- **Csak fát vágjon. Ne használja másra a láncfűrészt, mint amire szánták. Például ne használja a láncfűrészt műanyag, kőfal vagy nem fából készült építési anyagok vágására.** A láncfűrészt rendeltetésétől eltérő műveletekre való használata veszélyes helyzeteket eredményezhet.

### ▲ FIGYELMEZTETÉS

Ha a gép leesett, erős ütet kapott vagy rendellenesen kezd vibrálni, azonnal állítsa le a gépet, és vizsgálja át sérülések tekintetében vagy azonosítsa a vibráció okát. Minden sérülést hivatalos szervizközpontban kell megjavíttatni vagy kicseréltetni.

### LÁNCFŰRÉSZRE VONATKOZÓ BIZTONSÁGI FIGYELMEZTETÉSEK

- **Tartsa távol a testrészeit a fűrészláncról a láncfűrészt működése közben. A láncfűrészt beindítása előtt ellenőrizze, hogy a fűrészlánc nem érintkezik semmivel.** Egy figyelmen kívül hagyott láncfűrészt használata közben a ruházata vagy a teste fűrészláncba való beakadását okozhatja.
- **A láncfűrészt mindig jobb kézzel a hátsó fogantyút, bal kézzel pedig az elülső fogantyút fogva tartsa.** A láncfűrészt fordított kéz-konfigurációban való tartása növeli a személyi sérülés kockázatát, így használata tilos.
- **A szerszámgépet csak szigetelő fogófelületnél fogja, mert a fűrészlánc rejtett vezetékbe vághat.** A fűrészlánc „élő” vezetékkel való érintkezése következtében a szerszám fém alkatrészei áram alá kerülhetnek, minek következtében a kezelőt áramütés érheti.
- **Viseljen védőszemüveget és fülvédőt. További fej, kéz, láb és lábfej védőfelszerelés viselete is ajánlott.** A megfelelő védőruházat csökkenti a kirepülő hulladékok okozta személyi sérülés és a fűrészláncsal való véletlen érintkezés kockázatát.
- **Ne használja a láncfűrészt fára felmászva.** A láncfűrészt használata fára felmászva személyi sérülést eredményezhet.
- **Mindig megfelelően támassza meg magát, és csak rögzített, szilárd és sima felületen állva használja a láncfűrészt.** Csúszós vagy nem stabil felületek, például a létrák az egyensúly vagy a láncfűrészt irányításának elvesztését okozhatják.
- **A visszarugás okai és a kezelő megóvása:**  
A szerszám megugorhat, ha a működő gép orr-része valamihez hozzáér, vagy ha a vágás során a láncvezető becsúszódik a fába és megszorul.  
A hegy érintkezése a munkadarabbal bizonyos esetekben egy hirtelen visszaható reakciót okozhat, ami a láncvezetőt felfelé és a kezelő irányába dobja.  
A fűrészlánc beszorulása a láncvezető felső részénél a láncvezetőt hirtelen a kezelő felé dobhatja.  
Minden ilyen esetben elveszítheti uralmát a láncfűrészt felett, és súlyosan megsérülhet. A biztonság tekintetében ne bízson kizárólag a láncfűrészt védőelemeiben. Különböző óvintézkedéseket is kell tenni annak érdekében, hogy csökkentsen a balesetek és sérülések veszélyét.  
A visszarugás a szerszám helytelen használatának és/vagy a nem megfelelő használati eljárások vagy körülmények eredménye, és megelőzhető a lent megadott utasítások betartásával:
- **Erős fogást tartson, a hüvelykujja és az ujjai öleljék körbe a láncfűrészt fogantyúit, mindkét keze a fűrészre legyen, és úgy helyezze a testét és a karjait, hogy lehetővé tegyék a visszarugás erejének kivédését.** A visszarugási erőt a kezelő kontrollálhatja, ha betartja a megfelelő óvintézkedéseket. Ne hagyja, hogy a láncfűrészt elszabaduljon.
- **Ne hajoljon ki túlságosan, és ne vágjon vállmagaság felett.** Ezek segítenek megelőzni a hegy véletlen érintkezését és váratlan szituációkban a láncfűrészt jobb irányíthatóságát teszik lehetővé.
- **Csak a gyártó által megadott csere láncvezetőt és**







**láncot használjon.** Nem megfelelő csere láncvezetők és láncok lánctörést és/vagy visszarugást okozhatnak.

- **Tartsa be a gyártó utasításait a lánc élezését és karbantartását illetően.** A mélységbeállító magasságának csökkentése a visszarugás veszélyének megnövekedését okozhatja.

## A LÁNCFŰRÉSZRE VONATKOZÓ TOVÁBBI BIZTONSÁGI FIGYELMEZTETÉSEK

- Javasolt, hogy a termék első használatakor a rönköket bakon vagy bölcsön vágja.
- Ügyeljen rá, hogy az összes védőburkolat, fogantyú és tüskés ütköző megfelelően felszerelt és jó állapotú legyen.
- A láncfűrész használó személyeknek jó egészségi állapotban kell lenniük. A termék egy nehéz gép, ezért a kezelőnek fizikailag fitnek kell lennie. A kezelőnek ébernek, jó látással, reflexekkel, egyensúlyérzékkel és közügyességgel kell rendelkeznie. Ha bármilyen gondja van, ne működtesse a láncfűrész.
- Ne kezdje meg a termék használatát, amíg meg nem tisztította a munkaterületet, nem vett fel stabil testtartást és nincs meg a tervezett menekülési útvonal a fa dőlése esetére.
- Figyeljen a kenőanyagpára és a fűrészpor kibocsátásra. Ha szükséges, viseljen maszkot vagy álarcot.
- Ne vágjon szőlőtököket és/vagy kisméretű bozótot (75 mm-nél kisebb átmérőjűt).
- Használat közben mindig két kézzel fogja a láncfűrész. Tartsa a láncfűrész erősen, úgy hogy az ujjai öleljék körül a fogantyúkat. Jobb kézzel a hátsó fogantyút, bal kézzel pedig az előlső fogantyút fogja.
- A gép beindítása előtt ellenőrizze, hogy a fűrészlánc nem érintkezik semmilyen tárggyal.
- Semmilyen módon ne alakítsa át a szerszámgépet, illetve ne használja a gyártó által nem ajánlott más tartozékok vagy eszközök működtetésére.
- A kezelő közelében lennie kell egy elsősegélydoboznak, amelynek nagyméretű kötszert és a figyelemfelhívó eszközt (pl. síp) kell tartalmaznia. Egy nagyobb, átfogóbb készletnek kell a közelben lennie.
- A kezelő esetleg leveheti a sisakot, ha éppen nincs leeső tárgyak jelentette veszély a munkaterületen, de ne feledje, hogy a sisak, különösen a hálós arcvédővel segíthet csökkenteni az arc és a fejsérülések kockázatát visszarugás esetén.
- Egy nem megfelelően megfeszített lánc leugorhat a láncvezetőről, és súlyos sérülést vagy halált okozhat. A lánc hossza függ a hőmérséklettől. Rendszeresen ellenőrizze a feszességet.
- Egy biztonságosan rögzített fadarabon végzett egyszerű vágásokkal szokja meg az új láncfűrész használatát. Bármikor megteheti ezt, ha egy ideje nem használta a fűrész.
- A mozgó alkatrészekkel való érintkezés okozta sérülések veszélyének csökkentése érdekében mindig állítsa le a motort, húzza be a láncféket, vegye ki az akkumulátort, és ellenőrizze, hogy minden mozgó rész megállt, mielőtt:

- tisztítás vagy eltömődés megszüntetése
- a termék felügyelet nélkül hagyása
- felszerelné vagy eltávolítaná a tartozékokat
- ellenőrzi, karbantartja vagy dolgozik a gépen
- A munkaterület mérete függ a végrehajtandó munkától, és a fa méretétől, vagy a munkadarab nagyságától. Például, egy fa kidöntéséhez nagyobb terület kell, mint másfajta vágásokhoz, pl. keresztvágásokhoz stb. A kezelőnek ébernek kell lennie, és oda kell figyelnie mindenre a munkaterületen.
- Ne vágjon úgy, hogy a teste egy vonalba kerül a láncvezetővel és a láncsal. Ha visszarugást észlel, ezzel elkerülheti, hogy a lánc érintkezzen a fejével vagy az arcával.
- Ne használjon oda-vissza fűrészelő mozdulatot, hagyja, hogy a lánc végezze a dögát, tartsa élesen a láncot, és ne próbálja áttolni a láncot a vágáson.
- Ne fejtse ki nyomóerőt a láncfűrészre a vágás végén. Legyen készen, hogy átvegye a fűrész súlyát, amint az kiszabadul a vágásból. Ha nem így tesz, súlyos személyi sérülés lehet az eredmény.
- Ne állítsa le a fűrész a vágási művelet közepén. Addig működtesse a fűrész, amíg ki nem veszi a vágásból.

## Lökő- és húzóerő

A reakcióerő mindig a fűrészlánc forgási irányával ellentétes irányban hat. Ezért a kezelőnek készen kell állnia a gép elhúzásra hajlamosságának kontrollálására (előrefelé mozgás) a láncvezető alsó élével való vágáskor, és a hátranyomás kontrollálására (a kezelő felé mozgás) a láncvezető felső élével való vágáskor.

## A fűrész beakadt a vágásban

Állítsa le a láncfűrész, és tegye biztonságossá. Ne próbálja kierfírtetni a láncot és a vezetőt a vágásból, mert elszakíthatja a láncot, ami hátracsap és megsérti a kezelőt. Ez a helyzet általában akkor fordul elő, ha a fa nem megfelelően van megtámasztva és a nyomóerő összezárja a vágást, ezáltal összecsapja a láncot. Ha a megtámasztás megváltoztatása nem szabadítja ki a láncvezetőt és a láncot, fa ékek vagy egyéb segítségével szabadítsa ki a fűrész. Ne próbálja meg beindítani a fűrész, ha a láncvezető még a vágásban vagy a bevágásban van.

## Személyi védelmi eszközök

A szakemberek által is használt jó minőségű személyi védelmi eszközök segítenek csökkenteni a kezelő sérülésének kockázatát. A következő eszközöket kell használni a láncfűrész használatkor:

### Védősisak

- meg kell felelnie az EN 397 szabványnak, és CE jelöléssel kell rendelkeznie

### Fülvédő

- meg kell felelnie az EN 352-1 szabványnak, és CE jelöléssel kell rendelkeznie

### Szem- és arcvédő

- CE jelöléssel kell rendelkeznie és meg kell felelnie az EN 166 (a védőszemüvegek esetében) vagy az EN 1731 (hálós arcvédő esetében) szabványnak





## Kesztyűk

- meg kell felelnie az EN381-7 szabványnak, és CE jelöléssel kell rendelkeznie

## Lábvédelem (vágásálló)

- meg kell felelnie az EN381-5 szabványnak és CE jelöléssel kell rendelkeznie, és teljes körű védelmet kell nyújtania.

## Láncfűrész biztonsági lábbelik

- meg kell felelniük az EN ISO 20345:2004 szabványnak és láncfűrész ábrás jelöléssel kell rendelkeznie az EN 381-3 szabványnak való megfelelés igazolására. (Az alkalmi felhasználók használhatnak acél orrmerevítővel ellátott biztonsági lábbelit is lábszárvédőkkel, ami megfelel az EN 381-9 szabványnak, ha a talaj egyenletes és kicsi az aljnövényzetbe való felbukás vagy beakadás esélye)

## Láncfűrész kabátok a felsőtest védelméhez

- meg kell felelnie az EN 381-11 szabványnak, és CE jelöléssel kell rendelkeznie

## ALAPVETŐ FAKIVÁGÁSI, ÁGAZÁSI ÉS KERESZTVÁGÁSI TECHNIKÁK

### A fára ható erők megértése

Ha megérti a fára ható irányított nyomást és feszültséget, csökkentheti a „becsípődéseket” vagy legalább felkészülhet ezekre a favágásokor. A fában lévő feszültség azt jelenti, hogy a rostokra egymást tisztító erő hat, és ha belevág ebbe a területbe a „fűrészjárat” vagy a vágás a szétnyílás felé fog tendálni, ahogy a fűrész áthalad a vágáson. Ha a rönk egy bakon van megtámasztva és a vége támaszték nélkül lóg túl a bakon, a rönk felső része a túlnyúló rész súlyának a rostokra gyakorolt hatása miatt megfeszül. Hasonlóképpen a rönk alsó részére összenyomó erő hat, és a rostok össze fognak nyomódni. Ha ebbe a területbe vág bele, a bevágás a vágás során összezáródás felé fog tendálni. Ez becsípheti a fűrészláncot.

### Fakidöntés

Lásd 267-268. oldal.

Amikor a rönkdarabolási és kivágási műveleteket egyszerre két vagy több személy végzi, akkor a kidöntési műveletet a rönkdarabolástól külön kell elvégezni, legalább kétszer olyan távolságra, mint a kivágandó fa magassága. A fákat nem szabad úgy kidönteni, hogy az más személyeket veszélyeztet, bármilyen elektromos vezetékkel eltalálhat vagy bármilyen vagyoni kárt okozhat. Ha a fa érintkezett egy elektromos vezetékkel, akkor azonnal értesíteni kell az áramszolgáltatót.

Ha a talaj lejtős, a lejtő felső részén helyezkedjen el, mivel a kivágott fa legurulhat vagy lecsúszhat.

A vágás megkezdése előtt meg kell tervezni a menekülési útvonalat, és szükség esetén meg kell tisztítani. A menekülési útvonalnak hátrafelé és átlósan kell haladnia a várható dőlési vonalhoz képest.

A fakidöntés megkezdése előtt határozza meg a fa természetes dőlését, a nagyobb ágak helyzetét és a szélirányt, hogy eldöntse, merre fog dőlni a fa.

A fáról távolítsa el a koszt, köveket, laza kérget, szegeket, ácskapcsokat és vezetékeket.

Ne kíséreljen meg korhadt vagy szél, tűz, villámás, stb. által megrongált fákat kivágni. Ez különösen veszélyes, és csak profi favágókkal végezhető el.

### 1. Bevágó alvágás

Lásd 267-268. oldal.

Készítsen egy ék alakú bevágást a fa 1/3 átmérőjéig, merőlegesen a dőlési irányra. Először az alsó vízszintes vágást készítse el. Ez segít elkerülni a lánc vagy a láncvezető becsípődését a második vágás készítésekor.

### 2. Visszavágás döntéskor

Lásd 267-268. oldal.

A döntési visszavágást legalább 50 mm-rel (2 in.) magasabban készítse a bevágás vízszintes vágásánál.

A döntési visszavágást párhuzamosan végezze a bevágás vízszintes vágásával. Úgy készítse a döntési visszavágást, hogy elég fa maradjon a csuklóhoz. A csukló akadályozza meg a fa rossz irányba csavarodását vagy dőlését. Ne vágja át a csuklót.

Amint a döntő vágás közel kerül a csuklóhoz, a fának el kell kezdenie dőlni. Ha bármilyen esély van arra, hogy a fa nem a kívánt irányba dől vagy visszalendül és beszorítja a láncfűrész, akkor döntési visszavágás befejezése előtt állítsa le a vágást, és fa-, műanyag- vagy alumínium ékekkel biztosítsa a vágat nyitva tartását és a fa kívánt irányba való dőlését.

A fa dőlésének kezdetekor vegye ki a láncfűrész a vágásból, állítsa le a motort, tegye le a láncfűrész és használja a megtervezett menekülési útvonalat. Figyeljen a feje feletti ágak zuhanására és nézzen a lába elé.

### A támasztógyökerek elvágása

Lásd 268. oldal.

A támasztógyökér a fa egy vastag gyökere, mely a fatörzsből a talajig hatol. Vágja át ezeket a vastag gyökereket, mielőtt kivágja a fát. Előbb vágjon vízszintesen, majd függőlegesen a támasztógyökérbe. Az így levágott darabot távolítsa el a munkaterületről. A fa kivágását a támasztógyökerek eltávolítása után kezdje meg.

### Rönk méretre vágása

Lásd 269. oldal.

A rönkvágás egy rönk darabokra vágása. Fontos, hogy stabilan álljon, és testsúlyát jól ossza el a két lábán. Ha lehetséges, akkor a rönktől ágak, rönkök vagy ékek segítségével fel kell emelni és meg kell támasztani. A könnyű vágás érdekében tartsa be az egyszerű utasításokat. Amikor a rönk teljes hosszában meg van támasztva, akkor felülről kell vágni (felülvágás).

A rönk a rönk csak az egyik végén van megtámasztva, alulról vágjon be az átmérő 1/3-ig (alulvágás). Majd felülvágással fejezze be a vágást úgy, hogy szembe megy az első vágással.

Amikor a rönk mindkét végén meg van támasztva, felülről vágjon be az átmérő 1/3-ig (felülvágás). Majd alulvágással fejezze be a vágást a rönk maradék 2/3-án úgy, hogy szembe megy az első vágással.

Lejtőn való rönkdaraboláskor mindig a rönk felső oldalához álljon. Átvágáskor a teljes irányítás megtartásához ne nyomja a fűrész a vágás végén, de ne engedje el a





láncfűrész fogantyúit. Ne hagyja a talajjal érintkezni a láncot. A vágás befejezése után a láncfűrész mozgatása előtt várja meg a fűrészlánc megállását. Egyik fától a másikhoz való továbblépéskor mindig állítsa le a motort.

### Fa ágazása

Lásd 270. oldal.

Az ágazás az ágak eltávolítását jelenti egy kidöntött fáról. Ágazáskor hagyja rajta a nagyobb alsó ágakat a rönkön, hogy megtámasszák azt. Egy vágással távolítsa el az összes kisebb gallyat. A feszültség alatt lévő ágakat alulról felfelé kell vágni, elkerülve ezzel a láncfűrész beakadását.

### Rugós rúd

Lásd 270. oldal.

Előfordulhat, hogy egy ág, egy kidölt fa törzse vagy egy törpefa beszorul egy másik fa alá oly módon, hogy hirtelen felcsapódik, amint a ráneheződő fát fűrészelni vagy elmozdítani kezdjük.

Könnyen előfordulhat, hogy az élő fán lévő kivágott fa törzse elengedi magát és felcsapódik függőleges pozícióba, miközben megpróbáljuk lefűrészelni a rönkről. Vigyázzon ezekkel a beszorult fákkal, mert veszélyesek.

### ▲ FIGYELMEZTETÉS

A beszorult fák veszélyesek, mert megüthetik önt, és így elveszítheti uralmát a láncfűrész felett. Ami súlyos vagy akár halálos sérüléseket is okozhat. Ezt a műveletet csak gyakorlott felhasználók végezhetik.

### FENNMARADÓ KOCKÁZAT

Még a termék rendeltetésszerű használata esetén sem lehet teljesen kiküszöbölni minden kockázati tényezőt. A gép használata során a következő veszélyek merülhetnek fel, és a kezelőnek különösen oda kell figyelnie az alábbiak elkerülésére:

- A vibráció sérüléseket okozhat
  - Mindig a munkához megfelelő célszerszámot használja, használja a gépre szerelt fogantyúkat, és korlátozza a munkaidőt és a vibrációnak való kitettséget.
- A zajnak való kitettség halláskárosodást okozhat.
  - Viseljen hallásvédőt és korlátozza a zajnak való kitettséget
- sérülés a lánc szabadon maradt fogaival való érintkezésből
- sérülés a munkadarab kivett részeitől (faforgács és szilánkok)
- Por és részecskék belélegzése okozta sérülés.
- sérülés a bőrnék a kenőanyaggal vagy olajjal való érintkezése miatt
- Alkatrészek kiesése a fűrészláncból (vágás/sérülésveszély)
- A láncvezető előre nem látható, hirtelen mozgása vagy visszarugása (vágásveszély).

### KOCKÁZATCSÖKKENTÉS

Arról számoltak be, hogy a kéziszerszámok használata során fellépő vibráció bizonyos személyeknél hozzájárulhat az úgynevezett Raynaud-szindróma (Raynaud's Syndrome) nevű állapot kialakulásához. A tünetei lehetnek: az ujjak zsibbadása, elfehéredése, szúrások érzése, amelyek hidegnek kitéve gyakran felerősödnek. Az öröklődő tényezők, a hidegnek kitettség és verejtékezés, a diéta, a dohányzás és munka közben alkalmazott fogások valószínűleg mind hozzájárulhatnak ezen tünetek megjelenéséhez. A vibráció hatásainak csökkentése érdekében a kezelőnek be kell tartania az alábbi óvintézkedéseket:

- Hideg időben tartsa melegen a testét. A gép használatakor viseljen kesztyűt a kéz és a csukló melegen tartásához. Arról számoltak be, hogy a hideg időjárásnak fontos szerepe van a Raynaud-szindróma kialakulásában.
- Bizonyos időtartamú használat után mindig végezzen gyakorlatokat a vérkeringés javításához.
- Gyakran tartson munkaszünetet. Korlátozza a napi munkaidőt.
- Profi láncfűrész-kereskedőtől beszerezhető olyan védőkesztyűk, amelyek kizárólag a láncfűrész használatához lettek kialakítva, védelmet és jó fogást biztosítanak, és még a kézvibráció hatását is csökkentik. Ezeknek a kesztyűknek meg kell felelniük az EN381-7 szabványnak és CE jelöléssel kell rendelkezniük

Ha ezen állapot bármelyik tünetét tapasztalja, azonnal hagyja abba a munkát, és tájékoztassa az orvosát a tünetekről.

### ▲ FIGYELMEZTETÉS

Hosszabb használat sérülést okozhat. Ha a gépet hosszú időn át kell használnia, tartson gyakran szünetet.

### ISMERJE MEG A TERMÉKET

Lásd 261. oldal.

1. Elülső kézvédő/biztonsági láncfék
2. Elülső fogantyú
3. Hátsó fogantyú
4. Fűrészlánc
5. Láncvezető
6. Ütközőtüske
7. Olajtartály sapka
8. Ravasz kireteszelő gomb
9. Be - ki kapcsológomb
10. Fogaskerék fedele
11. Láncfeszítő beállítógyűrű
12. Láncfeszítő gomb
13. Láncvezető védőburkolata
14. Lánc visszacsapás gátló

### BIZTONSÁGI ESZKÖZÖK

#### Nehezen megugró lánc

Az alacsony visszarugású fűrészlánc segít csökkenteni a visszarugás lehetőségét.





A fogak elején található mélységhatárolók megakadályozzák, hogy a fogak túl mélyre hatoljanak a fába, így csökkentik a megugrás erejét. Csak a gyártó által javasolt csere láncvezető és lánc kombinációt használjon. Kétszeres óvatossággal járjon el a láncfűrész élesítése után, mivel ez a művelet kevésbé ellenállóvá teszi a láncot a megugrással szemben. A biztonsága érdekében cserélje ki a fűrészláncot, amint a vágóteljesítmény csökken.

### Ütközőtüske

A beépített ütközőtüske forgócsapként használható vágás készítése közben. Segít stabilan tartani láncfűrész testét a vágás során. Vágáskor nyomja előre a gépet, amíg a tuskék be nem mélyednek a fa szélébe, ezután a hátsó fogantyú felfelé vagy lefelé mozgásával a vágásvonal irányába segíthet enyhíteni a vágás fizikai terhelését.

### Láncvezető

Általában a kis sugarú hegygel rendelkező láncvezető némileg csökkenti a visszarúgás kockázatát. A munkához elegendően hosszú láncot és láncvezetőt kell használnia. A hosszabb láncvezető növeli az irányítás elvesztésének kockázatát a vágás során. Rendszeresen ellenőrizze a lánc feszességét. Kisebb (a láncvezető teljes hosszánál rövidebb) ágak vágásakor a lánc nagyobb valószínűséggel dobódik le, ha nem megfelelő a feszessége.

### Láncfék

A láncfék arra szolgál, hogy adott esetben gyorsan leállítsa a forgó láncot. A lánc azonnal leáll, amint a láncfék kart/kézvédőt előretolja. A láncfék nem arra szolgál, hogy kivédje a megugrást. Csak csökkenti a sérülésveszélyt, amikor a láncvezető érintkezik a kezelő testével egy visszarúgás során. A láncfék megfelelő működését futás és fék állásban is mindig, minden használat előtt tesztelni kell.

### Lánc visszacsapás gátló

Egy láncfogó akadályozza meg, hogy a fűrészlánc a meglazulása vagy eltérése esetén a kezelő felé repüljön.

## ÖSSZESZERELÉS

### ▲ FIGYELMEZTETÉS

Ha bármilyen alkatrész megsérült vagy hiányzik, addig ne működtesse a terméket, amíg nem pótolta azokat. Ezen figyelmeztetés figyelmen kívül hagyása súlyos személyi sérülést eredményezhet.

### A LÁNCVEZETŐ ÉS A FÜRÉSZLÁNC FELSZERELÉSE

Lásd 262-263. oldal.

1. Ügyeljen rá, hogy kivegye az akkumulátort a gépből. Viseljen védőkesztyűt.
2. Csavarja ki a láncfeszítő gombot, és távolítsa el a fogaskerék fedelét.
3. A fűrészláncnak a láncforgás irányába kell néznie. Ha az ellenkező irányban állnak, fordítsa ki a hurkot, amit csinált.
4. Helyezze a lánc meghajtó szemeket a láncvezető vágatba.

5. Helyezze a láncot olyan pozícióba, hogy hurkot formázzon a láncvezető mögött.
6. A láncvezetőn tartsa a helyén a láncot, és a hurkot tegye a hajtó fogaskerék köré. Engedje le a láncvezetőt, hogy a csavar átmenjen a szíjfeszítő szerelvényen található furaton. Előfordulhat, hogy el kell forgatnia a szerelvényt, hogy a furat a csavarhoz kerüljön. A szerelvényt tovább elforgatva megfeszítheti valamennyire a láncot, hogy a helyén maradjon.
7. Helyezze vissza a fogaskerék fedelét, és fordítsa el a láncfeszítő gombot, amíg szinte teljesen meg nem húzza, és fordítsa el a láncfeszesség beállítógyűrűt a lánc megfelelő mértékű megfeszítéséhez. Ezután nyomja felfelé a láncvezetőt. Ellenőrizze újra a lánc feszességét. Ne feszítse meg a láncot túl szorosra.
8. A lánc megfelelő megfeszítése után húzza meg újra a gombot.

### A LÁNCFESZESSÉG BEÁLLÍTÁSA

Lásd 263. oldal. Lásd 273. oldal.

1. Az óramutató járásával ellentétes irányba való elforgatással lazítsa meg kissé a láncfeszítő gombot.
2. A lánc feszességének növeléséhez forgassa el az óramutató járásának irányába a láncfeszítő beállítógyűrűt, közben folyamatosan ellenőrizze a lánc feszességét. A lánc feszességének csökkentéséhez forgassa el az óramutató járásával ellentétes irányba a láncfeszítő beállítógyűrűt, közben folyamatosan ellenőrizze a lánc feszességét.
3. A lánc feszessége akkor megfelelő, ha a láncvezető és a lánc vágószeme közötti hézag 3 és 4 mm között van. Húzza el a láncot a láncvezető alsó részének közepénél lefelé (el a láncvezetőtől), és mérje meg a láncvezető és a lánc vágószemei közötti távolságot.
4. Az óramutató járásának irányába elforgatva húzza meg a láncfeszítő gombot.

## HASZNÁLAT

### LÁNC KENŐOLAJ BETÖLTÉSE

Lásd 262. oldal.

### ▲ FIGYELMEZTETÉS

Ne dolgozzon lánc kenőanyag nélkül. Ha a fűrészlánc kenőanyag nélkül fut, a láncvezető és a fűrészlánc károsodhat. Ezért különösen fontos az olajsint gyakori ellenőrzése az olajsint nézőablakban, minden munkakezdés előtt.

1. A szennyeződés megelőzése érdekében tisztítsa meg az olajtartály fedele körüli területet.
2. Csavarja ki és távolítsa el az olajtartály fedelét.
3. Öntse be az olajat az olajtartályba, és figyelje az olaj nívópalcát. Ügyeljen rá, hogy az olaj betöltése közben semmilyen szennyeződés ne kerüljön az olajtartályba.
4. Tegye vissza az olajtartály fedelét, és húzza be. A kilöttyent olajat törölje le.
5. Egy tartály olaj a fűrész 20–40 perces működéséhez elegendő.

EN  
FR  
DE  
ES  
IT  
NL  
PT  
DA  
SV  
FI  
NO  
RU  
PL  
CS  
HU

RO  
LV  
LT  
ET  
HR  
SL  
SK  
BG  
UK  
TR





## Javasolt lánc kenőolaj

- A gyártó kizárólag Ryobi fűrészlánc kenőolaj használatát javasolja. (Ez a hivatalos Ryobi szervizközpontban szerezhető be)

## AZ AKKUMULÁTOR BEHELYEZÉSE

Lásd 263. oldal.

1. Tegye az akkumulátort a szerszámmra. Az akkumulátoron lévő kiemelkedő bordákat igazítsa a termék akkumulátornyílásában található vátatokba.
2. A gép üzemeltetése előtt ellenőrizze, hogy az akkumulátoron lévő retesz a helyére pattant, és az akkumulátor rögzítve van.

## A LÁNCFŰRÉS Z TARTÁSA

Lásd 263. oldal.

A láncfűrész t mindig jobb kézzel a hátsó fogantyút, bal kézzel pedig az elülső fogantyút fogva tartsa. Mindkét kezével fogja a fogantyúkat, a hüvelykujj és az ujjak öleljék körül a fogantyút. Ügyeljen rá, hogy a bal keze úgy legyen az elülső fogantyún, hogy a hüvelykujja alul van.

## A LÁNCFŰRÉS Z BEINDÍTÁSA

Lásd 263. oldal.

1. A használat megkezdése előtt helyezze be az akkumulátort a gépbe, és a láncfék kar/kézvédő elülső fogantyú felé húzásával ellenőrizze, hogy a láncfék futás állásban van.
2. A gép beindításához: húzza meg az indítóbillentyű kioldóját, majd nyomja meg az indítókapcsolót.

## A LÁNCFÉK ELLENŐRZÉSE ÉS MŰKÖDTETÉSE

1. Húzza be a láncfékét úgy, hogy a bal kezét elfordítja az elülső fogantyú körül. A keze hátsó részével nyomja meg a láncfék kart/kézvédőt a láncvezető felé, miközben a lánc gyorsan forog. Mindig tartsa mindkét kezét a fűrész fogantyúin.
2. Állítsa vissza Működési pozícióba a láncfékét úgy, hogy a láncfék kar/kézvédő tetejét az elülső fogantyú felé húzza addig, amíg egy kattanó hangot nem hall.

### ▲ FIGYELMEZTETÉS

Ha a láncfék azonnal nem állítja meg a láncot vagy a láncfék segítség nélkül nem marad működési pozícióban, akkor használat előtt javítás céljából vigye a fűrész t egy hivatalos szervizközpontba.

## SZÁLLÍTÁS ÉS TÁROLÁS

Lásd 275 - 276. oldal.

- Szállítás vagy tárolás előtt állítsa le a terméket, vegye ki az akkumulátort, és hagyja lehűlni a gépet.
- Minden idegen anyagtól tisztítsa meg a terméket. Hűvös, száraz és jól szellőztetett, gyerekektől elzárt helyiségben tárolja. Ne tárolja olyan oxidálószeres közelében, mint pl. kerti munkáknál használatos vegyszerek vagy jégmentesítő sók. Ne tárolja a szabadban.
- A gép eltávolítása előtt és szállítás során helyezze fel a láncvezető védőburkolatát.

- Szállításakor rögzítse a terméket elmozdulás és leesés ellen, hogy elkerülje a sérüléseket és a termék sérülését.

## KARBANTARTÁS

### ▲ FIGYELMEZTETÉS

Csak a gyártó eredeti cserealkatrészeit, tartozékait és szereléseit használja. Ennek figyelmen kívül hagyása gyenge motorteljesítményt, esetleges sérülést és a jótállás elvesztését okozhatja.

### ▲ FIGYELMEZTETÉS

szervizelés különös figyelmet és hozzáértést igényel, és csak szakképzett szerelő végezheti el. A szervizeléshez vigye el a terméket egy hivatalos szervizközpontba. Szervizeléskor csak eredeti, gyártó által előállított cserealkatrészeket használjon.

### ▲ FIGYELMEZTETÉS

Beállítás, karbantartás és tisztítás előtt vegye ki az akkumulátort. Ennek elmulasztása súlyos személyi sérülést eredményezhet.

- Ön csak a használati útmutatóban leírt beállításokat és javításokat végezheti el. További javításokért vagy tanácsért kérjen segítséget egy hivatalos szervizközpontban.
- A nem megfelelő karbantartás miatt előfordulhat, hogy a láncfék és más biztonsági funkciók nem működnek megfelelően, ami növeli a személyi sérülés kockázatát. A láncfűrész t tartsa szakszerűen karbantartott és biztonságos állapotban.
- A lánc biztonságos élezéséhez megfelelő gyakorlat szükséges. Ezért a gyártó kifejezetten javasolja, hogy az elkopott vagy éleetlen láncot egy újra cserélje le, amelyet egy hivatalos Ryobi szervizközpontban szerezhet be. Az alkatrészszám a kézikönyvnek a termék műszaki adatait ismertető részében található meg.
- Tartsa be a kenésre, és a láncfeszesség ellenőrzésre és a beállításra vonatkozó utasításokat.
- Minden egyes használat után egy puha, száraz ruhával tisztítsa meg a terméket.
- Gyakori időközönként ellenőrizze a csavaranyák, csavarok és fejecscsavarok megfelelő meghúzását, hogy a gép biztonságos üzemi állapotban legyen. A sérült alkatrészeket egy hivatalos szervizközpontban kell megjavíttatni vagy kicseréltetni.

## A LÁNCVEZETŐ ÉS A LÁNC CSERÉJE

Lásd 271 - 272. oldal.

1. Ügyeljen rá, hogy kivegye az akkumulátort a gépből. Viseljen védőkesztyűt.
2. Az óramutató járásával ellentétes irányba való elforgatással csavarja ki a láncfeszítő gombot, hogy a fogaskerék fedele meglazuljon.
3. Távolítsa el a fogaskerék fedelét. Távolítsa el







láncvezetőt és a fűrészláncot a gépről.

- A rudat úgy cserélheti le egy újra, ha a láncfeszítő szerkezet csavarját kiveszi. A láncfeszítő szerkezetet szerelje fel az új rúdra, és húzza meg a csavart.
- Tegye fel az új láncot a láncvezetőre a megfelelő irányba, és győződjön meg róla, hogy a lánc hajtószemei illeszkednek a láncvezető vajatába.
- Szerelje fel a láncvezetőt a láncfűrészre, és hurkolja át a láncot a meghajtó fogaskeréken.
- Tegye vissza a fogaskerék fedelét.
- Állítsa be a láncfeszességet. Lásd „A láncfeszesség beállítása” részt.

#### ⚠ FIGYELMEZTETÉS

A tompa vagy nem megfelelő élességű lánc a vágás során a motor túlzott fordulatszámát okozhatja, ami a motor súlyos károsodását eredményezheti.

#### ⚠ FIGYELMEZTETÉS

A lánc rossz élesítése növeli a megugrás veszélyét.

#### ⚠ FIGYELMEZTETÉS

Ha a sérült láncot nem cseréli ki, vagy nem javíttatja meg, súlyos testi sérülésekkel járó balesetnek teszi ki magát.

#### ⚠ FIGYELMEZTETÉS

A lánc nagyon éles. Hordjon mindig védőkesztyűt, amikor a karbantartást végzi.

### A LÁNCFÉK ÁTVIZSGÁLÁSA ÉS TISZTÍTÁSA

Lásd 274. oldal.

- A láncfék mechanizmust mindig tartsa tisztán, a rudazatról mindig távolítsa el a szennyeződések.
- Tisztítás után mindig tesztelje a láncfék teljesítményét. Lásd a jelen kézikönyv "Használat - Láncfék" c. részét további tájékozódás végett.

### KARBANTARTÁSI ÜTEMTERV

Napi ellenőrzés	
Láncvezető kenése	Minden használat előtt
Láncfeszesség	Minden használat előtt és rendszeresen
Lánc élessége	Minden használat előtt, vizuális ellenőrzés
Sérült alkatrészek	Minden használat előtt
Meglazult csavarok	Minden használat előtt
A láncfék működése	Minden használat előtt
Átvizsgálás és megtisztítás	
Láncvezető	Minden használat előtt

Teljes fűrész	Minden használat után
Láncfék	5 üzemóránként*

\*Üzemóránként

### SZIMBÓLUMOK A TERMÉKEN



Biztonsági figyelmeztetés



A termék használata előtt olvassa el és értse meg a kezelési útmutatóban leírtakat, és tartsa be az összes figyelmeztető és biztonsági utasítást.



Viseljen szem-, fül- és fejdődöt.



A termék használata közben csúszásmentes biztonsági lábbelit viseljen.



Viseljen nem csúszós, nehéz igénybevételre tervezett kesztyűt.



Figyeljen a láncfűrész visszarúgására, és kerülje az érintkezést a láncvezető végével.



Ne tegye ki esőnek, és ne használja nedves környezetben.



A láncfűrész két kezével fogja és használja.



Ne használja a láncfűrész egy kézzel tartva.



Ez a szerszám minden, a vásárlás európai uniós országában hatályos szabványnak megfelel.



Eurázsiai megfelelőségi jelzés



Ukrainai megfelelőségi nyilatkozat



A kiselejtezett elektromos termékeket nem szabad a háztartási hulladékkal együtt kidobni. Ezeket újra kell hasznosítani, ha van rá lehetőség. Az újrahasonosítással kapcsolatban érdeklődjön a helyi önkormányzatnál vagy a termék forgalmazójánál.



A garantált hangteljesítményszint 96 dB.



Láncvezető és lánc kenőanyag

EN  
FR  
DE  
ES  
IT  
NL  
PT  
DA  
SV  
FI  
NO  
RU  
PL  
CS  
HU  
RO  
LV  
LT  
ET  
HR  
SL  
SK  
BG  
UK  
TR







Minimális kenőanyagszint



Retesz



Szétnyitás



A láncféket állítsa a MŰKÖDÉS helyzetbe.



Forgassa el a láncfeszesség beállításához  
+ = Húzza meg a láncot  
- = Lazítsa meg a láncot



A láncféket állítsa a FÉKEZÉS helyzetbe.



A lánc mozgásiránya.  
(A fogaskerék fedele alatt van megjelölve)

$V_0$  : 10 m/s

Terhelés nélküli láncsebesség: 10 m/s

L max: 300mm

Láncvezető maximális hossza: 300 mm

## A KÉZIKÖNYVBEN HASZNÁLT SZIMBÓLUMOK



Külön értékesített alkatrészek és kiegészítők



Megjegyzés



Figyelem



Viseljen szem- és arcvédőt.



Viseljen felsőttestvédőt.



Viseljen lábvédőt.



Állítsa le a terméket.

A következő jelölőszavak és jelentések arra szolgálnak, hogy megmagyarázzák a termékkel kapcsolatos veszélyességi szinteket.

### ⚠ VESZÉLY

Egy bekövetkező veszélyes helyzetet jelez, ami, ha nem előzik meg, halált vagy komoly sérülést eredményez.

### ⚠ FIGYELMEZTETÉS

Egy potenciálisan bekövetkező veszélyes helyzetet jelez, amit, ha nem előznek meg, halált vagy komoly sérülést eredményezhet.

### ⚠ FIGYELEMFELHÍVÁS

Egy potenciálisan veszélyes helyzetet jelez, ami, ha nem előzik meg, kisebb vagy mérsékelt sérülést eredményezhet.

### FIGYELEMFELHÍVÁS

Biztonsági figyelmeztető szimbólum nélkül

Egy olyan helyzetet jelez, ami anyagi kárt eredményezhet.



Siguranța, performanța și fiabilitatea au constituit principalele noastre preocupări la proiectarea fierăstrăului dvs. electric fără fir.

### UTILIZARE PREVĂZUTĂ

Fierăstrăul electric fără fir este destinat doar utilizării în exterior. Pentru motive de siguranță, acest produs trebuie să fie controlat adecvat prin folosirea tot timpul a operațiunilor cu ambele mâini.

Produsul este proiectat să taie crengi, trunchiuri, buștenii și grinzi de un diametru determinat de lungimea de tăiere a barei de ghidare. Este permisă numai tăierea lemnului. Este folosit doar pentru operațiuni casnice de către un adult ce a primit instruirea necesară privind măsurile/acțiunile periculoase și de prevenire ce trebuie a fi luate în timpul folosirii fierăstrăului.

Nu folosiți produsul pentru niciun alt scop nemenționat mai sus. A nu se folosi pentru tăieri profesionale de copaci. Produsul nu trebuie folosit de copii sau persoane ce nu poartă echipamentul și hainele de protecție corespunzătoare.

#### ⚠️ AVERTISMENT

Atunci când utilizează produsul, normele de siguranță trebuie să fie respectate. Pentru siguranța dvs și a trecătorilor, trebuie să citiți și să înțelegeți pe deplin aceste instrucțiuni înainte de a opera produsul. Trebuie să urmați un curs profesional organizat de siguranță în folosirea, acțiunile preventive, de prim ajutor și întreținere a ferăstrăului cu lanț. Vă rugăm să păstrați instrucțiunile într-un loc sigur pentru utilizare ulterioară.

#### ⚠️ AVERTISMENT

Ferăstrăiele sunt scule potențial periculoase. Accidentele implicând folosirea ferăstrăielor adesea rezultă în pierderea unui membru sau deced. Nu este doar ferăstrăul principalul pericol. Crengile în cădere, prăbușirea copacilor, buștenii în rostogolire toți pot provoca moartea. Lemnăraia bolnavă sau putrezită reprezintă un pericol suplimentar. Trebuie să evaluați capacitatea dvs de a finaliza sarcină în siguranță. Dacă există orice îndoială, lăsați sarcina unui profesionist în chirurgie a copacilor.

### AVERTISMENTE GENERALE PRIVIND SIGURANȚA

#### ⚠️ AVERTISMENT

**Citiți toate avertismentele și instrucțiunile de siguranță.** Nerespectarea acestor avertismente și instrucțiuni poate conduce la șocuri electrice, incendii și/ sau accidente grave.

**Păstrați aceste avertismente și instrucțiuni, pentru a le putea consulta ulterior.**

Termenul de "unealtă electrică" folosit în avertismente se referă la unelte electrice alimentate de la rețea (cu cablu)

sau cu acumulator (fără cablu).

### MEDIUL DE LUCRU

- **Mențineți curată și bine iluminată zona de lucru.** Zonele dezordonate și întunecate prezintă pericol de accidente.
- **Nu operați cu unealta electrică în atmosfere explozive, precum în prezența lichidelor, gazelor sau a prafului inflamabil(e).** Unelele electrice creează scântei care pot aprinde praful sau vaporii.
- **Țineți copiii și persoanele din jur la distanță în timpul operării unei unelte electrice.** Distragerea atenției vă poate face să pierdeți controlul.

### SIGURANȚĂ ELECTRICĂ

- **Ștecărele uneltelor electrice trebuie să se potrivească cu priza. Nu modificați niciodată ștecărul în nici un fel. Nu folosiți niciodată adaptoare de ștecăr cu unelte electrice cu împământare.** Ștecărele nemodificate și prizele potrivite reduc riscul de electrocutare.
- **Evitați contactul corpului cu suprafețele conectate la împământare, precum țevi, radiatoare, reșouri, mașini de gătit și frigider.** Există un risc crescut de electrocutare când corpul dumneavoastră are contact cu împământarea.
- **Nu expuneți produsul la ploaie sau condiții de umiditate.** Apa care intră într-o unealtă electrică va crește riscul de electrocutare.
- **Nu forțați cablul. Nu trageți niciodată unealta electrică de cablul de alimentare pentru a o transporta, a o trage sau a scoate ștecărul din priză. Țineți cablul de alimentare departe de căldură, ulei, micii ascuțite sau piese în mișcare.** Cablurile deteriorate sau încurcate cresc riscul de electrocutare.
- **Atunci când lucrați cu o unealtă electrică în aer liber, folosiți un prelungitor adecvat pentru utilizarea în aer liber.** Folosirea unui prelungitor adecvat pentru utilizarea în aer liber reduce riscul de electrocutare.
- **În cazul în care operarea unei unelte electrice într-o zonă umedă nu poate fi evitată, folosiți o alimentare protejată cu un dispozitiv de curent rezidual (RCD).** Utilizarea unui RCD reduce riscul de electrocutare.

### SIGURANȚĂ PERSONALĂ

- **Fiți vigilenți, fiți atenți la ceea ce faceți, acționați cu simț practic când operați o unealtă electrică. Nu folosiți unealta electrică în timp ce sunteți oboseți sau sub influența drogurilor, a alcoolului sau a medicamentelor.** Un moment de neatenție în timpul operării uneltelor electrice poate cauza vătămare personală gravă.
- **Utilizați echipament personal de protecție. Purtați întotdeauna ochelari de protecție.** Echipamentele de protecție, precum masca de praf, încălțăminte de protecție antiderapantă, casca sau protecția auditivă, folosite în condiții adecvate, vor reduce riscul rănilor.
- **Prevenirea pornirii neintenționate. Asigurați-vă că comutatorul este în poziția oprit înainte deconectarea la sursa de alimentare și / sau la acumulator, ridicarea sau transportul uneltei.**





Transportarea uneltelor electrice cu degetul pe comutator sau punerea sub tensiune a uneltelor electrice care au comutatorul în poziția pornit predisune la accidente.

- **Îndepărtați orice cheie de reglare înainte de a porni unealta.** O cheie sau rămasă atașată de o piesă rotativă a unelei electrice poate cauza vătămări corporale.
- **Nu vă aplecați excesiv. În timpul operării dispozitivului, păstrați-vă în permanentă echilibrul și stabilitatea.** Acest lucru permite un mai bun control al unelei electrice în situații neașteptate.
- **Îmbrăcați-vă corespunzător. Nu purtați haine largi sau bijuterii. Mențineți părul, hainele și mănușile departe de piesele în mișcare.** Hainele largi, bijuteriile sau părul lung pot fi prinse de piesele aflate în mișcare.
- **Dacă sunt prevăzute dispozitive pentru conectarea facilităților de extracție și de colectare a prafului, asigurați-vă că acestea sunt conectate și folosite corect.** Utilizarea colectării prafului poate reduce riscurile legate de praf.

#### FOLOSIREA ȘI ÎNTREȚINEREA UNELEI ELECTRICE

- **Nu forțați produsul. Folosiți unealta electrică corectă pentru aplicație.** Unealta electrică corectă va funcționa mai bine și mai sigur la viteza pentru care a fost proiectată.
- **Nu folosiți unealta electrică dacă comutatorul nu o poate porni și opri.** Orice unealtă electrică, care nu poate fi controlată cu comutatorul este periculoasă și trebuie reparată.
- **Deconectați ștecărul de la sursa de alimentare și / sau acumulatorul de la unealta electrică înainte de a efectua orice reglaje, a schimba accesorii sau de a stoca unelte electrice.** Astfel de măsuri preventive de siguranță reduc riscul de pornire accidentală a unelei electrice.
- **Nu lăsați uneltele electrice la îndemâna copiilor și nu permiteți persoanelor nefamiliarizate cu unealta electrică sau cu aceste instrucțiuni să folosească unealta.** Uneltele electrice sunt periculoase în mâinile utilizatorilor neinstruiți.
- **Întrețineți uneltele electrice. Verificați alinierea sau lipirea pieselor în mișcare, spargerea pieselor, precum și orice altă stare care poate afecta funcționarea unelei electrice. Dacă este deteriorată, solicitați repararea unelei înainte de utilizare.** Multe accidente sunt cauzate de unelte electrice întreținute necorespunzător.
- **Păstrați uneltele de tăiere ascuțite și curate.** Uneltele de tăiere corect întreținute, cu muchii de tăiere ascuțite au o probabilitate mai redusă de lipire și sunt mai ușor de controlat.
- **Folosiți unealta electrică, accesoriile și burghiile etc. în conformitate cu aceste instrucțiuni, ținând cont de condițiile de lucru și de lucrarea care urmează să fie efectuată.** Utilizarea unelei electrice pentru alte operații decât cele preconizate poate duce la situații periculoase.

#### FOLOSIREA ȘI ÎNTREȚINEREA MAȘINII CU ACUMULATOR

- **Reîncărcați numai cu încărcătorul specificat de producător.** Un încărcător destinat unui anumit tip de acumulator este folosit la încărcarea altor acumulatori există pericolul de incendii.
- **Folosiți uneltele electrice numai cu acumulatorii indicați.** Utilizarea oricărui alți acumulatori poate crea un risc de vătămare și de incendiu.
- **Atunci când acumulatorul nu este în uz, păstrați-l departe de alte obiecte metalice, cum ar fi agrafe de birou, monede, chei, cuie, șuruburi sau alte obiecte metalice mici, care pot face o conexiune de la o bornă la alta.** Scurtcircuitarea bornelor bateriei poate provoca arsuri sau incendii.
- **Ca urmare a folosirii necorespunzătoare, din acumulator se poate scurge lichid; evitați contactul cu acesta. În cazul unui contact accidental, spălați cu apă. În cazul contactului cu ochii, consultați suplimentar un medicul.** Lichidul care iese din acumulator poate provoca iritații sau arsuri.

#### ÎNTREȚINERE

- **Solicitați efectuarea lucrărilor de service la unealta dvs. electrică numai de către o persoană calificată în reparații, folosind numai piese de schimb identice.** Acest lucru va garanta că siguranța unelei electrice este menținută.

#### AVERTIZĂRI GENERALE SUPLIMENTARE DE SIGURANȚĂ.

- Anumite regiuni au reglementări ce restricționează folosirea produsului. Pentru sfaturi întrebați autoritățile dvs. locale.
- Nu permiteți niciodată copiilor sau persoanelor care nu sunt familiarizate cu aceste instrucțiuni să utilizeze produsul. Reglementările locale pot restricționa vârsta operatorului.
- Asigurați-vă că înainte de fiecare folosire toate funcțiile de control și dispozitivele de siguranță funcționează corect. Nu folosiți produsul dacă întrerupătorul "oprit" nu oprește motorul.
- Atunci când utilizați produsul purtați dispozitive de protecție pentru ochi și urechi, bocanci și mănuși de lucru, precum și cască de protecție. Folosiți o mască de față dacă operațiunea implică și praf.
- Utilizarea antifoaanelor reduce capacitatea de auzi avertismente (alarme sau strigăte). Operatorul trebuie să fie foarte atent la ceea ce se întâmplă în zona de lucru.
- Mențineți sprijin ferm pe picioare și echilibru. Nu vă aplecați excesiv. Întinderea prea lungă poate rezulta în pierderea echilibrului și poate crește risc de recul.
- Nu purtați haine largi, pantaloni scurți sau bijuterii de niciun fel.
- Prindeți părul lung deasupra umerilor pentru a preveni prinderea lui de părțile în mișcare.
- Fiți atent la obiectele aruncate, în zbor sau în cădere. Țineți trecătorii, copiii și animalele de companie la 15 metri depărtare de zona de operare.





- Nu utilizați în condiții de iluminare necorespunzătoare. Operatorul necesită o panoramă clară a zonei de lucru pentru identificarea potențialelor pericole.
- Operarea de aparate similare în vecinătate crește atât riscul unei deteriorări a auzului cât și posibilitatea ca alte persoane să intre în zona dvs. de lucru.
- Țineți toate părțile corpului la distanță de orice piesă în mișcare.
- Inspectați aparatul înainte de fiecare folosire. Verificați ca toate comenzile să funcționeze corect inclusiv frâna lanțului. Verificați să nu existe cleme slăbite, asigurați-vă că toate apărătorile și mânerul sunt corespunzător și fix prinse. Înlocuiți toate piesele deteriorate înainte de utilizare.
- Nu modificați mașina în niciun fel sau să folosiți părți și accesorii ce nu sunt recomandate de către producător.
- **Când tăiați o creangă ce este sub tensiune fiți atent la faptul că revine brusc înapoi.** Atunci când tensiunea fibrelor de lemn sunt eliberate, creanga elastică poate să lovească operatorul și/sau să scape ferăstrăul de sub control.
- **Folosiți maximă atenție când tăiați tufișuri și puiet.** Materialul subțire ar putea prinde ferăstrăul și să se înfășoare în fața dvs sau să vă dezechilibreze.
- **Transportați ferăstrăul de mânerul frontal și nu în stare de funcționare și țineți-l ferit de corp. Atunci când transportați sau depozitați ferăstrăul montați întotdeauna apărătoarea barei de ghidare.** Manipularea corectă a ferăstrăului va reduce posibilitatea contactului accidental cu ferăstrăul în mișcare.
- **Urmați instrucțiunile privind lubrifierea, tensionarea lanțului și schimbării accesoriilor.** Lanțul tensionat sau lubrifiat necorespunzător poate fie să se rupă sau să crească posibilitatea de recul.
- **Mențineți mânerul uscat, curat și fără urme de ulei și vaselină.** Mânerul unsuros sau uleios este alunecos, cauzând pierderea controlului.
- **Tăiați doar lemn. Nu folosiți ferăstrăul pentru alte scopuri decât cel prevăzut. De exemplu, nu folosiți ferăstrăul cu lanț pentru tăierea plasticului, a zidăriei sau a materialelor de construcție ce nu sunt din lemn.** Folosirea ferăstrăului pentru operații diferite de cele prevăzute poate rezulta în situație periculoasă.

### ⚠ AVERTISMENT

Dacă produsul este scăpat, suferă un impact dur sau începe să vibreze anormal, opriți imediat produsul și inspectați dacă este deteriorat sau identificați cauza vibrației. Orice deteriorare trebuie reparată corespunzător sau înlocuită la un centru service autorizat.

### AVERTIZĂRI DE SIGURANȚĂ ASUPRA FERĂSTRĂULUI CU LANȚ.

- **Țineți ferite toate părțile corpului de ferăstrăul cu lanț atunci când el este în funcțiune. Înainte de a porni ferăstrăul cu lanț, asigurați-vă că lanțul nu vine în contact cu nimic.** Un moment de neatenție în timpul operării ferăstrăului cu lanț ar putea cauza prinderea hainelor sau a corpului dvs la ferăstrăul cu lanț.
- **Țineți întotdeauna ferăstrăul cu mâna dreaptă de mânerul posterior și cu mâna stângă de mânerul din față.** Ținerea ferăstrăului cu o configurație inversă a mâinilor crește riscul vătămării personale și nu trebuie niciodată ținute așa.
- **Țineți scula de putere doar de suprafața de prindere izolată, întrucât ferăstrăul ar putea intra în contact cu fire electrice ascunse.** Ferăstraiele cu lanț ce vin în contact cu fire electrice sub tensiune ar putea face expuse piesele de metal ale sculei electrice "la tensiune" și poate electrocuta operatorul.
- **Purtați ochelari de protecție și protecție pentru auz. Echipament de protecție suplimentar pentru cap, mâini, picioare și laba piciorului este recomandat.** Hainele de protecție corespunzătoare vor reduce vătămarea personală de resturile aruncate sau de contactul accidental cu ferăstrăul cu lanț.
- **Nu operați ferăstrăul urcat în copac.** Operarea ferăstrăului cu lanț suit în copac poate rezulta în vătămare personală.
- **Mențineți întotdeauna o poziție sigură și operați ferăstrăul cu lanț doar când stați pe o suprafață fixă, sigură și dreaptă.** Suprafețele alunecoase sau nesigure precum scările mobile pot cauza pierderea echilibrului sau a controlului ferăstrăului.

### Cauzele și prevenirea operatorului de recul:

Se poate produce un recul dacă extremitatea ghidului lanțului intră în contact cu un obiect sau dacă lanțul ferăstrăului se agață și se blochează în lemn în timpul tăierii.

Contactul cu vârful în anumite cazuri poate cauza o reacție bruscă înapoi, ridicarea/bascularea barei de ghidare și darea înapoi înspre operator.

Agățarea lanțului de ferăstrău de-a lungul părții superioare a lamei de ghidare poate împinge lama de ghidare rapid înapoi spre operator.

În fiecare din aceste cazuri, puteți pierde controlul ferăstrăului cu lanț și să fiți rănit grav. Nu vă bazați exclusiv pe elementele de protecție ale ferăstrăului cu lanț. Și dumneavoastră trebuie să luați diverse măsuri pentru a evita riscurile de accidente sau de rănire.

Recul este rezultatul folosirii incorecte și/sau procedurii sau condițiilor incorecte de operare a sculei și poate fi evitat luând măsurile de precauție corecte așa cum sunt date mai jos:

- **Mențineți o prindere fermă, cu degetul mare și degetele înconjurând mânerul ferăstrăului, cu ambele mâini pe ferăstrău și poziția corpului și a brațelor să vă permită să rezistați forțelor reculului.** Forțele de recul pot fi controlate de operator, dacă măsurile de precauție corespunzătoare sunt luate. Nu dați drumul ferăstrăului.
- **Nu vă întindeți prea mult și nu tăiați deasupra înălțimii umerilor.** Acest lucru previne contactul neintenționat cu vârful și permite un mai bun control al ferăstrăului în situații neașteptate.





- **Folosiți doar bară de schimb și lanțuri specificate de către producător.** Bările de schimb și lanțurile necorespunzătoare pot cauza ruperea lanțului și/sau recul.
- **Respectați instrucțiunile producătorului pentru ascuțirea și întreținerea lanțului.** Scăderea înălțimii etalonului adâncimii de tăiere poate duce la un recul crescut.

#### AVERTIZĂRI DE SIGURANȚĂ SUPLIMENTARĂ PRIVIND FERĂSTRĂUL CU LANȚ

- Este recomandat să tăiați bușteni pe o capră sau un cadru când operați produsul pentru prima dată.
- Asigurați-vă că toate apărătorile, mânerele și amortizoarele în formă ascuțită sunt corespunzător montate și se află în stare bună.
- Persoanele ce folosesc acest ferăstrău trebuie să aibă o stare de sănătate bună. Produsul este unul greu așa încât operatorul trebuie să aibă o condiție fizică bună. Operatorul trebuie să fie prevăzător, să aibă o vedere, mobilitate și echilibru bun și o dexteritate manuală. Dacă există vreo nelămurire, nu operați ferăstrăul cu lanț.
- Nu porniți produsul până când nu aveți o zonă de lucru curată, o poziție sigură, și o cale de retragere planificată față de copacul în cădere.
- Fiți atent la emisiile de gaze de lubrifiere și pulberea ferăstrăului. Purtați o mască sau mască protectoare dacă e necesar.
- Nu tăiați lujeri și/sau arboret mic (mai mic de 75 mm în diametru)
- Țineți întotdeauna ferăstrăul cu ambele mâini când îl operați. Țineți bine ferăstrăul, cu degetele cuprinzând mânerele. Mâna dreaptă trebuie să fie pe mânerul posterior și mâna stângă pe mânerul frontal.
- Înainte de a porni echipamentul, asigurați-vă că ferăstrăul nu vine în contact cu niciun obiect.
- Nu modificați scula în niciun fel sau să o folosiți pentru a alimenta orice alte accesorii sau dispozitive nerecomandate de către producător pentru ferăstrăul dvs.
- Trebuie să existe o cutie de prim ajutor conținând un pansament mare și mijloace de atragere a atenției (de exemplu un fluier) aproape de operator. O cutie mai mare și mai cuprinzătoare trebuie în mod normal să existe în apropiere.
- Operatorul ar putea fi tentat să renunțe la casca de protecție dacă nu există pericol de cădere a obiectelor din zona de lucru, dar rețineți că această cască, în special cea cu vizieră lată, poate reduce riscul unei potențiale vătămări a feței sau a capului dacă are loc un recul.
- Un lanț incorect tensionat poate să sară de pe bara de ghidare și poate cauza vătămare gravă sau deces. Lungimea lanțului depinde de temperatură. Verificați frecvent tensiunea lanțului.
- Trebuie să vă obișnuiți cu noul dvs ferăstrău cu lanț prin efectuarea de tăieri simple pe un lemn prin fix. Daceți acest lucru oricând nu ați operat ferăstrăul o bucată de timp.

- Pentru a reduce riscul de vătămare asociat cu contactul părților mobile, opriți întotdeauna motorul, aplicați frâna pentru lanț, scoateți acumulatorul și asigurați-vă că toate piesele în mișcare s-au oprit complet, înainte de:
  - curățarea sau eliminarea unui blocaj
  - lăsarea produsului fără supraveghere
  - instalarea sau îndepărtarea atașamentelor/ accesorilor
  - verificarea, întreținerea sau lucrul cu mașina
- Suprafața zonei de lucru depinde de sarcina care trebuie realizată, în aceeași măsură cu mărimea copacului sau a piesei de prelucrat. De exemplu, pentru a doborî un copac e necesară o zonă mai mare de lucru decât pentru a face alte tăieri, de ex. tăieri mici, etc. Operatorul trebuie să fie conștient și să aibă controlul la tot ce se întâmplă în această zonă de lucru.
- Nu tăiați având corpul dvs în linie cu bara de ghidare și cu lanțul. Dacă aveți parte de reculuri aceasta vă va ajuta să preveniți ca lanțul să vină în contact cu capul sau corpul dvs.
- Nu folosiți o mișcare de tăiere în față și înapoi, lăsați lanțul să facă treaba, mențineți lanțul ascuțit și nu încercați să împingeți lanțul în porțiunea tăiată.
- Nu exercitați presiune asupra ferăstrăului la terminarea tăierii. Fiți gata să preluați din greutatea ferăstrăului pe măsură ce tăietura în lemn este aproape gata. În caz contrar, pot rezulta vătămări corporale grave.
- Nu opriți ferăstrăul în mijlocul operațiunii de tăiere. Mențineți ferăstrăul în funcțiune până când este eliberat prin finalizarea tăierii.

#### Împingerea și tracțiunea

Forța de reacție se exercită întotdeauna în direcția opusă sensului de rotație al lanțului. Astfel, operatorul trebuie să fie pregătit să controleze tendința aparatului de a împinge înainte (mișcare în față) atunci când tăiați la marginea de jos a barei și de a împinge în spate (cître operator) atunci când tăierea este de-a lungul marginii de sus.

#### Ferăstrăul bolcat în tăietură.

Opriti ferăstrăul și faceți-l sigur. Nu încercați să forțați lanțul și bara să iasă din tăietură întrucât e foarte probabil ca lanțul să se rupă și ar putea să balanseze înapoi și să lovească operatorul. Această situație în mod normal se întâmplă pentru că lemnul este necorespunzător sprijinit și forțează tăietură să se închidă sub compresie, ca urmare să strângă lama. Dacă reglarea sprijinului nu eliberează bara și lanțul, folosiți pene de lemn sau un levier pentru a deschide tăietura și a elibera ferăstrăul. Nu încercați niciodată să porniți ferăstrăul când bara de ghidare este deja în tăietură sau secțiunea tăiată.

#### Echipament personal de protecție.

Echipamentul personal de protecție de o bună calitate ca cel folosit de profesioniști va ajuta la reducerea riscului de vătămare a operatorului. Următoarele articole trebuie folosite când operați ferăstrăul dvs cu lanț:

#### Cască de protecție

- trebuie să fie în conformitate cu EN 397 și marcată CE







### Protecție a auzului

- trebuie să fie în conformitate cu EN 352-1 și marcată CE

### Protecția ochilor și a feței

- trebuie să fie marcată CE și să fie în conformitate cu EN 166 (pentru ochelarii de protecție) sau EN 1731 (pentru viziere)

### Mănuși

- trebuie să fie în conformitate cu EN381-7 și marcată CE

### Protecție a picioarelor (ghete de piele)

- trebuie să fie în conformitate cu EN 381-5, să fie marcat CE și să ofere protecție generală

### Ghete de protecție pentru ferăstrăul cu lanț

- trebuie să fie în conformitate cu EN ISO 20345:2004, să fie marcat cu o apărătoare înfățișând un ferăstrău cu lanț pentru a arătat conformitatea cu EN 381-3. (Utilizatorii ocazionali pot să folosească ghete de protecție cu bombeu metalic de protecție a degetelor piciorului cu jambiere de protecție ce sunt conforme cu EN381-9 dacă solul este drept și există un risc scăzut de a face pași greșiți sau să fiți prinși de arbuști)

### Geci pentru protecția superioară a corpului împotriva ferăstrăului

- trebuie să fie în conformitate cu EN 381-11 și marcată CE

## INSTRUCȚIUNI CU PRIVIRE LA TEHNICILE CORESPUNZĂTOARE PENTRU DOBORĂREA, TĂIEREA CRENGILOR ȘI A TĂIERII TRANSVERSALE.

### Înțelegerea forțelor din interiorul lemnului

Atunci când înțelegeți presiunile direcționale și solicitările din interiorul lemnului puteți reduce "strângerea" lemnului sau cel puțin vă așteptați la ea în timpul tăierii. Tensiunea în interiorul lemnului înseamnă că fibrele sunt trase la o parte și dacă tăiați în această zonă "tăietura" va tinde să se deschidă pe măsură ce ferăstrăul înaintează. Dacă un buștean este sprijinit pe o capră iar capătul bușteanului atârnă nesprrijinit atunci tensiunea este creată pe suprafața superioară datorită greutateii bușteanului ce întinde fibrele lemnului. Tot așa, partea dedesubt a bușteanului va fi strânsă/comprimată și fibrele vor fi împinse împreună. Dacă o tăietură este făcută în această zonă, partea tăiată va avea tendința să se închidă în timpul tăierii. Aceasta ar putea prinde lama.

### Doborârea unui copac.

Vezi pagina 267 - 268.

Atunci când sunt îndeplinite operațiuni de tăiere sau doborâre a copacilor simultan de către două sau mai multe persoane, operațiunea de doborâre trebuie să fie separată de cea de tăiere la o distanță de cel puțin două ori înălțimea copacului ce vine doborât. Copacii trebuie doborâți în așa fel încât să nu pună în pericol nicio persoană, să nu lovească nicio linie de serviciu public sau să cauzeze orice distrugere a proprietății. În cazul în care copacul face contact cu o linie de serviciu public, compania trebuie să fie notificată imediat.

Dacă terenul este în pantă, stați întotdeauna în partea de

sus a terenului deoarece copacul riscă să se rostogolească sau să alunece în josul pantei după ce este tăiat.

O cale de retragere trebuie întotdeauna planificată și eliberată necesar înainte ca operațiunile de tăiere să înceapă. Calea de retragere trebuie să se înapoi și în diagonală în spatele liniei prevăzute de cădere a copacului. Înainte ca doborârea să aibă loc, luați în considerare înclinarea naturală a copacului, localizarea crengilor mai mari și a direcției vântului pentru a judeca felul în care copacul va cădea.

Îndepărtați noroiul, coaja ce stă să se desprindă, cuiele, cârligele și firele din copac.

Nu încercați să doboâți copaci ce sunt putreziți sau au fost deteriorați de vânt, incendiu sau fulgere etc. Este extrem de periculos și trebuie efectuată această operațiune doar de către persoane profesioniste în doborârea copacilor.

#### 1. Tăietura la trunchi

Vezi pagina 267 - 268.

Faceți o tăietură de 1/3 din diametrul copacului perpendiculară pe direcția de cădere. Faceți mai întâi tăietura orizontală la bază. Acest lucru va ajuta la prevenirea prinderii fie a ferăstrăului sau a barei de ghidare atunci când a doua tăietură este făcută.

#### 2. Tăierea finală de doborâre

Vezi pagina 267 - 268.

Faceți tăietura de doborâre la cel puțin 50 mm/2 inci mai sus decât tăietura orizontală de doborâre. Faceți tăietura de doborâre paralelă cu tăietura orizontală. Faceți tăietura de doborâre în așa fel încât să rămână suficient lemn care să acționeze ca o balama. Balamaua de lemn menține copacul să nu se răsucescă și să cadă în direcția greșită. Nu tăiați prin balamaua de lemn. Pe măsură ce căderea se apropie de balamaua de lemn, copacul ar trebui să înceapă să cadă. Dacă există vreo posibilitate ca direcția de cădere a copacului să fie una greșită sau să balanseze înapoi și să înțepenească ferăstrăul, opriți tăierea înainte ca tăietura de doborâre să fie completă și folosiți pene de lemn, plastic sau aluminiu pentru a deschide tăietura și să cadă copacul de-a lungul liniei de cădere dorite.

Atunci când copacul începe să cadă îndepărtați ferăstrăul din tăietură, opriți motorul, puneți ferăstrăul jos, apoi retrageți-vă pe calea de retragere planificată. Fiți atent la căderea crengilor de deasupra capului și priviți unde pașiți.

### Tăierea rădăcinilor de contrafort

Vezi pagina 268.

O rădăcină de contrafort este o rădăcină groasă care pleacă de la trunchiul copacului până la sol. Tăiați rădăcinile groase înainte de a începe doborârea. Efectuați mai întâi o tăietură orizontală în rădăcină, apoi o tăietură verticală. Degajați partea tăiată astfel din zona de lucru. Procedați la doborâre după ce ați îndepărtat rădăcinile de contrafort.

### Debitarea unui buștean la dimensiune

Vezi pagina 269.

Debitarea este tăierea unui buștean la dimensiune. Este important să vă asigurați că poziția dvs este fermă și că greutatea dvs este egal distribuită pe ambele picioare.







Atunci când e posibil, bușteanul trebuie să fie ridicat și sprijinit prin folosirea crengilor, a butucilor sau a proptelei. Urmăți instrucțiunile simple pentru o tăiere ușoară. Atunci când bușteanul este sprijinit pe întreaga sa lungime, este tăiat din partea de sus (tăiere de deasupra)

Când bușteanul este sprijinit la un capăt, tăiați 1/3 din diametru pornind de dedesubt (tăiere de dedesubt). Apoi faceți tăietura finală prin tăiere de deasupra pentru a vă întâlni cu prima tăietură.

Atunci când bușteanul este sprijinit la ambele capete, tăiați 1/3 din diametru cu o tăiere de sus (tăiere de deasupra) Apoi faceți tăietura finală prin tăiere de dedesubt cam 2/3 pentru a vă întâlni cu prima tăietură.

Atunci când debitați bușteanul în pantă stați mereu pe partea de sus a bușteanului. Atunci când faceți o "tăiere completă" pentru a menține complet controlul ferăstrăului eliberați presiunea de tăierea aproape de finalizarea tăierii fără relaxa prinderea fermă a mânerelor ferăstrăului. Nu lăsați lanțul să vină în contact cu solul. După ce tăierea este finalizată, așteptați ca ferăstrăul să se oprească înainte de a-l muta. Opriti întotdeauna motorul înainte de a vă muta de la un copac la altul.

### Tăierea crengilor unui copac

Vezi pagina 270.

Tăierea crengilor reprezintă îndepărtarea crengilor unui copac doborât. Atunci când tăiați crengile lăsați crengile de jos să sprijine bușteanul de sol. Îndepărtarea crengilor mici dintr-o singură tăiere. Crengile tensionate trebuie să fie tăiate de la fund în sus pentru a evita înțepenirea ferăstrăului.

### Tijă de suspensie a arcului

Vezi pagina 270.

O prăjină este o ramură, o buturugă dezrădăcinată sau un arbust care este înțoi de o altă bucată de lemn, astfel încât aceasta se destinde brusc atunci când o tăiați sau când îndepărtați bucata de lemn care o reține.

Buturuga dezrădăcinată a unui copac doborât riscă să se destindă și să revină în poziție verticală în timpul tăierii pentru a o separa de trunchi. Fiți atenți la prăjini, acestea sunt periculoase.

### ⚠ AVERTISMENT

Prăjinile sunt periculoase pentru că vă pot lovi și să vă facă să pierdeți controlul ferăstrăului cu lanț. Ceea ce poate provoca răni grave sau mortale. Această operațiune trebuie îndeplinită de utilizatori instruiți.

### RISCURI REZIDUALE

Chiar dacă produsul este folosit așa cum a fost prescris, este totuși imposibil să se elimine complet anumiți factori de risc reziduali. Următoarele pericole pot apărea în timpul folosirii și operatorul trebuie să acorde atenție specială pentru a evita următoarele:

- Vătămare cauzată de vibrație
  - Folosiți întotdeauna aparatul potrivit pentru sarcină, folosiți mânerele prevăzute și restricționați timpul de lucru și expunerea.

- Expunerea la zgomot poate cauza vătămarea auzului.
  - Purtați protecție pentru auz și limitați expunerea.
- vătămare de la contactul cu dinții expuși ai ferăstrăului
- vătămare cauzată de părțile aruncate ale piesei de lucru (așchii sau fragmente de lemn)
- Vătămarea cauzată de inhalarea de praf sau particule.
- vătămare cauzată prin contactul cu pielea a lubrifiantului sau uleiului
- Părți proiectate de ferăstrău (pericole la tăiere/injectare)
- Mișcare neprevăzută, abruptă sau recul al lanțului de ghidare (pericole de tăiere).

### REDUCEREA RISCULUI

S-a raportat faptul că vibrațiile produse de unelele manuale pot contribui, la anumite persoane, la o afecțiune denumită Sindromul Raynaud. Simptomele pot include furnicături, amorțeală și albirea degetelor, care apare, de obicei, după expunerea la frig. Factori ereditari, expunerea la frig și umiditate, dieta, fumatul și practicile de muncă contribuie la dezvoltarea acestor simptome. Există măsurător care pot fi efectuate de către operator pentru a reduce efectele de vibrațiilor:

- Păstrați-vă temperatura corporală ridicată pe vreme rece. Când operați unitatea purtați mănuși pentru a vă menține mâinile și încheieturile la căldură. S-a constatat că vremea rece este un factor major care contribuie la sindromul Raynaud.
- După fiecare perioadă de operare, trebuie făcute exerciții pentru a crește circulația sângelui.
- Trebuie făcute pauze la intervale de timp regulate. Limitați expunerea zilnică.
- Mănușile de protecție disponibile la magazinele profesionale de ferăstraie sunt proiectate în mod special pentru a folosi ferăstrăului și care oferă protecție, o priză bună și reduc riscul de vibrație a mânerelor. Aceste mănuși trebuie să fie în conformitate cu EN381-7 și trebuie să fie marcate CE.

Dacă sunt experimentate oricare dintre simptomele acestei afecțiuni, trebuie întreruptă utilizarea și consultat un medic.

### ⚠ AVERTISMENT

Pot fi cauzate sau agravate vătămările de la folosirea prelungită a aparatului. Atunci când folosiți o sculă pentru perioade prelungite, asigurați-vă că luați pauze regulate.

### CUNOAȘTEȚI-VĂ PRODUSUL

Vezi pagina 261.

1. Apărătoarea-mâinii din față/frâna lanțului
2. Mâner anterior
3. Mânerul principal
4. Lanțul ferăstrăului
5. Ghidul lanțului
6. Știftul amortizor
7. Bușonul rezervorului de ulei
8. Butonul de deblocare a trăgaciului
9. Declanșator comutator



10. Apărătoare roată lanț
11. Inel de reglare a tensiunii lanțului
12. Buton rotativ de tensionare a lanțului
13. Apărătoare bară de ghidare
14. Dispozitiv de prindere a lanțului

## DISPOZITIVE DE SIGURANȚĂ

### Lanț cu tendință redusă de recul

Un ferăstrău cu recul redus ajută la reducerea posibilității unui eveniment de recul.

Limitatorii de adâncime situați în fața fiecărui dinte pot reduce forța efectului de recul evitând ca dinții să pătrundă prea adânc în zona de recul. Folosiți doar bară de ghidare și combinații de lanț de schimb recomandate de producător.

Fiiți și mai vigilenți după ce ați ascuțit lanțul ferăstrăului, deoarece ascuțirea face ca lanțul să fie mai puțin rezistent la recul. Pentru siguranța dvs, înlocuiți lanțul ferăstrăului atunci când performanța tăierii scade

### Știftul amortizor

Știftul integral amortizor poate fi folosit ca articulație atunci când se execută o tăiere. Vă ajută să țineți corpul ferăstrăului stabil în timp ce tăiați. Atunci când tăiați, împingeți în față aparatul până când dinții ferăstrăului creștează în marginea lemnului, apoi mișcând mânerul posterior în sus și în jos în direcția liniei de tăiere poate ajuta la ușurarea solicitării fizice ale tăierii.

### Ghidul de lanț

În general, barele de ghidare cu rază mică a vârfului au o aercurm un potențial mai scăzut de recul. Trebuie să folosiți o bară de ghidare și un lanț potrivit care este îndeajuns de lung pentru lucrare. Barele mai lungi cresc riscul de pierdere a controlului în timpul tăierii. Verificați regulat tensiunea lanțului. Atunci când tăiați crengi mai mici (mai mici decât lungimea totală a barei de ghidare) lanțul este foarte probabil să fie aruncat dacă tensiunea lui nu este corectă.

### Frâna lanțului

Frâna lanțului a fost concepută pentru a permite oprirea rapidă a lanțului din rotație. Lanțul trebuie să se oprească imediat atunci când mânerul frânei/apărătoarei mâinii este împins în față. Frâna lanțului nu împiedică efectul de recul. Doar scade riscul de vătămare dacă bara cu lanț vine în contact cu corpul operatorului în timpul unui eveniment de recul. Frâna lanțului trebuie să fie testată înainte de fiecare folosire pentru o corectă operare atât în poziția de funcționare cât și în poziția frână.

### Dispozitiv de prindere a lanțului

Protecția de lanț împiedică proiectarea lanțului în spate, către utilizator, în cazul în care lanțul se rupe sau se desprinde de pe fierăstrău.

## MONTARE

### ⚠ AVERTISMENT

Dacă orice piesă este deteriorată sau lipsă nu operați acest produs până când piesele nu sunt înlocuite. Nerespectarea acestei avertizări poate provoca vătămări corporale grave.

## ASAMBLAREA LANȚULUI FERĂSTRĂULUI ȘI A BAREI DE GHIDARE.

Vezi pagina 262 - 263.

1. Asigurați-vă că îndepărtați acumulatorul din unitate. Purgați mânuși de protecție.
2. Deșurubați butonul rotativ al tensionării lanțului și îndepărtați apărătoarea/capacul roții lanțului.
3. Lanțul ferăstrăului trebuie să fie în direcția rotirii lanțului. Dacă ele sunt orientate în sens invers, întoarceți bucla pe care ați format-o.
4. Așezați zalele de antrenare a lanțului în canalul lamei.
5. Poziționați lanțul astfel încât să formeze o buclă în partea din spate a ghidului.
6. Țineți lanțul în poziție pe bară și puneți bucla lanțului în jurul roții dințate a lanțului. Coborâți bara în așa fel încât șurubul să treacă prin gaura ansamblului de tensionare a lanțului atașat. Ar putea fi nevoie să rotiți acest ansamblu pentru ca șurubul și gaura să se alinieze. Puteți roti acest ansamblu din nou pentru a aplica o certă tensiune lanțului ceea ce-l va ajuta să rămână țină la locul lui.
7. Scoateți capacul roții dințate și rotiți butonul rotativ de tensionare a lanțului până când e aproape strâns, rotiți inelul de reglare a tensiunii lanțului până când lanțul ferăstrăului este tensionat corespunzător. Bara de ghidare trebuie să fie împinsă în sus. Verificați tensiunea lanțului din nou. Nu tensionați prea strâns lanțul.
8. După ce lanțul este bine tensionat, strângeți butonul rotativ din nou.

## REGLAREA TENSIUNII LANȚULUI

Vezi pagina 263. Vezi pagina 273.

1. Slăbiți butonul rotativ de tensionare a lanțului rotindu-l ușor în sens invers acelor de ceas.
2. Pentru a crește tensiunea lanțului, rotiți inelul de reglare a tensiunii lanțului în sensul acelor de ceas și verificați frecvent tensiunea lanțului. Pentru a reduce tensiunea lanțului, rotiți inelul de reglare a tensiunii lanțului în sens invers acelor de ceas și verificați frecvent tensiunea lanțului.
3. Tensiunea lanțului este corectă atunci când spațiul dintre dinții lanțului și bară este între 3 și 4 mm. Trageți lanțul la mijlocul marginii inferioare a barei (în afara barei) și măsurați distanța dintre bară și dinții lanțului.
4. Strângeți butonul rotativ de tensionare a lanțului rotindu-l în sensul acelor de ceas.

## UTILIZARE

### ADĂUGAREA DE ULEI LUBRIFIANT PENTRU LANȚ

Vezi pagina 262.

EN

FR

DE

ES

IT

NL

PT

DA

SV

FI

NO

RU

PL

CS

HU

RO

LV

LT

ET

HR

SL

SK

BG

UK

TR

### ⚠️ AVERTISMENT

Nu lucrați niciodată fără lubrifiant pentru lanț. Dacă ferăstrăul cu lanț funcționează fără lubrifiant, bara de ghidare și lanțul ferăstrăului pot fi deteriorate. Este așadar esențial să verificați frecvent nivelul uleiului la indicatorul de nivel de ulei și de fiecare dată înainte de a începe să folosiți ferăstrăul.

1. Curățați suprafața din jurul capacului de ulei pentru a preveni murdărirea.
2. Deșurubați și îndepărtați capacul de la rezervorul de ulei.
3. Turnați ulei în rezervorul de ulei și monitorizați indicatorul de nivel al uleiului. Asigurați-vă că nu intră murdărie în rezervorul de ulei când turnați ulei.
4. Puneți înapoi capacul de ulei și strângeți-l. Ștergeți orice scurgere.
5. Un rezervor de ulei plin vă permite să folosiți ferăstrăul timp de 20-40 de minute.

### Ulei recomandat de lubrifiere a lanțului

- Producătorul recomandă să folosiți doar ulei de ungere pentru ferăstrău de la Ryobi. (Disponibil la centrul dvs service autorizat Ryobi.)

### INSTALAREA ACUMULATORULUI

Vezi pagina 263.

1. Plasați acumulatorul pe sculă. Aliniați nervurile de pe acumulator cu canelurile din locașul pentru acumulator al produsului.
2. Înainte de utilizare, asigurați-vă că siguranțele de fixare ale acumulatorului intră în locașurile corespunzătoare, iar bateria este fixată ferm pe produs.

### ȚINEREA FERĂSTRĂULUI

Vezi pagina 263.

Țineți întotdeauna ferăstrăul cu mâna dreaptă de mânerul posterior și cu mâna stângă de mânerul din față. Prindeți ambele mâneruri cu degetul mare și degetele încercuind mânerurile. Asigurați-vă că mâna dvs stângă prinde mânerul frontal în așa încât degetul mare să fie dedesubt.

### PORNIREA FERĂSTRĂULUI CU LANȚ

Vezi pagina 263.

1. Înainte de a începe să lucrați cu ferăstrăul, trebuie să instalați acumulatorul în aparat și asigurați-vă că frâna lanțului este în poziția pornit trăgând levierul frânei lanțului/apărătoarea mâinii înspre mânerul frontal.
2. Pentru a porni aparatul: trage siguranța trăgaciului, apoi apasă trăgaciul.

### VERIFICAREA ȘI OPERAREA FRÂNEI LANȚULUI.

1. Angajați frâna lanțului rotind mâna stângă în jurul mânerului frontal. Folosind dosul palmei, împingeți levierul frânei lanțului/apărătoarea mâinii înspre bară în timp ce lanțul se rotește cu rapiditate. Asigurați-vă că permanent țineți ambele mâini pe mânerurile ferăstrăului.
2. Restabiliți înapoi frâna lanțului în poziția Funcționare apucând partea de sus a levierului frânei lanțului/apărătoarea mâinii și trăgând înspre mânerul frontal până când auziți un clic.

### ⚠️ AVERTISMENT

Dacă frâna lanțului nu oprește lanțul imediat, sau dacă frâna nu stă în poziția regim de funcționare fără asistență, duceți drujba la un centru service autorizat pentru a fi reparată înainte de a o folosi din nou.

### TRANSPORTAREA ȘI DEPOZITAREA

Vezi pagina 275 - 276.

- Opriți produsul, îndepărtați bateria și lăsați-l să se răcească înainte de depozitare sau transportare.
- Curățați toate materialele străine din produs. Depozitați-l într-un loc răcoros, uscat și bine aerisit ce este inaccesibil copiilor. Nu-l depozitați în apropiere de agenți corozivi cum ar fi produși chimici de grădinarit sau săruri antigel. Nu depozitați în aer liber.
- Potrivii apărătoarea barei de ghidare înainte de a depozita produsul sau în timpul transportării lui.
- Pentru transportare, fixați produsul împotriva mișcării sau căderii pentru a preveni vătămarea persoanelor sau deteriorarea produsului.

### ÎNȚREȚINEREA

#### ⚠️ AVERTISMENT

Folosiți doar piese de schimb, accesorii și atasamente originale ale producătorului Neurmarea acestora poate cauza posibilă vătămare, slaba funcționare și ar putea anula garanția.

#### ⚠️ AVERTISMENT

Service-ul necesită atenție și cunoștințe deosebite și trebuie îndeplinit doar de către un tehnician service calificat. Pentru service, duceți produsul la un centru service autorizat. La efectuarea serviciului, folosiți doar piese de schimb originale ale producătorului.

#### ⚠️ AVERTISMENT

Îndepărtați acumulatorul înainte de orice lucrare de reglare, întreținere sau curățare. Neîndeplinirea acestui lucru poate rezulta în vătămare personală gravă.

- Puteți face doar reglajele sau reparațiile descrise în acest manual. Pentru alte reparații sau sfaturi, căutați asistență din partea unui centru service autorizat.
- Consecințele unei întrețineri incorecte poate cauza ca frâna lanțului și alte caracteristici de siguranță să nu funcționeze corect, ca urmare crește potențialul unei vătămări grave. Păstrați ferăstrăul întreținut profesionist și în siguranță.
- Ascuțirea lanțului în siguranță este o sarcină expertă. De aceea producătorul recomandă puternic ca un lanț bont sau uzat să fie înlocuit cu unul nou, disponibil la centrul dvs de service autorizat Ryobi. Numărul de piese/părți este disponibil în tabelul cu specificații ale produsului din acest manual.

- Urmați instrucțiunile privind lubrifierea, verificarea și reglarea tensiunii lanțului.
- După fiecare folosire curățați produsul cu o cârpă moale și uscată.
- Verificați toate piulițele, suruburile la intervale frecvente de timp ca să fie corespunzător strânse pentru a vă asigura că echipamentul este în stare de lucru în siguranță. Orice piesă deteriorată trebuie să fie reparată în mod corespunzător sau înlocuită de un service autorizat.

## ÎNLOCUIREA BAREI DE GHIDARE ȘI A LANȚULUI FERĂSTRĂULUI

Vezi pagina 271 - 272.

1. Asigurați-vă că îndepărtați acumulatorul. Purtați mănuși de protecție.
2. Deșurubați butonul rotativ de tensionare a lanțului rotindu-l în sens invers acelor de ceas până când capacul roții lanțului este slăbit.
3. Îndepărtați capacul roții lanțului. Îndepărtați bara și lanțul ferăstrăului de pe produs.
4. Pentru a înlocui șina de ghidaj cu una nouă, demontați șurubul ansamblului de tensionare a lanțului. Montați ansamblul de tensionare a lanțului pe șina de ghidaj nouă și strângeți șurubul.
5. Puneți noul lanț în direcția corectă pe bară și asigurați-vă că legăturile de acționare sunt aliniate cu șanțul de pe bară.
6. Atașați bara la ferăstrău și înfășurați lanțul în jurul roții de acționare.
7. Înlocuiți apărătoarea/capacul roții lanțului.
8. Reglarea tensiunii lanțului Consultați secțiunea "Reglarea tensiunii lanțului".

### ⚠ AVERTISMENT

Un lanț bont sau incorect ascuțit poate cauza o viteză excesivă a motorului în timpul tăierii ceea ce poate rezulta în deteriorare gravă a motorului.

### ⚠ AVERTISMENT

O ascuțire incorectă a lanțului mărește riscul de recul.

### ⚠ AVERTISMENT

Dacă nu înlocuiți sau nu reparați un lanț deteriorat, vă expuneți la riscuri de răniri corporale grave.

### ⚠ AVERTISMENT

Lanțul este foarte tăios. Purtați întotdeauna mănuși de protecție atunci când întrețineți lanțul.

## INSPECTAREA ȘI CURĂȚAREA FRÂNEI LANȚULUI

Vezi pagina 274.

- Mențineți întotdeauna curat mecanismul de frânare a lanțului curățând ușor de mizerie racordurile.
- Testați întotdeauna funcționarea frânei lanțului după curățare. Consultați secțiunea "Utilizare -Frâna lanțului"

din acest manual pentru informații suplimentare.

## SCHEMA DE ÎNTREȚINERE

Verificare zilnică	
Lubrifierea lamei	Înainte de fiecare folosire
Tensiunea lanțului	Frecvent și înainte de fiecare folosire
Ascuțimea lanțului	Înainte de fiecare folosire, verificați vizual
Dacă sunt piese defecte	Înainte de fiecare folosire
Dacă sunt slăbite dispozitivele de fixare	Înainte de fiecare folosire
Funcția frânei cu lanț	Înainte de fiecare folosire
Inspectați și curățați	
Lamă	Înainte de fiecare folosire
Drujba completă	După fiecare folosire
Frâna lanțului	La fiecare 5 ore*

\*Ore de operare

## SIMBOLURILE DE PE PRODUS.



Avertizare de siguranță



Citiți și înțelegeți toate instrucțiunile înaintea operării produsului, urmați toate avertizările și instrucțiunile de siguranță.



Purtați protecție pentru ochi, auz și cap.



Purtați întotdeauna încălțăminte de siguranță antiderapantă când utilizați acest produs.



Purtați mănuși care nu alunecă, destinate pentru operațiuni grele.



Fiți atent la reculul drujbei și evitați contactul cu vârful barei.



Nu expuneți la ploaie sau umezeală.



Țineți și utilizați ferăstrăul cu ambele mâini.



Se interzice utilizarea ferăstrăului cu lanț ținându-l cu o singură mână.



Acest aparat este conform cu ansamblul normelor reglementare din țara din UE în care a fost cumpărat.



Marcaj de conformitate EurAsian



Semn de conformitate ucrainean



Deșeurile produselor electrice nu trebuie să fie aruncate împreună cu deșeurile casnice. Vă rugăm să reciclați acolo unde există facilități. Verificați la autoritatea dvs. locală sau la vânzător pentru sfaturi privind reciclarea.



Nivelul garantat de putere al sunetului este de 96 dB



Lubrifianți pentru lamă și lanț



Nivel minim de lubrifianți



Piedică



Deblocare



Setați opritorul de lanț în poziția RUN (Funcționare).



Roți pentru a regla tensiunea lanțului  
+ = Strângerea lanțului  
- = Slăbirea lanțului



Setați opritorul de lanț în poziția BRAKE (Frână).



Direcția de mișcare a lanțului.  
(Marcat sub apărătoarea roții dințate)

$V_0$  : 10 m/s

Viteză lanț fără sarcină: 10 m/s

L max: 300mm

Lungime maximă a barei de ghidare:  
300 mm

### SIMBOLURI DIN ACEST MANUAL



Piese sau accesorii vândute separat



Notă



Avertisment



Purtați protecție pentru ochi și față.



Purtați protecție superioară a corpului



Purtați protecție pentru picioare



Opriti produsul.

rmătoarele cuvinte simbol și înțelesul lor au intenția de a explica nivelele de risc asociate cu acest produs.

#### ⚠ PERICOL

Indică o situație periculoasă iminentă, care dacă nu este evitată va cauza decesul sau vătămarea gravă.

#### ⚠ AVERTISMENT

Indică o situație periculoasă iminentă, care dacă nu este evitată poate rezulta în deces sau vătămarea gravă.

#### ⚠ ATENȚIE

Indică o situație potențial periculoasă, care dacă nu este evitată poate cauza vătămarea moderată sau ușoară.

#### ATENȚIE

Fără a simbolul de alertă privind siguranța

Indică o situație care poate duce la pagube materiale.



Radot jūsu bezvadu ķēdes zāģi, drošībai, veiktspējai un uzticamībai ir pievērsta vislielākā vērība.

## PAREDŽĒTAIS LIETOJUMS

Bezvadu ķēdes zāģis ir paredzēts lietošanai tikai ārpus telpām. Drošības apsvērumu dēļ ierīcei vienmēr jābūt pienācīgi kontrolētai, izmantojot abas rokas.

Ierīce ir paredzēta zaru, stumbru, baļķu un apaļkoku zāģēšanai ar tādu diametru, ko nosaka sliedes griešanas garums. Tas ir paredzēts tikai koka zāģēšanai. Tā ir paredzēta izmantošanai tikai mājās apstākļos pieaugušajiem, kuri ir pienācīgi apmācīti par bīstamību un profilaktiskiem pasākumiem/darbībām, kas jāveic tās lietošanas laikā.

Neizmantojiet ierīci citiem nolūkiem, kas nav iepriekš uzskaitīti. Tā nav paredzēta izmantošanai profesionāliem zāģēšanas pakalpojumu sniedzējiem. Ierīci nedrīkst izmantot bērni vai personas bez atbilstošiem individuālajiem aizsardzības līdzekļiem un apģērba.

### ⚠ BRĪDINĀJUMS

Izmantojot ierīci, izpildiet drošības noteikumus. Jūsu un tuvāk stāvošo cilvēku drošībai, pirms ierīces lietošanas jums ir jāizlasa un pilnībā jāsaprot šīs ierīces instrukcijas. Jums vajadzētu apmeklēt profesionāli organizētus kursus par drošību saistībā ar ķēdes zāģu apkopi, lietošanu, profilaktiskiem pasākumiem un pirmās palīdzības sniegšanu. Lūdzu, glabājiet noteikumus drošā vietā vēlākai izmantošanai.

### ⚠ BRĪDINĀJUMS

Ķēdes zāģi ir potenciāli bīstamas ierīces. Nelaiemes gadījumi saistībā ar ķēdes zāģu lietošanu bieži noved pie ekstremitāšu zaudēšanas vai nāves. Bīstams ir ne tikai pats ķēdes zāģis. Nogalināt var gan krītoši zari un koki, gan rītoši baļķi. Papildu bīstamību rada slimī vai pūstoši koki. Jums jāizvērtē sava spēja droši pabeigt uzdevumu. Ja pastāv šaubas, uzticiet to koku zāģēšanas profesionāļiem.

## VISPĀRĪGIE DROŠĪBAS BRĪDINĀJUMI

### ⚠ BRĪDINĀJUMS

**Izlasiet visus drošības brīdinājumus un norādījumus.** Brīdinājumu un norādījumu neizpildīšana var izraisīt elektrisko triecienu, aizdegšanos un/vai smagu ievainojumu.

**Brīdinājumus un instrukcijas saglabājiet turpmākai uzziņai.**

Nosaukums "elektroinstrument" brīdinājumos attiecas uz jūsu elektrisko (ar vadu) elektroinstrumentu vai ar akumulatoru darbināmo (bez vada) elektroinstrumentu.

## DARBA VIETA

- Turiet darba vietu tīru un labi apgaismotu. Pārblīvētas un tumšas vietas izraisa negadījumus.

- Nedarbiniet elektroinstrumentus sprādzienbīstamā vidē, piemēram, degošu šķidrumu, gāzu vai putekļu klātbūtnē. Elektroinstrumenti rada dzirksteles, kas var aizdedzināt putekļus vai gāzes.
- Neļaujiet bērniem un blakusstāvētājiem tuvoties darbā esošiem elektroinstrumentiem. Izklaidības dēļ jūs varat zaudēt kontroli.

## ELEKTRODROŠĪBA

- Elektroinstrumenta kontaktakšai jāatbilst kontaktligzdai. Nekad nepārveidojiet kontaktakšu. Sazemētiem elektroinstrumentiem nelietojiet pārejas ligzdas. Nepārveidotas kontaktakšas un atbilstošas kontaktligzdas samazinās elektriskā trieciena risku.
- Nepieļaujiet ķermeņa kontaktu ar sazemētām virsmām, piemēram, caurulēm, radiatoriem, pavadiem un saldētavām. Ja jūsu ķermenis ir sazemēts, pastāv palielināts elektriskā trieciena risks.
- Nepakļaujiet precī lietum vai slapjiem apstākļiem. Ūdens iekļūšana elektroinstrumentā palielina elektriskā trieciena risku.
- Neizmantojiet kabeli nepareizi. Nekad neizmantojiet vadu, lai nestu, vilktu elektroinstrumentu vai atvienotu kontaktakšas. Turiet kabeli tālu no siltuma avota, eļļas, asiem priekšmetiem vai kustīgām detaļām. Bojāts vai savērpts kabelis palielina elektriskā trieciena iespēju.
- Strādājot ar elektroinstrumentu ārpus telpām, lietojiet āra lietošanai piemērotu pagarinātāju. Elektriskā trieciena risku samazina lietošanai ārpus telpām piemērota kabeļa izmantošana.
- Ja elektroinstrumentis ir jālieto mitrās telpās, izmantojiet strāvas noplūdes automātslēdzi (RCD) barošanas vadā. Palielētais strāvas ierīces izmantošana samazina elektriskā trieciena risku.

## PERSONISKĀ DROŠĪBA

- Uzmanieties darba laikā un izmantojiet veselo saprātu, darbojoties ar elektroinstrumentu. Neizmantojiet elektroierīci, ja esat noguris vai narkotisko vielu, alkohola vai medikamentu ietekmē. Neuzmanības brīdis, strādājot ar elektroinstrumentiem, var izraisīt smagus ievainojumus.
- Lietojiet personīgo aizsargaprīkojumu. Vienmēr lietojiet aizsargbrilles. Aizsargaprīkojums, piemēram, putekļu maska, neslidoši aizsargapavi, aizsargķivere vai ausu aizsargi, kas lietoti atbilstošos apstākļos, samazina personas ievainojumu iespēju.
- Nepieļaujiet nejašu iedarbināšanu. Pirms pievienot enerģijas avotam un/vai akumulatoram, pacelt un pārvietot darbarīku, pārļiecinieties, ka slēdzis ir izslēgtā stāvoklī. Elektroinstrumentu pārnēsāšana, turot pirkstu uz slēdža vai ieslēgtu elektroinstrumentu pārnēsāšana var izraisīt nelaiemes gadījumus.
- Noņemiet visas regulēšanas uzgriežņu atslēgas pirms elektroierīces ieslēgšanas. Uzgriežņu atslēga vai atslēga, kas palikusi piestiprināta pie elektroinstrumenta rotējošās detaļas, var izraisīt personas ievainojumu.
- Nepersitempkite. Visu laiku stāviet stingri un stabili.









## ▲ BRĪDINĀJUMS

Ja ierīce tiek nomesta, tā ir saskārusies ar smagu triecienu vai tā sāk nevaldāmi vibrēt, nekavējoties izslēdziet ierīci un centieties atrast bojājumu vai arī cēloni šādai vibrācijai. Jebkāda tehniska apkope ir jāveic tikai autorizētos tehniskās apkopes centros.

## ĶĒDES ZĀĢA DROŠĪBAS BRĪDINĀJUMI

- **Zāģim darbojoties, turiet visas ķermeņa daļas prom no zāģa ķēdes.** Pirms iedarbiniet ķēdes zāģi pārlicinieties, ka zāģa ķēde nekam nepieskaras. Mirkļa neuzmanība, darbinot ķēdes zāģi, var novest pie apģērba vai ķermeņa sapīšanās zāģa ķēdē.
- **Vienmēr turiet ķēdes zāģi, labajai rokai atrodoties uz aizmugurējā roktura, bet kreisajai rokai - uz priekšējā roktura.** Turot ķēdes zāģi pretēji norādītajai roku pozīcijai, palielinās miesas bojājumu gūšanas risks, un šādi rīkoties nekad nevajadzētu.
- **Turiet elektroinstrumentu tikai pie izolētās, satveršanai domātās virsmas, jo zāģa ķēde var saskarties ar apslēptiem vadiem.** Zāģa ķēdēm saskaroties ar vadu, kurā plūst elektriskā strāva, strāva var sākt plūst arī caur elektroinstrumenta atklātajām metāla daļām un operators var saņemt elektriskās strāvas triecienu.
- **Valkājiet aizsargbrilles un dzirdes aizsargu.** Ieteicams lietot papildu aizsardzības līdzekļus galvai, rokām, kājām un pēdām. Atbilstošs aizsargapģērbs samazinās miesas bojājumus, ko var gūt no izsvaidītiem priekšmetiem vai nejaušas saskarsmes ar zāģa ķēdi.
- **Nedarbiniet ķēdes zāģi, atrodoties kokā.** Ķēdes zāģa darbināšana, atrodoties kokā, var izraisīt miesas bojājumus.
- **Vienmēr nodrošiniet stingru atbalstu kājām, un darbiniet ķēdes zāģi tikai tad, ja stāvat uz stabilas, drošas un līdzenas virsmas.** Stāvat uz slidenas vai nestabilas virsmas, piemēram, trepēm, var zaudēt līdzsvaru vai kontroli pār ķēdes zāģi.
- **Zāģējot nosprīgotu zaru, ir jāuzmanās no atsītienu riska.** Samazinoties koka šķiedru spriegojumam, nosprīgotais zars atbrīvojas un var trāpīt operatoram un/vai izraisīt kontroles zaudēšanu pār ķēdes zāģi.
- **Zāģējot jaunus krūmus esiet ārkārtīgi uzmanīgs.** Nelieli atgriezumi var iestrēgt zāģa ķēdē un izlidot jūsu virzienā, kā rezultātā jūs varat zaudēt līdzsvaru.
- **Transportējot ķēdes zāģi, turiet to aiz priekšējā roktura, izslēdziet to un turiet tālu no sava ķermeņa.** Transportējot vai noliekot ķēdes zāģi glabāšanā, vienmēr ir jāuzstāda slīdes vāks. Pareiza apiešanās ar ķēdes zāģi samazina risku nejauši pieskarties pie kustīgas zāģa ķēdes.
- **Ievērojiet norādījumus par eļļošanu, ķēdes nosprīgošanu un piederumu nomaiņu.** Nepareizi nosprīgota un ieeļļota ķēde var saplīst vai paaugstināt atsītienu risku.
- **Turiet rokturus sausus, tīrus un bez eļļas un smērvielām.** Taukaini un eļļaini rokturi ir slideni, un

tādējādi jūs varat zaudēt kontroli.

- **Zāģējiet tikai koka materiālus. Nelietojiet ķēdes zāģi neparedzētiem mērķiem.** Piemēram, nelietojiet ķēdes zāģi plastmasas, būvmateriālu un citu priekšmetu, kas nav izgatavoti no koka, zāģēšanai. Ķēdes zāģa lietošana neparedzētiem mērķiem var radīt bīstamas situācijas.

**Atsītienu iemesli un veidi, kā operators no tiem var izvairīties:**

Var notikt tā saucamais motorzāģa prettrieciens, ja ķēdes vadīklas gals uzdrūras kādam priekšmetam vai ja ķēde zāģēšanas laikā tiek saspiesta un iesprūst kokā.

Slīdes gala nonākšana saskarē ar kādu priekšmetu noteiktos gadījumos var izraisīt tā spēcīgu atmešanu pretējā virzienā, kā rezultātā slīde pārvietojas uz augšu un operatora virzienā.

Ja zāģa ķēde tiek iespiesta vadošās slīdes augšdaļā, tad vadošā slīde var tikt strauji mesta operatora virzienā.

Abos gadījumos jūs varat zaudēt vadību pār motorzāģi un gūt smagus savainojumus. Nepietiek ar to, ka jūs uzticaties tikai šā motorzāģa aizsargierīcēm! Jums ir arī jāievēro vairāki nosacījumi, lai novērstu nelaimes gadījumu izraisīšanos un savainojumu gūšanas iespēju.

Atsītiens rodas ierīces nepareizas lietošanas rezultātā un/vai nepareizu darba procedūru vai darba apstākļu dēļ, un no tā var izvairīties, ievērojot turpmākos piesardzības pasākumus:

- **Cieši turiet zāģi ar abām rokām tā, lai īkšķis un pārējie pirksti aptvertu ķēdes zāģa rokturus, un novietojiet savu ķermeni un rokas tādā pozīcijā, kas ļaus jums izturēt atsītienu spēku.** Operators var kontrolēt atsītienu spēku, ievērojot attiecīgus norādījumus. Neatļaidiet ķēdes zāģi.
- **Nestiepieties un nezāģējiet virs plecu līmeņa.** Tas ļaus izvairīties no nejaušas saskarsmes un ļaus labāk kontrolēt ķēdes zāģi neparedzētās situācijās.
- **Lietojiet tikai ražotāja norādītās slīdes un ķēdes.** Neatbilstošas rezerves slīdes un ķēdes var izraisīt ķēdes plīšanu un/vai atsītienu.
- **Ievērojiet norādījumus, ko ražotājuņēmums ir sniedzis par ķēdes asināšanu un apkopi.** Zāģēšanas dziļuma samazināšana var palielināt atsītienu spēku.

## PAPILDU ĶĒDES ZĀĢA DROŠĪBAS BRĪDINĀJUMI

- Pirmoreiz darbinot ierīci, baļķus ieteicams zāģēt uz staļva.
- Nodrošiniet, ka visi aizsargi, rokturi un mizas buferis ir pareizi uzstādīts un ir labā stāvoklī.
- Personām, kas izmanto šo ķēdes zāģi, jābūt labai veselībai. Ierīce ir smaga, tāpēc operatoram ir nepieciešama laba fiziskā forma. Operatoram jāpiemīt modrībai, labai redzei, mobilitātei, līdzsvaram un roku veiklībai. Ja pastāv šaubas, nedarbiniet ķēdes zāģi.
- Nesāciet izmantot ierīci pirms nav attīrīta darba zona, nestāvat uz drošas pamatnes un neesat izplānojis atkāpšanās ceļu no krītoša koka.
- Uzmanieties no eļļas miglīņas un zāģskaidu izmešiem. Nepieciešamības gadījumā valkājiet masku vai respiratoru.

EN  
FR  
DE  
ES  
IT  
NL  
PT  
DA  
SV  
FI  
NO  
RU  
PL  
CS  
HU  
RO  
LV  
LT  
ET  
HR  
SL  
SK  
BG  
UK  
TR





- Negrieziet vīnogulāju un/vai nelielu pamežu (kas diametrā mazāks par 75 mm).
- Darbinot ķēdes zāģi, vienmēr turiet zāģi ar abām rokām. Motorzāģis ir jātur stingri, ar priekšiem aptverot rokturus. Labajai rokai jāatrodas uz aizmugurējā roktura, bet kreisajai uz priekšējā roktura.
- Pirms iedarbiniet ierīci pārliecinieties, ka zāģa ķēde nepieskaras kādam priekšmetam.
- Nekādi nepārveidojiet ierīci un neizmantojiet to, lai darbinātu piederumus vai ierīces, ko zāģim nav rekomendējis ražotājs.
- Operatora tuvumā jāatrodas pirmās palīdzības aptieciņai ar lieliem brūču pārsējiem un līdzekļiem, kā pievērst uzmanību (piemēram, svilpei). Pietiekami tuvu jāatrodas arī lielākai, visaptverošai aptieciņai.
- Ja darba zonā nepastāv kritišu priekšmetu risks, operators var vēlēties noņemt ķiveri, bet jāatceras, ka ķivere, it īpaši tāda, kas aprīkota ar sieta vizieri, var palīdzēt samazināt sejas un galvas traumas iespējamību atsitiena gadījumā.
- Nepareizi nosprīegota ķēde var nokrist no sliedes, izraisot nopietnu traumu vai nāvi. Ķēdes garums ir atkarīgs no temperatūras. Bieži pārbaudiet nosprīegojumu.
- Jums vajadzētu pieradināties lietot jauno ķēdes zāģi, veicot vienkāršus griezumus droši atbalstītā kokā. Rīkojieties tā ikreiz, kad ilgāku laiku neesat darbojies ar zāģi.
- Lai samazinātu traumas risku saistībā ar kontaktu ar kustīgām daļām, vienmēr apturiet motoru, ieslēdziet ķēdes bremzi, izņemiet bateriju paketi un pārliecinieties, ka visas kustīgās daļas ir apstājušās, pirms:
  - nosprostojumu tīrīšana vai aizvākšana
  - izstrādājuma atstāšana bez uzraudzības
  - piederumu uzstādīšanas vai noņemšanas
  - pārbaudes, apkopes vai darba pie ierīces uzsākšanas
- Bīstamā apgabala plašums ir atkarīgs no veicamā darba, kā arī no koka garuma un no apstrādājamā priekšmeta lieluma. Piemēram, koku gāšanai nepieciešama lielāka darba zona nekā citiem zāģēšanas veidiem, t.i. sagarumošanai utt. Operatoram jāapzinās un jākontrolē viss, kas notiek šajā darba zonā.
- Zāģēšanas laikā neturiet ķermeni vienā līnijā ar sliedi un ķēdi. Ja tomēr izjutīsiet atsitieni, tas palīdzēs izvairīties no galvas vai ķermeņa kontakta ar ķēdi.
- Nevirziet zāģi uz priekšu un atpakaļ, ļaujiet ķēdei veikt savu uzdevumu, uzturiet ķēdi uzasinātu un nemēģiniet ķēdi izstumt caur griezuma vietu.
- Zāģējuma beigās motorzāģis vairs nav jāgrūž. Esiet gatavs noturēt zāģa svaru, kad tas pārzāģē koku. Noteikumu neievērošana var izraisīt smagus ievainojumus.
- Neapturiet zāģi zāģēšanas darbības laikā. Darbiniet zāģi līdz tas izņemts no griezuma vietas.

### Vilkšanas un grūšanas spēks

Uz motorzāģi iedarbojas spēks, kura virziens ir pretējs tam virzienam, kādā kustas ķēde. Līdz ar to operatoram jābūt gatavam kontrolēt mašīnas tendenci paraulies uz priekšu

(uz priekšu vērsta kustība), zāģējot gar sliedes apakšējo malu, un atrauties atpakaļ (virzienā uz operatoru), zāģējot gar augšējo malu.

### Zāģis iestrēdzis griezumā

Apturiet ķēdes zāģi un padariet to drošu. Necentieties ar spēku izvilkāt ķēdi no sliedi no griezuma, jo ķēde var notrūkt un atsities atpakaļ, trāpot operatoram. Šāda situācija parasti notiek tāpēc, ka koks ir nepareizi atbalstīts un piespiež griezuma vietu, tādējādi spāpējot asmeni. Ja, noregulējot atbalstu, netiek atbrīvota sliede un ķēde, izmantojiet koka ķīļus vai sviru, lai atvērtu griezuma vietu un atbrīvotu zāģi. Nekad nemēģiniet ieslēgt ķēdes zāģi, ja sliede jau atrodas griezumā vai izzāģējumā.

### Individuālie aizsardzības līdzekļi

Labas kvalitātes individuālie aizsardzības līdzekļi, kādus izmanto profesionāļi, palīdzēs samazināt operatora ievainojumu gūšanas risku. Darbinot ķēdes zāģi, būtu jāvalkā turpmākās lietas:

#### Aizsargķivere

- jāatbilst standartam EN 397-11 un jābūt marķētai ar CE zīmi

#### Dzirdes aizsargs

- jāatbilst standartam EN 352-1 un jābūt marķētai ar CE zīmi

#### Acu un sejas aizsargs

- jābūt marķētam ar CE zīmi un jāatbilst standartam EN 166 (aizsargbrīļļu gadījumā) vai standartam EN 1731 (sieta viziera gadījumā)

#### Cimdi

- jāatbilst standartam EN381-7 un jābūt marķētai ar CE zīmi

#### Kāju aizsargi ("chaps" tipa bikses)

- jāatbilst standartam EN381-5, jābūt marķētiem ar CE zīmi un jānodrošina visaptveroša aizsardzība.

#### Aizsargzābaki ķēdes zāģa lietošanai

- jāatbilst standartam EN ISO 20345:2004 un jābūt marķētam ar vairogu, uz kura attēlots ķēdes zāģis, demonstrējot atbilstību standartam EN 381-3. (Neregulāri lietotāji var izmantot aizsargzābakus ar tērauda purngalu kopā ar aizsargājošām getrām, kas atbilst standartam EN 381-9, ja zeme ir līdzena un pastāv mazs risks paklupt vai sapīties pamežā)

#### Jakas ķermeņa augšdaļas aizsardzībai, lietojot ķēdes zāģi

- jāatbilst standartam EN 381-11 un jābūt marķētai ar CE zīmi

### NORĀDĪJUMI PAREIZAS METODES IZMANTOŠANAI, VEICOT KOKU GĀŠANU, ATZAROŠANU UN SAGARUMOŠANU

#### Izpratne par koksnes iekšējiem spēkiem

Izprotot koksnes iekšējo virzienvērsto spiedienu un spriegumu, jūs varat samazināt spāpēšanas vai vīsmaz ar to zāģēšanas laikā rēķināties. Koksnes nosprīegojums nozīmē to, ka šķiedras tiek saplēstas, un, ja šajā zonā tiek veikts "izzāģējums" vai iegriezums, tam būs tendence atvērties, zāģim virzoties cauri. Ja balķis ir atbalstīts uz





statīva, bet tā gals neatbalstīts karājas pār malu, balņa gala svāra dēļ, kas nostiepj šķiedras, augšējā virsma tiek nospriegota. Līdzīgi tiks saspiesta balņa apakšējā puse, saspiežot kopā šķiedras. Izdarot griezumus šajā zonā, izzāģējumam būs tendence zāģēšanas laikā aizvērties. Šajā gadījumā tiktu saspiests asmens.

## Koka gāšana

### Skatīt 267-268. lappusi

Ja sagarumošanas un koku gāšanas darbības vienlaicīgi veic divas vai vairākas personas, gāšanas darbības būtu jāveic tādā attālumā no sagarumošanas darbībām, kas ir divreiz lielāks par koka garumu, kas tiek gāzts. Kokus nevajadzētu gāzt tādā veidā, kas var apdraudēt kādu personu, pārraut kādu komunālo tīklu vai radīt bojājumus īpašumam. Ja koks tomēr trāpa kādam komunālajam tīklam, tas nekavējoties jāpaziņo attiecīgajam uzņēmumam.

Ja jūs zāģējat, stāvēdams uz nogāzes, tad vienmēr uzturieties augstāk par koku, jo tas pēc nogāšanas var velties vai slīdēt lejup pa nogāzi.

Pirms uzsākt zāģēšanu jāizplāno atkāpšanās ceļš un tas vajadzības gadījumā jāatfīra. Atkāpšanās ceļam jābūt vērstat atpakaļ un diagonāli pret sagaidāmās krišanas līnijas aizmuguri.

Pirms uzsākt koku gāšanu ņemiet vērā koka dabisko liekšanās virzienu, lielāko zaru novietojumu un vēja virzienu, lai spriestu, kurā virzienā kritīs koks.

Atfīriet koku no netīrumiem, akmeņiem, vaļīgas mizas, naglām, skavām un vadiem.

Nemēģiniet gāzt kokus, kas ir sapuvuši vai kurus bojājis vējš, uguns, zibens utt. Tas ir ļoti bīstami un būtu jāveic tikai koku gāšanas profesionāļiem.

### 1. Koka aizzāģējums pirms gāšanas

#### Skatīt 267-268. lappusi

Veiciet 1/3 dziļu iegriezumu koka diametrā, perpendikulāri kritiena virzienam. Vispirms veiciet zemāko horizontālo iegriezumu. Tas palīdzēs izvairīties no zāģa ķēdes vai sliedes saspišanas, veicot otro iegriezumu.

### 2. Gāšanas zāģējums

#### Skatīt 267-268. lappusi

Veiciet gāšanas zāģējumu vismaz 50 mm augstāk par horizontālo aizzāģējumu. Gāšanas zāģējumam jābūt paralēlam horizontālajam aizzāģējumam. Veicot gāšanas zāģējumu, atstājiet pietiekami daudz koksnes, kas kalpos kā enģe. Koka enģe neļaus kokam pagriezties un nokrist nepareizā virzienā. Nepārgrieziet enģi.

Aizzāģējot līdz enģei, kokam vajadzētu sākt krist. Ja pastāv iespēja, ka koks varētu nekritēt vēlamajā virzienā vai varētu šūpoties atmuguriski un saspiest zāģa ķēdi, pārtrauciet zāģēšanu pirms gāšanas zāģējuma pabeigšanas un, izmantojot koka, plastmasas vai alumīnija ķīļus, atveriet griezuma vietu un nogāziet koku gar vēlamo kritiena līniju.

Kokam sākot krist, izņemiet ķēdes zāģi no griezuma vietas, apturiet motoru, nolieciet ķēdes zāģi un izmantojiet plānoto atkāpšanās ceļu. Uzmanieties no kritošiem zariem un saglabājiet pamatu zem kājām.

## Balsta sakņu apzāģēšana

### Skatīt 268. lappusi

Par balsta sakni sauc lielu koka sakni, kas atiet no stumbra nedaudz virs zemes. Šādas lielas saknes ir jāapzāģē, pirms sākat gāzt koku. Vispirms veidojiet līmenisku zāģējumu balsta saknē, pēc tam statenisku. To, kas nozāģēts, aizvāciet no darba vietas. Kad balsta saknes ir novāktas, ķerieties pie koka gāšanas.

## Balņa sagarumošana

### Skatīt 269. lappusi

Sagarumošana ir balņa sazāģēšana noteiktos garumos. Ir svarīgi pārliecināties, ka stāvat uz stingras pamatnes un jūsu svars ir vienmērīgi sadalīts uz abām kājām. Ja iespējams, balņi vajadzētu pacelt un atbalstīt, izmantojot zarus, balņus vai ķīļus. Ievērojiet vienkāršos norādījumus vieglai zāģēšanai. Ja balņis ir atbalstīts visā tā garumā, to jāzāģē no augšpuses (sagarumošana no augšas).

Ja balņis ir atbalstīts vienā galā, veiciet 1/3 dziļu iezāģējumu pa diametru no apakšpusēs (sagarumošana no apakšas). Tad pabeidziet zāģēšanu, veicot iezāģējumu no augšas pretī pirmajam griezumam.

Ja balņis ir atbalstīts abos galos, veiciet 1/3 dziļu iezāģējumu pa diametru no augšpuses (sagarumošana no augšas). Tad pabeidziet zāģēšanu, veicot 2/3 iezāģējumu no apakšas pretī pirmajam griezumam.

Veicot sagarumošanu uz slīpas virsmas, vienmēr stāviet augstāk par balņi. Lai saglabātu pilnīgu kontroli, zāģējot šķērsām, tuvu zāģēšanas beigām samaziniet zāģēšanas spiedienu, nesamazinot ķēdes zāģa rokturu satvērienu. Neļaujiet ķēdei saskarties ar zemi. Kad zāģēšana pabeigta, pirms ķēdes zāģa kustināšanas ļaujiet zāģa ķēdei apstāties. Vienmēr apturiet motoru pirms uzsākat darbu ar nākamā koku.

## Koka atzarošana

### Skatīt 270. lappusi

Atzarošana ir zaru nozāģēšana kritušam kokam. Atzarošanas laikā atstājiet lielos zemākos zarus balņa atbalstīšanai pret zemi. Nozāģējiet mazākos zarus ar vienu griezienu. Lai izvairītos no ķēdes zāģa sapīšanās, nospriegotos zarus vajadzētu griezt virzienā no apakšas uz augšu.

## Sasprings koks

### Skatīt 270. lappusi

Par nospriegotu balsteni var saukt zaru, izgāztu celmu vai krūmu, kuru ar savu svāru ir saliecis kāds cits koks tā, ka balstenis strauji atbrīvojas no sprieguma, ja pārzāģē vai aizvāc to koku, kas rada balsteņa nospriegojumu.

Izgāztam nozāģēta koka celmam, kad to zāģējat atdala no stumbra, ir spēcīga tieksme atbrīvoties no sprieguma un atgriezties stateniskā stāvoklī. Ar nospriegotiem balsteņiem ir jārīkojas uzmanīgi, jo tie var būt bīstami!

## ▲ BRĪDINĀJUMS

Nospriegoti balsteņi ir bīstami, jo tie var ar spēku triekties jums virsū un likt jums zaudēt vadību pār motorzāģi. Pat gūt smagus vai nāvējošus savainojumus. To būtu jādara trenētiem zāģa lietotājiem.





## OBJEKTĪVIE RISKI

Pat ka prece ir lietotā kā noteikts, nav iespējams pilnībā novērst noteiktus riska faktorus. Lietošanas laikā var rasties šādas bīstamas situācijas, un lietotājam ir jāpievērš pastiprināta uzmanība, lai tās novērstu:

- Vibrācijas radīts ievainojums
  - Vienmēr izmantojiet pareizos rīkus tiem paredzētajam darba, izmantojiet norādītos rokturus un ierobežojiet laiku, cik ilgi izmantojat ierīci.
- Saskaņsmē ar troksni var radīt dzirdes traucējumus.
  - Valkājiet ausu aizsargu un ierobežojiet saskarsmi.
- savainojumi, kurus var izraisīt saskare ar ķēdes zāģa zobiem
- savainojumi, kurus izraisa apstrādājamā materiāla mestās daļas (skaidas un skabargas)
- Putekļu un sīkdaļiņu ieelpošanas radīts veselības kaitējums
- savainojumi, kurus izraisa ādas saskare ar smērvielu vai eļļu
- No zāģa ķēdes izmestas daļas (sagriešanās/saduršanās bīstamība)
- Vadošās slīdes neparedzēta, aprauta kustība vai atsitieni (iegriezuma risks).

## RISKA SAMAZINĀŠANA

Ir ticis ziņots, ka vibrācijas no rokas instrumentiem atsevišķos cilvēkos var veicināt kaiti, ko sauc par Reino sindromu. Simptomi var ietvert pirkstu tīkšķēšanu, nejutīgumu un nobālēšanu, parasti aukstā laikā. Tiek uzskatīts, ka tradicionālie faktori, aukstums un mitrums, uzturs, smēķēšana un darba prakse sekmē šo simptomu attīstību. Operators var veikt pasākumus, lai iespējami samazinātu vibrācijas efektu:

- Aukstā laikā ķermenim jābūt siltam. Darbinot ierīci, nēsājiet cimdus, lai rokas un plaukstas locītavas būtu siltas. Ir pētījumi, ka auksts laiks ir galvenais faktors, kas veicina Reino sindromu.
- Ik pēc laika apturiet darbu un veiciet vingrinājumus, kas uzlabo asins cirkulāciju.
- Strādājot jābūt biežiem pārtraukumiem. Ierobežojiet iedarbības ilgumu dienā.
- Aizsargcimdi, kas pieejami pie profesionāliem ķēdes zāģu mazumtirgotājiem, ir īpaši paredzēti ķēdes zāģa izmantošanai, sniedzot aizsardzību un labu satvērienu, kā arī samazina roktura vibrāciju. Šiem cimdiem jāatbilst standartam EN381-7 un jābūt marķētiem ar CE zīmi.

Ja jūs izjūtat kādu no šiem simptomiem, nekavējoties apturiet ierīces lietošanu un sazinieties ar ārstu par šiem simptomiem.

## ⚠ BRĪDINĀJUMS

Ilgstoša preces lietošana var radīt ievainojumus vai pasliktināt jau esošos. Ilgstoši lietojot jebkuru instrumentu, pārliecinieties, ka tiek veikti regulāri pārtraukumi.

## PAZĪSTIET SAVU IERĪCI

*Skaft 261. lappusi*

1. Priekšējais roksargs jeb ķēdes bremze
2. Priekšējais rokturis
3. Aizmugurējais rokturis
4. Zāģēšanas ķēde
5. Ķēdes vadītāla
6. Atsitēja dzelkšņi
7. Eļļas tvertnes vāciņš
8. Slēdža atbloķēšanas poga
9. Slēdža mēlīte
10. Zobrata vāks
11. Ķēdes nospriegojuma regulēšanas gredzens
12. Ķēdes nospriegošanas slēdzis
13. Slīdes vāks
14. Ķēdes tvērējs

## DROŠĪBAS IERĪCES

### Ķēde ar mazu prettriecienu tieksmi

Zāģa ķēde ar zemu atsitienu palīdz samazināt atsitiena iespējamību.

Pie katra asmenīša ir dziļuma ierobežotājs, un tas palīdz samazināt prettriecienu spēku, jo neļauj pārāk dziļi iegrimt asmenīšiem, kad tie atrodas vietā, kur izraisās prettrieciens. Lietojiet tikai ražotāja ieteiktās rezerves sliežu un ķēžu kombinācijas.

Esiet divtik modri, kad strādājat ar svaigi uzasinātu ķēdi, jo asināšanas dēļ samazinās ķēdes spēja mazināt prettriecienu. Savas drošības dēļ nomainiet zāģa ķēdes, ja pasliktinās zāģēšanas sniegums.

### Atsitēja dzelkšņi

Integrētie atsitēja dzelkšņi var tikt izmantoti kā rotācijas atbalsta punkts veicot zāģēšanu. Tas palīdz zāģēšanas laikā saglabāt ķēdes zāģa stabilitāti. Veicot zāģēšanu, pagrūdiet mašīnu uz priekšu līdz mizas buferis ir iedūries koka malā, tad, pavirzot aizmugurējo rokturi uz augšu vai leju griešanas līnijas virzienā, var samazināt zāģēšanas fizisko slodzi.

### Ķēdes vadītāla

Parasti vadotnēm ar maza rādiusa uzgaļiem ir mazāks atsitiena risks. Ieteicams izmantot sliedi un atbilstošu ķēdi, kas ir pietiekami gara darba veikšanai. Garākas slīdes palielina risku zāģēšanas laikā zaudēt kontroli. Regulāri pārbaudiet ķēdes nospriegojumu. Griežot mazākus zarus (īsākus par slīdes garumu), ja nospriegojums ir nepareizs, ķēdei pastāv lielāka iespējamība nokrist.

### Ķēdes bremze

Ķēdes bremze ir paredzēta tam, lai varētu ātri apturēt ķēdes kustību. Ķēdei ir uzreiz jāapstājas, kad bremzes svira jeb roksargs tiek nospiests uz priekšu. Ķēdes bremze nenovērš prettriecienu. Tas tikai samazina ievainojumu gūšanas risku, ja atsitiena laikā slīde saskaras ar operatora ķermeni. Pirms katras lietošanas reizes jāpārbauda, vai ķēdes bremze pareizi darbojas gan darbības, gan bremzēšanas pozīcijā.







## KĒDES TVĒRĒJS

KĒDES UZTVĒRĒJS NOVĒŠ KĒDES MEŠANU ATPAKAĻ, LIETOTĀJA VIRZIENĀ, JA KĒDE NOKRĪT VAI PĀRPLĪST.

## MONTĀŽA

### ⚠ BRĪDINĀJUMS

Nenaudokite prietaiso, jei trūksta detaļiņu ar jos yra apgadintos tol, kol jos nebus pakeistos. Šī brīdinājuma neievērošanas rezultātā var rasties nopietni savainojumi.

## ZĀGA KĒDES UN SLIEDES UZSTĀDĪŠANA

*Skaftīt 262 - 263. lappusi*

1. Noteikti izņemiet bateriju paketi no ierīces. Lietojiet aizsargcimdus.
2. Atskrūvējiet kĒdes nospriegošanas slēdzi un noņemiet zobrata vāku.
3. Zāga kĒdei jābūt novietotai kĒdes rotācijas virzienā. Ja tie ir vērsti pretējā virzienā, tad apvēršiet kĒdi.
4. Ievietojiet kĒdes piedziņas izcilņus sliedes rievā.
5. Novietojiet kĒdi tā, lai tā veidotu loku kĒdes vadklīkas tuvākajā galā.
6. Turiet kĒdi vietā uz sliedes un novietojiet cilpu ap piedziņas zobratu. Nolaiddiet sliedi zemāk, lai skrūve ir izbīdīta caur atveri pievienotajā kĒdes nospriegošanas mehānismā. Jums var nākties rotēt šo mehānismu, lai skrūve atrastos pretī atverei. Jūs varat šo mehānismu rotēt vēlreiz, lai nospriegtu kĒdi, kas palīdzēs to noturēt vietā.
7. Uzlieciet zobrata vāku un aizgrieziet kĒdes nospriegošanas slēdzi gandrīz ciet, grieziet kĒdes nospriegojuma regulēšanas gredzenu līdz zāga kĒde ir pareizi nospriegota. Tālāk paspiediet sliedi uz augšu. Vēlreiz pārbaudiet kĒdes nospriegojumu. Pārāk nenosprieģojiet kĒdi.
8. Kad kĒde ir labi nospriegota, pievelciet slēdzi.

## KĒDES NOSPRIEGOJUMA IESTĀDĪŠANA

*Skaftīt 263. lappusi Skaftīt 273. lappusi*

1. Nedaudz atskrūvējiet kĒdes nospriegošanas slēdzi, pagriežot to pretēji pulksteņrādītāju kustības virzienam.
2. Lai palielinātu kĒdes nospriegojumu, pagrieziet kĒdes nospriegojuma regulēšanas gredzenu pulksteņrādītāju kustības virzienā un bieži pārbaudiet kĒdes nospriegojumu. Lai samazinātu kĒdes nospriegojumu, pagrieziet kĒdes nospriegojuma regulēšanas gredzenu pretēji pulksteņrādītāju kustības virzienam un bieži pārbaudiet kĒdes nospriegojumu.
3. KĒde ir pareizi nospriegota, ja starp kĒdes griežējzobiem un sliedi ir 3 līdz 4 mm liela atstarpe. Sliedes apakšpusēs vidū pavelciet kĒdi uz leju (prom no sliedes) un izmēriet attālumu starp sliedi un kĒdes griežējzobiem.
4. Pievelciet kĒdes nospriegošanas slēdzi, pagriežot to pulksteņrādītāju kustības virzienā.

## EKSPLUATĀCIJA

## KĒDES SMĒREĻĻAS PIEVIENOŠANA

*Skaftīt 262. lappusi*

### ⚠ BRĪDINĀJUMS

Nekad nedarbiniet zāģi bez smēreļļas. Ja zāģa kĒde tiek darbināta bez smēreļļas, sliede un zāģa kĒde var tikt bojāta. Tāpēc ir būtiski bieži pārbaudīt eļļas līmeņrādi, kā arī katru reizi pirms uzsākt lietot kĒdes zāģi.

1. Notīriet virsmu ap eļļas uzpildes atveres vāciņu, lai novērstu piesārņojumu.
2. Atskrūvējiet un noņemiet vāciņu no eļļas tvertnes.
3. Ielejiet eļļu eļļas tvertnē un pārbaudiet eļļas līmeņrādi. Pārļiecinieties, ka eļļas uzpildes laikā eļļas tvertnē neiekļūst netīrumi.
4. Uzlieciet atpakaļ eļļas uzpildes atveres vāciņu un pievelciet to. Noslaukiet izlijušo eļļu.
5. Vienreiz pilnībā piepildot eļļas tvertni, jūs zāģi varēsiet izmantot 20- 40 minūtes.

## IELEICAMĀ KĒZU SMĒREĻĻA

- Ražotājs iesaka izmantot tikai Ryobi kĒdes zāģu smēreļļu. (Pieejama pilnvarotā Ryobi servisa centrā)

## AKUMULATORU KOMPLEKTA UZSTĀDĪŠANA

*Skaftīt 263. lappusi*

1. Ievietojiet akumulatoru instrumentā. Savietojiet izcēltais rievās uz akumulatora ar rievām ierīces bateriju nodalījumā.
2. Pārļiecinieties, ka aizslēģi uz akumulatora bloka fiksējas un akumulatora bloks ir nostiprināts izstrādājumā, pirms lietošanas sākšanas.

## KĒDES ZĀGA TURĒŠANA

*Skaftīt 263. lappusi*

Vienmēr turiet kĒdes zāģi, labajai rokai atrodoties uz aizmugurējā roktura, bet kreisajai rokai - uz priekšējā roktura. Satveriet abus rokturus tā, lai īkšķi un pirksti aptver rokturus. Pārļiecinieties, ka labā roka ir satvērusi priekšējo rokturi, īkšķim atrodoties apakšā.

## KĒDES ZĀGA IEDARBINĀŠANA

*Skaftīt 263. lappusi*

1. Pirms darba uzsākšanas mašīnai jāuzstāda bateriju pakete un jāpārļiecinās, ka kĒdes bremze atrodas darbības pozīcijā, pavelkot kĒdes bremzes sviru/rokas aizsargu uz priekšējā roktura pusi.
2. Lai iedarbinātu mašīnu: pavelciet mēlītes atbloķētāju, tad nospiediet slēdža mēlīti.

## KĒDES BREMZES PĀRBAUDE UN DARBĪBA

1. Ieslēdziet kĒdes bremzi, pagriežot kreiso roku ap priekšējo rokturi. Izmantojot rokas aizmuguri, pastumiet kĒdes bremzes sviru/rokas aizsargu sliedes virzienā, kamēr kĒde strauji rotē. Vienmēr turiet abas rokas uz zāģa rokturiem.
2. Atiestatiet kĒdes bremzi atpakaļ darbības pozīcijā, satverot kĒdes bremzes sviras/rokas aizsarga virspusi un pavelkot to uz priekšējā roktura pusi līdz atskan klikšķis.

EN  
FR  
DE  
ES  
IT  
NL  
PT  
DA  
SV  
FI  
RU  
NO  
PL  
CS  
HU  
RO  
LV  
LT  
ET  
HR  
SL  
SK  
BG  
UK  
TR





### ⚠ BRĪDINĀJUMS

Ja ķēdes bremze nekavējoties neaptur ķēdi vai ķēdes bremze nenostāties gaitas pozīcijā bez palīdzības, pirms lietošanas nogādājiet zāģi pilnvarotajā servisa centrā remontam.

### TRANSPORTĒŠANA UN UZGLABĀŠANA

*Skatīt 275 - 276. lappusi*

- Apturiet precī, izņemiet bateriju un ļaujiet tai atdzist pirms noglabāšanas vai transportēšanas.
- Notīriet visus svešķermeņus no izstrādājuma. Uzglabājiet to vēsā, sausā un labi vēdinātā vietā, kurai nevar piekļūt bērni. Neglabājiet to vietā, kur tuvumā atrodas korozīvas vielas, piemēram dārza darbos izmantojamās ķīmikālijas vai atsaldešanai domāta sāls. Neuzglabājiet ārpus telpām.
- Pirms ierīces uzglabāšanas vai transportēšanas laikā uzstādiet slīdes vāku.
- Transportējot nostipriniet ierīci, lai tā nekustētos un neapgāztos, jo tas var izraisīt miesas bojājumus un ierīces bojājumus.

### APKOPE

#### ⚠ BRĪDINĀJUMS

Lietojiet tikai oriģinālās ražotāja rezerves daļas, piederumus un uzgaļus. Pretējā gadījumā var tikt radīti ievainojumi un parādīts slikts sniegums, kā arī var tikt anulēta garantija.

#### ⚠ BRĪDINĀJUMS

Aptarnavimā atlikti būtina itin atdīžai, todėl rekomenduojame, kad techninę apžiūrą vykdytu kvalifikuotas specialistas. Lai veiktu remontu, nogādājiet ierīci pilnvarotā servisa centrā. Veicot apkopi, lietojiet tikai oriģinālās ražotāja rezerves daļas.

#### ⚠ BRĪDINĀJUMS

Pirms regulēšanas, apkopes vai tīrīšanas izņemiet bateriju. Pretējā gadījumā var rasties nopietni miesas bojājumi.

- Jūs varat veikt tikai šajā rokasgrāmatā aprakstīto regulēšanu un remontdarbus. Cita veida remontam vai konsultācijām, vērsieties pēc padoma autorizētā servisa centrā.
- Nepareiza apkope var novest pie ķēdes bremžu un citu drošības funkciju nepareizas darbības, palielinot nopietnu ievainojumu risku. Uzturiet ķēdes zāģi profesionāli apkoptu un drošu.
- Lai droši uzasinātu zāģa ķēdi, nepieciešamas prasmes. Tāpēc ražotāji stingri iesaka nolietotu vai trulu ķēdi nomainīt ar jaunu, kas pieejama pilnvarotā Ryobi servisa centrā. Daļas numurs ir norādīts šīs rokasgrāmatas iekārtās specifikāciju tabulā.

- Ievērojiet norādījumus par eļļošanu, ķēdes nospriegojuma pārbaudi un regulēšanu.
- Pēc katras lietošanas reizes notīriet precī ar mīkstu, sausu drāniņu.
- Bieži un regulāri pārbaudiet visu uzgriežņu, bultskrūvju un skrūvju stingrību, lai pārliecinātos, vai aprīkojums ir drošā darba stāvoklī. Jebkura bojāta detaļa jānodod remontam vai nomainītai pilnvarotā apkopes centrā.

### SLIEDĒS UN ZĀĢA ĶĒDES NOMAINĀ

*Skatīt 271 - 272. lappusi*

1. Noteikti izņemiet bateriju. Lietojiet aizsargcimdus.
2. Atskrūvējiet ķēdes nospriegošanas slēdzi, griežot to pretēji pulksteņrādītāju kustības virzienam, līdz zobrata vāks kļūst vaļīgs.
3. Noņemiet zobrata vāku. Izņemiet sliedi un zāģa ķēdi no ierīces.
4. Lai nomainītu ķēdes šinu pret jaunu, izskrūvējiet ķēdes spriegošanas mezgla skrūvi. Uzmanējiet ķēdes spriegojuma mezglu uz jaunās šinas un pievelciet skrūvi.
5. Novietojiet jauno ķēdi uz slīdes pareizajā virzienā un pārliecinieties, ka ķēdes posmi pieguļ slīdes gropēm.
6. Pievienojiet sliedi ķēdes zāģim un aptiniet ķēdi ap piedziņas zobratu.
7. Uzlieciet zobrata vāku atpakaļ vietā.
8. Noregulējiet ķēdes nospriegojumu. Skatīt sadaļu "Ķēdes nospriegojuma regulēšana".

#### ⚠ BRĪDINĀJUMS

Neasa vai nepareizi uzasināta ķēde var izraisīt pārmērīgu motora ātrumu zāģēšanas laikā un novest pie nopietniem motora bojājumiem.

#### ⚠ BRĪDINĀJUMS

Ja ķēde nav labi uzasināta, tad palielinās varbūtība izraisīt prettīriecienu.

#### ⚠ BRĪDINĀJUMS

Ja sabojāta ķēde netiek nomainīta vai salabota, tad strādnieks ir pakļauts bīstamībai - var gūt smagus savainojumus.

#### ⚠ BRĪDINĀJUMS

Ķēde ir ļoti asa. Noteikti valkājiet aizsargcimdus, kad veicat tās apkopi!

### ĶĒDES BREMZES PĀRBAUDE UN TĪRĪŠANA

*Skatīt 274. lappusi*

- Vienmēr uzturiet ķēdes bremzes mehānismu tīru, viegli noslaukot neftīrusus no mehānisma.
- Pēc tīrīšanas vienmēr pārbaudiet ķēdes bremzes veikspēju. Skatieties rokasgrāmatas nodaļas "Lietošana" sadaļu "Ķēdes bremze", kur atradīsiet sīkākas ziņas!

## APKOPES GRAFIKS

Ikdienas pārbaude	
Slīdes eļļošānu	Pirms katras lietošanas
Ķēdes spriegojumu	Bieži un pirms katras lietošanas reizes
Ķēdes asumu	Pirms katras lietošanas reizes, vizuāla pārbaude
Vai nav bojājumu	Pirms katras lietošanas
Vai nav valīģi stiprinājumi	Pirms katras lietošanas
Ķēdes bremzes funkcija	Pirms katras lietošanas
Apskatiet un notīriet	
Slīde	Pirms katras lietošanas
Visu zāģi	Pēc katras lietošanas
Ķēdes bremze	Ik pēc 5 stundām*

\*Darba stundas

## UZ PRECES ESOŠIE SIMBOLI



Drošības brīdinājums



Pirms preces darbināšanas izlasiet un izprotiet visus norādījumus, ievērojiet visus brīdinājumus un drošības norādījumus.



Izmantojiet acu, ausu un galvas aizsargu.



Kad izmantojat šo izstrādājumu, lietojiet neslīdošus aizsargapavus.



Valkājiet neslīdošus darba cimdus.



Uzmanieties no ķēdes zāģa atsitienu un sargieties no stienja uzgaļa.



Nepakļaujiet lietum vai mitriem apstākļiem.



Strādājot motorzāģi turiet ar abām rokām.



Motorzāģi darba laikā nedrīkst turēt tikai ar vienu roku.



Darbarīks atbilst visām normām ES valstī, kurā tas ir iegādāts.



EurAsian atbilstības marķējums



Ukrainas apstiprinājuma zīme



Izlietotie elektroprodukti nedrīkst tikt izmesti kopā ar mājsaimniecības atkritumiem. Lūdzu, nododiet tos attiecīgajās atkār tolas izmantošanas vietās. Sazinieties ar savu vietējo varas pārstāvi vai izplatītāju, lai noskaidrotu, kur iespējama atkārtota pārstrāde.



Garantētais skaņas jaudas līmenis ir 96 dB.



Stieņu un ķēžu smērviela



Minimāls eļļas līmenis



Blokētājs



Atbloķēt



Pārvietojiet ķēdes bremzi RUN (darba) stāvoklī.



Pagrieziet, lai mainītu ķēdes nosprīgojumu  
+ = Pievilkt ķēdi  
- = Atbrīvot ķēdi



Pārvietojiet ķēdes bremzi BRAKE (bremze) stāvoklī.



Ķēdes kustības virziens.  
(Marķēts zem zobrata vāka)

$V_0$  : 10 m/s

Bezslodzes ķēdes ātrums: 10 m/s

L max: 300mm

Maksimālais slīdes garums: 300 mm

## SIMBOLI ŠAJĀ ROKASGRĀMATĀ



Atsevišķi nopērkamās daļas vai piederumi



Piezīme



Brīdinājums



Valkājiet aizsargbrilles un sejas aizsargu.

EN  
FR  
DE  
ES  
IT  
NL  
PT  
DA  
SV  
FI  
NO  
RU  
PL  
CS  
HU  
RO  
LV  
LT  
ET  
HR  
SL  
SK  
BG  
UK  
TR



Valkājiet ķermeņa augšdaļas aizsargu.



Valkājiet kāju aizsargu.



Apturēt dzinēju.

Lai izskaidrotu risku, kas saistīti ar izstrādājumu, līmeni, paredzēti šādi norādījuma vārdi un jēdzieni.

**⚠ BĪSTAMI**

Norāda draudošo bīstamo situāciju, kas, ja no tās neizvairās, var novest pie nāves vai nopietnas traumas.

**⚠ BRĪDINĀJUMS**

Norāda potenciālo bīstamo situāciju, kas, ja no tās neizvairās, var novest pie nāves vai nopietnas traumas.

**⚠ UZMANĪBU**

Norāda potenciālo bīstamo situāciju, kas, ja no tās neizvairās, var novest pie nelielas vai vidējas traumas.

**UZMANĪBU**

Bez drošības brīdinājuma apzīmējuma

Norāda uz situāciju, kas var radīt īpašuma bojājumus.



Gaminant šį akumuliatorinį grandininį pjūklą didžiausia svarba buvo teikiama jo saugai, efektyvumui ir patikimumui.

### NAUDOJIMO PASKIRTIS

Akumuliatorinis grandininis pjūklas skirtas naudoti tik lauke. Saugos sumetimais, gaminyje turi būti tinkamai valdomas visada dirbant abiem rankomis.

Grandininis pjūklas yra skirtas pjauti tokio skersmens šakas, rąstus ir tašus, kokį nustato kreipiamosios juostos pjovimo ilgis. Jis skirtas pjauti tik medieną. Grandininis pjūklas naudojamas tik buities darbams, juo pjaunant tinkamai apmokytiems suaugusiems asmenims, žinantiems, kokie pavojai gali ištykti ir kokių prevencijos priemonių / veiksmų reikia imtis.

Nenaudokite grandininio pjūklo jokiai kitai, aukščiau nenurodytai paskirti. Grandininis pjūklas nėra skirtas naudoti atliekant profesionalius medžių kirtimo darbus. Grandininio pjūklo negali naudoti vaikai ar asmenys, nedėvintys atitinkamų asmeninės apsaugos priemonių ir aprangos.

#### ⚠ ĮSPĖJIMAS

Būtina laikytis saugos reikalavimų naudojantis šiuo produktu. Savo bei aplinkinių saugumui turite perskaityti ir gerai suprasti šias instrukcijas, tik tuomet naudoti krūmapjovę. Jums reikėtų dalyvauti profesionaliai organizuojuose saugos kursuose, kuriuose mokoma kaip saugiai naudotis grandininiais pjūklais bei juos prižiūrėti, aiškinama, kokios yra prevencinės bei pirmosios pagalbos priemonės. Išsaugokite šią instrukciją ateičiai.

#### ⚠ ĮSPĖJIMAS

Grandininiai pjūklai yra potencialiai pavojingi įrankiai. Nelaimingi atsitikimai, kurie įvyksta naudojant grandininis pjūklus, dažnai baigiasi galūnių netekimo ar mirties atvejais. Pavojų kelia ne tik patys grandininiai pjūklai. Žūti galima nuo nukritusios šakos, virstančio medžio ar nusiritusio rąsto. Papildomą pavojų kelia ligoti ar supuvę medžiai. Būtina įvertinti savo galimybes saugiai atlikti užduotį. Kilus abejonėi, palikite šiuos darbus atlikti profesionaliam pažėstų medžių kirtėjui.

### BENDRIEJI SAUGOS ĮSPĖJIMAI

#### ⚠ ĮSPĖJIMAS

**Perskaitykite visus saugos įspėjimus ir visą instrukciją.** Įspėjimų ir instrukcijų nesilaikymas gali sukelti elektros smūgį, gaisrą ir (ar) rimtus sužeidimus.

**Saugokite šiuos įspėjimus ir nurodymus, kad galėtumėte vadovautis jais vėliau.**

Įspėjimuose nurodytas terminas „elektrinis įrankis“ reiškia elektrinio įrankio naudojimą, jį prijungus prie maitinimo tinklo (laidu) arba maitinimo baterijos (belaidis).

### DARBO APLINKA

- **Darbo vieta turi būti švari ir gerai apšviesta.** Nelaimingi atsitikimai įvyksta netvarkingose ar tamsiose vietose.
- **Nenaudokite elektrinių įrankių, jei šalia yra degios ir sprogti galinčios medžiagos (skysčiai, dujos ar dulkės).** Elektriniai įrankiai kibirkščiuoja ir gali uždegti dulkes arba garus.
- **Nenaudokite elektrinio įrankio, jei šalia esantiems asmenims būtų šalia įjungto elektrinio įrankio.** Išsiblaškę galite prarasti kontrolę.

### ELEKTROS SAUGA

- **Elektrinio įrankio kištukai turi atitikti kištukinį lizdą. Niekada nekeiskite kištuko.** Su įžemintais (įžeminio) elektriniais įrankiais niekada nenaudokite kištukų adapterių. Nepakeisti kištukai ir atitinkantys lizdai sumažina elektros smūgio pavojų.
- **Stenkitės nesiliesti prie įžemintų ar įžeminimo paviršių (vamzdžių, radiatorių, grandinių / viryklių, šaldytuvų).** Įžeminius savo kūną, padidėjęs elektros smūgio pavojus.
- **Gaminio negalima naudoti ar laikyti lietuje ar drėgmėje.** Dėl vandens, patekusio į elektrinį įrankį, padidėja elektros smūgio pavojus.
- **Laidą naudokite pagal jo paskirtį. Niekada jo nenaudokite elektriniams įrankiams pernešti, tempti ar išjungti.** Saugokite maitinimo laidą nuo karščio, tepalų, aštrių kampų ir judančių detalių. Pažeisti ar supainioti laidai padidina elektros smūgio galimybę.
- **Dirbdami su elektriniu įrankiu lauke, naudokite tik lauke naudoti skirtus ilgiamuosius laidus.** Naudojant tinkamą laukui laidą sumažinama elektros smūgio tikimybė.
- **Jei būtina naudotis elektriniu įrankiu drėgnomis oro sąlygomis, naudokite likutinės srovės prietaisą (RCD).** Naudojant RCD sumažinama elektros smūgio tikimybė.

### ASMENINĖ SAUGA

- **Būkite budrūs ir stebėkite, ką darote, bei sąmoningai naudokite elektrinį įrankį. Nesinaudokite įrankiu, kai esate pavargę ar paveikti narkotinių medžiagų, alkoholio ar vaistų.** Neatidumas darbo su elektriniu įrankiu metu gali sukelti sunkius sužeidimus.
- **Naudokite asmeninės apsaugos įrangą. Visada dėvėkite akių apsaugos priemones.** Atitinkamomis sąlygomis naudojamos apsaugos priemonės, pvz. dulkių kaukė, neslystantys apsauginiai batai, šalmas ar apsaugos ausims, sumažina asmeninių sužeidimų pavojų.
- **Saugokitės, kad įrankis netyčia neįsijungtų.** Įsitinkinkite, kad prieš prijungiant įrankį prie maitinimo šaltinio ir (ar) baterijos, pakeliant ar nešant įrankį, jungiklis yra išjungtas. Nešant elektrinį įrankį, uždėjęs pirštą ant jungiklio, arba elektrinį įrankį, kurio jungiklis yra įjungtoje padėtyje, gali įvykti nelaimingas atsitikimas.
- **Prieš įjungiant elektrinį įrankį, išimkite derinimo**

EN
FR
DE
ES
IT
NL
PT
DA
SV
FI
NO
RU
PL
CS
HU
RO
LV
LT
ET
HR
SL
SK
BG
UK
TR





**raktą ar veržliaraktį.** Jei juos paliksite pridėtus prie besisukančios įrankio dalies, galite susižaloti.

- **Nepersitempkite. Visada tvirtai stovėkite ir išlaikykite pusiausvyrą.** Tai padės geriau kontroliuoti įrankį netikėtų situacijų metu.
- **Dėvėkite tik darbui tinkamus drabužius. Nedėvėkite laisvų, neprigludusių drabužių ir juvelyrinių dirbinių. Saugokite plaukus, drabužius ir pirštines toliau nuo judančių dalių.** Laisvi drabužiai, papuošalai ar ilgi plaukai gali įsipainioti į judančias įrankio dalis.
- **Jei įrengti dulkių ištraukimo ir surinkimo įrengimai, įsitikinkite, kad jie prijungti ir naudojami tinkamai.** Su dulkelėmis susijusiam pavojui sumažinti naudokite dulkių surinkimą.

## ELEKTRINIO ĮRANKIO NAUDOJIMAS IR PRIEŽIŪRA

- **Nenaudokite per didelės jėgos. Pritaikykite tinkamą elektrinį įrankį atliekamam darbui.** Naudodami pagal paskirtį pagamintą tinkamą elektrinį įrankį, darba atliksite geriau ir saugiau.
- **Nenaudokite elektrinio įrankio, jei jungiklio negalite įjungti ir išjungti.** Jungikliu nevaldomas elektrinis įrankis yra pavojingas ir jį reikia taisyti.
- **Prieš sureguliuojant įrankį, keičiant atsargines dalis ar sandėliavimą atjunkite laidą nuo maitinimo šaltinio ir (ar) akumulatoriaus.** Tokios saugumo priemonės apsaugos nuo atsitiktinio įrankio įsijungimo.
- **Laikykite elektrinį įrankį vaikams neprieinamoje vietoje ir neleiskite juo naudotis asmenims, kurie nemoka juo naudotis.** Neįgudusiems asmenims elektriniai įrankiai yra pavojingi.
- **Pržiūrėkite elektrinius įrankius. Patikrinkite judančių detalių nesutapimus, sukibimą, ar sumontuotos detalės nesulūžusios bei kitą būklę, kuri gali turėti neigiamos įtakos įrankio veikimui.** Jei įrankis sugedęs, prieš naudojimą jį reikia suremontuoti. Nemažai nelaimingų atsitikimų įvyksta dėl netinkamai prižiūrėtų elektrinių įrankių.
- **Pjovimo įrankius reikia pastoviai galąsti ir valyti.** Tinkamai prižiūrėti aštriais asmenimis pjovimo įrankiai mažiau stringa ir juos lengviau valdyti.
- **Naudokite elektrinius įrankius, atsargines detales, gražtus ir t. t., pagal šias instrukcijas ir atsizvelgdami į darbo sąlygas bei turimą atlikti darbą.** Naudokite elektrinį įrankį tik pagal tiesioginę paskirtį, kitaip sukelsite pavojingą situaciją.

## ĮRANKIO SU AKUMULIATORIUMI NAUDOJIMAS IR PRIEŽIŪRA

- **Pakartotinai kraukite prietaisą tik naudodami gamintojo nurodytą kroviklį.** Vieno tipo akumulatoriui tinkantis įkroviklis gali kelti gaisro pavojų kitokiam akumulatoriui.
- **Elektrinius įrankius naudokite tik su jiems skirtais baterijų paketais.** Naudojant kitokius akumulatorius, galima susižeisti ar sukelti gaisrą.
- **Kai akumulatorius nenaudojamas, jį laikykite toliau nuo kitų metalinių daiktų, pavyzdžiui, sąvaržėlių, monetų, raktų, vinių, varžtų ar kitų mažų metalinių daiktų, kurie vieną gnybtą gali sujungti su kitu.**

Sutrumpinus vieną akumulatoriaus gnybtą su kitu, galima nusidenginti arba sukelti gaisrą.

- **Netinkamomis sąlygomis iš akumulatoriaus gali ištėkėti skystis - nelieskite jo. Jei atsitiktinai prisilietėte - nuplaukite vandeniu. Jei skystis pateko į akis, papildomai kreipkitės į gydytoją.** Iš akumulatoriaus ištėkęs skystis gali nudeginti ar sukelti sudirginimus.

## TECHNINIS APTARNAVIMAS

- **Elektrinį įrankį turi remontuoti tik kvalifikuoti darbuotojai, kurie naudoja identiškas atsargines dalis.** Tai užtikrina elektrinio įrankio saugumą.

## PAPILDOMI BENDRIEJI SAUGOS ĮSPĖJIMAI

- Kai kuriuose regionuose taisyklės riboja įrenginio naudojimą. Kreipkitės patarimo į vietos įstaigą.
- Niekada neleiskite naudotis šiuo gaminiu vaikams ar asmenims, nesusipažinusiems su šiomis instrukcijomis. Vietos įstatymai gali apriboti įrengimo operatoriaus amžių.
- Prieš kiekvieną naudojimą patikrinkite, ar tinkamai veikia visi valdikliai ir saugos įtaisai. Nenaudokite krūmapjovės, jeigu išjungimo jungikliu nepavyksta sustabdyti variklio.
- Naudodamiesi šiuo gaminiu, dėvėkite visas akių ir ausų apsaugos priemones, tvirtus batus neslidžiais padais, tvirtas pirštines ir galvos apsaugos priemonę. Dėvėkite veido kaukę, jei tektų dirbti ten, kur išsiskiria dulkės.
- Klausos apsaugos priemonių naudojimas sumažina įspėjamųjų garsų (ryksmų arba pavojaus signalų) girdėjimo galimybę. Operatorius turi atkreipti ypatingą dėmesį, kas vyksta darbo vietoje.
- Visada tvirtai stovėkite ir išlaikykite pusiausvyrą. Nepersitempkite. Per plačiai užsimojus, galima netekti pusiausvyros ir padidėja atitransko pavojus.
- Nedėvėkite dukšlių drabužių, trumpų kelnų ar papuošalų.
- Ilgus plaukus reikia susėti virš pečių lygio, kad neįsipainiotų į judančias dalis.
- Saugokitės iššviėdžiamų, išskriejančių ar krintančių objektų. Pašaliniai asmenys, vaikai ir gyvūnai turi būti 15 m atstumu nuo genėjimo vietos.
- Dirbkite gerai apšviestoje aplinkoje. Kad pastebėtų galimus pavojus, prietaisu dirbančiam asmeniui turi būti sudarytos gero matomumo sąlygos.
- Netoliese naudojant panašius prietaisus padidėja pavojus pakenkti klausą ir galimybė kitiems asmenims patekti į darbo zoną.
- Stovėkite toliau nuo visų judančių įrankio detalių.
- Prieš kiekvieną naudojimą apžiūrėkite krūmapjovę. Patikrinkite, ar tinkamai veikia visi valdymo įtaisai, įskaitant grandinės stabdį. Patikrinkite, ar nėra atspalaidavusių tvirtinamųjų elementų ir ar rankenos tinkamai ir saugiai pritvirtintos. Prieš naudodami prietaisą pakeiskite visas pažeistas dalis.
- Niekada nemodifikuokite prietaiso ir nemontuokite dalių bei priedų, kurias naudoti nepataria gamintojas.





## ⚠ ĮSPĖJIMAS

Numetus krūmaplovę, jei stipriai susitrenkus ar pradėjus neįprastai vibruoti, ją reikia nedelsiant sustabdyti ir patikrinti, ar nepakenkta arba nustatyti vibravimo priežastį. Pakenktos dalys turi būti tinkamai sutaisytos arba pakeistos įgaliotame techninio aptarnavimo centre.

## GRANDININIO PJŪKLO SAUGOS ĮSPĖJIMAI

- Pjaudami grandininio pjūklą, būkite atokiai nuo pjūklo grandinės. Prieš paleisdami grandininį pjūklą, būtinai patikrinkite, ar pjūklo grandinė nesiliečia su jokiais kitais objektais. Pjaunant grandininio pjūklą, nors akimirksnį esant neatidiems, į pjūklo grandinę gali įsivelti drabužiai ar žmogaus kūno dalys.
- Grandininį pjūklą laikykite dešiniąja plaštaka paėmę už galinės rankenos, o kairiąją – už priekinės. Grandininį pjūklą laikant priešinga tvarka, padidėja asmens susižeidimo pavojus, todėl būtina elgtis saugiai.
- Elektrinį įrankį laikykite tik už izoliuoto paviršiaus, nes pjūklo grandinė gali susiliesti su paslėptais elektros laidais. Pjūklo grandinei prisilietus prie laidų, kuriais teka elektros srovė, neapsaugotomis metalinėmis elektrinio įrankio dalimis taip pat gali pradėti tekėti srovė ir darbuotojas gali patirti elektros smūgį.
- Dėvėkite apsauginius akinius ir klausos apsaugos priemones. Be to, patartina naudoti apsaugines galvos, kojų ir pėdų priemones. Tinkama apsauginė darbo apranga sumažina asmens susižeidimo nuo išskriejančių nuopjovų ar atsitiktinio susilietimo su pjūklo grandine pavojų.
- Nepjunkite grandininio pjūklą įsilipę į medį. Pjaunant grandininio pjūklą įsilipus į medį, galima susižeisti.
- Būtinai tvirtai atsistokite ir pjaukite grandininio pjūklą tik stovėdami ant tvirtos ir lygaus paviršiaus. Stovint ant slidžių ar nestabilių paviršių, pavyzdžiui, ant kopėčių, galima netekti pusiausvyros arba nesuvaldyti grandininio pjūklo.
- Pjaudami įtemptą šaką, saugokitės, nes šaka gali atsokti kaip spyruoklė. Kai medienos plaušo įtempimas nulsūgsta, įsitempusi šaka gali atsimušti į darbuotoją ir (arba) grandininis pjūklas gali tapti nevaldomas.
- Būkite ypatingai atsargūs pjaudami krūmus ir medelius. Laibas kotelis gali įsivelti į pjūklo grandinę ir kaip botagas nupiekti jus arba išmušti jus iš pusiausvyros.
- Išjungtą iš maitinimo grandininį pjūklą neškite paėmę už priekinės rankenos ir atokiai nuo savęs. Transportuojant ar nenaudojamą grandininį pjūklą padedant į sandėlį, būtina uždėti kreipiamosios juostos gaubtą. Tinkamai naudojant grandininį pjūklą, sumažėja tikimybė atsitiktinai susiliesti su judančia pjūklo grandine.
- Vadovaukitės pjūklo tepimo, grandinė įtempimo ir dalių bei priedų keitimo instrukcijomis. Netinkamai

įtempta ar sutepta grandinė gali sutrūkti arba gali padidėti galimybė įvykti atotrūkiai.

- Rankenas reikia visada sausiai nuvalyti, kad jos nebūtų suteptos alyva ir riebalais. Tepaluotos ir alyva išteptos rankenos slidžios, todėl galima nesuvaldyti gaminio.
- Pjaukite tik medieną. Nenaudokite grandininio pjūklo ne pagal paskirtį. Pavyzdžiui, nenaudokite grandininio pjūklo plastiko, mūro ar nemedienos statybinėms medžiagoms pjauti. Grandininį pjūklą naudojant ne pagal paskirtį, gali kilti pavojinga situacija.

### Atatranks priežastys ir darbuotojo prevencija:

Jei pjovimo juosta paliečia kažkokį daiktą arba jei pjovimo grandinė yra suspaudžiama ir užblokuojama medienoje pjovimo metu, tai gali atsirasti atšokimas.

Kai kuriais atvejais, pjūklo galiuokui susilietus su kitais paviršiais, gali įvykti staigi atbulinė reakcija: atatranks jėga gali priversti kreipiamąją juostą pašokti aukštyn ir pasislinkti atgal link darbuotojo asmens.

Grandininio pjūklo kreipiamosios juostos viršaus suspaudimas gali kreiptuvą staiga nukreipti atgal į operatorių.

Kiekvienu atveju jūs galite prarasti grandininio pjūklo kontrolę ir sunkiai susižeisti. Nesitikėkite vien tik apsaugos priemonių, integruotų į jūsų grandininį pjūklą. Taip pat jums reikia imtis kitų priemonių nelaimingų atsitikimų ar sužalojimų rizikai išvengti.

Atatranka įvyksta dėl įrankio netinkamo naudojimo ir (arba) neteisingai atliekamų darbo procedūrų ar netinkamų sąlygų, ir jos galima išvengti ėmusis reikiamų atsargumo priemonių, kaip nurodyta toliau:

- Abiem rankomis, visais pirštais tvirtai suimkite ir laikykite grandininio pjūklo rankenas ir atistokite į tokią padėtį, kad kūnas ir ranka atlaikytų atatranks jėgas. Darbuotojas gali valdyti atatranks jėgas, jeigu imasi reikiamų atsargumo priemonių. Neleiskite pjūklui laisvai judėti.
- Neužsimokite per plačiai ir nepjunkite virš pečių aukščio. Tai padeda apsisaugoti nuo netyčinio sąlyčio su pjūklo galiuku ir geriau valdyti grandininį pjūklą kilus nenumatytoms situacijoms.
- Juostas ir grandines keiskite tik gamintojo nurodytais analogais. Naudojant netinkamus juostas ir grandines, grandinė gali sutrūkti ir (arba) gali išsivystyti atatranks jėga.
- Laikykites gamintojo instrukcijų dėl pjovimo grandinės galandimo ir techninio aptarnavimo. Sumažinus gylio matuoklio aukštį, gali padidėti atatranka.

### PAPILDOMI GRANDININIO PJŪKLO SAUGOS ĮSPĖJIMAI

- Pjūklą naudojant pirmą kartą, rąstus patartina pjauti pasidėjus ant malkų pjovimo ožio arba ant atramos.
- Patikrinkite, ar visi apsauginiai įtaisai, rankenos ir smaigčio amortizatorius tinkamai įtaisyti ir geros būklės.
- Grandininį pjūklą naudojantys asmenys turi būti geros sveikatos būklės. Gaminys yra sunkus, todėl asmuo, kuris juo naudojasi, turi būti fiziškai stiprus. Darbuotojas

EN
FR
DE
ES
IT
NL
PT
DA
PA
SV
FI
NO
RU
PL
CS
HU
RO
LV
LT
ET
HR
SL
SK
BG
UK
TR







turi būti budrus, pasižymėti geru regėjimu, jūdrus, gebėti išlaikyti pusiausvyrą ir miklių rankų. Kilus abejonėi, nenaudokite grandininio pjūklo.

- Nepradėkite naudoti grandininio pjūklo, kol darbo plotas neparuoštas, nesate tvirtai atsistoję ir nenumatę, kaip atsitrauksite nuo medžio kritimo trajektorijos.
- Saugokitės nuo tepalų ir pjūvenų skleidžiamos taršos. Jei reikia, dėvėkite kaukę ar respiratorių.
- Nepjaukite vijoklinių ar šliaužiančių augalų ir (arba) nedidelio atžalyno (plonesnių nei 75 mm skersmens stiebų bei kamienų).
- Pjaudami grandininio pjūklu, būtinai laikykite jį suėmę abiem plaštakomis. Tvirtai laikykite grandininį pjūklą, jūsų pirštams apimant rankenas. Dešinioji plaštaka turi būti uždėta ant galinės rankenos, o kairioji – ant priekinės.
- Prieš paleisdami įrankį, patikrinkite, ar pjūklo grandinė nesiliečia su jokių objektu.
- Niekada nemodifikuokite pjūklo ir nemontuokite prie jo jokių pjūklo gamintojo nerekomenduotų įtaisų ar priedaisų.
- Netoli darbuotojo asmens būtinai turi būti laikoma pirmosios pagalbos vaistinė su didelių žaizdų tvarymo priemonėmis bei dėmesį pritraukiančios priemonės (pvz., švilpukas). Didesnė pirmosios pagalbos vaistinė, kurioje daugiau priemonių, taip pat turi būti netoliese.
- Jeigu darbo vietoje nėra krintančių objektų pavojaus, darbuotojui gali kilti pagunda nusiimti šalmą, reikia nepamiršti, kad šalmas, ypač su antveidžiu iš tinklelio, gali padėti sumažinti galimybę susižeisti veidą ir galvą įvykus atatranka.
- Netinkamai įtempta grandinė gali nušokti nuo kreipiamosios juostos ir sukelti sunkų ar net mirtiną sužeidimą. Grandinės ilgis priklauso nuo temperatūros. Reguliariai tikrinkite grandinės įtempimą.
- Prie darbo nauju grandininio pjūklu reikia pratintis atliekant nesudėtingus pjūvius ant tvirtai atremto medienos ruošinio. Tokį bandomąjį pjūvimą taip pat reikia atlikti prieš pradėdant dirbti ilgesnį laiką nenaudojus pjūklo.
- Norint sumažinti sužeidimų, kuriuos gali sukelti susilietimas su judamosiomis dalimis, pavojų, būtina sustabdyti variklį, įjungti grandinės stabdį, išimti baterijų paketą ir įsitikinti, ar visos judamosios dalys sustoję prieš:
  - valant ar šalinant užsikimšimą
  - gaminio palikimas be priežiūros
  - Montuojant ar nuimant įtaisus
  - atlikite prietaiso patikros arba priežiūros darbus, arba paleiskite jį
- Darbo zonos paviršius priklauso tiek pat nuo atliktino darbo, kaip ir nuo medžio aukščio ar apdorotino gabalio. Pavyzdžiui, norint nuleisti medį, darbo plotas turi būti didesnis nei atliekant kitus pjūvius, t. y. pjaunant medžius rąstams ar pan. Darbuotojas turi žinoti apie viską, kas yra darbo plote ir valdyti visą padėtį.
- Nepjaukite stovėdami vienoje linijoje su kreipiamąja juosta ir grandine. Jeigu įvyktų atatranka, stovėdami ne

vienoje linijoje apsisaugotumėte nuo grandinės smūgio į galvą ar kūną.

- Pjaudami nemosuokite pjūklų pirmyn–atgal: visą darbą palikite grandinei; ji turi būti aštri ir nemėginkite jos stumti per įpjovą.
- Nespauskite grandininio pjūklo pjovimo pabaigoje. Būkite pasirengę perimti pjūklo svorį, kai jis pjaunant nustoja liestis į medieną. Priešingu atveju, galite sunkiai susižeisti.
- Nestabdykite pjūklo per pjovimo operacijos vidurį. Pjūklas turi veikti, kol yra visiškai ištraukiamas iš įpjovos.

### Stūmimo jėga ir traukimo jėga

Reakcijos jėga visuomet veikia priešinga krypčiai, nei pjovimo grandinės sukimosi kryptis. Tokiu būdu darbuotojas turi būti pasirengęs valdyti įrankio tendenciją atsiplešti nuo medienos (judesį į priekį) pjaunant ant apatinio juostos krašto ir spausti atgal (link darbuotojo), pjaunant išilgai viršutinio krašto.

### Pjūklui įstrigus įpjovoje

Sustabdykite grandininį pjūklą ir pasirūpinkite, kad jis būtų nepavojingas. Nebandykite jėga traukti grandinės ir juostos iš įpjovos, nes dėl to gali nutrūkti grandinė, susiūbuoti atgal ir atsitrėnti į darbuotoją. Ši situacija paprastai susidaro, nes medis netinkamai atremtas ir reikia užbaigti pjūvį veikiant spaudimui, tuo būdu suspaudžiant asmenis. Jeigu reguliuojant atramą, juostos ir grandinės nepavyksta išlaisvinti, įkiškite medinius pleištus ar svertą, kad atvertumėte įpjovą ir išlaisvintumėte pjūklą. Jokių būdu nebandykite paleisti grandininio pjūklo, kai kreipiamoji juosta jau yra įpjovoje ar įrangoje.

### Asmeninės apsaugos priemonės

Profesionalams skirtos geros kokybės asmeninės apsaugos priemonės padės sumažinti darbuotojo sužeidimo riziką. Dirbant grandininio pjūklu, reikia naudoti šias apsaugos priemones:

#### Apsauginį šalmą

- turi atitikti EN 397 standartą arba būti paženklintas „CE“

#### Klausos apsauga

- turi atitikti EN 352-1 standartą arba būti paženklintas „CE“

#### Akių ir veido apsauga

- turi būti paženklinta „CE“ ir atitikti EN 166 standartą (apsauginiai akiniai) arba EN 1731 standartą (antveidžiai iš tinklelio)

#### Pirštines

- turi atitikti EN381-7 standartą arba būti paženklintas „CE“

#### Kojų apsauga (blauzdu)

- turi atitikti EN381-5 standartą, būti paženklinta „CE“ ir apsaugoti koją iš visų pusių.

#### Darbui grandininio pjūklu skirtus apsauginius batus

- turi atitikti EN ISO 20345:2004 standartą ir būti pažymėti nuo grandininio pjūklo apsaugančio skydo simboliu, rodančiu atitiktį EN 381-3 standartui. (Jeigu žemės paviršius lygus ir nėra pavojaus suklupti



ar užkliūti už atžalyno, nenuolatiniai darbuotojai gali mūvėti apsauginiais batais su plieno nosimi ir apsauginėmis blauzdinėmis, atitinkančiomis EN 381-9 standartą)

### **Darbiu grandininio pjūklui skirtas striukes viršutinės kūno dalies apsaugai**

- turi atitikti EN 381-11 standartą arba būti paženklintas „CE“

### **TINKAMŲ ELEMENTARIŲ MEDŽIO NULEIDIMO, ŠAKŲ GENĖJIMO IR SKERSINIO PJOVIMO BŪDŲ INSTRUKCIJOS**

#### **Supratimas apie medienoje veikiančias jėgas**

Turint supratimą apie kryptinius slėgius ir įrašas medienoje, galima sumažinti spaudimu arba bent jau jų tikėtis pjaunant. Įtempis medienoje reiškia, jog plaušai yra draskomi ir pjaunant šiame plote, pjūklui skrodžiant medieną, įranta ar įpjova bus linkusi atsiverti. Jeigu rąstas atremtas ant malkų pjovimo ožio, o jo galas pakibęs neatremtas, dėl išsikišusio rąsto svorio, kuris tempia plaušą, viršutiniame paviršiuje susidaro įtampa. Panašiai, rąsto apatinė pusė bus suspausta ir plaušai stumiami kartu. Jeigu pjūvis daromas tame plote, įranta atliekant pjūvį bus linkusi užsidaryti. Tai suspaustų pjūklo ašmenis.

#### **Medžio nuleidimas**

Žr. 267 - 268 psl.

Kai medžių pjovimo malkoms ir nuleidimo darbus vienu metu atlieka du ar daugiau asmenų, medžio nuleidimo darbus reikia atskirti nuo pjovimo malkoms atstumu, kuris yra mažiausiai dukart didesnis už nuleidžiamo medžio aukštį. Medžių negalima nuleisti taip, kad jie keltų pavojų žmonėms, atsitrenktų į elektros perdavimo linijas ar keltų žalą turtui. Medžiui prisilietus prie elektros perdavimo linijos, apie tai būtina nedelsiant pranešti už šią liniją atsakingai įmonei.

Jei žemės sklypas yra nuožulnus, tai visuomet būkite žemės sklypo viršuje, kadangi yra rizika, kad medis po kirtimo nusiris ar nuslys nuo šlaito apačion.

Prieš pradėdant pjovimo darbus, būtina numatyti ir išvalyti atsitraukimo takelį. Atsitraukimo takelis turi driektis atgal ir įstrižai numatomos medžio kirtimo trajektorijos galinėje pusėje.

Prieš pradėdant nuleidimą, reikia apžiūrėti, į kurią pusę medis natūraliai palinkęs, kaip išsidėsčiusios stambesnės šakos ir kokia kryptimi pučia vėjas, kad būtų galima įvertinti, į kurią pusę medis kris.

Nuo pjaunamo medžio pašalinkite nešvarumus, akmenis, atplyšusią žievę, vinius, kabes ir vielą.

Nenuleidinkite supuvusių ar vėjo, ugnies, žaibų ir pan. pažeistų medžių. Tai ypatingai pavojinga ir šiuos darbus turi atlikti profesionalūs pažeistų medžių kirtėjai.

#### **1. Pakirtimas**

Žr. 267 - 268 psl.

Statmenai medžio kirtimo trajektorijai atlikite 1/3 medžio skersmens dydžio įkirtimą. Pirma atlikite apatinį horizontalų pakirtimą. Tai padės išvengti pjūklo grandinės ar krepčiosios juostos suspaudimo atliekant antrą įkirtimą.

#### **2. Nuleidimo įpjova**

Žr. 267 - 268 psl.

Nuleidimo įpjovą atlikite mažiausiai 50 mm / 2 col. aukščiau nei horizontalus įkirtimas. Nuleidimo įpjova turi būti lygiagreti horizontaliam įkirtimui. Nuleidimo įpjovą darykite tokią, kad liktų pakankamai medienos, kuri atliktų lanksto vaidmenį. Medienos lankstas neleidžia medžiui išlįkti ir nukristi netinkama kryptimi. Nepjaukite per lankstą.

Kai nuleidimas priartėja prie lanksto, medis turėtų pradėti kristi. Jeigu kyla įtarimas, kad nuleidžiant medis gali kristi nepageidaujama kryptimi arba susvyruoti atgal ir suvaržyti pjūklo grandinę, liaukitės pjovę, kol prieš atliekant nuleidimo įpjovą ir įkiškite medienos, plastiko ar aliuminio pleištus, kad atvertumėte įpjovą ir nuleistumėte medį pageidaujama kirtimo trajektorija.

Medžiui pradėjus kristi, ištraukite grandininį pjūklą iš įpjovos, sustabdykite variklį, padėkite pjūklą ir atsitraukite numatytu takeliu. Saugokitės iš viršaus krintančių šakų ir būkite atsargūs, kad neužkliūtumėte ir išsilaikytumėte ant kojų.

#### **Atramos šaknų pjovimas**

Žr. 268 psl.

Atramos šaknis yra didelė šaknis, išeinanti iš medžio kamieno ir pasiekianti žemę. Prieš imdamiesi medžio kirtimo, nupjaukite dideles šaknis. Visų pirma atlikite horizontalinę įpjovą atramos šaknyje ir po to vertikalią įpjovą. Pašalinkite taip nupjautą dalį iš darbo ploto. Pašalinę atramos šaknis, imkitės medžio kirtimo.

#### **Rąsto pjovimas**

Žr. 269 psl.

Rąsto pjovimas – tai jo sukopojimas atitinkamo ilgio gabalais. Svarbu, kad tvirtai stovėtumėte ir svoris būtų tolygiai pasiskirstęs ant abiejų kojų. Kai yra galimybė, rąstą reikėtų pakelti ir atremti šakomis, kitais rąstais ar ramsčiais. Vadovaukitės paprastais nesudėtingo pjovimo nurodymais. Kai rąstas atremtas visu ilgiu, jis pjaunamas nuo viršaus (pjovimas iš viršaus).

Kai rąstas atremtas viename gale, pjaukite 1/3 jo skersmens iš apatinės pusės (pjovimas iš apačios). Tada atlikite galutinį pjovimą, pjaudami iš viršaus, kad viršutinis pjūvis susidurtų su apatiniu pjūviu.

Kai rąstas atremtas abiejuose galuose, pjaukite 1/3 jo skersmens iš viršaus (pjovimas iš viršaus). Tada atlikite galutinį pjovimą, 2/3 skersmens pjaudami iš apačios, kad apatinis pjūvis susidurtų su pirmą įpjova.

Pjaudami medį rąstams šlaite, būtinai stovėkite įkalnėje. Pjaunant „kiaurai“, tam, kad visiškai valdytumėte padėtį, atleiskite pjovimo spaudimą bebaigdami atlikti įpjovą, tačiau tvirtai laikykite suėmę grandinį pjūklą už rankenų. Neleiskite grandinei susiliesti su žeme. Baigę pjovimą, palaukite, kol pjūklo grandinė visiškai sustos ir tik tada perkeltkite grandininį pjūklą į pageidaujamą vietą. Prieš pereinant nuo medžio prie medžio, būtina sustabdyti pjūklo variklį.

#### **Medžio genėjimas**

Žr. 270 psl.

Genėjimas – tai šakų nukopojimas nuo nuleisto medžio. Genėdami, stambesnes apatines šakas palikite



nenukapotas, kad rąstas nesiremtų tiesiai į žemę. Mažas šakeles nukapokite vienu pjūviu. Įtempio veikiamas šakeles reikia pjauti iš apačios į viršų, kad nesulinktų grandininis pjūklas.

### Atšokanti šaka

Žr. 270 psl.

“Botagas” yra šaka, išrautas keltas arba medelis, kurį sulenkė kitas medžio gabalas tokiu būdu, kad jis staiga išsitiesia, kai pjaunamas arba nuimamas medžio gabalas, kuris jį sulauko.

Išrautas nukirsto medžio keltas kelia didelę riziką išsitiesti ir sugrižti į vertikalią padėtį pjaunant, kad jis būtų atskirtas nuo kamieno. Dėmesio “botagams” - jie pavojingi.

### ⚠ ĮSPĖJIMAS

“Botagai” yra pavojingi, nes jie gali trenkti į jus ir priversti prie to, kad jūs prarasite grandinio pjūklo kontrolę. Tai gali sukelti sunkius ar mirtinus sužalojimus. Šį darbą turi atlikti apmokyti darbuotojai.

### ŠALUTINIAI PAVOJAI

Net naudojant gaminį pagal nurodymus, neįmanoma visiškai atmesti visų pavojaus veiksnių. Gali kilti toliau nurodyti pavojai, todėl operatorius turi būti itin dėmesingas, kad išvengtų šių dalykų:

- Vibracijos sukeltas sužalojimas
  - Kiekvieną darbą atlikite jam skirtu įrankiu, naudokite atitinkamas rankenas ir ribokite darbo bei buvimo sveikatai žalingoje aplinkoje laiką.
- Ilgai būnant triukšme, galima pakenkti klausą.
  - Dėvėkite akių apsaugą ir ribokite poveikio trukmę.
- sužeidimai prisilietus prie atvirų grandinės pjūklo dantų;
- sužeidimai, sukelti ištiškusių nuopjovų (skiedrų ir nuolaužų);
- Sužeidimai, sukelti įkvėpus dulkių ir dailelių
- sužeidimai, sukelti ant odos patekus tepalo ar alyvos.
- Pjūklo grandinės išmetamos dalys (pjovimo / įpurškimo pavojai)
- Nenumatytas, staigus apsaugo kreiptuvo judėjimas (įsipjovimo pavojus).

### RIZIKOS MAŽINIMAS

Turime pranešimų, kad vibracija nuo ranka laikomų įrankių kai kuriems asmenims gali turėti neigiamos įtakos vystantis Raynaud sindromui. Šios ligos požymiai yra pirštų dilgčiojimas, nutirpimas ir pabalimas, paprastai pasireiškiantis nuo šalčio. Šie simptomai vystosi dėl paveldimų veiksnių, nesisaugant nuo šalčio ir drėgmės, dėl mitybos, rūkymo ir darbo praktikos. Operatorius gali imtis šių priemonių, kurios gali sumažinti vibracijos poveikį:

- Apsirenkite kuo šilčiau šaltu oru. Dirbant šiuo prietaisu mūvėkite pirštines, kad plaštakos ir riešai būtų laikomi šiltai. Turime pranešimų, kad Raynaud sindromas labiausiai vystosi nuo šalto oro sąlygų.
- po darbo kiekvieną kartą pasportuokite, kad pagerėtų kraujo apytaka;

- dažnai darykite darbo pertraukas. Apribokite darbo laikotarpį per dieną.
- Apsauginės pirštinės, kurias galima įsigyti iš mažmenininkų, prekiaujančių profesionaliais grandininiais pjūklais, yra skirtos specialiai dėvėti dirbant grandininio pjūklu ir apsaugo rankas, leidžia gerai suimti pjūklą ir sumažina rankenų vibracijos efektą. Šios pirštinės atitinka EN381-7 standartą ir turi būti paženklintos „CE“.

Jei jums pasireiškia kokie nors šios būklės simptomai, nedelsdami nutraukite darbą ir kreipkitės į gydytoją.

### ⚠ ĮSPĖJIMAS

Ilgiau naudojant, įrankis kelia sužeidimų pavojų ir apsunkina darbą. Ilgiau naudojant įrankius, reikia reguliariai daryti pertraukas.

### PAŽINKITE SAVO GRANDININĮ PJŪKLĄ

Žr. 261 psl.

1. Priekinis įtaisas rankai apsaugoti/pjovimo grandinės stabdys
2. Priekinė rankena
3. Galinė rankena
4. Pjovimo grandinė
5. Pjovimo juosta
6. Bamberio smaigas Integruotas bamperio smaigas
7. Alyvos bako dangtelis
8. Jungiklio deblokavimo mygtukas
9. Perjungiklis
10. Grandininio rato gaubtas
11. Grandinės įtempiklio reguliavimo žiedas
12. Grandinės įtempiklio galvelė
13. Kreipiamosios juostos gaubtas
14. Grandinės gaudytuvas

### SAUGOS ĮTAISAI

#### Mažo atšokimo grandinė

Mažos atatranks pjūklo grandinė padeda sumažinti galimybę įvykti atatranks.

Gylio ribotuvai, esantys kiekvieno dantuko priekyje, gali sumažinti atšokimo efektą, vengiant per gilaus dantukų skverbimosi į atšokimo vietą. Keitimui naudokite tik gamintojo rekomenduojamą kreipiamąją juostą ir grandinę. Išgalandę pjovimo grandinę, padvigubinkite budrumą, kadangi galandimas daro grandinę mažiau atsparią atšokimui. Savo saugumo labui, pakeiskite pjūklo grandines, kai yra mažiau pjovimo darbų.

#### Bamberio smaigas Integruotas bamperio smaigas

Gali būti naudojamas kaip ašis atliekant pjūvį. Ji padeda išlaikyti pjūklo korpusą stabilų pjaunant. Pjaudami stumkite įrankį į priekį, kol smaigai įsireš į medienos kraštą, tada stumkite galinę rankeną aukščiau ar žemyn pjovimo linijos kryptimi, kad pjaudami mažiau įsitemtumėte.

#### Pjovimo juosta

Bendrai, kreipiamieji strypai su nedidelio spindulio antgaliais rečiau atšoka veikiami atatranks jėgos. Reikia





naudoti kreipiamąją juostą ir ją atitinkančią grandinę, kuri yra pakankamai ilga pageidaujama darbui atlikti. Ilgesnės juostos padidina pavojų pjaunant netekti kontrolės. Reguliariai tikrinkite grandinės įtempimą. Pjaunant mažesnes šakeles (trumpesnes nei visas kreipiamosios juostos ilgis), grandinė gali dažniau nušokti, jeigu yra netinkamai įtempta.

### Pjovimo grandinės stabdys

Pjovimo grandinės stabdys skirtas tam, kad būtų galima greitai sustabdyti grandinės sukimąsi. Pjovimo grandinė turi tučiuojau sustoti, kai stabdžio svirtis/įtaisas rankai apsaugoti stumiamas pirmyn. Pjovimo grandinės stabdys netrukdo atšokimo efektui. Tai tik sumažina sužeidimų pavojų per atitrąską grandinės juostai susilietus su darbuotojo kūnu. Grandinės stabdį reikia tikrinti kiekvieną kartą prieš naudojant pjūklą: reikia patikrinti, ar stabdys tinkamai veikia pjovimo ir įjungto stabdžio padėtyse.

### Grandinės gaudytuvas

Grandinės gaudyklė apsaugo naudotoją, kad galimai nukritusi arba nutrūkusi grandinė nebūtų blokšta naudotojo link.

## SURINKIMAS

### ⚠ ĮSPĖJIMAS

Nenaudokite prietaiso, jei trūksta detalių ar jos yra apgadintos tol, kol jos nebus pakeistos. Nepaisydami šių įspėjimų, galite sunkiai susižeisti.

## PJŪKLO GRANDINĖS IR KREIPIAMOSIOS JUOSTOS MONTAVIMAS

Žr. 262 - 263 psl.

1. Būtinai išimkite iš įrankio baterijų paketą. Mūvėkite apsauginėmis pirštinėmis.
2. Nusukite grandinės įtempiklio galvutę ir nuimkite grandininio rato gaubtą.
3. Pjūklo grandinė turi būti išore pasukta grandinės sukimosi kryptimi. Jei jie orientuoti priešinga kryptimi, tai apverskite jūsų padarytą kilpą.
4. Įdėkite pavaros lankstą į įlaida, kaip parodyta.
5. Padėkite pjovimo grandinę tokiu būdu, kad pjovimo juostos užpakalyje susidarytų kilpa.
6. Laikykite grandinę ant juostos ir uždėkite kilpą ant pavaros grandininio rato. Nuleiskite juostą, kad varžtas praeitų per angą pritvirtintoje grandinės įtempimo sistemoje. Gali reikėti pasukti šią sistemą, kad varžtas ir anga susilygiuotų. Gali reikėti šią sistemą pasukti dar kartą, kad grandinė šiek tiek įsitemptų: tai padeda ją išlaikyti reikiamoje padėtyje.
7. Pakeiskite grandininio rato gaubtą ir sukite įtempiklio galvutę, kol ji bus beveik suveržta; sukite grandinės įtempimo reguliavimo žiedą, kol pjūklo grandinė bus tinkamai įtempta. Tada galima pastumti aukšty kreipiamąją juostą. Vėl patikrinkite grandinės įtempimą. Neįtempkite grandinės per stipriai.
8. Kai grandinė bus gerai įtempta, vėl suveržkite galvutę.

## GRANDINĖS ĮTEMPIMO REGULIAVIMAS

Žr. 263 psl. Žr. 273 psl.

1. Truputį atpalaiduokite grandinės įtempiklio galvutę, pasukdami ją prieš laikrodžio rodyklę.
2. Norėdami padidinti grandinės įtempimą, pasukite grandinės įtempiklio reguliavimo žiedą pagal laikrodžio rodyklę ir dažnai tikrinkite grandinės įtempimą. Norėdami sumažinti grandinės įtempimą, pasukite grandinės įtempiklio reguliavimo žiedą prieš laikrodžio rodyklę ir dažnai tikrinkite grandinės įtempimą.
3. Grandinės įtempimas tinkamas, kai tarpas tarp grandinėje įtaisyto pjoviklio ir juostos yra 3– 4 mm. Vidurinėje juostos apatinės pusės dalyje patraukite grandinę į apačią (atokiai nuo juostos) ir išmatuokite atstumą tarp juostos ir grandinės pjoviklių.
4. Suveržkite grandinės įtempiklio galvutę ją sukdamy pagal laikrodžio rodyklę.

## EKSPLOATAVIMAS

### GRANDINĖS TĖPIMO ALYVOS ĮPYLIMAS

Žr. 262 psl.

### ⚠ ĮSPĖJIMAS

Jokiu būdu nenaudokite įrankio, jei nėra įpilta grandinės tepalo. Jeigu pjūklo grandinė veikia nesutepta, kreipiamoji juosta ir pjūklas gali būti pakenkti. Todėl būtina dažnai ir kiekvieną kartą prieš pradėdant naudoti grandininį pjūklą, tikrinti alyvos lygį alyvos lygio matuoklyje.

1. Išvalykite paviršius apie alyvos bakelio dangtelį, kad neužterštumėte tepalo.
2. Nusukite ir nuimkite dangtelį nuo alyvos bakelio.
3. Įpilkite alyvos į bakelį ir stebėkite alyvos lygio matuoklį. Pasirūpinkite, kad pilant į bakelį alyvą, į jį nepatektų jokių nešvarumų.
4. Vėl uždėkite ir užsukite alyvos bakelio dangtelį. Nušluostykite išiškusią alyvą.
5. Esant pilnam alyvos bakeliui, galima atlikti pjovimo darbus 20–40 minučių.

### Rekomenduojama grandinės tepimo alyva

- Gamintojas rekomenduoja naudoti tik „Ryobi“ grandininį pjūklų tepimo alyvą. (Ją galima įsigyti iš įgaliotojo „Ryobi“ techninės priežiūros bei aptarnavimo centro.)

### AKUMULIATORIAUS TVIRTINIMAS

Žr. 263 psl.

1. Baterijos paketą įdėkite į įrankį. Akumuliatoriaus iškiluosius spausiskus sulygiuokite su prietaiso akumuliatoriaus gnybto grioveliais.
2. Pasirūpinkite, kad akumuliatoriaus skląščiai užsifiksuotų savo vietoje, o akumuliatoriaus blokas būtų pritvirtintas prieš eksploatacijos pradžią.

### GRANDININIO PJŪKLO LAIKYMAS

Žr. 263 psl.

Grandininį pjūklą laikykite dešiniąja plaštaka paėmę už galinės rankenos, o kairiąja – už priekinės. Abiem





plaštakomis, visais pirštais tvirtai suimkite ir laikykite grandininio pjūklo rankenas. Priekinę rankeną būtinai reikia laikyti kairiąją plaštaka, nykščiu apkabinus rankenos apatinę dalį.

### GRANDININIO PJŪKLO PALEIDIMAS

Žr. 263 psl.

1. Prieš pradėdami darbą, į grandininį pjūklą reikia įdėti baterijų paketą ir patraukus už grandinės stabdžio svertą / plaštakos apsauginio įtaiso link priekinės rankenos, p atikrinti, ar grandinės stabdys nustatytas į veikimo padėtį.
2. Norėdami paleisti įrankį: paspauskite ir atleiskite gaiduką, paskui paspauskite svirtinį jungiklį.

### GRANDINĖS STABDŽIO PATIKRA IR VALDYMAS

1. Įjunkite grandinės stabdį sukdami kairiąją plaštaka apie priekinę rankeną. Grandinei greitai sukantis, plaštakos gūbriu pastumkite grandinės stabdžio svertą / plaštakos apsauginį įtaisą link juostos. Jokių būdu neatitraukite nė vienos plaštakos nuo pjūklo rankenų.
2. Sugriebdami už grandinės stabdžio svertą viršutinės dalies / plaštakos apsauginio įtaiso ir traukdami link priekinės rankenos, kol pasigirs spragtelėjimas, vėl nustatykite grandinės stabdį į veikimo padėtį.

#### ⚠️ ĮSPĖJIMAS

Jei grandinės stabdis nesustabdo grandinės staigiai arba jei stabdis neužsifiksuoja veikimo pozicijoje, prieš naudodami prietaisą, nuneškite jį pataisyti į techninio aptarnavimo centrą.

### GABENIMAS IR LAIKYMAS

Žr. 275 - 276 psl.

- Prieš padedant į sandėlį ar transportuojant, gaminį reikia sustabdyti, išimti bateriją ir palikti, kol prietaisą atvės.
- Nuo įrankio nuvalykite visas pašalines medžiagas. Laikykite vėsioje, sausoje, gerai vėdinamoje ir vaikams nepasiekiamoje vietoje. Nelaikykite jo arti nuo tokių koroziją sukeliančių reagentų kaip cheminės sodininkystės medžiagos arba druskos, naudojamos prieš apledėjimą. Nelaikykite lauke.
- Prieš padėdami įrankį į sandėlį ar paruošdami gabenimui, uždėkite kreipiamosios juostos gaubtą.
- Paruošiant gabenimui, gaminį reikia pritvirtinti, kad nejudėtų ir nenukristų, nes priešingu atveju jis gali sužaloti žmones arba sugesti pats.

### PRIEŽIŪRA

#### ⚠️ ĮSPĖJIMAS

Keitimui naudokite tik originalias gamintojo atsargines dalis. Neoriginalios dalys gali būti sužeidimų ir įrenginio blogo veikimo priežastis, ir dėl to gali būti anuliuotas garantinis pažymėjimas.

#### ⚠️ ĮSPĖJIMAS

Aptarnavimą atlikti būtina itin atidžiai, todėl rekomenduojame, kad techninę apžiūrą vykdytų kvalifikuotas specialistas. Jei reikia atlikti techninio aptarnavimo darbus, nugabenkite gaminį į įgaliotą techninio aptarnavimo centrą. Atlikdami prietaiso techninę priežiūrą, keitimui naudokite tik originalias, prietaiso gamintojo atsargines dalis.

#### ⚠️ ĮSPĖJIMAS

Prieš atlikdami grandininio pjūklo reguliavimo, priežiūros ar valymo darbus, išimkite bateriją. Neišėmus baterijos, galima sunkiai susižeisti.

- Gaminį reguliuoti ar taisyti patiems galima tik tiek, kiek aprašyta šiame vadove. Dėl kitų dalių taisymo ar pagalbos taisant reikia kreiptis į įgaliotą techninio aptarnavimo centrą.
- Dėl netinkamos priežiūros gali sutrūkti grandinė ir netinkamai veikti kitos saugos funkcijos, taip padidinant sunkaus sužeidimo galimybę. Grandininis pjūklas turi būti profesionaliai prižiūrimas ir saugus.
- Saugiai pagaląsti grandinę gali tik įgudęs specialistas, todėl gamintojas primygtinai rekomenduoja sudilusią ar atšipusią grandinę pakeisti nauja, kurią galima įsigyti iš „Ryobi“ techninės priežiūros bei aptarnavimo centro. Dalies numeris nurodytas šiame instrukcijų vadove pateiktoje gaminio specifikacijų lentelėje. Therefore the manufacturer strongly recommends that a worn or dull chain is replaced with a new one, available from your authorised Ryobi service centre. The part number is available in the product specification table in this manual.
- Vadovaukitės tepimo bei grandinės įtempimo patikros ir reguliavimo nurodymais.
- Po kiekvieno naudojimo, išvalykite įrenginį sausu švelnaus audinio gabalėliu.
- Dažnai tikrinkite visas varžles, varžtus ir sraigtus, ar jie tvirtai laikosi ir ar įranga yra saugios darbo būklės stovyje. Bet kurią apgadintą detalę leidžiama remontuoti arba keisti tik autorizotuame aptarnavimo centre.

### KREIPIAMOSIOS JUOSTOS IR PJŪKLO GRANDINĖS KEITIMAS

Žr. 271 - 272 psl.

1. Būtinai išimkite bateriją. Mūvėkite apsauginėmis pirštinėmis.
2. Nusukite grandinės įtempiklio galvutę pasukdami ją prieš laikrodžio rodyklę, kol atspalaiduos grandininio rato gaubtas.
3. Nuimkite grandininio rato gaubtą. Nuimkite nuo įrankio juostą ir pjūklo grandinę.
4. Norėdami pakeisti juostą nauja, išsukite grandinės įtempimo bloko varžtą. Sumontuokite grandinės įtempimo bloką ant naujos juostos ir vėl priveržkite varžtą.
5. Naują grandinę uždėkite ant juostos teisinga kryptimi ir patikrinkite, ar pavaros švaistikliai juostos griovelyje sulygiuoti.



- Pritvirtinate juostą prie grandininio pjūklo ir uždėkite grandinę ant pavaros grandininio rato.
- Pakeiskite grandininio rato gaubtą.
- Sureguliuokite grandinės įtempimą. Vadovaukitės skyrelyje „Grandinės įtempimo reguliavimas“ pateiktais nurodymais.

#### ⚠ ĮSPĖJIMAS

Jeigu grandinė atšūpusi ar netinkamai pagალąsta, pjaunant variklis gali per greitai sukstis ir rimtai sugesti.

#### ⚠ ĮSPĖJIMAS

Blogas grandinės galavimas padidina atšokimo riziką.

#### ⚠ ĮSPĖJIMAS

Jei jūs nekeisite ar netaisote sugadintos grandinės, tai jūs statote save į sunkių kūno sužalojimų pavojų.

#### ⚠ ĮSPĖJIMAS

Grandinė yra labai aštri. Visuomet nešiokite apsaugines pirštines, kai jūs atliekate jos techninį aptarnavimą.

### GRANDINĖS STABDŽIO APŽIŪRA IR VALYMAS

Žr. 274 psl.

- Grandinės stabdžio mechanizmas turi būti visada švarus: nuo švaistiklių reikia reguliariai šepečiu nubraukti nešvarumus.
- Po kiekvieno grandinės stabdžio valymo reikia patikrinti, kaip jis veikia. Remkitės šio vadovo skirsniu "Naudojimas - Grandinės stabdys", kad gautumėte daugiau informacijos.

### PRIEŽIŪROS TVARKARAŠTIS

Kasdienė patikra	
Strypo sutepimą	Prieš kiekvieną naudojimą
Grandinės įtempimą	Prieš kiekvieną naudojimą ir dažnai
Grandinės aštrumą	Prieš kiekvieną naudojimą, vizualinė patikra
Ar nėra sugadintų dalių	Prieš kiekvieną naudojimą
Ar nėra atspalaidavusių spaustukų	Prieš kiekvieną naudojimą
Grandinės stabdžio funkcija	Prieš kiekvieną naudojimą
Patikrinkite ir išvalykite	
Apsagas	Prieš kiekvieną naudojimą
Visą pjūklą	Kiekvieną kartą prieš naudojant

Pjovimo grandinės stabdys

Kas 5 valandas\*

\*Veikimo valandos

### SIMBOLIAI ANT ĮRENGINIO



Pranešimas apie saugumą



Prieš naudodami įrenginį, atidžiai perskaitykite instrukcijas, laikykitės įspėjimų ir saugos nurodymų.



Dėvėkite akių, ausų ir galvos apsaugą.



Naudodamiesi šiuo gaminiu visada avėkite avalynę neslystančiais padais.



Mūvėkite neslystančias, tvirtas apsaugines pirštines.



Atsargiai – saugokitės grandininio pjūklo atatranksio ir neprisilieskite prie strypo galo.



Nenaudoti lyjant ar esant drėgnoms sąlygoms.



Laikykite ir naudokite grandininį pjūklą abejomis rankomis.



Nenaudokite savo grandininio pjūklo, laikydami jį viena ranka.



Šis prietaisas atitinka visas reglamentuotas normas ES šalies, kur jis buvo nupirktas.



„EurAsian“ atitikties ženklas



Ukrainos atitikties ženklas



Elektrinių produktų atliekos neturi būti metamos kartu su namų ūkio atliekomis. Prašome perdirbkite jas ten, kur yra tokios perdirbimo bazės. Dėl perdirbimo patarimo kreipkitės į savo vietinę savivaldybę ar pardavėją.



Garantuojama garso galia yra 96 dB



Strypo ir grandinės alyva



Minimalus tepalo lygis

EN  
FR  
DE  
ES  
IT  
NL  
PT  
DA  
SV  
FI  
NO  
PL  
RU  
CS  
HU  
RO  
LV  
LT  
ET  
HR  
SL  
SK  
BG  
UK  
TR





Blokėtėjs



Atrakinti



Nustatykite grandinės stabdiklį į veikimo padėtį RUN.



Pasukite grandinės įtempimą nustatyti  
+ = Įtempkite grandinę  
- = Grandinės atpalaidavimas



Nustatykite grandinės stabdiklį į stabdymo padėtį BRAKE.



Grandinės judėjimo kryptis.  
(Pažymėta po grandininio rato gaubtu)

$V_0$  : 10 m/s

Neapkrauto grandinės greitis: 10 m/s

L max: 300mm

Maksimalus kreipiamosios juostos ilgis: 300 mm

## SIMBOLIAI VADOVE



Detalės arba priedai yra parduodami atskirai



Pastaba



Įspėjimas!



Dėvėkite akių ir veido apsaugos priemones.



Dėvėkite viršutinės kūno dalies apsaugos priemones.



Dėvėkite kojų apsaugos priemones.



Stabdykite įrenginį.

Šie signaliniai žodžiai yra skirti nurodyti su prietaiso naudojimu susijusio pavojaus lygį.

### ⚠ PAVOJUS

Reiškia ypač pavojingą padėtį, kurios neišvengus bus patirti sunkūs ar net mirtini sužeidimai.

### ⚠ ĮSPĖJIMAS

Reiškia potencialiai pavojingą situaciją, kurios neišvengus galimi sunkūs ar net mirtini sužeidimai.

### ⚠ ATSARGIAI

Reiškia potencialiai pavojingą situaciją, kurios neišvengus galimi lengvi ar vidutinio sunkumo sužeidimai.

### ATSARGIAI

Be įspėjamųjų simbolių

Reiškia nuosavybės žalos tikimybę.



EN
FR
DE
ES
IT
NL
PT
DA
SV
FI
NO
RU
PL
CS
HU
RO
LV
LT
<b>ET</b>
HR
SL
SK
BG
UK
TR

Juhtmeta kettsae juures on peetud esmatähtsaks ohutust, töövõimet ja töökindlust.

### OTSTARBEKOHANE KASUTAMINE

Juhtmeta kettsaagi tohib kasutada ainult väliitingimustes. Ohutuse tagamiseks peab saagi kasutamise ajal kogu aeg hoidma kahe käega.

See kettsaag on ette nähtud okste, kändude, puutüvede ja talade lõikamiseks, mille läbimõõt on ära määratud juhtlati pikkusega. Saag on ette nähtud vaid puidu saagimiseks. Seda tohivad kasutada vaid täiskasvanud koduses majapidamises ja nad peavad olema saanud ohutuse alase väljaõppe ning rakendama sae kasutamisel ennetavaid meetmeid ja turvatoiminguid.

Ärge kasutage saagi mingiks muuks otstarbeks kui allpool loetletud. See saag ei ole ette nähtud kutsealaseks puude langetamiseks. Saagi ei tohi kasutada lapsed ja need inimesed, kes ei kannu nõuetekohast kaitsevarustust ja riietust.

#### ⚠ HOIATUS

Seadme kasutamisel tuleb järgida ohutusreegleid. Teie ja kõrvalseisjatele ohutuse tagamiseks lugege käesolevad juhised enne seadme kasutamist läbi. Kettsaagide kasutamiseks, ohtude vältimiseks, esmaabi ja hooldamiseks peate läbima professionaalselt korraldatud ohutustehnika kursused. Hoidke juhend edaspidiseks kasutamiseks alles.

#### ⚠ HOIATUS

Kettsaed on potentsiaalselt ohtlikud tööriistad. Kettsaaga seotud õnnetused lõpevad tihti jäseme kaotuse või surmaga. Alati ei ole ohud tingimata seotud kettsaaga. Surma võib saada okste langemise, puude ümberkukkumise ja veerevate palkide tõttu. Täiendavat ohtu kujutavad haiged ja mädanenud puud. Hinnake oma võimet tööd ohutult teha. Kui teil on kahtlusi, jätke see kutselistele saagijatele.

### OHUTUSE ÜLDEESKIRJAD

#### ⚠ HOIATUS

**Lugege kõik ohuhoiatused ja juhised läbi.** Hoiatuste ja juhiste eiramisel on oht saada elektrilööki või raskeid kehavigastusi ning/või põhjustada tulekahju.

**Hoidke kõik hoiatused ja juhised tulevikus vaatamiseks alles.**

Hoiatuses kasutatav termin „elektritööriist“ tähendab mehaanilist tööriista, mis saab toidet elektrivõrgust (juhtmega) või akust (ilma juhtmeta).

### TÖÖKOHT

- **Hoidke töökoht puhas ja hästi valgustatud.** Korrastamata ja pimedas kohas töötamisel võivad juhtuda õnnetused.
- **Ärge kasutage elektritööriistu plahvatusohtlikes**

**keskkondades, näiteks kergestisüttivate vedelike ja gaaside läheduses ega tolmuses kohas.** Elektritööriistad tekitavad sädemeid, mis võivad tolmu või auru süüdata.

- **Elektritööriistaga töötamisel hoidke lapsed ja kõrvalised isikud eemal.** Tähelepanu hajumise korral võib teil kontroll kaduda.

### ELEKTRIOHUTUS

- **Elektritööriistade pistikud peavad pistikupessa sobima. Ärge püüdke pistiku konstruktsiooni mingil moel muuta. Ärge ühendage maanduskontaktiga (kordusmaandusega) elektritööriistu elektrivõrku läbi vahepistmike.** Pistiku ja pistikupessa konstruktsiooni muutmise korral tekib elektrilöögi oht.
- **Hoiduge kehalisest kontaktist maandatud pindadega, näiteks torud, radiaatorid, elektripliidid ja külmikud.** Kehaosade maandamisel suureneb elektrilöögi saamise oht.
- **Ärge jätke kultivaatorit vihma kätte või märga kohta.** Vee sattumisel elektrilise tööriista sisemusse suureneb elektrilöögi saamise oht.
- **Ärge kasutage toitejuhet tööriista mitteshiparaset. Ärge kasutage toitejuhet tööriista kandmiseks, vedamiseks või pistikupesast väljatõmbamiseks.** Hoidke toitejuhe eemal kuumusest, õlist, teravatest servadest ja liikuvatest osadest. Vigastatud või keerdus toitekaablid suurendavad elektrilöögi ohtu.
- **Väljas töötamisel kasutage välistingimustes kasutamiseks sobivaid pikendusjuhtmeid.** Välistingimustele sobiva pikendusjuhtme kasutamine vähendab elektrilöögi ohtu.
- **Kui elektritööriistaga töötamine niisketes oludes on vältimatu, siis kasutage rikkevoolu-kaitselülitiga (RCD) kaitsitud vooluvõrku.** RCD kasutamine vähendab elektrilöögi ohtu.

### ISIKUKAITSE

- **Mehaanilise tööriistaga töötamisel jälgige tööpiirkonda ja kasutage sealjuures tervet mõistust. Ärge kasutage tööriista siis, kui te olete väsinud, uimastite, alkoholi või ravimite mõju all.** Hetkeline tähelepanu hajumine tööriista kasutamise ajal võib põhjustada raske kehavigastuse.
- **Kasutage isikukaitsevahendeid. Kandke alati silmakaitsevahendeid.** Kui tööolud seda nõuavad, tuleb kasutada isikukaitsevahendeid, näiteks tolmumaski, libisemiskindlaid turvajalaseid, kiivrit ja kuulmiskaitsevahendeid, mis kehavigastuste riski vähendavad.
- **Vältige tähtmatut käivutumist. Enne toitejuhtme või aku ühendamist, tööriista käteväetmist või teisaldamist veenduge, et tööriista lüliti on välja lülitatud.** Õnnetuste vältimiseks ärge hoidke tööriista kandmise ajal sõrme lülitisnupul ega ühendage tööriista toitevõrku siis, kui lüliti on sisse lülitatud.
- **Enne tööriista sisselülitamist eemaldage sellel reguleerivõti või mutrivõti.** Elektritööriista külge jäetud reguleerivõti või mutrivõti võivad põhjustada raske kehavigastuse.
- **Ärge kummardage. Hoidke end pidevalt jalgadel ja**





**tasakaalus.** Siis on teil ootamatu olukorra tekkimisel tööriista üle parem kontroll.

- **Kandke tööks sobivat riietust.** Ärge kandke lõtvu riideid ja ehteid. Hoidke juuksed, riietusesemed ja töökindad liikuvatest osadest eemal. Lõdvad riietusesemed, ehted ja pikad juuksed võivad haakuda liikuvate osade külge.
- **Kui tööriistal tuleb kasutada tolmu eraldamis- või kogumisseadisi, siis veenduge, et need on ühendatud ja nõuetekohases kasutuses.** Tolmukoguri kasutamisega saab vähendada tolmu seotud ohtusid.

## ELEKTRITÖÖRIISTA KASUTAMINE JA KORRASHOID

- **Ärge kasutage töötamisel liigset jõudu.** Kasutage tööks sobivat elektritööriista. Õigesti valitud elektritööriist töötab ettenähtud võimsuspiirkonnas paremini ja ohutumalt.
- **Ärge kasutage elektritööriista, kui lüliti ei lülita seda sisse ja välja.** Lülitiga lülitamatu tööriista kasutamine on ohtlik ja see tuleb lasta ära remontida.
- **Enne tööriista reguleerimist, tarvikute vahetamist või hoiuamist võtke toitejuhe pistikupesast välja ja/või eemaldage aku.** Need ennetavad ohutusmeetmed vähendavad tööriista tahtmatu käivitumise riski.
- **Hoidke kasutuses mitteolevaid elektritööriistu lastele kättesaamatus kohas ja ärge lubage elektritööriista mitte tundvaid või kasutusjuhendiga mitte tutvunud isikuid elektritööriista kasutada.** Oskamatu kasutaja käes olev elektritööriist on ohtlik.
- **Mehaaniliste elektritööriistade hooldus.** Kontrollige liikuvate osade mittetsentreeritust ja kinnitumist, osade vigastusi ning tehke kindlaks muud seisundid, mis võivad mõjustada elektritööriista tööd. Kui mõni osa on vigastatud, siis laske elektritööriist enne kasutamist ära parandada. Halvasti hooldatud elektritööriistad põhjustavad palju õnnetusi.
- **Hoidke lõiketerad teravad ja puhtad.** Teravate lõiketeradega ja nõuetekohaselt hooldatud lõikeriistad jäävad harvemini kinni ning neid on kergem kontrolli all hoida.
- **Tööriistade, tarvikute, otsakute ja muude lisaseadmete kasutamisel juhenduge nende kasutusjuhenditest, võttes arvesse tehtavat tööd ja tööolusid.** Tööoperatsiooniks mitte ettenähtud tööriista kasutamine võib tekitada ohtliku olukorra.

## AKUTÖÖRIISTA KASUTAMINE JA KORRASHOID

- **Laadige akut ainult tootja poolt ettenähtud laadijaga.** Akulaadaja, mis sobib ühele akupaketile võib põhjustada tulekahju, kui seda kasutada teise akupaketiga.
- **Kasutage akutööriista ainult selleks ettenähtud akudega.** Muude akupakettide kasutamine võib põhjustada kehavigastusi või tulekahju.
- **Sel ajal kui akupakett ei ole kasutusel, hoidke seda eemal metallesemetest nagu kirjaklambrid, mündid, võtmed, naelad, kruvid ja muudest väikestest metallobjektidest, mis võivad akuklemmid**

**lühistada.** Aku klemmide lühistamine võib põhjustada põletust või tulekahju.

- **Aku vale kasutamise korral võib akuedelik välja voolata - vältige sellega kokkupuudet.** Akuedeliku nahale sattumisel peske see veega maha. **Akuedeliku silma sattumisel pöörduge arsti poole.** Väljapritsviv akuedelik võib tekitada nahaärritust või -põletust.

## TEENINDAMINE

- **Laske oma elektrilist tööriista hooldada väljaõppinud teenindustöötajal; remontimisel tohib kasutada ainult originaalvaruosi.** See tagab elektriseadme ohutuse.

## TÄIENDAVAD ÜLDISED OHUTUSJUHISED

- Mõnedes piirkondades on seadused, mis piiravad selle toote kasutamist. Lisateavet saate kohalikest omavalitsusest.
- Ärge laske toodet kasutada lastel või inimestel, kes ei ole käesoleva juhendiga tutvunud. Kohalikud regulatsioonid võivad seada kasutaja vanusele piiranguid.
- Enne seadme kasutamise alustamist veenduge, et kõik juht- ja ohutusseadised töötavad nõuetekohaselt. Kui mootor nupule OFF vajutamisel välja ei lülitu, ärge seadet kasutage.
- Toote kasutamise ajal kandke silma- ja kõrvakaitsmeid, tugevaid vastupidavaid saapaid ja kindaid ning kiivrit. Kui töötamine on tolmune, kasutage näomaski.
- Kuulmiskaitsevahendid takistavad häälohistuste (hüüded ja helisignaalid) kuulmist. Operaator peab seda arvesse võtma ja pöörama täiendavat tähelepanu sellele, mis toimub tema töökohal.
- Hoidke kindlat jalgade asendit ja tasakaalu. Ärge kummardage. Liigse ette küünitamine tõttu võite kaotada tasakaalu ja suureneb tagasilöögi oht.
- Ärge kandke lõtvu riideid, lühikesi pükse ega mingeid ehteid.
- Kinnitage pikad juuksed õlgadest kõrgemale, et vältida nende takerdumist liikuvate osade vahele.
- Hoiduge ülespaisatud, lendavate ja kukkuvate esemete eest. Hoidke kõik kõrvalseisjad, lapsed ja lemmikloomad tööalalt vähemalt 15 meetri kaugusele.
- Ärge kasutage seadet halva valgustatuse korral. Töötajal peab tööpiirkonnale olema selge väljavaade, et tuvastada võimalikud ohud.
- Mitme samase seadme töötamisel samas piirkonnas suurendab kuulmiskahjustuse riski töötajal ja inimestel, kes tööpiirkonda sisenevad.
- Hoidke kõik kehaosad liikuvatest osadest eemal.
- Kontrollige seade iga kord enne kasutamist üle. Kontrollige, et juhtimiseseadised, kaasa arvatud ketipidur töötavad nõuetekohaselt. Kontrollige üle lõtvunud kinnitite suhtes ja veenduge, et kõik kaitsed ja käepidemed on õigesti ja ohutult kinnitatud. Enne kasutamist asendage kõik vigastatud koosteosad.
- Ärge püüdke seadme konstruktsiooni mingil viisil muuta ega kasutage varuosi või tarvikuid, mis pole tootja poolt soovitatud.



## ⚠ HOIATUS

Kui seade on maha kukkunud, saanud tugeva löögi või hakkab ebanormaalselt vibreerima, seisake seade viivitamatult ja kontrollige see üle vigastuste suhtes. Kõik vigastused tuleb lasta volitatud hooldustöökogas parandada või asendada.

## SAEKETI OHUHOIATUSED

- **Saeketi liikumise ajal hoidke kõik kehaosad saeketist eemal. Enne kettsae käivitamist veenduge, et saekett ei puutu millegi vastu.** Hetkeline tähelepanematus kettsaega töötamise ajal on piisav, et saekett võib jääda teie riietesse või keha külge kinni.
- **Hoidke kettsaagi alati nii, et teie parem käsi on tagumisel käepidemel ja vasak käsi eesmisel käepidemel.** Kettsae hoidmisel vastupidise käte hoiakuga suurendab kehavigastuse ohtu ja nii ei tohi kunagi töötada.
- **Hoidke tööriista kinni ainult isoleeritud haardepindadest, sest kettsaag võib sattuda kokkupuutesse varjatud juhtmetega.** Kui kettsaag satub kontakti pinge all olevate juhtmetega, jäävad tööriista isoleerimata metallosad pingele alla ja kasutaja võib saada elektrilöögi.
- **Kandke kaitseprille ja kuulmiskaitseid. Lisaks sellele soovitatakse kaitsta kaitsevarustusega ka pead, käsi, jalasääri ja jalalabasid.** Õige kaitseriietus vähendab kehavigastuse ohtu, mis on põhjustatud lendavatest jäätmetest või juhuslikust kokkupuutest saeketiga.
- **Ärge töötag kettsaaga puu otsas.** Kettsae kasutamine puu otsas võib põhjustada kehavigastuse.
- **Leidke endale kindel jalgealune ja töötag saega ainult liikumatul, kindlal ja tasasel pinnal.** Libedad ja ebakindlad pinnad, näiteks redellid, võivad tingida tasakaalu kaotuse või kontrolli kaotamise kettsae üle.
- **Pinge all oleva oksa saagimisel olge tähelepanelik tagasilöögi suhtes.** Kui puidukiudude pingele vabaneb, siis võib vetruv oks anda operaatorile löögi ja/või põhjustada saeketi väljumise kontrolli alt.
- **Olge okste ja puuvõsude saagimisel äärmiselt ettevaatlik.** Peened võsud võivad saeketi külge kinni jääda ja lüüa teie suunas või põhjustada tasakaalu kaotuse.
- **Sae kandmisel hoidke väljalülitatud saagi kinni eesmisest käepidemest ja eemal oma kehast. Kettsae teisel käepidemel või hoiustamisel paigaldage juhtlatile alati kaitsekate.** Kettsae nõuetekohane käsitsemine vähendab saeketiga juhusliku kokkupuute tõenäosust.
- **Järgige saeketi määrimise, pingutamise ja tarvikute vahetamise juhiseid.** Valesti pingutatud või määritud saekett võib katkeda või suurendada tagasilöögi võimalust.
- **Hoidke tööriista käepidemed kuivana, puhtana ja ärge laske neile sattuda õli või määret.** Määrduvad või õilised käepidemed on libedad ja tingivad kontrolli

kadumise.

- **Kasutage saagi ainult puidu lõikamiseks. Ärge kasutage tööriista otstarbeks, milleks see ei ole ette nähtud.** Näiteks ärge kasutage saagi plastide, seinakivide või muude kui puitmaterjalide saagimiseks. Kettsae kasutamise mitte ettenähtud tööoperatsiooniks võib tekitada ohtliku olukorra.

## Tagasilööke põhjused ja juhised nende vältimiseks:

Tagasilöök võib esineda juhul, kui juhiku ots puudutab mõnd eset või kui saekett puidu sisse kinni jääb.

Otsa kontakt võib mõnel juhul põhjustada ootamatut vastureaktsiooni, lüües juhtlatti üles ja operaatori suunas.

Saeketi kinnijäämine juhtlatti otsas võib lükata juhtlatti kiiresti tagasi operaatori suunas.

Mõlemad nimetatud reaktsioonid võivad lõppeda kontrolli kaotamisega sae üle, mis omakorda võib põhjustada kehavigastusi. Ärge loote ülemäära oma kettsae turvaelementidele. Kettsae kasutajana tuleks Teil võtta tarvitusele mitmeid tööohutusmeetmeid.

Tagasilöök on sae väära kasutamise, ebaõigete töövõtete või tööks mittevastavate töötingimuste tulemus ja seda saab vältida allpool esitatud ettevaatusabinõude rakendamisega.

- **Hoidke saagi nii, et põidlad ja sõrmed on kindlalt mõlema käepideme ümber ning hoidke oma keha ning käsivarred nii, et saate tagasilöögist tulenevaid jõudusid vastu võtta.** Operaatoril on võimalik tagasilöögist tekkivaid jõudusid hallata, kui selleks vastavaid meetmeid võtta. Ärge laske haaret lõtvuda.
- **Ärge küünitage end liigselt välja ja ärge püüdke saagida ülevalpool oma õlgasid.** See aitab vältida soovimatut otsakontakti ja võimaldab ootamatut olukorra tekkimisel tööriista üle kontrolli säilitada.
- **Kasutage ainult tootja poolt ette nähtud juhtlatti ja ketti.** Vale juhtlatti ja -kett võib põhjustada keti katkemise ja/või tagasilöögi.
- **Järgige tootja ettekirjutusi saeketi teritamise ja hoolduse kohta.** Vähenenud lõikesügavuse piiraja kõrgus võib suurendada tagasilöögi võimalust.

## TÄIENDAVID KETTSAEGA SEOTUD OHUTUSJUHISED

- Kui kasutate saagi esimest korda, on soovitatav on saagida ümarmaterjali saepukil või vastaval alusel.
- Veenduge, et kõik kaitsekatted, käepidemed ja ogalatt on nõuetekohaselt kinnitatud ning heas seisundis.
- Kettsae kasutaja peab olema hea tervise juures. Kettsaag on raske seade, seega peab kasutaja olema füüsiliselt tugev. Kasutaja peab olema valvas, tal peab olema hea väljavaade, vaba liikumisruum, tasakaal ja käelisel osav. Kui on mingeid kahtlusi, siis ärge kettsaagi kasutage.
- Ärge alustage toote kasutamist enne kui tööpiirkond on vaba, teil on kindel jalgealune ja varem plaanitud taganemistee langeva puu eest.
- Kaitske end määrdeaineudu ja saepuru eest. Kandke vajadusel maski või respiraatorit.
- Ärge saagige väätsid ja/või peenikest alusmetsa (peenemat kui 75 mm).



- Hoidke kettsaagi töötamise ajal kinni mõlema käega. Hoidke käepidemetest tugevasti kinni, nii et põial on ümber käepideme. Parema käega tuleb kinni hoida tagumisest käepidemest ja vasakuga eesmisest käepidemest.
- Enne kettsae käivitamist veenduge, et saekett ei puutu millegi vastu.
- Ärge püüdke kettsaagi mingil moel muuta või kasutada seda mingite seadmete või seadiste käitamiseks, mis ei ole sae tootja poolt soovitatud.
- Sae kasutamisel peab teil olema kättesaadav esmaabikomplekt, milles on suure haava sidumisvahendid ja abikutsevahendid (näiteks vile). Läheduses peab olema suurem esmaabikomplekt.
- Sae kasutaja võib kiivri peast võtta, kui tööpiirkonnas pole langevate puude ohtu, kuid pidage meeles, et kiiver ja selle võrkvisiir aitab teil vähendada võimalikku ohtu näole ja peale, kui peaks ilmne tagasilöökk.
- Valesti pingutatud kett võib juhtlatilt maha tulla ja põhjustada sellega raske kehavigastuse või surma. Keti pikkus sõltub temperatuurist. Kontrollige keti pingust korrapäraselt.
- Öppige oma uue kettsaaga töötama tehes lihtsaid löikeid ohutult toetatud puusse. Tehke seda ka siis kui te pole saega töötanud pikka aega.
- Pöörlevate osadega kokkupuutumisest tingitud kehavigastuste vähendamiseks peatage esmalt mootor, rakendage ketpidur, võtke aku välja ja veenduge liikuvate osade seiskumises, enne kui asute
  - puhastamine ja ummistuse kõrvaldamine
  - toote jätmisel järelevalveta
  - tarvikuid paigaldama või eemaldama.
  - seadme kontrollimine, puhastamine või teenindamine
- Tööplatsi suurus sõltub töö iseloomust ja puu või muu saetava eseme suurusest. Näiteks puude langetamine nõuab rohkem tööruumi kui seda on vaja muudel löikamistoimingutel, näiteks järkamisel. Saagija peab olema ettevaatlik ja jälgima kõike, mis toimub tööpiirkonnas.
- Ärge hoidke oma keha samal joonel juhtlati ja ketiga. Kui te pole harjunud tagasilöögiga, siis aitab see vältida keti liikumist teie pea ja keha suunas.
- Ärge liigutage saagi edasi tagasi, laske ketil ise lõigata, hoidke kett terav ja ärge suruge ketile jõuga peale.
- Saagimise lõppjärgus ärge avaldage enam survet. Olge valmis hoidma saagi hetkel, kui see läbib puu. Muidu võite saada raske kehavigastuse.
- Ärge peatage saagi saagimisoperatsiooni keskel. Laske sael töötada kuni see on löikest välja võetud.

### Lükkamine ja tõmbamine

Vastasmõju suund on alati vastupidine keti liikumissuunale. Saagija peab olema valmis selleks, et saag võib liikuda eemale (ettepoole) ja kui saate juhtlati alaservaga võib saag liikuda tagasi (saagija suunas).

### Saag on jäänud puusse kinni

Seisake saag ja võtke ohutusmeetmeid. Ärge püüdke ketti ja juhtlati jõuga löikekohast välja võtta, sellega võite keti

lõhkuda kui see pöördub tagasi ja annab saagijale löögi. See olukord tekib tavaliselt siis, kui puu on valesti toetatud ja seetõttu surutakse löikekoht kokku ja saag jääb puusse kinni. Kui toetuspunkti muutmine juhtlati ja ketti ei vabasta, kasutage puitkiilusid või kangid, et löige avada ja saag vabastada. Ärge mingil juhul käivitage saagi kui juhtlat on löikes või pilus.

### Isikukaitsevahendid

Saagija vigastamise riski vähendamiseks kasutage kvaliteetseid isikukaitsevahendeid. Kettsae kasutamisel kasutage järgmisi isikukaitsevahendeid:

#### Kaitsekiiver

- peab vastama standardi EN 397 nõuetele ja olema CE-märgisega

#### Kuulmiskaitsevahendid

- peab vastama standardi EN 352-1 nõuetele ja olema CE-märgisega

#### Silma- ja kuulmiskaitsevahendid

- peavad olema CE-märgisega ja vastama standardi EN 166 nõuetele (turvapriidid) või standardi EN 1731 nõuetele (võrkvisiir)

#### Kaitsekindad

- peab vastama standardi EN381-7 nõuetele ja olema CE-märgisega

#### Jalgakaitse (säärised)

- peavad vastama standardi EN381-5 nõuetele, olema CE-märgisega ja tagama üldkaitse.

#### Saagija turvajalatsid

- peavad vastama standardi EN ISO 20345:2004 nõuetele ja peavad olema markeeritud kettsae sümboliga, mis näitab vastavust standardile EN 381-3. (Hooajalise kasutajad võivad kasutada terasest ninakaitsega turvasaapaid ja kaitseääriseid, mis vastavad standardi EN 381-9 nõuetele, kui maapind on tasane, kukkumisoht on minimaalne ning puudub alusmets)

#### Saagija turvajakk

- peab vastama standardi EN 381-11 nõuetele ja olema CE-märgisega

### ÜLDISED JUHISED NÕUETEKOHASEKS LANGETAMISEKS, OKSTE LÖIKAMISEKS JA JÄRKAMISEKS

#### Ohud puudis esinevatest sisepingetest

Kui saate aru puudu sees olevatest jõududest ja pingetest saate vältida kinnikiikumist või vähemalt saate aru pingete toimest. Puudis oleva pinged suruvad puudu kiudusid laiali ja kui sellises kohas teha löige või pilu, siis on suundumus kiudude avanemisele kui saag puitu läbib. Kui puutüvi on toetatud saepukile ja üleulatav ots on toetamata, siis tekib pinged ülapiin, mis on tingitud üleulatava tüveosa massist ja kiud satuvad pingele alla. Samuti on tüve alaosa surve all ja puudu kiud surutakse seal kokku. Kui löige tehakse selles osas, siis on saateel suundumus sulguda. See võib saelati kinni suruda.

#### Puu langetamine

Vaata joonist 267 - 268.

Kui puude langetamisel ja järkamisel töötab samaaegselt





EN
FR
DE
ES
IT
NL
PT
DA
SV
FI
NO
RU
PL
CS
HU
RO
LV
LT
<b>ET</b>
HR
SL
SK
BG
UK
TR

kaks või rohkem töötajat, siis peab langetamine toimuma järkamisest eraldi, sellisel kaugusel, mis minimaalselt võrdub langetatava puu kahe kõrgusega. Puud tuleb langetada sellisel moel, et see ei ohusta ühtegi inimest ega taba õhuliine ning ei tekita ainekahju. Kui puu puudutab õhuliini, siis tuleb sellest viivitamatult teavitada õhuliini haldajat.

Saagija peaks hoiduma ülesmäge, kuna pärast langemist veereb puu tõenäoliselt allamäge.

Ohutsoonist lahkumise teekond tuleb ette planeerida ja puhastada enne puu langetamise alustamist. Ohutsoonist lahkumise teekond peab olema langeva puu taga, diagonaalis puu langemise oletatava suunaga.

Enne langetamise alustamist tehke kindlaks puu loomuliku kalde suund, suuremate okste paiknemine ja tuule suund, et hinnata mis võib puu langemist mõjutada.

Eemaldage puult mustus, kivid, lahtine koor, naelad, klambriid ja traat.

Ärge püüdke langetada mädanenud, tuulega murdunud, põlenud ja välgulöögi saanud puid. See on äärmiselt ohtlik ja seda tohivad teha vaid väljaõppinud saagijad.

### 1. Puu sälkamine

*Vaata joonist 267 - 268.*

Tehke risti langetamise suunale puu sisse sälk, mille sügavus on 1/3 puu läbimõõdust. Esmalt tehke alumine horisontaalne sisselõige. See väldib teise sisselõike tegemise ajal saeketi või juhtlatti kinnijäämist.

### 2. Langetuslõige

*Vaata joonist 267 - 268.*

Tehke langetuslõige puusse vähemalt 50 mm võrra sälkloikest kõrgemale. Saagige langetuslõige paralleelselt sälkloike horisontaalõikega. Tehke langetuslõige sellise sügavusega, et murdekohta jääks alles piisavalt puitu. Murdekoha puit väldib puu pöördumist ja vales suunas langemist. Ärge lõigake murdekohta läbi.

Kui langetuslõige jõuab murdekohale liiga lähedale, siis hakkab puu langema. Kui tekib oht, et puu võib langeda mittesoovitavas suunas või tagasisuunas ootsuma hakata ja sae kinni kiiluda, ärge tehke langetuslõiget lõpuni ja kasutage puidust, plastist või alumiiniumist kiilusid, et lõige avada ning lasta puul langeda soovitud suunas.

Kui puu hakkab langema, võtke saag lõikest välja, seisake mootor, pange saag maha ja lahkuge varem ettevalmistatud tee kaudu. Olge ettevaatlik allalangevate okste suhtes ja jälgige oma jalgealust.

### Peajuurte eemaldamine

*Vt leht 268.*

Peajuur on jäme juur, mis väljub tüvest maapinna kohal. Kõrvaldage suuremad peajuured enne langetamist. Tehke juure sisse esmalt horisontaalne lõige, seejärel vertikaalne. Koristage järelejäänud lahtine tükk töökohalt. Pärast peajuurte eemaldamist järgige korrektset puulangetamise korda.

### Palgi järkamine

*Vt leht 269.*

Järkamine tähendab puutüve järkamist soovitud pikkusega

palkeideks. Järkamisel on tähtis tagada endale kindel jalgealune ja jagada kehakaal mõlemale jalale. Võimaluse korral tuleb tüvi üles tõsta ja toetada harude, puutüvede või kiiludega. Saagimise hõlbustamiseks tuleb järgida järgmisi juhiseid. Kui tüvi on maapinnal kogu oma pikkuses, siis tuleb seda saagida ülemiselt poolelt (ülalõige).

Kui tüvi on toetatud ühes otsas, siis tehke lõige 1/3 läbimõõdu ulatuses altpoolt (alltõige). Seejärel tehke ülevalt lõplik lõige vastu alltõiget.

Kui tüvi on toetatud mõlemast otsast, siis tehke lõige 1/3 läbimõõdu ulatuses ülemiselt poolelt (ülalõige). Seejärel tehke ülevalt lõplik lõige 2/3 läbimõõdu ulatuses vastu alltõiget.

Kallakul järkamisel olge tõusupoolel küljel. Läbilõikamise hetkel hoidke saagi kontrolli all ja ärge lõike lõpus saele suruge, kuid ärge lövendage haaret sae käepidemete ümber. Ärge laske ketil maapinda puudutada. Pärast lõike lõpetamist laske sael lõplikult seiskuda, enne kui te hakkate saagi teise kohta ümber paigutama. Ühe puu saagimiselt teisele siirdumisel tuleb saag alati seisata.

### Okste laasimine

*Vt leht 270.*

Laasimine tähendab langetatud puult okste äralõikamist. Laasimisel jätke suuremad oksad alles, mis toetavad puutüve maapinnale. Saagige väiksemad oksad maha ühe lõikega. Pinge all olevad harud tuleb ära lõigata altpoolt üles, et sae kinnijäämist vältida.

### Pingestatud puit

*Vt leht 270.*

Pinge all olev puu on mis tahes palk, oks, känd või võsu, mida mõni teine puu pinge all hoiab ja mis pinge alt vabanedes võib tagasilöögi anda.

Langenud puu juurtega känd võib järkamise tulemusel suure tõenäosusega püstiasendisse liikuda. Olge selliste puudega ettevaatlik; need on ohtlikud.

### ⚠ Hoiatus

Pinge all olevad puud on ohtlikud ning kasutajat tabades võib saag väljuda kontrolli alt. See võib osutuda kasutajale eluohtlikuks. Seda tohivad teha vaid väljaõppe saanud töötajad.

### JÄÄKRISKID

Isegi siis, kui kultivaatorit kasutatakse kirjeldatud viisil, ei ole võimalik kõrvaldada kõiki jääkriskide mõjureid. Töötamise ajal võivad tekkida järgmised ohud, millele operaator peab pöörama erilist tähelepanu.

- Vibratsioonist põhjustatud kehavigastus
  - Kasutage töötamiseks õiget seadet, kasutage ettenähtud käepidemeid, piirake tööaega ja kokkupuudet vibratsiooniga.
- Tugev müra võib põhjustada kuulmiskahjustuse.
  - Kandke kuulmiskaitsevahendeid ja piirake müraga kokkupuudet
- kehavigastus, mis on põhjustatud kokkupuutest keti saehammastega







- kehavigastus, mis on põhjustatud puidu osakeste väljapaiskumisest (saepuru ja pinnud)
- Tolmu ja peenosakeste sisse hingamisest põhjustatud kehavigastus
- kehavigastus, mis on põhjustatud määride või õli sattumisest nahale
- Saeketiil paiskuvad tükid välja (löikeoht/torkeoht)
- Saelati ettenägematu järsk liikumine või saelati tagasilöök (sisselfoikamisohu).

## RISKI ALANDAMINE

Teadaolevalt võib käsitööriistade kasutamine põhjustada mõnedel inimestel seisundit, mida nimetatakse Raynaud's sündroomiks. Sümptomidena võib ilmneda sõrmede tuimus ja valkjaks muutumine, mis tavaliselt ilmneb külmas töötamisel. Nende sümptomite puhul tuleb hoiduda külmast ja niiskusest, dieedist ning suitsetamisest ja kasutada õigeid töövõtteid. Vibratsiooni mõju vähendamiseks tuleb rakendada järgmisi abinõusid.

- Külma ilmaga hoidke oma keha soe. Kandke kindaid, et hoida oma käed ja randmed soojad. Uuringud näitavad, et Raynaud's Syndrome ilmneb põhiliselt külma ilmaga.
- Pärast külmas töötamist tehke harjutusi, et verevarustust kiirendada.
- Tehke regulaarselt töövaheaegasid. Piirake tööperioodi pikkust.
- Kaitsekindad, mida on võimalik saada kettsaagide edasimüüjatelt, on toodetud spetsiaalselt kettsaaga töötamiseks ja need tagavad hea haarduvuse ning kaitsevad vibratsiooni eest. Kindad peavad vastama standardi EN 381-7 nõuetele ja olema CE-märgisega.

Kui ilmnevad haigustunnused, lõpetage kohe töö ja pöörduge arsti poole.

## ⚠ HOIATUS

Seadme pikaajalisel kasutamisel võite saada kehavigastusi ja varasemad vigastused võivad süveneda. Seadme kasutamisel pika aja jooksul tuleb teha korralisi vaheaegasid.

## ÕPPIGE OMA TOODET TUNDMA

Vt leht 261.

1. Eesmine kaitse/Ketipidur
2. Eesmine käepide
3. Tagumine käepide
4. Kett
5. Juhik
6. Hambuline tugiraud
7. Õlikork
8. Päästiku hoob
9. Lülitusnupp
10. Ketiratta kaas
11. Keti pinguse reguleernupp
12. Keti pinguti nupp
13. Juhtlati kate
14. Keti piiraja.

## OHUTUST TAGAVAD SEADISED

### Nõrga tagasilöögiga saekett

Vähendatud tagasilöögiga saekett loob tingimused, et vähendada tagasilöögi ohtu.

Sügavusmõõdikud iga löiketera ees aitavad tagasilööki vältida, hoides löiketera liiga sügavale tungimast. Kasutage ainult tootja poolt ette nähtud juhtlatti ja ketti.

Kui saekette teritatakse, võib tagasilöök muutuda tugevamaks ning seega tuleb olla eriti ettevaatlik. Oma ohutuse tagamiseks asendage saekett kui selle saagimisvõime langeb.

### Hambuline tugiraud

Külgeehitatud hambuline tugirauda võib kasutada ka sisselfoiget tehese pöördpunktina. See aitab hoida saagi töötamise ajal kindlalt kinni. Saagimise ajal suruge saagi ette, kuni tugiplaadi hambad haakuvad puiduga ja seejärel liigutage tagumist käepidet üles ja alla löikejoone sihis, see hõlbustab vabastada löikamisel vallanduvaid pingeid.

### Juhikud

Üldiselt kalduvad väiksema otsaraadiusega saeladid vähem tagasilöögile. Saagimisel kasutage piisava pikkusega juhtlatti ja sobivat ketti. Pikemad juhtladid tõstavad ohtu kontrolli kadumise üles. Kontrollige keti pingust korrapäraselt. Kui löikate väiksemaid harusid, mis on juhtlatist väiksemad, siis on oht, et kett võib juhtlatit maha tulla kui pinge ei ole nõuetekohane.

### Ketipidur

Ketipidurite ülesanne on keti liikumine kiiresti peatada. Kui ketipiduri hoob/käekaitse juhiku poole lükata, peaks kett otsekohe peatuma. Ketipidur ei hoiä ära tagasilööki. See vaid langetab kehavigastuse ohtu kui juhtlatt peaks sattuma vastulöögi ajal kokkupuutesse saagija kehaga. Ketipidurit tuleb kontrollida toimimise suhtes alati enne iga kasutuskorda nii lukustatud kui lahti lukustatud olekus.

### Keti piiraja.

Ketipüüdur hoiab ära saeketi paiskumise kasutaja suunas, kui kett tuleb lahti või läheb katki.

## KOKKUPANEK

### ⚠ HOIATUS

Kui mõni osa on kahjustunud või puudu, ärge kasutage seda seadet enne, kui vastav osa on asendatud. Selle hoiatuse eiramine võib põhjustada raskeid vigastusi.

## SAEKETI JA JUHTLATI KOKKUPANEK

Vaata joonist 262 - 263.

1. Veenduge, et akupakett on tööriistalt eemaldatud. Kandke kaitsekindaid.
2. Keerake lahti pingutusmutter ja võtke maha ketiratta kaas.
3. Saekett peab olema suunatud keti pöörlemise suunda. Vastasel korral pöörake kett ümber.
4. Juhtige keti veo lülid soonde.





EN
FR
DE
ES
IT
NL
PT
DA
SV
FI
NO
RU
PL
CS
HU
RO
LV
LT
<b>ET</b>
HR
SL
SK
BG
UK
TR

5. Asetage kett nii, et juhiku tagaosas juures oleks aas.
6. Hoidke ketti saelatil paigal ja pange ling ümber veoratta. Langetage saeleht, nii et poldi saab ketipingutuse sõlmes läbi ava suunata. Teil võib olla vaja seda sõlme nii, et polt ja ava ühtivad. Võite pöörata seda sõlme veel, et rakendada ketile pinget, mis aitab seda kohal hoida.
7. Pange oma kohale tagasi ketiratta kaas ja keerake pingutusnuppu kuni see on peaaegu pingul ning keerake keti pingutuse reguleernuppu, kuni saekett on nõuetekohaselt pingul. Juhtlatt peab olema seejärel ülles lükatud. Kontrollige keti pingust uuesti. Ärge ketti liigselt pingutage.
8. Pärast seda, kui keti pingus on nõuetekohane, pingutage nupp uuesti.

### KETI PINGE SEADISTUS

Vt leht 263. Vt leht 273.

1. Keti lõdvendamiseks keerake pinguse reguleernuppu veidi vastupäeva.
2. Keti pinguse suurendamiseks pöörake keti pinguse reguleernuppu päripäeva ja kontrollige keti pingust sagedasti. Keti pinguse vähendamiseks pöörake keti pinguse reguleernuppu vastupäeva ja kontrollige keti pingust sagedasti.
3. Keti pingus on nõuetekohane siis, kui saeketi lõikehamba ja juhtlati vahel on vahe 3–4 mm. Parim viis keti pinguse mõtmiseks on tõmmata ketti juhtlati alaosa keskel alla (juhtlatist eemale) ja mõõta seejärel lati ja keti liugpindade vaheline kaugus.
4. Keti pingutamiseks keerake pingutusnuppu päripäeva.

### KASUTAMINE

#### KETIÕLI LISAMINE

Vt leht 262.

#### ⚠ HOIATUS

Ärge mingil juhul kasutage ketti ilma õlita. Kui saekett liigub ilma õlita, võib juhtlatt vigastada saada. Seetõttu on oluline kontrollida õli taset õli taseme kontrollaknas korrapäraselt ja iga kord enne kettsae käivitamist.

1. Saastumise vältimiseks pühkige kütusepaagi korgi ümbrus puhtaks.
2. Keerake õlipaagi kork lahti ja võtke see maha.
3. Valage õli paaki, jälgides sealjuures taset paagi vaateakna kaudu. Hoolditsege, et õli sissevalamisel ei satuks paaki mustust.
4. Pange õlipaagi kork oma kohale tagasi ja keerake lõpuni kinni. Pühkige ära kogu mahasattunud õli.
5. Täidetud õlipaagiga on võimalik saagida 20–40 minutit.

#### Soovitav ketiõli

- Tootja soovitab kasutada vaid saeketi määrideõli. (Saadaval volitatud Ryobi teeninduskeskusest.)

#### AKUPAKETI PAIGALDAMINE

Vt leht 263.

1. Pange akupakett akupessa. Ühitage aku külgribid muruniiduki akupesas olevate soontega.

2. Veenduge, et aku sulgurid kinnituvad klõpsuga ja enne töö algust on aku toote küljes turvaliselt kinni.

#### KETTSAE KÄESHOIDMINE

Vt leht 263.

Hoidke kettsaagi alati nii, et teie parem käsi on tagumisel käepidemel ja vasak käsi eesmisel käepidemel. Hoidke saagi kahe käega nii, et põidlad ja sõrmed on ümber käepidemete. Veenduge, et hoiate vasaku käega käepidemest nii kinni, et põial on allpool.

#### KETTSAE KÄIVITAMINE

Vt leht 263.

1. Enne töö alustamist tuleb ühendada kettsaele akupakett ja veenduda, et ketipidur on vabastatud pidurihoova/ käekaitse ette lükkamisega.
2. Kettsae käivitamiseks: tõmmake päästiku vabastamislülitit ja seejärel vajutage päästikule.

#### KETIPIDURI KONTROLLIMINE JA KASUTAMINE

1. Rakendage ketipidur oma vasaku käe pööramisega ümber eesmise käepideme. Kasutades oma käeselga, lükake kangi / käekaitset juhtlati suunas sel ajal kui kett liigub kiiresti. Hoidke kogu aeg sae käepidemetest kahe käega kinni.
2. Tagastage ketipidur kangi / käekaitse tõmbamisega esikäepideme suunas tööasendisse kuni on kuulda klõpsatust.

#### ⚠ HOIATUS

Kui ketipidur ei peata koheselt ketti või ei püsi ilma lisaabita tööasendis, viige saag enne selle kasutamist volitatud teeninduskeskusesse remondiks.

#### TRANSPORTIMINE JA HOIUSTAMINE

Vaata joonist 275 - 276.

- Enne hoiule panekut või teisaldamist seisake mootor, võtke aku välja ja laske jahtuda.
- Puhastage seade kõikidest võõrkehadest. Hoidke kuivas ja hästi ventileeritud kohas, mis on lastele juurdepääsmatu. Hoidke kettsaagi eemal söövitavatest ainetest nagu aiakemikaalid ja jäätõrjevahendid. Ärge hoiustage õues.
- Enne kettsae hoiule panekut ja transportimist pange juhtlatile kaitsekate.
- Vedamise ajal tõkestage kultivaator liikuma hakkamise ja alla kukkumise vastu, et vältida kehavigastusi ja masinaosade kahjustamist.

#### HOOLDUS

#### ⚠ HOIATUS

Kasutage ainult tootja originaalvaruosi, tarvikuid ja tööorganeid. Selle nõude eiramine võib põhjustada, kehavigastuse, tootluse languse ja teile antud garantiitühistamise.





### ⚠ HOIATUS

Hooldamine nõuab ülimalt korrashoidu ja teadmisi ning tuleks teostada ainult kvalifitseeritud hooldustehnikute poolt. Hoolduseks andke seade volitatud hoolduskeskusesse. Muruniiduki hooldamisel kasutage ainult tootja originaalvaruosi.

### ⚠ HOIATUS

Enne reguleerimist, hooldust või puhastamist eemaldage aku. Muidu võite saada raske kehavigastuse.

- Lubatud on teha ainult selles kasutusjuhendis kirjeldatud reguleerimis- ja parandustoiminguid. Muude remonditööde tellimiseks ja abi saamiseks pöörduge volitatud hoolduskeskusesse.
- Ebapiisava hoolduse tagajärjel võivad ketipiduris ja teistes ohutusfunktsioonides ilmuda häired ja sellega tekib tõsise kehavigastuse oht. Hoidke kettsaag hooldatud olekus ja turvalisena.
- Saeketi teritamine nõuab professionaalseid oskusi. Seetõttu soovitab tootja tungivalt kulunud ja nüri saeketi asendada uuega, mis on saadaval Ryobi hoolduskeskusest. Toote number on saadaval selle kasutusjuhendi seadme tehniliste andmete tabelis.
- Järgige saeketi määrimise, keti pinguse ja kontrollimise ning reguleerimise juhiseid.
- Pühkige trimmer pärast iga kasutuskorda pehme kuiva lapiga puhtaks.
- Kontrollige kõiki mutreid, polte ja kruvisid sagedaste intervallidega õige pinguloleku suhtes, et veenduda seadme ohutus töökorras olemises. Vigastatud osad tuleb lasta pädeval hooldajal parandada või asendada.

### JUHTLATI JA SAEKETI ASENDAMINE

Vaata joonist 271 - 272.

1. Eemaldage aku. Kandke kaitsekindaid.
2. Keerake keti pingutusnupp vastupäeva seni, kui ketiratta kaas pinge alt vabaneb.
3. Eemaldage ketiratta kaas. Võtke saelt ära juhtlatt ja saekett.
4. Juhtplaadi väljavahetamiseks eemaldage saeketi pingesõlme kruvi. Pange saeketi pingesõlm uuele juhtplaadile ja keerake kruvi kinni.
5. Pange uus kett juhtlatile õiges suunas ja veenduge, et juhtlülid on juhtlati soone sees.
6. Kinnitage juhtlatt saele ja pange keti tagaosa ling ümber keti ajamratta.
7. Pange ketiratta kaas tagasi.
8. Reguleerige keti pingus välja. Juhenduge osast "Keti pinguse reguleerimine".

### ⚠ HOIATUS

Nüri või valesti teritatud kett võib põhjustada mootori liigset kiirust, mis võib põhjustada mootori vigastumise.

### ⚠ HOIATUS

Ebaõige teritamine suurendab tagasilöögi ohtu.

### ⚠ HOIATUS

Kahjustatud ketti välja vahetamata või parandamata jätmine võib põhjustada tõsiseid kehavigastusi.

### ⚠ HOIATUS

Saekett on äärmiselt terav. Ketti hooldades kandke alati kaitsekindaid.

### KETIPIDURI KONTROLLIMINE JA PUHASTAMINE

Vt leht 274.

- Hoidke ketipiduri mehhanism puhas ja pühkige hoovastik kergelt harjaga puhtaks.
- Kontrollige pärast puhastamist ketipiduri toimimist. Lugege selles juhendis eespool paiknevat jaotist "Kasutamine - Ketipiduri kasutamine".

### HOOLDUSPLAAN

Igapäevane kontrollimine	
Saeplaadi määrimine	Enne iga kasutuskorda
Keti pinge	Enne iga kasutuskorda ja korrapäraselt
Keti teravus	Enne iga kasutuskorda, välise vaatluse teel
Kahjustunud osade suhtes	Enne iga kasutuskorda
Lahtiste kinnitite suhtes	Enne iga kasutuskorda
Keti pidurdamise funktsioon	Enne iga kasutuskorda
Kontrollige ja puhastage	
Juhtlatt	Enne iga kasutuskorda
Kogu saag	peale iga kasutuskorda
Ketipidur	Iga 5 töötunni järel*

\*Töötunnid

### MASINAL OLEVAD SÜMBOLID



Ohutusala teave



Enne seadmega töö alustamist lugege kõik juhised hoolikalt läbi ja pidage kinni hoiatustest ja ohutusega seotud juhistest.



Kandke silma- ja kuulmiskaitsevahendeid ning kiivrit.





Kandke selle toote kasutamisel alati libisemiskindlaid turvajalatsid.



Kandke libisemiskindlaid, tugevdatud kaitsekindaid.



Hoiduge saeketi tagasilöögi eest ja kokkupuutest saelati otsaga.



Ärge jätke vihma kätte või kasutage niiskes kohas.



Hoidke ja kasutage saagi korralikult mõlema käega.



Ärge kasutage saagi ainult ühe käega.



Vastab kõigile eeskirjadele EL-i liikmesriigis, kus toode on ostetud.



Euraasia vastavusmärk



Ukraina vastavusmärgis



Mittekasutatavaid elektritooteid ei tohi visata olmejäätmete hulka. Vaid tuleb viia vastavasse kogumispunkti. Vajadusel küsige sellekohast nõu oma edasimüüjalt või vastavalt kohaliku omavalitsuse institutsioonilt.



Garanteeritud helivõimsuse tase on 96 dB



Saelati ja keti määre



Õli nõutav minimaaltase



Lukk



Lahtikeeramine



Seadke ketipidur asendisse RUN.



Pöörake saeketi pingutamiseks  
+ = Keti pingutamine  
- = Keti lõdvendamine



Seadke ketipidur asendisse BRAKE.



Saeketi liikumissuund.  
(Markeerung on veoratta kaane all)

$V_0$  : 10 m/s

Keti kiirus ilma koormuseta: 10 m/s

L max: 300mm

Juhtlati maksimaalne pikkus: 300 mm

## KASUTUSJUHENDI SÜMBOLID



Eraldi ostetavad osad või tarvikud



Märkus



Hoiatus



Kandke kaitseprille ja näomaski.



Kandke turvavesti.



Kasutage jalgade kaitsevahendeid.



Peatage tööriist.

Järgnevad märguandesõnad ja tähendused on mõeldud selle toote kasutamiseiga seotud riskitasemete kirjeldamiseks.

### ⚠ OHT.

Viitab kohe tekkivale ohtlikule olukorrale, mis, kui ei väldita, lõpeb surma või tõsise vigastusega.

### ⚠ HOIATUS

Viitab võimalikule ohtlikule olukorrale, mis, kui ei väldita, võib lõppeda surma või tõsise vigastusega.

### ⚠ ETTEVAATUST

Viitab võimalikule ohtlikule olukorrale, mis, kui ei väldita, võib lõppeda väiksemate või keskmiste vigastusega.

### ETTEVAATUST

Ilma hoiatussümbolita

Osutab olukorrale, mis võib põhjustada varakahju.

Vodeću ulogu u dizajnu vaše bežične lančane pile imaju sigurnost, performanse i pouzdanost.

## NAMJENA

Bežična lančana pila namijenjena je isključivo uporabi na otvorenom prostoru. Zbog sigurnosnih razloga, proizvod mora biti adekvatno upravljana pomoću dvije ruke u svakom trenutku.

Ovaj proizvod namijenjen je za rezanje grana, stabala, trupaca ili debla do promjera prema duljini vodilice lanca. Namijenjena je samo za rezanje drva. Namijenjena je za korištenje u domaćinstvu od strane odraslih osoba koje su dobile adekvatnu obuku o opasnostima i preventivnim mjerama/radnjama koje treba poduzeti tijekom korištenja.

Nemojte koristiti proizvod za bilo koju svrhu koja nije navedena. Nije namijenjen za korištenje u svrhu profesionalne obrade stabala. Proizvod ne smiju koristiti djeca ili osobe koje ne nose odgovarajuću zaštitnu odjeću i obuću.

## ⚠ UPOZORENJE

Prilikom korištenja proizvoda moraju se slijediti sigurnosna pravila. Radi vaše i sigurnosti ostalih promatrača, prije rada s proizvodom pažljivo i potpuno pročitajte ove upute. Trebali prisustvovati profesionalno organiziranom tečaju o sigurnosti u korištenju, preventivnim mjerama, prvoj pomoći i održavanju motornih pila. Molimo vas da čuvate ove upute radi kasnijeg korištenja.

## ⚠ UPOZORENJE

Pile su potencijalno opasni alati. Nesreće koje uključuju korištenje pile često rezultiraju gubitkom uda ili smrću. Nije opasna samo pila. Padajuće grane, debla ili kotrljajući trupci također mogu ubiti. Oronula ili trula stabla također predstavljaju opasnost. Trebate procijeniti svoje mogućnosti sigurnog dovršetka zadatka. Ako imalo sumnjate, ostavite profesionalcima da obrežu stablo.

## OPĆA SIGURNOSNA PRAVILA

### ⚠ UPOZORENJE

**Pročitajte sva sigurnosna upozorenja i sve upute.** Nepridržavanje upozorenja i uputa može izazvati strujni udar, požar i/ili ozbiljne ozljede.

**Sačuvajte ova upozorenja i upute kako biste ih naknadno mogli konzultirati.**

Pojam „električni alat“ u upozorenjima odnosi se na vaš glavni alat (napajanje preko kabela) ili električni alat koji se napaja preko baterije (bez kabela).

## RADNA OKOLINA

- **Držite radni prostor čistim i dobro osvijetljenim.** Zatrpani i neosvijetljeni radni prostori izazivaju nezgode.
- **Nemojte rukovati električnim alatima u eksplozivnim atmosferama u kojima su prisutne**

**zapaljive tekućine, plinovi ili prašina.** Električni alati stvaraju iskre koje mogu zapaliti prašinu ili pare.

- **Tijekom rada s električnim alatom držite podalje djecu i promatrače.** Ometanje može dovesti do toga da izgubite kontrolu.

## ELEKTRIČNA SIGURNOST

- **Utikači električnog alata moraju odgovarati utičnici. Nikada nemojte modificirati utikače ni na koji način. Nemojte koristiti nikakve adapter utikače s uzemljenim električnim alatima.** Originalni utikači i odgovarajuće utičnice smanjuju opasnost od strujnog udara.
- **Izbjegavajte kontakt tijela s uzemljenim površinama poput cijevi, radijatora, štednjaka i hladnjaka.** Ako je vaše tijelo uzemljeno, povećava se opasnost od strujnog udara.
- **Nemojte proizvod izlagati kiši ili vlažnim uvjetima.** Ulazak vode u električni alat povećava opasnost od strujnog udara.
- **Nemojte zlorabiti kabel. Nikada nemojte koristiti kabel za nošenje, povlačenje ili isključivanje električnog alata. Držite kabel podalje od topline, ulja, oštih rubova ili pokretnih dijelova uređaja.** Oštećeni ili zapleteni kabeli povećavaju opasnost od strujnog udara.
- **Kada radite s električnim alatom na otvorenom, koristite produžni kabel prikladan za rad na otvorenom** smanjuju opasnost od strujnog udara.
- **Ako se ne može izbjeći rad s električnim alatom u vlažnoj lokaciji koristite FID sklopku (RCD uređaj) za zaštitu napajanja.** Korištenje RCD uređaja smanjuje opasnost od električnog udara.

## OSOBNJA SIGURNOST

- **Budite na oprezu, gledajte to što radite i pri radu s električnim alatom koristite zdrav razum. Nemojte koristiti električni alat kad ste umorni ili pod utjecajem droge, alkohola ili lijekova.** Trenutak nepažnje pri radu s električnim alatima može dovesti do teških osobnih ozljeda.
- **Koristite osobnu zaštitnu opremu. Uvijek nosite zaštitna sredstva za oči.** Zaštitna oprema poput maske za prašinu, zaštitna obuća sa zaštitom od klizanja, kaciga ili zaštita za uši koja se koristi u odgovarajućim uvjetima smanjuje osobne ozljede.
- **Spriječite slučajno pokretanje. Osigurajte da je prije priključivanja na izvor napajanja i/ili baterije, podizanja ili nošenja alata, sklopka u položaju OFF (isključeno).** Nošenje električnog alata s vašim prstom na sklopki ili uključivanje električnih alata sa sklopkom postavljenom na položaj on (uključeno) dovodi do nezgoda.
- **Prije uključivanja električnog alata uklonite sve klinove za podešavanje i ključeve.** Ključ ili klin ostavljen priključen na rotirajućem dijelu električnog alata može dovesti do osobne ozljede.
- **Ne sežite preko određene granice. Cijelo vrijeme držite pravilno uporište i ravnotežu.** Ovo u neočekivanim situacijama omogućuje bolju kontrolu



nad električnim alatom.

- **Pravilno se odjenite. Nemojte nositi široku odjeću ili nakit.** Kosu, odjeću i rukavice držite podalje od pokretnih dijelova. Široka odjeća, nakit ili dugačka kosa mogu biti zahvaćeni u pokretne dijelove alata.
- **Ako su uređaji opremljeni s priključkom aparata za odvajanje i prikupljanje prašine, osigurajte da su oni priključeni i pravilno korišteni.** Korištenje uređaja za sakupljanje prašine smanjuje opasnosti vezane uz prašinu.

#### KORIŠTENJE I BRIGA O ELEKTRIČNOM ALATU

- **Nemojte proizvod koristiti iznad njegovih mogućnosti. Za vašu primjenu koristite točan električni alat.** Točan električni alat bolje će i sigurnije uraditi posao u odnosu za što je namijenjen.
- **Nemojte koristiti električni alat ako ga sklopka pravilno ne uključuje i isključuje.** Svaki električni alat koje se ne može kontrolirati pomoću sklopke je opasan i mora se popraviti.
- **Prije nego što izvršite bilo kakva podešavanja, zamijenite dodatni pribor ili pohranite električne alate, odspojite utikač iz izvora napajanja i/ili bateriju iz električnog alata.** Ovakve preventivne sigurnosne mjere smanjuju opasnost od slučajnog pokretanja električnog alata.
- **Električne alate pohranite u stanju mirovanja izvan dohvata djece i ne dopustite rad s električnim alatom osobama koje nisu upoznate s električnim alatom ili ovim uputama.** Električni alati su opasni u rukama nestručnih korisnika.
- **Održavanje električnih alata.** Provjerite radi pogrešnog poravnanja ili savijanja pokretnih dijelova, puknuća dijelova i drugih uvjeta koji mogu utjecati na rad električnog alata. **Ako je oštećen, električni alat prije korištenja popravite.** Većina nezgoda uzrokovano je od strane električnih alata koji su slabo održavani.
- **Rezne alate držite oštrim i čistim.** Pravilno održavanim reznim alatima s oštrim rubovima za rezanje, manja je vjerojatnost zahvaćanja i lakše se kontroliraju.
- **Koristite električni alat, pribor i dijelove alata itd., u skladu s ovim uputama i uzevši u obzir radne uvjete i rad koji treba izvršiti.** Korištenje električnog alata za radove drugačije od njegove namjene može dovesti do opasne situacije.

#### KORIŠTENJE I BRIGA O AKU ALATU

- **Punite samo s punjačem navedenim od proizvođača.** Punjač koji je prikladan za jednu vrstu baterija može dovesti do opasnosti od požara kada se koristi s drugom baterijom.
- **Koristite AKU alate samo s posebno naznačenim baterijama.** Korištenje bilo kojih drugih baterija dovodi do opasnosti od ozljeda i požara.
- **Kada se baterija ne koristi držite je dalje od drugih metalnih predmeta kao što su spajalice za papir, kovanice, ključevi, čavli, vijci ili drugi mali metalni predmeti koji mogu spojiti jedan pol na drugi.** Kratki spoj polova baterije može izazvati opekotine ili požar.

- **Pod uvjetima loma može doći do izbacivanja tekućine iz baterije, izbjegavajte kontakt. Ako dođe do nehotičnog kontakta, isperite to mjesto s vodom. Ako tekućina dospije u oči, dodatno potražite liječničku pomoć.** Tekućina koja istječe iz baterije može dovesti do iritacije ili opekotina.

#### ODRÆAVANJE

- **Neka vaš električni alat servisira kvalificirana osoba za popravak koristeći samo identične zamjenske dijelove.** Ovo će osigurati da se održi sigurnost električnog alata.

#### DODATNA OPĆA SIGURNOSNA UPOZORENJA

- Neke regije imaju pravila koja ograničavaju korištenje proizvoda. Provjerite kod lokalnih tijela za savjet.
- Nikada nemojte dopustiti korištenje ovog proizvoda djeci ili osobama koje nisu upoznate s ovim uputama. Moguće je da lokalni propisi propisuju starosnu dob rukovatelja.
- Osigurajte prije svakog korištenja da svi upravljački elementi i sigurnosni uređaji pravilno funkcioniraju. Ne koristite proizvod ako sklopka „isključeno“ ne zaustavlja motor.
- Za vrijeme rada proizvodom nosite potpunu zaštitu za oči i sluh, čvrste radne cizme i rukavice, te zaštitu za glavu. Koristite masku ukoliko radite u prašini.
- Korištenje zaštite za sluh smanjuje vašu mogućnost da čujete upozorenja (viku ili alarme). Rukovatelj mora obratiti posebnu pozornost na to što se događa u radnom području.
- Zauzmite čvrst stav i ravnotežu. Ne sežite preko određene granice. Naginjanje preko ruba može dovesti do gubitka ravnoteže i može povećati opasnost povratnog udara.
- Nemojte nositi široku odjeću, kratke hlače ili nakit bilo kakve vrste.
- Osigurajte dugu kosu na način da je iznad razine ramena kako biste spriječili zahvaćanje u pokretne dijelove.
- Čuvajte se odbačenih, letećih ili padajućih predmeta. Držite promatrače, djecu i kućne ljubimce 15 m dalje od područja rada.
- Nemojte raditi u slabom osvjetljenju. Operateru treba jasan pogled radnog područja kako bi identificirao potencijalne opasnosti.
- Rad u blizini sličnim alatom dovodi do opasnosti povreda sluha i mogućim ulaskom drugih osoba u radno područje.
- Držite sve dijelove tijela dalje od svih pokretnih dijelova.
- Prije korištenja provjerite uređaj. Provjerite ispravnost rada svih kontrola uključujući kočnicu lanca. Provjerite sve olabavljene zatezače, osigurajte da su svi štitnici, deflektori i ručke pravilno i čvrsto priključeni. Prije korištenja zamijenite sve oštećene dijelove.
- Nemojte modificirati uređaj ni na koji način ili koristiti dijelove ili dodatni pribor koje nije preporučio proizvođač.





## **⚠ UPOZORENJE**

Ako je proizvod ispio, pretrpio težak udar ili abnormalno vibrira, odmah zaustavite proizvod i provjerite na oštećenje ili identificirajte uzrok vibracija. Svaki oštećeni dio trebao bi pravilno popraviti ili zamijeniti ovlašteni servisni centar.

## **SIGURNOSNA UPOZORENJA VEZANO ZA PILU**

- **Držite podalje sve dijelove tijela od pile kada pila radi. Prije pokretanja pile provjerite da lanac pile ne dodiruje ništa.** Trenutak nepažnje prilikom rukovanja s pilama može dovesti do zahvaćanja vaše odjeće ili tijela s lancem pile.
- **Uvijek držite pilu vašom desnom rukom na stražnjoj ručki i vašom lijevom rukom na prednjoj ručki.** Držanje pile obrnutim rukama povećava opasnost od osobnih ozljeda i nikada tako ne treba raditi.
- **Držite električni alat za izoliranu površinu za hvatanje jer lanac pile može doći u kontakt sa skrivenim ožičenjem.** Dodirivanje „žive“ žice lancem pile može izložiti metalne dijelove alata električnoj energiji i dovesti do strujnog udara na operatera.
- **Nosite zaštitne naočale i zaštitu za sluh. Preporuča se dodatna zaštitna oprema za glavu, ruke, noge i stopala.** Odgovarajuća zaštitna odjeća smanjit će osobne ozljede od letećih krhotina ili slučajnog dodira s lancem pile.
- **Nemojte raditi s pilom na stablu.** Rad s pilom dok ste na stablu može dovesti do osobnih ozljeda.
- **Uvijek držite pravilno uporište i radite s pilom samo kada stojite na čvrstoj, sigurnoj i ravnoj površini.** Skliska ili nestabilna površina kao što su ljestve, može dovesti do gubitka ravnoteže ili kontrole pile.
- **Kada režete granu koja je zategnuta pazite se povratnog udara.** Kada je zategnutost vlakana u drvetu otpuštena, zategnuta grana može udariti operatera i/ili nekontrolirano odbaciti pilu.
- **Poduzmite posebne mjere opreza prilikom rezanja žbunja ili mladica.** Tanki materijal može se zahvatiti lancem pile i biti odbačen prema vama ili vas izbaciti iz ravnoteže.
- **Nosite isključenu pilu držite je za prednju ručku i dalje od tijela. Kada transportirate ili skladištite pilu uvijek postavite pokrov vodilice lanca.** Pravilno rukovanje pilom smanjit će vjerojatnost slučajnog dodira s pokretnim lancem pile.
- **Slijedite upute za podmazivanje, zatezanje lanca i promjenu dodatnog pribora.** Nepravilno zategnut ili podmazan lanac može puknuti ili povećati šansu za povratni udar.
- **Održavajte ručke suhim, čistim i da na njima nema ulja i masti.** Umašćene i naučene ručke su skliske i mogu dovesti do gubitka kontrole.
- **Režite samo drva. Nemojte koristiti pilu za svrhe za koje nije namijenjena. Primjerice, nemojte koristiti pilu za rezanje plastike, zidarija ili materijala za gradnju koji nisu od drva.** Korištenje pile za radove drugačije od njene namjene može dovesti do opasne situacije.

## **Uzroci i mjere operatera za sprečavanje povratnog udara:**

Može doći do odskakivanja ako kraj vodilice lanca dođe u dodir s nekim predmetom ili ako se lanac priklješti i blokira u drvetu tijekom rezanja.

Dodir u nekim slučajevima može dovesti do iznenadne povratne reakcije, odbacivanja vodilice lanca prema gore i unatrag prema operateru.

Prignjećenje lanca pile uzduž gornje strane vodilice može brzo gurnuti vodilicu unatrag prema rukovatelju.

U oba slučaja možete izgubiti nadzor nad motornom pilom i teško se ozlijediti. Nemojte se pouzdati samo u zaštitu koja je integrirana u motornu pilu. Morate poduzeti i dodatne mjere kako biste izbjegli opasnost od nezgoda i ozljeda.

Povratni udar je rezultat nepravilnog korištenja i/ili nepravilnih postupaka rukovanja ili uvjeta i može se izbjeći tako da se poduzmu pravilne mjere opreza navedene u nastavku:

- **Održavajte čvrsti stisak, s palčevima i prstima koji okružuju ručke pile, s obje ruke na pili i u položaju tijela i ramena koji vam omogućuje otpor silama povratnog udara.** Ako su poduzete pravilne mjere opreza sile povratnog udara mogu biti kontrolirane od strane operatera. Nemojte ispustiti pilu.
- **Nemojte se naginjati preko ruba i nemojte rezati iznad visine ramena.** Ovo pomaže u sprečavanju nenamjernih dodira i omogućuje bolju kontrolu pile u neočekivanim situacijama.
- **Koristite samo zamjenske vodilice i lance navedene od proizvođača.** Nepravilna zamjena vodilica ili lanaca može dovesti do puknuća lanca i/ili povratnog udara.
- **Poštuje upute proizvođača vezane uz brušenje i održavanje lanca.** Smanjenje visine limitatora dubine može dovesti do povećanja povratnog udara.

## **DODATNA SIGURNOSNA UPOZORENJA ZA PILU**

- Preporučuje se da kada po prvi puta radite s proizvodom trupce režete na konju za rezanje ili postolju.
- Osigurajte da su svi štitnici, ručke i šiljci odbojnika pravilno pričvršćeni i da su ispravni.
- Osobe koje koriste ovu pilu trebaju biti zdrave. Ovaj proizvod je težak, stoga operater mora biti fizički izdržljiv. Operater treba biti oprezan, imati dobar vid, pokretljivost, ravnotežu i spretnost. Ako niste sigurni, ne radite s pilom.
- Ne započinjte s radom ako nemate čisto radno područje i planirani put izvlačenja od padajućeg stabla.
- Pazite se maglice od sredstva za podmazivanje i prašine od pile. Po potrebi nosite masku ili respirator.
- Ne režite vinovu lozu i/ili nisko raslinje (manje od 75 mm u promjeru).
- Uvijek kada radite držite pilu s obje ruke. Čvrsto držite motornu pilu tako da vaši prsti obujme ručke. Desna ruka mora biti na stražnjoj ručki, a lijeva ruka na prednjoj ručki.
- Prije pokretanja alata provjerite da lanac pile ne dodiruje ništa.
- Ne modificirajte alat ni na koji način ili ga ne koristite za pokretanje nekih priključaka ili uređaja koje ne



preporučuje proizvođač za vašu pilu.

- Pored operatera treba postojati komplet za prvu pomoć koji sadrži velike obloge za rane i sredstvo za prizivanje pomoći (npr. zviždaljka). Mnogo veći, sadržajni komplet treba biti također blizu.
- Operater može biti u iskušenju da skine kacigu, ako ne postoji opasnost od pada predmeta na radnom mjestu, ali ne zaboravite da kaciga, osobito s mrežom viziorom, može pomoći smanjiti mogućnost ozljede na licu i glavi, ako dođe do povratnog udara.
- Nepravilno zategnut lanac može iskočiti iz vodilice i dovesti do ozbiljnih ili fatalnih ozljeda. Duljina lanca ovisi o temperaturi. Često provjeravajte zategnutost.
- Trebate se naviknuti na rad sa svojom novom pilom radeći jednostavne posjekotine na sigurno podložnom drvetu. Ovo uvijek činite kada neko vrijeme niste radili s pilom.
- Za smanjenje opasnosti od povreda povezanih s dodirnom rotirajućih dijelova, uvijek zaustavite motor, primijenite kočnicu lanca, uklonite bateriju i provjerite da su svi pokretni dijelovi zaustavljeni prije:
  - čišćenje i odblokiranje
  - ostavljanje proizvoda bez nadzora
  - ugradnje ili uklanjanja priključaka
  - provjere, održavanja ili rada na uređaju
- Površina zona rada ovisi o poslu koji trebate obaviti kao i o visini drveta ili komada koji obrađujete. Primjerice, padajuća stabla trebaju veće radno područje od drugih rezanja, npr. rezanja na mjeru itd. Operater treba biti upozoren i imati pod kontrolom sve događaje u području rada.
- Nemojte rezati s tijelom u liniji s vodilicom o lancem. Ako dođe do povratnog udara ovo će pomoći spriječiti da lanac dođe u dodir s vašom glavom ili tijelom.
- Nemojte koristiti stražnji i prednji pokret rezanja, pustite da lanac radi, održavajte lanac oštirim i ne pokušavajte gurnuti lanac kroz rez.
- Ne primjenjujte silu na motornu pilu na kraju rezanja. Spremite se da preuzmete težinu pile kad prođe kroz drvo. Nepoštivanje ove upute može dovesti do mogućih ozbiljnih osobnih ozljeda.
- Ne zaustavljate pilu usred rezanja. Neka se pila pokreće iako je već uklonjena iz reza.

### Guranje i povlačenje

Reakcijska snaga uvijek se ostvaruje u suprotnom smjeru od smjera okretanja lanca. Dakle, operater mora biti spreman za kontrolu tendencije uređaja povlačenje dalje (prema naprijed) prilikom rezanja na donjem rubu vodilice i pritiska unatrag (prema operateru) prilikom rezanja uz gornji rub.

### Zaglavljenje pile u rezu

Zaustavite pilu i osigurajte je. Ne pokušavajte silom izvući lanac i vodilicu iz reza jer će to dovesti do pucanja lanca koji se može okrenuti natrag i udariti operatera. Do ove situacije obično dolazi jer je drvo krivo poduprto i rez se prisiljava da se zatvori pod pritiskom čime štipa oštricu. Ako podešavanje potporna ne oslobodi vodilicu i lanac, koristite drvene klinove ili polugu za otvaranje reza i oslobađanje

pile. Nikada ne pokrećite pilu ako je vodilica već u rezu ili usjeku.

### Osobna zaštitna oprema

Kvalitetna, osobna zaštitna oprema kakvu koriste profesionalci pomaže smanjiti opasnost od ozljeda operatera. Sljedeće predmete treba koristiti prilikom korištenja pile:

#### Sigurnosna kaciga

- treba biti u skladu s EN 397 i označena CE

#### Zaštita za sluh

- treba biti u skladu s EN 352-1 i označena CE

#### Zaštita za vid i lice

- treba imati oznaku CE i biti u skladu s EN 166 (za sigurnosno staklo) ili EN 1731 (za mrežne vizire)

#### Rukavice

- treba biti u skladu s EN381-7 i označena CE

#### Zaštita nogu (navlake preko hlača)

- treba biti u skladu s EN381-5, označena CE i pružati potpunu zaštitu.

#### Zaštitna obuća za rad s pilom

- treba biti u skladu s EN ISO 20345:2004 i treba biti označena sa prikazom štitnika za pilu kako bi prikazala da je u skladu s EN 381-3. (Povremeni korisnici mogu koristiti čelične zaštitne čizme sa zaštitnim potkoljenicama koje udovoljavaju normi EN 381-9, ako je tlo ravno i mala je opasnost saplitanja ili zahvaćanja raslinja)

#### Jakne za rad s pilom za zaštitu gornjeg dijela trupa

- treba biti u skladu s EN 381-11 i označena CE

### UPUTE PODRAZUMIJEVAJU PRAVILNE TEHNIKE OSNOVA OBARANJA, OBREZIVANJA I REZANJA U KOSO

#### Razumijevanje sila u drvetu

Kada razumijete smjerove tlaka i stresa unutar drveta, možete smanjiti „prignječenja“ ili ih očekivati tijekom rezanja. Naprezanja u drvetu znače da se vlakna razdvajaju te da ako režete u ovom području „usjek“ ili rez se može otvoriti jer pila prolazi kroz njega. Ako je trupac oslonjen na konju za rezanje, a kraj visi neoslonjen preko ruba, dolazi do naprezanja na gornjoj površini jer težina prekomjernog vješanja napreže vlakna trupaca. Isto tako, donja strana trupca će biti pod pritiskom i vlakna se guraju zajedno. Ako režete u ovom području usjek će nastojati da se zatvori tijekom rezanja. Ovo će prignječiti oštricu.

#### Obaranje stabala

*Pogledajte sliku 267 - 268.*

Kada se radovi rezanja trupca na određenu duljinu i obaranje istovremeno izvode od strane dvije ili više osoba, radovi obaranja trebaju biti odvojeni od radova rezanja trupca na određenu duljinu na udaljenosti od najmanje dvije duljine visine stabla koje se obara. Stabla se ne smiju obarati na način da dovedu u opasnost bilo koju osobu, udare bilo koju komunalnu uslužnu liniju ili uzrokuju neku štetu na vlasništvu. Ako stablo dođe u kontakt s bilo kojom komunalnom uslužnom linijom, odmah treba obavijestiti nadležnu komunalnu službu.

Ako je teren na padini, uvijek budite na višem dijelu terena





jer se stablo može otkotrljati ili skliznuti niz padinu kad se obori.

Put za uzmak treba planirati i po potrebi očistiti prije nego rezanje započne. Put za uzmak treba se protezati unatrag i dijagonalno na stražnju liniju očekivanog pada.

Prije nego obaranje započne, za ocjenu kuda bi stablo moglo pasti uzmite u obzir prirodno naginjanje stabla, lokaciju većih grana i smjer vjetra.

Uklonite blato, kamenje, koru drveta, čavle, spojnice i žicu sa stabla.

Ne pokušavajte obrezati stablo koje je trulo ili oštećeno od vjetra, vatre, munje itd. Ovo je izuzetno opasno i to trebaju izvoditi samo profesionalni drvosječe.

### 1. Urezivanje podsijecanjem

*Pogledajte sliku 267 - 268.*

Napravite urez od 1/3 promjera stabla okomito na smjer pada. Najprije učinite donji vodoravni urez. Ovo pomaže da kada napravite drugi urez izbjegnute prignječenje lanca pile ili vodilice.

### 2. Stražnji rez za obaranje

*Pogledajte sliku 267 - 268.*

Učinite stražnji rez za obaranje najmanje 50 mm/2 više od vodoravnog reza urezivanja. Neka stražnji rez za obaranje bude paralelan na vodoravni rez urezivanja. Napravite stražnji rez za obaranje tako da ostane dovoljno drveta da djeluje kao zglob. Drveni zglob stabla drži stablo od uvrtanja i padanja u krivom smjeru. Nemojte rezati kroz zglob.

Kako se rez za obaranje bliži prema zglobu, stablo počinje padati. Ako postoji ikakva šansa da stablo možda ne padne u željenom smjeru ili se možda zaljula unazad i zahvati lanac pile, prestanite rezati prije završetka stražnjeg reza za obaranje i upotrijebite drvene, plastične ili aluminijske klinove kako biste otvorili rez i pustili stablo uzduž željene linije pada.

Kada stablo počne padati uklonite pilu iz reza, zaustavite motor, odložite pilu i povucite se planiranim putem. Pazite na padajuće grane iznad glave i gledajte gdje stajete.

### Rezanje potpornog korijenja

*Pogledajte stranicu 268.*

Potporno korijenje je veliko korijenje koje viri iz stabla drveta iznad zemlje. Odrežite velike korjene prije nego što počnete s obaranjem. Prvo načinite vodoravni usjek u potpnom korijenu, a zatim okomiti. Oslobodite tako izrezani dio iz zone rada. Nastavite s obaranjem nakon što ste uklonili potporno korijenje.

### Rezanje trupca na određenu duljinu

*Pogledajte stranicu 269.*

Trupci se režu na određene duljine. Vrlo je važno da ste sigurni da je vaše uporište čvrsto i da je vaša težina jednako raspoređena na oba stopala. Kada je to moguće, trupac bi trebalo podignuti i poduprijeti granama, trupcima ili klinovima. Za lakše rezanje slijedite jednostavne upute: Kada je trupac podložen uzduž cijele duljine, reže se s gornje strane (preko trupca).

Kada je trupac podložen s jednog kraja, reže se 1/3 promjera od donje strane (ispod trupca). Potom izvršite

završni rez preko trupca kako biste susreli prvi rez.

Kada je trupac podložen s oba kraja, reže se 1/3 promjera od gornje strane (ispod trupca). Potom izvršite završni rez s donje strane manje 2/3 kako biste susreli prvi rez.

Kada režete trupac na kosini, uvijek stanite na gornju stranu trupca. Kada „režete kroz trupac“, za održavanje potpune kontrole otpustite pritisak rezanja blizu kraja reza bez opuštanja zahvata na ručkama pile. Ne dozvolite da lanac dodiruje zemlju. Nakon dovršetka reza pričekajte da se zaustavi lanac pile prije nego maknete pilu. Prije prebacivanja sa stabla na stablo uvijek zaustavite pilu.

### Obrezivanje stabla

*Pogledajte stranicu 270.*

Obrezivanje je uklanjanje grana s palog stabla. Prilikom obrezivanja ostavite velike niže grane da podupiru trupac sa zemlje. Uklonite male grane u jednom rezu. Grane koje su zategnute treba rezati odozdo prema gore kako bi se izbjeglo zahvaćanje lanca pile.

### Našpanovano (zategnuto) drvo

*Pogledajte stranicu 270.*

Savijeno šiblje je grana, panj bez korjena ili grm koji je savijen zbog nekog drugog komada drveta, tako da se naglo otpušta kad odrežemo ili uklonimo komad tog drveta koji ga drži.

Panj bez korijena oborenog stabla vrlo se lako može odvojiti od debla i vratiti u okomit položaj tijekom rezanja kako bi ga odvojilo od trupla. Pazite na savijeno šiblje, opasno je.

### ⚠ UPOZORENJE

Savijeno šiblje je opasno je jer vas može udariti i možete izgubiti kontrolu nad motornom pilom. Što može dovesti do teških ili smrtonosnih ozljeda. Ovo trebaju vršiti obučeni korisnici.

### OSTALE OPASNOSTI:

Čak i kad je proizvod korišten kao što je prethodno opisano, još uvijek nije moguće potpuno isključiti ostale čimbenike opasnosti. Može doći do sljedećih opasnosti prilikom korištenja i operater mora obratiti posebnu pozornost kako bi izbjegao sljedeće:

- Ozljede uzrokovane vibracijom
  - Uvijek koristite pravi alat za posao, koristite označenu kopču i ograničite radno vrijeme i izloženost.
- Izlaganje buci može izazvati povredu sluha.
  - Nosite zaštitu za sluh i ograničite izloženost
- povrede od kontakta s izloženim zubima na lancu pile
- povrede uzrokovane odbacivanjem dijelova izratka (drveno iverje i odlomci)
- Ozljede uzrokovane udisanjem prašine ili čestica
- povrede uzrokovane dodiranjem kože sa sredstvom za podmazivanje
- Dijelovi izbačeni iz lanca pile (opasnost od porezotina)
- Nepredviđena, nenadana kretanja ili povratni udar vodilice lanca (opasnost od porezotina).





## SMANJENJE OPASNOSTI

Prijavljeno je da vibracije alata koje se drži u ruci kod određenih pojedinaca mogu doprinijeti stanju pod nazivom Raynaud's Syndrome. Simptomi mogu uključivati trnce, ukočenost i bjelinu prstiju, obično uočljivo po izlaganju hladnoći. Smatra se da nasljedne osobine, izlaganje hladnoći i vlazi, dijeta, pušenje i radni postupci pridonose razvoju ovih simptoma. Postoje mjere koje operator može poduzeti kako bi smanjio moguće učinke vibracije:

- Održavajte svoje tijelo toplim u hladnim vremenskim uvjetima. Kad radite s uređajem nosite rukavice kako biste ruke i zglobove održavali toplima. Prijavljeno je da je hladnoća glavni čimbenik koji doprinosi Raynaud's Syndrome.
- Nakon svakog perioda rada vježbajte kako biste povećali cirkulaciju krvi.
- Uzimajte česte stanke u radu. Ograničite količinu izlaganja po danu.
- Zaštitne rukavice dostupne od dobavljača opreme profesionalnih pila su posebno dizajnirane za pilu, te pružaju zaštitu, dobro držanje i smanjuju učinak vibracije na ruku. Ove rukavice trebaju biti u skladu s EN381-7 i moraju biti označene CE.

Ako osjetite neke od simptoma ovog stanja, odmah prekinite korištenje i obratite se svome liječniku vezano uz ove simptome.

**⚠ UPOZORENJE**

Povrede mogu biti uzrokovane ili zadobivene produljenim korištenjem alata. Kada koristite bilo koji alat dulje vremena, osigurajte da uzimate povremene stanke.

## UPOZNAJTE SVOJ PROIZVOD

Pogledajte stranicu 261.

1. Prednji štitičnik za ruku/kočnica lanca
2. Prednja ručka
3. Stražnja ručica
4. Lanac
5. Vodilica lanca
6. Odbojni zupci
7. Čep spremnika za ulje
8. Blokada otonca
9. Sklopka za pokretanje
10. Pokrov zupčanika
11. Prsten za podešavanje natezača lanca
12. Gumb natezača lanca
13. Pokrov vodilice lanca
14. Hvatač lanca

## SIGURNOSNI UREĐAJI

### Lanac sa slabom tendencijom odskakivanja

lanac pile za smanjeni udar pomaže smanjenju mogućnosti povratnog udara.

Limitatori dubine koji se nalaze na prednjoj strani svakog zupca mogu smanjiti naglu odskakivanja te se tako izbjegava da zupci pređuboko uđu u zonu odskakivanja. Koristite samo zamjenske vodilice i lance navedene od proizvođača.

Udvostručite oprez nakon što ste naoštrili lanac vaše motorne pile jer brušenje čini lanac manje otpornim na odskakivanje. Iz sigurnosnih razloga, zamijenite lanac pile kada se smanji rezna učinkovitost.

## Odbojni zupci

Integralni odbojni zupci mogu se koristiti za navođenje (središnja točka) kod prvog reza. Pomaže održati tijelo pile stabilnim tijekom rezanja. Prilikom rezanja, gurnite uređaj prema naprijed dok se šiljci ne uđu koru drveta, a zatim pomicanjem stražnje ručke prema gore ili prema dolje u smjeru rezanja pomaže olakšati tjelesni napor rezanja

## Vodilica lanca

Općenito, vodilice s malim promjerom vrha imaju više mogućnosti za povratni udar. Trebate koristiti vodilicu i odgovarajući lanac koji su dovoljno dugi za zadatak. Dulja vodilica povećava opasnost od gubitka kontrole tijekom rezanja. Redovito provjeravajte zategnutost lanca. Kada režete manje grane (manje od pune duljine vodilice) lanac će vjerojatno iskočiti ako napetost nije pravilna.

## Kočnica lanca

Kočnica lanca osmišljena je kako bi se brzo moglo zaustaviti okretanje lanca. Lanac se treba zaustaviti odmah nakon što se poluga kočnice/štitnik za ruku gurne prema naprijed. Kočnica lanca ne sprječava učinak odskakivanja. To samo smanjuje rizik od ozljede ako lanac dođe u kontakt s tijelom operatera tijekom događaja povratnog udara. Kočnicu lanca treba ispitati prije svakog korištenja za pravilan rad kako u pokrenutom tako i u položaju kočenja.

## Hvatač lanca

Hvatač lanca sprječava izbacivanje lanca prema operateru u slučaju opuštanja napetosti ili pucanja lanca.

## POSTAVLJANJE

**⚠ UPOZORENJE**

Ukoliko je bilo koji dio oštećen ili nedostaje ne koristite ovaj proizvod sve dok se ti dijelovi ne nadomjeste. Nepoštovanje ovog upozorenja može dovesti do ozbiljnih osobnih ozljeda.

## SKLAPANJE LANCA PILE I VODILICE

Pogledajte sliku 262 - 263.

1. Osigurajte da ste uklonili bateriju iz jedinice. Nosite zaštitne rukavice.
2. Odljite gumb natezača lanca i uklonite pokrov zupčanika.
3. Lanac pile treba gledati u smjeru rotacije lanca. Ako su okrenuti u suprotnom smjeru, okrenite omču koju ste načinili.
4. Postavite karice za pogon lanca u šinu vodilice.
5. Lanac postavite tako da formira navoj u pozadini vodilice lanca.
6. Držite lanac u položaju na vodilici i postavite omču oko poklopca zupčanika. Spustite vodilicu tako da svornjak prolazi kroz otvor u sklopu priključenog natezača lanca. Možda budete trebali rotirati ovaj sklop kako bi se





poravnali svornjak i otvor. Možete ponovno rotirati ovaj sklop kako bi se primjenilo nešto zategnutosti na lanac što će vam pomoći održati ga u mjestu.

7. Ponovno postavite poklopac zupčanika i zakrenite gumb za natezanje lanca sve dok se ne pritegne, okrenite prsten za zatezanje lanca sve dok lanac ne bude pravilno zategnut. Vodilica potom treba biti gurnuta prema gore. Ponovno provjerite zategnutost lanca. Nemojte prezategnuti lanac.
8. nakon što je lanac dobro nategnut, pritegnite ponovno gumb.

### PODEŠAVANJE ZATEGNUTOSTI LANCA

*Pogledajte stranicu 263. Pogledajte stranicu 273.*

1. Neznatno otpustite gumb natezača lanca zakrećući ga suprotno od smjera kretanja kazaljki na satu.
2. Za povećanje nategnutosti lanca zakrećite prsten za podešavanje natezača lanca u smjeru kretanja kazaljki na satu i povremeno provjeravajte nategnutost. Za smanjenje nategnutosti lanca zakrećite prsten za podešavanje natezača lanca suprotno od smjera kretanja kazaljki na satu i povremeno provjeravajte lanac.
3. Nategnutost lanca je pravilna kada je razmak između rezača na lancu i vodilice između 3 mm i 4 mm. Povucite lanac na sredini donje strane vodilice prema dolje (dalje od vodilice) i izmjerite udaljenost između vodilice i rezača lanca.
4. Pritegnite gumb za natezanje lanca tako da ga okrenete u smjeru kretanja kazaljki na satu.

## UPORABA

### DODAVANJE ULJA ZA PODMAZIVANJE LANCA

*Pogledajte stranicu 262.*

#### ⚠ UPOZORENJE

Nikada ne radite bez sredstva za podmazivanje lanca. Ako pila radi bez sredstva za podmazivanje, vodilica i lanac mogu biti oštećeni. Stoga je nužno često provjeriti razinu ulja u mjerачu razine ulja i svaki put prije nego što počnete koristiti pilu.

1. Očistite površinu oko čepa za ulje kako biste spriječili onečišćenje.
2. Odvijte i uklonite čep sa spremnika za ulje.
3. Nalijte ulje u spremnik za ulje i pratite mjerač razine ulja. Osigurajte da prilikom punjenja ulja ne ulazi prljavština u spremnik za ulje.
4. Vratite natrag čep za ulje i pritegnite ga. Obrišite svo proliveno gorivo.
5. Jedan puni spremnik za ulje omogućuje vam korištenje pile od 20 do 40 min.

### Preporučeno ulje za podmazivanje lanca

- Proizvođač preporučuje korištenje samo Ryobi ulje za podmazivanje pile. (Dostupno od ovlaštenog servisnog centra Ryobi)

### UMETANJE BATERIJE

*Pogledajte stranicu 263.*

1. Postavite bateriju na alat. Poravnajte povišene rubove na bateriji s utorima na ulazu za bateriju.
2. Provjerite jesu li zasuni na paketu baterije škljocnuli na mjestu i je li paket baterije pričvršćen za proizvod prije početka rada.

### DRŽANJE PILE

*Pogledajte stranicu 263.*

Uvijek držite pilu vašom desnom rukom na stražnjoj ručki i vašom lijevom rukom na prednjoj ručki. Uvijek uhvatite obje ručke s palčevima i prstima okružujući ručke pile. Osigurajte da vaša lijeva ruka drži ručku tako da je vaš palac u donjem dijelu.

### POKRETANJE PILE

*Pogledajte stranicu 263.*

1. Prije početka rada, trebate ugraditi bateriju u uređaj i provjeriti da je lanac u položaju za pokretanje tako da povučete polugu kočnice lanca/štitnika za ruku prema prednjoj ručki.
2. Za pokretanje uređaja: povucite otpuštanje blokade okidača, zatim pritisnite okidač.

### PROVJERAVANJE I RAD KOČNICE LANCA

1. Uključite kočnicu lanca zakretanjem lijeve ruke oko prednje ručke. Korištenjem stražnjeg dijela ruke, pritisnite polugu kočnice lanca/štitnik za ruku prema šipki dok se lanac istovremeno brzo okreće. Pazite da cijelo vrijeme obje ruke držite na ručkama pile.
2. Vratite kočnicu lanca natrag u položaj RUN (Pokreni) hvatanjem gornjeg dijela kočnice lanca/štitnika za ruku i povlačenjem prema prednjoj ručki dok ne čujete klik.

#### ⚠ UPOZORENJE

Ukoliko kočnica lanca odmah ne zaustavi lanac, ili ukoliko se kočnica lanca ne vrati u položaj „run“ (uključeno) bez pomoći, odnesite pilu u ovlaštenu servis radi opravke.

### PRIJEVOZ I SKLADIŠTENJE

*Pogledajte sliku 275 - 276.*

- Zaustavite uređaj, uklonite bateriju i omogućite da se ohladi prije spremanja ili transporta.
- Očistite svaki strani materijal s uređaja. Skladištite ga na suhom i dobro ventiliranom mjestu koje nije pristupačno djeci. Nemojte ju ostavljati u blizini korozivnih agenasa kao ni vrtnih kemijskih proizvoda i soli za odmrzavanje. Ne ostavljajte na otvorenom.
- Prije spremanja uređaja ili tijekom transporta postavite štitnik vodilice.
- Za prijevoz, osigurajte uređaj protiv pomicanja ili pada kako biste spriječili povrede osoba ili oštećenja na uređaju.





**ODRŽAVANJE**

**⚠ UPOZORENJE**

Koristite samo originalne zamjenske dijelove, dodatni pribor i priključke od proizvođača. Nepoštivanje ovih uputa može dovesti do mogućih ozljeda, loše učinkovitosti i može dovesti do poništenja jamstva.

**⚠ UPOZORENJE**

Servisiranje iziskuje krajnju pažnju i znanje i treba da ga vrši samo kvalificirani serviser. Radi servisa, donesite proizvod u ovlaštenu servisni centar. Prilikom servisiranja, koristite samo originalne zamjenske dijelove od proizvođača.

**⚠ UPOZORENJE**

Prije podešavanja, održavanja ili čišćenja uklonite bateriju. Nepoštivanje ove upute može dovesti do ozbiljnih osobnih ozljeda.

- Možete samo vršiti podešanje ili popravke opisane u ovom manualu. Za ostale popravke ili savjete, potražite pomoć ovlaštenog servisnog centra.
- Posljedice nepravilnog održavanja mogu izazvati da kočnica lanca i druge sigurnosne funkcije ne funkcioniraju ispravno, čime se povećava mogućnost ozbiljne ozljede. Održavajte svoju pilu profesionalno i sigurno.
- Oštrenje lanca pile je zahtjevan zadatak. Stoga proizvođač preporučuje da istrošeni ili tupi lanac bude zamijenjen s novim, koji je dostupan u ovlaštenom servisnom centru Ryobi. Broj dijela dostupan je u tablici specifikacija proizvoda u ovom priručniku.
- Slijedite upute za podmazivanje i provjeru zategnutosti i podešavanje lanca.
- Nakon svakog korištenja proizvod obrišite sa suhom mekom krpom.
- Često provjeravajte sve matice i zavrtnje da li su dobro pritegnuti kako biste bili sigurni da je kosilica u sigurnom radnom stanju. Svaki oštećeni dio trebao bi pravilno popraviti ili zamijeniti ovlaštenu servisni centar.

**ZAMJENA VODILICE I LANCA PILE**

*Pogledajte sliku 271 - 272.*

1. Uklonite bateriju. Nosite zaštitne rukavice.
2. Odvijte gumb natezača lanca zakrećući ga u smjeru suprotnom od kretanja kazaljki na satu sve dok se pokrov zupčanika ne otpusti.
3. Uklonite pokrov zupčanika. Uklonite vodilicu i lanac pile s uređaja.
4. Za zamjenu šipke novom skinite vijak sa sklopa za napinjanje lanca. Montirajte sklop za podešavanje napetosti lanca na novu šipku i zategnite vijak.
5. Postavite novi lanac na vodilicu u točnom smjeru i provjerite da li su karike za pogon poravnate u šini vodilice.

6. Pričvrstite vodilicu na pilu i postavite omču lanca oko pogonskog zupčanika.
7. Vratite poklopac zupčanika.
8. Podesite zategnutost lanca. Pogledajte odlomak „Podešavanje nategnutosti lanca“.

**⚠ UPOZORENJE**

Tupi ili nepravilno naoštreni lanac može uzrokovati prekomjerno okretanje motora tijekom rezanja što može dovesti do ozbiljnih oštećenja motora.

**⚠ UPOZORENJE**

Loše naoštren lanac povećava opasnost od odskakivanja.

**⚠ UPOZORENJE**

Ako ne zamijenite ili ne popravite oštećeni lanac, izlažete se opasnosti od teških tjelesnih ozljeda.

**⚠ UPOZORENJE**

Lanac je vrlo oštar. Kad god ga održavate, nosite zaštitne rukavice.

**PROVJERITE I OČISTITE KOČNICU LANCA**

*Pogledajte stranicu 274.*

- Uvijek održavajte mehanizam kočnice lanca čistim tako da lagano očetkate kanale od prašine.
- Uvijek nakon čišćenja provjerite rad kočnice lanca. Za detaljnije obavijesti pogledajte odjeljak "Uporaba - Kočnica lanca" u ovom priručniku.

**PLAN ODRŽAVANJA**

Svakodnevna provjera	
Podmazivanje vodilice	Prije svakog korištenja
Zategnutost lanca	Prije svakog korištenja i često
Oštrina lanca	Prije svakog korištenja, vizualna provjera
Oštećenje pojedinih dijelova	Prije svakog korištenja
Labavi pričvršćivači	Prije svakog korištenja
Funkcija kočnice lanca	Prije svakog korištenja
Pregledati i očistiti	
Vodilica	Prije svakog korištenja
Kompletna pila	nakon svake uporabe
Kočnica lanca	Svakih 5 sati*

\*Sati rada



## SIMBOLI NA PROIZVODU



Sigurnosno upozorenje



Pročitajte i razumite sve upute prije rada s proizvodom, slijedite sva upozorenja i sigurnosne upute.



Nosite zaštitu za vid, sluh i glavu



Nosite obuću protiv klizanja prilikom korištenja ovog proizvoda.



Nosite zaštitne rukavice velike debljine koje se ne klizu.



Pazite na povratni udar lanca pile i izbjegavajte kontakta s vrhom vodilice.



Ne izlažite kiši ili vlažnim uvjetima.



Držite i rabite motornu pilu dvijema rukama.



Ne upotrebljavajte motornu pilu držeći je samo s jednom rukom.



Ovaj alat usklađen je sa svim normama i propisima zemlje Europske unije u kojoj je kupljen.



EurAsian znak konformnosti



Ukrajinska oznaka za sukladnost



Otpadni električni proizvodi ne treba da se odlažu s otpadom iz domaćinstva. Molimo da reciklirate gdje je to moguće. Potražite savjet od lokalnih vlasti ili prodavca kako reciklirati.



Jamčena razina zvučne snage 96 dB.



Sredstva za podmazivanje lanca i vodilice



Minimalna razina sredstva za podmazivanje



Brava



Otključavanje



Podesite kočnicu lanca u položaj RUN (rad lanca).



Rotirajte kako biste podesili nategnutost lanca  
+ = Pritegnite lanac  
- = Olabavite lanac



Postavite kočnicu lanca u položaj BRAKE (kočenje lanca).



Pomicanje smjera lanca.  
(Označeno ispod poklopca zupčanika)

$V_0$  : 10 m/s

Brzina bez opterećenja lanca: 10 m/s

L max: 300mm

Maksimalna duljina vodilice: 300 mm

## SIMBOLI U OVOM PRIRUČNIKU



Dijelovi ili pribor prodan odvojeno



Napomena



Upozorenje



Nosite sredstva za zaštitu vida i lica.



Nosite zaštitu za gornji dio trupa.



Nosite sredstva za zaštitu nogu.



Zaustavite proizvod.

Slijedeće riječi upozorenja i značenja imaju namjeru da objasne nivo rizika u vezi s ovim proizvodom.

### ⚠ OPASNOST

Ukazuje na neposrednu opasnu situaciju, koja, ukoliko se ne izbjegne, može rezultirati smrću ili opasnim povredama

### ⚠ UPOZORENJE

Ukazuje na moguću opasnu situaciju, koja, ukoliko se ne izbjegne, može rezultirati smrću ili opasnim povredama



### **⚠ UPOZORENJE**

Ukazuje na moguću opasnu situaciju, koja, ukoliko se ne izbjegne, može rezultirati manjim ili blažim povredama

### **UPOZORENJE**

Bez sigurnosnog simbola upozorenja

Naznačuje situaciju koja može rezultirati oštećenjem imovine.

- EN
- FR
- DE
- ES
- IT
- NL
- PT
- DA
- SV
- FI
- NO
- RU
- PL
- CS
- HU
- RO
- LV
- LT
- ET
- HR**
- SL
- SK
- BG
- UK
- TR

130.com.ua





Brezžična motorna žaga je zasnovana in izdelana za zagotavljanje najvišje ravni varnosti, učinkovitosti in zanesljivosti delovanja.

### NAMEN UPORABE

Brezžična motorna žaga je predvidena samo za uporabo na prostem. Iz varnostnih razlogov morate izdelek v vsakem trenutku imeti pod nadzorom z obema rokama.

Izdelek je namenjen žaganju vej, debel, hlodov in tramov s premerom, ki ga določa dolžina meča. Namenjena je zgolj za žaganje lesa. Namenjen je le domači uporabi, uporabljajo pa ga lahko odrasle osebe z ustreznim usposabljanjem o nevarnosti in preventivnih ukrepih/dejanjih, ki jih je treba upoštevati pri uporabi.

Izdelka ne uporabljajte drugače, kot je navedeno zgoraj. Izdelek ni namenjen za uporabo v profesionalne namene obdelovanja dreves. Izdelka ne smejo uporabljati otroci ali osebe, ki ne nosijo ustrezne osebne varovalne opreme in oblačil.

#### ⚠ OPOZORILO

Med uporabo stroja upoštevajte varnostna navodila. Preden začnete uporabljati izdelek, morate za vašo varnost in varnost prisotnih v celoti prebrati in razumeti ta navodila. Udeležite se strokovnega varnostnega usposabljanja glede uporabe, preventivnih ukrepov, prve pomoči in vzdrževanja verižnih žag. Prosimo, shranite ta navodila za kasnejšo rabo.

#### ⚠ OPOZORILO

Verižne žage so nevarna orodja. Pri nesrečah z verižno žago si ljudje običajno odrežejo ude ali pa so nesreče celo smrtne. Nevarna pa ni le verižna žaga. Smrtno nevarne so tudi padajoče veje in drevesa ter kotaleči se hlodi. Dodatno nevarnost predstavlja tudi oslabiljeno ali nagnito drevo. Ocenite morate svoje zmožnosti za varno dokončanje dela. Če ste v dvomih, naj vam pomaga strokovnjak.

### SPLOŠNA VARNOSTNA OPOZORILO

#### ⚠ OPOZORILO

**Preberite vsa varnostna opozorila in navodila.** Zaradi neupoštevanja opozoril in navodil lahko pride do električnega udara, požara in/ali resnih poškodb.

**Shranite vsa opozorila in navodila za kasnejšo uporabo.**

Izraz »električno orodje« v opozorilih se nanaša na orodja, ki jih poganja električni tok (žična), ali na akumulatorska (brezžična) orodja.

### DELOVNO OBMOČJE

- Delovno območje naj bo čisto in dobro osvetljeno. V neurejenih in temnih območjih se rade zgodijo nesreče.
- Električnih orodij ne uporabljajte v eksplozivnih okoljih npr. v bližini vnetljivih tekočin, plinov ali

prahu. Električna orodja proizvajajo iskre, ki lahko vnamejo prah ali hlape.

- Med uporabo električnega orodja v bližino ne pustite otrok in drugih ljudi. Zaradi zmanjšane koncentracije lahko izgubite nadzor.

### ELEKTRIČNA VARNOST

- Vtiči električnih orodij se morajo prilegati vtičnicam. Vtiča nikoli in na noben način ne smete spreminjati. Z ozemljenimi električnimi orodji ne uporabljajte adapterjev vtiča. Nespremenjeni vtiči in ustrezne vtičnice zmanjšajo tveganje električnega udara.
- Izogibajte se telesnemu stiku z ozemljenimi površinami, kot so cevi, radiatorji, kuhalniki in hladilniki. Če je vaše telo ozemljeno, obstaja povečano tveganje električnega udara.
- Izdelka ne izpostavljajte dežju ali vlagi. Voda v električnem orodju znatno poveča tveganje električnega udara.
- Kabla ne uporabljajte za neustrezne namene. Kabla nikoli ne uporabljajte za prenašanje, vleko ali izklop električnega orodja. Pazite, da kabel ne pride v stik z vročino, oljem, ostrimi robovi ali gibljivimi deli. Poškodovani ali zapleteni kabli zvišujejo tveganje električnega udara.
- Med uporabo električnega orodja na prostem uporabljajte podaljševalni kabel, ki je primeren za zunanjo uporabo. Uporaba kabla, primerne za zunanjo uporabo, znižuje tveganje električnega udara.
- Če je delo z električnim orodjem v vlažnem okolju neizogibno, uporabite tokovno zaščitno stikalo (RCD). Uporaba naprave RCD zmanjša tveganje za električni udar.

### OSEBNA VARNOST

- Med obratovanjem bodite pozorni, spremljajte potek dela in uporabljajte zdrav razum. Električnega orodja ne uporabljajte, ko ste utrujeni oz. pod vplivom drog, alkohola ali zdravil. Trenutek nepazljivosti med uporabo električnega orodja lahko povzroči hude telesne poškodbe.
- Uporabljajte osebno zaščitno opremo. Vedno nosite zaščito za oči. Če v različnih okoliščinah nosite ustrezno zaščitno opremo, kot so maska proti prahu, obutev z nedersečim podplatom, trdno pokrivalo glave in zaščita za sluh, zmanjšate možnost telesnih poškodb.
- Preprečite neželjen zagon. Preden orodje priključite na vir napajanja, vstavite baterije, ga vzamete v roke ali prenašate, se prepričajte, da je stikalo v izključenem položaju. Prenašanje električnih orodij, tako da prst držite na stikalu, ali dovajanje napajanja električnim orodjem, pri katerih je stikalo v položaju »on (vklop)« poveča tveganje nesreč.
- Pred vklopom električnega orodja odstranite morebitne nastavitvene ključe ali izvijače. Izvijač ali ključ, ki ostane pritrjen na vrtljivi del električnega orodja, lahko povzroči telesne poškodbe.
- Nesiahajte priliš daleko. Pazite, da stojite stabilno in da imate ravnotežje. To omogoča boljši nadzor nad električnim orodjem v nepričakovanih situacijah.





- **Bodite primerno oblečeni. Ne nosite ohlapnih oblačil ali nakita. Pazite, da lasje, oblačila in rokavice ne pridejo v bližino gibljivih delov.** Ohlapna oblačila, nakit ali dolgi lasje se lahko zapletejo v gibljive dele.
- **Če so naprave namenjene priključitvi na pripomočke za sesanje in zbiranje prahu, se prepričajte, da so ti priključeni in ustrezno uporabljani.** Uporaba zbiralca prahu lahko zmanjša nevarnosti, povezane s prahom.

#### UPORABA IN NEGA ELEKTRIČNEGA ORODJA

- **Izdelka ne preobremenjujte. Uporabite električno orodje, ki ustreza vašemu delu.** Ustrezno električno orodje bo nalogo opravilo bolje in varneje v kategoriji, za katero je bilo zasnovano.
- **Ne uporabljajte električnega orodja, če ga stikalo ne vklopi ali izklopi, kot bi bilo treba.** Kakršno koli električno orodje, ki ga ni mogoče nadzirati s stikalom, je nevarno in ga je potrebno popraviti.
- **Odklopite vtič z vira napajanja in/ali baterije, preden opravljate kakršne koli prilagoditve, menjate dodatke ali shranjujete električno orodje.** Tovrstni preventivni varnostni ukrepi zmanjšajo možnost slučajnega zagona električnega orodja.
- **Električna orodja, ki niso v uporabi, shranjujte izven dosega otrok in ne dovolite, da bi električno orodje uporabljale osebe, ki niso seznanjene z električnim orodjem ali s temi navodili.** Električna orodja so v rokah neusposobljenih uporabnikov nevarna.
- **Električna orodja redno vzdržujte. Preverite, če so gibljivi deli napačno poravnani ali zaskočeni, če so sestavni deli polomljeni ali če obstaja kakršno koli druge stanje, ki lahko vpliva na varno delovanje električnega orodja. Če je električno orodje poškodovano, ga pred ponovno uporabo dajte v popravilo.** Številne nesreče zakrivajo neustrezno vzdrževana električna orodja.
- **Rezalna orodja naj bodo vedno nabrušena in čista.** Pravilno vzdrževana rezalna orodja z ostrimi rezili se težje zaskočijo in jih je lažje nadzirati.
- **Električno orodje, dodatke, nastavke za orodje itd. uporabljajte v skladu s temi navodili ter upoštevajte delovne pogoje in vrsto dela, ki ga boste izvajali.** Uporaba električnega orodja za namene, ki so drugačni od tistih, za katere je bilo orodje zasnovano, lahko povzroči nevarne situacije.

#### UPORABA IN VZDRŽEVANJE BATERIJSKEGA ORODJA

- **Baterijo polnite le s polnilnikom, ki ga določa proizvajalec.** Polnilnik, ki ustreza eni vrsti baterij, morda lahko povzroči požar, če z njim polnite drugo vrsto baterij.
- **Baterijska orodja uporabljajte samo s predpisano vrsto baterij.** Uporaba katerih koli drugih baterij ustvari tveganje poškodb in požara.
- **Ko baterije ne uporabljajte, pazite, da bo odmaknjena od kovinskih predmetov, kot so papirne sponke, kovanci, ključi, žebliji, vijaki ali drugih majhni kovinski predmeti, ki bi lahko povzročili povezavo med obema terminaloma.**

Kratek stik zaradi povezanih terminalov baterije lahko povzroči opeklino ali požar.

- **Ob zlorabi baterije lahko iz nje steče tekočina. Če se po nesreči dotaknete tekočine, mesto dotika sperite z vodo. Če pride tekočina v stik z očmi, poiščite zdravstveno pomoč.** Tekočina, ki izteče iz baterije, lahko povzroči vnetje ali opeklino.

#### SERVISIRANJE

- **Električno orodje naj servisira usposobljena oseba, uporabljati pa sme le originalne nadomestne dele.** To bo zagotovilo vzdrževanje varnostni električnega orodja.

#### DODATNA SPLOŠNA VARNOSTNA OPOZORILA

- Predpisi nekaterih regij omejujejo uporabo tega izdelka. Za nasvet se obrnite na lokalne oblasti.
- Izdelka nikoli ne smejo uporabljati otroci ali osebe, ki niso seznanjene z navodili za uporabo. Lokalni predpisi se morda nanašajo tudi na minimalno starost upravitelja.
- Pred vsako uporabo zagotovite, da vse kontrole in varnostne naprave delujejo pravilno. Izdelka ne uporabljajte, če stikalo za izklop ne zaustavi motorja.
- Med u porabo izdelka nosite popolno zaščito oči in sluha, trpežne čevlje in rokavice ter zaščito glave. Če je območje prašno, uporabljajte dihalno zaščito.
- Zaščita za sluh zmanjša vašo sposobnost, da slišite opozorila (alarme ali klice). Upravitelj mora še bolj paziti na dogajanje v okolici.
- Pazite na ravnotežje in ne pretiravajte. Nesiahajte preliš daleko. Če se boste preveč iztegnili, lahko izgubite ravnotežje, poleg tega pa se poveča nevarnost odsunka.
- Ne nosite ohlapnih oblačil, kratkih hlač ali kakršnega koli nakita.
- Dolge lase si spnite nad rameni in tako preprečite njihovo ujetje v premikajoče se dele.
- Pazite na izvržene, leteče ali padajoče predmete. Prisotni, otroci in živali naj bodo vsaj 15 m oddaljeni od delovnega območja.
- S cepilnikom ne upravljajte pri slabi osvetljavi. Upravitelj mora imeti jasen pregled nad delovnim območjem, da lahko prepozna morebitne nevarnosti.
- Uporaba podobnih orodij v bližini poveča nevarnost za poškodbe sluha in nevarnost, da druge osebe vstopijo v vaše delovno območje.
- Dele telesa držite proč od premikajočih se delov.
- Prev vsako uporabo pregledajte stroj. Preverite, ali vsi krmilni elementi pravilno delujejo, vključno z zavoro za verigo. Preverite, ali so pritrjena dobro pritrjena, prepričajte se, da so vsa varovala in ročaji pravilno in trdno pritrjeni. Pred uporabo zamenjajte poškodovane dele.
- Na noben način ne spreminjajte naprave ter ne uporabljajte delov in dodatkov, ki jih ne priporoča proizvajalec.



## **⚠ OPOZORILO**

Če izdelek pade, močno trči ali začne nenormalno vibrirati, ga nemudoma zaustavite in preverite, ali je poškodovan oziroma poiščite vzrok vibriranja. Vsakršno poškodbo mora ustrezno popraviti ali zamenjati pooblaščen servisni center.

## **VERIŽNA ŽAGA – VARNOSTNA OPOZORILA**

- **Ko verižna žaga obratuje, se ji ne približujte z nobenim delom telesa. Pred zagonom verižne žage preverite, da se veriga žage ničesar ne dotika.** Trenutek nepazljivosti med upravljanjem verižne žage lahko povzroči, da se z oblačili ali s telesom zapletete v verigo žage.
- **Verižno žago vedno držite z desno roko za zadnji ročaj, z levo roko pa za sprednjega.** Če verižno žago držite obratno, povečate nevarnost za telesne poškodbe, zato tega nikoli ne storite.
- **Orodje držite le za izolirane prijemalne površine, saj lahko veriga žage pride v stik s skritim ožičenjem.** Če se veriga žage dotakne žice, ki je pod električno napetostjo, se lahko izpostavljeni kovinski deli električnega orodja naelektrijo in povzročijo električni udar.
- **Nosite zaščitna očala in zaščito sluha. Priporočljiva je tudi uporaba zaščitne opreme za glavo, roke, noge in stopala.** Ustrezna zaščitna oblačila bodo zmanjšala telesne poškodbe zaradi letečih delcev ali nenamernega stika z verigo žage.
- **Verižne žage ne uporabljajte na drevesu.** Če verižno žago uporabljate, medtem ko ste na drevesu, se lahko poškodujete.
- **Bodite pozorni na svoje ravnotežje in verižno žago uporabljajte le, kadar stojite na trdni, varni in ravni površini.** Zaradi spolzkih ali nestabilnih površin, kot so lestve, lahko izgubite ravnotežje ali nadzor nad verižno žago.
- **Ko žagate napeto vejo, pazite na možnost povratnega udarca.** Ko napetost lesenih vlaken popusti, lahko napeta veja udari delavca in/ali povzroči, da verižna žaga ni več pod nadzorom.
- **Pri rezanju grmičevja in mladega drevja bodite še posebej previdni.** Tanek material se lahko zaplete v verigo žage in vas lahko udari ali vrže iz ravnotežja.
- **Verižno žago nosite le, ko je izključena, in sicer tako, da jo držite za sprednji ročaj ter proč od telesa. Med transportom ali skladiščenjem verižne žage vedno namestite pokrov za meč žage.** Pravilno ravnanje z verižno žago bo zmanjšalo možnost nenamernega kontakta s premikajočo se verigo žage.
- **Za mazanje in napanjanje verige ter menjanje delov sledite navodilom.** Neustrezno napeta ali namazana veriga se lahko strga, ali pa poveča možnost odsunka.
- **Ročaji naj bodo suhi, čisti in brez madežev olja ali masti.** Mastni in naoljeni ročaji so spolzki in lahko povzročijo izgubo nadzora.
- **Žagajte samo les. Verižne žage ne uporabljajte za neprimerne namene. Na primer, verižne žage**

**ne uporabljajte za žaganje plastike, zidakov oz. kakršnih koli ne-lesenih gradbenih materialov.** Če boste verižno žago uporabljali za neustrezne namene, lahko pride do nevarnih situacij.

### **Vzroki odsunkov in njihovo preprečevanje:**

Če se konica meča dotakne predmeta ali če se zapre les in se verižna žaga zagodži v rezu, lahko pride do odsunka.

Dotik s konico lahko v nekaterih primerih povzroči sunkovito povratno reakcijo, tako da meč sune navzgor in nazaj proti upravljavcu.

Če verigo žage na zgornjem delu žaginega lista stisnete, žagin list lahko hitro sune nazaj proti uporabniku.

Vsaka od teh reakcij lahko povzroči izgubo nadzora nad žago, posledica tega pa so lahko težke telesne poškodbe. Ne zanašajte se izključno na varnostne naprave, vgrajene v žago. Kot uporabnik žage morate izvesti več ukrepov, da pri žaganju ne bi prihajalo do nesreč ali poškodb.

Odsunek je rezultat nepravilne uporabe orodja in/ali nepravilnih delovnih postopkov ali okoliščin in se mu ob ustreznih varnostnih ukrepih, kot so navedeni v nadaljevanju, lahko izognete:

- **Ohranite čvrst oprijem, tako da s palcem in ostalimi prsti objamete ročaj verižne žage, pri tem pa žago držite z obema rokama in svoje telo ter roke imejte v takem položaju, da boste pripravljani na morebitne sile odsunkov.** Sile odsunkov lahko upravljavec nadzoruje, če upošteva ustrezne varnostne ukrepe. Verižne žage ne izpustite iz rok.
- **Ne iztegujte se preveč in ne žagajte nad višino ramen.** S tem pomagate preprečiti nenamerni dotik konice in omogočite boljši nadzor nad verižno žago v nepričakovanih situacijah.
- **Za zamenjavo uporabljajte le meče in verige, ki jih določa proizvajalec.** Neustrezni nadomestni meči in verige lahko povzročijo trganje verige in/ali odsunek.
- **Upošteвайте navodila proizvajalca glede brušenja in vzdrževanja verige žage.** Zmanjšanje višine merilnika globine lahko povzroči več odsunkov.

### **DODATNA VARNOSTNA OPOZORILA ZA VERIŽNO ŽAGO**

- Priporočamo, da ob prvi uporabi izdelka polena žagate na kozi ali podobni opori.
- Poskrbite, da bodo vse zaščite, ročaji in zobata opora pravilno nameščeni in v dobrem stanju.
- Verižno žago naj uporabljajo le osebe brez zdravstvenih težav. Izdelek je težek, zato mora biti upravljavec fizično sposoben opravljati delo. Upravljavec mora biti pozoren in okreten ter imeti brezhiben vid, dobro ravnotežje in spretne roke. Če ste v dvomih, ne upravljajte verižne žage.
- Ne začnite uporabljati izdelka, dokler nimate prostega delovnega območja, dobrega ravnotežja in načrtovanega zasilnega umika v primeru padajočega drevesa.
- Pazite na emisije meglice maziva in žagovine. Po potrebi nosite ščitnik ali dihalni aparat.
- Ne žagajte trte in/ali manjše podrasti (s premerom manj kot 75 mm).



- Motorno žago pri delu vedno držite z obema rokama. S palcema in prsti vzdržujte trden oprijem ročajev verižne žage. Desno roko imejte na zadnjem ročaju, levo pa na sprednjem.
- Pred zagonom orodja preverite, da se verižna žaga ne dotika nobenega predmeta.
- Orodja na nikarkršen način ne spreminjajte ali uporabljajte za poganjanje priključkov oz. naprav, ki jih ne priporoča proizvajalec žage.
- V bližini upravljalca naj bo komplet prve pomoči z obvezami za hujše poškodbe ter pripomoček za klic na pomoč (npr. piščalka). Dokaj blizu naj bo tudi večji oz. obširnejši komplet za prvo pomoč.
- Kot upravljevec boste morda želeli odstraniti čelado, če boste ocenili, da v delovnem območju ni nevarnosti padajočih predmetov, vendar pa upoštevajte, da čelada, še posebej v kombinaciji s ščitnikom za obraz, zmanjšuje tveganje za poškodbe obraza in glave v primeru odsunka.
- Nepravilno napeta veriga se lahko sname z meča in povzroči hude poškodbe ali celo smrt. Dolžina verige je odvisna od temperature. Napetost verige redno preverjajte.
- Privadite se na svojo novo verižno žago, tako da na dobro podprtem lesu napravite nekaj enostavnih zarez. To storite po vsakem daljšem obdobju neuporabe žage.
- Da bi zmanjšali tveganje poškodb zaradi stika z gibljivimi deli, vedno ustavite napravo, aktivirajte zavoro verige, odstranite baterijski vložek in se prepričajte, da so se gibljivi deli ustavili, pred:
  - čiščenje ali ko odstranjujete blokado
  - pustiti izdelek brez nadzora
  - nameščanjem ali odstranjevanjem pripomočkov,
  - pregledovanjem, vzdrževanjem ali delu na napravi
- Velikost delovnega območja je odvisna od izvajanega dela pa tudi od velikosti drevesa ali obdelovanca. Podiranje drevesa na primer zahteva večje delovno območje kot druga dela, kot je npr. krojenje ipd. Upravljevec mora biti pozoren na dogajanje v okolici in imeti nadzor nad njim.
- Ne žagajte tako, da boste telo imeli vzporedno z mečem in verigo. Če pride do odsunka, boste tako lažje preprečili stik verige z glavo oz. telesom.
- Ne žagajte naprej in nazaj – pustite, da veriga opravi svoje delo; verigo redno brusite in ne poskušajte je potisniti skozi zarezo.
- Ne pritiskajte na žago ob zaključku reza. Bodite pripravljeni, da boste lahko zadržali težo žage, ko prežagate skozi les. Neupoštevanje tega nasveta lahko povzroči hude telesne poškodbe.
- Ne ustavljajte žage med žaganjem. Žaga naj obratuje, dokler je ne odstranite iz zarez.

#### Potisni in povleci

Reakcijska sila je vedno nasprotna smeri premikanja verige. Zato mora biti upravljevec pripravljen, da bo zadržal nagljenost stroja k uhajanju (premikanju naprej) med žaganjem s spodnjim robom meča oz. potiskanju (proti upravljalvcu) med žaganjem z zgornjim robom meča.

#### Zataknjena žaga v zarez

Ustavite žago in jo zavarujte. Ne poskusite izvleči verige in meča iz zarez, saj boste s tem verjetno polomili verigo, ki lahko zaniha nazaj in udari upravljalca. Do tega običajno pride zaradi nepravilne podpore lesa med žaganjem, kar povzroči zapiranje zarez zaradi stiskanja in s tem ukleščenje meča. Če s prilagajanjem podpore ne sprostite meča in verige, zavezno odprite s pomočjo lesenih klinov ali vzvoda in tako sprostite žago. Nikoli ne poskušajte zagnati verižne žage, kadar je meč že v zarez ali krajniku.

#### Osebn varovalna oprema

S kakovostno profesionalno osebno varovalno opremo boste zmanjšali tveganje za poškodbe upravljalca. Pri delu z verižno žago uporabljajte naslednje elemente:

##### Varnostna čelada

- mora biti skladna z EN 397 in imeti mora oznako CE

##### Zaščita sluha

- mora biti skladna z EN 352-1 in imeti mora oznako CE

##### Zaščita oči in obraza

- imeti mora oznako CE ter mora biti skladna z EN 166 (zaščitna očala) oz. EN 1731 (obrazni ščitniki)

##### Rokavice

- mora biti skladna z EN381-7 in imeti mora oznako CE

##### Zaščita nog (delovne hlače)

- mora biti skladna z EN381-5, imeti mora oznako CE ter zagotavljati zaščito z vseh strani.

#### Varovalni škornji za delo z verižno žago

- Morajo biti skladni EN ISO 20345:2004 in imeti morajo oznako s ščitom, v katerem je verižna žaga, kar dokazuje skladnost z EN 381-3. (Občasni uporabniki lahko uporabljajo varovalne škornje z jekleno kapico in zaščitnimi gamašami, ki so skladni z EN 381-9, če je podlaga enakomerna in je nevarnost zatikanja v podrast nizka.)

#### Jakne za delo z verižno žago za zaščito zgornjega dela telesa

- mora biti skladna z EN 381-1 in imeti mora oznako CE

#### NAVODILA GLEDE PRAVILNIH TEHNIK PODIRANJA, KLEŠČENJA IN KRIŽNEGA ŽAGANJA

##### Razumevanje sil znotraj lesa

Če razumete smeri pritiska in napetosti znotraj lesa, lahko zmanjšate možnosti »ukleščenja« oz. jih med žaganjem vsaj pričakujete. Napetost znotraj lesa pomeni, da vlakna vleče narazen, in če boste zažagali v to območje, se bo zarez oz. krajnik ob pomiku žage mimo razprl. Če imate poleno na kozi tako, da konec gleda preko kože in ni podprt, se na zgornji površini zaradi teže visečega dela polena ustvari napetost, ki razteguje vlakna. Prav tako bo prišlo do stiskanja na spodnji strani debla, zaradi česar bodo vlakna stisnjena skupaj. Če v tem območju napravite zarez, se bo krajnik med žaganjem zapiral. Tako lahko ukleščite meč.

##### Podiranje dreves

Glejte stran 267 - 268.







Če sta pri krojenju in podiranju dreves udeleženi dve osebi ali več hkrati, podiranje dreves ločite od krojenja vsaj v dvakratni razdalji višine drevesa, ki ga podirate. Dreves ne podirajte tako, da bi pri tem ogrozili kogar koli, ali tako, da bi drevo padlo na daljnovod oz. povzročilo kakršno koli materialno škodo. Če drevo pride v stik z daljnovodom, takoj obvestite ustrezno podjetje za oskrbo z energijo.

Delavec z verižno žago naj stoji na gornji strani terena, saj se bo drevo po podiranju po vsej verjetnosti skotalilo ali zdrsnilo po pobočju navzdol.

Preden začnete z žaganjem, je treba načrtovati in izprazniti pot umika. Pot umika naj bo diagonalno in v nasprotni smeri pričakovanega padca.

Preden začnete s podiranjem, preučite naraven nagib drevesa, položaj večjih vej in smer vetra ter tako ocenite, v katero smer naj bi drevo padlo.

Z drevesa najprej odstranite zemljo, kamne, ohlapne veje, žeblje, sponke in žice.

Ne poskušajte podirati gnilih dreves ali dreves, ki jih je poškodoval veter, požar, strela ipd. To početje je izjemno nevarno, zato ga lahko opravljalo le strokovnjaki.

### 1. Izdelava zaseka

*Glejte stran 267 - 268.*

Naredite zasek pravokotno na smer padca, ki bo globok 1/3 premera drevesa. Najprej ustvarite spodnjo vodoravno zarezo. Tako se boste izognili ukleščanju verige ali meča žage pri ustvarjanju druge zareze.

### 2. Zadnja zarez za podiranje

*Glejte stran 267 - 268.*

Zadnjo zarezo za podiranje naredite vsaj 50 mm višje od spodnje vodoravne zareze. Zadnja zarez naj bo vzporedna spodnji vodoravni zarezi. Zadnjo zarezo naredite tako, da ostane dovolj lesa, ki deluje kot sklep. Sklepni les omogoča, da se drevo ne zasuče in pade v napačno smer. Sklepa ne prežagajte.

Ko se zadnja zarez približuje sklepu, bi drevo moralo začeti padati. Če obstaja možnost, da drevo ne pade v želeni smeri, ali da se zažiga nazaj in uklešči žago, prekinite žaganje, preden je zadnja zarez končana, in uporabite lesene, plastične ali aluminijaste kline ter odprite zarezo, tako da drevo pade v želeni smeri.

Ko drevo začne padati, odstranite žago iz zareze, ugasnite motor, odložite žago in uporabite načrtovano pot umika. Pazite na padajoče veje ter na to, kod stopate.

### Odstranjevanje opornih korenin

*Glejte stran 268*

Oporna korenina je velika korenina, ki sega od debla drevesa nad zemljo. Pred podiranjem odstranite oporne korenine. Najprej naredite vodoraven rez v oporno korenino, nato pa še navpični rez. Nastali odpadni material odstranite z delovnega območja. Potem ko ste odstranili velike oporne korenine, izvajajte pravilni postopek za podiranje drevesa.

### Krojenje debela

*Glejte stran 269*

Krojenje pomeni žaganje debela na krajše kose. Pomembno je, da imate dobro ravnotežje in da je vaša teža enakomerno

razporejena na obe nogi. Če je mogoče, deblo dvignite in ga podprite z vejami, drugimi debli ali zagozdami. Sledite preprostim navodilom za enostavno žaganje. Če je deblo podprto po celotni dolžini, ga žagajte zvrha.

Če je deblo podprto na enem koncu, zarezite za 1/3 premera globoko s spodnje strani. Nato rez dokončajte od zgoraj, tako da se reza srečata.

Če je deblo podprto na obeh koncih, zarezite za 1/3 premera globoko z zgornje strani. Nato od spodaj zarezite še 2/3, tako da se reza srečata.

Ko krojite na klancu, vedno stojte na tisti strani debela, kjer je teren višje. Za ohranjanje popolnega nadzora med žaganjem »skozi« deblo proti koncu reza sprostite pritisk, vendar ne popustite prijema verižne žage. Pazite, da veriga ne pride v stik s tlemi. Ko rez zaključite, počakajte, da se veriga ustavi, preden verižno žago premikate. Ko se pomikate od drevesa do drevesa, vedno ugasnite motor.

### Kleščanje drevesa

*Glejte stran 270*

Kleščanje pomeni odstranjevanje vej s padlega drevesa. Pri kleščanju dopustite, da spodnje, večje veje podpirajo deblo in ga držijo nad tlemi. Manjše veje odstranite z enim rezom. Napete veje odžagajte od spodaj navzgor, da se izognete ukleščanju verižne žage.

### Mlado vejevje

*Glejte stran 270*

Odskočno deblo je vsako deblo, veja, ukoreninjen štor ali mlado drevesce, ki je upognjeno pod pritiskom zaradi drugega lesa, tako da odskoči nazaj, če odžagamo ali odstranimo les, ki ga zadržuje.

Pri podrtim drevesu obstaja velika možnost, da med razrezovanjem debela od štora ukoreninjeni štor odskoči nazaj v pokončen položaj. Bodite pozorni na odskočna debela, ker so nevarna.

### ⚠ OPOZORILO

Odskočna debela so nevarna, saj lahko udarijo delavca ter povzročijo, da izgubi nadzor nad verižno žago. Posledica tega so lahko težke ali usodne poškodbe delavca. Ta opravila naj izvajajo usposobljeni uporabniki.

### REZIDUALNA TVEGANJA:

Tudi če izdelek uporabljate tako, kot je predpisano, še vedno ne moremo izključiti določenih preostalih dejavnikov tveganja. Med uporabo se lahko pojavijo naslednje nevarnosti, upravljalcev pa naj bo pozoren na sledeče:

- Poškodbe zaradi vibracij
  - Vedno uporabljajte pravo orodje za opravilo, uporabite ustrezne ročaje in omejite delovni čas in izpostavljenost.
- Izpostavljenost hrupu lahko povzroči poškodbo sluha.
  - Nosite zaščito za sluh in omejite izpostavljenost
- Poškodbe zaradi stika z izpostavljenimi zobni verižne žage
- Poškodbe zaradi izvrženih delcev obdelovanca (leseni okruški in trske)





- Poškodba zaradi vdihavanja prahu in delcev
- Poškodbe zaradi stika kože z mazivom ali oljem
- Delci, ki odletijo iz verige žage (nevarnost ureza/vboda)
- Nepredviden, nenaden premik ali povratni sunek meča (nevarnost vreza).

### ZMANJŠANJE TVEGANJA

Ugotovljeno je bilo, da lahko pri nekaterih posameznikih vibracije ročnih orodij povzročijo Raynaudov sindrom. Simptomi so lahko mravljinци, otrplost in pobledele prsti, kar je običajno vidno, kadar je oseba izpostavljena mrazu. Dedni dejavniki, izpostavljenost mrazu in vlagi, dieta, kajenje in delovne navade naj bi pripomogle k razvoju teh simptomov. Za zmanjšanje učinkov vibracij lahko upravljavec upošteva naslednja navodila:

- Poskrbite, da bo vaše telo na mrazu toplo. Med upravljanjem nosite rokavice in tako ohranjajte toploto vaših dlani in zapestij. Kot poročajo, je mraz glavni dejavnik, ki prispeva k Raynaudovemu sindromu.
- Po vsakem obdobju upravljanja naprave telovadite in tako pospešite krvni obtok.
- Pogosto si vzemite odmor. Omejite dnevno količino izpostavljenosti.
- Zaščitne rokavice, ki jih lahko kupite v strokovnih trgovinah, kjer prodajajo motorne žage, so zasnovane posebej za uporabo z motorno žago in nudijo zaščito in dober oprijem ter zmanjšajo tresljaje na ročaju. Rokavice morajo biti skladne s standardom EN381-7 in morajo imeti oznako CE.

Če zaznavate kakršne koli simptome takšnega stanja, takoj prenehajte z uporabo naprave in se o simptomih posvetujte z zdravnikom.

### ⚠ OPOZORILO

Daljša uporaba orodja lahko privede do poškodb ali pa so poškodbe lahko hujše. Kadar orodje uporabljate dalj časa, si večkrat vzemite odmor.

### SPOZNAJTE SVOJ IZDELEK

Glejte stran 261

1. Prednji ščitnik roke/zavora verige
2. Sprednji ročaj
3. Zadnji ročaj
4. Veriga
5. Meč
6. Meč motorne žage
7. Pokrovček olja za verigo
8. Sprožilni gumb
9. Sprožilo stikala
10. Pokrov verižnika
11. Obroček za prilagajanje napenjalnika verige
12. Gumb napenjalnika verige
13. Pokrov za meč žage
14. Lovilec verige

### VARNOSTNE NAPRAVE

#### Veriga žage z nizkim odsunkom

Veriga žage z nizkim odsunkom pomaga preprečevati pojav odsunkov.

Grabilci (vodilni zobje) pred vsakim rezalnim zobom lahko zmanjšajo moč reakcije pri odsunku, tako da preprečijo, da se rezalni zobi ne bi zakopali pregloboko na območju odsunka. Uporabljajte le kombinacije mečev in verig, ki jih priporoča proizvajalec.

Pri brušenju verige izgubijo nekaj od svojih lastnosti glede odsunka, zaradi česar je potrebna posebna pozornost. Zaradi varnosti zamenjajte verige, ko se njihova učinkovitost zmanjša.

#### Meč motorne žage

Vgrajeni meč motorne žage lahko uporabite kot ročico pri rezanju. Pomaga ohranjati stabilnost ohišja motorne žage med žaganjem. Med žaganjem potisnite napravo naprej, da zobata opora zareže v rob lesa, nato pa premikajte zadnji ročaj navzgor oz. navzdol v smeri reza, da zmanjšate fizični napor, ki je potreben za žaganje.

#### Meči

Na splošno imajo vodila meča s konicami majhnega premera nekoliko manjšo možnost povratnega udarca. Uporabljajte kombinacijo meča in verige, ki je ravno prav dolga za zeleno opravilo. Predolgi meči povečajo tveganje za izgubo nadzora med žaganjem. Redno preverjajte napetost verige. Pri žaganju manjših vej (manj, kot je celotna dolžina meča) je nevarnost snetja veriga v primeru napačne napetosti še večja.

#### Zavora verige

Zavore verige so zasnovane tako, da hitro zaustavijo vrtenje verige. Ko je vzvod zavore verige/ščitnik roke potisnjen proti meču, se mora veriga takoj zaustaviti. Zavora verige ne prepreči odsunka. Le zniža tveganje za poškodbe v primeru stika meča verige s telesom uporabnika pri odsunku. Pred vsako uporabo preverite, ali zavora za verigo pravilno deluje (tako v blokiranem kot v sproščnem položaju).

#### Lovilec verige

Lovilec verige prepreči, da bi ohlapna ali strgana veriga poletela proti uporabniku.

### MONTAŽA

### ⚠ OPOZORILO

Če so deli poškodovani ali manjkajo, izdelka ne uporabljajte, dokler deli niso zamenjani. Če tega opozorila ne upoštevate, lahko pride do hudih osebnih poškodb.

### SESTAVLJANJE VERIGE IN MEČA ŽAGE

Glejte stran 262 - 263.

1. Baterijo vzemite iz enote. Nosite zaščitne rokavice.
2. Odvijte gumb napenjalnika verige in odstranite pokrov verižnika.





- Veriga žage mora biti obrnjena v smeri vrtenja verige. Če gledajo nazaj, preobrnite zanko.
- Razmejevalni zob verige postavite v utor meča.
- Verigo namestite tako, da se nahaja zanka za mečem.
- Verigo držite na mestu na meču in namestite zanko okrog zobatega kolesa. Meč spustite, da gre vijak lahko skozi odprtino v pritrjenem sklopu za napenjanje verige. Sklop bo morda potrebno zasukati, da se bosta vijak in odprtina poravnala. Sklop lahko znova zasučete, da verigo malo napnete, zaradi česar bo ta ostala na mestu.
- Ponovno namestite pokrov zobatega kolesa in zasučite gumb napenjalnika verige, da je skoraj popolnoma zategnjen, sučite gumb za prilagajanje napetosti verige, dokler veriga ni ustrezno napeta. Nato potisnite meč navzgor. Znova preverite napetost verige. Verige ne napnite premočno.
- Potem ko ste napetost verige primerno prilagodili, gumb ponovno zategnite.

### NASTAVITEV ZATEGNjenosti VERIGE

*Glejte stran 263 Glejte stran 273*

- Rahlo odvijte gumb napenjalnika verige, tako da ga obrnete v nasprotni smeri urinega kazalca.
- Za povečanje napetosti verige obroček napenjalnika verige obrnite v smeri urinega kazalca in sproti preverjajte napetost verige. Za zmanjšanje napetosti verige obroček napenjalnika verige obrnite v nasprotni smeri urinega kazalca in sproti preverjajte napetost verige.
- Napetost verige je pravilna, ko je razmik med mečem in verigo med 3 in 4 mm. Na sredini spodnje strani meča povlecite verigo navzdol (proč od meča) in izmerite razdaljo med mečem in rezili verige.
- Zategnite gumb napenjalnika verige, tako da ga obrnete v smeri urinega kazalca.

### DELOVANJE

#### DODAJANJE OLJA ZA MAZANJE VERIGE

*Glejte stran 262*

#### OPOZORILO

Nikoli ne opravljajte del brez maziva za verigo. Če veriga obratuje brez maziva, lahko pride do poškodb meča in verige. Zato redno in pred vsakim zagonom motorne žage preverite raven olja s pomočjo merilnika za raven olja.

- Očistite površino okoli pokrovčka za olje, da preprečite onesaženje.
- Odvijte in odstranite čep posode za olje.
- Dolijte olje v posodo za olje in pri tem spremljajte merilnik ravnega olja. Pazite, da med dolivanjem olja v posodo za olje ne pride nesnaga.
- Znova namestite čep posode za olje in ga dobro privijte. Obrišite morebitna razlitja.
- Ena polna posoda olja omogoča uporabo žage za 20–40 minut.

#### Priporočeno olje za mazanje verige

- Proizvajalec priporoča, da uporabljate le maziva podjetja Ryobi. (Na voljo pri pooblaščenih servisih Ryobi.)

#### NAMEŠČANJE BATERIJE

*Glejte stran 263*

- Baterijo postavite na orodje. Jezičke na bateriji poravnajte z utori na priklopu za baterijo izdelka.
- Pred začetkom delovanja se prepričajte, da zapaha na sklopu akumulatorja zaskočita na mestu in da je akumulator varno pritrjen v napravo.

#### DRŽANJE VERIŽNE ŽAGE

*Glejte stran 263*

Verižno žago vedno držite z desno roko za zadnji ročaj, z levo roko pa za sprednjega. Primate oba ročaja, tako da ju čvrsto objamete s palcem in z ostalimi prsti. Pazite, da z levo roko držite sprednji ročaj tako, da imate palec spodaj.

#### ZAGON VERIŽNE ŽAGE

*Glejte stran 263*

- Pred začetkom uporabe v napravo vstavite baterijski vložek in preverite, ali je zavora verige v sproščnem položaju, tako da povlečete ročico zavore verige/zaščito roke proti sprednjemu ročaju.
- Za zagon naprave: potegnite sprostito sprožilca in pritisnite gumb sprožilca.

#### PREVERJANJE IN UPORABA ZAVORE VERIGE

- Zavoro verige aktivirate tako, da levo roko zavrtite okoli sprednjega ročaja. Z zadnjim delom roki potisnite ročico zavore verige/zaščito roke naprej proti meču, medtem ko se veriga še vrti. Roki ves čas imejte na obeh ročajih.
- Zavoro verige ponastavite nazaj v položaj za obratovanje, tako da primete zgornji del ročice zavore verige/zaščite roke in povlečete sprednji ročaj, dokler ne klikne.

#### OPOZORILO

Če zavora ne ustavi verige takoj ali če zavora verige ne ostane v položaju vklop brez dodatne pomoči, odnesite žago na pooblaščen servis za popravilo pred uporabo.

#### TRANSPORT IN SHRANJEVANJE

*Glejte stran 275 - 276.*

- Ustavite napravo, odstranite baterijo in počakajte, da se ohladi, preden ju shranite ali transportirate.
- Očistite vse tujke z izdelka. Shranite jo na suhem in dobro prezračenem mestu, ki ni na dosegu otrok. Hranite proč od jedkih sredstev, kot so kemikalije za vrtnarjenje in soli za odmrzovanje. Ne shranjujte na prostem.
- Pred shranjevanjem enote oz. med transportom namestite pokrov za meč.
- Za transport zavarujte izdelek pred premiki ali padci, da preprečite poškodbe oseb ali izdelka.



## VZDRŽEVANJE

### ⚠ OPOZORILO

Uporabljajte le originalne rezervne dele in dodatke, ki jih priporoča proizvajalec. V nasprotnem primeru naprava lahko slabo deluje, povzroči poškodbe, garancija pa ne velja več.

### ⚠ OPOZORILO

Servisiranje zahteva posebno pozornost in znanje in naj jo zato opravlja samo izurjeni servisni tehnik. Za servisiranje odnesite izdelek na pooblaščen servis. Pri servisiranju uporabljajte samo originalne nadomestne dele.

### ⚠ OPOZORILO

Pred prilagajanjem, vzdrževanjem ali čiščenjem odstranite baterijo. Neupoštevanje tega nasveta lahko povzroči hude poškodbe.

- Opravite lahko samo tukaj navedene prilagoditve ali popravila. Za druga popravila ali nasvete se posvetujte s pooblaščenim storitvenim centrom.
- Posledice nepravilnega vzdrževanja so med drugim lahko napačno delovanje zavore verige in drugih varnostnih funkcij, zaradi česar se poveča tveganje za hude poškodbe. Strokovno vzdržujte in ohranjajte varnost verižne žage.
- Varno brušenje verige zahteva usposobljenost. Zato proizvajalec toplo priporoča, da obrabljene in tope verige zamenjate s novo, ki jo dobite pri pooblaščenem serviserju Ryobi. Številka dela je navedena v tabeli s specifikacijami izdelka v tem priročniku.
- Sledite navodilom za mazanje ter preverjanje in prilagajanje napetosti verige.
- Po vsaki uporabi izdelek očistite z mehko in suho krpo.
- Pogosto preverjajte, ali so vse matice in vijaki dobro priviti in tako zagotovite varno delovno stanje opreme. Vsak poškodovani del mora ustrezno popraviti ali zamenjati pooblaščen servisni center.

## MENJAVA MEČA IN VERIGE ŽAGE

Glejte stran 271 - 272.

1. Obvezno odstranite baterijo. Nosite zaščitne rokavice.
2. Odvijte gumb napenjalnika verige, tako da ga obračate v nasprotni smeri urinega kazalca, dokler se pokrov verižnika ne sprost.
3. Odstranite pokrov verižnika. Z enote odstranite meč in verigo.
4. Če želite nosilec zamenjati z novim, odstranite vijak na sestavu napenjalnika verige. Sestav napenjalnika verige namestite na nov nosilec in privijte vijak.
5. Novo verigo namestite na meč v pravilni smeri in poskrbite, da so členi pravilno poravnani v utoru.
6. Namestite meč na verižno žago in napeljite verigo po verižniku.
7. Ponovno namestite pokrov verižnika.

8. Prilagodite napetost verige. Preberite poglavje »Prilagajanje napetosti verige«.

### ⚠ OPOZORILO

Topa ali napačno nabrušena veriga lahko zelo pospeši motor med žaganjem, zaradi česar lahko pride do hude okvare motorja.

### ⚠ OPOZORILO

Neustrezno brušenje verige povečuje možnost odsunka.

### ⚠ OPOZORILO

Če ne zamenjate ali popravite poškodovane verige, lahko pride do težke telesne poškodbe.

### ⚠ OPOZORILO

Veriga žage je zelo ostra. Med vzdrževanjem verige vedno nosite zaščitne rokavice.

## PREVERJANJE IN ČIŠČENJE ZAVORE VERIGE

Glejte stran 274

- Vzdržujte čistočo mehanizma zavore verige, tako da nežno očistite spojne elemente.
- Po čiščenju vedno preverite delovanje zavore verige. Več podrobnosti najdete v poglavju tega priročnika "Delovanje - Delovanje verige zavore".

## URNIK VZDRŽEVANJA

Dnevno preverjanje	
Mazanje meča	Pred vsako uporabo
Napetost verige	Pred vsako uporabo in ob rednih intervalih
Ostrino verige	Pred vsako uporabo, vizualni pregled
Poškodovanost delov	Pred vsako uporabo
Privitost pritrdil	Pred vsako uporabo
Funkcija zavore verige	Pred vsako uporabo
Preverite in očistite	
Meč	Pred vsako uporabo
Celotno žago	po vsaki uporabi
Zavora verige	Vsaj 5 ur*

\*Ure obratovanja

## SIMBOLI NA IZDELKU



Varnostni alarm



Pred uporabo izdelka morate prebrati in razumeti vsa navodila, upoštevati vsa opozorila in varnostne napotke.



Nosite zaščito za oči, ušesa in glavo.



Ko uporabljate izdelek, nosite zaščitno obutev, ki ne drsi.



Nosite si nredseče, močne delovne zaščitne rokavice.



Pazite na verigo, saj lahko pride do povratnega udara, in se izogibajte dotikanju predmetov s konico meča.



Ne izpostavljajte ga dežju ali vlagi.



Žago uporabljajte tako, da jo trdno držite z obema rokama.



Ne uporabljajte žage tako, da jo držite samo z eno roko.



Ustreza vsem predpisanim standardom v državi članici EU, kjer je bil kupljen izdelek.



EurAsian oznaka o skladnosti



Ukrajinska oznaka za skladnost



Odpadne električne izdelke odlagajte skupaj z ostalimi gospodinjstskimi odpadki. Reciklažo opravljajte na predpisanih mestih. Za reciklažni nasvet se obrnite na lokalne oblasti.



Zajamčena raven hrupa je 96 dB.



Mazivo za meč in verigo



Minimalna raven maziva



Uzamknutie



Odklep



Nastavite zavoro verige v položaj »RUN«.



Zavrtite za prilagoditev napetosti verige  
+ = Privijte verigo  
- = Sprostitev verige



Nastavite zavoro verige v položaj »BRAKE«.



Smer premikanja verige.  
(Oznaka pod pokrovom zobatega kolesa)

$V_0$  : 10 m/s

Hitrost verige brez obremenitve: 10 m/s

L max: 300mm    Maksimalna dolžina meča: 300 mm

### SIMBOLI V TEM PRIROČNIKU



Deli ali dodatki so na prodaj ločeno



Opomba



Opozorilo



Nosite zaščito za oči in obraz.



Nosite zaščito za zgornji del telesa.



Nosite zaščito za noge.



Zaustavite orodje.

Sledeče signalne besede in pomeni naj bi pojasnili ravni tveganja, ki so povezane s tem izdelkom.

#### ⚠ NEVARNOST

Označuje neizbežno tvegano stanje, ki če se ji ne izognete lahko povzroči smrt ali resno poškodbo.

#### ⚠ OPOZORILO

Označuje morebitno tvegano stanje, ki če se ji ne izognete lahko povzroči smrt ali resno poškodbo.

#### ⚠ POZOR

Označuje morebitno tvegano stanje, ki če se mu ne izognete lahko povzroči manjšo ali srednje resno poškodbo.



## POZOR

Brez simbola za varnostno opozorilo

Prikazuje situacijo, ki lahko povzroči materialno škodo.

EN  
FR  
DE  
ES  
IT  
NL  
PT  
DA  
SV  
FI  
NO  
RU  
PL  
CS  
HU  
RO  
LV  
LT  
ET  
HR  
SL  
SK  
BG  
UK  
TR

130.com.ua







Bezpečnosť, efektívnosť a spoľahlivosť boli prvoradá pri navrhovaní vašej akumulátorovej reťazovej píly.

### ÚČEL POUŽITIA

Akumulátorová reťazová píla je určená len na vonkajšie použitie. Z bezpečnostných dôvodov sa musí tento produkt primerane ovládať neustále oboma rukami.

Tento produkt je určený na rezanie konárov, kmeňov, polien a trávov s priemerom určenom reznou dĺžkou vodiacej lišty. Je určená len na pílenie dreva. Možno ho používať pri domácich aplikáciách dospelými osobami, ktoré sú primerane zaškolené o rizikách a preventívnych opatreniach/krokoch, ktoré treba pri jeho používaní vykonať.

Nepoužívajte produkt na iné účely, ako sú uvedené vyššie. Nie je určený na používanie v profesionálnych lesnických službách. Tento produkt nesmú používať deti ani osoby, ktoré nie sú vybavené primeranými osobnými ochrannými pomôckami a odevom.

#### ⚠ VAROVANIE

Pri používaní tohto produktu sa musia dodržiavať bezpečnostné zásady. Pre vašu vlastnú bezpečnosť a bezpečnosť okolostojacích osôb si pred použitím produktu musíte prečítať tento návod a porozumieť všetkým jeho pokynom. Odporúčame absolvovať profesionálne organizované bezpečnostné školenie o používaní, preventívnych krokoch, prvej pomoci a údržbe reťazových píľ. Odložte si tento návod na neskoršie použitie.

#### ⚠ VAROVANIE

Reťazové píly sú potenciálne nebezpečné nástroje. Nehody pri používaní reťazových píľ často spôsobia stratu končatín alebo smrť. Riziko nepredstavuje len reťazová píla. Padajúce konáre, zvalujúce sa stromy, kotúľajúce sa brvná – to všetko môže zabíť. Ďalšie riziká predstavuje choré alebo trúchnivajúce drevo. Musíte odhadnúť vlastnú schopnosť bezpečne dokončiť úlohu. Ak máte akékoľvek pochybnosti, poraďte sa s odborníkom alebo profesionálnemu stromovému chirurgovi.

### VŠEOBECNÉ BEZPEČNOSTNÉ VÝSTRAHY

#### ⚠ VAROVANIE

Prečítajte si všetky bezpečnostné výstrahy a pokyny. Pri nedodržaní týchto výstrah a pokynov môže dôjsť k úrazu elektrickým prúdom, požiaru a/alebo závažnému poraneniu.

**Odložte všetky upozornenia a pokyny použité v budúcnosti.**

Pojem „mechanický nástroj“ vo výstrahách sa vzťahuje na váš sieťový (káblový) mechanický nástroj alebo akumulátorový (bezkáblový) mechanický nástroj.

### PRACOVNÝ PRIESTOR

- **Pracovisko udržiavajte v čistote a správne osvetlené.** Prepchané alebo tmavé miesta zvyšujú pravdepodobnosť nehôd.
- **Nepracujte s mechanickými nástrojmi vo výbušných atmosférach, napríklad v blízkosti zápalných tekutín, plynov alebo prachu.** Mechanické nástroje vytvárajú iskry, ktoré môžu podpáliť takýto prach alebo výpary.
- **Deti a okolostojaci sa počas práce s mechanickým nástrojom nesmú zdržovať v jeho blízkosti.** Rozptýlenie môže spôsobiť, že stratíte nad nástrojom kontrolu.

### ELEKTRICKÁ BEZPEČNOSŤ

- **Zástrčky mechanického nástroja musia zodpovedať zásuvke. Zástrčku nikdy žiadnym spôsobom neupravujte. S uzemnenými mechanickými nástrojmi nepoužívajte rozdvojné zásuvky.** Použitím neupravovaných zástrčiek a zodpovedajúcich zásuviek sa znižuje riziko úrazu elektrickým prúdom.
- **Vyhýbajte sa telesnému kontaktu s uzemnenými povrchmi, napríklad rúrami, radiátormi, sporákmi a chladničkami.** Ak je vaše telo uzemnené, hrozí vysoké riziko úrazu elektrickým prúdom.
- **Nevystavujte produkt dažďu ani mokrému prostrediu.** Voda, ktorá vnikne do mechanického nástroja, zvyšuje riziko úrazu elektrickým prúdom.
- **Kábel nenamáhajte. Nikdy nepoužívajte kábel na prenášanie, ťahanie alebo odpájanie mechanického nástroja. Kábel nedávajte do blízkosti tepla, oleja, ostrých okrajov alebo pohyblivých dielov.** Poškodené alebo zamatované káble zvyšujú riziko úrazu elektrickým prúdom.
- **Pri práci s mechanickým nástrojom v exteriéri používajte predlžovací kábel vhodný pre použitie v exteriéri.** S káblom vhodným pre použitie v exteriéri sa znižuje riziko úrazu elektrickým prúdom.
- **Ak je nevyhnutné pracovať s mechanickým nástrojom vo vlhkom prostredí, použite zdroj chránený zariadením pre zvyškový prúd.** Použitie zariadenia pre zvyškový prúd znižuje riziko úrazu elektrickým prúdom.

### OSOBNÁ BEZPEČNOSŤ

- **Pri práci s mechanickým nástrojom buďte ostražití, sledujte, čo robíte a používajte zdravý rozum. Nepoužívajte mechanický nástroj, keď ste unavení alebo pod vplyvom drog, alkoholu alebo liekov.** Chvilka nepozornosti počas práce s mechanickými nástrojmi môže spôsobiť závažné osobné poranenie.
- **Používajte osobné ochranné pomôcky. Vždy používajte chrániče zraku.** Ochranné pomôcky ako protiprachová maska, protišmyková bezpečnostná obuv, pevný klobúk alebo chrániče sluchu, používané pre príslušné podmienky, znižujú riziko vzniku osobného poranenia.
- **Zabráňte neúmyselnému spusteniu. Pred zapojením zariadenia do siete a/alebo k jednotke akumulátora, zdvíhaním alebo prenášaním nástroja**





vždy skontrolujte, či je spínač vo vypnutej polohe. Pri prenášaní mechanických nástrojov s prstom položeným na spínači alebo pripájaní mechanických nástrojov so zapnutým spínačom sa zvyšuje riziko úrazu.

- **Pred zapnutím nástroja odstráňte prípadný nastavovací klin alebo kľúč.** Keď necháte kľúč alebo klin nasadený na rotujúci diel mechanického nástroja, môže dôjsť k vážnemu poraneniu osôb.
- **Neprečeňujte sa. Neustále zachovávajte pevnú oporu nôh a rovnováhu.** Tak si zaistíte lepšiu kontrolu nad mechanickým nástrojom v nečakaných situáciách.
- **Primerane sa oblečte. Nenoste voľný odev ani šperky. Vlasy, odev a rukavice nepribližujte k pohyblivým sa dielom.** Voľný odev, šperky či dlhé vlasy sa môžu zachytiť do pohyblivých častí.
- **Ak sú zariadenia vybavené pripojením na prostriedky na odsávanie a zber prachu, zaistite, aby boli správne pripojené a primerane sa používali.** Pri použití týchto prostriedkov sa znižujú riziká pochádzajúce z prachu.

#### POUŽÍVANIE ELEKTRICKÉHO NÁSTROJA A STAROSTLIVOSŤ OŇ

- **Na nástroj nevyvíjajte silu. Používajte vhodný nástroj pre dané použitie.** Správny mechanický nástroj splní svoju úlohu lepšie a bezpečnejšie pri rýchlosti, na ktorú je určený.
- **Mechanický nástroj nepoužívajte, ak spínač nezapína a nevypína nástroj.** Mechanický nástroj, ktorý sa nedá ovládať spínačom, je nebezpečný a musí sa dať opraviť.
- **Pred vykonaním akýchkoľvek úprav, výmene príslušenstva alebo odložením mechanického nástroja odpojte zástrčku zo sieťovej zásuvky a/alebo jednotky akumulátora.** Takéto preventívne opatrenie znižuje riziko neúmyselného spustenia mechanického nástroja.
- **Nečinné mechanické nástroje odložte mimo dosahu detí a nedovoľte používať mechanický nástroj osobám neoboznámeným s mechanickým nástrojom alebo týmito pokynmi.** Mechanické nástroje sú v rukách netrénovaných osôb nebezpečné.
- **Na mechanických nástrojoch vykonávajte údržbu. Skontrolujte, či pohyblivé diely nie sú nesprávne nastavené alebo zablokované, či niektoré diely nie sú poškodené, ako aj akýkoľvek iný stav, ktorý by mohol ovplyvniť činnosť mechanického nástroja. V prípade poškodenia nechajte mechanický nástroj pre použitím opraviť.** Veľké množstvo nehôd je spôsobených nedostatočnou údržbou mechanických nástrojov.
- **Rezacie nástroje udržiavajte ostré a v čistote.** Správne udržiavané rezacie nástroje s ostrými ostriami sa menej pravdepodobne zaseknú a ľahšie sa ovládajú.
- **Mechanický nástroj, príslušenstvo a vrtáky a pod., používajte v súlade s týmto návodom, pričom berte do úvahy pracovné podmienky a úlohu, ktorú chcete vykonať.** Pri používaní mechanického nástroja na iné ako určené činnosti môže dôjsť k nebezpečným situáciám.

#### POUŽÍVANIE AKUMULÁTORA A STAROSTLIVOSŤ OŇ

- **Nabíjajte len s použitím nabíjačky špecifikovanej výrobcom.** Nabíjačka, ktorá je vhodná pre jeden typ jednotky akumulátora, môže pri použití s inou jednotkou akumulátora spôsobiť riziko požiaru.
- **Používajte len mechanické nástroje so špecificky určenými jednotkami akumulátorov.** Pri použití iných jednotiek akumulátora vzniká riziko poranenia a požiaru.
- **Keď sa jednotka akumulátora nepoužíva, nedávajte ju do blízkosti iných kovových objektov, ako sú papierové sponky, mince, kľúče, klince, skrutky či iné malé kovové predmety, ktoré by mohli skratovať svorky.** Pri skratovaní svoriek akumulátora môže dôjsť k popáleninám alebo požiaru.
- **Za nevhodných podmienok, keď by z batérie vytekala kvapalina, predchádzajte kontaktu s ňou. Pri náhodnom kontakte opláchnite vodou. Ak tekutina zasiahne oči, dodatočne vyhľadajte lekársku pomoc.** Tekutina vytečená z akumulátora môže spôsobiť podráždenie alebo popáleniny.

#### OPRAVY

- **Servis mechanického nástroja prenechajte kvalifikovanému servisnému pracovníkovi s použitím len identických náhradných dielov.** Takto zachováte bezpečnosť mechanického nástroja.

#### ĎALŠIE VŠEOBECNÉ BEZPEČNOSTNÉ VÝSTRAHY

- Niektoré regióny majú nariadenia, ktoré obmedzujú použitie produktu. Poradte sa s miestnym úradom.
- Produkt nikdy nedovoľte používať deťom alebo osobám neoboznámeným s návodom na použitie. Miestne platné predpisy môžu obmedzovať dobu použitia kosačky.
- Pred každým použitím skontrolujte, či všetky ovládacie prvky a bezpečnostné zariadenia fungujú správne. Produkt nepoužívajte, ak hlavný spínač nevypína motor.
- Počas obsluhy výrobku používajte kompletnú ochranu zraku a sluchu, pevnú masívnu obuv a rukavice a taktiež aj ochranu hlavy. Ak pracujete v prašnom prostredí, noste nasadený respirátor.
- Použitie ochrany sluchu znižuje schopnosť počuť zvukové výstrahy (výkriky alebo alarmy). Operátor musí dávať zvlášť pozor, čo sa deje v pracovnej oblasti.
- Udržujte bezpečný postoj a rovnováhu. Neprečeňujte sa. Pri siahaní príliš ďaleko môžete stratiť rovnováhu a zvýšite riziko spätného nárazu.
- Nenoste oblečenie voľného strihu, krátke nohavice, ani bižutériu žiadneho druhu.
- Dlhé vlasy zaistite, aby boli nad úrovňou pliec a nedošlo tak k ich zamotaniu do pohyblivých dielov.
- Pozor na vymrštené, odletujúce alebo padajúce objekty. Okolostojace osoby, deti a domáce zvieratá, musia stáť min. 15 m od pracovného priestoru.
- Nepracujte pri nedostatočnom osvetlení. Obsluhujúci musí mať jasný výhľad na pracovný priestor, aby mohol identifikovať potenciálne nebezpečenstvo.
- Pri používaní podobných nástrojov v blízkosti sa





zvyšuje riziko poranenia sluchu a potenciál pre ostatné osoby, ktoré vstúpia do pracovného priestoru.

- Žiadnu časť tela nedávajte do blízkosti žiadnej pohybujúcej sa časti.
- Pred každým použitím nástroja skontrolujte. Skontrolujte správnu činnosť všetkých ovládacie prvkov vrátane brzdy reťaze. Skontrolujte, či nie sú uvoľnené napínadlá a či sú všetky kryty a rukoväte správne a bezpečne nasadené. Pred použitím vymeňte všetky poškodené diely.
- Zariadenie žiadnym spôsobom neupravujte ani nepoužívajte diely či príslušenstvo, ktoré neodporúča výrobca.

#### VAROVANIE

Ak produkt spadne, utrpí silný náraz alebo začne neštandardne vibrovať, okamžite ho zastavte a skontrolujte, či nedošlo k poškodeniu alebo zistite príčinu vibrácií. Akékoľvek poškodenie sa musí náležite opraviť alebo vymeniť v autorizovanom servisnom centre.

#### REŤAZOVÁ PÍLA – BEZPEČNOSTNÉ VÝSTRAHY

- **Ak je reťazová píla v prevádzke, nepribližujte sa telom k pílovej reťazi. Pred spustením reťazovej píly skontrolujte, či sa reťazová píla ničoho nedotýka.** Chvilka nepozornosti počas práce s reťazovou pílou môže spôsobiť zapletenie odevu alebo tela do pílovej reťaze.
- **Reťazovú pílu vždy držte pravou rukou na zadnej rukoväti a ľavou rukou na pravej rukoväti.** Pri opačnom držaní reťazovej píly sa zvyšuje riziko osobného poranenia a toto držanie sa nesmie nikdy používať.
- **Elektrický nástroj držte len za izolovaný úchopný povrch, lebo pílová reťaz sa môže dostať do kontaktu so skrytými vodičmi.** Pílová reťaz v kontakte so „živým“ vodičom by mohli spôsobiť, že obnažené kovové diely budú pod prúdom a spôsobiť obsluhujúcemu zásah elektrickým prúdom.
- **Vždy používajte ochranné okuliare a chrániče sluchu. Odporúčajú sa aj ďalšie ochranné pomôcky na hlavu, ruky, nohy a chodidlá.** Primeraný ochranný odev znižuje riziko osobného poranenia od odletujúcich úlomkov alebo následkom náhodného kontaktu s pílovou reťazou.
- **Nepracujete s reťazovou pílou na strome.** Pri práci s reťazovou pílou, keď sa nachádzate na strome, môže dôjsť k osobnému poraneniu.
- **Neustále zachovávajúce pevnú oporu nôh a pracuje s reťazovou pílou len v stoji na pevnom, bezpečnom a rovnom povrchu.** Na klzkých alebo nestabilných povrchoch, napríklad rebričkoch, môže dôjsť k strate rovnováhy alebo kontroly nad reťazovou pílou.
- **Pri rezaní konára, ktorý je napnutý, dávajte pozor na spätný náraz.** Pri uvoľnení prútia vo vláknach dreva môže odpružený konár udrieť obsluhujúceho a/alebo spôsobiť stratu kontroly nad reťazovou pílou.
- **Pri rezaní kríkov a mladých stromčekov buďte**

**mimoriadne opatrní.** Tenký materiál sa môže zachytiť v pílovej reťazi a môže šľahnúť smerom k vám alebo vás vyviešť z rovnováhy.

- **Reťazovú pílu prenášajte za prednú rukoväť, pričom reťazová píla je vypnutá a držíte ju ďalej od tela. Pre prenášanie alebo skladovanie reťazovej píly vždy nasadte kryt vodiacej lišty.** Pri správnej manipulácii s reťazovou pílou sa znižuje pravdepodobnosť náhodného kontaktu s pohybujúcou sa pílovou reťazou.
- **Dodržiavajte pokyny na mazanie, napínanie reťaze a výmenu príslušenstva.** Nesprávne napnutá alebo namazaná reťaz sa môže pretrhnúť alebo zvýšiť pravdepodobnosť spätného nárazu.
- **Rukoväte udržiavajte suché a čisté, bez zvyškov oleja či maziva.** Zamastené a zaolejšované rukoväte sú klzké a môžu spôsobiť stratu kontroly.
- **Píľte len drevo. Nepoužívajte reťazovú pílu na iné ako určené účely. Nepoužívajte reťazovú pílu napríklad na pílenie plastov, muriva a iných ako drevených stavebných materiálov.** Pri používaní reťazovej píly na iné ako určené práce môže vzniknúť nebezpečná situácia.

#### Príčiny spätného nárazu a ako mu možno predchádzať:

Keď sa špička vodiacej lišty dotkne nejakého predmetu alebo keď sa reťaz zakliesni v reze, môže dôjsť k spätnému rázu.

Kontakt hrotu môže v niektorých prípadoch spôsobiť náhlu zvratnú reakciu, odhodit vodiacu lištu nahor a dozadu smerom k obsluhujúcemu.

Pri zovretí pílovej reťaze pozdĺž horného okraja vodiacej lišty môže prudko postrčiť vodiacu lištu dozadu smerom k obsluhujúcemu.

Obidve tieto reakcie môžu spôsobiť stratu kontroly nad náradím, čo môže viesť k vážnemu zraneniu. Nespoliehajte sa len na bezpečnostné prvky reťazovej píly. Pri obsluhu reťazovej píly je potrebné prijať určité opatrenia na zabránenie vzniku úrazov alebo zranení pri rezacích prácach:

Spätný náraz je výsledok nesprávneho používania nástroja a/alebo nesprávnych prevádzkových postupov a možno mu predchádzať vykonávaním príslušných predbežných opatrení uvedených nižšie:

- **Udržiavajte pevný úchop, pri ktorom palce a prsty obopínajú rukoväť reťazovej píly a obe ruky sú umiestnené na píle a vaše telo je v polohe, ktorá vám umožní odolávať sile spätného nárazu.** Sily spätného nárazu môže kontrolovať obsluhujúci, ak podnikne príslušné predbežné opatrenia. Reťazovú pílu nepúšťajte.
- **Nesiahajte príliš ďaleko a nepíľte nad výškou pliec.** Tak predídete neúmyselnému kontaktu hrotu a zaisťíte si lepšiu kontrolu nad reťazovou pílou v neočakávaných situáciách.
- **Používajte len náhradné lišty a reťaze špecifikované výrobcom.** Nesprávne náhradné lišty a reťaze môžu spôsobiť pretrhnutie reťaze a/alebo spätný náraz.
- **Dodržiavajte pokyny výrobcu na ostrenie a údržbu reťazovej píly.** Pri poklese obmedzovacej pätky môže dochádzať k častejšiemu spätnému nárazu.





## REŤAZOVÁ PÍLA – ĎALŠIE BEZPEČNOSTNÉ VÝSTRAHY

- Pri prvom použití produktu sa odporúča piliť poľná na koze na drevo alebo vidlici.
- Skontrolujte, či sú všetky ochranné kryty, rukoväta a nárazové ostrie správne nasadené a v dobrom stave.
- Osoby obsluhujúce reťazovú musia byť v dobrom zdravotnom stave. Produkt je ťažké zariadenie, takže obsluhujúca osoba musí byť fyzicky zdatná. Obsluhujúca osoba musí byť v strehu, mať dobrý zrak, pohyblivosť, rovnováhu a byť manuálne zručná. V prípade akýchkoľvek pochybností nepracujte s reťazovou pilou.
- Nepúšťajte sa do práce s produktom, kým nevyčistíte pracovisko, nezaistíte si pevný postoj a nebudete mať naplánovanú únikovú trasu od padajúceho stromu.
- Pozor na vyfukovanie oparu maziva a pilín. V prípade potreby použite masku alebo respirátor.
- Nerežte vinič alebo malý podrast (s priemerom menším ako 75 mm).
- Reťazovú pílu pri práci vždy držte oboma rukami. Obidve rukoväte uchopte pevne obopnutím palcami a prstami. Pravá ruka musí byť na zadnej rukoväti a ľavá ruka na prednej rukoväti.
- Pred spustením nástroja skontrolujte, či sa reťazová píla nedotýka žiadneho predmetu.
- Nástroj žiadnym spôsobom nemodifikujte ani ho nepoužívajte na poháňanie žiadnych nástavcov alebo zariadení, ktoré neodporúča výrobcu píly.
- V blízkosti obsluhujúcej osoby sa musí nachádzať lekárnička obsahujúca dostatok materiálu na obviazanie rany a prostriedky na privolanie pomoci (napr. píšťalka). V rozumnom dosahu by mala byť aj väčšia a komplexnejšia súprava.
- Obsluhujúca osoba môže byť v pokušení zložiť si helmu, pokiaľ neexistuje riziko padajúcich predmetov na pracovisku, ale pamätajte, že helma, najmä s mriežkovým priezorom pomáha znižovať riziko poranenia tváre a hlavy v prípade spätného nárazu.
- Nesprávne napnutá reťaz môže vyskočiť z vodiacej lišty a spôsobiť závažné poranenie alebo smrť. Dĺžka reťaze závisí od teploty. Pravidelne kontrolujte napnutie.
- Mali by ste si navyknúť na novú reťazovú pílu vykonávaním jednoduchých rezov na bezpečne podporenom dreve. To robte vždy, keď ste pílu nejakú dobu nepoužívali.
- Na zníženie rizika poranenia následkom kontaktu s pohyblivými dielmi pred nasledujúcimi činnosťami vždy zastavte motor, aplikujte brzdu reťaze, vyberte jednotku akumulátora a skontrolujte, či sa všetky pohybujúce úplne zastavili:
  - čistenie alebo odstránenie upchatia
  - ponechanie produktu bez dozoru
  - montáž alebo demontáž nástavcov
  - kontrola, údržba alebo práca na zariadení
- Veľkosť pracovnej zóny závisí od vykonávanej práce, ako aj od veľkosti stromu alebo spracovávaného materiálu. Napríklad, padajúci strom vyžaduje väčšie pracovisko ako vykonávanie iných rezov, napr.

skracovanie výrezov a pod. Obsluhujúca osoba si musí uvedomovať a mať kontrolu nad všetkým, čo sa deje na pracovisku.

- Nerežte s telom v línii s vodiacou lištou a reťazou. Ak predsa len zaznamenáte spätný náraz, zabránite týmto, aby reťaz prišla do kontaktu s vašim telom alebo hlavou.
- Nepoužívajte pilové pohyby vzad a vpred, nechajte pracovať samotnú reťaz, udržiavajte ju ostrú a nesnažte sa tlačiť reťaz cez rez.
- V konečnej fáze rezu na pílu netlačte. Buďte pripravení udržať hmotnosť píly, po prepílení dreva. V opačnom prípade môže dôjsť k prípadnému závažnému osobnému poraneniu.
- Nezastavujte pílu v strede pílenia. Nechajte ju bežať, kým nevyjde úplne z rezu.

### Tlak a ťah

Spätné pôsobenie (reakcia) je vždy v opačnom smere, ako je smer otáčania reťaze. Takto musí byť obsluhujúca osoba pripravená mať pod kontrolou tendenciu zariadenia odtrhnúť sa (pohyb dopredu) pri pílení na spodnom okraji lišty a odstrániť sa dozadu (smerom k obsluhujúcej osobe) pri pílení pozdĺž vrchného okraja.

### Píla zaseknutá v reze

Zastavte pílu a zaistite ju. Nevyťahujte nasilu reťaz a lištu von z rezu, inak sa reťaz pravdepodobne pretrhne a následne môže vyletieť dozadu a udrieť obsluhujúcu osobu. Táto situácia bežne nastane, lebo drevo je nesprávne podporené a dochádza k násilnému uzatváraniu rezu pod tlakom, čím dochádza k zovretiu ostria. Ak pri úprave podpory nedôjde k uvoľneniu lišty a reťaze, pomocou drevených klinov alebo páky roztvorte rez a uvoľnite reťaz. Nikdy sa nepokúšajte spustiť reťazovú pílu, keď je vodiaca lišta už v reze alebo záreze.

### Osobné ochranné pomôcky

Osobné ochranné prostriedky v dostatočnej kvalite, aké používajú profesionáli, pomôžu znížiť riziko zranenia obsluhujúcej osoby. Pri práci s reťazovou pilou je nevyhnutné používať nasledujúce položky:

#### Bezpečnostná helma

- musí spĺňať EN 397 a mať označenie CE

#### Ochrana sluchu

- musí spĺňať EN 352-1 a mať označenie CE

#### Ochrana zraku a tváre

- musí mať označenie CE a spĺňať EN 166 (pre ochranné okuliare) alebo EN 1731 (pre mriežkové priezory)

#### Rukavice

- musí spĺňať EN381-7 a mať označenie CE

#### Ochrana nôh (chrániče)

- musia spĺňať EN381-5, mať označenie CE a zabezpečovať všestrannú ochranu.

#### Bezpečnostné topánky pre reťazovú pílu

- musí spĺňať EN ISO 20345:2004 a mať označenie štítu s vyobrazením reťazovej píly podľa EN 381-3. (Príležitostní používatelia môžu používať bezpečnostné čizmy vybavené oceľovými špičkami)





s ochrannými gumákmi, ktoré spĺňajú EN 381-9, pokiaľ je terén rovný a existuje len minimálne riziko zakopnutia alebo zachytenia sa o podrast)

### Plášte pre reťazové píly na ochranu hornej polovice tela

- musí spĺňať EN 381-1 a mať označenie CE

## POKYNY TÝKAJÚCE SA SPRÁVNYCH TECHNÍK PRE ZÁKLADNÉ PORÁŽANIE, ODVETVOVÁVANIE A PRE-REZÁVANIE

### Porozumenie silám v dreve

Keď porozumiete smerovým tlakom a prútiam v dreve, môžete redukovať výskyt „zovretí“ alebo ich aspoň pri pílení očakávať. Pnutie v dreve znamená, že vlákna sú ťahané od seba a ak pilíte v tejto oblasti, „zárez“ alebo rez, ako píla postupuje ďalej, bude mať tendenciu otvárať sa. Ak je poleno podopierané na koze a jeho koniec vidí bez podpory cez okraj, na hornej ploche vzniká pnutie, lebo hmotnosť prečnievajúceho polena natahuje vlákna. Podobne, spodná strana polena bude stláčaná a vlákna tlačene dokopy. Pri vykonaní rezu v tejto oblasti bude mať zárez tendenciu počas rezania sa uzatvárať. Tým dôjde k zovretiu ostria.

### Porážanie stromu

Pozrite stranu 267 - 268.

Pri skracovaní a porážaní dvoma alebo viacerými osobami súčasne je potrebné oddeliť porážanie od skracovania vzdialenosťou minimálne dvojnásobku výšky porázaného stromu. Stromy sa nesmú porážať spôsobom, ktorý by ohrozil akúkoľvek osobu, zasiahol akúkoľvek inžiniersku sieť alebo spôsobil škody na majetku. V prípade, že strom predsa zasiahne nejakú inžiniersku sieť, je potrebné bezodkladne upovedomiť príslušnú spoločnosť.

Ak pracujete na teréne so sklonom, stojte vždy s pílou hore na svahu, keďže strom sa môže po spílení šmykať alebo gúľať smerom dole.

Pred zahájením pílenia musí byť úniková trasa naplánovaná a vyčistená. Úniková cesta by mala presahovať dozadu a diagonálne po zadnú časť očakávanej línie pádu.

Pred zahájením porážania zhodnotte prirodzené naklonenie stromu, polohu väčších konárov a smer vetra a určite tak pravdepodobný smer pádu stromu.

Zo stromu odstráňte hlinu, kamene, voľnú kôru, klice, strmene a drôty.

Nepokúšajte sa porážať stromy, ktoré sú prehnité alebo boli poškodené vetrom, ohňom, bleskom a pod. Je to veľmi nebezpečné a môžu to vykonávať len profesionálni stromoví chirurgovia.

#### 1. Podtínací rez

Pozrite stranu 267 - 268.

Vykonajte tento rez do 1/3 priemeru stromu kolmo na smer pádu. Najskôr urobte spodný vodorovný podtínací rez. Predídete tak zovretiu pílovej reťaze alebo vodiacej lišty pri vykonávaní druhého zárezu.

#### 2. Zadný podtínací rez

Pozrite stranu 267 - 268.

Zadný podtínací rez vykonajte minimálne o 50 mm vyššie ako vodorovný podtínací rez. Zadný podtínací rez vykonajte kolmo na vodorovný podtínací rez. Zadný

podtínací rez vykonajte tak, aby ako pánt poslužil dostatok dreva. Drevo slúžiace ako pánt zabráni skrúteniu stromu a jeho pádu nesprávnym smerom. Cez pánt nepíľte.

Ako sa podtínací rez blíži k pántu, strom by mal začať padať. Ak existuje akákoľvek možnosť, že strom nespadne požadovaným smerom alebo sa nakloní opačným smerom a zovrie pílovú reťaz, prestaňte píliť pred dokončením zadného podtínacieho rezu a pomocou klinov z dreva, plastu alebo hliníka otvorte rez a zvalte strom požadovaným smerom pádu.

Keď strom začne padať, vyberte reťazovú pílu z rezu, zastavte motor, spustíte reťazovú pílu nadol a potom použite naplánovanú únikovú trasu. Dávajte pozor na padajúce konáre nad hlavou a sledujte, kam stúpate.

### Odstraňovanie koreňových nábehov

Pozrite stranu 268.

Koreňový nábeh je veľký koreň, ktorý vychádza z kmeňa stromu nad zemou. Pred spílovaním stromu odstráňte všetky veľké koreňové nábehy. Najprv urobte do koreňového nábehu vodorovný rez a potom zvislý rez. Odstráňte odrezané časti z pracovnej zóny. Po odstránení koreňových nábehov môžete začať spílovať.

### Skracovanie guľatiny

Pozrite stranu 269.

Skracovanie je pílenie polien na určité dĺžky. Je dôležité aby ste si zabezpečili pevnú oporu nôh a hmotnosťou rovnomerne rozloženou na oboch nohách. Keď je to možné, guľatinu nadvihnite a podprite pomocou konárov, inej guľatiny alebo klinov. Dodržiavajte jednoduchý návod na jednoduché pílenie. Keď je guľatina podpretá po celej dĺžke, píli sa z vrchu (zhora).

Keď je guľatina podpretá na jednom konci, odpíľte 1/3 priemeru zo spodnej strany (zospodu). Potom vykonajte záverečný rez zospodu, ktorý sa spojí s prvým rezom.

Keď je guľatina podpretá na oboch koncoch, odpíľte 1/3 priemeru z vrchnej strany (zhora). Potom vykonajte záverečný rez spodných 2/3, ktorý sa spojí s prvým rezom. Pri skracovaní na svahu vždy stojte na hornej strane guľatiny. Aby ste pri prerezávaní udržali maximálnu kontrolu, uvoľnite rezný tlak pri konci rezu, pričom neuvolňujte uchopenie na rukovätiach reťazovej píly. Nedovoľte, aby sa reťaz dotkla zeme. Po dokončení rezu počkajte, kým sa reťaz nezastaví a až potom pohybujte reťazovou pílou. Pred presunom od stromu k stromu vždy zastavte motor.

### Odvetvovanie stromu

Pozrite stranu 270.

Odvetvovanie je odstraňovanie konárov z porazeného stromu. Pri odvetvovaní nechajte väčšie spodné konáre, aby držali kmeň nad zemou. Malé konáre odstráňte jedným rezom. Napnuté konáre sa musia rezať zdola nahor, aby nedošlo k zovretiu reťazovej píly.

### Pružný konár

Pozrite stranu 270.

Drevo pod pnutím je akékoľvek poleno, vetva, zakorenený peň alebo mladý strom, ktoré sú ohnuté pod tlakom iného



dreva a ktoré sa po odrezaní alebo odstránení vymršťa späť.

U splieneného stromu sa môže zakorenený peň vymrštiť smerom hore pri oddeľovaní rezaného kusa od pňa. Dávajte pozor na drevo pod pnúťm, je nebezpečné.

#### **VAROVANIE**

Drevo pod pnúťm je nebezpečné a môže vás zasiahnuť a spôsobiť stratu kontroly nad náradím. To môže spôsobiť vážne alebo smrteľné zranenie. To musia vykonávať zaškolení používatelia.

#### **ZVYŠKOVÉ RIZIKÁ:**

Aj keď sa nástroj používa podľa predpisu, nie je možné eliminovať určité zvyškové rizikové faktory. Pri použití vznikajú nasledujúce riziká a obsluhujúca osoba musí venovať zvláštnu pozornosť, aby nedošlo k nasledovnému:

- Zranenie spôsobené vibráciami
  - Vždy používajte vhodný nástroj pre danú úlohu, používajte určené rukoväte a obmedzte pracovný čas a mieru rizika.
- Vystavovanie hluku môže spôsobiť poranenie sluchu.
  - Používajte ochranu sluchu a obmedzte expozíciu
- zranenie pri kontakte s obnaženými zubami reťaze
- zranenie spôsobené odletujúcimi časťami obrobku (drevené triesky a odštepy)
- Zranenie spôsobené vdýchnutím prachu a čistočiek
- zranenie spôsobené kontaktom pokožky s mazivom alebo olejom
- Diely vymrštené z pílovej reťaze (nebezpečenstvo porezania/vstreknutia)
- Neočakávaný, náhly pohyb alebo spätný náraz vodiacej lišty (nebezpečenstvo porezania).

#### **OBMEDZENIE RIZIKA**

Boli hlásené prípady, kedy vibrácie z ručných nástrojov u niektorých osôb prispeli k stavu nazývanému Raynaudov syndróm. K symptómom patria: trpnutie, znecitlivenie a blednutie prstov, zvyčajne zjavné po vystavení zime. Je známe, že k vývoju týchto symptómov prispievajú: dedičné faktory, vystavovanie zime a vlhkosti, diéta, fajčenie a pracovné návyky. Opatrenia, ktoré môže vykonať obsluhujúca osoba na možné zníženie účinkov vibrácií:

- V studenom počasí udržiavajte svoje telo v teple. Pri práci so zariadením noste rukavice, aby ste mali ruky a zápästia v teple. Boli hlásené prípady, kedy hlavným faktorom prispievajúcim k Raynaudovmu syndrómu bolo studené počasie.
- Po každom určitom časovom úseku prevádzky cvičte, aby ste zlepšili krvný obeh.
- Počas práce si doprajte časté prestávky. Obmedzte počet vystavení za deň.
- Ochranné rukavice dostupné u profesionálnych predajcov reťazových pil sú určené špeciálne pre použitie s reťazovými píľami a zaisťujú ochranu, dobré uchopenie a tiež znižujú znižujú účinok vibrácií rukoväte. Tieto rukavice musia spĺňať EN381-7 a mať

označenie CE

Ak zistíte ktorýkoľvek zo symptómov tohto stavu, okamžite prerušte používanie zariadenia, navštívte svojho lekára a povedzte mu o symptómoch.

#### **VAROVANIE**

Pri dlhodobom alebo zvýšenom používaní môže dôjsť k zraneniam. Pri používaní nástroja príliš dlhé obdobia si vždy doprajte pravidelné prestávky.

#### **OBOZNÁMTE SA S VAŠIM PRODUKTOM**

Pozrite stranu 261.

1. Predný chránič ruky/brzda reťaze
2. Predná rukoväť
3. Zadná rukoväť
4. Reťaz
5. Vodiaca lišta
6. Tlmiaci klin
7. Uzáver olejovej nádrže
8. Západka plynovej páčky
9. Spínač
10. Kryt reťazového kolesa
11. Nastavovací krúžok napnutia reťaze
12. Tlačidlo napnutia reťaze
13. Kryt vodiacej lišty
14. Zachytávač reťaze

#### **BEZPEČNOSTNÉ ZARIADENIA**

##### **Pílová reťaz s nízkou tendenciou k spätnému rázu**

Pílová reťaz so slabým spätným nárazom pomáha znižovať pravdepodobnosť, že dôjde k spätnému nárazu.

Výstupky (obmedzovače hĺbky) pred každým rezným zubom minimalizujú silu spätného rázu tým, že bránia rezným zubom príliš hlbokému vniknutiu v zóne spätného rázu. Používajte len kombinácie náhradných vodiacich lišt a reťazí odporúčaných výrobcom.

Po naostrení reťaze buďte veľmi opatrní, pretože ostrením sa znižuje vlastnosť ochrany pred spätným rázom. Pre vašu vlastnú bezpečnosť vymieňajte pílové reťaze pri poklese výkonnosti pílenia.

##### **Tlmiaci klin**

Integrovaný tlmiaci klin môže byť použitý ústredný bod pri rezaní. Pomáha udržiavať stabilitu tela reťazovej píly pri rezaní. Pri pílení tlačte zariadenie dopredu, kým sa hroty nezahryznú do okraja dreva, potom pohybom zadnej rukoväte nahor alebo nadol v smere reznej línie pomáhajte zmierňovať fyzické pnutie rezania

##### **Vodiace lišty**

Všeobecne majú vodiace lišty s hrotmi a malým polomerom o niečo menší potenciál spätného nárazu. Mali by ste používať vodiacu lištu a zodpovedajúcu reťaz, ktorá je dostatočne dlhá pre danú úlohu. Dlhšie lišty zvyšujú riziko straty kontroly pri pílení. Pravidelne kontrolujte napnutie reťaze. Pri pílení menších vetiev (menej ako plná dĺžka vodiacej lišty) je vyššia pravdepodobnosť, že dôjde k odhodneniu reťaze, pokiaľ jej napnutie nie je správne.

- EN
- FR
- DE
- ES
- IT
- NL
- PT
- DA
- SV
- FI
- NO
- RU
- PL
- CS
- HU
- RO
- LV
- LT
- ET
- HR
- SL
- SK**
- BG
- UK
- TR







## Brzda reťaze

Brzdy reťaze sú určené na rýchle zastavenie otáčajúcej sa reťaze. Reťaz sa musí okamžite zastaviť, keď sa páčka brzdy reťaze/chrániča ruky zatlačia smerom k lište. Brzda reťaze nezabraňuje spätnému rázu. To len znižuje riziko zranenia, keby došlo ku kontaktu lišty reťaze s telom obsluhujúcej osoby v prípade spätného nárazu. Brzdu reťaze je potrebné pred každým použitím otestovať, či funguje správne v uvoľnenej aj zabrzdenej polohe.

## Zachytávač reťaze

Zachytávač reťaze zabráňuje odhodneniu pílvej reťaze smerom k obsluhu, ak sa reťaz uvoľní alebo roztrhne.

## MONTÁŽ

### VAROVANIE

Ak nejaké predmety chýbajú alebo sú viditeľne poškodené, nepracujte s týmto strojom, kým sa súčasti nevymenia. Pri nerespektovaní tejto výstrahy by mohlo dôjsť k vážnemu poraneniu osôb.

## MONTÁŽ PÍLOVEJ REŤAZE A VODIACEJ LIŠTY

Pozrite stranu 262 - 263.

1. Vždy vyberte jednotku akumulátora zo zariadenia. Používajte ochranné rukavice.
2. Odskrutkujte tlačidlo napnutia reťaze a odstráňte kryt reťazového kolesa.
3. Pílová reťaz musí byť otočená v smere otáčania reťaze. Ak sú orientované dozadu, otočte celú reťaz.
4. Články reťazového prevodu vložte do drážky lišty.
5. Reťaz musí vytvoriť slučku v zadnej časti vodiacej lišty.
6. Podržte reťaz v správnej pozícii na lište a nasadte slučku okolo hnacieho reťazového kolesa. Spustite lištu, aby maticová skrutka prešla cez otvor v nasadenej zostave napnutia reťaze. Možno bude potrebné otočiť zostavu, aby sa maticová skrutka a otvor zarovnali. Znova môžete otočiť túto zostavu, aby sa na reťaz vyvinulo určité napnutie, ktoré ju lepšie udrží na mieste.
7. Znova nasadte kryt reťazového kolesa a otáčajte tlačidlo napnutia reťaze, až kým sa takmer neutiahne a otáčajte nastavovací krúžok napnutia reťaze, až kým nie je pílová reťaz správne napnutá. Vodiacu lištu potom treba potlačiť nahor. Znova skontrolujte napnutie reťaze. Nenastavujte napnutie reťaze príliš tesne.
8. Keď je reťaz správne napnutá, znova utiahnite tlačidlo.

## NASTAVENIE NAPNUTIA REŤAZE

Pozrite stranu 263. Pozrite stranu 273.

1. Uvoľnite tlačidlo napnutia reťaze jeho jemným otočením proti smeru hodinových ručičiek.
2. Ak chcete zväčšiť napnutie reťaze, otáčajte nastavovací krúžok napnutia reťaze v smere pohybu hodinových ručičiek a často kontrolujte napnutie reťaze. Ak chcete zmenšiť napnutie reťaze, otáčajte nastavovací krúžok napnutia reťaze proti smeru pohybu hodinových ručičiek a často kontrolujte napnutie reťaze.
3. Napnutie reťaze je správne, keď medzera medzi medzi nožom v reťazi a lištou približne 3 mm až 4 mm.

Potiahnite reťaz v strede spodnej strany nadol (smerom od lišty) a odmerajte vzdialenosť medzi lištou a nožmi reťaze.

4. Utiahnite tlačidlo napnutia reťaze jeho otáčaním v smere pohybu hodinových ručičiek.

## PREVÁDZKA

### PRIDÁVANIE MAZACIEHO OLEJA REŤAZE

Pozrite stranu 262.

### VAROVANIE

Nikdy nepracujte bez maziva reťaze! Ak pílová reťaz beží bez maziva, vodiaca lišta a pílová reťaz môžu byť poškodené. Preto je nevyhnutné pravidelne a vždy pred použitím reťazovej pily kontrolovať hladinu oleja v hladinomeri s priezorom.

1. Vyčistite plochu v okolí olejového viečka, aby nedošlo ku kontaminácii.
2. Odskrutkujte a odstráňte viečko z olejovej nádrčky.
3. Do olejovej nádrčky nalejte olej a sledujte hladinomer oleja. Dbajte na to, aby do olejovej nádrčky pri naplňaní nevnikli žiadne nečistoty.
4. Znova nasadte a utiahnite olejové viečko. Prípadne vyliaty olej utrite.
5. Jedna plná olejová nádrčka umožňuje používanie pily po dobu 20-40 minút.

### Odporúčaný mazací olej reťaze

- Výrobca odporúča používať len mazací olej na reťazové pily značky Ryobi. (K dispozícii v autorizovanom servisnom centre Ryobi)

### INŠTALÁCIA JEDNOTKY AKUMULÁTORA

Pozrite stranu 263.

1. Vložte jednotku akumulátora do nástroja. Zarovnajtie vystúpené rebrá na jednotke akumulátora s drážkami v otvore akumulátora zariadenia.
2. Pred začatím prevádzky sa uistite, že západky na sade batérií zaklapnú a sada batérií je bezpečne vložená do výrobku.

### DRŽANIE REŤAZOVEJ PÍLY

Pozrite stranu 263.

Reťazovú pílu vždy držte pravou rukou na zadnej rukoväti a ľavou rukou na pravej rukoväti. Uchopte obe rukoväte, aby palce a prsty obopínali rukoväte. Dbajte na to, aby vaša ľavá ruka držala prednú rukoväť tak, že palec je zospodu.

### SPUSTENIE REŤAZOVEJ PÍLY

Pozrite stranu 263.

1. Pred zahájením prevádzky musíte do zariadenia nainštalovať jednotku akumulátora a skontrolovať brzdu reťaze v prevádzkovej polohe potiahnutím páčky brzdy reťaze alebo chrániča ruky smerom k prednej rukoväti.
2. Zariadenie spustíte: potiahnite poistku vypínača a stlačte vypínač.





## KONTROLA A OBSLUHA BRZDY REŤAZE

1. Brzdu reťaze aktivujete tak, že otočíte ľavou rukou okolo prednej rukoväte. Zadnou stranou ruky potlačíte páčku brzdy reťaze alebo chrániča ruky smerom k lište, kým sa reťaz rýchlo otáča. Dbajte na to, aby ste obe ruky mali neustále na rukovätiach pily.
2. Znova nastavte brzdu reťaze do polohy RUN – uchopte vrchnú časť páčky brzdy/chrániča ruky a potiahnite smerom k prednej rukoväti.

### ⚠ VAROVANIE

Ak reťazová brzda nezastaví reťaz okamžite, alebo ak reťazová brzda nezostáva v polohe RUN bez pomoci, pred použitím zoberte pílu do autorizovaného servisného centra na opravu.

## PREPRAVA A SKLADOVANIE

Pozrite stranu 275 - 276.

- Pred uskladnením alebo prepravou zastavte produkt, vyberte akumulátor a nechajte ho vychladnúť.
- Odstráňte zo zariadenia všetky cudzie materiály. Odložte ho na suché a dobre vetrané miesto, na ktoré nemajú prístup deti. Nástroje neuskladňujte v blízkosti žieravých látok, ako napríklad v blízkosti záhradníckych chemických prípravkov alebo soli na zimný posyp komunikácií. Neskladujte v exteriéri.
- Predtým, ako zariadenie odložíte alebo počas prepravy nasadte kryt vodiacej lišty.
- Pri preprave zaistite produkt pred pohybom alebo pádom, aby nedošlo k poraneniu osôb alebo poškodeniu produktu.

## ÚDRŽBA

### ⚠ VAROVANIE

Používajte len originálne náhradné diely, príslušenstvo a nástavce výrobcu. V opačnom prípade môže dôjsť k možnému poraneniu, nedostatočnému výkonu a strate platnosti záruky.

### ⚠ VAROVANIE

Údržba vyžaduje extrémnu starostlivosť a znalosti, a musí byť prevádzaná výhradne v autorizovanom servise. Ak chcete vykonať servis, prineste produkt do autorizovaného servisného centra. Pri servise používajte len originálne náhradné diely výrobcu.

### ⚠ VAROVANIE

Pred úpravami, údržbou alebo čistením vyberte akumulátor. V opačnom prípade môže dôjsť k závažnému poraneniu osôb.

- Môžete vykonávať len úpravy alebo opravy popísané v tejto príručke. Pri ostatných opravách alebo ak

potrebujete radu, vyhľadajte pomoc v autorizovanom servisnom centre.

- Následkami nesprávnej údržby môže byť nesprávne fungovanie brzdy reťaze a ostatných bezpečnostných funkcií, čím sa zvyšuje potenciál závažného poranenia. Reťazovú pílu udržiavajte správnu údržbou a v bezpečí.
- Bezpečné ostrenie reťaze je úloha vyžadujúca určitú zručnosť. Preto výrobca dôrazne odporúča nahradiť opotrebovanú alebo tupú reťaz za novú, ktorá je dostupná v autorizovanom servisnom centre Ryobi. Číslo dielu nájdete v tabuľke špecifikácií produktu v tomto návode.
- Dodržiavajte pokyny na mazanie a kontrolu a nastavovanie napnutia reťaze.
- Po každom použití vyčistite produkt mäkkou suchou tkaninou.
- Skontrolujte všetky skrutky, matice v častých intervaloch či sú riadne utiahnuté, aby sa zaistila bezpečná prevádzka stroja. Akýkoľvek poškodený diel sa musí náležite opraviť alebo vymeniť v autorizovanom servisnom centre.

## VÝMENA VODIACEJ LIŠTY A PÍLOVEJ REŤAZE

Pozrite stranu 271 - 272.

1. Vždy vyberte akumulátor. Používajte ochranné rukavice.
2. Odskrutkujte tlačidlo napnutia reťaze jeho otáčaním proti smeru pohybu hodinových ručičiek, kým sa kryt reťazového kola neuvolní.
3. Vyberte kryt reťazového kola. Odstráňte lištu a reťazovú pílu z jednotky.
4. Ak chcete lištu vymeniť za novú, odskrutkujte skrutky zostavy na napnutie reťaze. Zostavu na napnutie reťaze namontujte na novú lištu a skrutku utiahnite.
5. Položte novú reťaz v správnom smere na lištu a skontrolujte, či vodiace články sú zarovnané v drážke lišty.
6. Nasadte lištu na reťazovú pílu a obtočte reťaz okolo reťazového kola.
7. Znova nasadte kryt reťazového kola.
8. Nastavte napnutie reťaze. Pozrite sekciu "Nastavenie napnutia reťaze".

### ⚠ VAROVANIE

Tupá alebo nesprávne naostrená reťaz môže spôsobiť neúmernú rýchlosť motora počas rezania, čo môže spôsobiť závažné poškodenie motora.

### ⚠ VAROVANIE

Nesprávne naostrenie reťaze zvyšuje riziko spätného rázu.

### ⚠ VAROVANIE

Ak nevymeníte alebo neopravíte poškodenú reťaz, vystavujete sa riziku vážneho zranenia.



## VAROVANIE

Reťaz je veľmi ostrá. Pri údržbe reťaze vždy pracujte v rukaviciach.

## KONTROLA A ČISTENIE BRZDY REŤAZE

Pozrite stranu 274.

- Mechanizmus brzdy reťaze vždy udržiavajte v čistote – jemne okefujte spoje od špiny.
- Po čistení vždy skontrolujte výkonnosť brzdy reťaze. Viac informácií nájdete v časti "Používanie náradia - Používanie brzdy reťaze".

## URNÍK VZDRŽEVANJA

Každodenné čistenie	
Mazanje meča	Pred každým použitím
Napetost verige	Pred každým použitím a pravidelne
Ostrino verige	Pred každým použitím, vizuálna kontrola
Poškodovanost delov	Pred každým použitím
Privitost pritržil	Pred každým použitím
Funkcia brzdy reťaze	Pred každým použitím
Preverite in očistite	
Lišta	Pred každým použitím
Celotno žago	Po vsaki uporabi
Brzda reťaze	Každých 5 hodín*

\*Ure obratovanja

## SYMBOLY NA PRODUKTE



Výstražná značka



Pred použitím produktu si s porozumením prečítajte všetky pokyny a dodržiavajte výstražné a bezpečnostné upozornenia.



Používajte chrániče zraku, sluchu a hlavy.



Pri používaní tohto produktu používajte nešmykľavú obuv.



Používajte protišmykové odolné rukavice.



Dávajte pozor na spätný náraz reťazovej pily a vyhýbajte sa kontaktu s hrotom lišty.



Nevystavujte dažďu ani nepoužívajte vo vlhkom prostredí.



Pri práci držte pílu pevne obidvomi rukami.



Reťazovú pílu nikdy neobsluhujte len jednou rukou.



Vyhovuje všetkým regulačným normám v krajine EÚ, v ktorej bol výrobok zakúpený.



Euroázijská značka zhody



Ukrajinské označenie zhody



Opotrebované elektrické zariadenia by ste nemali odhadzovať do domového odpadu. Prosíme o recykláciu ak je možné. Kontaktujte miestne úrady, alebo predajcu pre viac informácií ohľadom ekologického spracovania.



Garantovaná hladina akustického výkonu je 96 dB



Mazivo na lištu a reťaz



Minimálna hladina maziva



Zamknuté



Odomknuté



Brzdu reťaze nastavte do polohy RUN (Chod).



Otáčaním nastavte napnutie reťaze  
+ = Utiahnite reťaz  
- = Uvoľnenie reťaze



Brzdu reťaze nastavte do polohy BRAKE (Brzda).



Smer pohybu reťaze.  
(Vyznačené pod krytom reťazového kolesa)

$V_0$  : 10 m/s

Rýchlosť reťaze bez záťaže: 10 m/s

L max: 300mm

Maximálna dĺžka vodiacej lišty: 300 mm

**SYMBOLY V TOMTO NÁVODE**

Diely alebo príslušenstvo predávané samostatne



Poznámka



Varovanie



Používajte chrániče zraku a tváre.



Používajte ochranu hornej polovice tela.



Používajte ochranu nôh.



Zastavte zariadenie.

Nasledujúce značky a významy vysvetľujú úroveň rizika spojeným s výrobkom.

**⚠ NEBEZPEČENSTVO**

Označuje bezprostredne nebezpečnú situáciu, ktorá môže vyústiť v smrť, alebo vážne zranenie.

**⚠ VAROVANIE**

Označuje potenciálne nebezpečnú situáciu, ktorá môže vyústiť v smrť, alebo vážne zranenie.

**⚠ VÝSTRAHA**

Označuje potenciálne nebezpečnú situáciu, ktorá môže vyústiť v ľahké, alebo stredne ťažké zranenie.

**VÝSTRAHA**

Bez symbolu bezpečnostného alarmu

Označuje situáciu, ktorá môže zapríčiniť poškodenie majetku.



Безопасността, производителността и надеждността са аспектите, на които е отделен най-голям приоритет при проектирането на вашия безжичен верижен трион.

## ПРЕДНАЗНАЧЕНИЕ

Безжичният верижен трион е предназначен за употреба само на открито. От съображения за безопасност този продукт трябва по всяко време да бъде управляван и контролиран стабилно с две ръце.

Продуктът е предназначен за рязане на клони, дънери, трупи и греди с диаметър, определен от режещата дължина на водещата шина. Предназначен е за рязане единствено на дърво. Верижният трион е предназначен за извършване на битови дейности от лица, които са преминали адекватно обучение и са запознати с опасностите и превантивните мерки/дейности, свързани с използването на инструмента.

Не използвайте продукта за цели, различни от описаните по-горе. Той не трябва да се използва за професионално рязане на дърва. Продуктът не трябва да се използва от деца, както и от лица, които не носят подходящи лични предпазни средства и облекло.

### ▲ ПРЕДУПРЕЖДЕНИЕ

При използване на продукта трябва да се спазват правилата за безопасност. За осигуряване на вашата безопасност и тази на страничните наблюдатели трябва да прочетете тези инструкции, преди да работите с продукта. Трябва да посетите професионално организиран курс по безопасност относно използването, превантивните действия, оказването на първа помощ и поддръжката при работа с верижни триони. Съхранявайте ръководството за експлоатация на сигурно място, за да можете да го ползвате и по-късно.

### ▲ ПРЕДУПРЕЖДЕНИЕ

Верижните триони са потенциално опасни инструменти. Инцидентите, свързани с използването на верижни триони, често завършват със загуба на крайници или смърт. Опасността не идва само от самия верижен трион. Падащите клони, повалените дървета и търкалящите се дънери също могат да убиват. Нездравият или гниещ дървен материал създава допълнителни опасности. Трябва внимателно да преценявате възможностите си за безопасно справяне със съответната дейност. Ако имате някакви съмнения, оставете работата на професионален лесовъд.

## ОБЩИ ПРЕДУПРЕЖДЕНИЯ ЗА БЕЗОПАСНОСТ

### ▲ ПРЕДУПРЕЖДЕНИЕ

Прочетете всички предупреждения относно безопасността и всички инструкции. Неспазването на предупрежденията и инструкциите може да доведе до токов удар, пожар и/или сериозни наранявания.

## Съхранявайте всички предупреждения и инструкции за бъдещи справки.

Терминът "електрически инструмент" в предупрежденията се отнася за вашия инструмент - със захранване от електрическата мрежа (с кабел) или на батерия (безжичен).

## БЕЗОПАСНОСТ НА РАБОТНАТА ЗОНА

- **Поддържайте работното пространство чисто и добре осветено.** Безпорядъкът или тъмнината в работното пространство са предпоставка за злополуки.
- **Не използвайте електрически инструменти в експлозивни среди, например в присъствието на запалителни течности, газове или прах.** По време на работа електрическите инструменти произвеждат искри, които могат да възпламенят прах или пари.
- **Дръжте децата и страничните наблюдатели далече, докато боравите с електрически инструмент.** Ако вниманието ви бъде отклонено, може да загубите контрола над електрическия инструмент.

## ЕЛЕКТРИЧЕСКА БЕЗОПАСНОСТ

- **Щепселът на електрическия инструмент трябва да е съвместим с контакта. В никакъв случай не внасяйте изменения в конструкцията на щепсела.** Когато работите със занулени електрически инструменти, не използвайте адаптери за щепсела. Използването на оригиналните щепсели и контакти намалява риска от токов удар.
- **Избягвайте допир със заземен повърхности, като тръби, радиатори, печки и хладилници.** Когато тялото ви е заземено, рискът от възникване на токов удар е по-голям.
- **Не излагайте продукта на дъжд или влажни условия.** Проникването на вода в електрическия инструмент повишава опасността от токов удар.
- **Не насилвайте захранващия кабел. Никога не носете, не изключвайте и не дърпайте електрическия инструмент за кабела.** Предпазвайте кабела от нагриване, омасляване, допир до остри ръбове или до подвижни звена на машини. Повредените или усукани кабели увеличават риска от токов удар.
- **Когато работите с електрически инструмент на открито, използвайте само удължителни кабели, предназначени за работа на открито.** Използването на удължител, предназначен за работа на открито, намалява риска токов удар.
- **Ако не можете да избегнете използването на електрически инструмент на влажно място, използвайте RCD (прекъсвач със защитно изключване).** Използването на RCD намалява опасността от електрически удар.

## ЛИЧНА БЕЗОПАСНОСТ

- **Бъдете бдителни, внимавайте какво правите и проявявайте благоразумие, когато боравите с електрически инструмент. Не използвайте**





електрическият инструмент, когато сте уморени или под влиянието на наркотични вещества, алкохол или лекарства. Миг невнимание, докато боравите с електрически инструмент, е достатъчен за получаването на сериозни наранявания.

- **Използвайте лична защитна екипировка. Винаги носете защитни очила.** Защитната екипировка, като маска против прах, пригодени против плъзгане защитни обувки, твърда шапка или антифони, използвани за подходящите условия, ще намали опасността от физически наранявания.
- **Не допускате нежелано стартиране. Преди да вдигате или носите инструмента и преди да го включвате в електрическата мрежа и/или батерия, винаги проверявайте дали превключвателят е на позиция OFF (изкл).** Носенето на инструмента с пръст върху превключвателя или включването му към електричеството, докато превключвателят му е на включен, е предпоставка за злополуки.
- **Махнете всички гаечни или френски ключове за настройка преди да включите инструмента.** Помощен инструмент, забравен на въртящ се елемент, може да доведе до физически наранявания.
- **Не се протегайте, за да работите на трудно достижими места. Винаги стъпвайте стабилно по време на работа и пазете равновесие.** Това дава възможност за по-добър контрол над електрически инструмент в неочаквани ситуации.
- **Обличайте се целесъобразно. Не носете широки дрехи или украшения. Дръжте косата, дрехите и ръкавиците си на безопасно разстояние от подвижните елементи.** Широките дрехи, украшенията, дългите коси могат да бъдат захванати и увлечени от движещи се елементи.
- **Ако устройствата са оборудвани със съоръжение за издърпване и събиране на прах, уверете се, че е то свързано и функционира правилно.** Използването на устройствата за събиране на прах ще намали рисковете, свързани с работа в прашни условия.

#### ИЗПОЛЗВАНЕ И ОБСЛУЖВАНЕ НА ЕЛЕКТРИЧЕСКИЯ ИНСТРУМЕНТ

- **Не насилвайте продукта.** Използвайте електрически инструмент, съобразно неговото предназначение. Правилно подбреният електрически инструмент ще свърши работата по-добре и по-безопасно в зададения от производителя диапазон на натоварване.
- **Не използвайте електрически инструменти, чито пусков прекъсвач е повреден.** Електрически инструмент, който не може да бъде контролиран посредством превключвател, е опасен и трябва да бъде ремонтиран.
- **Изключете щепсела от източника на захранване и/или батерията от електрически инструмент, преди да извършвате каквито и да е корекции, да сменят принадлежностите и преди съхраняване на електрическите инструменти**

Тази мярка премахва опасността от задействане на електрически инструмент по невнимание.

- **Съхранявайте незаетите електрически инструменти на недостъпни за деца места и не позволявайте на лица, непознати с инструмента или с тези указания, да боравят с него.** Когато са в ръцете на неопитни потребители, електрическите инструменти могат да бъдат изключително опасни.
- **Поддържайте електрическите инструменти в изправност. Проверявайте за неизправности или заклиняване в подвижните елементи, за счупени части или други обстоятелства, които могат да влошат работата на електрически инструмент. Преди да използвате електрически инструмент, се погрижете повредите да бъдат отстранени.** Много от трудовите злополуки се дължат на недобре поддържани електрически инструменти.
- **Поддържайте режещите инструменти винаги добре заточени и чисти.** Инструменти, за които е полагана правилна грижа и са с добре наточени режещи елементи, се управляват по-лесно и вероятността да заядат е по-малка.
- **Използвайте електрическите инструменти, принадлежностите и режещите и др. части съобразно тези указания, като се съобразявате с работните условия и с работата, която ще извършвате.** Използването на електрически инструменти за различни от предвидените от производителя приложения повишава опасността от възникване на трудови злополуки.

#### ИЗПОЛЗВАНЕ И ОБСЛУЖВАНЕ НА ИНСТРУМЕНТА С БАТЕРИЯ

- **Презареждайте единствено със зарядното устройство, посочено от производителя.** Зарядно устройство, подходящо за зареждане на един вид батерии, може да предизвика риск от пожар, ако бъде използвано за други батерии.
- **Използвайте електрически инструменти с батерии единствено със специално предназначение за тях батерии.** Използването на всякакви други батерии може да създаде риск от нараняване и пожар.
- **Когато батерията не се използва, съхранявайте я далеч от други метални обекти, като например кламери, монети, ключове, гвоздеи, гайки или други малки метални обекти, които могат да направят връзка между клемите.** Късото съединение от клемите може да доведе до изгаряния или пожар.
- **При неправилно използване батерията може да отдели течност; избягвайте контакт. Ако случайно настъпи контакт, промийте с вода. Ако течността влезе в контакт с очите, потърсете допълнителна медицинска помощ.** Отделената от батерията течност може да причини възпаление или изгаряния.







## СЕРВИЗНО ОБСЛУЖВАНЕ

- **Ремонтът на електрическите инструменти трябва да се извършва само от квалифицирани специалисти и само с използването на оригинални резервни части.** По този начин се гарантира поддържането на безопасност при работа с електрическия инструмент.

## ДОПЪЛНИТЕЛНИ ОБЩИ ПРЕДУПРЕЖДЕНИЯ ЗА БЕЗОПАСНОСТ

- В някои региони действията наредби, които ограничават употребата на продукта. За съвети се обръщайте към местните власти.
- Не позволявайте на деца или на лица, непознати с инструкциите да използват продукта. Местните наредби могат да налагат ограничения за възрастта на оператора.
- Преди всяка употреба проверявайте дали всички контроли и устройства за безопасност функционират правилно. Не използвайте продукта, ако преключвателят "OFF" ("Изключване") не спира мотора.
- Носете цялостна маска за очи и антифони, здрави и твърди обувки и ръкавици, както и каска, докато работите с продукта. Ако при косенето се отделя прах, носете и маска за лице.
- При използване на антифони ще се намали способността да чувате предупреждения (подвижания или аларми). Операторът трябва да е особено внимателен за това, което се случва в работната зона.
- Заемайте стабилна позиция и пазете баланс. Не се протягайте, за да работите на трудно достижими места. Прекомерното протягане може да доведе до загуба на равновесие и да увеличи опасността от откат.
- Не носете широки дрехи, шорти или каквито и да било бижута.
- Дългата коса трябва да бъде прибрана на ниво над раменете, за да се избегне нейното заплитане в движещите се части.
- Внимавайте за отхвъркнали, летящи или падащи предмети. Дръжте всички странични наблюдатели, деца и домашни животни на разстояние поне 15 метра от работната зона.
- Не използвайте тази машина при слабо осветление. Операторът трябва да има чиста видимост върху работното пространство, за да идентифицира потенциални опасности.
- Ако наблизно се работи с подобни уреди, това увеличава както риска от увреждане на слуха, така и вероятността други хора да навлязат във вашето работно пространство.
- Дръжте движещите се части на разстояние от тялото си.
- Преди всяка употреба проверявайте машината за неизправности. Проверете дали всички части по управлението функционират правилно, включително верижната спирачка. Проверете за разхлабени свързки и се уверете, че всички

предпазители и ръкохватки са стабилно прикрепени. Заменяйте повредените части преди употреба.

- Не модифицирайте машината по никакъв начин и не използвайте части и принадлежности, които не са препоръчани от производителя.

### ⚠ ПРЕДУПРЕЖДЕНИЕ

Ако продуктът бъде изпуснат, претърпи силен удар или започне да вибрира неестествено, незабавно изключете продукта и проверете за повреди или се опитайте да идентифицирате причината за вибрирането. Поправките и замените на части при повреда трябва да се извършват от оторизиран сервизен център.

## ПРЕДУПРЕЖДЕНИЯ ЗА БЕЗОПАСНА РАБОТА С ВЕРИЖНИЯ ТРИОН

- **При работещ верижен трион дръжте режещата верига далеч от всички части на тялото си. Преди да стартирате верижния трион, се уверете, че веригата не допира никъде.** Един миг невнимание при работа с верижния трион може да завлече части на облеклото или тялото ви във веригата.
- **Винаги дръжте верижния трион с дясната ръка за задната ръкохватка и с лявата ръка за предната ръкохватка.** Захващането на верижния трион с обратния захват увеличава опасността от нараняване и е забранено.
- **Дръжте електрическия инструмент само за изолираните повърхности за хващане, тъй като веригата може да влезе в контакт със скрити кабели.** Ако веригата влезе в контакт с открити жици, може да протече ток по металните части на електрическия инструмент, в следствие на което операторът може да претърпи токов удар.
- **Носете предпазни очила и антифони. Препоръчва се също и използването на предпазни средства за главата, ръцете и краката.** Подходящото предпазно облекло намалява опасността от нараняване от отхвърчащите отломки, както и от допир по невнимание до режещата верига.
- **Не работете с верижния трион, качени на дърво.** Съществува опасност от нараняване, ако работите с верижния трион, докато сте се качили на дърво.
- **Стъпвайте винаги стабилно с двата крака и използвайте верижния трион само ако сте стъпили на здрава, сигурна и равна повърхност.** При стоене върху хлъзгава и нестабилна повърхност, като например стълба, е възможно да загубите равновесие и контрол над верижния трион.
- **Когато режете клон, който е обтегнат под напрежение, бъдете в готовност той да отскочи в определена посока.** Когато обтегнатите под напрежение влакна на дървото се освободят, клонът може да удари оператора или да предизвика загуба на контрол над верижния трион.





- **Бъдете особено внимателни при рязане на храсти или млади дървета.** Крехкият дървен материал може да се захване за режещата верига и да ви удари или да ви изкара от равновесно положение.
- **Носете верижния трион, като го държите за предната ръкохватка, с изключен мотор и далеч от тялото ви.** При транспортиране или при съхраняване на верижния трион винаги поставяйте предпазния капак на водещата шина. Внимателното боравене с верижния трион намалява вероятността от случаен допир до движещата се верига.
- **Спазвайте указанията за смазване, обтягане на веригата и смяна на допълнителните принадлежности.** Неправилно обтегнатата или недостатъчно смазаната верига може да се счупи или да повиши значително опасността от откат.
- **Поддържайте ръкохватките сухи, чисти и неомаслени.** Омаслените ръкохватки са хлъзгави и могат да доведат до загуба на контрол.
- **Режете само дървен материал. Не използвайте верижния трион за дейности, за които той не е предназначен.** Например не използвайте верижния трион за рязане на пластмаса, зидарски или други строителни елементи, които не са от дърво. Използването на верижния трион за дейности, за които не е предназначен, може да доведе до рискови ситуации.
- **Не се протягайте прекомерно с инструмента и не режете над височина над раменете си.** Така предотвратявате нежеланото докосване на предмети с върха на водещата шина и ще имате по-добър контрол над верижния трион при внезапно възникване на неочаквани ситуации.
- **Винаги използвайте само резервни водещи шини и режещи вериги, посочени от производителя.** Неподходящите шини или вериги могат да предизвикат счупване на веригата или възникване на откат.
- **Спазвайте инструкциите на производителя при заточване и поддръжка на веригата.** Твърде ниските ограничители на дълбочината увеличават опасността от възникване на откат.

#### ДОПЪЛНИТЕЛНИ ОБЩИ ПРЕДУПРЕЖДЕНИЯ ЗА БЕЗОПАСНОСТ

#### Причини за възникване на откат и начини за избягването му:

Може да се получи откат, ако краят на шината влезе в контакт с даден предмет или ако режещата верига бъде затисната и захваната в дървото по време на рязане.

Понякога допир до предмет с върха на водещата шина може да предизвика неочаквана обратна реакция, при която водещата шина отскача нагоре и назад по посока на оператора.

Заклинването на веригата от горната страна на шината може рязко да отхвърли шината по посока на оператора.

В такива случаи е възможно да загубите контрол над триона и да получите сериозно нараняване. Не разчитайте само на предпазните механизми, които има трионът. Вие също трябва да предприемете различни мерки, за да избегнете риска от злополуки и наранявания.

Откатът е следствие на неправилно използване на електрическия инструмент. Той може да бъде предотвратен с предприемане на подходящи предпазни мерки, които са описани по-долу:

- **Дръжте верижния трион здраво с двете ръце, като обхващате хубаво ръкохватките му с палците и показалците.** Заемайте позиция на тялото и ръцете, при която ще можете да противостоите на евентуално възникнали откатни сили. Ако се вземат подходящи предпазни мерки, при възникване на откат операторът може да овладее възникващите откатни сили. В никакъв случай не пускайте верижния трион.

- Ако работите с продукта за първи път и режете дънери, е препоръчително да ги поставите върху стенд или „magare“ за рязане на дърва.
- Уверете се, че всички предпазители, ръкохватки и буферни шипове са поставени на мястото им и са в изправност.
- Лицата, работещи с верижния трион, трябва да са в добро здравословно състояние. Продуктът е тежък инструмент, затова операторът трябва да е физически здрав. Операторът трябва да е бдителен, да има добро зрение, подвижност, баланс и ловкост в ръцете. Ако имате каквито и да са съмнения, не използвайте верижния трион.
- Не започвайте работа с продукта, преди да е осигурена чиста работна зона, стабилна опора и път за оттегляне при падащо дърво.
- Внимавайте да не вдишвате пръски от смазочната течност или стърготини. При необходимост носете маска или респиратор.
- Не режете асми и/или малки хресталаци (с диаметър под 75 мм).
- Винаги дръжте верижния трион с две ръце, когато работите с него. Дръжте здраво триона, като пръстите ви трябва да обхващат дръжките. Дясната ви ръка трябва да е на задната ръкохватка, а лявата ръка на предната ръкохватка.
- Преди да включите инструмента, се уверете, че веригата не се допира до каквито да е предмети.
- Не модифицирайте инструмента по никакъв начин и не го използвайте за захранване или задвижване на приставки и устройства, които не са препоръчани от производителя на верижния трион.
- Налице трябва да е аптечка за първа помощ с превързочни материали за големи рани, както и средство за привличане на вниманието на оператора, когато сте близо до него (напр. свирка). В обзирима близост трябва да се намира здравен комплект с повече материали за оказване на помощ.
- Ако в работната зона няма опасност от падащи предмети, операторът може да се изкуши да сваля каската си, но той не бива да забравя, че каската (особено ако е снабдена с мрежест визьор)





намалява риска от нараняване на лицето и главата при възникване на откат.

- Неправилно обтегнатата верига може да отскочи от водещата шина, което може да доведе до сериозно нараняване или смърт. Дължината на веригата зависи от температурата. Периодично проверявайте обтегнатостта на веригата.
- За да свикнете да използвате своя нов верижен трион, започнете с прости разрези на дървени материали, които са здраво застопорени. Правете това също и когато дълго време не сте работили с верижния трион.
- За да намалите риска от нараняване в следствие на допир с движещите се части, винаги спирайте мотора, задействайте верижната спирачка, сваляйте батериите и се уверявайте, че всички движещи се части са спрели напълно, преди да:
  - почистване или отстраняване на препятствия
  - оставяне на продукта без надзор
  - монтирате или демонтирате допълнителни приставки
  - извършвате проверки, поддръжка или работа по машината.
- Площта на работния участък зависи от работата, която ще се извършва, както и от на дървото или от ствола, който ще се обработва. Например поваленото на дърво изисква по-голяма работна зона от други видове рязане, като например бичене на трупи и др. Операторът трябва да внимава и да контролира всичко, което се случва в работната зона.
- Докато режете, тялото ви не трябва да бъде на една линия с водещата шина и веригата. Ако спазвате това, при евентуален откат веригата няма да влезе в контакт с вашата глава или тяло.
- Не използвайте режещи движения напред и назад, а оставете веригата сама да свърши работата. Поддържайте веригата наточена и не се опитвайте да я бутате със сила през прореза.
- Не упражнявайте натиск върху триона в края на рязането. Бъдете готови да поемете тежестта на верижния трион, когато той прореже рязаното дърво и се освободи. Несъобразяването с това предупреждение може да доведе до сериозни контузии.
- Не спирайте триона по средата на рязането. Оставете триона да работи, докато не се освободи от прореза.

#### Натиск и теглене

Противодействащата сила винаги е с посока, обратна на въртенето на веригата. Затова операторът трябва да е готов да контролира тенденцията инструментът да се изплъзва (да се придвижва напред) при рязане с долния ръб на шината и да се придърпва назад (към оператора) при рязане с горния ръб на шината.

#### Засядане на триона в прореза

Спрете верижния трион и го обезопасете. Не се опитвайте да освободите със сила веригата и шината от прореза, защото това вероятно ще счупи веригата,

която може да отхвъркне и да удари оператора. Тази ситуация обикновено възниква, защото рязаното дърво не е поставено на правилна опора и прорязаната част прищипва острието. Ако регулирането на опората не освободи шината и веригата, използвайте дървени клинове или лост, за да разширите прореза и да освободите триона. Никога не опитвайте да стартирате верижния трион, когато водещата шина вече е заседнала в прорез или цепнатина.

#### Лични предпазни средства

Висококачествените лични предпазни средства, използвани от професионалните работници, намаляват опасността от нараняване на оператора. Следните защитни средства трябва да се използват при работа с верижния трион:

##### Предпазна каска

- трябва да е в съответствие с EN 397 и да има CE маркировка

##### Антифони

- трябва да е в съответствие с EN 352-1 и да има CE маркировка

##### Предпазни средства за очите и лицето

- трябва да имат CE маркировка и да са в съответствие с EN 166 (за защитни очила) или с EN 1731 (за мрежести визьори)

##### Ръкавици

- трябва да е в съответствие с EN381-7 и да има CE маркировка

##### Защитни средства за краката (гамаша)

- трябва да са в съответствие с EN381-5, да имат CE маркировка и да предоставят цялостна защита.

##### Предпазни ботуши за работа с верижни триони

- трябва да са в съответствие с EN ISO 20345:2004 и да са маркирани с щит, изобразяващ верижен трион, който е знак за съответствие с EN 381-3. (Потребителите, които рядко работят с уреда, могат да използват предпазни ботуши със стоманена обшивка на пръстите и със защитни маншони. Тези ботуши са в съответствие с EN 381-9 и могат да бъдат използвани, ако работната зона е равна и съществува минимален риск от спъване или заплитане в наземната растителност)

##### Якета за защита на горната част на тялото при работа с верижни триони

- трябва да е в съответствие с EN 381-11 и да има CE маркировка

#### ИНСТРУКЦИИ ОТНОСНО ОСНОВНИТЕ ТЕХНИКИ ЗА ПОВАЛЕНЕ НА ДЪРВЕТА, КАСТРЕНЕ И НАПРЕЧНО РЯЗАНЕ

##### Разбиране на силите и процесите, протичащи в дървения материал

Когато разберете посоките на оказване на обтягащо напрежение и притискащ натиск в дървения материал, можете да намалите „прищипванията“ на триона или поне да знаете кога да ги очаквате в процеса на рязане.





Когато дървеният материал е обтегнат под напрежение, влакната в дървото се раздалечават и при рязане в тази зона „цепнатината“ или прорезът се разширяват след преминаване на триона. Ако използвате „магаре“ за подпора при рязане на дънер, но единият край на дънера виси без подпора, ще се създаде обтягащо напрежение в горната част на дървения материал, защото теглото на висящата част на дънера ще обтегне влакната. Съответно в долната част на дънера ще се създаде притискащ натиск, защото влакната ще бъдат притиснати едно в друго. Ако направите прорез в тази зона, цепнатината ще се опита да се стесни и да се затвори по време на рязането. Това ще прещипе острието.

### Поваление на дърво

Вж. стр. 267 – 268.

Ако двама или повече човека едновременно бичат трупи и повалят дърво, между мястото на бичене и дървото за поваление трябва да има разстояние, което е поне два пъти по-голямо от височината на поваленото дърво. При поваление на дървета трябва да се внимава да не бъдат застрашени други лица, електропроводи, водопроводи, газопроводи и други подобни съоръжения, както и да не бъдат нанесени материални щети. Ако поваленото дърво засегне съоръжение на инфраструктурата, незабавно трябва да бъде уведомена съответната организация, стопанисваща съоръжението.

Ако работите по наклонен участък, винаги стойте нависоко, защото съществува опасност при отсичането си дървото да се изтъркала или плъзне надолу по наклона.

Преди да се започне с повалянето, трябва да бъде набелязан и разчистен път за безопасно оттегляне от работната площадка. Пътят за оттегляне трябва да води косо назад спрямо очакваната линия на падане на дървото.

Преди повалянето трябва да бъдат отчетени естественят наклон на дървото, позицията на големите клони и посоката на вятъра, за да бъде преценена възможно най-точно линията на падане на дървото.

Дървото трябва да се почисти от боклуци, камъни, откътвяща се кора, пирони, скоби и тел.

Не опитвайте да повалите дървета, които са изгнели или са повредени от вятър, огън, мълнии и др. Това е изключително опасна дейност, която трябва да се извършва само от професионални лесовъди.

#### 1. Направляващ прорез

Вж. стр. 267 – 268.

Направляващият прорез трябва да е с дълбочина 1/3 от диаметъра на дънера и да е перпендикулярен на желаната посока на падане. Първо направете долния хоризонтален срез на направляващия прорез. Така ще избегнете зацепването на верижния трион или на водещата шина при направата на втория срез на прореза.

#### 2. Повалящ заден срез

Вж. стр. 267 – 268.

Повалящият заден срез трябва да се направи

поне 50 мм (2 инча) по-високо от хоризонталния срез на направляващия прорез. Повалящият срез трябва да е успореден на хоризонталния срез на прореза. Направете повалящия срез така, че да остане известна непрерязана част, която действа като шарнир. Шарнирът предотвратява завъртането и падането на дървото в неправилна посока. Не прерязвайте шарнира.

Когато повалящият срез доближи шарнира, би трябвало дървото само да започне да пада. Ако видите, че има възможност дървото да не падне в желаната посока или да се наклони и да блокира верижния трион, прекъснете разрязването и използвайте клинове от дърво, пластмаса или алуминий за разтваряне на среза и накланяне на дървото в желаната посока.

Когато дървото започне да пада, извадете верижния трион от среза, изключете го, оставете го на земята и напуснете работната площадка по предварително набелязания път за оттегляне. Внимавайте за падащи клони, както и да не се препънете.

### Изрязване на дебели корени

Вж. страница 268.

Това са много големи корени, които излизат от ствола над повърхността. Преди да отсечете дървото, отстранете дебелите корени. Първо направете хоризонтален прорез в корена, след това и вертикален. Махнете изрязаната част от работния участък. След като извадите дебелите корени, пристъпете към отрязване на дървото.

### Бичене на дънера

Вж. страница 269.

Биченето представлява нарязване на дънера над повърхността. Важно е да стъпвате стабилно и тежестта ви да е разпределена равномерно между двата крака. Ако е необходимо, дънерът трябва да бъде подпрян с клони, греди или клинове. За да разрязвате леко, спазвайте тези прости указания. Когато дънерът е подпрян по цялата му дължина, трябва да се реже от горната му страна (горно бичене).

Когато дънерът е подпрян само от едната му страна, направете разрез от долната страна на дънера с дълбочина 1/3 от диаметъра му (долно бичене). След това направете финалния срез чрез горно бичене, като го свържете с първия разрез.

Когато дънерът е подпрян и от двете му страни, направете разрез от горната страна на дънера с дълбочина 1/3 от диаметъра му (горно бичене). След това направете финалния срез чрез долно бичене, за да срежете останалите 2/3 от диаметъра, като го свържете с първия разрез.

Когато бичите трупи на склон, винаги стойте от горната страна на дънера. За да запазите пълен контрол по време на рязане, постепенно освобождавайте упражнявания от вас натиск при приближаване края на среза, без да отпускате хватата на ръкохватките. Не позволявайте на веригата да докосва земята. След приключване на прореза изкачайте веригата да спре, преди да преместите верижния трион.





Винаги изключвайте мотора, преди да преминете към следващото дърво.

### Кастрене на дърво

Вж. страница 270.

Кастренето представлява премахване на клони от повалено дърво. Когато кастрите дърво, оставете големите клони от долната му страна, за да го подпират. Отрязвайте малките клони с едно режещо движение. Клоните, които са обтегнати под напрежение, трябва да бъдат отрязвани отдолу нагоре, за да се предотврати заклещването на верижния трион.

### Пружиниращо дърво

Вж. страница 270.

Огънатите клони може да са клони, изкоренени пънове или фиданки, които са огънати от друго дърво, така че рязко ще се изправят, когато ги отрежете или махнете дървото, което ги държи.

Съществува сериозен риск изкорененият пън на отсеченото дърво да се освободи и да застане във вертикално положение при рязане, за да се отдели от ствола. Внимавайте - огънатите клони са опасни.

#### **⚠ ПРЕДУПРЕЖДЕНИЕ**

Огънатите клони са опасни, защото могат да ви ударят и да загубите контрол над триона. При което да получите тежки или смъртоносни телесни повреди. Тази дейност трябва да се извършва от обучени потребители.

### НЕПРЕДВИДЕНИ РИСКОВЕ.

Дори когато продуктът се използва по предназначение, е невъзможно напълно да се ограничи влиянието на определени рискови фактори. Рисковете, описани по-долу, може да възникнат по време на употреба и операторът трябва да внимава за избягването на следното:

- Нараняване, причинено от вибрация
  - Винаги използвайте подходящия инструмент за съответната дейност и предназначенията за целта ръкохватки, като ограничавате времето на работа и излагането на рискове.
- Излагането на шум може да доведе до увреждане на слуха.
  - Носете антифони и ограничете излагането
- нараняване в следствие на контакт с откритите режещи зъбци на веригата
- нараняване в следствие на отхвъркнали части от разрязвания материал (стърготини или трески)
- Наранявания, причинени от вдихване на прах и частици
- нараняване в следствие на контакт на кожата със смазочните масла
- Части, отхвъркнали от веригата на триона (опасност от порязване/убождане)
- Непредвидено, внезапно движение или откат на шината (опасност от порязване).

### ΜΕΙΩΣΗ ΚΙΝΔΥΝΟΥ

Известно е, че вибрациите, произвеждани от ръчни инструменти може да предизвикат у някои индивиди заболяване, наречено Синдром на Рейнолд (Raynaud's Syndrome). Симптомите може да включват изтръпване, схващане и избледняване на пръстите, обикновено се забелязват при излагане на студ. Смята се, че наследствените фактори, излагането на студ и влага, диетите, пушенето и някои работни навици допринасят за развитието на тези симптоми. Могат да се вземат някои мерки, които могат да се предприемат от оператора, за да се намалят ефектите от вибрациите:

- Поддържайте телесната температура в студено време. Когато боравите с инструмента, носете ръкавици, за да поддържате ръцете и китките си топли. Според изследванията главният фактор, допринасящ за развитието на Raynaud's Syndrome, е студено време.
- Правете упражнения за активизиране на кръвообращението след всеки работен цикъл.
- Редовно излизайте в почивка. Ограничете излагането на вибрации на ден.
- Предпазните ръкавици, които се предлагат в търговските обекти за професионални верижни триони, са специално предназначени за работа с верижни триони и предоставят защита и добър захват, като същевременно намаляват ефекта от вибрирането на ръкохватките. Тези ръкавици трябва да са в съответствие с EN381-7 и да имат CE маркировка.

При поява на някои от симптомите на това заболяване, незабавно прекратете употребата на инструмента и посетете лекар.

#### **⚠ ПРЕДУПРЕЖДЕНИЕ**

Продължителното използване на инструмента може да доведе до наранявания или влошаване. При използване на инструмента за продължителни периоди от време правете чести почивки.

### ОПОЗНАЙТЕ ВАШИЯ ПРОДУКТ

Вж. страница 261.

1. Преден предпазител/спирачка на веригата
2. Предна ръкохватка
3. Задна ръкохватка
4. Режеща верига
5. Шина
6. Буферен шип
7. Капачка на резервоара за маслото
8. Бутон за блокиране на пусковия лост
9. Слусък
10. Капак на зъбното колело
11. Настройващ пръстен за обтягане на веригата
12. Врътка за обтягане на веригата
13. Капак на водещата шина
14. Ограничител на веригата





## УСТРОЙСТВА ЗА БЕЗОПАСНОСТ

### Верига с ниска склонност към откат

Нискооткатните режещи вериги намаляват вероятността от възникване на откат.

Ограничителите на височината, разположени в предната част на всеки зъб, могат да намалят ефекта от отката, като се предотврати навлизането в дълбочина в зоната на отката. Използвайте само комбинации от резервни водещи шини и режещи вериги, посочени от производителя.

Бъдете двойно по-внимателни след заточване на веригата на триона, тъй като тогава веригата става по-податлива на откат. За ваша безопасност подменяйте веригата винаги когато нейната способност за рязане намалява.

### Буферен шип

Неделниия буферен шип може да се използва като опорна точка при рязане. Това помага за по-стабилното боравене с верижния трион по време на рязане. При рязане избутайте инструмента напред, докато шиповете се забият в ръба на дървото, а след това чрез преместване на задната ръкохватка нагоре или надолу по посока на прорезната линия можете да намалите физическото натоварване, съпровождащо процеса на рязане.

### Шина

Обикновено използването на водещи шини с по-малък радиус при върха намалява вероятността от възникване на откат. Трябва да използвате водеща шина и подходяща верига, които да са с точната дължина за извършване на конкретната дейност. По-дългите шини увеличават риска от загуба на контрола по време на рязане. Редовно проверявайте обтегнатостта на веригата. Когато режете малки клонове (по-къси от пълната дължина на водещата шина), има по-голяма вероятност веригата да падне или отхвъркне, ако тя не е обтегната както трябва.

### Спирачка на веригата

Спирачката на веригата е разработена с цел да спира бързо въртящата се верига. Веригата трябва незабавно да спре, когато натиснете лоста на спирачката/предпазителя напред. Спирачката на веригата не ограничава ефекта от отката. Тя само намалява риска от наранявания, в случай че верижната шина се допре до тялото на оператора при възникване на откат. Изправността на верижната спирачка трябва да бъде тествана преди всяко използване на продукта – както в работеща, така и в спряна позиция на веригата.

### Ограничител на веригата

Предпазител за веригата не позволява на веригата на триона да бъде отхвърлена към оператора, ако се разхлаби или счупи.

## СГЛОБЯВАНЕ

### ⚠ ПРЕДУПРЕЖДЕНИЕ

Ако има липсващи или повредени части, не използвайте този продукт, преди те да бъдат заменени. Несъобразяването с това предупреждение може да доведе до сериозни физически наранявания.

## СГЛОБЯВАНЕ НА РЕЖЕЩАТА ВЕРИГА И ВОДЕЩАТА ШИНА

Вж. стр. 262 – 263.

1. Не забравяйте да свалите батериите от инструмента. Носете защитни ръкавици.
2. Развийте врътката за обтягане на веригата и свалете капака на зъбното колело.
3. Режещата верига трябва да е насочена по посоката на нейното въртене. Ако са обърнати в обратна посока, завъртете направената от вас примка.
4. Наместете водещите звена на веригата в канала на шината.
5. Разположете веригата така, че да образува примка в задната част на шината.
6. Задръжте веригата неподвижно върху шината и преметнете свободната част около зъбното колело. Сnižете шината, така че болтът да може да премине през отвора на прикачения механизъм за обтягане на веригата. Може да е необходимо да завъртите механизма, за да напаснете болта към отвора. След това отново завъртете механизма, за да обтегнете леко веригата, което ще помогне за нейното правилно позициониране.
7. Поставете отново капака на зъбното колело и завъртете почти докрай врътката за обтягане на веригата, след което завъртете пръстена за регулиране обтягането на веригата, докато тя не се обтегне както трябва. След това водещата шина трябва да бъде избутана нагоре. Проверете отново обтегнатостта на веригата. Не обтягайте веригата прекалено много.
8. След правилното обтягане на веригата затегнете отново врътката.

## РЕГЛАЖ НА ОБТЯГАНЕТО НА ВЕРИГАТА

Вж. страница 263. Вж. страница 273.

1. Разхлабете леко врътката за обтягане на веригата, като я завъртите обратно на часовниковата стрелка.
2. За да увеличите обтегнатостта на веригата, завъртете пръстена за регулиране на обтягането по посока на часовниковата стрелка, като периодично проверявайте обтегнатостта на веригата. За да намалите обтегнатостта на веригата, завъртете пръстена за регулиране на обтягането обратно на часовниковата стрелка, като периодично проверявайте обтегнатостта на веригата.
3. Веригата е оптимално обтегната, когато разстоянието между резците на веригата и шината е от 3 мм до 4 мм. Най-добре е да дръпнете веригата в средата на шината откъм нейния долен край (от шината навън) и да измерите разстоянието между шината и резците на веригата.

EN  
FR  
DE  
ES  
IT  
NL  
PT  
DA  
PA  
SV  
FI  
NO  
RU  
PL  
CS  
HU  
RO  
LV  
LT  
ET  
HR  
SL  
SK  
BG  
UK  
TR







4. Затегнете врътката за обтягане на веригата, като я завъртите по посока на часовниковата стрелка.

## РАБОТА

### ДОБАВЯНЕ НА СМАЗОЧНО МАСЛО ЗА ВЕРИГАТА

Вж. страница 262.

#### **▲ ПРЕДУПРЕЖДЕНИЕ**

Никога не работете без смазочно масло за веригата. Ако веригата работи без смазочно масло, нейните резци и тя самата могат да бъдат повредени. Затова е важно да проверявате нивото на маслото редовно и преди всяка употреба на верижния трион.

1. Почистете повърхността около капачката на маслото, за да предпазите маслото от замърсяване.
2. Отвинтете и отстранете капачката на резервоара за маслото.
3. Напълнете масло в резервоара, като своевременно следете маркера за равнището на маслото. Уверете се, че докато наливате масло, не влизат никакви мръсотии в резервоара.
4. Поставете обратно капачката на резервоара за маслото и я затегнете. Забършете, ако има разлято масло.
5. С едно пълнене на резервоара за масло трионът може да се използва 20 – 40 минути.

### Препоръчително смазочно масло за веригата

- Производителят препоръчва да използвате само смазочно масло за верига с марката на Ryobi. (Можете да намерите такова във вашия оторизиран сервизен център на Ryobi.)

### ПОСТАВЯНЕ НА БАТЕРИЯТА

Вж. страница 263.

1. Поставете батерията в инструмента. Подравнете повдигнатите ръбове на батерията за жлебовете в отвора за батерия на продукта.
2. Преди да започнете работа, се уверете, че фиксаторите на батерията щракват на място и батерията е застопорена в уреда.

### ПРАВИЛНО ЗАХВАЩАНЕ НА ВЕРИЖНИЯ ТРИОН

Вж. страница 263.

Винаги дръжте верижния трион с дясната ръка за задната ръкохватка и с лявата ръка за предната ръкохватка. Обхващайте добре ръкохватките, като сключвате палците и останалите си пръсти плътно около тях. Лявата ръка трябва да обхваща предната ръкохватка така, че палецът да е отдолу.

### СТАРТИРАНЕ НА ВЕРИЖНИЯ ТРИОН

Вж. страница 263.

1. Преди започване на работа трябва да поставите батериите в инструмента и да се уверите, че верижната спирачка е в работеща позиция на веригата, като за целта трябва да издърпате лоста на верижната спирачка/предпазителя за ръцете към предната ръкохватка.

2. За да стартирате инструмента: Издърпайте фиксатора на спусъка и след това натиснете спусъка.

### ПРОВЕРЯВАНЕ ИЗПРАВНОСТТА И ИЗПОЛЗВАНЕ НА ВЕРИЖНАТА СПИРАЧКА

1. За да използвате верижната спирачка, завъртете лявата си ръка около предната ръкохватка. Докато веригата се върти бързо, използвайте задната страна на ръката си, за да избутате лоста на верижната спирачка/предпазителя за ръцете към шината. Помнете, че винаги трябва да поддържате здрав хват с двете ръце върху ръкохватките.
2. Върнете обратно спирачката в работеща позиция на веригата, като хванете върха на лоста на верижната спирачка/предпазителя за ръцете и го дръпнете в посока към предната ръкохватка, докато се чуе щракване.

#### **▲ ПРЕДУПРЕЖДЕНИЕ**

Ако спирачката не спира моментално веригата или не може да стои в позиция "работи" без намеса, занесете триона в упълномощен сервизен център за поправка, преди да го използвате.

### ТРАНСПОРТИРАНЕ И СЪХРАНЕНИЕ

Вж. стр. 275 – 276.

- Спрете продукта, свалете батерията и изчакайте машината да се охлади, преди да я транспортирате или да я приберете за съхранение.
- Почистете продукта от всички чужди частици. Съхранявайте я на хладно, сухо и добре проветрявано място, което е недостъпно за деца. Не го оставяйте в близост до корозивни материали като градински химикали или соли за размразяване. Не съхранявайте на открито.
- Поставете капака на водещата шина, когато прибирате за съхранение или транспортирате продукта.
- Когато транспортирате продукта, го обезопасете така, че да не може да се движи или да падне, защото това може да доведе до евентуални наранявания на хора или повреди по продукта.

### ПОДДРЪЖКА

#### **▲ ПРЕДУПРЕЖДЕНИЕ**

Използвайте само оригинални резервни части, аксесоари и приставки от производителя. В противен случай може да се влоши работата на инструмента или да получите тежки контузии, а гаранцията ви ще стане невалидна.



### ⚠ ПРЕДУПРЕЖДЕНИЕ

Сервизното обслужване изисква изключително внимание и специфични познания и следва да бъде извършвано само от квалифициран техник. За сервизно обслужване занесете продукта в оторизиран сервизен център. При извършване на сервизни дейности използвайте само оригинални резервни части от производителя.

### ⚠ ПРЕДУПРЕЖДЕНИЕ

Сваляйте батериите, когато извършвате дейности по регулиране, поддръжка или почистване на инструмента. Несъобразяването с това предупреждение може да доведе до сериозно физическо нараняване.

- Можете да правите само такива настройки и поправки, които са описани в настоящото ръководство. За други поправки или съвети потърсете съдействие от оторизиран сервизен център.
- Неправилната поддръжка на инструмента може да доведе до счупване на веригата или до неизправност в някои от функциите за безопасност, което увеличава опасността от сериозно нараняване. Грижете се професионално за поддръжката и безопасността на своя верижен трион.
- Безопасното заточване на веригата е дейност, която изисква съответните умения. Затова производителят силно препоръчва да подмените износените и затъпени вериги с нови, които можете да намерите във вашия оторизиран сервизен център на Ryobi. Каталожният номер е поместен в таблицата със спецификациите на продукта в настоящото ръководство.
- Следвайте инструкциите за смазване на веригата, както и за проверяване и регулиране на нейната обтегнатост.
- Всеки път след употреба почиствайте продукта с мека и суха кърпа.
- Периодично проверявайте дали всички гайки, болтове и винтове са правилно затегнати, за да сте сигурни, че оборудването е в изправност. Всяка повредена част трябва да бъде поправена или заменена от упълномощен сервизен център.

### ПОДМЯНА НА ВОДЕЩАТА ШИНА И РЕЖЕЩАТА ВЕРИГА

Вж. стр. 271 – 272.

1. Не забравяйте да свалите батерията. Носете защитни ръкавици.
2. Развийте врътката за обтягане на веригата, като я завъртите обратно на часовниковата стрелка, докато капакът на зъбното колело се разхлаби.
3. Свалете капака на зъбното колело. Свалете шината и режещата верига от инструмента.
4. За да смените шината с нова, свалете винта на обтегача на веригата. Монтирайте обтегача на веригата на новата шина и затегнете винта.

5. Поставете новата верига върху шината в правилната позиция и се уверете, че водещите звена на веригата са наместени в канала на шината.
6. Закрепете шината към верижния трион и преметнете веригата около зъбното колело.
7. Поставете отново капака на зъбното колело.
8. Регулирайте обтегнатостта на веригата. Вижте раздела „Регулиране на обтегнатостта на веригата“.

### ⚠ ПРЕДУПРЕЖДЕНИЕ

Тъпата или неправилно наточената верига може да увеличи прекомерно скоростта на мотора по време на рязане, което от своя страна може да доведе до сериозни повреди по мотора.

### ⚠ ПРЕДУПРЕЖДЕНИЕ

Лошото заточване на веригата повишава опасността от откат.

### ⚠ ПРЕДУПРЕЖДЕНИЕ

Ако не подмените или не поправите повредената верига, се излагате на риск от тежки телесни повреди.

### ⚠ ПРЕДУПРЕЖДЕНИЕ

Веригата е много остра. Винаги носете предпазни ръкавици, когато извършвате дейности по поддръжката.

### ПРОВЕРКА И ПОЧИСТВАНЕ НА ВЕРИЖНАТА СПИРАЧКА

Вж. страница 274.

- Винаги поддържайте механизма на верижната спирачка чист, като леко изчетквайте сглобката му от мръсотия.
- След всяко почистване проверявайте изправността на верижната спирачка. За повече информация прегледайте раздела „Работа с уреда – Проверяване изправността и използване на верижната спирачка“ в настоящото ръководство.

### ГРАФИК ЗА ПОДДРЪЖКА

Ежедневна проверка	
Смазване на шината	Преди всяка употреба
Обтягане на веригата	Редовно и преди всяка употреба
Острота на веригата	Преди всяка употреба, визуална проверка
За повредени части	Преди всяка употреба
За разхлабени връзки	Преди всяка употреба
Функция на спирачката на веригата	Преди всяка употреба

Проверка и почистване	
Шина	Преди всяка употреба
Целия трион	след всяка употреба
Спирачка на веригата	На всеки 5 часа*

\*Часове работа

## СИМВОЛИ НА ПРОДУКТА



Предупреждение относно безопасността



Прочетете и осмислете всички указания, преди да започнете работа с продукта; спазвайте всички предупреждения и инструкции за безопасност.



Носете защитни средства за очите, слуха и главата.



Носете непързалици се защитни обувки, когато използвате продукта.



Носете здрави ръкавици, пригодени против плъзгане.



Внимавайте за откат на верижния трион и избягвайте контакт с върха на шината.



Не излагайте на дъжд и на влажни условия.



Дръжте и работете с триона с двете си ръце.



Не работете с триона, като го държите само с една ръка.



Тази машина е в съответствие с нормативната уредба на държавата от ЕС, където е била закупена.



EurAsian знак за съответствие



Украински знак за съответствие



Електрическите уреди не трябва да се изхвърлят заедно с битовите отпадъци. Рециклирайте, където има възможност. Обърнете се за съвет по рециклирането към местните власти или разпространителите.



Гарантираното ниво на шум е 96 dB.



Верижно масло



Минимално ниво на смазочната течност



Ключалка



Отключване



Поставете спирачката на веригата в позиция RUN.



Завъртете, за да регулирате опъна на веригата

+ = Обтегнете веригата

- = Отхлабете обтегнатостта на веригата



Поставете спирачката на веригата в позиция BRAKE.



Посока на движение на веригата. (Маркирано под капака на зъбното колело)

$V_0$  : 10 m/s

Скорост на веригата в ненатоварено положение: 10 m/s

L max: 300mm

Максимална дължина на водещата шина: 300 mm

## СИМВОЛИ В НАСТОЯЩОТО РЪКОВОДСТВО



Частите или принадлежностите се продават отделно



Забележка



Предупреждение



Носете защитни средства за очите и лицето.



Носете защитни средства за горната част на тялото.



Носете защитни средства за краката.



Спрете продукта.



Следните сигнални думи и значенията им са предназначени да обяснят нивата на опасност, свързани с този продукт.

**⚠ ОПАСНОСТ**

Указва неминуемо опасна ситуация, която ако не бъде избегната, ще доведе до сериозни наранявания или смърт.

**⚠ ПРЕДУПРЕЖДЕНИЕ**

Указва потенциално опасна ситуация, която ако не бъде избегната, може да доведе до сериозни наранявания или смърт.

**⚠ ВНИМАНИЕ**

Указва потенциално опасна ситуация, която ако не бъде избегната, може да доведе до дребни или средни наранявания.

**ВНИМАНИЕ**

Без предупредителен символ за безопасност

Указва ситуация, която може да доведе до имуществени щети.

- EN
- FR
- DE
- ES
- IT
- NL
- PT
- DA
- SV
- FI
- NO
- RU
- PL
- CS
- HU
- RO
- LV
- LT
- ET
- HR
- SL
- SK
- BG**
- UK
- TR

130.com.ua



Головними міркуваннями при розробці цієї бездротової ланцюгової пилки були безпека, ефективність та надійність.

### ПЕРЕДБАЧУВАНОМУ ВИКОРИСТАННІ

Бездротова ланцюгова пилка призначена для використання тільки на свіжому повітрі. Задля безпеки керування інструментом має здійснюватися обома руками.

Продукт призначений для обрізки гілок, стовбурів, деревини і балок з діаметром, обумовленим довжиною ріжучої частини штанги. Тільки призначено для різання деревини. Може бути використана тільки у домашньому застосуванні дорослими, які отримали належну підготовку по небезпекам і профілактичним заходам / діям, що повинні бути прийняті при використанні.

Не використовуйте продукт для будь-якої мети, не перерахованої вище. Не повинно використовуватися для професійного спилування дерев. Продукт не призначений для використання дітьми або особами, які не мають відповідних засобів індивідуального захисту та одягу.

#### ⚠ Попередження

При використанні продукту, потрібно дотримуватися правил безпеки. Для вашої власної безпеки та безпеки перехожих, ви повинні прочитати і повністю зрозуміти ці інструкції перед експлуатацією виробу. Ви повинні відвідати професійно організований курс безпеки використання, профілактичних дій, першої допомоги та обслуговування ланцюгової пилки. Будь ласка, збережіть інструкції з безпеки для подальшого використання.

#### ⚠ Попередження

Ланцюгова пила потенційно небезпечний інструмент. Нешасні випадки, пов'язані з використанням ланцюгових пил часто призводять до втрати кінцівок або смерті. Це не просто ланцюгова пила, це небезпека. Падаючі гілки, повалені дерева, колоди, що котяться можуть всі вбити. Хвора або гниюча деревина створює додаткові ризики. Ви повинні оцінити ваші можливості безпечного завершення завдання. Якщо є сумніви, залиште це в професійному древорубу.

### ЗАГАЛЬНІ ЗАХОДИ БЕЗПЕКИ

#### ⚠ Попередження

Прочитайте всі правила безпеки та інструкції. Недотримання попереджень та інструкцій може призвести до ураження електричним струмом, пожежі та / або серйозної травми.

**Збережіть всі інструкції і вказівки для майбутнього використання.**

Термін "електроінструмент" у попереджувальних

повідомленнях відноситься до вашого мережевого електроінструменту (дротового) або електроінструменту, що живиться від акумуляторної батареї (бездротового).

### БЕЗПЕКА РОБОЧОГО МІСЦЯ

- **Утримуйте робоче місце в чистоті і добре освітленим** Безлад на робочому місці або темні місця спричиняють аварії .
- **Не використовуйте продукт у вибухонебезпечних атмосферах, наприклад, у присутності легко займистих рідин, газів або пилу.** Під час роботи косарки виникають іскри, що можуть призвести до займання пилу або парів.
- **Тримайте дітей та сторонніх осіб подалі під час роботи електроінструментом.** Відволікання уваги може призвести до втрати контролю.

### ЕЛЕКТРОБЕЗПЕКА

- **Вилка живлення електроінструменту повинна відповідати розетці. Ніколи не змінюйте вилку. Не використовуйте ніякі вилки-перехідники з заземленими (замкнутими на землю) електроінструментами.** Не змінені вилки та відповідні розетки зменшують ризик ураження електричним струмом.
- **Уникайте контакту тіла з заземленими поверхнями, такими як труби, радіатори, плити та холодильники.** Існує підвищений ризик ураження електричним струмом, якщо ваше тіло заземлене.
- **Не піддавайте електроінструменти впливу дощу або вологих умов.** Попадання води на пристрій збільшує ризик ураження електричним струмом.
- **Не зловжуйте шнур.** Ніколи не використовуйте шнур живлення для перенесення, переміщення або вилучення вилки з розетки. Тримайте шнур подалі від тепла, масла, гострих кромek або рухомих частин. Пошкоджені або заплутані шнури збільшують ризик ураження електричним струмом.
- **При роботі з електроінструментом на вулиці, використовуйте подовжувач, відповідний для використання на відкритому повітрі.** Використання кабелю, придатного для використання на відкритому повітрі, знижує ризик ураження електричним струмом.
- **При роботі з електроінструментом у вологому середовищі використовуйте залишковий поточний пристрій (ЗПП) захищеного живлення.** Використання ЗПП знижує ризик ураження електричним струмом.

### ОСОБИСТА БЕЗПЕКА

- **Будьте уважні, дивіться, що ви робите, і використовуйте здоровий глузд при експлуатації виробу.** Не працюйте з виробом, коли ви втомлені або знаходитесь під дією наркотиків, алкоголю або медикаментів. Найменша необережність при роботі з електроінструментом може призвести до серйозних травм.
- **Використовуйте персональне захисне**





обладнання. Завжди одягайте захисні окуляри. Засоби захисту, такі як респіратор, нековзне взуття, каска або засоби захисту органів слуху, що використовуються в належних умовах знизять ризик отримання травми.

- **Запобігайте випадковому запуску.** Переконайтеся, що вимикач знаходиться у вимкненому положенні перед підключенням до джерела живлення та / або акумуляторної батареї, підніманням або переміщенням інструменту. Не переносьте електроінструмент з пальцем на вимикачі або подачею живлення на інструмент, який має перемикач, щоб запобігти нещасного випадку.
- **Перед включенням електроінструменту знімайте регульовальний або гайковий ключ.** Гайковий ключ або регульовальний ключ, залишений на обертаємій частині електроінструменту, може призвести до травми.
- **Не тягніться.** Зберігайте правильну стійку і баланс весь час. Це дозволяє краще контролювати інструмент в несподіваних ситуаціях.
- **Одягайтеся правильно.** Не носіть вільний одяг або прикраси. Тримайте волосся, одяг і рукавички подалі від рухомих частин. Вільний одяг, прикраси або довге волосся можуть потрапити в рухомі частини.
- **Якщо є пристрій для підключення для збору пилу, переконайтеся, що вони під'єднані і використовуються правильно.** Використання пилозбірника знижує небезпеку, пов'язану з запиленістю.

#### ВИКОРИСТАННЯ ТА ДОГЛЯД ЗА ЕЛЕКТРОІНСТРУМЕНТОМ

- **Не перевантажуйте електроінструмент.** Використовуйте відповідний для вашої потреби електроінструмент. Електроінструмент виконає роботу краще і безпечніше при швидкості, для якої він був розроблений.
- **Не використовуйте електроінструмент, якщо перемикач не включає та вимикає його.** Будь-який електроінструмент, який не може управлятися за допомогою перемикача, є небезпечним і має бути відремонтований.
- **Відключіть вилку від джерела живлення та / або від акумулятора електроінструменту, перш ніж робити будь-які регулювання, зміну приладдя або при зберіганні електроінструменту.** Такі запобіжні заходи знижують ризик випадкового запуску приладу.
- **Зберігайте непрацюючі електроприлади у недоступному для дітей місці і не дозволяйте особам, які не знайомі з інструкціями електричного прилада або з даними інструкціями, працювати з електроприладами.** Електроінструменти небезпечні в руках недосвідчених користувачів.
- **Обслуговуйте електроінструмент.** Перевіряйте рухомі частини на наявність зміщення елементів або некоректного з'єднання, а також поломки

та будь-яких інших чинників, які можуть вплинути на роботу електроінструменту. Якщо пошкоджений, відремонтуйте електроінструмент перед використанням. Багато нещасних випадків є наслідком поганого догляду за електроінструментом.

- **Тримайте ріжучий інструмент гострим і чистим.** Добре доглянутий ріжучий інструмент з гострими ріжучими крайками рідше зв'язується і легше контролюється.
- **Використовуйте електроприлади, приладдя та насадки відповідно до цих інструкцій, урахувавши умови та характер роботи.** Використання електричного інструменту для операцій, які відрізняються від призначених, може призвести до небезпечної ситуації.

#### ВИКОРИСТАННЯ І ДОГЛЯД ІНСТРУМЕНТУ НА БАТАРЕЙКАХ

- **Перезаряджати тільки за допомогою зарядного пристрою, зазначеного виробником.** Зарядний пристрій, що підходить для одного типу акумуляторів, може створити ризик загоряння при використанні з іншим акумуляторним блоком.
- **Використовуйте електроінструменти тільки з призначеними для них акумуляторами.** Використання будь-яких інших акумуляторів, може створити ризик отримання травми і пожежі.
- **Коли акумуляторна батарея не використовується, тримайте її подалі від металевих предметів, таких як кліпси, монети, ключі, цвяхи, гвинти або інші невеликі металеві предмети, які можуть замкнути клемами.** Коротке замикання контактів акумулятора може призвести до опіків або пожежі.
- **У важких умовах експлуатації, рідина може бути випущена з батареї; уникайте контакту.** При випадковому контакті змийте водою. При потрапіння рідини в очі, зверніться за медичною допомогою. Рідина з акумулятора може викликати роздратування або опіки.

#### ОБСЛУГОВУВАННЯ

- **Дозволяйте обслуговувати ваш електроінструмент тільки кваліфікованому персоналу, використовуючи тільки ідентичні запасні частини.** Це гарантуватиме безпечну експлуатацію електроінструменту.

#### ДОДАТКОВІ ЗАГАЛЬНІ ПОПЕРЕДЖЕННЯ ЩОДО БЕЗПЕКИ

- У деяких регіонах існують правила, що обмежують використання продукту для деяких операцій. Перевірте з вашим місцевим органом влади для консультації
- Ніколи не дозволяйте дітям або людям, не знайомим з цими інструкціями, використовувати продукт. Місцеве законодавство може обмежувати вік оператора.
- Перед кожним використанням переконайтеся, що всі елементи керування і безпеки функціонують

EN
FR
DE
ES
IT
NL
PT
DA
SV
FI
NO
RU
PL
CS
HU
RO
LV
LT
ET
HR
SL
SK
BG
<b>UK</b>
TR







правильно. Не використовуйте машину, якщо вимикач "ВИМК" не зупиняє машину.

- Одгайте повний захист для очей та слуху, важке масивне взуття та рукавиці, а також захист для голови під час роботи із пристроєм. використовуйте маску, якщо операція пильна.
- Використання захисту органів слуху знижує здатність чути попередження (крики або сигнали тривоги). Оператор повинен звернути особливу увагу на те, що відбувається в робочій зоні.
- Тримайте міцну опору і рівновагу. Не тягніться. Перенавантаження може призвести до втрати рівноваги і може збільшити ризик віддачі.
- Не носіть вільний одяг, короткі штани або прикраси будь-якого роду.
- Зафіксуйте довге волосся вище рівня плеча, щоб запобігти заплутуванню в будь-яких рухомих частинах.
- Остерігайтеся відкинутих, летаючих або падаючих предметів. Тримайте всіх перехожих, дітей, і домашніх тварин, щонайменше на 15 м від робочої зони.
- Не використовуйте при поганому освітленні. Оператор потрібне чіткий огляд робочої області, щоб визначити потенційні небезпеки.
- Операції з аналогічними інструментами неподалік збільшує ризик травми слуху і можливість потрапляння інших осіб у робочу зону.
- Тримайте всі частини вашого тіла подалі від рухомої частини.
- Огляньте виріб перед кожним використанням. Перевірте правильність роботи всіх пристроїв управління, включаючи гальма ланцюга. Перевірте надійність кріплення. Переконайтеся, що всі захисні огорожі, дефлектори і ручки правильно і надійно закріплені. У разі виявлення пошкоджених частин замініть їх до початку роботи.
- Не змінюйте машину будь-яким чином та не використовуйте деталі та приладдя, не рекомендовані виробником.

#### **⚠ Попередження**

Якщо продукт впаде, постраждав від важкого впливу або починає вібрувати, негайно зупиніть обладнання та перевірте на наявність пошкоджень або визначте причину вібрації. Будь-яке пошкодження має бути правильно відремонтовано або замінено в авторизованому сервісному центрі.

#### **ТЕХНІКА БЕЗПЕКИ ЛАНЦЮГОВОЇ ПИЛИ**

- Тримайте всі частини тіла подалі від ланцюга у випадку коли ланцюгова пила працює. Перш ніж запустити ланцюгову пилу, переконайтеся, що ланцюг пили не контактує з чимось. Момент неуважності при роботі з ланцюговими пилами може викликати заплутування вашого одягу або тіла в ланцюг.
- Завжди тримайте ланцюгову пилу правою рукою

на задній рукоятці і лівою рукою на передній рукоятці. Утримання ланцюгової пили із зворотніми конфігураціями рук збільшує ризик травм і ніколи не повинно виконуватися.

- Тримайте інструмент за ізольовані поверхні для тримання, тільки тому, що ланцюг пили може контактувати з прихованою проводкою. Ланцюг пили, що контактує з проводом "під напругою" може зробити металеві частини електроінструменту "під напругою" і може вдарити оператора.
- Носіть захисні окуляри та засоби захисту слуху. Крім того захисне обладнання для голови, рук, ніг і стоп рекомендується. Адекватний захисний одяг знижує травми від летючих уламків або випадкового контакту з ланцюгом.
- Не використовуйте ланцюгову пилу на дереві. Робота ланцюговою пилою на дереві може призвести до травми.
- Завжди зберігайте рівновагу і управляйте ланцюговою пилою, тільки стоячи на нерухомій, безпечній і рівній поверхні. Слизькі або нестійкі поверхні, такі як сходи можуть призвести до втрати рівноваги або контролю над ланцюговою пилою.
- При різанні сучків, які знаходяться під напругою будьте напоготові, щоб отримати віддачу. Коли напруга у волокнах відпускає напружений паросток може вдарити оператора та / або вибити бензопилу з-під контролю.
- Будьте гранично обережні при різанні хмиза і паростків. Тонкий матеріал може зловити ланцюг пили, вдарити або потягнути вас, порушивши вашу рівновагу.
- Переносьте ланцюгову пилу за передню рукоятку вимкненою і подалі від вашого тіла. При зберіганні чи транспортуванні ланцюгової пили завжди встановлюйте кожух на направляючу штангу. Правильне поводження з ланцюговою пилою знизить імовірність випадкового контакту з рухомих пиляльним ланцюгом.
- Дотримуйтесь інструкцій по змаченню, натягненню ланцюга і заміні приладдя. Неправильно натягнутий або змачений ланцюг може або зламатися, або збільшити шанси на віддачу.
- Тримайте ручки сухими, чистими, і вільними від масла і мастила. Жирні, масляні ручки слизькі та викликають втрату контролю.
- Ріжте тільки дерево. Не використовуйте ланцюгову пилу для не призначених цілей. Наприклад, не використовуйте ланцюгову пилу для різання пластика, кладок і недеревних будівельних матеріалів. Використання ланцюгової пили для операцій, відмінних від призначених може призвести до небезпечної ситуації.

#### **Причини і профілактика оператором віддачі:**

Віддача може виникнути коли ніс або кінчик направляючої шини доторкнеться до об'єкту, або коли дерево змикається та зажимає пильний ланцюг.

Контакт з кінчиком в деяких випадках може викликати





раптову зворотну реакцію, штовхнувши направляючу штангу вгору і назад до оператора.

Затиснення пиляльного ланцюга у верхній частині направляючої шини може підштовхнути направляючу шину швидко у напрямку оператора.

Будь-яка з цих реакцій може призвести до втрати контролю над пилкою, що може призвести до серйозних травм. Не покладайтеся виключно на запобіжні пристрої, вбудовані в пилу. Як користувач ланцюгової пили, ви повинні зробити кілька кроків, щоб зберегти свої робочі місця для різання вільними від нещасного випадку або травми.

Kickback is the result of tool misuse and/or incorrect operating procedures or conditions and can be avoided by taking proper precautions as given below:

- **Міцно тримайте, обхопивши пальцями ручки бензопили, з обоїми руками на пилці і з положенням тіла і рук, що дозволяє вам протистояти віддачі.** Сила віддачі може керуватися за допомогою оператора, якщо виконати відповідні запобіжні заходи. Не відпускайте ланцюгову пилу.
- **Не перевищуйте та не ріжте вище урвня плечей.** Це допомагає запобігти ненавмисному контакту наконечника і дозволяє краще контролювати ланцюгову пилу у неочікуваних ситуаціях.
- **Використовуйте тільки запасні шини та ланцюги зазначені виробником.** Неправильні запасні штанги і ланцюги можуть привести до поломки ланцюга і / або віддачі.
- **Дотримуйтесь інструкцій із заточування і технічного обслуговування виробника для пиляльного ланцюга.** Зменшення глибини висотоміра може призвести до збільшення віддачі.

#### ДОДАТКОВІ ЗАХОДИ БЕЗПЕКИ ЛАНЦЮГОВОЇ ПИЛИ

- Рекомендується розпилювати колоди на лісопилному козлі або рамі, коли використовуєте продукт в перший раз.
- Переконайтеся, що всі кожухи, ручки і зубчастий бампер правильно встановлені і знаходяться в доброму стані.
- Особи, які використовують цю ланцюгову пилу повинні бути в доброму здоров'ї. Пила є важким пристроєм таким чином, оператор зобов'язаний бути фізично придатним. Оператор повинен бути напоготові, мати хороший зір, рухливість, рівновагу і спритність. Якщо є які-небудь сумніви, не використовуйте ланцюгову пилу.
- Не починайте використовувати продукт до тих пір, поки ви не маєте чисту робочу зону, стійке положення, і запланований шлях відступу далеко від падаючого дерева.
- Остерігайтеся викиду мастильного туману і тирси. Носіть маску або респиратор, якщо потрібно.
- Ніколи не ріжте лозу і / або невеликий підлісок (менше 75 мм в діаметрі).
- Завжди тримайте ланцюгову пилу обома руками при роботі з пилою. Використовуйте тверде зчеплення з пальцями обхопившими ручку ланцюгової пили. Права рука повинна бути на задній рукоятці і ліва

рука на передній ручці.

- Перед запуском інструменту переконайтеся, що ланцюг пили не торкнеться будь-якого об'єкту.
- Не змінюйте свій інструмент, або не використовуйте його для живлення будь-якого приладдя або пристроїв, не рекомендованих виробником для вашої пилки.
- Близько до оператора повинні бути аптечка, що містить великі пов'язки і засоби, щоб викликати увагу (наприклад, свисток), . Більший, всеосяжний комплект повинен бути досить неподалік.
- У оператора може виникнути спокуса зняти шолом, якщо немає небезпеки падіння предметів, але пам'ятайте, що шолом, зокрема, з сіткою козирком, може допомогти зменшити потенціал ран на обличчі та голові при віддачі.
- Неправильно надягнутий ланцюг може зіскочити з направляючої планки і може призвести до серйозних травм або смерті. Довжина ланцюга залежить від температури. Перевірте натяг часто.
- Ви повинні звикнути до вашої нової ланцюгової пили, роблячи прості розрізи на надійно підтримуєму дереві. Зробіть це, коли ви не працювали з пилкою протягом деякого часу.
- Щоб знизити ризик отримання травми, пов'язаної з контактом з рухомими частинами, завжди зупиняйте двигун, застосуйте гальма ланцюга, зніміть акумулятор і переконайтеся, що всі рухомі частини прийшли зупинилися перед:
  - очищення або розчищення засмічення
  - залишенням продукту без нагляду
  - перед встановленням або зняттям приладдя
  - перевірка, технічне обслуговування або робота з виробом.
- Розмір робочої області залежить від роботи, що виконується, а також від розміру дерева або заготовки, що беруть участь. Наприклад, вирубка дерева вимагає більшої робочої зони, ніж інші розрізи, тобто розпилювання і т.д. Оператор повинен бути в курсі, і контролювати все, що відбувається в робочій зоні.
- Ніколи не пиляйте, коли ваше тіло на лінії захисного кожуха або ланцюга. Якщо ви відчуваєте віддачу, буде запобігати контакту ланцюга з вашою головою або тілом.
- Не використовуйте рухи вперед і назад для розпилювання, нехай ланцюг зробить роботу, тримайте ланцюг гострим і не пробуйте підштовхувати ланцюг через розріз.
- Не тисніть на пилку в кінці різання. Будьте готові взяти на себе вагу пили, коли вона розріже деревину. Невиконання цієї вказівки може привести до серйозної травми або пошкодити пристрій.
- Не зупиняйте пилку на середині операції різання. Зберігайте пилку працюючою, поки не буде видалена з розрізу.

#### Натисніть і потягніть

Сила реакції завжди протилежна напрямку руху ланцюга. Таким чином, оператор повинен бути готовий





керувати тенденцією машини відриватися (рухатися вперед) при розпилюванні на нижній кромці штанги і натисненням назад (у напрямку оператора) при різанні вздовж верхнього краю.

### Пила застрягла в розрізі.

Зупиніть ланцюгову пилу і зробіть її безпечною. Не намагайтеся примушувати ланцюг і штангу через розріз, це може розірвати ланцюг, який може відхитнутися назад і вдарити оператора. Ця ситуація зазвичай виникає через неправильну підтримку деревини і примушенні закриття розрізу при стисненні, тим самим затискаючи лезо. При регулюванні підтримки не звільняйте штангу і ланцюг, використовуйте дерев'яні клини або важіль, щоб відкрити розріз і звільнити пилку. Ніколи не намагайтеся запустити ланцюгову пилу, коли напрямна штанга вже в розрізі або пропили.

### Засоби індивідуального захисту

Хорошої якості, засоби індивідуального захисту, які використовуються професіоналами допоможуть знизити ризик отримання травми оператором. Наступні пункти повинні бути використані при роботі ланцюговою пилою:

#### Шолом безпеки

- повинні відповідати EN 397 і мати маркування CE

#### Захист органів слуху

- повинні відповідати EN 352-1 і мати маркування CE

#### Засоби захисту органів слуху

- Захист обличчя та очей повинні мати маркування CE і відповідають стандарту EN 166 (для захисних окулярів) або EN +1731 (для сітчастих козирків)

#### Рукавички

- повинні відповідати EN 381-7 і мати маркування CE

#### Захист ніг (шкіряні штани)

- повинні відповідати EN381-5, мати маркування CE і забезпечити всебічний захист.

#### Захисні чоботи для роботи з ланцюговою пилою

- повинні відповідати EN ISO 20345:2004 і відзначатися щитом із зображенням ланцюгової пили, щоб показати відповідність до EN 381-3. (Іноді користувачі можуть використовувати черевики зі сталевим носком з захисними гетрами, які відповідають EN 381-9, якщо є невеликий ризик падіння або залптування у підлісок)

#### Куртка для ланцюгової пили для захисту верхньої частини тіла

- повинні відповідати EN 381-11 і мати маркування CE

## ІНСТРУКЦІЇ, ЩО СТОСУЮТЬСЯ ПРАВИЛЬНИХ МЕТОДІВ ДЛЯ ОСНОВНОЇ РУБКИ, ОБРІЗКИ СУЧКІВ, І РОЗПИЛЮВАННЯ

### Розуміння сил в деревині

Коли ви розумієте спрямований тиск і напруження в деревині, можна зменшити "щіпки" або, принаймні, очікувати їх під час різання. Напряга в розрізі означає, що волокна розтягуються, і коли різати в цьому місці "пропил" буде, як правило відкриватися, коли пила проходить скрізь. Якщо колода підтримується на козлі для пиляння і кінець звисає невідтриманим, це створює напругу на верхній частині через нависаючу вагу і розтягування волокон. деревини. Аналогічним чином, нижня частина деревини буде розрізана а волокна зіштовхнуті разом. Якщо надріз розрізу пропили буде мати тенденцію збільшуватися під час різання. Це може затиснути лезо.

### Валка дерева

Дивіться сторінки 267 - 268.

Коли операції розкривання і вирубки виконуються за допомогою двох або більше осіб одночасно операції вирубки повинні бути відокремлені від операції подрібнення на відстані принаймні в два рази висоти вирубуемого дерева. Дерева не повинні бути зрубані, щоб поставити під загрозу будь-яку особу, пошкодити комунальні лінії або нанести будь-які збитки. Якщо дерево робить контакт з будь-якою функціональною лінією, компанія повинна бути негайно повідомлена.

Оператору ланцюгової пили слід триматися на горі, бо дерево, швидше за все зкотиться або зковзне вниз по схилу після його падіння.

Шлях відступу повинен плануватися і очищатися перш, ніж починати пиляння. Шлях виходу повинен поширюватися назад і по діагоналі до задньої частини очікуваної лінії падіння.

Перед початком рубки, розгляньте природний нахил дерева, розташування великих гілок і напрям вітру, щоб судити, яким шляхом дерево буде падати.

Видаліть бруд, камені, кору, цвяхи, скоби та дроти з дерева.

Не намагайтеся валити дерева, які гнилі або були пошкоджені вітром, пожежою, ударом блискавки, і т.д. Це вкрай небезпечно і повинно бути завершено тільки професійним дроворубом.

#### 1. Надріз мітки

Дивіться сторінки 267 - 268.

Зробіть виймку 1/3 діаметра дерева, перпендикулярно напрямку падіння. Зробіть нижню горизонтальну насічку в першу чергу. Це допоможе уникнути защемлення, або пиляльного ланцюга або направляючої штанги, коли друга насічка робиться.

#### 2. Насічка для заднього падіння

Дивіться сторінки 267 - 268.

Зробіть задню вирубку принаймні 50 мм / 2 вище горизонтального розрізу насічки. Зробіть задню насічку, вирізаної паралельно горизонтальному різанню. Зробіть задню зарубку достатньою, щоб залишити в якості підвіски. Підвіска дерева зберігає





дерево від скручування і падіння в неправильному напрямку. Не прорізайте підвіску.

Коли падіння наближається до підвіски, дерево повинно почати падати. Якщо є якийсь шанс, що дерево не може впасти в потрібному напрямку, або воно може похитнутися назад і зв'язати пилляльний ланцюг, зупиніть пилання до задньої насічки і використовуйте клин з дерева, пластику або алюмінію, щоб відкрити розріз і дерево впало уздовж бажаної лінії падіння.

Коли дерево починає падати видаліть ланцюгову пилу з розрізу, зупиніть двигун, поставте ланцюгову пилу вниз, та використайте шлях запланованого відступу. Будьте пильні стосовно падіння високих паростей і пильнуйте свою опору.

### Видаліть опорне коріння

Дивіться сторінку 268.

Опорний корінь, це великий корінь, що простягається від стовбура дерева над землею. Видаліть великі опорні коріння до рубки. Зробіть горизонтальний розріз зпершу в опорний корінь, а потім по вертикалі різання. Уберіть отриманий вільний розділ з робочої зони. Дотримуйтеся правильної процедури вирубки дерев після видалення великого опорного коріння.

### Підтримка колоди

Дивіться сторінку 269.

Насічка розрізає колоду на потрібну довжину. Важливо переконатися, що ваша опора тверда і ваша вага рівномірно розподіляється на обидві ноги. Коли це можливо, колода повинна бути піднята і підтримуватися за допомогою сучків, колод або чурок. Дотримуйтеся простих інструкцій для зручного розпилювання. Коли колода підтримується по всій її довжині, її розрізають зверху (над козлами).

Коли колода підтримується з одного кінця, спиліть 1/3 діаметра з низу (під козлами). Потім зробіть остаточний розріз над козлами, щоб зустріти перший розріз.

Коли колода підтримується з обох кінців, розпиліть 1/3 діаметра зверху (над козлами). Потім зробіть остаточний розріз під козлами нижньої 2/3, щоб зустріти перший розріз.

При розпилюванні на схилі завжди стійте на верхньому боці колоди. При "прорубуванні", щоб зберегти повний контроль, вивільніть тиск різання ближче до кінця розрізу, не розслабляючи хватку на ручках ланцюгої пили. Не дозволяйте ланцюгу контактувати з землею. Після завершення розпилювання, почекайте поки ланцюг пили зупиниться, перш ніж рухати ланцюгову пилу. Перш ніж перейти від дерева до дерева, завжди зупиняйте двигун.

### Обрізання сучків дерева

Дивіться сторінку 270.

Обрізання сучків це видалення гілок з дерева, що впало. При обрізанні сучків, залиште більші ніжні кінцівки для підтримки колоди над землею. Зрізайте дрібні гілки за один прохід. Гілки під напругою повинні бути зрізані знизу вгору, щоб уникнути зв'язування ланцюгової пили.

### Пружинячі колоди

Дивіться сторінку 270.

Пружинячою колодою може бути будь-яка колода, гілка, коренистий пен, або саджанець, які нахилилися під напругою іншого дерева, так що вони спружиняють назад, якщо зрізати або видалити тримаючу деревину.

У впадиного дерева, коренистий пен має високий потенціал спружинити назад в вертикальне положення під час розкривання, щоб відокремити стовбур від пня. Стежте за пружинячими колодами - вони небезпечні.

#### ⚠ Попередження

Пружинячі колоди небезпечні і можуть вдарити оператора, в результаті чого оператор втратить контроль над пилкою. Це може призвести до серйозних травм або до смерті оператора. Це має бути зроблено навченими користувачами.

### НЕПЕРЕДБАЧЕНІ РИЗИКИ

Навіть за належного використання інструмента неможливо повністю нейтралізувати певні фактори залишкового ризику. Наступні небезпеки можуть виникати при використанні продукту та оператору слід звернути особливу увагу, щоб уникнути наступного:

- Травми спричинені вібрацією.
  - Завжди використовуйте правильний інструмент для роботи, використовуйте призначені ручки і обмежить час роботи і вплив.
- Під впливом шуму може виникнути пошкодження слуху.
  - Надягайте захист для органів слуху та лімітуйте вплив.
- zincirin açiktaki testere dişi ile temastan kaynaklanan yaranlanma
- çalışma parçasından fırlayan parçalar (odun parçası ve kıymıklar) nedeniyle yaranlanma
- toz ve parçacık nedeniyle yaranlanma
- yağlayıcı ya da yağın cilde temasıyla yaranlanma
- Частини викидаються з ланцюга пили (небезпека пилання / введення).
- Непередбачений, різкий рух або віддача направляючої штанги (небезпека при розпилюванні).

### ЗНИЖЕННЯ РИЗИКУ

Відомі випадки, коли вібрація від ручних інструментів сприяє появі так званого синдрому Рейно. Симптоми схожі на ті, що з'являються під впливом холоду, включаючи поколювання, оніміння та збліднення пальців. Вважається, що спадкові чинники, вплив холоду і сирості, харчування, куріння і деякі звички роботи сприяють розвитку цих симптомів. Можна прийняти деякі заходи, які можуть бути прийняті оператором, щоб зменшити вплив вібрації:

- Підтримувати температуру тіла в холодну погоду. При використанні інструменту надягайте рукавички, щоб тримати руки та зап'ястки у теплі. Згідно

EN  
FR  
DE  
ES  
IT  
NL  
PT  
DA  
SV  
FI  
NO  
RU  
PL  
CS  
HU  
RO  
LV  
LT  
ET  
HR  
SL  
SK  
BG  
UK  
TR





з дослідженнями, основний внесок в розвиток синдрому Рейно, є холодна погода.

- Вправа для активації кровообігу після кожного запуску.
- Регулярно йдуть на перерву. Лімітуйте кількість роботи на день.
- Захисні рукавички, доступні у професійних продавців ланцюгових пил, вони розроблені спеціально для використання з ланцюговою пилою і дають захист, хороше зчеплення і також зменшують вплив від вібрації ручки. Ці рукавички повинні відповідати EN381-7 і повинні мати маркування CE.

Якщо ви виявили будь-який з цих симптомів, негайно припиніть використання і зверніться до вашого лікаря згідно цих симптомів.

#### **⚠ Попередження**

Тривале використання інструменту може призвести до травмування або загострення існуючої травми. При використанні приладу протягом тривалого періоду часу, часті перерви.

### **ЗНАЙ СВІЙ ПРОДУКТ**

Дивіться сторінку 261.

1. Передній захист рук / Гальма ланцюга
2. Передня ручка
3. Задня ручка
4. Ланцюг
5. Направляюча штанга
6. Зубчастий бампер
7. Кришка мастила ланцюга
8. Відпущення тригеру
9. Гачок перемикача
10. Кришка ланцюгового колеса
11. Кільце регулювання натяжного пристосування ланцюга
12. Рукотка натяжного пристосування ланцюга
13. Кришка направляючої штанги
14. Обмежувач ланцюга

### **ЗАХИСНІ ПРИСТРОЇ**

#### **Ланцюг пили з низькою віддачею**

Ланцюг пили з низькою віддачею знижає ризик виникнення віддачі.

Сколюючі зуби (глибиноміри) перед кожним різцем можуть звести до мінімуму силу реакції віддачі, запобігаючи візанню різців занадто глибоко. Використовуйте тільки замініні комбінації направляючої штанги і ланцюга, рекомендовані виробником.

Так як пильні ланцюги заточені, вони втрачають деякі якості низької віддачі та потрібна особлива обережність. Для вашої безпеки, замініть пильні ланцюги при зниженні продуктивності різання.

#### **Зубчастий бампер**

Штир цільного бамперу може бути використаний в якості опори при виконанні розрізу. Це допомагає тримати ланцюгову пилу стійкою під час різання. При

різанні, штовхайте машину вперед, поки штир не зануриться у край деревини, а потім переміщуючи задню рукоятку вгору або вниз у напрямку лінії розрізу, це може допомогти полегшити фізичне навантаження при розпилюванні.

#### **Направляючі штанги**

Як правило, направляючі штанги з кінцівками невеликого радіуса мають деякою мірою нижчий, потенціал віддачі. Ви повинні використовувати направляючу шину та відповідні ланцюги, які достатньо довгі для роботи. Більш довгі шини збільшують ризик втрати контролю під час пиляння. Регулярно перевіряйте натяг ланцюга. При різанні дрібних гілок (менших, ніж вся довжина полотнища) ланцюг, швидше за все, буде скинутий, якщо натяг неправильний.

#### **Гальма ланцюга**

Гальма ланцюга призначені для швидкої зупинки обертання ланцюга. Коли важіль гальма ланцюга / захисний щиток руки штовхається в напрямку штанги, ланцюг повинен негайно зупинитися. Гальма ланцюга не запобігають віддачі. Це тільки знижує ризик травми, коли штанга ланцюга контактує з тілом оператора під час віддачі. Гальма ланцюга повинні бути перевірені перед кожним використанням для правильної роботи у робочій і гальмівній позиції.

#### **Обмежувач ланцюга**

Обмежувач ланцюга запобігає віддачі у бік оператора, якщо ланцюг пилки вивільнився або пошкодився.

### **МОНТАЖ**

#### **⚠ Попередження**

Якщо оновлення -небудьзамінені або пошкоджені, не використовуйте даний виріб, поки вони здебільшого не будуть замінені. Невиконання цієї вказівки може привести до серйозної травми або пошкодити пристрій.

### **ЗБІРКА ПИЛЯЛЬНОГО ЛАНЦЮГА І НАПРАВЛЯЮЧОЇ ШТАНГИ**

Дивіться сторінки 262 - 263.

1. Переконайтеся, що вийняли акумулятор з пристроєм. Носіть захисні рукавички.
2. Відкрутіть ручку натяжителя ланцюга і зніміть кришку ланцюгового колеса.
3. Пиляльний ланцюг повинен бути звернений в напрямку обертання ланцюга. Якщо вони направлені назад, переверніть петлю.
4. Помістіть ланки приводу ланцюга в канавки штанги.
5. Помістіть ланцюг так щоб була петля позаду штанги.
6. Тримайте ланцюг в положенні на штанзі і помістіть петлю навколо ланцюгового колеса приводу. Опустити штангу так, щоб болт проходив через отвір в прикріпленій збірці натягу ланцюга. Вам може бути потрібно повернути цю збірку, щоб болт і отвори вивірнілися. Ви можете обертати цю збірку, щоб надати деяку напруженість ланцюгу, яка допоможе







зберегти його в положенні.

7. Заніміть кришку ланцюгового колеса і поверніть ручку натяжителя ланцюга майже до зтягнутості, поверніть регулювальне кільце натягу ланцюга, поки ланцюг пилки не буде правильно натягнут. Напрямна штанга повинна бути штовхнута вгору, перевірте натяг ланцюга знову, чи ланцюг не зтягнут занадто туго.
8. Після того, як ланцюг добре натягнутий, зтягніть рукоятку знову.

### РЕГУЛЮВАННЯ НАТЯГУ ЛАНЦЮГА

Дивіться сторінку 263. Дивіться сторінку 273.

1. Послабте рукоятку натяжителя ланцюга злегка повернувши його проти годинникової стрілки.
2. Для збільшення натягу ланцюга, поверніть регулююче кільце натяжителя ланцюга за годинниковою стрілкою і перевірте натягнення ланцюга часто. Для зменшення натягу ланцюга, поверніть регулююче кільце натяжителя ланцюга проти годинникової стрілки і перевірте натягнення ланцюга часто.
3. Натяг ланцюга правильний, коли розрив між різаком в ланцюзі і штангою між 3 мм і 4 мм. Потягніть ланцюг в середині нижньої частини штанги вниз (від штанги) і виміряйте відстань між штангою і різцями ланцюга.
4. Зтягнути рукоятку натяжителя ланцюга, повернувши його за годинниковою стрілкою.

### ФУНКЦІОНУВАННЯ

#### ДОДАВАННЯ МАСТИЛА ЛАНЦЮГА

Дивіться сторінку 262.

#### ⚠ Попередження

Ніколи не працюйте без змащення ланцюга. Якщо ланцюг пилки працює без змащення, направляюча штанга і ланцюг пилки можуть бути пошкоджені. Це важливо, перевіряти рівень масла в індикаторі рівня масла часто і кожен раз, перш ніж почати використовувати пилку.

1. Очистіть поверхню навколо масляної кришки, щоб запобігти забрудненню.
2. Відкритіть і зніміть кришку з масляного резервуару.
3. Налийте масло в масляний резервуар і контролюйте датчик рівня масла. Переконайтеся, що бруд не потрапляє в масляний бак під час заповнення.
4. Поставте кришку на місце і зтягніть її. Витріть все розлите.
5. Один повний бак масла дозволить вам використовувати пилку 20 - 40 хв.

#### Рекомендоване мастило ланцюга

- Виробник рекомендує використовувати тільки мастило Ryobi для ланцюгової пилки. (Доступно з вашого авторизованого сервісного центру Ryobi)

#### УСТАНОВКА АКУМУЛЯТОРНОЇ БАТАРЕЇ

Дивіться сторінку 263.

1. Помістіть акумулятор в ланцюгову пилку. Зіставте

підняті ребра на акумуляторній батареї з пазами в порту батареї ланцюгової пилки.

2. Перед початком роботи переконайтеся, що засувки на акумуляторі клацнули та акумулятор прикріплено до приладу.

#### ТРИМАННЯ ПИЛКИ

Дивіться сторінку 263.

Завжди тримайте пилу правою рукою за задню ручку і лівою рукою за передню ручку. Візьміться за обидві ручки з пальцями обхопившими ручки. Переконайтеся, що ваша ліва рука тримає передню ручку таким чином, щоб великий палець знаходився знизу.

#### ЗАПУСК ЛАНЦЮГОВОЇ ПИЛИ

Дивіться сторінку 263.

1. Перед початком роботи, необхідно встановити акумулятор в машину, і переконайтеся, що гальма ланцюга в робочому положенні, потягнувши важіль гальм ланцюга / захисний щиток руки.
2. Для запуску машини: Спустіть курок, потім натисніть на курок перемикача.

#### ПЕРЕВІРКА ТА ЕКСПЛУАТАЦІЯ ЛАНЦЮГОВОГО ГАЛЬМА

1. Увімкніть ланцюгове гальмо, повертаючи ліву руку навколо передньої рукоятки. Дозвольте задній частині руки натиснути важіль гальма ланцюга / захисний щиток руки до штанги, коли ланцюг швидко обертається. Завжди зберігайте обидві руки на ручках пилки.
2. Поверніть гальмо ланцюга назад в положення Робота, взявши за верхню частину важеля гальма ланцюга / захисний щиток руки і потягнувши в бік передньої рукоятки до тих пір, поки не почуєте клацання.

#### ⚠ Попередження

Якщо гальма ланцюга не відразу зупиняє ланцюг, або якщо гальма ланцюга не залишаються в робочому положенні без сторонньої допомоги, взяти пилку в авторизований сервісний центр для ремонту до використання.

#### ТРАНСПОРТУВАННЯ ТА ЗБЕРІГАННЯ

Дивіться сторінки 275 - 276.

- Перед зберіганням або транспортуванням зупиніть виріб, видаліть акумуляторну батарею та дайте їм охолонуть.
- Очистіть всі сторонні матеріали з продукту. Зберігайте його в сухому прохолодному і добре провітрюваному місці, недоступному для дітей. Зберігати подалі від агресивних агентів, таких як садові хімікати і солей проти обледеніння. Не зберігайте на відкритому повітрі.
- Завжди кришка направляючої шини потрібна бути встановлена перед зберіганням продукту, або під час транспортування.
- Для транспортування, забезпечіть машину від





руху або падіння, щоб запобігти травми людей або пошкодження машини.

### ТЕХНІЧНЕ ОБСЛУГОВУВАННЯ

#### ⚠ Попередження

Використовуйте тільки оригінальні запасні частини, аксесуари та обладнання від виробника. Невиконання цієї вимоги може привести до можливої травми, поганої продуктивності та може призвести до втрати гарантії.

#### ⚠ Попередження

Обслуговування вимагає крайньої обережності і знання і повинно бути виконане тільки кваліфікованим фахівцем. Для обслуговування, доставте продукт до авторизованого сервісного центру. При технічному обслуговуванні використовуйте тільки ідентичні заміні частини.

#### ⚠ Попередження

Зніміть акумулятор перед регулюванням, технічним обслуговуванням і чисткою. Невиконання цієї вказівки може привести до серйозної травми або пошкодити пристрій.

- Ви можете зробити регулювання та ремонт, описані в цьому посібнику користувача. Для інших ремонтних робіт, зверніться до авторизованого сервісного агента.
- Наслідки неправильного технічного обслуговування можуть привести до ланцюгової неправильного працювання гальма та інших функцій безпеки, тим самим збільшуючи потенціал для серйозної травми. Тримайте ланцюгову пилу професійно обслугованою і безпечною.
- Заточення ланцюга безпечно є кваліфікованою задачею. Тому виробник настійно рекомендує замінити зношений або тупий ланцюг новим, доступним у вашому авторизованому сервісному центрі Ryobi. Номер запчастини доступний в таблиці специфікації продукту в керівництві.
- Дотримуйтесь інструкцій по змащенню і перевірці натягу ланцюга і коректуванню.
- Після кожного використання, очистіть виріб м'якою сухою тканиною.
- Перевірте всі гайки, болти і гвинти після короткого проміжка часу на правильну герметичність, щоб забезпечити продукт у безпечному робочому стані. Будь-яка пошкоджена деталь, має бути правильно відремонтована або замінена в авторизованому сервісному центрі.

### ЗАМІНА НАПРАВЛЯЮЧОЇ ШТАНГИ ТА ЛАНЦЮГА

Дивіться сторінки 271 - 272.

1. Переконайтеся, що витягли акумулятор. Носіть захисні рукавички.

2. Відкрити ручку натяжителя ланцюга, повернувши його проти годинникової стрілки доти, доки кришка ланцюгового колеса не звільниться.
3. Зніміть кришку ланцюгового колеса. Зніміть штангу та ланцюг від продукту.
4. Для заміни пластини на нову, демонтуйте натяжний гвинт ланцюга у зборі. Закріпіть натяжний гвинт ланцюга у зборі на новій пластині та затягніть гвинт.
5. Покладіть новий у правильному напрямку у штангу і переконайтеся, що ведучі ланки вирівняні в розрізі канавки штанги.
6. Прикріпіть штангу до ланцюгу пилки і обгорніть ланцюг навколо ланцюгового колеса приводу.
7. Замініть кришку ланцюгового колеса.
8. Відрегулюйте натяг ланцюга. Зверніться до розділу "Регулювання натягу ланцюга".

#### ⚠ Попередження

Тупий або неправильно заточений ланцюг може привести до надмірної швидкості двигуна під час різання, що може привести до серйозного пошкодження двигуна.

#### ⚠ Попередження

Неправильна заточка ланцюга збільшує потенціал віддачі.

#### ⚠ Попередження

Відмова замінити або відремонтувати пошкоджений ланцюг може привести до серйозних травм.

#### ⚠ Попередження

Ланцюг пили дуже гострий. Завжди надягайте захисні рукавички при виконанні технічного обслуговування ланцюга.

### ПЕРЕВІРКА І ОЧИЩЕННЯ ГАЛЬМА ЛАНЦЮГА

Дивіться сторінку 274.

- Завжди тримайте механізм гальма ланцюга чистим злегка очистивши з'єднання від бруду.
- Завжди перевіряйте працю гальма ланцюга після очищення. Зверніться до "Операції - Перевірка та експлуатація ланцюгового гальма" раніше в цьому посібнику для отримання додаткової інформації.

### ГРАФІК РОБІТ ПО ОБСЛУГОВУВАННЮ

Щоденна перевірка	
Змащування штанги	Перед кожним використанням
Натяг ланцюга	Перед кожним використанням і часто
Гострість ланцюга	Перед кожним використанням, візуальна перевірка

Для пошкоджених деталей	Перед кожним використанням
Для послабленого кріплення	Перед кожним використанням
Функція ланцюгового гальма	Перед кожним використанням
<b>Огляньте та очистіть</b>	
Штанга	Перед кожним використанням
Пила повністю	Після кожного використання
Гальма ланцюга	Кожні 5 годин*

\* Години роботи

### СИМВОЛИ НА ПРОДУКТІ



Попередження



Читайте і зрозумійте всі інструкції перед експлуатацією виробу, дотримуйтесь всіх вказівок і попереджень з техніки безпеки.



Носіть захист очей, слуху, і голови.



Носіть нековзне захисне взуття при використанні продукту.



Носіть неслизькі, надміцні рукавички.



Остерігайтеся віддачі ланцюга пили та уникайте контакту з кінцівкою штанги.



Не піддавайте впливу дощу або вогкому стану.



Тримайте і використовуйте пилу правильно обома руками.



Не використовуйте пилку, використовуючи тільки одну руку.



Відповідає всім нормативним стандартам в країнах ЄС, де виріб було придбано.



Євразійська знак відповідності.



Український знак відповідності



Не викидати відпрацьовані електричні прилади разом із побутовими відходами. Утилізувати у спеціально призначених закладах. За консультацією по утилізації приладу зверніться до органу місцевої влади або дилеру



Гарантований рівень звукової потужності 96 дБ.



Масило штанги та ланцюга



Мінімальний рівень мастила



Блокувати



Розблокувати



Помістіть гальмівний ланцюг у позицію RUN.



Поверніть, щоб відрегулювати натяг ланцюга  
+ = Затягнути ланцюг  
- = Послабити ланцюг



Помістіть гальмівний ланцюг у позицію BRAKE.



Напрямок руху ланцюга.  
(Відмічено під кришкою ланцюгового колеса)

$V_0$  : 10 m/s

Швидкість холостого ходу ланцюга  
10.5 м/с 10 м/с

L max: 300mm

Максимальна довжина напрямної штанги 300 мм 300 мм

### СИМВОЛИ В ЦЬОМУ ПОСІБНИКУ



Запчастини та аксесуари, що продаються окремо



ПРИМІТКА



Попередження

EN  
FR  
DE  
ES  
IT  
NL  
PT  
DA  
SV  
FI  
NO  
RU  
PL  
CS  
HU  
RO  
LV  
LT  
ET  
HR  
SL  
SK  
BG  
UK  
TR



Носіть захист очей та обличчя.



Носіть захист верхньої частини тіла.



Носіть захист ніг.



Зупинка продукта

Наступні сигнальні слова і змісти призначені для пояснення рівнів ризику, пов'язаних з продуктом.

**⚠ НЕБЕЗПЕКА**

Вказує на неминуче небезпечну ситуацію, яка, якщо її не уникнути, може призвести до смерті або серйозних травм.

**⚠ Попередження**

Вказує на потенційно небезпечну ситуацію, яка, якщо її не уникнути, може призвести до смерті або серйозних травм.

**⚠ УВАГА**

Вказує на потенційно небезпечну ситуацію, яка, якщо її не уникнути, може призвести до легкої або середньої травми.

**УВАГА**

Без попереджуючих символів

Вказує на ситуацію, яка може призвести до пошкодження майна.

Kablosuz testerenin tasarımında güvenlik, performans ve güvenilirliğe en yüksek öncelik verilmiştir.

### KULLANIM AMACI

Kablosuz testere yalnızca dış mekanlarda kullanım için tasarlanmıştır. Güvenlik nedenleriyle ürün iki elle kullanılarak uygun şekilde kontrol edilmelidir.

Ürün, kılavuz çubuğunun kesme uzunluğuyla belirlenen bir çaptaki dalları, kütükleri, tomrukları ve kirşleri kesmek üzere geliştirilmiştir. Sadece ahşap kesmek içindir. Sadece tehlikeleri ve kullanırken alınması gerekli önleyici önlemler/hareketler konusunda yeterli eğitim almış yetişkinler tarafından evsel uygulamalarda kullanılmalıdır.

Ürünü yukarıda listelenenler dışında herhangi bir amaçla kullanmayın. Profesyonel ağaç hizmetlerinde kullanılmamalıdır. Ürün çocuklar veya uygun kişisel koruyucu ekipman ve kıyafet giymeyen kişiler tarafından kullanılamaz.

### ⚠ UYARI

Bu ürünü kullanırken güvenlik kurallarına uyulmalıdır. Kendi güvenliğiniz ve çevrenizdeki kişilerin güvenliği için ürünü kullanmadan önce bu talimatları tamamen okumalı ve anlamalısınız. Motorlu testerele ilgili kullanım, önleyici eylemler, ilk yardım ve bakım konularında profesyonelce düzenlenmiş bir güvenlik kursuna katılmalısınız. Lütfen bu talimatları daha sonra kullanmak üzere güvenli bir yerde saklayın.

### ⚠ UYARI

Motorlu testerele tehlikeli olabilecek araçlardır. Motorlu testere kullanımıyla ilgili kazalar çoğu zaman uzuv kaybı ve ölümlü sonuçlanır. Tehlike kaynağı sadece motorlu testere değildir. Düşen dallar, devrilen ağaçlar, yuvarlanan tomruklar da ölümcül olabilir. Hastalıklı ya da çürümüş tomruklar ek tehlike oluşturur. Görevi güvenle tamamlama imkanınızı değerlendirmeniz gerekir. Herhangi bir kuşku halinde, işi profesyonel bir ağaç uzmanına bırakın.

### GENEL GÜVENLİK UYARILARI

### ⚠ UYARI

**Tüm güvenlik uyarılarını ve tüm talimatları okuyun.** Uyarılara ve talimatlara uymamak elektrik çarpması, yangın ve/veya ciddi yaralanma ile sonuçlanabilir.

**İleride başvurmak üzere tüm uyarıları ve talimatları saklayın.**

Uyarılarda yer alan "elektrikli alet" terimi şebeke gücüyle çalıştırılan (kablolu) elektrikli aleti veya pille çalıştırılan (kablosuz) elektrikli aleti ifade eder.

### ÇALIŞMA ALANI GÜVENLİĞİ

- Çalışma alanını temiz tutun ve iyi şekilde aydınlatın. Dağınık veya karanlık alanlar kazaya davetiye çıkarır.
- Elektrikli aletleri yanıcı sıvıların, gazların veya tozun

mevcut olduğu patlayıcı atmosferlerde kullanmayın. Elektrikli aletler tozu veya buharları ateşleyebilecek kıvılcıklar oluşturur.

- Bir elektrikli alet kullanırken çocukları ve çevredeki insanları uzaklaştırın. Dikkat dağınıklığı kontrolü kaybetmenize neden olabilir.

### ELEKTRİKSEL GÜVENLİK

- Elektrik fişleri prize uygun olmalıdır. Fişi hiçbir zaman hiçbir şekilde değiştirmeyin. Topraklı elektrikli aletlerle birlikte herhangi bir adaptörlü fiş kullanmayın. Üzerinde değişiklik yapılmayan fişler ve uygun prizler elektrik çarpması riskini azaltır.
- Vücudunuzla borular, radyatörler, kuzine ve buzdolabı gibi topraklı ürünlere temas etmektен kaçınınız. Vücudunuz topraklanırsa yüksek elektrik çarpması riski mevcuttur.
- Ürünü yağmura veya ıslak koşullara maruz bırakmayın. Elektrikli alete su girmesi elektrik çarpması riskini artırır.
- Kabloyu amacı dışında kullanmayın. Kabloyu hiçbir zaman elektrikli aleti taşımak, çekmek veya fişten çıkarmak için kullanmayın. Kabloyu ısıdan, yağdan, keskin kenarlardan veya hareketli parçalardan uzak tutun. Hasarlı veya dolanmış kablolar elektrik çarpması riskini artırabilir.
- Bir elektrikli aleti açık alanda kullanırken açık alanda kullanıma uygun bir uzatma kablosu kullanın. Açık alanda kullanıma uygun bir kablo kullanmak elektrik çarpması riskini azaltır.
- Eğer bir elektrikli aleti nemli bir yerde kullanmanız kaçınılmazsa bir artık akım cihazı (RCD) korumalı kaynak kullanın. Bir RCD kullanmak elektrik çarpması riskini azaltır.

### KİŞİSEL GÜVENLİK

- Bir elektrikli alet kullanırken dikkatli olun, yaptığınız işe dikkat edin ve sağduyulu olun. Yorgunken veya uyuşturucu, alkol veya ilaç etkisi altındayken bir elektrikli alet kullanmayın. Elektrikli aletleri kullanırken bir anlık dikkatsizlik ciddi fiziksel yaralanma ile sonuçlanabilir.
- Kişisel koruyucu ekipman kullanın. Koruyucu gözlük takın. Uygun koşullarda kullanılan toz maskesi, kaymaz güvenli ayakkabıları, kask veya kulak tıkacı fiziksel yaralanma riskini azaltacaktır.
- Kazara çalıştırılmasını önleyin. Aleti yerinden alırken veya taşırken güç kaynağına ve/veya pil takımına bağlamadan önce anahtarın kapalı konumunda olduğundan emin olun. Elektrikli aletleri parmağınız anahtarın üzerindeyken veya anahtarlı elektrikli aletlerin gücü açıkken taşımak tehlikeye davetiye çıkarır.
- Elektrikli aleti açmadan önce ayar kamasını veya anahtarını çıkartın. Bir ayar anahtarının veya kamanın elektrikli aletin döner parçasına takılı hâlde bırakılması fiziksel yaralanma ile sonuçlanabilir.
- Yukarıya doğru erişmeye çalışmayın. Yere sağlam basın ve dengeni her zaman koruyun. Bu, beklenmedik durumlarda gücün daha iyi kontrol edilmesini sağlar.



- **Uygun şekilde giyinin. Bol kıyafet giymeyin veya takı takmayın. Saçınızı, kıyafetinizi ve eldivenlerinizi hareketli parçalardan uzak tutun.** Bol kıyafetler, takı veya uzun saç hareketli parçalara yakalanabilir.
- **Eğer toz tahlîye ve toplama aparatları için bağlantı cihazları sağlanmışsa bunların doğru şekilde bağlandığından ve kullanıldığından emin olun.** Toz toplama aparatı kullanmak tozdan kaynaklanan tehlikeleri azaltabilir.

## ELEKTRİKLİ ALET KULLANIMI VE BAKIMI

- **Elektrikli aletin kapasitesini zorlamayın. Uygulamanız için doğru elektrikli aleti kullanın.** Doğru elektrikli alet tasarlandığı işi daha iyi ve daha güvenli bir şekilde yapacaktır.
- **Eğer anahtar açılıp kapanmıyorsa makineyi kullanmayın.** Anahtarla kontrol edilemeyen her elektrikli alet tehlikelidir ve onarılmalıdır.
- **Herhangi bir ayar yapmadan, aksesuarları değiştirmeden veya elektrikli aletleri depolamadan önce fişi güç kaynağından ve/veya pil takımını elektrikli aletten ayırın.** Bu gibi önleyici güvenlik tedbirleri elektrikli aletin kazara çalışma riskini azaltır.
- **Boş konumda olan elektrikli aletleri çocukların ulaşamayacağı yerde depolayın ve elektrikli aleti tanımayan veya bu talimatları bilmeyen kişilerin elektrikli aleti kullanmasına izin vermeyin.** Elektrikli aletler eğitimsiz kullanıcıların elinde tehlikelidir.
- **Elektrikli aletlerin bakımını yapın. Hareketli parçaların hıza kaymasını ve bağlantısını, parçaların kırık olup olmadığını ve elektrikli aletin çalışmasını etkileyebilecek diğer durumları kontrol edin. Eğer hasarlıysa elektrikli aleti kullanmadan önce onartın.** Pek çok kaza bakımı kötü yapılmış elektrikli aletlerden kaynaklanır.
- **Kesici aletleri keskin ve temiz tutun.** Uygun şekilde bakımı yapılan keskin kesme kenarlarına sahip kesme aletlerinin sıkışma olasılığı daha azdır ve kontrol edilmesi daha kolaydır.
- **Elektrik aleti, aksesuarları ve alet uçlarını vb. çalışma koşullarını ve yapılacak çalışmayı dikkate alarak bu talimatlara uygun şekilde kullanın.** Elektrikli aleti amaçlananlar dışındaki çalışmalar için kullanmak tehlikeli bir durumun oluşmasına yol açabilir.

## PİLLİ ALET KULLANIMI VE BAKIMI

- **Sadece üretici tarafından belirtilen şarj cihazı ile şarj edin.** Tek bir pil takımına uygun bir şarj cihazı başka bir pil takımı ile birlikte kullanıldığında yangın riski oluşturabilir.
- **Elektrikli aletleri sadece özel olarak belirtilmiş pil takımları ile birlikte kullanın.** Başka bir pil takımı kullanmak yaralanma ve yangın riski oluşturabilir.
- **Pil takımı kullanılmadığı zaman ataş, bozuk para, anahtar, çivi, vida ve diğer metal nesnelere gibi bir terminalden diğerine bağlantı oluşturabilecek diğer metal nesnelere uzak tutun.** Pil terminallerinin birlikte kısa devre yapması yangına veya yangına neden olabilir.

- **Kötü koşullarda pilden sıvı boşalabilir; temas etmekten kaçının. Eğer kazara temas ederseniz temas eden yeri suyla yıkayın. Eğer sıvı gözlerinizde temas ederse ek olarak tıbbi yardım alın.** Pilden boşalan sıvı tahrişe veya yanıklara neden olabilir.

## SERVİS

- **Elektrikli aletinizi sadece aynı yedek parçaları kullanarak nitelikli bir tamirciye onartın.** Bu, elektrikli aletin güvenliğinin muhafaza edilmesini sağlar.

## EK GENEL GÜVENLİK UYARILARI

- Bazı bölgeler ürünün bazı çalışmalarda kullanımına kısıtlama getiren yönetmeliklere sahiptir. Tavsiye için bölgenizdeki yetkili mercie başvurun.
- Hiçbir zaman çocukların veya talimatları bilmeyen kişilerin ürünü kullanmasına izin vermeyin. Yerel yönetmelikler kullanıcının yaşına kısıtlama getirebilir.
- Her kullanım öncesi tüm kontrollerin ve güvenlik cihazlarının doğru şekilde çalıştığından emin olun. Eğer "kapalı" anahtarlı ürünü durduruyorsa ürünü kullanmayın.
- Ürünü çalıştırırken tam göz ve işitme koruması, sağlam ve dayanıklı bot ve eldivenin yanı sıra baş koruması da kullanın. Eğer tozlu bir çalışma yapılıyorsa ayrıca bir toz maskesi takın.
- Kulak tıkacı kullanımı uyarıları (sesler veya alarmlar) duyma kabiliyetinizi azaltır. Kullanıcı çalışma alanında yapılan işe ekstra dikkat etmelidir.
- Yere sağlam basın ve dengede durun. Yukarıya doğru erişmeye çalışmayın. Yukarıya uzanmak denge kaybıyla sonuçlanabilir ve geri tepme riskini artırabilir.
- Bol kıyafet, kısa pantolon giymeyin veya herhangi bir tür takı takmayın.
- Saçlarınız uzunsu hareketli parçalara dolaşmasını önlemek için omuz seviyesinin üzerinde toplayın.
- Fırılardan veya düşen nesnelere karşı dikkatli olun; çevredeki kişileri, çocukları ve hayvanları çalışma alanından en az 15 m uzaklaştırın.
- Kötü aydınlatmalı koşullarda kullanmayın. Kullanıcının potansiyel tehlikeleri belirlemesi için çalışma alanını net olarak görmesi gerekir.
- Yakında benzer aletler kullanmak hem işitme kaybı riskini hem de diğer insanların çalıştığınız alana girme riskini artırır.
- Vücutunuzun tüm uzuvlarını hareketli parçalardan uzak tutun.
- Her kullanım öncesi makineyi inceleyin. Zincir freni de dahil, tüm kumandaların doğru çalışıp çalışmadığını kontrol edin. Gevşek sabitleyicilere karşı kontrol edin, tüm korumaların ve kulpların doğru ve güvenli şekilde takıldığından emin olun. Kullanmadan önce hasarlı parçaları değiştirin.
- Üründe herhangi bir değişiklik yapmayın veya üretici tarafından önerilmeyen parçalar ve aksesuarlar kullanmayın.



## ⚠ UYARI

Eğer ürün düşerse, ağır darbe alırsa veya anormal şekilde titremeye başlarsa ürünü derhal durdurun ve hasara karşı inceleyin veya titreşimin nedenini belirleyin. Her tür hasar yetkili servis merkezi tarafından uygun şekilde onarılmalı veya değiştirilmelidir.

## MOTORLU TESTERE GÜVENLİK UYARILARI

- **Motorlu testere çalışırken testere zincirini tüm vücudunuzun uzağında tutun. Aleti çalıştırmadan önce testere zincirinin herhangi bir nesneye temas etmediğinden emin olun.** Motorlu testere çalışırken bir anlık dikkatsizlik giysilerinizi ya da vücudunuzun testere zincirine kapılmasına neden olabilir.
- **Motorlu testereyi tutarken, her zaman sağ elinizin arka, sol elinizin de ön tutamakta olması gerekir.** Motorlu testereyi ters elle tutmak bedensel hasar riskini artıracığından asla yapılmamalıdır.
- **Testere zinciri gizli kablolarla temas edebileceğinden elektrikli aleti sadece yapılmış tutma yüzeylerinden tutun.** "Akım geçen" tel içeren testere zincirleri elektrikli aletin açıkta kalan metal parçalarının içerisinden "akım geçmesine" ve kullanıcıya elektrik çarpmasına neden olabilir.
- **Ürünü kullanırken her zaman kulak tıkacı ve güvenlik gözlüğü takın.** Baş, eller, bacak ve ayaklar için ilave koruyucu donanım kullanmak önerilir. Doğru koruyucu donanım, uçan döküntülerin ya da testere zinciriyle temasın neden olabileceği yaralanma olasılığını düşürür.
- **Motorlu testereyi ağaç üzerinden çalıştırmayın.** Ağaç üzerinden motorlu testere çalıştırmak bedensel yaralanmayla sonuçlanabilir.
- **Her zaman yeterli dayanak kullanın ve motorlu testereyi ancak sabit, güvenli ve düz bir yüzey üzerinde durarak çalıştırın.** Merdiven gibi kaygan ya da oynak yüzeyler dengenizi ya da motorlu testere kontrolünüzün kaybına neden olabilir.
- **Gergi altındaki bir dalı keserken, geri tepmeye karşı uyanık davranın.** Ağaç elyafındaki gerilim serbest kaldığında, yaylı dal operatöre çarpabilir ve/veya motorlu testerenin kontrolünüzün kaybolmasına neden olabilir.
- **Çalı ve fidan keserken son derecede dikkatli davranın.** İnce malzeme testere zincirine kapılıp size çarpabilir ya da dengenizi kaybettirebilir.
- **Motorlu testereyi ön tutamağınızdan, testere kapatılmış ve vücudunuzdan uzakta taşıyın.** Motorlu testereyi taşıyın ya da depolarken her zaman kılavuz çubuğu kapağını takın. Motorlu testerenin doğru kullanılması hareketli testere zinciriyle kazara temas olasılığını azaltır.
- **Yağlama, zincir germe ve aksesuar değişimi için talimatları uygulayın.** Yanlış gerilmiş ya da yağlanmış zincir kopabilir ya da geri tepme olasılığını artırabilir.
- **Tutamakların kuru, temiz, yağ ve gresten arınmış olmasını sağlayın.** Gresli ve yağlı tutamaklar kayar ve kontrol kaybına neden olur.

- **Sadece ahşap kesin. Amacı dışında kullanmayın. Örneğin: Motorlu testereyi plastik, tuğla ve ya ahşap dışı inşaat malzemesi kesmek için kullanmayın.** Elektrikli aleti amaçlanmayan dışındaki çalışmalar için kullanmak tehlikeli bir durumun oluşmasına yol açabilir.

## Geri tepme nedenleri ve operatör önlemleri:

Kılavuz gövdenin burnu veya ucu bir nesneye dokunduğunda veya kesim sırasında ağaç testere zincirini sardığında ve sıkıştırdığında geri tepme meydana gelebilir. Bazı durumlarda ucun temas etmesi kılavuz gövdenin kullanıcıya doğru yukarı ve geri tepmesiyle ani bir ters tepkiye neden olabilir.

Testere zincirinin kılavuz gövdenin üst kısmı boyunca sıkışması kılavuz gövdeyi hızlı bir şekilde kullanıcıya doğru geri itebilir.

Bu tepkilerden biri makinenin kontrolünü kaybetmenize neden olabilir ve ciddi fiziksel yaralanma ile sonuçlanabilir. Yalnızca makinedeki dahili güvenlik cihazlarına güvenmeyin. Ürün kullanıcı olarak kesme işinizin kaza ya da yaralanmaya yol açmaması için bazı önlemler almalısınız.

Geri tepme aletin hatalı kullanılmasının ve/veya yanlış kullanım prosedürlerinin veya koşullarının bir sonucudur ve aşağıda verilen doğru önlemler alınarak önlenir.

- **Her iki eliniz testerenin üzerinde, parmaklarınızı testere tutamaklarına dolayarak sağlamca kavrayın, kolunuzu ve bedeninizi geri tepme güçlerine karşı koyacak şekilde konuşturun.** Geri tepme kuvvetleri eğer doğru önlemler alınır kullanıcı tarafından kontrol edilebilir. Ürünü bırakmayın.
- **Uzanmayın ve omuz yüksekliği üzerinde kesim yapmayın.** Böylelikle ürün ucunun istenmeyen yerlerle temas etmesi önlenir ve beklenmedik durumlarda ürünün daha iyi kontrol edilmesi sağlanır.
- **Sadece üretici tarafından belirtilen yedek gövdeleri ve zincirleri kullanın.** Yanlış yedek gövdeler ve zincirler zincirin kırılmasına ve/veya geri tepmeye neden olabilir.
- **Testere zinciri için üreticinin bileme ve bakım talimatlarına uyun.** Derinlik mastarı yüksekliğini düşürmek daha güçlü geri tepmeye neden olabilir.

## MOTORLU TESTERE İÇİN EK GÜVENLİK UYARILARI

- Ürünü ilk kez kullanırken tomrukları testere tezgahı ya da yatak üzerinde kesmek önerilir.
- Bütün korkuluk, tutamak ve çivili tamponların takılı ve iyi durumda olmasını sağlayın.
- Motorlu testereyi kullanacak insanların sağlıklı olması gerekir. Motorlu testere ağır bir alettir; bu nedenle operatörün formda olması gerekir. Operatörün uyanık olması, iyi görüşe, hareket yeteneğine, denge ve el becerisine sahip olması gerekir. Herhangi bir kuşku halinde, motorlu testereyi kullanmayın.
- Çalışma alanını temizleyene, ayağınızı basacağınız güvenli bir yer ve düşen küçük veya ana dallardan uzakta planlı bir geri çekilme yolu hazırlayana kadar ürünü kullanmaya başlamayın.
- Yağ buharı emisyonuna ve bıçkı tozuna dikkat edin. Gerekirse maske ya da respiratör takın.





- Bağ kütükleri ve (çapı 75 mm'den az) küçük çalılık kesmeyin.
- Çalıştırırken, motorlu testereyi her zaman iki elle tutun. Parmaklarınızı motorlu testere tutamaklarına dolayarak sıkıca kavrayın. Sağ elinizin arka, sol elinizin de ön tutamakta olması gerekir.
- Aleti çalıştırmadan önce testere zincirinin herhangi bir nesneye temas etmediğinden emin olun.
- Ürünü hiçbir şekilde modifiye etmeyin ya da üreticinin tavsiye etmediği herhangi bir eklenti ya da cihaza güç vermek için kullanmayın.
- Operatörün yakınında büyük yara pansumanı ve dikkat çekme aracı (örn. düdüğü) içeren bir ilk yardım çantası bulunmalıdır. Yine yakında daha büyük ve daha kapsamlı bir kit bulundurmak gerekir.
- Çalışma alanında düşen cisim olmaması durumunda operatör kaskı çıkarmak isteyebilir; ancak özellikle örgü siperlikli kaskların geri tepme anında yüz ve baş yaralanma olasılığını düşürebileceğini unutmayın.
- Yanlış gerilmiş bir zincir kılavuz çubuğunun üzerinden sıçrayıp ciddi yaralanmaya hatta ölüme neden olabilir. Zincirin uzunluğu ısıya bağlıdır. Gerilimi sık sık kontrol edin.
- Yeni motorlu testerenize alışmak için sağlam desteklenmiş ahşap üzerinde basit kesim işlemleri yapmalısınız. Bu işlemi testereyi uzunca bir süre kullanmadığınız her sefer yapmalısınız.
- Aşağıdaki işlemlerden önce, hareketli aksamla temastan kaynaklanabilecek yaralanma riskini azaltmak için her zaman motoru durdurun, zincir frenini uygulayın, pil paketini çıkarın ve tüm hareketli aksamın tamamen durduğundan emin olun:
  - Makine üzerinde temizlik, bakım veya herhangi bir çalışma yapmadan önce
  - ürün gözetimsiz bıraktığınızda
  - ek parçaları takarken veya sökarken
  - motoru durdurun ve buji kablosunu bujiden ayırın.
- Çalışma alanının boyutları yapılmakta olan işlemlerle birlikte, üzerinde çalışılan ağacın veya çalışma parçasının ebadına bağlıdır. Örneğin, bir ağaç kesmek, örneğin dülgere bıçkısı gibi kesim işlemlerinden daha az yer gerektirir. Operatör çalışma alanındaki her şeyin bilincinde olup denetlemelidir.
- Vücudunuz kılavuz çubuğu ve zincirle bir hizadayken kesim yapmayın. Böylelikle, geri tepme halinde zincirin başınıza ya da vücudunuza temas etmesini önlemiş olursunuz.
- İleri geri testere hareketi uygulamayın, zincirin kendi hareketine izin verin, zincirin keskin olmasını sağlayın ve zinciri keskiye bastırmayın.
- Kesim işleminin sonunda testereye basınç uygulamayın. Ağaçtan kurtulduğu zaman, testerenin ağırlığını karşılamaya hazır olun. Aksi hâlde olası ciddi fiziksel yaralanmaya neden olabilir.
- Testereyi bir kesme işleminin ortasında durdurmayın. Kesikten çıkana kadar testerenin çalışmasına izin verin.

#### İt ve çek

Tepki gücü her zaman zincir hareket yönünün tersine çalışır. Böylelikle, operatör çubuğun alt kenarında kesim

yaparken testerenin ileri (operatörden uzağa) çekmesini, üst kenarı boyunca kesim yaparken de geri (operatöre doğru) itmesini kontrol etmeye hazırlıklı olmalıdır.

#### Zincir kesikte sıkıştı

Motoru durdurun ve emniyete alın. Zinciri ve çubuğu kesikten zorla kurtarmaya çalışmayın; aksi halde zincir kopabilir ve savrulur operatöre çarpabilir. Bu durum genellikle ağaç doğru desteklenmediği ve baskı altında kesiyi kapatarak zinciri sıkıştırdığı zaman meydana gelir. Desteğin ayarlanması çubuk ve zincirin kurtulması için yeterli olmazsa, kesiyi açmak ve testereyi kurtarmak için ahşap kamaları kullanın. Kılavuz çubuğu kesik ya da yarık içindeyken motorlu testereyi asla çalıştırmayın.

#### Kişisel koruyucu ekipmanlar

Uzmanlar tarafından kullanılan iyi kalite kişisel koruyucu ekipmanlar kullanıcının yaralanma riskini azaltacaktır. Ürünü kullanırken aşağıdaki koruyucular kullanılmalıdır:

#### Emniyet kaskı

- EN 397'ye uygun ve CE işaretli olmalıdır

#### Kulak tıkaçı

- EN 352-1'ye uygun ve CE işaretli olmalıdır

#### Gözlük ve yüz maskesi

- CE işaretli olmalı ve EN 166 (güvenlik gözlükleri için) veya EN 1731'e (tel örgü vizörler için) uygun olmalıdır

#### Eldivenler

- EN381-7 uyumlu CE markalı olmalıdır

#### Bacak koruma (çatlak)

- EN381-5 uyumlu, CE markalı olmalı ve eksiksiz koruma sağlamalıdır.

#### Motorlu testere emniyet çizmeleri

- EN ISO 20345:2004 ile uyumlu olmalı ve EN 381-3 uyumu belirtmek için motorlu testere gösterir bir plakayla işaretlenmelidir. (Zemin düzse ve tökezlenme ve ağaçaltı çalılara takılma riski düşüğe, geçici kullanıcılar koruyucu tozluklara sahip, çelik burunlu EN 381-9 uyumlu emniyet çizmesi kullanılabilir)

#### Üst beden koruması için motorlu testere ceketleri

- EN 381-11'ye uygun ve CE işaretli olmalıdır

#### TEMEL AĞAÇ KESİMİ, DAL KESİMİ VE SUYUNA DİK KESİM TEKNİKLERİYLE İLGİLİ TALİMATLAR

#### Ahşap içindeki güçleri anlamak

Ağaç içindeki yönsel basınçları ve gerilmeleri anladığınız zaman "çimdikleri" azaltabilir ya da en azından kesim sırasında bekleyebilirsiniz. Ağaç içindeki gerilim liflerin birbirinden uzaklaştırıldığı anlamına gelir; bu bölgeyi keserseniz, testere ilerledikçe "yarık" ya da kesik açılma eğilimi gösterir. testere tezgahı üzerinde oturuyor ve ucu desteklenmeden sarkıyorsa, askıdaki tomruğun ağırlığı lifleri gerekerek üst yüzeyde bir gerilmeye neden olur. Aynı şekilde, tomruğun alt yüzü baskıya maruz kalır ve lifler sıkıştırılır. Bu bölgede kesme işlemi yapılması durumunda, yarık kesim sırasında kapanma eğilimi gösterir. Bu kapanma testereyi sıkıştırır.



## Ağaç kesme

Bkz. sayfa 267-268.

Aynı anda iki veya daha fazla kişi tarafından ağaç kesme ve hızarlama işlemi yapıldığı zaman, ağaç kesme işlemi hızarlama bölgesinden en az kesilecek ağacın yüksekliğinin iki katı mesafede yapılmalıdır. Ağaçların kişileri tehlikeye atacak, bir dağıtım hattına çarpacak ya da bir mülke zarar verecek şekilde kesilmemesi gerekir. Bir ağacın bir dağıtım hattına temas etmesi durumunda, dağıtım kuruluşu derhal durumdan haberdar edilmelidir.

Kesildikten sonra ağacın aşağı doğru yuvarlanması ya da kayması muhtemel olduğundan, motorlu testere operatörünün arazinin yukarı bölümünde durması gerekir.

Kesimler başlamadan önce bir kaçış patikası belirlenip gerektiği gibi temizlenmelidir. Kaçış patikası geriye ve düşme hattının çarpaz arkasına doğru uzatılmalıdır.

Kesme işlemine başlamadan önce, ağacın nereye düşeceğini belirlemek için ağacın doğal eğimini, kalın ve uzun dalların yerlerini ve rüzgar yönünü gözden geçirin.

Ağaç üzerindeki toprak, taş, kabuk, çivi, zımba ve tel gibi cisimleri temizleyin.

Çürümüş, rüzgar, yangın, yıldırım vb.'den hasar görmüş ağaçları kesmeyin. Bu işlem çok tehlikelidir ve yalnızca profesyonel ağaç cerrahları tarafından gerçekleştirilmelidir.

### 1. Alttan kertme

Bkz. sayfa 267-268.

Ağacın yüzeyine dik olarak, çapının 1/3'ü genişliğinde bir yarık açın. Önce alt yatay yarığı açın. Böylelikle, ikinci yarık açıldığı zaman testere zincirinin ya da kılavuz çubuğunun sıkışması engellenmiş olur.

### 2. Arka kesik

Bkz. sayfa 267-268.

Arka kesliği yatay yarıktan en az 50 mm (2 inç) daha yüksekte açın. Arka kesik yatay kertikle paralel olmasını sağlayın. Arka kesik menteşe olmaya yetecek ağaç kalacak gibi açın. Menteşe ağacın dönmesini ve yanlış yöne düşmesini önler. Menteşeyi kesmeyin.

Kesim menteşeye yaklaştıkça, ağaç düşmeye başlamalıdır. Ağacın istenen yönde düşmesi ya da sallanıp testere zincirini kilitlemesi gibi bir olasılık halinde menteşe kesimini tamamlamadan durun ve kesik açmak ve ağacın istenen yöne devrilmesini sağlamak için tahta, plastik ya da alüminyum kamalar kullanın.

Ağaç devrilmeye başladığında, testereyi kesikten çıkarın, motoru durdurun, motorlu testereyi yere bırakın ve planlanan patikadan çekilin. Yüksekte düşen dallara ve ayağınızı bastığınız yere dikkat edin.

## Yan köklerin çıkarılması

Bkz. sayfa 268.

Yan kök, ağacın gövdesinden çıkıp toprak üzerinde uzayan bir köktür. Ağaç kesiminden önce büyük yan kökleri uzaklaştırın. Önce yan kökte yatay bir kesik, ardından da dikey bir kesik oluşturun. Böylece kurtulan bölümü çalışma alanından uzaklaştırın. Büyük yan kökleri uzaklaştırdıktan sonra ağacı doğru yöntemle kesin.

## Tomruk dilmek

Bkz. sayfa 269.

Dilmek, bir tomruğu belirli boylarda kesmektir. Bu işlemde yere sağlam basmanız ve ağırlığınızı her iki ayağınıza eşit dağıtmanız önemlidir. Mümkünse, tomruk kaldırılmalı ve dallar, başka tomruklar ya da takozlarla desteklenmelidir. Kolay kesim için basit talimatları uygulayın. Tomruk bütün boyunca desteklendiği zaman, üstten kesilmeye başlanır (üstten kesim)

Tomruk sadece bir ucundan destekleniyorsa, alttan, çapının 1/3'ü oranında kesin (alttan kesim). Daha sonra birinci kesikle birleştirmek için üstten kesin .

Tomruk her iki ucundan destekleniyorsa, üstten, çapının 1/3'ü oranında kesin (üstten kesim). Daha sonra birinci kesikle birleştirmek için alttaki 3/3'ü alttan kesin.

Tomruğu bir meyilde dilerken mutlaka tomruğun üst yanında durun. "Tam kesim" yaparken, kontrolü kaybetmemek için sona yaklaştığınızda kesme basıncını azaltın, ancak motorlu testere tutamaklarını aynı güçte kavramayı sürdürün. Zincirin yere değmesine izin vermeyin. Kesme işlemi tamamlandıktan sonra, testereyi hareket ettirmeden önce zincirin durmasını bekleyin. Ağaçtan ağaca geçmeden önce motoru mutlaka durdurun.

## Ağacın dallarını kesmek

Bkz. sayfa 270.

Burada, kesilip devrilen bir ağacın dallarının kesilmesi anlatılmaktadır. Ağaç dallarını keserken, tomruğu yerden kaldırması için alttaki büyük dalları yerinde bırakın. Küçük dalları tek bir kesimle kesin. Motorlu testerenin sıkışmasını önlemek için, gerilim altındaki dalların dipten yukarıya kesilmesi gerekir.

## Yaylı sap

Bkz. sayfa 270.

Yaylı sap, başka ağaçların baskısıyla bükülen, ancak baskı yapan ağacın kesilmesi ya da kaldırılmasıyla eski konumuna dönen her türlü tomruk, dal, ağaç kökü veya fidandır.

Devrilmiş bir ağaçta, tomruğu kökten ayırmak için yapılan işlem sırasında köklü gövdenin dik konuma dönme ihtimali yüksektir. Yaylı saplara dikkat edin tehlikelidir.

### ⚠ UYARI

Yaylı saplar tehlikelidir, operatöre çarpıp motorlu testerenin kontrolünü yitirmesine neden olabilir. Bu durum operatörün ciddi veya ölümcül yaralar almasıyla sonuçlanabilir. Bu işlemin eğitimli kullanıcılar tarafından yapılması gerekir.

## ARTIK RİSKLER

Ürün belirtilen şekilde kullanıldığında bile belirli artık risk faktörlerini tamamen ortadan kaldırmak mümkün değildir. Kullanım sırasında aşağıdaki tehlikeler ortaya çıkabilir ve kullanıcıların aşağıdaki durumları önlemek için özellikle dikkatli olması gerekir:

- Titreşimden kaynaklanan yaralanmalar
  - İş için her zaman doğru aleti kullanın, belirtilen saplardan tutun; çalışma ve maruz kalma süresini sınırlandırın.

- Gürültüye maruz kalma nedeniyle işitme bozuklukları
  - İşitme koruması kullanın ve maruz kalma süresini kısıtlayın.
- zincirin açığı testere dişi ile temastan kaynaklanan yaralanma
- çalışma parçasından fırlayan parçalar (odun parçası ve kıymıklar) nedeniyle yaralanma
- Toz ve parçacıklardan kaynaklanan yaralanmalar
- yağlayıcı ya da yağın cilde temasıyla yaralanma
- Testere zincirinden fırlayan parçacıklar (kesme/batma tehlikeleri)
- Kılavuz çubuğunun beklenmedik, ani hareketi ya da geri tepmesi (kesme tehlikesi)

## RİSK AZALTMA

El aletlerinden kaynaklanan titreşimlerin belirli kişilerde Raynaud Sendromu adı verilen bir durumu etkilediği bildirilmiştir. Semptomlar içerisinde parmaklarda genellikle soğuğa maruz kaldığında açığa çıkan karıncalanma, hissizlik ve ağarma yer bulunabilir. Kalıtsal faktörler, soğuğa ve neme maruz kalma, diyet, sigara içme ve çalışma uygulamalarının hepsinin bu semptomların gelişimini etkilediği düşünülmektedir. Titreşim etkilerini azaltmak için kullanıcı tarafından alınabilecek önlemler vardır:

- Soğuk havada vücut ısınızı koruyun. Üniteyi kullanırken ellerinizi ve bileklerinizi sıcak tutmak için eldiven giyin. Soğuk havanın Raynaud Sendromu'nu etkileyen önemli bir faktör olduğu bildirilmiştir.
- Her kullanım süresinden sonra kan dolaşımını artırmak için egzersiz yapın.
- Sık çalışma molası verin. Günlük maruz kalma miktarını sınırlayın.
- Profesyonel motorlu testere perakendecilerin temin edilebilecek koruyucu eldivenler özel olarak motorlu testere kullanımı için tasarlanmış olup koruma ve yeterli kavrama sağlar ve tutamak titreşiminin etkilerini azaltır. Eldivenler EN381-7 uyumlu CE markalı olmalıdır.

Sözü edilen belirtilerden herhangi birini hissetmeniz halinde, derhal kullanımı durdurun ve hekiminize görünün.

### ⚠ UYARI

Ürünün uzun süre kullanılması nedeniyle yaralanmalar meydana gelebilir veya kötüleşebilir. Herhangi bir alet uzun süre kullanıldığında düzenli molalar verdiğinizden emin olun.

## ÜRÜNÜZÜ TANIYIN

Bkz. sayfa 261.

1. Ön el korkuluğu/Zincir freni
2. Ön tutamak
3. Arka tutamak
4. Zincir
5. Kılavuz demir
6. Çivili tampon
7. Zincir yağ kapağı
8. Tetik serbest bırakma düğmesi

9. Tetik anahtar
10. Zincir dişli kapağı
11. Zincir gergisi ayar halkası
12. Zincir gergi düğmesi
13. Kılavuz çubuğu kapağı
14. Zincir tutucu

## GÜVENLİK CİHAZLARI

### Düşük geri tepmeli testere zinciri

Düşük geri tepmeli bir testere zinciri geri tepme olasılığını azaltır.

Her bıçağın önündeki tırnaklar (derinlik masterları), kesicilerin fazla derine girmesini önleyerek geri tepme gücünün azaltılmasını sağlayabilir. Sadece üretici tarafından tavsiye edilen yedek kılavuz çubuğu ve zincir takımlarını kullanın.

Testere zincirleri bildikçe düşük geri tepme özelliklerinden bir kısmını yitirdikleri için özel dikkat gerekir. Güvenliğiniz için, kesme performansı gerilediğinde testere zincirinizi değiştirin.

### Çivili tampon

Kesme işlemi sırasında, tampon çivisi eksen olarak kullanılabilir. Böylelikle kesim sırasında motorlu testere gövdesinin sabit tutulması sağlanır. Kesim sırasında, çiviler ağacın kenarına batana kadar makineyi itin; daha sonra arka tutamağı kesim çizgisi yönünde yukarı ya da aşağı hareket ettirmek kesme işleminin bedensel ağırlığını azaltır.

### Kılavuz çubukları

Küçük çaplı uçlara sahip kılavuz çubukları genellikle biraz daha düşük geri tepme potansiyeline sahiptir. İş yapmak için yeterli uzunluğa sahip bir kılavuz çubuğu ve uygun zincir kullanmanız gerekir. Daha uzun çubuklar kesim sırasında kontrol kaybı riskini yükseltir. Zincir gergisini düzenli olarak kontrol edin. Daha küçük (kılavuz çubuğunun tam boyundan kısa) dallar keserken, doğru gerilmemiş zincirin yerinden çıkma olasılığı yüksektir.

### Zincir freni

Zincir frenleri dönen zinciri hızla durdurmak için kullanılır. Zincir freninin kolu/el korkuluğu çubuğa doğru itildiği zaman, zincirin derhal durması gerekir. Zincir freni geri tepmeyi önlemez. Sadece geri tepme sırasında zincir çubuğunun operatörün vücuduna değmesi halinde yaralanma riskini düşürür. Her kullanımdan önce, zincir freninin hem fren, hem de çalışma konumunda doğru işlev görüp görmediği kontrol edilmelidir.

### Zincir tutucu

Zincir yakalayıcı, zincirin gevşemesi ya da kırılması durumunda kullanıcıya doğru fırlamasını engeller.

## MONTAJ

### ⚠ UYARI

Herhangi bir parça eksik ya da hasarlıysa o parçaları değiştirmeden ürünü çalıştırmayın. Bu uyarıya dikkat etmemek ciddi yaralanma ile sonuçlanabilir.



## TESTERE ZİNCİRİ VE KILAVUZ ÇUBUĞUNUN MONTAJI

Bkz. sayfa 262-263.

1. PİL paketini aletten çıkarmayı unutmayın. Koruyucu eldiven kullanın
2. Zincir gergi düğmesini gevşetin ve dışı kapağını çıkarın.
3. Testere zinciri zincir dönüş yönüne bakıyor olmalıdır. Geriye bakıyorsa, halkayı ters çevirin.
4. Zincir tahrik bağlantılarını çubuk oluğuna yerleştirin.
5. Zinciri, çubuğun arkasında bir halka bulunacak şekilde yerleştirin.
6. Zinciri çubuk üzerinde tutun ve halkayı tahrik dişlisinin üzerine yerleştirin. Çubuğu indirerek, somunun bağlı zincir gergi düzeneğindeki delikten geçmesini sağlayın. Somun ve deliğin hizalanması için düzeneği döndürmeniz gerekebilir. Zincirin yerinde kalmasına yardımcı olacak bir gergi uygulamak için düzeneği bir daha döndürebilirsiniz.
7. Dışı kapağını yerine takın zincir gergi düğmesini neredeyse sıkışana kadar çevirin; zincir gergi ayar halkasını zincir gerekli gerginliğe ulaşmaya kadar çevirin. Ardından, kılavuz çubuğunun yukarıya itilmesi gerekir. Zincir gergisini tekrar kontrol edin. Zinciri fazla germeyin.
8. Zincir iyi gerildikten sonra, düğmeyi tekrar sıkıştırın.

## ZİNCİR GERGİSİNİN AYARLANMASI

Bkz. sayfa 263. Bkz. sayfa 273.

1. Saat yönünün aksine çevirerek zincir gergi düğmesini biraz gevşetin.
2. Zincir gergisini artırmak için zincir gergisi ayar halkasını saat yönünde çevirin ve gergiyi sık sık kontrol edin. Zincir gergisini azaltmak için zincir gergisi ayar halkasını saat yönünün aksine çevirin ve gergiyi sık sık kontrol edin.
3. Zincirdeki bıçakla çubuk arasındaki mesafe 3 veya 4 mm olduğunda, zincir gergisi uygun demektir. Çubuğun alt kısmının ortasındaki zinciri aşağıya (çubuktan uzağa) doğru çekin ve çubukla zincir bıçakları arasındaki mesafeyi ölçün.
4. Saat yönünde çevirerek zincir gergi düğmesini sıkıştırın.

## KULLANIM

### ZİNCİR YAĞLAMA YAĞI EKLEMEK

Bkz. sayfa 262.

#### ⚠ UYARI

Asla zincir yağı olmadan çalışmayın. Zincirin yağsız çalışması, kılavuz çubuğunun ve zincirin hasar görmesine neden olabilir. Bu nedenle, yağ seviye göstergesinden yağ doldururken yağ seviye göstergesini izleyin. Dolum sırasında hazneye pislik girmemesini sağlayın.

1. Kirlenmeyi önlemek için yağ kapağının çevresindeki yüzeyi temizleyin.
2. Yağ haznesinin kapağını çevirerek çıkarın.
3. Yağ haznesine yağ doldururken yağ seviye göstergesini izleyin. Dolum sırasında hazneye pislik girmemesini sağlayın.
4. Hazne kapağını yerine takıp sıkıştırın. Dökülen yakıtı

silin.

5. Bir dolu hazne testereyi 20 - 40 dakika kullanmanızı sağlar.

### Tavsiye edilen zincir yağlama yağı

- Üretici sadece Ryobi motorlu testere yağlama yağı kullanmanızı tavsiye eder. (Yetkili Ryobi servis merkezinizden temin edebilirsiniz)

### PİL TAKIMININ TAKILMASI

Bkz. sayfa 263.

1. PİL takımını motorlu testereye yerleştirin. PİL takımındaki çıkıntılı dişleri motorlu testerenin pil yuvasındaki oluklarla hizalayın.
2. İşleme başlamadan önce, pil takımı üzerindeki mandalların yerine geçtiğinden ve pil takımının motorlu testereye sabitlendiğinden emin olun.

### MOTORLU TESTERENİN TUTULMASI

Bkz. sayfa 263.

Motorlu testereyi tutarken, her zaman sağ elinizin arka, sol elinizin de ön tutamakta olması gerekir. Parmaklarınızı tutamaklarına dolayarak motorlu testereyi sıkıca kavrayın. Sol eliniz ön tutamağı kavrarken, başparmağınızın altta bulunduğundan emin olun.

### MOTORLU TESTEREYİ ÇALIŞTIRMAK

Bkz. sayfa 263.

1. İşlem için çalıştırmadan önce pil takımını alete yerleştirmeniz ve zincir freni kolunu / el korkuluğunu ön tutamağı doğru çekerek freni çalışma konumuna getirmeniz gerekir.
2. Makineyi çalıştırmak için: tetik bırakma kolunu çekin ve ardından düğme tetiğe basın.

### MOTORLU TESTERENİN KONTROLÜ VE İŞLETİLMESİ

1. Sol elinizi ön tutamak üzerinde çevirerek zincir frenini devreye alın. Zincir hızla dönerken, elinizle zincir freni kolu/el korkuluğunu çubuğa doğru itin. Asla ellerinizi testere tutamaklarından ayırmayın.
2. Zincir freni kolunu / el korkuluğunu üst kısımdan kavrayıp bir klik sesi duyana kadar ön tutamağı doğru çekerek zincir frenini Çalışma konumuna getirin.

#### ⚠ UYARI

Zincir freni zinciri derhal durdurmazsa ya da zincir freni yardım olmadan çalışma konumunda kalmazsa, kullanmadan önce motorlu testereyi yetkili bir servis merkezine götürün.

### TAŞIMA VE DEPOLAMA

Bkz. sayfa 275 - 276.

- Depolama ya da nakliyeden önce ürünü durdurun, pilini çıkarın ve soğumasını sağlayın
- Üründeki tüm yabancı maddeleri temizleyin. Çocukların erişemeyeceği serin, kuru ve iyi havalandırılan bir yerde depolayın. Bahçe kimyasalları ve buz çözücü tuzlar gibi korozif maddelerden uzak tutun. Açık alanda depolamayın.



- Ürünü depolamadan önce ya da nakliye sırasında kılavuz çubuğu kapağını takın.
- Taşınacağı zaman insanların yaralanmasını veya ürünün zarar görmesini önlemek amacıyla ürünü hareket etmemesi veya düşmemesi için sabitleyin.

## BAKİM

### ⚠ UYARI

Sadece orijinal üreticinin yedek parçalarını, aksesuarlarını ve ek parçalarını kullanın. Aksi hâlde olası yaralanmalara, zayıf performansa neden olabilir ve garantinizi geçersiz kılabilir.

### ⚠ UYARI

Servis çalışması en yüksek düzeyde dikkat ve bilgi gerektirir ve sadece nitelikli bir servis teknisyeni tarafından yapılmalıdır. Servis için ürünü onarım amacıyla size en yakın yetkili servis merkezine göndermenizi öneriyoruz. Servis yapılırken sadece aynı yedek parçaları kullanın.

### ⚠ UYARI

Ürünü ayarlamadan, bakımını yapmadan ya temizlemeden önce pil takımını çıkarın. Aksi hâlde olası ciddi fiziksel yaralanmaya neden olabilir.

- Sadece bu kılavuzda açıklandığı şekilde ayar veya onarım yapabilirsiniz. Diğer onarımlar için yetkili servis temsilcisini arayın.
- Yetersiz bakım zincir freninin ya da diğer güvenlik özelliklerinin gereken işlevi yapmamasına, böylelikle ciddi yaralanma ihtimalinin artmasına neden olabilir. Motorlu testerenizin profesyonelce bakım görüp güvenli olmasını sağlayın.
- Zincirin güvenli şekilde bilenmesi beceri gerektiren bir görevdir. Bu nedenle üretici aşınmış ya da körelmiş zincirin yetkili Ryobi hizmet merkezinde mevcut yenisiyle değiştirilmesini şiddetle önermektedir. Parça numarası bu kılavuzda ürün teknik özellikleri tablosunda mevcuttur.
- Yağlama ve zincir gerginliği kontrol ve ayar talimatlarına uyun.
- Her kullanım sonrası ürünü yumuşak ve kuru bir bezle temizleyin.
- Ürünün güvenli çalışma durumunda olduğundan emin olmak için tüm somunların, civataların ve vidaların doğru sıklıkta sık aralıklarla takıldığını kontrol edin. Hasarlı her tür parça yetkili servis merkezi tarafından uygun şekilde onarılmalı veya değiştirilmelidir.

## TESTERE ZİNCİRİ VE KILAVUZ ÇUBUĞUNUN DEĞİŞTİRİLMESİ

Bkz. sayfa 271 - 272.

1. PİL paketini aletten çıkarmayı unutmayın. Koruyucu eldiven kullanın
2. Dişli kapağı gevşeyene kadar zincir gergi düşmesini

3. saat yönünün aksine çevirin.
4. Dişli kapağını çıkarın. Çubuk ve zinciri üründen sökün.
4. Çubuğu yenisiyle değiştirmek için zincir gerginlik tertibatının vidasını çıkarın. Zincir gerginlik tertibatını yeni çubuğa takın ve vidayı sıkın.
5. Yeni zinciri çubuğa doğru yönde yerleştirin ve tahrik bağlantılarının çubuk oluğunda hizalandığından emin olun.
6. Çubuğu motorlu testereye takın ve zinciri tahrik dişlisine sarın.
7. Dişli kapağını yerine takın.
8. Zincir gergisini ayarlayın. "Zincir gergisinin ayarlanması" bölümüne bakın.

### ⚠ UYARI

Körelmiş ya da gerektiği gibi bilenmemiş bir zincir aşırı motor hızlarına ve ciddi motor hasarına neden olabilir.

### ⚠ UYARI

Zincirin doğru bilenmemesi geri tepme olasılığını artırır.

### ⚠ UYARI

Hasarlı zincirin onarılmaması veya değiştirilmemesi ciddi yaralanmalara neden olabilir.

### ⚠ UYARI

Testere zinciri çok keskindir. Zincirin bakımını yaparken her zaman koruyucu eldiven kullanın.

## ZİNCİR FRENİNİN KONTROLÜ VE TEMİZLENMESİ

Bkz. sayfa 274.

- Bağlantılardaki pislikleri hafifçe fırçalayarak zincir fren mekanizmasının her an temiz olmasını sağlayın.
- Her temizlikten sonra zincir freni performansını mutlaka kontrol edin. Daha fazla bilgi için bu el kitabındaki "Operasyon - Zincir Freninin Kontrolü ve Çalıştırılması" bölümüne bakın.

## BAKIM PLANI

Günlük kontrol	
Gövde yağı	Her kullanım öncesi
Zincir gerginliği	Her kullanım öncesi ve sık sık
Zincir keskinliği	Her kullanım öncesi, görsel kontrol
Hasarlı parçalar	Her kullanım öncesi
Gevşek sabitleyiciler	Her kullanım öncesi
Zincir freni	Her kullanım öncesi
Her kullanımdan sonra	
Gövde	Her kullanım öncesi

Bütün testereyi	Her kullanım sonra
Zincir freni	Her 5 saatte bir*

\*Çalışma saati

## ÜRÜN ÜZERİNDEKİ SEMBOLLER



Güvenlik ikazı



Ürünü kullanmadan önce tüm talimatları okuyun ve anlayın, tüm uyarılara ve güvenlik talimatlarına uyun.



Kulak tıkacı, gözlük ve kask takın.



Ürünü kullanırken kaymaz güvenlik ayakkabısı giyin.



Kaymaz, ağır iş eldiveni giyin.



Testere geri tepmesine dikkat edin ve çubuk ucuna dokunmaktan kaçınin.



Ürünü yağmura veya nemli koşullara maruz bırakmayın.



Testereyi iki elle gerektiği gibi tutup kullanın.



Testereyi sadece tek elle kullanmayın.



Ürünün satın alındığı AB ülkesindeki tüm düzenleyici standartlara uygundur.



EurAsian Uygunluk İşareti



Ukrayna uygunluk işareti.



Atık elektrikli ürünler evsel atıklarla birlikte atılmamalıdır. Lütfen tesislerin mevcut olduğu yerlerde geri dönüştürün. Geri dönüşüm tavsiyesi için bölgenizdeki yetkili mercie veya satıcıya başvurun.



Güvenceli ses gücü seviyesi 105 dB'dir.



Çubuk ve zincir yağı



Asgari yağ seviyesi



Kilit



Kilidi açın



Zincir frenini RUN (ÇALIŞTIR) konumuna alın.



Zincir gergisini ayarlamak için çevirin  
+ = Zinciri gerin  
- = Zinciri gevşetin



Zincir frenini BRAKE (FREN) konumuna alın.



Zincir hareket yönü  
(Zincir dişli kapağının altına işaretlenmiştir)

$V_0$  : 10.5m/s

Yüksüz zincir hızı: 10.5 m/s

L max: 300mm

Maksimum kılavuz çubuğu uzunluk:  
300 mm

## BU KILAVUZDAKİ SEMBOLLER



Ayrı satılan parçalar veya aksesuarlar



Not



Uyarı



Gözlük ve yüz maskesi takın.



Üst beden koruması kullanın.



Bacak koruması kullanın.



Ürünü durdurun.

Aşağıdaki işaret sözcükler ve anlamları bu ürünle ilişkili risk seviyelerinin açıklanmasına yöneliktir.

### ⚠ TEHLİKE

Önlenmemesi durumunda ölüm veya ciddi yaralanma ile sonuçlanacak ciddi tehlike içeren bir durumu gösterir.

EN

FR

DE

ES

IT

NL

PT

DA

SV

FI

NO

RU

PL

CS

HU

RO

LV

LT

ET

HR

SL

SK

BG

UK

TR



**⚠ UYARI**

Önlenmemesi durumunda ölüm veya ciddi yaralanma ile sonuçlanabilecek potansiyel olarak tehlikeli bir durumu gösterir.

**⚠ İKAZ**

Önlenmemesi durumunda önemsiz veya orta derece yaralanma ile sonuçlanabilecek potansiyel olarak tehlikeli bir durumu gösterir.

**İKAZ**

Güvenlik uyarısı sembolü olmadığında

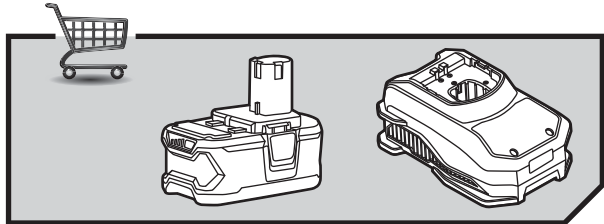
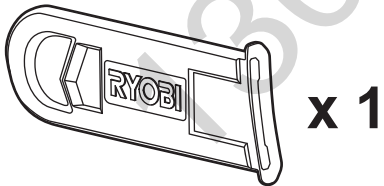
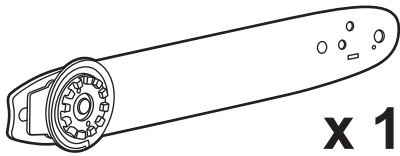
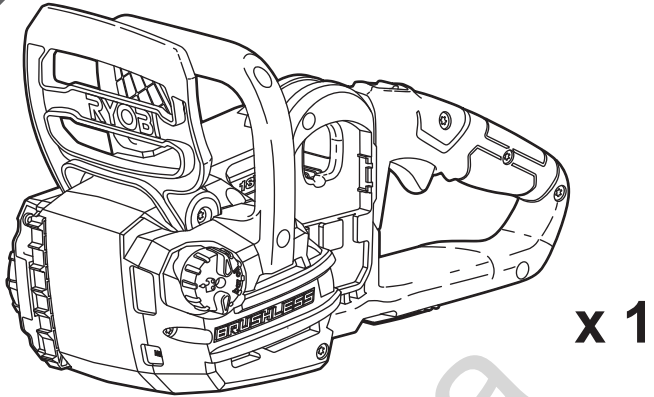
Maddi hasarla sonuçlanabilecek bir durumu gösterir.

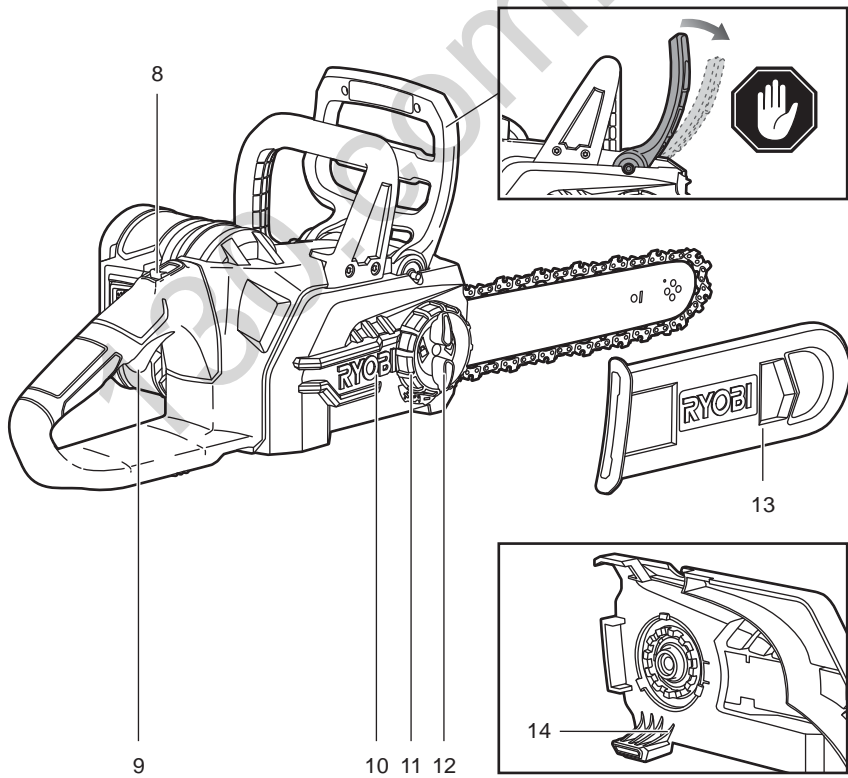
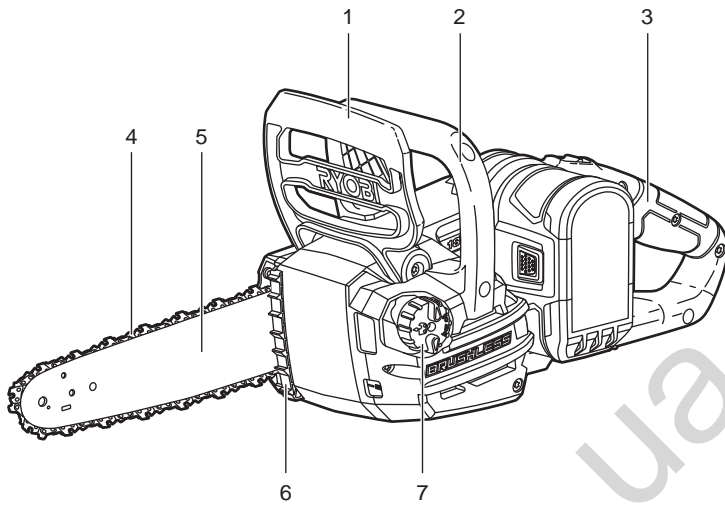
130.com.ua

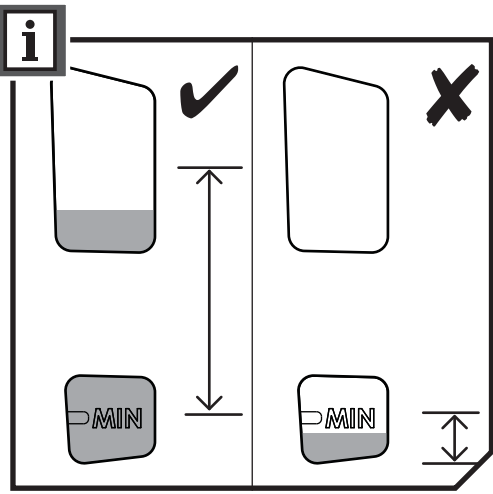
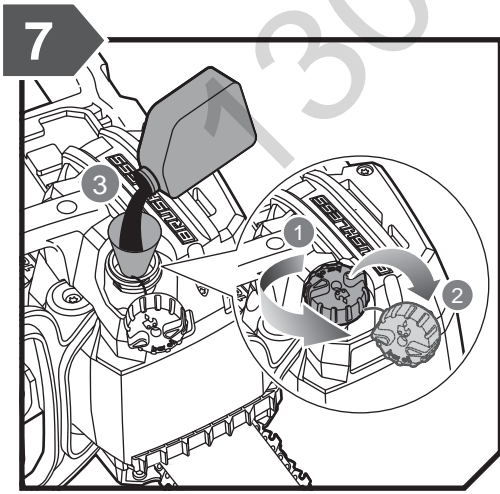
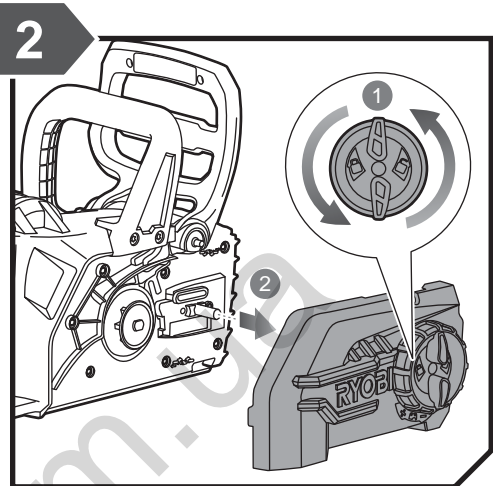
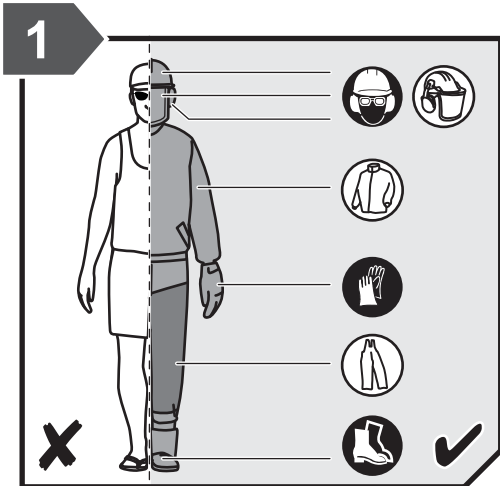
130.com.ua

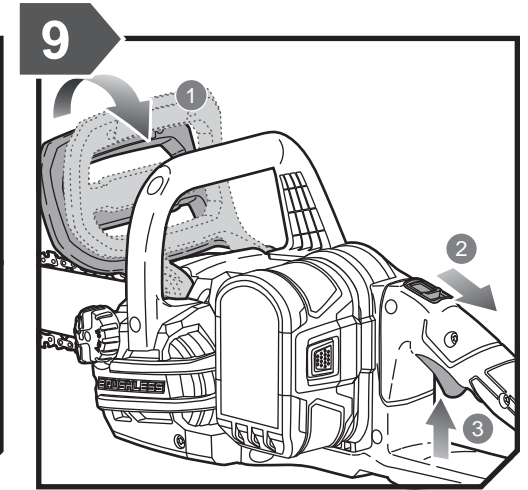
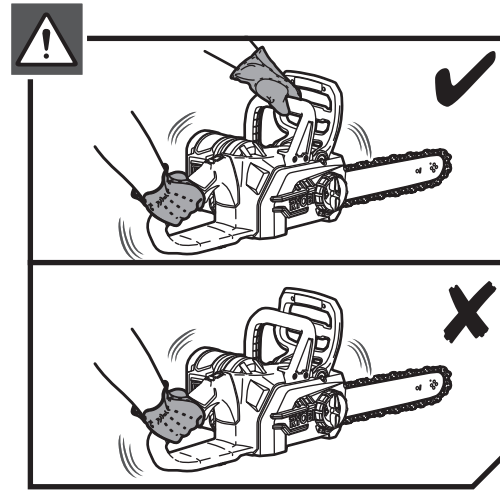
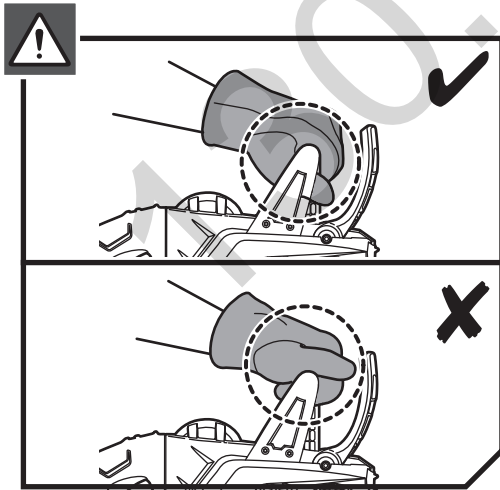
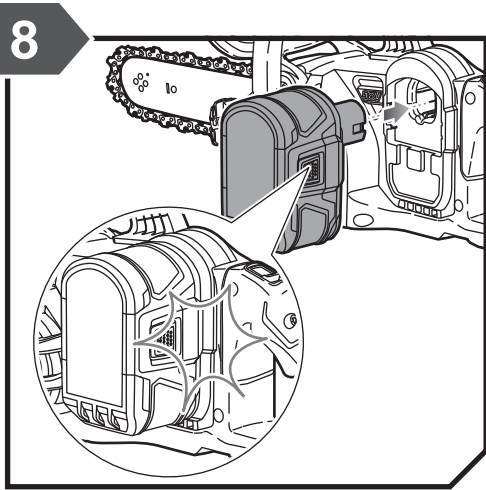
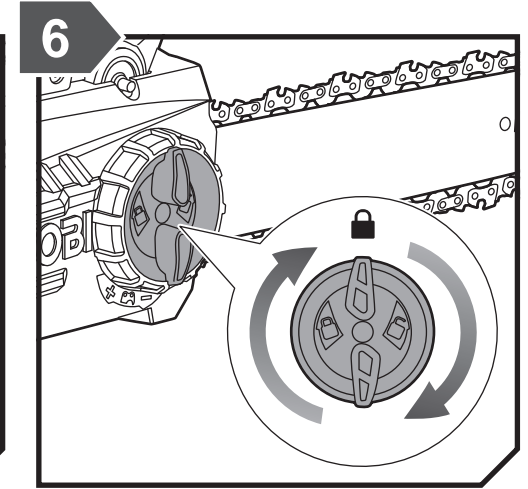
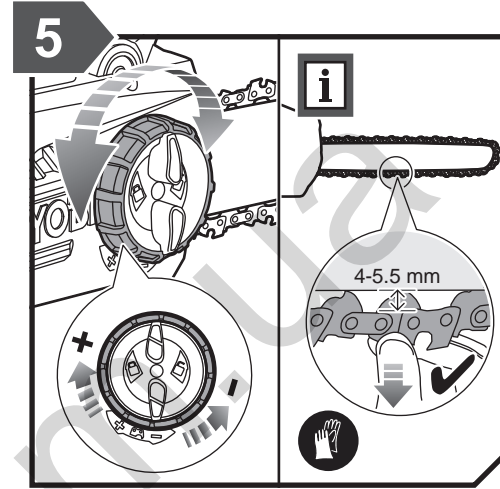
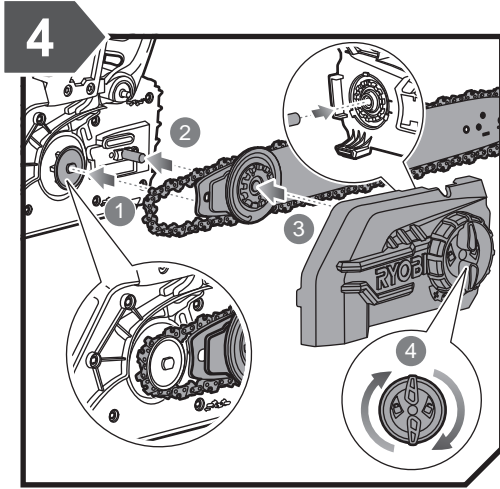
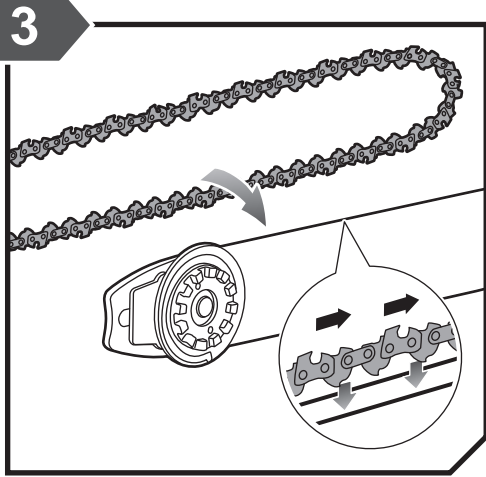
- EN
- FR
- DE
- ES
- IT
- NL
- PT
- DA
- SV
- FI
- NO
- RU
- PL
- CS
- HU
- RO
- LV
- LT
- ET
- HR
- SL
- SK
- BG
- UK
- TR**

OCS1830



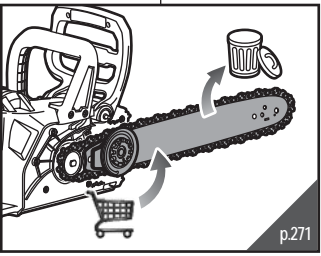
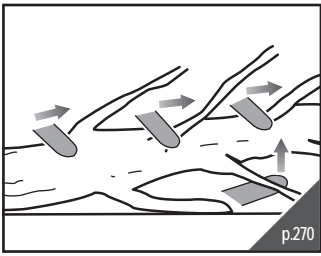
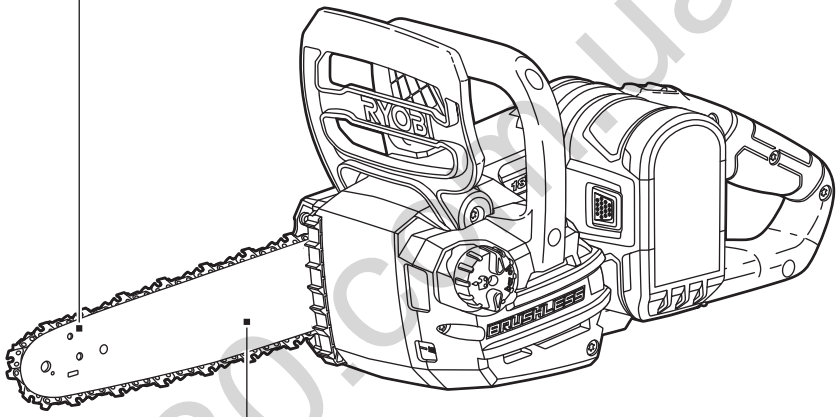
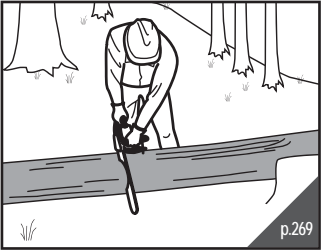
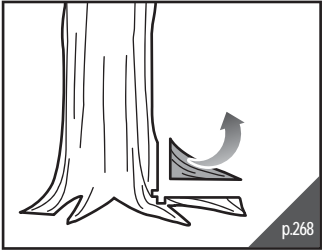
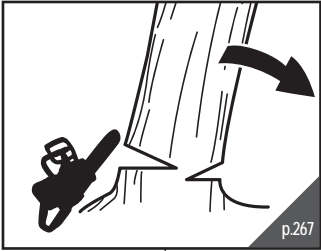


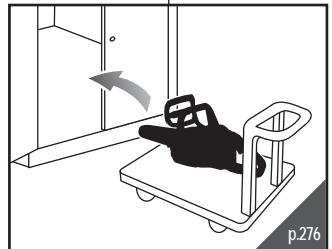
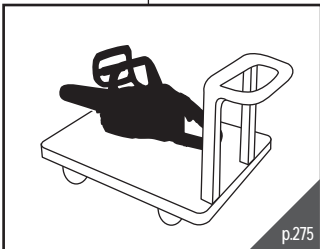
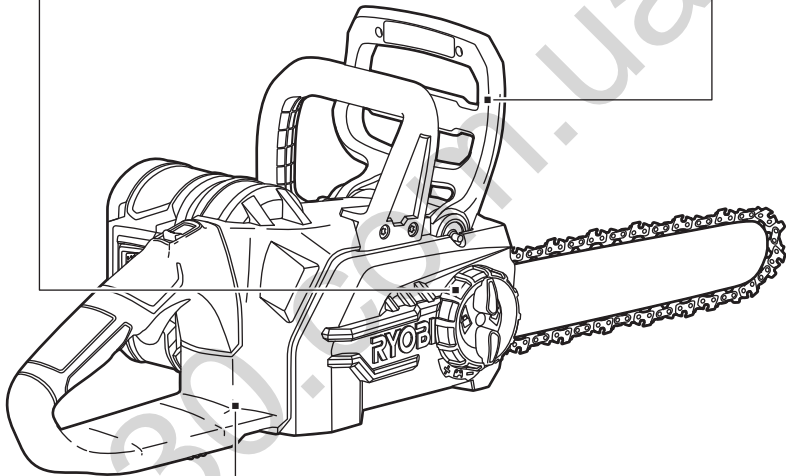
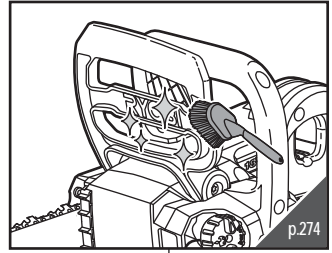
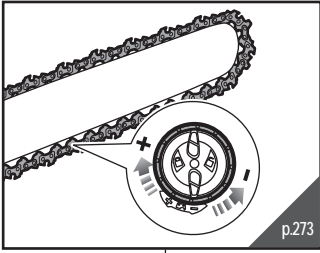


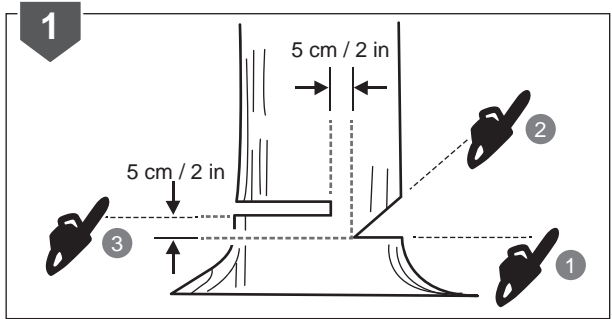
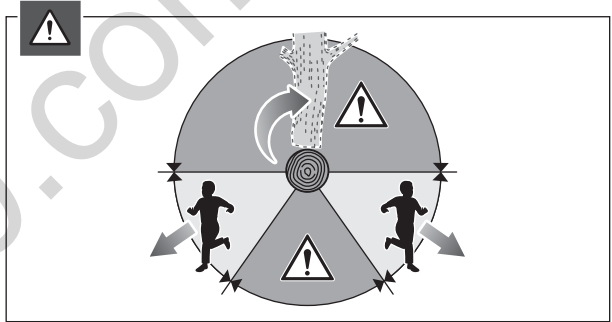
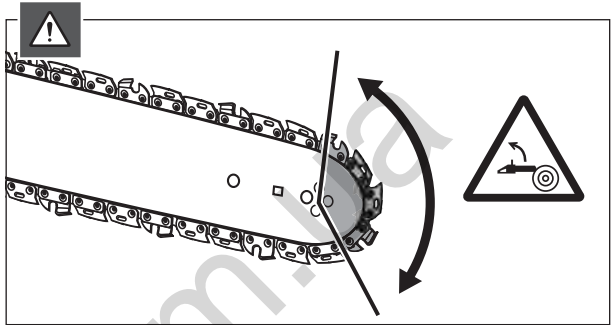
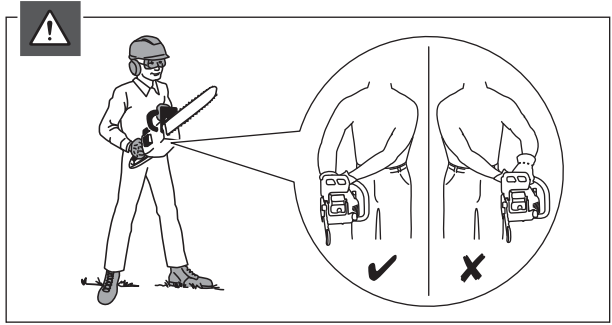
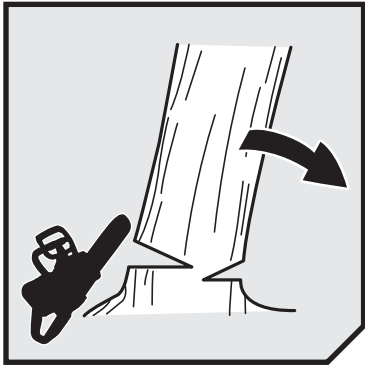


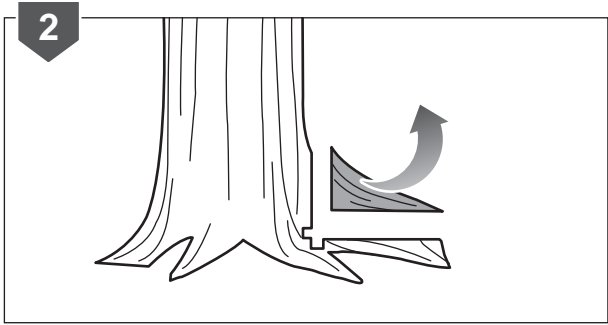
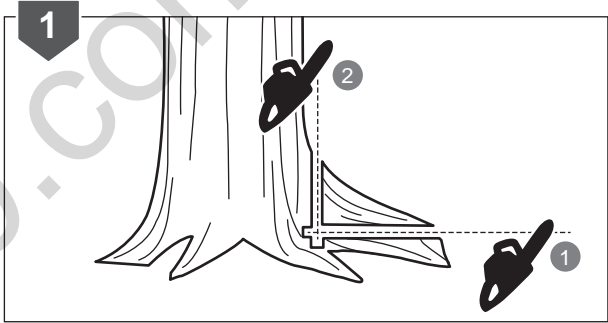
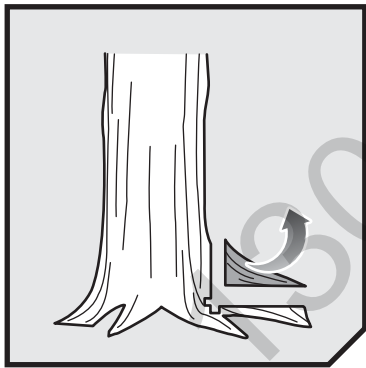
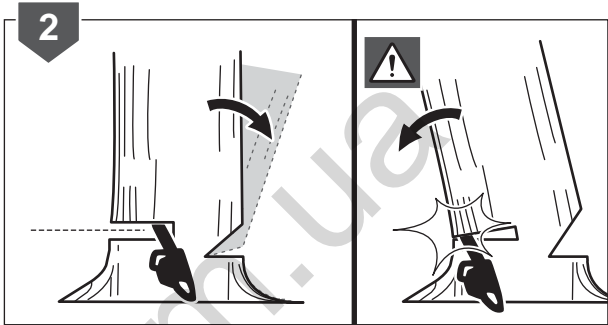
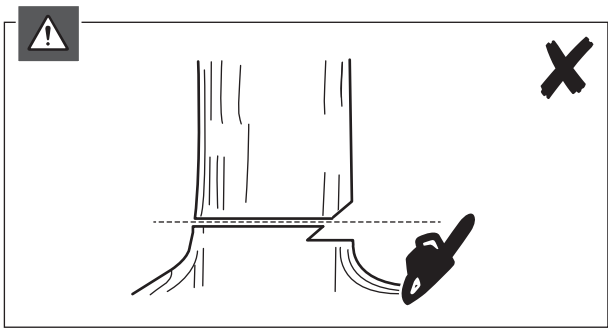


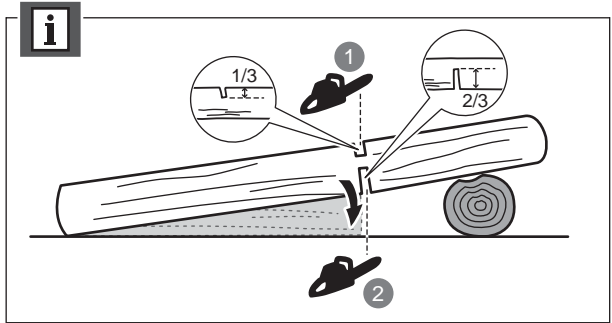
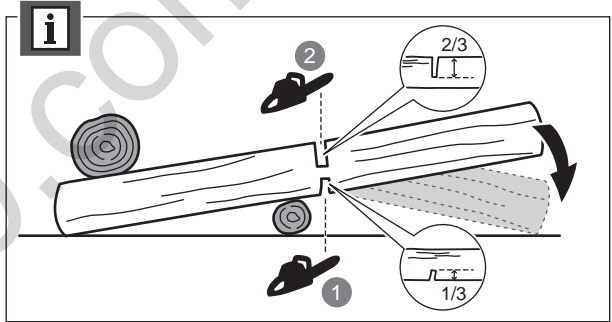
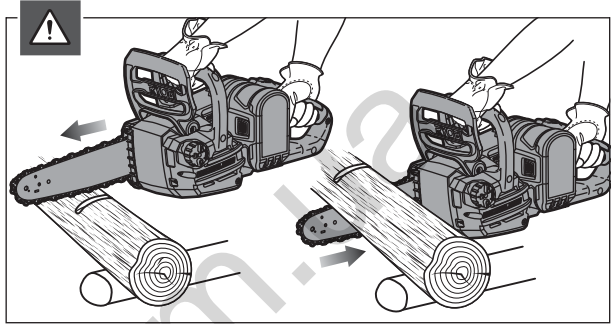
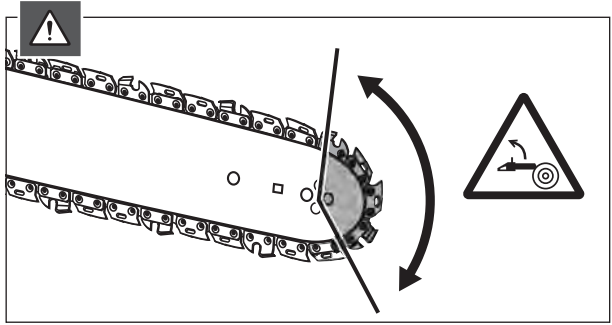
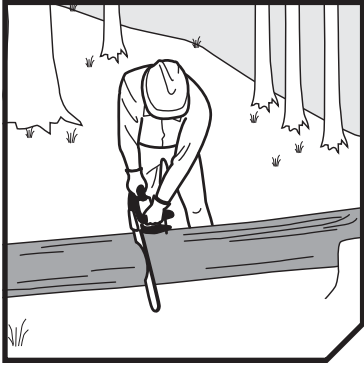
130.com.ua



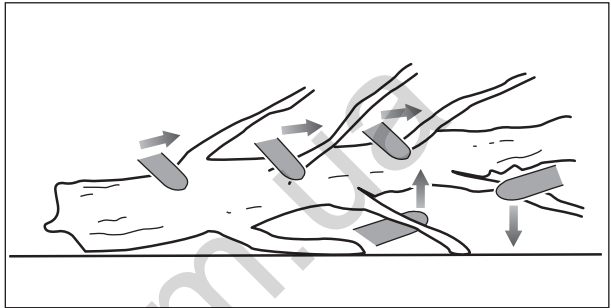
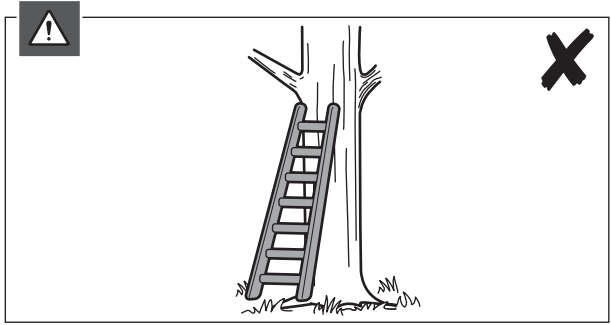
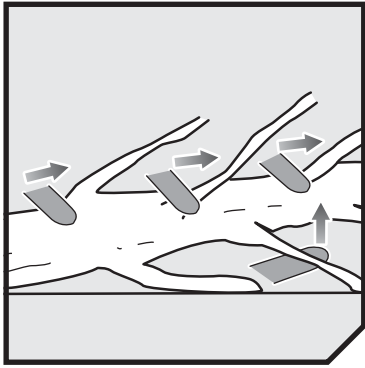


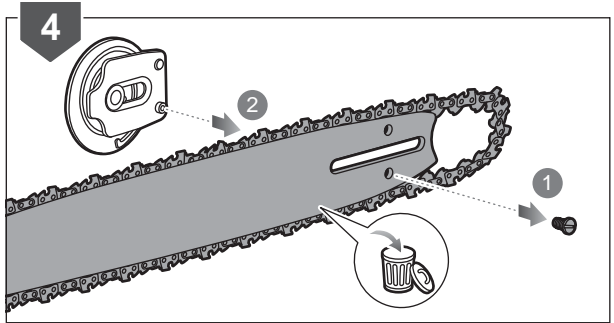
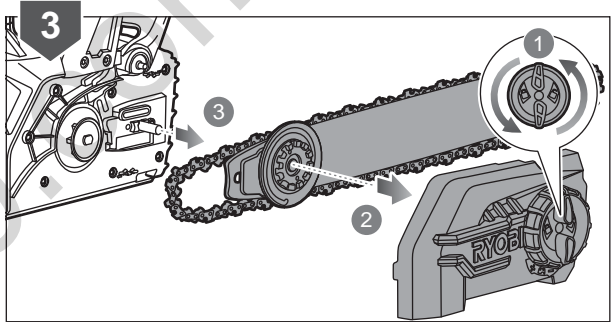
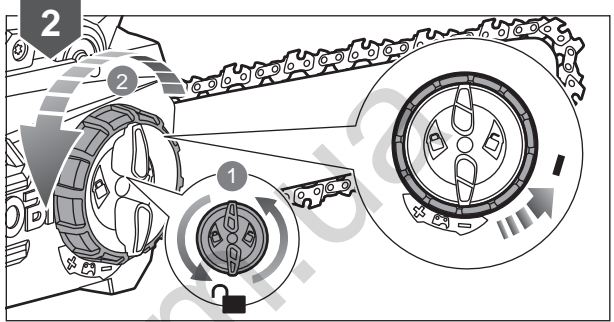
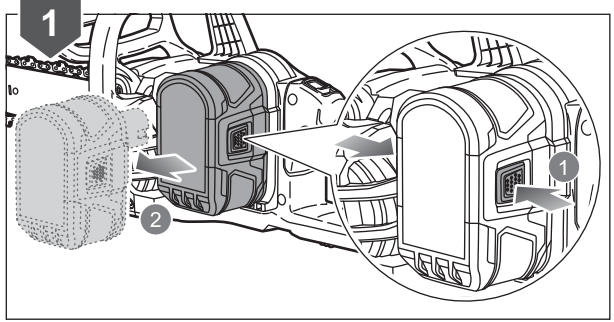
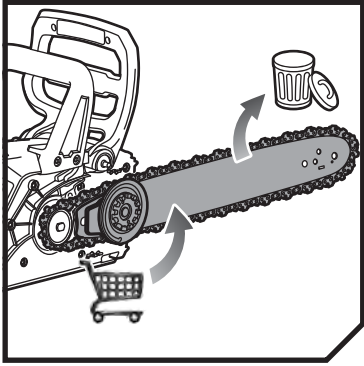


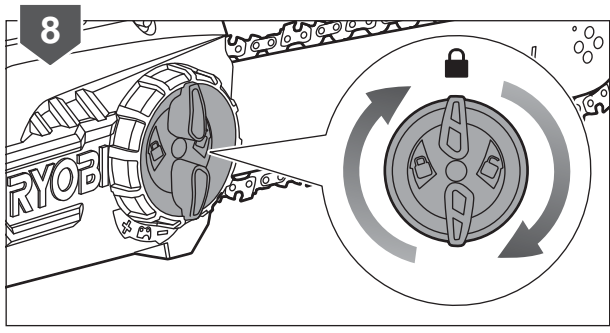
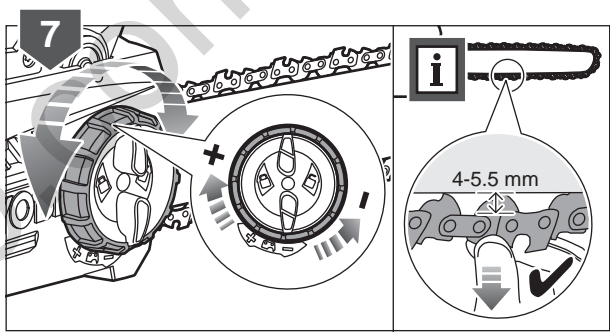
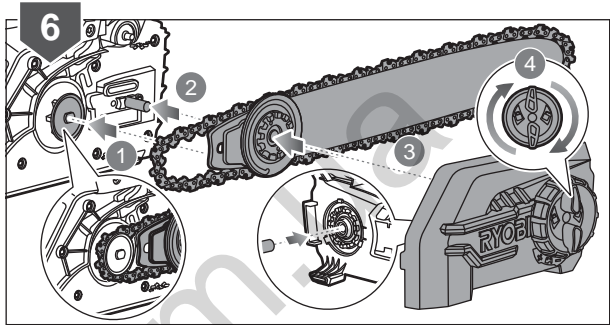
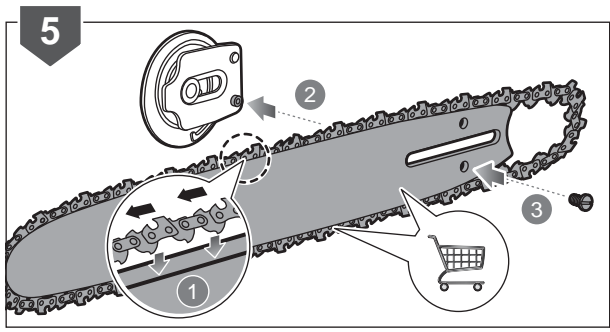


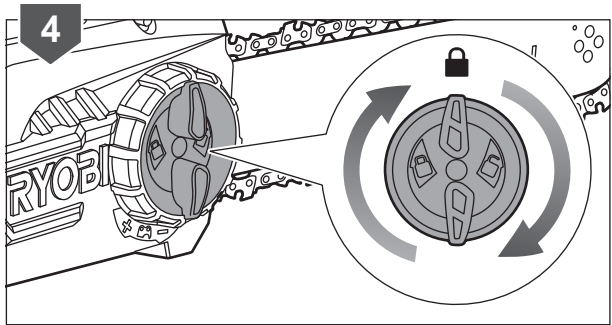
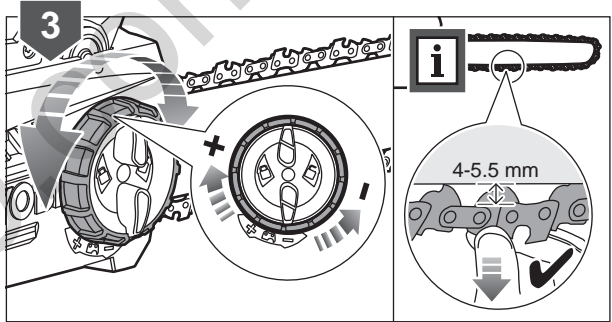
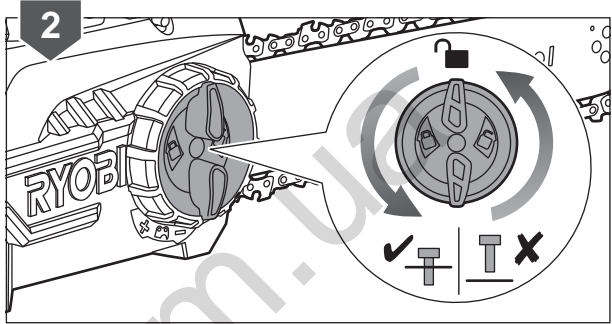
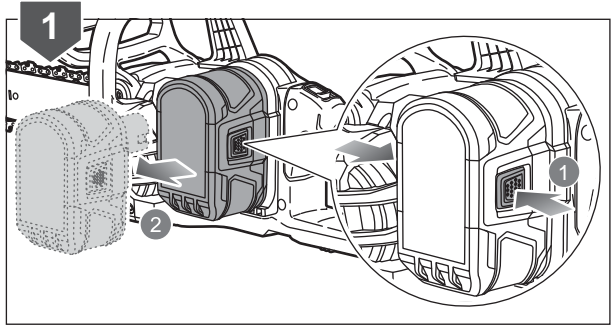
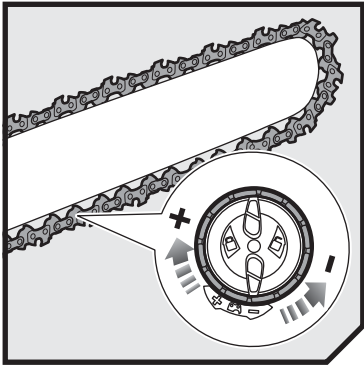


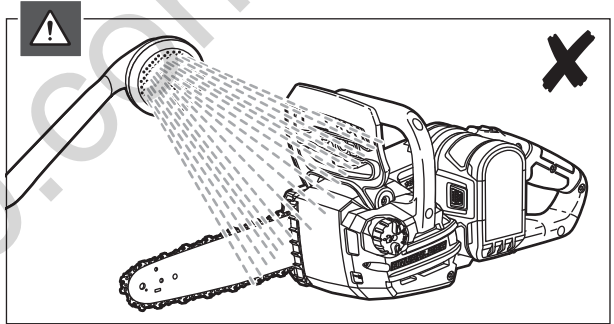
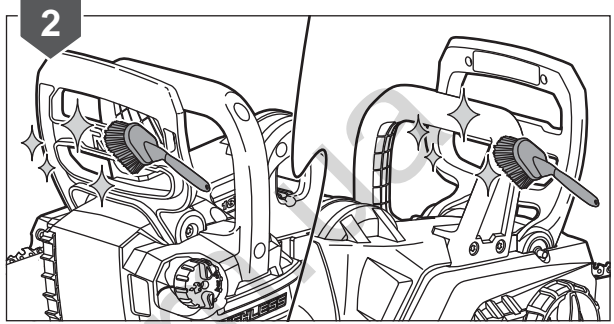
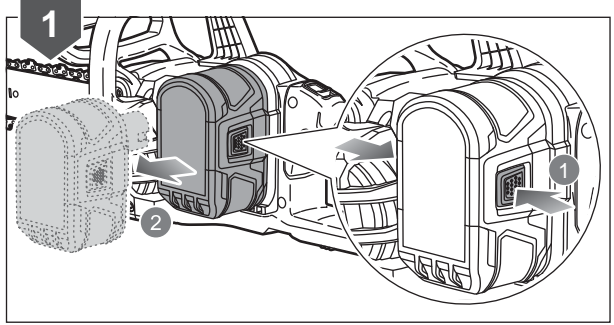
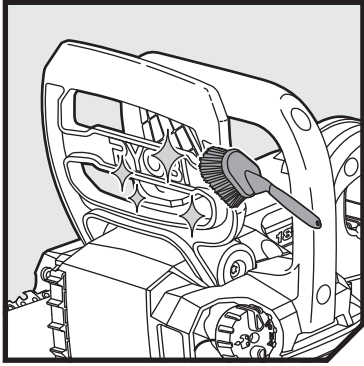


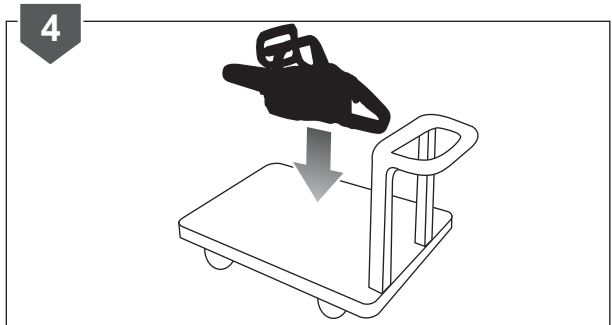
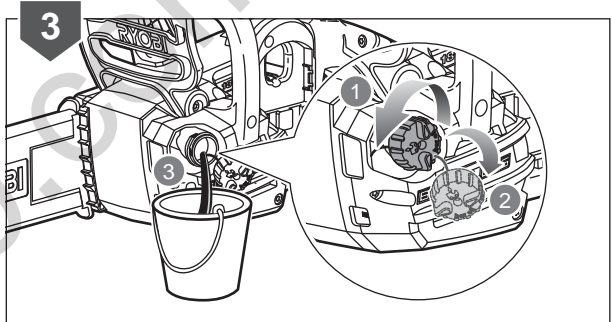
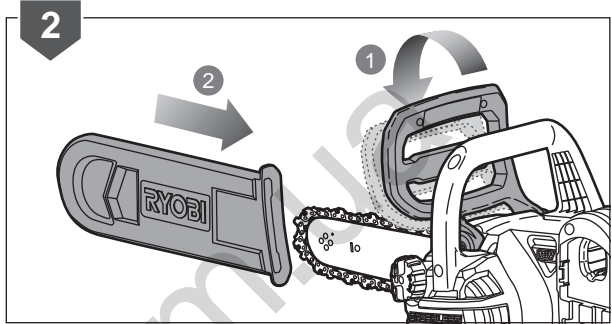
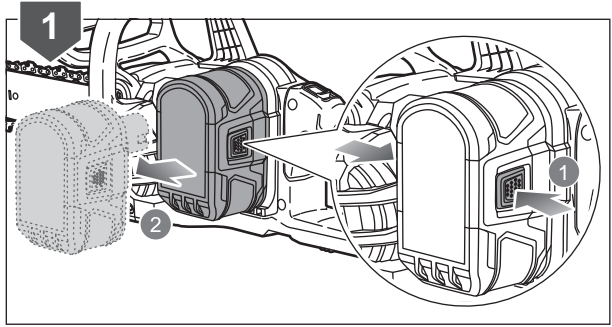
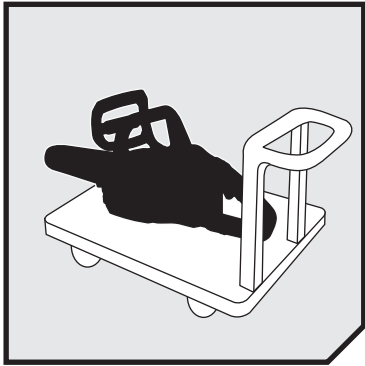




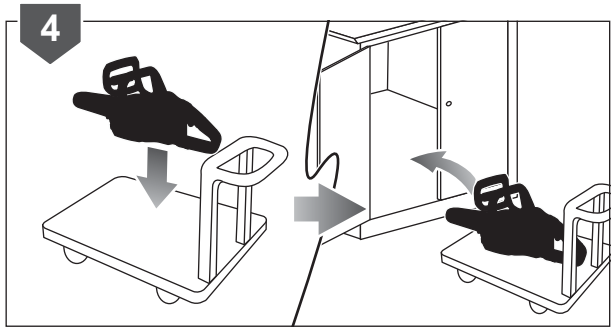
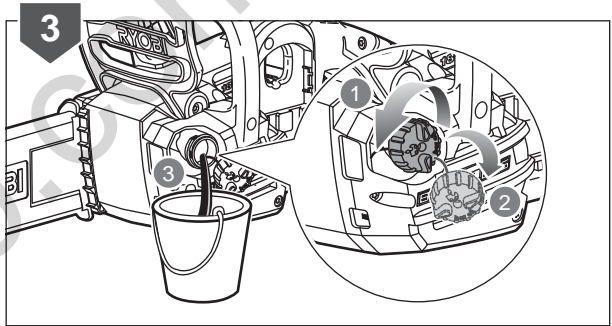
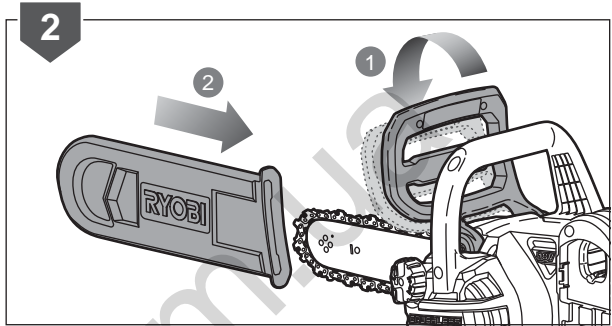
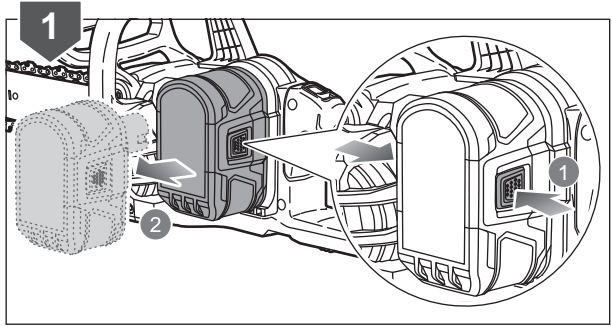
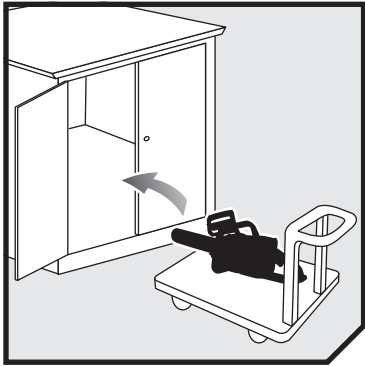












130.com.ua



English	Français	Deutsch	Español	Italiano	Nederlands
<b>Product specifications</b>	<b>Caractéristiques produit</b>	<b>Produkt-Spezifikationen</b>	<b>Características del producto</b>	<b>Caratteristiche del prodotto</b>	<b>Productgegevens</b>
Cordless Chainsaw	Tronçonneuse sans fil	Akku-Kettensäge	Motosierra inalámbrica	Sega elettrica a batteria	Draadloze kettingzaag
Model	Modèle	Modell	Modelo	Modello	Model
Rated voltage	Tension nominale	Nennspannung	Tensión nominal	Voltaggio nominale	Toegekende spanning
No-load speed	Vitesse de rotation	Leerlaufgeschwindigkeit	Velocidad sin carga	Velocità senza carico	Snelheid zonder lading
Guide bar length	Longueur du guide-chaîne	Länge der Führungsschiene	Longitud de la barra guía	Lunghezza barra di guida	Zwaardlengte
Usable cutting length	Longueur de coupe utile	Anwendbare Schnittlänge	Largo de corte	Lunghezza di taglio disponibile	Bruikbare zaaglengte
Chain pitch	Gouge de la chaîne	Kettenteilung	Paso de la cadena	Passo catena	Kettingsteek
Drive links	Maillons de chaîne	Kettenantriebsglieder	Eslabones de la cadena	Anelli catena	Aandrijfschakels
Drive sprocket	Pignon d'entraînement	Kettenrad	Rueda dentada motriz	Ruota dentata di trasmissione	Kettingwiel
Chain oil tank capacity	Contenance du réservoir d'huile de chaîne	Kettenöltankkapazität	Capacidad del depósito de aceite de la cadena	Capacità serbatoio olio catena	Kettingolietankcapaciteit
Weight (without battery pack, with guide bar, chain and empty tank)	Poids (Sans batterie, avec chaîne, guide-chaîne et réservoir vide)	Gewicht (Ohne Akku, mit Führungsschiene, Kette und leerem Tank)	Peso (Sin batería, con barra guía, cadena y depósito vacío)	Peso (Senza batteria, con barra di guida, catena e serbatoio vuoto)	Gewicht (Zonder accupak, met zwaard, ketting en lege tank)
Vibration level (in accordance with EN 60745-1 & EN 60745-2-13)	Niveau de vibration (selon l'Annexe EN 60745-1; EN 60745-2-13)	Vibrationsgrad (gemäß EN 60745-1; EN 60745-2-13)	Nivel de vibración (de acuerdo con EN 60745-1; EN 60745-2-13)	Livello vibrazioni (in accordo con la direttiva EN 60745-1; EN 60745-2-13)	Trillingsniveau (in overeenstemming met EN 60745-1; EN 60745-2-13)
Front handle	Poignée avant	Vorderer Handgriff	Mango delantero	Manico anteriore	Voorste handvat
Rear handle	Poignée arrière	Hinterer Handgriff	Mango trasero	Manico posteriore	Achterste handvat
Uncertainty of measurement	Incertitude de la mesure	Unsicherheit der Messung	Incertidumbre de medición	Incertezza delle misurazioni	Onzekerheid bij meting
Noise emission level (in accordance with EN 60745-1 & EN 60745-2-13)	Niveau d'émission sonore (selon l'Annexe EN 60745-1; EN 60745-2-13)	Geräuschemission (gemäß EN 60745-1; EN 60745-2-13)	Nivel de emisión de ruido (de acuerdo con EN 60745-1; EN 60745-2-13)	Livello di emissione rumore (in accordo con la direttiva EN 60745-1; EN 60745-2-13)	Geluidsemissieniveau (in overeenstemming met EN 60745-1; EN 60745-2-13)
A-weighted sound pressure level at operator's position	Niveau de pression sonore pondéré-A au niveau de l'opérateur	A-bewerteter Schalldruckpegel an der Position des Anwenders	Nivel de presión acústica ponderado A en la posición del operador	Livello di pressione sonora ponderata A alla posizione dell'operatore	A-gewogen geluidsdrukniveau bij positie van gebruiker
Uncertainty of measurement	Incertitude de la mesure	Unsicherheit der Messung	Incertidumbre de medición	Incertezza delle misurazioni	Onzekerheid bij meting
A-weighted sound power level	Niveau de puissance sonore pondéré-A	A-bewerteter Schalleistungspegel	Nivel de potencia acústica ponderada en A	Livello di potenza sonora pesato A	A-gewogen geluidsniveau
Uncertainty of measurement	Incertitude de la mesure	Unsicherheit der Messung	Incertidumbre de medición	Incertezza delle misurazioni	Onzekerheid bij meting





Português	Dansk	Svenska	Suomi	Norsk	Русский	
<b>Características do aparelho</b>	<b>Produktspecifikation</b>	<b>Produktspecifikation</b>	<b>Tuotteen tekniset tiedot</b>	<b>Produktspesifikasjoner</b>	<b>Характеристики изделия</b>	
Electroserra recarregável	Ledningsfri kædesav	Sladdlös motorsågen	Johdoton moottorisaha	Motorsagen	Беспроводная цепная пила	
Modelo	Model	Modell	Malli	Modell	Модель	OCS1830
Tensão nominal	Mærkespænding	Spänning	Nimellisännite	Nominell spenning	Номинальное напряжение	18 Volts
Velocidade sem carga	Tomgangshastighed	Hastighet utan belastning	Nopeus ilman kuormaa	Tomgangshastighet	Холостая скорость	10 m/s
Comprimento da lâmina-guia	Sværdets længde	Klingans längd	Terälevyn pituus	Sagsverdlengde	Длина пильной шины	300 mm
Comprimento de corte útil	Anvendelig skærer længde	Användbar sågningslängd	Leikkuupituus	Brukbar kuttelengde	Используемая режущая длина	250 mm (10")
Passo da corrente	Kædestigning	Kedjedelning	Ketjun jako	Inndeling av kjede	Зубья пильной цепи	9.525 mm (0.375")
Ligações da corrente motriz	Kæde drev lænker	Kedjedrivlänkar	Vetolenkit	Drivtann for kjede	Направляющие звенья цепи	45
Pinhão	Drivhjul	Drivkugge	Vetopyöra	Kjedehjul, drev	Ведущая звездочка	6 teeth x 0.375"
Capacidade do depósito do óleo da corrente	Kædeolietank-kapacitet	Kapacitet för oljebehållaren	Ketjun öljysäiliön tilavuus	Kjeldeolje tankkapasitet	Емкость масляного бака пилы	210 ml
Peso (Sem bateria, com barra guia, corrente e depósito vazio)	Vægt (Ingen batteri, med sværd, kæde og tom tank)	Vikt (Utan batteri, med stödarm, kedja och tom tank)	Paino (Ilman akkua, terälevyn, ketju ja tyhjä säiliö)	Vekt (Uten batteri, med føringsskinne, kjede og tom tank)	Вес (Без аккумулятора, с пильной шиной, цепью и пустым топливным баком)	3.2 kg
Nível de vibração (em conformidade com EN 60745-1; EN 60745-2-13)	Vibrationsniveau (iht. EN 60745-1; EN 60745-2-13)	Vibrationsnivå (enligt EN 60745-1; EN 60745-2-13)	Tärinätaso (standardin EN 60745-1; EN 60745-2-13 mukaisesti)	Vibrasjonsnivå (iht. EN 60745-1; EN 60745-2-13)	Уровень вибрации (в соответствии с EN 60745-1; EN 60745-2-13)	
Pega frontal	Forhåndtag	Främre handtag	Etukädensija	Fremre håndtak	Передняя ручка	4.0 m/s <sup>2</sup>
Pega traseira	Baghåndtag	Bakre handtag	Takakädensija	Bakre håndtak	Задняя ручка	6.6 m/s <sup>2</sup>
Incerteza de medições	Målingsusikkerhed	Osäkerhet för mått	Mittausten epätarkkuus	Usikkerhet ved måling	Погрешность измерения	1.5 m/s <sup>2</sup>
Nível de emissão de ruído (em conformidade com EN 60745-1; EN 60745-2-13)	Støjemissionsniveau (iht. EN 60745-1; EN 60745-2-13)	Bullerutsläppsnivå (enligt EN 60745-1; EN 60745-2-13)	Melutaso (standardin EN 60745-1; EN 60745-2-13 mukaisesti)	Støytutslippsnivå (iht. EN 60745-1; EN 60745-2-13)	Уровень шума (в соответствии с EN 60745-1; EN 60745-2-13)	
Nível de pressão acústica ponderado A na posição do operador	A-vægtet lydtryksniveau ved operatørens position	A-viktad ljudtrycksnivå vid operatörens plats	A-painotettu käyttäjään kohdistuva äänenpainetaso	Støynivåvektning ved operatørens posisjon	Амплитудно-взвешенный уровень звукового давления на рабочем месте оператора	83.1 dB(A)
Incerteza de medições	Målingsusikkerhed	Osäkerhet för mått	Mittausten epätarkkuus	Usikkerhet ved måling	Погрешность измерения	2.5 dB
Nível de potência sonora ponderada A	A-vægtet lydeffektniveau	A-vägd ljudeffektnivå	A-painotettu äänenteho	A-vektet lydeffektnivå	Уровень А-взвешенной звуковой мощности	94.1 dB(A)
Incerteza de medições	Målingsusikkerhed	Osäkerhet för mått	Mittausten epätarkkuus	Usikkerhet ved måling	Погрешность измерения	2.5 dB





Polski	Čeština	Magyar	Română	Latviski	Lietuviškai	Eesti
<b>Parametry techniczne</b>	<b>Technické údaje produktu</b>	<b>Termék műszaki adatai</b>	<b>Specificațiile produsului</b>	<b>Produkta specifikācijas</b>	<b>Gaminio techninės savybės</b>	<b>Toote tehnilised andmed</b>
Bezprzewodowa pila łańcuchowa	Akumulatorová řetězová pila	Akkumulátoros láncfűrész	Fierăstrăul electric fără fir	Bezvadu ķēdes zāģis	Akumulatorinis grandininis pjūklas	Juhtmeta kettsaagi
Model	Model	Tipus	Model	Modelis	Modelis	Mudel
Napięcie znamionowe	Jmenovitě napětí	Névleges feszültség	Tensiunea nominală	Nominālais spriegums	Nominali įtampa	Nimipinge
Prędkość obrotowa bez obciążenia	Rychlost naprázdno	Üresjárati fordulatszám	Viteză fără sarcină	Greitis be apkrovimo	Greitis be apkrovimo	Tühikäigukirus
Długość prowadnicy	Délka vodičí lišty	Láncvezető hossza	Lungime a barei de ghidare	Sliedes garums	Kreipiamosios juostos ilgis	Juhtlatti pikkus
Użyteczna długość cięcia	Využitelná řezací délka	Hasznos vágáshossz	Lungime de tăiere utilizabilă	Izmantojamais griešanas garums	Naudojamas pjovimo ilgis	Kasutatav lõike pikkus
Przecinak kształtowy łańcucha	Článek řetězu	Fog osztás	Lamele lanțului	Ķēdes asmenīši	Pjovimo grandinės dantukas	Keti samm
Ogniwa napędowe łańcucha	Pohon řetězu levý	Lánc hajtószemek	Organ de transmisere a mișcării lanțului	Piedziņas ķēdes locekļi	Grandininė pavara	Keti tee vasakul
Kolo napędowe	Drive sprocket	Lánckerék	Pinion de antrenare	Ķēdesrats	Krumpliaratis	Ülekandevõll
Pojemność zbiornika oleju łańcuchowego	Kapacita olejové nádrže pro řetěz	Láncolaj tartályának térfogata	Capacitate rezervor ulei de lanț	Ķēdes eļļas tvertnes tilpums	Grandinės alyvos bakelio tūris	Õlipaagi maht
Masa (Bez akumulatora, z prowadnicą, łańcuchem i pustym zbiornikiem paliwa)	Hmotnost (Není vložen akumulátor, s vodičí lištou, řetězem a prázdnou nádrží)	Tömeg (Akkumulátor nélkül, láncvezetővel, láncossal és üres tartállyal)	Greutate (Fără baterie, cu lamă de ghidare, lanț și rezervor gol)	Svars (Bez akumulatora, ar sliedi, ķēdi un tukšu tvertni)	Svoris (Be akumulatorinės baterijos, su kreiptuvu, grandine ir tuščiu baku)	Mass (Ilma aku pakita, juhtlattiga, ketiga ja tühja paagiga)
Poziom vibracji (zgodnie z normą EN 60745-1; EN 60745-2-13)	Úroveň vibrací (v souladu s EN 60745-1; EN 60745-2-13)	Vibrációs szint (az EN 60745-1; EN 60745-2-13 szerint)	Nivel de vibrație (în conformitate cu EN 60745-1; EN 60745-2-13)	Vibrācijas līmenis (saskaņā ar EN 60745-1; EN 60745-2-13)	Vibracijos lygis (pagal EN 60745-1; EN 60745-2-13 standartą)	Vibratsioonitase (vastavalt standardile EN 60745-1; EN 60745-2-13)
Uchwyt przedni	Přední rukojeť	Elűső fogantyú	Mâner anterior	Priekšējais rokturis	Priekinė rankena	Eesmine käepide
Uchwyt tylny	Zadní rukojeť	Hátolsó fogantyú	Mâner posterior	Aizmugurējais rokturis	Galinė rankena	Tagumine käepide
Niepewność pomiaru	Nejistota měření	Mérés bizonytalansága	Nesiguranța măsurătorii	Mērījuma nenoteiktība	Matavimo paklaida	Mõõtmismääramatus
Poziom emisji hałasu (zgodnie z normą EN 60745-1; EN 60745-2-13)	Hladina emise hluku (v souladu s EN 60745-1; EN 60745-2-13)	Hangbocsátási szint (az EN 60745-1; EN 60745-2-13 szerint)	Nivel emisie zgomot (în conformitate cu EN 60745-1; EN 60745-2-13)	Trokšņu emisijas līmenis (saskaņā ar EN 60745-1; EN 60745-2-13)	Skleidžiama triukšmo lygis (pagal EN 60745-1; EN 60745-2-13 standartą)	Helivõimsuse tase (vastavalt standardile EN 60745-1; EN 60745-2-13)
Poziom ciśnienia akustycznego (A) w miejscu operatora	Hladina akustického tlaku vážená funkce A v poloze obsluhy	A-súlyozott hangnyomásszint a kezelő helyén	Nivel presiune sunet greutatea A la poziția operatorului	Lietotāja pozīcijā ir ar A novērtēts skaņas spiediena līmenis	A svorinis triukšmo slėgio lygis operatoriaus padėtyje	A-kaalutud helirõhu tase operatori töökojal
Niepewność pomiaru	Nejistota měření	Mérés bizonytalansága	Nesiguranța măsurătorii	Mērījuma nenoteiktība	Matavimo paklaida	Mõõtmismääramatus
A-ważony poziom natężenia hałasu	Hladina akustického tlaku vážená funkce A	A-súlyozott hangteljesítményszint	Nivel de putere acustică ponderată A	A-lmeņa skaņas jaudas līmenis	A-svertinis akustinis lygis	A-kaalutud helivõimsuse tase
Niepewność pomiaru	Nejistota měření	Mérés bizonytalansága	Nesiguranța măsurătorii	Mērījuma nenoteiktība	Matavimo paklaida	Mõõtmismääramatus





Hrvatski	Slovensko	Slovenčina	България	Українська	Turce	
<b>Specifikacije proizvoda</b>	<b>Specifikacije izdelka</b>	<b>Špecifikácie produktu</b>	<b>Технически характеристики</b>	<b>Технічні характеристики продукту</b>	<b>Ürün teknik özellikleri</b>	
Bežična lančana pila	Brežična motorna žaga	Akumulátorová reťazová pila	Безжичният верижен трион	Бездротова верижна пила	Kablosuz Motorlu Testere	
Model	Model	Modelis	Модел	Модель	Model	OCS1830
Nazivni napon	Nazivna napetost	Menovité napätie	Номинален волтаж	Номинална напруга	Nominal voltaj	18 Volts
Brzina bez opterećenja	Hitrost neobremenjenega motorja	Rýchlosť naprázdno	Скорост в ненатоварен режим	Швидкість без навантаження	Yüksüz hız	10 m/s
Duljina vodilice lanca	Dolžina meča	Dĺžka vodiacej lišty	Дължина на водещата шина	Довжина напрямної штанги	Kilavuz çubuğu uzunluk	300 mm
Korisna duljina vodilice	Dolžina uporabne površine za žaganje	Využitelná dĺžka rezania	Използваема дължина на рязане	Корисна рязачна довжина	Kesme uzunluğu	250 mm (10")
Zubac lanca	Korak verige	Rozstup reťaze	Стъпка на веригата	Інтенсивність пили	Zincir hatvesi	9.525 mm (0.375")
Pogonske veze lanca	Obroč zobnika verige	Vodiace články reťaze	Водещи звена веригата	З'єднання приводу	Zincir tahrik bağlantıları	45
Pogonski lančanik	Pogonski zobnik	Reťazové koleso	Водещо зъбно колело	Ланцюгове кільце приводу	Zincir tahrik dişlisi	6 teeth x 0.375"
Kapacitet spremnika ulja za lanac	Kapaciteta posode za olje verige	Kapacita olejovej nádrže reťaze	Вместимост на резервоара за верижно масло	Об'єм масляного бака ланцюга	Yağ deposu kapasitesi	210 ml
Težina (Bez baterije, s vodilicom, lancem i praznim spremnikom)	Teža (Brez baterijskega, z mečem, verigo in praznim rezervoarjem)	Hmotnosť (Bez batérie, s vodiacou lištou, reťazou a prázdnu nádržou)	Тегло (Без батерия, с шина, верига и празен резервоар)	Вага (без акумулятора, з направляючою штангою, ланцюгом і порожнім баком)	Ağırlık (batarya hariç; Kilavuz çubuğu, zincir ağırlık; boş depoya birlikte)	3.2 kg
Razina vibracija (u skladu s EN 60745-1; EN 60745-2-13)	Nivo vibracij (v skladu s standardom EN 60745-1; EN 60745-2-13)	Úroveň vibrácií (podľa normy EN 60745-1; EN 60745-2-13)	Ниво на вибрациите (в съответствие с EN 60745-1; EN 60745-2-13)	Рівень вібрації (відповідно до EN 60745-1; EN 60745-2-13)	Titreşim seviyesi (EN 60745-1; EN 60745-2-13 uyarınca)	
Prednja ručka	Sprednji ročaj	Predná rukoväť	Предна ръкохватка	Передня ручка	Ön Kulp	4.0 m/s <sup>2</sup>
Stražnja ručica	Zadnji ročaj	Zadná rukoväť	Задна ръкохватка	Задня ручка	Arka Kulp	6.6 m/s <sup>2</sup>
Neodređenost mjerenja	Negotovost meritve	Nespoľahivosť meraní	Несигурност на измерването	Невизначеність вимірювання	Ölçüm bilinmiyor	1.5 m/s <sup>2</sup>
Razina emisija buke (u skladu s EN 60745-1; EN 60745-2-13)	Raven emisij hrupa (v skladu s standardom EN 60745-1; EN 60745-2-13)	Úroveň emisij hluku (podľa normy EN 60745-1; EN 60745-2-13)	Ниво на шумовите емисии (в съответствие с EN 60745-1; EN 60745-2-13)	Рівень шуму (відповідно до EN 60745-1; EN 60745-2-13)	Gürültü emisyon seviyesi (EN 60745-1; EN 60745-2-13 uyarınca)	
Ponderirana razina zvučne snage na položaju operatera.	Z A ovrednotena vrednost zvočnega tlaka pri upravljaljcu	Vážená A hladina akustického tlaku na pozícii obsluhujúcej osoby	Ниво на шумово налягане с равнище А на мястото на оператора	Рівень звукового тиску за шкалою А для оператора пристрою	Kullanıcı pozisyonundaki A ağırlıklı ses basıncı seviyesi	83.1 dB(A)
Neodređenost mjerenja	Negotovost meritve	Nespoľahivosť meraní	Несигурност на измерването	Невизначеність вимірювання	Ölçüm bilinmiyor	2.5 dB
Ponderirana razina zvučne snage	A-izmerjena raven zvočne moči	Vážená A hladina akustického výkonu	Ниво на силата на шума с равнище А	А-важени рівень звукової потужності	A ağırlıklı ses gücü seviyesi	94.1 dB(A)
Neodređenost mjerenja	Negotovost meritve	Nespoľahivosť meraní	Несигурност на измерването	Невизначеність вимірювання	Ölçüm bilinmiyor	2.5 dB





English	Français	Deutsch	Español	Italiano	Nederlands
<b>Battery and charger</b>	<b>Batterie et chargeur</b>	<b>Akku und Ladegerät</b>	<b>Batería y cargador</b>	<b>Batteria e caricatore</b>	<b>Accu en oplader</b>
Model	Modèle	Modell	Modelo	Modello	Model
Battery pack	Batterie	Akku	Batería	Batteria	Accu
Not included	Non compris	Nicht im Lieferumfang enthalten	No incluido	Non incluso	Niet inbegrepen
Weight	Poids	Gewicht	Peso	Peso	Peso
Charger	Chargeur	Ladegerät	Cargador	Caricatore	Lader
Not included	Non compris	Nicht im Lieferumfang enthalten	No incluido	Non incluso	Niet inbegrepen
Compatible battery packs	Packs batterie compatibles	Kompatible Akkus	Paquetes de batería compatibles	Gruppo batterie compatibili	Compatibele accupacks
Compatible Charger	Chargeur compatible	Kompatibles Ladegerät	Cargador compatible	Caricatore compatibile	Compatibele oplader
<b>Replacement Part (Bar and Chain)</b>	<b>Pièce(s) de rechange (Guide-chaîne et chaîne)</b>	<b>Ersatzteile (Schiene und Kette)</b>	<b>Piezas de repuesto (Barra y cadena)</b>	<b>Parti di ricambio (Barra e catena)</b>	<b>Vervangonderdelen (Ketting en zwaard)</b>
Manufacturer	Fabricant:	Hersteller	Fabricante	Ditta produttrice	Fabrikant
Chain	Chaîne coupante	Kette	Cadena	Catena	Ketting
Bar	Guide-chaîne	Schwert	Barra	Barra	Zwaard

Português	Dansk	Svenska	Suomi	Norsk	Русский			
Bateria e carregador	Batteri og oplader	Batteri och batteriladdare	Akku ja laturi	Batteri og lader	Аккумуляторная батарея и зарядное устройство			
Modelo	Model	Modell	Malli	Modell	Модель	OCS1830		
Bateria	Batteri	Batteri	Akku	Batteri	Аккумулятор			
Não incluído	Medfølger ikke	Medföljer inte	Ei mukana	Ikke inkludert	В комплект не входит			
Gewicht	Vikt	Vægt	Vekt	Paino	Нмoтoст	-		
Carregador	Oplader	Batteriladdare	Laturi	Lader	Зарядное устройство			
Não incluído	Medfølger ikke	Medföljer inte	Ei mukana	Ikke inkludert	В комплект не входит			
Baterias compatíveis	Kompatible batterier	Kompatibla batteripaket	Yhteensopivat akut	Kompatible batteripakker	Совместимая аккумуляторная батарея	RB18L13, RB18L15, RB18L20, RB18L25, RB18L26, RB18L40, RB18L50		
Carregador compatível	Kompatibel oplader	Kompatibel laddare	Yhteensopiva laturi	Kompatibel lader	Совместимое зарядное устройство	BCL14181H, BCL14183H		
Peças de substituição (Barra e corrente)	Reserve dele (Sværd og kæde)	Utbytesdelar (Klinga och kedja)	Varaosat (Terälevy ja ketju)	Erstatningsdeler (Sagsverd og kjede)	Запасные части (Пильная шина и цепь)			
Fabricante	Producent	Tillverkare	Valmistaja	Produsent	Изготовитель	Ryobi	Oregon	Tri-link
Corrente	Kæde	Kedja	Ketju	Kjede	Пильная цепь	RAC227	90PX045XTT	CL14345PB
Barra	Sværd	Stöd	Terälevy	Skinne	Шина	RAC226	591057	M1431245-1041HL

Polski	Čeština	Magyar	Română	Latviski	Lietuviškai	Eesti
<b>Akumulator i ładowarka</b>	<b>Nabiječka a baterie</b>	<b>Akkumulátor és töltő</b>	<b>Bateria și încărcătorul</b>	<b>Akumulators un lādētājs</b>	<b>Akumulatorius ir įkroviklis</b>	<b>Aku ja laadija</b>
Model	Model	Tipus	Model	Modelis	Modelis	Mudel
Akumulator	Baterie	Akkumulátor	Acumulator	Akumulators	Baterija	Aku paketiņa
Brak w zestawie	Není obsaženo	Nem tartozék	Nu este inclus	Nav iekļauts	Nepriedama	Ei ole komplektis
Greutate	Waga	Bec	Tömeg	Teža	Težina	Mass
Ładowarka	Nabiječka	Töltő	Încărcător	Lādētājs	Įkroviklis	Laadija
Brak w zestawie	Není obsaženo	Nem tartozék	Nu este inclus	Nav iekļauts	Nepriedama	Ei ole komplektis
Pasujące akumulatory	Kompatibilní akumulátory	Kompatibilis akkumulátorok	Acumulatori compatibili	Savietojami akumulatoru komplekti	Suderinami baterijos paketai	Ühilduvad akupaketid
Zgodna ładowarka	Kompatibilní nabiječka	Kompatibilis töltő	Încărcător compatibil	Saderīgs lādētājs	Suderinamas įkroviklis	Ühilduv laadija
<b>Części zamienne (Prowadnica i łańcuch)</b>	<b>Náhradní díly (Lišta a řetěz)</b>	<b>Cserealkatrészek (Láncvezető és lánc)</b>	<b>Piese de schimb (Bară și lanț)</b>	<b>Rezerves daļas (Sliede un ķēde)</b>	<b>Atsarginės detalės (Juosta ir grandinė)</b>	<b>Asendusosad (Juhtlatt ja kett)</b>
Producent	Výrobce	Gyártó	Producător	Ražotājs	Gamintojas	Tootja
Łańcuch tnący	Ostrá část řetězu	Fűrészlánc	Lanțul ferăstrăului	Zāģēšanas ķēde	Pjovimo grandinė	Kett
Prowadnica	Lišta	Láncvezető	Lamă	Sliede	Apsagas	Juhtlatt

Hrvatski	Slovensko	Slovenčina	България	Українська	Turce			
<b>Baterija i punjač</b>	<b>Baterija in polnilnik</b>	<b>Akumulátor a nabijačka</b>	<b>Батерия и зарядно устройство</b>	<b>Акумулятор і зарядний пристрій</b>	<b>Pil ve şarj cihazı</b>			
Model	Model	Modelis	Модел	Модель	Model	OCS1830		
Baterija	Akumulator	Batéria	Батерия	Акумуляторна батарея	Pil			
Nije uključeno	Ni priloženo	Nie je súčasťou balenia	Не е включено	Не входить	Dahil değildir			
Masé	Svars	Hmotnosť	Тегло	Vaга	Ağırlık			
Punjač	Polnilec	Nabijačka	Зарядно устройство	Зарядний пристрій	Şarj cihazı			
Nije uključeno	Ni priloženo	Nie je súčasťou balenia	Не е включено	Не входить	Dahil değildir			
Kompatibilna pakirana baterija	Združljive baterije	Kompatibilné jednotky akumulátorov	Съвместими батерии	Сумісні акумуляторні блоки	Uyumlu pil takımları	RB18L13, RB18L15, RB18L20, RB18L25, RB18L26, RB18L40, RB18L50		
Kompatibilni punjači	Združljiv polnilec	Kompatibilná nabijačka	Съвместимо зарядно устройство	Сумісний зарядний пристрій	Uyumlu şarj cihazı	BCL14181H, BCL14183H		
<b>Zamjena dijelova (Vodilica i lanac)</b>	<b>Nadomestni deli (Meč in veriga)</b>	<b>Náhradné diely (Lišta a reťaz)</b>	<b>Резервни части (Шина и верига)</b>	<b>Запасні частини (штанга і ланцюг)</b>	<b>Yedek Parça (Gövde ve Zincir)</b>			
Proizvodač	Proizvajalec	Výrobca	Производител	Виробник	Üretici	Ryobi	Oregon	Tri-link
Lanac	Veriga	Retaz	Режеца верига	Ланцюг	Zincir	RAC227	90PX045XTT	CL14345PB
Vodilica	Meč	Lišta	Шина	Штанга	Gövde	RAC226	591057	M1431245-1041HL

## EN Vibration level

### ⚠ WARNING

The declared vibration value has been measured with a standard test method and may be used to compare one tool with another.

The declared vibration value may be used in a preliminary assessment of exposure.

The vibration emission during actual use of power tool can differ from the declared total value depending on the ways in which the tool is used.

Identify safety measures to protect yourself based on an estimation of exposure in the actual conditions of use, taking account of all parts of the operating cycle such as the times when the tool is switched off and when it is running idle in addition to the trigger time.

## FR Niveau de vibrations

### ⚠ AVERTISSEMENT

La valeur déclarée totale des vibrations a été mesurée selon une méthode de test standardisée qui peut être utilisée pour comparer un outil avec un autre.

La valeur déclarée totale des vibrations peut également être utilisée pour évaluer par avance le niveau d'exposition.

La valeur des vibrations réellement produites durant l'utilisation de l'outil électrique peuvent différer de la valeur totale déclarée, en fonction de la manière dont l'outil est utilisé.

Identifiez les mesures de sécurité à prendre pour vous protéger, sur la base d'une estimation de l'exposition réelle, en tenant compte de tous les éléments du cycle d'utilisation tels que le temps d'arrêt de l'outil et le temps de son fonctionnement au ralenti, en plus du temps de fonctionnement normal.

## DE Vibrationsgrad

### ⚠ WARNUNG

Der angegebene Vibrationswert wurde durch eine Standard-Testmethode ermittelt und kann dazu verwendet werden, ein Werkzeug mit einem anderen zu vergleichen.

Der angegebene Vibrationswert kann für eine Voraburteilung der Exponierung herangezogen werden.

Die Vibrationsemissionen bei der tatsächlichen Benutzung von Elektrowerkzeugen kann sich, abhängig von der Art der Benutzung des Werkzeugs, von dem genannten Wert unterscheiden.

Identifizieren Sie aufgrund einer Einschätzung der Exponierung unter tatsächlichen Einsatzbedingungen Maßnahmen zum eigenen Schutz, unter Berücksichtigung aller Bestandteile des Betriebszyklus, wie die Zeiten zu denen das Werkzeug ausgeschaltet ist, und zu denen es sich zusätzlich zu den Auslösezeitpunkten im Leerlauf befindet.

## ES Nivel de vibración

### ⚠ ADVERTENCIA

El valor declarado de vibraciones se ha medido con un método de prueba estándar y puede utilizarse para comparar una herramienta con otra.

El valor declarado de vibraciones puede utilizarse en una evaluación preliminar de exposición.

La emisión de las vibraciones durante el uso real de la herramienta eléctrica puede diferir del valor total declarado según el uso que se le dé a la herramienta.

Identifique las medidas de seguridad para protegerse en base a una estimación de la exposición en las condiciones reales de uso, teniendo en cuenta todas las partes del ciclo de funcionamiento, como los tiempos en que la herramienta está apagada y cuando está en ralentí, además del tiempo de activación.

## IT Livello di vibrazioni

### ⚠ AVVERTENZE

Il valore delle vibrazioni dichiarato deve essere misurato con un metodo di test standard e può essere utilizzato per paragonare un utensile a un altro.

Il valore dichiarato delle vibrazioni può essere utilizzato nella valutazione preliminare dell'esposizione.

L'emissione delle vibrazioni durante l'utilizzo dell'utensile può essere diversa dal valore totale dichiarato a seconda dei modi in cui l'utensile viene utilizzato.

Individuare misure di sicurezza per proteggersi basate su una stima dell'esposizione nelle attuali condizioni di utilizzo, prendendo in considerazione tutte le parti del ciclo operativo come i tempi in cui l'utensile viene spento o quando funziona al minimo oltre al tempo di attivazione.

## NL Trillingsniveau

### ⚠ WAARSCHUWING

De aangegeven trillingswaarde werd gemeten met behulp van een standaard testmethode en kan worden gebruikt om gereedschap met elkaar te vergelijken.

De aangegeven trillingswaarde kan worden gebruikt in een voorlopige blootstellingsanalyse.

De trillingsemisatie tijdens het gebruik van het werktuig kan verschillen van de aangegeven totale waarde, afhankelijk van de manier waarop het werktuig wordt gebruikt.

Neem veiligheidsmaatregelen om uzelf te beschermen op basis van een inschatting van de blootstelling in de huidige gebruiksomstandigheden, rekening houdend met alle onderdelen van de bedrijfs-cyclus, zoals de tijd dat het werktuig wordt uitgeschakeld en het stationair draait, bovenop de bedrijfstijd.

## PT Nível de vibração

### ⚠ AVISO

O valor de vibração declarado foi medido com um método de teste padrão e pode ser usado para comparar uma ferramenta com outra.

O valor de vibração declarado pode ser utilizado numa avaliação preliminar da exposição.

A emissão das vibrações durante o uso real da ferramenta eléctrica pode diferir do valor total declarado segundo o uso que se der à ferramenta.

Identifique as medidas de segurança para se proteger com base numa estimativa de exposição nas actuais condições de uso, tendo em conta todas as peças do ciclo de funcionamento, como as vezes que a ferramenta é desligada e quando está a trabalhar em ralentí para além do tempo de gatilho.

## DA Vibrationsniveau

### ⚠ ADVARSEL

Den erklærede vibrationsværdi er målt i henhold til en standard-testmetode og kan bruges til at sammenligne forskellige værktøjer indbyrdes.

Den erklærede vibrationsværdi kan bruges som en foreløbig vurdering af eksponeringen.

Vibrationsemissionen ved praktisk brug af elværktøjet kan variere fra den erklærede totalværdi, alt efter hvordan værktøjet anvendes.

Træf passende sikkerhedsforanstaltninger for at beskytte dig selv ud fra den skønnede eksponering for risici under de aktuelle anvendelsesforhold, hvor du - ud over den effektive arbejdstid - også tager højde for de varierende perioder, som fx når værktøjet er slukket, og når det kører i tomgang.

## SV Vibrationsnivå



**! VARNING**

Det angivna vibrationsvärdet har uppmätts med en standardmetod och kan användas för att jämföra med andra kraftverktyg.

Det angivna vibrationsvärdet kan användas i en preliminär analys av vibrationerna som användaren utsätts för.

De vibrationer som uppstår vid användningen av el-verktyget kan skilja sig från det uppgivna totalvärdet beroende på det sätt som verktyget används på.

Viktig säkerhetsåtgärd för ditt personliga skydd utifrån den exponering som sker under användningen, ta hänsyn till all användning som då verktyget är avstängt och när det går på tomgång förutom den faktiska brukstiden.

## FI Tärinätaaso



**! VAROITUS**

Ilmoitettu tärinäarvo on mitattu tavallisin testimenetelmän, ja sitä voidaan käyttää verrattaessa laitetta toiseen.

Ilmoitettua tärinäarvoa voidaan käyttää arvioitaessa tärinävaikutusta.

Sähkötyökalun todellisen käytön aikainen tärinä saattaa poiketa ilmoitetusta kokonaisarvosta, laitteen käyttötavasta riippuen.

Määritä käyttäjän suojakeinot, jotka perustuvat todellisten käyttöolosuhteiden tärinävaikutusarvoon, ottaen huomioon kaikki käyttäjän osat, kuten ajan, jonka laite on sammuksissa ja käy tyhjäkäynnillä, varsinaisen sahausajan lisäksi.

## NO Vibrasjonsnivå



**! ADVARSEL**

Den oppgitte vibrasjonsverdien er målt med en standard testmetode og kan benyttes for å sammenligne ett verktyg med et annet.

Den oppgitte vibrasjonsverdien kan benyttes for en foreløpig angivelse av eksponering.

Vibrasjonene ved faktisk bruk av et elektrisk verkøy kan skille seg fra oppgitte totalverdier avhengig av måten verktøyet brukes på.

Identifiser sikkeringstiltak som beskytter deg selv, basert på et anslag for eksponering i den faktiske bruksituasjonen der man tar hensyn til alle bruksykluserne, som tidspunktet da maskinen ble slått av og når den går på tomgang i tillegg til tiden når verktøyet arbeider.

## RU Уровень вибрации



**! ОСТОРОЖНО!**

Заявленная величина вибрации измерялась в соответствии со стандартной методикой проведения испытаний и может использоваться для сравнения одного инструмента с другим.

Заявленная величина вибрации может использоваться при предварительной оценке характеристик.

Уровень вибрации при работе электроинструмента может отличаться от заявленной общей величины вибрации в зависимости от условий его использования.

Выберите средства защиты оператора с учетом реальных условий эксплуатации, принимая во внимание все факторы рабочего цикла, такие как время, в течение которого инструмент был выключен, и время его работы в холостом режиме.

## PL Poziom drgań



**! OSTRZEŻENIE**

Deklarowany poziom drgań został zmierzony za pomocą standardowej metody pomiaru i jego wyniki mogą służyć do porównywania tego urządzenia z innymi.

Deklarowana wartość drgań może służyć do wstępnej oceny narażenia operatora na wibracje.

Emisja drgań podczas użytkowania elektronarzędzi może różnić się od zadeklarowanej wartości, w zależności od sposobu użytkowania urządzenia.

Określili zasady bezpieczeństwa, oparte na oszacowaniu narażenia operatora w rzeczywistych warunkach użytkowania, uwzględniając wszystkie elementy cyklu operacyjnego, takie jak czasy wyłączenia oraz czasy pracy bez obciążenia, oprócz czasu pracy przy wciśniętym przycisku uruchamiania.

## CS Úroveň vibrací



**! VAROVÁNÍ**

Uznaná hodnota vibrací byla naměřena pomocí standardního testovacího postupu a lze ji použít k porovnání s jiným nástrojem.

Uznaná hodnota vibrací se může používat k předběžnému odhadu vystavování vibracím.

Aktuální hodnoty vibrací během používání nástroje se mohou lišit od výše uvedených a mohou se lišit dle použitého nástroje.

Určete bezpečnostní opatření pro vlastní ochranu, která jsou založena na odhadu vystavení v aktuálních podmínkách používání, popisu všech částí pracovního cyklu jako doby, kdy je nástroj vypnut a když běží naprázdno, kromě doby spuštění.

## HU Vibrációs szint



**! FIGYELMEZTETÉS**

A megadott vibrációs érték szabványos tesztmódszerrel lett meghatározva, és két szerszám összehasonlításakor is használható.

A megadott vibrációs érték a vibrációnak való kitettség előzetes becsüléséhez is felhasználható.

A vibráció-kibocsátás a szerszámgép tényleges használat során eltérhet a nyilatkozatban szereplő teljes értéktől, ez függ a gép használatának módjától.

Határozza meg a saját védelmét szolgáló óvintézkedéseket az adott használati körülmények között érvényes kitettség felmérésével, figyelembe véve a használat teljes időtartamát, vagyis beleértve azokat az időszakokat, amikor a gép ki van kacsolva, vagy bekapcsolt állapotban üresjáratban működik.

## RO Nivelul vibrațiilor



**! AVERTISMENT**

Valoarea declarată a vibrațiilor a fost măsurată cu o metodă de testare standard și poate fi utilizată pentru a compara o unealtă cu alta.

Valoarea declarată a vibrațiilor poate fi utilizată într-o evaluare preliminară a expunerii.

Emisia de vibrații în timpul folosirii efective a unelei electrice poate diferi de valoarea totală declarată în funcție de modulurile în care este utilizată unealta.

Identificați măsurile de siguranță pentru a vă proteja, pe baza estimării expunerii la condițiile efective de utilizare, luând în considerare toate etapele ciclului de operare, precum momentele în care unealta este oprită și atunci când funcționează în gol, suplimentar momentului declanșării.





## LV Vibrācijas līmenis

### ⚠ BRĪDINĀJUMS

Nosauktais vibrācijas līmenis ir ticis izmērīts ar standarta pārbaudes metodi un var tikt izmantots, lai salīdzinātu vienu instrumentu ar citu.

Nosauktā vibrācijas vērtība var tikt izmantota sākotnējās iedarbības novērtējumam.

Elektroinstrumenta vibromeisija reālā darba laikā var atšķirties no norādītās kopējās vērtības atkarībā no veidiem, kā instruments tiek lietots.

Nosakiet drošības pasākumus, lai sevi aizsargātu, balstoties uz saskares ilguma novērtējumu atbilstoši lietošanas apstākļiem, ņemot vērā visas lietošanas cikla daļas, tostarp laikus, kad instruments tiek izslēgts un kad tas darbojas tukšgaitā papildus darbināšanas laikam.

## LT Vibracijos lygis

### ⚠ ISPĒJIMAS

Deklaruotais vibrācijas lygis yra išmatuotas standartinio testo metu ir gali būti naudojamas vieno įrankio su kitu palyginimui.

Deklaruotais vibracijos lygis gali būti naudojamas preliminariam pavojaus įvertinimui.

Elektrinio įrankio naudojimo metu vibracijos lygis gali skirtis nuo deklaruotos bendrosios vertės pagal įrankio naudojimo būdus.

Nustatykite saugumo priemones, kad apsisaugotumėte, kurios pagrįstos pavojaus įvertinimo pačiose naudojimo sąlygose, atkreipiant dėmesį į visas darbo ciklo dalis, pvz. laikotarpį, kai įrankis yra išjungtas ir kai veikia tuščiaja eiga bei perjungimo laiką.

## ET Vibratsioonitase

### ⚠ HOIATUS

Deklareeritud vibratsiooniväärtus on mõõdetud standardse testimismeetodiga ja seda võib kasutada tööriistade omavaheliseks võrdlemiseks.

Deklareeritud vibratsiooniväärtust võib kasutada mürataseme eelhindamiseks.

Olenevalt seadme kasutusviisist võib mehaanilise tööriista töötamisel ilmneva vibratsioonimissioon, mille suurus erineb deklareeritud väärtustest.

Kasutaja kaitsmiseks seadmega töötamisel tuleb kindlaks teha turvameetmed, mis põhinevad tegelikes kasutustingimustes esinevale vibratsioonile, sealjuures tuleb arvesse võtta kõiki töotsükli osi, lisaks sisselülitatud olekule näiteks ka vibratsiooni väljalülitamise ajal ja tühiäigul.

## HR Razina vibracije

### ⚠ UPOZORENJE

Objavljena vrijednost vibracija je izmjerena standardnom metodom testiranja i može se koristiti za usporedbu jednog alata s drugim.

Objavljena vrijednost vibracija može se koristiti u početnom usklađivanju izloženosti.

Razina vibracija tijekom trenutačne uporabe AKU alata može se razlikovati od deklarirane ukupne vrijednosti ovisno o načinima na koje se alat koristi.

Identificirajte sigurnosne mjere za svoju zaštitu na temelju procjene izloženosti u trenutim uvjetima korištenja, uzевši u obzir sve dijelove radnog ciklusa kao što su vrijeme kada je alat isključen i kada je pokrenut u praznom hodu u dodatku vremenu pokretanja.

## SL Raven vibracij

### ⚠ OPOZORILO

Navedena vrednost vibracij je bila izmerjena s standardno metodo testiranja in se lahko uporabi za primerjavo različnih orodij.

Navedena vrednost vibracij se lahko uporabi za predhodne ocene izpostavljenosti.

Emisije med dejansko uporabo električnega orodja se od navedene vrednosti lahko razlikujejo, odvisno od načina, kako se orodje uporablja.

Ugotovite varnostne ukrepe za zaščito upravljalca, ki temeljijo na oceni izpostavljenosti v dejanskih pogojih uporabe, pri tem pa je treba upoštevati vse dele delovnega cikla – npr. ko je orodje izključeno in ko je v prostem teku in čas zagona.

## SK Úroveň vibrácií

### ⚠ VAROVANIE

Deklarovaná hodnota vibrácií bola meraná podľa štandardnej testovacej metódy a možno ju použiť na porovnanie jedného nástroja s iným.

Deklarovaná hodnota vibrácií sa dá použiť aj v predbežnom odhade expozície.

Úroveň emisií počas samotného používania elektrického nástroja sa môže líšiť od deklarovanej celkovej hodnoty v závislosti od toho, ktorý nástroj sa používa.

Identifikujte bezpečnostné opatrenia na vašu ochranu ne zkladáe posúdenia skutočných podmienok použitia, pričom vezmite do úvahy všetky časti prevádzkového cyklu, napríklad časov, kedy je nástroj vypnutý a kedy pracuje na voľnobehu okrem času spúšťania.

## BG Ниво на вибрация

### ⚠ ВНИМАНИЕ

Посочената стойност за вибрациите е измерена с помощта на стандартен тест и може да се използва за сравнение с друг инструмент.

Посочената стойност за вибрациите може да бъде използвана в предварително оценяване за излагане на вибрация.

Вибрациите по време на действителната употреба на електромеханичния инструмент може да се различават от обявената обща стойност в зависимост от начините, по които се използва инструментът.

Определете мерки за безопасност за собствена защита според преценка за излагането на вибрация в реални условия, като се вземат предвид всички елементи на работния цикъл, като например времето, в което инструментът е изключен и когато работи на празен ход, както и времето за задействане.

## UK Рівень вібрації

### ⚠ ПОПЕРЕДЖЕННЯ

Оголошене значення вібрації було виміряно за допомогою стандартного методу випробування і може бути використане для порівняння одного інструмента з іншим.

Він може бути використаний для попередньої оцінки впливу.

Емісія вібрації під час фактичного використання електрострументу може відрізнятись від заявленого значення залежно загального використання інструменту.

Визначити заходи безпеки, щоб захистити себе на основі оцінки впливу в реальних умовах використання, з урахуванням всіх частин робочого циклу, коли інструмент вимкнений, і коли він працює в холостому режимі, доповнюючи робоче положення.



## **TR** Titreşim seviyesi

### **UYARI**

Beyan edilen titreşim değeri standart bir test yöntemi ile ölçülmüştür ve bir aleti diğerleriyle karşılaştırmak için kullanılabilir.

Beyan edilen titreşim değeri bir maruz kalma ön değerlendirmesinde kullanılabilir.

Güç destekli aletin fiili kullanımı sırasında meydana gelen titreşim emisyonu aletin kullanıma şekline bağlı olarak beyan edilen toplam değerden farklı olabilir.

Kendinizi korumak için aletin açılıp kapatılma sayısı ve tetik süresinin yanı sıra rölantide çalıştığı zaman gibi çalışma döngüsünde yer alan tüm parçaları dikkate alarak gerçek kullanım koşullarında maruz kalma hesaplamasına dayalı güvenlik önlemlerini belirleyin.

130.com.ua

## EN RYOBI® WARRANTY APPLICATION CONDITIONS

In addition to any statutory rights resulting from the purchase, this product is covered by a guarantee as stated below.

- The warranty period is 24 months for consumers and commences on the date when the product was purchased. This date has to be documented by an invoice or other proof of purchase. The product is designed and dedicated to consumer and private use only. So there is no warranty provided in case of professional or commercial use.
- There is a possibility to extend for a part of the range of garden tools (AC/DC) the warranty period over the period described above using the registration on the [www.ryobitools.eu](http://www.ryobitools.eu) website. The eligibility of the tools for extension of the warranty period is clearly displayed in stores and / or on packaging / and contained within the product documentation. The end user needs to register his/her newly-acquired tools online within 30 days from the date of purchase. The end user may register for the extended warranty in his country of residence if listed on the online registration form where this option is valid. Furthermore, end users must give their consent to the storage of the data that are required to be entered online, and they have to accept the terms and conditions. The registration confirmation receipt, which is sent out by e-mail, and the original invoice showing the date of purchase will serve as proof of the extended warranty.
- The warranty covers all defects of the product during the warranty period due to defaults in workmanship or material at the purchase date. The warranty is limited to repair and/or replacement and does not include any other obligations including but not limited to incidental or consequential damages. The warranty is not valid if the product has been misused, used contrary to the instruction manual, or being incorrectly connected. This warranty does not apply to:
  - any damage to the product that is the result of improper maintenance
  - any product that has been altered or modified
  - any product where original identification (trade mark, serial number) markings have been defaced, altered or removed
  - any damage caused by non-observance of the instruction manual
  - any non CE product
  - any product that has been attempted to be repaired by a non-qualified professional or without prior authorization by Techtronix Industries
  - any product connected to improper power supply (amps, voltage, frequency)
  - any product used with inappropriate fuel mixture (fuel, oil, percentage of oil)
  - any damage caused by external influences (chemical, physical, shocks) or foreign substances
  - normal wear and tear spare parts
  - inappropriate use, overloading of the tool
  - use of non-approved accessories or parts
  - Any periodic adjustments to or maintenance cleaning of carburetors
  - Components (parts and accessories) subject to natural wear and tear, including but not limited to bump knobs, drive belts, clutch, blades of hedge trimmers or lawn mowers, harness, cable throttle, carbon brushes, power cord, tines, felt washers, hitch pins, blower fans, blower and vacuum tubes, vacuum bag and straps, guide bars, saw chains, hoses, connector fittings, spray nozzles, wheels, spray wands, inner reels, outer spools, cutting lines, spark plugs, air filters, gas filters, mulching blades, etc.
- For servicing, the product must be sent or presented to a RYOBI authorized service station listed for each country in the following list of service station addresses. In some countries your local RYOBI dealer undertakes to send the product to the RYOBI service organisation. When sending a product to a RYOBI service station, the product should be safely packed without any dangerous contents such as petrol, marked with sender's address and accompanied by a short description of the fault.
- A repair / replacement under this warranty is free of charge. It does not constitute an extension or a new start of the warranty period. Exchanged parts or tools become our property. In some countries delivery charges or postage will have to be paid by the sender. Your statutory rights arising from the purchase of the tool remain unaffected
- This warranty is valid in the European Community, Switzerland, Iceland, Norway, Liechtenstein, Turkey and Russia. Outside these areas, please contact your authorized RYOBI dealer to determine if another warranty applies.

### AUTHORISED SERVICE CENTRE

To find an authorised service centre near you, visit <http://uk.ryobitools.eu/header/service-and-support/service-agents>.

## FR RYOBI® CONDITIONS D'APPLICATION DE LA GARANTIE

En plus des droits statutaires liés à l'achat, ce produit est couvert par une garantie telle que décrite ci-dessous.

- La durée de la garantie accordée au consommateur est de 24 mois à partir de la date d'achat. Cette date doit être authentifiée par une facture ou toute autre preuve d'achat. Le produit a été conçu en vue d'une utilisation strictement privée. Aucune garantie ne s'applique donc en cas d'utilisation professionnelle ou commerciale.
- Il existe pour une partie de la gamme « jardin » (AC/DC), une possibilité d'étendre la période de garantie au-delà de la période précédemment décrite en utilisant le formulaire d'enregistrement présent sur le site Internet [www.ryobitools.eu](http://www.ryobitools.eu). L'éligibilité d'un outil est clairement affichée dans les points de vente et/ou sur l'emballage et la documentation. L'utilisateur final doit enregistrer son/ses outil(s) nouvellement acheté(s) en ligne dans les 30 jours qui suivent la date d'achat. L'utilisateur a la possibilité de s'enregistrer pour l'extension de garantie dans son pays de résidence si celui-ci est listé dans le formulaire d'enregistrement en ligne où cette option est valide. L'utilisateur final doit donner son consentement pour l'enregistrement des données requises pour accéder au site et doit accepter les termes et conditions. La confirmation d'enregistrement, envoyée par courrier électronique, ainsi que la facture originale mentionnant la date d'achat serviront de preuve de l'extension de garantie.
- La garantie couvre pendant la période de garantie les défauts des produits liés à la fabrication et aux matériaux à la date d'achat. La garantie est limitée à la réparation et/ou au remplacement et n'inclut aucune autre obligation, tel que, mais sans s'y limiter, les dommages accessoires ou indirects. La garantie est non valable en cas de mauvaise utilisation du produit, d'utilisation contraire aux instructions du mode d'emploi, ou en cas de branchement incorrect. Cette garantie ne s'applique pas pour :
  - tout dommage au produit résultant d'un mauvais entretien
  - tout produit ayant été altéré ou modifié
  - tout produit dont les marquages originaux d'identification (marque, numéro de série) ont été dégradés, altérés ou retirés
  - tout dommage causé par le non-respect des instructions du mode d'emploi
  - tout produit non CE
  - tout produit ayant subi une tentative de réparation par du personnel non qualifié ou sans autorisation préalable de Techtronix Industries
  - tout produit raccordé à une alimentation secteur non conforme (ampérage, voltage, fréquence)
  - tout produit utilisé avec un mélange inapproprié (essence, huile, pourcentage d'huile)
  - tout dommage causé par des influences extérieures (chimiques, physiques, chocs) ou par des substances étrangères
  - l'usure normale des pièces consommables
  - une utilisation inappropriée, une surcharge de l'outil
  - l'utilisation de pièces ou accessoires non agréés
  - Tout réglage périodique ou tout nettoyage de maintenance des carburateurs
  - les composants (pièces et accessoires) sujets à une usure naturelle, incluant de façon non exhaustive les têtes de fil à frapper, les courroies de transmission, les embrayages, les lames des taille-haies ou des tondeuses à gazon, les harnais, les câbles d'accélérateur, les charbons, les cordons d'alimentation, les fraises de cultivateurs, les rondelles feutre, les goupilles de fraise, les turbines et lame de broyage des souffleurs, les tubes de soufflage et d'aspiration des souffleurs, les sacs de souffleurs et leurs lanières, les guides-chaîne, les chaînes de tronçonneuses, les tuyaux et raccords, les buses et lances de nettoyeurs haute pression, les roues, les recharges de fil des têtes de coupe, les têtes de coupe, le fil de coupe, les bougies d'allumage, les filtres à air, les filtres à essence, etc.
- Si le produit doit être réparé, envoyez-le à un service après-vente agréé RYOBI dont vous trouverez ci-dessous la liste pour chaque pays. Dans certains pays, votre revendeur RYOBI se chargera d'envoyer le produit à un centre de réparation RYOBI. Lorsque vous envoyez un produit à un service après-vente RYOBI, celui-ci doit être correctement emballé, sans contenir aucun produit dangereux tel que de l'essence, et vous devez indiquer votre adresse ainsi qu'une courte description du problème.
- Une réparation / un remplacement sous garantie est gratuit(e). Ceci ne constituera pas une extension de garantie ni un nouveau départ de la période de garantie. Les pièces ou les outils remplacés deviennent notre propriété. Dans certains pays, les frais de port devront être assumés par l'expéditeur. Vos droits statutaires restent inchangés.
- Cette garantie est valable au sein de l'Europe, de la Suisse, de l'Islande, de la Norvège, du Liechtenstein, de la Turquie, de la Russie. En dehors de ces zones, veuillez contacter votre distributeur agréé RYOBI pour déterminer si une autre garantie s'applique.

### SERVICE APRÈS-VENTE AGRÉÉ

Pour trouver le service après-vente agréé le plus proche, rendez-vous sur <http://fr.ryobitools.eu/header/service-and-support/service-agents>.

## DE RYOBI® GARANTIEBEDINGUNGEN

Zusätzlich zu den gesetzlichen Rechten aus dem Kauf gilt für dieses Produkt die nachstehend aufgeführte Garantie.

- Der Garantiezeitraum beträgt für Verbraucher 24 Monate und beginnt mit dem Datum des Kaufs. Dieses Datum muss durch eine Rechnung oder einen anderen Kaufbeleg dokumentiert werden. Dieses Produkt wurde ausschließlich zur privaten Nutzung durch Verbraucher entwickelt. Für den Fall einer professionellen bzw. kommerziellen Nutzung besteht daher keine Garantie.
- Es besteht die Möglichkeit, für einen Teil des Sortiments der Gartenwerkzeuge (AC/DC) den Garantiezeitraum über den oben genannten Zeitraum hinaus zu verlängern, indem der Verbraucher die Registrierung auf der Website [www.ryobitools.eu](http://www.ryobitools.eu) durchführt. Die Berechtigung der Werkzeuge für die Garantieverlängerung ist deutlich im Geschäft und/oder auf der Verpackung beschrieben und in der Produktdokumentation erwähnt. Der Verbraucher muss das neu erworbene Gerät online innerhalb von 30 Tagen ab dem Kaufdatum registrieren. Der Verbraucher kann das Gerät zwecks Garantieverlängerung in seinem Wohnsitzland/Heimatland registrieren, wenn dieses Land auf dem Online-Registrierungsformular aufgeführt und die Option gültig ist. Darüber hinaus muss der Verbraucher seine Zustimmung zur Speicherung der Daten geben, die online eingegeben werden müssen, und er muss die allgemeinen Geschäftsbedingungen akzeptieren. Die Bestätigung der Registrierung, die per E-Mail versandt wird, und die Originale Rechnung mit dem Kaufdatum gelten als Beleg für die Garantieverlängerung.
- Die Garantie deckt alle Defekte des Geräts während des Garantiezeitraums ab, die auf zum Zeitpunkt des Kaufs bestehende Verarbeitungs- oder Materialfehler zurückzuführen sind. Die Garantie beschränkt sich auf Reparatur und/oder Ersatz und beinhaltet keine anderen Verpflichtungen, insbesondere keinen Schadenersatz für Folge- oder Nebenschäden. Die Garantie gilt nicht, wenn das Gerät fehlerhaft eingesetzt wurde, gegenseitlich zur Bedienungsanleitung eingesetzt wurde oder falsch angeschlossen wurde. Die Garantie gilt nicht für Folgendes:
  - Schäden am Gerät, die auf unkorrekte Wartung zurückzuführen sind
  - Geräte, an denen Veränderungen vorgenommen wurden
  - Produkte, bei denen die ursprüngliche Identifizierung (Handelsmarke, Seriennummer) unleserlich gemacht, verändert oder entfernt wurde
  - Schäden durch Nichtbeachtung der Bedienungsanleitung
  - nicht-CE-zertifizierte Geräte
  - Geräte, an denen durch nicht-qualifizierte Personen oder ohne vorherige Genehmigung von Techtronic Industries Reparaturversuche vorgenommen wurden
  - Geräte, die an unkorrekte Energiequellen (Ampere, Volt, Frequenz) angeschlossen wurden
  - Geräte, die mit einer fehlerhaften Treibstoffmischung (Treibstoff, Öl, Ölteil) betrieben wurden
  - Schäden durch äußere Einflüsse (chemisch, physisch, Stöße) oder Fremdstoffe
  - normaler Verschleiß von Ersatzteilen
  - unangemessene Nutzung, Überlastung des Geräts
  - Nutzung nicht genehmigter Zubehörteile oder Ersatzteile
  - Regelmäßige Einstellung oder Wartungsreinigung des Vergasers
  - Komponenten (Ersatzteile und Zubehörteile), die natürlichem Verschleiß unterliegen, einschließlich, aber nicht beschränkt auf Pufferknäufe, Treibriemen, Kupplungen, die Klingen von Heckenscheren oder Rasenmähern, Kabelstränge, Gaszüge, Kohlebürsten, Stromkabel, Zinken, Filzunterlegscheiben, Steckbolzen, Gebläselüfter, Gebläse- und Vakuumschläuche, Vakuumbbeutel und -riemen, Führungsleisten, Kettensägen, Schläuche, Verbinder, Spraydüsen, Räder, Sprühstäbe, Innenrollen, Außenspulen, Schneideanlagen, Zündkerzen, Luftfilter, Gasfilter, Mulchenklingen usw.
- Zum Service muss das Gerät zu einer von RYOBI autorisierten Servicestation gebracht oder dorthin gesendet werden. Die Servicestationen für die einzelnen Länder sind in der folgenden Liste aufgeführt. In einigen Ländern sendet Ihr RYOBI-Händler vor Ort das Gerät an das RYOBI-Serviceunternehmen. Beim Einsenden an die RYOBI-Servicestation sollte das Gerät sicher verpackt sein, ohne gefährliche Inhalte wie Benzin, und es sollte mit der Adresse des Absenders und einer kurzen Beschreibung des Fehlers versehen sein.
- Eine Reparatur bzw. ein Ersatz gemäß dieser Garantie ist kostenlos. Hieraus ergibt sich weder eine Garantieverlängerung noch der Beginn eines neuen Garantiezeitraums. Die ausgetauschten Ersatzteile oder Werkzeuge gehen in unser Eigentum über. In einigen Ländern müssen die Zustellgebühren oder die Versandkosten vom Absender gezahlt werden. Ihre gesetzlichen Rechte aus dem Kauf des Geräts bleiben hiervon unberührt.
- Diese Garantie gilt in der Europäischen Union, der Schweiz, Island, Norwegen, Liechtenstein, der Türkei und Russland. Bitte wenden Sie sich außerhalb dieser Gebiete an Ihren autorisierten RYOBI-Händler, um festzustellen, ob eine andere Garantie gilt.

### AUTORISIERTER KUNDENDIENST

Besuchen Sie <http://de.ryobitools.eu/header/service-and-support/service-agents>, um einen autorisierten Kundendienst in Ihrer Nähe zu finden.

## ES CONDICIONES DE APLICACIÓN DE LA GARANTÍA DE RYOBI®

Además de cualquier derecho legal derivado de la compra, este producto está cubierto por una garantía que se indica a continuación.

- El periodo de garantía es de 24 meses para consumidores y comienza en la fecha en que se comprara el producto. Dicha fecha debe documentarse con una factura u otro comprobante de compra. El producto está diseñado y concebido únicamente para el uso privado del consumidor. Por lo tanto, no se ofrece garantía en caso de uso profesional o comercial.
- Existe la posibilidad de ampliar el periodo de garantía respecto a una parte de la gama de herramientas de jardinería (CA/CC) durante el periodo descrito más arriba y mediante el registro en el sitio web [www.ryobitools.eu](http://www.ryobitools.eu). La elegibilidad de las herramientas para que se amplie el periodo de garantía se muestra claramente en las tiendas o en el embalaje y está incluida en la documentación del producto. El usuario final tiene que registrar en línea sus herramientas recientemente adquiridas en un plazo de 30 días a partir de la fecha de compra. El usuario final podrá registrarse para obtener la garantía ampliada en su país de residencia si este aparece en la lista del formulario de registro en línea cuando esta opción sea válida. Además, los usuarios finales deberán dar su consentimiento al almacenamiento de los datos necesarios para el acceso en línea y tienen que aceptar los términos y condiciones. El recibo de confirmación de registro, que se envía por correo electrónico, y la factura original que muestra la fecha de compra servirán como comprobante para la garantía ampliada.
- La garantía cubre todos los defectos del producto durante el periodo de garantía debido a fallos de mano de obra o material en la fecha de compra. La garantía se limita a la reparación o sustitución y no incluye ninguna otra obligación como, por ejemplo, daños accidentales o consecuentes. La garantía no es válida si se ha usado mal el producto, se ha usado contraviniendo el manual de instrucciones o se ha conectado de forma incorrecta. Esta garantía no es aplicable a:
  - ningún daño en el producto que sea consecuencia de un mantenimiento inadecuado
  - ningún producto que haya sido alterado o modificado
  - ningún producto en el que los marcados de identificación originales (marca comercial, número de serie) se hayan borrado, modificado o eliminado
  - ningún daño provocado por no seguir el manual de instrucciones
  - ningún producto que no sea CE
  - ningún producto que haya sufrido un intento de reparación por parte de un profesional no cualificado o sin la autorización previa de Techtronic Industries.
  - ningún producto conectado a un suministro eléctrico inadecuado (amperios, voltaje, frecuencia)
  - ningún producto usado con una mezcla de combustible inadecuada (combustible, aceite, porcentaje de aceite)
  - ningún daño causado por influencias externas (químicas, físicas, impactos) o sustancias extrañas
  - desgaste normal de piezas de repuesto
  - uso inadecuado, sobrecarga de la herramienta
  - uso de accesorios o piezas no aprobados
  - Cualquier ajuste periódico o limpieza de mantenimiento de los carburadores
  - Componentes (piezas y accesorios) sujetos al desgaste natural incluyendo, entre otros, pomos de golpes, correas de transmisión, embragues, cuchillas de cortasetos o cortacésped, ameses, cable del acelerador, escobillas de carbono, cables eléctricos, púas, discos de filtro, pasadores de enganche, ventiladores de soplador, tubos de aspiración y de soplado, bolsas y correas de aspiración, barras guías, cadenas de sierra, mangueras, herrajes de conectores, boquillas pulverizadoras, ruedas, lanzas pulverizadoras, bobinas interiores, carretes exteriores, líneas de corte, bujías, filtros de aire, filtros de gas, cuchillas de compostaje, etc.
- Para su mantenimiento, el producto debe enviarse o presentarse a una estación de servicio de RYOBI autorizada que figure en la siguiente lista de direcciones de estaciones de servicio por países. En algunos países, su distribuidor RYOBI local se responsabiliza de enviar el producto a la compañía de servicio de RYOBI. Cuando se envíe un producto a una estación de servicio de RYOBI, este debe estar empaquetado de forma segura sin contenidos peligrosos como gasolina, marcado con la dirección del remitente y acompañado de una breve descripción del fallo.
- Una reparación / sustitución con esta garantía es gratuita. No constituye una ampliación ni un nuevo comienzo del periodo de garantía. Las piezas o herramientas intercambiadas pasan a ser de nuestra propiedad. En algunos países, los gastos de envío o correo tendrá que pagarlos el remitente. Sus derechos legales derivados de esta compra de la herramienta no se verán afectados.
- Esta garantía es válida en la Unión Europea, Suiza, Islandia, Noruega, Liechtenstein, Turquía y Rusia. Fuera de estas zonas, póngase en contacto con su distribuidor de RYOBI autorizado para determinar si es aplicable otra garantía.

### SERVICIO TÉCNICO AUTORIZADO

Para encontrar el servicio técnico autorizado más cercano, visite <http://uk.ryobitools.eu/header/service-and-support/service-agents>.



## IT CONDIZIONI DI VALIDITÀ DELLA GARANZIA RYOBI®

In aggiunta ai diritti di legge risultanti dall'acquisto, il prodotto è coperto dalla garanzia sotto descritta.

- Il periodo di garanzia è di 24 mesi per i consumatori, a decorrere dalla data di acquisto del prodotto. La data deve essere documentata da una fattura o altra prova d'acquisto. Il prodotto è progettato e destinato solo all'utilizzo privato dei consumatori. Pertanto non viene fornita alcuna garanzia in caso di uso professionale o commerciale.
- Per una serie di utensili da giardino (CA/CC) è possibile prolungare il periodo di garanzia oltre quello descritto, registrandosi sul sito web [www.ryobitools.eu](http://www.ryobitools.eu). Gli utensili per i quali è possibile prolungare il periodo di garanzia sono chiaramente indicati nei negozi e/o sulle confezioni e nella documentazione dei prodotti. L'utente deve registrare online l'utensile acquistato entro 30 giorni dalla data di acquisto. L'utente può registrarsi per la garanzia prolungata nel proprio paese di residenza, se questo è elencato nel modulo di registrazione online dove questa opzione sia valida. Inoltre gli utenti devono fornire il proprio consenso alla conservazione dei dati da immettere online e devono accettare le condizioni generali. La conferma di registrazione, inviata tramite e-mail, e la fattura originale indicante la data di acquisto, costituiranno la prova della garanzia prolungata.
- La garanzia copre tutti i difetti del prodotto durante il periodo di garanzia, risultati da manodopera o materiali alla data di acquisto. La garanzia è limitata alla riparazione e/o sostituzione e non include alcun altro obbligo quali, a mero titolo esemplificativo, i danni incidentali o consequenziali. La garanzia non è valida se il prodotto è stato usato scorrettamente, in modo contrario al manuale di istruzioni o se è stato collegato in modo errato. La garanzia non è valida per:
  - qualsiasi danno al prodotto dovuto a manutenzione errata;
  - qualsiasi prodotto che sia stato alterato o modificato;
  - qualsiasi prodotto le cui marcature di identificazione originali (marchi di fabbrica, numero di serie) siano state cancellate, alterate o rimosse;
  - qualsiasi danno causato dalla non osservanza delle istruzioni del manuale;
  - qualsiasi prodotto privo di omologazione CE;
  - qualsiasi prodotto che sia stato sottoposto a un tentativo di riparazione da parte di un professionista non qualificato oppure senza la previa autorizzazione di Techtronic Industries;
  - qualsiasi prodotto collegato a un'alimentazione errata (per amperage, tensione, frequenza);
  - qualsiasi prodotto usato con una miscela di carburante errata (carburante, olio, percentuale di olio);
  - qualsiasi danno causato da influenze esterne (chimiche, fisiche, urti) o sostanze estranee;
  - la normale usura delle parti di ricambio;
  - uso inappropriato, sovraccarico dell'utensile;
  - uso di accessori o parti non omologate;
  - qualsiasi regolazione periodica o pulizia di manutenzione dei carburatori;
  - componenti (parti e accessori) soggetti alla normale usura compresi, a mero titolo esemplificativo, testine a filo, cinghie di trasmissione, frizioni, lame di tagliasiepi o tagliaerba, imbragature, cavi di accelerazione, spazzole al carbonio, cavi di alimentazione, denti, rondelle di feltro, perni di aggancio, ventole dei soffiatori, tubi di soffiatori e aspiratori, sacchetti e cinghie per aspirapolvere, barre guida, catene per seghe, tubi, raccordi di connessione, ugelli di spruzzo, ruote, erogatori, bobine interne ed esterne, linee di taglio, candele, filtri dell'aria, filtri del gas, lame per mulching ecc.
- Per la manutenzione il prodotto dev'essere spedito o portato presso uno dei centri assistenza autorizzati RYOBI elencati per ogni paese nel seguente elenco di indirizzi dei centri. In alcuni paesi il rivenditore locale RYOBI si incarica di inviare il prodotto all'organizzazione di assistenza RYOBI. Quando si invia un prodotto a un centro assistenza RYOBI, imballarlo in modo sicuro senza contenuti pericolosi come la benzina, apporre l'indirizzo del mittente e accompagnarlo da una breve descrizione del guasto.
- La riparazione/sostituzione ai sensi della presente garanzia è gratuita. Non costituisce un prolungamento o un nuovo inizio del periodo di garanzia. Le parti o gli utensili scambiati diventano di nostra proprietà. In alcuni paesi i costi di consegna o di spedizione postale devono essere pagati dal mittente. I diritti di legge derivanti dall'acquisto dell'utensile rimangono inalterati.
- La presente garanzia è valida in Unione Europea, Svizzera, Islanda, Norvegia, Liechtenstein, Turchia e Russia. Al di fuori di tali aree contattare il rivenditore autorizzato RYOBI per sapere se è valida un'altra garanzia.

### CENTRO SERVIZI AUTORIZZATO

Per individuare il più vicino centro servizi autorizzato, visitare il sito <http://uk.ryobitools.eu/header/service-and-support/service-agents>.

## NL RYOBI® GARANTIEVOORWAARDEN

Naast de wettelijke rechten die voortvloeien uit de aankoop, wordt dit product gedekt door een garantie, zoals hieronder staat vermeld.

- De garantietermijn voor consumenten bedraagt 24 maanden en gaat in op de datum waarop het product is gekocht. Deze datum moet worden gedocumenteerd met een factuur of een ander aankoopbewijs. Het product is uitsluitend ontworpen en bedoeld voor persoonlijk gebruik door consumenten. Er wordt dus geen garantie gegeven voor professioneel of commercieel gebruik.
- Voor een deel van ons aanbod van tuingereedschappen (AC/DC) is het mogelijk om de garantietermijn te verlengen over de boven beschreven termijn, met behulp van de website [www.ryobitools.eu](http://www.ryobitools.eu). De gereedschappen die in aanmerking komen voor de verlenging van de garantietermijn wordt duidelijk weergegeven in winkels en/of verpakkingen en staat beschreven in de productdocumentatie. De eindgebruiker moet zijn/haar nieuw gekochte gereedschappen binnen 30 dagen na aankoop online registreren. De eindgebruiker kan zich registreren voor de verlengde garantietermijn als zijn woonland staat vermeld op het online registratieformulier waar deze optie geldig is. Bovendien moeten eindgebruikers toestemming geven voor de opslag van de gegevens die online ingevuld moeten worden en moeten ze de algemene voorwaarden accepteren. Het ontvangstbewijs van de registratie, dat per e-mail wordt verzonden en de oorspronkelijke factuur met de aankoopdatum vormt het bewijs van de verlengde garantietermijn.
- De garantie dekt tijdens de garantietermijn alle gebreken van het product vanwege defecten in vakmanschap of materiaal op de aankoopdatum. De garantie is beperkt tot reparatie en/of vervanging en bevat geen andere verplichtingen, waaronder maar niet beperkt tot incidentele of gevolgschade. De garantie is niet geldig als het product is misbruikt, in strijd met de gebruiksaanwijzing wordt gebruikt of onjuist is aangesloten. Deze garantie geldt niet voor:
  - alle schade aan het product die het gevolg is van onjuist onderhoud
  - elk product dat is veranderd of aangepast
  - elk product waar de oorspronkelijke identificatie (handelsmerk, serienummer) is beschadigd, gewijzigd of verwijderd
  - alle schade die is veroorzaakt door het niet opvolgen van de gebruiksaanwijzing
  - elk niet-CE-product
  - elk product waar een poging tot reparatie is gedaan door een niet-erkende professional of zonder voorafgaande toestemming door Techtronic Industries.
  - elk product dat is verbonden met een verkeerde voeding (amperage, spanning, frequentie)
  - elk product dat wordt gebruikt met een verkeerd brandstofmengsel (brandstof, olie, oliegehalte)
  - alle schade die is veroorzaakt door externe invloeden (chemisch, fysisch, schokken) of vreemde stoffen
  - normale slijtage van reserveonderdelen
  - ongepast gebruik, overbelasting van het gereedschap
  - gebruik van niet-goedgekeurde accessoires of onderdelen
  - Alle periodieke aanpassingen aan of het onderhoud en reiniging van carburateurs
  - Componenten (onderdelen en accessoires) die onderhevig zijn aan natuurlijke slijtage, waaronder maar niet beperkt tot stookknoppen, aandrijfriemen, koppelingen, messen van hegtrimmers of grasmaaiers, harnas, gaskabel, koolstofborstels, stroomsoeren, tanden, vilttringen, koppelingsspannen, blazers, blaas- en zuigbuizen, zuigzakken en -riemen, gelidingsstaven, zaagkettingen, slangen, koppelingen, mondstukken, wielen, spuitstukken, binnenhaspels, buitenhaspels, snijdraden, bougies, luchtfilters, gasfilters, maaimessen, etc.
- Voor onderhoud moet het product worden verzonden of gebracht naar een erkend servicecentrum van RYOBI die voor elk land staan vermeld in de volgende lijst met adressen voor servicecentra. In sommige landen zal uw lokale RYOBI-dealer het product verzenden naar de RYOBI-serviceorganisatie. Wanneer u het product naar een servicecentrum van RYOBI verzendt, moet het product veilig worden verpakt zonder enige gevaarlijke inhoud, zoals benzine, met het adres van de afzender en vergezeld van een korte beschrijving van het defect.
- Een reparatie/vervanging die onder deze garantie valt is gratis. Het vormt geen verlenging of een nieuwe start van de garantietermijn. Verwisselde onderdelen of gereedschappen worden ons eigendom. In sommige landen moeten de verzendkosten door de afzender worden betaald. Uw wettelijke rechten die voortvloeien uit de aankoop van het gereedschap blijven onaangetaast.
- Deze garantie is geldig in de Europese Gemeenschap, Zwitserland, IJsland, Noorwegen, Liechtenstein, Turkije en Rusland. Buiten deze gebieden moet u contact opnemen met uw erkende RYOBI-dealer om vast te stellen of er een andere garantie van toepassing is.

### GEAUTORISEERD ONDERHOUDSCENTRUM

Om een geautoriseerd onderhoudscentrum in uw buurt te vinden, surf u naar <http://uk.ryobitools.eu/header/service-and-support/service-agents>.



## PT CONDIÇÕES DE APLICAÇÃO DA GARANTIA RYOBI®

Para além de quaisquer direitos previstos por lei resultantes da compra, este produto está coberto por uma garantia conforme descrição abaixo.

- O período da garantia é de 24 meses para consumidores particulares e inicia-se na data de compra do produto. Esta data tem de ser documentada por uma factura ou por outra prova de compra. O produto foi concebido para e destina-se apenas a consumidores particulares e uso privado. Assim, não é dada garantia em caso de utilização por profissionais ou uso comercial.
- Para uma parte da gama de ferramentas de jardim (AC/DC) existe a possibilidade de prolongamento do período da garantia para além do período descrito acima, mediante registo no Web site [www.ryobitools.eu](http://www.ryobitools.eu). A elegibilidade das ferramentas para prolongamento do período da garantia é claramente visível nas lojas e/ou nas embalagens e está contida na documentação do produto. O utilizador final tem de fazer o registo online das suas ferramentas recém-adquiridas no prazo de 30 dias após a data de compra. O utilizador final pode fazer o registo para prolongamento da garantia no seu país de residência, desde que esteja listado no formulário de registo online e para os casos em que esta opção seja válida. Para além disso, os utilizadores finais têm de autorizar o armazenamento dos dados cujo preenchimento lhes for solicitado online e têm de aceitar os termos e as condições. O recibo de confirmação do registo é enviado por e-mail e, em conjunto com a factura original ostentando a data de compra, servirá de prova do prolongamento da garantia.
- A garantia cobre todos os defeitos do produto durante o período da garantia devidos a defeitos de fabrico ou de material à data da compra. A garantia está limitada à reparação e/ou substituição e não inclui quaisquer outras obrigações, incluindo mas não se limitando a, perdas complementares ou indirectas. A garantia não é válida se o produto tiver sido utilizado incorrectamente, utilizado de forma contrária ao Manual de Instruções ou se as respectivas ligações tiverem sido feitas incorrectamente. Esta garantia não se aplica ao seguinte:
  - quaisquer danos ao produto que sejam resultado de manutenção incorrecta
  - qualquer produto que tenha sido alterado ou modificado
  - qualquer produto cujas marcações de identificação de origem (marca comercial, número de série) tiverem sido apagadas, alteradas ou retradas
  - quaisquer danos causados pelo incumprimento do Manual de Instruções
  - qualquer produto que não seja da Comunidade Europeia
  - qualquer produto ao qual tenha sido feita, ou tentada fazer, uma reparação por outra pessoa que não um profissional habilitado ou sem autorização prévia da Technonic Industries.
  - qualquer produto ligado a uma fonte de alimentação eléctrica incorrecta (Amperes, Voltagem e Frequência)
  - qualquer produto utilizado com uma mistura de combustível incorrecta (combustível, óleo, percentagem de óleo)
  - qualquer dano causado por influências externas (químicas, físicas, impactos) ou substâncias estranhas
  - desgaste e degradação normal de sobresselentes
  - utilização incorrecta, sobrecarga da ferramenta
  - utilização de acessórios ou peças não aprovados
  - quaisquer ajustes periódicos a, ou limpeza de manutenção de, carburadores
  - Componentes (peças e acessórios) sujeitos a desgaste e degradação natural, incluindo mas não se limitando a, maçanetas anti-choque, correias de transmissão, embraiagens, lâminas de recortadores de sebes ou corta-relvas, arneses, cabos de acelerador, escovas de carvão, cabos eléctricos, dentes, anilhas de feltro, pinos de engate, ventoinhas do soprador, tubos do soprador e do aspirador, cintas e sacos do aspirador, barras de guia, correntes de serra, mangueiras, peças de ligação, bocais de pulverização, rodas, varinhas de pulverização, bobinas interiores, bobinas exteriores, linhas de corte, velas de ignição, filtros do ar, filtros de gasolina, lâminas trituradoras, etc.
- Para assistência, o produto tem de ser enviado para, ou apresentado em, um posto de assistência autorizado RYOBI, conforme listado para cada país na lista de moradas de postos de assistência seguinte. Nalguns países, o seu concessionário RYOBI local encarrega-se de enviar o produto para a organização de assistência RYOBI. Quando enviar um produto para um posto de assistência RYOBI, o produto deve ser embalado de forma segura, sem conter nenhuns conteúdos perigosos (por exemplo, gasolina), marcado com o endereço do remetente e acompanhado por uma breve descrição da avaria.
- Uma reparação/substituição ao abrigo desta garantia é gratuita. Não constitui um prolongamento a, nem um novo início de, o período da garantia. As peças ou ferramentas substituídas tornam-se propriedade nossa. Nalguns países, o remetente terá de pagar os custos de entrega ou a remessa postal. Os seus direitos previstos por lei resultantes da compra da ferramenta mantêm-se inalterados
- Esta garantia é válida na Comunidade Europeia, Suíça, Islândia, Noruega, Liechtenstein, Turquia e Rússia. Fora destas áreas, entre em contacto com o seu concessionário autorizado RYOBI para determinar se existe outra garantia aplicável.

### CENTRO DE ASSISTÊNCIA AUTORIZADO

Para encontrar um centro de assistência autorizado próximo de si, visite <http://uk.ryobitools.eu/header/service-and-support/service-agents>.

## DA RYOBI® BETINGELSER FOR GARANTI

Udover lovbestemte rettigheder, som resulterer af købet, er dette produkt dækket af en garanti, som anført herunder.

- Garantiperioden er 24 måneder for forbrugere og begynder på den dato, som produktet blev købt. Denne dato skal dokumenteres af en faktura eller andet bevis for køb. Produktet er udelukkende designet og dedikeret til forbrugere og privat brug. Så der ydes ingen garanti i tilfælde af professionel eller kommerciel brug.
- Der er en mulighed for at forlænge garantiperioden for en del af udvalget af haveværktøj (AC/DC), hen over den ovenfor beskrevne periode vha. registrering på hjemmesiden [www.ryobitools.eu](http://www.ryobitools.eu). Berettigelsen af værktøjet til forlængelse af garantiperioden er tydeligt vist i butikker og/eller på emballage/og indeholdt i produktokumentationen. Slutbruger skal registrere hans/hendes nyligt indkøbte værktøj online indenfor 30 dage efter købsdatoen. Slutbruger kan registrere sig for den forlængede garanti i sit land, hvis han/hun er opført på den online registreringsformular, hvor denne mulighed er gyldig. Derudover skal slutbrugere give deres samtykke til at opbevare data, som er påkrævet at indtaste online, og de er nødt til at acceptere vilkår og betingelser. Registreringsbekræftelseskvitteringen, som sendes ud på e-mail, og den originale faktura, som viser købsdatoen, vil fungere som bevis for den forlængede garanti.
- Garantien dækker alle defekter, som et produkt måtte have i løbet af garantiperioden, og som skyldes fejl i håndværk eller materiale på købsdatoen. Garantien er begrænset til reparation og/eller udskiftning og inkluderer ikke andre forpligtelser, inklusiv men ikke begrænset til tilfældige skader eller følgeskader. Garantien er ugyldig, hvis produktet er blevet misbrugt, brugt uden at overholde vejledningen, eller det er blevet forkert tilsluttet. Denne garanti gælder ikke:
  - Beskadigelse af produktet, som er et resultat af uegnet vedligeholdelse
  - Et produkt der er blevet ændret eller modificeret
  - Et produkt hvor de originale identifikationsmærkninger (varemærke, serienummer) er blevet ødelagt, ændret eller fjernet.
  - Enhver beskadigelse forårsaget af manglende overholdelse af vejledningen
  - Ethvert CE-produkt
  - Ethvert produkt som er blevet forsøgt repareret af en ukvalificeret professionel eller uden tidligere autorisation af Technonic Industries.
  - Ethvert produkt som er tilsluttet uegnet strømforsyning (ampere, spænding, frekvens)
  - Ethvert produkt som bruges med uegnet brændstofblanding (brændstof, olie, procentdel olie)
  - Enhver skade forårsaget af eksternt påvirkning (kemisk, fysisk, chok) eller fremmedlegemer
  - Normal slid på reservedele
  - Uegnet brug, overbelastning af værktøjet
  - Brug af ikke-godkendt tilbehør eller dele
  - Alle regelmæssige justeringer eller vedligeholdelsesrensning af karburatorer
  - Komponenter (dele og tilbehør) som er udsat for naturlig slid og ælde, inklusiv men ikke begrænset til drejeknapper, drivrem, greb, klinger til hækketrimmere eller plæneklypere, sele, kabel gasspjæld, kulbørster, elledning, tænder, filtskiver, ophængstapper, blæserventilatorer, blæser- og sugeslanger, sugesepe og stropper, styrestyngler, savkæder, slanger, forbindelsespakninger, sprøjtedyser, hjul, sprøjtetavle, indvendige ruller, udvendige ruller, udvendige spoler, skærelinjer, lænderør, luftfiltre, gasfiltre, tildækningsblade etc.
- For eftersyn skal produktet sendes til eller præsenteres for en RYOBI-autoriseret servicestation, som er oplyst for hvert land i den følgende liste over servicestationsadresser. I nogle lande påtager din lokale RYOBI-forhandler sig ansvaret for at sende produktet til RYOBI-serviceorganisationen. Når et produkt sendes til en RYOBI-servicestation, skal det pakkes sikkert ind uden noget farligt indhold som benzin, mærkes med afsenderens adresse og med en kort beskrivelse af fejlen.
- En reparation/erstatning under denne garanti er gratis. Den udgør ikke en forlængelse eller en ny start på garantiperioden. Udvekslede dele eller værktøjer bliver vores ejendom. I nogle lande skal leveringsafgifter eller porto betales af afsenderen. Denne lovbestemte rettigheder i forbindelse med købet forbliver uanfægtede
- Denne garanti gælder i EU, Schweiz, Island, Norge, Liechtenstein, Tyrkiet og Rusland. Udover disse områder bedes du kontakte din autoriserede RYOBI-forhandler for at afgøre, om en anden garanti gælder.

### AUTORISEREDE SERVICEVÆRKSTEDER

Find nærmeste autoriserede serviceværksted på <http://dk.ryobitools.eu/header/service-and-support/service-agents>.



## SV RYOBI® ANVÄNDNINGSVILLKOR FÖR GARANTI

Förutom eventuella lagstadgade rättigheter som uppstår genom köpet, täcks den här produkten av en garanti som anges nedan.

- Garantiperioden är 24 månader för konsumenter och börjar gälla från det datum då produkten köptes. Detta datum måste dokumenteras på en faktura eller annat köpbevis. Produkten är utformad och avsedd för konsumenter och privat bruk. Däremot tillhandahålls ingen garanti vid yrkesmässigt eller kommersiellt bruk.
- Det finns möjlighet att förlänga garantiperioden för en del av utbudet för trädgårdsverktyg (AC/DC) under den period som anges ovan genom att använda registreringen på webbplatsen www.ryobitools.eu. De verktyg som är berättigade till en förlängning av garantiperioden visas tydligt i butik och/eller på förpackningen/och anges i produktdokumentationen. Slut användaren behöver registrera hans/hennes nyförvärvade verktyg online inom 30 dagar från köpdatumet. Slut användaren kan registrera sig för den förlängda garantin i det land där han/hon bor om landet finns angivet i registreringsformuläret online och där detta alternativ är giltigt. Dessutom måste slut användaren ge sitt medgivande till lagring av data vilket krävs vid registrering online samt acceptera villkoren. Bekräftelsekvittot för registreringen som skickas ut via e-post och originalfakturan som visas köpdatumet kommer att gälla som bevis för den förlängda garantin.
- Garantin täcker alla produktdefekter under garantiperioden som beror på buster i utförande eller material vid köpdatumet. Garantin är begränsad gällande reparation och/eller utbyte och inkluderar inte några skyldigheter inklusive men inte begränsat till oförutsedda skador eller följdskador. Garantin är inte giltig om produkten har missbrukats, använts i strid med bruksanvisningen eller inte anslutits på rätt sätt. Denna garanti täcker inte:
  - eventuella skador på produkten som uppstått till följd av felaktigt underhåll
  - produkter som har ändrats eller modifierats
  - produkter där ursprungliga identifieringsmärkningar (varumärke, serienummer) har målats över, ändrats eller tagits bort
  - eventuella skador som uppstått till följd av att bruksanvisningen inte efterföljts
  - alla icke CE-produkter
  - eventuella produkter som har försökts repareras av en icke-kvalificerad yrkesman eller utan föregående medgivande från Techtron Industries.
  - eventuella produkter som anslutits till felaktig strömförsörjning (ampere, volt, frekvens)
  - eventuella produkter som använts med olämplig bränsleblandning (bränsle, olja, oljeprocent)
  - eventuella skador som uppstått till följd av yttre påverkan (kemisk, fysisk, stötar) eller främmande ämnen
  - normalt slitage av reservdelar
  - olämplig användning, överbelastning av verktyget
  - användningen av icke-godkända tillbehör eller delar
  - Eventuella periodiska justeringar av eller vid underhållsrengöring av förgasare
  - Komponenter (delar och tillbehör) är föremål för naturligt slitage, inklusive men inte begränsat till tryckknappar, drivremmar, koppling, blad till kantrimrar eller gräsklippare, sele, gasreglagevajer, kolborstar, strömsladd, spetsar, filterbrickor, kopplingssprint, blåsfåkt, blås- och sugrör, sugpåse och remmar, styrskenor, sågkedjor, slangar, anslutningsdonrördel, spraymunstycken, hjul, spraystavar, innerrullar, ytterspolar, skärtråd, tändstift, luftfilter, gasfilter, sönderdelningsblad osv.
- Vid service måste produkten skickas eller uppvisas för en RYOBI- auktoriserad servicestation som står angiven för varje land i följande adresslista över servicestationer. I vissa länder tar din lokala RYOBI- återförsäljare på sig ansvaret att skicka produkten till RYOBI- serviceorganisationen. När en produkt skickas till en RYOBI- servicestation, ska produkten paketeras säkert utan något farligt innehåll såsom bensin, markeras med avsändarens adress samt en kort beskrivning av felet.
- En reparation/ett utbyte under denna garanti är kostnadsfri. Det utgör inte en förlängning eller förnyelse av garantiperioden. Utbyta delar eller verktyg blir vår egendom. I vissa länder måste leveranskostnader eller porto betalas av avsändaren. Dina lagstadgade rättigheter som härrör från köpet av verktyget förblir opåverkade
- Denna garanti är giltig i Europeiska gemenskapen: Schweiz, Island, Norge, Liechtenstein, Turkiet och Ryssland. Utanför dessa länder, kontakta din auktoriserade RYOBI-återförsäljare för att avgöra om en annan garanti gäller.

### AUKTORISERAT SERVICECENTER

Du hittar närmaste auktoriserade servicecenter genom att gå till <http://uk.ryobitools.eu/header/service-and-support/service-agents>.

## FI RYOBI®-TAKUUN SOVELTAMISEHDOT

Tällä tuotteella on oston luomien lakisäasteiden oikeuksien ohella alla mainitun mukainen takuu.

- Takuun kesto on kuluttajille 24 kuukautta ja takuuaika alkaa tuotteen ostohetkestä. Tämän päivämäärän tulee lukea laskussa tai muussa ostotositteessa. Tuote on suunniteltu ja tarkoitettu vain kuluttajien ja yksityiseen käyttöön. Takuu ei sisäytä ammatti- eikä kaupallista käyttöä.
- Joidenkin puutarhayökalujen (AC/DC) takuun kesto on mahdollista laajentaa yllä mainittua kesto pidemmäksi verkkosivuston [www.ryobitools.eu](http://www.ryobitools.eu) rekisteröinnin kautta. Työkalujen kelpoisuus takuujakson laajennukseen näkyy selkeästi myymälössään ja/tai pakkauksissa ja/tai tämä tieto sisältyy tuotetiedokuvastoon. Loppukäyttäjän täytyy rekisteröidä vasta hankitut työkalut internetissä 30 päivän kuluessa ostopäivämäärästä. Loppukäyttäjän voi rekisteröidä laajennettua takuun kotimaassaan, jos se on luetteluna online-rekisteröintilomakkeessa, jossa mainitaan, missä tämä vaihtoehto on voimassa. Loppukäyttäjien täytyy lisäksi hyväksyä tietojen tallennus, jotka heidän täytyy antaa online-tiilassa sekä ehdot. Rekisteröintiä vahvistuskuitti, joka lähetetään sähköpostitse, ja alkuperäinen ostopäivämäärän ilmaiseva lasku toimivat laajennettua takuun toistina.
- Takuu kattaa kaikki tuotteeseen takuuaikana tulevat vikat, joiden aiheuttajina ovat tuotteen ostopäivänä olleet valmistus- tai materiaaliavikat. Takuu on rajoitettu korjaukseen ja/tai vaihtoon eikä se sisällä mitään muita velvoitteita mukaan lukien satunnais- ja seurannaisvahinkoja, mutta rajoittumatta niihin. Takuu ei päde, jos tuotetta on käyretty väärin, käyttöohjeen vastaisesti tai jos se on liitetty virheellisesti. Tämä takuu ei kata:
  - virheellisesti huollosta johtuvia vaurioita
  - muunnettua tai muutettua tuotetta
  - tuotetta, jonka alkuperäiset tunnistemerkinnät (tavaramerkki, sarjanumero) on turmeltu, muutettu tai poistettu
  - tämän käyttöoppaan laiminlyönnistä johtuvia vaurioita
  - ei-CE-tuotetta
  - tuotetta, jota on yrittänyt korjata epäpätevä ammattilainen tai joka on korjattu ilman Techtron Industries ennakkolupaa.
  - tuotetta, joka on liitetty virheelliseen teholähteeseen (ampeerit, jännite, taajuus)
  - tuotetta, jossa on käyretty väärää polttoaineseosta (polttoaine, öljy, öljyprosenti)
  - ulkoisten vaikutusten (kemiallinen, fyysinen, iskut) tai vieraiden aineiden aiheuttamaa vauriota
  - normaleja kuluvia varaosia
  - virheellistä käyttöä, työkalun ylikuormitusta
  - ei-hyväksytyjen tarvikkeiden tai osien käyttöä
  - Kaasutinten säännöllistä säätöä tai ylläpitävää puhdistusta
  - Luonnollisesti kuluvia komponentteja (osia tai tarvikkeita), joihin sisältyvät puskunupit, käyttöohinat, kytkin, pensasleikkuriin tai ruohonleikkuriin terät, valjaat, kaasuvaijeri, hiihtiharjat, virtajohto, piikit, huopatiivisteet, sokkapatit, puhallinten tuulettimeet, puhallin- ja imuputket, imuriin säkit ja hihnat, terälevyt, sahanketjut, letkut, liittinosat, suihkusuuttimeet, pyörät, ruiskutusputket, siisä- ja ulkokeilat, leikkuusimmat, hehkutulpat, ilmansuodattimet, kaasunsuodattimet, silpputerät yms. näihin kuitenkään rajoittumatta.
- Tuote on lähetettävä huollettavaksi valtuutettuun RYOBI-huoltoon tai näytettävä siellä. Niiden osoitteet kussakin maassa löytyvät seuraavasta luettelosta. Joissakin maissa paikallinen RYOBI-jälleenmyyjä huolehtii tuotteen lähetyksestä RYOBI-huolto-organisaatioon. Kun tuote lähetetään RYOBI-huoltoon, se täytyy pakata hyvin ilman vaarallisia aineita, kuten polttoainetta, ja pakkaukseen täytyy merkitä lähettäjän nimi sekä vian lyhyt kuvaus.
- Takuun kattama korjaus/vaihto on maksuton. Se ei tarkoita takuujakson laajennusta tai alkamista alusta. Vaihdetut osat tai työkalut siirtyvät valmistajan omistukseen. Joissakin maissa lähettäjän täytyy maksaa lähetyskustannukset tai postikulut. Työkalun oston luomat lakisäasteet oikeudet pysyvät koskemattomina
- Tämä takuu on voimassa Euroopan yhteisössä, Sveitsissä, Islannissa, Norjassa, Liechtensteinissa, Turkissa ja Venäjällä. Ota näiden alueiden ulkopuolella yhteyttä omaan valtuutettuun RYOBI-jälleenmyyjään ja selvitä, onko jatin muuta takuuta.

### VALTUUTETTU HUOLTO

Voit etsiä lähimmän valtuutetun huollon sivulta <http://fi.ryobitools.eu/header/service-and-support/service-agents>.

## NO RYOBI® GARANTIBETINGELSER

I tillegg til eventuelle lovbestemte rettigheter som følger av kjøpet, er dette produktet dekket av en garanti som angitt nedenfor.

1. Garantiperioden er 24 måneder for konsumenter og gjelder fra den datoen som produktet ble kjøpt. Denne datoen skal dokumenteres med en faktura eller annet kjøpsbevis. Produktet er designet og beregnet kun til konsument- og privat bruk. Så det gis ingen garanti ved profesjonell eller kommersiell bruk.
2. For en del av utvalget av hageverktøy (AC/DC) er det mulighet til å utvide garantiperioden i den perioden som er beskrevet ovenfor ved bruk av registreringen på nettsidene [www.ryobitools.eu](http://www.ryobitools.eu). Kvalifiseringen av verktøyene for en utvidelse av garantiperioden er tydelig vist i butikker og Teller på pakningen / og finnes innen produktdokumentasjonen. Sluttbrukeren må registrere sine nylig anskaffede verktøy online innen 30 dager etter kjøpsdato. Sluttbrukeren kan registrere seg for den utvidede garantien i sitt land hvis det er opplistet på online registreringsskjemaet der dette alternativet er gyldig. Videre må sluttbrukere gi sitt samtykke til oppbevaring av dataene som kreves for å gå online, og de må godta vilkår og betingelser. Registreringsbekreftelsen, som sendes ut på e-post, og den originale fakturaen som viser kjøpsdato, vil tjene som bevis for den utvidede garantien.
3. Garantien dekker alle defekter i produktet under garantiperioden på grunn av defekter i utførelse eller materiale på kjøpsdato. Garantien er begrenset til å reparere og/eller erstatte og inkluderer ikke noen andre forpliktelser, inkludert, men ikke begrenset til, tilfældige eller følgesmessige skader. Garantien er ikke gyldig hvis produktet har blitt misbrukt, brukt på annen måte enn det som beskrives i bruksanvisningen eller er koblet til på feil måte. Denne garantien gjelder ikke for:
  - enhver skade på produktet som er resultat av utilstrekkelig vedlikehold
  - ethvert produkt som har blitt endret eller modifisert
  - ethvert produkt der de originale identifiseringsmerkene (varemerke, serienummer) har blitt uleselig, er endret eller fjernet
  - enhver skade som forårsakes av ikke-overholdelse av instruksjonshåndboken
  - ethvert ikke-CE-produkt
  - ethvert produkt som har blitt forsøkt reparert eller av en ikke-kvalifisert fagperson eller uten tidligere autorisasjon fra Techtronic Industries.
  - ethvert produkt tilkoblet feil strømforsyning (ampere, spenning, frekvens)
  - ethvert produkt som brukes med feil drivstoffblanding (drivstoff, olje, prosentandel olje)
  - enhver skade som er forårsaket av eksterne påvirkninger (kjemiske, fysiske, støt) eller fremmede stoffer
  - normal slitasje og slitereservedeler
  - feil bruk, overbelastning av verktøyet
  - bruk av ikke-godkjent tilbehør eller deler
  - Eventuelle periodiske justeringer av eller vedlikeholdsstrengjøring av forbrennere
  - Komponenter (deler og tilbehør) som er underlagt naturlig slitasje, inkludert, men ikke begrenset til bulkknøtter, drivreimer, clutch, blader på hekktrimmere eller gressklippere, seler, kabelspjeld, karbonborster, strømledning, kniver, feltpakninger, heispinner, blåseviser, blåse- og vakuumslang, vakuumpose og reimer, førerstrenger, sagkjeder, strømpjer, koblingsmonteringer, spraydyser, hjul, spraystenger, indre spoler, ytre spoler, kuttelinjer, tennplugg, luftfilter, gassfilter, mulchingblader osv.
4. For service må produktet sendes eller fremlegges for en RYOBI-autorisert servicestasjon opplistet for hvert land i den følgende listen over servicestasjonsadresser. I noen land sender den lokale RYOBI-forhandleren produktet til RYOBI serviceorganisasjonen. Ved å sende et produkt til en RYOBI servicestasjon skal produktet være sikkert pakket uten noe farlig innhold, slik som bensin, merket med senderens adresse og fulgt av en kort beskrivelse av feilen.
5. En reparasjon/erstatning under denne garantien er gratis. Den utgjør ingen forlengelse eller en ny start av garantiperioden. Utvekslede deler eller verktøy blir vår eiendom. I noen land vil leveringskostnader eller fraktering måtte betales av senderen. Dine lovbestemte rettigheter som oppstår fra kjøp av verktøyet forblir uberørt.
6. Denne garantien er gyldig i EU, Sveits, Island, Norge, Liechtenstein, Tyrkia og Russland. Utenfor disse områdene ta kontakt med din autoriserte RYOBI-forhandler om en annen garanti gjelder.

### AUTORISERT SERVICESENTER

For å finne et autorisert servicecenter i nærheten, gå til <http://no.ryobitools.eu/header/service-and-support/service-agents>.

## RU УСЛОВИЯ ПРИМЕНЕНИЯ ГАРАНТИИ НА ПРОДУКЦИЮ RYOBI®

Помимо законных прав, возникающих при покупке, данное изделие покрывается гарантией в соответствии с приведенными ниже пунктами.

1. Гарантийный период для покупателя составляет 24 месяца с даты покупки изделия. Дата покупки должна быть подтверждена полностью заполненным гарантийным талоном и чеком о покупке. Данное изделие предназначено только для частного использования покупателем. Поэтому гарантия не распространяется на использование в профессиональных или коммерческих целях.
2. Предусмотрена возможность продления для части изделий линейки садовых инструментов (AC/DC) гарантийного периода с помощью регистрации на сайте [www.ryobitools.eu](http://www.ryobitools.eu). Право инструмента на продление гарантийного периода четко указано в магазинах и / или на упаковке / и содержится в сопутствующей инструменту документации. Конечный пользователь должен зарегистрировать свой приобретенный инструмент в течение 30 дней с даты покупки. Конечный пользователь может зарегистрировать свой инструмент на продление гарантии в стране своего проживания, если она указана в форме онлайн-регистрации. Кроме того, конечный пользователь должен дать свое согласие на хранение данных, которые необходимо ввести в онлайн-форму и принять правила и условия. Подтверждение регистрации, которое вы получите по электронной почте, заполненный гарантийный талон и оригинальный чек, в котором указана дата покупки, будут служить доказательством продленной гарантии.
3. Гарантия покрывает в течение гарантийного периода все дефекты качества или материала изделия на дату покупки. Гарантия ограничена ремонтом и / или заменой и не включает никакие другие обязательства, включая, но не ограничиваясь случайными или косвенными убытками. Гарантия становится недействительной, если изделие использовалось не по назначению, вопреки инструкции, данным в Руководстве пользователя или было неправильно подключено. Настоящая гарантия не распространяется на:
  - любые повреждения изделия в результате неправильного технического обслуживания или недостаточного ухода за инструментом
  - любые изделия, подвергшиеся изменениям и модификации
  - любые изделия, оригинальные идентификационные отметки которого (торговая марка, серийный номер) были повреждены, изменены или удалены
  - любые повреждения, вызванные несоблюдением инструкций Руководства пользователя
  - любые изделия, не сертифицированные маркировкой "CE" для продажи в Европейском союзе
  - любые изделия, подвергшиеся попыткам ремонта неквалифицированным работником или без предварительного утверждения компанией Techtronic Industries.
  - любые изделия, подключенные к неправильному источнику питания (сила тока, напряжение, частота)
  - любые изделия, в которых использовались несоответствующие топливные смеси (топливо, масло, процент масла)
  - любые повреждения, вызванные внешними воздействиями (химические, физические, удары) или посторонними веществами
  - естественный износ запасных деталей
  - несоответствующее использование, перегрузка инструмента
  - использование неутвержденных аксессуаров и неоригинальных запасных деталей
  - любые регулярные регулировки, техническое обслуживание или чистка карбюраторов
  - компоненты (детали и аксессуары), подверженные естественному износу, включая, но не ограничиваясь ручки головки, приводные ремни, цепные муфты, лезвия триммеров и газонокосилок, плечевые ремни, кабельный дроссельный регулятор, угольные щетки, кабели питания, зубья, войлочные шайбы, пальцы сцепки, вентиляторы воздуходувки, трубки воздуходувки и пылесоса, мешки для сбора мусора и ремни, пыльные шины, пыльные щетки, шланги, соединительные детали, распылительные насадки, колеса, распылительные переходники, внутренние и внешние катушки, режущую леску, свечи зажигания, воздушные и топливные фильтры, мульчирующие лезвия и др.
4. Для проведения технического обслуживания изделие следует направлять в авторизованные сервисные центры RYOBI, указанные для каждой страны в приведенном ниже списке адресов станций сервисного обслуживания. В некоторых странах местные дилеры RYOBI отправляют изделия в сервисные организации RYOBI. При отправке изделия в сервисный центр RYOBI, изделие должно быть безопасно упаковано и не содержать никаких опасных веществ, таких как бензин, должен быть подписан адрес отправителя и сопровождаться кратким описанием неисправности.
5. Ремонт / замена проводится в рамках настоящей гарантии бесплатно. Он не продлевает гарантию и не начинает новый гарантийный период. Замененные детали и инструменты становятся нашей собственностью. В некоторых странах отправитель должен оплачивать стоимость отправки. Ваши законные права, возникшие при покупке инструмента, остаются неизменными
6. Данная гарантия действительна в Европейском Сообществе, Швейцарии, Исландии, Норвегии, Лихтенштейне, Турции и России. Вне указанных территорий обращайтесь к своему авторизованному дилеру RYOBI, чтобы узнать, применяются ли условия каких-либо других гарантий.

### УПОЛНОМОЧЕННЫЙ СЕРВИСНЫЙ ЦЕНТР

Чтобы найти ближайший уполномоченный сервисный центр, обратитесь к веб-сайту <http://ru.ryobitools.eu/header/service-and-support/service-agents/>.

## PL WARUNKI GWARANCJI RYOBI®

Oprócz praw ustawowych wynikających z zakupu produktu jest objęty gwarancją, której warunki podano poniżej.

- Okres gwarancyjny wynosi 24 miesiące dla konsumentów i rozpoczyna się w dniu zakupu produktu. Datę zakupu należy udokumentować fakturą lub innym dowodem zakupu. Produkt został zaprojektowany i jest przeznaczony do użytku konsumenckiego i prywatnego. W związku z tym gwarancja nie obejmuje zastosowań profesjonalnych i komercyjnych.
- Istnieje możliwość wydłużenia okresu gwarancyjnego dla części asortymentu narzędzi ogrodniczych (AC/DC) poprzez zarejestrowanie produktu na stronie internetowej [www.ryobitools.eu](http://www.ryobitools.eu). Kwalifikowalność narzędzi do wydłużenia okresu gwarancyjnego jest wyraźnie określona w sklepach i/lub na opakowaniu oraz w dokumentacji produktu. Użytkownik końcowy musi zarejestrować nowo kupione narzędzia online w ciągu 30 dni od daty zakupu. Użytkownik końcowy może zarejestrować się w celu przedłużenia gwarancji w swoim kraju zamieszkania, jeżeli jest on wymieniony w formularzu rejestracji online, gdzie opcja ta obowiązuje. Ponadto użytkownicy końcowi muszą wyrazić zgodę na przechowywanie danych, wprowadzanych na stronie internetowej i zaakceptować regulamin. Dowodem wydłużenia gwarancji jest wysłane pocztą elektroniczną potwierdzenie rejestracji i oryginał faktury potwierdzającej datę zakupu.
- Gwarancja obejmuje wszystkie wady produktu ujawnione w okresie gwarancyjnym wynikające usterki wykonania lub materiału obecnych w dniu zakupu. Gwarancja jest ograniczona do naprawy lub wymiany i nie obejmuje żadnych innych zobowiązań, w tym między innymi odpowiedzialności za szkody przypadkowe lub włorne. Gwarancja nie obowiązuje, jeżeli produkt był nieprawidłowo używany, używany niezgodnie z instrukcją lub nie był prawidłowo podłączony. Gwarancja nie obejmuje:
  - uszkodzenia produktu wynikającego z nieprawidłowej konserwacji,
  - produktu, który został zmieniony lub zmodyfikowany,
  - produktu, którego oryginalne oznaczenie (znak towarowy, numer seryjny) zostało zniszczone, zmienione lub usunięte,
  - jakichkolwiek uszkodzeń wynikających z nieprzestrzegania instrukcji,
  - jakiegokolwiek produktu bez certyfikatu CE,
  - jakiegokolwiek produktu, który próbowano naprawiać z pomocą niewykwalifikowanej osoby lub bez uzyskania wcześniejszej zgody firmy Techtronic Industries,
  - jakiegokolwiek produktu podłączonego nie do prawidłowego źródła zasilania (nieprawidłowe nateżenie prądu, napięcie, częstotliwość),
  - jakiegokolwiek produktu, który był używany z nieprawidłową mieszanką paliwową (paliwo, olej, procentowy udział oleju),
  - jakichkolwiek uszkodzeń spowodowanych wpływem czynników zewnętrznych (chemicznych, fizycznych, drgań) lub substancji obcych,
  - normalnego zużycia części zamiennych,
  - nieprawidłowego użycia, przeciążenia narzędzia,
  - stosowania niezatwierdzonych akcesoriów lub części,
  - jakichkolwiek okresowych regulacji lub czyszczenia gaźników w ramach konserwacji
  - elementów (części i akcesoriów) podlegających naturalnemu zużyciu, obejmujących, między innymi, kopułki do zwalniania żyłki, pasy napędowe, sprzęgło, ostrza przycinarek do żywopłatów lub kosiarek do trawy, uprząż, przepustnice linkową, szczerłki węglowe, przewód zasilania, zęby, podkładki filcowe, kołki podnośnika, wentylatory dmuchawy, rury nadmuchowe i ssawne, worek na śmieci i paski, prowadnice, łańcuchy pily, węże, mocowanie złączy, dysze natryskowe, kola, przęty natryskowe, szpule wewnętrzne, szpule zewnętrzne, filtry gazu, ostrza do ściółkowania itp.
- W celu serwisowania produkt należy wysłać lub okazać w autoryzowanym punkcie serwisowym RYOBI znajdującym się na przedstawionym poniżej wykazie punktów serwisowych w poszczególnych krajach. W niektórych krajach lokalny dystrybutor produktów RYOBI podejmuje się wysyłki produktu do centrum serwisowego RYOBI. W przypadku wysyłki do punktu serwisowego RYOBI produkt — pozbawiony jakichkolwiek niebezpiecznych substancji, na przykład benzyny — należy bezpiecznie zapakować i dołączyć adres nadawcy oraz krótki opis usterki.
- Naprawa/wymiana w ramach niniejszej gwarancji jest bezpłatna. Nie stanowi jednak o przedłużeniu lub rozpoczęciu od nowa biegu okresu gwarancyjnego. Wymienione części lub narzędzia stają się naszą własnością. W przypadku niektórych krajów nadawca będzie musiał uregulować koszty dostawy lub opłaty pocztowe. Prawa ustawowe wynikające z zakupu narzędzia pozostają niezmiennione.
- Niniejsza gwarancja obowiązuje w Unii Europejskiej, Szwajcarii, Islandii, Norwegii, Liechtensteinie, Turcji i Rosji. Poza tymi obszarami należy skontaktować się z autoryzowanym dostawcą produktów RYOBI i ustalić, czy obowiązuje inna gwarancja.

### AUTORYZOWANY PUNKT SERWISOWY

Najbliższy autoryzowany punkt serwisowy można wyszukać w witrynie internetowej <http://uk.ryobitools.eu/header/service-and-support/service-agents>.

## CS ZÁRUČNÍ PODMÍNKY RYOBI®

Kromě zákonných práv vyplývajících z koupě výrobku se na tento výrobek vztahuje také níže uvedené záruka.

- Záruční doba pro spotřebitele je 24 měsíců a začíná datem nákupu výrobku. Datum musí být zaznamenáno na faktuře nebo jiném dokladu o koupi. Tento výrobek je navržen a určen pouze pro soukromé účely spotřebitelů. Záruka se tedy nevztahuje na profesionální nebo komerční využití výrobku.
- U některých zahradních nástrojů (AC/DC) je možné záruční dobu prodloužit. K tomu je nutná registrace na stránkách [www.ryobitools.eu](http://www.ryobitools.eu). Možnost prodloužené záruční doby výrobků je jasně uvedena v probejácích, popř. na obalech nebo v dokumentech o výrobku. Koncový uživatel musí svůj nový nástroj zaregistrovat online do 30 dnů od data nákupu. Koncový uživatel se může k prodloužené záruční době zaregistrovat v zemi trvalého pobytu, pokud je tato uvedena na internetovém registračním formuláři u výrobku, kde je tato možnost dostupná. Koncový uživatel musí dále souhlasit s uložením osobních údajů, která musí zadat na internetu, a přijmout obchodní podmínky. E-mail s potvrzením registrace a původní faktura s datem koupě poslouží jako důkaz o prodloužené záruce.
- Záruka se vztahuje na veškeré vady na výrobku v rámci záruční doby způsobené výrobními vadami nebo vadami materiálu v době koupě. Záruka je omezena na opravu, popřípadě výměnu a nezáhměně žádné další povinnosti, včetně mimo jiné vedlejších či následných odškodnění. Záruka neplatí při použití výrobku k nevhodným účelům, v rozporu s uživatelskou příručkou nebo při nesprávném zapojení. Záruka se nevztahuje na:
  - veškeré škody na výrobku způsobené nesprávnou údržbou
  - veškeré produkty, které byly pozměněny nebo upraveny
  - veškeré produkty, kde byly původní identifikační prvky (obchodní značka, sériové číslo) poničeny, pozměněny nebo odstraněny
  - veškeré škody způsobené nedodržením pokynů uživatelské příručky
  - veškeré produkty bez CE certifikace
  - veškeré produkty, které se pokusil opravit nekvalifikovaný odborník nebo opravy bez předchozího svolení společnosti Techtronic Industries,
  - veškeré produkty zapojené do nesprávného elektrického zdroje (proud, napětí, frekvence)
  - veškeré produkty používané s nevhodnou palivovou směsí (palivo, olej, procento oleje)
  - veškeré škody způsobené externími vlivy (chemickými, fyzickými, nárazy) nebo cizími látkami
  - běžné opotřebování dílů
  - nevhodné použití, přetěžování nástroje
  - použití neschválených příslušenství nebo dílů
  - veškerá pravidelná seřízení nebo čištění v rámci údržby karburátoru
  - komponenty (díly a příslušenství) podléhající opotřebení, včetně mimo jiné nárazových koleček, posuvných pásů, spojek, nožů plotových nůžek a sekaček na trávu, popruhu, plynového lanka, karbonových kartáčů, napájecího kabelu, zubů, plstěných podložek, závěsných kořlíků, větráků fukaru, trubic fukaru a vysavače, vaku a popruhu vysavače, vodičů lišt, pilových řetězů, hadic, konektorů, trysek, kol, stříkaček tyčí, vnitřních cívek, vnějších kořlíků, řezných strun, zapalovacích svíček, vzduchových filtrů, plynových filtrů, mulčovačích nožů atd.
- K provedení servisu musí být výrobek zaslán nebo předán do autorizovaného servisního centra společnosti RYOBI, jejichž adresy jsou uvedeny podle země v seznamu servisních center. V některých zemích za vás výrobek pošle servisní organizaci RYOBI sám prodejce výrobků této značky. Při zaslání výrobku do servisního centra RYOBI je potřeba výrobek bezpečně zabalit bez nebezpečného obsahu jako benzin, opatřit adresou odesílatele a připojit krátký popis závady.
- Oprava, popř. výměna v rámci této záruky je zdarma. Neznamená to prodloužení nebo začátek nové záruční lhůty. Vyměněné díly nebo nástroje přejdou do našeho vlastnictví. V některých zemích platí postovné odesílatel. Vaše zákonná práva vyplývající z koupě tohoto nástroje zůstávají nedotčena.
- Tato záruka platí v Evropském Společenství, Švýcarsku, Norsku, Lichtenštejnsku, Turecku, Rusku a na Islandu. Mimo tato území kontaktujte autorizovaného prodejce značky RYOBI, který zjistí, zda se na výrobek vztahuje jiná záruka.

### POVĚŘENÉ SERVISNÍ STŘEDISKO

Pro nalezení nejbližšího pověřeného servisního střediska navštivte <http://uk.ryobitools.eu/header/service-and-support/service-agents>.

## **HU** A RYOBI® GARANCIA ALKALMAZÁSÁNAK FELTÉTELEI

A vásárlásból addó törvényben rögzített jogok mellett a termékre az alábbi garancia vonatkozik.

1. A fogyasztói garancia tartama 24 hónap, mely a termék vásárlásának napjával kezdődik. Ezt a dátumot számlával vagy a vásárlást igazoló egyéb dokumentummal kell bizonyítani. A termék rendelkezésére csak fogyasztói és magánélethez használat. Ezért professzionális vagy kereskedelmi használat esetén a garancia nem érvényes.
2. A kerti szerszámok (egyenáramú/váltóáramú) egy részénél a garancia időtartama a [www.ryobitools.eu](http://www.ryobitools.eu) weblapon regisztrálva meghosszabbítható. Az áruházakban, a csomagolásban, illetve a termék dokumentációjában egyértelműen jelezve van, hogy az adott termék garanciája meghosszabbítható-e. A végfelhasználónak a vásárlás dátumától számított 30 napon belül regisztrálnia kell az újonnan vásárolt szerszámot. A végfelhasználó akkor regisztrálhat a kiterjesztett garanciára, ha az ország, ahol lakik, fel van sorolva az online regisztrációs űrlapon azon országok között, ahol választható ez az opció. Ezenkívül a végfelhasználónak bele kell egyeznie az online regisztrálás során szükséges adatok tárolásába, és el kell fogadnia a felhasználási feltételeket. A kiterjesztett garanciát a regisztráció beérkezésétől e-mailben küldött visszaigazolás és a vásárlás dátumát tartalmazó eredeti számla igazolja.
3. A garancia a termék vásárlásakor fennálló, a gyártás során keletkezett hibákra és anyaghibákra érvényes a garanciális időtartamon belül. A garancia csak a javításra/cserére korlátozódik, és nem terjed ki semmilyen egyéb kötelezettségre, nem kizárólagosan ideértve a véletlen vagy szerződéses rongálást. A garancia nem érvényes, ha a terméket nem megfelelően, a használati utasításban foglaltakkal ellentétben, illetve nem megfelelően csatlakoztatva használták. A garancia nem vonatkozik:
  - a terméket a nem megfelelő karbantartás következtében ért károsodásra
  - megváltoztatott vagy átalakított termékre
  - olyan termékre, melyben az eredeti azonosítókat (védjegy, sorozatszám) megrongálták, megváltoztatták vagy eltávolították
  - a használati utasítás be nem tartásából eredő kárra
  - CE jelöléssel nem rendelkező termékekre
  - olyan termékre, melyet nem képzett, illetve a Techtronic Industries által nem feljogosított szerelő javított
  - nem megfelelő (áramerősségű, feszültségű, frekvenciájú) áramforrásra csatlakoztatott termékre
  - nem megfelelő üzemanyag-keverékkel (üzemanyag, olaj, olaj aránya) használt termékre
  - külső (vegyi, fizikai, ütés) hatásokból vagy idegen anyagokból eredő károkra
  - a cserélhető alkatrészek természetes kopására és elhasználódására a szerszám helytelen használatára, túlterhelésére
  - nem jóváhagyott tartozékok és alkatrészek használatára
  - A karburátorok rendszeres beállítása, karbantartása, tisztítása
  - A természetes kopásnak és elhasználódásnak kitett alkatrészek és kiegészítők, például (de nem kizárólag) damildobok, ékszíjak, foglalatok, sövényvágók és fűnyírók kése, heveder, gázbowden, szénkéfék, tápkábel, kultivátorfogak, filcátláték, akasztószőgek, fűvókészülékek ventilátora, fűvő- és szívócsővek, szívózsák és pántok, terelőrudak, fűrészláncok, tömlők, csatlakozószervek, permetezőfejek, kerekek, permetezőszárak, belső dobok, külső csévék, vágódamilonok, gyújtógyertyák, légszűrők, gázsűrők, mulcsözőkék stb.
4. A terméket javításra el kell vinni egy meghatalmazott RYOBI szervizbe; ezeket az egyes országokhoz a következő listában találja. Egyes országokban a helyi RYOBI kereskedő vállalja a termék elszállítását a RYOBI szervizbe. A terméket veszélyes tartalom, például benzín nélkül csomagolva, a feladó címét feltüntetve, a hiba rövid leírásával együtt küldje el a RYOBI szervizbe.
5. A jelen garancia hatálya alatt végzett javítás, illetve csere ingyenes. Nem jelenti a garanciális időtartam újraindulását. A kicserélt alkatrészek és szerszámok a mi tulajdonunkba kerülnek. Egyes országokban a szállítás vagy postázás költségét a feladó viseli. A vevőnek a szerszám megvásárlásából addó törvényes jogai nem változnak.
6. Jelen garancia az Európai Közösségben, Svájcban, Izlandon, Norvégiában, Liechtensteinben, Törökországban és Oroszországban érvényes. E területen kívül kérdezze meg a RYOBI forgalmazót, hogy milyen garancia van érvényben.

### HIVATALOS SZERVIZKÖZPONT

A legközelebbi hivatalos szervizközpont megtalálásához látogasson el a <http://uk.ryobitools.eu/header/service-and-support/service-agents>.

## **RO** CONDIȚII DE APLICARE A GARANȚIEI PENTRU PRODUSELE RYOBI®

În plus față de condițiile statutare rezultate din achiziționarea acestui produs, acesta este acoperit de garanția stipulată mai jos.

1. Perioada de garanție este de 24 de luni pentru consumatori și începe de la data achiziționării produsului. Data de începere a garanției trebuie demonstrată cu o factură sau altă dovadă a cumpărării produsului. Produsul este destinat și conceput doar pentru utilizare în scopuri personale. Din acest motiv, nu se oferă garanție pentru utilizarea sa în scop profesional sau comercial.
2. Există posibilitatea de extindere a perioadei de garanție pentru gama de unelte electrice pentru grădina (de CA/CC) peste perioada stipulată mai sus prin înscrierea produsului pe website-ul [www.ryobitools.eu](http://www.ryobitools.eu). Eligibilitatea pentru perioada de extindere a garanției este afișată în mod clar în magazinele de vânzare și/sau pe ambalaj sau este inclusă în documentația livrată împreună cu produsul. Utilizatorul final este obligat să-și înregistreze produsul online în termen de maxim 30 de zile de la achiziția acestuia. Utilizatorul final poate înregistra produsul pentru garanția extinsă oferită în țara sa de rezidență dacă aceasta este listată în formularul de înregistrare online și dacă această opțiune este validă. În plus, utilizatorul final trebuie să-și dea acordul pentru stocarea datelor personale solicitate la înregistrarea online și trebuie să accepte termenii și condițiile. Mesajul de confirmare a înregistrării, trimis prin e-mail și factura originală cu data achiziției vor dovedi perioada de garanție extinsă.
3. Garanția acoperă toate defecțiunile produsului survenite în perioada de garanție datorate defectelor de execuție sau materialelor folosite, începând cu data achiziției acestuia. Garanția este limitată la reparare și/sau înlocuire și nu include alte obligații, inclusiv, dar fără a se limita la daune accidentale sau rezultate pe cale de consecință. Garanția își pierde valabilitatea dacă produsul este utilizat necorespunzător, utilizat neconform cu instrucțiunile de utilizare din manualul cu instrucțiuni sau conectat încorect. Garanția nu se aplică în cazul:
  - oricărei defecțiuni survenite în urma înțepinirii necorespunzătoare a produsului
  - oricărui produs alterat sau modificat
  - oricărui produs la care inscripțiile cu datele de identificare (marca comercială, numărul de serie) au fost șterse, modificate sau îndepărtate
  - oricărei defecțiuni datorate neconformării cu instrucțiunile din manualul de utilizare
  - oricărui produs necertificat CE
  - oricărui produs asupra căruia au fost efectuate tentative de reparare de către personal necalificat sau fără autorizație prealabilă din partea Techtronic Industries.
  - oricărui produs conectat la o sursă de alimentare necorespunzătoare (curent, tensiune, frecvență)
  - oricărui produs utilizat cu un amestec de carburant necorespunzător (combustibil, ulei, proporții de amestec de amestec ulei)
  - oricăror defecțiuni datorate unor influențe externe (chimice, fizice, socuri) sau substanțe străine
  - uzurii și fisurării normale a pieselor de rezervă
  - utilizării neadecvate, suprasolicitatii uneltei
  - utilizării de piese și accesorii neaprobate
- Orice operații de curățare sau reglare periodică a carburatoarelor
- Componentele (piese și accesorii) supuse uzurii și defecțiilor normale, care includ, fără a se limita la manșoane de protecție, curele de transmisie, ambreiaj, lamele de la tăietoarele de arbore sau gazon, furturnuri, accesorii de conectare, duze de pulverizare, volante, baghete de pulverizare, moșoare interne, carcasa exterioră pentru moșoare, fire tăietoare, bujii, filtre de aer, filtre de gaz, lame de tocător, etc.
4. Pentru efectuarea reparațiilor, produsul trebuie trimis sau adus la un centru de reparații autorizat RYOBI din lista următoare de centre de reparații prezentate pentru fiecare țară. În anumite țări, reprezentatul local RYOBI va trimite produsul spre reparare la sediul centrului de reparații RYOBI. Atunci când trimiteți produsul spre reparare la un centru de reparații RYOBI, acesta trebuie ambalat în siguranță, fără conținut periculos (cum ar fi benzina), marcat cu adresa expeditorului și însoțit de o scurtă descriere a defectului.
5. Repararea/înlocuirea în perioada de garanție este gratuită. Aceasta nu este însoțită de o prelungire sau o reințiere a perioadei de garanție. Piese sau unelte schimbate devin proprietatea dvs. În anumite țări, taxele de expediție sau poștale vor fi suportate de expeditor. Drepturile dvs. statutare rezultate din achiziția produsului rămân neschimbate
6. Această garanție este valabilă în Comunitatea Europeană, Elveția, Islanda, Norvegia, Liechtenstein, Turcia și Rusia. În afara acestor zone, vă rugăm să contactați reprezentantul dvs. local RYOBI pentru a determina dacă se aplică alt tip de garanție.

### CENTRU DE SERVICE AUTORIZAT

Pentru a găsi un centru de service autorizat lângă dvs., vizitați <http://uk.ryobitools.eu/header/service-and-support/service-agents>.



## LV RYOBI® GARANTIJAS PIEMĒROŠANAS NOSACĪJUMI

Papildus jebkādam likumiskajam tiesībām, kuras rodas, veicot pirkumu, izstrādājums tiek nodrošināts ar tālāk tekstā noteikto garantiju.

1. Garantijas periods patērētājiem ir 24 mēneši, tā atskaitē tiek sākta no datuma, kad veikta izstrādājuma iegāde. Šim datumam jābūt dokumentētam rēķinā vai citā pirkumu apliecināošā dokumentā. Izstrādājums ir radīts un paredzēts tikai patērētāja privātai lietošanai. Saistībā ar iepriekšminēto, garantija netiek nodrošināta profesionālas vai komerciālas lietošanas gadījumā.
2. Pastāv iespēja pagarināt daļas no dārza instrumentu klāsta (Maigstrāvas/akumulatoru) garantiju ilgāk par iepriekš minēto periodu, izmantojot reģistrāciju interneta vietnē [www.ryobitools.eu](http://www.ryobitools.eu). Instrumenti, kas pakļauti garantijas perioda pagarināšanai, tiek skaidri apzīmēti veikalos un/vai uz iepakojuma un izstrādājumu komplektējošajā dokumentācijā. Gala lietotājam nepieciešams reģistrēt tā iegādāto jauno instrumentu 30 dienu laikā no pirkuma datuma. Gala lietotājs var reģistrēties pagarinātajai garantijai savā mītnes valstī, ja tā minēta tiešsaistes reģistrācijas veidlapā, kurā šī iespēja ir aktīva. Bez tam, gala lietotājam ir jāsniedz piekrišana tiešsaistes ievadīšanai nepieciešamo datu glabāšanai un jāpiekrīt noteikumiem un nosacījumiem. Reģistrācijas apstiprinājums, kas tiek nosūtīts, izmantojot e-pastu, un rēķina oriģināls, kurā norādīts iegādes datums, kalpo kā pagarinātās garantijas apstiprinājums.
3. Garantija attiecas uz visiem izstrādājuma defektiem garantijas periodā, kas saistīti ar ražošanas vai materiālu defektiem no pirkuma datuma. Šī garantija tiek ierobežota ar remontu un/vai nomaiņu un neietver jebkādas citas saistības, tajā skaitā, bet ne tikai, cēloņsakarīgas vai saistītas bojājumus. Garantija nav spēkā, ja izstrādājums ir nepareizi lietots, izmantots pretēji norādēm lietošanas rokasgrāmātā vai bijis nepareizi pieslēgts. Šī garantija netiek attiecināta uz:
  - jebkādiem izstrādājuma bojājumiem, kas radušies nepareizas uzturēšanas rezultātā
  - jebkuru izstrādājumu, kas ticis pārveidots vai mainīts
  - jebkuru izstrādājumu, kura oriģinālās identifikācijas (preču zīme, sērijas numurs) marķējums ir ticis nodzēsts, mainīts vai noņemts
  - jebkādiem bojājumiem, kuri radušies neievērojot norādes lietošanas rokasgrāmātā
  - jebkādam izstrādājumam bez CE sertifikācijas
  - jebkuru izstrādājumu, kura remontu mēģinājis veikt nekvalificēts personāls vai bez Techtronic Industries iepriekšējas autorizācijas.
  - jebkuru izstrādājumu, kurš bijis pieslēgts neatbilstošam parametru (strāvas, sprieguma, frekvences) sprieguma avotam
  - jebkuru izstrādājumu, kurš bijis izmantots ar nepareizu degvielas maisījumu (degviela, eļļa, eļļas procentuālais saturs)
  - jebkuriem bojājumiem, kuri radušies ārējas iedarbības (ķīmiskas, fiziskas, triecieni) vai vielu ietekmē
  - detaļu normāla lietošanas nodiluma rezultātā
  - nepareizas lietošanas vai instrumentu pārslogdes rezultātā
  - neapstiprinātu detaļu vai aprīkojuma lietošanas rezultātā
  - jebkādos periodiskus karburatoru regulēšanas darbus vai apkopes tīrīšanu
  - Komponentus (daļas un aksesuārus), kas pakļauti dabīgam nodilumam, ieskaitot, bet neaprobežojoties ar atsitiena pogām, piedziņas siksnām, sajūgiem, krūmiņu šķēru un plaujmašīnu asmeņiem, uzkabēm, droseļi trosītēm, ogļekļa sukām, elektrības vadiem, tapām, filca plāklāšņiem, sakabes tapām, pūtēja ventilatoriem, pūtēja un sūkšanas caurulēm, savākšanas maisiem un siksnām, vadotju plankām, zāģu ķēdēm, šļūtenēm, savienojojo uzgaļiem, izsmidzinātāja uzgaļiem, rīteņiem, izsmidzinātāja caurulēm, iekšējām spolēm, ārējām spolēm, plāšanas auklām, aizdedzes svečēm, gaisa filtriem, degvielas filtriem, mulčēšanas asmeņiem, utt.
4. Servisa nodrošināšanai, izstrādājums ir jānodod pilnvarotā RYOBI servisa centrā, kas norādīts katrai valstij tālāk minētajā servisa centru adresē sarakstā. Dažās valstīs jūsū vietējās RYOBI izplatītājs uzņemas izstrādājuma nosūtīšanu uz RYOBI servisa organizāciju. Nosūtīt izstrādājumu uz RYOBI servisa centru, izstrādājuma jābūt droši iepakotam, tas nedrīkst saturēt bīstamas vielas kā degvielu, sūļļijumam jābūt marķētam ar sūļļītāja adresi un tisu kļūmes aprakstu.
5. Remonts/nomaiņa šīs garantijas ietvaros ir bezmaksas. Tas nerada garantijas perioda pagarināšanu vai jaunu garantiju. Nomainītais daļas vai instrumentu kļūst par mūsu īpašumu. Dažās valstīs piegādes vai pasta izmaksas būs jāapmaksā sūļļītājam. Jūsū likumiskās tiesības, kas nodibinās, iegādājoties instrumentu, paliek nemainīgas
6. Šī garantija ir spēkā Eiropas Kopienā, Šveicē, Islandē, Norvēģijā, Līhtenšteinā, Turcijā un Krievijā. Arpus šīm teritorijām, lūdzu, sazinieties ar jūsu pilnvaroto RYOBI izplatītāju, lai noteiktu, vai ir piemērojama cita garantija.

### AUTORIZĒTS APKALPOŠANAS CENTRS

Lai atrastu tuvāko autorizēto apkalpošanas centru, apmeklējiet <http://uk.ryobitools.eu/header/service-and-support/service-agents>.

## LT „RYOBI®“ GARANTIJAS TAIKĪMO SĀLYGOS

Papildant bet kokias įstatymuose numatytas perkanat atsirandancias teises, šiam įrenginiui taikoma toliau nurodyta garantija.

1. Vartotojams suteikiama 24 mėnesių trukmės garantija nuo įrenginio įsigijimo datos. Ši data turi būti nurodyta sąskaitoje faktūroje ar kitame pirkimą įrodančiame dokumente. Šis įrenginys skirtas tik vartotojų rinkai ir asmeniniam naudojimui. Todėl garantija netaikoma, jei įrenginys naudojamas profesinėms ar komercinėms reikmėms.
2. Įsigijus tam tikrus sodo įrenginius (AC/DC), suteikiama galimybė pratešti garantiją, kad ji galiojū ilgiau, nei nurodyta pirmiau, naudojantis registracija interneto svetainėje [www.ryobitools.eu](http://www.ryobitools.eu). Ar galima pratešti įrenginio garantinį laikotarpį, aiškiai nurodoma parduotuvėse ir (arba) ant įrenginio pakuočės, ir (arba) įrenginio dokumentuose. Galutinis naudotojas turi užregistruoti savo naujai įsigytą įrenginį per 30 dienų nuo įsigijimo datos. Galutinis naudotojas gali registruotis išplėstinei garantijai savo gyvenamojoje šalyje, jei ji nurodyta internetinėje registracijos formoje, kurioje siūloma tokia galimybė. Be to, galutiniai naudotojai turi sutikti su duomenų, kuriuos reikia įvesti internetu, saugojimu ir svetainės naudojimo sąlygomis. Kaip išplėstinės garantijos įrodymas naudojamas registracijos patvirtinimo kvitas, atsiunčiamas e. paštu, ir originali sąskaita faktūra, kurioje nurodyta įsigijimo data.
3. Ši garantija apima visus garantiniu laikotarpiu aptiktus įrenginio trūkumus, atsiradusius dėl gamybos arba medžiaginių defektų nuo įsigijimo datos. Ši garantija nįboma remontu ir (arba) pakeitimu, ji neapima jokių kitų įsipareigojimų, įskaitant (bet tuo neapsiribojant) šalutinio arba antininio nuostolius. Garantija anuluojama, jei įrenginys buvo naudojamas netinkamai, naudojamas ne pagal naudojimo instrukciją arba netinkamai prijungtas. Ši garantija netaikoma:
  - jokiai įrenginiui padarytai žalai, kurią lėmė netinkama techninė priežiūra;
  - jokiai įrenginiui, kuris buvo keičiamas ar modifikuojamas;
  - jokiai įrenginiui, kurio originalūs identifikavimo ženklai (prekės ženklas, serijos numeris) buvo sugadinti, pakeisti arba pašalinti;
  - jokiai žalai, kurią lėmė naudojimo instrukcijos nesilaikymas;
  - jokiems CE ženklų nepažymėtiems įrenginiams;
  - jokiai įrenginiui, kurį bandė remontuoti nekvalifikuoti asmenys arba kuris buvo remontuojamas be „Techtronic Industries“ leidimo;
  - jokiai įrenginiui, kuris buvo prijungtas prie netinkamo maitinimo tinklo (netinkamos srovės, įtampos, dažnio);
  - jokiai įrenginiui, kuris buvo naudojamas su netinkamu degalų mišiniumi (degalai, alyva, mašinos santykis);
  - jokiai žalai, kurią lėmė išorinis poveikis (cheminis, fizinis, smūgiai) arba pašalinės medžiagos;
  - dėvimosioms dalims;
  - netinkamam naudojimui, įrenginio perkrovai;
  - nepatvirtintų priedų arba dalių naudojimui;
  - jokiai reguliariam karbiuriatorių reguliavimui arba priežiūros ir valymo darbams
  - Komponentams (dalims ir priedams), kurie natūraliai dėviasi, įskaitant (bet tuo neapsiribojant) spyruoklines galvutes, pavarų diržus, sankabą, gyvatvorio gėtelėvų ar žoliapjovių geležtes, diržus, trosinį drošelį, anglinius šepetėlius, maitinimo kabelį, virbus, fetro poveržles, prikabinimo kaiščius, pūstuvo ventilatorius, pūstuvo ir siurblio vamzdžius, siurblio maišą ir diržus, kreipiamuosius strypus, pjūklų grandines, žarnėles, jungiamąsias detales, purškimo antgalius, ratus, purškimo liestukus, vidines rites, išorines rites, pjovimo vielą, uždegimo žvakės, oro filtrus, dujų filtrus, mulčiavimo geležtes ir pan.
4. Prireikus atlikti priežiūros darbus, įrenginį reikia siųsti arba atvežti RYOBI įgaliotajam priežiūros centrui, nurodytam kiekvienos šalies priežiūros centrų adresų sąrašė. Kai kuriose šalyse vietinis RYOBI atstovas siunčia įrenginį RYOBI priežiūros organizacijai. Siunčiant įrenginį RYOBI priežiūros centrui, reikia saugiai jį supakuoti pašalinant visas pavojingas medžiagas, pvz., benzina, nurodyti ant pakuočės siuntėjo adresą ir pridėti trumpą gedimo aprašymą.
5. Pagal šią garantiją remontas / keitimas atliekami nemokamai. Tokie veiksmai netaikomi garantijos pratesimui arba naujo garantinio laikotarpio pradžia. Dalys arba įrenginiai, kuriuos pakeitėme, tampa mūsų nuosavybė. Kai kuriose šalyse pristatymo ir pašto išlaidas turi padengti siuntėjas. Įstatymuose numatytos jūsų teisės, atsirandancias perkanat įrenginį, lieka nepakeistos
6. Ši garantija galioja Europos bendrijoje, Šveicarijoje, Islandijoje, Norvegijoje, Lichtenšteine, Turkijoje ir Rusijoje. Jei gyvenate ne šiose šalyse, kreipkitės į įgaliotąjį RYOBI atstovą ir sužinokite, ar jums taikoma kita garantija.

### ĮGALIOTAS TECHINIS PRIEŽIŪROS CENTRAS

Jei norite surasti įgaliotą techninės priežiūros centrą netoli Jūsų, apsilankykite interneto svetainėje <http://uk.ryobitools.eu/header/service-and-support/service-agents>.





## SL POGOJI ZA VELJAVNOST GARANCIJE RYOBI®

Poleg morebitnih zakonsko določenih pravic, ki izvirajo iz nakupa, za ta izdelek velja spodaj navedena garancija.

- Garancijsko obdobje je za potrošnike 24 mesecev in začne teči z dnem nakupa izdelka. Ta datum mora biti dokumentiran z računom ali drugim dokazilom o nakupu. Izdelek je zasnovan in namenjen izključno za potrošniško zasebno uporabo. V primeru strokovne oziroma komercialne uporabe izdelka garancija ne velja.
- Obstaja možnost podaljšanja garancije na del naše ponudbe vrtnih orodij (AC/DC) prek obdobja garancije, opisanega zgoraj, s pomočjo registracije na spletnem mestu [www.ryobitools.eu](http://www.ryobitools.eu). Ustreznost orodij za podaljšanje garancijskega obdobja je jasno prikazana v trgovinah in/ali na embalaži oziroma je navedena v dokumentaciji izdelka. Končni uporabnik mora registrirati svoje novo orodje na spletu v 30 dneh po datumu nakupa. Končni uporabnik lahko registrira podaljšano garancijo v svoji državi bivanja, če je na obrazcu spletne registracije navedeno, da ta možnost velja za njegovo državo. Poleg tega morajo končni uporabniki podati svoje soglasje za shranjevanje podatkov, ki so potrebni za spletni dostop in morajo sprejeti pogoje in določila uporabe spletnega mesta. Potrdilo o registraciji, ki ga pošljemo prek e-pošte, in originalni račun, ki prikazuje datum nakupa, služita kot dokazilo o podaljšani garanciji.
- Garancija krije vse okvare izdelka, do katerih pride v garancijskem obdobju zaradi napak v izdelavi ali materialu, ki so bile prisotne ob datumu nakupa. Garancija je omejena na popravilo in/ali zamenjavo in ne vključuje nobenih drugih obveznosti, med drugim vključno z naključno ali posledično škodo. Garancija ne velja, če je bil izdelek napačno uporabljen, uporabljen v nasprotju z navodili iz priročnika za uporabo ali če ni bil pravilno povezan. Ta garancija ne velja za:
  - škodo na izdelku, ki je posledica neustreznega vzdrževanja
  - spremenjen ali prilagojen izdelek
  - izdelek, katerega originalna identifikacijska oznaka (blagovna znamka, serijska številka) je bil poškodovan, spremenjena ali odstranjena
  - škodo, ki je posledica neupoštevanja navodil iz priročnika za uporabo
  - izdelek, ki nima oznake CE
  - izdelek, ki ga je poskušal popraviti nekvalificiran strokovnjak ali ki je bil popravljen brez predhodne odobritve s strani družbe Techtronic Industries.
  - izdelek, ki je bil povezan na neustrezno napajanje (amperska moč, napetost, frekvenca)
  - izdelek, ki je bil uporabljen z neustrezno mešanico goriva (gorivo, olje, odstotek olja)
  - škodo, ki jo povzročijo zunanji vplivi (kemični, fizični, mehanski) ali tuje snovi
  - rezervne dele, ki so podvrženi običajni uporabi
  - neprimerno uporabo, preobremenitev orodja
  - uporabo neodobrenih dodatkov ali delov
  - Vsako redno prilagajanje ali vzdrževalno čiščenje uplinjačev
  - Komponente (sestavni in rezervni deli), ki so podvrženi običajni obrabi, med drugim vključno z gumbi odbijača, pogonskimi jermeni, sklopko, rezili obrezovalnikov za žive meje ali kosilnic za trato, nosilnimi pasovi, kablji, dušilnimi ventili, oglikovimi krtačami, napajalnimi kablji, zobci, tesnilni iz filca, veznimi zatiči, ventilatorji pihalnika, cevmi pihalnika in sesalnika, vrečko in pasovi sesalnika, vodilnimi palicami, verigami motorne žage, cevmi, priključki, razpršilnimi šobami, kolesi, razpršilnimi palicami, notranjimi kolesci, zunanji motki, rezalnimi vrvicami, vžigalnimi svečkami, zračnimi filtri, plinskimi filtri, rezili za mulčenje itd.
- Za servisiranje morate izdelek poslati ali prinesiti v pooblaščen servisni center družbe RYOBI, ki je naveden za vsako državo na naslednjem seznamu naslovov servisnih centrov. V nekaterih državah se vaša lokalni posrednik družbe RYOBI obveže, da bo poslal izdelek na servis družbe RYOBI. Ko pošiljate izdelek v servisni center družbe RYOBI, mora biti izdelek varno zapakiran in ne sme vsebovati nobenih nevarnih snovi, kot je npr. bencin, opravljen pa mora biti z naslovom pošiljatelja in vsebovati kratek opis napake.
- Popravilo/zamenjava v skladu s to garancijo sta brezplačni storitvi. To pa ne predstavlja podaljšanja ali ponovnega začetka garancijskega obdobja. Zamenjani deli ali orodja postanejo naša last. V nekaterih državah stroške dostave ali poštino plača pošiljatelj. Vaše zakonsko določene pravice, ki izvirajo iz nakupa orodja, ostajajo nespremenjene.
- Ta garancija velja v Evropski skupnosti, Švici, Islandiji, na Norveškem, v Lichtenštajnu, v Turčiji in Rusiji. Izven teh območij se obrnite na svojega pooblaščenega posrednika izdelkov RYOBI, dealer ki vam bo povedal, ali velja kakšna druga garancija.

### POOBLAŠČEN SERVISNI CENTER

Pooblaščen servisni center blizu vas poiščite na <http://uk.ryobitools.eu/header/service-and-support/service-agents>.

## SK ZÁRUČNÉ PODMIENKY RYOBI®

Na tento výrobok sa okrem všetkých zákonných práv, vyplývajúcich z nákupu, vzťahuje záruka v nasledovnom znení.

- Záručná doba pre spotrebiteľa je 24 mesiacov a začína plynúť odo dňa, kedy bol výrobok zakúpený. Tento dátum musí byť doložený faktúrou alebo iným dokladom o zakúpení. Výrobok je navrhnutý a určený pre spotrebiteľa a len na súkromné používanie. Preto sa záruka sa neposkytuje v prípade použitia na profesionálne a komerčné účely.
- V prípade záhradného náradia (na striedavý/jednosmerný prúd AC/DC), existuje možnosť predĺženia záručnej doby oproti záručnej dobe, uvedenej vyššie, s využitím on-line registrácie na webovej stránke [www.ryobitools.eu](http://www.ryobitools.eu). Označenie na náradí o nároku na predĺženie záručnej doby je zreteľne uvedené v obchodoch a/alebo na obale a je uvedené v dokumentácii k výrobku. Koncový používateľ musí zaregistrovať svoje novozískané náradie on-line do 30 dní odo dňa nákupu. Koncový používateľ sa môže zaregistrovať na predĺženie záruky v krajine svojho bydliska, ak je v on-line registračnom formulári uvedená táto možnosť. Ďalej musia koncoví používatelia ešte dať svoj súhlas k uchovávaniu údajov, ktoré je potrebné zadať on-line a musia súhlasiť s podmienkami. Potvrdenie o prijatí registrácie, ktorý je zasielané e-mailom a originál faktúry, v ktorej je uvedený dátum nákupu, slúžia ako dôkaz o predĺžení záruke.
- Záruka sa vzťahuje na všetky poruchy výrobku v záručnej dobe, spôsobené chybami materiálom alebo spracovaním k dátumu nákupu. Táto záruka je obmedzená na opravu a/alebo výmenu a nezahŕňa ďalšie povinnosti, vrátane, okrem iných, náhodné alebo následné škody. Táto záruka je neplatná, ak bol výrobok nesprávne používaný, bol používaný v rozpore s návodom na použitie alebo bol nesprávne zapojený. Táto záruka sa nevzťahuje na:
  - akékoľvek poškodenie výrobku, ktoré bolo spôsobené nesprávnou obsluhou
  - akýkoľvek výrobok, ktorý bol zmenený alebo upravený
  - akýkoľvek výrobok, na ktorom bolo poškodené, upravené alebo odstránené identifikačné označenie (ochranná známka, výrobné číslo)
  - akékoľvek škody, spôsobené nedodržaním návodu na obsluhu
  - akýkoľvek výrobok, ktorý neobsahuje označenie CE
  - akýkoľvek výrobok, ktorý sa pokúšali opraviť nekvalifikovaný odborník alebo bol opravovaný bez predchádzajúceho súhlasu zo strany spoločnosti Techtronic Industries.
  - akýkoľvek výrobok, pripojený k nesprávnemu napájaciemu zdroju (ampéry, napätie, frekvencia)
  - akýkoľvek výrobok, používaný s nesprávnou palivovou zmesou (palivo, olej, percento oleja)
  - akékoľvek poškodenia, spôsobené vonkajšími vplyvmi (chemickými, fyzikálnymi, nárazmi) alebo cudzorodými látkami
  - bežné opotrebovanie náhradných dielov
  - nevhodné použitie, preťažovanie nástroja
  - použitie neschváleného príslušenstva a dielov
  - Akékoľvek pravidelné úpravy alebo čistenie karburátorov, vykonávaných vrámci údržby
  - Súčiastky (diely a príslušenstvo), ktoré podliehajú prirodzenému opotrebeniu, okrem iných, otočné gombíky, hnače remene, spojka, nože na nožnice na živý plot alebo kosačku na trávnu, popruhu, lanko škrtačnej klapky, uhľiky, napájací kábel, radličky, pistené podložky, závesné klice, lopatky fúkačov, trubice vysávača a fúkača, vak do vysávača a popruhu, vodiace lišty, reťazové pily, hadice, spojovacie armatúry, trysky, kolesá, striekacie rúrky, mútorné čističe, vonkajšie cievky, žacie lanká, zapalovacie sviečky, zduchovacie filtre, benzínové filtre, mulčovacie nože atď.
- Na opravu musí byť výrobok odoslaný alebo doručený do autorizovaného servisného strediska RYOBI, uvedeného pre každú krajinu v nasledovnom zozname adres servisných stredísk. V niektorých krajinách miestny zástupca RYOBI preberá na seba záväzok zaslať tovar do servisnej organizácie RYOBI. Pri odoslaní výrobku do servisného strediska RYOBI je potrebné výrobok bezpečne zabaliť bez akéhokoľvek nebezpečného obsahu, ako je bencín, s vyznačením adresy odosielateľa, s krátkym popisom poruchy.
- Oprava/výmena je vrámci tejto záruky bezplatná. Neznamená to predĺženie záruky alebo spôsobenie novej záručnej doby. Vymenené diely alebo nástroje sa stávajú našim vlastníctvom. V niektorých krajinách náklady na odoslanie alebo poštovní musí zaplatiť odosielateľ. Vaše zákonné práva, vyplývajúce z nákupu náradia, zostávajú nedotknuté.
- Táto záruka platí v Európskej únii, Švajčiarsku, Islande, Nórsku, Lichtenštajnsku, Turesku a Rusku. Ak sa nachádzate mimo týchto oblastí, obráťte sa na autorizovaného predajcu RYOBI na určenie, či sa dá uplatniť iná záruka.

### AUTORIZOVANÉ SERVISNÉ CENTRUM

Ak chcete nájsť najbližšie autorizované servisné centrum, navštívte stránku <http://uk.ryobitools.eu/header/service-and-support/service-agents>.

## **BG** УСЛОВИЯ ЗА ВАЛИДНОСТ НА ГАРАНЦИЯТА НА RYOBI®

В допълнение към законоустановените права, произтичащи от покупката, този продукт е обхванат от гаранция, както е изложено по-долу.

- Гаранционният срок е 24 месеца за клиенти и започва да тече от деня на закупуване на продукта. Тази дата трябва да се докаже с фактура или друго доказателство за покупка. Продуктът е изработен и предназначен само за потребителска и лична употреба. Следователно не се дава гаранция в случай на използване от професионалисти или с търговска цел.
- Съществува възможност за удължаване на гаранционния срок за част от диапозона на гаранцията на градински инструменти (AC/DC) след изтичането на описания тук чрез регистрация на уеб сайта [www.ryobitools.eu](http://www.ryobitools.eu). В магазините и/или на опаковката или вътре в документацията на продукта е показано ясно дали инструментът отговаря на условията за такова удължаване на гаранционния срок. Крайният потребител трябва да регистрира своите новопридобити инструменти онлайн в рамките на 30 дни от датата на покупка. Крайният потребител може да се регистрира за удължена гаранция в държавата си на пребиваване, ако е посочена във формуляра за онлайн регистрация като място, където тази опция е валидна. Освен това крайните потребители трябва да дават съгласието си за съхранение на данните, които са задължителни за попълване онлайн, и трябва да приемат общите условия. Полученото потвърждение за регистрация, изработено по електронна поща, и оригиналната фактура, показваща датата на покупка, ще служат като доказателство за удължената гаранция.
- Гаранцията покрива всички дефекти на продукта по време на гаранционния срок, които се дължат на проблеми в изработката или материалите към момента на покупката. Гаранцията е ограничена до ремонт и/или замяна и не включва други задължения, включително, но не само, случайни или косвени щети. Гаранцията е невалидна, ако продуктът е използван неправилно или в противоречие с ръководството с инструкции, както и ако е свързан неправилно. Тази гаранция не важи за:
  - щети по продукта в резултат на неправилна профилактика
  - продукти, които са били изменени или модифицирани
  - продукт, при който оригиналните маркировки за идентификация (търговска марка, серийн номер) са изтрити, променени или премахнати
  - повреда, причинена от неспазване на ръководството с инструкции
  - продукт без CE маркировка
  - продукт, за който е направен опит за ремонт от невалифициран специалист или без предварително разрешение от Techtronic Industries.
  - продукт, свързан към неподходящо електрохранване (ампераж, волтаж, честота)
  - продукт, използван с неподходяща горивна смес (гориво, масло, процент масло)
  - щети, причинени от външни влияния (химични, физични, удари) или чужди вещества
  - нормално износване на резервни част
  - неподходяща употреба, претоварване на инструмента
  - използване на неподходящи аксесоари или части
  - Всякакви периодични настройки или почистване с цел извършване на поддръжка на карбуратори
  - Компоненти (част и аксесоари), подложени на естествено износване, включително, но не само, копчета за тласкане, задвижващи ремъци, съединител, остриета на ножици за жив плет или косачки за трева, презарамки, кабелен дросел, карбонови четки, захранващ кабел, остриета, филцови шайби, осигурителни щифтове, вентилатори на уреди за обдухване, тръби за обдухване и всмукване, торба за отпадъци и ремъци, водещи шини, вериги за триони, маручки, филтинги на конектори, дюзи, копела, пръскалки, вътрешни и външни макари, рещоце влакно, запалителни свещи, въздушни филтри, горивни филтри, остриета за мулчиране и др.
- За обслужване продуктът трябва да се изпрати или занесе на авторизиран сервиз на RYOBI, посочен за всяка държава в следния списък с адреси на сервиси. В някои държави местният търговец на RYOBI поема отговорността да изпрати продукта до сервизен център на RYOBI. При изпращане на продукт до сервиз на RYOBI той трябва да е опакован безопасно без опасно съдържание, напр. бензин, да е маркиран с адреса на подателя и придружен от кратко описание на повредата.
- Ремонтът/замяната по силата на тази гаранция са безплатни. Те не водят до удължаване или подновяване на гаранционния срок. Сменените части или инструменти стават наша собственост. В някои държави таксите за доставка или изпращане трябва да се платят от подателя. Законоустановените ви права, произтичащи от закупуването на инструмента, остават незаосенгати
- Тази гаранция е валидна в Европейската общност, Швейцария, Исландия, Норвегия, Лихтенщайн, Турция и Русия. Извън тези области се свържете с упълномощения търговец на RYOBI, за да се установи дали е приложима друга гаранция.

### УПЪЛНОМОЩЕН СЕРВИЗЕН ЦЕНТЪР

За да намерите упълномощен сервизен център близо до вас, посетете <http://uk.ryobitools.eu/header/service-and-support/service-agents>.

## **UK** ГАРАНТИЙНИ УМОВИ ДЛЯ RYOBI®

Окрім загалом установених законом прав, що стосуються покупки, цей пристрій покривається гарантією, що зазначено нижче.

- Гарантійний період для споживачів складає 24 місяці і починається з моменту придбання цього пристрою. Ця дата повинна бути задокументована у гарантійному талоні або чеку. Цей пристрій був розроблений і призначений тільки для споживчого та приватного використання. У разі професійного або комерційного використання цього пристрою, він втрачає гарантію.
- Існує можливість продовжити гарантійний період, понад період описаний вище, для частини лінійки садових інструментів (перемінного/постійного струму) за допомогою реєстрації на сайті [www.ryobitools.eu](http://www.ryobitools.eu). Пристрої, які мають право на подовження гарантійного періоду, мають чіткі позначки щодо цього в магазинах і / або на опаковці / та документації до пристрою. Кінцевий користувач повинен зареєструвати його/її новопридбаний пристрій онлайн протягом 30 днів з дати покупки. Кінцевий користувач може зареєструватися для подовження гарантійного періоду в своїй країні постійного перебування, якщо вона є доступною і відповідної опції онлайн форм реєстрації. Крім того, кінцеві користувачі повинні дати свою згоду на зберігання даних, які необхідні для введення онлайн, а також вони повинні прийняти правила та умови. Отримання підтвердження реєстрації, яке відправляється на адресу електронної пошти, та оригінал гарантійного талона із зазначеною датою покупки буде слугувати доказом подовженої гарантії.
- Гарантія поширюється на всі дефекти пристрою протягом гарантійного терміну щодо недотримання стандартів виробництва або матеріалів на дату придбання. Гарантія обмежується ремонтом та/або заміною, та не включає в себе будь-яких інших зобов'язань, в тому числі, але не обмежена у разі випадкових та подальших пошкоджень. Гарантія не діє, якщо пристрій використовувався неналежним чином, всупереч інструкції з експлуатації або був неправильно підключений до мережі. Дана гарантія не поширюється на:
  - пристрої, що були пошкоджені у результаті неправильного технічного обслуговування;
  - пристрої, що були відозомнені або модифіковані;
  - пристрої, оригінальні ідентифікаційні (товарний знак, серійний номер) маркування яких було пошкоджене, змінене або видалено;
  - будь-які пошкодження, заподіяні недотриманням інструкції з експлуатації;
  - пристрої, що не мають маркування CE;
  - пристрої, що були відремонтовані неваліфікованим фахівцем або за відсутності попереднього дозволу від Techtronic Industries;
  - пристрої, підключені до невідповідного джерела живлення (сила току, напруження, частота);
  - пристрої, що використовувались із невідповідною паливною сумішшю (паливом, оливою, відсотковою часткою оливи);
  - будь-які пошкодження спричинені зовнішнім впливом (хімічними, фізичними, стрибком напруги) або сторонніми речовинами;
  - нормальну амортизацію запасних частин;
  - невідповідне використання, перевантаження пристрою;
  - використання невідтверджених запасних частин або аксесуарів;
  - Будь-які періодичні коригування або технічне очищення карбураторів
  - Компоненти (частини та аксесоари) з урахуванням нормального зношування, враховуючи але без обмеження на імпульсні кнопки, ремені приводу, зчеплення, леза куцюрза або газонокосарки, ремені, триси дросельного клапану, вугільні щітки, шнурки живлення, зубці, фетрові підкладки, зчіпні штирці, вентилятори повітродувки, трубки пілососа та повітродувки, вакуумні мішки та накладки, напрямні, ланцюги, гнучкі шланги, з'єднувальні фітинги, розпилювальні насадки, колеса, жорсткі сопла, внутрішні котушки, зовнішні золотники, річкові волосінки, свчки запалення, повітряні фільтри, протигазові фільтри, мультывальні леза, т.д.
- Для обслуговування, пристрій має бути відправлений або поданий до одного з авторизованих сервісних центрів RYOBI, які перелічені для кожної країни у наступному переліку адрес сервісних центрів. У деяких країнах місцевий дилер RYOBI зобов'язується відправити пристрій до сервісного центру RYOBI. При відправленні пристрою до сервісного центру RYOBI, пристрій має бути надійно упакований без будь-якого небезпечного вмісту, наприклад бензину, з позначеною адресою відправника та супроводжуватися коротким описом несправності.
- Ремонт / заміна відповідно до цієї гарантії здійснюється безкоштовно. Це не є основою для подовження або початку нового гарантійного періоду. Замінені частини або прилади переходять до власності компанії. У деяких країнах вартість доставки або поштові витрати повинні бути сплачені відправником. Загально встановлені права покупця на пристрій залишаються незмінними
- Ця гарантія діє в Європейському Союзі, Швейцарії, Ісландії, Норвегії, Лихтенштейні, Туреччині та Росії. За межами цих зон, будь ласка, зверніться до офіційного дилера RYOBI, щоб визначити, чи застосовується інша гарантія.

### АВТОРИЗОВАНІ СЕРВІСНІ ЦЕНТРИ

Для отримання оновленого переліка авторизованих сервісних центрів, відвідайте <http://ru.ryobitools.eu/header/service-and-support/service-agents/>

## TR RYOBI® GARANTİ UYGULAMA KOŞULLARI

Alımdan kaynaklanan yasal haklara ek olarak, ürün aşağıda belirtilen garanti kapsamındadır.

1. Tüketiciler için 24 ay olan garanti süresi, ürünün satın alındığı tarihte başlar. Bu tarihin bir fatura ya da alım kanıtıyla belgelenmesi gerekir. Ürün sadece tüketim ve özel kullanım için geliştirilmiş ve adanmıştır. Bu nedenle, profesyonel ya da ticari kullanım halinde garanti kapsamı sağlanmaz.
2. Bahçe aletlerinin bir bölümü (AC/DC) için [www.ryobitools.eu](http://www.ryobitools.eu) sayfasındaki kayıt işlemini kullanarak garantinin belirtilen sürenin ötesine uzatma imkanı mevcuttur. Aletlerin garanti süresinin uzatılmasına uygun olup olmadığı mağazalarda ve / veya ambalajda açıkça belirtilmiş olup, ürün dokümantasyonunda gösterilir. Son kullanıcının yeni aldığı aletleri satın alma tarihini izleyen 30 gün içinde kaydettirmesi gerekir. Son kullanıcı ikamet ettiği ülkede, bu seçeneğin geçerli olduğu çevrimiçi kayıt formunda belirtilmişse, uzatılmış garanti süresi için kayıt yapılabilir. Dahası, son kullanıcıların çevrimiçi giriş için gerekli verilerin kaydedilmesine izin vermel ve hüküm ve koşulları kabul etmelidir. E-posta ile gönderilen kayıt teyit makbuzu ve alım tarihini gösteren orijinal fatura uzatılmış garantinin kanıtı olarak değerlendirilir.
3. Garanti, ürünün alım tarihindeki işçilik ve malzeme kusurları nedeniyle garanti süresi içinde oluşacak bütün arızalarını kapsar. Bu garanti onarım ve değiştirmeyle sınırlı olup, tesadüfi ya da dolaylı hasarlar da dahil, ancak bunlarla kısıtlı olmayan başka hiçbir taahhüdü kapsamaz. Garanti, ürünün kötü, kullanıcı kılavuzuna aykırı kullanılmış ya da yanlış bağlanmış olması halinde geçerli değildir. Bu garanti aşağıdakileri kapsamaz:
  - üründe, yanlış bakımdan kaynaklanan herhangi bir hasar
  - değiştirilmiş ya da modifiye edilmiş herhangi bir ürün
  - orijinal tanıtm işaretleri (ticari marka, seri numarası) silinmiş, değiştirilmiş ya da kaldırılmış herhangi bir ürün
  - kullanma kılavuzuna uymamaktan kaynaklanmış herhangi bir hasar
  - herhangi bir AT dışı ürün
  - kalifiye olmamış personel tarafından ya da önceden Techtronic Industries onayı alınmadan onarılmış herhangi bir ürün.
  - uygunsuz güç kaynağına (amper, voltaj, frekans) bağlanmış herhangi bir ürün
  - uygunsuz bir yakıt karışımıyla (yakıt, yağ, yap yüzdesi) kullanılmış herhangi bir ürün
  - harici etkenlerden (kimyasal, fiziksel, darbe) veya yabancı cisimlerden kaynaklanan her türlü hasar
  - normal aşınır ve yıpranır aksam
  - uygunsuz kullanım, aletin aşırı yüklenmesi
  - onaysız aksesuar veya parça kullanımı
  - Karbüratörlere uygulanacak her türlü periyodik ayar, bakım veya temizlik
  - Darbe Düğmeleri, Tahrir Kayışları, Kavrama, Çit Budama ya da Çim Bıçma Makinelerinin Bıçakları, Kayış Koşumlar, Kablo Gaz, Kömür Fırçalar, Güç Kablosu, Dişler, Keçe Rondelalar, Bağlantı Pimleri, Üfleyci Pervaneleri, Üfleyci ve Vakum Boruları, Vakum Torbası ve Kayışları, Kılavuz Çubuklar, Zincir Testere, Hortumlar, Konektör bağlantıları, Püskürtme Memeleri, Çarklar, Püskürtme Çubukları, Dahili Makaralar, Harici Makaralar, Kesme Telleri, Bujiler, Hava Filtreleri, Gaz Filtreleri, Malçlama Bıçakları vb. gibi parçaları kapsayan, ancak bunlarla sınırlı olmayan, aşınma ve yıpranmaya tabi bileşenler (aksam ve aksesuarlar).
4. Ürünün servis için her ülkede aşağıdaki servis istasyonları adres listesinde yer alan yetkili bir RYOBI servis istasyonuna gönderilmesi ya götürülmesi gereklidir. Bazı ülkelerde, yerel RYOBI distribütörünüz ürünü RYOBI servis teşkilatına göndermeyi üstlenir. Bir ürün bir RYOBI servis istasyonuna gönderilirken, ürünün güvenli bir biçimde ambalajlanması, benzin gibi tehlikeli maddeler içermemesi, gönderenin adresini taşıması ve arızanın kısa bir açıklamasını içermesi gerekir.
5. Bu garanti kapsamında yapılacak onarım / değişiklik ücretsizdir. Garanti süresinin uzatılması ya da yeniden başlatılması anlamına gelmez. Değiştirilmiş parçalar veya aletler bize ait olur. Bazı ülkelerde teslim ücretleri veya posta giderlerinin gönderici tarafından ödenmesi gerekir. Alımdan kaynaklanan yasal haklarınız etkilenmez.
6. Bu Garanti Avrupa Topluluğu, İsviçre, İzlanda, Norveç, Liechtenstein, Türkiye ve Rusya'da geçerlidir. Bu alanların dışında, başka bir garantinin geçerli olup olmadığını belirlemek için lütfen yetkili RYOBI distribütörünüzle iletişime geçin.

### YETKİLİ SERVİS MERKEZİ

En yakın yetkili servis merkezini öğrenmek için <http://uk.ryobitools.eu/header/service-and-support/service-agents> sitesine girin.

**EN** EC DECLARATION OF CONFORMITY

Techntron Industries GmbH  
Max-Eyth-Straße 10, 71364 Winnenden, Germany

Herewith we declare that the product

Cordless Chainsaw  
Brand: Ryobi  
Model number: OCS1830  
Serial number range: 46211501000001 - 46211501999999

is in conformity with the following European Directives and harmonised standards  
2006/42/EC, 2014/30/EU, 2000/14/EC, 2005/88/EC, 2011/65/EU, EN 60745-1:2009+A11:2010, EN 60745-2-13:2009+A1:2010, EN ISO 3744:2010, EN 55014-1:2006+A1:2009+A2:2011, EN 55014-2:2015, EN 50581:2012

Measured sound power level: 93.5 dB(A)  
Guaranteed sound power level: 96 dB(A)  
Conformity assessment method to Annex V Directive 2000/14/EC amended by 2005/88/EC.

Notified body, 0197 TÜV Rheinland LGA Products GmbH; Tillystraße 2 D - 90431 Nürnberg, Germany has carried out EC type approval, and the certificate No. is BM 50367223 0001.

Andrew John Eyre (BEng, CEng, MIET)  
Vice President, Regulatory & Safety  
Winnenden, Jan. 13, 2017

Authorised to compile the technical file:  
Alexander Krug, Managing Director  
Techntron Industries GmbH  
Max-Eyth-Straße 10, 71364 Winnenden, Germany

CE

**DE** EC KONFORMITÄTSERKLÄRUNG

Techntron Industries GmbH  
Max-Eyth-Straße 10, 71364 Winnenden, Germany

Hiermit erklären wir, dass die Produkte

Akku-Kettensäge  
Marke: Ryobi  
Modellnummer: OCS1830  
Seriennummernbereich: 46211501000001 - 46211501999999

mit den folgenden europäischen Richtlinien und harmonisierten Normen entspricht  
2006/42/EC, 2014/30/EU, 2000/14/EC, 2005/88/EC, 2011/65/EU, EN 60745-1:2009+A11:2010, EN 60745-2-13:2009+A1:2010, EN ISO 3744:2010, EN 55014-1:2006+A1:2009+A2:2011, EN 55014-2:2015, EN 50581:2012

Gemessener Schalleistungspegel: 93.5 dB(A)  
Garantierter Schalleistungspegel: 96 dB(A)  
Konformitätsbeurteilungsmethode zu Anhang V Richtlinie 2000/14/EC wie durch 2005/88/EC.

Benannte Stelle, 0197 TÜV Rheinland LGA Products GmbH; Tillystraße 2 D - 90431 Nürnberg, Germany hat die EC Typen-Überprüfung durchgeführt und die Zertifikatnummer lautet. BM 50367223 0001.

Andrew John Eyre (BEng, CEng, MIET)  
Vizepräsident, Vorschriften und Sicherheit  
Winnenden, Jan. 13, 2017

Autorisiert die technische Datei zu erstellen:  
Alexander Krug, Geschäftsführer  
Techntron Industries GmbH  
Max-Eyth-Straße 10, 71364 Winnenden, Germany

CE

**FR** DÉCLARATION DE CONFORMITÉ EC

Techntron Industries GmbH  
Max-Eyth-Straße 10, 71364 Winnenden, Germany

Déclarons par la présente que le produit

Tronçonneuse Sans Fil  
Marque: Ryobi  
Numéro de modèle: OCS1830  
Étendue des numéros de série: 46211501000001 - 46211501999999

est conforme aux Directives Européennes et Normes Harmonisées suivantes  
2006/42/EC, 2014/30/EU, 2000/14/EC, 2005/88/EC, 2011/65/EU, EN 60745-1:2009+A11:2010, EN 60745-2-13:2009+A1:2010, EN ISO 3744:2010, EN 55014-1:2006+A1:2009+A2:2011, EN 55014-2:2015, EN 50581:2012

Niveau de puissance sonore mesuré: 93.5 dB(A)  
Niveau de puissance sonore garanti: 96 dB(A)  
Méthode d'évaluation de conformité de l'annexe V Directive 2000/14/EC modifiée 2005/88/EC.

L'organisme notifié, 0197 TÜV Rheinland LGA Products GmbH; Tillystraße 2 D - 90431 Nürnberg, Germany a validé la conformité EC, et le No de certificat est. BM 50367223 0001.

Andrew John Eyre (BEng, CEng, MIET)  
Vice-Président, Réglementation & Sécurité  
Winnenden, Jan. 13, 2017

Autorisé à rédiger le dossier technique:  
Alexander Krug, Directeur Général  
Techntron Industries GmbH  
Max-Eyth-Straße 10, 71364 Winnenden, Germany

CE

**ES** DECLARACIÓN EC DE CONFORMIDAD

Techntron Industries GmbH  
Max-Eyth-Straße 10, 71364 Winnenden, Germany

Por la presente declaramos que los productos

Sierra De Cadena Inalámbrica  
Marca: Ryobi  
Número de modelo: OCS1830  
Intervalo del número de serie: 46211501000001 - 46211501999999

se encuentra en conformidad con las siguientes Directivas Europeas y normas armonizadas  
2006/42/EC, 2014/30/EU, 2000/14/EC, 2005/88/EC, 2011/65/EU, EN 60745-1:2009+A11:2010, EN 60745-2-13:2009+A1:2010, EN ISO 3744:2010, EN 55014-1:2006+A1:2009+A2:2011, EN 55014-2:2015, EN 50581:2012

Nivel de potencia acústica medido: 93.5 dB(A)  
Nivel de potencia acústica garantizado: 96 dB(A)  
Método de evaluación de conformidad con el anexo V Directiva 2000/14/EC modificada por la 2005/88/EC.

El organismo notificado, 0197 TÜV Rheinland LGA Products GmbH; Tillystraße 2 D - 90431 Nürnberg, Germany ha llevado a cabo la homologación de tipo EC, y el n.º de certificado es. BM 50367223 0001.

Andrew John Eyre (BEng, CEng, MIET)  
Vicepresidente, Director General de Normativa y Seguridad  
Winnenden, Jan. 13, 2017

Autorizado para elaborar la ficha técnica:  
Alexander Krug, Administrador Ejecutivo  
Techntron Industries GmbH  
Max-Eyth-Straße 10, 71364 Winnenden, Germany

CE

**IT DICHIARAZIONE DI CONFORMITÀ EC**

Techtronic Industries GmbH  
Max-Eyth-Straße 10, 71364 Winnenden, Germany

*Si dichiara con la presente che il prodotto*

Elettrosegna A Batteria  
Marca: Ryobi  
Numero modello: OCS1830  
Gamma numero seriale: 46211501000001 - 46211501999999

*è conforme alle seguenti Direttive Europee e ai seguenti standard armonizzati*  
2006/42/EC, 2014/30/EU, 2000/14/EC, 2005/88/EC, 2011/65/EU, EN 60745-1:2009+A11:2010, EN 60745-2-13:2009+A1:2010, EN ISO 3744:2010, EN 55014-1:2006+A1:2009+A2:2011, EN 55014-2:2015, EN 50581:2012

Livello di potenza acustica misurato: 93.5 dB(A)  
Livello di potenza sonora garantita: 96 dB(A)  
Metodo di valutazione sulla conformità all'allegato V Direttiva 2000/14/EC modificata con la 2005/88/EC.

Ente notificatore, 0197 TÜV Rheinland LGA Products GmbH; Tillystraße 2 D - 90431 Nürnberg, Germany ha svolto i test di conformità EC e il N. del certificato è. BM 50367223 0001.

Andrew John Eyre (BEng, CEng, MIET)  
Vice-Presidente, Dipartimento Regolazioni & Sicurezza  
Winnenden, Jan. 13, 2017

Autizzato per compilare il file tecnico:  
Alexander Krug, Direttore Amministrativo  
Techtronic Industries GmbH  
Max-Eyth-Straße 10, 71364 Winnenden, Germany

CE

**PT DECLARAÇÃO EC DE CONFORMIDADE**

Techtronic Industries GmbH  
Max-Eyth-Straße 10, 71364 Winnenden, Germany

*Pelo presente declaramos que os produtos*

Serra De Corrente Sem Fios  
Marca: Ryobi  
Número do modelo: OCS1830  
Intervalo do número de série: 46211501000001 - 46211501999999

*se encontra em conformidade com as seguintes Directivas Europeias e normas harmonizadas*  
2006/42/EC, 2014/30/EU, 2000/14/EC, 2005/88/EC, 2011/65/EU, EN 60745-1:2009+A11:2010, EN 60745-2-13:2009+A1:2010, EN ISO 3744:2010, EN 55014-1:2006+A1:2009+A2:2011, EN 55014-2:2015, EN 50581:2012

Nível de potência sonora medido: 93.5 dB(A)  
Nível de potência sonora garantido: 96 dB(A)  
Método de avaliação de conformidade para o anexo V Diretiva 2000/14/EC alterada por 2005/88/EC.

Órgão notificado, 0197 TÜV Rheinland LGA Products GmbH; Tillystraße 2 D - 90431 Nürnberg, Germany realizou a aprovação tipo EC, e o certificado é o Nº. BM 50367223 0001.

Andrew John Eyre (BEng, CEng, MIET)  
Vice-Presidente, Regulamentação & Segurança  
Winnenden, Jan. 13, 2017

Autorizado para compilar o ficheiro técnico:  
Alexander Krug, Administrador Executivo  
Techtronic Industries GmbH  
Max-Eyth-Straße 10, 71364 Winnenden, Germany

CE

**NL EC CONFORMITEITSVERKLARING**

Techtronic Industries GmbH  
Max-Eyth-Straße 10, 71364 Winnenden, Germany

*Hierbij verklaren wij dat het product*

Snoerloze Kettingzaag  
Merk: Ryobi  
Modelnummer: OCS1830  
Serienummerbereik: 46211501000001 - 46211501999999

*is in overeenstemming met de volgende Europese Richtlijnen en geharmoniseerde normen*

2006/42/EC, 2014/30/EU, 2000/14/EC, 2005/88/EC, 2011/65/EU, EN 60745-1:2009+A11:2010, EN 60745-2-13:2009+A1:2010, EN ISO 3744:2010, EN 55014-1:2006+A1:2009+A2:2011, EN 55014-2:2015, EN 50581:2012

Gemeten geluids niveau: 93.5 dB(A)  
Gegarandeerd geluidsniveau: 96 dB(A)  
Evaluatiemethode conformiteit volgens bijlage V Richtlijn 2000/14/EC gewijzigd door 2005/88/EC.

Aangemelde instantie, 0197 TÜV Rheinland LGA Products GmbH; Tillystraße 2 D - 90431 Nürnberg, Germany heeft de EC-typegoedkeuring uitgevoerd en het certificaatnr. is. BM 50367223 0001.

Andrew John Eyre (BEng, CEng, MIET)  
Vice-president, Regelgeving en Veiligheid  
Winnenden, Jan. 13, 2017

Afgevaardigde voor het samenstellen van de technische fiche:  
Alexander Krug, Directeur  
Techtronic Industries GmbH  
Max-Eyth-Straße 10, 71364 Winnenden, Germany

CE

**DA EC OVERENSSTEMMELSESRKLÆRING**

Techtronic Industries GmbH  
Max-Eyth-Straße 10, 71364 Winnenden, Germany

*Vi erklærer hermed, at produktet*

Akku-Motorsav  
Brand: Ryobi  
Modelnummer: OCS1830  
Serienummerområde: 46211501000001 - 46211501999999

*er i overensstemmelse med følgende EU-direktiver og harmoniserede standarder*  
2006/42/EC, 2014/30/EU, 2000/14/EC, 2005/88/EC, 2011/65/EU, EN 60745-1:2009+A11:2010, EN 60745-2-13:2009+A1:2010, EN ISO 3744:2010, EN 55014-1:2006+A1:2009+A2:2011, EN 55014-2:2015, EN 50581:2012

Målt støjniveau: 93.5 dB(A)  
Garanteret støjniveau: 96 dB(A)  
Overensstemmelsesvurderingsmetode til bilag V Direktiv 2000/14/EC ændret ved 2005/88/EC.

Bemyndiget organ, 0197 TÜV Rheinland LGA Products GmbH; Tillystraße 2 D - 90431 Nürnberg, Germany har foretaget EC-typegodkendelse, og certifikatnummeret er. BM 50367223 0001.

Andrew John Eyre (BEng, CEng, MIET)  
Vicepræsident, Regler og Sikkerhed  
Winnenden, Jan. 13, 2017

Bemyndiget til at udarbejde det tekniske kartotek:  
Alexander Krug, Administrerende Direktør  
Techtronic Industries GmbH  
Max-Eyth-Straße 10, 71364 Winnenden, Germany

CE

**SV EC-KONFORMITETSDEKLARATION**

Techtronic Industries GmbH  
Max-Eyth-Straße 10, 71364 Winnenden, Germany

*Härmed deklarerar vi att produkterna*

Sladdlös Motorsåg  
Märke: Ryobi  
Modellnummer: OCS1830  
Serienummerintervall: 46211501000001 - 46211501999999

*är i enlighet med följande EU-direktiv och harmoniserade standarder*

2006/42/EC, 2014/30/EU, 2000/14/EC, 2005/88/EC, 2011/65/EU, EN 60745-1:2009+A11:2010, EN 60745-2-13:2009+A1:2010, EN ISO 3744:2010, EN 55014-1:2006+A1:2009+A2:2011, EN 55014-2:2015, EN 50581:2012

Uppmätt ljudeffektnivå: 93.5 dB(A)

Garanterad ljudeffektnivå: 96 dB(A)

Konformitetsbedömning gjord enligt metod i V Direktiv 2000/14/EC samt tillägg i 2005/88/EC.

Anmälat organ: 0197 TÜV Rheinland LGA Products GmbH; Tillystraße 2 D - 90431 Nürnberg, Germany har utfört EC-typgodkännandet och certifikatnumret är. BM 50367223 0001.

Andrew John Eyre (BEng, CEng, MIET)  
Vice President, Regelverk och Säkerhet  
Winnenden, Jan. 13, 2017

Godkänd att sammanställa den tekniska filen:

Alexander Krug, VD  
Techtronic Industries GmbH  
Max-Eyth-Straße 10, 71364 Winnenden, Germany

CE

**NO EC-SAMSVARERKLÆRING**

Techtronic Industries GmbH  
Max-Eyth-Straße 10, 71364 Winnenden, Germany

*Herved erklærer vi at produktet*

Kabeløs Kjedesag  
Märke: Ryobi  
Modellnummer: OCS1830  
Serienummerserie: 46211501000001 - 46211501999999

*er i samsvar med følgende europeiske direktiver og harmoniserte standarder*

2006/42/EC, 2014/30/EU, 2000/14/EC, 2005/88/EC, 2011/65/EU, EN 60745-1:2009+A11:2010, EN 60745-2-13:2009+A1:2010, EN ISO 3744:2010, EN 55014-1:2006+A1:2009+A2:2011, EN 55014-2:2015, EN 50581:2012

Målt lydeffektnivå: 93.5 dB(A)

Garantert lydeffektnivå: 96 dB(A)

Metode for vurdering av konformitet til Tillegg V Direktiv 2000/14/EC endret ved 2005/88/EC.

Teknisk kontrollorgan, 0197 TÜV Rheinland LGA Products GmbH; Tillystraße 2 D - 90431 Nürnberg, Germany har gjennomført EC typegodkjenning, og sertifikatnummeret er. BM 50367223 0001.

Andrew John Eyre (BEng, CEng, MIET)  
Visepresident, Forskrifter og Sikkerhet  
Winnenden, Jan. 13, 2017

Autorisert til å sette sammen den tekniske filen:

Alexander Krug, Administrerende Direktør  
Techtronic Industries GmbH  
Max-Eyth-Straße 10, 71364 Winnenden, Germany

CE

**FI EC-SÄÄNNÖSTEN NOUDATTAMINEN**

Techtronic Industries GmbH  
Max-Eyth-Straße 10, 71364 Winnenden, Germany

*Ilmoitamme täten, että tuotteet*

Langaton Moottorisaha  
Tuotemerkki: Ryobi  
Mallinumero: OCS1830  
Sarjanumerosalue: 46211501000001 - 46211501999999

*noudattaa seuraavia EU-direktiivejä ja harmonoituja standardeja*

2006/42/EC, 2014/30/EU, 2000/14/EC, 2005/88/EC, 2011/65/EU, EN 60745-1:2009+A11:2010, EN 60745-2-13:2009+A1:2010, EN ISO 3744:2010, EN 55014-1:2006+A1:2009+A2:2011, EN 55014-2:2015, EN 50581:2012

Mitattu äänenteho: 93.5 dB(A)

Taattu äänenteho: 96 dB(A)

Säännösten noudattaminen tarkastettu direktiivin 2000/14/EC liitteen V mukaisesti muunnettu direktiivillä 2005/88/EC.

Ilmoituksen saanut elin, 0197 TÜV Rheinland LGA Products GmbH; Tillystraße 2 D - 90431 Nürnberg, Germany, on suorittanut EC-tyyppisen hyväksynnän, ja todistuksen numero on. BM 50367223 0001.

Andrew John Eyre (BEng, CEng, MIET)  
Varatoimitusjohtaja, Säästöstenmukaisuus ja Turvallisuus  
Winnenden, Jan. 13, 2017

Valtuutettu kokoamaan tekninen tiedosto:

Alexander Krug, Toimitusjohtaja  
Techtronic Industries GmbH  
Max-Eyth-Straße 10, 71364 Winnenden, Germany

CE

**RU ЗАЯВЛЕНИЕ О СООТВЕТСТВИИ ТРЕБОВАНИЯМ ЕС**

Techtronic Industries GmbH  
Max-Eyth-Straße 10, 71364 Winnenden, Germany

Настоящим мы заявляем, что данный продукт

Беспроводная Цепная Пила  
Марка: Ryobi  
Номер модели: OCS1830  
Диапазон заводских номеров: 46211501000001 - 46211501999999

соответствует требованиям следующих Директив ЕС и согласованных стандартов

2006/42/EC, 2014/30/EU, 2000/14/EC, 2005/88/EC, 2011/65/EU, EN 60745-1:2009+A11:2010, EN 60745-2-13:2009+A1:2010, EN ISO 3744:2010, EN 55014-1:2006+A1:2009+A2:2011, EN 55014-2:2015, EN 50581:2012

Измеренный уровень звуковой мощности: 93.5 dB(A)

Гарантируемый уровень звуковой мощности: 96 dB(A)

Способ оценки соответствия, приложение V к директиве 2000/14/EC с изменениями 2005/88/EC.

Нотифицированная организация, 0197 TÜV Rheinland LGA Products GmbH; Tillystraße 2 D - 90431 Nürnberg, Germany выполнила утверждение типового образца по стандарту ЕС, номер сертификата. BM 50367223 0001.

Andrew John Eyre (BEng, CEng, MIET)  
Вице-Президент По Технике Безопасности И Стандартам  
Winnenden, Jan. 13, 2017

Лицо, ответственное за подготовку технической документации:

Alexander Krug, Директор  
Techtronic Industries GmbH  
Max-Eyth-Straße 10, 71364 Winnenden, Germany

CE



**PL** DEKLARACJA ZGODNOŚCI EC

Techtronic Industries GmbH  
Max-Eyth-Straße 10, 71364 Winnenden, Germany

*Niniejszym deklarujemy, że produkty*

Bezprzewodowa Pila Łańcuchowa  
Marka: Ryobi  
Numer modelu: OCS1830  
Zakres numerów seryjnych: 46211501000001 - 46211501999999

*jest zgodny z następującymi dyrektywami europejskimi i zharmonizowanymi normami*

2006/42/EC, 2014/30/EU, 2000/14/EC, 2005/88/EC, 2011/65/EU, EN 60745-1:2009+A11:2010, EN 60745-2-13:2009+A1:2010, EN ISO 3744:2010, EN 55014-1:2006+A1:2009+A2:2011, EN 55014-2:2015, EN 50581:2012

Zmierzony poziom natężenia hałasu: 93.5 dB(A)  
Maksymalny poziom natężenia hałasu: 96 dB(A)  
Metoda ocena zgodności zgodnie z aneksem V Dyrektywa 2000/14/EC zmieniona przez dyrektywę 2005/88/EC.

Jednostka notyfikowana, 0197 TÜV Rheinland LGA Products GmbH; Tillystraße 2 D - 90431 Nürnberg, Germany potwierdziła zgodność z dyrektywami EC, nr certyfikat. BM 50367223 0001.

Andrew John Eyre (BEng, CEng, MIET)  
Wiceprezes ds. Zgodności Prawnej i Bezpieczeństwa  
Winnenden, Jan. 13, 2017

Osoba upoważniona do sporządzenia dokumentu technicznego:

Alexander Krug, Dyrektor Zarządzający  
Techtronic Industries GmbH  
Max-Eyth-Straße 10, 71364 Winnenden, Germany

CE

**HU** EC MEGFELELŐSÉGI NYILATKOZAT

Techtronic Industries GmbH  
Max-Eyth-Straße 10, 71364 Winnenden, Germany

*Ezúton kijelentjük, hogy a termékek*

Akkumulátoros Lánzfűrész  
Márka: Ryobi  
Típusszám: OCS1830  
Sorozatszám tartomány: 46211501000001 - 46211501999999

*megfelel az alábbi Európai Irányelvek és harmonizált szabványok vonatkozó rendelkezéseinek*

2006/42/EC, 2014/30/EU, 2000/14/EC, 2005/88/EC, 2011/65/EU, EN 60745-1:2009+A11:2010, EN 60745-2-13:2009+A1:2010, EN ISO 3744:2010, EN 55014-1:2006+A1:2009+A2:2011, EN 55014-2:2015, EN 50581:2012

Mért hangteljesítményszint: 93.5 dB(A)  
Garantált hangteljesítményszint: 96 dB(A)  
A megfelelőségi értékelési eljárás a 2000/14/EC irányelv V. függeléke szerint történt által módosított 2005/88/EC irányelv.

Az EC típusjóváhagyási eljárást a 0197 TÜV Rheinland LGA Products GmbH; Tillystraße 2 D - 90431 Nürnberg, Germany alatti tanúsító testület végezte; a tanúsítvány száma. BM 50367223 0001.

Andrew John Eyre (BEng, CEng, MIET)  
Alelnök, Megfelelőségi és Biztonsági Területék  
Winnenden, Jan. 13, 2017

A műszaki dokumentáció összeállítására felhatalmazott:

Alexander Krug, Ügyvezető Igazgató  
Techtronic Industries GmbH  
Max-Eyth-Straße 10, 71364 Winnenden, Germany

CE

**CS** PROHLÁŠENÍ O SHODĚ EC

Techtronic Industries GmbH  
Max-Eyth-Straße 10, 71364 Winnenden, Germany

*Tímto prohlašujeme, že výrobky*

Akkumulátorová Řetězová Pila  
Značka: Ryobi  
Číslo modelu: OCS1830  
Rozsah sériových čísel: 46211501000001 - 46211501999999

*že tento výrobek je v souladu s evropskými a harmonizovanými standardy*  
2006/42/EC, 2014/30/EU, 2000/14/EC, 2005/88/EC, 2011/65/EU, EN 60745-1:2009+A11:2010, EN 60745-2-13:2009+A1:2010, EN ISO 3744:2010, EN 55014-1:2006+A1:2009+A2:2011, EN 55014-2:2015, EN 50581:2012

Změřená hladina akustického výkonu: 93.5 dB(A)  
Zaručená hladina akustického výkonu: 96 dB(A)  
Soulad s metodou určování pro přílohu V směrnice 2000/14/EC upravená 2005/88/EC.

Úředně oznámený orgán 0197 TÜV Rheinland LGA Products GmbH; Tillystraße 2 D - 90431 Nürnberg, Germany provedl typovou zkoušku EC a vystavil osvědčení č. BM 50367223 0001.

Andrew John Eyre (BEng, CEng, MIET)  
Viceprezident, Normy a Bezpečnost  
Winnenden, Jan. 13, 2017

Pověření ke kompilaci technického souboru:

Alexander Krug, Generální Reditel  
Techtronic Industries GmbH  
Max-Eyth-Straße 10, 71364 Winnenden, Germany

CE

**RO** DECLARAȚIE DE CONFORMITATE EC

Techtronic Industries GmbH  
Max-Eyth-Straße 10, 71364 Winnenden, Germany

*Prin prezenta, declarăm că produsele*

Ferăstrău Cu Lan Fără Fir  
Mărcă: Ryobi  
Număr serie: OCS1830  
Gamă număr serie: 46211501000001 - 46211501999999

*este în conformitate cu următoarele Directive Europene și standarde armonizate*  
2006/42/EC, 2014/30/EU, 2000/14/EC, 2005/88/EC, 2011/65/EU, EN 60745-1:2009+A11:2010, EN 60745-2-13:2009+A1:2010, EN ISO 3744:2010, EN 55014-1:2006+A1:2009+A2:2011, EN 55014-2:2015, EN 50581:2012

Nivelul măsurat al puterii acustice: 93.5 dB(A)  
Nivel garantat al puterii acustice: 96 dB(A)  
Metoda de evaluare a conformității cu Anexa V Directiva 2000/14/EC modificată prin 2005/88/EC.

Agenția notificată 0197 TÜV Rheinland LGA Products GmbH; Tillystraße 2 D - 90431 Nürnberg, Germany a efectuat o procedură de aprobare tip EC, iar nr. certificatului este. BM 50367223 0001.

Andrew John Eyre (BEng, CEng, MIET)  
Vicepreședintele, Reglementare și Siguranță  
Winnenden, Jan. 13, 2017

Autorizat să completeze fișa tehnică:

Alexander Krug, Director General  
Techtronic Industries GmbH  
Max-Eyth-Straße 10, 71364 Winnenden, Germany

CE



**LV EC ATBILSTĪBAS DEKLARĀCIJA**

Teichronic Industries GmbH  
Max-Eyth-Straße 10, 71364 Winnenden, Germany

*Ar šo paziņojam, ka produkti*

Bezvadu Kēdes Zāģis  
Zīmols: Ryobi  
Modeļa numurs: OCS1830  
Sērijas numura intervāls: 46211501000001 - 46211501999999

*atbilst šādām Eiropas direktīvām un saskaņotajiem standartiem*

2006/42/EC, 2014/30/EU, 2000/14/EC, 2005/88/EC, 2011/65/EU, EN 60745-1:2009+A11:2010, EN 60745-2-13:2009+A1:2010, EN ISO 3744:2010, EN 55014-1:2006+A1:2009+A2:2011, EN 55014-2:2015, EN 50581:2012

Izmērītās skaņas jaudas līmenis: 93.5 dB(A)  
Garantētais skaņas intensitātes līmenis: 96 dB(A)  
Atbilstības novērtēšanas metode pielikumam V Direktīvai 2000/14/EC labota 2005/88/EC.

Informētā iestādē 0197 TÜV Rheinland LGA Products GmbH; Tillystraße 2 D - 90431 Nürnberg, Germany ir veikusi EC tipa pārbaudi, un sertifikāta Nr. Ir. BM 50367223 0001.



Andrew John Eyre (BEng, CEng, MIET)  
Viceprezidents, Darba Drošības Noteikumi  
Winnenden, Jan. 13, 2017

Pilnvarots sastādīt tehnisko failu:  
Alexander Krug, Izpilddirektors  
Teichronic Industries GmbH  
Max-Eyth-Straße 10, 71364 Winnenden, Germany

**ET EC VASTAVUSDEKLARATSIOON**

Teichronic Industries GmbH  
Max-Eyth-Straße 10, 71364 Winnenden, Germany

*Kinnitame, et see toode*

Aku-Kettsaag  
Mark: Ryobi  
Mudeli number: OCS1830  
Seerianumbri vahemik: 46211501000001 - 46211501999999

*vastab järgmistele Euroopa direktiividele ja harmoniseeritud standarditele*

2006/42/EC, 2014/30/EU, 2000/14/EC, 2005/88/EC, 2011/65/EU, EN 60745-1:2009+A11:2010, EN 60745-2-13:2009+A1:2010, EN ISO 3744:2010, EN 55014-1:2006+A1:2009+A2:2011, EN 55014-2:2015, EN 50581:2012

Mõõdetud helivõimsuse tase: 93.5 dB(A)  
Garanteeritud helivõimsuse tase: 96 dB(A)  
Vastavushindamine vastavalt lisale V direktiivis 2000/14/EC muudetud direktiiviga 2005/88/EC.

Tunnustatud asutus, 0197 TÜV Rheinland LGA Products GmbH; Tillystraße 2 D - 90431 Nürnberg, Germany on läbi viinud EC tüübikinnustustingimud ja välja andnud sertifikaadi nr. BM 50367223 0001.



Andrew John Eyre (BEng, CEng, MIET)  
Asepresident Standardiseerimise Ja Ohutuse Alal  
Winnenden, Jan. 13, 2017

Tehnilise faili koostamiseks volitatud isik:  
Alexander Krug, Tegevdirektor  
Teichronic Industries GmbH  
Max-Eyth-Straße 10, 71364 Winnenden, Germany

**LT EC ATITIKTIKIS DEKLARACIJA**

Teichronic Industries GmbH  
Max-Eyth-Straße 10, 71364 Winnenden, Germany

*Mes pareiškiame, kad šie produktai*

Bevielis Grandininis Pjūklas  
Prekės ženklas: Ryobi  
Modelio numeris: OCS1830  
Serijinio numerio diapazonas: 46211501000001 - 46211501999999

*pagamintas laikantis toliau nurodytųjų Europos Direktivų ir darniųjų standartų*  
2006/42/EC, 2014/30/EU, 2000/14/EC, 2005/88/EC, 2011/65/EU, EN 60745-1:2009+A11:2010, EN 60745-2-13:2009+A1:2010, EN ISO 3744:2010, EN 55014-1:2006+A1:2009+A2:2011, EN 55014-2:2015, EN 50581:2012

Išmatuotas akustinis lygis: 93.5 dB(A)  
Garantuotas akustinis lygis: 96 dB(A)  
Atitikties įvertinimo metodas pagal direktivos 2000/14/EC, V Priedą su pataisomis 2005/88/EC.

Notifikuoti įstaiga, 0197 TÜV Rheinland LGA Products GmbH; Tillystraße 2 D - 90431 Nürnberg, Germany atliko EC tipo patvirtinimą. Pažymėjimo numeris. BM 50367223 0001.



Andrew John Eyre (BEng, CEng, MIET)  
Kontrolės Ir Saugos Viceprezidentas  
Winnenden, Jan. 13, 2017

Įgaliotas sudaryti techninį failą:  
Alexander Krug, Generalinis Direktorius  
Teichronic Industries GmbH  
Max-Eyth-Straße 10, 71364 Winnenden, Germany

**HR EC IZJAVA O USKLADENOSTI**

Teichronic Industries GmbH  
Max-Eyth-Straße 10, 71364 Winnenden, Germany

*Ovimе izjavljujemo da su proizvodi*

Aku Lančana Pila  
Marka: Ryobi  
Broj modela: OCS1830  
Raspon serijskog broja: 46211501000001 - 46211501999999

*usklađeni sa sljedećim Europskim Direktivama i usklađenim normama*  
2006/42/EC, 2014/30/EU, 2000/14/EC, 2005/88/EC, 2011/65/EU, EN 60745-1:2009+A11:2010, EN 60745-2-13:2009+A1:2010, EN ISO 3744:2010, EN 55014-1:2006+A1:2009+A2:2011, EN 55014-2:2015, EN 50581:2012

Izmjerena razina zvučne snage: 93.5 dB(A)  
Jamčena razina zvučne snage: 96 dB(A)  
Metoda procjene usklađenosti prema Dodatku V Direktive 2000/14/EC navedeno u 2005/88/EC.

Nadzorno tijelo, 0197 TÜV Rheinland LGA Products GmbH; Tillystraße 2 D - 90431 Nürnberg, Germany izdalo je odobrenje tipa EC i broj certifikata je. BM 50367223 0001.



Andrew John Eyre (BEng, CEng, MIET)  
Potpredsjednik za Pravila i Sigurnost  
Winnenden, Jan. 13, 2017

Ovlašten da sastavi tehničku datoteku:  
Alexander Krug, Direktor Upravljanja  
Teichronic Industries GmbH  
Max-Eyth-Straße 10, 71364 Winnenden, Germany



**SL** IZJAVA EC O SKLADNOSTI

Techtronic Industries GmbH  
Max-Eyth-Straße 10, 71364 Winnenden, Germany

*Izjavljamo, da je izdelek*

Brezžična Verižna Žaga  
Znamka: Ryobi  
Številka modela: OCS1830  
Razpon serijskih števil: 46211501000001 - 46211501999999

*v skladu s sledečimi evropskimi direktivami in harmoniziranimi standardi*

2006/42/EC, 2014/30/EU, 2000/14/EC, 2005/88/EC, 2011/65/EU, EN 60745-1:2009+A11:2010, EN 60745-2-13:2009+A1:2010, EN ISO 3744:2010, EN 55014-1:2006+A1:2009+A2:2011, EN 55014-2:2015, EN 50581:2012

Izmerjena raven zvočne moči: 93.5 dB(A)

Zajamčena raven zvočne moči: 96 dB(A)

Način ugotavljanja skladnosti z aneksom V direktive 2000/14/EC ki je bila spremenjena z 2005/88/EC.

Priglašeni organ, 0197 TÜV Rheinland LGA Products GmbH; Tillystraße 2 D - 90431 Nürnberg, Germany je izvedel EC homologacijo, številka certifikata pa je. BM 50367223 0001.

Andrew John Eyre (BEng, CEng, MIET)  
Podpredsednik, Zakonodajne In Varnostne Zadeve  
Winnenden, Jan. 13, 2017

Pooblaščen oseba za sestavo tehnične dokumentacije:

Alexander Krug, Izvršni Direktor  
Techtronic Industries GmbH  
Max-Eyth-Straße 10, 71364 Winnenden, Germany

CE

**BG** ЕС ДЕКЛАРАЦИЯ НА ЗА СЪОТВЕТСТВИЕ

Techtronic Industries GmbH  
Max-Eyth-Straße 10, 71364 Winnenden, Germany

С настоящето декларираме, че продуктите

Безжичен Верижен Трион  
Марка: Ryobi  
Номер на модела: OCS1830  
Обхват на серийни номера: 46211501000001 - 46211501999999

отговаря на следните директиви на ЕС и хармонизирани стандарти

2006/42/EC, 2014/30/EU, 2000/14/EC, 2005/88/EC, 2011/65/EU, EN 60745-1:2009+A11:2010, EN 60745-2-13:2009+A1:2010, EN ISO 3744:2010, EN 55014-1:2006+A1:2009+A2:2011, EN 55014-2:2015, EN 50581:2012

Измерено ниво на шум: 93.5 dB(A)

Гарантирано ниво на шум: 96 dB(A)

Метод за оценяване на съответствието с приложението V Директива 2000/14/EC, изменена от 2005/88/EC.

Компетентен орган, 0197 TÜV Rheinland LGA Products GmbH; Tillystraße 2 D - 90431 Nürnberg, Germany извърши одобрение за ЕС и номерът на сертификата е. BM 50367223 0001.

Andrew John Eyre (BEng, CEng, MIET)  
Вицепрезидент, Правни Услуги И Безопасност  
Winnenden, Jan. 13, 2017

Упълномощено лице за съставяне на техническия файл:

Alexander Krug, Изпълнителен Директор  
Techtronic Industries GmbH  
Max-Eyth-Straße 10, 71364 Winnenden, Germany

CE

**SK** PREHLÁSENIE O ZHODE EC

Techtronic Industries GmbH  
Max-Eyth-Straße 10, 71364 Winnenden, Germany

*Týmto vyhlasujeme, že výrobok*

Ručná Reťazová Pila  
Značka: Ryobi  
Číslo modelu: OCS1830  
Rozsah sériových čísiel: 46211501000001 - 46211501999999

*je v súlade s nasledujúcimi Európskymi smernicami a harmonizovanými normami*

2006/42/EC, 2014/30/EU, 2000/14/EC, 2005/88/EC, 2011/65/EU, EN 60745-1:2009+A11:2010, EN 60745-2-13:2009+A1:2010, EN ISO 3744:2010, EN 55014-1:2006+A1:2009+A2:2011, EN 55014-2:2015, EN 50581:2012

Nameraná úroveň hluku: 93.5 dB(A)

Garantovaná úroveň hluku: 96 dB(A)

Spôsob určenia zhody podľa Dodatku V Smernica 2000/14/EC doplnená o 2005/88/EC.

Uповедомленý orgán 0197 TÜV Rheinland LGA Products GmbH; Tillystraße 2 D - 90431 Nürnberg, Germany previedol schválenie typu EC a certifikáciu č. BM 50367223 0001.

Andrew John Eyre (BEng, CEng, MIET)  
Viceprezident, Regulácia a Bezpečnosť  
Winnenden, Jan. 13, 2017

Oprávnená osoba na zostavenie technického súboru:

Alexander Krug, Generálny Riaditeľ  
Techtronic Industries GmbH  
Max-Eyth-Straße 10, 71364 Winnenden, Germany

CE

**UK** ЕС ДЕКЛАРАЦИЯ ПРО ВІДПОВІДНІСТЬ

Techtronic Industries GmbH  
Max-Eyth-Straße 10, 71364 Winnenden, Germany

При цьому ми заявляємо, що продукт

Бездротова ланцюгова пила  
Марка: Ryobi  
Номер моделі: OCS1830  
Діапазон серійного номеру: 46211501000001 - 46211501999999

у відповідності з наступними європейськими директивами та гармонізованими стандартами

2006/42/EC, 2014/30/EU, 2000/14/EC, 2005/88/EC, 2011/65/EU, EN 60745-1:2009+A11:2010, EN 60745-2-13:2009+A1:2010, EN ISO 3744:2010, EN 55014-1:2006+A1:2009+A2:2011, EN 55014-2:2015, EN 50581:2012

Вимірний рівень звукової потужності: 93.5 dB(A)

Гарантований рівень звукової потужності: 96 dB(A)

Метод оцінки відповідності Annex V Directive 2000/14/EC з поправками, внесеними 2005/88 / EC.

Уповноважений орган 0197 TÜV Rheinland LGA Products GmbH; Tillystraße 2 D - 90431 Nürnberg, Germany здійснив затвердження типу EC, і сертифікат: BM 50367223 0001

Andrew John Eyre (BEng, CEng, MIET)  
Вице-президент, регулювання і безпека  
Winnenden, Jan. 13, 2017

Дозвіл на складання технічного файла:

Alexander Krug, Керуючий директор  
Techtronic Industries GmbH  
Max-Eyth-Straße 10, 71364 Winnenden, Germany

CE

**TR EC UYGUNLUK BEYANI**

Techtronic Industries GmbH  
Max-Eyth-StraÙe 10, 71364 Winnenden, Germany

*İř bu belge ile bu ürünün*

Kablosuz Zincir Testere  
Marka: Ryobi  
Model numarası: OCS1830  
Seri numarası aralıđı: 46211501000001 - 46211501999999

*ařađıdaki Avrupa Direktiflerine ve uyumlařtırılmıř standartlara uygun olduđunu  
beyan ediyorum*

2006/42/EC, 2014/30/EU, 2000/14/EC, 2005/88/EC, 2011/65/EU, EN 60745-  
1:2009+A11:2010, EN 60745-2-13:2009+A1:2010, EN ISO 3744:2010, EN  
55014-1:2006+A1:2009+A2:2011, EN 55014-2:2015, EN 50581:2012

Ölçülen ses gücü seviyesi: 93.5 dB(A)  
Güvenceli ses gücü seviyesi: 96 dB(A)  
2005/88/AT ile deđiřtirilen 2000/14/AT Direktifi Ek V uyarınca uygunluk  
deđerlendirmesi yöntemi.

Onaylı kuruluş, 0197 TÜV Rheinland LGA Products GmbH; Tillystraße 2 D - 90431  
Nürnberg, Almanya AT tipi onay testini gerçekteřirmiřtir ve sertifika numarası  
ařađıdadır: BM 50367223 0001.



Andrew John Eyre (BEng, CEng, MIET)  
Mevzuat ve Güvenlik Bařkan Yardımcısı  
Winnenden, Jan. 13, 2017

CE

Teknik dosyayı derlemekle yetkili sorumlu:  
Alexander Krug, İdari Müdür  
Techtronic Industries GmbH  
Max-Eyth-StraÙe 10, 71364 Winnenden, Germany



130.com.ua

**Techtronic Industries GmbH**  
Max-Eyth-Straße 10,  
71364 Winnenden, Germany

960994068-02