



PHONES

0 (800) 800 130
(050) 462 0 130
(063) 462 0 130
(067) 462 0 130

130
COM.UA

Internet store of
autogoods



SKYPE

km-130

CAR RECEIVERS — Receivers • Media receivers and stations • Native receivers • CD/DVD changers • FM-modulators/USB adapters • Flash memory • Facia plates and adapters • Antennas • Accessories |
CAR AUDIO — Car audio speakers • Amplifiers • Subwoofers • Processors • Crossovers • Headphones • Accessories | TRIP COMPUTERS — Universal computers • Model computers • Accessories |
GPS NAVIGATORS — Portable GPS • Built-in GPS • GPS modules • GPS trackers • Antennas for GPS navigators • Accessories | VIDEO — DVR • TV sets and monitors • Car TV tuners • Cameras • Videomodules
• Transcoders • Car TV antennas • Accessories | SECURITY SYSTEMS — Car alarms • Bike alarms • Mechanical blockers • Immobilizers • Sensors • Accessories | OPTIC AND LIGHT — Xenon • Bixenon • Lamps
• LED • Stroboscopes • Optic and Headlights • Washers • Light, rain sensors • Accessories | PARKTRONICS AND MIRRORS — Rear parktronic • Front parktronic • Combined parktronic • Rear-view mirrors
• Accessories | HEATING AND COOLING — Seat heaters • Mirrors heaters • Screen-wipers heaters • Engine heaters • Auto-refrigerators • Air conditioning units • Accessories | TUNING — Vibro-isolation
• Noise-isolation • Tint films • Accessories | ACCESSORIES — Radar-detectors • Handsfree, Bluetooth • Windowlifters • Compressors • Beeps, loudspeakers • Measuring instruments • Cleaners • Car seats
• Miscellaneous | MOUNTING — Installation kits • Upholstery • Grilles • Tubes • Cable and wire • Tools • Miscellaneous | POWER — Batteries • Converters • Start-charging equipment • Capacitors
• Accessories | MARINE AUDIO AND ELECTRONICS — Marine receivers • Marine audio speakers • Marine subwoofers • Marine amplifiers • Accessories | CAR CARE PRODUCTS — Additives • Washer fluid •
Care accessories • Car polish • Flavors • Adhesives and sealants | LIQUID AND OIL — Motor oil • Transmission oil • Brake fluid • Antifreeze • Technical lubricant



In store "130" you can find and buy almost all necessary goods for your auto in Kyiv and other cities, delivery by ground and postal services. Our experienced consultants will provide you with exhaustive information and help you to chose the very particular thing. We are waiting for you at the address

<https://130.com.ua>

RYOBI®

EMS305RG

ORIGINAL INSTRUCTIONS

TRADUCTION DES INSTRUCTIONS ORIGINALES

ÜBERSETZUNG DER ORIGINALANLEITUNG

TRADUCCIÓN DE LAS INSTRUCCIONES ORIGINALES

TRADUZIONE DELLE ISTRUZIONI ORIGINALI

VERTALING VAN DE ORIGINELE INSTRUCTIES

TRADUÇÃO DAS INSTRUÇÕES ORIGINAIS

OVERSÆTTELSE AF DE ORIGINALE INSTRUKTIONER

ÖVERSÄTTNING AV DE URSPRUNGLIGA INSTRUKTIONERNA

ALKUPERÄISTEN OHJEIDEN SUOMENNOSS

OVERSETTELSE AV DE ORIGINALE INSTRUKSJONENE

ПЕРЕВОД ОРИГИНАЛЬНЫХ ИНСТРУКЦИЙ

TLUMACZENIE INSTRUKCJI ORYGINALNEJ

PŘEKLAD ORIGINÁLNÍCH POKYNŮ

AZ EREDETI ÚTMUTATÓ FORDÍTÁSA

TRADUCEREA INSTRUCȚIUNILOR ORIGINALE

TULKOTS NO ORIGINĀLĀS INSTRUKCIJAS

ORIGINALIŲ INSTRUKCIJŲ VERTIMAS

ORIGINAALJUHENDI TÖLGE

PRJEVOD ORIGINALNIH UPUTA

PREVOD ORIGINALNIH NAVODIL

PŘEKLAD ORIGINÁLNÝCH POKYNOV

ΜΕΤΑΦΡΑΣΗ ΤΩΝ ΠΡΩΤΟΤΥΠΩΝ ΟΔΗΓΙΩΝ

ORIJINAL TALIMATLARIN TERCÜMESİ

ПЕРЕКЛАД ОРИГИНАЛЬНИХ ІНСТРУКЦІЙ

EN

FR

DE

ES

IT

NL

PT

DA

SV

FI

NO

RU

PL

CS

HU

RO

LV

LT

ET

HR

SL

SK

EL

TR

UK





Important!	It is essential that you read the instructions in this manual before assembling, maintaining and operating the product.
Attention!	Il est essentiel que vous lisiez les instructions contenues dans ce manuel avant d'assembler, d'entretenir et d'utiliser le produit.
Achtung!	Es ist wichtig, dass Sie vor Zusammenbau, Wartung und Benutzung des Produktes die Anweisungen in dieser Anleitung lesen.
¡Atención!	Resulta fundamental que lea este manual de instrucciones antes de realizar el montaje, el mantenimiento y de utilizar este producto
Attenzione!	E' importante leggere le istruzioni contenute nel presente manuale prima di montare il prodotto, svolgere le operazioni di manutenzione sullo stesso e metterlo in funzione.
Let op!	Het is van essentieel belang dat u de instructies in deze gebruiksaanwijzing leest voor u het product monteert, onderhoudt en gebruikt.
Atenção!	É fundamental que leia as instruções deste manual antes da montagem, manutenção e operação do aparelho.
OBS!	Det er vigtigt, at man læser instrukserne i denne brugsanvisning, inden man samler, vedligeholder og betjener produktet.
Observera!	Det är viktigt att du läser instruktionerna i manualen före montering, användning och underhåll av produkten.
Huomio!	On tärkeää, että luet tämän käsikirjan ohjeet ennen tuotteen kokoamista, huoltoa ja käyttöä.
Advarsel!	Det er viktig at du leser instruksjonene i denne manualen før sammensetting, vedlikehold og bruk av produktet
Внимание!	Необходимо прочитать инструкции в данном руководстве перед сборкой, обслуживанием и эксплуатацией этого изделия.
Uwaga!	Koniecznienależyprzeczytaćinstrukcjezawartewtym podręczniku przed montażem, obsługą oraz konserwacją produktu.
Důležitost upozornění!	Neinstalujte, neprovádějte údržbu ani nepoužívejte tento výrobek dříve, než si přečtete pokyny uvedené v tomto návodu.
Figyelem!	Fontos, hogy a termék összeszerelése, karbantartása és használatá elött elolvassa a kézikönyvben található utasításokat.
Atenție!	Este esențial să citiți instrucțiunile din acest manual înainte de asamblare, efectuarea întreținerii și operarea produsului.
Uzmanību!	Ir svarīgi izlasīt šīs rokasgrāmatas instrukcijas pirms uzstādīšanas, apkopes un precas darbināšanas.
Dėmesio!	Prieš surenkant, prižiūrint ir naudojant gaminį, būtina perskaityti šiame vadove pateiktus nurodymus.
Tähtis!	Enne masina kokkupanekut, hooldamist ja kasutama hakkamist tuleb käesolevas juhendis esitatud juhised kindlasti läbi lugeda.
Upozorenje!	Vrlo je važno da ste prije sklapanja, održavanja i rada s ovim proizvodom pročitali upute u ovom priručniku.
Pomembno!	Pomembno je da pred montažo vzdrževanjem in uporabo tega izdelka preberete navodila v tem priločniku.
Upzornenie!	Je dôležité, aby ste si pred montážou, údržbou a obsluhou produktu prečítali pokyny v tomto návode.
Προσοχή!	Είναι πολύ σημαντικό να διαβάσετε τις οδηγίες στο παρόν εγχειρίδιο πριν συναρμολογήσετε, συντηρήσετε ή λειτουργήσετε το προϊόν.
Dikkat!	Ürünün montajını, bakımını yapmadan ve ürünü çalıştırmadan önce bu kılavuzda yer alan talimatları okumanız önemlidir.
Важливо!	Дуже важливо, щоб ви прочитали інструкції в цьому керівництві перед складанням, обслуговуванням та експлуатацією цієї машини.

Subject to technical modification | Sous réserve de modifications techniques | Technische Änderungen vorbehalten | Bajo reserva de modificaciones técnicas | Con riserva di eventuali modifiche tecniche | Technische wijzigingen voorbehouden | Com reserva de modificações técnicas | Med forbehold for tekniske ændringer | Med förbehåll för tekniska ändringar | Tekniset muutokset varataan | Med forbehold om tekniske ændringer | могут быть внесены технические изменения | Z zastrzeżeniem modyfikacji technicznych | Změny technických údajů vyhrazeny | A műszaki módosítás jogát fenntartjuk | Sub rezerva modificărilor tehnice | Paturam tiesības mainīt tehniskos raksturlielumus | Pasiliekan teisę daryti techninius pakeitimus | Tehnilised muudatused võimalikud | Podloženo tehničkim promjenama | Tehnične spremembe dopuščene | Právo na technické zmeny je vyhradené | Υπό την επιφύλαξη τεχνικών τροποποιήσεων | Teknik değışiklik hakkı saklıdır | Є об'єктом для технічних змін





Safety, performance, and dependability have been given top priority in the design of your mitre saw.

INTENDED USE

The mitre saw is intended for sawing solid and bonded wood, materials similar to wood, with or without glued veneer and plastics.

The saw is intended to be used only by adult operators who have read the instruction manual and understand the risks and hazards.

The mitre saw is designed to be fixed at the base to a solid bench top. If the base is not securely fixed, the whole machine may move during cutting operations, which increases the possibility of serious personal injury.

The mitre saw is designed make bevel and mitre cuts. The capacities for the various cuts are provided in the compound compact mitre saw product specifications in this manual.

The saw is to be used in dry conditions, with excellent ambient lighting and adequate ventilation.

The mitre saw is intended for consumer use and should only be used as described above and is not intended for any other purpose.

GENERAL SAFETY WARNINGS

WARNING

When using electric tools, basic safety precautions should always be followed to reduce the risk of fire, electric shock and personal injury. Read all these instructions before attempting to operate this product and save these instructions.

- **Dress properly.** Do not wear loose clothing or jewellery, they can be caught in moving parts. Non-skid footwear is recommended when working outdoors. Wear protective hair covering to contain long hair.
 - **Use protective equipment.** Use safety glasses. Use face or dust mask if working operations create dust.
 - **Connect dust extraction equipment.** If the tool is provided for the connection of dust extraction and collecting equipment, ensure these are connected and properly used.
 - **Do not abuse the cord.** Never yank the cord to disconnect it from the socket. Keep the cord away from heat, oil and sharp edges.
 - **Secure work.** Where possible, use clamps or a vice to hold the work. It is safer than using your hand.
 - **Do not overreach.** Keep proper footing and balance at all times.
 - **Maintain tools with care.** Keep cutting tools sharp and clean for better and safer performance. Follow instruction for lubricating and changing accessories. Inspect tool cords periodically and if damaged, have them repaired by an authorized service facility. Inspect extension cords periodically and replace if damaged. Keep handles dry, clean and free from oil and grease.
 - **Disconnect tools.** When not in use, before servicing and when changing accessories such as blades, bits and cutters, disconnect tools from the power supply.
 - **Remove adjusting keys and wrenches.** Form the habit of checking to see that keys and adjusting wrenches are removed from the tool before turning it on.
 - **Avoid unintentional starting.** Ensure switch is in "off" position when plugging in.
 - **Use outdoor extension leads.** When the tool is used outdoors, use only extension cords intended for outdoor use and so marked.
 - **Stay alert.** Watch what you are doing, use common sense and do not operate the tool when you are tired.
 - **Check damaged parts.** Before further use of tool, it should be carefully checked to determine that it will operate properly and perform its intended function. Check for alignment of moving parts, binding of moving parts, breakage of parts, mounting and any other conditions that may affect its operation. A guard or other part that is damaged should be properly repaired or replaced by an authorized service centre unless otherwise indicated in this instruction manual. Have defective switches replaced by an authorized service centre. Do not use the tool if the switch does not turn it on and off.
 - **Warning.** The use of any accessory or attachment other than the one recommended in this instruction manual may present a risk of personal injury.
 - **Have your tool repaired by a qualified person.** This electric tool complies with the relevant safety rules. Repairs should only be carried out by qualified persons using original spare parts otherwise this may result in
- **Keep work area clear.** Cluttered areas and benches invite injuries.
 - **Consider work area environment.** Do not expose tools to rain. Do not use tools in damp or wet locations. Keep work area well lit. Do not use tools in the presence of flammable liquids or gases.
 - **Guard against electric shock.** Avoid body contact with earthed or grounded surfaces (e.g., pipes, radiators, ranges, refrigerators).
 - **Keep other persons away.** Do not let persons, especially children, be involved in the work, touch the tool or the extension cord, and keep them away from the work area.
 - **Store idle tools.** When not in use, tools should be stored in a dry locked-up place, out of reach of children.
 - **Do not force the tool.** It will do the job better and safer at the rate for which it was intended.
 - **Use the right tool.** Do not force small tools to do the job of a heavy duty tool. Do not use tools for purposes not intended, for example, do not use circular saws to cut tree limbs or logs.



considerable danger to the user.

MITRE SAW SAFETY WARNINGS

- Always clamp the work piece safely and securely.
- Ensure that the machine is always stable and secure (e.g. fixed to a bench).
- Always wear ear protectors. Exposure to noise can cause hearing loss.
- Always wear safety goggles when using the machine. It is recommended to wear gloves for handling blades and rough material, plus sturdy non slip shoes to protect the feet from work pieces which may fall from the cutting area.
- Always disconnect the plug from the socket before carrying out any maintenance or cleaning the tool.
- Only plug the power lead into the socket when the tool is switched off.
- Keep the mains lead clear from the working range of the machine. Keep it out of the area the operator stands in.
- Never reach into the area near the blade unless the blade has completely stopped.
- Before use, thoroughly check the tool, cable, and plug for any damage or material fatigue. Repairs to the whole machine, including the power cable should only be carried out by authorised service agents.
- Always use the guards on the machine. Do not use the machine if the guards are not in place and working correctly.
- The lower blade guard should only open when the blade is lowered to the work piece.
- Never alter or modify the saw or its function. Your safety may be compromised.
- When using the mitre saw outdoors, the manufacturer recommends the use of an RCD device with a trip set at 30mA.
- Do not use saw blades which are cracked, damaged or deformed.
- Do not use saw blades made of high-speed steel.
- Only use blades that are sharp. Replace dull blades.
- Always use blades with correct size and shape of arbour holes. Blades that do not match the mounting hardware of the saw will run eccentrically, causing loss of control.
- Use only woodworking blades specified in this manual, which comply with EN 847-1.
- Do not use any flanges, washers and nuts to secure the saw blade other than those supplied or indicated in the instruction manual.
- It is necessary to select a saw blade which is suitable for the material being cut.
- It is essential to adhere to the maximum speed specified on the saw blade.
- Never use the mitre saw to cut materials other than

those specified in the intended use section in this manual.

- Replace the table insert when worn or damaged.
- Before work, make a dummy cut without the motor turned on so the position of the blade, operation of the guards with respect to other machine parts, and work piece may be checked.
- When performing mitre, bevel or compound mitre cuts, adjust the sliding fence to ensure the correct clearance from the blade.
- The handle lock must always be engaged when transporting the mitre saw.
- Keep the floor area free of loose materials, such as chips and cut-offs.
- Refrain from removing any cut-offs or other parts of the work piece from the cutting area whilst the machine is running and the saw head is not in the rest position.
- Long work pieces must be adequately supported. The working area of the saw includes the whole extent of the work piece. The operator should secure this area from accidental contact from other persons or objects which may move the work piece during operation.
- The dust produced when using this tool may be harmful to health. Use a dust suction system and wear a suitable dust protection mask. Remove deposited dust thoroughly with a vacuum cleaner.
- The unit should be connected to a power circuit protection device (fuse or circuit breaker).
- Do not replace the laser or LED with a different type. Any repairs must only be carried out by the manufacturer or authorised service agent.
- When using this tool, voltage fluctuations may affect other electrical products or lighting on the same power circuit. Connect the tool to a power source with an impedance equal to 0.071 Ω to minimise voltage fluctuations. Contact your electric power supplier for further clarification.

SAFETY INSTRUCTIONS FOR WOOD CUTTING BLADE

- Please read the manual and instructions carefully before using the saw blade and the machine.
- The machine must be in good condition, the spindle without deformation and vibration.
- Do not use the saw without the guards in position, keep guards in good working order and properly maintained.
- Ensure the operator is adequately trained in safety precautions, adjustment and operation of the machine.
- Always wear goggles and ear protection when using the machine. It is recommended to wear gloves, sturdy non slipping shoes and apron.
- Before using any accessory, consult the instruction manual. The improper use of an accessory can cause damage and increase the potential for injury.





- Use only blades specified in this manual, complying with EN 847-1.
- Observe the maximum speed marked on the saw blade. Ensure the speed marked on the saw blade is at least equal to the speed marked on the saw.
- Always use blades with correct size and shape of arbour holes. Blades that do not match the mounting hardware of the saw will run eccentrically, causing loss of control.
- Do not use blades of larger or smaller diameter than recommended. Do not use any spacers to make the blade fit onto the spindle.
- Check the tips of the saw blade for damage or abnormal appearance before each use. Tips that are damaged or loose can become flying objects in use and increase the chance of personal injury.
- Do not use cracked or distorted saw blades. Do not use saw blades that are damaged or deformed
- Scrap the saw blade if damaged, deformed, distorted or cracked, repairing is not permitted.
- Do not use HSS blades
- Ensure the saw blade is mounted correctly, tighten the arbor nut securely before use (tightening torque approx. 12-15 Nm).
- Fastening screw and nuts shall be tightened using the appropriate spanner, etc.
- Extension of the spanner or tightening using hammer blows is not permitted.
- Make sure the blade and flanges are clean and the recessed sides of the collar are against the blade.
- Make sure the blade rotates in the correct direction.
- Before work, make a dummy cut without the motor turned on so the position of the blade, operation of the guards with respect to other machine parts and work piece may be checked.
- Never leave the machine unattended.
- Do not apply lubricants on the blade when it is running.
- Never perform any cleaning or maintenance work when the machine is still running and the head is not in the rest position.
- Never attempt to stop a machine in motion rapidly by jamming a tool or other means against the blade. Serious accidents can be caused unintentionally in this way.
- Disconnect the saw from the mains supply before changing blades or carrying out maintenance.
- Pay attention to blade packing and unpacking, it is easy to be injured by the sharp blade tips.
- Use a blade holder or wear gloves when handling a saw blade.
- Keep and store the blade in original packaging or other suitable packaging. Keep in dry conditions and away from chemicals which may damage the blade.

LASER SAFETY RULES

- The laser radiation used in this saw is Class 2 with maximum $\leq 1\text{mW}$ and 650nm wavelengths. Do not stare into the laser beam. Failure to comply with the rules could result in serious personal injury.
- Do not stare into beam during operation.
- Do not project the laser beam directly into the eyes of others. Serious eye injury could result.
- Do not place the laser in a position that may cause anyone to stare into the laser beam intentionally or unintentionally.
- Do not use optical tools to view the laser beam.
- Do not operate the laser around children or allow children to operate the laser.
- Do not attempt to repair the laser device by yourself.
- Do not attempt to change any parts of the laser device by yourself.
- Any repairs must only be carried out by the laser manufacturer or authorized service agent.
- Do not replace the laser with a different type.

RESIDUAL RISKS

Even when the product is used as prescribed, it is still impossible to completely eliminate certain residual risk factors. The following hazards may arise and the operator should pay special attention to avoid the following:

- risk of contact with uncovered parts of the rotating saw blade;
- kick-back of work pieces or parts of work pieces due to improper adjustment or handling;
- catapulting of faulty carbide tips from the saw blade;
- damage to the respiratory system.
NOTE: Wear respiratory protection masks containing filters appropriate to the materials being worked. Ensure adequate workplace ventilation. Do not eat, drink or smoke in the work area.
- damage to hearing if effective hearing protection is not worn.

⚠ WARNING

Dust from certain paints, coatings and materials may cause irritation or allergic reactions to the respiratory system. Dust from wood such as oak, beech, MDF and others are carcinogenic. Material containing asbestos should only ever be worked or processed by qualified specialist operators.

⚠ WARNING

Injuries may be caused, or aggravated, by prolonged use of a tool. When using any tool for prolonged periods, ensure you take regular breaks.





KNOW YOUR PRODUCT

See page 162 - 163.

1. Handle
2. Power switch
3. Safety lock handle
4. Upper guard
5. Saw blade
6. Lower guard
7. Clamp
8. Main fence
9. Turntable
10. Base
11. Table insert
12. Turntable lock handle
13. Balancing foot
14. Laser switch
15. LED switch
16. Bracket stop
17. Lower guard cover
18. Sliding fence
19. Mounting hole
20. Extension bar
21. Screws for adjusting the bevel angle limit stop
22. Spindle lock knob
23. Top handle
24. Dust bag
25. Cutting depth adjustment knob
26. Linear rod stop knob
27. Winding support
28. Bevel angle lock knob
29. Maximum cutting depth stop
30. Screws for adjusting mitre angle

OPERATION

The product features a moving saw blade that can be set at various angles by the operator when cutting a work piece which is securely fixed to the base of the product. It must be operated by only one person to prevent unintentional contact with the moving saw blade.

The principles for safe operation of the product are as follows:

- Maintain saw, blades and work area in good condition.
- Secure the mitre saw base to a sturdy work bench. The product may move and tip if it is not adequately secured.
- Set up and lock the cutting angles and depth before making the cut.
- Secure the work piece to the mitre saw base. Use the clamp provided and, where necessary, use additional clamps or holding mechanisms to prevent unintentional movement of the work piece while cutting.
 - Check that the operation of the blade guards are not restricted by the position of the work piece.
 - Ensure that the fence and other parts of the product will not be cut as the blade lowers to the cutting position.

- Start the motor and allow the blade to reach full speed before slowly lowering it to cut the work piece. Slide the blade assembly backwards and/or forwards to complete the cut as necessary.
- Allow the blade assembly to rise to its upper position where the blade guards are fully closed. Switch off the motor and allow the blade to come to a complete stop before removing the work piece or off-cuts, or before reaching into the area of the blade.

Before first use, ensure that the angle of the bevel or mitre set on the product matches the angle to be produced on the work piece. Check this on a discarded piece of wood by using a carpenter's set or mitre square.

⚠ WARNING

The manufacturer strongly recommends that the product is always securely mounted to a bench top.

When the base of the product is firmly secured to a bench top by the four nuts, bolts and washers provided, the product can be used at maximum bevel and mitre setting without the possibility of it tipping over. If the product is not secured properly, the product may over balance when large bevel angles are selected.

There is also an adjustable screw (balancing foot) that extends from the bottom of the extension turntable. This screw should be adjusted so that it touches the flat surface that the product is resting upon. This will also prevent the product from over balancing when cutting at the full extent of the slide and bevel. Beware, this part of the saw table moves when different mitre angles are selected, so the screw needs to be frequently adjusted and reset.

MAINTENANCE

- Do not modify the product in any way or use accessories not approved by the manufacturer. Your safety and that of others may be compromised.
- Do not use the product if any switches, guards or other functions does not work as intended. Return to an authorised service centre for professional repair or adjustment.
- Do not make any adjustments whilst the saw blade is in motion.
- Always make sure the power plug has been removed from the mains power source before making adjustments, lubricating or when doing any maintenance on the product.
- Before and after each use, check the product for damage or broken parts. Keep the product in top working condition by immediately replacing parts with spares approved by the manufacturer.
- The blade is very hot after use. Wear gloves or allow to cool before maintenance or cleaning procedures.
- Clean out accumulated dust using a brush or vacuum cleaner. Do not use compressed air.



- To assure safety and reliability, all repairs, including changing brushes, should be performed by an authorised service centre.
- If the power supply cord is damaged, it must be replaced only by the manufacturer or by an authorized service centre to prevent damage to the saw or risk of electrocution.

⚠ WARNING

For greater safety and reliability, all repairs should be performed by an Authorised Ryobi Service Centre.

Maximum cutting depth stop

The maximum cutting depth stop is to prevent the saw blade from cutting into the metal base of the unit.

⚠ WARNING

The maximum cutting depth stop is not user adjustable. Do not adjust the maximum cutting depth stop.

TRANSPORTATION AND STORAGE

- When storing the product, disconnect the power cord. Store the product in a secure place that is not accessible to children. Store the power cord as shown in the illustration on page 185 - 186 of this manual.
- Clean the product using a brush and vacuum cleaner before storage.
- If you remove the saw blade or keep spares with the unit, ensure they are in the original packaging to prevent injury.

To secure the product prior to movement:

- The product should be stored at the zero degree mitre and bevel angle and locked in position. The slide should be locked. The handle should be locked in the lower (safe) position with the guards closed.
- One or both sides of the work piece supports can be removed for ease of carrying.

To move or transport in a vehicle:

- Secure the product prior to movement as described in the manual.
- Remove the product from the bench top by releasing the 4 bolts, one at each corner. Secure the bolts for future use. Lift the product using the handle at the top.
- When lifting to a height, two persons wearing heavy gloves are needed to lift the base of the product.
- When transporting in a vehicle, set the product on its base and secure against movement.

ENVIRONMENTAL PROTECTION

Recycle raw materials instead of disposing of as waste. The machine, accessories and packaging should be sorted for environmental-friendly recycling.

SYMBOL

Safety alert



CE conformity



Please read the instructions carefully before starting the machine.



Class II tool, double insulation



Wear ear protection



Always wear eye protection.



Danger! Sharp blade.



Wear safety gloves



Blade rotation direction (shown on saw blade)



Blade rotation direction (shown on blade guard)



Blade width of cut (Kerf)



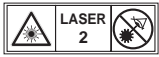
Number of teeth on this saw blade



For cutting wood and analogous material



Not for cutting metals



Laser radiation.
Do not stare into beam.
Class 2 laser product



Waste electrical products should not be disposed of with household waste. Please recycle where facilities exist. Check with your Local Authority or retailer for recycling advice.

⚠ WARNING

Indicates a potentially hazardous situation, which, if not avoided, could result in death or serious injury.

⚠ CAUTION

Indicates a potentially hazardous situation, which, if not avoided, may result in minor or moderate injury.

CAUTION

(Without Safety Alert Symbol) Indicates a situation that may result in property damage.

SYMBOLS IN THIS MANUAL



Plug in the product.



Unplug the product.



Lock



Unlock



Locking mechanism is not working



A sound is heard



Waiting time for blade to reach full speed



Parts or accessories sold separately



Note



Warning

The following signal words and meanings are intended to explain the levels of risk associated with this product:

⚠ DANGER

Indicates an imminently hazardous situation, which, if not avoided, will result in death or serious injury.



Votre scie à onglets a été conçue en donnant priorité à la sécurité, à la performance et à la fiabilité.

UTILISATION PRÉVUE

Cette scie à onglets à glissière est destinée à la coupe de bois brut ou aggloméré, de matériaux similaires au bois, avec ou sans placage plastique ou collé.

La scie ne doit être utilisée que par un opérateur adulte ayant lu le manuel d'instructions et étant conscient des risques et dangers.

Cette scie à onglets à glissière est destinée à être fixée par sa base à un établi solide. Si la base n'est pas bien fixée, l'ensemble de la machine est susceptible de bouger en cours de coupe, ce qui augmente les risques de blessures graves.

Cette scie à onglets à glissière est destinée à la réalisation de coupes d'onglets ou de biseaux. Les capacités de coupe en fonction des différents réglages sont fournies au chapitre des caractéristiques de la scie à onglets compacte à glissière de ce manuel.

La scie doit être utilisée par conditions sèches, sous un excellent éclairage ambiant et avec une ventilation adéquate.

Cette scie à onglets à glissière est destinée à une utilisation par des particuliers et ne doit être utilisée que comme décrit ci-dessus, à l'exclusion de toute autre utilisation.

AVERTISSEMENTS GÉNÉRAUX DE SÉCURITÉ

⚠ AVERTISSEMENT

Lors de l'utilisation d'appareils électriques, il convient de respecter certaines précautions de sécurité de base afin de réduire les risques d'incendie, de décharge électrique et de blessure. Lisez toutes ces instructions avant de tenter d'utiliser ce produit et conservez ce manuel.

- **Gardez la zone de travail propre.** Les établis et les zones de travail encombrés sont propices aux blessures.
- **Prenez en considération l'environnement de travail.** N'exposez pas les outils à la pluie. N'utilisez pas d'outils en environnement humide ou mouillé. Gardez la zone de travail bien éclairée. N'utilisez pas d'outils en présence de gaz ou de liquides inflammables.
- **Protégez-vous des décharges électriques.** Évitez que votre corps entre en contact avec des surfaces reliées à la terre (par ex. tuyaux, radiateurs, cuisinières, réfrigérateurs).
- **Éloignez les autres personnes.** Ne laissez pas d'autres personnes, en particulier des enfants, intervenir dans votre travail ou toucher l'outil ou son câble d'alimentation, et éloignez-les de la zone de travail.
- **Rangez les outils inutilisés.** Les outils non utilisés doivent être rangés en un endroit sec, verrouillé et hors de portée des enfants.
- **Ne faites pas forcer l'outil.** Il effectuera un meilleur travail dans de meilleures conditions de sécurité s'il est utilisé dans les limites de ses capacités.
- **Utilisez un outil approprié.** Ne forcez pas sur un petit outil dans le but de lui faire effectuer un travail pour lequel un outil de plus grande puissance serait mieux adapté. N'utilisez pas un outil pour un usage pour lequel il n'a pas été conçu, par exemple, ne tentez pas de couper des branches ou des bûches à l'aide d'une scie circulaire.
- **Habillez-vous de manière adaptée.** Ne portez pas de vêtements ou de bijoux amples, ils pourraient être happés par des pièces en mouvement. Il est recommandé de porter des chaussures antidérapantes lorsque vous travaillez à l'extérieur. Contenez les cheveux longs avec une protection adaptée.
- **Utilisez des équipements de protection.** Portez des lunettes de sécurité. Portez un masque facial ou un masque anti-poussière si l'opération produit de la poussière.
- **Connectez un dispositif d'aspiration des poussières.** Si un outil est prévu pour être relié à un dispositif d'aspiration et de collecte des poussières, assurez-vous que ce dispositif est en place et qu'il est utilisé de façon correcte.
- **Ne maltraitez pas le cordon.** Ne tirez jamais sur le câble d'alimentation pour le débrancher du secteur. Tenez le câble d'alimentation éloigné de la chaleur, des graisses et des bords coupants.
- **Sécurisez le travail.** Lorsque cela est possible, bloquez la pièce à travailler dans un étau ou avec des serre-joints. Ceci est plus sûr que d'utiliser votre main.
- **Ne travaillez pas en extension.** Gardez une position et un équilibre adaptés à tout moment.
- **Entretenez soigneusement les outils.** Gardez les outils de coupe propres et bien affûtés pour de meilleures performance et une sécurité accrue. Suivez les instructions concernant la lubrification et le changement d'accessoires. Vérifiez périodiquement les câbles d'alimentation des outils et faites-les remplacer par un service après-vente agréé en cas de dommage. Vérifiez régulièrement les rallonges électriques et remplacez-les en cas de dommage. Gardez les poignées propres, sèches, et exemptes d'huile et de graisse.
- **Débranchez les outils.** Débranchez les outils du secteur lorsque vous ne les utilisez pas, avant de les entretenir et lorsque vous en changez des accessoires tels que lames, forets et accessoires de coupe.
- **Retirez les clés et outils de réglage.** Prenez l'habitude de vérifier que les clés et outils de réglage ont été retirés de l'outil avant de le mettre en marche.
- **Prévenez les mises en marche accidentelles.** Assurez-vous que l'interrupteur est en position « off »





(arrêt) avant de brancher l'outil.

- **Utilisez des rallonges prévues pour un usage extérieur.** Lorsque vous utilisez un outil à l'extérieur, n'utilisez que des rallonges prévues pour être utilisées à cet effet et marquées comme telles.
- **Restez vigilant.** Regardez ce que vous faites et faites preuve de bon sens. N'utilisez pas d'outils lorsque vous êtes sous l'influence de la drogue, de l'alcool ou de médicaments.
- **Vérifiez qu'aucune pièce n'est endommagée.** Avant de continuer à utiliser l'outil, vérifiez-le avec soin pour vous assurer qu'il peut fonctionner correctement et remplir sa fonction initiale. Vérifiez que les pièces en mouvement sont bien alignées et non tordues, qu'aucune pièce n'est cassée ou mal montée, et qu'aucun autre problème n'est susceptible d'affecter le bon fonctionnement de l'appareil. Une protection ou toute autre pièce endommagée doit être correctement remplacée ou réparée par un service après-vente agréé sauf avis contraire dans ce manuel utilisateur. Faites remplacer les interrupteurs défectueux par un service après-vente agréé.
- **N'utilisez pas l'outil si son interrupteur marche/arrêt est inopérant.**
- **Avertissement.** L'utilisation d'accessoires ou d'additifs autres que ceux recommandés dans ce manuel peut entraîner un risque de blessures.
- **Faites réparer votre outil par du personnel qualifié.** Cet outil électrique est conforme aux règles de sécurité le concernant. Les réparations ne doivent être effectuées que par du personnel qualifié utilisant des pièces de rechange d'origine; dans le cas contraire, l'utilisateur s'exposerait à de graves dangers.

AVERTISSEMENTS DE SÉCURITÉ RELATIFS À LA SCIE À ONGLETS

- Fixez toujours la pièce à couper de façon ferme et sûre.
- Assurez-vous que la machine présente toujours une bonne stabilité (par ex. par une fixation sur l'établi).
- Portez une protection acoustique. L'influence du bruit peut provoquer la surdité.
- Portez toujours des lunettes protectrices en travaillant avec la machine. Il est recommandé de porter des gants pour manipuler les lames et les matériaux bruts, ainsi que de solides chaussures antidérapantes pour protéger les pieds de la chute de pièces coupées de la zone de coupe.
- Débranchez toujours la fiche secteur avant toute opération d'entretien ou de nettoyage de l'outil.
- Ne branchez le câble d'alimentation sur le secteur que si l'outil est arrêté.
- Le câble d'alimentation doit toujours se trouver en dehors du champ d'action de la machine. Gardez-le à l'écart de la zone dans laquelle se tient l'opérateur.
- Ne tentez jamais d'atteindre l'entourage de la lame sans qu'elle ne soit totalement immobile.
- Avant toute utilisation, vérifiez que la machine, le câble d'alimentation, le câble de rallonge et la fiche ne sont pas endommagés ni usés. Les réparations de la machine ou de son câble d'alimentation ne doivent être effectuées que par des réparateurs agréés.
- Il est absolument impératif d'utiliser le dispositif protecteur de la machine. N'utilisez pas la machine si ses protections ne sont pas en place ou ne fonctionnent pas correctement.
- Le capot de protection pendulaire ne doit s'ouvrir automatiquement que lorsqu'on abaisse la scie.
- Ne modifiez ni ne changez jamais la scie ou ses fonctionnalités. Votre sécurité pourrait en être affectée.
- Pour l'utilisation de la scie à onglets à l'extérieur, le fabricant recommande l'utilisation d'un interrupteur différentiel d'une sensibilité de 30 mA.
- N'utilisez pas une lame de scie fêlée, endommagée ou déformée.
- N'utilisez pas une lame de scie fabriquée en acier à coupe rapide.
- N'utilisez que des lames bien affûtées. Remplacez toute lame émoussée.
- Utilisez toujours des lames dont la taille et la forme sont adaptées à l'alésage de l'arbre. Des lames non adaptées à l'arbre sur lequel elles doivent être montées ne tourneront pas correctement et peuvent vous faire perdre de contrôle de l'outil.
- N'utilisez que les lames spécifiées dans ce manuel, répondant à la norme EN 847-1.
- N'utilisez aucun autre collet, aucune autre rondelle, ni aucun autre écrou que ceux fournis ou indiqués dans le manuel pour verrouiller la lame.
- Choisissez une lame de scie qui convient au matériau à couper.
- La vitesse de rotation maximale indiquée sur la lame de scie doit être respectée.
- N'utilisez jamais la scie à onglets pour sectionner des matériaux autres que ceux qui sont indiqués dans le manuel utilisateur.
- Remplacez l'insert de plateau une fois usé ou endommagé.
- Avant de travailler, faites une coupe à blanc moteur arrêté afin de pouvoir vérifier la position de la lame, le fonctionnement des protections par rapport aux autres éléments de la machine ainsi que la pièce à couper.
- Lors d'une coupe d'onglet, en biseau, ou combinée, réglez le guide de coupe de façon à laisser assez de jeu pour ne pas gêner l'opération.
- Transportez la scie à onglets uniquement si le dispositif de sécurité pour le transport est enclenché sur la poignée.
- Gardez le sol exempt de corps étrangers, tels que chutes et copeaux.
- N'enlevez pas des restes de sciage ou d'autres parties de pièces à œuvrer de la zone de sciage lorsque la



machine tourne et que la tête de sciage n'est pas dans la position de repos.

- Les longues pièces à œuvrer doivent être soutenues de manière appropriée. L'espace de travail de la scie comprend toute l'étendue de la pièce à couper. L'opérateur doit sécuriser cet espace contre tout contact accidentel par d'autres personnes ou objets qui serait susceptible de faire bouger la pièce en cours de coupe.
- La poussière générée par l'utilisation de cet outil peut être préjudiciable à votre santé. Utilisez un dispositif d'aspiration de poussières et portez un masque de protection approprié. Retirez soigneusement la sciure, par ex. à l'aide d'un aspirateur.
- L'appareil doit être alimenté par l'intermédiaire d'un dispositif de protection (fusible ou disjoncteur).
- Ne remplacez pas le laser ou la LED par un modèle d'un autre type. Les réparations ne doivent être effectuées que par le fabricant du laser ou par un réparateur agréé.
- Lorsque vous utilisez cet outil, des variations de tension sont susceptibles d'être subies par d'autres produits ou éclairages branchés sur le même circuit. Branchez l'outil sur une source d'alimentation électrique dont l'impédance est égale à 0.071 Ω afin de minimiser les variations de tension. Contactez votre compagnie de distribution d'électricité pour de plus amples informations.

INSTRUCTIONS DE SÉCURITÉ CONCERNANT LA LAME DE COUPE DU BOIS

- Lisez les instructions de ce manuel avant d'utiliser l'appareil.
- L'appareil doit être en bon état, son axe de broche non déformé et sans vibrations.
- N'utilisez pas la scie sans que ses protections ne soient en place, en particulier après un changement de mode. Gardez les protections en bon état de fonctionnement et bien entretenues.
- Assurez-vous que l'opérateur est suffisamment familiarisé avec les précautions de sécurité, ainsi qu'avec les réglages et l'utilisation de la machine.
- Portez toujours des lunettes de sécurité avec écrans de protection latéraux, ainsi qu'une protection auditive. Des gants de sécurité, des chaussures solides et à semelles antidérapantes et un tablier sont recommandés.
- Avant toute utilisation d'un accessoire, consultez le manuel utilisateur. L'utilisation incorrecte d'un accessoire peut entraîner des dommages et augmenter le risque de blessures.
- N'utilisez que les lames spécifiées dans ce manuel, répondant à la norme EN 847-1.
- Respectez la vitesse maximale de rotation indiquée sur la lame. Assurez-vous que la vitesse marquée sur la lame de scie est au moins égale à la vitesse marquée sur la scie.
- Utilisez toujours des lames dont la taille et la forme

sont adaptées à l'alésage de l'arbre. Des lames non adaptées à l'arbre sur lequel elles doivent être montées ne tourneront pas correctement et peuvent vous faire perdre de contrôle de l'outil.

- N'utilisez pas de lames d'un diamètre supérieur ou inférieur à celui recommandé. N'utilisez pas de rondelles ou d'entretoises pour adapter la lame à la broche.
- Avant chaque utilisation, vérifiez que les dents de la lame de scie ne sont pas abîmées et qu'elles n'ont pas une apparence anormale. Des dents abîmées ou mal fixées peuvent se transformer en objets projetés en cours d'utilisation et augmenter les risques de blessures.
- N'utilisez pas de lames de scie fissurées, déformées ou endommagées.
- Mettez au rebut toute lame endommagée ou déformée. Les réparations ne sont pas permises.
- N'utilisez pas de lames HSS.
- Assurez-vous que la lame de scie est montée de façon correcte avant utilisation. Avant toute utilisation, serrez fermement l'écrou de l'arbre (couple: 12 - 15 Nm).
- Les vis et écrous de serrage doivent être serrés avec une clé appropriée.
- Il n'est pas permis d'utiliser une rallonge de clé ou de donner des coups de marteau sur la clé pour le serrage.
- Assurez-vous que toutes les lames et tous les flasques sont propres et que les parties épaulées des colliers sont orientées vers la lame.
- Assurez-vous que la lame tourne dans le bon sens.
- Avant de travailler, faites une coupe à blanc moteur arrêté afin de pouvoir vérifier la position de la lame, le fonctionnement des protections par rapport aux autres éléments de la machine ainsi que la pièce à couper.
- Ne laissez jamais la machine sans surveillance.
- N'appliquez pas de lubrifiant sur la lame lorsqu'elle est en rotation.
- N'effectuez jamais aucune opération de nettoyage ou d'entretien lorsque la machine est toujours en mouvement et que la tête n'est pas en position de repos.
- Ne tentez jamais d'arrêter rapidement une machine en rotation en coinçant un outil ou autre élément contre la lame, vous risqueriez de provoquer de graves accidents.
- Débranchez la scie du secteur avant de l'entretenir ou d'en changer la lame.
- Prenez garde lors de l'emballage et du déballage de la lame, il est facile de se blesser avec les dents affûtées.
- Utilisez un porte-lame ou portez des gants lorsque vous manipulez une lame de scie.
- Conservez et stockez la lame dans son emballage d'origine ou autre emballage adapté, au sec et à l'abri des produits chimiques susceptibles de l'endommager.





SÉCURITÉ RELATIVE AU LASER

- Le rayonnement du guide laser utilisé par cette scie est de type Classe 2 avec une puissance maximale ≤ 1 mW et une longueur d'onde de 650 nm. Ne regardez pas directement le rayon laser. Le non-respect des règles pourrait entraîner de graves blessures.
- Ne regardez pas le rayon au cours de l'opération.
- Ne projetez pas le rayon laser directement vers les yeux d'autrui. De graves blessures oculaires pourraient en résulter.
- Ne placez pas le laser de telle façon que quiconque puisse diriger son regard vers le rayon laser, que ce soit intentionnellement ou pas.
- N'utilisez pas d'outils optiques pour voir le rayon laser.
- N'utilisez pas le laser en présence d'enfants et ne laissez pas les enfants l'utiliser.
- Ne tentez pas de réparer le laser par vous-même.
- Ne tentez de changer aucune pièce du laser par vous-même.
- Les réparations ne doivent être effectuées que par le fabricant du laser ou par un réparateur agréé.
- Ne remplacez pas le laser par un modèle d'un autre type.

RISQUES RÉSIDUELS

Même lorsque le produit est utilisé selon les prescriptions, il reste impossible d'éliminer totalement certains facteurs de risque résiduels. Les dangers suivants risquent de se présenter en cours d'utilisation et l'utilisateur doit prêter particulièrement garde aux points suivants :

- Risque d'entrée en contact avec les parties non couvertes de la lame en rotation.
 - Rebond des pièces à couper et de fragments des pièces à couper dû à un mauvais réglage ou à une mauvaise manipulation.
 - Projection de plaquettes au carbure défectueuses de la lame de scie.
 - Atteinte au système respiratoire en cas de non-port d'un masque anti-poussière.
- REMARQUE:** Portez un masque de protection respiratoire adapté aux matériaux coupés. Assurez une ventilation correcte à l'espace de travail. Ne mangez pas, ne buvez pas et ne fumez pas dans l'espace de travail.
- Atteinte à l'audition en cas de non-port d'une protection auditive.

⚠ AVERTISSEMENT

La sciure issue de certaines peintures, vernis et matériaux est susceptible de provoquer des irritations ou des réactions allergiques. La sciure de bois tels que le chêne, le hêtre, l'aggloméré et autres peut être cancérigène. Seuls des spécialistes qualifiés sont autorisés à utiliser le produit sur des matériaux contenant de l'amiante.

⚠ AVERTISSEMENT

L'utilisation prolongée d'un outil est susceptible de provoquer ou d'aggraver des blessures. Assurez-vous de faire des pauses de façon régulière lorsque vous utilisez tout outil de façon prolongée.

APPRENEZ À CONNAÎTRE VOTRE PRODUIT.

Voir pages 162 - 163.

1. Poignée
2. Interrupteur d'alimentation
3. Poignée de verrouillage de sécurité
4. Protège-lame supérieur
5. Lame de scie
6. Protège-lame inférieur
7. Serre-joint
8. Guide principal
9. Plateau tournant
10. Semelle
11. Insert de plateau
12. Poignée de verrouillage du plateau tournant
13. Pied d'équilibrage
14. Interrupteur du laser
15. Interrupteur de la LED
16. Butée de bride
17. Carter inférieur de protection
18. Guide de coupe
19. Trou de montage
20. Barre de rallonge
21. Vis de réglage de la butée de limitation de l'angle de biseau
22. Bouton de verrouillage de broche
23. Poignée supérieure
24. Sac à poussière
25. Bouton de réglage de la profondeur de coupe
26. Bouton de butée de la tige
27. Enrouleur
28. Bouton de verrouillage de l'angle de biseau
29. Butée de profondeur de coupe maximale
30. Vis de réglage de l'angle d'onglet

UTILISATION

Le produit est équipé d'une lame de scie en mouvement pouvant être réglée à différents angles par l'opérateur pour la coupe d'une pièce fermement fixée à la base du produit.



Il ne doit être manipulé que par une seule personne afin d'éviter tout contact involontaire avec la lame en rotation.

Les principes d'utilisation du produit en toute sécurité sont les suivants :

- Gardez la scie, les lames et l'espace de travail en bon état.
- Fixez la base de la scie à onglets à un établi solide. Le produit est susceptible de bouger et de basculer s'il n'est pas fixé de façon adéquate.
- Réglez et verrouillez les angles et la profondeur de coupe avant d'effectuer la coupe.
- Verrouillez la pièce à couper sur la base de la scie à onglets. Utilisez le serre-joint fourni et, lorsque cela est nécessaire, utilisez d'autres serre-joints ou dispositifs de serrage pour empêcher tout mouvement intempestif de la pièce en cours de coupe.
 - Vérifiez que le fonctionnement du carter de lame n'est pas gêné par la position de la pièce à couper.
 - Assurez-vous que le guide et autres parties du produit ne seront pas coupés lors de l'abaissement de la lame en position de coupe.
- Démarrez le moteur et laissez la lame atteindre sa vitesse maximale avant de l'abaisser lentement sur la pièce à couper. Au besoin, faites glisser l'ensemble de la lame en arrière et/ou en avant pour terminer la coupe.
- Laissez l'ensemble de la lame remonter à sa position la plus haute où le carter de protection est totalement fermé. Arrêtez le moteur et laissez la lame s'arrêter complètement avant de retirer la pièce coupée ou les chutes, ou avant d'accéder à la zone proche de la lame.

Avant première utilisation, assurez-vous que l'angle d'onglet ou de biseau réglé sur le produit correspond bien à l'angle obtenu sur la pièce coupée. Vérifiez ceci sur une chute de bois à l'aide d'outils de charpentier ou d'une équerre à onglet.

▲ AVERTISSEMENT

Le fabricant conseille fortement de laisser le produit monté en permanence sur un établi.

Lorsque la base du produit est solidement fixée à un établi avec les quatre écrous, boulons et rondelles fournis, le produit peut être utilisé à ses angles de biseau et d'onglet maximum sans risque de basculement. Si le produit n'est pas bien fixé, il est susceptible de basculer lorsque de grands angles de biseau sont sélectionnés.

Une vis de réglage est également présente (piéd d'équilibrage) qui se trouve dans le prolongement du plateau tournant de la rallonge. Cette vis doit être réglée de à entrer en contact avec la surface horizontale sur laquelle repose le produit. Cela aura également pour effet d'empêcher le produit de basculer de façon trop importante lors des coupes aux réglages extrêmes de biseau et d'onglet. Prenez garde, cette partie du plateau de la scie bouge lorsque différents angles d'onglet sont sélectionnés,

la vis doit donc être fréquemment réglée et remise à zéro.

ENTRETIEN

- Ne modifiez le produit d'aucune façon et n'utilisez aucun accessoire non recommandé par le fabricant. Votre sécurité et celle des autres pourrait en être affectée.
- N'utilisez pas le produit si un de ses interrupteurs, une de ses protections ou autre élément ne fonctionne pas correctement. Retournez-le à un service après-vente agréé pour le faire remplacer ou réparer de façon professionnelle.
- Ne faites aucun réglage pendant que la lame est en mouvement.
- Assurez-vous toujours que la prise a été débranchée du secteur avant d'effectuer des réglages, de procéder à une lubrification ou d'effectuer toute opération d'entretien sur le produit.
- Avant et après chaque utilisation du produit, vérifiez l'absence de dommages et d'éléments abîmés. Gardez le produit en parfait état de fonctionnement en remplaçant immédiatement les pièces avec des pièces détachées agréées par le fabricant.
- La lame est très chaude après la coupe. Portez des gants ou laissez-la refroidir avant toute opération de nettoyage ou d'entretien.
- Retirez la sciure accumulée à l'aide d'un pinceau ou d'un aspirateur. N'utilisez pas d'air comprimé pour respirer.
- Pour plus de sécurité et de fiabilité, toutes les réparations, changement des charbons compris, doivent être effectuées par un service après-vente agréé.
- Si le câble d'alimentation est endommagé, il ne doit être remplacé que par le fabricant ou par un service après-vente agréé, afin d'éviter tout dommage à la scie et tout risque d'électrocution.

▲ AVERTISSEMENT

Pour plus de sécurité et de fiabilité, toutes les réparations doivent être effectuées par un service après-vente agréé Ryobi.

Butée de profondeur de coupe maximale

La butée de profondeur de coupe maximale est destinée à empêcher que la lame de la scie ne puisse entamer la base métallique de l'appareil.

▲ AVERTISSEMENT

La butée de profondeur de coupe maximale n'est pas réglable. Ne réglez pas la butée de profondeur de coupe maximale.





TRANSPORT ET STOCKAGE

- Lors du stockage du produit, débranchez le câble d'alimentation. Rangez le produit dans un endroit sûr, hors de portée des enfants. Rangez le câble d'alimentation comme illustré pages 185 - 186 de ce manuel.
- Nettoyez le produit à l'aide d'un pinceau ou d'un aspirateur avant de le ranger.
- Si vous retirez la lame de scie ou si vous gardez des lames de rechange avec l'appareil, assurez-vous qu'elles sont dans leur emballage d'origine afin d'éviter toute blessure.

Pour verrouiller le produit avant de le déplacer :

- Le produit doit être rangé avec les angles de biseau et d'onglet à zéro, poignée en position verrouillée. La glissière doit être verrouillée. La poignée doit être verrouillée en position basse (de sécurité), protections fermées.
- L'un des côtés ou les deux côtés des supports de la pièce à couper peuvent être retirés pour faciliter le transport.

Pour un déplacement ou un transport dans un véhicule:

- Verrouillez le produit avant tout mouvement comme décrit dans le manuel.
- Le produit doit être retiré de l'établi en desserrant les 4 boulons, un à chaque angle. Verrouillez les écrous pour utilisation ultérieure. Soulevez le produit à l'aide des poignées situées sur le dessus.
- Deux personnes équipées de gants solides sont nécessaires pour soulever la base du produit en hauteur.
- Lors de son transport dans un véhicule, posez le produit sur sa base et fixez-le pour empêcher tout mouvement.

PROTECTION DE L'ENVIRONNEMENT



Recyclez les matières premières au lieu de les jeter avec les ordures ménagères. Pour protéger l'environnement, l'outil, les accessoires et les emballages doivent être triés.

SYMBOLE



Alerte de sécurité



Conformité CE



Veillez lire attentivement les instructions avant de mettre l'appareil en marche.



Équipement à isolation de classe II, double isolation



Portez une protection auditive



Portez toujours une protection oculaire.



DANGER! Lame coupante.



Portez des gants de sécurité.



Sens de rotation de la lame (indiqué sur la lame de scie)



Sens de rotation de la lame (indiqué sur le carter de protection de la lame)



Largeur de coupe de la lame (trait de coupe)



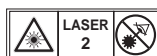
Nombre de dents de cette lame de scie



Pour la coupe du bois et des matériaux semblables



Ne convient pas à la coupe des métaux



Radiation laser.
Ne regardez pas directement le rayon laser.
Laser de classe 2



Les produits électriques hors d'usage ne doivent pas être jetés avec les ordures ménagères. Recyclez-les par l'intermédiaire des structures disponibles. Contactez les autorités locales ou votre distributeur pour vous renseigner sur les conditions de recyclage.

⚠ AVERTISSEMENT

Situation potentiellement dangereuse qui, si l'on n'y prend garde, peut entraîner des blessures graves voire mortelles.

⚠ ATTENTION

Situation potentiellement dangereuse qui, si l'on n'y prend garde, peut entraîner des blessures moyennes ou légères.

ATTENTION

(Sans symbole de sécurité) Indique une situation pouvant provoquer des dommages matériels.

SYMBOLES DE CE MANUEL

Raccorder au secteur.



Débrancher du secteur.



Verrouillage



Déverrouillage



Le mécanisme de blocage ne fonctionne pas



Un son se fait entendre



Temps d'attente avant que la lame n'ait atteint sa pleine vitesse



Pièces détachées et accessoires vendus séparément



REMARQUE



AVERTISSEMENT

Les symboles suivants, et les noms qui leur sont associés, permettent d'expliquer les différents niveaux de risques liés à l'utilisation de cet outil.

⚠ DANGER

Imminence d'un danger qui, si l'on n'y prend garde, peut entraîner des blessures graves voire mortelles.



Sicherheit, Leistung und Zuverlässigkeit hatten oberste Priorität bei der Entwicklung Ihrer Gehrungssäge.

BESTIMMUNGSGEMÄSSE VERWENDUNG

Die Gehrungssäge ist zum Sägen von massivem und verlebttem Holz, holzähnlichen Materialien mit oder ohne verlebttem Furnier und Kunststoff vorgesehen.

Die Säge ist nur zur Benutzung durch erwachsene Benutzer vorgesehen, die die Bedienungsanleitung gelesen haben und die Risiken und Gefahren verstehen.

Die Gehrungssäge wurde konstruiert, um auf einer soliden Arbeitsplatte befestigt zu werden. Wenn die Basisplatte nicht sicher befestigt ist, kann sich die ganze Maschine beim Sägen bewegen und die Gefahr schwerer Verletzungen vergrößern.

Die Gehrungssäge wurde für Gehrungs- und Schrägschnitte entwickelt. Die Schnittkapazitäten der verschiedenen Schnitte der kompakten Gehrungssäge sind in den technischen Daten dieser Bedienungsanleitung aufgeführt.

Die Säge muss in trockener Umgebung benutzt werden, mit ausgezeichneter Raumbelichtung und ausreichender Belüftung.

Die Gehrungssäge ist für den Heimgebrauch und darf nur wie oben beschrieben, und für keine anderen Zwecke, benutzt werden.

ALLGEMEINE SICHERHEITSWARNUNGEN

⚠️ WARNUNG

Bei der Verwendung elektrischer Werkzeuge müssen immer einige grundlegende Sicherheitsvorkehrungen getroffen werden, um die Gefahr von Feuer, Stromschlag und Verletzungen zu verringern. Lesen Sie alle diese Anweisungen, bevor Sie versuchen dieses Produkt zu bedienen, und heben Sie diese Anweisungen auf.

- **Halten Sie den Arbeitsbereich in Ordnung.** Unordentliche Bereiche und Werkbänke können zu Unfällen führen.
- **Beachten Sie die Arbeitsumgebung.** Setzen Sie Werkzeuge nicht dem Regen aus. Verwenden Sie Werkzeuge nicht an feuchten oder nassen Orten. Beleuchten Sie den Arbeitsbereich gut. Benutzen Sie Werkzeuge nicht in der Nähe von brennbaren Flüssigkeiten oder Gasen.
- **Schutz vor Stromschlag.** Vermeiden Sie Körperkontakt mit geerdeten Oberflächen (z.B. Rohre, Heizkörper, Herde, Kühlschränke).
- **Halten Sie andere Personen fern.** Lassen Sie keine anderen Personen, insbesondere Kinder, sich an der Arbeit beteiligen, das Werkzeug oder Verlängerungskabel berühren, und halten Sie sie von dem Arbeitsbereich fern.
- **Aufbewahrung unbenutzter Werkzeuge.** Das Werkzeug muß an einem trockenen und verschlossenen Ort außerhalb der Reichweite von Kindern aufbewahrt werden, wenn es nicht benutzt wird.
- **Überlasten Sie das Gerät nicht.** Es wird die Arbeit mit der Geschwindigkeit, für die es ausgelegt wurde, besser und sicherer erledigen.
- **Benutzen Sie das richtige Werkzeug.** Verwenden Sie keine kleinen Werkzeuge mit Gewalt um Arbeiten auszuführen, für die ein leistungsstärkeres Werkzeug besser geeignet wäre. Verwenden Sie Werkzeuge nicht für Zwecke, für die sie nicht vorgesehen sind, zum Beispiel, benutzen Sie Handkreissägen nicht um Äste oder Baumstämme zu sägen.
- **Kleiden Sie sich den Umständen entsprechend!** Tragen Sie keine lockere Kleidung oder Schmuck; diese können von sich bewegenden Teilen erfasst werden. Rutschfestes Schuhwerk wird für die Arbeit im Freien empfohlen. Tragen Sie außerdem eine schützende Haarbedeckung zum Zurückhalten langer Haare.
- **Benutzen Sie Schutzausrüstung.** Benutzen Sie eine Schutzbrille. Benutzen Sie eine Sicherheits- oder Staubmaske, wenn die Arbeitsbedingungen Staub erzeugen.
- **Schließen Sie ein Gerät zur Staubabsaugung an.** Falls Anschlüsse zur Staubabsaugung und Auffangeinrichtung vorhanden sind, überzeugen Sie sich, dass diese angeschlossen und richtig benutzt werden.
- **Das Stromkabel nicht überstrapazieren.** Ziehen Sie niemals am Kabel um den Stecker aus der Steckdose zu ziehen. Halten Sie das Kabel fern von Hitze, Öl, und scharfen Kanten.
- **Sichern Sie das Werkstück.** Benutzen Sie Spannvorrichtungen oder einen Schraubstock um das Werkstück zu halten. Es ist damit sicherer gehalten als mit Ihrer Hand.
- **Vermeiden Sie eine abnormale Körperhaltung.** Sorgen Sie jederzeit für einen festen Stand und ein gutes Gleichgewicht.
- **Pflegen Sie Ihre Werkzeuge mit Sorgfalt.** Halten Sie Schneidwerkzeuge für eine bessere und sicherere Leistung scharf und sauber. Befolgen Sie die Anweisungen zum Ölen und dem Austausch von Zubehörteilen. Überprüfen Sie die Anschlußleitung regelmäßig und lassen es bei Beschädigung von einem autorisierten Kundendienst reparieren. Überprüfen Sie Verlängerungskabel regelmäßig und tauschen Sie sie bei Beschädigung aus. Halten Sie die Griffe trocken, sauber und frei von Öl und Schmierstoffen.
- **Trennen Sie die Werkzeuge von der Stromquelle.** Trennen Sie Elektrowerkzeuge vom Stromnetz, wenn sie nicht benutzt werden, vor der Wartung und beim Wechsel von Werkzeugen wie z.B. Sägeblatt, Bohrer, Fräser.
- **Entfernen Sie Einstellhilfen und Schraubenschlüssel.** Machen Sie es sich zur Gewohnheit, vor Einschalten des Geräts zu prüfen, ob alle Einstellhilfen und Schraubenschlüssel usw. von





dem Werkzeug entfernt wurden.

- **Vermeiden Sie unabsichtliches Starten.** Vergewissern Sie sich vor dem Einstecken des Steckers, das der Schalter in der "Aus" Position ist.
- **Benutzen Sie Verlängerungskabel, die zur Benutzung im Freien geeignet sind.** Verwenden Sie bei der Arbeit mit diesem Werkzeug im Freien nur Verlängerungskabel, die auch zum Gebrauch im Freien geeignet und entsprechend gekennzeichnet sind.
- **Blieben Sie wachsam.** Achten Sie auf das, was sie tun, setzen Sie Ihren gesunden Menschenverstand ein und bedienen das Werkzeug nicht, wenn Sie unkonzentriert sind.
- **Überprüfen Sie das Elektrowerkzeug auf eventuelle Beschädigungen.** Vor weiterem Gebrauch des Elektrowerkzeuges müssen Schutzvorrichtungen oder leicht beschädigte Teile sorgfältig auf ihre einwandfreie und bestimmungsgemäße Funktion untersucht werden. Überprüfen Sie, ob bewegliche Teile einwandfrei funktionieren und nicht klemmen oder ob Teile beschädigt sind. Sämtliche Teile müssen richtig montiert sein und alle Bedingungen erfüllen, um den einwandfreien Betrieb des Elektrowerkzeuges zu gewährleisten. Eine Schutzvorrichtung oder ein anderes Teil, das beschädigt ist, muss, sofern in dieser Bedienungsanleitung nichts anderes angegeben ist, durch den autorisierten Kundendienst ordnungsgemäß repariert oder ausgetauscht werden. Lassen Sie defekte Schalter durch einen autorisierten Kundendienst austauschen. Verwenden Sie das Produkt nicht, falls es sich durch den Schalter nicht ein- und ausschalten lässt.
- **Warnung.** Die Verwendung von anderen als den in diesen Anweisungen empfohlenen Zubehörteilen kann eine Gefahr von Körperverletzungen bedeuten.
- **Lassen Sie Ihr Werkzeug von einer qualifizierten Person reparieren.** Dieses Elektrowerkzeug erfüllt die entsprechenden Sicherheitsregeln. Reparaturen dürfen nur von qualifizierten Personen mit Originalersatzteilen durchgeführt werden, sonst können beträchtliche Gefahren für den Benutzer entstehen.

KAPP- UND GEHRUNGSSÄGE SICHERHEITSWARNUNGEN

- Klemmen Sie das Werkstück immer fest und sicher.
- Stellen Sie sicher, dass die Maschine stets einen sicheren Stand hat (z.B. befestigen an der Werbank).
- Tragen Sie Gehörschutz. Lärm kann zu Gehörschäden führen.
- Beim Arbeiten mit der Maschine stets Schutzbrille tragen. Wir empfehlen Handschuhe bei der Handhabung von Sägeblättern und grobem Material zu tragen, zusätzlich feste, rutschfeste Schuhe, um Ihre Füße vor Werkstücken die von dem Sägebereich fallen könnten zu schützen.
- Ziehen Sie immer den Netzstecker, bevor Sie jegliche Wartungs- oder Reinigungsarbeiten durchführen.
- Stecken Sie den Netzstecker nur in die Steckdose, wenn das Werkzeug ausgeschaltet ist.
- Anschlusskabel stets vom Wirkungsbereich der Maschine fernhalten. Halten Sie es von dem Bereich fern, in dem der Benutzer steht.
- Greifen Sie niemals in den Bereich des Sägeblattes, wenn das Sägeblatt nicht vollständig gestoppt hat.
- Vor jedem Gebrauch Gerät, Anschlusskabel, Verlängerungskabel und Stecker auf Beschädigung und Alterung kontrollieren. Reparaturen der gesamten Maschine, einschließlich des Netzkabels, dürfen nur von einem autorisierten Kundendienst durchgeführt werden.
- Verwenden Sie stets die Schutzabdeckung der Maschine. Benutzen Sie die Maschine nicht, wenn die Schutzabdeckungen nicht montiert sind und nicht ordnungsgemäß funktionieren.
- Die Pendelschutzhaube darf sich nur automatisch beim Herabschwenken der Säge öffnen.
- Ändern oder modifizieren Sie niemals die Funktion der Säge. Ihre Sicherheit könnte beeinträchtigt sein.
- Wenn Sie die Gehrungssäge im Freien benutzen, empfiehlt der Hersteller, dass Sie einen Fehlerstromschutzschalter mit einem Fehlerstrom unter 30 mA benutzen.
- Benutzen Sie keine gerissene, beschädigte oder verformte Sägeblätter.
- Keine aus Schnellarbeitsstahl gefertigten Sägeblätter verwenden.
- Benutzen Sie nur scharfe Sägeblätter. Ersetzen Sie stumpfe Sägeblätter.
- Verwenden Sie immer Sägeblätter in der richtigen Größe und passend zur Form des Aufnahmeflansches. Sägeblätter, die nicht zu den Montageteilen der Säge passen, werden exzentrisch laufen und zur Kontrollverlust des Gerätes führen.
- Benutzen Sie nur in dieser Bedienungsanleitung angegebene Sägeblätter die EN 847-1 erfüllen.
- Benutzen Sie zum Befestigen des Sägeblatts keine andere Flansche, Unterlegscheiben und Muttern als die mitgeliefert sind, oder die in dieser Bedienungsanleitung angegeben sind.
- Es ist unbedingt notwendig, die auf dem Sägeblatt angegebene maximale Drehzahl einzuhalten.
- Es ist notwendig, ein für das zu schneidenden Material geeignetes Sägeblatt auszuwählen.
- Die Kappsäge niemals zum Schneiden anderer als in der Bedienungsanleitung angegebenen Materialien verwenden.
- Ersetzen Sie die Einlegeplatte, wenn sie abgenutzt oder beschädigt ist.
- Machen Sie einen Testdurchlauf ohne angeschalteten Motor, bevor Sie mit der Arbeit beginnen, um die Position des Sägeblattes, Funktion der Schutzvorrichtungen und das Werkstück zu überprüfen.





- Stellen Sie den verschiebbaren Anschlag für Gehrungsschnitte, Schrägschnitte oder doppelte Gehrungsschnitte, auf den richtigen Abstand von dem Sägeblatt ein.
- Um die Gehrungssäge zu transportieren muss die Transportsicherung des Handgriffs eingerastet sein.
- Halten Sie den Boden frei von losem Material, z. B. Späne und Abfall.
- Keine Sägereste oder andere Teile von Werkstücken aus dem Sägebereich entfernen wenn die Maschine läuft und der Sägekopf nicht in der Ruhestellung ist.
- Lange Werkstück sind geeignet abzustützen. Der Arbeitsbereich der Säge beinhaltet das gesamte Ausmaß des Werkstücks. Der Benutzer sollte diesen Bereich vor versehentlichem Kontakt durch andere Personen oder Gegenstände, die das Werkstück während des Betriebs bewegen könnten, schützen.
- Der bei der Benutzung entstehende Staub kann gesundheitsschädlich sein. Staubabsaugung verwenden und zusätzlich geeignete Staubschutzmaske tragen. Entfernen Sie gründlich den abgelagerten Staub, z. B. mit einem Staubsauger.
- Das Gerät muss an eine Schaltungsschutzeinrichtung (Sicherung oder Leistungsschalter) angeschlossen sein.
- Ersetzen Sie den Laser oder LED nicht mit einem anderen Typ. Alle Reparaturen dürfen nur von dem Hersteller oder einem autorisierten Kundendienst durchgeführt werden.
- Wenn Sie dieses Werkzeug benutzen, können Spannungsschwankungen andere elektrische Produkte, wie Beleuchtung, an dem selben Stromkreis beeinflussen. Schließen Sie das Produkt an eine Stromversorgung mit einer Impedanz von 0,071 Ω an, um die Spannungsschwankungen zu minimieren. Kontaktieren Sie Ihren Stromlieferanten für weitere Erklärungen.
- Lesen Sie immer die Bedienungsanleitung, bevor Sie ein Zubehörteil benutzen. Die falsche Benutzung von Zubehör kann zu Schäden führen und die Gefahr von Verletzungen erhöhen.
- Benutzen Sie nur in dieser Bedienungsanleitung angegebene Sägeblätter die EN 847-1 erfüllen.
- Beachten Sie die auf dem Sägeblatt angegebene maximale Drehzahl. Stellen Sie sicher, dass die auf dem Sägeblatt angegebene Drehzahl mindestens der auf der Säge angegebene Drehzahl entspricht.
- Verwenden Sie immer Sägeblätter in der richtigen Größe und passend zur Form des Aufnahmeflansches. Sägeblätter, die nicht zu den Montageteilen der Säge passen, laufen unruhig und führen zum Verlust der Kontrolle.
- Benutzen Sie keine Sägeblätter mit größeren oder kleineren Durchmesser als empfohlen. Benutzen Sie keine Ausgleichsscheiben oder -Ringe um das Sägeblatt an die Spindel anzupassen.
- Überprüfen Sie die Zähne des Sägeblattes vor jeder Benutzung auf Beschädigung oder ungewöhnliches Aussehen. Beschädigte oder lockere Zähne können beim Einsatz geschleudert werden und die Verletzungsgefahr erhöhen.
- Rissige Sägeblätter oder solche, die ihre Form verändert haben, dürfen nicht verwendet werden! Keine Sägeblätter benutzen die beschädigt oder verformt sind.
- Entsorgen Sie Sägeblätter die beschädigt oder verformt sind. Reparatur ist nicht gestattet.
- Verwenden Sie keine HSS Sägeblätter.
- Stellen Sie vor dem Einsatz sicher, dass das Sägeblatt richtig montiert ist. Ziehen Sie die Spindelmutter fest vor dem Gebrauch. (Drehmoment: 12-15 Nm)
- Befestigungsschrauben und Muttern müssen mit dem geeigneten Schlüssel angezogen werden.
- Verlängerung des Schlüssels oder festziehen mit Hammerschlägen ist nicht gestattet.
- Stellen Sie sicher, dass Sägeblatt und Flansche sauber sind und die Aussparung des Flansches zum Sägeblatt zeigt.
- Stellen Sie sicher, dass das Sägeblatt sich in die richtige Richtung dreht.
- Machen Sie einen Testdurchlauf ohne angeschalteten Motor, bevor Sie mit der Arbeit beginnen, um die Position des Sägeblattes, Funktion der Schutzvorrichtungen und das Werkstück zu überprüfen.
- Die Maschine niemals unbeaufsichtigt zurücklassen.
- Tragen Sie keine Schmiermittel auf das laufende Sägeblatt auf.
- Niemals Reinigungsarbeiten oder Wartungsarbeiten an der laufenden Maschine durchführen, und wenn der Kopf nicht in Ruhestellung ist.
- Versuchen Sie niemals die Maschine anzuhalten, indem Sie ein Werkzeug oder einen anderen

SICHERHEITSAUWEISUNGEN FÜR DAS HOLZSÄGEBLATT

- Lesen Sie vor dem Gebrauch der Maschine die Anweisungen in dieser Gebrauchsanweisung sorgfältig durch.
- Die Maschine muss in gutem Zustand sein, die Spindel ohne Verformung und Vibrationen.
- Benutzen Sie die Säge nicht ohne montierte Schutzvorrichtungen. Halten Sie die Schutzvorrichtungen in gutem Zustand und ordentlich gewartet.
- Stellen Sie sicher, dass der Benutzer ausreichend in Sicherheitsvorkehrungen, Einstellung und Betrieb der Maschine geschult ist.
- Tragen Sie immer einen Augenschutz mit Seitenklappen sowie Gehörschutz. Schutzhandschuhe, festes und rutschsicheres Schuhwerk und Schürze werden empfohlen.





Gegenstand gegen das Sägeblatt klemmen. Schwere Unfälle können so versehentlich verursacht werden.

- Trennen Sie die Säge vom Stromnetz, bevor Sie das Sägeblatt wechseln oder Wartungsarbeiten durchführen.
- Seien Sie beim Ver- und Entpacken des Sägeblattes vorsichtig; die Sägeblätter sind sehr scharf und können schwere Verletzungen verursachen.
- Benutzen Sie eine Sägeblatthalterung oder tragen Sie Handschuhe, wenn Sie das Sägeblatt handhaben.
- Bewahren und lagern Sie das Sägeblatt in der Originalverpackung oder einer anderen geeigneten Verpackung. Bewahren Sie es in trockener Umgebung und fern von Chemikalien, die das Sägeblatt beschädigen können, auf.

LASER SICHERHEITSVORSCHRIFTEN

- Die in der Säge verwendete Laserführung besteht aus einem Klasse 2 Laser mit maximal $\leq 1\text{mW}$ und 650nm Wellenlänge. Nicht in den Strahl blicken. Nichteinhaltung dieser Sicherheitshinweise können zu ernstesten Verletzungen führen.
- Blicken Sie nicht in den Strahl während des Betriebs.
- Richten Sie den Laserstrahl nicht in die Augen von anderen Personen. Dies kann zu schweren Augenverletzungen führen.
- Bringen Sie den Laser nicht in eine Position, die dazu führen könnte, dass eine Person absichtlich, oder unbeabsichtigt in den Laserstrahl schaut.
- Benutzen Sie keine optischen Geräte um den Laserstrahl zu betrachten.
- Benutzen Sie den Laser nicht in der Nähe von Kindern und erlauben Sie Kindern nicht, den Laser zu benutzen.
- Versuchen Sie nicht den Laser selber zu reparieren.
- Versuchen Sie nicht, irgendein Teil des Lasergerätes selber zu wechseln.
- Alle Reparaturen dürfen nur von dem Hersteller des Lasers oder einem autorisierten Kundendienst durchgeführt werden.
- Ersetzen Sie den Laser nicht mit einem anderen Typ.

RESTRISIKEN

Auch wenn das Produkt wie vorgeschrieben benutzt wird, ist es unmöglich ein gewisses Restrisiko vollständig auszuschließen. Die folgenden Gefahren können bei der Benutzung entstehen, und der Benutzer sollte besonders auf folgende Punkte achten:

- Gefahr von Kontakt mit freiliegenden Teilen des sich drehenden Sägeblattes.
- Rückschlag vor Werkstücken und Teilen von Werkstücken aufgrund falscher Einstellungen oder Benutzung.
- Schleudern von fehlerhaften Hartmetallspitzen von

dem Sägeblatt.

- Verletzung des Atemsystems, wenn eine wirksame Staubmaske nicht getragen wird.
HINWEIS: Tragen Sie eine für das zu bearbeitende Material geeignete Atemschutzmaske mit Filter. Sorgen Sie für ausreichende Belüftung des Arbeitsbereichs. Essen, trinken oder rauchen Sie nicht in dem Arbeitsbereich.
- Gehörschäden, wenn ein wirksamer Gehörschutz nicht getragen wird.

⚠ WARNUNG

Staub von bestimmten Farben, Beschichtungen und Materialien können Irritationen oder allergische Reaktionen der Atemwege verursachen. Staub von Holz wie Eiche, Buche, Faserstoffplatten und anderen ist krebserregend. Asbesthaltige Materialien dürfen nur von qualifizierten Spezialisten bearbeitet oder verarbeitet werden.

⚠ WARNUNG

Verletzungen können durch lange Benutzung eines Werkzeugs entstehen oder verschlimmert werden. Machen Sie regelmäßige Pause, wenn Sie ein Werkzeug für lange Zeit benutzen.

MACHEN SIE SICH MIT IHREM PRODUKT VERTRAUT

Siehe Seite 162 - 163.

1. Griff
2. Netzschalter
3. Sicherheitssperrgriff
4. Oberer Sägeblattschutz
5. Sägeblatt
6. Unterer Sägeblattschutz
7. Klemme
8. Hauptschlag
9. Drehteller
10. Basisplatte
11. Tischeinsatz
12. Verriegelungsgriff für Drehteller
13. Ausgleichsfuß
14. Laserschalter
15. LED Schalter
16. Anschlag
17. Untere Schutzabdeckung
18. Verschiebbarer Anschlag
19. Befestigungslotch
20. Verlängerungsschiene
21. Schrauben zur Einstellung der Gehrungsanschlags
22. Spindelarretierung
23. Oberer Griff
24. Staubbeutel
25. Einstellknopf für Schnitttiefe



26. Feststellschraube Zugfunktion
27. Aufwickelhilfe für Anschlußleitung
28. Verriegelung für Winkelschlag
29. Anschlag für maximale Schnitttiefe
30. Schrauben zur Einstellung des Gehrungswinkels

BETRIEB

Das Produkt ist gekennzeichnet durch ein verstellbares Sägeblatt, das vom Benutzer in verschiedenen Winkeln eingestellt werden kann um ein sicher auf der Platte gespanntes Werkstück zu sägen. Es darf nur von einer Person bedient werden, um versehentlichen Kontakt mit dem Sägeblatt zu verhindern.

Die Prinzipien der sicheren Bedienung des Produktes sind wie folgt:

- Halten Sie die Säge, Sägeblätter und den Arbeitsbereich in gutem Zustand.
- Befestigen Sie die Basisplatte an einer stabilen Werkbank. Das Produkt kann sich bewegen oder umfallen, wenn es nicht ausreichend gesichert ist.
- Stellen Sie den Sägewinkel und die Tiefe ein und verriegeln sie, bevor Sie den Schnitt durchführen.
- Befestigen Sie das Werkstück auf der Basisplatte der Gehrungssäge. Benutzen Sie die mitgelieferte Klemme und, wo erforderlich, zusätzliche Klammern oder Haltemechanismen, um versehentliche Bewegung des Werkstücks beim Sägen zu verhindern.
 - Überprüfen Sie, dass die Funktion des Sägeblattschutzes nicht durch die Position des Werkstücks beeinträchtigt ist.
 - Stellen Sie sicher, dass der Anschlag und andere Teile des Produktes nicht gesägt werden, wenn das Sägeblatt in die Sägeposition abgesenkt wird.
- Starten Sie den Motor und lassen das Sägeblatt die volle Drehzahl erreichen, bevor sie es langsam zum Sägen auf das Werkstück senken. Schieben Sie die Sägeblatteinheit nach hinten und /oder vorne, um den Schnitt wie erforderlich zu vollenden.
- Lassen Sie die Sägeblatteinheit in die obere Position ansteigen, wo der Sägeblattschutz vollständig geschlossen ist. Schalten Sie den Motor aus und lassen das Sägeblatt vollständig stoppen, bevor Sie das Werkstück oder Reststücke entfernen oder in den Bereich des Sägeblattes greifen.

Stellen Sie vor jeder Benutzung sicher, dass der am Gerät eingestellte Winkel mit dem gewünschten Winkel auf dem Werkstück übereinstimmt. Überprüfen Sie das an einem Stück Restholz mit einem Schreinerwinkel oder Gehrungswinkel.

⚠ WARNUNG

Der Hersteller rät dringend, dass das Produkt immer sicher auf einer Arbeitsplatte befestigt ist.

Wenn der Sockel des Produktes sicher auf einer

Arbeitsplatte mit den mitgelieferten vier Muttern, Schrauben und Unterlegscheiben befestigt ist, kann das Produkt mit den maximalen Gehrungs- und Schrägschnitteinstellungen benutzt werden, ohne die Möglichkeit, dass es umfällt. Wenn das Produkt nicht sicher befestigt ist, kann das Gerät aus dem Gleichgewicht geraten, wenn große Gehrungswinkel gewählt werden.

Es gibt auch eine verstellbare Schraube (Ausgleichsfuß), die sich auf der Unterseite des Drehtellers befindet. Diese Schraube sollte so eingestellt sein, dass sie den flachen Untergrund auf dem das Produkt steht berührt. Auch dadurch wird verhindert, dass das Produkt aus dem Gleichgewicht gerät, wenn die volle Länge der Schiene und Gehrung benutzt wird. Achten Sie darauf, dass dieser Teil der Säge sich bewegt, wenn verschiedene Gehrungswinkel ausgewählt werden, so dass die Schraube oft eingestellt und zurückgestellt werden muss.

WARTUNG UND PFLEGE

- Verändern Sie das Produkt nicht auf irgendeine Weise oder verwenden Zubehör das nicht vom Hersteller empfohlen ist. Ihre Sicherheit und die anderer könnte beeinträchtigt sein.
- Benutzen Sie das Produkt nicht, wenn ein Schalter, Schutzeinrichtungen oder andere Funktionen nicht wie vorgesehen funktionieren. An einen autorisierten Kundendienst zur professionellen Reparatur oder Einstellung zurückgeben.
- Nehmen Sie keine Einstellungen vor, während die Säge in Bewegung ist.
- Stellen Sie sicher, dass der Netzstecker aus der Steckdose gezogen ist, bevor Sie Einstellungen vornehmen, schmieren oder andere Wartungsarbeiten an dem Produkt durchführen.
- Überprüfen Sie das Produkt vor und nach jeder Benutzung auf Schäden und beschädigte Teile. Halten Sie das Produkt in optimalem Betriebszustand, indem sie Teile sofort mit vom Hersteller empfohlenen Ersatzteilen ersetzen.
- Das Sägeblatt ist nach der Benutzung sehr heiß. Tragen Sie Handschuhe oder lassen Sie es abkühlen, bevor Sie Wartungs- oder Reinigungsarbeiten durchführen.
- Reinigen Sie angesammelten Staub mit einer Bürste oder Staubsauger. Benutzen Sie keine Druckluft.
- Alle Reparaturen, einschließlich dem Wechseln der Bürsten, sollten zur besseren Sicherheit und Zuverlässigkeit von einem autorisierten Kundendienst durchgeführt werden.
- Wenn das Netzkabel beschädigt ist, darf es nur vom Hersteller oder einem autorisierten Kundendienst ersetzt werden, um Beschädigung der Säge und die Gefahr eines Stromschlags zu verhindern.





⚠️ WARNUNG

Für eine höhere Sicherheit und Zuverlässigkeit müssen alle Reparaturen von einem autorisierten Ryobi-Kundendienst durchgeführt werden.

Anschlag für maximale Schnitttiefe

Der Anschlag für die maximale Schnitttiefe verhindert, dass das Sägeblatt in den Metallsockel des Gerätes sägt.

⚠️ WARNUNG

Der Anschlag für die maximale Schnitttiefe ist nicht durch den Benutzer einstellbar. Verstellen Sie den Anschlag für die maximale Schnitttiefe nicht.

TRANSPORT UND AUFBEWAHRUNG

- Trennen Sie das Produkt von der Stromversorgung, wenn Sie es lagern. Lagern Sie das Produkt an einem sicheren Ort, der für Kinder nicht zugänglich ist. Bewahren Sie das Netzkabel wie in der Abbildung auf Seite 185 - 186 dieser Bedienungsanleitung gezeigt auf.
- Reinigen Sie das Produkt mit einer Bürste und einem Staubsauger, bevor Sie es einlagern.
- Wenn Sie das Sägeblatt entfernen oder Ersatz-Sägeblätter mit dem Gerät aufbewahren, stellen Sie sicher, dass sie in der Originalverpackung sind, um Verletzungen zu verhindern.

Zum Sichern des Produktes vor der Bewegung:

- Das Produkt muß mit dem auf Null gestellten Gehrungswinkel und in verriegelter Position gelagert werden. Der Schlitten muß verriegelt sein. Der Griff muß in der unteren (sicheren) Position, mit geschlossenen Schutzabdeckungen, verriegelt sein.
- Eine oder beide Seiten der Werkstück-Stützen können zum leichteren Tragen entfernt werden.

Bewegen oder Transport in einem Fahrzeug:

- Sichern Sie das Produkt vor Bewegung wie zuvor in der Bedienungsanleitung beschrieben.
- Entfernen Sie das Produkt von der Arbeitsplatte, indem Sie die vier Schrauben, eine an jeder Ecke, lösen. Verstauen Sie die Schrauben für zukünftige Verwendung. Heben Sie das Produkt an dem oberen Griff hoch.
- Beim Anheben sind zwei Personen mit Schutzhandschuhen erforderlich, um die Basisplatte des Produktes zu heben.
- Stellen sie das Produkt beim Transport in einem Fahrzeug auf seine Basisplatte und sichern es vor Bewegung.

UMWELTSCHUTZ



Recyclen Sie die Rohstoffe anstatt sie in die Haushaltsabfälle zu geben. Zum Schutz der Umwelt müssen das Gerät, die Zubehörteile und die Verpackungen getrennt entsorgt werden.

SYMBOL



Sicherheitswarnung



CE-Konformität



Bitte lesen Sie die Anweisungen sorgfältig durch, bevor Sie das Produkt einschalten.



Klasse II Gerät, doppelisolation



Gehörschutz tragen



Tragen Sie immer Augenschutz!



GEFAHR! Scharfes Sägeblatt



Tragen Sie Sicherheitshandschuhe



Drehrichtung des Sägeblattes (auf Sägeblatt gezeigt)



Drehrichtung des Sägeblattes (markiert auf dem Sägeblattschutz)



Schneidbreite (Kerbe)



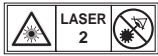
Anzahl der Zähne an diesem Sägeblatt



Zum Sägen von Holz und ähnlichem Material



Nicht zum Sägen von Metallen



Laserstrahlung.
Blicken Sie nicht in den Laserstrahl.
Klasse 2 Laserprodukt



Elektrische Geräte sollten nicht mit dem übrigen Müll entsorgt werden. Bitte entsorgen Sie diese an den entsprechenden Entsorgungsstellen. Wenden Sie sich an die örtliche Behörde oder Ihren Händler, um Auskunft über die Entsorgung zu erhalten.

SYMBOLE IN DER BEDIENUNGSANLEITUNG



An das Stromnetz anschließen.



Von dem Stromnetz trennen.



Sperrern



Öffnen



Verriegelungsmechanismus funktioniert nicht



Ein Ton ist zu hören



Wartezeit, bis das Sägeblatt die volle Drehzahl erreicht



Teile oder Zubehör getrennt erhältlich



HINWEIS



WARNUNG

GEFAHR

Bezeichnet eine unmittelbare Gefahrensituation, die, falls nicht vermieden, zum Tode oder schweren Verletzungen führen kann.

WARNUNG

Bezeichnet eine mögliche Gefahrensituation, die, falls nicht vermieden, zum Tode oder schweren Verletzungen führen kann.

ACHTUNG

Bezeichnet eine mögliche Gefahrensituation, die, falls nicht vermieden, zu kleineren und mittleren Verletzungen führen kann.

ACHTUNG

(Ohne Warnsymbol) weist auf eine Situation hin, die zu Sachschaden führen kann.



Seguridad, desempeño y fiabilidad han sido las prioridades en el diseño de su ingletadora.

USO PREVISTO

La ingletadora está diseñada para serrar madera sólida y aglomerado de madera, materiales similares a la madera, con o sin chapa encolada, y plásticos.

La sierra solo debe ser utilizada por operadores adultos que hayan leído el manual de instrucciones y comprendido los riesgos y peligros.

La ingletadora está diseñada para fijar su base sobre un banco de trabajo sólido. Si la base no está firmemente fijada, toda la máquina puede moverse durante las operaciones de corte, lo que aumenta la posibilidad de sufrir lesiones personales graves.

La ingletadora está diseñada para hacer cortes de bisel e inglete. Las capacidades de los diferentes cortes se proporcionan en las especificaciones de la ingletadora compacta deslizante incluidas en este manual.

La sierra debe utilizarse en entornos secos, con un buen grado de iluminación y una ventilación adecuada.

La ingletadora está diseñada para uso doméstico y solo debe utilizarse como se describe anteriormente y no para cualquier otro propósito.

ALERTA DE SEGURIDAD GENERAL

⚠ ADVERTENCIA

Cuando use herramientas eléctricas, siempre deben seguirse las precauciones básicas de seguridad para reducir el riesgo de incendio, descarga eléctrica y lesiones personales. Lea todas las instrucciones antes de utilizar el producto y guarde estas instrucciones.

- **No fuerce la herramienta.** Realizará un trabajo mejor y más seguro a la velocidad para la que ha sido diseñada.
- **Utilice la herramienta adecuada.** No utilice herramientas pequeñas para realizar el trabajo de una grande. No utilice las herramientas para otros fines distintos de los previstos, por ejemplo, no utilice sierras circulares para cortar ramas o troncos de árboles.
- **Vístase adecuadamente.** No utilice ropa holgada o joyas, ya que pueden quedar atrapados en las piezas móviles. Para trabajos exteriores se recomienda calzado antideslizante. Utilice también un gorro protector para sujetar el cabello largo.
- **Utilice un equipo de protección.** Utilice gafas de seguridad. Utilice una mascarilla para la cara o contra el polvo en caso de que el trabajo origine polvo.
- **Conecte el equipo aspirador de polvo.** Si existe una herramienta para la conexión de accesorios de recogida y extracción de polvo, asegúrese de que está conectada y que se utilizan adecuadamente.
- **No haga un mal uso del cable.** Nunca tire del cable para desenchufarlo. Mantenga el cable lejos de fuentes de calor, aceite y bordes afilados.
- **Fije la pieza de trabajo.** Si es posible, utilice abrazaderas o un torno de banco para sujetar el trabajo. Es más seguro que utilizar la mano.
- **No realice sobreesfuerzos.** Mantenga un equilibrio adecuado en todo momento.
- **Utilice las herramientas con cuidado.** Mantenga las herramientas de corte afiladas y limpias para que realicen un trabajo mejor y más seguro. Siga las instrucciones de lubricación y cambio de accesorios. Inspeccione periódicamente los cables y si están dañados llévelos a un centro de servicio autorizado. Revise las prolongaciones periódicamente y sustitúyalas si están dañadas. Mantenga las asas secas, limpias y libres de aceite y grasa.
- **Desconecte las herramientas.** Desenchufe las herramientas cuando no se encuentren en uso, antes de realizar cualquier reparación y cuando cambie accesorios como hojas, puntas y cuchillas.
- **Retire las llaves de ajuste.** Compruebe siempre que las llaves de ajuste no se encuentran en la herramienta antes de encenderla.
- **Evite el arranque accidental de la herramienta.** Asegúrese de que el interruptor se encuentra en la posición "off" cuando enchufe la herramienta.
- **Utilice alargadores para exterior.** Cuando utilice una herramienta al aire libre, utilice únicamente cables de extensión que estén destinados para uso en exteriores y que así lo indiquen.
- **Manténgase alerta.** Tenga cuidado con lo que hace, utilice el sentido común y no utilice la herramienta cuando esté cansado.
- **Compruebe que no haya piezas dañadas.** Antes de seguir utilizando la herramienta, esta deberá ser minuciosamente comprobada para determinar si va a funcionar adecuadamente y realizar su función





prevista. Compruebe la alineación y el acoplamiento de las piezas móviles, la rotura de piezas, el montaje y cualquier otro problema que pueda afectar a su funcionamiento. Una protección u otra parte que esté dañada debería ser debidamente reparada o sustituida en el centro de servicio autorizado a menos que se indique lo contrario en este manual de instrucciones. Los enchufes defectuosos deben ser sustituidos por un centro de reparación autorizado. No utilice la herramienta si el interruptor no enciende ni apaga.

- **Advertencia.** El uso de cualquier accesorio o complemento no recomendado en este manual de instrucciones puede suponer un riesgo de lesión personal.
- **La herramienta deberá ser reparada por personal cualificado.** Esta herramienta eléctrica cumple con las normas de seguridad correspondientes. Las reparaciones sólo deberán ser realizadas por personal cualificado y utilizando recambios originales, en caso contrario podría producirse un grave peligro para el usuario.

ADVERTENCIAS DE SEGURIDAD DE LA INGLETADORA

- Sujete siempre la pieza de trabajo con seguridad y firmeza.
- Asegúrese de que la máquina se encuentre siempre en una posición segura (p. ej. sujetarla en el banco de trabajo).
- Utilice protección auditiva! La exposición a niveles de ruido excesivos puede causar pérdida de audición.
- Utilice siempre gafas de protección al usar la máquina. Se recomienda utilizar guantes para manejar las hojas y el material en bruto, además de zapatos antideslizantes resistentes para proteger los pies de las piezas de trabajo que puedan caer de la zona de corte.
- Desconecte siempre el enchufe de la toma antes de realizar cualquier operación de mantenimiento o limpieza de la herramienta.
- Conecte el cable de alimentación a la toma solo cuando la herramienta esté apagada.
- Mantener siempre el cable separado del radio de acción de la máquina. Manténgala fuera del área donde se encuentra el operador.
- No acerque la mano a la hoja a menos que la hoja se haya detenido por completo.
- Antes de empezar a trabajar compruebe si está dañada la máquina, el cable o el enchufe. Las reparaciones de toda la máquina, incluyendo el cable de alimentación, sólo deben ser realizadas por agentes de servicio autorizados.
- Usar siempre las piezas de protección de la máquina. No utilice la máquina si las protecciones no están en su lugar y no funcionan correctamente.
- La protección de seguridad sólo debe abrirse automáticamente cuando el disco esté apoyado contra la pieza de trabajo.
- No altere ni modifique la sierra ni su función. Su

seguridad puede verse amenazada.

- Al usar la ingletadora en exteriores, el fabricante recomienda el uso de un ID (interruptor diferencial) con disparo fijado en 30 mA.
- No utilice hojas de sierra que estén agrietadas, dañadas o deformadas.
- No emplear hojas de sierra elaboradas de acero de corte rápido.
- Utilice solamente hojas afiladas. Cambie las hojas sin filo.
- Utilice hojas de tamaño y forma adecuados al diámetro interior del eje. Unas hojas que no se adaptan al eje en el que se deben montar no girarán correctamente y provocarán una pérdida de control.
- Use solamente hojas especificadas en este manual, según EN 847-1.
- No utilice bridas, arandelas y tuercas para fijar la hoja de sierra que no sean las suministradas o indicadas en el manual de instrucciones.
- Elegir la hoja de sierra adecuada para el material a cortar.
- Deberá observarse siempre el número de revoluciones máximo indicado en la hoja de la sierra.
- No emplear jamás la ingletadora para cortar materiales que no estén indicados en las instrucciones de empleo.
- Cambie el inserto de la hoja cuando esté desgastado o dañado.
- Antes de empezar a trabajar, haga un corte de prueba con el motor apagado para comprobar la posición de la lámina, el funcionamiento de las protecciones con respecto a otras piezas de la máquina y la pieza de trabajo.
- Al realizar recortes de inglete, en bisel o inglete compuesto, ajuste la guía deslizante para asegurar la holganza correcta de la hoja.
- Para transportar la ingletadora, bloquee siempre la empuñadura.
- Mantenga el área libre de material suelto, por ejemplo, astillas y cortes.
- No quitar restos de aserrado u otras partes de piezas de trabajo del área de aserrado al estar la máquina en funcionamiento y si la cabeza de la sierra no se encuentra en posición inactiva.
- Las piezas de trabajo largas deben estar correctamente apoyadas. El área de trabajo de la sierra incluye toda la extensión de la pieza de trabajo. El operador debe evitar el contacto accidental de esta zona con otras personas u objetos que puedan mover la pieza de trabajo durante la operación.
- El polvo que se produce cuando se usa esta herramienta puede ser perjudicial para la salud. Use un sistema de absorción de polvo y utilice una máscara adecuada de protección contra el polvo. Retire minuciosamente el polvo depositado, por ejemplo, con un aspirador.
- La unidad debe conectarse a un dispositivo de





protección del circuito de alimentación (fusible o disyuntor).

- No cambie el láser o LED por otro de distinto tipo. Las reparaciones sólo deben ser realizadas por el fabricante del láser o un agente de servicio autorizado.
- Al utilizar esta herramienta, las fluctuaciones de tensión pueden afectar a otros aparatos eléctricos o de iluminación en el mismo circuito de alimentación. Conecte la herramienta a una fuente de alimentación con una impedancia de 0,071 Ω para minimizar las fluctuaciones de voltaje. Contacte con su proveedor de energía eléctrica para obtener más aclaraciones.

ADVERTENCIAS DE SEGURIDAD PARA HOJA DE SIERRA DE MADERA

- Lea las instrucciones de este manual antes de utilizar la máquina.
- La máquina debe estar en buenas condiciones, sin deformaciones ni vibraciones en el perno.
- Não utilize a serra sem as guardas na posição correta, especialmente depois de alterar o modo. Conserve as guardas em bom estado de funcionamento e manutenção.
- Asegúrese de que el operario ha recibido la formación adecuada en cuanto a precauciones de seguridad, ajustes y funcionamiento de la máquina.
- Utilice siempre gafas de protección con protección lateral, junto con dispositivos de protección para los oídos. Se recomienda utilizar guantes, calzado pesado antideslizante y delantal.
- Antes de utilizar cualquier accesorio, consulte el manual de instrucciones. El uso inadecuado de un accesorio puede causar daños.
- Use solamente hojas especificadas en este manual, según EN 847-1.
- Observe la velocidad máxima marcada en la lámina de la sierra. Asegure que a velocidad indicada no disco da serra é pelo menos igual à velocidade indicada na serra.
- Utilice hojas de tamaño y forma adecuados al diámetro interior del eje. Unas hojas que no se adaptan al eje en el que se deben montar no girarán correctamente y provocarán una pérdida de control.
- No utilice láminas de diámetro mayor o más pequeño que el recomendado. No utilice ningún espaciador para encajar la lámina en el eje.
- Compruebe que las puntas de la hoja no están dañadas ni tienen un aspecto anómalo antes de utilizarla. Las puntas dañadas o sueltas se pueden convertir en proyectiles durante la utilización y aumentan el riesgo de lesiones.
- No usar discos de corte rotos o defectuosos. No use hojas de sierra dañadas o deformadas.
- No use una hoja de sierra que está dañada o deformada. No está permitida su reparación.

- No utilice láminas HSS.
- Verifique que la lámina de la sierra está correctamente montada antes utilizarla. Antes de cada uso, apriete la tuerca de apriete firmemente. (Par: 12-15 Nm)
- Los tornillos y tuercas siempre deben apretarse utilizando la llave adecuada.
- No utilizar una prolongación de llave ni apretar dando golpes con un martillo.
- Compruebe que la lámina y las bridas están limpias y los lados encajados del aro están contra la lámina.
- Compruebe que la lámina gira en la dirección correcta.
- Antes de empezar a trabajar, haga un corte de prueba con el motor apagado para comprobar la posición de la lámina, el funcionamiento de las protecciones con respecto a otras piezas de la máquina y la pieza de trabajo.
- No deje nunca la máquina sin vigilar.
- No aplique lubricantes en la hoja cuando esté en funcionamiento.
- Nunca realice ningún trabajo de limpieza o de mantenimiento cuando la máquina se encuentra aún en funcionamiento y si la cabeza no está en la posición de descanso.
- Nunca intente parar una máquina en movimiento repentinamente enclavando una herramienta u otros medios contra la lámina pues de este modo podrá causar accidentes graves sin intención.
- Desconecte la sierra de la red de suministro antes de cambiar las hojas o realizar operaciones de mantenimiento.
- Tenga cuidado a la hora de embalar y desembalar la hoja: es fácil lesionarse con sus afiladas puntas.
- Utilice un porta-hojas o póngase guantes para manipular la hoja de sierra.
- Guarde y almacene la hoja en su embalaje original o en otro adecuado. Consérvelo en un lugar seco y alejado de productos químicos que puedan dañar la hoja.

SEGURIDAD DEL LÁSER

- La radiación de la guía láser utilizada en esta sierra es de clase 2 con longitudes de onda máximas de ≤1mW and 650nm. No mire directamente al láser. El incumplimiento de estas normas puede resultar en lesiones graves.
- No proyecte el rayo láser directamente a los ojos de los demás. Podría provocar lesiones graves en los ojos.
- No coloque el láser en una posición que puede causar que alguien mire al rayo láser de manera intencional o no.
- No utilice herramientas ópticas para ver el rayo láser.
- No trabaje con el láser cerca de los niños ni permita que los niños manejen el láser.
- No intente reparar el dispositivo láser usted mismo.
- No intente cambiar ninguna pieza del dispositivo láser usted mismo.





- Las reparaciones sólo deben ser realizadas por el fabricante del láser o un agente de servicio autorizado.
- No cambie el láser por otro de distinto tipo.

RIESGOS RESIDUALES

Incluso cuando se utiliza el producto según las instrucciones, sigue siendo imposible eliminar por completo ciertos factores de riesgo residuales. Pueden surgir los siguientes riesgos durante el uso y el operador debe prestar especial atención para evitar lo siguiente:

- Riesgo de contacto con las piezas descubiertas de la lámina circular giratoria.
- Rebote de las piezas de trabajo y partes de las piezas de trabajo debido a un ajuste o una manipulación incorrectos.
- Puntas de carburo defectuosas salen disparadas de la hoja de la sierra.
- Existe el riesgo de lesiones en el sistema respiratorio en caso de que no se utilice una mascarilla antipolvo eficaz.

NOTA: Use mascarillas protectoras con filtros adecuados para los materiales con los que va a trabajar. Asegure una ventilación adecuada del lugar de trabajo. No comer, beber o fumar en el área de trabajo.

- Daños auditivos si no se utiliza una protección auditiva eficaz.

⚠ ADVERTENCIA

El polvo de ciertas pinturas, revestimientos y materiales puede causar irritación o reacciones alérgicas en el sistema respiratorio. El polvo de madera como el roble, la haya, el MDF y otros es cancerígeno. El material que contiene amianto sólo debe ser trabajado o procesado por operadores especializados cualificados.

⚠ ADVERTENCIA

El uso prolongado de la herramienta puede provocar o agravar lesiones. Al utilizar cualquier herramienta durante períodos prolongados asegúrese de tomar descansos regulares.

CONOZCA SU PRODUCTO

Véase la página 162 - 163.

1. Mango
2. Interruptor de encendido
3. Mango con bloqueo de seguridad
4. Protector superior de la hoja
5. Cuchilla de la sierra
6. Protector de hoja inferior
7. Abrazadera
8. Tope-guía principal

9. Mesa giratoria
10. Base
11. Inserto de la mesa
12. Mango de bloqueo de la mesa giratoria
13. Equilibrio
14. Interruptor de láser
15. Interruptor LED
16. Freno de la abrazadera
17. Cubierta de protección inferior
18. Tope-guía corredero
19. Orificio de montaje
20. Barra de extensión
21. Tornillos de ajuste del limitador del ángulo de bisel
22. Botón de bloqueo del husillo
23. Mango superior
24. Bolsa para el polvo
25. Perilla de ajuste de la profundidad de corte
26. Perilla de tope de la varilla lineal
27. Winding support
28. Botón de bloqueo de ángulo del bisel
29. Tope de profundidad máxima de corte
30. Tornillos de ajuste del ángulo de inglete

FUNCIONAMIENTO

El producto cuenta con una hoja de sierra en movimiento que el operador puede ajustar a varios ángulos al cortar una pieza de trabajo que se fija firmemente a la base del producto. Debe ser utilizada por una sola persona para evitar el contacto accidental con la hoja de la sierra en movimiento.

Los principios para un uso seguro del producto son los siguientes:

- Mantenga la sierra, las hojas y el área de trabajo en buenas condiciones.
- Fije la base de la ingletadora a un banco de trabajo sólido. El producto puede moverse y volcar si no está correctamente sujeto.
- Ajuste y bloquee los ángulos de corte y la profundidad antes de hacer el corte.
- Asegure la pieza de trabajo a la base de la ingletadora. Utilice la abrazadera proporcionada y, en caso necesario, utilice abrazaderas adicionales o mecanismos de sujeción para evitar el movimiento involuntario de la pieza de trabajo durante el corte.
 - Compruebe que el funcionamiento de las protecciones de la hoja no está limitado por la posición de la pieza de trabajo.
 - Asegúrese de que el tope-guía y otras partes del producto no se cortarían mientras la hoja baja hasta la posición de corte.
- Arranque el motor y deje que la hoja alcance la velocidad máxima antes de bajarla lentamente para cortar la pieza de trabajo. Deslice el conjunto de la hoja hacia atrás y/o hacia adelante para completar el corte si es necesario.
- Deje que el conjunto de la hoja llegue a su posición





superior, donde las protecciones de la cuchilla están completamente cerradas. Apague el motor y deje que la hoja se detenga por completo antes de retirar la pieza de trabajo o los recortes, o antes de llegar a la zona de la hoja.

Antes del primer uso, asegúrese de que el ángulo del bisel o inglete colocado en el producto coincida con el ángulo que desea producir en la pieza de trabajo. Compruébelo sobre un trozo de madera desechado utilizando un juego de carpintero o una escuadra.

⚠ ADVERTENCIA

El fabricante recomienda encarecidamente montar siempre de modo seguro el producto sobre un banco de trabajo.

Cuando la base del producto está firmemente fijada a un banco de trabajo mediante las cuatro tuercas, tornillos y arandelas suministradas, el producto puede utilizarse a máximo bisel e inglete sin que vuelque. Si el producto no está bien sujeto, puede balancearse cuando se seleccionan grandes ángulos de bisel.

También hay un tornillo ajustable (equilibrio de pie) que se extiende desde la parte inferior de la mesa giratoria adicional. Este tornillo debe ajustarse de modo que toque la superficie plana sobre la cual se apoya el producto. Esto también evitará que el producto se desequilibre al cortar a la máxima extensión de deslizamiento y bisel. Cuidado, esta parte de la sierra de mesa se mueve cuando se seleccionan diferentes ángulos de inglete, por lo que el tornillo debe ajustarse y reposicionarse con frecuencia.

MANTENIMIENTO

- No modifique el producto de ningún modo ni utilice accesorios no aprobados por el fabricante. Su seguridad y la de los demás pueden verse amenazadas.
- No utilice el producto si alguno de los interruptores, protecciones u otras funciones no funcionan según lo previsto. Vaya a un centro de servicio autorizado para ajustes o reparaciones profesionales.
- No haga ningún ajuste mientras la hoja de la sierra está en movimiento.
- Asegúrese siempre de que el cable de alimentación ha sido retirado de la red eléctrica antes de realizar cualquier ajuste u operaciones de lubricación o al realizar operaciones de mantenimiento en el producto.
- Antes y después de cada uso, compruebe que no hay daños ni piezas rotas en el producto. Mantenga el producto en las mejores condiciones de trabajo sustituyendo de inmediato las piezas por repuestos aprobados por el fabricante.
- La hoja está muy caliente después del uso; use guantes o deje que se enfríe antes de realizar operaciones de mantenimiento o limpieza.
- Limpie el polvo acumulado utilizando un cepillo o

aspirador. No use aire comprimido.

- Para garantizar la seguridad y fiabilidad, todas las reparaciones, incluyendo el cambio de escobillas, deben ser realizadas por un centro de servicio autorizado.
- Si el cable de alimentación está dañado, solo debe ser reemplazado por el fabricante o por un centro de servicio autorizado para evitar daños a la sierra o riesgo de electrocución.

⚠ ADVERTENCIA

Para más seguridad y fiabilidad, todas las reparaciones deben ser efectuadas por un Centro de Servicio Habilitado Ryobi.

Tope de profundidad máxima de corte

El tope máximo de profundidad de corte sirve para evitar que la hoja de la sierra corte la base metálica de la unidad.

⚠ ADVERTENCIA

El usuario no puede ajustar el tope máximo de profundidad de corte. No ajuste el tope máximo de profundidad de corte.

TRANSPORTE Y ALMACENAMIENTO

- Desconecte el cable de alimentación al guardar el producto. Guarde el producto en un lugar seguro que no sea accesible a los niños. Guarde el cable de alimentación como se muestra en la ilustración de las páginas 185 a 186 de este manual.
- Limpie el producto con un cepillo y un aspirador antes de su almacenamiento.
- Si retira la hoja de sierra o guarda repuestos con la unidad, asegúrese de que estén en el embalaje original para evitar lesiones.

Para asegurar el producto antes de realizar movimientos:

- El producto debe guardarse con el ángulo de bisel e inglete a cero grados y bloqueado en esa posición. El deslizamiento debe estar bloqueado. El mango debe bloquearse en la posición más baja (segura) con las protecciones cerradas.
- Pueden retirarse uno o ambos laterales del soporte de la pieza de trabajo para facilitar su transporte.

Para desplazar el producto o transportar en un vehículo:

- Asegure el producto antes de realizar movimientos tal como se describe en el manual.
- Retire el producto del banco de trabajo soltando las 4 tuercas, una en cada esquina. Asegure los tornillos



para utilizarlos en el futuro. Levante el producto utilizando el mango en la parte superior.

- Al levantar el producto a cierta altura, se necesitan dos personas con guantes resistentes para levantar la base del producto.
- Para transportarlo en un vehículo, coloque el producto sobre su base e inmovilícelo.

PROTECCIÓN DEL MEDIO AMBIENTE



Recicle las materias primas en lugar de tirarlas a la basura doméstica. Para proteger el medio ambiente, debe separar la herramienta, los accesorios y los embalajes.

SÍMBOLO



Atención



Conformidad con CE



Por favor, lea atentamente las instrucciones antes de encender el producto.



Equipamiento de Clase II, doble aislamiento



Utilice dispositivos de protección para los oídos



Utilice siempre gafas de protección.



PELIGRO! Cuchilla afilada.



Use guantes de protección.



Dirección de rotación de la hoja (exhibido en la hoja de la sierra)



Sentido de rotación de la hoja (se muestra en la protección de la hoja)



Longitud del corte de la hoja (canal)



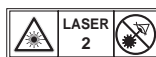
Número de dientes en la hoja de la sierra



Para cortar madera y material análogo



No se aplica a metales de corte



Radiación láser.
No mire directamente al rayo.
Producto láser de clase 2



Los productos eléctricos de desperdicio no deben desecharse con desperdicios caseros. Por favor recíclelos donde existan dichas instalaciones. Compruebe con su autoridad local o minorista para reciclar.

SÍMBOLOS EN ESTE MANUAL



Enchufe el producto.



Desenchufe el producto.



Bloquear



Desbloquear



El mecanismo de bloqueo no funciona



Se escucha un sonido



Tiempo de espera para que la hoja alcance la velocidad máxima



Las piezas o accesorios se venden por separado



Nota:



ADVERTENCIA



Los siguientes símbolos y palabras detallan los niveles de cuidado necesarios para usar este producto.

 **PELIGRO**

Indica una situación inminente de peligro que, si no se evita, provocará la muerte o lesiones graves.

 **ADVERTENCIA**

Indica una situación potencialmente peligrosa que, si no se evita, podría causar la muerte o lesiones graves.

 **PRECAUCIÓN**

Indica una situación potencialmente peligrosa que, si no se evita, puede provocar lesiones leves o moderadas.

PRECAUCIÓN

(Sin símbolo de seguridad) Indica una situación que podría ocasionar daños materiales.

130.com.ua



E' stata data massima priorità a sicurezza, prestazioni e affidabilità nel design di sega per tagli obliqui.

UTILIZZO

La motosega è indicata per segare legno solido e materiali in legno incollato simili al legno con o senza impiallacciature e plastiche di superficie.

La motosega deve essere utilizzata solo da adulti che hanno letto il manuale d'istruzioni e che comprendano i rischi e i pericoli connessi con l'utilizzo di questo utensile.

La motosega a scorrimento è progettata per essere fissata attraverso la base alla superficie di un solido tavolo da lavoro. Se la base non è fissata in modo sicuro, l'intero dispositivo si potrà spostare durante le operazioni di taglio, il che aumenterà la possibilità di gravi lesioni alla persona.

La motosega a scorrimento è progettata per fare tagli obliqui o smussature. Le capacità per i vari tagli vengono fornite nelle specifiche del prodotto motosega per tagli obliqui compatta a scorrimento nel presente manuale.

La motosega deve essere utilizzata in condizioni asciutte con un'illuminazione eccellente e un'adeguata ventilazione.

La motosega è destinata all'utilizzo di un consumatore privato e deve essere utilizzata solo come descritto sopra e non per un qualsiasi altro scopo.

AVVERTENZE GENERALI DI SICUREZZA

⚠ AVVERTENZE

Quando si utilizzano elettro-utensili, si dovranno sempre seguire precauzioni di base di sicurezza per ridurre il rischio di incendi, scosse elettriche e lesioni personali. Leggere tutte le istruzioni prima di tentare di mettere in funzione il prodotto e salvare queste istruzioni.

- **Tenere l'area di lavoro libera.** Zone e banchi di lavoro in disordine possono causare incidenti.
- **Tenere in considerazione l'area di lavoro.** Non esporre gli utensili a pioggia. Non utilizzare gli utensili in luoghi umidi o bagnati. Mantenere l'area di lavoro ben illuminata. Non utilizzare in presenza di liquidi infiammabili o gas.
- **Dispositivo contro scosse elettriche.** Evitare il contatto del corpo con superfici con messa a terra (per esempio, tubi, radiatori, stufe, refrigeratori).
- **Tenere lontane tutte le altre persone.** Tenere eventuali osservatori, soprattutto bambini a distanza di sicurezza, evitare che tocchino l'utensile o la prolunga e tenerli lontani dall'area di lavoro.
- **Riporre gli utensili che non vengono utilizzati.** Quando non si utilizza l'utensile, riporlo in un luogo chiuso e asciutto, lontano dalla portata dei bambini.
- **Non forzare l'utensile.** Svolgerà il lavoro per il quale è stato progettato in maniera migliore e più sicura.
- **Utilizzare l'utensile adatto.** Non utilizzare piccoli attrezzi per lavori pesanti. Non utilizzare gli utensili per scopi per i quali non sono stati progettati, per esempio non utilizzare le motoseghe circolari per tagliare rami o tronchi.
- **Vestirsi adeguatamente.** Non indossare abiti con parti svolazzanti o gioielli che potrebbero rimanere impigliati nelle parti in movimento. Si raccomanda di indossare calzature anti-scivolo quando si lavora all'esterno. Indossare inoltre una rete protettiva per proteggere i capelli lunghi.
- **Utilizzare attrezzatura di protezione.** Utilizzare occhiali di sicurezza. Utilizzare una maschera antipolvere per il viso se si lavora in ambienti polverosi.
- **Collegare l'attrezzatura per estrarre polvere.** Se l'utensile viene fornito con l'accessorio per l'estrazione e la raccolta della polvere, assicurarsi che tali accessori siano correttamente collegati e utilizzati.
- **Non sottoporre il cavo a stress.** Non tirare mai il cavo per scollegarlo dalla presa. Tenere il cavo lontano da calore, olio e parti affilate.
- **Assicurare il pezzo sul quale si sta lavorando.** Ove possibile utilizzare staffe o morsetti per reggere il pezzo sul quale si sta lavorando. È più sicuro che utilizzare le proprie mani.
- **Non protendersi.** Mantenere sempre l'equilibrio e un punto di appoggio sicuro.
- **Svolgere sempre le dovute manutenzioni sull'utensile.** Tenere le lame affilate e pulite per garantire prestazioni migliori e sicure. Seguire le istruzioni per lubrificare e cambiare gli accessori. Ispezionare i cavi dell'utensile periodicamente e, se danneggiati, farli riparare da un centro servizi autorizzato. Ispezionare periodicamente la prolunga e sostituirla se danneggiata. Tenere i manici asciutti e puliti e rimuovere dagli stessi eventuali tracce di sporco e olio.
- **Scollegare gli utensili.** Quando non si utilizza l'utensile, prima di svolgere eventuale manutenzione e quando si cambiano accessori come lame, punte e dispositivi di taglio, scollegare gli utensili dall'alimentazione.
- **Rimuovere tutte le chiavi di regolazione.** Controllare sempre che le chiavi e i dispositivi di regolazione siano stati rimossi dall'utensile prima di avviarlo.
- **Evitare l'avvio accidentale.** Assicurarsi che l'interruttore si trovi su "off" (spento) prima di collegare l'utensile.
- **Utilizzare prolunghe per esterni.** Quando si utilizza l'utensile all'interno, utilizzare solo prolunghe adatte a tale utilizzo e contrassegnate come tali.
- **Conservare sempre la massima attenzione.** Esercitare sempre la massima attenzione in quello che si sta facendo e non mettere in funzione l'utensile se si è stanchi.
- **Controllare eventuali parti danneggiate.** Prima di utilizzare ulteriormente l'utensile, controllarlo attentamente per capire se funzionerà correttamente e svolgerà le funzioni per le quali è stato progettato. Controllare l'allineamento delle parti in movimento, l'eventuale blocco delle parti, le eventuali parti rotte, il montaggio ed altre condizioni che potranno influenzare





le operazioni. Un paralame o un'altra parte danneggiata deve essere riparata o sostituita da un centro servizi autorizzato a meno che non sia indicato diversamente sul manuale d'istruzioni. Far sostituire gli interruttori difettosi da un centro servizi autorizzato. Non utilizzare l'utensile se non si accende o spegne.

- **Avvertenze.** L'utilizzo di qualsiasi accessorio o dispositivo diverso da quelli raccomandati nel manuale d'istruzioni potrà causare rischi di gravi lesioni personali.
- **Far riparare l'utensile da personale qualificato.** Questo utensile elettrico rispetta le norme di sicurezza corrispondenti. Le riparazioni dovranno essere svolte da persone qualificate utilizzando le parti originali altrimenti ciò potrà causare gravi lesioni all'utente.

AVVERTENZE DI SICUREZZA SEGA PER TAGLI OBLIQUI

- Inserire sempre il morsetto sul pezzo sul quale si sta lavorando in maniera sicura e salda.
- Accertarsi che la macchina sia sempre stabile (ad esempio fissandola sul banco di lavoro).
- Indossare protezioni acustiche adeguate. L'esposizione prolungata al rumore senza protezione può causare danni all'udito.
- Durante l'uso dell'apparecchio utilizzare sempre gli occhiali di protezione. Si raccomanda di indossare guanti per manipolare lame e materiali grezzi oltre a resistenti scarpe antiscivolo per proteggere i piedi dai pezzi di lavoro che potranno cadere dall'area di taglio.
- Scollegare sempre la presa dall'alimentazione prima di svolgere eventuali operazioni di manutenzione e pulizia sul dispositivo.
- Inserire la presa nell'alimentazione quando l'utensile è stato arrestato.
- Tenere sempre lontano il cavo di collegamento dall'area di lavoro dell'attrezzo. Tenere lontano dall'area in cui si trova l'operatore.
- Non esporsi sull'area accanto alla lama a meno che la lama non si sia completamente arrestata.
- Prima di ogni utilizzo controllare che il cavo di alimentazione, eventuali prolunghie e la spina siano integre e senza danni. Riparazioni a tutto l'utensile compreso il cavo dell'alimentazione dovranno essere svolte solo da personale autorizzato.
- Usare sempre il dispositivo di protezione dell'apparecchio. Non utilizzare l'utensile se i paralame non sono al loro posto e non funzionano correttamente.
- La calotta di protezione si deve aprire automaticamente a seconda dell'orientamento della sega.
- Non alterare né modificare mai la motosega o le sue funzioni. La sicurezza dell'utente potrà essere compromessa.
- Quando si utilizza la motosega per tagli obliqui all'esterno, la ditta produttrice raccomanda di utilizzare un dispositivo RCD (interruttore differenziale) con

sensibilità di valore pari a 30mA.

- Non utilizzare lame rotte, danneggiate o deformate.
- Non utilizzare lame di sega fatte in acciaio rapido.
- Utilizzare solo lame affilate. Sostituire le lame non più affilate.
- Utilizzare sempre lame di dimensioni e forma idonee all'alesaggio dell'albero. Una lama non idonea all'albero sul quale deve essere montata non è in grado di girare correttamente e potrebbe causare una perdita del controllo dell'apparecchio.
- Utilizzare solo lame specificate con questo manuale, rispettando lo standard EN 847-1.
- Non utilizzare flange, rondelle e dadi per assicurare la motosega diversi da quelli forniti o indicati nel manuale d'istruzioni.
- Scegliere una lama di sega adatta al materiale da tagliare.
- Il numero massimo di giri indicato sulla lama della sega deve essere rispettato.
- Non utilizzare mai la sega troncatrice per tagliare materiali diversi da quelli indicati nelle istruzioni per l'uso.
- Sostituire l'inserito tavolo quando consumato o danneggiato.
- Prima di avviare le operazioni di lavoro, fare un taglio di prova senza accendere il motore in modo da poter controllare la posizione delle lame, il funzionamento dei paralame rispetto alle altre parti delle macchine e i pezzi sui quali si dovrà lavorare.
- Per tagli obliqui, smussature o tagli obliqui composti, regolare il paralame a scorrimento per assicurarsi una corretta distanza dalla lama.
- Trasportare la sega troncatrice solo con sicura di trasporto chiusa sul manico.
- Rimuovere materiali come trucioli e scarti di legno dalla zona di lavoro.
- Non rimuovere dalla zona di lavorazione i residui di taglio o altre porzioni dei pezzi in lavorazione se la macchina è in funzione e la testa segatrice non si trova in posizione di riposo.
- Pezzi lunghi devono essere supportati adeguatamente. L'area di lavoro della motosega comprende tutta la zona di lavoro. L'operatore dovrebbe assicurare quest'area dal contatto accidentale con altre persone od oggetti che, trovandosi nell'area di lavoro, potranno spostare il pezzo sul quale si sta lavorando durante le operazioni.
- La polvere provocata durante la lavorazione con questo utensile può essere dannosa alla salute. Usare un sistema d'aspirazione polvere e indossare una maschera di protezione dalla polvere. Rimuovere completamente la polvere che si è depositata sulle superfici con un aspirapolvere.
- L'unità deve essere collegata a un dispositivo elettrotecnico in grado di interrompere un circuito in caso di guasto verso terra (fusibile o interruttore





differenziale).

- Non sostituire il laser o LED con un tipo di laser diverso. Tutte le riparazioni dovranno essere svolte dalla ditta produttrice del laser o da un agente autorizzato.
- Quando si utilizza questo utensile, le fluttuazioni del voltaggio potranno interessare altri prodotti elettrici o luci collegati allo stesso circuito dell'alimentazione. Collegare l'utensile a una fonte d'alimentazione con una impedenza pari a 0,071 Ω per minimizzare le fluttuazioni del voltaggio. Contattare il proprio fornitore elettrico per avere maggiori chiarificazioni.

RUZIONI DI SICUREZZA PER LA LAMA PER LEGNO

- Leggere le istruzioni nel presente manuale prima di mettere in funzione l'utensile.
- L'utensile deve essere in ottime condizioni, l'albero non deve essere deformato né vibrare.
- Non utilizzare la motosega senza aver prima montato gli schermi, soprattutto dopo un eventuale cambio di modalità. Mantenere gli schermi in ottime condizioni per garantire un corretto funzionamento.
- Assicurarsi che l'operatore conosca le istruzioni riguardanti le precauzioni di sicurezza, le regolazioni e il funzionamento dell'utensile.
- Indossare sempre cuffie ed occhiali di protezione con schermi laterali. Inoltre si consiglia di indossare guanti, calzature resistenti antiscivolo e un grembiule.
- Prima di utilizzare un qualsiasi accessorio, consultare il manuale d'istruzioni. L'utilizzo scorretto di un accessorio potrà causare danni.
- Utilizzare solo lame specificate con questo manuale, rispettando lo standard EN 847-1.
- Rispettare la velocità massima indicata sulla motosega. Assicurarsi che la velocità indicata sulla lama della motosega sia uguale a quella indicata dalla motosega.
- Utilizzare sempre lame di dimensioni e forma idonee all'alesaggio dell'albero. Una lama non idonea all'albero sul quale deve essere montata non è in grado di girare correttamente e potrebbe causare una perdita del controllo dell'apparecchio.
- Non utilizzare lame di un diametro più grande o più piccolo di quello raccomandato. Non utilizzare distanziatori per inserire la lama nell'albero.
- Verificare eventuali danni sulle punte delle lame o un eventuale aspetto non normale delle stesse prima di ogni utilizzo. Le punte danneggiate o allentate potranno essere scagliate durante l'utilizzo dell'utensile aumentando la possibilità di riportare lesioni personali.
- Non devono essere utilizzate né lame incrinata né lame la cui forma abbia subito alterazioni. Non usare lame danneggiate o deformate.
- Non utilizzare mai una lama danneggiata o deformata. Riparazioni non permesse.
- Non utilizzare lame HSS.

- Assicurarsi che la lama sia stata montata correttamente prima dell'utilizzo. Prima di ogni uso, errare correttamente il dado dell'albero. (Coppia: 12-15 Nm)
- Le viti e i dadi di ancoraggio verranno serrati utilizzando la chiave corretta.
- Non è permesso espandere o serrare il lavoro della chiave utilizzando un martello.
- Assicurarsi che tutte le flange e le lame siano pulite e che le parti interne del colletto siano posizionate accanto alla lama.
- Assicurarsi che la lama ruoti nella direzione corretta.
- Prima di avviare le operazioni di lavoro, fare un taglio di prova senza accendere il motore in modo da poter controllare la posizione delle lame, il funzionamento dei paralame rispetto alle altre parti delle macchine e i pezzi sui quali si dovrà lavorare.
- Non lasciare mai l'utensile non supervisionato.
- Non applicare lubrificanti sulla lama quando non è in funzione.
- Non svolgere mai operazioni di pulizia o manutenzione se la macchina è in funzione e la testa di taglio non è in posizione di riposo.
- Non tentare mai di bloccare una macchina in funzione rapidamente incastrando un utensile o altre parti contro la lama, in caso contrario si potranno verificare accidentalmente gravi incidenti.
- Scollegare la motosega dall'alimentazione principale prima di cambiare le lame o svolgere le operazioni di manutenzione.
- Fare attenzione quando si rimuove dall'imballo o si ripone nello stesso la lama, dal momento che si può rimanere facilmente feriti da lame affilate.
- Utilizzare un reggilama o indossare guanti quando si maneggia una lama.
- Riporre la lama nell'involucro originale o altro involucro adatto e tenere sempre in luoghi asciutti e lontano da agenti chimici che potranno danneggiare la lama.

LASER DI SICUREZZA

- Le radiazioni della guida al raggio laser utilizzate nella motosega sono di Classe 2 con lunghezze d'onda massima di $\leq 1\text{mW}$ e 650nm. Non fissare direttamente il raggio laser. La mancata osservanza delle regole potrà causare gravi lesioni alla persona.
- Non fissare il raggio durante le operazioni.
- Non proiettare il raggio laser direttamente negli occhi degli altri. Si potranno riportare gravi lesioni personali.
- Non mettere il laser in una posizione che potrà costringere a fissare intenzionalmente o non intenzionalmente il raggio laser.
- Non utilizzare utensili ottici per visualizzare il raggio laser.
- Non mettere in funzione il laser accanto a bambini né permettere a bambini di mettere in funzione il laser.
- Non tentare di svolgere riparazioni al dispositivo laser





da soli.

- Non tentare di modificare da soli alcuna parte del dispositivo.
- Tutte le riparazioni dovranno essere svolte dalla ditta produttrice del laser o da un agente autorizzato.
- Non sostituire il laser con un tipo di laser diverso.

RISCHI RESIDUI

Anche quando il prodotto viene utilizzato come indicato, sarà ancora impossibile eliminare completamente alcuni fattori di rischio residuo. Si potranno verificare i seguenti rischi e l'operatore dovrà prestare particolare attenzione per evitare quanto segue:

- Rischio di contatto con le parti scoperte delle lame rotanti.
- Rimbalzo delle parti sulle quali si sta lavorando e delle parti di lavoro a causa di regolazione o gestione scorretta.
- Rimbalzo di punte al carburo fallate dalla motosega.
- Danni al sistema respiratorio nel caso in cui non si indossi una maschera per la polvere.
NOTE: Indossare maschere di protezione contenenti filtri adeguati ai materiali che si stanno manipolando. Assicurarsi una adeguata ventilazione del luogo di lavoro. Non mangiare, bere, né fumare nell'area di lavoro.
- Danni all'udito nel caso in cui non si indossino cuffie.

⚠ AVVERTENZE

La polvere di alcune vernici, rivestimenti e materiali potrà causare irritazioni o reazioni allergiche al sistema respiratorio. La polvere prodotta da legno come quercia, betulla, pannelli di fibra a media densità (MDF) e altri tipi di legname è cancerogena. Materiali contenenti amianto devono essere lavorati o manipolati solo da operatori specializzati qualificati.

⚠ AVVERTENZE

L'utilizzo prolungato dell'utensile potrà causare o aggravare lesioni già esistenti. Quando si utilizza questo utensile per periodi di tempo prolungati, assicurarsi di fare sempre delle pause regolari.

FAMILIARIZZARE CON IL PRODOTTO

Vedere pagina 162 - 163.

1. Manico
2. Interruttore alimentazione
3. Manico di blocco di sicurezza
4. Paralame superiore
5. Lama sega
6. Paralame inferiore

7. Morsetto.
8. Paralame principale
9. Piattaforma girevole
10. Base
11. Inserto tavolo
12. Manico di blocco piattaforma girevole
13. Piede di bilanciamento
14. Interruttore laser
15. Interruttore LED
16. Funzione di arresto staffa
17. Coperchio paralame inferiore
18. Paralame a scorrimento
19. Foro di supporto
20. Barra estendibile
21. Viti per la regolazione del limite di arresto dell'angolo di smussatura
22. Manopola di blocco mandrino
23. Manico superiore
24. Sacchetto per la polvere
25. Manopola di regolazione profondità di taglio
26. Manopola di blocco asta lineare
27. Supporto avvolgimento
28. Manopola di blocco angolo di smussatura
29. Funzione di arresto massima profondità di taglio
30. Viti per la regolazione dell'angolo obliquo.

FUNZIONAMENTO

Il prodotto comprende una lama in movimento che può essere impostata a vari angoli dall'operatore quando si taglia un pezzo di lavoro assicurato alla base del prodotto. L'utensile deve essere messo in funzione da una sola persona per evitare contatto non intenzionale con le lame in movimento.

I principi per operazioni di funzionamento sicure del prodotto sono quelli che seguono:

- Mantenere la motosega, le lame e l'area di lavoro in ottime condizioni.
- Assicurare la motosega per tagli obliqui a un tavolo da lavoro solido. Il prodotto potrà spostarsi e rovesciarsi se non viene adeguatamente assicurato.
- Impostare e bloccare gli angoli di taglio e la profondità prima di passare al taglio vero e proprio.
- Assicurare il pezzo sul quale si sta lavorando alla base della motosega per tagli obliqui. Utilizzare il morsetto fornito e, quando necessario, utilizzare gli ulteriori morsetti o meccanismi di supporto per prevenire movimenti non intenzionali del pezzo sul quale si sta lavorando durante le operazioni di lavoro.
 - Verificare che il funzionamento dei paralame non sia limitato dalla posizione del pezzo sul quale si sta lavorando.
 - Assicurarsi che il paralame e altre parti del prodotto non verranno tagliate quando la lama di abbassa nella posizione di taglio.
- Avviare il motore e lasciare che la lama raggiunga la piena velocità prima di abbassarla lentamente per



tagliare il pezzo sul quale si sta lavorando. Far scorrere il gruppo lame indietro e/o in avanti per completare il taglio se necessario.

- Lasciare che il gruppo lame si alzi nella posizione superiore durante la quale i paralame si chiuderanno completamente. Spegnerne il motore e lasciare che la lama si sia completamente arrestata prima di spostare il pezzo sul quale si sta lavorando o gli eventuali scarti, o prima di protendersi nella zona lame.

Prima del primo utilizzo, assicurarsi che l'angolo di smussatura o della sega per tagli obliqui impostato sul prodotto sia lo stesso di quello da riprodurre sul pezzo sul quale si sta lavorando. Verificare quanto indicato sopra su un pezzo di legno in più utilizzando una riga da carpentiere o una squadra obliqua.

⚠ AVVERTENZE

La ditta produttrice raccomanda fortemente di assicurare sempre il prodotto alla superficie di un tavolo da lavoro.

Quando la base del prodotto viene assicurata alla superficie da lavoro con i quattro dadi, bulloni e rondelle forniti, il prodotto potrà essere utilizzato all'angolo massimo di smussatura e le impostazioni della motosega non le permetteranno di rovesciarsi. Se il prodotto non è assicurato correttamente, potrà perdere l'equilibrio quando si selezionano ampi angoli di smussatura.

Il dispositivo è inoltre dotato di una vite regolabile (pedino di bilanciamento) che si estende dalla parte inferiore della piattaforma girevole estendibile. Questa vite può essere regolata in modo da toccare la superficie piana contro la quale il prodotto viene poggiato. Ciò eviterà inoltre che il prodotto perda l'equilibrio quando si taglia per tutta la lunghezza dello scorrimento e della smussatura. Fare attenzione, questa parte del tavolo della motosega si muove quando vengono selezionati altri angoli obliqui, quindi la vite deve essere frequentemente regolata e resettata.

MANUTENZIONE

- Non modificare il prodotto in alcun modo né utilizzare accessori non approvati dalla ditta produttrice. La sicurezza dell'utente e quella degli altri potrà essere compromessa.
- Non utilizzare il prodotto se interruttori, paralame o altre applicazioni non funzionano come dovrebbero. Riportare presso un centro servizi autorizzato per riparazioni professionali o regolazioni.
- Non fare alcuna regolazione mentre la lama è in movimento.
- Assicurarsi sempre che il cavo dell'alimentazione sia stato rimosso dall'alimentazione principale prima di svolgere le dovute regolazioni, prima di lubrificare o quando si svolgono operazioni di manutenzione sul prodotto.
- Prima e dopo ogni utilizzo, controllare eventuali danni o

parti rotte sull'utensile. Tenere il prodotto in condizioni di funzionamento ottimali sostituendo parti con ricambi approvati dalla ditta produttrice.

- La lama è molto calda dopo l'utilizzo, indossare guanti o lasciare che si raffreddi prima di svolgere le operazioni di manutenzione o pulizia.
- Pulire la polvere accumulata utilizzando una spazzola o un aspirapolvere. Non utilizzare aria compressa.
- Per assicurarsi sicurezza e affidabilità, tutte le riparazioni compreso il cambio delle spazzole, dovranno essere svolte da un centro servizi autorizzato.
- Se il cavo dell'alimentazione verrà danneggiato, dovrà essere sostituito dalla ditta produttrice o da un centro specializzato per prevenire danni alla motosega o rischi di scosse elettriche.

⚠ AVVERTENZE

Per maggiore sicurezza ed affidabilità, effettuare tutte le riparazioni presso un Centro di Assistenza Autorizzato Ryobi.

Funzione di arresto massima profondità di taglio

Il dispositivo di blocco profondità massima di taglio è indicato per prevenire tagli da parte della motosega nella base in metallo dell'unità.

⚠ AVVERTENZE

Il blocco massimo della profondità massima di taglio non è regolabile dall'utente. Non regolare l'arresto della profondità massima di taglio.

TRASPORTO E RIPONIMENTO

- Quando si ripone il prodotto, scollegare la corda dell'alimentazione. Riporre il prodotto in un luogo sicuro non accessibile ai bambini. Riporre il cavo dell'alimentazione come indicato nell'illustrazione alle pagine 185 - 186 del presente manuale.
- Pulire il prodotto con una spazzola e un aspirapolvere prima di riporlo.
- Se si rimuove la motosega o si conservano parti di ricambio assieme all'unità, assicurarsi che si trovino nell'involucro originale per prevenire eventuali lesioni.

Per assicurare il prodotto prima di spostarlo:

- Il prodotto dovrà essere risposto con la sega per tagli obliqui e l'angolo di smussatura su zero e con il dispositivo di blocco inserito. Il dispositivo a scorrimento deve essere bloccato. Il manico dovrebbe essere bloccato nella posizione inferiore (sicura) con i paralame chiusi.
- Uno o entrambi i lati dei supporti dei pezzi sul quale si sta lavorando possono essere rimossi per essere



facilmente trasportati.

Per spostare o trasportare il veicolo:

- Assicurare il prodotto prima di spostarlo come descritto nel manuale.
- Rimuovere il prodotto dalla superficie del tavolo di lavoro allentando i 4 bulloni, uno per ciascun lato. Assicurare i bulloni per eventuali utilizzi futuri. Alzare il prodotto utilizzando il manico nella parte superiore.
- Quando si alza il prodotto a una determinata altezza, due persone con guanti da lavoro pesanti dovranno alzare la base del prodotto.
- Quando si trasporta in un veicolo, montare il prodotto sulla base e assicurarlo in modo che non possa spostarsi.

TUTELA DELL'AMBIENTE



Riciclare le materie prime anziché gettarle tra i rifiuti domestici. Per tutelare l'ambiente, l'apparecchio, gli accessori e gli imballaggi devono essere smaltiti separatamente.

SIMBOLO



Allarme di sicurezza



Conformità CE



Leggere attentamente le istruzioni prima di utilizzare il prodotto.



Utensile di Classe II, doppio isolamento



Indossare cuffie di protezione



Indossare sempre occhiali di protezione.



PERICOLO! Lama affilata.



Indossare guanti di sicurezza.



direzione rotazione lame (indicato sulla lama)



Direzione di rotazione lama (indicata sul paralame)



Ampiezza lama di taglio (intaccatura)



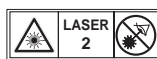
Numero di denti su questa motosega



Per tagliare legno e altri materiali simili



Inadeguato per tagliare metalli



Radiazioni laser.
Non fissare il raggio.
Prodotto al laser di Classe 2



I prodotti elettrici non devono essere smaltiti con i rifiuti domestici. Vi sono strutture per smaltire tali prodotti. Informarsi presso il proprio Comune o rivenditore di sicurezza per smaltire adeguatamente tali rifiuti.

SIMBOLI NEL MANUALE



Collegare il prodotto.



Scollegare il prodotto.



Blocco



Sblocco



Il meccanismo di blocco non sta funzionando



Si sente un suono



Tempo impiegato dalla lama per raggiungere la massima velocità.



Parti o accessori venduti separatamente



Note:



AVVERTENZE

I seguenti simboli indicano i livelli di rischio associati a questo prodotto.

PERICOLO

Indica una situazione immediatamente pericolosa che, se non evitata, potrà causare gravi lesioni o morte.

AVVERTENZE

Indica una situazione potenzialmente pericolosa che, se non evitata potrà causare gravi lesioni o morte.

ATTENZIONE

Indica una situazione potenzialmente pericolosa che, se non evitata, potrà causare lesioni minori o moderate.

ATTENZIONE

(Senza simbolo di allarme in materia di sicurezza) Indica una situazione che può provocare danni materiali.



Veiligheid, prestaties en betrouwbaarheid kregen topprioriteit in het ontwerp van uw verstekzaag.

BEOOGD GEBRUIK

De verstekzaag is bedoeld voor het zagen van vast en gebonden hout, materialen die gelijkaardig zijn aan hout, met of zonder een gelijmde fineerlaag en kunststoffen.

De zaag is uitsluitend bedoeld om te worden gebruikt door volwassen gebruikers die de gebruiksaanwijzing hebben gelezen en de risico's en gevaren begrijpen.

De verstekzaag is ontworpen om aan de voet te worden vastgemaakt aan een vast werkblad. Als de basis niet stevig is vastgemaakt, kan de hele machine tijdens het zagen bewegen, wat de kans op ernstige verwondingen verhoogt.

De verstekzaag is ontworpen voor het afschuiven en verstekzagen. De capaciteiten voor verschillende zaagsnedes worden voorzien in het glijdende verstekzaagproductspecificaties in deze gebruiksaanwijzing.

De zaag moet in droge omstandigheden worden gebruikt, in een goed verlichte omgeving en met voldoende verluchting.

De verstekzaag is bedoeld voor particulier gebruik en mag uitsluitend worden gebruikt in overeenstemming met de hierboven vermelde bepalingen en is niet geschikt voor enig ander doel.

ALGEMENE VEILIGHEIDSWAARSCHUWINGEN

⚠ WAARSCHUWING

Wanneer u elektrisch gereedschap gebruikt, moeten de basisveiligheidsvoorzieningen altijd worden gevolgd om het risico op brand, elektrische schokken en letsels te verminderen. Lees al deze instructies voor u dit product probeert te gebruiken en bewaar ze.

- **Forceer de machine niet.** Het zal de taak beter en veiliger uitvoeren bij het tempo waarvoor het werd ontworpen.
- **Gebruik het juiste gereedschap.** Forceer licht gereedschap niet om taken van zwaar gereedschap uit te voeren. Gebruik het gereedschap niet voor doeleinden waarvoor het niet is bedoeld; gebruik bijvoorbeeld geen cirkelzaagmachines om boomtakken of houtblokken te zagen.
- **Draag aangepaste kleding.** Draag geen loszittende kledij of juwelen, zij kunnen in de bewegende delen vast raken. Antislipschoenen zijn aangewezen voor werk buitenhuis. Draag haarbescherming om lang haar samen te houden.
- **Gebruik beschermuitrusting.** Gebruik een veiligheidsbril. Gebruik een gezichts- of stofmasker als de werkomstandigheden stof veroorzaken.
- **Verbind de stofafzuiginstallatie.** Als gereedschap van stofafzuiging- en opvanginstallatie is voorzien, zorg er dan voor dat deze zijn verbonden en goed worden gebruikt.
- **Misbruik het snoer niet.** Trek nooit aan het snoer om het uit de contactdoos te trekken. Houd het snoer weg van hitte, olie en scherpe randen.
- **Maak het werkstuk vast.** Gebruik klemmen of een bankschroef om het werkstuk vast te houden. Het is veiliger dan uw hand te gebruiken.
- **Overrek u niet.** Houd steeds een goed evenwicht en sta stevig met beide voeten op de grond.
- **Onderhoud de werktuigen met zorg.** Houd snijgereedschap scherp en schoon voor betere en veiligere prestaties. Volg de instructies voor het smeren en vervangen van accessoires. Inspecteer regelmatig de gereedschapsnoeren en laat deze, indien beschadigd, door een geautoriseerde onderhoudsdienst repareren. Inspecteer de verlengsnoeren regelmatig en vervang deze indien beschadigd. Houd de handvatten droog, schoon en vrij van olie en vet.
- **Ontkoppel de werktuigen.** Ontkoppel het gereedschap van het stroomnet wanneer u accessoires, zoals maaibladen, boorstiften en snijders niet gebruikt, onderhoudt of vervangt.
- **Verwijder sleutels.** Maak er een gewoonte van om te controleren of sleutels van het gereedschap zijn voor u het inschakelt.
- **Vermijd ongewild starten.** Zorg ervoor dat de schakelaar in de uit-stand (off) staat wanneer u het met het stroomnet verbindt.
- **Verlengsnoeren voor buitenshuis gebruik.** Wanneer het gereedschap buitenshuis wordt gebruikt, gebruik dan uitsluitend verlengsnoeren die geschikt en gemarkeerd zijn voor buitenshuis gebruik.
- **Blijf alert.** Kijk naar wat u doet, gebruik uw gezond verstand en gebruik het werktuig niet wanneer u moe bent.
- **Controleer beschadigde onderdelen.** Voor u het werktuig verder gebruikt, moet u grondig controleren om te zien dat het goed zal functioneren en volgens het voorgeschreven gebruik zal werken. Controleer de lijning van de bewegende delen, controleer of bewegende delen niet verstrikt zijn geraakt, controleer of defecte onderdelen, bevestigingsbeugels of andere



delen die de werking in gevaar kunnen brengen. Ieder onderdeel dat is beschadigd, moet correct worden gerepareerd of vervangen door een geautoriseerd onderhoudscentrum, tenzij in de gebruiksaanwijzing anders is vermeld. Laat defecte schakelaars door een geautoriseerd onderhoudscentrum vervangen. Gebruik het gereedschap niet als de aan-/uitschakelaar het gereedschap niet aan of uit schakelt.

- **Waarschuwing.** Het gebruik van een andere accessoire of hulpstuk dan in deze handleiding beschreven, kan risico inhouden voor persoonlijk letsel.
- **Laat uw gereedschap door een gekwalificeerd persoon repareren.** Deze elektrische machine is gefabriceerd volgens de geldende veiligheidsregels. Reparaties mogen alleen door een gekwalificeerd persoon met originele vervangonderdelen worden uitgevoerd. Anders kan dit leiden tot aanzienlijk gevaar voor de gebruiker.

MONTAGEOPENING

- Klem het werkstuk altijd veilig en stevig vast.
- Waarborg dat de machine altijd veilig staat (bijv. op de werkbank bevestigen).
- Draag oorbeschermers. Blootstelling aan geluid kan het gehoor beschadigen.
- Bij het werken met de machine altijd een veiligheidsbril dragen. Het is aangewezen om handschoenen te dragen als u de zaagbladen of ruwe materialen manipuleert, antislipschoenen als bescherming voor de voeten indien het werkstuk van het werkbereik valt.
- Trek de stekker altijd uit de contactdoos voor u onderhoudswerken uitvoert of het werktuig reinigt.
- Verbind het stroom snoer alleen met de contactdoos wanneer het werktuig is uitgeschakeld.
- Snoer altijd buiten werkbereik van de machine houden. Buiten het bereik houden van het gebied waarin de bediener zich bevindt.
- Reik nooit in het gebied rond het zaagblad tenzij het zaagblad volledig is stilgevallen.
- Voor gebruik controleert u de machine, kabel en stekker op schade of slijtage. Herstellingen aan de hele machine, met inbegrip van het stroom snoer mogen uitsluitend door een geautoriseerde onderhoudsagent worden uitgevoerd.
- Bescherminrichting van de machine beslist gebruiken. Gebruik de machine niet als de beschermers niet zijn gemonteerd of niet correct werken.
- De pendelbeschermkap opent zich automatisch bij het naar beneden bewegen van de zaagmachine; dus niet forceren.
- Wijzig de zaag of haar functie nooit. Uw veiligheid kan in gevaar worden gebracht.
- Wanneer u de verstekzaag buitenshuis gebruikt, raad de fabrikant het gebruik van een aardlekschakelaar aan met een uitschakelstroom die ingesteld is op 30mA.
- Gebruik geen gebarsten, beschadigde of vervormde zaagbladen.
- Gebruik geen zaagbladen van sneldraastaal.
- Gebruik uitsluitend scherpe zaagbladen. Vervang stompe zaagbladen.
- Gebruik altijd zaagbladen waarvan de grootte en de vorm geschikt zijn voor de dikte van de as. Zaagbladen die niet geschikt zijn voor de as waarop ze moeten worden gemonteerd zullen niet op de juiste manier ronddraaien en kunnen u de macht over de machine doen verliezen.
- Gebruik uitsluitend zaagbladen die in deze gebruiksaanwijzing worden gespecificeerd en die overeenstemmen met EN 847 - 1.
- Gebruik geen andere flenzen, sluitingen of moeren om het zaagblad vast te maken dan deze die werden meegeleverd of in de gebruiksaanwijzing werden vermeld.
- Kies een geschikt zaagblad voor het te zagen materiaal.
- Zorg dat het op het zaagblad aangegeven toerental niet wordt overschreden.
- Gebruik de kapzaag nooit voor het zagen van andere materialen dan in de gebruiksaanwijzing vermeld staan.
- Vervang het tafelinzetstuk wanneer het versleten of beschadigd is.
- Voor u begint te werken, maakt u een testsnede zonder dat de motor is ingeschakeld zodat de positie van het zaagblad, de werking van de beschermers m.b.t. andere machine-onderdelen en het werkstuk kunnen worden gecontroleerd.
- Wanneer u verstek-, schuine of samengestelde verstekzaagsneden maakt, stelt u de verschuifbaar schot af om de juiste afstand van het zaagblad aan te houden.
- Transporteer de kapzaag alleen met geactiveerde transportbeveiliging aan de handgreep.
- Houd de vloer vrij van los materiaal, vb. zaagafval.
- Verwijder geen zaagresten of andere delen van werkstukken uit het zaagbereik wanneer de machine in bedrijf is en de zaagkop zich niet in de ruststand bevindt.
- Lange werkstukken moeten goed gesteund worden. Het werkgebied van de zaag omvat de hele lengte van het werkstuk. De bediener moet dit gebied afsluiten tegen accidenteel contact met andere personen of voorwerpen die het werkstuk kunnen bewegen tijdens de werking.
- Stof dat vrijkomt tijdens het werken vormt vaak een gevaar voor de gezondheid. Machines met stofafzuiging gebruiken en tevens geschikte stofmaskers dragen. Verwijder de neergeslagen stof zorgvuldig, bijv. met een stofzuiger.
- De eenheid moet aan een stroomkringbeveiligingsapparaat (zekering of stroomonderbreker) worden verbonden.
- Vervang de laser of LED niet door een ander type. Alle reparaties mogen uitsluitend door de laserfabrikant of een geautoriseerde onderhoudsagent worden uitgevoerd.



- Wanneer u dit werktuig gebruikt, kunnen spanningsschommelingen andere elektrische producten of verlichting op hetzelfde stroomcircuit beïnvloeden. Verbind het werktuig met een stroombron waarvan de impedantie 0.071 Ω bedraagt om spanningsschommelingen te minimaliseren. Neem contact op met uw energieleverancier voor meer informatie.

VEILIGHEIDSIINSTRUCTIES VOOR HOUTZAAGBLAD

- Lees de instructies in deze gebruiksaanwijzing voor u de machine gebruikt.
- De machine moet zich in een goede staat bevinden, de as mag niet zijn vervormd of trillen.
- De zaag niet gebruiken zonder dat de bescherming geplaatst is, met name na een verandering van modus. Zorg dat de bescherming goed blijft werken en goed onderhouden blijft.
- Zorg ervoor dat de bediener goed is opgeleid inzake veiligheidsvoorzieningen, het afstellen en bedienen van de machine
- Draag altijd gezichtsbescherming met zijdelingse beschermers en gehoorbescherming. Het is aangewezen om handschoenen, stevige en antislipschoenen en een schort te dragen.
- Voor u een accessoire gebruikt, raadpleegt u de gebruiksaanwijzing. Het oneigenlijk gebruik van een accessoire kan schade veroorzaken.
- Gebruik uitsluitend zaagbladen die in deze gebruiksaanwijzing worden gespecificeerd en die overeenstemmen met EN 847 - 1.
- Houd rekening met de maximumsnelheid die op het zaagblad is aangeduid. Controleer of de snelheid die op het zaagblad staat vermeld ten minste gelijk is aan de snelheid die op de zaag staat vermeld.
- Gebruik altijd zaagbladen waarvan de grootte en de vorm geschikt zijn voor de dikte van de as. Zaagbladen die niet geschikt zijn voor de as waarop ze moeten worden gemonteerd zullen niet op de juiste manier ronddraaien en kunnen u de macht over de machine doen verliezen.
- Gebruik geen zaagbladen met een grotere of kleinere diameter dan aangewezen. Gebruik geen afstandhouders om het zaagblad op de as te doen passen.
- Controleer de punten van het zaagblad op schade of abnormaliteiten voor gebruik. Beschadigde of losse punten kunnen bij gebruik rondvliegende voorwerpen worden en de kans op verwondingen vergroten.
- Gescheurde zaagbladen of welke van vorm veranderd zijn, mogen niet gebruikt worden. Gebruik geen zaagbladen die beschadigd of vervormd zijn.
- Gebruik nooit een zaagblad dat is beschadigd of vervormd. Reparaties niet toegelaten.
- Gebruik geen HSS-zaagbladen.
- Zorg ervoor dat het zaagblad correct is gemonteerd voor u het gebruikt. Maak de borgmoer stevig vast voor

elk gebruik. (Koppel: 12-15 Nm)

- Stelschroeven en -bouten moeten met de geschikte sleutel worden aangespannen.
- De sleutel mag niet met behulp van de hamer worden uitgerekt of aangespannen
- Zorg ervoor dat alle zaagbladen en flensen schoon zijn en de inspringzijden van de kraag zich tegen het zaagblad bevinden.
- Zorg ervoor dat het zaagblad in de juiste richting draait.
- Voor u begint te werken, maakt u een testsnede zonder dat de motor is ingeschakeld zodat de positie van het zaagblad, de werking van de beschermers m.b.t. andere machine-onderdelen en het werkstuk kunnen worden gecontroleerd.
- Laat de machine nooit onbeheerd achter.
- Gebruik geen smeermiddelen op het zaagblad wanneer dit draait.
- Voer nooit reinigings- of onderhoudswerken uit wanneer de machine nog draait en de kop zich niet in de rustpositie bevindt.
- Probeer de machine nooit te stoppen als die in beweging is door een werktuig of een ander voorwerp tegen het zaagblad te klemmen aangezien dit ernstige ongevallen kan veroorzaken.
- Ontkoppel de zaagmachine van de stroomvoorziening voor u de zaagbladen vervangt of onderhoudswerken uitvoert.
- Wees voorzichtig bij in- en uitpakken van de zaagbladen, de scherpe bladpunten kunnen makkelijk tot verwondingen leiden.
- Gebruik de zaagbladhouder of draag handschoenen bij het manipuleren van zaagbladen.
- Bewaar en berg het zaagblad in zijn originele verpakking of een andere geschikte verpakking op, bewaar in droge omstandigheden en houd weg van chemische stoffen die de zaagbladen kunnen beschadigen.

LASERVEILIGHEID

- De lasergeleiderstraling die in deze zaagmachine wordt gebruikt is klasse 2 met maximum $\leq 1\text{mW}$ en 650nm golflengtes. Staar niet rechtstreeks in de laserstraal. Het niet voldoen aan de regels kan ernstig persoonlijk letsel tot gevolg hebben.
- Staar niet in de laserstraal tijdens de werking.
- Projecteer de laserstraal niet rechtstreeks in de ogen van anderen. Ernstige oogletsels kunnen ontstaan.
- Plaats de laser niet in een positie die ertoe kan leiden dat iemand opzettelijk of per ongeluk in de laserstraal kijkt.
- Gebruik geen optische hulpmiddelen om de laserstraal te zien.
- Gebruik de laser niet in de buurt van kinderen of laat kinderen de laser niet bedienen.
- Probeer reparaties aan de laser niet zelf uit te voeren.
- Probeer nooit onderdelen van het lasertoestel zelf te vervangen.





- Alle reparaties mogen uitsluitend door de laserfabrikant of een geautoriseerd onderhoudsagent worden uitgevoerd.
- Vervang de laser niet door een ander type.

RESTRISICO'S

Zelfs wanneer het product zoals voorgeschreven wordt gebruikt, blijft het onmogelijk om alle restrisiko's te voorkomen. De volgende gevaren kunnen optreden bij gebruik en de gebruiker dient speciaal op te letten om het volgende te voorkomen:

- Risico op contact met onbedekte onderdelen van het draaiende zaagblad.
 - Terugslag van werkstukken en onderdelen van werkstukken door foutieve afstellingen of foutief manipuleren.
 - Catapulteren van defecte carbide tips van het zaagblad.
 - Schade aan de luchtwegen als er geen effectief mondkapje wordt gedragen.
- OPMERKING:** Draag ademhalingsbeschermingsmaskers met filters die aangepast zijn aan het materiaal waarmee wordt gewerkt. Zorg voor voldoende ventilatie op de werkplaats. Eten, drinken of roken verboden in het werkgebied.
- Gehoorschade bij het niet dragen van een efficiënte gehoorbescherming.

⚠ WAARSCHUWING

Stof van bepaalde verven, coatings of materialen kunnen irritatie of allergische reacties aan de ademhalingswegen veroorzaken. Stof van hout, zoals eik, beuk, MDF en anderen zijn kankerverwekkend. Materiaal dat asbest bevat mag uitsluitend door een gekwalificeerde specialist worden bewerkt of verwerkt.

⚠ WAARSCHUWING

Letzels kunnen optreden of verergeren door langdurig gebruik van een gereedschap. Als u een werktuig gedurende langere periodes gebruikt, neem dan regelmatig pauze.

KEN UW PRODUCT

Zie pagina 162 - 163.

1. Handvat
2. Aan-/uitschakelaar
3. Veiligheidsvergrendelhandvat
4. Bovenste beschermkap
5. Zaagblad
6. Onderste beschermkap
7. Klem
8. Hoofdgeleider
9. Draaitafel
10. Voetplaat
11. Tafelinzetstuk

12. Vergrendelhandvat draaitafel
13. Balansvoet
14. Laserschakelaar
15. LED-schakelaar
16. Beugelstop
17. Onderste beschermdeksel
18. Glijdende geleider
19. Mounting hole
20. Verlenggeleider
21. Schroeven om de afschuinhoeklimietstop af te stellen.
22. Asvergrendelknop
23. Bovenste handvat
24. Stofzak
25. Afstelknop zaagdiepte
26. Lineaire staaf stopknop
27. Opwindondersteuning
28. Verstekhoekvergrendelknop
29. Maximum zaagdieptestop Veiligheidswaarschuwingen verstekzaag
30. Schroeven om de verstekhoek af te stellen.

BEDIENING

Het product bevat een bewegend zaagblad dat door de gebruiker in verschillende hoeken kan worden afgesteld wanneer u een werkstuk zaagt dat veilig aan de basis van het product is vastgemaakt. Het mag uitsluitend door een persoon worden bediend om ongewenst contact met het bewegend zaagblad te voorkomen.

De principes voor het veilig bedienen van het product zijn als volgt:

- Houd de zaagmachine, zaagbladen en het werkgebied in een goede conditie.
- Maak de verstekzaagvoet vast aan een stevige werkbank. Het product kan bewegen en kantelen als het niet goed is vastgemaakt.
- Stel de zaaghoeken en -diepte in en vergrendel deze voor u de insnede maakt.
- Maak het werkstuk aan de verstekzaagbasis vast. Gebruik de meegeleverde klem en, indien nodig, gebruik bijkomende klemmen of houdermechanismen om ongewilde bewegingen van het werkstuk tijdens het zagen te voorkomen.
 - Controleer dat de werking van de bladbeschermers niet wordt gehinderd door de positie van het werkstuk.
 - Zorg ervoor dat de geleider en andere onderdelen van het product niet worden geraakt als het zaagblad in de zaagpositie daalt.
- Start de motor en laat het zaagblad op volle snelheid komen voor u het langzaam in het werkstuk laat zakken. Schuif het zaagblad naar achter en/of voor om de zaagsnede te voltooien, zoals nodig.
- Laat het zaagblad tot zijn hoogste positie komen waarbij de zaagbladbeschermers volledig zijn gesloten. Schakel de motor uit en laat het zaagblad volledig stilvallen voor u het werkstuk of het zaagafval verwijdert of voor u in het zaagbladbereik reikt.



Voor elk eerst gebruik, zorgt u ervoor dat de hoek van de afschuining of verstek die op het product is ingesteld overeenkomt met de hoek die op het werkstuk moet worden geproduceerd. Controleer dit op een stuk afvalhout met behulp van een timmermanspotlood of verstekhaak.

⚠ WAARSCHUWING

De fabrikant raadt ten zeerste aan om het product altijd stevig op een werkbank gemonteerd te laten.

Wanneer de voet van het product stevig aan een werkbank is vastgemaakt met behulp van de vier meegeleverde moeren, bouten en sluitringen, kan het product in de maximale instelling voor afschuinen en verstekzagen worden gebruikt zonder dat de kans bestaat dat de machine kantelt. Als het product niet stevig is vastgemaakt, kan het kantelen wanneer een grote verstekhoek wordt geselecteerd.

Er is ook een afstelbare schroef (balanceervoet) die vanaf de onderkant van de verlengdraaitafel kan worden uitgeschoven. Deze schroef moet worden afgesteld zodat ze het vlakke oppervlak aanraakt waarop het product rust. Dit voorkomt ook dat het product overgebalanceerd raakt wanneer u de volledige lengte van de zijde en afschuining zaagt. Pas op, dit deel van de zaagtafel beweegt wanneer er verschillende verstekhoeken worden geselecteerd zodat de schroeven regelmatig moeten worden afgesteld en gereset.

ONDERHOUD

- Wijzig het product niet op een manier die niet door de fabrikant is goedgekeurd en gebruik geen accessoires die niet door de fabrikant zijn goedgekeurd. Uw veiligheid en deze van anderen kan in gevaar worden gebracht.
- Gebruik het product niet als de schakelaars, beschermers of andere functies niet naar behoren werken. Breng naar een geautoriseerd onderhoudscentrum voor professionele herstellingen of afstellingen.
- Voer geen afstellingen uit terwijl het zaagblad beweegt.
- Zorg er altijd voor dat de stekker uit de contactdoos is verwijderd voor u het werktuig afstelt, smeert of onderhoudswerken aan het product uitvoert.
- Voor en na elk gebruik controleert u het product op schade of gebroken onderdelen. Bewaar het product in een uitstekende conditie door onderdelen onmiddellijk te vervangen door vervangonderdelen die door de fabrikant zijn goedgekeurd.
- Het zaagblad is erg warm na gebruik, draag handschoenen of laat afkoelen voor onderhouds- of reinigingswerken.
- Verwijder het opgehoopte stof met behulp van een borstel of stofzuiger. Gebruik perslucht niet.
- Om de veiligheid en betrouwbaarheid te garanderen, moeten alle herstellingen, met inbegrip van het

vervangen van borstels, door een geautoriseerd onderhoudscentrum worden uitgevoerd.

- Als het stroomsnoer is beschadigd, mag het uitsluitend worden vervangen door de fabrikant of een geautoriseerd onderhoudscentrum om schade aan de zaagmachine of gevaar voor elektrocutie te voorkomen.

⚠ WAARSCHUWING

Alle reparaties moeten worden uitgevoerd door een Erkend Ryobi Servicecentrum teneinde de veilige en betrouwbare werking van de machine te garanderen.

Maximum zaagdieptestop Veiligheidswaarschuwingen verstekzaag

De maximale zaagdieptestop dient om te voorkomen dat het zaagblad in de metalen basis van de eenheid zaagt.

⚠ WAARSCHUWING

De maximale zaagdieptestop kan niet door de gebruiker worden afgesteld. Maximumzaagdieptestop niet wijzigen.

TRANSPORT EN OPSLAG

- Wanneer u het product opbergt, ontkoppelt u het stroomsnoer van de stroomtoevoer. Bewaar het product op een veilige plaats die niet toegankelijk is voor kinderen. Berg het stroomsnoer op, zoals getoond in de afbeelding op pagina 185 - 186 van deze gebruiksaanwijzing.
- Reinig het product met behulp van een borstel en stofzuiger voor u het opbergt.
- Als u het zaagblad verwijderd of vervangbladen bij de machine bewaart, moet u ervoor zorgen dat ze in de originele verpakking worden bewaard om letsels te voorkomen.

Om het product vast te maken voor u het beweegt:

- Het product moet worden bewaard in een verstek- en afschuinhoek van nul graden en in de vergrendelde positie. De geleider moet vergrendeld zijn. Het handvat moet in de onderste (veilige) positie zijn vergrendeld met gesloten beschermers.
- Een of beide zijden van het werkstuksteunen kunnen worden verwijderd om het werkstuk makkelijker te kunnen dragen.

In een voertuig plaatsen of transporteren:

- Maak het product vast voor u het beweegt, zoals beschreven in de gebruiksaanwijzing.
- Verwijder het product van de werkbank door de 4 bouten, elk aan een hoek, los te maken. Maak de bouten voor toekomstig gebruik vast. Hef het product op met het handvat aan de bovenkant.



- Wanneer u het opheft, zijn twee personen met zware handschoenen nodig om het product van de basis op te heffen.
- Wanneer u het in een voertuig transporteert, plaatst u het product op zijn basis en beveiligt u het tegen beweging.

MILIEUBESCHERMING



Zorg dat grondstoffen worden gerecycled in plaats van weggegooid als afval. Om het milieu te beschermen moeten de machine, de accessoires en de verpakking gesorteerd bij een erkend recyclingcentrum worden aangeleverd.

SYMBOOL



Veiligheidswaarschuwing



EU-conformiteit



Lees zorgvuldig de instructies voor u het product start.



Klasse II-apparaat, dubbele isolatie



Draag gehoorbescherming



Draag altijd gezichtsbescherming.



GEVAAR! Scherp zaagblad.



Draag veiligheidshandschoenen



Zaagbladrotatierichting (op het zaagblad weergegeven)



Bladdraairichting (getoond op de zaagbladbeschermer)



Zaagbladbreedte van de zaagsnede



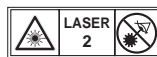
Aantal tanden op dit zaagblad



Voor het zagen van hout en analoog materiaal



Niet voor het zagen van metaal



Laserstraling.
Kijk niet in de laserstraal.
Klasse 2 laserproduct



Elektrisch afval mag niet samen met ander huishoudafval worden weggegooid. Gelieve te recyclen indien de mogelijkheid bestaat. Neem contact op met uw gemeente of handelaar om advies te krijgen over recyclage.

SYMBOLLEN IN DE GEBRUIKSAANWIJZING



Verbind de product met de wandcontactdoos.



Trek de product uit de contactdoos.



Vergrendeling



Ontgrendeling



Vergrendelmechanisme werkt niet



Er weerklinkt een geluid



Wachttijd tot het zaagblad zijn volledige snelheid bereikt



Onderdelen of accessoires afzonderlijk gekocht



Opmerking:



WAARSCHUWING



De volgende kernwoorden en verklaringen zijn bedoeld om de gevaarniveaus die op dit toestel betrekking hebben, te verklaren.



EN
FR
DE
ES
IT
NL
PT
DA
SV
FI
NO
RU
PL
CS
HU
RO
LV
LT
ET
HR
SL
SK
EL
TR
UK

⚠ GEVAAR

Wijst op een gevaarlijke situatie die, indien ze niet wordt vermeden, kan leiden tot ernstige verwondingen of de dood.

⚠ WAARSCHUWING

Wijst op een mogelijk gevaarlijke situatie die, indien ze niet wordt vermeden, kan leiden tot ernstige verwondingen of de dood.

⚠ LET OP

Wijst op een mogelijk gevaarlijke situatie die, indien ze niet wordt vermeden, kan leiden tot lichte of middelmatige verwondingen.

LET OP

(Zonder veiligheidssymbool) Geeft een situatie aan die materiële schade zou kunnen veroorzaken.

130.com.ua



Segurança, desempenho e fiabilidade foram as prioridades na concepção da serra de esquadria.

UTILIZAÇÃO PREVISTA

A serra de esquadria foi desenhada para serrar madeira sólida e aglomerado de madeira, materiais similares à madeira, com ou sem chapa encolada, e plásticos.

A serra apenas deve ser utilizada por operadores adultos que tenham lido o manual de instruções e compreendido os riscos e perigos.

A serra de esquadria foi concebida para ser fixa à base de uma bancada sólida. Se a base não estiver firmemente fixa, qualquer máquina se pode mover durante as operações de corte, o que aumenta a possibilidade de sofrer lesões pessoais graves.

A serra de esquadria foi desenhada para fazer cortes de bisel e esquadria. As capacidades dos diferentes cortes proporcionam-se nas especificações da esquadria compacta deslizante incluídas neste manual.

A serra deve ser utilizada em ambientes secos, com um bom grau de iluminação e uma ventilação adequada.

A serra de esquadria foi desenhada para uso doméstico e apenas se deve utilizar como se descreve anteriormente e não para qualquer outro propósito.

AVISOS GERAIS DE SEGURANÇA

⚠ AVISO

Ao utilizar ferramentas eléctricas, devem seguir-se sempre precauções básicas de segurança para minimizar o risco de incêndio, choque eléctrico e lesões. Leia todas as instruções antes de tentar operar este produto e guarde-as.

- **Mantenha a área de trabalho limpa.** As áreas e os bancos de trabalho desordenados são mais susceptíveis de causar ferimentos.
- **Tenha em atenção o ambiente da área de trabalho.** Não exponha ferramentas à chuva. Não use as ferramentas em locais húmidos ou molhados. Mantenha a área de trabalho adequadamente limpa. Mantenha as ferramentas ao abrigo de líquidos ou gases inflamáveis.
- **Proteja contra choques eléctricos.** Evite o contacto do corpo com superfícies com ligação terra ou enterradas (tais como tubos, radiadores, fogões e frigoríficos).
- **Mantenha as outras pessoas afastadas.** Não deixe que as pessoas, especialmente crianças, sejam envolvidas no trabalho, toquem na ferramenta ou no cabo de extensão, e mantenha-as afastadas da área de trabalho.
- **Guarde as ferramentas inactivas.** Quando não estiver em uso, as ferramentas devem ser guardadas num local seco, com chave, fora do alcance de crianças.
- **Não force a ferramenta.** Realizará um trabalho melhor e mais seguro à velocidade para a qual foi destinada.
- **Utilize a ferramenta adequada.** Não force as

ferramentas de pequeno porte a realizarem o trabalho de uma ferramenta de trabalho pesado. Não use ferramentas para finalidades às quais não se destina, por exemplo, não use serras circulares para cortar ramos de árvores ou troncos.

- **Vista-se adequadamente.** Não use roupas largas ou jóias; podem ficar presas nas partes móveis. Recomenda-se a utilização de calçado anti-deslizante ao trabalhar em exteriores. Use também uma cobertura protectora para o cabelo para recolher o cabelo comprido.
- **Use equipamento de protecção.** Use óculos de segurança. Use uma máscara de rosto para se proteger do pó caso trabalhe em operações que criem pó.
- **Conecte o equipamento de extracção de pó.** Se é fornecida a ferramenta para a ligação de espaços de extracção e recolha de pó, assegure-se de que estes se encontram conectados e usados correctamente.
- **Não dê um uso inadequado ao cabo.** Nunca puxe o cabo para o desconectar da tomada. Mantenha o cabo afastado do calor, óleo e pontas afiadas.
- **Fixe a peça de trabalho.** Quando possível, use braçadeiras ou um torno para fixar o trabalho. É mais seguro do que utilizar a sua mão.
- **Não se aproxime em demasia.** Mantenha sempre o equilíbrio e a posição dos pés adequada.
- **Utilize as ferramentas com cuidado.** Mantenha as ferramentas de corte afiadas e limpas para que realizem um trabalho melhor e mais seguro. Siga as instruções de lubrificação e mudança de acessórios. Inspeccione periodicamente os cabos e, se estiverem danificados, leve-os a um centro de assistência autorizado. Inspeccione os cabos de extensão periodicamente e substitua-os, se danificados. Mantenha os manipuladores secos, limpos e livres de óleo e graxa.
- **Desligue as ferramentas.** Quando não estiver em utilização, antes de realizar a manutenção e ao mudar os acessórios tais como as lâminas, brocas e cortadores, desconecte as ferramentas da fonte de alimentação.
- **Retire as chaves de porcas.** Habitue-se a verificar se as chaves de ajuste e as chaves inglesas foram retiradas da ferramenta antes de a ligar.
- **Evite o arranque involuntário.** Certifique-se de que o interruptor se encontra na posição "off" ao ligar a ficha.
- **Use cabos de extensão no exterior.** Quando uma ferramenta é usada no exterior, use apenas cabos de extensão que se destinem a ser utilizados ao ar livre e estejam assim assinalados.
- **Mantenha-se alerta.** Observe aquilo que está a fazer, use o senso comum e não opere a ferramenta quando estiver cansado.
- **Verifique se existem peças danificadas.** Antes de mais qualquer utilização da ferramenta, esta deve ser verificada cuidadosamente para determinar se funcionará adequadamente e realizará a função a que se destina. Confirme o alinhamento das peças móveis, a união das peças móveis, a ruptura de peças, montagem e quaisquer outras condições que possam afectar o funcionamento. Uma protecção ou outra peça que esteja danificada deve ser adequadamente reparada ou



substituída por um centro de assistência autorizado salvo indicação contrária neste manual de instruções. Leve os interruptores defeituosos para serem substituídos num centro de assistência autorizado. Não use a ferramenta caso o interruptor não a ligue ou desligue.

- **Aviso.** O uso de qualquer acessório ou extra para além dos recomendados neste manual de instruções pode implicar um risco de lesão pessoal.
- **Leve a sua ferramenta para ser reparado por uma pessoa qualificada.** Esta ferramenta eléctrica cumpre com as normas de segurança relevantes. As reparações só devem ser realizadas por pessoas qualificadas utilizando peças de substituição originais, caso contrário poderá resultar em perigo considerável para o utilizador.

AVISOS DE SEGURANÇA DA ESQUADRIA

- Fixe sempre a peça de trabalho com segurança e firmeza.
- Assegure-se que a máquina sempre esteja numa posição segura (por exemplo fixação na bancada de trabalho).
- Sempre use a protecção dos ouvidos. A influência de ruídos pode causar surdez.
- Usar sempre óculos de protecção ao trabalhar com a máquina. Recomenda-se utilizar luvas para manusear as lâminas e o material em bruto, além de sapatos anti-deslizantes resistentes para proteger os pés das peças de trabalho que possam cair da zona de corte.
- Desconecte sempre a ficha da toma antes de realizar qualquer operação de manutenção ou limpeza da ferramenta.
- Ligue o cabo de alimentação à tomada apenas quando a ferramenta estiver desligada.
- Manter sempre o cabo de ligação fora da zona de acção da máquina. Mantenha-a fora da área onde se encontra o operador.
- Não aproxime a mão da lâmina a menos que a lâmina tenha parado completamente.
- Antes de cada utilização inspeccionar a máquina, o cabo de ligação a extensão e quanto a danos e desgaste. As reparações de qualquer máquina, incluindo o cabo de alimentação, apenas devem ser realizadas por agentes de serviço autorizados.
- Nunca utilizar a máquina sem dispositivo de protecção. Não utilize a máquina se as protecções não estiverem no seu lugar e não funcionam corretamente.
- Resguardo de protecção só deve ser aberto quando a máquina estiver encostada à peça de trabalho.
- Não altere nem modifique a serra nem a sua função. A sua segurança pode ver-se ameaçada.
- Ao usar a esquadria em exteriores, o fabricante recomenda o uso de um ID (interruptor diferencial) com disparo fixo em 30 mA.
- Não utilize lâminas de serra que estejam gretadas, danificadas ou deformadas.
- Não utilize folhas de serra fabricadas de aço rápido.
- Utilize apenas lâminas afiadas. Mude as lâminas embotadas.
- Utilize sempre lâminas de tamanho e de forma adaptadas ao furo do eixo. Lâminas não adaptadas ao eixo onde elas devem ser montadas não trabalharão correctamente e provocarão uma perda de controlo da ferramenta.
- Use lâminas apenas especificadas neste manual, em conformidade com EN 847-1.
- Não utilize manilhas, anilhas e porcas para fixar a lâmina de serra que não sejam as fornecidas ou indicadas no manual de instruções.
- Selecione uma folha de serra apropriada para o material a cortar.
- Observe o número de rotações máximo, indicado na folha de serra.
- Nunca utilize a serra de corte para cortar materiais não indicados no manual de instruções.
- Mude a inserção da lâmina quando estiver desgastada ou danificada.
- Antes de proceder ao trabalho, faça um corte de teste sem o motor ligado de modo a verificar a posição da lâmina, a operação das protecções relativamente a outras peças da máquina e a peça a trabalhar.
- Ao realizar cortes de esquadria, cónicos ou mitra composto, ajuste a cerca de correr para garantir a correta folga da lâmina.
- Só transporte a serra de corte com dispositivo de transporte engatado no punho.
- Mantenha a área do chão sem material solto, por exemplo, lascas e recortes.
- Não remova os resíduos de serração e outras partes de materiais da área de serração quando a máquina estiver a operar e a cabeça de serra não estiver na posição de repouso.
- Materiais compridos deverão ser suportados apropriadamente. A área de trabalho da serra inclui toda a extensão da peça de trabalho. O operador deve evitar o contacto accidental desta zona com outras personas ou objetos que possam mover a peça de trabalho durante a operação.
- A poeira gerada ao utilizar esta ferramenta pode ser perigosa para a saúde. Utilize um sistema de absorção de poeiras e use uma máscara de protecção. Retire minuciosamente o pó depositado, por exemplo, com um aspirador.
- A unidade deve ser ligada a um dispositivo de protecção do circuito de alimentação (fusível ou disjuntor).
- Não substitua o laser ou LED por outro de tipo diferente. Qualquer reparação deve ser executada pelo fabricante de laser ou um agente de assistência autorizado.
- Ao utilizar esta ferramenta, as flutuações de tensão podem afetar outros aparelhos eléctricos ou de iluminação no mesmo circuito de alimentação. Ligue a ferramenta a uma fonte de alimentação com uma impedância de 0,071 Ω para minimizar as flutuações



de voltagem. Contacte o seu fornecedor de energia eléctrica para mais esclarecimentos.

INSTRUÇÕES DE SEGURANÇA PARA A LÂMINA DE CORTE DE MADEIRA

- Leia as instruções deste manual antes de utilizar a máquina.
- A máquina tem que estar em boas condições, o eixo sem deformações e vibrações.
- Não utilize a serra sem as guardas na posição correcta, especialmente depois de alterar o modo. Conserve as guardas em bom estado de funcionamento e manutenção.
- Certifique-se de que o operador está devidamente formado quanto às precauções de segurança, ajustes e funcionamento da máquina.
- Use sempre protecção para os olhos com escudos laterais, bem como protecção auditiva. Recomenda-se a utilização de luvas de protecção, calçado pesado anti-deslizante e avental.
- Antes de utilizar qualquer acessório, consulte o manual de instruções. O uso inadequado de um acessório pode causar danos.
- Use lâminas apenas especificadas neste manual, em conformidade com EN 847-1.
- Observe a velocidade máxima marcada na lâmina da serra. Assegure que a velocidade indicada no disco da serra é pelo menos igual à velocidade indicada na serra.
- Utilize sempre lâminas de tamanho e de forma adaptadas ao furo do eixo. Lâminas não adaptadas ao eixo onde elas devem ser montadas não trabalharão correctamente e provocarão uma perda de controlo da ferramenta.
- Não utilize lâminas de diâmetro maior ou mais pequeno que o recomendado. Não utilize qualquer espaçador para encaixar a lâmina no eixo.
- Inspeccione as pontas da lâmina da serra quanto a danos ou uma aparência anormal antes de cada utilização. As pontas que estão danificadas ou soltas podem ser projetadas durante a utilização e aumentam o risco de lesões pessoais.
- Não utilizar lâminas de corte fissuradas ou deformadas. Não use folhas de serra danificadas ou deformadas.
- Nunca utilize uma lâmina de serra danificada ou deformada. A reparação não é permitida.
- Não utilize lâminas HSS.
- Certifique-se que a lâmina da serra está correctamente montada antes de a utilizar. Aperte a porca de aperto firmemente antes de cada utilização. (Torque: 12-15 Nm)
- O aperto dos parafusos e porcas deve ser realizado com a chave apropriada.
- Uma extensão de chave ou o aperto usando impactos de martelo não é permitido.
- Certifique-se que a lâmina e as flanges estão limpas

e os lados encaixados do aro estão contra a lâmina.

- Certifique-se que a lâmina gira na direcção correcta.
- Antes de proceder ao trabalho, faça um corte de teste sem o motor ligado de modo a verificar a posição da lâmina, a operação das proteções relativamente a outras peças da máquina e a peça a trabalhar.
- Nunca deixe a máquina sem vigilância.
- Não aplique lubrificantes na lâmina quando estiver em funcionamento.
- Nunca realize qualquer trabalho de limpeza ou manutenção quando a máquina ainda se encontra em funcionamento e a cabeça não estiver na posição de descanso.
- Nunca tente parar uma máquina em movimento repentinamente encravando uma ferramenta ou outros meios contra a lâmina pois deste modo poderá causar acidentes graves sem intenção.
- Desligue a serra da fonte de alimentação antes de substituir as lâminas ou realizar qualquer manutenção.
- Tenha cuidado com a embalagem da lâmina e ao desembalar a mesma, é fácil lesionar-se com as pontas afiadas da lâmina.
- Use um porta-lâminas ou use luvas protetoras ao manipular uma lâmina de serra.
- Guarde e armazene a lâmina na embalagem original ou outra embalagem apropriada, mantenha-a em condições secas e afastada de produtos químicos que possam danificar a lâmina.

SEGURANÇA LASER

- A radiação do guia laser utilizada nesta serra é de Classe 2 com comprimentos de onda máximos de $\leq 1\text{mW}$ e 650nm. Não olhe directamente para o feixe laser. O não cumprimento destas regras pode resultar em graves lesões físicas.
- Não olhe para o feixe durante o funcionamento.
- Não projecta o feixe laser directamente para os olhos de outras pessoas. Poderão ocorrer graves lesões nos olhos.
- Não coloque o laser numa posição que possa fazer com que alguém olhe fixamente no feixe laser intencionalmente ou sem intenção.
- Não utilize ferramentas ópticas para ver o feixe laser.
- Não opere o laser perto de crianças ou não deixe crianças operar o laser.
- Não tente reparar o dispositivo laser por si próprio.
- Não tente substituir sozinho(a) qualquer peça do aparelho laser.
- Qualquer reparação deve ser executada pelo fabricante de laser ou um agente de assistência autorizado.
- Não substitua o laser por outro de tipo diferente.

RISCOS RESIDUAIS

Mesmo quando se utiliza o produto segundo as instruções, continua a ser impossível eliminar por completo certos



fatores de risco residuais. Podem surgir os seguintes riscos durante o uso e o operador deve prestar especial atenção para evitar o seguinte:

- Risco de contacto com peças não cobertas da lâmina circular rotativa.
- Ressalto das peças de trabalho e de partes das peças de trabalho devido a um ajuste ou manuseamento incorrecto.
- Catapultamento de pontas de carboneto defeituosas da lâmina da serra.
- Existe o risco de lesões para o sistema respiratório caso não se use uma máscara contra o pó eficaz.

NOTA: Use máscaras protetoras com filtros adequados para os materiais com que vai trabalhar. Assegure uma ventilação adequada do local de trabalho. Não coma, beba ou fume na área de trabalho.

- Danos para a audição caso não se utilize protecção auditiva eficaz.

⚠ AVISO

O pó de certas pinturas, revestimentos e materiais pode causar irritação ou reações alérgicas no sistema respiratório. O pó de madeira como o carvalho, a faia, o MDF e outros é cancerígeno. O material que contém amianto apenas deve ser trabalhado ou processado por operadores especialistas qualificados.

⚠ AVISO

As lesões podem ser causadas ou agravadas pelo uso prolongado de uma ferramenta. Ao usar qualquer ferramenta durante períodos prolongados, assegure-se que faz intervalos regulares.

CONHEÇA O SEU APARELHO

Ver a página 162 - 163.

1. Manípulo
2. Interruptor de ligação
3. Cabo de bloqueio de segurança
4. Protector da lâmina superior
5. Lâmina da serra
6. Protector da lâmina inferior
7. Braçadeira
8. Fence principal
9. Mesa giratória
10. Base
11. Inserção da mesa
12. Asa de bloqueio da mesa giratória
13. Equilíbrio
14. Interruptor de laser
15. Interruptor LED
16. Travão da braçadeira
17. Cobertura de protecção inferior
18. Eixo deslizante
19. Orifício de montagem

20. Barra de extensão
21. Parafusos de ajuste do limitador do ângulo de bisel
22. Botão de bloqueio do eixo
23. Asa superior
24. Saco para o pó
25. Botão de ajuste da profundidade de corte
26. Botão de tope da vareta lineal
27. Winding support
28. Botão de bloqueio de ângulo do bisel
29. Tope de profundidade máxima de corte
30. Parafusos de ajuste do ângulo de esquadria

OPERAÇÃO

O produto conta com uma lâmina de serra em movimento que o operador pode ajustar vários ângulos o cortar uma peça de trabalho que se fixa firmemente na base do produto. Deve ser utilizada por uma única pessoa para evitar o contacto accidental com a lâmina da serra em movimento.

Os princípios para um uso seguro do produto são as seguintes:

- Mantenha a serra, as lâminas e a área de trabalho em boas condições.
- Fixe a serra circular a uma base de bancada compacta. O produto pode mover-se e cair se não estiver corretamente sujeito.
- Ajuste e bloqueie os ângulos de corte e a profundidade antes de fazer o corte.
- Asegure a peça de trabalho à base da esquadria. Utilize a braçadeira proporcionada e, em caso necessário, utilize braçadeiras adicionais ou mecanismos de fixação para evitar o movimento involuntário da peça de trabalho durante o corte.
 - Verifique se o funcionamento das proteções da lâmina não está limitado pela posição da peça de trabalho.
 - Assegure-se que o fence e outras partes do produto não se cortam enquanto a lâmina desce até à posição de corte.
- Ligue o motor e deixe que a lâmina alcance a velocidade máxima antes de descer lentamente para cortar a peça de trabalho. Deslize o conjunto da lâmina para trás e/ou para a frente para completar o corte se for necessário.
- Deixe que o conjunto da lâmina chegue à sua posição superior, onde as proteções da lâmina estão completamente fechadas. Desligue o motor e deixe que a lâmina pare completamente antes de retirar a peça de trabalho ou os recortes, ou antes de chegar à zona da lâmina.

Antes do primeiro uso, assegure-se de que o ângulo do bisel ou esquadria colocado no produto coincida com o ângulo que deseja produzir na peça de trabalho. Verifique-o sobre um pedaço de madeira sem uso utilizando um conjunto de carpinteiro ou uma esquadria.

**⚠ AVISO**

O fabricante recomenda veementemente que este aparelho seja sempre montado de forma segura sobre uma bancada.

Quando o aparelho está firmemente fixo a uma bancada com as quatro porcas, parafusos e anilhas fornecidas, está pronto a ser usado ao máximo nível e definições de serra sem a possibilidade de se inclinar. Se o produto não estiver bem fixo, pode balancear-se quando se seleccionam grandes ângulos de bisel.

Também há um parafuso ajustável (equilíbrio de pé) que se estende desde a parte inferior da mesa giratória adicional. Este parafuso deve ser ajustado de modo que toque a superfície plana sobre a qual se apoia o produto. Isto também evitará que o produto se desequilibre ao cortar à máxima extensão de deslizamento e bisel. Cuidado, esta parte da serra de mesa move-se quando se seleccionam diferentes ângulos de esquadria, pelo que o parafuso deve ser ajustado e reposicionado com frequência.

MANUTENÇÃO

- Não modifique o produto de nenhum modo nem utilize acessórios não aprovados pelo fabricante. A sua segurança e a dos demais pode ver-se ameaçada.
- Não utilize o produto se algum dos interruptores, proteções ou outras funções não funcionam conforme o previsto. Dirija-se a um centro de serviço autorizado para ajustes ou reparações profissionais.
- Não faça nenhum ajuste enquanto a lâmina da serra está em movimento.
- Assegure-se sempre que o cabo de alimentação foi retirado da rede elétrica antes de realizar qualquer ajuste ou operações de lubrificação ou ao realizar operações de manutenção no produto.
- Antes e depois de cada uso, verifique se há danos ou partes partidas no produto. Mantenha o produto nas melhores condições de trabalho substituindo de imediato as peças por peças sobresselentes aprovadas pelo fabricante.
- A lâmina está muito quente depois do uso; use luvas ou deixe arrefecer antes de realizar operações de manutenção ou limpeza.
- Limpe o pó acumulado utilizando uma escova ou aspirador. Não utilize o ar comprimido.
- Para garantir a segurança e fiabilidade, todas as reparações, incluindo a substituição de escovas, devem ser realizadas por um centro de serviço autorizado.
- Se o cabo de alimentação estiver danificado, apenas deve ser substituído pelo fabricante ou por um centro de serviço autorizado para evitar danos na serra ou risco de electrocução.

⚠ AVISO

Para mais segurança e fiabilidade, todas as reparações devem ser feitas por um Centro de Serviço Autorizado Ryobi.

Topo de profundidade máxima de corte

O topo máximo de profundidade de corte serve para evitar que a lâmina da serra corte a base metálica da unidade.

⚠ AVISO

O utilizador não pode ajustar o topo máximo de profundidade de corte. Não ajuste o topo máximo de profundidade de corte.

TRANSPORTE E ARMAZENAMENTO

- Desconecte o cabo de alimentação ao guardar o produto. Guarde o produto num local seguro que não seja acessível às crianças. Guarde o cabo de alimentação como se mostra na ilustração das páginas 185 a 186 deste manual.
- Limpe o produto com uma escova e um aspirador antes do seu armazenamento.
- Se retirar a lâmina de serra ou guardar peças sobresselentes com a unidade, assegure-se que estão na embalagem original para evitar lesões.

Para assegurar o produto antes de realizar movimentos:

- O produto deve ser guardado com o ângulo de bisel e esquadria a zero graus e bloqueado nessa posição. O deslizamento deve estar bloqueado. A asa deve ser bloqueada na posição mais baixa (segura) com as proteções fechadas.
- Podem remover-se uma ou ambas as laterais do suporte da peça de trabalho para facilitar o seu transporte.

Para transportar à mão ou num veículo:

- Assegure o produto antes de realizar movimentos tal como se descreve no manual.
- Retire o aparelho da bancada, libertando os quatro parafusos, um em cada canto. Guarde os parafusos para utilizá-los no futuro. Levante o produto utilizando a asa na parte superior.
- Ao levantar o produto a certa altura, são necessárias duas pessoas com luvas resistentes para levantar a base do produto.
- Para transportá-lo num veículo, coloque o produto sobre a sua base e imobilize-o.

PROTECÇÃO DO AMBIENTE

Recicle os materiais em vez de pô-los directamente no lixo doméstico. Para proteger o ambiente, a ferramenta, os acessórios e as embalagens devem ser seleccionados.





SÍMBOLO



Alerta de Segurança



Conformidade CE



Por favor, leia atentamente as instruções antes de acender o produto.



Equipamento de Classe II, isolamento duplo



Use protecção para os ouvidos



Use sempre protecção para os olhos.



PERIGO! Lâmina afiada.



Use luvas de protecção.



Direção de rotação da lâmina (apresentado na lâmina da serra)



Sentido de rotação da lâmina (mostra-se na protecção da lâmina)



Comprimento do corte da lâmina (canal)



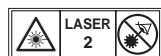
Número de dentes na lâmina da serra



Para cortar madeira e material análogo



Não se aplica a metais de corte

Radiação do laser.
Não olhe directamente para o feixe.
Produto laser de Classe 2

Os aparelhos eléctricos antigos não devem ser eliminados juntamente com o lixo doméstico. Recicle onde existem instalações para o efeito. Verifique com as suas Autoridades Locais ou revendedor para obter informações sobre reciclagem.

SÍMBOLOS NESTE MANUAL



Ligue a ficha da produto à tomada.



Desligue o produto.



Bloqueio



Abrir



O mecanismo de bloqueio não funciona



Ouve-se um som



Tempo de espera para que a lâmina alcance a velocidade máxima



As peças ou acessórios vendem-se separadamente



Nota:



AVISO

As seguintes palavras de sinal e significados destinam-se a explicar os níveis de risco associados a este produto.

⚠ PERIGO

Indica uma situação de perigo iminente, a qual, se não for evitada, pode resultar em morte ou ferimentos graves.

⚠ AVISO

Indica uma situação potencialmente perigosa que, se não for evitada, pode resultar em morte ou ferimentos graves.

⚠ CAUTELA

Indica uma situação potencialmente perigosa que, se não for evitada, pode resultar em ferimentos leves ou moderados.

CAUTELA

(Sem símbolo de segurança) Indica uma situação que pode provocar danos materiais.



Sikkerhed, ydelse og driftssikkerhed har fået topprioritet i designet af deres geringsssav.

TILTÆNKTE ANVENDELSESFORMÅL

Den geringsssav er beregnet til savning i massivt og bundet træ, materiale, der svarer til træ, med eller uden påklæbet finer samt plast.

Saven er kun beregnet til at blive anvendt af voksne operatører, som har læst brugsanvisningen og forstået de involverede risici og farer.

Den geringsssav har en sokkel, der er designet til montering på en solid arbejdsbænk. Hvis soklen ikke er forsvarligt fastgjort, kan hele maskinen flytte sig under skærearbejdet, hvilket øger muligheden for alvorlig personskade.

Den geringsssav er designet til fremstilling af smig- og geringsssnit. Kapaciteten for de forskellige snit fremgår af produktspecifikationerne i brugsanvisningen for den glidende kompakte kap- & geringsssav.

Saven skal bruges under tørre forhold, med perfekt omgivende belysning og tilstrækkelig ventilation.

Den geringsssav er beregnet til privat brug og må kun bruges som beskrevet ovenfor og er ikke beregnet til noget andet formål.

GENERELLE SIKKERHEDSADVARSLER

⚠ ADVARSEL

Ved brug af elværktøjer bør man altid følge de grundlæggende sikkerhedsregler for at reducere risikoen for brand, elektrisk stød og personskade. Læs hele brugsanvisningen, inden du forsøger at betjene dette produkt, og gem brugsanvisningen.

- **Hold arbejdsområdet rent og ryddeligt.** Rodede områder og borde inviterer til personskader.
- **Vær opmærksom på miljøet i arbejdsområdet.** Undgå at udsætte værktøjer for regn. Brug ikke værktøjer på fugtige eller våde steder. Arbejdsområdet skal være godt oplyst. Brug ikke værktøjer i nærheden af brændbare væsker eller gasser.
- **Beskyt dig mod elektrisk stød.** Undgå kropskontakt med jordede eller stelforbundne overflader (fx rør, radiatorer, komfurer og køleskabe).
- **Hold andre personer på afstand.** Lad ikke personer, især børn, deltage i arbejdet, røre ved værktøjet eller forlængerledningen, og sørg for at holde dem ude af arbejdsområdet.
- **Opbevar ubenyttede værktøjer.** Når værktøjer ikke bruges, skal de opbevares på et tørt, aflåst sted utilgængeligt for børn.
- **Værktøjet må ikke tvinges.** Produktet klarer opgaven bedre og sikrere med den hastighed, det er beregnet til.
- **Brug det rigtige værktøj.** Undlad at tvinge mindre værktøjer til at udføre arbejdsopgaver, der kræver værktøjer. Undlad at bruge værktøj til ikke-formålsbestemte opgaver; brug fx ikke en rundsav til at skære i grene eller træstammer.
- **Vær ordentligt klædt på.** Undlad at bære løstsiddende tøj eller smykker; sådanne kan hænge fast i bevægelige maskindele. Ved arbejde udendørs anbefales brug af skridsikket fodtøj. Brug også beskyttende håret eller lign. til sikring af langt hår.
- **Brug værnemidler.** Brug sikkerhedsbriller. Brug ansigts- eller støvmaske, hvis arbejdsopgaven genererer støv.
- **Tilslut støvudsugningsudstyr.** Hvis værktøjet er beregnet til tilslutning af støvudsugnings- og opsamlingsudstyr, skal dette tilsluttes og anvendes korrekt.
- **Ledningen må ikke misbruges.** Træk aldrig stikket ud af stikkontakten ved at rykke i ledningen. Hold ledningen på afstand af varme, olie og skarpe kanter.
- **Fastgør emnet.** Brug så vidt muligt skruetvinge eller skruestik til fastholdning af emnet. Det er sikrere end at bruge hånden.
- **Læn dig aldrig for langt frem.** Sørg for altid at have godt fodfæste og god balance.
- **Værktøjer skal vedligeholdes med omhu.** Skæreværktøjerne skal holdes skarpe og rene for bedre og sikrere ydelse. Følg vejledningen for smøring og udskiftning af tilbehørsdele. Inspicér værktøjsledningerne regelmæssigt, og - hvis de beskadiges - få dem repareret på et autoriseret serviceværksted. Inspicér forlængerledningerne regelmæssigt, og udskift dem, hvis de beskadiges. Hold håndtagene tørre, rene og fri for olie og fedt.
- **Afbryd strømmen til værktøjerne.** Når værktøjet ikke bruges, inden det serviceres, og når der skiftes tilbehør som fx knive, bits og fræsere, skal strømforsyningen afbrydes til værktøjet.
- **Fjern svensknøgler og faste nøgler.** Gør det til en vane at kontrollere, at faste nøgler og svensknøgler er fjernet fra værktøjet, inden der tændes for det.
- **Undgå utilsigtet start.** Kontrollér, at kontakten er i pos. "off" (=slukket), inden stikket sættes i kontakten.
- **Brug udendørs forlængerledninger.** Når værktøjet bruges udendørs, må der kun bruges forlængerledninger, der er beregnet (og mærket) til udendørs brug.
- **Vær agtpågivende.** Vær opmærksom på, hvad du gør, brug sund fornuft, og anvend ikke værktøjet, hvis du er træt.
- **Kontrollér beskadigede dele.** Inden værktøjet tages i brug, skal man undersøge det nøje for at sikre sig, at det fungerer korrekt og er i stand til at opfylde den tiltænkte funktion. Kontrollér, at de bevægelige dele er indjusteret korrekt, at de ikke binder; for brud på dele, montering samt enhver anden tilstand, der kan påvirke delenes funktion. En beskadiget skærm eller anden del skal repareret ordentligt eller udskiftes på et autoriseret servicecenter, med mindre andet fremgår af denne





brugsanvisning. Få defekte kontakter udskiftet på et autoriseret servicecenter. Værktøjet må ikke tages i brug, hvis TÆND/SLUK-kontakten ikke virker.

- **Advarsel.** Brug af udstyr eller tilbehør, som ikke er anbefalet i denne brugsanvisning, kan medføre fare for personskader.
- **Få kun værktøjet repareret af en kvalificeret person.** Dette elværktøj opfylder alle relevante sikkerhedsregler. Reparationer må kun udføres af kvalificerede personer og med originale reservedele; ellers kan der opstå betydelige risici for brugeren.

SIKKERHEDSADVARSLER VEDR. GERINGSHAVE

- Emnet skal altid være sikkert fastspændt.
- Sørg for, at maskinen altid står stabilt (fastgør den f.eks. på arbejdsbænken).
- Bær høreværn. Støjpåvirkning kan bevirke tab af hørelse.
- Når der arbejdes med maskinen, skal man have beskyttelsesbriller på. Det anbefales at bruge handsker til håndtering af klinger og ru materiale, samt solide skridsikre sko for at beskytte fødderne mod emner, som kan falde ned fra skæremrådet.
- Træk altid stikket ud af lysnetkontakten, inden du udfører vedligeholdelse eller rengøring af værktøjet.
- Strømforsyningskablet må først isættes stikkontakten, når værktøjet er slukket.
- Tilslutningskablet holdes hele tiden væk fra maskinens arbejdsområde. Hold afstand til det område, hvor operatøren arbejder.
- Undlad at række hånden ind i området nær klingens, med mindre klingens er helt stoppet.
- Kontroller hvergang, før laderen anvendes, at tilslutningskabel, forlængerkabel og stik er i orden. Reparationer på hele maskinen, herunder strømforsyningskablet, må kun udføres af autoriserede service-agenter.
- Maskinens sikkerhedsindretning bør ubetinget benyttes. Undlad at bruge maskinen, hvis skærmene ikke er påmonteret og ikke fungerer korrekt.
- Pendulbeskyttelseskappen må kun åbne sig automatisk, når saven svinges nedad.
- Saven eller dens funktion må aldrig ændres. Det kan gå ud over din sikkerhed.
- Når man bruger kap- & geringsssaven udendørs, anbefaler producenten brug af et fejlstrømsrelæ med en udløsningsstrømskel indstillet til 30 mA.
- Undlad at bruge savklinger, som er revnet, beskadiget eller deformet.
- Brug ikke savklinger, som er fremstillet af high-speed stål.
- Der må kun benyttes skarpe klinger. Uskarpe klinger skal udskiftes.
- Brug altid klinger med en størrelse og facon, der passer til akselboringen. Klinger, som ikke passer til akslen, de skal monteres på, vil ikke dreje ordentligt rundt og kan bevirke, at man mister kontrollen over værktøjet.
- Brug kun klinger, som er specificeret i denne brugsanvisning, og som overholder EN 847-1.
- Undlad at bruge flanger, at spændeskiver og møtrikker til at fastgøre savklingen - ud over dem, der følger med, eller som er angivet i brugsanvisningen.
- Vælg en savklinge, som passer til det emne, der skal skæres over.
- Det maksimale omdrejningstal, som står angivet på savklingen, må ikke overskrides.
- Anvend ikke kapsaven til overskæring af emner, som ikke står nævnt i betjeningsvejledningen.
- Udskift bordindsatsen, så snart den er slidt eller beskadiget.
- Inden påbegyndelse af arbejdet skal man foretage et prøvesnit uden tændt motor, så man kontrollerer klingens position og skærmens funktionsmåde i forhold til maskindelen og emnet.
- Under udførelse af gerings-, smig- eller kap- og geringsssnit skal det glidende geringsanslag indstilles, så der er korrekt frigang til klingens.
- Tag fat i håndtaget, når du transporterer kapsaven - transportsikringen skal være i indgreb.
- Hold gulvarealet fri for løst materiale, fx spåner og afsavede dele.
- Fjern ikke træaffald eller andre dele af arbejdsemner fra saveområdet, når maskinen kører og savhovedet ikke er i hvilestilling.
- Lange emner skal støttes af på passende måde. Savens arbejdsområde omfatter hele emnets omfang. Operatøren bør sikre dette område mod utilsigtet kontakt fra andre personer eller genstande, der vil kunne flytte emnet under arbejdet.
- Støv, som opstår i forbindelse med brug af dette værktøj, kan være sundhedsfarligt. Brug en støvsuger og bær egnet støvbeskyttelsesmaske. Fjern aflejret støv omhyggeligt, fx med en støvsuger.
- Enheden skal sluttes til en strømkredsløbsbeskyttelsesanordning (sikring eller HFI-relæ).
- Udskift ikke laseren eller LED med en anden type. Reparation må kun udføres af laserproducenten eller en autoriseret servicerepræsentant.
- Når man bruger dette værktøj, kan spændingsudsving påvirke andre elektriske produkter eller belysning på samme strømkreds. Tilslut elværktøjet til en strømkilde med en impedans svarende til 0,071 Ω for at minimere spændingsudsving. Kontakt dit elselsskab for nærmere oplysninger.

SIKKERHEDSREGLER FOR TRÆSKÆREKLINGER

- Læs anvisningerne i denne brugsanvisning, inden maskinen tages i brug.



- Maskinen skal være i god stand, og spindlen må ikke være deformeret eller vibrere.
- Undgå at bruge saven uden påmonterede afskærmninger, især efter driftsmådeskift. Hold afskærmningerne i god stand, og sørg for at vedligeholde dem.
- Sørg for, at operatøren har sat sig tilstrækkeligt ind i sikkerhedsregler, justering og betjening af maskinen.
- Brug altid øjenværn med sideskjolde samt høreværn. Beskyttelseshandsker, skridsikre sko, høreværn og forklæde anbefales.
- Konsultér brugsanvisningen inden brug af ekstraudstyr/tilbehør. Ukorrekt brug af en tilbehørsdel (ekstraudstyr) kan forårsage skader.
- Brug kun klinger, som er specificeret i denne brugsanvisning, og som overholder EN 847-1.
- Overhold den maksimale hastighed, der er markeret på savklingen. Kontrollér, at den hastighed, der er anført på savklingen, som minimum svarer til den hastighed, der er anført på saven.
- Brug altid klinger med en størrelse og facon, der passer til akselboringen. Klinger, som ikke passer til akslen, de skal monteres på, vil ikke dreje ordentligt rundt og kan bevirke, at man mister kontrollen over værktøjet.
- Undlad brug af klinger med større eller mindre diameter end anbefalet. Undlad brug af mellemstykker for at få klingen til at passe til spindlen.
- Kontrollér inden brug, at savklingens tænder ikke er beskadiget eller unormale. Tænder, som er beskadiget eller løse, kan blive til flyvende genstande og øge faren for personskader.
- Ridsede savklinger eller sådanne, som har ændret form, må ikke bruges. Benyt ikke savblade, der er beskadiget eller deformeret.
- Brug aldrig en savklinge, der er beskadiget eller deformeret. Reparation er ikke tilladt.
- Undlad brug af HHS-klinger.
- Sørg for, at savklingen er monteret korrekt inden brugtagning. Spænd spindel møtrikken godt til inden brug. (Drejningsmoment: 12-15 Nm)
- Fastgørelsesskruer og -møtrikker skal spændes fast med den tilhørende skrueøgle.
- Det er ikke tilladt at udvide skrueøglen eller at foretage fastspændingen med hammerslag.
- Sørg for, at alle klinger og flanger er rene, og at manchettens forsænkede sider ligger an mod klingen.
- Kontrollér, at klingen roterer i den rigtige retning.
- Inden påbegyndelse af arbejdet skal man foretage et prøvesnit uden tændt motor, så man kontrollerer klingens position og skærmenes funktionsmåde i forhold til maskindelen og emnet.
- Forlad aldrig maskinen uden opsyn.
- Undlad at påføre smøremidler på klingen, mens denne kører.
- Der må aldrig udføres rengøring eller vedligeholdelsesarbejde, mens maskinen kører og skærehovedet ikke er i hvileposition.
- Forsøg aldrig at stoppe en maskine i bevægelse på en hurtig måde ved at presse et værktøj eller andre genstande ind mod klingen; dette kan resultere i alvorlige ulykker.
- Afbryd saven fra lysnettet inden klingskift eller udførelse af vedligeholdelsesarbejde.
- Vær forsigtig ved ind- og udpakning af klingen - man kan nemt komme til skade på de skarpe klingetænder.
- Brug en klingeholder, eller bær handsker, under håndtering af savklinger.
- Klingens skal opbevares i den oprindelige emballage eller anden passende emballage, opbevares tørt og ikke i nærheden af kemikalier, som kan ødelægge klingen.

LASERSIKKERHED

- Laserstyrerstrålen i saven er klasse 2 med max $\leq 1\text{mW}$ og 650 nm bølglængder. Undlad at se direkte ind i laserstrålen. Manglende overholdelse af disse regler kan medføre alvorlig personskade.
- Undlad at se ind i strålen under arbejdet.
- Ret ikke laserstrålen direkte mod øjnene på andre personer. Fare for alvorlige øjenskader.
- Anbring ikke laseren i en position, der kan bevirke, at andre bevidst eller ubevidst stirrer ind i laserstrålen.
- Undlad at bruge optiske værktøjer til visning af laserstrålen.
- Brug ikke laseren i nærheden af børn, og lad ikke børn bruge laseren.
- Forsøg ikke selv at reparere laseranordningen.
- Forsøg ikke selv at skifte nogen dele af laseranordningen.
- Reparation må kun udføres af laserproducenten eller en autoriseret servicerepræsentant.
- Udskift ikke laseren med en anden type.

UUNDGÅELIGE RISICI

- Selv om produktet anvendes som foreskrevet, er det stadig umuligt at eliminere visse uundgåelige risikofaktorer fuldstændigt. Følgende risici kan opstå under brug, og operatøren bør være særligt opmærksom for at undgå følgende:
- Fare for kontakt med uafskærmede dele af den roterende savklinge.
 - Tilbageslag ('kick-back') af emner og dele heraf pga. ukorrekt indstilling eller håndtering.
 - Udslyngning af defekte hårdmetalspidser fra savklingen.
 - Skader på åndedrætssystem ved manglende brug af effektiv støvmaske.





BEMÆRK: Benyt åndedrætsværn med filtre, der svarer til det materiale, der arbejdes med. Sørg for tilstrækkelig ventilation på arbejdspladsen. Undlad at tilspise, drikke eller ryge i arbejdsområdet.

- Skader på hørelse ved manglende brug af effektivt høreværn.

⚠ ADVARSEL

Støv fra visse typer maling, belægninger og materialer kan forårsage irritation eller allergiske reaktioner i åndedrætssystemet. Støv fra træ som fx eg, bøg, MDF og andre er kræftfremkaldende. Materiale, som indeholder asbest, må kun bearbejdes eller håndteres af hertil kvalificerede specialoperatører.

⚠ ADVARSEL

Længere tids brug af et værktøj kan forårsage - eller forværrer - personskader. Når man bruger et værktøj i længere perioder ad gangen, skal man huske at holde hyppige pauser.

KEND PRODUKTET

Se side 162 - 163.

1. Håndtag
2. Tænd-/Sluk-kontakt
3. Sikkerhedslås-håndtag
4. Øverste klingeskærm
5. Savklinge
6. Nederste klingeskærm
7. Spænde
8. Hovedanslag
9. Drejebord
10. Bundplade
11. Bordindsats
12. Låsehåndtag til drejebord
13. Balancefod
14. Laserkontakt
15. LED-kontakt
16. Beslagstop
17. Nederste klingeskærm
18. Glidende anslag
19. Monteringshul
20. Forlængerstang
21. Skruer til justering af endestop for smigvinkel
22. Spindellåseknop
23. Tophåndtag
24. Støvpose
25. Knap til justering af skæredybde
26. Lineær stangstopknop
27. Oprulningsstøtte
28. Smigvinkellåseknop
29. Mas skæredybdeanslag
30. Skruer til justering af geringsvinkel

BETJENING

Produktet har en bevægelig savklinge, der kan indstilles i forskellige vinkler af operatøren, når der skæres i et emne, der er forsvarligt fastgjort til soklen af produktet. Maskinen må kun betjenes af én person for at forhindre utilsigtet kontakt med den bevægelige savklinge.

Princippet for sikker brug af produktet er som følger:

- Sav, klinger og arbejdsområdet skal holdes i god stand.
- Kap- & geringsssavens sokkel skal fastgøres til en robust arbejdsbænk. Produktet kan bevæge sig og tippe, hvis det ikke er forsvarligt fastgjort.
- Opsæt og fastlås skærevinklerne og -dybden inden savning.
- Fastgør emnet til kap- & geringsssavens sokkel. Brug den medfølgende klemme, og om nødvendigt ekstra klemmer eller holdemekanismer til at forhindre utilsigtet bevægelse af emnet, mens der skæres.
 - Kontrollér, at klingeskærmens bevægelse ikke er hæmmet pga. emnets position.
 - Sørg for, at der ikke skæres i anslaget eller andre dele af produktet, når klingens sænkes ned i skæreposition.
- Start motoren, og vent til klingens hastighed, inden den langsomt sænkes ned og skærer emnet.
- Skub klingemodul til tilbage og/eller frem for at fuldende snittet efter behov.
- Lad klingemodul køre op i øverste yderposition, hvor klingeskærmene er helt lukket. Sluk for motoren, og vent til klingens helt standset, før emnet eller afskæringer fjernes, eller inden man rækker hånden ind i klingemodul.

Før første ibrugtagning skal man sikre sig, at den smig- eller geringsvinkel, der er indstillet på produktet, svarer til den vinkel, der skal fremstilles i emnet. Dette kan man kontrollere på et stykke affaldstræ ved hjælp af tømmer sæt eller geringsklods.

⚠ ADVARSEL

Producenten anbefaler på det kraftigste, at produktet altid monteres forsvarligt på en arbejdsbænk.

Når produktets sokkel er solidt fastgjort til en arbejdsbænk med de fire møtrikker, bolte og spændeskiver, kan produktet bruges med maksimal smig- og geringsindstilling uden at vælte. Hvis produktet ikke er ordentligt fastgjort, kan det få overbalance, når der arbejdes med store smigvinkler.

Der findes også en justeringsskrue (balancefod), som rager ud fra bunden af forlænger-drejebordet. Denne skrue bør justeres således, at den rører ved den flade overflade, som produktet hviler på. Dette vil også forhindre produktet i at få overbalance, når det fulde omfang af slæde og smig udnyttes under skæringen. Vær opmærksom på, at denne del af savbordet bevæger sig, når der vælges forskellige geringsvinkler, hvorfor det er nødvendigt at indstille skruen ofte.

**VEDLIGEHOOLDSE**

- Undlad at ændre produktet på nogen måde eller bruge tilbehør, som ikke er godkendt af producenten. Det kan gå ud over din og andres sikkerhed.
- Undlad at bruge produktet, hvis kontakter, skærme eller andre funktioner ikke fungerer efter hensigten. Indlevér på autoriseret servicecenter til professionel reparation eller justering.
- Undlad at foretage justeringer, mens savklingen roterer.
- Sørg altid for, at stikket er trukket ud af lysnetkontakten, inden der foretages indstillinger, smøring eller andet arbejde, herunder vedligeholdelse, på produktet.
- Inden og efter hver brug skal produktet kontrolleres for skader eller afbrækkede dele. Hold altid produktet i god stand ved straks at udskifte dele med reservedele, der er godkendt af producenten.
- Klingen er meget varm efter brug; benyt handsker, og lad emnet køle af, inden der foretages vedligeholdelses- eller rengøringsarbejde.
- Fjern ophobet støv med en børste eller støvsuger. Brug ikke trykluft.
- For bedre sikkerhed og pålidelighed skal alt reparationsarbejde, inkl. udskiftning af børster, udføres på et autoriseret servicecenter.
- Hvis strømforsyningskablet beskadiges, skal det udskiftes af producenten eller på et autoriseret servicecenter for at undgå skader på saven eller risiko for elektrisk stød.

⚠ ADVARSEL

Af hensyn til brugersikkerheden og drifts- sikkerheden skal reparationer udføres på et autoriseret Ryobi serviceværksted.

Mas skæredybdeanslag

Formålet med anslaget for max skæredybde er at forhindre savklingen i at skære ind i enhedens metalsokkel.

⚠ ADVARSEL

Anslaget for max skæredybde kan ikke justeres af brugeren. Undlad at indstille knappen til max skæredybdestop.

TRANSPORT OG OPBEVARING

- Når produktet stilles til opbevaring, skal man frakoble strømforsyningskablet. Opbevar produktet på et sikkert sted, der er utilgængeligt for børn. Opbevar strømforsyningskablet som vist i figuren på side 185 - 186 i denne brugsanvisning.
- Rengør produktet med en børste og støvsuger, inden det stilles til opbevaring.

- Hvis man fjerner savklingen eller opbevarer reservedele til enheden, skal man sikre sig, at sådanne opbevares i den originale emballage for at undgå personskader.

Til fastlåsning af produktet, inden det flyttes:

- Produktet bør opbevares ved nul graders gevings- og smigvinkel og låses fast. Slæden skal være låst. Håndtaget skal låses i nederste (sikre) position med lukkede afskærmninger.
- Den ene eller begge sider af emnestøtterne kan fjernes, så det bliver lettere at bære.

Ved flytning eller transport med et køretøj:

- Fastgør produktet inden bevægelse, som beskrevet i denne brugsanvisning.
- Fjern produktet fra arbejdsbænken ved at løsne de 4 bolte, én i hvert hjørne. Gem boltene til senere brug. Løft produktet i håndtaget oven på produktet.
- Ved løft til en vis højde kræves der to personer iført kraftige handsker til at løfte produktets sokkel.
- Ved transport i et køretøj skal produktet stilles på soklen og fastgøres, så det ikke kan bevæge sig.

MILJØBESKYTTELSE

Råmaterialerne skal genvindes og ikke bortkastes med almindeligt affald. Af hensyn til miljøet skal redskab, tilbehør og emballage sorteres.

SYMBOL

Sikkerheds Varsel



CE Overensstemmelse



Læs venligst vejledningen omhyggeligt inden start af produktet.



Klasse II-udstyr, dobbelt-isolering



Benyt høreværn



Brug altid øjenværn.



FARE! Skarp klinge.



Brug sikkerhedshandsker.



Klingens omløbsretning (vist på savklinge)



Klingens omløbsretning (vist på klingeskærmen)



skærebredde (snitfuge)



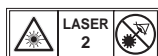
Antal tænder på denne savklinge



Til skæring af træ eller lignende materiale



Ikke beregnet til skæring af metal



Laserstråling.
Se aldrig direkte ind i strålen.
Klasse 2-laserprodukt



Elektriske affaldsprodukter bør ikke afskaffes sammen med husholdningsaffald. Genbrug venligst hvor faciliteterne tillader dette. Tjek med din lokale kommune eller forhandler for genbrugsråd.



Der høres en lyd



Ventetid til klingen har nået tophastighed



Dele eller tilbehør, der sælges separat



Bemærk:



ADVARSEL

De følgende ikoner og betydninger er beregnet til at forklare risikoen involveret i at anvende denne enhed.

⚠ FARE

Indikerer en umiddelbart farlig situation, som - hvis den ikke afværges - vil medføre dødsfald eller alvorlig personskade.

⚠ ADVARSEL

Indikerer en potentielt farlig situation, som - hvis den ikke afværges - kan medføre dødsfald eller alvorlig personskade.

⚠ VÆR OPMÆRKSOM

Indikerer en potentielt farlig situation, som - hvis den ikke afværges - kan medføre mindre eller middelsvær personskade.

VÆR OPMÆRKSOM

(Uden sikkerhedssymbol) indikerer en situation som kan føre til skade af personlig ejendom.

SYMBOLER I BRUGSANVISNINGEN



Tilslut produktet til lysnetkontakten.



Træk produktet stik ud af stikkontakten.



Lås



Oplås



Låsemekanisme virker ikke



Säkerhet, prestanda och pålitlighet har varit högsta prioritet vid design av din geringsåg.

ANVÄNDNINGSSOMRÅDE

Den geringsågen är avsedd för sågning av solitt och laminerat trä, träliknande material med eller utan klistrad fanér eller plast.

Sågen är avsedd att enbart användas av vuxna personer som har läst bruksanvisningen och är införstådda med riskerna.

Den geringsågen är avsedd för fast montering på solid arbetsbänk. Om basen inte är ordentligt säkrad kan hela maskinen röra sig under sågning vilket ökar risken för allvarlig personskada.

Den geringsågen är gjord för avfasning och geringsågning. Kapaciteterna för de olika sågningarna finns i specifikationerna för den kompakta geringsågen på släde i denna bruksanvisning.

Sågen ska användas i torra förhållanden med god omgivande belysning och tillräcklig ventilation.

Den geringsågen är avsedd för privat bruk och får enbart användas så som beskrivs ovan och inte för något annat ändamål.

ALLMÄNNA SÄKERHETSFORESKRIFTER

VARNING

Grundläggande säkerhetsåtgärder ska alltid följas för att minska risken för brand, elektrisk stöt och personskada när du använder elektriska verktyg. Läs alla dessa anvisningar noggrant innan du använder den här produkten för första gången och spara dessa anvisningar för framtida användning.

- **Se till att arbetsplatsen är ren och välstädad.** Röriga och smutsiga arbetsplatser och arbetsbord utgör en risk för personskador.
- **Besiktiga arbetsplatsen.** Utsätt inte verktygen för regn. Använd inte verktygen på fuktiga eller blöta platser. Håll arbetsområdet väl upplyst. Använd inte verktygen i närheten av brännbara vätskor eller gaser.
- **Skydda dig mot elektriska stötar.** Undvik kroppskontakt med jordade ytor (så som rör, element, spisar och kylskåp).
- **Se till att andra personer håller sig på behörigt avstånd.** Låt inte andra personer, i synnerhet barn, utföra någon del av arbetet eller röra verktyget eller förlängningssladden; se också till att de håller sig på behörigt avstånd från arbetsplatsen.
- **Förvara verktyg avstängda.** När verktygen inte används ska de förvaras på en torr plats med lås där inte barn kan komma åt dem.
- **Pressa inte verktyget.** Verktyget fungerar bäst och mest effektivt om du jobbar i den takt som det är avsett

för.

- **Använd korrekt verktyg.** Försök inte göra jobb som bäst utförs med stora och kraftigt verktyg med små verktyg. Använd endast verktygen för de ändamål som de är avsedda för; försök till exempel inte kapa kvistar eller stockar med en cirkelsåg.
- **Klä dig korrekt.** Bär inga löst åtsittande kläder eller smycken som kan fastna i rörliga delar. Användning av skor med halkskydd rekommenderas vid arbete utomhus. Använd även härskydd för att hålla ihop långt hår.
- **Använd skyddsutrustning.** Använd skyddsglasögon. Använd en ansikts- eller dammask om arbetsuppgiften producerar mycket damm.
- **Anslut utrustning för dammsugning.** Om tillbehör för dammsug och dammupsamling finns tillgängliga för verktyget, kontrollera att dessa är monterade korrekt och används på rätt sätt.
- **Misshandla inte strömsladden.** Dra i kontakten när du drar ut elsladden ur vägguttaget, aldrig i själva sladden. Håll sladden borta från värme och vassa kanter.
- **Säkert arbets sätt.** När det är möjligt, använd alltid klämmor eller skruvståd för att hålla fast arbetsstycket. Det är säkrare än att använda händerna.
- **Sträck dig inte.** Ha alltid ett bra fötfäste och en god balans.
- **Underhåll verktyget försiktigt.** Se till att hålla skärverktyget vasst och verktyget rent för ett bättre och säkrare arbete. Följ instruktionerna för smörjning och byte av tillbehör. Besiktiga verktygens elsladdar regelbundet och lämna in dem för reparation hos ett auktoriserat servicecenter om du upptäcker skador på dem. Kontrollera förlängningssladden regelbundet och byt ut om den är skadad. Håll handtagen torra, rena och fria från olja och fett.
- **Koppla bort verktyg.** Alla verktyg ska slås av och deras elsladdar dras ut ur vägguttagen när de inte används, innan service eller när någon del ska bytas ut, t.ex. tillbehör, kapskiva, bits, skäransordningar.
- **Ta bort justeringsnycklar och -verktyg.** Ta för vana att kontrollera att nycklar och skiftnycklar är bortplockade från verktyget innan det startas.
- **Undvik oavsiktlig start.** Försäkra dig om att huvudströmbrytaren står i läget "off" (av) när du sätter i kontakten.
- **Använd endast förlängningssladdar som har godkänts för utomhusbruk.** När verktyget används utomhus ska endast förlängningssladdar som är anpassade och märkta för utomhusbruk användas.
- **Var på din vakt.** Tänk hela tiden på vad du gör, använd sunt förnuft och använd inte verktyget när du är trött.
- **Kontrollera delarna för att upptäcka eventuella skador.** Innan ytterligare användning av verktyget sker ska det noggrant kontrolleras för att avgöra om det kan fungera och fylla sin funktion fullt ut. Kontrollera att rörliga delar sitter som de ska och kan röra sig obehindrat och att inga delar eller fästen är trasiga; kontrollera även



andra saker som kan påverka användningen. Ett skydd eller en annan del som är skadad måste repareras ordentligt eller bytas ut av ett auktoriserat servicecenter om ingenting annat anges i den här handboken. Låt ett auktoriserat servicecenter byta ut trasiga strömbrytare. Använd inte verktyget om du inte kan stänga av och sätta på det med strömbrytaren.

- **Varning.** Användning av några andra typer av tillbehör än de som rekommenderas i denna användarhandbok kan innebära risk för personskador.
- **Om verktyget måste repareras bör detta göras av en kvalificerad person.** Detta elverktyg uppfyller alla viktiga säkerhetsbestämmelser. Reparationer får endast utföras av kvalificerad personal som använder originalreservdelar; i annat fall kan användaren utsättas för stora risker.

SÄKERHETSVARNINGAR FÖR GERINGSÅG

- Kläm alltid fast arbetsstycket ordentligt så det sitter säkert.
- Se till att maskinen alltid står stadigt (t.ex. genom att fästa den på arbetsbänken).
- Bär hörselskydd. Bullerbelastning kan orsaka hörselskador.
- Använd alltid skyddsglasögon när du använder maskinen. Vi rekommenderar skyddshandskar vid hantering av sågblad och grovt material, plus kraftiga halkfria skor som skyddar fötterna från arbetsstycken som kan falla ner från sågytan.
- Koppla alltid från kontakten från eluttaget före underhåll eller rengöring av verktyget.
- Koppla bara in kontakten i eluttaget när verktyget är avstängt.
- Nätkabeln skall alltid hållas ifrån arbetsområdet. Håll det utanför det område som användaren befinner sig i.
- Sträck dig aldrig in i området nära bladet om det inte helt har slutat rotera.
- Innan användning, kontrollera maskinen, kablarna och tändstiften så att de inte är skadade eller utslitna. Reparationer på hela maskinen, inklusive strömkablarna, får enbart utföras av auktoriserat servicecenter.
- Använd alltid maskinens skyddsanordningar. Använd inte maskinen om skydden inte är på plats eller inte fungerar som de ska.
- Pendelskyddskåpan får endast öppnas automatiskt vid nedsvängning av sågen.
- Ändra eller modifiera aldrig sågen eller dess funktion. Din säkerhet kan vara i fara.
- När geringsågen används utomhus rekommenderar tillverkaren användning av jordfelsbrytare som löser ut vid 30 mA.
- Använd inga sågblad som är spruckna, skadade eller deformerade.
- Använd inga sågklingor som är tillverkade av highspeed stål.

- Använd enbart vassa blad. Byt ut blad som inte är vassa.
- Använd alltid sågklingor vars storlek och form är anpassade till axelns fästhål. Sågklingor som inte är anpassade till axeln på vilken de ska monteras roterar inte normalt och leder till att man förlorar kontrollen.
- Använd endast klingor som specificerats i denna manual, enligt EN 847-1.
- Använd inte flansar, distanser eller muttrar för att säkra sågbladet förutom de som medföljs eller anvisas i bruksanvisningen.
- Välj en sågklinga som lämpar sig för materialet som ska sågas.
- Det maximala varvtalet som står på sågklingan får inte överskridas.
- Använd sågen aldrig för andra material än de som anges i bruksanvisningen.
- Byt ut bordsinlägget när det är slitet eller skadat.
- Före arbete bör du göra en provkapning utan motorn påslagen så att läget för bladet och skydden i förhållande till andra maskiner och arbeten kan kontrolleras.
- Vid gering-, fasad eller blandad geringskapning ska glidreglaget användas för att ställa in rätt avstånd från bladet.
- Transportera kapsågen endast med hjälp av handtaget - transportsäkringn måste ha gått i lås.
- Håll golvet rent från löst material, exempelvis sågspån och avsågade delar.
- Avlägsna ej några sågningsrester eller andra delar av arbetsstycket från sågens arbetsområde, när maskinen är i gång och såghuvudet inte är i sitt ursprungsläge.
- Stötta långa arbetsstycken på lämpligt sätt. Arbetsområdet för sågen inkluderar hela omfattningen av arbetsstycket. Användaren ska säkra området från kontakt av misstag av andra personer eller föremål som kan flytta arbetsstycket under användning.
- Dammet som uppkommer vid arbeten med det här verktyget kan vara skadligt för hälsan. Använd ett utsugningssystem och bär skyddsmask. Ta noggrant bort ansamlat damm med exempelvis en dammsugare.
- Enheten ska anslutas till en elsäkring (jordfelsbrytare eller kretssäkring).
- Byt inte ut lasern eller LED mot någon annan typ. Reparationer får endast utföras av lasertillverkaren eller en auktoriserad serviceagent.
- Vid användning av verktyget kan spänningsvariationer påverka andra elektriska produkter eller belysning i samma strömkrets. Anslut verktyget till strömkälla med motstånd motsvarande 0,071 Ω för att minimera spänningsvariation. Kontakta din elleverantör för ytterligare klagöranden.



**SÄKERHETSINSTRUKTIONER FÖR TRÄSÄGKLINGA**

- Läs alla instruktioner i den här manualen innan du använder maskinen.
- Maskinen ska vara i gott skick, spindeln ska vara utan deformation och utan vibrationer.
- Använd inte sågen utan skydden på plats, var extra noga efter ändring av läge. Underhåll och sköt skydden så att de hålls i bra skick.
- Se till att användaren har lämplig utbildning i säkerhetsåtgärder, inställning och användning av maskinen.
- Bär alltid skyddsglasögon med sidoskärmar och hörselskydd. Det är rekommenderat att använda handskar, kraftiga skor med halkskydd och ett förkläde.
- Läs alltid bruksanvisningen innan ett tillbehör skall användas. Oriktigt hantering av ett tillbehör kan vålla skada.
- Använd endast klingor som specificerats i denna manual, enligt EN 847-1.
- Observera den maximala hastigheten som finns angiven på sågklingan. Kontrollera att hastigheten som anges på sågklingan är minst lika hög som den som anges på sågen.
- Använd alltid sågklingor vars storlek och form är anpassade till axelns fästhål. Sågklingor som inte är anpassade till axeln på vilken de ska monteras roterar inte normalt och leder till att man förlorar kontrollen.
- Använd inte klingor av större eller mindre diameter än vad som rekommenderas. Använd inte brickor för att få klingan att passa på tapen.
- Kontrollera spetsar på sågklingan så att de inte är skadade eller ser konstiga ut före användning. Spetsar som är skadade eller lösa kan flyga iväg och innebära risk för personskador.
- Spruckna sågklingor eller sådana som förändrat form får ej användas! Använd inga sågblad som har tagit skada eller är deformerade.
- Använd aldrig en sågklinga som är skadad eller deformerad. Reparation tillåts inte.
- Använd inte HSS-klingor.
- Säkerställ att klingan är korrekt monterad innan den används. Dra åt spindelmuttern ordentligt innan varje användning. (Vridmoment: 12-15 Nm)
- Fästskruvar och -muttrar ska dras åt med lämpligt spännverktyg.
- Förlängning av spännverktyg eller åtdragning med hammarslag tillåts inte.
- Se till att alla klingor och glänsar är rena och de ingröpta sidorna av kragen är vända mot klingan.
- Kontrollera att klingan roterar i rätt riktning.
- Före arbete bör du göra en provkapning utan motorn påslagen så att läget för bladet och skydden i förhållande till andra maskiner och arbeten kan kontrolleras.
- Lämna aldrig maskinen utan tillsyn.

- Applicera en smörjmedel på bladet när det är igång.
- Utför aldrig rengöring eller underhållsarbete medan maskinen är igång och huvudet inte är i läge.
- Försök aldrig stoppa maskinen snabbt genom att använda ett verktyg eller på annat sätt mot klingan, oavsiktliga allvarliga olyckor kan orsakas på det här sättet.
- Koppla ur sågen från huvudströmmen innan byte av blad eller underhållsarbete utförs.
- Var noga vid packning och upppackning av klingan, man kan lätt skadas av de vassa spetsarna.
- Använd hållare eller skyddshandskar när du hanterar sågklingor.
- Förvara klingan i sin originalförpackning eller annan lämplig förpackning, se till att den förvaras torrt och inte i närheten av kemikalier som kan skada klingan.

LASER SÄKERHET

- Strålningen från laserstrålen som används i sågen är av Klass 2 med maximalt $\leq 1\text{mW}$ och 650 nm våglängd. Titta inte rakt in i laserstrålen. Om inte riktlinjerna följs kan det leda till allvarlig personskada.
- Titta inte in i laserstrålen under användning.
- Rikta inte laserstrålen direkt mot andra personers ögon. Allvarlig ögonskada kan uppstå.
- Placera inte lasern i ett läge där någon kan titta in i laserstrålen medvetet eller av misstag.
- Använd inga optiska instrument för att titta på laserstrålen.
- Använd inte lasern i närheten av barn och låt inte heller barn använda lasern.
- Försök inte att laga laserenheten själv.
- Försök inte själv utföra ändringar på laserapparaten.
- Reparationer får endast utföras av lasertillverkaren eller en auktoriserad serviceagent.
- Byt inte ut lasern mot någon annan typ.

RESTRISKER

Även om produkten används enligt instruktionerna går det inte att eliminera alla eventuella riskfaktorer. Följande risker kan uppstå vid användning och operatören ska vara extra uppmärksam för att undvika följande:

- Risk för kontakt med oskyddade delar av det roterande sågbladet.
- Kickback på arbetsstycken och delar av arbetsstycken på grund av felaktig justering eller hantering.
- Felaktiga hårdmetallskär kan skjutas ut från sågklingan.
- Fare för skade på pusteorganene dersom man inte använder adekvat støvmaske.

NOTERA: Använd andningsskydd med filter som är lämpliga för de material som du arbetar med. Se till att arbetsplatsen är tillräckligt ventilerad. Åt, drick eller rök inte på arbetsområdet.



- Skada på hörseln om ett effektivt hörselskydd inte används.

⚠ VARNING

Damm från viss typ av färg, ytor och material kan skapa irritation eller allergiska reaktioner i andningssystemet. Damm från trä som ek, bok, MDF och annat är cancerframkallande. Material som innehåller asbest får enbart bearbetas av specialutbildade användare.

⚠ VARNING

Risk för person- eller slitageskador vid användning av verktyget under lång tid. Om verktyget används under längre perioder krävs regelbundna pauser.

KJENN PRODUKTET DITT

Se sida 162 - 163.

1. Handtag
2. Strömbrytare
3. Handtag för säkerhetslås
4. Övre skyddskåpa
5. Sägblad
6. Nedre skyddskåpa
7. Klämma
8. Huvudstängsel
9. Tallrik
10. Bottenplatta
11. Bordsinlägg
12. Låshandtag för tallrik
13. Balansfot
14. Laserbrytare
15. LED-brytare
16. Stödstopp
17. Nedre skyddslucka
18. Glidstängsel
19. Monteringshål
20. Utdragbar stav
21. Skruvar för att justera stoppgränsen för fäsvinkel
22. Spindellåsvred
23. Övre handtag
24. Dampåse
25. Vred för inställning av sågdjup
26. Stoppvred för linjärstav
27. Lindningsstöd
28. Låsvred för fäsvinkel
29. Stopp för max sågdjup
30. Skruvar för justering av geringvinkel

ANVÄNDNING

Produkten har ett rörligt sågblad som kan ställas i olika vinklar av användaren för att såga i arbetsstycken som är säkert fixerade vid produktens bas. Det får bara användas av en person för att förhindra kontakt av misstag med sågbladet när det är i rörelse.

Föreskrifter för säker användning av produkten är som följer:

- Håll såg, blad och arbetsyta i gott skick.
- Säkra geringsågen vid en stadig arbetsbänk. Produkten kan röra sig och välta om den inte är tillräckligt säkrad.
- Ställ in och lås sågvinklar och djup före sågning.
- Säkra arbetsstycket till geringsågens bas. Använd den medföljande klämman och, vid behov, ytterligare klämmor eller fästankordningar för att hindra oönskad rörelse av arbetsstycket under sågning.
 - Kontrollera att bladskyddet inte hindras av arbetsstyckets placering.
 - Se till att stängsel och andra delar av produkten inte sågas när bladet sänks till sågläge.
- Starta motorn och låt bladet komma upp i full hastighet innan du sakta sänker ner det för att såga i arbetsstycket. För bladet bakåt och/eller framåt för att slutföra sågningen vid behov.
- Låt bladet komma upp i sitt högsta läge där bladskydden är helt slutet. Stäng av motorn och låt bladet stanna helt innan arbetsstycke eller avsågade delar tas bort och före du sträcker dig in i bladets närhet.

Före första användning, se till att fasningen eller geringinställningen på produkten stämmer med vinkeln på arbetsstycket. Kontrollera på en träbit med vinkelhake eller gering.

⚠ VARNING

Tillverkaren rekommenderar att geringsågen alltid är solitt monterad på arbetsbänk.

När produktens bas är ordentligt säkrad på arbetsbänk med medföljande fyra bultar, muttrar och brickor kan produkten användas med max vinkel- och geringinställning utan risk att den välter. Om produkten inte är ordentligt säkrad kan den överbalansera om stora fäsvinklar väljs.

Det finns även en justerskruv (balanserande fot) som sticker ut från undersidan på förlängningens tallrik. Denna skruv kan ställas in så den rör vid den jämna ytan som produkten vilar på. Det hindrar även att produkten överbalanserar vid fullängdsågning för slåde och avfasning. Var försiktig eftersom denna del av sågbordet rör sig när olika geringvinklar väljs så skruvarna måste regelbundet justeras och dras åt.

UNDERHÅLL

- Modifiera inte produkten på något sätt och använd inga tillbehör som inte godkänts av tillverkaren. Din och andras säkerhet kan vara i fara.
- Använd inte produkten om brytare, skydd eller andra funktioner inte fungerar som avsett. Lämna den till auktoriserat servicecenter för reparation eller justering.
- Gör inga justeringar medan sågbladet är i rörelse.
- Se alltid till att kontakten har tagits ur eluttaget före



justeringar, smörjning eller om underhåll ska göras på produkten.

- Före och efter användning ska produkten kontrolleras så det inte finns skadade eller trasiga delar. Håll produkten i gott skick genom att omedelbart ersätta delar med reservdelar som tillhandahålls av tillverkaren.
- Bladet blir mycket varmt under användning, använd handskar eller låt det svalna före underhåll och rengöring.
- Rensa bort damm som ansamlats med en borste eller dammsugare. Använd inte tryckluft.
- För säkerhet och pålitlighet ska alla reparationer, inklusive byte av borstar, utföras av auktoriserat reparationscenter.
- Om strömkabeln är skadad får den enbart bytas ut av tillverkaren eller auktoriserat servicecenter för att förhindra skada på sågen eller risk för elektrisk stöt.

⚠ VARNING

Av säkerhetsskäl är det viktigt att alla reparationer utförs på en serviceverkstad som godkänts av Ryobi.

Stopp för max sågdjup

Stoppet för max sågdjup finns för att hindra att sågen sågar i metallen i enheten.

⚠ VARNING

Stoppet för max sågdjup kan inte justeras av användaren. Ändra inte stoppet för max sågdjup.

TRANSPORT OCH FÖRVARING

- Strömkabeln ska kopplas ur vid förvaring. Förvara produkten på säker plats där inga barn kan komma åt den. Förvara strömkabeln enligt illustrationerna på sidorna 185 - 186 i denna bruksanvisning.
- Rengör produkten med en borste eller dammsugare före förvaring.
- Om du tar bort sågbladet eller har reservdelar till enheten ska du förvara dem i originalförpackningen för att hindra skador.

För att säkra produkten före flyttning:

- Produkten ska förvaras i nollgradig lutning på gering och fas och vara låst i det läget. Släden ska låsas i läge. Handtaget ska låsas i nedre (säkra) läget med skydden stängda.
- En eller båda stödsidorna för arbetsstycke kan tas bort för att vara enklare att bära.

Flytta eller transportera i fordon:

- Säkra produkten före den flyttas så som beskrivs i bruksanvisningen.

- Ta bort produkten från bänken genom att lossa de fyra bultarna i hörnen. Säkra bultarna för framtida användning. Lyft produkten i handtaget högst upp.
- Vid lyft till höjd krävs två personer med grova arbetshandskar för att lyfta produktens bas.
- Vid transport i fordon ska produkten stå på sin bas och vara säkrad så den inte rör sig.

MILJÖSKYDD



Råmaterialen bör återanvändas i stället för att kastas i hushållsavfallet. För att skona miljön ska verktyget, tillbehören och emballagen sorteras.

SYMBOL



Säkerhetsvarning



CE-konformitet



Läs alla instruktioner noggrant innan du startar produkten.



Klass II-utrustning, dubbelisolering



Bär hörselskydd.



Bär alltid ögonskydd.



FARA! Vass klinga.



Använd skyddshandskar.



Klingans rotationsriktning (visas på sågklingan)



Bladets rotationsriktning (visas på bladskyddet)



Sågsnittets bredd



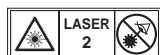
Antal tänder på sågklingan



För att kapa trä och liknande material



Inte för att kapa metall



Laserstrålning.
Titta inte direkt mot strålen.
Laserprodukt av Klass 2



Gamla elektroniska produkter ska inte kastas med hushållssoporna. Återvinn där sådana faciliteter finns. Kontrollera med din lokala myndighet eller säljaren för att få återvinningstips.



Notera:



VARNING

Följande signalord och betydelser är tänkta att förklara de olika risknivåerna som är associerade med denna produkt.

⚠ FARA

Visar på en direkt riskfylld situation som, om den inte undviks, kan orsaka dödsfall eller allvarlig personskada.

⚠ VARNING

Visar på en potentiellt riskfylld situation som, om den inte undviks, kan orsaka dödsfall eller allvarlig personskada.

⚠ FÖRSIKTIGHET

Visar på en potentiellt riskfylld situation som, om den inte undviks, kan orsaka mindre eller måttlig personskada.

FÖRSIKTIGHET

(Utan säkerhetssymbolen) Indikerar en situation som kan leda till egendomsskada.

SYMBOLER I MANUALEN



Sätt in produkten stickkontakt i vägguttaget.



Koppla bort produkten från eluttaget.



Lås



Lås upp



Låsmekanismen fungerar inte



Ett ljud hörs



Väntetid innan bladet når högsta hastighet



Delar och utrustning säljs separat



Viistesaha suunnittelussa on pidetty etusijalla turvallisuutta, suorituskykyä ja luotettavuutta.

KÄYTTÖTARKOITUS

Viistesaha on tarkoitettu kiinteän ja liimatun puun ja puun kaltaisten materiaalien sahaamiseen, joissa voi olla vaneeria ja muovia.

Saha on tarkoitettu ainoastaan sellaisen aikuisen käytettäväksi, joka on lukenut käyttöoppaan ja ymmärtää riskit ja vaarat.

Viistesaha on suunniteltu kiinniteltäväksi jalustalla tukevaan pöytälevyyn. Jos jalustaa ei ole kiinnitetty tiukasti, koko laite saattaa liikkua leikkaamisen aikana, mikä kasvattaa vakavan loukkaantumisen riskiä.

Viistesaha on tarkoitettu särmä- ja viistesahaamiseen. Erilaisten leikkausten maksimitat on ilmoitettu tämän käsikirjan liukuvan kompaktin viistesahan tuotetiedoissa.

Sahaa tulee käyttää kuivissa olosuhteissa erinomaisessa työvalaistuksessa ja riittävästi tuuletetussa tilassa.

Viistesaha on tarkoitettu yksityiskäyttöön, ja sitä saa käyttää vain yllä kuvatulla tavalla; sitä ei ole tarkoitettu mihinkään muuhun käyttöön.

YLEISET TURVALLISUUSVAROITUKSET

VAROITUS

Sähkötyökaluja käytettäessä on aina ryhdyttävä varotoimiin tulipalon, sähköiskun ja loukkaantumisen välttämiseksi. Lue kaikki nämä ohjeet ennen tuotteen käyttöä, ja säilytä nämä ohjeet.

- **Pidä työalue esteettömänä.** Sotkuiset alueet ja pöydät voivat aiheuttaa loukkaantumisen.
- **Ota työalue huomioon.** Älä jätä työkaluja sateeseen. Älä käytä laitetta kosteassa tai märässä paikassa. Pidä työalue valoisana. Älä käytä laitetta helposti syttyvien nesteiden tai kaasujen läheisyydessä.
- **Suojaudu sähköiskulta.** Älä kosketa maadoitettuihin pintoihin (kuten putkiin, lämpöpattereihin, helloihin tai jääkaappeihin).
- **Pidä sivulliset etäällä.** Älä anna ulkopuolisten, erityisesti lasten, osallistua työhön tai kosketa laitetta tai jatkojohtoa, ja pidä heidät poissa työalueelta.
- **Varastoi käyttämättömät työkalut.** Käyttämättömän laitteen tulee olla varastoitu kuivaan paikkaan ja pois lasten ulottuvilta.
- **Älä pakota laitetta.** Se hoitaa työt paremmin ja turvallisemmin sillä vauhdilla, jota varten se on tarkoitettu.
- **Käytä oikeaa työkalua.** Älä pakota pientä työkalua tekemään järeää työkalua vaativaa työtä. Älä käytä laitetta muuhun kuin sille tarkoitettuun käyttöön; esimerkiksi, älä sahaa pyörösahalla oksia tai tukkeja.
- **Pukeudu asianmukaisesti.** Älä käytä löysiä vaatteita tai koruja, sillä ne voivat tarttua liikkuviin osiin. Ulkotöissä suositellaan käytettävän luistamattomia suojakenkiä. Jos sinulla on pitkät hiukset, pidä niitä päähineen sisällä.
- **Käytä suojavälineitä.** Käytä suojalaseja. Käytä kasvo- tai pölysuojainta tehdessäsi pölyistä työtä.
- **Kytke pölynimuri.** Jos laitetta varten on pölynpoisto- ja keräyslaite, kytke se asianmukaisesti ja käytä sitä oikein.
- **Älä käsittele johtoa väärin.** Älä koskaan irrota laitetta pistorasiasta vetämällä johdosta. Älä päästä johtoa koskettamaan kuumuuden lähteitä, öljyä tai teräviä reunoja.
- **Kiinnitä työkappale.** Kiinnitä työkappale puristimilla tai ruuvipenkillä aina, kun mahdollista. Se on turvallisempaa kuin käden käyttö.
- **Älä kirkota liian kauas.** Säilytä aina kunnollinen jalansija ja tasapaino.
- **Huolla laite huolella.** Pidä leikkuutyökalut terävinä ja puhtaina, jotta ne toimisivat paremmin ja turvallisemmin. Noudata voitelua ja lisävarusteiden vaihtoa koskevia ohjeita. Tarkista laitteen sähköjohdot säännöllisesti, ja jos ne ovat vioittuneet, korjauta ne valtuutetussa huoltopisteessä. Tarkista jatkojohto säännöllisesti ja vaihda se, jos se on vioittunut. Pidä kädensijat kuivina ja puhtaina liasta, öljystä ja rasvasta.
- **Irrota laitteet.** Irrota pistoke, kun laitetta ei käytetä, ennen huoltoa ja vaihtaessasi lisävarusteita, kuten teriä ja leikkureita.
- **Poista säätöavaimet ja kiintoavaimet.** Opi tarkistamaan, että kaikki avaimet ja muut työkalut on poistettu laitteesta ennen sen käynnistämistä.
- **Älä anna koneen käynnistyä vahingossa.** Tarkista laitetta pistorasiaan kytkiessäsi, että se on "off"-asennossa.
- **Käytä ulkokäyttöön tarkoitettuja jatkojohtoja.** Kun laitetta käytetään ulkona, käytä sen kanssa ainoastaan jatkojohtoja, jotka on tarkoitettu ulkokäyttöön ja jotka on niin merkitty.
- **Ole valpas.** Katso mitä teet, käytä tervettä järkeä äläkä käytä laitetta, kun olet väsynyt.
- **Tarkista vioittuneet osat.** Ennen kuin painepesurin käyttöä jatketaan, se tulee tarkistaa huolella jotta voidaan olla varmoja, että ne toimivat kunnolla ja asianmukaisesti. Tarkista, että liikkuvat osat on kohdistettu oikein ja että ne liikkuvat kunnolla, että osia ei ole rikkoutunut, että osat on asennettu oikein ja että mikään muu seikka ei haittaa koneen toimintaa. Valtuutetun huoltopisteen on korjattava tai vaihdettava vioittunut suoja tai muu osa, ellei näissä käyttöohjeissa toisin mainita. Vaihdata vialliset katkaisimet valtuutetussa huoltopisteessä. Älä käytä laitetta, jos se ei käynnisty ja sammuu katkaisimesta.
- **Varoitus.** Muun kuin tässä käsikirjassa suositellun lisälaitteen tai lisävarusteen käyttäminen voi aiheuttaa loukkaantumista.





- **Anna laite pätevän henkilön korjattavaksi.** Tämä sähkölaite noudattaa asianmukaisia turvallisuusääädöksiä. Laitteen saa korjata vain pätevä henkilö käyttäen alkuperäisiä varaosia; muutoin korjauksesta voi aiheutua huomattava vaara käyttäjälle.

VIISTEAHAN TURVALLISUUSVAROITUKSET

- Kiinnitä työkappale aina puristimilla turvallisesti ja tiukasti.
- Varmista, että kone seisoo aina tukevasti paikallaan (esim. kiinnittämällä se ruuvipenkkiin).
- Käytä korvasuojia. Altistuminen melulle voi vahingoittaa kuuloa.
- Käytä laitteella työskennellessäsi aina suojalaseja. Suosittelemme, että käytät käsineitä käsitellessäsi teriä ja viimeistelemättömiä materiaaleja, sekä tukevia lipsuttomia jalkineita suojataksesi jalkasi työkappaleilta, jos ne putoavat leikkualueelta.
- Irrota pistoke aina pistorasiasta ennen laitteen huoltoa ja puhdistusta.
- Kytke virtajohto pistorasiaan vain, kun laite on sammuksissa.
- Pidä sähköjohto poissa koneen käyttöalueelta. Pidä se poissa alueelta, missä käyttäjä seisoo.
- Älä koskaan kurota terän lähelle, ellei terä ole täysin pysähdyksissä.
- Tarkista ennen jokaista käyttökertaa, ettei laitteessa, liitäntäjohdossa, jatkojohdossa ja pistotulpassa ole vaurioita eikä niissä ole tapahtunut muutoksia. Vain valtuutettu huolto saa korjata laitetta, mukaan lukein sen virtajohtoa.
- Laitteen suojarusteita on ehdottomasti käytettävä. Älä käytä laitetta, jos suojuukset eivät ole paikoillaan ja jos se ei toimi asianmukaisesti.
- Teränsuojus saa aueta vasta, kun kone asetetaan työkappaleita vasten.
- Älä koskaan muuta tai muuntele sahaa tai sen toimintaa. Turvallisuutesi saattaa vaarantua.
- Kun käytät viistesahaa ulkona, valmistaja suosittelee käyttämään RCD-laitetta, jonka laukeamispiste on 30 mA.
- Älä käytä lohkeilleita, vaurioituneita tai vääristyneitä sahanteriä.
- Ei saa käyttää pikateräksestä valmistettuja sahanteriä.
- Käytä vain teräviä teriä. Vaihda tylsät terät.
- Käytä aina akselille sopivia teräkojoja ja -muotoja. Akselille sopimattomat terät eivät pyöri oikealla tavalla ja voivat aiheuttaa työkalun hallinnan menettämisen.
- Käytä ainoastaan tämän käyttöoppaan mukaisia teriä, jotka noudattavat EN 847-1 -standardia.
- Älä käytä sahanterää kiinnittäessäsi muita laippoja, välilevyjä tai muttereita kuin niitä, jotka toimitettiin tuotteen mukana tai jotka on merkitty käyttöoppaaseen.
- Valitse sahattavalle materiaalille sopiva sahanteri.
- Sahanterään merkittyä suurinta kierroslukua ei saa ylittää.
- Älä koskaan käytä katkaisusahaa muiden kuin käyttöohjeessa lueteltujen materiaalien leikkaamiseen.
- Vaihda pöydän sisäke, kun se on kulunut tai vioittunut.
- Tee ennen työn aloittamista koeleikkaus moottori päällä, jotta voit tarkistaa terän sijainnin ja suojiin toiminnan laitteen osiin ja työkappaleeseen nähden.
- Kun leikkaat viiste-, särmä- tai yhdistelmäviisteleikkauksia, säädä liukuva viisteohjain siten, että etäisyys terään on asianmukainen.
- Kuljeta katkaisusahaa vain kahvasta kantaan ja kuljetusvarmistuksen ollessa lukittuna.
- Pidä lattia vapaana irrallisista materiaaleista, kuten lastuista ja leikkuujätteistä.
- Älä poista sahausjätteitä tai muita työkappaleiden paloja sahausalueelta, kun kone käy eikä sahan pää ole lepoasennossa.
- Pitkiä työstökappaleita tulee tukea sopivin toimin. Sahan työalue käsittää työkappaleen kokonaisuudessaan. Käyttäjän tulee suojata myös alue henkilöiltä ja esineiltä, jotka saattavat liikuttaa työkappaleita käytön aikana.
- Laitteen synnyttämä pöly saattaa olla terveydelle vahingollista. Liitä kone kohdeimujärjestelmään ja käytä sopivaa pölysuojaa kasvoilla. Poista kerääntynyt pöly huolella, esim. pölynimurilla.
- Laite on kytkettävä sähköpiiriä suojaavaan laitteeseen (sulakkeeseen tai katkaisimeen).
- Älä vaihda laseria tai LED toisen tyyppiseen. Korjaustyöt on aina jätettävä laserin valmistajan tai valtuutetun huoltomiehen tehtäväksi.
- Tätä laitetta käytettäessä jännitevaihtelut voivat vaikuttaa samassa piirissä oleviin muihin sähkölaitteisiin ja valaistukseen. Kytke laite jännitevaihtelun minimoimiseksi virtalähteeseen, jonka impedanssi on 0,071 Ω. Lisätietoja saa sähköyhtiöltä.

PUUTERÄN TURVALLISUUSOHJEET

- Lue tämän käsikirjan ennen tämän laitteen käyttöä.
- Laitteen on oltava hyvässä kunnossa eikä karassa saa olla vääristymiä eikä sen saa täräistä.
- Älä käytä sahaa ilman suojuksia, erityisesti tilan vaihdon jälkeen. Pidä suojuukset hyvässä kunnossa ja huolla niitä asianmukaisesti.
- Käyttäjällä on oltava riittävä koulutus laitteen varotoimissa, säädoissä ja käytössä.
- Käytä aina sivulta suojaavia suojalaseja sekä kuulosuojaimia. Suojakäsineiden, turvallisten ja tukevapohjaisten kenkien, kuulosuojainten ja suojaesiliinan käyttöä suositellaan.
- Tutustu käyttöoppaaseen ennen lisälaitteiden käyttöä. Lisälaitteen virhekäyttö voi aiheuttaa vaurioita.
- Käytä ainoastaan tämän käyttöoppaan mukaisia teriä, jotka noudattavat EN 847-1 -standardia.



- Noudata terään merkittyä maksiminopeutta. Varmista, että sahanterään merkitty nopeus on vähintään yhtä suuri kuin sahan merkitty nopeus.
- Käytä aina akselille sopivia teräkokoja ja -muotoja. Akselille sopimattomat terät eivät pyöri oikealla tavalla ja voivat aiheuttaa työkalun hallinnan menettämisen.
- Älä käytä suosittelua suurempia tai pienempiä teriä. Älä käytä välilevyjä soviittaessasi terää karaan.
- Tarkista terän kärjet vaurioiden ja epätavallisen ulkonäön varalta ennen jokaista käyttökertaa. Vioittuneet tai irralliset kärjet voivat sinkoutua käytössä ja lisätä loukkaantumisen riskiä.
- Rikkinäisiä sahanteriä tai sellaisia, jotka ovat muuttaneet muotoaan ei saa käyttää! Älä käytä sahanteriä, jotka ovat vahingoittuneet tai vääntyneet.
- Älä koskaan käytä vioittunutta tai vääristynyttä sahanteriä. Korjausta ei sallita.
- Älä käytä pikateräksisiä teriä.
- Tarkista ennen käyttöä, että sahanteriä on asennettu oikein. Kiristä karan mutteri tiukalle ennen käyttöä. (Vääntömomentti: 12-15 Nm)
- Kiinnitysruuvit ja mutterit on kiristettävä asianmukaisella avaimella.
- Avainta ei saa pidentää eikä kiristyksessä saa käyttää vasaraa.
- Varmista, että terä ja laipat ovat puhtaat ja että holkin uralliset sivut ovat terää vasten.
- Tarkista, että terä pyörii oikeaan suuntaan.
- Tee ennen työn aloittamista koeleikkaus moottori päällä, jotta voit tarkistaa terän sijainnin ja suojien toiminnan laitteen osiin ja työkaluun nähden.
- Älä koskaan jätä laitetta valvomatta,
- Älä voitele terää sen pyöriessä.
- Älä koskaan puhdista tai huolla konetta sen käydessä ja päälle ollessa poissa lepoasennosta.
- Älä koskaan yritä pysäyttää liikkuvaa laitetta nopeasti työntämällä työkalua tms. terää vasten; tämä voisi aiheuttaa vakavan onnettomuuden.
- Irrota laite pistorasiasta ennen terän vaihtoa samoin kuin ennen huoltoa.
- Ole tarkkana pakatessasi terää ja ottaessasi sitä pakkauksesta; terän terävät kärjet aiheuttavat helposti loukkaantumisen.
- Käytä sahanteriä käsitellessäsi telinettä tai käsinettä.
- Säilytä terää alkuperäisessä tai muussa sopivassa pakkauksessa, kuivassa ympäristössä ja kaukana kemikaaleista, jotka voisivat voittaa terää.

LASERIN TURVALLISUUSOHJEET

- Sahan laserohjaimen säteily on luokkaa 2, enimmäisteho $\leq 1\text{mW}$ ja aallonpituus 650 nm. Älä katso lasersädettä suoraan. Säätöjen laiminlyönti voi johtaa vakavaan loukkaantumiseen.

- Älä katso sädettä käytön aikana.
- Älä suuntaa lasersädettä suoraan muiden silmiin. Tästä voisi koitua vakava silmävamma.
- Älä aseta laseria siten, että kukaan voisi katsoa lasersädettä tahallaan tai vahingossa.
- Älä katso lasersädettä optisilla laitteilla.
- Älä käytä laseria lasten lähellä äläkä anna lasten käyttää sitä.
- Älä yritä korjata laserlaitetta itse.
- Älä yritä vaihtaa mitään laserlaitteen osia itse.
- Korjaustyöt on aina jätettävä laserin valmistajan tai valtuutetun huoltomiehen tehtäväksi.
- Älä vaihda laseria toisen tyyppiseen.

KÄYTÖN RISKIT

Vaikka tuotetta käytettäisiin ohjeiden mukaisesti, ei ole mahdollista täysin eliminoida tiettyjä käyttöön liittyviä riskitekijöitä. Käytössä voi aiheutua seuraavia vaaroja, ja käyttäjän tulee kiinnittää erityistä huomiota niiden välttämiseen:

- Pyörivän sahanterän suojaamattomien osien kosketusvaara.
 - Työkappaleen ja sen osien potkaisu- tai heilähdysvaara tai käsittelyn takia.
 - Viallisten karbidikärkien sinkoaminen sahanterästä.
 - Hengitystiehyeauriot, jos ei käytetä tehokasta pölysuojainta.
- HUOM:** Käytä suodattimella varustettua hengityssuojainta, joka sopii käsiteltävälle materiaalille. Huolehdi työpaikalla riittävästä tuuletuksesta. Älä syö, juo tai tupakoi työalueella.
- Kuulovamma, jos ei käytetä tehokkaita kuulosuojaimia.

VAROITUS

Erilaisista maaleista, pinnoitteista ja materiaaleista syntyvä pöly saattaa aiheuttaa ärsytystä tai allergisia reaktioita hengitysteissä. Esim. tammen, pyökin ja MDF:n puupöly on karsinogeenistä. Vain asiaan erikoistuneet työntekijät saavat käsitellä tai työstää asbestia sisältäviä materiaaleja.

VAROITUS

Laitteen pitkittynyt käyttö voi aiheuttaa tai vaikeuttaa vammoja. Kun käytät mitä tahansa laitetta pitkiä aikoja, muista pitää säännöllisiä taukoja.

TUNNE TUOTTEESI

Katso sivu 162 - 163.

1. Kädensija
2. Virtakytkin





3. Turvalukituskahva
4. Ylempi teränsuojus
5. Sahanterä
6. Alempi teränsuojus
7. Puristin
8. Pääohjain
9. Kääntöpöytä
10. Pohja
11. Pöydän lisäke
12. Kääntöpöydän lukituskahva
13. Tasausjalka
14. Laserkytkin
15. LED-kytkin
16. Kiinnikkeen rajoitin
17. Laske suojuksen kansi
18. Liukuva ohjain
19. Asennusreikä
20. Jatkovarsi
21. Särämäkulman rajoittajan säätöruuvit
22. Karan lukitusnuppi
23. Yläkahva
24. Pölypussi
25. Leikkuusyvyyden säätönuppi.
26. Lineaarisen tangon rajoitusnuppi
27. Kelan tuki
28. Särämäkulman lukitusnuppi
29. Suurimman leikkuusyvyyden rajoitin
30. Viistekulman säätöruuvit

KÄYTTÖ

Tuotteessa on liikkuva sahanterä, jonka käyttäjä voi säätää eri kulmiin leikatessaan työkappaletta, joka on kiinnitetty tukevasti tuotteen jalustaan. Laitetta saa käyttää vain yksi henkilö kerrallaan, jotta ei vahingossa kosketeta pyörivää sahanterää.

Tuotteen turvallisen käytön periaatteet ovat seuraavat:

- Pidä saha, terät ja työalue hyvässä kunnossa.
- Kiinnitä viistesahan jalusta tukevaan työpenkkiin. Tuote saattaa liikahtaa ja kaatua, jos sitä ei ole kiinnitetty asianmukaisesti.
- Säädä ja lukitse leikkuukulmat ja syvyys ennen leikkaamista.
- Kiinnitä työkappale viistesahan jalustaan. Käytä mukana toimitettua puristinta ja tarvittaessa lisäpuristimia tai -kiinnitysmekanismeja estääksesi työkappaleen tahattoman liikkeen leikattaessa.
 - Tarkista, että työkappaleen asento ei rajoita teränsuojusten toimintaa.
 - Varmista, että terä ei leikkaa ohjainta tai muita tuotteen osia laskeutuessaan leikkausaseentoon.
- Käynnistä moottori ja anna terän saavuttaa täysi nopeus ennen kuin lasket sen hitaasti leikkaamaan työkappaletta. Vedä teräkokooppaonoa tarvittaessa taakse- ja/tai eteenpäin viimeistelläksesi leikkauksen.
- Anna teräkokooppaanon nosta yläasentoon, missä teränsuojukset ovat täysin kiinni. Sammuta moottori ja anna terän pysähtyä täysin, ennen kuin poistat

työkappaleen tai siitä irronneet palaset ja ennen kuin kurotat teräalueelle.

Varmista ennen ensi käyttöä, että tuotteen särmä- tai viistesarjan kulma vastaa kulmaa, joka halutaan tuottaa työkappaleeseen. Tarkista tämä ylijäämäpuulla käyttäen kirvesmiehen työkaluja tai viistemittaa.

VAROITUS

Valmistaja suosittelee, että tuote asennetaan aina tukevasti pöytälevylle.

Kun tuotteen jalusta on kiinnitetty tukevasti pöytälevyyn neljällä mutterilla, pultilla ja välilevyllä, tuotetta voidaan käyttää suurimmilla särmä- ja viistesasetuksilla tuotteen kaatumatta. Jos tuotetta ei ole kiinnitetty kunnolla, se saattaa kaatua kun valitaan suuria särämäkulmia.

Kääntöpöydän pohjassa on myös säätöruuvi (tasausjalka). Tätä ruuvia tulee säätää siten, että se koskettaa tasapintaa, jolla tuote lepää. Lisäksi tämä estää tuotteen kaatumisen leikattaessa liu'un ja särmän maksimimitoilla. Ole varovainen; tämä sahapöydän osa liikkuu valittaessa erilaisia viistekulmia, joten ruuvia tulee säätää ja asettaa säännöllisesti.

HUOLTO

- Älä muuntele tuotetta millään tavoin tai käytä muita kuin valmistajan hyväksymiä lisävarusteita. Sinun ja muiden turvallisuus saattaa vaarantua.
- Älä käytä tuotetta, jos jokin kytkin, suojuksen tai muu toiminto ei toimi tarkoitetulla tavalla. Palauta se valtuutettuun huoltoon ammattilaisen korjattavaksi tai säädettäväksi.
- Älä tee mitään säätöjä sahanterän pyöriessä.
- Varmista aina, että pistoke on irrotettu pistorasiasta, ennen kuin teet säätöjä, voitelet tuotetta tai suoritat sen huoltoa.
- Tarkista tuote vaurioiden ja rikkoutuneiden osien varalta ennen jokaista käyttökertaa ja niiden jälkeen. Pidä tuote huippukunnossa vaihtamalla osat välittömästi valmistajan hyväksymiin varaosiin.
- Terä on erittäin kuuma käytön jälkeen; käytä käsineitä tai anna sen jäähtyä ennen huoltoa ja puhdistusta.
- Siivoa kerääntynyt pöly harjalla tai pölynimurilla. Älä käytä paineilmaa.
- Jotta laite toimisi turvallisesti ja luotettavasti, kaikki korjaukset, mukaan lukien harjojen vaihto, tulee antaa valtuutetun huoltopisteen hoidettavaksi.
- Jos virtajohto vioittuu, ainoastaan valmistaja tai valtuutettu huolto saa vaihtaa sen, jotta vältetään sajan vaurioitumiselta sekä sähköiskun vaaralta.

**VAROITUS**

Lisäturvallisuuden ja luotettavuuden takaamiseksi kaikki korjaustyöt on annettava valtuutetun Ryobi-huoltokeskuksen tehtäväksi.

Suurimman leikkuusyvyiden rajoitin

Suurimman leikkuusyvyiden rajoittimen tarkoitus on estää sahanterää leikkaamasta laitteen metallilajustaa.

VAROITUS

Käyttäjä ei voi säätää suurimman leikkuusyvyiden rajoitinta. Älä säädä suurimman leikkuusyvyiden rajoitinta.

KULJETUS JA SÄILYTYS

- Kun varastoit tuotteen, irrota virtajohto. Säilytä tuotetta turvallisessa paikassa, johon lapset eivät pääse. Säilytä virtajohtoa tämän käsikirjan sivujen 185 - 186 kuvien mukaisesti.
- Puhdista tuote harjalla tai pölynimurilla ennen tuotteen varastoimista.
- Jos irrotat sahanterän tai säilytät varateriä tuotteen lähellä, säilytä ne alkuperäisessä pakkauksessaan estääksesi loukkaantumiset.

Tuotteen kiinnittäminen ennen siirtämistä:

- Tuotetta varastotaessa viiste- ja särmäkulman tulee olla lukittuna nolla-asentoon. Liuku tulee lukita. Kahvan tulee olla lukittu ala-asentoon (turvalliseen asentoon) ja suojujen olla suljettu.
- Työkappaleen tukien yksi tai molemmat puolet voidaan irrottaa kantamisen helpottamiseksi.

Siirto tai kuljetus ajoneuvossa:

- Kiinnitä tuote ennen siirtämistä oppaan ohjeiden mukaisesti.
- Irrota tuote pöytälevystä irrottamalla 4 pulttia, yksi kustakin kulmasta. Pidä pultit tallessa tulevaa käyttöä varten. Nosta tuotetta sen päällä olevasta kahvasta.
- Tuotteen jalustan nostamiseen vaaditaan kaksi henkilöä, joilla on paksut työkäsineet.
- Kun tuotetta kuljetetaan ajoneuvossa, laita se jalustalleen ja kiinnitä se siten, että se ei pääse liikkumaan.

YMPÄRISTÖNSUOJELU

Älä heitä raaka-aineita kotitalousjätteisiin, vaan vie ne kierrätykseen. Ympäristönsuojelun kannalta työkalu, lisäksi r usteet ja pakkausmateriaali on lajiteltava.

SYMBOLI

Turvavaroitus



CE-vastaavuus



Lue ohjeet huolella ennen laitteen käyttöä.



Luokan II laite, kaksoiseristys



Käytä kuulosuojaimia



Käytä aina suojalaseja.



VAARA! Terävä terä.



Käytä suojakäsineitä.



Terän pyörintäsuunta (ilmoitetaan sahanterässä)



Terän pyörimissuunta (merkitty teränsuojukseen)



Terän leikkuuleveys (uurre)



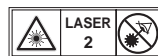
Tämän sahanterän hampaiden määrä



Puun ja vastaavan materiaalin leikkaamiseen



Ei metallin leikkaamiseen

Laser-säteilyä.
Älä katso sädettä.
2. luokan laser-tuote



Käytöstä poistettavia sähkölaitteita ei pidä hävittää talousjätteiden mukana. Ne on mahdollisuuksien mukaan pantava kiertoon. Kierrätysohjeita antavat kunnan viranomaiset ja vähittäiskauppiat.

VAROITUS

Ilmoittaa mahdollisesta vaaratilanteesta, joka saattaa aiheuttaa pienen tai kohtalaisen vamman.

VAROITUS

(Ilman varoitusmerkkiä) Tilanne, joka voi aiheuttaa materiaalista vahinkoa.

KÄSIKIRJAN SYMBOLIT



Kytke tuotetta pistoke pistorasiaan.



Irrota tuotetta sähköverkosta.



Lukko



Avaa



Lukitusmekanismi ei toimi



Kuuluu ääni



Odotusaika terän kiihtyessä täyteen nopeuteen



Osat ja lisävarusteet on hankittava erikseen



Huom:



VAROITUS

Seuraavat signaalisanat ja merkitykset on tarkoitettu selittämään tähän tuotteeseen liittyviä riskin tasoja.

VAARA

Ilmoittaa välittömästä vaaratilanteesta, joka saattaa aiheuttaa kuoleman tai vakavan vamman.

VAROITUS

Ilmoittaa mahdollisesta vaaratilanteesta, joka saattaa aiheuttaa kuoleman tai vakavan vamman.



Sikkerhet, ytelse og pålitelighet er gitt førsteprioritet ved konstruksjonen av ditt gjæringsag.

TILTENKT BRUK

Den gjæringsaggen er ment for kapping av heltre og limtre og materialer som ligner på tre, med eller uten fastlimt finér og plast.

Sagen er kun ment brukt av voksne personer som har lest brukermanualen og som forstår risikoen og farene forbundet med bruken av produktet.

Den gjæringsaggen er konstruert for at fundamentet skal kunne festes til en solid arbeidsbenk. Hvis fundamentet ikke er forsvarlig festet vil hele sagbordet kunne bevege seg under saging, noe som øker muligheten for alvorlig personskade.

Den gjæringsaggen er konstruert for å foreta skrå- og gjæringskapp. Kapasiteten til de forskjellige kappene finnes i produktspesifikasjonene for den kompakte gjæringsaggen i denne brukermanualen.

Sagen må brukes under tørre forhold, med godt arbeidsllys og tilfredsstillende ventilasjon.

Den gjæringsaggen er ment brukt av vanlige forbrukere og skal bare brukes som beskrevet ovenfor og er ikke ment for noe annet bruk.

GENERELLE SIKKERHETSADVARSLER

⚠ ADVARSEL

Når du bruker elektrisk verktøy må visse grunnleggende forholdsregler alltid tas for å redusere risikoen for brann, elektrisk støt og personskade. Les alle instruksjonene før du gjør forsøk på å bruke produktet, og ta godt vare på disse instruksjonene.

- **Hold arbeidsområdet rent.** Rotete områder og arbeidsbenker inviterer til ulykker.
- **Vurder det fysiske arbeidsmiljøet.** Ikke utsett verktøyet for regn. Ikke bruk utstyret på fuktige eller våte steder. Hold arbeidsområdet godt opplyst. Ikke bruk elektrisk verktøy på steder hvor det finnes brennbare væsker eller gass.
- **Beskytt deg mot elektriske støt.** Unngå kroppskontakt med jordede overflater (som vannrør, radiatorer, kokeapparater og kjøleaggregater).
- **Hold andre personer vekke.** Ikke la personer, og spesielt barn, ta del i arbeidet, berøre verktøyet eller en skjøteledning, og hold dem vekke fra arbeidsområdet.
- **Lagre verktøy som ikke brukes.** Når det ikke er i bruk må verktøyet oppbevares tørt og innelåst slik at det er utilgjengelig for barn.
- **Ikke press verktøyet.** Det vil gjøre jobben bedre og tryggere med den hastigheten det var konstruert for.
- **Bruk det rette verktøyet.** Ikke tving et lite verktøy til å utføre en oppgave som var tiltenkt et større og kraftigere verktøy. Ikke bruk verktøy for oppgaver det ikke var tiltenkt, bruk for eksempel ikke en sirkelsag til å kappe grener eller trestammer.
- **Kle deg riktig.** Bruk ikke løstsittende klær eller smykker, de kan hekte seg fast i bevegelige deler på verktøyet. Sklisikkert fotføy anbefales ved arbeid utendørs. Bruk lue, hatt eller skaut til å dekke langt hår.
- **Bruk verneutstyr.** Bruk vernebriller. Bruk ansikts- eller støvmaske dersom arbeidet skaper støv.
- **Tilkobl støvavsugsutstyr.** Hvis det finnes tilkoblingsmuligheter for oppsugnings- og oppsamlingsutstyr for støv, sørg for at dette blir tilkoblet og brukt på riktig måte.
- **Ikke misbruk den elektriske ledningen.** Trekk aldri i den elektriske ledningen for å frigjøre støpslet fra stikkkontakten. Hold ledningen vekke fra varme, olje og skarpe kanter.
- **Trygt arbeid.** Der det er mulig, bruk klemmer eller tvinger til å holde fast arbeidsstykket. Det er tryggere enn å bruke hånden din.
- **Ikke strekk deg.** Sørg for godt fotfeste og god balanse til enhver tid.
- **Vedlikehold verktøyet med omtanke.** Hold verktøyet skarpt og rent for å oppnå bedre og tryggere ytelse. Følg instruksjonene for smøring og skifte av tilbehør. Inspiser verktøyet strømløsning regelmessig og sørg for at den skiftes ved et autorisert servicecenter dersom den er skadet. Inspiser regelmessig eventuell skjøteledning og skift dersom den har skader. Hold håndtak tørre, rene og fri for olje og fett.
- **Frakoble verktøy.** Når verktøyet ikke er i bruk, før servicearbeider og i forbindelse med skifting av tilbehør som blader, bits og skjøreutstyr må verktøyet frakobles den elektriske kontakten.
- **Fjern justeringsnøkler og fastnøkler.** Gjør det til en vane å kontrollere at justeringsnøkler er fjernet fra verktøyet før det startes.
- **Unngå utilsiktet start.** Påse at bryteren er i posisjon "off" når verktøyet støpsles inn i en stikkontakt.
- **Bruk kun utendørs skjøteledning.** Når verktøyet brukes, bruk bare skjøteledning som er ment for utendørs bruk og merket tilsvarende.
- **Vær våken.** Se hva du gjør, bruk fornuft og bruk ikke verktøyet når du er trett eller sliten.
- **Se etter deler som er skadet.** Før ytterligere bruk av verktøyet må det undersøkes nøye for å kunne fastslå at det vil virke tilfredsstillende og utføre sin tiltenkte funksjon. Sjekk tilpasningen av bevegelige deler, kontakt mellom bevegelige deler og om alle deler er korrekt montert og enhver annen tilstand som kan påvirke bruken av verktøyet. Et deksel eller en annen del som er skadet må repareres forskriftmessig eller skiftes av et autorisert serviceverksted dersom ikke annet er angitt i denne Brukermanualen. Sørg for at ødelagte brytere skiftes av et autorisert servicecenter. Ikke bruk produktet hvis bryteren ikke slår det på og av.
- **Advarsel.** Bruk av andre tilkoblinger eller annet tilbehør





enn det som anbefales i denne brukermanualen kan føre til personskade.

- **Sørg for at verktøyet repareres av en kvalifisert person.** Dette elektriske verktøyet innfrir relevante sikkerhetsforskrifter. Reparasjoner må bare utføres av kvalifiserte personer som bruker originale reservedeler, i motsatt fall kan brukeren bli utsatt for betydelig fare.

SIKKERHETSADVARSLER FOR GJÆRINGSSAG

- Sørg for at arbeidsstykket alltid er forsvarlig festet.
- Kontroller at maskinen alltid står stabil (f. eks at den er festet på arbeidsbenken).
- Bruk hørselsvern. Støy kan føre til tap av hørselen.
- Bruk alltid vernebrille når du arbeider med maskinen. Det anbefales å bruke hansker når sagbladet eller grove materialer berøres, pluss solide glisikre vernesko for å beskytte føttene fra arbeidsstykker som kan falle ned fra kappeområdet.
- Fjern alltid støpslet fra kontakten før det foretas vedlikehold eller rengjøring av produktet.
- Sett kun strømkontakten inn i støpslet når verktøyet er slått av.
- Hold ledningen alltid vekk fra maskinens virkeområde. Hold det utenfor det området operatøren står i.
- Strekk aldri hender eller armer inn i området i nærheten av bladet dersom ikke sagbladet står helt stille.
- Kontroller apparat, tilkopplingsledning, skjøteledning og støpsel for skader og aldring før bruk. Reparasjon av hele maskinen, inklusive strømledningen, må kun utføres av autoriserte serviceteknikere.
- Bruk alltid maskinens beskyttelsesinnretninger. Ikke bruk maskinen dersom beskyttelsesutstyret ikke er på plass eller ikke virker som det skal.
- Pendel-vernedekselet skal bare åpnes automatisk når sagen senkes ned mot arbeidsemnet.
- Sagen eller dens funksjon må aldri endres eller modifiseres. Din sikkerhet vil kunne påvirkes negativt.
- Når gjærings-sagen brukes utendørs anbefaler produsenten at det anvendes et RCD-utstyr med avbryteren satt til 30 mA.
- Ikke bruk sagblad som er sprukket, skadet eller deformert.
- Bruk ingen sageblad laget av hurtigstål.
- Bruk bare sagblader som er skarpe. Erstatt sløve sagblader.
- Bruk alltid et blad som har en størrelse og en form som passer til spindelens diameter. Et blad som ikke passer til spindelen som det skal monteres på vil ikke gå rundt riktig og kan få deg til å miste kontroll over verktøyet.
- Bruk bare sagblader som er spesifisert i denne manualen og er i henhold til EN 847-1.
- Ikke bruk flenser, skiver eller muttere for å sikre sagbladet ut over de som fulgte med produktet eller som vises i brukermanualen.

- Bruk sagblad som er egnet for materialet som skal sages.
- Det på sagebladet angitte maksimum omdreiningstallet må overholdes.
- Bruk kappsagen aldri for saging av andre materialer enn de som er oppgitt i bruksanvisningen.
- Erstatt bordinnlegget når det er slitt eller skadet.
- Før du starter arbeidet, gjør et liksomkutt uten at motoren er på for å se at bladet er posisjonert riktig, beskyttelsene er på i forhold til andre maskindeler og sjekk også selve emne.
- Når man utfører kapp-, gjærings- og sammensatte gjæringskutt, juster gliderbeskyttelsen for å sikre riktig klaring fra bladet.
- Transporter kappsagen bare når transportsikringen på håndtaket griper riktig inn i sikringen.
- Hold gulvet fritt for materialrester, som avsagde biter og spon.
- Ikke fjern sagerester eller andre deler av arbeidsstykker fra sagens område mens maskinen går og sagehode ikke befinner seg i hvilestilling.
- Langt materiale skal støttet på egnet måte. Arbeidsområdet for sagen inkluderer også hele omfanget av arbeidsstykket. Operatøren må sørge for at andre personer eller gjenstander ikke kan komme i kontakt med dette området, som kan bevege arbeidsstykket under drift.
- Støv som oppstår under arbeidet kan være helsefarlig. Bruk støvavsug og i tillegg egnede støvbeskyttelsesmaske. Fjern støv grundig, det vil for eksempel si med en støvsuger.
- Maskinen skal være koplet til et beskyttelsesutstyr for strømkretsen (sikring eller kretsbyrter).
- Ikke skift ut laseren eller LED med en annen type. Enhver reparasjon må bare utføres av laserprodusenten eller et autorisert laserverksted.
- Når dette verktøyet benyttes kan det oppstå spenningsvariasjoner som kan påvirke andre elektriske produkter eller lys på den samme strømkretsen. Kople produktet til et strømuttak med en vekselstrømmotstand tilsvarende 0,071 Ω for å minimalisere spenningsvingninger. Kontakt det lokale energiverket for å få en ytterligere klargjøring.

SIKKERHETSANVISNINGER FOR TREKUTTEBLADER

- Les instruksjonene i denne manualen før du bruker verktøyet.
- Maskinen må være i god stand, akselen må ikke være bøyd eller vibrere.
- Ikke bruk sagen uten at beskyttelsen er satt på, spesielt etter en modusendring. Hold beskyttelsen i god stand og vedlikehold regelmessig.
- Påse at brukeren har fått riktig opplæring i sikkerhetsbestemmelser, justering og bruk av maskinen.



- Bruk alltid øyebeskyttelse med sidevern og hørselsvern. Det anbefales å bruke arbeidshansker, faste og sklisikre sko og forkle.
- Før det benyttes noen form for tilbehør, se brukermanualen. Feilaktig bruk av tilbehør kan føre til ulykker.
- Bruk bare sagblader som er spesifisert i denne manualen og er i henhold til EN 847-1.
- Observer maksimumshastigheten som er angitt på sagbladet. Påse at hastigheten som er merket av på sagbladet er minst lik hastigheten merket av på selve sagen.
- Bruk alltid et blad som har en størrelse og en form som passer til spindelens diameter. Et blad som ikke passer til spindelen som det skal monteres på vil ikke gå rundt riktig og kan få deg til å miste kontroll over verktøyet.
- Ikke bruk blader med større eller mindre diameter enn anbefalt. Ikke bruk avstandsstykker for å få bladet til å passe på spindelen.
- Kontroller tennene på sagbladet for skader eller unormalt utseende før hver bruk. Tenner som er ødelagt eller løse kan bli slengt ut ved bruk og øker faren for personskade.
- Sagblad som har sprekker eller som har endret form må ikke brukes! Ikke bruk sageblader som er skadet eller deformerte.
- Bruk aldri et sagblad som er skadet eller deformert. Reparasjon er ikke tillatt.
- Ikke bruk HSS-blader.
- Påse at sagbladet er korrekt montert før sagen tas i bruk. Stram spindelmutteren forsvarlig før hver gangs bruk. (Moment: 12-15 Nm)
- Festskruer og mutter skal strammes ved hjelp av passende nøkkel.
- Å forlenge nøkkelen eller stramme ved hjelp av en hammer er forbudt.
- Påse at bladet og flensene er rene og at de forsenkede sidene av kragen er mot sagbladet.
- Påse at sagbladet roterer i korrekt retning.
- Før du starter arbeidet, gjør et liksomkutt uten at motoren er på for å se at bladet er posisjonert riktig, beskyttelsene er på i forhold til andre maskindeler og sjekk også selve emne.
- La aldri maskinen stå uten tilsyn.
- Ikke påfør smøremidler på sagbladet mens det er i bevegelse.
- Foreta aldri rengjøring eller vedlikehold på sagen mens sagbladet fortsatt er i bevegelse og hodet ikke er i hvileposisjon.
- Gjør aldri forsøk på å stanse en bevegelse brått ved å sette et verktøy eller annen gjenstand mot sagbladet, alvorlige skader kan oppstå som følge av dette.
- Trekk ut strømkontakten før det skiftes sagblad eller utføres noen form for vedlikehold på sagen.
- Vær oppmerksom på inn- og utpakking av bladene, det er lett å kutte seg på de skarpe bladtuppene.
- Bruk en bladholder eller vernehansker når du skal håndtere sagbladet.
- Bladene oppbevares og lagres i originalforpakningen eller en annen passende beholder. Bladene skal stå tørt og unna kjemiske stoffer som kan skade bladet.

LASERSIKKERHET

- Laserstrålen som brukes i sagen er Class 2, med maksimum $\leq 1\text{mW}$ og 650 nm bølgelengde. Ikke stirr direkte inn i laserstrålen. Å unnlate å følge reglene vil kunne føre til alvorlig personskade.
- Ikke se inn i laserstrålen under arbeid.
- Ikke rett laserstrålen direkte inn i øynene på andre. Alvorlig øyeskade kan oppstå som resultat.
- Ikke plasser laseren i en posisjon som kan føre til at noen bevisst eller ubevisst vil kunne stirre direkte inn i laserstrålen.
- Ikke bruk optisk verktøy for å se laserstrålen.
- Ikke bruk laseren når det er barn til stede eller la barn få bruke laseren.
- Ikke gjør forsøk på å reparere laserutstyret selv.
- Ikke gjør forsøk på å skifte noen del av laserutstyret selv.
- Enhver reparasjon må bare utføres av laserprodusenten eller et autorisert laserverksted.
- Ikke skift ut laseren med en annen type.

GJENVÆRENDE RISIKO

Også når produktet brukes som beskrevet, er det ikke mulig å utelukke risiko for brukere eller personer i nærheten. Følgende farer kan oppstå ved bruk og operatøren bør være spesielt oppmerksom på å unngå/sikre følgende:

- Fare for kontakt med utildekkede deler på det roterende sagbladet.
 - Emne eller deler av det kan sprette unna på grunn av feil justering eller feil håndtering.
 - Utkastelse av karbidtupper fra sagbladet.
 - Fare for skade på pusteorganene dersom man ikke bruker en adekvat støvmaske.
- NB:** Bruk åndedrettsbeskyttelse med filter som er tilpasset materialene som skal kappes. Sørg for tilfredsstillende ventilasjon av arbeidsområdet. Ikke spis, drikk eller røyk i arbeidsområdet.
- Skader på hørselen dersom ikke effektivt hørselsvern brukes.



**⚠ ADVARSEL**

Støv fra visse malingstyper, belegg og materialer vil kunne skape irritasjoner eller allergiske reaksjoner i åndedrettsystemet. Støv fra tresorter som eik, bjørk, fiberplater og andre er kreftfremkallende. Materialer som inneholder må kun bearbeides av kvalifiserte spesialoperatører.

⚠ ADVARSEL

Skader kan oppstå eller forsterkes ved forlenget bruk av et verktøy. Når du bruker et verktøy over en lenger tidsperiode, husk å ta regelmessige pauser.

KJENN PRODUKTET DITT

Se side 162 - 163.

1. Håndtak
2. Strømbryter
3. Håndtak for sikkerhetslås
4. Øvre bladbeskytter
5. Sagblad
6. Nedre bladbeskytter
7. Klemme
8. Hovedinngjerdning
9. Dreieskive
10. Fotplate
11. Bordinnsett
12. Håndtak for dreieskivelås
13. Balanseringsfot
14. Laserbryter
15. LED-bryter
16. Brakettstopper
17. Nedre beskyttelsesdeksel
18. Skyveinngjerdning
19. Monteringshull
20. Forlengerstang
21. Skruer for justering av stopper for skråvinkelgrense
22. Låseknott for spindel
23. Toppåhåndtak
24. Støvpose
25. Justeringsknapp for kappedybde
26. Stoppeknott for lineær stang
27. Viklingsstøtte
28. Låseknapp for skråkant
29. Stopper for maksimum kappedybde
30. Skruer for justering av gjæringsvinkel

BRUK

Produktet har et bevegelig sagblad som kan stilles inn i forskjellige vinkler av brukeren når det kappes arbeidsstykker som er forsvarlig festet til produktets fundament. Utstyret må kun betjenes av én person for å hindre tilfeldig kontakt med sagbladet når det er i bevegelse. Prinsippene for trygg bruk av produktet er som følger:

- Vedlikehold sag, blader og arbeidsområde slik at de er i god stand.
- Sikre fundamentet for gjæringsssagen til en solid arbeidsbenk. Produktet kan komme i bevegelse og velte dersom det ikke er forsvarlig sikret.
- Sett opp og lås kappevinklene og dybden før kappet foretas.
- Fest arbeidsstykket til fundamentet for gjæringsssagen. Bruk den medfølgende klemmen, og, der det er nødvendig, bruk ytterligere klemmer eller holdemekanismer for å hindre utilsiktet bevegelse av arbeidsstykket under kappingen.
 - Påse at funksjonen til sagbladdekslet ikke begrenses av posisjonen til arbeidsstykket.
 - Påse at inngjerdningen og andre deler av produktet ikke vil bli kappet av når sagbladet senkes til kappeposisjon.
- Start motoren og la bladet nå full hastighet før den sakte senkes slik at den kapper arbeidsstykket. Skyv sagbladenheten bakover og/eller forover om nødvendig for å kunne fullføre kappet.
- La sagbladenheten heves til den øvre posisjonen, der sagbladdekslet er helt lukket. Slå av motoren og la sagbladet stoppe helt før arbeidsstykket eller den delen som er kappet av fjernes, eller før operatøren strekker hånd eller arm inn i området der sagbladet befinner seg.

Før første gangs bruk må det påses at vinkelen på skråkant- eller gjæringssettet på produktet tilsvarer den vinkelen som skal utføres på arbeidsstykket. Sjekk dette på et stykke kassert tre med en snekkens gjæringsvinkel.

⚠ ADVARSEL

Produsenten anbefaler så sterkt som mulig at produktet alltid er forsvarlig festet til toppen av en arbeidsbenk.

Når fundamentet til produktet er forsvarlig festet til toppen på en benk med de medfølgende fire skrueene, skivene og mutterne kan produktet brukes for kapping av maksimale skråvinkler og gjæringsvinkler uten fare for at produktet skal kunne velte. Hvis produktet ikke er forsvarlig festet vil det kunne velte når store skråvinkler velges.

Det er også en justerbar skrue (balanseringsfot) som går ut fra bunnen av forlengerdreieskiven. Denne skrueen må justeres slik at den berører den flate overflaten som produktet hviler på. Det vil også hindre at produktet kan velte når den fulle lengden av glide- og skråkanten kappes. Vær oppmerksom på at denne delen av sagbordet beveger seg når forskjellige gjæringsvinkler velges slik at skrueen regelmessig må justeres og tilbakestilles.

VEDLIKEHOLD

- Ikke modifier produktet på noen måte eller bruk tilbehør som ikke er godkjent av produsenten. Din og andres sikkerhet vil kunne påvirkes negativt.



- Ikke bruk produktet hvis noen av bryterne, beskyttelsesutstyret eller andre funksjoner ikke virker som de skal. Oppsøk et autorisert servicesenter for profesjonelle reparasjoner eller justeringer.
- Ikke foreta noen justeringer mens sagbladet er i bevegelse.
- Sørg for at den elektriske kontakten alltid er fjernet fra det elektriske støpslet før det utføres justeringer, smøring eller vedlikehold på produktet.
- Før og etter hver gangs bruk må produktet inspiseres for skader eller ødelagte deler. Hold produktet i topp stand ved umiddelbart å erstatte deler med reservedeler som er godkjent av produsenten.
- Sagbladet er meget varmt etter bruk, så bruk hansker eller gi det tid til å kjøle seg ned før det foretas vedlikehold eller rengjøring.
- Rengjør og samle opp støv med en børste eller støvsuger. Ikke bruk trykkluft.
- For å sikre sikkerhet og pålitelighet må alle reparasjoner, inklusive skifte av børster, utføres ved et autorisert servicesenter.
- Hvis strømkabelen er skadet må den kun skiftes av produsenten eller et autorisert serviceverksted for å unngå skade på saken eller risiko for dødelig elektrosjokk.

⚠ ADVARSEL

For større sikkerhet og pålitelighet skal alle reparasjoner foretas av et godkjent Ryobi serviceverksted.

Stopper for maksimum kappedybde

Stopperen for maksimum kappedybde har som oppgave å hindre sagbladet fra å kappe inn i enhetens metallfundament.

⚠ ADVARSEL

Stopperen for maksimum kappedybde kan ikke justeres av brukeren. Ikke juster stopperen for maksimum dybde.

VEDLIKEHOLD OG OPPBEVARING

- Når produktet skal lagres må strømedningen frakoples. Oppbevar maskinen på et trygt sted der barn ikke har tilgang. Lagre den elektriske ledningen som vist på sidene 185 - 186 i denne brukermanualen.
- Rengjør produktet med en børste eller støvsuger før det settes bort for lagring.
- Hvis du fjerner sagbladet eller har reserveblader sammen med enheten, påse at de er pakket i originalemballasjen for å unngå skader.

For å flytte produktet over korte avstander når det er festet til bena:

- Sikre produktet før flytting som beskrevet i brukermanualen.
- Å flytte produktet når det er festet til standen krever to operatører med kraftige heavy duty hansker. En operatør må stå foran og den andre operatøren stå bak sagstanden. Begge operatørene må holde i toppen av hvert ben og forsiktig løfte hele enheten.

For å flytte eller transporteres i et kjøretøy:

- Sikre produktet før flytting som beskrevet i brukermanualen.
- Fjern produktet fra arbeidsbenken ved å frigjøre de 4 skruene, en i hvert hjørne. Sikre skruene for framtidig bruk. Løft produktet i håndtaket på toppen.
- Når det løftes til en høyde behøves det to personer med kraftige hansker for å løfte produktets fundament.
- Når det transporteres i et kjøretøy settes produktet på sitt fundament og sikres mot å komme i bevegelse.

MILJØVERN

Resirkuler råmaterialer istedenfor å kaste dem i søppelen. Verktøyet, tilbehørene og emballasjen bør sorteres for miljøvennlig resirkulering.

SYMBOL

Sikkerhetsalarm



CE samsvar



Les instruksjonene nøye før apparatet tas i bruk.



Class II-utstyr, dobbel isolering



Bruk hørselsvern



Bruk alltid øyebeskyttelse.



FARE! Skarpt blad.



Bruk vernehansker.



Rotasjonsretning for blad (vist på sagblad)



Bladets roteringsretning (vist på sagbladdekslet)



Bladbredde på kutt (sagsnitt)



Antall tagger på dette sagbladet



For kutting av tre og lignende materiale



Ikke for kutting av metaller



Laserstråling.
Ikke stirr inn i laserstrålen.
Class 2 laserprodukt



Avfall fra elektriske produkter skal ikke kastes sammen med husholdningsavfall. Vennligst resirkulere ved eksisterende avfallsbehandlingssted. Undersøk hos dine lokale myndigheter eller forhandler for råd om resirkulering.



Låsemekanismen virker ikke



En lyd høres



Ventetid for at bladet skal nå full hastighet



Deler eller tilbehør solgt separat



Nb:



ADVARSEL

Følgende symboler og betydninger forklarer risikonivået som er assosiert med dette produktet.

FARE

Indikerer en umiddelbart farlig situasjon, som, dersom den ikke unngås, kan føre til alvorlig personskade eller død.

ADVARSEL

Indikerer en potensiell farlig situasjon, som, dersom den ikke unngås, kan føre til alvorlig personskade eller død.

ADVARSEL

Indikerer en potensiell farlig situasjon, som, dersom den ikke unngås, kan føre til mindre eller moderate skader.

ADVARSEL

(Uten sikkerhetssymbol) Indikerer en situasjon som kan resultere i skader på eiendom.

SYMBOLER I MANUALEN



Sett produktet støpsel i strømkontakten.



Trekk ut produktet støpsel.



Lås



Låse opp



При разработке этого торцовочная пила особое внимание уделялось безопасности, производительности и надежности.

НАЗНАЧЕНИЕ

Торцовочная пила предназначена для пиления цельной древесины, клееной древесины, фанеры, материалов, напоминающих дерево, со шпоном и без, а также пластмасс.

Пилой могут пользоваться только компетентные взрослые, которые прочли инструкции по технике безопасности и осознали опасности, связанные с эксплуатацией изделия.

Основание торцовочной пилы должно закрепляться на твердой крышке верстака. Если основание закреплено ненадежно, все устройство может двигаться во время резки, что повышает вероятность получения серьезных травм.

Торцовочная пила предназначена для резки под различным углом и наклоном. Параметры различных видов резки представлены в технических характеристиках раздвижной компактной торцовочной пилы в данном руководстве.

Пилу следует использовать в сухих условиях при хорошем освещении и достаточной вентиляции.

Используйте торцовочную пилу только по его прямому назначению в соответствии с данным руководством.

ОБЩИЕ ПРАВИЛА БЕЗОПАСНОСТИ

⚠ ОСТОРОЖНО

При использовании электрических инструментов следует соблюдать основные правила технической безопасности для снижения опасности возгорания, поражения электрическим током и получения травм. Перед использованием инструмента прочтите данные указания и сохраните их для последующего использования.

- **Содержите рабочую зону в чистоте.** Загромождение рабочей зоны может привести к телесным повреждениям.
- **Принимайте во внимание условия работы.** Не пользуйтесь инструментом под дождем. Не пользуйтесь инструментом в условиях повышенной влажности. Работайте при хорошем освещении. Не пользуйтесь инструментом в присутствии огнеопасных жидкостей или газов.
- **Защита от поражения электрическим током.** Избегайте контакта с заземленными поверхностями (трубами, батареями отопления, кухонными плитами, холодильниками).
- **Не допускайте в рабочую зону посторонних лиц.** Не допускайте к работе посторонних лиц, особенно детей, не позволяйте им касаться инструмента или кабеля питания, не допускайте их в рабочую зону.
- **Неиспользуемые инструменты убирайте на хранение.** Неиспользуемый инструмент следует хранить в сухом защищенном месте, недоступном для детей.
- **Не увеличивайте скорость работы инструмента.** Это позволит выполнить работу лучше и безопаснее с номинальной скоростью.
- **Используйте надлежащий инструмент.** Не пользуйтесь небольшим инструментом для выполнения трудоемких операций. Не используйте инструмент для непредназначенных для него целей, например, не используйте циркулярную пилу для обрезки ветвей деревьев или бревен.
- **Одевайтесь соответствующим образом.** Не надевайте свободную одежду или украшения, так как они могут попасть в движущиеся части. При наружных работах рекомендуется надевать нескользящую обувь. Также необходимо надевать защитный головной убор, чтобы прикрыть длинные волосы.
- **Используйте средства защиты.** Пользуйтесь защитными очками. Если при работе образуется пыль, надевайте пылезащитную маску.
- **Используйте устройство удаления пыли.** Если инструмент предусматривает использование устройство сбора и удаления пыли, обязательно его используйте.
- **Не допускайте неправильного обращения с кабелем.** Не дергайте кабель питания для отключения его от сети. Предохраняйте кабель питания от источников повышенного тепловыделения, масляных участков и острых предметов.
- **Зафиксируйте обрабатываемую заготовку.** При возможности всегда используйте зажимы или тиски для крепления заготовки. Это безопаснее, чем пользоваться руками.
- **Не прикладывайте чрезмерных усилий.** Старайтесь сохранять устойчивость и подыскивайте твердую опору.
- **Заботливо обращайтесь с инструментами.** Для лучшего и безопасного применения поддерживайте режущий элемент в чистоте и наточенном состоянии. При смазке и замене принадлежностей следуйте инструкциям. Регулярно проверяйте исправность кабелей, при их повреждении обращайтесь для ремонта в специализированный сервисный центр. Регулярно осматривайте удлинительные кабели и заменяйте поврежденные из них. Содержите ручки в сухом и чистом виде, очищайте их от масла и смазки.
- **Отключите инструменты.** Перед операциями технического обслуживания, замене принадлежностей (режущие полотна, насадки, резак) отключите инструмент от сети питания.
- **Удалите ключи для выполнения настройки и**





регулировки. Возьмите себе за правило проверять перед включением инструмента отсутствие на нем гаечных и регулировочных ключей.

- **Не допускайте непреднамеренного запуска.** При подключении к сети питания убедитесь, что выключатель находится в положении «выключено».
- **При наружных работах используйте электроудлинитель.** При наружных работах используйте электрический удлинитель, предназначенный для наружного использования.
- **Будьте внимательны.** Сохраняйте внимание при работе, пользуйтесь здравым смыслом и не работайте при испытании усталости.
- **Проверяйте поврежденные детали.** Перед дальнейшим использованием инструмента тщательно проверьте его надлежащую работу и выполнение предназначенных ему функций. Проверьте регулировку движущихся частей, их соединение, отсутствие повреждений, надежность крепления и другие условия, которые могут повлиять на работу инструмента. Поврежденное защитное устройство или другую деталь следует отремонтировать или заменить в сервисном центре, если иное не указано в данном руководстве по эксплуатации. Неисправные выключатели заменяйте в специализированном центре обслуживания. Не пользуйтесь инструментом с неисправным выключателем питания.
- **Осторожно.** Использование любых других принадлежностей, кроме рекомендованных в данных инструкциях, может привести к телесным повреждениям.
- **Для ремонта инструмента обращайтесь к квалифицированному специалисту.** Данный электроинструмент соответствует основным требованиям техники безопасности. Во избежание угроз здоровью ремонт инструмента следует поручать только квалифицированным специалистам с использованием оригинальных запасных деталей.

ПРЕДОСТЕРЕЖЕНИЕ ОТНОСИТЕЛЬНО БЕЗОПАСНОГО ПОЛЬЗОВАНИЯ ТОРЦОВОЧНОЙ ПИЛЫ

- Всегда безопасно и надежно закрепляйте заготовку.
- Удостоверьтесь в том, что машина всегда имеет надежное положение (например, закреплена на верстаке).
- Используйте наушники! Воздействие шума может привести к потере слуха.
- При работе с инструментом всегда надевайте защитные очки. Рекомендуется надевать перчатки при обращении с дисками и грубыми материалами, а также прочную нескользкую обувь для защиты ног от кусков, которые могут падать в зоне резки.
- Всегда отключайте вилку из розетки перед выполнением обслуживания или чистки инструмента.

- Подключайте сетевой шнур в гнездо, только когда инструмент выключен.
- Держите силовой провод вне рабочей зоны инструмента. Держите его вне зоны, в которой стоит оператор.
- Не выполняйте никаких действий рядом с пильным диском, пока не произойдет полной остановки диска.
- Перед включением проверьте инструмент, кабель и вилку на предмет повреждений или усталости материала. Ремонт всего изделия, в том числе шнура питания, должны выполняться только в авторизованном сервисном центре.
- Всегда пользуйтесь защитной крышкой на инструменте. Не эксплуатируйте устройство, если защитные устройства не установлены и не функционируют надлежащим образом.
- Защитный кожух должен открываться только когда инструмент опускается на обрабатываемую деталь.
- Никогда не изменяйте и не модифицируйте пилу или ее функции. Ваша безопасность может быть нарушена.
- Когда торцовочная пила используется на открытом воздухе, рекомендуется использовать устройство защитного отключения (УЗО) с током срабатывания 30мА.
- Не используйте пильные диски, которые треснуты, повреждены или деформированы.
- Не применяйте какие-либо пильные диски из быстрорежущей стали.
- Используйте только острые диски. Замените затупившиеся диски.
- Всегда используйте пильные диски правильного размера и формы, с соответствующим диаметром посадочного отверстия. Диски с посадочным отверстием не соответствующим диаметру шпинделя пилы будут работать с биением, что может привести к потере контроля над инструментом.
- Используйте только режущие диски, указанные в данном руководстве и удовлетворяющие требованиям стандарта EN 847-1.
- Не используйте никакие фланцы, шайбы и гайки для крепления пильного диска, не входящие в комплект поставки или не указанные в руководстве по эксплуатации.
- Выберите пригодное для разрезаемого материала пильное полотно.
- Соблюдайте максимальное число оборотов, указанное на пильном полотне.
- Никогда не используйте торцовую пилу для резания иного материала, чем указанного в инструкции по эксплуатации.
- Заменяйте пластину для пропила в случае ее износа или повреждения.





- Перед работой выполните имитирующий рез с выключенным двигателем, чтобы проверить положение лезвия, функционирование защитных приспособлений по отношению к другим деталям устройства и заготовке.
 - При выполнении распила под углом, косо распила или распила в двух плоскостях отрегулируйте направляющую, чтобы обеспечить правильный зазор с лезвием.
 - Торцовую пилу транспортируйте только с фиксированным транспортным предохранителем на ручке.
 - Не оставляйте разбросанными на полу какие-либо материалы, например, опилки и отрезанные куски.
 - Не удалять остатки стружки или иные части заготовок из области распиловки, если машина работает, а планшайба круглой пилы не находится в нейтральном положении.
 - Длинные заготовки соответственно подоприте. Рабочая зона пилы включает в себя всю рабочую заготовку. Оператор должен обезопасить это место от случайного касания другими лицами или предметами, которые могут переместить заготовку во время работы.
 - Пыль, образующаяся при работе с данным инструментом, может быть вредна для здоровья (напр. при работе с дубом или буком, камнями, краской, которая может содержать свинец или другие вредные химикаты) и попасть на тело. Пользуйтесь системой пылеудаления и надевайте подходящую защитную маску. Полностью удалите осевшую пыль, например, с помощью пылесоса.
 - Устройство должно быть подключено к сети питания с устройством защиты (предохранителем или автоматическим выключателем).
 - Не заменяйте лазер лазером другого типа. Любой ремонт должен выполняться только изготовителем лазера или уполномоченным сервисным агентом.
 - При использовании этого инструмента, колебания напряжения могут повлиять на работу других электроприборов или осветительных приборов в той же цепи питания. Подключите электроинструмент к источнику питания с полным сопротивлением, равным 0,071 Ом, для минимизации колебаний напряжения. За подробными разъяснениями обращайтесь к поставщику электроэнергии.
- ИНСТРУКЦИИ ПО ТЕХНИКЕ БЕЗОПАСНОСТИ ДЛЯ ПИЛЬНОГО ДИСКА ПО ДЕРЕВУ**
- Перед началом эксплуатации этого устройства прочитайте все инструкции в данном руководстве.
 - Устройство должно быть в исправном состоянии, шпиндель без деформации и вибрации.
 - Не используйте пилу без защитных приспособлений, особенно после изменения режима. Защитные приспособления должны поддерживаться в хорошем рабочем состоянии и надлежащим образом обслуживаться.
 - Убедитесь, что оператор прошел надлежащую подготовку по технике безопасности, регулировке и эксплуатации устройства.
 - Помимо использования средств защиты органов слуха всегда надевайте защитные очки с боковыми щитками. Рекомендуется надевать перчатки, прочные нескользящие ботинки и фартук.
 - Перед использованием принадлежностей обязательно прочитайте информацию о них в руководстве по эксплуатации. В результате неправильного использования принадлежностей может произойти их повреждение.
 - Используйте только режущие диски, указанные в данном руководстве и удовлетворяющие требованиям стандарта EN 847-1.
 - Во время работы не допускайте превышения максимальной скорости вращения, указанной на режущем диске. Убедитесь, что скорость, указанная на пыльном диске, больше или равна скорости, указанной на пиле.
 - Всегда используйте пыльные диски правильного размера и формы, с соответствующим диаметром посадочного отверстия. Диски с посадочным отверстием не соответствующим диаметру шпинделя пилы будут работать с биением, что может привести к потере контроля над инструментом.
 - Используйте режущие диски только предписанного диаметра! Не используйте прокладки для закрепления режущего диска в шпинделе.
 - Проверьте края пыльного диска на наличие повреждений и иных дефектов перед каждым использованием. Поврежденные или слабо держащиеся края могут стать летающими объектами во время эксплуатации и повысить вероятность получения травмы.
 - Не используйте треснувшие или погнутые полотна пилы. Не используйте поврежденные или деформированные пыльные полотна.
 - Ни в коем случае не используйте поврежденный или деформированный режущий диск. Ремонт не допускается.
 - Не пользуйтесь режущими дисками из быстрорежущей стали.
 - Перед работой проверьте, правильно ли установлен режущий диск пилы. Надежно затяните гайку опорки режущего диска перед каждым использованием. (Крутящий момент: 12-15 Nm)
 - Крепежные винты и гайки должны быть затянуты с помощью соответствующего ключа.
 - Удлинение гаечного ключа или затяжка с использованием молотка не допускается.
 - Следите за чистотой дисков и фланцев, проследите также, чтобы углубленные стороны втулки прилегали к режущему диску.





- Убедитесь в том, что режущий диск вращается в нужном направлении.
- Перед работой выполните имитирующий рез с выключенным двигателем, чтобы проверить положение лезвия, функционирование защитных приспособлений по отношению к другим деталям устройства и заготовке.
- Никогда не оставляйте устройство без присмотра.
- Не пытайтесь смазать маслом режущий диск во время его работы.
- Запрещается проводить работы по техническому обслуживанию и очистке, если устройство все еще работает, а его головная часть не вернулась в исходное положение.
- Никогда не пытайтесь остановить работающее устройство путем заклинивания инструмента или прикладывания предметов к режущему диску. Это может привести к серьезным травмам.
- Перед заменой режущего диска или проведением работ по техническому обслуживанию отключите устройство от питающей сети.
- Будьте внимательны при упаковке и распаковке пильных дисков, об острые концы можно легко обрезать.
- Переносите пильный диск с использованием специального держателя или в перчатках.
- Храните пильный диск в оригинальной упаковке или иной подходящей упаковке в сухости вдали от химических веществ, которые могут повредить диск.

ПРАВИЛА ТЕХНИКИ БЕЗОПАСНОСТИ ПРИ РАБОТЕ С ЛАЗЕРОМ

- Излучение лазерного указателя, используемое в данном инструменте, соответствует классу 2 с мощностью излучения не более $\leq 1\text{mW}$ и длиной волны 650 нм. Не смотрите прямо на лазерный луч. Несоблюдение правил может привести к серьезным травмам.
- Не смотрите на лазерный луч во время работы.
- Не направляйте лазерный луч в глаза других лиц. Это может привести к тяжелым нарушениям зрения.
- Не устанавливайте лазер в такое положение, чтобы кто-либо мог намеренно или случайно посмотреть прямо на лазерный луч.
- Не используйте оптических инструментов для рассматривания лазерного луча.
- Не используйте лазер в присутствии детей и не разрешайте им пользоваться лазером.
- Не пытайтесь самостоятельно ремонтировать лазерное устройство.
- Не пытайтесь самостоятельно заменить какие-либо части лазерного устройства.
- Любой ремонт должен выполняться только изготовителем лазера или уполномоченным

сервисным агентом.

- Не заменяйте лазер лазером другого типа.

ОСТАТОЧНЫЕ РИСКИ

Даже когда изделие используют согласно инструкциям, невозможно полностью устранить факторы риска. Следующие опасности могут возникнуть во время его использования, и во избежание их рабочий должен обратить особое внимание на следующее:

- Опасность контакта с незакрытыми частями вращающегося пильного диска.
 - Отдача от деталей и частей деталей из-за неправильной регулировки или неверного обращения.
 - Отбрасывание поврежденных твердосплавных пластин с режущего полотна пилы.
 - Возможно повреждение дыхательных путей, если не используется эффективный респиратор.
- ПРИМЕЧАНИЕ:** Носите средства защиты органов дыхания, содержащие фильтры, соответствующие обрабатываемым материалам. Обеспечьте надлежащую вентиляцию на рабочем месте. Не ешьте, не пейте и не курите в рабочей зоне.
- Травмирование органов слуха вследствие игнорирования соответствующих средств защиты.

⚠ ОСТОРОЖНО

Пыль, представляющая собой частицы определенных красок, покрытий и материалов, может вызвать раздражение или аллергические реакции дыхательной системы. Пыль от дуба, бука, МДФ и прочей древесины является канцерогенной. К обработке материалов, содержащих асбест, допускаются только опытные квалифицированные операторы.

⚠ ОСТОРОЖНО

Продолжительное использование инструмента без перерыва может привести к травмам. При использовании инструмента в течение длительного времени делайте регулярные перерывы.

ИЗУЧИТЕ УСТРОЙСТВО

См. стр. 162 - 163.

1. Ручка
2. Выключатель питания
3. Стопорная рукоятка
4. Верхняя охранник
5. Пильное полотно
6. Нижняя охранник
7. Зажим
8. Основная направляющая планка



9. Поворотный столик
10. База
11. Пластина для пропила
12. Стопорная рукоятка поворотного столика
13. Регулировочная ножка
14. Выключатель лазера
15. Выключатель с подсветкой
16. Упорный угольник
17. Крышка нижнего щитка
18. Раздвижная направляющая планка
19. Монтажное отверстие
20. Выдвижная планка
21. Винты для регулировки ограничителя угла наклона
22. Фиксатор шпинделя
23. Верхняя ручка
24. Пылесборный мешок
25. Ручка регулировки глубины реза
26. Ручка останова стержня
27. Поворотная опора
28. Ручка блокировки угла наклона
29. Ограничитель максимальной глубины реза
30. Винты для регулировки угла поворота

ЭКСПЛУАТАЦИЯ

Компонентом изделия является движущийся пильный диск, который может быть установлен оператором под различными углами при резке обрабатываемой детали, которая надежно закрепляется на основании изделия. Необходимо, что управление осуществлял только один оператор во избежание случайного контакта с вращающимся пильным диском.

Ниже приведены принципы безопасной эксплуатации изделия.

- Поддерживайте пилу, диски и рабочую зону в хорошем состоянии.
- Закрепите основание торцовочной пилы на прочном верстаке. Изделие может сдвинуться или перевернуться, если оно недостаточно закреплено.
- Настройте и заблокируйте углы и глубину реза, прежде чем выполнять резку.
- Закрепите заготовку в основании торцовочной пилы. Используйте зажим, который входит в комплект поставки, и, где необходимо, используйте дополнительные зажимы или держатели для предотвращения непреднамеренного движения заготовки во время резки.
 - Убедитесь, что функционирование ограждения диска не ограничено положением обрабатываемой детали.
 - Убедитесь, что направляющая планка и другие части изделия не будут отрезаны при опускании лезвия к положению резки.
- Запустите двигатель и дайте диску достичь полной скорости, прежде чем начать медленно опускать его для резки заготовки. По мере необходимости сдвиньте диск назад и/или вперед, чтобы завершить рез.

- Дайте диску подняться в верхнее положение, где он полностью закрыт ограждением. Прежде чем извлечь рабочую заготовку или обрезки, а также выполнять каких-либо действия вблизи диска, выключите двигатель и дождитесь полной остановки диска.

Перед первым использованием убедитесь, что угол наклона или поворота, установленный на изделии, соответствует углу, который должен быть достигнут при обработке заготовки. Проверьте это на ненужном деревянном бруске, используя коробку для столярных инструментов или угольник.

⚠ ОСТОРОЖНО

Производитель настоятельно рекомендует, чтобы изделие было всегда надежно закреплено на крышке верстака.

Когда основание изделия надежно закреплено к крышке верстака с помощью четырех гаек, болтов и шайб, входящих в комплект поставки, изделие может использоваться при максимальных углах наклона и поворота без возможности его опрокидывания. Если изделие не закреплено должным образом, оно может перевернуться, когда выбраны большие углы наклона.

Также имеется регулировочный винт (регулировочная ножка), который выдвигается из нижней части приставного поворотного стола. Этот винт должен быть отрегулирован так, чтобы он касался плоской поверхности, на которой стоит изделие. Это также предотвратит изделие от переворачивания при резке при максимальном раздвижении и угле наклона. Будьте осторожны, эта часть пильного стола движется при выборе разных углов поворота, поэтому винт необходимо регулярно регулировать и возвращать его в исходное положение.

ТЕХНИЧЕСКОЕ ОБСЛУЖИВАНИЕ

- Запрещается каким-либо образом изменять конструкцию изделия или использовать аксессуары, не рекомендованные производителем. Ваша безопасность и безопасность других людей может быть нарушена.
- Не используйте изделие, если выключатели, защитные приспособления или другие компоненты не функционируют должным образом. обратитесь в авторизованный сервисный центр для ремонта или регулировки.
- Не выполняйте никакой регулировки, пока пильный диск находится в движении.
- Перед выполнением регулировки, смазки или технического обслуживания изделия всегда проверяйте, вынута ли вилка из розетки.
- Проверяйте изделие на предмет повреждения или поломки деталей перед и после каждого использования. Держите изделие в хорошем





рабочем состоянии, своевременно заменяя изношенные детали, используя запасные части, рекомендуемые производителем.

- Так как диск сильно нагревается после использования, дайте ему остыть и надевайте перчатки для проведения технического обслуживания или процедур очистки.
- Удаляйте накопленную пыль с помощью зубной щетки или пылесоса. Не используйте сжатый воздух.
- Для обеспечения безопасности и надежности все ремонтные работы, включая замену щеток, должны выполняться в авторизованном сервисном центре.
- Если шнур питания поврежден, он должен быть заменен только производителем или авторизованным сервисным центром во избежание повреждения пилы или опасности поражения электрическим током.

ОСТОРОЖНО

Для большей безопасности и надежности, все ремонтные работы должны быть выполнены Ryobi авторизованный сервисный центр.

Ограничитель максимальной глубины реза

Ограничитель максимальной глубины реза предназначен для того, чтобы диск не мог коснуться металлического основания изделия.

ОСТОРОЖНО

Ограничитель максимальной глубины реза не подлежит регулировке пользователем. Не изменяйте положение ограничителя максимальной глубины реза.

ТРАНСПОРТИРОВКА И ХРАНЕНИЕ

- При хранении изделия отсоедините шнур питания. Храните изделие в безопасном недоступном для детей месте. Храните шнур питания, как показано на рисунке на стр 185 - 186 данного руководства.
- Перед постановкой изделия на хранение очищайте его, используя щетку или пылесос.
- Если вы извлекаете пыльный диск или держите запасные диски вместе с устройством, следите за тем, чтобы они хранились в своей упаковке во избежание травм.

Закрепите изделие до начала транспортировки:

- При постановке изделия на хранение установите угол поворота и угол наклона равными нулю и заблокируйте это положение. Раздвижная направляющая планка должна быть заблокирована. Ручка должна быть зафиксирована в нижнем

(безопасном) положении при закрытых защитных приспособлениях.

- Одна или обе стороны опор заготовки могут быть удалены для удобства переноски.

Чтобы перемещать или перевозить на автомобиле:

- Закрепите изделие до начала транспортировки, как описано в данном руководстве.
- Снимите изделие с крышки верстака, отвернув 4 болта, по одному на каждом углу. Закрепите болты для дальнейшего использования. Поднимите изделие с помощью ручки в верхней части.
- Для подъема основания изделия требуются два оператора, у которых должны быть надеты прочные перчатки.
- Для транспортировки в автомобиле установите изделие на его основание и закрепите во избежание перемещения.

ЗАЩИТА ОКРУЖАЮЩЕЙ СРЕДЫ



Не выбрасывайте сырье. Сдавайте его в переработку. Машина, аксессуары и упаковка должны быть отсортированы.

СИМВОЛ



Внимание



Соответствие требованиям CE



Внимательно прочтите данные инструкции перед использованием продукта.



Оборудование класса II, двойная изоляция



Применяйте средства защиты органов слуха



Всегда надевайте защитные очки.



ОПАСНО! Острый режущий диск!



Носите защитные перчатки.



Направление вращения диска (показано на пильном диске)



Направление вращения диска (показано на ограждении пильного диска)



Ширина пропила пильного диска



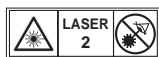
Количество зубьев на этом пильном диске



Предназначен для распила древесины и аналогичных материалов



Нельзя использовать для резки металлов



Лазерное излучение.
Не смотрите на луч лазера.
Лазерное изделие класса 2



Отработанная электротехническая продукция должна уничтожаться вместе с бытовыми отходами. Утилизируйте, если имеется специальное техническое оборудование. По вопросам утилизации проконсультируйтесь с местным органом власти или предприятием розничной торговли.

ОБОЗНАЧЕНИЯ В РУКОВОДСТВЕ



Подключите изделие к электросети.



Отключите изделие от электросети.



Зафиксировать



Расцепить



Механизм блокировки не работает



Звуковой сигнал



Время достижения диском полной скорости



Детали или принадлежности, приобретаемые отдельно



Примечание:



ОСТОРОЖНО

Следующие сигнальные слова и значения предназначены, чтобы объяснить уровни риска, связанного с этим изделием.

⚠ ОПАСНО

Указывает на потенциально опасную ситуацию, которая, если ее не избежать, приведет к летальному исходу или серьезной травме.

⚠ ОСТОРОЖНО

Указывает на потенциально опасную ситуацию, которая, если ее не избежать, может привести к летальному исходу или серьезной травме.

⚠ ВНИМАНИЕ

Указывает на потенциально опасную ситуацию, которая, если ее не избежать, может привести к травме легкой или средней тяжести.

ВНИМАНИЕ

(Без Символа Тревоги Безопасности) Указывает ситуацию, которая может кончиться повреждением собственности.



W przypadku tego piła ukośnica zwrócono szczególną uwagę na zapewnienie bezpieczeństwa, wysokiej wydajności oraz niezawodności.

PRZEZNACZENIE

Ukośnica jest przeznaczona do cięcia litego i klejonego drewna, materiałów drewnopochodnych, z fornirem lub bez forniru i do tworzyw sztucznych.

Piła jest przeznaczona do obsługi wyłącznie przez dorosłych operatorów, którzy przeczytali podręcznik obsługi i rozumieją powiązane ryzyka i zagrożenia.

Ukośnica musi być zamocowana korpusem do solidnego blatu stołu. Jeśli podstawa nie jest dobrze zamocowana, cała maszyna może poruszyć się podczas cięcia, co zwiększa ryzyko poważnych urazów ciała.

Ukośnica jest przeznaczona do cięcia kąтового i ukośnego. Parametry poszczególnych cięć są podane w specyfikacjach produktu kompaktowej ukośnicy przesuwnej w tym podręczniku.

Piła może być używana w suchych warunkach, przy bardzo dobrym oświetleniu zewnętrznym i odpowiedniej wentylacji.

Ukośnica jest przeznaczona do zastosowań konsumenckich i może być używana wyłącznie zgodnie z wyżej podaną instrukcją; produkt nie jest przeznaczony do żadnego innego celu.

OGÓLNE OSTRZEŻENIA DOTYCZĄCE BEZPIECZEŃSTWA

⚠ OSTRZEŻENIE

Podczas używania jakichkolwiek urządzeń elektrycznych należy zachowywać podstawowe środki ostrożności. Pozwoli to uniknąć niebezpieczeństwa pożaru, porażenia prądem lub zranienia. Przed rozpoczęciem pracy zapoznać się ze wszystkimi instrukcjami i zachować je do późniejszego użytku.

- **Miejsce pracy utrzymywać w czystości.** Zagracone miejsce pracy lub warsztat to częsta przyczyna zranień.
- **Oceniać warunki panujące w miejscu pracy.** Nie wolno wystawiać tego urządzenia na działanie deszczu. Nie wolno używać narzędzi w warunkach mokrych lub wilgotnych. Miejsce pracy musi być dobrze oświetlone. Nie używać narzędzi w obecności palnych płynów lub gazów.
- **Chronić się przed ryzykiem porażenia prądem elektrycznym.** Unikać kontaktu ciała z ziemią lub uzziemionymi powierzchniami (rury, instalacje grzewcze i chłodnicze).
- **Osoby postronne utrzymywać z dala od miejsca pracy.** Nie dopuszczaj do miejsca pracy innych osób, szczególnie dzieci ani nie zezwalać na dotykanie narzędzia lub przedłużacza lub na wykonywanie prac za pomocą narzędzia.

- **Nieużywane narzędzia należy odpowiednio przechowywać.** Nieużywane narzędzia należy przechowywać w suchym, zamkniętym miejscu, niedostępnym dla dzieci.
- **Nie przeciążać urządzenia.** Najlepsze efekty pracy, przy zachowaniu pełnego bezpieczeństwa, zapewni używanie tego narzędzia w zakresie parametrów znamionowych i stosownie do jego przeznaczenia.
- **Używać odpowiednich narzędzi.** Nie stosować niewielkich narzędzi do wykonywania prac odpowiednich dla narzędzi przystosowanych do pracy przy dużych obciążeniach. Nie wolno używać żadnych narzędzi do celów, do których nie są przeznaczone: np. pił tarczowych do odcinania gałęzi lub cięcia kłody drewna.
- **Należy zakładać odpowiednią odzież ochronną.** Nie wolno zakładać luźnej biżuterii ani ubrań - mogą zostać wciągnięte przez ruchome elementy urządzenia. Podczas pracy na zewnątrz zaleca się zakładać obuwie antypoślizgowe. Długie włosy należy zabezpieczyć odpowiednim nakryciem głowy.
- **Stosować środki ochrony osobistej.** Zakładać okulary ochronne. Zastosuj maskę na twarz lub maskę przeciwpyłową w przypadku wykonywania prac, podczas których powstaje dużo pyłu.
- **Stosować urządzenia wyciągowe.** Jeśli używane narzędzie posiada przyłączy do wyciągu i gromadzenia kurzu, należy go stosować.
- **Nie uszkodzić przewodu zasilania.** Nie ciągnąć za przewód w celu wyjęcia wtyczki z gniazda sieciowego. Przewód zasilania trzymać z dala od źródeł ciepła, oleju i ostrych krawędzi.
- **Zabezpieczyć obrabiany przedmiot.** Obrabiany przedmiot zabezpieczyć w zacisku lub imadle, o ile to możliwe. Jest to bardziej bezpieczne niż używanie dłoni.
- **Nie sięgać zbyt daleko.** Należy cały czas pewnie opierać stopy i utrzymywać równowagę.
- **Narzędzia konserwować z zachowaniem ostrożności.** Utrzymywać narzędzia tnące w czystości i naostrzone, co umożliwi uzyskanie lepszej wydajności i większego bezpieczeństwa. Przestrzegać instrukcji smarowania i wymiany przystawek i akcesoriów. Systematycznie kontrolować stan przewodów zasilających, a w przypadku stwierdzenia ich uszkodzenia, niezwłocznie dokonać naprawy w autoryzowanym serwisie. Przedłużacze należy systematycznie kontrolować i wymieniać w przypadku uszkodzenia. Rękojeści utrzymywane w czystości, muszą być zawsze suche, wolne od oleju i smarów.
- **Odłączać nieużywane narzędzia.** Gdy narzędzie nie jest używane, ma być serwisowane, przed zmianą przystawek lub akcesoriów, takich jak ostra, noże, osłony itp., należy je odłączyć od zasilania.
- **Usunąć z miejsca pracy wszelkie klucze i narzędzia.** Konieczne jest wypracowanie nawyku sprawdzania, czy wszystkie narzędzia użyte do montażu akcesoriów lub regulacji, zostały usunięte przed rozpoczęciem





pracy.

- **Unikać możliwości przypadkowego uruchomienia urządzenia.** Przed podłączeniem urządzenia do prądu należy upewnić się, że wyłącznik jest w pozycji wyłączonej.
 - **Używać przedłużaczy przeznaczonych do użytku na zewnątrz pomieszczeń.** W przypadku używania urządzenia na zewnątrz, ewentualne przedłużacze muszą być do tego przystosowane i odpowiednio oznaczone.
 - **Zachować ostrożność i przytomność umysłu.** Obserwować wykonywane czynności, używać zdrowego rozsądku, nie używać narzędzia będąc w stanie zmęczenia.
 - **Kontrolować stan techniczny poszczególnych elementów.** Przed dalszym użyciem urządzenia należy je dokładnie sprawdzić, upewniając się, że działa prawidłowo i zgodnie z przeznaczeniem. Sprawdzić wyrównanie elementów ruchomych, sprawdzić, czy wirują/poruszają się swobodnie, sprawdzić czy nie ma jakichkolwiek uszkodzeń, czy montaż jest poprawny, należy uwzględnić wszystkie aspekty mające wpływ na bezpieczną pracę urządzenia. Uszkodzone elementy należy naprawić lub wymienić w autoryzowanym serwisie, o ile nie podano inaczej w tej instrukcji. Wymienić uszkodzone wyłączniki w autoryzowanym punkcie serwisowym. Nie wolno używać tego urządzenia, jeśli wyłącznik nie pracuje poprawnie.
 - **Ostrzeżenie.** Stosowanie jakichkolwiek przystawek, akcesoriów lub innych elementów, które nie zostały wymienione w tej instrukcji grozi wypadkiem.
 - **Narzędzia muszą być naprawiane przez wykwalifikowany personel.** Elektronarzędzie, którego dotyczy ta instrukcja, spełnia odpowiednie wymogi w zakresie bezpieczeństwa. Naprawy mogą być przeprowadzane wyłącznie przez wykwalifikowany personel, z użyciem oryginalnych części zamiennych, w przeciwnym wypadku może dojść do zagrożenia bezpieczeństwa użytkownika urządzenia.
- DOTYCZĄCE UKOŃNICY**
- Zawsze należy mocno i pewnie zamocować obrabiany element.
 - Upewnić się, czy maszyna jest zawsze pewnie osadzona (np. zamocowana na stole warsztatowym).
 - Stosować środki ochrony słuchu! Narażenie na hałas może spowodować utratę słuchu.
 - Podczas pracy należy zawsze nosić okulary ochronne. Zalecane jest noszenie rękawic podczas obsługi ostrzy i szorstkich materiałów, oraz solidnych butów z podeszwą antypoślizgową, aby zabezpieczyć stopy przed upadkiem obrabianych elementów z miejsca cięcia.
 - Zawsze należy odłączać wtyczkę od gniazda elektrycznego przed rozpoczęciem konserwacji lub czyszczenia narzędzia.
 - Wtyczkę można podłączyć do gniazda elektrycznego je4dyniw wtedy, gdy narzędzie jest wyłączone.
 - Kabel zasilający nie może znajdować się w obszarze roboczym elektronarzędzia. Przechowywać poza obszarem przebywania operatora.
 - Nigdy nie wolno sięgać w pobliże ostrza, które jeszcze się nie zatrzymało.
 - Przed każdym użyciem należy sprawdzić, czy nie występują oznaki uszkodzeń lub zmęczenia materiału na elektronarzędziu, kablu i wtyczce. Naprawy całej maszyny, w tym również kabli, mogą być przeprowadzane wyłącznie przez autoryzowanych przedstawicieli serwisu.
 - Zawsze stosować osłony ochronne na elektronarzędziu. Nie należy używać maszyny, jeśli osłony nie znajdują się na swoim miejscu i nie działają prawidłowo.
 - Pokrywa zabezpieczająca może się otworzyć dopiero po przybliżeniu elektronarzędzia do obrabianego przedmiotu.
 - Nigdy nie wolno modyfikować piły ani zmieniać jej funkcji. Może dojść do obniżenia poziomu bezpieczeństwa użytkownika.
 - W przypadku używania ukońnicy na zewnątrz pomieszczeń, producent zaleca zastosowanie wyłącznika różnicowo-prądowego (RCD) z prądem zadziałania 30 mA.
 - Nie należy używać ostrzy piły, które są popękane, uszkodzone lub zdeformowane.
 - Nie używać brzeszczotów wykonanych ze stali szybko tnącej.
 - Należy wyłącznie używać ostrych ostrzy. Wymienić tępe ostrza.
 - Używajcie zawsze tarcz o wymiarze i kształcie dostosowanym do otworu mocującego wrzeciona. Tarcze tnące nie dostosowane do wrzeciona, na którym mają być zamontowane nie będą się nalezyście obracały i mogą spowodować utratę kontroli nad narzędziem.
 - Stosować wyłącznie ostrza wyszczególnione w tym materiale, zgodne z EN 847-1.
 - Nie używać żadnych kołnierzy, podkładek i nakrętek do mocowania ostrza piły, z wyjątkiem części dostarczonych lub wskazanych w podręczniku użytkownika.
 - Brzeszczot należy dobrać odpowiednio do ciętego materiału.
 - Należy zachowywać maksymalne obroty podane na brzeszczocie.
 - Tarczówki nigdy nie używać do cięcia materiałów innych niż podane w instrukcji obsługi.
 - Wymienić wkład stołu, jeśli jest zużyty lub uszkodzony.
 - Przed pracą należy wykonać próbne cięcie przy włączonym silniku w celu sprawdzenia położenia ostrza, działania osłon w stosunku do innych części maszyny oraz obrabianego elementu.
 - W przypadku wykonywania cięć skośnych, grzbietowych lub złożonych, należy ustawić płatek





ślizgowy, aby zapewnić odpowiedni odstęp od ostrza.

- Tarczówkę transportować tylko z zamkniętym na zatrzask zabezpieczeniem transportowym na rękojeści.
- Podłogę należy utrzymywać w czystości, usuwając luźne odpadki, jak np. wióry i odcięte elementy.
- Nie wolno usuwać żadnych pozostałości po cięciu lub innych części przedmiotów obrabianych gdy maszyna pracuje a głowica piły nie znajduje się w położeniu spoczynkowym.
- Długie przedmioty obrabiane należy odpowiednio podeprzeć. Obszar pracy piły obejmuje cały obszar obrabianego elementu. Operator powinien zabezpieczyć ten obszar przed przypadkowym zetknięciem z innymi osobami lub obiektami, które mogą poruszyć obrabiany element podczas pracy.
- Pył wydzielający się podczas pracy tego narzędzia może być szkodliwy dla zdrowia. Stosować układ pochłaniania pyłu i nosić odpowiednią maskę ochronną. Usuń dokładnie pył, np. odkurzaczem.
- Urządzenie musi być podłączone do zabezpieczenia obwodu elektrycznego (bezpiecznika lub rozłącznika).
- Nie wymieniać lasera na laser innego typu. Naprawy należy powierzyć wyspecjalizowanemu serwisowi lub producentowi lasera.
- W przypadku używania tego narzędzia wahania napięcia mogą mieć wpływ na inne urządzenia elektryczne lub oświetlenie podłączone do tego samego obwodu zasilającego. Podłączyć narzędzie do źródła zasilania o impedancji wynoszącej 0,071 Ω, aby ograniczyć wahania napięcia. Skontaktuj się z dostawcą energii elektrycznej, aby uzyskać szczegółowe informacje.

INSTRUKCJE BEZPIECZEŃSTWA DOTYCZĄCE OSTRZA DO DREWNA

- Przed rozpoczęciem użytkowania urządzenia, należy zapoznać się z niniejszym podręcznikiem.
- Maszyna musi być w dobrym stanie, wrzeczono nie może być odkształcone ani nie może wibrować.
- Nie używać piły bez zamontowanych osłon, szczególnie po zmianie trybu pracy. Należy zadbać o prawidłowe konserwowanie i działanie osłon.
- Operator musi być odpowiednio przeszkolony w zakresie zasad bezpieczeństwa, regulacji i obsługi maszyny.
- Zawsze należy nosić okulary ochronne z bocznymi osłonami oraz zatyczki ochronne do uszu. Zalecane jest także noszenie rękawic, mocnego, nie ślizgającego się obuwia oraz ubrania roboczego.
- Przed użyciem jakichkolwiek akcesoriów należy zapoznać się z instrukcją obsługi. Nieprawidłowe użycie akcesoriów może spowodować uszkodzenie.
- Stosować wyłącznie ostrza wyszczególnione w tym materiale, zgodne z EN 847-1.
- Należy przestrzegać ograniczenia maksymalnej prędkości dot. ostrza piły. Należy upewnić się, że prędkość podana na ostrzu piły jest przynajmniej taka

sama jak prędkość podana na pile.

- Używajcie zawsze tarcz o wymiarze i kształcie dostosowanym do otworu mocującego wrzeczono. Tarcze tnące nie dostosowane do wrzeczono, na którym mają być zamontowane nie będą się należały obracać i mogą spowodować utratę kontroli nad narzędziem.
- Nie używać ostrzy o większej lub mniejszej średnicy od zalecanej średnicy ostrza. Nie stosować żadnych przekładek/podkładek, aby umożliwić dopasowanie wrzeczono.
- Przed każdym użyciem należy sprawdzić zęby pilarki stołowej w zakresie uszkodzenia lub nieprawidłowego wyglądu. Uszkodzone lub poluzowane zęby mogą oderwać się od urządzenia i spowodować obrażenia ciała.
- Nie używać pękniętych lub zniekształconych brzeszczotów! Nie używać brzeszczotów/tarcz, które są zniekształcone lub uszkodzone.
- Nie używać zdeformowanych lub uszkodzonych tarcz tnących. Nie wolno naprawiać urządzenia.
- Nie stosować ostrzy HSS.
- Przed użyciem należy upewnić się, czy ostrze piły jest dobrze zamontowane. Przed każdym użyciem należy, dokręcić mocno nakrętkę oprawki. (Moment obrotowy: 12-15 Nm)
- Śruby i nakrętki mocujące należy dokręcać odpowiednim kluczem.
- Stosowanie przedłużki klucza lub młotka do dokręcania jest niedozwolone.
- Wszystkie ostrza i krawędzie maszyny muszą być czyste, a wypuszczone strony kolnierza muszą być skierowane w stronę ostrza.
- Sprawdzić, czy ostrza obracając się w odpowiednim kierunku.
- Przed pracą należy wykonać próbne cięcie przy włączonym silniku w celu sprawdzenia położenia ostrza, działania osłon w stosunku do innych części maszyny oraz obrabianego elementu.
- Nigdy nie należy pozostawiać maszyny bez nadzoru.
- Nie aplikować smarów na obracające się ostrze.
- Nie wolno wykonywać czyszczenia ani konserwacji, gdy maszyna nadal działa, a głowica nie znajduje się w położeniu spoczynkowym.
- Nie próbować zatrzymać maszyny będącej w ruchu, poprzez przykładanie narzędzia lub innego przedmiotu do ostrza; w ten sposób może dojść do poważnych obrażeń ciała.
- Odłączyć pilarkę od źródła zasilania przed wymianą ostrzy lub przed przeprowadzeniem czynności konserwacyjnych.
- Należy zachować ostrożność podczas pakowania i rozpakowywania ostrza. Ostrze zęby ostrza mogą spowodować obrażenia ciała.
- Podczas obsługi ostrza należy stosować uchwyt lub nosić rękawice ochronne.





- Ostrze należy przechowywać w oryginalnym opakowaniu lub innym odpowiednim opakowaniu, przechowywać w suchych warunkach oraz z dala od środków chemicznych, które mogą spowodować uszkodzenie ostrza.

BEZPIECZEŃSTWO DOTYCZĄCE LASERA

- Zastosowany w urządzeniu laser to urządzenie klasy II o mocy $\leq 1\text{mW}$ i długości fali 650 nm. Nie wolno patrzeć bezpośrednio w wiązkę lasera. Nieprzestrzeganie zasad może spowodować poważne obrażenia ciała.
- Nie patrzeć bezpośrednio w wiązkę lasera podczas pracy.
- Nie kierować lasera w stronę oczu osób postronnych. Groziłoby to poważnym uszkodzeniem wzroku.
- Nie umieszczać lasera w sposób pozwalający na świadome lub nieświadome skierowanie wzroku bezpośrednio na promień lasera.
- Nie używać przyrządów optycznych w celu podglądu wiązki lasera.
- Nie używać lasera w pobliżu dzieci ani nie zezwalać dzieciom na jego używanie.
- Nie wolno próbować samodzielnie naprawiać lasera.
- Nie próbować samodzielnie zmieniać żadnych części urządzenia laserowego.
- Naprawy należy powierzyć wyspecjalizowanemu serwisowi lub producentowi lasera.
- Nie wymieniać lasera na laser innego typu.

RYZIKO ZWIĄZANE Z UŻYTKOWANIEM

Nawet jeśli produkt jest używany zgodnie z zaleceniami, nadal nie jest możliwe wyeliminowanie określonych czynników ryzyka. Następujące zagrożenia mogą wystąpić podczas używania urządzenia i operator powinien zwracać szczególną uwagę na poniższe punkty:

- Występuje ryzyko kontaktu z nieosłoniętymi częściami obracającego się ostrza piły.
- Odrzut obrabianego elementu oraz części elementów na skutek nieprawidłowego ustawienia lub obsługi.
- Odrzut z dużą siłą odłamków węglkowych z tarczy tnącej.
- Uszkodzenie układu oddechowego.
UWAGA: Należy nosić maskę ochronną z filtrem odpowiednim do obrabianego materiału. Należy zapewnić odpowiednią wentylację miejsca pracy. Nie jeść, nie pić i nie palić w miejscu pracy.
- Uszkodzenie słuchu w przypadku braku odpowiednich środków ochrony słuchu.

⚠ OSTRZEŻENIE

Pył z określonych farb, powłok oraz materiałów może powodować podrażnienie lub reakcje alergiczne układu oddechowego. Pył z drzew takich jak dąb, brzoza, z płyt MDF itp. jest rakotwórczy. Materiał zawierający azbest może być obsługiwany wyłącznie przez specjalnie wykwalifikowanych operatorów.

⚠ OSTRZEŻENIE

Długotrwałe użytkowanie narzędzia może spowodować obrażenia ciała lub nasilić dolegliwości zdrowotne. W przypadku używania narzędzia przed dłuższy czas należy pamiętać o regularnych przerwach.

ZAPOZNAJ SIĘ ZE SWOIM PRODUKTEM

Patrz str. 162 - 163.

1. Rękojeść
2. Włącznik zasilania
3. Uchwyt blokady zabezpieczającej
4. Górna osłona tarczy
5. Tarcza tnąca
6. Dolna osłona tarczy
7. Zacisk
8. Główna prowadnica
9. Stół obrotowy
10. Podstawa
11. Wkład stołu
12. Uchwyt blokady stołu obrotowego
13. Wyważenie stóp
14. Przelącznik lasera
15. Włącznik diody
16. Ogranicznik wspornika
17. Dolna osłona zabezpieczająca
18. Przesuwany ogranicznik
19. Otwór montażowy
20. Wysuwana przedłużka
21. Śruby do regulacji ogranicznika limitu kąta pochylenia
22. Pokrętko blokady wrzeczona
23. Górny uchwyt
24. Worek na pył
25. Pokrętko regulacji głębokości cięcia
26. Pokrętko ogranicznika pręta liniowego
27. Wspornik zwijania
28. Pokrętko blokady kąta pochylenia
29. Ogranicznik maksymalnej głębokości cięcia
30. Śruby do regulacji kąta ukosu

OBSŁUGA

Produkt jest wyposażony w ruchome ostrze piły, które można ustawić pod różnymi kątami w celu cięcia obrabianych elementów, które są pewnie przymocowane do podstawy produktu. Produkt może być obsługiwany wyłącznie przez jedną osobę, aby nie dopuścić do przypadkowego kontaktu z obracającym się ostrzem piły.





Oto zasady bezpiecznej obsługi produktu:

- Piłę, ostrza oraz miejsce pracy należy utrzymywać w dobrym stanie.
- Zamocować podstawę ukośnicy do solidnego stołu roboczego. Produkt może się poruszyć i przewrócić, jeśli nie jest dobrze zamocowany.
- Przed cięciem należy ustawić i zablokować kąty cięcia.
- Zamocować obrabiany element do podstawy ukośnicy. Należy użyć dostarczonego zacisku i w razie potrzeby użyć dodatkowych zacisków lub mechanizmów mocujących, aby nie dopuścić do niezamierzonego przemieszczenia obrabianego elementu podczas cięcia.
 - Należy sprawdzić, czy działanie osłon ostrza nie jest ograniczone przez położenie obrabianego elementu.
 - Należy upewnić się, że prowadnica i inne części produktu nie zostaną przecięte po obniżeniu ostrza do pozycji cięcia.
- Uruchomić silnik i pozostawić ostrze w górnym położeniu, aby ostrze osiągnęło pełną prędkość; następnie powoli opuścić ostrze na obrabiany element. Odsunąć do tyłu zespół ostrza oraz/lub przesunąć go do przodu, aby zakończyć cięcie.
- Należy unieść zespół ostrza do górnego położenia, gdzie osłony ostrza są całkowicie zamknięte. Wyłączyć silnik i odczekać, aż ostrze całkowicie się zatrzyma przed wyjęciem obrabianego elementu lub pozostałości albo przed dotarciem do obszaru ostrza.

Przed pierwszym użyciem należy upewnić się, że kąt pochylenia lub kątowny ustawiony na produkcie jest zgodny z kątem uzyskanym na obrabianym elemencie. Należy sprawdzić to na niepotrzebnym kawałku drewna przy użyciu zestawu ciesielskiego lub kątownika ukośnicy.

⚠ OSTRZEŻENIE

Producent zdecydowanie zaleca, aby produkt zawsze był dobrze przymocowany do blatu stołu.

Gdy podstawa produktu jest mocno zamocowana do blatu stołu za pomocą dostarczonych czterech nakrętek, śrub i podkładek, produkt może pracować przy maksymalnym pochyleniu i kącie cięcia bez ryzyka przewrócenia. Jeśli produkt nie jest prawidłowo zamocowany, może dojść do przewrócenia produktu w przypadku ustawienia za dużego kąta pochylenia.

Występuje również regulowana śruba (wyważanie stóp), która wystaje na spodzie wysuwanego stołu obrotowego. Śrubę należy wyregulować w taki sposób, aby dotykała płaskiej powierzchni, na której leży produkt. Zapobiegnie to również przeważeniu produktu w przypadku wykonywania cięcia przy pełnym wysuwie piły i pochyleniu ostrza. Uwaga, ta część stołu piły porusza się przy wyborze różnych kątów ukośnicy i w związku z tym należy często regulować i resetować śrubę.

KONSERWACJA

- Nie należy modyfikować produktu w żaden sposób ani nie używać akcesoriów, które nie są zalecane przez producenta. Może dojść do obniżenia poziomu bezpieczeństwa użytkownika oraz innych osób.
- Nie używać produktu, jeśli dowolny przycisk, osłona lub inna funkcja nie pracują prawidłowo. Przekazać urządzenie do autoryzowanego centrum serwisowego do naprawy lub regulacji.
- Nie wykonywać żadnych regulacji, gdy ostrze piły obraca się.
- Zawsze należy upewnić się, że wtyczka zasilania została wyjęta z gniazda elektrycznego przed rozpoczęciem regulacji, smarowania lub konserwacji produktu.
- Przed o po każdym użyciu należy sprawdzić, czy produkt i jego części nie są uszkodzone. Produkt należy utrzymywać w najlepszej kondycji roboczej, wymieniając natychmiast części na części zamienne zatwierdzone przez producenta.
- Ostrze po użyciu jest bardzo gorące, przed konserwacją lub czyszczeniem należy założyć rękawice lub odczekać aż ostrze ostygnie.
- Wyczyścić nagromadzony pył za pomocą szczotki lub odkurzacza. Do not use compressed air.
- Aby zapewnić bezpieczeństwo i niezawodność pracy, wszystkie naprawy, w tym wymiana szczotek, powinny być przeprowadzane przez autoryzowany punkt serwisowy.
- Jeśli przewód zasilający zostanie uszkodzony, aby uniknąć ryzyka uszkodzenia piły lub śmiertelnego porażenia prądem elektrycznym, wymianę należy powierzyć wyłącznie producentowi lub autoryzowanemu serwisowi.

⚠ OSTRZEŻENIE

Dla większego bezpieczeństwa i lepszej pewności, wszystkie naprawy powinny być wykonywane w Autoryzowanym Punkcie Serwisowym Ryobi.

Ogranicznik maksymalnej głębokości cięcia

Ogranicznik maksymalnej głębokości cięcia chroni ostrze piły przed kontaktem z metalową podstawą urządzenia.

⚠ OSTRZEŻENIE

Ogranicznik maksymalnej głębokości cięcia nie jest regulowany przez użytkownika. Nie ustawiać maksymalnego ogranicznika głębokości cięcia.

TRANSPORT I PRZECHOWYWANIE

- Podczas przechowywania produktu należy odłączyć przewód z gniazda elektrycznego. Produkt należy





przechowywać w bezpiecznym miejscu, które jest niedostępne dla dzieci. Przewód należy przechowywać jak pokazano na ilustracji na stronie 185 - 186 w tym podręczniku.

- Przed schowaniem produktu należy wyczyścić go za pomocą szczotki lub odkurzacza.
- W przypadku zdjęcia ostrza piły lub zachowania części zamiennych z urządzeniem, należy upewnić się, że są one w oryginalnym opakowaniu, aby uniknąć urazu ciała.

Zabezpieczenie produktu przed przeniesieniem:

- Produkt powinien być przechowywany przy zerowym stopniu odchylenia bocznego i kąтового oraz pozycje regulacji powinny być zablokowane. Przesuw powinny być zablokowane. Uchwyt należy zablokować w dolnym (bezpiecznym) położeniu z zamkniętymi osłonami
- Jedna lub obie strony wspornika obrabianego elementu mogą być wyjęte w celu ułatwienia przenoszenia.

Przewożenie lub transport samochodem:

- Przed przeniesieniem produktu należy zamocować go, jak opisano w tym podręczniku.
- Odłączyć produkt od blatu, odkręcając 4 śruby znajdujące się w każdym rogu. Dokręcić śruby pod kątem wykorzystania w przyszłości. Podnieść produkt za pomocą górnego uchwytu.
- Do podnoszenia podstawy produktu potrzebne są dwie osoby noszące grube rękawice.
- W przypadku transportu produktu w samochodzie należy oprzeć produkt na swojej podstawie i zabezpieczyć przed poruszeniem.

OCRONA ŚRODOWISKA



Surowce należy oddawać do recyklingu zamiast wyrzucać je na śmieci. Z myślą o ochronie środowiska, narzędzie, akcesoria i opakowania powinny być sortowane.

SYMBOL



Alarm bezpieczeństwa



Zgodność CE



Przed uruchomieniem produktu należy dokładnie przeczytać te instrukcje.



Urządzenie II klasy, podwójna izolacja



Stosować środki ochrony słuchu



Zawsze nosić okulary ochronne.



NIEBEZPIECZEŃSTWO! Tarcza tnąca powinna być ostra.



Nosić rękawice ochronne.



Kierunek obrotu ostrza (przedstawione na ostrzu pilarki)



Kierunek obrotu ostrza (pokazany na osłonie ostrza)



Szerokość cięcia ostrza (rzaz)



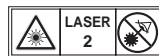
Liczba zębów tego ostrza pilarki



Do cięcia drewna i materiałów drewnopochodnych



Nie do cięcia metali



Promieniowanie lasera.
Nie patrzeć bezpośrednio w wiązkę lasera.
Urządzenie laserowe klasy 2



Zużyte produkty elektryczne nie powinny być utylizowane z odpadami domowymi. Prosimy poddawać recyklingowi w odpowiednich miejscach. Informacje o właściwych metodach recyklingu można uzyskać u władz lokalnych lub sprzedawcy.

**SYMBOLE W INSTRUKCJI**

Podłączyć produktu do prądu.



Odłączyć produktu z gniazda sieciowego.



Blokada



Odkręcenie uchwytu



Mechanizm blokujący nie działa



Słysać dźwięk



Czas oczekiwania aż ostrze osiągnie pełną prędkość



Części lub akcesoria sprzedawane oddzielnie



Uwaga:

**OSTRZEŻENIE**

Poniższe symbole i nazwy które im nadano, pozwalają wyjaśnić różne poziomy ryzyka związanego z używaniem tego narzędzia.

⚠ NIEBEZPIECZEŃSTWO

Oznacza bezpośrednio niebezpieczną sytuację, która, jeśli nie zostanie uniknięta, spowoduje śmierć lub poważne urazy ciała.

⚠ OSTRZEŻENIE

Oznacza potencjalnie niebezpieczną sytuację, która, jeśli nie zostanie uniknięta, może spowodować śmierć lub poważne urazy ciała.

⚠ UWAGA

Oznacza potencjalnie niebezpieczną sytuację, która, jeśli nie zostanie uniknięta, może spowodować niewielkie lub umiarkowane urazy ciała.

UWAGA

(Bez symbolu bezpieczeństwa) Wskazuje na sytuację mogącą spowodować straty materialne.



Bezpečnost, výkon a spolehlivost byli hlavní prioritou při návrhu váš pokosová pila.

ZAMÝŠLENÉ POUŽITÍ

Pokosová pila je určena pro řezání masivního dřeva, lepeného dřeva, s lepenou dýhou či bez ní, materiálu s vlastnostmi dřeva a plastů.

Pila je určena pro použití pouze dospělými osobami, které si přečetli návod k obsluze a pochopily rizika a nebezpečí.

Pokosová pila je navržena pro upevnění základny k pevnému ponku. Pokud není základna bezpečně upevněna, celý stroj se může při řezání pohybovat, což zvyšuje možnost vážného zranění.

Pokosová pila je navržena pro tvorbu zkosených a pokosových řezů. Kapacity pro různé řezy jsou uvedeny ve specifikacích posuvné kompaktní pokosové pily v tomto návodu.

Pila se musí používat v suchých podmínkách, s vynikajícím okolním osvětlením a dostatečným větráním.

Pokosová pila je navržena pro kutily a domácí používání a je nutné ji používat dle popisu výše a není určena pro žádný jiný účel.

VŠEOBECNÁ BEZPEČNOSTNÍ VAROVÁNÍ

⚠ VAROVÁNÍ

Pokud používáte elektrické nástroje, měly by být dodržovány základní bezpečnostní předpisy za účelem snížení nebezpečí požáru, elektrického úrazu a osobní újmy. Dříve než výrobek poprvé použijete, důkladně si přečtěte všechny pokyny a poté je uschovejte.

- **Udržujte pracoviště čisté.** Zaházené oblasti a ponky vedou k poraněním.
- **Berte ohled na pracovní oblast.** Chraňte nástroje před deštěm. Nástroj nepoužívejte ve vlhkých ani mokrych prostředích. Mějte pracoviště dobře osvětleno. Nepoužívejte nástroje v přítomnosti hořlavých kapalin nebo plynů.
- **Chraňte se před zásahem elektrickým proudem.** Předcházejte tělesnému kontaktu s uzemněnými nebo zemněnými povrchy (například trubky, radiátory, sporáky, lednice).
- **Udržujte ostatní přihlížející v povzdálí.** Nechte osoby, obzvláště děti, aby se zapojovaly do práce, dotýkat se nástroje nebo prodlužovacího kabelu a udržujte je mimo pracovní oblast.
- **Ukládejte nevyužívané nástroje.** Nástroj vždy po použití skladujte na suchém místě a mimo dosah dětí.
- **Netlačte na nástroj.** Nástroj bude svou práci provádět lépe a bezpečněji při určeném přísunu materiálu, pro který byl navržen.
- **Používejte správný nástroj.** Nepoužívejte nadměrnou sílu na malé nástroje, abyste vykonali práci jako se silnějším nástrojem. Nepoužívejte nástroj pro práce, pro které není určen, například nepoužívejte rotační pilu pro řezání větví stromu nebo kmenů.
- **Správně se oblékejte.** Nenoste volně oblečení nebo šperky, mohou se zachytit do pohyblivých částí přístroje. Noste neklouzavou obuv, která je doporučena pro venkovní práce. Máte-li dlouhé vlasy, noste pokrývku hlavy.
- **Používejte ochrannou výbavu.** Používejte bezpečnostní brýle. Při práci používejte obličejový štít nebo protiprašný respirátor, pokud při práci vzniká prach.
- **Připojte příslušenství pro odsávání prachu.** Pokud je nástroj vybaven přípojkou pro odsávání prachu a sběrným zařízením, ujistěte se, že jsou zařízení správně připojena k nástroji, a že se správně používají.
- **Nepoškoďte vodiče.** Nikdy nevytrhávejte kabel ze zásuvky. Udržujte kabel mimo horké plochy, olej a ostré hrany.
- **Bezpečná práce.** Používejte svorky nebo svěrák pro přidržení obrobku. Je to bezpečnější než použití vašich rukou.
- **Nepřeceňujte se.** Udržujte řádné postavení a rovnováhu po celou dobu práce.
- **Přístroje pečlivě udržujte.** Řezací nástroje udržujte ostré a čisté, abyste dosáhli lepšího a bezpečnějšího výkonu. Postupujte dle pokynů pro mazání a výměnu příslušenství. Pravidelně kontrolujte kabely přístroje, a pokud jsou poškozeny, nechte je vyměnit v autorizovaném servisu. Pravidelně prohlížejte napájecí kabel a vyměňujte jej, pokud je poškozený. Udržujte rukojeti suché, čisté a bez mastnot a oleje.
- **Odpojte nástroje.** Před servisem, při nepoužívání nebo při výměně příslušenství, jako kotoučů, nástrojů, nožů, se musí nástroje odpojovat ze sítě.
- **Odstraňte seřizovací klíče a nástroje.** Zvykněte si, abyste vždy pohledem zkontrolovali, zda jsou z přístroje před jeho zapnutím odstraněny všechny klíče a seřizovací klíče.
- **Zabraňte náhodnému spuštění.** Zkontrolujte, zda je před zapojením do zásuvky spínač napájení v poloze „off“ (vypnuto).
- **Používejte prodlužovací kabely pro venkovní prostředí.** Pokud používáte nástroje venku, používejte správné prodlužovací kabely určené pro použití venku a také tak označené.
- **Buďte ve střehu.** Buďte ve střehu, hlídejte, co děláte a používejte zdravý rozum a neprovazujte nástroj, pokud jste unaveni.
- **Zkontrolujte, zda nejsou nějaké díly poškozeny.** Před dalším použitím přístroje je potřeba jej pozorně zkontrolovat, abyste určili, zda bude správně fungovat a vykonávat činnost, na kterou je určen. Zkontrolujte seřízení pohyblivých částí, spojení pohyblivých částí, rozbité části upevňovačů a další jiné podmínky, které mohou ovlivnit chod nástroje. Kryt nebo jiný díl, který se poškodí, je potřeba správně opravit nebo vyměnit





v autorizované servisní opravě, pokud to není určeno jinak v tomto návodu k obsluze. Poškozené spínače smí vyměnit pouze pověřené servisní středisko. Nástroj nepoužívejte, pokud přepínač nezapíná nebo nevypíná.

- **Varování.** Používání jiného než doporučeného příslušenství nebo doplňků v této příručce může vést k poranění osob.
- **Nástroj nechávejte opravit u kvalifikované osoby.** Tento elektrický nástroj je v souladu s příslušnými bezpečnostními předpisy. Je potřeba, aby opravy vykonávali jen kvalifikované osoby pomocí originálních náhradních dílů, nedodržení pokynu může způsobit značné ohrožení uživatele.

BEZPEČNOSTNÍ VAROVÁNÍ K POKOSOVÉ PILE

- Vždy obrobek bezpečně upněte.
- Zajistěte stabilní polohu stroje (například upevněním na pracovní stůl).
- Používejte chrániče sluchu. Působením hluku může dojít k poškození sluchu.
- Při práci se strojem neustále nosit ochranné brýle. Doporučuje se používat rukavice pro manipulaci s kotoúči a surovinami a dále pevnou protiskluzovou obuv k ochraně nohou od obrobků, které se mohou padat z oblastí řezání.
- Vždy odpojujte z elektrické zásuvky před prováděním jakékoliv údržby nebo čištění nástroje.
- Připojujte napájecí kabel do zásuvky pouze, když je nástroj vypnut.
- Neustále dbát na to, aby byl kabel pro připojení k elektrické síti mimo dosah stroje. Uchovávejte mimo oblast postavení obsluhy.
- Nikdy nesahejte do nebezpečné oblasti pilového kotoúče, dokud se zcela nezastavil.
- Před každým použitím nabíječky překontrolujte přívodní kabel, prodlužovací kabel a zástrčku zda nejsou poškozeny a nebo zestárlé. Opravy celého stroje, včetně napájecího kabelu musí provádět pouze autorizované servisní společnosti.
- Bezpodmínečně používat ochranné štíty na stroji. Nepoužívejte stroj, pokud nejsou kryty na svém místě a nefungují správně.
- Kynvý kryt se smí automaticky otevřít jen při pohybu pily do řezu.
- Nikdy neměňte či neupravujte pilu nebo její funkci. Vaše bezpečnost může být ohrožena.
- Při použití pokosové pily ve venkovním prostředí výrobce doporučuje použití proudového chrániče (RCD) s unikajícím proudem 30 mA.
- Nepoužívejte kotoúče prasklé, pokřivené či poškozené.
- Nepoužívejte pilové listy vyrobené z rychlořezné oceli.
- Používejte pouze kotoúče, které jsou ostré. Vyměňte tupé nože.
- Vždy používejte kotoúč odpovídající velikosti a tvaru

s vhodným upínacím průměrem. Pilové kotoúče s nesprávným upínacím průměrem se nebudou správně otáčet na hřídeli. Navíc existuje riziko, že ztratíte kontrolu nad nářadím.

- Používejte pouze kotoúče určené manuálem, dle EN 847-1.
- Nepoužívejte příruby, podložky a matice k zajištění pilového kotoúče jiné, než dodávané nebo uvedené v návodu k použití.
- Vybte pilový list vhodný k řezání vybraného materiálu.
- Dodržujte maximální počet otáček uvedený na pilovém listu.
- Kapovací pilu nikdy nepoužívejte k řezání jiných než v návodu k obsluze uvedených materiálů.
- Vyměňujte opotřebované či poškozené vložky stolu.
- Před prací proveďte zkušební řez bez zapnutého motoru tak, aby se dala zkontrolovat poloha nože, funkčnost krytů s ohledem na ostatní části stroje a obrobek.
- Při provádění zkosení, zešikmení nebo pokosových řezů, nastavte posuvný doraz (vodítko) tak, aby se zajistila správná vzdálenost od kotoúče.
- Kapovací pilu přepravujte vždy jen s aretovanou přepravní pojistkou v rucejiti.
- Udržujte oblast podlahy čistou, to je bez pilin a odřezků.
- Neodstraňujte odřezky a jiné zbytky materiálu z řezného prostoru dokud pila běží a řezná hlava je v pohybu.
- Dlouhé obrobky vhodným způsobem podepřete. Pracovní prostor pily zahrnuje celý rozsah obrobku. Obsluha by měla zajistit tuto oblast proti náhodného kontaktu s jinými osobami nebo s předměty, které se mohou pohybovat do obrobku během provozu.
- Prach vznikající při práci s nástrojem bývá zdraví škodlivý. Používejte odsávání prachu a navíc se chraňte vhodnou ochrannou maskou. Řádně odstraňujte usazený prach, např. vysavačem.
- Nástroj by měl být připojen k jištěnému okruhu (pojistkou či jističem).
- Neměňte laser nebo LED za jiný typ. Opravy smí být prováděny jen kvalifikovaným výrobcem laseru nebo pověřeným pracovníkem.
- Výkonové špičky způsobují napěťovou fluktuaci a mohou ovlivnit ostatní elektrické přístroje na stejném napájecím okruhu při použití tohoto výrobku. Připojte výrobek ke zdroji napájení s impedancí rovné či menší jak 0,071 Ω pro minimalizaci napěťové fluktuace. Více informací vám poskytne váš dodavatel elektrické energie.

BEZPEČNOSTNÍ POKYNY ŘEZNÝ KOTOUČ PRO DŘEVO

- Nepoužívejte stroj aniž byste si přečetli tento návod.
- Stroj musí být v dobrém stavu, vřetenem bez deformací a vibrací.





- Nepoužívejte pilu bez namontovaných krytů, zejména po změně režimu. Udržujte kryty v provozuschopném stavu a řádně je udržujte.
- Zajistěte odpovídající školení obsluhy o bezpečnosti, seřízení a obsluze stroje.
- Během údržby noste vždy ochranu sluchu a očí s bočními štíty. Doporučuje se používat ochranné rukavice, pevnou protiskluzovou obuv a zástěru.
- Před použitím doplňku pečlivě pročtete návod k používání. Použití nevhodného doplňku může mít za následek poškození zařízení.
- Používejte pouze kotouče určené manuálem, dle EN 847-1.
- Sledujte maximální rychlost kotouče, vyznačenou na pilovém kotouči. Ujistěte se, že je rychlostní značení pilovým kotouči alespoň stejné jako rychlostní značení na pile.
- Vždy používejte kotouč odpovídající velikosti a tvaru s vhodným upínacím průměrem. Pilové kotouče s nesprávným upínacím průměrem se nebudou správně otáčet na hřídeli. Navíc existuje riziko, že ztratíte kontrolu nad nářadím.
- Nepoužívejte kotouče o menším či větším průměru, než doporučeném. Nepoužívejte distanční vložky pro upevnění kotouče na vřeteně.
- Kontrolujte před každým použitím zuby kotouče na poškození či neobvyklý vzhled. Poškozené či uvolněné zuby mohou během používání odlétávat a zvýšit riziko poranění osob.
- Nepoužívejte prasklé nebo polámané pilové kotouče. Nepoužívejte poškozené nebo deformované pilové listy.
- Nikdy nepoužívejte kotouč pily, který je poškozen či deformován. Opravy nejsou přípustné.
- Nepoužívejte HSS kotouče.
- Ujistěte se, že je pilový kotouč před použitím správně namontován. Bezpečně utáhněte matici vřeteně před každým použitím. (Točivý moment: 12-15 Nm)
- Upevňovací šrouby a matice je nutné utahovat vhodným klíčem.
- Utahování údery kladivem či prodlužování páky není povoleno.
- Zajistěte, aby všechny kotouče a příruby byly čisté a zahlušené strany objímek byly proti kotouči.
- Ujistěte se, že se pilový kotouč otáčí ve správném směru.
- Před prací proveďte zkušební řez bez zapnutého motoru tak, aby se dala zkontrolovat poloha nože, funkčnost krytů s ohledem na ostatní části stroje a obrobek.
- Přístroj nikdy nenechávejte bez dozoru.
- Nemažte kotouč, když běží.
- Nikdy nečistěte či neudržujte, když stroj ještě běží nebo hlava není v klidové poloze.
- Nikdy se stroj nepokoušejte ihned zastavit zablokováním nástroje, můžete se těžce poranit.
- Odpojte stroj z napájecí zásuvky před prováděním údržbářských prací, nebo když měníte kotouč.
- Při balení či rozbalování kotouče se lze snadno poranit ostrými zuby kotouče.
- Používejte držák kotouče či při manipulaci s kotoučem noste rukavice.
- Uchovávejte a skladujte kotouč v originálním obalu či jiném vhodném obalu, uchovávejte v suchu a mimo působení chemikálií poškozujících kotouč.

LASEROVÁ BEZPEČNOST

- Průvodní laserové vodič vyzařování použité v pile je třídy 2 s maximem $\leq 1\text{mW}$ a vlnovými délkami 650 nm. Nikdy se nedívejte přímo do laserového paprsku. Nedodržení pravidel může způsobit vážné osobní poranění.
- Nedívejte se do paprsku během práce.
- Nemiřte přímo laserový paprsek do očí ostatních. Následkem může být vážné zranění oka.
- Neumísťujte laser do polohy, která může způsobit, že se jiné osoba (y) dívají ať už náhodně nebo úmyslně do laserového paprsku.
- Nepoužívejte optické nástroje pro sledování laserového paprsku.
- Nepoužívejte laser blízko dětí nebo nenechte děti pracovat s tímto laserem.
- Nepokoušejte se sami laserové zařízení opravovat.
- Nezkoušejte sami měnit jakoukoliv část laserového zařízení.
- Opravy smí být prováděny jen kvalifikovaným výrobcem laseru nebo pověřeným pracovníkem.
- Neměňte laser za jiný typ.

ZBYTKOVÁ RIZIKA

- Dokonce, i když se výrobek provozuje jak je předepsáno, je stále nemožné zcela eliminovat veškeré zbytkové rizikové faktory. Následující nebezpečí mohou nastat při používání; vyhybte se:
- Nebezpečí kontaktu s nezakrytými částmi rotujícího kotouče.
 - Zpětný vrh obrobku a částí obrobku při nesprávné obsluze.
 - Vymrštění ulomených zubů pilového kotouče.
 - Poškození plic, pokud se nenosí účinný respirátor.
- POZNÁMKA:** Noste dýchací masky obsahující filtry vhodné pro obráběné materiály. Zajistit dostatečné větrání pracoviště. V pracovní oblasti výrobku nejíst, nepít, ani nekouřit.
- Poškození sluchu, pokud se nenosí účinná ochrana sluchu.



**VAROVÁNÍ**

Prach z určitých barev, laků a materiálů může způsobit podráždění nebo alergické reakce na dýchací ústrojí. Prach ze dřeva, jako je dub, buk, překližka a jiných, je karcinogenní. Materiál obsahující azbest se nesmí nikdy zpracovávat nebo pouze zpracovávat kvalifikovaným specialistou.

VAROVÁNÍ

Poranění mohou být způsobena, či zhoršena, prodlouženým používáním nástroje. Když používáte jakýkoliv nástroj delší dobu, dělejte pravidelně přestávky.

POZNEJTE SVŮJ NÁSTROJ

Viz strana 162 - 163.

1. Rukojeť
2. Vypínač napájení
3. Rukojeť bezpečnostního blokování
4. Horní ochranný kryt pilového kotouče
5. Pilový kotouč
6. Dolní ochranný kryt pilového kotouče
7. Svorka
8. Hlavní pravítko
9. Otočný stůl
10. Základová deska
11. Vložka stolu
12. Rukojeť blokování otočného stolu
13. Rovnováha nohou
14. Spínač laseru
15. LED spínač
16. Dorazová patka
17. Kryt spodního chrániče
18. Posuvné pravítko
19. Montážní otvor
20. Prodlužovací tyč
21. Šrouby pro nastavení dorazu úhlu pokosu
22. Šroub blokování vřetena
23. Horní rukojeť
24. Sáček pro prach
25. Šroub seřízení hloubky řezu
26. Šroub dorazu lineární tyče
27. Konzola k navíjení
28. Šroub zámku úhlu zkosení
29. Doraz maximální hloubky řezu
30. Šrouby pro nastavení úhlu pokosu

OBSLUHA

Charakteristikou výrobku je pilový kotouč, který lze nastavit v různých úhlech obsluhou při řezání obrobku, který je pevně uchycen k základně výrobku. Musí být provozováno pouze jednou osobou, aby se zabránilo náhodnému kontaktu s pohybujícím se pilovým kotoučem.

Zásady pro bezpečný provoz výrobku jsou následující:

- Udržujte pilové kotouče a pracovní prostor v dobrém stavu.
- Připevněte základnu pokosové pily pevněmu stolu ponku. Výrobek se může pohybovat a naklápět, pokud není dostatečně zabezpečen.
- Nastavte a zablokujte řezací úhly a hloubku před provedením řezu.
- Zajistěte obrobek k základně pokosové pily. Použijte dodanou svorku a tam, kde je to nutné, použijte další svorky nebo přídržné mechanismy, aby se zabránilo nechtěnému pohybu obrobku při řezání.
 - Zkontrolujte, zda kryty kotouče nejsou omezeny polohou obrobku.
 - Ujistěte se, že pravítko a další části výrobku nebudou pořežány, když kotouč klesá do polohy řezání.
- Spusťte motor a nechte kotouč dosáhnout jeho plné rychlosti než jej pomalu spustíte pro řezání obrobku. Posuňte sestavu kotouče dle nutnosti dozadu anebo dopředu pro dokončení řezu.
- Umožněte sestavě kotouče vystoupit do horní polohy, kde je kryt kotouče zcela uzavřen. Vypněte motor a nechte kotouč plně zastavit před odebráním obrobku nebo odřezků nebo před manipulací v oblasti kotouče.

Před prvním použitím se ujistěte, že úhel zkosení nebo pokosu nastavený na výrobku odpovídá úhlu, které mají být vyroben na obrobku. Zkontroluje na vyřazeném kusu dřeva pomocí tesafské sady nebo pokosového měřítka.

VAROVÁNÍ

Výrobce důrazně doporučuje, aby byl výrobek vždy bezpečně namontován na horní straně ponku.

Když je základna výrobku pevně připevněna k horní části ponku dodanými čtyřmi maticemi, šrouby a podložkami; výrobek lze použít při maximálním zkosení a nastavení pokosu bez možnosti převrácení pily. Pokud není výrobek řádně zabezpečen, může výrobek při obrábění ztratit rovnováhu při výběru velkých úhlů zkosení.

K dispozici je také nastavitelný šroub (vyrovnávací noha), která se rozkládá od dolní části rozšiřovacího otočného stolu. Tento šroub by měla být upravena tak, aby se dotýkal plochy povrchu, na kterém výrobek spočívá. Tím se také zabrání ztrátě rovnováhy výrobku, když řežete při plném natažení a pokosu. Pozor, část stolu pokosové pily se pohybuje, když jsou zvoleny různé úhly pokosu, šroub se tedy musí často nastavovat a resetovat.

ÚDRŽBA

- Nepoužívejte s výrobkem příslušenství nebo doplňky, jež nejsou schváleny výrobcem. Vaše bezpečnost i bezpečnost osob, které se nacházejí v blízkosti, může být ohrožena.
- Nepoužívejte výrobek, pokud nějaké přepínače, kryty nebo jiné funkce nefungují tak, jak bylo zamýšleno.





Odevzdejte nejbližšímu servisnímu středisku k profesionální opravě.

- Neprovádějte žádné úpravy, když je pilový kotouč v pohybu.
- Vždy zajistěte, aby byla zástrčka stroje odpojena od zdroje napájení před provedením úprav, mazání nebo při provádění údržby na výrobku.
- Před každým použitím zkontrolujte výrobek na poškození nebo zničené části. Udržujte výrobek ve špičkovém provozním stavu neprodlenou výměnou dílů za náhradní díly schválené výrobcem.
- Kotouč je po použití velmi horký, používejte rukavice nebo nechte vychladnout před údržbou nebo čištěním.
- Vyčistěte nahromaděný prach pomocí štětce nebo vysavače. Nepoužívejte stlačený vzduch.
- Pro lepší bezpečnost a bezporuchovost by mělo všechny opravy, včetně výměny kartáčů, provádět pověřené autorizované servisní středisko.
- Pokud je napájecí kabel poškozen, musí být nahrazen pouze výrobcem nebo pověřeným servisním střediskem za účelem minimalizace nebezpečí smrti elektrinou či poškození pily.

⚠ VAROVÁNÍ

Z bezpečnostních důvodů a pro zajištění spolehlivosti nářadí musí být veškeré opravy prováděny v autorizované servisní opravě výrobků Ryobi.

Doraz maximální hloubky řezu

Doraz maximální hloubky řezu chrání pilový kotouč před řezáním do kovové základny jednotky.

⚠ VAROVÁNÍ

Uživatel nemůže seřizovat doraz maximální hloubky řezu. Neseřizujte doraz maximální hloubky řezu.

PŘEPRAVA A SKLADOVÁNÍ

- Při skladování výrobku, odpojte napájecí kabel. Skladujte výrobek na bezpečném místě, které není přístupné dětem. Uložte napájecí kabel tak, jak je znázorněno na obrázku na straně 185 až 186 tohoto návodu.
- Vyčistěte výrobek před uskladněním pomocí štětce a vysavače.
- Pokud odebíráte pilový kotouč nebo skladujete náhradní díly s jednotkou, zajistěte, že jsou v originálním obalu, aby se zabránilo poranění.

Pro zajištění výrobku proti pohybu:

- Výrobek by měl být skladován při nulovém úhlu pokosu a zkosení a v zablokované poloze. Posuv by měl být

zablokován. Rukojeť by měla být zablokována v dolní (bezpečné) poloze s zavřeným krytem.

- Jednu nebo obě strany podpěr obrobku lze odstranit pro snadné přenášení.

Pro přesun ve vozidle:

- Zajistěte výrobek proti pohybu, jak je popsáno v návodu.
- Demontujte výrobek z desky stolu uvolněním 4 šroubů, na každém rohu je jeden. Zajistěte šrouby pro budoucí použití. Zvedněte výrobek pomocí rukojeti na horní straně.
- Při zvedání do výšky jsou zapotřebí dvě osoby s pevnými rukavicemi pro zvednutí základny výrobku.
- Při převozu ve vozidle umístěte výrobek na jeho základnu a zajistěte proti pohybu.

OCHRANA ŽIVOTNÍHO PROSTŘEDÍ



V rámci možností neodhazujte vysloužilý výrobek nebo jeho části do domovního odpadu a snažte se o jejich recyklaci. V souladu s předpisy na ochranu životního prostředí odkládejte vysloužilé nářadí, příslušenství i obalový materiál do tříděného odpadu.

SYMBOL



Bezpečnostní výstraha



Shoda CE



Před použitím přístroje si prosím řádně přečtete tyto pokyny.



Zařízení třídy II, dvojitá izolace



Noste ochranu sluchu



Vždy noste ochranu očí



NEBEZPEČÍ! Ostrý kotouč



Noste bezpečnostní rukavice.



Směr otáčení kotouče (uvedeno na pilovém kotouči)



Směr otáčení kotouče (uvedeno na krytu kotouče)



Šířka řezu kotouče (zářez)



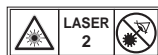
Počet zubů na pilový kotouč



Pro řezání dřeva a podobných materiálů



Nevhodné pro řezání kovu



Laserové zařízení.
Nedívejte se do paprsku.
Laserový výrobek třídy 2



Odpad elektrických výrobků se nesmí likvidovat v domovním odpadu. Recyklujte prosím na sběrných místech. Ptejte se u místních úřadů nebo prodejce na postup při recyklaci.

SYMBOLY POUŽITÉ V NÁVODU



Zapojte do výrobek.



Odpojte výrobek.



Zamknuto



Odemknuto



Blokovací mechanismus nefunguje



Zní zvuk



Čekací doba na kotouč pro dosažení plné rychlosti



Díly nebo příslušenství jsou v prodeji samostatně



Poznámka:



VAROVÁNÍ

Následující signální slova a významy jsou vhodné pro vysvětlení úrovně nebezpečí spojených s tímto výrobkem.

⚠ NEBEZPEČÍ

Upozorňuje na bezprostředně nebezpečnou situaci, která vede k usmrcení nebo těžkému zranění.

⚠ VAROVÁNÍ

Upozorňuje na možnou nebezpečnou situaci, která by mohla vést ke smrtelnému úrazu nebo k závažnému zranění.

⚠ POZOR

Upozorňuje na možnou nebezpečnou situaci, která může vést k menšímu nebo lehkému zranění.

POZOR

(Bez bezpečnostního výstražného symbolu) Určuje situaci, která může mít za následek vážné poškození.



A gérvágó fűrész tervezésekor a biztonság, a teljesítmény és a megbízhatóság voltak a legfontosabb szempontok.

RENDELTETTÉSSZERŰ HASZNÁLAT

A gérvágó fűrész tömör és ragasztott fa, fához hasonló anyagok, ragasztott vagy nem ragasztott furnér és műanyag vágására használható.

A fűrész csak olyan felnőtt kezelők használhatják, akik elolvasták a használati utasítást és tisztában vannak a kapcsolódó veszélyekkel és kockázatokkal.

A gérvágó fűrész úgy lett kialakítva, hogy az alapzata egy stabil munkapad tetejére legyen rögzíthető. Ha az alapzat nincs biztonságosan rögzítve, a vágási művelet során a teljes gép mozoghat, ami megnöveli a súlyos személyi sérülések kockázatát.

A gérvágó fűrész ferde- és gérvágásra használható. A csúsztatható kompakt gérvágó fűrész különböző vágási jellemzői a kézikönyvben lévő termékspecifikációkban van megadva.

A fűrész csak száraz körülmények között kell használni, kiváló környezeti világítással és megfelelő szellőzéssel rendelkező helyen.

A gérvágó fűrész nem kereskedelmi használatra készült, csak a fent meghatározottak szerint használható, és nem alkalmas semmilyen más célra.

ÁLTALÁNOS BIZTONSÁGI FIGYELMEZTETÉSEK

▲ FIGYELEM

Elektromos szerszámgépek használatakor a tűz, elektromos áramütés és a személyi sérülés veszélyének csökkentése érdekében az alapvető biztonsági óvintézkedéseket mindig be kell tartani. Mielőtt a terméket használni kezdi, olvassa el az összes utasítást, és őrizze meg a későbbi használatra.

- **Tartsa tisztán a munkaterületet.** A rendetlen területek és munkapadok vonzzák a sérüléseket.
- **Vizsgálja át a munkaterületet.** Ne tegye ki a gépeket esőnek. Nedves vagy vizes területeken ne használja a gépeket. Jól világítsa meg a munkaterületet. Gyúlékony folyadékok vagy gázok jelenlétében ne használja a gépeket.
- **Védekezzen az áramütés ellen.** Kerülje a testi érintkezést földelt felületekkel (pl. csövekkel, radiátorokkal, hűtőkkel).
- **Tartson távol másokat a munkaterülettől.** Ne hagyja, hogy más személyek, különösen gyerekek részt vegyenek a munkában, megérintsék a szerszámot vagy a hosszabbító kábelt, és tartsa távol őket a munkaterülettől.
- **Tegye el a gépet, ha nem használja.** Használaton kívül a szerszámgepeket valamilyen száraz, zárt helyen, gyerekektől elzárva kell tárolni.
- **Ne erőltesse a gépet.** A gép jobban teljesít és biztonságosabban dolgozik olyan sebesség használatokor, amilyenre azt tervezték.
- **A megfelelő szerszámot használja.** Ne erőltesse a kisméretű géppel való munkát olyan esetekben, ahol a feladatot egy nagyobb szerszámmal könnyebb elvégezni. Ne használja a rendeltetésének nem megfelelő célra a gépeket: ne használja például a körfűrészeket faágak vagy rönkök vágására.
- **Viseljen megfelelő ruházatot.** Ne viseljen laza ruházatot vagy ékszereket, amelyek beakadhatnak a mozgó alkatrészekbe. Kültéri munkához csúszásmentes lábbeli viselete javasolt. Viseljen hajvédőt is, ha hosszú haja van.
- **Használjon védelmi berendezést.** Viseljen védőszemüveget. Viseljen arcvédőt vagy pormaszkot, ha a munka során por keletkezik.
- **Csatlakoztassa a porkivezető berendezést.** Ha a gép el van látva porkivezető vagy gyűjtő berendezésekhez való csatlakozási lehetőséggel, akkor ügyeljen arra, hogy ezeket csatlakoztassák és megfelelően használják.
- **Ne rongálja meg a kábelt.** Ne rántsa meg a kábelt a hálózathoz való lecsatlakoztatáskor. Hőtől, olajtól és éles szélektől tartsa távol a kábelt.
- **Rögzítse a munkadarabot.** Ahol lehetséges, használjon szorítókat vagy satut a munkadarab rögzítésére. Biztonságosabb, mintha a kezét használná.
- **Ne hajoljon ki túlságosan.** Mindig tartson megfelelő testtartást és egyensúlyt.
- **A szerszámok karbantartását kellő alapossgggal végezze.** A vágószerszámokat tartsa élesen és tisztán, hogy teljesítményük jobb és biztonságosabb legyen. Tartozékcsere és kenés esetén kövesse az útmutatóban leírtakat. Rendszeresen ellenőrizze a gép kábeleit, és sérülés esetén egy hivatalos szervizközpontban javíttassa meg. Rendszeresen ellenőrizze a hosszabbító kábelt, és cserélje ki, ha sérült. A fogantyúkat tartsa szárazon, tisztán, olajtól és kenőzsírtól mentesen.
- **Csatlakoztassa le a gépeket a hálózathoz.** Használaton kívül, szervizelés előtt, valamint a tartozékok, például kések, bitek és vágók cseréjekor csatlakoztassa le a gépet az elektromos hálózatról.
- **Távolítsa el a beállító kulcsokat és csavar kulcsokat.** Bekapcsolás előtt szokásszerűen ellenőrizze, hogy a csavar kulcsokat és a beállító kulcsokat eltávolította a gépről.
- **Kerülje el a véletlen bekapcsolást.** A hálózathoz való csatlakoztatáskor ellenőrizze, hogy a kapcsoló "ki" állásban van.
- **Kültéri használatra való kábeleket használjon.** A szerszám kültéri használata során csak kültéri használatra is alkalmas és így is jelölt hosszabbító kábeleket használjon.
- **Legyen mindig éber.** Figyeljen arra, amit csinál, használja az összes érzékszervét, és ne használja a szerszámgepet, ha fáradt.
- **Ellenőrizze a sérült alkatrészeket.** A készüléket a további használat előtt ellenőrizni kell, hogy képes megfelelően működni és ellátni funkcióját. Ellenőrizze





a mozgó alkatrészek elrendezését, összekapcsolódását, az alkatrészek törését, rögzítését és minden más körülményt, ami hatással lehet a működésre. Ha egy védőlemez vagy más alkatrész megsérült, azt egy hivatalos szervizközpontban kell megjavítani vagy kicseréltetni, hacsak a kezelői útmutató másként nem rendel. A hibás kapcsolókat egy hivatalos szervizközpontban ki kell cseréltetni. Ne használja a gépet, ha a kapcsoló nem kapcsolja be vagy ki.

- **Figyelem.** A használati utasításban nem javasolt tartozékok vagy kiegészítők használata személyi sérülés veszélyét jelentheti.
- **A gépet képzett szakemberrel kell megjavítani.** Ez az elektromos szerszámgép megfelel a vonatkozó biztonsági szabályoknak. A javításokat csak képzett szakember végezheti el eredeti cserealkatrészek használatával, máskülönben ez jelentős veszélyt eredményezhet a felhasználó számára.

GÉRVÁGÓ FÜRÉSZ BIZTONSÁGI FIGYELMEZTETÉSEK

- Mindig biztonságosan és erősen rögzítse a munkadarabot.
- Biztosítani kell, hogy a gép helyzete állandóan biztonságos legyen (pl. rögzítve legyen a munkapadon).
- Viseljen hallásvédőt. A fokozott zajhatás hosszú távon a hallás elvesztését eredményezheti.
- Munkavégzés közben ajánlatos védőszemüveget viselni. Javasolt kesztyűt viselni a fűrészlapok és a durva anyagok kezelésekor, emellett vasos és csúszásgátló cipőt, hogy védje a lábait a vágási területről leeső munkadarabokkal szemben.
- A gépen bármilyen karbantartási vagy tisztítási művelet végrehajtása előtt mindig húzza ki a dugaszt az elektromos hálózati aljzatból.
- Csak akkor dugja be a tápvezetékét az aljzatba, ha a gép ki van kapcsolva.
- Munka közben a hálózati csatlakozókábelt a sérülés elkerülése érdekében a munkaterülettől, illetve a készüléktől távol kell tartani. Tartsa távol a területtől, ahol a kezelő áll.
- Ne nyúljon a fűrészlap körüli területre, amíg a fűrészlap teljesen meg nem áll.
- Használat előtt vizsgálja meg a készüléket, a hálózati csatlakozókábelt, valamint a csatlakozódugót sérülés és esetleges elhasználódás tekintetében. A teljes gép javítását, beleértve a tápkábelt is, csak hivatalos szervizszakemberek végezhetik.
- A készülék biztonságtechnikai felszereléseit feltétlenül használni kell. Ne használja a gépet, ha a védőburkolatok nincsenek a helyükön és nem működnek megfelelően.
- A védőborításnak csak akkor szabad felnyílnia, ha a gép csappantyúja a munkadarabhoz ér.
- Ne módosítsa vagy alakítsa át a fűrész vagy annak funkcióit. A biztonsága veszélybe kerülhet.

- A gérvágó fűrész szabadban való használatakor a gyártó egy 30mA kioldójú RCD eszköz használatát javasolja.
- Ne használjon megrepedt, károsodott vagy sérült fűrészlapokat.
- Ne használjanak gyorsacélból készült fűrészlapokat!
- Csak éles fűrészlapokat használjon. Cserélje ki a tompa fűrészlapokat.
- Kizárólag olyan tárcsákat használjon, melyek mérete és formája megfelel a tengely furatátmérőjének. Egy, a hajtótengelynek nem megfelelő fűrész tárcsa nem fog megfelelőképp fogorni, és így ahhoz vezethet, hogy elveszíti uralmát a gép felett.
- Csak az útmutatóban meghatározott fűrészlapot használjon, amely megfelel az EN 847-1 előírásainak. Ne használjon a mellékeltől vagy a kezelési útmutatóban megadottól eltérő peremet, alátétet és csavaranyát a fűrészlap rögzítéséhez.
- Válasszanak a vágni kívánt anyagnak megfelelő fűrészlapot!
- Be kell tartani a fűrészlapon feltüntetett maximális fordulatszámot!
- A darabolófűrész nem szabad más anyagok vágására használni, mint ami a kezelési útmutatóban szerepel!
- Elhasználódás vagy sérülés esetén cserélje ki az asztalbetétet.
- A munka megkezdése előtt bekapcsolt motor nélkül végezzen egy próbavágást a vágótárcsa helyzete, a védőberendezések működése, a gép más részei és a munkadarab helyzete ellenőrzése céljából.
- Gérvágás, ferdevágás vagy kombinált gérvágások végrehajtásakor állítsa be a vezetőszínt, hogy biztosítsa a megfelelő hézagot a fűrészlap számára.
- A darabolófűrész a fogantyúján rögzített szállításbiztosítóval kell szállítani!
- A munkaterületen ne legyenek hulladékok, pl. fűrészpor vagy levágott darabok.
- Ha a gép jár és a fűrészfej nincs nyugalmi állapotban, nem szabad eltávolítani fűrészelési maradványokat vagy más munkadarabrészeket a fűrészelési tartományból.
- A hosszú munkadarabokat alkalmas módon meg kell támasztani. A fűrész munkaterülete a teljes munkadarabot magába foglalja. A kezelőnek biztosítania kell ezt a területet a működtetés során a munkadarabot esetleg mozgó más személyekkel vagy tárgyakkal való véletlen érintkezés ellen.
- A munkavégzőskor keletkező por ártalmas lehet. Ilyen esetben ajánlatos a megfelelő elszívó berendezés és a védőmaszk használata. Alaposan távolítsa el a lerakódott port, pl. egy porszívóval.
- A gépet egy áramkörvédő eszközökhöz (biztosíték vagy megszakító) kell csatlakoztatni.
- Ne cserélje ki a lézert vagy LED más típusúra. A javításokat csak a lézer gyártója vagy a hivatalos





szervize végezheti el.

- A termék használatakor a feszültségingadozás hatással lehet az ugyanazon áramkörön lévő más egyéb elektromos termékre vagy világítótestre. A szerszámot egy 0,071 Ω impedanciával rendelkező elektromos hálózati aljzatba csatlakoztassa, hogy minimalizálja a feszültségingadozásokat. További információkért forduljon az áramszolgáltatóhoz.

BIZTONSÁGI ÚTMUTATÓ FAVÁGÓ LAPOKHOZ

- A gép használata előtt olvassa el az utasításokat a kézikönyvben.
- A gépnek jó állapotban kell lennie, az orsó nem lehet deformált és nem rezeghet.
- Ne használja a fűrész, ha a védőburkolatok nincsenek a helyükön, különösen üzemmódváltás után. A védőberendezések legyenek működőképese, megfelelően karbantartott állapotban.
- Ügyeljen arra, hogy a kezelő ismerje a biztonsági óvintézkedéseket, és a gép beállításának és működtetésének módját.
- Mindig viseljen oldalellenzős szemvédőt, valamint fülvédőt is. Védőkesztyű, zárt és csúszásmentes cipő, valamint védőkötény használata szintén javasolt.
- Bármilyen tartozék használata előtt olvassa el a használati útmutatót. Egy kiegészítő nem megfelelő használata sérülést okozhat.
- Csak az útmutatóban meghatározott fűrészlapot használjon, amely megfelel az EN 847-1 előírásainak.
- Ügyeljen a fűrészlapon látható maximális fordulatszámra. Ügyeljen arra, hogy a fűrészlap oldalán megadott fordulatszámérték legalább annyi legyen, mint a fűrészben megadott.
- Kizárólag olyan tárcsákat használjon, melyek mérete és formája megfelel a tengely furatátmérőjének. Egy, a hajtótengelynek nem megfelelő fűrész tárcsa nem fog megfelelőképp forogni, és így ahhoz vezethet, hogy elveszíti uralmát a gép felett.
- Ne használjon az ajánlottól nagyobb vagy kisebb átmérőjű fűrészlapokat. Ne használjon távtartókat ahhoz, hogy a fűrészlap illeszkedjen az orsóra.
- Minden használat előtt ellenőrizze a fűrészlap élet sérülések vagy látható elváltozások tekintetében. A sérült vagy rosszul rögzített élek használat közben kirepülhetnek, ami személyi sérülést okozhat.
- Tilos repedt vagy deformált fűrészlapot használni! Ne használjon sérült vagy deformálódott vágólapot.
- Ne használja a fűrészlapot, ha megsérült vagy deformálódott. A javítás nem engedélyezett.
- Ne használjon HSS fűrészlapokat.
- Használat előtt győződjön meg róla, hogy a fűrészlap megfelelően rögzítve van. Használat előtt erősen húzza meg a tengelyen levő csavaranyát. (Nyomaték: 12-15 Nm)

- A rögzítőcsavarokat és -anyákat a megfelelő kulccsal meg kell húzni.
- Kulcshosszabbító használata vagy behúzás a kulcs szárának kalapáccsal való ütésével nem engedélyezett.
- Ellenőrizze, hogy a teljes fűrészlap és peremek tiszták, és a gallér rovatkás oldala van a fűrészlapon.
- Ellenőrizze, hogy a fűrészlap a megfelelő irányba forog.
- A munka megkezdése előtt bekapcsolt motor nélkül végezzen egy próbavágást a vágótárcsa helyzetére, a védőberendezések működése, a gép más részei és a munkadarab helyzete ellenőrzése céljából.
- Soha ne hagyja a gépet felügyelet nélkül.
- Ne vigyen fel kenőanyagot a fűrészlapra, ha forog.
- Ne hajtson végre semmilyen tisztítási vagy karbantartási műveletet, ha a gép még forog és a fej nincs nyugalmi pozícióban.
- Ne próbálja hirtelen megállítani a gépet, ha mozgásban van, úgy, hogy beakaszt egy szerszámot vagy más tárgyat a fűrészlapba, mert ez súlyos balesetet okozhat.
- Válassza le a fűrész lapot a hálózatról a fűrészlapok cseréje vagy karbantartás végrehajtása előtt.
- Figyeljen oda a fűrészlap ki- és becsomagolásakor, könnyen megsérülhet az éles élek miatt.
- Használjon tartót vagy viseljen kesztyűt a fűrészlap kezelésekor.
- A fűrészlapot az eredeti csomagolásban vagy más erre alkalmas tartóban tárolja, száraz helyen és a fűrészlapot esetleg károsító vegyszerektől távol.

A LÉZER BIZTONSÁGOS HASZNÁLATA

- A fűrészben használt lézersugár besorolása: Class 2, legfeljebb $\leq 1\text{mW}$ teljesítménnyel és 650 nm hullámhosszal. Ne nézzen közvetlenül a lézersugárba. A szabályok mellőzése súlyos személyi sérülést eredményezhet.
- Ne nézzen a sugárba a gép használata közben.
- Ne irányítsa a lézersugarat mások szemébe. Ez komoly szemsérülést eredményezhet.
- Ne tegye le a lézert olyan helyzetben, hogy valaki szándékosan vagy véletlenül a lézersugár útjába kerülhessen.
- Ne használjon optikai eszközöket a lézersugár láthatóvá tételére.
- Ne használja a lézert gyerekek mellett, és ne engedje, hogy azt gyerekek használják.
- Ne próbálja egyedül megjavítani a lézerberendezést.
- Ne próbálja meg önmaga kicserélni a lézerkészülék egyik alkatrészét sem.
- A javításokat csak a lézer gyártója vagy a hivatalos szervize végezheti el.
- Ne cserélje ki a lézert más típusúra.



**VISSZAMARADÓ KOCKÁZATOK**

Még a termék rendeltetésszerű használata esetén sem lehet teljesen kiküszöbölni minden kockázati tényezőt. A gép használata során a következő veszélyek merülhetnek fel, és a kezelőnek különösen oda kell figyelnie az alábbiak elkerülésére:

- Érintkezésveszély a forgó fűrészlap nem védett részével.
- A munkadarab és a munkadarab részeinek visszarágása helytelen beállítás vagy kezelés következtében.
- Hibás karbid élek letérése a fűrészlapról.
- A légzőrendszer károsodása léphet fel, ha nem viselnek hatékony pormaszkot.

MEGJEGYZÉS: Viseljen légzésvédő maszkot, ami a megmunkálandó anyagoknak megfelelő szűrőket tartalmaz Biztosítson megfelelő szellőztetést. Ne egyen, igyon vagy dohányozzon a munkaterületen.

- Halláskárosodás a fül viseletének elmulasztása miatt.

▲ FIGYELEM

Bizonyos festékekből, bevonatokból és anyagokból a por irritációt vagy allergiás reakciót válthat ki a légzőrendszerben. A fából, pl. tölgy, bükk, MDF stb. származó por rákkeltő. Az azbeszttel tartalmazó anyaggal csak szakképzett kezelők dolgozhatnak, illetve csak ők dolgozhatják azt fel.

▲ FIGYELEM

A gép hosszabb idejű folyamatos használata sérüléseket okozhat vagy súlyosbíthatja a tüneteket. Ha a gépet hosszú időn át kell használnia, tartson gyakran szünetet.

ISMERJE MEG A TERMÉKET

Lásd 162 - 163. oldal.

1. Fogantyú
2. Főkapcsoló
3. Biztonsági reteszelő fogantyú
4. Felső fűrészlemez-védő
5. Fűrészlap
6. Alsó fűrészlemez-védő
7. Bilincs
8. Fő vezetősín
9. Forgóasztal
10. Alaplap
11. Asztalbetét
12. Forgóasztal reteszelő fogantyú
13. Kiegyensúlyozható lábak
14. Lézerkapcsoló
15. LED kapcsoló
16. Keretütköző
17. Alsó védőburkolat fedél

18. Csúszó vezetősín
19. Rögzítőfurat
20. Hosszabbított rúd
21. Csavarok a ferdevágási szög végállás ütköző beállításához
22. Tengelyreteszelő gomb
23. Felső fogantyú
24. Porzsák
25. Vágásmélység beállítógomb
26. Lineáris rúd ütközőgomb
27. Feltekerés támogatás
28. Ferdevágási szög rögzítőgomb
29. Maximális vágási mélység ütköző
30. Csavarok a gérvágó szög beállításához

HASZNÁLAT

A termék egy forgó fűrészlappal rendelkezik, amelyet a kezelő különböző szögekbe tud beállítani a munkadarab vágásakor, ami szilárdan rögzítve van a termék alapjához. A terméket csak egy személy működtetheti, hogy elkerülhető legyen a forgó fűrészlappal való véletlenszerű érintkezés.

A termék biztonságos működésére vonatkozó elvek a következők:

- A fűrész, a fűrészlapokat és a munkaterületet tartsa jó állapotban.
 - Rögzítse a gérvágó fűrész alapzatát egy robusztus munkadarchoz. A termék mozoghat és átfordulhat, ha nincs megfelelően rögzítve.
 - A vágás előtt állítsa be és rögzítse a vágási szögeket és mélységet.
 - Rögzítse a munkadarabot a gérvágó fűrész alapzatához. A mellékelt szorítókkal és – ahol szükséges – további szorítókkal vagy rögzítő mechanizmusokkal rögzítse a munkadarabot, hogy vágás közben ne tudjon véletlenül elmozdulni.
 - Ellenőrizze, hogy a fűrészlap védőburkolatok működését nem korlátozza a munkadarab pozíciója.
 - Ellenőrizze, hogy a vezetősín és a termék többi alkatrésze nem lesznek elvágyva, ha a fűrészlap leereszkedik vágási pozícióba.
 - Indítsa el a motort, és hagyja, hogy a fűrészlap elérje a teljes fordulatszámot, mielőtt lassan leengedi azt a munkadarabra. Csúsztassa hátra és/vagy előre a fűrészlap szerelvényt, hogy szükség szerint végezze el a vágást.
 - Hagyja, hogy a fűrészlap szerelvény felemelkedjen a felső állásba, ahol a fűrészlap védőburkolatok teljesen zárva vannak. Kapcsolja ki a motort, és hagyja teljesen megállni a fűrészlapot, mielőtt eltávolítaná a munkadarabot vagy a levágott részeket, vagy mielőtt benyúlna a fűrészlap körüli területre.
- Az első használat előtt ellenőrizze, hogy a terméken beállított ferde- vagy gérvágási szög megegyezik a munkadarabon kapott vágásával. Ellenőrizze ezt



egy kiselejtezett fadarabon egy ácsderékszög vagy félderékszögmérő segítségével.

▲ FIGYELEM

A gyártó erősen javasolja, hogy a terméket mindig erősen rögzítse egy munkapad tetejére.

Amikor a termék alapzata szilárdan rögzítve van egy munkapad tetejéhez a mellékelt négy csavaranyával, csavarral és alátéttel; a termék a felborulás veszélye nélkül használható a maximális ferdevágási és gérvágási beállításoknál. Ha a termék nem megfelelően van rögzítve, kibillenhet az egyensúlyából, ha nagy ferdevágási szög van kiválasztva.

Van egy állítható csavar (kiegyenlíthető láb), ami kiáll a hosszabbító forgóasztal aljából. Ezt a csavart úgy kell beállítani, hogy érintkezzen a lapos felülettel, amelyen a termék fekszik. Ez megakadályozza a termék felborulását, amikor a vágás a csúszó vagy a ferdevágó teljes hosszában történik. Vigyázzon, mert a fűrészasztal ezen része mozog a különböző gérvágó szögek kiválasztásakor, így a csavart gyakran utána vagy vissza kell állítani.

KARBANTARTÁS

- Semmilyen módon ne módosítsa a terméket, és ne használjon a gyártó által nem jóváhagyott tartozékokat. Az Ön és mások biztonsága veszélybe kerülhet.
- Ne használja a terméket, ha valamelyik kapcsoló, védőburkolat vagy egyéb funkció nem rendeltetésszerűen működik. Szakszerű javításhoz vigye a gépet egy hivatalos szervizközpontba.
- Ne végezzen semmilyen beállítást, amikor a fűrészlap forog.
- A terméken végrehajtott beállítások, kenés vagy karbantartás előtt mindig ellenőrizze, hogy a dugasz ki lett húzva a hálózathoz.
- Károsodás vagy törött alkatrészek tekintetében minden egyes használat előtt ellenőrizze a terméket. Tartsa a terméket kiváló működési állapotban, azonnal cserélje le az alkatrészeket a gyártó által biztosított cserealkatrészekre.
- A fűrészlap a használat után nagyon forró, karbantartás vagy tisztítás előtt vegyen fel kesztyűt vagy hagyja lehűlni.
- Egy kefével vagy porszívóval tisztítsa ki a felgyülemlt port. Ne használjon sűrített levegőt.
- A biztonság és megbízhatóság érdekében minden javítást, beleértve a kefék cseréjét is, hivatalos szervizközpontban kell elvégeztetni.
- Ha a tápkábel sérült, azt a fűrész károsodása vagy az áramütés veszélyének elkerülése érdekében csak a gyártó vagy annak hivatalos szervizközpontja cserélheti ki.

▲ FIGYELEM

A biztonság és a megbízhatóság érdekében, minden javítási munkálatot egy Ryobi Szerviz Központban végeztessen el.

Maximális vágási mélység ütköző

A maximális vágásmélység ütköző annak megakadályozására szolgál, hogy a fűrészlap a termék fémalapjába vágjon.

▲ FIGYELEM

A maximális vágásmélység ütközőt a felhasználó nem szabályozhatja. Ne állítsa át a maximális vágásmélység ütközőt.

SZÁLLÍTÁS ÉS TÁROLÁS

- A termék tárolásakor húzza ki a tápkábel. Gyerekektől elzárt helyen tárolja a terméket. Tárolja a tápkábel a kézikönyv 185.-186. oldalán található ábrák szerint.
- Tárolás előtt egy kefével vagy porszívóval tisztítsa meg a terméket.
- Ha eltávolítja a fűrészlapot vagy a pót fűrészlapokat az egységnél tartja, a sérülés elkerülése érdekében ügyeljen rá, hogy azok az eredeti csomagolásban legyenek.

A termék rögzítéséhez a mozgatás előtt:

- A terméket nulla gérvágó és ferdevágási szögbe állítva és rögzített állásban kell eltávolítani. A csúszót rögzíteni kell. A fogantyút zárt védőburkolattal rögzíteni kell az alsó (biztonsági) pozícióba.
- A mozgatás megkönnyítéséhez a munkadarab támasztéka az egyik vagy mindkét oldalon eltávolítható.

Mozgatás vagy járművön való szállítás:

- Mozgatás előtt rögzítse a terméket a kézikönyvben leírtak szerint.
- A sarkoknál található 4 csavar kioldásával távolítsa el a terméket a munkapadról. Őrizze meg a csavarokat későbbi felhasználásra. A tetején lévő fogantyúnál emelje fel a terméket.
- Adott magasságra emeléshez nehéz igénybevételre tervezett kesztyűt viselő két személy emelje meg a termék alapját.
- Járműben való szállításkor állítsa a terméket az alapzatára, és rögzítse azt a mozgás ellen.

**KÖRNYEZETVÉDELLEM**

Segítse elő az alapanyagok újrahasznosítását azzal, hogy nem helyezi el őket a háztartási szemétként. Környezetvédelmi megfontolásból a kiszolgált berendezést, tartozékokat és csomagolóanyagokat szelektív módon kell elhelyezni.

SZIMBÓLUM

Biztonsági figyelmeztetés



CE megfelelés



Kérjük, olvassa át gondosan ezt az útmutatót a termék beindítása előtt.



II. osztályú berendezés, kettős szigetelés



Viseljen fülvédőt



Mindig viseljen védőszemüveget.



VESZÉLY! Éles fűrészlap.



Viseljen védőkesztyűt.



A fűrészlap forgásiránya (a fűrészlapon látható)



Fűrészlap forgásiránya (a fűrészlapvédőn látható)



Fűrészlap vágásszélessége (fűrészjárat)



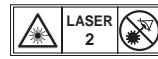
A fűrészlap fogainak száma



Fa és azzal analóg anyagok vágására alkalmas



Nem alkalmas fémek vágására



Lézersugárzás.
Ne nézzen a lézersugárba.
2. osztályú lézeres termék



A kiselejtezett elektromos termékeket nem szabad a háztartási hulladékkal együtt kidobni. Ezeket újra kell hasznosítani, ha van rá lehetőség. Az újrahasznosítással kapcsolatban érdeklődjön a helyi önkormányzatnál vagy a termék forgalmazójánál.

A KÉZIKÖNYVBEN HASZNÁLT SZIMBÓLUMOK

Dugja be a terméket a hálózatba.



Húzza ki a terméket az elektromos hálózatról.



Retes



Szétnyitás



A reteszelő mechanizmus nem működik



Egy hang hallható



A fűrészlap teljes fordulatszámra pörgésének várakozási ideje



Külön értékesített alkatrészek és kiegészítők



Megjegyzés:



FIGYELEM

A következő jelölőszavak és jelentések arra szolgálnak, hogy megmagyarázzák a termékkel kapcsolatos veszélyességi szinteket.



⚠ VESZÉLY

Egy bekövetkező veszélyes helyzetet jelez, ami, ha nem előzik meg, halált vagy komoly sérülést eredményez.

⚠ FIGYELEM

Egy potenciálisan bekövetkező veszélyes helyzetet jelez, ami, ha nem előzik meg, halált vagy súlyos sérülést eredményezhet.

⚠ VIGYÁZAT

Egy potenciálisan veszélyes helyzetet jelez, ami, ha nem előzik meg, kisebb vagy mérsékelten súlyos sérülést eredményezhet.

VIGYÁZAT

(Biztonsági figyelmeztető szimbólum nélkül) Egy olyan helyzetet jelez, ami anyagi kárt eredményezhet.

130.com.ua



Au fost acordate priorități maxime asupra siguranței, performanței și fiabilității în proiectarea mîtră a văzut dvs.

DOMENIU DE APLICAȚII

Ferăstrăul glisant compact pentru tăieri înclinate este proiectat pentru debitarea lemnului solid și lipit, a materialelor similare din lemn cu sau fără furnir sau plastic.

Ferăstrăul este destinat a fi folosit doar de către un operator adult care a citit manualul de instrucțiuni și a înțeles riscurile și pericolele.

Debitorul compact culisant este proiectat a fi fixat pe un banc de lucru solid. Dacă baza nu este fixată bine, întregul echipament ar putea să se miște în timpul operațiunilor de tăiere, ceea ce crește posibilitatea de vătămare personală gravă.

Ferăstrăul glisant compact pentru tăieri înclinate este proiectat pentru a face tăieri oblice și în unghi. Capacitățile pentru diferitele tăieri sunt furnizate în specificațiile produsului ferăstrău pentru tăieri înclinate din acest manual.

Ferăstrăul va fi folosit în condiții uscate, cu lumină ambientală excelentă și aerisire corespunzătoare.

Ferăstrăul glisant compact pentru tăieri înclinate este destinat pentru uzul consumatorilor și trebuie folosit doar așa cum este descris mai sus și nu este destinat pentru niciun alt scop.

AVERTISMENTE GENERALE PRIVIND SIGURANȚA

AVERTISMENT

Atunci când utilizați unelte electrice, întotdeauna trebuie luate minime măsuri de siguranță pentru a reduce riscul producerii de incendii, șocuri electrice sau leziuni. Citiți aceste instrucțiuni înainte de a încerca să utilizați acest produs și păstrați instrucțiunile.

- **Păstrați curățenia la locul de muncă.** Zonele și bancurile de lucru dezordonate favorizează accidentele.
- **Țineți cont de mediul de lucru.** Nu expuneți uneltele la ploaie. Nu utilizați uneltele în locuri umede sau cu apă. Păstrați spațiul de lucru bine luminat. Nu utilizați uneltele în prezența lichidelor sau a gazelor inflamabile.
- **Protecție împotriva electrocutării.** Evitați contactul corpului cu suprafețele conectate la pământ sau la masă (de ex. conducte, radiatoare, mașini de gătit, frigider).
- **Nu lăsați alte persoane să se apropie.** Nu lăsați persoanele, în special copii, să se implice în lucrare, să atingă unealta sau cablul prelungitor și nu le permiteți să se apropie de zona de lucru.
- **Depozitați uneltele inactive.** Când nu este utilizată, unealta trebuie depozitată într-un loc uscat prevăzut cu încuietore și nu trebuie lăsată la îndemâna copiilor.
- **Nu forțați unealta electrică.** Acesta va realiza operația

mai bine și mai sigur, la viteza pentru care a fost conceput.

- **Utilizați unealta potrivită.** Nu utilizați uneltele cu capacitate mică pentru lucrări destinate uneltelor cu capacitate mare. Nu utilizați unelte pentru alte scopuri decât cele destinate, de exemplu, nu utilizați ferăstrăul circular pentru a tăia crengi sau trunchiuri de copac.
- **Îmbrăcați-vă corespunzător.** Nu purtați haine prea largi sau bijuterii, acestea pot fi prinse în piesele mobile. Când lucrați afară este recomandată încălțăminte anti-alunecare. De asemenea, în cazul în care aveți părul lung, purtați o plasă de păr de protecție, care să îl acopere.
- **Utilizați echipament de protecție.** Utilizați ochelari de protecție. Utilizați o mască de gaze sau o mască antipraf, dacă se creează praf în timpul lucrărilor.
- **Conectați echipamentul de extracție a prafului.** Dacă unealta este prevăzută pentru conectarea echipamentului de extracție și de colectare a prafului, asigurați-vă că acestea sunt conectate și utilizate corect.
- **Nu forțați cordonul.** Nu trageți niciodată de cablu pentru a-l deconecta de la priză. Țineți cablul la distanță de căldură, ulei și muchiile ascuțite.
- **Securizați lucrarea.** Când este posibil, utilizați dispozitive de fixare sau o menghină pentru a fixa piesa de lucru. Este mai sigur decât să vă utilizați mâinile.
- **Nu vă întindeți excesiv.** În timpul operării dispozitivului, păstrați-vă în permanență echilibrul și stabilitatea.
- **Întrețineți unealta cu grijă.** Păstrați uneltele de tăiere ascuțite și curate, pentru performanță mai bună și mai sigură. Urmați instrucțiunile pentru lubrifierea și schimbarea accesoriilor. Verificați cablurile uneltei periodic și, dacă sunt deteriorate, acestea trebuie reparate de un centru de service autorizat. Inspectați cordonul de racord în mod periodic și înlocuiți-le dacă sunt deteriorate. Păstrați mânerul uscat, curat și fără pete de ulei și vaselină.
- **Deconectați uneltele.** Când nu sunt utilizate, înainte de revizie și când schimbați accesoriile, precum lame, burghie și cuțite, deconectați uneltele de la alimentarea electrică.
- **Îndepărtați cheile de reglare.** Formați-vă obiceiul de a verifica dacă ați scos toate cheile și dulii de reglare din unealtă înainte de pornirea acesteia.
- **Evitați pornirea accidentală.** Asigurați-vă că comutatorul este în poziția "off" (oprit) la conectarea la priza electrică.
- **Utilizați cabluri prelungitoare pentru exterior.** Când unealta este utilizată în exterior, utilizați doar cabluri de prelungire destinate pentru exterior și marcate corespunzător.
- **Fiți vigilenți.** Fiți atenți la ceea ce faceți, acționați cu simț practic și nu folosiți unealta atunci când sunteți obosiți.
- **Verificați părțile deteriorate.** Înainte de utilizarea uneltei, aceasta trebuie verificată cu atenție, pentru a determina dacă va funcționa corect și dacă își va îndeplini funcția destinată. Verificați alinierea pieselor mobile, lipirea pieselor mobile, spargerea pieselor, montarea și orice alte stări care pot afecta funcționarea acestora. O protecție sau altă piesă care este deteriorată trebuie reparată sau





înlocuită în mod corect de un centru de service autorizat, dacă nu se indică altfel în acest manual de instrucțiuni. Comutatoarele defecte trebuie înlocuite de un centru de service autorizat. Nu utilizați unealta, în cazul în care comutatorul nu o poate porni și opri.

- **Avertisment.** Utilizarea oricărui accesoriu sau dispozitiv atașabil, cu excepția celor care sunt recomandate de acest manual de instrucțiuni poate prezenta risc de vătămare corporală.
- **Unealta trebuie reparată de o persoană calificată.** Această unealtă electrică respectă regulile de siguranță relevante. Reparațiile trebuie efectuate doar de persoane calificate, utilizând piese de schimb originale, în caz contrar există pericole considerabile pentru utilizator.

AVERTIZĂRI DE SIGURANȚĂ ALE FERĂSTRĂULUI PENTRU TĂIERI OBLICE.

- Prindeți întotdeauna sigur și fix cu cleme piesa de lucru.
- Aveți în vedere ca mașina să aibe mereu o poziție sigură (de ex. fixați-o la bancul de montaj).
- Purtați aparatoare de urechi. Expunerea la zgomot poate produce pierderea auzului.
- Purtați întotdeauna ochelari de protecție atunci când utilizați mașina. Este recomandat să purtați mănuși la manipularea discurilor și a materialelor aspre, plus încălțăminte rezistentă nealunecoasă pentru a vă proteja picioarele de piesele de lucru care ar putea să cadă din zona de tăiere.
- Deconectați întotdeauna de la priză ștecherul înainte de a căra, efectua întreținerea sau curățarea aparatului.
- Băgați ștecherul în priză doar când aparatul este în poziția oprit.
- Păstrați cablul de alimentare la distanță de aria de lucru a mașinii. Țineți în afara zonei în care operatorul stă.
- Nu vă întindeți niciodată înspre zona apropiată discului decât dacă discul este complet oprit.
- Înainte de utilizare, verificați mașina, cablul și ștecherul pentru orice defecțiuni sau uzură a materialului. Reparațiile întregului echipament, inclusiv cablul de alimentare trebuie să îndeplinească cerințele de către agenții service autorizați.
- Întotdeauna utilizați ecranele de protecție ale mașinii. Nu folosiți aparatul dacă apărătorii nu sunt la locul lor și dacă nu funcționează corect.
- Capacul de protecție trebuie deschis numai când mașina este coborâtă spre piesă.
- Nu transformați sau modificați ferăstrăul sau funcțiile sale. Siguranța dvs. poate fi periclitată
- Când folosiți ferăstrăul pentru tăieri înclinate în exterior, producătorul recomandă folosirea unui dispozitiv cu curent rezidual cu decuplare reglată la 30mA.
- Nu folosiți discuri de ferăstrău ce sunt crăpate, deteriorate sau deformate.
- Nu folosiți pânze de ferăstrău din oțel rapid.
- Folosiți doar discuri ce sunt ascuțite. Înlocuiți discurile tocite.
- Utilizați întotdeauna lame de mărimea și forma adaptate la diametrul axului. Lamele neadaptate la axul pe care trebuie să fie montate nu se vor roti corect și pot conduce la o pierdere a controlului asupra aparatului.
- Folosiți numai pânze specificate în acest manual, în conformitate cu EN 847-1.
- Nu folosiți flanșe, șaibe sau piulițe pentru a fixa discul ferăstrăului, altele decât cele furnizate sau indicate în manualul de instrucțiuni.
- Folosiți pânza de ferăstrău potrivită pentru materialul care urmează a fi tăiat.
- Respectați turația maximă indicată pe pânza de ferăstrău.
- Nu folosiți ferăstrăul de spintecat niciodată pentru tăierea altor materiale decât cele indicate în instrucțiunile de utilizare.
- Înlocuiți elementul de intercalație al mesei atunci când este uzat sau deteriorat.
- Înainte de lucru, faceți o tăiere de probă fără a avea motorul pornit în așa fel încât poziția discului, funcționarea apărătorilor față de alte părți ale aparatului și a piesei de lucru să poată fi verificate.
- Când efectuați tăieri în unghi, tăieri oblice sau tăieri în unghi compuse, reglați rigla de ghidare glisantă pentru a asigura spațiul liber potrivit față de discul de tăiere.
- Transportați ferăstrăul de spintecat numai cu siguranța de transport de la mânerul de transport blocată.
- Păstrați podeaua liberă de materiale desprinse, de ex. așchii și bucăți tăiate.
- Nu îndepărtați resturi de tăiere sau alte părți de piesă din zona de tăiere atâta timp cât mașina se află în mișcare, iar capul ferăstrăului nu a ajuns în poziția de repaus.
- Piesele lungi se vor sprijini în mod corespunzător. Zona de lucru a ferăstrăului include întreaga dimensiune a piesei de lucru. Operatorul trebuie să asigure această zonă de contact accidental a altor persoane sau obiecte ce ar putea muta piesa de lucru în timpul operării.
- Praful care apare când se lucrează cu această sculă poate fi dăunător sănătății. Utilizați un sistem de absorbție a prafului și purtați o mască de protecție împotriva prafului. Îndepărtați complet praful depus, de exemplu, cu un aspirator.
- Aparatul trebuie conectat la un dispozitiv de protecție a linie electrice (siguranță sau întrerupător de putere).
- Nu înlocuiți laserul cu un alt laser sau LED, de alt tip. Orice reparații trebuie să fie efectuate numai de către producătorul laserului sau de către agent de service autorizat.
- Când folosiți aparatul, fluctuațiile de tensiune pot afecta alte produse electrice sau de iluminat aflate pe același circuit de alimentare. Conectați aparatul la o sursă





de curent cu o impedanță egală cu 0.071 Ω pentru a micșora fluctuațiile de tensiune. Contactați furnizorul dvs de energie electrică pentru clarificări ulterioare.

INSTRUCȚIUNI DE SIGURANȚĂ ALE DISCULUI DE TĂIAT LEMN.

- Citiți instrucțiunile din acest manual înainte de operarea uneltei.
- Aparatul trebuie să fie într-o stare bună, fusul să fie nedeformat și să nu aibă vibrații.
- Nu folosiți ferăstrăul fără a avea apărătorii la locul lor, în special după schimbarea modului. Țineți apărătorii în stare bună de funcționare și întreținute corespunzător.
- Asigurați-vă că operatorul este instruit corespunzător privind precauțiile de siguranță, reglarea și operarea aparatului.
- Purtați întotdeauna ochelari de protecție cu apărători laterale, împreună cu protecție auditivă. Se recomandă purtarea mănușilor, a încălțăminte solide nealunecoase și a șorțului de protecție.
- Înainte de a utiliza orice accesoriu, consultați manualul de instrucțiuni. Folosirea incorectă a unui accesoriu poate provoca daune.
- Folosiți numai pânze specificate în acest manual, în conformitate cu EN 847-1.
- Respectați turația maximă marcată pe pânza de ferăstrău. Asigurați-vă că viteza marcată pe discul ferăstrăului este cel puțin egală cu viteza marcată pe ferăstrău.
- Utilizați întotdeauna lame de mărimea și forma adaptate la diametrul axului. Lamele neadaptate la axul pe care trebuie să fie montate nu se vor roti corect și pot conduce la o pierdere a controlului asupra aparatului.
- Nu folosiți pânze cu diametrul mai mare sau mai mic decât cel recomandat. Nu utilizați distanțiere pentru a fixa pânza pe ax.
- Verificați vârful discului să nu fie deteriorate sau să nu aibă un aspect anormal după fiecare folosire. Vârful care sunt deteriorate sau slăbite pot deveni obiecte aruncate în timpul folosirii și cresc șansele de vătămare personală.
- Nu folosiți lame de ferăstrău crăpate sau deformate. Nu folosiți pânze de circular deteriorate ori deformate.
- Nu folosiți niciodată o pânză de ferăstrău deteriorată sau deformată. Nu este permisă repararea.
- Nu utilizați pânze din oțel rapid (HSS).
- Asigurați-vă că pânza de ferăstrău este montată corect înainte de utilizare. Strângeți complet piulița axului înainte de fiecare utilizare. (Cuplu: 12-15 Nm)
- Strângerea șuruburilor și piulițelor trebuie să fie făcută folosind o cheie de piulițe corespunzătoare.
- Folosirea de prelungire la cheia de piulițe sau strângerea folosind lovitură de ciocan nu este permisă.
- Asigurați-vă că toate pânzele și flanșele sunt curate și

laturile încastrate ale manșonului se sprijină pe pânză.

- Asigurați-vă că pânza se rotește în direcția corectă.
- Înainte de lucru, faceți o tăiere de probă fără a avea motorul pornit în așa fel încât poziția discului, funcționarea apărătorilor față de alte părți ale aparatului și a piesei de lucru să poată fi verificate.
- Nu lăsați niciodată aparatul nesupravegheat
- Nu aplicați lubrifianți pe pânză atunci când aceasta este în funcțiune.
- Nu efectuați niciodată orice lucrare de întreținere sau de curățare atunci când aparatul este încă în funcțiune, iar capul nu este în poziția de repaus.
- Nu încercați niciodată să opriți rapid un aparat în mișcare prin blocarea cu o unealtă sau cu alte mijloace a pânzei, accidente grave pot fi cauzate neintenționat în acest fel.
- Deconectați ferăstrăul de la sursa de alimentare înainte de a schimba pânzele sau de a efectua întreținerea.
- Fiți atent la împachetarea și despachetarea discului, este foarte ușor să fiți rănit de vârful ascuțite ale discului.
- Folosiți o sculă de prindere a discului sau purtați mănuși când manipulați un disc.
- Păstrați și depozitați discul în ambalajul original sau alte ambalaje potrivite, păstrați în condiții uscate și ferit de substanțe chimice ce pot deteriora discul.

SIGURANȚĂ LASER

- A fűrészben használt lézersugár besorolása: Class 2, legfeljebb $\leq 1\text{mW}$ teljesítménnyel és 650 nm hullámhosszal. Nu priviți direct în raza laser. Neumarea acestor reguli poate rezulta în vătămare personală gravă.
- Nu priviți în rază în timpul funcționării.
- Nu proiectați raza laser direct în ochii altor persoane. Pot rezulta leziuni oculare grave.
- Nu amplasați laserul într-o poziție în care se poate privi în fascicul intenționat sau neintenționat.
- Nu utilizați instrumente optice pentru a vizualiza raza laser.
- Nu folosiți laserul în preajma copiilor și nu permiteți copiilor să opereze cu laserul.
- Nu încercați să reparați dispozitiv cu laser de unul singur.
- Nu încercați să schimbați nicio piesă a dispozitivului laser.
- Orice reparații trebuie să fie efectuate numai de către producătorul laserului sau de către agent de service autorizat.
- Nu înlocuiți laserul cu un alt laser, de alt tip.

RISCURI REZIDUALE

Chiar dacă produsul este folosit așa cum este descris, este totuși imposibil să se elimine complet anumiți factori de risc reziduali. Următoarele pericole ar putea apărea în timpul





folosirii iar operatorul trebuie să acorde o atenție specială pentru a evita următoarele:

- Risc de contact cu părți neacoperite ale discului de tăiere în rotire.
- Recul a pieselor de lucru și a părților pieselor de lucru datorită reglării și manipulării incorecte.
- Catapultarea vârfurilor de carbură defecte ale pânzei de ferăstrău.
- Dăunare a sistemului respirator dacă nu se poartă mască împotriva prafului.

NOTĂ: Purtați mască de protecție a respirației conținând filtre corespunzătoare cu materialele ce vin prelucrate. Asigurați aerisire adecvată la locul de muncă. Nu mâncați, beți sau fumați în zona de lucru.

- Afeecțiuni ale auzului, dacă nu este purtată protecție pentru auz.

▲ AVERTISMENT

Praful de la anumite vopsele, tencuieli și materiale pot cauza iritații sau reacții alergice ale sistemului respirator. Praful de la lemn precum stejarul, fagul, PAL-ul și altele sunt cancerigene. Materialul conținând azbest trebuie să fie prelucrat sau procesat doar de către operatori specialiști calificați.

▲ AVERTISMENT

Poti fi cauzate, sau agravate vătămări prin folosirea prelungită a sculei. Atunci când folosiți o sculă pentru perioade prelungite, asigurați-vă că luați pauze regulate.

CUNOAȘTEȚI-VĂ PRODUSUL

Vezi pagina 162 - 163. Mâner

1. Întrerupător alimentare.
2. Blocaj de siguranță mâner
3. Protecția superioară a lamei
4. Lama ferăstrăului
5. Protecția inferioară a lamei
6. Clemă
7. Parapet principal.
8. Masă rotativă
9. Talpă
10. Element de intercalare masă
11. Mâner blocare masă rotativă
12. Echilibrarea piciorului
13. Întrerupător laser
14. Întrerupător LED.
15. Braț de oprire
16. Coborâți capacul apărătorii.
17. Parapet glisant
18. Gaură de montare
19. Bară prelungitoare
20. Șuruburi pentru reglarea limitei de oprire a unghiului oblic
21. Buton rotativ de blocare al fusului de filare

22. Mâner superior
23. Sac pentru praf
24. Buton rotativ de reglare a adâncimii de tăiere.
25. Buton rotativ de blocare a țijeii liniare.
26. Suport bobinare
27. Buton rotativ de blocare a unghiului oblic
28. Stopare adâncime maximă de tăiere.
29. Șuruburi pentru reglarea ferăstrăului pentru tăieri înclinate.
- 30.

OPERAREA

Produsul prezintă un disc de ferăstrău mobil ce poate fi reglat la diferite unghiuri de către operator atunci când taie piesa de lucru care este fix prinsă de baza produsului. Trebuie să fie operat doar de către o persoană pentru a preveni contactul accidental cu discul ferăstrăului în mișcare.

Principiile pentru o operare în siguranță a produsului sunt după cum urmează:

- Mențineți ferăstrăul, discurile și zona de lucru în stare bună.
 - Fixați baza debitorului pe un banc de lucru solid. Produsul ar putea să se miște sau să cadă dacă nu este fixat corespunzător.
 - Reglați și blocați unghiurile și adâncimea de tăiere înainte de a face tăierea.
 - Fixați piesa de lucru la baza ferăstrăului pentru tăieri înclinate. Folosiți clema furnizată și unde e necesar, folosiți cleme suplimentare sau mecanisme de prindere pentru a preveni mișcarea accidentală a piesei de lucru în timpul tăierii.
 - Verificați ca operarea apărătorilor discului să nu fie restricționată de poziția piesei de lucru.
 - Asigurați-vă că parapetul și alte părți ale produsului nu vor fi tăiate pe măsură ce discul coboară în poziția de tăiere.
 - Porniți motorul și lăsați discul să atingă viteză maximă înainte de a coborî viteza pentru a tăia piesa de lucru. Glisați ansamblul cu disc înapoi și/sau înainte pentru a finaliza tăietura.
 - Lăsați ansamblul lamei să se ridice la poziția sa de sus unde apărătorii lamei sunt complet închise. Opriți motorul și lăsați discul să se oprească complet înainte de a îndepărta piesa de lucru sau piesele tăiate, sau înainte de a ajunge în zona discului.
- Înainte de fiecare folosire, asigurați-vă că unghiul oblic sau mitra reglată a produsului se potrivește cu unghiul ce va fi făcut pe piesa de lucru. Verificați acest lucru pe o piesă de lemn rebut folosind trusa de tâmplărie sau cu echerul oblic.

▲ AVERTISMENT

Producătorul recomandă ca produsul să fie întotdeauna montat fix pe partea superioară a bancului de lucru.



Când baza produsului este prinsă fix de partea superioară cu cele patru piulițe, șuruburi și șaibe furnizate, produsul poate fi folosit la setarea maximă de înclinare fără a exista posibilitatea de răsturnare. Dacă produsul nu este fixat corespunzător, produsul ar putea să se răstoarne când unghiuri mai mari de tăiere oblică sunt selectate

Există de asemenea un șurub reglabil (echilibrare picior) ce se prelungește din partea de jos a prelungirii mesei rotative. Șurubul trebuie reglat în așa fel încât să atingă suprafața plată pe care produsul stă. Aceasta va preveni ca produsul să se dezechilibreze când tăieți la întreaga dimensiune a glisorului și a echerului. Fiți atent, această parte a ferăstrăului pentru tăieri unghiulare se mișcă atunci când unghiurile mitrei sunt selectate, astfel încât șurubul trebuie frecvent reglat și resetat.

ÎNTREȚINEREA

- Nu modificați produsul în niciun fel sau să folosiți accesorii neaprobate de producător. Siguranța dvs. și a celorlalți poate fi periclitată.
- Nu folosiți produsul dacă oricare din întrerupătoare, apărători sau alte funcții nu funcționează corespunzător. Returnați la un centru service autorizat pentru reparare profesională sau reglare.
- Nu faceți niciun reglaj cât timp discul ferăstrăului este în mișcare.
- Asigurați-vă întotdeauna că ștecherul a fost îndepărtat din priză, înainte de a face orice reglări, de a-l lubrifia sau când efectuați întreținerea produsului.
- Înainte și după fiecare folosire, verificați produsul de deteriorare sau piese rupte/crăpate. Mențineți produsul în condiții optime de funcționare prin înlocuirea imediată a pieselor cu piese de schimb aprobate de producător.
- Discul este foarte fierbinte după folosire, purtați mănuși sau lăsați discul să se răcească înainte de a efectua proceduri de întreținere sau curățare.
- Curățați praful acumulat folosind o perie sau un aspirator. Nu folosiți aer comprimat.
- Pentru a asigura siguranța și fiabilitatea, toate reparațiile, incluzând schimbarea periiilor, trebuie îndeplinite la un centru service autorizat.
- În cazul în care cablul de alimentare este deteriorat, el trebuie înlocuit doar de către producător sau la un centru service autorizat pentru a preveni deteriorarea ferăstrăului sau a electrocutării.

⚠ AVERTISMENT

Pentru mai multă siguranță și fiabilitate, toate reparațiile trebuie efectuate de către un Centru Service Agreat Ryobi.

Stopare adâncime maximă de tăiere.

Opritorul de adâncime maximă a tăierii este pentru a preveni ca discul ferăstrăului să taie în baza de metal a aparatului.

⚠ AVERTISMENT

Opritorul de adâncime maximă a tăierii nu poate fi reglat de utilizator. Nu reglați stoparea adâncimii maxime de tăiere.

TRANSPORTARE ȘI DEPOZITARE

- Atunci când depozitați produsul, deconectați cablul de alimentare. Depozitați produsul într-un loc sigur ce nu este accesibil copiilor. Depozitați cablul electric așa cum este arătat în ilustrația de la paginile 185 - 186 a acestui manual.
- Curățați produsul folosind o perie sau aspiratorul înainte de a-l depozita.
- Dacă îndepărtați discul ferăstrăului sau păstrați piesele de schimb cu aparatul, asigurați-vă că sunt în ambalajul lor original pentru a preveni vătămarea.

Pentru a fixa produsul înainte de mutare:

- Produsul trebuie depozitat la zero grade a mitrei și unghiului oblic blocat în poziție. Glisiera trebuie blocată. Mănerul trebuie să fie blocat în poziția inferioară (de siguranță) cu apărătorile închise.
- Una sau ambele părți laterale ale suportilor piesei de lucru pot fi îndepărtate pentru ușura cărarea piesei.

Pentru a-l muta sau transporta într-un vehicul:

- Fixați produsul înainte de mutare așa cum este descris în manual.
- Îndepărtați produsul de pe partea superioară a bancului de lucru, deșurubând cele 4 șuruburi de la fiecare colț. Păstrați șuruburile pentru o folosire ulterioară. Ridicați produsul folosind mânerul din partea superioară.
- Atunci când ridicați la înălțime, sunt necesare două persoane care poartă mănuși rezistente să ridice baza produsului.
- La transportarea într-un vehicul, reglați produsul pe bazele sale și prindeți-l împotriva mișcării.

PROTECȚIA MEDIULUI ÎNCONJURĂTOR



Reciclați materiile prime în loc să le aruncați la gunoi, împreună cu deșeurile menajere. Pentru a proteja mediul înconjurător, mașina, accesoriile acesteia și ambalajele trebuie triate.

SIMBOL



Avertizare de siguranță



Conform CE



Citiți instrucțiunile cu atenție înainte de pornirea produsului.



Echipament clasa a II-a, izolarea dublă



Purtați echipamente de protecție a auzului



Purtați întotdeauna ochelari de protecție.



PERICOL! Pânză ascuțită.



Purtați mănuși de protecție.



Dirrecția de rotire a discului (arătat pe discul ferăstrăului)



Dirrecția de rotire a discului (arătată pe apărătoarea discului)



Lățimea de tăiere a discului



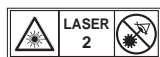
Număr de dinți pe acest disc al ferăstrăului



Pentru a tăia material lemnos și materiale similare



Nu este pentru a tăia metale



Radiație laser.
Nu priviți direct în rază.
Produs cu laser clasa 2



Deșeurile produselor electrice nu trebuie să fie înălțurate împreună cu deșeurile casnice. Vă rugăm să reciclați acolo unde există facilități. Verificați la autoritatea dvs. locală sau la vânzător pentru sfaturi privind reciclarea.

SIMBOLURILE DIN MANUAL



Conectați produsul.



Deconectați produsul.



Piedică



Deblocare



Mecanismul de blocare nu funcționează.



Se aude un sunet



Temp de așteptare a discului de atingere a vitezei maxime



Piese sau accesorii vândute separat



Notă:



AVERTISMENT

Rmătoarele cuvinte simbol și înțelesul lor au intenția de a explica nivelele de risc asociate cu acest produs.

⚠ PERICOL

Indică o situație imediată de pericol, care dacă nu este evitată va rezulta în deces sau rănire gravă.

⚠ AVERTISMENT

Indică o situație potențială de pericol, care dacă nu este evitată poate rezulta în deces sau rănire gravă.

⚠ PRECAUȚIE

Indică o situație potențială periculoasă, care dacă nu este eviată, poate rezulta în vătămare minoră sau moderată.

PRECAUȚIE

(Fără simbol de alertă de siguranță) Indică o situație ce poate rezulta în distrugerea proprietății.



Drošība, sniegums un uzticamība ir augstākā prioritāte jūsu leņķzāģis.

PAREDZĒTĀ LIETOŠANA

Leņķzāģis ir paredzēts masīvai un sapresētai koksnei, kokiem līdzīgiem materiāliem, ar vai bez pielīmētiem finiera un plastmasas gabaliem.

Zāģis paredzēts lietošanai tikai pieaugušajiem, kas ir iepazinušies ar lietošanas instrukciju un saprot iespējamus riskus un briesmas.

Leņķzāģis ir paredzēts stiprināšanai pie pamatnes — uz cieta sola. Ja pamats nav droši nostiprināts, visa ierīce var kustēties darbības laikā, kas palielina iespēju gūt nopietnas traumas.

Leņķzāģis ir paredzēts tikai dažādiem slīpiem griezumiem. Dažādi griezumņu veidi ir norādīti šīs instrukcijas sadaļā par ierīces specifiskajām.

Zāģis paredzēts lietošanai sausos apstākļos ar izcilu apkārtējo apgaismojumu un atbilstošu ventilāciju.

Leņķzāģis ir paredzēts tikai privātai lietošanai un to būtu jālieto tikai tā, kā iepriekš minēts un nekādiem citiem mērķiem.

VISPĀRĪGIE DROŠĪBAS BRĪDINĀJUMI

⚠ BRĪDINĀJUMS

Izmantojot elektroinstrumentus, vienmēr jāievēro drošības vienmēr, lai samazinātu aizdegšanās, elektriskās strāvas trieciena un personiskās traumas risku. Pirms mēģināt izmantot šo produktu, izlasiet un saglabājiet visus šos norādījumus.

- **Darba vietai jābūt tīrai.** Nekārtīgas darba zonas un darbgaldi var būt traumu iemesls.
- **Pārdomājiet darba zonas vidi.** Nepakļaujiet instrumentus lietus iedarbībai. Nelietojiet instrumentus mitrās vietās. Darba vietai jābūt labi apgaismotai. Neizmantojiet instrumentus ugunsnedrošu šķidrumu vai gāzu klātbūtnē.
- **Sargieties no elektriskās strāvas trieciena.** Ķermenis nedrīkst pieskarties zemētām virsmām (piemēram, caurulēm, radiatoriem, plītiem, ledusskapjiem).
- **Citām personām ir jāatrodas pietiekamā atstumā.** Neļaujiet nepiederošām personām, it īpaši bērniem, iesaistīties darbā, pieskarties instrumentam vai pagarinātājkaбелиem un atrasties darba zonā.
- **Glabājiet nelietojamus instrumentus.** Kad instrumenti netiek lietoti, tie jāglabā sausā, slēgtā, bērniem nepieejamā vietā.
- **Nespidiet instrumentu ar spēku.** Tas darbosies labāk un drošāk ar paredzētajiem apgrīzieniem.
- **Izmantojiet pareizo instrumentu.** Nelieciet maziem instrumentiem veikt spēcīgu instrumentu darbu. Neizmantojiet instrumentus citiem nolūkiem, izņemot paredzētos, piemēram, nelietojiet ripzāģus koku zaru vai balņu griešanai.
- **Apģērbieties pareizi.** Nevalkājiet vaļīgas drēbes vai brīvi krītošas rotaslietas, jo tās var aizķerties aiz kustīgajām daļām. Strādājot ārā, ieteicams izmantot neslīdošus apavus. Garu matu saturēšanai izmantojiet arī aizsargājošu galvassegu.
- **Izmantojiet aizsargaprīkojumu.** Izmantojiet aizsargbrilles. Ja darba laikā rodas putekļi, izmantojiet sejas vai putekļu masku.
- **Pievienojiet putekļu ekstrakcijas aprīkojumu.** Ja instrumentam var pievienot putekļu nosūkšanas un savākšanas ierīces, tās jāpievieno un pareizi jālieto.
- **Vadu izmantojiet pareizi.** Nekādā gadījumā nevelciet aiz vada, lai atvienotu no kontaktligzdas. Turiet vadu atstatu no karstuma, eļļas un asām malām.
- **Strādājiet droši.** Ja iespējams, darba saturēšanai izmantojiet skavas vai skrūvspīles. Tas ir drošāk nekā manuāli.
- **Nesniedzieties tam pāri.** Visu laiku stāviet stingri un stabili.
- **Rūpīgi veiciet instrumentu apkopi.** Lai darbs būtu labāks un drošāks, griezējinstrumentiem jābūt asiem un tīriem. Izpildiet eļļošanas un piederumu maiņas norādījumus. Regulāri pārbaudiet instrumenta vadus un bojājumu gadījumā lieciet tos salabot pilnvarotā servisa iestādē. Regulāri pārbaudiet un bojājumu gadījumā nomainiet pagarinājuma kabelus. Rokturiem ir jābūt sausiem un tīriem, bez eļļas un smērvielām.
- **Atvienojiet instrumentus.** Kad instrumenti netiek lietoti, pirms apkopes un piederumu, piemēram, asmeņu, urbju un griezņu maiņas, atvienojiet instrumentus no barošanas padeves.
- **Noņemiet regulācijas atslēgas un uzgriežņu atslēgas.** Pirms instrumenta ieslēgšanas vienmēr pārbaudiet, vai no tā ir noņemtas atslēgas un regulēšanas uzgriežņu atslēgas.
- **Nepieļaujiet nejaušu iedarbināšanu.** Pieslēdzot pārliecinieties, vai slēdzis ir izslēgšanas pozīcijā.
- **Izmantojiet āra pagarinātājkaбели.** Kad instruments tiek lietots ārā, izmantojiet tikai pagarinātājus, kas ir paredzēti lietošanai ārā un ir atbilstoši marķēti.
- **Esiet uzmanīgs.** Vērojiet, ko darāt, izmantojiet veselo saprātu un nelietojiet instrumentu, ja esat noguris.
- **Pārbaudiet bojātās daļas.** Pirms instrumenta lietošanas tas ir uzmanīgi jāpārbauda, lai konstatētu, vai tas darbojas pareizi un veic paredzēto funkciju. Pārbaudiet kustīgo daļu iestatījumu, vai tās neķeras, vai daļas nav salīzušas, stiprinājumus un visus citus apstākļus, kas var ietekmēt darbību. Bojāts aizsargs vai cita daļa pareizi jāsamontē vai jānomaina pilnvarotā servisa centrā, ja šajā instrukciju rokasgrāmatā nav norādīts citādi. Nomainiet bojātus slēdzus pilnvarotā servisa centrā. Neizmantojiet instrumentu, ja nedarbojas slēdzis.
- **Brīdinājums.** Ja tiek izmantots cits piederums vai pierīce, izņemot instrukcijā norādīto, tas var izraisīt





personiskas traumas risku.

- **Instruments ir jāremontē kvalificētam speciālistam.** Šis elektroinstruments atbilst attiecīgajam drošības noteikumiem. Remontu drīkst veikt tikai kvalificēti speciālisti, izmantojot oriģinālās rezerves daļas, citādi lietotājs var gūt nopietnas traumas.

LEŅĶZĀGA DROŠĪBAS BRĪDINĀJUMI

- Vienmēr droši un cieši nostipriniet apstrādājamo objektu.
- Vienmēr nodrošiniet ierīces stabilitāti un drošību (t.i., nostipriniet uz darbgalda).
- Lietojiet dzirdes aizsargus. Ausu pakļaušana trokšņai iedarbībai var izraisīt dzirdes traucējumus.
- Lietojot ierīci, vienmēr valkājiet aizsargbrilles. Ieteicams valkāt cimdus, ja strādājat ar asmeni un neapstrādātu materiālu, kā arī izturīgus un ne slīdošus apavus, lai aizsargātu kājas no gabaliem, kas var nokrist no griešanas zonas.
- Vienmēr atvienojiet ierīci no strāvas padeves, pirms veicat apkopes darbus vai tīrīšanu.
- Pieslēdziet ierīci strāvas avotam tikai tad, ja tā ir izslēgta.
- Neturiet elektrības vadu ierīces darba zonā. Turiet to ārpus zonas, kurā atrodas operators.
- Nekādā gadījumā nemēģiniet aizsniegt laukumu asmens tuvumā, ja tas nav pilnībā apstājies.
- Pirms lietojat ierīci, pārbaudiet, vai ierīcei, kabelim un kontaktiņai nav bojājumu vai materiālu defektu. Remonts visai ierīcei, ieskaitot strāvas padeves vadam, būtu jāuztic tikai pilnvarotiem speciālistiem.
- Vienmēr lietojiet ierīces aizsargus. Neizmantojiet ierīci, ja aizsargi nav vietā un nedarbojas pareizi.
- Aizsargpārsegu drīkst atvērt tikai tad, kad ierīce ir atbilstīgi pret apstrādājamo materiālu.
- Nekādā gadījumā nepārveidojiet zāģi vai tā funkcijas. Jūsu drošība var tikt apdraudēta.
- Lietojot zāģi ārā, ražotājs iesaka izmantot paliekošās strāvas iekārtu (RCD), kas uzstādīta uz 30mA.
- Neizmantojiet asmeņus, ja tie ir ieplaisājuši, bojāti vai deformēti.
- Neizmantojiet zāģa asmeņus, kas izgatavoti no ātrgriezējtauda.
- Izmantojiet tikai asus asmeņus. Nomainiet trulus asmeņus.
- Obligāti izmantojiet pareiza izmēra un formas zobus. Ripas, kuru forma neatbilst zāģa stiprināšanas ietaisēm, kustēsies ekscentriski, kas mazina kontroli pār zāģi.
- Izmantojiet tikai šajā rokasgrāmatā norādītās ripas atbilstoši EN 847-1.
- Lietojiet tikai sniegtos vai pamācībā norādītos atlokus, paplāksnes un uzgriežņus, lai nostiprinātu zāģa asmeni.
- Nepieciešams izvēlēties zāģa asmeni, kas ir piemērots

griezamajam materiālam.

- Ir svarīgi stingri ievērot zāģa asmenim noteikto maksimālo ātrumu.
- Nekādā gadījumā neizmantojiet leņķzāģi, lai grieztu materiālus, kas nav norādīti lietošanas rokasgrāmatā.
- Nomainiet galda ieliktni, ja tas ir nolietots vai bojāts.
- Pirms darba, veiciet izmēģinājuma zāģējumu, ar izslēgtu motoru, lai pārbaudītu asmens stāvokli, aizsargu darbību attiecībā pret pārējām iekārtas daļām un darba materiālu.
- Veicot slīpus, mainīga leņķa un sarežģītus griezumus, regulējiet bīdāmo aizsargu tā, lai līdz asmenim būtu pareizs atālums.
- Transportējot leņķzāģi, vienmēr nofiksējiet roktura fiksatoru.
- Uzturiet grīdu tīru no materiālu atlikumiem, piem. skaidām un atgriezumiem.
- Neņemiet atgriezumus vai citas daļas no apstrādājamā materiāla griešanas zonā, kad ierīce darbojas un zāģa galva nav izslēgta pozīcijā.
- Gari apstrādājami materiāli atbilstoši jāatbalsta. Zāģa darba zonā ietilpst viss darba galds. Operatoram būtu jānorobežo darba vieta no nejaušas saskares ar citām personām vai objektiem, kas darba laikā var kustēties.
- Putekļi, kas radušies šī darbarīka lietošanas rezultātā, var būt kaitīgi veselībai. Izmantojiet putekļu savākšanas sistēmu un valkājiet piemērotu putekļu aizsargmasku. Rūpīgi noņemiet nogulsējušos putekļus, piemēram, ar putekļsūcēju.
- Ierīcei ir jābūt pievienotai jaudas ķēdes aizsardzības ierīcei (drošinātājam vai jaudas slēdzim)
- Neaizstājiet ar cita veida lāzeru vai LED. Visus remontdarbus drīkst veikt tikai lāzera ražotājs vai pilnvarots servisa speciālists.
- Izmantojot ierīci, strāvas svārstības var ietekmēt citas ierīces vai apgaismojumu, kas pieslēgts tajā pašā strāvas ķēdē. Pieslēdziet ierīci strāvas avotiem ar pretestību 0,071 Ω, lai mazinātu sprieguma svārstības. Sazinieties ar savu elektroenerģijas piegādātāju, lai saņemtu plašāku informāciju.

IJAS

- Pirms iekārtas izmantošanas izlasiet šajā rokasgrāmatā ietvertos norādījumus.
- Iekārtai ir jābūt labā stāvoklī, vārpsta nedrīkst būt deformēta un vibrēt.
- Nelietojiet zāģi bez aizsargiem pareizajās vietās, it īpaši pēc režīma maiņas. Uzturiet aizsargus labā darba kārtībā un kārtīgi apkoptus.
- Nodrošiniet, ka operators ir pareizi apmācīts un zina drošības pasākumus, pielāgojumus un māc darboties ar iekārtu.
- Vienmēr izmantojiet acu aizsargus ar sānu vairogiem un ausu aizsargus. Ieteicams valkāt cimdus, smagnējus,





neslīdošus apavus un priekšautu.

- Pirms jebkura piederuma lietošanas skatiet informāciju lietošanas pamācībā. Nepareizi izmantojot piederumus, var izraisīt bojājumus.
- Izmantojiet tikai šajā rokasgrāmatā norādītās ripas atbilstoši EN 847-1.
- Ievērojiet uz zāga ripas norādīto maksimālo ātrumu. Pārļiecinieties, ka uz zāga plātnes norādītais ātrums, ir vismaz vienāds ar ātrumu, kas norādīts uz zāga.
- Obligāti izmantojiet pareiza izmēra un formas (rombveida vai trīsstūrveida zobu) zobus. Ripas, kuru forma neatbilst zāga stiprināšanas ietaisēm, kustēsies ekscentriski, kas mazina kontroli pār zāgi.
- Neizmantojiet ripas, kuru diametrs ir lielāks vai mazāks par ieteicamo. Ripas uzstādīšanai uz ass neizmantojiet nekādas starplikas.
- Pirms katras lietošanas pārbaudiet vai asmens plāksnei nav bojājumu vai neparasts izskats. Plāksnes, kas ir bojātas vai vaļīgas, lietošanas laikā var kļūt par lidojošiem objektiem un palielināt personisko ievainojumu risku.
- Neizmantojiet ieplaisājušus vai izkropļotus zāga asmeņus. Neizmantojiet bojātus vai deformētus zāga asmeņus.
- Nekad neizmantojiet bojātu vai deformētu zāga asmeni. Labošana nav atļauta.
- Neizmantojiet HSS ripas.
- Pirms lietošanas pārļiecinieties, vai zāga ripa ir uzstādīta pareizi. Pirms katras lietošanas stingri pievelciet ass uzgriezni. (Griezes moments: 12-15 Nm)
- Skrūves un uzgriežņi jānostiprina izmantojot piemērotu uzgriežņu atslēgu.
- Nav pieļaujama uzgriežņu atslēgas paplašināšana vai nostiprināšana, izmantojot sitienus ar āmuru.
- Pārļiecinieties, vai visi asmeņi un atloki ir tīri un ieliktni atvirzītās malas atrodas pret asmeni.
- Pārļiecinieties, vai ripa griežas pareizajā virzienā.
- Pirms darba, veiciet izmēģinājuma zāģējumu, ar izslēgtu motoru, lai pārbaudītu asmens stāvokli, aizsargu darbību attiecībā pret pārējām iekārtas daļām un darba materiālu.
- Nekad nestājiet iekārtu bez uzraudzības.
- Neelļojiet ripu tās ekspluatācijas laikā.
- Nekad neveiciet nekādas tīrīšanas vai apkopes darbus, ja mašīna joprojām darbojas un tās galva nav miera pozīcijā.
- Nekad nemēģiniet ātri apturēt kustībā esošu iekārtu, spiežot darba rīku vai kādu citu priekšmetu pret ripu, jo šādi var nejausi izraisīt nopietnus negadījumus.
- Pirms ripu maiņas un apkopes darbu veikšanas atslēdziet zāģi no elektrotīkla.
- Pievērsiet uzmanību asmens iepakojšanai un izpakošanai, asās asmens plāksnes viegli var radīt ievainojumus.

- Darbojoties ar zāga asmeni velciet cimdus vai izmantojiet asmens turētāju.
- Turiet un glabājiet asmeni tā oriģinālajā iepakojumā vai citā atbilstošā iepakojumā, glabājiet to sausumā un prom no ķīmikālijām, kas var bojāt asmeni.

LĀZERA DROŠĪBA

- Zāģu lāzera rādītāja starojums atbilst 2 klasei ar maksimālo jaudu $\leq 1\text{mW}$ jaudu un 650 nm viļņa garumu. Neskatieties tieši lāzera starā. Noteikumu neievērošanas rezultātā var rasties nopietni miesas bojājumi.
- Darba laikā neskatieties lāzera starā.
- Nevirziet lāzera staru tieši apkārtējo acīs. Var rasties nopietnas acu traumas.
- Nenovietojiet lāzera vietā, kurā apkārtējie varētu tīši vai netīši skatīties lāzera starā.
- Neizmantojiet optiskos instrumentus, lai skatītos lāzera starā.
- Nelietojiet lāzera bērnu tuvumā un neļaujiet bērniem darbināt lāzera.
- Nemēģiniet pašrocīgi veikt lāzēriķes remontu.
- Nemēģiniet pats mainīt lāzēriķes daļas.
- Visus remontdarbus drīkst veikt tikai lāzera ražotājs vai pilnvarots servisa speciālists.
- Neaizstājiet ar cita veida lāzera.

PALIEKOŠIE RISKI

Pat tad, ja ierīce tiek lietota, kā aprakstīts, joprojām nav iespējams pilnībā novērst atsevišķus riska faktorus. Lietošanas laikā var rasties šādas briesmas un strādniekam īpaša uzmanība jāpievērš šim:

- Pastāv savainojumu risks, ja rotējošs zāģis saskaras ar nenosegtu miesu.
 - Atlecošas materiāla daļiņas un daļas, kas rodas neatbilstošas pielāgošanas vai apiešanās rezultātā.
 - Bojātu karbīda gabalu izsviešana no zāģa asmens.
 - Bojājumi elpošanas sistēmai, ja netiek valkāta putekļu aizsardzības maska.
- PIEZĪME:** Valkājiet elpošanas aizsargmaskas, kurām ir apstrādājamiem materiāliem atbilstoši filtri. Darba vietā nodrošiniet atbilstošu ventilāciju. Darba vietā neēdiet, nedzeriet un nesmēķējiet.
- Dzirdes bojājums, ja nelietojat efektīvu dzirdes aizsargu.

▲ BRĪDINĀJUMS

Putekļi no dažādām krāsām, klājumiem un materiāliem var izraisīt kairinājumu vai alerģijas reakcijas elpošanas sistēmai. Putekļi no tādiem kokiem, kā ozols, dižskābardis, šķiedrkartons un citiem ir kancerogēni. Ar azbestu saturošu materiālu būtu jāstrādā tikai kvalificētiem speciālistiem.



**BRĪDINĀJUMS**

Ilgstoša instrumenta lietošana var izraisīt traumas vai pasliktināt veselības stāvokli. Ilgstoši lietojot jebkuru instrumentu, pārliecinieties, ka tiek veikti regulāri pārtraukumi.

PAZĪSTIET SAVU IERĪCI

Skatīt 162 - 163. lappusi

1. Rokturis
2. Ieslēgšanas/izslēgšanas slēdzis.
3. Drošības slēdža rokturis
4. Augšējais aizsargs
5. Zāga asmens
6. Apakšējais aizsargs
7. Skava
8. Galvenais aizsargs
9. Rotējošā daļa
10. Pamatne
11. Galda ieliktnis
12. Rotējošās daļas slēdža rokturis
13. Līdzsvara kājiņa
14. Lāzera slēdzis
15. LED slēdzis
16. Balsta apstāšanās
17. Nolaidiet aizsargu
18. Bīdāmais aizsargs
19. Uzstādīšanas caurums
20. Pagarinājuma stienītis
21. Maksimālā leņķa un slīpuma uzstādīšanas skrūves
22. Vārpstas bloka poga
23. Augšējais rokturis
24. Putekļu soma
25. Zāģēšanas dziļuma iestatīšanas poga
26. Lineārā stienīša apstāšanās poga
27. Tinuma atbalsts
28. Slīpuma un leņķa poga
29. Maksimālā zāģēšanas dziļuma apstādīšana
30. Leņķa uzstādīšanas skrūves

EKSPLUATĀCIJA

Ierīce ir aprīkota ar kustīgu zāģa asmeni, kas var tikt iestatīts dažādos leņķos, strādājot ar objektu, kas cieši nostiprināts uz pamatnes. To var lietot tikai viena persona, lai novērstu risku nejausi saskarties ar kustīgu asmeni.

Ierīces drošas lietošanas principi:

- Uzturiet zāģi, asmeņus un darba vietu labā stāvoklī.
- Nostipriniet leņķzāģa pamatni pie izturīga darba sola. Ierīce var kustēties un apgāzties, ja tā nav pienācīgi nostiprināta.
- Uzstādiet griešanas leņķus un dziļumu pirms veicat griezumus.
- Nostipriniet apstrādājamo objektu pie zāģa pamata. Lietojiet sniegto skavu un, kur nepieciešams, izmantojiet papildu skavas vai turēšanas mehānismus, lai novērstu

netīšu apstrādājamā objekta kustību griešanas laikā.

- Pārliecinieties, ka asmens aizsargu darbību neierobežo apstrādājamā objekta pozīcija.
- Pārliecinieties, ka aizsargs un citas ierīces daļas netiks sagrieztas asmenim nolaižoties zāģēšanas pozīcijā.
- Iedarbiniet ierīci un ļaujiet asmenim sasniegt maksimālo ātrumu, pirms nolaižat to, lai grieztu apstrādājamo objektu. Paveiciet asmeni atpakaļ un/vai uz priekšu, lai pabeigtu griezumu kā nepieciešams.
- Ļaujiet asmenim pacelties līdz tā augšējai pozīcijai, kur asmens aizsargi ir pilnībā aizvērti. Izslēdziet ierīci un ļaujiet asmenim pilnībā apstāties pirms noņemat apstrādājamo objektu vai atgriezumus, vai mēģiniet tuvojies asmenim.

Pirms pirmās lietošanas reizes, pārliecinieties, ka objekta leņķis vai slīpums atbilst ierīces leņķim. Pārbaudiet to uz nevajadzīga koka gabala, izmantojot galdnieka instrumentus vai leņķa stūreni.

BRĪDINĀJUMS

Ražotājs iesaka, ka precei vienmēr jābūt droši nostiprinātai pie sola.

Kad preces pamatne ir cieši nostiprināta pie sola ar četriem uzgriežņiem, skrūvēm un pievienotajiem starplikām, precī var izmantot maksimālā līmenī un nodrošināt to, ka leņķzāģis nenokritīs. Ja ierīce nav pareizi nostiprināta, tā var zaudēt līdzsvaru, ja ir izvēlēts liels leņķis.

Ir arī regulējama skrūve (līdzsvara kājiņa) kas sniedzas no pagarinājuma apakšas. Šī skrūve jāpielāgo tā, lai tā skartu to virsmu, uz kuras atrodas ierīce. Tas novērsīs ierīces līdzsvara zudumu, strādājot ar maksimāliem leņķiem un slīpumiem. Uzmanību, šī zāģa galda daļa ir kustīga, ja ir izvēlēti citādi leņķi, tāpēc skrūvei jābūt bieži pielāgotai un atiestatītai.

APKOPE

- Nepārveidojiet ierīci jebkādā veidā, kā arī nelietojiet piederumus, kas nav ražotāja apstiprināti. Jūsu un citu drošība var tikt apdraudēta.
- Neizmantojiet ierīci, ja slēdži, aizsargi vai citas funkcijas nestrādā kā paredzēts. Vērsieties pilnvarotā servisa centrā, lai saņemtu profesionālu remontu vai pielāgojumus.
- Neveiciet pielāgojumus, kamēr asmens nav apstājies.
- Vienmēr pārliecinieties, ka ierīce ir atslēgta no strāvas padeves, pirms veicat pielāgojumus, ieeļļošanu vai veicat jebkādu ierīces apkopi.
- Pirms un pēc katras lietošanas reizes, pārbaudiet vai ierīce un tās detaļas nav bojātas. Uzturiet ierīci vislabākajā tehniskajā stāvoklī, nekavējoties nomainot bojātās detaļas ar ražotāja ieteiktām rezerves daļām.
- Pēc lietošanas asmens ir ļoti karsts, tāpēc valkājiet cimdus vai ļaujiet tam atdzist, pirms veicat apkopes vai



tīrīšanas procedūras.

- Iztīriet sakrājušos putekļus ar otīņu vai putekļu sūcēju. Neizmantojiet saspiesto gaisu.
- Lai nodrošinātu drošību un uzticamību, visus remontus, ieskaitot birstes maiņu, būtu jāveic pilnvarotā servisa centrā.
- Ja strāvas padeves vads ir bojāts, tā nomainītu jāuztici tikai ražotājam vai pilnvarotiem servisa centriem, lai novērstu zāģa bojājumus un elektrošoka risku.

▲ BRĪDINĀJUMS

Lai nodrošinātu drošību un uzticamību, visi remontdarbi jāveic PILNVAROTĀ SERVISĀ CENTRĀ vai citā KVALIFICĒTĀ SERVISĀ ORGANIZĀCIJĀ.

Maksimālā zāģēšanas dziļuma apstādīnāšana

Maksimālais griešanas dziļums ir paredzēts, lai novērstu asmeni no iegriešanas metāla pamatnē.

▲ BRĪDINĀJUMS

Ierīces lietotāji nevar regulēt maksimālo griešanas dziļumu. Nepielāgojiet maksimālo zāģēšanas dziļumu.

TRANSPORTĒŠANA UN UZGLABĀŠANA

- Uzglabājot ierīci, atvienojiet to no strāvas avota. Glabājiet ierīci drošā vietā, kas nav pieejama bērniem. Uzglabājiet strāvas vadu kā norādīts šīs instrukcijas 185 - 186 lapas ilustrācijās.
- Pirms uzglabāšanas, notīriet ierīci ar otīņu vai putekļu sūcēju.
- Ja ņemat zāģa asmeni un glabājiet rezerves kopā ar ierīci, pārliecinieties, ka tās ir oriģinālajā iepakojumā, lai novērstu iespēju savainoties.

Lai nodrošinātu ierīci pirms pārvietošanas:

- Ierīce jāuzglabā nulle grādu leņķī un slīpumā un nostiprināta šādā pozīcijā. Bīdāmā daļa būtu jānoblķē. Rokturim ir jābūt nostiprinātam apakšējā (drošā) pozīcijā ar slēgtiem aizsargiem.
- Viens vai abi apstrādes objekta balsti var tikt ņemti, lai atvieglotu nešanu.

Pārvietojiet vai transportējot:

- Pirms pārvietošanas, nostipriniet ierīci kā norādīts instrukcijā.
- Ņemiet precīzi no sola, atskrūvējot 4 skrūves, pa vienai katrā stūrī. Saglabājiet skrūves turpmākai izmantošanai. Paceliet ierīci izmantojot augšpusē atrodamo rokturi.
- Lai novietotu ierīci augstākā vietā, ir nepieciešamas divas personas ar aizsargcimdium, kas paceltu ierīces pamatu.
- Pārvietojot ierīci transportlīdzeklī, novietojiet ierīci uz

tās pamata un nostipriniet pret kustēšanos.

VIDES AIZSARDZĪBA



Tā vietā, lai materiālus izmestu, nododiet tos atkārtotai realizācijai. Mašīna, aksesuāri un iepakojums ir jāsašķiro un jānodod videi draudzīgā atkārtotas pārstrādes vietā.

SIMBOLS



Drošības brīdinājums



CE atbilstība



Pirms iedarbināt izstrādājumu, lūdzu, uzmanīgi izlasiet norādījumus.



II klases aprīkojums, dubultā izolācija



Lietojiet dzirdes aizsargus



Vienmēr lietojiet aizsargbrilles.



BĪSTAMI! Ass asmens.



Nēsājiet aizsargcimdus.



Ripas griešanās virziens (parādīts uz zāģa ripas)



Asmens rotācijas virziens (norādīts uz asmens aizsarga)



Ripas griezuma (iegriezuma) platums



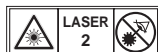
Šīs zāģa ripas zobu skaits



Koka un analogu materiālu griešanai



Nav paredzēts metālu griešanai



Lāzera starojums.
Neskatieties staru kūlī.
2. klases lāzera produkts



Izlietotie elektroprodukti nedrīkst tikt izmesti kopā ar mājsaimniecības atkritumiem. Lūdzu, nododiet tos attiecīgajās atk ār totas izmantošanas vietās. Sazinieties ar savu vietējo varas pārstāvi vai izplatītāju, lai noskaidrotu, kur iespējama atkārtota pārstrāde.



BRĪDINĀJUMS

Lai izskaidrotu risku, kas saistīti ar izstrādājumu, līmeni, paredzēti šādi norādījuma vārdi un jēdzieni.

⚠ BĪSTAMI

Norāda uz nenovēršami bīstamu situāciju, kas, ja netiks novērsta, izraisīs nāvi vai nopietnus miesas bojājumus.

⚠ BRĪDINĀJUMS

Norāda uz potenciāli bīstamu situāciju, kas, ja netiks novērsta, var izraisīt nāvi vai nopietnus miesas bojājumus.

⚠ UZMANĪBU

Norāda uz potenciāli bīstamu situāciju, kas, ja netiek novērsta, var izraisīt vieglus vai vidējus miesas bojājumus.

UZMANĪBU

(Bez drošības trauksmes simbola), kas norāda, uz situāciju, kas var novest pie īpašuma bojājuma.

SIMBOLI ROKASGRĀMATĀ



Pieslēdziet produktu.



Atslēdziet produktu.



Bloķētājs



Atbloķēt



Bloķēšanas mehānisms nedarbojas



Ir dzirdama skaņa



Gaidīšanas laiks, lai asmens sasniegtu pilnu ātrumu



Atsevišķi nopērkamās daļas vai piederumi



Piezīme:



Projektuojant Kampų pjaustymo pjūklas, didžiausias prioritetas suteiktas saugai, eksploatacinėms savybėms ir patikimumui.

NAUDOJIMO PASKIRTIS

Nuožambus pjūklas skirtas pjauti vientisą ir klijuotą medieną, į medieną panašias medžiagas su priklijuotu faneros ir plastiko sluoksniu arba be jo.

Pjūklas skirtas naudoti tik suaugusiems asmenims, perskaičiusiems instrukcijų vadovą ir suvokiantiems, kokie rizikos veiksniai bei pavojai gresia.

Nuožambus pjūklas skirtas tvirtinti pagrindu prie tvirto darbastalio paviršiaus. Jeigu pagrindas negerai pritvirtintas, pjaunant gali pajudėti visas įrenginys, o tai padidina sunkių sužeidimų pavojų.

Nuožambus pjūklas skirtas atlikti kampinius ir nuožambius pjūvius. Gaminio našumas atliekant įvairius pjūvius pateiktas šiame vadove, kompaktinio slankiojo nuožambaus pjūklo specifikacijoje.

Pjūklą reikia naudoti sausomis sąlygomis, esant puikiam aplinkos apšvietimui ir tinkamam vėdinimui.

Nuožambus pjūklas yra plataus vartojimo gaminys ir turi būti naudojamas tik pagal nurodytą paskirtį.

BENDRIEJI SAUGOS ĮSPĖJIMAI

⚠ ĮSPĖJIMAS

Naudojant elektrinius įrankius būtina atsižvelgti į elementarias saugumo priemones, kad sumažintumėte gaisro, elektros smūgio ar sužeidimų riziką. Prieš naudodami šį įrankį, perskaitykite visas instrukcijas bei jas išsaugokite.

- **Darbo vieta turi būti švari.** Netvarkinga aplinka ar darbo vieta skatina nelaimingus atsitikimus.
- **Atsižvelkite į darbo vietas aplinką.** Saugokite įrankius nuo lietaus. Nenaudokite įrankių drėgnoje arba šlapijoje vietoje. Darbo vieta turi būti gerai apšviesta. Nenaudokite įrankių, jei šalia yra degūs skysčiai ar dujos.
- **Saugokitės elektros smūgių.** Stenkitės nesiliesti prie įžemintų ar įžeminimo paviršių (pvz. vamzdžių, radiatorių, grandinių/viryklių, šaldytuvų).
- **Pašaliniai asmenys turi būti toliau nuo darbo vietos.** Neleiskite kitiems asmenims, ypač vaikams, dalyvauti atliekant darbą, liesti įrankį ar ilginamąjį laidą bei stebėkite, kad jie būtų toliau nuo darbo zonos.
- **Nenaudojamus įrankius saugokite.** Nenaudojamus įrankius reikia laikyti sausoje, užrakintoje ir vaikams nepasiekiamoje vietoje.
- **Naudokite per didelės jėgos.** Naudodami pagal paskirtį pagamintą tinkamą įrankį, darbą atliksite geriau ir saugiau.
- **Naudokite tinkamą atliekamam darbui įrankį.**

Nenaudokite mažų įrankių, norėdami atlikti darbą, kuriam reikia galingesnio įrankio. Nenaudokite įrankių ne pagal jų paskirtį, pavyzdžiui, nenaudokite diskinių pjūklų pjauti medžių šakų ar rąstų.

- **Dėvėkite tik darbui tinkamus drabužius.** Nedėvėkite laisvų neprigludusių drabužių ir juvelyrinių dirbinių, kurie gali įspainioti į judančias prietaiso detales. Dirbant lauke rekomenduojama avėti avalynę neslidžiais padais. Jei turite ilgus plaukus, dėvėkite apsauginį galvos apdangalą.
- **Naudokite apsaugos įrangą.** Dėvėkite apsauginius akinius. Dėvėkite veido kaukę ar kaukę nuo dulkių, jei pjovimo metu išsiskiria dulky.
- **Prijunkite dulkių surinkimo įrangą.** Jei įrankis skirtas prijungti prie dulkių ištraukimo ir surinkimo įrenginių, įsitikinkite, kad jie prijungti ir naudojami tinkamai.
- **Laidą naudokite pagal jo paskirtį.** Niekada netraukite už laido, norėdami atjungti įrankį nuo maitinimo šaltinio. Laidą laikykite toliau nuo įkaitusių vietų, tepalų ir aštrių briaunų.
- **Ruošinį pritvirtinkite.** Jei įmanoma, ruošinį prispauskite gnybtais ar spaustuvu. Tai saugiau nei laikyti ranka.
- **Nesiekite per toli.** Visada tvirtai stovėkite ir išlaikykite pusiausvyrą.
- **Įrankius prižiūrėkite rūpestingai.** Siekiant geresnių rezultatų ir kad darbas būtų atliktas saugiai, pjovimo įrankiai turi būti aštrūs ir švarūs. Laikykites tepimo ir papildomų detalių keitimo instrukcijų. Reguliariai patikrinkite įrankio laidus, jei jie apgadinti, juos remontuoti pristatykite tik įgaliotą techninės priežiūros centrą. Pastoviai patikrinkite ilginamuosius laidus ir pakeiskite juos, jei jie pažeisti. Rankenas reikia visada sausai nuvalyti, kad jos nebūtų suteptos alyva ir tepalais.
- **Atjunkite įrankius nuo maitinimo šaltinio.** Kai įrankiai nenaudojami, prieš atliekant techninės priežiūros darbus, keičiant jų priedus, pvz. geležtes, antgalius ir pjoviklius, juos būtina atjungti nuo maitinimo šaltinio.
- **Pašalinkite iš įrankio reguliavimo raktus ir veržliarakčius.** Įpraskite prieš įjungdami įrankį patikrinti, ar iš jo pašalinti raktai ir veržliarakčiai.
- **Saugokitės, kad įrankis netyčia neužsivestų.** Prieš prijungdami įrankį prie maitinimo šaltinio, patikrinkite, ar jo jungiklis yra „OFF“ (išjungtoje) padėtyje.
- **Naudokite darbui lauke skirtus ilginamuosius laidus.** Kai įrankiu dirbate lauke, naudokite tik ilginamuosius laidus, skirtus bei paženklintus darbui lauke.
- **Būkite budrus.** Stebėkite, ką darote, vadovaukitės sveika nuovoka ir įrankio nenaudokite, jei esate pavargę.
- **Patikrinkite, ar nėra pažeistų detalių.** Prieš toliau naudojant įrankį, būtina atidžiai patikrinti, ar jis tinkamai veiks ir atliks reikiamą darbą. Patikrinkite judančių dalių centravimą, sukibimą, sulūžusias dalis, sumontavimą ir kita, kas galėtų turėti neigiamos įtakos darbui. Jei





apsauginis įrenginys ar kita detalė yra pažeista, ją pakeisti ar sutaisyti privalo tik įgaliotas techninės priežiūros centras, nebent šioje instrukcijoje nurodyta kitaip. Sugedusius jungiklius gali pakeisti tik įgalioti techninės priežiūros centro darbuotojai. Jei jungiklis blogai veikia, prietaiso nenaudokite.

- **Įspėjimas.** Kitų, šiame naudojimo vadove nerekomenduojamų priedų ar papildomų detalių naudojimas gali kelti sužalojimų pavojų.
- **Įrankį turi remontuoti tik kvalifikuotas specialistas.** Šis elektrinis įrankis atitinka susijusių saugos reikalavimus. Įrankį remontuoti turi tik kvalifikuotas asmuo, naudojantis originalias atsargines dalis; priešingu atveju, įrankis jį naudojančiam asmeniui gali kelti didelį pavojų.

NUOŽAMBAUS PJŪKLO SAUGOS ĮSPĖJIMAI

- Ruošinį būtina saugiai ir tvirtai suveržti.
- Patikrinkite, ar prietaisas visada yra stabilus ir saugus (pvz., pritvirtintas prie darbo stalo).
- Naudokite ausų apsaugos priemones. Jei ausų neapsaugosite, galite prarasti klausą.
- Naudodami šį prietaisą visada dėvėkite apsauginius akinius. Liečiant geležtes ir žaliavas, patartina mėvėti pirštines, taip pat patartina avėti tvirtus neslidžius batus, kad kojos būtų apsaugotos nuo ruošinių, kurie gali nukristi nuo darbastalio.
- Prieš atliekant įrankio priežiūros ar valymo darbus, būtina reikia ištraukti kištuką iš maitinimo lizdo.
- Maitinimo laidą galima kišti į lizdą tik tuomet, kai įrankis išjungtas.
- Maitinimo laidą laikykite toliau nuo prietaiso darbo zonos. Jis negali būti tame plote, kuriame stovi operatorius.
- Jokiu būdu negalima kišti rankų arti geležčių, jei jos nors kiek juda.
- Prieš naudojimą patikrinkite patį prietaisą, laidą ir kištuką, ar jie nepažeisti ir nenusidėvėję. Viso įrenginio, įskaitant maitinimo laidą, remonto darbus turi atlikti tik įgalioto techninio aptarnavimo centro darbuotojai.
- Visada naudokite apsauginius įrenginio gaubtus. Įrenginio negalima naudoti, jeigu apsauginių įtaisų nėra arba jie netinkamai veikia.
- Apsauginis dangtis turi atsідaryti tik tuomet, kai įrankis yra nuleistas ant ruošinio.
- Jokiu būdu negalima keisti ar modifikuoti pjūklo ar jo funkcijų. Gali kilti pavojus jūsų saugai.
- Dirbant nuožambių pjūklu atvirame ore, gamintojas pataria naudoti likutinės srovės įrenginį su atskyriklio sistema, kuri įsijungia esant 30 mA srovei.
- Negalima naudoti sutrūkinėjusių, pažeistų ar deformuotų pjūklo geležčių.
- Nenaudokite pjūklo geležčių, pagamintų iš didelio greičio plieno.
- Reikia naudoti tik aštrias geležtes. Pakeiskite bukas geležtes.
- Visada naudokite veleno angų geležtes tinkamo dydžio ir formos. Geležtės, nepritaikytos pagal pjūklo montavimo detales, suksis ekscentriškai, dėl to pjūklo nesuvaldysite.
- Naudokite tik šioje instrukcijoje nurodytas geležtes, atitinkančias standartą EN 847-1.
- Pjūklo geležtės negalima tvirtinti jungėmis, poveržlėmis ir veržlėmis, kurių nėra įrankio komplekte arba kurios nenurodytos instrukcijų vadove.
- Būtina pasirinkti pjūklo geležtę, kuri yra tinkama pjaunamai medžiagai.
- Būtina laikytis didžiausio greičio, nurodyto ant pjūklo geležtės.
- Pjūklo su kreiptuvu niekada nenaudokite pjauti medžiagų, kurios nėra nurodytos instrukcijų vadove.
- Pakeiskite susidėvėjusį ar pažeistą stalo įdėklą.
- Prieš pradėdami darbą, atlikite tuščiaiegi pjūvį esant išjungtam varikliui, kad patikrintumėte geležtės padėtį bei tai, kaip veikia apsauginiai įrenginiai kitų staklių dalių bei ruošinio atžvilgiu.
- Atliekant nuožambius, nuožulnius ar mišrius pjūvius, reikia nustatyti slankių kreiptuvą, kad tarpas nuo geležtės būtų tinkamas.
- Gabenant pjūklą su kreiptuvu visada įjunkite rankinį užraktą.
- Ant grindų neturi būti palaidų darbo medžiagų, pvz. drožlių ir nuopjovų.
- Kai pjūklas dar įjungtas ir jo galvutė sukasi, iš pjovimo zonos nevalykite ruošinio nuopjovų ar kitų objektų.
- Ilgus ruošinius būtina atitinkamai paremti. Pjūklo darbo sritis apima visą ruošinį. Operatorius turi apsaugoti šią sritį, kad prie jos atsitiktinai neprisiliestų pašaliniai asmenys ar daiktai, kurie gali pajudinti pjaunamą ruošinį.
- Šio įrankio naudojimo metu sukeltos dulkės gali būti žalingos jūsų sveikatai. Naudokite dulkių absorbcijos sistemą ir dėvėkite atitinkamą apsauginę kaukę nuo dulkių. Kruopščiai pašalinkite susikaupusias drožles, pvz. naudojant dulkių siurbį.
- Įrenginį reikia jungti prie maitinimo srovės apsauginio įrenginio (saugiklio ar automatinio grandinės pertraukiklio).
- Lazerio arba LED nekeiskite kitokios rūšies lazeriu. Bet kokius remonto darbus gali atlikti tik lazerio gamintojas ar įgaliotas techninės priežiūros atstovas.
- Naudojant šį įrankį, įtampos svyravimai gali paveikti kitus elektrinius prietaisus ar apšvietimo sistemą, įjungtą į tą pačią elektros grandinę. Kad įtampos svyravimas būtų kuo mažesnis, įrankį reikia jungti į maitinimo šaltinį, kurio tariamoji varža lygi 0,071 Ω. Dėl išsamesnės informacijos kreipkitės į elektros energijos tiekėją.





MEDIENOS PJOVIMO GELEŽTĖS SAUGOS NURODYMAI

- Prieš naudodami šį prietaisą, perskaitykite šio vartotojo vadovo instrukcijas.
- Staklės turi būti geros būklės, suklys – nedeformuotas ir ne vibruojantis.
- Nenaudokite pjūklo be apsauginių įrenginių, ypač po režimo pakeitimo. Apsauginiai įrenginiai turi būti geros darbo būklės ir tinkamai prižiūrimi.
- Staklės naudojantis asmuo turi būti tinkamai parengtas: jis privalo žinoti saugos atsargumo priemones, mokėti reguliuoti ir naudoti bei valdyti stakles.
- Visada dėvėkite apsauginius akinius su šonine apsauga bei klausos apsaugos priemones. Rekomenduojama mėvėti pirštines, stabilius batus neslystančiais padais bei prijuostę.
- Prieš naudojant bet kokį priedą susipažinkite su jo naudojimo instrukcijomis. Netinkamas priedo naudojimas gali įrankį sugadinti.
- Naudokite tik šioje instrukcijoje nurodytas geležtes, atitinkančias standartą EN 847-1.
- Atkreipkite dėmesį į didžiausią leistiną greitį, pažymėtą ant pjūklo geležtės. Pasirūpinkite, kad greitis, nurodytas ant pjūklo geležtės, mažiausiai atitiktų greitį, nurodytą ant pjūklo.
- Visada naudokite veleno angų geležtes tinkamo dydžio ir formos (rombo formos, o ne apvalių). Geležtės, nepritaikytos pagal pjūklo montavimo detales, sukis ekscentriškai, dėl to pjūklo nesuvaldysite.
- Nenaudokite didesnio ar mažesnio skersmens geležčių nei rekomenduojama. Nenaudokite jokių tarpiklių, norėdami geležtę pritaikyti taip, kad ji atitiktų ašį.
- Kiekvieną kartą prieš naudodami stakles, patikrinkite, ar pjūklo atgaliai nepažeisti ir nėra neįprastos išvaizdos. Pažeisti ar atspalaidavę atgaliai gali nuskrieti ir taip padidinti susižalojimo grėsmę.
- Nenaudokite įskilusių ar deformuotų geležčių. Nenaudokite pažeistų ar įtrūkusių pjūklo geležčių.
- Niekada nenaudokite pjūklo geležtės, kuri yra pažeista ar deformuota. Taisyti draudžiama.
- Nenaudokite didelio greičio plieno (HSS) geležčių.
- Prieš naudojimą patikrinkite, ar pjūklo geležtė yra tinkamai pritvirtinta. Prieš naudojimą saugiai užveržkite ašies varželę. (Sukimo momentas: 12-15 Nm)
- Varžtus ir varžles reikia tvirtinti atitinkamu varžliarakčiu.
- Draudžiama tvirtinti apspaudimo įrankiais ar kalant plaktuku.
- Užtikrinkite, kad visos geležtės ir jungės būtų švarios ir movos pusės su grioveliais būtų nustatytos prie disko.
- Užtikrinkite, kad geležtė suktųsi teisinga kryptimi.
- Prieš pradėdami darbą, atlikite tuščiaiegi pjūvį esant išjungtam varikliui, kad patikrintumėte geležtės padėtį bei tai, kaip veikia apsauginiai įrenginiai kitų staklių dalių bei ruošinio atžvilgiu.

- Jokiu būdu nepalikite staklių be priežiūros.
- Geležtei sukantis jos netepkite alyva.
- Niekada neatlikite jokių valymo ar techninės priežiūros darbų, kai įrenginys yra įjungtas ir veikiantis bei diskas sukasi.
- Veikiančio įrenginio niekada nebandykite sustabdyti staiga prie disko užkišdami kokį įrankį ar kitą daiktą, nes tokiu būdu netyčia galite sukelti nelaimingą atsitikimą.
- Prieš keičiant geležtes ar atliekant techninės priežiūros darbus atjunkite pjūklą nuo maitinimo šaltinio.
- Būkite atsargūs supakuodami ir išpakuodami geležtę: aštriais geležtės antgaliais galima nesunkiai susižaloti.
- Pjūklo geležtę galima liesti tik įdėtą į laikiklį arba mėvint pirštines.
- Geležtę laikykite originalioje ar kitoje tinkamoje pakuotėje; laikykite sausomis sąlygomis ir atokiai nuo chemikalų, kurie gali ją pakenkti.

SAUGA DIRBANT SU LAZERIU

- Šio pjūklo lazerio kreiptuvo spinduliai yra 2 klasės max $\leq 1\text{mW}$ ir 650 nm bangų ilgio. Nežiūrėkite tiesiai į lazerio spindulį. Jei nesilaikysite taisyklių, galite rimtai susižaloti.
- Darbo metu nežiūrėkite į spindulį.
- Lazerio spindulio nenukreipkite tiesiai į kitų asmenų akis. Tai gali sunkiai sužeisti akis.
- Lazerio nelaikykite tokioje padėtyje, kad kiti asmenys būtų priversti tyčia ar netyčia žiūrėti į lazerio spindulius.
- Nenaudokite optinių įrankių siekiant žiūrėti į lazerio spindulį.
- Lazerio nenaudokite vaikams esant šalia, taip pat neleiskite vaikams juo naudotis.
- Nebandykite remontuoti lazerio įtaiso patys.
- Nebandykite patys pakeisti jokių lazerio detalių.
- Bet kokius remonto darbus gali atlikti tik lazerio gamintojas ar įgaliotas techninės priežiūros atstovas.
- Lazerio nekeiskite kitokios rūšies lazeriu.

ŠALUTINIS PAVOJUS

Net naudojant gaminį griežtai pagal paskirtį neįmanoma visiškai atmesti kai kurių liktinių rizikos veiksnių. Būkite budrus atlikdami priežiūros ar valymo darbus: po įrankio naudojimo geležtę kurį laiką išlieka įkaitusi.

- Kad išvengtumėte stroboskopinių efektų ir pavojų, parūpinkite tinkamą bendrą ar vietinį apšvietimą.
- Blogai sureguliuavus ar netinkamai naudojant stakles, ruošiniai bei jų dalys gali atsokti veikiami atatranks jėgos.
- Sviedžiamos karbido dalelės nuo pjovimo disko.
- Nedėvint veiksmingos priešdulkinės puskaukės, pakenkiama kvėpavimo sistema.

PASTABA: Dėvėkite kvėpavimo sistemos apsaugines





kaukes su atitinkamais filtrais, nepraleidžiančiais nuo pjaunamų medžiagų atsiskiriančių dalelių Darbo vieta turi būti tinkamai vėdinama. Darbo vietoje negalima valgyti, gerti ar rūkyti.

- Jei nedėvima tinkama ausų apsauga – pakenkimas klausai.

⚠ ĮSPĖJIMAS

Tam tikrų dažų, gruntų ir medžiagų dulksės gali dirginti ar sukelti alergines kvėpavimo sistemos reakcijas. Ažuolo, beržo, medienos plaušų plokščių ir kitos dulksės kancerogeninės. Medžiagas, kurių sudėtyje yra asbesto, gali pjauti ar apdirbti tik kvalifikuoti specialistai.

⚠ ĮSPĖJIMAS

Ilgai naudojant įrankį, galima susižaloti arba pakenkti sveikatai. Ilgiau naudojant įrankius, reikia reguliariai daryti pertraukas.

PAŽINKITE SAVO GRANDININĮ PJŪKLĄ

Žr. 162 - 163 psl.

1. Rankena
2. Įjungimo mygtuką
3. Saugos stabdiklio rankena
4. Viršutinis apsauginis gaubtas
5. Pjūklo geležtė
6. Apatinis apsauginis gaubtas
7. Veržtuvus (gnybtas)
8. Pagrindinis aptvėrimas
9. Diskas
10. Atraminė dalis
11. Stalo įdėklas
12. Disko fiksavimo rankena
13. Pusiausvyros kojos
14. Lazero jungiklis
15. Šviesos diodų jungiklis
16. Gembės stabdiklis
17. Apatinio apsauginio įtaiso gaubtas
18. Slankiusis aptvėrimas
19. Montavimo anga
20. Paigalinimo strypas
21. Varžtai kampainio kampo ribotuvo stabdikliui sureguliuoti
22. Stūmiklio (veleno) fiksavimo galvelė
23. Viršutinė rankena
24. Dulkių maišelis
25. Pjovimo gylio reguliavimo galvelė
26. Linijiško strypo stabdiklio galvelė
27. Išlenkta atrama
28. Kampainio kampo fiksavimo galvelė
29. Maksimalaus pjovimo gylio stabdiklis
30. Varžtai nuožambiam kampui nustatyti

VEIKIMAS

Gaminyje įtaisyta judanti pjūklo geležtė, kurią operatorius, pajaudamas prie gaminio pagrindo gerai pritvirtintą ruošinį, gali nustatyti įvairiais kampais. Juo dirbti turi tik vienas žmogus, kad niekas netyčia neprisiliestų prie judančios pjūklo geležtės.

Saugaus šio gaminio naudojimo principai yra tokie:

- Pjūklas, geležtės ir darbo vieta visada turi būti geros būklės.
- Nuožambaus pjūklo pagrindas tvirtinamas prie tvirto darbatalio. Netinkamai pritvirtintas gaminys gali pajudėti ir apvirsti.
- Prieš pradėdami pjauti, nustatykite ir užfiksuokite pjovimo kampus ir gylį.
- Pritvirtinkite ruošinį prie nuožambaus pjūklo pagrindo. Naudokite komplekte pridėtą veržtuvą (gnybtą) ir, jei reikia, papildomus veržtuvus (gnybtus) ar laikiklius, kad pjaunant ruošinys netyčia nepajudėtų.
 - Patikrinkite, ar ruošinio padėtis netrukdo geležtės apsauginių įtaisų veikimui.
 - Reikia pasirūpinti, kad geležtei nusileidžiant į pjovimo padėtį, ji neįpjautų aptvėrimo ir kitų gaminio dalių.
- Paleiskite variklį ir leiskite geležtei išvystyti maksimalų greitį; tik tada lėtai ją leiskite žemyn, kad pjautų ruošinį. Stumkite geležčių sistemą pirmyn ir (arba) atgal, kad atliktumėte reikiamą pjūvį.
- Geležtės sistema turi pakilti į viršutinę padėtį geležtės apsauginiams įtaisams esant visiškai uždarytiems. Prieš nuimant ruošinį ar nuopjovas, arba ištiesiant rankas prie geležtės, reikia išjungti variklį ir palaukti, kol geležtė visiškai sustos.

Prieš gaminį naudojant pirmą kartą, reikia patikrinti, ar gaminio kampainio arba nuožambio sistemos kampas atitinka kampą, kuriuo ketinama pjauti ruošinį. Patikrinkite tai naudodami brokuotą medienos atraižą staliaus įrankiais arba nuožambio kampainiu.

⚠ ĮSPĖJIMAS

Gamintojas primygtinai rekomenduoja tvirtai tvirtinti gaminį prie darbatalių paviršiaus.

Gaminio pagrindą gerai pritvirtintus prie darbatalio paviršiaus komplekte pateiktomis keturiomis veržlėmis, varžtais ir poveržlėmis, galima pjauti dideliu kampu ir nustačius maksimalų nuožambį, nebijant, jog sistema apvirs. Jeigu gaminys negerai pritvirtintas, nustačius didelius kampainio kampus, jis gali netekti pusiausvyros ir apvirsti.

Taip pat yra reguliuojamas sraigtas (balansinė kojelė), kuri tęsiasi nuo paigalinamo sukamojo disko apačios. Šį sraigatą reikia sureguliuoti taip, kad jis liestųsi prie plokščio paviršiaus, į kurį remiasi gaminys. Tai taip pat apsaugo gaminį nuo pusiausvyros netekimo pjaunant visu šliaužiklio ar kampainio mastu. Būkite atsargūs, parenkant įvairius



nuožambio kampus, ši pjūklų stalo dalis juda, todėl varžta reikia dažnai reguliuoti ir vėl įsukti.

PRIEŽIŪRA

- Gaminio negalima modifikuoti arba naudoti gamintojo napatvirtintus priedus. Gali kilti pavojus jūsų bei kitų asmenų saugai.
- Gaminio negalima naudoti, jeigu netinkamai veikia jungikliai, apsauginiai įtaisai ar kitos dalys. Nugabinkite į įgaliotą techninio aptarnavimo centrą, kad sutaisytų ar sureguliuotų specialistai.
- Negalima atlikti jokių reguliavimo veiksmų, kol pjūklų geležtė juda.
- Prieš atliekant gaminio reguliavimo, tepimo ar priežiūros darbus, būtina reikia patikrinti, ar kištukas ištrauktas iš maitinimo tinkle lizdo.
- Kiekvieną kartą prieš gaminį naudojant ir jį panaudojus reikia patikrinti, ar nėra pažeistų ar sugedusių dalių. Turi būti palaikoma geriausia gaminio darbo būklė; netinkamas dalis reikia nedelsiant pakeisti gamintojo patvirtintomis atsarginėmis dalimis.
- Pjaunant geležtė labai įkaista, todėl prieš atliekant priežiūros ar valymo darbus, reikia užsimauti pirštines arba palaukti, kol ji atvės.
- Susikaupusias dulkes reikia nubraukti šepečiu arba susiurbti dulkių siurbliu. Suspausto oro nenaudokite.
- Siekiant užtikrinti saugą ir patikimumą, visi remonto darbai, įskaitant šepečių keitimą, turi būti atliekami įgaliotame techninio aptarnavimo centre.
- Jeigu maitinimo laidas pažeistas, jį privalo pakeisti tik gamintojas ar įgaliotas techninio aptarnavimo centras; priešingu atveju galima pakenkti pjūklą arba žūti nuo elektros srovės.

⚠ ĮSPĖJIMAS

Siekiant užtikrinti saugumą ir įrankio patikimumą, visi remonto darbai turi būti atliekami ĮGALIOTAME TECHNINĖS PRIEŽIŪROS CENTRE ar kitoje KVALIFIKUOTOJE TECHNINĖS PRIEŽIŪROS ĮMONĖJE.

Maksimalaus pjovimo gylio stabdiklis

Maksimalaus pjovimo gylio stabdiklis skirtas apsaugoti pjūklų geležtę, kad neįpjautų į įrenginio metalinį pagrindą.

⚠ ĮSPĖJIMAS

Maksimalaus pjovimo gylio stabdiklio vartotojas negali reguliuoti. Maksimalaus pjovimo gylio stabdiklio nereikia reguliuoti.

GABENIMAS IR LAIKYMAS

- Padedant gaminį į saugyklą, reikia atjungti maitinimo laidą. Laikykite gaminį saugioje, vaikams nepasiekiamoje vietoje. Maitinimo laidą laikykite kaip pavaizduota iliustracijoje šio vadovo 185 - 186 psl.
- Prieš padedant laikyti, gaminį reikia išvalyti šepečiu arba dulkių siurbliu.
- Nuimant pjūklų geležtę arba laikant atsargines dalis įrenginyje, siekiant išvengti sužeidimų, reikia pasirūpinti, kad šios dalys būtų originalioje pakuotėje.

Norint pritvirtinti gaminį prieš pajudant:

- Gaminį reikia laikyti nuožambį ir kampainį nustačius nulinio lygio kampu ir užspaudus stabdikius. Šliaužiklis turi būti užblokuotas. Rankeną reikia užfiksuoti apatinėje (saugioje) padėtyje apsauginiams įtaisams esant uždarytiems.
- Kad būtų lengviau gabenti, galima nuimti vieną ar abi ruošinio atramų puses.

Perkeliant ar gabenant transporto priemone:

- Vadovaudamiesi vadove pateiktomis instrukcijomis, pritvirtinkite gaminį prieš jį paleisdami.
- gaminį reikia nuimti nuo darbatalio, kampuose atsukant 4 varžtus. Išsaugokite varžtus, kad galėtumėte juos panaudoti ateityje. Gaminį reikia kelti suėmus už viršutinėje dalyje esančios rankenos.
- Keliant aukštyn, gaminio pagrindą turi kelti du asmenys, dėvintys tvirtas pirštines.
- Gabenant transporto priemonėje, gaminį reikia padėti ant pagrindo ir pritvirtinti, kad nejudėtų.

APLINKOS APSAUGA



Žaliavines medžiagas perdirbkite pakartotinai, o ne išmeskite kaip atliekas. Mechanizmas, priedai ir pakuotės turi būti laikomi pakartotinai perdirbti aplinkai nekenksmingu būdu.

SIMBOLIAI



Pranešimas apie saugumą



CE suderinimas



Prieš padedant naudoti šį prietaisą, prašome atidžiai perskaityti šias instrukcijas.



II klasės įrenginys, dviguba izoliacija



Dėvėkite klausos apsaugos priemones



Visada dėvėkite akių apsaugos priemones.



PAVOJUS! Aštri geležtė.



Mūvėkite apsaugines pirštines.



Ašmenų sukimosi kryptis (nurodyta ant pjūklo ašmenų)



Geležtės sukimosi kryptis (parodyta ant geležtės apsauginio įtaiso)



Ašmenų pjūvio (įpjovos) plotis



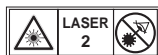
Dantų ant šių pjūklo ašmenų skaičius



Medienai ir analogiškomis medžiagoms pjauti



Neskirta metalams pjauti



Lazerio spindulio radiacija. Nežiūrėkite tiesiai į spindulį. 2 klasės lazerio gaminytis



Elektrinių produktų atliekos neturi būti metamos kartu su namų ūkio atliekomis. Prašome perdirbkite jas ten, kur yra tokios perdirbimo bazės. Dėl perdirbimo patarimo kreipkitės į savo vietinę savivaldybę ar pardavėją.

SIMBOLIAI VADOVE



Prijunkite gaminio prie maitinimo šaltinio.



Aįjunkite gaminio nuo maitinimo šaltinio.



Blokėtąjs



Atrakinti



Blokavimo mechanizmas neveikia



Girdimas garsas



Laikas, per kurį geležtė išvysto maksimalų greitį



Detalės arba priedai yra parduodami atskirai



Pastaba:



ĮSPĖJIMAS

Šie signaliniai žodžiai yra skirti nurodyti su prietaiso naudojimu susijusio pavojaus lygį.

⚠ PAVOJUS

Rodo grėšiančią pavojingą situaciją, kurios neišvengus galima patirti mirtiną arba sunkų sužalojimą,

⚠ ĮSPĖJIMAS

Rodo potencialiai pavojingą situaciją, kurios neišvengus galima patirti mirtiną arba sunkų sužalojimą.

⚠ ATSARGIAI

Rodo potencialiai pavojingą situaciją, kurios neišvengus galima patirti nesunkų arba vidutinio sunkumo sužalojimą.

ATSARGIAI

(Be įspėjamojo šaukuko) Reiškia situaciją, kurioje galima sugadinti turtą.



Mitra nägin konstrueerimisel on peaeesmärgiks olnud toote ohutus, tootlikkus ja töökindlus.

OTSTARBEKOHANE KASUTAMINE

Kaldlõikesaag on ette nähtud täispuidu ja liimitud puitmaterjalide ning puidusarnaste materjalide saagimiseks; saetav puit võib olla kaetud vineeri või plastidega.

Saagi tohivad kasutada vaid täiskasvanud, kes on ohutusjuhised läbi lugenud ja riskidest ning ohtudest aru saanud.

Kaldlõikesaag on ette nähtud kasutamiseks tugevale alusele kinnitatuna. Kui alus ei ole kindlalt fikseeritud, võib masin lõikamise ajal liikuma hakata ja põhjustada sellega raske kehavigastuse.

Kaldlõikesaag on ette nähtud püstnurga all ja kalde täisnurga all lõikamiseks. Erinevate lõigete maksimaalsed mõõdmed on esitatud selle kasutusjuhendi tehniliste andmete osas.

Saagi tuleb kasutada kuivas kohas, kus on piisav valgustus ja nõuetekohane ventilatsioon.

Kaldlõikesaag on ette nähtud erakasutajale ja seda tuleb kasutada vaid eespool kirjeldatud otstarveteks ning seda ei tohi kasutada mingiks muuks otstarbeks.

väiketööriistu tööks, mis nõuavad tugevdatud konstruktsiooniga tööriistu. Ärge kasutage muudeks otstarveteks, kui see on ette nähtud, näiteks ärge kasutage ketassaagi puuokste või ümarpuidu saagimiseks.

- **Kandke tööks sobivat riietust.** Ärge kandke lõtvu riietusesemed või ehteid, sest need võivad haakuda liikuvate osade külge. Väljas töötades on soovitatav kanda libisemiskindlaid jalatseid. Kandke peakatet, mis hoiab pikad juuksed kinni.
- **Kasutage isikukaitsevahendeid.** Kandke kaitseprille. Kui saagimisoperatsiooni eraldub tolmu, siis kandke näo- või tulumaski.
- **Ühendage tolmuärastamise süsteem.** Kui tööriistal tuleb kasutada tolmu eraldamis- või kogumiseadisi, siis veenduge, et need on ühendatud ja nõuetekohases kasutuses.
- **Ärge kasutage toitejuhet mitteshiparasetl.** Ärge mingil juhul kasutage toitejuhet pistiku pesast väljatõmbamiseks. Hoidke toitejuhe eemale kuumusest, õlist ja teravetest servadest.
- **Kinnitage toorik.** Kui võimalik, kinnitage toorik pitskruvidega või kruustangide vahele. See on ohutum kui käte kasutamine.
- **Ärge küünitage end töötamisel liigselt välja.** Hoidke end pidevalt jalgadel ja tasakaalus.
- **Hooldage tööriistu hoolikalt.** Ohutuks töötamiseks hoidke lõikeketas terava ja puhtana. Järgige määrimise ja tarkvute vahetamise juhiseid. Kontrollige tööriista toitejuhe perioodiliselt üle ja kui avastate selle vigastuse, siis laske see pädevas hooldusasutuses ära parandada. Kontrollige pikendusjuhtmed perioodiliselt üle ja asendage kui need on vigastatud. Hoidke tööriista käepidemed kuivana, puhtana ja ärge laske neile sattuda õli või määret.
- **Ühendage tööriistad lahti.** Kui tööriista ei kasutata, enne kui seda hakatakse teenindama või tarkvikuid näiteks lõiketerasid, otsakuid ja freese vahetama, ühendage seadme välja.
- **Kõrvaldage reguleerimisrakised ja nutrivõtmed.** Kujundage endas harjumus enne sae käivitamist kontrollida, et kõik reguleerimisreedised ja nutrivõtmed on eemaldatud.
- **Vältige tahtmatut käivitumist.** Veenduge, et lüliti on enne pistikupesassa ühendamist väljalülitatud asendis.
- **Kasutage välistingimustes ettenähtud pikendusjuhtmeid.** Kasutage vaid välistingimustes kasutamiseks lubatud ja vastavalt markeeritud pikendusjuhtmeid.
- **Olge töötamisel tähelepanelik.** Vaadake ette mida teete, kasutage seajuurse tervet mõistust ja ärge kasutage tööriista kui olete väsinud.
- **Kontrollige vigastatud osad üle.** Enne vigastatud osaga tööriista edasist kasutamist tuleb see hoolikalt üle kontrollida ja kindlaks teha, kas see töötab õigesti ning täidab ettenähtud funktsiooni. Kontrollige liikuvate osade tsentreeritust, vaba liikumist,

OHUTUSE ÜLDEESKIRJAD

⚠ HOIATUS

Elektritööriistade kasutamisel tuleb alati järgida üldisi ohutusnõudeid, et vähendada tulekahjust ja elektrilöögist tingitud ohtu ning vältida kehavigastusi. Lugege enne toote kasutamata hakkamist kõik juhised läbi ja hoidke need alles.

- **Hoidke töökoht puhas.** Korratu ümbrus ja tööpink tingivad õnnetusi.
- **Võtke arvesse töökeskkonda.** Ärge jätke elektrilisi tööriistu vihma kätte. Ärge kasutage elektrilisi tööriistu vihma käes või niiskes kohas. Hoidke töökoht hästi valgustatud. Ärge kasutage tööriista kohtades, kus on kergsüttavaid vedelikke või gaase.
- **Kaitske end elektrilöögi eest.** Töötamisel hoiduge kehalisest kontaktist maandatud pindadega (näiteks torude, radiaatorite, elektripliitide ja külmikutega).
- **Hoidke kõrvalised isikud eemal.** Ärge laske teistel, eriti lastel, kes on töösse kaasatud, tööriista või pikendusjuhet puudutada ja hoidke nad tööpiirkonnast eemal.
- **Hoidke mittekasutatavaid tööriistu hoiukohas.** Kui tööriista ei kasutata, siis tuleb seda hoida kuivas, lukustatud ruumis, lastele kättesaamatus kohas.
- **Ärge koormake saagi üle.** Õigesti valitud tööriist töötab paremini ja ohutumalt selles võimsuspiirkonnas, millele on see ette nähtud.
- **Kasutage õigeid lõikeriistu.** Ärge kasutage





vigastusi, kinnituskohti ja muud, mis võivad tööd mõjustada. Vigastatud kaitseesadised ja osad tuleb lasta parandada või asendada pädeval hooldajal, kui kasutusjuhendis ei ole teisiti mainitud. Laske rikkis lülitid asendada volitatud teeninduskeskuses. Ärge kasutage seadet, kui lüliti ei lülita seda sisse ja välja.

- **Hoiatus.** Kasutusjuhendis soovimatuna tarvikute või lisaseadmete kasutamine võib põhjustada tõsise kehavigastuse ohtu.
- **Laske oma tööriist parandada pädeval töötajal.** See elektritööriist vastab asjassepuutuvatele ohutusreeglitele. Remonttöid tohib teha ainult kvalifitseeritud isik, kasutades sealjuures originaalvaruosi, vastasel juhul võib ilmneda kasutajale märkimisväärne oht.

KALDLÕIKESAE OHUHOIATUSED

- Suruge toorik alati ohutult ja kindlalt kinni.
- Veenduge, et masin on alati stabiilne ja ohutu (nt kinnitatud töölauale).
- Kasutage kuulmiskaitsevahendeid. Tugev müra võib põhjustada kuulmiskaotuse.
- Masinaga töötamisel kandke alati kaitseprille. Saeketaste ja kareda materjali käsisemisel soovitatakse kanda kindaid ja mittelibiseva tallaga töökingi, mis kaitsevad jalgu löikepiirkonnast kukkuvate toorikute eest.
- Enne ükskõik millise hooldustöö või puhastamise tegemisel võtke pistik pistikupesast välja.
- Pistiku võib pistikupesast ühendada vaid siis, kui tööriist on välja lülitatud.
- Hoidke toitejuhtmed masina tööpiirkonnast väljapoole. Hoidke seda eemal kohast, kus operaator seisab.
- Ärge küünitage end sae töötamise ajal löikeketta lähedusse enne kui saeketas on lõplikult peatunud.
- Enne kasutamist tuleb masin, kaabel ja pistik üle kontrollida vigastuste ja materjaliväsimumise suhtes. Seadet, kaasa arvatud toitejuhtme asendamist tohivad teha ainult pädevad remonditöökojad.
- Masinaga töötamisel peavad selle kaitsekatted olema oma kohtadel. Ärge kasutage masinat siis, kui kaitsekatted ei ole oma kohtadel või ei tööta nõuetekohaselt.
- Kaitsekate tohib olla avatud ainult siis, kui saepea on toorikule langetatud.
- Ärge mingil juhul püüdke sae konstruktsiooni muuta. Teie turvalisus võib olla ohustatud.
- Kui kasutate kaldlõikesaagi väljas, soovitab tootja kasutada toitevõrgus rikkevoolukatset (RCD), mille rakendumisvool on 30 mA.
- Ärge kasutage saekettaid, mis on pragunenud, vigastatud või deformeerunud.
- Ärge kasutage kiirlõiketerasest saekettaid.
- Kasutage ainult teravaid löikekettaid. Asendage nürid

lõikekettaid.

- Kasutage ainult õiget mõõtu ja õige völliavaga saeketast. Sae kinnitusdetailidega mittesobivad saekettad pöörlevad ekstsentriliselt ja põhjustavad sellega kontrolli kadumist sae üle.
- Kasutage ainult kasutusjuhendis ettenähtud saekettaid, mis vastavad standardile EN 847-1.
- Ärge kasutage saekettaid kinnitamiseks muid äärikuid, seibe ja mutreid kui neid, mis on kompleksis ja mainitud kasutusjuhendis.
- Valida tuleb saeketas, mis sobib löigatava materjali jaoks.
- Tähtis on kinni pidada saeketta lubatud maksimaalkiirusest.
- Ärge kasutage miiusaagi muude materjalide saagimiseks kui need, millele see on ette nähtud.
- Asendage töölaua piluplaat, kui see on kulunud või vigastatud.
- Enne töö alustamist tehke löiget imiteeriv liigutus mootorit käivitamata, et kontrollida löikeketta asendit ja kaitsekatte liikumist teiste masinaosade ning tooriku suhtes.
- Kaldlõike, püstikaldelõike või liitkaldelõike saagimisel reguleerige välja nihutatav kaitsekate, et tagada saagimisel saekettast õige ohutusvahemik.
- Miiusae transportimise ajal peab selle käepideme lukusti olema rakendatud.
- Hoidke põrand jäätmetest, nt saepurust ja jääkidest puhas.
- Hoiduge masina töötamise ajal ja saepea langetatud asendis jääkide ja toorikulõigete eemaldamisest saagimispiirkonnast.
- Pikkasid toorikuid tuleb nõuetekohaselt toetada. Tööpiirkond sisaldab kogu ala, milles toorikut liigutatakse. Operaator peab seda ala turvama, et kõrvalised isikud või esemed ei satuks seadmega kokkupuutesse ega liigutaks toorikut töötamise ajal.
- Selle masinaga töötamisel tekkinud tolm võib olla tervisele ohtlik. Kandke tolmueraldussüsteemi ja kandke sobivat tolmu maski. Eemaldage kogunenud tolm täielikult, nt tolmuimejaga.
- Seade tuleb lülitada kaitseesadmega (sulavkaitse või kaitselülit) toitevõrku.
- Ärge varustage seda laserjuhikut muud tüüpi laseriga. Remonti tohib teha vaid laseri tootja või tema volitatud agent.
- Seadme kasutamise ajal võivad samasse ahelasse ühendatud seadmetel ja valgustitel esineda voolutõuked. Ühendage seade toitevõrku, mille näivtakistus on 0,071 Ω, et pingekõikumisi minimeerida. Lisateabe saamiseks võtke ühendust oma elektritarbijajaga.

PUIDU SAEKETTA OHUTUSJUHISED

- Enne masina käivitamist lugege kasutusjuhend läbi.





- Saepink peab olema heas töökorras ja spindel ilma deformatsioonideta ning ei tohi vibreerida.
- Ärge kasutage saagi ilma, et kaitsed on oma kohtadel, eriti tähelepanelik tuleb olla pärast töörežiimi vahetamist. Hoidke kaitsed töökorras ja nõuetekohaselt hooldatud olekus.
- Veenduge, et töötaja on masinaga töötamiseks nõuetekohaselt välja õppinud.
- Kasutage hooldamise ajal alati kaitseprille, mis kaitsevad silmi ka külgedelt. Soovitatakse kanda kaitsekindaid, tugevaid mittelibisevaid jalanõusid ja kaitsepõlle.
- Enne ükskõik millise tarviku kasutamist tutvuge kasutusjuhendi vastavate nõuetega. Tarvikute ebaõige kasutamine võib põhjustada vigastuse.
- Kasutage ainult kasutusjuhendis ettenähtud saekettaid, mis vastavad standardile EN 847-1.
- Pidage kinni saekettale märgitud maksimaalkiirusest. Veenduge, et saekettal märgitud pöörlemiskiirus on sael märgitud pöörlemiskiirusega vähemalt võrdne.
- Kasutage ainult õiget mõõtu ja õige (saeketta mitte teemantketta) völliavaga saeketast. Sae kinnitusedetailidega mittesobivad saekettad pöörlevad ekstsentriliselt ja põhjustavad sellega kontrolli kadumist sae üle.
- Ärge kasutage saekettaid, mille läbimõõt on suurem või väiksem kui soovitatud. Ärge kasutage saeketta sobitamiseks mingeid vaheseibe.
- Enne saeketta kasutamise alustamist kontrollige selle hambad üle vigastuste ja ebahariliku väljanägemise suhtes. Vigastatud ja lõdvad saehambad võivad välja paiskuda ning seetõttu põhjustada kehavigastuse.
- Ärge kasutage pragenenud ega auklikku saeketast. Ärge kasutage saekettaid, mis on vigastatud või deformeerunud.
- Ärge kunagi kasutage saeketast kui see on vigastatud või deformeerunud. Remontimine ei ole lubatud.
- Ärge kasutage kiirloiketerasest saekettaid.
- Enne kasutamist veenduge, et saeketas on nõuetekohaselt paigaldatud. Enne töö alustamist keerake völli mutter kindlalt kinni. (Pöördemoment: 12-15 Nm)
- Kinnituskravisid ja mutreid tohib pingutada vaid selleks ette nähtud mutrivõtmega.
- Pingutamisel ei ole lubatud mutrivõtme õla pikendamine ja haamri kasutamine.
- Veenduge, et saekettad ja äärikud on puhtad ja ääriku tugipinnad on vastu saeketta pinda.
- Kontrollige, kas saetera pöörlemissuund on õige.
- Enne töö alustamist tehke lõiget imiteeriv liigutus mootorit käivitamata, et kontrollida lõikeketta asendit ja kaitsekatte liikumist teiste masinaosade ning tooriku suhtes.
- Ärge jätke töötava mootoriga masinat järelevalveta.

- Ärge kandke töötamise ajal saekettale määrdeaineid.
- Ärge hakake tegema mingeid puhastus- või hooldustööd seni, kui masin pöörleb ja saepea ei ole liikumatus olekus.
- Ärge kunagi püüdke masina pöörlemist järsult peatada saeketta tõkestamisega või muul viisil, sest see võib põhjustada raske õnnetuse.
- Enne saeketta vahetamist või hooldamist ühendage saag toitevõrgust lahti.
- Olge saeketta pakkimisel ja lahtipakkimisel ettevaatlik, sest teravad hambad võivad põhjustada vigastusi.
- Kasutage saeketaste teistsaldamisel katet või kandke kindaid.
- Hoidke saeketast originaalpakendis või muus sobivas pakendis, kuivas kohas, kus pole kahjustavaid kemikaale.

LASERI OHUTUS

- Sael kasutatava laseri kiirus kuulub klassi 2, mille võimsus on $\leq 1\text{mW}$ ja lainepikkus 650 nm. Ärge vaadake laserikiirele otse vastu. Kasutusreeglite eiramine võib põhjustada tõsiseid kehavigastusi.
- Ärge vaadake laserikiirele töö ajal otse vastu.
- Ärge suunake laserikiirt kõrvalolijatele silma. See võib põhjustada raskeid silmavigastusi.
- Ärge paigutage seadet asendisse, mille puhul võib laserikiir tahtmatult või tahtlikult kleggi silma tabada.
- Ärge kasutage laserikiire vaatamiseks mingit optilist seadet.
- Ärge kasutage laserjuhikut laste juures ega laske lastel seda kasutada.
- Ärge püüdke laserjuhikut ise parandada.
- Ärge püüdke ise muuta ühegi laserjuhiku osa konstruktsiooni.
- Remonti tohib teha vaid laseri tootja või tema volitatud agent.
- Ärge varustage seda laserjuhikut muud tüüpi laseriga.

JÄÄKRISKID

Isegi siis, kui seadet kasutatakse kirjeldatud viisil, ei ole võimalik kõrvaldada kõiki jääkriskide mõjureid. Töötamise ajal võivad tekkida järgmised ohud, millele operaator peab pöörama erilist tähelepanu.

- Õnnetuse tekkimise risk, mis on põhjustatud mittekäetud pöörlevast saekettast.
- Toorikute ja toorikutükide tagasilöökk, mis on tingitud valesst reguleerimisest või valedest töövõtetest.
- Saeketta kõvamsulamist hambaotsakute väljapaiksumine.
- Hingamisteede kahjustused, kui ei kanta nõutava kaitsevõimega tolumumaski.

MÄRKUS: Kandke hingamismaski, milles on filter vastavalt lõigatavale materjalile. Tagage töökohal





nõuetekohane ventilatsioon. Ärge töökohal sööge, jooge ega suitsetage.

- Kuulmiskahjustused, kui ei kanta nõutava kaitsevõimega kuulmiskaitset.

⚠ HOIATUS

Mõnede värvide tolm, pinnakatted ja materjalid võivad põhjustada hingamisteede ärritust või allergilisi reaktsioone. Tamme- ja kasepuu, MDF-i ja mõnede muude materjalide tolm on kantserogeenne. Asbesti sisaldavaid materjale tohivad lõigata vastava väljaõppega erioperaatorid.

⚠ HOIATUS

Seadme pikaajalisel kasutamisel võite saada kehavigastusi või vigastused võivad süveneda. Seadme kasutamisel pika aja jooksul tuleb teha korralisi vaheaegasid.

ÕPPIGE OMA TOODET TUNDMA

Vt leht 162 - 163.

1. Käepide
2. Toitelüliti
3. Turvaluku käepide
4. Ülemine kaitse
5. Saeleht
6. Alumine kaitse
7. Kinniti
8. Põhipiire
9. Pöördlaud
10. Alusplaat
11. Töölaua piluplaat
12. Pöördlaua lukustuspeide
13. Tasakaalustav jalg
14. Laserlüliti
15. LED-i lüliti
16. Piiraja
17. Alumine kaitsekate
18. Tugipiiraja
19. Kinnitusava
20. Pikendusvarb
21. Püstnurga piiraja reguleerimiskruvid
22. Võlli lukustusnupp
23. Ülemine käepide
24. Tolmukott
25. Saagimissügavuse reguleernupp
26. Varda piiraja nupp
27. Pööratav tugi
28. Kaldenurga lukustusnupp
29. Maksimaalse lõikesügavuse piiraja
30. Kaldenurga reguleerimise kruvid

KASUTAMINE

Võimaldab liigutada saeketast, mis on seatud operaatori poolt erinevate nurkade alla seadme alusele ohutult kinnitatud tooriku saagimisel. Seadmega tohib korraga töötada vaid üks inimene, et vältida tahtmatut kokkupuudet liikuva saekettaga.

Seadme ohutu kasutamise põhimõtted on järgmised.

- Hoidke saagi, saekettaid ja töökoht heas korras.
- Kinnitage kaldlõikesae alus tugevale tööpingile. Kui toorik ei ole piisavalt tugevasti kohale surutud, siis võib seade ümber kukkuda.
- Enne lõikamise alustamist reguleerige välja kaldenurgad ja lõikesügavus ning lukustage asendid.
- Suruge toorik vastu kaldsae alust. Kasutage kompleksis olevat pitskruvi, vajaduse korral kasutage lisakinnitit või hoidemehhanismi, et vältida tooriku ootamatut liikumahakkamist.
 - Kontrollige, et lõikeketta katted pole tõkestatud tooriku asendi tõttu.
 - Tagage töökohal nõuetekohane ventilatsioon. Tagage, et piiraja ja muud seadme osad ei satu saeketta langetamisel lõiketele.
- Käivitage mootor ja laske lõikekettal saavutada täiskirrus, enne kui langetate selle tooriku lõikamiseks. Vajaduse korral liigutage saepead edasi ja/või tagasi, et lõige saaks tehtud kogu ristlõike ulatuses.
- Laske lõikesõlmel tõusta oma kõige kõrgemasse asendisse, kus kaitsekatted on suletud. Lülitage mootor välja ja laske saekettal täielikult peatuda, enne kui hakkate toorikut või jäätmeid eemaldama või enne kui lähenete saeketale.

Enne esmakordset kasutamist veenduge, et kaldenurk või kalde seadistab vastab tooriku kaldenurgale. Kontrollige seda mõnel puidutükil puussepa mõõtekomplektiga või mõõtenurgikuga.

⚠ HOIATUS

Tootja soovib rangelt, et seade oleks alati turvaliselt tööalale kinnitatud.

Kui seadme alus on turvaliselt tööalale kinnitatud nelja kompleksis oleva mutri, poldi ja seibiga, võib seadet kasutada maksimaalse püstnurga ning kaldega, ilma et see ümber kukub. Kui seade ei ole nõuetekohaselt kinnitatud, võib see tasakaaluolekust väljuda kui hakkate lõikama suure nurgaga kaldlõiget.

Seal on ka reguleerpolt (reguleeritav jalg), mis ulatub välja pikendatava pöördlaua põhjalt. See polt tuleb nii välja reguleerida, et see puudutaks tasast pinda, millele seade toetub. See väldib ka seadme tasakaalu kaotamise kui lõigatakse pikiliikumise piirasendis või püstkalde all. Olge ettevaatlik, sest saelaud liigub, kui valitakse erinevaid nurki, seega kruvi on vaja sagedasti reguleerida ja seadistada.

**HOOLDUS**

- Ärge püüdke seadme konstruktsiooni mingil viisil muuta ega kasutage varuosi või tarvikuid, mis pole tootja poolt soovitatud. Teie ja kõrvalolijate turvalisus võib olla ohustatud.
- Ärge kasutage seadet kuni mõni lüliti, kaitsekate või funktsioon ei tööta nagu ette nähtud. Andke need volitatud hoolduskeskusesse remondiks või reguleerimiseks.
- Ärge tehke mingeid reguleertoiminguid sel ajal, kui löikeketas pöörleb.
- Enne reguleerimist, määrimistööde või muude masina hooldustööde alustamist veenduge, et pistik on pistikupesast välja võetud.
- Kontrollige seade enne ja pärast kasutamist vigastuste ning purunenud osade suhtes üle. Hoidke seadet heas töokorras, selleks asendage osad nende varuosadega, mis on tootja poolt heaks kiidetud.
- Ketas on pärast kasutamist väga kuum, seetõttu kandke kindaid või laske kettal jahtuda enne kui hakkate tegema hooldus- või puhastustoiminguid.
- Pühkige ära kogunenud tolm harjaga või tolmuimejaga. Ärge kasutage suruõhuga.
- Kõik remonttööd, kaasa arvatud mootori kontaktharjade vahetamine, tuleb lasta teha volitatud hoolduskeskuses, et tagada masina ohutus ja töövoime.
- Kui toitejuhe on vigastatud, siis tuleb see lasta asendada tootja või klientideenindaja poolt, et elektrilöögi ohtu vältida.

⚠ HOIATUS

Ohutuse ja töökindluse tagamiseks tuleb parandustööd lasta teha **VOLITATUD HOOLDUSKESKUSES** või **MUUS PÄDEVAS HOOLDUSETTEVÖTTES**.

Maksimaalse löikesügavuse piiraja

Maksimaalse löikesügavuse piiraja väldib saeketta löikumist seadme metallist alusplaadi sisse.

⚠ HOIATUS

Maksimaalse löikesügavuse piiraja ei ole kasutaja poolt reguleeritav. Ärge püüdke reguleerida maksimaalse löikesügavuse piirajat.

TRANSPORTIMINE JA HOIUSTAMINE

- Seadme hoiustamise ajaks ühendage toitejuhe lahti. Hoidke seadet kaitstud kohas, mis on lastele juurdepääsmatu. Hoidke toitejuhete nagu on näidatud selle kasutusjuhendi lehel 185 - 186.
- Enne hoiustamist puhastage seade harja või tolmuimejaga.
- Kui saeketta eemaldate või varuosi hoiustate, siis hoidke neid originaalpakendis, et kehavigastusi vältida.

Enne teisaldamist kinnitage seade järgmisel viisil.

- Hoiustamiseks peab kaldenurk ja püstikalle olema seatud nullile ja lukustatud. Pikiliikumine peab olema tõkestatud. Käepide peab olema lukustatud madalaimasse (ohutusse) asendisse ja kaitsekatted peavad olema suletud.
- Teisaldamise hõlbustamiseks võib ühe või mõlema poole toorikotoed eemaldada.

Teisaldamisel või transportimisel tehke järgmist.

- Kinnitage seade liikumise vastu nagu kirjeldatud kasutusjuhendis.
- Eemaldage seade tööpingilt 4 poldi lahtikeeramisega, igas nurgas üks. Hoidke poldid alles edasiseks kasutuseks. Tõstke seadet ülaosas olevast käepidemest.
- Kõrgemale tõstmiseks on vaja kahte inimest, kes kannavad tugevaid töökindaid.
- Sõidukil transportimisel seadke see oma alusele ja kinnitage liikumahakkamise vastu.

KESKKONNAKAITSE

Toomaterjalid utiliseerige jäätmetega koos. Masin, selle liseseadmed ja pakend tuleb jäätmekäitluseks keskkonnasõbralikult sorteerida.

SÜMBOL

Ohutusalane teave



CE vastavus



Lugege enne masina kasutamist juhised hoolikalt läbi.



II klassi seade, topeltisolatsioon



Kandke kuulmise kaitsevahendeid



Kandke alati silmakaitsevahendeid.



OHT! Terav löikeketas.



Kandke turvakindaid.



Lõiketera pöörlemissuund (näidatud lõikekettal)



Lõikeketta pöörlemissuund (näidatud lõikeketta kaitsel)



Lõikeketta lõikelaius (saetee)



Lõikeketta hammaste arv



Puidu ja puidusarnaste materjalide lõikamiseks



Metalli lõikamiseks ei ole kasutatav



Laserkiirus.
Ärge vaadake laserikiirele otse vastu.
2. klassi laserseade



Mittekasutatavaid elektritooteid ei tohi visata olmejäätmete hulka. Vaid tuleb viia vastavasse kogumispunkti. Vajadusel küsige sellekohast nõu oma edasimüüjalt või vastavalt kohaliku omavalitsuse institutsioonilt.



On kuulda heli



Saeketta ooteaeg täiskiruse saavutamiseks



Eraldi ostetavad osad või tarvikud



Märkus:



HOIATUS

Järgnevad märguandesõnad ja tähendused on mõeldud selle toote kasutamise seotud riskitasemete kirjeldamiseks.

⚠ OHT.

Osutab ähvardavale ohuolukorrale, mille mittevältimine lõpeb surma või tõsise vigastusega.

⚠ HOIATUS

Osutab võimalikule ohuolukorrale, mille mittevältimine võib lõppeda surma või tõsise kehavigastusega.

⚠ ETTEVAATUST

Osutab võimalikule ohuolukorrale, mille mittevältimine võib lõppeda väiksemate või möödudukate kehavigastustega.

ETTEVAATUST

(Ilma ohutussümbolita) Viitab olukorrale, mis võib põhjustada kahjustusi varale.

KASUTUSJUHENDIS KASUTATUD SÜMBOLID



Pange toitejuhtme pistik pistikupessa.



Tõmmake pistik pistikupesast välja.



Lukk



Lahtikeeramine



Lukustussüsteem ei tööta



U razvoju ovog višestrukog kutna pila dati su maksimalni prioriteta sigurnosti, performansama i pouzdanosti.

NAMJENA

Kutna pila namijenjena je za rezanje punog i prešanog drveta, materijala sličnih drvetu, s ili bez ljepila ili plastika.

Pila je namijenjena za korištenja samo od strane odraslih operatera koji su pročitali upute za korištenje i razumiju opasnosti.

Kutna pila namijenjena je da bude pričvršćena na postolju na čvrsti stol. Ako postolja nije čvrsto pričvršćeno, cijeli uređaj se može pomakati tijekom postupka rezanja, što povećava mogućnost osbiljnih osobnih ozljeda.

Klizna kompaktna kutna pila namijenjena je za nagibne i kutne rezove. Kapaciteti za različite rezove omogućeni su u specifikacijama proizvoda kutne pile u ovom priručniku.

Pila se koristi u suhim uvjetima, uz izvrsno osvijetljenje okoline i odgovarajuću ventilaciju.

Kutna pila namijenjena je za korištenje i treba se koristiti samo kao što je gore opisano i nije namijenjeno za bilo koju drugu svrhu.

OPĆA SIGURNOSNA PRAVILA

UPOZORENJE

Kako biste smanjili opasnost od požara, strujnog udara i osobnih ozljeda prilikom korištenja električnih alata, uvijek se valja pridržavati osnovnih mjera opreza. Prije pokušaja korištenja ovog uređaja pročitajte i spremite sve upute.

- **Održavajte radno područje čistim.** Zatrpana radna područja i stolovi dovode do ozljeda.
- **Uzmite u obzir radno okruženje.** Alat nemojte izlagati kiši. Nemojte koristiti alate u vlažnim ili mokrim mjestima. Držite radni prostor dobro osvijetljen. Nemojte koristiti alate u prisutnosti zapaljivih tekućina ili plinova.
- **Zaštitite se od strujnog udara.** Izbjegavajte kontakt tijela s uzemljenim površinama (poput cijevi, radijatora, štednjaka i hladnjaka).
- **Držite podalje ostale osobe.** Nemojte dopustiti osobama, posebice djeci, da se uključe u rad, dodiruju alat ili produžni kabel, te ih držite dalje od područja rada.
- **Skladištite prazne alate.** Kada se ne koristi, alat treba skladištiti na suhom i zaključanom mjestu izvan dosega djece.
- **Nemojte alat koristiti iznad njegovih mogućnosti.** Uređaj će bolje i sigurnije raditi na brzini za koju je konstruiran.
- **Koristite pravi alat.** Nemojte forsirati male alate da rade poslove teških alata za rad. Nemojte koristiti alate za svrhe za koje nisu namijenjeni, primjerice, nemojte koristiti cirkularnu pilu za rezanje grana balvana ili

trupaca.

- **Pravilno se odjenite.** Nemojte nositi široku odjeću ili nakit; mogu biti zahvaćeni pokretnim dijelovima. Preporuča se da prilikom rada na otvorenom nosite obuću sa zaštitom od klizanja. Također nosite i zaštitu za kosu kako biste pokrili dugu kosu.
- **Koristite zaštitnu opremu.** Koristite zaštitne naočale. Ako rad stvara prašinu koristite zaštitnu masku za lice.
- **Priključite sustav za izbacivanje prašine.** Ako su alati opremljeni s priključkom aparata za odvajanje i prikupljanje prašine, osigurajte da su oni priključeni i pravilno korišteni.
- **Nemojte zlorabiti kabel.** Nikada ne povlačite kabel za isključivanje iz utičnice. Držite kabel podalje od topline, ulja i oštiri rubova.
- **Siguran rad.** Kad je moguće, koristite spojnice ili škrip za držanje izratka. Sigurnije je nego korištenje vaše ruke.
- **Nemojte se naginjati preko rubova.** Cijelo vrijeme držite pravilno uporište i ravnotežu.
- **Pažljivo održavajte alat.** Držite alat za rezanje naoštrenim i čistim radi boljeg i sigurnijeg rada. Slijedite upute za podmazivanje i promjenu dodatnog pribora. Povremeno provjerite kabele alata i ako su oštećeni neka ih popravi ovlaštenu servisnu centar. Povremeno provjerite i zamijenite produžne kabele ako su oštećeni. Održavajte ručke suhim, čistim i da na njima nema ulja i masti.
- **Isključite alate.** Kada nije u upotrebi, prije servisiranja ili kada mijenjate priključke poput oštrica, svrdla i rezača, isključite alate iz napajanja.
- **Uklonite ključeve za ugađanje i ključeve.** Zbog navike provjeravanja pogledajte da li su ključevi i ključevi za ugađanje uklonjeni s alata prije nego što ga uključite.
- **Izbjegavajte slučajno pokretanje.** Provjerite je li prekidač u položaju "off" (isključeno) prilikom uključivanja.
- **Koristite produžne kabele za korištenje na otvorenom.** Prilikom korištenja alata na otvorenom, rabite samo produžne kabele koji su namijenjeni za korištenje na otvorenom i tako su označeni.
- **Budite na oprezu.** Gledajte to što radite, pri radu s električnim alatom koristite zdrav razum i ne radite s alatom kad ste umorni.
- **Zamijenite oštećene dijelove.** Prije daljnog korištenja alata treba se pažljivo provjeriti da se odredi da li će pravilno raditi i izvoditi njihovu namjensku funkciju. Provjerite spojeve pokretnih dijelova, povezanost pokretnih dijelova, puknuća dijelova, montiranost i bilo koje druge uvjete koji mogu utjecati na njihov rad. Štitnik ili drugi dio koji je oštećen treba pravilno popraviti ili zamijeniti od strane ovlaštenog servisnog centra osim ako drugačije nije naznačeno u ovim uputama za rukovanje. Sklopku u kvaru zamijenite u ovlaštenom servisnom centru. Nemojte koristiti alat ako ga sklopka pravilno ne uključuje i isključuje.





- **Upozorenje.** Korištenje bilo kakvog dodatnog pribora ili priključka osim preporučenih u ovim uputama za upotrebu može dovesti do opasnosti od osobnih ozljeda.
- **Neka vaš alat servisira kvalificirana osoba.** Ovaj električni alat u skladu je s relevantnim pravilima o sigurnosti. Oprave treba izvoditi samo ovlašteni serviser korištenjem originalnih rezervnih dijelova, u suprotnom ovo može rezultirati zabrinjavajućom opasnošću po korisnika.
- Koristite samo oštricu navedenu u ovim uputama koja je u skladu s EN 847-1.
- Za osiguranje oštrice pile nemojte koristiti nikakve prirubnice, podloške ili matice osim onih koje su isporučene ili naznačene u uputama za korištenje.
- Potrebno je odabrati oštricu pile koja je prikladna za materijal koji se reže.
- Od osobite je važnosti postizanje maksimalne brzine naznačene na oštrici pile.
- Nikada nemojte koristiti kutnu pilu za rezanje drugih materijala osim navedenih u uputama za korištenje.
- Zamijenite umetnutu tablu kad se istroši ili se ošteti.

SIGURNOSNA UPOZORENJA ZA KUTNU PILU

- Uvijek stegnite izradak čvrsto.
- Osigurajte da je stroj uvijek stabilan i siguran (npr. učvršćen na radni stol).
- Nosite štitnike za uši. Izlaganje buci može izazvati gubitak sluha.
- Uvijek nosite zaštitne naočale kad koristite stroj. Preporučujemo da nosite rukavice za rukovanje s oštricama i sirovim materijalom, plus neklizajuće cipele za zaštitu stopala od izratka koji može pasti iz reznog područja.
- Uvijek isključite utikač iz utičnice prije izvođenja bilo kakvih postupaka održavanja ili čišćenja alata.
- Uključite samo napajanje u utičnicu kada je alat isključen.
- Držite glavni kabel dalje od radnog područja stroja. Držite ih izvan područja u kojem stoji operater.
- Nikada ne posežite u područje blizu oštrice osim ako se oštrica nije potpuno zaustavila.
- Prije korištenja provjerite stroj, kabel i utikač za bilo kakva oštećenja ili zamor materijala. Popravci cijelih uređaja, uključujući kabel za napajanje trebaju izvoditi samo ovlašteni servisni agenti.
- Uvijek koristite štitnike za zaštitu na stroju. Nemojte koristiti uređaj ako štitnici nisu postavljeni i ne rade pravilno.
- Zaštitni poklopac smije se otvoriti samo kad je stroj spušten na izradak.
- Nikada ne mjenjate pilu ili njezine funkcije. Može doći u pitanje vaša sigurnost.
- Kada koristite kutnu pilu na otvorenom, proizvođač preporučuje korištenje RCD uređaja s osiguračem od 30 mA.
- Nemojte koristiti oštrice pile koje su napukle, oštećene ili deformirane.
- Nemojte koristiti oštrice pile izrađene od čelika za velike brzine.
- Koristite samo oštrice koje su oštre. Zamijenite tupe oštrice.
- Oštrice koje nisu prilagođene osovini na koju se postavljaju neće se ispravno okretati te može doći do gubitka kontrole nad alatom. Nikad ne upotrebljavajte vijke i podložne pločice koji su oštećeni ili neprilagođeni.
- Prilikom izvođenja kutnih, nagibnih ili sklopnih kutnih rezova, podesite pomičnu letvu pile kako biste osigurali točan zazor za oštricu.
- Brava ručke uvijek mora biti aktivirana tijekom transporta kutne pile.
- Održavajte pod područja bez odbačenih materijala, npr. strugotina i odrezaka.
- Pazite se od pomicanja bilo kojih odrezaka ili drugih dijelova izratka iz područja rezanja dok je stroj u radu, a glava pile nije u položaju mirovanja.
- Dugi izratci trebaju biti adekvatno poduprijeti. Područje rada pile uključuje cijeli produljeni izradak. Operater treba osigurati ovo područje od slučajnog dodira ostalih osoba ili objekata koji mogu pomaknuti izradak tijekom rada.
- Prašina proizvedena tijekom korištenja ovog alata može biti štetna za zdravlje. Koristite sustav za sakupljanje prašine i nosite prikladnu zaštitnu masku za prašinu. Temeljito uklonite nakupine prašine, npr. pomoću usisavača.
- Jedinicu treba priključiti na uređaj za zaštitu strujnog kruga (osigurač ili prekidač strujnog kruga).
- Ne zamjenjujte laser s drugačijom vrstom. Sve popravke mora izvršiti samo proizvođač lasera ili ovlašteni zastupnik.
- Kada koristite ovaj alat, fluktuacija napona može utjecati na druge električne uređaje ili osvijetljenje na istom strujnom krugu. Spojite alat na izvor napajanja s impedancijom jednakom 0,071 Ω do minimalne fluktuacije napona. Obratite se dobavljaču električne energije za daljnje informacije.

SIGURNOSNE UPUTE ZA OŠTRICU ZA REZANJE DRVETA

- Prije rada s uređajem pročitajte upute u ovom priručniku.
- Uređaj mora biti u dobrom stanju, osovina bez deformacija i vibracija.





- Nemojte koristiti pilu bez postavljenog štitnika, posebice nakon promjene načina rada. Držite štitnike u dobrom stanju i pravilno održavanim.
- Osigurajte da je rukovatelj adekvatno obučen u mjerama predostrožnosti, podešavanjima i radu s uređajem.
- Uvijek nosite zaštitna sredstva za oči s bočnim štitnicima, zajedno s zaštitom za sluh. Preporuča se nošenje rukavica, čvrstih cipela koje se ne klizu i pregaču.
- Prije korištenja bilo kakvog dodatnog pribora pogledajte upute za uporabu. Nepravilna uporaba dodatnog pribora može dovesti do oštećenja.
- Koristite samo oštricu navedenu u ovim uputama koja je u skladu s EN 847-1.
- Održavajte maksimalnu brzinu naznačenu na listu pile. Provjerite je li brzina označena na oštrici noža približno jednaka brzini označenoj na pili.
- Oštrice koje nisu prilagođene osovini na koju se postavljaju neće se ispravno okretati te može doći do gubitka kontrole nad alatom. Nikad ne upotrebljavajte vijke i podložne pločice koji su oštećeni ili neprilagođeni.
- Nemojte koristiti oštrice većeg ili manjeg promjera od preporučenog. Nemojte koristiti nikakve razmaknike kako biste priključili oštricu na osovinu.
- Provjerite vrhove oštrica pile na oštećenja ili abnormalna izgled prije korištenja. Vrhovi koji su oštećeni ili labavi mogu postati leteći predmeti prilikom korištenja i povećati šansu za osobne ozljede.
- Nemojte koristiti slomljene ili iskorištene oštrice pile. Nemojte koristiti oštrice pile koje su oštećene ili deformirane.
- Nikada ne koristite oštricu pile koja je oštećena ili deformirana. Popravak nije dopušten.
- Nemojte koristiti HSS oštrice.
- Prije korištenja osigurajte da je list pile točno montiran. Prije korištenja čvrsto pritegnite maticu vratila. (Zakretni moment: 12-15 Nm)
- Pričvrstne vijke treba pritegnuti korištenjem odgovarajućeg natezača.
- Produljivanje nateznika ili pritezanjem korištenjem udaraca čekića nije dopušteno.
- Osigurajte da su sve oštrice i pribor čiste i da su upuštene strane spojnice prema oštrici.
- Osigurajte da su rotirajuće oštrice u točnom smjeru.
- prije rada, izvršite probni rez bez uključenog motora kako biste pozicionirali oštricu, rad štitnika u odnosu na druge dijelove uređaja i izradak mogu se također provjeriti.
- Nikada ne ostavljajte uređaj bez nadzora.
- Ne podmazujte list pile kad je pokrenut.
- Nikad ne vršite čišćenje ili održavanje kad je uređaj još pokrenut i njegova glava nije u stanju mirovanja.
- Nikad ne pokušavajte zaustaviti uređaj u brzom kretanju

zaglavlivanjem alata ili drugim načinom prema oštrici, može doći do ozbiljne nesreće izazvane s namjerom.

- Iskopčajte pilu iz glavnog napajanja prije promjene lista pile ili izvođenja održavanja.
- Obratite pozornost na pakiranje i raspakiranje, vrlo lako se može ozlijediti na oštar vrh.
- Koristite držač oštrice ili nosite rukavice prilikom rukovanja s listom pile.
- Održavajte i čuvajte oštricu u originalnom pakiranju ili drugom prikladnom pakiranju, čuvajte u suhim uvjetima i dalje od kemikalija koje mogu oštetiti oštricu.

SIGURNOST LASERA

- Zračenje laserskog vodiča koji je korišten u ovoj pili je Klasa 2 s maksimalnim valnim duljinama $\leq 1\text{mW}$ i 650 nm. Nemojte gledati izravno u lasersku zraku. Nepoštivanje ovih pravila može rezultirati ozbiljnim osobnim ozljedama.
- Nemojte gledati u zraku tijekom rada.
- Ne usmjerujte lasersku zraku izravno u oči drugih. Može doći do ozbiljnih povreda.
- Nemojte postavljati laseru položaj koji može prouzročiti da bilo tko namjerno ili nenamjerno gleda u lasersku zraku.
- Nemojte koristiti optičke alate za gledanje laserske zrake.
- Nemojte raditi s laserom oko djece ili dopustiti djeci da rade s laserom.
- Ne pokušavajte samostalno popraviti laserski uređaj.
- Ne pokušavajte samostalno promijeniti nijedan dio laserskog uređaja.
- Sve popravke mora izvršiti samo proizvođač lasera ili ovlašteni zastupnik.
- Ne zamjenjujte laser s drugačijom vrstom.

PREOSTALE OPASNOSTI

Čak i kad je proizvod korišten kao što je prethodno opisano, još uvijek nije moguće potpuno isključiti ostale čimbenike opasnosti. Može doći do sljedećih opasnosti prilikom korištenja i operater mora obratiti posebnu pozornost kako bi izbjegao sljedeće:

- Postoji opasnost od kontakata s nepokrivnim rotirajućim dijelovima pile.
 - Povratni udar izratka i dijelova izratka zbog nepravilnog podešavanja ili rukovanja.
 - Izbacivanje karbidnih tih iz lista pile.
 - Oštećenja na respiratornim organima ako se ne nosi učinkovita zaštitna maska.
- NAPOMENA:** Nosite respiratorne maske koje sadrže odgovarajuće filtere za materijale s kojima se radi. Osigurajte odgovarajuću ventilaciju radnog mjesta. Nemojte jesti, piti ili pušiti u radom području.
- Oštećenja na sluhu ako se ne nosi učinkovita zaštita





za sluh.

⚠ UPOZORENJE

Prašina iz određenih boja, premaza i materijala mogu uzrokovati iritacije ili alergijske reakcije u respiratornom sustavu. Prašina iz drveta poput hrasta, bukve, MDF-a i ostalog je karcinogena. Materijalom koji sadrži azbest trebaju uvijek raditi ili obrađivati kvalificirani stručnjaci.

⚠ UPOZORENJE

Ozljede mogu biti uzrokovane ili izazvane produljenim vremenskim razdobljem korištenja alata. Kada koristite bilo koji alat dulje vremena, osigurajte da uzimate povremene stanke.

UPOZNAJTE SVOJ PROIZVOD

Pogledajte stranicu 162 - 163.

1. Ručka
2. Sklopka za napajanje
3. Ručka sigurnosne blokade
4. Gornji štitnik
5. List pile
6. Donji štitnik
7. Spojnica
8. Glavna letva
9. Okretni stol
10. Baza
11. Podložak stola
12. Ručka za blokadu okretnog stola
13. Nožica za balansiranje
14. Prekidač lasera
15. LED prekidač
16. Zaustavljač nosača
17. Spustite pokrov štitnika
18. Pomična letva
19. Otvor za montažu
20. Produžena letvica
21. Vijci za podešavanje ograničenja kuta nagiba
22. Gumb za blokadu osovine
23. Gornja ručka
24. Vrećica za prašinu
25. Gumb za podešavanje dubine reza
26. Gumb za linerano zaustavljive šipke
27. Podrška navijanju
28. Gumb za blokiranje kuta nagiba
29. Maksimalna dubina reza
30. Vijci za podešavanje kuta pile

RAD

Funkcije proizvoda pomične kutne pile mogu se postaviti pod različitim kutovima od strane operatera kada se reže izradak koji je čvrsto utvrđen na postolje proizvoda. Smije raditi samo jedna osoba kako bi se spriječio nenamjeran kontakt s pokrenutom oštricom pile.

Principi za siguran rad proizvoda su:

- Održavajte pilu, oštricu i područje rada u dobrom stanju.
- Osigurajte postolje kutne pile na čvrsti stol. Proizvod se može pomaknuti i izvrnuti ako nije odgovarajuće pričvršćen.
- Postavite i blokirajte kutove rezanja i dubinu prije reza.
- Osigurajte izradak na postolje kutne pile. Koristite isporučenu spojku i kada je to potrebno, koristite dodatne spojnice ili mehanizme za držanje kako biste spriječili slučajno pomicanje izratka tijekom rezanja.
 - Provjerite da rad štitnika oštrice nije ograničen položajem izratka.
 - Osigurajte da letva i drugi dijelovi proizvoda neće biti prerezani kad se oštrica supusti u položaj za rezanje.
- Pokrenite motor i omogućite oštrici da postigne punu brzinu prije laganog spuštanja na izradak. Pomaknite sklop oštrice prema natrag i/ili naprijed za dovršetak reza.
- Omogućite sklopu oštrice da se izdigne u gonjem položaju gdje su štitnici oštrice potpuno zatvoreni. Isključite motor i omogućite oštrici da se potpuno zaustavi prije uklanjanja izratka ili reza, ili prije dostizanja područja oštrice.

Prije prvog korištenja, osigurajte da je kut nagiba ili pile postavljen na proizvodu odgovarajući kutu koji se proizvodi na izratku. Provjerite ovo na odbačenom izratku drveta korištenjem stolarskog kompleta ili kutne pile.

⚠ UPOZORENJE

Proizvođač izričito preporučuje da je proizvod uvijek čvrsto montiran na stolu.

Kada je postolje proizvoda čvrsto pričvršćeno na vrh stola s četiri matice, vijka i podloške, proizvod se može koristiti pri maksimalnom nagibu i kutu bez mogućnosti prevrtanja. Ako proizvod nije pravilno pričvršćen, može se prevrnuti kada je odabran veći nagib kuta.

Postoji i podesivi vijak (balansirajuća noga) koja se produžuje iz donjeg dijela okretnog stola. Ovaj vijak treba podesiti tako da dodiruje ravnu površinu na koju se proizvod oslanja. Ovo će također spriječiti proizvod od prevrtanja prilikom rezanja na proširenoj strani i nagibom. Pazite, ovaj dio pile pomiče se drugačije od odabirnih kutova pile, stoga vijak treba često podešavati i postavljati.

ODRŽAVANJE

- Nemojte modificirati proizvod ni na koji način ili koristiti dodatni pribor koji nije odobren od strane proizvođača. Može doći u pitanje vaša i sigurnost ostalih.
- Nemojte koristiti proizvod ako neki prekidači, štitnici ili druge funkcije ne rade po namjeni. Vratite u ovlaštenu servisni centar radi profesionalnog popravka ili zamjene.
- Nemojte vršiti nikakva podešavanja dok se oštrica pile





pokreće.

- Uvijek provjerite da li je utikač uklonjen iz izvora glavnog napajanja prije podešavanja, podmazivanja ili kod bilo kakvog rada ili održavanja na proizvodu.
- Prije i nakon svakog korištenja, provjerite proizvod na oštećenja ili polomljene dijelove. Držite proizvod u vrhunskom radnom stanju na način da odmah zamjenjujete dijelove s rezervnim dijelovima odobrenim od proizvođača.
- Oštrica je vrlo vruća nakon korištenja, nosite rukavice ili omogućite da se ohladi prije održavanja ili postupaka čišćenja.
- Očistite nakupljenu prašinu korištenjem četke ili usisavača. Nemojte koristiti komprimirani zrak.
- Radi veće sigurnosti i pouzdanosti, sve popravke, uključujući zamjene četki, treba izvoditi ovlašteni servisni centar.
- Ako je kabel za napajanje oštećen, mora ga zamijeniti samo proizvođač ili ovlašteni servisni centar kako bi se izbjeglo oštećenje ba pili ili opasnost od strujnog udara.

⚠ UPOZORENJE

Za maksimalnu sigurnost i pouzdanost, sve popravke treba obaviti u ovlaštenom Ryobi servisu.

Maksimalna dubina reza

Maksimalna dubina reza sprječava oštricu pile da uđe u metalno postolje jedinice.

⚠ UPOZORENJE

Maksimalnu dubinu reza ne može podesiti korisnik. Nemojte podešavati maksimalnu dubinu reza.

TRANSPORT I SKLADIŠTENJE

- Kada skladištite proizvod, odspojite kabel za napajanje. Skladištite proizvod na dobro osiguranom mjestu koje nije pristupačno djeci. Pohranite kabel za napajanje kao što je prikazano na stranici 185 - 186 ovog priručnika.
- Očistite proizvod korištenjem četke i usisavača prije spremanja.
- Ako uklanjate oštricu pile ili držite rezervne dijelove s jedinicom, osigurajte da su u originalnom pakiranju kako biste spriječili ozljede.

Za osiguranje proizvoda prije pomicanja.

- Proizvod treba biti spremljen pod nula kutom pile i nagibom kuta u zaključanom položaju. Strana treba biti blokirana. Ručka treba biti blokirana u donjem (sigurnom) položaju sa zatvorenim štitnikom.
- Jedna ili obje strane potporna izratka može se ukloniti radi lakšeg nošenja.

Za pomicanje ili transport u vozilu:

- Osigurajte proizvod prije pomicanja kao što je opisano u priručniku.
- Uklonite proizvod sa stola otpuštanjem 4 vijka, jedan po svakom kutu. Osigurajte vijke za buduće korištenje. Podignite proizvod korištenjem ručke na vrh.
- Kada podižete, dvije osobe trebaju nositi čvrste rukavice za podizanje postolja proizvoda.
- Kada se prevozi u vozilu, postavite proizvod na postolje i osigurajte od pomicanja.

⚠ UPOZORENJE

Za maksimalnu sigurnost i pouzdanost, sve popravke treba obaviti u ovlaštenom Ryobi servisu.

ZAŠTITA OKOLIŠA



Sirovine reciklirajte, umjesto da ih bacate među kućni otpad. Kako biste zaštitili okoliš, alat, dodatke i ambalažu treba odvojeno bacati u otpad.

SIMBOL



Sigurnosno upozorenje



Sukladno CE



Molimo vas da prije pokretanja uređaja pažljivo pročitate upute.



Oprema klase II, dvostruka izolacija



Nosite zaštitu za sluh



Uvijek nosite zaštitna sredstva za oči.



OPASNOST! Oštra oštrica.



Nosite zaštitne rukavice.



Smjer rotacije oštrice (prikazano na listu pile)



Smjer rotacije noža (prikazano na štitniku oštrice)



Širina reza oštrice (usjek)



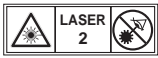
Broj zubiju na ovom listu pile



Za rezanje drveta i sličnih materijala



Nije za rezanje metala



Radijacija lasera.
Nemojte gledati u zraku.
Proizvod 2 laserskog razreda



Otpadni električni proizvodi ne treba da se odlažu s otpadom iz domaćinstva. Molimo da reciklirate gdje je to moguće. Potražite savjet od lokalnih vlasti ili prodavca kako reciklirati.

SIMBOLI U PRIRUČNIKU



Uključite proizvod.



Odspojite proizvod.



Brava



Otključavanje



Blokirni mehanizam ne radi



Čuje se zvuk



Vrijeme čekanja dok oštrica ne dostigne punu brzinu



Dijelovi ili pribor prodan odvojeno



Napomena:



UPOZORENJE

Slijedeće riječi upozorenja i značenja imaju namjeru da objasne nivo rizika u vezi s ovim proizvodom.

⚠ OPASNOST

Naznačuje prijetuću opasnu situaciju, koja ako se ne izbjegne dovodi do smrti ili ozbiljnih ozljeda.

⚠ UPOZORENJE

Naznačuje potencijalno opasnu situaciju, koja ako se ne izbjegne dovodi do smrti ili ozbiljnih ozljeda.

⚠ OPREZ

Naznačuje potencijalno opasnu situaciju, koja ako se ne izbjegne dovodi do lakših ili srednjih ozljeda.

OPREZ

(Without Safety Alert Symbol) Indicates a situation that may result in property damage.



Varnost, učinkovitost in zanesljivost so bile pri načrtovanju vašega Zajeralna žaga ključnega pomena.

NAMEN UPORABE

Drsna zajeralna žaga je namenjena za žaganje trdnega in vezanega lesa, materialov, podobnih lesu, z ali brez lepljenega furnirja in plastike.

Žago naj uporabljajo samo odrasli upravljalci, ki so prebrali navodila za uporabo in razumejo tveganja in nevarnosti.

Zajeralna žaga je oblikovana tako, da jo pri podnožju pritrdite na stabilno površino delovnega pulta. Če osnova ni tesno privita, se lahko med rezanjem celoten stroj začne premikati, kar poveča nevarnost resnih telesnih poškodb.

Drsna zajeralna žaga je zasnovana za zajeralne in poševne reze. Kapacitete za različne reze so podane v specifikacijah izdelka za drsno kompaktno zajeralno žago v tem priročniku.

Žaga je namenjena za uporabo v suhih pogojih, z odlično razsvetljavo in primernim prezračevanjem.

Zajeralna žaga je namenjena za potrošniško uporabo, se jo sme uporabljati le, kot je opisano zgoraj in ne v druge namene.

SPLOŠNA VARNOSTNA OPOZORILA

⚠ OPOZORILO

Pri uporabi električnih orodij morate vedno upoštevati osnovna varnostna opozorila, saj le tako lahko zmanjšate nevarnost požara, električnega udara ali telesnih poškodb. Pred uporabo tega izdelka preberite vsa navodila in shranite priročnik.

- krožnih žag na primer ne uporabljajte za rezanje vej in debel.
- **Bodite primerno oblečeni.** Ne nosite ohlapnih oblačil ali nakita; saj bi se lahko zagodili v premikajoče se dele orodja. Pri delu na prostem je priporočljiva uporaba nedrsečih čevljev. Če imate dolge lase, nosite tudi zaščitno pokrivalo.
- **Uporabljajte zaščitno opremo.** Uporabljajte zaščitna očala. Če pri delu nastaja prah, nosite obrazne maske ali maske proti prahu.
- **Priključite opremo za sesanje prahu.** Če je orodje namenjeno priključitvi na opremo za sesanje in zbiranje prahu, se prepričajte, da so ti priključeni in ustrezno uporabljeni.
- **Kabla ne uporabljajte za neustrezne namene.** Nikoli ne povlecite za kabel, kadar izklapljate vtičnik. Kabel držite proč od vročine, olja ali ostrih robov.
- **Varno delo.** Kjer je to mogoče, uporabljajte sponko ali priimež. To je varneje kot uporaba rok.
- **Ne segajte preko dosega.** Pazite, da stojite stabilno in da imate ravnotežje.
- **Orodja vzdržujte nežno.** Za boljše in varnejše delovanje naj bodo rezalna orodja nabrušena in čista. Sledite navodilom za mazanje in menjavo dodatkov. Redno preverjajte napajalne kable orodja in jih v primeru poškodb dajte v popravilo pooblaščenemu servisu. Redno preverjajte podaljške in jih v primeru poškodb zamenjajte z novimi. Ročaji naj bodo suhi, čisti in brez madežev olja ali masti.
- **Odklopite orodja.** Kadar orodja ne uporabljate oz. pred servisiranjem in med menjavo dodatkov (kot so rezila, svedri ipd.), orodja odklopite iz napajanja.
- **Ostranite nastavljive ključke in zatiče.** Pred vklopom orodja preverite, da so zatiči in nastavljivi ključki odstranjeni iz orodja.
- **Preprečite nehoten zagon.** Ko orodje priklapljate na električno omrežje, mora biti stikalo v položaju za izklop (off).
- **Uporabljajte podaljške za zunanjo uporabo.** Kadar orodje uporabljate zunaj, uporabljajte le podaljške za zunanjo uporabo.
- **Bodite pozorni.** Spremljajte potek dela, uporabljajte zdrav razum in orodja ne uporabljajte, če ste utrujeni.
- **Preverite, ali so kje poškodovani deli.** Pred nadaljnjo uporabo pazno preglejte orodje in zagotovite, da orodje pravilno in ustrezno deluje. Preverite nastavitve premikajočih se delov, njihove povezave, morebitne lome, namestitve in druge pogoje, ki bi lahko vplivali na delovanje naprave. Varovalo ali drug poškodovan del morate ustrezno popraviti ali zamenjati pri pooblaščenem serviserju, razen če ni drugače navedeno v navodilih za uporabo. Orodja ne uporabljajte, če ga stikalo ne vklopi ali izklopi pravilno.
- **Opozorilo.** Uporaba katerih koli dodatkov ali priključkov, ki niso priporočeni v teh navodilih za uporabo, lahko predstavljajo tveganje za osebne poškodbe.
- **Delovno območje naj bo vedno čisto.** Neurejeni prostori in delovne mize privabljajo nesreče.
- **Preglejte delovno območje.** Orodja ne izpostavljajte dežju. Orodja ne uporabljajte v mokrih ali vlažnih okoljih. Delovno območje naj bo vedno dobro osvetljeno. Nikoli ne uporabljajte orodja blizu vnetljivih tekočin ali plinov.
- **Zaščita pred električnim udarom.** Izogibajte se telesnemu stiku z ozemljenimi površinami, kot so cevi, radiatorji, kuhalniki in hladilniki.
- **Drugih oseb ne spuščajte zraven.** Tretje osebe, predvsem otroci, orodja ne smejo uporabljati in se orodja ter podaljševalnega kabla ne smejo dotikati; zadrževati se morajo zunaj delovnega območja.
- **Orodja, ki jih ne uporabljate, shranite.** Ko orodja ne uporabljate, ga shranite na suho mesto in zaklenite, da otroci ne bodo imeli dostopa.
- **Orodja ne preobremenjujte.** Nalogo bo opravilo bolje in varneje, če ga uporabite za namen, za katerega je namenjen.
- **Uporabljajte ustrezno orodje.** Z malimi orodji orodji ne opravljajte del, ki so predvidena za večja orodja. Orodja ne uporabljajte za dela, za katera ni namenjeno



- **Orodje naj popravi pooblaščen oseba.** To električno orodje izpolnjuje ustrezne varnostne kriterije. Popravila lahko izvaja le pooblaščen oseba, ki uporablja originalne rezervne dele; v nasprotnem primeru bi bil uporabnik lahko v nevarnosti.

VARNOSTNA OPOZORILA ZA ZAJERALNO ŽAGO

- Obdelovani kos vedno trdno in varno spnite.
- Zagotovite, da je stroj vedno stabilen in zavarovan (npr. pritrjen na mizo).
- Nosite ščitnike za ušesa. Izpostavljenost hrupu lahko povzroči izgubo sluha.
- Pri uporabi stroja vedno nosite očala. Priporočamo, da med ravnanjem z rezili in grobimi materiali nosite rokavice in trdne čevlje proti zdrsom, s čimer boste noge zavarovali pred obdelovanci, ki lahko padejo z območja rezanja.
- Pred vsakim izvajanjem vzdrževalnih del ali čiščenjem orodja vtičak izvlecite iz vtičnice.
- Napajalni vod priključite v vtičnico samo, če je orodje izklopljeno.
- Omrežna napeljava naj bo zunaj delovnega območja stroja. Držite ga izven območja upravljavca.
- Nikoli ne posegajte v območje blizu rezila, razen če je rezilo povsem zaustavljeno.
- Pred uporabo spreglejte stroj, kable in vtič, če morda niso poškodovani. Popravila celotnega stroja, vključno z napajalnim kablom, lahko izvaja samo pooblaščen servis.
- Na stroju vedno uporabljajte zaščito. Stroja ne uporabljajte, če zaščite niso nameščene ali ne delujejo pravilno.
- Zaščitni pokrov smete odpreti le, ko se žaga spusti do obdelovanca.
- Nikoli ne spreminjajte ali prilagajajte žage ali njenih funkcij. Vaša varnost je morda ogrožena.
- Ko zajeralno žago uporabljate zunaj, proizvajalec priporoča uporabo naprave RCD z nastavitvijo omejitve pri 30 mA.
- Nikoli ne uporabljajte počenih, poškodovanih ali deformiranih rezil.
- Ne uporabljajte rezil iz hitroreznega jekla.
- Uporabljajte samo ostra rezila. Zamenjajte topa rezila.
- Vedno uporabljajte rezila s pravilno velikostjo in obliko odprtine za vpenjanje. Če se rezila ne ujemajo z montažnimi elementi žage, je njihovo vrtenje ekscentrično, kar povzroči izgubo nadzora.
- Uporabljajte le rezila, ki so določena v teh navodilih in so v skladu z EN 847-1.
- Za pritrditev rezil ne uporabljajte prirobnic, podložk ali matic, ki niso priložene ali navedene v navodilih za uporabo.
- Pomembno je, da izberete rezilo, ki je primerno za material, ki ga režete.

- Ključnega pomena je, da upoštevate najvišjo hitrost, navedeno na rezilu.
- Zajeralne žage nikoli ne uporabljajte za rezanje tistih materialov, ki niso določeni v navodilih za uporabo.
- Vložek mize zamenjajte, ko je ta obrabljen ali poškodovan.
- Pred začetkom dela najprej naredite »slepi« rez brez vključenega motorja, da preverite položaj rezila in delovanje zaščit glede na druge dele stroja ter glede na obdelovanec.
- Pri zajeralnih, poševnih ali kombiniranih zajeralnih rezih drsno ograjo nastavite tako, da je zagotovljena ustrezna razdalja od rezila.
- Zaklep ročaja mora biti med prevažanjem zajeralne žage vedno aktiviran.
- Pazite, da na tleh ne bodo predmeti in smeti, npr. odkruški in odrezki.
- Z območja rezanja ne odstranjujte odrezkov ali ostalih delov, ko stroj teče in ko glava žage ni v položaju mirovanja.
- Dolge obdelovance je treba ustrezno podpreti. Delovno območje žage vključuje celoten doseg obdelovanca. Upravljavec naj to območje zavaruje pred nenamernim stikom z drugimi osebami ali predmeti, ki bi lahko obdelovanca med delom premaknili.
- Prah, ki nastane ob uporabi tega orodja, lahko škoduje zdravju. Uporabljajte sistem odsesavanja prahu in nosite ustrezno masko za zaščito proti prahu. Odstranite nakopičeni prah, npr. s sesalnikom.
- Enota naj bo priključena na napravo za zaščito pred kratkim stikom (varovalka ali avtomatsko stikalo).
- Laserja ne menjajte z laserjem druge vrste. Popravila lahko izvaja le proizvajalec laserja ali pooblaščen servisier.
- Pri uporabi tega orodja lahko nihanje napetosti vpliva na druge električne izdelke ali osvetljavo na istem električnem krogotoku. Povežite orodje z virom napajanja z impedanco enako 0,071 Ω, da zmanjšate nihanje napetosti. Za nadaljnja pojasnila se obrnite na svojega dobavitelja električne energije.

VARNOSTNA NAVODILA ZA REZILLO ZA LES

- Pred uporabo naprave preberite navodila v tem priročniku.
- Stroj mora biti v dobrem stanju, vreteno ne sme biti deformirano ali vibrirati.
- Žage ne uporabljajte, če varovala niso nameščena, še posebej po zamenjavi načina. varovala morajo biti v dobrem delovnem stanju in ustrezno vzdrževana.
- Upravljavec mora biti ustrezno usposobljen za varno uporabo, nastavitve in upravljanje stroja.
- Skupaj z zaščito za sluh vedno nosite zaščito za oči, ki ima varovanje tudi s strani. Priporočljivo je, da nosite rokavice, masivne čevlje, v katerih ne drsi, in predpasnik.





- Preden uporabite kateri koli dodatek, preverite navodila za uporabo. Nepravilna uporaba dodatka lahko povzroči okvaro.
- Uporabljajte le rezila, ki so določena v teh navodilih in so v skladu z EN 847-1.
- Upošteвайте maksimalno hitrost, ki je označena na rezilu. Prepričajte se, da je hitrost, označena na rezilu, vsaj enaka hitrosti, označeni na žagi.
- Vedno uporabljajte rezila s pravilno velikostjo in obliko (trikotno ali okroglo) odprtine za vpenjanje. Če se rezila ne ujemajo z montažnimi elementi žage, je njihovo vrtenje ekscentrično, kar povzroči izgubo nadzora.
- Ne uporabljajte rezil večjega ali manjšega premera, kot je priporočen. Ne uporabljajte distančnikov, da bi namestili rezilo na vreteno.
- Pred vsako uporabo preverite, ali so konice rezil poškodovane oz. videti neobičajno. Konice, ki so poškodovane ali razrahljane, lahko med uporabo odletijo in povzročijo telesne poškodbe.
- Ne uporabljajte zvityh ali počenih rezil. Nikoli ne uporabljajte poškodovanih ali deformiranih rezil.
- Žage nikoli ne uporabljajte s poškodovanim ali deformiranim rezilom. Popravljanje ni dovoljeno.
- Ne uporabljajte rezil HSS.
- Pred uporabo zagotovite, da je rezilo pravilno nameščeno. Pred vsako uporabo čvrsto pritrдите matico osi. (Navor: 12-15 Nm)
- Pritrdilne vijake in matice je treba priviti z ustreznim ključem za vijake.
- Ključa za vijake ne smete podaljšati in za privijanje ne smete uporabiti kladiva.
- Prepričajte se, da so vsa rezila in prirobnice čisti ter da so utori prirobnice usmerjeni proti rezilu.
- Prepričajte se, da se rezilo vrti v pravo smer.
- Pred začetkom dela najprej naredite "slepi" rez brez vključenega motorja, da preverite položaj rezila in delovanje zaščit glede na druge dele stroja ter glede na obdelovanec.
- Stroja nikoli ne puščajte brez nadzora.
- Ne mažite rezila, ko se rezilo vrti.
- Stroja nikoli ne čistite ali vzdržujte, ko stroj teče in glava ni v položaju mirovanja.
- Nikoli ne poskušajte stroja med delovanjem ustaviti na hitro tako, da rezilo blokirate z drugim pripomočkom ali sredstvom, saj lahko pride do hudih nesreč.
- Žago odklopite od napajanja pred menjavanjem rezil ali vzdrževalnimi deli.
- Ko rezilo pakirate in odpirate, bodite previdni, saj se lahko hitro poškodujete z ostrimi konicami rezila.
- Pri rokovanju z rezilom uporabite držalo za rezilo ali pa nosite rokavice.
- Rezilo hranite v originalni ali drugi primerni embalaži, hranite v suhih pogojih in proč od kemikalij, ki lahko poškodujejo rezilo.

LASERSKA VARNOST

- Sevanje laserskega vodila, uporabljenega v žagi, je razreda 2, in sicer z močjo $\leq 1\text{mW}$ in valovno dolžino 650 nm. Ne glejte neposredno v laserski žarek. Neupoštevanje pravil lahko povzroči resne telesne poškodbe.
- Med delovanjem ne glejte v laserski žarek.
- Laserskega žarka ne usmerjajte neposredno v oči drugih oseb. To lahko povzroči resno poškodbo oči.
- Laserja ne postavljajte tako, da bi lahko kdor koli namerno ali nenamerno pogledal neposredno v laserski žarek.
- Ne glejte laserskega žarka z optičnimi pripomočki.
- Laserja ne uporabljajte v bližini otrok in ne dovolite otrokom, da bi ga uporabljali.
- Laserske naprave nikoli ne poskušajte popravljati sami.
- Ne poskušajte spreminjati delov laserske naprave sami.
- Popravila lahko izvaja le proizvajalec laserja ali pooblaščen servisier.
- Laserja ne menjajte z laserjem druge vrste.

PREOSTALA TVEGANJA

Nekateri preostalih dejavnikov tveganja ni mogoče povsem odpraviti, tudi če ta izdelek uporabljate v skladu z navodili. Med uporabo se lahko pojavijo nekatere nevarnosti, upravljevec pa naj bo pozoren na naslednje:

- Nevarnost stika z odkritimi deli vrtečega se rezila.
 - Nevarnost povratnih sunkov obdelovancev in njihovih delov zaradi neustrezne nastavitve ali uporabe.
 - Katapultiranje poškodovanih karbidnih konic z rezila.
 - Nevarnost poškodb pljuč, če ne nosite maske proti prahu.
- OPOMBA:** Nosite zaščitne dihalne maske s primernimi filtri za obdelovane materiale. Zagotovite primerno prezračevanje prostora. V delovnem območju je prepovedano jesti, piti in kaditi.
- Okvare sluha, če ne nosite učinkovite zaščite za sluh.

⚠ OPOZORILO

Prah z določenih delov, premazi in materiali lahko povzročijo draženje ali alergijske reakcije dihal. Prah z lesa, kot je hrast, bukev, MDF-plošče ali drugi, je karcinogen. Materiale, ki vsebujejo azbest naj obdeluje ali procesira zgolj usposobljen specialističen upravljevec.

⚠ OPOZORILO

Zaradi daljše uporabe orodja lahko pride do poškodb oz. se morebitne poškodbe poslabšajo. Kadar orodje uporabljate dalj časa, si večkrat vzemite odmor.

**SPOZNAJTE SVOJ IZDELEK**

Glejte stran 162 - 163

1. Ročaj
2. Gumb za vklop
3. Ročica za varnostni zaklep
4. Gornji ščitnik
5. Rezilo žage
6. Spodnji ščitnik
7. Objemka
8. Glavna ograja
9. Obračalna miza
10. Podstavek
11. Vložek mize
12. Ročica za zaklep obračalne mize
13. Noga za uravnoteženje
14. Lasersko stikalo
15. LED-stikalo
16. Zaustavitev nosilca
17. Spodnja zaščita
18. Ograja za drsenje.
19. Luknja za pritrnitev
20. Palica za podaljševanje
21. Vijaki za prilagajanje omejitve poševnega kota
22. Gumb za zaklepanje vretena
23. Zgornji ročaj
24. Vrečka za prah
25. Gumb za nastavitev globine reza
26. Zaustavitveni gumb za linearno palico
27. Podpora za navijanje
28. Zaklepanje poševnega kota
29. Omejitev za maksimalno globino reza.
30. Vijaki za prilagajanje zajeralnega kota

DELOVANJE

Izdelek ima premično rezilo, ki ga lahko upravljavec med rezanjem obdelovanca, ki je pritrjen na osnovo izdelka, nastavi na različne kote. Stroj naj vedno upravlja ena oseba naenkrat, da se izognete nenamernemu stiku s premikajočim se rezilom.

Načela za varno delovanje izdelka so sledeča:

- Žaga, rezila in delovno območje naj bodo vedno v dobrem stanju.
- Podnožje krožne namizne žage dobro pritrдите na trden delovni pult. Izdelek se lahko premakne in prevrne, če ni ustrezno pritrjen.
- Nastavite in zaklenite kote in globino rezanja, preden zarezete.
- Obdelovanec pritrдите na osnovo zajeralne žage. Uporabite priloženo objemko, in kadar je to potrebno, uporabite dodatne objemke ali pridržalne mehanizme, da preprečite neželeno premikanje obdelovanca med rezanjem.
 - Preverite, da delovanje zaščit rezil ni omejeno s položajem obdelovanca.
 - Prepričajte se, da rezilo ob spuščanju na spodnji del ne bo prerezalo ograje ali drugih delov.

- Zaženite motor in dovolite, da rezilo doseže polno hitrost, preden ga počasi spustite, da zarezete v obdelovanec. Zadržite rezila nazaj in/ali naprej, da zaključite rez, kot je potrebno.
- Dovolite, da se zgornji sklop rezil dvigne do zgornjega položaja, kjer je zaščita za rezila povsem zaprta. Pred odstranjevanjem obdelovanca ali odrezkov ali pred poseganjem v območje rezila izklopite motor in počakajte, da se rezilo povsem ustavi.

Pred prvo uporabo se prepričajte, da se kot poševnega ali zajeralnega sklopa na izdelku ujema z nameranim kotom na obdelovancu. To preverite na odpadnem kosu lesa s pomočjo tesarjevega seta ali zajeralnega kvadrata.

⚠ OPOZORILO

Proizvajalec močno priporoča, da je izdelek vedno dobro nameščen na delovnem pultu.

Ko podnožje izdelka dobro pritrдите na delovni pult s priloženimi maticami, vijaki in podložkami, lahko izdelek uporabljate na najvišji ravni ter pri nastavitvi krožnega žaganja brez nevarnosti, da bi se žaga prevrnila. Če izdelek ni primerno zavarovan, se lahko izdelek pri izjemno poševnih kotih prevrne.

Obstaja tudi nastavljen vijak (noga za uravnoteženje), ki se razteza od dna podaljška obračalne mize. Ta vijak je treba prilagoditi, da se dotika ravne površine, na kateri stoji izdelek. To bo tudi preprečilo, da bi se izdelek prevrnil med rezanjem po celotni dolžini drsnika ali poševnine. Bodite previdni, ta del mize za žaganje se premika pri izbiranju različnih zajeralnih kotov, zato je treba vijak pogosto prilagoditi in ponastaviti.

VZDRŽEVANJE

- Tega izdelka na noben način ne spreminjajte ali uporabljajte dodatkov, ki jih ni odobril proizvajalec. Vaša varnost in varnost drugih sta morda ogroženi.
- Izdelka ne uporabljajte, če stikala, zaščite ali druge funkcije ne delujejo, kot je bilo predvideno. Za profesionalno popravilo ali zamenjavo se obrnite na pooblaščen servis.
- Ne izvajajte prilagoditev, ko rezila obratujejo.
- Pred izvajanjem nastavitvev, mazanjem ali vzdrževanjem izdelka se vedno prepričajte, da je vtič stroja odstranjen iz električne vtičnice.
- Pred in po vsaki uporabi preverite, ali je izdelek poškodovan oz. ali ima pokvarjene dele. Izdelek ohranjajte v vrhunskem stanju tako, da nemudoma zamenjate dele z nadomestnimi deli, ki jih je odobril proizvajalec.
- Rezilo je po uporabi izredno vroče, zato si pred izvajanjem vzdrževalnih ali čistilnih del nadenite rokavice ali počakajte, da se rezilo ohladi.
- Očistite nakopičeni prah s pomočjo krtače ali sesalca. Ne uporabljajte stisnjene zraka.





- Da bi zagotovili varnost in zanesljivost, mora vsa popravila, vključno z menjavo ščetk, stroja opraviti pooblaščen servisni center.
- Če je napajalni kabel poškodovan, naj ga zaradi preprečevanja tveganja zamenja samo proizvajalec ali pooblaščen servisni center, da se izognete škodi na žagi ali nevarnosti električnega udara.

⚠ OPOZORILO

Za večjo varnost in zanesljivost morajo vsa popravila izvajati v pooblaščenem servisnem centru Ryobi.

Omejitev za maksimalno globino reza.

Omejitev maksimalne globine reza preprečuje, da bi rezilo zarezalo v kovinsko osnovo enote.

⚠ OPOZORILO

Uporabnik ne more nastaviti omejitve maksimalne globine reza. Ne prilagajajte omejitve za maksimalno globino reza.

TRANSPORT IN SKLADIŠČENJE

- Med shranjevanjem izdelka izklopite napajalni kabel. Izdelek shranjujte v varnem prostoru izven dosega otrok. Napajalni kabel shranite, kot je prikazano v ilustraciji na str. 185 - 186 tega priročnika.
- Izdelek pred skladiščenjem očistite s pomočjo krtače in sesalca.
- Če odstranite rezila ali hranite nadomestne pri enoti, se prepričajte, da so v originalni embalaži, da se izognete poškodbam.

Za zavarovanje izdelka pred premikanjem:

- Izdelek naj bo shranjen zajeralnem in poševnem kotu v višini nič stopinj in v zaklenjenem položaju. Drsnik naj bo zaklenjen. Ročka mora biti zaklenjena v spodnjem (varnem) položaju z zaprtimi zaščitami.
- Za lažje prenašanje lahko odstranite eno ali obe strani podpore obdelovanca.

Za premik ali transport v vozilu:

- Pred premikanjem izdelek pritrdite, kot je opisano v priročniku.
- Z delovnega pulta odstranite izdelek tako, da odvijete 4 vijake, enega na vsakem vogalu. Pritrdite vijake za prihodnjo uporabo. Dvignite izdelek s pomočjo ročke na vrhu.
- Pri dvigovanju na višino sta za dvig osnove izdelka potrebni dve osebi z zaščitnimi rokavicami.
- Ko ga prevažat v vozili, izdelek postavite na osnovo in ga pritrdite, da se ne more premikati.

ZAŠČITA OKOLJA

Namesto, da napravo zavržete, reciklirajte surovine. Napravo, pribor in embalažo je treba sortirati za okolju prijazno recikliranje.

SIMBOL

Varnostni alarm



Skladnost CE



Pred zagonom naprave pazorno preberite navodila.



Oprema razreda II, dvojna izolacija



Nosite zaščito za ušesa



Vedno nosite zaščito za oči.



NEVARNOST! Ostro rezilo.



Nosite zaščitne rokavice.



Smer vrtenja rezila (prikazano na žaginelem listu)



Smer vrtenja rezil (prikazano na zaščiti rezil)



Širina zareze rezila



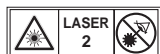
Število zob na žaginelem listu



Za rezanje lesa in podobnega materiala



Ni za primerno rezanje kovin



Lasersko sevanje.
Ne glejte v žarek.
Laserski izdelek 2. razreda



Odpadne električne izdelke odlagajte skupaj z ostalimi gospodinjstvi odpadki. Reciklažo opravljajte na predpisanih mestih. Za reciklažni nasvet se obrnite na lokalne oblasti.

⚠ NEVARNOST

Označuje neizogibno nevarno stanje, ki lahko povzroči smrt ali hude poškodbe, če ga ne preprečite.

⚠ OPOZORILO

Označuje morebitno nevarno stanje, ki bi lahko povzročilo smrt ali hude poškodbe, če ga ne preprečite.

⚠ POZOR

Označuje morebitno nevarno stanje, ki lahko povzroči manjše ali zmerne poškodbe, če se ga ne preprečite.

POZOR

(Brez simbola Varnostni alarm) Označuje stanje, ki lahko privede do poškodovanja lastnine.

SIMBOLI V PRIROČNIKU

Priključite izdelka.



Izklopite izdelka.



Zaklenjeno



Odklenjeno



Zaklepni mehanizem ne deluje



Slišen zvok



Čakalni čas za maksimalno hitrost rezila



Deli ali dodatki so na prodaj ločeno



Opomba:



OPOZORILO

Sledeče signalne besede in pomeni naj bi pojasnili ravni tveganja, ki so povezane s tem izdelkom.



Pri navrhovaní toho pokosová píla boli najvyššou prioritou bezpečnosť, výkon a spoľahlivosť.

ÚČEL POUŽITIA

Píla je určená na pílenie pevného a lepeného dreva, materiálov podobných drevu, glejených dýh, materiálov podobných drevu s lepenými dyhami alebo bez nich a plastov.

Táto píla je určená na použitie len dospelými obsluhujúcimi osobami, ktoré si prečítali návod na použitie a porozumeli všetkým rizikám a ohrozeniam.

Posuvná píla je určená na pripevnenie k základni na pevnej doske stola. Pokiaľ základňa nie je bezpečne zaistená, celý stroj sa pri operáciách rezania môže pohybovať, čo zvyšuje možnosť závažného poranenia.

Posuvná píla je určená na vykonávanie sklonených a skosených rezov. Kapacity pre rôzne rezy sú uvedené v špecifikáciách produktu pre posuvnú kompaktnú úkosnú pílu v tomto návode.

Píla je určené na použitie v suchom prostredí pri vynikajúcom osvetlení okolia a primeranom vetraní.

Posuvná píla je určená na použitie spotrebiteľom, musí sa používať len podľa vyššie uvedeného popisu a nie je určená na žiadny iný účel.

VŠEOBECNÉ BEZPEČNOSTNÉ VÝSTRAHY

⚠ VAROVANIE

Pri používaní elektrických nástrojov je potrebné dodržiavať základné bezpečnostné opatrenia, aby sa znížilo riziko požiaru, úrazu elektrickým prúdom a poranenia osôb. Pred prácou s produktom si prečítajte všetky tieto pokyny a odložte si tento návod.

- **Pracovisko udržujte v čistote.** Zaprátené plochy a stoly prítahujú poranenia.
- **Dbajte na vaše pracovné prostredie.** Nevystavujte nástroje dažďu. Nepoužívajte nástroje vo vlhkom alebo mokrom prostredí. Dbajte, aby bolo pracovisko dobre osvetlené. Nástroje nepoužívajte v blízkosti horľavých kvapalín ani plynov.
- **Chráňte sa pred úrazom elektrickým prúdom.** Vyhýbajte sa telesnému kontaktu s uzemnenými povrchmi (napríklad rúrami, radiátormi, sporákmi, chladničkami).
- **Nedovoľte, aby sa približovali iné osoby.** Nedovoľte iným osobám, najmä deťom, aby pracovali s nástrojom, dotýkali sa nástroja alebo predlžovacieho kábla a nedovoľte, aby vstupovali do pracovného prostredia.
- **Nástroje odkladajte mimo dosahu detí a iných nezaškolených osôb.** Keď sa nástroje nepoužívajú, odložte ich na suché uzamknuté miesto mimo dosahu detí.

- **Na nástroj nevyvíjajte silu.** Vykona svoju prácu lepšie a bezpečnejšie pri určenom zaťažení.
- **Používajte správny nástroj.** Nepoužívajte malé nástroje nasilu na prácu určenú pre nástroje s veľkým zaťažením. Nepoužívajte nástroje na iné ako určené účely, napríklad kotúčové píly na odvetvovávajúce alebo pílenie polien.
- **Primerane sa oblečte.** Nenoste voľný odev ani šperky – môžu sa zachytiť do pohybujúcich sa dielov. Pri práci v exteriéri sa odporúča používať protišmykovú obuv. Ak máte dlhé vlasy, noste ochrannú pokrývku vlasov.
- **Používajte ochranné pomôcky.** Používajte ochranné okuliare. Ak pri práci vzniká prach, použite tvárovú alebo protiprachovú masku.
- **Používajte zariadenie na odsávanie prachu.** Ak je nástroj vybavený pripojením na prostriedky na odsávanie a zber prachu, zaistite, aby boli správne pripojené a primerane sa používali.
- **Kábel nenamáhajte.** Kábel zo záusky neodpájajte trhnutím. Kábel nedávajte do blízkosti tepla, oleja alebo ostrých okrajov.
- **Zabezpečte obrobok.** Na pridržanie obrobku použite podľa možnosti svorky alebo zverák. Je to bezpečnejšie, ako použiť ruku.
- **Nesiahajte príliš ďaleko.** Neustále zachovávajte pevnú oporu nôh a rovnováhu.
- **Údržbu nástrojov vykonávajte opatrne.** Udržujte rezné nástroje ostré a čisté pre lepšiu a bezpečnejšiu výkon. Dodržiavajte pokyny na mazanie a výmenu príslušenstva. Pravidelne kontrolujte káble nástroja a v prípade ich poškodenia ho nechajte opraviť v autorizovanom servisnom stredisku. Pravidelne kontrolujte predlžovacie káble v prípade ich poškodenia ich vymeňte. Rukoväte udržiavajte suché a čisté, bez zvyškov oleja či maziva.
- **Odpojte nástroje.** Keď sa nástroj nepoužíva, pred servisom a pri výmene príslušenstva, napríklad ostrí, vrtákov a nožov, odpojte nástroj od elektrickej siete.
- **Odstráňte nastavovacie klíny a kľúče.** Vytvorte si návyk vizuálnej kontroly odstránenia nastavovacích kľúčov z nástroja pred jeho zapnutím.
- **Dbajte na to, aby nedochádzalo k neúmyselnému spusteniu.** Pri zapájaní nástroja skontrolujte, či je spínač vo vypnutej polohe.
- **Používajte predlžovacie káble určené pre exteriéry.** Keď sa nástroj používa, používajte len predlžovacie káble určené pre exteriéry s príslušným označením.
- **Buďte opatrní.** Sledujte, čo robíte, používajte zdravý rozum a nepracujte s nástrojom, keď ste unavení.
- **Skontrolujte všetky poškodené časti.** Pred ďalším použitím tohto nástroja je nevyhnutné dôkladne skontrolovať, či funguje správne a vykonáva funkciu, na ktorú je určený. Skontrolujte zarovnanie pohyblivých dielov, zaseknutie pohyblivých dielov, poškodenie dielov, montáž a akékoľvek iné podmienny, ktoré by mohli ovplyvniť prevádzku nástroja. Ochranný kryt alebo iné poškodené diely treba riadne opraviť alebo





vymeniť v autorizovanom servisnom stredisku, pokiaľ nie je v návode uvedené inak. Chybné spínače sa musia vymeniť v autorizovanom servisnom centre. Nástroj nepoužívajte, ak spínač nezapína a nevypína nástroj.

- **Varovanie.** Používanie akéhokoľvek príslušenstva alebo doplnku, ktorý nie je odporúčaný v tomto návode na použitie, môže predstavovať riziko osobného poranenia.
- **Opravu nástroja zverte kvalifikovanej osobe.** Tento elektrický nástroj spĺňa platné bezpečnostné pravidlá. Opravy môžu vykonávať len kvalifikované osoby pomocou originálnych náhradných dielov, inak by mohlo vzniknúť značné riziko pre používateľa.

ÚKOSNÁ PÍLA – BEZPEČNOSTNÉ VÝSTRAHY

- Obrobok vždy bezpečne a pevne upnite.
- Zabezpečte, aby bolo zariadenie vždy stabilné a zaistené (napr. upevnené k stolu).
- Používajte chrániče sluchu. Vystavovanie hluku môže spôsobiť stratu sluchu.
- Pri práci so zariadením vždy používajte okuliare. Odporúča sa pri manipulácii s ostriami a rezavými materiálmi používať rukavice plus pevnú nešmykľavú obuv na ochranu chodidiel pred obrobkami, ktoré môžu odpadávať z priestoru rezania.
- Pred vykonaním akejkoľvek údržby alebo čistenia nástroja vždy odpojte zástrčku zo zásuvky.
- Napájací kábel zapájajte do zásuvky, len keď je nástroj vypnutý.
- Napájacie vedenie nedávajte do blízkosti pracovného dosahu zariadenia. Nedávajte do priestoru, v ktorom stojí obsluhujúci.
- Nikdy nesiahajte do priestoru v blízkosti ostria, kým sa ostrie úplne nezastaví.
- Pred použitím skontrolujte zariadenie, kábel a zástrčku, či nie sú poškodené alebo nedošlo k únave materiálu. Opravy celého stroja, vrátane napájacieho kábla, môžu vykonávať len autorizovaní servisní zástupcovia.
- Vždy používajte ochranné kryty na zariadení. Nástroj nepoužívajte, ak nie sú nasadené ochranné kryty a ak nefunguje správne.
- Ochranný kryt smie byť otvorený len vtedy, keď je zariadenie spustené na obrobku.
- Pílu ani jej funkcie nikdy nemeňte ani neupravujte. Môže dôjsť k narušeniu vašej bezpečnosti.
- Pri použití úkosnej píly v exteriéri výrobca odporúča použiť zariadenia RCD s vypínacím prúdom nastaveným na 30 mA.
- Nepoužívajte prasknuté, poškodené alebo deformované pílové ostria.
- Nepoužívajte pílové kotúče vyrobené z vysokorychlostnej ocele.
- Používajte len ostria, ktoré sú ostré. Tupé ostria

vymeňte.

- Vždy používajte ostria s otvormi na hriadeľ správnej veľkosti a tvaru. Ostria, ktoré nie sú kompatibilné s montážnym technickým vybavením píly, budú bežať excentricky a spôsobia stratu kontroly.
- Používajte len ostria špecifikované v tomto návode, ktoré spĺňajú normu EN 847-1.
- Na zaistenie ostria píly nepoužívajte žiadne iné príruby, podložky ani matice okrem dodaných alebo uvedených v návode.
- Je nevyhnutné vybrať taký pílový kotúč, ktorý je vhodný pre rezaný materiál.
- Zásadne je dodržiavať maximálnu rýchlosť uvedenú na pílovom ostri.
- Nikdy nepoužívajte pokosovú pílu na rezanie materiálov iných, ako sú uvedené v návode na použitie.
- Keď je vložka taniera opotrebovaná alebo poškodená, vymeňte ju.
- Pred započatím práce vykonajte skúšobný rez so zapnutým motorom, na kontrolu polohy ostria, funkčnosti ochranných krytov vzhľadom na ostatné súčasti stroja a obrobku.
- Pri vykonávaní rozbrusovania, úkosnom rezaní alebo zloženom zrezávaní nastavte posuvnú bariéru rozbrusovania tak, aby bola zabezpečená správna vzdialenosť od ostria.
- Pri preprave pokosovou pílu musí byť vždy aktivované blokovanie rukoväte.
- Z pohľady odstraňujte uvoľnený materiál, napr. triesky a odrezky.
- Neodstraňujte žiadne odrezky ani iné časti obrobku z oblasti rezania, kým je zariadenie spustené a hlava píly nie je v pokojovej polohe.
- Dlhé obrobky musia byť vhodne podoprené. Pracovný priestor píly zahŕňa celý rozsah obrobku. Obsluhujúci musí zabezpečiť tento priestor pred náhodným kontaktom od ostatných osôb alebo objektov, ktoré môžu posunúť obrobok počas operácie.
- Pyl vytváraný pri práci s týmto nástrojom môže byť zdraviu škodlivý. Používajte systém na pohlcovanie prachu a noste vhodnú masku na ochranu pred prachom. Dôkladne odstráňte usadený prach, napr. pomocou vysávača.
- Toto zariadenie musí byť pripojené k zariadeniu na ochranu napájacieho okruhu (poistka alebo istič).
- Nevymieňajte laser/LED za iný typ. Akékoľvek opravy môže vykonávať len výrobca lasera alebo autorizovaný servisný pracovník.
- Pri používaní tohto nástroja fluktuácie nástroja môžu ovplyvňovať ostatné elektrické produkty alebo osvetlenie na tom istom napájacom okruhu. Nástroj pripojte do elektrickej siete s impedanciou rovnou 0,071 Ω, minimalizujete tak fluktuácie napätia. Bližšie vysvetlenie žiadajte od vášho dodávateľa elektrickej energie.

**BEZPEČNOSTNÉ POKYNY PRE OSTRIE NA REZANIE DREVA**

- Pred prácou s nástrojom si prečítajte tento návod.
- Zariadenie musí byť v dobrom stave, vreteno bez deformácií a vibrácií.
- Nepoužívajte pílu bez krytov v príslušnej polohe, najmä po zmene režimu. Ochranné kryty udržiavajte v dobrom prevádzkovom stave a správne udržiavané.
- Dbajte na to, aby bola obsluhujúca osoba primerane obznamená s bezpečnostnými opatreniami, nastavovaním a obsluhou zariadenia.
- Vždy používajte chrániče zraku s bočnými štítlami spolu s chráničmi sluchu. Odporúča sa používať rukavice, pevné nešmyklivé topánky a zásteru.
- Pred použitím akéhokoľvek príslušenstva si pozrite návod na použitie. Pri nesprávnom používaní príslušenstva môže dôjsť k poškodeniu.
- Používajte len ostria špecifikované v tomto návode, ktoré spĺňajú normu EN 847-1.
- Dodržiavajte označenie maximálnej rýchlosti na pilovom ostrí. Skontrolujte, či rýchlosť vyznačená na pilovom ostrí je minimálne rovná rýchlosti vyznačenej na pile.
- Vždy používajte ostria s otvormi na hriadeľ správnej veľkosti a tvaru (kosoštvorcové alebo okrúhle). Ostria, ktoré nie sú kompatibilné s montážnym technickým vybavením píly, budú bežať excentricky a spôsobia stratu kontroly.
- Nepoužívajte ostria väčšieho alebo menšieho priemeru ako odporúčané. Nepoužívajte žiadne rozpierky umožňujúce prispôbenie ostria do vretena.
- Pred každým použitím skontrolujte hrotky pilového ostria, či nie sú poškodené alebo nemajú nevšedný vzhľad. Poškodené alebo voľné hroty sa môžu stať odletujúcimi predmetmi a zväčšujú riziko poranenia osôb.
- Nepoužívajte prasknuté alebo porušené pilové kotúče. Nepoužívajte poškodené alebo deformované pilové kotúče.
- Nikdy nepoužívajte pilové ostrie, ktoré je poškodené alebo zdeformované. Nie je povolené vykonávať opravy.
- Nepoužívajte ostria HSS.
- Pred použitím skontrolujte, či je pilové ostrie namontované správne. Pred každým použitím bezpečne utiahnite maticu hriadeľa. (Krútiaci moment: 12-15 Nm)
- Upínacie skrutky a matice sa musia ťahať pomocou príslušného skrutkového kľúča.
- Rozťahovanie skrutkového kľúča alebo ťahovanie pomocou úderov kladiva nie je povolené.
- Dbajte na to, aby všetky ostria a príruby boli čisté a zapustené strany objímky boli oproti ostriu.
- Skontrolujte, či sa ostrie otáča v správnom smere.

- Pred započatím práce vykonajte skúšobný rez so zapnutým motorom, na kontrolu polohy ostria, funkčnosti ochranných krytov vzhľadom na ostatné súčasti stroja a obrobku.
- Zariadenie nikdy nenechávajte bez dozoru.
- Na ostrie nenanášajte mazivá počas behu.
- Nikdy nevykonávajte čistenie alebo údržbu, keď je stroj ešte spustený a hlava nie je v pokojovej polohe.
- Nikdy sa nepokúšajte rýchlo zastaviť stroj v pohybe tak, že zaseknete nástroj či iný predmet do ostria – takýmto spôsobom môže neúmyselne dôjsť k závažným poraneniam.
- Pred výmenou ostri alebo vykonaním údržby odpojte pílu od elektrickej siete.
- Pri rozbaľovaní a balení ostria buďte opatrní, môžete sa ľahko poraniť ostrými hrotmi ostria.
- Pri manipulácii s pilovým ostrím používajte držiak ostria alebo rukavice.
- Ostrie uchovávajte a skladujte v pôvodnom balení či inom vhodnom obale, skladujte ho v suchom prostredí a mimo chemikálií, ktoré ho mohli poškodiť.

BEZPEČNOSŤ PRI PRÁCI S LASEROM

- Vyžarovanie laserového navádzania použitého v pile je Trieda 2 s maximálnym výkonom $\leq 1\text{mW}$ a vlnovou dĺžkou 650 nm. Nepozerajte priamo do laserového lúča. Pri nedodržiavaní týchto pravidiel by mohlo dôjsť k vážnemu poraneniu osôb.
- Počas činnosti nepozerajte do lúča.
- Nesviette laserovým lúčom priamo do očí iných osôb. Mohlo by dôjsť k vážnemu poraneniu očí.
- Nepracujte s laserom v polohe, pri ktorej by sa mohol niekto, či už úmyselne alebo neúmyselne, pozrieť do laserového lúča.
- Nepoužívajte optické nástroje na zobrazenie laserového lúča.
- Nepoužívajte laser v blízkosti detí ani nedovoľte deťom pracovať s laserom.
- Nepokúšajte sa opravovať laserové zariadenie sami.
- Nepokúšajte sa sami vymieňať žiadne diely laserového zariadenia.
- Akékoľvek opravy môže vykonávať len výrobca lasera alebo autorizovaný servisný pracovník.
- Nevymieňajte laser za iný typ.

ZVÝŠKOVÁ RIZIKOVOSŤ

- Aj keď sa nástroj používa podľa predpisu, nie je možné eliminovať určité zvyškové rizikové faktory. Pri použití vznikajú nasledujúce riziká a obsluhujúca osoba musí venovať zvláštnu pozornosť, aby nedošlo k nasledovnému:
- Riziko kontaktu následkom nezakrytých častí rotujúceho pilového ostria.



- Spätňý náraz obrobkov a častí obrobkov v dôsledku nesprávneho nastavenia alebo manipulácie.
- Vymrštenie úlomkov chybného karbidu z pilového ostria.
- Poškodenie respiračného systému pri nepoužívaní účinnej protiprachovej masky.
POZNÁMKA: Používajte dýchacie masky obsahujúce filtre vhodné pre obrábané materiály. Zabezpečte primerané vetranie pracoviska. Na pracovisku nejedzte, nepite ani nefajčite.
- Poškodenie sluchu pri nepoužívaní účinnej ochrany sluchu.

VAROVANIE

Prach z niektorých farieb, náterov a materiálov môže spôsobiť podráždenie alebo alergické reakcie dýchaciemu systému. Prach z dreva, napríklad, dubu, buku MDF a iných, je karcinogénny. S materiálom obsahujúcim azbest môžu manipulovať alebo ho spracovávať len kvalifikovaní obsluhujúci – špecialisti.

VAROVANIE

Dlhodobé používanie nástroja môže spôsobiť alebo zhoršiť poranenia. Pri používaní nástroja príliš dlhé obdobia si vždy doprajte pravidelné prestávky.

OBOZNÁMTE SA S VAŠIM PRODUKTOM

Pozrite stranu 162 - 163.

1. Držadlo
2. Hlavný spínač
3. Rukoväť bezpečnostného zámku
4. Horný kryt
5. Čepeľ píly
6. Spodný kryt
7. Upínač
8. Hlavná bariéra
9. Točňa
10. Základňa
11. Vložka taniera
12. Rukoväť zámku točne
13. Vývažovacia nožička
14. Spínač lasera
15. Spínač LED
16. Zarážka konzoly
17. Kryt spodného krytu
18. Posuvná bariéra
19. Montážny otvor
20. Predlžovacia tyč
21. Skrutky na nastavenie zarážky limitu uhla úkosu
22. Poistné tlačidlo vretena
23. Vrchná rukoväť
24. Vrecko na prach
25. Nastavovací otočný gombík hĺbky rezania

26. Tlačidlo zarážky lineárnej tyče
27. Podpera vinutia
28. Tlačidlo zaistenia uhla úkosu
29. Zarážka maximálnej hĺbky rezania
30. Skrutky na nastavenie uhla úkosu

PREVÁDZKA

Produkt je vybavený pohyblivým ostrím píly, ktoré možno nastaviť do rôznych uhloch uhlov obsluhujúcou osobou pri rezaní obrobku, ktorý je bezpečne pripojený k základni produktu. Zariadenie môže obsluhovať len jedna osoba, aby nedošlo k neúmyselnému kontaktu s pohybujúcim sa ostrím píly.

Princípy bezpečnej prevádzky produktu:

- Pílu, ostria a pracovný priestor udržiavajte v dobrom prevádzkovom stave.
- Základňu úkosovej píly zaistite k pevnému pracovnému stolu. Keď produkt nie je bezpečne zaistený, môže sa posunúť a prevrhnúť.
- Nastavte a uzamknite rezacie uhly a hĺbku pred vykonaním rezu.
- Zaistite obrobok k základni úkosovej píly. Pomocou príbalenej svorky a podľa potreby pomocou ďalších svoriek alebo pridržiavacích mechanizmov zabráňte neúmyselnému pohybu obrobku pri rezaní.
 - Skontrolujte, či činnosť krytov ostria nie je obmedzovaná polohou obrobku.
 - Dbajte na to, aby pri klesaní ostria do rezacej polohy nedošlo k zarezaniu do bariéry či iných dielov.
- Spustíte motor a počkajte, kým ostrie nedosiahne maximálnu rýchlosť a až potom ho pomaly spúšťajte do obrobku. Podľa potreby dokončíte rez posúvaním jednotky ostria dozadu alebo dopredu.
- Nechajte jednotku ostria zdvihnúť sa do jej hornej polohy, kde sú kryty ostria úplne zatvorené. Predtým, ako odstránite obrobok alebo odrezky alebo ako siahnete do priestoru ostria, vypnite motor a počkajte, kým sa ostrie úplne nezastaví.

Pred prvým použitím skontrolujte, či sa uhol sklonu alebo úkosu nastavený na produkte zhoduje s uhlom, ktorý chcete dosiahnuť na obrobku. Toto skontrolujte na odpadovom kuse dreva pomocou tesárskej sady alebo úkosného uholníka.

VAROVANIE

Výrobca dôrazne odporúča produkt vždy bezpečne namontovať k doske stola.

Keď je základňa produktu pevne zaistený k doske stola pomocou štyroch príbalených skrutiek, maticových skrutiek a podložiek, produkt možno používať pri maximálnom nastavení sklonu a úkosu bez možnosti, že dôjde k prevráteniu. Pokiaľ produkt nie je bezpečne zaistený, pri veľkých uhloch úkosu sa môže prevrátiť.



Nachádza sa tam aj nastaviteľná skrutka (vyvažovacia nožička), ktorá vylučuje zo spodnej časti predlžovacej točnice. Túto skrutku treba nastaviť tak, aby sa dotýkala plochého povrchu, na ktorom produkt spočíva. Tým sa tiež zabráni produktu prevrážiť sa pri rezaní na plnom vysunutí a sklone. Pozor, táto časť taniera píly sa pohybuje, keď sú zvolené iné uhly úkosu, takže skrutky je potrebné často upravovať a znovunastavovať.

ÚDRŽBA

- Produkt žiadnym spôsobom neupravujte ani nepoužívajte príslušenstvo, ktoré neschválil výrobca. Môže dôjsť k narušeniu bezpečnosti vás i iných osôb.
- Produkt nepoužívajte, ak akékoľvek spínače, ochranné kryty či iné funkcie nefungujú podľa ich účelu. Odovzdajte zariadenie do autorizovaného servisného centra na profesionálnu opravu alebo úpravu.
- Kým sa ostrie pohybuje, nevykonávajte žiadne nastavenia.
- Pred vykonaním úprav, mazaním alebo vykonaním akejkoľvek údržby na produkte vždy skontrolujte, či bola zástrčka odpojená z elektrickej zásuvky.
- Pred a po každom použití skontrolujte, či produkt nie je poškodený alebo nemá zlomené diely. Produkt udržiavajte v špičkovom prevádzkovom stave – okamžite vymeňte súčasti za náhradné diely schválené výrobcom.
- Ostrie je po použití veľmi horúce – pred údržbou alebo čistením použite rukavice alebo ho nechajte vychladnúť.
- Nahromadený prah vyčistite pomocou kefy alebo vysávača. Nepoužívajte stlačený vzduch.
- Na zabezpečenie bezpečnosti a spoľahlivosti musí všetky opravy, vrátane výmeny kefiiek, vykonávať autorizované servisné centrum.
- Ak dôjde k poškodeniu napájacieho kábla, musí ho vymeniť len výrobca alebo autorizované servisné stredisko, aby nedošlo k poškodeniu píly alebo riziku usmrtienia elektrickým prúdom.

VAROVANIE

Na zaistenie bezpečnosti a spoľahlivosti musí všetky opravy vykonávať **AUTORIZOVANÉ SERVISNÉ STREDISKO** alebo **KVALIFIKOVANÁ SERVISNÁ ORGANIZÁCIA**.

Zarážka maximálnej hĺbky rezania

Zarážka maximálnej hĺbky rezania slúži na zabránenie ostria píly pred zarezaním do kovovej základne jednotky.

VAROVANIE

Zarážka maximálnej hĺbky rezania nie je nastaviteľná užívateľom. Neupravujte zarážku maximálnej hĺbky rezania.

PREPRAVA A SKLADOVANIE

- Pri uskladnení produktu odpojte napájací kábel. Odložte zariadenie na bezpečné miesto, na ktoré nemajú prístup deti. Napájací kábel skladujte podľa vyobrazenia na stranách 185 - 186 v tomto návode.
- Pred uskladnením vyčistite produkt pomocou kefy alebo vysávača.
- Ak odstránite ostrie píly alebo nechávajte náhradné diely na jednotke, dbajte na to, aby boli v originálnom balení, aby nedošlo k poraneniu.

Zaistenie produktu pred presúvaním:

- Produkt je potrebné skladovať s nulovým uhlom úkosu a sklону a uzamknutý v polohe. Sklz musí byť uzamknutý. Rukoväť je potrebné uzamknúť do spodnej (bezpečnej) polohou s uzavretými krytmi.
- Na jednoduchšie prenášanie možno jednu alebo obe strany podpier obrobku odstrániť.

Presúvanie alebo prevoz vo vozidle:

- Produkt pred presúvaním zaistíte podľa popisu v tomto návode.
- Odstráňte produkt z dosky stola uvoľnením 4 maticových skrutiek, každá v jednom rohu. Maticové skrutky zaistíte pre budúce použitie. Produkt zdvihajte za rukoväť vo vrchnej časti.
- Pri zdvíhaní do výšky sú potrebné na zdvihnutie základne produktu dve osoby, ktoré majú odolné rukavice.
- Pre prepravu vo vozidle nainštalujte produkt na jeho základňu a zaistíte pred posunutím.

OCHRANA ŽIVOTNÉHO PROSTREDIA



Surové materiály recyklujte, namiesto toho, aby ste ich zlikvidovali ako odpad. Stroj, príslušenstvo a obaly by sa mali triedene recyklovať spôsobom šetrným k životnému prostrediu.

ZNAČKY



Výstražná značka

CE konformita





Pred spustením zariadenia si pozorne prečítajte tento návod.



Zariadenie triedy II, dvojité izolácia



Noste ochranu sluchu



Vždy používajte chrániče zraku.



NEBEZPEČENSTVO! Ostré čepele.



Používajte ochranné rukavice.



Smer otáčania ostria (vyobrazené na pílovom ostrí)



Smer otáčania ostria (vyobrazené na kryte ostria)



Šírka ostria v reze (záreze)



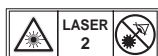
Počet zubov na tomto pílovom ostrí



Na rezanie dreva a podobných materiálov



Nie je určené na rezanie kovov



Laserové vyžarovanie.
Nepozerajte priamo do lúča.
Laserový produkt Triedy 2



Opatrebované elektrické zariadenia by ste nemali odhadzovať do domového odpadu. Prosíme o recykláciu ak je možné. Kontaktujte miestne úrady, alebo predajcu pre viac informácií ohľadom ekologického spracovania.



Produkt odpojte zo zásuvky.



Zamknuté



Odomknuté



Uzamykací mechanizmus nefunguje



Počuť nejaký zvuk



Čakacia doba, kým ostrie nedosiahne maximálne otáčky



Diely alebo príslušenstvo predávané samostatne



Poznámka:



VAROVANIE

Nasledujúce značky a významy vysvetľujú úroveň rizika spojeným s výrobkom.

NEBEZPEČENSTVO

Označuje bezprostredne nebezpečnú situáciu, ktorá, ak jej nepredídete, spôsobí usmrtenie alebo vážne poranenie.

VAROVANIE

Označuje potenciálne nebezpečnú situáciu, ktorá, ak jej nepredídete, môže spôsobiť usmrtenie alebo vážne poranenie.

UPOZORNENIE

Označuje potenciálne nebezpečnú situáciu, ktorá, ak jej nepredídete, môže spôsobiť menšie alebo stredne závažné poranenie.

UPOZORNENIE

(Bez výstražnej značky s výkričníkom) Označuje situáciu, ktorá môže zapríčiniť škody na majetku.

SYMBOLY V NÁVODE



Pripojte produkt.



Στον σχεδιασμό του φαλτσοπρίνο σας έχει δοθεί μέγιστη προτεραιότητα στην ασφάλεια, την απόδοση και την αξιοπιστία.

ΠΡΟΟΡΙΖΟΜΕΝΗ ΧΡΗΣΗ

Το φαλτσοπρίνο προορίζεται για πρίνισμα στερεού και κολλημένου ξύλου, υλικών που είναι παρόμοια με το ξύλο, με ή χωρίς κολλημένο καπλαμά και πλαστικά.

Το πρίνι προορίζεται να χρησιμοποιείται μόνο από ενήλικες χειριστές οι οποίοι έχουν διαβάσει το εγχειρίδιο οδηγιών και κατανοούν τους κινδύνους.

Ο κόπτης φαλτσογωνιάς είναι σχεδιασμένος για τοποθέτηση σε βάση σε σταθερό πάγκο. Εάν η βάση δεν είναι καλά στερεωμένη, ολόκληρη η μηχανή μπορεί να μετακινηθεί κατά τη διάρκεια εργασιών κοπής, γεγονός που αυξάνει την πιθανότητα σοβαρής σωματικής βλάβης.

Το φαλτσοπρίνο έχει σχεδιαστεί για να κάνει λοξοτομή και φαλατσοκόψιμο. Οι δυνατότητες για τις διάφορες κοπές προβλέπονται από τις προδιαγραφές για το ολισθαίνον συμπαγές φαλτσοπρίνο σε αυτό το εγχειρίδιο.

Το πρίνι προορίζεται να χρησιμοποιηθεί σε ξηρές συνθήκες, με εξαιρετικό φωτισμό περιβάλλοντος και επαρκή αερισμό.

Το φαλτσοπρίνο προορίζεται για χρήση από καταναλωτές και θα πρέπει να χρησιμοποιείται μόνο όπως περιγράφεται παραπάνω και δεν προορίζεται για κανέναν άλλο σκοπό.

ΓΕΝΙΚΕΣ ΠΡΟΕΙΔΟΠΟΙΗΣΕΙΣ ΑΣΦΑΛΕΙΑΣ

⚠ ΠΡΟΕΙΔΟΠΟΙΗΣΗ

Όταν χρησιμοποιείτε ηλεκτρικά εργαλεία, θα πρέπει να τηρούνται πάντα βασικές προφυλάξεις για μείωση του κινδύνου φωτιάς, ηλεκτροπληξίας και τραυματισμού. Διαβάστε όλες τις οδηγίες πριν προσταθήσετε να χρησιμοποιήσετε το προϊόν και φυλάξτε τις.

- Διατηρείτε καθαρό τον χώρο εργασίας. Οι ακατάστατοι χώροι και πάγκοι εργασίας προκαλούν ατυχήματα.
- Εξετάστε τον χώρο εργασίας. Μην εκθέτετε τα εργαλεία σε βροχή. Μην χρησιμοποιείτε τα εργαλεία σε βρεγμένο χώρο ή σε συνθήκες υγρασίας. Να δουλεύετε σε καλά φωτισμένη περιοχή. Μην χρησιμοποιείτε τα εργαλεία όταν υπάρχουν εύφλεκτα υγρά ή αέρια.
- Προστατευτικό από ηλεκτροπληξία. Αποφύγετε την επαφή με γειωμένες επιφάνειες (π.χ. σωλήνες, καλοριφέρ, εστίες, ψυγεία).
- Διατηρείτε μακριά τους παριστάμενους. Μην αφήνετε άλλα άτομα και ιδιαίτερα παιδιά να εμπλέκονται στην εργασία, να αγγίζουν το εργαλείο ή την προέκταση και διατηρείτε τους παριστάμενους μακριά από τον χώρο εργασίας σας.
- Φυλάσσετε τα εργαλεία που δεν χρησιμοποιείτε.

Όταν δεν χρησιμοποιούνται, τα εργαλεία πρέπει να φυλάσσονται σε στεγνό και κλειδωμένο χώρο, μακριά από παιδιά.

- Μην πιέζετε υπερβολικά το εργαλείο. Η δουλειά θα γίνει καλύτερα και ασφαλέστερα με τον ρυθμό για τον οποίο προορίζεται.
- Χρησιμοποιείτε το σωστό εργαλείο. Μην πιέζετε μικρά εργαλεία να κάνουν τη δουλειά εργαλείων βαριάς χρήσης. Μην χρησιμοποιείτε εργαλεία για μη επιθυμητούς σκοπούς, π.χ. μην χρησιμοποιείτε κυκλικούς κόπτες για να κόψετε κλαδιά δέντρων ή κούτσουρα.
- Ντυθείτε κατάλληλα. Μην φοράτε χαλαρά ρούχα ή κοσμήματα γιατί μπορεί να πιαστούν στα κινούμενα εξαρτήματα. Προτείνονται αντιολισθητικά υποδήματα όταν εργάζεστε σε εξωτερικούς χώρους. Φοράτε επίσης προστατευτικά μαλλιών για να καλύψετε μακριά μαλλιά.
- Χρησιμοποιείτε προστατευτικό εξοπλισμό. Χρησιμοποιείτε γυαλιά ασφαλείας. Χρησιμοποιείτε μάσκα προσώπου ή κατά της σκόνης όταν οι εργασίες παράγουν σκόνη / πριονίδια.
- Συνδέστε τον εξοπλισμό απομάκρυνσης σκόνης / πριονιδιού. Αν το εργαλείο διαθέτει σύνδεση απομάκρυνσης σκόνης / πριονιδιού και εξοπλισμό συλλογής, βεβαιωθείτε ότι έχουν συνδεθεί και χρησιμοποιούνται σωστά.
- Προσέχετε στη χρήση του καλωδίου. Μην τραβάτε ποτέ το καλώδιο για να το αποσυνδέσετε από την πρίζα. Διατηρείτε το καλώδιο μακριά από θερμότητα, λάδι και αιχμηρές γωνίες.
- Ασφαλής εργασία. Όπου είναι δυνατό, χρησιμοποιήστε σφιγκτήρες ή μέγγενη για να συγκρατήσετε το τεμάχιο εργασίας. Είναι ασφαλέστερο από το να χρησιμοποιείτε το χέρι σας.
- Μην τεντώνετε. Διατηρείτε σταθερό πάτημα και ισορροπία συνεχώς.
- Συντηρείτε προσεκτικά τα εργαλεία. Διατηρείτε τα εργαλεία κοπής αιχμηρά και καθαρά για καλύτερη και ασφαλέστερη απόδοση. Ακολουθήστε τις οδηγίες για τη λίπανση και αλλαγή εξαρτημάτων. Ελέγχετε τακτικά τα καλώδια του εργαλείου και αν έχουν φθαρεί, επισκευάστε τα πηγαίνοντάς τα σε εξουσιοδοτημένη εγκατάσταση σέρβις. Ελέγχετε τακτικά τα καλώδια προέκτασης και προχωρήστε σε αντικαταστάσεις εάν έχουν φθαρεί. Διατηρείτε τις λαβές στεγνές, καθαρές και χωρίς λάδι και γράσο.
- Αποσυνδέστε τα εργαλεία. Όταν δεν χρησιμοποιούνται, πριν το σέρβις και κατά την αλλαγή εξαρτημάτων όπως λεπίδες, μικρά εξαρτήματα και κόπτες, αποσυνδέετε τα εργαλεία από το ρεύμα.
- Αφαιρέστε κλειδιά προσαρμογής και άλλα κλειδιά. Ελέγχετε πάντα ότι τα κλειδιά και τα κλειδιά προσαρμογής έχουν αφαιρεθεί από το εργαλείο πριν το ενεργοποιήσετε.
- Αποφύγετε τις τυχαίες εκκινήσεις. Βεβαιωθείτε ότι ο διακόπτης βρίσκεται στη θέση "off" όταν συνδέετε το εργαλείο.





- **Χρησιμοποιείτε προεκτάσεις καλωδίων για εξωτερικούς χώρους.** Όταν το εργαλείο χρησιμοποιείται σε εξωτερικό χώρο, χρησιμοποιείτε μόνο καλώδια προέκτασης κατάλληλα για εξωτερική χρήση και με την αντίστοιχη σήμανση.
 - **Παραμένετε σε εγρήγορση.** Προσέχετε τι κάνετε, χρησιμοποιείτε κοινή λογική και μην χρησιμοποιείτε το εργαλείο αν είστε κουρασμένοι.
 - **Ελέγξτε για φθαρμένα εξαρτήματα.** Πριν χρησιμοποιήσετε άλλο το εργαλείο, θα πρέπει να ελεγχθεί προσεκτικά για να βεβαιωθεί ότι λειτουργεί σωστά και εκτελεί την επιθυμητή λειτουργία. Ελέγξτε την ευθυγράμμιση των κινούμενων εξαρτημάτων, τυχόν πιάσιμο αυτών, σπασίματα, στερέωση και άλλες καταστάσεις που μπορεί να επηρεάζουν τη λειτουργία του εργαλείου. Προστατευτικά ή άλλα εξαρτήματα που έχουν φθαρεί θα πρέπει να συντηρούνται κατάλληλα ή να αντικαθίστανται από εξουσιοδοτημένο κέντρο σέρβις, εκτός αν αναφέρεται άλλως στο παρόν εγχειρίδιο χρήσης. Επισκευάζετε τους ελαττωματικούς διακόπτες σε εξουσιοδοτημένο κέντρο σέρβις. Μην χρησιμοποιείτε το εργαλείο αν δεν ενεργοποιείται και απενεργοποιείται.
 - **Προειδοποίηση.** Η χρήση οποιουδήποτε εξαρτήματος ή προσαρτήματος εκτός του προτεινόμενου σε αυτές τις οδηγίες, μπορεί να αποτελέσει κίνδυνο τραυματισμού.
 - **Επισκευάζετε το εργαλείο πηγαίνοντάς το σε ειδικευμένους τεχνικούς.** Το παρόν ηλεκτρικό εργαλείο συμμορφώνεται με τους σχετικούς κανόνες ασφάλειας. Οι επισκευές θα πρέπει να διενεργούνται μόνο από ειδικευμένα άτομα με χρήση αυθεντικών ανταλλακτικών, διαφορετικά μπορεί να προκύψει σημαντικός κίνδυνος για τον χρήστη.
- ΠΡΟΕΙΔΟΠΟΙΗΣΕΙΣ ΑΣΦΑΛΕΙΑΣ
ΦΑΛΤΣΟΠΡΙΟΝΟΥ**
- Να πιάνετε πάντα καλά και με ασφάλεια το τεμάχιο εργασίας.
 - Μην απομακρύνετε υπολείμματα πριονίσματος ή άλλα τμήματα του κατεργασθέντος αντικειμένου από την περιοχή πριονίσματος όταν λειτουργεί η μηχανή και δεν έχει ακινητοποιηθεί η κεφαλή του πριονιού.
 - Φοράτε υποασπίδες. Η επίδραση θορύβου μπορεί να προκαλέσει απώλεια ακοής.
 - Στις εργασίες με τη μηχανή φοράτε πάντοτε προστατευτικά γυαλιά. Συνιστάται να φοράτε γάντια για το χειρισμό λεπίδων και ακατέργαστων υλικών, καθώς και γερά αντιολισθητικά παπούτσια για να προστατεύσετε τα πόδια σας από κομμάτια εργασίας που μπορεί να πέσουν από την περιοχή κοπής.
 - Να αποσυνδέετε πάντα το φις από την πρίζα, πριν εκτελέσετε οποιαδήποτε συντήρηση ή καθαρισμό του εργαλείου.
 - Συνδέστε το καλώδιο τροφοδοσίας στην πρίζα μόνο όταν το εργαλείο είναι απενεργοποιημένο.
 - Κρατάτε το καλώδιο σύνδεσης πάντοτε μακριά από την περιοχή δράσης της μηχανής. Φροντίστε να είναι έξω από την περιοχή που στέκεται ο χειριστής.
 - Ποτέ μην πιάνετε στην περιοχή κοντά στη λεπίδα, εκτός εάν η λεπίδα έχει σταματήσει τελείως.
 - Πριν από κάθε χρήση ελέγχετε τη συσκευή, το καλώδιο σύνδεσης, το καλώδιο επέκτασης (μπαλαντζά), το πακέτο των μπαταριών και το φις για τυχόν ζημιά και γήρανση. Επισκευές στο σύνολο της μηχανής, συμπεριλαμβανομένου του καλωδίου τροφοδοσίας πρέπει να γίνονται μόνο από εξουσιοδοτημένους επισκευαστές.
 - Χρησιμοποιείτε οπωσδήποτε τη διάταξη προστασίας της μηχανής. Μην χρησιμοποιείτε το μηχανήμα αν τα προστατευτικά δεν είναι στη θέση τους και δεν λειτουργούν σωστά.
 - Το αιωρούμενο προστατευτικό κάλυμμα επιτρέπεται να ανοίγει μόνο αυτόματα κατά τη στροφή του πριονιού προς τα κάτω.
 - Μην τροποποιείτε ποτέ το πριόνι ή τη λειτουργία της. Η ασφάλειά σας μπορεί να τεθεί σε κίνδυνο.
 - Όταν χρησιμοποιείτε το φαλτσοπριόνιο σε εξωτερικούς χώρους, ο κατασκευαστής συνιστά τη χρήση συσκευής υπολειπόμενου ρεύματος RCD με ρύθμιση 30mA.
 - Μην χρησιμοποιείτε λεπίδες πριονιών με ρωγμές, κατεστραμμένες ή παραμορφωμένες.
 - Δεν χρησιμοποιείτε πριονοδίσκους κατασκευασμένους από ταχυκάλυβα.
 - Χρησιμοποιείτε μόνο λεπίδες που είναι αιχμηρές. Αντικατάσταση στομωμένων λεπίδων.
 - Οι ακατάλληλοι για τον άξονα στον οποίον θα τοποθετηθούν δίσκοι δεν θα περιστραφούν σωστά και μπορούν να σας κάνουν να χάσετε τον έλεγχο του εργαλείου. Μην χρησιμοποιείτε ποτέ ελαττωματικές ή ακατάλληλες βίδες ή φλάντζες δίσκου.
 - Χρησιμοποιείτε μόνο λεπίδες που ορίζονται στο παρόν εγχειρίδιο, σύμφωνα με το EN 847-1.
 - Μην χρησιμοποιείτε φλάντζες, ροδέλες και παξιμάδια για να ασφαλίσετε τη λεπίδα του πριονιού, εκτός εκείνων που παρέχονται ή υποδεικνύονται στο εγχειρίδιο οδηγιών.
 - Επιλέγτε ένα κατάλληλο πριονοδίσκο για το υλικό που θέλετε να κόψετε.
 - Χρησιμοποιείτε μόνο κανονικά ακονισμένους πριονοδίσκους.
 - Δεν χρησιμοποιείτε το φαλτσοπριόνιο για την κοπή διαφορετικών υλικών, από αυτά που αναφέρονται στις οδηγίες χειρισμού.
 - Αντικαταστήστε το ένθετο πάγκου, όταν φθαρεί ή καταστραφεί.
 - Πριν ξεκινήσετε, κάντε μια πρόχειρη κοπή χωρίς να είναι ενεργοποιημένος ο κινητήρας, ώστε να ελέγξετε τη θέση της λεπίδας, τη λειτουργία των προστατευτικών σε σχέση με τα άλλα εξαρτήματα του μηχανήματος και το τεμάχιο εργασίας.
 - Κατά την εκτέλεση κοπών φαλτσογωνιάς, λοξότμησης ή σύνθετες κοπές φαλτσογωνιάς, προσαρμόστε το





συρταρωτό προστατευτικό για να εξασφαλίσετε την κατάλληλη προστασία από τη λεπίδα.

- Εκτελείτε τη μεταφορά του φαλτσπρίνου μόνο με τοποθετημένη την ασφάλεια μεταφοράς στη χειρολαβή.
- Διατηρείτε το δάπεδο καθαρό από υλικά, π.χ. ρινίσματα και πριονίδια.
- Χρησιμοποιείτε μόνο τις εμπιερχόμενες και τις απεικονιζόμενες στις οδηγίες χειρισμού φλάντζες για τη στερέωση του πριονοδίσκου.
- Να σιγουρεύεστε πως η μηχανή είναι σταθερή (π.χ. στερέωση στον πάγκο εργασίας). Η περιοχή εργασίας του πριονιού περιλαμβάνει ολόκληρη την έκταση του τεμαχίου εργασίας. Ο χειριστής θα πρέπει να ασφαλίσει την περιοχή αυτή από την τυχασία επαφή από άλλα πρόσωπα ή αντικείμενα τα οποία μπορεί να μετακινήσουν το κομμάτι εργασίας κατά τη διάρκεια της λειτουργίας.
- Η δημιουργούμενη κατά την εργασία σκόνη είναι συχνά επιβλαβής για την υγεία (π.χ. κατά την επεξεργασία ξύλου δρυός και οξιάς, πετρωμάτων, χρωμάτων που μπορεί να εμπιριέχουν μόλυβδο ή άλλες βλαβερές ουσίες) και δεν πρέπει να έρχεται σε επαφή με το σώμα. Χρησιμοποιείτε μια διάταξη αναρρόφησης της σκόνης και φοράτε επιπλέον μια κατάλληλη προσωπίδα προστασίας από τη σκόνη. Αφαιρείτε τα πριονίδια που έχουν μείνει προσεκτικά, π.χ. με ηλεκτρική σκούπα.
- Η μονάδα πρέπει να συνδέεται με διάταξη προστασίας του κυκλώματος (ασφάλεια ή ασφαλειοδιακόπτη).
- Μην αντικαθιστάτε το λέιζερ με άλλο διαφορετικού τύπου. Οι επισκευές θα πρέπει να εκτελούνται μόνο από τον κατασκευαστή του λέιζερ ή εξουσιοδοτημένο αντιπρόσωπο.
- Όταν χρησιμοποιείτε αυτό το εργαλείο, οι διακυμάνσεις της τάσης μπορεί να επηρεάσουν και άλλες ηλεκτρικές συσκευές ή τον φωτισμό στο ίδιο κύκλωμα ρεύματος. Συνδέστε το εργαλείο σε μια πηγή ρεύματος με αντίσταση ίση με 0,071 Ω για ελαχιστοποίηση των διακυμάνσεων τάσης. Επικοινωνήστε με την εταιρεία παροχής ηλεκτρικού ρεύματος για περισσότερες διευκρινίσεις.

ΟΔΗΓΙΕΣ ΑΣΦΑΛΕΙΑΣ ΓΙΑ ΛΕΠΙΔΑ ΚΟΠΗΣ ΞΥΛΟΥ

- Διαβάστε τις οδηγίες του εγχειριδίου πριν χρησιμοποιήσετε τη συσκευή.
- Το μηχάνημα πρέπει να είναι σε καλή κατάσταση και η άτρακτος να μην έχει παραμορφώσεις και κραδασμούς.
- Μην χρησιμοποιείτε τον κόπτη χωρίς τα προστατευτικά, ιδιαίτερα μετά την αλλαγή τρόπου λειτουργίας. Διατηρείτε τα προστατευτικά σε καλή κατάσταση και συντηρείτε τα.
- Βεβαιωθείτε ότι ο χειριστής έχει επαρκή εκπαίδευση σε θέματα ασφαλείας, προσαρμογής και λειτουργίας του μηχανήματος.
- Φοράτε πάντα προστατευτικά ματιών με πλαϊνές ασπίδες καθώς και προστατευτικά ακοής. Συνιστάνται

τα προστατευτικά γάντια, τα σταθερά και αντιολισθητικά παπούτσια και η ποδιά.

- Πριν χρησιμοποιήσετε οποιοδήποτε εξάρτημα, συμβουλευτείτε το εγχειρίδιο χρήσης. Ανάρμοστη χρήση των εξαρτημάτων μπορεί να προκαλέσει ζημιές.
- Χρησιμοποιείτε μόνο λεπίδες που ορίζονται στο παρόν εγχειρίδιο, σύμφωνα με το EN 847-1.
- Τηρείτε τη μέγιστη ταχύτητα που ενδείκνυται στην λεπίδα κόπτη. Βεβαιωθείτε ότι η ταχύτητα που αναγράφεται στην λεπίδα κόπτη είναι τουλάχιστον ίση με την ταχύτητα που αναγράφεται στον κόπτη.
- Οι ακατάλληλοι για τον άξονα στον οποίο θα τοποθετηθούν δίσκοι δεν θα περιστραφούν σωστά και μπορούν να σας κάνουν να χάσετε τον έλεγχο του εργαλείου. Μην χρησιμοποιείτε ποτέ ελαττωματικές ή ακατάλληλες βίδες ή φλάντζες δίσκου.
- Μην χρησιμοποιείτε λεπίδες μεγαλύτερης ή μικρότερης διαμέτρου από το προτεινόμενο. Μην χρησιμοποιείτε σφήνες για να κάνετε τη λεπίδα να εφαρμόσει στην άτρακτο.
- Ελέγξτε τις άκρες της λεπίδας κοπής για φθορές ή μη κανονική εμφάνιση πριν από κάθε χρήση. Άκρες που είναι φθαρμένες ή χαλαρές μπορούν να εκτιναχθούν κατά τη χρήση, αυξάνοντας τις πιθανότητες τραυματισμού.
- Τεμάχια καταργασίας μεγάλου μήκους πρέπει να στηρίζονται κατάλληλα. Μην χρησιμοποιείτε ελαττωματικές ή στρεβλωμένες πριονολάμες.
- Μην χρησιμοποιείτε ποτέ λεπίδα που έχει φθαρεί ή παραμορφωθεί. Δεν επιτρέπονται επισκευές.
- Μην χρησιμοποιείτε λεπίδες HSS.
- Βεβαιωθείτε ότι η λεπίδα του κόπτη είναι σωστά τοποθετημένη πριν τη χρήση. Σφίξτε το παξιμάδι άτρακτου καλά πριν από κάθε χρήση. (Ροπή: 12-15 Nm)
- Οι βίδες και τα παξιμάδια στερέωσης πρέπει να σφίχτούν χρησιμοποιώντας το κατάλληλο κλειδί.
- Επεκτάσεις του κλειδιού ή του σφιγμάτος με τη χρήση χτυπημάτων αφηρούν δεν επιτρέπονται.
- Βεβαιωθείτε ότι όλες οι λεπίδες και οι φλάντζες είναι καθαρές και ότι οι πλευρές του περιαιχένιου με εσοχές είναι κόντρα στην λεπίδα.
- Βεβαιωθείτε ότι η λεπίδα περιστρέφεται προς τη σωστή κατεύθυνση.
- Πριν ξεκινήσετε, κάντε μια πρόχειρη κοπή χωρίς να είναι ενεργοποιημένος ο κινητήρας, ώστε να ελέγξετε τη θέση της λεπίδας, τη λειτουργία των προστατευτικών σε σχέση με τα άλλα εξαρτήματα του μηχανήματος και το τεμάχιο εργασίας.
- Μην αφήνετε ποτέ το μηχάνημα χωρίς επίβλεψη.
- Μην τοποθετείτε λιπαντικά στην λεπίδα όσο λειτουργεί.
- Μην εκτελείτε ποτέ εργασίες καθαρισμού ή συντήρησης όταν το μηχάνημα λειτουργεί ακόμα και η κεφαλή δεν βρίσκεται στην θέση αναμονής.
- Μην προσπαθείτε να σταματήσετε ένα μηχάνημα που





κινείται γρήγορα χτυπώντας εργαλεία ή άλλα μέσα πάνω στη λεπίδα - υπάρχει κίνδυνος πρόκλησης σοβαρών ατυχημάτων.

- Αποσυνδέετε τον κόπτη από το ρεύμα πριν αλλάξετε λεπίδες ή εκτελέσετε εργασίες συντήρησης.
- Προσέχετε κατά το άνοιγμα και κλείσιμο συσκευασίας της λεπίδας καθώς είναι πιθανό να τραυματιστείτε από τις αιχμηρές άκρες.
- Χρησιμοποιήστε ειδική λαβή λεπίδας ή φοράτε γάντια όταν τη χειρίζεστε.
- Διατηρείτε τη λεπίδα στην αρχική συσκευασία της ή άλλη κατάλληλη συσκευασία και σε στεγνό χώρο, μακριά από χημικά που μπορεί να τη φθείρουν.

ΑΣΦΑΛΕΙΑ ΚΑΙ ΣΥΣΚΕΥΕΣ ΜΕ ΛΕΙΖΕΡ

- Η ακτινοβολία του οδηγού λέιζερ που χρησιμοποιείται στον κόπτη είναι Κατηγορίας 2 με μέγιστα μήκη κύματος $\leq 1\text{mW}$ και 650nm . Μην κοιτάζετε απευθείας στην ακτίνα λέιζερ. Η μη τήρηση των κανόνων μπορεί να προκαλέσει σοβαρό τραυματισμό.
- Μην κοιτάζετε στην ακτίνα κατά τη λειτουργία.
- Μην προβάλλετε την ακτίνα λέιζερ απευθείας στα μάτια των άλλων. Υπάρχει κίνδυνος σοβαρού οφθαλμολογικού τραυματισμού.
- Μην τοποθετείτε το λέιζερ σε θέση που μπορεί να προκαλέσει την άμεση οπτική επαφή με αυτό, σκόπιμα ή όχι.
- Μην χρησιμοποιείτε οπτικά εργαλεία για να δείτε την ακτίνα λέιζερ.
- Μην χρησιμοποιείτε το λέιζερ κοντά σε παιδιά και μην αφήνετε παιδιά να το χρησιμοποιούν.
- Μην προσπαθήσετε να επισκευάσετε τη συσκευή λέιζερ μόνοι σας.
- Μην προσπαθήσετε να αντικαταστήσετε οποιοδήποτε εξάρτημα της συσκευής λέιζερ μόνοι σας.
- Οι επισκευές θα πρέπει να εκτελούνται μόνο από τον κατασκευαστή του λέιζερ ή εξουσιοδοτημένο αντιπρόσωπο.
- Μην αντικαθιστάτε το λέιζερ με άλλο διαφορετικού τύπου.

ΆΛΛΟΙ ΚΙΝΔΥΝΟΙ

Ακόμη και όταν το προϊόν χρησιμοποιείται σύμφωνα με τις οδηγίες, δεν είναι δυνατή η απόλυτη απαλειφή συγκεκριμένων παραγόντων κινδύνου. Κατά τη χρήση μπορεί να προκύψουν οι ακόλουθοι κίνδυνοι και ο χειριστής πρέπει να δίδει ιδιαίτερη προσοχή προς αποφυγή των εξής:

- Κίνδυνος επαφής με ακάλυπτα εξαρτήματα της περιστρεφόμενης λεπίδας.
- Επιστροφική τεμαχίων εργασίας και εξαρτημάτων τους λόγω εσφαλμένης προσαρμογής ή χειρισμού.
- Εκτίναξη ελαττωματικών άκρων καρβιδίου από τη

λεπίδα κόπτη.

- Βλάβες στο αναπνευστικό σύστημα όταν δεν χρησιμοποιούνται αποτελεσματικά μάσκες προστασίας από τα πριονίδια.

ΣΗΜΕΙΩΣΗ: Φορέστε μάσκα προστασίας της αναπνοής που περιέχουν κατάλληλα φίλτρα για τα υλικά που επεξεργάζεστε. Βεβαιωθείτε ότι υπάρχει επαρκής εξαερισμός του χώρου εργασίας. Μην τρώτε, πίνετε ή καπνίζετε στον χώρο εργασίας.

- Βλάβες στην ακοή αν δεν χρησιμοποιούνται αποτελεσματικά προστατευτικά ακοής.

⚠ ΠΡΟΕΙΔΟΠΟΙΗΣΗ

Η σκόνη από ορισμένα χρώματα, επιχρίσματα και υλικά μπορεί να προκαλέσει ερεθισμό ή αλλεργικές αντιδράσεις στο αναπνευστικό σύστημα. Η σκόνη από ξύλο, όπως η δρυς, οξιά, MDF και άλλα είναι καρκινογόνος. Υλικά που περιέχουν αμιάντο πρέπει να υποβάλλονται σε επεξεργασία μόνο από εξειδικευμένο έμπειρο προσωπικό.

⚠ ΠΡΟΕΙΔΟΠΟΙΗΣΗ

Υπάρχει κίνδυνος πρόκλησης ή επιδείνωσης τραυματισμού, από την παρατεταμένη χρήση εργαλείου. Όταν χρησιμοποιείτε το εργαλείο για μεγάλες περιόδους, κάνετε τακτικά διαλείμματα.

ΕΞΟΙΚΕΙΩΘΕΙΤΕ ΜΕ ΤΟ ΠΡΟΪΟΝ ΣΑΣ.

Πηγαίνετε στη σελίδα 162 - 163.

1. Λαβή
2. Διακόπτης λειτουργίας
3. Λαβή κλειδαριάς ασφαλείας
4. Άνω προστατευτικό λάμας
5. Λεπίδα κόπτη
6. Κάτω προστατευτικό λάμας
7. Σφιγκτήρας
8. Κύριος φράχτης
9. Περιστρεφόμενο τραπέζι
10. Πέλμα
11. Ένθετο πάγκου
12. Πόμολο ασφάλισης περιστρεφόμενου τραπέζιού
13. Πόδι εξισορρόπησης
14. Διακόπτης λέιζερ
15. Διακόπτης LED
16. Στήριγμα βάσης
17. Κάτω προστατευτικό κάλυμμα
18. Συρόμενος φράχτης
19. Τρύπα τοποθέτησης
20. Ράβδος επέκτασης
21. Βίδες για την προσαρμογή του οριου στοπ γωνίας κοπής
22. Πόμολο κλειδώματος
23. Επάνω λαβή
24. Σακούλα σκόνης



25. Κομπί ρύθμισης βάθους κοπής
26. Κομπί στοπ γραμμικής ράβδου
27. Υποστήριξη περιστροφής
28. Κομπί κλειδώματος γωνίας λοξής τομής
29. Μέγιστο στοπ βάθους κοπής.
30. Βίδες για τη ρύθμιση της γωνίας κοπής

ΛΕΙΤΟΥΡΓΙΑ

Το προϊόν διαθέτει μια κινούμενη λεπίδα πριονιού που μπορεί να ρυθμιστεί σε διάφορες γωνίες από τον χειριστή κατά την κοπή ενός κομματιού εργασίας που είναι ασφαλώς στερεωμένο στη βάση του προϊόντος. Ο χειρισμός πρέπει να γίνεται από ένα μόνο άτομο για να αποτραπεί η ακούσια επαφή με την κινούμενη λεπίδα του πριονιού.

Οι αρχές για την ασφαλή λειτουργία του προϊόντος είναι ως ακολούθως:

- Διατηρήστε το πριόνι, τις λεπίδες και τον χώρο εργασίας σε καλή κατάσταση.
- Ασφαλίστε τη βάση του κόπτη φαλτογωνίας σε έναν σταθερό πάγκο εργασίας. Το προϊόν μπορεί να μετακινήθει και να ανατραπεί αν δεν είναι επαρκώς ασφαλισμένο.
- Ρυθμίστε και ασφαλίστε τις γωνίες κοπής και το βάθος πριν κάνετε την κοπή.
- Ασφαλίστε το τεμάχιο εργασίας στη βάση του φαλτοσπρίονου. Χρησιμοποιήστε το σφινκτήρα που παρέχεται και όπου είναι απαραίτητο, χρησιμοποιήστε πρόσθετους σφινκτήρες ή μηχανισμούς στερέωσης για να αποτρέψετε την ακούσια μετακίνηση του τεμαχίου εργασίας κατά την κοπή.
 - Βεβαιωθείτε ότι η λειτουργία των προφυλακτάρων λάμας δεν περιορίζεται από τη θέση του τεμαχίου εργασίας.
 - Βεβαιωθείτε ότι ο φράκτης και άλλα μέρη του προϊόντος δεν θα κοπούν καθώς η λεπίδα κατεβαίνει στη θέση κοπής.
- Ξεκινήστε τον κινητήρα και αφήστε τη λεπίδα να φτάσει στη μέγιστη ταχύτητα πριν την κατεβάσετε αργά για να κόψετε το τεμάχιο εργασίας. Σύρτε το συγκρότημα λεπίδας προς τα πίσω ή/και προς τα εμπρός για να ολοκληρώσετε την κοπή, όπως απαιτείται.
- Αφήστε το συγκρότημα λεπίδας να ανέβει στην επάνω θέση του, όπου οι προφυλακτάρες λάμας είναι τέρμα κλειστοί. Σβήστε τον κινητήρα και αφήστε τη λεπίδα να σταματήσει τελείως πριν αφαιρέσετε το κομμάτι εργασίας ή τα κομμένα κομμάτια, ή πριν πιάσετε κάτι στην περιοχή της λεπίδας.

Πριν την πρώτη χρήση, βεβαιωθείτε ότι η γωνία της λοξής τομής στο προϊόν ταιριάζει με την γωνία που πρέπει να κάνετε στο κομμάτι εργασίας. Ελέγξτε το αυτό σε ένα άχρηστο κομμάτι ξύλου με σετ ξυλουργού ή φαλτογωνία.

▲ ΠΡΟΕΙΔΟΠΟΙΗΣΗ

Ο κατασκευαστής συστήνει το προϊόν να είναι πάντα καλά ασφαλισμένο σε πάγκο εργασίας.

Αφού η βάση του προϊόντος ασφαλιστεί καλά στον πάγκο εργασίας με τα τέσσερα παξιμάδια, τα μπουλόνια και τις ροδέλες που παρέχονται, το προϊόν μπορεί να χρησιμοποιηθεί στη μέγιστη ρύθμιση λοξότητας και φαλτογωνίας, χωρίς πιθανότητα εκτροπής και πτώσης. Εάν το προϊόν δεν έχει στερεωθεί καλά, το προϊόν μπορεί να χάσει την ισορροπία όταν επιλέγονται μεγάλες γωνίες φάλλτσο.

Υπάρχει επίσης μια ρυθμιζόμενη βίδα (πόδι εξισορρόπησης) που εκτείνεται από το κάτω μέρος του περιστρεφόμενου τραπέζιού επέκτασης. Αυτή η βίδα πρέπει να ρυθμιστεί έτσι ώστε να αγγίζει την επίπεδη επιφάνεια στην οποία ακουμπά το προϊόν. Αυτό θα αποτρέψει επίσης την απώλεια ισορροπίας του προϊόντος κατά την κοπή στην πλήρη ολίσθηση και φάλλτσο. Προσοχή, αυτό το μέρος του πάγκου πριονίσματος κινείται όταν επιλέγονται διαφορετικές γωνίες λοξής κοπής, έτσι η βίδα πρέπει να προσαρμόζεται συχνά και να επαναφέρεται.

ΣΥΝΤΗΡΗΣΗ

- Μην τροποποιήσετε το προϊόν με οποιονδήποτε τρόπο ή χρησιμοποιήσετε αξεσουάρ που δεν είναι εγκεκριμένα από τον κατασκευαστή. Η ασφάλεια σας και η ασφάλεια των άλλων μπορεί να υποβαθμιστεί.
- Μην χρησιμοποιείτε το προϊόν εάν υπάρχουν διακόπτες, προφυλακτάρες ή άλλες λειτουργίες που δεν λειτουργούν όπως θα έπρεπε. Επιστρέψτε το σε ένα εξουσιοδοτημένο κέντρο επισκευών για επαγγελματική επισκευή ή ρύθμιση.
- Μην κάνετε οποιεσδήποτε προσαρμογές, ενώ η λεπίδα πριονιού κινείται.
- Να βεβαιώνετε πάντα ότι το φιν έχει βγει από τη πρίζα πριν από κάθε προσαρμογή, λίπανση ή όταν κάνετε οποιαδήποτε συντήρηση του προϊόντος.
- Πριν και μετά από κάθε χρήση, ελέγξτε το προϊόν για ζημιές ή χαλασμένα μέρη. Διατηρήστε το προϊόν σε άριστη κατάσταση λειτουργίας με την άμεση αντικατάσταση εξαρτημάτων με ανταλλακτικά εγκεκριμένα από τον κατασκευαστή.
- Η λεπίδα είναι πολύ ζεστή μετά τη χρήση, φορέστε γάντια ή αφήστε την να κρυώσει πριν από διαδικασίες συντήρησης ή καθαρισμού.
- Καθαρίστε τη συσσωρευμένη σκόνη με μια βούρτσα ή ηλεκτρική σκούπα. Μην χρησιμοποιείτε πεπιεσμένο αέρα.
- Για να εξασφαλιστεί η ασφάλεια και η αξιοπιστία, όλες οι επισκευές, συμπεριλαμβανομένης της αλλαγής βουρτσών, θα πρέπει να γίνονται από εξουσιοδοτημένο κέντρο επισκευών.
- Εάν το καλώδιο τροφοδοσίας έχει υποστεί ζημιά, πρέπει να αντικατασταθεί μόνο από τον κατασκευαστή ή από ένα εξουσιοδοτημένο κέντρο σέρβις για να αποτραπεί ζημιά στην πριόνι ή κίνδυνος ηλεκτροπληξίας.



**ΠΡΟΕΙΔΟΠΟΙΗΣΗ**

Για μεγαλύτερη ασφάλεια και αξιοπιστία, όλες οι επιδιορθώσεις πρέπει να πραγματοποιούνται από εγκεκριμένο Κέντρο Τεχνικής Εξυπηρέτησης Ryobi.

Μέγιστο στοπ βάθους κοπής.

Το στοπ μέγιστου βάθους κοπής προορίζεται για την αποτροπή της λεπίδας να κόψει στην μεταλλική βάση της μονάδας.

ΠΡΟΕΙΔΟΠΟΙΗΣΗ

Το στοπ μέγιστου βάθους κοπής δεν ρυθμίζεται από τον χρήστη. Μην προσαρμόζετε το μέγιστο στοπ βάθους κοπής.

ΜΕΤΑΦΟΡΑ ΚΑΙ ΑΠΟΘΗΚΕΥΣΗ

- Κατά την αποθήκευση του προϊόντος, αποσυνδέστε το καλώδιο τροφοδοσίας. Αποθηκεύστε το προϊόν σε ένα ασφαλές μέρος που δεν είναι προσίτο στα παιδιά. Φυλάξτε το καλώδιο τροφοδοσίας, όπως φαίνεται στην εικόνα στη σελίδα 185 - 186 αυτού του εγχειριδίου.
- Καθαρίστε το προϊόν με μια βούρτσα και ηλεκτρική σκούπα πριν από την αποθήκευση.
- Αν αφαιρέσετε τη λεπίδα του πριονιού ή να διατηρείτε ανταλλακτικά με τη μονάδα, βεβαιωθείτε ότι είναι στην αρχική συσκευασία τους για να αποφύγετε τραυματισμούς.

Για να ασφαλίσετε το προϊόν πριν από τη μετακίνηση:

- Το προϊόν πρέπει να φυλάσσεται με ρύθμιση μηδέν μοιρών και γωνία κλίσης και κλειδωμένο στη θέση του. Η ολίσθηση θα πρέπει να κλειδώνεται. Η χειρολαβή θα πρέπει να κλειδωθεί στην κάτω (ασφαλή) θέση με τα προστατευτικά κλειστά.
- Μία ή και οι δύο πλευρές των στηριγμάτων των κομματιών εργασίας μπορεί να αφαιρεθεί για διευκόλυνση της μεταφοράς.

Για να το μετακινήσετε ή να το μεταφέρετε με όχημα:

- Ασφαλίστε το προϊόν πριν από τη μεταφορά, όπως περιγράφεται στο εγχειριδίο.
- Αφαιρέστε το προϊόν από τον πάγκο εργασίας, αφαιρώντας τα 4 μπουλόνια, ένα σε κάθε γωνία. Ασφαλίστε τις βίδες για μελλοντική χρήση. Σηκώστε το προϊόν από τη λαβή στο πάνω μέρος.
- Όταν ανασηκώνετε σε κάποιο ύψος, απαιτούνται δύο άτομα που φορούν βαριά γάντια για να σηκώσουν τη βάση του προϊόντος.
- Κατά τη μεταφορά με όχημα, βάλτε το προϊόν στη βάση του και ασφαλίστε το ώστε να μην μετακινηθεί.

ΠΡΟΣΤΑΣΙΑ ΤΟΥ ΠΕΡΙΒΑΛΛΟΝΤΟΣ

Ανακυκλώνετε τις πρώτες ύλες αντί να τις πετάτε στον κάδο οικιακών απορριμμάτων. Για την προστασία του περιβάλλοντος, πρέπει να γίνεται η διαλογή του εργαλείου, των εξαρτημάτων και των συσκευασιών του.

ΠΣΥΜΒΟΛΟ

Προειδοποίηση ασφάλειας



Συμμόρφωση CE



Παρακαλούμε διαβάστε προσεκτικά τις οδηγίες πριν χρησιμοποιήσετε το προϊόν.



Оборудване от клас II, двойна изолация



Φοράτε προστατευτικά αυτιών



Φοράτε πάντα προστατευτικά ματιών.



ΚΙΝΔΥΝΟΣ! Αιχμηρή λεπίδα.



Φοράτε γάντια ασφάλειας.



Φορά περιστροφής λεπίδας (εμφανίζεται στη λεπίδα πριονιού)



Κατεύθυνση περιστροφής λεπίδας (επισημαίνεται στο προστατευτικό κάλυμμα)



Πλάτος κοπής λεπίδας (αρμός)



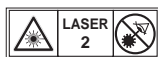
Αριθμός δοντιών στην λεπίδα κοπής



Για κοπή ξύλου και παρόμοιου υλικού



Όχι για κοπή μετάλλου



Ακτινοβολία λέιζερ.
Μην κοιτάζετε απευθείας στην ακτίνα.

Προϊόν λέιζερ κλάσης 2



Τα ηλεκτρικά προϊόντα προς απόρριψη δεν θα πρέπει να απορρίπτονται μαζί με τα οικιακά απόβλητα. Παρακαλούμε ανακυκλώστε όπου υπάρχουν οι αντίστοιχες εγκαταστάσεις. Μιλήστε με τις τοπικές αρχές ή τον πωλητή για να σας ενημερώσουν σχετικά με τα προγράμματα ανακύκλωσης.

⚠ ΚΙΝΔΥΝΟΣ

Υποδεικνύει μια επικείμενη επικίνδυνη κατάσταση, η οποία, αν δεν αποφευχθεί, θα οδηγήσει σε θάνατο ή σοβαρό τραυματισμό.

⚠ ΠΡΟΕΙΔΟΠΟΙΗΣΗ

Υποδεικνύει μια δυνητικά επικίνδυνη κατάσταση, η οποία, αν δεν αποφευχθεί, θα οδηγήσει σε θάνατο ή σοβαρό τραυματισμό.

⚠ ΠΡΟΣΟΧΗ

Υποδεικνύει μια δυνητικά επικίνδυνη κατάσταση, η οποία, αν δεν αποφευχθεί, ενδέχεται να οδηγήσει σε ελαφρύ ή μέτριο τραυματισμό.

ΣΥΜΒΟΛΑ ΣΤΟ ΕΓΧΕΙΡΙΔΙΟ

Συνδέστε το προϊόν στο ρεύμα.



Αποσυνδέστε από το ρεύμα το προϊόν.



Κλειδωμα



Ξεκλειδωμα



Ο μηχανισμός κλειδώματος δεν λειτουργεί



Ακούγεται ήχος



Χρόνος αναμονής ώστε η λεπίδα να φτάσει στη μέγιστη ταχύτητα



Ανταλλακτικά και εξαρτήματα πωλούνται χωριστά



Σημείωση:



ΠΡΟΕΙΔΟΠΟΙΗΣΗ

Οι ακόλουθες προειδοποιητικές λέξεις και έννοιες προορίζονται να εξηγήσουν τα επίπεδα κινδύνου που συνδέονται με αυτό το προϊόν:



Gönye testere tasarlanırken temel öncelik güvenlik, performans ve güvenilirlik özelliklerine verilmiştir.

KULLANIM AMACI

Gönye kesme makinesi sert ve bağlı ahşap, yapıştırılmış ince kaplamalı veya çıplak ahşaba benzer materyaller ve plastiklerin testere ile kesilmesine yöneliktir.

Testerenin yalnızca talimat kılavuzunu okumuş ve riskleri ve tehlikeleri anlamış bir yetişkin tarafından kullanılmasına amaçlanmıştır.

Gönye kesme testeresi dayanıklı bir tezgah tablasına tabanından sabitlenecek şekilde tasarlanmıştır. Taşıyıcı taban sağlam bir şekilde sabitlenmemişse tüm makine, kesme çalışmaları sırasında hareket edebilir ve ciddi kişisel yaralanma olasılığını artırabilir.

Gönye kesme makinesi şev ve gönye kesimleri yapmak için tasarlanmıştır. Çeşitli kesim kapasiteleri bu kılavuzun sürgülü kompakt gönye kesme makinesi ürün spesifikasyonlarında verilmiştir.

Testere kursuz ortam ışığında ve uygun havalandırma ile kuru koşullarda kullanılacaktır.

Gönye kesme makinesi tüketici tarafından kullanılmaya yöneliktir ve yalnızca yukarıda açıklandığı şekilde kullanılmalıdır, başka herhangi bir amaçla kullanılamaz.

GENEL EMNİYET UYARILARI

⚠ UYARI

Elektrikli aletleri kullanırken, yangın, elektrik çarpması, yanma ve diğer yaralanma risklerini azaltmak için bazı temel güvenlik tedbirleri dikkate alınmalıdır. Bu ürünü çalıştırmadan önce mutlaka bu talimatları okuyun ve bir yerde saklayın.

- **Çalışma alanını temiz tutun.** Karmaşık alanlar ve tezgahlar, yaralanmalara davetiye çıkarır.
- **Çalışma ortamını inceleyin.** Aletleri yağmura maruz bırakmayın. Aletleri ıslak ya da nemli ortamlarda kullanmayın. Çalışma alanını iyi ışıklandırın. Aleti, yanıcı sıvıların veya gazların bulunduğu ortamda kullanmayın.
- **Elektrik çarpmasına karşı koruma sağlayın.** Şaşelenmiş veya topraklanmış yüzeylere temas etmekten kaçının (borular, radyatörler, ocaklar, buzdolapları vs.).
- **Başka insanları yaklaştırmayın.** İnsanların, özellikle de çocukların işe müdahil olmasına, alete veya uzatma kablosuna dokunmasına asla müsaade etmeyin; çalışma alanından uzak tutun.
- **Boşta duran aletler.** Kullanılmadıkları zamanlarda, aletleri kuru, kilitli ve çocukların ulaşamayacağı bir yerde saklayın.
- **Alete güç uygulamayın.** İşin, amacına uygun seviyede kaliteli ve emniyetli yapılmasını sağlayacaktır.

- **Doğru cihaz kullanın.** Küçük aletleri, ağır iş aletleriyle yapılması gereken zorlu işlerde kullanmayın. Aletleri kullanın amaçlarının dışında kullanmayın; örneğin, yuvarlak testereyi ağaç dallarını veya kütükleri kesmede kullanmayın.
- **Uygun giysiler giyin.** Bol kıyafet giymeyin, ziynet eşyası takmayın; hareketli parçalara kapılabilir. Açık mekanlarda çalışırken kaymaz ayakkabı giymeniz tavsiye edilir. Aynı zamanda uzun saçlarınızı tutması için koruyucu saç örtüleri kullanın.
- **Koruyucu ekipman kullanın.** Emniyet gözlükleri takın. Çalışma ortamında toz çıkıyorsa, yüz veya toz maskesi takın.
- **Toz çekme ekipmanını bağlayın.** Toz atma ya da toplama ekipmanı bağlantısı da aletle kullanılıyorsa, bunların doğru bağlandığından ve kullanıldığından emin olun.
- **Elektrik kablosunu hor kullanmayın.** Kabloyu soketten çıkarmak için asla sertçe çekmeyin. Kabloyu ısıdan, yağdan ve keskin nesnelere uzak tutun.
- **İşi emniyete alın.** Mümkünse, çalışmaya ara verdiğinizde kelepçe veya mengineyle sabitleme yapın. Ellerinizi kullanmaktan daha güvenlidir.
- **Aşırı deredece uzanmayın.** Her zaman güvenli ve dengede durun.
- **Aletlere özenle bakım yapın.** Daha iyi performans ve daha yüksek güvenlik için, kesme aletlerini keskin ve temiz tutun. Aksesuar yağlama ve aksesuar değiştirme için, mutlaka talimatlara uyun. Alet kablolarını periyodik olarak kontrol edin, hasarlı olanları yetkili serviste onarılmasını sağlayın. Uzatma kablosunu düzenli aralıklarla kontrol edin ve hasar görmüşse değiştirin. Kolların kuru, temiz ve yağdan/gresten arınmış olmasına özen gösterin.
- **Aletlerin fişini çekin.** Kullanılmadıkları zamanlarda, bıçaklar, matkap uçları ve kesiciler gibi aletlere bakım yapmadan veya değiştirmeden önce, mutlaka aletlerin fişini çekin.
- **Ayarlama anahtarlarını ve somun anahtarlarını çıkarın.** Aleti çalıştırmadan önce anahtarların ve ayar anahtarlarının aletten çıkarıldığını kontrol etmeyi alışkanlık haline getirin.
- **İstemsiz çalıştırmalardan kaçının.** Aletin fişini takarken, düğmenin "off (kapalı)" konumunda olduğundan emin olun.
- **Açık mekan için uygun uzatma uçları kullanın.** Alet dış mekanda kullanılıyorsa, sadece dış mekan için üretilmiş ve bu özelliği üzerinde belirtilmiş uzatma kablolarını kullanın.
- **Her zaman tetikte olun.** Yaptığınız işi izleyin, duyarlı olun ve yorulduğunuz zaman aleti kullanmaya ara verin.
- **Hasarlı parçalara karşı kontrol edin.** Aleti kullanmaya devam etmeden önce, doğru ve amacına uygun bir şekilde kullanılıp kullanılmayacağını dikkatlice kontrol edin. Hareketli parçaların hizalamasını, yüzeye yapışıp yapışmadığını, parçalarda kırılma olup olmadığını, montaj konumunu ve aletin çalışmasını etkileyebilecek



diğer koşulların bulunup bulunmadığını kontrol edin. Hasar gören bir koruma ya da başka bir parça, aksi bu kullanım kılavuzunda belirtilmedikçe yetkili servis merkezi tarafından onarılmalı ya da değiştirilmelidir. Arızalı anahtarlar yetkili servis tarafından değiştirilmelidir. Alt düğmeyle açılıp kapatılamıyorsa, aleti kullanmayın.

- **Uyarı.** Bu kullanım kılavuzunda tavsiye edilenlerin dışında aksesuar veya ataşman kullanılması, kişisel yaralanma riskine neden olur.
- **Alet mutlaka yetkili teknisyen tarafından onarılmalıdır.** Bu elektrikli alet, yürürlükteki emniyet normlarına uygundur. Onarım işleri, sadece orijinal parçaları kullanılan kalifiye teknisyenler tarafından yapılmalıdır; aksi takdirde kullanıcı ciddi biçimde zarar görebilir.

GÖNYE KESME MAKİNESİ GÜVENLİK UYARILARI

- İş parçasını her zaman güvenli ve sıkı bir şekilde kelepçeleysin.
- Tezgâhta kullanılacaksa makinenin düzgün, güvenli ve sağlam bir şekilde monte edildiğini kontrol edin.
- Kulak koruyucu kullanın. Gürültüye maruz kalmak işitme kaybına neden olabilir.
- Makineyi kullanırken gözlük takınız. Bıçakların ve tırtıklı materyallerin taşınması için eldivenle birlikte ayaklarınızı kesme alanından düşebilecek iş parçalarından korumak için sağlam, kaymaz ayakkabılar giyilmesi önerilir.
- Herhangi bir bakım çalışması yapmadan veya aleti temizlemeden önce her zaman fişi prizden ayırın.
- Güç kablosuna prize yalnızca alet kapalı olduğunda takın.
- Elektrik kablosunu makinenin çalışma alanından uzak tutun. Operatörün bulunduğu alanın dışında tutun.
- Bıçak tamamen durana kadar bıçağın yanındaki alana asla yaklaşmayın.
- Kullanmadan önce makineyi, kabloyu ve fişi herhangi bir hasar ya da malzeme yorgunluğu bakımından kontrol edin. Güç kablosu da dahil olmak üzere tüm makine üzerinde yapılacak onarım çalışmaları yalnızca yetkili servis yetkilileri tarafından gerçekleştirilmelidir.
- Daima makine üzerinde koruyucu kalkanlar kullanın. Korumalar yerinde değilse ve doğru şekilde çalışmıyorsa makineyi kullanmayın.
- Koruyucu kapak, siperlik makine kesilecek parçaya yakınlaştığında açılmalıdır.
- Testereyi veya fonksiyonunu asla değiştirmeyin. Güvenliğiniz tehlikeye girebilir.
- Gönye kesme makinesini açık havada kullanırken üretici, 30mA'da etkinleşme ayarına sahip bir RCD cihazının kullanılmasını önerir.
- Çatlak, hasarlı veya deforme olmuş testere bıçaklarını kullanmayın.
- Yüksek hız çeliğinden yapılmış testere bıçaklarını kullanmayın.

- Yalnızca keskin bıçaklar kullanın. Körelmiş bıçakları değiştirin.
- Dingilin niteliğine uygun olmayan bıçaklar düzgün olarak dönmeyecekler ve aletin kontrolünün kaybedilmesine neden olacaklardır. Asla defolu yada uygun olmayan vida ve bıçak kenedi kullanmayın.
- Sadece bu kılavuzda açıklanan EN 847-1'e uygun bıçaklar kullanın.
- Testere bıçağını sabitlemek için tedarik edilenler veya talimat kılavuzunda belirtilenler dışında herhangi bir flanş, rondela ve somun kullanmayın.
- Makine de kesilecek malzemeye uygun testere kullanınız.
- Testerenin üzerinde yazılı maksimum hızda kullanmaya çalışın.
- Makinede kullanma kılavuzunda belirtilenlerin haricinde malzeme kesmeyiniz.
- Tezgah bağlantı ekini aşındığında veya hasar gördüğünde değiştirin.
- Çalışmadan önce motoru açmadan yapay bir kesim yaparak bıçak pozisyonunu, koruyucuların diğer makine parçalarına göre nasıl çalıştığını ve çalışma parçasını kontrol edin.
- Gönyeli, eğri ve bileşik gönyeli kesim yaparken bıçağı uzaklığın doğru olması için sürgülü çitayı ayarlayın.
- Gönye testeresi taşınırken kol kilidi daima kilitle olmalıdır.
- Yerde gevşek malzeme, örneğin talaş ve kesik parçalar bulundurmayın.
- Makine çalışırken ve testere gövdesi aşağıda iken tabla üzerinde herhangi bir temizlik yapmayınız.
- Uzun malzemeler yeterince desteklenmelidir. Testerenin çalışma alanı içine iş parçasının tüm uzunluğu dahildir. Operatör bu alanı, başka kişilerle veya çalışma sırasında iş parçasını hareket ettirebilecek nesnelere teması karşı emniyete almalıdır.
- Bu aletin kullanımını sırasında meydana çıkan toz sağlığa zararlı olabilir. Bir toz emme sistemi kullanın ve uygun bir toz maskesi takın. Ortaya çıkan tozu, elektrikli süpürge gibi bir makineyle iyice temizleyin.
- Ünite bir elektrik devresi koruma cihazına (sigorta veya devre kesici) bağlanmalıdır.
- Lazeri farklı tipte bir lazerle değiştirmeyin. Her türlü onarım işlemleri sadece lazer üreticisi ya da yetkili bir servis tarafından gerçekleştirilmelidir.
- Bu aleti kullanırken voltaj dalgalanmaları aynı elektrik devresi üzerindeki diğer elektrikli ürünleri veya aydınlatmaları olumsuz etkileyebilir. Voltaj dalgalanmalarını en aza indirmek için aleti 0.071 Ω a eşit bir empedansa sahip bir güç kaynağına bağlayın. Daha fazla bilgi almak için elektrik gücü tedarikçiniz ile iletişime geçin.



ODUN KESME BIÇAĞI İÇİN GÜVENLİK TALİMATLARI

- Makineyi çalıştırmadan önce bu kılavuzda bulunan tüm talimatları okuyun.
- Makine iyi durumda olmalı, milin şekli düz olmalı ve titrememelidir.
- Özellikle bir mod değişiminden sonra koruyucular takılmamışsa testereyi kullanmayın. Koruyucuların iyi çalışır durumda olmasını ve düzgün olarak bakımının yapılmasını sağlayın.
- Operatörün; güvenlik önlemleri, makine ayarı ve kullanımı hakkında yeterli bilgiye sahip olduğundan emin olun.
- Her zaman kulak koruyucuyla birlikte yan siperlikli koruyucu gözlük kullanın. Makineyi kullanırken eldiven, kaymayan ayakkabı ve önlük giymeniz önerilir.
- Herhangi bir aksesuar kullanmadan önce kullanım kılavuzuna başvurun. Bir aksesuarın hatalı kullanılması hasara neden olabilir.
- Sadece bu kılavuzda açıklanan EN 847-1'e uygun bıçaklar kullanın.
- Testere bıçağında belirtilen maksimum hızı asla aşmayın. Testere bıçağında belirtilen hızın en az testere üzerindeki hıza eşit olduğundan emin olun.
- Dingilin niteliğine uygun olmayan bıçaklar düzgün olarak dönmeyecekler ve aletin kontrolünün kaybedilmesine neden olacaklardır. Asla defolu yada uygun olmayan vida ve bıçak kenedi kullanmayın.
- Tavsiye edilenden daha büyük veya küçük çapta bıçaklar kullanmayın. Bıçağı mile oturtmak amacıyla ara parçalar kullanmayın.
- Her kullanımdan önce testere bıçağının uçlarını hasara veya anormal bir değişikliğe karşı kontrol edin. Hasar gören veya gevşeyen uçlar kullanım sırasında parçalar fırlatarak yaralanma riski yaratırlar.
- Çatlamış ya da eğri, düzgün olmayan testere kullanmayın. Arızalı ya da deforme olmuş testere kullanmayın.
- Asla hasarlı veya şekli bozulmuş testere bıçağıni kullanmayın. Onarmak yasaktır.
- HSS bıçaklar kullanmayın.
- Kullanmadan önce, testere bıçağının doğru monte edildiğinden emin olun. Her kullanımdan önce mil somununu iyice sıkın. (Tork: 12-15 Nm)
- Tespit vidası ve somunlar uygun bir anahtarla sıkılmalıdır.
- Anahtar uzantısı kullanmak veya çekiçle vurarak sıkmak yasaktır.
- Tüm bıçak ve flanşların temiz olduğundan ve burcun oluklu kenarlarının bıçağına baktığından emin olun.
- Bıçağın doğru yönde döndüğünden emin olun.
- Çalışmadan önce motoru açmadan yapay bir kesim yaparak bıçak pozisyonunu, koruyucuların diğer makine parçalarına göre nasıl çalıştığını ve çalışma parçasını kontrol edin.

- Makineyi asla başıboş bırakmayın.
- Çalıştığı sırada bıçağına yağlama yağı sürmeyin.
- Makine çalışırken ve makine kafası hareketliken asla makine üzerinde temizlik ya da bakım işi yapmayın.
- Makine hareket halindeyken asla bıçağına karşı bir sıkıştırma aleti vs. koyarak makineyi durdurmaya çalışmayın; çok ciddi kazalar meydana gelebilir.
- Bakım uygulamadan veya bıçak değişimi yapmadan önce, testereyi elektrik prizinden mutlaka çıkarın.
- Bıçağı paketlerken ve paketten çıkarırken dikkatli olun, keskin bıçak uçları yaralanmanıza neden olabilir.
- Bir testere bıçağı kullanırken bir bıçak tutucu kullanın veya iş eldiveni takın.
- Bıçağı orijinal paketinde veya uygun başka bir pakette, kuru ve bıçağına zarar verebilecek kimyasal maddelerden uzak bir ortamda saklayın.

LAZER GÜVENLİĞİ

- Testerede kullanılan lazer kılavuz ışması, maksimum $\leq 1mW$ ve 650 nm dalga boyuna sahip Sınıf 2'dir. Doğrudan lazer ışınına bakmayın. Kurallara uymamak insanların ciddi bir biçimde yaralanmalarına neden olabilir.
- Kullanım esnasında lazer ışınına bakmayın.
- Lazer ışını başkalarının gözlerine yöneltmeyin. Ciddi göz yaralanmaları meydana gelebilir.
- Lazeri insanların lazer ışınına kasıtlı veya kazayla bakmasına neden olacak bir pozisyonda koymayın.
- Lazer ışınına bakmak için hiç bir optik araç kullanmayın.
- Lazeri çocukların bulunduğu yerde çalıştırmayın veya çocukların lazeri çalıştırmasına izin vermeyin.
- Lazer cihazını kendiniz onarmaya çalışmayın.
- Lazer cihazının hiçbir parçasını kendiniz değiştirmeye çalışmayın.
- Her türlü onarım, sadece lazer üreticisi veya yetkil servis acentesi tarafından yapılmalıdır.
- Lazeri farklı tipte bir lazerle değiştirmeyin.

ARDIL RİSKLER

Ürün belirttiği şekilde kullanıldığı zaman bile belirli artık risk faktörlerinin tamamen ortadan kaldırılması mümkün değildir. Kullanım sırasında aşağıdaki tehlikeler ortaya çıkabilir ve operatör bunlardan kaçınmak için özellikle dikkat etmelidir:

- Döner testere bıçağının korumasız parçalarına temas etme tehlikesi bulunmaktadır.
- Yanlış ayar veya kullanım çalışma parçasının ya da çalışma parçası bileşenlerinin geri tepmesine neden olur.
- Testere bıçağından karbür ucu parçalarının fırlaması.
- Etkili bir toz maskesi kullanılmazsa solunum sistemi zarar görebilir.



NOT: İşlenecek materyallere uygun filtreler içeren solunum koruma maskeleri takın Çalışma yerinin uygun şekilde havalandırıldığından emin olun. Çalışma alanı içinde bir şey yemeyin, içmeyin veya sigara içmeyin.

- Uygun tipte kulak koruyucusu kullanılmadığında işitme duyusunun zarar görmesi.

⚠ UYARI

Belirli boyalardan, kaplamalardan veya materyallerden kaynaklanan toz solunum sisteminde tahrişe veya alerjik reaksiyona neden olabilir. Meşe, kayın, MDF ve diğer ağaçlar gibi ahşaptan kaynaklanan toz kanserojendir. Asbest içeren materyal yalnızca nitelikli uzman operatörler tarafından işlenmeli ve üzerinde çalışma yapılmalıdır.

⚠ UYARI

Bir aletin uzun süre kullanılması nedeniyle yaralanmalar olabilir veya mevcut yaraların durumu kötüleşebilir. Herhangi bir aleti uzun bir süre boyunca kullanırken düzenli olarak ara vermeyi ihmal etmeyin.

ÜRÜNÜNÜZÜ BİLİN

162 - 163 sayfasına gidin

1. Tutamak
2. Güç anahtarı
3. Emniyet kilidi kolu
4. Üst bıçak koruyucu
5. Testere bıçağı
6. Alt bıçak koruyucu
7. Kelepçe
8. Ana çit
9. Döner tabla
10. Taban
11. Tezgah bağlantı eki
12. Döner tabla kilit kolu
13. Denge ayağı
14. Lazer anahtarı
15. LED anahtarı
16. Braket tespit elemanı
17. Alt koruma kapağı
18. Sürgülü çit
19. Montaj deliği
20. Uzatma çubuğu
21. Şev açısı sınırı tespit elemanı ayar vidaları
22. Mil kilit düğmesi
23. Üst kulp
24. Toz torbası
25. Kesme derinliği ayar düğmesi
26. Doğrusal rod durdurma düğmesi
27. Sargı desteği
28. Şev açısı kilit düğmesi
29. Azami kesme derinliği tespit elemanı
30. Gönye açısı ayar vidaları

ÇALIŞTIRMA

Ürün, ürünün taşıyıcı tabanına sağlam bir şekilde sabitlenmiş bir iş parçasını keserken operatör tarafından çeşitli açılarda ayarlanabilen hareketli bir testere bıçağına sahiptir. Hareketli testere bıçağıyla kazara teması önlemek için yalnızca bir kişi tarafından kullanılmalıdır.

Ürünün güvenli kullanımı ilkeleri aşağıdaki gibidir:

- Testereyi, bıçakları ve çalışma alanını iyi durumda muhafaza edin.
- Gönye kesme testeresinin tabanını dayanıklı bir tezgaha sabitleyin. Ürün doğru şekilde sabitlenmezse hareket edebilir ve devrilebilir.
- Kesim yapmadan önce kesme açılarını ve derinliğini ayarlayın ve kilitleyin.
- İş parçasını gönye kesme makinesi taşıyıcı tabanına sabitleyin. Ürünle birlikte verilen kelepçeyi kullanın ve gerektiği durumlarda kesim sırasında iş parçasının kazara hareket etmesini önlemek için ek kelepçeler veya tutma mekanizmaları kullanın.
 - Bıçak korumalarının işleyişinin iş parçasının konumu nedeniyle kısıtlanmadığını kontrol edin.
 - Çit ve ürünün diğer parçalarının bıçak kesme konumuna doğru alçalışırken kesilmediğinden emin olun.
- Motoru çalıştırın ve iş parçasını kesmek için yavaşça alçaltmadan önce bıçağın tam hıza ulaşmasını bekleyin. Kesim işlemini gerektiği gibi tamamlamak için bıçak tertibatını geriye ve/veya ileriye doğru kaydırın.
- Bıçak tertibatının, bıçak korumalarının tamamen kapandığı üst konuma gelmesini bekleyin. Motoru kapatın ve iş parçasını veya kesilen parçaları çıkarmadan önce veya bıçak alanına yaklaşımadan önce bıçağın tamamen durmasını bekleyin.

İlk kullanımdan önce ürün üzerinde ayarlı şev veya gönye açısının iş parçası üzerinde meydana gelen açıyla eşleştiğinden emin olun. Bunu bir marangoz takımı veya marangoz gönye kullanarak artık bir tahta parçası üzerinde kontrol edin.

⚠ UYARI

Üretici, ürünün her zaman bir tezgah tablasına sabitlenmesini şiddetle önermektedir.

Ürünün tabanı ürünle birlikte verilen dörder adet somun, civata ve rondelayla bir tezgah tablasına sıkı bir şekilde sabitlendiğinde ürün, devrilme riski olmadan maksimum eğim açısında ve gönye ayarında kullanılabilir. Ürün doğru şekilde sabitlenmemişse geniş şev açılı seçildiğinde ürünün dengesi bozulabilir.

Uzatma döner tablasının tabanından dışarıya uzanan bir ayar vidası da (denge ayağı) vardır. Bu vida ürünün dayandığı düz yüzeye dokunacak şekilde ayarlanmalıdır. Bu, tam kıyak ve gönye boyunda kesim yapıldığında ürünün dengesinin bozulmasını da önler. Testere tezgahının bu parçasının farklı gönye açılı seçildiğinde hareket ettiğini,

bu nedenle vidanın sık sık ayarlanması ve sıfırlanması gerektiğine dikkat edin.

BAKIM

- Ürünü herhangi bir şekilde değiştirmeyin veya üretici tarafından onaylanmamış aksesuarlar kullanmayın. Sizin ve diğer kişilerin güvenliği tehlikeye girebilir.
- Herhangi bir şalter, koruma veya başka bir fonksiyon amaçlandığı şekilde çalışmıyorsa ürünü kullanmayın. Profesyonel onarım veya ayar işlemi için yetkili bir servis merkezine gönderin.
- Testere bıçağı hareket halindeyken herhangi bir ayar yapmayın.
- Ayar ve yağlama çalışmalarından önce veya ürün üzerinde herhangi bir bakım çalışması yaparken her zaman elektrik fişinin şebeke güç kaynağından ayrıldığından emin olun.
- Her kullanımdan önce ve sonra ürünü hasara veya kırık parçalara karşı kontrol edin. Hasarlı parçaları hemen üretici tarafından onaylanan yedek parçalarla değiştirerek ürünü en iyi çalışma durumunda tutun.
- Bıçak kullanıldıktan sonra çok sıcaktır, eldiven giyin veya bakım veya temizlik prosedürlerinden önce soğumasını bekleyin.
- Bir fırça veya elektrikli süpürge kullanarak biriken tozu temizleyin. Basınçlı hava kullanmayın.
- Güvenli ve güvenilir olmasını sağlamak için fırçaların değiştirilmesi de dahil tüm onarım çalışmaları yetkili bir servis merkezi tarafından gerçekleştirilmelidir.
- Güç kaynağı kablosu hasarlıysa testerenin zarar görmesini veya elektrik çarpması riskini önlemek için yalnızca üretici veya yetkili bir servis merkezi tarafından değiştirilmelidir.

⚠ UYARI

Daha fazla güvenlik için, tüm onarımlar Ryobi Yetkili Servis Merkezinde gerçekleştirilmelidir.

Azami kesme derinliği tespit elemanı

Azami kesme derinliği tespit elemanının amacı, testere bıçağının ünitenin metal taşıyıcı tabanını kesmesini önlemektir.

⚠ UYARI

Azami kesme derinliği tespit elemanı kullanıcı tarafından ayarlanamaz. Azami kesme derinliği tespit elemanını ayarlamayın.

TAŞIMA VE SAKLAMA

- Ürünü depolarken güç kablosunu ayırın. Ürünü çocukların erişemeyeceği güvenli bir yerde saklayın.

Güç kablosunu bu kılavuzun 185 - 186 numaralı sayfalarındaki resimlerde gösterildiği şekilde saklayın.

- Depolamadan önce ürünü bir fırça ve elektrikli süpürge kullanarak temizleyin.
- Testere bıçağını çıkartırsanız veya yedekleri üniteye tutarsanız yaralanmayı önlemek için orijinal ambalajlarında olduklarından emin olun.

Taşıma öncesi ürünü sabitlemek için:

- Ürün sıfır derece gönye ve şev açısında saklanmalı ve yerine kilitlenmelidir. Kızak kilitlenmelidir. Kol, korumalar kapalı halde alt (güvenli) konuma kilitlenmelidir.
- İş parçası desteklerinin bir veya her iki tarafı daha kolay taşımak amacıyla sökülebilir.

Bir araçla taşımak veya nakletmek için:

- Ürünü taşımadan önce kılavuzda açıklandığı gibi sabitleyin.
- Her köşede bir tane bulunan 4 civatayı sökerek ürünü tezgah tablasından ayırın. Civataları ileride kullanmak üzere saklayın. Ürünü üst kısımdaki kulpu kullanarak kaldırın.
- Yüksek bir noktaya kaldırırken ürünün taşıyıcı tabanını kaldırmak için ağır iş eldivenleri giyen iki kişi gerekir.
- Bir araç içinde taşırken ürünü taşıyıcı tabanı üzerine yerleştirin ve hareket etmemesi için sabitleyin.

ÇEVRENİN KORUNMASI



Ham maddeleri ev çöpleri ile birlikte atmak yerine geri dönüştürün. Çevreyi korumak için, alet, aksesuarlar ve ambalajlar tasnif edilmelidir.

SEMBOL



Güvenlik Uyarısı



CE Uygunluğu



Ürünü çalıştırmadan önce, lütfen aşağıdaki talimatları dikkatlice okuyun.



Sınıf II ekipmanı
Çift yalıtım



Koruyucu kulaklık kullanın



Her zaman koruyucu gözlük kullanın.



TEHLİKE! Keskin bıçak.



İş eldiveni kullanın.



Bıçak dönüş yönü (testere bıçağı üzerinde gösterilmiştir)



Bıçak dönüş yönü (bıçak koruması üzerinde gösterilmektedir)



Bıçak kesim genişliği (çentik)



Bu testere bıçağı üzerindeki diş sayısı



Odun ve benzer malzemeleri kesmek için



Metal kesmeye uygun değildir



Lazer radyasyonu.
Lazer ışınına doğrudan bakmayın.
Sınıf 2 lazer ürünü



Atık elektrikli ürünler evsel atıklarla birlikte atılmamalıdır. Tesis bulunuyorsa lütfen geri dönüşüme verin. Geri dönüşümle ilgili tavsiye için Yerel Makamlarla veya bayi ile irtibat kurun.

KITAPÇIKTAKI SEMBOLLER



Makineyi prize takın.



Aletin fişini prizden çekin.



Kilit



Kilidi açma



Kilit mekanizması çalışmıyor



Bir ses geliyor



Bıçağın tam hıza ulaşması için bekleme süresi



Parçalar ya da aksesuarlar ayrı olarak satılır.



Not:



UYARI

Aşağıdaki işaret sözcükleri ve anlamları, bu ürünle ilişkili risk seviyelerini açıklamaya yöneliktir:

TEHLİKE

Önlenmemesi durumunda ölüm veya ciddi yaralanma ile sonuçlanacak, tehdit edici tehlikeli bir durumu gösterir.

UYARI

Önlenmemesi durumunda ölüm veya ciddi yaralanma ile sonuçlanabilecek potansiyel olarak tehlikeli bir durumu gösterir.

DİKKAT

Önlenmemesi durumunda önemsiz veya orta derece yaralanma ile sonuçlanabilecek potansiyel olarak tehlikeli bir durumu gösterir.

DİKKAT

(Güvenlik Uyarı Sembölü Yok) Mal hasarına neden olabilecek bir durumu gösterir.



Безпеці, продуктивності і надійності був надан вищий пріоритет в дизайні вашої торцювальної пили.

ПРИЗНАЧЕННЯ

Торцювальна пила призначена для розпилювання твердої і присованою деревини, матеріалів, схожих з деревом, з або без клейового шпону і пластика.

Пила призначена для використання тільки дорослими операторами, які прочитали інструкцію і зрозуміли ризики і небезпеки.

Торцювальна пила призначена для кріплення на підставі до твердої поверхні верстата. Якщо основа не надійно закріплена, вся машина може рухатися під час різання, що збільшує можливість отримання серйозної травми.

Торцювальна пила призначена, щоб зробити кінчні і торцювальні зрізи. Потужності для різних розрізів, передбачені у специфікації продукту ковзної компактно торцювальної пилки в цьому посібнику.

Пила призначена для використання в сухих умовах, з відмінним освітленням та вентиляцією.

Продукт призначений для побутового використання і повинен використовуватися тільки як описано вище, і не для якихось інших цілей.

ЗАГАЛЬНІ ЗАХОДИ БЕЗПЕКИ

▲ ПОПЕРЕДЖЕННЯ

При використанні продукту, основні запобіжні заходи повинні дотримуватися, щоб знизити ризик виникнення пожежі, ураження електричним струмом та отримання травм. Прочитайте ці інструкції перед початком роботи з цим продуктом і збережіть ці інструкції.

- **Тримайте робочу зону чистою.** Засмітченні області та верстат створюють травми.
- **Враховуйте робоче навколишнє середовище.** Бережіть інструмент від дощу. Не використовуйте інструменти в сирих або вологих місцях. Утримуйте робоче місце в чистоті і добре освітленим. Не використовуйте інструменти у присутності легкозаймистих рідин або газів.
- **Захист від ураження електричним струмом.** Уникайте контакту тіла з заземленими поверхнями, такими як труби, радіатори, плити та холодильники.
- **Тримайте інших осіб подалі.** Не дозволяйте особам, особливо дітям, бути залученими в роботу, торкатися інструменту або подовжувача, і тримайте їх подалі від робочої зони.
- **Зберігайте невикористовувані інструменти.** Якщо не у використанні, інструменти повинні зберігатися в сухому закритому місці, поза досяжністю дітей.
- **Не перевантажуйте продукт.** Він буде виконувати роботу краще і безпечніше при швидкості, для якої він призначений.
- **Використовуйте правильний інструмент.** Не примушуйте невеликі інструменти, щоб зробити роботу інструменту важкого режиму. Не використовуйте інструменти для не призначених цілей, наприклад, не використовуйте циркулярну пилку для різання гілок або коріння дерев.
- **Одягайтеся правильно.** Не носіть вільний одяг або прикраси, вони можуть потрапити в рухомі частини. Неслизьке взуття рекомендується при роботі на відкритому повітрі. Носіть захисний волоссяний покрив, щоб вкрити довге волосся.
- **Використовуйте персональне захисне обладнання.** Використовуйте захисні окуляри. Використовуйте маску або респіратор, якщо робочі операції створюють пил.
- **Підключіть витяжку для пилу.** Якщо є пристрій для підключення для збору пилу, переконайтеся, що вони під'єднані і використовуються правильно.
- **Не зловжуйте шнур.** Ніколи не смикайте за шнур, щоб від'єднати його від розетки. Тримайте шнур живлення далеко від тепла, масла і гострих країв.
- **Безпечна робота.** Де це можливо, використовуйте затискачі або лещата для проведення робіт. Це безпечніше, ніж використовувати руки.
- **Не тягніться.** Зберігайте правильну стійку і баланс весь час.
- **Обережно ставтесь до інструментів.** Тримайте ріжучий інструмент гострим і чистим для кращої та безпечної роботи. Дотримуйтесь інструкцій по змащенню й заміні аксесуарів. Періодично перевіряйте шнури інструменту, і, якщо вони пошкоджені, відремонтуйте їх в авторизованому сервісному центрі. Періодично оглядайте подовжувачі і замініть, якщо вони пошкоджені. Тримайте ручки сухими, чистими і вільними від масла і мастила.
- **Вимикайте електроінструмент.** Якщо не використовується, перед техобслуговуванням і при зміні приладдя, такого, як леза, свердла і різакі, від'єднайте інструменти від джерела живлення.
- **Видалити регульовальні й гайкові ключі.** Сформуйте звичку перевіряти, що регульовальні ключі і гайкові ключі прибрані з інструменту перед його включенням.
- **Запобігайте випадкового запуску.** Переконайтеся, що вимикач знаходиться в положенні «вимкнено» при підключенні.
- **Використовуйте подовжуючі дроти для відкритого повітря.** Коли інструмент використовується на вулиці, використовуйте тільки шнури, призначені подовжувачі для використання на відкритому повітрі і так помічені.
- **Будьте пильні.** Дивіться, що ви робите, використовуйте здоровий глузд і не використовуйте інструмент, коли ви втомилися.
- **Перевіряйте ушкоджені частини.** Перед



подальшим використанням інструменту, він повинен бути ретельно перевірений, щоб визначити, що він буде правильно працювати і виконувати свої функції. Перевірте вирівнювання рухомих частин, з'єднання рухомих частин, поломки частин, монтаж та будь-які інші умови, які можуть вплинути на його роботу. Запобіжник або інша частина, яка пошкоджена, повинні бути правильно відремонтовані або замінені в авторизованому сервісному центрі, якщо інше не зазначено в цьому посібнику. Несправні вимикачі повинні замінюватися в авторизованому сервісному центрі. Не використовуйте електроінструмент, якщо перемикач не включає та вимикає його.

- **Попередження!** Використання будь-якого приладдя або пристосувань, крім рекомендованих у цьому посібнику, може становити небезпеку отримання травм.
- **Ремонтуйте інструмент за допомогою кваліфікованого фахівця.** Цей електричний інструмент відповідає відповідним правилам безпеки. Ремонт повинен проводитися тільки кваліфікованими фахівцями з використанням оригінальних запасних частин, в іншому випадку це може призвести до серйозної небезпеки для користувача.

ПРАВИЛА БЕЗПЕКИ ТОРЦЮВАЛЬНОЇ ПИЛКИ

- Завжди затисніть заготовку надійно і безпечно.
- Переконайтеся, що машина завжди стабільна і безпечна (наприклад, закріплена на верстаті).
- Носіть захисні навушники. Вплив шуму може призвести до втрати слуху.
- Завжди надягайте захисні окуляри при роботі з інструментом. Рекомендують носити рукавички для роботи з лезом і грубим матеріалом, плюс міцне, не ковзне взуття, щоб захистити ноги від заготовок, які можуть випасти з області різання.
- Завжди відключайте вилку з розетки перед проведенням технічного обслуговування або чистинням інструменту.
- Підключайте провід живлення в розетку тільки коли інструмент вимкнений.
- Тримайте мережевий шнур подалі від робочого діапазону машини. Тримайте його поза областю, в якій стоїть оператор.
- Ніколи не торкайтеся області поблизу леза, якщо лезо повністю не зупинилося.
- Перед використанням ретельно перевірте інструмент, кабель, і підключення на будь-яке пошкодження або утому матеріалу. Ремонт всієї машини, у тому числі кабеля живлення повинен здійснюватися тільки уповноваженими сервісними агентами.
- Завжди використовуйте захисні кожухи на машині. Не використовуйте машину, якщо захист не на місці і не працює правильно.
- Нижній захисний кожух повинен відкриватися тільки тоді, коли лезо опускається до заготовки.
- Ніколи не змінюйте та модифікуйте пилку або її функції. Ваша безпека може бути порушена.
- При використанні пили на вулиці, виробник рекомендує використовувати ПЗВ пристрій з розчіплювальним пристроєм, встановленим на 30 мА.
- Не використовуйте леза пилки, які мають тріщини, пошкоджені або деформовані.
- Не використовуйте леза пилки, виготовлені з швидкорізальної сталі.
- Використовуйте тільки гострі леза. Заменіть тупі леза.
- Завжди використовуйте леза з правильним розміром і формою отвору оправки. Леза, які не відповідають монтажному обладнанню пилки будуть працювати ексцентрично, що призведе до втрати контролю.
- Використовуйте тільки деревообробні леза, зазначені у цьому посібнику, які відповідають EN 847-1.
- Не використовуйте ніякі фланці, шайби і гайки, щоб закріпити лезо пили, крім тих, що поставляються або зазначені в інструкції з експлуатації.
- Треба вибрати пилку, яка підходить для розрізу матеріалу.
- Важливо дотримуватися максимальної швидкості, зазначеної на пилковому диску.
- Ніколи не використовуйте верстат для різання інших матеріалів, ніж ті, котрі зазначені в розділі призначення в розділі цього керівництва.
- Заменіть верстат, коли зношений або пошкоджений.
- Перед роботою, зробіть пробний зріз без включеного двигуна, так щоб позиція леза, робота кожухів по відношенню до інших частин машини, і заготовки можуть бути перевірені.
- При виконанні торцювання, конічних або складних торцювочних зрізів, відрегулюйте ковзаючий кожух забезпечивши правильний зазор від леза.
- Замок ручки завжди повинен бути задіяний при транспортуванні пили.
- Тримайте поверхню вільною від сипучих матеріалів, таких як щепінка та відрізки.
- Утримайтеся від видалення будь яких обрізків або інших частин заготовки із зони різання під час роботи машини і коли головка пилки не знаходиться в положенні спокою.
- Довгі заготовки повинні належним чином підтримуватись. Робоча зона пилки включає весь ступінь заготовки. Оператор повинен забезпечити цю область від випадкового контакту з іншими людьми, або об'єктами, які можуть рухати заготовки під час роботи.
- Пил, що утворюється при використанні цього інструменту може бути шкідливим для здоров'я.



Використовуйте систему всмоктування пилу і носіть підходящу маску захисту від пилу. Видаліть нанесений пил ретельно за допомогою пилососа.

- Пристрій має бути підключений до пристрою захисту електричного ланцюга (запобіжнику або автоматичному вимикачу).
- Не замінійте лазер або СВД іншим типом. Будь-які ремонтні роботи повинні виконуватися тільки виробником або уповноваженим агентом з обслуговування.
- При використанні цього інструменту, коливання напруги можуть вплинути на інші електричні продукти або освітлення в тому ж ланцюзі живлення. Підключіть пристрій до джерела живлення з опором, рівним або меншим, ніж 0,071, щоб мінімізувати коливання напруги. Зверніться до постачальника електроенергії для подальших роз'яснень.

ІНСТРУКЦІЇ З ТЕХНІКИ БЕЗПЕКИ РІЗУЧОГО ЛЕЗА ДЛЯ ДЕРЕВИНИ.

- Будь ласка, прочитайте керівництво та інструкції перед використанням пилки і машини.
- Машина повинна бути в гарному стані, шпindel без деформації і вібрації.
- Не використовуйте пилку без встановленого захисту, тримайте захист в доброму робочому стані і належним чином.
- Переконайтеся, що оператор належним чином підготовлений з техніки безпеки, налагодження та експлуатації машини.
- Завжди надягайте захисні окуляри та засоби захисту органів слуху при використанні машини. Рекомендується носити рукавички, надмічне не ковзанне взуття та фартух.
- Перед використанням будь-якого аксесуара, зверніться до інструкції з експлуатації. Неправильне використання приладдя може призвести до пошкодження і збільшити потенціал для травми.
- Використовуйте тільки леза, зазначені у цьому посібнику, з дотриманням EN 847-1.
- Дотримуйтесь максимальної швидкості, зазначеної на дисковій пилці. Забезпечте швидкість, зазначену на лезі пилки, принаймні дорівнюючі швидкості, позначеної на пилі.
- Завжди використовуйте леза з правильним розміром і формою отвору оправки. Леза, які не відповідають монтажному обладнанню пилки будуть працювати ексцентрично, що призведе до втрати контролю.
- Не використовуйте диски більшого чи меншого діаметру, ніж рекомендується. Не використовуйте прокладки, щоб посадити лезо на шпindel.
- Перевірте кінчики пилкового леза на наявність пошкоджень, або ненормальний вигляд перед кожним використанням. Кінчики, які були пошкоджені або ослаблені можуть стати летючими об'єктами при використанні і збільшити шанси отримання

травми.

- Не використовуйте тріснуті або спотворені леза. Не використовуйте леза пилки, які були пошкоджені або деформовані.
- Викиньте пильне лезо, якщо воно пошкоджене, деформоване, спотворене або тріснуте, ремонт не допускається.
- Не використовуйте леза зі швидкоріжучої сталі.
- Переконайтеся, що лезо пили правильно встановлено, надійно затягніть гайку оправки перед використанням (момент затягування приблизно 12-15 Нм).
- Кріпильний гвинт і гайки повинні бути затягнуті, використовуючи відповідний ключ, і т.д.
- Розширення гайкового ключа або затягування за допомогою ударів молотка не допускається.
- Переконайтеся, що лезо і фланці чисті і закриті з боку втулки проти леза.
- Переконайтеся, що лезо обертається в правильному напрямку.
- Перед роботою, зробіть пробний зріз без включеного двигуна, щоб становити леза, робота захистів по відношенню до інших частин машини і заготовки можуть бути перевірені.
- Ніколи не залишайте машину без нагляду.
- Не застосовуйте мастильні матеріали на лезі, коли воно працює.
- Ніколи не виконуйте будь-яке чищення або технічне обслуговування, коли машина все ще працює, і головка не в положенні спокою.
- Ніколи не намагайтеся швидко зупинити працюючу машину шляхом блокування леза інструментом або іншими засобами, це може викликати серйозні аварії ненавмисно.
- Вимкніть пилку від електромережі, перш ніж змінювати леза або перед проведенням технічного обслуговування.
- Зверніть увагу на упаковку і розпаковування леза, легко отримати травму об гострі леза.
- Використовуйте тримач леза або носіть рукавички при роботі з лезом пилки.
- Тримайте і зберігайте лезо в оригінальній упаковці чи в іншій відповідній упаковці, тримайте у сухих умовах, далеко від хімічних речовин, які можуть пошкодити лезо.

ПРАВИЛА БЕЗПЕКИ ЛАЗЕРА

- Лазерне випромінювання, що використовується в цій пилці класу 2 з максимальною ≤ 1 мВатт і 650 нм довжиною хвилі. Не дивіться на лазерний промінь. Недотримання цього попередження може призвести до серйозних травм.
- Не дивіться на промінь під час роботи.
- Не спрямовуйте лазерний промінь прямо в очі



інших. Це може спричинити серйозні травми очей.

- Не встановлюйте лазер в положенні, яке може спричинити навмисний або ненавмисний вплив лазерного променя.
- Не використовуйте оптичні інструменти, щоб подивитися на лазерний промінь.
- Не використовуйте лазер навколо дітей і не дозволяйте дітям управляти лазером.
- Не намагайтеся ремонтувати прилад лазера самостійно.
- Не намагайтеся змінити які-небудь частини лазерного пристрою самостійно.
- Будь-які ремонтні роботи повинні виконуватися тільки виробником лазера або авторизованим сервісним агентом.
- Не замініть лазер іншим типом.

ЗАЛИШКОВІ РИЗИКИ

Навіть коли продукт використовується як написано, залишається неможливим повністю усунути деякі залишкові чинники ризику. Наступні небезпеки можуть виникнути і оператор повинен звернути особливу увагу, щоб уникнути наступного:

- ризик контакту з відкритими частинами обертаючогося пилкового леза
 - віддача деталей або частин заготовок через неправильне поводження або регулювання
 - катапультивання несправних кінчиків карбїду від пилкового диска
 - Пошкодження дихальної системи.
- ПРИМІТКА:** Носіть респіраторні захисні маски, що містять фільтри, відповідні до обробляємих матеріалів. Забезпечте достатню вентиляцію на робочому місці. Не їжте, не пийте і не паліть в робочій зоні.
- пошкодження слуху, якщо ефективний захист слуху не одягнений.

▲ ПОПЕРЕДЖЕННЯ

Пил від деяких фарб, покриттів і інших матеріалів може викликати роздратування або алергічні реакції. Пил від дерев, таких як дуб, бук, МДФ та інших подібних матеріалів може бути канцерогенним. Material containing asbestos should only ever be worked or processed by qualified specialist operators.

▲ ПОПЕРЕДЖЕННЯ

Тривале використання інструменту може викликати або посилити травми. При використанні інструменту протягом тривалого періоду, робіть регулярні перерви.

ЗНАЙТЕ СВІЙ ПРОДУКТ.

Дивіться сторінки 162 - 163.

1. Ручка
2. Вимикач живлення
3. Безпечна блокування ручки
4. Верхній захисний кожух
5. Лезо пили
6. Нижній захисний кожух
7. Затискач
8. Головна напрямна деталь
9. Поворотний стіл
10. Основа
11. Вставляюмая таблиця
12. Блокування ручки поворотного столу
13. Балансуюча опора
14. Перемикач лазера
15. Перемикач СВД
16. Обмежувач кронштейна
17. Нижнє захисне покриття
18. Розсувна напрямна деталь
19. Монтажний отвір
20. Подовжуюча стійка
21. Гвинти для регулювання обмежувача кута скосу
22. Ручка блокування шпинделя
23. Верхня ручка
24. Мішок для пилу
25. Ручка регулювання глибини різання
26. Кнопка обмежувача лінійної тяги
27. Підтримка обмотки
28. Кнопка блокування вуглу скосу
29. Обмежувач максимальної глибини різання
30. Гвинти для регулювання кута різання

ФУНКЦІОНУВАННЯ

Продукт має рухливе лезо пилки, яке може бути встановлено під різними кутами оператором при різанні оброблюваної деталі, яка надійно кріпиться до основи продукту. З ним повиненна працювати тільки одна людина, щоб запобігти ненавмисному контакту з рухомих лезом пилки.

Принципи безпечної експлуатації продукту:

- Підтримуйте леза пилки і робочу зону в хорошому стані.
- Закріпіть підставу торцювальної пилки на міцному верстаті. Продукт і кінцівка можуть рухатися, якщо вони не належним чином закріплені.
- Встановіть і зафіксуйте кути різання і глибину, перш ніж різати.
- Закріпіть заготовку на базі торцювальної пили. Використовуйте затиск, який надається та, при необхідності, використовуйте додаткові затискачі або утримуючі механізми для запобігання ненавмисному руху заготовки під час різання.
 - Переконайтеся, що експлуатація кожухів лез не обмежується становищем заготовки.
 - Переконайтеся, що кожух та інші частини товару



не будуть порізані, коли лезо опускається до положення різання.

- Запустіть двигун і дайте лезу досягти повної швидкості до того, щоб повільно опустити його для різки. Ковзайте збірку леза назад і / або вперед, щоб завершити різання в міру необхідності.
- Дозвольте вузлу леза піднятися до його верхнього положення, коли кожухи леза повністю закриті. Вимкніть двигун і дайте лезу прийти до повної зупинки перед видаленням заготовки або обрізків, або до досягнення в області леза.

Перед першим використанням переконайтеся, що кут фаски або кут скосу, встановлені на виробі відповідають куту, що буде вироблятися на заготівлі. Перевірте на непридатному шматку дерева за допомогою набору тесляра або відмірювача скосу.

⚠ ПОПЕРЕДЖЕННЯ

Виробник настійно рекомендує, щоб продукт був завжди надійно закріплений на поверхні верстату.

Коли підстава продукту міцно прикріплена до поверхні верстата чотирма гайками, наданими болтами і шайбами, продукт може бути використаний при максимальному нахилі налаштування скосу без можливості перекидання. Якщо продукт не захищений належним чином, продукт може втратити баланс при виборі великих кутів скосу.

Існує також регульований гвинт (балансуюча опора), який простягається від нижньої частини повертного столу розширення. Цей гвинт повинен бути відрегульований так, щоб він був у рівень з плоскою поверхнею, на якій лежить продукт. Це також допоможе уникнути втрати балансу продуктом при різанні у повному обсязі на схилі і скосі. Остерігайтеся, ця частина верстату пилки рухається при виборі різних кутів скосу, тому гвинт повинен часто регулюватися і відлаштовуватися.

ОБСЛУГОВУВАННЯ

- Не змінюйте продукт в будь-яким чином або не використовуйте деталі та аксесуари, які не рекомендовані виробником. Ваша та інших безпека може бути порушена.
- Не використовуйте продукт, якщо які-небудь перемикачі, кожухи або інші функції не працюють належним чином. Поверніться в авторизований сервісний центр для професійного ремонту або налаштування.
- Не робіть будь-які коригування в той час як лезо пили знаходиться в русі.
- Завжди переконайтесь, що шнур живлення був видалений з мережі джерела живлення перед проведенням регулювань, змащуванням або при виконанні технічного обслуговування на продукті.
- До і після кожного використання, перевірте

продукт на предмет пошкоджень або зламаних деталей. Тримайте продукт в доброму робочому стані, негайно замініть деталі запчастинами, що затверджені виробником.

- Лезо дуже гаряче після використання, носіть рукавички або дайте охолонути, перш ніж проводити процедури технічного обслуговування або чищення.
- Очистіть накопичившийся пил за допомогою щітки або пилососа. Не використовуйте стиснене повітря.
- Для забезпечення безпеки і надійності всі ремонтні роботи, у тому числі зміна щіток, повинні виконуватися в авторизованому сервісному центрі.
- Якщо шнур живлення пошкоджений, він повинен бути замінений тільки виробником або уповноваженим сервісним центром, щоб запобігти пошкодженню пилки або ризику отримати електрошок.

⚠ ПОПЕРЕДЖЕННЯ

Для більшої безпеки і надійності, всі ремонтні роботи повинні виконуватися уповноваженим Ryobi сервісним центром.

Ограничувач максимальної глибини різання

Обмежувач максимальної глибини різання запобігає візанню леза пилки в металевій основі пристрою.

⚠ ПОПЕРЕДЖЕННЯ

Обмежувач максимальної глибини різання не регулюється користувачем. Не налаштовуйте обмежувач максимальної глибини різання.

ТРАНСПОРТУВАННЯ ТА ЗБЕРІГАННЯ

- При зберіганні продукту, від'єднайте шнур живлення. Зберігайте продукт в надійному місці, недоступному для дітей. Зберігайте шнур живлення, як показано на малюнку на сторінці 185 - 186 цього посібника.
- Очистіть продукт, використовуючи щітку та пилосос перед зберіганням.
- Якщо ви видалите лезо пили або тримаєте запасні частини з пристроєм переконайтесь, що вони знаходяться в оригінальній упаковці, щоб запобігти травмам.

Для забезпечення продукту до руху:

- Продукт слід зберігати при нульовому ступені нахилу і кутом скосу у замкнутому положенні. Ступор повинен бути заблокований. Ручка повинна бути зафіксована в нижньому (безпечному) положенні з закритими запобіжниками.
- Одна або обидві сторони опори заготовки можуть бути видалені для простоти перенесення.

**Для переміщення або перевезення в автомобілі:**

- Забезпечте продукт до руху, як описано в керівництві.
- Зніміть продукт з поверхні верстата, відкрутивши 4 болта, по одному на кожному куті. Закріпіть болти для майбутнього використання. Піднімайте продукт, використовуючи ручку у верхній частині.
- При підйомі на висоту, дві людини, одягнені у міцні рукавички мають піднімати підставу продукту.
- При транспортуванні в автомобілі, встановіть продукт на його основі і зафіксуйте від руху.

ЗАХИСТ НАВКОЛИШНЬОГО СЕРЕДОВИЩА.

Переробляйте сировину замість утилізації в якості відходів. Машини, обладнання та упаковка повинні бути відсортовані для дружньої для навколишнього середовища утилізації.

СИМВОЛИ

Попередження безпеки



CE відповідність



Будь ласка, уважно прочитайте інструкцію перед запуском продукту.



Інструмент II класу, подвійна ізоляція



Носіть захист слуху



Завжди надягайте захисні окуляри.



Небезпека! Леза дуже гострі.



Носіть захисні рукавички.



Напрямок обертання леза (показан на лезі пилки)



Напрямок обертання леза (показан на захисному кожусі леза)



Ширина різу леза (Проріз)



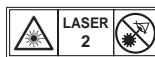
Кількість зубців на цьому пилковому лезі



Для різання дерева і аналогічної матеріалу



Не для різання металів



Лазерне випромінювання.
Не дивіться на промінь.
Продукт лазера 2 класу



Відходи електротехнічної продукції не слід викидати разом із побутовими відходами. Будь ласка, переробляйте там, де наявне устаткування. Перевірте з вашим місцевим органом влади або продавцем для консультацій з приводу переробки.

СИМВОЛИ В ЦЬОМУ КЕРІВНИЦТВІ

Підключіть продукт.



Відключіть продукт.



Блокувати



Розблокувати



Механізм блокування не працює



Чутний звук



Час очікування досягнення лезом повної швидкості



Запчастини та аксесуари, що продаються окремо



Примітка



Попередження

Наступні сигнальні слова і змісти призначені для пояснення рівнів ризику, пов'язаних з продуктом.

⚠ НЕБЕЗПЕКА

Вказує на неминуче небезпечну ситуацію, яка, якщо її не уникнути, може призвести до смерті або серйозних травм.

⚠ ПОПЕРЕДЖЕННЯ

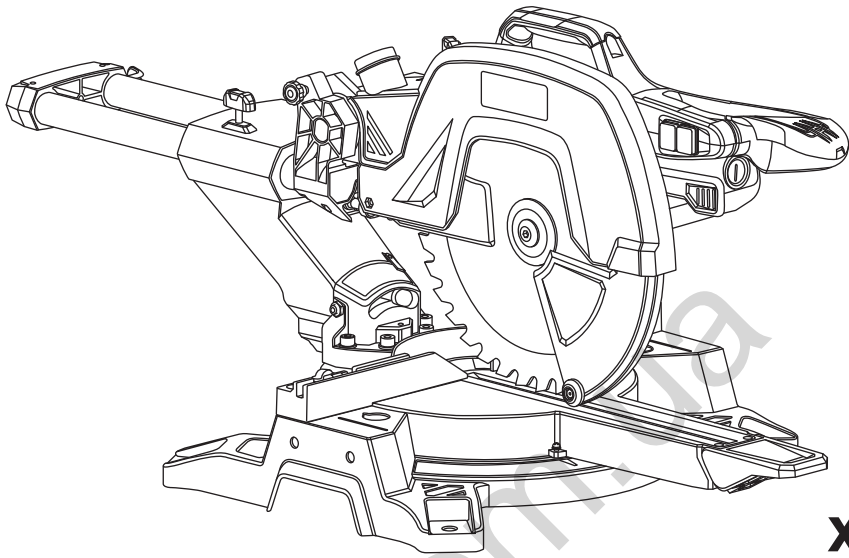
Вказує на потенційно небезпечну ситуацію, яка, якщо її не уникнути, може призвести до смерті або серйозних травм.

⚠ ПОПЕРЕДЖЕННЯ

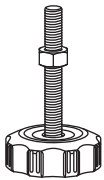
Вказує на потенційно небезпечну ситуацію, яка, якщо її не уникнути, може призвести до середньої або легкої травми.

ПОПЕРЕДЖЕННЯ

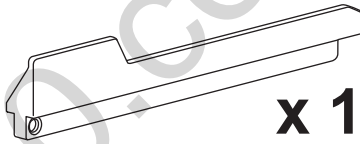
(Без попереджувального знаку безпеки) Вказує на ситуацію, яка може призвести до пошкодження майна.



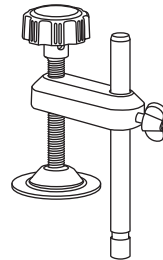
x 1



x 1



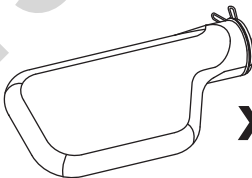
x 1



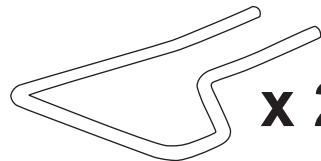
x 1



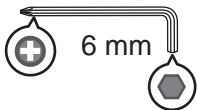
x 1



x 1



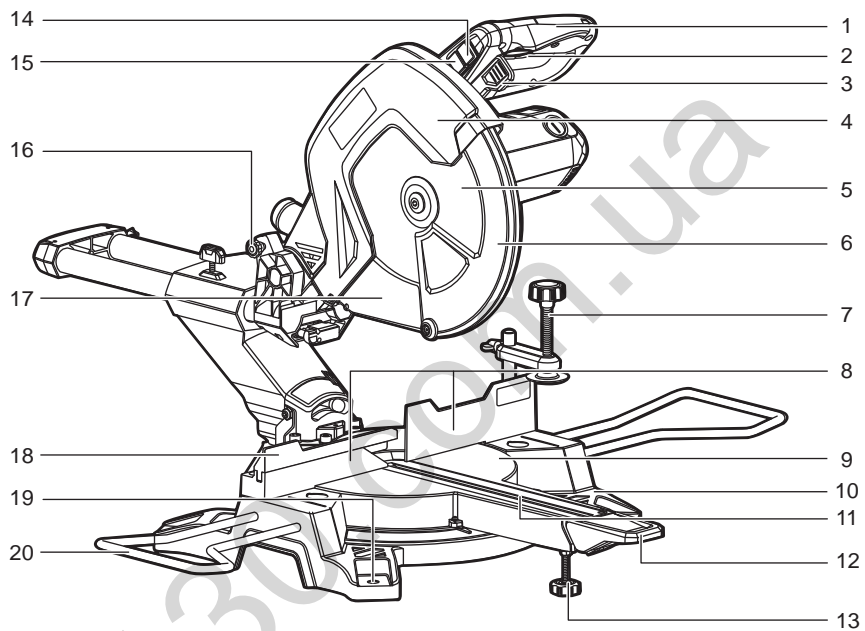
x 2

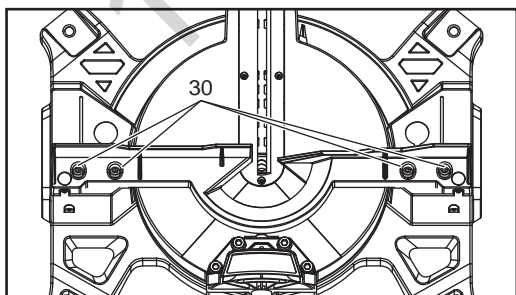
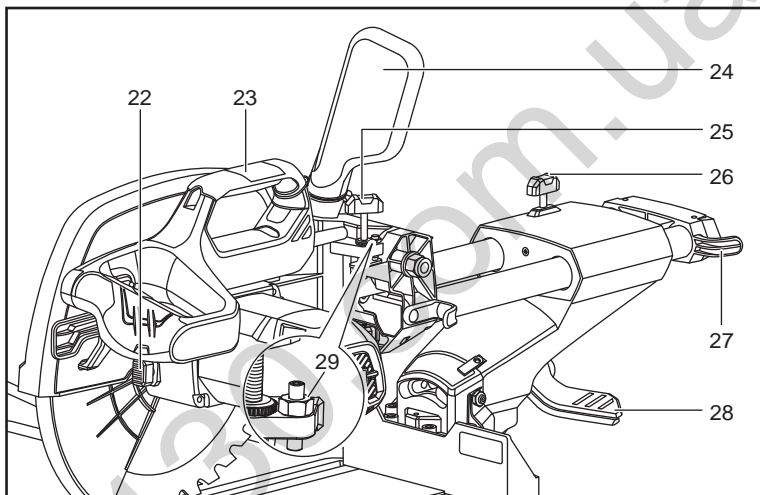
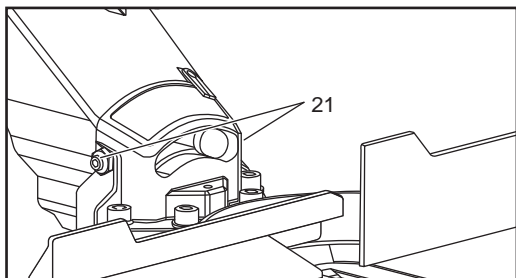


6 mm

x 1

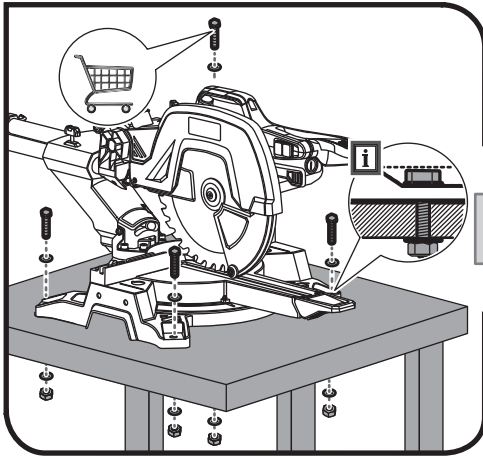




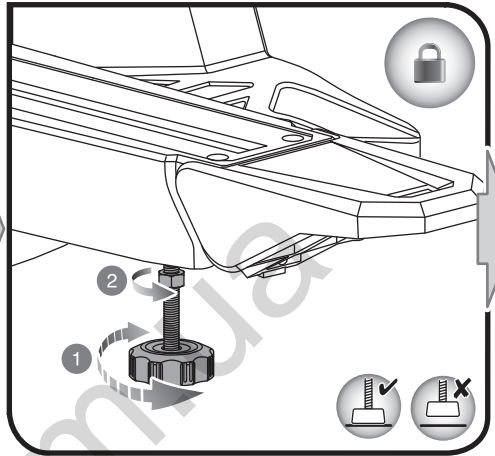




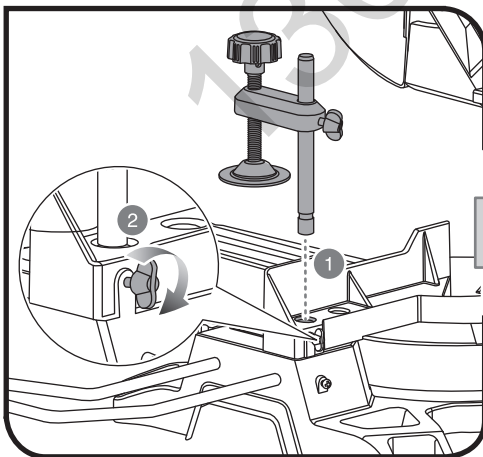
1



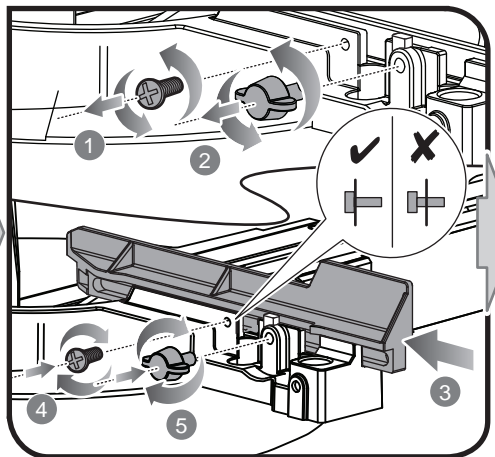
2



5

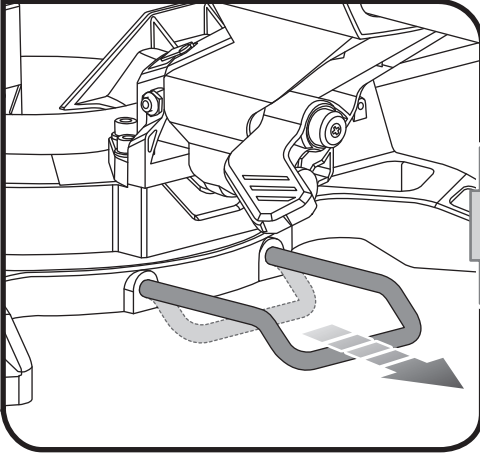


6

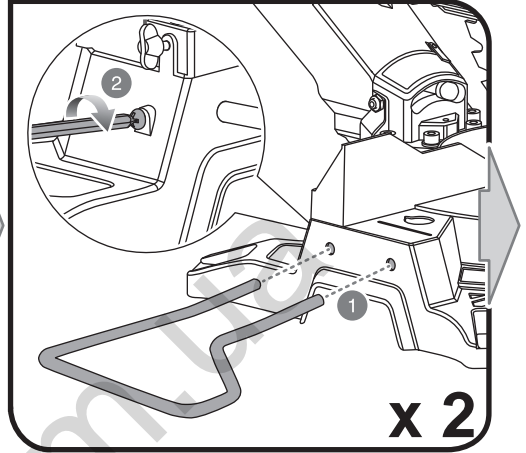




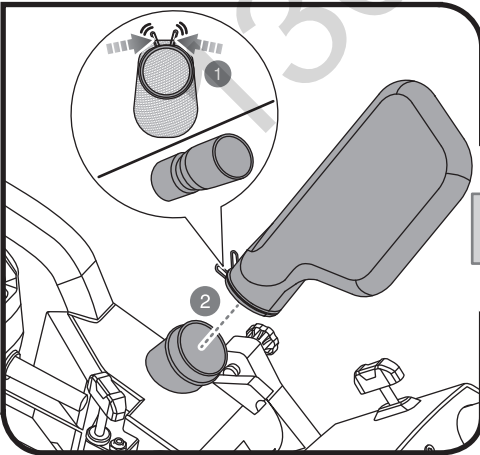
3



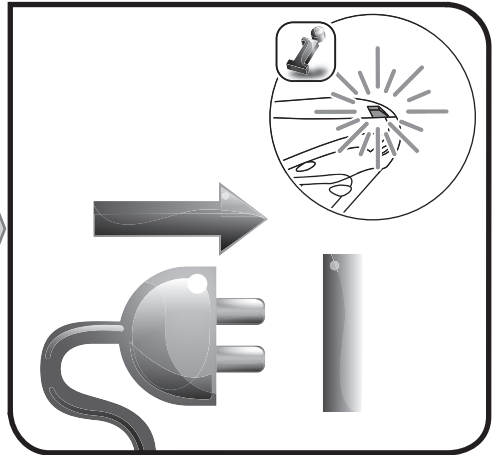
4

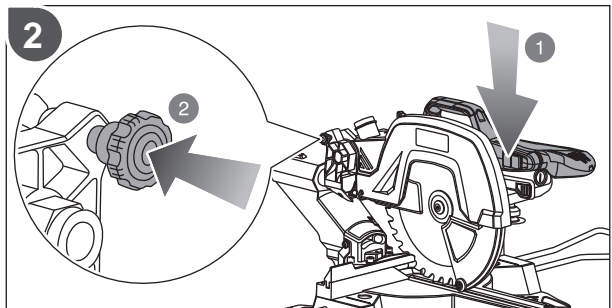
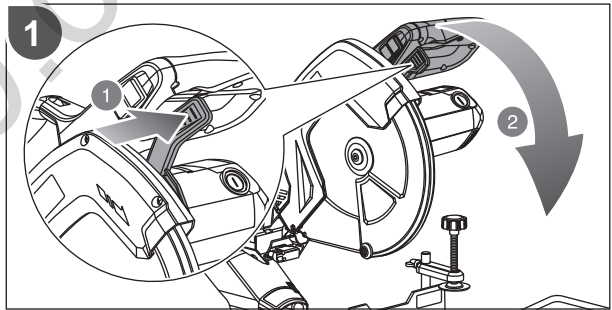
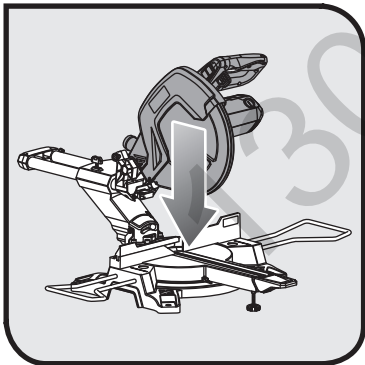
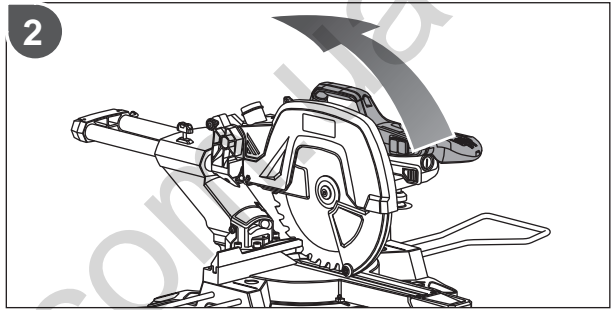
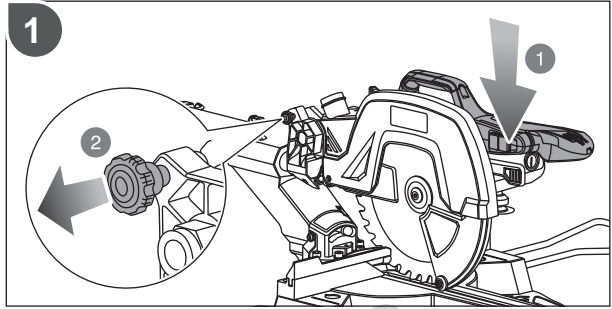
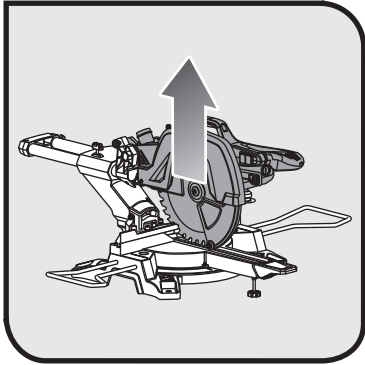


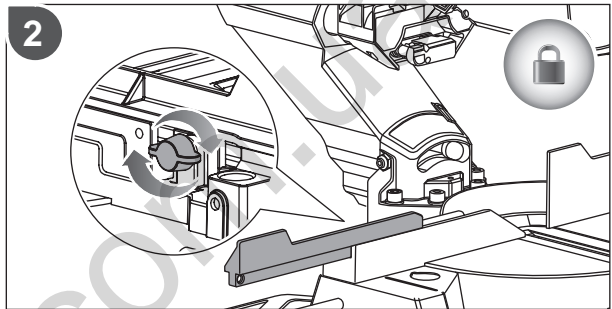
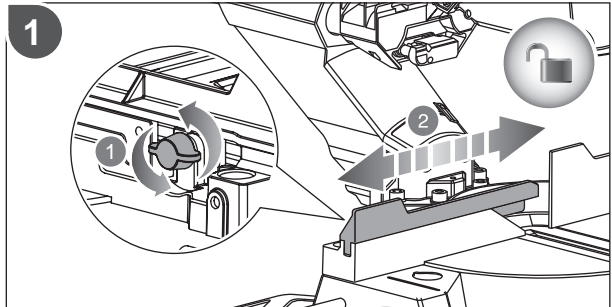
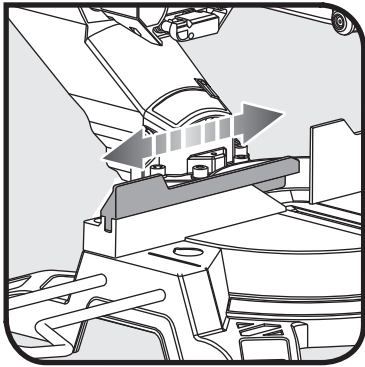
7



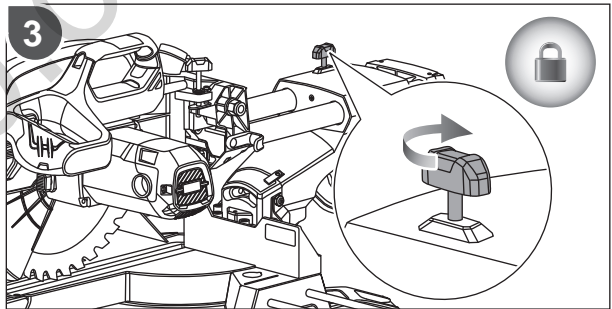
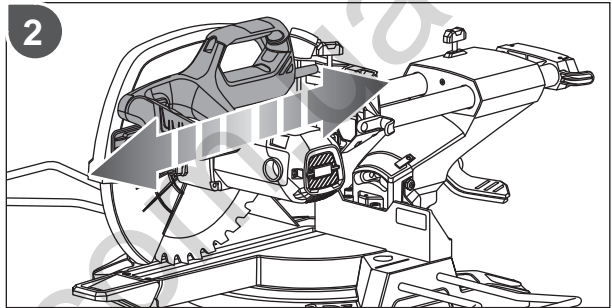
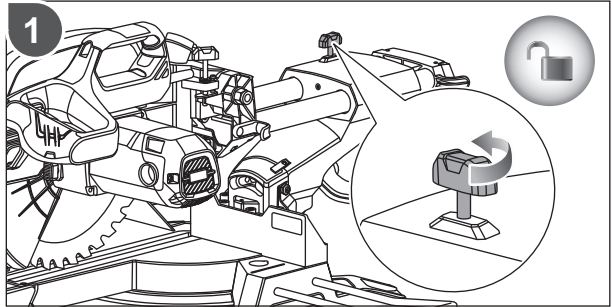
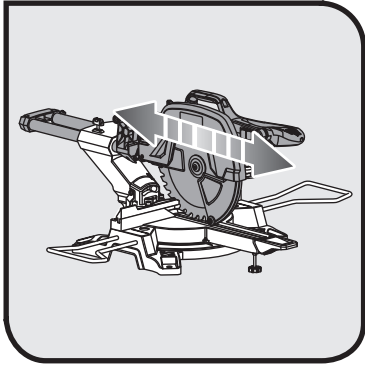
8

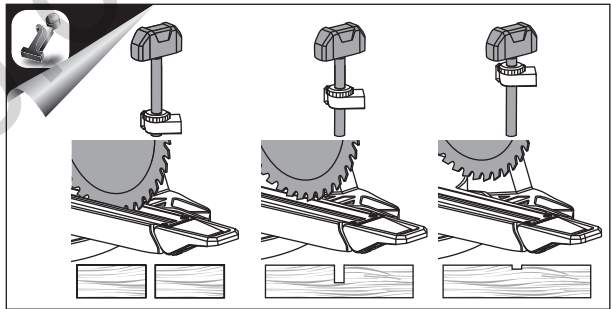
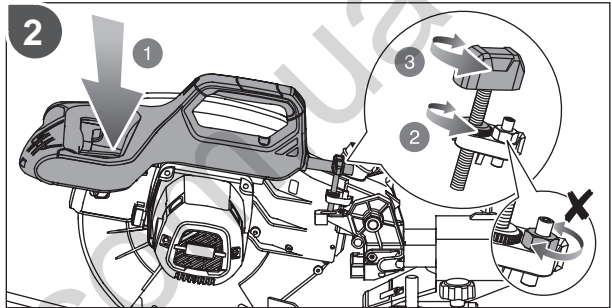
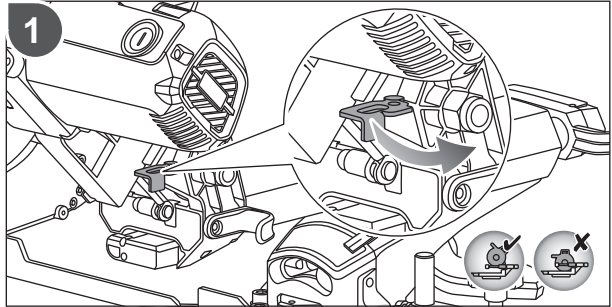
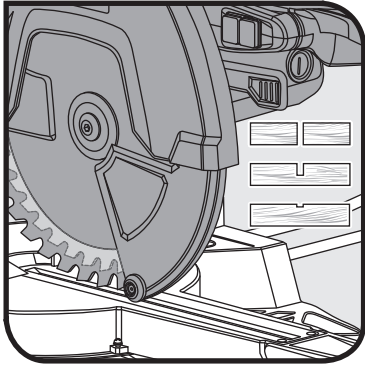


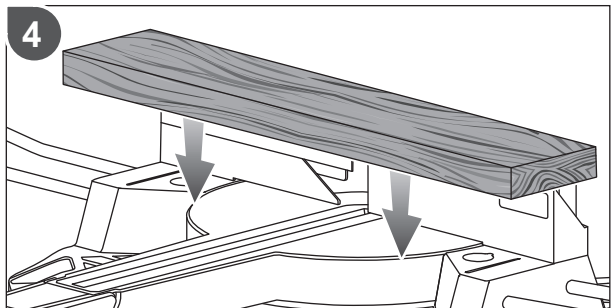
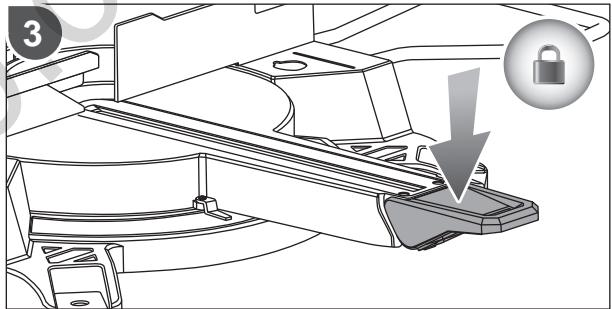
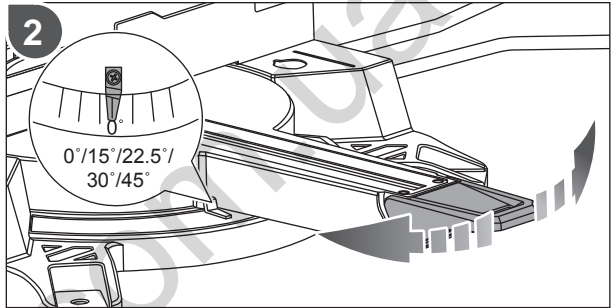
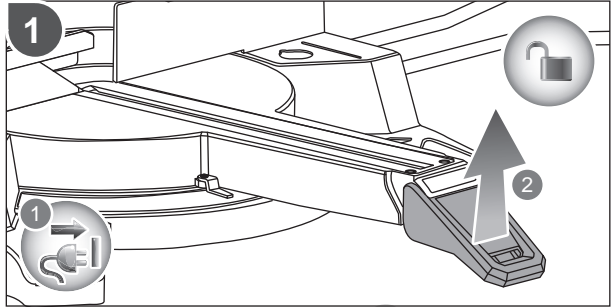
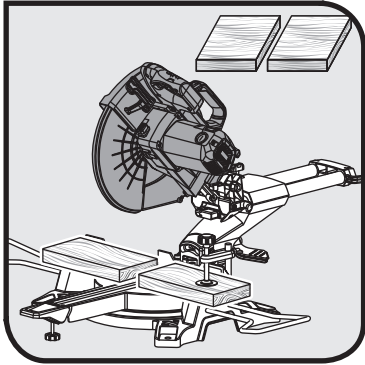


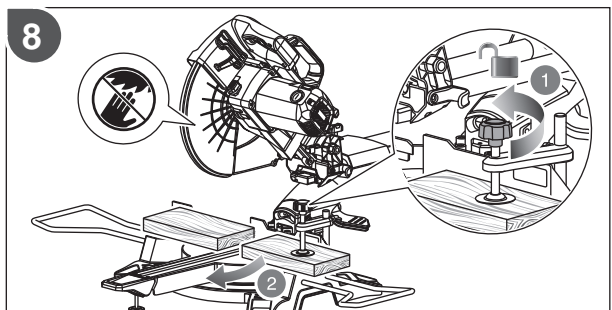
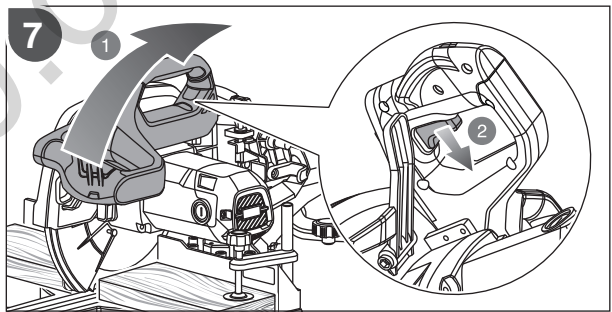
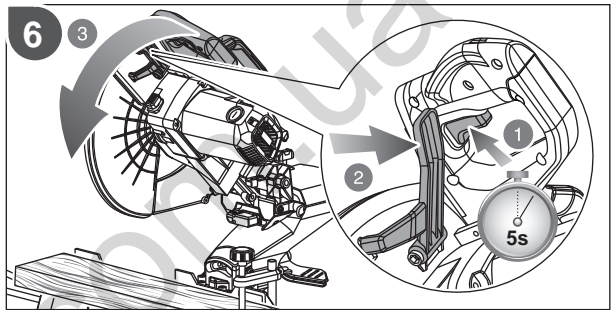
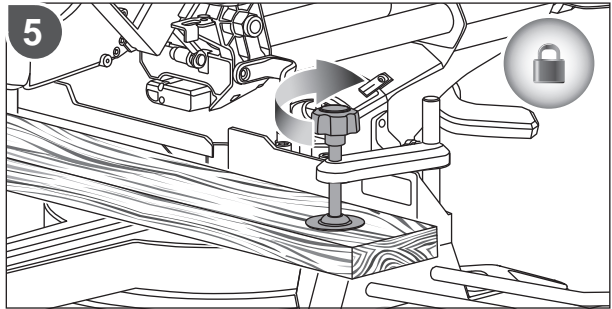


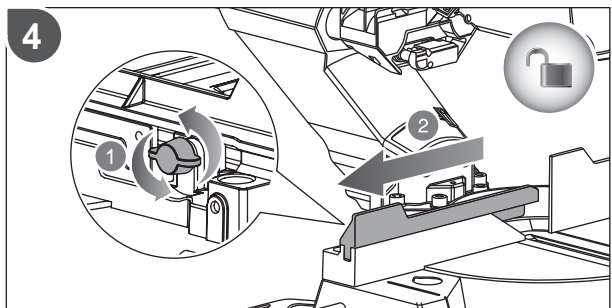
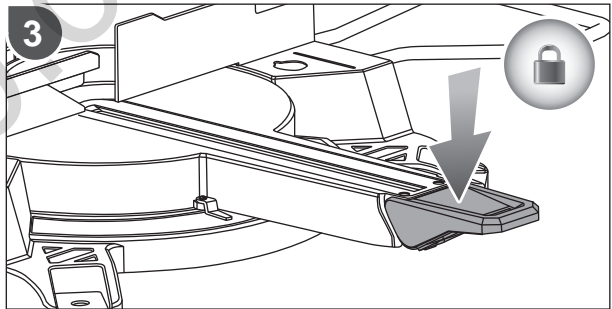
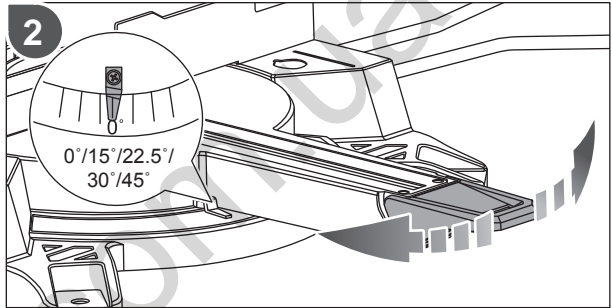
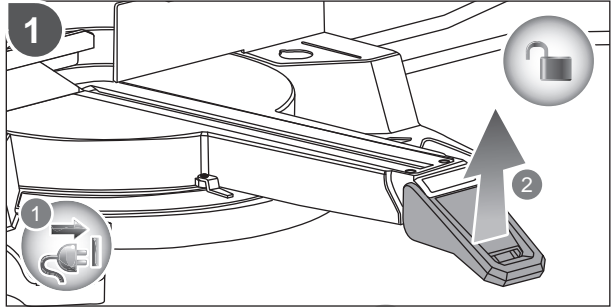
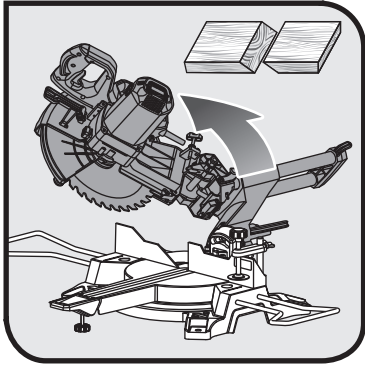
130.CO

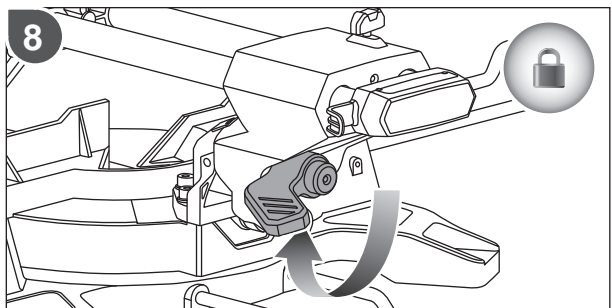
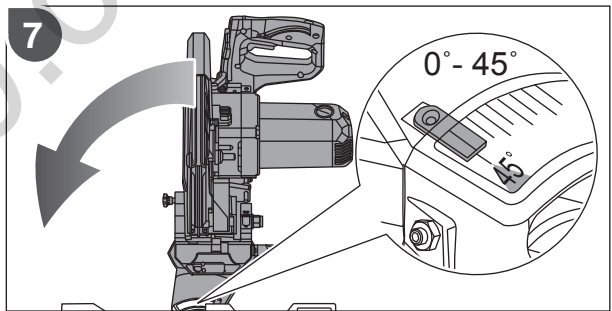
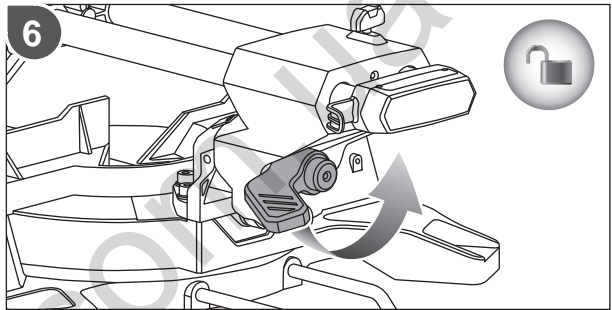
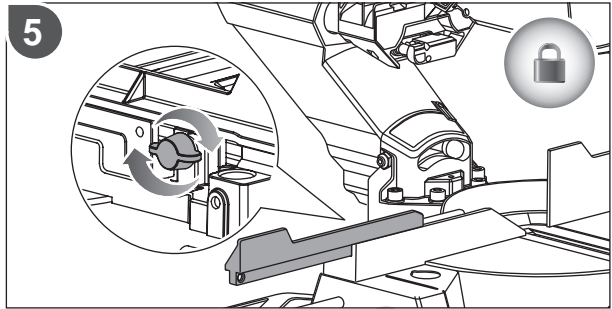


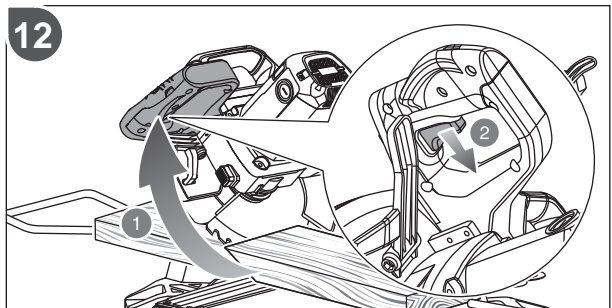
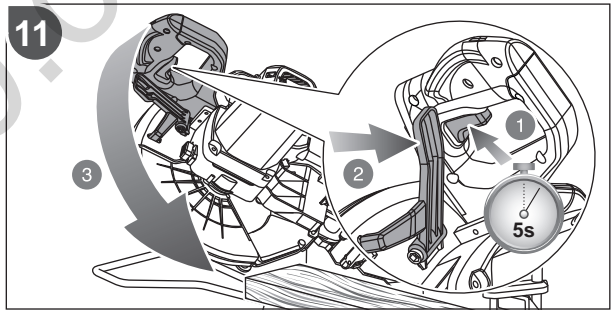
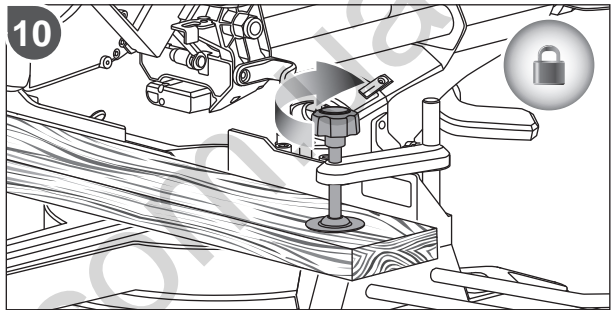
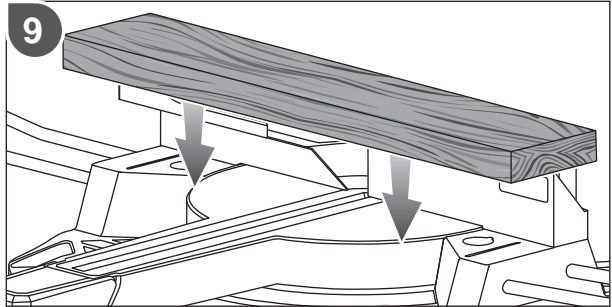


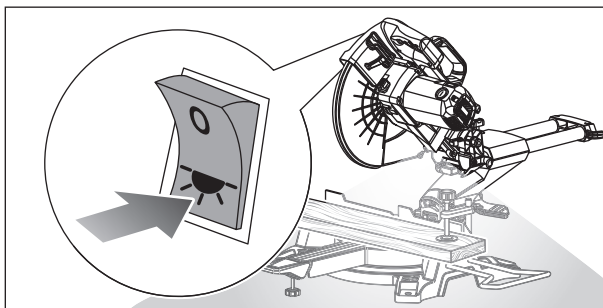
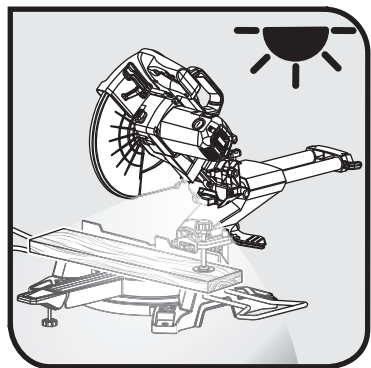






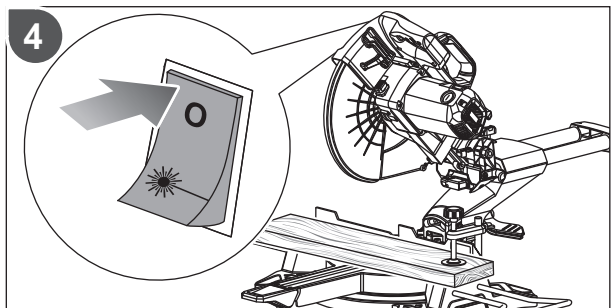
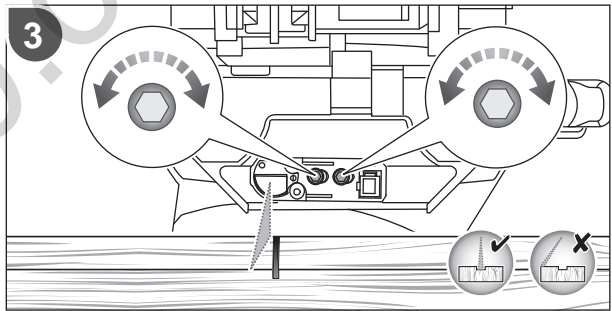
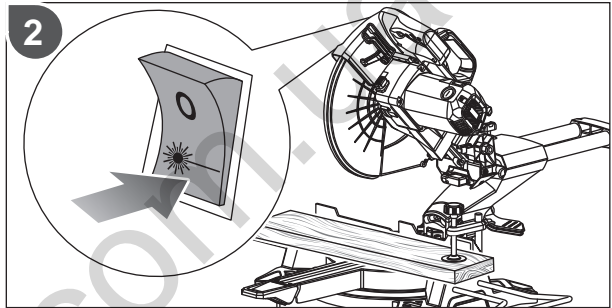
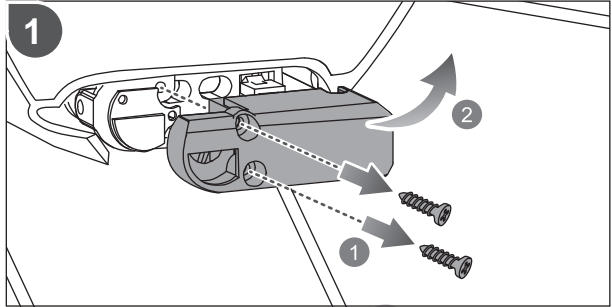
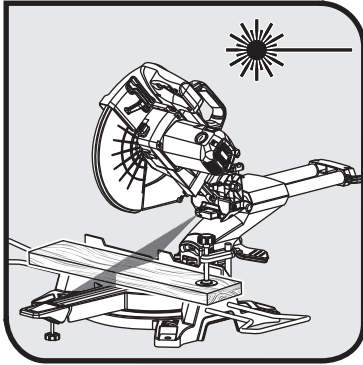


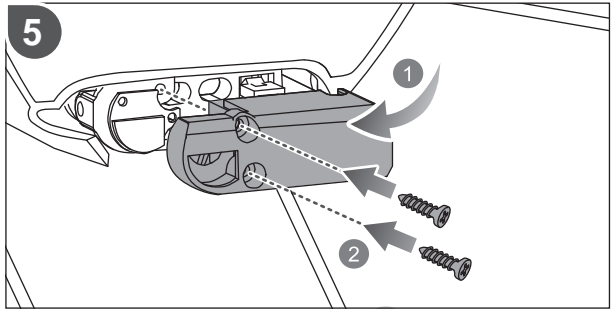




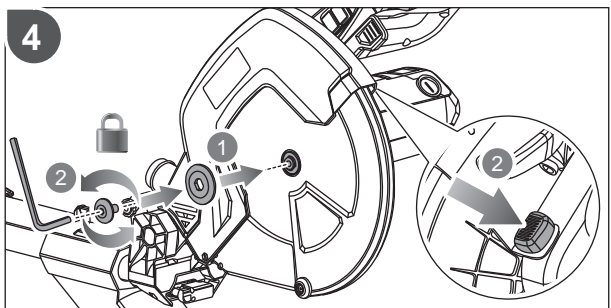
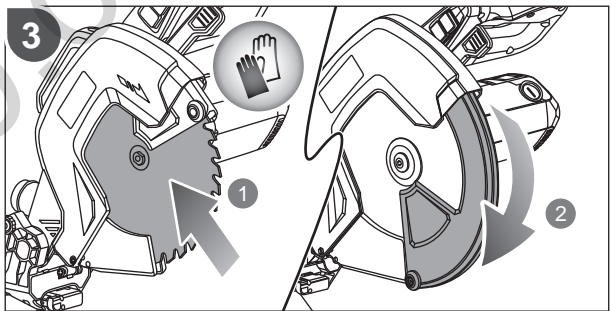
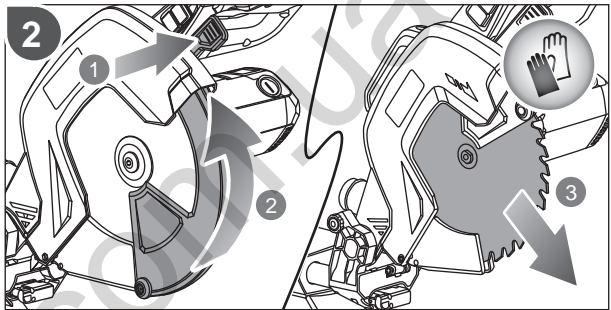
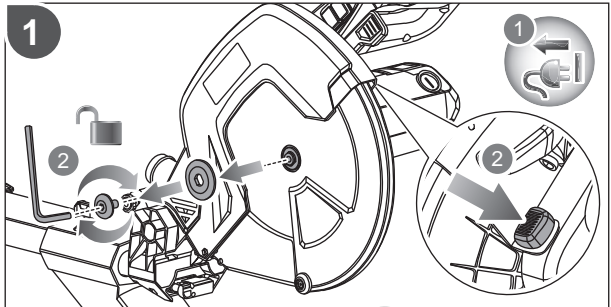
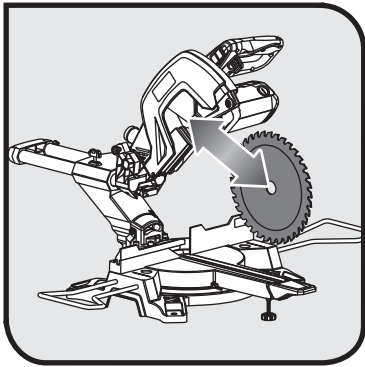
130.com.ua

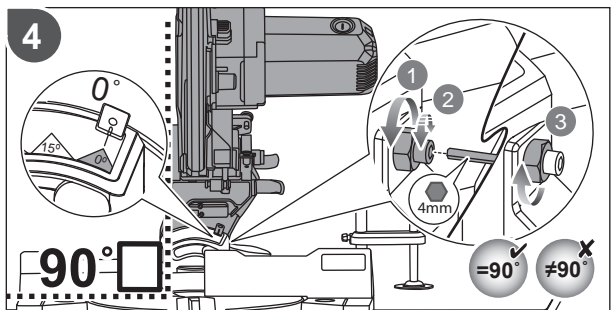
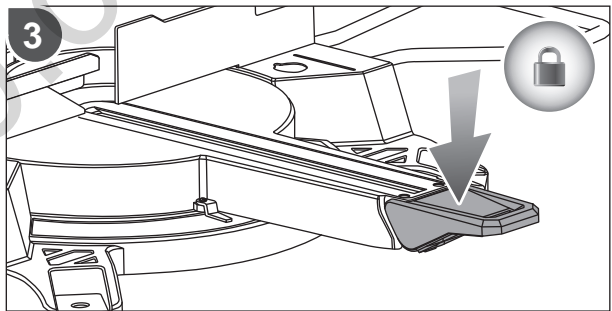
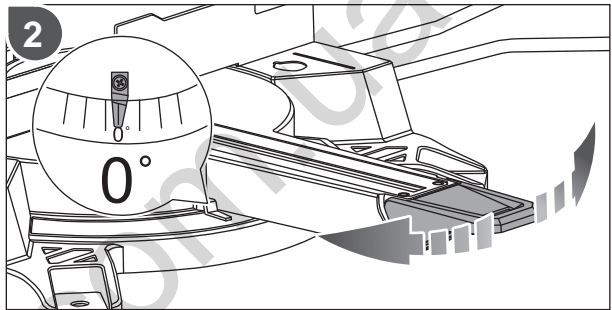
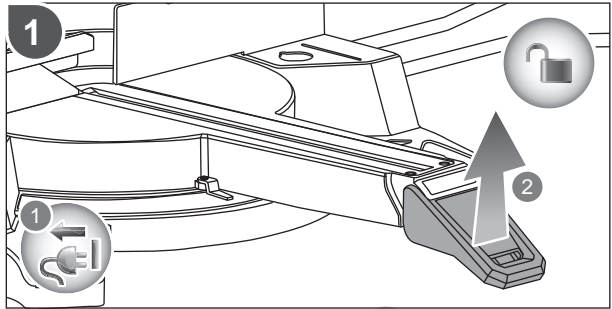
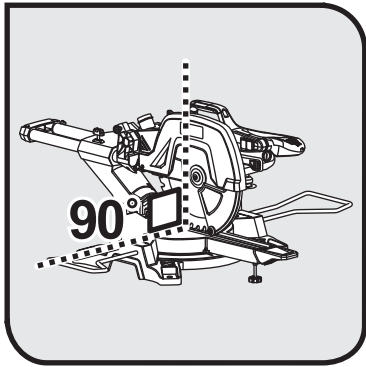


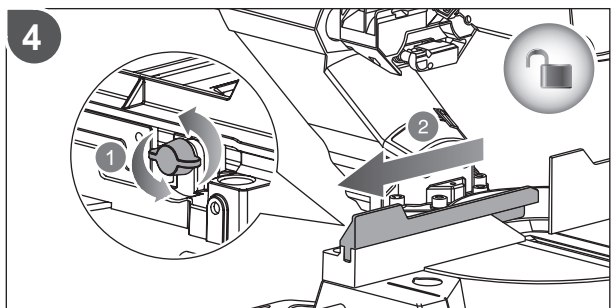
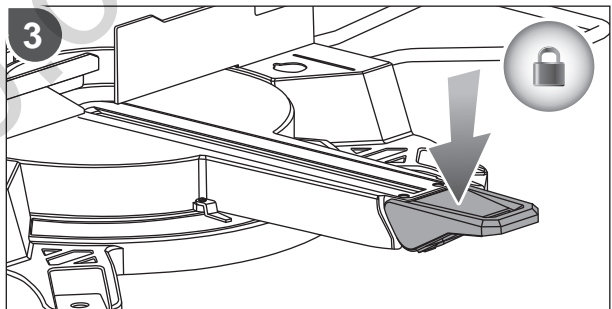
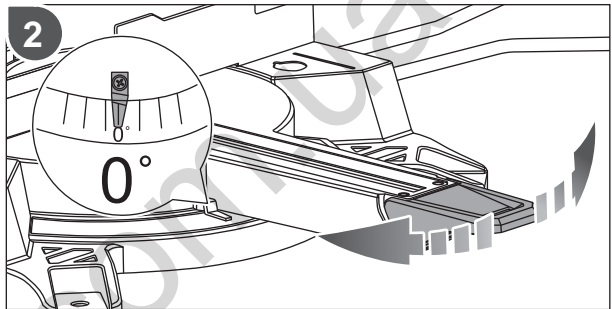
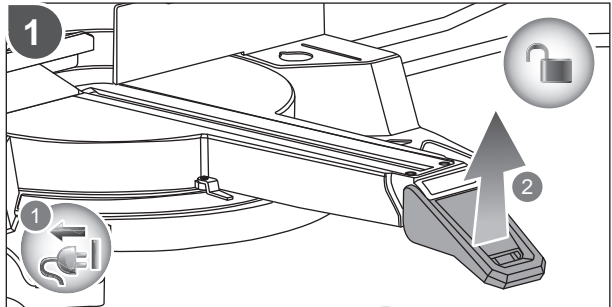


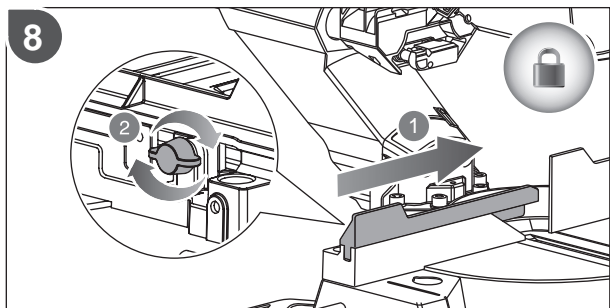
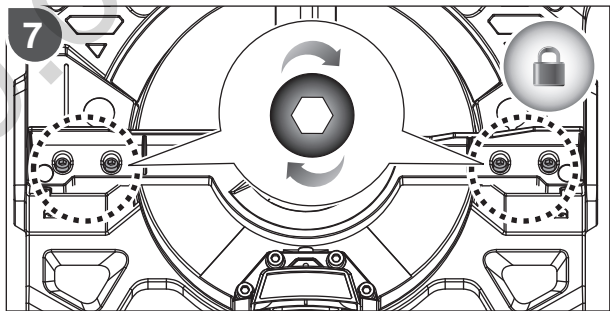
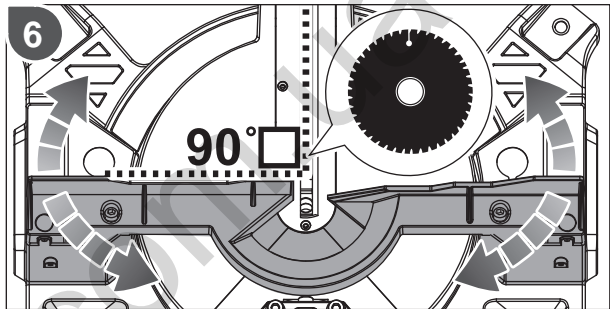
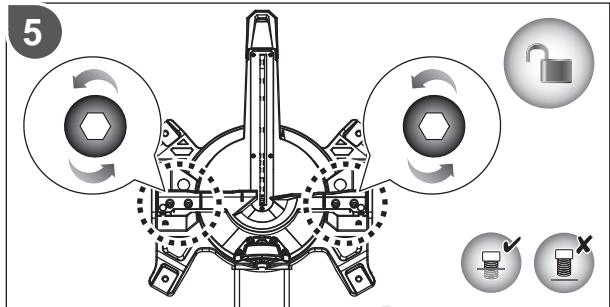


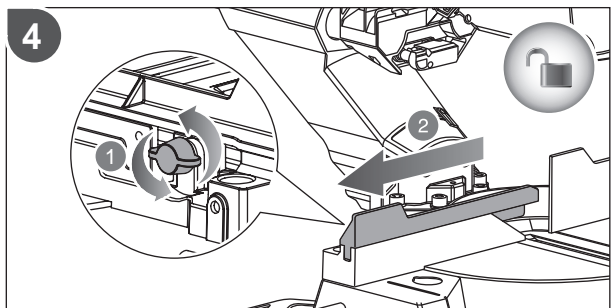
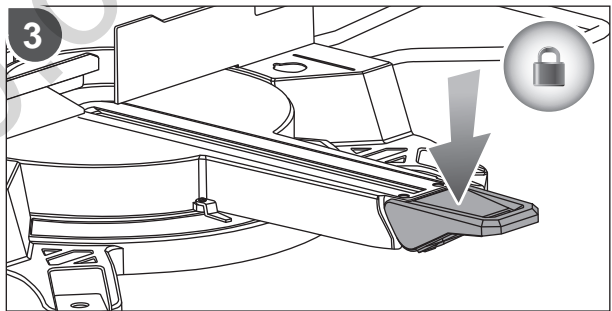
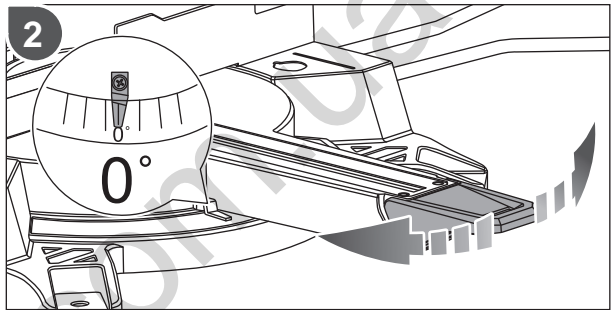
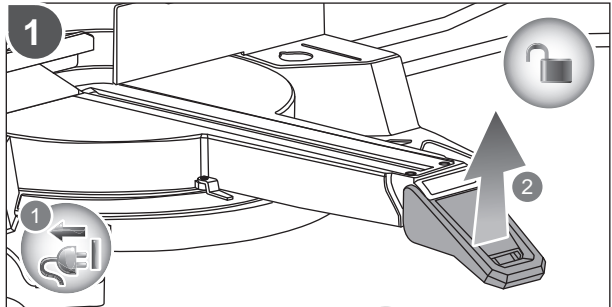
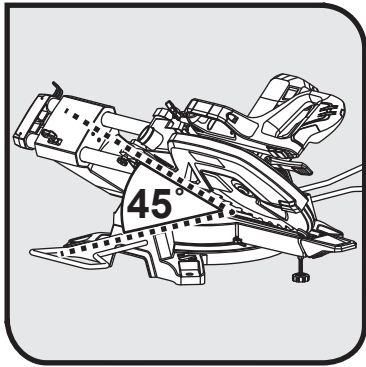
130.com.ua

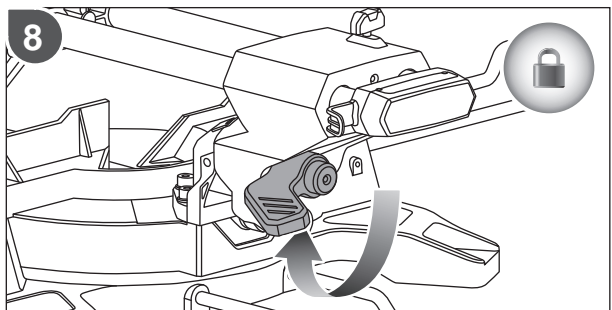
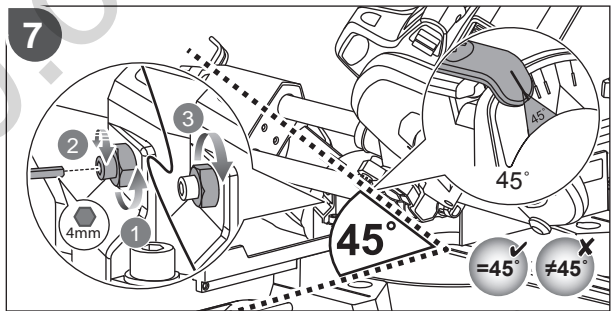
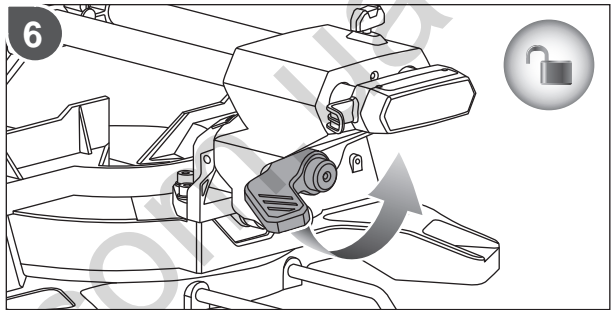
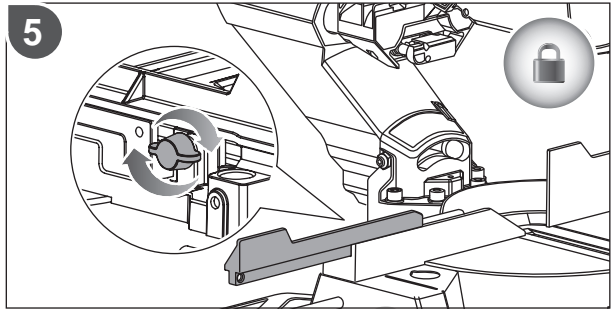


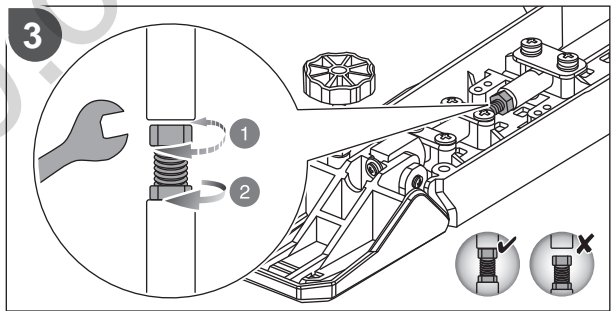
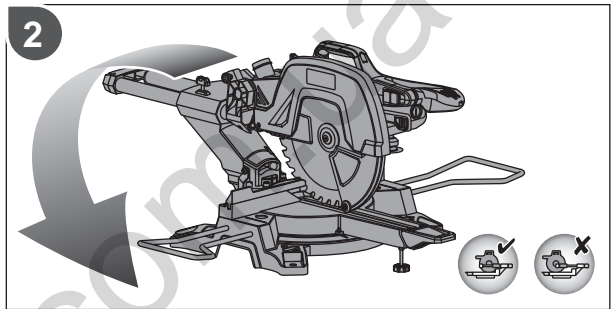
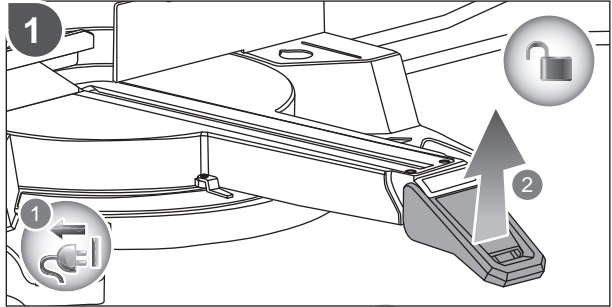


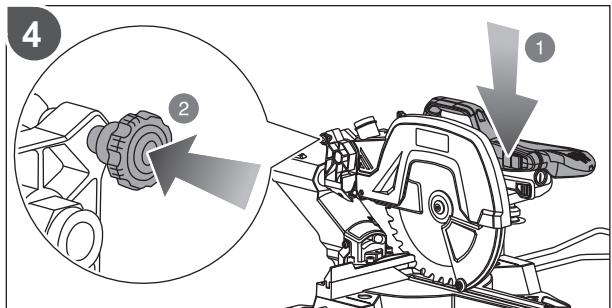
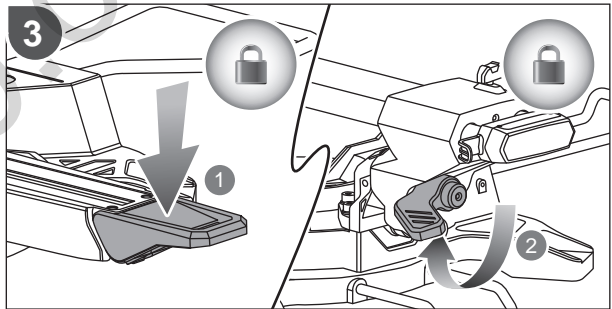
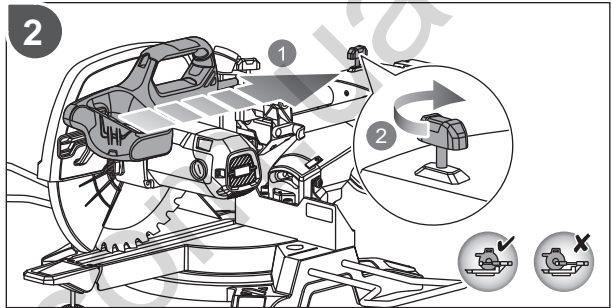
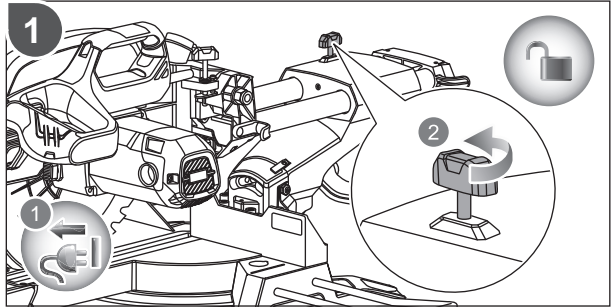
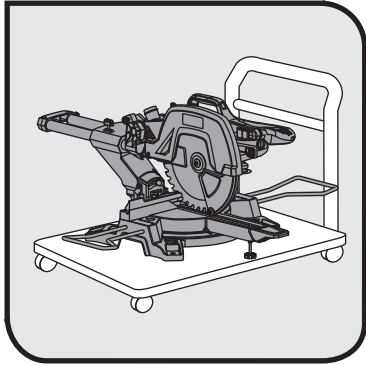


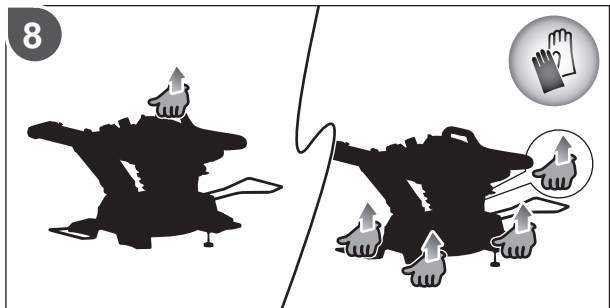
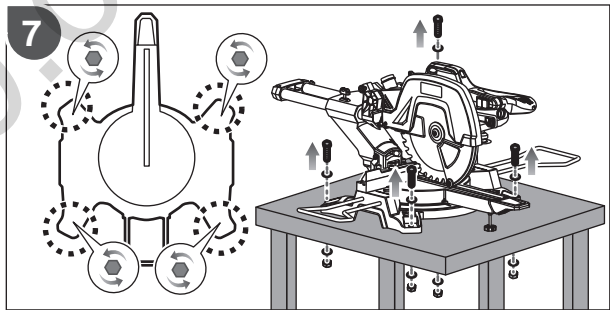
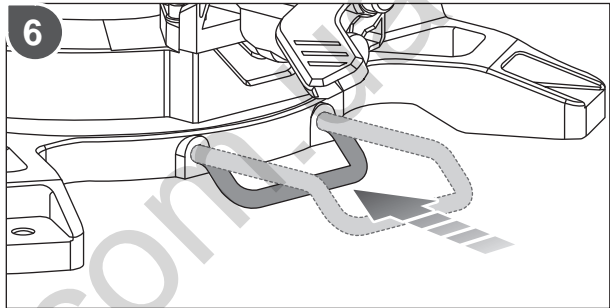
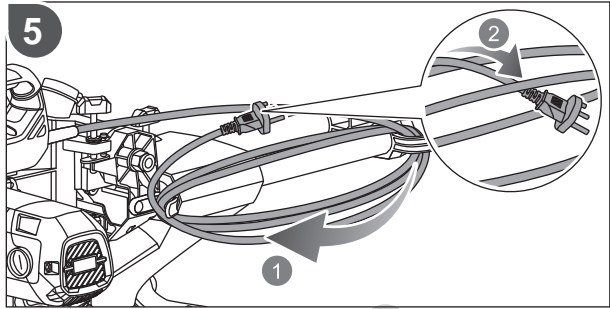












20161125v1

130.com.ua



English	Français	Deutsch	Español	Italiano	Nederlands
Product specifications	Caractéristiques de l'appareil	Produkt-Spezifikationen	Especificaciones del producto	Specifiche prodotto	Productspecificaties
Mitre saw	Scie à onglets	Gehrungssäge	Ingletadora	Sega per tagli obliqui	Verstekzaag
Model	Modèle	Modell	Modelo	Modello	Model
Net weight	Poids net	Nettogewicht	Peso neto	Peso netto	Nettogewicht
Blade diameter	Diamètre du disque de coupe	Sägeblattdurchmesser	Diámetro de la hoja	Diametro lama	Zaagblad diameter
Arbor hole	Trou de broche	Aufnahmebohrung	Hueco del eje	Foro dell'albero	Asgat
Blade teeth	Nombre de dents	Sägezähne	Dientes de la hoja	Denti lame	Zaagblad tanden
Width of cut	Largeur de coupe	Breite des Schnitts	Ancho del corte	Ampiezza di taglio	Maalbreedte
No-load speed r/min. (RPM)	Vitesse à vide tr/min. (r.min ⁻¹)	Leerlaufdrehzahl U/min	Velocidad sin carga r/min. (RPM)	Velocità a vuoto r/min. (RPM)	Onbelast toerental U/min. (TPM)
Input	Alimentation	Spannung	Cargador	Alimentazione	Input
Power	Puissance	Leistung	Potencia	Alimentazione	Vermogen
Laser safety class	Classe de sécurité du laser	Laser Sicherheitsklasse	Tipo de seguridad láser	Classe di sicurezza laser	Laserveiligheidsklasse
Cutting capacity	Capacité de coupe	Schnittleistung	Capacidad de corte	Capacità di taglio	Zaagcapaciteit
Mitre 0° x bevel 0°	Onglet 0° x biseau 0°	Gehrung 0° x Neigung 0°	Inglete 0° x bisel 0°	Angolazione 0° x smussatura 0°	Verstek 0° x afschuining 0°
Mitre 0° x bevel 45°	Onglet 0° x biseau 45°	Gehrung 0° x Neigung 45°	Inglete 0° x bisel 45°	Angolazione 0° x smussatura 45°	Verstek 0° x afschuining 45°
Mitre 45°(Left) x bevel 0°	Onglet 45°(Gauche) x biseau 0°	Gehrung 45°(Links) x Neigung 0°	Inglete 45° (izquierda) x bisel 0°	Angolazione 45°(Sinistra) x smussatura 0°	Verstek 45° (links) x afschuining 0°
Mitre 45°(Right) x bevel 0°	Onglet 45°(Droit) x biseau 0°	Gehrung 45°(Rechts) x Neigung 0°	Inglete 45° (derecha) x bisel 0°	Angolazione 45°(Destra) x smussatura 0°	Verstek 45° (rechts) x afschuining 0°
Mitre 45°(Left) x bevel 45°	Onglet 45°(Gauche) x biseau 45°	Gehrung 45°(Links) x Neigung 45°	Inglete 45° (izquierda) x bisel 45°	Angolazione 45°(Sinistra) x smussatura 45°	Verstek 45° (links) x afschuining 45°
Mitre 45°(Right) x bevel 45°	Onglet 45°(Droit) x biseau 45°	Gehrung 45°(Rechts) x Neigung 45°	Inglete 45° (derecha) x bisel 45°	Angolazione 45°(Destra) x smussatura 45°	Verstek 45° (rechts) x afschuining 45°
Min. workpiece dimensions	Dimensions min. de la pièce	Min. Werkstückabmessungen	Dimensiones min. de la pieza de trabajo	Min. misurazione massima dei pezzi	Min. werkstukafmeting
Measured values determined according to EN 61029 A-weighted sound pressure level	Valeurs mesurées obtenues selon EN 61029 Niveau de pression sonore pondérée-A	Gemäß EN 61029 gemessene Werte A-bewerteter Schalldruckpegel	Valores medidos determinados de acuerdo con EN 61029 Nivel de presión acústica ponderada en A	Valori misurati determinati in accordo con lo standard EN 61029 Livello di pressione sonora pesato A	Valeurs mesurées obtenues selon EN 61029 A-gewogen geluidsrukniveau
Uncertainty K	Incertitude K	Unsicherheit K	Incertidumbre K	Incertezza K	Onzekerheid K
Measured values determined according to EN 61029 A-weighted sound power level	Valeurs mesurées obtenues selon EN 61029 Niveau de puissance sonore pondérée-A	Gemäß EN 61029 gemessene Werte A-bewerteter Schalleistungspegel	Valores medidos determinados de acuerdo con EN 61029 Nivel de potencia acústica ponderada en A	Valori misurati determinati in accordo con lo standard EN 61029 Livello di potenza sonora pesato A	Valeurs mesurées obtenues selon EN 61029 A-gewogen geluidsniveau
Uncertainty K	Incertitude K	Unsicherheit K	Incertidumbre K	Incertezza K	Onzekerheid K
The vibration total values (triaxial vector sum) determined according to EN61029-2-9:2009 Vibration emission value	La valeur totale des vibrations (somme vectorielle triaxiale) a été déterminée selon EN61029-2-9:2009 Valeur d'émission de vibrations	Die Vibrationsgesamtwerte (dreiaxiale Vektorsumme) wurden nach EN61029-2-9:2009 Vibrationsemissionswert erfasst	Los valores totales de vibración (Suma vectorial triaxial) se han determinado según la norma EN61029-2-9:2009 Valor de emisión de vibraciones	I valori di vibrazione totali (somma vettore triassiale) sono determinati secondo gli standard EN61029-2-9:2009 Valore delle emissioni vibrazioni	De totale trillingswaarden (triaxiale vectorsom) werden vastgesteld in overeenstemming met EN61029-2-9:2009 Trillingsemissiewaarde
Uncertainty K	Incertitude K	Unsicherheit K	Incertidumbre K	Incertezza K	Onzekerheid K





Português	Dansk	Svenska	Suomi	Norsk	Русский	
Especificações do produto	Produktspecifikationer	Produktspecifikationer	Tuotteen tekniset tiedot	Produktspesifikasjoner	Характеристики изделия	
Serra de esquadria	Geringssav	Geringssåg	Vistesaha	Gjærsag	Торцово-усовочная пила	
Modelo	Model	Modell	Malli	Modell	Модель	EMS305RG
Peso líquido	Nettovægt	Nettovikt	Kokonaispaino	Nettovekt	Вес нетто	20,7 kg
Diâmetro da lâmina	Klingediameter	Klingdiameter	Terän läpimitta	Bladdiameter	Диаметр режущего диска	305 mm
Orifício do eixo	Spindelhul	Spindelhål	Karan reikä	Spindelhull	Рабочее отверстие	30 mm
Dentes da lâmina	Klingetænder	Sågtand	Terän hampaat	Bladetenner	Число зубьев	48
Largura do corte	Snitbredde	Skårbredda	Leikkauksen leveys	Bredda på kappet	Ширина разреза	2,6 mm
Velocidade em vazio (r/min. (RPM))	Tomgangshastighed omdr./min. (RPM)	Tomgångshastighet v/min (varv per minut)	Tyhjäkäyntinopeus kierr/min (RPM)	Hastighet ubelastet o/min. (RPM)	Скорость на холостом ходу об/мин	5000
Admissão	Strømforsyning	Matningsspänning	Virrankulutus	Input	Питание	220V - 240V - 50 Hz
Potência	Effekt	Ström	Teho	Effekt	Мощность	2200 W
Classe de segurança Laser	Lasersikkerhedsklasse	Säkerhetsklassad laser	Laserin turvallisuusluokitus	Laser sikkerhetsklasse	Класс соответствия лазерной безопасности	II
Capacidade de corte	Såvekapaçitet	Skårkapacitet	Leikkuukapasiteetti	Sågekapaçitet	Режущая способность	
Esquadria 0° x bisel 0°	Gering 0° x smig 0°	Lutning 0° x vinkel 0°	Viiste 0° x särmä 0°	Gjærsring 0° x skråkant 0°	Угол поворота 0° x угол наклона 0°	110 mm x 300 mm
Esquadria 45° x bisel 45°	Gering 0° x smig 45°	Lutning 0° x vinkel 45°	Viiste 0° x särmä 45°	Gjærsring 0° x skråkant 45°	Угол поворота 0° x угол наклона 45°	70 mm x 300 mm
Esquadria 45° (esquerda) x bisel 0°	Gering 45° (venstre) x smig 0°	Lutning 45 (vänster)° x vinkel 0°	Viiste 45° (vasen) x särmä 0°	Gjærsring 45° (venstre) x skråkant 0°	Угол поворота 45° (влево) x угол наклона 0°	110 mm x 210 mm
Esquadria 45° (direita) x bisel 0°	Gering 45° (højre) x smig 0°	Lutning 45 (höger)° x vinkel 0°	Viiste 45° (oikea) x särmä 0°	Gjærsring 45° (høyre) x skråkant 0°	Угол поворота 45° (правое) x угол наклона 0°	110 mm x 210 mm
Esquadria 45° (esquerda) x bisel 45°	Gering 45° (venstre) x smig 45°	Lutning 45 (vänster)° x vinkel 45°	Viiste 45° (vasen) x särmä 45°	Gjærsring 45° (venstre) x skråkant 45°	Угол поворота 45° (влево) x угол наклона 45°	70 mm x 210 mm
Esquadria 45° (direita) x bisel 45°	Gering 45° (højre) x smig 45°	Lutning 45 (höger)° x vinkel 45°	Viiste 45° (oikea) x särmä 45°	Gjærsring 45° (høyre) x skråkant 45°	Угол поворота 45° (правое) x угол наклона 45°	70 mm x 210 mm
Dimensões min. da peça de trabalho	Min. mål på arbejdssemner	Min. avmåntning av arbeidsstykket	Työkappaleen minimaalinen	Min. verkteymå	Минимальный размеры	130 mm x 35 mm x 2,5 mm
Valores medidos calculados de acordo com EN 61029 Nível de pressão sonora ponderada A	Målte værdier bestemmes henhold til EN 61029 A-vægtet lydtrykniveau	Värden uppmätta enligt EN 61029 A-vägd ljudtrycksnivå	Mitatut arvot määritetty EN 61029 -standardin mukaan A-painotettu äänenpainetaso	Målte verdier i samsvar med EN 61029 A-vektet lydtryknivå	Измеренные значения определены в соответствии с EN 61029 Уровень A-взвешенного звукового давления	$L_{pA} = 98,5 \text{ dB(A)}$
Incerteza K	Usikkerhed K	Osäkerhet K	Epätarkuus K	Usikkerhet K	Разброс K	3 dB
Valores medidos calculados de acordo com EN 61029 Nível de potência sonora ponderada A	Målte værdier bestemmes henhold til EN 61029 A-vægtet lydeffektniveau	Värden uppmätta enligt EN 61029 A-vägd ljudeffektsnivå	Mitatut arvot määritetty EN 61029 -standardin mukaan A-painotettu äänenhento	Målte verdier i samsvar med EN 61029 A-vektet lydeffektnivå	Измеренные значения определены в соответствии с EN 61029 Уровень A-взвешенной звуковой мощности	$L_{WA} = 111 \text{ dB(A)}$
Incerteza K	Usikkerhed K	Osäkerhet K	Epätarkuus K	Usikkerhet K	Разброс K	3 dB
Os valores totais de vibração (Soma vectorial triaxial) foram determinados de acordo com a norma EN61029-2-9:2009 Valor de emissão de vibrações	De totale vibrationsværdier (triaksial vektorsum) er bestemt i henhold til EN61029-2-9:2009 Vibrationsemissionsværdi	De totala vibrationsvärdena (triaksial vektorsumma) bestäms enligt EN61029-2-9:2009 Vibrationsvärde	Tärninän kokonaisarvot (kolmiakselinen vektorisumma) määritettyä standardien EN61029-2-9:2009 mukaisesti Tärinäarvo	De totale vibrasjonsverdiene (treakset vektorsum) er i henhold til EN61029-2-9:2009 Verdier for vibrasjonsutslipp	Суммарное значение вибрации (сумма векторов по трем координатным осям) определено в соответствии со стандартом EN61029-2-9:2009 Значение вибрации	$a_b = 1,6 \text{ m/s}^2$
Incerteza K	Usikkerhed K	Osäkerhet K	Epätarkuus K	Usikkerhet K	Разброс K	1,5 m/s ²





Polski	Čeština	Magyar	Română	Latviski	Lietuviškai
Parametry techniczne	Technické údaje produktu	Termék műszaki adatai	Specificațiile produsului	Produkta specifikācijas	Gaminio techninės savybės
Pilarka ukosowa	Pokosová píla	Gérvágó fűrész	Ferăstrău unghiular	Leņķzāģis	Skersinis pjūklas
Model	Model	Típus	Model	Modelis	Modelis
Masa netto	Čistá hmotnost	Nettó tömeg	Greutate netă	Svars neto	Neto svoris
Šrednica tarczy tnącej	Průměr kotouče	Tárcsa átmérője	Diametru lamă	Asmens diametrs	Pļovimo disko skersmuo
Otwór trzpienia	Otvor hřídele	Tengelyfurat	Orificiu arbore	Vārpstas atvere	Āšies anga
Liczba zębów tarczy	Zub kotouče	Fűrészlap fogai	Dinte lamă	Asmens zobi	Geležinės dantukų skaičius
Szerokość cięcia	Šifka fežu	Vágás szélessége	Lățime a tăierii	Griezuma platums	Pļovimo plotis
Prędkość bez obciążenia obr./min. (RPM)	Otáčky naprázdno ot./min. (RPM)	Üresjárati fordulatszám ford./perc (RPM)	Viteză în gol rot./min. (RPM)	Apgrīzieni bez slodzes apgr./min. (RPM)	Gretis be apkrovimo aps./min. (apsukų per minutę)
Zasilanie	Vstup	Bemenet	Intrare	Ieeja	Ivestis
Moc	Výkon	Teljesítmény	Alimentare	Strāva	Gala
Klasa bezpieczeństwa lasera	Třída laserové bezpečnosti	Lézer biztonsági osztály	Clasă de siguranță laser	Lāzera drošības klase	Lazerio saugos klasė
Zakres možliwoci cięcia	Maximální prořez	Vágásteljesítmény	Capacitate de tăiere	Zāģēšanas ražība	Pļovimo talpa
Úkos 0° x skos 0°	Pokos 0° x úkos 0°	Gérvágás 0° x ferdevágás 0°	Unghi 0° x tăietură la 0°	Leņķis 0° x slīpums 0°	Užkarpa 0° x nuožambis 0°
Úkos 0° x skos 45°	Pokos 0° x úkos 45°	Gérvágás 0° x ferdevágás 45°	Unghi 0° x tăietură la 45°	Leņķis 0° x slīpums 45°	Užkarpa 0° x nuožambis 45°
Úkos 45°(w lewo) x skos 0°	Pokos 45°(vlevo) x úkos 0°	Gérvágás 45°(bal) x ferdevágás 0°	Unghi de 45°(Stânga) x tăietură la 0°	Leņķis 45°(pa kreisi) x slīpums 0°	Užkarpa 45°(kairėje) x nuožambis 0°
Úkos 45°(w prawo) x skos 0°	Pokos 45°(vpravo) x úkos 0°	Gérvágás 45°(jobb) x ferdevágás 0°	Unghi de 45°(Dreapta) x tăietură la 0°	Leņķis 45°(pa labi) x slīpums 0°	Užkarpa 45°(dešinėje) x nuožambis 0°
Úkos 45°(w lewo) x skos 45°	Pokos 45°(vlevo) x úkos 45°	Gérvágás 45°(bal) x ferdevágás 45°	Unghi de 45°(Stânga) x tăietură la 45°	Leņķis 45°(pa kreisi) x slīpums 45°	Užkarpa 45°(kairėje) x nuožambis 45°
Úkos 45°(w prawo) x skos 45°	Pokos 45°(vpravo) x úkos 45°	Gérvágás 45°(jobb) x ferdevágás 45°	Unghi de 45°(Dreapta) x tăietură la 45°	Leņķis 45°(pa labi) x slīpums 45°	Užkarpa 45°(dešinėje) x nuožambis 45°
Min. wymiary przedmiotu obrabianego	Min. rozměry obrobku	Min. munkadarab méretek	Dimensiunile minime ale piesei de prelucrat	Min. apstrādājāmās detaļas izmērs	Min. apdorojamų detalės matmenys
Zmierzono wartości określone wg EN 61029 A-ważony poziom ciśnienia hałasu	Naměřené hodnoty zjištěné dle EN 61029 Hladina akustického tlaku vážená funkci A	A mért értékek meghatározása az EN 61029 szerint történt A-súlyozott hangnyomásszint	Valori măsurate determinate în conformitate cu EN 61029 Nivel de presiune acustică ponderată A	Izmērtās vērtības saskaņā ar EN 61029 A-Ilmeņa skaņas spiediena līmenis	Išmatuotosis vertės nustatytos pagal EN 61029 A svertinis garso slėgio lygis
Niepewność pomiaru K	Nejistota K	Bizonytalanság K	Incertitudine K	Kļūdas vērtība K	Nepastovumas K
Zmierzono wartości określone wg EN 61029 A-ważony poziom natężenia hałasu	Naměřené hodnoty zjištěné dle EN 61029 Hladina akustického výkonu vážená funkci A	A mért értékek meghatározása az EN 61029 szerint történt A-súlyozott hangteljesítményszint	Valori măsurate determinate în conformitate cu EN 61029 Nivel de putere acustică ponderată A	Izmērtās vērtības saskaņā ar EN 61029 A-Ilmeņa skaņas jaudas līmenis	Išmatuotosis vertės nustatytos pagal EN 61029 A svertinis garso galios lygis
Niepewność pomiaru K	Nejistota K	Bizonytalanság K	Incertitudine K	Kļūdas vērtība K	Nepastovumas K
Wartości sumaryczne drgań (suma wektora trójosiowego) określone zgodnie z normą EN61029-2-9:2009	Celkové hodnoty vibrací (Trojsoj vektorový součet) určené v souladu s EN61029-2-9:2009	A vibráció teljes értékei (háromtengelyű vektorösszeg), az EN61029-2-9:2009 szerint meghatározva.	Valorile totale ale vibrațiilor (sumă vector triaxială) au fost determinate în conformitate cu EN61029-2-9:2009	Vibrācijas kopējās vērtības (triaksiālā vektoru summa) ir noteiktas atbilstoši EN61029-2-9:2009	Bendros vibracijos vertės (triasių vektoriaus suma) nustatomos pagal EN61029-2-9:2009
Poziom drgań	Úroveň emisii vibrací	Vibráció-kibocsátás értéke	Valoarea emisiilor de vibrații	Vibrāciju emisijas vērtība	Vibracijos emisijos vertė
Niepewność pomiaru K	Nejistota K	Bizonytalanság K	Incertitudine K	Kļūdas vērtība K	Nepastovumas K





Eesti	Hrvatski	Slovensko	Slovenčina	Ελληνικά	Türkçe	українська МОВА	
Toote tehnilised andmed	Specifikacije proizvoda	Specifikacije izdelka	Špecifikácia	Προδιαγραφές Προϊόντος	Ürün Özellikleri	Технічні характеристики продукту	
Miisaag	Kutna pila	Zajeralna žaga	Rozbrusovačka	Κόπτης για φαλταγωνίες	Gönye testeresi	Торцовальна пила	
Mudeli tähis	Model	Model	Model	Μοντέλο	Model	Модель	EMS305RG
Netomass	Neto težina	Neto teža	Netto hmotnosť	Καθαρό βάρος	Net ağırlık	Вага нетто	20,7 kg
Saeketta läbimõõt	Promjer rezne ploče	Premer rezila	Priemer kotloča	Διάμετρος λεπίδας	Bıçak çapı	Диаметр леза	305 mm
Võlliava	Otvor za vratilo	Izvrtna vretena	Otvor hriadefla	Οπή άξονα	Mil deliği	Отвір валу	30 mm
Lõiketera hammas	Zubi pile	Zobje rezila	Zúbky čepele	Δόντια λεπίδας	Bıçak dişleri	Зубці леза	48
Lõikelaius	Širina reza	Širina rezanja	Šírka rezu	Πλάτος κοπής	Kesim genişliği	Ширина ризи	2,6 mm
Kiirus ilma koormuseta p/min. (p/min)	Brzina bez opterećenja o/min (OKR/MIN)	Hitrost brez obremenitve o/min (RPM)	Rýchlost bez záťaže ot./min. (RPM)	Ταύτητα στ εντ r/min. (RPM)	Bota hız d/dak. (DDS)	Швидкість без навантаження Об/хв. (Оборотів за хвилину)	5000
Vooluvõrk	Ulaz	Vhod	Vstup	Είσοδος ρεύματος	Giriş	Вхідний	220V - 240V ~ 50 Hz
Võimsus	Napajanje	Napajanje	Napájanie	Ισχύς	Güç	Потужність	2200 W
Laseri ohutusklass	Sigurnosno staklo lasera	Varnostni razred laserja	Bezpečnostná trieda lasera	Κατηγορία ασφάλειας λέιζερ	Lazer emiyet sınıfı	Клас безпеки лазеру	II
Lõikesügavus	Kapacitet rezanja	Zmogljivost rezanja	Kapacita rezania	Ικανότητα κοπής	Kesim kapasitesi	Різна здатність	
Kaldlõige 0° x nurklõige 0°	Kutna pila 0° x nagib 0°	Zajera 0° x nagib 0°	Sklon 0° x úkos 0°	Φαλταγωνία λοξοτομή 0°	Gönye açısı 0° x Eğim açısı 0°	Укіс 0° x конус 45°	110 mm x 300 mm
Kaldlõige 0° x nurklõige 45°	Kutna pila 0° x nagib 45°	Zajera 0° x nagib 45°	Sklon 0° x úkos 45°	Φαλταγωνία λοξοτομή 45°	Gönye açısı 0° x Eğim açısı 45°	Укіс 0° x конус 45°	70 mm x 300 mm
Kaldlõige 45° (vasak) x nurklõige 0°	Kutna pila 45°(lijevo) x nagib 0°	Zajera 45°(levo) x nagib 0°	Sklon 0° (vľavo) x úkos 0°	Φαλταγωνία 45°(Αριστερά) x λοξοτομή 0°	Gönye açısı 45°(Sol) x Eğim açısı 0°	Укіс 45°(ліво) x конус 0°	110 mm x 210 mm
Kaldlõige 45° (parem) x nurklõige 0°	Kutna pila 45°(desno) x nagib 0°	Zajera 45°(desno) x nagib 0°	Sklon 0° (vpravo) x úkos 0°	Φαλταγωνία 45°(Δεξιά) x λοξοτομή 0°	Gönye açısı 45°(Sağ) x Eğim açısı 0°	Укіс 45°(право) x конус 0°	110 mm x 210 mm
Kaldlõige 45° (vasak) x nurklõige 45°	Kutna pila 45°(lijevo) x nagib 45°	Zajera 45°(levo) x nagib 45°	Sklon 45° (vľavo) x úkos 45°	Φαλταγωνία 45°(Αριστερά) x λοξοτομή 45°	Gönye açısı 45°(Sol) x Eğim açısı 45°	Укіс 45°(ліво) x конус 45°	70 mm x 210 mm
Kaldlõige 45° (parem) x nurklõige 45°	Kutna pila 45°(desno) x nagib 45°	Zajera 45°(desno) x nagib 45°	Sklon 45° (vpravo) x úkos 45°	Φαλταγωνία 45°(Δεξιά) x λοξοτομή 45°	Gönye açısı 45°(Sağ) x Eğim açısı 45°	Укіс 45°(право) x конус 45°	70 mm x 210 mm
Min. tooriku mõõtmed	Minimálna dimenzije radnog predmeta	Minimálna izmera obdelovalnega kosa	Min. rozmery obróbku	Ελάχιστες διαστάσεις τεμαχίου	Minimum iş parçası boyutu	Мінімальні розміри заготовки	130 mm x 35 mm x 2,5 mm
Mõõteväärtused on kindlaks määratud vastavalt standardile EN 61029 A-kaalutud helirõhu tase	Mjerene vrijednosti određene su prema EN 61029 Ponderirana razina tlaka zvuka	Izmerjene vrednosti določene v skladu s standardom EN 61029 A-izmerjena raven zvočnega tlaka	Namerané hodnoty určené podľa EN 61029 Vážená A hladina akustického tlaku	Οι υπολογισμένες τιμές καθοριστῆκαν σύμφωνα με το EN 61029 Α-σταθμισμένο επίπεδο πίεσης ήχου	EN 61029 ile uyumlu olarak belirlenen ölçülen değerler A ağırlıklı ses basınç seviyesi	Вимірні значення шуму визначаються відповідно до EN 61029; А-зважений рівень звукового тиску	$L_{\text{шк}} = 98,5 \text{ dB(A)}$
Mõõtemääramatus K	Neodređenost K	Nedoloč. K	Odhýlka K	Αβεβαιότητα K	Belirsizlik K	Невизначеність K	3 dB
Mõõteväärtused on kindlaks määratud vastavalt standardile EN 61029 A-kaalutud helivõimsuse tase	Mjerene vrijednosti određene su prema EN 61029 Ponderirana razina zvučne snage	Izmerjene vrednosti določene v skladu s standardom EN 61029 A-izmerjena raven zvočne moči	Namerané hodnoty určené podľa EN 61029 Vážená A hladina akustického tlaku	Οι υπολογισμένες τιμές οларак belirlenen σύμφωνα με το EN 61029 Α-σταθμισμένο επίπεδο έντασης ήχου	EN 61029 ile uyumlu olarak belirlenen ölçülen değerler A ağırlıklı ses gücü seviyesi	Вимірні значення шуму визначаються відповідно до EN 61029; А-зважений рівень звукової потужності	$L_{\text{шк}} = 111 \text{ dB(A)}$
Mõõtemääramatus K	Neodređenost K	Nedoloč. K	Odhýlka K	Αβεβαιότητα K	Belirsizlik K	Невизначеність K	3 dB
Vibratsiooni üldväärtus (kolme suuna vektorsumma) on kindlaks määratud vastavalt standarditele EN61029-2-9:2009	Ukupne vrijednosti vibracija (troosovinski vektorski zbroj) određuje se u skladu s EN61029-2-9:2009	Efektivna vrednost vibracij (triaksialna vektorska vsota) določena v skladu z EN61029-2-9:2009	Čelkové hodnoty vibrácií (priestorový vektorový súčet) stanovené podľa noriem EN61029-2-9:2009	Οι συνολικές τιμές κραδασμών (τριαξονικό διανυσματικό άθροισμα) καθοριστῆκαν σύμφωνα με τα EN61029-2-9:2009	Titreşim toplam değerleri (üçeksenli vektör toplamı) EN61029-2-9:2009 standartlarına göre belirlenmiştir. Titreşim emiyon değeri	Загальне значення вібрації (триаксіальна векторна сума) визначається відповідно до EN61029-2-9:2009; Значення вібраційної емісії	$a_h = 1,6 \text{ m/s}^2$
Mõõtemääramatus K	Neodređenost K	Nedoloč. K	Odhýlka K	Αβεβαιότητα K	Belirsizlik K	Невизначеність K	1,5 m/s ²



EN WARNING

The vibration emission level given in this information sheet has been measured in accordance with a standardised test given in EN 61029 and may be used to compare one tool with another. It may be used for a preliminary assessment of exposure. The declared vibration emission level represents the main applications of the tool. However if the tool is used for different applications, with different accessories or poorly maintained, the vibration emission may differ. This may significantly increase the exposure level over the total working period.

An estimation of the level of exposure to vibration should also take into account the times when the tool is switched off or when it is running but not actually doing the job. This may significantly reduce the exposure level over the total working period. Identify additional safety measures to protect the operator from the effects of vibration such as: maintain the tool and the accessories, keep the hands warm, organisation of work patterns.

FR AVERTISSEMENT

Le niveau d'émission des vibrations indiqué dans cette feuille d'information a été mesuré en concordance avec un test normalisé fourni par EN61029 et peut être utilisé pour comparer un outil à un autre. Il peut être utilisé pour une évaluation préliminaire de l'exposition. Le niveau déclaré d'émission des vibrations s'applique à l'utilisation principale de l'outil. Toutefois, si l'outil est utilisé pour des applications différentes, avec des accessoires différents, ou mal entretenu, l'émission de vibrations peut être différente. Le niveau d'exposition peut en être augmenté de façon significative tout au long de la période de travail.

Une estimation du niveau d'exposition aux vibrations doit aussi prendre en compte les périodes où l'outil est arrêté ainsi que les périodes où il fonctionne sans vraiment travailler. Le niveau d'exposition pendant la durée totale du travail peut en être réduit de façon significative. Prenez en considération les mesures additionnelles de sécurité à prendre pour protéger l'opérateur des effets des vibrations telles que: maintien de l'outil et de ses accessoires, maintien des mains au chaud, organisation du travail.

DE WARNUNG

Der in diesem Informationsblatt genannte Schwingungspegel wurde entsprechend dem standardisierten Test von EN61029 gemessen und kann benutzt werden um das Werkzeug mit anderen zu vergleichen. Er kann benutzt werden, um eine vorausgehende Einschätzung der Exposition durchzuführen. Der genannte Schwingungspegel repräsentiert den Haupteinsatzbereich des Werkzeugs. Jedoch kann das Werkzeug für verschiedene Einsatzbereiche benutzt werden. Mit unterschiedlichen Zusatzgeräten oder bei schlechter Wartung kann der Schwingungspegel unterschiedlich sein. Dadurch kann die Expositionshöhe über die gesamte Arbeitszeit signifikant erhöht werden.

Eine Einschätzung der Exposition zu Schwingungen sollte auch die Zeiten wenn das Werkzeug ausgeschaltet ist, oder wenn es angeschaltet aber nicht in Betrieb ist, in Betracht ziehen. Dadurch kann die Expositionshöhe über die gesamte Arbeitszeit signifikant reduziert werden. Identifizieren Sie zusätzliche Sicherheitsmaßnahmen um die Bedienungsperson vor den Effekten der Schwingungen zu schützen, wie zum Beispiel: Das Werkzeug und Zusatzgeräte warten, Hände warmhalten und Organisation der Arbeitszeiten.

ES ADVERTENCIA

El nivel de emisión de las vibraciones que figura en esta hoja de información se ha medido según una prueba estandarizada que figura en EN61029 y puede ser utilizado para comparar una herramienta con otra. Puede ser utilizado para una evaluación preliminar de la exposición. El nivel de emisión de las vibraciones declarado representa las principales aplicaciones de la herramienta. No obstante, si la herramienta se utiliza para diferentes aplicaciones, con diferentes accesorios o no recibe el mantenimiento adecuado, la emisión de las vibraciones puede ser diferente. Esto puede aumentar significativamente el nivel de exposición durante el período de trabajo total.

Una estimación del nivel de exposición a la vibración también debe tener en cuenta el tiempo en el que la herramienta está desconectada o cuando está conectada pero no está realizando ningún trabajo. Esto puede reducir significativamente el nivel de exposición durante el período de trabajo total. Identificar las medidas de seguridad adicionales para proteger al operador de los efectos de las vibraciones, tales como: mantenimiento de la herramienta y de los accesorios, y la organización de los patrones de trabajo.

IT AVVERTENZE

Il livello di vibrazioni indicato in questo foglio informativo è stato misurato seguendo un test svolto secondo i requisiti indicati dallo standard EN61029 e potrà essere utilizzato per paragonare un utensile con un altro. Potrà essere utilizzato per una valutazione preliminare dell'esposizione a vibrazioni. Il livello dichiarato di emissioni di vibrazioni viene indicato tenendo conto delle applicazioni principali dell'utensile. Comunque se l'utensile viene utilizzato per applicazioni diverse con accessori diversi o non viene correttamente conservato, il livello delle vibrazioni potrà variare. Ciò potrà significativamente aumentare il livello di esposizione alle vibrazioni durante il periodo di lavoro totale.

Una valutazione del livello di esposizione alle vibrazioni dovrà inoltre prendere in considerazione i tempi in cui l'utensile viene spento o è acceso ma non viene utilizzato. Ciò potrà significativamente ridurre il livello di esposizione in un periodo totale di funzionamento. Ulteriori misure di protezione per proteggere l'operatore dagli effetti delle vibrazioni come: conservare correttamente l'utensile e i suoi accessori, tenere le mani calde e organizzare i tempi di lavoro.

NL WAARSCHUWING

Het trillingsemissieniveau dat op dit informatieblad wordt gegeven, is gemeten in overeenstemming met een gestandaardiseerde test, vastgelegd in EN61029 en mag worden gebruikt om machines met elkaar te vergelijken. Het verklaarde trillingsemissieniveau geeft de hoofdtoepassing van het gereedschap weer. Als de machine echter voor andere toepassingen of met andere accessoires wordt gebruikt of slecht wordt onderhouden, kan de trillingsemissie verschillen. Dit kan de blootstelling gedurende de gehele werkdur aanzienlijk verhogen.

Bij een schatting van het niveau van blootstelling aan trillingen moet ook rekening worden gehouden met het aantal keren dat de machine wordt uitgeschakeld of draait, maar niet wordt gebruikt. Dit kan het niveau van blootstelling gedurende de gehele werkdur aanzienlijk verlagen. Stel bijkomende veiligheidsmaatregelen op om de gebruiker tegen de gevolgen van trillingen te beschermen: zoals onderhoud het gereedschap en de accessoires, houd de handen warm, de organisatie van werktijden.

PT AVISO

O nível de emissão de vibrações fornecido nesta folha de informações foi medido em conformidade com o teste uniformizado descrito em EN61029 e pode ser usado para comparar uma ferramenta com outra. Este pode ser usado para uma avaliação preliminar da exposição. O nível de emissão de vibração declarado refere-se à aplicação principal da ferramenta. Contudo, se a ferramenta for usada para aplicações diferentes, com acessórios diferentes ou não for devidamente mantida, a emissão de vibrações pode diferir. Isto pode fazer aumentar significativamente o nível de exposição ao longo do período de trabalho total.

Uma estimativa do nível de exposição às vibrações deve ter, também, em consideração o tempo durante o qual a ferramenta está desligada ou em que está ligada mas não está a realizar qualquer trabalho. Isto pode reduzir significativamente o nível de exposição durante o período total de trabalho. Identifique medidas adicionais de segurança que protejam o operário dos efeitos da vibração como a manutenção da ferramenta e dos acessórios, a manutenção das mãos quentes e a organização de padrões de trabalho.

DA ADVARSEL

Det angivne niveau for vibrationsemission på denne oplysningsside er blevet målt iht. en standardtest ifølge EN61029 og kan bruges til at sammenligne værktøjer indbyrdes. Det kan bruges til en foreløbig eksponeringsvurdering. Det opgivne niveau for vibrationsemission gælder, når værktøjet bruges til sit hovedformål. Men hvis værktøjet bruges til andre formål, med forskelligt eller med dårligt vedligehold ekstraudstyr, kan vibrationsemissionen variere. Dette kan medføre en betragtelig stigning i eksponeringsniveauet set over hele arbejdsperioden.

Et skøn over niveauet for vibrationseksponering bør også tage højde for de perioder, hvor værktøjet er slukket, eller hvor det er tændt uden faktisk at være i brug. Dette kan medføre en betragtelig reduktion i eksponeringsniveauet set over hele arbejdsperioden. Træk ekstra sikkerhedsforanstaltninger til beskyttelse af operatøren mod virkningerne fra vibrationen som t. v: vedligehold værktøj og ekstraudstyr, hold hænderne varme, organiser arbejdsmonstre.





SV VARNING

Vibrationsnivåerna som uppges i det här dokumentet har uppmäts i enlighet med ett standardiserat test som beskrivs i EN61029 och som kan användas för att jämföra verktyg. Det kan användas som en preliminär bedömning av den vibration som användaren utsätts för. De deklarerade vibrationsvärdena motsvarar de som uppstår när verktyget används i sitt huvudsyfte. Om verktyget används i andra syften, med andra tillbehör eller om verktyget är dåligt underhållet kan vibrationsnivåerna vara annorlunda. Det kan kraftigt öka vibrationsnivåerna över den totala arbetsperioden.

En uppskattning av vibrationsnivåerna som användaren utsätts för ska också ta hänsyn till de stunder då verktyget är avstängt och när det går på tomgång. Detta kan kraftigt minska vibrationsnivåerna över den totala arbetsperioden. Andra säkerhetsåtgärder som kan skydda användaren från effekterna av vibrationer är: underhållning av verktyget och tillbehören, hålla händerna varma och organisera arbetssättet.

FI VAROITUS

Tämän tiedotteen tärnätaso on mitattu EN61029-standardien mukaisilla testeillä, ja niitä voidaan käyttää verratessaan laitetta toiseen. Sitä voidaan käyttää arvioitaessa tärnävaikutusta. Ilmoitettu tärnätaso vastaa laitteen pääasiallista käyttötarkoitusta. Jos laitetta kuitenkin käytetään muuhun tarkoitukseen, muilla lisälaitteilla tai huollon huolletuna, tärnätaso saattaa poiketa ilmoitetusta arvosta. Tämä voi kasvatata kokonaisaltistumista huomattavasti koko työjakson kuluessa.

Tärnän altistumistasoa arvioitaessa tulee huomioida ajat, jolloin laite on sammutettu tai kun se on käynnissä, mutta sitä ei käytetä varsinaiseen työskentelyyn. Tämä voi vähentää kokonaisaltistumista huomattavasti koko työjakson kuluessa. Käytä muitakin suojakeinoja turvatakseksi käyttäjän tärnävaikutukselta, kuten: huolla laite ja lisälaitteet, pidä kätesi lämpiminä, organisoi työnkulku.

NO ADVARSEL

Vibrasjonsnivået som oppgis på dette informasjonsarket er målt i henhold til en standardisert test gitt i EN61029 og kan brukes til å sammenligne ett verktøy med et annet. Det kan brukes til en foreløpig vurdering av eksponering. Det erklærte vibrasjonsnivået representerer hovedanvendelsen for verktøyet. Dersom verktøyet brukes for andre anvendelser, med forskjellig tilbehør eller med dårlig vedlikehold, vil vibrasjonsnivået kunne være annerledes. Det kan gi en betydelig økning av eksponeringsnivået over den totale arbeidsperioden.

En beregning av nivået for eksponering til vibrasjoner må også ta hensyn til den tiden verktøyet er slått av eller er i gang men ikke i faktisk bruk for å utføre den tiltenkte oppgaven. Dette kan gi en betydelig økning av eksponeringsnivået over den totale arbeidsperioden. Identifiser ytterligere sikkerhetstiltak for å beskytte den som bruker verktøyet fra virkningen av vibrasjoner, tiltak som: Vedlikehold verktøyet og tilbehøret, hold hendene varme, organiser arbeidsmetodene.

RU ОСТОРОЖНО!

Уровень вибрации, приведенный в данном справочном листе, измерен согласно стандартизованным испытаниям, определенным в EN61029 и может использоваться для сравнения различных инструментов. Значение уровня может использоваться для предварительной оценки влияния вибрации. Заявленный уровень вибрации действителен для основного применения инструмента. Однако, если инструмент используется для других целей, с другими приспособлениями, или плохо обслуживается, уровень вибрации может отличаться от указанного. Это может значительно увеличить величину воздействия за общее время работы.

При оценке уровня воздействия вибрации следует также принять во внимание время простоя и холостой ход (когда инструмент выключен и когда включен, но работа не производится). Эти факторы могут значительно уменьшить величину воздействия вибрации за общее время работы. Определите дополнительные меры безопасности, защищающие работающего от влияния вибрации: техническое обслуживание инструмента и принадлежностей, недопущение охлаждения рук, соответствующие приемы и распорядок работы.

PL OSTRZEŻENIE

Deklarowany poziom drgań został zmierzony za pomocą standardowej metody pomiaru określonej normą EN61029 i jego wyniki mogą służyć do porównywania tego urządzenia z innymi. Deklarowana wartość drgań może służyć do wstępnej oceny narażenia operatora na drgania. Deklarowany poziom drgań dotyczy podstawowych zastosowań urządzenia. Jednak w przypadku użycia urządzenia do innych zastosowań, z innymi przystawkami lub w przypadku niewłaściwego stanu technicznego urządzenia poziom drgań może odbiegać od deklarowanego. Może być to przyczyną zwiększenia stopnia narażenia operatora na drgania w całym okresie wykonywania pracy.

Podczas oceny narażenia na drgania należy również uwzględnić czas wyłączenia urządzenia oraz czas, w którym urządzenie jest włączone, jednak praca nie jest wykonywana. Czas te mogą znacznie zmniejszyć stopień narażenia operatora na drgania w całym okresie wykonywania pracy. Należy określić dodatkowe środki ochrony operatora przed skutkami drgań, przykładowo: dbać o stan techniczny urządzenia i przystawek, dbać o zachowanie ciepłoty dłoni, odpowiednio zorganizować harmonogram wykonywania prac.

CS VAROVÁNÍ

Hodnota vibračních emisí uvedená v tomto informačním listu byla naměřena standardizovaným testem podle EN61029 a ji použít k porovnání s hodnotami jiných nástrojů. Může se používat k předběžnému odhadu vystavení vibracím. Uznávaná hodnota vibračních emisí reprezentuje hlavní použité nástroje. Nicméně pokud se nástroj používá pro jiné použití, s různými doplňky nebo se nedostatečně neudrží, mohou se vibrační emise lišit. Toto může výrazně zvýšit úroveň vystavení nad celkové pracovní období.

Odhad úrovně vystavení vibracím by měl vzít také v potaz časy, kdy je chvění vypnuto, nebo když přístroj běží, ale nevykonává práci. Toto může výrazně snížit úroveň vystavení nad celkové pracovní období. Určete doplňující bezpečnostní opatření pro ochranu obsluhy před různými vibracemi, například: Udržujte nástroj a doplňky, udržujte ruce v teple, organizujte pracovní schéma.

HU FIGYELMEZTETÉS

A vibráció-kibocsátás adatainak megadott értéke az EN61029 által meghatározott szabványosított mérési eljárás szerint lett megmértve, amely lehetővé teszi a különböző szerszámok összehasonlítását. Használható a kitettség előzetes felméréseire is. A nyilatkozatban szereplő kibocsátási érték a szerszám főbb alkalmazási területeire vonatkozik. Ugyanakkor, ha a szerszámot más alkalmazásokra, más kiegészítőkkel használják vagy rosszul tartják karban, a vibráció-kibocsátás értéke ettől eltérő is lehet. Ez jelentősen növelheti a kitettség szintjét a gép teljes használati időtartama során.

A vibrációnak való kitettség szintjének becslésekor figyelembe kell venni azokat az időintervallumokat is, amikor a szerszám ki van kapcsolva, vagy működik, de nem végeznek munkát vele. Ez jelentősen csökkentheti a kitettség szintjét a gép teljes használati időtartama során. Tegyén további óvintézkedéseket a kezelő vibrációval szembeni megvédése érdekében: tartsa karban a szerszámot és a tartozékokat, tartsa melegen a kezét, tervezze meg a munkafolyamatot.

RO AVERTISMENT

Nivelul emisiilor de vibrații prezentat în cadrul acestei fișe cu informații a fost măsurat în conformitate cu un test standardizat furnizat în EN61029 și poate fi folosit la a compara o unealtă cu o alta. Poate fi folosit la a evalua preliminară a expunerii. Nivelul declarat al emisiilor de vibrații reprezintă aplicațiile principale ale uneltei. Cu toate acestea, în cazul în care unealta este utilizată pentru aplicații diferite, cu accesorii diferite sau întreținute necorespunzător, emisiile de vibrații pot diferi. Acestea pot crește semnificativ nivelul de expunere pe întreaga perioadă de lucru.

O estimare a nivelului de expunere la vibrații trebuie, de asemenea, să țină cont de tășile în care unealta este oprită sau de tășile în care aceasta funcționează fără a efectua propriu-zis sarcina de lucru. Acestea pot reduce semnificativ nivelul de expunere pe întreaga perioadă de lucru. Identificați măsuri de siguranță suplimentare pentru a proteja operatorul de efectele vibrațiilor, precum: întreținerea uneltei și a accesoriilor, păstrarea mâinilor calde, organizarea de modele de lucru.





LV BRĪDINĀJUMS

Šajā datu lapā dotā vibrāciju emisijas vērtība ir mērīta saskaņā ar standartizēto testu, kas dots EN61029 un kuru var izmantot, lai salīdzinātu vienu instrumentu ar citu. To var izmantot aptuvenam ekspozīcijas novērtējumam. Deklarētais vibrāciju emisijas līmenis atbilst galvenajiem instrumenta pielietojumiem. Tomēr, ja instrumentu lieto citiem pielietojumiem, ar citiem piederumiem vai tas tiek slīkti apkopts, vibrāciju emisijas vērtība var atšķirties. Tas var ievērojami palielināt ekspozīcijas līmeni visā darba periodā.

Vibrāciju ekspozīcijas līmeņa novērtējumam jāņem vērā laiks, kad instruments ir izslēgts vai ir ieslēgts, bet nevis nekādu darbu. Tas var ievērojami samazināt ekspozīcijas līmeni visā darba periodā. Identificējiet papildu drošības pasākumus, lai aizsargātu operatoru no vibrāciju iedarbības, piemēram, veiciet instrumenta un piederumu apkopi, turiet rokas siltas un pielāgojiet darba grafiku.

LT ĮSPĖJIMAS

Šiame lape nurodytas vibracijos emisijos lygis buvo išmatuotas pagal standartinį testą, aprašytą EN61029, ir gali būti naudojamas vieno įrankio su kitu palyginimui. Jis gali būti naudojamas preliminariam pavojaus įvertinimui. Deklaruotas vibracijos emisijos lygis priskiriamas pagrindinėms įrankio taikymo situoms. Tačiau, jei įrankis naudojamas kitiems tikslams, su kitokiais priedais ar įrankis prastai prižiūrimas, vibracijos emisija gali skirtis. Per visą darbo laikotarpį tai gali žymiai padidinti vibracijos keliamą pavojų.

Nustatant vibracijos keliamą pavojų taip pat būtina atsižvelgti į tai, kiek kartų įrankis yra išjungtas ar kai jis veikia, bet juo iš tikrųjų nedirbama. Per visą darbo laikotarpį tai gali žymiai sumažinti vibracijos keliamą pavojų. Naudokite papildomas apsaugos priemones dirbančiam asmeniui apsaugoti nuo vibracijos poveikio, pvz.: prižiūrėti įrankį ir jo priedus, rankas laikyti šiltai, organizuoti darbo sesijas.

ET HOIATUS

Sellel infolehel esitatud vibratsioonitaseme väärtus on mõõdetud standardis EN61029 kirjeldatud katsemeetodiga ja seda võib kasutada tööriistade omavaheliseks võrdlemiseks. Seda võib kasutada vibratsioonimõju eelhindamiseks. Deklareeritud vibratsioonitaseme väärtus kehtib tööriista tavakasutamisel. Kui aga kasutate tööriista muudeks kasutusotstarveteks, eriotstarbeliste tarvikutega või kui tööriist on puudulikult hooldatud, siis võib vibratsiooniväärtus erineda. Sellistel juhtudel võib tööperioodi summaarne vibratsioonitase suureneda märgatavalt.

Vibratsiooniväärtuse taset tuleb arvestes võtta ka sel ajal, kui tööriist on välja lülitatud või kui tööriist pöörleb, kuid ei tee tööoperatsiooni. Sellistel juhtudel võib tööperioodi ajal summaarne vibratsioonitase väheneda märgatavalt. Määrake kindlaks täiendavad ohutusmeetmed, et kaitsata operaatorit vibratsioonimõjude eest – tööriistade ja tarvikute hooldamine, käte soojas hoidmine ja töövahetuste organiseerimine.

HR UPOZORENJE

Razina vrijednosti vibracija data u ovoj tablici s informacijama mjerenja je sukladno normiranom testu pruženom u EN61029 i može se koristiti za usporedbu jednog alata s drugim. Može se koristiti u početnom usklađivanju izloženosti. Objavljena razina vrijednosti vibracija predstavlja glavnu primjenu alata. Međutim, ako se alat koristi za druge primjene, s različitim dodatnim priborom ili je slabo održavan, vrijednost vibracija može se razlikovati. Ovo može značajno povećati razinu izloženosti tijekom ukupnog radnog razdoblja.

U procjeni razine izloženosti na vibraciju također treba uzeti u obzir vrijeme kada je alat isključen ili kada je pokrenut no ne i stvarno vrijeme rada. Ovo može značajno smanjiti razinu izloženosti tijekom ukupnog radnog razdoblja. Odredite dodatne sigurnosne mjere za zaštitu operatera od učinaka vibracije poput: održavanje alata i pribora, održavanje toplih ruku, organizacija obrazaca za rad.

SL OPOZORILO

Nivo emisij vibracij, naveden v tem informacijskem listu, je bil izmerjen v skladu s standardiziranim testom, ki je podan v EN61029, podatek pa se lahko uporablja za primerjavo enega orodja z drugim. Uporablja se ga lahko za predhodno oceno izpostavljenosti. Navedeni nivo emisij vibracij predstavlja glavne uporabe orodja. Vendar, če se orodje uporablja v druge namene in z različnimi nastavki oz. če je orodje slabo vzdrževano, se lahko emisije vibracij razlikujejo. To lahko občutno poveča nivo izpostavljenosti v skupnem delovnem času.

Ocena nivoja izpostavljenosti vibracijam bi morala prav tako upoštevati, koliko krat je orodje bilo izključeno ali je v delovanju in pravzaprav ne opravlja svojega dela. To lahko občutno zmanjša nivo izpostavljenosti v skupnem delovnem času. Upoštevajte dodatne varnostne ukrepe, da bi upravljavca zaščitili pred vplivom vibracij, kot je: vzdržujte orodje in nastavke, pazite, da so roke tople, organizirajte delovne vzorce.

SK VAROVANIE

Úroveň emisie vibrácií, uvedená v tomto informačnom hárku bola nameraná v súlade so standardizovaným testom, daný normou EN61029 a môže sa použiť na porovnanie jedného nástroja s druhým. Môže sa použiť na predbežné určenie miery vystavenia sa vibráciám. Uvedená úroveň emisie vibrácií predstavuje hlavné aplikácie nástroja. Avšak keď sa nástroj používa na iné aplikácie, s rôznym príslušenstvom alebo má zlú údržbu, úroveň vibrácií sa môže líšiť. Týmto sa môže výrazne zvýšiť úroveň vystavenia sa vibráciám počas celkového času práce.

Odhad úrovne vystavenia sa vibráciám by mal brať tiež do úvahy, vzdy, keď sa nástroj vypne, alebo potom, keď beží ale v skutočnosti sa nevykonáva práca. Týmto sa môže výrazne znížiť úroveň vystavenia sa vibráciám počas celkového času práce. Nasledovné doplnujúce bezpečnostné opatrenia pomáhajú chrániť operátora od účinkov vibrácií: údržba nástroja a príslušenstva, udržiavanie teplých rúk, organizácia práce.

EL ΠΡΟΕΙΔΟΠΟΙΗΣΗ

Τα επίπεδα εκπομπών κραδασμών που παρέχονται στο παρόν ενημερωτικό φυλλάδιο, έχουν μετρηθεί βάσει τυποποιημένης δοκιμής που προβλέπεται στο EN61029 και μπορούν να συγκριθούν για τη σύγκριση του εργαλείου με άλλα. Μπορούν επίσης να χρησιμοποιηθούν για προκαταρκτική αξιολόγηση της έκθεσης. Τα δηλωμένα επίπεδα εκπομπών κραδασμών αφορούν τις βασικές εφαρμογές του εργαλείου. Ωστόσο, αν το εργαλείο χρησιμοποιείται για διαφορετικές εφαρμογές, με διαφορετικά εξαρτήματα ή με κακή συντήρηση, η εκπομπή κραδασμών μπορεί να διαφέρει. Αυτό μπορεί να αυξήσει σημαντικά το επίπεδο έκθεσης στη συνολική περίοδο εργασίας.

Η εκτίμηση των επιπέδων έκθεσης σε κραδασμούς θα πρέπει επίσης να λαμβάνει υπόψη τις χρονικές περιόδους κατά τις οποίες το εργαλείο είναι απενεργοποιημένο ή λειτουργεί χωρίς να χρησιμοποιείται σε συγκεκριμένη εργασία. Αυτό μπορεί να μειώσει σημαντικά το επίπεδο έκθεσης στη συνολική περίοδο εργασίας. Εφαρμόστε επιπρόσθετα μέτρα ασφαλείας για την προστασία του χειριστή από τις επιπτώσεις των κραδασμών, όπως τα εξής: συντηρείτε το εργαλείο και τα εξαρτήματα, διατηρείτε τα χέρια ζεστά, οργανώστε μοτίβα εργασίας.

TR UYARI

Bu bilgi sayfasında verilen titreşim emisyon seviyesi, EN61029 standardında belirtilen standartlaştırılmış bir teste uygun olarak ölçülmüş ve bir aleti dığeriley karşılaştırmak için kullanılabilir. Ön maruz kalma testi için kullanılabilir. Beyan edilen titreşim emisyon seviyesi aletin asıl uygulamaları temsil etmemektedir. Ancak alet, farklı aksesuarlarla veya yetersiz bakımları farklı uygulamalar için kullanılırsa titreşim emisyonu deęişebilir. Bu durum toplam çalışma süresi boyunca maruz kalma seviyesini önemli ölçüde artırır.

Titreşime maruz kalma seviyesinin deęerlendirilmesi aynı zamanda alet kapalı ve arından çalıřır ancak gerek anladaki yazı yarımadığı zamanlar da göz önünde bulundurulmalıdır. Bu durum toplam çalışma süresi boyunca maruz kalma seviyesini önemli ölçüde azaltır. Operatörü titreşimin etkilerinden korumak için ilave güvenlik önlemleri belirleyin, örneğin: aletin ve aksesuarlarının bakımları yapın, operatörün ellerini sıcak tutun, çalışma modellerini organize etmek.

UK ПОПЕРЕДЖЕННЯ

Рівень вібрації, зазначений у цьому інформаційному листку, був розрахований відповідно зі стандартизованим випробуванням, наведеним в EN 61029 і може використовуватися для порівняння одного інструмента з іншим. Він може бути використаний для попередньої оцінки впливу. Зазначений рівень вібрації представляє основні застосування інструменту. Тим не менш, якщо інструмент використовується для різних додатків, з різними аксесуарами і недоглянутий, рівень вібрації може відрізнятися. Це може значно підвищити рівень впливу протягом усього робочого періоду.

При оцінюванні рівня впливу вібрації необхідно також враховувати час, коли інструмент вимкнений або коли він працює, але насправді не виконує ніякої роботи. Це може значно зменшити рівень впливу протягом усього робочого періоду. Для захисту оператора від впливу вібрації, вичнайте додаткові заходи безпеки, такі як: ретельний погляд за інструментом і приладами, тримання рук в теплі, і організація схеми роботи.



EN RYOBI® WARRANTY APPLICATION CONDITIONS

In addition to any statutory rights resulting from the purchase, this product is covered by a warranty as stated below.

1. The warranty period is 24 months for consumers and commences on the date when the product was purchased. This date has to be documented by an invoice or other proof of purchase. The product is designed and dedicated to consumer and private use only. So there is no warranty provided in case of professional or commercial use.
2. There is a possibility to extend for a part of the range of power tools (AC/DC) the warranty period over the period described above using the registration on the www.ryobitools.eu website. The eligibility of the tools for extension of the warranty period is clearly displayed in stores and / or on packaging / and contained within the product documentation. The end user needs to register his/her newly-acquired tools online within 30 days from the date of purchase. The end user may register for the extended warranty in his country of residence if listed on the online registration form where this option is valid. Furthermore, end users must give their consent to the storage of the data that are required to be entered online, and they have to accept the terms and conditions. The registration confirmation receipt, which is sent out by e-mail, and the original invoice showing the date of purchase will serve as proof of the extended warranty.
3. The warranty covers all defects of the product during the warranty period due to defaults in workmanship or material at the purchase date. The warranty is limited to repair and/or replacement and does not include any other obligations including but not limited to incidental or consequential damages. The warranty is not valid if the product has been misused, used contrary to the instruction manual, or being incorrectly connected. This warranty does not apply to:
 - any damage to the product that is the result of improper maintenance
 - any product that has been altered or modified
 - any product where original identification (trade mark, serial number) markings have been defaced, altered or removed
 - any damage caused by non-observance of the instruction manual
 - any non CE product
 - any product that has been attempted to be repaired by a non-qualified professional or without prior authorization by Technronic Industries
 - any product connected to improper power supply (amps, voltage, frequency)
 - any product used with inappropriate fuel mixture (fuel, oil, percentage of oil)
 - any damage caused by external influences (chemical, physical, shocks) or foreign substances
 - normal wear and tear spare parts
 - inappropriate use, overloading of the tool
 - use of non-approved accessories or parts
 - Power tool accessories provided with the tool or purchased separately. Such exclusions including but not limited to screw driver bits, drill bits, abrasive discs, sand paper and blades, lateral guide
 - Components (parts and accessories) subject to natural wear and tear, including but not limited to Service & Maintenance Kits, carbon brushes, bearings, chuck, SDS drill bit attachment or reception, power cord, auxiliary handle, transport carry case, sanding plate, dust bag, dust exhaust tube, felt washers, impact wrench pins & springs, etc.
4. For servicing, the product must be sent or presented to a RYOBI authorized service station listed for each country in the following list of service station addresses. In some countries your local RYOBI dealer undertakes to send the product to the RYOBI service organisation. When sending a product to a RYOBI service station, the product should be safely packed without any dangerous contents such as petrol, marked with sender's address and accompanied by a short description of the fault.
5. A repair / replacement under this warranty is free of charge. It does not constitute an extension or a new start of the warranty period. Exchanged parts or tools become our property. In some countries delivery charges or postage will have to be paid by the sender. Your statutory rights arising from the purchase of the tool remain unaffected
6. This warranty is valid in the European Community, Switzerland, Iceland, Norway, Liechtenstein, Turkey and Russia. Outside these areas, please contact your authorized RYOBI dealer to determine if another warranty applies.

AUTHORISED SERVICE CENTRE

To find an authorised service centre near you, visit <http://uk.ryobitools.eu/header/service-and-support/service-agents>.

FR RYOBI® CONDITIONS D'APPLICATION DE LA GARANTIE

En plus des droits statutaires liés à l'achat, ce produit est couvert par une garantie telle que décrite ci-dessous.

1. La durée de la garantie accordée au consommateur est de 24 mois à partir de la date d'achat. Cette date doit être authentifiée par une facture ou toute autre preuve d'achat. Le produit a été conçu en vue d'une utilisation strictement privée. Aucune garantie ne s'applique donc en cas d'utilisation professionnelle ou commerciale.
2. Il existe pour une partie outils électriques (AC/DC), une possibilité d'étendre la période de garantie au-delà de la période précédemment décrite en utilisant le formulaire d'enregistrement présent sur le site Internet www.ryobitools.eu. L'éligibilité d'un outil est clairement affichée dans les points de vente et/ou sur l'emballage et la documentation. L'utilisateur final doit enregistrer son/ses outil(s) nouvellement acheté(s) en ligne dans les 30 jours qui suivent la date d'achat. L'utilisateur a la possibilité de s'enregistrer pour l'extension de garantie dans son pays de résidence si celui-ci est listé dans le formulaire d'enregistrement en ligne où cette option est valide. L'utilisateur final doit donner son consentement pour l'enregistrement des données requises pour accéder au site et doit accepter les termes et conditions. La confirmation d'enregistrement, envoyée par courrier électronique, ainsi que la facture originale mentionnant la date d'achat serviront de preuve de l'extension de garantie.
3. La garantie couvre pendant la période de garantie les défauts des produits liés à la fabrication et aux matériaux à la date d'achat. La garantie est limitée à la réparation et/ou au remplacement et n'inclut aucune autre obligation, tel que, mais sans s'y limiter, les dommages accessoires ou indirects. La garantie est non valable en cas de mauvaise utilisation du produit, d'utilisation contraire aux instructions du mode d'emploi, ou en cas de branchement incorrect. Cette garantie ne s'applique pas pour :
 - tout dommage au produit résultant d'un mauvais entretien
 - tout produit ayant été altéré ou modifié
 - tout produit dont les marquages originaux d'identification (marque, numéro de série) ont été dégradés, altérés ou retirés
 - tout dommage causé par le non-respect des instructions du mode d'emploi
 - tout produit non CE
 - tout produit ayant subi une tentative de réparation par du personnel non qualifié ou sans autorisation préalable de Technronic Industries
 - tout produit raccordé à une alimentation secteur non conforme (ampérage, voltage, fréquence)
 - tout produit utilisé avec un mélange inapproprié (essence, huile, pourcentage d'huile)
 - tout dommage causé par des influences extérieures (chimiques, physiques, chocs) ou par des substances étrangères
 - l'usure normale des pièces consommables
 - une utilisation inappropriée, une surcharge de l'outil
 - l'utilisation de pièces ou accessoires non agréés
 - accessoires de l'outil électrique fournis avec l'outil ou achetés séparément. Cela comprend notamment les forets de tournevis, les forets de perceuse, les disques abrasifs, le papier de verre et les lames, le guide latéral
 - Les composants (pièces et accessoires) sujets à l'usure naturelle, ceci incluant notamment, les kits de service et de maintenance, les brosses carbonées, les paliers, les mandrins, les fixations ou logements de foret SDS, les cordons d'alimentation, les leviers auxiliaires, les mallettes de transport, les plaques de ponçage, les sacs collecteurs de poussière, le tube d'extraction de poussière, les rondelles en feutre, les broches de clé à choc et les ressorts etc.
4. Si le produit doit être réparé, envoyez-le à un service après-vente agréé RYOBI dont vous trouverez ci-dessous la liste pour chaque pays. Dans certains pays, votre revendeur RYOBI se chargera d'envoyer le produit à un centre de réparation RYOBI. Lorsque vous envoyez un produit à un service après-vente RYOBI, celui-ci doit être correctement emballé, sans contenir aucun produit dangereux tel que de l'essence, et vous devez indiquer votre adresse ainsi qu'une courte description du problème.
5. Une réparation / un remplacement sous garantie est gratuit(e). Ceci ne constituera pas une extension de garantie ni un nouveau départ de la période de garantie. Les pièces ou les outils remplacés deviennent notre propriété. Dans certains pays, les frais de port devront être assumés par l'expéditeur. Vos droits statutaires restent inchangés.
6. Cette garantie est valable au sein de l'Europe, de la Suisse, de l'Islande, de la Norvège, du Liechtenstein, de la Turquie, de la Russie. En dehors de ces zones, veuillez contacter votre distributeur agréé RYOBI pour déterminer si une autre garantie s'applique.

SERVICE APRÈS-VENTE AGRÉÉ

Pour trouver le service après-vente agréé le plus proche, rendez-vous sur <http://fr.ryobitools.eu/header/service-and-support/service-agents>.

DE RYOBI® GARANTIEBEDINGUNGEN

Zusätzlich zu den obligatorischen Rechten aus dem Kauf gilt für dieses Produkt die nachstehend aufgeführte Garantie.

- Der Garantiezeitraum beträgt für Verbraucher 24 Monate und beginnt mit dem Datum des Kaufs. Dieses Datum muss durch eine Rechnung oder einen anderen Kaufbeleg dokumentiert werden. Dieses Produkt wurde ausschließlich zur privaten Nutzung durch Verbraucher entwickelt. Für den Fall einer professionellen bzw. kommerziellen Nutzung besteht daher keine Garantie.
- Es besteht die Möglichkeit, für einen Teil des Sortiments der Elektrogeräte (AC/DC) den Garantiezeitraum über den oben genannten Zeitraum hinaus zu verlängern, indem der Verbraucher die Registrierung auf der Website www.ryobitools.eu durchführt. Die Berechtigung der Werkzeuge für die Garantieverlängerung ist deutlich im Geschäft und/oder auf der Verpackung beschrieben und in der Produktdokumentation erwähnt. Der Verbraucher muss das neu erworbene Gerät online innerhalb von 30 Tagen ab dem Kaufdatum registrieren. Der Verbraucher kann das Gerät zwecks Garantieverlängerung in seinem Residenzland registrieren, wenn dieses Land auf dem Online-Registrierungsformular aufgeführt ist und die Option gültig ist. Darüber hinaus muss der Verbraucher seine Zustimmung zur Speicherung der Daten geben, die online eingegeben werden müssen, und er muss die allgemeinen Geschäftsbedingungen akzeptieren. Die Bestätigung der Registrierung, die per E-Mail versandt wird, und die Originalrechnung mit dem Kaufdatum gelten als Beleg für die Garantieverlängerung.
- Die Garantie deckt alle Defekte des Geräts während des Garantiezeitraums ab, die auf zum Zeitpunkt des Kaufs bestehende Verarbeitungs- oder Materialfehler zurückzuführen sind. Die Garantie beschränkt sich auf Reparatur und/oder Ersatz und beinhaltet keine anderen Verpflichtungen, einschließlich, aber nicht begrenzt auf Schadenersatz für Folge- oder Nebenschäden. Die Garantie gilt nicht, wenn das Gerät fehlerhaft eingesetzt wurde, gegensätzlich zur Bedienungsanleitung eingesetzt wurde oder falsch angeschlossen wurde. Die Garantie gilt nicht für Folgendes:
 - Schäden am Gerät, die auf unkorrekte Wartung zurückzuführen sind
 - Geräte, an denen Veränderungen vorgenommen wurden
 - Produkte, bei denen die ursprüngliche Identifizierung (Handelsmarke, Seriennummer) unleserlich gemacht, verändert oder entfernt wurde
 - Schäden durch Nichtbeachtung der Bedienungsanleitung
 - nicht-CE-zertifizierte Geräte
 - Geräte, an denen durch nicht-qualifizierte Personen oder ohne vorherige Genehmigung von Techtronic Industries Reparaturversuche vorgenommen wurden
 - Geräte, die an unkorrekte Energiequellen (Ampere, Volt, Frequenz) angeschlossen wurden
 - Geräte, die mit einer fehlerhaften Treibstoffmischung (Treibstoff, Öl, Ölanteil) betrieben wurden
 - Schäden durch äußere Einflüsse (chemisch, physisch, Stöße) oder Fremdstoffe
 - normaler Verschleiß von Ersatzteilen
 - unangemessene Nutzung, Überlastung des Geräts
 - Nutzung nicht genehmigter Zubehörteile oder Ersatzteile
 - mit dem Gerät gelieferte oder separat erworbene Zubehörteile. Dieser Ausschluss beinhaltet, ist aber nicht beschränkt auf Schraubendreher-Bits, Bohrsätze, Schleifscheiben, Sandpapier und Kleingewinde, Seitenführungen
 - Komponenten (Ersatzteile und Zubehörteile), die natürlichem Verschleiß unterliegen, einschließlich, aber nicht begrenzt auf Service- und Wartungssets, Kohlebürsten, Lager, Spannvorrichtungen, SDS-Bohrbit-Anschlüsse oder -Aufnahmeverrichtungen, Stromkabel, Hilfsgriffe, Transportkoffer, Schleifplatten, Staubbeutel, Staubabführungen, Filzunterlegscheiben, Bolzen und Federn von Schlagschraubern usw.
- Zum Service muss das Gerät zu einer von RYOBI autorisierten Servicestation gebracht oder dorthin gesendet werden. Die Servicestationen für die einzelnen Länder sind in der folgenden Liste aufgeführt. In einigen Ländern sendet Ihr RYOBI-Händler vor Ort das Gerät an das RYOBI-Serviceunternehmen. Beim Einsenden an die RYOBI-Servicestation sollte das Gerät sicher verpackt sein, ohne gefährliche Inhalte wie Benzin, und es sollte mit der Adresse des Absenders und einer kurzen Beschreibung des Fehlers versehen sein.
- Eine Reparatur bzw. ein Ersatz gemäß dieser Garantie ist kostenlos. Hieraus ergibt sich weder eine Garantieverlängerung noch der Beginn eines neuen Garantiezeitraums. Die ausgetauschten Ersatzteile oder Werkzeuge gehen in unser Eigentum über. In einigen Ländern müssen die Zustellgebühren oder die Versandkosten vom Absender gezahlt werden. Ihre gesetzlichen Rechte aus dem Kauf des Geräts bleiben hiervon unberührt.
- Diese Garantie gilt in der Europäischen Union, der Schweiz, Island, Norwegen, Lichtenstein, der Türkei und Russland. Bitte wenden Sie sich außerhalb dieser Gebiete an Ihren autorisierten RYOBI-Händler, um festzustellen, ob eine andere Garantie gilt.

AUTORISIERTER KUNDENDIENST

Besuchen Sie <http://de.ryobitools.eu/header/service-and-support/service-agents>, um einen autorisierten Kundendienst in Ihrer Nähe zu finden.

ES CONDICIONES DE APLICACIÓN DE LA GARANTÍA DE RYOBI®

Además de cualquier derecho legal derivado de la compra, este producto está cubierto por una garantía que se indica a continuación.

- El periodo de garantía es de 24 meses para consumidores y comienza en la fecha en que se comprara el producto. Dicha fecha debe documentarse con una factura u otro comprobante de compra. El producto está diseñado y concebido únicamente para el uso privado del consumidor. Por lo tanto, no se ofrece garantía en caso de uso profesional o comercial.
- Existe la posibilidad de ampliar el periodo de garantía respecto a una parte de la gama de herramientas eléctricas (CA/CC) durante el periodo descrito más arriba y mediante el registro en el sitio web www.ryobitools.eu. La elegibilidad de las herramientas para que se amplíe el periodo de garantía se muestra claramente en las tiendas o en el embalaje y está incluida en la documentación del producto. El usuario final tiene que registrar en línea sus herramientas recientemente adquiridas en un plazo de 30 días a partir de la fecha de compra. El usuario final podrá registrarse para obtener la garantía ampliada en su país de residencia si este aparece en la lista del formulario de registro en línea cuando esta opción sea válida. Además, los usuarios finales deberán dar su consentimiento al almacenamiento de los datos necesarios para el acceso en línea y tienen que aceptar los términos y condiciones. El recibo de confirmación de registro, que se envía por correo electrónico, y la factura original que muestra la fecha de compra servirán como comprobante para la garantía ampliada.
- La garantía cubre todos los defectos del producto durante el periodo de garantía debido a fallos de mano de obra o material en la fecha de compra. La garantía se limita a la reparación o sustitución y no incluye ninguna otra obligación como, por ejemplo, daños accidentales o consecuentes. La garantía no es válida si se ha usado mal el producto, se ha usado contraviniendo el manual de instrucciones o se ha conectado de forma incorrecta. Esta garantía no es aplicable a:
 - ningún daño en el producto que sea consecuencia de un mantenimiento inadecuado
 - ningún producto que haya sido alterado o modificado
 - ningún producto en el que los marcados de identificación originales (marca comercial, número de serie) se hayan borrado, modificado o eliminado
 - ningún daño provocado por no seguir el manual de instrucciones
 - ningún producto que no sea CE
 - ningún producto que haya sufrido un intento de reparación por parte de un profesional no cualificado o sin la autorización previa de Techtronic Industries.
 - ningún producto conectado a un suministro eléctrico inadecuado (amperios, voltaje, frecuencia)
 - ningún producto usado con una mezcla de combustible inadecuada (combustible, aceite, porcentaje de aceite)
 - ningún daño causado por influencias externas (químicas, físicas, impactos) o sustancias extrañas
 - desgaste normal de piezas de repuesto
 - uso inadecuado, sobrecarga de la herramienta
 - uso de accesorios o piezas no aprobados
 - Accesorios de herramientas eléctricas proporcionados con la herramienta o comprados por separado. Tales exclusiones incluyen, entre otros, brocas de destornilladoras, brocas de taladro, discos abrasivos, papel de lija y cuchillas, y guías laterales
 - Componentes (piezas y accesorios) sujetos a un desgaste natural, que incluyen, entre otros, equipos de servicio y mantenimiento, escobillas de carbono, cojinetes, pinzas, accesorio o recepción de broca de taladro SDS, cable eléctrico, manillar auxiliar, bolsa de transporte, hoja lijadora, bolsa de polvo, tubo de escape de polvo, disco de fieltro, pasadores y resortes de llave de impacto, etc.
- Para su mantenimiento, el producto debe enviarse o presentarse a una estación de servicio de RYOBI autorizada que figure en la siguiente lista de direcciones de estaciones de servicio por países. En algunos países, su distribuidor RYOBI local se responsabiliza de enviar el producto a la compañía de servicio de RYOBI. Cuando se envíe un producto a una estación de servicio de RYOBI, este debe estar empaquetado de forma segura sin contenidos peligrosos como gasolina, marcado con la dirección del remitente y acompañado de una breve descripción del fallo.
- Una reparación / sustitución con esta garantía es gratuita. No constituye una ampliación ni un nuevo comienzo del periodo de garantía. Las piezas o herramientas intercambiadas pasan a ser de nuestra propiedad. En algunos países, los gastos de envío o correo tendrá que pagarlos el remitente. Sus derechos legales derivados de esta compra de la herramienta no se verán afectados.
- Esta garantía es válida en la Unión Europea, Suiza, Islandia, Noruega, Lichtenstein, Turquía y Rusia. Fuera de estas zonas, póngase en contacto con su distribuidor de RYOBI autorizado para determinar si es aplicable otra garantía.

SERVICIO TÉCNICO AUTORIZADO

Para encontrar el servicio técnico autorizado más cercano, visite <http://uk.ryobitools.eu/header/service-and-support/service-agents>.



IT CONDIZIONI DI VALIDITÀ DELLA GARANZIA RYOBI®

In aggiunta ai diritti di legge risultanti dall'acquisto, il prodotto è coperto dalla garanzia sotto descritta.

1. Il periodo di garanzia è di 24 mesi per i consumatori, a decorrere dalla data di acquisto del prodotto. La data deve essere documentata da una fattura o altra prova d'acquisto. Il prodotto è progettato e destinato solo all'utilizzo privato dei consumatori. Pertanto non viene fornita alcuna garanzia in caso di uso professionale o commerciale.
2. Per una serie di utensili elettrici (CA/CC) è possibile prolungare il periodo di garanzia oltre quello descritto, registrandosi sul sito web www.ryobitools.eu. Gli utensili per i quali è possibile prolungare il periodo di garanzia sono chiaramente indicati nei negozi e/o sulle confezioni e nella documentazione dei prodotti. L'utente deve registrare online l'utensile acquistato entro 30 giorni dalla data di acquisto. L'utente può registrarsi per la garanzia prolungata nel proprio paese di residenza, se questo è elencato nel modulo di registrazione online dove questa opzione sia valida. Inoltre gli utenti devono fornire il proprio consenso alla conservazione dei dati da immettere online e devono accettare le condizioni generali. La conferma di registrazione, inviata tramite e-mail, e la fattura originale indicante la data di acquisto, costituiranno la prova della garanzia prolungata.
3. La garanzia copre tutti i difetti del prodotto durante il periodo di garanzia, risultati da manodopera o materiali alla data di acquisto. La garanzia è limitata alla riparazione e/o sostituzione e non include alcun altro obbligo quali, a mero titolo esemplificativo, i danni incidentali o consequenziali. La garanzia non è valida se il prodotto è stato usato scorrettamente, in modo contrario al manuale di istruzioni o se è stato collegato in modo errato. La garanzia non è valida per:
 - qualsiasi danno al prodotto dovuto a manutenzione errata;
 - qualsiasi prodotto che sia stato alterato o modificato;
 - qualsiasi prodotto le cui marcature di identificazione originali (marchi di fabbrica, numero di serie) siano state cancellate, alterate o rimosse;
 - qualsiasi danno causato dalla non osservanza delle istruzioni del manuale;
 - qualsiasi prodotto privo di omologazione CE;
 - qualsiasi prodotto che sia stato sottoposto a un tentativo di riparazione da parte di un professionista non qualificato oppure senza la previa autorizzazione di Techtronic Industries;
 - qualsiasi prodotto collegato a un'alimentazione errata (per ampere, tensione, frequenza);
 - qualsiasi prodotto usato con una miscela di carburante errata (carburante, olio, percentuale di olio);
 - qualsiasi danno causato da influenze esterne (chimiche, fisiche, urti) o sostanze estranee;
 - la normale usura delle parti di ricambio;
 - uso inappropriato, sovraccarico dell'utensile;
 - uso di accessori o parti non omologate;
 - accessori per utensili elettrici forniti con l'utensile o acquistati separatamente. Questa esclusione comprende, a mero titolo esemplificativo, punte per cacciaviti, punte per trapani, dischi abrasivi, carta vetrata, lame e guide laterali;
 - componenti (parti e accessori) soggetti alla normale usura compresi, a mero titolo esemplificativo, kit di servizio e manutenzione, spazzole al carbonio, cuscinetti, mandrini, attacchi per punte a vite autopoterforante, cavi di alimentazione, maniglie ausiliarie, custodie di trasporto, piastre di levigatura, sacchetti per la polvere, tubi di scarico della polvere, rondelle di feltro, perni e molle per avvitatori ecc.
4. Per la manutenzione il prodotto dev'essere spedito o portato presso uno dei centri assistenza autorizzati RYOBI elencati per ogni paese nel seguente elenco di indirizzi dei centri. In alcuni paesi il rivenditore locale RYOBI si incarica di inviare il prodotto all'organizzazione di assistenza RYOBI. Quando si invia un prodotto a un centro assistenza RYOBI, imballarlo in modo sicuro senza contenuti pericolosi come la benzina, apporre l'indirizzo del mittente e accompagnarlo da una breve descrizione del guasto.
5. La riparazione/sostituzione ai sensi della presente garanzia è gratuita. Non costituisce un prolungamento o un nuovo inizio del periodo di garanzia. Le parti o gli utensili scambiati diventano di nostra proprietà. In alcuni paesi i costi di consegna o di spedizione postale devono essere pagati dal mittente. I diritti di legge derivanti dall'acquisto dell'utensile rimangono inalterati.
6. La presente garanzia è valida in Unione Europea, Svizzera, Islanda, Norvegia, Liechtenstein, Turchia e Russia. Al di fuori di tali aree contattare il rivenditore autorizzato RYOBI per sapere se è valida un'altra garanzia.

CENTRO SERVIZI AUTORIZZATO

Per individuare il più vicino centro servizi autorizzato, visitare il sito <http://uk.ryobitools.eu/header/service-and-support/service-agents>.

NL RYOBI® GARANTIEVOORWAARDEN

Naast de wettelijke rechten die voortvloeien uit de aankoop, wordt dit product gedekt door een garantie, zoals hieronder staat vermeld.

1. De garantietermijn voor consumenten bedraagt 24 maanden en gaat in op de datum waarop het product is gekocht. Deze datum moet worden gedocumenteerd met een factuur of een ander aankoopbewijs. Het product is uitsluitend ontworpen en bedoeld voor persoonlijk gebruik door consumenten. Er wordt dus geen garantie gegeven voor professioneel of commercieel gebruik.
2. Voor een deel van ons aanbod van elektrische gereedschappen (AC/DC) is het mogelijk om de garantietermijn te verlengen over de boven beschreven termijn, met behulp van de website www.ryobitools.eu. De gereedschappen die in aanmerking komen voor de verlenging van de garantietermijn wordt duidelijk weergegeven in winkels en/of verpakkingen en staat beschreven in de productdocumentatie. De eindgebruiker moet zijn/haar nieuw gekochte gereedschappen binnen 30 dagen na aankoop online registreren. De eindgebruiker kan zich registreren voor de verlengde garantietermijn als zijn woonland staat vermeld op het online registratieformulier waar deze optie geldig is. Bovendien moeten eindgebruikers toestemming geven voor de opslag van de gegevens die online ingevuld moeten worden en moeten ze de algemene voorwaarden accepteren. Het ontvangstbewijs van de registratie, dat per e-mail wordt verzonden en de oorspronkelijke factuur met de aankoopdatum vormt het bewijs van de verlengde garantietermijn.
3. De garantie dekt tijdens de garantietermijn alle gebreken van het product vanwege defecten in vakmanschap of materiaal op de aankoopdatum. De garantie is beperkt tot reparatie en/of vervanging en bevat geen andere verplichtingen, waaronder maar niet beperkt tot incidentele of gevolgschade. De garantie is niet geldig als het product is misbruikt, in strijd met de gebruiksaanwijzing wordt gebruikt of onjuist is aangesloten. Deze garantie geldt niet voor:
 - alle schade aan het product die het gevolg is van onjuist onderhoud
 - elk product dat is veranderd of aangepast
 - elk product waar de oorspronkelijke identificatie (handelsmerk, serienummer) is beschadigd, gewijzigd of verwijderd
 - alle schade die is veroorzaakt door het niet opvolgen van de gebruiksaanwijzing
 - elk niet-CE-product
 - elk product waar een poging tot reparatie is gedaan door een niet-erkende professional of zonder voorafgaande toestemming door Techtronic Industries.
 - elk product dat is verbonden met een verkeerde voeding (amperage, spanning, frequentie)
 - elk product dat wordt gebruikt met een verkeerd brandstofmengsel (brandstof, olie, oliegehalte)
 - alle schade die is veroorzaakt door externe invloeden (chemisch, fysisch, schokken) of vreemde stoffen
 - normale slijtage van reserveonderdelen
 - ongepast gebruik, overbelasting van het gereedschap
 - gebruik van niet-goedgekeurde accessoires of onderdelen
 - gereedschapsaccessoires die bij het gereedschap worden geleverd of afzonderlijk zijn aangeschaft. Zulke uitzonderingen bevatten, maar niet beperkt tot schroevendraaierbits, boorbits, slijpschijven, schuurpapier en zagen, laterale geleiding
 - Componenten (onderdelen en accessoires) die onderhevig zijn aan natuurlijke slijtage, waaronder maar niet beperkt tot service- en onderhoudsets, koolstofborstels, lagers, boorkoppen, SDS boorbitbevestigingen of ontvangers, stroomsoenen, hulpgrepen, transporttassen, schuurplateaus, stofzakken, stofafvoerbuizen, viltlingen, pennen en veren van slagmoersleutels, etc.
4. Voor onderhoud moet het product worden verzonden of gebracht naar een erkend servicestation van RYOBI die voor elk land staan vermeld in de volgende lijst met adressen voor servicestations. In sommige landen zal uw lokale RYOBI-dealer het product verzenden naar de RYOBI-serviceorganisatie. Wanneer u het product naar een servicestation van RYOBI verzendt, moet het product veilig worden verpakt zonder enige gevaarlijke inhoud, zoals benzine, met het adres van de afzender en vergezeld van een korte beschrijving van het defect.
5. Een reparatie/vervanging die onder deze garantie valt is gratis. Het vormt geen verlenging of een nieuwe start van de garantietermijn. Verwisselde onderdelen of gereedschappen worden ons eigendom. In sommige landen moeten de verzendkosten door de afzender worden betaald. Uw wettelijke rechten die voortvloeien uit de aankoop van het gereedschap blijven onaangetast.
6. Deze garantie is geldig in de Europese Gemeenschap, Zwitserland, IJsland, Noorwegen, Liechtenstein, Turkije en Rusland. Buiten deze gebieden moet u contact opnemen met uw erkende RYOBI-dealer om vast te stellen of er een andere garantie van toepassing is.

GEAUTORISEERD ONDERHOUDSCENTRUM

Om een geautoriseerd onderhoudscentrum in uw buurt te vinden, surf u naar <http://uk.ryobitools.eu/header/service-and-support/service-agents>.



PT CONDIÇÕES DE APLICAÇÃO DA GARANTIA RYOBI®

Para além de quaisquer direitos previstos por lei resultantes da compra, este produto está coberto por uma garantia conforme descrição abaixo.

1. O período da garantia é de 24 meses para consumidores particulares e inicia-se na data de compra do produto. Esta data tem de ser documentada por uma factura ou por outra prova de compra. O produto foi concebido para e destina-se apenas a consumidores particulares e uso privado. Assim, não é dada garantia em caso de utilização por profissionais ou uso comercial.
2. Para uma parte da gama de ferramentas eléctricas (AC/DC) existe a possibilidade de prolongamento do período da garantia para além do período descrito acima, mediante registo no Web site www.ryobitools.eu. A elegibilidade das ferramentas para prolongamento do período da garantia é claramente visível nas lojas e/ou nas embalagens e está contida na documentação do produto. O utilizador final tem de fazer o registo online das suas ferramentas recém-adquiridas no prazo de 30 dias após a data de compra. O utilizador final pode fazer o registo para prolongamento da garantia no seu país de residência, desde que esteja listado no formulário de registo online e para os casos em que esta opção seja válida. Para além disso, os utilizadores finais têm de autorizar o armazenamento dos dados cujo preenchimento lhes for solicitado online e têm de aceitar os termos e as condições. O recibo de confirmação do registo é enviado por e-mail e, em conjunto com a factura original ostentando a data de compra, servirá de prova do prolongamento da garantia.
3. A garantia cobre todos os defeitos do produto durante o período da garantia devidos a defeitos de fabrico ou de material à data da compra. A garantia está limitada à reparação e/ou substituição e não inclui quaisquer outras obrigações, incluindo mas não se limitando a, perdas complementares ou indirectas. A garantia não é válida se o produto tiver sido utilizado incorrectamente, utilizado de forma contrária ao Manual de Instruções ou se as respectivas ligações tiverem sido feitas incorrectamente. Esta garantia não se aplica ao seguinte:
 - quaisquer danos ao produto que sejam resultado de manutenção incorrecta
 - qualquer produto que tenha sido alterado ou modificado
 - qualquer produto cujas marcações de identificação de origem (marca comercial, número de série) tiverem sido apagadas, alteradas ou retiradas
 - quaisquer danos causados pelo incumprimento do Manual de Instruções
 - qualquer produto que não seja da Comunidade Europeia
 - qualquer produto ao qual tenha sido feita, ou tentada fazer, uma reparação por outra pessoa que não um profissional habilitado ou sem autorização prévia da Techtronic Industries.
 - qualquer produto ligado a uma fonte de alimentação eléctrica incorrecta (Amperes, Voltagem e Frequência)
 - qualquer produto utilizado com uma mistura de combustível incorrecta (combustível, óleo, percentagem de óleo)
 - qualquer dano causado por influências externas (químicas, físicas, impactos) ou substâncias estranhas
 - desgaste e degradação normal de sobresselentes
 - utilização incorrecta, sobrecarga da ferramenta
 - utilização de acessórios ou peças não aprovados
 - acessórios para ferramentas eléctricas fornecidos com a ferramenta ou comprados em separado. Estas exclusões incluem mas não se limitam a, pontas de aparafusadora, brocas, discos abrasivos, papel de lixa e lâminas, guia lateral
 - Componentes (peças e acessórios) sujeitos a desgaste e degradação natural, incluindo mas não se limitando a, Kits de Assistência e Manutenção, escovas de carbono, rolamentos, bucha, acessórios ou recepções de brocas SDS, cabos eléctricos, pegas auxiliares, estojos de transporte, placas de lixagem, sacos de poeiras, tubos de saída de poeiras, anilhas de feltro, pinos e molas da aparafusadora de impacto, etc.
4. Para assistência, o produto tem de ser enviado para, ou apresentado em, um posto de assistência autorizado RYOBI, conforme listado para cada país na lista de moradas de postos de assistência seguinte. Nalguns países, o seu concessionário RYOBI local encarrega-se de enviar o produto para a organização de assistência RYOBI. Quando enviar um produto para um posto de assistência RYOBI, o produto deve ser embalado de forma segura, sem conter nenhuns conteúdos perigosos (por exemplo, gasolina), marcado com o endereço do remetente e acompanhado por uma breve descrição da avaria.
5. Uma reparação/substituição ao abrigo desta garantia é gratuita. Não constitui um prolongamento a, nem um novo início de, o período da garantia. As peças ou ferramentas substituídas tornam-se propriedade nossa. Nalguns países, o remetente terá de pagar os custos de entrega ou a remessa postal. Os seus direitos previstos por lei resultantes da compra da ferramenta mantêm-se inalterados
6. Esta garantia é válida na Comunidade Europeia, Suíça, Islândia, Noruega, Liechtenstein, Turquia e Rússia. Fora destas áreas, entre em contacto com o seu concessionário autorizado RYOBI para determinar se existe outra garantia aplicável.

CENTRO DE ASSISTÊNCIA AUTORIZADO

Para encontrar um centro de assistência autorizado próximo de si, visite <http://uk.ryobitools.eu/header/service-and-support/service-agents>.

DA RYOBI® BETINGELSER FOR GARANTI

Udover lovbestemte rettigheder, som resulterer af købet, er dette produkt dækket af en garanti, som anføres herunder.

1. Garantiperioden er 24 måneder for forbrugere og begynder på den dato, som produktet blev købt. Denne dato skal dokumenteres af en faktura eller andet bevis for køb. Produktet er udelukkende designet og dedikeret til forbrugere og privat brug. Så der ydes ingen garanti i tilfælde af professionel eller kommerciel brug.
2. Der er en mulighed for at forlænge garantiperioden for en del af udvalgt af elværktøj (AC/DC), hen over den ovenfor beskrevne periode vha. registrering på hjemmesiden www.ryobitools.eu. Berettigelsen af værktøjet til forlængelse af garantiperioden er tydeligt vist i butikker og/eller på emballage/og indeholdt i produktokumentationen. Slutbrugeren skal registrere hans/hendes nyligt indkøbte værktøj online indenfor 30 dage efter købsdatoen. Slutbrugeren kan registrere sig for den forlængede garanti i sit land, hvis han/hun er opført på den online registreringsformular, hvor denne mulighed er gyldig. Derudover skal slutbrugere give deres samtykke til at opbevare data, som er påkrævet at indtaste online, og de er nødt til at acceptere vilkår og betingelser. Registreringsbekræftelseskittingen, som sendes ud på e-mail, og den originale faktura, som viser købsdatoen, vil fungere som bevis for den forlængede garanti.
3. Garantien dækker alle defekter, som et produkt måtte have i løbet af garantiperioden, og som skyldes fejl i håndværk eller materiale på købsdatoen. Garantien er begrænset til reparation og/eller udskfning og inkluderer ikke andre forpligtelser, inklusiv men ikke begrænset til tilfældige skader eller følgeskader. Garantien er ugyldig, hvis produktet er blevet misbrugt, brugt uden at overholde vejledningen, eller det er blevet forkert tilslettet. Denne garanti gælder ikke:
 - Beskadigelse af produktet, som er et resultat af uegnet vedligeholdelse
 - Et produkt der er blevet ændret eller modificeret
 - Et produkt hvor de originale identifikationsmærkninger (varemærke, serienummer) er blevet ødelagt, ændret eller fjernet.
 - Enhver beskadigelse forårsaget af manglende overholdelse af vejledningen
 - Ethvert CE-produkt
 - Ethvert produkt som er blevet forsøgt repareret af en ukvalificeret professionel eller uden tidligere autorisation af Techtronic Industries.
 - Ethvert produkt som er tilslettet uegnet strømforsyning (ampere, spænding, frekvens)
 - Ethvert produkt som bruges med uegnet brændstofblanding (brændstof, olie, procentdel olie)
 - Enhver skade forårsaget af ekstern påvirkning (kemisk, fysisk, chok) eller fremmedlegemer
 - Normal slid på reservedele
 - Uegnet brug, overbelastning af værktøjet
 - Brug af ikke-godkendt tilbehør eller dele
 - Elværktøjstilbehør som leveres med værktøjet eller købes separat. Sådanne undtagelser inkluderer men er ikke begrænset til skruetrækkerbits, borebits, slibeskiver, sandpapir og klinger, sidestyr
 - Komponenter (dele og tilbehør) som er udsat for naturligt slid og ælde, inklusiv men ikke begrænset til Service- og vedligeholdelsessæt, kulbørster, lejer, bøsninger, påsætning eller modtagelse af SDS-borrit, strømledning, hjælpehåndtag, transporttaske, sandplade, støvpose, støvsugningsslange, filtskiver, nåle og fjedre slagngle etc.
4. For eftersyn skal produktet sendes til eller præsenteres for en RYOBI-autoriseret servicestation, som er oplyst for hvert land i den følgende liste over servicestationsadresser. I nogle lande påtager din lokale RYOBI-forhandler sig ansvaret for at sende produktet til RYOBI-serviceorganisationen. Når et produkt sendes til en RYOBI-servicestation, skal det pakkes sikkert ind uden noget farligt indhold som benzín, mærkes med afsenderens adresse og med en kort beskrivelse af fejlen.
5. En reparation/erstatning under denne garanti er gratis. Den udgør ikke en forlængelse eller en ny start på garantiperioden. Udvekslede dele eller værktøjer bliver vores ejendom. I nogle lande skal leveringsafgifter eller porto betales af afsenderen. Dine lovbestemte rettigheder i forbindelse med købet forbliver uanfægtede
6. Denne garanti gælder i EU, Schweiz, Island, Norge, Liechtenstein, Tyrkiet og Rusland. Udenfor disse områder bedes du kontakte din autoriserede RYOBI-forhandler for at afgøre, om en anden garanti gælder.

AUTORISEREDE SERVICE/ÆRKSTEDER

Find nærmeste autoriserede serviceværksted på <http://dk.ryobitools.eu/header/service-and-support/service-agents>.

SV RYOBI® ANVÄNDNINGSVILLKOR FÖR GARANTI

Förutom eventuella lagstadgade rättigheter som uppstår genom köpet, täcks den här produkten av en garanti som anges nedan.

1. Garantiperioden är 24 månader för konsumenter och börjar gälla från det datum då produkten köptes. Detta datum måste dokumenteras på en faktura eller annat köpbevis. Produkten är utformad och avsedd för konsumenter och privat bruk. Därmed tillhandahålls ingen garanti vid yrkesmässigt eller kommersiellt bruk.
2. Det finns möjlighet att förlänga garantiperioden för en del av utbudet för elverktyg (AC/DC) under den period som anges ovan genom att använda registreringen på webbplatsen www.ryobitools.eu. De verktyg som är berättigade till en förlängning av garantiperioden visas tydligt i butiker och/eller på förpackningen/och anges i produktdokumentationen. Slut användaren behöver registrera hans/hennes nyförvärvade verktyg online inom 30 dagar från köpdatumet. Slut användaren kan registrera sig för den förlängda garantin i det land där han/hon bor om landet finns angivet i registreringsformuläret online och där detta alternativ är giltigt. Dessutom måste slut användaren ge sitt medgivande till lagring av data vilket krävs vid registrering online samt acceptera villkoren. Bekräftelsekvittot för registreringen som skickas ut via e-post och originalfakturan som visar köpdatumet kommer att gälla som bevis för den förlängda garantin.
3. Garantin täcker alla produktdefekter under garantiperioden som beror på brister i utförande eller material vid köpdatumet. Garantin är begränsad gällande reparation och/eller utbyte och inkluderar inte några skyldigheter inklusive men inte begränsat till oförutsedda skador eller följdskador. Garantin är inte giltig om produkten har missbrukats, använts i strid med bruksanvisningen eller inte anslutits på rätt sätt. Denna garanti täcker inte:
 - eventuella skador på produkten som uppstått till följd av felaktigt underhåll
 - produkter som har ändrats eller modifierats
 - produkter där ursprungliga identifieringsmärkning (varumärke, serienummer) har målats över, ändrats eller tagits bort
 - eventuella skador som uppstått till följd av att bruksanvisningen inte efterföljts
 - alla icke CE-produkter
 - eventuella produkter som har försökt repareras av en icke-kvalificerad yrkesman eller utan föregående medgivande från Techtronics Industries.
 - eventuella produkter som anslutits till felaktig strömförsörjning (ampere, volt, frekvens)
 - eventuella produkter som använts med olämplig bränsleblandning (bränsle, olja, oljeprocent)
 - eventuella skador som uppstått till följd av yttre påverkan (kemisk, fysisk, stötar) eller främmande ämnen
 - normalt slitage av reservdelar
 - olämplig användning, överbelastning av verktyget
 - användningen av icke-godkända tillbehör eller delar
 - tillbehör till elverktyg som medföljde verktyget eller köpts separat. Sådana undantag inkluderar men är inte begränsat till skruvmejselbits, borrbits, slipskivor, sandpapper, blad och sidoskena
 - Komponenter (delar och tillbehör) är föremål för naturligt slitage, inklusive men inte begränsat till service- och underhållsatsar, kolborstar, kullager, chuck, tillbehör eller tillhörande SDS-borrbitt, strömsladd, hjälphandtag, transportväska, slipplatta, dammpåse, dammtubbläsor, filterbrickor, stift och fjädrar till mutterdragare osv.
4. Vid service måste produkten skickas eller uppvisas för en RYOBI- auktoriserad servicestation som står angiven för varje land i följande adresslista över servicestationer. I vissa länder tar din lokala RYOBI- återförsäljare på sig ansvaret att skicka produkten till RYOBI- serviceorganisationen. När en produkt skickas till en RYOBI- servicestation, ska produkten paketeras säkert utan något farligt innehåll såsom bensin, markeras med avsändarens adress samt en kort beskrivning av felet.
5. En reparation/ett utbyte under denna garanti är kostnadsfri. Det utgör inte en förlängning eller förnyelse av garantiperioden. Utbyta delar eller verktyg blir vår egendom. I vissa länder måste leveranskostnader eller porto betalas av avsändaren. Dina lagstadgade rättigheter som härrör från köpet av verktyget förblir opåverkade
6. Denna garanti är giltig i Europeiska gemenskapen: Schweiz, Island, Norge, Liechtenstein, Turkiet och Ryssland. Utanför dessa länder, kontakta din auktoriserade RYOBI-återförsäljare för att avgöra om en annan garanti gäller.

AUKTORISERAT SERVICECENTER

Du hittar närmaste auktoriserade servicecenter genom att gå till <http://uk.ryobitools.eu/header/service-and-support/service-agents>.

FI RYOBI®-TAKUUN SOVELTAMISEHDOT

Tällä tuotteella on oston luomien lakisääteiden oikeuksien ohella alla mainitun mukainen takuu.

1. Takuun kesto on kuluttajille 24 kuukautta ja takuu-aika alkaa tuotteen ostohetkestä. Tämän päivämäärän tulee lukea laskussa tai muussa ostotositteessa. Tuote on suunniteltu ja tarkoitettu vain kuluttajien ja yksityiseen käyttöön. Takuu ei siis kata ammatti- eikä kaupallista käyttöä.
2. Joidenkin sähkötyökalujen (AC/DC) takuun kestoa on mahdollista laajentaa yllä mainittua kestoa pidemmän verkkosivuston www.ryobitools.eu rekisteröinnin kautta. Työkalujen kelpoisuus takuujakson laajennukseen näkyy selkeästi myymälöissä ja/tai pakkauksissa ja/tai tämä tieto sisältyy tuotedokumentaatioon. Loppukäyttäjän täytyy rekisteröidä vasta hankittu työkalut internetissä 30 päivän kuluessa ostopäivämäärästä. Loppukäyttäjää voi rekisteröidä laajennetun takuun kotimaassaan, jos se on luetteluna online-rekisteröintilomakkeessa, jossa mainitaan, missä tämä vaihtoehto on voimassa. Loppukäyttäjien täytyy lisäksi hyväksyä tietojen tallennus, jotka heidän täytyy antaa online-tilassa sekä ehdot. Rekisteröinnin vahvistuskuiti, joka lähetetään sähköpostitse, ja alkupeuran ostopäivämäärän ilmaiseva lasku toimivat laajennetun takuun tositteina.
3. Takuu kattaa kaikki tuotteeseen takuuajankana tulevat viat, joiden aiheuttajina ovat tuotteessa ostopäivänä olleet valmistus- tai materiaali- vikat. Takuu on rajoitettu korjaukseen jätettävälle vaihtoon eikä se sisällä mitään muita velvoitteita mukaan lukien satunnaisia ja/seurannaisvaihintoja, mutta rajoittumatta niihin. Takuu ei päde, jos tuotetta on käytetty väärin, käyttöohjeen vastaisesti tai jos se on liitetty virheellisesti. Tämä takuu ei kata:
 - virheellisestä huollosta johtuvia vaurioita
 - muunnettua tai muutettua tuotetta
 - tuotetta, jonka alkupeuraiset tunnistemerkinnät (tavaramerkki, sarjanumero) on turmeltu, muutettu tai poistettu
 - tämän käyttöoppaan laiminlyönnistä johtuvia vaurioita
 - ei-CE-tuotetta
 - tuotetta, jota on yrittänyt korjata epäpätevä ammattilainen tai joka on korjattu ilman Techtronics Industriesin ennakkolupaa.
 - tuotetta, joka on liitetty virheelliseen teholahteeseen (ampeirit, jännite, taajuus)
 - tuotetta, jossa on käytetty väärää polttoaineesosta (polttoaine, öljy, öljyprosentti)
 - ulkoisten vaikutusten (kemiallinen, fyysinen, iskut) tai vieraiden aineiden aiheuttamaa vauriota
 - normaaleja kuluvia varaosia
 - virheellistä käyttöä, työkalun ylikuormitusta
 - ei-hyväksytyjen tarvikkeiden tai osien käyttöä
 - sähkötyökalun tarvikkeita, jotka on toimitettu työkalun mukana tai ostettu erikseen. Poissuljettuja osia ovat ruuvaukset, poranterät, hiomalaikat, kiekkapaperi ja terät, sivuohjain, näihin kuitenkaan rajoittumatta
 - Luonnollisesti kuluvia komponentteja (osia tai tarvikkeita), joihin sisältyvät huolto- ja kunnossapitosefit, hiiliharjat, laakerit, teräistukat, SDS-porien kiinnittin tai istukka, virtajohto, apukahva, kuljetuskotelo, hiomalaikka, pölypussi, pölypoistoputki, huopatiivisteet, iskunvääntimen pultit ja jouset yms. näihin kuitenkaan rajoittumatta.
4. Tuote on lähetettävä huollettavaksi valtuutettuun RYOBI-huoltoon tai näytettävä siellä. Niiden osoitteet kussakin maassa löytyvät seuraavasta luettelosta. Joissakin maissa paikallinen RYOBI-jälleenmyyjä huolehtii tuotteen lähetyksestä RYOBI-huolto-organisaatioon. Kun tuote lähetetään RYOBI-huoltoon, se täytyy pakata hyvin ilman vaarallisia aineita, kuten polttoainetta, ja pakkaukseen täytyy merkitä lähettäjän nimi sekä vian lyhyt kuvaus.
5. Takuun kattama korjaus/vaihto on maksuton. Se ei tarkoita takuujakson laajennusta tai alkamista alusta. Vaihdetut osat tai työkalut siirtyvät valmistajan omistukseen. Joissakin maissa lähettäjän täytyy maksaa lähetyskustannukset tai postikulut. Työkalun oston luomat lakisääteiset oikeudet pysyvät koskemattomina
6. Tämä takuu on voimassa Euroopan yhteisössä, Sveitsissä, Islannissa, Norjassa, Liechtensteinissa, Turkissa ja Venäjällä. Ota näiden alueiden ulkopuolella yhteyttä omaan valtuutettuun RYOBI-jälleenmyyjään ja selvitä, onko jotain muuta takuuta.

VALTUUTETTU HUOLTO

Voit etsiä lähimmän valtuutetun huollon sivulta <http://fi.ryobitools.eu/header/service-and-support/service-agents>.

NO RYOBI® GARANTIBETINGELSER

I tillegg til eventuelle lovbestemte rettigheter som følger av kjøpet, er dette produktet dekket av en garanti som angitt nedenfor.

1. Garantiperioden er 24 måneder for konsumenter og gjelder fra den datoen som produktet ble kjøpt. Denne datoen skal dokumenteres med en faktura eller annet kjøpsbevis. Produktet er designet og beregnet kun til konsument- og privat bruk. Så det gis ingen garanti ved profesjonell eller kommersiell bruk.
2. For en del av utvalget av elektriske verktøy (AC/DC) er det mulighet til å utvide garantiperioden i den perioden som er beskrevet ovenfor ved bruk av registreringer på nettsidene www.ryobitools.eu. Kvalifisering av verktøyene for en utvidelse av garantiperioden er tydelig vist i butikker og/eller på pakningen / og finnes innen produktdokumentasjonen. Slutbrukeren må registrere sine nylig anskaffede verktøy online innen 30 dager etter kjøpsdato. Slutbrukeren kan registrere seg for den utvidede garantien i sitt land hvis det er opplistet på online registreringsskjemaet der dette alternativet er gyldig. Videre må slutbrukere gi sitt samtykke til oppbevaring av dataene som kreves for å gå online, og de må godta vilkår og betingelser. Registreringsbekräftelsen, som sendes ut på e-post, og den originale fakturaen som viser kjøpsdato, vil tjene som bevis for den utvidede garantien.
3. Garantien dekker alle defekter i produktet under garantiperioden på grunn av defekter i utførelse eller materiale på kjøpsdato. Garantien er begrenset til å reparere og/eller erstatte og inkluderer ikke noen andre forpliktelser, inkludert, men ikke begrenset til, tilfeldige eller følgeligmessige skader. Garantien er ikke gyldig hvis produktet har blitt misbrukt, brukt på annen måte enn det som beskrives i bruksanvisningen eller er koblet til på feil måte. Denne garantien gjelder ikke for:
 - enhver skade på produktet som er resultat av ulikstrekkelig vedlikehold
 - ethvert produkt som har blitt endret eller modifisert
 - ethvert produkt der de originale identifiseringsmerkene (varemerke, serienummer) har blitt uleselig, er endret eller fjernet
 - enhver skade som forårsakes av ikke-overholdelse av instruksjonshåndboken
 - ethvert ikke-CE-produkt
 - ethvert produkt som har blitt forsøkt reparert eller av en ikke-kvalifisert fagperson eller uten tidligere autorisasjon fra Technonic Industries.
 - ethvert produkt tilkoblet feil strømforsyning (ampere, spenning, frekvens)
 - ethvert produkt som brukes med feil drivstoffblanding (drivstoff, olje, prosentandel olje)
 - enhver skade som er forårsaket av eksterne påvirkninger (kjemiske, fysiske, støt) eller fremmede stoffer
 - normal slitasje og slitereservedeler
 - feil bruk, overbelastning av verktøyet
 - bruk av ikke-godkjent tilbehør eller deler
 - Elektrisk verktøytilbehør levert med verktøyet eller kjøpt separat. Slike ekskluderinger, inkludert, men ikke begrenset til skrutrekkerbits, drillbits, slipeskiver, sandpapir og blader, lateral føring
 - Komponenter (deler og tilbehør) som er utsatt for naturlig slitasje, inkludert, men ikke begrenset til service- og vedlikeholdssett, karbonborer, lagre, chuck, SDS-borbillfeste eller -mottak, strømledning, hjelpéhåndtak, transportbæreske, sandingsplate, støvpose, støvutslipprør, filtpakninger, støtnøkkelpinner og fjær, osv.
4. For service må produktet sendes eller fremlegges for en RYOBI- autorisert servicestasjon opplistet for hvert land i den følgende listen over servicestasjonsadresser. I noen land sender den lokale RYOBI-forhandleren produktet til RYOBI serviceorganisasjonen. Ved å sende et produkt til en RYOBI servicestasjon skal produktet være sikkert pakket uten noe farlig innhold, slik som bensin, merket med senderens adresse og fulgt av en kort beskrivelse av feilen.
5. En reparasjon/erstatning under denne garantien er gratis. Den utgjør ingen forlengelse eller en ny start av garantiperioden. Utskiftede deler eller verktøy blir vår eiendom. I noen land vil leveringskostnader eller fraktering måtte betales av senderen. Dine lovbestemte rettigheter som oppstår fra kjøp av verktøyet forblir uberørt.
6. Denne garantien er gyldig i EU, Sveits, Island, Norge, Liechtenstein, Tyrkia og Russland. Utenfor disse områdene ta kontakt med din autoriserte RYOBI-forhandler om en annen garanti gjelder.

AUTORISERT SERVICESENTER

For å finne et autorisert servicесenter i nærheten, gå til <http://no.ryobitools.eu/header/service-and-support/service-agents>.

RU УСЛОВИЯ ПРИМЕНЕНИЯ ГАРАНТИИ НА ПРОДУКЦИЮ RYOBI®

Помимо законных прав, возникающих при покупке, данное изделие покрывается гарантией в соответствии с приведенными ниже пунктами.

1. Гарантийный период для покупателя составляет 24 месяца с даты покупки изделия. Дата покупки должна быть подтверждена счетом или другим свидетельством покупки. Данное изделие предназначено только для частного использования покупателем. Поэтому гарантия не распространяется на использование в профессиональных или коммерческих целях.
2. Предусмотрена возможность продления для части изделий линейки электроинструментов (AC/DC) гарантийного периода с помощью регистрации на сайте www.ryobitools.eu. Право инструмента на продление гарантийного периода четко указано в магазинах и / или на упаковке / и содержится в сопутствующей инструменту документации. Конечный пользователь должен зарегистрировать свой приобретенный инструмент в течение 30 дней с даты покупки. Конечный пользователь может зарегистрировать свой инструмент на продление гарантии в стране своего проживания, если она указана в форме онлайн-регистрации. Кроме того, конечный пользователь должен дать свое согласие на хранение данных, которые необходимо ввести в онлайн-форму и принять правила и условия. Подтверждение регистрации, которое вы получите по электронной почте и оригинальный чек, в котором указана дата покупки, будут служить доказательством продленной гарантии.
3. Гарантия покрывает в течение гарантийного периода все дефекты качества или материала изделия на дату покупки. Гарантия ограничена ремонтом и / или заменой и не включает никакие другие обязательства, включая, но не ограничиваясь, случайными или косвенными убытками. Гарантия становится недействительной, если изделие использовалось не по назначению, вопреки инструкциям, данным в Руководстве пользователя или было неправильно подключено. Настоящая гарантия не распространяется на:
 - любые повреждения изделия в результате неправильного технического обслуживания
 - любые изделия, подвергшиеся изменениям и модификации
 - любые изделия, оригинальные идентификационные отметки которого (торговая марка, серийный номер) были повреждены, изменены или удалены
 - любые повреждения, вызванные несоблюдением инструкций Руководства пользователя
 - любые изделия, не относящиеся к CE
 - любые изделия, подвергшиеся попыткам ремонта невалифицированным работником или без предварительного утверждения компании Technonic Industries.
 - любые изделия, подключенные к неправильному источнику питания (сила тока, напряжение, частота)
 - любые изделия, в которых использовались несоответствующие топливные смеси (топливо, масло, процент масла)
 - любые повреждения, вызванные внешними воздействиями (химические, физические, удары) или посторонними веществами
 - нормальный износ и разрыв запчастей
 - несоответствующее использование, перегрузка инструмента
 - использование неутвержденных аксессуаров и запчастей
 - аксессуары электроинструментов, поставляемые с инструментом или приобретаемые отдельно. Такие исключения включают, но не ограничиваются сверла шуруповертов, дрелей, абразивные диски, наждачную бумагу, лезвия и боковые направляющие
 - компоненты (детали и аксессуары), подверженные естественному износу и разрыву, включая, но не ограничиваясь наборы для технического обслуживания, угловые щетки, подшипники, патроны, насадки сверл SDS, кабели питания, дополнительные ручки, футляры для транспортировки, шифровальные плиты, пылеприемники, трубки для отсасывания пыли, войлочные шайбы, штыри и пружины ударных ключей и др.
4. Для проведения технического обслуживания изделие следует направлять в авторизованные сервисные центры RYOBI, указанные для каждой страны в приведенном ниже списке адресов станций сервисного обслуживания. В некоторых странах местные дилеры RYOBI отправляют изделия в сервисные организации RYOBI. При отправке изделия в сервисный центр RYOBI, изделие должно быть безопасно упаковано и не содержать никаких опасных веществ, таких как бензин, должен быть подписан адрес отправителя и сопровождаться кратким описанием неисправности.
5. Ремонт / замена проводится в рамках настоящей гарантии бесплатно. Он не продлевает гарантию и не начинает новый гарантийный период. Замененные детали и инструменты становятся нашей собственностью. В некоторых странах отправитель должен оплачивать стоимость отправки. Ваши законные права, возникающие при покупке инструмента, остаются неизменными
6. Данная гарантия действительна в Европейском Сообществе, Швейцарии, Исландии, Норвегии, Лихтенштейне, Турции и России. Вне указанных территорий обращайтесь к своему авторизованному дилеру RYOBI, чтобы узнать, применяются ли условия каких-либо других гарантий.

УПОЛНОМОЧЕННЫЙ СЕРВИСНЫЙ ЦЕНТР

Чтобы найти ближайший уполномоченный сервисный центр, обратитесь к веб-сайту <http://uk.ryobitools.eu/header/service-and-support/service-agents>

PL WARUNKI GWARANCJI RYOBI®

Oprócz praw ustawowych wynikających z zakupu produkt jest objęty gwarancją, której warunki podano poniżej.

- Okres gwarancyjny wynosi 24 miesiące dla konsumentów i rozpoczyna się w dniu zakupu produktu. Datę zakupu należy udokumentować fakturą lub innym dowodem zakupu. Produkt został zaprojektowany i jest przeznaczony do użytku konsumpcyjnego i prywatnego. W związku z tym gwarancja nie obejmuje zastosowań profesjonalnych i komercyjnych.
- Istnieje możliwość wydłużenia okresu gwarancyjnego dla części asortymentu narzędzi ręcznych z napędem mechanicznym (AC/DC) poprzez zarejestrowanie produktu na stronie internetowej www.ryobitools.eu. Kwalifikowalność narzędzi do wydłużenia okresu gwarancyjnego jest wyraźnie określona w sklepach i/lub na opakowaniu oraz w dokumentacji produktu. Użytkownik końcowy musi zarejestrować nowo kupione narzędzia online w ciągu 30 dni od daty zakupu. Użytkownik końcowy może zarejestrować się w celu przedłużenia gwarancji w swoim kraju zamieszkania, jeżeli jest on wymieniony w formularzu rejestracji online, gdzie opcja ta obowiązuje. Ponadto użytkownicy końcowi muszą wyrazić zgodę na przechowywanie danych, wprowadzanych na stronie internetowej i zaakceptować regulamin. Dowodem wydłużenia gwarancji jest wysłane połączoną elektroniczną potwierdzenie rejestracji i oryginał faktury potwierdzającej datę zakupu.
- Gwarancja obejmuje wszystkie wady produktu ujawnione w okresie gwarancyjnym wynikające z usterki wykonania lub materiału obecnego w dniu zakupu. Gwarancja jest ograniczona do naprawy i/lub wymiany i nie obejmuje żadnych innych zobowiązań, w tym między innymi odpowiedzialności za szkody przypadkowe lub wtórne. Gwarancja nie obowiązuje, jeżeli produkt był nieprawidłowo używany, używany niezgodnie z instrukcją lub nie był prawidłowo podłączony. Gwarancja nie obejmuje:
 - uszkodzenia produktu wynikającego z nieprawidłowej konserwacji,
 - produktu, który został zmieniony lub zmodyfikowany,
 - produktu, którego oryginalne oznaczenie (znak towarowy, numer seryjny) zostało zniszczone, zmienione lub usunięte,
 - jakichkolwiek uszkodzeń wynikających z nieprzestrzegania instrukcji,
 - jakiegokolwiek produktu bez certyfikatu CE,
 - jakiegokolwiek produktu, który próbowano naprawić z pomocą niewykwalifikowanej osoby lub bez uzyskania wcześniejszej zgody firmy Techtronic Industries.
 - jakiegokolwiek produktu podłączonego nie prawidłowego źródła zasilania (nieprawidłowe nateżenie prądu, napięcie, częstotliwość),
 - jakiegokolwiek produktu, który był używany z nieprawidłową mieszanką paliwową (paliwo, olej, procentowy udział oleju),
 - jakichkolwiek uszkodzeń spowodowanych wpływem czynników zewnętrznych (chemicznych, fizycznych, drgań) lub substancji obcych,
 - normalnego zużycia części zamiennych,
 - nieprawidłowego użycia, przeciężenia narzędzia,
 - stosowania niezatwierdzonych akcesoriów lub części,
 - akcesoriów narzędzi ręcznych z napędem mechanicznym dostarczonych z narzędziem lub kupionych oddzielnie. Takie wykluczenia obejmują, między innymi, wymienne ostrza wkrętaka, wiertła, tarcze ciętne, papier ścierny i ostrza, przewodnicę boczną,
 - elementów (części i akcesoriów) podlegających naturalnemu zużyciu obejmujących, między innymi, zestawy do konserwacji i serwisu, szczotki węglowe, łożyska, uchwyty, przystawkę wiertła SDS, gniazdo, przewód zasilania, uchwyty pomocnicze, skrzynię transportową, płytę szlifarską, worek pyłowy, rurę odprowadzania pyłu, podkładki filcowe, kółki i sprężyny klucza udarowego itp.
- W celu serwisowania produkt należy wysłać lub okazać w autoryzowanym punkcie serwisowym RYOBI znajdującym się na przedstawionym poniżej wykazie punktów serwisowych w poszczególnych krajach. W niektórych krajach lokalny dystrybutor produktów RYOBI podejmuje się wysyłki produktu do centrum serwisowego RYOBI. W przypadku wysyłki do punktu serwisowego RYOBI produkt — pozbawiony jakichkolwiek niebezpiecznych substancji, na przykład benzyny — należy bezpiecznie zapakować i dołączyć adres nadawcy oraz krótki opis usterki.
- Naprawa/wymiana w ramach niniejszej gwarancji jest bezpłatna. Nie stanowi jednak o przedłużeniu lub rozpoczęciu od nowa biegu okresu gwarancyjnego. Wymienione części lub narzędzia stają się naszą własnością. W przypadku niektórych krajów nadawca będzie musiał uregulować koszty dostawy lub opłaty pocztowe. Prawa ustawowe wynikające z zakupu narzędzia pozostają niezmienione.
- Niniejsza gwarancja obowiązuje w Unii Europejskiej, Szwajcarii, Islandii, Norwegii, Liechtensteinie, Turcji i Rosji. Poza tymi obszarami należy skontaktować się z autoryzowanym dostawcą produktów RYOBI i ustalić, czy obowiązuje inna gwarancja.

AUTORYZOWANY PUNKT SERWISOWY

Najbliższy autoryzowany punkt serwisowy można wyszukać w witrynie internetowej <http://uk.ryobitools.eu/header/service-and-support/service-agents>.

CS ZÁRUČNÍ PODMÍNKY RYOBI®

Kromě zákonných práv vyplývajících z koupě výrobku se na tento výrobek vztahuje také níže uvedené záruka.

- Záruční doba pro spotřebitele je 24 měsíců a začíná datem nákupu výrobku. Datum musí být zaznamenáno na fakturě nebo jiném dokladu o koupi. Tento výrobek je navržen a určen pouze pro soukromé účely spotřebitelů. Záruka se tedy nevztahuje na profesionální nebo komerční využití výrobku.
- U některých elektrických nástrojů (AC/DC) je možné záruční dobu prodloužit. K tomu je nutná registrace na stránkách www.ryobitools.eu. Možnost prodloužené záruční doby výrobků je jasně uvedena v prodejních, popř. na obalech výrobku v dokumentech o výrobku. Koncový uživatel musí svůj nový nástroj zaregistrovat online do 30 dnů od data nákupu. Koncový uživatel se může k prodloužené záruční době zaregistrovat v zemi trvalého pobytu, pokud je tato uvedena na internetovém registračním formuláři u výrobku, kde je tato možnost dostupná. Koncoví uživatelé musí dále souhlasit s uložením osobních údajů, která musí zadat na internetu, a přijmout obchodní podmínky. E-mail s potvrzením registrace a původní faktura s datem koupě poslouží jako důkaz o prodloužené záruce.
- Záruka se vztahuje na veškeré vady na výrobku v rámci záruční doby způsobené výrobními vadami nebo vadami materiálu v době koupě. Záruka je omezena na opravu, popřípadě výměnu a nezahrnuje žádné další povinnosti, včetně mimo jiné vedlejších či následných odškodnění. Záruka neplatí při použití výrobku k nevhodným účelům, v rozporu s uživatelskou příručkou nebo při nesprávném zapojení. Záruka se nevztahuje na:
 - veškeré škody na výrobku způsobené nesprávnou údržbou
 - veškeré produkty, které byly pozměněny nebo upraveny
 - veškeré produkty, kde byly původní identifikační prvky (obchodní značka, sériové číslo) poničeny, pozměněny nebo odstraněny
 - veškeré škody způsobené nedodržováním pokynů uživatelské příručky
 - veškeré produkty bez CE certifikace
 - veškeré produkty, které se pokusil opravit nequalifikovaný odborník nebo opravu bez předchozího svolení společnosti Techtronic Industries.
 - veškeré produkty zapojené do nesprávného elektrického zdroje (proud, napětí, frekvence)
 - veškeré produkty používané s nevhodnou palivovou směsí (paliwo, olej, procento oleje)
 - veškeré škody způsobené externími vlivy (chemickými, fyzickými, nárazy) nebo cizími látkami
 - běžné opotřebování dílů
 - nevhodné použití, přetěžování nástroje
 - použití neschválených příslušenství nebo dílů
 - příslušenství k elektrickému nástroji poskytnuté s nástrojem nebo zakoupené samostatně. Tyto výjimky se vztahují mimo jiné na šroubovací vrtáky, brusné disky, brusný papír a čepele, postranní vodiči listy
 - komponenty (díly a příslušenství) podléhající přirozenému opotřebování, včetně mimo jiné servisních sad, karbonových kartáčů, ložisek, sklíčidla, SDS nástavce na vrtací vrti, napájecího kabelu, pomocné rukovjeti, přepravního pouzdra, brusné desky, prachového vaku, výfukové prachové trubice, plstěných podložek, západek a pruzin rázového utahováku atd.
- K provedení servisu musí být výrobek zaslán nebo předán do autorizovaného servisního centra společnosti RYOBI, jejichž adresy jsou uvedeny podle země v seznamu servisních center. V některých zemích za vás výrobek pošle servisní organizaci RYOBI sám prodejce výrobků této značky. Při zaslání výrobku do servisního centra RYOBI je potřeba výrobek bezpečně zabalit bez nebezpečného obsahu jako benzín, opatřit adresou odesílatele a připojit krátký popis závady.
- Oprava, popř. výměna v rámci této záruky je zdarma. Neznámá o prodloužené nebo začátek nové záruční lhůty. Vyměněné díly nebo nástroje přejdou do našeho vlastnictví. V některých zemích platí poštovné odesílatele. Vaše zákonná práva vyplývající z koupě tohoto nástroje zůstávají neotčená.
- Tato záruka platí v Evropském Společenství, Švýcarsku, Norsku, Lichtenštejnku, Turecku, Rusku a na Islandu. Mimo tato území kontaktujte autorizovaného prodejce značky RYOBI, který zjistí, zda se na výrobek vztahuje jiná záruka.

POVĚŘENÉ SERVISNÍ STŘEDISKO

Pro nalezení nejbližšího pověřeného servisního střediska navštivte <http://uk.ryobitools.eu/header/service-and-support/service-agents>.



HU A RYOBI® GARANCIA ALKALMAZÁSÁNAK FELTÉTELEI

A vásárlásból adódó törvényben rögzített jogok mellett a termékre az alábbi garancia vonatkozik.

1. A fogyasztói garancia tartama 24 hónap, mely a termék vásárlásának napjával kezdődik. Ezt a dátumot számlával vagy a vásárlást igazoló egyéb dokumentummal kell bizonyítani. A termék rendeltetése csak fogyasztói és magánéleltel használat. Ezért professzionális vagy kereskedelmi használat esetén a garancia nem érvényes.
2. A szerszámgépek (egyenáramú/váltóáramú) egy részénél a garancia időtartama a www.ryobitools.eu weblapon regisztrálva meghosszabbítható. Az áruházakban, a csomagoláson, illetve a termék dokumentációjában egyértelműen jelezzé van, hogy az adott termék garanciája meghosszabbítható-e. A végfelhasználónak a vásárlás dátumától számított 30 napon belül regisztrálnia kell az újonnan vásárolt szerszámot. A végfelhasználó akkor regisztrálhat a kiterjesztett garanciára, ha az ország, ahol lakik, fel van sorolva az online regisztrációs űrlapon azon országok között, ahol választható ez az opció. Ezenkívül a végfelhasználónak bele kell egyeznie az online regisztrálás során szükséges adatok tárolásába, és el kell fogadnia a felhasználási feltételeket. A kiterjesztett garanciát a regisztráció beérkezésétől e-mailben küldött visszaigazolás és a vásárlás dátumát tartalmazó eredeti számla igazolja.
3. A garancia a termék vásárlásakor fennálló, a gyártás során keletkezett hibákra és anyaghibákra érvényes a garanciális időtartamon belül. A garancia csak a javításra/cserére korlátozódik, és nem terjed ki semmilyen egyéb kötelezettségre, nem kizárólagosan ideértve a véletlen vagy szándékos rongálást. A garancia nem érvényes, ha a terméket nem megfelelően, a használati utasításban foglaltakkal ellentétesen, illetve nem megfelelően csatlakoztatva használták. A garancia nem vonatkozik:
 - a terméket a nem megfelelő karbantartás következtében ért károsodásra
 - megváltoztatott vagy átalakított termékre
 - olyan termékre, melyen az eredeti azonosítókat (védjegy, sorozatszám) megrongálták, megváltoztatták vagy eltávolították
 - a használati utasítás be nem tartásából eredő kárra
 - CE jelöléssel nem rendelkező termékekre
 - olyan termékre, melyet nem képzett, illetve a Techtronic Industries által nem feljogosított szerelő javított
 - nem megfelelő (áramerősségű, feszültségű, frekvenciájú) áramforrásra csatlakoztatott termékre
 - nem megfelelő üzemenyag-keverékekkel (üzemenyag, olaj, olaj aránya) használt termékre
 - külső (vegyi, fizikai, ütés) hatásokból vagy idegen anyagokból eredő károkrá
 - a cserélhető alkatrészek természetes kopására és elhasználódására
 - a szerszám helytelen használatára, túlterhelésére
 - nem jóváhagyott tartozékok és alkatrészek használatára
 - A szerszámmal adott vagy külön megvásárolt tartozékokra. Ilyenek például (de nem kizárólag) a csavarhúzófejek, fűrészarak, csiszolókorongok, csiszolópapír, kések, oldalirányú terelők.
 - A természetes kopásnak, elhasználódásnak kitett alkatrészek és kiegészítők, például (de nem kizárólag) szerviz- és karbantartókészletek, szénkéfék, csapágyak, tokmány, SDS fűrészar csatlakozója, tápkábel, segédfogantyú, szállítók, csiszolólap, porzsák, porelvezető cső, filcálatétek, ütőműves csavarbehajító gép csapszege és rugója stb.
4. A terméket javításra el kell vinni egy meghatalmazott RYOBI szervizbe; ezeket az egyes országokhoz a következő listában találja. Egyes országokban a helyi RYOBI kereskedő vállalja a termék elszállítását a RYOBI szervizbe. A terméket veszélyes tartalom, például benzín nélkül csomagolva, a feladó címét feltüntetve, a hiba rövid leírásával együtt küldje el a RYOBI szervizbe.
5. A jelen garancia hatálya alatt végzett javítás, illetve csere ingyenes. Nem jelenti a garanciális időtartam újraindulását. A kicserélt alkatrészek és szerszámok a mi tulajdonunkba kerülnek. Egyes országokban a szállítás vagy postázás költségét a feladó viseli. A vevőnek a szerszám megvásárlásából adódó törvényes jogai nem változnak.
6. Jelen garancia az Európai Közösségekben, Svájcban, Izlandon, Norvégiában, Liechtensteinben, Törökországban és Oroszországban érvényes. E területen kívül kérdezze meg a RYOBI forgalmazót, hogy milyen garancia van érvényben.

HIVATALOS SZERVIZKÖZPONT

A legközelebbi hivatalos szervizközpont megtalálásához látogasson el a <http://uk.ryobitools.eu/header/service-and-support/service-agents>.

RO CONDIȚII DE APLICARE A GARANȚIEI PENTRU PRODUSELE RYOBI®

În plus față de condițiile statutare rezultate din achiziționarea acestui produs, acesta este acoperit de garanția stipulată mai jos.

1. Perioada de garanție este de 24 de luni pentru consumatorii și începe de la data achiziționării produsului. Data de începere a garanției trebuie demonstrată o factură sau altă dovadă a cumpărării produsului. Produsul este destinat și conceput doar pentru utilizare în scopuri personale. Din acest motiv, nu se oferă garanție pentru utilizarea sa în scop profesional sau comercial.
2. Există posibilitatea de extindere a perioadei de garanție pentru gama de unelte electrice (de CA/CC) peste perioada stipulată mai sus prin înscrierea produsului pe website-ul www.ryobitools.eu. Eligibilitatea pentru perioada de extindere a garanției este afișată în mod clar în magazinele de vânzare și/sau pe ambalaj sau este inclusă în documentația livrată împreună cu produsul. Utilizatorul final este obligat să-și înregistreze produsul online în termen de maxim 30 de zile de la achiziția acestuia. Utilizatorul final poate înregistra produsul pentru garanția extinsă oferită în țara sa de rezidență dacă aceasta este listată în formularul de înregistrare online și dacă această opțiune este validă. În plus, utilizatorul final trebuie să-și dea acordul pentru stocarea datelor personale solicitate la înregistrarea online și trebuie să accepte termenii și condițiile. Mesajul de confirmare a înregistrării, trimis prin e-mail și factura originală cu data achiziției vor dovedi perioada de garanție extinsă.
3. Garanția acoperă toate defecțiunile produsului survenite în perioada de garanție datorate defectelor de execuție sau materialelor folosite, începând cu data achiziției acestuia. Garanția este limitată la reparare și/sau înlocuire și nu include alte obligații, inclusiv, dar fără a se limita la daune accidentale sau rezultate pe cale de consecință. Garanția își pierde valabilitatea dacă produsul este utilizat necorespunzător, utilizat neconform cu instrucțiunile de utilizare din manualul cu instrucțiuni sau conectat incorect. Garanția nu se aplică în cazul:
 - oricărei defecțiuni survenite în urma întreinerii necorespunzătoare a produsului
 - oricărui produs alterat sau modificat
 - oricărui produs la care inscripțiile cu datele de identificare (marca comercială, numărul de serie) au fost șterse, modificate sau îndepărtate
 - oricărei defecțiuni datorate neconformării cu instrucțiunile din manualul de utilizare
 - oricărui produs necertificat CE
 - oricărui produs asupra căruia au fost efectuate tentative de reparare de către personal necalificat sau fără autorizație prealabilă din partea Techtronic Industries.
 - oricărui produs conectat la o sursă de alimentare necorespunzătoare (curent, tensiune, frecvență)
 - oricărui produs utilizat cu un amestec de carburant necorespunzător (combustibil, ulei, proporții de adaos ulei)
 - oricărui defecțiuni datorate unor influențe externe (chimice, fizice, șocuri) sau substanțe străine
 - uzurii și fisurării normale a pieselor de rezervă
 - utilizării neadecvate, suprasolicitații uneltei
 - utilizării de piese și accesorii neaprobate
 - accesoriilor pentru unelată furnizate odată cu aceasta sau achiziționate separat. Aceste exclusiuni se aplică, dar fără a se limita la următoarele: burghie, biți de șurubelniță, discuri abrazive, hârtie abrazivă și lame de tăiere, ghidaje laterale
 - Componentele (piese și accesorii) supuse uzurii normale, care includ, fără a se limita la, kituri de întreținere și service, perii de cărbune, rulmenți, mandrină, adaptor pentru burghie SDS, cordon de alimentare, mâner auxiliare, cutie de transport, placă pentru șlefit, sac pentru praf, tub pentru evacuarea prafului, discuri de păslă, adaptoare și resorturi pentru cheile de strângere prin vibrație, etc.
4. Pentru efectuarea reparațiilor, produsul trebuie trimis sau adus la un centru de reparații autorizat RYOBI din lista următoare de centre de reparații prezentate pentru fiecare țară. În anumite țări, reprezentatul local RYOBI va trimite produsul spre reparare la sediul central de reparații RYOBI. Atunci când trimiteți produsul spre reparare la un centru de reparații RYOBI, acesta trebuie ambalat în siguranță, fără conținut periculos (cum ar fi benzină), marcat cu adresa expeditorului și însoțit de o scurtă descriere a defectului.
5. Repararea/înlocuirea în perioada de garanție este gratuită. Aceasta nu este însoțită de o prelungire sau o reinițiere a perioadei de garanție. Pieseile sau uneltele schimbate devin proprietatea dvs. În anumite țări, taxele de expediție sau poștale vor fi suportate de expeditor. Drepturile dvs. statutare rezultate din achiziția produsului rămân neschimbate
6. Această garanție este valabilă în Comunitatea Europeană, Elveția, Islanda, Norvegia, Liechtenstein, Turcia și Rusia. În afara acestor zone, va rugăm să contactați reprezentantul dvs. local RYOBI pentru a determina dacă se aplică alt tip de garanție.

CENTRU DE SERVICE AUTORIZAT

Pentru a găsi un centru de service autorizat lângă dvs., vizitați <http://uk.ryobitools.eu/header/service-and-support/service-agents>.



LV RYOBI® GARANTIJAS PIEMĒROŠANAS NOSACĪJUMI

Papildus jebkādam likumiskajām tiesībām, kuras rodas, veicot pirkumu, izstrādājums tiek nodrošināts ar tālāk tekstā noteikto garantiju.

1. Garantijas periods patērētājiem ir 24 mēneši, tā atskaite tiek sākta no datuma, kurā veikta izstrādājuma iegāde. Šim datumam jābūt dokumentētām rēķinā vai citā pirkumu apliecināšā dokumentā. Izstrādājums ir radīts un paredzēts tikai patērētājam privātai lietošanai. Saistībā ar iepriekšminēto, garantija netiek nodrošināta profesionālās vai komerciālās lietošanas gadījumā.
2. Pastāv iespēja pagarināt daļas no elektroinstrumentu klāsta (Mainstrāvas/akumulatoru) garantiju ilgāk par iepriekš minēto periodu, izmantojot reģistrāciju interneta vietnē www.ryobitools.eu. Instrumenti, kas pakļauti garantijas perioda pagarināšanai, tiek skaidri apzīmēti veikalos un/vai uz iepakojuma un izstrādājumu komplektējošajā dokumentācijā. Gala lietotājam nepieciešams reģistrēt tā iegādāto jauno instrumentu 30 dienu laikā no pirkuma datuma. Gala lietotājs var reģistrēties pagarinātajai garantijai savā mītnes valstī, ja tā minēta tiešsaistes reģistrācijas veidlapā, kurā šī iespēja ir aktīva. Bez tam, gala lietotājam ir jāsniedz pierādīšana tiešsaistes ievadīšanai nepieciešamo datu glabāšanai un jāpiekrīt noteikumiem un nosacījumiem. Reģistrācijas apstiprinājums, kas tiek nosūtīts, izmantojot e-pastu, un rēķina oriģināls, kurā norādīts iegādes datums, kalpo kā pagarinātas garantijas apstiprinājums.

3. Garantija attiecas uz visiem izstrādājuma defektiem garantijas periodā, kas saistīti ar ražošanas vai materiālu defektiem no pirkuma datuma. Šī garantija tiek ierobežota ar remontu un/vai nomaiņu un neietver jebkādas citas saistības, tajā skaitā, bet ne tikai, cēloņsakarīgas vai saistītas bojājums. Garantija nav spēkā, ja izstrādājums ir nepareizi lietots, izmantots pretēji norādēm lietošanas rokasgrāmatā vai bijis nepareizi pieslēgts. Šī garantija netiek attiecināta uz:

- jebkādiem izstrādājuma bojājumiem, kas radušies nepareizas uzstādīšanas rezultātā
- jebkuru izstrādājumu, kas ticis pārveidots vai mainīts
- jebkuru izstrādājumu, kura oriģinālās identifikācijas (preču zīme, sērijas numurs) marķējums ir ticis nodzēsts, mainīts vai noņemts
- jebkādiem bojājumiem, kuri radušies neievērojot norādes lietošanas rokasgrāmatā
- jebkādam izstrādājumam bez CE sertifikācijas
- jebkuru izstrādājumu, kura remontu mēģinājis veikt nekvalificēts personāls vai bez Technonic Industries iepriekšējās autorizācijas
- jebkuru izstrādājumu, kurš bijis pieslēgts neatbilstošu parametru (strāvas, sprieguma, frekvences) sprieguma avotam
- jebkuru izstrādājumu, kurš bijis izmantots ar nepareizu degvielas maisījumu (degviela, eļļa, eļļas procentuālais saturs)
- jebkuriem bojājumiem, kuri radušies ārējas iedarbības (ķīmiskas, fiziskas, triecieni) vai vielu ietekmē
- detaļu normāla lietošanas nodiluma rezultātā
- nepareizas lietošanas vai instrumentu pārslodzes rezultātā
- neapstrīnātā detaļu vai apkojumā lietošanas rezultātā
- elektroinstrumentu aksesuāriem, kas atrodas instrumenta komplektācijā vai ir iegādāti atsevišķi. Šis izņēmums attiecināms uz, bet neaprobežojoties ar, skrūvgrēznu uzgaliem, urbjiem, abrazīvajiem diskiem, smilšpapīru un asmeņiem, sānu vadotnēm
- komponentiem (daļām un aksesuāriem), kas pakļauti normālam nodilumam, ieskaitot, bet neaprobežojoties ar Servisa un apkoju komplekti, oglekļa suku, guļņi, patrona, SDS urbiu uztvērējiem vai uzlika, elektrības vads, papildus rokturis, transportēšanas un pārnēsāšanas kaste, slīpmašīnas plāksne, putekļu maiss, putekļu izvadsistēmas caurule, paplākšņi, triecienatslēgu tapas un atsperes, u.t.t.

4. Servisa nodrošināšanai, izstrādājums ir jānodod pilnvarotā RYOBI servisa centrā, kas norādīts katrai valstij tālāk minētajā servisa centru adrešu sarakstā. Dažās valstīs jūsu vietējais RYOBI izplatītājs uzņemas izstrādājuma nosūtīšanu uz RYOBI servisa organizāciju. Nosūtīt izstrādājumu uz RYOBI servisa centru, izstrādājuma jābūt droši iepakotam, tas nedrīkst saturēt bīstamas vielas kā degvielu, sūtiņjamam jābūt marķētam ar sūtiņtāja adresi un īsu kļūmes aprakstu.

5. Remonts/nomaņa šīs garantijas ietvaros ir bezmaksas. Tas nerada garantijas perioda pagarināšanu vai jaunu garantiju. Nomainītās daļas vai instrumentu kļūst par mūsu īpašumu. Dažās valstīs piegādes vai pasta izmaksas būs jāapmaksā sūtiņtājam. Jūsu likumiskās tiesības, kas nodibinās, iegādājoties instrumentu, paliek nemainīgas

6. Šī garantija ir spēkā Eiropas Kopienā, Šveicē, Islandē, Norvēģijā, Līhtenšteinā, Turcijā un Krievijā. Ārpus šīm teritorijām, lūdzu, sazinieties ar jūsu pilnvaroto RYOBI izplatītāju, lai noteiktu, vai ir piemērojama cita garantija.

AUTORIZĒTS APKALPOŠANAS CENTRS

Lai atrastu tuvāko autorizēto apkalpošanas centru, apmeklējiet <http://uk.ryobitools.eu/header/service-and-support/service-agents>.

LT „RYOBI®“ GARANTIJOS TAIKĀMO SĀLYGOS

Papildant bet kokias įstatymuose numatytas perkant atsiirandancias teises, šiam įrenginiui taikoma toliau nurodyta garantija.

1. Vartotojams suteikiama 24 mėnesių trukmės garantija nuo įrenginio įsigijimo datos. Ši data turi būti nurodyta sąskaitoje faktūroje ar kitame pirkimą įrodančiame dokumente. Šis įrenginys skirtas tik vartotojų rinkai ir asmeniniam naudojimui. Todėl garantija netaikoma, jei įrenginys naudojamas profesinėms ar komercinėms reikmėms.
2. Įsigijus tam tikrus elektrinius įrenginius (AC/DC), suteikiama galimybė pratęsti garantiją, kad ji galiojūt ilgiau, nei nurodyta pirmiau, naudojantis registracija interneto svetainėje www.ryobitools.eu. Ar galima pratęsti įrenginio garantinį laikotarpį, aiškiai nurodoma parduotuvėse ir (arba) ant įrenginio pakutės, ir (arba) įrenginio dokumentuose. Galutinis naudotojas turi užregistruoti savo naujai įsigytą įrenginį per 30 dienų nuo įsigijimo datos. Galutinis naudotojas gali registruotis išplėstinei garantijai savo gyvenamojoje šalyje, jei ji nurodyta internetinėje registracijos formoje, kurioje siūloma tokia galimybė. Be to, galutinai naudotojai turi sutikti su duomenų, kuriuos reikia įvesti internetu, saugojimu ir svetainės naudojimo sąlygomis. Kaip išplėstines garantijos įrodymas naudojamas registracijos patvirtinimo kvitas, atsiunčiamas el. paštu, ir originali sąskaita faktūra, kurioje nurodyta įsigijimo data.
3. Ši garantija apima visus garantiniu laikotarpiu aptiktus įrenginio trūkumus, atsiradusius dėl gamybos arba medžiaginių defektų nuo įsigijimo datos. Ši garantija ribojama remonto ir (arba) pakeitimu, jei neapima jokių kitų įsipareigojimų, įskaitant (bet tuo neapsiribojant) šalutinio arba antrinio nuostolius. Garantija anuluojama, jei įrenginys buvo naudojamas netinkamai, naudojamas ne pagal naudojimo instrukciją arba netinkamai prijungtas. Ši garantija netaikoma:

- jokiai įrenginiui padarytai žalai, kurią lėmė netinkama techninė priežiūra;
- jokiai įrenginiui, kuris buvo keičiamas ar modifikuojamas;
- jokiai įrenginiui, kurio originalūs identifikavimo ženklai (prekės ženklai, serijos numeris) buvo sugadinti, pakeisti arba pašalinti;
- jokiai žalai, kurią lėmė naudojimo instrukcijos nesilaikymas;
- jokiems CE ženklui nepažymėtiems įrenginiams;
- jokiai įrenginiui, kurį bandė remontuoti nekvalifikuoti asmenys arba kuris buvo remontojamas be „Technonic Industries“ leidimo;
- jokiai įrenginiui, kuris buvo prijungtas prie netinkamo maitinimo tinklo (netinkamos srovės, įtampos, dažnio);
- jokiai įrenginiui, kuris buvo naudojamas su netinkamu degalų mišiniu (degalai, alyva, maišymo santykis);
- jokiai žalai, kurią lėmė išorinis poveikis (cheminis, fizinis, smūgiai) arba pašalinės medžiagos;
- dėvimosioms dalims;
- netinkamam naudojimui, įrenginio perkrovai;
- nepatvirtintų priedų arba dalių naudojimui;
- su įrenginiu pateiktiems arba atskirai įsigytiems elektrinio įrenginio priedams. Šios išimties apima (tuo neapsiribojant) atsuktuvį antgalius, gražų antgalius, šlifavimo diskus, švitrinį popierių ir geležtes, šoninį kreiptuvą;
- komponentams (dalims ir priedams), kurie natūraliai dėvisi, įskaitant (bet tuo neapsiribojant) prastines ir technines priežiūros rinkinius, anglinius šepetėlius, guolius, laikiklį, SDS gražų antgalį priedą arba lizdą, maitinimo kabelį, pagalbines rankenas, nešiojimo dėklą, šlifavimo diską, maišelį dulkmės, dulkių ištraukimo vamzdelį, fetro poveržles, smūginio veržlirakčio kaiščius ir spyruokles ir pan.

4. Prireikus atlikti priežiūros darbus, įrenginį reikia siųsti arba atvežti RYOBI įgaliotajam priežiūros centrui, nurodytam kiekvienos šalies priežiūros centrų adrešu sąraše. Kai kuriose šalyse vietinis RYOBI atstovas siunčia įrenginį RYOBI priežiūros organizacijai. Siunčiant įrenginį RYOBI priežiūros centrui, reikia saugiai jį supakuoti pašalinant visas pavojingas medžiagas, pvz., benzina, nurodyti ant pakutės siuntėjo adresą ir pridėti trumpą gedimo aprašymą.

5. Pagal šią garantiją remontas / keitimas atliekami nemokamai. Tokie veiksmai nelaikomi garantijos pratęsimu arba naujo garantinio laikotarpio pradžia. Dalys arba įrenginiai, kuriuos pakeitėme, tampa mūsų nuosavybe. Kai kuriose šalyse pristatymo ir pašto išlaidas turi padengti siuntėjas. Įstatymuose numatytos jūsų teisės, atsiirandancias perkant įrenginį, lieka nepakeistos

6. Ši garantija galioja Europos bendrijoje, Šveicarijoje, Islandijoje, Norvegijoje, Lichtenšteine, Turkiijoje ir Rusijoje. Jei gyvenate ne šiose šalyse, kreipkitės į įgaliotąjį RYOBI atstovą ir sužinokite, ar jums taikoma kita garantija.

ĮGALIOTAS TECHINIS PRIEŽIŪROS CENTRAS

Jei norite surasti įgaliotą techninės priežiūros centrą netoli Jūsų, apsilankykite interneto svetainėje <http://uk.ryobitools.eu/header/service-and-support/service-agents>.

ET RYOBI® GARANTIINGIMUSED

Lisaks toote ostust tulenevatele seadusjärgsetele õigustele, kehtib tootele ka alldoodud garantiia.

1. Tarbijatele on garantiiaeg 24 kuud ja algab sellel kuupäeval, mil toode osteti. Selle kuupäeva tõestuseks on vaja arvat või mõnda teist tõendit ostu sooritamise kohta. Toode on mõeldud eratarbijatele ainult isiklikeks kasutamiseks. Seega ei kehti garantiit ostu kasutamisel kutsetegevuses või kaubanduslikel eesmärkidel.
2. Teatud osale elektrilistele (vahelduvvoolu/alisvoolu) tööriistadele on võimalik pikendada eespool toodud garantiiaega, kasutades toote registreerimist veebilehel www.ryobitools.eu. Teave tööriista võimaliku pikendatud garantiiaja kohta on selgelt esile toodud poodides ja/või pakendis / ning see sisaldub toote dokumentatsioonis. Lõpptarbijaja peab registreerima oma uued tööriistad interneti teel 30 päeva jooksul pärast ostupäeva. Lõppkasutaja võib registreerida pikendatud garantiiaja saamise oma elukohariigis, kui veebis olevas registreerimisvormis on see valik lubatav. Lisaks peavad kasutajad andma oma nõusoleku veebis nõutud sisestatavate andmete säilitamiseks ning nad peavad nõustuma tingimustega. E-posti teel saadetak registreerimise kinnitus ja arve originaal, kus on näha ostu sooritamise kuupäev, on pikendatud garantiiaja tõestuseks.
3. Garantii katab kõik defektid toote garantiiaja jooksul, kui ostu kuupäeval ilmnevad talitus- või materjalivaad. Garantii piirub toote remondi ja/ või väljavahetamisega ning ei sisalda muid kohustusi, muu hulgas ettenägematuid või kaudseid kahjusid. Garantii ei kehti, kui toodet ei ole kasutatud sisetarbijalise või kooskõlas kasutusjuhendiga või see on valesti ühendatud. Garantii ei kehti järgmistel põhjustel:
 - toode on kahjustatud vale hoolduse tõttu
 - toodet on muudetud
 - toote algupäraseid identifitseerimismärke (kaubamärk, seerianumber) on rikutud, muudetud või eemaldatud
 - kahju on tekkinud kasutusjuhendi mittejärgimisest
 - tootel puudub CE-märgis
 - toodet on püüdnud remontida vastavalt kvalifikatsiooni mitte omav isik või ilma firma Technonic Industries eelneva loata.
 - toode on ühendatud valesse toiteallikasse (voolutugevus, pinge, sagedus)
 - tootega kasutati sobimatut kütusesegu (kütus, õli, õli protsent)
 - välismõjude (keemilised, füüsikalised, elektrilöögid) või võõrkehade tekitatud kahju
 - tavapärase kulumine ja katkised varuosad
 - ebaõige kasutamine, tööriista ülekoormamine
 - heakskiitmata tarvikute või osade kasutamine
 - koos tööriistaga saadud või eraldi ostetud elektriliste tööriistade tarvikud. Need erandid puudutavad muu hulgas kruvikeeraja otsakuid, puuriterasid, lihvkettaid, lihvpaberit ja -tald, külgjuhkuid
 - Komponendid (osad ja tarvikud), mida iseloomustab kulumine ja vananemine, muu hulgas remondi- ja hoolduskomplektid, sinusinkharjad, laagrid, padrunid, SDS-puuriterade tarvikud, toitejuhe, lisakäepide, transpordikoht, lihvplaat, tolmuhooldus, tolmu väljalasketoru, vildist seibid, löökmüritvõtme võllid ja vedrud jne.
4. Hoolduseks peab toote saatma või viima RYOBI volitatud teenindusse, mille aadressi leiab järgnevast teeninduspunkti nimekirjast vastava riigi alt. Mõnedes riikides võtab kohalik RYOBI edasimüüja enda kanda kohustuse saata toode RYOBI teenindusorganisatsiooni. Toote saatmisel RYOBI teenindusse peab toode olema ohutult pakitud ja ei tohi sisaldada ohtlikke aineid (nt bensiin), kirjas peab olema saatja aadress ja lisatud vea lühikirjeldus.
5. Garantii alusel tehtavad remonditööd / asendamine on tasuta. See ei pikenda garantiit kehtivusaega ega tähistu uue garantiiaja algust. Väljavahetatud osad või tööriistad kuuluvad meile. Mõnedes riikides maksab kätetoimetamis- ja postikulud saatja. Teile jäävad kehtima tööriista ostust tulenevad seadusjärgsed õigused
6. See garantiit kehtib Euroopa Ühenduse territooriumil, Šveitsis, Islandil, Norras, Liechtensteinis, Türgis ja Venemaal. Väljaspool neid piirkondi võtke ühendust volitatud RYOBI edasimüüjaga, et teha kindlaks kas kehtib mõni teine garantiit.

VOLITATUD HOOLDUSKESKUS

Oma volitatud hoolduskeskuse leiate veebisaidilt <http://uk.ryobitools.eu/header/service-and-support/service-agents>.

HR UVJETI PRIMJENE JAMSTVA TVRTKE RYOBI®

Osim svim zakonskim pravima koja proizlaze iz kupnje, ovaj je proizvod pokriven jamstvom kako je navedeno u nastavku.

1. Jamstveno razdoblje za potrošače traje 24 mjeseca i počinje s datumom na koji je proizvod kupljen. Taj datum mora se dokumentirati računom ili drugim dokazom o kupnji. Proizvod je konstruiran i namijenjen samo za privatnu upotrebu korisnika. Stoga se jamstvo ne daje u slučaju profesionalne ili komercijalne upotrebe.
2. Postoji mogućnost da se za dio asortimana električnih alata pokretanih izmjeničnom strujom (AC/DC) produži gore navedeno jamstveno razdoblje putem registriranja na mrežnom mjestu www.ryobitools.eu. Uvjeti koje je potrebno zadovoljiti kako bi se produžilo jamstveno razdoblje jasno su istaknuti u prodavaonici i / ili na pakiranju / i nalaze se unutar dokumentacije proizvoda. Krajnji korisnik mora registrirati svoje novo kupljene alate na mreži u roku od 30 dana od datuma kupnje. Krajnji korisnik može se registrirati za produženo jamstvo u svojoj zemlji boravišta ako se nalazi na popisu u mrežnom obrascu za registraciju gdje je ta opcija važeća. Nadalje, krajnji korisnici moraju dati svoju pristanak na pohranu podataka koji su potrebni za mrežni ulazak i moraju prihvatiti odredbe i uvjete. Potvrda o prijemu registracije, koja se šalje putem e-pošte, kao i originalni račun s vidljivim datumom kupnje poslužit će kao dokaz produženog jamstva.
3. Jamstvo pokriva sve nedostatke proizvoda tijekom jamstvenog razdoblja koji su nastali zbog neispravnosti prikom izrade ili materijala s datumom kupnje. Jamstvo je ograničeno na popravak i/ili zamjenu i ne obuhvaća nikakve druge obveze, uključujući, ali ne ograničavajući se na slučajne ili posljednje štete. Jamstvo ne vrijedi ako je proizvod bio zlorabljivan, korišten u suprotnosti s priručnikom s uputama ili ako je pogrešno spojen. Ovo jamstvo ne primjenjuje se na:
 - svaku štetu koja je na proizvodu nastala kao rezultat nepravilnog održavanja
 - svaki proizvod koji je promijenjen ili izmijenjen
 - svaki proizvod na kojem su izvorne identifikacijske oznake (žig, serijski broj) bile oštećene, izmijenjene ili uklonjene
 - svaku štetu prouzročenu neprirodno upotrebom priručnika s uputama
 - svaki proizvod koji nema oznaku CE
 - svaki proizvod koji je pokušao popraviti nekvalificirani profesionalac ili onaj koji je popravljivan bez prethodnog odobrenja tvrtke Technonic Industries.
 - svaki proizvod koji je spojen na neprikladan izvor električnog napajanja (neodgovarajuća amperaža, napon, frekvencija)
 - svaki proizvod korišten s neodgovarajućom mješavinom goriva (neodgovarajuće gorivo, ulje, postotak ulja)
 - svaku štetu prouzročenu unutarnjim utjecajima (kemijskim, fizikalnim, udarima) ili stranim tvarima
 - normalno habanje i trošenje rezervnih dijelova
 - neodgovarajuću uporabu, preopterećenje alata
 - upotrebu neodobrenog pribora ili dijelova
 - dodatnu opremu električnog alata isporučenu s alatom ili kupljenu odvojeno. Takvi izuzetci uključuju ali nisu ograničeni na vrhove odvijčača, svrdla bušilice, abrazivne diskove, brusni papir i noževe, bočnu vodilicu
 - Komponente (dijelovi i pribor) podložne prirodnom trošenju i habanju, što uključuje, ali nije ograničeno na komplecte za servisiranje i održavanje, ugljične četkice, ležajeve, steznu glavu, nastavak ili priključak za svrdla za SDS bušilicu, priključni kabel, pomoćnu ručku, transportne torbe, brusnu ploču, vreću za prašinu, ispušnu cijev za prašinu, podloške od filca, udarni ključ, zatici i opruge, itd.
4. Za potrebe servisiranja, proizvod se mora poslati ili odnijeti u ovlaštenu servisnu postaju tvrtke RYOBI navedenu na sljedećem popisu s adresama servisnih postaja u svakoj zemlji. U nekim zemljama, važi lokalni RYOBI zastupnik obvezuje se da će poslati proizvod u servisnu organizaciju tvrtke RYOBI. Kada se proizvod šalje u neku servisnu postaju tvrtke RYOBI, proizvod se mora sigurno pakirati bez ijednog od opasnih sadržaja kao što je benzin, na njemu mora pisati adresa pošiljatelja i mora biti popraćen kratkim opisom kvara.
5. Popravak / zamjena pod ovim jamstvom su besplatni. Oni ne predstavljaju produženje ili novi početak jamstvenog razdoblja. Zamijenjeni dijelovi ili alati postaju naše vlasništvo. U nekim državama troškove isporuke ili poštarinu mora platiti pošiljatelj. Vaša zakonska prava koja proizlaze iz kupnje alata ostaju nepromijenjena
6. Ovo jamstvo vrijedi u Europskoj uniji, Švicarskoj, Islandu, Norveškoj, Lihtenštajnu, Turskoj i Rusiji. Izvan tih područja važi molimo da se obratite svojem ovlaštenom zastupniku tvrtke RYOBI kako biste utvrdili primjenjive li se drugo jamstvo.

OVLASŤENI SERVISNI CENTAR

Za pronalaženje ovlaštenog servisnog centra pored vas posjetite <http://uk.ryobitools.eu/header/service-and-support/service-agents>.



SL POGOJI ZA VELJAVNOST GARANCIJE RYOBI®

Poleg morebitnih zakonsko določenih pravic, ki izvirajo iz nakupa, za ta izdelek velja spodaj navedena garancija.

- Garancijsko obdobje je za potrošnike 24 mesecev in začne teči z dnem nakupa izdelka. Ta datum mora biti dokumentiran z računom ali drugim dokazilom o nakupu. Izdelek je zasnovan in namenjen izključno za potrošniškovo zasebno uporabo. V primeru strokovne oziroma komercialne uporabe izdelka garancija ne velja.
- Obstaja možnost podaljšanja garancije na del naše ponudbe električnih orodij (AC/DC) prek obdobja garancije, opisanega zgoraj, s pomočjo registracije na spletnem mestu www.ryobitools.eu website. Ustreznost orodij za podaljšanje garancijskega obdobja je jasno prikazana v trgovinah in/ali na embalaži oziroma je navedena v dokumentaciji izdelka. Končni uporabnik mora registrirati svoje novo orodje na spletu v 30 dneh po datumu nakupa. Končni uporabnik lahko registrira podaljšano garancijo v svoji državi bivanja, če je na obrazcu spletne registracije navedeno, da ta možnost velja za njegovo državo. Poleg tega morajo končni uporabniki podati svoje soglasje za shranjevanje podatkov, ki so potrebni za spletni dostop in morajo sprejeti pogoje in določila uporabe spletnega mesta. Potrdilo o registraciji, ki ga pošljemo prek e-pošte, in originalni račun, ki prikazuje datum nakupa, služita kot dokazilo o podaljšanji garanciji.
- Garancija krije vse okvare izdelka, do katerih pride v garancijskem obdobju zaradi napak v izdelavi ali materialu, ki so bile prisotne ob datumu nakupa. Garancija je omejena na popravilo in/ali zamenjavo in ne vključuje nobenih drugih obveznosti, med drugim vključno z naključno ali posledično škodo. Garancija ne velja, če je bil izdelek napačno uporabljen, uporabljen v nasprotju z navodili iz priročnika za uporabo ali če ni bil pravilno povezan. Ta garancija ne velja za:
 - škodo na izdelku, ki je posledica neustreznega vzdrževanja
 - spremenjen ali prilagojen izdelek
 - izdelek, katerega originalna identifikacijska oznaka (blagovna znamka, serijska številka) je bil poškodovan, spremenjena ali odstranjena
 - škodo, ki je posledica neupoštevanja navodil iz priročnika za uporabo izdelka, ki nima oznake CE
 - izdelek, ki ga je poskušal popraviti ne kvalificiran strokovnjak ali ki je bil popravljen brez predhodne odobritve s strani družbe Techtronic Industries.
 - izdelek, ki je bil povezan na neustrezno napajanje (amperska moč, napetost, frekvenca)
 - izdelek, ki je bil uporabljen z neustrezno mešanico goriva (gorivo, olje, odstotek olja)
 - škodo, ki jo povzročijo zunanji vplivi (kemični, fizični, mehanski) ali tuje snovi
 - rezervne dele, ki so podvrženi običajni uporabi
 - neprimerno uporabo, preobremenitev orodja
 - uporabo neodobrenih dodatkov ali delov
 - Dodatno električno orodje, priloženo orodju ali kupljeno ločeno. Take izjeme so med drugim nastavki za izvijanje, svedri, abrazivni diski, brusni papir in rezila, stranska vodila.
 - Komponente (sestavni in rezervni deli), ki so podvrženi običajni obrabi, med drugim vključno s kompleti za servisiranje in vzdrževanje, oglikovimi krtačkami, ležaji, vpenjali, svedmi priključki SDS ali sprejemnimi odprtini zanje, napajalnimi kablji, pomožnimi orodji, prenosnimi kovčki, brusnimi ploščami, vrečkami za prah, cevmi za izpuh prahu, tesnilni iz filca, iglami in vzmetni udarnega ključa itd.
- Za servisiranje morate izdelek poslati ali prinesiti v pooblaščen servisni center družbe RYOBI, ki je naveden za vsako državo na naslednjem seznamu naslovov servisnih centrov. V nekaterih državah se vaš lokalni posrednik družbe RYOBI obveže, da bo poslal izdelek na servis družbe RYOBI. Ko pošiljate izdelek v servisni center družbe RYOBI, mora biti izdelek varno zapakiran in ne sme vsebovati nobenih nevarnih snovi, kot je npr. bencin, opremljen pa mora biti z naslovom pošiljatelja in vsebovati kratek opis napake.
- Popravilo/zamenjava v skladu s to garancijo sta brezplačni storitvi. To pa ne predstavlja podaljšanja ali ponovnega začetka garancijskega obdobja. Zamenjani deli ali orodja postanejo naša last. V nekaterih državah stroške dostave ali poštnino plača pošiljatelj. Vaše zakonsko določene pravice, ki izvirajo iz nakupa orodja, ostajajo nespremenjene.
- Ta garancija velja v Evropski skupnosti, Švici, Islandiji, na Norveškem, v Lichtenštajnu, v Turčiji in Rusiji. Izven teh območij se obrnite na svojega pooblaščenega posrednika izdelkov RYOBI, dealer ki vam bo povedal, ali velja kakšna druga garancija.

POOBLAŠČEN SERVISNI CENTER

Pooblaščen servisni center blizu vas poiščite na <http://uk.ryobitools.eu/header/service-and-support/service-agents>.

SK ZÁRUČNÉ PODMIENKY RYOBI®

Na tento výrobok sa okrem všetkých zákonných práv, vyplývajúcich z nákupu, vzťahuje záruka v nasledovnom znení.

- Záručná doba pre spotrebiteľa je 24 mesiacov a začína plynúť odo dňa, kedy bol výrobok zakúpený. Tento dátum musí byť doložený faktúrou alebo iným dokladom o zakúpení. Výrobok je navrhnutý a určený pre spotrebiteľa a len na súkromné používanie. Preto sa záruka za neposkytuje v prípade použitia na profesionálne a komerčné účely.
- V prípade elektrického náradia (na striedavý/jednosmerný prúd AC/DC), existuje možnosť predĺženia záručnej doby oproti záručnej dobe, uvedenej vyššie, s využitím on-line registrácie na webovej stránke www.ryobitools.eu. Označenie na náradí o nároku na predĺženie záručnej doby je zreteľne uvedené v obchodoch a/alebo na obale a je uvedené v dokumentácii k výrobku. Koncový používateľ musí zaregistrovať svoje novozískané náradie on-line do 30 dní odo dňa nákupu. Koncový používateľ sa môže zaregistrovať na predĺženie záruky v krajine svojho bydliska, ak je v on-line registračnom formulári uvedená táto možnosť. Ďalej musia koncoví používatelia ešte dať svoj súhlas k uchovávaniu údajov, ktoré je potrebné zadať on-line a musia súhlasiť s podmienkami. Potvrdenie o prijatí registrácie, ktorý je zasielané e-mailom a originálny faktúra, v ktorej je uvedený dátum nákupu, slúžia ako dôkaz o predĺžení záruky.
- Záruka sa vzťahuje na všetky poruchy výrobku v záručnej dobe, spôsobené chybami materiálů alebo spracovania k dátumu nákupu. Táto záruka je obmedzená na opravu a/alebo výmenu a nezaťahuje ďalšie povinnosti, vrátane, okrem iných, náhodné alebo následné škody. Táto záruka je neplatná, ak bol výrobok nesprávne používaný, bol používaný v rozpore s návodom na použitie alebo bol nesprávne zapojený. Táto záruka sa nevzťahuje na:
 - akékoľvek poškodenie výrobku, ktoré bolo spôsobené nesprávnou obsluhou
 - akýkoľvek výrobok, ktorý bol zmenený alebo upravený
 - akýkoľvek výrobok, na ktorom bolo poškodené, upravené alebo odstránené identifikačné označenie (ochranná známka, výrobné číslo)
 - akékoľvek škody, spôsobené neodporúčaním návodu na obsluhu
 - akýkoľvek výrobok, ktorý neobsahuje označenie CE
 - akýkoľvek výrobok, ktorý sa pokúšal opraviť nekvalifikovaný odborník alebo bol opravený bez predchádzajúceho súhlasu zo strany spoločnosti Techtronic Industries.
 - akýkoľvek výrobok, pripojený k nesprávnemu napájaciu zdroju (ampéry, napätie, frekvencia)
 - akýkoľvek výrobok, používaný s nesprávnou palivovou zmesou (palivo, olej, percento oleja)
 - akékoľvek poškodenia, spôsobené vonkajšími vplyvmi (chemickými, fyzikálnymi, nárazmi) alebo cudzorodými látkami
 - bežné opotrebovanie náhradných dielov
 - nevhodné používanie, preťazovanie nástroja
 - používanie neschváleného príslušenstva a dielov
 - príslušenstvo k elektrickému náradiu, dodávané spolu s náradím alebo zakúpené oddelene. Takéto vylúčenia sa vzťahujú, okrem iného, na nášady skrutkovačov, vrtáky, brusné kotúče, brusny papier a čepele, bočné vodiace lišty
 - Súčiastky (diely a príslušenstvo), ktoré podliehajú prirodzenému opotrebeniu, okrem iného súpravy na servis a údržbu, uhliky, ložiská, skľučovadlá, SDS vrtáky a príslušenstvo, príloh alebo prijímanie, napájaci kábel, pomocná rukoväť, prepravná skriňa, brusna doska, pracovné vrecko, výfuková trubic, pístene podložky, kolíky a pružiny na rázový utahovač atd.
- Na opravu musí byť výrobok odoslaný alebo doručený do autorizovaného servisného strediska RYOBI, uvedeného pre každú krajinu v nasledovnom zozname adries servisných stredísk. V niektorých krajinách miestny zástupca RYOBI preberá na seba záväzok zaslať tovar do servisnej organizácie RYOBI. Pri odosielaní výrobku do servisného strediska RYOBI je potrebné výrobok bezpečne zabaliť bez akéhokoľvek nebezpečného obsahu, ako je benzín, s vyznačením adresy odosielaťa, s krátkym popisom poruchy.
- Oprava/výmena je vrámcí tejto záruky bezplatná. Neznamená to predĺženie záruky alebo spustenie novej záručnej doby. Vymenené diely alebo nástroje sa stávajú našim vlastníctvom. V niektorých krajinách náklady na odoslanie alebo poštovné musí zaplatiť odosielať. Vaše zákonné práva, vyplývajúce z nákupu náradia, zostávajú nedotknuté
- Táto záruka platí v Európskej únii, Švajčiarsku, Islande, Nórsku, Lichtenštajnsku, Turesku a Rusku. Ak sa nachádzate mimo týchto oblastí, obráťte sa na autorizovaného predajcu RYOBI na určenie, či sa dá uplatniť iná záruka.

AUTORIZOVANÉ SERVISNÉ CENTRUM

Ak chcete nájsť najbližšie autorizované servisné centrum, navštívte stránku <http://uk.ryobitools.eu/header/service-and-support/service-agents>.



BG УСЛОВИЯ ЗА ВАЛИДНОСТ НА ГАРАНЦИЯТА НА RYOBI®

В допълнение към законоустановените права, произтичащи от покупката, този продукт е обхванат от гаранция, както е изложено по-долу.

- Гаранционният срок е 24 месеца за клиенти и започва да тече от деня на закупуване на продукта. Тази дата трябва да се докаже с фактура или друго доказателство за покупка. Продуктът е изработен и предназначен само за потребителска и лична употреба. Следователно не се дава гаранция в случай на използване от професионалисти или с търговска цел.
- Съществува възможност за удължаване на гаранционния срок за част от диапазона на гаранцията на електрически инструменти (AC/DC) след изтичането на описания тук чрез регистрация на уеб сайта www.ryobitools.eu. В магазините и/или на опаковката или вътре в документацията на продукта е показано ясно дали инструментът отговаря на условията за такова удължаване на гаранционния срок. Крайният потребител трябва да регистрира своите новопридобити инструменти онлайн в рамките на 30 дни от датата на покупка. Крайният потребител може да се регистрира за удължена гаранция в държавата си на пребиваване, ако е посочена във формуляра за онлайн регистрация като място, където тази опция е валидна. Освен това крайните потребители трябва да дадат съгласието си за съхранение на данните, които са задължителни за съхранение онлайн, и трябва да приемат общите условия. Получено потвърждение за регистрация, изпратено по електронна поща, и оригиналната фактура, показваща датата на покупка, ще служат като доказателство за удължената гаранция.
- Гаранцията покрива всички дефекти на продукта по време на гаранционния срок, които се дължат на проблеми в изработката или материалите към момента на покупката. Гаранцията е ограничена до ремонт и/или замяна и не включва други задължения, включително, но не само, случайни или косвени щети. Гаранцията е невалидна, ако продуктът е използван неправилно или в противоречие с ръководството с инструкции, както и ако е свързан неправилно. Тази гаранция не важи за:
 - щети по продукта в резултат на неправилна профилактика
 - продукти, които са били изменени или модифицирани
 - продукт, при който оригиналните маркировки за идентификация (търговска марка, сериен номер) са изтрити, променени или премахнати
 - повреда, причинена от неспазване на ръководството с инструкции
 - продукт без CE маркировка
 - продукт, за който е направен опит за ремонт от неквалифициран специалист или без предварително разрешение от Techtronic Industries.
 - продукт, свързан към неподходящо електрозахранване (ампераж, волтаж, честота)
 - продукт, използван с неподходяща горивна смес (гориво, масло, процент масло)
 - щети, причинени от външни влияния (химични, физични, удари) или чужди вещества
 - нормално износване на резервни част
 - неподходяща употреба, претоварване на инструмента
 - използване на неодобрени аксесоари или части
 - Аксесоарите за електрически инструмент са предоставени с инструмента или се купуват отделно. Тези изключения включват, но не само, найкрайници за отвертка, свердела, абразивни дискове, шкурка и остриета, страничен водач
 - Компоненти (части и аксесоари), подложени на естествено износване, включително, но не само, комплекти за обслужване и поддръжка, карбонови четки, лагери, патронник, приставка със свердело SDS или приемно устройство, захранващ кабел, спомагателна ръкохватка, кутия за транспортиране, шлифовъчна пластина, торба за прах, торба за отвеждане на прах, филцови шабiji, щифтове и пружини за винтоверти и др.
- За обслужване продуктът трябва да се изпрати или занесе на авторизиран сервиз на RYOBI, посочен за всяка държава в следния списък с адреси на сервиси. В някои държави местният търговец на RYOBI поема отговорността да изпрати продукта до сервизен център на RYOBI. При изпращане на продукт до сервиз на RYOBI той трябва да е опакован безопасно без опасно съдържание, напр. бензин, да е маркиран с адреса на подателя и придружен от кратко описание на повредата.
- Ремонтът/замяната по силата на тази гаранция са безплатни. Те не водят до удължаване или подновяване на гаранционния срок. Сменените части или инструменти стават наша собственост. В някои държави таксите за доставка или изпращане трябва да се платят от подателя. Законоустановените ви права, произтичащи от закупуването на инструмента, остават незасегнати
- Тази гаранция е валидна в Европейската общност, Швейцария, Исландия, Норвегия, Лихтенщайн, Турция и Русия. Извън тези области се свържете с упълномощения търговец на RYOBI, за да се установи дали е приложима друга гаранция.

УПЪЛНОМОЩЕН СЕРВИЗЕН ЦЕНТЪР

За да намерите упълномощен сервизен център близо до вас, посетете <http://uk.ryobitools.eu/header/service-and-support/service-agents>.

UK ГАРАНТИЙНИ УМОВИ ДЛЯ RYOBI®

Окрім загалом установлених законом прав, що стосуються покупки, цей пристрій покривається гарантією, що зазначено нижче.

- Гарантійний період для споживачів складає 24 місяці і починається з моменту придбання цього пристрою. Ця дата повинна бути задокументована у накладній або іншому документі, що підтверджує покупку. Цей пристрій був розроблений і призначений тільки для споживчого та приватного використання. У разі професійного або комерційного використання цього пристрою, він втрачає гарантію.
- Існує можливість подовжити гарантійний період для частини лінійки електроінструментів (перемінного/постійного струму), понад період описаний вище за допомогою реєстрації на сайті www.ryobitools.eu. Пристрої, які мають право на подовження гарантійного періоду, мають чіткі позначки щодо цього в магазинах і / або на упаковці / та документі до пристрою. Кінцевий користувач повинен зареєструвати його/її новопридбаний пристрій онлайн протягом 30 днів з дати покупки. Кінцевий користувач може зареєструвати для подовження гарантійного періоду в своїй країні постійного перебування, якщо вона є доступною у відповідній опції онлайн форми реєстрації. Крім того, кінцеві користувачі повинні дати своєї згоду на зберігання даних, які необхідні для введення онлайн, а також вони повинні прийняти правила та умови. Отримання підтвердження реєстрації, яке відправляється на адресу електронної пошти, та оригнал накладної із зазначеною датою покупки буде слугувати доказом подовженої гарантії.
- Гарантія поширюється на всі дефекти пристрою протягом гарантійного терміну щодо недотримання стандартів виробництва або матеріалів на дату придбання. Гарантія обмежується ремонтом та/або заміною, та не включає в себе будь-яких інших зобов'язань, в тому числі, але не обмежена у разі випадкових та подальших пошкоджень. Гарантія не діє, якщо пристрій використовувався неналежним чином, всупереч інструкції з експлуатації або був неправильно підключений до мережі. Дана гарантія не поширюється на:
 - пристрої, що були пошкоджені у результаті неправильного технічного обслуговування;
 - пристрої, що були видозміннені або модифіковані;
 - пристрої, оригінальні ідентифікаційні (товарний знак, серійний номер) маркування яких було пошкоджене, змінене або видалено;
 - будь-які пошкодження, заподіяні недотриманням інструкції з експлуатації;
 - пристрої, що не мають маркування CE;
 - пристрої, що були відремонтовані некваліфікованим фахівцем або за відсутності попереднього дозволу від Techtronic Industries;
 - пристрої, підключені до невідповідного джерела живлення (сила току, напруження, частота);
 - пристрої, що використовувались із невідповідною паливною сумішшю (паливом, оливою, відсотковою часткою оливи);
 - будь-які пошкодження спричинені зовнішнім впливом (хімічними, фізичними, стрибком напруги) або сторонніми речовинами;
 - нормальну амортизацію запасних частин;
 - невідповідне використання, перевантаження пристрою;
 - використання невідтверджених запасних частин або аксесуарів;
 - приладдя до електроінструменту, що постачається разом з пристроєм або купуються окремо. Такі винятки враховують але не є обмеженими на наконечники викруток, свердел, абразивних дисків, наждачного паперу та лез, бічних напрямних
 - компоненти (частини та приладдя) з урахуванням нормального зношування, враховуючи, але без обмеження на комплекти профілактики та технічного обслуговування, вугільні щітки, підшипники, патрони, кріплення або прийом SDS свердел, кабелі живлення, додаткові рукоятки, чохла для транспортування, шліфувальні пластини, мішки для збору пилу, трубки вихлопу, штиркові кільця, щітки і пружини гайковерту і т.д.
- Для обслуговування, пристрій має бути відправлений або поданий до одного з авторизованих сервісних центрів RYOBI, які перелічені для кожної країни у наступному переліку адрес сервісних центрів. У деяких країнах місцевий дилер RYOBI зобов'язується відправити пристрій до сервісного центру RYOBI. При відправленні пристрою до сервісного центру RYOBI, пристрій має бути надійно упакований без будь-якого небезпечного вмісту, наприклад бензину, з позначеною адресою відправника та супроводжуваний коротким описом несправності.
- Ремонт / заміна відповідно до цієї гарантії здійснюється безкоштовно. Це не є основою для подовження або початку нового гарантійного періоду. Замінені частини або прилади переходять до власності компанії. У деяких країнах вартість доставки або поштові витрати повинні бути сплачені відправником. Загально встановлені права покупця на пристрій захищаються незмінними
- Ця гарантія діє в Європейському Союзі, Швейцарії, Ісландії, Норвегії, Лихтенштейні, Туреччині та Росії. За межами цих зон, будь ласка, зверніться до офіційного дилера RYOBI, щоб визначити, чи застосовується інша гарантія.

АВТОРИЗОВАНІ СЕРВІСНІ ЦЕНТРИ

Для отримання оновленого переліка авторизованих сервісних центрів, відвідайте <http://uk.ryobitools.eu/header/service-and-support/service-agents>

TR RYOBI® GARANTİ UYGULAMA KOŞULLARI

Alımdan kaynaklanan yasal haklara ek olarak, ürün aşağıda belirtilen garanti kapsamındadır.

- Tüketiciler için 24 ay olan garanti süresi, ürünün satın alındığı tarihte başlar. Bu tarihin bir kuru ya da alım kanıtıyla belgelenmesi gerekir. Ürün sadece tüketim ve özel kullanımlar için geliştirilmiştir ve adanmıştır. Bu nedenle, profesyonel ya da ticari kullanım halinde garanti kapsamı sağlanmaz.
- Elektrikli el aletlerinin bir bölümü (AC/DC) için www.ryobitools.eu sayfasındaki kayıt işlemini kullanarak garantinin belirlenmesi sürecini ötesine uzatma imkanı mevcuttur. Aletlerin garanti süresinin uzatılmasına uygun olup olmadığı mağazalarda ve / veya ambalajda açıkça belirtilmiş olup, ürün dokümantasyonunda gösterilir. Son kullanıcının yeni aldığı aletleri satın alma tarihini izleyen 30 gün içinde kaydettirmesi gerekir. Son kullanıcı ikamet ettiği ülkede, bu seçeneğin geçerli olduğu çevrimiçi kayıt formunda belirtilmişse, uzatılmış garanti süresi için kayıt yapılabilir. Dahası, son kullanıcıların çevrimiçi giriş için gerekli verileri kaydedilmesi izin vermek ve hüküm ve koşulları kabul etmelidir. E-posta ile gönderilen kayıt teyit mabzuzu ve alım tarihini gösteren orijinal fatura uzatılmış garantinin kanıtı olarak değerlendirilir.
- Garanti, ürünün alım tarihindeki işçilik ve malzeme kusurları nedeniyle garanti süresi içinde oluşacak bütün arızaları kapsar. Bu garanti onarım ve değiştirmeyle sınırlı olur, tesadüfi ya da dolaylı hasarlar da dahil, ancak bunlarla kısıtlı olmayan başka hiçbir taahhüdü kapsamaz. Garanti, ürünün kötü, kullanıcı klavuzuna aykırı kullanılması ya da yanlış bağlanmış olması halinde geçerli değildir. Bu garanti aşağıdakileri kapsamaz:
 - üründe, yanlış bakımın kaynaklanan herhangi bir hasar
 - değiştirilmiş ya da modifiye edilmiş herhangi bir ürün
 - orijinal tanıtım işaretleri (ticari marka, seri numarası) silinmiş, değiştirilmiş ya da kaldırılmış herhangi bir ürün
 - kullanma klavuzuna uymamaktan kaynaklanmış herhangi bir hasar
 - herhangi bir AT dışı ürün
 - kalifiye olmayan personel tarafından ya da önceden Techtronic Industries onayı alınmadan onarılmış herhangi bir ürün.
 - uygunsuz güç kaynağına (amper, voltaj, frekans) bağlanmış herhangi bir ürün
 - uygunsuz bir yakıt karışımıyla (yakıt, yağ, yap yüzdesi) kullanılmış herhangi bir ürün
 - harici etkenlerden (kimyasal, fiziksel, darbe) veya yabancı cisimlerden kaynaklanan her türlü hasar
 - normal aşınır ve yıpranır aksam
 - uygunsuz kullanım, aletin aşırı yüklenmesi
 - onaysız aksesuar veya parça kullanımı
 - Alette birlikte sağlanmış ya da ayrıca alınmış elektrikli alet aksesuarları. Tornavida uçları, matkap uçları, aşındırıcı diskler, zımpara kağıdı ve bıçakları, yanıl klavuz gibi aksamı içeren, ancak bunlarla sınırlı olmayan eklentiler
 - Servis ve Bakım kitiyle, kömür fırçalar, yataklar, kovanlar, SDS matkap ucu bağlantısı ya da yuvaları, güç kablosu, yedek tutamak, nakliye ve taşıma kutusu, kumlamla plakası, toz torbası, toz egzoz borusu, keçe rondelalar, Darbeli Tornavida PİM ve yayları vb. gibi parçaları kapsayan, ancak bunlarla sınırlı olmayan, aşınma ve yıpranmaya tabi bileşenler (aksam ve aksesuarlar).
- Ürünün servis için her ülkede aşağıdaki servis istasyonları adres listesinde yer alan yetkili bir RYOBI servis istasyonuna gönderilmesi ya götürülmesi gereklidir. Bazı ülkelerde, yerel RYOBI distribütörünüz ürünü RYOBI servis teşkilatına göndermeyi üstlenir. Bir ürün bir RYOBI servis istasyonuna gönderilirken, ürünün güvenli bir biçimde ambalajlanması, benzin gibi tehlikeli maddeler içermemesi, gönderinin adresini taşıması ve anızın kısa bir açıklamasını içermesi gerekir.
- Bu garanti kapsamında yapılacak onarım / değişiklik ücretsizdir. Garanti süresinin uzatılması ya da yeniden başlatılması anlaşılmaz şekilde. Değiştirilmiş parçalar veya aletler bize ait olur. Bazı ülkelerde teslimat ücretleri veya posta giderlerinin gönderici tarafından ödemesi gerekir. Alımdan kaynaklanan yasal haklarınıza etkilenez
- Bu Garanti Avrupa Topluluğu, İsviçre, İzlanda, Norveç, Liechtenstein, Türkiye ve Rusya'da geçerlidir. Bu alanların dışında, başka bir garantinin geçerli olup olmadığını belirlemek için lütfen yetkili RYOBI distribütörünüze irtibata geçin.

YETKİLİ SERVİS MERKEZİ

En yakın yetkili servis merkezini öğrenmek için <http://uk.ryobitools.eu/header/service-and-support/service-agents> sitesine girin.

EL OROPI ΕΦΑΡΜΟΓΗΣ ΤΩΝ ΠΡΟΪΟΦΘΕΣΕΩΝ ΕΓΓΥΗΣΗΣ ΤΗΣ RYOBI®

Εκτός από τα νόμιμα δικαιώματα, τα οποία προκύπτουν από την αγορά, το προϊόν καλύπτεται από εγγύηση, λεπτομέρειες της οποίας ακολουθούν στη συνέχεια.

- Η διάρκεια της εγγύησης για τους καταναλωτές είναι 24 μήνες και αρχίζει από την ημερομηνία αγοράς. Η ημερομηνία θα πρέπει να αναγράφεται στην αποδείξη ή σε άλλο αποδεικτικό αγοράς. Το προϊόν έχει σχεδιαστεί και προορίζεται αποκλειστικά για οικιακή χρήση από καταναλωτές. Συνεπώς, δεν παρέχεται εγγύηση σε περίπτωση επαγγελματικής ή εμπορικής χρήσης.
- Υπάρχει η δυνατότητα επέκτασης της εγγύησης για ορισμένα ηλεκτρικά εργαλεία (AC/DC), πέραν του παραπάνω αναφερόμενου χρονικού διαστήματος, μέσω εγγραφής στο δικτυακό τόπο www.ryobitools.eu. Η επιλεξιμότητα των εργαλείων με δυνατότητα επέκτασης της περιόδου εγγύησης αναγράφεται ρητά στα καταστήματα και/ή επάνω στη συσκευασία, ενώ περιέχεται στην τεκμηρίωση του προϊόντος. Το τελικό χρήστη θα πρέπει να καταχωρίσει τα προσωπικά στοιχεία εργαλείου online, εντός 30 ημερών από την ημερομηνία αγοράς. Ο τελικός χρήστης μπορεί να εγγραφεί για την επέκταση εγγύησης στη χώρα κατοικίας, εφόσον αυτή περιλαμβάνεται στο online έντυπο εγγραφής, εάν υπάρχει η δυνατότητα επέκτασης. Επιπλέον, οι τελικοί χρήστες θα πρέπει να παρέχουν τη συγκατάθεσή τους για την αποθήκευση των στοιχείων τους, τα οποία οφείλουν να καταχωρούνται online, όπως και να αποδεχθούν το όρος και τις προϋποθέσεις. Η αποδείξη επιβεβαίωσης της εγγραφής, η οποία αποστέλλεται μέσω email, και η πρωτότυπη αποδείξη αγοράς, η οποία αναγράφει την ημερομηνία αγοράς, αποτελούν αποδεικτικά της παρατεταμένης εγγύησης.
- Η εγγύηση καλύπτει όλα τα ελαττώματα του προϊόντος, κατά τη διάρκεια της περιόδου εγγύησης, λόγω κατασκευαστικών ελαττωμάτων ή αστοχίας υλικού κατά την ημερομηνία αγοράς. Η εγγύηση περιορίζεται στην επανακατασκευή και/ή αντικατάσταση και δεν περιλαμβάνει καμία άλλη υποχώρηση, συμπεριλαμβανομένων, ενδεικτικά, συμπληρωμάτων ή παρεπινομένων ζημιών. Η εγγύηση δεν ισχύει εφόσον, έχει σημειωθεί κακομεταχείριση του προϊόντος, δεν έχουν τηρηθεί οι οδηγίες του εγχειριδίου οδηγιών ή το προϊόν έχει συνδεθεί λανθασμένα. Η εγγύηση δεν ισχύει για:
 - οποιαδήποτε ζημία στο προϊόν, η οποία είναι αποτέλεσμα κακής συντήρησης
 - οποιαδήποτε προϊόν, το οποίο έχει αλλοιωθεί ή τροποποιηθεί
 - οποιαδήποτε προϊόν, στο οποίο έχει αλλοιωθεί, τροποποιηθεί ή αφαιρεθεί το γνήσιο αναγνωριστικό (σήμα κατατεθέν, σειριακός αριθμός)
 - οποιαδήποτε ζημία προκληθεί λόγω μη τήρησης του εγχειριδίου οδηγιών
 - οποιαδήποτε προϊόν χωρίς σήμανση CE
 - οποιαδήποτε προϊόν, στο οποίο έχει γίνει προσπάθεια επισκευής από μη καταρτισμένο επαγγελματία ή χωρίς την προηγούμενη έγκριση της Techtronic Industries.
 - οποιαδήποτε προϊόν, το οποίο έχει συνδεθεί σε ακατάλληλη παροχή ρεύματος (αμπερ, ισχύ, συχνότητα)
 - οποιαδήποτε προϊόν, το οποίο έχει χρησιμοποιηθεί με ακατάλληλο μέγιστο καύσιμο (καύσιμο, λάδι, ποσοστό λαδιού)
 - οποιαδήποτε ζημία έχει προκληθεί από εξωτερικές επιδράσεις (χημικές, φυσικές, κλιματιομετρικές) ή ξένες ουσίες
 - φυσιολογική φθορά και ρήξη ανταλλακτικών
 - ακατάλληλη χρήση, υπερφόρτωση του εργαλείου
 - χρήση μη ενδεδειγμένων εξαρτημάτων ή ανταλλακτικών
 - Εξαρτήματα ηλεκτρικών εργαλείων που παρασχέθηκαν με το εργαλείο ή αγοράστηκαν χωριστά. Τέτοιες εξαιρέσεις περιλαμβάνουν, ενδεικτικά, μύτες καταβροδίου, τρυπάνια, δίσκους λείανσης, γυαλόχαρτο και λεπτιές, πλεοκτικό οδηγό
 - Εξαρτήματα (ανταλλακτικά και αξεσουάρ) που υποκείμενα σε φυσική φθορά και θραύση, συμπεριλαμβανομένων, ενδεικτικά, οστ επισκευής & συντήρησης, ψηκτρών ανθρώπων, εφεδρώνων, τσοκ, εξαρτημάτων ή υποδοχών τρυπανιών SDS, καλωδίων ισχύος, βοηθητικής λαβής, βαλίτσας μεταφοράς, βάσης τριβείου, σκοοίλας συλλογής σκόνης, σωλήνα εξαγωγής σκόνης, ροδαίων τσάκας, μωτών και ελατηρίων κροστικού κλειδιού κοχλίων, κτλ.
- Το προϊόν θα πρέπει να αποστέλλει ή να παραδοθεί σε φυσική ή συντήρηση σε εξουσιοδοτημένο σημείο σέρβις της RYOBI που περιλαμβάνεται στον ακόλουθο κατάλογο διευθύνσεων για κάθε χώρα. Σε ορισμένες χώρες, το τοπικό σημείο πώλησης της RYOBI αναλαμβάνει την αποστολή του προϊόντος στο κεντρικό σέρβις της RYOBI. Κατά την αποστολή ενός προϊόντος σε σημείο σέρβις της RYOBI, αυτό θα πρέπει να είναι ασφαλώς συσκευασμένο, χωρίς επικίνδυνον περιεχόμενο, όπως, πετρέλαιο, να φέρει τη διεύθυνση του αποστολέα και να συνοδεύεται από σύντομη περιγραφή της βλάβης.
- Η επιδιόρθωση / αντικατάσταση υπό την παρούσα εγγύηση παρέχεται δωρεάν. Δε συνηθιστά παράταση της περιόδου εγγύησης ή εκκίνηση νέας περιόδου εγγύησης. Τα μέρη που αντικαθίστανται περιέρχονται στην κυριότητα μας. Σε ορισμένες χώρες, τα ενδεδειγμένα έξοδα παράδοσης ή μεταφοράς βαρύνουν τον αποστολέα. Τα νόμιμα δικαιώματά σας, τα οποία απορρέουν από την αγορά του εργαλείου, δεν θίγονται.
- Η παρούσα εγγύηση ισχύει στην Ευρωπαϊκή Κοινότητα, την Ελβετία, την Ισπανία, τη Νορβηγία, το Λιχτενστάιν, την Τουρκία και την Ρωσία. Εκτός των παραπάνω περιοχών, σας παρακαλούμε να επικοινωνήσετε με εξουσιοδοτημένο κατάστημα πώλησης της RYOBI, προκειμένου να διαπιστωθεί ένα ισχυικό κάποια άλλη εγγύηση.

ΕΞΟΥΣΙΟΔΟΤΗΜΕΝΟ ΚΕΝΤΡΟ ΣΕΡΒΙΣ

Για να εντοπίσετε ένα εξουσιοδοτημένο κέντρο σέρβις στην περιοχή σας, επισκεφτείτε τη διεύθυνση <http://uk.ryobitools.eu/header/service-and-support/service-agents>.



(EN) EC DECLARATION OF CONFORMITY

Technronic Industries GmbH
Max-Eyth-Straße 10, 71364 Winnenden, Germany

Herewith we declare that the product

Mitre Saw
Brand: Ryobi
Model number: EMS305RG
Serial number range: 46205301000001 - 46205301999999

is in conformity with the following European Directives and harmonised standards
2006/42/EC, 2014/30/EU, 2011/65/EU
EN55014-1:2006+A1:2009+A2:2011; EN55014-2:1997+A1:2001+A2:2008;
EN61000-3-2:2014; EN61000-3-11:2000; EN 61029-1:2009+A11:2010;
EN 61029-2-9:2012+A11:2013

RoHS documentation is compiled according to EN 50581:2012


Andrew John Eyre (BEng, CEng, MIET)
Vice President, Regulatory & Safety
Winnenden, Jul. 8, 2016



Authorised to compile the technical file:
Alexander Krug, Managing Director
Technronic Industries GmbH
Max-Eyth-Straße 10, 71364 Winnenden, Germany

(ES) DECLARACIÓN EC DE CONFORMIDAD

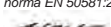
Technronic Industries GmbH
Max-Eyth-Straße 10, 71364 Winnenden, Germany

Por la presente declaramos que los productos

Ingletadora
Marca: Ryobi
Número de modelo: EMS305RG
Intervalo del número de serie: 46205301000001 - 46205301999999

se encuentra en conformidad con las siguientes Directivas Europeas y normas armonizadas
2006/42/EC, 2014/30/EU, 2011/65/EU
EN55014-1:2006+A1:2009+A2:2011; EN55014-2:1997+A1:2001+A2:2008;
EN61000-3-2:2014; EN61000-3-11:2000; EN 61029-1:2009+A11:2010;
EN 61029-2-9:2012+A11:2013

Documentación sobre restricción de sustancias peligrosas (RoHS) recopilada según la norma EN 50581:2012


Andrew John Eyre (BEng, CEng, MIET)
Vicepresidente, Director General de Normativa y Seguridad
Winnenden, Jul. 8, 2016



Autorizado para elaborar la ficha técnica:
Alexander Krug, Administrador Ejecutivo
Technronic Industries GmbH
Max-Eyth-Straße 10, 71364 Winnenden, Germany

(FR) DÉCLARATION DE CONFORMITÉ EC


Technronic Industries GmbH
Max-Eyth-Straße 10, 71364 Winnenden, Germany

Déclarons par la présente que le produit

Scie à onglet
Marque: Ryobi
Numéro de modèle: EMS305RG
Étendue des numéros de série: 46205301000001 - 46205301999999

est conforme aux Directives Européennes et Normes Harmonisées suivantes
2006/42/EC, 2014/30/EU, 2011/65/EU
EN55014-1:2006+A1:2009+A2:2011; EN55014-2:1997+A1:2001+A2:2008;
EN61000-3-2:2014; EN61000-3-11:2000; EN 61029-1:2009+A11:2010;
EN 61029-2-9:2012+A11:2013

La documentation RoHS a été dressée d'après EN 50581:2012


Andrew John Eyre (BEng, CEng, MIET)
Vice-Président, Réglementation & Sécurité
Winnenden, Jul. 8, 2016



Autorisé à rédiger le dossier technique:
Alexander Krug, Directeur Général
Technronic Industries GmbH
Max-Eyth-Straße 10, 71364 Winnenden, Germany

(IT) DICHIARAZIONE DI CONFORMITÀ EC


Technronic Industries GmbH
Max-Eyth-Straße 10, 71364 Winnenden, Germany

Si dichiara con la presente che il prodotto

Sega per tagli obliqui
Marca: Ryobi
Numero modello: EMS305RG
Gamma numero seriale: 46205301000001 - 46205301999999

è conforme alle seguenti Direttive Europee e ai seguenti standard armonizzati
2006/42/EC, 2014/30/EU, 2011/65/EU
EN55014-1:2006+A1:2009+A2:2011; EN55014-2:1997+A1:2001+A2:2008;
EN61000-3-2:2014; EN61000-3-11:2000; EN 61029-1:2009+A11:2010;
EN 61029-2-9:2012+A11:2013

La documentazione RoHS è stata compilata come indicato dalle norme EN 50581:2012


Andrew John Eyre (BEng, CEng, MIET)
Vice-Presidente, Dipartimento Regolazioni & Sicurezza
Winnenden, Jul. 8, 2016



Autorizzato per compilare il file tecnico:
Alexander Krug, Direttore Amministrativo
Technronic Industries GmbH
Max-Eyth-Straße 10, 71364 Winnenden, Germany

(DE) EG KONFORMITÄTSERKLÄRUNG


Technronic Industries GmbH
Max-Eyth-Straße 10, 71364 Winnenden, Germany

Hiermit erklären wir, dass das Produkt

Gehrungssäge
Marke: Ryobi
Modellnummer: EMS305RG
Seriennummernbereich: 46205301000001 - 46205301999999

den folgenden europäischen Richtlinien und harmonisierten Normen entspricht
2006/42/EC, 2014/30/EU, 2011/65/EU
EN55014-1:2006+A1:2009+A2:2011; EN55014-2:1997+A1:2001+A2:2008;
EN61000-3-2:2014; EN61000-3-11:2000; EN 61029-1:2009+A11:2010;
EN 61029-2-9:2012+A11:2013

RoHS Dokumentation ist gemäß EN 50581:2012 zusammengestellt


Andrew John Eyre (BEng, CEng, MIET)
Vizepräsident, Vorschriften und Sicherheit
Winnenden, Jul. 8, 2016



Autorisiert die technische Datei zu erstellen:
Alexander Krug, Geschäftsführer
Technronic Industries GmbH
Max-Eyth-Straße 10, 71364 Winnenden, Germany

(NL) EC CONFORMITEITSVERKLARING

Technronic Industries GmbH
Max-Eyth-Straße 10, 71364 Winnenden, Germany


Hierbij verklaren wij dat het product

Verstekzaag
Merk: Ryobi
Modelnummer: EMS305RG
Seriennummereg: 46205301000001 - 46205301999999

is in overeenstemming met de volgende Europese Richtlijnen en geharmoniseerde normen

2006/42/EC, 2014/30/EU, 2011/65/EU
EN55014-1:2006+A1:2009+A2:2011; EN55014-2:1997+A1:2001+A2:2008;
EN61000-3-2:2014; EN61000-3-11:2000; EN 61029-1:2009+A11:2010;
EN 61029-2-9:2012+A11:2013

RoHS-documentatie is samengesteld in overeenstemming met EN 50581:2012


Andrew John Eyre (BEng, CEng, MIET)
Vice-president, Regelgeving en Veiligheid
Winnenden, Jul. 8, 2016



Afgevaardigde voor het samenstellen van de technische fiche:
Alexander Krug, Directeur
Technronic Industries GmbH
Max-Eyth-Straße 10, 71364 Winnenden, Germany





PT DECLARAÇÃO EC DE CONFORMIDADE

Techtronic Industries GmbH
Max-Eyth-Straße 10, 71364 Winnenden, Germany

Pelo presente declaramos que os produtos
Serra de esquadria
Marca: Ryobi
Número do modelo: EMS305RG
Intervalo do número de série: 46205301000001 - 46205301999999

se encontra em conformidade com as seguintes Directivas Europeias e normas harmonizadas
2006/42/EC, 2014/30/EU, 2011/65/EU
EN55014-1:2006+A1:2009+A2:2011; EN55014-2:1997+A1:2001+A2:2008;
EN61000-3-2:2014; EN61000-3-11:2000; EN 61029-1:2009+A11:2010;
EN 61029-2-9:2012+A11:2013

Documentação sobre restrição de substâncias perigosas (RoHS) compilada segundo a norma EN 50581:2012

Andrew John Eyre (BEng, CEng, MIET)
Vice-Presidente, Regulação e Segurança
Winnenden, Jul. 8, 2016

Autorizado para compilar o ficheiro técnico:
Alexander Krug, Administrador Executivo
Techtronic Industries GmbH
Max-Eyth-Straße 10, 71364 Winnenden, Germany



DA EC OVERENSSTEMMELSESEKTLÆRING

Techtronic Industries GmbH
Max-Eyth-Straße 10, 71364 Winnenden, Germany

Vi erklærer hermed, at produktet
Geringssav
Brand: Ryobi
Modelnummer: EMS305RG
Serienummerområde: 46205301000001 - 46205301999999

er i overensstemmelse med følgende EU-direktiver og harmoniserede standarder
2006/42/EC, 2014/30/EU, 2011/65/EU
EN55014-1:2006+A1:2009+A2:2011; EN55014-2:1997+A1:2001+A2:2008;
EN61000-3-2:2014; EN61000-3-11:2000; EN 61029-1:2009+A11:2010;
EN 61029-2-9:2012+A11:2013

RoHS-dokumentationen er udarbejdet i henhold til EN 50581:2012

Andrew John Eyre (BEng, CEng, MIET)
Vicepræsident, Regler og Sikkerhed
Winnenden, Jul. 8, 2016

Bemyndiget til at udarbejde det tekniske kartotek:
Alexander Krug, Administrerende Direktør
Techtronic Industries GmbH
Max-Eyth-Straße 10, 71364 Winnenden, Germany



SV EC-KONFORMITETSDEKLARATION

Techtronic Industries GmbH
Max-Eyth-Straße 10, 71364 Winnenden, Germany

Härmed deklarerar vi att produkterna
Geringssåg
Märke: Ryobi
Modellnummer: EMS305RG
Serienummerintervall: 46205301000001 - 46205301999999

är i enlighet med följande EU-direktiv och harmoniserade standarder
2006/42/EC, 2014/30/EU, 2011/65/EU
EN55014-1:2006+A1:2009+A2:2011; EN55014-2:1997+A1:2001+A2:2008;
EN61000-3-2:2014; EN61000-3-11:2000; EN 61029-1:2009+A11:2010;
EN 61029-2-9:2012+A11:2013

RoHS-dokumentation sammanställd enligt EN 50581:2012

Andrew John Eyre (BEng, CEng, MIET)
Vice President, Regelverk och Säkerhet
Winnenden, Jul. 8, 2016

Godkänd att sammanställa den tekniska filen:
Alexander Krug, VD
Techtronic Industries GmbH
Max-Eyth-Straße 10, 71364 Winnenden, Germany



FI EC-SÄÄNNÖSTEN NOUDATTAMINEN

Techtronic Industries GmbH
Max-Eyth-Straße 10, 71364 Winnenden, Germany

Ilmoittamme täten, että tuotteet
Viistesaha
Tuotemerkki: Ryobi
Mallinnumero: EMS305RG
Sarjanumeroalue: 46205301000001 - 46205301999999

noudattaa seuraavia EU-direktiivejä ja harmonoituja standardeja
2006/42/EC, 2014/30/EU, 2011/65/EU
EN55014-1:2006+A1:2009+A2:2011; EN55014-2:1997+A1:2001+A2:2008;
EN61000-3-2:2014; EN61000-3-11:2000; EN 61029-1:2009+A11:2010;
EN 61029-2-9:2012+A11:2013

RoHS-dokumentatio on koottu standardin EN 50581:2012 mukaisesti

Andrew John Eyre (BEng, CEng, MIET)
Varatoimitusjohtaja, Säädöstenmukaisuus ja Turvallisuus
Winnenden, Jul. 8, 2016

Valluutettu kokoamaan tekninen tiedosto:
Alexander Krug, Toimitusjohtaja
Techtronic Industries GmbH
Max-Eyth-Straße 10, 71364 Winnenden, Germany



NO EC-SAMSVARSEKTLÆRING

Techtronic Industries GmbH
Max-Eyth-Straße 10, 71364 Winnenden, Germany

Herved erklærer vi at produktet
Gjærsag
Merke: Ryobi
Modellnummer: EMS305RG
Serienummerserie: 46205301000001 - 46205301999999

er i samsvar med følgende europeiske direktiver og harmoniserte standarder
2006/42/EC, 2014/30/EU, 2011/65/EU
EN55014-1:2006+A1:2009+A2:2011; EN55014-2:1997+A1:2001+A2:2008;
EN61000-3-2:2014; EN61000-3-11:2000; EN 61029-1:2009+A11:2010;
EN 61029-2-9:2012+A11:2013

RoHS dokumentasjonen er skrevet i samsvar med EN 50581:2012

Andrew John Eyre (BEng, CEng, MIET)
Visepræsident, Forskifter og Sikkerhet
Winnenden, Jul. 8, 2016

Autorisert til å sette sammen den tekniske filen:
Alexander Krug, Administrerende Direktør
Techtronic Industries GmbH
Max-Eyth-Straße 10, 71364 Winnenden, Germany



RU ЗАЯВЛЕНИЕ О СООТВЕТСТВИИ ТРЕБОВАНИЯМ ЕС

Techtronic Industries GmbH
Max-Eyth-Straße 10, 71364 Winnenden, Germany

Настоящим мы заявляем, что данный продукт
Торцово-усовочная пила
Марка: Ryobi
Номер модели: EMS305RG
Диапазон заводских номеров: 46205301000001 - 46205301999999

соответствует требованиям следующих Директив ЕС и согласованных стандартов
2006/42/EC, 2014/30/EU, 2011/65/EU
EN55014-1:2006+A1:2009+A2:2011; EN55014-2:1997+A1:2001+A2:2008;
EN61000-3-2:2014; EN61000-3-11:2000; EN 61029-1:2009+A11:2010;
EN 61029-2-9:2012+A11:2013

Документация RoHS соответствует стандарту EN 50581:2012

Andrew John Eyre (BEng, CEng, MIET)
Вице-Президент По Технике Безопасности И Стандартам
Winnenden, Jul. 8, 2016

Лицо, ответственное за подготовку технической документации:
Alexander Krug, Директор
Techtronic Industries GmbH
Max-Eyth-Straße 10, 71364 Winnenden, Germany





PL DEKLARACJA ZGODNOŚCI EC

Techtronic Industries GmbH
Max-Eyth-Straße 10, 71364 Winnenden, Germany

Niniejszym deklarujemy, że produkty

Pilarka ukosowa
Marka: Ryobi
Numer modelu: EMS305RG
Zakres numerów seryjnych: 46205301000001 - 46205301999999

jest zgodny z następującymi dyrektywami europejskimi i zharmonizowanymi normami
2006/42/EC, 2014/30/EU, 2011/65/EU
EN55014-1:2006+A1:2009+A2:2011; EN55014-2:1997+A1:2001+A2:2008;
EN61000-3-2:2014; EN61000-3-11:2000; EN 61029-1:2009+A11:2010;
EN 61029-2-9:2012+A11:2013

Dokumentacja RoHS została opracowana zgodnie z normą EN 50581:2012

Andrew John Eyre (BEng, CEng, MIET)
Wiceprezes ds. Zgodności Prawnej i Bezpieczeństwa
Winnenden, Jul. 8, 2016



Osoba upoważniona do sporządzenia dokumentu technicznego:

Alexander Krug, Dyrektor Zarządzający
Techtronic Industries GmbH
Max-Eyth-Straße 10, 71364 Winnenden, Germany

RO DECLARAȚIE DE CONFORMITATE EC

Techtronic Industries GmbH
Max-Eyth-Straße 10, 71364 Winnenden, Germany

Prin prezenta, declarăm că produsele

Ferăstrău unghiular
Marcă: Ryobi
Număr serie: EMS305RG
Gamă număr serie: 46205301000001 - 46205301999999

este în conformitate cu următoarele Directive Europene și standarde armonizate
2006/42/EC, 2014/30/EU, 2011/65/EU
EN55014-1:2006+A1:2009+A2:2011; EN55014-2:1997+A1:2001+A2:2008;
EN61000-3-2:2014; EN61000-3-11:2000; EN 61029-1:2009+A11:2010;
EN 61029-2-9:2012+A11:2013

Documentația RoHS este întocmită în conformitate cu EN 50581:2012

Andrew John Eyre (BEng, CEng, MIET)
Vicepreședinte, Reglementare & Siguranță
Winnenden, Jul. 8, 2016



Autorizat să completeze fișa tehnică:

Alexander Krug, Director General
Techtronic Industries GmbH
Max-Eyth-Straße 10, 71364 Winnenden, Germany

CS PROHLÁŠENÍ O SHODĚ EC

Techtronic Industries GmbH
Max-Eyth-Straße 10, 71364 Winnenden, Germany

Tímto prohlašujeme, že výrobky

Pokosová píla
Značka: Ryobi
Číslo modelu: EMS305RG
Rozsah sériových čísel: 46205301000001 - 46205301999999

že tento výrobek je v souladu s evropskými a harmonizovanými standardy
2006/42/EC, 2014/30/EU, 2011/65/EU
EN55014-1:2006+A1:2009+A2:2011; EN55014-2:1997+A1:2001+A2:2008;
EN61000-3-2:2014; EN61000-3-11:2000; EN 61029-1:2009+A11:2010;
EN 61029-2-9:2012+A11:2013

RoHS dokumentace sestavena dle EN 50581:2012

Andrew John Eyre (BEng, CEng, MIET)
Viceprezident, Normy a Bezpečnost
Winnenden, Jul. 8, 2016



Pověření ke kompilaci technického souboru:

Alexander Krug, Generální ředitel
Techtronic Industries GmbH
Max-Eyth-Straße 10, 71364 Winnenden, Germany

LV EC ATBILSTĪBAS DEKLARĀCIJA

Techtronic Industries GmbH
Max-Eyth-Straße 10, 71364 Winnenden, Germany

Ar šo paziņojam, ka produkti

Leņķzāģis
Zīmols: Ryobi
Modeļa numurs: EMS305RG
Sērijas numura intervāls: 46205301000001 - 46205301999999

atbilst šādam Eiropas direktīvām un saskaņotajiem standartiem
2006/42/EC, 2014/30/EU, 2011/65/EU
EN55014-1:2006+A1:2009+A2:2011; EN55014-2:1997+A1:2001+A2:2008;
EN61000-3-2:2014; EN61000-3-11:2000; EN 61029-1:2009+A11:2010;
EN 61029-2-9:2012+A11:2013

RoHS dokumentācija ir izstrādāta saskaņā ar EN 50581:2012

Andrew John Eyre (BEng, CEng, MIET)
Viceprezidents, Darba Drošības Noteikumi
Winnenden, Jul. 8, 2016



Pilnvarots sastādīt tehnisko failu:

Alexander Krug, Izpildītājs
Techtronic Industries GmbH
Max-Eyth-Straße 10, 71364 Winnenden, Germany

HU EC MEGFELELŐSÉGI NYILATKOZAT

Techtronic Industries GmbH
Max-Eyth-Straße 10, 71364 Winnenden, Germany

Ezúton kijelentjük, hogy a termék

Gérvágó fűrész
Márka: Ryobi
Típuszám: EMS305RG
Sorozatszám tartomány: 46205301000001 - 46205301999999

megfelel az alábbi Európai Irányelvek és harmonizált szabványok vonatkozó rendelkezésének
2006/42/EC, 2014/30/EU, 2011/65/EU
EN55014-1:2006+A1:2009+A2:2011; EN55014-2:1997+A1:2001+A2:2008;
EN61000-3-2:2014; EN61000-3-11:2000; EN 61029-1:2009+A11:2010;
EN 61029-2-9:2012+A11:2013

A RoHS dokumentáció összeállítása az EN 50581:2012 szerint történt

Andrew John Eyre (BEng, CEng, MIET)
Alelnök, Megfelelőségi és Biztonsági Területek
Winnenden, Jul. 8, 2016



A műszaki dokumentáció összeállítására felhatalmazott:

Alexander Krug, Ügyvezető Igazgató
Techtronic Industries GmbH
Max-Eyth-Straße 10, 71364 Winnenden, Germany

LT EC ATITIKTIES PAREIŠKIMAS

Techtronic Industries GmbH
Max-Eyth-Straße 10, 71364 Winnenden, Germany

Mēs pareiškiamo, kad šie produktai

Skersinis pjūklas
Prekės ženklas: Ryobi
Modelio numeris: EMS305RG
Serijinio numerio diapazonas: 46205301000001 - 46205301999999

pagamintas laikantis toliau nurodytųjų Europos Direktyvų ir darniųjų standartų
2006/42/EC, 2014/30/EU, 2011/65/EU
EN55014-1:2006+A1:2009+A2:2011; EN55014-2:1997+A1:2001+A2:2008;
EN61000-3-2:2014; EN61000-3-11:2000; EN 61029-1:2009+A11:2010;
EN 61029-2-9:2012+A11:2013

Tam tikrų pavojingų medžiagų naudojimo elektros ir elektroninės įrangos apri bojimo dokumentai sudaryti pagal standartą EN 50581:2012

Andrew John Eyre (BEng, CEng, MIET)
Kontrolės Ir Saugos Viceprezidentas
Winnenden, Jul. 8, 2016



Įgaliojats sudaryti techninį failą:

Alexander Krug, Generalinis Direktorius
Techtronic Industries GmbH
Max-Eyth-Straße 10, 71364 Winnenden, Germany





ET EC VASTAVUSDEKLARATSIOON

Techtronic Industries GmbH
Max-Eyth-Straße 10, 71364 Winnenden, Germany

Kinnitame, et see toode

Miilusaag
Mark: Ryobi
Mudelil number: EMS305RG
Seerianumbri vahemik: 46205301000001 - 46205301999999

vastab järgmistele Euroopa direktiividele ja harmoniseeritud standarditele
2006/42/EC, 2014/30/EU, 2011/65/EU
EN55014-1:2006+A1:2009+A2:2011; EN55014-2:1997+A1:2001+A2:2008;
EN61000-3-2:2014;
EN61000-3-11:2000; EN 61029-1:2009+A11:2010; EN 61029-2-9:2012+A11:2013
RoHS dokumendid on koostatud vastavuses standardi EN 50581:2012 nõuetele.

Andrew John Eyre (BEng, CEng, MIET)
Asepresident Standardiseerimise Ja Ohutuse Alal
Winnenden, Jul. 8, 2016

Tehnilise faili koostamiseks volitatud isik:
Alexander Krug, Tegevdirektor
Techtronic Industries GmbH
Max-Eyth-Straße 10, 71364 Winnenden, Germany



SK PREHLÁSENIE O ZHODE EC

Techtronic Industries GmbH
Max-Eyth-Straße 10, 71364 Winnenden, Germany

Týmto vyhlasujeme, že výrobok

Rozbrusovačka
Značka: Ryobi
Číslo modelu: EMS305RG
Rozsah sériových čísiel: 46205301000001 - 46205301999999

je v súlade s nasledujúcimi Európskymi smernicami a harmonizovanými normami
2006/42/EC, 2014/30/EU, 2011/65/EU
EN55014-1:2006+A1:2009+A2:2011; EN55014-2:1997+A1:2001+A2:2008;
EN61000-3-2:2014; EN61000-3-11:2000; EN 61029-1:2009+A11:2010;
EN 61029-2-9:2012+A11:2013
Dokumentácia RoHS je zostavená podľa EN 50581:2012

Andrew John Eyre (BEng, CEng, MIET)
Viceprezident, Regulácia a Bezpečnosť
Winnenden, Jul. 8, 2016

Oprávnená osoba na zostavenie technického súboru:
Alexander Krug, Generálny Riaditeľ
Techtronic Industries GmbH
Max-Eyth-Straße 10, 71364 Winnenden, Germany



HR EC IZJAVA O USKLADENOSTI

Techtronic Industries GmbH
Max-Eyth-Straße 10, 71364 Winnenden, Germany

Ovime izjavljujemo da su proizvodi

Kutna pila
Marka: Ryobi
Broj modela: EMS305RG
Raspon serijskog broja: 46205301000001 - 46205301999999

usklađen sa sljedećim Europskim Direktivama i usklađenim normama
2006/42/EC, 2014/30/EU, 2011/65/EU
EN55014-1:2006+A1:2009+A2:2011; EN55014-2:1997+A1:2001+A2:2008;
EN61000-3-2:2014;
EN61000-3-11:2000; EN 61029-1:2009+A11:2010; EN 61029-2-9:2012+A11:2013
RoHS dokumentacija sukladna je EN 50581:2012

Andrew John Eyre (BEng, CEng, MIET)
Potpredsjednik za Pravila i Sigurnost
Winnenden, Jul. 8, 2016

Ovlašten da sastavi tehničku datoteku:
Alexander Krug, Direktor Upravljanja
Techtronic Industries GmbH
Max-Eyth-Straße 10, 71364 Winnenden, Germany



EL ΕΚ ΔΗΛΩΣΗ ΣΥΜΜΟΡΦΩΣΗΣ

Techtronic Industries GmbH
Max-Eyth-Straße 10, 71364 Winnenden, Germany

Δια του παρόντος δηλώνουμε ότι το προϊόν

Κόπτης για φαίτοσιωνιές
Μάρκα: Ryobi
Αριθμός μοντέλου: EMS305RG
Εύρος σειριακών αριθμών: 46205301000001 - 46205301999999

είναι σύμφωνα με τις παρακάτω Ευρωπαϊκές Οδηγίες και ναρμονισμένα πρότυπα
2006/42/EC, 2014/30/EU, 2011/65/EU
EN55014-1:2006+A1:2009+A2:2011; EN55014-2:1997+A1:2001+A2:2008;
EN61000-3-2:2014;
EN61000-3-11:2000; EN 61029-1:2009+A11:2010; EN 61029-2-9:2012+A11:2013
Τα έγγραφα RoHS συντάσσονται σύμφωνα με το EN50581:2012

Andrew John Eyre (BEng, CEng, MIET)
Αντιπρόεδρος, Τμήμα Πωθίσεων & Ασφάλειας
Winnenden, Jul. 8, 2016

Εξουσιοδοτημένο άτομο για σύνταξη τεχνικού αρχείου:
Alexander Krug, Διευθύνων Σύμβουλος
Techtronic Industries GmbH
Max-Eyth-Straße 10, 71364 Winnenden, Germany



SL IZJAVA EC O SKLADNOSTI

Techtronic Industries GmbH
Max-Eyth-Straße 10, 71364 Winnenden, Germany

Izjavljamo, da je izdelek

Zajeralna žaga
Znamka: Ryobi
Številka modela: EMS305RG
Razpon serijskih števil: 46205301000001 - 46205301999999

v skladu s sledećimi evropskimi direktivami in harmoniziranimi standardi
2006/42/EC, 2014/30/EU, 2011/65/EU
EN55014-1:2006+A1:2009+A2:2011; EN55014-2:1997+A1:2001+A2:2008;
EN61000-3-2:2014; EN61000-3-11:2000; EN 61029-1:2009+A11:2010;
EN 61029-2-9:2012+A11:2013
Dokumentacija RoHS je sestavljena skladno s standardom EN 50581:2012

Andrew John Eyre (BEng, CEng, MIET)
Podpredsednik, Zakonodajne In Varnostne Zadeve
Winnenden, Jul. 8, 2016

Pooblašćena oseba za sestavo tehnične dokumentacije:
Alexander Krug, Izvršni Direktor
Techtronic Industries GmbH
Max-Eyth-Straße 10, 71364 Winnenden, Germany



TR EC UYGUNLUK BEYANI

Techtronic Industries GmbH
Max-Eyth-Straße 10, 71364 Winnenden, Germany

Böylelikle beyan ederiz ki; ürün

Gönye testeresi
Marka: Ryobi
Model numarası: EMS305RG
Seri numarası aralığı: 46205301000001 - 46205301999999

aşağıdaki Avrupa Direktifleri ve uyumlaştırılmış standartlara uygundur
2006/42/EC, 2014/30/EU, 2011/65/EU
EN55014-1:2006+A1:2009+A2:2011; EN55014-2:1997+A1:2001+A2:2008;
EN61000-3-2:2014;
EN61000-3-11:2000; EN 61029-1:2009+A11:2010; EN 61029-2-9:2012+A11:2013
RoHS belgeleri EN 50581:2012 uyarınca derlenmiştir

Andrew John Eyre (BEng, CEng, MIET)
Başkan Vekili, Düzenleme ve Güvenlik
Winnenden, Jul. 8, 2016

Teknik dosya hazırlamaya yetkilidir:
Alexander Krug, Genel Müdür
Techtronic Industries GmbH
Max-Eyth-Straße 10, 71364 Winnenden, Germany



UK ДЕКЛАРАЦІЯ ПРО ВІДПОВІДНІСТЬ

Techtronic Industries GmbH
Max-Eyth-Straße 10, 71364 Winnenden, Germany

При цьому ми заявляємо, що продукт
Торцювальна пила
Марка: Ryobi
Номер моделі: EMS305RG
Діапазон серійного номеру: 46205301000001 - 46205301999999

у відповідності з наступними європейськими директивами та гармонізованими стандартами

2006/42/EC, 2014/30/EU, 2011/65/EU
EN55014-1:2006+A1:2009+A2:2011; EN55014-2:1997+A1:2001+A2:2008;
EN61000-3-2:2014; EN61000-3-11:2000; EN 61029-1:2009+A11:2010;
EN 61029-2-9:2012+A11:2013

Документація RoHS складена відповідно до EN 50581:2012



CE

Andrew John Eyre (BEng, CEng, MIET)
Віце-президент, регулювання і безпека
Winnenden, Jul. 8, 2016

Дозвіл на складання технічного файлу:
Alexander Krug, Керуючий директор
Techtronic Industries GmbH
Max-Eyth-Straße 10, 71364 Winnenden, Germany

130.com.ua

130.com.ua



130.com.ua

Techtronic Industries GmbH
Max-Eyth-Straße 10,
71364 Winnenden, Germany