



PHONES

0 (800) 800 130  
(050) 462 0 130  
(063) 462 0 130  
(067) 462 0 130

130  
COM.UA

Internet store of  
autogoods



SKYPE

km-130

CAR RECEIVERS — Receivers • Media receivers and stations • Native receivers • CD/DVD changers • FM-modulators/USB adapters • Flash memory • Facia plates and adapters • Antennas • Accessories |  
CAR AUDIO — Car audio speakers • Amplifiers • Subwoofers • Processors • Crossovers • Headphones • Accessories | TRIP COMPUTERS — Universal computers • Model computers • Accessories |  
GPS NAVIGATORS — Portable GPS • Built-in GPS • GPS modules • GPS trackers • Antennas for GPS navigators • Accessories | VIDEO — DVR • TV sets and monitors • Car TV tuners • Cameras • Videomodules  
• Transcoders • Car TV antennas • Accessories | SECURITY SYSTEMS — Car alarms • Bike alarms • Mechanical blockers • Immobilizers • Sensors • Accessories | OPTIC AND LIGHT — Xenon • Bixenon • Lamps  
• LED • Stroboscopes • Optic and Headlights • Washers • Light, rain sensors • Accessories | PARKTRONICS AND MIRRORS — Rear parktronic • Front parktronic • Combined parktronic • Rear-view mirrors  
• Accessories | HEATING AND COOLING — Seat heaters • Mirrors heaters • Screen-wipers heaters • Engine heaters • Auto-refrigerators • Air conditioning units • Accessories | TUNING — Vibro-isolation  
• Noise-isolation • Tint films • Accessories | ACCESSORIES — Radar-detectors • Handsfree, Bluetooth • Windowlifters • Compressors • Beeps, loudspeakers • Measuring instruments • Cleaners • Carsits  
• Miscellaneous | MOUNTING — Installation kits • Upholstery • Grilles • Tubes • Cable and wire • Tools • Miscellaneous | POWER — Batteries • Converters • Start-charging equipment • Capacitors  
• Accessories | MARINE AUDIO AND ELECTRONICS — Marine receivers • Marine audio speakers • Marine subwoofers • Marine amplifiers • Accessories | CAR CARE PRODUCTS — Additives • Washer fluid •  
Care accessories • Car polish • Flavors • Adhesives and sealants | LIQUID AND OIL — Motor oil • Transmission oil • Brake fluid • Antifreeze • Technical lubricant



In store "130" you can find and buy almost all necessary goods for your auto in Kyiv and other cities, delivery by ground and postal services. Our experienced consultants will provide you with exhaustive information and help you to chose the very particular thing. We are waiting for you at the address

<https://130.com.ua>

— Installation assistance available at: —  
**RFTECH**  
— [www.rockfordfosgate.com/rftech](http://www.rockfordfosgate.com/rftech) —



**Rockford Fosgate®**

# PMX-1

130.com.ua

600 South Rockford Drive • Tempe, Arizona 85281, United States  
Direct: (480) 967-3565 • Toll Free: (800) 669-9899  
[rockfordfosgate.com](http://rockfordfosgate.com)



## OPERATION MANUAL

# Introduction

Dear Customer,

*Congratulations on your purchase of the world's finest brand of audio products. At Rockford Fosgate we are fanatics about musical reproduction at its best, and we are pleased you chose our product. Through years of engineering expertise, hand craftsmanship and critical testing procedures, we have created a wide range of products that reproduce music with all the clarity and richness you deserve.*

*For maximum performance we recommend you have your new Rockford Fosgate product installed by an Authorized Rockford Fosgate Dealer, as we provide specialized training through Rockford Technical Training Institute (RTTI). Please read your warranty and retain your receipt and original carton for possible future use.*

*Great product and competent installations are only a piece of the puzzle when it comes to your system. Make sure that your installer is using 100% authentic installation accessories from Rockford Fosgate in your installation. Rockford Fosgate has everything from RCA cables and speaker wire to power wire and battery connectors. Insist on it! After all, your new system deserves nothing but the best.*

*To add the finishing touch to your new Rockford Fosgate image, order your Rockford accessories, which include everything from T-shirts to hats.*

*Visit our web site for the latest information on all Rockford products;*

**www.rockfordfosgate.com**

or, in the U.S. call 1-800-669-9899 or FAX 1-800-398-3985. For all other countries, call +001-480-967-3565 or FAX +001-480-966-3983.

## Table of Contents

2	Introduction
3	Specifications
4	Design Features
5	Wiring
6	Installation/Mounting
7-10	Operation
	Settings
	Tuner (AM/FM/WB)
	USB
	AUX (Auxiliary Input)
	Bluetooth®
11	Troubleshooting
12-31	French, Spanish, German and Italian
32	Limited Warranty Information

If, after reading your manual, you still have questions regarding this product, we recommend that you see your Rockford Fosgate dealer. If you need further assistance, you can call us direct at 1-800-669-9899. Be sure to have your serial number, model number and date of purchase available when you call.

## PRACTICE SAFE SOUND

Continuous exposure to sound pressure levels over 100dB may cause permanent hearing loss. High powered auto sound systems may produce sound pressure levels well over 130dB. Use common sense and practice safe sound.

## Safety

This symbol with "WARNING" is intended to alert the user to the presence of important instructions. Failure to heed the instructions could result in severe injury or death.



This symbol with "CAUTION" is intended to alert the user to the presence of important instructions. Failure to heed the instructions could result in injury or unit damage.



To prevent injury and damage to the unit, please read and follow the instructions in this manual.

If you feel unsure about installing this system yourself, have it installed by a qualified Rockford Fosgate technician.

Before installation, disconnect the battery negative (-) terminal to prevent damage to the unit, fire and/or possible injury.

## FCC Compliance Statement

This equipment has been tested and found to comply with the limits for a Class B digital device, pursuant to part 15 of the FCC Rules. These limits are designed to provide more reasonable protection against harmful interference in a residential installation.

Operation is subjected to the following two conditions: (1) This device may not cause harmful interference, and (2) the device must accept any interference received, including interference that may cause undesired operation.

This equipment generates, uses, and can radiate radio frequency energy and, if not installed and used in accordance with the instructions, may cause harmful interference to radio communications. However, there is no guarantee that interference will not occur in a particular installation. If this equipment does cause harmful interference to radio or television reception, which can be determined by turning the equipment off and on, you are encouraged to try to correct the interference by one of the following measures:

- Reorient or relocate the receiving antenna.
- Increase the separation between the equipment and receiver.
- Connect the equipment into an outlet on a circuit different from that to which the receiver is connected.
- Consult the dealer or an experienced radio/TV technician for help

Model	<b>PMX-1</b>
Operating Voltage	10.5V - 16V
Fuse Rating	20A
Power Output	25 W X 4 @ 4 Ohms RMS 50 W x 4 @ 2 Ohms Peak
Max. RCA Output Voltage	4V
Output Impedance	500Ω
Frequency Response	20 - 20kHz
FM Frequency Range	87.5MHz - 107.9MHz
AM Frequency Range	530kHz - 1710kHz
WB Frequency Range	162.40 - 162.55 (US & Canada)
Tuner Presets	18 FM / 12 AM / 6 WB
Clock	No Clock
Display	2.3" Full Dot Matrix LCD Gorilla Glass
Bluetooth	3.0+EDR, A2DP 1.3
USB Compatibility	2.0
USB Capacity	32 GB max, 255 Folders max, 999 Songs max
USB Output	1A
Audio File Compatibility	MP3, WMA



CEA 2006

Power ratings on Rockford Fosgate source units conform to CEA-2006 industry standards. These guidelines mean your source unit's output power ratings are REAL POWER numbers, not inflated marketing ratings.

# Design Features

## Rotary Encoder

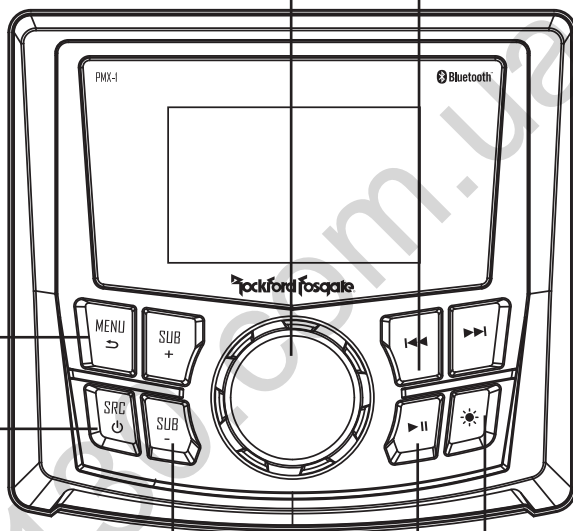
This knob is for adjusting main volume, menu navigation and setting adjustments.

## REV / FWD button

Use this button to skip back and forward through channels or tracks with a press. Press and holding will activate manual seek mode.

## MENU button

This button gives you access to the main settings of the unit by press and holding. Pressing will give you access to the settings for the active source.



## SRC (Power) Button

This button allows you to switch between sources (press) and power the unit ON and OFF (press and hold).

## DIMMER button

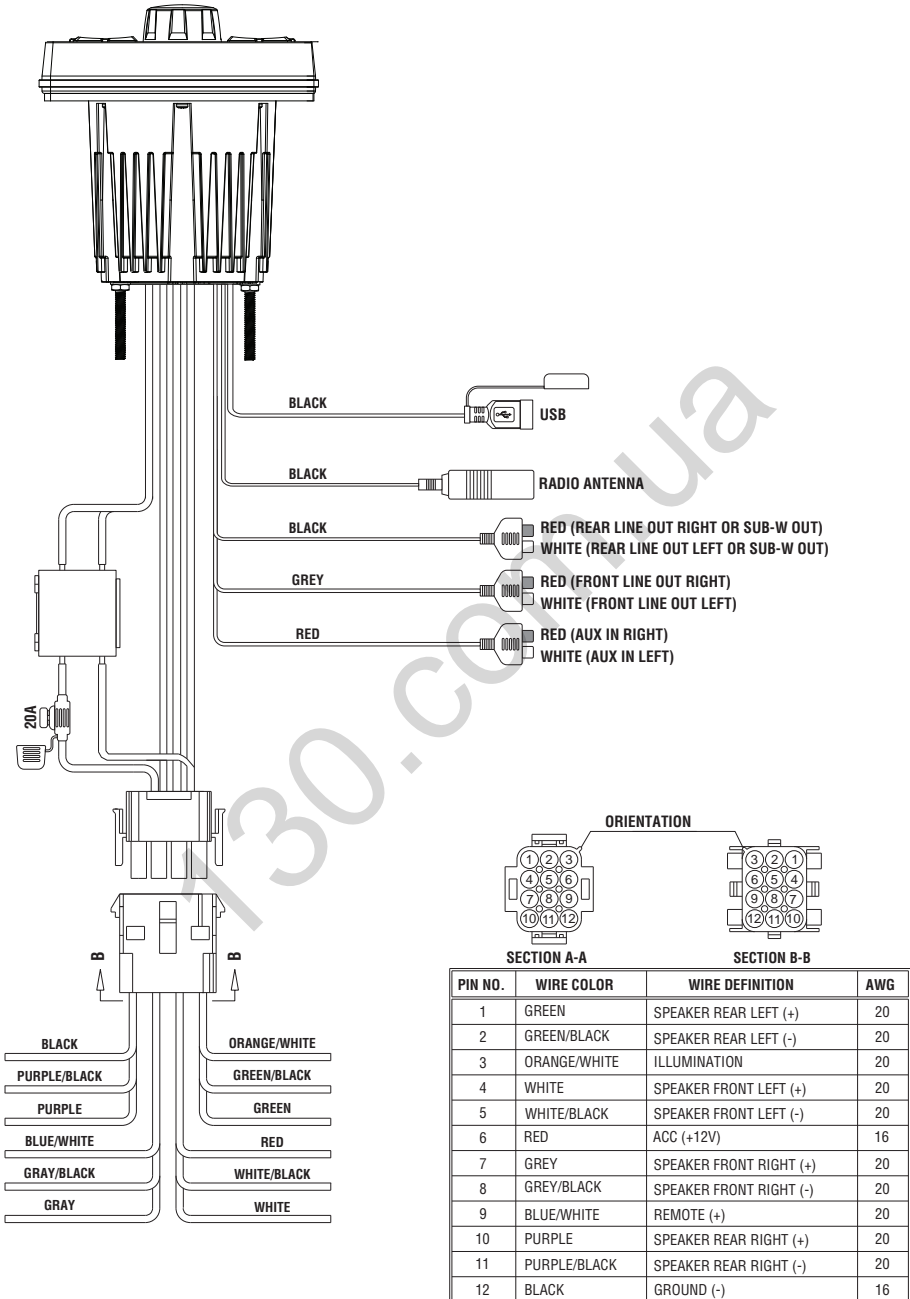
Pressing this button will allow you to select between the two brightness values for the display.

## SUB Buttons

These buttons allow you to adjust the subwoofer output or rear line out UP or DOWN (0-20).

## PLAY / PAUSE button

Press this button to play or pause your music. This button also acts as a MUTE when the source is in AUX & TUNER mode.



## Contents

- Source Unit
- Trim Bezel
- Mounting Plate
- U Bracket
- Screws
- Power / Speaker Harness
- Installation & Operation Manual

## Installation Considerations

The following is a basic list of tools needed for installation:

- Volt/Ohm meter
- Wire strippers
- Wire crimpers
- Wire cutters
- #2 Phillips screwdriver
- Battery post wrench
- Hand held drill w/ assorted bits
- Heat shrink tubing
- Soldering iron
- Solder
- Heat gun
- 7mm wrench

This section focuses on some of the vehicle considerations for installing your new source unit. Pre-planning your system layout and best wiring routes will save installation time. When deciding on the layout of your new system, be sure that each component will be easily accessible for making adjustments.

If you feel unsure about installing this system yourself, have it installed by a qualified Rockford Audio technician.

Before installation, disconnect the battery negative (-) terminal to prevent damage to the unit, fire and/or possible injury.

Before beginning any installation, follow these simple rules:

1. Be sure to carefully read and understand the instructions before attempting to install the unit.
2. For safety, disconnect the negative lead from the battery prior to beginning the installation.
3. For easier assembly, we suggest you run all wires prior to mounting your unit in place.
4. Route all of the RCA cables close together and away from any high current wires.
5. Use high quality connectors for a reliable installation and to minimize signal or power loss.
6. Think before you drill! Be careful not to cut or drill into gas tanks, fuel lines, brake or hydraulic lines, vacuum lines or electrical wiring when working on any vehicle.
7. Never run wires underneath the vehicle. Running the wires inside the vehicle provides the best protection.
8. Avoid running wires over or through sharp edges. Use rubber or plastic grommets to protect any wires routed through metal, especially the firewall.
9. ALWAYS protect the battery and electrical system from damage with proper fusing. Install the appropriate fuse holder and fuse on the +12V power wire within 18" (45.7 cm) of the battery terminal.
10. When grounding to the chassis of the vehicle, scrape all paint from the metal to ensure a good, clean ground connection. Grounding connections should be as short as possible and always be connected to metal that is welded to the main body, or chassis, of the vehicle. Seatbelt bolts should never be used for connecting to ground.

## Mounting (Using Mounting Plate)

To mount the unit, you will need to find a flat surface with adequate clearance behind it that provides enough clearance for the unit and all it's necessary wiring.

1. Once you have determined a mounting location, you will need to cut a circular hole 3" (77mm) in diameter.
2. After the hole is cut slide the unit and wiring through the hole.
3. Slide the mounting plate over the backside of the unit and secure with the supplied screws.
4. Press on the trim bezel to the front side of the unit.
5. Plug in all wiring harnesses and cables. Refer to the wiring diagram for wire harness connection types.

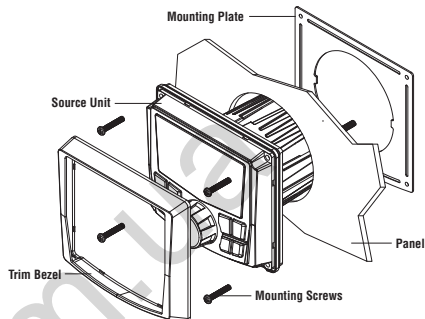


Fig. 3

## Mounting (Using U Bracket)

To mount the unit, you will need to find a flat surface with adequate clearance behind it that provides enough clearance for the unit and all it's necessary wiring.

1. Once you have determined a mounting location, you will need to cut a circular hole 3" (77mm) in diameter.
2. After the hole is cut slide the unit and wiring through the hole.
3. Take the U bracket and slide over the two studs on the back of the unit. Tighten down with supplied nuts.
4. Press on the trim bezel to the front side of the unit.
5. Plug in all wiring harnesses and cables. Refer to the wiring diagram for wire harness connection types.

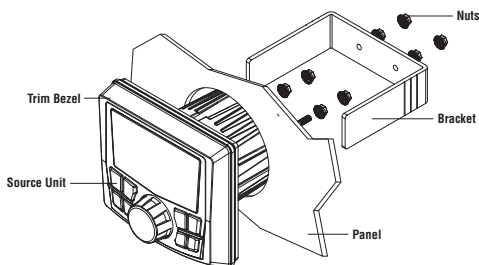
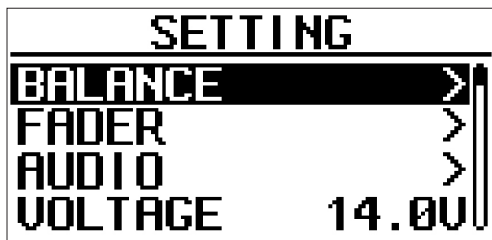


Fig. 4



## Source Unit Settings

To access the source unit's settings, press and hold the MENU button until the options appear. Rotate the encoder to scroll through the list of settings and press the encoder button to select the setting you wish to change. (BALANCE>FADER>AUDIO>VOLTAGE GAUGE>BT PAIRING>BEEP>TUNER REGION>SOFTWARE>FACTORY DEFAULT)

This source unit has a zero current draw when turned off. All of your settings and presets will be saved along with your boat's battery during storage.

### BALANCE

Press the encoder button to access BALANCE adjustment settings. Rotate the encoder button to set the output BALANCE.

### FADER

Press the encoder button to access FADER adjustment settings. Rotate the encoder button to set the output FADER.

### AUDIO

To access the AUDIO settings, press the AUDIO option from the MENU screen. Rotate the encoder to scroll through the list of settings and press the encoder button to select the setting you wish to change. (7 BAND EQ>CROSSOVER>PEQ>REAR RCA>AUX INPUT>SOURCE GAIN>INTERNAL AMPLIFIER)

### 7 BAND EQ

Press the encoder button to access the 7 BAND EQ settings. Use the rotary encoder to scroll through the EQ settings. (FLAT > ROCK > CLASSIC > ACOUSTIC > DANCE > ELECTRONIC > HIP-HOP > CUSTOM) When setting up the CUSTOM EQ, press the encoder button to set the first frequency. Once active, rotate the encoder to adjust the frequency settings. Press encoder button again to access the next frequency. Repeat until all EQ settings are complete. Press the MENU button to exit and go back up one level.

### CROSSOVER

Press to access the CROSSOVER settings. Use the rotary encoder to select the crossover zone options (FRONT>REAR>SUB). Press the encoder to adjust the frequency of the crossover (60Hz>80Hz>120Hz>APF). Press MENU to exit and go back up one level.

### REAR RCA

Press to access the REAR RCA options. Use the rotary encoder to select options (LINE OUT>SUBWOOFER).

### PUNCH EQ

Press to access the PUNCH EQ settings. Use the rotary encoder to adjust the gain output (0-12). Press MENU to exit and go back up one level.

Punch EQ is an onboard equalizer with up to +18dB @ 45Hz and/or up to +12dB boost at 12.5kHz

## AUX INPUT

RENAME – To rename AUX, press the encoder button to set the first letter of the new name. Once active, rotate encoder to adjust letters. Press the encoder button again to set the next letter. Repeat until AUX has been renamed. Press MENU to exit and go back up one level.

ENABLE - Press the encoder button to access options. Rotate the encoder button to select if unit is discoverable. (ENABLE > DISABLE)

## SOURCE GAIN

To adjust the level of device input gain, scroll through the inputs (FM TUNER>AM TUNER>WB TUNER>USB>AUX>BLUETOOTH) to the device you want to adjust, press the encoder button to access the gain settings. Rotate the encoder button to set the level of gain. (-3dB > -2dB > -1dB > 0dB > +1dB > +2dB > +3dB)

## INTERNAL AMPLIFIER

Press to access the INTERNAL AMPLIFIER options. Use the rotary encoder to select options (ON>OFF). When using an amplifier to power your speakers, select OFF. If you are powering your speakers directly from the source unit, select the INTERNAL AMPLIFIER to ON.

## VOLTAGE GAUGE

To display the vehicle voltage, press the encoder button on the VOLTAGE GAUGE option.

## BT DEVICE PAIRING

Press the encoder button to access options (DISCOVERABLE > DEVICE).

## DISCOVERABLE

Rotate the encoder button to select if unit is discoverable for pairing. (ENABLE > DISABLE) Once enabled, the source unit is now discoverable and ready for pairing to your device. Open the Bluetooth settings on your device to find the source unit labeled "Rockford PMX" and select.

## DEVICE

Selecting DEVICE by pressing the encoder button will allow you to rename the source unit with up to 16 characters. This gives you the ability to have a unique name for easy identification during device pairing. Press the encoder button to select the letter to be changed and rotate the knob to change the value. Repeat process until desired name is reached.

## BEEP

Press the encoder button to access the BEEP options. Rotate the encoder button to turn system beep ON/ OFF.

## TUNER REGION

To adjust, press the encoder button to access. Rotate the encoder button to select the TUNER REGION of your preference. (EUROPE > USA > RUSSIA > LATIN > ASIA > JAPAN > MIDEAST > AUSTRALIA)

## CONTRAST RATE

To adjust the CONTRAST RATE, press the encoder to access the feature. Rotate the encoder button to select the desired amount of contrast to be displayed (1-10)

## BRIGHTNESS

To adjust the BRIGHTNESS of the display, press the encoder to access the feature. Click the encoder to select dimmer low then rotate the encoder to select the desired low brightness (1-10). Press encoder to lock it in then rotate the encoder to select dimmer high. Press on dimmer high and select the desired high brightness (1-10) by rotating then pressing the encoder once more to lock in the value. Now when the bottom left dimmer button of the source unit is pressed, it will toggle the display between the dimmer low value set and the dimmer high value set.



# Settings

## REMOTE SETUP

Press the encoder button to enter the REMOTE SETUP menu. Press the encoder button to enter the local info. It will display the source unit's model number, I.D. number, Revision, and if the flash is up to date. Press the encoder button to return to REMOTE SETUP menu. Rotate then press the encoder button to enter the device pairing menu. Follow directions displayed on the source unit to complete pairing. Press the menu button to return to the REMOTE SETUP menu and rotate then press the encoder button to enter the Head Unit Reset to clear the memory and restore it to factory settings. Once a remote is paired to the unit DISCONNECT will also be displayed in the REMOTE SETUP menu. To disconnect a paired remote, rotate then press the encoder button on disconnect.

## SOFTWARE

**VERSION** - Press the encoder button to display the current firmware version of the unit.

**UPDATE** - Press the encoder button to update the firmware. Follow the instructions on the screen when updating.

## FACTORY DEFAULT

**AUDIO** - Press the encoder button to access. Rotate the encoder button to select YES/NO. Selecting YES will reset your unit back to factory default settings.

**SYSTEM** - Press the encoder button to access. Rotate the encoder button to select YES/NO. Selecting YES will reset your unit back to factory default settings.

## Basic Operation

### TURNING THE UNIT ON / OFF

Press and hold the SRC (Power) button to turn the unit ON or OFF

### ADJUSTING THE VOLUME

Rotate encoder knob left or right to desired volume level (0-40). The current volume level will be displayed during adjustment.

### ADJUSTING THE SUBWOOFER OUTPUT

Press the SUB + or SUB- buttons to adjust the output level (0-20).

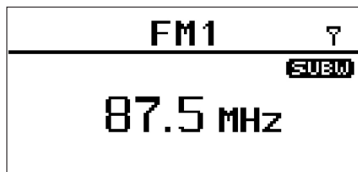
### ADJUSTING THE SCREEN BRIGHTNESS

Press the SCREEN BRIGHTNESS button to adjust the brightness level. There are two brightness levels.

### SELECTING A SOURCE TO PLAY

Press the SRC button to show the different source options (FM TUNER>AM TUNER>WB TUNER>USB>AUX>BLUETOOTH). Use the rotary encoder or press the SRC button to scroll through sources.

## Tuner Operation (FM/AM/WB)



To operate, use the rotary encoder to select the tuner source you want to listen to (FM>AM>WB).

To AUTO SEEK stations, press the FWD and REV buttons. To MANUAL SEEK stations, press and hold the FWD and REV buttons to tune to the desired frequency.

To MUTE the TUNER, press the PLAY/PAUSE button.

## FM BAND SETTINGS

To access the FM BAND SETTINGS, press the MENU when using the FM TUNER source. This will give you access to the settings specific to the FM TUNER (FM>PRESETS>ADD PRESETS>REMOVE PRESETS>AUTO STORE>LOCAL).

### PRESETS

Press the encoder button to access the PRESETS list. Using this feature allows you to see what PRESETS are saved on the unit.

### ADD PRESETS

Press the encoder button on the ADD PRESETS option. You will need to be on both the station and PRESET group you want to add first (FM1>FM2>FM3). Using this feature allows you to save stations to the unit. Once selected, use the rotary encoder to select the PRESET number (1-6) you want the station saved to.

### REMOVE PRESETS

Press the encoder button on the REMOVE PRESETS option. You will need to be under the PRESET group you want to adjust first (FM1>FM2>FM3). Using this feature allows you to remove saved stations on the unit. Once selected, use the rotary encoder to select the PRESET number (1-6) of the station you want removed.

### FM

Press the encoder button to access the FM PRESET options (FM1>FM2>FM3). Using this feature allows you to have separate tuner preset groups to choose from. Use the rotary encoder button to scroll through the TUNER groups and press to select the group.

### AUTO STORE

Press the encoder button to access the AUTO STORE function. You will need to be under the PRESET group you want to adjust first (FM1>FM2>FM3). This feature automatically stores presets on the unit. It will stop when presets 1-6 are set. Select the next PRESET group and repeat to fill next set.

### LOCAL

Press the encoder button to access the LOCAL options. Once selected, use the rotary encoder to select ON or OFF. The local option tunes to nearby radio stations with sufficiently strong signals for good reception. In areas where reception is poor, switching to distance tuning enables the unit to tune in to more distant stations. Distance tuning is the default.

## AM BAND SETTINGS

To access the AM BAND SETTINGS, press the MENU when using the AM TUNER source. This will give you access to the settings specific to the AM TUNER (AM>PRESETS>ADD PRESETS>REMOVE PRESETS>AUTO STORE>LOCAL).

### PRESETS

Press the encoder button to access the PRESETS list. Using this feature allows you to see what PRESETS are saved on the unit.

### ADD PRESETS

Press the encoder button on the ADD PRESETS option. You will need to be on both the station and PRESET group you want to add first (AM1>AM2). Using this feature allows you to save stations to the unit. Once selected, use the rotary encoder to select the PRESET number (1-6) you want the station saved to.

### REMOVE PRESETS

Press the encoder button on the REMOVE PRESETS option. You will need to be under the PRESET group you want to adjust first (AM1>AM2). Using this feature allows you to remove saved stations on the unit. Once selected, use the rotary encoder to select the PRESET number (1-6) of the station you want removed.

### AM

Press the encoder button to access the FM PRESET options (AM1>AM2).

Using this feature allows you to have separate tuner preset groups to choose from. Use the rotary encoder button to scroll through the TUNER groups and press to select the group.

## AUTO STORE

Press the encoder button to access the AUTO STORE function. You will need to be under the PRESET group you want to adjust first (AM1>AM2). This feature automatically stores presets on the unit. It will stop when presets 1-6 are set. Select the next PRESET group and repeat to fill next set.

## LOCAL

Press the encoder button to access the LOCAL options. Once selected, use the rotary encoder to select ON or OFF. The local option tunes to nearby radio stations with sufficiently strong signals for good reception. In areas where reception is poor, switching to distance tuning enables the unit to tune in to more distant stations. Distance tuning is the default.

## WB BAND SETTINGS

To access the WB BAND SETTINGS, press the MENU when using the WB TUNER source. This will give you access to the settings specific to the WB TUNER (PRESETS>ADD PRESETS>REMOVE PRESETS).

## PRESETS

Press the encoder button to access the PRESETS list. Using this feature allows you to see what PRESETS are saved on the unit.

## ADD PRESETS

Press the encoder button on the ADD PRESETS option. You will need to be on both the station you want to add first. Using this feature allows you to save stations to the unit. Once selected, use the rotary encoder to select the PRESET number (1-6) you want the station saved to.

## REMOVE PRESETS

Press the encoder button on the REMOVE PRESETS option. You will need to be under the PRESET group you want to adjust first (AM1>AM2). Using this feature allows you to remove saved stations on the unit. Once selected, use the rotary encoder to select the PRESET number (1-6) of the station you want removed.

## USB Operation

After your device is connected to the source unit, this feature allows you to control playback from a USB flash drive directly from the unit. Select the USB source option on the source unit.

To play or pause a song, press the PLAY/PAUSE button.

To skip a track forward, press the FWD button. To skip a track backwards, press the REV button.

To access USB specific settings, press the MENU button for the list of settings (BROWSER>REPEAT>SHUFFLE). Use the encoder to select the option to change.

## BROWSER

Press the encoder button to access the media that is stored on the USB flash drive. Using this feature allows you to search for tracks or songs by different types of categories.

## REPEAT

Press the encoder button to access the REPEAT feature options (OFF>ONE>ALL).

## SHUFFLE

Press the encoder button to access the SHUFFLE feature options (OFF>ALL). This feature allows you to set your preference on shuffling tracks or songs.

NOTE: When using a USB extension cable, it must be a Rockford Fosgate powered extension cable. The maximum distance for the cable is 33 feet (10 meters).

## AUX Operation



After your device is plugged into the source unit, this feature allows you to play music from your device. Select the AUX source option on the source unit and use your plugged in device to control song/track selection, PLAY/PAUSE and track skip FWD/REV.

## Bluetooth® Operation



After your device is paired to the source unit, this feature allows you to control playback from your device directly from the unit. Select the BLUETOOTH source option on the source unit.

To play or pause a song, press the PLAY/PAUSE button.

To skip a track forward, press the FWD button. To skip a track backwards, press the REV button.

To access BLUETOOTH specific settings, press the MENU button for the list of settings (BROWSER>REPEAT>SHUFFLE). Use the encoder to select the option to change.

## BROWSER

Press the encoder button to access the BROWSER options (PLAYLISTS>ARTISTS>ALBUMS>GENRES>SONGS>COMPOSERS>AUDIOBOOKS>PODCASTS). Using this feature allows you to search for tracks or songs by different types of categories.

## REPEAT

Press the encoder button to access the REPEAT feature options (OFF>ONE>ALL). This feature allows you to set your preference on the amount of times a track or song will repeat.

## SHUFFLE

Press the encoder button to access the SHUFFLE feature options (OFF>ALL). This feature allows you to set your preference on shuffling tracks or songs.

# PMX-BTUR Function Table

		PMX-1 Control												
Button	Phone Control						AUX-IN						BT AUDIO	
	Short Press	Long Press	Tuner+Weather Band		USB/MP3/WMA		AUX-IN		iPhone/iPod		Short Press	Long Press		
1	Volume +	Ramp Volume+	Volume +	Ramp Volume+	Volume +	Ramp Volume+	Volume +	Ramp Volume+	Volume +	Ramp Volume+	Volume +	Ramp Volume+	Volume +	Ramp Volume+
2	Volume -	Ramp Volume-	Volume -	Ramp Volume-	Volume -	Ramp Volume-	Volume -	Ramp Volume-	Volume -	Ramp Volume-	Volume -	Ramp Volume-	Volume -	Ramp Volume-
3	Play /Pause	Hand Free (IOS ONLY)	MUTE(Enter)	MUTE(Enter)	Play /Pause(Enter)	Play /Pause(Enter)	MUTE(Enter)	MUTE(Enter)	Play /Pause(Enter)	Play /Pause(Enter)	Play /Pause(Enter)	Play /Pause(Enter)	Play /Pause(Enter)	Play /Pause(Enter)
4	Previous	Rewind	Previous	Rewind	Previous	Rewind	Previous	Rewind	Previous	Rewind	Previous	Rewind	Previous	Rewind
5	Next	Fast Forward	Next	Fast Forward	Next	Fast Forward	Next	Fast Forward	Next	Fast Forward	Next	Fast Forward	Next	Fast Forward
6	Call Answer (IOS ONLY) Call Hang Up (IOS ONLY)	Call Reject (IOS ONLY) Siri	SRC/power on	Power off	SRC/Power on	Power Off	SRC/Power on	Power off	SRC/Power on	Power off	SRC/Power on	Power off	SRC/Power on	Power off

Symptom	Diagnosis	Remedy
<b>Basic</b>		
Source unit does not turn on.	Blown fuse	Check fuse of the unit, replace with correct rating.
	Vehicle's ignition is off	If connected following the instructions, the unit will not operate with ignition off.
	Voltage applied to Red wire is not between 10.5 & 16 volts or there is no voltage present	Check battery, connections and fuses and repair or replace as necessary. If voltage is above +16 volts, have the electrical system inspected by an authorized service center.
	Unit is not properly grounded	Check wiring and repair as necessary.
<b>Radio Tuner</b>		
Tuner fails to tune any stations	No antenna or disconnected or open connection in cable	Check all connections and repair as necessary.
Unable to tune stations in seek mode	You are in a weak signal area	Make sure the tuner LOC mode is off.
<b>USB Devices</b>		
USB device cannot be inserted	The USB device has been inserted in the wrong direction	Reversing the connection direction of the USB device, try reinserting.
	The USB device connector is broken	Replace with a new USB device.
USB device is not recognized	The USB device is damaged	Disconnect USB device and reconnect. If the device is still not recognized, try replacing with a different USB device. USB does not work with Android® and Apple® devices.
	Connectors are loose	
No sound heard with the display "No File" shown	No MP3/WMA files are stored on the USB device	Store these files properly on the USB device. USB does not work with Android® and Apple® devices.
Sound skips or is noisy	MP3/WMA files are not created properly	Use MP3/WMA files that are encoded correctly.
<b>AUX</b>		
MP3 is not playing back	Writing error occurred. The MP3 format is not compatible.	Make sure MP3 has been written in a supported format

## Caractéristiques de conception (Fig. 1)

### Encodeur rotatif

Ce bouton sert à régler le volume principal, la navigation du menu et les réglages de réglage.

### Bouton MENU

Ce bouton donne accès aux paramètres principaux de l'appareil par une longue pression. Appuyer dessus brièvement pour avoir accès aux paramètres pour la source active.

### Bouton SRC (Alimentation)

Ce bouton permet de commuter entre les sources (pression courte) et d'activer et de désactiver l'appareil (pression longue).

### Boutons SUB

Ces boutons permettent d'ajuster la sortie du subwoofer ou la ligne arrière vers le haut ou vers le bas (0-20).

### Bouton LECTURE/PAUSE

Appuyer sur ce bouton pour jouer ou pauser la musique. Ce bouton sert aussi de VEILLEUSE quand la source est en mode AUX et TUNER.

### Bouton DIMMER (GRADATEUR)

Appuyer sur ce bouton pour sélectionner entre les valeurs de luminosité de l'affichage.

### Bouton REV/FWD

Utiliser ce bouton pour sauter en arrière et en avant parmi les chaînes ou les pistes avec une pression courte. Une pression longue activera le mode de recherche manuelle.

### Contenu

- Unité source
- Lunette profilée
- Plaque de montage
- Support en U
- Vis
- Faisceau alimentation/haut-parleur
- Fer à souder
- Manuel d'installation et d'exploitation

## Considérations d'installation

Voici une liste de base des outils nécessaires pour l'installation :

- Voltmètre/Ohmmètre
- Dénudeuse
- Sertisseuse
- Coupe-fils
- Tournevis cruciforme n° 2
- Clé de borne de batterie
- Perceuse portative avec embouts assortis
- Tubulure thermorétractable
- Fer à souder
- Soudage
- Pistolet thermique
- Clé de 7 mm

Cette section se concentre sur certaines des considérations automobiles pour l'installation de la nouvelle unité source. Pré-planifier l'aménagement du système et les meilleures voies de câblage fera gagner du temps en installation. Lors de la décision de l'aménagement du nouveau système, s'assurer que chaque composant soit facilement accessible pour effectuer des réglages.

En cas de question sur l'installation de ce système soi-même, le faire installer par un technicien qualifié Audio Rockford.

Avant l'installation, débrancher la borne négative (-) de la batterie pour prévenir tout dommage matériel, tout incendie et/ou des blessures éventuelles.

Avant de commencer toute installation, suivre ces simples règles :

1. Faire attention de lire attentivement et de comprendre les instructions avant de tenter d'installer l'unité.
2. Par mesure de sécurité, débrancher le fil négatif de la batterie avant de commencer l'installation.
3. Pour faciliter l'assemblage, il est conseillé d'acheminer tous les fils avant de monter l'unité en place.
4. Acheminer tous les câbles RCA près les uns des autres et à l'écart des fils à haute intensité.
5. Utiliser des connecteurs de haute qualité pour une installation fiable et pour minimiser la perte de signal ou d'alimentation.
6. Penser avant de percer ! Faire attention de ne pas couper ni percer dans les réservoirs à essence, les canalisations de carburant, les conduites de freins ou conduites hydrauliques, les lignes de vide ou

le câblage électrique lors de toute opération sur un véhicule.

7. Ne jamais acheminer les fils sous le véhicule. Acheminer les fils à l'intérieur du véhicule fournit la meilleure protection.
8. Éviter d'acheminer les fils sur ou à travers des bords coupants. Utiliser des œillets en caoutchouc ou en plastique pour protéger les fils acheminés dans du métal, en particulier le pare-feu.
9. TOUJOURS protéger la batterie et le système électrique de tout dommage grâce à des fusibles appropriés. Installer le porte-fusible approprié et le fusible sur le fil d'alimentation de +12 V dans les 45,cm (18 po) de la borne de batterie.
10. Lors de la mise à la terre au châssis du véhicule, gratter toute peinture du métal pour assurer une bonne connexion à la masse propre. Les raccordements de mise à la terre doivent être aussi courts que possible et toujours connectés au métal qui est soudé au corps principal, ou au châssis, du véhicule. Les boulons de ceinture de sécurité ne doivent jamais être utilisés pour raccorder à la terre.

## Montage (Utilisation de la plaque de montage) - Fig. 3

Pour monter l'unité, il faudra une surface plate disposant d'un dégagement adéquat derrière qui offre suffisamment de dégagement pour l'unité et tout son câblage nécessaire.

Une fois que l'emplacement de montage aura été déterminé, il faudra couper un trou circulaire de 77 mm de diamètre.

Une fois le trou coupé, faire glisser l'unité et le câblage à travers le trou. Faire glisser la plaque de montage sur l'arrière de l'unité et la sécuriser à l'aide des vis fournies.

Appuyer sur la lunette profilée sur le devant de l'unité.

Brancher les faisceaux de câblage et les câbles. Consulter le schéma de câblage pour les types de connexion de faisceaux de câbles.

## Montage (utilisation du support en U) - Fig. 4

Pour monter l'unité, il faudra une surface plate disposant d'un dégagement adéquat derrière qui offre suffisamment de dégagement pour l'unité et tout son câblage nécessaire.

Une fois que l'emplacement de montage aura été déterminé, il faudra couper un trou circulaire de 77 mm de diamètre.

Une fois le trou coupé, faire glisser l'unité et le câblage à travers le trou. Prendre le support en U et faire glisser les deux goujons sur l'arrière de l'unité. Serrer avec les écrous fournis.

Appuyer sur la lunette profilée sur le devant de l'unité.

Brancher les faisceaux de câblage et les câbles. Consulter le schéma de câblage pour les types de connexion de faisceaux de câbles.

## Paramètres de l'unité source

Pour accéder aux paramètres de l'unité source, appuyer longuement sur le bouton MENU jusqu'à affichage des options. Faire pivoter l'encodeur pour faire défiler la liste des paramètres et effectuer une pression courte sur le bouton d'encodeur pour sélectionner le paramètre que l'on souhaite modifier. (BALANCE>FADER>AUDIO>VOLTAGE GAUGE>BT PAIRING>BEEP>TUNER REGION>SOFTWARE>FACTORY DEFAULT)

Cette unité source a un courant nul quand elle est désactivée. Tous les paramètres et pré-réglages seront sauvegardés avec la batterie du bateau pendant l'entreposage.

## BALANCE

Appuyer brièvement sur le bouton d'encodeur pour accéder aux paramètres de réglage de BALANCE. Faire pivoter le bouton d'encodeur pour régler la BALANCE de sortie.

## FADER

Appuyer brièvement sur le bouton d'encodeur pour accéder aux paramètres de réglage du FADER. Faire pivoter le bouton d'encodeur pour régler le FADER de sortie.

## AUDIO

Pour accéder aux paramètres AUDIO, effectuer une pression courte sur l'option AUDIO à partir de l'écran MENU. Faire pivoter l'encodeur pour faire défiler la liste des paramètres et effectuer une pression courte sur le bouton d'encodeur pour sélectionner le paramètre que l'on souhaite modifier. (7 BAND EQ>CROSSOVER>PEQ>REAR RCA>AUX INPUT>SOURCE GAIN>INTERNAL AMPLIFIER)

## 7 BAND EQ

Appuyer brièvement sur le bouton d'encodeur pour accéder aux

paramètres 7 BAND EQ. Utiliser l'encodeur rotatif pour faire défiler les paramètres EQ. (FLAT > ROCK > CLASSIC > ACOUSTIC > DANCE > ELECTRONIC > HIP-HOP > CUSTOM) Lors de la configuration du CUSTOM EQ, effectuer une pression courte sur le bouton d'encodeur pour régler la première fréquence. Une fois activé, faire pivoter l'encodeur pour ajuster les paramètres de fréquence. Effectuer une autre pression courte sur le bouton d'encodeur pour accéder à la fréquence prochaine. Répéter jusqu'à ce que tous les paramètres EQ soient terminés. Appuyer brièvement sur le bouton MENU pour quitter et revenir d'un niveau en arrière.

#### **CROISEMENT**

Appuyer brièvement pour accéder aux paramètres de CROISEMENT. Utiliser l'encodeur rotatif pour sélectionner les options de zones de croisement (FRONT>REAR>SUB). Effectuer une courte pression sur l'encodeur pour ajuster la fréquence du croisement (60 Hz-80 Hz-120 Hz>APF). Appuyer brièvement sur le bouton MENU pour quitter et revenir d'un niveau en arrière.

#### **RCA ARRIÈRE**

Effectuer une pression courte pour accéder aux options RCA ARRIÈRE. Utiliser l'encodeur rotatif pour sélectionner les options (LINE OUT>SUBWOOFER).

#### **PUNCH EQ**

Appuyer brièvement pour accéder aux paramètres de PUNCH EQ. Utiliser l'encodeur rotatif pour ajuster la sortie de gain (0-12). Appuyer brièvement sur le bouton MENU pour quitter et revenir d'un niveau en arrière.

Punch EQ est un égaliseur embarqué avec un amplificateur maximum de +18 dB à 45 Hz et/ou de +12 dB à 12,5 kHz

#### **ENTRÉE AUX**

RENOMMER – Pour renommer AUX, appuyer brièvement sur le bouton d'encodeur pour régler la première lettre du nouveau nom. Une fois activé, faire tourner l'encodeur pour ajuster les lettres. Effectuer une autre pression courte sur le bouton d'encodeur pour régler la prochaine lettre. Répéter jusqu'à ce que AUX ait été renommé. Appuyer brièvement sur le bouton MENU pour quitter et revenir d'un niveau en arrière.

ACTIVER - Appuyer brièvement sur le bouton d'encodeur pour accéder aux options. Faire tourner le bouton d'encodeur pour sélectionner si l'unité est découvrable. (ENABLE > DISABLE)/(ACTIVER>DESACTIVER)

#### **GAIN SOURCE**

Pour ajuster le niveau du gain d'entrée de périphérique, faire défiler les entrées (FM TUNER>AM TUNER>WB TUNER>USB-AUX>BLUETOOTH) jusqu'au périphérique que l'on souhaite ajuster, appuyer brièvement le bouton d'encodeur pour accéder aux paramètres de gain. Faire tourner le bouton d'encodeur pour régler le niveau de gain: (-3 dB > -2 dB > -1 dB > 0 dB > +1 dB > +2 dB > +3 dB)

#### **AMPLIFICATEUR INTERNE**

Appuyer brièvement pour accéder aux options AMPLIFICATEUR INTERNE. Utiliser l'encodeur rotatif pour sélectionner les options (ON>OFF). Lors de l'utilisation d'un amplificateur pour alimenter les haut-parleurs, sélectionner OFF. Si on alimente les haut-parleurs directement de l'unité source, sélectionner l'AMPLIFICATEUR INTERNE sur ON.

#### **INDICATEUR DE TENSION**

Pour afficher la tension du véhicule, appuyer brièvement sur le bouton d'encodeur sur l'option INDICATEUR DE TENSION.

#### **APPARIAGE DE PÉRIPHÉRIQUE BT**

Appuyez brièvement sur le bouton codeur pour accéder aux options (DISCOVERABLE>DISPOSITIF).

#### **DISCOVERABLE**

Tournez le bouton encodeur pour sélectionner si l'unité est détectable pour l'appariement. (ENABLE> DISABLE) Une fois activée, l'unité source est maintenant visible Et prêt à être couplé à votre appareil. Ouvrez les paramètres Bluetooth de votre. Pour trouver l'unité source intitulée «Rockford PMX» et sélectionnez.

#### **DISPOSITIF**

La sélection de DEVICE en appuyant brièvement sur le bouton pour renommer l'unité source avec un maximum de 16 caractères. Cela vous donne la possibilité d'avoir un nom unique pour faciliter l'identification pendant l'appareil appariement appuyez brièvement sur la touche du codeur pour sélectionner la lettre à modifier et tournez le bouton pour

modifier la valeur. Répéter le processus jusqu'à ce que vous desiriez nom est atteint.

#### **BIP**

Appuyer brièvement sur le bouton d'encodeur pour accéder aux options BIP. Faire tourner le bouton d'encodeur pour activer/désactiver le bip du système.

#### **RÉGION DU TUNER**

Pour ajuster, appuyer brièvement sur le bouton d'encodeur pour accéder. Faire tourner le bouton d'encodeur pour sélectionner la RÉGION DU TUNER de préférence. (EUROPE > USA > RUSSIE > AMÉRIQUE LATINE > ASIE > JAPON > MOYEN-ORIENT > AUSTRALIE)

#### **LOGICIEL**

VERSION - Appuyer brièvement sur le bouton d'encodeur pour afficher la version de logiciel actuelle de l'unité.

MISE À JOUR - Appuyer brièvement sur le bouton d'encodeur pour mettre le logiciel à jour. Suivre les instructions à l'écran pour mettre à jour.

#### **THÈME**

Pour régler le THEME , appuyez brièvement sur l'encodeur pour accéder à la fonction . Tournez le bouton encodeur pour sélectionner le thème désiré ( jour, nuit, AUTO )

#### **RÉGLAGE D'USINE**

AUDIO – Appuyer brièvement sur le bouton d'encodeur pour accéder. Faire pivoter le bouton d'encodeur pour sélectionner YES/NO (OUI/NON). Sélectionner YES/OUI pour remettre l'unité aux réglages d'usine.

SYSTÈME - Appuyer brièvement sur le bouton d'encodeur pour accéder. Faire pivoter le bouton d'encodeur pour sélectionner YES/NO (OUI/NON). Sélectionner YES/OUI pour remettre l'unité aux réglages d'usine.

Fonctionnement de base

#### **ACTIVER/DÉSACTIVER L'UNITÉ**

Appuyer longuement sur le bouton SRC (Alimentation) pour ACTIVER ou DÉSACTIVER l'unité

#### **RÉGLAGE DU VOLUME**

Faire tourner le bouton d'encodeur vers la gauche ou vers la droite au niveau de volume souhaité (0-40). Le niveau de volume actuel s'affiche pendant le réglage.

#### **RÉGLAGE DE LA SORTIE DU SUBWOOFER**

Appuyer sur le bouton SUB + ou SUB- pour régler le niveau de sortie (0-20).

#### **RÉGLAGE DE LA LUMINOSITÉ DE L'ÉCRAN**

Appuyer brièvement sur le bouton LUMINOSITÉ DE L'ÉCRAN pour ajuster le niveau de luminosité. Il existe deux niveaux de luminosité.

#### **SÉLECTIONNER UNE SOURCE À JOUER**

Appuyer brièvement sur le bouton SRC pour afficher les différentes options de source (FM TUNER>AM TUNER>WB TUNER>USB-AUX>BLUETOOTH). Utiliser l'encodeur rotatif ou appuyer brièvement sur le bouton SRC pour faire défiler les sources.

Fonctionnement du tuner (FM/AM/WB)

Pour faire fonctionner, utiliser l'encodeur rotatif pour sélectionner la source de tuner que l'on souhaite écouter (FM>AM>WB).

Pour RECHERCHER AUTOMATIQUEMENT des stations, appuyer brièvement sur les boutons FWD et REV. Pour RECHERCHER MANUELLEMENT des stations, appuyer longuement sur les boutons FWD et REV pour régler à la fréquence souhaitée.

Pour mettre le TUNER en SOURDINE, appuyer brièvement sur le bouton PLAY/PAUSE.

#### **PARAMÈTRES DE BANDE FM**

Pour accéder aux PARAMÈTRES DE BANDE FM, appuyer brièvement sur le MENU lors de l'utilisation de source FM TUNER. Ceci donnera accès aux paramètres spécifiques au FM TUNER (FM>PRESETS>ADD PRESETS>REMOVE PRESETS>AUTO STORE>LOCAL).

#### **STATIONS PRÉRÉGLÉES**

Appuyer brièvement sur le bouton d'encodeur pour accéder à la liste des STATIONS PRÉRÉGLÉES. Utiliser cette fonction pour voir quelles STATIONS PRÉRÉGLÉES sont sauvegardées sur l'unité.

#### **ADD PRESETS (AJOUTER DES STATIONS PRÉRÉGLÉES)**

Effectuer une pression courte sur le bouton d'encodeur sur l'option AJOUTER DES STATIONS PRÉRÉGLÉES. Il faudra se trouver sur la station et sur le groupe des STATIONS PRÉRÉGLÉES que l'on souhaite ajouter en premier (FM1>FM2>FM3). Utiliser cette fonction pour pouvoir sauvegarder des stations sur l'unité. Une fois sélectionnée, utiliser l'encodeur rotatif pour sélectionner le numéro de STATION PRÉRÉGLÉE (1-6) sur lequel on souhaite sauvegarder la station.

## REMOVE PRESETS (SUPPRIMER DES STATIONS PRÉRÉGLÉES)

Effectuer une pression courte sur le bouton d'encodeur sur l'option SUPPRIMER DES STATIONS PRÉRÉGLÉES. Il faudra se trouver sous le groupe des STATIONS PRÉRÉGLÉES que l'on souhaite ajuster en premier (FM1>FM2>FM3). Utiliser cette fonction pour pouvoir supprimer des stations sauvegardées sur l'unité. Une fois sélectionnée, utiliser l'encodeur rotatif pour sélectionner le numéro de STATION PRÉRÉGLÉE (1-6) de la station que l'on souhaite supprimer.

## FM

Effectuer une pression courte sur le bouton d'encodeur pour accéder aux options STATIONS PRÉRÉGLÉES FM (FM1>FM2>FM3). Utiliser cette fonction permet d'avoir des groupes de stations préréglées de tuner séparés parmi lesquels choisir. Utiliser le bouton d'encodeur rotatif pour faire défiler les groupes de TUNER et appuyer brièvement pour sélectionner le groupe.

## AUTO STORE (SAUVEGARDE AUTOMATIQUE)

Appuyer brièvement sur le bouton d'encodeur pour accéder à la fonction SAUVEGARDE AUTOMATIQUE. Il faudra se trouver sous le groupe des STATIONS PRÉRÉGLÉES que l'on souhaite ajuster en premier (FM1>FM2>FM3). Cette fonction sauvegarde automatiquement les stations préréglées sur l'unité. Cela s'arrêtera lorsque les stations préréglées 1-6 sont réglées. Sélectionner le prochain groupe de STATIONS PRÉRÉGLÉES et répéter pour remplir le jeu prochain.

## LOCAL

Appuyer brièvement sur le bouton d'encodeur pour accéder aux options LOCAL. Une fois sélectionnée, utiliser l'encodeur rotatif pour sélectionner ON ou OFF. L'option LOCAL se règle sur les stations de radio proches avec des signaux suffisamment forts pour une bonne réception. Dans les zones où la réception est médiocre, passer au réglage à distance permet à l'unité de se régler dans des stations plus distantes. Le réglage à distance est le réglage d'usine.

## PARAMÈTRES DE BANDE AM

Pour accéder aux PARAMÈTRES DE BANDE AM, appuyer brièvement sur le MENU lors de l'utilisation de source AM TUNER. Ceci donnera accès aux paramètres spécifiques au AM TUNER (AM>PRESETS>ADD PRESETS-REMOVE PRESETS-AUTO STORE-LOCAL).

## STATIONS PRÉRÉGLÉES

Appuyer brièvement sur le bouton d'encodeur pour accéder à la liste des STATIONS PRÉRÉGLÉES. Utiliser cette fonction pour voir quelles STATIONS PRÉRÉGLÉES sont sauvegardées sur l'unité.

## ADD PRESETS (AJOUTER DES STATIONS PRÉRÉGLÉES)

Appuyer brièvement sur le bouton d'encodeur pour accéder à l'option ADD PRESETS. Il faudra se trouver sur la station et sur le groupe des STATIONS PRÉRÉGLÉES que l'on souhaite ajouter en premier (AM1>AM2). Utiliser cette fonction pour pouvoir sauvegarder des stations sur l'unité. Une fois sélectionnée, utiliser l'encodeur rotatif pour sélectionner le numéro de STATION PRÉRÉGLÉE (1-6) sur lequel on souhaite sauvegarder la station.

## REMOVE PRESETS (SUPPRIMER DES STATIONS PRÉRÉGLÉES)

Effectuer une pression courte sur le bouton d'encodeur sur l'option SUPPRIMER DES STATIONS PRÉRÉGLÉES. Il faudra se trouver sous le groupe des STATIONS PRÉRÉGLÉES que l'on souhaite ajuster en premier (AM1>AM2). Utiliser cette fonction pour pouvoir supprimer des stations sauvegardées sur l'unité. Une fois sélectionnée, utiliser l'encodeur rotatif pour sélectionner le numéro de STATION PRÉRÉGLÉE (1-6) de la station que l'on souhaite supprimer.

## AM

Appuyer brièvement sur le bouton d'encodeur pour accéder aux options STATIONS PRÉRÉGLÉES FM (AM1>AM2). Utiliser cette fonction permet d'avoir des groupes de stations préréglées de tuner séparés parmi lesquels choisir. Utiliser le bouton d'encodeur rotatif pour faire défiler les

groupes de TUNER et appuyer brièvement pour sélectionner le groupe.

## AUTO STORE (SAUVEGARDE AUTOMATIQUE)

Appuyer brièvement sur le bouton d'encodeur pour accéder à la fonction SAUVEGARDE AUTOMATIQUE. Il faudra se trouver sous le groupe des STATIONS PRÉRÉGLÉES que l'on souhaite ajuster en premier (AM1>AM2). Cette fonction sauvegarde automatiquement les stations préréglées sur l'unité. Cela s'arrêtera lorsque les stations préréglées 1-6 sont réglées. Sélectionner le prochain groupe de STATIONS PRÉRÉGLÉES et répéter pour remplir le jeu prochain.

## LOCAL

Appuyer brièvement sur le bouton d'encodeur pour accéder aux options LOCAL. Une fois sélectionnée, utiliser l'encodeur rotatif pour sélectionner ON ou OFF. L'option LOCAL se règle sur les stations de radio proches avec des signaux suffisamment forts pour une bonne réception. Dans les zones où la réception est médiocre, passer au réglage à distance permet à l'unité de se régler dans des stations plus distantes. Le réglage à distance est le réglage d'usine.

## PARAMÈTRES DE BANDE WB

Pour accéder aux PARAMÈTRES DE BANDE WB, appuyer brièvement sur le MENU lors de l'utilisation de source WB TUNER. Ceci donnera accès aux paramètres spécifiques au WB TUNER (PRESETS>ADD PRESETS-REMOVE PRESETS).

## STATIONS PRÉRÉGLÉES

Appuyer brièvement sur le bouton d'encodeur pour accéder à la liste des STATIONS PRÉRÉGLÉES. Utiliser cette fonction pour voir quelles STATIONS PRÉRÉGLÉES sont sauvegardées sur l'unité.

## ADD PRESETS (AJOUTER DES STATIONS PRÉRÉGLÉES)

Effectuer une pression courte sur le bouton d'encodeur sur l'option AJOUTER DES STATIONS PRÉRÉGLÉES. Il faudra se trouver sur les deux stations que l'on souhaite ajouter en premier. Utiliser cette fonction pour pouvoir sauvegarder des stations sur l'unité. Une fois sélectionnée, utiliser l'encodeur rotatif pour sélectionner le numéro de STATION PRÉRÉGLÉE (1-6) sur lequel on souhaite sauvegarder la station.

## REMOVE PRESETS (SUPPRIMER DES STATIONS PRÉRÉGLÉES)

Appuyer brièvement sur le bouton d'encodeur sur l'option SUPPRIMER DES STATIONS PRÉRÉGLÉES. Il faudra se trouver sous le groupe des STATIONS PRÉRÉGLÉES que l'on souhaite ajuster en premier (AM1>AM2). Utiliser cette fonction pour pouvoir supprimer des stations sauvegardées sur l'unité. Une fois sélectionnée, utiliser l'encodeur rotatif pour sélectionner le numéro de STATION PRÉRÉGLÉE (1-6) de la station que l'on souhaite supprimer.

## Fonctionnement USB

Une fois que votre appareil est connecté à l'unité source, cette fonction vous permet de contrôler la lecture à partir d'un lecteur flash USB directement depuis l'appareil. Sélectionnez l'option source USB sur l'unité source.

Pour jouer ou pauser une chanson, appuyer brièvement sur le bouton PLAY/PAUSE.

Pour sauter une piste vers l'avant, appuyer brièvement sur le bouton FWD. Pour sauter une piste vers l'arrière, appuyer brièvement sur le bouton REV.

Pour accéder aux paramètres spécifiques USB, appuyer brièvement sur le bouton MENU pour obtenir la liste des paramètres (BROWSER>REPEAT>SHUFFLE). Utiliser l'encodeur pour sélectionner l'option à modifier.

## BROWSER (NAVIGATEUR)

Appuyer brièvement sur le bouton d'encodeur pour accéder aux options NAVIGATEUR (PLAYLISTS>ARTISTS>ALBUMS>GENRES>SONGS>COM POSERS>AUDIOBOOKS>PODCASTS). Utiliser cette fonction permet de chercher les pistes ou chansons par différents types de catégories. REPEAT (RÉPÉTITION)

Appuyer brièvement sur le bouton d'encodeur pour accéder aux options de la fonction RÉPÉTITION (OFF>ONE>ALL). SHUFFLE

Appuyer brièvement sur le bouton d'encodeur pour accéder aux options de la fonction SHUFFLE (OFF>ALL). Cette fonction permet de régler les préférences de lecture aléatoire de pistes ou de chansons.

Fonctionnement AUX

Une fois le périphérique branché dans l'unité source, cette fonction permet de jouer de musique à partir du périphérique. Sélectionner l'option source AUX sur l'unité source et utiliser le périphérique branché pour contrôler la sélection de chansons/pistes, PLAY/PAUSE et sauter la piste FWD/REV.

#### **Fonctionnement Bluetooth®**

Une fois le périphérique appairé à l'unité source, cette fonction permet de contrôler la lecture à partir du périphérique directement de l'unité. Sélectionner l'option source BLUETOOTH sur l'unité source.

Pour jouer ou pauser une chanson, appuyer brièvement sur le bouton PLAY/PAUSE.

Pour sauter une piste vers l'avant, appuyer brièvement sur le bouton FWD.

Pour sauter une piste vers l'arrière, appuyer brièvement sur le bouton REV.

Pour accéder aux paramètres spécifiques BLUETOOTH, appuyer brièvement sur le bouton MENU pour obtenir la liste des paramètres (BROWSER>REPEAT>SHUFFLE). Utiliser l'encodeur pour sélectionner l'option à modifier.

#### **BROWSER (NAVIGATEUR)**

Appuyer brièvement sur le bouton d'encodeur pour accéder aux options NAVIGATEUR (PLAYLISTS>ARTISTS>ALBUMS>GENRES>SONGS>COMPACT DISCS>AUDIOBOOKS>PODCASTS). Utiliser cette fonction permet de chercher les pistes ou chansons par différents types de catégories.

#### **REPEAT (RÉPÉTITION)**

Appuyer brièvement sur le bouton d'encodeur pour accéder aux options de la fonction RÉPÉTITION (OFF>ONE>ALL). Cette fonction permet de régler la préférence sur le nombre de fois qu'une piste ou qu'une chanson sera répétée.

#### **SHUFFLE**

Appuyer brièvement sur le bouton d'encodeur pour accéder aux options de la fonction SHUFFLE (OFF>ALL). Cette fonction permet de régler les préférences de lecture aléatoire de pistes ou de chansons.

REMARQUE: Lors de l'utilisation d'un câble d'extension USB, il doit s'agir d'un câble d'extension Rockford Fosgate. La distance maximale pour le câble est de 10 mètres (33 pieds).



Symptôme/Avertissement	Diagnostic	Solution
<b>De base</b>		
L'unité source ne se met pas en marche.	Fusible grillé	Vérifier le fusible de l'unité, remplacer avec le calibre approprié.
	L'allumage du véhicule est désactivé	Si connectée selon les instructions, l'unité ne fonctionnera pas avec l'allumage désactivé.
	La tension appliqué sur le fil rouge n'est pas entre 10,5 et 16 volts ou absence de toute tension	Vérifier la batterie, les connexions et les fusibles, et réparer ou remplacer selon les besoins. Si la tension est supérieure à +16 volts, faire inspecter le système électrique par un centre de service homologué.
	L'unité n'est pas correctement mise à la masse.	Vérifier le câblage et réparer selon les besoins.
<b>Tuner de radio</b>		
Le tuner ne sintonise aucune station	Aucune antenne, ou connexion déconnectée ou ouverte dans le câble	Vérifier toutes les connexions et réparer selon les besoins.
Impossible de régler des stations en mode recherche	On se trouve dans une zone à signal faible	S'assurer que le mode LOC du tuner est désactivé.
<b>Périphériques USB</b>		
Le périphérique USB ne peut pas être inséré	Le périphérique USB a été inséré dans le mauvais sens	Inverser le sens de connexion du périphérique USB, essayer de le réinsérer.
	Le connecteur du périphérique USB est cassé.	Le remplacer par un nouveau périphérique USB.
Le périphérique USB n'est pas reconnu.	Le périphérique USB est endommagé.	Déconnecter le périphérique USB et reconnecter. Si le périphérique n'est toujours pas reconnu, tenter de le remplacer par un périphérique USB différent. USB ne fonctionne pas avec les périphériques Android® et Apple®.
	Les connecteurs sont desserrés	
Aucun son entendu avec l'affichage « Aucun fichier »	Aucun fichier MP3/WMA sauvegardé sur le périphérique USB	Sauvegarder ces fichiers correctement sur le périphérique USB. USB ne fonctionne pas avec les périphériques Android® et Apple®.
Sauts de son ou son bruyant	Les fichiers MP3/WMA ne sont pas créés correctement	Utiliser les fichiers MP3/WMA qui sont correctement encodés.
<b>AUX</b>		
MP3 ne joue pas	Une erreur d'écriture s'est produite. Le format MP3 n'est pas compatible.	S'assurer que MP3 a été écrit dans un format pris en charge

## Características de diseño (Fig. 1)

### Codificador giratorio

Este mando sirve para ajustar el volumen principal, la navegación del menú y los ajustes de ajuste.

### Botón MENU

Este botón le permite acceso a las configuraciones principales de la unidad presionando largo tiempo. Si se presiona brevemente consigue acceso a las configuraciones de la fuente activa.

### Botón SRC (encendido)

Este botón le permite conmutar entre fuentes (presión breve) y encender (ON) o apagar (OFF) la unidad (presión prolongada)

### Botones SUB

Estos botones le permiten ajustar la salida del subwoofer o de la línea de salida posterior UP (ARRIBA) o DOWN (ABAJO) (0-20).

### Botón PLAY/PAUSE (REPRODUCCIÓN/PAUSA)

Presione este botón para reproducir o pausar su música. Este botón también actúa como MUTE (SILENCIAMIENTO) cuando la fuente está en el modo AUX & TUNER (AUXILIAR Y SINTONIZADOR).

### Botón DIMMER (ATENUADOR)

Presionar este botón le permitirá seleccionar entre dos valores de brillo para la pantalla.

### Botón REV / FWD (REBOBINAR / AVANZAR)

Use este botón para desplazarse hacia atrás y adelante a través de canales o pistas presionando brevemente. Si se presiona durante largo tiempo se activa el modo de búsqueda manual.

### Índice

- Unidad fuente
- Marco decorativo
- Placa de montaje
- Soporte en "U"
- Tornillos
- Arnés de alimentación / altavoz
- Manual de Instalación y Operación

### Consideraciones para la instalación

La siguiente es una lista básica de herramientas necesarias para la instalación:

- Multímetro
- Pelacables
- Alicates de engarzar
- Pinza de corte
- Destornillador Phillips No. 2
- Llave para bornes de batería
- Taladro de mano con brocas varias
- Tubos termocontraíbles
- Soldador
- Soldadura
- Pistola de aire caliente
- Llave de 7mm

Esta sección se enfoca en algunas de las consideraciones del vehículo para instalar la unidad de fuente nueva. Preplanear la distribución de su sistema y las rutas de cableado le ahorrará tiempo de instalación. Cuando decida la distribución de su nuevo sistema asegúrese de que pueda acceder fácilmente a cada componente para hacer los ajustes.

Si no está seguro si debe hacer la instalación de este sistema usted mismo, haga que lo instale un técnico calificado de Rockford Audio.

Antes de efectuar la instalación, desconecte el terminal negativo (-) de la batería para evitar daños a la unidad, incendio y/o posiblemente lesiones.

Antes de comenzar cualquier instalación, siga estas simples normas:

1. Asegúrese de leer cuidadosamente y de entender las instrucciones antes de tratar de instalar la unidad.
2. Por seguridad, desconecte el conductor negativo de la batería antes de comenzar la instalación.
3. Para facilitar el montaje, sugerimos que tienda todos los cables antes de montar su unidad en el sitio.
4. Tienda todos los cables RCA cerca unos de otros y alejados de los cables de alta corriente.
5. Utilice conectores de alta calidad para tener una instalación confiable y para reducir al mínimo las pérdidas de señal o de potencia.
6. ¡Piense siempre antes de perforar! Tenga cuidado de no cortar ni perforar tanques de combustible, tuberías de combustible, de frenos o

hidráulicas, tuberías de vacío o cableado eléctrico al trabajar en cualquier vehículo.

7. Nunca tienda cables abajo del vehículo. Tender los cables adentro del vehículo proporciona la mejor protección.

8. Evite tender cables arriba o a través de bordes filosos. Use arandelas aislantes de caucho para proteger los cables tendidos a través de metal, especialmente en la mampara cortafuegos.

9. Proteja SIEMPRE la batería y el sistema eléctrico contra daños usando los fusibles correspondientes. Instale el portafusibles y los fusible correspondientes en el cable de +12 V a una distancia menor de 18 pulg. (45.7 cm) del terminal de la batería.

10. Al conectar la tierra del chasis del vehículo raspe la pintura del metal para asegurar una conexión buena y limpia a tierra. Las conexiones a tierra se deben hacer lo más cortas posibles y siempre conectadas a metal que esté soldado a la carrocería o al chasis del vehículo. Nunca debe usar los pernos del cinturón de seguridad para la conexión a tierra.

### Montaje (usando la placa de montaje) - Fig. 3

Para montar la unidad, deberá encontrar una superficie plana con espacio suficiente atrás para que proporcione suficiente separación para la unidad y todo el cableado necesario.

1. Una vez que haya determinado un lugar para el montaje, tendrá que cortar un agujero circular de 3 pulg. (77mm) de diámetro.
2. Después de haber cortado el agujero deslice la unidad y el cableado a través del agujero.
3. Deslice la placa de montaje arriba del lado posterior de la unidad y asegure con los tornillos proporcionados.
4. Presione el marco de terminación en el lado delantero de la unidad.
5. Enchufe todos los arneses de cableado y los cables. Consulte el diagrama de cableado para ver los tipos de conexión de arneses de cables.

### Montaje (usando un soporte en "U") - Fig. 4

Para montar la unidad, deberá encontrar una superficie plana con espacio suficiente atrás para que proporcione suficiente separación para la unidad y todo el cableado necesario.

1. Una vez que haya determinado un lugar para el montaje, tendrá que cortar un agujero circular de 3 pulg. (77mm) de diámetro.
2. Después de haber cortado el agujero deslice la unidad y el cableado a través del agujero.
3. Tome el soporte en "U" y deslícelo arriba de la parte posterior de la unidad. Apriete hacia abajo usando los tornillos proporcionados.
4. Presione el marco de decoración en el lado delantero de la unidad.
5. Enchufe todos los arneses de cableado y los cables. Consulte el diagrama de cableado para ver los tipos de conexión de arneses de cables.

### Configuración de la unidad fuente

Para acceder a la configuración de la unidad fuente, presione el botón MENU hasta que aparezcan las opciones. Haga girar el codificador

para desplazarse por la lista de configuraciones y presione brevemente el botón del codificador para seleccionar la configuración que desea cambiar. (BALANCE>FADER>AUDIO>VOLTAGE GAUGE>BT PAIRING>BEEP>TUNER REGION>SOFTWARE>FACTORY DEFAULT)

Esta unidad fuente tiene cero consumo de corriente cuando está apagada. Se guardará todas sus configuraciones y predeterminaciones junto con la batería de su embarcación durante el almacenamiento.

### BALANCE

Presione brevemente el botón codificador para acceder al ajuste de BALANCE. Haga girar el botón del codificador para configurar la salida de BALANCE.

### FADER (ATENUADOR)

Presione brevemente el botón codificador para acceder al ajuste de FADER. Haga girar el botón del codificador para configurar la salida de FADER.

### AUDIO

Para acceder a la configuración de AUDIO, presione brevemente la opción AUDIO desde la pantalla MENU. Haga girar el codificador para desplazarse por la lista de configuraciones y presione brevemente el botón del codificador para seleccionar la configuración que desea cambiar. (7 BAND EQ>CROSSOVER>PEQ>REAR RCA>AUX INPUT>SOURCE GAIN>INTERNAL AMPLIFIER)

## 7 BAND EQ (ECUALIZADOR DE 7 BANDAS)

Presione brevemente el botón codificador para acceder a la configuración de 7 BAND EQ. Use el codificador giratorio para desplazarse por la configuración del EQ. (FLAT > ROCK > CLASSIC > ACOUSTIC > DANCE > ELECTRONIC > HIP-HOP > CUSTOM) al configurar CUSTOM EQ, presione brevemente el botón del codificador para establecer la primera frecuencia. Una vez activo, haga girar el codificador para ajustar la configuración de la frecuencia. Presione brevemente de nuevo el botón del codificador para acceder a la frecuencia siguiente. Repita hasta haber terminado la configuración del EQ. Presione brevemente el botón MENU para salir y volver a subir un nivel.

## CROSSOVER (CRUCE)

Presione brevemente el botón para acceder a la configuración de CROSS-OVER. Use el codificador giratorio para seleccionar las opciones de la zona de cruce (FRONT>REAR>SUB). Presione brevemente el codificador para ajustar la frecuencia del cruce (60Hz>80Hz>120Hz>APF). Presione brevemente MENU para salir y volver a subir un nivel.

## REAR RCA

Presione brevemente el botón para acceder a la configuración de REAR RCA. Use el codificador giratorio para seleccionar opciones (LINE OUT>SUBWOOFER).

## PUNCH EQ

Presione brevemente el botón para acceder a la configuración de PUNCH EQ. Use el codificador giratorio para ajustar la ganancia de la salida (0 a 12). Presione brevemente MENU para salir y volver a subir un nivel. Punch EQ es un ecualizador abordo con hasta +18dB a 45Hz y/o un refuerzo de hasta +12dB a 12.5kHz

## ENTRADA AUX.

RENAME – Para cambiar el nombre de AUX, presione brevemente el botón del codificador para configurar la primera letra del nombre nuevo. Una vez activado, haga girar el codificador para ajustar letras. Presione brevemente de nuevo el botón del codificador para ajustar la letra siguiente. Repita hasta que se haya cambiado el nombre de AUX. Presione brevemente MENU para salir y volver a subir un nivel.

ENABLE - Presione brevemente el botón codificador para acceder a las opciones. Gire el botón codificador para seleccionar si no puede descubrir la unidad. (ENABLE > DISABLE)

## SOURCE GAIN (GANANCIA DE LA FUENTE)

Para ajustar el nivel de ganancia del dispositivo, desplácese a través de las entradas (FM TUNER>AM TUNER>WB TUNER>USB>AUX>BLUETOOTH) hasta el dispositivo que quiere ajustar, presione brevemente el botón del codificador para acceder a los ajustes de la ganancia. Haga girar el botón codificador para ajustar el nivel de ganancia. (-3dB > -2dB > -1dB > 0dB > +1dB > +2dB > +3dB)

## AMPLIFICADOR INTERNO

Presione brevemente el botón para acceder a las opciones de AMPLIFICADOR INTERNO. Use el codificador giratorio para seleccionar las opciones (ON>OFF). Al usar un amplificador para alimentar sus altavoces, seleccione OFF. Si está alimentando sus altavoces directamente desde la unidad fuente, seleccione ON en INTERNAL AMPLIFIER.

## VOLTAGE GAUGE (VOLTÍMETRO)

Para mostrar el voltaje del vehículo, presione brevemente el botón del codificador en la opción VOLTAGE GAUGE.

## EMPAREJADO DEL DISPOSITIVO BT

Pulse brevemente el botón del encoder para acceder a las opciones (DISCOVERABLE>DISPOSITIVO).

## DESCUBIERTA

Gire el botón del codificador para seleccionar si la unidad es detectable para el emparejamiento. (ENABLE> DESACTIVAR) Una vez habilitada, la unidad fuente es ahora detectable y lista para emparejarse a su dispositivo. Abra la configuración de Bluetooth en su dispositivo para encontrar la unidad fuente etiquetada "Rockford PMX" y seleccione.

## DISPOSITIVO

Si selecciona DISPOSITIVO presionando brevemente el botón del encoder, podrá cambiar el nombre de la unidad fuente con un máximo de 16 caracteres. Esto le da la capacidad de tener un nombre único para facilitar la identificación durante el emparejamiento del dispositivo. Pulse

brevemente el botón del encoder para seleccionar la letra que desea cambiar y gire el mando para cambiar el valor. Repita el proceso hasta que se alcance el nombre deseado.

## BEEP (ZUMBIDO)

Presione brevemente el botón codificador para acceder a las opciones de BEEP. Haga girar el botón codificador para encender y apagar (ON/OFF) el sistema.

## REGIÓN DE SINTONIZADOR

Para ajustar, presione brevemente el botón del codificador para tener acceso. Haga girar el botón del codificador para seleccionar la REGION DE SINTONIZADOR de su preferencia. (EUROPE > USA > RUSSIA > LATIN > ASIA > JAPAN > MIDEAST > AUSTRALIA)

## SOFTWARE

VERSION - Presione brevemente el botón del codificador para visualizar la versión actual del firmware de la unidad.

UPDATE - Presione brevemente el botón del codificador para actualizar el firmware. Siga las instrucciones de la pantalla al actualizar.

## TEMA

Para ajustar el tema, pulse brevemente el codificador para acceder a la función . Gire el botón del codificador para seleccionar el tema deseado ( día, noche, AUTO )

## PREDETERMINACIÓN DE FABRICA

AUDIO – Presione brevemente el botón para tener acceso. Gire el botón codificador para seleccionar YES/NO. Seleccionar YES repondrá su unidad de nuevo a la configuración predeterminada de la fábrica. SYSTEM – Presione brevemente el botón del codificador para tener acceso. Gire el botón codificador para seleccionar YES/NO. Seleccionar YES repondrá su unidad de nuevo a la configuración predeterminada de la fábrica.

## Funcionamiento Básico

PARA ENCENDER Y APAGAR (ON/OFF) LA UNIDAD.

Presione prolongadamente el botón SRC (encendido) para encender la unidad o para apagarla (ON u OFF).

## AJUSTE DEL VOLUMEN

Haga girar la perilla del codificador a la izquierda o a la derecha al nivel de volumen deseado (0-40). Se visualizará el nivel de volumen actual durante el ajuste.

## AJUSTE DE LA SALIDA DEL SUBWOOFER

Presione los botones SUB + o SUB- para ajustar el nivel de la salida (0-20).

## AJUSTE DEL BRILLO DE LA PANTALLA

Presione brevemente el botón SCREEN BRIGHTNESS para ajustar el nivel de brillo. Hay dos niveles de brillo.

## SELECCIÓN DE UNA FUENTE PARA REPRODUCIR

Presione brevemente el botón SRC para mostrar las distintas opciones de fuente (FM TUNER>AM TUNER>WB TUNER>USB>AUX>BLUETOOTH). Use el codificador giratorio o presione brevemente SCR para desplazarse por las fuentes.

Operación del sintonizador (FM/AM/WB)

Para operar use el codificador giratorio para seleccionar la fuente del sintonizador que quiere escuchar (FM>AM>WB).

Para BUSCAR AUTOMÁTICAMENTE estaciones, presione brevemente los botones FWD y REV. Para BUSCAR MANUALMENTE estaciones, presione prolongadamente los botones FWD y REV para sintonizar la frecuencia deseada.

Para MUTE (silenciar) el TUNER (sintonizador), presione brevemente el botón PLAY/PAUSE (reproducción/pausa).

CONFIGURACIÓN DE BANDAS DE FW

Para acceder a FM BAND SETTINGS, presione brevemente el MENU al utilizar la fuente FM TUNER. Esto le permite acceso a las configuraciones específicas de FM TUNER. (FM>PRESETS>ADD PRESETS>REMOVE PRESETS>AUTO STORE>LOCAL).

## PRESETS (PREDETERMINACIONES)

Presione brevemente el botón codificador para acceder a las opciones de PRESETS. El uso de esta característica le permite ver qué PRESETS se guardan en la unidad.

**ADD PRESETS (AGREGAR PREDETERMINACIONES)**

Presione brevemente el botón codificador para acceder a la opción ADD PRESETS. Tendrá que estar en ambos, la estación y el grupo PRESET que quiere ajustar primero (FM1>FM2>FM3). Usar esta característica le permite guardar estaciones en la unidad. Una vez seleccionado, use el codificador giratorio para seleccionar el número PRESET (1-6) en el que quiere guardar la estación.

**REMOVE PRESETS (ELIMINACIÓN DE PREDETERMINACIONES)**

Presione brevemente el botón codificador para acceder a la opción REMOVE PRESETS. Tendrá que estar bajo el grupo PRESET que quiere ajustar primero (FM1>FM2>FM3). Usar esta característica le permite eliminar las estaciones guardadas en la unidad. Una vez seleccionado, use el codificador giratorio para seleccionar el número PRESET (1-6) de la estación que quiere eliminar.

**FM**

Presione brevemente el botón codificador para acceder a las opciones de FM PRESET (FM1>FM2>FM3). El uso de esta característica le permite tener grupos predeterminados de sintonizador separados de los que puede escoger. Use el botón codificador giratorio para desplazarse a través de los grupos de TUNER y presione brevemente para seleccionar el grupo.

**AUTO STORE (ALMACENAMIENTO AUTOMÁTICO)**

Presione brevemente el botón codificador para acceder a la función AUTO STORE. Tendrá que estar bajo el grupo PRESET que quiere ajustar primero (FM1>FM2>FM3). Esta característica almacena automáticamente predeterminaciones en la unidad. Se detiene cuando se haya configurado las predeterminaciones 1-6. Seleccione el siguiente grupo PRESET y repita para llenar el próximo.

**LOCAL**

Presione brevemente el botón codificador para acceder a las opciones de LOCAL. Una vez seleccionado, use el codificador giratorio para seleccionar ON u OFF. La opción local sintoniza estaciones más cercanas con señales suficientemente fuertes para tener buena recepción. En áreas donde la recepción es deficiente, cambiar a sintonización distante habilita a la unidad a que sintonice estaciones más distantes. La sintonía distante es la predeterminación.

**CONFIGURACIÓN DE BANDAS DE AM**

Para acceder a AM BAND SETTINGS, presione brevemente el MENU al utilizar la fuente AM TUNER. Esto le permite acceso a las configuraciones específicas de AM TUNER (FM>PRESETS>ADD PRESETS>REMOVE PRESETS>AUTO STORE>LOCAL).

**PRESETS**

Presione brevemente el botón codificador para acceder a las opciones de PRESETS. El uso de esta característica le permite ver qué PRESETS se guardan en la unidad.

**ADD PRESETS (AGREGAR PREDETERMINACIONES)**

Presione brevemente el botón codificador para acceder a la opción ADD PRESETS. Tendrá que estar en ambos, la estación y el grupo PRESET que quiere ajustar primero (AM1>AM2). Usar esta característica le permite guardar las estaciones en la unidad. Una vez seleccionado, use el codificador giratorio para seleccionar el número PRESET (1-6) en el que quiere guardar la estación.

**REMOVE PRESETS (ELIMINACIÓN DE PREDETERMINACIONES)**

Presione brevemente el botón codificador para acceder a la opción REMOVE PRESETS. Tendrá que estar bajo el grupo PRESET que quiere ajustar primero (AM1>AM2). Usar esta característica le permite eliminar las estaciones guardadas en la unidad. Una vez seleccionado, use el codificador giratorio para seleccionar el número PRESET (1-6) de la estación que quiere eliminar.

**AM**

Presione brevemente el botón codificador para acceder a las opciones de FM PRESET (AM1>AM2). El uso de esta característica le permite tener grupos de predeterminación de de sintonizador separados de los que puede escoger. Use el botón codificador giratorio para desplazarse a través de los grupos de TUNER y presione brevemente para seleccionar el grupo.

**AUTO STORE**

Presione brevemente el botón codificador para acceder a la función AUTO STORE. Tendrá que estar bajo el grupo PRESET que quiere ajustar

primero (AM1>AM2). Esta característica almacena automáticamente predeterminaciones en la unidad. Se detiene cuando se configura las predeterminaciones 1-6. Seleccione el siguiente grupo PRESET y repita para completar el siguiente.

**LOCAL**

Presione brevemente el botón codificador para acceder a las opciones de LOCAL. Una vez seleccionado, use el codificador giratorio para seleccionar ON u OFF. La opción local sintoniza estaciones más cercanas con señales suficientemente fuertes para tener buena recepción. En áreas donde la recepción es deficiente, cambiar a sintonización distante habilita a la unidad a que sintonice estaciones más distantes. La sintonía distante es la predeterminación.

**WB BAND SETTINGS (CONFIGURACIÓN DE LA BANDA WB)**

Para acceder a WB BAND SETTINGS, presione brevemente el MENU al utilizar la fuente WB TUNER. Esto le permite acceso a las configuraciones específicas de WB TUNER (PRESETS>ADD PRESETS>REMOVE PRESETS).

**PRESETS**

Presione brevemente el botón codificador para acceder a las opciones de PRESETS. El uso de esta característica le permite ver qué PRESETS se guardan en la unidad.

**ADD PRESETS (AGREGAR PREDETERMINACIONES)**

Presione brevemente el botón codificador para acceder a la opción ADD PRESETS. Tendrá que estar en la estación que quiere agregar primero. Usar esta característica le permite guardar las estaciones en la unidad. Una vez seleccionado, use el codificador giratorio para seleccionar el número PRESET (1-6) en el que quiere guardar la estación.

**REMOVE PRESETS (ELIMINACIÓN DE PREDETERMINACIONES)**

Presione brevemente el botón codificador para acceder a la opción REMOVE PRESETS. Tendrá que estar bajo el grupo PRESET que quiere ajustar primero (AM1>AM2). Usar esta característica le permite eliminar las estaciones guardadas en la unidad. Una vez seleccionada, use el codificador giratorio para seleccionar el número PRESET (1-6) de la estación que quiere eliminar.

**Operación de USB**

Después de conectar el dispositivo a la unidad fuente, esta función le permite controlar la reproducción desde una unidad flash USB directamente desde la unidad. Seleccione la opción fuente USB en la unidad fuente.

Para reproducir o pausar una canción, presione brevemente el botón PLAY/PAUSE.

Para omitir una pista y avanzar, presione brevemente el botón FWD. Para omitir una pista y retroceder, presione brevemente el botón REV.

Para acceder a una configuración específica de USB, presione brevemente el botón MENU para visualizar una lista de configuraciones (BROWSER>REPEAT>SHUFFLE). Use el codificador para seleccionar la opción a cambiar.

**BROWSER**

Presione brevemente el botón del codificador para acceder a las opciones del BROWSER (PLAYLISTS>ARTISTS>ALBUMS>GENRES>SONGS>COM POSERS>AUDIOBOOKS>PODCASTS). El uso de esta característica permite la búsqueda de pistas o canciones por tipos de categorías distintas.

**REPEAT**

Presione brevemente el botón codificador para acceder a las opciones de la característica REPEAT (OFF>ONE>ALL).

**SHUFFLE**

Presione brevemente el botón codificador para acceder a las opciones de la característica SHUFFLE (OFF>ALL). Esta característica le permite que configure su preferencia en cuanto a la reproducción en orden aleatorio de pistas o canciones.

NOTA: Cuando use un cable de extensión USB, debe ser un cable de extensión alimentado por Rockford Fosgate. La distancia máxima para el cable es de 10 metros (33 pies).

**Operación AUX**

Después que su dispositivo esté conectado a la unidad fuente, esta característica le permite reproducir música desde su dispositivo. Seleccione la opción fuente AUX en la fuente de la unidad y use su dispositivo enchufado para controlar la selección de canciones/pistas, REPRODUCIR/

PAUSA y omisión de pista FWD/REV.

## **Operación de Bluetooth®**

Después que su dispositivo esté conectado a la unidad fuente, esta característica le permite controlar la reproducción de su dispositivo directamente desde la unidad. Seleccione la opción de fuente BLUETOOTH en la unidad fuente.

Para reproducir o pausar una canción, presione brevemente el botón PLAY/PAUSE.

Para omitir una pista y avanzar, presione brevemente el botón FWD. Para omitir una pista y retroceder, presione brevemente el botón REV.

Para acceder a una configuración específica de BLUETOOTH, presione brevemente el botón MENU para visualizar una lista de configuraciones (BROWSER>REPEAT>SHUFFLE). Use el codificador para seleccionar la opción a cambiar.

## **BROWSER**

Presione brevemente el botón del codificador para acceder a las opciones del BROWSER (PLAYLISTS>ARTISTS>ALBUMS>GENRES>SONGS>COMPOSERS>AUDIOBOOKS>PODCASTS). El uso de esta característica permite la búsqueda de pistas o canciones por tipos de categorías distintas.

## **REPEAT**

Presione brevemente el botón codificador para acceder a las opciones de la característica REPEAT (OFF>ONE>ALL). Esta característica le permite que configure su preferencia en cuanto a la cantidad de veces que se repetirá una pista o canción.

## **SHUFFLE**

Presione brevemente el botón codificador para acceder a las opciones de la característica SHUFFLE (OFF>ALL). Esta característica le permite que configure su preferencia en cuanto a la reproducción en orden aleatorio de pistas o canciones.

130.com.ua

Síntoma / Asesoramiento	Diagnóstico	Acción correctiva
		Básica
No se enciende la unidad fuente	Fusible quemado	Compruebe el fusible de la unidad cambie por uno con la calificación correcta.
	La ignición del vehículo está apagada	Si conecta siguiendo las instrucciones, la unidad no funcionará con la ignición apagada.
	El voltaje aplicado al alambre rojo no está entre 10.5 y 16 voltios o no hay voltaje presente	Compruebe la batería, las conexiones y los fusibles, y repare o reemplace como sea necesario. Si el voltaje es mayor de +16 voltios, haga que un centro de servicio autorizado inspeccione el sistema eléctrico.
	El amplificador no está correctamente conectado a tierra	Revise las conexiones y repárelas como sea necesario
<b>Sintonizador de radio</b>		
El sintonizador no sintoniza ninguna estación	No tiene antena o está desconectada o hay una conexión abierta en el cable	Revise todas las conexiones y repárelas como sea necesario.
No puede sintonizar estaciones en el modo seek	Está en un área de señal débil	Asegúrese de que el modo LOC del sintonizador esté apagado
<b>Dispositivos USB</b>		
No se puede insertar el dispositivo USB	Se insertó en dispositivo USB en la dirección equivocada	Intente reinsertar de nuevo invirtiendo la dirección de la conexión del dispositivo USB.
	El conector del dispositivo USB está roto	Cambie por un dispositivo USB nuevo
No se reconoció el dispositivo USB	El dispositivo USB está dañado	Desconecte el dispositivo USB y vuelva a conectar. Si el dispositivo todavía no se reconoce, pruebe de reemplazar con un dispositivo USB distinto. USB no funciona con dispositivos Android® y Apple®.
	Los conectores están sueltos	
No se escuchó un sonido y se muestra el mensaje "No File" (sin archivo)	No se almacenan archivos MP3/WMA en el dispositivo USB	Almacene correctamente estos archivos en el dispositivo USB USB no funciona con dispositivos Android® y Apple®.
El sonido salta o es ruidoso	Los archivos MP3/WMA no fueron creados correctamente.	Use archivos MP3/WMA que estén correctamente codificados.
<b>AUX</b>		
El MP3 no se está reproduciendo	Hubo un error de escritura. El formato MP3 no es compatible	Asegúrese de que se haya escrito en el MP3 usando un formato apoyado

## Design-Elemente (Fig. 1)

### Drehgeber

Dieser Regler dient zum Einstellen der Hauptlautstärke, der Menüführung und der Einstellungen.

### MENU-Taste

Langes Drücken der Taste ermöglicht den Zugriff auf die Haupteinstellungen des Geräts. Kurzes Drücken ermöglicht den Zugriff auf die Einstellungen für die aktive Source.

### SRC (Netzschalter)-Taste

Diese Taste ermöglicht das Umschalten zwischen Sources (kurzes Drücken) und Ein- und Ausschalten des Geräts ON/OFF (langes Drücken).

### SUB-Tasten

Über diese Tasten wird der Subwoofer-Ausgang oder der hintere Line-out nach oben (UP) oder unten (DOWN) eingestellt (0-20).

### PLAY/PAUSE-Taste

Diese Taste für die Musik-Wiedergabe oder Unterbrechung drücken. Diese Taste dient gleichzeitig als MUTE-Taste (Stummschalttaste), wenn die Source im AUX & TUNER-Modus ist.

### DIMMER-Taste

Durch Drücken dieser Taste kann man zwischen den zwei Helligkeitsstufen des Displays auswählen.

### REV/FWD-Taste

Durch kurzes Drücken dieser Taste durch die Kanäle oder Titel zurück- oder vorbringen. Langes Drücken aktiviert den manuellen Suchmodus.

### Inhalt

- Source-Gerät
- Fassung
- Montageplatte
- U-Form-Halterung
- Schrauben
- Netzanschluss / Lautsprecher-Kabelband
- Einbau- und Betriebsanleitung

## Informationen zum Einbau

Liste der erforderlichen Werkzeuge für den Einbau:

- Spannungsmesser (Volt/Ohm)
- Abisolierzange
- Drahtkripper
- Drahtschere
- Kreuzschraubenzieher Nr. 2
- Batteriestützenschlüssel
- Handbohrer mit verschiedenen Bohrerstippen
- Schrumpfschlauch
- Lötkolben
- Lot
- Heißluftpistole
- Schraubenschlüssel 7 mm

Dieser Abschnitt enthält einige Informationen zum Einbau des neuen Source-Geräts im Fahrzeug. Vorausplanung des Systemlayouts und der besten Verkabelungsrouten spart Zeit beim Einbau. Bei der Wahl eines Layouts für das neue System prüfen, ob alle Komponenten leicht erreichbar sind, um Einstellungen vorzunehmen.

Wenn Sie beim Einbau des Geräts unsicher sind, lassen Sie es bitte von einem qualifizierten Rockford-Fosgate-Techniker einbauen.

Entfernen Sie vor dem Einbau den negativen Batteriepol, um Schäden am Gerät, Brand und mögliche Verletzungen zu vermeiden.

Vor dem Einbau diese einfachen Regeln befolgen:

1. Vor dem Einbau des Geräts die Anleitungen sorgfältig durchlesen und verstehen.
2. Aus Sicherheitsgründen vor dem Einbau das negative Kabel von der Batterie trennen.
3. Um die Montage zu erleichtern, empfehlen wir, alle Kabel vor der Befestigung des Source-Geräts zu verlegen.
4. Alle RCA-Kabel dicht zusammen und möglichst weit von Hochstromkabeln entfernt verlegen.
5. Nur Qualitätsstecker verwenden, um einen zuverlässigen Einbau zu gewährleisten und Signal- und Stromverlust zu minimieren.
6. Vorsicht vor dem Bohren! Bei Arbeiten am Fahrzeug darauf achten, nicht in den Benzintank, in die Benzin-, Brems- oder hydraulischen Leitungen, Vakuumentleitungen oder Elektrokabel zu schneiden oder zu bohren.
7. Kabel nie unter dem Fahrzeug verlegen. Verlegen der Kabel im

Fahrzeug bietet den besten Schutz.

8. Verlegen der Kabel über oder durch scharfe Kanten vermeiden. Gummi- oder Plastik-Dichtungshülsen verwenden, um Kabel zu schützen, die durch Metall verlegt werden, insbesondere durch die Feuerwand.
9. Die Batterie und das elektrische System IMMER durch ordnungsgemäße Sicherungen vor Beschädigung schützen. Die entsprechende Sicherungshalterung und Sicherung auf dem +12V Stromkabel maximal 45,7 cm vom Batteriepol entfernt installieren.
10. Bei der Erdung über das Fahrgestell alle Farbe vom Metall abkratzen, um eine gute, saubere Erdung zu gewährleisten. Erdleitungen sollten so kurz wie möglich und stets an Metall angeschlossen sein, das an der Karosserie oder am Fahrgestell des Fahrzeugs angeschweißt ist. Niemals die Bolzen von Sicherheitsgurten für die Erdung verwenden.

## Einbau (mit der Einbauplatte) - Fig. 3

Für den Einbau des Gerätes eine flache Oberfläche mit genügend Freiraum hinten finden, um genügend Abstand für das Gerät und alle erforderlichen Kabel zu haben.

1. Nach der Festlegung der Befestigungsstelle ein rundes Loch mit einem Durchmesser von 77 mm ausschneiden.
2. Nach dem Ausschneiden des Lochs das Gerät und die Kabel durch das Loch führen.
3. Die Montageplatte über die Rückseite des Geräts schieben und mit den mitgelieferten Schrauben sichern.
4. Die Fassung auf die Vorderseite des Geräts aufdrücken.
5. Alle Kabelbäume und Kabel einstecken. Weitere Informationen zu den Arten von Kabelbaumanschlüssen sind im Schaltplan enthalten.

## Einbau (mit der U-Form-Halterung) - Fig. 4

Für den Einbau des Gerätes eine flache Oberfläche mit genügend Freiraum hinten finden, um genügend Abstand für das Gerät und alle erforderlichen Kabel zu haben.

1. Nach der Festlegung der Befestigungsstelle ein rundes Loch mit einem Durchmesser von 77 mm ausschneiden.
2. Nach dem Ausschneiden des Lochs das Gerät und die Kabel durch das Loch führen.
3. U-Form-Halterung herausnehmen und über die zwei Stifte auf der Rückseite des Geräts schieben. Mit den mitgelieferten Schraubenmuttern festziehen.
4. Die Fassung auf die Vorderseite des Geräts aufdrücken.
5. Alle Kabelbäume und Kabel einstecken. Weitere Informationen zu den Arten von Kabelbaumanschlüssen sind im Schaltplan enthalten.

## Einstellungen des Source-Geräts

Um auf die Einstellungen des Source-Geräts zuzugreifen, die MENU-Taste lange drücken, bis die Optionen angezeigt werden. Den Drehgeber drehen, durch die Liste der Einstellungen blättern und den Drehgeber-Knopf kurz drücken, um die gewünschte Einstellung auszuwählen und zu ändern. (BALANCE>FADER>AUDIO>VOLTAGE GAUGE>BT PAIRING>BEEP>TUNER REGION>SOFTWARE>FACTORY DEFAULT) (BALANCE>FADER>AUDIO>SPANNUNSMESSER>BT PAIRING>SIGNALTON>TUNER REGION>SOFTWARE>WERKSEINSTELLUNG)

Wenn das Gerät ausgeschaltet ist, ist die Stromaufnahme gleich Null. Alle Einstellungen und Voreinstellungen werden mit der Bordbatterie während der Lagerung gespeichert.

### BALANCE

Den Drehgeber-Knopf kurz drücken, um auf die BALANCE-Einstellungen zuzugreifen. Den Drehgeber-Knopf drehen, um die Ausgang-BALANCE einzustellen.

### FADER

Den Drehgeber-Knopf kurz drücken, um auf die FADER-Einstellungen zuzugreifen. Den Drehgeber-Knopf drehen, um den Ausgang-FADER einzustellen.

### AUDIO

Die Option AUDIO in der MENU-Anzeige kurz drücken, um auf die AUDIO-Einstellungen zuzugreifen. Den Drehgeber drehen, durch die Liste der Einstellungen blättern und den Drehgeber-Knopf kurz drücken, um die gewünschte Einstellung auszuwählen und zu ändern. (7 BAND EQ>CROSSOVER>PEQ>REAR RCA>AUX INPUT>SOURCE GAIN>INTERNAL AMPLIFIER) (7 BAND EQ>CROSSOVER>PEQ>RCA

HINTEN>AUX-INPUT>SOURCE>VERSTÄRKUNG>INTERNER VERSTÄRKER)

### 7 BAND EQ

Den Drehgeber-Knopf kurz drücken, um auf die Einstellungen 7 BAND EQ zuzugreifen. Mit dem Drehgeber durch die EQ-Einstellungen blättern. (FLAT > ROCK > CLASSIC > ACOUSTIC > DANCE > ELECTRONIC > HIP-HOP > CUSTOM) Bei der Einrichtung von CUSTOM EQ den Drehgeber-Knopf kurz drücken, um die erste Frequenz einzustellen. Nach der Aktivierung den Drehgeber drehen und die Frequenzeinstellungen vornehmen. Den Drehgeber-Knopf erneut kurz drücken, um auf die nächste Frequenz zuzugreifen. Wiederholen, bis alle EQ-Einstellungen vorgenommen wurden. Zum Beenden die MENU-Taste kurz drücken und eine Ebene zurück gehen.

### CROSSOVER

Kurz drücken, um auf die CROSSOVER-Einstellungen zuzugreifen. Mit dem Drehgeber die Optionen der CROSSOVER-Zonen auswählen (FRONT>REAR>SUB) (VORNE>HINTEN>SUB). Den Drehgeber kurz drücken, um die Crossover-Frequenz einzustellen (60Hz>80Hz>120Hz>APF). Zum Beenden MENU kurz drücken und eine Ebene zurück gehen.

### REAR RCA (RCA hinten)

Kurz drücken, um auf die Einstellungen REAR RCA zuzugreifen. Mit dem Drehgeber die Optionen auswählen (LINE OUT>SUBWOOFER) (AUSGANG>SUBWOOFER).

### PUNCH EQ

Kurz drücken, um auf die Einstellungen PUNCH EQ zuzugreifen. Mit dem Drehgeber die Ausgangsverstärkung (0-12) einstellen. Zum Beenden MENU kurz drücken und eine Ebene zurück gehen.

Punch EQ ist ein integrierter Entzerrer mit bis zu +18 dB @ 45 Hz und/oder bis zu +12 dB Boost bei 12,5 kHz.

### AUX INPUT (AUX-EINGANG)

RENAME (Umbenennen) – Um AUX umzubenennen, den Drehgeber-Knopf kurz drücken, um den ersten Buchstaben des neuen Namens einzugeben. Nach der Aktivierung den Drehgeber drehen, um die Buchstaben einzustellen. Den Drehgeber-Knopf erneut kurz drücken, um den nächsten Buchstaben einzustellen. Wiederholen, bis AUX umbenannt wurde. Zum Beenden MENU kurz drücken und eine Ebene zurück gehen. ENABLE (Aktivieren) – Den Drehgeber-Knopf kurz drücken, um auf die Optionen zuzugreifen. Zum Auswählen den Drehgeber-Knopf drehen, wenn das Gerät sichtbar ist. (ENABLE > DISABLE) (Aktivieren > Deaktivieren)

### SOURCE GAIN (Source-Verstärkung)

Zum Einstellen des Levels der Gerät-Eingangsverstärkung durch die Eingänge (FM TUNER>AM TUNER>WB TUNER>USB>AUX>BLUETOOTH) zum Gerät blättern, das eingestellt werden soll, und den Drehgeber-Knopf kurz drücken, um auf die Verstärkungseinstellungen zuzugreifen. Den Drehgeber-Knopf drehen, um das Verstärkungslevel einzustellen. (-3dB > -2dB > -1dB > 0dB > +1dB > +2dB > +3dB)

### INTERNAL AMPLIFIER (Interner Verstärker)

Kurz drücken, um auf die Einstellungen INTERNAL AMPLIFIER zuzugreifen. Mit dem Drehgeber die Optionen auswählen (ON>OFF). Wenn ein Verstärker für die Stromversorgung der Lautsprecher verwendet wird, OFF wählen. Wenn die Lautsprecher direkt vom Source-Gerät mit Strom versorgt werden, den INTERNAL AMPLIFIER auf ON einstellen.

### VOLTAGE GAUGE (Spannungsmesser)

Zur Ansicht der Fahrzeugspannung den Drehgeber-Knopf auf der Option VOLTAGE GAUGE kurz drücken.

### BT DEVICE PAIRING (BT-Geräte-Kopplung)

Drücken Sie kurz die Encoder-Taste, um auf Optionen zuzugreifen (DISCOVERABLE> DEVICE).

### ENTDECKLICH

Drehen Sie die Encoder-Taste, um auszuwählen, ob die Einheit für die Paarung erkennbar ist. (ENABLE> DISABLE) Sobald sie aktiviert ist, ist die Quelleneinheit jetzt erkennbar und bereit für die Paarung mit Ihrem Gerät. Öffnen Sie die Bluetooth-Einstellungen auf Ihrem Gerät, um die Quelleneinheit "Rockford PMX" zu finden, und wählen Sie.

### GERÄT

Wenn Sie DEVICE durch kurzes Drücken der Encodertaste auswählen, können Sie die Quelleneinheit mit bis zu 16 Zeichen umbenennen. Dadurch

haben Sie die Möglichkeit, einen eindeutigen Namen für eine einfache Identifikation während der Gerätepaarung zu haben. Drücken Sie kurz die Encoder-Taste, um den zu ändernden Buchstaben auszuwählen, und drehen Sie den Regler, um den Wert zu ändern. Wiederholen Sie den Vorgang, bis der gewünschte Name erreicht ist.

### BEEP (Signalton)

Den Drehgeber-Knopf kurz drücken, um auf die BEEP-Optionen zuzugreifen. Den Drehgeber-Knopf drehen, um den System-Signalton zu aktivieren (ON) oder deaktivieren (OFF).

### TUNER REGION

Den Drehgeber-Knopf kurz drücken, um diese einzustellen. Den Drehgeber-Knopf drehen, um die bevorzugte TUNER REGION auszuwählen. (EUROPE > USA > RUSSIA > LATIN > ASIA > JAPAN > MIDEAST > AUSTRALIA) (EUROPA > USA > RUSSLAN > LATEINAMERIKA > ASIEN > JAPAN > NAHOST > AUSTRALIEN)

### SOFTWARE

VERSION – Den Drehgeber-Knopf kurz drücken, um die aktuelle Firmware-Version des Geräts anzuzeigen.

UPDATE (Aktualisieren) – Den Drehgeber-Knopf kurz drücken, um die Firmware zu aktualisieren. Den Anleitungen auf dem Bildschirm während der Aktualisierung folgen.

### THEMA

Zur Einstellung des Thema, drücken Sie kurz die Encoder die Funktion zuzugreifen. Drehen Sie den Encoder- Taste, um das gewünschte Thema (Tag, Nacht , AUTO)

### FACTORY DEFAULT (Werkseinstellung)

AUDIO – Den Drehgeber-Knopf kurz drücken, um diese einzustellen. Den Drehgeber-Knopf drehen, um YES/NO (Ja/Nein) auszuwählen. YES setzt das Gerät auf die Werkseinstellungen zurück.

SYSTEM – Den Drehgeber-Knopf kurz drücken, um diese einzustellen. Den Drehgeber-Knopf drehen, um YES/NO (Ja/Nein) auszuwählen. YES setzt das Gerät auf die Werkseinstellungen zurück. Grundlegende Funktionen

### EIN- UND AUSSCHALTEN DES GERÄTS

Die SRC (Netzschalter)-Taste lange drücken, um das Gerät ein- (ON) oder auszuschalten (OFF).

### EINSTELLUNG DER LAUTSTÄRKE

Den Drehgeber-Knopf nach links oder rechts auf die gewünschte Lautstärke (0-40) drehen. Die aktuelle Lautstärke wird während der Einstellung angezeigt.

### EINSTELLUNG DES SUBWOOFER-AUSGANGS

Die Tasten SUB + oder SUB- drücken, um den Ausgangspegel einzustellen (0-20).

### EINSTELLUNG DER BILDSCHIRM-HELLIGKEIT

Die Taste SCREEN BRIGHTNESS kurz drücken, um die Helligkeit einzustellen. Es gibt zwei Helligkeitsstufen.

### AUSWAHL EINER SOURCE FÜR DIE WIEDERGABE

Die SRC-Taste kurz drücken, um die verschiedenen Source-Optionen anzuzeigen (FM TUNER>AM TUNER>WB TUNER>USB>AUX>BLUETOOTH). Den Drehgeber-Knopf verwenden oder die SRC-Taste kurz drücken, um durch die Sources zu blättern.

### Tuner-Bedienung (FM/AM/WB)

Mit dem Drehgeber-Knopf die Tuner-Source wählen, der man zuhören möchte (FM>AM>WB).

Um Sender AUTOMATISCH ZU SUCHEN, die Tasten FWD und REV kurz drücken. Um Sender MANUELL ZU SUCHEN, die Tasten FWD und REV zum Einstellen der gewünschten Frequenz lange drücken.

Um den TUNER auf MUTE (stumm) einzustellen, die Taste PLAY/PAUSE kurz drücken.

### FM BAND SETTINGS (FM-Band-Einstellungen)

Um auf FM BAND SETTINGS zuzugreifen, bei der Verwendung der Source FM TUNER kurz MENU drücken. Dies gibt Zugang zu den FM TUNER-spezifischen Einstellungen (FM)-PRESETS-ADD PRESETS>REMOVE PRESETS>AUTO STORE>LOCAL) (FM>VOREINSTELLUNGEN>VOREINSTELLUNGEN HINZUFÜGEN>VOREINSTELLUNGEN ENTFERNEN>AUTOM SPEICHERUNG>ORTL).



## **PRESETS (Voreinstellungen)**

Den Drehgeber-Knopf kurz drücken, um auf die PRESETS-Liste zuzugreifen. Mit dieser Funktion kann angezeigt werden, welche PRESETS auf dem Gerät gespeichert sind.

## **ADD PRESETS (Voreinstellungen hinzufügen)**

Den Drehgeber-Knopf kurz drücken, um auf die Option ADD PRESETS zuzugreifen. Es muss sowohl der Sender als auch die PRESET-Gruppe angezeigt sein, die man zuerst hinzufügen möchte (FM1>FM2>FM3). Mit dieser Funktion kann man Sender auf dem Gerät speichern. Nach der Auswahl mit dem Drehgeber die PRESET-Nummer (1-6) wählen, auf der der Sender gespeichert werden soll.

## **REMOVE PRESETS (Voreinstellungen entfernen)**

Den Drehgeber-Knopf kurz drücken, um auf die Option REMOVE PRESETS zuzugreifen. Es muss die PRESET-Gruppe angezeigt sein, die man zuerst einstellen möchte (FM1>FM2>FM3). Mit dieser Funktion kann man gespeicherte Sender auf dem Gerät entfernen. Nach der Auswahl mit dem Drehgeber die PRESET-Nummer (1-6) des Senders wählen, der entfernt werden soll.

## **FM**

Den Drehgeber-Knopf kurz drücken, um auf die Optionen FM PRESET (FM1>FM2>FM3) zuzugreifen. Mit dieser Funktion ist es möglich, getrennte Gruppen Tuner-Voreinstellungen zur Auswahl zu haben. Mit dem Drehgeber-Knopf durch die TUNER-Gruppen blättern und kurz drücken, um die Gruppe auszuwählen.

## **AUTO STORE (Automatische Speicherung)**

Den Drehgeber-Knopf kurz drücken, um auf die Funktion AUTO STORE zuzugreifen. Es muss die PRESET-Gruppe angezeigt sein, die man zuerst einstellen möchte (FM1>FM2>FM3). Diese Funktion speichert die Voreinstellungen automatisch auf dem Gerät. Sie stoppt, wenn die Voreinstellungen 1-6 eingestellt sind. Die nächste PRESET-Gruppe wählen und wiederholen, um die nächste Serie einzustellen.

## **LOCAL (Örtlich)**

Den Drehgeber-Knopf kurz drücken, um auf die LOCAL-Optionen zuzugreifen. Nach der Auswahl mit dem Drehgeber ON oder OFF auswählen. Die LOCAL-Option stellt sich auf Radiosender in der Nähe ein, die ausreichend starke Signale für einen guten Empfang haben. In Gebieten mit schlechtem Empfang kann das Gerät durch Auswahl von Feineinstellung weiter entfernt gelegene Sender einstellen. Feineinstellung ist der Standard.

## **AM BAND SETTINGS (AM-Band-Einstellungen)**

Um auf AM BAND SETTINGS zuzugreifen, bei der Verwendung der Source AM TUNER kurz MENU drücken. Dies gibt Zugang zu den AM TUNER-spezifischen Einstellungen (AM>PRESETS>ADD PRESETS>REMOVE PRESETS>AUTO STORE>LOCAL) (AM>VOREINSTELLUNGEN>VOREINSTELLUNGEN HINZUFÜGEN>VOREINSTELLUNGEN ENTFERNEN>AUTOM SPEICHERUNG>ÖRTL).

## **PRESETS (Voreinstellungen)**

Den Drehgeber-Knopf kurz drücken, um auf die PRESETS-Liste zuzugreifen. Mit dieser Funktion kann angezeigt werden, welche PRESETS auf dem Gerät gespeichert sind.

## **ADD PRESETS (Voreinstellungen hinzufügen)**

Den Drehgeber-Knopf kurz drücken, um auf die Option ADD PRESETS zuzugreifen. Es muss sowohl der Sender als auch die PRESET-Gruppe angezeigt sein, die man zuerst hinzufügen möchte (AM1>AM2). Mit dieser Funktion kann man Sender auf dem Gerät speichern. Nach der Auswahl mit dem Drehgeber die PRESET-Nummer (1-6) wählen, auf der der Sender gespeichert werden soll.

## **REMOVE PRESETS (Voreinstellungen entfernen)**

Den Drehgeber-Knopf kurz drücken, um auf die Option REMOVE PRESETS zuzugreifen. Es muss die PRESET-Gruppe angezeigt sein, die man zuerst einstellen möchte (AM1>AM2). Mit dieser Funktion kann man gespeicherte Sender auf dem Gerät entfernen. Nach der Auswahl mit dem Drehgeber die PRESET-Nummer (1-6) des Senders wählen, der entfernt werden soll.

## **AM**

Den Drehgeber-Knopf kurz drücken, um auf die Optionen FM PRESET (AM1>AM2) zuzugreifen. Mit dieser Funktion ist es möglich, getrennte

Gruppen Tuner-Voreinstellungen zur Auswahl zu haben. Mit dem Drehgeber-Knopf durch die TUNER-Gruppen blättern und kurz drücken, um die Gruppe auszuwählen.

## **AUTO STORE (Automatische Speicherung)**

Den Drehgeber-Knopf kurz drücken, um auf die Funktion AUTO STORE zuzugreifen. Es muss die PRESET-Gruppe angezeigt sein, die man zuerst einstellen möchte (AM1>AM2). Diese Funktion speichert die Voreinstellungen automatisch auf dem Gerät. Sie stoppt, wenn die Voreinstellungen 1-6 eingestellt sind. Die nächste PRESET-Gruppe wählen und wiederholen, um die nächste Serie einzustellen.

## **LOCAL (Örtlich)**

Den Drehgeber-Knopf kurz drücken, um auf die LOCAL-Optionen zuzugreifen. Nach der Auswahl mit dem Drehgeber ON oder OFF auswählen. Die LOCAL-Option stellt sich auf Radiosender in der Nähe ein, die ausreichend starke Signale für einen guten Empfang haben. In Gebieten mit schlechtem Empfang kann das Gerät durch Auswahl von Feineinstellung weiter entfernt gelegene Sender einstellen. Feineinstellung ist der Standard.

## **WB BAND SETTINGS (WB-Band-Einstellungen)**

Um auf WB BAND SETTINGS zuzugreifen, bei der Verwendung der Source WB TUNER kurz MENU drücken. Dies gibt Zugang zu den WB TUNER-spezifischen Einstellungen (WB>PRESETS>ADD PRESETS>REMOVE PRESETS) (WB>VOREINSTELLUNGEN>VOREINSTELLUNGEN HINZUFÜGEN>VOREINSTELLUNGEN ENTFERNEN).

## **PRESETS (Voreinstellungen)**

Den Drehgeber-Knopf kurz drücken, um auf die PRESETS-Liste zuzugreifen. Mit dieser Funktion kann angezeigt werden, welche PRESETS auf dem Gerät gespeichert sind.

## **ADD PRESETS (Voreinstellungen hinzufügen)**

Den Drehgeber-Knopf kurz drücken, um auf die Option ADD PRESETS zuzugreifen. Es muss der Sender angezeigt sein, den man zuerst hinzufügen möchte. Mit dieser Funktion kann man Sender auf dem Gerät speichern. Nach der Auswahl mit dem Drehgeber die PRESET-Nummer (1-6) wählen, auf der der Sender gespeichert werden soll.

## **REMOVE PRESETS (Voreinstellungen entfernen)**

Den Drehgeber-Knopf kurz drücken, um auf die Option REMOVE PRESETS zuzugreifen. Es muss die PRESET-Gruppe angezeigt sein, die man zuerst einstellen möchte (AM1>AM2). Mit dieser Funktion kann man gespeicherte Sender auf dem Gerät entfernen. Nach der Auswahl mit dem Drehgeber die PRESET-Nummer (1-6) des Senders wählen, der entfernt werden soll.

## **USB-Betrieb**

Nachdem Ihr Gerät an das Quellgerät angeschlossen ist, können Sie mit dieser Funktion die Wiedergabe von einem USB-Flash-Laufwerk direkt vom Gerät aus steuern. Wählen Sie die Option USB-Quelle auf dem Quellengerät aus.

Für die Wiedergabe oder Pause eines Songs die Taste PLAY/PAUSE kurz drücken.

Um einen Track vorwärts zu springen, die FWD-Taste kurz drücken. Um einen Track rückwärts zu springen, die REV-Taste kurz drücken.

Für den Zugang zu spezifischen USB-Einstellungen die MENU-Taste für die Liste der Einstellungen (BROWSER>REPEAT>SHUFFLE) kurz drücken. Mit dem Drehgeber die zu ändernde Option wählen.

## **BROWSER**

Den Drehgeber-Knopf kurz drücken, um auf die BROWSER-Optionen zuzugreifen (PLAYLISTS>ARTISTS>ALBUMS>GENRES>SONGS>COMPONENTS>AUDIOBOOKS>PODCASTS) (Wiedergabelisten>Künstler>Alben>Genres>Songs>Komponisten>Audiobücher>Podcasts). Mit dieser Funktion können Titel oder Songs nach verschiedenen Typen von Kategorien durchsucht werden.

## **REPEAT (Wiederholen)**

Den Drehgeber-Knopf kurz drücken, um auf die Optionen REPEAT (OFF>ONE>ALL) (EIN>EINE>ALLE) zuzugreifen.

## **SHUFFLE**

Den Drehgeber-Knopf kurz drücken, um auf die Option SHUFFLE (OFF>ALL) (EIN>ALLE) zuzugreifen. Mit dieser Funktion kann die Shuffle-Präferenz für Titel oder Songs eingestellt werden.

HINWEIS: Bei Verwendung eines USB-Verlängerungskabels muss es sich um ein Rockford Fosgate-Netzkabel handeln. Der maximale Abstand für das Kabel beträgt 33 Fuß (10 Meter).

#### **AUX-Betrieb**

Nachdem das Gerät an das Source-Gerät angeschlossen ist, kann über diese Funktion Musik über das Gerät wiedergegeben werden. Die Option AUX-Source auf dem Source-Gerät wählen und über das angeschlossene Gerät die Auswahl von Song/Titel, PLAY/PAUSE und Titel FWD/REV überspringen steuern.

#### **Bluetooth® -Betrieb**

Nachdem das Gerät an das Source-Gerät gekoppelt ist, kann über diese Funktion die Wiedergabe vom Gerät direkt über das Source-Gerät gesteuert werden. BLUETOOTH-Source-Option auf dem Source-Gerät wählen. Für die Wiedergabe oder Pause eines Songs die Taste PLAY/PAUSE kurz drücken.

Um einen Track vorwärts zu springen, die FWD-Taste kurz drücken. Um einen Track rückwärts zu springen, die REV-Taste kurz drücken.

Für den Zugang zu spezifischen BLUETOOTH-Einstellungen die MENU-Taste für die Liste der Einstellungen (BROWSER>REPEAT>SHUFFLE) kurz drücken. Mit dem Drehgeber die zu ändernde Option wählen.

#### **BROWSER**

Den Drehgeber-Knopf kurz drücken, um auf die BROWSER-Optionen zuzugreifen (PLAYLISTS>ARTISTS>ALBUMS>GENRES>SONGS>COMPONENTS>AUDIOBOOKS>PODCASTS) (Wiedergabelisten>Künstler>Alben>Genres>Songs>Komponisten>Audiobücher>Podcasts). Mit dieser Funktion können Titel oder Songs nach verschiedenen Typen von Kategorien durchsucht werden.

#### **REPEAT (Wiederholen)**

Den Drehgeber-Knopf kurz drücken, um auf die Optionen REPEAT (OFF>ONE>ALL) (EIN>EINE>ALLE) zuzugreifen. Mit dieser Funktion kann die Präferenz für die Anzahl der Wiederholung von Titeln oder Songs eingestellt werden.

#### **SHUFFLE**

Den Drehgeber-Knopf kurz drücken, um auf die Option SHUFFLE (OFF>ALL) (EIN>ALLE) zuzugreifen. Mit dieser Funktion kann die Shuffle-Präferenz für Titel oder Songs eingestellt werden.

HINWEIS: Bei Verwendung eines USB-Verlängerungskabels muss es sich um ein Rockford Fosgate-Netzkabel handeln. Der maximale Abstand für das Kabel beträgt 33 Fuß (10 Meter).

Symptom / Beschreibung	Diagnose	Lösung
<b>Grund</b>		
Source-Gerät kann nicht eingeschaltet werden.	Sicherung durchgebrannt	Die Sicherung des Geräts prüfen und ggf mit der richtigen Stärke ersetzen.
	Zündung des Fahrzeugs ist ausgestellt.	Falls nach den Anleitungen angeschlossen wird das Gerät bei ausgeschalteter Zündung nicht funktionieren.
	Die auf den roten Draht angelegte Spannung liegt nicht zwischen 10,5 und 16 Volt oder die Spannung ist unzureichend.	Batterie, Anschlüsse und Sicherungen überprüfen und reparieren oder nach Bedarf ersetzen. Wenn die Spannung über +16 Volt liegt, die Elektrik von einem autorisierten Servicezentrum prüfen lassen.
	Das Gerät ist nicht ordnungsgemäß gesichert	Die Kabel prüfen und ggf. reparieren.
<b>Radio Tuner</b>		
Tuner kann keine Sender einstellen	Keine Antenne oder unterbrochene oder offene Kabelverbindung	Alle Verbindungen prüfen und ggf. reparieren.
Sender im Such-Modus nicht einstellbar	Man befindet sich in einem Gebiet mit schwachem Signal	Sicherstellen, dass der Tuner-Modus LOC deaktiviert ist.
<b>USB-Geräte</b>		
USB-Gerät kann nicht eingeführt werden	Das USB-Gerät wurde in der falschen Richtung eingeführt	Nach Umkehrung der Verbindungsrichtung des USB-Geräts Einführung nochmals versuchen.
	Der USB-Geräteanschluss ist beschädigt	Durch ein neues USB-Gerät ersetzen.
USB-Gerät wird nicht erkannt	Das USB-Gerät ist beschädigt	Das USB-Gerät trennen und neu anschließen. Wenn das Gerät trotzdem nicht erkannt wird, es mit einem anderen USB-Gerät ersetzen. USB funktioniert nicht mit Android® und Apple® Geräten.
	Anschlüsse sind lose	
Kein Ton hörbar mit der Display-Anzeige "No File"	Keine MP3/WMA-Dateien auf dem USB-Gerät gespeichert	Diese Dateien korrekt auf dem USB-Gerät speichern. USB funktioniert nicht mit Android® und Apple® Geräten.
Tonsprünge oder Geräusche	MP3/WMA-Dateien wurden nicht korrekt erstellt	Korrekt erstellte MP3/WMA-Dateien verwenden.
<b>AUX</b>		
Keine Wiedergabe von MP3	Es ist ein Schreibfehler aufgetreten. Das MP3-Format ist nicht kompatibel.	Sicherstellen, dass das MP3 in einem unterstützten Format geschrieben wurde.

## Caratteristiche del design

### Encoder rotativo

Questa manopola è per regolare il volume principale, la navigazione del menu e le regolazioni di impostazione.

### Pulsanti MENU

Premendo a lungo questo pulsante si accede alle impostazioni principali dell'unità. Premendo brevemente si accede alle impostazioni per la fonte attiva.

### Pulsante SRC (Alimentazione)

Questo pulsante consente di scegliere la fonte (premendo velocemente) e accendere l'unità ON e spegnerla OFF (premendo a lungo).

### Pulsanti SUB

Questi pulsanti regolano l'uscita del subwoofer o della linea di uscita posteriore SU o GIU (0-20).

### Pulsante PLAY / PAUSE (Riproduzione/Pausa)

Premere questo pulsante per riprodurre o sospendere la musica. Questo pulsante ha anche la funzione MUTE per la disattivazione dell'audio quando la fonte è nella modalità AUX e TUNER.

### Pulsante DIMMER (reostato)

Questo pulsante consente di selezionare uno dei due valori di luminosità del display.

### Pulsante REV / FWD (inversione / avanzamento)

Usare questo pulsante per saltare al canale o brano precedente o successivo premendo brevemente. Premendo a lungo si attiva la modalità di ricerca manuale.

### Contenuto

- Unità di fonte
- Cornice
- Piastra di montaggio
- Staffa a forma U
- Viti
- Alimentazione / Cablaggio del diffusore
- Manuale d'installazione e funzionamento

### Considerazioni sull'installazione

Segue l'elenco di base degli strumenti necessari per l'installazione:

- Multimetro Volt/Ohm
- Pinze spellafili
- Crimpatrici
- Tronchesi
- Cacciavite a croce #2
- Chiave inglese per il polo della batteria
- Trapano portatile con varie punte
- Tubazione termoretraibile a caldo
- Saldatore
- Lega per saldatura
- Pistola termica
- Chiave inglese da 7 mm

Questa sezione spiega alcune considerazioni relative al veicolo per l'installazione della nuova unità di fonte. La pianificazione della configurazione del sistema e dei migliori percorsi per il cablaggio ridurrà i tempi d'installazione. Nel decidere la configurazione del nuovo sistema accertarsi che ogni componente sarà facilmente accessibile per potere effettuare modifiche.

Se non siete sicuri come installare il sistema voi stessi, fatelo installare da un tecnico audio qualificato della Rockford.

Prima dell'installazione staccare il terminale negativo (-) per prevenire danni all'unità, incendi e/o lesioni.

Prima di procedere con l'installazione seguire queste semplici regole:

1. Leggere attentamente le istruzioni e comprenderle prima di iniziare l'installazione dell'unità.
2. Per motivi di sicurezza staccare il terminale negativo della batteria prima di iniziare l'installazione.
3. Per facilitare l'assemblaggio consigliamo di passare tutti i cavi nella posizione d'installazione prima di montare l'unità.
4. Condurre tutti i cavi RCA vicini tra di loro e lontani dagli altri cavi ad alta tensione.
5. Usare connettori di alta qualità per un'installazione affidabile e per minimizzare la perdita di segnale o potenza.
6. Attenzione prima di trapanare! Attenzione a non tagliare o trapanare il serbatoio della benzina, le tubazioni del carburante, le linee freno o

idrauliche, le linee da vuoto o i cavi elettrici quando si lavora su qualsiasi veicolo.

7. Mai passare i cavi sotto il veicolo. Si ottiene la protezione migliore facendo scorrere i cavi all'interno del veicolo.
8. Evitare di passare i cavi sopra o attraverso bordi taglienti. Usare guarnizioni in gomma o plastica per proteggere i cavi che si fanno passare attraverso il metallo, soprattutto la parete parafiamma.
9. Proteggere SEMPRE la batteria e il sistema elettrico da danni usando fusibili adatti. Installare fusibile e portafusibili adeguati sul cavo di alimentazione da +12V entro 45,7 cm dal terminale della batteria.
10. Quando si collega la messa a terra al telaio del veicolo, raschiare tutta la vernice dal metallo per garantire una connessione a terra pulita e salda. Le connessioni a terra dovrebbero essere più corte possibile e sempre connesse al metallo saldato alla carrozzeria principale o al telaio del veicolo. Mai usare i bulloni delle cinture di sicurezza per la connessione a terra.

### Montaggio (usare la piastra di montaggio) - Fig. 3

Per montare l'unità trovare una superficie piana con spazio libero dietro per avere spazio sufficiente per l'unità e tutto il cablaggio necessario.

1. Dopo avere scelto il luogo di montaggio tagliare un foro circolare con un diametro di 77 mm.
2. Dopo aver tagliato il foro far passare l'unità e il cablaggio attraverso il foro.
3. Inserire la piastra di montaggio sul retro dell'unità e fissarla con le viti fornite.
4. Premere la cornice sulla parte frontale dell'unità.
5. Inserire tutti i cablaggi e cavi. Fare riferimento al diagramma per i tipi di connessione dei cablaggi.

### Montaggio (usando la staffa a forma U) - Fig. 4

Per montare l'unità trovare una superficie piana con spazio libero dietro per avere spazio sufficiente per l'unità e tutto il cablaggio necessario.

1. Dopo avere scelto il luogo di montaggio tagliare un foro circolare con un diametro di 77 mm.
2. Dopo aver tagliato il foro far passare l'unità e il cablaggio attraverso il foro.
3. Prendere la staffa a forma U e farla scivolare sopra i due perni sul retro dell'unità. Fissare con i dadi forniti avvitandoli.
4. Premere la cornice sulla parte frontale dell'unità.
5. Inserire tutti i cablaggi e cavi. Fare riferimento al diagramma per i tipi di connessione dei cablaggi.

### Impostazioni dell'unità di fonte

Per accedere alle impostazioni dell'unità di fonte premere a lungo il pulsante MENU fino a visualizzare le opzioni. Ruotare l'encoder per scorrere attraverso l'elenco delle impostazioni e premere velocemente per selezionare l'impostazione che si desidera modificare. (BALANCE>FADER>AUDIO>VOLTAGE GAUGE>BT PAIRING>BEEP>TUNER REGION>SOFTWARE>FACTORY DEFAULT) (BILANCIAMENTO>ATTENUATORE>AUDIO>CALIBRO TENSIONE>APPAIAMENTO BT>SEGNALE ACUSTICO>REGIONE TUNER>SOFTWARE>IMPOSTAZIONI PREDEFINITE)

Questa unità di fonte ha una potenza assorbita uguale a zero quando l'unità è spenta. Tutte le impostazioni e le impostazioni predefinite saranno salvate con la batteria dell'imbarcazione durante l'immagazzinaggio.

### BALANCE (BILANCIAMENTO)

Premere brevemente il pulsante dell'encoder per accedere alle impostazioni per il regolamento di BALANCE. Ruotare il pulsante dell'encoder per impostare il bilanciamento dell'output.

### FADER (ATTENUATORE)

Premere brevemente il pulsante dell'encoder per accedere alle impostazioni per il regolamento del FADER. Ruotare il pulsante dell'encoder per impostare il FADER dell'output.

### AUDIO

Per accedere alle impostazioni AUDIO premere brevemente l'opzione AUDIO dalla schermata MENU. Ruotare l'encoder per scorrere attraverso l'elenco delle impostazioni e premere velocemente per selezionare l'impostazione che si desidera modificare. (7 BAND EQ>CROSSOVER>PEQ>REAR RCA>AUX INPUT>SOURCE

GAIN>INTERNAL AMPLIFIER) (EQ 7 BANDE>CROSSOVER>PEQ>RCA POST>INPUT AUX->GUADAGNO FONTE>AMPLIFICATORE INTERNO)

## 7 BAND EQ (EQ 7 BANDE)

Premere brevemente il pulsante dell'encoder per accedere alle impostazioni per 7 BAND EQ. Usare l'encoder rotativo per scorrere attraverso le impostazioni EQ. (FLAT > ROCK > CLASSIC > ACOUSTIC > DANCE > ELECTRONIC > HIP-HOP > CUSTOM) Per impostare CUSTOM EQ, premere brevemente il pulsante dell'encoder e impostare la prima frequenza. Una volta attivata, ruotare l'encoder per regolare le impostazioni della frequenza. Premere brevemente di nuovo il pulsante dell'encoder per accedere alla prossima frequenza. Ripetere fino a quando tutte le impostazioni EQ sono state completate. Premere brevemente il pulsante MENU per uscire e tornare indietro di un livello.

## CROSSOVER

Premere brevemente per accedere alle impostazioni CROSSOVER. Usare l'encoder rotativo per selezionare le opzioni zona CROSSOVER (FRONT>REAR>SUB) (ANTER>POST>SUB). Premere brevemente l'encoder per regolare la frequenza del crossover (60Hz>80Hz>120Hz>APF). Premere brevemente il pulsante MENU per uscire e tornare indietro di un livello.

## REAR RCA (RCA POST)

Premere brevemente per accedere alle opzioni REAR RCA. Usare l'encoder rotativo per selezionare le opzioni (LINE OUT>SUBWOOFER).

## PUNCH EQ (Equalizzatore Punch)

Premere brevemente per accedere alle impostazioni PUNCH EQ. Usare l'encoder rotatorio per regolare il guadagno di uscita (0-12). Premere brevemente il pulsante MENU per uscire e tornare indietro di un livello. Punch EQ è un equalizzatore onboard con fino a +18 dB @ 45 Hz e/o fino a +12 dB boost a 12,5 kHz.

## AUX INPUT

RENAME (Rinomina) – Per rinominare AUX premere brevemente il pulsante dell'encoder e digitare la prima lettera del nuovo nome. Una volta attivato, ruotare l'encoder per regolare le lettere. Premere brevemente di nuovo il pulsante dell'encoder per impostare la prossima lettera. Ripetere fino a quando AUX è stato rinominato. Premere brevemente il pulsante MENU per uscire e tornare indietro di un livello.

ENABLE (Attiva) - Premere brevemente il pulsante dell'encoder per accedere alle opzioni. Ruotare il pulsante dell'encoder per selezionare se l'unità è individuabile. (ENABLE > DISABLE) (Attiva > Disattiva)

## SOURCE GAIN (Guadagno fonte)

Per regolare il livello del guadagno dell'ingresso del dispositivo scorrere attraverso gli input (FM TUNER-AM TUNER-WB TUNER>USB>AUX->BLUETOOTH) fino al dispositivo che si desidera regolare, premere brevemente il pulsante dell'encoder per accedere alle impostazioni del guadagno. Ruotare il pulsante dell'encoder per impostare il livello di guadagno. (-3dB > -2dB > -1dB > 0dB > +1dB > +2dB > +3dB)

## INTERNAL AMPLIFIER (Amplificatore interno)

Premere brevemente per accedere alle opzioni INTERNAL AMPLIFIER. Usare l'encoder rotativo per selezionare le opzioni (ON-OFF) (Accesso>Spento). Quando si usa un amplificatore per alimentare gli altoparlanti selezionare OFF. Se gli altoparlanti sono alimentati direttamente dall'unità di fonte, impostare l'INTERNAL AMPLIFIER su ON.

## VOLTAGE GAUGE (Calibro tensione)

Per visualizzare il voltaggio del veicolo, premere brevemente il pulsante dell'encoder sull'opzione VOLTAGE GAUGE.

## BT DEVICE PAIRING (Appaiamento dispositivo BT)

Premere brevemente il pulsante codificatore per accedere alle opzioni (RILEVABILE> dispositivo).

## SCOPRIBILE

Ruotare il pulsante codificatore per selezionare se l'unità è rilevabile per l'accoppiamento. (ABILITA> DISABILITA) Una volta attivato, l'unità sorgente è ora rilevabile e pronto per l'accoppiamento con il dispositivo. Aprire le impostazioni Bluetooth sul dispositivo per trovare l'unità sorgente con l'etichetta "Rockford PMX" e selezionare.

## DISPOSITIVO

Selezione dispositivo premendo brevemente il pulsante codificatore vi permetterà di rinominare l'unità sorgente con un massimo di 16 caratteri. Questo ti dà la possibilità di avere un nome univoco per una facile identi-

ficazione durante l'accoppiamento del dispositivo. Premere brevemente il pulsante codificatore per selezionare la lettera da modificare e ruotare la manopola per modificare il valore. si raggiunge Ripetere procedura fino nome desiderato.

## BEEP (Segnale acustico)

Premere brevemente il pulsante dell'encoder per accedere alle opzioni BEEP. Ruotare il pulsante dell'encoder per accendere ON o spegnere OFF il segnale acustico del sistema.

## TUNER REGION (Regione tuner)

Per regolare premere brevemente il pulsante dell'encoder e accedere. Ruotare il pulsante dell'encoder per selezionare la TUNER REGION preferita. (EUROPE > USA > RUSSIA > LATIN > ASIA > JAPAN > MIDEAST > AUSTRALIA) (EUROPA > USA > RUSSIA > AMERICA LATINA > ASIA > GIAPPONE > MEDIO ORIENTE > AUSTRALIA)

## SOFTWARE

VERSION - Premere brevemente il pulsante dell'encoder per visualizzare la versione firmware dell'unità.

UPDATE - Premere brevemente il pulsante dell'encoder per aggiornare il firmware. Seguire le istruzioni sullo schermo durante l'aggiornamento.

## TEMA

Per regolare il tema premere brevemente l'encoder per accedere alla funzione. Ruotare il pulsante encoder per selezionare il tema desiderato (giorno, notte, AUTO)

## FACTORY DEFAULT (Impostazioni predefinite)

AUDIO – Per accedere premere brevemente il pulsante dell'encoder. Ruotare il pulsante dell'encoder per selezionare YES/NO (Sì/No). Selezionando YES l'unità verrà reimpostata alle impostazioni predefinite.

SYSTEM - Per accedere premere brevemente il pulsante dell'encoder. Ruotare il pulsante dell'encoder per selezionare YES/NO (Sì/No). Selezionando YES l'unità verrà reimpostata alle impostazioni predefinite.

Funzionamento di base

## ACCENDERE E SPENGERE L'UNITÀ ON/OFF

Premere a lungo il pulsante SRC (alimentazione) per accendere ON o spegnere OFF l'unità.

## REGOLARE IL VOLUME

Ruotare la manopola dell'encoder verso sinistra o verso destra per selezionare il livello di volume desiderato (0-40). Il livello di volume attuale è visualizzato durante il regolamento.

## REGOLARE L'USCITA DEL SUBWOOFER

Premere i pulsanti SUB+ o SUB- per regolare il livello di uscita (0-20).

## REGOLARE LA LUMINOSITÀ DELLO SCHERMO

Premere brevemente il pulsante SCREEN BRIGHTNESS per regolare il livello di luminosità. Ci sono due livelli di luminosità.

## SELEZIONARE UNA FONTE PER LA RIPRODUZIONE

Premere brevemente il pulsante SRC per visualizzare le varie fonti (FM TUNER-AM TUNER-WB TUNER>USB>AUX->BLUETOOTH). Usare l'encoder rotativo o premere brevemente il pulsante SRC per scorrere attraverso le fonti.

## Funzionamento del tuner (FM/AM/WB)

Per il funzionamento usare l'encoder rotativo per selezionare la fonte tuner che si desidera ascoltare (FM/AM/WB).

Per LA RICERCA AUTOMATICA delle stazioni, premere i pulsanti FWD (avanzamento) e REV (inversione). Per LA RICERCA MANUALE delle stazioni, premere a lungo i pulsanti FWD (avanzamento) e REV (inversione) per sintonizzare la frequenza desiderata.

Per disattivare l'audio MUTE del TUNER, premere brevemente il pulsante PLAY/PAUSE (Riproduzione/Pausa).

## IMPOSTAZIONI DELLA BANDA FM

Per accedere alle impostazioni della banda FM BAND SETTINGS, premere brevemente il MENU durante l'uso della fonte FM TUNER. Questo dà accesso alle impostazioni specifiche del FM TUNER (FM>PRESETS>ADD PRESETS>REMOVE PRESETS>AUTO STORE>LOCAL) (FM>PREDEFINITI>AGGIUNGI PREDEFINITI>RIMUOVI PREDEFINITI>SALVATAGGIO AUTOM>LOCALE).

## PRESETS (Predefiniti)

Premere brevemente il pulsante dell'encoder per accedere all'elenco

**PRESETS.** Questa funzione consente di visualizzare i PRESETS salvati sull'unità.

#### **ADD PRESETS (Aggiungi predefiniti)**

Premere brevemente il pulsante dell'encoder sull'opzione ADD PRESETS. Bisogna essere sia sulla stazione sia sul gruppo PRESET che si desidera aggiungere prima (FM1>FM2>FM3). Questa funzione consente di salvare le stazioni sull'unità. Dopo la selezione usare l'encoder rotativo per selezionare il numero PRESET (1-6) sul quale si desidera salvare la stazione.

#### **REMOVE PRESETS (Rimuovi predefiniti)**

Premere brevemente il pulsante dell'encoder sull'opzione REMOVE PRESETS. Bisogna essere sul gruppo PRESET che si desidera regolare prima (FM1>FM2>FM3). Questa funzione consente di rimuovere le stazioni salvate sull'unità. Dopo la selezione usare l'encoder rotativo per selezionare il numero PRESET (1-6) della stazione che si desidera rimuovere.

#### **FM**

Premere brevemente il pulsante dell'encoder per accedere alle opzioni FM PRESET (FM1>FM2>FM3). Questa funzione consente di avere gruppi predefiniti distinti del tuner dai quali selezionare. Usare il pulsante dell'encoder rotativo per scorrere attraverso i gruppi TUNER, e premere brevemente per selezionare il gruppo.

#### **AUTO STORE (Salvataggio automatico)**

Premere brevemente il pulsante dell'encoder per accedere alla funzione AUTO STORE. Bisogna essere sul gruppo PRESET che si desidera regolare prima (FM1>FM2>FM3). Questa funzione salva automaticamente i predefiniti sull'unità. Si ferma quando i predefiniti 1-6 sono impostati. Selezionare il prossimo gruppo PRESET e ripetere per completare il prossimo set.

#### **LOCAL (Locale)**

Premere brevemente il pulsante dell'encoder per accedere alle opzioni LOCAL. Dopo la selezione usare l'encoder rotativo per selezionare ON o OFF. L'opzione locale sintonizza sulle stazioni radio vicine con segnali sufficientemente forti per una buona ricezione. In zone con una scarsa ricezione cambiando alla sintonizzazione a distanza consente all'unità di sintonizzarsi su stazioni più distanti. La sintonizzazione a distanza è l'impostazione predefinita.

#### **IMPOSTAZIONI DELLA BANDA AM**

Per accedere alle impostazioni della banda AM BAND SETTINGS, premere brevemente il MENU durante l'uso della fonte AM TUNER. Questo dà accesso alle impostazioni specifiche del AM TUNER (AM>PRESETS>ADD PRESETS>REMOVE PRESETS>AUTO STORE>LOCAL) (AM>PREDEFINITI>AGGIUNGI PREDEFINITI>RIMUOVI PREDEFINITI>SALVATAGGIO AUTOM>LOCALE).

#### **PRESETS (Predefiniti)**

Premere brevemente il pulsante dell'encoder per accedere all'elenco PRESETS. Questa funzione consente di visualizzare i PRESETS salvati sull'unità.

#### **ADD PRESETS (Aggiungi predefiniti)**

Premere brevemente il pulsante dell'encoder sull'opzione ADD PRESETS. Bisogna essere sia sulla stazione sia sul gruppo PRESET che si desidera aggiungere prima (AM1>AM2). Questa funzione consente di salvare le stazioni sull'unità. Dopo la selezione usare l'encoder rotativo per selezionare il numero PRESET (1-6) sul quale si desidera salvare la stazione.

**REMOVE PRESETS (Rimuovi predefiniti)**

Premere brevemente il pulsante dell'encoder sull'opzione REMOVE PRESETS. Bisogna essere sul gruppo PRESET che si desidera regolare prima (AM1>AM2). Questa funzione consente di rimuovere le stazioni salvate sull'unità. Dopo la selezione usare l'encoder rotativo per selezionare il numero PRESET (1-6) della stazione che si desidera rimuovere.

#### **AM**

Premere brevemente il pulsante dell'encoder per accedere alle opzioni FM PRESET (AM1>AM2). Questa funzione consente di avere gruppi predefiniti separati del tuner dai quali selezionare. Usare il pulsante dell'encoder rotativo per scorrere attraverso i gruppi TUNER, e premere brevemente per selezionare il gruppo.

#### **AUTO STORE (Salvataggio automatico)**

Premere brevemente il pulsante dell'encoder per accedere alla funzione AUTO STORE. Bisogna essere sul gruppo PRESET che si desidera regolare prima (AM1>AM2). Questa funzione salva automaticamente i predefiniti

sull'unità. Si ferma quando i predefiniti 1-6 sono impostati. Selezionare il prossimo gruppo PRESET e ripetere per completare il prossimo set.

#### **LOCAL (Locale)**

Premere brevemente il pulsante dell'encoder per accedere alle opzioni LOCAL. Dopo la selezione usare l'encoder rotativo per selezionare ON o OFF. L'opzione locale sintonizza sulle stazioni radio vicine con segnali sufficientemente forti per una buona ricezione. In zone con una scarsa ricezione cambiando alla sintonizzazione a distanza consente all'unità di sintonizzarsi su stazioni più distanti. La sintonizzazione a distanza è l'impostazione predefinita.

#### **IMPOSTAZIONI DELLA BANDA WB**

Per accedere alle impostazioni della banda WB BAND SETTINGS, premere brevemente il MENU durante l'uso della fonte WB TUNER. Questo dà accesso alle impostazioni specifiche del WB TUNER (PRESETS>ADD PRESETS>REMOVE PRESETS) (PREDEFINITI>AGGIUNGI PREDEFINITI>RIMUOVI PREDEFINITI).

#### **PRESETS (Predefiniti)**

Premere brevemente il pulsante dell'encoder per accedere all'elenco PRESETS. Questa funzione consente di visualizzare i PRESETS salvati sull'unità.

#### **ADD PRESETS (Aggiungi predefiniti)**

Premere brevemente il pulsante dell'encoder sull'opzione ADD PRESETS. Bisogna essere sia sulla stazione sia sul gruppo PRESET che si desidera aggiungere prima. Questa funzione consente di salvare le stazioni sull'unità. Dopo la selezione usare l'encoder rotativo per selezionare il numero PRESET (1-6) sul quale si desidera salvare la stazione.

**REMOVE PRESETS (Rimuovi predefiniti)**

Premere brevemente il pulsante dell'encoder sull'opzione REMOVE PRESETS. Bisogna essere sul gruppo PRESET che si desidera regolare prima (AM1>AM2). Questa funzione consente di rimuovere le stazioni salvate sull'unità. Dopo la selezione usare l'encoder rotativo per selezionare il numero PRESET (1-6) della stazione che si desidera rimuovere.

#### **Funzionamento USB**

Dopo che il dispositivo è collegato all'unità sorgente, questa funzione consente di controllare la riproduzione da un'unità flash USB direttamente dall'unità. Selezionare l'opzione sorgente USB nell'unità di origine.

Per riprodurre o sospendere un brano, premere brevemente il pulsante PLAY/PAUSE.

Per saltare avanti di un brano, premere brevemente il pulsante FWD. Per saltare indietro di un brano, premere brevemente il pulsante REV.

Per accedere alle impostazioni specifiche USB, premere brevemente il pulsante MENU per l'elenco delle impostazioni (BROWSER>REPEAT>SHUFFLE) (BROWSER>RIPETI>RIPRODUZIONE CASUALE). Usare l'encoder per selezionare l'opzione da modificare.

#### **BROWSER**

Premere brevemente il pulsante dell'encoder per accedere alle opzioni BROWSER (PLAYLISTS>ARTISTS>ALBUMS>GENRES>SONGS>COMPOSERS>AUDIOBOOKS>PODCASTS) (Playlist>Artisti>Album>Generi>Brani>Compositori>Libri audio>Podcast). Questa funzione consente di ricercare tracce o brani in base a vari tipi di categoria.

#### **REPEAT (Ripeti)**

Premere brevemente il pulsante dell'encoder per accedere alle opzioni della funzione REPEAT (OFF>ONE>ALL) (DISATTIVA>UNO>TUTTI).

**SHUFFLE (Riproduzione casuale)**

Premere brevemente il pulsante dell'encoder per accedere alle opzioni della funzione SHUFFLE (OFF>ONE>ALL) (DISATTIVA>TUTTI). Questa funzione consente di impostare le preferenze riguardo la riproduzione casuale di tracce o brani.

#### **SHUFFLE (Riproduzione casuale)**

Premere brevemente il pulsante dell'encoder per accedere alle opzioni della funzione SHUFFLE (OFF>ONE>ALL) (DISATTIVA>TUTTI). Questa funzione consente di impostare le preferenze riguardo la riproduzione casuale di tracce o brani.

NOTA: Se si utilizza un cavo di prolunga USB, deve essere un cavo di prolunga alimentato Rockford Fosgate. La distanza massima per il cavo è di 33 piedi (10 metri).

#### **Funzionamento AUX**

Dopo avere collegato il dispositivo all'unità di fonte, questa funzione consente di riprodurre la musica dal dispositivo. Selezionare l'opzione di fonte AUX sull'unità di fonte e usare il dispositivo collegato per scegliere la selezione di brani/tracce, PLAY/PAUSE (riproduzione/pausa) e saltare la traccia FWD/REV.

### **Funzionamento Bluetooth®**

Dopo avere effettuato il pairing del dispositivo con l'unità di fonte, questa funzione consente di controllare la riproduzione dal dispositivo direttamente dall'unità. Selezionare l'opzione fonte BLUETOOTH sull'unità di fonte.

Per riprodurre o sospendere un brano, premere brevemente il pulsante PLAY/PAUSE.

Per saltare avanti di un brano, premere brevemente il pulsante FWD. Per saltare indietro di un brano, premere brevemente il pulsante REV.

Per accedere alle impostazioni specifiche BLUETOOTH, premere brevemente il pulsante MENU per l'elenco delle impostazioni (BROWSER>REPEAT>SHUFFLE) (BROWSER>RIPETI>RIPRODUZIONE CASUALE). Usare l'encoder per selezionare l'opzione da modificare.

### **BROWSER**

Premere brevemente il pulsante dell'encoder per accedere alle opzioni BROWSER (PLAYLISTS>ARTISTS>ALBUMS>GENRES>SONGS>COMPOSERS>AUDIOBOOKS>PODCASTS) (Playlist>Artisti>Album>Generi>Brani>Compositori>Libri audio>Podcast). Questa funzione consente di ricercare tracce o brani in base a vari tipi di categoria.

### **REPEAT (Ripeti)**

Premere brevemente il pulsante dell'encoder per accedere alle opzioni della funzione REPEAT (OFF>ONE>ALL) (DISATTIVA>UNO>TUTTI). Questa funzione consente di impostare le preferenze riguardo il numero di volte che una traccia o un brano verrà ripetuto.

SHUFFLE (Riproduzione casuale)

Premere brevemente il pulsante dell'encoder per accedere alle opzioni della funzione SHUFFLE (OFF>ONE>ALL) (DISATTIVA>TUTTI). Questa funzione consente di impostare le preferenze riguardo la riproduzione casuale di tracce o brani.

Sintomo / Descrizione	Diagnosi	Soluzione
<b>Di base</b>		
L'unità di fonte non si accende.	Fusibile bruciato	Controllare il fusibile sull'unità, cambiarlo con la portata corretta.
	L'accensione del veicolo è spenta	Se collegata seguendo le istruzioni, l'unità non funzionerà con l'accensione spenta.
	La tensione applicata al cavo rosso non è tra 10,5 e 16 Volt o non vi è tensione presente.	Controllare la batteria, i collegamenti e i fusibili e riparare o cambiare se necessario. Se la tensione supera +16 volt, fare ispezionare il sistema da un centro di assistenza autorizzato.
	L'unità non ha la messa a terra adeguata	Controllare i cavi e riparare se necessario.
<b>Tuner Radio</b>		
Il tuner non si sintonizza su nessuna stazione	Non c'è l'antenna, oppure collegamento sconnesso o aperto nel cavo	Controllare tutti i collegamenti e riparare se necessario.
Impossibile sintonizzare stazioni nella modalità di ricerca	Zona con segnale debole	Accertarsi che la modalità LOC del tuner sia spenta (OFF).
<b>Dispositivi USB</b>		
Impossibile inserire il dispositivo USB	Il dispositivo USB è stato inserito nella direzione sbagliata	Invertire la direzione di collegamento del dispositivo USB e provare a reinserirlo.
	Il connettore del dispositivo USB è rotto	Sostituire con un nuovo dispositivo USB.
Dispositivo USB non riconosciuto	Il dispositivo USB è danneggiato.	Disconnettere il dispositivo USB e riconnetterlo. Se il dispositivo continua a non essere riconosciuto, sostituirlo con un altro dispositivo USB. USB non funziona con i dispositivi Android® e Apple®.
	I connettori sono allentati.	
Non vi è suono con il display visualizzato "No File"	Sul dispositivo USB non ci sono file MP3/WMA salvati.	Salvare questi file correttamente sul dispositivo USB. USB non funziona con i dispositivi Android® e Apple®.
Il suono salta o è rumoroso	I file MP3/WMA non sono stati creati correttamente.	Usare i file MP3/WMA che sono codificati correttamente.
<b>AUX</b>		
MP3 non viene riprodotto	Errore di scrittura. Il formato MP3 non è compatibile.	Accertarsi che l'MP3 sia stato scritto in un formato supportato.



# Warranty

---

**Rockford Corporation offers a limited warranty on Rockford Fosgate products on the following terms:**

## **Length of Warranty**

POWER Amplifiers – 2 Years  
BMW® Direct Fit Speakers – 2 Years  
PUNCH® & PRIME® Amplifiers – 1 Year  
Speakers, Signal Processors, Accessories and Capacitors – 1 Year  
All marine, motorcycle, motorsport products – 2 Years  
Any Factory Refurbished Product – 90 Days (receipt required)

## **What is Covered**

This warranty applies only to Rockford Fosgate products sold to consumers by authorized Rockford Fosgate dealers in the United States of America. Products purchased by consumers from an Authorized Rockford Fosgate Dealer in another country are covered only by that country's Distributor and not by Rockford Corporation.

## **Who is Covered**

This warranty covers only the original purchaser of Rockford product purchased from an authorized Rockford Fosgate dealer in the United States. In order to receive service, the purchaser must provide Rockford with a copy of the receipt stating the customer name, dealer name, product purchased and date of purchase.

Products found to be defective during the warranty period will be repaired or replaced (with a product deemed to be equivalent) at Rockford's discretion.

## **What is Not Covered**

1. Damage caused by accident, abuse, improper installation, operations, theft, water (on non-Element Ready products).
2. Any cost or expense related to the removal or reinstallation of product.
3. Service performed by anyone other than Rockford or an authorized Rockford Fosgate service center.
4. Any product which has had the serial number defaced, altered, or removed.
5. Subsequent damage to other components.
6. Any product purchased outside the U.S.
7. Any product not purchased from an authorized Rockford Fosgate dealer. Refer to [rockfordfosgate.com](http://rockfordfosgate.com) dealer locator for more detail.

## **Limit on Implied Warranties**

Any implied warranties including warranties of fitness for use and merchantability are limited in duration to the period of the express warranty set forth above. Some states do not allow limitations on the length of an implied warranty, so this limitation may not apply. No person is authorized to assume for Rockford Fosgate any other liability in connection with the sale of the product.

## **How to Obtain Service**

Please call 1-800-669-9899 for Rockford Customer Service. You must obtain an RA# (Return Authorization number) to return any product to Rockford Fosgate. You are responsible for shipment of product to Rockford.

## **EU Warranty**

This product meets the current EU warranty requirements, see your Authorized dealer for details.