



PHONES

0 (800) 800 130
(050) 462 0 130
(063) 462 0 130
(067) 462 0 130

130
COM.UA

Internet store of
autogoods



SKYPE

km-130

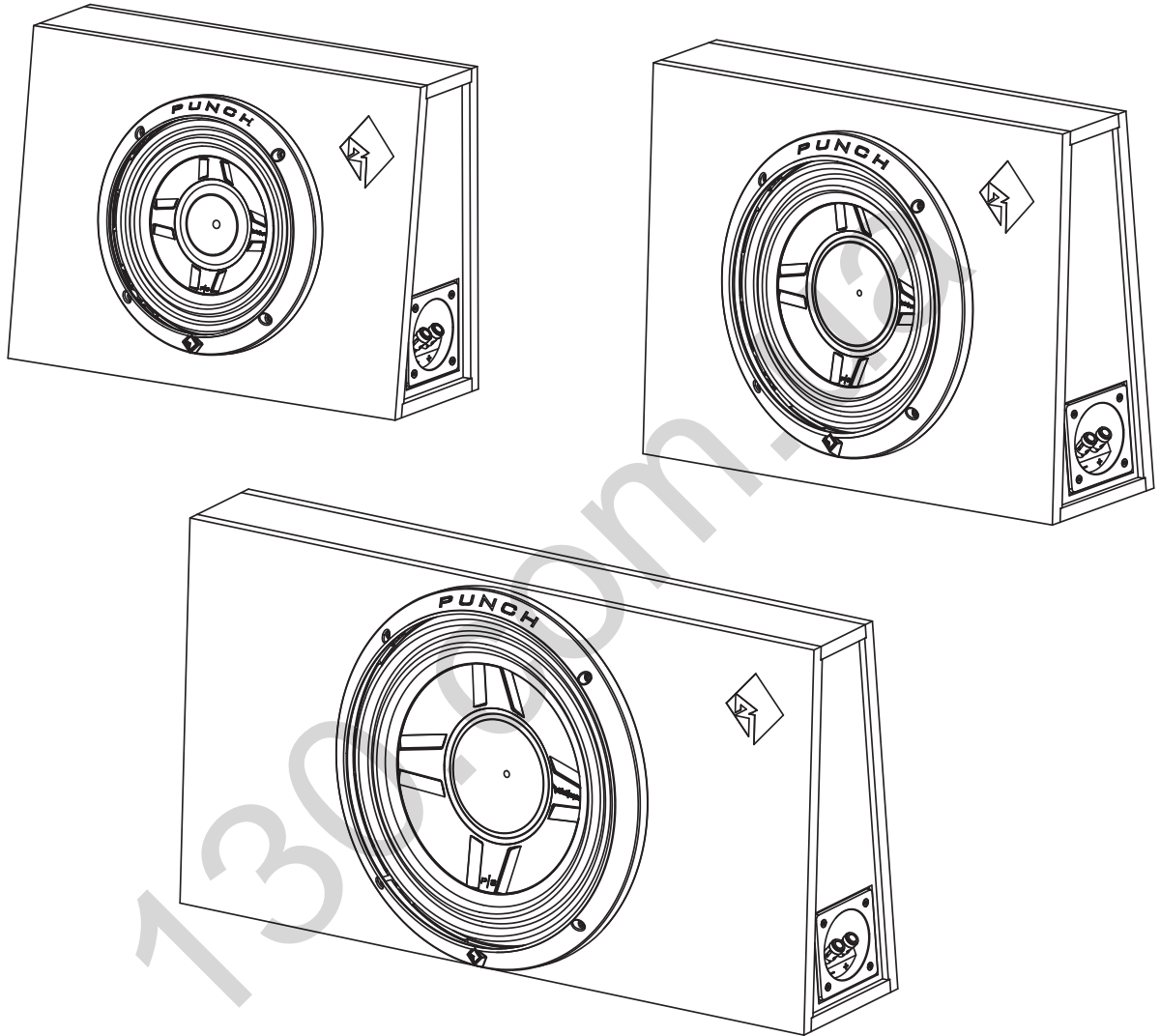
CAR RECEIVERS — Receivers • Media receivers and stations • Native receivers • CD/DVD changers • FM-modulators/USB adapters • Flash memory • Facia plates and adapters • Antennas • Accessories |
 CAR AUDIO — Car audio speakers • Amplifiers • Subwoofers • Processors • Crossovers • Headphones • Accessories | TRIP COMPUTERS — Universal computers • Model computers • Accessories |
 GPS NAVIGATORS — Portable GPS • Built-in GPS • GPS modules • GPS trackers • Antennas for GPS navigators • Accessories | VIDEO — DVR • TV sets and monitors • Car TV tuners • Cameras • Videomodules
 • Transcoders • Car TV antennas • Accessories | SECURITY SYSTEMS — Car alarms • Bike alarms • Mechanical blockers • Immobilizers • Sensors • Accessories | OPTIC AND LIGHT — Xenon • Bixenon • Lamps
 • LED • Stroboscopes • Optic and Headlights • Washers • Light, rain sensors • Accessories | PARKTRONICS AND MIRRORS — Rear parktronic • Front parktronic • Combined parktronic • Rear-view mirrors
 • Accessories | HEATING AND COOLING — Seat heaters • Mirrors heaters • Screen-wipers heaters • Engine heaters • Auto-refrigerators • Air conditioning units • Accessories | TUNING — Vibro-isolation
 • Noise-isolation • Tint films • Accessories | ACCESSORIES — Radar-detectors • Handsfree, Bluetooth • Windowlifters • Compressors • Beeps, loudspeakers • Measuring instruments • Cleaners • Car seats
 • Miscellaneous | MOUNTING — Installation kits • Upholstery • Grilles • Tubes • Cable and wire • Tools • Miscellaneous | POWER — Batteries • Converters • Start-charging equipment • Capacitors
 • Accessories | MARINE AUDIO AND ELECTRONICS — Marine receivers • Marine audio speakers • Marine subwoofers • Marine amplifiers • Accessories | CAR CARE PRODUCTS — Additives • Washer fluid •
 Care accessories • Car polish • Flavors • Adhesives and sealants | LIQUID AND OIL — Motor oil • Transmission oil • Brake fluid • Antifreeze • Technical lubricant



In store "130" you can find and buy almost all necessary goods for your auto in Kyiv and other cities, delivery by ground and postal services. Our experienced consultants will provide you with exhaustive information and help you to choose the very particular thing. We are waiting for you at the address

<https://130.com.ua>

Rockford Fosgate®



PUNCH™

P3S – SHALLOW LOADED ENCLOSURES

DVC - DUAL VOICE COIL SUBWOOFERS

P3S	8"	10"	12"
Single	P3S-1X8	P3S-1X10	P3S-1X12

Installation & Operation

Serial Number: _____

Date of Purchase: _____

INSTALLATION – ENGLISH

⚠ CAUTION: Before installation, disconnect the battery negative (-) terminal to prevent damage to the unit, fire and/or possible injury.
Run the speaker cable from the amp. When routing the speaker cable from the amplifier, avoid running it close to any sources of high current (wiring harnesses). The positive (+) speaker output from the amp connects to the red terminal of the enclosure, and the negative (-) connects to the black terminal. Use the brackets provided to mount the enclosure.

INSTALLATION – FRANÇAIS

⚠ MISE EN GARDE : avant d'entamer l'installation, déconnectez la broche négative (-) de la batterie pour éviter tout risque de blessures, d'incendie ou de dommages à l'appareil.

Branchement du câble du haut-parleur de l'amplificateur. En plaçant le câble du haut-parleur de l'ampli, évitez de l'approcher d'une source de courant important. La sortie positive de l'ampli se branche sur le terminal rouge du caisson, et le négatif se branche sur le terminal noir. Utilisez les parenthèses fournies pour fixer la boîte.

INSTALACIÓN – ESPAÑOL

⚠ PRECAUCIÓN: Antes de la instalación, desconecte el terminal negativo de la batería (-) para prevenir daño a la unidad, incendio y/o posibles lesiones.

Recorrido del Cable de Altavoz Desde el Amplificador. Al llevar el cable de altavoz desde el amplificador, evite que pase cerca de cualquier fuente de alto corriente (cables de alimentación). El terminal positivo (+) de las salida de rojo, y el terminal negativo (-) al terminal negro. Utilice los soportes proporcionados para montar el recinto.

EINBAU – DEUTSCH

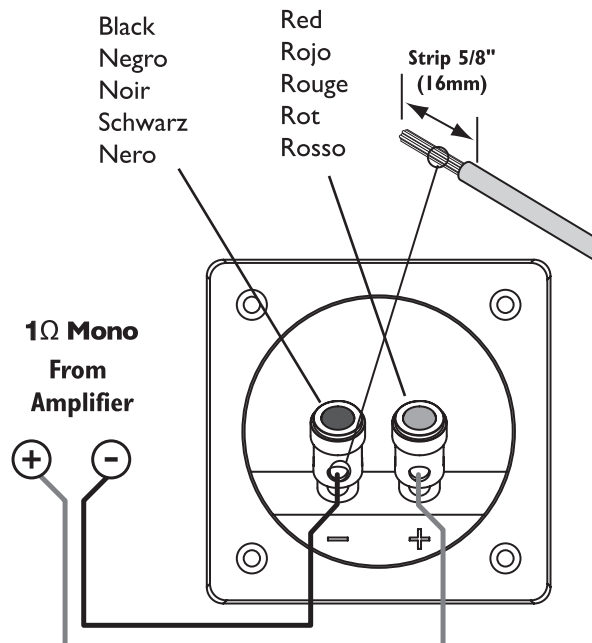
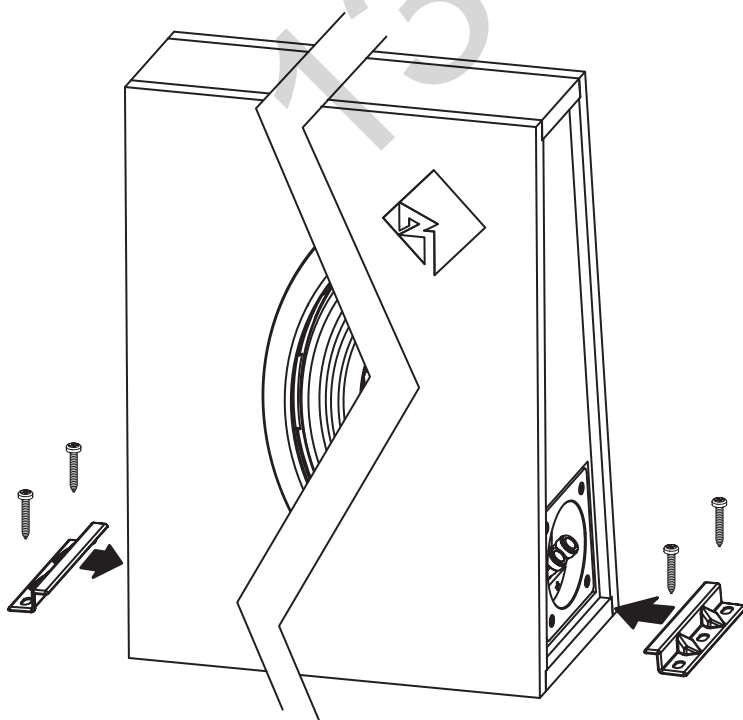
⚠ VORSICHT: Entfernen Sie vor dem Einbau den negative Batteriepol, um Schäden am Gerät, Feuer bzw. mögliche Verletzungen zu vermeiden.

Anschluß des Lautsprecherkabels. Beim Anschluß des Lautsprecherkabels sollten Sie darauf achten, daß das Kabel keine Fahrzeugstromkabel kreuzt, um Einsteuungen zu verhindern. Die Plus-Leitung des Lautsprecherkabels kommt in die rote Klemme des Terminals, die Negativ-Leitung in die schwarze Klemme des Terminals. Benutzen Sie die Haltewinkel, die bereitgestellt werden, um den Kasten anzubringen.

INSTALLAZIONE – ITALIANO

⚠ ATTENZIONE: Prima dell'installazione, scollegate il terminale negativo (-) della batteria per evitare danni all'unità, pericoli d'incendio e/o potenziali lesioni personali.

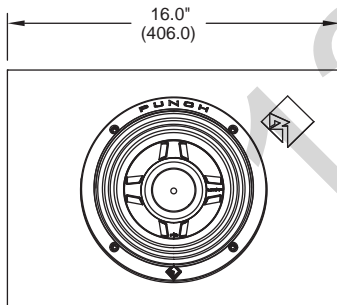
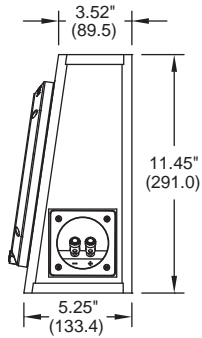
Far correre il cavo dell'altoparlante all'amplificatore. Quando fate correre il cavo dell'altoparlante all'amplificatore non fatelo passare vicino a qualsiasi cavo dell'impianto elettrico di serie dell'auto. Il segnale positivo dell'altoparlante (+) in uscita dall'amplificatore è collegato al terminale rosso del diffusore, e il negativo (-) al terminale nero. Utilizzi le staffe fornite per montare la scatola.



SPECIFICATIONS

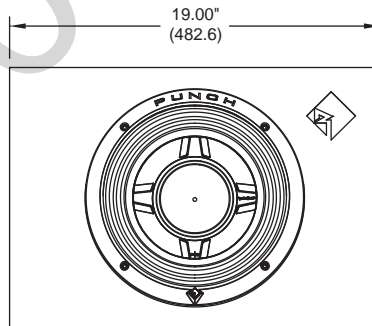
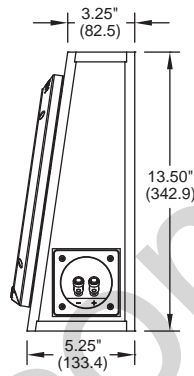
P3S-1X8 (Single 8" DVC)

Nominal Impedance 1 Ω
 Power Handling 150 watts RMS/300 Peak
 Internal Box Volume (ft³/liter) 0.25 (7.0L)
 Overall Dimensions (HxWxD)
 11.45" x 16.0" x 5.25" – 3.52"
 (cm) (29.10 x 40.60 x 13.34 – 8.95)
 bottom – top



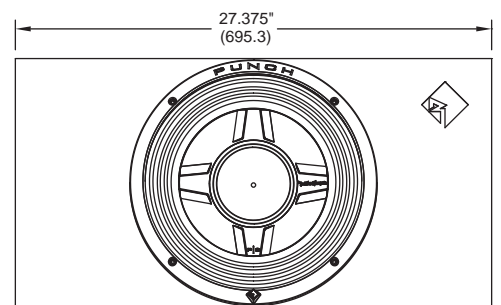
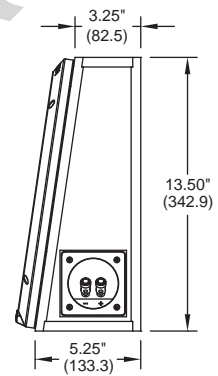
P3S-1X10 (Single 10" DVC)

Nominal Impedance 1 Ω
 Power Handling 300 watts RMS/600 Peak
 Internal Box Volume (ft³/liter) 0.40 (11.33L)
 Overall Dimensions (HxWxD)
 13.5" x 19.0" x 5.25" – 3.25"
 (cm) (34.29 x 48.26 x 13.34 – 8.25)
 bottom – top



P3S-1X12 (Single 12" DVC)

Nominal Impedance 1 Ω
 Power Handling 400 watts RMS/800 Peak
 Internal Box Volume (ft³/liter) 0.60 (16.99L)
 Overall Dimensions (HxWxD)
 13.5" x 27.375" x 5.25" – 3.25"
 (cm) (34.29 x 69.53 x 13.34 – 8.25)
 bottom – top



Specifications subject to change without notice

LIMITED WARRANTY INFORMATION

Rockford Corporation offers a limited warranty on Rockford Fosgate products on the following terms:

Length of Warranty

Speakers – 1 Year. Any Factory Refurbished Product – 90 days (receipt required)

What is Covered

This warranty applies only to Rockford Fosgate products sold to consumers by Authorized Rockford Fosgate Dealers in the United States of America or its possessions. Product purchased by consumers from an Authorized Rockford Fosgate Dealer in another country are covered only by that country's Distributor and not by Rockford Corporation.

Who is Covered

This warranty covers only the original purchaser of Rockford product purchased from an Authorized Rockford Fosgate Dealer in the United States. In order to receive service, the purchaser must provide Rockford with a copy of the receipt stating the customer name, dealer name, product purchased and date of purchase.

Products found to be defective during the warranty period will be repaired or replaced (with a product deemed to be equivalent) at Rockford's discretion.

What is Not Covered

1. Damage caused by accident, abuse, improper operations, water, theft, shipping
2. Any cost or expense related to the removal or reinstallation of product
3. Service performed by anyone other than Rockford or an Authorized Rockford Fosgate Service Center
4. Any product which has had the serial number defaced, altered, or removed
5. Subsequent damage to other components
6. Any product purchased outside the U.S.
7. Any product not purchased from an Authorized Rockford Fosgate Dealer

Limit on Implied Warranties

Any implied warranties including warranties of fitness for use and merchantability are limited in duration to the period of the express warranty set forth above. Some states do not allow limitations on the length of an implied warranty, so this limitation may not apply. No person is authorized to assume for Rockford Fosgate any other liability in connection with the sale of the product.

How to Obtain Service

Contact the Authorized Rockford Fosgate Dealer you purchased this product from.

If you need further assistance, call 1-800-669-9899 for Rockford Customer Service. You must obtain an RA# (Return Authorization number) to return any product to Rockford Fosgate. You are responsible for shipment of product to Rockford.

EU Warranty

This product meets the current EU warranty requirements, see your Authorized dealer for details.



Rockford Fosgate
Rockford Corporation
600 South Rockford Drive
Tempe, Arizona 85281 U.S.A.
In U.S.A., (480) 967-3565 - Customer Service 1-800-669-9899

www.rockfordfosgate.com

©2011 Rockford Corporation. All rights reserved.
Rockford Fosgate, the Rockford Fosgate logo, and the PUNCH logo are either registered trademarks or trademarks of Rockford Corporation.