



PHONES

0 (800) 800 130
(050) 462 0 130
(063) 462 0 130
(067) 462 0 130

130
COM.UA

Internet store of
autogoods



SKYPE

km-130

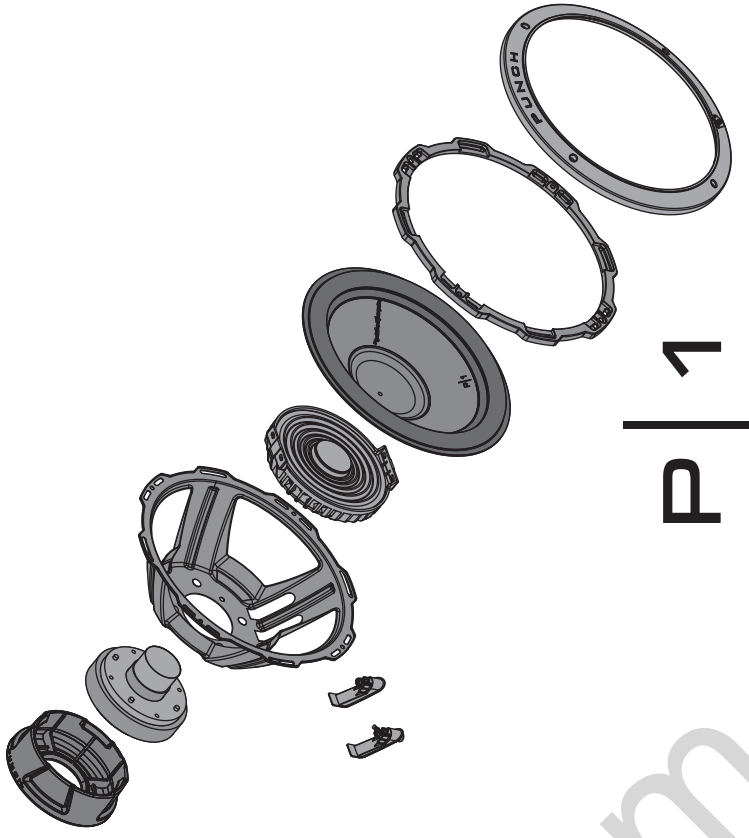
CAR RECEIVERS — Receivers • Media receivers and stations • Native receivers • CD/DVD changers • FM-modulators/USB adapters • Flash memory • Facia plates and adapters • Antennas • Accessories |
CAR AUDIO — Car audio speakers • Amplifiers • Subwoofers • Processors • Crossovers • Headphones • Accessories | TRIP COMPUTERS — Universal computers • Model computers • Accessories |
GPS NAVIGATORS — Portable GPS • Built-in GPS • GPS modules • GPS trackers • Antennas for GPS navigators • Accessories | VIDEO — DVR • TV sets and monitors • Car TV tuners • Cameras • Videomodules
• Transcoders • Car TV antennas • Accessories | SECURITY SYSTEMS — Car alarms • Bike alarms • Mechanical blockers • Immobilizers • Sensors • Accessories | OPTIC AND LIGHT — Xenon • Bixenon • Lamps
• LED • Stroboscopes • Optic and Headlights • Washers • Light, rain sensors • Accessories | PARKTRONICS AND MIRRORS — Rear parktronic • Front parktronic • Combined parktronic • Rear-view mirrors
• Accessories | HEATING AND COOLING — Seat heaters • Mirrors heaters • Screen-wipers heaters • Engine heaters • Auto-refrigerators • Air conditioning units • Accessories | TUNING — Vibro-isolation
• Noise-isolation • Tint films • Accessories | ACCESSORIES — Radar-detectors • Handsfree, Bluetooth • Windowlifters • Compressors • Beeps, loudspeakers • Measuring instruments • Cleaners • Car seats
• Miscellaneous | MOUNTING — Installation kits • Upholstery • Grilles • Tubes • Cable and wire • Tools • Miscellaneous | POWER — Batteries • Converters • Start-charging equipment • Capacitors
• Accessories | MARINE AUDIO AND ELECTRONICS — Marine receivers • Marine audio speakers • Marine subwoofers • Marine amplifiers • Accessories | CAR CARE PRODUCTS — Additives • Washer fluid •
Care accessories • Car polish • Flavors • Adhesives and sealants | LIQUID AND OIL — Motor oil • Transmission oil • Brake fluid • Antifreeze • Technical lubricant



In store "130" you can find and buy almost all necessary goods for your auto in Kyiv and other cities, delivery by ground and postal services. Our experienced consultants will provide you with exhaustive information and help you to choose the very particular thing. We are waiting for you at the address

<https://130.com.ua>

Rockford Fosgate®



PUNCH™

P1-SVC - SINGLE VOICE COIL SUBWOOFERS

	8"	10"	12"	15"
2-Ohm	P1S2-8	P1S2-10	P1S2-12	P1S2-15
4-Ohm	P1S4-8	P1S4-10	P1S4-12	P1S4-15
8-Ohm	P1S8-8	P1S8-10	P1S8-12	P1S8-15

Installation & Operation

LIMITED WARRANTY STATEMENT

Rockford Corporation offers a limited warranty on Rockford Fosgate products on the following terms:
Length of Warranty

Speakers – 1 Year.Any Factory Refurbished Product – 90 days (receipt required)

What is Covered

This warranty applies only to Rockford Fosgate products sold to consumers by Authorized Rockford Fosgate Dealers in the United States of America or its possessions. Product purchased by consumers from an Authorized Rockford Fosgate Dealer in another country are covered only by that country's Distributor and not by Rockford Corporation.

Who is Covered

This warranty covers only the original purchaser of Rockford product purchased from an Authorized Rockford Fosgate Dealer in the United States. In order to receive service, the purchaser must provide Rockford with a copy of the receipt stating the customer name, dealer name, product purchased and date of purchase. Products found to be defective during the warranty period will be repaired or replaced (with a product deemed to be equivalent) at Rockford's discretion.

What is Not Covered

1. Damage caused by accident, abuse, improper operations, water, theft, shipping
2. Any cost or expense related to the removal or reinstallation of product
3. Service performed by anyone other than Rockford or an Authorized Rockford Fosgate Service Center
4. Any product which has had the serial number defaced, altered, or removed
5. Subsequent damage to other components
6. Any product purchased outside the U.S.
7. Any product not purchased from an Authorized Rockford Fosgate Dealer

Limit on Implied Warranties

Any implied warranties including warranties of fitness for use and merchantability are limited in duration to the period of the express warranty set forth above. Some states do not allow limitations on the length of an implied warranty, so this limitation may not apply. No person is authorized to assume for Rockford Fosgate any other liability in connection with the sale of the product.

How to Obtain Service

Contact the Authorized Rockford Fosgate Dealer you purchased this product from. If you need further assistance, call 1-800-669-9899 for Rockford Customer Service. You must obtain an **RA# (Return Authorization number)** to return any product to Rockford Fosgate. You are responsible for shipment of product to Rockford.

EU Warranty

This product meets the current EU warranty requirements, see your Authorized dealer for details.



Check our website for additional information and updates on these products.

www.RockfordFosgate.com

© 2011 Rockford Corporation. All rights reserved.

Rockford Fosgate, the Rockford Fosgate logo, and the PUNCH logo are either registered trademarks or trademarks of Rockford Corporation.

SAFETY

CAUTION: Before installation, disconnect the battery negative (-) terminal to prevent damage to the unit, fire and/or possible injury.

PRACTICE SAFE SOUND™

Continuous exposure to sound pressure levels over 100dB may cause permanent hearing loss. High powered auto sound systems may produce sound pressure levels well over 130dB. Use common sense and practice safe sound.

RECOMMENDED ENCLOSURES

This manual outlines two specific types of enclosures that provide distinctly different performance. This section is to help you decide which type is best for your application.

SEALED ENCLOSURES

Sealed enclosures are the simplest to build. The most important part of building a sealed enclosure is to make sure that the enclosure is airtight. Using glue and some type of sealant on all seams will ensure solid construction and prevent air leaks. The box volume will directly impact the performance of the speaker. Larger enclosures will provide flatter response and deeper bass where smaller boxes will provide a bump in the response curve and generally higher output for greater SPL.

Advantages of sealed enclosures:

- Small enclosures
- Linear (Flat) response
- No port noise
- High power handling at all frequencies
- Excellent for sound quality
- Extended low frequency output when compared to vented enclosures

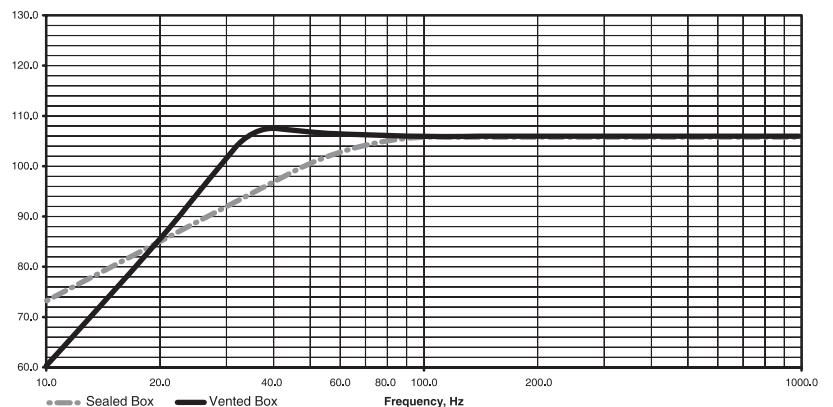
VENTED ENCLOSURES

Vented enclosures vary only from the sealed enclosure in that a vent or port is added to “tune” the enclosure. The enclosures recommended are designed for great overall performance. Larger boxes tend to be easy to tune to lower frequencies while medium and small boxes are easier to tune to higher frequencies. The vented design is less linear in response than the sealed box but with noticeably more output at the tuning frequency.

Advantages of vented enclosures:

- Higher average output than sealed
- Tuning frequency can be easily adjusted by changing port length
- Deep bass response with lower power requirements
- Great for high output with limited power

The graph shown here is a sample of how the F3 drop-off point differs between sealed and vented enclosures.



CARTON CONTENTS

- (1) Punch P1 Series Subwoofer
- (1) Painted ABS decorative trim ring
- (8) Socket head wood screws
- (1) Socket head driver bit

BUILDING AN ENCLOSURE

To work properly, the walls of the enclosure must be rigid and not flex when subjected to the high pressures generated by the speaker's operation. For optimum performance, we recommend using 3/4" MDF (Medium Density Fiberboard) and internal bracing. The enclosure should be glued together and secured with nails or screws.

CALCULATING VOLUME

Calculating volume is merely a matter of measuring the dimensions in inches and using the formula: H x W x D divided by 1728 (cubic feet). See block below.

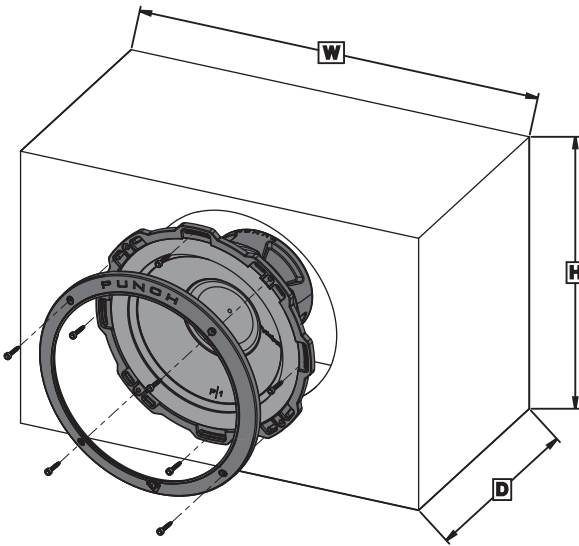
Box Volume	Height" x Width" x Depth"
Divided by (cubic feet)	1728

If two facing sides are of uneven length, add them together and divide by two to take the average. Using this number will give you the volume without the necessity of calculating the box in sections and adding the sections together. The thickness of the baffle material reduces the internal volume so this must be subtracted from the outside dimensions to determine the internal volume. The speaker itself also reduces the internal volume. The amount of air displaced by each model is listed on the specification sheet and should also be subtracted from the gross volume calculation.

SEALED ENCLOSURES

NOTE: V_b is the gross volume, which is the TOTAL internal volume, before any speaker and/or port displacement.
All external dimensions were based on the use of 3/4" (1.90cm) materials.

NOTE: When using enclosures other than recommended, call Technical Support for correct application.



Optimum Sealed Enclosure Recommendation

SEALED ENCLOSURES	8"	10"	12"	15"
	P1S2-8 / P1S4-8 / P1S8-8	P1S2-10 / P1S4-10 / P1S8-10	P1S2-12 / P1S4-12 / P1S8-12	P1S2-15 / P1S4-15 / P1S8-15
V_b - Internal Area cu. ft. (Liter)	0.23 (6.51)	0.59 (16.71)	1.02 (28.88)	1.58 (44.74)
F_3 - -3dB Point (Hz)	64	48	43	40.8
Qt _c - Enclosure Damping	0.72	0.83	0.87	1.05
H - Height-inch (cm)	10.0 (25.40)	12.0 (30.48)	14.0 (35.56)	18.0 (45.72)
W - Width-inch (cm)	12.0 (30.48)	14.0 (35.56)	18.0 (45.72)	21.0 (53.34)
D - Depth-inch (cm)	6.0 (15.24)	9.25 (23.50)	10.0 (25.40)	10.0 (25.40)

Recommended Sealed Enclosure Volume Range

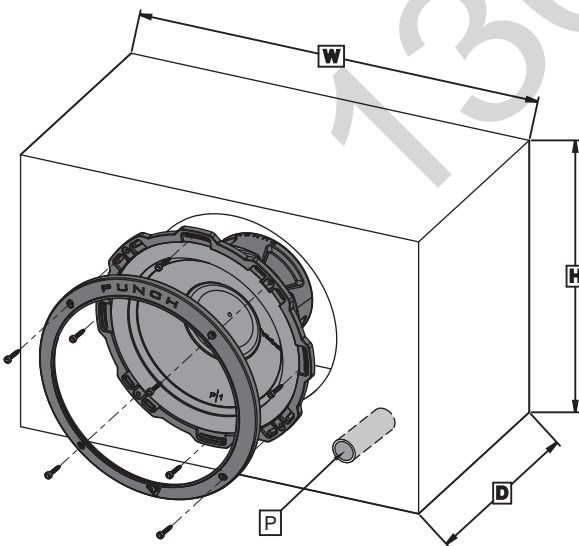
SEALED ENCLOSURES	8"	10"	12"	15"
	P1S2-8 / P1S4-8 / P1S8-8	P1S2-10 / P1S4-10 / P1S8-10	P1S2-12 / P1S4-12 / P1S8-12	P1S2-15 / P1S4-15 / P1S8-15
V_b - Volume Range cu. ft. (Liter)	0.20 to 0.30 (5.66 to 8.50)	0.50 to 0.85 (14.16 to 24.07)	0.70 to 1.80 (19.82 to 50.97)	1.30 to 3.50 (36.81 to 99.10)

Specifications subject to change without notice

VENTED ENCLOSURES

NOTE: V_b is the gross volume, which is the TOTAL internal volume, before any speaker and/or port displacement.
All external dimensions were based on the use of 3/4" (1.90cm) materials.

NOTE: When using enclosures other than recommended, call Technical Support for correct application.



Optimum Vented (Ported) Enclosure Sizes

VENTED ENCLOSURES	8"	10"	12"	15"
	P1S2-8 / P1S4-8 / P1S8-8	P1S2-10 / P1S4-10 / P1S8-10	P1S2-12 / P1S4-12 / P1S8-12	P1S2-15 / P1S4-15 / P1S8-15
V_b - Internal Area cu. ft. (Liter)	0.65 (18.41)	1.40 (39.64)	1.79 (50.69)	2.66 (75.32)
F_b - Tuning Frequency (Hz)	42.7	37.3	36.3	34.4
F_3 - -3dB Point (Hz)	36.0	32.0	32.5	33.8
H - Height-inch (cm)	12.0 (30.48)	12.0 (30.48)	14.0 (35.56)	18.0 (45.72)
W - Width-inch (cm)	18.0 (45.72)	20.0 (50.80)	25.0 (63.50)	28.0 (71.12)
D - Depth-inch (cm)	8.0 (20.32)	14.0 (35.56)	12.0 (30.48)	12.0 (30.48)
P - Port Diameter and Length-inch (cm)	(1) 2 x 6 (1) (5.08 x 15.24)	(1) 3 x 8 (1) (7.62 x 20.32)	(1) 3 x 6 (1) (7.62 x 15.24)	(1) 4 x 8 (1) (10.16 x 20.32)

Number of ports noted in ()

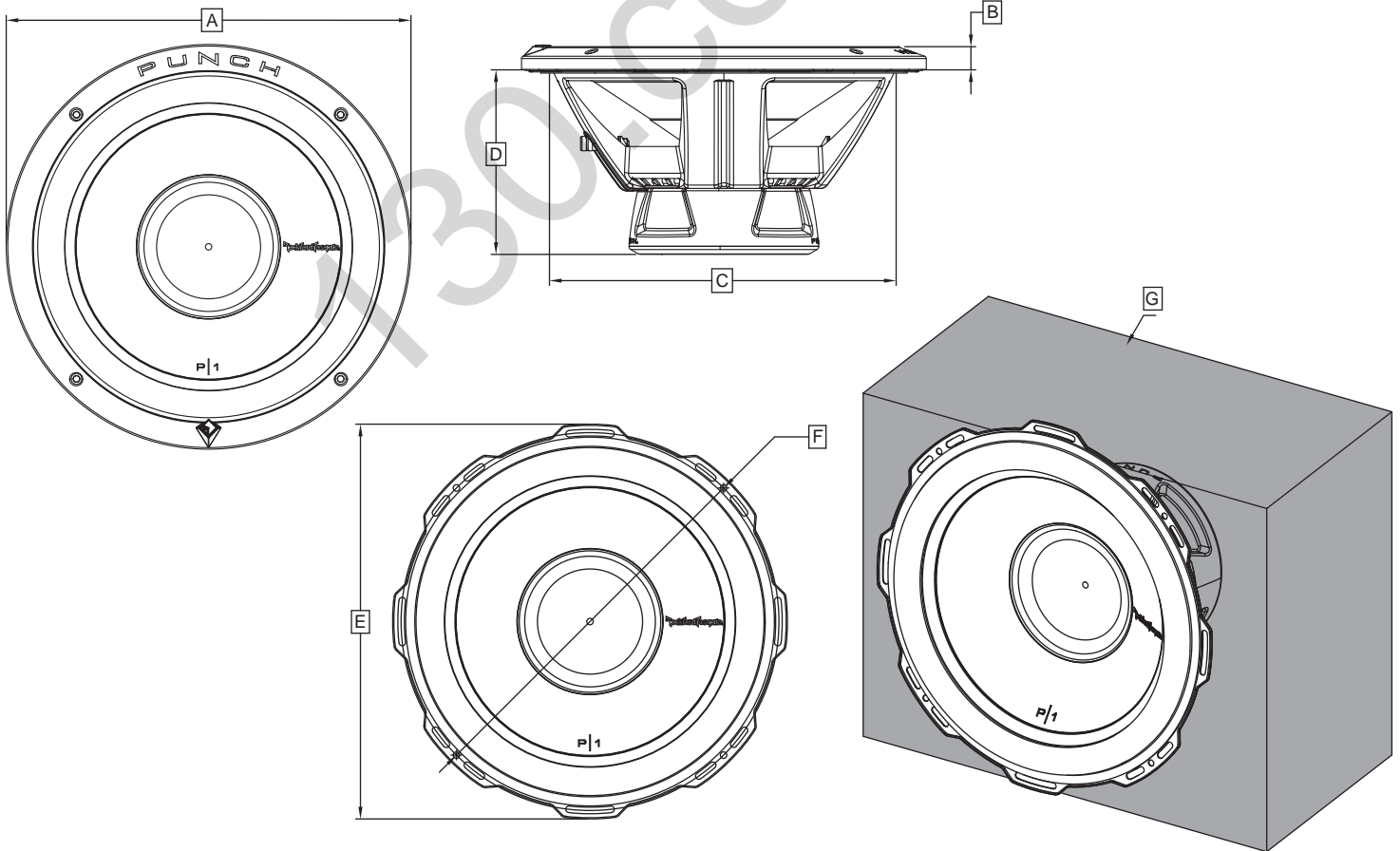
Specifications subject to change without notice

NOTE: The port shown can be placed on any face of the enclosure as long as the port ends are not obstructed.

PHYSICAL DIMENSIONS

PUNCH P1-SVC	8"	10"	12"	15"
	P1S2-8 / P1S4-8 / P1S8-8	P1S2-10 / P1S4-10 / P1S8-10	P1S2-10 / P1S4-12 / P1S8-12	P1S2-15 / P1S4-15 / P1S8-15
A - Trim Ring Diameter-inch (cm)	8.96 (22.75)	11.26 (28.60)	13.31 (33.80)	16.38 (41.60)
B - Trim Ring Height-inch (cm)	0.73 (1.85)	0.73 (1.85)	0.73 (1.85)	0.73 (1.85)
C - Mounting Diameter-inch (cm)	7.125 (18.10)	9.125 (23.20)	11.25 (28.50)	13.94 (35.30)
D - Mounting Depth-inch (cm)	4.39 (11.14)	5.33 (13.54)	6.00 (15.24)	6.98 (17.72)
E - Overall Diameter-inch (cm)	8.72 (22.15)	11.02 (28.00)	13.07 (33.20)	16.14 (41.00)
F - Screw Hole Diameter-inch (cm)	8.03 (20.40)	10.16 (25.80)	13.28 (31.20)	14.96 (38.00)
G - Speaker Displacement - cu. ft. (Liter)	0.074 (2.10)	0.127 (3.60)	0.184 (5.20)	0.311 (8.80)

Specifications subject to change without notice



SPECIFICATIONS

PUNCH P1-SVC	8"	10"	12"	15"
	P1S2-8 / P1S4-8 / P1S8-8	P1S2-10 / P1S4-10 / P1S8-10	P1S2-10 / P1S4-12 / P1S8-12	P1S2-15 / P1S4-15 / P1S8-15
Nominal Impedance (ohms)	2 / 4 / 8	2 / 4 / 8	2 / 4 / 8	2 / 4 / 8
Frequency Response (Hz)	30-250	23-250	20-250	18-250
Voice Coil Diameter - inch (cm)	2.0 (4-Layer) (5.16)	2.0 (4-Layer) (5.16)	2.0 (4-Layer) (5.16)	2.0 (4-Layer) (5.16)
Displacement - cu. ft. (Liter)	0.074 (2.10)	0.127 (3.60)	0.184 (5.20)	0.311 (8.80)
Fs - Free Air Resonance (Hz)	44	32	25	23
Qts	0.54	0.59	0.55	0.55
Vas - cu. ft. (Liter)	0.39 (11.0)	1.24 (35.0)	3.12 (88.3)	6.76 (191.5)
Xmax - inch (cm)	0.295 (0.75)	0.354 (0.90)	0.354 (0.90)	0.354 (0.90)
SPL (dB @ 1w/1m)	83.5	84	86	87
Power Handling-Watts (RMS) (Peak)	200 400	250 500	250 500	250 500

Specifications subject to change without notice

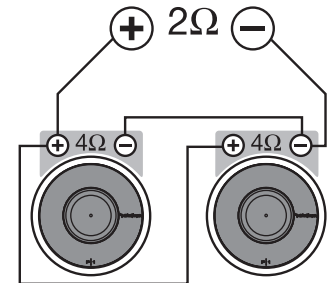
WIRING CONFIGURATIONS

By varying the wiring configuration of your speakers you can create an impedance load to match your system. Altering the wiring configurations gives a range of options for impedance loads. Series, Parallel, or Series-Parallel wiring configurations are different techniques for wiring speakers that provide different loads. Series configuration is a string method where speakers are wired end to end. Parallel configuration uses two or more speakers wired across common terminals. Series-Parallel configuration combines both techniques. Choose the wiring diagram that corresponds to the number of woofers and the impedance of your amplifier.

SUBWOOFER CROSSOVERS

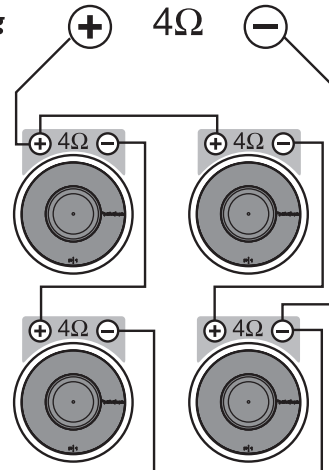
There are two operational types of crossovers, passive and active. Passive crossovers (coils or inductors) are placed on the speaker leads between the amplifier and speaker. An active crossover is an electronic filter that separates the audio signal fed to different amplifiers. For optimum subwoofer performance, we recommend using an active 80-100Hz low-pass crossover at 12dB/octave.

Parallel Wiring



(2) 4 ohm SVC Speaker = 2 ohm Load

Series/Parallel Wiring



(4) 4 ohm SVC Speaker = 4 ohm Load

Français

⚠ MISE EN GARDE : avant d'entamer l'installation, déconnectez la broche négative (-) de la batterie pour éviter tout risque de blessures, d'incendie ou de dommages à l'appareil.

PRATIQUEZ UNE ÉCOUTE SANS RISQUES^{MD}

Une exposition continue à des niveaux de pression acoustique supérieurs à 100 dB peut causer une perte d'acuité auditive permanente. Les systèmes audio de forte puissance pour auto peuvent produire des niveaux de pression acoustique bien au-delà de 130 dB. Faites preuve de bon sens et pratiquez une écoute sans risques

Enceintes recommandées

Ce manuel décrit deux types particuliers d'enceintes aux performances tout à fait distinctes. Cette section vous permettra de décider celui qui vous conviendra le mieux.

Enceintes Étanches

Les enceintes étanches sont les plus faciles à fabriquer. À cet égard, la chose la plus importante dans leur fabrication est de vous assurer qu'elles sont vraiment hermétiques. Appliquez de la colle et un produit d'étanchéité sur tous les joints pour solidifier l'ensemble et empêcher toute fuite d'air. Le volume du caisson influe directement sur la performance du haut-parleur. Les enceintes de plus grande dimension délivrent une réponse uniforme en fréquence avec des graves profonds alors que les enceintes plus petites ont une courbe de réponse plus prononcée et un rendement généralement supérieur pour un niveau de pression acoustique plus élevé.

Avantage des enceintes étanches :

- Petites enceintes
- Réponse linéaire (uniforme)
- Pas de bruit d'événement
- Puissance élevée sur toutes les fréquences
- Excellentes en ce qui concerne la qualité du son

Enceintes À Événement

Les enceintes à événement se distinguent des enceintes étanches du fait qu'on y ajoute un événement ou port pour les « accorder ». Les enceintes recommandées sont conçues pour offrir d'excellentes performances. Il est généralement plus facile d'accorder les caissons plus grands pour l'obtention de basses fréquences et les caissons moyens et petits pour des fréquences plus élevées. Les enceintes à événement ont une réponse moins linéaire que les enceintes étanches mais dégagent nettement plus de puissance à la fréquence d'accord.

Avantages des enceintes à événement :

- Rendement moyen supérieur par rapport aux modèles étanches
- La fréquence d'accord peut être facilement réglée en changeant la longueur de l'événement
- Reproduction profonde des basses avec une puissance d'entrée moindre
- Excellent choix pour un rendement élevé à faible puissance d'entrée

Construire Un Caisson

Pour fonctionner convenablement les parois du caisson doivent être rigides lorsqu'elles sont soumises aux hautes pressions dues au fonctionnement du haut-parleur. Nous vous recommandons d'utiliser des panneaux de bois aggloméré à haute ou moyenne densité de particules de type "MDF". Ces panneaux sont disponibles dans la plupart des magasins de bricolage. Pour un caisson de grand volume il est recommandé de placer des renforts à l'intérieur du caisson. Les différents côtés devront être collés (colle à bois) et vissés (ou éventuellement cloués). Il est recommandé de mettre un joint de silicone dans les arêtes internes du caisson afin d'éviter les fuites d'air.

Calcul du Volume

On calcule le volume en mesurant la dimension de chaque côté et en utilisant la formule suivante:

Volume du caisson	Hauteur (cm) x Longueur (cm) x Largeur (cm)
Divisé près (Litres)	1000

Si les deux côtés qui se font face n'ont pas la même longueur, additionnez les et divisez le résultat par deux pour obtenir la moyenne des deux longueurs. Utilisez le nombre ainsi obtenu dans la formule pour déterminer le litrage. Cette méthode

permet d'obtenir le volume du caisson sans devoir faire de calculs compliqués de section de volume. L'épaisseur du matériau dont est fait le caisson réduit le volume interne de celui-ci. Lorsqu'on mesure les côtés du caisson il ne faut donc pas oublier d'oter des mesures l'épaisseur du matériau. Le haut-parleur lui-même diminue le volume interne du caisson. Le volume d'air déplacé par chaque modèle de haut-parleur est repris dans les spécifications techniques et doit également être soustrait du volume total.

Configuration du câblage

En variant la configuration du câblage de vos haut-parleurs, vous pouvez créer une charge d'impédance correspondant à votre système. La modification des configurations de câblage offre tout un choix d'options en ce qui concerne la charge d'impédance. Les câblages série, parallèle, ou série/parallèle sont des techniques permettant de câbler les haut-parleurs de manière à produire des charges différentes. La configuration série consiste à câbler les haut-parleurs à la chaîne, bout à bout. La configuration parallèle utilise deux ou plusieurs haut-parleurs branchés sur des bornes communes. La configuration série/parallèle combine les deux techniques. Choisissez le schéma ci-dessous qui correspond au nombre de haut-parleurs de graves et à l'impédance de votre ampli.

Filtres de subwoofer

On distingue deux types de filtres opérationnels : passif et actif. Les filtres passifs (bobines ou inducteurs) sont placés sur les fils de haut-parleur, entre l'ampli et le haut-parleur. Un filtre actif est un filtre électronique qui sépare le signal audio envoyé à différents amplis. Pour obtenir une performance optimale du subwoofer, nous recommandons l'utilisation d'un filtre actif passe-bas 80-100 Hz à 12 dB/octave.

Español

⚠ PRECAUCIÓN: Antes de la instalación, desconecte el terminal negativo de la batería (-) para prevenir daño a la unidad, incendio y/o posibles lesiones.

PRATIQUE EL SONIDO SEGURO

El contacto continuo con niveles de presión de sonido superiores a 100 dB puede causar la pérdida permanente de la audición. Los sistemas de sonido para automóviles de alta potencia pueden producir niveles de presión de sonido superiores a los 130 dB. Use su sentido común y practique el sonido seguro.

Cajas recomendadas

Este manual delinea dos tipos específicos de cajas que producen rendimientos inconfundiblemente diferentes. Esta sección es para ayudarle a decidir cuál tipo es el mejor para su aplicación.

Cajas CERRADAS

Las cajas cerradas son las más fáciles de hacer. La parte más importante de la construcción de una caja cerrada es garantizar su hermetismo. El uso de pegante y algún tipo de sellador en todos los bordes garantizará una construcción sólida y evitará fugas de aire. El volumen de la caja impacta directamente el rendimiento del altavoz. Las cajas más grandes ofrecen una respuesta más plana y un bajo más profundo, mientras que las más pequeñas ofrecen un incremento en la curva de respuesta y generalmente una salida mayor, para un mayor NPS.

Ventajas de las cajas cerradas:

- Cajas pequeñas
- Respuesta lineal (plana)
- No hay ruido del orificio
- Capacidad de alta potencia en todas las frecuencias
- Excelentes para la calidad del sonido

Cajas con Orificios

Las cajas con orificios sólo se diferencian de las cerradas en que se les hace un orificio para "sintonizarlas." Las cajas recomendadas son diseñadas para un gran rendimiento general. Las cajas grandes tienden a ser fáciles de sintonizar en las frecuencias graves, mientras que medianas y pequeñas son más fáciles de sintonizar en las frecuencias más altas. El diseño con orificios es de una respuesta menos lineal que el de la caja cerrada, pero tiene una salida notablemente mayor en la frecuencia de sintonización.

Ventajas de las cajas con orificios:

- Un promedio de salida mayor que las cerradas
- La frecuencia de sintonización se ajusta fácilmente al cambiar la longitud del orificio

- Respuesta de bajo profundo con menos exigencia de potencia
- Fabulosas para salida alta con potencia limitada

Construcción de una caja

Para un buen funcionamiento las paredes de la caja deben ser rígidas y no se deben doblar cuando sean sometidas a la gran presión que ejerce el funcionamiento del altavoz. Recomendamos usar madera comprimida de mediana densidad, de 1.9 cm o fibra de media densidad. Si la caja es muy grande es necesario reforzarla internamente. Las juntas deben ser encoladas y aseguradas con tornillos o grapas. Internamente los bordes deben ser sellados con silicona para prevenir las fugas de aire. La cola para madera es la mejor opción.

Cálculo de Volúmenes

Para calcular el volumen sólo se han de medir las dimensiones en centímetros y aplicar la fórmula:

Volumen du la caja	Alto(cm) x Ancho(cm) x Profundidad(cm)
Dividido por (en litros)	1000

Si dos caras opuestas son de diferente tamaño, súmelas y divida el total por dos para obtener el promedio. Usando esta técnica se ahorra el cálculo por secciones. El espesor del material con que está construida la caja reduce el volumen interno, de manera que ha de restarse de las dimensiones exteriores para determinar el volumen interior. La cantidad de aire que ocupa cada modelo viene especificado en la hoja de características y también debe sustraerse para obtener el volumen neto interior.

Configuraciones del cableado

Al variar la configuración del cableado de los altavoces, usted puede crear una impedancia de carga que iguale a su sistema. La alteración de la configuración de los cables da una gama de opciones para impedancia de carga. Las configuraciones en serie, paralela o en serie-paralela son técnicas diferentes para el cableado de los altavoces que ofrecen cargas diferentes. La configuración en serie es un método en cadena en el que los altavoces se conectan de punta a punta. La configuración paralela usa dos o más altavoces conectados a lo largo de terminales en común. La configuración en serie-paralela combina ambas técnicas. Escoja el diagrama que corresponda al número de altavoces para sonidos graves y la impedancia de su amplificador

Filtros de Transición del altavoz para sonidos graves (Subwoofer X-Over)

Hay dos tipos funcionales de filtros de transición, pasivos y activos. Los pasivos (bobinas o inductores) se conectan a los cables del altavoz, entre el amplificador y el altavoz. Un filtro de transición activo es un filtro electrónico que separa la señal de audio alimentada a diferentes amplificadores. Para un rendimiento óptimo del altavoz para sonidos graves, recomendamos el uso de un filtro de transición activo de 80-100Hz, paso bajo a 12dB/octava.

Deutsch

⚠ VORSICHT: Entfernen Sie vor dem Einbau den negative Batteriepol, um Schäden am Gerät, Feuer bzw. mögliche Verletzungen zu vermeiden.

PRAKTIZIEREN SIE SICHEREN SOUND

Fortgesetzte Geräuschdruckpegel von über 100 dB können beim Menschen zu permanentem Hörverlust führen. Leistungsstarke Autosoundsysteme können Geräuschdruckpegel erzeugen, die weit über 130 dB liegen. Bitte wenden Sie gesunden Menschenverstand an und praktizieren Sie sicheren Sound.

Empfohlene Gehäuse

Diese Anleitung beschreibt zwei spezifische Typen von Gehäusen, die grundsätzlich verschiedene Performancemerkmale bieten. Dieser Abschnitt soll Ihnen dabei helfen zu entscheiden, welcher der beste Typ für Ihre Anwendung ist.

Geschlossene Gehäuse

Geschlossene Gehäuse lassen sich am leichtesten bauen. Der wichtigste Aspekt beim Bau eines geschlossenen Gehäuses ist zu gewährleisten, dass es luftdicht ist. Die Verwendung von Klebstoff und anderen Dichtungsmitteln an allen Fugen gewährleistet eine solide Konstruktion und verhindert Luftverlust. Das Gehäusevolumen wirkt sich unmittelbar auf die Performance des Lautsprechers aus. Größere Gehäuse bieten eine flachere Reaktion und tiefere Bässe, wohingegen

kleinere Gehäuse eine Abweichung in der Reaktionskurve bieten und im Allgemeinen durch höhere Leistung zu einem höheren Schalldruckpegel führen.

Vorteile von geschlossenen Gehäusen:

- Kleine Gehäuse
- Lineare (flache) Reaktion
- Keine Öffnungsgeräusche
- Hohe Nennbelastbarkeit in allen Frequenzbereichen
- Ausgezeichnete Klangqualität

Belüftete Gehäuse

Belüftete Gehäuse unterscheiden sich von geschlossenen Gehäusen nur in sofern, als dass ein Luftschlitz bzw. eine Öffnung hinzugefügt wird, um das Gehäuse zu „stimmen“. Die empfohlenen Gehäuse sind für hervorragende Gesamtperformance konstruiert. Größere Gehäuse lassen sich in der Regel leichter auf niedrigere Frequenzen abstimmen, wohingegen sich mittlere und kleine Gehäuse leichter auf höhere Frequenzen abstimmen lassen. Das belüftete Design zeigt eine weniger lineare Reaktion als das geschlossene Gehäuse, erbringt jedoch eine feststellbar höhere Leistung auf der abgestimmten Frequenz.

Vorteile von belüfteten Gehäusen:

- Höhere Durchschnittsleistung als geschlossene Gehäuse
- Abstimmfrequenz kann leicht durch Änderung der Öffnungslänge angepasst werden
- Tiefes Bassverhalten bei geringerem Kraftbedarf
- Gut geeignet für hohe Leistung bei beschränkter Kraft

Bau des Gehäuses

Um ordnungsgemäß zu funktionieren, müssen die Gehäusewände steif sein und dürfen nicht nachgeben, wenn sie dem hohen Druck ausgesetzt sind, der bei Betrieb des Lautsprechers entsteht. Für optimale Performance empfehlen wir Faserplatte mittlerer Dichte (Stärke ca. 1,9 cm) und interne Aussteifungen. Das Gehäuse wird verleimt und mit Nägeln oder Schrauben befestigt. Da Faserplatte luftdurchlässig ist, wird geraten, das Gehäuse von außen mit Polyurethan zu behandeln.

Berechnung des Volumens

Zur Berechnung des Volumens einfach die Maße feststellen und folgende Formel anwenden:

Gehäuse-Volumen	Höhe (cm) x Breite (cm) x Tiefe (cm)
Vorbei geteilt (Liter)	1000

Sind zwei gegenüber liegende Seiten ungleich lang, die Durchschnittslänge der beiden Seiten berechnen. Das Volumen lässt sich mithilfe dieser Zahl berechnen, ohne das Gehäuse in Abschnitten berechnen zu müssen. Die Stärke des Resonanzwandmaterials reduziert das Innenvolumen und muss daher zur Feststellung des Innenvolumens vom Außenvolumen subtrahiert werden. Der Lautsprecher selbst reduziert das Innenvolumen ebenfalls. Die Luftverdrängung für jedes Modell ist unter Technische Daten aufgeführt und muss bei der Gesamtkalkulation des Volumens ebenfalls subtrahiert werden.

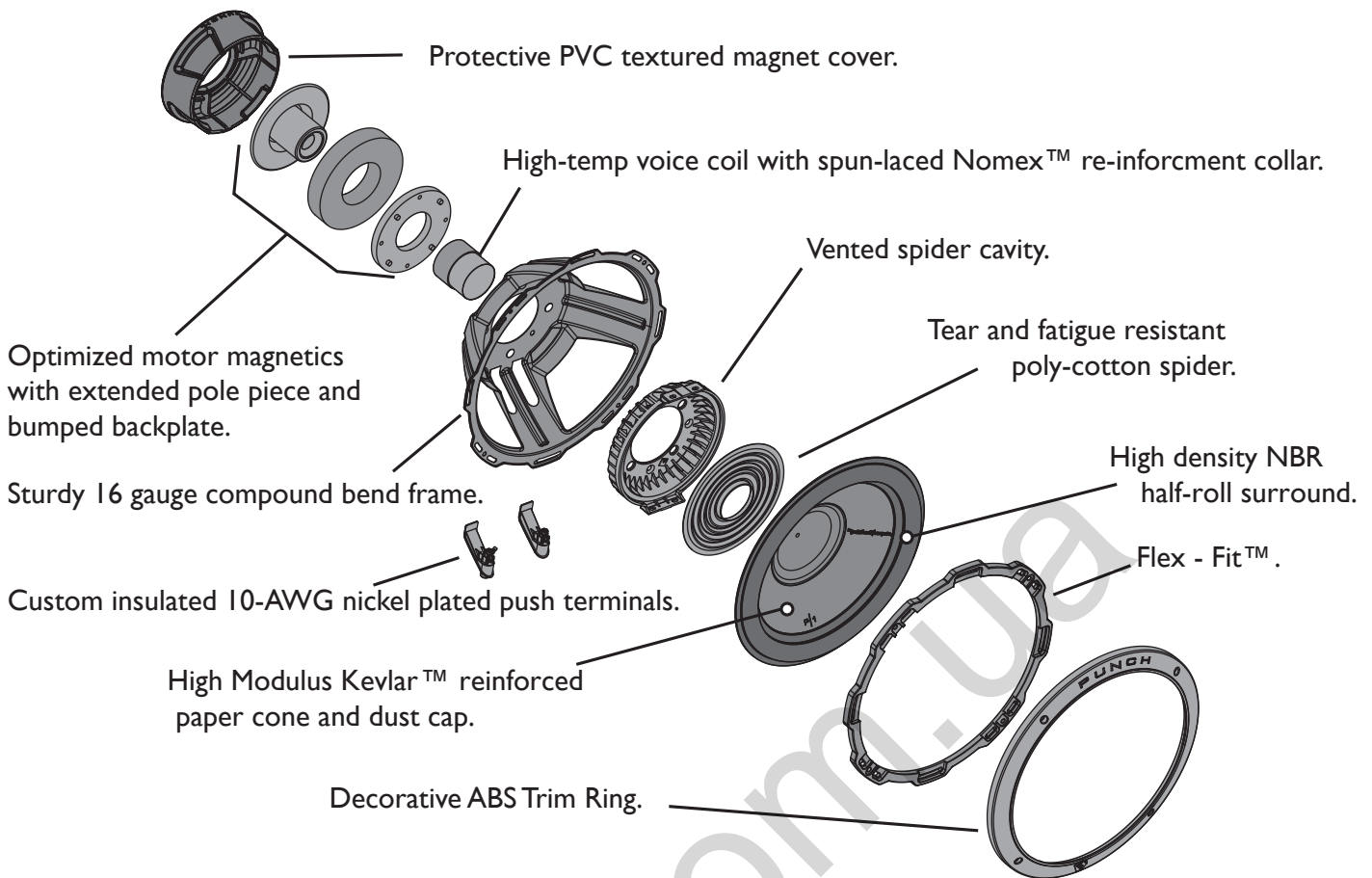
Verkabelungskonfigurationen

Durch Veränderung der Verkabelungskonfiguration Ihrer Lautsprecher können Sie eine Impedanzlast herstellen, die Ihrem System entspricht. Bietet die Veränderung der Verkabelungskonfigurationen eine Reihe von Optionen für die Impedanzlast. Reihen-, Parallel- oder Reihen-Parallel-Verkabelungen sind verschiedene Techniken für die Verkabelung von Lautsprechern, die unterschiedliche Belastungen bieten. Die Reihenkonfiguration ist eine Reihenmethode, bei der die Lautsprecher von Ende zu Ende verkabelt werden. Die Parallelkonfiguration verwendet mindestens zwei Lautsprecher, die über gemeinsame Anschlüsse verkabelt werden. Die Reihen-Parallel-Konfiguration kombiniert beide Techniken. Wählen Sie das nachfolgende Verkabelungsdiagramm aus, das der Zahl an Tieftönern und der Impedanz Ihres Verstärkers entspricht.

Subwoofer-Crossover

Es gibt zwei Betriebstypen für Crossover, und zwar passive und aktive. Passive Crossover (Spulen oder Induktoren) werden auf den Lautsprecherkabeln zwischen Verstärker und Lautsprecher platziert. Ein aktives Crossover ist ein elektronischer Filter, der das Audiosignal trennt, das verschiedenen Verstärkern zugeführt wird. Zur optimalen Subwoofer-Performance empfehlen wir die Verwendung von aktiven 80-100 Hz-Niedrigpass-Crossovers bei 12 dB/Oktav.

FEATURES



- **High modulus Kevlar™ reinforced paper cone.**
- **Tear & fatigue resistant poly-cotton spider.**
- **High density NBR half-roll surround.**
- **High temp voice coil with spun-laced Nomex™ insulating re-inforcement collar.**
- **Optimized motor magnetics with extended pole and bumped backplate.**
- **Fatigue resistant and reduced strain "stitched on" flexible lead wire design.**
- **Multi-point high-temp/high-strength neck joint bonding technique.**
- **Sturdy 16 gauge compound bend frame geometry.**
- **Semi-flexible PVC removable protective motor cover.**
- **Custom insulated/isolated compression input terminal assembly.**
- **Proprietary spider venting/cooling technique.**