



PHONES

0 (800) 800 130  
(050) 462 0 130  
(063) 462 0 130  
(067) 462 0 130

130  
COM.UA

Internet store of  
autogoods



SKYPE

km-130

CAR RECEIVERS — Receivers • Media receivers and stations • Native receivers • CD/DVD changers • FM-modulators/USB adapters • Flash memory • Facia plates and adapters • Antennas • Accessories |  
CAR AUDIO — Car audio speakers • Amplifiers • Subwoofers • Processors • Crossovers • Headphones • Accessories | TRIP COMPUTERS — Universal computers • Model computers • Accessories |  
GPS NAVIGATORS — Portable GPS • Built-in GPS • GPS modules • GPS trackers • Antennas for GPS navigators • Accessories | VIDEO — DVR • TV sets and monitors • Car TV tuners • Cameras • Videomodules  
• Transcoders • Car TV antennas • Accessories | SECURITY SYSTEMS — Car alarms • Bike alarms • Mechanical blockers • Immobilizers • Sensors • Accessories | OPTIC AND LIGHT — Xenon • Bixenon • Lamps  
• LED • Stroboscopes • Optic and Headlights • Washers • Light, rain sensors • Accessories | PARKTRONICS AND MIRRORS — Rear parktronic • Front parktronic • Combined parktronic • Rear-view mirrors  
• Accessories | HEATING AND COOLING — Seat heaters • Mirrors heaters • Screen-wipers heaters • Engine heaters • Auto-refrigerators • Air conditioning units • Accessories | TUNING — Vibro-isolation  
• Noise-isolation • Tint films • Accessories | ACCESSORIES — Radar-detectors • Handsfree, Bluetooth • Windowlifters • Compressors • Beeps, loudspeakers • Measuring instruments • Cleaners • Car seats  
• Miscellaneous | MOUNTING — Installation kits • Upholstery • Grilles • Tubes • Cable and wire • Tools • Miscellaneous | POWER — Batteries • Converters • Start-charging equipment • Capacitors  
• Accessories | MARINE AUDIO AND ELECTRONICS — Marine receivers • Marine audio speakers • Marine subwoofers • Marine amplifiers • Accessories | CAR CARE PRODUCTS — Additives • Washer fluid •  
Care accessories • Car polish • Flavors • Adhesives and sealants | LIQUID AND OIL — Motor oil • Transmission oil • Brake fluid • Antifreeze • Technical lubricant



In store "130" you can find and buy almost all necessary goods for your auto in Kyiv and other cities, delivery by ground and postal services. Our experienced consultants will provide you with exhaustive information and help you to choose the very particular thing. We are waiting for you at the address

<https://130.com.ua>



— Installation assistance available at: —

# RFTTECH

— [www.rockfordfosgate.com/rftech](http://www.rockfordfosgate.com/rftech) —

**ELEMENT READY SPEAKERS**

# MR

- M2-65**
- M2-65B**
- M2-8**
- M2-8B**
- M2-8H**
- M2-8HB**
- M2-10H**
- M2-10HB**
- M2-TS**

130.com.ua

600 South Rockford Drive • Tempe, Arizona 85281, United States  
Direct: (480) 967-3565 • Toll Free: (800) 669-9899

[rockfordfosgate.com](http://rockfordfosgate.com)



**IPX6**

Installation & Operation

# Introduction

Dear Customer,

Congratulations on your purchase of the world's finest brand of audio products. At Rockford Fosgate we are fanatics about musical reproduction at its best, and we are pleased you chose our product. Through years of engineering expertise, hand craftsmanship and critical testing procedures, we have created a wide range of products that reproduce music with all the clarity and richness you deserve.

For maximum performance we recommend you have your new Rockford Fosgate product installed by an Authorized Rockford Fosgate Dealer. Please read your warranty and retain your receipt and original carton for possible future use.

Great product and competent installations are only a piece of the puzzle when it comes to your system. Make sure that your installer is using 100% authentic installation accessories from Rockford Fosgate in your installation. Rockford Fosgate has everything from RCA cables and speaker wire to power wire and battery connectors. Insist on it! After all, your new system deserves nothing but the best.

To add the finishing touch to your new Rockford Fosgate image, order your Rockford accessories, which include everything from T-shirts to hats.

Visit our web site for the latest information on all Rockford products; [www.rockfordfosgate.com](http://www.rockfordfosgate.com) or, in the U.S. call 1-800-669-9899. For all other countries, call +001-480-967-3565.


## Table of Content

- 2 Introduction
- 3 Specifications
- 4-7 Diagrams
- 8 Wiring
- 9-11 Installation Considerations
  - Mounting
- 12-23 Additional Languages
  - French
  - Spanish
  - German
  - Italian
- 24 Limited Warranty Information

If, after reading your manual, you still have questions regarding this product, we recommend that you see your Rockford Fosgate dealer. If you need further assistance, you can call us direct at 1-800-669-9899. Be sure to have your serial number, model number and date of purchase available when you call.

©2022 Rockford Corporation. All Rights Reserved. ROCKFORD FOSGATE, PUNCH® and associated logos where applicable are registered trademarks of Rockford Corporation in the United States and/or other countries. All other trademarks are the property of their respective owners. Specifications subject to change without notice.

## Safety

This symbol with “WARNING” is intended to alert the user to the presence of important instructions.  **WARNING**  
Failure to heed the instructions could result in severe injury or death.

### PRACTICE SAFE SOUND

Continuous exposure to sound pressure levels over 100dB may cause permanent hearing loss. High powered auto sound systems may produce sound pressure levels well over 130dB. Use common sense and practice safe sound.

### PRATIQUEZ UNE ÉCOUTE SANS RISQUES

Une exposition continue à des niveaux de pression acoustique supérieurs à 100 dB peut causer une perte d'acuité auditive permanente. Les systèmes audio de forte puissance pour auto peuvent produire des niveaux de pression acoustique bien au-delà de 130 dB. Faites preuve de bon sens et pratiquez une écoute sans risques

### PRACTIQUE EL SONIDO SEGURO


El contacto continuo con niveles de presión de sonido superiores a 100 dB puede causar la pérdida permanente de la audición. Los sistemas de sonido de alta potencia para automóviles pueden producir niveles de presión de sonido superiores a los 130 dB. Aplique el sentido común y practique el sonido seguro.

### PRAKTIZIEREN SIE SICHEREN SOUND

Fortgesetzte Geräuschdruckpegel von über 100 dB können beim Menschen zu permanentem Hörverlust führen. Leistungsstarke Autosoundsysteme können Geräuschdruckpegel erzeugen, die weit über 130 dB liegen. Bitte wenden Sie gesunden Menschenverstand an und praktizieren Sie sicheren Sound.

### OSSERVATE LE REGOLE DEL SUONO SENZA PERICOLI

La costante esposizione a livelli di pressione acustica al di sopra dei 100dB possono causare la perdita permanente dell'udito. I sistemi audio ad alta potenza possono produrre livelli di pressione acustica ben superiori ai 130dB. Si consiglia il buon senso e l'osservanza delle regole del suono senza pericoli

This symbol with “CAUTION” is intended to alert the user to the presence of important instructions.  **CAUTION**  
Failure to heed the instructions could result in injury or unit damage.

To prevent injury and damage to the unit, please read and follow the instructions in this manual.

If you feel unsure about installing this system yourself, have it installed by a qualified Rockford Fosgate technician.

Before installation, disconnect the battery negative (-) terminal to prevent damage to the unit, fire and/or possible injury.

Model	<b>M2-65 M2-65B</b>	<b>M2-8 M2-8B</b>	<b>M2-8H M2-8HB</b>	<b>M2-10H M2-10HB</b>	<b>M2-TS</b>
Nominal Size - inch (mm)	6.5" (165mm)	8" (203mm)	8" (203mm)	10" (254mm)	1" (25.4mm)
Description	2-Way	2-Way	2-Way	2-Way	1-Way
Nominal Impedance (Ohms)	4Ω	4Ω	4Ω	4Ω	4Ω
Frequency Response (Hz)	40-24kHz	35-24kHz	35-25kHz	20-25kHz	1425-25kHz
Power Handling - Watts (RMS/Peak)	150/600	250/1000	300/1200	300/1200	200/800
Sensitivity (2.83V/1M)	91.8dB	93.1dB	94dB	97dB	97dB
Grille/Trim Ring	YES	YES	YES	YES	Integrated
LED Current Draw	.25 Amps	.25 Amps	.25 Amps	.25 Amps	N/A
Recommended Fused Rating	1 Amp	1 Amp	1 Amp	1 Amp	N/A
LED Voltage Range	9-16 Volts	9-16 Volts	9-16 Volts	9-16 Volts	N/A

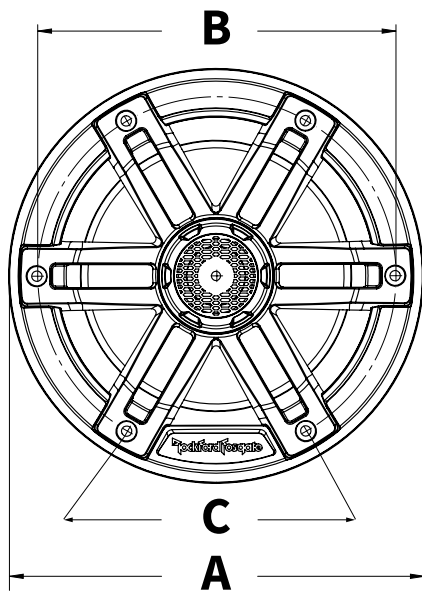
\* Rockford Fosgate determines its rated frequency response range at -6 dB below its nominal sensitivity at upper and lower extents of a speaker's output.



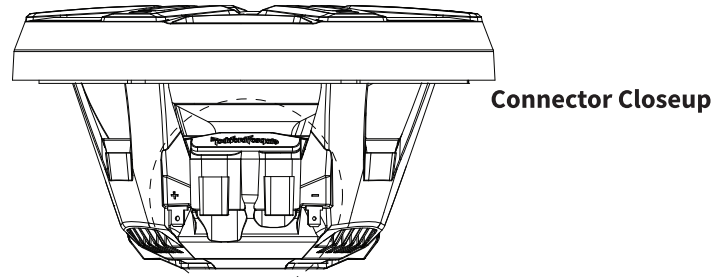
VERIFIED WITH KLIPPEL

To adorn the 'Verified with Klippel' mark, the qualifying company's loudspeaker engineering personnel must be trained and certified by Klippel prior to using the three separate Klippel systems to design, develop and test. Rockford Fosgate has made the investment in Klippel to deliver the best possible speakers and subwoofers to their customers.

# Diagrams

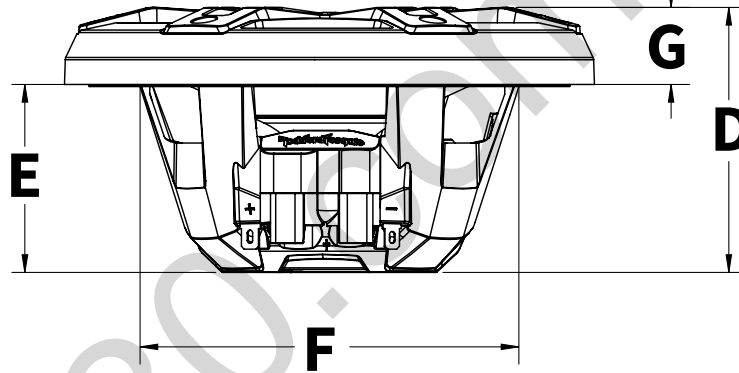
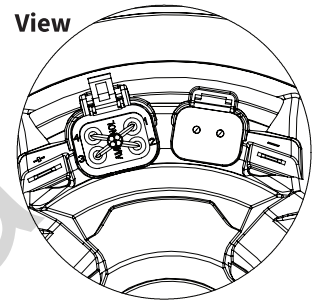
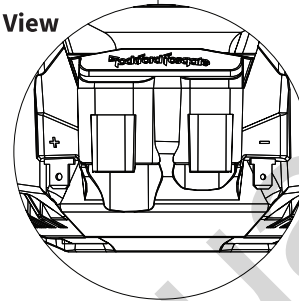


illus.-1.1



Front View

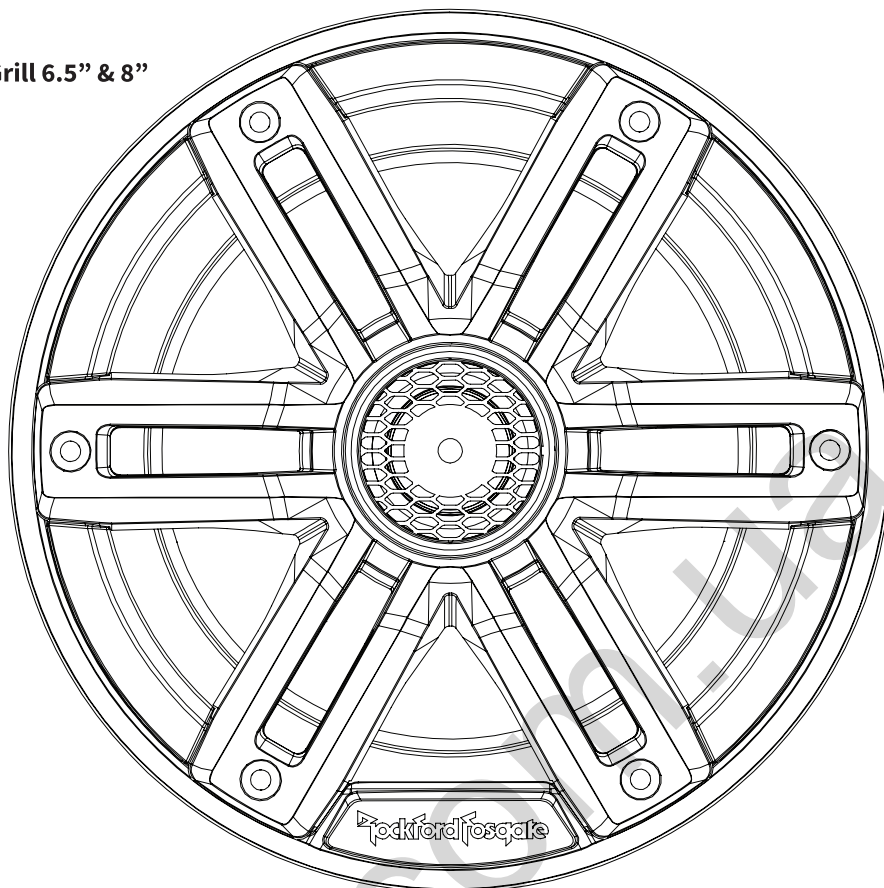
Bottom View



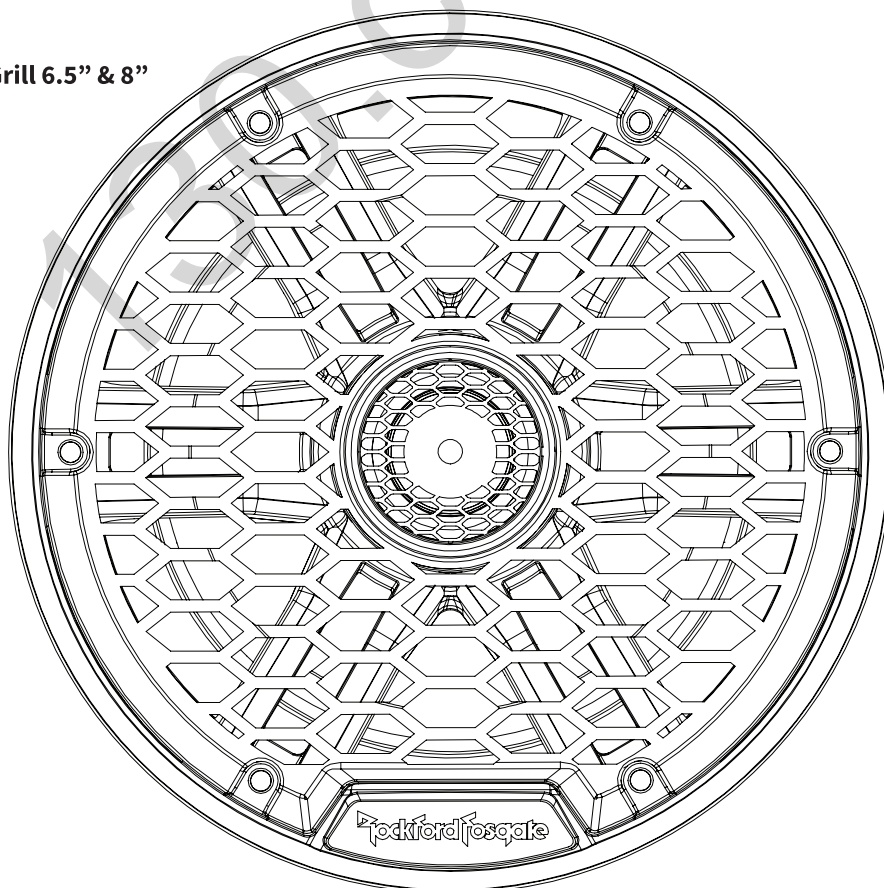
illus.-2.1

Model	M2-65 M2-65B	M2-8 M2-8B	M2-8H M2-8HB	M2-10H M2-10HB
Overall Diameter (A)	7.05" (179.12mm)	9.07" (230.4mm)	9.07" (230.4mm)	11.53" (292.8mm)
Screw Mounting Diameter (B)	6.12" (155.5mm)	7.76" (197mm)	7.76" (197mm)	10.08" (256mm)
Mounting Screw Angle (C)	6@60°	6@60°	6@60°	6@60°
Overall Height (D)	3.54" (90mm)	4.58" (116.4mm)	4.58" (116.4mm)	5.97" (151.5mm)
Mounting Depth (E)	2.49" (63.2mm)	3.35" (85mm)	3.35" (85mm)	4.66" (118.4mm)
Cut-out Diameter (F)	5.36" (136.2mm)	7.05" (179.1mm)	7.05" (179.1mm)	9.25" (234.8mm)
Grill Height (G)	1.03" (26.1mm)	1.23" (31.4mm)	1.23" (31.4mm)	1.30" (33.1mm)

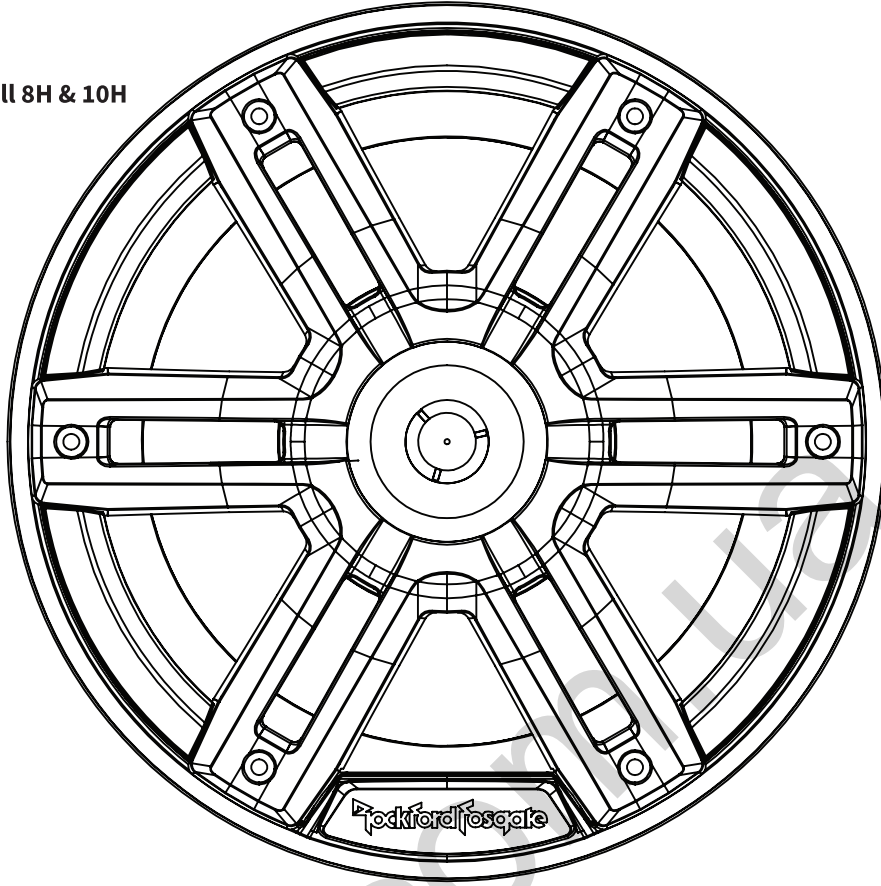
**Sport Grill 6.5" & 8"**



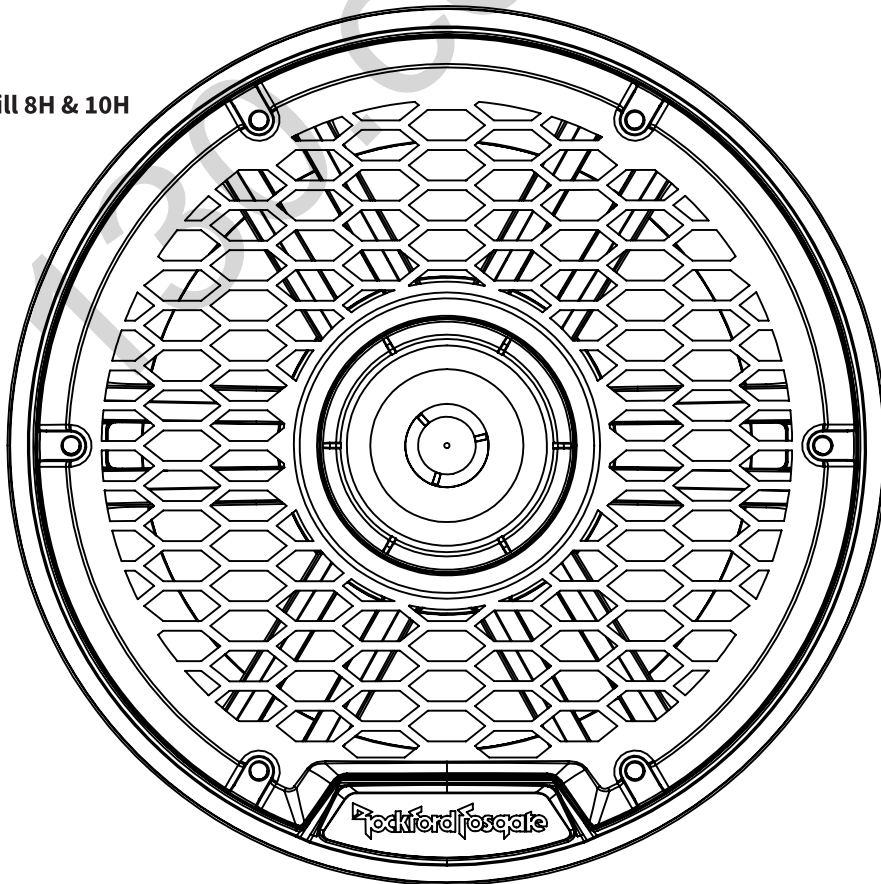
**Stainless Steel Grill 6.5" & 8"**



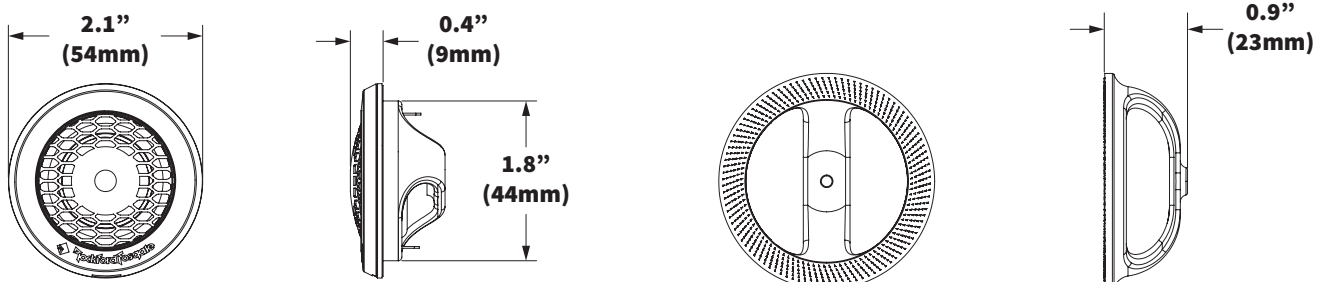
**Sport Grill 8H & 10H**



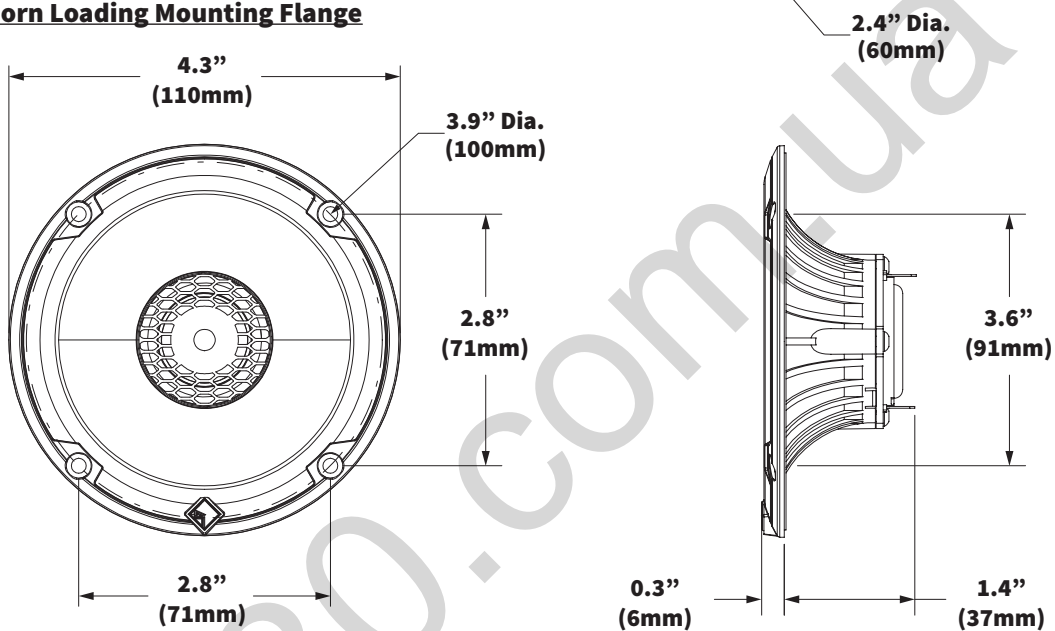
**Stainless Steel Grill 8H & 10H**



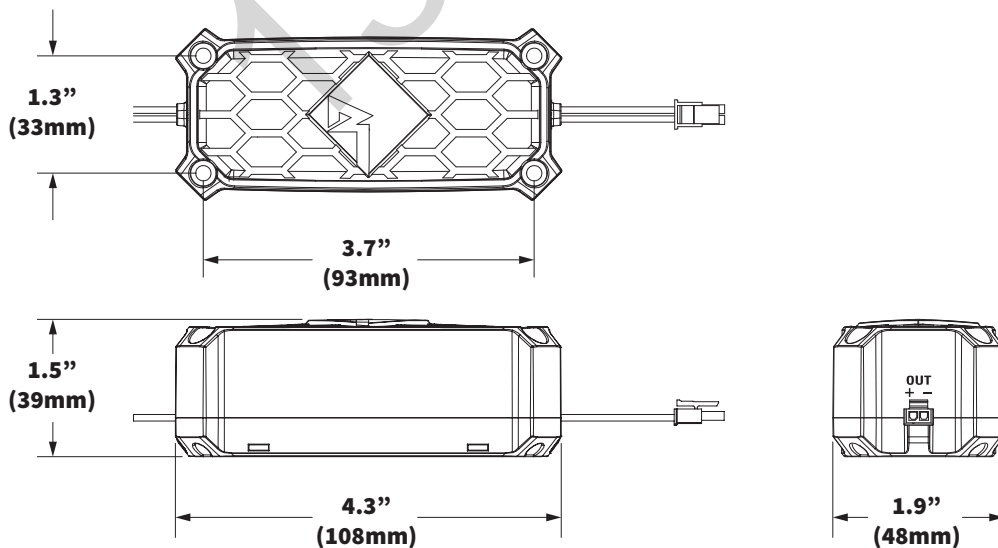
**Flush Mount**



**Optional Horn Loading Mounting Flange**



**Crossover**





## COLOR OPTIX™ Wiring

### COLOR OPTIX™ Wiring Precautions

*Do not connect to 24 Volt electrical systems*

*We recommend only using the COLOR OPTIX™ wiring chart or connecting to the PMX-RGB. Connecting any other way could cause damage to the speakers or the device you have connected to.*

*We recommend installing a fuse (not included) on the Yellow 12 Volt wire whenever you are NOT using the PMX-RGB. See COLOR OPTIX™ wiring chart for wiring options.*

*Rockford recommends a minimum of 20 gauge wire when hard wiring your COLOR OPTIX™ speakers.*

*Never wire the COLOR OPTIX™ lights directly to 12 volts. Utilize either the PMX-RGB or a toggle switch (not included) connected to a fused 12 volt power supply. Refer to the specifications to determine the size of fuse (not included) needed*

*If not using the PMX-RGB, follow the diagrams below for proper pin out and hardwiring instructions.*

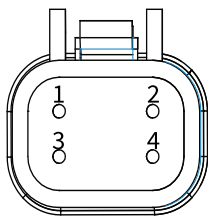
### COLOR OPTIX™ WIRING OPTIONS

LED OUTPUT COLOR	CONNECT THIS COLOR WIRE TO GROUND
RED	RED
GREEN	GREEN
BLUE	BLUE
YELLOW	RED & GREEN
PINK	RED & BLUE
AQUA	GREEN & BLUE
WHITE	RED, GREEN & BLUE

*Connect colored wires on right to make output color on left.*

*Connect all Yellow wires together to switched 12 Volts. See Wiring Precautions.*

### COLOR OPTIX™ Pin Out (wire side)



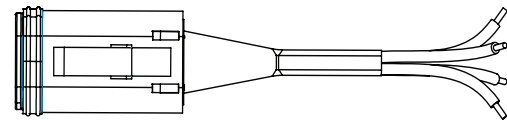
illus.-4.1

- 1 - RED (Ground Input)
- 2 - Yellow (12V+ Input)
- 3 - Blue (Ground Input)
- 4 - Green (Ground Input)

**Included with speakers**

Connector is DEUTSCH™/Amphenol style DT06-4S

### COLOR OPTIX™ Connector



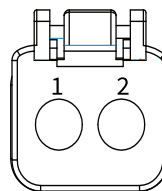
Included

illus.-4.2

### SPEAKER Wiring

*There are (2) different options for wiring your speakers. Use the included spade connectors (included) as seen in illustration 3.1*

*You can also utilize the DEUTSCH™/Ampaenol connector (not included) input next to the COLOR OPTIX™ connector.*



illus.-4.3

### Speaker Pin Out (wire side)

- 1 - RED - Positive Speaker Input
  - 2 - BLACK - Negative Speaker Input
- NOT included with speakers**

Connector is DEUTSCH™ style DT06-2S

## Contents

- (1) Pair Marine Grade Speakers
- (1) Pair Removable Marine Grade Sport Grills
- (1) Pair of Stainless Steel Grill Inserts
- (13) Socket head stainless screws
- (2) Socket head driver bit
- (2) RGB Harness
- (1) Pair of M2-TS Tweeters (M2-TS ONLY)
- (1) Pair External 18dB/Oct Crossover(M2-TS ONLY)
- (1) Pair Flush Mount Clamps(M2-TS ONLY)
- (1) Pair Horn Loading Mounting Flange w/ O-rings(M2-TS ONLY)

## Installation Considerations

Before beginning any installation, follow these simple rules:

*Be sure to carefully read and understand the instructions before attempting to install these speakers.*

*For easier assembly, we suggest you run all wires prior to mounting your speakers in place.*

*Use high quality connectors for a reliable installation and to minimize signal or power loss.*

*Think before you drill! Be careful not to cut or drill into gas tanks, fuel lines, brake or hydraulic lines, vacuum lines or electrical wiring when working on any vehicle. If installation in a boat, take care not to cut or drill through the main hull.*

*Never run wires underneath the vehicle. Running the wires inside the vehicle or hull area provides the best protection.*

*Avoid running wires over or through sharp edges. Use rubber or plastic grommets to protect any wires routed through metal, especially the firewall.*

## Mounting

*Determine where the speakers will be mounted. Ensure an area large enough for the speaker to mount evenly. Be sure that the mounting location is deep enough for the speaker to fit; if mounting in a door, operate all functions (windows, locks, etc.) through their entire operating range to ensure there is no obstruction.*

*Refer to the specification chart to determine the proper diameter hole to cut for your speaker model. Cutting and mounting templates can be found at [www.rockfordfosgate.com](http://www.rockfordfosgate.com).*

*Mark the locations for the mounting screws. Drill the holes with a 1/8" bit.*

*Feed the speaker wires through the cutout and connect to the speaker terminals. Be sure to observe proper polarity when connecting the wires. The speaker's positive terminal is indicated with a "+"*

*Fit the trim ring over the speaker and mount into place using the four (4) screws that are provided.*

*Tighten the screws until the speaker is snug in place to prevent rattling. Do not over tighten the screws.*

# Installation

## Mounting (M2-TS ONLY)

### Flush Mount Option

Determine where the tweeter will be mounted. Ensure an area large enough for the tweeter to mount evenly. Be sure that the mounting location is deep enough for the tweeter to fit; if mounting in a door, operate all functions (windows, locks, etc.) through their entire operating range to ensure there is no obstruction.

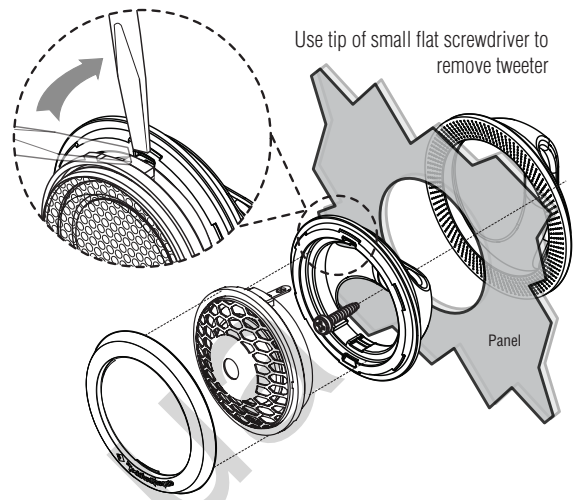
Mark the location for the mounting hole. Drill the hole with a standard 1.75 inch (45mm) hole saw.

With a single center screw secure the inner cup from the front of the door panel to the outer cup from back of the door panel. Tighten the screw until balanced pressure is applied to both faces of the mounting surface.

Feed the speaker wires through the cutout. Be sure to observe proper polarity when connecting the wires. The speaker's lead wires are indicated with a WHITE wire "+" and a BLACK wire "-".

Simply snap the tweeter into place and secure with a snap-on trim ring. Removal is easy if needed. The protective grille on the tweeter is non-removable and an integral part of the design.

### Flush Mount Clamp



### Optional Horn Loading Mounting

Determine where the tweeter will be mounted. Ensure an area large enough for the speaker to mount evenly. Be sure that the mounting location is deep enough for the speaker to fit; if mounting in a door, operate all functions (windows, locks, etc.) through their entire operating range to ensure there is no obstruction.

Mark the location for the mounting hole.

Cut or use a hole saw to drill a 3-5/8" (91mm) hole for the flange to fit.

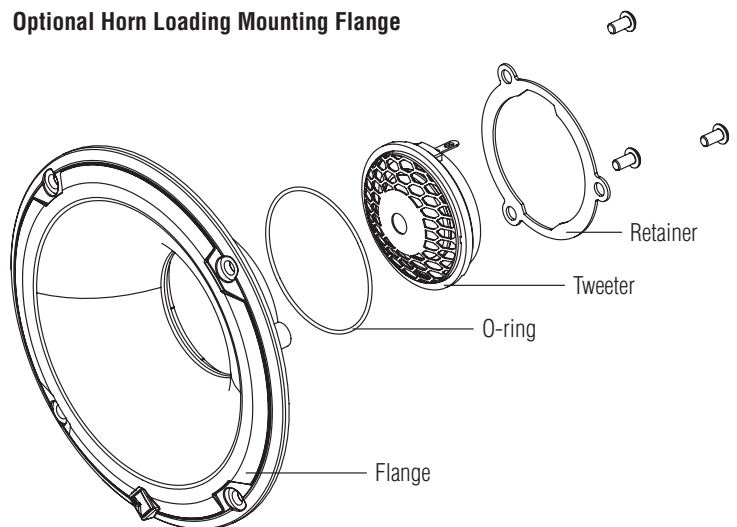
Once you have the hole cut, insert the flange and mark the locations for the mounting screws. Pre-drill your mounting screw holes.

Assemble the horn flange, o-ring, tweeter and retaining ring together. Pay close attention to the alignment tab on both the tweeter and flange. These need to be lined up for proper tweeter orientation in the flange.

Feed the speaker wires through the cutout. Be sure to observe proper polarity when connecting the wires. The speaker's lead wires are indicated with a WHITE wire "+" and a BLACK wire "-".

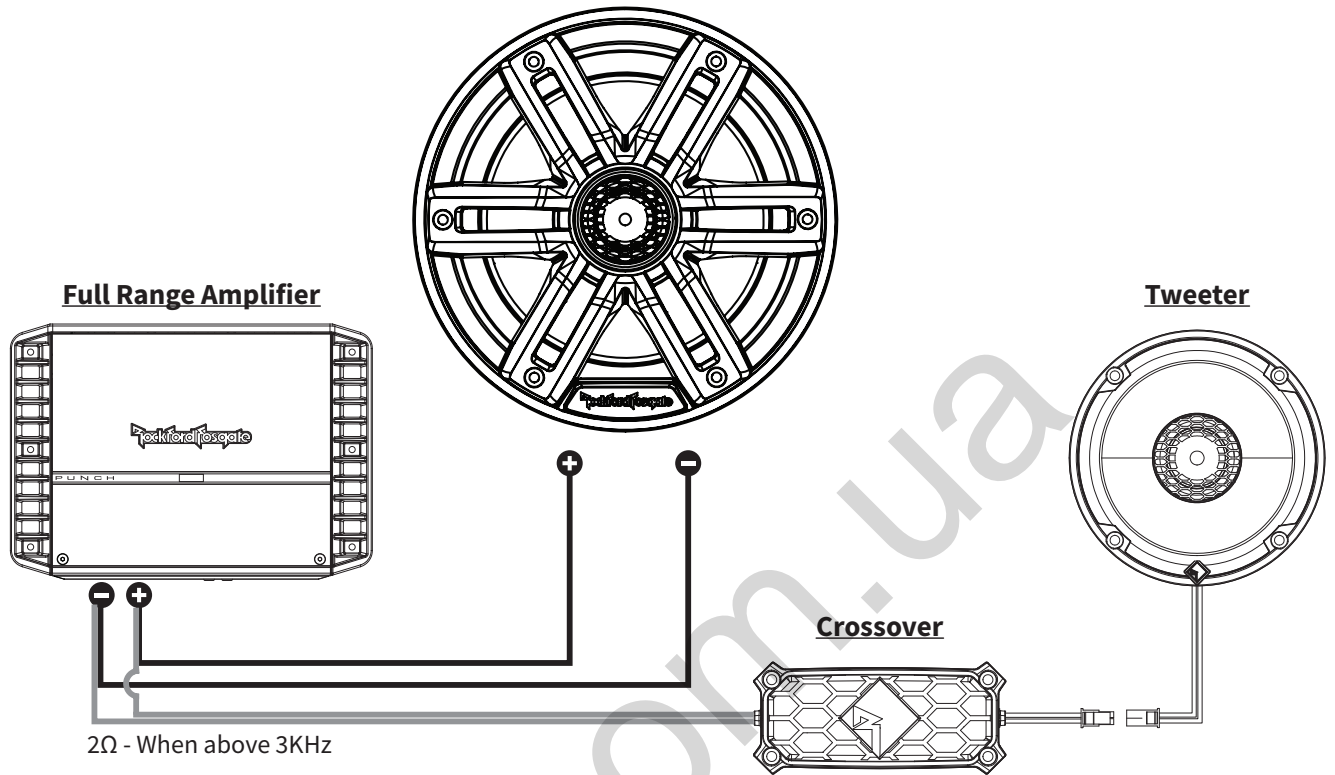
Secure the flange with the included stainless steel mounting hardware.

### Optional Horn Loading Mounting Flange



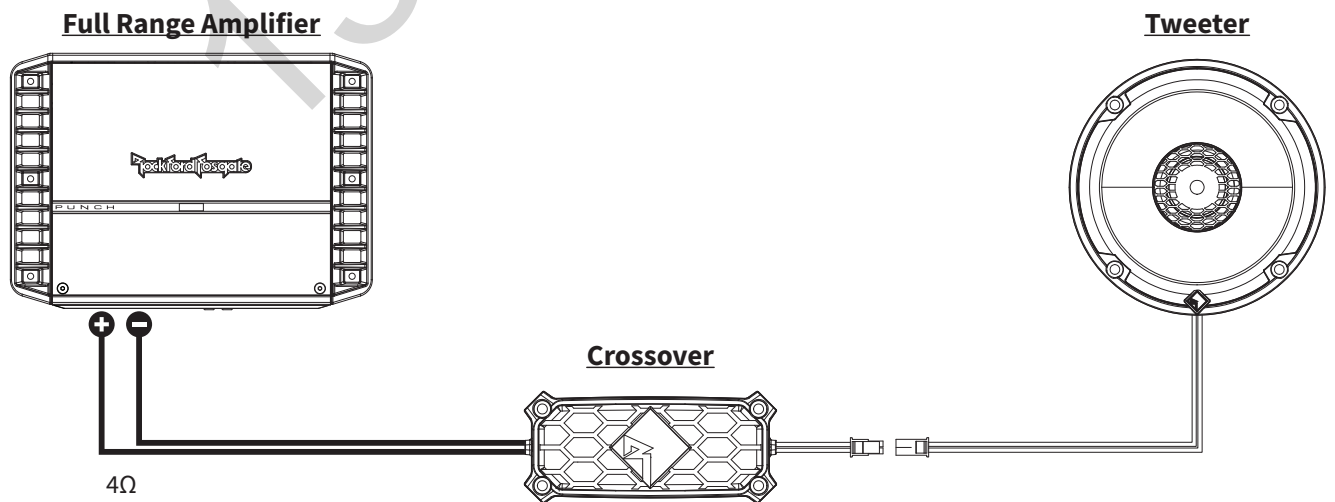
**Add On M2T-S Tweeter with M2 Speaker**

**Full-Range Speaker (M2)**



**NOTE:** Your amplifier needs to be 2Ω stable per channel when wired in this configuration.

**Individual Tweeter**



## Câblage COLOR OPTIX™

### Câblage COLOR OPTIX™ - Précautions

Ne pas connecter à des systèmes électriques de 24 volts

Nous recommandons de n'utiliser que le diagramme de câblage COLOR OPTIX™ ou de se connecter au PMX-RGB. Se connecter de toute autre façon pourrait endommager les haut-parleurs ou l'appareil auquel on s'est connecté.

Nous recommandons d'installer un fusible (non fourni) sur le fil jaune de 12 volts quand on N'utilise PAS le PMX-RGB. Voir le diagramme de câblage COLOR OPTIX™ pour les options de câblage.

Rockford recommande un fil d'un calibre minimum de 20 lors du raccordement électrique des haut-parleurs COLOR OPTIX™.

Ne jamais câbler les lumières COLOR OPTIX™ directement à du 12 volts. Utiliser soit le PMX-RGB soit un commutateur à bascule (non fourni) connecté à une alimentation de 12 volts fusionnés. Se référer aux spécifications pour déterminer la taille du fusible (non fourni) nécessaire

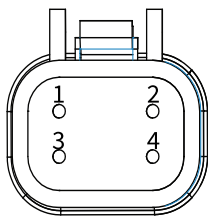
Si on n'utilise pas le PMX-RGB, suivre les diagrammes ci-dessous pour les instructions appropriées de broche de sortie et de raccordement électrique.

### OPTIONS DE CÂBLAGE COLOR OPTIX™

COULEUR DE DEL DE SORTIE	CONNECTER CE FIL DE COULEUR À LA TERRE
ROUGE	ROUGE
VERT	VERT
BLEU	BLEU
JAUNE	ROUGE ET VERT
ROSE	ROUGE ET BLEU
AQUA	VERT ET BLEU
BLANC	ROUGE, VERT ET BLEU

Connecter les fils colorés sur la droite pour créer la couleur de sortie sur la gauche.  
Connecter tous les fils jaunes ensemble à un courant de 12 volts commutés. Voir les précautions sur le câblage

### Broche de sortie COLOR OPTIX™ (côté fils)

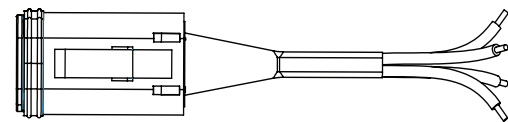


illus.-4.1 DT06-4S

ROUGE (Entrée terre)  
Jaune (12 V + Entrée)  
Bleu (Entrée terre)  
Vert (Entrée terre)  
**Fourni avec les haut-parleurs**

Le connecteur est DEUTSCH™/style Amphenol

### Connecteur COLOR OPTIX™



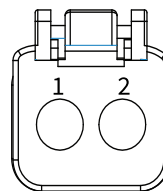
Inclus

illus.-4.2

### Câblage de HAUT-PARLEUR

Il y a deux (2) options différentes pour câbler les haut-parleurs. Utiliser les connecteurs de rechange fournis comme vu dans l'illustration 3.1

On peut également utiliser l'entrée du connecteur DEUTSCH™/Ampaenol (non fourni) à côté du connecteur COLOR OPTIX™.



illus.-4.3

Broche de sortie de haut-parleur (côté fils)

1 - ROUGE - Entrée positive de haut-parleur

2 - NOIR - Entrée négative de haut-parleur

**NON fourni avec les haut-parleurs**

Connector is DEUTSCH™ style DT06-2S

## Contenu

- (1) Paire de haut-parleurs de qualité marine
- (1) Paire de grilles sport de qualité maritime amovibles
- (1) Paire d'inserts de grille en acier inoxydable
- (13) Vis inoxydable à tête creuse
- (2) Mèche à tête creuse
- (2) Faisceau RGB
- (1) Paire de tweeters M2-TS (M2-TS UNIQUEMENT)
- (1) Paire de transitions externes 18 dB/Oct (M2-TS UNIQUEMENT)
- (1) Paire de brides de montage encastré (M2-TS UNIQUEMENT)
- (1) Paire de brides de montage de chargement d'avertissement avec joints toriques (M2-TS UNIQUEMENT)

## Considérations d'installation

Avant de commencer toute installation, suivre ces simples règles :

*Faire attention de lire attentivement et de comprendre les instructions avant de tenter d'installer ces haut-parleurs.*

*Pour faciliter l'assemblage, il est conseillé d'acheminer tous les fils avant de monter les haut-parleurs en place.*

*Utiliser des connecteurs de haute qualité pour une installation fiable et pour minimiser la perte de signal ou d'alimentation.*

*Penser avant de percer ! Faire attention de ne pas couper ni percer dans les réservoirs à essence, les canalisations de carburant, les conduites de freins ou conduites hydrauliques, les lignes de vide ou le câblage électrique lors de toute opération sur un véhicule. En cas d'installation dans un bateau, faire attention de pas couper ni percer la coque principale.*

*Ne jamais acheminer les fils sous le véhicule. Acheminer les fils à l'intérieur du véhicule ou de la surface de la coque fournit la meilleure protection.*

*Éviter d'acheminer les fils sur ou à travers des bords coupants. Utiliser des œillets en caoutchouc ou en plastique pour protéger les fils acheminés dans du métal, en particulier le pare-feu.*

## Montage

*Déterminer où les haut-parleurs seront montés. S'assurer d'avoir une surface suffisamment large pour monter le haut-parleur uniformément. S'assurer que l'emplacement de montage est suffisamment profond pour que rentre le haut-parleur ; en cas de montage dans une porte, faire marcher toutes les fonctions (fenêtres, verrous, etc.) dans tout leur champ de fonctionnement pour assurer qu'il n'y a pas d'obstruction.*

*Se référer au diagramme de spécifications pour déterminer les trous de diamètre appropriés à découper pour le modèle de haut-parleur. Des gabarits de coupe et de montage se trouvent à [www.rockfordfosgate.com](http://www.rockfordfosgate.com).*

*Marquer les emplacements des vis de montage. Percer les trous avec une mèche de 1/8".*

*Acheminer les fils de haut-parleur à travers la découpe et connecter aux bornes de haut-parleur. S'assurer d'observer la polarité appropriée lors de la connexion des fils. La borne positive du haut-parleur est indiquée par un « + ».*

*Fixer la bague de garniture sur le haut-parleur et monter en place à l'aide des quatre (4) vis fournies.*

*Serrer les vis jusqu'à que le haut-parleur soit bien serré en place pour éviter tout cliquetis. Ne pas serrer excessivement les vis.*

## Installation

### Montage (M2-TS UNIQUEMENT)

#### Options de montage encastrable

Déterminer où le tweeter sera monté. S'assurer d'avoir une surface suffisamment large pour monter le tweeter uniformément. S'assurer que l'emplacement de montage est suffisamment profond pour que rentre le tweeter ; en cas de montage dans une porte, faire marcher toutes les fonctions (fenêtres, verrous, etc.) dans tout leur champ de fonctionnement pour assurer qu'il n'y a pas d'obstruction.

Marquer l'emplacement du trou de montage. Percer le trou avec une scie cloche standard de 1,75 pouce (45 mm).

Avec une vis à centre unique, sécurisez la coupelle interne du devant du panneau de porte à la coupelle externe du dos du panneau de porte. Serrer la vis jusqu'à application d'une pression équilibrée sur les deux faces de surface de montage.

Alimenter les fils du haut-parleur par la découpe. S'assurer d'observer la polarité appropriée lors de la connexion des fils. Les fils conducteurs du haut-parleur sont indiqués avec un fil BLANC « + » et un fil NOIR « - ».

Il suffit d'enclencher le tweeter en place et le sécuriser avec une garniture encliquetable. Le retirer est aisé si besoin est. La grille protectrice sur le tweeter n'est pas amovible et fait partie intégrante du design.

#### Montage de chargement d'avertisseur en option

Déterminer où le tweeter sera monté. S'assurer d'avoir une surface suffisamment large pour monter le haut-parleur uniformément. S'assurer que l'emplacement de montage est suffisamment profond pour que rentre le haut-parleur ; en cas de montage dans une porte, faire marcher toutes les fonctions (fenêtres, verrous, etc.) dans tout leur champ de fonctionnement pour assurer qu'il n'y a pas d'obstruction.

Marquer l'emplacement du trou de montage.

Couper ou utiliser une scie cloche pour percer un trou de 3-5/8" (91 mm) pour que la bride rentre bien.

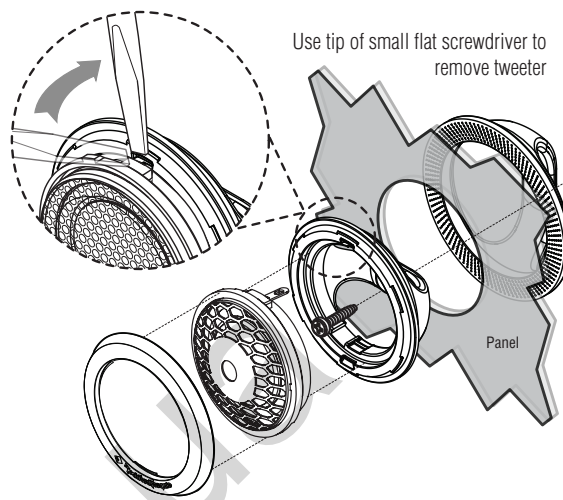
Une fois le trou découpé, insérer la bride et marquer les emplacements des vis de montage. Pré-percer les trous des vis de montage.

Assembler la bride d'avertisseur, le joint torique, le tweeter et la bague de retenue ensemble. Faire très attention à la patte d'alignement sur le tweeter et la bride. Ceux-ci doivent être alignés pour l'orientation appropriée du tweeter dans la bride.

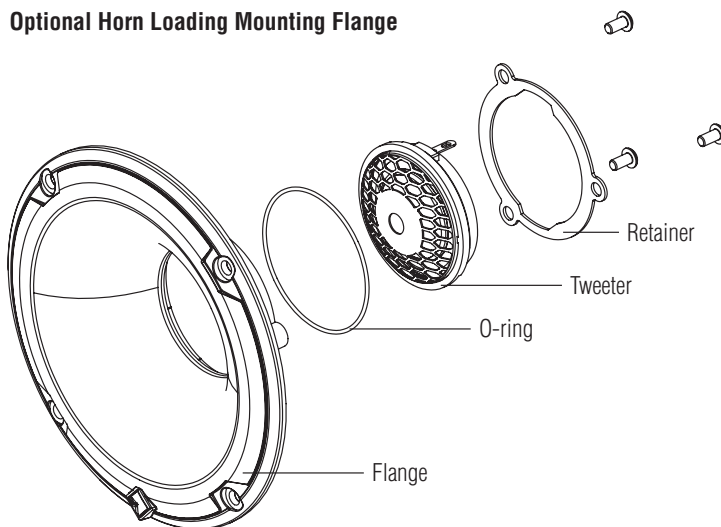
Alimenter les fils du haut-parleur par la découpe. S'assurer d'observer la polarité appropriée lors de la connexion des fils. Les fils conducteurs du haut-parleur sont indiqués avec un fil BLANC « + » et un fil NOIR « - ».

Sécuriser la bride avec la visserie de montage en acier inoxydable fournie.

#### Flush Mount Clamp



#### Optional Horn Loading Mounting Flange



## Cableado del COLOR OPTIX™

### Precauciones para el cableado del COLOR OPTIX™

No lo conecte a sistemas eléctricos de 24 voltios

Recomendamos usar solamente la tabla de cableado del COLOR OPTIX™ o conectarse a PMX-RGB. Conectarse de cualquier otra manera podría dañar los altavoces o el dispositivo al que se ha conectado.

Recomendamos instalar un fusible (no incluido) en el cable amarillo de 12 voltios siempre que NO esté utilizando el PMX-RGB. Consulte la tabla de cableado de COLOR OPTIX™ para ver las opciones de cableado.

Rockford recomienda un cable de calibre 20 mínimo al cablear sus altavoces COLOR OPTIX™.

Nunca conecte las luces COLOR OPTIX™ directamente a 12 voltios. Utilice el PMX-RGB o un interruptor oscilante (no incluido) conectado a una fuente de alimentación con fusible de 12 voltios. Consulte las especificaciones para determinar el tamaño del fusible necesario (no incluido)

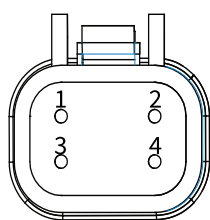
Si no usa el PMX-RGB, siga los diagramas a continuación para obtener las instrucciones de disposición de contactos y cableado correctas.

### OPCIONES DE CABLEADO COLOR OPTIX™

COLOR DE SALIDA DE LED	CONECTE ESTE CABLE DE COLOR A TIERRA
ROJO	ROJO
VERDE	VERDE
AZUL	AZUL
AMARILLO	ROJO y VERDE
ROSADO	ROJO Y AZUL
AQUA	VERDE Y AZUL
BLANCO	RED, VERDE Y AZUL

Conecte los cables de colores a la derecha para crear el color de salida a la izquierda.  
Conecte todos los cables amarillos juntos a 12 voltios conmutados. Consulte las precauciones para el cableado.

### Disposición de contactos del COLOR OPTIX™ (lado del alambre)

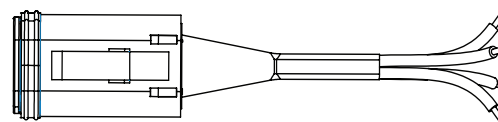


ilus.-4.1

- 1 - ROJO (Conexión a tierra)
  - 2 - Amarillo (Conexión a 12V +)
  - 3 - Azul (Conexión a tierra)
  - 4 - Verde (Conexión a tierra)
- Incluido junto con los altavoces**

El conector es DEUTSCH™/estilo Amphenol DT06-4S

### Conector COLOR OPTIX™



Incluye

ilus.-4.2

### Cableado del ALTAVOZ

Hay (2) diferentes opciones para cablear sus altavoces. Utilice los conectores de pala incluidos (incluidos) como se ve en la ilustración 3.1

También puede utilizar la entrada del conector DEUTSCH™/Amphenol (no incluido) junto al conector COLOR OPTIX™.

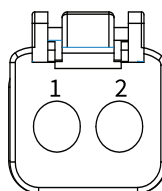


Ilustración - 4.3

### Disposición de contactos del altavoz (lado de los cables)

- 1 - ROJO - Entrada positiva al altavoz
  - 2 - NEGRO - Entrada negativa del altavoz
- NO se incluye con los altavoces**

El conector es DEUTSCH™ estilo DT06-2S



## Índice

- (1) Par de altavoces de grado marino
- (1) Par de rejillas deportivas extraíbles de grado marino
- (1) Par de insertos de rejilla de acero inoxidable
- (13) Tornillos de acero inoxidable de cabeza hueca
- (2) Broca para atornillar tornillos de cabeza hueca
- (2) Arnés RGB
- (1) Par de tweeters M2-TS (SOLAMENTE M2-TS)
- (1) Par externo cruce de 18dB/oct. (SOLAMENTE M2-TS)
- (1) Par de abrazaderas de montaje al ras (SOLAMENTE M2-TS)
- (1) Par de brida de montaje de carga de bocina con juntas tóricas (O-rings) (SOLAMENTE M2-TS)

## Consideraciones para la instalación

Antes de comenzar cualquier instalación, siga estas simples normas:

Asegúrese de leer cuidadosamente y de entender las instrucciones antes de tratar de instalar estos altavoces.

Para facilitar el montaje, sugerimos que tienda todos los cables antes de montar sus altavoces en su sitio.

Utilice conectores de alta calidad para tener una instalación confiable y para reducir al mínimo las pérdidas de señal o de potencia.

¡Piense siempre antes de perforar! Tenga cuidado de no cortar ni perforar tanques de combustible, tuberías de combustible, de frenos o hidráulicas, tuberías de vacío o cableado eléctrico al trabajar en cualquier vehículo. Si la instalación se hace en una embarcación, tenga cuidado de no cortar ni perforar a través del casco principal.

Nunca tienda cables abajo del vehículo. Tender los cables adentro del vehículo o casco proporciona la mejor protección.

Evite tender cables arriba o a través de bordes filosos. Use arandelas aislantes de caucho para proteger los cables tendidos a través de metal, especialmente en la mampara cortafuegos.

## Montaje

Determine adónde se montarán los altavoces. Asegúrese de que haya un área suficientemente grande para montar de manera plana el altavoz. Asegúrese de que el lugar de montaje sea suficientemente profundo para que quepa el altavoz, si se monta en una puerta, accione todas las funciones (ventanas, cerradura, etc.) en toda su gama de funcionamiento para asegurarse de que no haya obstrucciones.

Consulte la tabla de especificaciones para determinar cuales son los diámetros correctos para el agujero a cortar para su modelo de altavoz. Se puede encontrar las plantillas para el corte y el montaje en [www.rockfordfosgate.com](http://www.rockfordfosgate.com).

Marque las localidades para los tornillos de montaje. Perfore los agujeros usando una broca de 1/8 pulg.

Tienda los cables del altavoz a través del recorte y conecte a los terminales del altavoz. Asegúrese de usar la polaridad correcta al conectar los cables. El terminal positivo del altavoz está identificado con un símbolo "+".

Coloque el anillo de acabado sobre el altavoz y móntelo en su sitio usando los cuatro (4) tornillos proporcionados.

Apriete los tornillos hasta que el altavoz esté ajustado en su sitio para evitar vibraciones. No apriete demasiado los tornillos.

**Montaje (SOLAMENTE M2-TS)**

Opción con montaje al ras

Determine adónde se montará el tweeter. Asegúrese de que haya un área suficientemente grande para montar de manera plana el tweeter. Asegúrese de que el lugar de montaje sea suficientemente profundo para que quepa el tweeter; si se monta en una puerta, accione todas las funciones (ventanas, cerradura, etc.) en toda su gama de funcionamiento para asegurarse de que no haya obstrucciones.

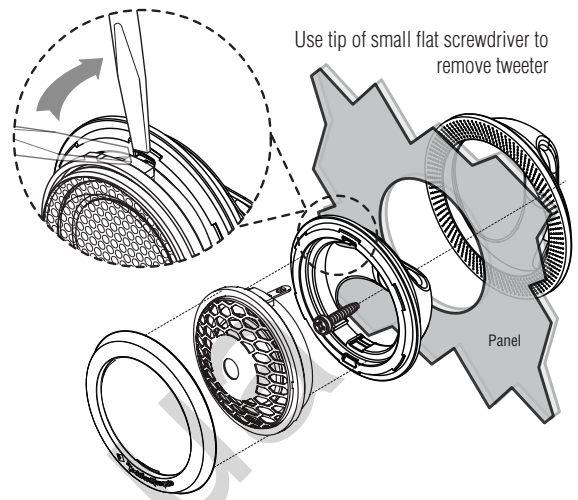
Marque las localidades para el agujero de montaje. Haga un agujero usando una sierra para agujeros estándar de 45 mm (1.75 pulgadas).

Con un solo tornillo central, asegure la taza interna de la parte delantera del panel de la puerta a la taza externa de la parte posterior del panel de la puerta. Apriete el tornillo hasta que e aplique una presión equilibrada a ambas caras de la superficie de montaje.

Pase los cables del altavoz a través del recorte. Asegúrese de usar la polaridad correcta al conectar los cables. Los cables del altavoz están identificados con un cable BLANCO "+" y un cable NEGRO "-".

Simplemente presione el tweeter en su sitio ya asegúrelo con un anillo de acabado a presión. Es fácil extraerlo si es necesario. La rejilla protectora en el tweeter no se puede extraer y es una parte integral del diseño.

**Flush Mount Clamp**



Montaje opcional de carga de la bocina

Determine adónde se montará el tweeter. Asegúrese de que haya un área suficientemente grande para montar de manera plana el altavoz. Asegúrese de que el lugar de montaje sea suficientemente profundo para que quepa el altavoz, si se monta en una puerta, accione todas las funciones (ventanas, cerradura, etc.) en toda su gama de funcionamiento para asegurarse de que no haya obstrucciones.

Marque las localidades para el agujero de montaje.

Corte o use una sierra para perforar para hacer un agujero de 3-5/8 pulg. (91 mm) para que quepa la brida.

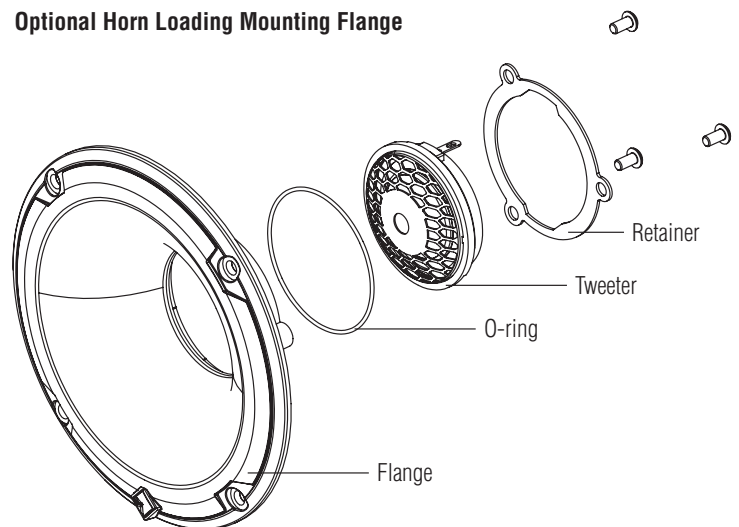
Una vez que haya cortado el orificio, inserte la brida y marque las ubicaciones de los tornillos de montaje. Haga con anterioridad los orificios de los tornillos de montaje.

Ensamble juntos la brida de la bocina, la junta tórica, el tweeter y el anillo de retención. Presta mucha atención a la pestaña de alineación tanto en el tweeter como en la brida. Estos deben estar alineados para tener una orientación adecuada del tweeter en la brida.

Pase los cables del altavoz a través del recorte. Asegúrese de usar la polaridad correcta al conectar los cables. Los cables del altavoz están identificados con un cable BLANCO "+" y un cable NEGRO "-".

Asegure la brida con el herraje de montaje de acero inoxidable incluido

**Optional Horn Loading Mounting Flange**



## COLOR OPTIX™ Verkabelung

### Vorsichtsmaßnahmen für die COLOR OPTIX™ Verkabelung

**Nicht an 24-Volt-Spannung anschließen**

Wir empfehlen, nur die COLOR OPTIX™ Verkabelungstabelle zu verwenden oder an PMX-RGB anzuschließen. Andere Arten von Anschlüssen können die Lautsprecher oder das angeschlossene Gerät beschädigen.

Wir empfehlen, eine Sicherung (nicht im Lieferumfang) am gelben 12-Volt-Kabel zu installieren, wenn Sie das PMX-RGB NICHT verwenden. Siehe COLOR OPTIX™ Verkabelungstabelle für Verkabelungsoptionen.

Rockford empfiehlt eine Kabelstärke von mindestens 20 Gauge für die Festverdrahtung Ihrer COLOR OPTIX™ Lautsprecher.

COLOR OPTIX™ Lichter nie direkt an 12 Volt anschließen. Verwenden Sie entweder PMX-RGB oder einen Kippschalter (nicht im Lieferumfang), der an ein gesichertes 12-Volt-Netzteil angeschlossen ist. Weitere Informationen zur erforderlichen Sicherungsgröße (nicht im Lieferumfang) finden Sie in den technischen Daten.

Wenn Sie PMX-RGB nicht verwenden, folgen Sie den Diagrammen unten für die Anleitungen für die korrekten Stiftkontakte und Festverdrahtung.

### VERKABELUNGSOPTIONEN FÜR COLOR OPTIX™

LED-AUSGANGSFARBE	DIESES FARBIGE KABEL AN DIE ERDUNG ANSCHLIESSEN
ROT	ROT
GRÜN	GRÜN
BLAU	BLAU
GELB	ROT U. GRÜN
PINK	ROT U. BLAU
AQUA	GRÜN U. BLAU
WEISS	ROT, GRÜN U. BLAU

Schließen Sie die farbigen Kabel rechts für die Ausgangsfarbe links an.

Schließen Sie alle gelben Kabel zusammen an einem 12-Volt-Schaltkreis an. Siehe Vorsichtsmaßnahmen für die Verkabelung.

### COLOR OPTIX™ Stiftkontakte (Drahtseite)

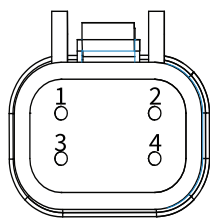


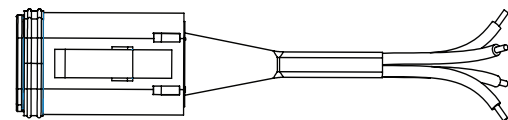
Abb.-4.1

- 1 - ROT (Erdungseingang)
- 2 - Gelb (12 V + Eingang)
- 3 - Blau (Erdungseingang)
- 4 - Grün (Erdungseingang)

#### Im Lieferumfang der Lautsprecher

Der Konnektor ist DEUTSCH™/Amphenol-Stil DT06-4S

### COLOR OPTIX™ Konnektor



Mitgeliefert

Abb.-4.2

### LAUTSPRECHER-Verkabelung

Es gibt (2) verschiedene Optionen für die Verkabelung Ihrer Lautsprecher. Verwenden Sie die mitgelieferte Flachsteckhülse wie in Abbildung 3.1. Sie können auch den DEUTSCH™/Ampaenol-Konnektoreingang (nicht im Lieferumfang) neben dem COLOR OPTIX™ Konnektor verwenden.

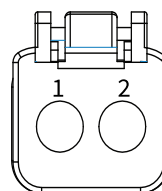


Abb. - 4.3

#### Lautsprecher-Stiftkontakte (Drahtseite)

- 1 - ROT - Positiver Lautsprechereingang
  - 2 - SCHWARZ - Negativer Lautsprechereingang
- NICHT im Lieferumfang mit den Lautsprechern**

Der Konnektor ist DEUTSCH™ Stil DT06-2S.

**Inhalt**

- (1) Paar wasserbeständige Lautsprecher
- (1) Paar abnehmbare wasserbeständige Sportgitter
- (1) Paar Edelstahl-Gittereinsätze
- (13) Edelstahl-Sechskantschrauben
- (2) Sechskant-Schraubendreher
- (2) RGB-Kabelbaum
- (1) Paar M2-TS Hochtöner (NUR M2-TS)
- (1) Paar Außen-Crossover 18 dB/Okt (NUR M2-TS)
- (1) Paar mündige Einbauklemmen (NUR M2-TS)
- (1) Paar Einbaufansch für Hornladung mit O-Ringen (NUR M2-TS)

**Informationen zum Einbau**

Vor dem Einbau diese einfachen Regeln befolgen:

Vor dem Einbau dieser Lautsprecher die Anleitungen sorgfältig durchlesen und verstehen.

Um die Montage zu erleichtern, empfehlen wir, alle Kabel vor der Befestigung Ihrer Lautsprecher zu verlegen.

Nur Qualitätsstecker verwenden, um einen zuverlässigen Einbau zu gewährleisten und Signal- und Stromverlust zu minimieren.

Vorsicht vor dem Bohren! Bei Arbeiten am Fahrzeug darauf achten, nicht in den Benzintank, in die Benzin-, Brems- oder hydraulischen Leitungen, Vakuumleitungen oder Elektrokabel zu schneiden oder zu bohren. Bei der Installation auf einem Boot sicherstellen, dass nicht durch den Rumpf gebohrt oder geschnitten wird.

Kabel nie unter dem Fahrzeug verlegen. Verlegen der Kabel im Fahrzeug oder im Rumpf bietet den besten Schutz.

Verlegen der Kabel über oder durch scharfe Kanten vermeiden. Gummi- oder Plastik-Dichtungshülsen verwenden, um Kabel zu schützen, die durch Metall verlegt werden, insbesondere durch die Feuerwand.

**Einbau**

Legen Sie fest, wo die Lautsprecher eingebaut werden sollen. Stellen Sie sicher, dass genügend Platz für die Lautsprecher vorhanden ist, damit diese gleichmäßig installiert werden. Stellen Sie sicher, dass die Befestigungsstelle für die Lautsprecher tief genug ist; bei Befestigung an einer Tür alle Funktionen (Fenster, Schlösser, usw.) für den gesamten Bewegungsablauf prüfen, um sicherzustellen, dass es keine Behinderung gibt.

Weitere Informationen zum korrekten Durchmesser des Lochs für Ihr Lautsprechermodell finden Sie in der Tabelle mit den technischen Daten. Schneide- und Einbauschablonen finden Sie unter [www.rockfordfosgate.com](http://www.rockfordfosgate.com).

Markieren Sie die Stellen für die Befestigungsschrauben. Bohren Sie die Löcher mit einer 1/8-Zoll-Bohrspitze.

Führen Sie die Lautsprecherkabel durch den Ausschnitt und schließen Sie diese an die Lautsprecheranschlüsse an. Beachten Sie die richtige Polarität beim Anschließen der Kabel. Der positive Anschluss des Lautsprechers ist mit einem „+“ gekennzeichnet.

Ziehen Sie den Klemmflansch über den Lautsprecher und befestigen Sie diesen mit Hilfe der vier (4) mitgelieferten Schrauben.

Ziehen Sie die Schrauben fest, bis der Lautsprecher sicher befestigt ist und nicht klappert. Die Schrauben nicht überdrehen.

## Einbau (NUR M2-TS)

### Mündige Einbauoption

Legen Sie fest, wo der Hochtöner eingebaut werden soll. Stellen Sie sicher, dass genügend Platz vorhanden ist, um den Hochtöner gleichmäßig einzubauen. Stellen Sie sicher, dass die Befestigungsstelle für den Hochtöner tief genug ist; bei Befestigung an einer Tür alle Funktionen (Fenster, Schlösser, usw.) über den gesamten Bewegungsablauf prüfen und sicherstellen, dass es keine Behinderung gibt.

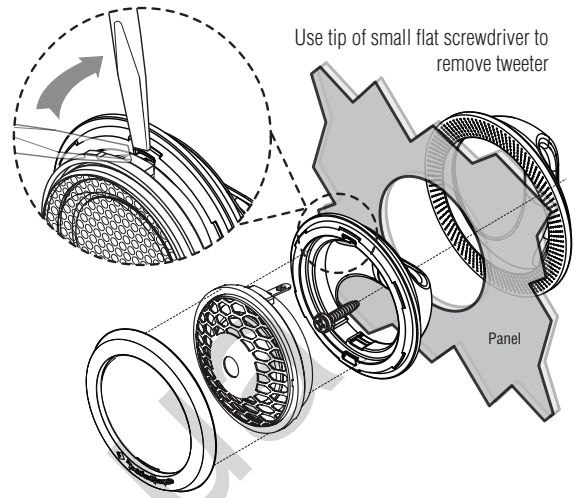
Markieren Sie die Stelle für das Befestigungsloch. Bohren Sie ein Loch mit einer Standard-Lochsäge (45 mm).

Mit einer einzelnen Mittelschraube die innere Schale von der Vorderseite der Türverkleidung an die äußere Schale von der Rückseite der Türverkleidung befestigen. Die Schraube festziehen, bis gleichmäßig Druck auf beiden Seiten der Befestigungsfläche ausgeübt wird.

Führen Sie die Lautsprecherkabel durch den Ausschnitt. Beachten Sie die richtige Polarität beim Anschließen der Kabel. Die Leitungsdrähte der Lautsprecher sind mit einem WEISSEN Kabel „+“ und einem SCHWARZEN Kabel „-“ gekennzeichnet.

Den Hochtöner einfach einrasten und mit einem Schnapping sichern. Falls erforderlich kann dieser leicht entfernt werden. Das Schutzgitter am Hochtöner kann nicht entfernt werden und ist fester Bestandteil des Designs.

### Flush Mount Clamp



### Optionaler Einbau mit Hornladung

Bestimmen Sie, wo der Hochtöner eingebaut werden soll. Stellen Sie sicher, dass genügend Platz für die Lautsprecher vorhanden ist, damit diese gleichmäßig montiert werden können. Stellen Sie sicher, dass die Befestigungsstelle für die Lautsprecher tief genug ist; bei Befestigung an einer Türe alle Funktionen (Fenster, Schlösser, usw.) über den gesamten Bewegungsablauf prüfen, um sicherzustellen, dass es keine Behinderung gibt.

Markieren Sie die Stelle für das Befestigungsloch.

Bohren Sie mit einer Lochsäge ein Loch (91 mm) für den Flansch.

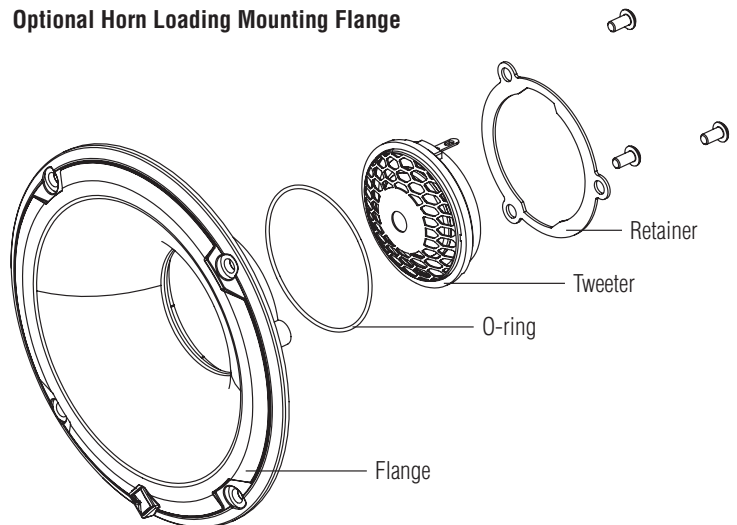
Nachdem das Loch gebohrt ist, den Flansch einführen und die Stellen für die Befestigungsschrauben markieren. Die Löcher für die Befestigungsschrauben vorbohren.

Hornflansch, O-Ring, Hochtöner und Haltering zusammenbauen. Achten Sie besonders auf die Ausrichtungsmarkierung auf dem Hochtöner und dem Flansch. Diese müssen für die richtige Orientierung des Hochtöners im Flansch ausgerichtet sein.

Führen Sie die Lautsprecherkabel durch den Ausschnitt. Beachten Sie die richtige Polarität beim Anschließen der Kabel. Die Leitungsdrähte der Lautsprecher sind mit einem WEISSEN Kabel „+“ und einem SCHWARZEN Kabel „-“ gekennzeichnet.

Den Flansch mit dem mitgelieferten Edelstahl-Befestigungszubehör befestigen.

### Optional Horn Loading Mounting Flange



## Cablaggio COLOR OPTIX™

### Precauzioni Cablaggio COLOR OPTIX™

Non collegare a sistemi elettrici a 24 Volt

Consigliamo di usare solo la tabella di cablaggio COLOR OPTIX™ o di collegare PMX-RGB. Qualsiasi altro tipo di collegamento potrà danneggiare gli altoparlanti o il dispositivo che avete collegato.

Consigliamo di installare un fusibile (non incluso) sul cavo giallo da 12 Volt quando NON si usa il PMX-RGB. Vedi la tabella di cablaggio COLOR OPTIX™ per le opzioni di cablaggio.

Rockford consiglia un filo di minimo 20 gauge per il cablaggio degli altoparlanti COLOR OPTIX™.

Mai cablare le luci COLOR OPTIX™ direttamente in 12 Volt. Usare PMX-RGB o un interruttore (non incluso) collegato a un'alimentazione munita di fusibile a 12 Volt. Fare riferimento ai dati tecnici per determinare le dimensioni del fusibile (non incluso).

Se non si usa PMX-RGB, seguire i diagrammi sotto per i giusti pin-out e le istruzioni di cablaggio.

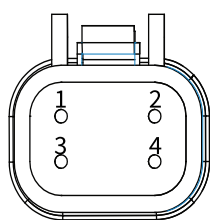
### OPZIONI CABLAGGIO COLOR OPTIX™

COLORE USCITA LED	COLLEGARE QUESTO FILO COLORATO ALLA MESSA A TERRA
ROSSO	ROSSO
VERDE	VERDE
BLU	BLU
GIALLO	ROSSO E VERDE
ROSA	ROSSO E BLU
COLORE ACQUA	VERDE E BLU
BIANCO	ROSSO, VERDE E BLU

Collegare i fili colorati sulla destra per produrre il colore di uscita sulla sinistra.

Collegare tutti i fili gialli insieme alla fonte commutata a 12 Volt. Vedi Precauzioni cablaggio.

### Pin-out COLOR OPTIX™ (lato fili)



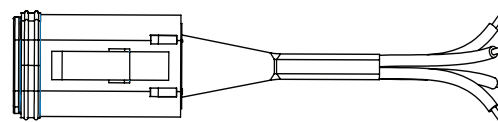
illus.-4.1

- 1 - ROSSO (ingresso messa a terra)
- 2 - Giallo (12 V + ingresso)
- 3 - Blu (ingresso messa a terra)
- 4 - Verde (ingresso messa a terra)

**Incluso con gli altoparlanti**

Il connettore è DEUTSCH™ stile /Amphenol DT06-4S

### Connettore COLOR OPTIX™

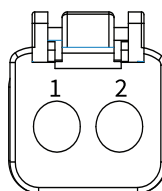


incluso

illus.-4.2

### Cablaggio ALTOPARLANTI

Esistono (2) opzioni diverse per il cablaggio degli altoparlanti. Usare i connettori a forcella (inclusi) come da illustrazione 3.1. E' anche possibile usare l'ingresso del connettore DEUTSCH™/Amphenol (non incluso) vicino al connettore COLOR OPTIX™:



illus.-4.3

### Pin-out Altoparlante (lato fili)

- 1 - ROSSO - Ingresso positivo altoparlante
- 2 - NERO - Ingresso negativo altoparlante

**NON incluso con gli altoparlanti**

Il connettore è DEUTSCH™ stile DT06-2S

### Contenuto

- (1) paio di altoparlanti marini
- (1) paio di griglie sport marine rimovibili
- (1) paio di inserti griglia in acciaio inox
- (13) viti a testa esagonale inox
- (2) punte esagonali
- (2) cablaggio RGB (rosso-verde-blu)
- (1) paio di tweeter M2-TS (SOLO M2-TS)
- (1) paio di crossover esterno da 18 dB/Ott (SOLO M2-TS)
- (1) paio di morsetti per montaggio a incasso (SOLO M2-TS)
- (1) paio di flange di montaggio per carico della tromba con guarnizione circolare (SOLO M2-TS)

### Considerazioni sull'installazione

Prima di procedere con l'installazione seguire queste semplici regole:

*Leggere attentamente le istruzioni e comprenderle prima di iniziare l'installazione di questi altoparlanti.*

*Per facilitare l'assemblaggio consigliamo di passare tutti i cavi nella posizione d'installazione prima di montare gli altoparlanti.*

*Usare connettori di alta qualità per un'installazione affidabile e per minimizzare la perdita di segnale o potenza.*

*Attenzione prima di trapanare! Attenzione a non tagliare o trapanare il serbatoio della benzina, le tubazioni del carburante, le linee freno o idrauliche, le linee da vuoto o i cavi elettrici quando si lavora su qualsiasi veicolo. Per installazioni in barca fare attenzione a non tagliare o trapanare lo scafo.*

*Mai passare i cavi sotto il veicolo. Si ottiene la protezione migliore facendo scorrere i cavi all'interno del veicolo o dello scafo.*

*Evitare di passare i cavi sopra o attraverso bordi taglienti. Usare guarnizioni in gomma o plastica per proteggere i cavi che si fanno passare attraverso il metallo, soprattutto la parete parafiamma.*

### Montaggio

*Determinare la posizione di montaggio degli altoparlanti. Assicurarsi che l'area sia grande abbastanza per potere montare gli altoparlanti in modo uniforme. Assicurarsi che la posizione di montaggio sia sufficientemente profonda per gli altoparlanti; per il montaggio su porta provare l'intero movimento di tutte le funzioni (finestre, serrature, ecc.) per garantire che non vi sia nessuna ostruzione.*

*Fare riferimento alla tabella con i dati tecnici per determinare il giusto diametro del foro da ritagliare per il vostro modello di altoparlante. Sagome di taglio e montaggio si trovano su [www.rockfordfosgate.com](http://www.rockfordfosgate.com).*

*Segnare i punti per le viti di montaggio. Trapanare i fori con una punta da 1/8 pollici.*

*Far passare i fili dell'altoparlante attraverso il foro e collegare ai terminali dell'altoparlante. Accertarsi che combacino le polarità quando si collegano i fili. Il terminale positivo dell'altoparlante è contrassegnato con "+".*

*Mettere l'anello di rivestimento sull'altoparlante e fissarlo usando le quattro (4) viti incluse.*

*Stringere le viti finché l'altoparlante è fisso in posizione per prevenire spostamenti. Non stringere eccessivamente le viti.*

### Montaggio (SOLO M2-TS)

#### Opzione montaggio a incasso

Determinare la posizione di montaggio del tweeter. Assicurarsi che l'area sia grande abbastanza per potere montare il tweeter in modo uniforme. Assicurarsi che la posizione di montaggio sia sufficientemente profonda per il tweeter; per il montaggio su porta provare l'intero movimento di tutte le funzioni (finestre, serrature, ecc.) per garantire che non vi sia nessuna ostruzione.

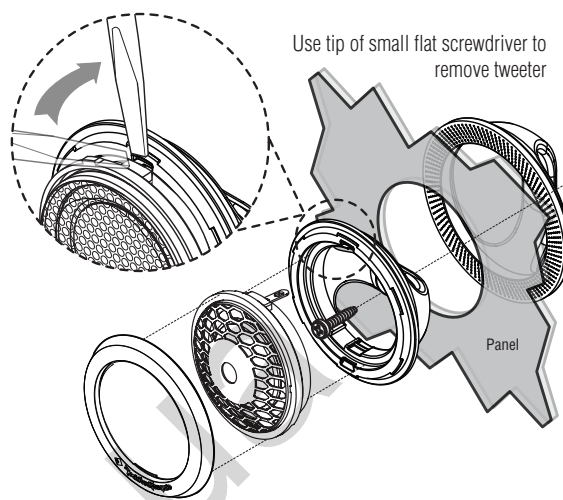
Segnare il punto per il foro di montaggio. Trapanare il foro con una sega a tazza standard da 45 mm.

Fissare con una singola vite centrale la coppa interna della parte anteriore del pannello porta alla coppa esterna della parte posteriore del pannello porta. Stringere la vite finché è applicata la stessa pressione su ambedue i lati della superficie di montaggio.

Far passare i fili dell'altoparlante attraverso il foro. Accertarsi che combacino le polarità quando si collegano i fili. I fili conduttori dell'altoparlante sono indicati con un filo BIANCO "+" e un filo NERO "-".

Semplicemente scattare il tweeter in posizione e fissarlo con un anello di tenuta elastico. Se necessario è facile da rimuovere. La griglia protettiva sul tweeter non è rimovibile ed è una parte integrale del design.

#### Flush Mount Clamp



#### Montaggio opzionale carico della tromba

Determinare la posizione di montaggio del tweeter. Assicurarsi che l'area sia grande abbastanza per potere montare gli altoparlanti in modo uniforme. Assicurarsi che la posizione di montaggio sia sufficientemente profonda per gli altoparlanti; per il montaggio su porta provare l'intero movimento di tutte le funzioni (finestre, serrature, ecc.) per garantire che non vi sia nessuna ostruzione.

Segnare il punto per il foro di montaggio.

Tagliare o usare una sega a tazza per trapanare un foro da 91 mm grande abbastanza per la flangia.

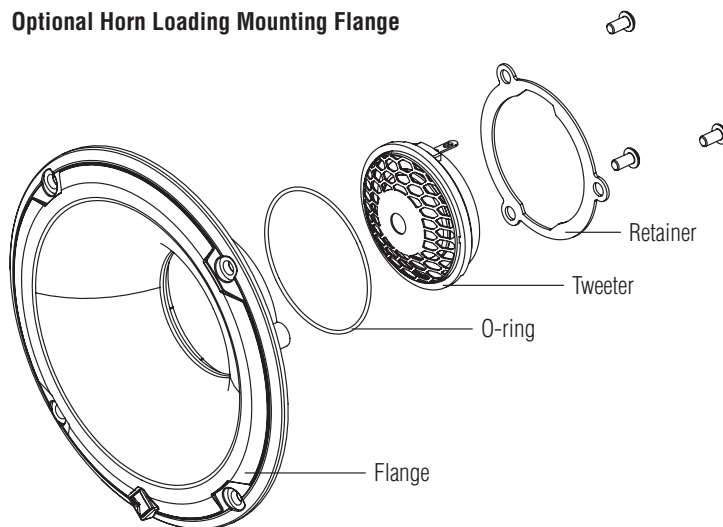
Dopo avere trapanato il foro, inserire la flangia e marcare i punti per le viti di montaggio. Pretrapanare i fori per le viti di montaggio.

Assemblare la flangia della tromba, la guarnizione circolare, il tweeter e l'anello di tenuta. Prestare particolare attenzione alla linguetta di allineamento su tweeter e flangia. Queste devono essere allineate per il giusto orientamento del tweeter nella flangia.

Far passare i fili dell'altoparlante attraverso il foro. Accertarsi che combacino le polarità quando si collegano i fili. I fili conduttori dell'altoparlante sono indicati con un filo BIANCO "+" e un filo NERO "-".

Fissare la flangia con i componenti per il montaggio in acciaio inox.

#### Optional Horn Loading Mounting Flange





Rockford Corporation offers a limited warranty on Rockford Fosgate products on the following terms:

### **Length of Warranty**

POWER Amplifiers – 2 Years

BMW® Direct Fit Speakers – 2 Years

PUNCH® & PRIME® Amplifiers – 1 Year

Speakers, Signal Processors, Accessories and Capacitors – 1 Year

All marine, motorcycle, motorsport products - 2 Years

Any Factory Refurbished Product – 90 Days (receipt required)

### **What is Covered**

*This warranty applies only to Rockford Fosgate products sold to consumers by authorized Rockford Fosgate dealers in the United States of America. Products purchased by consumers from an Authorized Rockford Fosgate Dealer in another country are covered only by that country's Distributor and not by Rockford Corporation.*

### **Who is Covered**

*This warranty covers only the original purchaser of Rockford product purchased from an authorized Rockford Fosgate dealer in the United States. In order to receive service, the purchaser must provide Rockford with a copy of the receipt stating the customer name, dealer name, product purchased and date of purchase.*

*Products found to be defective during the warranty period will be repaired or replaced (with a product deemed to be equivalent) at Rockford's discretion.*

### **What is Not Covered**

*Damage caused by accident, abuse, improper installation, operations, theft, water (on non-Element Ready products).*

*Any cost or expense related to the removal or reinstallation of product.*

*Service performed by anyone other than Rockford or an authorized Rockford Fosgate service center.*

*Any product which has had the serial number defaced, altered, or removed.*

*Subsequent damage to other components.*

*Any product purchased outside the U.S.*

*Any product not purchased from an authorized Rockford Fosgate dealer. Refer to [rockfordfosgate.com](http://rockfordfosgate.com) dealer locator for more detail.*

### **Limit on Implied Warranties**

*Any implied warranties including warranties of fitness for use and merchantability are limited in duration to the period of the express warranty set forth above. Some states do not allow limitations on the length of an implied warranty, so this limitation may not apply. No person is authorized to assume for Rockford Fosgate any other liability in connection with the sale of the product.*

### **How to Obtain Service**

*Please call 1-800-669-9899 for Rockford Customer Service. You must obtain an RA# (Return Authorization number) to return any product to Rockford Fosgate. You are responsible for shipment of product to Rockford.*

### **EU Warranty**

*This product meets the current EU warranty requirements, see your Authorized dealer for details.*