



PHONES

0 (800) 800 130
(050) 462 0 130
(063) 462 0 130
(067) 462 0 130

130
COM.UA

Internet store of
autogoods



SKYPE

km-130

CAR RECEIVERS — Receivers • Media receivers and stations • Native receivers • CD/DVD changers • FM-modulators/USB adapters • Flash memory • Facia plates and adapters • Antennas • Accessories |
CAR AUDIO — Car audio speakers • Amplifiers • Subwoofers • Processors • Crossovers • Headphones • Accessories | TRIP COMPUTERS — Universal computers • Model computers • Accessories |
GPS NAVIGATORS — Portable GPS • Built-in GPS • GPS modules • GPS trackers • Antennas for GPS navigators • Accessories | VIDEO — DVR • TV sets and monitors • Car TV tuners • Cameras • Videomodules
• Transcoders • Car TV antennas • Accessories | SECURITY SYSTEMS — Car alarms • Bike alarms • Mechanical blockers • Immobilizers • Sensors • Accessories | OPTIC AND LIGHT — Xenon • Bixenon • Lamps
• LED • Stroboscopes • Optic and Headlights • Washers • Light, rain sensors • Accessories | PARKTRONICS AND MIRRORS — Rear parktronic • Front parktronic • Combined parktronic • Rear-view mirrors
• Accessories | HEATING AND COOLING — Seat heaters • Mirrors heaters • Screen-wipers heaters • Engine heaters • Auto-refrigerators • Air conditioning units • Accessories | TUNING — Vibro-isolation
• Noise-isolation • Tint films • Accessories | ACCESSORIES — Radar-detectors • Handsfree, Bluetooth • Windowlifters • Compressors • Beeps, loudspeakers • Measuring instruments • Cleaners • Car seats
• Miscellaneous | MOUNTING — Installation kits • Upholstery • Grilles • Tubes • Cable and wire • Tools • Miscellaneous | POWER — Batteries • Converters • Start-charging equipment • Capacitors
• Accessories | MARINE AUDIO AND ELECTRONICS — Marine receivers • Marine audio speakers • Marine subwoofers • Marine amplifiers • Accessories | CAR CARE PRODUCTS — Additives • Washer fluid •
Care accessories • Car polish • Flavors • Adhesives and sealants | LIQUID AND OIL — Motor oil • Transmission oil • Brake fluid • Antifreeze • Technical lubricant



In store "130" you can find and buy almost all necessary goods for your auto in Kyiv and other cities, delivery by ground and postal services. Our experienced consultants will provide you with exhaustive information and help you to choose the very particular thing. We are waiting for you at the address

<https://130.com.ua>



OWNER'S MANUAL

MANUEL DU PROPRIÉTAIRE | MANUAL DEL PROPIETARIO

POLK MONITOR XT™

XT15 Compact Bookshelf Speakers

XT20 Bookshelf Speakers

XT30 Center Channel Speaker

XT35 Slim Center Channel Speaker

XT60 Compact Floorstanding Loudspeaker

XT70 Floorstanding Loudspeaker

XT90 Height Accessory Speaker

Enceintes de bibliothèques compactes XT15

Enceintes de bibliothèques XT20

Enceinte centrale XT30

Enceinte centrale slim XT35

Enceinte colonne compacte XT60

Enceinte colonne XT70

Support pour enceinte satellite XT90

English	3
Français	10
Español.....	17
Italiano.....	24
Deutsch	31
Nederland	38
Svenska	45
Polski	52
Русский	59
日本語	66
中文	73

130.com.ua

Expect Great Sound

Thank you for choosing the Polk Monitor XT™ Loudspeakers. This new line is bold, stylish and quality built for performance. These high-efficiency speakers feature Polk's patented Dynamic Balance® tuned drivers and tweeters for clearer highs and a more realistic mid range. The Polk Monitor XT speakers were designed to sound great and also look great; with the subtle accents, this product can live in any decor. Pure and simple, the Polk Monitor XT speakers are the true definition of "Expect Great Sound".

Having built our reputation as "The Speaker Specialists" for more than 45 years, we take pride in our superior sound and build quality, which features many patented and award-winning audio innovations. For the people of Polk, building audio products is not just a job—it's a passion. And if you're going to remember one thing, remember this: We live by the truest principle of what audio should deliver—great sound at an affordable price for everyone!

Technical Assistance or Service

If your product was damaged during shipping, please contact the authorized Polk Audio retailer where you purchased your product. For technical support, FAQs, and repair information, visit <http://polk.custhelp.com>. For a complete list of contact information, visit <https://www.polkaudio.com/contact-us>. Support email addresses and phone numbers vary based on the region where you purchased your product.

WARNING: Listen Carefully

Polk Audio loudspeakers are capable of playing at extremely high volume levels, which could cause serious or permanent hearing damage. Polk Audio accepts no liability for hearing loss, bodily injury, or property damage resulting from the misuse of its products. Keep these guidelines in mind and always use good judgment when controlling volume:

- Limit prolonged exposure to volume levels that exceed 85 decibels (dB). For more information about safe volume levels, take a look at the Occupational Health and Safety Administration (OSHA) guidelines at <http://www.osha.gov/>.

Product Disposal

Certain international, national and/or local laws and/or regulations may apply regarding the disposal of this product. For more information, please contact the retailer where you purchased this product or the Polk importer/distributor in your country. More information is also available at www.polkaudio.com or by contacting Polk Audio at 5541 Fermi Court, Carlsbad, California, 92008, USA. Phone: 1-800-377-7655.

This symbol on our electrical products or their packaging indicates that it is prohibited in Europe to discard this product(s) as domestic waste. In order to ensure that you dispose of the product(s) correctly, please dispose of the product(s) according to local laws and regulations on the disposal of electrical and electronic equipment. In doing so, you are contributing to the retention of natural resources and to the promotion of environmental protection by the treatment and disposal of electronic waste.



Care and Cleaning

The only thing you should ever need to do to your speakers is dust them occasionally. Never apply any abrasive or solvent-based cleaner or any harsh detergent. You can clean the grilles with the brush attachment of a vacuum cleaner.

EU Declaration of Conformity

Hereby, Sound United, LLC declares that our product complies with the following EU/EC Directives:

- EMC:2014/30/EU
- LVD:2014/35/EU
- RoHS: 2011/65/EU and amendment Directive (EU) 2015/863
- ErP: EC regulation 1275/2008 and its framework directive 2009/125/EC including amendment 801/2013

EU Contact:

Sound United Europe
A division of D&M Europe B.V.
Beemdstraat 11, 5653 MA, Eindhoven
The Netherlands



UKCA Declaration of Conformity

Hereby, Sound United, LLC declares that our product complies with the following UK regulations:

- Electrical Equipment (Safety) Regulations 2016
- Electromagnetic Compatibility Regulations 2016
- The Restriction of the Use of Certain Hazardous Substances in Electrical and Electronic Equipment Regulations 2012
- Eco design for Energy-Related Products Regulations 2010

UK Importer:

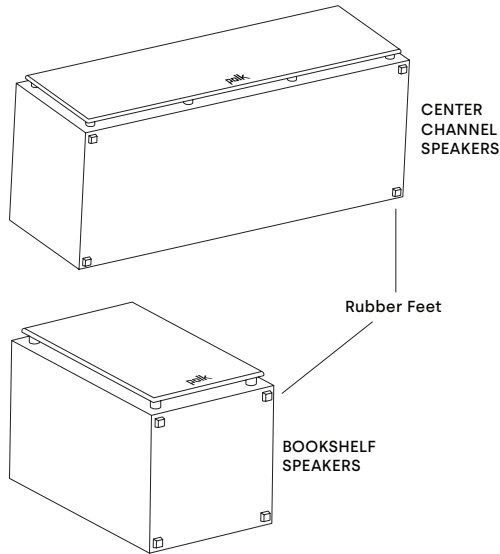
D&M Audiovisual Ltd.
Cells 1 & 2 Kopshop, 6 Old London Road
Kingston Upon Thames KT2 6QF UK





Adding Adhesive-Backed Rubber Feet

To keep your Polk speakers firmly in place and prevent damage to floors or furniture, it's a smart idea to attach the included adhesive-backed rubber feet to the bottom of your speaker.



Note:

- **XT15 / XT20 / XT30 / XT35:** You must install the rubber feet before using the product.
- **XT60 / XT70 / XT90:** Rubber feet come pre-installed.

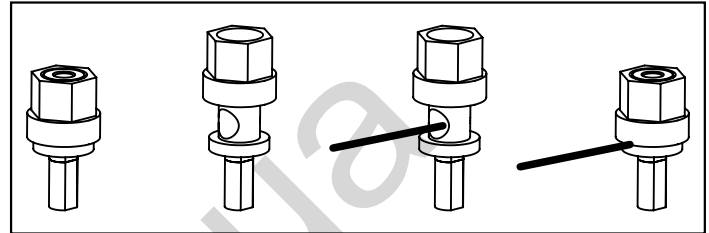
How to Connect Your System

To get the best sound quality, it's important to wire your speakers correctly.

How to Use Binding Post Connectors

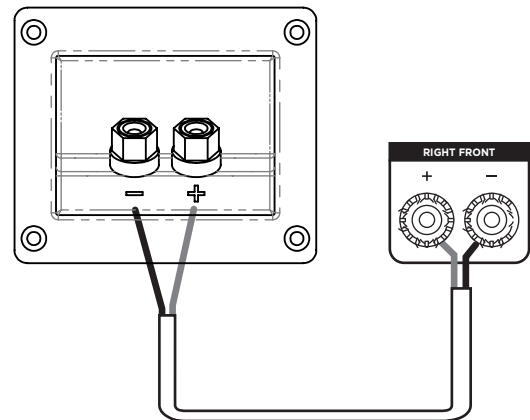
Loosen hex nut and insert bare speaker wire through hole. Tighten hex nut down to make connection.

Note: Do not insert insulated section of wire into hole (you will not get a connection).



Basic Speaker Hookup

Make sure that the red (+) and black (-) connectors on your amplifier or receiver connect to the red (+) and black (-) connectors on your speakers. If your speakers sound "thin," with little bass and little or no center image, odds are that one of the speaker wires is connected backwards. Double check all connections.



Processor Mode for Center Channel Speaker

Note: Set Center Channel Speaker to "small" in your receiver's Bass Management Settings.

The "bass management" or "speaker configuration" menus of most surround receivers offer the choice of "normal" or "wide" modes for center channel operation. In discrete channel digital processors, these modes are referred to as "small" and "large." Normal (small) mode filters bass frequencies from the center channel speaker and sends them instead to the front left and right main speakers or to the subwoofer output (LFE) jack. Wide (large) mode sends an unfiltered, full-range signal to the center channel speaker. Use the Small (normal) mode for optimum center (and surround) channel performance and reliability.

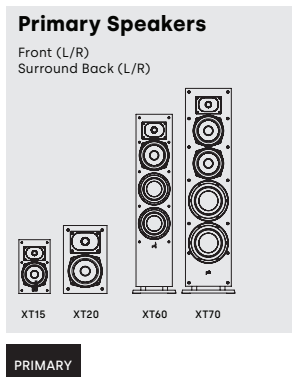
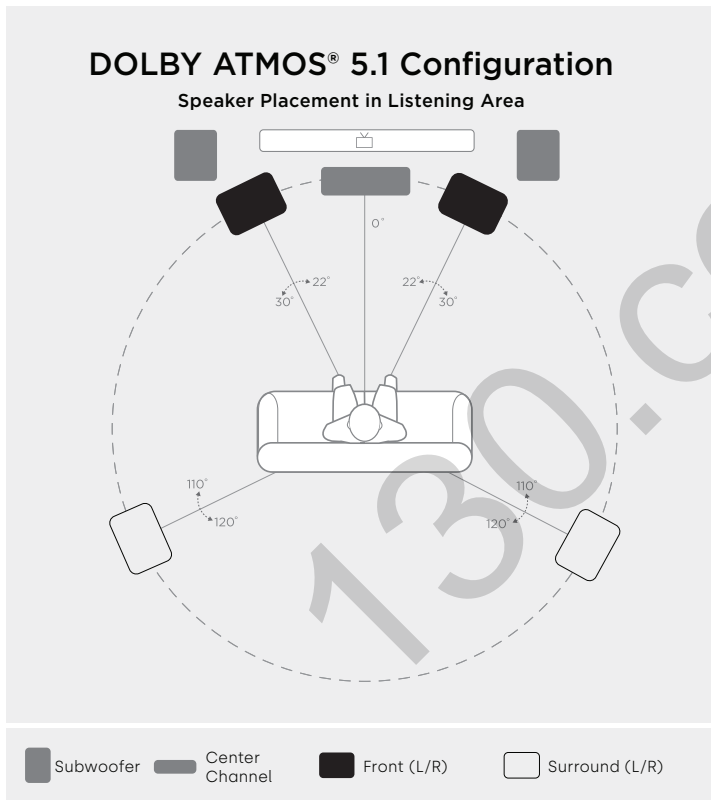
Speaker Positioning

To maximize the sound quality of your speaker system—whether you've purchased XT15 bookshelf speakers, an XT30 center channel speaker, or XT70 tower speakers—correct placement is everything. Take a look at the following examples and give them a try based on the Polk Monitor XT Series speakers you've purchased.

Note: Your Polk Monitor XT Series speakers are compatible with 2.0, 2.1, 3.1, 5.1, 7.1 and 9.1 setups (optional subwoofer shown in graphics).

Listening in 5.1 Surround

You can use the Polk Monitor XT Series speakers as rear surround speakers in a Polk Audio home theater system. Ideal rear channel surround speaker placement is on a side wall, slightly behind and above the listening position.

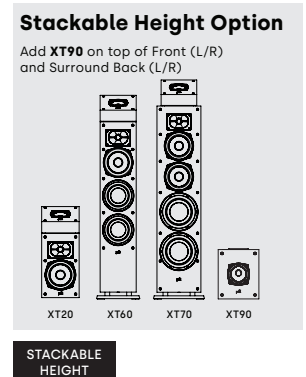
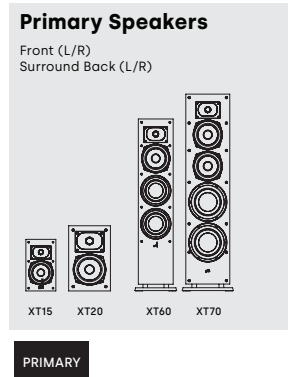
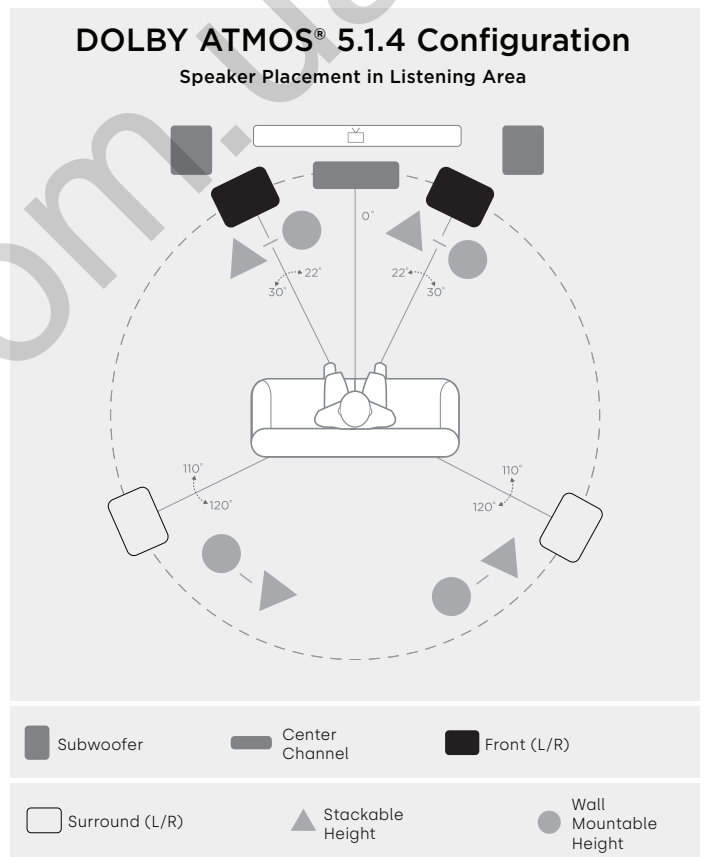


Listening in 3.1 System

Get the most realistic stereo image by placing speakers as far apart as the listeners are sitting from them. If room conditions require that you place the speakers farther apart, you may choose to angle the speakers toward the middle to support a more solid center image.

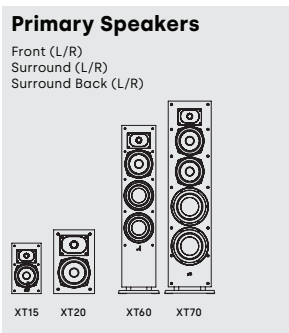
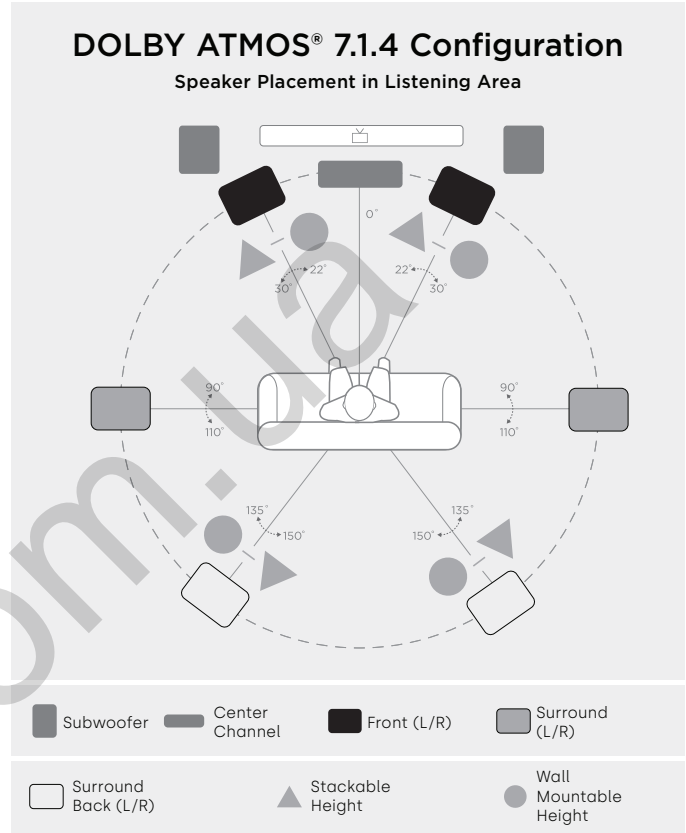
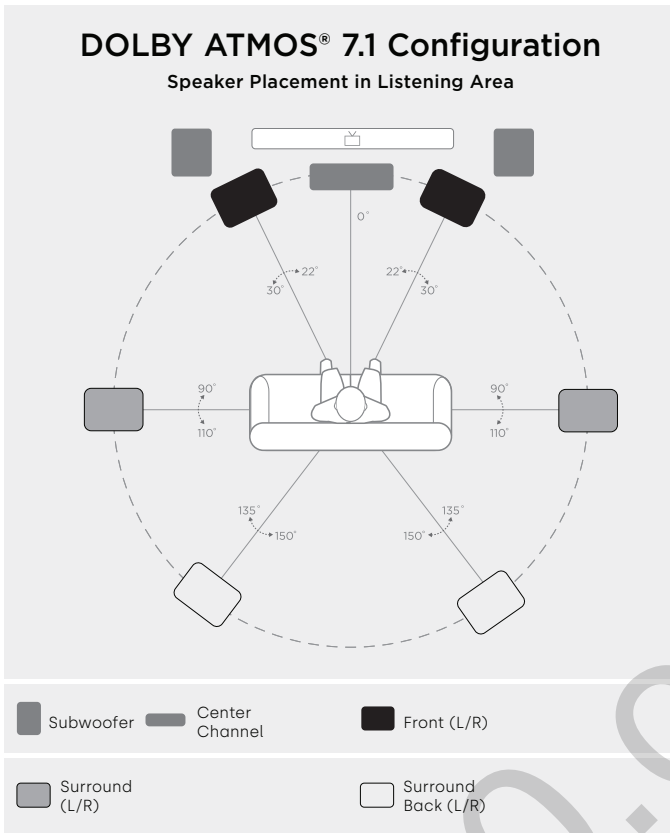
Listening in 5.1 Surround—alternate option

Alternate rear channel surround speaker placement for Polk Monitor XT Series speakers. If you cannot place rear surrounds on the side walls, position them on the rear wall above the listening position.

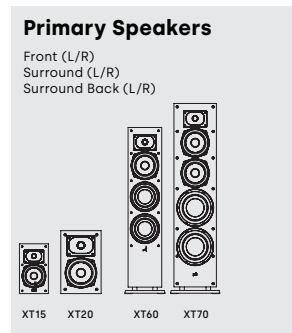


Listening in 7.1 Surround

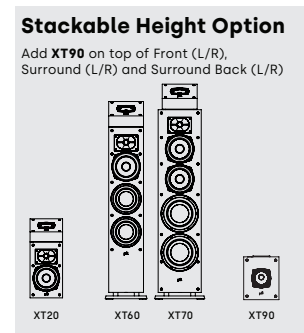
Enjoy added depth to your surround sound experience with four rear surround speakers instead of two.



PRIMARY



PRIMARY



STACKABLE HEIGHT

	Monitor XT Bookshelf Speakers		Monitor XT Center Channel Speakers	
Specifications	XT15	XT20	XT30	XT35
Speaker type	Standmount (pair)	Standmount (pair)	Compact Center Channel	Center Channel (L/C/R)
Tweeter	1" Terylene Dome	1" Terylene Dome	1" Terylene Dome	1" Terylene Dome
Mid-range/mid-bass				
Woofers	5¼" custom paper	6½" custom paper	Two 5¼" custom paper	Four 3" custom paper
Passive radiators	N/A	N/A	N/A	N/A
Overall frequency response	48 Hz–40 kHz	38 Hz–40 kHz	55 Hz–40 kHz	57 Hz–40 kHz
Frequency response (-3 dB limits)	73 Hz–26 kHz	57 Hz–26 kHz	77 Hz–26 kHz	84 Hz–26 kHz
Recommended amplifier power	30–150 W	30–200 W	30–200 W	25–200 W
Amplifier output compatibility	4Ω	4Ω	4Ω	4Ω
Minimum Impedance (ohms)	4.1Ω	4.3Ω	4.1Ω	4.2Ω
Sensitivity (2.83V/1m)	86 dB	87 dB	89 dB	87 dB
Crossover Frequency				
Tweeter/mid-range	2200 Hz	3200 Hz	2500 Hz	2500 Hz
Mid-range/mid-bass				
Dimensions and Weight Attributes				
Product dimensions (W x H x D)	6.50 x 10.6 x 7.18in 165.1 x 269.2 x 182.4mm	7.50 x 18.0 x 10.99in. 190.5 x 330.0 x 279.3mm	19.9 x 6.50 x 8.13in 482.6 x 165.1 x 206.6mm	24.4 x 4.15 x 5.55in 619.7 x 105.4 x 141.0mm
Greatest overall depth (including grille)				
Product weight (each)				
Cabinetry				
Mid-range enclosure type				
Mid-bass/woofer enclosure type				
Available finishes	Matte Black	Matte Black	Matte Black	Matte Black
Feet	Yes, supplied in box	Yes, supplied in box	Yes, supplied in box	Yes, supplied in box
Wall-mountable?	No	No	No	Yes
Binding posts	Nickel-plated 5-way binding posts	Nickel-plated 5-way binding posts	Nickel-plated 5-way binding posts	Nickel-plated 5-way binding posts
Accessories				
Designed for XT90 speaker	N/A	Yes	N/A	N/A
Certifications (non-safety and regulatory)				
Hi-res certified	Yes	Yes	Yes	Yes

*Subject to change without notice.

	Monitor XT Floorstanding Speakers		Monitor XT Height Module Speaker
Specifications	XT60	XT70	XT90
Speaker type	Floorstanding Loudspeaker	Floorstanding Loudspeaker	Height Module (pair)
Tweeter	1" Terylene Dome	1" Terylene Dome	N/A
Mid-range/mid-bass			
Woofers	6½" custom paper	Two 6½" custom paper	4" custom paper
Passive radiators	Two 6½" PRs	Two 8" PRs	N/A
Overall frequency response	38 Hz–40 kHz	35 Hz–40 kHz	94 Hz–22 kHz
Frequency response (-3 dB limits)	43 Hz–26 kHz	41 Hz–26 kHz	164 Hz–17 kHz
Recommended amplifier power	25–200 W	25–200 W	30–100 W
Amplifier output compatibility	4Ω	4Ω	4Ω
Minimum impedance	4.4Ω	4.0Ω	4.3Ω
Sensitivity (2.83V/1m)	86 dB	89 dB	89 dB
Crossover Frequency			
Tweeter/mid-range	2200 Hz	2700 Hz	2700 Hz
Mid-range/mid-bass			
Dimensions and Weight Attributes			
Product dimensions (W x H x D)	7.50 x 36.4 x 9.09in 190.5 x 925.0 x 230.8mm	9.25 x 40.4 x 12.5in. 235 x 1026.6 x 317.9mm	7.50 x 5.64 x 8.38in 190.5 x 143.2 x 212.9mm
Greatest overall depth (including grille)			
Product weight (each)			
Cabinetry			
Mid-range enclosure type			
Mid-bass/woofer enclosure type			
Available finishes	Matte Black	Matte Black	Matte Black
Feet	Rubber pads	Rubber pads	Rubber pads
Wall-mountable?	No	No	Yes
Binding posts	Nickel-plated 5-way binding posts	Nickel-plated 5-way binding posts	Nickel-plated 5-way binding posts
Accessories			
Designed for XT90 speaker	Yes	Yes	N/A
Certifications (non-safety and regulatory)			
Hi-res certified	Yes	Yes	No

*Subject to change without notice.

Limited 5-Year Warranty

Polk Audio, LLC (hereinafter "Polk" or "Polk Audio") provides this limited warranty to the original retail purchaser only. This warranty will terminate automatically prior to its stated expiration if the original retail purchaser sells or transfers the Product to any other party.

Polk Audio warrants to the original retail purchaser only, that the loudspeaker(s), passive crossover component(s) and enclosure ("Product") will be free from defects in material and workmanship for a period of **five (5) years from the date of original retail purchase from a Polk Audio Authorized Dealer.**

To allow Polk to offer the best possible warranty service, please register your new Product online at: www.polkaudio.com/ registration or call Polk customer service at 800-377-7655 in the USA and Canada within ten (10) days of the date of original purchase. Be sure to keep your original purchase receipt.

Defective Products must be shipped, together with proof of purchase, prepaid insured to the Polk Authorized Dealer from whom you purchased the Product, or to the Factory at 5541 Fermi Court; Carlsbad, CA 92008. Products must be shipped in the original shipping container or its equivalent; in any case the risk of loss or damage in transit is to be borne by you. If upon examination at the factory or Polk Authorized Dealer it is determined that the unit was defective in materials or workmanship at any time during this warranty period, Polk or the Polk Authorized Dealer will, at its option, repair or replace this Product at no additional charge, except as set forth below. All replaced parts and Products become the property of Polk. Products replaced or repaired under this warranty will be returned to you, within a reasonable time, freight prepaid.

This warranty does not include service or parts to repair damage caused by accident, disaster, misuse, abuse, negligence, inadequate packing or shipping procedures, commercial use, voltage inputs in excess of the rated maximum of the unit, cosmetic appearance of cabinetry not directly attributable to defect in materials or workmanship, or service, repair, or modification of the Product which has not been authorized or approved by Polk. **This warranty shall terminate if purchased from an unauthorized dealer or if any of the serial number on the Product has been removed, tampered with or defaced.**

This warranty is in lieu of all other expressed warranties. If this Product is defective in materials or workmanship as warranted above, your sole remedy shall be repair or replacement as provided above. In no event will Polk Audio be liable to you for any incidental or consequential damages arising out of the use or inability to use the Product, even if Polk Audio or a Polk Authorized Dealer has been advised of the possibility of such damages, or for any claim by any other party. Some states do not allow the exclusion or limitation of consequential damages, so the above limitation and exclusion may not apply to you.

All implied warranties on this Product are limited to the duration of this expressed warranty. Some states do not allow limitation on how long an implied warranty lasts, so the above limitations may not apply to you. This warranty gives you specific legal rights, and you also may have other rights which vary from state to state.

This warranty applies only to Products purchased in Canada, the United States of America, its possessions, and U.S. and NATO armed forces exchanges. Please see the warranty guide specific to Polk Products purchased in countries or territories not referenced herein.

Profitez d'un son exceptionnel

Nous vous remercions d'avoir choisi les enceintes de la Série Monitor XT™ de Polk. Cette nouvelle gamme est audacieuse, élégante et est conçue pour offrir un rendement de qualité. Ces enceintes haute efficacité sont équipées de conducteurs et de tweeters de la technologie brevetée Dynamic Balance® de Polk pour des aigus plus clairs et des fréquences moyennes plus réalistes. Les enceintes de la Série Monitor XT de Polk sont conçues pour offrir une qualité audio exceptionnelle et une apparence élégante. Grâce à leurs accents subtils, elles peuvent être installées dans tous les décors. Épurées et sobres, les enceintes de la Série Monitor XT de Polk incarnent la signification réelle de « Profitez d'un son exceptionnel ».

Ayant bâti une réputation d'« Experts en matière de fabrication d'enceintes » depuis plus de 45 ans, nous sommes fiers d'offrir un son exceptionnel et une construction de qualité supérieure grâce à de nombreuses innovations audio brevetées et primées. Selon le personnel de Polk, la fabrication de produits audio est bien plus qu'un travail, c'est une passion. Et si vous ne devez retenir qu'une seule chose, retenez ceci : nous vivons selon le principe le plus vrai de ce que l'industrie audio devrait offrir, un son exceptionnel à un prix abordable pour tous !

Assistance technique ou entretien

Si votre produit a été endommagé pendant l'expédition, veuillez contacter le revendeur agréé de Polk Audio auprès duquel vous l'avez acheté. Pour toute assistance technique, la FAQ et les modalités de réparation, rendez-vous sur le site <http://polk.custhelp.com>. Pour obtenir une liste complète des coordonnées, consultez le site <https://www.polkaudio.com/contact-us>. Les adresses électroniques et les numéros de téléphone du service d'assistance technique varient en fonction de la région dans laquelle vous avez acheté votre produit.

AVERTISSEMENT : Écoutez avec discernement

Les enceintes de Polk Audio sont capables de jouer à des niveaux de volume extrêmement élevés, ce qui peut causer des dommages auditifs graves ou permanents. Polk Audio décline toute responsabilité en cas de perte auditive, de blessure corporelle ou de dommages matériels résultant de l'utilisation abusive de ses produits. Gardez ces directives à l'esprit et faites toujours preuve de bon sens lorsque vous contrôlez le volume :

- Limitez l'exposition prolongée aux niveaux de volume dépassant 85 décibels (dB). Pour en savoir plus sur les niveaux de volume sans danger consultez les normes de l'OSHA (Occupational Health and Safety Administration) disponibles sur le site <http://www.osha.gov/>

Élimination du produit

Certaines lois et/ou réglementations internationales, nationales et/ou locales peuvent s'appliquer à l'élimination de ce produit. Pour plus d'informations, veuillez contacter le détaillant auprès duquel vous avez acheté ce produit ou l'importateur/distributeur Polk dans votre pays. De plus amples informations sont également disponibles sur www.polkaudio.com ou en contactant Polk Audio à l'adresse suivante : 5541 Fermi Court, Carlsbad, Californie, 92008, États-Unis. Téléphone : 1-800-377-7655.

Ce symbole sur nos produits électriques ou leur emballage indique qu'il est interdit d'éliminer ce ou ces produits comme déchet domestique en Europe. Pour vous assurer que vous éliminez correctement le ou les produits, veuillez jeter le ou les produits conformément aux lois et réglementations locales en matière d'élimination des équipements électriques et électroniques. Ce faisant, vous contribuez à la préservation des ressources naturelles et à la promotion de la protection de l'environnement par le traitement et l'élimination des déchets électroniques.



Entretien et nettoyage

L'unique chose à prescrire en ce qui concerne l'entretien de vos enceintes est de les dépoussiérer de temps en temps. N'utilisez jamais de nettoyant abrasif ou à base de solvant ou de détergent agressif. Vous pouvez nettoyer les grilles à l'aide de la brosse d'un aspirateur.

Déclaration de conformité UE

Par la présente, Sound United, LLC déclare que notre produit est conforme aux directives de l'UE/CE :

- EMC : 2014/30/UE
- LVD : 2014/35/UE
- RoHS : 2011/65/UE et directive d'amendement (UE) 2015/863
- ErP : Réglementation CE 1275/2008 et sa directive cadre 2009/125/CE, y compris l'amendement 801/2013

Contact UE :

Sound United Europe
Une division de D&M Europe B.V.
Beemdstraat 11, 5653 MA, Eindhoven
Pays-Bas



Déclaration de conformité UKCA

Par la présente, Sound United, LLC déclare que notre produit est conforme aux directives du Royaume-Uni:

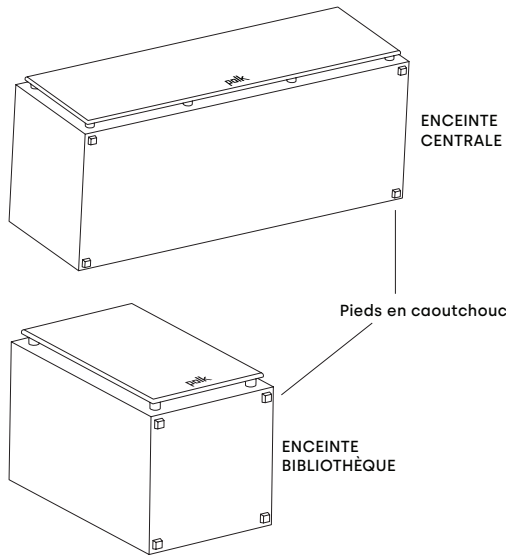
- Réglementations 2016 sur les équipements électriques (sécurité)
- Réglementations 2016 sur la compatibilité électromagnétique
- Réglementations 2012 sur la restriction de l'utilisation de certaines substances dangereuses dans les équipements électriques et électroniques
- Réglementations 2010 sur l'éco-conception pour les produits liés à l'énergie

Importateur pour le Royaume-Uni :

D&M Audiovisual Ltd.
Cells 1 & 2 Kopshop, 6 Old London Road
Kingston upon Thames KT2 6QF Royaume-Uni



Ajout de pieds en caoutchouc à dos adhésifs Pour maintenir vos enceintes Polk fermement en place et éviter d'endommager les planchers ou les meubles, il est judicieux de fixer les pieds en caoutchouc à dos adhésifs en bas de votre enceinte.



Remarque :

- XT15/XT20/XT30/XT35 : Vous devez installer les pieds en caoutchouc avant d'utiliser le produit.
- XT60/XT70/XT90 : Les pieds en caoutchouc sont installés à l'avance.

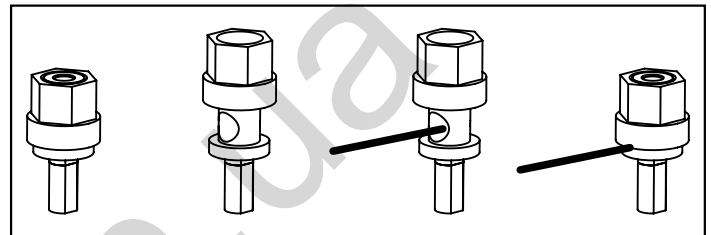
How to Connect Your System

Pour obtenir la meilleure qualité sonore, vous devez connecter votre enceinte correctement.

Comment utiliser les connecteurs de borne de liaison ?

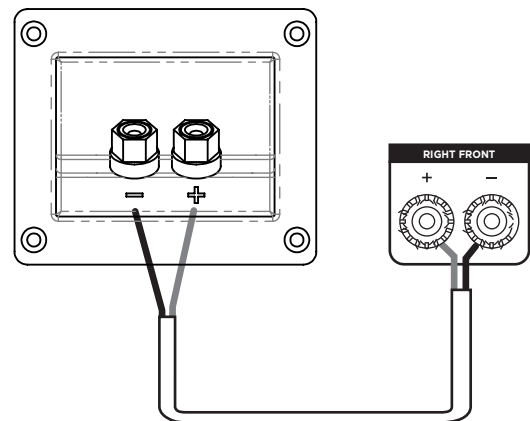
Desserrez l'écrou hexagonal et insérez le fil de l'enceinte nu à travers l'orifice. Serrez l'écrou hexagonal pour établir la connexion.

Remarque : n'insérez pas la section isolée du fil dans l'orifice (la connexion ne sera pas établie).



Branchement de base de l'enceinte

Assurez-vous que les connecteurs rouge (+) et noir (-) de votre amplificateur ou récepteur se connectent aux connecteurs rouge (+) et noir (-) de vos enceintes. Si le son de vos enceintes sonne « fin » avec peu de basses et peu ou pas d'image centrale, il est possible que l'un des fils de l'enceinte soit connecté à l'envers. Vérifiez toutes les connexions.



Mode du processeur pour enceinte centrale

Remarque : réglez l'enceinte centrale sur le mode « small » (petit) dans les paramètres de gestion de basses de votre récepteur.

Les menus « bass management » (gestion des basses) ou « speaker configuration » (configuration des enceintes) de la plupart des récepteurs surround offrent la possibilité de choisir entre le mode « normal » ou « wide » (large) pour le fonctionnement des enceintes centrales. Dans les processeurs numériques à canal discret, ces modes sont représentés par « small » (petit) et « large » (large). Le mode Normal (petit) filtre les fréquences basses de l'enceinte et les envoie plutôt aux enceintes avant gauches et droites ou à la sortie jack du caisson de graves (LFE). Le mode Large (grand) envoie un signal non filtré à large bande à l'enceinte centrale. Utilisez le mode Petit (normal) pour optimiser les performances et la fiabilité du canal central (et du canal surround).

Speaker Positioning

Pour optimiser la qualité sonore de votre système d'enceintes, il est primordial de bien le positionner, qu'il s'agisse d'une enceinte satellite XT15, une enceinte centrale XT30 ou une enceinte à tour XT70. Observez les exemples suivants et reproduisez-les à l'aide des enceintes de la Série Monitor XT de Polk que vous avez achetées.

Remarque : Vos enceintes de la Série Monitor XT de Polk sont compatibles avec les configurations 2.0, 2.1, 3.1, 5.1, 7.1 et 9.1 (caisson de graves en option figurant dans les graphiques).

Écoute en surround 5.1

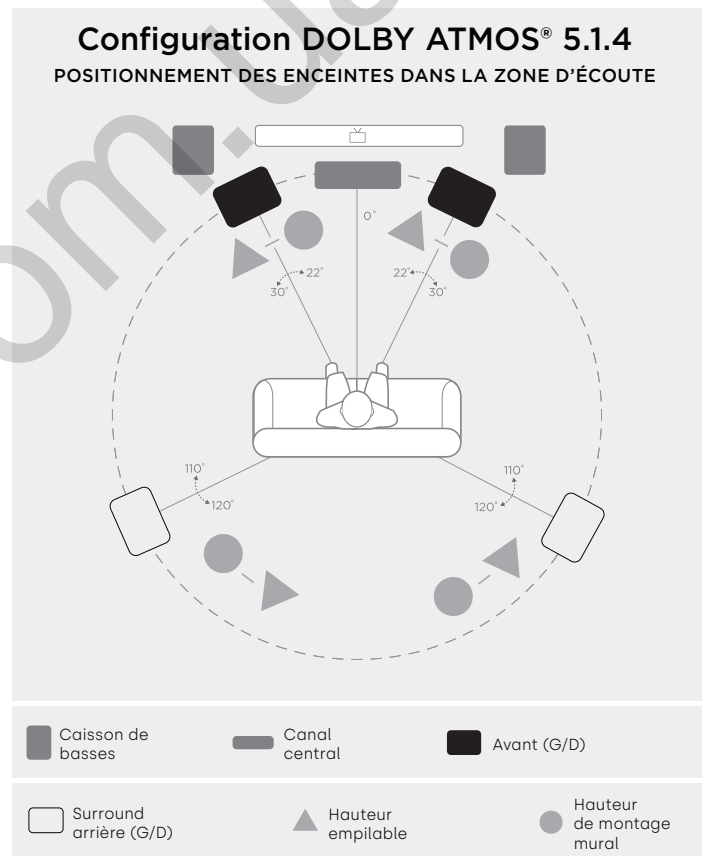
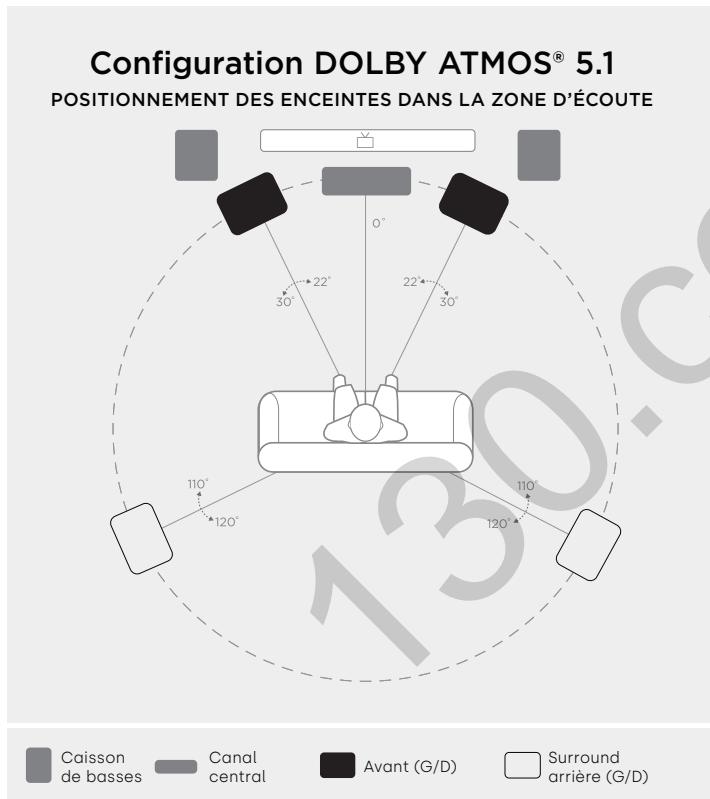
Vous pouvez utiliser les enceintes de la série Monitor XT comme enceintes surround arrière dans un système de home cinéma Polk Audio. La position idéale de l'enceinte surround arrière est sur un mur latéral, légèrement derrière et au-dessus de la position d'écoute.

Écoute en système 3.1

Obtenez l'image stéréo la plus réaliste en plaçant les enceintes aussi éloignées que possible des auditeurs. Si l'organisation de la pièce exige que vous mettiez les enceintes plus loin, vous pouvez les incliner vers le milieu pour soutenir une image centrale plus fixe.

Écoute en surround 5.1 – Alterniez les options

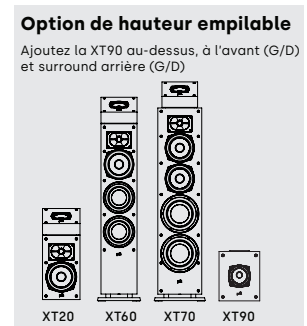
Essayez d'installer l'enceinte surround arrière à divers emplacements pour les enceintes de la Série Monitor XT de Polk. Si vous ne pouvez pas placer les enceintes surround arrière sur les murs latéraux, placez-les sur le mur arrière au-dessus de la position d'écoute.



PRINCIPALE



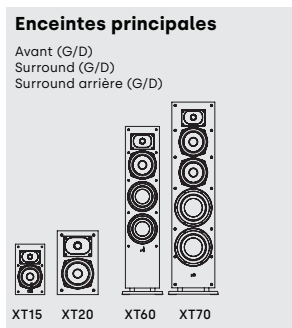
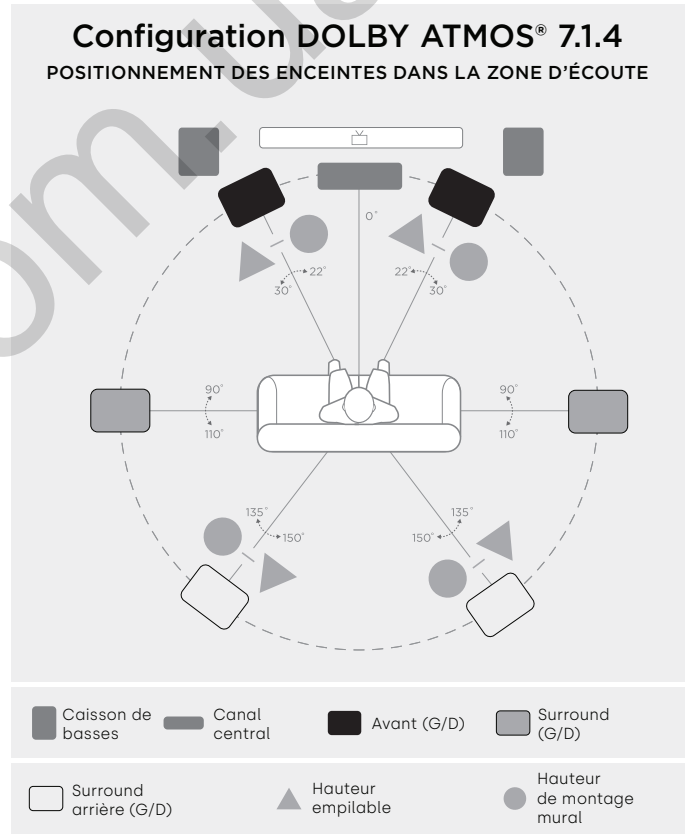
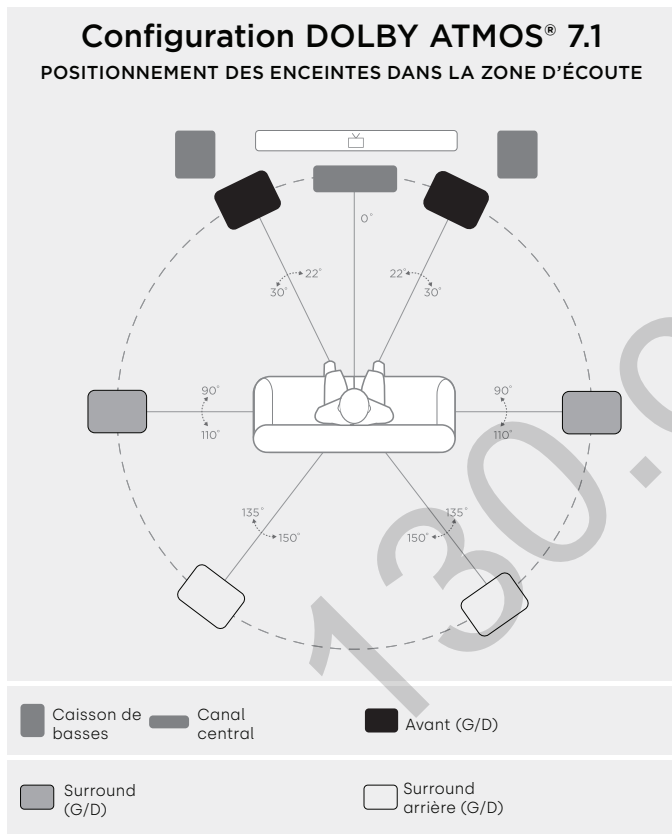
PRINCIPALE



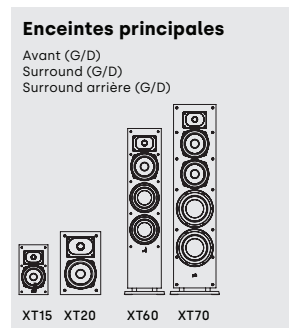
HAUTEUR EMPILABLE

Écoute en Surround 7.1

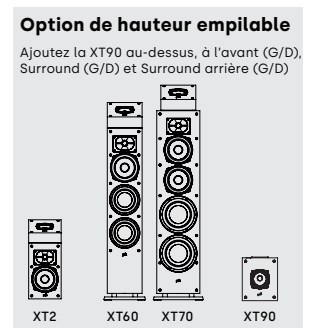
Profitez d'un son surround plus profond grâce à quatre haut-parleurs surround arrière au lieu de deux.



PRINCIPALE



PRINCIPALE



HAUTEUR EMPILABLE

Enceinte bibliothèque de la Série Monitor XT

Enceinte centrale de la Série Monitor XT

Spécifications	XT15	XT20	XT30	XT35
Type d'enceinte	Support (paire)	Support (paire)	Enceinte centrale compacte	Canal central (G/C/D)
Tweeter	Dôme en térylène de 1 po	Dôme en térylène de 1 po	Dôme en térylène de 1 po	Dôme en térylène de 1 po
Fréquences moyennes/ basses moyennes				
Woofers	Papier personnalisé de 5¼ po	Papier personnalisé de 6½ po	Deux papiers personnalisés de 5¼ po	Quatre papiers personnalisés de 3 po
Radiateurs passifs	s.o.	s.o.	s.o.	s.o.
Réponse en fréquence complète	48 Hz–40 kHz	38 Hz–40 kHz	55 Hz–40 kHz	57 Hz–40 kHz
Réponse en fréquence (limite de - 3 dB)	73 Hz–26 kHz	57 Hz–26 kHz	77 Hz–26 kHz	84 Hz–26 kHz
Puissance d'amplificateur recommandée	30–150 W	30–200 W	30–200 W	25–200 W
Compatibilité de sortie amplificateur	4Ω	4Ω	4Ω	4Ω
Impédance nominale (ohms)	4,1Ω	4,3Ω	4,1Ω	4,2Ω
Sensibilité (2,83 V/1 m)	86 dB	87 dB	89 dB	87 dB
Fréquence croisée				
Tweeter/fréquences moyennes	2 200 Hz	3 200 Hz	2 500 Hz	2 500Hz
Fréquences moyennes/ basses moyennes				
Dimensions et attributs de poids				
Dimensions du produit (L x H x P)	6,50 x 10,6 x 7,18 po 165,1 x 269,2 x 182,4 mm	7,50 x 18,0 x 10,99 po 190,5 x 330,0 x 279,3 mm	19,9 x 6,50 x 8,13 po 482,6 x 165,1 x 206,6 mm	24,4 x 4,15 x 5,55 po 619,7 x 105,4 x 141,0 mm
Profondeur globale plus grande (y compris la grille)				
Poids du produit (l'unité)				
Caissons				
Type d'enceinte des fréquences moyennes				
Type d'enceinte de fréquences moyennes basses/basses				
Finitions disponibles	Noir mat	Noir mat	Noir mat	Noir mat
Pieds	Oui, fournis dans la boîte	Oui, fournis dans la boîte	Oui, fournis dans la boîte	Oui, fournis dans la boîte
Montage mural	Non	Non	Non	Oui
Bornes de liaison	Bornes de liaison à 5 voies plaquées nickel	Bornes de liaison à 5 voies plaquées nickel	Bornes de liaison à 5 voies plaquées nickel	Bornes de liaison à 5 voies plaquées nickel
Accessoires				
Conçu pour l'enceinte XT90	s.o.	Oui	s.o.	s.o.
Certifications (non-liées à la sécurité et à la réglementation)				
Certifié haute résolution	Oui	Oui	Oui	Oui

*Sujet à modification sans préavis.

Polk Monitor XT

MANUEL DU PROPRIÉTAIRE

	Enceinte bibliothèque de la Série Monitor XT		Enceinte centrale de la Série Monitor XT
Spécifications	XT60	XT70	XT90
Type d'enceinte	Enceinte colonne	Enceinte colonne	Module de hauteur (paire)
Tweeter	Dôme en térylène de 1 po	Dôme en térylène de 1 po	s.o.
Fréquences moyennes/ basses moyennes			
Woofers	Papier personnalisé de 6½ po	Deux papiers personnalisés de 6½ po	Papier personnalisé de 4 po
Radiateurs passifs	Deux radiateurs passifs de 6½ po	Deux radiateurs passifs de 8 po	s.o.
Réponse en fréquence complète	38 Hz–40 kHz	35 Hz–40 kHz	94 Hz–22 kHz
Réponse en fréquence (limite de - 3 dB)	43 Hz–26 kHz	41 Hz–26 kHz	164 Hz–17 kHz
Puissance d'amplificateur recommandée	25–200 W	25–200 W	30–100 W
Compatibilité de sortie amplificateur	4Ω	4Ω	4Ω
Impédance nominale	4,4Ω	4,0Ω	4,3Ω
Sensibilité (2,83 V/1 m)	86 dB	89 dB	89 dB
Fréquence croisée			
Tweeter/fréquences moyennes	2 200 Hz	2 700 Hz	2 700 Hz
Fréquences moyennes/ basses moyennes			
Dimensions et attributs de poids			
Dimensions du produit (L x H x P)	7,50 x 36,4 x 9,09 po 190,5 x 925,0 x 230,8 mm	9,25 x 40,4 x 12,5 po 235 x 1 026,6 x 317,9 mm	7,50 x 5,64 x 8,38 po 190,5 x 143,2 x 212,9 mm
Profondeur globale plus grande (y compris la grille)			
Poids du produit (l'unité)			
Caissons			
Type d'enceinte des fréquences moyennes			
Type d'enceinte de fréquences moyennes basses/basses			
Finitions disponibles	Noir mat	Noir mat	Noir mat
Pieds	Tampons en caoutchouc	Tampons en caoutchouc	Tampons en caoutchouc
Montage mural?	Non	Non	Oui
Bornes de liaison	Bornes de liaison à 5 voies plaquées nickel	Bornes de liaison à 5 voies plaquées nickel	Bornes de liaison à 5 voies plaquées nickel
Accessoires			
Conçu pour l'enceinte XT90?	Oui	Oui	Non
Certifications (non-liées à la sécurité et à la réglementation)			
Certifié haute résolution	Oui	Oui	Non

*Sujet à modification sans préavis.

Garantie limitée de 5 ans

Polk Audio, LLC (ci-après « Polk » ou « Polk Audio ») fournit la présente garantie limitée uniquement à l'acheteur initial. Toutefois, la présente Garantie prendra automatiquement fin avant la date d'expiration si l'acheteur initial vend ou transfère le Produit à tout tiers.

Polk Audio, Inc. garantit uniquement à l'acheteur initial que l'enceinte ou les enceintes, le ou les composants croisés passifs et le boîtier (le « Produit ») seront exempts de défauts matériels et de fabrication pendant une période de cinq (5) ans à compter de la date d'achat initial au détail auprès d'un revendeur agréé Polk Audio.

Pour permettre à Polk d'offrir le meilleur service de garantie dans la mesure du possible, veuillez enregistrer votre nouveau produit en ligne à l'adresse : www.polkaudio.com/ ou appelez le service client de Polk au 800-377-7655 aux États-Unis et au Canada dans les dix (10) jours suivant la date de l'achat initial. Assurez-vous de conserver le reçu de votre achat initial.

Les Produits défectueux doivent être expédiés accompagnés d'une preuve d'achat dans un envoi prépayé et assuré au revendeur agréé Polk auprès duquel vous avez acheté le Produit, ou à l'usine située à l'adresse 5541 Fermi Court ; Carlsbad, Californie 92008, États-Unis. Les Produits doivent être expédiés dans le conteneur d'expédition d'origine ou son équivalent ; dans tous les cas, le risque de perte ou de dommage pendant le transport est à votre charge. Si, après examen à l'usine ou chez le revendeur agréé Polk, il est déterminé que l'appareil présentait un défaut de matériau ou de fabrication à tout moment pendant la période de garantie, Polk ou le revendeur agréé Polk réparera ou remplacera, à sa discrétion, ce produit sans frais supplémentaires, sauf dans les cas indiqués ci-dessous. Toutes les pièces et produits remplacés deviennent la propriété de Polk. Les produits remplacés ou réparés dans le cadre de cette garantie vous seront retournés dans un délai raisonnable, et le fret prépayé.

Cette garantie n'inclut pas le service ou les pièces pour réparer les dommages causés par un accident, un désastre, une mauvaise utilisation, un abus, une négligence, un emballage ou des procédures d'expédition inadéquats, une utilisation commerciale, une tension d'entrée supérieure au maximum nominal de l'appareil, une apparence cosmétique du coffret non directement attribuable à un défaut de matériaux ou de fabrication, ou un service, une réparation ou une modification du produit qui n'a pas été autorisé ou approuvé par Polk. Cette garantie prendra fin si le produit a été acheté auprès d'un revendeur non agréé ou si le numéro de série du produit a été retiré, altéré ou détourné.

Cette garantie remplace toutes les autres garanties explicites. Si ce Produit est défectueux dans ses matériaux ou sa fabrication comme indiqué ci-dessus, votre seul recours sera la réparation ou le remplacement comme indiqué ci-dessus. Vous ne pourrez en aucun cas tenir Polk Audio responsable des dommages accessoires ou consécutifs découlant de l'utilisation ou de l'incapacité d'utiliser le Produit, même si Polk Audio ou un distributeur agréé Polk Audio a été informé de la possibilité de tels dommages, ou de toute réclamation par une autre partie. Certains États ne permettent pas l'exclusion ou la limitation des dommages consécutifs, de sorte que la limitation et l'exclusion ci-dessus ne s'appliquent pas à vous.

Toutes les garanties implicites sur ce Produit sont limitées à la durée de cette Garantie explicite. Certains États ne permettent pas de limiter la durée d'une Garantie implicite, de sorte que les limitations ci-dessus ne s'appliquent pas à vous. Cette Garantie vous donne des droits légaux spécifiques, et vous pouvez également avoir d'autres droits qui varient d'un État à l'autre.

La présente Garantie s'applique uniquement aux Produits achetés au Canada et aux États-Unis d'Amérique, à ses possessions, aux forces armées des États-Unis et de l'OTAN. Veuillez consulter le guide de garantie spécifique aux produits Polk achetés dans des pays ou territoires non mentionnés dans le présent document.

Expect Great Sound

Gracias por elegir los altavoces Polk Monitor XT™. Esta nueva línea es atrevida, elegante y de calidad, diseñada para un óptimo rendimiento. Estos altavoces de alta eficiencia cuentan con los controladores y altavoces de agudos Dynamic Balance® patentados de Polk, que ofrecen agudos más claros y un rango medio más realista. Los altavoces Polk Monitor XT están diseñados para producir un sonido excelente y tener un aspecto estupendo; con sus sutiles acentos, este producto puede con cualquier decoración. Puros y sencillos, los altavoces Polk Monitor XT son la verdadera definición de "Expect Great Sound".

Habiendo construido nuestra reputación como "Los especialistas en altavoces" durante más de 45 años, nos enorgullecemos de nuestra calidad superior de sonido y construcción, que presenta muchas innovaciones de audio patentadas y galardonadas. Para el equipo de Polk, desarrollar productos de audio no es solo un trabajo, es una pasión. Y simplemente recuerde esto: Vivimos siguiendo el principio más auténtico de lo que el sonido debería ofrecer: un sonido excelente a un precio asequible para todos.

Asistencia o servicio técnico

Si su producto se ha dañado durante el envío, póngase en contacto con el minorista autorizado de Polk Audio donde compró el producto. Para obtener asistencia técnica, preguntas frecuentes e información sobre reparaciones, visite <http://polk.custhelp.com>. Para obtener una lista completa de la información de contacto, visite <https://www.polkaudio.com/contact-us>. Las direcciones de correo electrónico y los números de teléfono de asistencia técnica varían según la región donde compró su producto.

ADVERTENCIA: Escuche atentamente

Los altavoces Polk Audio son capaces de reproducir a niveles de volumen extremadamente altos, lo que podría causar daños auditivos graves o permanentes. Polk Audio no acepta responsabilidad alguna por pérdida auditiva, lesiones corporales o daños a la propiedad resultantes del uso indebido de sus productos. Tenga en cuenta estas pautas y utilice siempre el buen juicio al controlar el volumen:

- Limite la exposición prolongada a niveles de volumen que superan 85 decibelios (Db). Para obtener más información sobre los niveles de volumen seguros, consulte las directrices de la Administración de Salud y Seguridad Ocupacional (Occupational Health and Safety Administration, OSHA) en <http://www.osha.gov/>.

Eliminación de productos

Determinadas leyes internacionales, nacionales y/o locales de este producto se pueden aplicar con respecto a la eliminación de este producto. Para obtener más información, póngase en contacto con el minorista donde adquirió este producto o el importador/distribuidor de Polk en su país. También dispone de más información en www.polkaudio.com o poniéndose en contacto con Polk Audio en 5541 Fermi Court, Carlsbad, California, 92008, EE. UU. Teléfono: 1-800-377-7655.

Este símbolo en nuestros productos eléctricos o en sus embalajes indica que está prohibido en Europa desechar este producto como residuo doméstico. Para asegurarse de desechar los productos correctamente, deséchelo de conformidad con la legislación y normativa local sobre la eliminación de equipos eléctricos y electrónicos. Al hacerlo, contribuye a la retención de recursos naturales y a la protección medioambiental mediante el tratamiento y la eliminación de residuos electrónicos.



Cuidado y limpieza

El único mantenimiento que debería hacer a sus altavoces es quitarles el polvo de vez en cuando. No aplique limpiadores abrasivos o a base de disolvente ni ningún detergente agresivo. Puede limpiar las rejillas con el accesorio de cepillo de una aspiradora.

Declaración de conformidad de la UE

Por el presente, Sound United, LLC declara que nuestro producto cumple con las siguientes directivas de la UE/CE:



- EMC:2014/30/EU
- LVD:2014/35/EU
- RoHS: 2011/65/UE, y directiva de enmienda (UE) 2015/863
- ErP: Reglamento de la CE 1275/2008 y su directiva de trabajo sobre estructuras 2009/125/CE, incluida la enmienda 801/2013

Contacto en la UE:

Sound United Europe
Una división de D&M Europe B.V.
Beemdstraat 11, 5653 MA, Eindhoven
Países Bajos

Declaración de conformidad de la UKCA

Por el presente, Sound United, LLC declara que nuestro producto cumple con las siguientes regulaciones del Reino Unido:



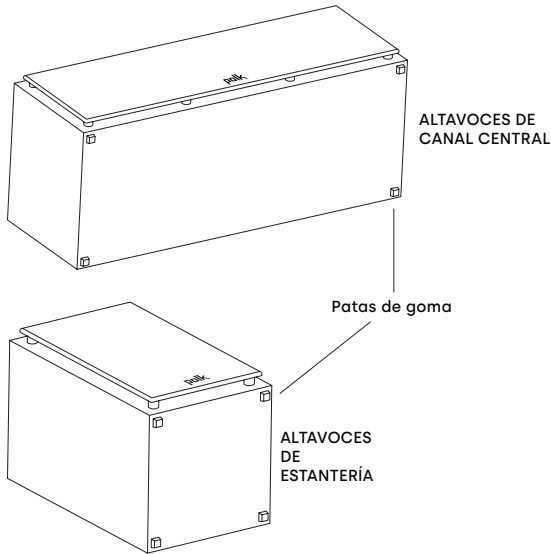
- Regulaciones de equipos eléctricos (seguridad) de 2016
- Regulaciones de compatibilidad electromagnética de 2016
- La restricción del uso de ciertas sustancias peligrosas en las regulaciones sobre aparatos eléctricos y electrónicos de 2012
- Diseño ecológico para las regulaciones sobre productos relacionados con la energía de 2010

Importador del Reino Unido:

D&M Audiovisual Ltd.
Cells 1 & 2 Kopshop, 6 Old London Road
Kingston Upon Thames KT2 6QF Reino Unido

Añadir las patas de goma con respaldo adhesivo

Para mantener los altavoces Polk en su lugar y evitar daños en suelos o muebles, es una idea inteligente fijar las patas de goma con adhesivo incluidas en la parte inferior del altavoz.



Nota:

- XT15 / XT20 / XT30 / XT35: Debe instalar las patas de goma antes de utilizar el producto
- XT60 / XT70 / XT90: Las patas de goma vienen preinstaladas.

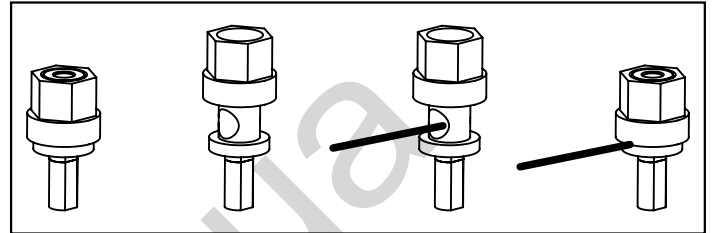
Cómo conectar su sistema

Para obtener la mejor calidad de sonido, es importante conectar correctamente los altavoces.

Cómo utilizar conectores de poste de unión

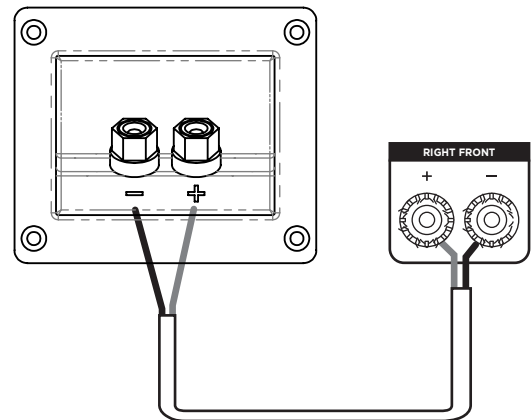
Afloje la tuerca hexagonal e inserte el cable del altavoz desnudo a través del orificio. Apriete la tuerca hexagonal hacia abajo para realizar la conexión.

Nota: No inserte la sección aislada del cable en el orificio (no obtendrá una conexión).



Conexión básica del altavoz

Asegúrese de que los conectores rojo (+) y negro (-) del amplificador o receptor se conectan a los conectores rojo (+) y negro (-) de los altavoces. Si los altavoces suenan "finos" con pequeños bajos y poca o ninguna imagen central, lo más probable es que uno de los cables del altavoz esté conectado al revés. Compruebe todas las conexiones.



Modo de procesador para altavoz de canal central

Nota: Sitúe el altavoz del canal central en "pequeño" en la configuración de gestión de graves del receptor.

Los menús de "gestión de graves" o "configuración de altavoces" de la mayoría de los receptores envolventes ofrecen la opción de modos "normal" o "ancho" para el funcionamiento del canal central. En los procesadores digitales de canal discreto, estos modos se denominan "pequeños" y "grandes". El modo normal (pequeño) filtra las frecuencias de graves desde el altavoz del canal central y las envía en su lugar a los altavoces principales delanteros izquierdo y derecho o a la toma de salida del subwoofer (LFE). El modo Amplio (grande) envía una señal de rango completo sin filtrar al altavoz del canal central. Utilice el modo Pequeño (normal) para obtener un óptimo rendimiento y fiabilidad del canal central (y envolvente).

Posicionamiento del altavoz

Para maximizar la calidad de sonido de su sistema de altavoces, tanto si ha adquirido altavoces de estantería XT15, un altavoz de canal central XT30 o altavoces de torre XT70, la colocación correcta lo es todo. Eche un vistazo a los siguientes ejemplos y pruebe con los altavoces Polk Monitor Serie XT que ha adquirido.

Nota: Los altavoces de la serie Polk Monitor XT son compatibles con las configuraciones 2.0, 2.1, 3.1, 5.1, 7.1 y 9.1 (en los gráficos se muestra el altavoz de graves opcional).

Escuchar con sonido envolvente 5.1

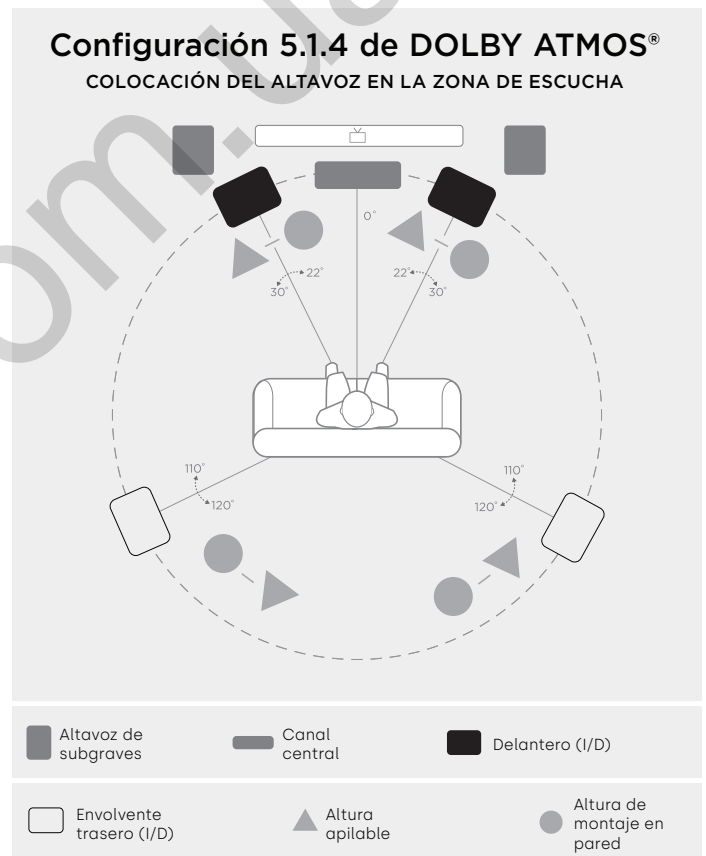
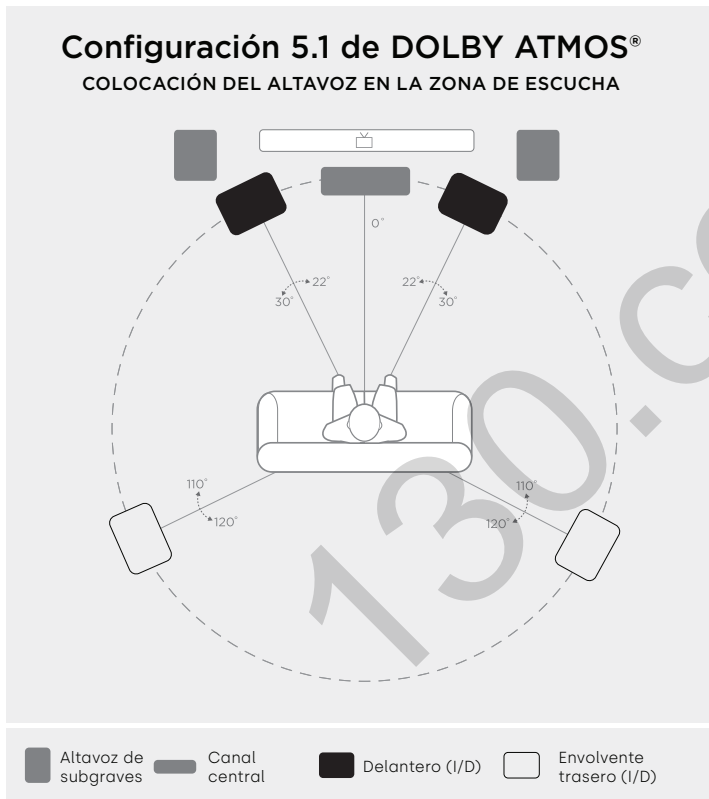
Puede utilizar los altavoces de la serie Monitor XT como altavoces envolventes traseros en un sistema de sonido de cine en casa Polk Audio. La colocación ideal del altavoz envolvente del canal trasero está en una pared lateral, ligeramente detrás y por encima de la posición de escucha.

Listening in 3.1 System

Consiga la imagen estéreo más realista colocando los altavoces tan separados como los oyentes estén sentados de ellos. Si las condiciones de la sala requieren colocar los altavoces a mayor distancia, puede optar por inclinarlos hacia el centro para obtener una imagen central más sólida.

Cómo escuchar en 5.1 Surround: opción alternativa

Colocación alternativa de altavoces envolventes de canal trasero para altavoces de la serie Polk Monitor XT. Si no puede colocar los altavoces envolventes traseros en las paredes laterales, colóquelos en la pared trasera por encima de la posición de escucha.



PRINCIPAL



PRINCIPAL

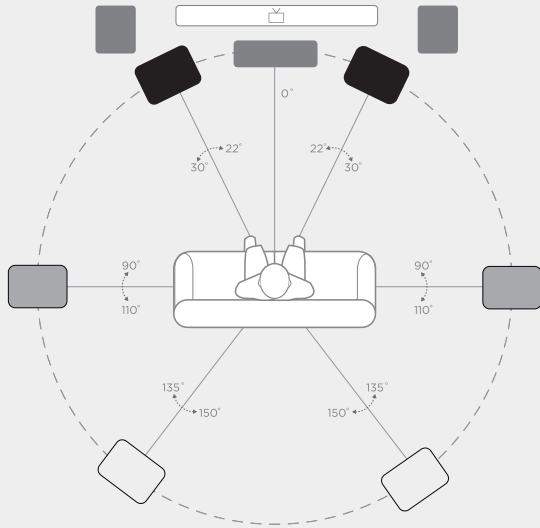


ALTAURA APILABLE

Escuchar con sonido envolvente 7.1

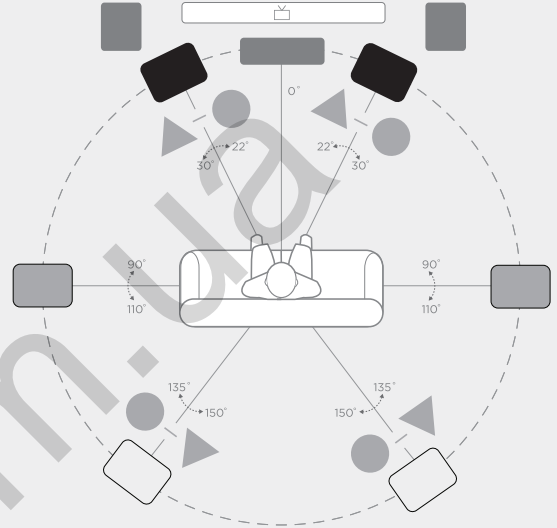
Disfrute de una mayor profundidad de sonido envolvente con cuatro altavoces envolventes traseros en lugar de dos.

Configuración 7.1 de DOLBY ATMOS®
COLOCACIÓN DEL ALTAVOZ EN LA ZONA DE ESCUCHA



- Altavoz de subgraves
- Canal central
- Frontal (I/D)
- Envolverte (I/D)
- Envolverte trasero (I/D)

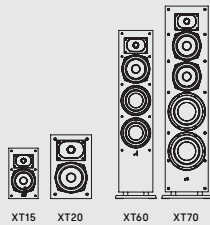
Configuración 7.1.4 de DOLBY ATMOS®
COLOCACIÓN DEL ALTAVOZ EN LA ZONA DE ESCUCHA



- Altavoz de subgraves
- Canal central
- Frontal (I/D)
- Envolverte (I/D)
- Envolverte trasero (I/D)
- ▲ Altura apilable
- Altura de montaje en pared

Altavoces principales

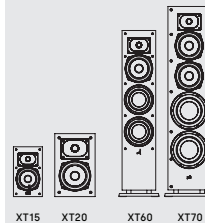
Frontal (I/D)
Envolverte (I/D)
Envolverte trasero (I/D)



PRINCIPAL

Altavoces principales

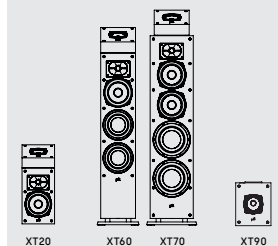
Frontal (I/D)
Envolverte (I/D)
Envolverte trasero (I/D)



PRINCIPAL

Opción de altura apilable

Añada XT90 en la parte superior de la parte delantera (I/D), sonido envolvente (I/D) y sonido envolvente trasero (I/D)



ALTURA APILABLE

Polk Monitor XT

MANUAL DEL PROPIETARIO

	Altavoces de estantería Monitor XT		Altavoces de canal central Monitor XT	
Especificaciones	XT15	XT20	XT30	XT35
Tipo de altavoz	Soporte de montaje (par)	Soporte de montaje (par)	Canal central compacto	Canal central (I/C/D)
Tweeter	Cúpula de Terylene de 1"	Cúpula de Terylene de 1"	Cúpula de Terylene de 1"	Cúpula de Terylene de 1"
Gama media/bajo medio				
Woofers	Papel personalizado de 5¼"	Papel personalizado de 6½"	Dos papeles personalizados de 5¼"	Cuatro papeles personalizado de 3"
Radiadores pasivos	N/D	N/D	N/D	N/D
Respuesta de frecuencia general	48 Hz–40 kHz	38 Hz–40 kHz	55 Hz–40 kHz	57 Hz–40 kHz
Respuesta de frecuencia (límites de -3 dB)	73Hz–26 kHz	57 Hz–26 kHz	77 Hz–26 kHz	84 Hz–26 kHz
Potencia del amplificador recomendada	30–150 W	30–200 W	30–200 W	25–200 W
Compatibilidad de salida del amplificador	4Ω	4Ω	4Ω	4Ω
Impedancia mínima (ohmios)	4.1Ω	4.3Ω	4.1Ω	4.2Ω
Sensibilidad (2,83 V/1 m)	86dB	87 dB	89 dB	87 dB
Frecuencia de cruce				
Tweeter/gama media	2200 Hz	3200 Hz	2500 Hz	2500 Hz
Gama media/bajo medio				
Dimensiones y atributos de peso				
Dimensiones del producto (An. x Al. x Pr.)	6,50 x 10,6 x 7,18 pulg 165,1 x 269,2 x 182,4 mm	7,50 x 18,0 x 10,99 pulg. 190,5 x 330,0 x 279,3 mm	19,9 x 6,50 x 8,13 pulg 482,6 x 165,1 x 206,6 mm	24,4 x 4,15 x 5,55 pulg 619,7 x 105,4 x 141,0 mm
Mayor profundidad general (incluida la rejilla)				
Peso del producto (cada uno)				
Armarios				
Tipo de caja de rango medio				
Tipo de caja de bajo medio/altavoz de graves				
Acabados disponibles	Negro mate	Negro mate	Negro mate	Negro mate
Patas	Sí, se suministra en caja	Sí, se suministra en caja	Sí, se suministra en caja	Sí, se suministra en caja
¿Montaje en pared?	No	No	No	Sí
Entradas de unión	Postes de unión de 5 vías niquelados	Postes de unión de 5 vías niquelados	Postes de unión de 5 vías niquelados	Postes de unión de 5 vías niquelados
Accesorios				
Diseñado para altavoz XT90	N/D	Sí	N/D	N/D
Certificaciones (no de seguridad y normativa)				
Certificado para alta resolución	Sí	Sí	Sí	Sí

**Sujeto a cambios sin previo aviso.

Altavoces de suelo Monitor XT
Altavoz del módulo de altura Monitor XT

Especificaciones	XT60	XT70	XT90
Tipo de altavoz	Altavoces de suelo	Altavoces de suelo	Altura del módulo (par)
Tweeter	Cúpula de Terylene de 1"	Cúpula de Terylene de 1"	N/D
Gama media/bajo medio			
Woofers	Papel personalizado de 6½"	Dos papeles personalizados de 6½"	Papel personalizado de 4"
Radiadores pasivos	Dos PR de 6½"	Dos PR de 8"	N/D
Respuesta de frecuencia general	38 Hz–40 kHz	35 Hz–40 kHz	94 Hz–22 kHz
Respuesta de frecuencia (límites de -3 dB)	43 Hz–26 kHz	41 Hz–26 kHz	164 Hz–17 kHz
Potencia del amplificador recomendada	25–200 W	25–200 W	30–100 W
Compatibilidad de salida del amplificador	4Ω	4Ω	4Ω
Impedancia mínima	4.4Ω	4.0Ω	4.3Ω
Sensibilidad (2,83 V/1 m)	86 dB	89 dB	89 dB
Frecuencia de cruce			
Tweeter/gama media	2200 Hz	2700 Hz	2700 Hz
Gama media/bajo medio			
Dimensiones y atributos de peso			
Dimensiones del producto (An. x Al. x Pr.)	7,50 x 36,4 x 9,09 pulg 190,5 x 925,0 x 230,8 mm	9,25 x 40,4 x 12,5 pulg 235 x 1026,6 x 317,9 mm	7,50 x 5,64 x 8,38 pulg 190,5 x 143,2 x 212,9 mm
Mayor profundidad general (incluida la rejilla)			
Peso del producto (cada uno)			
Armarios			
Tipo de caja de rango medio			
Acabados disponibles			
Acabados disponibles	Negro mate	Negro mate	Negro mate
Patas	Almohadillas de goma	Almohadillas de goma	Almohadillas de goma
¿Montaje en pared?	No	No	Si
Entradas de unión	Postes de unión de 5 vías niquelados	Postes de unión de 5 vías niquelados	Postes de unión de 5 vías niquelados
Accesorios			
Diseñado para altavoz XT90	Si	Si	N/D
Certificaciones (no de seguridad y normativa)			
Certificado para alta resolución	Si	Si	No

*Sujeto a cambios sin previo aviso.

Garantía limitada de 5 años

Polk Audio, LLC (en adelante, "Polk" o "Polk Audio") proporciona esta garantía limitada únicamente al comprador minorista original. Esta garantía vencerá automáticamente antes del vencimiento establecido si el comprador minorista original vende o transfiere el Producto a cualquier otra parte.

Polk Audio garantiza únicamente al comprador original que el(los) altavoz(es), los componentes de cruce pasivo y la carcasa (el "Producto") no tendrán defectos en materiales y mano de obra durante un período de **cinco (5) años a partir de la fecha de compra original al por menor de un Distribuidor autorizado de Polk Audio.**

Para permitir que Polk ofrezca el mejor servicio de garantía posible, registre su nuevo Producto en línea en: www.polkaudio.com/ o llame al servicio de atención al cliente de Polk al 800-377-7655 en EE. UU. y Canadá en un plazo diez (10) días posteriores a la fecha de compra original. Asegúrese de conservar su recibo de compra original.

Los Productos defectuosos deben enviarse, junto con el comprobante de compra, prepagados y asegurados al Distribuidor autorizado de Polk al que le compró el Producto o a fábrica, a la dirección 5541 Fermi Court; Carlsbad, CA 92008. Los Productos deben enviarse en el contenedor de envío original o su equivalente; en cualquier caso, el riesgo de pérdida o daño durante el transporte correrá a cargo de usted. Si tras un examen en la fábrica o en el Distribuidor autorizado de Polk se determina que la unidad tenía defectos de materiales o mano de obra en cualquier momento durante este período de garantía, Polk o el Distribuidor autorizado de Polk, a su criterio, reparará o reemplazará este Producto sin cargo adicional, excepto conforme se establece a continuación. Todas las piezas y Productos reemplazados son propiedad de Polk. Los Productos reemplazados o reparados de acuerdo con esta garantía le serán devueltos, dentro de un tiempo razonable, con flete prepagado.

Esta garantía no incluye servicio o piezas para reparar daños causados por accidente, desastre, mal uso, abuso, negligencia, procedimientos de embalaje o envío inadecuados, uso comercial, entradas de voltaje que exceden el máximo nominal de la unidad, apariencia cosmética de los armarios no directamente atribuible a defectos de materiales o mano de obra, o servicio, reparación o modificación del Producto que no hayan sido autorizados o aprobados por Polk. **Esta garantía vencerá si el producto se ha adquirido de un distribuidor no autorizado o si algún número de serie del Producto ha sido eliminado, manipulado o deteriorado.**

Esta garantía sustituye todas las demás garantías expresadas. Si este Producto tiene defectos de materiales o mano de obra según lo garantizado anteriormente, su único recurso será la reparación o el reemplazo según lo dispuesto anteriormente. En ningún caso Polk será responsable ante usted por cualquier daño incidental o consecuente que surja del uso o la imposibilidad de usar el Producto, incluso si Polk o un Distribuidor autorizado de Polk han sido advertidos de la posibilidad de dichos daños, o por cualquier reclamo de cualquier otra parte. Algunos estados no permiten la exclusión o limitación de daños consecuentes, por lo que la limitación y exclusión anteriores puede que no sean aplicables a usted.

Todas las garantías implícitas de este Producto están limitadas a la duración de esta garantía expresa. Algunos estados no permiten limitar la duración de una garantía implícita, por lo que las limitaciones anteriores pueden no ser aplicables a usted. Esta garantía le otorga derechos legales específicos y también puede tener otros derechos que varían de un estado a otro.

Esta garantía se aplica únicamente a los Productos adquiridos en Canadá, los Estados Unidos de América, sus posesiones y las centrales de cambio de las fuerzas armadas de los EE. UU. y la OTAN. Consulte la guía de garantía específica para los Productos Polk adquiridos en países o territorios no mencionados en este documento.

Expect Great Sound

Grazie per aver scelto gli altoparlanti Polk Monitor XT™. Questa nuova linea è audace, elegante e di una qualità costruttiva garanzia di prestazioni. Questi altoparlanti ad alta efficienza sono dotati dei driver e dei tweeter Dynamic Balance® brevettati di Polk per ottenere alti più cristallini e una gamma media più realistica. Gli altoparlanti Polk Monitor XT sono stati progettati per offrire un suono e un'estetica eccezionali; grazie ai dettagli discreti, si sposano con qualsiasi tipo di arredamento. Semplici e puri, gli altoparlanti Polk Monitor XT sono la perfetta rappresentazione dello slogan "Expect Great Sound".

Grazie a una solida reputazione come "Gli specialisti degli altoparlanti" da oltre 45 anni, siamo orgogliosi di offrire un audio superiore e una qualità ottimale, caratteristica di molte innovazioni audio brevettate e premiate. In Polk, la creazione di prodotti audio non è solo un lavoro, ma una vera passione. E se c'è una cosa che ci definisce è che basiamo la nostra attività sul vero principio di ciò che l'audio dovrebbe offrire: un suono eccellente a un prezzo accessibile per tutti!

Assistenza o servizio tecnico

Se il prodotto viene danneggiato durante la spedizione, contattare il rivenditore autorizzato Polk Audio dove è stato acquistato il prodotto. Per assistenza tecnica, domande frequenti e informazioni sulla riparazione, accedere alla pagina <http://polk.custhelp.com>. Per un elenco completo delle informazioni di contatto, accedere alla pagina <https://www.polkaudio.com/contact-us>. Gli indirizzi e-mail e i numeri di telefono del supporto variano in base all'area in cui è stato acquistato il prodotto.

AVVERTENZA: prestare particolare attenzione

Gli altoparlanti Polk Audio sono in grado di funzionare a livelli di volume estremamente elevati che potrebbero causare danni gravi o permanenti all'udito. Polk Audio declina ogni responsabilità per perdita dell'udito, lesioni personali o danni materiali derivanti dall'uso improprio dei suoi prodotti. Si prega di tenere in considerazione queste linee guida e di utilizzare sempre il buon senso durante il regolamento del volume:

- Limitare l'esposizione prolungata a livelli di volume che superano 85 decibel (dB). Per ulteriori informazioni sui livelli di volume sicuro, consultare le linee guida dell'OSHA (Occupational Health and Safety Administration, Agenzia statunitense per la sicurezza e la salute sul lavoro) sul sito <http://www.osha.gov/>.

Smaltimento del prodotto

Possono essere applicabili alcune leggi e/o normative internazionali, nazionali e/o locali riguardanti lo smaltimento di questo prodotto. Per ulteriori informazioni, contattare il rivenditore presso cui è stato acquistato questo prodotto o l'importatore/distributore Polk nel proprio Paese. Ulteriori informazioni possono essere ottenute sul sito www.polkaudio.com o contattando Polk Audio al seguente indirizzo: 5541 Fermi Court, Carlsbad, California, 92008, Stati Uniti. Telefono: 1-800-377-7655.

Questo simbolo sui nostri prodotti elettrici o sul loro imballaggio indica che in Europa è vietato smaltire tali prodotti come rifiuti domestici. Per assicurarsi di smaltire correttamente i prodotti, attenersi alle leggi e normative locali sullo smaltimento di apparecchiature elettriche ed elettroniche. Nel farlo, si contribuisce alla conservazione delle risorse naturali e alla promozione della protezione ambientale grazie al trattamento e allo smaltimento di rifiuti elettronici.



Cura e pulizia

L'unica cosa da fare è spolverare gli altoparlanti occasionalmente. Non applicare mai detergenti abrasivi, a base di solventi o qualsiasi detergente aggressivo. È possibile pulire le griglie utilizzando l'accessorio spazzola di un aspirapolvere.

Dichiarazione di conformità UE

Con la presente Sound United, LLC dichiara che il nostro prodotto è conforme alle Direttive UE/CE seguenti:

- EMC:2014/30/EU
- LVD:2014/35/EU
- RoHS: 2011/65/UE e direttiva modificata (UE) 2015/863
- ErP: Regolamento CE 1275/2008 e relativa direttiva quadro 2009/125/CE, incluso l'emendamento 801/2013



Contatto UE:

Sound United Europe
divisione di D&M Europe B.V.
Beemdstraat 11, 5653 MA, Eindhoven
Paesi Bassi

Dichiarazione di conformità UKCA

Con la presente Sound United, LLC dichiara che il nostro prodotto è conforme alle Normative UK seguenti:

- Normative sulle apparecchiature elettriche (sicurezza) 2016
- Normative sulla compatibilità elettromagnetica 2016
- La Restrizione dell'uso di determinate sostanze pericolose nelle Normative sulle apparecchiature elettriche ed elettroniche 2012
- Progettazione eco-compatibile per le Normative sui prodotti connessi all'energia 2010

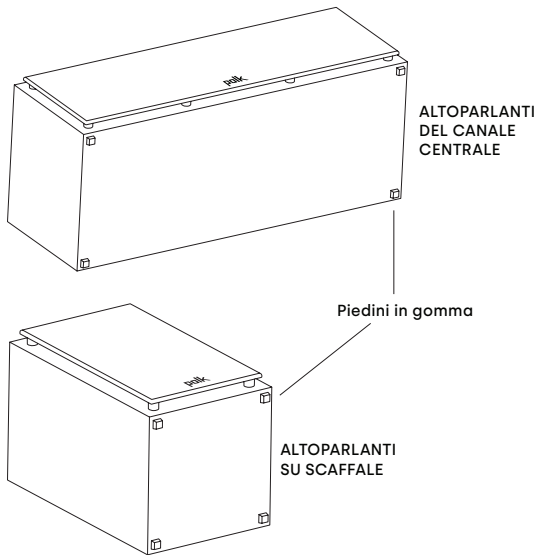
Importatore Regno Unito:

D&M Audiovisual Ltd.
Cells 1 & 2 Kopshop, 6 Old London Road
Kingston Upon Thames KT2 6QF UK



Aggiunta di piedini in gomma con retro adesivo

Per mantenere gli altoparlanti Polk saldamente in posizione e prevenire danni a pavimenti o mobili, è una brillante idea attaccare sul fondo dell'altoparlante i piedini in gomma con retro adesivo in dotazione.



Nota:

- XT15 / XT20 / XT30 / XT35: È necessario installare i piedini in gomma prima di utilizzare il prodotto.
- XT60 / XT70 / XT90: I piedini in gomma sono preinstallati.

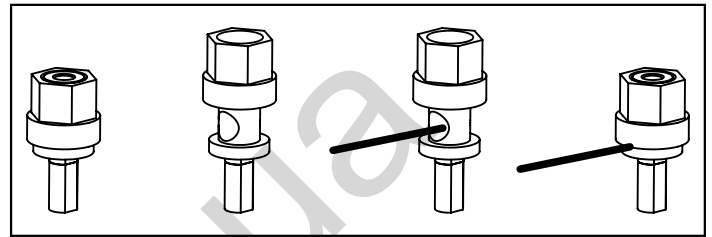
Collegamento del sistema

Per ottenere un audio di qualità ottimale, è importante collegare correttamente i cavi agli altoparlanti.

Come utilizzare i connettori dei morsetti

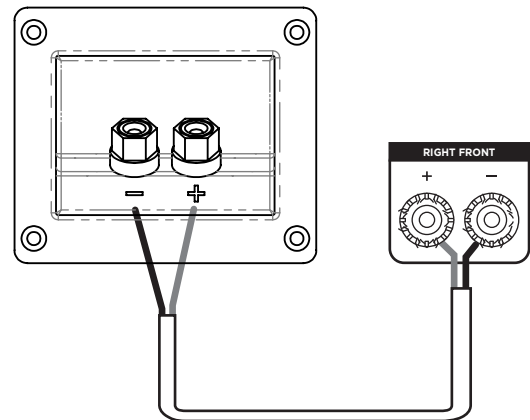
Allentare il dado esagonale ed inserire il filo nudo dell'altoparlante nel foro. Serrare il dado esagonale verso il basso per effettuare il collegamento.

Nota: Non inserire la sezione isolata del filo nel foro (non si otterrà il collegamento).



Collegamento di base dell'altoparlante

Assicurarsi che i connettori rosso (+) e nero (-) sull'amplificatore o il ricevitore siano collegati ai connettori rosso (+) e nero (-) sugli altoparlanti. Se il suono emesso da questi ultimi è "acuto", con bassi poco percettibili e immagine centrale sfocata o assente, è probabile che uno dei cavi degli altoparlanti sia collegato in modo invertito. Controllare attentamente tutti i collegamenti.



Modalità processore per altoparlante del canale centrale

Nota: Impostare l'Altoparlante del canale centrale su "small" nelle Impostazioni di Gestione dei bassi del ricevitore.

I menu "gestione dei bassi" o "configurazione dell'altoparlante" della maggior parte dei ricevitori surround offrono la possibilità di scegliere tra le modalità "normal" o "wide" per il funzionamento del canale centrale. Nei processori digitali a canale discreto, queste modalità sono chiamate "small" e "large". La modalità Normal (small) filtra le basse frequenze dell'altoparlante del canale centrale e le invia invece agli altoparlanti principali anteriori sinistro e destro o al jack di uscita subwoofer (LFE). La modalità Wide (large) invia un segnale a gamma completa non filtrato all'altoparlante del canale centrale. Utilizzare la modalità Small (normal) per prestazioni e affidabilità ottimali del canale centrale (e surround).

Posizionamento dell'altoparlante

A prescindere dal tipo di altoparlante acquistato (altoparlanti su scaffale XT15, un altoparlante del canale centrale XT30 o altoparlanti a torre XT70), per ottimizzare la qualità audio del sistema di altoparlanti è fondamentale un posizionamento corretto. Visionare i seguenti esempi e provarli in base alla serie di altoparlanti Polk Monitor XT acquistata.

Nota: Gli altoparlanti della serie Polk Monitor XT sono compatibili con le configurazioni 2.0, 2.1, 3.1, 5.1, 7.1 e 9.1 (subwoofer opzionale mostrato nell'immagine).

Ascolto in surround 5.1

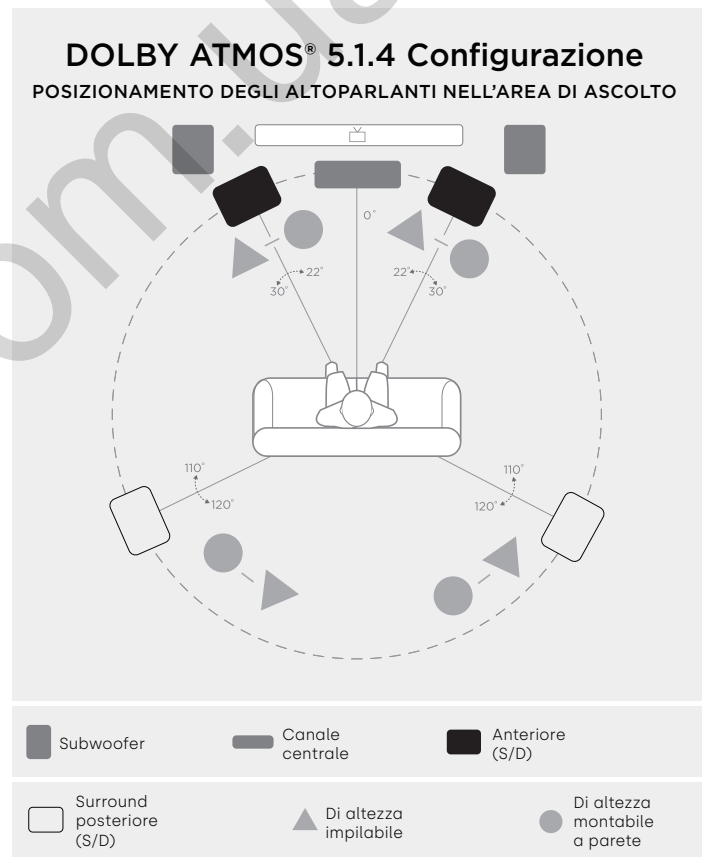
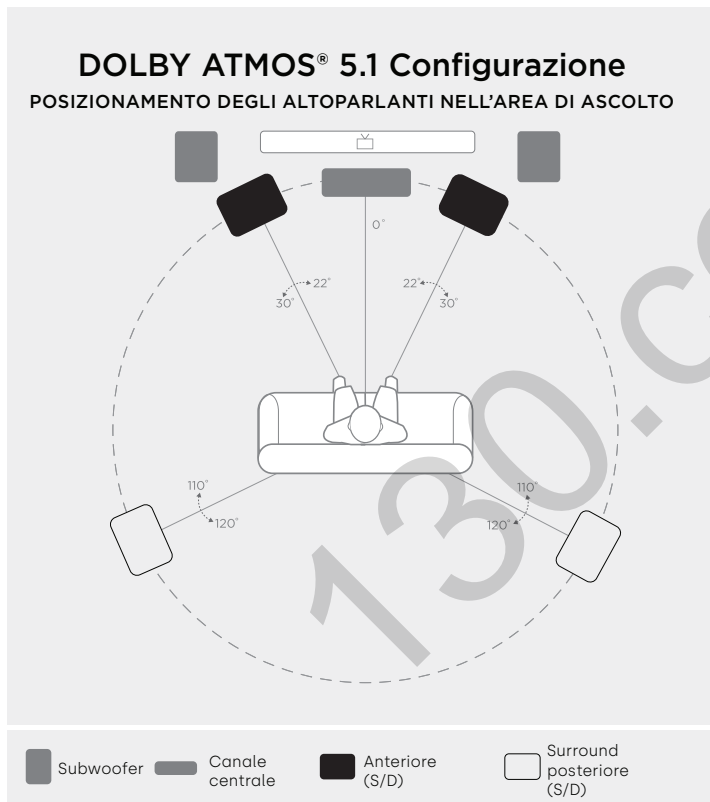
È possibile utilizzare gli altoparlanti della serie Polk Monitor XT come altoparlanti surround posteriori in un impianto home theater Polk Audio. Il posizionamento ideale dell'altoparlante surround del canale posteriore è su una parete laterale, leggermente dietro e più in alto della posizione di ascolto.

Ascolto nel sistema 3.1

Per ottenere l'immagine stereo più realistica, posizionare gli altoparlanti il più lontano possibile da dove gli ascoltatori sono seduti. Se le condizioni ambientali richiedono di posizionare gli altoparlanti più distanti, si può scegliere di inclinarli verso il centro per supportare un'immagine centrale più precisa.

Ascolto in Surround 5.1—opzione alternativa

Posizionamento alternativo dei diffusori surround del canale posteriore per gli altoparlanti della serie Polk Monitor XT. Se non è possibile disporre gli altoparlanti surround posteriori sulle pareti laterali, collocarli sulla parete posteriore, più in alto della posizione di ascolto.



PRINCIPALE



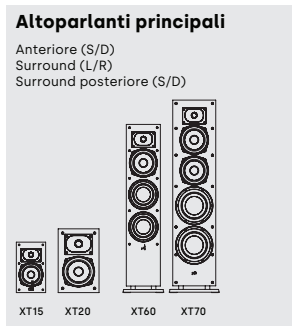
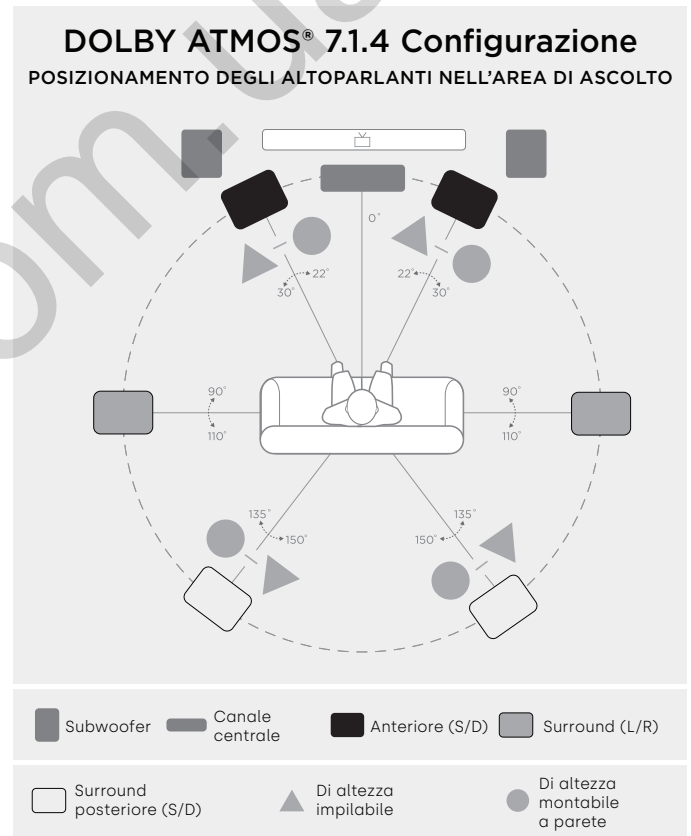
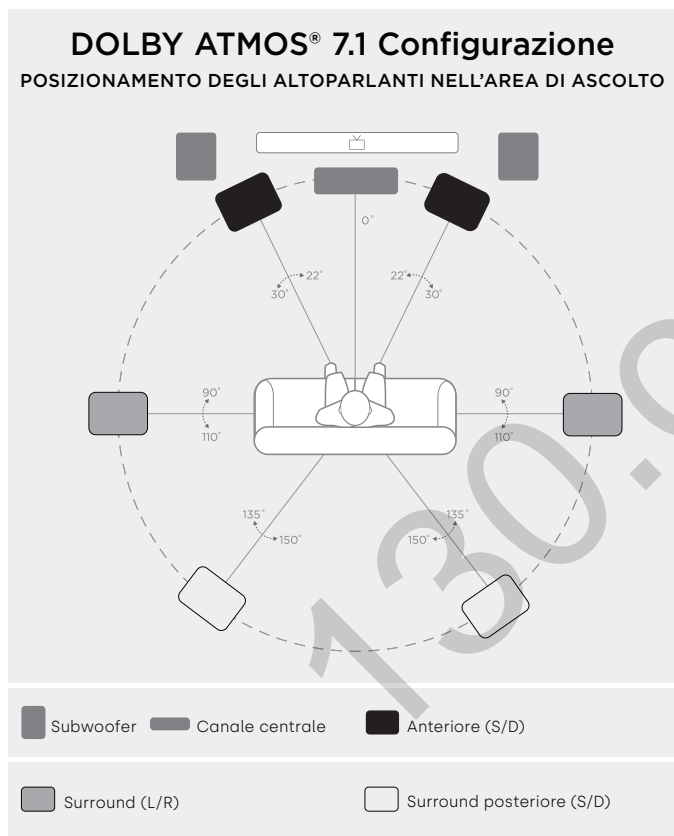
PRINCIPALE



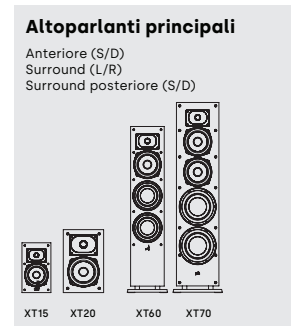
DI ALTEZZA IMPILABILE

Ascolto in surround 7.1

Si godrà di un'esperienza audio surround ancora più profonda con quattro altoparlanti surround posteriori invece di due.



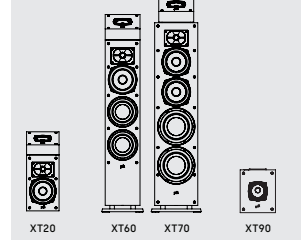
PRINCIPALE



PRINCIPALE

Opzione di altezza impilabile

Aggiungere XT90 sopra all'altoparlante anteriore (S/D), a quello surround (S/D) e a quello surround posteriore (S/D)



DI ALTEZZA IMPILABILE

	Altoparlanti su scaffale Monitor XT		Altoparlanti del canale centrale Monitor XT	
Specifiche	XT15	XT20	XT30	XT35
Tipo di altoparlante	Da supporto (coppia)	Da supporto (coppia)	Canale centrale compatto	Canale centrale (L/C/R)
Tweeter	Cupola in terilene da 1"	Cupola in terilene da 1"	Cupola in terilene da 1"	Cupola in terilene da 1"
Midrange/midbass				
Woofers	Dimensioni personalizzate da 5,25"	Dimensioni personalizzate da 6,5"	Due, dimensioni personalizzate da 5,25"	Quattro, dimensioni personalizzate da 3"
Radiatori passivi	N/A	N/A	N/A	N/A
Risposta complessiva di frequenza	48Hz-40kHz	38Hz-40kHz	55Hz-40kHz	57Hz-40kHz
Risposta di frequenza (limiti di -3 dB)	73Hz-26kHz	57Hz-26kHz	77Hz-26kHz	84Hz-26kHz
Potenza dell'amplificatore consigliata	30-150 W	30-200 W	30-200 W	25-200 W
Compatibilità dell'uscita amplificatore	4Ω	4Ω	4Ω	4Ω
Impedenza minima (ohm)	4.1Ω	4.3Ω	4.1Ω	4.2Ω
Sensibilità (2,83 V/1 m)	86dB	87dB	89dB	87dB
Frequenza di crossover				
Tweeter/midrange	2200Hz	3200Hz	2500Hz	2500Hz
Midrange/midbass				
Dimensioni e attributi di peso				
Dimensioni del prodotto (L x A x P)	6,50 x 10,6 x 7,18 pollici 165,1 x 269,2 x 182,4 mm	7,50 x 18,0 x 10,99 pollici 190,5 x 330,0 x 279,3 mm	19,9 x 6,50 x 8,13 pollici 482,6 x 165,1 x 206,6 mm	24,4 x 4,15 x 5,55 pollici 619,7 x 105,4 x 141,0 mm
Massima profondità complessiva (griglia inclusa)				
Peso del prodotto (ciascuno)				
Casse				
Tipo di cassa midrange				
Tipo di cassa midbass/woofer				
Finiture disponibili	Nero opaco	Nero opaco	Nero opaco	Nero opaco
Piedini	Sì, forniti nella confezione	Sì, forniti nella confezione	Sì, forniti nella confezione	Sì, forniti nella confezione
Montabile a parete?	No	No	No	Sì
Morsetti	Morsetti a 5 vie nichelati	Morsetti a 5 vie nichelati	Morsetti a 5 vie nichelati	Morsetti a 5 vie nichelati
Accessori				
Progettato per altoparlante XT90	N/A	Sì	N/A	N/A
Certificazioni (non correlate alla sicurezza e normative)				
Certificato ad alta risoluzione	Sì	Sì	Sì	Sì

*Soggetto a modifica senza preavviso.

Polk Monitor XT

MANUALE DELL'UTENTE

	Altoparlanti da pavimento Monitor XT		Altoparlante modulo di altezza Monitor XT
Specifiche	XT60	XT70	XT90
Tipo di altoparlante	Altoparlante da pavimento	Altoparlante da pavimento	Modulo di altezza (coppia)
Tweeter	Cupola in terilene da 1"	Cupola in terilene da 1"	N/A
Midrange/midbass			
Woofers	Dimensioni personalizzate da 6,5"	Due, dimensioni personalizzate da 6,5"	Dimensioni personalizzate da 4"
Radiatori passivi	Due PR da 6,5"	Due PR da 8"	N/A
Risposta complessiva di frequenza	38Hz-40kHz	35Hz-40kHz	94Hz-22kHz
Risposta di frequenza (limiti di -3 dB)	43Hz-26kHz	41Hz-26kHz	164Hz-17kHz
Potenza dell'amplificatore consigliata	25-200 W	25-200 W	30-100 W
Compatibilità dell'uscita amplificatore	4Ω	4Ω	4Ω
Impedenza minima	4,4Ω	4,0Ω	4,3Ω
Sensibilità (2,83 V/1 m)	86dB	89dB	89dB
Frequenza di crossover			
Tweeter/midrange	2200Hz	2700Hz	2700Hz
Midrange/midbass			
Dimensioni e attributi di peso			
Dimensioni del prodotto (L x A x P)	7,50 x 36,4 x 9,09 pollici 190,5 x 925,0 x 230,8 mm	9,25 x 40,4 x 12,5 pollici 235 x 1026,6 x 317,9 mm	7,50 x 5,64 x 8,38 pollici 190,5 x 143,2 x 212,9 mm
Massima profondità complessiva (griglia inclusa)			
Peso del prodotto (ciascuno)			
Casse			
Tipo di cassa midrange			
Tipo di cassa midbass/woofer			
Finiture disponibili	Nero opaco	Nero opaco	Nero opaco
Piedini	Gommini	Gommini	Gommini
Montabile a parete?	No	No	Si
Morsetti	Morsetti a 5 vie nichelati	Morsetti a 5 vie nichelati	Morsetti a 5 vie nichelati
Accessori			
Progettato per altoparlante XT90	Si	Si	N/A
Certificazioni (non correlate alla sicurezza e normative)			
Certificato ad alta risoluzione	Si	Si	No

*Soggetto a modifica senza preavviso.

Garanzia limitata di 5 anni

Polk Audio, LLC (di seguito "Polk" o "Polk Audio") fornisce la presente garanzia limitata esclusivamente all'acquirente originario al dettaglio. La presente garanzia terminerà automaticamente prima della scadenza indicata se l'acquirente originario al dettaglio vende o altrimenti trasferisce il Prodotto a terzi.

Polk Audio garantisce all'acquirente originario solamente che altoparlante/i, componente/i per crossover passivo/i e cassa (il "Prodotto") sono esenti da difetti nei materiali e nella fabbricazione per un periodo di **cinque (5) anni dalla data originaria di acquisto al dettaglio da un Rivenditore Polk Audio autorizzato**.

Per consentire a Polk di offrire il miglior servizio di garanzia possibile, si prega di registrare il nuovo Prodotto online all'indirizzo: www.polkaudio.com/ o chiamare il servizio clienti Polk al numero 800-377-7655 negli Stati Uniti e in Canada entro dieci (10) giorni dalla data di acquisto originale. Ricordarsi di conservare la ricevuta di acquisto originale.

I Prodotti difettosi devono essere spediti, unitamente alla prova di acquisto, prepagati al Rivenditore autorizzato Polk da cui è stato acquistato il Prodotto o alla Fabbrica all'indirizzo 5541 Fermi Court; Carlsbad, CA 92008. I prodotti devono essere spediti nella confezione originale di spedizione o nel suo equivalente; in ogni caso il rischio di perdita o danni durante la spedizione è a Suo carico. Se in seguito alla verifica presso la fabbrica o presso il Rivenditore autorizzato Polk, viene stabilito che l'unità presentava difetti nei materiali o nella fabbricazione in qualsiasi momento durante il periodo di Garanzia, Polk o il Rivenditore autorizzato Polk, a sua discrezione, riparerà o sostituirà questo Prodotto senza alcun costo aggiuntivo, salvo quanto indicato di seguito. Tutte le parti e i Prodotti sostituiti diventano proprietà di Polk. I prodotti sostituiti o riparati ai sensi della presente garanzia Le saranno restituiti, entro un intervallo di tempo ragionevole, con spese di spedizione prepagate.

La presente garanzia non include la manutenzione o la riparazione di parti danneggiate a causa di incidenti, calamità, uso improprio, abuso, negligenza, imballaggio e/o procedure di spedizione inadeguati, uso commerciale, uso di ingressi di tensione superiori al valore massimo nominale dell'unità, aspetto estetico delle casse non direttamente attribuibile al difetto nei materiali o di fabbricazione, o a causa di manutenzione, riparazione o modifica del Prodotto non autorizzata o non approvata da Polk. **La presente garanzia sarà terminata se acquistata da un rivenditore non autorizzato o se il numero di serie sul Prodotto è stato rimosso, alterato o rovinato.**

Questa garanzia sostituisce tutte le altre garanzie espresse. Se il presente Prodotto presenta difetti nei materiali o nella fabbricazione come indicato in precedenza, l'unico rimedio sarà la riparazione o la sostituzione come descritto sopra. In nessun caso Polk Audio sarà responsabile nei Suoi confronti per danni accidentali o consequenziali derivanti dall'utilizzo o dall'impossibilità di utilizzare il Prodotto, anche se Polk Audio o un Rivenditore Polk Audio autorizzato è stato informato della possibilità di tali danni, o per qualsiasi reclamo da parte di terzi. Alcuni stati non permettono l'esclusione o la limitazione di danni consequenziali, pertanto le limitazioni di cui sopra potrebbero non essere applicabili.

Tutte le garanzie implicite su questo Prodotto sono limitate alla durata della presente garanzia espressa. Alcuni stati non consentono limitazioni della durata di una garanzia implicita, pertanto le limitazioni di cui sopra potrebbero non essere applicabili. Questa garanzia conferisce specifici diritti legali e Lei potrebbe avere anche altri diritti che possono variare da uno stato all'altro.

La presente garanzia si applica solo ai Prodotti acquistati in Canada, negli Stati Uniti d'America, nei suoi possedimenti, e nei club di scambio delle forze armate degli Stati Uniti e NATO. Consultare la guida alla garanzia specifica per i Prodotti Polk acquistati in Paesi o territori non citati nel presente documento.

Für großartigen Sound

Vielen Dank, dass Sie sich für die Polk Monitor XT™-Lautsprecher entschieden haben. Diese neue Linie ist kühn, stilvoll und qualitativ hochwertig für Leistung gebaut. Diese Hochleistungslautsprecher verfügen über von Polk patentierte Dynamic Balance®-abgestimmte Treiber und Hochtöner für klarere Höhen und einen realistischeren Mitteltonbereich. Die Polk Monitor XT-Lautsprecher wurden für großartigen Klang bei großartigem Aussehen entwickelt; mit den dezenten Merkmalen ist dieses Produkt in jedem Einrichtungsumfeld zu Hause. Die Polk Monitor XT-Lautsprecher sind schlicht und einfach, sie sind die wahre Definition von „Erwarten Sie herausragenden Klang“.

Für über 45 Jahre haben wir unseren Ruf als die „Lautsprecher-Spezialisten“ aufgebaut. Wir sind stolz auf unseren überragenden Klang und unsere hohe Fertigungsqualität, die viele patentierte und preisgekrönte Audio-Innovationen einschließt. Für die Mitarbeiter von Polk ist die Herstellung von Audioprodukten nicht nur ein Job – es ist eine Leidenschaft. Und wenn Sie sich eine Sache merken werden, dann dies: Wir leben nach dem wahrsten Prinzip dessen, was Audio liefern sollte – großartigen Klang zu einem erschwinglichen Preis für jedermann!

Technische Unterstützung oder Service

Wenn Ihr Produkt während des Versands beschädigt wurde, wenden Sie sich bitte an den autorisierten Polk Audio-Händler, wo Sie Ihr Produkt gekauft haben. Für technischen Support, FAQs und Reparaturinformationen besuchen Sie <http://polk.custhelp.com>. Eine vollständige Liste der Kontaktinformationen finden Sie unter <https://www.polkaudio.com/contact-us>. Support-E-Mail-Adressen und Telefonnummern variieren je nach Region, in der Ihr Produkt gekauft wurde.

WARNUNG: Hören Sie aufmerksam zu

Die Lautsprecher von Polk Audio sind in der Lage, extrem hohe Lautstärken wiederzugeben, was zu schweren oder dauerhaften Hörschäden führen kann. Polk Audio übernimmt keine Haftung für Hörschäden, Körperverletzungen oder Sachschäden, die durch den Missbrauch seiner Produkte entstehen. Beachten Sie diese Richtlinien und verwenden Sie stets gesunden Menschenverstand bei der Einstellung der Lautstärke:

- Begrenzen Sie eine längere Belastung durch Lautstärkepegel, die 85 Dezibel (dB) überschreiten. Weitere Informationen zu sicheren Lautstärkepegeln finden Sie in den Richtlinien der Occupational Health and Safety Administration (OSHA) unter <http://www.osha.gov/>.

Produktentsorgung

Für die Entsorgung dieses Produkts gelten bestimmte internationale, nationale und/oder lokale Gesetze und/oder Vorschriften. Für weitere Informationen wenden Sie sich bitte an den Händler, bei dem Sie dieses Produkt gekauft haben, oder den Polk-Importeur/Vertriebshändler in Ihrem Land. Weitere Informationen erhalten Sie auch unter www.polkaudio.com oder durch Kontaktaufnahme mit Polk Audio, 5541 Fermi Court, Carlsbad, California, 92008, USA. Telefon: +1 800 377 7655

Dieses Symbol auf unseren elektrischen Produkten oder ihrer Verpackung zeigt an, dass es in Europa verboten ist, dieses Produkt als Hausmüll zu entsorgen. Bitte entsorgen Sie das/die Produkt(e) gemäß den örtlichen Gesetzen und Vorschriften zur Entsorgung elektrischer und elektronischer Geräte. Dabei tragen Sie zur Schonung natürlicher Ressourcen und zur Beförderung von Umweltschutz durch das Recycling und die Entsorgung elektronischer Abfälle bei.



Pflege und Reinigung

Das Einzige, was Sie jemals an Ihren Lautsprechern tun sollten, ist sie gelegentlich abzustauben. Verwenden Sie niemals scheuernde oder lösungsmittelbasierte Reiniger oder scharfe Reinigungsmittel. Sie können die Gitter mit dem Bürstenaufsatz eines Staubsaugers reinigen.

EU-Konformitätserklärung

Sound United, LLC erklärt hiermit, dass unser Produkt die folgenden EU/EG-Richtlinien erfüllt:

- EMC:2014/30/EU
- LVD:2014/35/EU
- RoHS: 2011/65/EU und Änderungsrichtlinie (EU) 2015/863
- ErP: EG-Verordnung 1275/2008 und deren Rahmenarbeitsrichtlinie 2009/125/EG einschließlich Änderung 801/2013

EU-Kontakt:

Sound United Europe
Ein Geschäftsbereich von D&M Europe B.V.
Beemdstraat 11, 5653 MA, Eindhoven
Niederlande



UKCA-Konformitätserklärung

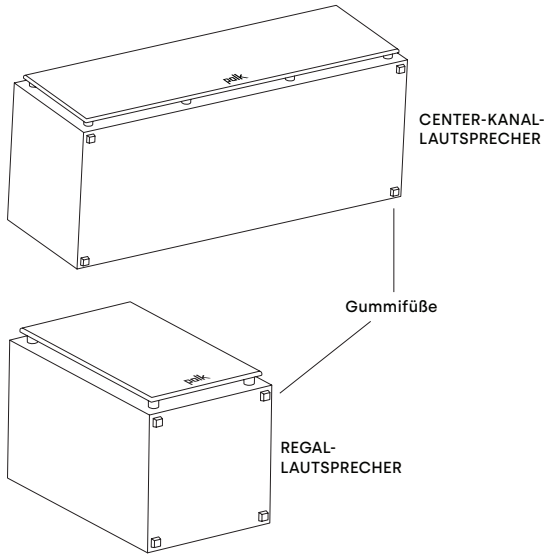
Sound United, LLC erklärt hiermit, dass unser Produkt die folgenden UK-Vorschriften erfüllt:

- Vorschriften für elektrische Geräte (Sicherheit) 2016
 - Vorschriften zur elektromagnetischen Verträglichkeit 2016
 - Die Beschränkung der Verwendung bestimmter gefährlicher Stoffe in den Vorschriften für elektrische und elektronische Geräte 2012
 - Vorschriften zum Öko-Design für energiebezogene Produkte 2010
- UK-Importeur:
D&M Audiovisual Ltd.
Cells 1 & 2 Kopshop, 6 Old London Road
Kingston Upon Thames KT2 6QF GB



Montage von selbstklebenden Gummifüßen

Um Ihre Polk-Lautsprecher sicher an ihrem Platz zu halten und Schäden an Böden oder Möbeln zu vermeiden, ist es eine gute Idee, die mitgelieferten Gummifüße an der Unterseite des Lautsprechers zu befestigen.



Hinweis:

- XT15/XT20/XT30/XT35: Sie müssen die Gummifüße installieren, bevor Sie das Produkt verwenden.
- XT60/XT70/XT90: Die Gummifüße sind vorinstalliert.

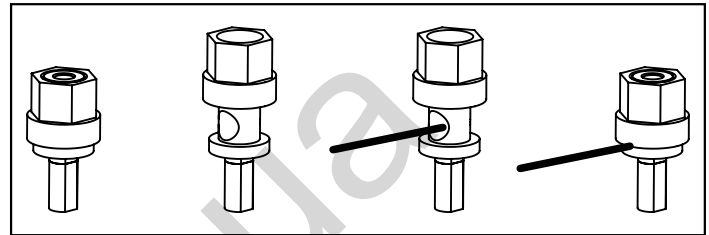
So schließen Sie Ihr System an

Um die beste Klangqualität zu erzielen, ist es wichtig, die Lautsprecher richtig zu verkabeln.

Wie die Anschlussklemmen zu verwenden sind

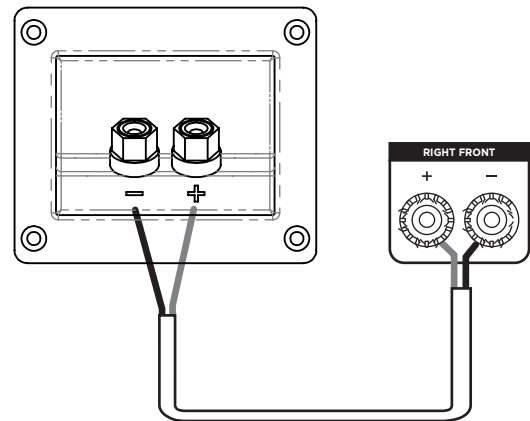
Lösen Sie die Sechskantmutter und führen Sie das blanke Ende des Lautsprecherkabels durch das Loch. Ziehen Sie die Sechskantmutter an, um die Verbindung herzustellen.

Hinweis: Führen Sie nicht den isolierten Teil des Kabels in das Loch ein (dann wird keine Verbindung hergestellt).



Standard-Lautsprecherhalterung

Stellen Sie sicher, dass die roten (+) und schwarzen (-) Anschlüsse am Verstärker oder Receiver mit den roten (+) und schwarzen (-) Anschlüssen an Ihren Lautsprechern verbunden sind. Wenn Ihre Lautsprecher „dünn“ klingen, also wenig Bass und kaum ein Mittenbild liefern, kann das daran liegen, dass eines der Lautsprecherkabel verpolt angeschlossen ist. Prüfen Sie dann erst alle Verbindungen.



Prozessormodus für Center-Kanal-Lautsprecher

Hinweis: Stellen Sie den Center-Kanal-Lautsprecher in den Bass-Management-Einstellungen Ihres Receivers auf „klein“.

Die Menüs „Bassmanagement“ oder „Lautsprecherkonfiguration“ der meisten Surround-Receiver bieten die Wahl zwischen den Modi „normal“ und „weit“ für den Betrieb des Center-Kanals. Bei Digitalprozessoren mit einzelnen Kanälen werden diese Modi als „klein“ und „groß“ bezeichnet. Der normale (kleine) Modus filtert die Bassfrequenzen aus dem Center-Lautsprecher und sendet sie stattdessen an die vorderen linken und rechten Hauptlautsprecher oder an die Subwoofer-Ausgangsbuchse (LFE). Im Weit-Modus (groß) wird ein ungefiltertes Vollbereichssignal an den Center-Lautsprecher gesendet. Verwenden Sie den Modus „klein“ (normal) für eine optimale Leistung und Zuverlässigkeit des Center- (und Surround-) Kanals.

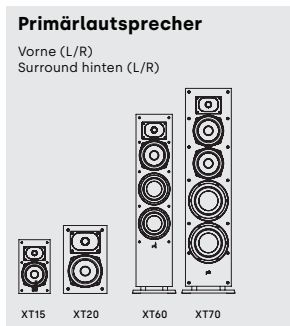
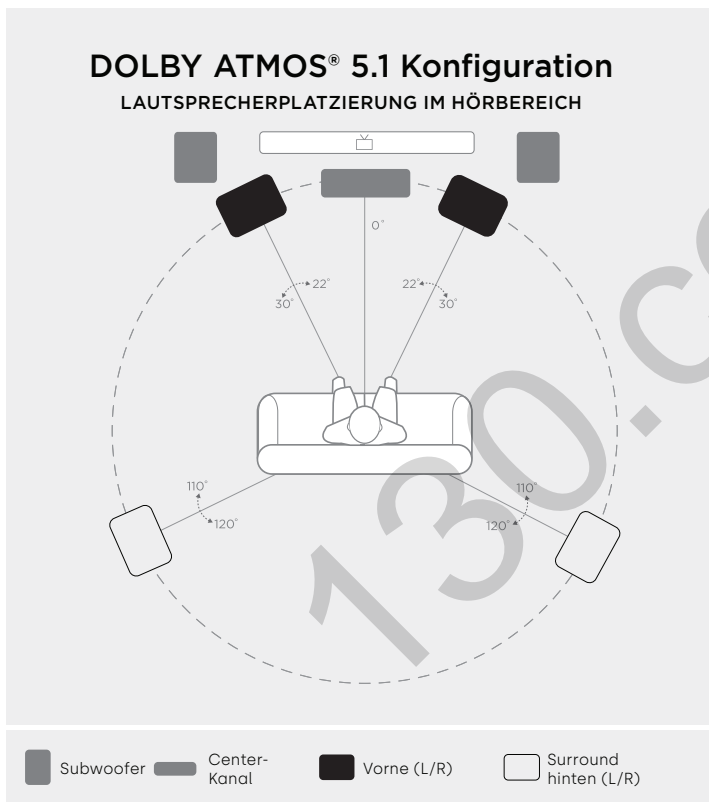
Lautsprecherpositionierung

Um die Klangqualität Ihres Lautsprechersystems zu maximieren - ganz gleich, ob Sie XT15 Regal-Lautsprecher, einen XT30 Center-Lautsprecher oder XT70 Tower-Lautsprecher gekauft haben - ist die richtige Platzierung das A und O. Schauen Sie sich die folgenden Beispiele an und probieren Sie sie auf der Grundlage der von Ihnen erworbenen Lautsprecher der Polk Monitor XT-Serie aus.

Hinweis: Ihre Lautsprecher der Polk Monitor XT Serie sind kompatibel mit den Einstellungen 2.0, 2.1, 3.1, 5.1, 7.1 und 9.1 (optionaler Subwoofer in Grafiken dargestellt).

Hörgenuss mit 5.1 Surround

Sie können die Lautsprecher der Polk Monitor XT-Serie als hintere Surround-Lautsprecher in einem Polk Audio-Heimkinosystem verwenden. Die ideale Platzierung der Surround-Lautsprecher für den hinteren Kanal ist an einer Seitenwand, etwas hinter und oberhalb der Hörposition.



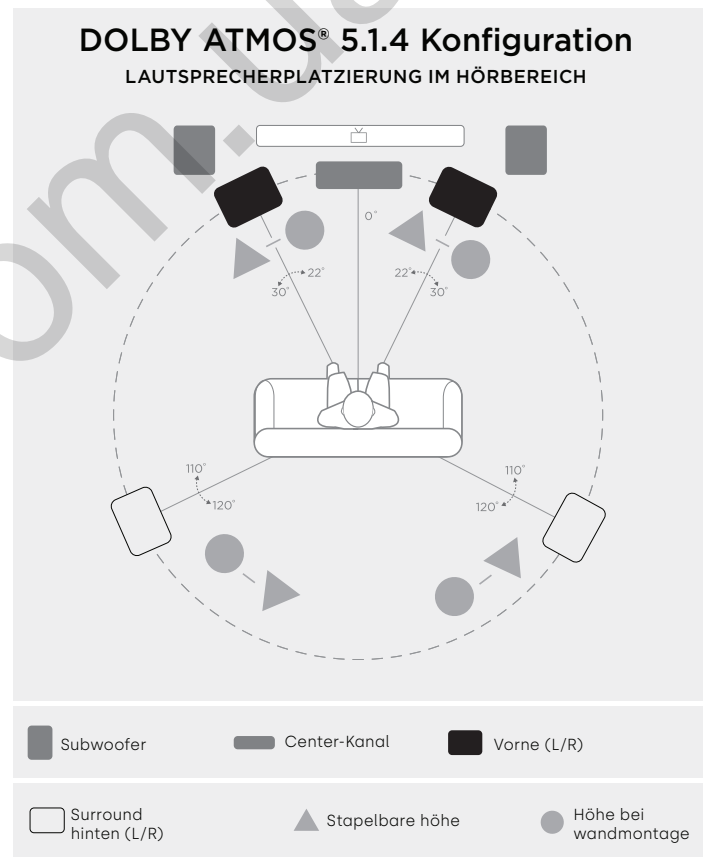
Primärlautsprecher

Hörgenuss mit einem 3.1 System

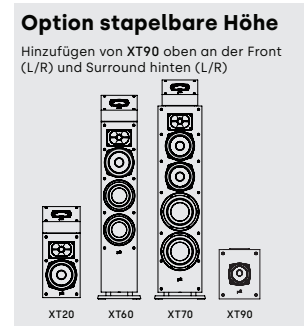
Um ein möglichst realistisches Stereobild zu erhalten, sollten Sie die Lautsprecher so weit auseinander aufstellen, wie die Zuhörer entfernt sitzen. Sollten die Raumbedingungen eine größere Distanz zwischen den Lautsprechern erfordern, können Sie die Lautsprecher zur Mitte hin anwinkeln, um ein solideres Center-Bild zu unterstützen.

Hörgenuss im 5.1 Surround – alternative option

Alternative Aufstellung der Polk Monitor XT-Serie als Surround-Lautsprecher für den hinteren Kanal. Wenn Sie keine hinteren Surround-Lautsprecher an den Seitenwänden aufstellen können, positionieren Sie sie an der Rückwand oberhalb der Hörposition.



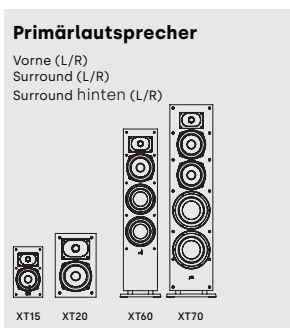
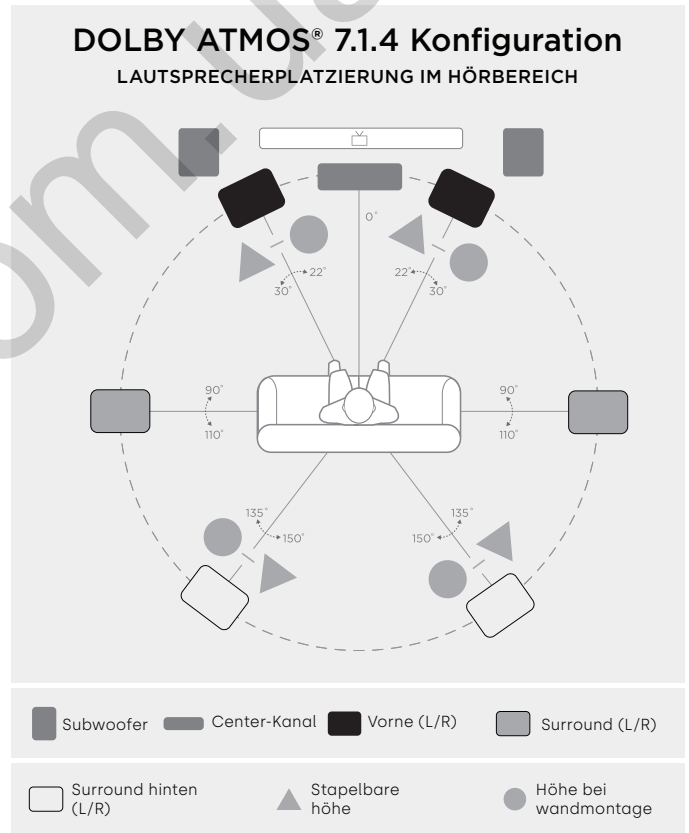
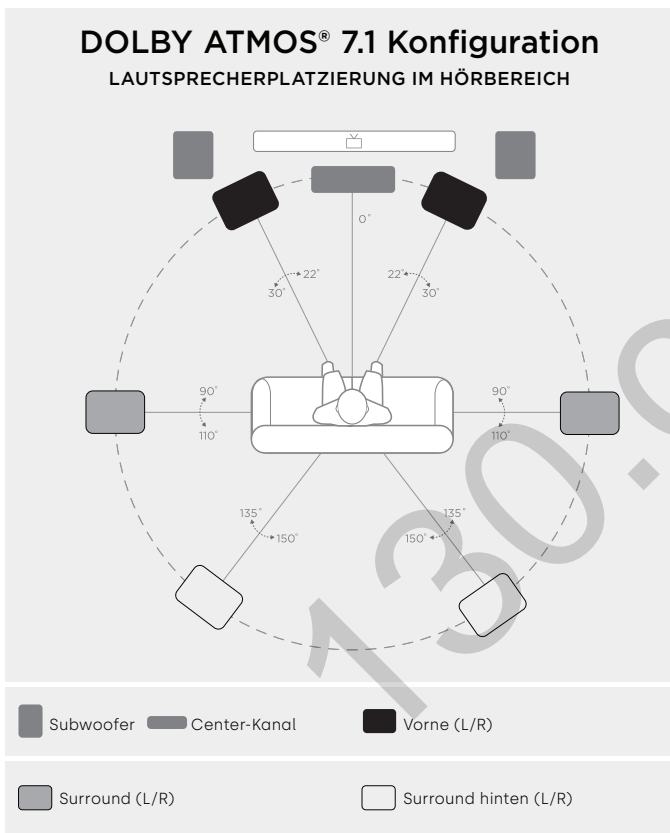
Primärlautsprecher



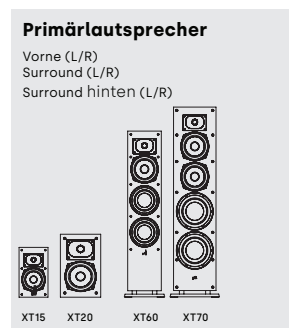
Stapelbare höhe

Hör Genuss mit 7.1 Surround

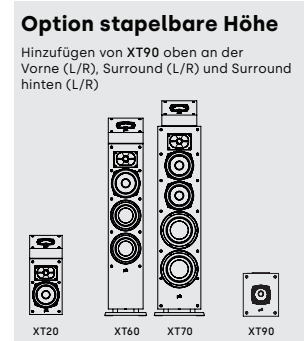
Mit vier Surround-Lautsprechern hinten statt zwei Lautsprechern können Sie Ihr Surround-Sound-Hörerlebnis noch verbessern.



Primärlautsprecher



Primärlautsprecher



Stapelbare höhe

	Monitor XT Regal-Lautsprecher		Monitor XT Center-Kanal-Lautsprecher	
Spezifikationen	XT15	XT20	XT30	XT35
Lautsprechertyp	Standmontage (Paar)	Standmontage (Paar)	Kompakter Center-Kanal	Center-Kanal (L/M/R)
Hochtöner	1" Terylen-Kalotte	1" Terylen-Kalotte	1" Terylen-Kalotte	1" Terylen-Kalotte
Mitteltöner/Mitteltieftöner				
Woofer	5¼" Spezialpapier	6½" Spezialpapier	2 x 5¼" Spezialpapier	4 x 3" Spezialpapier
Passive Strahler	n. z.	n. z.	n. z.	n. z.
Gesamtfrequenzbereich	48 Hz–40 kHz	38 Hz–40 kHz	55 Hz–40 kHz	57 Hz–40 kHz
Frequenzgang (-3 dB)	73 Hz–26 kHz	57 Hz–26 kHz	77 Hz–26 kHz	84 Hz–26 kHz
Empfohlene Verstärkerleistung	30–150 W	30–200 W	30–200 W	25–200 W
Kompatibilität des Verstärkerausgangs	4Ω	4Ω	4Ω	4Ω
Mindestimpedanz (Ohm)	4,1Ω	4,3Ω	4,1Ω	4,2Ω
Empfindlichkeit (2,83 V/1 m)	86 dB	87 dB	89 dB	87 dB
Frequenzweiche				
Hochtöner/Mitteltöner	2.200 Hz	3.200 Hz	2.500 Hz	2.500 Hz
Mitteltöner/Mitteltieftöner				
Abmessungen und Gewicht				
Produkt Abmessungen (B x H x T)	6,50 x 10,6 x 7,18 Zoll 165,1 x 269,2 x 182,4 mm	7,50 x 18,0 x 10,99 Zoll 190,5 x 330,0 x 279,3 mm	19,9 x 6,50 x 8,13 Zoll 482,6 x 165,1 x 206,6 mm	24,4 x 4,15 x 5,55 Zoll 619,7 x 105,4 x 141,0 mm
Größte Gesamttiefe (einschließlich Gitter)				
Produktgewicht (pro Stück)				
Gehäuse				
Gehäusotyp Mitteltöner				
Gehäusotyp Mittelbass/Subwoofer				
Verfügbare Oberflächen	Mattschwarz	Mattschwarz	Mattschwarz	Mattschwarz
Füße	Ja, im Karton geliefert	Ja, im Karton geliefert	Ja, im Karton geliefert	Ja, im Karton geliefert
Wandmontage möglich?	Nein	Nein	Nein	Ja
Anschlussklemmen	Vernickelte 5-polige Anschlussklemmen	Vernickelte 5-polige Anschlussklemmen	Vernickelte 5-polige Anschlussklemmen	Vernickelte 5-polige Anschlussklemmen
Zubehör				
Entwickelt für XT90-Lautsprecher	n. z.	Ja	n. z.	n. z.
Zertifizierungen (nicht in Bezug auf Sicherheit und regulatorische)				
Hi-res-zertifiziert	Ja	Ja	Ja	Ja

* Änderungen vorbehalten.

	Monitor XT Standlautsprecher		Monitor XT Höhenmodul-Lautsprecher
Spezifikationen	XT60	XT70	XT90
Lautsprechertyp	Standlautsprecher	Standlautsprecher	Höhenmodul (Paar)
Hochtöner	1" Terylen-Kalotte	1" Terylen-Kalotte	n. z.
Mitteltöner/Mitteltieftöner			
Woofer	6½" Spezialpapier	2 x 6½" Spezialpapier	4" Spezialpapier
Passive Strahler	2 x 6½" PRs	2 x 8" PRs	n. z.
Gesamtfrequenzbereich	38 Hz–40 kHz	35 Hz–40 kHz	94 Hz–22 kHz
Frequenzgang (-3 dB)	43 Hz–26 kHz	41 Hz–26 kHz	164 Hz–17 kHz
Empfohlene Verstärkerleistung	25–200 W	25–200 W	30–100 W
Kompatibilität des Verstärkerausgangs	4Ω	4Ω	4Ω
Mindestimpedanz	4,4Ω	4,0Ω	4,3Ω
Empfindlichkeit (2,83 V/1 m)	86 dB	89 dB	89 dB
Frequenzweiche			
Hochtöner/Mitteltöner	2.200Hz	2.700Hz	2.700Hz
Mitteltöner/Mitteltieftöner			
Abmessungen und Gewicht			
Produkt Abmessungen (B x H x T)	7,50 x 36,4 x 9,09 Zoll 190,5 x 925,0 x 230,8 mm	9,25 x 40,4 x 12,5 Zoll 235 x 1.026,6 x 317,9 mm	7,50 x 5,64 x 8,38 Zoll 190,5 x 143,2 x 212,9 mm
Größte Gesamttiefe (einschließlich Gitter)			
Produktgewicht (pro Stück)			
Gehäuse			
Gehäusetyp Mitteltöner			
Gehäusetyp Mittelbass/ Subwoofer			
Verfügbare Oberflächen	Mattschwarz	Mattschwarz	Mattschwarz
Füße	Gummipuffer	Gummipuffer	Gummipuffer
Wandmontage möglich?	Nein	Nein	Ja
Anschlussklemmen	Vernickelte 5-polige Anschlussklemmen	Vernickelte 5-polige Anschlussklemmen	Vernickelte 5-polige Anschlussklemmen
Zubehör			
Entwickelt für XT90-Lautsprecher	Ja	Ja	n. z.
Zertifizierungen (nicht in Bezug auf Sicherheit und regulatorische)			
Hi-res-zertifiziert	Ja	Ja	Nein

* Änderungen vorbehalten.

Eingeschränkte 5-Jahres-Garantie

Polk Audio, LLC (nachfolgend „Polk“ oder „Polk Audio“ genannt) gewährt diese beschränkte Garantie nur dem ursprünglichen Endabnehmer. Diese Garantie erlischt automatisch vor dem angegebenen Ablaufdatum, wenn der ursprüngliche Einzelhandelskäufer das Produkt an eine andere Partei verkauft oder überträgt.

Polk Audio garantiert nur dem ursprünglichen Endabnehmer, dass der/die Lautsprecher, die passive(n) Frequenzweichen-Komponente(n) und das Gehäuse („Produkt“) für einen Zeitraum von fünf (5) Jahren ab dem Datum des ursprünglichen Kaufs bei einem autorisierten Polk Audio-Händler frei von Material- und Verarbeitungsfehlern sind.

Damit Polk den bestmöglichen Garantieservice bieten kann, registrieren Sie Ihr neues Produkt bitte online unter: www.polkaudio.com/registration oder rufen Sie den Polk-Kundendienst unter +1 800 377 7655 in den USA und Kanada innerhalb von zehn (10) Tagen ab dem ursprünglichen Kaufdatum an. Bewahren Sie unbedingt den Original-Kaufbeleg auf.

Defekte Produkte müssen zusammen mit dem Kaufbeleg unfrei und versichert an den autorisierten Polk-Händler, bei dem Sie das Produkt gekauft haben, oder an das Werk in 5541 Fermi Court; Carlsbad, CA 92008, geschickt werden. Produkte müssen in der Originalverpackung oder einer gleichwertigen Verpackung versandt werden. In jedem Fall wird das Risiko von Verlust oder Beschädigung beim Transport von Ihnen getragen. Wenn bei einer Untersuchung im Werk oder bei einem autorisierten Polk-Händler festgestellt wird, dass das Gerät zu irgendeinem Zeitpunkt während dieser Garantiezeit Material- oder Verarbeitungsfehler aufweist, werden Polk oder der autorisierte Polk-Händler nach eigenem Ermessen dieses Produkt ohne zusätzliche Kosten reparieren oder ersetzen, außer in Fällen wie unten beschrieben. Alle ausgetauschten Teile und Produkte gehen in das Eigentum von Polk über. Produkte, die gemäß dieser Garantie ersetzt oder repariert werden, werden innerhalb einer angemessenen Zeit kostenfrei zurückgeschickt.

Diese Garantie umfasst keine(n) Service oder Teile zur Behebung von Schäden, die durch Unfall, Katastrophen, Missbrauch, Fahrlässigkeit, unzureichende Verpackungs- oder Versandverfahren, kommerzielle Nutzung, Spannungseingänge über dem Nennwert des Geräts, kosmetisches Aussehen des Gehäuses, das nicht direkt auf Material- oder Verarbeitungsfehler zurückzuführen ist, oder Service, Reparatur oder Modifikation des Produkts, die nicht von Polk autorisiert oder genehmigt wurde, verursacht wurden. Diese Garantie erlischt, wenn das Produkt von einem nicht autorisierten Händler gekauft wurde oder wenn eine der Seriennummern auf dem Produkt entfernt, manipuliert oder verunstaltet wurde.

Diese Garantie gilt anstelle aller anderen ausdrücklichen Gewährleistungen. Wenn dieses Produkt in Material oder Verarbeitung wie oben beschrieben mangelhaft ist, ist Ihr einziger Rechtsbehelf wie oben beschrieben dass es repariert oder ersetzt wird. In keinem Fall haftet Polk Audio Ihnen gegenüber für beiläufig entstandene Schäden oder Folgeschäden, die sich aus der Verwendung oder der Unfähigkeit zur Verwendung des Produkts ergeben, selbst wenn Polk Audio oder ein autorisierter Polk-Händler auf die Möglichkeit solcher Schäden hingewiesen wurde, oder aber für Ansprüche anderer Parteien. In einigen Staaten ist der Ausschluss oder die Beschränkung von Folgeschäden nicht zulässig, sodass die oben genannte Einschränkung und der Ausschluss für Sie möglicherweise nicht gelten.

Alle stillschweigenden Garantien dieses Produkts sind auf die Dauer dieser ausdrücklichen Garantie beschränkt. Einige Staaten erlauben keine zeitliche Einschränkung einer stillschweigenden Garantie, sodass die oben genannten Beschränkungen für Sie möglicherweise nicht gelten. Diese Garantie gibt Ihnen bestimmte gesetzliche Rechte, und Sie können auch andere Rechte haben, die von Staat zu Staat variieren.

Diese Garantie gilt nur für Produkte, die in Kanada, den Vereinigten Staaten von Amerika, ihren Besitzungen und den Austauschstellen der US- und NATO-Streitkräfte erworben wurden. Bitte beachten Sie die Garantiebestimmungen für Polk-Produkte, die in Ländern oder Gebieten gekauft wurden, die hier nicht aufgeführt sind.

Verwacht een geweldig geluid

Dankjewel dat je hebt gekozen voor de Polk Monitor XT™-luidsprekers. Deze nieuwe lijn is uitgesproken, stijlvol, kwalitatief hoogwaardig en gemaakt om te presteren. Deze hoogefficiënte luidsprekers zijn voor heldere hoge tonen en een realistischer middenbereik voorzien van de gepatenteerde Dynamic Balance® afgestemde drivers en tweeters van Polk. De Polk Monitor XT-luidsprekers zijn ontworpen voor een geweldig geluid en ook om er geweldig uit te zien en te passen in elk interieur. De Polk Monitor XT-luidsprekers zijn puur en eenvoudig en voldoen volkomen aan het motto 'Verwacht geweldig geluid'.

We bouwen al meer dan 45 jaar lang aan de reputatie als 'luidsprekerspecialist' en we zijn trots op het superieure geluids- en ontwerp-kwaliteit met een groot aantal gepatenteerde en bekroonde audio-innovaties. Voor de mensen van Polk is het bouwen van audioproducten niet gewoon een baan: het is een passie. En als je maar een ding gaat onthouden, onthoud dan dit: We leven ten volle volgens het principe van wat audio zou moeten leveren: geweldig geluid, voor een betaalbare prijs, voor iedereen!

Technische assistentie of service

Neem als je product tijdens de verzending is beschadigd contact op met de erkende Polk Audio-winkel waar je je product hebt gekocht. Voor technische ondersteuning, veelgestelde vragen en reparatie-informatie kun je kijken op onze website: <http://polk.custhelp.com>. Kijk voor een volledige lijst met contactinformatie op <https://www.polkaudio.com/contact-us>. E-mailadressen en telefoonnummers voor ondersteuning variëren afhankelijk van de regio waar je je product hebt gekocht.

WAARSCHUWING: Wees voorzichtig met luisteren

Polk Audio-luidsprekers zijn in staat om op een zeer hoog volume te spelen, wat ernstige of permanente gehoorbeschadiging kan veroorzaken. Polk Audio aanvaardt geen aansprakelijkheid voor gehoorverlies, lichamelijk letsel of materiële schade als gevolg van het verkeerd gebruik van zijn producten. Houd deze richtlijnen in gedachten en gebruik altijd je gezonde verstand bij het regelen van het volume:

- Beperk langdurige blootstelling aan volumeniveaus van meer dan 85 decibel (dB). Meer informatie over veilige volumeniveaus kun je vinden in de richtlijnen van de Occupational Health and Safety Administration (OSHA) op <http://www.osha.gov/>.

Verwijdering van het product

Er kunnen bepaalde internationale, nationale en/of lokale wetten en/of voorschriften van toepassing zijn op de verwijdering van dit product. Neem voor meer informatie contact op met de winkel waar je dit product hebt gekocht of de Polk-importeur/distributeur in je land. Er is ook meer informatie beschikbaar op www.polkaudio.com. Daarnaast kun je ook contact opnemen met Polk Audio, 5541 Fermi Court, Carlsbad, California, 92008, VS. Telefoon: 1-800-377-7655.

Dit symbool op onze elektrische producten of hun verpakking geeft aan dat het in Europa verboden is om dit/deze product(en) weg te gooien als huishoudelijk afval. Om ervoor te zorgen dat je het/de product(en) op de juiste wijze afvoert, moet je dit/deze verwijderen volgens de lokale wet- en regelgeving inzake de afvoer van elektrische en elektronische apparatuur. Hiermee draag je bij aan het behoud van natuurlijke hulpbronnen en aan het bevorderen van de milieubescherming door de verwerking en verwijdering van elektronisch afval..



Onderhoud en reinigen

Het enige dat je eigenlijk af en toe zou moeten doen met je luidsprekers, is ze afstoffen. Gebruik nooit een schurend of op reinigingsmiddel op basis van oplosmiddelen of een agressief reinigingsmiddel. Je kunt de fronten reinigen met het borstelstuk van een stofzuiger.

EU-conformiteitsverklaring

Hierbij verklaart Sound United, LLC dat ons product voldoet aan de volgende EU/EC-richtlijnen:

- Elektromagnetische compatibiliteit: 2014/30/EU
- Laagspanningsrichtlijn: 2014/35/EU
- RoHS: 2011/65/EU en geamendeerde Richtlijn (EU) 2015/863
- ErP Verordening (EG) 1275/2008 en de kaderrichtlijn 2009/125/EG met inbegrip van wijziging 801/2013

Contactgegevens EU:

Sound United Europe
Een divisie van D&M Europe B.V.
Beemdstraat 11, 5653 MA, Eindhoven
Nederland



UKCA-conformiteitsverklaring

Hierbij verklaart Sound United, LLC dat ons product voldoet aan de volgende VK-regelgevingen:

- Regelgeving betreffende (de veiligheid van) elektrische apparatuur 2016
- Regelgeving betreffende elektromagnetische compatibiliteit 2016
- Regelgeving betreffende beperking van het gebruik van bepaalde gevaarlijke stoffen in elektrische en elektronische apparatuur 2012
- Regelgeving betreffende ecologisch ontwerp voor energierele producten 2010

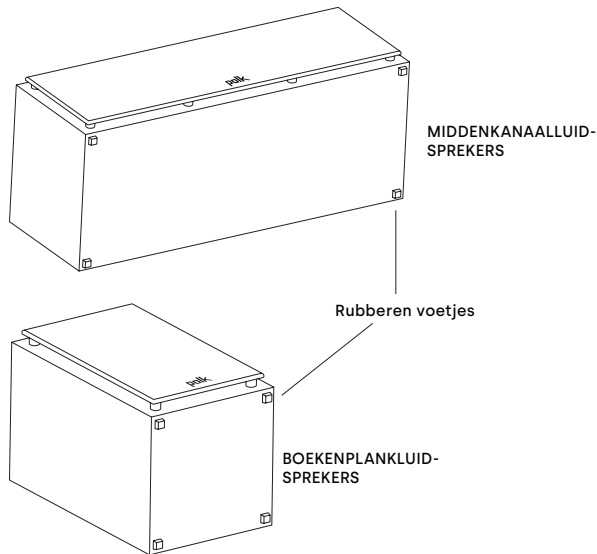
Importeur VK:

D&M Audiovisual Ltd.
Cells 1 & 2 Kopshop, 6 Old London Road
Kingston Upon Thames KT2 6QF VK



Zelfklevende rubberen voetjes aanbrengen

Om je Polk-luidsprekers stevig op hun plaats te houden en schade aan vloeren of meubels te voorkomen, is het verstandig om de meegeleverde zelfklevende rubberen voetjes aan de onderkant van je luidspreker te bevestigen.



Opmerking:

- XT15/XT20/XT30/XT35: je moet de rubberen voetjes aanbrengen voordat je het product gaat gebruiken.
- XT60/XT70/XT90: de rubberen voetjes zijn al aangebracht.

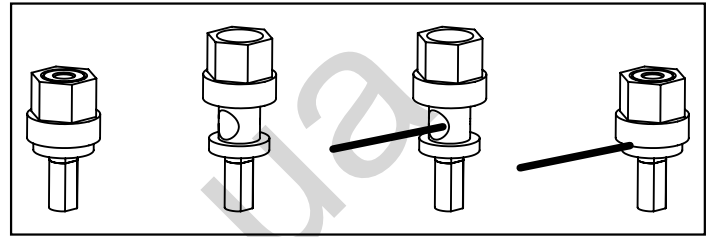
Je systeem aansluiten

Voor de beste kwaliteit van het geluid is het belangrijk om je luidsprekers op de juiste manier aan te sluiten.

Zo gebruik je aansluitklemmen

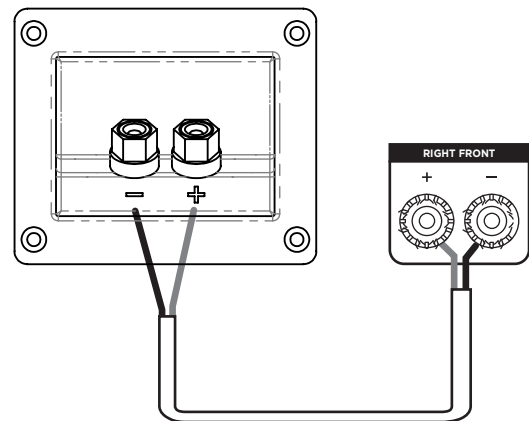
Draai de zeskantmoer los en steek de ongeïsoleerde luidsprekerdraad door de opening. Draai de zeskantmoer vast om de aansluiting te maken.

Opmerking: Steek geen geïsoleerde draad in de opening (omdat er dan geen verbinding zal zijn).



Basisaansluiting voor luidspreker

Zorg ervoor dat de rode (+) en zwarte (-) aansluitingen op je versterker of receiver verbinding maken met de rode (+) en zwarte (-) aansluitingen op je luidsprekers. Als je luidsprekers 'dun' klinken, met weinig bas en weinig of geen middentonen, is een van de luidsprekerdraden waarschijnlijk verkeerd-om aangesloten. Controleer alle aansluitingen.



Processormodus voor middenkanaalluidspreker

Opmerking: Stel de middenkanaalluidspreker in de instellingen voor basbeheer van je receiver in op 'klein'.

In de menu's 'basbeheer' of 'luidsprekerconfiguratie' van de meeste surround-receivers kun je kiezen tussen 'normaal' of 'breed' voor het middenkanaal. In digitale processors met discrete kanalen worden deze opties aangeduid als 'klein' en 'groot'. Met de optie Normaal (klein) worden basfrequenties uit de middenkanaalluidspreker gefilterd en naar de hoofd-luidsprekers voor links en rechts of naar de subwooferuitgang (LFE) gestuurd. Met de optie Breed (groot) wordt het signaal ongefilderd signaal en volledig naar de middenkanaalluidspreker gestuurd. Gebruik de optie Normaal (klein) voor optimale prestaties en betrouwbaarheid van het middenkanaal (en surround).

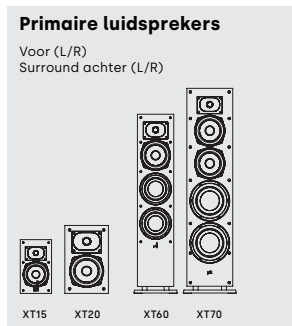
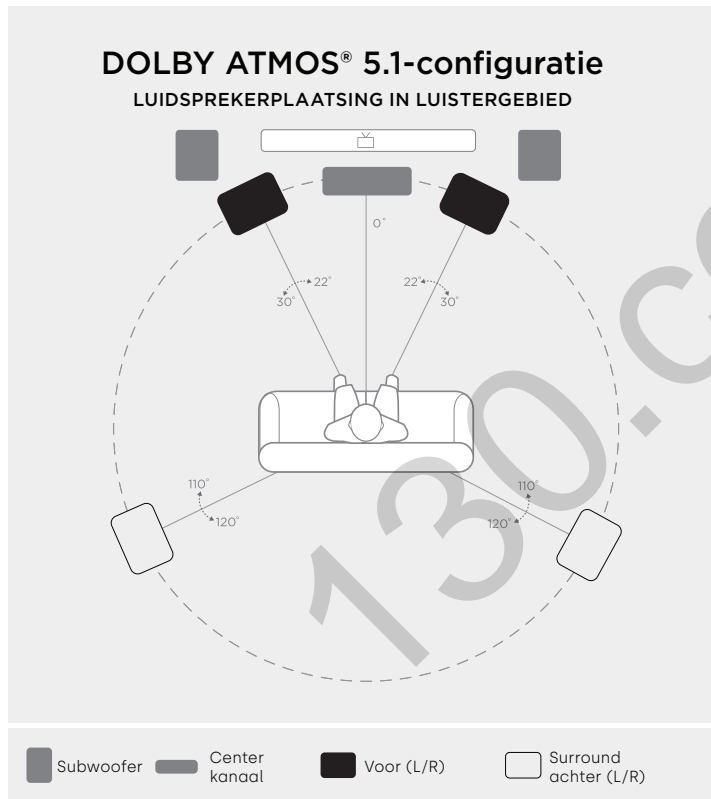
Plaatsing van de luidsprekers

Om de geluidskwaliteit van je luidsprekersysteem te maximaliseren, of je nu XT15 boekenplankluidsprekers, een XT30 middenkanaalluidspreker of XT70 zuilluidsprekers hebt gekocht, is een juiste plaatsing van de luidsprekers essentieel. Bekijk de volgende voorbeelden en probeer ze uit, afhankelijk van de Polk Monitor XT Series-luidsprekers die je hebt gekocht.

Opmerking: Je Polk Monitor XT Series-luidsprekers zijn geschikt voor 2.0, 2.1, 3.1, 5.1, 7.1 en 9.1-configuraties (optionele subwoofer is weergegeven in de afbeeldingen).

Luisteren in 5.1 surround

Je kunt de Polk Monitor XT Series-luidsprekers gebruiken als surroundluidsprekers als achtersprekers in een Polk Audio-thuisbioscoopstelsel. De ideale plaatsing van de achtersurroundluidsprekers is langs een zijwand, iets achter en boven de luisterpositie.



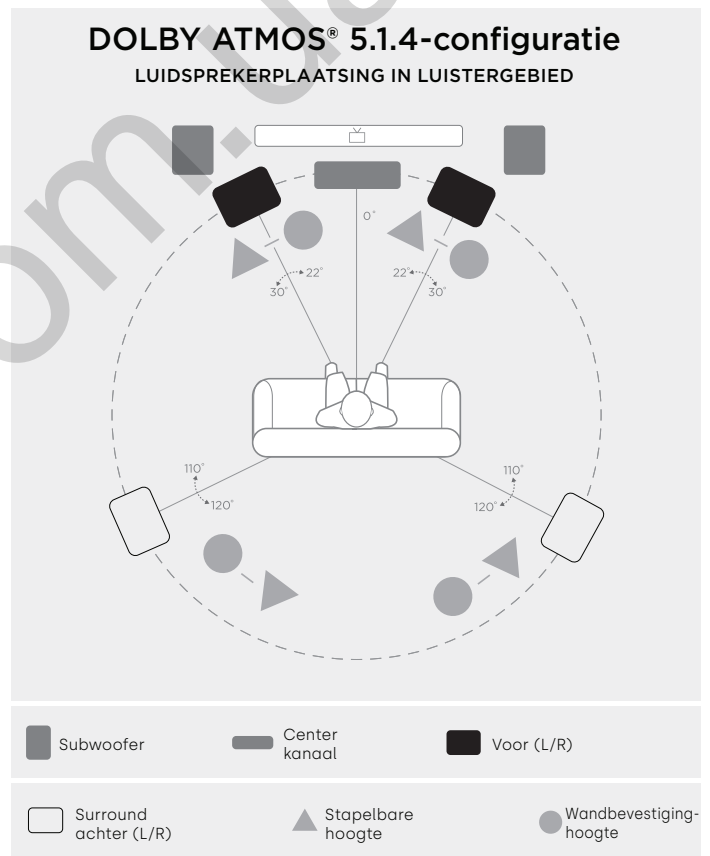
PRIMAIR

Luisteren in 3.1 Systeem

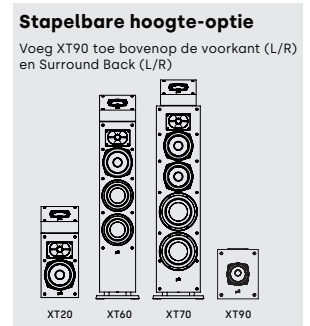
Zorg voor het meest realistische stereogeluid door de luidsprekers zo ver uit elkaar te plaatsen als de luisteraars er vandaan zitten. Als het door de omstandigheden in de ruimte noodzakelijk is om de luidsprekers verder uit elkaar te plaatsen, kun je ervoor kiezen om de luidsprekers naar het midden te draaien voor een steviger middengeluid.

Luisteren in 5.1 surround - alternatief

Alternatieve plaatsing van Polk Monitor XT-luidsprekers als achtersurroundluidsprekers. Als je geen achtersurroundluidspreker langs de zijwanden kunt plaatsen, kun je ze langs de achterwand plaatsen, boven de luisterpositie.



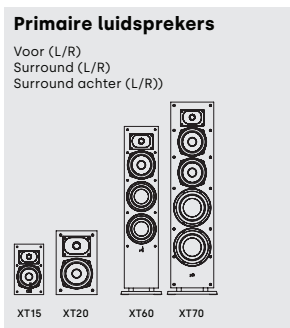
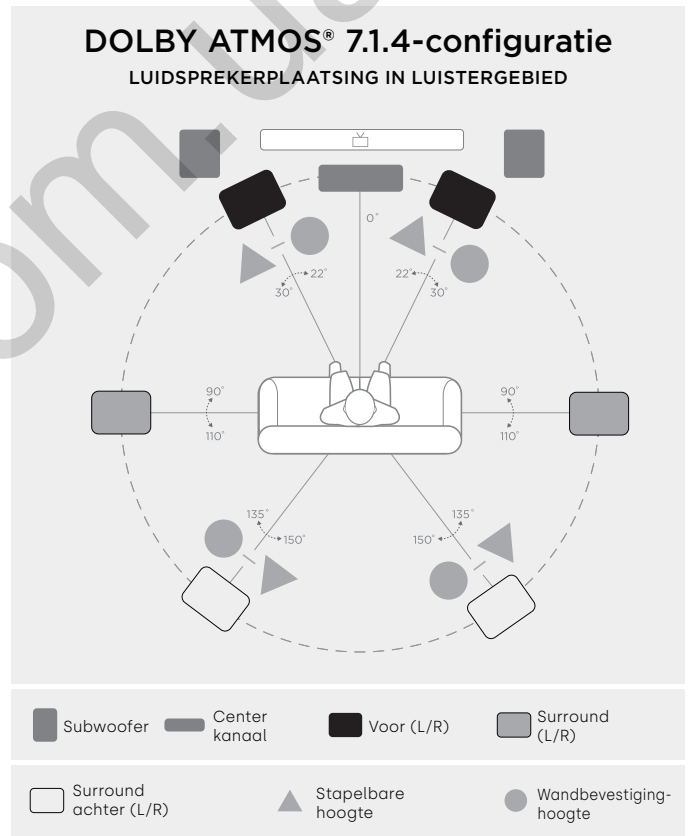
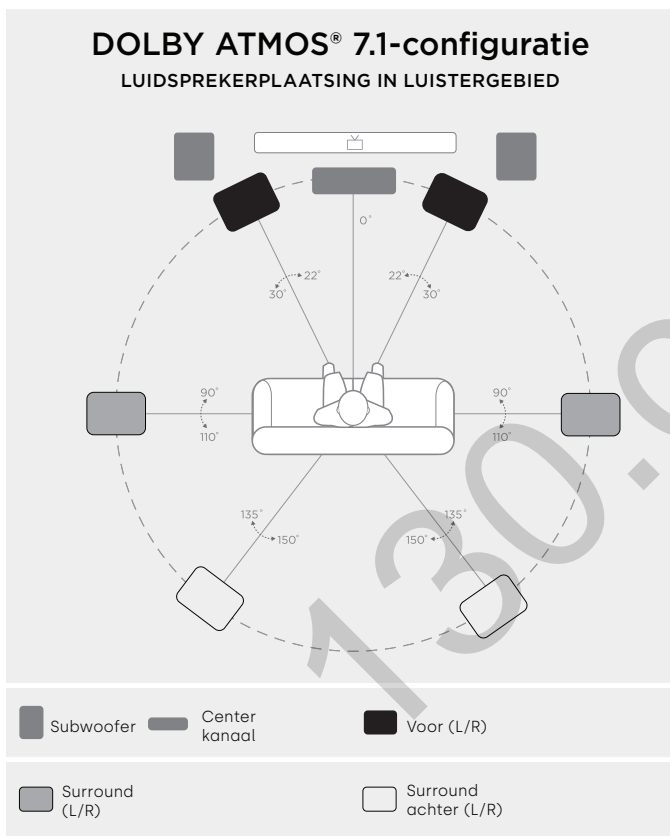
PRIMAIR



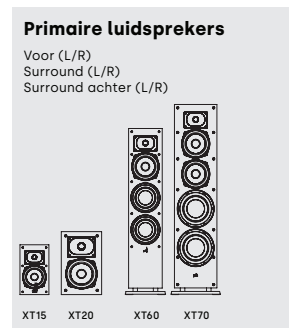
STAPELBARE HOOGTE

Luisteren in 7.1 surround

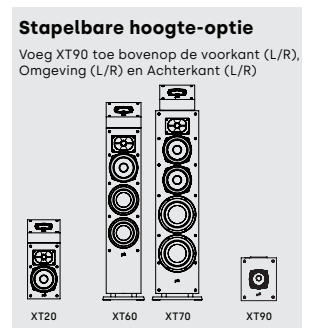
Geniet van extra diepte in je surround-geluidservaring met vier surround-luidsprekers aan de achterzijde in plaats van twee.



PRIMAIR



PRIMAIR



STAPELBARE HOOGTE

	Monitor XT boekenplankluidsprekers		Monitor XT middenkanaalluidsprekers	
Specificaties	XT15	XT20	XT30	XT35
Luidsprekertype	Vloersteunen (stel)	Vloersteunen (stel)	Compact middenkanaal	Middenkanaal (L/C/R)
Tweeter	1 inch Teryleen dome	1 inch Teryleen dome	1 inch Teryleen dome	1 inch Teryleen dome
Middenbereik/mid-bas				
Woofers	5¼ inch, speciaal papier	6½ inch, speciaal papier	Twee 5¼ inch, speciaal papier	Vier 3 inch, speciaal papier
Passieve stralers	Niet beschikbaar	Niet beschikbaar	Niet beschikbaar	Niet beschikbaar
Totale frequentierespons	48 Hz–40 kHz	38 Hz–40 kHz	55 Hz–40 kHz	57 Hz–40 kHz
Frequentierespons (-3 dB grenswaarden)	73 Hz–26 kHz	57 Hz–26 kHz	77 Hz–26 kHz	84 Hz–26 kHz
Aanbevolen versterkervermogen	30–150 W	30–200 W	30–200 W	25–200 W
Compatibiliteit met versterkeruitgang	4Ω	4Ω	4Ω	4Ω
Minimale impedantie (ohm)	4.1Ω	4.3Ω	4.1Ω	4.2Ω
Gevoeligheid (2,83 V/1 m)	86 dB	87 dB	89 dB	87 dB
Crossover-frequentie				
Tweeter/middenbereik	2200 Hz	3200 Hz	2500 Hz	2500 Hz
Middenbereik/mid-bas				
Afmetingen en gewichten				
Productafmetingen (B x H x D)	6,50 x 10,6 x 7,18 inch 165,1 x 269,2 x 182,4 mm	7,50 x 18,0 x 10,99 inch 190,5 x 330,0 x 279,3 mm	19,9 x 6,50 x 8,13 inch 482,6 x 165,1 x 206,6 mm	24,4 x 4,15 x 5,55 inch 619,7 x 105,4 x 141,0 mm
Grootste totale diepte (inclusief front)				
Gewicht van het product (per stuk)				
KASTEN				
Middenbereikbehuizing				
Behuizing met mid-bas/woofer				
Leverbare afwerkingen	Matzwart	Matzwart	Matzwart	Matzwart
Voeten	Ja, meegeleverd in de verpakking	Ja, meegeleverd in de verpakking	Ja, meegeleverd in de verpakking	Ja, meegeleverd in de verpakking
Wandbevestiging?	Nee	Nee	Nee	Ja
Aansluitklemmen	Vernikkelde professionele aansluitklemmen	Vernikkelde professionele aansluitklemmen	Vernikkelde professionele aansluitklemmen	Vernikkelde professionele aansluitklemmen
Accessoires				
Ontwikkeld voor XT90-luidspreker	Niet beschikbaar	Ja	Niet beschikbaar	Niet beschikbaar
Certificeringen (niet-veiligheid en wettelijk)				
Hi-res-gecertificeerd	Ja	Ja	Ja	Ja

*Kan zonder voorafgaan bericht worden gewijzigd.

Polk Monitor XT

GEBRUIKERSHANDLEIDING

	Monitor XT staande luidsprekers		Monitor XT-hoogtemoduleluidspreker
Specificaties	XT60	XT70	XT90
Luidsprekertype	Zuilluidspreker	Zuilluidspreker	Hoogtemodule (p/paar)
Tweeter	1 inch Teryleen dome	1 inch Teryleen dome	Niet beschikbaar
Middenbereik/mid-bas			
Woofers	6½ inch, speciaal papier	Twee 6½ inch, speciaal papier	4 inch, speciaal papier
Passieve stralers	Twee PR's van 6½ inch	Twee PR's van 8 inch	Niet beschikbaar
Totale frequentierespons	38 Hz–40 kHz	35 Hz–40 kHz	94 Hz–22 kHz
Frequentierespons (-3 dB grenswaarden)	43 Hz–26 kHz	41 Hz–26 kHz	164 Hz–17 kHz
Aanbevolen versterkervermogen	25–200 W	25–200 W	30–100 W
Compatibiliteit met versterkeruitgang	4Ω	4Ω	4Ω
Minimale impedantie (ohm)	4.4Ω	4.0Ω	4.3Ω
Gevoeligheid (2,83 V/1 m)	86 dB	89 dB	89 dB
Crossover-frequentie			
Tweeter/middenbereik	2200 Hz	2700 Hz	2700 Hz
Middenbereik/mid-bas			
Dimensions and Weight Attributes Afmetingen en gewichten			
Productafmetingen (B x H x D)	7,50 x 36,4 x 9,09 inch 190,5 x 925,0 x 230,8 mm	9,25 x 40,4 x 5 inch 235 x 1026,6 x 317,9 mm	7,50 x 5,64 x 8,38 inch 190,5 x 143,2 x 212,9 mm
Grootste totale diepte (inclusief front)			
Gewicht van het product (per stuk)			
KASTEN			
Middenbereikbehuizing			
Behuizing met mid-bas/woofers			
Leverbare afwerkingen	Matzwart	Matzwart	Matzwart
Voeten	Rubberen dempers	Rubberen dempers	Rubberen dempers
Wandbevestiging?	Nee	Nee	Ja
Aansluitklemmen	Vernikkelde professionele aansluitklemmen	Vernikkelde professionele aansluitklemmen	Vernikkelde professionele aansluitklemmen
Accessoires			
Ontwikkeld voor XT90-luidspreker	Ja	Ja	Niet beschikbaar
Certificeringen (niet-veiligheid en wettelijk)			
Hi-res-gecertificeerd	Ja	Ja	Nee

*Kan zonder voorafgaand bericht worden gewijzigd.

Beperkte garantie van 5 jaar

Polk Audio, LLC (hierna 'Polk' of 'Polk Audio' genoemd) verleent deze beperkte garantie uitsluitend aan de oorspronkelijke koper. Deze garantie vervalt automatisch vóór het verstrijken van de vijf (5) jaar indien de oorspronkelijke koper het product verkoopt of overdraagt aan een andere partij.

Polk Audio garandeert de oorspronkelijke koper gedurende een periode van **vijf (5) jaar vanaf de datum van de oorspronkelijke aankoop in de winkel van een erkende Polk Audio-dealer alleen dat de luidspreker(s), passieve cross-overcomponent(en) en behuizing ('product') vrij is/zijn van materiaal- en fabricagefouten.**

Om het voor Polk mogelijk te maken de best mogelijke garantieservice aan te bieden, kun je je nieuwe product binnen tien (10) dagen na de datum van de oorspronkelijke aankoop online registreren op: www.polkaudio.com/registration. Of je kunt bellen met de klantenservice van Polk op 800-377-7655 in de VS en Canada. Zorg ervoor dat je je originele aankoopbewijs bewaart.

Defecte producten moeten samen met het bewijs van aankoop en vooraf verzekerd worden verzonden naar de erkende Polk Audio-dealer van wie je het product hebt gekocht, of naar de fabriek op 5541 Fermi Court; Carlsbad, CA 92008. Producten moeten worden verzonden in de oorspronkelijke verzendverpakking of het equivalent ervan; het risico van verlies of beschadiging tijdens het transport is in ieder geval voor jou rekening. Als bij onderzoek in de fabriek of bij een erkende Polk Audio-dealer wordt vastgesteld dat het apparaat op enig moment tijdens deze garantieperiode defecten in materiaal of vakmanschap heeft vertoond, zal Polk Audio of de erkende Polk Audio-dealer naar eigen inzicht en voorkeur dit product kosteloos repareren of vervangen, behalve zoals hieronder uiteengezet. Alle vervangen onderdelen en producten worden het eigendom van Polk. Producten die onder deze garantie worden vervangen of gerepareerd, worden binnen een redelijke termijn, port betaald, naar u teruggestuurd.

Deze garantie omvat geen onderhoud of onderdelen voor het repareren van schade veroorzaakt door een ongeval, ramp, verkeerd gebruik, misbruik, nalatigheid, ontoereikende verpakings- of verzendprocedures, commercieel gebruik, spanningtoevoer hoger dan het nominale maximum van het apparaat, het cosmetische uiterlijk van de kast dat niet rechtstreeks kan worden toegeschreven aan een defect in materialen of vakmanschap, of service, reparatie of wijziging van het product dat niet is toegestaan of goedgekeurd door Polk Audio. **Deze garantie vervalt indien het wordt gekocht van een onbevoegde dealer of als het serienummer van het product is verwijderd, veranderd of onleesbaar is gemaakt.**

Deze garantie vervangt alle andere expliciete garanties. Als dit product defect is in materialen of vakmanschap zoals hierboven wordt gegarandeerd, bestaat je enige rechtsmiddel uit reparatie of vervanging zoals hierboven vermeld. In geen enkel geval zal Polk Audio aansprakelijk zijn jegens jou voor incidentele schade of gevolgschade die voortvloeit uit het gebruik of het niet kunnen gebruiken van het product, zelfs als Polk Audio of een erkende Polk Audio-dealer op de hoogte is gesteld van de mogelijkheid van dergelijke schade, of voor enige claim van een andere partij. In sommige staten is de uitsluiting of beperking van gevolgschade niet toegestaan, dus de bovenstaande beperking en uitsluiting zijn mogelijk niet op jou van toepassing.

Alle impliciete garanties op dit product zijn beperkt tot de duur van deze uitdrukkelijke garantie. In sommige staten is een beperking op de duur van een impliciete garantie niet toegestaan, dus de bovenstaande beperkingen zijn mogelijk niet voor jou van toepassing. Deze garantie geeft je specifieke wettelijke rechten en je hebt mogelijk ook andere rechten, die van staat tot staat kunnen verschillen.

Deze garantie is alleen van toepassing op producten die zijn gekocht in de Canada, de Verenigde Staten van Amerika, bezittingen daarvan en de uitwisselingen van Amerikaanse en NAVO-strijdkrachten en audioclubs. Raadpleeg de specifieke garantievoorwaarden voor Polkproducten die zijn gekocht in landen of gebieden waarnaar hierin niet wordt verwezen.

Expect Great Sound

Tack för att du har valt högtalaren Polk Monitor XT™. Denna nya serie är djärv, snygg och kvalitetsbyggd för prestanda. Dessa högeffektiva högtalare har Polks patenterade Dynamic Balance®-justerade element och diskantelement för klarare diskant och mer realistiskt mellanregister. Polk Monitor XT-högtalarna har utformats för att låta fantastiskt och även se bra ut. Med de subtila accenterna kan den här produkten användas i vilken inredning som helst. Polk Monitor XT-högtalarna är rena och enkla och är den sanna definitionen av "Expect Great Sound".

Efter att ha skapat ett anseende om att vara "högtalarspecialisterna" i över 45 år, sätter vi en ära i vår överlägsna ljud- och konstruktionskvalitet tack vare våra flera patentskyddade och prisbelönta innovationer. För Polks medarbetare är det inte bara ett jobb att bygga ljudprodukter – det är en passion. Och om du ska komma ihåg en sak, kom ihåg detta: Vi lever enligt den sannaste principen för hur ljud ska levereras – fantastiskt ljud till ett överkomligt pris för alla!

Teknisk assistans eller service

Om din produkt skadats under transporten ska du kontakta den auktoriserade Polk Audio-återförsäljaren där du köpte din produkt.

För teknisk support, vanliga frågor och reparationsinformation besöker du <http://polk.custhelp.com>. E-postadresser och telefonnummer till supporten varierar beroende på i vilken region din produkt har köpts.

VARNING: Lyssna med sunt förnuft

Polk Audio-högtalarna kan spela extremt höga volymnivåer, vilket kan orsaka allvarliga eller permanenta hörselskador. Polk Audio tar inget ansvar för hörselskada, kroppsskada eller egendomsskada som uppstår till följd av missbruk av produkterna. Ha dessa riktlinjer i åtanke och använd alltid sunt förnuft när du kontrollerar volymen:

- Begränsa långvarig exponering för volymnivåer som överstiger 85 decibel (dB).
- För mer information om säkra volymnivåer tar du en titt på riktlinjerna från Occupational Health and Safety Administration (OSHA) på <http://www.osha.gov/>.

Produktkassering

Vissa internationella, nationella och/eller lokala lagar och/eller förordningar kan gälla för kassering av denna produkt. Kontakta återförsäljaren där du köpte produkten eller Polk-importören/distributören i ditt land för mer information. Mer information finns även på www.polkaudio.com eller genom att kontakta Polk Audio på 5541 Fermi Court, Carlsbad, California, 92008, USA. Telefon: 1-800-377-7655.

Denna symbol på våra elektriska produkter eller deras förpackning indikerar att det är förbjudet att kassera produkten/produkterna som hushållsavfall i Europa. För att säkerställa att produkten kasseras korrekt bör du följa lokala lagar och förordningar om kassering av elektrisk och elektronisk utrustning. Genom att göra så bidrar du till att bevara naturresurserna och att främja miljöskyddet genom hantering och bortskaftande av elektroniskt avfall.



Skötsel och rengöring

Det enda du någonsin bör göra med dina högtalare är att damma av dem ibland. Använd aldrig rengöringsmedel med slipeffekt, med lösningsmedel eller starka rengöringsmedel. Du kan rengöra galler med dammsugarens borststillbehör.

EU-försäkran om överensstämmelse

Härmed försäkras Sound United, LLC att vår produktöverensstämmer med följande EU/EG-direktiv:

- EMC:2014/30/EU
- LVD:2014/35/EU
- RoHS: 2011/65/EU och ändringsdirektiv (EU) 2015/863
- ErP: EG-förordning 1275/2008 och dess ramdirektiv 2009/125/EG inklusive ändring 801/2013

EU-kontakt:

Sound United Europe
A division of D&M Europe B.V.
Beemdstraat 11, 5653 MA, Eindhoven
Nederländerna

UKCA-försäkran om överensstämmelse

Härmed försäkras Sound United, LLC att vår produkt överensstämmer med följande brittiska förordningar.

- Förordningen om elektronisk utrustning (säkerhet) 2016 (Electrical Equipment (Safety) Regulations)
- Förordningen om elektromagnetisk kompatibilitet 2016 (Electromagnetic Compatibility Regulations)
- Begränsning av användningen av vissa farliga ämnen i elektriska och elektroniska produkter (The Restriction of the Use of Certain Hazardous Substances in Electrical and Electronic Equipment Regulations) 2012
- Ekodesign för energirelaterade produkter 2010 (Eco design Energy-Related Products Regulations)

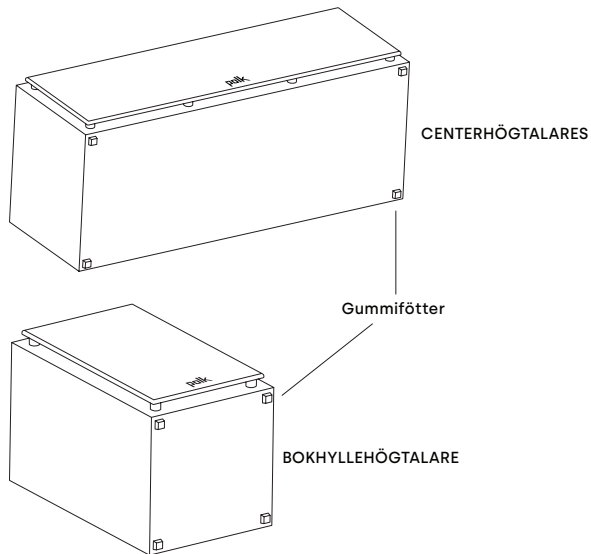
Importör i Storbritannien:

D&M Audiovisual Ltd.
Cells 1 & 2 Kopshop, 6 Old London Road
Kingston Upon Thames KT2 6QF Storbritannien



Lägga till självhäftande gummifötter

För att hålla dina Polk-högtalare ordentligt på plats och förhindra skador på golv eller möbler kan det vara smart att fästa de medföljande självhäftande gummifötterna på högtalarens undersida.



Obs:

- XT15/XT20/XT30/XT35: Du måste montera gummifötterna innan du använder produkten.
- XT60/XT70/XT90: Gummifötter levereras förmonterade.

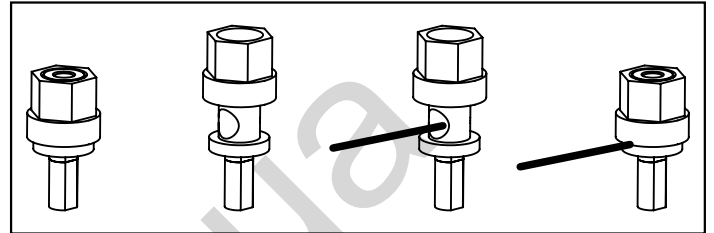
Så ansluter du ditt system

För att få bästa möjliga ljudkvalitet är det viktigt att dina högtalare kopplas rätt.

Så här använder du kopplingsplintar

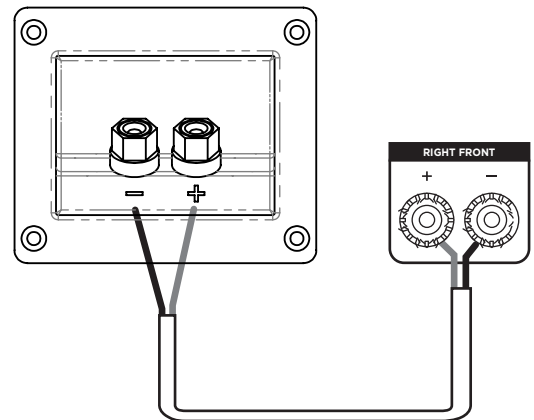
Lossa sexkantmuttern och sätt in den avskalade högtalarkabeln genom hålet. Dra åt sexkantmuttern för att skapa anslutningen.

Obs: För inte in den isolerade delen av kabeln i hålet (du kommer inte att få någon anslutning).



Grundläggande högtalarkoppling

Kontrollera att de röda (+) och svarta (-) anslutningarna på din förstärkare eller mottagare ansluter till de röda (+) och svarta (-) anslutningarna på högtalarna. Om högtalarnas ljud är svagt med lite bas och lite eller inget mellanregister är det troligt att en av högtalarkablarna är felaktigt ansluten. Dubbelkolla alla anslutningar.



Processorläge för centerhögtalare

Obs: Ställ in centerhögtalaren på "small" i mottagarens inställningar för bashantering.

Menyerna "bass management" (bashantering) eller "speaker configuration" (högtalarkonfiguration) för de flesta surround-receivrar kan användas med lägena "normal" (normalt) eller "wide" (brett) för centerkanalsdrift. I digitala processorer med diskret kanal kallas dessa lägen för "small" (liten) och "large" (stor). Normalt.-läge (small) filtrerar basfrekvenser från centerhögtalaren och skickar dem istället till främre vänster och höger huvudhögtalare eller till subwoofertgångens (LFE) uttag. Brett läge (large) skickar en ofiltrerad fullregistersignal till centerhögtalaren. Använd läget Small (normalt) för optimal prestanda och tillförlitlighet för centerkanaler (och surroundkanaler).

Högtalarpositionering

För att maximera ljudkvaliteten i högtalarsystemet är rätt placering avgörande, oavsett om du har köpt XT15 bokhyllhögtalare, en XT30 centerhögtalare eller XT70 tornhögtalare. Ta en titt på följande exempel och testa dem på de högtalare i Polk Monitor XT-serien som du har köpt.

Obs: Dina högtalare i Polk Monitor XT-serien är kompatibla med 2.0-, 2.1-, 3.1-, 5.1-, 7.1- och 9.1-installationer (subwoofern visas i grafiken som tillval).

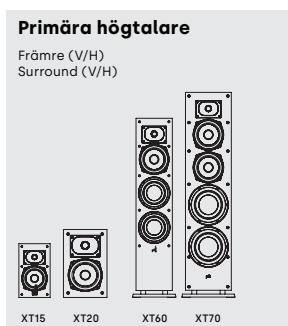
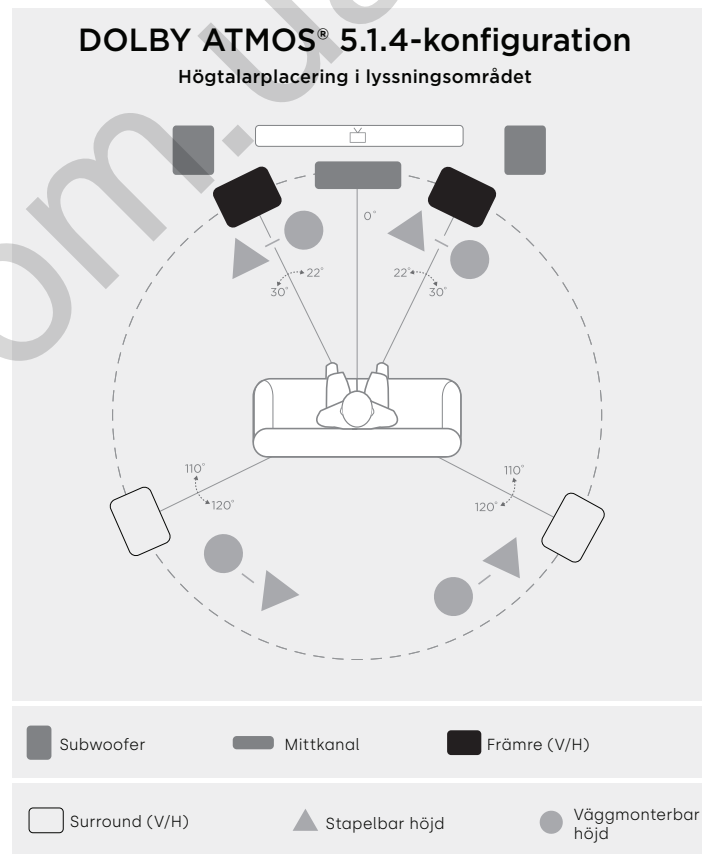
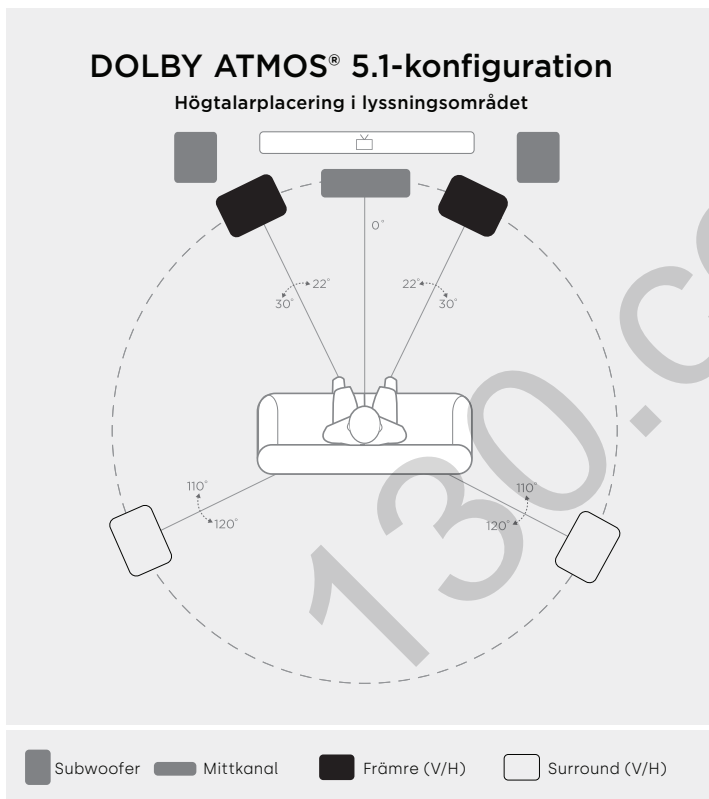
Lyssna i 5.1 Surround Du kan använda högtalarna i Polk Monitor XT-serien som bakre surround-högtalare i ett Polk Audio-hemmabiosystem. Perfekt placering av den bakre surround-högtalaren är längs en sidovägg, något bakom och ovanför lyssningspositionen.

Lyssna i 3.1 System

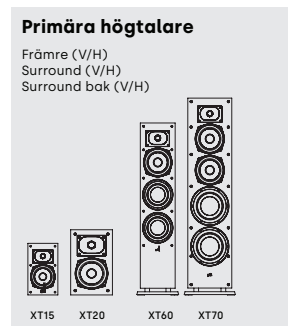
Få den mest realistiska stereobilden genom att placera högtalarna så långt ifrån varandra som lyssnarna sitter från dem. Om rummet kräver att du placerar högtalarna längre ifrån varandra kan du välja att vinkla högtalarna mot mitten för att stödja en solidare mittbild.

Lyssna i 5.1 Surround – alternativ placering

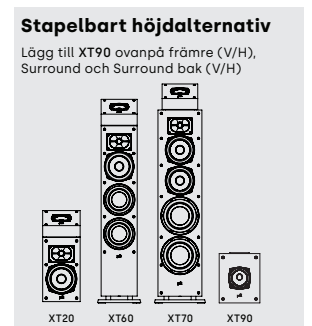
Alternativ placering av bakre surroundhögtalare för Polk Monitor XT-seriens högtalare. Om du inte kan placera bakre surround-högtalarna på sidoväggarna placerar du dem på den bakre väggen ovanför lyssningspositionen.



PRIMÄR



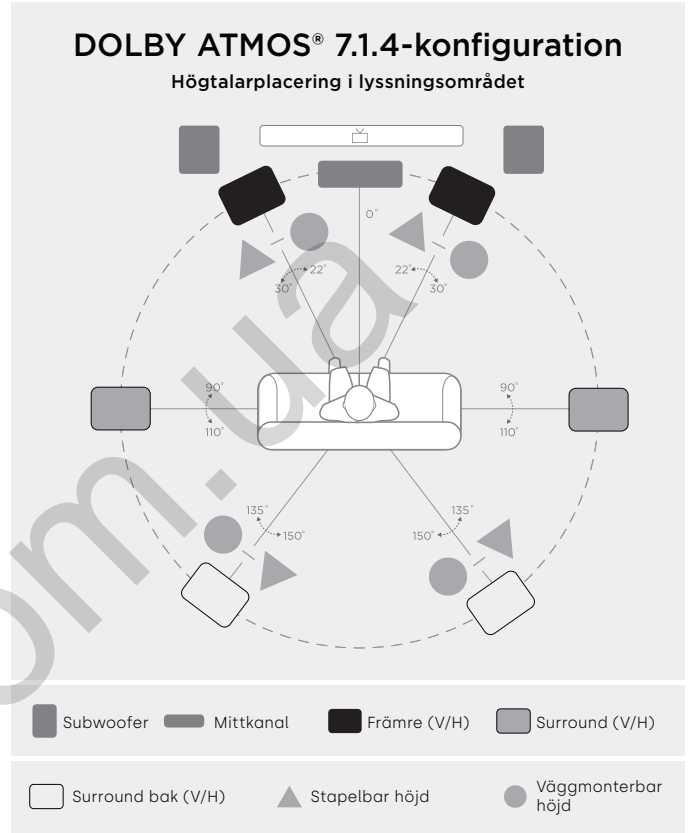
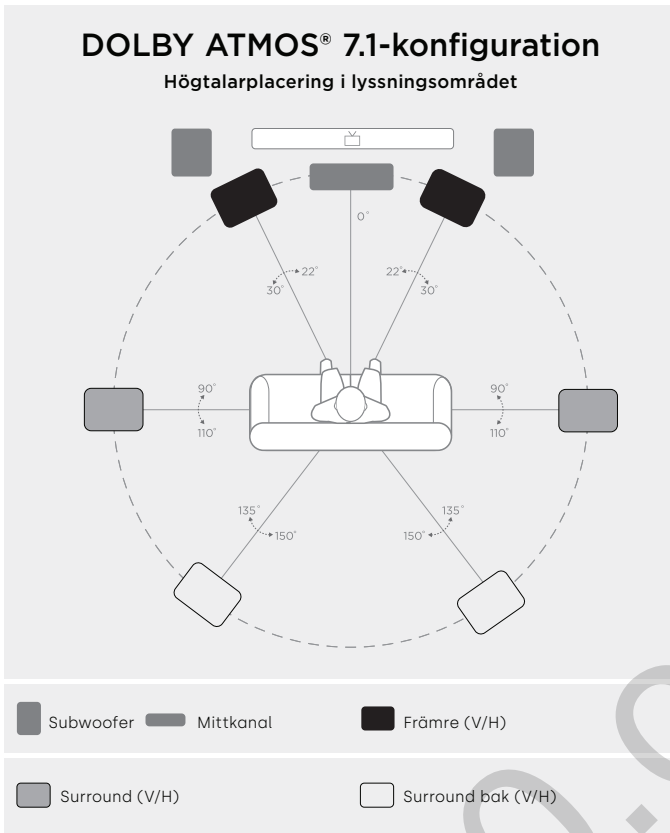
PRIMÄR



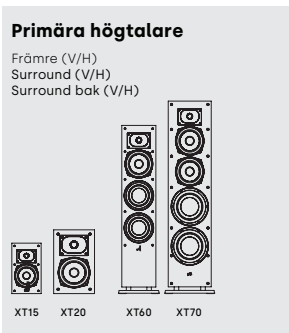
STAPELBAR
HOJD

Lyssna i 7.1 Surround

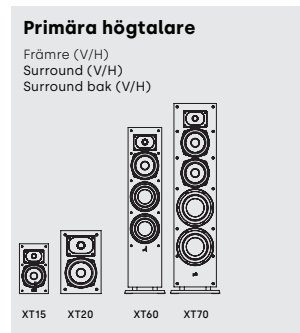
Njut av ett extra djupt surroundljud med fyra bakre surround-högtalare istället för två.



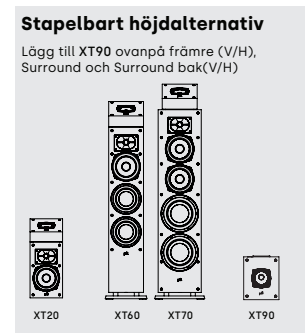
Svenska



PRIMÄR



PRIMÄR



STAPELBAR HÖJD

Polk Monitor XT

BRUKSANVISNING

	Monitor för XT-bokhyllhögtalare		Monitor för XT-centerhögtalare	
Specifikationer	XT15	XT20	XT30	XT35
Högtalartyp	Stativmontering (par)	Stativmontering (par)	Kompakt mittkanal	Mittkanal (L/C/R)
Diskant	1" diskant i terylen	1" diskant i terylen	1" diskant i terylen	1" diskant i terylen
Mellanregister/mellanbas				
Baselement	5¼" anpassat papper	6½" anpassat papper	2 st. 5¼" anpassade papper	4 st. 3" anpassade papper
Passiva element	Ej tillämpligt	Ej tillämpligt	Ej tillämpligt	Ej tillämpligt
Övergripande frekvensåtergivning	48 Hz–40 kHz	38 Hz–40 kHz	55 Hz–40 kHz	57 Hz–40 kHz
Frekvensåtergivning (-3 dB-gräns)	73 Hz–26 kHz	57 Hz–26 kHz	77 Hz–26 kHz	84 Hz–26 kHz
Rekommenderad förstärkareffekt	30–150 W	30–200 W	30–200 W	25–200 W
Kompatibilitet för förstärkarutgång	4Ω	4Ω	4Ω	4Ω
Minsta impedans (ohm)	4,1Ω	4,3Ω	4,1Ω	4,2Ω
Känslighet (2,83 V/1 m)	86 dB	87 dB	89 dB	87 dB
Delningsfrekvens				
Diskantelement/mellanregister	2 200 Hz	3 200 Hz	2 500 Hz	2 500 Hz
Mellanregister/mellanbas				
Dimensioner och viktattribut				
Produktmått (B x H x D)	6,50 x 10,6 x 7,18 tum 165,1 x 269,2 x 182,4 mm	7,50 x 18,0 x 10,99 tum 190,5 x 330,0 x 279,3mm	19,9 x 6,50 x 8,13 tum 482,6 x 165,1 x 206,6 mm	24,4 x 4,15 x 5,55 tum 619,7 x 105,4 x 141,0mm
Största totala djup (inklusive galler)				
Produktvikt (vardera)				
Låda				
Typ av hölje för mellanregister				
Typ av hölje för mellanbas/bas				
Tillgängliga ytskikt	Mattsvart	Mattsvart	Mattsvart	Mattsvart
Fötter	Ja, levereras i kartong	Ja, levereras i kartong	Ja, levereras i kartong	Ja, levereras i kartong
Väggmonterbar?	Nej	Nej	Nej	Ja
Polklämmor	Nickelpläterade polklämmor, 5-vägs	Nickelpläterade polklämmor, 5-vägs	Nickelpläterade polklämmor, 5-vägs	Nickelpläterade polklämmor, 5-vägs
Tillbehör				
Utformad för XT90-högtalare	Ej tillämpligt	Ja	Ej tillämpligt	Ej tillämpligt
Certifieringar (icke-säkerhet och reglerande)				
Hi-res-certifierad	Ja	Ja	Ja	Ja

*Kan ändras utan föregående meddelande.

	Monitor för XT golvhögtalare		Monitor för XT-höjdmodulhögtalare
Specifikationer	XT60	XT70	XT90
Högtalartyp	Golvhögtalare	Golvhögtalare	Höjdmodul (par)
Diskant	1" diskant i terylen	1" diskant i terylen	Ej tillämpligt
Mellanregister/mellanbas			
Baselement	6½" anpassat papper	2 st. 6½" anpassade papper	4" anpassat papper
Passiva element	2 st. 6½" RR:er	2 st. 8" PR:er	Ej tillämpligt
Övergripande frekvensåtergivning	38 Hz–40 kHz	35 Hz–40 kHz	94 Hz–22 kHz
Frekvensåtergivning (-3 dB-gräns)	43 Hz–26 kHz	41 Hz–26 kHz	164 Hz–17 kHz
Rekommenderad förstärkareffekt	25–200 W	25–200 W	30–100 W
Kompatibilitet för förstärkarutgång	4Ω	4Ω	4Ω
Minsta impedans	4,4Ω	4,0Ω	4,3Ω
Känslighet (2,83 V/1 m)	86 dB	89 dB	89 dB
Delningsfrekvens			
Diskantelement/mellanregister	2 200 Hz	2 700 Hz	2 700 Hz
Mellanregister/mellanbas			
Dimensioner och viktattribut			
Produktmått (B x H x D)	7,50 x 36,4 x 9,09 tum 190,5 x 925,0 x 230,8 mm	7,50 x 5,64 x 8,38 tum 235 x 1026,6 x 317,9mm	7,50 x 5,64 x 8,38 tum 190,5 x 143,2 x 212,9 mm
Största totala djup (inklusive galler)			
Produktvikt (vardera)			
Låda			
Typ av hölje för mellanregister			
Typ av hölje för mellanbas/bas			
Tillgängliga ytskikt	Mattsvart	Mattsvart	Mattsvart
Fötter	Gummidynor	Gummidynor	Gummidynor
Väggmonterbar?	No	No	Ja
Polklämmor	Nickelpläterade polklämmor, 5-vägs	Nickelpläterade polklämmor, 5-vägs	Nickelpläterade polklämmor, 5-vägs
Tillbehör			
Utformad för XT90-högtalare	Ja	Ja	Ej tillämpligt
Certifieringar (icke-säkerhet och reglerande)			
Hi-res-certifierad	Ja	Ja	Nej

*Kan ändras utan föregående meddelande.

Begränsad 5 års garanti

Polk Audio, LLC (hädanefter "Polk" eller "Polk Audio") ger endast den ursprungliga återförsäljaren denna begränsade garanti. Denna garanti kommer att avslutas automatiskt före utgången om den ursprungliga köparen säljer eller på annat sätt överför produkten till någon annan part.

Polk Audio garanterar endast den ursprungliga köparen att denna högtalarprodukt, dess passiva komponenter och höljet ("produkten") är fria från defekter i material och konstruktion under en period på fem (5) år från inköpsdatumet hos en auktoriserad Polk Audio-återförsäljare.

För att Polk ska kunna erbjuda bästa möjliga garantiservice, registrera din nya produkt online på: www.polkaudio.com/registration eller ring Polks kundtjänst på 800-377-7655 i USA och Kanada inom tio (10) dagar efter det ursprungliga inköpsdatumet. Se till att behålla ditt originalkvitto.

Defekta produkter måste skickas, tillsammans med inköpsbeviset, förbetalt och försäkrat till den auktoriserade Polk Audio-återförsäljaren från vilken du köpte produkten eller till fabriken på adressen 5541 Fermi Court; Carlsbad, CA 92008. Produkterna måste skickas i den ursprungliga transportförpackningen eller motsvarande. I vilket fall som helst är det du som ansvarar för eventuell förlust eller skada under transporten. Om det efter undersökning på fabrik eller en auktoriserad Polk Audio-återförsäljare fastställs att enheten var defekt i material eller konstruktion under denna garantiperiod, kommer Polk eller en auktoriserad Polk Audio-återförsäljare, efter eget gottfinnande, att reparera eller byta ut denna produkt utan extra kostnad, med undantag för vad som anges nedan. Alla utbytta delar och produkter kommer att tillhöra Polk. Produkter som har ersatts eller reparerats under denna garantiperiod kommer att returneras till dig inom rimlig tid med frakten förbetald.

Denna garanti omfattar inte service eller delar för att reparera skador som uppkommit på grund av en olyckshändelse, olycka, felaktig användning, försumlighet, otillräckliga förpacknings- eller transportprocedurer, kommersiell användning, inspanning över enhetens nominella maxgräns, ljudans kosmetiska utseende som inte kan härröras från defekter i material eller konstruktion eller service, reparation eller modifiering av produkten som inte har godkänts eller auktoriserats av Polk. **Denna garanti upphör om produkten köps från en obehörig säljare eller om serienumret på produkten har tagits bort, manipulerats eller vanställt.**

Denna garanti gäller istället för alla andra uttryckta garantier. Om produkten är defekt i material eller konstruktion enligt villkoren ovan blir din enda kompensation reparation eller ersättning enligt villkoren ovan. Polk Audio kan under inga omständigheter hållas ansvarigt gentemot dig för eventuella oförutsedda skador eller följdskador som uppstått på grund av användning eller oförmåga att använda produkten, även om Polk Audio eller en auktoriserad Polk-återförsäljare har varnats om möjligheten till sådana skador, eller för eventuella anspråk av någon annan part. Vissa stater tillåter inte undantag eller begränsningar för eventuella följdskador, så ovanstående begränsningar och undantag kanske inte gäller för dig.

Alla underförstådda garantier för denna produkt begränsas till denna uttryckliga garanti. Vissa stater tillåter ingen begränsning av hur länge en underförstådd garanti varar, så ovanstående begränsningar kanske inte gäller för dig. Denna garanti ger dig specifika juridiska rättigheter och du kan även ha andra rättigheter som varierar mellan olika stater.

Denna garanti gäller endast för produkter som köpts i Kanada, USA, dess territorier samt utbyten mellan den amerikanska armén och NATO-styrkor. Se garantiguiden som är specifik för Polk-produkter som köps i länder/territorier som inte nämns här.

Expect Great Sound

Dziękujemy za wybór głośników Polk Monitor XT™. Jest to nowa stylowa linia wysokiej jakości głośników, stworzonych z myślą o jak najlepszym brzmieniu. Te wydajne głośniki są wyposażone w opatentowane przez firmę Polk przetworniki i głośniki wysokotonowe Dynamic Balance®, które zapewniają wyraźniejsze wysokie tony i bardziej realistyczny średni zakres dźwięku. Głośniki Polk Monitor XT zostały zaprojektowane tak, aby brzmiały wspaniale i wyglądały świetnie. Dzięki subtelnym akcentom ten produkt sprawdzi się w każdym wnętrzu. Surowe i proste głośniki Polk Monitor XT to prawdziwa definicja motto firmy „Expect Great Sound”.

Firma Polk Audio, znana od ponad 45 lat jako eksperci w dziedzinie głośników, szczyci się doskonałą jakością dźwięku i wykonania sprzętu, który wykorzystuje liczne opatentowane i nagradzane innowacje w systemach audio. Dla zespołu firmy Polk tworzenie produktów audio to nie tylko praca – to prawdziwa pasja. Jeśli mielibyśmy podsumować naszą pracę jednym zdaniem, to warto zapamiętać, że podstawową zasadą, którą się kierujemy jest to, aby sprzęt audio dostarczał wspaniałej jakości dźwięk w cenie przystępnej dla każdego!

Pomoc techniczna lub serwis

Jeśli produkt został uszkodzony podczas wysyłki, należy skontaktować się z autoryzowanym sprzedawcą firmy Polk Audio w miejscu zakupu produktu. Aby uzyskać pomoc techniczną oraz znaleźć odpowiedzi na często zadawane pytania i informacje dotyczące naprawy, odwiedź stronę <http://polk.custhelp.com>. Pełna lista danych kontaktowych znajduje się na stronie <https://www.polkaudio.com/contact-us>. Adresy e-mail i numery telefonów różnią się w zależności od regionu, w którym kupiono produkt.

OSTRZEŻENIE: Słuchaj ostrożnie

Głośniki Polk Audio są w stanie osiągnąć bardzo wysokie poziomy głośności, przez co mogą spowodować poważne lub trwałe uszkodzenie słuchu. Firma Polk Audio nie ponosi odpowiedzialności za utratę słuchu, obrażenia ciała lub uszkodzenia mienia wynikające z niewłaściwego użytkowania jej produktów. Podczas sterowania głośnością należy zawsze pamiętać o tych wskazówkach i kierować się rozsądkiem:

- Ograniczaj długotrwałe narażenie na dźwięki o głośności przekraczającej 85 decybeli (dB). Aby uzyskać więcej informacji na temat bezpiecznych poziomów głośności, zapoznaj się z wytycznymi Agencji Bezpieczeństwa i Zdrowia w Pracy (OSHA) dostępnymi pod adresem <http://www.osha.gov/>.

Utylizacja produktu

Określone międzynarodowe, krajowe i/lub lokalne przepisy i/lub regulacje mogą określać sposób utylizacji tego produktu. Aby uzyskać więcej informacji, skontaktuj się ze sprzedawcą, u którego kupiono ten produkt, lub importerem/dystrybutorem firmy Polk w Twoim kraju. Więcej informacji można znaleźć na stronie www.polkaudio.com, lub kontaktując się z firmą Polk Audio pod adresem: 5541 Fermi Court, Carlsbad, California, 92008, USA. Telefon: 1-800-377-7655.

Ten symbol na naszych produktach elektrycznych lub ich opakowaniach wskazuje, że w Europie wyrzucanie tych produktów z odpadami komunalnymi jest zabronione. Aby zapewnić prawidłową utylizację produktów, prosimy o utylizowanie ich zgodnie z lokalnymi przepisami i wymogami prawa dotyczącymi utylizacji sprzętu elektrycznego i elektronicznego. Pozwala to przyczynić się do zachowania zasobów naturalnych oraz ochrony środowiska poprzez prawidłową utylizację i usuwanie odpadów elektronicznych.



Pielęgnacja i czyszczenie

Jedyną rzeczą, jaką należy robić w przypadku głośników, jest odkurzenie ich od czasu do czasu. Nigdy nie należy stosować środków czyszczących na bazie substancji ściernych lub rozpuszczalników ani silnych detergentów. Kratki można czyścić za pomocą szczotki do odkurzacza.

Deklaracja zgodności UE

Sound United, LLC niniejszym oświadcza, że ten produkt jest zgodny z dyrektywami UE/WE:

- EMC:2014/30/EU
- LVD:2014/35/EU
- RoHS: 2011/65/UE i dyrektywa zmieniająca (UE) 2015/863
- ErP: Rozporządzenie WE 1275/2008 oraz dyrektywa ramowa 2009/125/WE wraz z poprawką 801/2013

Dane kontaktowe w UE:

Sound United Europe
Oddział D&M Europe B.V.
Beemdstraat 11, 5653 MA, Eindhoven
Holandia



Deklaracja zgodności UKCA

Sound United, LLC niniejszym oświadcza, że ten produkt jest zgodny z następującymi przepisami brytyjskimi:

- Przepisy dotyczące (bezpieczeństwa) sprzętu elektrycznego z 2016 r.
- Przepisy dotyczące kompatybilności elektromagnetycznej z 2016 r.
- Przepisy w sprawie ograniczenia stosowania substancji niebezpiecznych w urządzeniach elektrycznych i elektronicznych z 2012 r.
- Przepisy dotyczące ekoprojektu produktów związanych z energią z 2010 r.

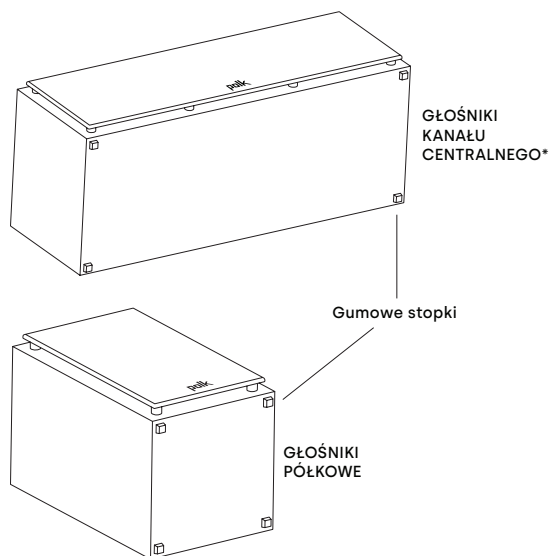
Importer w Wielkiej Brytanii:

D&M Audiovisual Ltd.
Cells 1 & 2 Kopshop, 6 Old London Road
Kingston Upon Thames KT2 6QF Wielka Brytania



Mocowanie gumowych nóżek z podkładką samoprzylepną

Aby zapobiec przesuwaniu się głośnika i uszkodzeniu podłogi lub mebli, warto zamocować na spodzie obudowy dotychczas do zestawu gumowe nóżki samoprzylepne.



Uwaga:

- **XT15 / XT20 / XT30 / XT35:** Przed użyciem produktu należy zamontować gumowe nóżki.
- **XT60 / XT70 / XT90:** Gumowe nóżki są zamontowane fabrycznie.

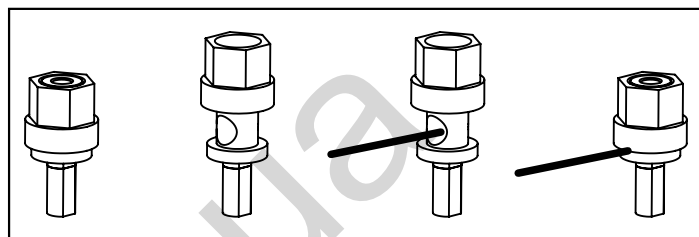
Jak podłączyć system

Należy prawidłowo podłączyć głośniki, aby zapewnić najlepszą jakość dźwięku.

Jak używać śrub zaciskowych

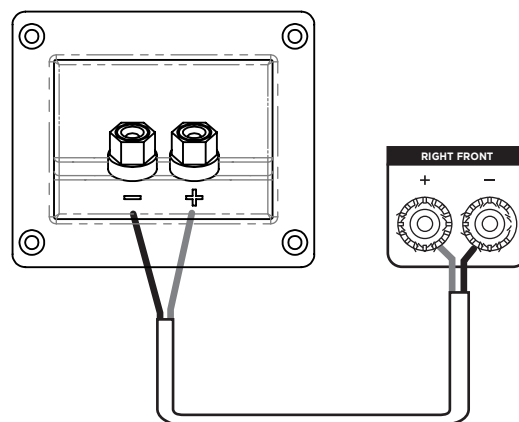
Odkręcić nakrętkę sześciokątną i włożyć nieizolowany przewód głośnika przez otwór. Dokręcić nakrętkę sześciokątną, aby zabezpieczyć połączenie.

Uwaga: Nie wkładać izolowanego odcinka przewodu do otworu (połączenie nie będzie możliwe).



Podstawowe podłączenie głośników

Upewnij się, że czerwone (+) i czarne (-) złącza na wzmacniaczu lub amplitunerze są podłączone do czerwonego (+) i czarnego (-) złącza na głośnikach. Jeśli Twoje głośniki brzmią „płasko”, ze słabymi niskimi tonami oraz niewyraźnym środkiem sceny, możliwe, że jeden z przewodów głośnikowych jest podłączony odwrotnie. Sprawdź dokładnie wszystkie połączenia.



Tryb procesora dla głośnika kanału centralnego

Uwaga: Ustaw opcję Central Channel Speaker (Głośnik kanału centralnego) na „small” w ustawieniach zarządzania niskimi tonami odbiornika.

Menu zarządzania niskimi tonami „bass management” lub konfiguracją głośnika „speaker configuration” większości odbiorników dźwięku przestrzennego oferuje normalny „normal” lub szeroki „wide” tryb obsługi kanału centralnego. W procesorach cyfrowych z kanałami dyskretnymi tryby te są określane jako mały „small” i duży „large”. Tryb normalny (mały) filtruje częstotliwości basów z głośnika kanału centralnego i wysyła je do przedniego lewego i prawego głośnika głównego lub do gniazda wyjściowego głośnika niskotonowego (LFE). Tryb szeroki (duży) wysyła niefiltrowany sygnał pełnozakresowy do głośnika kanału centralnego. Tryb mały (normalny) zapewnia optymalną wydajność i niezawodną pracę kanału centralnego (i przestrzennego).

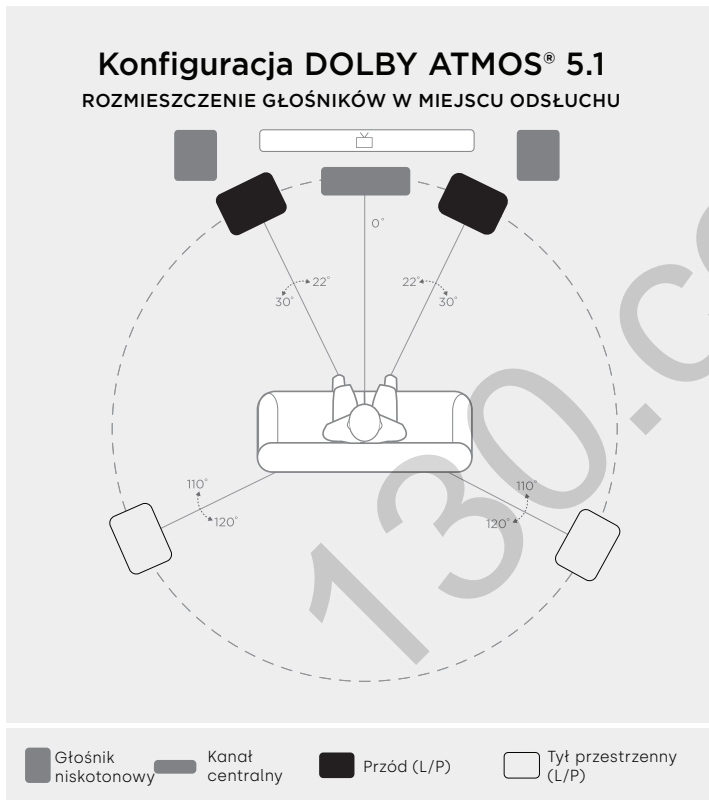
Rozmieszczenie głośników

Podstawowym warunkiem dla uzyskania maksymalnej jakości dźwięku systemu głośników jest ich prawidłowe rozmieszczenie, niezależnie od tego, czy są to głośniki półkowe XT15, głośniki kanału centralnego XT30 czy też głośniki wieżowe XT70. Zapoznaj się z poniższymi przykładami i wypróbuj opisane konfiguracje z głośnikami Polk Monitor serii XT.

Uwaga: Głośniki Polk Monitor serii XT można wykorzystać w konfiguracjach 2.0, 2.1, 3.1, 5.1, 7.1 i 9.1 (opcjonalny subwoofer przedstawiono na rysunku).

Stuchanie w systemie dźwięku przestrzennego 5.1

Można używać głośników serii Polk Monitor XT jako tylnych głośników dźwięku przestrzennego w systemie kina domowego Polk Audio. Idealne rozmieszczenie głośników tylnego kanału dźwięku przestrzennego znajduje się wzdłuż ściany bocznej, nieco za miejscem odsłuchowym oraz nieco powyżej niego.



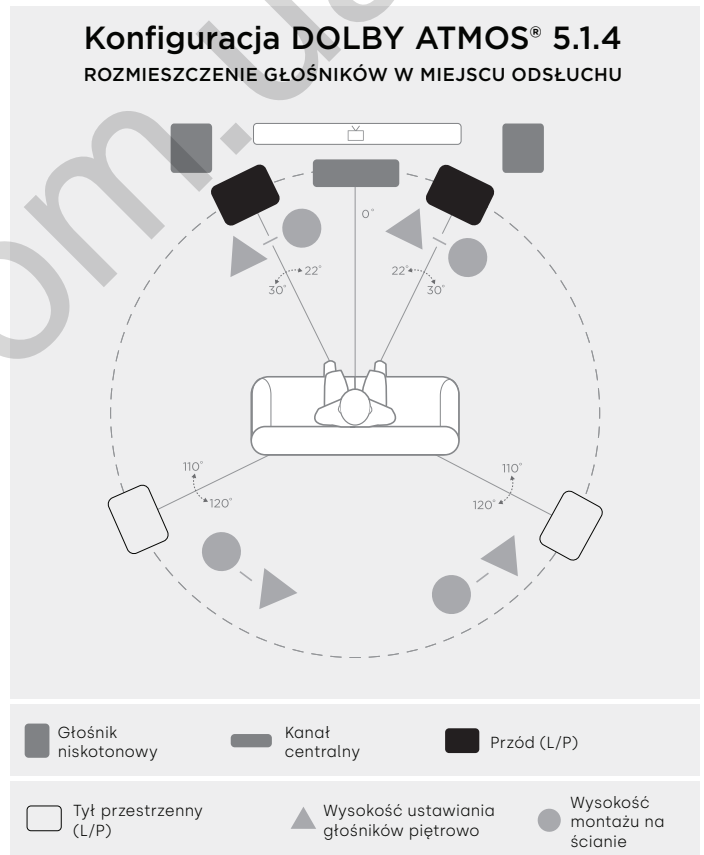
GŁÓWNY

Stuchanie w systemie 3.1

Najbardziej realistyczny dźwięk stereo można uzyskać, umieszczając głośniki tak daleko od siebie, jak daleko od nich siedzą słuchacze. Jeśli warunki panujące w pomieszczeniu wymagają umieszczenia głośników w dalszej odległości, można skierować głośniki do środka, aby zapewnić najlepsze brzmienie na środku pomieszczenia.

Stuchanie w 5.1 Surround – opcja alternatywna

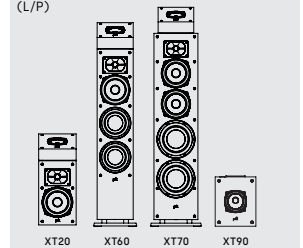
Alternatywne rozmieszczenie głośników przestrzennych z tylnym kanałem dla głośników Polk Monitor serii XT. Jeśli nie możesz umieścić tylnych głośników dźwięku przestrzennego wzdłuż ścian bocznych, umieść je wzdłuż ściany tylnej nad miejscem odsłuchu.



GŁÓWNY

Możliwość ustawienia piętrowo

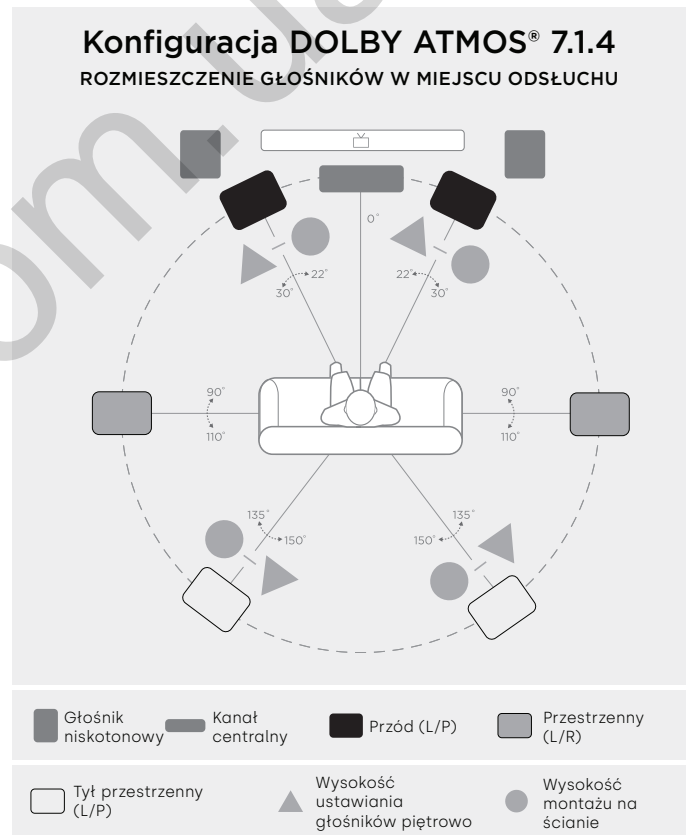
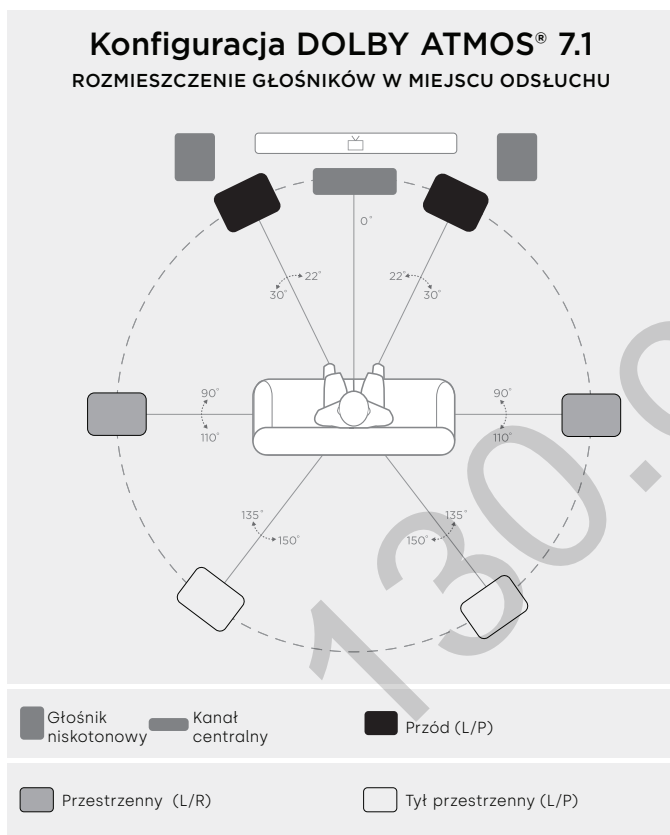
Umieścić głośnik XT90 na głośniku przednim (L/P) i tylnym przestrzennym (L/P)



WYSOKOŚĆ USTAWIANIA GŁOŚNIKÓW PIĘTROWO

Śłuchanie w systemie dźwięku przestrzennego 7.1

Ciesz się większą głębią dźwięku przestrzennego dzięki zastosowaniu czterech głośników tylnych dźwięku przestrzennego zamiast dwóch.



GŁÓWNY



GŁÓWNY



WYSOKOŚĆ USTAWIENIA GŁOŚNIKÓW PIĘTROWO

	Głośniki półkowe Monitor XT		Głośniki kanału centralnego Monitor XT	
Specifications	XT15	XT20	XT30	XT35
Dane techniczne	Montaż na stojaku (para)	Montaż na stojaku (para)	Kompaktowy kanał środkowy	Kanał środkowy (L/C/P)
Głośnik wysokotonowy	kopułka terylenowa 1"	kopułka terylenowa 1"	kopułka terylenowa 1"	kopułka terylenowa 1"
Głośniki średniotonowe/ średnio-niskotonowe				
Głośniki niskotonowe	5¼" papier niestandardowy	6½" papier niestandardowy	2 x 5¼" papier niestandardowy	4 x 3" papier niestandardowy
Pasywne radiatory	nie dotyczy	nie dotyczy	nie dotyczy	nie dotyczy
Całkowite pasmo przenoszenia	48Hz–40kHz	38Hz–40kHz	55Hz–40kHz	57Hz–40kHz
Pasma przenoszenia (granice -3 dB)	73Hz–26kHz	57Hz–26kHz	77Hz–26kHz	84Hz–26kHz
Zalecana moc wzmacniacza	30–150W	30–200W	30–200W	25–200W
Kompatybilność wyjścia wzmacniacza	4Ω	4Ω	4Ω	4Ω
Minimalna impedancja (w omach)	4,1Ω	4,3Ω	4,1Ω	4,2Ω
Czułość (2,83 V / 1 m)	86dB	87dB	89dB	87dB
Częstotliwość zwrotnicy				
Głośnik wysokotonowy/ średniotonowy	2200Hz	3200Hz	2500Hz	2500Hz
Głośniki średniotonowe/średnio-niskotonowe				
Wymiary i waga				
Wymiary produktu (szer. x wys. x gł.)	6,50 x 10,6 x 7,18 cala 165,1 x 269,2 x 182,4 mm	7,50 x 18,0 x 10,99 cala 190,5 x 330,0 x 279,3 mm	19,9 x 6,50 x 8,13 cala 482,6 x 165,1 x 206,6 mm	24,4 x 4,15 x 5,55 cala 619,7 x 105,4 x 141,0 mm
Największa całkowita głębokość (wraz z maskownicą)				
Waga produktu (każdy)				
Obudowa				
Typ obudowy przetworników średniotonowych				
Typ obudowy przetworników średnio-niskotonowych/ niskotonowych				
Dostępne wykończenia	Czarny matowy	Czarny matowy	Czarny matowy	Czarny matowy
Stopki	Tak, dostarczane w opakowaniu	Tak, dostarczane w opakowaniu	Tak, dostarczane w opakowaniu	Tak, dostarczane w opakowaniu
Możliwość montażu na ścianie	Nie	Nie	Nie	Tak
Śruby zaciskowe	Niklowane śruby zaciskowe z otworem poprzecznym	Niklowane śruby zaciskowe z otworem poprzecznym	Niklowane śruby zaciskowe z otworem poprzecznym	Niklowane śruby zaciskowe z otworem poprzecznym
Akcesoria				
Zaprojektowane dla głośnika XT90	nie dotyczy	Tak	nie dotyczy	nie dotyczy
Certyfikaty (inne niż dotyczące bezpieczeństwa i zgodności z przepisami)				
Certyfikat Hi-Res	Tak	Tak	Tak	Tak

*Może ulec zmianie bez uprzedzenia.

	Głośniki podłogowe Monitor XT		Głośnik modułu wysokości Monitor XT
Dane techniczne	XT60	XT70	XT90
Typ głośnika	Głośnik podłogowy	Głośnik podłogowy	Moduł wysokości (para)
Głośnik wysokotonowy	kopułka terylenowa 1"	kopułka terylenowa 1"	nie dotyczy
Głośniki średniotonowe/ średnio-niskotonowe			
Głośniki niskotonowe	6½" papier niestandardowy	2 x 6½" papier niestandardowy	4" papier niestandardowy
Pasywne radiatory	2 x 6½" PRs	2 x 8" PRs	nie dotyczy
Całkowite pasmo przenoszenia	38 Hz–40 kHz	35 Hz–40 kHz	94 Hz–22 kHz
Pasma przenoszenia (granice -3 dB)	43 Hz–26 kHz	41 Hz–26 kHz	164 Hz–17 kHz
Zalecana moc wzmacniacza	25–200 W	25–200 W	30–100 W
Kompatybilność wyjścia wzmacniacza	4Ω	4Ω	4Ω
Minimalna impedancja	4,4Ω	4,0Ω	4,3Ω
Czułość (2,83 V / 1 m)	86 dB	89 dB	89 dB
Częstotliwość zwrotnicy			
Głośnik wysokotonowy/ średniotonowy	2200 Hz	2700 Hz	2700 Hz
Głośniki średniotonowe/średnio- niskotonowe			
Wymiary i waga			
Wymiary produktu (szer. x wys. x gł.)	7,50 x 36,4 x 9,09 cala 190,5 x 925,0 x 230,8 mm	9,25 x 40,4 x 12,5 cala 235 x 1026,6 x 317,9 mm	7,50 x 5,64 x 8,38 cala 190,5 x 143,2 x 212,9 mm
Największa całkowita głębokość (wraz z maskownicą)			
Waga produktu (każdy)			
Obudowa			
Typ obudowy przetworników średniotonowych			
Typ obudowy przetworników średnio-niskotonowych/ niskotonowych			
Dostępne wykończenia	Czarny matowy	Czarny matowy	Czarny matowy
Stopki	Gumowe podkładki	Gumowe podkładki	Gumowe podkładki
Możliwość montażu na ścianie	Nie	Nie	Tak
Śruby zaciskowe	Niklowane śruby zaciskowe z otworem poprzecznym	Niklowane śruby zaciskowe z otworem poprzecznym	Niklowane śruby zaciskowe z otworem poprzecznym
Akcesoria			
Zaprojektowane dla głośnika XT90	Tak	Tak	nie dotyczy
Certyfikaty (inne niż dotyczące bezpieczeństwa i zgodności z przepisami)			
Certyfikat Hi-Res	Tak	Tak	Nie

*Może ulec zmianie bez uprzedzenia.

Ograniczona 5-letnia gwarancja

Polk Audio, LLC (dalej „Polk” lub „Polk Audio”) udziela niniejszej ograniczonej gwarancji wyłącznie pierwotnemu nabywcy detalicznemu. Niniejsza gwarancja automatycznie wygasa przed upływem wskazanego okresu jej obowiązywania, jeśli pierwotny nabywca detaliczny odsprzeda lub w inny sposób przekaze produkt innej osobie.

Firma Polk Audio gwarantuje wyłącznie pierwotnemu nabywcy, że niniejsze głośniki, pasywne elementy zwrotnicy oraz obudowa („produkt”) będą wolne od wad materiałowych i wykonawczych przez okres **5 (pięciu) lat od daty pierwotnego zakupu od autoryzowanego dystrybutora sprzętu Polk Audio.**

Aby umożliwić firmie Polk oferowanie najlepszej możliwej obsługi gwarancyjnej, należy zarejestrować swój nowy produkt online pod adresem: www.polkaudio.com/registration lub telefonicznie w dziale obsługi klienta Polk pod numer 800-377-7655 (USA i Kanada) w ciągu 10 (dziesięciu) dni od daty zakupu. Pamiętaj, aby zachować oryginalne potwierdzenie zakupu.

Wadliwe produkty należy odesłać wraz z dowodem zakupu opłaconą z góry i ubezpieczoną przesyłką do autoryzowanego sprzedawcy Polk Audio, od którego Produkt został zakupiony lub do producenta na adres 5541 Fermi Court; Carlsbad, CA 92008. Produkty muszą być wysłane w oryginalnym opakowaniu transportowym lub jego odpowiedniku; w każdym przypadku ryzyko utraty lub uszkodzenia podczas transportu ponosi użytkownik. Jeśli podczas badania przez producenta lub autoryzowanego sprzedawcy Polk Audio okaże się, że urządzenie było wadliwe pod względem materiałów lub wykonania w dowolnym momencie okresu gwarancyjnego, Polk Audio lub autoryzowany sprzedawca Polk według własnego uznania naprawi lub wymieni ten produkt bez dodatkowych opłat, z wyjątkiem przypadków określonych poniżej. Wszystkie wymienione części i produkty stają się własnością Polk. Produkty wymienione lub naprawione w ramach niniejszej gwarancji zostaną zwrócone w rozsądnym czasie opłaconą przesyłką.

Niniejsza gwarancja nie obejmuje serwisowania ani części do naprawy szkód w wyniku wypadku, kłęski żywiołowej, niewłaściwego użycia, zaniedbania, nieodpowiednich metod

pakowania lub procedur wysyłki, zastosowania komercyjnego, napięcia wejściowego przekraczającego maksymalne wartości znamionowe urządzenia, estetycznego wyglądu obudowy, który nie jest bezpośrednio związany z wadami materiałowymi lub wykonawczymi, a także serwisowania, naprawy lub modyfikacji produktu, która nie została autoryzowana lub zatwierdzona przez firmę Polk. **Niniejsza gwarancja wygasa w przypadku zakupu produktu u nieautoryzowanego dystrybutora lub jeśli numer seryjny na produkcie zostanie usunięty, zmodyfikowany lub zniszczony.**

Niniejsza gwarancja zastępuje wszystkie inne udzielone gwarancje. Jeśli ten produkt ma wadę materiałową lub wykonawczą, zgodnie z powyższą gwarancją, jedynym zadośćuczynieniem będzie naprawa lub wymiana w sposób opisany powyżej. W żadnym wypadku firma Polk Audio nie ponosi odpowiedzialności za jakiegokolwiek przypadkowe lub wtórne szkody wynikające z użytkowania produktu lub braku możliwości korzystania z niego, nawet jeśli firma Polk Audio lub Autoryzowany Dystrybutor sprzętu Polk zostali poinformowani o możliwości wystąpienia takich szkód lub jakichkolwiek roszczeń ze strony jakiegokolwiek innych osób. W niektórych stanach wyłączenie lub ograniczenie szkód wtórnych jest zabronione, toteż powyższe ograniczenie lub wyłączenie może nie mieć zastosowania do użytkownika.

Wszystkie dorozumiane gwarancje dotyczące niniejszego produktu są ograniczone do czasu trwania niniejszej gwarancji. **W NIEKTÓRYCH KRAJACH OGRANICZENIE OKRESU OBOWIĄZYWANIA DOROZUMIANEJ GWARANCJI JEST ZABRONIONE, DLATEGO POWYŻSZE OGRANICZENIE MOŻE NIE MIEĆ ZASTOSOWANIA DLA UŻYTKOWNIKA.** Niniejsza gwarancja zapewnia użytkownikowi określone prawa, oprócz których mogą mu również przysługiwać inne prawa, w zależności od stanu.

Niniejsza gwarancja dotyczy wyłącznie produktów zakupionych w Kanadzie, Stanach Zjednoczonych i ich terytoriach zależnych, a także w placówkach sił zbrojnych USA i NATO. Należy zapoznać się z przewodnikiem gwarancyjnym dotyczącym Produktów Polk zakupionych w krajach lub terytoriach, do których nie odwołuje się niniejszy dokument.

Expect Great Sound

Благодарим вас за выбор динамиков Polk Monitor XT™. Эта новая линия отличается смелостью, стилем и качеством, обеспечивающими высокую производительность. Эти высокоэффективные динамики оснащены запатентованными динамиками и высокочастотными динамиками Dynamic Balance® от компании Polk, обеспечивающими более четкое звучание и более реалистичный средний диапазон. Акустические системы Polk Monitor XT были созданы для того, чтобы звучать великолепно и отлично выглядеть; благодаря неброским акцентам этот продукт может быть использован в любом декоре. Чистые и простые динамики Polk Monitor XT являются истинным определением «Expect Great Sound».

Обладая репутацией создателей прекрасного звучания на протяжении более 45 лет, компания Polk Audio гордится превосходным звуком и качеством и имеет целый ряд запатентованных инноваций, удостоенных наград. Для сотрудников Polk создание аудиопродуктов — это не просто работа, это страсть. И если вы собираетесь запомнить одно, помните следующее: Мы живем по самому правдивому принципу того, что должно обеспечивать аудио — отличное звучание по доступной цене для всех!

Техническая поддержка и ремонт

Если товар был поврежден во время транспортировки, свяжитесь с авторизованным розничным продавцом Polk Audio, где вы приобрели продукт. Для получения технической поддержки, ответа на часто задаваемые вопросы и получения информации о ремонте посетите сайт <http://polk.custhelp.com>. Полный список контактных данных приведен в разделе <https://www.polkaudio.com/contact-us>. Адреса электронной почты и номера телефонов зависят от региона, в котором вы приобрели продукт.

ВНИМАНИЕ! Помните о безопасности при прослушивании

Акустические системы Polk Audio способны работать на очень высоком уровне громкости, что может привести к серьезным или необратимым повреждениям слуха. Компания Polk Audio не несет ответственности за потерю слуха, телесные повреждения или повреждение имущества в результате неправильного использования своей продукции. Соблюдайте эти рекомендации и всегда руководствуйтесь здравым смыслом при выборе уровня громкости.

- Следует воздерживаться от длительного прослушивания при уровне громкости, превышающем 85 децибел (Дб). Для получения более подробной информации о безопасных уровнях громкости ознакомьтесь с рекомендациями Управления по охране труда США (OSHA) на сайте <http://www.osha.gov/>.

Утилизация продукта

В отношении утилизации данного продукта могут применяться определенные международные, национальные и/или местные законы и/или правила. Для получения дополнительной информации свяжитесь с розничным продавцом, где вы приобрели этот продукт, или импортером/дистрибьютором Polk в вашей стране. Дополнительную информацию можно также получить на сайте www.polkaudio.com или обратившись в Polk Audio по адресу: 5541 Fermi Court, Carlsbad, California, 92008, USA (США). Телефон: 1-800-377-7655.

Этот символ на наших электротехнических изделиях или упаковке указывает на то, что в Европе запрещено выбрасывать этот продукт в бытовые отходы. Для того, чтобы правильно утилизировать продукт, руководствуйтесь с местным законодательством и правилами утилизации электрического и электронного оборудования. Таким образом, вы вносите вклад в сохранение природных ресурсов и охрану окружающей среды путем обработки и утилизации электронных отходов.



Уход и очистка

Единственное, что вам нужно делать с динамиками, — это время от времени пылесосить их. Никогда не наносите чистящее средство на основу абразива или растворителя, а также агрессивные моющие средства. Решетки можно чистить щеткой пылесоса.

Декларация о соответствии ЕС

Настоящим Sound United, LLC заявляет, что наш продукт соответствует директивам ЕС/ЕК.



- EMC:2014/30/EU
- LVD:2014/35/EU
- RoHS: 2011/65/EC и директива с поправками (ЕС) 2015/863
- ErP: Директива ЕС 1275/2008 и ее основная рабочая директива 2009/125/EC, включая поправку 801/2013

Контактное лицо в ЕС:

Sound United Europe
Подразделение D&M Europe B.V.
Veemdstraat 11, 5653 MA, Eindhoven
Нидерланды

Декларация о соответствии UKCA

Настоящим Sound United, LLC заявляет, что наш продукт соответствует следующим правилам, действующим в Великобритании:



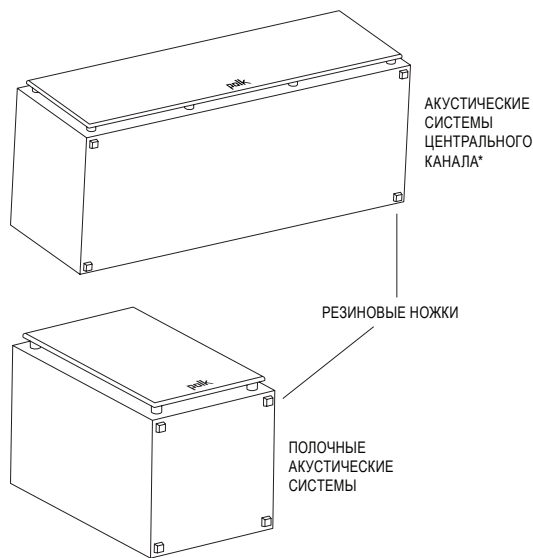
- Нормативные акты по (безопасности) электрооборудования, 2016 г.
- Правила электромагнитной совместимости, 2016 г.
- Ограничение на использование некоторых опасных веществ из правил использования электрического и электронного оборудования, 2012 г.
- Экологическая конструкция из норм, связанных с электрической продукцией, 2010 г.

Импортер в Великобритании:

Компания D&M Audiovisual Ltd.
Cells 1 & 2 Kopshop, 6 Old London Road
Kingston Upon Thames KT2 6QF UK, Великобритания

Добавление резиновых ножек с липкой спинкой

Чтобы надежно удерживать акустические системы Polk и предотвращать повреждение полов или мебели, рекомендуется прикрепить входящие в комплект резиновые ножки с клеевой подложкой к нижней части динамика.



Примечание:

- XT15 / XT20 / XT30 / XT35: Перед использованием изделия необходимо установить резиновые ножки.
- XT60 / XT70 / XT90: Резиновые ножки поставляются предварительно установленными.

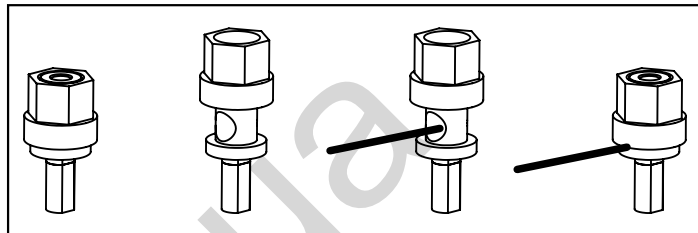
Подключение системы

Чтобы обеспечить наилучшее качество звука, важно правильно подключить акустические системы.

Как использовать разъемы для подключения кабеля

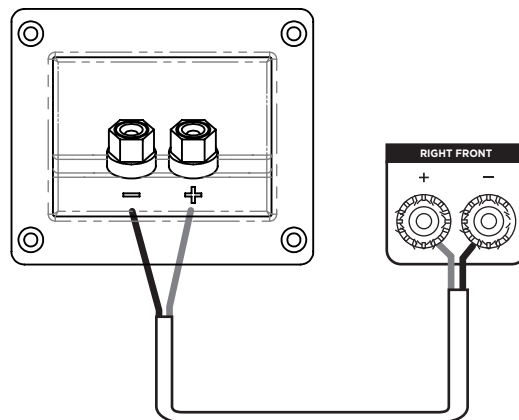
Ослабьте шестигранную гайку и вставьте неизолированный провод динамика в отверстие. Затяните шестигранную гайку до конца, чтобы выполнить соединение.

Примечание. Не вставляйте изолированный участок провода в отверстие (соединение не будет).



Базовое подключение акустических систем

Убедитесь, что красные (+) и черные (-) разъемы на усилителе или ресивере соединяются с красным (+) и черным (-) клеммами акустических систем. Если акустические системы звучат «жидко», практически без баса, а центральный канал почти или совершенно не прослушивается, то есть вероятность, что один из проводов динамиков соединен неправильно. Дважды проверьте все соединения.



Режим процессора для центрального динамика канала

Примечание. Установите для центрального динамика канала значение «маленький» в настройках управления басами ресивера.

Меню «базового управления» или «конфигурации динамика» большинства ресиверов пространственного звука предлагают выбор режимов «нормальный» или «широкий» для работы центрального канала. В цифровых процессорах дискретных каналов эти режимы называются «малыми» и «большими». Нормальный (малый) режим фильтрует басовые частоты от динамика центрального канала и вместо этого посылает их к переднему левому и правому основному динамикам или к разъему выхода сабвуфера (LFE). Широкий (большой) режим посылает нефильтрованный сигнал полного диапазона на динамик центрального канала. Используйте режим Small (нормальный) для оптимальной производительности и надежности центрального (и объемного) канала.

Расположение акустической системы

Правильное расположение для максимального повышения качества звука в вашей акустической системе, будь то книжные полочные акустические системы XT15, акустическая система центрального канала XT30 или напольная акустическая система XT70, играет важнейшую роль. Взгляните на следующие примеры и попробуйте использовать динамики серии Polk Monitor XT, которые вы приобрели.

Примечание. Ваши динамики серии Polk Monitor XT совместимы с установками 2.0, 2.1, 3.1, 5.1, 7.1 и 9.1 (дополнительный сабвуфер показан на графике).

Прослушивание в формате 5.1 Surround

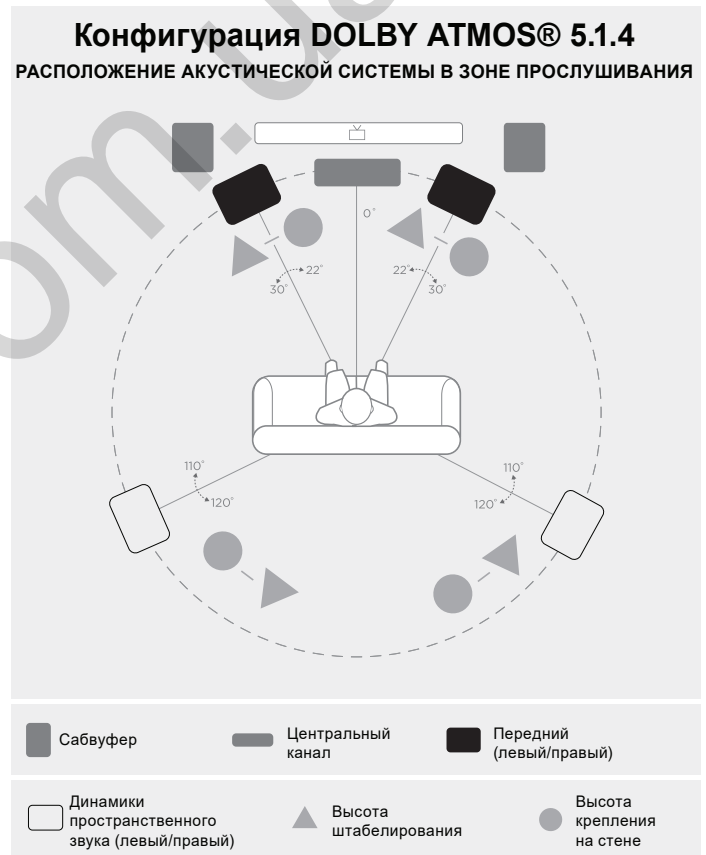
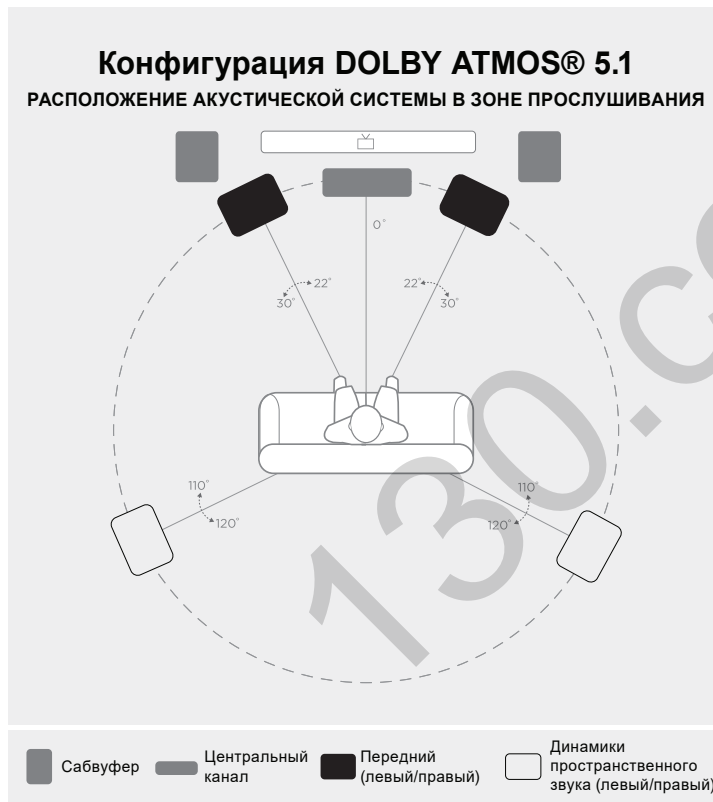
Вы можете использовать акустические системы серии Polk Monitor XT в качестве задних динамиков пространственного звука в системе домашнего кинотеатра Polk Audio. Идеальное расположение акустической системы пространственного звука задних каналов — на боковой стене, немного позади и над расположением слушателя.

Слушание в системе 3.1

Получите наиболее реалистичный стереофонический образ, разместив динамики так далеко, чтобы слушатели сидели от них. Если условия в помещении требуют, чтобы динамики располагались дальше друг от друга, можно выбрать угол наклона динамиков посередине, чтобы обеспечить более надежное центральное изображение.

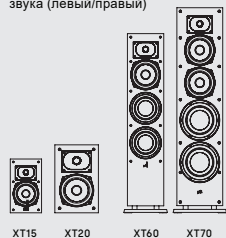
Прослушивание в формате 5.1 Surround — альтернативный вариант

Альтернативное расположение динамиков пространственного звука на заднем канале для динамиков серии Polk Monitor XT. Если вы не можете разместить задние акустические системы пространственного звука на боковых стенах, расположите их на задней стене над расположением слушателя.



Основные динамики

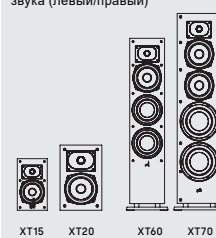
Передний (левый/правый)
Задние динамики пространственного звука (левый/правый)



ОСНОВНОЙ

Основные динамики

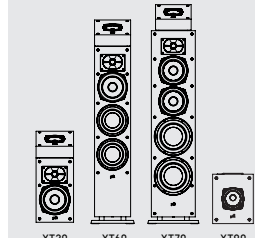
Передний (левый/правый)
Задние динамики пространственного звука (левый/правый)



ОСНОВНОЙ

Опция штабелируемой высоты

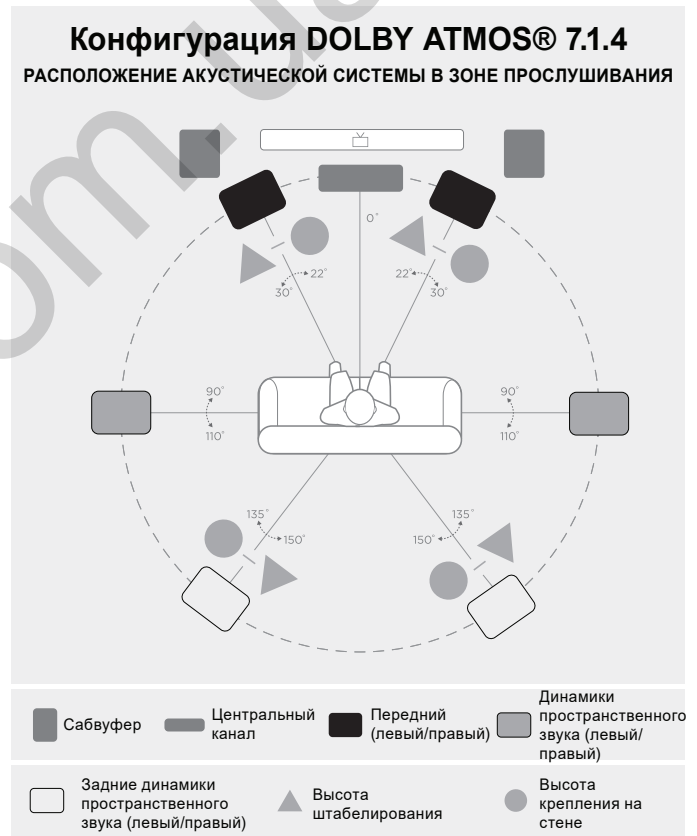
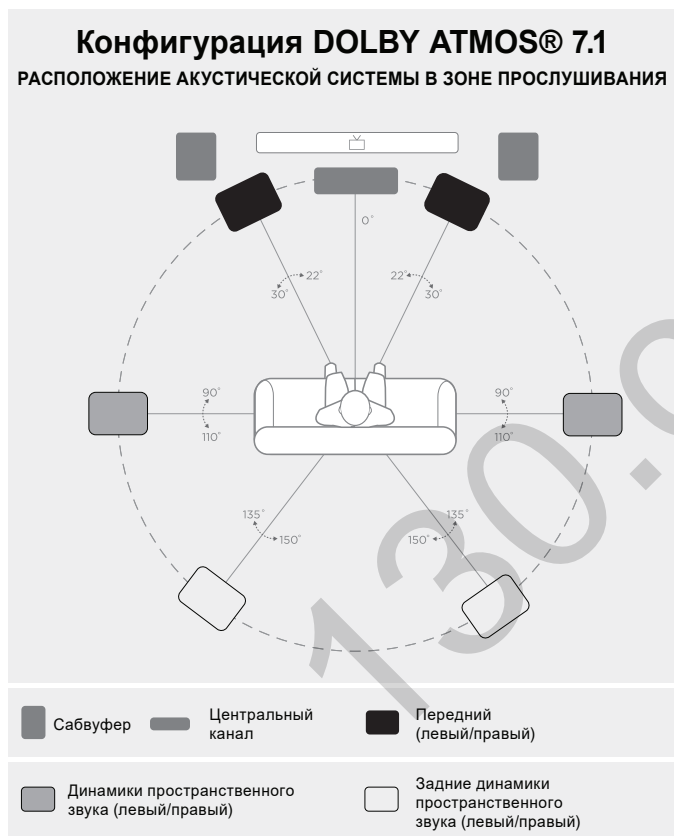
Добавьте XT90 в верхней части передней панели (левая/правая) и задние динамики пространственного звука (левый/правый)



ВЫСОТА ШТАБЕЛИРОВАНИЯ

Прослушивание в формате 7.1 Surround

Наслаждайтесь дополнительной глубиной звука благодаря четырем задним динамикам пространственного звука вместо двух.



Основные динамики

Передний (левый/правый)
Динамики пространственного звука (левый/правый)
Задние динамики пространственного звука (левый/правый)

XT15 XT20 XT60 XT70

ОСНОВНОЙ

Основные динамики

Передний (левый/правый)
Динамики пространственного звука (левый/правый)
Задние динамики пространственного звука (левый/правый)

XT15 XT20 XT60 XT70

ОСНОВНОЙ

Опция штабелируемой высоты

Добавьте XT90 в верхней части передней панели (правая/правая). Динамики пространственного звука (левый/правый) и задние динамики пространственного звука (левый/правый)

XT20 XT60 XT70 XT90

ВЫСОТА ШТАБЕЛИРОВАНИЯ

	Полочные акустические системы Monitor XT		Акустические системы центрального канала Monitor XT	
Технические характеристики	XT15	XT20	XT30	XT35
Тип динамика	Монтаж на стойке (пара)	Монтаж на стойке (пара)	Компактный центральный канал	Центральный канал (L/C/R)
Высокочастотный динамик	Териленовый купол диаметром 1 дюйм	Териленовый купол диаметром 1 дюйм	Териленовый купол диаметром 1 дюйм	Териленовый купол диаметром 1 дюйм
Излучатель средних/средне-низких частот				
Низкочастотные динамики	Бумага на заказ 5 1/4"	Бумага специального назначения 6 1/2"	Два листа бумаги 5 1/4"	Четыре листа бумаги по индивидуальному заказу шириной 3 дюйма
Пассивные радиаторы	Н/Д	Н/Д	Н/Д	Н/Д
Общая частотная характеристика	48 Гц–40 кГц	38 Гц–40 кГц	55 Гц–40 кГц	57 Гц–40 кГц
Частотная характеристика (с ограничением -3 Дб)	73 Гц–26 кГц	57 Гц–26 кГц	77 Гц–26 кГц	84 Гц–26 кГц
Рекомендуемая мощность усилителя	30–150 Вт	30–200 Вт	30–200 Вт	25–200 Вт
Совместимость с выходом усилителя	4Ω	4Ω	4Ω	4Ω
Минимальное сопротивление (Ом)	4.1Ω	4.3Ω	4.1Ω	4.2Ω
Чувствительность (2,83 В/1 м)	86 дБ	87 дБ	89 дБ	87 дБ
Частота кроссовера				
Высокочастотный/средний диапазон	2200Hz	3200Hz	2500Hz	2500Hz
Излучатель средних/средне-низких частот				
Размеры и характеристики веса				
Размеры изделия (Ш x В x Г)	6,50 x 10,6 x 7,18 дюймов 165,1 x 269,2 x 182,4 мм	7,50 x 18,0 x 10,99 дюймов 190,5 x 330,0 x 279,3 мм	19,9 x 6,50 x 8,13 дюймов 482,6 x 165,1 x 206,6 мм	24,4 x 4,15 x 5,55 дюймов 619,7 x 105,4 x 141,0 мм
Максимальная общая глубина (включая решетку)				
Вес продукта (каждый)				
Корпус				
Тип корпуса колонок среднего диапазона				
Тип корпуса сабвуфера				
Доступные цвета отделки корпуса	матовый черный	матовый черный	матовый черный	матовый черный
Ножки	Да, поставляется в коробке	Да, поставляется в коробке	Да, поставляется в коробке	Да, поставляется в коробке
С креплением на стену?	Нет	Нет	Нет	Да
Разъемы для подключения кабеля	5-позиционные никелированные разъемы для подключения кабеля	5-позиционные никелированные разъемы для подключения кабеля	5-позиционные никелированные разъемы для подключения кабеля	5-позиционные никелированные разъемы для подключения кабеля
Аксессуары				
Предназначен для акустической системы XT90	Н/Д	Да	Н/Д	Н/Д
Сертификаты (не в сфере безопасности и нормативного соответствия)				
Сертификация Hi-res	Да	Да	Да	Да

*Подлежит изменению без предварительного уведомления.

Напольные акустические системы Monitor XT

Высотный модуль акустической системы Monitor XT

Технические характеристики	XT60	XT70	XT90
Тип динамика	Напольный динамик	Напольный динамик	Высотный модуль (пара)
Высокочастотный динамик	Териленовый купол диаметром 1 дюйм	Териленовый купол диаметром 1 дюйм	Н/Д
Излучатель средних/средне-низких частот			
Низкочастотные динамики	Бумага специального назначения 6 1/2"	Два листа бумаги специального назначения 6 1/2"	Бумага специального назначения 4"
Пассивные радиаторы	Два 6½ дюймовых PR	Два 8-дюймовых разъема PR	Н/Д
Общая частотная характеристика	38 Гц–40 кГц	35 Гц–40 кГц	94 Гц–22 кГц
Частотная характеристика (с ограничением -3 дБ)	43 Гц–26 кГц	41 Гц–26 кГц	164 Гц–17 кГц
Рекомендуемая мощность усилителя	25–200 Вт	25–200 Вт	30–100 Вт
Совместимость с выходом усилителя	4Ω	4Ω	4Ω
Минимальное сопротивление (Ом)	4.4Ω	4.0Ω	4.3Ω
Чувствительность (2,83 В/1 м)	86 дБ	89 дБ	89 дБ
Частота кроссовера			
Высокочастотный/средний диапазон	2200 Гц	2700 Гц	2700 Гц
Излучатель средних/средне-низких частот			
Размеры и характеристики веса			
Размеры изделия (Ш x В x Г)	7,50 x 36,4 x 9,09 дюйма 190,5 x 925,0 x 230,8 мм	9,25 x 40,4 x 12,5 дюйма. 235 x 1026,6 x 317,9 мм	7,50 x 5,64 x 8,38 дюйма 190,5 x 143,2 x 212,9 мм
Максимальная общая глубина (включая решетку)			
Вес продукта (каждый)			
Корпус			
Тип корпуса колонок среднего			
Тип корпуса сабвуфера			
Доступные цвета отделки корпуса	матовый черный	матовый черный	матовый черный
Ножки	Резиновые прокладки	Резиновые прокладки	Резиновые прокладки
С креплением на стену?	Нет	Нет	Да
Разъемы для подключения кабеля	5-позиционные никелированные разъемы для подключения кабеля	5-позиционные никелированные разъемы для подключения кабеля	5-позиционные никелированные разъемы для подключения кабеля
Аксессуары			
Предназначен для акустической системы XT90	Да	Да	Н/Д
Сертификаты (не в сфере безопасности и нормативного соответствия)			
Сертификация Hi-res	Да	Да	Нет

*Подлежит изменению без предварительного уведомления.

Ограниченная 5-летняя гарантия

Компания Polk Audio, LLC (далее «Polk» или «Polk Audio») предоставляет эту ограниченную гарантию только первоначальному розничному покупателю. Тем не менее, настоящая Гарантия будет автоматически прекращена до истечения пяти лет, если первоначальный розничный покупатель продаст или иным образом передаст Продукт любой другой стороне.

Polk Audio, Inc. гарантирует первоначальному покупателю только то, акустическая система Polk Audio («Продукт») не будет содержать дефектов материалов и изготовления в течение **пяти (5) лет с даты первоначальной покупки в розничном магазине официального дилера Polk Audio.**

Чтобы компания Polk могла предложить наилучшее гарантийное обслуживание, зарегистрируйте свой новый Продукт онлайн на сайте: www.polkaudio.com/Registration или позвоните в отдел обслуживания клиентов компании Polk по телефону 800-377-7655 в США и Канаде в течение 10 (десяти) дней с даты первоначальной покупки. Сохраните оригинал квитанции о покупке.

Дефектные Продукты должны быть отправлены вместе с доказательством покупки с предоплатой застрахованного авторизованного дилера Polk, у которого вы приобрели Продукт, или на Завод по адресу 5541 Fermi Court; Карлсбад, Калифорния 92008. Продукты должны быть отправлены в оригинальном транспортном контейнере или его эквиваленте; в любом случае, вы несете ответственность за риск его потери или повреждения в пути. Если при осмотре на Фабрике или у Авторизованного дилера компании Polk будет установлено, что устройство имело дефект материалов или производства в любое время в течение гарантийного периода, то компания Polk Audio или официальный дилер компании Polk Audio, по своему усмотрению, отремонтируют или заменят данный Продукт без дополнительной платы, за исключением случаев, указанных ниже. Все заменяемые части и Продукты становятся собственностью компании Polk Audio. Продукция, замененная или отремонтированная по данной гарантии, будет возвращена вам в разумные сроки, а доставка — оплачена.

Данная гарантия не включает в себя услуги или детали для ремонта повреждений, вызванных несчастным случаем, авариями, неправильным использованием, злоупотреблением, халатностью, несоответствующей упаковкой или процедурой транспортировки, коммерческим использованием, подачей напряжения, выходящего за пределы номинального максимального значения устройства, косметическим видом корпуса, напрямую не связанным с дефектами материалов или качеством изготовления, либо ремонтом, обслуживанием или модификацией изделия, которые не были разрешены или одобрены компанией Polk Audio. **Настоящая гарантия аннулируется, если Серийный номер Изделия был удален, поврежден или видоизменен.**

Настоящая гарантия заменяет собой все другие явные Гарантии. Если Продукт имеет дефекты материалов или изготовления, как это было указано выше, вашим единственным средством правовой защиты будет ремонт или замена, как указано выше. Компания Polk Audio, Inc. ни при каких обстоятельствах не несет ответственности перед вами за любые случайные или косвенные убытки, возникающие в результате использования или невозможности использования Продукта, даже если компания Polk Audio, Inc. или официальный дилер компании Polk Audio были уведомлены о возможности такого ущерба или по любым претензиям любой другой стороны. Некоторые штаты не допускают исключения или ограничения косвенных убытков, поэтому вышеуказанное ограничение и исключение могут не относиться к вам.

Все подразумеваемые гарантии на данный Продукт ограничены сроком действия данной явной Гарантии. В некоторых штатах не допускается ограничение срока действия подразумеваемой гарантии, поэтому вышеуказанные ограничения могут не применяться к вам. Настоящая гарантия предоставляет вам определенные юридические права, и вы также можете иметь другие права, которые отличаются в зависимости от штата.

Настоящая гарантия распространяется только на Продукцию, приобретенную в Канаде, Соединенных Штатах Америки, их владениях, а также в магазинах вооруженных сил США и НАТО. См. руководство по гарантийному обслуживанию для изделий Polk, приобретенных в странах или на территориях, не указанных в настоящем документе.

素晴らしいサウンドへの期待

Polk Monitor XT™スピーカーをお選びいただきありがとうございます。この新シリーズは、大胆でスタイリッシュ、そして卓越した品質と性能を誇ります。これらの高効率スピーカーは、特許取得済みDynamic Balance®チューンドドライバーとツイーターにより、クリアな高音域とリアルな中音域を実現します。Polk Monitor XTスピーカーは、最高のサウンドとスタイリッシュなデザインを兼ね備え、繊細なアクセントとともに、どのような装飾品にもマッチします。ピュアでシンプルなPolk Monitor XTスピーカーは、「素晴らしいサウンドへの期待」をまさに具現化しています。

45年以上にわたって「スピーカースペシャリスト」としての評判を築き上げてきた当社は、最高のサウンドと品質を実現するオーディオイノベーションを特徴とし、多くの特許と受賞歴を有します。Polkの従業員にとって、オーディオ製品を作ることは単なる仕事ではなく、情熱です。これだけはお含みおきください。当社は、オーディオがもたらすべき真の理念、つまりどなたにとっても手頃な価格で素晴らしいサウンドを実現するという理念に従って行動しています！

テクニカルサポートとサービス

輸送中に本製品が破損していた場合は、ご購入いただいたPolk Audioの正規販売店にご連絡ください。テクニカルサポート、よくあるご質問、修理については、<http://polk.custhelp.com>をご覧ください。連絡先一覧については、<https://www.polkaudio.com/contact-us>をご覧ください。サポートのメールアドレスと電話番号は、本製品をご購入いただいた地域によって異なります。

警告：音量にご注意ください

Polk Audioのスピーカーは非常に高い音量での再生が可能のため、深刻な後遺症となる聴覚の障害を引き起こす恐れがあります。Polk Audioは製品の誤用を原因とする聴覚障害、身体の損傷または物損に関して責任を負いかねます。本ガイドラインにご留意いただき、適正なボリューム操作をお願いいたします。

- 85デシベル (dB) を超える音量での長時間のリスニングはお控えください。安全な音量について、詳しくは米国労働安全衛生局 (OSHA) のガイドライン (<http://www.osha.gov/>) をご覧ください。

製品の廃棄

この製品の廃棄に関しては、国際的な法令や各国・各地の法令が適用される場合があります。詳しくは、本製品をご購入いただいた販売店またはお客様の国のPolk輸入代理店・販売代理店にお問い合わせください。当社サイトの<http://www.polkaudio.com>でも情報をご提供しております。または、Polk Audio (5541 Fermi Court, Carlsbad, California, 92008, USA、電話: 1-800-377-7655) までお問い合わせください。

当社の電気製品またはその梱包に表示したこの記号は、ヨーロッパでは国内廃棄物としてこの製品を廃棄することが禁止されていることを示しています。製品を正しく廃棄するため、電気製品・電子機器の廃棄に関する各地の法令に従って製品を廃棄してください。電子廃棄物の正しい処分・廃棄によって、天然資源の維持や環境保護の促進にも貢献します。



お手入れとクリーニング

スピーカーに必要なお手入れは、折に触れて埃を払うことだけです。研磨剤や溶媒ベースのクリーナー、あるいは刺激の強い洗剤は絶対に使用しないでください。グリルのクリーニングには、掃除機のブラシアタッチメントで行います。

EU適合宣言書

Sound United, LLCは当社製品が以下のEU/EC指令に準拠していることを宣言します。



- EMC指令: 2014/30/EU
- 低電圧指令: 2014/35/EU
- RoHS指令: 2011/65/EU、および修正指令 (EU) 2015/863
- ErP指令: EC規則1275/2008、およびそのフレームワーク指令2009/125/EC (修正801/2013を含む)

EUにおける連絡先:

Sound United Europe
A division of D&M Europe B.V.
Beemdstraat 11, 5653 MA, Eindhoven
The Netherlands

UKCA適合宣言書

Sound United, LLCは当社製品が以下の英国規制に準拠していることを宣言します。



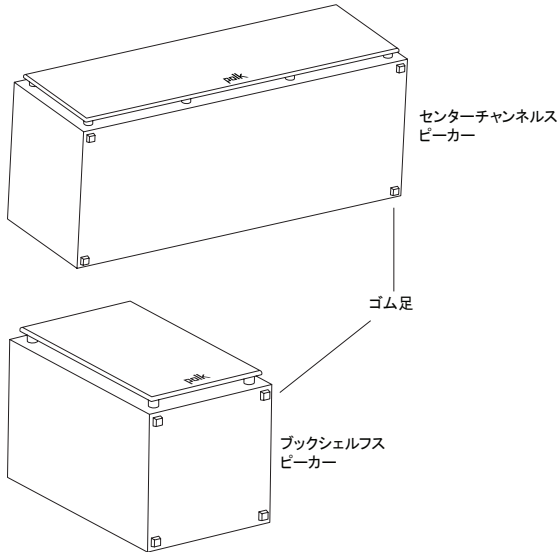
- 電気機器 (安全) 規制2016
- 電磁両立性規制2016
- 2012年の電気および電子機器規制における特定の有害物質の使用の制限
- 2010年エネルギー関連製品のエコデザイン規制

英国輸入者:

D&M Audiovisual Ltd.
Cells 1 & 2 Kopshop, 6 Old London Road
Kingston Upon Thames KT2 6QF UK

裏面粘着式ゴム足の取り付け

Polkスピーカーをしっかりと固定し、床や家具の損傷を防ぐために、付属の裏面粘着式ゴム足をスピーカー下部に取り付けることをお勧めします。



注:

- ・ XT15 / XT20 / XT30 / XT35: 製品を使用する前に、ゴム足を取り付ける必要があります。
- ・ XT60 / XT70 / XT90: ゴム足はあらかじめ取り付けられています。

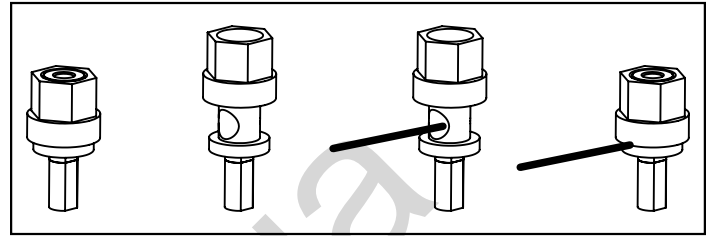
システムへの接続方法

最高の音質を得るにはスピーカーを正しく接続することが重要です。

接続端子コネクターの使用方法

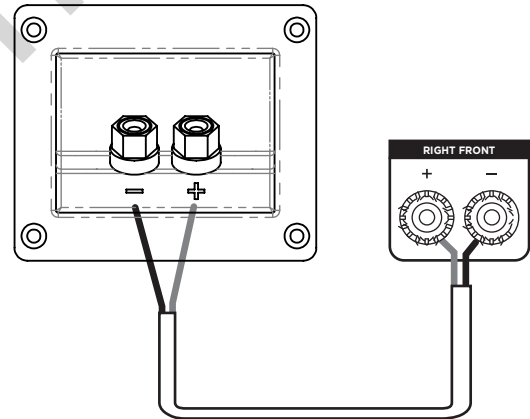
六角ナットを緩め、スピーカーの裸線を穴に挿入します。六角ナットを締めて接続します。

注: 裸線の絶縁部分を穴に挿入しないでください(接続されません)。



スピーカーの基本的な配線

アンプまたはレシーバーの赤色(+)端子および黒色(-)端子からスピーカーの赤色(+)端子および黒色(-)端子にそれぞれケーブルを接続します。スピーカーからの出音が「薄い」と感じられる場合、低音が弱い場合、またはセンターの音像が小さいか音像がない場合はスピーカーケーブルの片方が逆に接続されています。すべての接続を再度ご確認ください。



センターチャンネルスピーカーのプロセッサモード

注: レシーバーの低域管理設定で、センターチャンネルスピーカーを「小」に設定します。

ほとんどのサラウンドレシーバーの「低域管理」または「スピーカー設定」メニューでは、「通常」または「ワイド」モードを選択すると、センターチャンネルを操作することができます。ディスクリートチャンネルデジタルプロセッサでは、これらのモードは「小」および「大」と呼ばれます。通常(小)モードは、センターチャンネルスピーカーからの低域周波数をフィルタリングし、代わりにフロント左右のメインスピーカーまたはサブウーファー出力(LFE)ジャックに送信します。ワイド(大)モードは、フィルタリングされていないフルレンジ信号をセンターチャンネルスピーカーに送信します。センターチャンネル(とサラウンドチャンネル)の性能や信頼性を最適化するには、小(通常)モードを使用します。

スピーカーの設置位置

XT15ブックシェルフスピーカー、XT30センターチャンネルスピーカー、XT70タワースピーカーのいずれを購入した場合でも、スピーカーシステムの音質性能を最大限に引き出すためには、正しい設置位置が重要です。ご購入のPolk Monitor XTシリーズスピーカーについて、以下の例を参考にお試しください。

注: Polk Monitor XTシリーズスピーカーは、2.0ch、2.1ch、3.1ch、5.1ch、7.1ch、9.1chセットアップ(図に示したオプションのサブウーファー)と互換性があります。

5.1chサラウンドでのリスニング

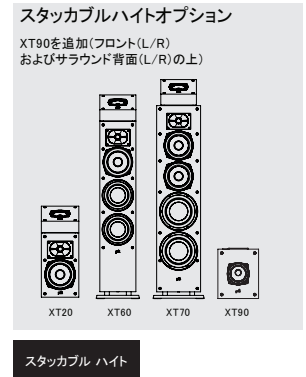
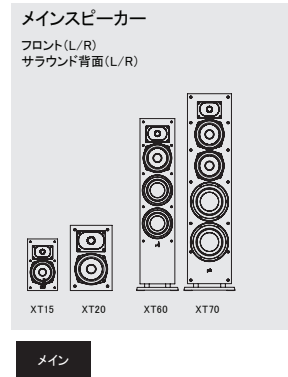
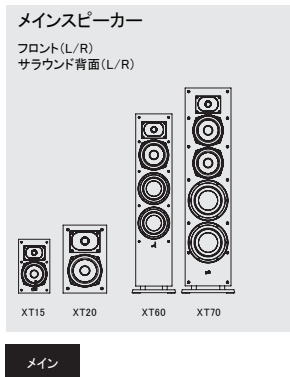
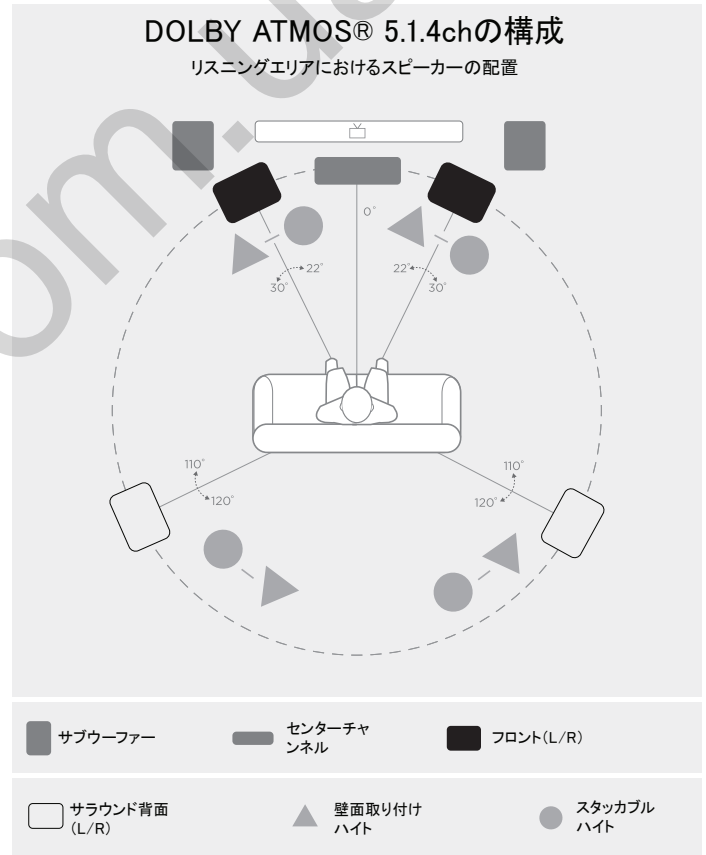
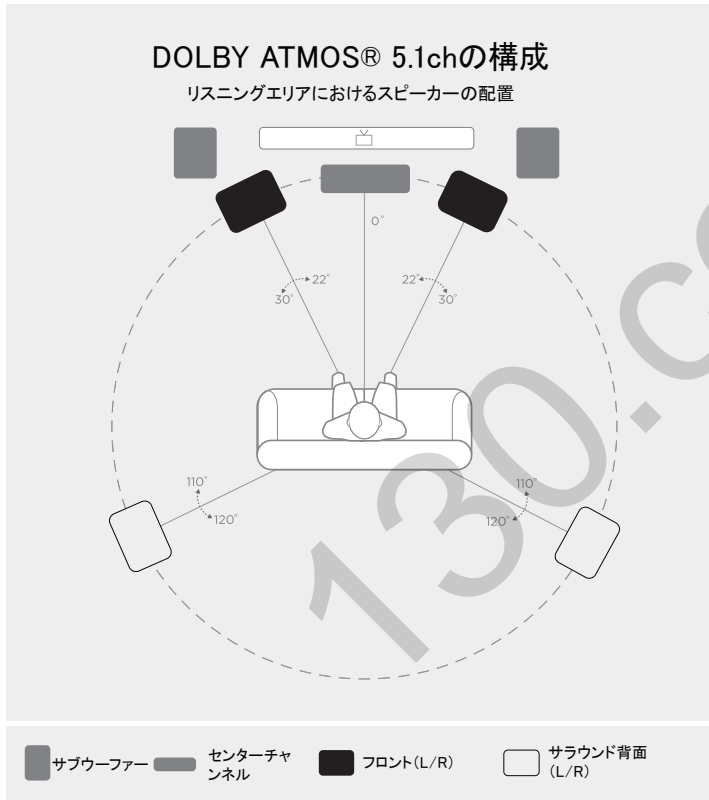
Polk Monitor XTシリーズスピーカーはPolk Audioホームシアターシステムの背面サラウンドスピーカーとして使用できます。背面チャンネルサラウンドスピーカーは、側壁面のリスニングポジションからわずかに背後上部の位置に配置するのが理想的です。

3.1chシステムでのリスニング

リスナーが座る位置からスピーカーをできるだけ離すことによりリアルなステレオ音像を得ることができます。室内条件でスピーカーをさらに離して配置する必要がある場合は、中心に対するスピーカーの角度を変えることにより明確なセンター音像を得ることができます。

5.1chサラウンドでのリスニング(代替オプション)

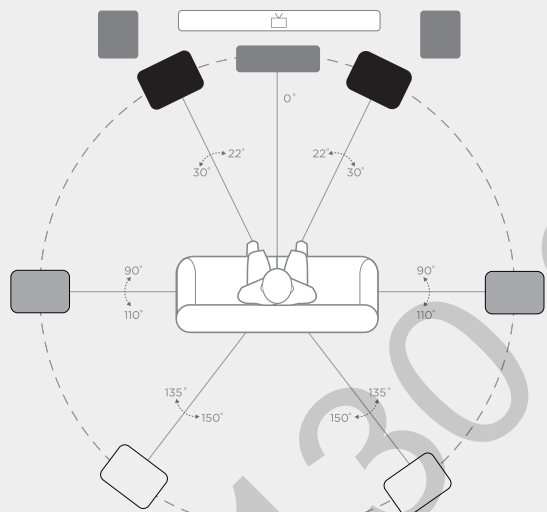
Polk Monitor XTシリーズスピーカーでは、背面チャンネルサラウンドスピーカーの配置を変更することができます。背面サラウンドスピーカーを側壁面に配置できない場合は、背壁面のリスニングポジションより高い位置に配置してください。



7.1chサラウンドでのリスニング
 背面サラウンドスピーカーを2本から4本に増やすことでサラウンドサウンドの深みを増やすことができます。

DOLBY ATMOS® 7.1chの構成

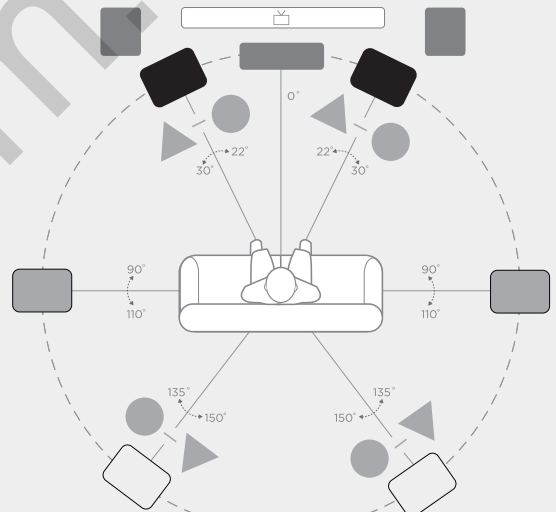
リスニングエリアにおけるスピーカーの配置



- サブウーファー ■ センターチャンネル ■ フロント(L/R)
- サラウンド(L/R) □ サラウンド背面(L/R)

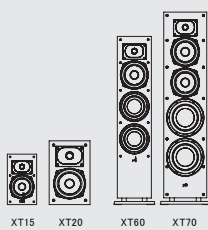
DOLBY ATMOS® 7.1.4chの構成

リスニングエリアにおけるスピーカーの配置



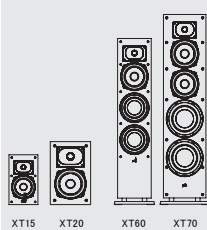
- サブウーファー ■ センターチャンネル ■ フロント(L/R) ■ サラウンド(L/R)
- サラウンド背面(L/R) ▲ スタックブルハイト ● 壁面取り付けハイト

メインスピーカーフロント(L/R)
 サラウンド(L/R)
 サラウンド背面(L/R)



メイン

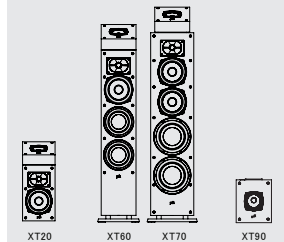
メインスピーカーフロント(L/R) フ
 ロント(L/R)
 サラウンド(L/R)
 サラウンド背面(L/R)



メイン

スタックブルハイトオプション

XT90を追加(フロント(L/R)、サラウンド(L/R)、およびサラウンド背面(L/R)の上)



スタックブルハイト

Monitor XTブックシェルフスピーカー

Monitor XTセンターチャンネルスピーカー

仕様	XT15	XT20	XT30	XT35
スピーカータイプ	スタンドマウント(ペア)	スタンドマウント(ペア)	コンパクトセンターチャンネル	センターチャンネル(L/C/R)
ツイーター	Teryleneドーム(1インチ)	Teryleneドーム(1インチ)	Teryleneドーム(1インチ)	Teryleneドーム(1インチ)
ミッドレンジ/ミッドバス				
ウーファー	カスタムペーパー(5.25インチ)	カスタムペーパー(6.5インチ)	カスタムペーパー(5.25インチ) x 2	カスタムペーパー(3インチ) x 4
パッシブブラジエーター	なし	なし	なし	なし
オーバーオール周波数特性	48Hz~40kHz	38Hz~40kHz	55Hz~40kHz	57Hz~40kHz
周波数特性(-3dB限界)	73Hz~26kHz	57Hz~26kHz	77Hz~26kHz	84Hz~26kHz
推奨アンプ出力	30~150W	30~200W	30~200W	25~200W
アンプ出力互換性	4Ω	4Ω	4Ω	4Ω
最小インピーダンス(オーム)	4.1Ω	4.3Ω	4.1Ω	4.2Ω
Sensitivity (2.83V/1m)	86dB	87dB	89dB	87dB
クロスオーバー周波数				
ツイーター/ミッドレンジ	2200Hz	3200Hz	2500Hz	2500Hz
ミッドレンジ/ミッドバス				
寸法および重量属性				
製品寸法(W x H x D)	6.50 x 10.6 x 7.18インチ 165.1 x 269.2 x 182.4ミリ	7.50 x 18.0 x 10.99インチ 190.5 x 330.0 x 279.3ミリ	19.9 x 6.50 x 8.13インチ 482.6 x 165.1 x 206.6ミリ	24.4 x 4.15 x 5.55インチ 619.7 x 105.4 x 141.0ミリ
全体の最深部(グリルを含む)				
製品重量(1本)				
筐体				
ミッドレンジエンクロージャータイプ				
ミッドバス/ウーファーエンクロージャータイプ				
利用可能な外装	マットブラック	マットブラック	マットブラック	マットブラック
足	あり(同梱)	あり(同梱)	あり(同梱)	あり(同梱)
壁面取り付け可能	なし	なし	なし	あり
接続端子	ニッケルめっき5ウエイ接続端子	ニッケルめっき5ウエイ接続端子	ニッケルめっき5ウエイ接続端子	ニッケルめっき5ウエイ接続端子
アクセサリ				
XT90スピーカー用	なし	あり	なし	なし
認証(安全性および規制以外)				
ハイレゾ認証	あり	あり	あり	あり

*予告なく変更される場合があります。

Polk Monitor XT

オーナーズマニュアル

	Monitor XTフロアスタンディングスピーカー		Monitor XTハイトモジュールスピーカー
仕様	XT60	XT70	XT90
スピーカータイプ	フロアスタンディングスピーカー	フロアスタンディングスピーカー	ハイトモジュール(ペア)
ツイーター	Teryleneドーム(1インチ)	Teryleneドーム(1インチ)	なし
ミッドレンジ/ミッドバス			
ウーファー	カスタムペーパー(6.5インチ)	カスタムペーパー(6.5インチ)x 2	カスタムペーパー(4インチ)
パッシブラジエーター	パッシブラジエーター(6.5インチ)x 2	パッシブラジエーター(8インチ)x 2	なし
オーバーオール周波数特性	38Hz~40kHz	35Hz~40kHz	94Hz~22kHz
周波数特性(-3dB限界)	43Hz~26kHz	41Hz~26kHz	164Hz~17kHz
推奨アンプ出力	25~200W	25~200W	30~100W
アンプ出力互換性	4Ω	4Ω	4Ω
最小インピーダンス	4.4Ω	4.0Ω	4.3Ω
感度(2.83V/1m)	86dB	89dB	89dB
クロスオーバー周波数			
ツイーター/ミッドレンジ	2200Hz	2700Hz	2700Hz
ミッドレンジ/ミッドバス			
寸法および重量属性			
製品寸法(W x H x D)	7.50 x 36.4 x 9.09インチ 190.5 x 925.0 x 230.8ミリ	9.25 x 40.4 x 12.5インチ 235 x 1026.6 x 317.9ミリ	7.50 x 5.64 x 8.38インチ 190.5 x 143.2 x 212.9ミリ
全体の最深部(グリルを含む)			
製品重量(1本)			
筐体			
ミッドレンジエンクロージャータイプ			
ミッドバス/ウーファーエンクロージャータイプ			
利用可能な外装	マットブラック	マットブラック	マットブラック
足	ゴムパッド	ゴムパッド	ゴムパッド
壁面取り付け可能	なし	なし	あり
接続端子	ニッケルめっき5ウェイ接続端子	ニッケルめっき5ウェイ接続端子	ニッケルめっき5ウェイ接続端子
アクセサリ			
XT90スピーカー用	あり	あり	なし
認証(安全性および規制以外)			
ハイレゾ認証	あり	あり	なし

*予告なく変更される場合があります。

5年間限定保証

Polk Audio, LLC(以下「Polk」または「Polk Audio」)は、本限定保証を最初に小売りで購入した購入者にのみ提供します。最初に小売りで購入した購入者が本製品を第三者に売却または譲渡した場合、本保証は定められた期限を待たずに終了します。

Polk Audioは、スピーカー、パッシブクロスオーバーコンポーネント、およびエンクロージャー(以下「本製品」)について、購入者がPolk Audio正規代理店から最初に小売りで購入した日から5年間にわたり材質上および製造上の不良が生じないことを最初の購入者に対してのみ保証します。

Polkが可能な限り最善の保証サービスをご提供できるよう、購入日から10日以内に製品登録を行ってください(オンライン(<http://www.polkaudio.com/registration>))でご登録いただくか、Polkカスタマーサービス(電話:800-377-7655 *米国、カナダのみ)宛にご連絡ください。購入時の領収書は大切に保管してください。

不良のある本製品については、購入を証明する書面と併せて、本製品を購入したPolk正規代理店または当社工場(5541 Fermi Court; Carlsbad, CA 92008)宛に前払いの保険を付してご返送いただく必要があります。本製品は元の輸送用梱包または同等物を用いてご返送いただく必要があります。輸送中の紛失または損傷の危険についてはどのような場合でもお客様のご負担となります。当社工場またはPolk正規代理店において検査を行った結果、保証期間内のいずれかの時点で当該ユニットに材質上または製造上の不良が生じたと判定された場合、PolkまたはPolkの正規代理店は、以下の場合を除いて無償で本製品の修理または交換を任意に行うことができます。交換した部品および本製品はすべてPolkの財産となります。本保証に基づいて交換または修理した製品は相当の期間内に送料元払いによりお客様に返送いたします。

本保証には、事故、災害、誤用、悪用、過失、不十分な梱包もしくは出荷手順、商用利用、ユニットの指定最大電圧を超えた電圧の入力、材質上もしくは製造上の不良が直接の原因ではない筐体の美的外観の劣化、またはPolkの許可なく行われた本製品の保守点検、修理もしくは改造により生じた損傷を修理するためのサービスまたは部品を含みません。本製品をPolk正規代理店以外から購入した場合、本製品上に表示したシリアル番号が除去、改ざんまたは汚損された場合、本保証は終了するものとします。

本保証はその他すべての明示的保証に代えて行われます。本製品に上記保証の対象となる材質上または製造上の不良がある場合、お客様が援用できる救済策は上記の修理または交換に限るものとします。本製品の使用または使用不能により生じた付随的損害または間接的損害については、Polk AudioまたはPolkの正規代理店がそのような損害が発生する可能性を知らされていた場合でも、Polk Audioはお客様に対して一切その責任を負いません。また、Polk Audioは第三者による請求についてもお客様に対して一切責任を負いません。一部の州は間接的損害の排除または制限を許可していないため、上記の制限および排除の規定がお客様に適用されない場合があります。

本製品に関するすべての黙示的保証は本保証の期間内に限られます。一部の州は黙示的保証の期間を制限することを許可していないため、上記の制限規定がお客様に適用されない場合があります。本保証は特定の法的権利をお客様に付与するものであり、州によってはその他各種の保証がお客様に付与される場合があります。

本保証は、カナダ国内、米国内、米国内ならびに米軍およびNATO軍の交流所で購入された製品に限り適用されます。前述の国または地域以外で購入したPolk製品については、製品付属の保証書をご覧ください。

Expect Great Sound

感谢您选择 Polk Monitor XT™ 音箱。这一全新系列采用大胆前卫的设计，以超高品质成就卓越性能。这些高效率音箱沿袭了 Polk 的专利 Dynamic Balance® 调谐驱动器和高频单元，使高音更加清晰、中音更加真实。Polk Monitor XT 音箱旨在打造卓越聆听效果和出色箱体外观，其精妙的细节设计适合搭配任何装饰效果。Polk Monitor XT 音箱纯粹而简单，真正定义了什么是“Expect Great Sound (期待美妙的声音)”。

逾 45 年来，我们以卓越的声音和制造品质赢得了“扬声器专家”的声誉，拥有多项专利和屡获殊荣的音频创新技术。对于 Polk 员工而言，制造音频产品并不仅仅是一项工作——而是一种热情。如果您要记住一件事，就请记住：我们以音频应传递的最真实声音为原则——以可承受的价格为每个人传递最美妙的声音！

技术支持或服务

如果您的产品在运输期间受到损坏，请与您购买此产品的 Polk Audio 授权经销商联系。有关技术支持、常见问题和维修信息，请访问 <http://polk.custhelp.com>。如需获取联系信息的完整列表，请访问 <https://www.polkaudio.com/contact-us>。支持电子邮件地址和电话号码因您购买此产品的地区而异。

警告：特别注意

Polk Audio 音箱能够以极高的音量播放，这可能会造成严重或永久性的听力损伤。Polk Audio 对因误用其产品而造成的听力损伤、人身伤害或财产损失不承担任何责任。记住这些指导原则，在控制音量时始终做出正确的判断：

- 限制长时间暴露于超过 85 分贝 (dB) 的音量水平里。有关安全音量水平的更多信息，请参阅 <http://www.osha.gov/> 上的职业健康安全管理 (OSHA) 指南。

产品处置

某些国际、国家和/或地方法律和/或法规可能适用于本产品的处置。有关详细信息，请与您购买此产品的零售商或您所在国家/地区的 Polk 进口商/经销商联系。更多信息，请访问 www.polkaudio.com 或联系 Polk Audio，地址：5541 Fermi Court, Carlsbad, California, 92008, USA。电话：1-800-377-7655。

我们的电气产品或其包装上的此符号表明，在欧洲禁止将该产品作为生活垃圾丢弃。为了确保您正确处置产品，请按照当地电气和电子设备处置的相关法律法规处置产品。这样做有助于保护自然资源，并通过处理和处置电子废物促进环保。



保养与清洁

您唯一需要做的就是偶尔为音箱去除灰尘。切勿使用任何研磨型或溶剂型清洁剂或任何强力清洁剂。可以使用吸尘器的毛刷来清洁格栅。

欧盟符合性声明

在此，Sound United, LLC 声明我们的产品符合以下 EU/EC 指令：



- EMC:2014/30/EU
- LVD:2014/35/EU
- RoHS: 2011/65/EU 和修正指令 (EU) 2015/863
- ErP: EC 规定 1275/2008 及其框架指令 2009/125/EC, 含修正案 801/2013

EU 联系方式：

Sound United Europe
A division of D&M Europe B.V.
Beemdstraat 11, 5653 MA, Eindhoven
The Netherlands

UKCA 符合性声明

在此，Sound United, LLC 声明我们的产品符合以下 UK 指令：



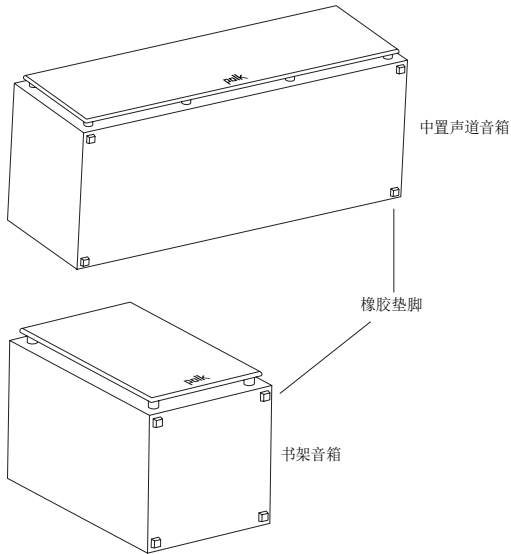
- 电气设备 (安全) 规定 2016
- 电磁兼容性规定 2016
- 限制电气电子设备中使用某些有害物质的规定 2012
- 能源相关产品的生态设计规定 2010

UK 进口商：

D&M Audiovisual Ltd.
Cells 1 & 2 Kopshop, 6 Old London Road
Kingston Upon Thames KT2 6QF UK

增加背胶橡胶垫脚

为使您的 Polk 音箱保持稳固，并防止其损坏地板或家具，在音箱底部贴上背胶橡胶垫脚是个不错的主意。



注意：

- XT15 / XT20 / XT30 / XT35: 使用产品前必须安装橡胶垫脚。
- XT60 / XT70 / XT90: 橡胶垫脚已预先安装。

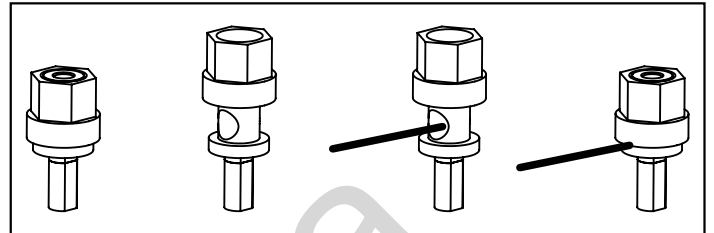
系统连接方式

为了获得最佳音质，正确连接音箱至关重要。

接线柱接头使用方式

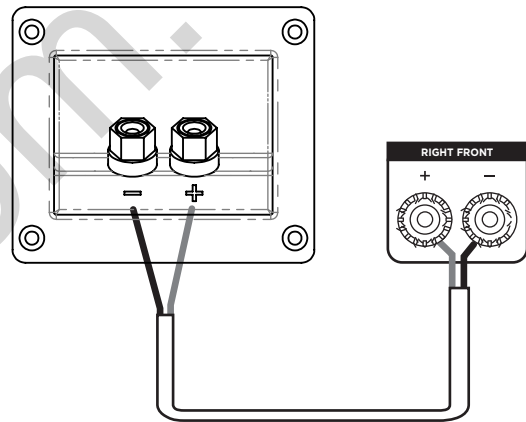
拧松六角螺母并将音箱裸线插入孔中。向下拧紧六角螺母进行连接。

注意：不要将电线的绝缘部分插入孔中（否则将无法连接）。



音箱基本连接

确保放大器或接收器上的红色 (+) 和黑色 (-) 接头与音箱的红色 (+) 和黑色 (-) 接头连接。如果您的音箱听起来“薄”，低音很少，同时中心声像很少或没有，则可能是其中一根音箱电线接反了。检查所有连接。



中置声道音箱的处理器模式

注意：在接收器的低音管理设置中将中置声道音箱设为“小”。

大多数环绕式接收器的“低音管理”或“音箱配置”菜单均包含针对中置声道操作的“常规”或“宽”模式。在离散声道数字处理器中，上述模式称为“小”和“大”。常规（小）模式可过滤来自中置声道音箱的低频率，并将其发送至左前置音箱和右置主音箱或连接至低音炮输出（LFE）插孔。宽（大）模式可向中置声道音箱发送未过滤的全范围信号。使用小（常规）模式可获得优质的中置（和环绕式）声道性能与稳定性。

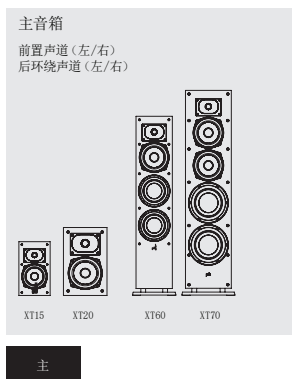
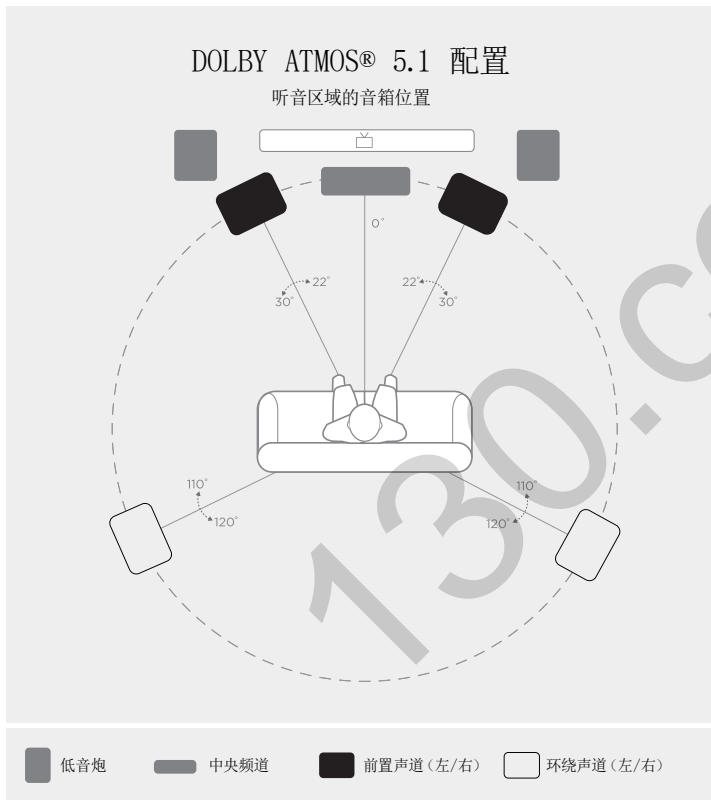
音箱定位

要最大限度地提高音箱系统的音质（无论您购买的是 XT15 书架音箱、XT30 中置声道音箱，还是 XT70 塔式音箱），正确的摆位非常重要。请看下面的示例，根据您购买的 Polk Monitor XT 系列音箱进行尝试。

注意：您的 Polk Monitor XT 系列音箱兼容 2.0、2.1、3.1、5.1、7.1 和 9.1 设置（图中显示可选的低音炮）。

在 5.1 环绕声中聆听

在 Polk Audio 家庭影院系统中，您可以将 Polk Monitor XT 系列音箱用作后环绕式音箱。理想的后声道环绕式音箱位置是沿着侧墙放置，略在收听位置的后上方。

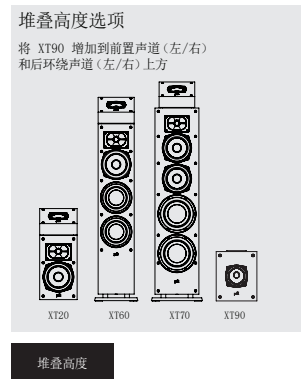
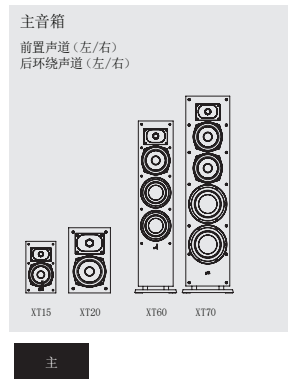
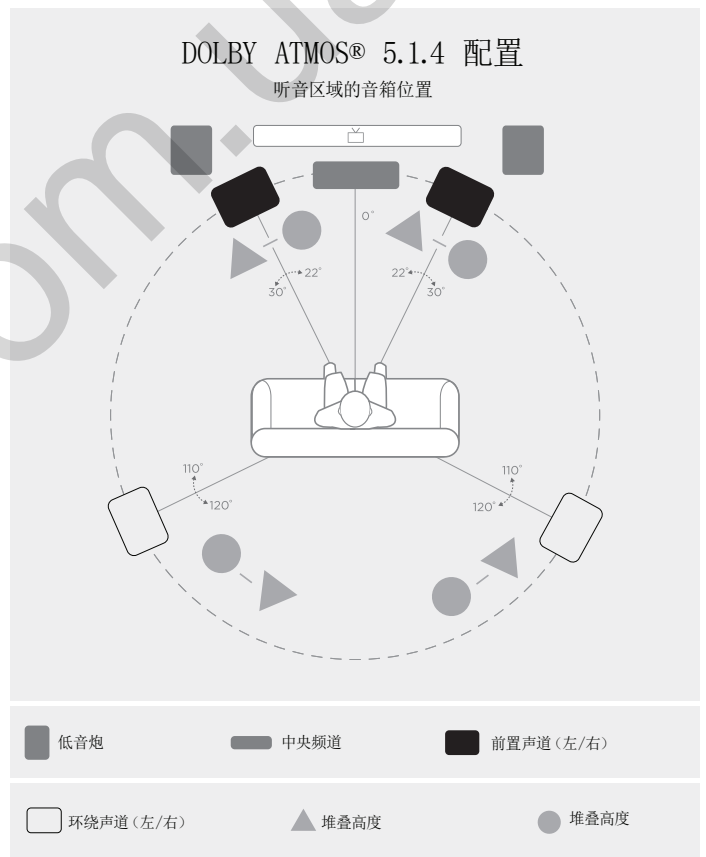


在 3.1 系统中聆听

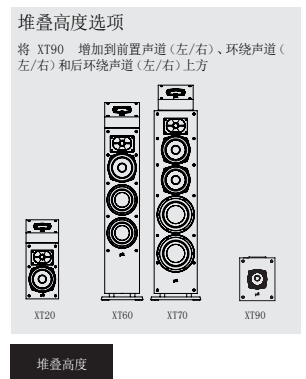
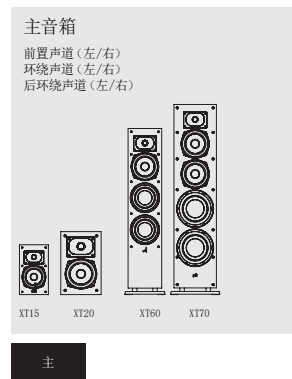
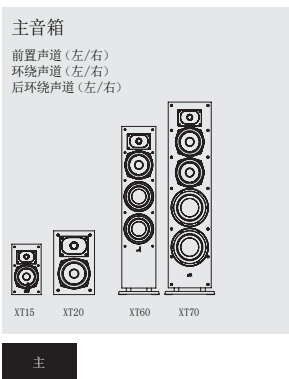
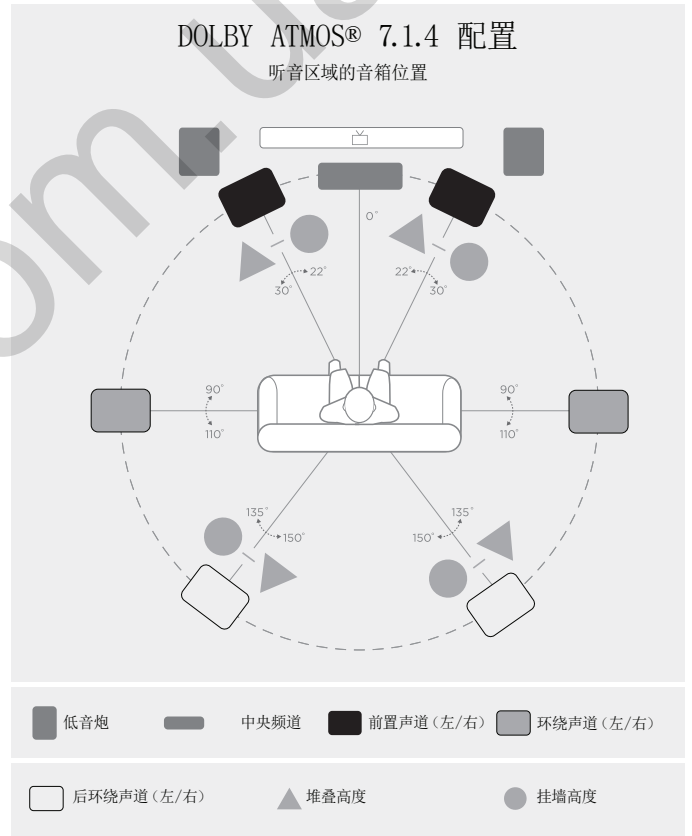
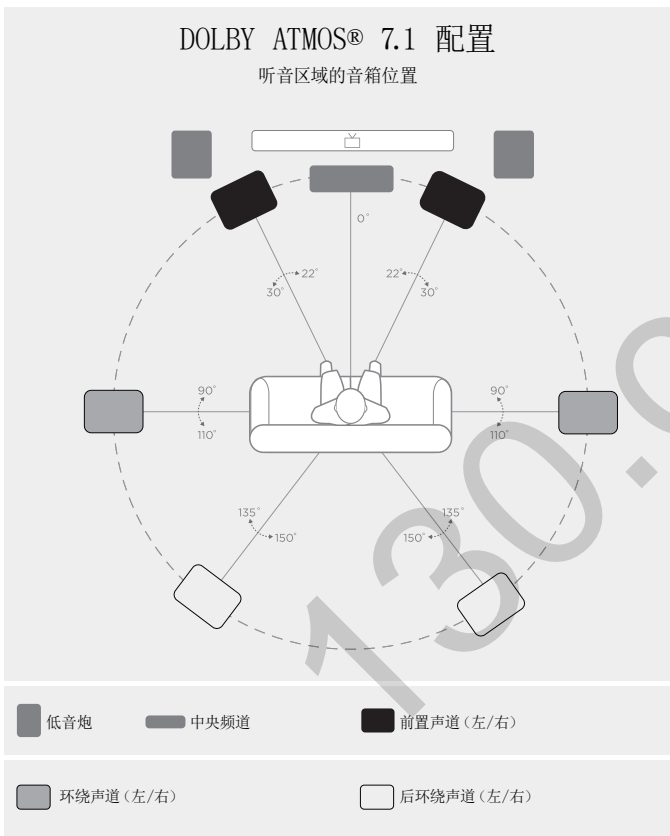
通过将音箱放置在离听众座位尽可能远的位置，获得最逼真的立体声图像。如果房间条件允许您将音箱放置在较远的位置，则可以选择将音箱按角度朝向中间放置，以支撑更加稳定的中置图像。

在 5.1 环绕声中聆听 - 替代选项

Polk Monitor XT 系列音箱的替代后声道环绕式音箱位置。如果无法将后环绕式音箱沿侧墙放置，请将它们沿倾听位置后墙的上方放置。



在 7.1 环绕声中聆听
使用四个后置环绕音箱（而不是两个），享受更好的环绕声体验。



中文

	Monitor XT 书架音箱		Monitor XT 中置声道音箱	
规格	XT15	XT20	XT30	XT35
音箱类型	支架式 (成对)	支架式 (成对)	紧凑中置声道	中置声道 (左/中/右)
高频单元	1" 涤纶圆顶	1" 涤纶圆顶	1" 涤纶圆顶	1" 涤纶圆顶
中频/中低频				
低频单元	5¼" Custom Paper	6½" Custom Paper	Two 5¼" Custom Paper	Four 3" Custom Paper
无源散热器	不适用	不适用	不适用	不适用
总频率响应	48Hz - 40kHz	38Hz - 40kHz	55Hz - 40kHz	57Hz - 40kHz
频率响应 (-3dB 限制)	73Hz - 26kHz	57Hz - 26kHz	77Hz - 26kHz	84Hz - 26kHz
建议的放大器功率	30 - 150W	30 - 200W	30 - 200W	25 - 200W
放大器输出兼容性	4Ω	4Ω	4Ω	4Ω
最小阻抗 (ohm)	4.1Ω	4.3Ω	4.1Ω	4.2Ω
灵敏度 (2.83V/1m)	86dB	87dB	89dB	87dB
交叉频率				
高频/中频	2200Hz	3200Hz	2500Hz	2500Hz
中频/中低频				
尺寸和重量属性				
产品尺寸 (宽 x 高 x 深)	6.50 x 10.6 x 7.18 英寸 165.1 x 269.2 x 182.4 毫米	7.50 x 18.0 x 10.99 英寸 190.5 x 330.0 x 279.3 毫米	19.9 x 6.50 x 8.13 英寸 482.6 x 165.1 x 206.6 毫米	24.4 x 4.15 x 5.55 英寸 619.7 x 105.4 x 141.0 毫米
最大整体深度 (含格栅)				
产品重量 (每个)				
箱体				
中频箱体类型				
中低频/低频箱体类型				
可选的表面颜色	哑光黑	哑光黑	哑光黑	哑光黑
柜脚	是, 箱内自带	是, 箱内自带	是, 箱内自带	是, 箱内自带
挂墙式?	否	否	否	是
接线柱	镀镍 5 路接线柱	镀镍 5 路接线柱	镀镍 5 路接线柱	镀镍 5 路接线柱
配件				
设计用于 XT90 音箱	不适用	是	不适用	不适用
认证 (非安全和法规)				
是否通过 Hi-Res 认证	是	是	是	是

*如有变更, 恕不另行通知。

	Monitor XT 落地音箱		Monitor XT 增高模块音箱
规格	XT60	XT70	XT90
音箱类型	落地音箱	落地音箱	增高模块 (成对)
高频单元	1" 涤纶圆顶	1" 涤纶圆顶	不适用
中频/中低频			
低频单元	6½" 自定义纸张	两张 6½" 自定义纸张	4" 自定义纸张
无源散热器	两个 6½" 无源散热器	两个 8" 无源散热器	不适用
总频率响应	38Hz-40kHz	35Hz-40kHz	94Hz-22kHz
频率响应 (-3dB 限制)	43Hz-26kHz	41Hz-26kHz	164Hz-17kHz
建议的放大器功率	25-200W	25-200W	30-100W
放大器输出兼容性	4Ω	4Ω	4Ω
最小阻抗 (ohm)	4.4Ω	4.0Ω	4.3Ω
灵敏度 (2.83V/1m)	86dB	89dB	89dB
交叉频率			
高频/中频	2200Hz	2700Hz	2700Hz
中频/中低频			
尺寸和重量属性			
产品尺寸 (宽 x 高 x 深)	7.50 x 36.4 x 9.09 英寸 190.5 x 925.0 x 230.8 毫米	9.25 x 40.4 x 12.5 英寸 235 x 1026.6 x 317.9 毫米	7.50 x 5.64 x 8.38 英寸 190.5 x 143.2 x 212.9 毫米
最大整体深度 (含格栅)			
产品重量 (每个)			
箱柜			
中频箱体类型			
中低频/低频箱体类型			
可选的表面颜色	哑光黑	哑光黑	哑光黑
柜脚	橡胶垫	橡胶垫	橡胶垫
挂墙式?	否	否	是
接线柱	镀镍 5 路接线柱	镀镍 5 路接线柱	镀镍 5 路接线柱
配件			
设计用于 XT90 音箱	是	是	不适用
认证 (非安全和法规)			
是否通过 Hi-Res 认证	是	是	否

*如有变更, 恕不另行通知。

5 年有限质保

Polk Audio, LLC (以下简称“Polk”或“Polk Audio”) 仅向最初零售购买者提供本有限质保。如果最初零售购买者出售或转让产品给任何其他方, 则本质保将在其规定期满前自动终止。

Polk Audio 仅向最初购买者保证, 本音箱、无源交叉组件和箱体 (以下简称“产品”) 自最初从 Polk Audio 授权经销商处零售购买之日起五 (5) 年内无材料和工艺缺陷。

为了让 Polk 提供尽可能优质的质保服务, 请在最初购买之日起十 (10) 天内通过 www.polkaudio.com/registration 在线注册您的新产品或者拨打电话 800-377-7655 联系 Polk 位于美国和加拿大的客服。请务必保留好您的原始购买收据。

必须将有缺陷的产品连同购买证明一起寄送给购买产品的 Polk 授权经销商或工厂地址 5541 Fermi Court; Carlsbad, CA 92008, 并预付保险费。产品必须用原运输箱或同等箱寄送; 在任何情况下, 运输过程中的损失或损坏风险由您承担。如果在工厂或 Polk 授权经销商处进行检查后确定, 在本质保期内的任何时候, 设备的材料或工艺存在缺陷, Polk 或 Polk 授权经销商将自行选择修理或更换本产品, 不收取任何额外费用, 除非以下另有规定。所有更换的零件和产品都归 Polk 所有。根据本质保条款更换或修理的产品将在合理时间内退还给您, 运费预付。

本质保不包括因事故、灾难、误用、滥用、疏忽、包装或装运程序不当、商业用途、电压输入超过设备额定最大值、不可直接归因于材料或工艺缺陷的机箱外观问题、或未经 Polk 授权或批准的产品维修、修理或改装等的服务或修理损坏的零件。如果从未经授权的经销商处购买或者产品上的序列号已被删除、篡改或损坏, 本质保将终止。

本质保代替所有其他明示保证。如果本产品存在上述质保中的材料或工艺缺陷, 则您的唯一补救措施应是按照上述规定进行修理或更换。在任何情况下, 即使 Polk Audio 或 Polk 授权经销商已被告知此类损害的可能性, 或任何其他方提出任何索赔, Polk Audio 也不对因使用或无法使用产品而引起的任何附带或间接损害负责。有些地区不允许排除或限制间接损害, 因此上述限制和排除可能不适用于您。

本产品的所有默示保证仅限于在本明示保证持续时间内有效。有些地区不允许限制默示保证的有效期, 因此上述限制可能不适用于您。本质保赋予您特定的法律权利, 您也可能拥有各地区不同的其他权利。

本质保仅适用于在加拿大、美国及其属地、美国和北约的交流俱乐部购买的产品。请参阅针对本文中未提及国家或地区购买的 Polk 产品的质保指南。

POLK. EXPECT GREAT SOUND.®

130.com.ua

Sound United, LLC
5541 Fermi Court
Carlsbad, CA 92008 USA

www.polkaudio.com

EU Contact:
Sound United Europe
a Division of D&M Europe B.V.
Beemdstraat 11, 5653 MA Eindhoven
The Netherlands

UK Importer:
D&M Audiovisual Ltd.
Cells 1 & 2 Kopshop, 6 Old London Road
Kingston Upon Thames
KT2 6QF UK