



PHONES

0 (800) 800 130
(050) 462 0 130
(063) 462 0 130
(067) 462 0 130

130
COM.UA

Internet store of
autogoods



SKYPE

km-130

CAR RECEIVERS — Receivers • Media receivers and stations • Native receivers • CD/DVD changers • FM-modulators/USB adapters • Flash memory • Facia plates and adapters • Antennas • Accessories |
 CAR AUDIO — Car audio speakers • Amplifiers • Subwoofers • Processors • Crossovers • Headphones • Accessories | TRIP COMPUTERS — Universal computers • Model computers • Accessories |
 GPS NAVIGATORS — Portable GPS • Built-in GPS • GPS modules • GPS trackers • Antennas for GPS navigators • Accessories | VIDEO — DVR • TV sets and monitors • Car TV tuners • Cameras • Videomodules
 • Transcoders • Car TV antennas • Accessories | SECURITY SYSTEMS — Car alarms • Bike alarms • Mechanical blockers • Immobilizers • Sensors • Accessories | OPTIC AND LIGHT — Xenon • Bixenon • Lamps
 • LED • Stroboscopes • Optic and Headlights • Washers • Light, rain sensors • Accessories | PARKTRONICS AND MIRRORS — Rear parktronic • Front parktronic • Combined parktronic • Rear-view mirrors
 • Accessories | HEATING AND COOLING — Seat heaters • Mirrors heaters • Screen-wipers heaters • Engine heaters • Auto-refrigerators • Air conditioning units • Accessories | TUNING — Vibro-isolation
 • Noise-isolation • Tint films • Accessories | ACCESSORIES — Radar-detectors • Handsfree, Bluetooth • Windowlifters • Compressors • Beeps, loudspeakers • Measuring instruments • Cleaners • Car seats
 • Miscellaneous | MOUNTING — Installation kits • Upholstery • Grilles • Tubes • Cable and wire • Tools • Miscellaneous | POWER — Batteries • Converters • Start-charging equipment • Capacitors
 • Accessories | MARINE AUDIO AND ELECTRONICS — Marine receivers • Marine audio speakers • Marine subwoofers • Marine amplifiers • Accessories | CAR CARE PRODUCTS — Additives • Washer fluid •
 Care accessories • Car polish • Flavors • Adhesives and sealants | LIQUID AND OIL — Motor oil • Transmission oil • Brake fluid • Antifreeze • Technical lubricant



In store "130" you can find and buy almost all necessary goods for your auto in Kyiv and other cities, delivery by ground and postal services. Our experienced consultants will provide you with exhaustive information and help you to choose the very particular thing. We are waiting for you at the address

<https://130.com.ua>



OWNER'S MANUAL

L600

FLOOR-STANDING LOUDSPEAKER

L400

CENTER CHANNEL SPEAKER

L200

BOOKSHELF SPEAKERS

L100

COMPACT BOOKSHELF SPEAKERS



Contents

Expect Great Sound — The Legend Legacy	2
Safety Instructions	3
What's in the Box	4
How to Connect Your System	4
Legend Series Speaker Positioning	5
Caring for Your Legend Loudspeakers	7
Specifications	8
Warranty	9

Expect Great Sound — The Legend Legacy

Thank you for choosing the Polk Legend Series loudspeakers. With sound that virtually transports the listener to the scene of the recorded performance, the Legend Series offers great Polk sound housed in bold, American design. Listen to music with crisp, life-like detail, smooth and natural midrange, and authoritative, dynamic bass — even during extended listening at performance levels. Dive into your music collection and bring the live show home, and enjoy spectacular home theater entertainment. With its American modern styling, each speaker in the Legend Series features gorgeous curves and aggressive accents that elevate the décor of your room. Pure and simple, the Polk Legend Series is engineered and designed with your entertainment in mind.

Having built a reputation as the makers of great sound for more than 45 years, Polk Audio takes pride in superior sound and build quality, which features many patented and award-winning audio innovations. For Polk, building audio products isn't just a job — it's a passion to deliver great sound that's accessible for everyone!

Technical Assistance or Service

If anything is missing or damaged, or if your speaker fails to operate, notify Polk Audio Customer Service immediately at 800-377-7655. If you experience difficulty after following the directions to connect your speakers outlined in this manual, please double-check all wire connections. Should you isolate the problem to the speaker, contact the authorized Polk Audio dealer where you made your purchase, or contact Polk Audio Customer Service at 800-377-7655 or via email at polkcs@polkaudio.com. Outside the US & Canada, call +1 410-358-3600.

WARNING: Listen Carefully

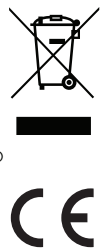
Polk Audio loudspeakers are capable of playing at extremely high volume levels, which could cause serious or permanent hearing damage. Polk Audio, Inc. accepts no liability for hearing loss, bodily injury or property damage resulting from the misuse of its products. Keep these guidelines in mind and always use good judgment when controlling volume:

- Limit prolonged exposure to volume levels that exceed 85 decibels (dB). For more information about safe volume levels, take a look at the Occupational Health and Safety Administration (OSHA) guidelines at <http://www.osha.gov/>.

Product Disposal

Certain international, national and/or local laws and/or regulations may apply regarding the disposal of this product. For more information, please contact the retailer where you purchased this product or the Polk importer/distributor in your country. More information is also available at www.polkaudio.com or by contacting Polk Audio at 1 Viper Way, Vista, California, 92081, USA. Phone: 1-800-377-7655.

This symbol on our electrical products or their packaging indicates that it is prohibited in Europe to discard this product(s) as domestic waste. In order to ensure that you dispose of the product(s) correctly, please dispose of the product(s) according to local laws and regulations on the disposal of electrical and electronic equipment. In doing so you are contributing to the retention of natural resources and to the promotion of environmental protection by the treatment and disposal of electronic waste.





CAUTION

TO REDUCE THE RISK OF ELECTRIC SHOCK, DO NOT REMOVE COVER (OR BACK). NO USER-SERVICEABLE PARTS INSIDE. REFER SERVICING TO QUALIFIED SERVICE PERSONNEL.



The lightning flash with arrowhead symbol, within an equilateral triangle, is intended to alert the user to the presence of uninsulated “dangerous voltage” within the product’s enclosure that may be of sufficient magnitude to constitute a risk of electric shock to persons.



The exclamation point within an equilateral triangle is intended to alert the user to the presence of important operating and maintenance (servicing) instructions in the literature accompanying the appliance.

IMPORTANT SAFETY INSTRUCTIONS

1. Read these instructions.
2. Keep these instructions.
3. Heed all warnings.
4. Follow all instructions.
5. Do not use this apparatus near water.
6. Clean only with dry cloth.
7. Do not block any ventilation openings. Install in accordance with the manufacturer’s instructions.
8. Do not install near any heat sources such as radiators, heat registers, stoves, or other apparatus (including amplifiers) that produce heat.
9. Only use attachments/accessories specified by the manufacturer.
10. Use only with the cart, stand, tripod, bracket, or table specified by the manufacturer, or sold with the apparatus. When a cart is used, use caution when moving the cart/apparatus combination to avoid injury from tip-over.
11. Refer all servicing to qualified service personnel. Servicing is required when the apparatus has been damaged in any way, such as power supply cord or plug is damaged, liquid has been spilled or objects have fallen into the apparatus, the apparatus has been exposed to rain or moisture, does not operate normally, or has been dropped.



NOTES ON USE

WARNINGS

- Avoid high temperatures. Allow for sufficient heat dispersion when installed in a rack.
- Keep the unit free from moisture, water, and dust.
- Do not obstruct the ventilation holes.
- Do not let foreign objects into the unit.
- Do not let insecticides, benzene, and thinner come in contact with the unit.
- Never disassemble or modify the unit in any way.
- Ventilation should not be impeded by covering the ventilation openings with items, such as newspapers, tablecloths or curtains.
- Naked flame sources such as lighted candles should not be placed on the unit.
- Do not expose the unit to dripping or splashing fluids.
- Do not place objects filled with liquids, such as vases, on the unit.

A NOTE ABOUT RECYCLING:

This product’s packaging materials are recyclable and can be reused. Please dispose of any materials in accordance with the local recycling regulations. When discarding the unit, comply with local rules or regulations.



EU Declaration of Conformity

Hereby, [Sound United, LLC] declares that our product is in compliance with following EU/EC Directives. The full text of the EU declaration of conformity is available at the following internet address:

<EU/EC Directives>

RoHS: 2011/65/EU, and amendment directive (EU) 2015/863

“EU declaration of conformity URL:

<https://www.polkaudio.com/declarations-of-conformity>”

Sound United, LLC
 1 Viper Way Vista, CA 92081 USA

EU contact : Sound United Europe, A division of D&M Europe
 B.V. Beemdstraat 11, 5653 MA Eindhoven, The Netherlands

What's in the Box

Each box contains:

1. Loudspeaker(s)
2. Owner's Manual
3. Registration Card
4. Magnetic grilles
5. Dust cloth
(Speaker cable not included)

How to Connect Your System

To get the best sound quality, it's important to wire your speakers correctly.

Wire Preparation

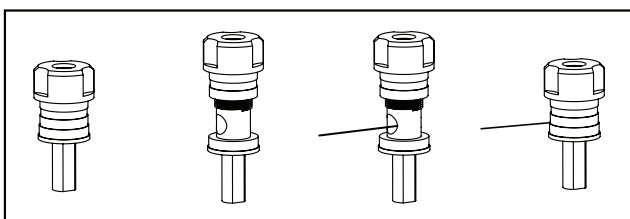
Follow the hookup directions included with your receiver/amplifier. Strip 0.5" (12.7mm) of insulation from each of the two conductors of the wire to expose the bare metal and twist each of the individual conductors into single un-frayed strands. Note that one of the terminals on the rear of each speaker is marked red (+) and the other is black (-). Make sure that you connect the wire from the positive (+) terminal of your amplifier or receiver to the red (+) terminal on your speaker and the wire from the negative (-) terminal of your amplifier or receiver to the black (-) terminal on your speaker. Most wire has some indicator (such as color-coding, ribbing or writing) on one of the two conductors to help you maintain consistency.

These recommendations are for all connections from the amplifier/receiver to each speaker:

Runs	Gauge
Lengths up to 25' (5 m)	16 or better
Lengths greater than 25' (5 m) but less than 50' (15 m)	14
Lengths greater than 50' (15 m) but less than 75' (25 m)	12
Lengths greater than 75' (25 m)	10

Binding Posts

To connect wire to the binding post, unscrew the binding post cap and insert the bare wire into the hole near the base of the binding post. Do not insert the insulated part of the wire into the hole as this will not give you a good connection. Tighten the binding post cap until it seats firmly with the wire, but do not over tighten.



Connectors

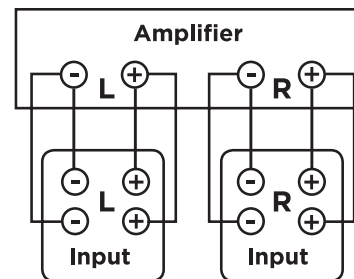
You have several options when choosing connectors for your speaker wires, and it's really a matter of personal preference. Three of the more commonly used are banana plugs, spade lugs and bare wire. If you know where you want to locate your speakers and plan to set up your system and leave them there, then bare wire will work fine. Just make sure there are not stray strands of wire that could come into contact. If you like to experiment with different speaker locations, spade lugs or banana plugs offer more convenient options when it comes to disconnecting and reconnecting wires.

Basic Floor-Standing, Center and Bookshelf Speaker Hookup (L600, L400, L200 and L100)

Make sure that the red (+) and black (-) connectors on your amplifier or receiver connect to the red (+) and black (-) connectors on your speakers. If your speakers sound "thin," with little bass and little or no center image, odds are that one of the speaker wires is connected backwards. Double check all connections.

Bi-Wiring (L600, L400 and L200)

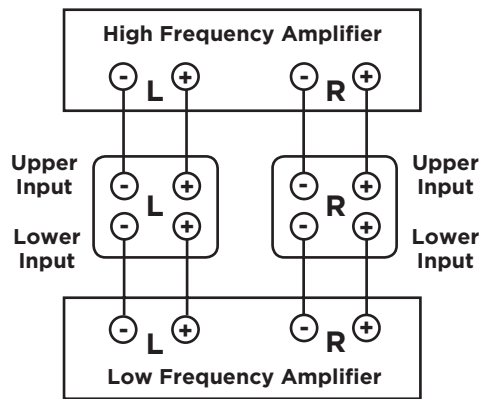
Bi-wiring can provide noticeable improvements in the overall transparency of your loudspeakers. After removing the jumpers, run separate speaker wires to the low and high frequency drivers from a single amplifier (the upper set of binding posts are for the high frequency drivers, the lower set of binding posts are for the low frequency drivers). Connect one set of speaker wires to the upper terminals on each speaker and one set of wires to the lower terminals. Connect the other ends of both wire sets to the same amplifier outputs. See amplifier/AV receiver user manual for configuration instructions. (Figure 1)



(Figure 1)

Bi-Amping (L600, L400 and L200)

Bi-amping allows you to use separate amplifiers for the high and low frequency sections of your loudspeaker for greater dynamic range and lower distortion. We recommend that your separate amplifiers have identical gain to preserve the speaker's voicing balance. After removing the jumpers, connect the speaker wires from the high frequency amplifier outputs to the upper set of terminal posts on each speaker. Follow the same procedure for connecting the low frequency amplifier outputs to the lower set of terminals. **(Figure 2)** Remember to maintain correct wiring polarity (+ to +, - to -) in all connections. See amplifier/AV receiver user manual for configuration instructions.



(Figure 2)

Bass Management

When using your Legend Series loudspeakers with a receiver or processor employing bass management in a home theater, we recommend the following settings:

L600: set to "small" when using a subwoofer and set the crossover frequency between 40-80Hz. If no subwoofer is present in the system, set these to "large".

L400, L200: set to "small" when using a subwoofer and set the crossover frequency between 50-80Hz.

L100: set to "small" when using a subwoofer and set the crossover frequency between 60-80Hz.

Legend Series Speaker Positioning

Placement Recommendations for the

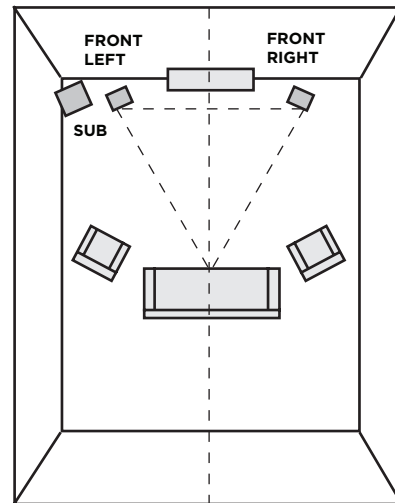
L400 Center Channel Speaker

The most popular placement for your L400 center channel speaker is below your TV. You may also place your center channel above your TV should you choose. The center channel is very heavy, and we do not recommend wall mounting them. To maximize the sound quality of your speaker system — whether you've purchased floor-standing speakers, a center channel speaker, bookshelf speakers or height modules — correct placement is important. Take a look at the following examples and give them a try based on the Legend Series speakers you've purchased.

Note: Your Legend Series speakers are compatible with basic/advanced 2.0, 2.1, 3.1, 5.1, 7.1 and 9.1 surround setups (optional subwoofer shown in graphics) and all Atmos setups (ex. 5.1.2, 5.1.4, etc.) .

Listening in 2.1 System

Get the most realistic stereo image by placing speakers as far apart as the listeners are sitting from them. You may choose to angle the speakers toward the middle to support a more solid center image.

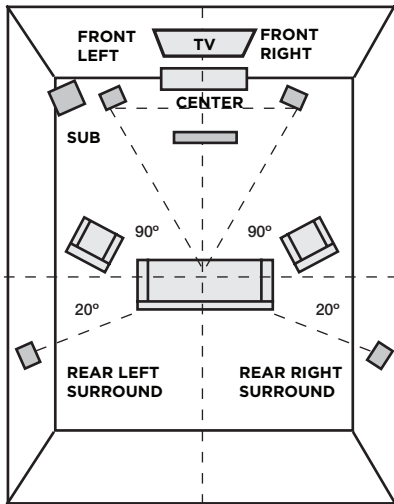




Listening in 5.1 Surround

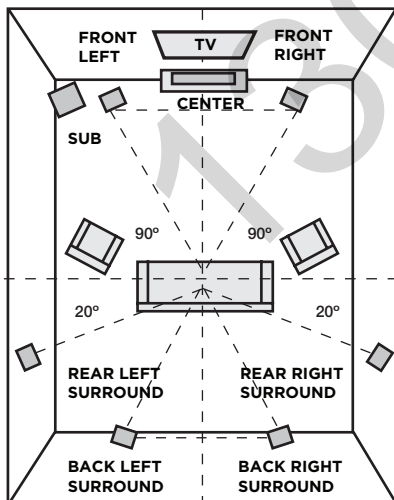
You can use the Legend Series speakers as rear surround speakers in a Polk Audio home theater surround system. Ideal rear channel surround speaker placement is along a side wall, slightly behind and above the listening position.

Note: If you cannot place rear surrounds along the side walls, position them along the rear wall above the listening position.



Listening in 7.1 Surround

Enjoy added depth to your surround sound experience with four rear surround speakers instead of two.



Rubber Feet and Adjustable Floor Spikes

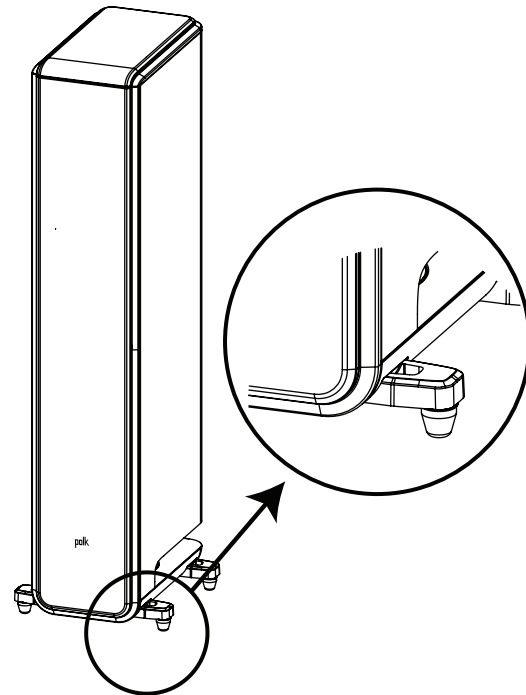
Rubber feet and floor spikes are included with your Legend L600 floor-standing loudspeakers to anchor and stabilize the speaker on any type of floor. In order to expose the spike, simply pull the rubber feet off.

Adjusting the Floor Spikes

The floor spikes can be adjusted from below and require two hands.

Note: If the speaker is stable on the floor, no adjustment is necessary. If the speaker is unstable, follow these steps:

1. The speaker will be inclined to settle on three of the four spikes leaving one spike slightly off the floor.
2. Determine which spike needs to be adjusted.
3. Turn the spike clockwise to lower, and counterclockwise to raise it. Lock the washer to tighten and secure the foot.
4. As the spike contacts the floor, it will become more difficult to turn. At that point the speaker should be stabilized.
5. Tighten lock ring to prevent the spike from loosening over time.



Caring for Your Legend Loudspeakers

Enclosure Finish

Your Legend enclosures are finished in real natural wood veneer. Clean these panels periodically with a soft cloth and furniture polish to remove dust and fingerprints. Never use harsh detergents and cleaning fluids.

Note: Do not use any petroleum-based cleaners or solvents on the loudspeaker cabinets.

- Clean wood panels with furniture polish and a soft dry cloth
- Do not use furniture polish on black gloss lacquer
- Clean black lacquer veneer with a damp cloth

Baffle Smudges

Dust baffles with the included dust cloth or any other dry or damp cloth (a damp cloth is one that has been sprayed with a recommended cleaner, not one soaked with water).

Dusting the Baffle

Use a can of compressed air for the grille and/or baffle to dust. Use a "computer keyboard" vacuum (only on the grille, not the baffle).

130.com.ua



Legend Series Specifications	L100	L200	L400	L600
Type	Stand Mounted	Stand Mounted	Center Channel	Floor-Standing
Tweeter	1" Ring Radiator	1" Ring Radiator	1" Ring Radiator	1" Ring Radiator
Midrange/Midbass	5.25"	6.5"	4"	5.25"
Woofers	-	-	6.5" (x2)	7" (x2)
Frequency Response (-3dB limits)	57-38000Hz	46-38000Hz	55-38000Hz	34-38000Hz
Overall Frequency Response	43-50000Hz	38-50000Hz	42-50000Hz	28-50000Hz
Steady State Recommended Amplifier Power	30-160W	30-200W	25-300W	30-300W
2.83V Sensitivity	85.5dB SPL@2.83V	85.5dB SPL@2.83V	87.5dB SPL@2.83V	86dB SPL@2.83V
Impedance	4Ω (3.0Ω min.)	4Ω (3.6Ω min.)	4Ω (3.4Ω min.)	4Ω (3.3Ω min.)
Crossover				
Tweeter/Midrange Crossover Frequency	2900Hz	2600Hz	2700Hz	2900Hz
Midrange/Midbass Crossover Frequency	-	-	260Hz	410Hz
Tweeter High Pass Slope (acoustic)	18dB/oct.	18dB/oct.	24dB/oct.	18dB/oct.
Midrange Low Pass Slope (acoustic)	-	-	24dB/oct.	24dB/oct.
Midrange High Pass Slope (acoustic)	-	-	12dB/oct.	12dB/oct.
Midbass Low Pass Slope (acoustic)	24dB/oct.	24dB/oct.	-	-
Woofers Low Pass Slope (acoustic)	-	-	12dB/oct.	18dB/oct.
Midrange Enclosure Type	-	-	sealed	sealed
Woofers Enclosure Type	Power Port	Power Port	Power Port	Power Port
Dimensions W x H x D (Inches and Metric) (greatest overall depth, grille)	7.78x13.64x11.29in 197.5x346.4x286.8mm	8.33x15.66x13.30in 211.5x397.9x337.8mm	26x9.47x13.44in 660.4x239.1x341.5mm	12.96x46.69x15.91in 329.3x1185.9x404mm
Product Weight (each) (Pd and Kilos)	16.9 lb 7.65 kg	22 lb 10 kg	40.8 lb 18.5 kg	77.8 lb 35.3 kg
Shipping Weight (Pd and Kilos)	37.6 lb 17.05 kg	49.8 lb 22.6 kg	46.2 lb 20.95 kg	90.5 lb 41.05 kg

Limited 5-Year Warranty

Polk Audio, Inc. warrants to the original purchaser only that this Polk Audio Loudspeaker Product (the "Product") will be free from defects in materials and workmanship for a period of five (5) years from the date of original retail purchase from a Polk Audio Authorized Dealer. However, this Warranty will automatically terminate prior to the expiration of the five (5) years if the original retail purchaser sells or otherwise transfers the Product to any other party. The original retail purchaser shall hereinafter be referred to as "you." To allow Polk Audio to offer the best possible warranty service, please fill out the Product Registration Card(s) and send it to the Factory, at the address provided on the Product Cards(s) within ten (10) days of the date of purchase.

Defective Products must be shipped, together with proof of purchase, prepaid insured to the Polk Audio Authorized Dealer from whom you purchased the Product, or to the Factory at 1 Viper Way, Vista, California 92081. Products must be shipped in the original shipping container or its equivalent; in any case the risk of loss or damage in transit is to be borne by you. If upon examination at the Factory or Polk Audio Authorized Dealer it is determined that the unit was defective in materials or workmanship at any time during this Warranty period, Polk Audio or the Polk Audio Authorized Dealer will, at its option, repair or replace this Product at no additional charge, except as set forth below. All replaced parts and Products become the property of Polk Audio. Products replaced or repaired under this warranty will be returned to you, within a reasonable time, freight prepaid.

This warranty does not include service or parts to repair damage caused by accident, disaster, misuse, abuse, negligence, inadequate packing or shipping procedures, commercial use, voltage inputs in excess of the rated maximum of the unit, cosmetic appearance of cabinetry not directly attributable to defect in materials or workmanship, or service, repair, or modification of the Product which has not been authorized or approved by Polk Audio. This warranty shall terminate if the Serial number on the Product has been removed, tampered with or defaced. This warranty is in lieu of all other expressed Warranties. If this Product is defective in materials or workmanship as warranted above, your sole remedy shall be repair or replacement as provided above. In no event will Polk Audio, Inc. be liable to you for any incidental or consequential damages arising out of the use or inability to use the Product, even if Polk Audio, Inc. or a Polk Audio Authorized Dealer has been advised of the possibility of such damages, or for any claim by any other party. Some states do not allow the exclusion or limitation of consequential damages, so the above limitation and exclusion may not apply to you. All implied warranties on this Product are limited to the duration of this expressed Warranty.

Some states do not allow limitation on how long an implied Warranty lasts, so the above limitations may not apply to you. This Warranty gives you specific legal rights, and you also may have other rights which vary from state to state.

This Warranty applies only to Products purchased in the United States of America, its possessions, and U.S. and NATO armed forces exchanges and audio clubs. The Warranty terms and conditions applicable to Products purchased in other countries are available from the Polk Audio Authorized Distributors in such countries.

polk.

Sound United, LLC
1 Viper Way
Vista, CA 92081 USA

EU Importer: D&M Europe B.V.
Beemdstraat 11, 5653 MA
Eindhoven, The Netherlands

+1 800-377-7655
www.polkaudio.com
email: polkcs@polkaudio.com
twitter: @polkaudio

©2019 POLK AUDIO
All Rights Reserved.

HBP4321