



PHONES

0 (800) 800 130  
(050) 462 0 130  
(063) 462 0 130  
(067) 462 0 130

130  
COM.UA

Internet store of  
autogoods



SKYPE

km-130

CAR RECEIVERS — Receivers • Media receivers and stations • Native receivers • CD/DVD changers • FM-modulators/USB adapters • Flash memory • Facia plates and adapters • Antennas • Accessories |  
CAR AUDIO — Car audio speakers • Amplifiers • Subwoofers • Processors • Crossovers • Headphones • Accessories | TRIP COMPUTERS — Universal computers • Model computers • Accessories |  
GPS NAVIGATORS — Portable GPS • Built-in GPS • GPS modules • GPS trackers • Antennas for GPS navigators • Accessories | VIDEO — DVR • TV sets and monitors • Car TV tuners • Cameras • Videomodules  
• Transcoders • Car TV antennas • Accessories | SECURITY SYSTEMS — Car alarms • Bike alarms • Mechanical blockers • Immobilizers • Sensors • Accessories | OPTIC AND LIGHT — Xenon • Bixenon • Lamps  
• LED • Stroboscopes • Optic and Headlights • Washers • Light, rain sensors • Accessories | PARKTRONICS AND MIRRORS — Rear parktronic • Front parktronic • Combined parktronic • Rear-view mirrors  
• Accessories | HEATING AND COOLING — Seat heaters • Mirrors heaters • Screen-wipers heaters • Engine heaters • Auto-refrigerators • Air conditioning units • Accessories | TUNING — Vibro-isolation  
• Noise-isolation • Tint films • Accessories | ACCESSORIES — Radar-detectors • Handsfree, Bluetooth • Windowlifters • Compressors • Beeps, loudspeakers • Measuring instruments • Cleaners • Car seats  
• Miscellaneous | MOUNTING — Installation kits • Upholstery • Grilles • Tubes • Cable and wire • Tools • Miscellaneous | POWER — Batteries • Converters • Start-charging equipment • Capacitors  
• Accessories | MARINE AUDIO AND ELECTRONICS — Marine receivers • Marine audio speakers • Marine subwoofers • Marine amplifiers • Accessories | CAR CARE PRODUCTS — Additives • Washer fluid •  
Care accessories • Car polish • Flavors • Adhesives and sealants | LIQUID AND OIL — Motor oil • Transmission oil • Brake fluid • Antifreeze • Technical lubricant



In store "130" you can find and buy almost all necessary goods for your auto in Kyiv and other cities, delivery by ground and postal services. Our experienced consultants will provide you with exhaustive information and help you to choose the very particular thing. We are waiting for you at the address

<https://130.com.ua>

# TS-G1320F/XIEL5 THF5803-B/VI

PIONEER CORPORATION 2017 28-8, Honkomaegomae 2-chome, Bunkyo-ku, Tokyo 113-0021, JAPAN / JAPON MADE IN VIETNAM FABRIQUE AU VIETNAM FABRICAÇÃO NO VIETNAM PIONEER EUROPE NV Haven 1087, Kiewbeeklaan 1, B-9120 Mellebe, Belgium / Belgique

● SPECIFICATIONS

• Impedance nominal 35 W  
 • Impedance maximum 250 W  
 • Sensibility 88 dB (±1.5 dB)  
 • Frequency response 33 Hz to 24 kHz (-20 dB)  
 • Tweeter diameter 30 mm Balanced dome  
 • Magnet 110 g  
 • Woofer 129 mm  
 • Mount 110 g

● TECHNICAL SPECIFICATIONS

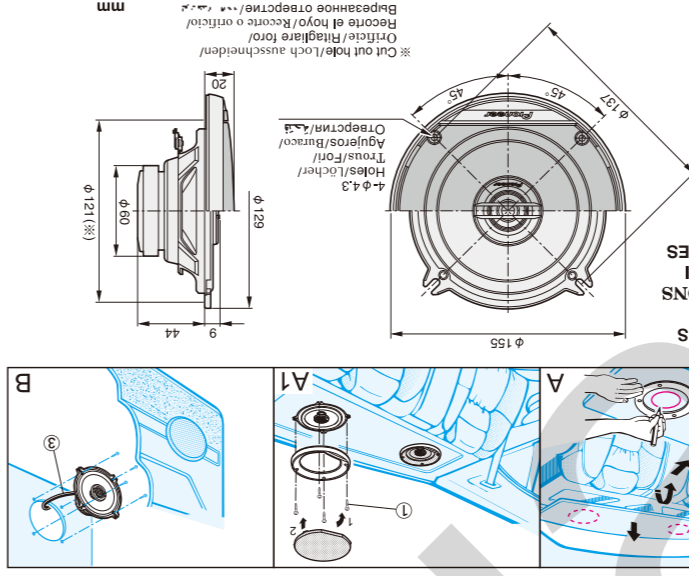
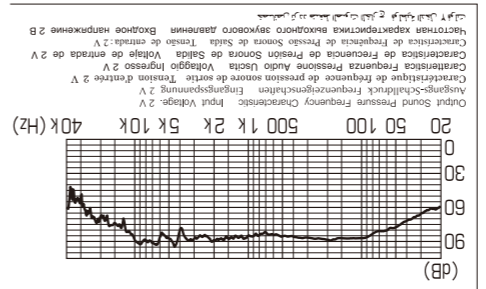
• Power (2 drivers including tweeter) 250 W  
 • Power (per driver including tweeter) 125 W  
 • Material of the cone Cloth treated with mica  
 • Magnet 110 g  
 • Tweeter diameter 30 mm  
 • Magnet 110 g  
 • Woofer 129 mm  
 • Mount 110 g

● DIMENSIONS

• Overall diameter 130 mm  
 • Overall depth 44 mm  
 • Mounting hole diameter 100 mm  
 • Mounting hole diameter 100 mm

● INSTALLATION

• Mode of installation Flush-mount car speaker  
 • Mounting hole diameter 130 mm



## TS-G1320F 250W MAX

- Bobine haute résistance
- Suspension caoutchouc
- Membrane renforcée Mica IMP

Wide Application

Ces produits ont été conçus pour reproduire un son de qualité et pour s'installer dans un grand nombre de véhicules.

HP 2 VOIES

• PUISSANCE MUSICALE MAXIMUM 250 W • SENSIBILITE 88 DB (±1,5 DB)  
 • BANDE PASSANTE 33 Hz à 24 KHz (-20 DB)  
 • HP ALTO Ø30 mm DÔME ÉQUILIBRÉ  
 • HP GRAVE Ø130 mm  
 • IMPÉDANCE 4 OHMS

● SPECIFICATIONS

• Impedance nominal 35 W  
 • Impedance maximum 250 W  
 • Sensibility 88 dB (±1.5 dB)  
 • Frequency response 33 Hz to 24 kHz (-20 dB)  
 • Tweeter diameter 30 mm Balanced dome  
 • Magnet 110 g  
 • Woofer 129 mm  
 • Mount 110 g

● TECHNICAL SPECIFICATIONS

• Power (2 drivers including tweeter) 250 W  
 • Power (per driver including tweeter) 125 W  
 • Material of the cone Cloth treated with mica  
 • Magnet 110 g  
 • Tweeter diameter 30 mm  
 • Magnet 110 g  
 • Woofer 129 mm  
 • Mount 110 g

● DIMENSIONS

• Overall diameter 130 mm  
 • Overall depth 44 mm  
 • Mounting hole diameter 100 mm  
 • Mounting hole diameter 100 mm

● INSTALLATION

• Mode of installation Flush-mount car speaker  
 • Mounting hole diameter 130 mm

250W MAX

13cm / 5 1/4"

Wide Application

TS-G1320F

2-WAY SPEAKER / HP 2 VOIES  
 DIFFUSORE 2 VIE / ALTO-FALANTE 2 VIAS  
 2-ПОЛОСНЫЙ ДИНАМИК

INJECTION MOLDED CONE

TS-G1320F

2-WAY SPEAKER  
 2-ПОЛОСНЫЙ ДИНАМИК

INJECTION MOLDED CONE

TS-G1320F

2-WAY SPEAKER

Wide Application

These products are designed to produce high quality sound and easily fit into a variety of vehicles.

- Mica Reinforced IMP Cone
- High Compliance Rubber Coated Cloth Surround
- Heat Resistant Voice Coil

- MAX. MUSIC POWER 250 W
- NOMINAL POWER 35 W
- WOOFER Ø130 mm
- TWEETER Ø30 mm BALANCED DOME
- IMPEDANCE 4 OHMS
- SENSITIVITY 88 dB (±1.5 dB)
- FREQUENCY RESPONSE 33 Hz to 24 kHz (-20 dB)
- GROSS WEIGHT 0.95 kg

INJECTION MOLDED CONE

● SPECIFICATIONS

• Impedance nominal 35 W  
 • Impedance maximum 250 W  
 • Sensibility 88 dB (±1.5 dB)  
 • Frequency response 33 Hz to 24 kHz (-20 dB)  
 • Tweeter diameter 30 mm Balanced dome  
 • Magnet 110 g  
 • Woofer 129 mm  
 • Mount 110 g

● TECHNICAL SPECIFICATIONS

• Power (2 drivers including tweeter) 250 W  
 • Power (per driver including tweeter) 125 W  
 • Material of the cone Cloth treated with mica  
 • Magnet 110 g  
 • Tweeter diameter 30 mm  
 • Magnet 110 g  
 • Woofer 129 mm  
 • Mount 110 g

● DIMENSIONS

• Overall diameter 130 mm  
 • Overall depth 44 mm  
 • Mounting hole diameter 100 mm  
 • Mounting hole diameter 100 mm

● INSTALLATION

• Mode of installation Flush-mount car speaker  
 • Mounting hole diameter 130 mm

Attention

1. Lire attentivement les instructions avant d'installer le haut-parleur.

2. Ne pas utiliser de colle pour fixer le haut-parleur.

3. Ne pas utiliser de produits abrasifs pour nettoyer le haut-parleur.

4. Ne pas utiliser de produits corrosifs pour nettoyer le haut-parleur.

5. Ne pas utiliser de produits inflammables pour nettoyer le haut-parleur.

6. Ne pas utiliser de produits toxiques pour nettoyer le haut-parleur.

7. Ne pas utiliser de produits dangereux pour nettoyer le haut-parleur.

8. Ne pas utiliser de produits nocifs pour nettoyer le haut-parleur.

9. Ne pas utiliser de produits irritants pour nettoyer le haut-parleur.

10. Ne pas utiliser de produits corrosifs pour nettoyer le haut-parleur.

TS-G1320F

HP 2 VOIES

INJECTION MOLDED CONE

Pioneer

XIEL5

1 PAIR / PAIRE

PIONEER CORPORATION

8 84938 37342 5

