



PHONES

0 (800) 800 130
(050) 462 0 130
(063) 462 0 130
(067) 462 0 130

130
COM.UA

Internet store of
autogoods



SKYPE

km-130

CAR RECEIVERS — Receivers • Media receivers and stations • Native receivers • CD/DVD changers • FM-modulators/USB adapters • Flash memory • Facia plates and adapters • Antennas • Accessories |
CAR AUDIO — Car audio speakers • Amplifiers • Subwoofers • Processors • Crossovers • Headphones • Accessories | TRIP COMPUTERS — Universal computers • Model computers • Accessories |
GPS NAVIGATORS — Portable GPS • Built-in GPS • GPS modules • GPS trackers • Antennas for GPS navigators • Accessories | VIDEO — DVR • TV sets and monitors • Car TV tuners • Cameras • Videomodules
• Transcoders • Car TV antennas • Accessories | SECURITY SYSTEMS — Car alarms • Bike alarms • Mechanical blockers • Immobilizers • Sensors • Accessories | OPTIC AND LIGHT — Xenon • Bixenon • Lamps
• LED • Stroboscopes • Optic and Headlights • Washers • Light, rain sensors • Accessories | PARKTRONICS AND MIRRORS — Rear parktronic • Front parktronic • Combined parktronic • Rear-view mirrors
• Accessories | HEATING AND COOLING — Seat heaters • Mirrors heaters • Screen-wipers heaters • Engine heaters • Auto-refrigerators • Air conditioning units • Accessories | TUNING — Vibro-isolation
• Noise-isolation • Tint films • Accessories | ACCESSORIES — Radar-detectors • Handsfree, Bluetooth • Windowlifters • Compressors • Beeps, loudspeakers • Measuring instruments • Cleaners • Car seats
• Miscellaneous | MOUNTING — Installation kits • Upholstery • Grilles • Tubes • Cable and wire • Tools • Miscellaneous | POWER — Batteries • Converters • Start-charging equipment • Capacitors
• Accessories | MARINE AUDIO AND ELECTRONICS — Marine receivers • Marine audio speakers • Marine subwoofers • Marine amplifiers • Accessories | CAR CARE PRODUCTS — Additives • Washer fluid •
Care accessories • Car polish • Flavors • Adhesives and sealants | LIQUID AND OIL — Motor oil • Transmission oil • Brake fluid • Antifreeze • Technical lubricant



In store "130" you can find and buy almost all necessary goods for your auto in Kyiv and other cities, delivery by ground and postal services. Our experienced consultants will provide you with exhaustive information and help you to choose the very particular thing. We are waiting for you at the address

<https://130.com.ua>



Paradigm®

THE ULTIMATE IN SOUND FOR MUSIC AND HOME THEATER™

Stylus®
outdoor

Thank you for choosing award-winning Paradigm® speakers and congratulations. You are about to hear the difference our sonically accurate Stylus® outdoor speakers will make in your listening experience. These speakers are the product of countless hours of comprehensive research and development. They will stand up exceptionally well to the rigors of Mother Nature and reward you with high-quality sound for many years.

To ensure proper installation please read this manual and follow all instructions. If you have further questions contact your Authorized Paradigm® Dealer or visit the Q&A page on our website at www.paradigm.com.



OWNERS MANUAL

OM-121

TABLE OF CONTENTS

Your New Speakers	1	Wall-Mounting the Speakers	5
How To Avoid Speaker Damage	2	Connecting the Speakers	6
Listening Outdoors	2	Troubleshooting Guide	7
Speaker Placement Guidelines	2	Speaker Placement And Connection (pictorial)	8
About Speaker Cable	4	Limited Warranty	11

YOUR NEW SPEAKERS

Paradigm® Stylus® speakers are designed for use outdoors where they will provide true high-performance sound. Advanced, reinforced PolyGlass™ mineral-filled enclosures, aluminum grilles, stainless steel and brass hardware, gold-plated binding posts, and stainless-steel/polymer brackets are weather, water, and UV-resistant, even under adverse weather conditions.

All models are equipped with brackets for easy wall mounting. Stylus® speakers also have holes spaced 60 mm apart in the backs of their enclosures to fit a wide variety of mounting brackets (*see dealer*). If wall mounting take extra care in installation—we strongly recommend the use of safety straps as secondary restraints.

Care of Speakers

A damp, soft cloth or the gentle spray from a garden hose may be used to clean the speakers' exterior.

- Do not use strong or abrasive cleaners on speakers
- Do not spray directly through the grilles into the drive unit
- Do not use a pressure (power) washer to clean speakers—the powerful force of the spray will damage the drivers and the finish
- Do not place speakers in direct line with an underground sprinkler
- Do not place speakers in an area where they will be drenched with pool splash—over time heavy doses of chlorine and other pool chemicals may affect the finish
- Do not allow lawn and garden chemicals to come into contact with speakers
- Where possible, avoid placing speakers in direct sunlight—over time this may cause the finish to fade

HOW TO AVOID SPEAKER DAMAGE

Use an appropriate amplifier. At high volumes, a very powerful amplifier can overdrive your speakers and damage them. On the other hand, if your amplifier isn't powerful enough, it can produce clipping distortion that can easily damage high-frequency drivers. (*See dealer.*)

Don't be fooled by your amplifier's volume control. It adjusts listening level—it does not indicate power output. If your speakers begin to sound harsh or grating, or if you hear the bass breaking up, turn the volume down immediately or you will damage your speakers! **This type of damage constitutes abuse and is not covered by the warranty!**

Tone controls and equalizers can demand even more power from an amplifier, lowering the point at which it produces clipping distortion. Use them sparingly, if at all, and do not use them when listening at loud levels.

LISTENING OUTDOORS

Outdoors there are no walls to contain sound. Background noise is louder and the distance listeners are from the speakers is usually greater. Achieving a reasonable listening level can be more difficult. The tendency is to turn up the volume, however this may disturb neighbors and when turned up too high can seriously damage the speakers or your amplifier. Stylus® speakers are designed to address these unique challenges, making them ideal for use in the majority of outdoor stereo applications.

In certain outdoor situations Stylus® 'SM' speakers, with their Dual-Directional Soundfield™, offer alternative options. In small areas not well suited to a stereo pair one 'SM' speaker is ideal. In larger, or unusually shaped areas we recommend using multiple 'SM' speakers. Using more speakers ensures that sound is evenly distributed, allowing for reasonable listening levels at lower volumes. Demand on the amplifier is reduced and neighbors are not disturbed. Think of it this way: When lighting a large outdoor area, using multiple floodlights on a dimmer set to a low setting is far more effective than using a single floodlight with the dimmer set to high. For more information on where and how to use 'SM' speakers turn to page 3.

SPEAKER PLACEMENT GUIDELINES

The mounting brackets provided with Stylus® speakers allow for a wide variety of placement options. For example:

- Under a roof soffit, mounted to the exterior wall for strength
 - Open area of an exterior wall
 - Gazebo or other garden structure designed for sitting
 - Deck or railing
-

Placement *(all models except those with 'SM' in their name)*

To achieve the best quality of sound, place Stylus® speakers far enough apart to achieve good stereo separation, but not so far apart that you won't be able to hear both speakers throughout most of the listening area. For optimum results, measure the approximate distance from your listening area to your speakers (Fig. 1, "X"). Then position the speakers about 1/2 to 3/4 of that distance from each other (1/2 to 3/4 of "X").

Placement Options for 'SM' Models

Your Stylus® 'SM' speaker offers two options for connection:

- **Stereo Input:** Wide dispersion "Left plus Right" channel sound from a single speaker.
- **Mono Input:** Very wide dispersion stereo sound from two speakers, one for the left, one for the right.

With their Dual-Directional Soundfield™, 'SM' speakers provide wider than normal dispersion, allowing them to be used in a variety of outdoor applications:

Single Speaker, Wide Dispersion "Left plus Right" Channel Sound (Stereo Input) (Fig. 2a)

Ideal in small areas less suited to a stereo pair of speakers or where a single speaker is the preferred choice. The speaker is connected to both Left and Right amplifier channels. Place the speaker so that it is "aimed" toward the listening area.

Two Speakers, Very Wide Dispersion Stereo Sound (Mono Input) (Fig. 2b)

Ideal for stereo coverage in small to medium sized areas. One speaker is connected to the Left amplifier channel and the other to the Right channel (each wired for Mono). Place speakers about 12 – 16 feet apart to achieve good stereo imaging throughout your listening area.

Multiple Speakers, Distributed "Left plus Right" Channel Sound (Stereo Input) (Fig. 2c)

In larger areas, multiple speakers (each wired for "Left plus Right" channel sound) may be used to eliminate the sound imbalances that occur with stereo sound as people move around, or are seated closer to one speaker than the other.

Multiple Speakers, Ultra-Wide Stereo Coverage (Mono Input) (Fig. 2d)

In larger areas multiple speakers (each wired for Mono) can be used to provide ultra-wide stereo coverage and broader imaging.

Speaker Impedance with Multiple Speakers



If you are planning to use multiple speakers, first determine the number of speakers your amplifier is capable of driving safely. Check your amplifier's specifications to determine minimum safe speaker impedance load (in ohms).



The MINIMUM load impedance of one Stylus® speaker is:

- **8 ohms per channel**

The MINIMUM load impedance of one Stylus® 'SM' speaker is:

- **8 ohms per channel when wired for Stereo Input**
- **4 ohms per speaker when wired for Mono Input**



Each additional speaker you connect will drop nominal impedance by half. We strongly recommend using a Paradigm® VC-150 volume control when connecting more than two speakers. See "Using a Volume Control," or see dealer for more information.

ABOUT SPEAKER CABLE

PRECAUTION: Before proceeding, read and follow the safety precautions below.



Before running speaker cable through walls, under walkways, patios, etc., check local building code requirements or contact a qualified installer (*see dealer*).



Before digging, verify location of gas lines and buried cables with local utility companies.

Information on running speaker cable through walls, under walkways, patios, etc. is not provided in this manual. If you are not comfortable with this type of installation, contact a qualified installer (*see dealer*).

Preparing the Cable

Always use high-quality, moisture-resistant speaker cable (*see dealer*).

1. Measure and mark the path from amplifier to speaker(s) and/or speaker to speaker to determine length of cable required.
2. Add 2' to 3' feet extra to allow some play when installing.
3. Select correct gauge using the chart below.
4. If cable is to run underground it must be rated for direct burial and/or enclosed in PVC pipe to prevent deterioration over time. Contact a qualified installer before commencing installation in this case (*see dealer*).
5. Cut cable to required length.
6. Using wire strippers, strip the outer casing of the cable back about 2" at either end.
7. Strip inner insulation on both wires back about 1/2" at either end.

The following chart identifies the minimum gauge requirements for various cable lengths:

MINIMUM GAUGE REQUIREMENTS		
LENGTH	DIAMETER	GAUGE
Under 4.5 m (15 feet)	1.3 mm (0.05 in)	16 awg
Under 9 m (30 feet)	1.6 mm (0.06 in)	14 awg
Over 9 m (30 feet)	2.0 mm (0.08 in)	12 awg

WALL-MOUNTING THE SPEAKERS

PRECAUTION! Mount speakers securely enough that they do not fall and cause personal injury or damage to property.



MOUNTING SURFACES: Carefully evaluate the composition, construction and strength of the surface on which you are mounting the speaker. When mounting in masonry, wood, and/or other solid surfaces, consult with a professional regarding the proper hardware for mounting the brackets provided with your Stylus® speakers.



SPECIFIC USE: Brackets provided with Stylus® speakers are only suitable for the speaker they come with. Do not use them with any other speaker.



Always use secondary restraining hardware to prevent personal injury or damage to property.

NON-LIABILITY: We are aware that the mounting assembly provided with Stylus® speakers could be used for purposes and in ways other than those for which it was intended. The Manufacturer, Distributor, Retailer, and their respective Agents cannot be held responsible or liable for injuries or property damage—direct, indirect, or consequential—arising from the use of, or inability to use, this product safely and properly.

Every effort has been made to provide accurate and error-free installation instructions. Paradigm Electronics Inc. disclaims liability for difficulties that may arise from the misinterpretation of information contained in these instructions.

If you are not comfortable performing the following mounting procedures, contact a qualified installer (*see dealer*).

Wall-Mounting with Supplied ‘Hanger Bracket’ (For Stylus® 170 only)

Stylus® speakers can be mounted horizontally or vertically.

1. Using appropriate screws/mounting hardware (*not included*), mount the bracket with the supplied safety strap on the wall at the desired location (Fig. 3a) and at the desired angle. Make sure the bracket is straight.
2. Screw two 1-inch #12 screws (*included*) into the upper and lower holes (spaced 60 mm, 2-3/8" apart) on the back of the speaker's enclosure. Do not screw them all the way in—make sure they remain about 3 mm (1/8 in) proud.
3. Bring the speaker to the bracket and connect the cables as outlined in the “Connecting the Speakers,” page 6. Connect the safety strap to the speaker using the middle hole (Fig. 3b). Mount the speaker onto the bracket using an ‘in and down’ motion.
4. This bracket may also be used for horizontal mounting. Simply mount bracket horizontally with key hole slots facing up. Follow steps 1 to 3 (*above*) to complete horizontal installation.

Wall-Mounting with Supplied 'U-Bracket'

Stylus® speakers can be mounted horizontally or vertically with the 'U' bracket.

1. Unscrew the knobs from either end of the speaker.
2. Using appropriate screws/mounting hardware (*not included*), mount the bracket and a safety strap (*not included, see dealer*) on the wall in the desired location. Make sure the bracket is straight. In-wall speaker wire can then be directed through the large opening in this bracket which allows connection from behind the speaker terminals to hide the speaker wire as much as possible.
3. Bring the speaker up to the bracket and connect the speaker cable as outlined in "Connecting the Speakers" below.
4. Pull the bracket slightly apart and carefully fit the speaker into the bracket, one end at a time to avoid scratching the surface of the enclosure (Fig. 4).
5. Screw the knobs through the holes in the mounting bracket and into the speaker, using the unthreaded ends of the knob screws as guides to find the screw-holes on the speakers. Angle the speaker at the desired position. Tighten the knobs snugly, but do not over-tighten them.



CONNECTING THE SPEAKERS

Turn your receiver/amplifier OFF before connecting speakers. This will avoid damage which could result from accidental shorting of speaker cables.

Your Stylus® speakers are equipped with high-quality binding posts that can be used with banana, pin or spade connectors, as well as with bare wire.

Connecting All Models (*except those with 'SM' in their name, see below*) (Fig. 5a)

Connect one speaker at a time to your amplifier.

Connect the red (+) amplifier terminal to the red (+) speaker terminal and the black (-) amplifier terminal to the black (-) speaker terminal. Tighten the posts firmly by hand, but don't over-tighten them.

Repeat entire procedure for other speaker.

Connecting 'SM' Models

Stereo Input (Single Speaker, "left plus right" channel sound) (Fig. 5b)

Connect one speaker channel at a time to your receiver/amplifier.

Slide the switch on the back of the speaker all the way over to the '**Stereo**' position.

Connect the Right red (+) amplifier terminal to the Right red (+) speaker terminal and the Right black (-) amplifier terminal to the Right black (-) speaker terminal. Connect the Left red (+) amplifier terminal to the Left red (+) speaker terminal and the Left black (-) amplifier terminal to the Left black (-) speaker terminal.

Mono Input (Wide dispersion stereo sound from two speakers) (Fig. 5c)

Connect one speaker at a time to the left and right channels of your receiver/amplifier ...

Slide the switch on the back of the speaker all the way over to the **'Mono'** position.

Connect the Right red (+) amplifier terminal to the Mono red (+) speaker terminal and the Right black (-) amplifier terminal to the Mono black (-) speaker terminal.

Repeat entire procedure for other speaker, using the Mono Input.

.....
If a speaker is not working correctly, refer to the "Troubleshooting Guide" at the bottom of this page.

Using a Volume Control

Using a Paradigm® VC-150 volume control (*sold separately*) eliminates the need for additional amplifiers, and compensates for the impedance drop that results when connecting multiple speakers. You can also use the Paradigm® VC-150 on individual speakers or groups of speakers, to control volume at various points on your property—further promoting even and spacious coverage. Follow the directions included with the VC-150 Volume Control.



When used outdoors, the Paradigm® VC-150 must be enclosed in a weather-proof box designed for use with electrical switches (*see dealer*).

TROUBLESHOOTING GUIDE

PROBLEM	SOLUTION
No Sound	Make sure receiver, preamp or amplifier is plugged in and turned on. Check power outlet at the wall is working. Are headphones plugged in, or is system on Mute? Re-check all connections. On 'SM' models, check to ensure that the Stereo/Mono switch is all the way over to the desired "Stereo" or "Mono" position.
No Sound from One or More Speakers	Check your balance control or VC-150 Volume Control (if using). Check that all power cords are properly plugged in and functioning. Swap a non-working speaker with one that works to determine if the problem is with the speaker or something else (i.e. wiring, amplifier).
Lack of Bass or Dislocated Image (Stereo)	One or more speakers may be connected out of phase (their polarity is reversed). Re-check to ensure that each speaker's cable is connected with correct polarity: red (+) to red (+) and black (-) to black (-).

SPEAKER PLACEMENT AND CONNECTION (pictorial)

POSITIONNEMENT ET RACCORDEMENT DES ENCEINTES (figures)

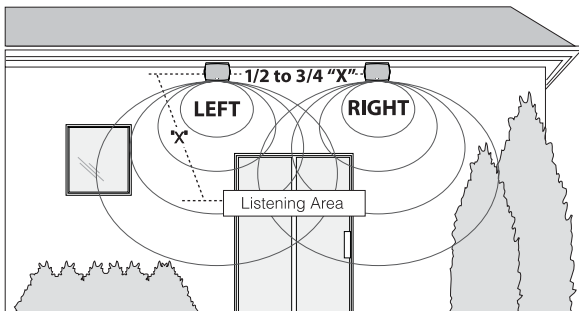


Fig. 1 All models (except those with "SM" in their model name)
Tous les modèles (sauf ceux dont « SM » figure dans le nom)

'SM' Models Modèles « SM »

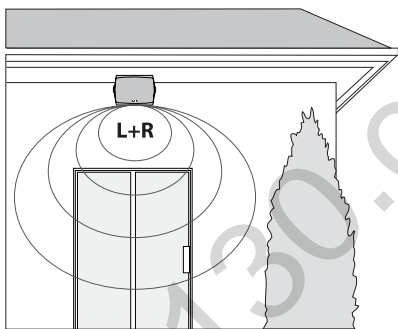


Fig. 2a Single Speaker, Wide Dispersion "Left plus Right" Channel Sound (Stereo Input)
Couverture large à une seule enceinte, canaux Gauche+Droit (sortie stéréophonique)

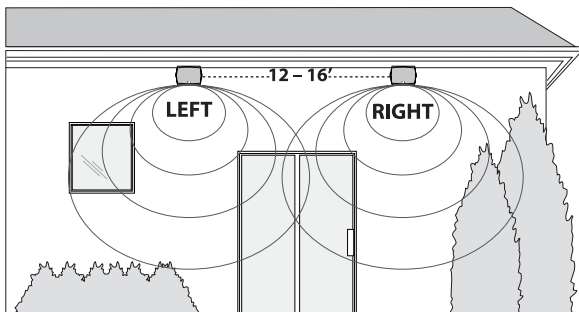


Fig. 2b Two Speakers (each wired for Mono), Very Wide Dispersion Stereo Sound
Couverture stéréophonique très large à deux enceintes (raccordées en mode mono)

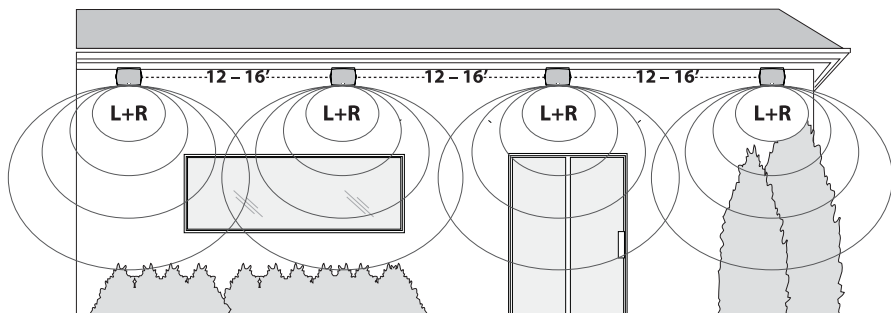


Fig. 2c Multiple Speakers, Distributed "Left plus Right" Channel Sound (Stereo Input)
 Couverture distribuée à enceintes multiples, canaux Gauche+Droit (sortie stéréophonique)

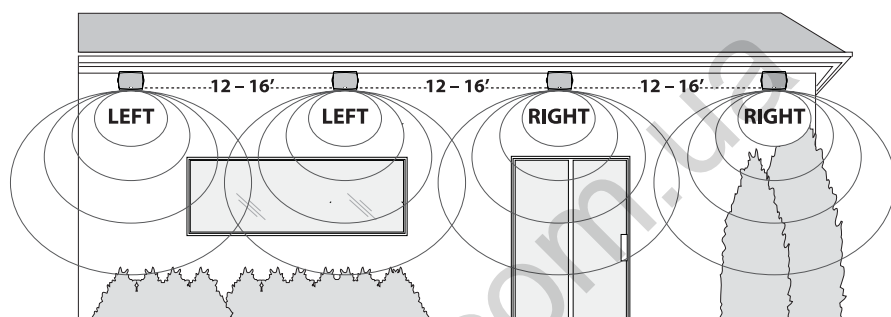


Fig. 2d Multiple Speakers (each wired for Mono), Ultra-Wide Stereo Coverage
 Couverture stéréophonique ultra-large à enceintes multiples (raccordées en mode mono)

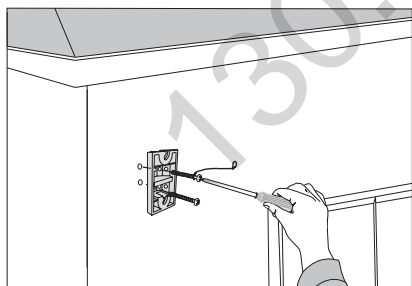


Fig. 3a

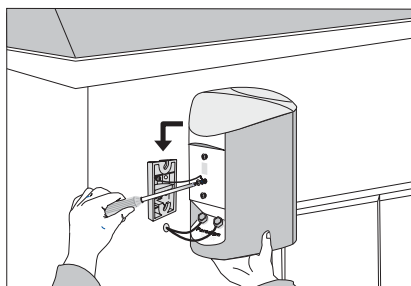


Fig. 3b

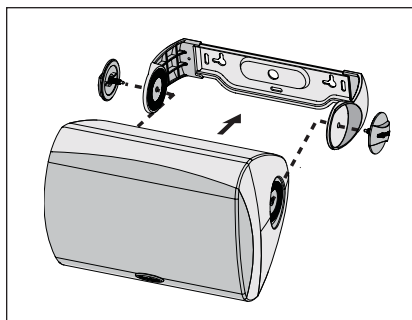


Fig. 4

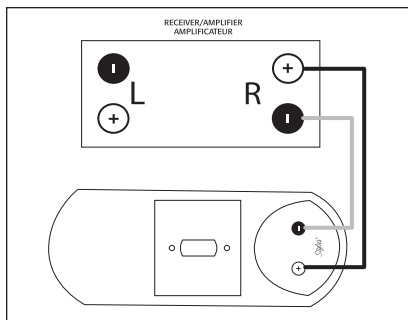


Fig. 5a Wiring for all models, Left or Right speaker (except 'SM' models)

Câblage pour tous les modèles, enceinte gauche ou droite (sauf les modèles « SM »).

Wiring for 'SM' Models
Câblage pour modèles « SM »

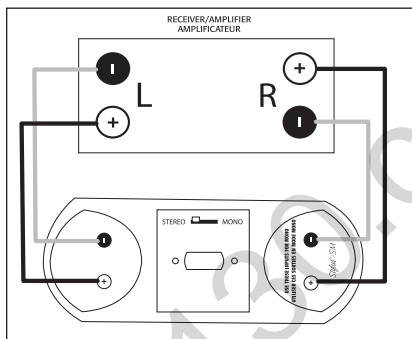


Fig. 5b Wiring for "Left plus Right" sound from a Single Speaker (Stereo Input)

Câblage pour couverture à une seule enceinte, canaux Gauche+Droit (sortie stéréophonique)

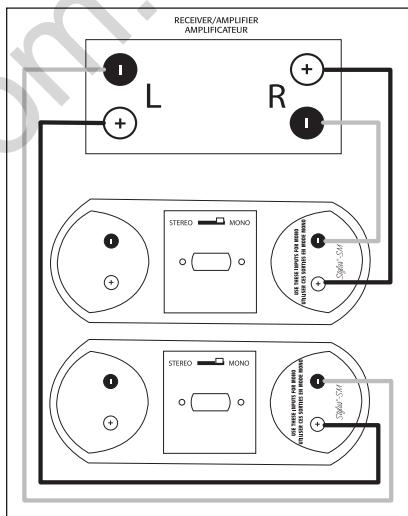


Fig. 5c Wiring two speakers for Wide Dispersion Stereo sound using the Mono inputs on each speaker

Raccordement de deux enceintes pour couverture stéréophonique large à partir des sorties Monos de chacune des enceintes

LIMITED WARRANTY

Paradigm® Stylus® Outdoor speakers are warranted to be and remain free of manufacturing and/or material defects for a period of **two (2)** years from the date of original purchase. Within the time period specified, repair, replacement or adjustment of parts for manufacturing and/or material defects will be free of charge to the original owner.

Thermal or mechanical abuse/misuse is not covered under warranty.

Limitations:

- Warranty begins on date of original retail purchase from an Authorized Paradigm® Dealer only. It is not transferable
- Warranty applies to product in normal residential use only. If product is subjected to any of the conditions outlined in the next section, warranty is void
- Warranty does not apply if the product is used in professional or commercial applications

Warranty is Void if:

- The product has been abused (intentionally or accidentally)
- The product has been used in conjunction with unsuitable or faulty equipment
- The product has been subjected to damaging signals, derangement in transport, mechanical damage or any abnormal conditions
- The product (including cabinet) has been tampered with or damaged by an unauthorized service facility
- The serial number has been removed or defaced

Owner Responsibilities:

- Provide normal/reasonable operating care and maintenance
- Provide or pay for transportation charges for product to service facility
- Provide proof of purchase (your sales receipt given at time of purchase from your Authorized Paradigm® Dealer must be retained for proof-of-purchase date)

Should servicing be required, contact your nearest Authorized Paradigm® Dealer, Paradigm Electronics Inc., or Import Distributor (outside the U.S. and Canada) to arrange, bring in or ship pre-paid, any defective unit. Visit our website, www.paradigm.com for more information.

Paradigm Electronics Inc. reserves the right to improve the design of any product without assuming any obligation to modify any product previously manufactured.

This warranty is in lieu of all other warranties expressed or implied, of merchantability, fitness for any particular purpose and may not be extended or enlarged by anyone. In no event shall Paradigm Electronics Inc., their agents or representatives be responsible for any incidental or consequential damages. Some jurisdictions do not allow limitation of incidental or consequential damages, so this exclusion may not apply to you.

Retain this manual and your sales receipt for proof of warranty term and proof of purchase.



Paradigm

LE SUMMUM EN QUALITÉ SONORE POUR LA MUSIQUE ET LE CINÉMA MAISON™

Stylus®
pour l'extérieur

Félicitations! Nous vous remercions d'avoir choisi ces enceintes Paradigm® primées. Vous allez entendre la différence que confère la précision sonore des enceintes extérieures Stylus® à votre expérience d'écoute en plein air. Ces enceintes acoustiques sont le produit d'innombrables heures de recherche et de développement approfondis. Elles sauront résister aux assauts de Dame Nature et vous fourniront un son exceptionnel pendant de nombreuses années.

Pour une installation adéquate, lire le présent manuel et suivre toutes les instructions. Pour toute autre question, contacter un revendeur Paradigm® autorisé ou consulter la page Questions-Réponses de notre site Internet au www.paradigm.com.



MODE D'EMPLOI | OM-121

Paradigm Electronics Inc. **Au Canada** : 205 Annagem Blvd., Mississauga, ON L5T 2V1. **Aux É.-U.** : MPO Box 2410, Niagara Falls, NY 14302
Autogoods "130"

TABLE DES MATIÈRES

Positionnement et raccordement des enceintes (figures)	8	Câbles	16
Vos nouvelles enceintes	13	Installation murale des enceintes	17
Pour éviter d'endommager les enceintes ..	14	Raccordement des enceintes	19
Écoute à l'extérieur	14	Guide de diagnostic	20
Positionnement des enceintes	14	Garantie limitée	21

VOS NOUVELLES ENCEINTES

Les enceintes Stylus® de Paradigm® sont conçues pour fournir un son de haute qualité à l'extérieur. Leurs boîtiers à la fine pointe injectés de PolyGlass^{MC} renforcé, leurs grilles en aluminium, leurs ferrures en acier inoxydable et laiton, leurs bornes de raccordement plaquées or et leurs supports de fixation en acier inoxydable et polymère résistent aux intempéries, à l'eau et aux UV, même dans des conditions extrêmes.

Tous les modèles sont munis de supports pour une installation au mur des plus faciles. À l'arrière du boîtier des enceintes Stylus®, des trous espacés de 60 mm conviennent à de nombreux types de supports de fixation (*consulter le revendeur*). En cas de fixation murale, prendre des précautions spéciales; l'utilisation de sangles de sécurité comme fixations secondaires est fortement recommandée.

Soin des enceintes

Utiliser un linge doux humide ou le jet doux d'un tuyau d'arrosage pour nettoyer l'extérieur des enceintes.

- Ne pas employer de détergent fort ou abrasif sur les enceintes.
- Ne pas projeter de jet d'eau directement à travers la grille vers les éléments acoustiques.
- Ne pas employer de nettoyeur haute pression sur les enceintes—la force du jet endommagerait les éléments acoustiques et le fini.
- Ne pas positionner les enceintes en ligne directe avec un arroseur fixé au sol.
- Ne pas mettre les enceintes en un endroit où elles pourraient être éclaboussées par l'eau d'une piscine—avec le temps, le chlore et autres produits chimiques peuvent en altérer le fini.
- Ne pas mettre les enceintes en contact avec des produits chimiques pour la pelouse ou le jardin.
- Autant que possible, éviter de placer les enceintes en plein soleil—avec le temps, cela peut en altérer le fini.

POUR ÉVITER D'ENDOMMAGER LES ENCEINTES

Utiliser un amplificateur adéquat. À volume élevé, un amplificateur trop puissant peut solliciter excessivement les enceintes et les endommager. Par contre, si l'amplificateur n'est pas assez puissant, il peut provoquer des distorsions d'écrêtage qui risquent d'endommager les haut-parleurs de hautes fréquences (*consulter le revendeur*).

La commande de volume de l'amplificateur peut être trompeuse puisqu'elle permet seulement d'ajuster le niveau d'écoute, mais n'indique pas le niveau de puissance. Si le son semble sec ou distordu, ou s'il y a distorsion des graves, réduire immédiatement le volume pour ne pas endommager les enceintes! **La garantie ne couvre pas ce type de dommage!**

Les commandes de tonalité ou d'égalisation peuvent soutirer encore plus de puissance de l'amplificateur et réduire le niveau auquel se produiront des distorsions d'écrêtage. Utiliser ces dispositifs le moins possible, et ne pas les utiliser pour l'écoute à volume élevé.

ÉCOUTE À L'EXTÉRIUR

Au-dehors, il n'y a pas de murs qui confinent le son. Le bruit de fond est plus élevé et les distances séparant les enceintes des personnes qui les écoutent, plus grandes. Il peut être plus difficile d'obtenir un bon niveau d'écoute et on a donc tendance à augmenter le volume, mais cela peut déranger les voisins et, si le volume est trop élevé, sérieusement endommager les enceintes ou l'amplificateur. Les enceintes Stylus® sont conçues pour contrer ces difficultés et sont donc idéales pour la plupart des applications stéréophoniques extérieures.

Dans certaines situations extérieures, les enceintes Stylus® « SM » à champ bidirectionnel Dual-Directional^{MC} présentent des options intéressantes. L'utilisation d'une seule enceinte « SM » est idéale dans les espaces restreints qui se prêtent mal à deux enceintes. Dans les espaces plus grands ou de forme irrégulière, l'utilisation de plusieurs enceintes « SM » est recommandée. Ceci permet une distribution plus uniforme du son, pour une écoute agréable à moindre volume. L'amplificateur est moins sollicité et les voisins ne sont pas dérangés. Il suffit de penser à l'éclairage d'un vaste espace extérieur : l'utilisation de nombreux spots de faible intensité est beaucoup plus efficace que l'utilisation d'un seul spot de très forte intensité. Pour en savoir davantage sur les applications possibles des enceintes « SM », consulter la page 15.

POSITIONNEMENT DES ENCEINTES

Les supports de fixation inclus avec les enceintes Stylus® permettent diverses options de positionnement telles que :

- sous la soffite d'un toit, installées au mur pour une plus grande stabilité;
- sur tout espace exposé d'un mur extérieur;
- dans un belvédère ou autre aire de rassemblement extérieur;
- sur la rampe d'une terrasse ou sur une clôture.

Positionnement (tous les modèles à l'exception des modèles dont « SM » figure dans le nom)

Pour la meilleure qualité sonore, positionner les enceintes Stylus® à une distance suffisante l'une de l'autre pour une séparation stéréophonique adéquate, mais assez proches pour qu'il soit possible d'entendre les deux enceintes dans la majeure partie de l'aire d'écoute. Pour des résultats optimaux, mesurer la distance approximative de la principale aire d'écoute aux enceintes (distance « X » sur la Fig. 1), puis installer les enceintes de sorte qu'elles soient séparées par une distance équivalant à la moitié ou aux trois quarts de la distance « X ».

Options de positionnement pour les modèles « SM »

Votre enceinte Stylus® « SM » offre les deux options de raccordement suivantes :

- **Sortie stéréo** : Couverture large, canaux Gauche+Droit, produite par une seule enceinte;
- **Sortie mono** : Couverture stéréophonique très large, produite par deux enceintes, une pour la gauche et l'autre pour la droite.

Offrant un champ acoustique bidirectionnel Dual-Directional^{MC}, les enceintes « SM » présentent une dispersion plus large que la normale et peuvent donc être utilisées dans diverses applications extérieures, dont les suivantes :

Couverture large à une seule enceinte, canaux Gauche+Droit (Fig. 2a)

Configuration idéale dans les espaces restreints qui se prêtent mal à deux enceintes en stéréo, ou si on préfère n'utiliser qu'une enceinte. L'enceinte est raccordée aux canaux Gauche et Droit de l'amplificateur. Positionner l'enceinte de sorte qu'elle pointe vers l'aire d'écoute.

Couverture stéréophonique très large à deux enceintes (sortie mono) (Fig. 2b)

Configuration idéale pour une couverture stéréo dans des espaces de petites ou moyennes dimensions. Une enceinte est raccordée au canal Gauche de l'amplificateur, l'autre au canal Droit (raccordées en mode mono). Placer les enceintes à une distance de 4 m à 6 m (12 pi à 16 pi) l'une de l'autre pour une bonne couverture sonore dans toute l'aire d'écoute.

Couverture distribuée à enceintes multiples, canaux Gauche+Droit (sortie stéréo) (Fig. 2c)

Dans les espaces plus grands, l'utilisation de plusieurs enceintes (chacune raccordée aux canaux Gauche+Droite) permet d'éliminer le déséquilibre de l'image stéréo perçu par des personnes qui se déplacent ou qui sont assises plus près d'une enceinte que de l'autre.

Couverture stéréophonique ultra-large à enceintes multiples (sortie mono) (Fig. 2d)

Dans les espaces plus grands, l'utilisation de plusieurs enceintes (raccordées en mode mono) peut permettre une couverture stéréo ultra-large et une image sonore plus vaste.

Impédance des enceintes dans les configurations à plusieurs enceintes



Pour une configuration à plusieurs enceintes, il faut d'abord déterminer le nombre d'enceintes que l'amplificateur peut supporter de façon sûre. Vérifier les caractéristiques de l'amplificateur pour déterminer la charge d'impédance minimum (en ohms) qu'il peut supporter



L'impédance de charge **MINIMUM d'une** enceinte Stylus® est :

- 8 ohms/canal

L'impédance de charge **MINIMUM d'une** enceinte Stylus® « SM » est :

- 8 ohms/canal pour sortie stéréophonique
- 4 ohms/enceinte pour sortie monophonique



Chaque enceinte supplémentaire se traduira par une diminution de moitié de l'impédance nominale. L'utilisation d'une commande de volume VC-150 de Paradigm® est fortement recommandée si plus de deux enceintes sont raccordées à l'amplificateur. Voir la section « Utilisation d'une commande de volume » ou consulter le revendeur pour plus d'information.

CÂBLES

MISE EN GARDE : Lire toutes les consignes de sécurité ci-dessous avant de raccorder les enceintes et les observer.



Avant de faire passer les câbles de raccordement d'enceinte dans des murs, sous des allées, des terrasses, etc., consulter les exigences du code du bâtiment local ou communiquer avec un installateur qualifié (*consulter le revendeur*).



Avant de creuser, vérifier auprès des services publics locaux l'emplacement de conduites de gaz et de câbles électriques.

Le présent manuel ne fournit pas d'information sur l'installation de câbles à travers des murs, sous des allées ou des terrasses, etc. En cas d'incertitude concernant ce type d'installation, communiquer avec un installateur qualifié (*consulter le revendeur*).

Préparation du câble

Toujours choisir un câble de haute qualité résistant à l'humidité (*consulter le revendeur*).

1. Mesurer et jalonner le parcours allant de l'amplificateur aux enceintes et/ou d'une enceinte à l'autre pour déterminer la longueur de câble nécessaire.
2. Ajouter 1 m environ à cette longueur pour être certain d'avoir assez de câble lors de l'installation.
3. Choisir le bon calibre de câble à l'aide du tableau ci-dessous.
4. Si le câble est installé sous terre, il doit être coté pour enfouissement direct et/ou engainé

dans un tube en PVC pour en prévenir la détérioration au fil du temps. Dans ce cas, consulter un installateur qualifié avant de procéder à l'installation (*consulter le revendeur*).

5. Couper la bonne longueur de câble.
6. À l'aide d'un dénude-fil, retirer la gaine extérieure du câble sur une longueur d'environ 5 cm (2 po) à chaque extrémité.
7. Retirer l'isolant aux deux extrémités des deux fils sur une longueur d'environ 1,5 cm (1/2 po)

Le tableau ci-dessous indique le calibre minimum pour différentes longueurs de câble.

CALIBRES MINIMUMS		
LONGUEUR	DIAMÈTRE	CALIBRE
Moins de 4,5 m (15 pi)	1,3 mm (0,05 po)	16 awg
Moins de 9 m (30 pi)	1,6 mm (0,06 po)	14 awg
Plus de 9 m (30 pi)	2,0 mm (0,08 po)	12 awg

INSTALLATION MURALE DES ENCEINTES

MISE EN GARDE! Bien fixer les enceintes de sorte qu'elles ne puissent tomber et causer des blessures ou dommages.

SURFACES D'INSTALLATION : Évaluer avec soin la composition, la construction et la résistance de la surface sur laquelle l'enceinte sera installée. Avant de procéder à l'installation sur des surfaces en maçonnerie, bois ou autre matériau solide, consulter un professionnel au sujet des ferrures à utiliser pour les supports de fixation fournis avec les enceintes Stylus®.



USAGE SPÉCIFIQUE : Les supports de fixation inclus avec les enceintes Stylus® ne conviennent qu'à ces enceintes. Ne les utiliser avec aucun autre type d'enceintes.



Toujours utiliser des fixations secondaires pour prévenir les blessures et dommages.



NON-RESONSABILITÉ : Nous savons que les pièces de fixation fournies avec les enceintes Stylus® peuvent être utilisées à des fins et de façons autres que celles pour lesquelles elles sont conçues. Le fabricant, le distributeur, le revendeur et leurs agents respectifs ne peuvent être tenus responsables de blessures ou dommages directs, indirects ou consécutifs découlant de l'utilisation de ces pièces ou de l'incapacité de les utiliser de façon sûre et convenable.

Tous les efforts ont été déployés afin de fournir des instructions d'installation exactes et exemptes d'erreurs. Paradigm Electronics Inc. déclinent toute responsabilité concernant des difficultés pouvant découler d'une interprétation incorrecte des renseignements fournis dans le présent guide.

En cas d'incertitude concernant les procédures d'installation ci-dessous, communiquer avec un installateur qualifié (*consulter le revendeur*).

Installation murale avec le « support de suspension » inclus

(Pour Stylus® 170 seulement)

Les enceintes Stylus® peuvent être installées en position horizontale ou verticale.

1. À l'aide de vis/ferrures d'installation adéquates (*non incluses*), installer le support et la sangle de sécurité sur le mur à l'endroit (Fig. 3a) et à l'angle voulu. S'assurer que le support est de niveau.
2. Visser deux vis n° 12 de 1 po (*incluses*) dans les trous supérieur et inférieur (espacés de 60 mm) à l'arrière du boîtier de l'enceinte. Ne pas les visser jusqu'au bout—les têtes doivent dépasser d'environ 3 mm (1/8 po).
3. Placer l'enceinte près des supports et raccorder les câbles de la façon décrite à la section « Raccordement des enceintes », à la page 19. Fixer la sangle de sécurité à l'enceinte par le trou central (Fig. 3b). Installer l'enceinte sur le support d'un mouvement vers le mur puis vers le bas.
4. Ce support peut être utilisé pour l'installation en position horizontale. Pour ce faire, installer le support horizontalement, les crans de fixation pointant vers le haut. Suivre les étapes 1 à 3 (ci-dessus) pour terminer l'installation.

Installation murale avec le « support en U » inclus

Les enceintes Stylus® peuvent être installées en position horizontale ou verticale à l'aide du support en U.

1. Dévisser les poignées situées à chaque extrémité de l'enceinte.
2. À l'aide de vis/ferrures d'installation adéquates (*non incluses*), installer le support et une sangle de sécurité (*non incluse, consulter le revendeur*) sur le mur à l'endroit voulu. S'assurer que le support est de niveau. Faire passer tout câble mural par le trou le plus grand du support, pour le raccordement par l'arrière de l'enceinte de façon à masquer le câble.
3. Placer l'enceinte près du support et raccorder le câble de la façon décrite à la section « Raccordement des enceintes » à la page 19.
4. Écarter légèrement les « bras » du support et y installer soigneusement l'enceinte, une extrémité à la fois afin d'éviter d'égratigner la surface du boîtier (Fig. 4).
5. Visser les poignées à travers les trous des « bras » en ajustant les extrémités non filetées de sorte que les extrémités filetées s'insèrent dans le trou correspondant de l'enceinte. Orienter l'enceinte selon l'angle voulu. Visser les poignées fermement, mais pas excessivement.

RACCORDEMENT DES ENCEINTES



Éteindre l'amplificateur avant de raccorder les enceintes. Ceci évitera les dommages pouvant résulter d'un court-circuit accidentel des câbles des enceintes.

Vos enceintes Stylus® sont dotées de bornes de raccordement de haute qualité qui peuvent être utilisées avec des prises bananes ou à broches ou des cosses rectangulaires, ainsi qu'avec des fils nus.

Raccordement (toutes les enceintes sauf celles dont « SM » figure dans le nom; voir ci-dessous) (Fig. 5a)

Raccorder une enceinte à la fois à l'amplificateur.

Raccorder la borne rouge (+) de l'amplificateur à la borne rouge (+) de l'enceinte et la borne noire (-) de l'amplificateur à la borne noire (-) de l'enceinte. Serrer les bornes fermement à la main, mais pas excessivement.

Répéter la procédure pour l'autre enceinte.

Raccordement des modèles « SM »

Mode stéréophonique (une seule enceinte, canaux gauche+droit) (Fig. 5b)

Raccorder une borne de l'enceinte à la fois à l'amplificateur.

Mettre le commutateur situé à l'arrière de l'enceinte en position **Stéréo**.

Raccorder la borne rouge (+) Droite de l'amplificateur à la borne rouge (+) Droite de l'enceinte et la borne noire (-) Droite de l'amplificateur à la borne noire (-) Droite de l'enceinte. Raccorder la borne rouge (+) Gauche de l'amplificateur à la borne rouge (+) Gauche de l'enceinte et la borne noire (-) Gauche de l'amplificateur à la borne noire (-) Gauche de l'enceinte.

Mode monophonique (couverture stéréophonique large à deux enceintes) (Fig. 5c)

Raccorder une enceinte à la fois aux canaux gauche et droit de l'amplificateur.

Mettre le commutateur situé à l'arrière de l'enceinte en position **Mono**.

Raccorder la borne rouge (+) Droite de l'amplificateur à la borne rouge (+) Mono de l'enceinte et la borne noire (-) Droite de l'amplificateur à la borne noire (-) Mono de l'enceinte.

Répéter la procédure ci-dessus pour l'autre enceinte, en utilisant les bornes Mono.

Si l'enceinte ne fonctionne pas correctement, se reporter au guide de diagnostic à la page 20.

Utilisation d'une commande de volume

L'utilisation de la commande de volume VC-150 de Paradigm® (*vendue séparément*) élimine la nécessité d'amplificateurs supplémentaires et compense toute chute d'impédance qui découle du raccordement de plusieurs enceintes. La commande VC-150 peut aussi être utilisée pour une seule ou plusieurs enceintes pour régler le volume en différents endroits de l'aire d'écoute, favorisant ainsi une couverture uniforme et vaste. Suivre les instructions fournies avec la commande de volume VC-150.



Pour utilisation à l'extérieur, la commande de volume VC-150 de Paradigm® doit être insérée dans un boîtier à l'épreuve des intempéries conçu pour les commandes électriques (*consulter le revendeur*).

GUIDE DE DIAGNOSTIC

PROBLÈME	SOLUTION
Aucun son	S'assurer que le préamplificateur ou l'amplificateur est branché et allumé. Vérifier que la prise de courant fonctionne correctement. Des écouteurs sont-ils branchés ou le système est-il en mode sourdine (mute)? Vérifier tous les raccords. Pour les modèles « SM », vérifier que le commutateur Stéréo/Mono repose bien au bout de sa course dans la position voulue (Stéréo ou Mono).
Aucun son d'une ou plusieurs enceintes	Vérifier la commande de réglage d'équilibre (balance) ou la commande de volume VC-150 (si elle est utilisée). Vérifier le branchement et le fonctionnement de tous les cordons d'alimentation. Remplacer l'enceinte qui ne fonctionne pas par une enceinte qui fonctionne pour vérifier si le problème est au niveau de l'enceinte ou ailleurs (c. à d. le filage, l'amplificateur).
Déficience des graves ou image disloquée (stéréo)	Il se peut qu'une des enceintes soit déphasée (polarité inversée). Vérifier de nouveau la polarité de chaque raccordement : rouge (+) à rouge (+) et noir (-) à noir (-).

GARANTIE LIMITÉE

Les enceintes extérieures Stylus® de Paradigm® sont garanties contre les défauts de matériaux et de fabrication pendant une période de **deux (2) ans** à compter de la date d'achat du matériel neuf. Durant cette période, la réparation, le remplacement ou le réglage de pièces pour des défauts de matériaux ou de fabrication ne seront pas à la charge du premier acheteur.

Les dommages causés par l'exposition abusive à la chaleur ou l'usage abusif ne sont pas couverts par la présente garantie.

Clauses spécifiques

- La garantie entre en vigueur à la date d'achat par le premier acheteur chez un revendeur autorisé Paradigm®. La garantie n'est pas transférable.
- La garantie s'applique aux enceintes pour une utilisation domestique normale. Si les enceintes sont soumises à l'une des conditions définies dans le paragraphe suivant, la garantie est nulle.
- La garantie ne s'applique pas à un usage commercial ou professionnel.
- La garantie exclue la détérioration normale de l'apparence causée par les conditions environnementales.

La garantie est révoquée si :

- L'enceinte est soumise à un usage abusif (accidentel ou intentionnel);
- L'enceinte est utilisée avec un équipement défectueux ou non adéquat;
- L'enceinte est soumise à des signaux électriques dommageables, un transport dangereux, des dommages matériels ou toute autre condition anormale;
- L'enceinte (y compris le boîtier) sont altérés ou endommagés lors d'une réparation non autorisée;
- La plaque du numéro de série du produit est enlevée ou défigurée.

Responsabilités du propriétaire

- Apporter un soin et un entretien normaux et raisonnables.
- Assumer les frais de transport jusqu'à l'atelier de réparation.
- Fournir une preuve d'achat (conserver le reçu fourni lors de l'achat par le revendeur autorisé Paradigm® comme preuve de la date d'acquisition).

Si une réparation est nécessaire, contacter le revendeur autorisé Paradigm®, Paradigm Electronics Inc. ou le distributeur à l'étranger (à l'extérieur du Canada et des États-Unis) pour planifier l'envoi prépayé de l'enceinte défectueuse. Consulter le site Web **www.paradigm.com** pour plus d'information.

Paradigm Electronics Inc. se réserve le droit d'améliorer ou de modifier ses produits en tout temps sans responsabilité ou engagement envers les produits existants.

La présente garantie de qualité marchande tient en lieu et place de toute autre garantie explicite ou implicite et ne peut être modifiée, élargie ou étendue à d'autres obligations par quiconque. Paradigm Electronics Inc. et ses représentants ou agents ne peuvent pas être tenus responsables de dommages découlant de l'utilisation de ces produits. Là où une réglementation spécifique interdit une telle limitation de la responsabilité, cette exclusion ne s'applique pas.

Conserver le présent manuel et le reçu comme preuves d'achat jusqu'au terme de la garantie.



RECYCLING AND REUSE GUIDELINES (Europe)

In accordance with the European Union WEEE (Waste Electrical and Electronic Equipment) directive effective August 13, 2005, we would like to notify you that our speakers may contain regulated materials which, upon disposal, require special reuse and recycling processing. For this reason Paradigm Electronics Inc. (the manufacturer of Paradigm speakers and Anthem electronic products) has arranged with its distributors in European Union member nations to collect and recycle this product at no cost to you. To find your local distributor please contact the dealer from whom you purchased this product or go to our website at www.paradigm.com.

Please note that only the product falls under the WEEE directive. When disposing of packaging and other shipping material we encourage you to recycle through the normal channels.

DIRECTIVES EUROPEENNES SUR LE RECYCLAGE ET LE TRAITEMENT DES DECHETS

Dans le respect de la directive WEEE (Waste Electrical & Electronic Equipment) mise en place par les institutions Européennes à compter du 13 Août 2005, nous souhaitons vous informer que nos enceintes peut contenir des matières devant faire l'objet d'une procédure de recyclage ou de traitement approprié des déchets. Dans cette optique, Paradigm Electronics Inc (fabricant des enceintes Paradigm et des électroniques Anthem) avec ses Distributeurs agréés dans l'Union Européenne, ont mis en place une procédure de collecte et de retraitement gratuite. Pour en savoir davantage sur cette procédure veuillez contacter votre revendeur, ou notre Distributeur dans votre pays (vous en obtiendrez les coordonnées sur simple demande ou en consultant notre site internet www.paradigm.com <<http://www.paradigm.com>).

Notez que seul le produit fini est concerné par cette directive et ses obligations. S'agissant de son emballage et de ses accessoires de transport nous vous recommandons de les recycler selon les procédures mises en place par votre commune ou votre département.

Paradigm[®]

w w w . p a r a d i g m . c o m

130.com.ua