



PHONES

0 (800) 800 130
(050) 462 0 130
(063) 462 0 130
(067) 462 0 130

130
COM.UA

Internet store of
autogoods



SKYPE

km-130

CAR RECEIVERS — Receivers • Media receivers and stations • Native receivers • CD/DVD changers • FM-modulators/USB adapters • Flash memory • Facia plates and adapters • Antennas • Accessories |
CAR AUDIO — Car audio speakers • Amplifiers • Subwoofers • Processors • Crossovers • Headphones • Accessories | TRIP COMPUTERS — Universal computers • Model computers • Accessories |
GPS NAVIGATORS — Portable GPS • Built-in GPS • GPS modules • GPS trackers • Antennas for GPS navigators • Accessories | VIDEO — DVR • TV sets and monitors • Car TV tuners • Cameras • Videomodules
• Transcoders • Car TV antennas • Accessories | SECURITY SYSTEMS — Car alarms • Bike alarms • Mechanical blockers • Immobilizers • Sensors • Accessories | OPTIC AND LIGHT — Xenon • Bixenon • Lamps
• LED • Stroboscopes • Optic and Headlights • Washers • Light, rain sensors • Accessories | PARKTRONICS AND MIRRORS — Rear parktronic • Front parktronic • Combined parktronic • Rear-view mirrors
• Accessories | HEATING AND COOLING — Seat heaters • Mirrors heaters • Screen-wipers heaters • Engine heaters • Auto-refrigerators • Air conditioning units • Accessories | TUNING — Vibro-isolation
• Noise-isolation • Tint films • Accessories | ACCESSORIES — Radar-detectors • Handsfree, Bluetooth • Windowlifters • Compressors • Beeps, loudspeakers • Measuring instruments • Cleaners • Car seats
• Miscellaneous | MOUNTING — Installation kits • Upholstery • Grilles • Tubes • Cable and wire • Tools • Miscellaneous | POWER — Batteries • Converters • Start-charging equipment • Capacitors
• Accessories | MARINE AUDIO AND ELECTRONICS — Marine receivers • Marine audio speakers • Marine subwoofers • Marine amplifiers • Accessories | CAR CARE PRODUCTS — Additives • Washer fluid •
Care accessories • Car polish • Flavors • Adhesives and sealants | LIQUID AND OIL — Motor oil • Transmission oil • Brake fluid • Antifreeze • Technical lubricant



In store "130" you can find and buy almost all necessary goods for your auto in Kyiv and other cities, delivery by ground and postal services. Our experienced consultants will provide you with exhaustive information and help you to chose the very particular thing. We are waiting for you at the address

<https://130.com.ua>



IN-WALL/IN-CEILING SPEAKERS

OWNERS MANUAL

Paradigm[®]



PARADIGM REFERENCE

Signature Series



TABLE OF CONTENTS

Your New Speakers	2	Installation into Existing Walls or Ceilings . . .	6
How To Avoid Speaker Damage	2	Speaker Placement (Pictorial)	8
Your Listening Room	2	Speaker Installation and Connection (Pictorial)	11
Speaker Assembly Parts List	2	Troubleshooting Guide	12
Speaker Placement Guidelines	3	Limited Warranty	13
Color-Match Painting	5		

130.com.ua



RECYCLING AND REUSE GUIDELINES FOR EUROPE

In accordance with the European Union WEEE (Waste Electrical and Electronic Equipment) directive effective August 13, 2005, we would like to notify you that our this product may contain regulated materials which, upon disposal, according to the WEEE directive, require special reuse and recycling processing. For this reason Paradigm® Electronics Inc. (manufacturers of Paradigm® speakers and Anthem® Electronics) has arranged with its distributors in European Union member nations to collect and recycle this product at no cost to you. To find your local distributor please contact the dealer from whom you purchased this product or go to our website at www.paradigm.com.

Please note that only the product falls under the WEEE directive. When disposing of packaging and other shipping material we encourage you to recycle through the normal channels.

DIRECTIVES EUROPEENNES SUR LE RECYCLAGE ET LE TRAITEMENT DES DECHETS

Dans le respect de la directive WEEE (Waste Electrical & Electronic Equipment) mise en place par les institutions Européennes à compter du 13 Août 2005, nous souhaitons vous informer que ce produit peut contenir des matières devant faire l'objet d'une procédure de recyclage ou de traitement approprié des déchets. Dans cette optique, Paradigm® Electronics Inc (fabricant des enceintes Paradigm® et des électroniques Anthem®) avec ses Distributeurs agréés dans l'Union Européenne, ont mis en place une procédure de collecte et de retraitement gratuite. Pour en savoir davantage sur cette procédure veuillez contacter votre revendeur, ou notre Distributeur dans votre pays (vous en obtiendrez les coordonnées sur simple demande ou en consultant notre site internet www.paradigm.com).

Notez que seul le produit fini est concerné par cette directive et ses obligations. S'agissant de son emballage et de ses accessoires de transport nous vous recommandons de les recycler selon les procédures mises en place par votre commune ou votre département.

YOUR NEW SPEAKERS

Although Paradigm® and Paradigm® Reference speakers sound great out of the carton, they will sound even better once they are broken in. Operate them for several hours before you listen critically.

High-frequency drivers use ferro-fluid that can thicken at temperatures below 10° C (50° F). If your speakers have been transported or stored in the cold, let them warm to room temperature before use.

Clean speaker housing with a soft, damp cloth. Do not use a strong or abrasive cleaner or get any part of the speaker wet.

MARINE MODELS: X-treme Moisture Application™ Versions

X-treme Moisture Application™ Versions are designed for full exposure to the elements. Crossovers have been treated with a protective conformal coating and all models feature corrosion-resistant stainless-steel grilles, mounting brackets and hardware to protect against harsh external environmental conditions including excessive moisture, extreme temperatures, direct sunlight, corrosive salt spray, fog, snow, ice, and rain.

See "Speaker Installation and Connection" section for special instructions relating to these versions.



Stray magnetic fields from these speakers may interfere with the operation of your boat's compass. Install speakers a minimum of 3' (1 m) away from the compass.

HOW TO AVOID SPEAKER DAMAGE

Use an appropriate amplifier. At high volumes, a very powerful amplifier can overdrive your speakers and damage them. On the other hand, if your amplifier isn't powerful enough, it can produce clipping distortion that can easily damage high-frequency drivers. *(See your dealer.)*

Don't be fooled by your amplifier's volume control. It adjusts listening level—it does not indicate power output. If your speakers begin to sound harsh or grating, or if you hear the bass breaking up, turn the volume down immediately or you will damage your speakers! **This type of damage constitutes abuse and is not covered by warranty!**

Tone controls and equalizers can demand even more power from an amplifier, lowering the point at which it produces clipping distortion. Use them sparingly, if at all, and do not use them when listening at loud levels.

YOUR LISTENING ROOM

Paradigm® and Paradigm® Reference in-wall/in-ceiling speakers are suitable for use in a wide variety of listening environments. Note however, that room construction, dimensions and furnishings all play a part in the quality of sound you ultimately achieve. The extra care taken in installation will result in greater listening enjoyment. Try to follow these guidelines:

- Strong, rigid walls and ceilings are preferred for best bass balance. For even better results add cross-braces at about 12" (30 cm) above and below the speaker to further increase rigidity.
- Midrange and high frequencies are affected by room furnishings. For best sound, your listening room should contain an average amount of curtains, carpets, sofas, etc.

SPEAKER ASSEMBLY PARTS LIST *(one speaker)*

Rectangular Speakers

- 1 speaker with mounting bracket attached
- 1 mounting template
- 1 paint mask
- 1 wire tie
- 1 piece of fine sandpaper

Round and Square Speakers

- 1 speaker with mounting bracket attached
- 1 mounting template
- 1 paint mask
- 1 wire tie

SPEAKER PLACEMENT GUIDELINES *(all models)*

For placement of ADP™ Surround/Rear speakers see the additional placement guidelines that follow farther below. If your speakers have 'SM' in their model name, or feature a Guided Soundfield™, also see placement options and additional recommendations beginning farther down the page.

Location

When installing your speaker, pick a location between studs or ceiling joists. Be careful not to damage any wires when you cut the installation hole.

Accurate Timbre and Imaging

Our in-wall/in-ceiling speakers feature wide, uniform dispersion and can be installed almost anywhere. For the most accurate timbre and imaging however, place stereo pairs approximately equal distance apart and select locations that allow sound to reach the listening area unobstructed.

Bass Performance

Placing speakers near corners will emphasize bass. For more balanced sound, we recommend avoiding corners when considering speaker placement.

Placement of ADP™ Surround/Rear Speakers

Paradigm® Reference ADP™ in-wall/in-ceiling Surround/Rear speakers accurately reproduce the ambience and sound effects critical to achieving the full dimension of multichannel sound. They are full bandwidth designs, precisely timbre-matched to Paradigm® front and center speakers to ensure a seamless multichannel soundstage in a large, reverberant soundfield.

5.1 Surround Placement

Mount your ADP™ surround speakers on either side of the main listening area (Fig. 1a).

6.1 Surround/Rear Placement

Begin with the 5.1 surround configuration outlined above, then mount one speaker in the center rear, behind the primary listening area (Fig. 1b).

7.1 Surround/Rear Placement

Begin with the 5.1 surround configuration outlined earlier. Place another pair of ADP™ speakers behind the primary listening area: one speaker positioned slightly right of the seating position and the other slightly left (Fig. 1c).

Placement Options for 'SM' Models

Paradigm® and Paradigm® Reference 'SM' speakers offer two options for connection:

- **Stereo Input:** Wide dispersion "Left plus Right" channel sound from a single 'SM' speaker.
- **Mono Input:** Very wide dispersion stereo sound from two 'SM' speakers, one for the left, and one for the right.

With their Dual-Directional Soundfield™, 'SM' speakers provide wider than normal dispersion, allowing them to be used in a variety of applications:

Single Speaker, Wide Dispersion "Left plus Right" Channel Sound (Fig. 2a)

Ideal in smaller areas less suited to a stereo pair of speakers or where a single speaker is the preferred choice. The speaker is connected to both left and right amplifier channels. Position speakers to achieve the broadest sound coverage across the main listening area.

Multiple Speakers, Distributed "Left plus Right" Channel Sound (Fig. 2b)

In larger areas (offices, on the boat deck, etc.) multiple speakers (each wired for "Left plus Right" channel sound) may be used to eliminate the sound imbalances that occur with separate stereo speakers as people move around, or are seated closer to one speaker than the other. Position speakers to achieve the broadest sound coverage across the main listening area.

5.1 Surround Placement Using Two Speakers (Fig. 2c)

Place one speaker on either side of the listening area. Position so that one tweeter dome of each speaker points toward the front of the room and the other points toward the back. Connect each speaker for Mono sound, then use for L/R Surrounds to produce spacious 5.1 surround sound.

6.1 Rear Placement Using One Speaker (Fig. 2d)

Center one speaker behind the listening area, tweeter domes positioned toward the left and right sides of the room. Connect speaker for Mono sound, then use as 6.1 Rear for wide-dispersion rear-channel sound.

7.1 Surround + Rear Placement Using Two Speakers (Fig. 2e)

Place one speaker on either side of the listening area. Position so that one tweeter dome of each speaker points toward the front of the room and use those channels for L/R surround sound. The other tweeter domes will be pointed toward the back of the room which can then be used for L/R rear sound.

7.1 Rear Placement Using One Speaker (Fig. 2f)

Center one speaker behind the listening area with tweeter domes positioned toward the left and right sides of the room. Connect to L/R Rears for spacious 7.1 rear-channel sound.

Placement Options for Guided Soundfield™ Models

Paradigm® and Paradigm® Reference Guided Soundfield™ in-ceiling speakers are optimized for use in areas with 8' (2.4 m) to 9' (2.74 m) high ceilings. They allow you to "guide" a wide-dispersion arc of sound toward a specific area in much the same way we guide a floodlight to flood an area with light.

For overall clarity and balanced bass performance these speakers should be mounted in the ceiling 12" (30 cm) or more from the wall, as shown in figs. 3a to 3f.

NOTE: Guiding the sound should be done after connecting the speaker but before final tightening of flange screws. See "Fine Tuning the Guided Soundfield™," on page 5.

Guided Soundfield™ Left/Right Speakers (Fig. 3a)

Follow the general guidelines for speaker placement provided at the beginning of the main section, keeping in mind the distance from the front speakers to your primary listening area should be 10' (3 m) to 14' (4.3 m), as shown.

Adding a Guided Soundfield™ Center Speaker (Fig. 3b)

Follow the directions for placement given earlier, then position the center speaker between the L/R speakers, with drivers pointed toward the center of the listening area.

GUIDED SOUNDFIELD™ SURROUNDS/REARS

These speakers are also ideal for use as surrounds/rears. "Guiding" the sound toward the sides and rear of the room creates an enveloping, reverberant soundfield similar to that provided by Paradigm® and Paradigm Reference ADP™ speakers. Keep in mind that the speakers should be mounted 12" (30 cm) or more from the wall.

5.1 Surround Placement (Fig. 3c)

Position one speaker on either side of the listening area with drivers pointed toward the side walls.

6.1 Rear Placement (Fig. 3d)

Begin with the "5.1 Surround Placement" (above) then center one speaker behind the listening area with drivers pointed toward the back wall.

7.1 Surround/Rear Placement (Fig. 3e)

Begin with the "5.1 Surround Placement" (given earlier), then position another pair of speakers behind the listening area, one slightly right, the other slightly left of the listening position, with drivers pointed to the back of the room as shown.

Direct-Radiating Surrounds/Rears (Fig. 3f)

Alternatively, these speakers may be used as direct-radiating speakers, positioned with drivers pointed toward the listening area. Use fig. 3f as a guide to positioning as you experiment to achieve optimal surround sound in your room.

GUIDED SOUNDFIELD™ SURROUNDS/REARS *(continued)*

Fine Tuning the Guided Soundfield™

Once you have decided on placement, connect the speaker following directions for Connection on page 6. Before final tightening of the flange screws, rotate speaker until drive assembly points in the desired direction. Then, follow directions for Installation on page 7. To readjust direction of sound, loosen screws, rotate drive assembly until it points in the desired direction, then re-tighten screws.

Speaker Impedance with Multiple Speakers

If you are planning to use multiple speakers per amplifier channel first determine the number of speakers your amplifier is capable of driving safely. Check your amplifier's specifications to determine minimum safe speaker impedance load (in ohms).



The **MINIMUM** load impedance of one Paradigm®/Paradigm® Reference in-wall/in-ceiling speaker is:

- **4 ohms per channel**



The **MINIMUM** load impedance of one 'SM' model is:

- **8 ohms per channel** when wired for Stereo Input
- **4 ohms per speaker** when wired for Mono Input

Each additional speaker you connect will drop nominal impedance by half. We recommend using a Paradigm® VC-150 volume control when connecting more than two speakers. See your dealer for more information.

COLOR-MATCH PAINTING *(optional)*

Your new in-wall/in-ceiling speakers have either a textured or powder-coated finish in neutral white to blend into any area. They may also be painted to match any decor. If you plan to paint your speakers, **paint them before installation** (*remove them from the wall before you start!*).

Please note:

- Do not paint the surface behind the grille
- Do not heat-cure your newly painted speakers
- Avoid painting the rear surface of the speaker — protect it by masking it

To Paint, Follow These Steps:

- 1) Remove the metal grilles and position the paint mask (supplied) in its place.
- 2) Lightly sand speaker flanges (models with metal frames only) with fine sandpaper (included) to provide better paint adhesion.
- 3) In a well-ventilated area, apply several light coats of paint, letting the speaker dry completely between coats. Follow the paint manufacturer's directions.
- 4) When painting grilles, be careful to not plug holes with paint. Remove protective cloth from inside grille before painting, and re-attach after paint has dried. It is easier to spray grille than use a brush.
Do not paint grilles when they are installed on the speaker.

INSTALLATION INTO EXISTING WALLS OR CEILINGS

IMPORTANT NOTE: Installing certain Paradigm®/Paradigm® Reference LCR (Left/Center/Right) speakers in a horizontal configuration in a typical stud wall (16" on center) will require additional framing. Please contact a qualified installer (*see your dealer*).



Turn your receiver/amplifier OFF before connecting speakers. This will avoid damage which may result from accidental shorting of the speaker cable.



Use only cable that is rated for in-wall use.

- The UL standard is CL2, CL3 and CM
- The CSA standard is FT4
- **X-treme Moisture Applications:** Use only cable rated for marine use (*see dealer*).

For optimal sound reproduction the use of high-quality speaker cable is essential. When using your speakers in a distributed audio application, with multiple speakers per amplifier channel (zone), we recommend the use of a high-performance in-wall volume control such as the Paradigm® VC-150 (*see your dealer for more information*).



When using the VC-150 in an outdoor environment it must be enclosed in a weather-proof box designed for electrical switches (*see dealer*).

1. Mounting

Place the mounting template onto the wall or ceiling. **X-treme Moisture Applications™ Versions: Be sure to install into a bulkhead.** Cut a hole as indicated on template. (Fig. 4a or 4b)

In-Wall Mounting

For optimum performance, loosely place ...

- two pieces, 8" (20 cm) to 12" (30 cm) long, of standard fiberglass insulation in the wall. R-12 for 2"x 4" (5 cm x 10 cm) walls or R-20 for 2"x 6" (5 cm x 15 cm) walls. Place one piece just above and the other just below mounting hole.
- a half-thick piece of fiberglass insulation, the same height as the speaker, in the wall right behind the mounting hole.

In-Ceiling Mounting

For optimum performance, loosely place ...

- one piece of standard fiberglass (to fit joist size) above the speaker extending 12" (30 cm) or more beyond the speaker between the joists.
- (for taller joists) fiberglass insulation directly against the joists on either side of the mounting hole.

2. Connecting and Installing



X-treme Moisture Applications™ Versions only:

Following connection and prior to installation, any exposed wiring must be sealed with dielectric grease (not included) to prevent deterioration over time. (*See dealer for more information.*)

You are now ready to connect and install the speakers. If you are **color-match painting** your speakers do so now before proceeding. Follow painting instructions provided earlier.

Rectangular Speakers

With die-cast bracket attached to speaker, place complete speaker assembly to the wall and ...

Connecting (except models with 'SM' in their name, see connection instructions farther below):

- a) Connect the speaker cable (*not shown*). Correct polarity or phase is critical for proper stereo imaging and bass performance. Connect the hook-up cable to the speaker input terminal on the crossover board. Connect the red (+) amplifier to the red (+) speaker terminal, and the black (-) amplifier terminal to the black (-) speaker terminal. Fasten cable to bracket with wire tie (*optional*). (Fig. 8a)

2. Connecting and Installing *(continued)*

Installing:

- b) Holding the speaker's front lip with your thumbs and index fingers, push the mounting screws toward each other with your other fingers so that the brackets fit through the hole. Release the screws and gently push the speaker to the wall/ceiling. (Fig. 5a)

While holding the speaker in place, alternately tighten each screw until the speaker is firmly installed. (Fig. 5b)

Round and Square Speakers

With grille removed and bracket attached to speaker, place complete assembly to the wall or ceiling and ...

Connecting (except models with 'SM' in their name, see connection instructions farther below):

- a) Connect speaker cable as outlined on page 6, Fig. 8a, in section on Rectangular Speakers.

Installing:

- b) *For Speakers With Two Mounting Screws:* Holding the speaker flange with your fingers, push on the screw heads with your thumbs to extend rear bracket. The bracket is oblong, extending past each screw. Fit one oblong end into the hole far enough to allow the other oblong end to also fit into the hole. (Fig. 6a)

For Speakers With Four Mounting Screws: Holding the speaker's front lip with your thumbs and index fingers, push the mounting screws toward each other with your other fingers, so the mounting brackets can fit through the hole with an "up-and-in" motion. Release the screws and gently push the speaker to the ceiling/wall. (Fig. 7a)

Models with Guided Soundfield™: Rotate the speaker so that the drive assembly points in desired direction (*not shown*).

- c) While holding the speaker in place, alternately tighten each screw until the speaker is firmly installed. (Figs. 6b and 7b)

Connecting 'SM' Models

Stereo Input (Single Speaker) (Fig. 8b): Connect one speaker channel at a time to your receiver/amplifier. Connect the Right red (+) amplifier terminal to the Right red (+) speaker terminal and the Right black (-) amplifier terminal to the Right black (-) speaker terminal. Connect the Left red (+) amplifier terminal to the Left red (+) speaker terminal and the Left black (-) amplifier terminal to the Left black (-) speaker terminal.

Follow the installation instructions provided earlier.

Mono Input (Fig. 8c): Connect one speaker at a time to the left and right channels of your receiver/amplifier. First, convert the Right speaker to Mono: Using a short piece of cable, connect the Right red (+) speaker terminal to the Left red (+) speaker terminal and the Right black (-) speaker terminal to the Left black (-) amplifier terminal. Then ...

Connect the Right red (+) amplifier terminal to the Right red (+) speaker terminal and the Right black (-) amplifier terminal to the Right black (-) speaker terminal.

Repeat entire procedure for Left speaker, then follow installation instructions provided earlier.

3. Installing the Grille

Press the grille into the groove on the front face of the speaker (*not shown*). Magnets hold the grille in place (*in-ceiling models only*).

SPEAKER PLACEMENT *(pictorial)*

POSITIONNEMENT DES ENCEINTES *(illustrations)*

ADP™ Surround/Rear Speakers / Enceintes ADP^{MC} Ambiophonie/Arrière

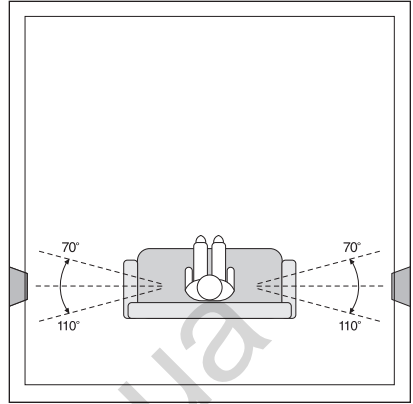


Fig. 1a

5.1 Surround Placement
Couverture ambiophonique 5.1

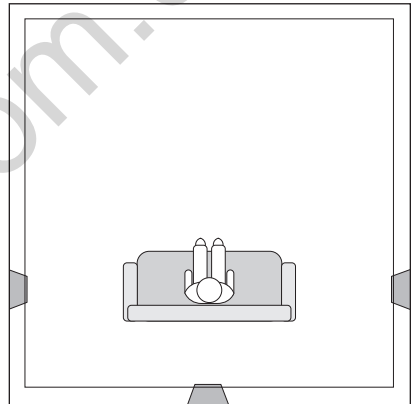


Fig. 1b

6.1 Surround/Rear Placement
Couverture ambiophonique/arrière 6.1

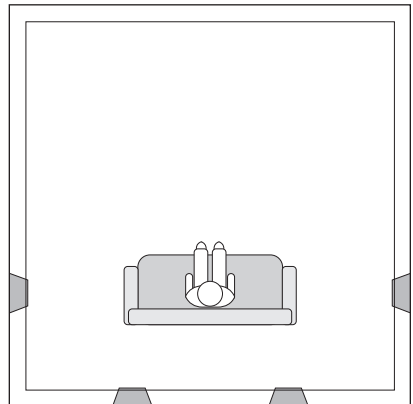


Fig. 1c

7.1 Surround/Rear Placement
Couverture ambiophonique/arrière 7.1

“SM” Models (Arrows indicate direction of tweeters)
Modèles « SM » (les flèches indiquent l'orientation du haut-parleur des aigus)

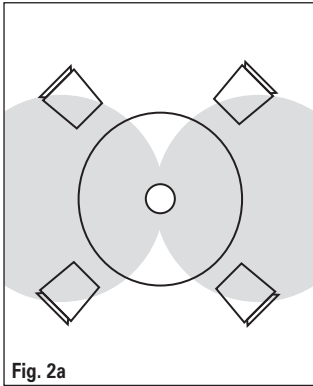


Fig. 2a

Single-Speaker “Left plus Right” Sound
 Couverture à une seule enceinte, Gauche+Droite

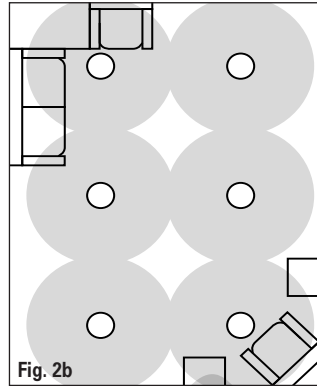


Fig. 2b

Distributed “Left plus Right” Sound
 Couverture distribuée, Gauche+Droite

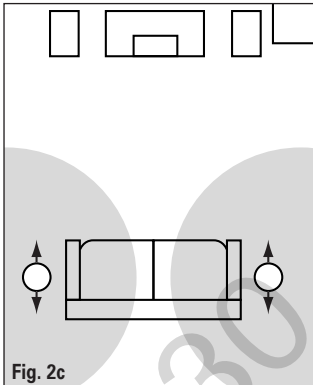


Fig. 2c

5.1 Surround Placement using Two “SM” Speakers
 Couverture ambiophonique 5.1 à deux enceintes « SM »

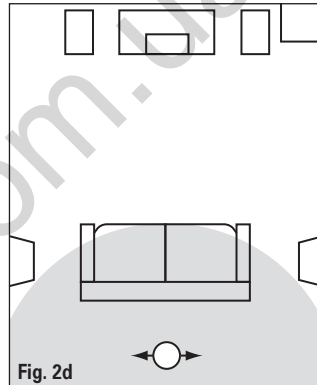


Fig. 2d

6.1 Rear Placement using One “SM” Speaker
 Couverture arrière 6.1 à une seule enceinte « SM »

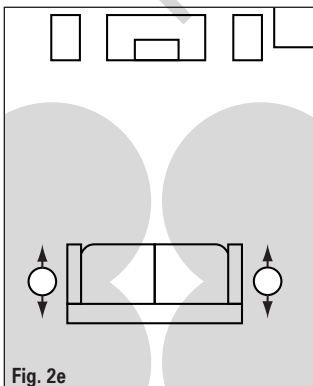


Fig. 2e

7.1 Surround+Rear Placement using Two “SM” Speakers
 Couverture ambiophonique et arrière 7.1 à deux enceintes « SM »

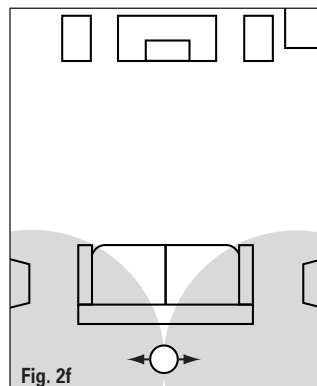


Fig. 2f

7.1 Rear Placement using One “SM” Speaker
 Couverture arrière 7.1 à une seule enceinte « SM »

Guided Soundfield™ Models
Enceintes Guided Soundfield™ Encastrables Au Plafond

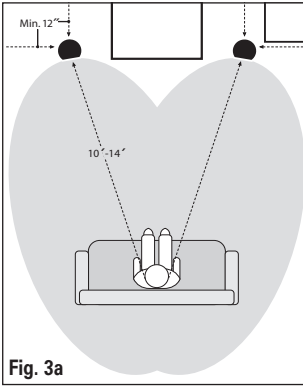


Fig. 3a
 Front Left and Right Speakers
 Enceintes avant gauche et droite

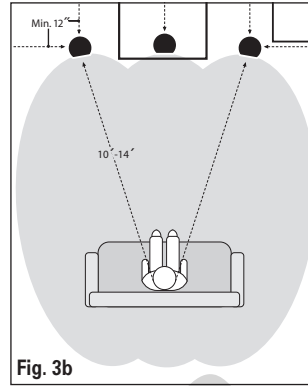


Fig. 3b
 Front Left, Center, Right Speakers
 Enceintes avant gauche, centrale et droite

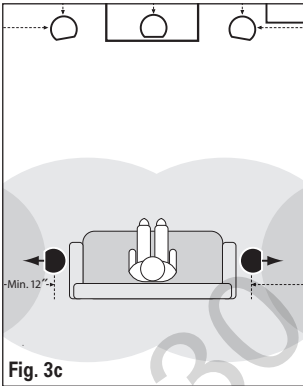


Fig. 3c
 5.1 Surround Placement, diffuse soundfield
 5.1 Positionnement ambiophonique, champ sonore diffus

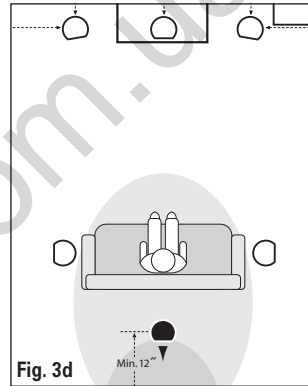


Fig. 3d
 6.1 Rear Placement, diffuse soundfield
 6.1 Positionnement arrière, champ sonore diffus

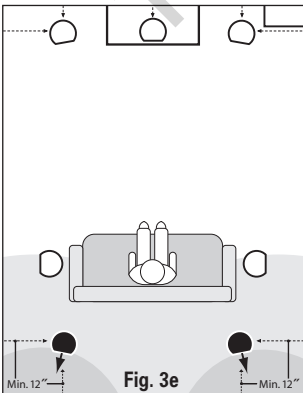


Fig. 3e
 7.1 Rear Placement, diffuse soundfield
 7.1 Positionnement arrière, champ sonore diffus

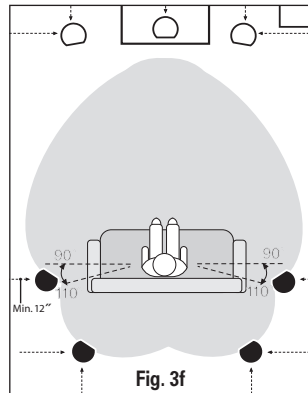


Fig. 3f
 Used as Direct-Radiating Speakers in a 7.1 placement
 Couverture ambiophonique et arrière 7.1 à rayonnement direct

SPEAKER INSTALLATION AND CONNECTION *(pictorial)* INSTALLATION ET RACCORDEMENT DES ENCEINTES *(illustrations)*

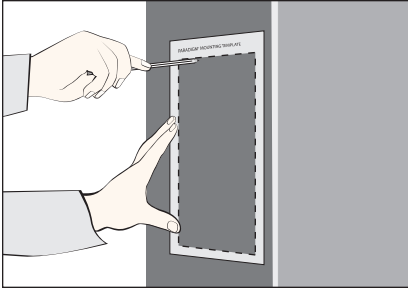


Fig. 4a

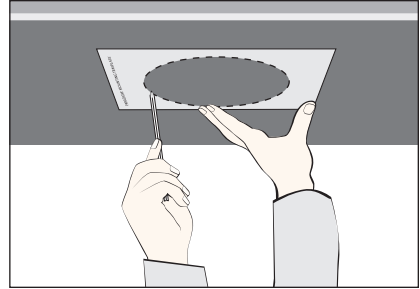


Fig. 4b

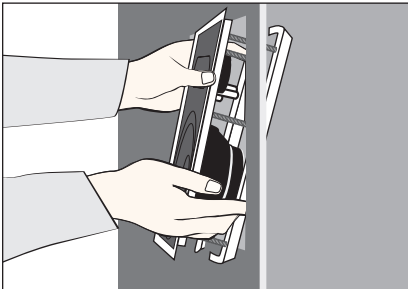


Fig. 5a

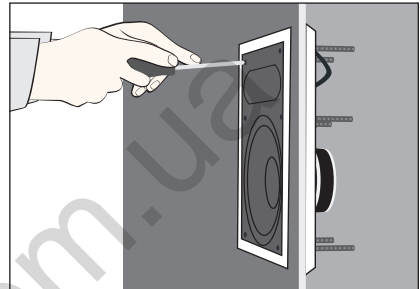


Fig. 5b

The following installation instructions apply to round and square speakers:
Les directives d'installation qui suivent s'appliquent aux enceintes rondes et carrées.

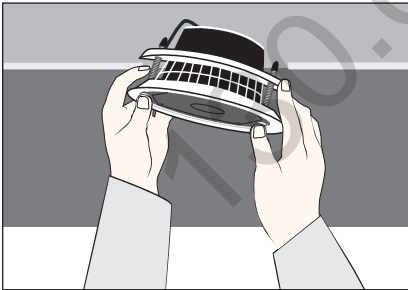


Fig. 6a

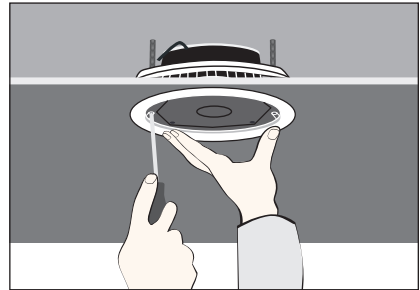


Fig. 6b

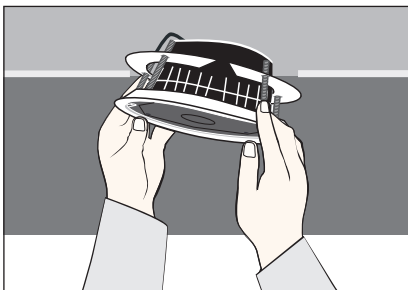


Fig. 7a

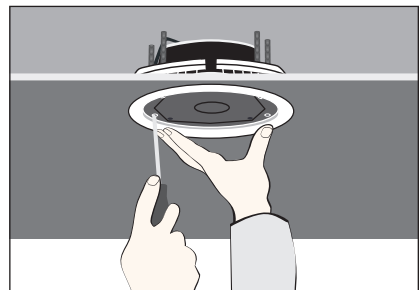


Fig. 7b

Standard Connection
Raccordement Standard

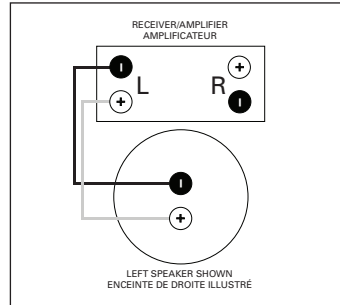


Fig. 8a

Wiring for "SM" Models
Câblage pour Modèles « SM »

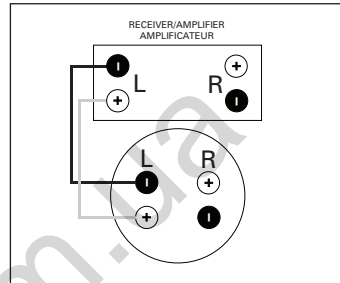
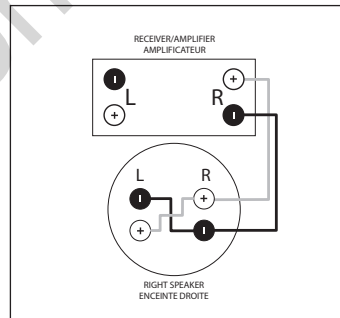


Fig. 8b

Wiring for "Left plus Right" channel sound from a single speaker
Câblage pour couverture à une seule enceinte, canaux Gauche+Droit

Fig. 8c

Wiring for Mono sound (two speakers required)
Câblage pour sortie monophonique (deux enceintes requises)



TROUBLESHOOTING GUIDE

PROBLEM	SOLUTION
No Sound	Make sure receiver, preamp or amplifier is plugged in and turned on. Check power outlet at the wall is working. Are headphones plugged in, or is system on Mute? Re-check all connections.
No Sound from One or More Speakers	Check your balance control or VC-150 Volume Control (if using). Check that all power cords are properly plugged in and functioning. Swap the Left speaker cable with the Right speaker cable at the receiver/amplifier end to determine if the problem is with the speaker or something else (i.e. wiring, amplifier).
Lack of Bass or Dislocated Image (Stereo)	One or more speakers may be connected out of phase (their polarity is reversed). Re-check to ensure that each speaker's cable is connected with correct polarity: red (+) to red (+) and black (-) to black (-).

LIMITED WARRANTY

Paradigm® and Paradigm® Reference In-Wall/In-Ceiling speakers covered in this manual are warranted to be and remain free of manufacturing and/or material defects for a period of **five (5)** years from the date of original purchase; **X-treme Moisture Application™ Versions** are warranted to be and remain free of manufacturing and/or material defects for a period of **three (3)** years from the date of original purchase. Within the time period specified, repair, replacement or adjustment of parts for manufacturing and/or material defects will be free of charge to the original owner.

Thermal or mechanical abuse/misuse is not covered under warranty.

Limitations:

- Warranty begins on date of original retail purchase from an Authorized Paradigm®/Paradigm® Reference Dealer only. It is not transferable
- Warranty applies to product in normal residential use only. If product is subjected to any of the conditions outlined in the next section, warranty is void
- Warranty does not apply if the product is used in professional or commercial applications

Warranty is Void if:

- The product has been abused (intentionally or accidentally)
- The product has been used in conjunction with unsuitable or faulty equipment
- The product has been subjected to damaging signals, derangement in transport, mechanical damage or any abnormal conditions
- The product (including cabinet) has been tampered with or damaged by an unauthorized service facility
- The serial number has been removed or defaced

Owner Responsibilities:

- Provide normal/reasonable operating care and maintenance
- Provide or pay for transportation charges for product to service facility
- Provide proof of purchase (your sales receipt given at time of purchase from your Authorized Paradigm®/Paradigm® Reference Dealer must be retained for proof-of-purchase date)

Should servicing be required, contact your nearest Authorized Paradigm®/Paradigm® Reference Dealer, Paradigm Electronics Inc., or Import Distributor (outside the U.S. and Canada) to arrange, bring in or ship prepaid, any defective unit. Visit our website, www.paradigm.com for more information.

Paradigm Electronics Inc. reserves the right to improve the design of any product without assuming any obligation to modify any product previously manufactured.

This warranty is in lieu of all other warranties expressed or implied, of merchantability, fitness for any particular purpose and may not be extended or enlarged by anyone. In no event shall Paradigm Electronics Inc., their agents or representatives be responsible for any incidental or consequential damages. Some jurisdictions do not allow limitation of incidental or consequential damages, so this exclusion may not apply to you.

Retain manual and sales receipt for proof of warranty term and proof of purchase.



ENCEINTES ENCASTRABLES AU MUR OU AU PLAFOND

MODE D'EMPLOI

Paradigm^{MD}



PARADIGM REFERENCE

Signature Series



TABLE DES MATIERES

Vos nouvelles enceintes	15	Installation dans des murs ou plafonds existants	19
Pour éviter d'endommager les enceintes . .	15	Positionnement des enceintes (illustrations) . . .	8
Votre salle d'écoute	16	Installation et raccordement (illustrations) . . .	11
Pièces comprises	16	Guide de diagnostic	21
Positionnement des enceintes	16	Garantie limitée	22
Appariement de la couleur	19		

VOS NOUVELLES ENCEINTES

Bien que les enceintes Paradigm[™] et Paradigm[™] Reference encastrables au mur ou plafond offrent un son excellent « en sortant de la boîte », le son sera encore meilleur après une période de rodage. Les laisser fonctionner pendant quelques heures avant une première écoute critique.

Les haut-parleurs des hautes fréquences contiennent un ferrofluide dont la viscosité augmente à des températures inférieures à 10°C (50 F). Si les enceintes ont été transportées ou entreposées au froid, les laisser réchauffer à la température de la pièce avant de les utiliser.

Nettoyer les boîtiers à l'aide d'un linge humide doux. Ne pas employer de détergent fort ou abrasif sur les enceintes, ni n'en mouiller aucune partie.

MODÈLES MARINS: Versions X-treme[™] pour conditions de forte humidité

Versions X-treme[™] pour conditions de forte humidité sont conçues pour être exposées aux intempéries. Les raccords sont recouverts d'un revêtement conforme protecteur et tous les modèles sont dotés de grilles, de supports et de ferrures en acier inoxydable résistant à la corrosion qui les protège contre les intempéries, dont l'humidité excessive, les températures extrêmes, la lumière directe du soleil, les embruns corrosifs, le brouillard, la neige, la glace et la pluie.

Voir la section « Installation et connexion de l'enceinte » pour obtenir les directives particulières liées à ces versions.



Des champs magnétiques parasites provenant des enceintes peuvent fausser la lecture de la boussole du bateau. Placer les enceintes à au moins 1 m (3 pi) de cette dernière.

POUR ÉVITER D'ENDOMMAGER LES ENCEINTES

Utiliser un amplificateur adéquat. À volume élevé, un amplificateur trop puissant peut solliciter excessivement les enceintes et les endommager. Par contre, si l'amplificateur n'est pas assez puissant, il peut provoquer un écrêtage produisant des distorsions qui peuvent facilement endommager les haut-parleurs de hautes fréquences (*consulter le revendeur*).

La commande de volume de l'amplificateur peut être trompeuse puisqu'elle permet uniquement de régler le niveau d'écoute, mais n'indique pas le niveau de puissance. Si le son semble sec ou distordu, ou s'il y a distorsion des graves, réduire immédiatement le volume pour ne pas endommager les enceintes!

Ce type de dommage est considéré comme un usage abusif, et la garantie ne le couvre pas!

Les commandes de tonalité ou d'égalisation peuvent solliciter encore plus l'amplificateur, réduisant le niveau auquel il y aura écrêtage. Utiliser ces dispositifs le moins possible, et ne pas les utiliser pour l'écoute à volume élevé.

VOTRE SALLE D'ÉCOUTE

Les enceintes Paradigm^{MD} et Paradigm^{MD} Reference encastrables au mur ou plafond peuvent être utilisées dans divers milieux d'écoute. Il est toutefois à noter que la construction et les dimensions de la pièce, ainsi que les meubles qu'elle renferme ont tous une incidence sur la qualité sonore qu'il sera possible d'obtenir. Le soin accordé à l'installation permettra une meilleure expérience d'écoute. En général, il est recommandé d'observer les directives suivantes :

- Pour un son équilibré, des murs et plafonds forts et rigides sont préférables. Pour des résultats supérieurs, installer des traverses environ 30 cm (12 po) au-dessus et au-dessous de l'enceinte afin d'accroître la rigidité de la cloison.
- Le contenu, dont les meubles, de la pièce a une incidence sur les fréquences intermédiaires et élevées. Pour une meilleure qualité sonore, la salle d'écoute doit contenir une quantité normale de rideaux, de moquettes, de sofas, etc.

PIÈCES COMPRISES *(pour une enceinte)*

Enceintes rectangulaires

- 1 enceinte avec support de fixation apposé
- 1 gabarit de montage
- 1 masque à peinture
- 1 attache métallique
- 1 morceau de papier abrasif fin

Enceintes rondes et carrées

- 1 enceinte avec support de fixation apposé
- 1 gabarit de montage
- 1 masque à peinture
- 1 attache métallique

POSITIONNEMENT DES ENCEINTES *(tous les modèles)*

Pour le positionnement des enceintes ADP^{MC} ambiophoniques/arrière, se reporter aux autres directives de positionnement ci-dessous. Si « SM » figure au nom du modèle des enceintes, ou si elles sont dotées d'un champ sonore orienté (Guided SoundfieldSM), voir également les options de positionnement et les recommandations ci-dessous.

Positionnement

Choisir un endroit situé entre des montants ou des solives de plafond. S'assurer de ne pas endommager le filage électrique au moment de découper le trou où l'enceinte sera insérée.

Timbre et image sonores précis

Nos enceintes encastrables au mur ou plafond offrent une dispersion vaste et uniforme et peuvent donc être installées à peu près n'importe où. Pour la plus grande précision possible du timbre et de l'image sonores, il est toutefois recommandé que les paires stéréophoniques d'enceintes soient à peu près équidistantes les unes des autres et qu'elles soient positionnées de sorte qu'aucun obstacle ne les sépare de l'aire d'écoute.

Performance des graves

Le positionnement des enceintes près des coins de la pièce accentuera les graves. Pour une image sonore plus équilibrée, il est recommandé d'éviter de positionner les enceintes dans les coins.

Positionnement des enceintes ADP^{MC} ambiophoniques/arrière

Les enceintes encastrables Paradigm^{MD} ADP^{MC} ambiophoniques/arrière reproduisent l'ambiance et les effets sonores essentiels à la pleine ampleur de la musique et des trames à canaux multiples. Ce sont des enceintes pleine bande dont le timbre est précisément accordé avec celui des enceintes Paradigm^{MD} avant et centrales, ce qui garantit une image sonore multicanaux sans disjonction dans un vaste champ de réverbération.

Positionnement pour couverture ambiophonique 5.1

Placer les enceintes ambiophoniques ADP[™] de chaque côté de l'aire d'écoute principale (Fig. 1a).

Positionnement pour couverture ambiophonique/arrière 6.1

Commencer par le positionnement pour couverture ambiophonique 5.1 (ci-dessus), puis placer une enceinte au centre de la pièce, derrière la principale aire d'écoute (Fig. 1b).

Positionnement pour couverture ambiophonique/arrière 7.1

Commencer par le positionnement pour couverture ambiophonique 5.1 (ci-dessus), puis placer une autre paire d'enceintes à l'arrière de l'aire d'écoute, une des enceintes légèrement à droite et l'autre, légèrement à gauche du centre (Fig. 1c).

Options de positionnement pour les modèles « SM »

Les enceintes Paradigm[™] et Paradigm[™] Reference « SM » offrent les deux options de raccordement suivantes:

- **Sortie stéréo:** Couverture large, canaux Gauche+Droit, produite par une seule enceinte « SM »;
- **Sortie mono:** Couverture stéréophonique très large, produite par deux enceintes « SM », une pour la gauche et l'autre pour la droite.

Offrant un champ acoustique bidirectionnel (Dual-Directional Soundfield[™]), les enceintes « SM » présentent une dispersion plus large que la normale, de sorte qu'elles peuvent être utilisées dans diverses applications :

Couverture large à une seule enceinte, canaux Gauche+Droit (Fig. 2a)

Configuration idéale dans les espaces restreints qui se prêtent mal à deux enceintes en stéréo, ou si on préfère n'utiliser qu'une enceinte. L'enceinte est raccordée aux canaux gauche et droit. Positionner l'enceinte pour obtenir la couverture la plus large dans la principale aire d'écoute.

Couverture distribuée à enceintes multiples, canaux Gauche+Droit (Fig. 2b)

Dans les espaces plus grands (bureaux, pont d'un bateau, etc.), l'utilisation de plusieurs enceintes (chacune raccordée aux canaux Gauche+Droit) permet d'éliminer le déséquilibre produit par des enceintes stéréo distinctes perçues par des personnes qui se déplacent dans la pièce ou qui sont assises plus près d'une enceinte que de l'autre. Positionner les enceintes pour obtenir la couverture la plus large dans la principale aire d'écoute.

Couverture ambiophonique 5.1 à deux enceintes (Fig. 2c)

Placer une enceinte de chaque côté de l'aire d'écoute, de sorte qu'un dôme de chaque enceinte soit orienté vers l'avant de la pièce, et l'autre dôme de l'enceinte, vers l'arrière. Raccorder chacune des enceintes pour sortie monophonique et les utiliser en mode ambiophonique gauche/droite pour produire un son ambiophonique 5.1 très large.

Couverture arrière 6.1 à une seule enceinte (Fig. 2d)

Centrer une enceinte à l'arrière de l'aire d'écoute, les dômes orientés vers les côtés gauche et droit de la pièce. Raccorder l'enceinte pour sortie monophonique et l'utiliser en mode 6.1 arrière pour produire une large couverture sonore de canal arrière.

Couverture ambiophonique et arrière 7.1 à deux enceintes (Fig. 2e)

Placer une enceinte de chaque côté de l'aire d'écoute, de sorte qu'un dôme de chaque enceinte soit orienté vers l'avant de la pièce. Utiliser ces canaux en mode gauche/droite. Les autres dômes seront orientés vers l'arrière de la pièce et peuvent donc être utilisés pour le son arrière gauche/droite.

Couverture arrière 7.1 à une seule enceinte (Fig. 2f)

Centrer une enceinte à l'arrière de l'aire d'écoute, les dômes orientés vers les côtés gauche et droit de la pièce. Raccorder l'enceinte pour sortie gauche/droite arrière pour produire une large couverture sonore 7.1 arrière.

Options de positionnement pour les modèles **Guided Soundfield^{MC}**

Paradigm^{MC} et Paradigm^{MC} Reference Guided Soundfield^{MC} encastrables au plafond sont optimisées pour les pièces de 2,4 m à 2,74 m (8 pi à 9 pi) de hauteur. Elles permettent d'orienter un vaste arc de dispersion vers un endroit précis de la pièce, à l'instar d'un spot utilisé pour éclairer un endroit donné.

Pour obtenir une grande clarté et une performance équilibrée des graves, installer ces enceintes au plafond à une distance de 30 cm (12 po) ou plus des murs, comme l'indiquent les figures 3a à 3f.

REMARQUE : Le réglage de l'orientation du son devrait se faire après le raccordement de l'enceinte, mais **avant** le serrage définitif des vis d'accouplement. Se reporter à la section sur le « réglage fin des enceintes Guided Soundfield^{MC} » (*ci-dessous*).

Champ sonore orienté (Guided Soundfield^{MC}) pour enceintes gauche/droite (Fig. 3a)

Suivre les instructions générales de positionnement présentées au début de la section principale, sachant que la distance des enceintes avant par rapport à la principale aire d'écoute devrait être de 3 m à 4,3 m (10 pi à 14 pi), comme l'illustre la figure.

Ajouter une enceinte centrale à champ sonore orienté (Guided Soundfield^{MC}) (Fig. 3b)

Suivre les instructions de positionnement présentées précédemment, puis positionner l'enceinte centrale entre les enceintes gauche et droite, orientée vers le centre de l'aire d'écoute.

CHAMP SONORE ORIENTÉ (Guided Soundfield^{MC}) AMBIOPHONIQUE/ARRIÈRE

Ces enceintes sont idéales comme enceintes ambiophoniques/arrière. En « orientant » le son vers les côtés et l'arrière de la pièce, il est possible de créer un ample champ sonore semblable à celui que produisent les enceintes Paradigm^{MC} Reference ADP^{MC}. S'assurer que les enceintes soient situées à une distance de 30 cm (12 po) ou plus des murs.

Positionnement pour couverture ambiophonique 5.1 (Fig. 3c)

Placer une enceinte de chaque côté de l'aire d'écoute, ses haut-parleurs orientés vers le mur latéral.

Positionnement pour couverture arrière 6.1 (Fig. 3d)

Commencer par le positionnement pour couverture ambiophonique 5.1 (ci-dessus), puis centrer une enceinte à l'arrière de l'aire d'écoute, ses haut-parleurs orientés vers le mur arrière.

Positionnement pour couverture ambiophonique et arrière 7.1 (Fig. 3e)

Commencer par le positionnement pour couverture ambiophonique 5.1 (ci-dessus), puis placer une autre paire d'enceintes derrière l'aire d'écoute, une des enceintes légèrement à droite et l'autre, légèrement à gauche du centre, leurs haut-parleurs orientés vers l'arrière, comme l'illustre la figure.

Champ sonore orienté pour couverture ambiophonique et arrière à rayonnement direct (Fig. 3f)

Une autre option consiste à utiliser ces enceintes comme s'il s'agissait d'enceintes à rayonnement direct, leurs haut-parleurs orientés vers l'aire d'écoute. Utiliser la figure 3f comme guide pour les positionner et modifier le positionnement jusqu'à obtention du son ambiophonique optimal.

Réglage fin du champ sonore orienté (Guided Soundfield^{MC})

Une fois la position de l'enceinte choisie, procéder à son raccordement en suivant les instructions à la page 20. Avant le serrage définitif des vis d'accouplement, tourner l'enceinte jusqu'à ce que les haut-parleurs soient orientés dans la direction voulue. Ensuite, suivre les instructions d'installation à la page 20. Pour régler à nouveau la direction du son, desserrer les vis, tourner les haut-parleurs pour obtenir l'orientation souhaitée, puis resserrer les vis.

Impédance des enceintes dans les configurations à plusieurs enceintes

Pour une configuration à plusieurs enceintes par canal, il faut d'abord déterminer le nombre d'enceintes que l'amplificateur peut supporter de façon sûre. Vérifier les caractéristiques de l'amplificateur pour en déterminer la charge d'impédance minimum (en ohms).



L'impédance de charge **MINIMUM** d'une enceinte Paradigm^{MD}/Paradigm^{MD} Reference ou encastrable au mur ou au plafond est de :

- 4 ohms/canal



L'impédance de charge **MINIMUM** d'une enceinte de modèle « SM » est :

- 8 ohms/canal pour sortie stéréophonique
- 4 ohms/enceinte pour sortie monophonique

Chaque enceinte supplémentaire se traduira par une diminution de moitié de l'impédance nominale. L'utilisation d'une commande de volume VC-150 de Paradigm^{MD} est fortement recommandée si plus de deux enceintes sont raccordées à l'amplificateur. Consulter le revendeur pour plus d'information.

APPARIEMENT DE LA COULEUR *(facultatif)*

Vos nouvelles enceintes encastrables au mur ou plafond présentent une finition blanche neutre texturée ou pulvérisée qui se mariera à n'importe quelle pièce. Il est également possible de les peindre pour qu'elles s'agencent au décor de la pièce. Si vous prévoyez peindre vos enceintes, Il est également possible de les peindre pour qu'elles s'agencent au décor de la pièce. Si vous prévoyez peindre vos enceintes, **les peindre avant de les installer** (*les retirer du mur avant de commencer!*).

Il importe également de :

- ne pas peindre la surface à l'arrière de la grille;
- ne pas sécher la peinture des nouvelles enceintes à la chaleur;
- ne pas peindre la surface arrière de l'enceinte—masquer cette surface pour la protéger.

Pour peindre l'enceinte, suivre les étapes suivantes:

- 1) retirer les grilles métalliques et installer le masque (*inclus*) à leur place;
- 2) sabler légèrement les rebords des enceintes (les modèles à cadres métalliques seulement) avec le papier abrasif fin (*inclus*) pour une meilleure adhérence de la peinture;
- 3) dans un espace bien aéré, appliquer plusieurs couches de peinture en prenant soin de bien laisser chaque couche sécher avant d'appliquer la suivante. Suivre les instructions du fabricant de peinture.
- 4) pour peindre la grille, s'assurer que la peinture n'obstrue pas les trous de la grille. Retirer le linge protecteur de l'intérieur de la grille avant de la peindre et le remettre quand la peinture est sèche. Il est plus facile pour ce faire de la peindre au pistolet qu'au pinceau.

Ne pas peindre la grille alors qu'elle est installée sur l'enceinte.

INSTALLATION DANS DES MURS OU PLAFONDS EXISTANTS

REMARQUE IMPORTANTE : Dans certaines installations des enceintes GCD (LCR) en une configuration horizontale dans un mur à montants typique (espacés de 16 po) nécessitera un cadrage supplémentaire. Communiquer avec un installateur qualifié (*consulter le revendeur*).



Éteindre l'amplificateur avant de raccorder les enceintes. Ceci évitera les dommages pouvant résulter d'un court-circuit accidentel des câbles des enceintes.

N'utiliser que des câbles cotés pour utilisation dans des murs.



- Les câbles de types CL2, CL3 et CM sont conformes à la norme UL.
- Les câbles de type FT4 sont conformes à la norme CSA.
- **Versions X-treme^{MC} pour conditions de forte humidité:** N'utiliser que du fil coté pour utilisation sur l'eau (*consulter le revendeur*).

Il est essentiel d'utiliser des câbles de haute qualité pour une reproduction sonore optimale. L'utilisation d'une commande de volume au mur de haute performance telle que la commande de volume VC-150 de Paradigm^{MC} est également recommandée pour les configurations à plusieurs enceintes par canal d'amplificateur (zone) (consulter le revendeur pour plus d'information).



Une commande VC-150 utilisée sur l'eau doit être placée dans un boîtier à l'épreuve des intempéries coté pour interrupteurs (consulter le revendeur).

1. Montage

Placer le gabarit de montage sur le mur ou le plafond. **Versions X-treme^{MC} pour conditions de forte humidité: L'enceinte doit être installée dans une cloison.** Découper le trou tel qu'indiquer. (Fig. 4a ou 4b)

Montage au mur

Pour une performance optimale, placer, sans les compacter :

- deux morceaux d'une longueur de 20 cm (8 po) à 30 cm (12 po) d'isolant en fibre de verre standard dans le mur, de type R12 pour les murs à montants de 5 cm x 10 cm (2 po x 4 po) ou R20 pour les murs à montants de 5 cm x 15 cm (2 po x 6 po). Placer un morceau juste au-dessus et un autre juste au-dessous du trou découpé;
- un morceau d'isolant de fibre de verre de demi-épaisseur et de la même hauteur que l'enceinte dans le mur, juste à l'arrière du trou découpé.

Montage au mur

Pour une performance optimale, placer, sans les compacter :

- un morceau d'isolant en fibre de verre standard (de largeur telle qu'il s'insère entre les solives) au dessus de l'enceinte, qui se prolonge de 30 cm (12 po) ou plus de chaque côté de l'enceinte, entre les solives;
- (pour les solives plus hautes) de l'isolant en fibre de verre directement sur les solives de chaque côté du trou découpé.

2. Raccordement et installation

Versions X-treme^{MC} pour conditions de forte humidité seulement



Après la connexion et avant l'installation, tout câble exposé doit être scellé avec de la graisse diélectrique (non comprise) pour empêcher la détérioration au fil du temps. (Consultez le revendeur pour obtenir de plus amples renseignements.)

Vous pouvez maintenant procéder au raccordement et à l'installation de l'enceinte. Si vous désirez **appairer la couleur** de l'enceinte, le faire avant de procéder à l'installation. Suivre les instructions à cet effet présentées ci-dessus.

Enceintes rectangulaires

Le support de fixation moulé étant apposé à l'enceinte, placer le tout au mur et...

Raccordement (sauf les enceintes dont « SM » figurent dans le nom, voir les instructions ci-dessous):

- a) Raccorder le câble (non montré). Pour une bonne image stéréophonique et un bon équilibre des graves, il est nécessaire d'utiliser la bonne polarité. Raccorder le câble de montage aux bornes d'entrée de l'enceinte sur la plaque de raccordement. Raccorder la borne rouge (+) de l'amplificateur à la borne rouge (+) de l'enceinte. Raccorder la borne noire (-) de l'amplificateur à la borne noire (-) de l'enceinte. Attacher le câble à la fixation avec l'attache métallique (facultatif). (Fig. 8a)

Installation:

- b) En tenant le rebord avant de l'enceinte avec les pouces et les index, pousser les vis de montage l'une vers l'autre avec les autres doigts de sorte que les fixations passent par le trou. Relâcher les vis et pousser doucement l'enceinte dans le mur/plafond. (Fig. 5a)

En maintenant l'enceinte en place, visser en alternance chacune des vis jusqu'à ce que l'enceinte soit fermement en place. (Fig. 5b)

Enceintes rondes et carrées

La grille étant retirée et le support de fixation apposé à l'enceinte, placer le tout au mur ou plafond et...
Raccordement (sauf les enceintes dont « SM » figurent dans le nom, voir les instructions ci-dessous):

- a) Raccorder le câble de l'enceinte selon les instructions à la page 20, Fig. 8a, pour les enceintes rectangulaires.

Installation:

- b) *Pour les enceintes avec deux vis de montage:* en tenant le pourtour de l'enceinte avec les doigts, pousser sur les têtes des vis avec les pouces pour positionner la fixation arrière. Cette fixation est oblongue et dépasse des vis. Placer une extrémité de la fixation dans le trou assez profondément pour permettre le passage de l'autre extrémité. (Fig. 6a)

Pour les enceintes avec quatre vis de montage: en tenant le rebord avant de l'enceinte avec les pouces et les index, pousser les vis de montage l'une vers l'autre avec les autres doigts de sorte que les fixations passent par le trou dans un mouvement vers le haut puis vers l'arrière. Relâcher les vis et pousser doucement l'enceinte dans le mur/plafond. (Fig. 7a)

Modèles à champ sonore orienté (Guided Soundfield^{MC}): tourner l'enceinte jusqu'à ce que les enceintes soient orientés dans la direction voulue (*non montré*).

- c) En maintenant l'enceinte en place, visser en alternance chacune des vis jusqu'à ce que l'enceinte soit fermement en place. (Figs. 6b et 7b)

Raccordement des modèles « SM »

Mode stéréophonique (une seule enceinte) (Fig. 8b): Raccorder une borne de l'enceinte à la fois à l'amplificateur. Raccorder la borne rouge Droite (+) de l'amplificateur à la borne rouge Droite (+) de l'enceinte et la borne noire Droite (-) de l'amplificateur à la borne noire Droite (-) de l'enceinte. Raccorder la borne rouge Gauche (+) de l'amplificateur à la borne rouge Gauche (+) de l'enceinte et la borne noire Gauche (-) de l'amplificateur à la borne noire Gauche (-) de l'enceinte.

Suivre les instructions d'installation présentées précédemment.

Mode monophonique (Fig. 8c): Raccorder une enceinte à la fois aux canaux gauche et droit de l'amplificateur. En premier lieu, convertir l'enceinte Droite au mode mono : à l'aide d'un court bout de câble, raccorder la borne rouge Droite (+) de l'enceinte à la borne rouge Gauche (+) de l'enceinte et la borne noire Droite (-) de l'enceinte à la borne noire Gauche (-) de l'amplificateur. Ensuite ...

Raccorder la borne rouge Droite (+) de l'amplificateur à la borne rouge Droite (+) de l'enceinte et la borne noire Droite (-) de l'amplificateur à la borne noire Droite (-) de l'enceinte.

Répéter toute la procédure ci-dessus pour l'enceinte Gauche, puis suivre les instructions d'installation présentées précédemment.

3. Installation de la grille

Pousser la grille dans la rainure à l'avant de l'enceinte (*non montrée*). Les aimants maintiennent la grille en place (*modèles encastrables au plafond uniquement*).

GUIDE DE DIAGNOSTIC

PROBLÈME	SOLUTION
Aucun son	S'assurer que le préamplificateur ou l'amplificateur est branché et allumé. Vérifier que la prise de courant fonctionne correctement. Des écouteurs sont-ils branchés ou le système est-il en mode sourdine (mute)? Vérifier tous les raccords.
Aucun son d'une ou plusieurs enceintes	Vérifier la commande de réglage d'équilibre (balance) ou la commande de volume VC 150 (si elle est utilisée). Vérifier le branchement et le fonctionnement de tous les cordons d'alimentation. Remplacer le câble de l'enceinte gauche par le câble de l'enceinte droite aux bornes de l'amplificateur pour vérifier si le problème se situe au niveau de l'enceinte ou ailleurs (c. à d. le filage, l'amplificateur).
Déficience des graves ou image disloquée (stéréo)	Il se peut qu'une des enceintes soit déphasée (polarité inversée). Vérifier de nouveau la polarité de chaque raccordement : rouge (+) à rouge (+) et noir (-) à noir (-).

GARANTIE LIMITÉE

Les enceintes encastrables au mur ou plafond Paradigm^{MD} et Paradigm^{MD} Reference sur lesquelles porte le présent mode d'emploi sont garanties contre les défauts de matériaux et de fabrication pendant une période de **cinq (5) ans** à compter de la date d'achat du matériel neuf. **Les versions X-treme^{MC} pour conditions de forte humidité** sont garanties contre les défauts de matériaux et de fabrication pendant une période de **trois (3) ans** à compter de la date d'achat du matériel neuf. Durant cette période, la réparation, le remplacement ou le réglage de pièces pour des défauts de matériaux ou de fabrication ne seront pas à la charge du premier acheteur.

Les dommages causés par l'exposition abusive à la chaleur ou l'usage abusif ne sont pas couverts par la présente garantie.

Clauses particulières:

- La garantie entre en vigueur à la date d'achat par le premier acheteur chez un revendeur autorisé Paradigm^{MD} et Paradigm^{MD} Reference seulement. La garantie n'est pas transférable.
- La garantie s'applique aux enceintes pour une utilisation résidentielle normale. Si les enceintes sont assujetties à l'une des conditions définies dans le paragraphe suivant, la garantie est nulle.
- La garantie ne s'applique pas à un usage commercial ou professionnel.

La garantie est révoquée si:

- L'enceinte est soumise à un usage abusif (accidentel ou intentionnel);
- L'enceinte est utilisée avec du matériel défectueux ou non adéquat;
- L'enceinte est soumise à des signaux électriques dommageables, un transport dangereux, des dommages mécaniques ou toute autre condition anormale;
- L'enceinte (y compris le boîtier) est altérée ou endommagée lors d'une réparation non autorisée;
- La plaque du numéro de série de l'enceinte est enlevée ou défigurée.

Responsabilités du propriétaire

- Apporter un soin et un entretien normaux et raisonnables.
- Assumer les frais de transport jusqu'à l'atelier de réparation.
- Fournir une preuve d'achat (conserver le reçu fourni lors de l'achat par le revendeur autorisé Paradigm^{MD}/Paradigm^{MD} Reference comme preuve de la date d'acquisition).

Si une réparation est nécessaire, communiquer avec le revendeur autorisé Paradigm^{MD}/Paradigm^{MD} Reference, Paradigm Electronics Inc. ou le distributeur à l'étranger (à l'extérieur du Canada et des États-Unis) pour planifier l'envoi prépayé de l'enceinte défectueuse. Consulter le site web, www.paradigm.com pour plus d'information.

Paradigm Electronics Inc. se réserve le droit d'améliorer ou de modifier ses produits en tout temps sans responsabilité ou engagement envers les produits existants.

La présente garantie tient en lieu et place de toute autre garantie, explicite ou implicite, de qualité marchande et d'adéquation pour tout usage particulier, et ne peut être élargie ou étendue par quiconque. Paradigm Electronics Inc. et ses représentants ou agents ne peuvent pas être tenus responsables de dommages découlant de l'utilisation de ces produits. Dans les endroits où une réglementation particulière interdit une telle limitation de la responsabilité, cette exclusion ne s'applique pas.

Conserver le présent manuel et le reçu comme preuves d'achat et de garantie.

130.com.ua

www.paradigm.com