



PHONES

0 (800) 800 130
(050) 462 0 130
(063) 462 0 130
(067) 462 0 130

130
COM.UA

Internet store of
autogoods



SKYPE

km-130

CAR RECEIVERS — Receivers • Media receivers and stations • Native receivers • CD/DVD changers • FM-modulators/USB adapters • Flash memory • Facia plates and adapters • Antennas • Accessories |
CAR AUDIO — Car audio speakers • Amplifiers • Subwoofers • Processors • Crossovers • Headphones • Accessories | TRIP COMPUTERS — Universal computers • Model computers • Accessories |
GPS NAVIGATORS — Portable GPS • Built-in GPS • GPS modules • GPS trackers • Antennas for GPS navigators • Accessories | VIDEO — DVR • TV sets and monitors • Car TV tuners • Cameras • Videomodules
• Transcoders • Car TV antennas • Accessories | SECURITY SYSTEMS — Car alarms • Bike alarms • Mechanical blockers • Immobilizers • Sensors • Accessories | OPTIC AND LIGHT — Xenon • Bixenon • Lamps
• LED • Stroboscopes • Optic and Headlights • Washers • Light, rain sensors • Accessories | PARKTRONICS AND MIRRORS — Rear parktronic • Front parktronic • Combined parktronic • Rear-view mirrors
• Accessories | HEATING AND COOLING — Seat heaters • Mirrors heaters • Screen-wipers heaters • Engine heaters • Auto-refrigerators • Air conditioning units • Accessories | TUNING — Vibro-isolation
• Noise-isolation • Tint films • Accessories | ACCESSORIES — Radar-detectors • Handsfree, Bluetooth • Windowlifters • Compressors • Beeps, loudspeakers • Measuring instruments • Cleaners • Carsits
• Miscellaneous | MOUNTING — Installation kits • Upholstery • Grilles • Tubes • Cable and wire • Tools • Miscellaneous | POWER — Batteries • Converters • Start-charging equipment • Capacitors
• Accessories | MARINE AUDIO AND ELECTRONICS — Marine receivers • Marine audio speakers • Marine subwoofers • Marine amplifiers • Accessories | CAR CARE PRODUCTS — Additives • Washer fluid •
Care accessories • Car polish • Flavors • Adhesives and sealants | LIQUID AND OIL — Motor oil • Transmission oil • Brake fluid • Antifreeze • Technical lubricant

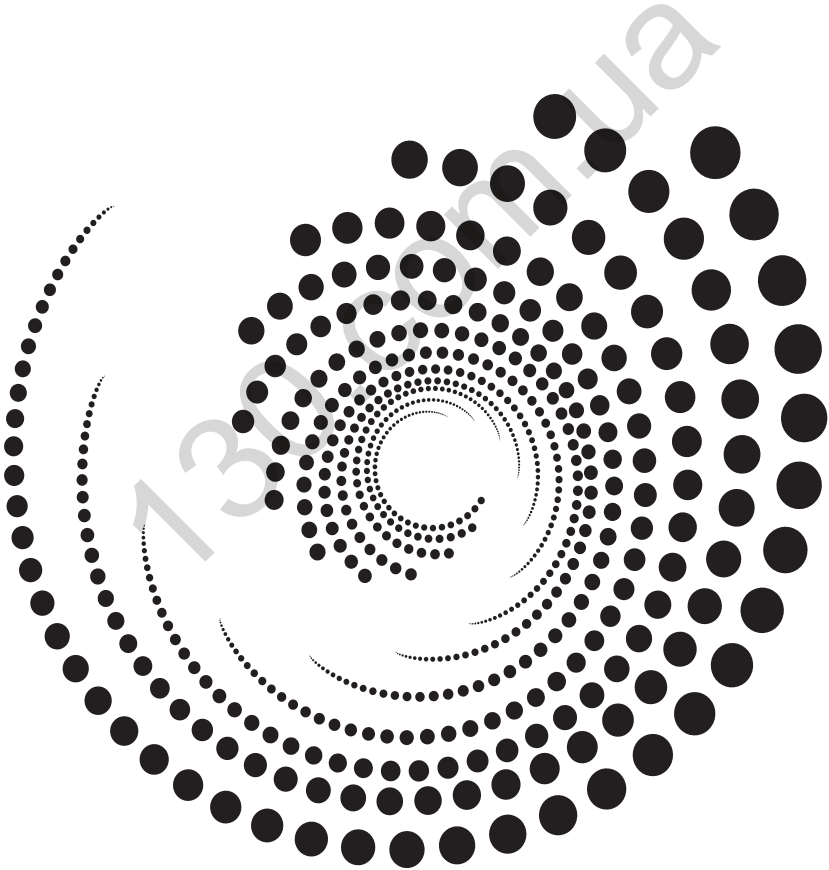


In store "130" you can find and buy almost all necessary goods for your auto in Kyiv and other cities, delivery by ground and postal services. Our experienced consultants will provide you with exhaustive information and help you to chose the very particular thing. We are waiting for you at the address

<https://130.com.ua>



PREMIER™ SERIES



Owner's Manual

Thank you!

Thank you for choosing Paradigm Premier Series speakers. You are about to hear the difference that sonically accurate speakers make in your audio/home theater system! They are the product of countless hours of comprehensive research and development and will reward you with truly exceptional sound for many years.

To ensure proper installation and enjoy all of the exceptional sound these speakers are designed to provide, please read this manual and follow all instructions. If you have further questions contact your Authorized Paradigm Dealer or visit the Q&A page on our website at www.paradigm.com.



RECYCLING AND REUSE GUIDELINES (Europe)

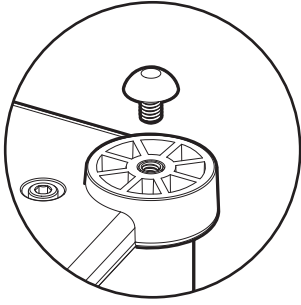
In accordance with the European Union WEEE (Waste Electrical and Electronic Equipment) directive effective August 13, 2005, we would like to notify you that our speakers may contain regulated materials which, upon disposal, require special reuse and recycling processing. For this reason Paradigm Electronics Inc. (the manufacturer of Paradigm speakers and Anthem electronic products) has arranged with its distributors in European Union member nations to collect and recycle this product at no cost to you. To find your local distributor please contact the dealer from whom you purchased this product or go to our website at www.paradigm.com.

Please note that only the product falls under the WEEE directive. When disposing of packaging and other shipping material we encourage you to recycle through the normal channels.

TABLE OF CONTENTS

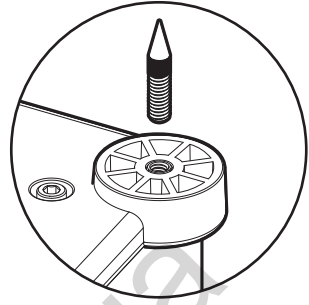
Floorstanding Speakers – Attaching Carpet Spikes or Rubber Caps	2
Bookshelf / Center Channel Speakers – Applying Rubber Pads	3
Your New Speakers	4
Preventing Speaker Damage	5
Room Acoustics	7
Placement: Front Left & Right Speakers	8
Placement: The Center Speaker	12
Placement: Surround/Rear Speakers	13
Wiring	14
Standard Connection (Premier 100B and 200B)	15
Other Connection Options	16
Fine Tuning	21
Troubleshooting Guide	22
Limited Warranty	23

FLOORSTANDING SPEAKERS – ATTACHING CARPET SPIKES OR RUBBER CAPS



Floor (Wood or Tile)

OR



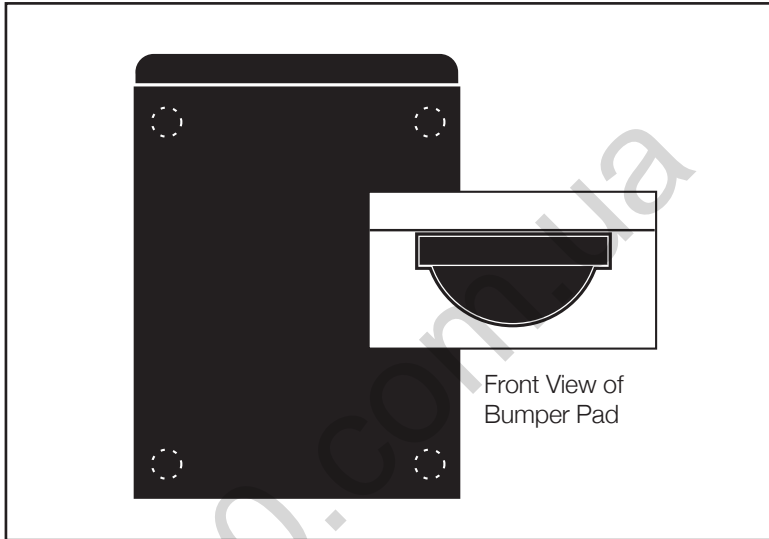
Carpet

The screw thread specification is 1/4"-20.

BOOKSHELF / CENTER CHANNEL SPEAKERS – APPLYING RUBBER PADS

BOOKSHELF SPEAKERS (Premier 100B and 200B)

Self-adhesive rubber pads (included) must be applied to the bottom corners of bookshelf and center channel speakers (as shown) when placed on a shelf or other flat surface.



Bottom View of Bookshelf Speaker

CENTER CHANNEL SPEAKERS (Premier 500C and 600C)

Apply self-adhesive rubber pads (included) as shown on the Rubber Pad Installation Template.

YOUR NEW SPEAKERS

Break-In

Although Paradigm Premier Series speakers sound great “out of the carton,” they will sound even better when broken in. Allow them to operate for several hours before you listen critically.

High-frequency drivers use ferro-fluid that can thicken at temperatures below 10° C (50° F). If your speakers have been transported or stored in the cold let them warm to room temperature before use.

Cleaning

Do not use a strong or abrasive cleaner on your speakers. Clean them with a damp soft cloth, but do not get them wet. Do not place wet objects, such as drinking glasses or potted plants, on top of the speakers. If allowed to soak in, even a small amount of water may permanently damage the speaker enclosure.

Optional Spikes and Rubber Feet

Floorstanding speakers ship with rubber feet pre-installed. These can be easily removed if you intend to use isolation spikes (included with floorstanding speaker models). We highly recommend installing these spikes as they will improve the sound of your speakers by isolating them from the floor. The most convenient time to install these spikes is during the unpacking process.

Optional Paradigm Speaker Stands

We highly recommend placing Paradigm Premier Series bookshelf speakers on high-performance Paradigm speaker stands (sold separately), or bookshelves to raise the high-frequency drivers to approximately ear level, thereby ensuring the best performance possible.

PREVENTING SPEAKER DAMAGE

To prevent damage to your speakers, please read the following guidelines before making any connections.

Amplifier Distortion—The #1 Culprit!

Amplifier distortion is the principle cause of speaker damage. When listening at higher volume levels, your amplifier may run out of clean power and begin to produce a distorted signal if levels are increased any further. This will damage any brand of speaker very quickly. (See your Authorized Paradigm Dealer for amplifier recommendations).

More Powerful Amplifiers are Safer

When choosing an amplifier, always select an amplifier with a power rating greater than that of the speaker. Using a 100W per channel amplifier on a 50W speaker allows the amplifier adequate headroom in order to provide a distortion free signal. Conversely, using a 40W per channel amplifier on a 50W speaker limits the amplifier's headroom. This causes the amplifier to enter its distortion level much sooner, potentially damaging the speaker.

Volume Control

Do not be fooled by the Volume Control of your receiver/preamplifier. It only adjusts listening level—it is not a “power-output” dial. The amount of amplifier power actually used at a given Volume Control setting depends solely on the nature of the music you are listening to. At a given Volume Control setting a quiet section of music will use less amplifier power than a loud section. With typical pop-rock, jazz or large scale classical music the rated output power of many receivers/amplifiers is often reached when the Volume Control is between the “11” and “1” o'clock settings (with bass/ treble and loudness controls not used—otherwise rated power may be reached at even lower Volume Control settings).

Remember, all amplifiers produce distortion when operated beyond their rated output power. The resulting distortion will damage all speakers! Exercise caution! If you listen at loud levels, be careful to listen for the point of audible distortion—if the speakers begin to sound distressed, turn the Volume Control down or your speakers and/or amplifier(s) will be damaged! This type of damage constitutes abuse and is not covered by the warranty. If louder volumes are desired, obtain a more powerful amplifier.

PREVENTING SPEAKER DAMAGE (cont'd)

There is a Limit!

Although more powerful amplifiers are safer, there is a point at which you could have more power than the speaker can handle. At that point you will overpower the speaker and damage it. Exercise caution! At loud levels do not increase bass/treble controls from zero and ensure that all loudness/ contour/bass EQ buttons are off (otherwise rated output power will be reached at lower volume control settings). If you listen at loud levels, watch for excessive visible cone excursion (grille movement) from the woofer—then turn the Volume Control down.

The Right Amount of Power

A power-range rating is given as a guide to indicate the approximate minimum and maximum power input of your Paradigm speakers. Amplifiers that exceed your speaker's power-range rating are recommended. Their greater power reserves provide better sound. However, exercise caution! Use the speakers within their power-range rating to prevent damage (keep listening levels below the point of excessive woofer cone excursion).

130.com

ROOM ACOUSTICS

Paradigm Premier Series speakers are designed to provide exceptional sound in a wide variety of domestic settings. However, it is important to note that listening room construction, dimensions and furnishings all play a part in the quality of sound you will ultimately achieve. Your listening room will impose its own character on the performance capabilities of any speaker system. The extra care you take in correctly positioning the speakers will result in greater listening enjoyment. Keep the following guidelines in mind when deciding on the best speaker placement:

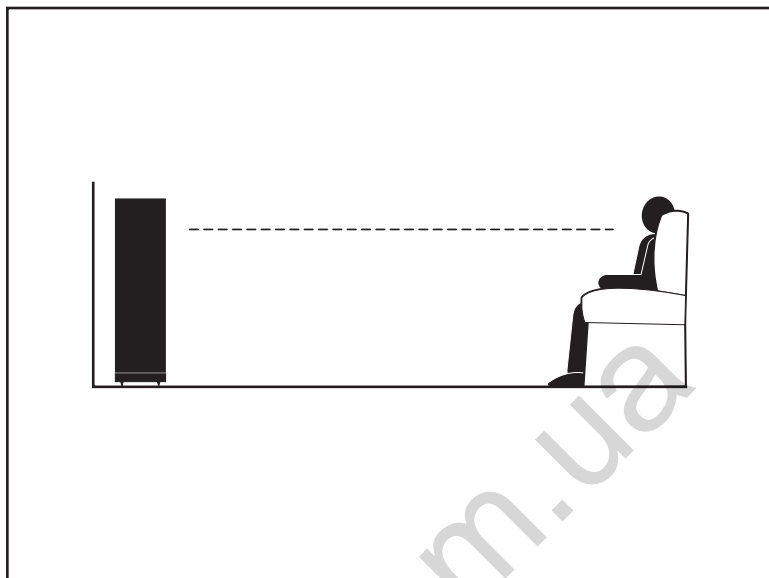
- Mid and high frequencies are affected by the amount of soft furnishings in your room—curtains, carpets, sofas, wall coverings, etc. An excess of such items can result in a somewhat dull sound. The same room without any soft furnishings can produce an overall bright sound. The typical quantity of soft furnishings found in most living environments provides the right acoustic characteristics to allow the speakers to sound balanced;
- Concrete floors and walls tend to aggravate low-frequency standing wave problems and are less preferred;
- Rooms where height, width and length are similar should be avoided as they can exhibit significant low-frequency standing wave problems. This may result in reduced clarity. If no other room is possible, experiment with speaker placement to minimize acoustic problems.

PLACEMENT: Front Left & Right Speakers



Ideal placement of front and center speakers

Paradigm Premier Series front speakers are designed to allow flexible placement while providing a very large window of sound throughout your listening room. To ensure the best performance possible we strongly recommend that you observe the placement guidelines on the following pages ...

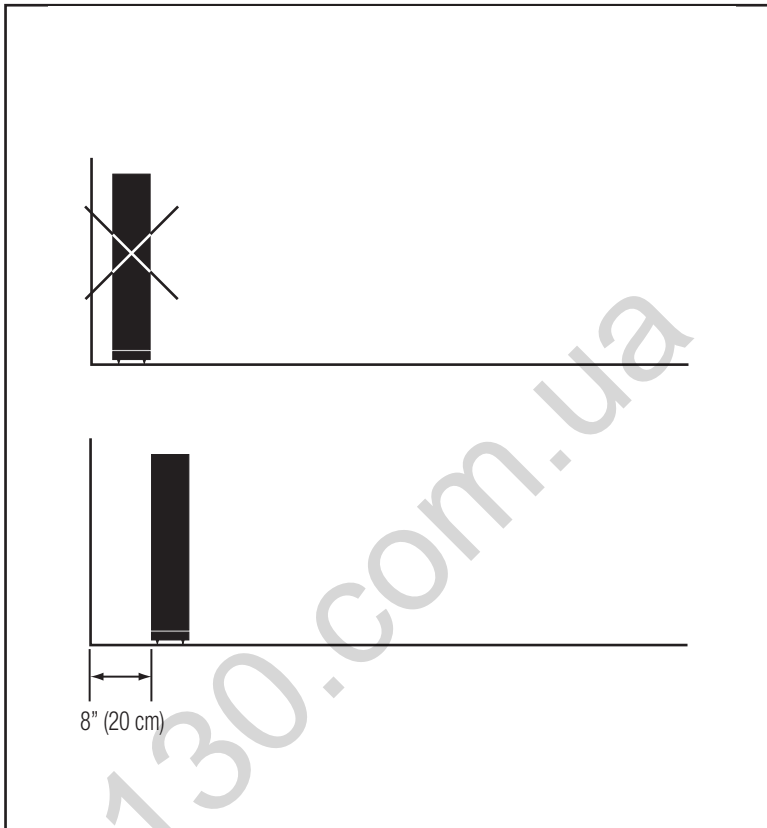


Accurate Timbre

For the most accurate and natural timbre, place front speakers so that their high-frequency drivers are approximately at ear level, as shown.

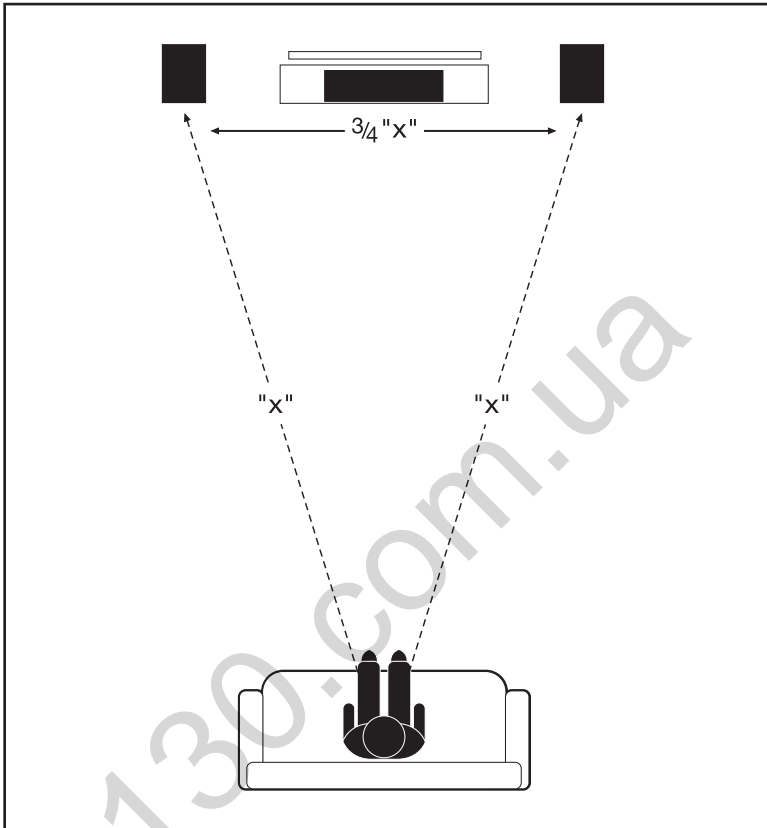
Placing bookshelf models on Paradigm speaker stands (sold separately) or bookshelves raises their high-frequency drivers to approximately ear level, thereby ensuring the best performance possible.

PLACEMENT: Front Left & Right Speakers (cont'd)



Balanced Bass

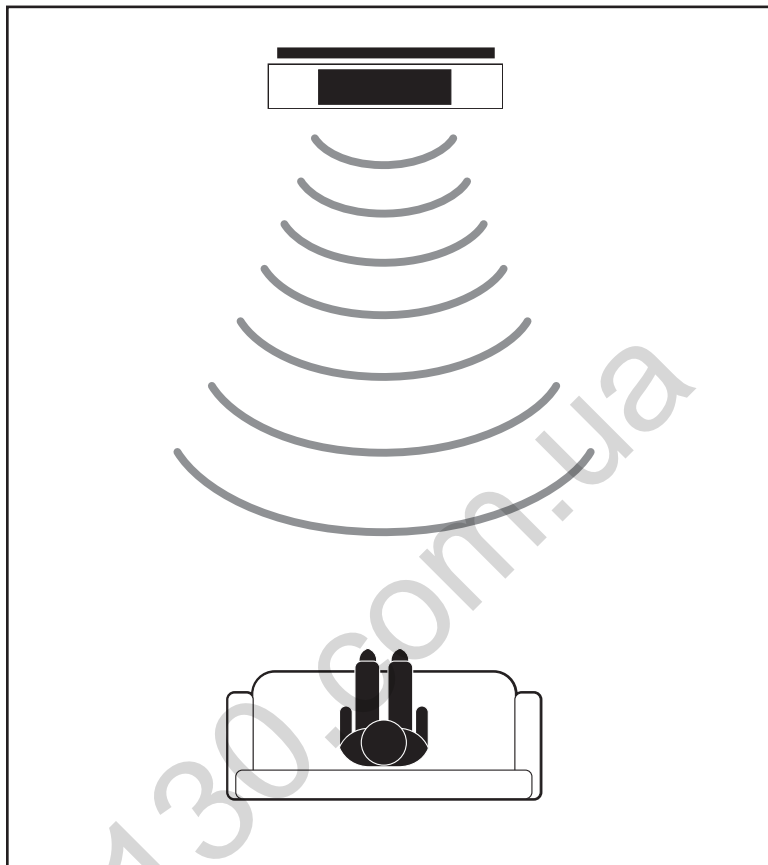
Placing front speakers in corners will over-emphasize bass and reduce overall clarity. Avoid corner placement. Position front speakers 8 in (20 cm) or more from the wall behind the speaker and as much as possible from either side wall, as shown in. This will ensure better bass performance and optimal midrange clarity.



Optimal Imaging

Measure the distance from your main listening area to the front speakers ("X"). For best imaging, place speakers from three-quarters of that distance up to that same distance from each other ($\frac{3}{4}$ of "X" to "X"), as shown. To further optimize imaging, toe speakers slightly inward so they point toward the listening position with their axes crossing just behind it, as shown.

PLACEMENT: Center Speaker



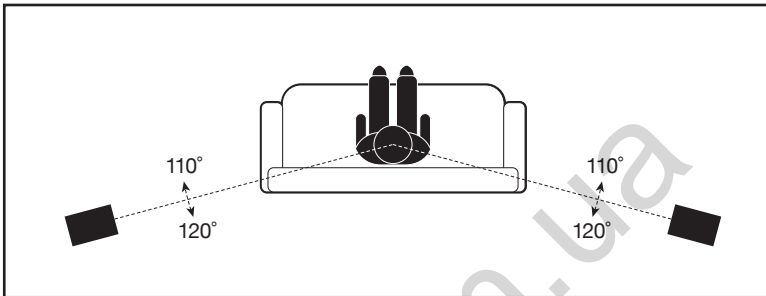
The Paradigm Premier Series center speaker is designed to cover a large, wide listening area, allowing listeners throughout the room to hear center-channel information with unprecedented clarity and intelligibility.

Placing your center-channel speaker below the TV will ensure the best possible clarity and intelligibility. Position the speaker flush with the front of the TV or speaker shelf to minimize unwanted sound reflections. Make sure the center-channel speaker is approximately the same distance away from the primary listening position as your front speakers. (Some A/V receivers and processors can electronically adjust for differences in distance.)

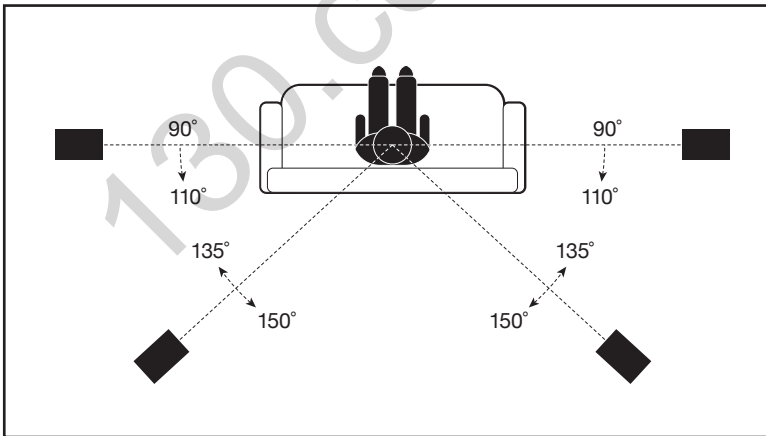
PLACEMENT: Surround / Rear Speakers

Paradigm Premier bookshelf speakers may also be used as surround or rear speakers. Remember to keep these speakers well away from the main listening area for optimal surround-sound performance.

SURROUND SPEAKER PLACEMENT FOR PARADIGM PREMIER 100B & 200B



5.1 Surround Speaker Placement for Paradigm Premier 100B & 200B



7.1 Surround Speaker Placement for Paradigm Premier 100B & 200B

WIRING



Turn your amplifier(s) OFF before connecting your speakers. This will avoid damage which could result from accidental shorting of speaker cables.

For optimum sound, the use of high quality speaker cable is essential. The chart below identifies the minimum gauge requirements for various lengths. See your Authorized Paradigm Dealer for recommendations.

MINIMUM GAUGE REQUIREMENTS		
LENGTH	DIAMETER	GAUGE
Under 4.5 m (15 ft)	1.3 mm (0.05 in)	16 awg
Under 9 m (30 ft)	1.6 mm (0.06 in)	14 awg
Over 9 m (30 ft)	2.0 mm (0.08 in)	12 awg

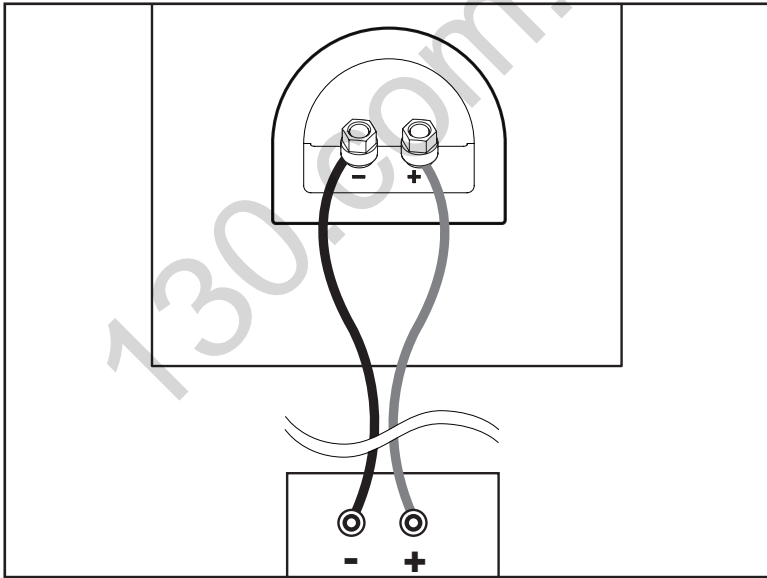
STANDARD CONNECTION

(Premier 100B and 200B)

Your speakers' binding posts can be used with banana, pin or spade connectors, as well as with bare wire. Tighten the posts firmly by hand but do not over tighten!

Correct polarity (or phase) is critical for proper soundstage imaging and bass performance. Connect one speaker at a time to ensure proper connection of every channel. The red (+) amplifier terminal must be connected to the red (+) speaker terminal. The same applies to the black (-) terminals. Make sure all wires are firmly fastened. Repeat this connection procedure for each speaker in your system.

NOTE: If you hear a distinct lack of bass and a dislocated stereo image then one or more of your speakers may be connected out of phase (polarity is reversed). Re-check to ensure that each speakers' cable is connected with correct polarity: red (+) to red (+) and black (-) to black (-).



OTHER CONNECTION OPTIONS

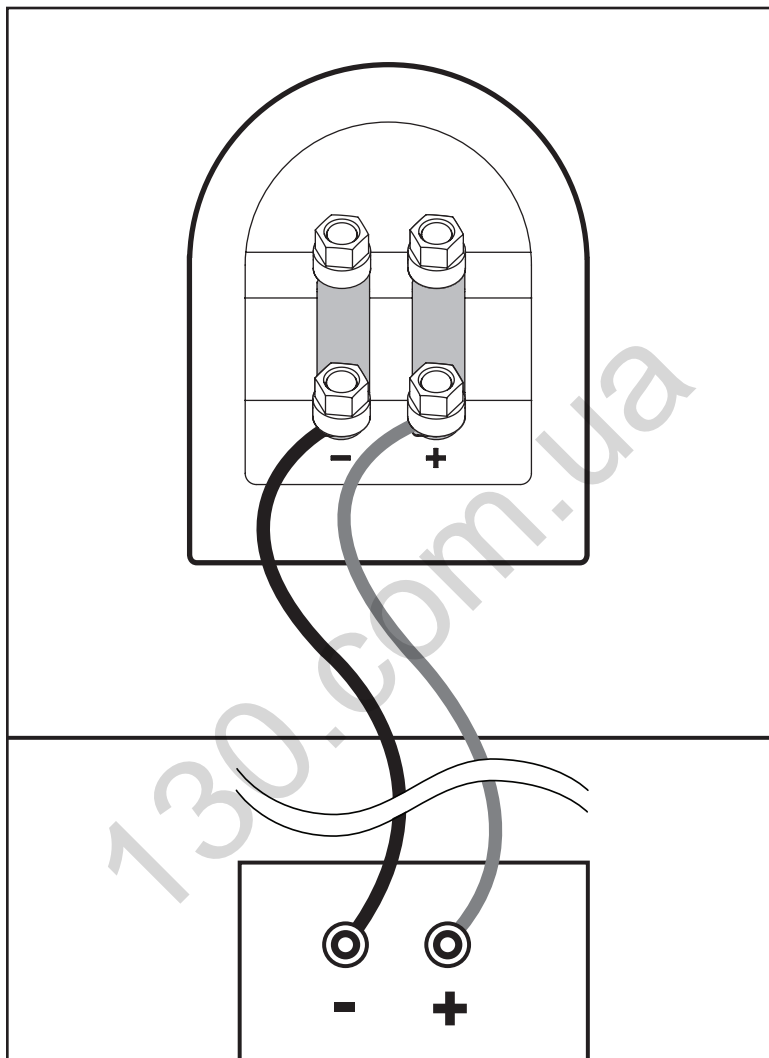


DO NOT attempt to bi-wire or bi-amplify speakers unless you have removed the jumper bars.

Some Paradigm Premier Series speakers have two sets of input terminals connected externally with jumper bars. These speakers can be bi-wired or also bi-amplified to achieve even better performance.

If your speakers do not have two sets of input terminals this section does not apply to you.

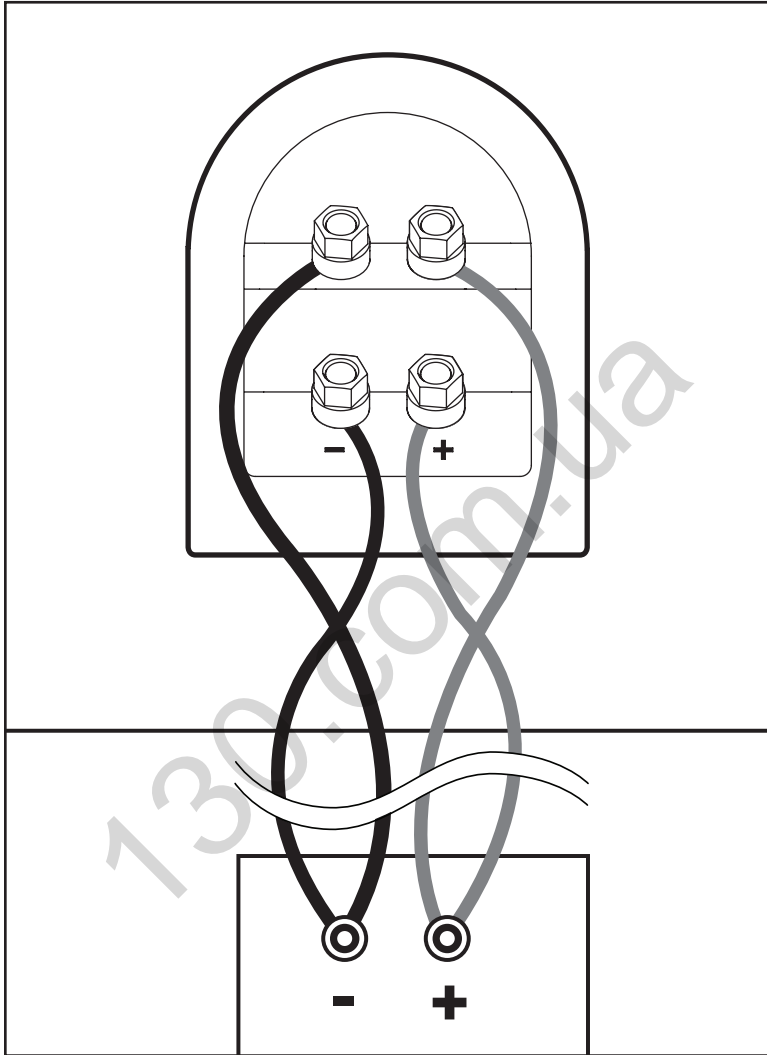
130.com.ua



Standard Connection of Speakers with Two Input Terminals

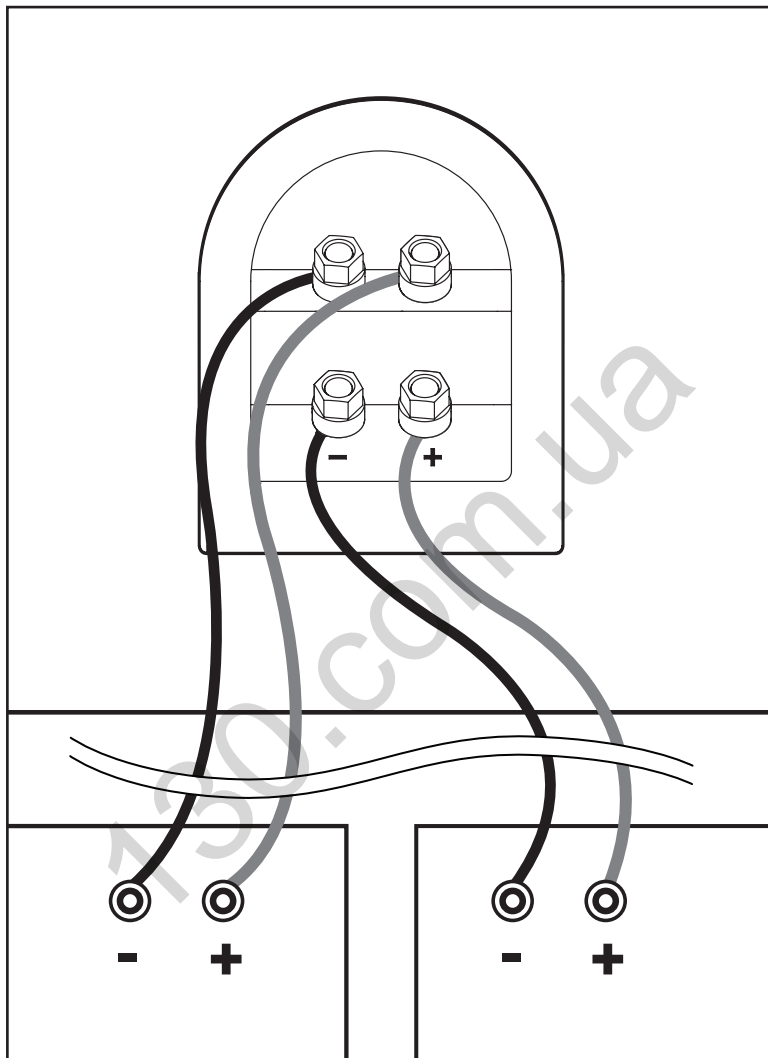
For standard connection of speakers with **two input terminals**, leave the jumper bars attached and connect using either set of input terminals.

OTHER CONNECTION OPTIONS *(cont'd)*



Bi-wire Connection

Bi-wiring can improve clarity and openness with less grain and more solidity to the bass. Two speaker cables are required for each speaker that is bi-wired.



Bi-amp Connection

IMPORTANT! When bi-amping, always use amplifiers with identical gain. If uniform amplifier gain is not maintained the speaker-to-speaker balance will be incorrect when vertically bi-amped, or the speaker system's frequency balance will be incorrect when horizontally bi-amped. To prevent problems, use identical amplifiers (brand and model). Make sure they are operating in the same non-bridged or bridged mode.

OTHER CONNECTION OPTIONS *(cont'd)*

Passive bi-amping offers a dramatic improvement in clarity, openness and detail, with much better bass solidity and definition. The presentation of music and movie soundtracks is simply more intelligible and transparent.

With passive bi-amping, the speaker's internal passive crossovers remain connected. An external electronic crossover is not required and cannot be used (there is no direct electrical access to individual drive units). This saves expense and setup difficulties. Passive bi-amping optimizes your speaker to achieve the best possible high-end performance.

To bi-amplify, two power amplifiers are required. Connection can be either vertical or horizontal.

Horizontal Bi-amplification (shown) dedicates one amplifier to your speakers' mid/low-frequency inputs and another to their high-frequency inputs. This configuration can maintain better clarity when listening at loud levels—if low-frequency demands cause amplifier clipping, distortion will still be kept away from high-frequency drivers. Connect your speakers to one amplifier at a time.

Vertical Bi-amplification (not shown) dedicates one amplifier to each speaker. This configuration provides complete channel separation, which optimizes your system's imaging ability. Connect your speakers to one amplifier at a time.

FINE TUNING

Once you have your speakers positioned in the room and have set speaker distances and calibrated speaker levels through your Audio/Video Processor or A/V Receiver it's time for a little fine tuning.

Since Paradigm speakers provide exceptional performance in a variety of room settings, fine tuning is simply a matter of making slight adjustments (if necessary) to their placement in the room.

Start with the front speakers and listen to familiar music in stereo. The soundstage will be both wide and deep, but this can be tuned to your personal preference by adjusting the toe-in (the amount the speakers are turned toward the listening area). More toe-in will increase image depth and localization, less toe-in will increase image width. Adjust the toe-in in small increments, listening each time, until you achieve the soundstage balance you prefer. Toe-in is not applicable to the other speakers in your system since their position and sound distribution pattern is fixed.

Fine tuning for center speakers is a matter of making volume level adjustments that may be required for a particular multi-channel music or movie program. If necessary, adjust your Audio/Video Processor's or A/V Receiver's volume levels to ensure there is a cohesive overall soundstage.

To fine tune surround/rear speakers, please follow the illustrations in the earlier section.

To fine tune the subwoofer, please refer to the Owner's Manual that was included with your subwoofer.

TROUBLESHOOTING

No Sound

Make sure receiver, preamp or amplifier is plugged in and turned on. Check power outlet at the wall is working. Are headphones plugged in, or is system on Mute? Re-check all connections.

No Sound from One or More Speakers

Check your balance. Check that all power cords are properly plugged in and functioning. Swap a non-working speaker with one that works to determine if the problem is with the speaker or something else (i.e. wiring, amplifier).

Lack of Bass or Dislocated Image

One or more speakers may be connected out of phase (their polarity is reversed). Re-check to ensure that each speaker's cable is connected with correct polarity: red (+) to red (+) and black (-) to black (-).

LIMITED WARRANTY

Paradigm speakers covered in this manual are warranted to be and remain free of manufacturing and/or material defects for a period of **five (5)** years from the date of original purchase. Within the time period specified, repair, replacement or adjustment of parts for manufacturing and/or material defects will be free of charge to the original owner.

Thermal or mechanical abuse/misuse is not covered under the Paradigm warranty.

Limitations:

- Warranty begins on date of original retail purchase from an Authorized Paradigm Dealer only. It is not transferable;
- Warranty applies to product in normal home use only. If product is subjected to any of the conditions outlined in the next section, warranty is void;
- Warranty does not apply if the product is used in professional or commercial applications.

Warranty is Void if:

- The product has been abused (intentionally or accidentally);
- The product has been used in conjunction with unsuitable or faulty equipment;
- The product has been subjected to damaging signals, derangement in transport, mechanical damage or any abnormal conditions;
- The product (including cabinet) has been tampered with or damaged by an unauthorized service facility;
- The serial number has been removed or defaced.

LIMITED WARRANTY (*cont'd*)

Owner Responsibilities:

- Provide normal/reasonable operating care and maintenance;
- Provide or pay for transportation charges for product to service facility;
- Provide proof of purchase (your sales receipt given at time of purchase from your Authorized Paradigm Dealer must be retained for proof-of-purchase date).

Should servicing be required, contact your nearest Authorized Paradigm Dealer, Paradigm Electronics Inc. or Import Distributor (outside the U.S. and Canada) to arrange, bring in or ship prepaid, any defective unit. Visit our website, www.paradigm.com for more information.

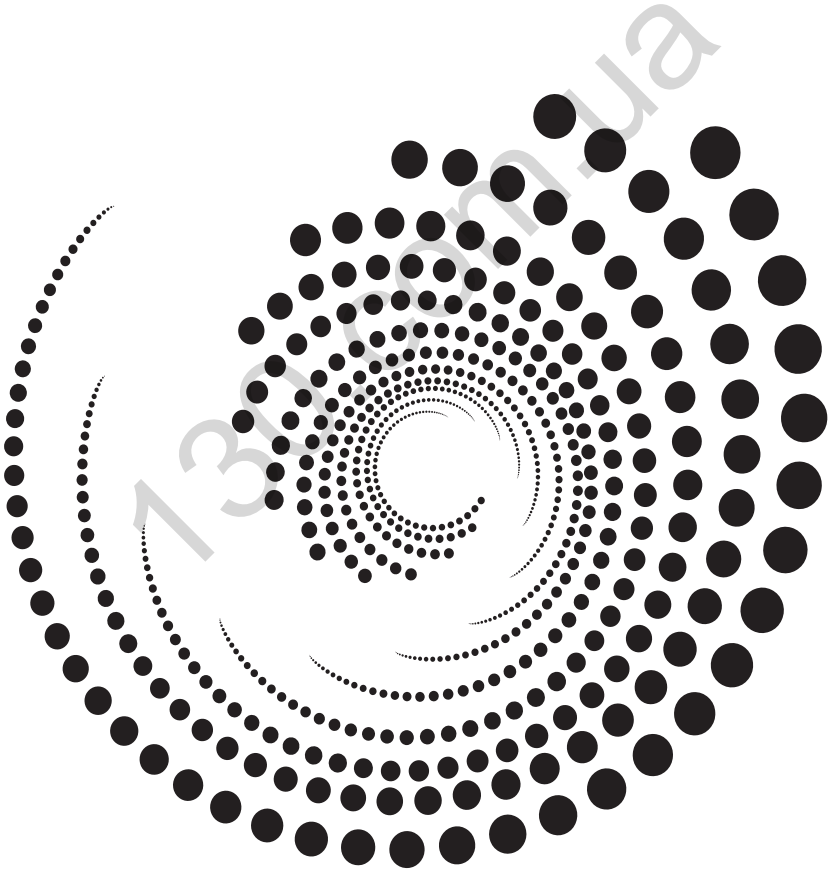
Paradigm Electronics Inc. reserves the right to improve the design of any product without assuming any obligation to modify any product previously manufactured.

This warranty is in lieu of all other warranties expressed or implied, of merchantability, fitness for any particular purpose and may not be extended or enlarged by anyone. In no event shall Paradigm Electronics Inc., their agents or representatives be responsible for any incidental or consequential damages. Some jurisdictions do not allow limitation of incidental or consequential damages, so this exclusion may not apply to you.

Retain this manual and your sales receipt for proof of warranty term and proof of purchase.



PREMIER™ SERIES



Manuel d'utilisateur

Merci

... nous vous remercions d'avoir choisi les enceintes primées de la série Premier de Paradigm. Vous allez entendre la différence que confèrent ces enceintes de pointe haut de gamme à votre système audio ou de cinéma maison! Ces enceintes sont le produit d'innombrables heures de recherche et de développement approfondis et elles vous fourniront un son haut de gamme de qualité supérieure pendant de nombreuses années.

Pour une installation appropriée, et pour profiter d'un son exceptionnel, veuillez lire le présent manuel et suivre toutes les instructions. Pour toute autre question, contactez un revendeur Paradigm autorisé ou consultez la page Questions-Réponses de notre site Web au www.paradigm.com.



DIRECTIVES EUROPEENNES SUR LE RECYCLAGE ET LE TRAITEMENT DES DECHETS

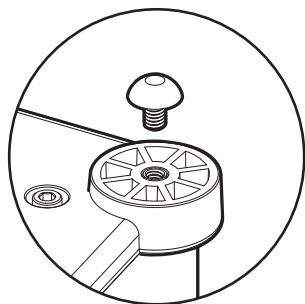
Dans le respect de la directive WEEE (Waste Electrical & Electronic Equipment) mise en place par les institutions Européennes à compter du 13 Août 2005, nous souhaitons vous informer que nos enceintes peut contenir des matières devant faire l'objet d'une procédure de recyclage ou de traitement approprié des déchets. Dans cette optique, Paradigm Electronics Inc (fabricant des enceintes Paradigm et des électroniques Anthem) avec ses Distributeurs agréés dans l'Union Européenne, ont mis en place une procédure de collecte et de retraitement gratuite. Pour en savoir davantage sur cette procédure veuillez contacter votre revendeur, ou notre Distributeur dans votre pays (vous en obtiendrez les coordonnées sur simple demande ou en consultant notre site internet www.paradigm.com).

Notez que seul le produit fini est concerné par cette directive et ses obligations. S'agissant de son emballage et de ses accessoires de transport nous vous recommandons de les recycler selon les procédures mises en place par votre commune ou votre département.

TABLE DES MATIÈRES

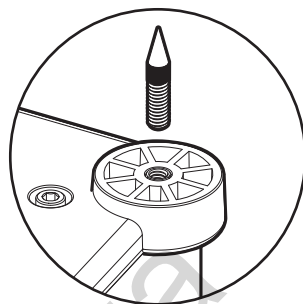
Enceintes au sol – fixer les crampons (tapis) facultatifs ou les capuchons en caoutchouc	2
Enceintes sur une étagère et enceintes de canal central – fixer les coussinets en caoutchouc autoadhésifs	3
Vos nouvelles enceintes	4
Pour éviter d'endommager les enceintes	5
Acoustique de la pièce	7
Positionnement : avant g et d	8
Positionnement : enceinte de canal central	12
Positionnement : enceintes ambiophoniques / arrière	13
Câblage	14
Raccordement standard (Premier 100B et 200B).....	15
Autres options de raccordement	16
Réglage fin	21
Guide de dépannage	22
Garantie limitée	23

ENCEINTES AU SOL – FIXER LES CRAMPONS (TAPIS) FACULTATIFS OU LES CAPUCHONS EN CAOUTCHOUC



Plancher (bois ou tuile)

OU

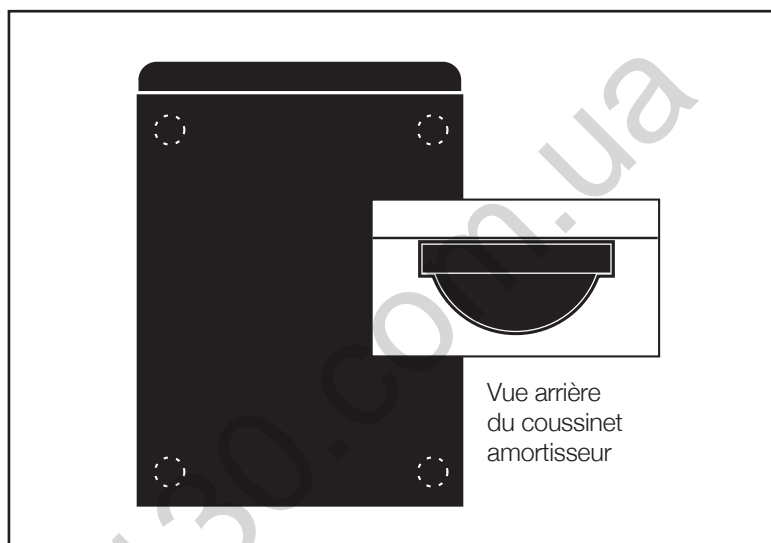


Tapis

La spécification du filetage est de 1/4 "-20.

ENCEINTES SUR UNE ÉTAGÈRE ET ENCEINTES DE CANAL CENTRAL – FIXER LES COUSSINETS EN CAOUTCHOUC AUTOADHÉSIFS

Des coussinets en caoutchouc autoadhésifs (inclus) doivent être apposés sur les coins de la partie inférieure des enceintes placées sur une étagère (tel qu'indiqué) lorsque les enceintes sont placées sur une étagère ou une autre surface plane.



Vue du dessous d'une enceinte sur étagère

ENCEINTES DE CANAL CENTRAL (Premier 500C and 600C)

Pour les enceintes de canal central, appliquez les coussinets en caoutchouc autoadhésifs (inclus) comme il est indiqué sur le gabarit d'installation.

VOS NOUVELLES ENCEINTES

Rodage

Bien que les enceintes Paradigm offrent un son excellent « en sortant de la boîte », leur son sera encore meilleur après une période de rodage. Les laisser fonctionner pendant quelques heures avant une première écoute critique.

Les haut-parleurs de hautes fréquences contiennent un ferrofluide dont la viscosité peut augmenter à des températures inférieures à 10 °C (50 °F). Si les enceintes ont été transportées ou entreposées au froid, les laisser réchauffer à la température de la pièce avant de les utiliser.

Nettoyage

Ne pas employer de détergent fort ou abrasif sur les enceintes. Les nettoyer avec un linge doux humide en évitant de les mouiller. Ne pas déposer d'objets mouillés (verres, plantes en pot, etc.) sur les enceintes. L'absorption d'eau, même en faible quantité, peut endommager de façon permanente le boîtier de l'enceinte.

Pieds en caoutchouc et crampons facultatifs.

Les enceintes au sol sont expédiées avec les pieds en caoutchouc préinstallés. Ils s'enlèvent facilement si vous avez l'intention d'utiliser les crampons isolants (compris avec les modèles d'enceintes au sol). Nous vous recommandons fortement d'installer ces crampons, car ils amélioreront le son des enceintes en les isolant du sol. La façon la plus pratique d'installer ces crampons est de les installer lors du déballage.

Pieds d'enceinte Paradigm facultatifs

Nous vous recommandons fortement de placer les enceintes pour étagère sur les pieds d'enceinte Paradigm haute performance (vendus séparément), ou sur des étagères, afin d'élever les haut-parleurs de hautes fréquences environ au niveau des oreilles, ce qui permet d'obtenir le meilleur son possible.

POUR ÉVITER D'ENDOMMAGER LES ENCEINTES

Les enceintes Paradigm sont efficaces et peuvent produire des volumes élevés à des puissances de sortie modérées de l'amplificateur. Elles peuvent également être jumelées à des amplificateurs haute puissance. Pour éviter d'endommager les enceintes, lire les directives suivantes avant de procéder à leur raccordement.

Distorsion de l'amplificateur – Le principal fautif!

La distorsion de la puissance provenant de l'amplificateur est la principale cause de dommages aux enceintes. À volumes élevés, il peut arriver que la puissance de l'amplificateur soit tout simplement insuffisante. L'amplificateur produira alors un signal distordu dont la puissance est de plusieurs fois supérieure à la puissance nominale. Cette puissance excessive endommagera très rapidement toute enceinte, peu importe la marque! (Consulter le revendeur pour des recommandations en matière d'amplificateurs.)

Les amplificateurs plus puissants sont plus sûrs

Un amplificateur de 40W/canal produira une importante distorsion à des puissances supérieures à 40W. Si la puissance sollicitée est de 50W, il produira un signal distordu qui endommagera l'enceinte! Un amplificateur de 100W/canal présentera une importante distorsion à plus de 100W, mais très peu de distorsion à des puissances moindres. Ainsi, si l'enceinte sollicite 50W, cet amplificateur produira un signal non distordu, réduisant ainsi les risques de dommages à l'enceinte.

Commande de volume

La commande de volume du récepteur/préamplificateur peut être trompeuse puisqu'elle permet seulement de régler le volume d'écoute, mais n'indique pas la puissance de sortie. La puissance fournie par l'amplificateur à un réglage donné de la commande de volume dépend uniquement de la musique écoutée. À un réglage donné de la commande de volume, un passage de musique doux sollicitera moins de puissance de l'amplificateur qu'un passage plus percutant. Pour l'écoute de pop/rock, de jazz ou de musique classique symphonique, le réglage de la commande de volume de la plupart des amplificateurs à une position entre 11 h et 13 h sur le cadran fournit environ la puissance nominale de l'amplificateur, à moins que les fonctions de compensation (bass/treble ou loudness) ne soient utilisées, dans lequel cas la puissance nominale pourrait être atteinte à un réglage plus faible de la commande de volume.

POUR ÉVITER D'ENDOMMAGER LES ENCEINTES (suite)

Il importe de se rappeler que tout amplificateur produira une distorsion si la puissance sollicitée excède sa puissance de sortie nominale. Cette distorsion endommagera les enceintes! Il faut donc faire attention! Pendant l'écoute à volume élevé, il faut surveiller toute distorsion possible – si le son provenant de l'enceinte semble distordu, réduire le volume pour ne pas endommager les enceintes ou l'amplificateur! La garantie ne couvre pas ce type de détérioration! Pour l'écoute à des volumes plus élevés, utiliser un amplificateur plus puissant.

Il y a une limite!

Bien qu'un amplificateur plus puissant soit plus sûr, il existe une limite à la puissance que peut supporter l'enceinte. Au-delà de cette limite, l'enceinte subira des dommages. Il faut donc faire attention! À volume élevé, les commandes des basses/aiguës (bass/treble) devraient être en position « zéro » et tous les boutons de compensation ou d'égalisation (loudness/contour/bass EQ), désactivés, à défaut de quoi la puissance nominale sera atteinte à un réglage moindre du volume. Lors de l'écoute à volume élevé, vérifier s'il y a excursion excessive des cônes (mouvement de la grille) des haut-parleurs des graves. Le cas échéant, réduire le volume.

La bonne puissance

La plage de puissance nominale donne une idée des puissances d'entrée minimale et maximale des enceintes Paradigm. Il est recommandé d'utiliser un amplificateur dont la puissance nominale excède la plage de puissance des enceintes. Cette puissance « de réserve » de l'amplificateur se traduira par une meilleure qualité sonore. Toutefois, il faut faire attention! Les enceintes doivent être utilisées dans leur plage de puissance pour ne pas les endommager – le volume d'écoute doit toujours être inférieur à la limite d'excursion excessive des cônes des haut-parleurs des graves.

ACOUSTIQUE DE LA PIÈCE

Les enceintes Paradigm sont conçues pour offrir un son haut de gamme dans divers milieux d'écoute intérieurs. Il importe toutefois de noter que la construction et les dimensions de la pièce, ainsi que son contenu ont tous une incidence sur la qualité sonore qu'il sera possible d'obtenir. La salle d'écoute imposera ses caractéristiques propres à la performance de tout système d'enceintes. Le soin accordé au bon positionnement des enceintes se traduira par une meilleure expérience d'écoute. En général, il est recommandé d'observer les directives suivantes en ce qui concerne le positionnement des enceintes :

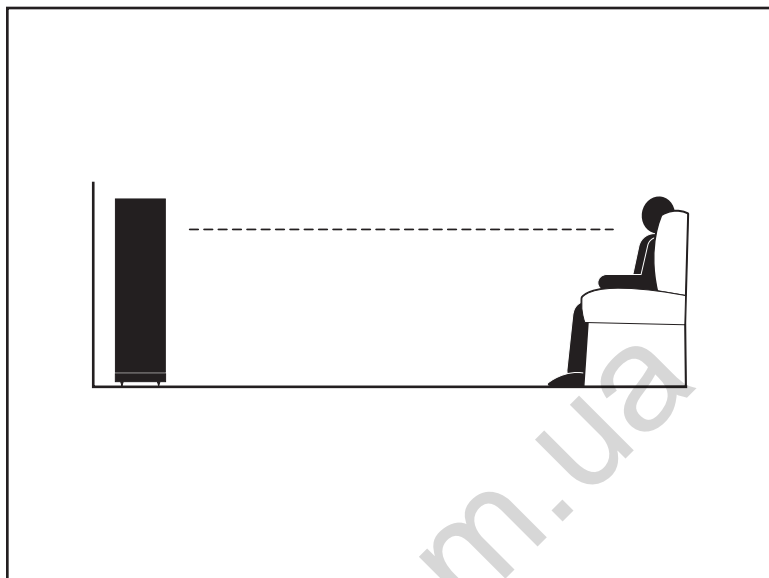
- La quantité d'objets « mous » (rideaux, moquettes, sofas, revêtements muraux, etc.) que renferme la pièce aura une incidence sur les moyennes et hautes fréquences. S'ils sont trop nombreux, ces objets peuvent éteindre le son produit par les enceintes. La même pièce sans aucun objet mou offrira un son généralement clair. Une quantité normale de ces objets dans la pièce offrira les caractéristiques acoustiques permettant d'obtenir des enceintes un son équilibré.
- Les planchers et murs en béton ont tendance à amplifier les problèmes liés aux ondes stationnaires des basses fréquences et ne sont donc pas idéals.
- Les pièces de hauteur, de largeur et de longueur semblables ne sont pas recommandées puisqu'elles peuvent se traduire par d'importants problèmes d'ondes stationnaires des basses fréquences qui réduisent la précision du son. Si aucune autre pièce n'est disponible, essayer différentes configurations du positionnement des enceintes afin de minimiser ces problèmes.

POSITIONNEMENT : Avant G et D



Positionnement idéal des enceintes avant et centrale

Les enceintes avant gauche/droite de la série Premier sont conçues pour offrir une grande souplesse dans le choix du positionnement tout en produisant une très vaste couverture sonore dans toute la salle d'écoute. Pour la meilleure performance possible, il est toutefois recommandé de suivre les directives suivantes concernant le positionnement des enceintes ...

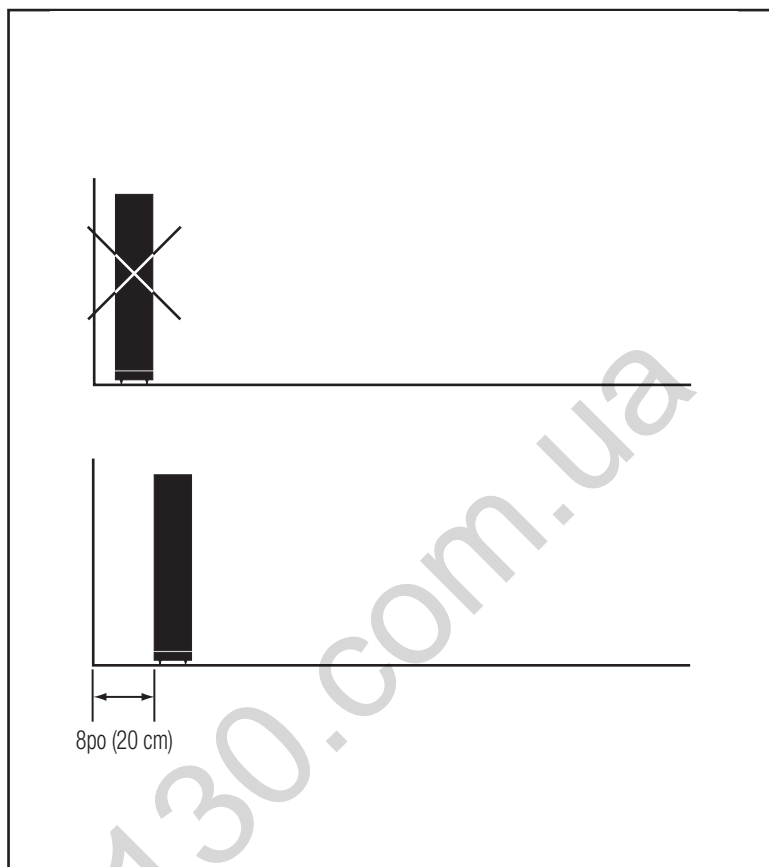


Précision du timbre sonore

Pour obtenir le timbre le plus précis et le plus naturel possible, ces enceintes pour installation au sol doivent être positionnées de sorte que le son émanant des haut-parleurs de hautes fréquences parvienne à l'auditeur environ au niveau des oreilles.

Tel que mentionné plus tôt, le fait de placer les modèles pour étagère sur les pieds d'enceinte Paradigm (vendus séparément) ou sur des étagères permet de soulever les haut-parleurs de hautes fréquences environ au niveau des oreilles, ce qui permet d'obtenir le meilleur rendement possible.

POSITIONNEMENT : Avant G et D (suite)



Équilibré des graves

Le positionnement des enceintes avant dans les coins de la pièce accentuera les graves et réduira la clarté du son. Éviter de placer les enceintes dans les coins. Positionner chaque enceinte à 20 cm (8 po) ou plus du mur situé derrière elle et le plus loin possible des murs latéraux, tel qu'illustré, pour obtenir un meilleur rendement des graves et une clarté maximale des fréquences moyennes.

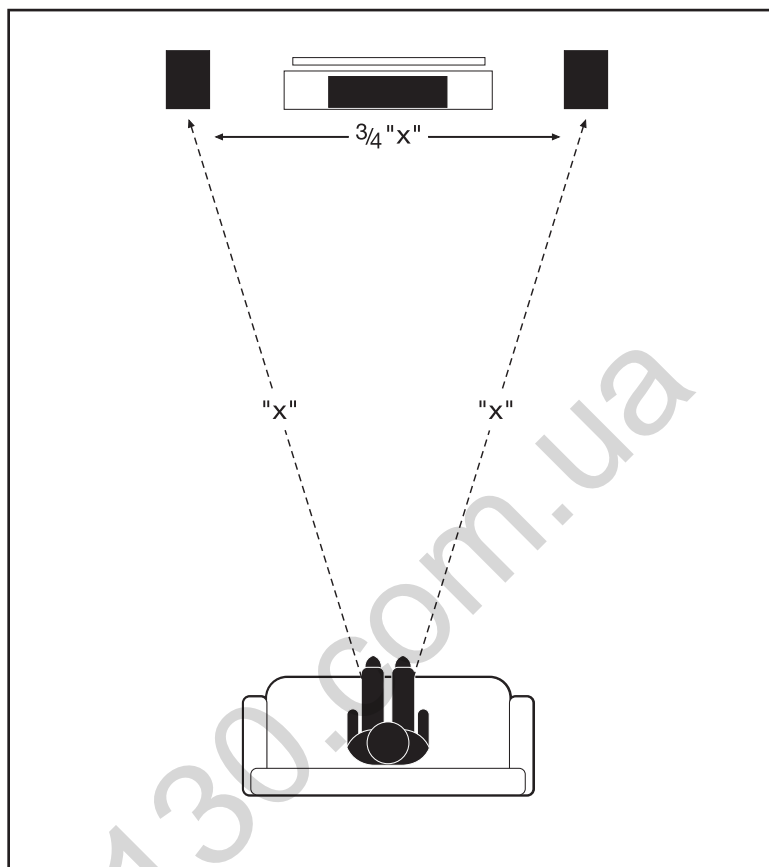
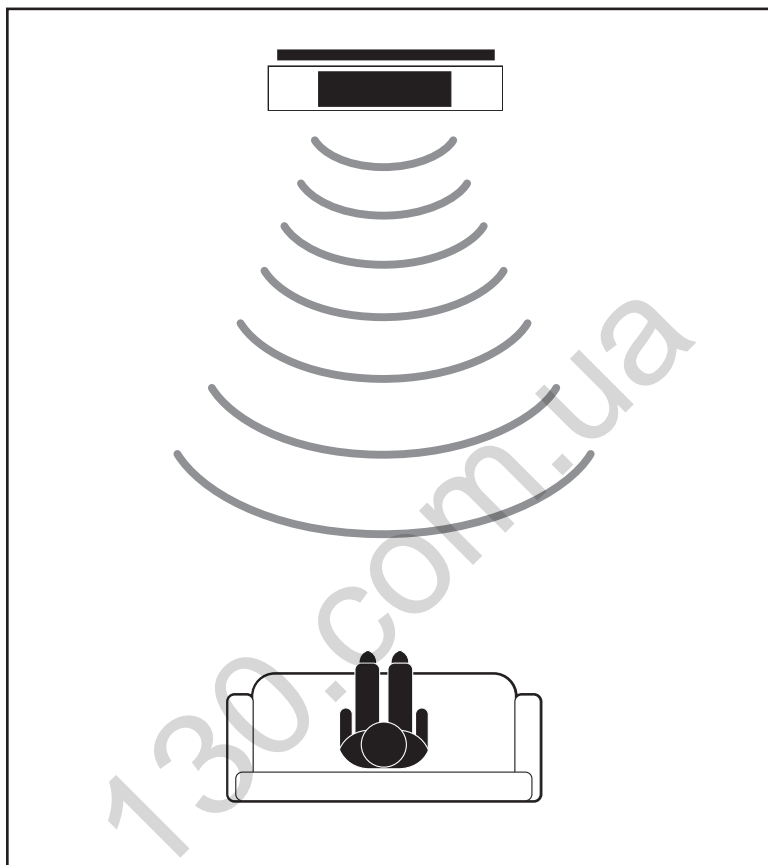


Image optimale

Mesurer la distance de la principale aire d'écoute aux enceintes (distance « X »). Pour une image sonore optimale, installer les enceintes avant de sorte qu'elles soient séparées l'une de l'autre d'une distance allant des trois quarts de « X » à « X » ($3/4$ de X ou X). Pour une image encore meilleure, orienter les enceintes vers l'aire d'écoute de sorte que leurs axes se croisent juste derrière cette dernière.

POSITIONNEMENT : Enceinte de canal central



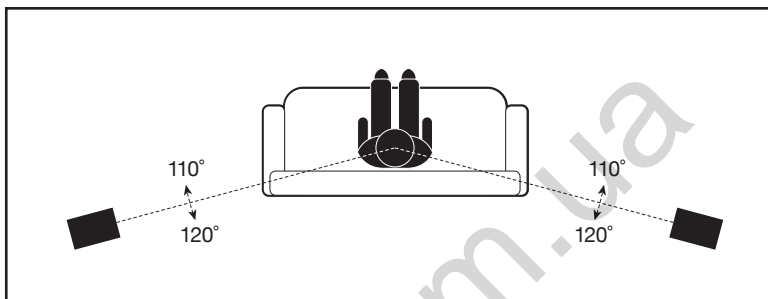
Les enceintes de canal central sont conçues pour couvrir une vaste aire d'écoute, permettant à des auditeurs dans toute la pièce d'entendre un signal du canal central d'une clarté et d'une intelligibilité sans précédent.

Pour une clarté et une intelligibilité maximales, placer l'enceinte centrale au-dessus de la télé. Pour éviter une réflexion sonore non désirée, placer l'enceinte à égalité avec le devant de la télé ou de l'étagère. S'assurer que l'enceinte centrale soit environ à la même distance de la principale aire d'écoute que les enceintes avant. (Certains processeurs et récepteurs A/V peuvent s'ajuster électroniquement à des variations de distance.)

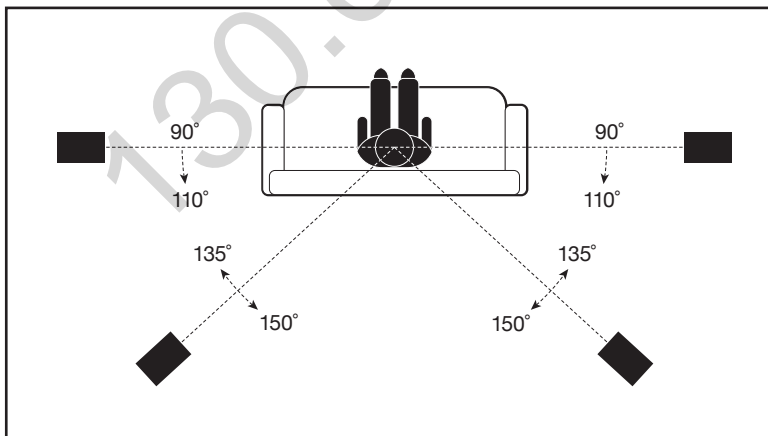
POSITIONNEMENT : Enceintes ambiophoniques / arrière

Les enceintes ambiophoniques/arrière de la série Paradigm Premier doivent être gardées bien éloignées de l'aire d'écoute principale pour obtenir un rendement ambiophonique optimal.

POSITIONNEMENT DE L'ENCEINTE AMBIOPHONIQUE POUR PARADIGM PREMIER 100B ET 200B



5.1 Positionnement de l'enceinte ambiophonique pour Paradigm Premier 100B & 200B



7.1 Positionnement de l'enceinte ambiophonique pour Paradigm Premier 100B & 200B

CÂBLAGE



ÉTEIGNEZ l'amplificateur avant de raccorder les enceintes. Vous éviterez ainsi les dommages qui pourraient survenir lors du court-circuit accidentel des câbles d'enceinte.

Pour obtenir un son optimal, il est essentiel d'utiliser des câbles de haute qualité. Le tableau de droite indique les exigences minimales de calibre pour les différentes longueurs de câble (*voir le revendeur pour obtenir de plus amples renseignements*).

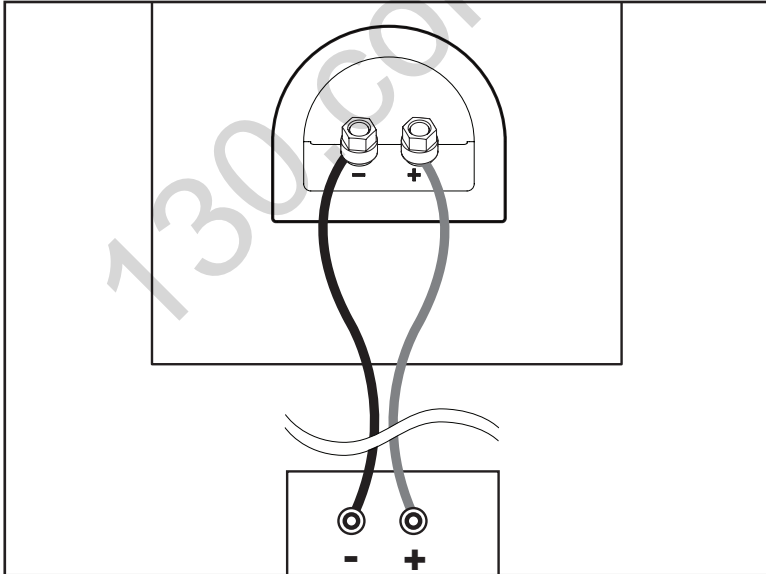
EXIGENCES MINIMALES DE CALIBRE		
LONGUEUR	DIAMÈTRE	CALIBRE
Moins de 4,5 m (15 pi)	1,3 mm (0,05 po)	16 awg
Moins de 9 m (30 pi)	1,6 mm (0,06 po)	14 awg
Plus 9 m (30 pi)	2,0 mm (0,08 po)	12 awg

RACCORDEMENT STANDARD (Premier 100B et 200B)

Les bornes de raccordement des enceintes peuvent être utilisées avec des prises bananes ou à broches ou des cosses rectangulaires, ainsi qu'avec des fils nus. Serrer les bornes fermement à la main, mais pas excessivement.

Pour une bonne image sonore et un bon équilibre des graves, la bonne polarité (phase) est nécessaire. Raccorder une enceinte à la fois pour assurer le bon raccordement de chaque canal. Raccorder la borne rouge (+) de l'amplificateur à la borne rouge (+) de l'enceinte et la borne noire (-) de l'amplificateur à la borne noire (-) de l'enceinte. S'assurer que chaque raccordement est bien fixé. Répéter la même procédure pour chacune des enceintes du système.

REMARQUE : si une déficience des graves ou une image stéréophonique disloquée est perçue, il se peut qu'une ou plusieurs des enceintes soient déphasées (polarité inversée). Vérifier de nouveau la polarité de chaque raccordement : rouge (+) à rouge (+) et noir (-) à noir (-).



AUTRES OPTIONS DE RACCORDEMENT

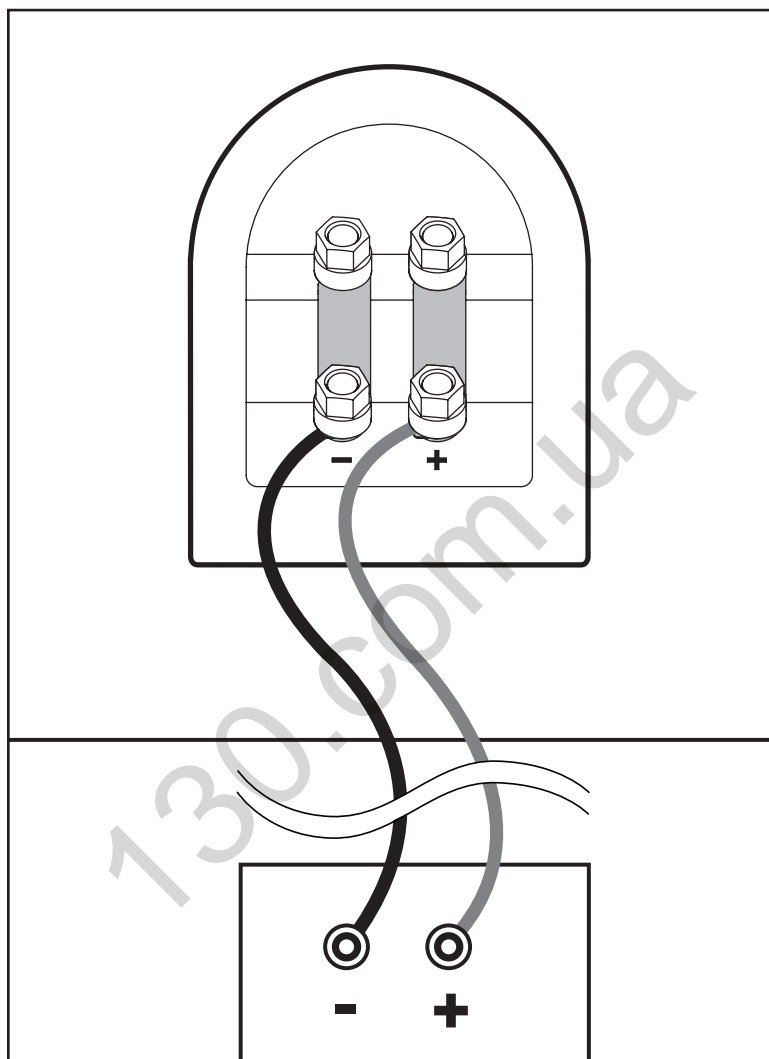


NE PAS raccorder les enceintes par bi-câblage ou bi-amplification avant d'avoir retiré les barrettes de court-circuit.

Certaines enceintes Paradigm sont dotées de deux ensembles de bornes raccordées de façon externe à des barrettes de court-circuit. Ces enceintes peuvent être bi-câblées ou bi-amplifiées pour un rendement encore meilleur.

La présente section ne s'applique pas aux enceintes non dotées de ces deux ensembles de bornes.

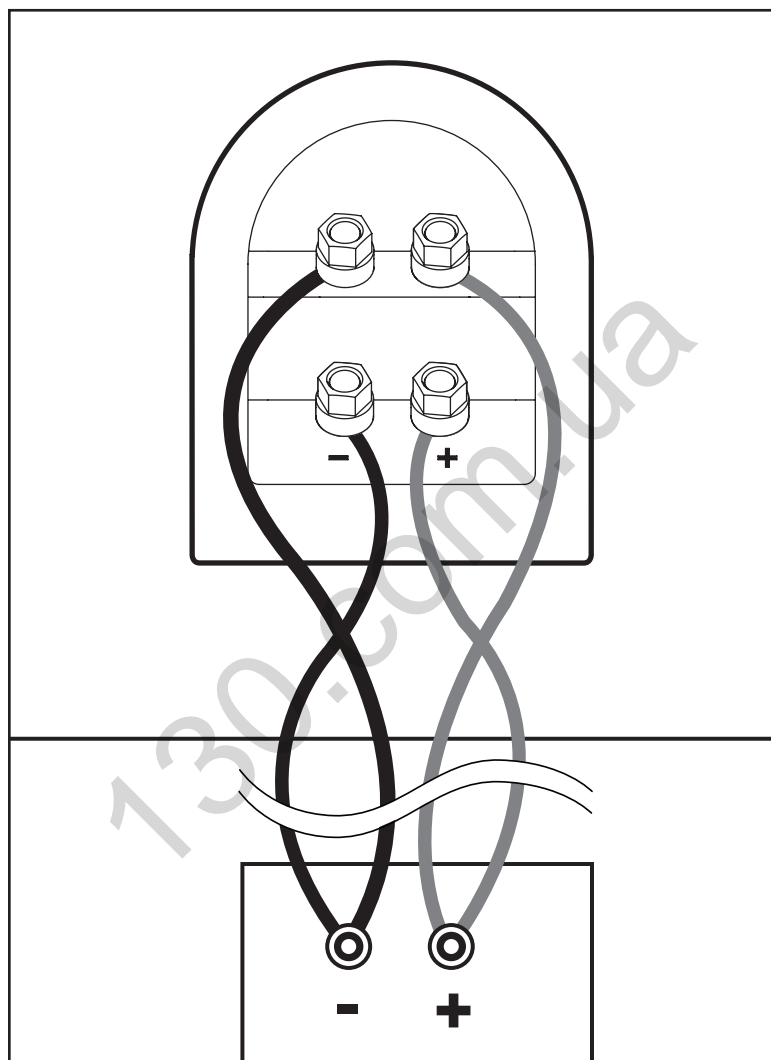
130.com.ua



Raccordement normal d'enceintes dotées de deux ensembles de bornes d'entrée

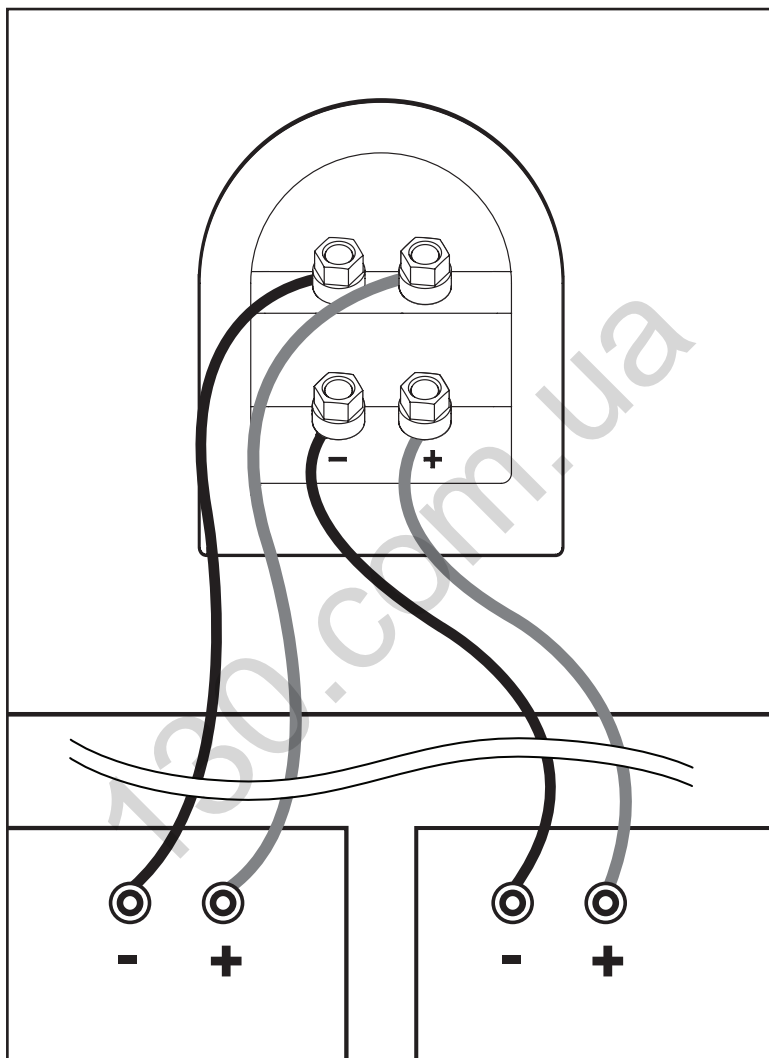
Pour le raccordement normal d'enceintes dotées de **deux ensembles de bornes**, ne pas retirer les barrettes de court-circuit et raccorder l'un ou l'autre des ensembles de bornes.

AUTRES OPTIONS DE RACCORDEMENT (suite)



Bi-câblage

Bi-câblage Le bi-câblage peut améliorer la clarté, l'amplitude et la robustesse des graves tout en réduisant la granulation. Deux câbles sont nécessaires pour chaque enceinte ainsi raccordée.



Bi-amplification

IMPORTANT! Pour la bi-amplification, toujours utiliser des amplificateurs présentant un gain identique. Si un gain uniforme n'est pas maintenu, l'équilibre enceinte-à-enceinte sera incorrect en mode vertical, alors que l'équilibre des fréquences du système d'enceintes sera incorrect en mode horizontal. Pour éviter ces problèmes, utiliser des amplificateurs identiques (de mêmes marque et modèle), fonctionnant dans le même mode (canal unique ou relais en pont).

AUTRES OPTIONS DE RACCORDEMENT (suite)

La bi-amplification passive améliore considérablement la clarté, l'amplitude et les détails du signal, ainsi que la robustesse et la précision des graves. La reproduction musicale ou de trames sonores est tout simplement plus claire et transparente.

Dans ce type de raccordement, les filtres passifs (crossover) internes de l'enceinte demeurent raccordés. Un filtre passif externe n'est pas nécessaire et ne peut être utilisé (il n'y a pas d'accès électrique direct aux différents haut-parleurs). Cela réduit les coûts et les difficultés d'installation. La bi-amplification passive permet la meilleure performance possible des enceintes.

Pour la bi-amplification, deux amplificateurs sont nécessaires. Le raccordement peut être en mode vertical ou horizontal.

La bi-amplification horizontale (*illustrée*) affecte un amplificateur à la reproduction des signaux de moyennes et basses fréquences et un autre, à celles des signaux de hautes fréquences. Cette configuration assure une plus grande clarté à volume élevé – si les basses fréquences nécessitent un écrêtage, les haut-parleurs de hautes fréquences ne subiront pas de distorsion. Raccorder les enceintes à un amplificateur à la fois.

La bi-amplification verticale (*non illustrée*) affecte un amplificateur à chaque enceinte. Cette configuration permet la séparation complète des canaux, ce qui optimise la capacité de reproduction de l'image sonore du système. Raccorder les enceintes à un amplificateur à la fois.

RÉGLAGE FIN

Une fois que les enceintes sont positionnées dans la pièce et que les distances et la calibration des niveaux des haut-parleurs ont été réglées à l'aide du processeur ou du récepteur A/V, un réglage fin peut s'imposer.

Puisque les enceintes Paradigm offrent une excellente performance dans différentes pièces, ce réglage consiste simplement en de petites modifications (au besoin) à leur positionnement dans la pièce.

Commencer par les enceintes avant. Faire jouer de la musique bien connue en mode stéréophonique. L'image sonore sera large et profonde, mais il est possible de la régler selon ses propres préférences en ajustant l'angle de convergence des enceintes (la mesure dans laquelle elles sont orientées vers l'aire d'écoute). Un angle de convergence important produira une image profonde et localisée, alors qu'un faible angle se traduira par une image plus large. Modifier légèrement l'angle de convergence des différentes enceintes en écoutant le résultat après chaque modification, jusqu'à obtention de l'image souhaitée. Ce concept ne s'applique pas aux autres enceintes du système puisque leur position et la distribution sonore qui en résulte ne varient pas.

En ce qui concerne les enceintes centrales, des modifications pourraient être nécessaires selon le programme multicanaux donné de musique ou de film. Au besoin, régler les niveaux du processeur ou du récepteur pour obtenir une image sonore globale cohérente.

Pour le réglage fin des enceintes ambiophoniques/arrière, suivre les diagrammes de la section précédente.

Pour le réglage fin du caisson de sous-graves, consulter le guide de l'utilisateur compris avec le caisson de sous-graves.

GUIDE DE DÉPANNAGE

Pas de son

S'assurer que le préamplificateur ou l'amplificateur est branché et allumé. Vérifier que la prise de courant fonctionne correctement. Des écouteurs sont-ils branchés ou le système est-il en mode sourdine (mute)? Vérifier tous les raccords.

Aucun son d'une ou plusieurs enceintes

Vérifier la commande de réglage d'équilibre (balance). Vérifier le branchement et le fonctionnement de tous les cordons d'alimentation. Remplacer l'enceinte qui ne fonctionne pas par une enceinte qui fonctionne pour vérifier si le problème est au niveau de l'enceinte ou ailleurs (c.-à-d. le filage, l'amplificateur).

Déficience des graves ou image disloquée

Il se peut qu'une des enceintes soit déphasée (polarité inversée). Vérifier de nouveau la polarité de chaque raccordement : rouge (+) à rouge (+) et noir (-) à noir (-).

GARANTIE LIMITÉE

Les enceintes Paradigm couvertes dans ce manuel sont garanties contre les défauts de matériaux et de fabrication pendant une période de **cinq (5) ans** à compter de la date d'achat du matériel neuf. Durant cette période, la réparation, le remplacement ou le réglage de pièces pour des défauts de matériaux ou de fabrication ne seront pas à la charge du premier acheteur.

Les dommages causés par l'exposition abusive à la chaleur ou l'usage abusif ne sont pas couverts par la présente garantie.

Limitations:

- La garantie entre en vigueur à la date d'achat par le premier acheteur chez un revendeur autorisé Paradigm seulement. La garantie n'est pas transférable.
- La garantie s'applique aux enceintes pour une utilisation résidentielle normale. Si les enceintes sont assujetties à l'une des conditions définies dans le paragraphe suivant, la garantie est nulle.
- La garantie ne s'applique pas à un usage commercial ou professionnel.

La garantie est révoquée si :

- L'enceinte est assujettie à un usage abusif (accidentel ou intentionnel);
- L'enceinte est utilisée avec du matériel défectueux ou non adéquat;
- L'enceinte est soumise à des signaux électriques dommageables, un transport dangereux, des dommages mécaniques ou toute autre condition anormale;
- L'enceinte (y compris le boîtier) est altérée ou endommagée lors d'une réparation non autorisée;
- La plaque du numéro de série de l'enceinte est enlevée ou défigurée.

Responsabilités du propriétaire :

- Apporter un soin et un entretien normaux et raisonnables.
- Assumer les frais de transport jusqu'à l'atelier de réparation.
- Fournir une preuve d'achat (conserver le reçu fourni lors de l'achat par le revendeur autorisé Paradigm comme preuve de la date d'acquisition).

GARANTIE LIMITÉE (suite)

Si une réparation est nécessaire, contacter le revendeur autorisé Paradigm, Paradigm Electronics Inc. ou le distributeur à l'étranger (à l'extérieur du Canada et des États-Unis) pour planifier l'envoi prépayé de l'enceinte défectueuse. Consulter le site web **www.paradigm.com** pour plus d'information.

Paradigm Electronics Inc. se réserve le droit d'améliorer ou de modifier ses produits en tout temps sans responsabilité ou engagement envers les produits existants.

La présente garantie tient en lieu et place de toute autre garantie, explicite ou implicite, de qualité marchande et d'adéquation pour tout usage particulier, et ne peut être élargie ou étendue par quiconque. Paradigm Electronics Inc. et ses représentants ou agents ne peuvent pas être tenus responsables de dommages consécutifs ou indirects découlant de l'utilisation de ces produits. Dans les endroits où une réglementation spécifique interdit une telle limitation de la responsabilité, cette exclusion ne s'applique pas.

Conserver le présent manuel et le reçu comme preuves d'achat et de garantie.