



PHONES

0 (800) 800 130  
(050) 462 0 130  
(063) 462 0 130  
(067) 462 0 130

130  
COM.UA

Internet store of  
autogoods



SKYPE

km-130

CAR RECEIVERS — Receivers • Media receivers and stations • Native receivers • CD/DVD changers • FM-modulators/USB adapters • Flash memory • Facia plates and adapters • Antennas • Accessories |  
CAR AUDIO — Car audio speakers • Amplifiers • Subwoofers • Processors • Crossovers • Headphones • Accessories | TRIP COMPUTERS — Universal computers • Model computers • Accessories |  
GPS NAVIGATORS — Portable GPS • Built-in GPS • GPS modules • GPS trackers • Antennas for GPS navigators • Accessories | VIDEO — DVR • TV sets and monitors • Car TV tuners • Cameras • Videomodules  
• Transcoders • Car TV antennas • Accessories | SECURITY SYSTEMS — Car alarms • Bike alarms • Mechanical blockers • Immobilizers • Sensors • Accessories | OPTIC AND LIGHT — Xenon • Bixenon • Lamps  
• LED • Stroboscopes • Optic and Headlights • Washers • Light, rain sensors • Accessories | PARKTRONICS AND MIRRORS — Rear parktronic • Front parktronic • Combined parktronic • Rear-view mirrors  
• Accessories | HEATING AND COOLING — Seat heaters • Mirrors heaters • Screen-wipers heaters • Engine heaters • Auto-refrigerators • Air conditioning units • Accessories | TUNING — Vibro-isolation  
• Noise-isolation • Tint films • Accessories | ACCESSORIES — Radar-detectors • Handsfree, Bluetooth • Windowlifters • Compressors • Beeps, loudspeakers • Measuring instruments • Cleaners • Car seats  
• Miscellaneous | MOUNTING — Installation kits • Upholstery • Grilles • Tubes • Cable and wire • Tools • Miscellaneous | POWER — Batteries • Converters • Start-charging equipment • Capacitors  
• Accessories | MARINE AUDIO AND ELECTRONICS — Marine receivers • Marine audio speakers • Marine subwoofers • Marine amplifiers • Accessories | CAR CARE PRODUCTS — Additives • Washer fluid •  
Care accessories • Car polish • Flavors • Adhesives and sealants | LIQUID AND OIL — Motor oil • Transmission oil • Brake fluid • Antifreeze • Technical lubricant

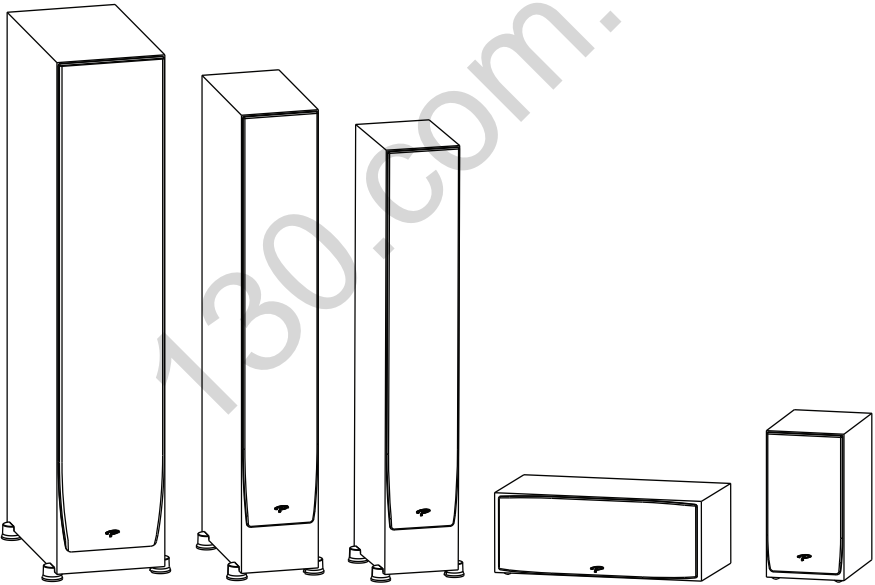


In store "130" you can find and buy almost all necessary goods for your auto in Kyiv and other cities, delivery by ground and postal services. Our experienced consultants will provide you with exhaustive information and help you to choose the very particular thing. We are waiting for you at the address

<https://130.com.ua>



# MONITOR SE



## Owner's Manual



## RECYCLING AND REUSE GUIDELINES (Europe)

In accordance with the European Union WEEE (Waste Electrical and Electronic Equipment) directive effective August 13, 2005, we would like to notify you that our speakers may contain regulated materials which, upon disposal, require special reuse and recycling processing. For this reason Paradigm Electronics Inc. (the manufacturer of Paradigm speakers and Anthem electronic products) has arranged with its distributors in European Union member nations to collect and recycle this product at no cost to you. To find your local distributor please contact the dealer from whom you purchased this product or go to our website at [www.paradigm.com](http://www.paradigm.com).

Please note that only the product falls under the WEEE directive. When disposing of packaging and other shipping material we encourage you to recycle through the normal channels.

---

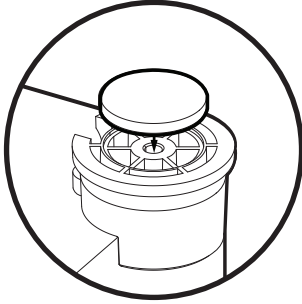
To ensure proper installation and enjoy all of the exceptional sound these speakers are designed to provide, please read this manual and follow all instructions. If you have further questions contact your Authorized Paradigm Dealer or visit the Q&A page on our website at [www.paradigm.com](http://www.paradigm.com).

# TABLE OF CONTENTS

<b>Floorstanding Speakers – Attaching Rubber Pads or Carpet Spikes .....</b>	<b>3</b>
<b>Bookshelf / Center Channel Speakers – Attaching Rubber Pads.....</b>	<b>4</b>
<b>Your New Speakers .....</b>	<b>5</b>
<b>Preventing Speaker Damage .....</b>	<b>6</b>
<b>Room Acoustics .....</b>	<b>8</b>
<b>Placement: Front L &amp; R Speakers .....</b>	<b>9</b>
<b>Placement: The Center Speaker .....</b>	<b>13</b>
<b>Wiring .....</b>	<b>14</b>
<b>Speaker Connection .....</b>	<b>15</b>
<b>Fine Tuning .....</b>	<b>16</b>
<b>Troubleshooting Guide .....</b>	<b>17</b>
<b>Limited Warranty .....</b>	<b>18</b>

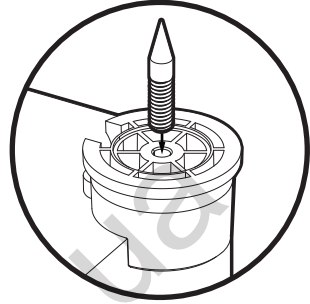
# FLOORSTANDING SPEAKERS — ATTACHING RUBBER PADS OR CARPET SPIKES

Floor (Wood or Tile)



**OR**

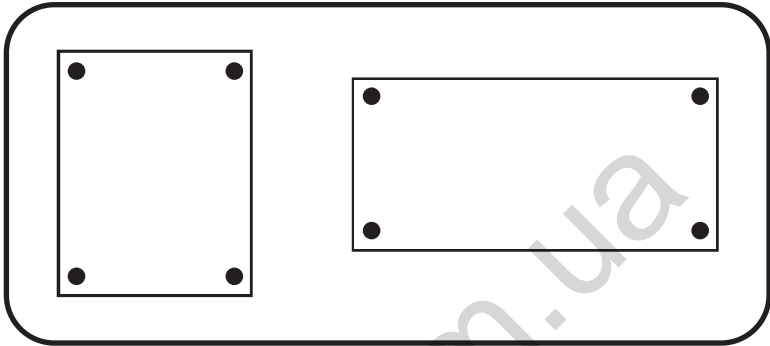
Carpet



130.com

## **BOOKSHELF / CENTER CHANNEL SPEAKERS — ATTACHING RUBBER PADS**

Self-adhesive rubber pads (included) must be applied to the bottom corners of bookshelf and center channel speakers (as shown) when placed on a shelf or other flat surface.



Bottom View of Bookshelf / Center Channel Speaker.

# YOUR NEW SPEAKERS

## Break-In

Although Paradigm Monitor SE Series speakers sound great “out of the carton,” they will sound even better when broken in. Allow them to operate for several hours before you listen critically.

High-frequency drivers use ferro-fluid that can thicken at temperatures below 10° C (50° F). If your speakers have been transported or stored in the cold let them warm to room temperature before use.

## Cleaning

Do not use a strong or abrasive cleaner on your speakers. Clean them with a damp soft cloth, but do not get them wet. Do not place wet objects, such as drinking glasses or potted plants, on top of the speakers. If allowed to soak in, even a small amount of water may permanently damage the speaker enclosure.

130.com

## PREVENTING SPEAKER DAMAGE

To prevent damage to your speakers, please read the following guidelines before making any connections.

### **Amplifier Distortion—The #1 Culprit!**

Amplifier distortion is the principle cause of speaker damage. When listening at higher volume levels, your amplifier may run out of clean power and begin to produce a distorted signal if levels are increased any further. This will damage any brand of speaker very quickly. (See your Authorized Paradigm Dealer for amplifier recommendations).

### **More Powerful Amplifiers are Safer**

When choosing an amplifier, always select an amplifier with a power rating greater than that of the speaker. Using a 100 Watts per channel amplifier on a 50 Watts speaker allows the amplifier adequate headroom in order to provide a distortion free signal. Conversely, using a 40 Watts per channel amplifier on a 50 Watts speaker limits the amplifier's headroom. This causes the amplifier to enter its distortion level much sooner, potentially damaging the speaker.

### **Volume Control**

Do not be fooled by the Volume Control of your receiver/preamplifier. It only adjusts listening level—it is not a “power-output” dial. The amount of amplifier power actually used at a given Volume Control setting depends solely on the nature of the music you are listening to. At a given Volume Control setting a quiet section of music will use less amplifier power than a loud section. With typical pop-rock, jazz or large scale classical music the rated output power of many receivers/amplifiers is often reached when the Volume Control is between the “11” and “1” o'clock settings (with bass/ treble and loudness controls not used—otherwise rated power may be reached at even lower Volume Control settings).

Remember, all amplifiers produce distortion when operated beyond their rated output power. The resulting distortion will damage all speakers! Exercise caution! If you listen at loud levels, be careful to listen for the point of audible distortion—if the speakers begin to sound distressed, turn the Volume Control down or your speakers and/or amplifier(s) will be damaged! This type of damage constitutes abuse and is not covered by the warranty. If louder volumes are desired, obtain a more powerful amplifier.



## **PREVENTING SPEAKER DAMAGE** *(cont'd)*

### **There is a Limit!**

Although more powerful amplifiers are safer, there is a point at which you could have more power than the speaker can handle. At that point you will overpower the speaker and damage it. Exercise caution! At loud levels do not increase bass/treble controls from zero and ensure that all loudness/ contour/bass EQ buttons are off (otherwise rated output power will be reached at lower volume control settings). If you listen at loud levels, watch for excessive visible cone excursion (grille movement) from the woofer—then turn the Volume Control down.

### **The Right Amount of Power**

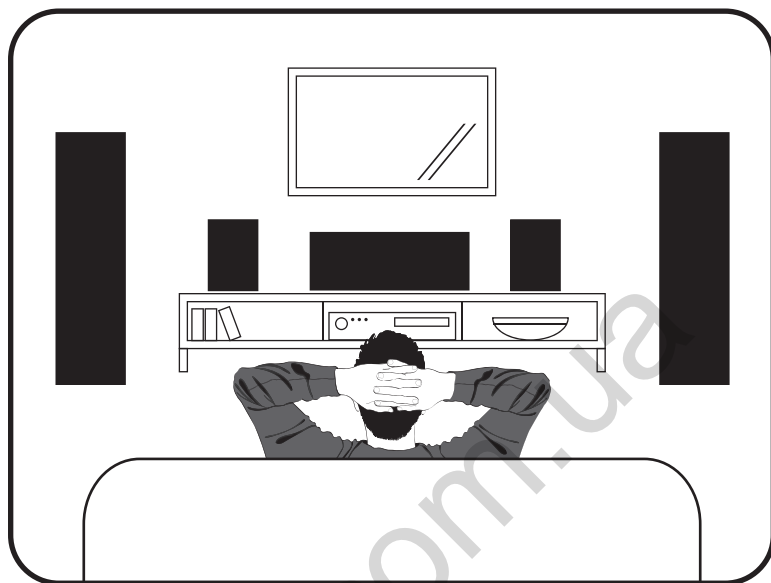
A power-range rating is given as a guide to indicate the approximate minimum and maximum power input of your Paradigm speakers. Amplifiers that exceed your speaker's power-range rating are recommended. Their greater power reserves provide better sound. However, exercise caution! Use the speakers within their power-range rating to prevent damage (keep listening levels below the point of excessive woofer cone excursion).

## ROOM ACOUSTICS

Monitor SE Series speakers are designed to provide exceptional sound in a wide variety of domestic settings. However, it is important to note that listening room construction, dimensions and furnishings all play a part in the quality of sound you will ultimately achieve. Your listening room will impose its own character on the performance capabilities of any speaker system. The extra care you take in correctly positioning the speakers will result in greater listening enjoyment. Keep the following guidelines in mind when deciding on the best speaker placement:

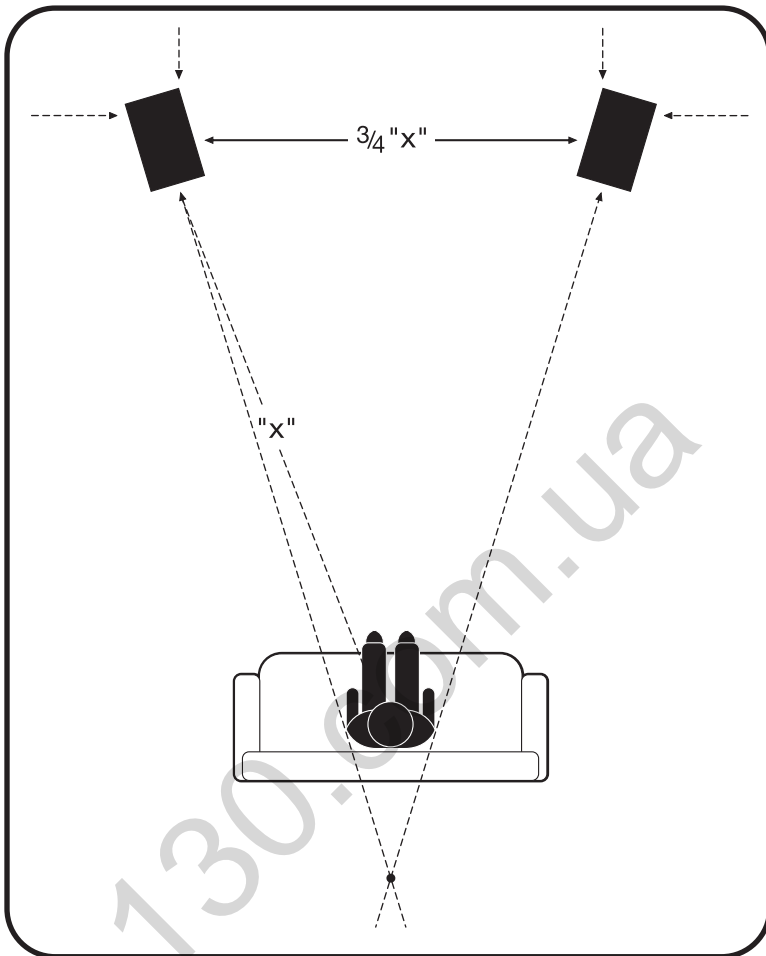
- Mid and high frequencies are affected by the amount of soft furnishings in your room—curtains, carpets, sofas, wall coverings, etc. An excess of such items can result in a somewhat dull sound. The same room without any soft furnishings can produce an overall bright sound. The typical quantity of soft furnishings found in most living environments provides the right acoustic characteristics to allow the speakers to sound balanced;
- Concrete floors and walls tend to aggravate low-frequency standing wave problems and are less preferred;
- Rooms where height, width and length are similar should be avoided as they can exhibit significant low-frequency standing wave problems. This may result in reduced clarity. If no other room is possible, experiment with speaker placement to minimize acoustic problems.

## PLACEMENT: Front Left & Right



### Ideal placement of front and center speakers

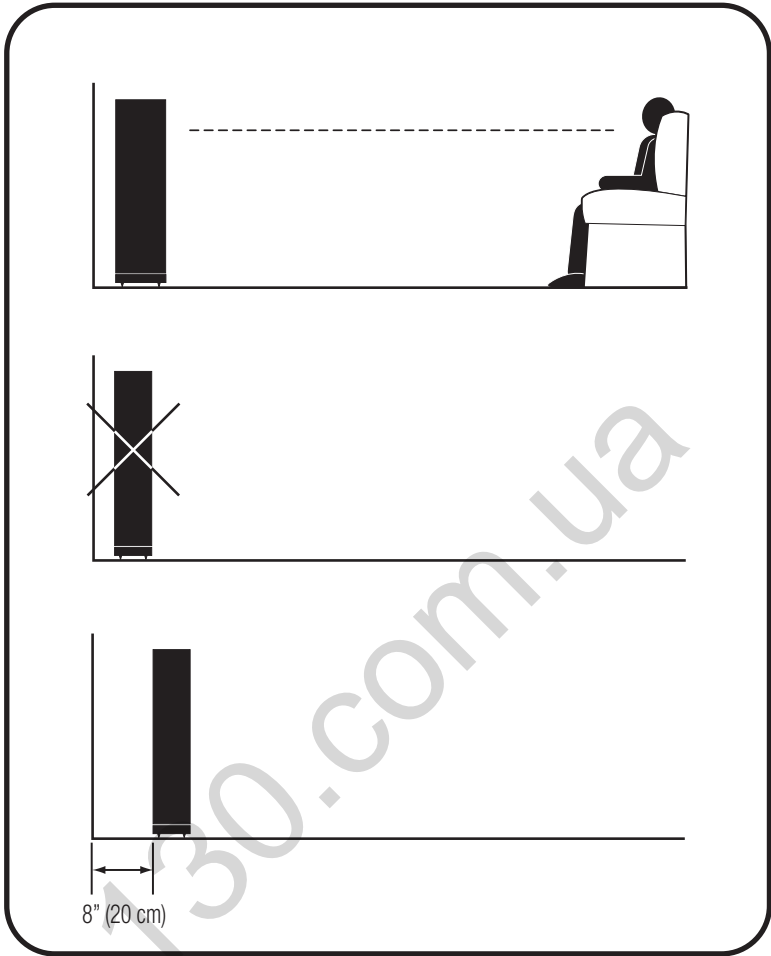
Monitor SE Series front speakers are designed to allow flexible placement while providing a very large window of sound throughout your listening room. To ensure the best performance possible we strongly recommend that you observe the placement guidelines on the following pages ...



### Accurate Timbre

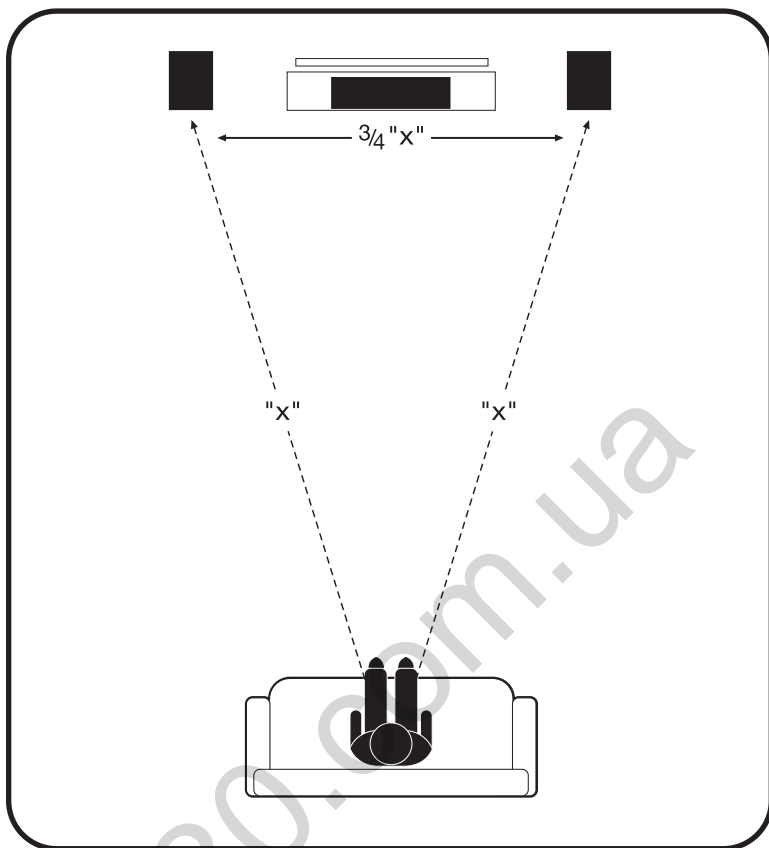
For the most accurate and natural timbre, place front speakers so that their high-frequency drivers are approximately at ear level, as shown.

Placing bookshelf models on Paradigm speaker stands (sold separately) or bookshelves raises their high-frequency drivers to approximately ear level, thereby ensuring the best performance possible.



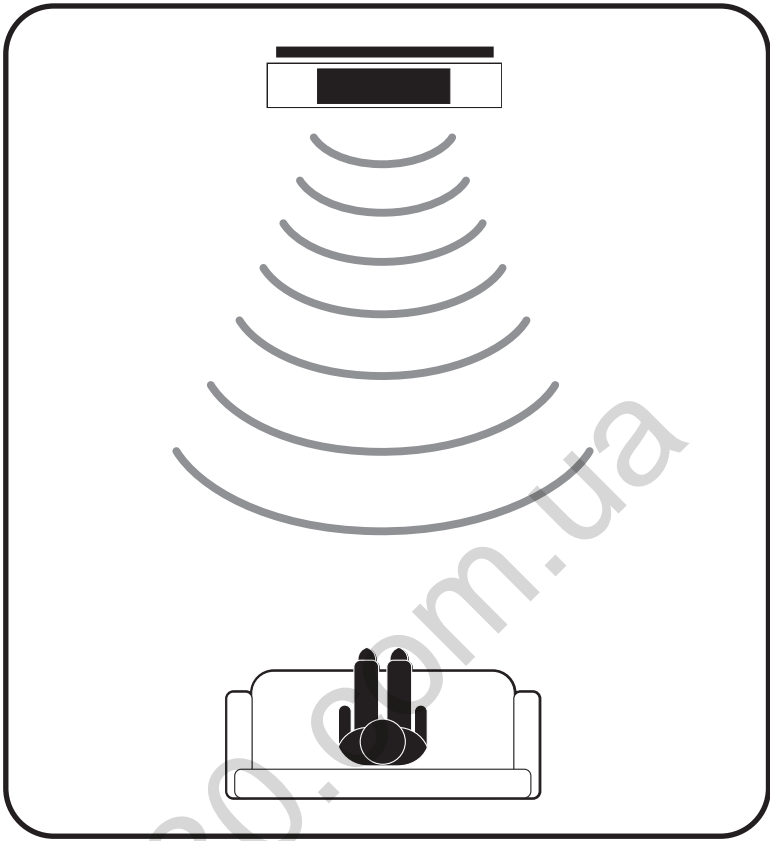
### Balanced Bass

Placing front speakers in corners will over-emphasize bass and reduce overall clarity. Avoid corner placement. Position front speakers 8 in (20 cm) or more from the wall behind the speaker and as much as possible from either side wall, as shown in. This will ensure better bass performance and optimal midrange clarity.



### Optimal Imaging

Measure the distance from your main listening area to the front speakers ("X"). For best imaging, place speakers from three-quarters of that distance up to that same distance from each other ( $\frac{3}{4}$  of "X" to "X"), as shown. To further optimize imaging, toe speakers slightly inward so they point toward the listening position with their axes crossing just behind it, as shown.



## **PLACEMENT: The Center Speaker**

The Monitor SE Series center speaker is designed to cover a large, wide listening area, allowing listeners throughout the room to hear center-channel information with unprecedented clarity and intelligibility.

Placing your center-channel speaker below the TV will ensure the best possible clarity and intelligibility. Position the speaker flush with the front of the TV or speaker shelf to minimize unwanted sound reflections. Make sure the center-channel speaker is approximately the same distance away from the primary listening position as your front speakers. (Some A/V receivers and processors can electronically adjust for differences in distance.)

## WIRING



Turn your amplifier(s) OFF before connecting your speakers. This will avoid damage which could result from accidental shorting of speaker cables.

MINIMUM GAUGE REQUIREMENTS		
LENGTH	DIAMETER	GAUGE
Under 4.5 m (15 ft)	1.3 mm (0.05 in)	16 awg
Under 9 m (30 ft)	1.6 mm (0.06 in)	14 awg
Over 9 m (30 ft)	2.0 mm (0.08 in)	12 awg

For optimum sound, the use of high quality speaker cable is essential. The chart below identifies the minimum gauge requirements for various lengths. See your Authorized Paradigm Dealer for recommendations.

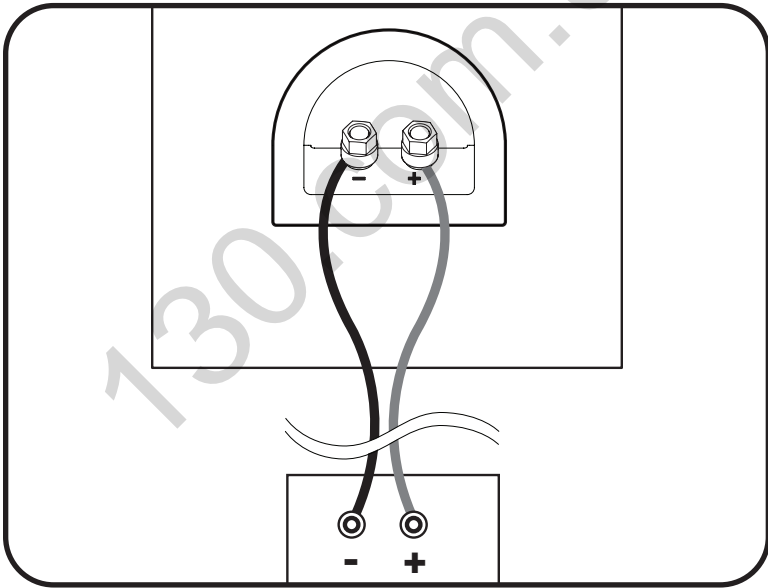


# SPEAKER CONNECTION

Your speakers' binding posts can be used with banana, pin or spade connectors, as well as with bare wire. Tighten the posts firmly by hand but do not over tighten!

Correct polarity (or phase) is critical for proper soundstage imaging and bass performance. Connect one speaker at a time to ensure proper connection of every channel. The red (+) amplifier terminal must be connected to the red (+) speaker terminal. The same applies to the black (-) terminals. Make sure all wires are firmly fastened. Repeat this connection procedure for each speaker in your system.

**NOTE:** If you hear a distinct lack of bass and a dislocated stereo image then one or more of your speakers may be connected out of phase (polarity is reversed). Re-check to ensure that each speakers' cable is connected with correct polarity: red (+) to red (+) and black (-) to black (-).



## FINE TUNING

Once you have your speakers positioned in the room and have set speaker distances and calibrated speaker levels through your Audio/Video Processor or A/V Receiver it's time for a little fine tuning.

Since Paradigm speakers provide exceptional performance in a variety of room settings, fine tuning is simply a matter of making slight adjustments (if necessary) to their placement in the room.

Start with the front speakers and listen to familiar music in stereo. The soundstage will be both wide and deep, but this can be tuned to your personal preference by adjusting the toe-in (the amount the speakers are turned toward the listening area). More toe-in will increase image depth and localization, less toe-in will increase image width. Adjust the toe-in in small increments, listening each time, until you achieve the soundstage balance you prefer. Toe-in is not applicable to the other speakers in your system since their position and sound distribution pattern is fixed.

Fine tuning for center speakers is a matter of making volume level adjustments that may be required for a particular multi-channel music or movie program. If necessary, adjust your Audio/Video Processor's or A/V Receiver's volume levels to ensure there is a cohesive overall soundstage.

To fine tune surround/rear speakers, please follow the illustrations in the earlier section.

To fine tune the subwoofer, please refer to the Owner's Manual that was included with your subwoofer.

## TROUBLESHOOTING GUIDE

### No Sound

Make sure receiver, preamp or amplifier is plugged in and turned on. Check power outlet at the wall is working. Are headphones plugged in, or is system on Mute? Re-check all connections.

### No Sound from One or More Speakers

Check your balance. Check that all power cords are properly plugged in and functioning. Swap a non-working speaker with one that works to determine if the problem is with the speaker or something else (i.e. wiring, amplifier).

### Lack of Bass or Dislocated Image

One or more speakers may be connected out of phase (their polarity is reversed). Re-check to ensure that each speaker's cable is connected with correct polarity: red (+) to red (+) and black (-) to black (-).

## LIMITED WARRANTY

Paradigm speakers covered in this manual are warranted to be and remain free of manufacturing and/or material defects for a period of **five (5)** years from the date of original purchase. Within the time period specified, repair, replacement or adjustment of parts for manufacturing and/or material defects will be free of charge to the original owner.

**Thermal or mechanical abuse/misuse is not covered under the Paradigm warranty.**

### Limitations:

- Warranty begins on date of original retail purchase from an Authorized Paradigm Dealer only. It is not transferable;
- Warranty applies to product in normal home use only. If product is subjected to any of the conditions outlined in the next section, warranty is void;
- Warranty does not apply if the product is used in professional or commercial applications.

### Warranty is Void if:

- The product has been abused (intentionally or accidentally);
- The product has been used in conjunction with unsuitable or faulty equipment;
- The product has been subjected to damaging signals, derangement in transport, mechanical damage or any abnormal conditions;
- The product (including cabinet) has been tampered with or damaged by an unauthorized service facility;
- The serial number has been removed or defaced.

### Owner Responsibilities:

- Provide normal/reasonable operating care and maintenance;
- Provide or pay for transportation charges for product to service facility;

- Provide proof of purchase (your sales receipt given at time of purchase from your Authorized Paradigm Dealer must be retained for proof-of-purchase date).

Should servicing be required, contact your nearest Authorized Paradigm Dealer, Paradigm Electronics Inc. or Import Distributor (outside the U.S. and Canada) to arrange, bring in or ship prepaid, any defective unit. Visit our website, [www.paradigm.com](http://www.paradigm.com) for more information.

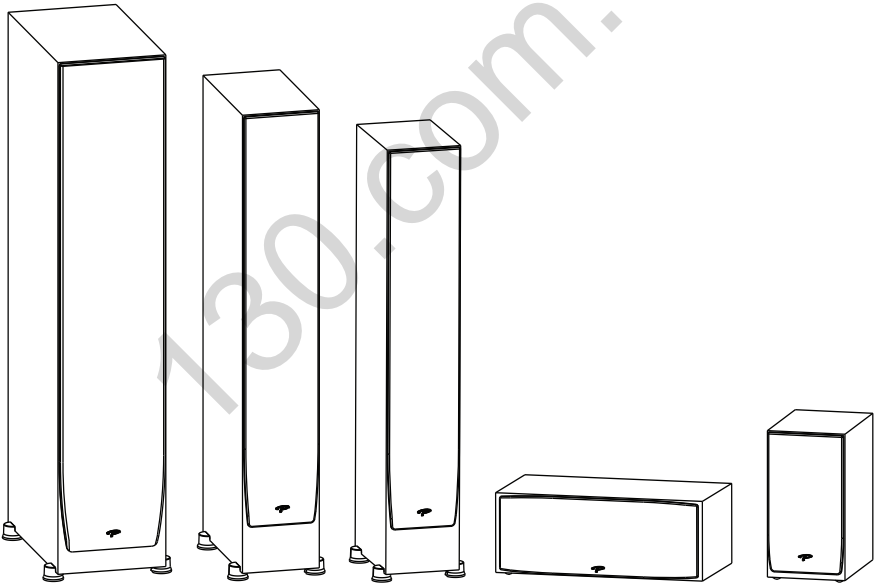
Paradigm Electronics Inc. reserves the right to improve the design of any product without assuming any obligation to modify any product previously manufactured.

This warranty is in lieu of all other warranties expressed or implied, of merchantability, fitness for any particular purpose and may not be extended or enlarged by anyone. In no event shall Paradigm Electronics Inc., their agents or representatives be responsible for any incidental or consequential damages. Some jurisdictions do not allow limitation of incidental or consequential damages, so this exclusion may not apply to you.

Retain this manual and your sales receipt for proof of warranty term and proof of purchase.



# MONITOR SE



**Manuel d'utilisateur**



## DIRECTIVES EUROPEENNES SUR LE RECYCLAGE ET LE TRAITEMENT DES DECHETS

Dans le respect de la directive WEEE (Waste Electrical & Electronic Equipment) mise en place par les institutions Européennes à compter du 13 Août 2005, nous souhaitons vous informer que nos enceintes peut contenir des matières devant faire l'objet d'une procédure de recyclage ou de traitement approprié des déchets. Dans cette optique, Paradigm Electronics Inc (fabricant des enceintes Paradigm et des électroniques Anthem) avec ses Distributeurs agréés dans l'Union Européenne, ont mis en place une procédure de collecte et de retraitement gratuite. Pour en savoir davantage sur cette procédure veuillez contacter votre revendeur, ou notre Distributeur dans votre pays (vous en obtiendrez les coordonnées sur simple demande ou en consultant notre site internet [www.paradigm.com](http://www.paradigm.com)).

Notez que seul le produit fini est concerné par cette directive et ses obligations. S'agissant de son emballage et de ses accessoires de transport nous vous recommandons de les recycler selon les procédures mises en place par votre commune ou votre département.

---

Pour une installation appropriée, et pour profiter d'un son exceptionnel, veuillez lire le présent manuel et suivre toutes les instructions. Pour toute autre question, contactez un revendeur Paradigm autorisé ou consultez la page Questions-Réponses de notre site Web au [www.paradigm.com](http://www.paradigm.com).

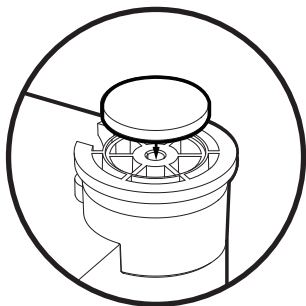
# TABLE OF CONTENTS

<b>Enceintes au sol - Fixer les pointes (tapis) ou les capuchons en caoutchouc .....</b>	<b>3</b>
<b>Enceintes sur une étagère - Fixer les capuchons en caoutchouc .....</b>	<b>4</b>
<b>Vos nouvelles enceintes .....</b>	<b>5</b>
<b>Pour éviter d'endommager les enceintes ....</b>	<b>6</b>
<b>Acoustique de la pièce .....</b>	<b>8</b>
<b>Positionnement : avant G et D .....</b>	<b>9</b>
<b>Positionnement : enceinte centrale .....</b>	<b>13</b>
<b>Câblage .....</b>	<b>14</b>
<b>Raccordement standard.....</b>	<b>15</b>
<b>Réglage fin .....</b>	<b>16</b>
<b>Guide de dépannage .....</b>	<b>17</b>
<b>Garantie limitée.....</b>	<b>18</b>



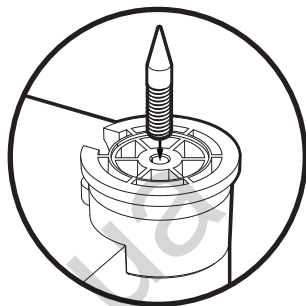
## ENCEINTES AU SOL - FIXER LES POINTES (TAPIS) OU LES CAPUCHONS EN CAOUTCHOUC

Plancher (bois ou tuile)



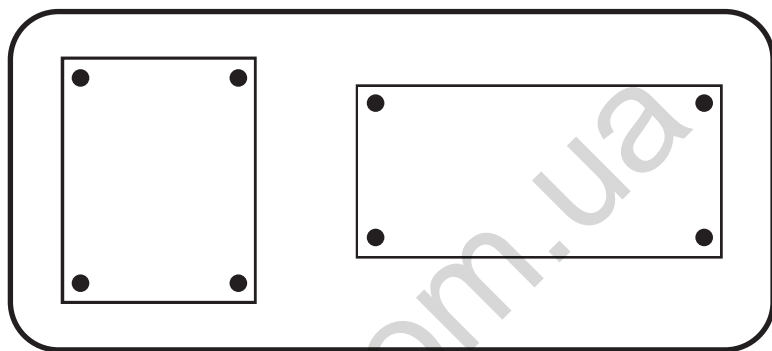
OU

Tapis



## **ENCEINTES SUR UNE ÉTAGÈRE - FIXER LES CAPUCHONS EN CAOUTCHOUC**

Des capuchons en caoutchouc auto-adhésifs (**compris**) doivent être apposés sur les coins de la partie inférieure des enceintes placées sur une étagère (**tel qu'indiqué**) lorsque les enceintes sont placées sur une étagère ou une autre surface plane.



**Vue du dessous d'une enceinte sur étagère.**

# VOS NOUVELLES ENCEINTES

## Rodage

Bien que les enceintes Paradigm de la série Monitor SE offrent un son excellent « en sortant de la boîte », leur son sera encore meilleur après une période de rodage. Les laisser fonctionner pendant quelques heures avant une première écoute critique.

Les haut-parleurs de hautes fréquences contiennent un ferrofluide dont la viscosité peut augmenter à des températures inférieures à 10 °C (50 °F). Si les enceintes ont été transportées ou entreposées au froid, les laisser réchauffer à la température de la pièce avant de les utiliser.

## Nettoyage

Ne pas employer de détergent fort ou abrasif sur les enceintes. Les nettoyer avec un linge doux humide en évitant de les mouiller. Ne pas déposer d'objets mouillés (verres, plantes en pot, etc.) sur les enceintes. L'absorption d'eau, même en faible quantité, peut endommager de façon permanente le boîtier de l'enceinte.

## Pieds en caoutchouc et crampons facultatifs.

La base de l'enceinte est fournie avec des pieds en caoutchouc préinstallés. Si vous avez l'intention d'utiliser les crampons isolants (compris avec les enceintes sur le sol), vous devez enlever les pieds en caoutchouc. Nous vous recommandons fortement d'installer ces crampons, car ils amélioreront le son des enceintes en les isolant du sol. La façon la plus pratique d'installer ces crampons est de les installer lors du déballage.

## Pieds d'enceinte Paradigm facultatifs

Nous vous recommandons fortement de placer les enceintes pour étagère sur les pieds d'enceinte Paradigm haute performance (vendus séparément), ou sur des étagères, afin d'élever les haut-parleurs de hautes fréquences environ au niveau des oreilles, ce qui permet d'obtenir le meilleur son possible.

## **POUR ÉVITER D'ENDOMMAGER LES ENCEINTES**

Les enceintes de la série Monitor SE sont efficaces et peuvent produire des volumes élevés à des puissances de sortie modérées de l'amplificateur. Elles peuvent également être jumelées à des amplificateurs haute puissance. Pour éviter d'endommager les enceintes, lire les directives suivantes avant de procéder à leur raccordement.

### **Distorsion de l'amplificateur – Le principal fautif!**

La distorsion de la puissance provenant de l'amplificateur est la principale cause de dommages aux enceintes. À volumes élevés, il peut arriver que la puissance de l'amplificateur soit tout simplement insuffisante. L'amplificateur produira alors un signal distordu dont la puissance est de plusieurs fois supérieure à la puissance nominale. Cette puissance excessive endommagera très rapidement toute enceinte, peu importe la marque! (Consulter le revendeur pour des recommandations en matière d'amplificateurs.)

### **Les amplificateurs plus puissants sont plus sûrs**

Un amplificateur de 40 Watts/canal produira une importante distorsion à des puissances supérieures à 40 Watts. Si la puissance sollicitée est de 50 Watts, il produira un signal distordu qui endommagera l'enceinte! Un amplificateur de 100 Watts/canal présentera une importante distorsion à plus de 100 Watts, mais très peu de distorsion à des puissances moindres. Ainsi, si l'enceinte sollicite 50 Watts, cet amplificateur produira un signal non distordu, réduisant ainsi les risques de dommages à l'enceinte.

### **Commande de volume**

La commande de volume du récepteur/préamplificateur peut être trompeuse puisqu'elle permet seulement de régler le volume d'écoute, mais n'indique pas la puissance de sortie. La puissance fournie par l'amplificateur à un réglage donné de la commande de volume dépend uniquement de la musique écoutée. À un réglage donné de la commande de volume, un passage de musique doux sollicitera moins de puissance de l'amplificateur qu'un passage plus percutant. Pour l'écoute de pop/rock, de jazz ou de musique classique symphonique, le réglage de la commande de volume de la plupart des amplificateurs à une position entre 11 h et 13 h sur le cadran fournit environ la puissance nominale de l'amplificateur, à moins que les fonctions de compensation (bass/treble ou loudness) ne soient utilisées, dans lequel cas la puissance nominale pourrait être atteinte à un réglage plus faible de la commande de volume.

## **POUR ÉVITER D'ENDOMMAGER LES ENCEINTES (suite)**

Il importe de se rappeler que tout amplificateur produira une distorsion si la puissance sollicitée excède sa puissance de sortie nominale. Cette distorsion endommagera les enceintes! Il faut donc faire attention! Pendant l'écoute à volume élevé, il faut surveiller toute distorsion possible – si le son provenant de l'enceinte semble distordu, réduire le volume pour ne pas endommager les enceintes ou l'amplificateur! La garantie ne couvre pas ce type de détérioration! Pour l'écoute à des volumes plus élevés, utiliser un amplificateur plus puissant.

### **Il y a une limite!**

Bien qu'un amplificateur plus puissant soit plus sûr, il existe une limite à la puissance que peut supporter l'enceinte. Au-delà de cette limite, l'enceinte subira des dommages. Il faut donc faire attention! À volume élevé, les commandes des basses/aiguës (bass/treble) devraient être en position « zéro » et tous les boutons de compensation ou d'égalisation (loudness/contour/bass EQ), désactivés, à défaut de quoi la puissance nominale sera atteinte à un réglage moindre du volume. Lors de l'écoute à volume élevé, vérifier s'il y a excursion excessive des cônes (mouvement de la grille) des haut-parleurs des graves. Le cas échéant, réduire le volume.

### **La bonne puissance**

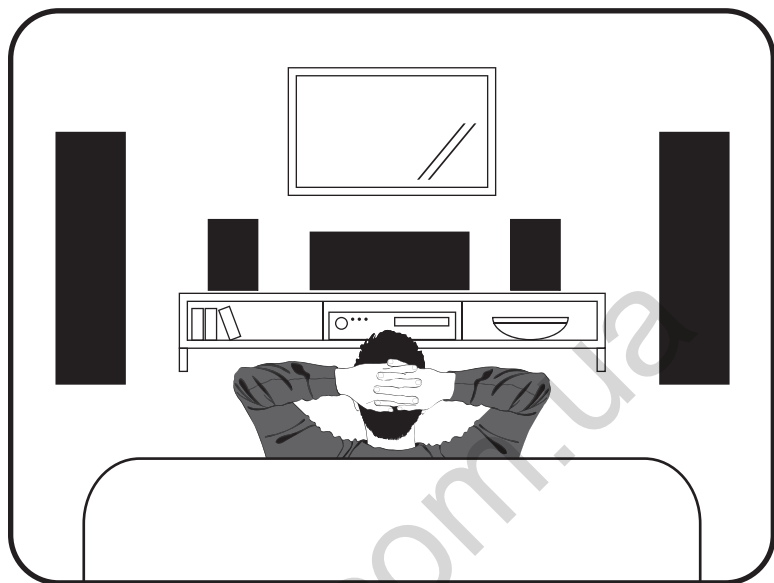
La plage de puissance nominale donne une idée des puissances d'entrée minimale et maximale des enceintes Paradigm. Il est recommandé d'utiliser un amplificateur dont la puissance nominale excède la plage de puissance des enceintes. Cette puissance « de réserve » de l'amplificateur se traduira par une meilleure qualité sonore. Toutefois, il faut faire attention! Les enceintes doivent être utilisées dans leur plage de puissance pour ne pas les endommager – le volume d'écoute doit toujours être inférieur à la limite d'excursion excessive des cônes des haut-parleurs des graves.

## ACOUSTIQUE DE LA PIÈCE

Les enceintes de la série Monitor SE sont conçues pour offrir un son haut de gamme dans divers milieux d'écoute intérieurs. Il importe toutefois de noter que la construction et les dimensions de la pièce, ainsi que son contenu ont tous une incidence sur la qualité sonore qu'il sera possible d'obtenir. La salle d'écoute imposera ses caractéristiques propres à la performance de tout système d'enceintes. Le soin accordé au bon positionnement des enceintes se traduira par une meilleure expérience d'écoute. En général, il est recommandé d'observer les directives suivantes en ce qui concerne le positionnement des enceintes :

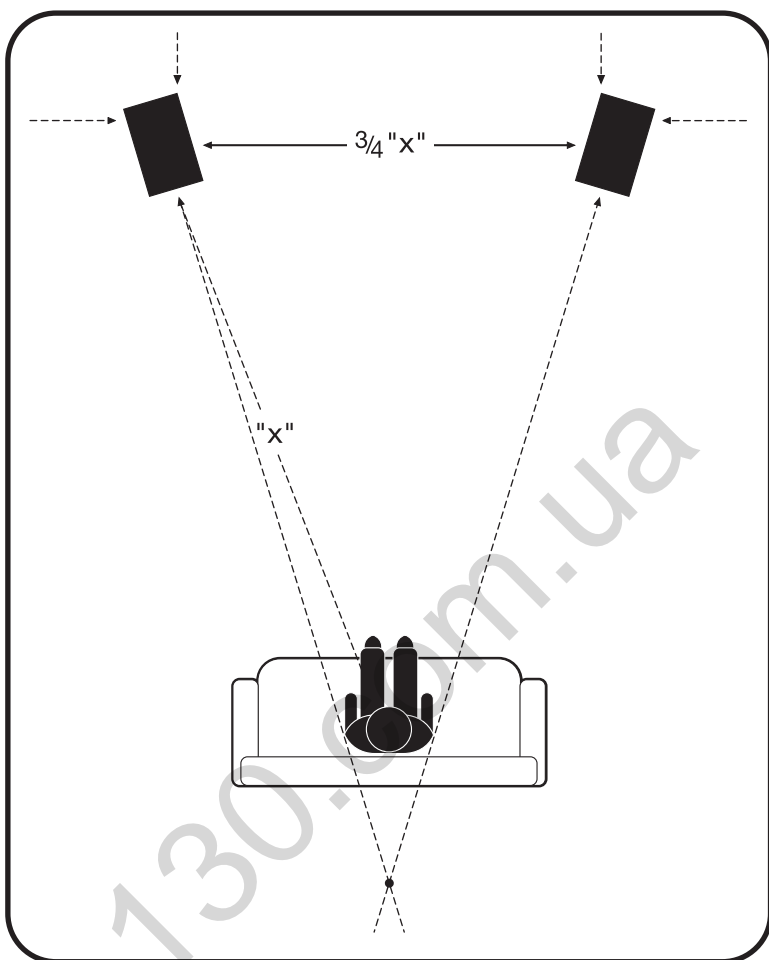
- La quantité d'objets « mous » (rideaux, moquettes, sofas, revêtements muraux, etc.) que renferme la pièce aura une incidence sur les moyennes et hautes fréquences. S'ils sont trop nombreux, ces objets peuvent émousser le son produit par les enceintes. La même pièce sans aucun objet mou offrira un son généralement clair. Une quantité normale de ces objets dans la pièce offrira les caractéristiques acoustiques permettant d'obtenir des enceintes un son équilibré.
- Les planchers et murs en béton ont tendance à amplifier les problèmes liés aux ondes stationnaires des basses fréquences et ne sont donc pas idéals.
- Les pièces de hauteur, de largeur et de longueur semblables ne sont pas recommandées puisqu'elles peuvent se traduire par d'importants problèmes d'ondes stationnaires des basses fréquences qui réduisent la précision du son. Si aucune autre pièce n'est disponible, essayer différentes configurations du positionnement des enceintes afin de minimiser ces problèmes.

## POSITIONNEMENT : AVANT G ET D



### Positionnement idéal des enceintes avant et centrale

Les enceintes avant gauche/droite de la série Monitor SE sont conçues pour offrir une grande souplesse dans le choix du positionnement tout en produisant une très vaste couverture sonore dans toute la salle d'écoute. Pour la meilleure performance possible, il est toutefois recommandé de suivre les directives suivantes concernant le positionnement des enceintes ...

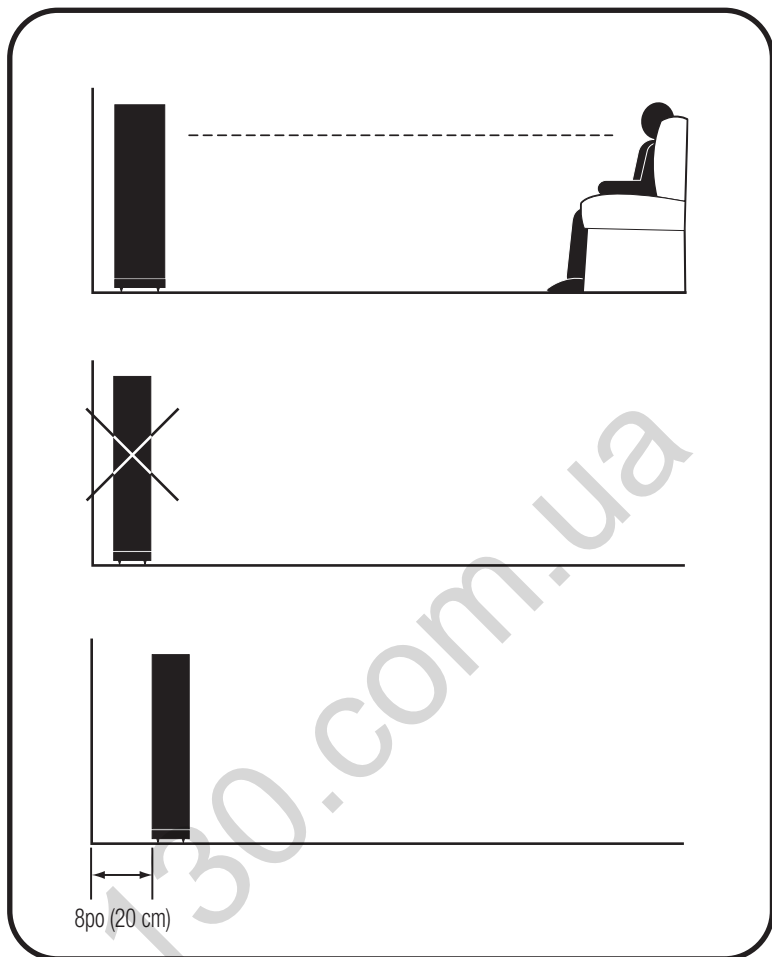


### Précision du timbre sonore

Pour obtenir le timbre le plus précis et le plus naturel possible, ces enceintes pour installation au sol doivent être positionnées de sorte que le son émanant des haut-parleurs de hautes fréquences parvienne à l'auditeur environ au niveau des oreilles.

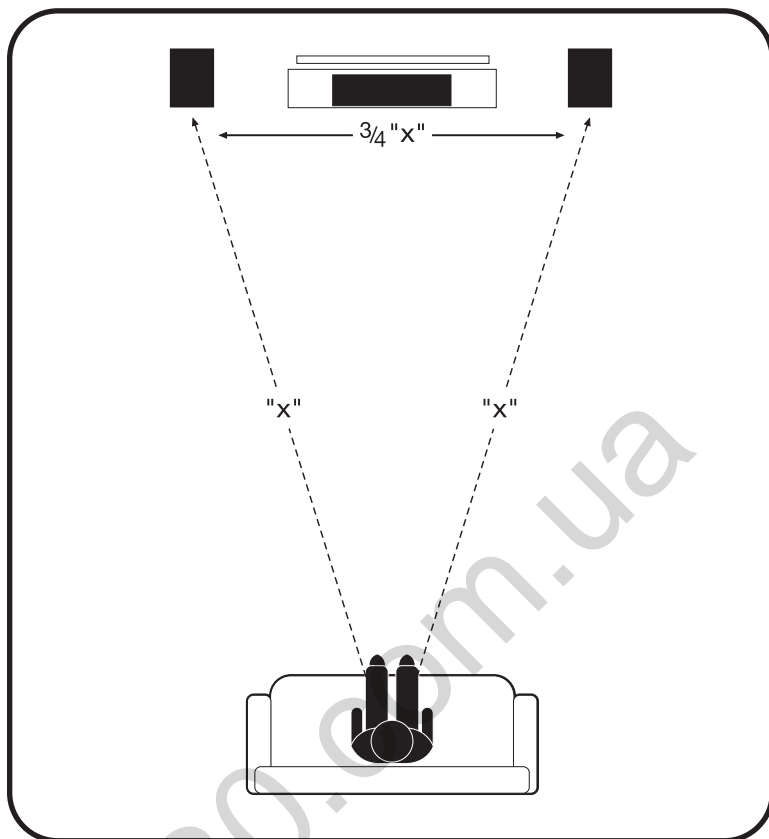
Tel que mentionné plus tôt, le fait de placer les modèles pour étagère sur les pieds d'enceinte Paradigm (**vendus séparément**) ou sur des étagères permet de soulever les haut-parleurs de hautes fréquences environ au niveau des oreilles, ce qui permet d'obtenir le meilleur rendement possible.





### Équilibré des graves

Le positionnement des enceintes avant dans les coins de la pièce accentuera les graves et réduira la clarté du son. Éviter de placer les enceintes dans les coins. Positionner chaque enceinte à 20 cm (8 po) ou plus du mur situé derrière elle et le plus loin possible des murs latéraux, tel qu'illustré, pour obtenir un meilleur rendement des graves et une clarté maximale des fréquences moyennes.



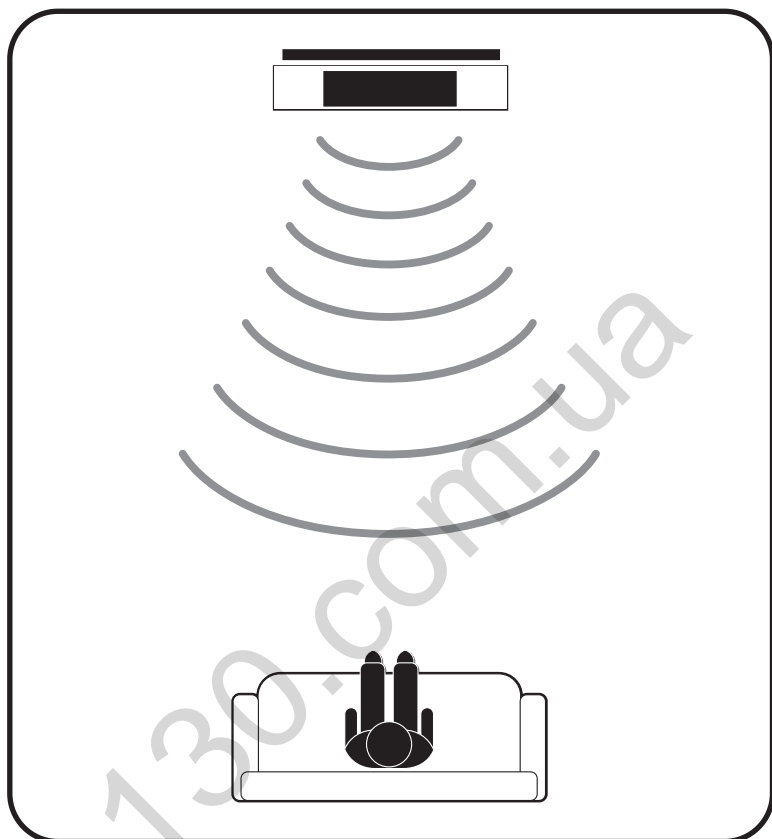
### Image optimale

Mesurer la distance de la principale aire d'écoute aux enceintes (distance « X »). Pour une image sonore optimale, installer les enceintes avant de sorte qu'elles soient séparées l'une de l'autre d'une distance allant des trois quarts de « X » à « X » ( $3/4$  de X ou X). Pour une image encore meilleure, orienter les enceintes vers l'aire d'écoute de sorte que leurs axes se croisent juste derrière cette dernière.

### Installation au mur des enceintes avant

Suivre les instructions de positionnement de la section « Image optimale » ci-dessus, ainsi que les instructions d'installation incluses avec les supports d'installation au mur Paradigm (**vendus séparément**) pour une installation sûre et sécuritaire des enceintes sur un mur.

## POSITIONNEMENT : AVANT G ET D



Les enceintes de canal central de la série Monitor SE sont conçues pour couvrir une vaste aire d'écoute, permettant à des auditeurs dans toute la pièce d'entendre un signal du canal central d'une clarté et d'une intelligibilité sans précédent.

Pour une clarté et une intelligibilité maximales, placer l'enceinte centrale au-dessous de la télé. Pour éviter une réflexion sonore non désirée, placer l'enceinte à égalité avec le devant de la télé ou de l'étagère. S'assurer que l'enceinte centrale soit environ à la même distance de la principale aire d'écoute que les enceintes avant. (Certains processeurs et récepteurs A/V peuvent s'ajuster électroniquement à des variations de distance.)

## CÂBLAGE



**ÉTEIGNEZ l'amplificateur avant de raccorder les enceintes. Vous éviterez ainsi les dommages qui pourraient survenir lors du court-circuit accidentel des câbles d'enceinte.**

Pour obtenir un son optimal, il est essentiel d'utiliser des câbles de haute qualité. Le tableau de droite indique les exigences minimales de calibre pour les différentes longueurs de câble (*voir le revendeur pour obtenir de plus amples renseignements*).

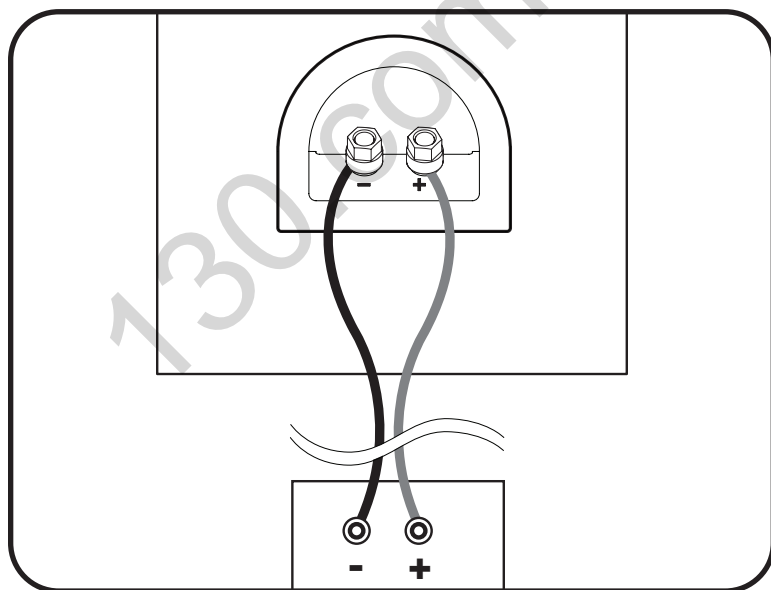
EXIGENCES MINIMALES DE CALIBRE		
LONGUEUR	DIAMÈTRE	CALIBRE
Under 4,5 m (15 pi)	1,3 mm (0,05 po)	16 awg
Under 9 m (30 pi)	1,6 mm (0,06 po)	14 awg
Over 9 m (30 pi)	2,0 mm (0,08 po)	12 awg

## RACCORDEMENT STANDARD

Les bornes de raccordement des enceintes peuvent être utilisées avec des prises bananes ou à broches ou des cosses rectangulaires, ainsi qu'avec des fils nus. Serrer les bornes fermement à la main, mais pas excessivement.

Pour une bonne image sonore et un bon équilibre des graves, la bonne polarité (phase) est nécessaire. Raccorder une enceinte à la fois pour assurer le bon raccordement de chaque canal. Raccorder la borne rouge (+) de l'amplificateur à la borne rouge (+) de l'enceinte et la borne noire (-) de l'amplificateur à la borne noire (-) de l'enceinte. S'assurer que chaque raccordement est bien fixé. Répéter la même procédure pour chacune des enceintes du système.

**REMARQUE :** si une déficience des graves ou une image stéréophonique disloquée est perçue, il se peut qu'une ou plusieurs des enceintes soient déphasées (polarité inversée). Vérifier de nouveau la polarité de chaque raccordement : rouge (+) à rouge (+) et noir (-) à noir (-).



## RÉGLAGE FIN

Une fois que les enceintes sont positionnées dans la pièce et que les distances et la calibration des niveaux des haut-parleurs ont été réglées à l'aide du processeur ou du récepteur A/V, un réglage fin peut s'imposer.

Puisque les enceintes Paradigm offrent une excellente performance dans différentes pièces, ce réglage consiste simplement en de petites modifications (**au besoin**) à leur positionnement dans la pièce.

Commencer par les enceintes avant. Faire jouer de la musique bien connue en mode stéréophonique. L'image sonore sera large et profonde, mais il est possible de la régler selon ses propres préférences en ajustant l'angle de convergence des enceintes (la mesure dans laquelle elles sont orientées vers l'aire d'écoute). Un angle de convergence important produira une image profonde et localisée, alors qu'un faible angle se traduira par une image plus large. Modifier légèrement l'angle de convergence des différentes enceintes en écoutant le résultat après chaque modification, jusqu'à obtention de l'image souhaitée. Ce concept ne s'applique pas aux autres enceintes du système puisque leur position et la distribution sonore qui en résulte ne varient pas.

En ce qui concerne les enceintes centrales, des modifications pourraient être nécessaires selon le programme multicanal donné de musique ou de film. Au besoin, régler les niveaux du processeur ou du récepteur pour obtenir une image sonore globale cohérente.

Pour le réglage fin des enceintes ambiophoniques/arrière, suivre les diagrammes de la section précédente.

Pour le réglage fin du caisson de sous-graves, consulter le guide de l'utilisateur compris avec le caisson de sous-graves.

## GUIDE DE DÉPANNAGE

### Pas de son

S'assurer que le préamplificateur ou l'amplificateur est branché et allumé. Vérifier que la prise de courant fonctionne correctement. Des écouteurs sont-ils branchés ou le système est-il en mode sourdine (mute)? Vérifier tous les raccords.

### Aucun son d'une ou plusieurs enceintes

Vérifier la commande de réglage d'équilibre (balance). Vérifier le branchement et le fonctionnement de tous les cordons d'alimentation. Remplacer l'enceinte qui ne fonctionne pas par une enceinte qui fonctionne pour vérifier si le problème est au niveau de l'enceinte ou ailleurs (c.-à-d. le filage, l'amplificateur).

### Déficiences des graves ou image disloquée

Il se peut qu'une des enceintes soit déphasée (polarité inversée). Vérifier de nouveau la polarité de chaque raccordement : rouge (+) à rouge (+) et noir (-) à noir (-).

## GARANTIE LIMITÉE

Les enceintes Paradigm couvertes dans ce manuel sont garanties contre les défauts de matériaux et de fabrication pendant une période de **cinq (5)** ans à compter de la date d'achat du matériel neuf. Durant cette période, la réparation, le remplacement ou le réglage de pièces pour des défauts de matériaux ou de fabrication ne seront pas à la charge du premier acheteur.

**Les dommages causés par l'exposition abusive à la chaleur ou l'usage abusif ne sont pas couverts par la présente garantie.**

### Limitations:

- La garantie entre en vigueur à la date d'achat par le premier acheteur chez un revendeur autorisé Paradigm seulement. La garantie n'est pas transférable.
- La garantie s'applique aux enceintes pour une utilisation résidentielle normale. Si les enceintes sont assujetties à l'une des conditions définies dans le paragraphe suivant, la garantie est nulle.
- La garantie ne s'applique pas à un usage commercial ou professionnel.

### La garantie est révoquée si :

- L'enceinte est assujettie à un usage abusif (accidentel ou intentionnel);
- L'enceinte est utilisée avec du matériel défectueux ou non adéquat;
- L'enceinte est soumise à des signaux électriques dommageables, un transport dangereux, des dommages mécaniques ou toute autre condition anormale;
- L'enceinte (y compris le boîtier) est altérée ou endommagée lors d'une réparation non autorisée;
- La plaque du numéro de série de l'enceinte est enlevée ou défigurée.

### Responsabilités du propriétaire :

- Apporter un soin et un entretien normaux et raisonnables.
- Assumer les frais de transport jusqu'à l'atelier de réparation.
- Fournir une preuve d'achat (conserver le reçu fourni lors de l'achat par le revendeur autorisé Paradigm comme preuve de la date d'acquisition).



Si une réparation est nécessaire, contacter le revendeur autorisé Paradigm, Paradigm Electronics Inc. ou le distributeur à l'étranger (à l'extérieur du Canada et des États-Unis) pour planifier l'envoi prépayé de l'enceinte défectueuse. Consulter le site web **www.paradigm.com** pour plus d'information.

Paradigm Electronics Inc. se réserve le droit d'améliorer ou de modifier ses produits en tout temps sans responsabilité ou engagement envers les produits existants.

La présente garantie tient en lieu et place de toute autre garantie, explicite ou implicite, de qualité marchande et d'adéquation pour tout usage particulier, et ne peut être élargie ou étendue par quiconque. Paradigm Electronics Inc. et ses représentants ou agents ne peuvent pas être tenus responsables de dommages consécutifs ou indirects découlant de l'utilisation de ces produits. Dans les endroits où une réglementation spécifique interdit une telle limitation de la responsabilité, cette exclusion ne s'applique pas.

Conserver le présent manuel et le reçu comme preuves d'achat et de garantie.

130.com.ua