



PHONES

0 (800) 800 130  
(050) 462 0 130  
(063) 462 0 130  
(067) 462 0 130

130  
COM.UA

Internet store of  
autogoods



SKYPE

km-130

CAR RECEIVERS — Receivers • Media receivers and stations • Native receivers • CD/DVD changers • FM-modulators/USB adapters • Flash memory • Facia plates and adapters • Antennas • Accessories |  
 CAR AUDIO — Car audio speakers • Amplifiers • Subwoofers • Processors • Crossovers • Headphones • Accessories | TRIP COMPUTERS — Universal computers • Model computers • Accessories |  
 GPS NAVIGATORS — Portable GPS • Built-in GPS • GPS modules • GPS trackers • Antennas for GPS navigators • Accessories | VIDEO — DVR • TV sets and monitors • Car TV tuners • Cameras • Videomodules  
 • Transcoders • Car TV antennas • Accessories | SECURITY SYSTEMS — Car alarms • Bike alarms • Mechanical blockers • Immobilizers • Sensors • Accessories | OPTIC AND LIGHT — Xenon • Bixenon • Lamps  
 • LED • Stroboscopes • Optic and Headlights • Washers • Light, rain sensors • Accessories | PARKTRONICS AND MIRRORS — Rear parktronic • Front parktronic • Combined parktronic • Rear-view mirrors  
 • Accessories | HEATING AND COOLING — Seat heaters • Mirrors heaters • Screen-wipers heaters • Engine heaters • Auto-refrigerators • Air conditioning units • Accessories | TUNING — Vibro-isolation  
 • Noise-isolation • Tint films • Accessories | ACCESSORIES — Radar-detectors • Handsfree, Bluetooth • Windowlifters • Compressors • Beeps, loudspeakers • Measuring instruments • Cleaners • Car seats  
 • Miscellaneous | MOUNTING — Installation kits • Upholstery • Grilles • Tubes • Cable and wire • Tools • Miscellaneous | POWER — Batteries • Converters • Start-charging equipment • Capacitors  
 • Accessories | MARINE AUDIO AND ELECTRONICS — Marine receivers • Marine audio speakers • Marine subwoofers • Marine amplifiers • Accessories | CAR CARE PRODUCTS — Additives • Washer fluid •  
 Care accessories • Car polish • Flavors • Adhesives and sealants | LIQUID AND OIL — Motor oil • Transmission oil • Brake fluid • Antifreeze • Technical lubricant



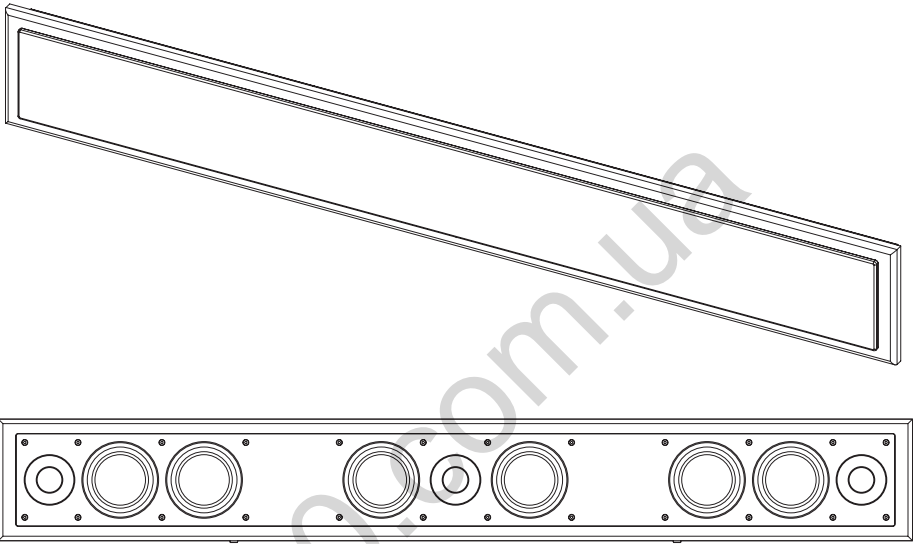
In store "130" you can find and buy almost all necessary goods for your auto in Kyiv and other cities, delivery by ground and postal services. Our experienced consultants will provide you with exhaustive information and help you to choose the very particular thing. We are waiting for you at the address

<https://130.com.ua>



**Paradigm®**

Art Embracing Science™



## MILLENNIA™ LP TRIO

### OWNERS MANUAL

Paradigm Electronics Inc., 205 Annagem Boulevard, Mississauga, ON L5T 2V1

## IMPORTANT: READ BEFORE WALL-MOUNTING YOUR SPEAKERS.



Wall mount your speaker securely enough so that it cannot fall and cause personal injury or damage to property.



Paradigm DOES NOT supply hardware for mounting speakers to the wall. Hardware shown in this manual is for example only and will vary depending on the wall type. Always use screws appropriate for wall type and weight of speakers.



If installing into drywall, install into 1/2" (13 mm) or 5/8" (16 mm) drywall only. Screws must be long enough to go through anchor bolts (*not supplied*) and firmly into drywall.

**NON LIABILITY:** We are aware that the mounting assemblies provided for speaker in this manual could be used for purposes and in ways other than those for which they were intended. The manufacturer, distributor, retailer and their respective agents cannot be held responsible or liable for injuries or property damage—direct, indirect or consequential—arising from the use of or inability to use these products safely and properly. Every effort has been made to provide accurate, error-free installation instructions. Paradigm Electronics Inc. disclaims liability for difficulties that may arise from the misinterpretation of information contained in these instructions.



### RECYCLING AND REUSE GUIDELINES (Europe)

In accordance with the European Union WEEE (Waste Electrical and Electronic Equipment) directive effective August 13, 2005, we would like to notify you that our speakers may contain regulated materials which, upon disposal, require special reuse and recycling processing. For this reason Paradigm Electronics Inc. (the manufacturer of Paradigm speakers and Anthem electronics products) has arranged with its distributors in European Union member nations to collect and recycle this product at no cost to you. To find your local distributor please contact the dealer from whom you purchased this product or go to our website at [www.paradigm.com](http://www.paradigm.com).



Please note that only the product falls under the WEEE directive. When disposing of packaging and other shipping material we encourage you to recycle through the normal channels.

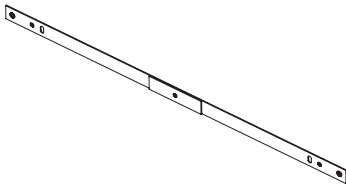
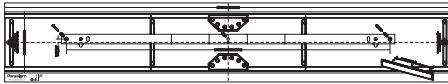
# TABLE OF CONTENTS

Your New Speaker . . . . .	2	Connection . . . . .	4
How To Avoid Speaker Damage . . . . .	2	Installation . . . . .	5
Your Listening Room . . . . .	3	Troubleshooting . . . . .	6
Placement . . . . .	4	Limited Warranty . . . . .	7

---

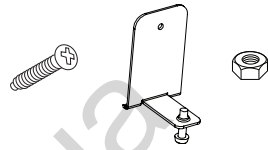
## Wall Mounting

*(mounting screws not provided)*



## Table Top Mounting

*(mounting screws provided)*



130.com.ua

## YOUR NEW SPEAKER

### Break-In

Although your speaker will sound great 'out of the box', it will sound even better once it's 'broken in.' Allow your speaker to play for several hours before you begin to listen critically.

Drivers use ferro-fluid that can thicken at temperatures below 10° C (50° F). Surround material used in the bass/midrange units is made of a compound that may stiffen in colder temperatures. If your speaker has been transported or stored in the cold, let it warm to room temperature before use.

### Cleaning

Your speaker has a premium finish that must be treated with care. Use only a damp, soft cloth to clean. Never use strong, abrasive or corrosive cleaning products. Common household cleaning products should be avoided.

### Speaker Grilles

Your speaker is designed to be played with the grille either on or off.

---

## HOW TO AVOID SPEAKER DAMAGE

To prevent damage to your speaker, please read the following guidelines before hooking it up.

### Amplifier Distortion — The #1 Culprit!

Amplifier distortion is the principle cause of speaker damage. When listening at higher volume levels, your amplifier may run out of clean power and begin to produce a distorted signal if levels are increased any further. This will damage any brand of speaker very quickly. (See your Authorized Paradigm Dealer for amplifier recommendations).

### A More Powerful Amplifier is Safer

When choosing an amplifier, always select an amplifier with a power rating greater than that of the speaker. Using a 100 watt per channel amplifier on a 50 watt speaker allows the amplifier adequate headroom in order to provide a distortion free signal. Conversely, using a 40 watt per channel amplifier on a 50 watt speaker limits the amplifier's headroom. This causes the amplifier to enter its distortion level much sooner, potentially damaging the speaker.

### Volume Control

Do not be fooled by the Volume Control of your receiver/preamplifier. It only adjusts listening level—it is not a "power-output" dial. The amount of amplifier power actually used at a given Volume Control setting depends solely on the nature of the music you are listening to.

At a given Volume Control setting a quiet section of music will use less amplifier power than a loud section. With typical pop-rock, jazz or large scale classical music, the rated output power of many receivers/amplifiers is often reached when the Volume Control is between the "11 and 1 o'clock" settings (with bass/treble and loudness controls not used—otherwise rated power may be reached at even lower Volume Control settings).

## HOW TO AVOID SPEAKER DAMAGE (continued)

Remember, all amplifiers produce distortion when operated beyond their rated output power. The resulting distortion will damage all speakers! Exercise caution! If you listen at loud levels, be careful to listen for the point of audible distortion—if the speakers begin to sound distressed turn the Volume Control down or your speakers and/or amplifier(s) will be damaged! This type of damage constitutes abuse and is not covered by the warranty. If louder volumes are desired, obtain a more powerful amplifier.

### There is a Limit!

Although more powerful amplifiers are safer, there is a point at which you could have more power than the speaker can handle. At that point you will overpower the speaker and damage it. Exercise caution! At loud levels do not increase bass/treble controls from zero and ensure that all loudness/contour/bass EQ buttons are off (otherwise rated output power will be reached at lower volume control settings).

### The Right Amount of Power

A power-range rating is given as a guide to indicate the approximate minimum and maximum power input of your Milennia LP Trio speaker. Amplifiers that exceed your speaker's power-range rating are recommended. Their greater power reserves provide better sound. However, exercise caution! Use the speakers within their power-range rating to prevent damage (keep listening levels below the point of excessive woofer cone excursion).

---

## YOUR LISTENING ROOM

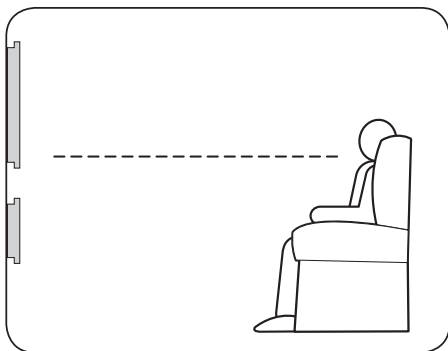
Your speaker is designed to provide state-of-the-art sound in a wide variety of domestic settings. Note however, that room construction, dimensions, even furnishings all play a part in the quality of sound you ultimately achieve. Your listening room will impose its own character on the performance capabilities of any speaker system. The extra care taken in installation will result in greater listening enjoyment. Try to follow these guidelines:

- Mid and high frequencies are affected by the amount of soft furnishings in your room—curtains, carpets, sofas, wall coverings, etc. An excess of such items can result in a somewhat dull sound. The same room without any soft furnishings can produce an overall bright sound. The typical quantity of soft furnishings found in most living environments provides the right acoustic characteristics to allow the speakers to sound balanced;
- Concrete floors and walls tend to aggravate low-frequency standing wave problems and are less preferred;
- Rooms where height, width and length are similar should be avoided as they can exhibit significant low-frequency standing wave problems. This may result in reduced clarity. If no other room is possible, experiment with speaker placement to minimize problems.

## PLACEMENT

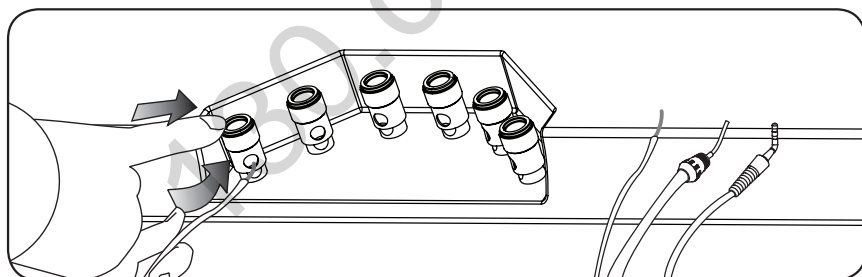
### Accurate Timbre

For the most accurate and natural timbre, position speaker so that sound from the high-frequency drivers reaches the listener at approximately ear level. Keep in mind, your speaker will allow for higher than usual placement of the high-frequency drivers, a particularly important feature when wall mounting.



## CONNECTION

**Make sure to turn your amplifier off before making or breaking any signal connections!** Millenia LP Trio is designed with easy-to-use push-style binding posts that accept bare wire or pins. Assign the same colour to the (+) and (-) terminals on both the speaker and the amplifier. Make certain that all connections are tight.



The following chart identifies the minimum gauge requirements for various cable lengths:

MINIMUM GAUGE REQUIREMENTS		
LENGTH	DIAMETER	GAUGE
Under 4.5 m (15 ft)	1.3 mm (0.05 in)	16 awg
Under 9 m (30 ft)	1.6 mm (0.06 in)	14 awg
Over 9 m (30 ft)	2.0 mm (0.08 in)	12 awg

## INSTALLATION

If you are not comfortable performing the following installation procedure, have a professional perform the installation (see your dealer about hiring a professional).

### Wall Mounting:

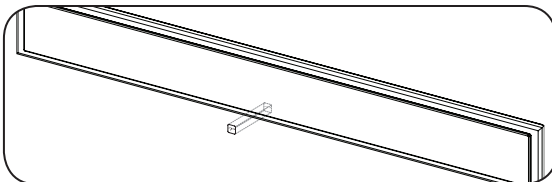
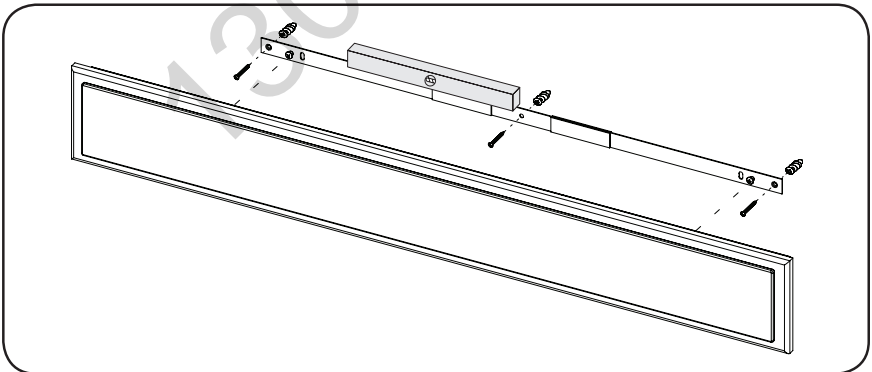
#### Required tools (Not included):

- Ruler
- Level
- Electric drill and 1/4" (6.35 mm) and 1/8" (3.175 mm) drill bits
- Screwdriver
- 3 – 1-1/2" (38.1 mm) screws

#### Required tools (Included):

- Wall template
- Wall bracket

1. Locate mounting location using a level and the installation template.
2. Mark the pilot hole locations.
3. Drill the pilot holes using a 1/8" drill bit. If a pilot hole DOES NOT hit a stud, widen that pilot hole using a 1/4" drill bit and install a wall anchor at that location.
4. Using appropriate screws, mount the wall bracket as shown.
5. Hold the speaker, guiding the wall mount bolts into the keyholes.



The grille logo is magnetic and can be removed.



## INSTALLATION (continued)

### Tabletop:

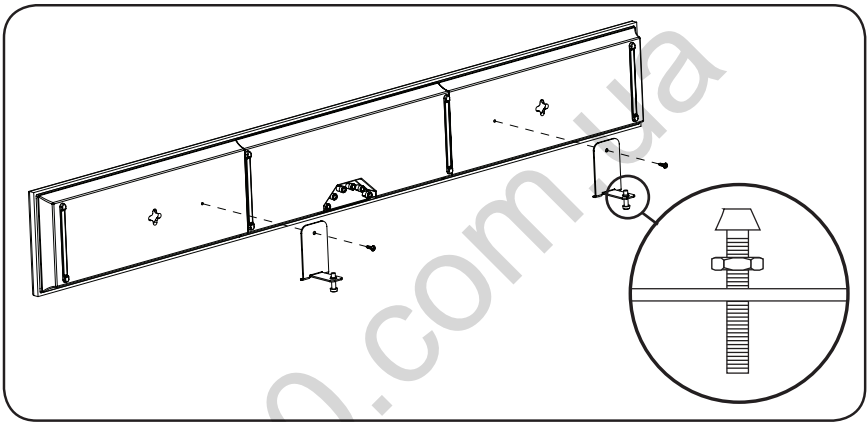
#### Required tools (Not included):

- Phillips screwdriver

#### Required tools (Included):

- Tabletop Mounting Brackets
- 2 – #8 x 3/4" screws

1. Using a phillips screwdriver and #8 x 3/4 inch screws, attach both horizontal stands (supplied) to the back of the speaker.
2. Turn the bolts in the horizontal stands to level the speaker or to adjust the angle.



## TROUBLESHOOTING

PROBLEM	SOLUTION
No Sound	<ul style="list-style-type: none"><li>• Make sure receiver, preamp or amplifier is plugged in and turned on.</li><li>• Check power outlet at the wall is working.</li><li>• Are headphones plugged in, or is the system on Mute?</li><li>• Re-check all connections.</li></ul>
No Sound from One or More Speakers	<ul style="list-style-type: none"><li>• Check your balance control.</li><li>• Check that all power cords are properly plugged in and functioning.</li></ul>
Lack of Bass or Dislocated Image	<ul style="list-style-type: none"><li>• One or more speakers may be connected out of phase (their polarity is reversed).</li><li>• Re-check to ensure that each speaker's cable is connected with correct polarity: red (+) to red (+) and black (-) to black (-).</li></ul>

## LIMITED WARRANTY

Your new speaker is warranted to be and remain free of manufacturing and/or material defects for a period of **five (5)** years from the date of original purchase. Within the time period specified, repair, replacement or adjustment of parts for manufacturing and/or material defects will be free of charge to the original owner.

**Thermal or mechanical abuse/misuse is not covered under warranty.**

### Limitations:

- Warranty begins on date of original retail purchase from an Authorized Paradigm® Reference Dealer only. It is not transferable;
- Warranty applies to product in normal home use only. If product is subjected to any of the conditions outlined in the next section, warranty is void;
- Warranty does not apply if the product is used in professional or commercial applications.

### Warranty is Void if:

- The product has been abused (intentionally or accidentally);
- The product has been used in conjunction with unsuitable or faulty equipment;
- The product has been subjected to damaging signals, derangement in transport, mechanical damage or any abnormal conditions;
- The product (including cabinet) has been tampered with or damaged by an unauthorized service facility;
- The serial number has been removed or defaced.

### Owner Responsibilities:

- Provide normal/reasonable operating care and maintenance;
- Provide or pay for transportation charges for product to service facility;
- Provide proof of purchase (your sales receipt given at time of purchase from your Authorized Paradigm® Reference Dealer must be retained for proof-of-purchase date).

Should servicing be required, contact your nearest Authorized Paradigm® Reference Dealer, Paradigm Electronics Inc. or Import Distributor (outside the U.S. and Canada) to arrange, bring in or ship prepaid, any defective unit. Visit our website, [www.paradigm.com](http://www.paradigm.com) for more information.

Paradigm Electronics Inc. reserves the right to improve the design of any product without assuming any obligation to modify any product previously manufactured.

This warranty is in lieu of all other warranties expressed or implied, of merchantability, fitness for any particular purpose and may not be extended or enlarged by anyone. In no event shall Paradigm Electronics Inc., their agents or representatives be responsible for any incidental or consequential damages. Some jurisdictions do not allow limitation of incidental or consequential damages, so this exclusion may not apply to you.

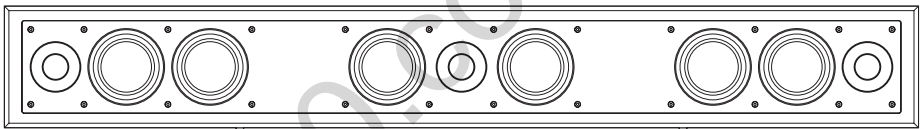
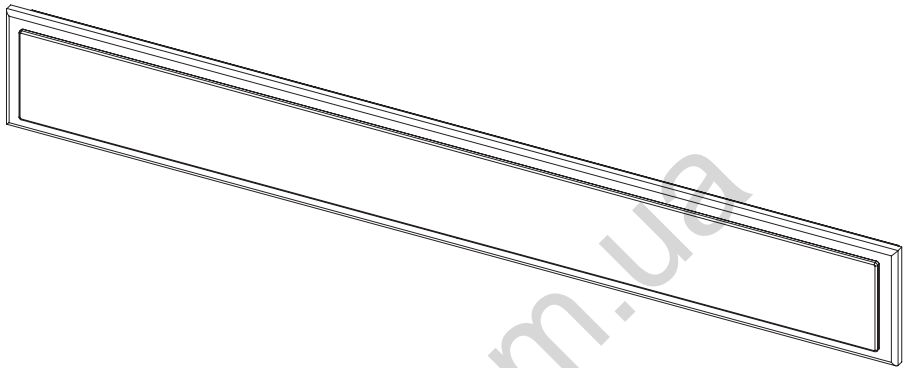
**Retain this manual and your sales receipt for proof of warranty term and proof of purchase.**

130.com.ua



**Paradigm®**

L'art rencontre la science<sup>MC</sup>



## MILLENIA<sup>MC</sup> LP TRIO

### MANUEL DE L'UTILISATEUR

Paradigm Electronics Inc., 205 Annagem Boulevard, Mississauga (Ontario) L5T 2V1

## IMPORTANT : À LIRE AVANT DE MONTER LES ENCEINTES SUR UN MUR.



Veuillez monter l'enceinte assez solidement pour ne pas qu'elle tombe et cause des blessures ou des dommages.



Paradigm NE fournit PAS le matériel pour monter les enceintes sur un mur. Le matériel indiqué dans le manuel constitue seulement un exemple et variera en fonction du type de mur. Utilisez toujours les vis appropriées pour le type de mur et le poids des enceintes.



Si vous faites l'installation dans une cloison sèche, installez uniquement dans une cloison sèche de 1/2 po (13 mm) ou 5/8 (16 mm). Les vis doivent être assez longues pour traverser les boulons d'ancrage (non compris) et entrer fermement dans la cloison sèche.

**NON-RESPONSABILITÉ** : Nous sommes conscients que les assemblages de montage fournis pour l'enceinte dans ce manuel pourraient être utilisés de façons autres que celles pour lesquelles ils sont prévus. Le fabricant, le distributeur, le revendeur et leurs représentants respectifs ne peuvent pas être tenus responsables pour les blessures ou les dommages, directs, indirects ou consécutifs, découlant de l'utilisation ou de l'incapacité d'utiliser ces produits de façon sécuritaire et appropriée. Tous les efforts possibles ont été faits pour fournir des instructions d'installation exactes et exemptes d'erreurs. Paradigm Electronics Inc. décline toute responsabilité concernant les difficultés qui pourraient découler d'une mauvaise interprétation des renseignements contenus dans ces instructions.



### DIRECTIVES SUR LE RECYCLAGE ET LA RÉUTILISATION (Europe)

En vertu de la directive WEEE de l'Union européenne (directive sur les déchets électriques et électroniques) entrée en vigueur le 13 août 2005, nous vous avisons que nos enceintes pourraient renfermer des matériaux réglementés dont l'élimination doit faire l'objet de procédures de réutilisation et de recyclage particulières. Pour cette raison, Paradigm Electronics Inc. (fabricant des enceintes Paradigm et des produits électroniques Anthem) a demandé à ses distributeurs dans les pays membres de l'Union européenne de reprendre et de recycler ce produit gratuitement. Pour trouver le distributeur le plus près, communiquez avec le revendeur du produit ou consultez le site Web [www.paradigm.com](http://www.paradigm.com).



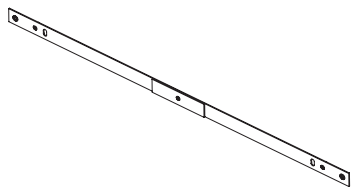
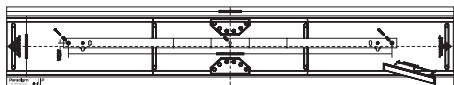
Please note that only the product falls under the WEEE directive. When disposing of packaging and other shipping material we encourage you to recycle through the normal channels.

## TABLES DES MATIÈRES

Votre nouvelle enceinte .....	2	Raccordement .....	4
Comment éviter les dommages à l'enceinte .....	2	Installation .....	5
Votre salle d'écoute .....	3	Dépannage .....	6
Positionnement .....	4	Garantie limitée .....	7

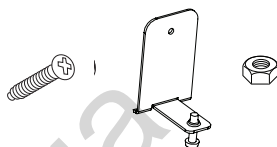
### Montage sur un mur

*(vis de montage non fournies)*



### Montage sur une table

*(vis de montage fournies)*



## VOTRE NOUVELLE ENCEINTE

### Rodage

Bien que votre enceinte offre un son excellent « en sortant de la boîte », le son sera encore meilleur après une période de rodage. Laissez l'enceinte fonctionner pendant plusieurs heures avant toute écoute critique.

Les haut-parleurs utilisent un ferro-fluide qui peut épaissir à des températures inférieures à 10° C (50° F). Le matériel ambiophonique utilisé dans les unités de fréquence grave/moyenne est fait d'un composé qui peut se raidir à des températures plus froides. Si votre enceinte a été transportée ou stockée au froid, laissez-la réchauffer à la température de la pièce avant de l'utiliser.

### Nettoyage

Votre enceinte possède un fini de première qualité qui doit être traité avec soin. Utiliser uniquement un linge humide et doux pour nettoyer. Ne jamais utiliser de produits nettoyants puissants, abrasifs ou corrosifs. Éviter également les produits d'entretien ménager courants.

### Grilles d'enceinte

Votre enceinte est conçue pour être utilisée avec la grille en place.

---

## COMMENT ÉVITER LES DOMMAGES À L'ENCEINTE

Pour prévenir les dommages à l'enceinte, veuillez lire les lignes directrices suivantes avant de la raccorder.

### Distorsion de l'amplificateur – Le principal fautif!

La distorsion de l'amplificateur est la principale cause de dommages aux enceintes. Lorsque vous écoutez à des volumes plus élevés, votre amplificateur peut manquer de puissance propre et commencer à produire un signal distorsionné si les niveaux sont augmentés davantage. Cela endommagera toute enceinte très rapidement, peu importe la marque. (Voir les recommandations en matière d'amplificateur de votre revendeur Paradigm autorisé.)

### Un amplificateur plus puissance est plus sûr

Lorsque vous choisissez un amplificateur, choisissez toujours un amplificateur avec une puissance nominale supérieure à celle de l'enceinte. L'utilisation d'un amplificateur à 100 watts par canal sur une enceinte de 50 watts offre à l'amplificateur une marge adéquate pour fournir un son sans distorsion. À l'inverse, l'utilisation d'un amplificateur à 40 watts par canal sur une enceinte de 50 watts limite la marge de l'amplificateur. Cela fait en sorte que l'amplificateur entre dans son niveau de distorsion beaucoup plus tôt, ce qui peut endommager l'enceinte.

### Commande du volume

Ne vous laissez pas bernier par la commande de volume de votre récepteur/préamplificateur. Elle ajuste uniquement le niveau d'écoute, ce n'est pas un cadran de « puissance de sortie ». La quantité de puissance d'amplification réellement utilisée à un réglage de commande de volume donné dépend uniquement de la nature de la musique que vous écoutez.

À un réglage de commande de volume donné, une section tranquille de musique utilisera moins de puissance d'amplification qu'une section forte. Avec de la musique pop-rock typique, du jazz ou de la musique classique à grand développement, la puissance de sortie nominale de plusieurs récepteurs/amplificateurs est souvent atteinte lorsque la commande de volume est réglée entre 11 et 13 heures (sans utilisation des commandes de graves/aigus et force sonore (loudness) – autrement, la puissance nominale pourrait être atteinte à des réglages de commande de volume encore plus bas).

## COMMENT ÉVITER LES DOMMAGES À L'ENCEINTE (suite)

N'oubliez pas, tous les amplificateurs produisent de la distorsion s'ils sont utilisés au-delà de leur puissance de sortie nominale. La distorsion qui en résulte endommagera toutes les enceintes! Soyez prudent! Si vous écoutez à des niveaux forts, faites attention d'écouter le point de distorsion audible – si les enceintes commencent à produire un son déformé, baissez la commande de volume, ou alors vos enceintes ou votre amplificateur seront endommagés! Ce type de dommage constitue une utilisation abusive et n'est pas couvert par la garantie. Si vous souhaitez des volumes plus élevés, obtenez un amplificateur plus puissant.

### Il y a une limite!

Bien que les amplificateurs plus puissants soient plus sûrs, il y a un point auquel vous pourriez avoir plus de puissance que ce que l'enceinte peut gérer. À ce point-là, l'enceinte aura trop de puissance et sera endommagée. Soyez prudent! À des volumes élevés, n'augmentez pas les commandes de graves/aigus à partir de zéro et assurez-vous que tous les boutons loudness/contour/bass EQ (force sonore, contour graves EQ) sont fermés (autrement, la puissance de sortie nominale sera atteinte à des réglages de commande de volume plus bas).

### La bonne quantité de puissance

La plage de puissance nominale donne une idée des puissances d'entrée minimum et maximum de votre enceinte Millennia LP Trio. Les amplificateurs qui dépassent la plage de puissance nominale de vos enceintes sont recommandés. Cette réserve de puissance plus grande offre un meilleur son. Toutefois, soyez prudent! Utilisez les enceintes à l'intérieur de leur intervalle de puissance nominale pour éviter les dommages (écoutez toujours de la musique à des niveaux inférieurs au point d'excursion excessive du cône du haut-parleur de graves).

---

## VOTRE SALLE D'ÉCOUTE

Votre enceinte est conçue pour offrir un son à la fine pointe de la technologie dans divers milieux d'écoute intérieurs. Veuillez toutefois noter que la construction de la pièce, ses dimensions et même les meubles jouent un rôle dans la qualité du son que vous obtenez en fin de compte. Votre salle d'écoute imposera son propre caractère sur les capacités de performance de tout système d'enceintes. Le soin particulier que vous accordez à l'installation vous procurera un plaisir d'écoute plus grand. Essayez les lignes directrices suivantes :

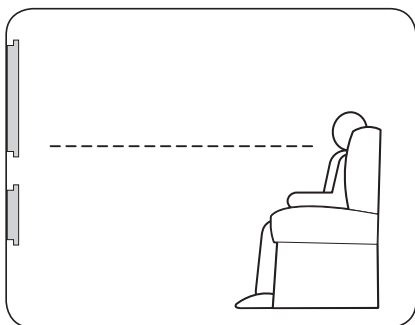
- Les moyennes et hautes fréquences sont influencées par la quantité de meubles mous dans votre pièce; les rideaux, les tapis, les sofas, les revêtements muraux, etc. Si vous avez beaucoup de ces articles, cela peut produire un son terne. La même pièce sans meuble mou peut produire un son clair en général. La quantité typique de meubles mous qui se retrouvent dans la plupart des milieux de vie offre les bonnes caractéristiques acoustiques pour permettre aux enceintes de produire un son équilibré;
- Les planchers et les murs en béton ont tendance à aggraver les problèmes d'ondes stationnaires de basse fréquence et sont moins conseillés;
- Les pièces qui comportent une hauteur, une largeur et une longueur semblables doivent être évitées, car elles peuvent présenter des problèmes d'ondes stationnaires de basse fréquence importants. Cela peut diminuer la clarté. Si aucune autre pièce n'est possible, essayez différents positionnement



## POSITIONNEMENT

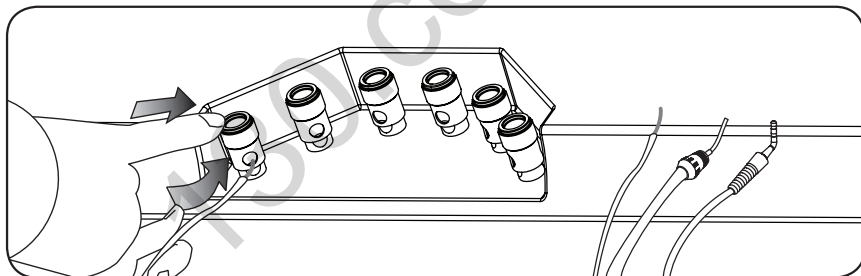
### Précision du timbre sonore

Pour obtenir le timbre le plus précis et le plus naturel possible, placez l'enceinte de sorte que le son émanant des haut-parleurs de hautes fréquences parvienne à l'auditeur environ au niveau des oreilles. N'oubliez pas que votre enceinte permet un positionnement plus élevé qu'à l'habitude des haut-parleurs de haute fréquence, une caractéristique particulièrement importante lors du montage sur un mur.



## RACCORDEMENT

**Assurez-vous d'éteindre l'amplificateur avant de faire ou de défaire des raccords de signal!** L'enceinte Millenia LP Trio est conçue avec des bornes de raccordement facile à pousser qui acceptent les fils nus ou les tiges. Attribuez la même couleur aux bornes (+) et (-) de l'enceinte et de l'amplificateur. Assurez-vous que tous les raccords sont bien serrés.



Le tableau suivant indique les exigences minimales de calibre pour les différentes longueurs de câble :

EXIGENCES MINIMALES DE CALIBRE		
LONGUEUR	DIAMÈTRE	CALIBRE
Moins de 4,5 m (15 pi)	1,3 mm (0,05 po)	16 awg
Moins de 9 m (30 pi)	1,6 mm (0,06 po)	14 awg
Plus de 9 m (30 pi)	2,0 mm (0,08 po)	12 awg

## INSTALLATION

Si vous n'êtes pas à l'aise d'exécuter les procédures d'installation suivantes, demandez à un professionnel d'effectuer l'installation (voir votre revendeur pour embaucher un professionnel).

### Montage mural:

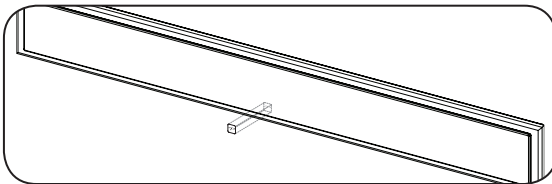
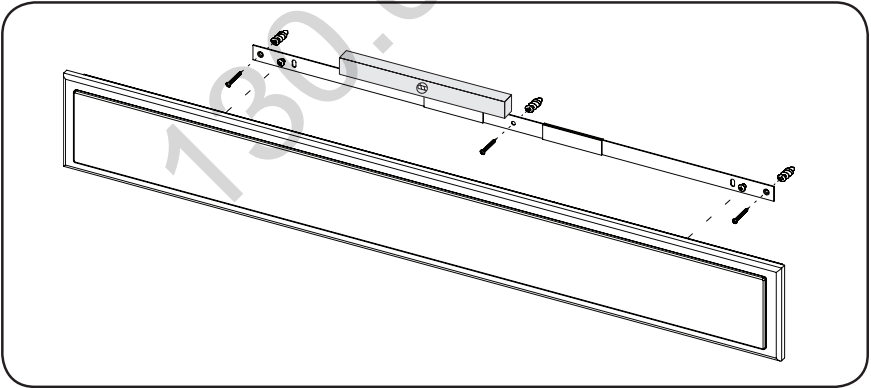
#### Outils requis (non inclus):

- Règle
- Niveau
- Perceuse électrique et forets de 1/4 " (6,35 mm) et 1/8" (3,175 mm)
- Tournevis
- vis de 3 - 1 - 1 / 2 " (38,1 mm)

#### Outils requis (inclus):

- modèle de mur
- Support mural

1. Localisez l'emplacement de montage à l'aide d'un niveau et du modèle d'installation.
2. Marquez les emplacements des trous pilotes.
3. Percez les avant-trous avec un foret de 1/8 ". Si un trou pilote NE frappe PAS un poteau, élargissez-le à l'aide d'un foret de 1/4 " et installez un ancrage mural à cet endroit.
4. À l'aide des vis appropriées, montez le support mural comme indiqué.
5. Tenez l'enceinte, en guidant les boulons de montage mural dans les trous piriformes.



Le logo de grille est magnétique et peut être enlevé.

## INSTALLATION (suite)

### Dessus de la table:

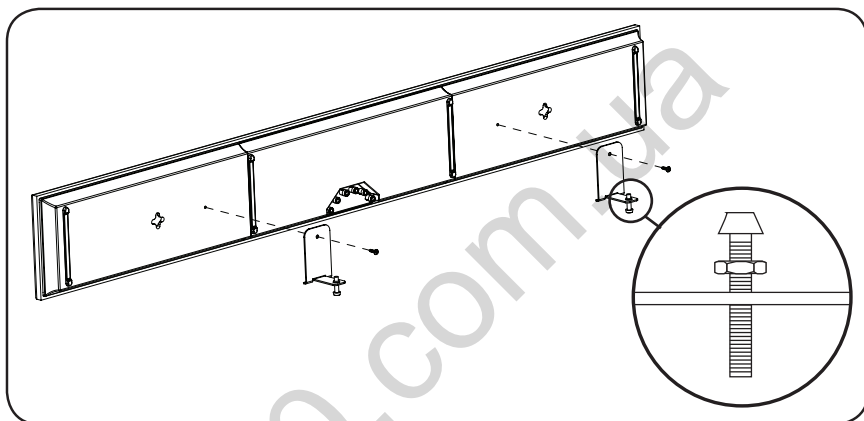
#### Outils requis (non inclus):

- Tournevis cruciforme

#### Outils requis (inclus):

- Supports de fixation de table
- 2 vis # 8 x 3/4 "

1. À l'aide d'un tournevis cruciforme et de vis n ° 8 x 3/4 pouce, fixez les deux supports horizontaux (fournis) à l'arrière de l'enceinte.
2. Tournez les boulons dans les supports horizontaux pour mettre l'enceinte à niveau ou pour régler l'angle.



## DÉPANNAGE

PROBLÈME	SOLUTION
Aucun son	<ul style="list-style-type: none"><li>• Assurez-vous que le récepteur, le péramplificateur ou l'amplificateur est branché et allumé.</li><li>• Vérifiez que la prise de courant murale fonctionne.</li><li>• Est-ce que des écouteurs sont branchés, ou est-ce que le système est à Sourdine?</li><li>• Revérifiez toutes les connexions.</li></ul>
Aucun son d'une ou plusieurs enceintes	<ul style="list-style-type: none"><li>• Vérifiez la commande d'équilibre.</li><li>• Vérifiez que tous les cordons d'alimentation sont bien branchés et qu'ils fonctionnent.</li></ul>
Manque de graves ou image disloquée	<ul style="list-style-type: none"><li>• Une ou plusieurs enceintes peuvent être branchées hors phase (la polarité est inversée).</li><li>• Vérifiez de nouveau que chaque câble d'enceinte est branché avec la bonne polarité : rouge (+) à rouge (+) et noir (-) à noir (-).</li></ul>

## GARANTIE LIMITÉE

Votre nouvelle enceinte est garantie contre les défauts de matériaux et de fabrication pendant une période de **cinq (5) ans** à compter de la date d'achat d'origine. Durant cette période, la réparation, le remplacement ou le réglage de pièces pour des défauts de matériaux ou de fabrication ne seront pas à la charge du premier acheteur.

**Les dommages causés par l'exposition abusive à la chaleur ou l'usage abusif ne sont pas couverts par la présente garantie.**

### Restrictions :

- La garantie entre en vigueur à la date d'achat d'origine chez un revendeur autorisé Paradigm<sup>MD</sup> seulement. La garantie n'est pas transférable;
- La garantie s'applique au produit pour une utilisation résidentielle normale uniquement. Si le produit est assujéti à l'une des conditions définies dans le paragraphe suivant, la garantie est annulée;
- La garantie ne s'applique pas à un usage commercial ou professionnel.

### La garantie est annulée si :

- Le produit est assujéti à un usage abusif (accidentel ou intentionnel);
- Le produit est utilisé avec du matériel défectueux ou inadéquat;
- Le produit est soumis à des signaux électriques dommageables, un transport dangereux, des dommages mécaniques ou toute autre condition anormale;
- Le produit (y compris le boîtier) est altéré ou endommagé lors d'une réparation non autorisée;
- La plaque du numéro de série de l'enceinte est enlevée ou défigurée.

### Responsabilités du propriétaire :

- Apporter un soin et un entretien normaux et raisonnables;
- Fournir ou assumer les frais de transport jusqu'à l'atelier de réparation;
- Fournir une preuve d'achat (conserver le reçu fourni lors de l'achat par le revendeur autorisé Paradigm<sup>MD</sup> Reference comme preuve de la date d'acquisition).

Si une réparation est nécessaire, contacter le revendeur autorisé Paradigm<sup>MD</sup> Reference le plus proche, Paradigm Electronics Inc. ou le distributeur à l'étranger (à l'extérieur du Canada et des États-Unis) pour planifier l'envoi prépayé de l'appareil défectueux. Consulter le site Web [www.paradigm.com](http://www.paradigm.com) pour plus d'information.

Paradigm Electronics inc. se réserve le droit d'améliorer la conception de tout produit sans obligations de modifier tout produit déjà fabriqué.

La présente garantie tient en lieu et place de toute autre garantie, explicite ou implicite, de qualité marchande et d'adéquation pour tout usage particulier, et ne peut être élargie ou étendue par quiconque. Paradigm Electronics inc. et ses représentants ou agents ne peuvent pas être tenus responsables de dommages indirects ou consécutifs découlant de l'utilisation de ces produits en aucun cas. Dans les territoires où une réglementation spécifique interdit une telle limitation de la responsabilité, cette exclusion ne s'applique pas.

**Conserver le présent manuel et le reçu comme preuve d'achat et de garantie.**

130.com.ua

130.com.ua