



PHONES

0 (800) 800 130
(050) 462 0 130
(063) 462 0 130
(067) 462 0 130

130
COM.UA

Internet store of
autogoods



SKYPE

km-130

CAR RECEIVERS — Receivers • Media receivers and stations • Native receivers • CD/DVD changers • FM-modulators/USB adapters • Flash memory • Facia plates and adapters • Antennas • Accessories |
CAR AUDIO — Car audio speakers • Amplifiers • Subwoofers • Processors • Crossovers • Headphones • Accessories | TRIP COMPUTERS — Universal computers • Model computers • Accessories |
GPS NAVIGATORS — Portable GPS • Built-in GPS • GPS modules • GPS trackers • Antennas for GPS navigators • Accessories | VIDEO — DVR • TV sets and monitors • Car TV tuners • Cameras • Videomodules
• Transcoders • Car TV antennas • Accessories | SECURITY SYSTEMS — Car alarms • Bike alarms • Mechanical blockers • Immobilizers • Sensors • Accessories | OPTIC AND LIGHT — Xenon • Bixenon • Lamps
• LED • Stroboscopes • Optic and Headlights • Washers • Light, rain sensors • Accessories | PARKTRONICS AND MIRRORS — Rear parktronic • Front parktronic • Combined parktronic • Rear-view mirrors
• Accessories | HEATING AND COOLING — Seat heaters • Mirrors heaters • Screen-wipers heaters • Engine heaters • Auto-refrigerators • Air conditioning units • Accessories | TUNING — Vibro-isolation
• Noise-isolation • Tint films • Accessories | ACCESSORIES — Radar-detectors • Handsfree, Bluetooth • Windowlifters • Compressors • Beeps, loudspeakers • Measuring instruments • Cleaners • Car seats
• Miscellaneous | MOUNTING — Installation kits • Upholstery • Grilles • Tubes • Cable and wire • Tools • Miscellaneous | POWER — Batteries • Converters • Start-charging equipment • Capacitors
• Accessories | MARINE AUDIO AND ELECTRONICS — Marine receivers • Marine audio speakers • Marine subwoofers • Marine amplifiers • Accessories | CAR CARE PRODUCTS — Additives • Washer fluid •
Care accessories • Car polish • Flavors • Adhesives and sealants | LIQUID AND OIL — Motor oil • Transmission oil • Brake fluid • Antifreeze • Technical lubricant



In store "130" you can find and buy almost all necessary goods for your auto in Kyiv and other cities, delivery by ground and postal services. Our experienced consultants will provide you with exhaustive information and help you to chose the very particular thing. We are waiting for you at the address

<https://130.com.ua>



CI

PRO
series

CI

ELITE
series



TABLE OF CONTENTS

Fireproof Backboxes	1	Speaker Placement (pictorial)	7
Your New Speakers	2	Speaker Installation and	
How To Avoid Speaker Damage	2	Connection (pictorial)	9
Your Listening Room	2	Speaker Connection	11
Speaker Assembly Parts List	2	Troubleshooting Guide	11
Speaker Placement Guidelines	3	Limited Warranty.....	12
Color-Match Painting	5		
Installation	5		
Installation of P80-SM	6		

FIREPROOF BACKBOXES

Paradigm in-wall and in-ceiling applications can now be spec'd for multi-dwelling unit applications.

Paradigm backboxes meet the following:

- 'One-Hour Fire-Rating' requirements
- 'For Use in Air Handling Spaces' requirements

Paradigm backboxes will contain fire, gas, smoke and heat within the enclosure for up to one hour.

Paradigm backboxes also meet the following codes:

ASTM E119-98 Vertical

ASTM E119-98 Horizontal

UBC 7-1

UL 2043

CAN/ULC S101-M89

Backbox Features:

- Corrosion-resistant metal;
- Insulated lining;
- 10 db of acoustic isolation between room boundaries;
- Integrated safety tab on the back of the cabinet accommodates installer-supplied safety cable;
- Standard top-surface 3/8" knockouts for conduit set-screw connector. Positioning of knockouts allows for vertical or horizontal installs;
- Pre-drilled mounting holes surround flange for easy installation;
- All boxes fit 12", 16" and 24" stud bays.

See your dealer for a firebox to fit your model.

Paradigm Electronics Inc., 205 Annagem Boulevard,
Mississauga, ON L5T 2V1 T: (905) 564-1994 F: (905) 564-8726

YOUR NEW SPEAKERS

Although CI Pro and Elite Series in-wall/in-ceiling speakers sound great out of the carton, they will sound even better once they are broken in. Operate them for several hours before you listen critically.

High-frequency drivers use ferro-fluid that can thicken at temperatures below 10° C (50° F). If your speakers have been transported or stored in the cold, let them warm to room temperature before use.

Clean speaker housing with a soft, damp cloth. Do not use a strong or abrasive cleaner or get any part of the speaker wet.

HOW TO AVOID SPEAKER DAMAGE

Use an appropriate amplifier. At high volumes, a very powerful amplifier can overdrive your speakers and damage them. On the other hand, if your amplifier isn't powerful enough, it can produce clipping distortion that can easily damage high-frequency drivers. *(See your dealer.)*

Don't be fooled by your amplifier's volume control. It adjusts listening level—it does not indicate power output. If your speakers begin to sound harsh or grating, or if you hear the bass breaking up, turn the volume down immediately or you will damage your speakers! **This type of damage constitutes abuse and is not covered by warranty!**

Tone controls and equalizers can demand even more power from an amplifier, lowering the point at which it produces clipping distortion. Use them sparingly, if at all, and do not use them when listening at loud levels.



PLEASE READ AND UNDERSTAND SETUP OF P80-SM MODEL ON PAGE 11.

YOUR LISTENING ROOM

The CI Pro and Elite Series in-wall/in-ceiling speakers are suitable for use in a wide variety of listening environments. Note however, that room construction, dimensions and furnishings will all play a part in the quality of sound you ultimately achieve. The extra care taken in installation will result in greater listening enjoyment. Try to follow these guidelines:

- a) Strong, rigid walls and ceilings are preferred for best bass balance. For even better results, add cross-braces at about 12" (30 cm) above and below (either side) the speaker to further increase rigidity.
 - b) Midrange and high frequencies are affected by room furnishings. For best sound, your listening room should contain an average amount of curtains, carpets, sofas, etc.
-

SPEAKER ASSEMBLY PARTS LIST *(one speaker)*

- 1 in-wall/in-ceiling speaker complete with attached mounting clamps and screws
- 1 mounting template

SPEAKER PLACEMENT GUIDELINES *(all models)*

Location

When installing your speaker pick a location between studs or ceiling joists. Be careful not to damage any wires when you cut the installation hole.

Accurate Timbre and Imaging

Our CI Pro and Elite Series in-wall/in-ceiling speakers feature wide, uniform dispersion and can be installed almost anywhere. For the most accurate timbre and imaging, place speakers approximately equal distance apart and select locations that allow sound to reach the listening area unobstructed.

Bass Performance

Placing speakers near corners will emphasize bass. For more balanced sound, we recommend that you avoid corners when considering speaker placement.

If your speakers have "SM" in their name, or an "A", see placement options and additional recommendations following:

Placement Options for 'SM' Model (P80-SM)

Your P80-SM speaker offers two options for connection:

- **Stereo Input:** Wide dispersion "Left plus Right" channel sound from a single P80-SM speaker.
- **Mono Input:** Very wide dispersion stereo sound from two P80-SM speakers, one for the left, one for the right.

With its Dual-Directional Soundfield™, P80-SM speakers provide wider than normal dispersion, allowing it to be used in a variety of applications:

Single Speaker, Wide Dispersion "Left plus Right" Channel Sound (Fig. 1a)

Ideal in smaller areas less suited to a stereo pair of speakers or where a single speaker is the preferred choice. The speaker is connected to both left and right amplifier channels. Position speakers to achieve the broadest sound coverage in the main listening area.

Multiple Speakers, Distributed "Left plus Right" Channel Sound (Fig. 1b)

In larger areas (offices, etc.) multiple speakers (each wired for "Left plus Right" channel sound) may be used to eliminate the sound imbalances that occur with separate stereo speakers as people move around the room, or are seated closer to one speaker than the other. Position speakers to achieve the broadest sound coverage in the main listening area.

5.1 Surround Placement Using Two P80-SM Speakers (Fig. 1c)

Place one speaker on either side of the listening area. Position so that one dome of each speaker points toward the front of the room and the other points toward the back. Connect each speaker for Mono sound, then use for L/R Surrounds to produce spacious 5.1 surround sound.

6.1 Rear Placement Using One P80-SM Speaker (Fig. 1d)

Center one speaker behind the listening area, domes positioned toward the left and right sides of the room. Connect speaker for Mono sound, then use as 6.1 Rear for wide-dispersion rear-channel sound.

7.1 Surround + Rear Placement Using Two P80-SM Speakers (Fig. 1e)

Place one speaker on either side of the listening area. Position so that one dome of each speaker points toward the front of the room and use those channels for L/R sound. The other domes will be pointed toward the back of the room which can then be used for L/R rear.

7.1 Rear Placement Using One P80-SM Speaker (Fig. 1f)

Center one speaker behind the listening area with domes positioned toward the left and right sides of the room. Connect to L/R Rears for spacious 7.1 rear-channel sound. For Connection instructions for P80-SM Model turn to page 11.

Placement Options for **Guided Soundfield™** Model (P80-A, E80-A)

Paradigm® Guided Soundfield™ in-ceiling speakers are optimized for use in rooms with 8' (2.4 m) to 9' (2.74 m) high ceilings. They allow you to “guide” a wide-dispersion arc of sound toward a specific area of the room in much the same way we guide a floodlight to flood an area with light. For overall clarity and balanced bass performance, these speakers should be mounted in the ceiling 12" (30 cm) or more from the wall, as shown in Figs. 2a to 2f.

NOTE: Guiding the sound should be done after connecting the speaker, but before final tightening of flange screws. See “Fine Tuning the Guided Soundfield™,” below.

Guided Soundfield™ Left/Right Speakers (Fig. 2a)

Follow the general guidelines for speaker placement provided at the beginning of the main section, keeping in mind the distance from the front speakers to your primary listening area should be 10' (3 m) to 14' (4.27 m), as shown.

Adding a Guided Soundfield™ Center Speaker (Fig. 2b)

Follow the directions for placement given earlier, then position the center speaker between the L/R speakers, with drivers pointed toward the center of the listening area.

GUIDED SOUNDFIELD™ SURROUNDS/REARS

These speakers are also ideal for use as surrounds/rears. “Guiding” the sound toward the sides and rear of the room creates an enveloping, reverberant soundfield. Keep in mind that speakers should be mounted 12" (30 cm) or more from the wall.

5.1 Surround Placement (Fig. 2c)

Position one speaker on either side of the listening area, with drivers pointed toward the side walls.

6.1 Rear Placement (Fig. 2d)

Begin with the ‘5.1 Surround Placement’ (above) then center one speaker behind the listening area with drivers pointed toward the back wall.

7.1 Surround/Rear Placement (Fig. 2e)

Begin with the ‘5.1 Surround Placement’ (above), then position another pair of speakers behind the listening area, one slightly right, the other slightly left of the listening position, with drivers pointed to the back of the room, as shown.

Guided Soundfield™ for Direct-Radiating Surrounds/Rears (Fig. 2f)

Alternatively, these speakers may be used as direct-radiating speakers, positioned with drivers pointed toward the listening area. Use Fig. 2f as a guide to positioning as you experiment to achieve optimal surround sound in your room.

Fine Tuning the Guided Soundfield™

Once you have decided on placement, connect the speaker following directions for connection on page 6. Before final tightening of the flange screws, rotate speaker until drive assembly points in the desired direction. Then, follow directions for Installation on page 5. To readjust direction of sound, loosen screws, rotate drive assembly until it points in the desired direction, then re-tighten screws.

COLOR-MATCH PAINTING *(optional)*

Your new in-wall/in-ceiling speakers have a textured finish in neutral white to blend into any room. The grilles may also be painted to match any decor.

Please note:

Do not paint the surface behind the grille and do not use a paint roller.

To Paint, Follow These Steps:

- 1) Remove the grille.
- 2) In a well-ventilated area, apply several light coats of paint to the grille, letting the paint dry completely between coats. Always follow the paint manufacturer's directions.

TIP! Be careful to not plug the grille holes with paint. It is easier to spray the grille than use a brush. Do not paint the grilles when they are installed on the speaker.

INSTALLATION



Turn your receiver/amplifier OFF before connecting speakers. This will avoid damage which may result from accidental shorting of the speaker cable.



Use only speaker cable that is rated for in-wall use.

- The UL standard is CL2, CL3 and CM
- The CSA standard is FT4

For optimum sound reproduction the use of high-quality speaker cable is essential.

1. Mounting

In-Ceiling Mounting

Place the mounting template onto the ceiling. Trace along the mounting template cut-out (Fig. 3a). Cut a hole as indicated (Fig. 3b).

For optimum performance loosely place ...

- one piece of standard fiberglass (to fit joist size) above the speaker extending 12 in (30 cm) or more beyond the speaker between the joists.
- (for taller joists) fibreglass insulation directly against the joists on either side of the mounting hole.

In-Wall Mounting

Place the mounting template onto the wall and use a level to make sure it's straight (4a). Trace along the mounting template cut-out (Fig. 4b). Cut a hole as indicated (Fig. 4c).

For optimum performance loosely place ...

- two pieces, 8" (20 cm) to 12" (30 cm) long, of standard fiberglass insulation in the wall R-12 for 2"x 4" (5 cm x 10 cm) walls or R-20 for 2"x 6" (5 cm x 15 cm) walls. Place one piece above and the other piece below the mounting hole.
- a half-thick piece of fiberglass insulation, the same height as the speaker, in the wall right behind the mounting hole.

2. Connecting

You are now ready to connect and install the speaker.

Connecting (Fig. 5a) (*all models except those with 'SM' in their name, see below*).

Connect the speaker cable. Correct polarity, or phase is critical for proper stereo imaging and bass performance.

Connect the red (+) amplifier terminal to the red (+) speaker terminal. Connect the black (-) amplifier terminal to the black (-) speaker terminal. Fasten cable to bracket with wire tie.

Connecting P80-SM Model:

Two Speakers (Fig. 5b): Connect one speaker at a time to the left and right channels of your receiver/amplifier as per the diagram.



IMPORTANT! BEFORE MAKING WIRING CONNECTIONS, position the switch to the MONO position.

One Speaker (Fig. 5c): Connect one speaker channel at a time to your receiver/amplifier as per the diagram.



IMPORTANT! BEFORE MAKING WIRING CONNECTIONS, position the switch to the STEREO position.

3. Installing the Speaker

IMPORTANT! While it is possible to use a manual screwdriver for installation, we strongly suggest using a power drill. To avoid damaging or breaking the clamps, set your drill to a **LOW** setting. A high power setting is **NOT** necessary and may cause clamps to crack or break from the added force. **Such damage is NOT covered under warranty.**

- 1) Set your Power Drill to the Low setting.
- 2) Ensure the clamps on the lip of the speaker are positioned exactly as shown in the Warning Diagrams on the top of page 9 and 10. If they are not correctly positioned, refer to these diagrams.
- 3) Gently push the assembly into the ceiling or wall hole (Fig. 3c or 4d).
- 4) Supporting the assembly with one hand, tighten each screw (Fig. 3d or 4e). Stop tightening when you sense resistance.

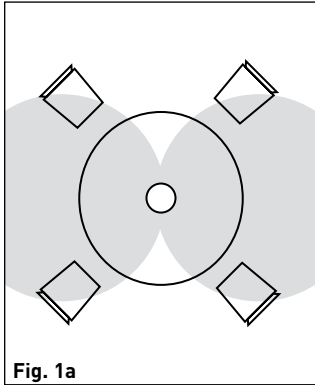
Model with Guided Soundfield™ (P80-A, E80-A): Rotate speaker at this point so that drive assembly points in the desired direction (*not shown*).

4. Installing the Grille

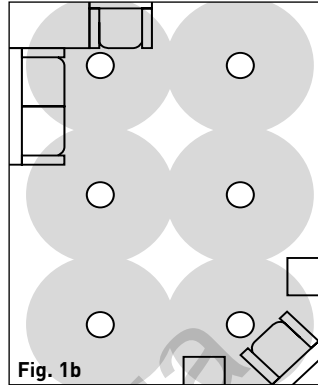
- 1) Gently press the grille onto the front face of the speaker (Fig. 3e or 4f). The magnets will ensure correct attachment.
- 2) Add the Paradigm logo, if desired.

SPEAKER PLACEMENT *(pictorial)*

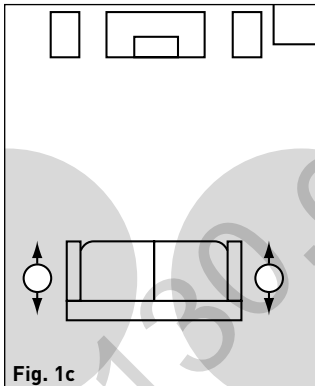
"SM" Model *(Arrows indicate direction of tweeters)*



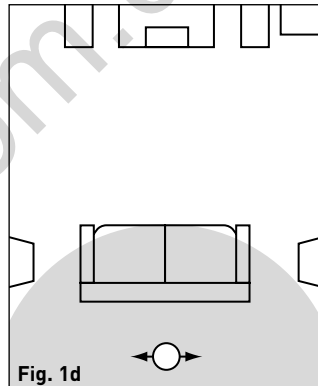
Single-Speaker "Left plus Right" Sound



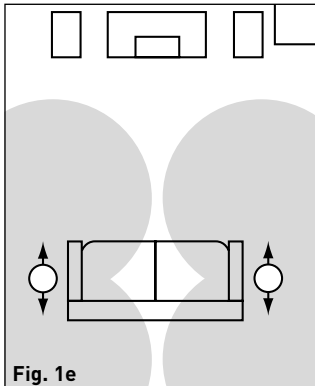
Distributed "Left plus Right" Sound



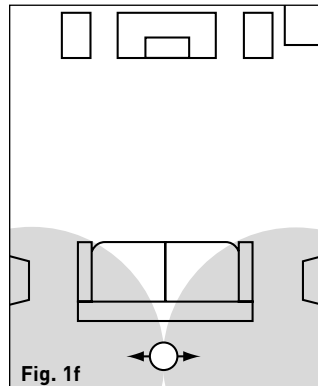
5.1 Surround Placement using Two P80-SM Speakers



6.1 Rear Placement using One P80-SM Speaker



7.1 Surround + Rear Placement using Two P80-SM Speakers



7.1 Rear Placement using One P80-SM Speaker

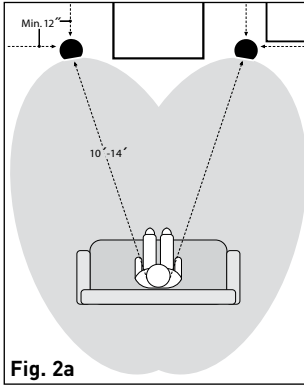


Fig. 2a
Front Left and Right Speakers

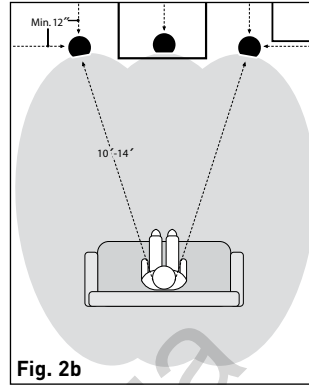


Fig. 2b
Front Left, Center, Right Speakers

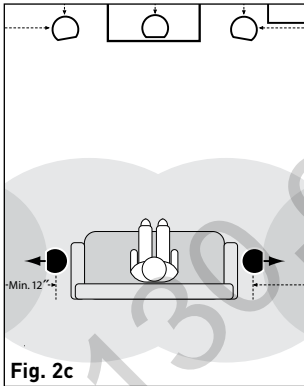


Fig. 2c
5.1 Surround Placement,
diffuse soundfield

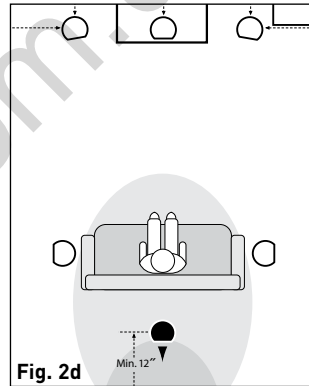


Fig. 2d
6.1 Rear Placement, diffuse soundfield

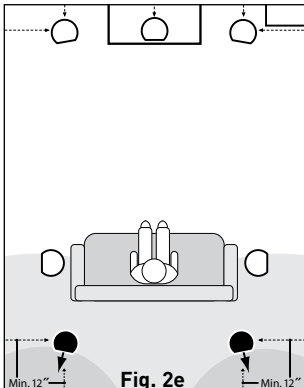


Fig. 2e
7.1 Rear Placement, diffuse soundfield

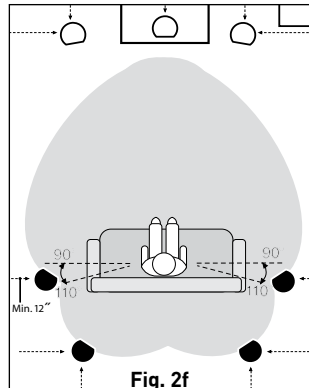


Fig. 2f
Direct-Radiating Speakers in a 7.1
placement

SPEAKER INSTALLATION AND CONNECTION *(pictorial)*

NOTE: If the clamps are not set to the right position, use a screwdriver to turn the screws counter-clockwise until the clamps are in the correct position.

In-Ceiling Mounting

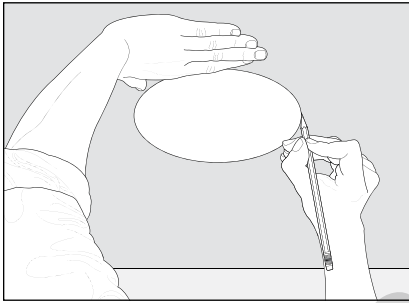
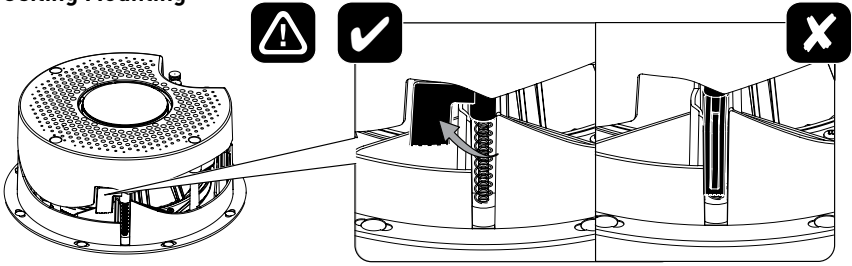


Fig. 3a

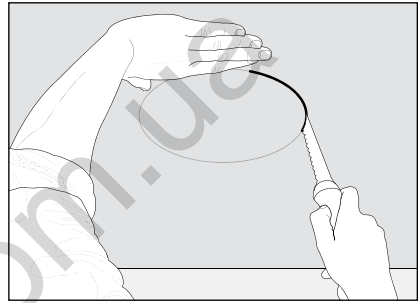


Fig. 3b

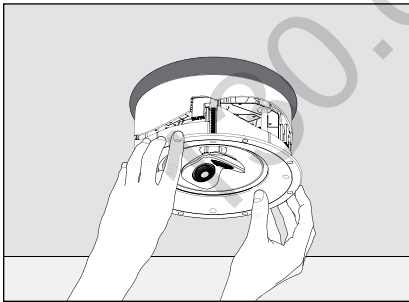


Fig. 3c

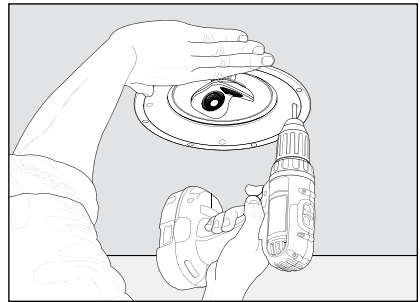


Fig. 3d

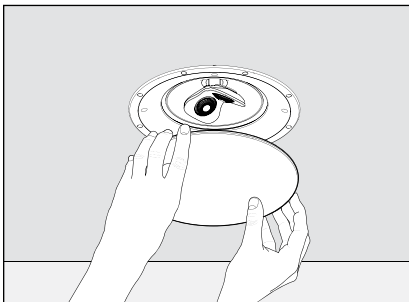


Fig. 3e

In-Wall Mounting

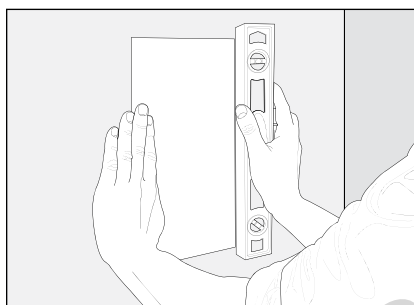
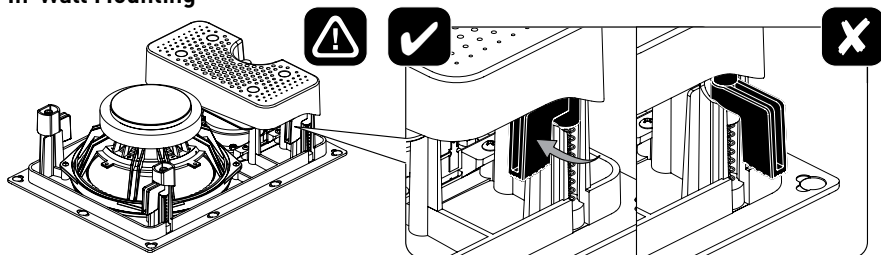


Fig. 4a

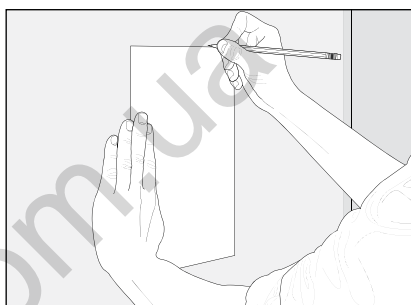


Fig. 4b

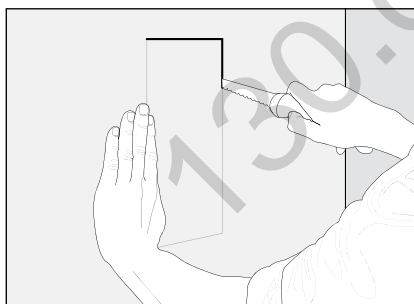


Fig. 4c

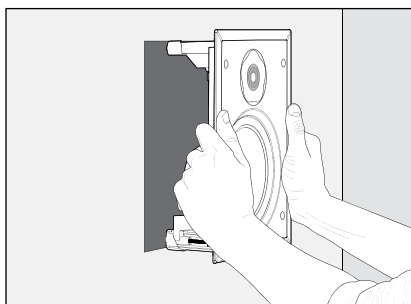


Fig. 4d

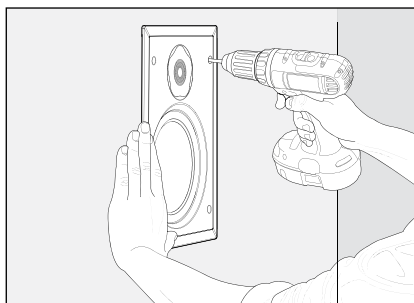


Fig. 4e

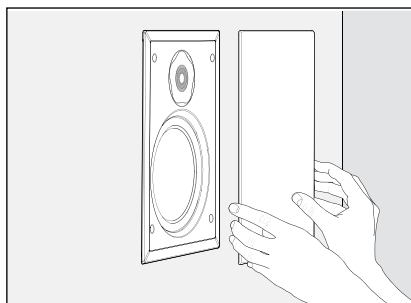


Fig. 4f

SPEAKER CONNECTION

All Models (2 Speaker Stereo Setup)

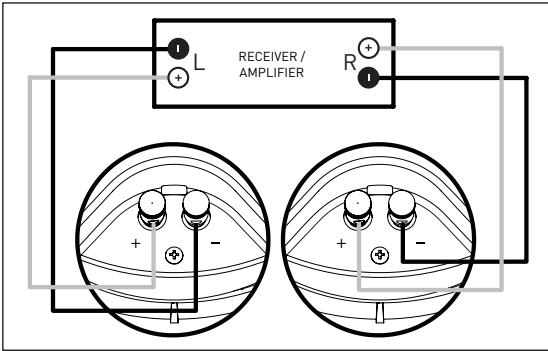


Fig. 5a
Wiring for all models (except P80-SM).

P80-SM (2 Speaker Stereo Setup)

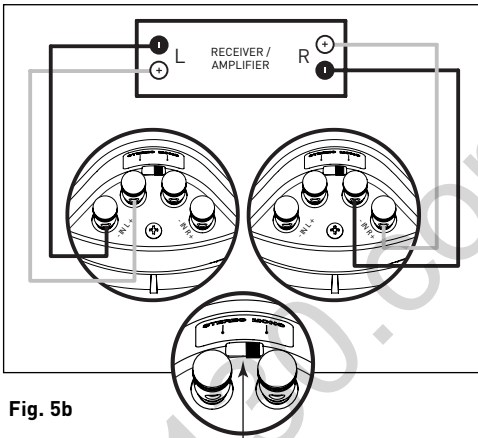


Fig. 5b

Move switch to **MONO** Position

P80-SM (1 Speaker Stereo Setup)

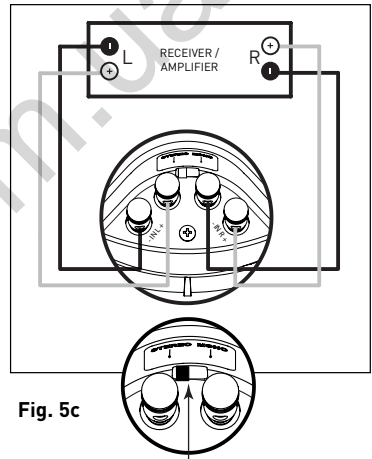


Fig. 5c

Move switch to **STEREO** Position

TROUBLESHOOTING GUIDE

PROBLEM	SOLUTION
No Sound	Make sure receiver, preamp or amplifier is plugged in and turned on. Check power outlet at the wall is working. Are headphones plugged in, or is system on Mute? Re-check all connections.
No Sound from One or More Speakers	Check your balance control. Check that all power cords are properly plugged in and functioning. Swap the Left speaker cable with the Right speaker cable at the receiver/amplifier end to determine if the problem is with the speaker or something else (i.e. wiring, amplifier).
Lack of Bass or Dislocated Image (Stereo)	One or more speakers may be connected out of phase (their polarity is reversed). Re-check to ensure that each speaker's cable is connected with correct polarity: red (+) to red (+) and black (-) to black (-).

LIMITED WARRANTY

Paradigm® In-Wall/In-Ceiling CI Pro and Elite Series Speakers are warranted to be and remain free of manufacturing and/or material defects for a period of **five (5)** years from the date of original purchase. Within the time period specified, repair, replacement or adjustment of parts for manufacturing and/or material defects will be free of charge to the original owner.

Thermal or mechanical abuse/misuse is not covered under warranty.

Limitations:

- Warranty begins on date of original retail purchase from an Authorized Paradigm® Dealer only. It is not transferable;
- Warranty applies to product in normal residential use only. If product is subjected to any of the conditions outlined in the next section, warranty is void;
- Warranty does not apply if the product is used in professional or commercial applications;

Warranty is Void if:

- The product has been abused (intentionally or accidentally);
- The product has been used in conjunction with unsuitable or faulty equipment;
- The product has been subjected to damaging signals, derangement in transport, mechanical damage or any abnormal conditions;
- The product (including cabinet) has been tampered with or damaged by an unauthorized service facility;
- The serial number has been removed or defaced.

Owner Responsibilities:

- Provide normal/reasonable operating care and maintenance;
- Provide or pay for transportation charges for product to service facility;
- Provide proof of purchase (your sales receipt given at time of purchase from your Authorized Paradigm® Dealer must be retained for proof-of-purchase date).

Should servicing be required, contact your nearest Authorized Paradigm® Dealer, Paradigm Electronics Inc. or Import Distributor (outside the U.S. and Canada) to arrange, bring in or ship prepaid, any defective unit. Visit our website, **www.paradigm.com** for more information.

Paradigm Electronics Inc. reserves the right to improve the design of any product without assuming any obligation to modify any product previously manufactured.

This warranty is in lieu of all other warranties expressed or implied, of merchantability, fitness for any particular purpose and may not be extended or enlarged by anyone. In no event shall Paradigm Electronics Inc., their agents or representatives be responsible for any incidental or consequential damages. Some jurisdictions do not allow limitation of incidental or consequential damages, so this exclusion may not apply to you.

Retain manual and sales receipt for proof of warranty term and proof of purchase.

NOTES

130.com.ua



CI **CI**

PRO
series

ELITE
series



MODE D'EMPLOI

TABLE DES MATIÈRES

Boîtiers arrière à l'épreuve du feu.....	1	Installation	6
Vos nouvelles enceintes	2	Installation de P80-SM	6
Pour éviter d'endommager les enceintes	2	Positionnement des enceintes (illustrations)	8
Votre salle d'écoute	2	Installation et raccordement des enceintes (illustrations).....	10
Pièces incluses	2	Raccordement des enceintes.....	12
Positionnement des enceintes	3	Guide de diagnostic.....	12
Appariement de la couleur	5	Garantie limitée	13

BOÎTIERS ARRIÈRE À L'ÉPREUVE DU FEU

Les applications Paradigm encastrées au mur et au plafond peuvent maintenant être adaptées aux applications pour maisons en rangée.

Les boîtiers arrière Paradigm respectent les exigences suivantes :

- Exigences concernant la « résistance au feu d'une heure »
- Exigences concernant « pour une utilisation dans une chambre de répartition d'air »

Les boîtiers arrière Paradigm contiendront le feu, le gaz, la fumée et la chaleur au sein du boîtier pendant un maximum d'une heure.

Les boîtiers arrière Paradigm respectent également les exigences suivantes :

ASTM E119-98 Vertical
ASTM E119-98 Horizontal
UBC 7-1
UL 2043
CAN/ULC S101-M89

Caractéristiques du boîtier arrière :

- Métal résistant à la corrosion;
Revêtement intérieur isolé;
- Comporte 10 db d'isolation acoustique entre les limites de la chambre;
- Onglet de sécurité intégré sur la partie arrière du cabinet qui convient au câble de sécurité fourni par l'installateur;
- Alvéoles défonçables de 3/8 normalisées sur la surface supérieure pour le connecteur de conduit des vis. Le positionnement des alvéoles défonçables permet une installation verticale ou horizontale;
- Trous de montage prépercés autour de la garniture pour une installation facile;
- Tous les boîtiers conviennent aux espaces entre les montants de 12, 16 et 24 po.

Consultez votre revendeur pour obtenir un boîtier à l'épreuve du feu qui correspond à votre modèle.

Paradigm Electronics Inc., 205 Annagem Boulevard,
Mississauga, ON L5T 2V1 T: (905) 564-1994 F: (905) 564-8726

VOS NOUVELLES ENCEINTES

Bien que les enceintes CI Série Pro et Elite encastrables au mur ou plafond offrent un son excellent « en sortant de la boîte », le son sera encore meilleur après une période de rodage. Les laisser fonctionner pendant quelques heures avant une première écoute « critique ».

Les haut-parleurs des hautes fréquences contiennent un ferrofluide dont la viscosité augmente à des températures inférieures à 10° C (50 F). Si les enceintes ont été transportées ou entreposées au froid, les laisser réchauffer à la température de la pièce avant de les utiliser.

Ne pas employer de détergent fort ou abrasif sur les enceintes. Les nettoyer à l'aide d'un linge humide doux, mais ne pas les mouiller.

POUR ÉVITER D'ENDOMMAGER LES ENCEINTES

Utiliser un amplificateur adéquat. À volume élevé, un amplificateur trop puissant peut solliciter excessivement les enceintes et les endommager. Par contre, si l'amplificateur n'est pas assez puissant, il peut provoquer un écrêtage produisant des distorsions qui peuvent facilement endommager ou détruire les haut-parleurs de hautes fréquences (*consulter le revendeur*).

La commande de volume de l'amplificateur peut être trompeuse puisqu'elle permet seulement d'ajuster le niveau d'écoute, mais n'indique pas le niveau de puissance. Si le son semble être sec ou distordu, ou s'il y a distorsion des graves, réduire immédiatement le volume pour ne pas endommager les enceintes! **La garantie ne couvre pas ce type de détérioration!**

Les commandes de tonalité ou d'égalisation peuvent soutirer encore plus de puissance de l'amplificateur et réduire le niveau auquel il y aura écrêtage. Utiliser ces dispositifs le moins possible, et ne pas les utiliser pour l'écoute à volume élevé.



VEUILLEZ LIRE ET COMPRENDRE LA CONFIGURATION DU MODÈLE P80-SM À LA PAGE 6.

VOTRE SALLE D'ÉCOUTE

Les enceintes CI Série Pro et Elite encastrables au mur ou plafond peuvent être utilisées dans divers milieux d'écoute. Il importe toutefois de noter que la construction et les dimensions de la pièce, ainsi que les meubles qu'elle renferme ont tous une incidence sur la qualité sonore qu'il sera possible d'obtenir. Le soin accordé à l'installation permettra une meilleure expérience d'écoute. En général, il est recommandé d'observer les directives suivantes:

- Pour un son équilibré, des murs et plafonds forts et rigides sont préférables. Pour des résultats supérieurs, installer des traverses environ 30 cm (12 po) au-dessus et au-dessous (de chaque côté) de l'enceinte afin d'accroître la rigidité de la cloison.
- Le contenu, dont les meubles, de la pièce a une incidence sur les fréquences intermédiaires et élevées. Pour une meilleure qualité sonore, la salle d'écoute doit contenir une quantité normale de rideaux, de moquettes, de sofas, etc.

PIÈCES INCLUSES *(pour une enceinte)*

- Une enceinte encastrable au mur/plafond complète avec pinces de montage et vis fixées
- 1 gabarit de montage

POSITIONNEMENT DES ENCEINTES *(tous les modèles)*

Positionnement

Choisir un endroit situé entre des montants (mur) ou des solives (plafond). S'assurer de ne pas endommager le filage électrique au moment de découper le trou où l'enceinte sera insérée.

Précision du timbre et de l'image sonores

Nos enceintes encastrables au mur ou plafond offrent une couverture sonore vaste et uniforme et peuvent donc être installées à peu près n'importe où. Pour la plus grande précision possible du timbre et de l'image sonores, il est toutefois recommandé que les enceintes soient à peu près équidistantes les unes des autres et qu'elles soient positionnées de sorte qu'aucun obstacle ne les sépare de l'aire d'écoute.

Performance des graves

Le positionnement des enceintes près des coins de la pièce accentuera les graves. Pour une image sonore plus équilibrée, il est recommandé d'éviter de positionner les enceintes dans les coins.

Si « SM » figure au nom du modèle de vos enceintes, ou un «A» (*figurer Guided Soundfield^{MC}*), voir les options de positionnement et les recommandations supplémentaires ci-dessous.

Options de positionnement pour les modèles « SM » (P80-SM)

Votre enceinte P80-SM offre les deux options de raccordement suivantes :

- **Sortie stéréo** : Couverture large, canaux Gauche+Droit, produite par une seule enceinte P80-SM;
- **Sortie mono** : Couverture stéréophonique très large, produite par deux enceintes P80-SM, une pour la gauche et l'autre pour la droite.

Avec son champ sonore bidirectionnel, l'enceinte P80-SM offre une dispersion plus large que la normale, ce qui permet de l'utiliser dans une vaste gamme d'applications :

Couverture large à une seule enceinte P80-SM, canaux Gauche+Droit (Fig. 1a)

Configuration idéale dans les espaces restreints qui se prêtent mal à deux enceintes en stéréo, ou si on préfère n'utiliser qu'une enceinte. L'enceinte est raccordée aux canaux Gauche et Droit de l'amplificateur. Positionner l'enceinte de sorte qu'elle pointe vers la principale aire d'écoute. Positionner l'enceinte de façon à obtenir la couverture la plus vaste possible dans la principale aire d'écoute.

Couverture distribuée à enceintes P80-SM multiples, canaux Gauche+Droit (Fig. 1b)

Dans les espaces plus grands (*bureaux, etc.*), l'utilisation de plusieurs enceintes (chacune raccordée aux canaux Gauche+Droit) permet d'éliminer le déséquilibre produit par des enceintes stéréos distinctes perçu par des personnes qui se déplacent dans la pièce ou qui sont assises plus près d'une enceinte que de l'autre. Positionner l'enceinte de façon à obtenir la couverture la plus vaste possible dans la principale aire d'écoute

Couverture ambiophonique 5.1 à deux enceintes P80-SM (Fig. 1c)

Placer une enceinte de chaque côté de l'aire d'écoute, de sorte qu'un dôme de chaque enceinte soit orienté vers l'avant de la pièce, et l'autre dôme de l'enceinte, vers l'arrière. Raccorder chacune des enceintes pour sortie monophonique et les utiliser en mode ambiophonique gauche/droite pour produire un son ambiophonique 5.1 très large.

Couverture arrière 6.1 à une seule enceintes (P80-SM, E80-SM) (Fig. 1d)

Centrer une enceinte à l'arrière de l'aire d'écoute, les dômes orientés vers les côtés gauche et droit de la pièce. Raccorder l'enceinte pour sortie monophonique et l'utiliser en mode 6.1 arrière pour produire une large couverture sonore de canal arrière.

Couverture ambiophonique et arrière 7.1 à deux enceintes (Fig. 1e)

Placer une enceinte de chaque côté de l'aire d'écoute, de sorte qu'un dôme de chaque enceinte soit orienté vers l'avant de la pièce, et l'autre dôme, vers l'arrière. Utiliser ces canaux en mode gauche/droite. Les autres dômes seront orientés vers l'arrière de la pièce et peuvent donc être utilisés en mode gauche/droite arrière.

Couverture arrière 7.1 à une seule enceinte (Fig. 1f)

Centrer une enceinte « SM » à l'arrière de l'aire d'écoute, les dômes orientés vers les côtés gauche et droit de la pièce. Raccorder l'enceinte pour sortie gauche/droite arrière pour produire une large couverture sonore 7.1 arrière.

Pour les instructions de raccordement des modèles « SM », se reporter à la page 6.

Options de positionnement pour les modèles Guided Soundfield^{MC}

Les enceintes Paradigm^{MD} à champ sonore orienté (Guided Soundfield^{MC}) encastrables au plafond sont conçues pour offrir une performance optimale dans les pièces dont le plafond fait 2,4 m à 2,74 m (8 pi à 9 pi) de hauteur. Elles permettent d'orienter un vaste arc de dispersion sonore vers un endroit précis de la pièce, à l'instar d'un spot utilisé pour éclairer un endroit donné. Pour une précision sonore et une performance des graves optimales, installer les enceintes à champ sonore orienté au plafond à au moins 30 cm (12,5 po) des murs voir figs. 2a à 2f.

REMARQUE : Le réglage de l'orientation du son devrait se faire après le raccordement de l'enceinte, mais avant le serrage définitif des vis d'accouplement. Se reporter à la section sur le « réglage fin » ci-dessous.

Enceintes Gauche/Droite à champ sonore orienté (Guided Soundfield^{MC}) (Fig. 2a)

Suivre les directives générales concernant le positionnement des enceintes présentées au début de la section principale, en notant que la distance entre les enceintes avant et la principale aire d'écoute devrait être de 3 m (10 pi) à 4,27 m (14 pi), comme l'indique la Fig. 2a.

Ajouter une enceinte centrale à champ sonore orienté (Guided Soundfield^{MC}) (Fig. 2b)

Suivre les directives de positionnement présentées plus haut, en positionnant l'enceinte centrale entre les enceintes G/D, les enceintes orientés vers le centre de l'aire d'écoute.

CHAMP SONORE ORIENTÉ (GUIDED SOUNDFIELD^{MC}) AMBIOPHONIQUE/ARRIÈRE

Ces enceintes sont idéales comme enceintes ambiophoniques/arrière. En « orientant » le son vers les côtés et l'arrière de la pièce, il est possible de créer un ample champ sonore semblable. Noter que les enceintes devraient toujours être installées à au moins 30 cm (12 po) du mur.

POSITIONNEMENT DES ENCEINTES *(suite)*

Positionnement pour couverture ambiophonique 5.1 (Fig. 2c)

Placer une enceinte de chaque côté de l'aire d'écoute, ses haut-parleurs orientés vers le mur latéral.

Positionnement pour couverture arrière 6.1 (Fig. 2d)

Commencer par le positionnement pour couverture ambiophonique 5.1 (ci-dessus), puis centrer une enceinte à l'arrière de l'aire d'écoute, ses haut-parleurs orientés vers le mur arrière.

Positionnement pour couverture ambiophonique et arrière 7.1 (Fig. 2e)

Commencer par le positionnement pour couverture ambiophonique 5.1 (ci-dessus), puis placer une autre paire d'enceintes à l'arrière de l'aire d'écoute, une des enceintes légèrement à droite et l'autre, légèrement à gauche du centre, leurs haut-parleurs orientés vers l'arrière et tournés légèrement vers les coins de la pièce.

Champ sonore orienté pour couverture ambiophonique et arrière à rayonnement direct (Fig. 2f)

Une autre option consiste à utiliser ces enceintes comme s'il s'agissait d'enceintes à rayonnement direct, leurs haut-parleurs orientés vers l'aire d'écoute. Utiliser la Fig. 2f comme guide pour les positionner et modifier le positionnement jusqu'à obtention du son ambiophonique optimal.

Réglage fin du champ sonore orienté (Guided Soundfield^{MC})

Une fois que la position de l'enceinte est choisie, procéder à son raccordement en suivant les instructions de raccordement à la page 6. Avant le serrage définitif des vis d'accouplement, tourner l'enceinte jusqu'à ce que les haut-parleurs soient orientés dans la direction voulue. Ensuite, suivre les instructions d'installation à la page 6. Pour régler à nouveau la direction du son, desserrer les vis, tourner les haut-parleurs pour obtenir l'orientation souhaitée, puis resserrer les vis.

APPARIEMENT DE LA COULEUR *(optionnel)*

Vos nouvelles enceintes encastrées au mur/plafond ont un fini texturé blanc neutre qui s'agencera à toutes les pièces.

Les grilles peuvent également être peintes pour s'agencer au décor. Si vous prévoyez de les peindre, n'oubliez pas qu'il est beaucoup plus difficile de le faire après les avoir installées – peignez-les avant l'installation (et retirez-les du mur avant de commencer). Veuillez noter :

- Ne peignez pas la surface derrière la grille.
- Ne pas utiliser un rouleau à peinture.

Pour peindre, suivez les étapes suivantes :

- 1) Enlevez la grille.
- 2) Dans un endroit bien aéré, appliquez plusieurs légères couches de peinture sur la grille et laissez la peinture sécher complètement entre les couches. Suivez toujours les directives du fabricant de la peinture.

CONSEIL! Faites attention pour ne pas boucher les trous de la grille avec la peinture. Il est plus facile de vaporiser de la peinture que d'utiliser un pinceau. Ne peignez pas les grilles lorsqu'elles sont installées sur l'enceinte.

INSTALLATION



Éteindre l'amplificateur avant de raccorder les enceintes. Ceci évitera les dommages pouvant résulter d'un court-circuit accidentel des câbles des enceintes.



N'utiliser que des câbles cotés pour utilisation dans des murs.

- Les câbles de types CL2, CL3 et CM sont conformes à la norme UL.
- Les câbles de type FT4 sont conformes à la norme CSA.

Il est essentiel d'utiliser des câbles de haute qualité pour une reproduction sonore optimale.

1. Montage

Montage au plafond

Placez le gabarit de montage sur le plafond. Tracez le long de la ligne de découpage du gabarit de montage (Fig. 3a).

Découpez un trou, comme indiqué (Fig. 3b).

Pour un rendement optimal, placez sans forcer ...

- Un morceau de fibre de verre standard (correspondant à la taille de la solive) au-dessus de l'enceinte se prolongeant de 12 po (30 cm) ou plus au-delà de l'enceinte entre les solives.
- (pour les solives plus hautes), placez l'isolant en fibre de verre directement contre les solives des deux côtés du trou de montage.

Montage au mur

Placez le gabarit de montage sur le mur et utilisez un niveau pour vous assurer qu'il est droit (4a). Tracez le long de la ligne de découpage du gabarit de montage (Fig. 4b). Découpez un trou, comme indiqué (Fig. 4c).

2. Raccordement

Vous êtes maintenant prêt à raccorder et à installer l'enceinte. **Raccordement** (Fig. 5a) *[toutes les enceintes sauf celles dont « SM » figurent dans le nom, voir ci-dessous]*

Placer l'enceinte dans le mur ou le plafond et raccorder le câble (non montré). Pour une bonne image stéréophonique et un bon équilibre des graves, il est nécessaire d'utiliser la bonne polarité. Raccorder la borne rouge (+) de l'amplificateur à la borne rouge (+) de l'enceinte. Raccorder la borne noire (-) de l'amplificateur à la borne noire (-) de l'enceinte. Attacher le câble à la fixation avec l'attache métallique.

Raccordement P80-SM modèle

Deux enceintes (Fig. 5b) : Raccordez une enceinte à la fois aux canaux de gauche et de droite de votre récepteur/amplificateur conformément au diagramme.



IMPORTANT! AVANT DE FAIRE LES RACCORDEMENTS DE CÂBLE, placez l'interrupteur à la position MONO.

Une enceinte (Fig. 5c) : Raccordez un canal d'enceinte à la fois à votre récepteur/amplificateur conformément au diagramme.



IMPORTANT! AVANT DE FAIRE LES RACCORDEMENTS DE CÂBLE, placez l'interrupteur à la position STEREO.

INSTALLATION *(suite)*

3. Installation de L'enceinte

Enceintes au plafond et au mur

IMPORTANT! Bien qu'il soit possible d'utiliser un tournevis pour l'installation, nous vous suggérons fortement d'utiliser une perceuse électrique. Pour éviter d'endommager ou de briser les pinces, réglez la perceuse à BAS (LOW). Un réglage à puissance élevée n'est PAS nécessaire et peut faire craquer ou briser les pinces en raison de la force accrue. **De tels dommages ne sont pas couverts par la garantie.**

- 1) Réglez la perceuse électrique à BAS (LOW).
- 2) Assurez-vous que les pinces sur le rebord de l'enceinte sont positionnées exactement comme il est indiqué dans les diagrammes de mise en garde dans la partie supérieure des pages 9 et 10. Si elles ne sont pas correctement positionnées, consultez ces diagrammes.
- 3) Poussez délicatement le montage dans le trou du plafond ou du mur (Fig. 3c et 4d).
- 4) En soutenant le montage d'une main, serrez chaque vis (Fig. 3d et 4e). Arrêtez de serrer lorsque vous sentez une résistance.

Modèles dotés du Guided Soundfield^{MC} (P80-A, E80-A): Tournez l'enceinte à ce point-ci afin que le montage de haut-parleur pointe dans la direction souhaitée (non illustré).

4. Installation de la grille

- 1) Appuyez délicatement sur la grille pour la mettre en place sur la face avant de l'enceinte (Fig. 3e et 4f). Les aimants permettront une fixation appropriée.
- 2) Ajoutez le logo Paradigm, si vous le souhaitez.

POSITIONNEMENT DES ENCEINTES (illustrations)

Modèles « SM » (les flèches indiquent l'orientation du haut-parleur des aigus)

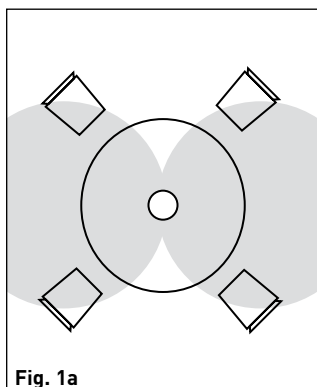


Fig. 1a

Couverture à une seule enceinte, Gauche+Droite

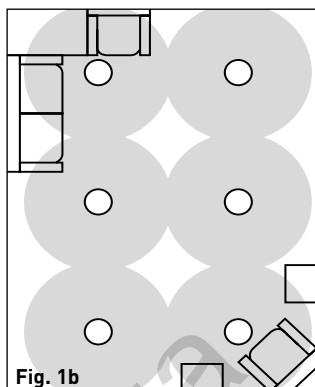


Fig. 1b

Couverture distribuée, Gauche+Droite

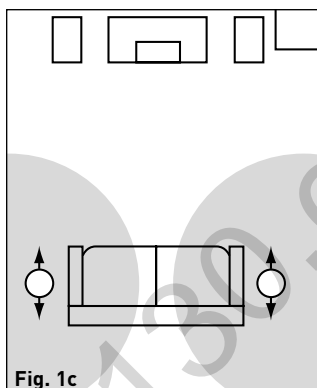


Fig. 1c

Couverture ambiophonique 5.1 à deux enceintes « SM »

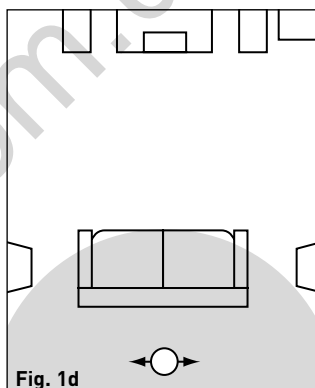


Fig. 1d

Couverture arrière 6.1 à une seule enceinte « SM »

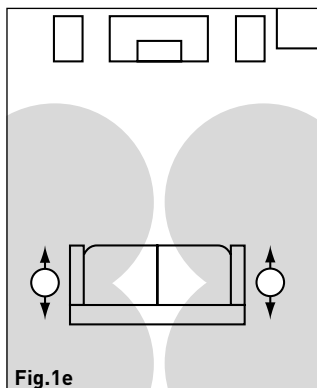


Fig. 1e

Couverture ambiophonique et arrière 7.1 à deux enceintes « SM »

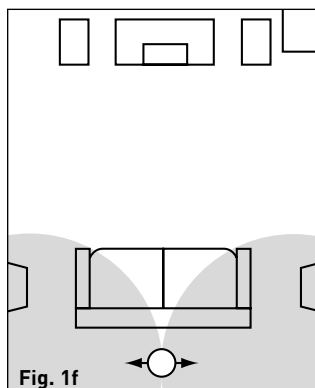


Fig. 1f

Couverture arrière 7.1 à une seule enceinte « SM »

POSITIONNEMENT DES ENCEINTES *(suite)*

Enceintes Guided Soundfield^{MC} Encastrables Au Plafond

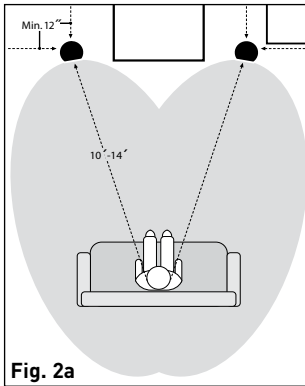


Fig. 2a

Enceintes avant gauche et droite

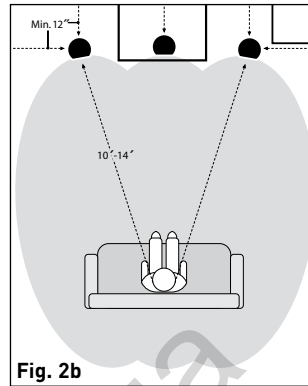


Fig. 2b

Enceintes avant gauche, centrale et droite

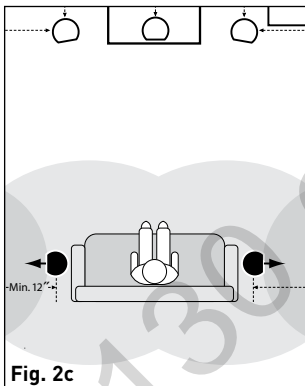


Fig. 2c

5.1 Positionnement ambiphonique, champ sonore diffus

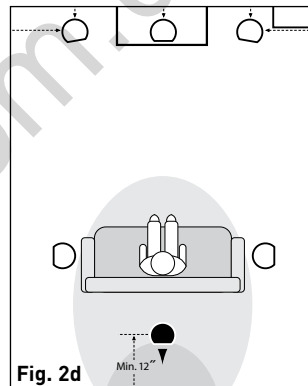


Fig. 2d

6.1 Positionnement arrière, champ sonore diffus

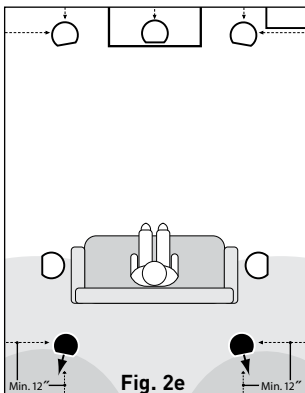


Fig. 2e

7.1 Positionnement arrière, champ sonore diffus

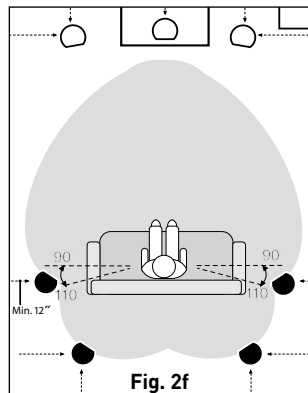


Fig. 2f

Couverture ambiphonique et arrière 7.1 à rayonnement direct

INSTALLATION ET RACCORDEMENT DES ENCEINTES *(illustrations)*

NOTE: Si les pinces ne sont pas dans la bonne position, utilisez un tournevis pour tourner les vis dans le sens antihoraire jusqu'à ce que les pinces soient dans la bonne position.

Montage au plafond

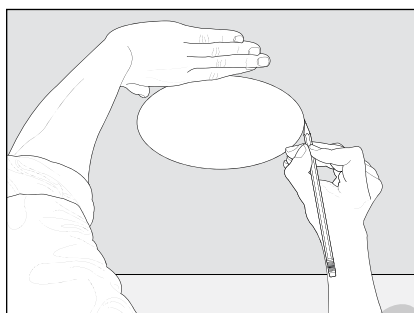
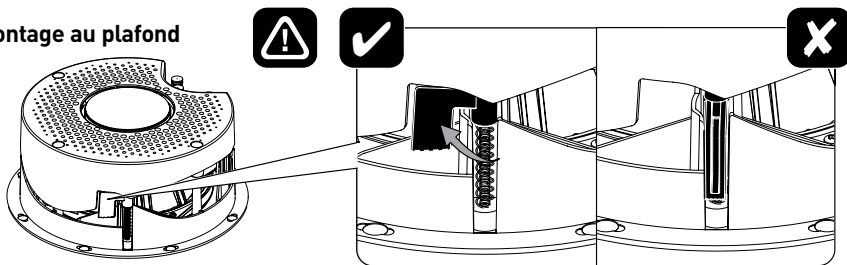


Fig. 3a

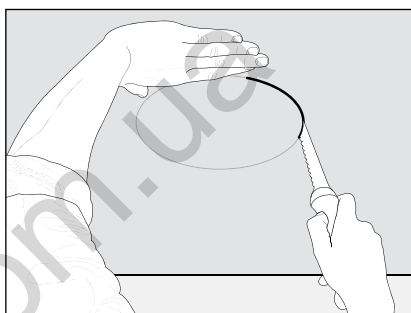


Fig. 3b

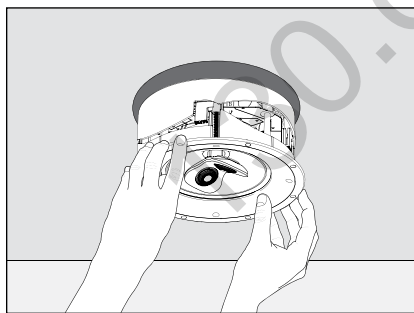


Fig. 3c

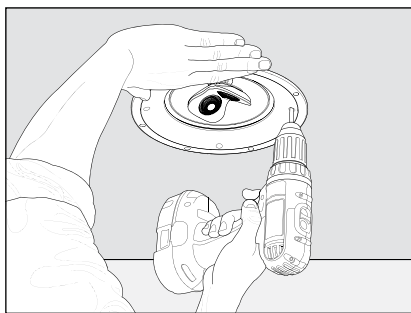


Fig. 3d

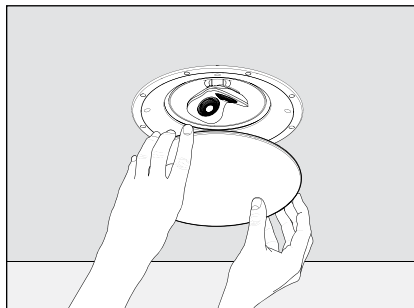


Fig. 3e

INSTALLATION ET RACCORDEMENT DES ENCEINTES *(illustrations)*

Montage au mur

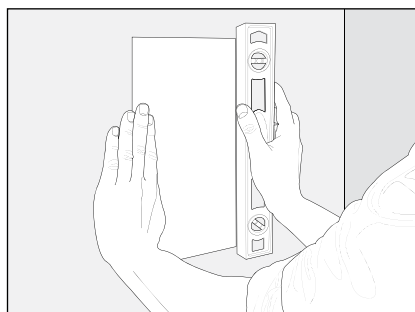
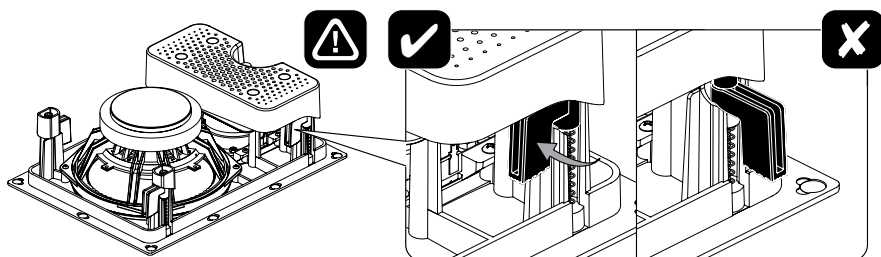


Fig. 4a

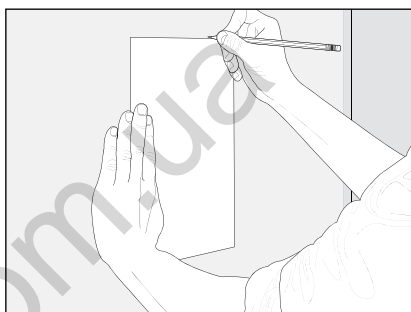


Fig. 4b

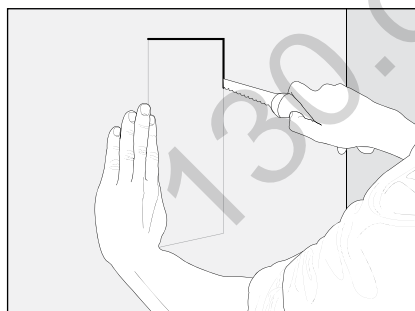


Fig. 4c

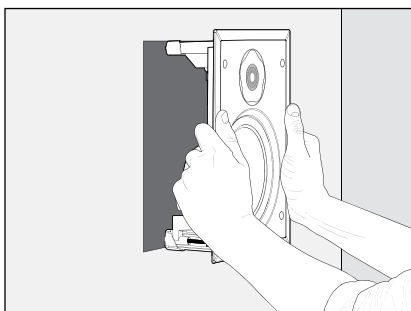


Fig. 4d

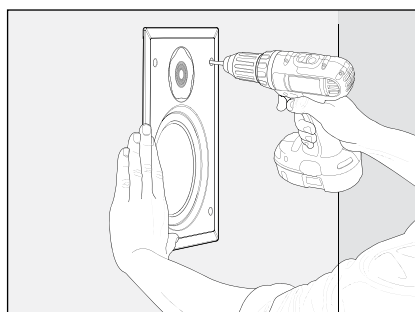


Fig. 4e

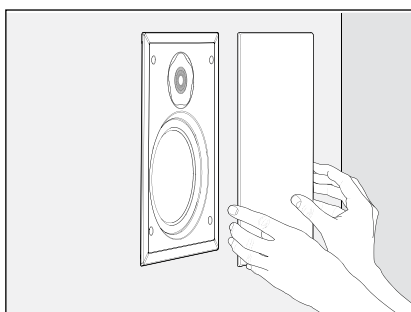


Fig. 4f

RACCORDEMENT DES ENCEINTES

Toutes les enceintes (configuration stéréo deux enceintes)

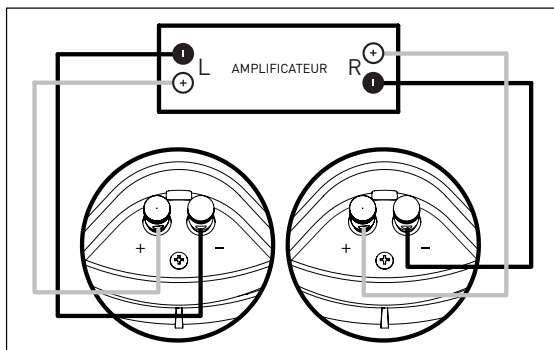


Fig. 5a

Toutes les enceintes
(à l'exception de P80-SM)

P80-SM (configuration stéréo deux enceintes)

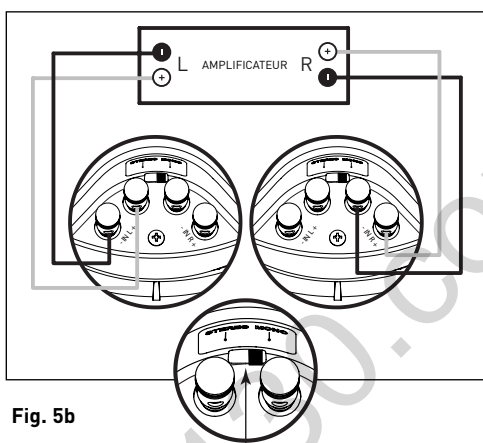


Fig. 5b

Placez l'interrupteur à la position **MONO**

P80-SM (configuration stéréo une enceinte)

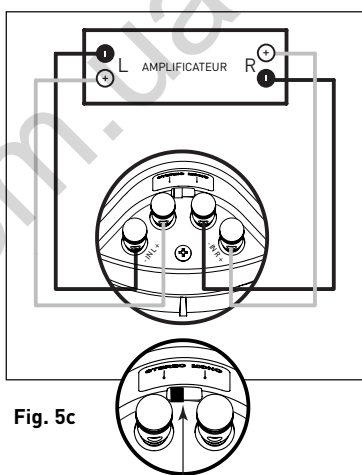


Fig. 5c

Placez l'interrupteur à la position **STEREO**

GUIDE DE DIAGNOSTIC

PROBLÈME	SOLUTION
Aucun son	S'assurer que le préamplificateur ou l'amplificateur est branché et allumé. Vérifier que la prise de courant fonctionne correctement. Les écouteurs sont-ils branchés ou le système est-il en mode sourdine (mute)? Vérifier tous les raccords.
Aucun son d'une ou plusieurs enceintes	Vérifier la commande de réglage d'équilibre (balance). Vérifier le branchement et le fonctionnement de tous les cordons d'alimentation. Permuter le câble de l'enceinte gauche et le câble de l'enceinte droite aux bornes de l'amplificateur afin de déterminer si le problème est lié à l'enceinte ou à un autre facteur (c. à d. câblage, amplificateur).
Déficience des graves ou image distoquée (stéréo)	Il se peut qu'une des enceintes soit déphasée (polarité inversée). Vérifier de nouveau la polarité de chaque raccordement : rouge (+) à rouge (+) et noir (-) à noir (-).

GARANTIE LIMITÉE

Les enceintes de CI Série Pro et Elite encastrables au mur ou plafond Paradigm^{MD} sont garanties contre les défauts de matériaux et de fabrication pendant une période de **cinq (5) ans** à compter de la date d'achat du matériel neuf. Durant cette période, la réparation, le remplacement ou le réglage de pièces pour des défauts de matériaux ou de fabrication ne seront pas à la charge du premier acheteur.

Les dommages causés par l'exposition abusive à la chaleur ou l'usage abusif ne sont pas couverts par la présente garantie.

Clauses spécifiques :

- La garantie entre en vigueur à la date d'achat par le premier acheteur chez un revendeur autorisé Paradigm^{MD}. La garantie n'est pas transférable.
- La garantie s'applique aux enceintes pour une utilisation résidentielle normale. Si les enceintes sont soumises à l'une des conditions définies dans le paragraphe suivant, la garantie est nulle.
- La garantie ne s'applique pas à un usage commercial ou professionnel.

La garantie est révoquée si :

- L'enceinte est soumise à un usage abusif (accidentel ou intentionnel);
- L'enceinte est utilisée avec un équipement défectueux ou non adéquat;
- L'enceinte est soumise à des signaux électriques dommageables, un transport dangereux, des dommages matériels ou toute autre condition anormale;
- L'enceinte (y compris le boîtier) est altérée ou endommagée lors d'une réparation non autorisée;
- La plaque du numéro de série de l'enceinte est enlevée ou défigurée.

Responsabilités du propriétaire :

- Apporter un soin et un entretien normaux et raisonnables.
- Assumer les frais de transport jusqu'à l'atelier de réparation.
- Fournir une preuve d'achat (conserver le reçu fourni lors de l'achat par le revendeur autorisé Paradigm^{MD} comme preuve de la date d'acquisition).

Si une réparation est nécessaire, contacter le revendeur autorisé Paradigm^{MD}, Paradigm Electronics Inc. ou le distributeur à l'étranger (à l'extérieur du Canada et des États-Unis) pour planifier l'envoi prépayé de l'enceinte défectueuse. Consulter le site web www.paradigm.com pour plus d'information.

Paradigm Electronics Inc. se réserve le droit d'améliorer ou de modifier ses produits en tout temps sans responsabilité ou engagement envers les produits existants.

La présente garantie de qualité marchande tient en lieu et place de toute autre garantie explicite ou implicite et ne peut être modifiée, élargie ou étendue à d'autres obligations par quiconque. Paradigm Electronics Inc. et ses représentants ou agents ne peuvent pas être tenus responsables de dommages découlant de l'utilisation de ces produits. Dans les endroits où une réglementation spécifique interdit une telle limitation de la responsabilité, cette exclusion ne s'applique pas.

Conserver le présent manuel et le reçu comme preuves d'achat jusqu'au terme de la garantie.