



PHONES

0 (800) 800 130
(050) 462 0 130
(063) 462 0 130
(067) 462 0 130

130
COM.UA

Internet store of
autogoods



SKYPE

km-130

CAR RECEIVERS — Receivers • Media receivers and stations • Native receivers • CD/DVD changers • FM-modulators/USB adapters • Flash memory • Facia plates and adapters • Antennas • Accessories |
CAR AUDIO — Car audio speakers • Amplifiers • Subwoofers • Processors • Crossovers • Headphones • Accessories | TRIP COMPUTERS — Universal computers • Model computers • Accessories |
GPS NAVIGATORS — Portable GPS • Built-in GPS • GPS modules • GPS trackers • Antennas for GPS navigators • Accessories | VIDEO — DVR • TV sets and monitors • Car TV tuners • Cameras • Videomodules
• Transcoders • Car TV antennas • Accessories | SECURITY SYSTEMS — Car alarms • Bike alarms • Mechanical blockers • Immobilizers • Sensors • Accessories | OPTIC AND LIGHT — Xenon • Bixenon • Lamps
• LED • Stroboscopes • Optic and Headlights • Washers • Light, rain sensors • Accessories | PARKTRONICS AND MIRRORS — Rear parktronic • Front parktronic • Combined parktronic • Rear-view mirrors
• Accessories | HEATING AND COOLING — Seat heaters • Mirrors heaters • Screen-wipers heaters • Engine heaters • Auto-refrigerators • Air conditioning units • Accessories | TUNING — Vibro-isolation
• Noise-isolation • Tint films • Accessories | ACCESSORIES — Radar-detectors • Handsfree, Bluetooth • Windowlifters • Compressors • Beeps, loudspeakers • Measuring instruments • Cleaners • Car seats
• Miscellaneous | MOUNTING — Installation kits • Upholstery • Grilles • Tubes • Cable and wire • Tools • Miscellaneous | POWER — Batteries • Converters • Start-charging equipment • Capacitors
• Accessories | MARINE AUDIO AND ELECTRONICS — Marine receivers • Marine audio speakers • Marine subwoofers • Marine amplifiers • Accessories | CAR CARE PRODUCTS — Additives • Washer fluid •
Care accessories • Car polish • Flavors • Adhesives and sealants | LIQUID AND OIL — Motor oil • Transmission oil • Brake fluid • Antifreeze • Technical lubricant



In store "130" you can find and buy almost all necessary goods for your auto in Kyiv and other cities, delivery by ground and postal services. Our experienced consultants will provide you with exhaustive information and help you to choose the very particular thing. We are waiting for you at the address

<https://130.com.ua>



NKMD60.4

Class-D 4-CH Bridgeable Power Amplifier

User Manual

 www.nakamichicaraudio.com

 [Nakamichi.Global](https://www.facebook.com/Nakamichi.Global)

 [Nakamichi.caraudio](https://www.instagram.com/Nakamichi.caraudio)

CONTENTS

INTRODUCTION	2 EN
ACCESSORY LIST	2 EN
SPECIFICATIONS	2 EN
DIMENSIONS	3 EN
PANEL CONTROLS AND FEATURES	4 EN
WIRING DIAGRAM	5 EN
PRECAUTIONS	6 EN
FUSE REPLACEMENT	6 EN
PROTECTION CIRCUIT	6 EN
WIRING INSTRUCTIONS	7 EN
Power Connection	
Ground Connection	
Remote Turn-On Connection	
Speaker Connections	
POWER CONNECTION LEADS	8 EN
Power Supply Notes	
OPERATION	9 EN
Gain Input Level Control	
Crossover Frequency Control	
Crossover Switch	
TROUBLESHOOTING	10 EN
Loss of Function	
No Sound	
Red LED Protection Light	
Poor Sound Quality	
No Stereo Output / Weak Bass	
INTERFERENCE	10 EN

INTRODUCTION

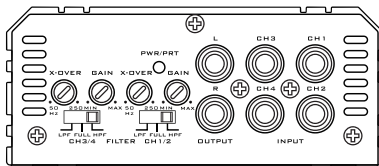
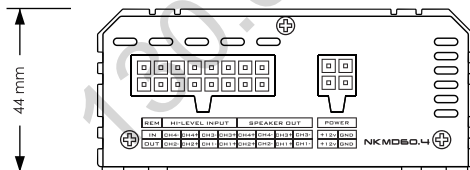
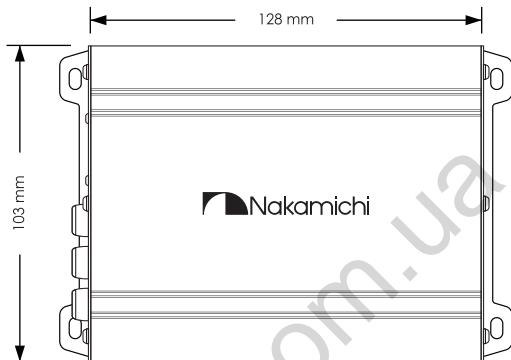
Thank you for your purchase, and welcome to Nakamichi! In order to enjoy the better service from us, please keep your original invoice well and complete. You'd better post the copy of back to the appointed service agent of Nakamichi, so that you may get more technical support.

ACCESSORY LIST

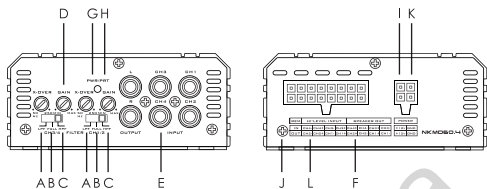
1. User Manual	2pcs
2. Amplifier	1pc
3. Mounting Screw (Φ4x20mm)	4pcs
4. Wire	2pcs
5. Fuse(30A)	1pcs

SPECIFICATIONS

N-power Output @ 4 Ohm	60w x 4
N-power Output @ 2 Ohm	75w x 4
N-power Output @ 4 Ohm Bridged	150w x 2
Max Power	1500W
Frequency Response	40Hz - 18KHz
Input Sensitivity	250mV to 6V
Signal To Noise Ratio	≥90dB
T.H.D.	≤0.2%
Low Pass Crossover Frequency	50Hz - 250Hz
Hight Pass Crossover Frequency	50Hz - 250Hz
Minimum Impedance	20K
Fuse Size	30A x 1 (mini)
Net Weight	Approx. 0.8 kg
Dimensions (L x H x W)	128 x 103 x 44 mm

Dimensions(Unit: mm)


Panel controls and features



A. LOW PASS CROSSOVER FREQUENCY

Controls low frequency of the amplifier between 50Hz to 250Hz.

B. CROSSOVER CONTROL

Depending on the selected switch the amplifier will operate at full, high or low pass mode.

C. HIGH PASS CROSSOVER FREQUENCY

Controls high frequency of the amplifier between 50Hz to 250Hz.

D. GAIN CONTROL

The gain control will match the amplifiers sensitivity to the source signal voltage.

E. LOW LEVEL RCA INPUT

These RCA input jacks connect with your source unit RCA low level outputs or via optional adapter with your source unit speaker high level outputs. The use of high quality twisted pair car audio cables is recommended to reduce the possibility of audio signal degradation.

F. SPEAKER CONNECTIONS

Connect speakers/subwoofers to these terminals. Be sure to check wires for proper polarity. Nener connect the speaker cable to chassis ground.

G. PROTECTION INDICATOR

This red LED will light up and flash if there is fault present in the amplifier. Please disconnect the amplifier and resolve the fault before reconnecting the amplifier.

H. POWER INDICATOR

This LED will light up when amplifier works properly.

I. +12V = POWER SUPPLY

Connect this terminal through a fuse or circuit breaker to the positive terminal of the vehicle battery or the positive terminal of an isolated audio system battery.

J. REM(ON/OFF) REMOTE CONTROL

When using high input, the amplifier can detect the DC offset from the high level signals to auto turn on or off. When the amp turns on, the REM terminal will output +12V DC to control the other device to turn on or off.

REM IN: When using low level inputs, the amplifier REM should be connected to the REM out of the source unit. The head unit controls the amplifier to automatically power on or off.

K. GND (-) = GROUND CONNECTION

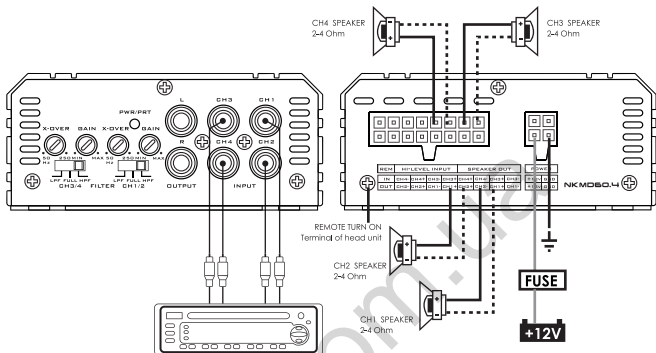
Connect this cable directly to the frame of the vehicle, make sure that the metal frame has been stripped of all paint down to bare metal. Use the shortest distance possible. It is a good idea to replace the vehicle battery ground terminal or any other factory ground points.

L. HIGH INPUT

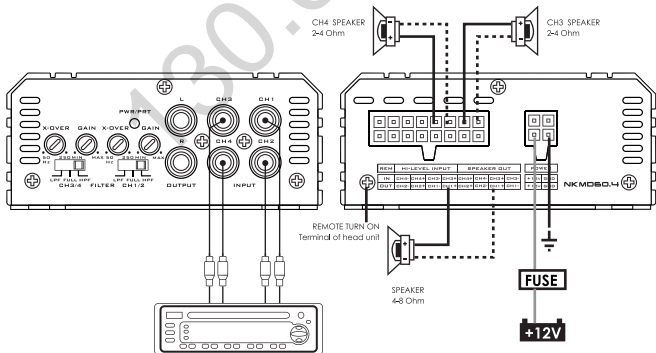
Used to connect the car CD power amplifier output signal, which can automatically turn on the power amplifier (the REM cable does not need to be connected).

WIRING DIAGRAM

4 CHANNEL STEREO



2.1 CHANNEL



PRECAUTIONS

- This unit is designed for negative ground 12 Volts DC operation only.
- Use speakers with an impedance of 2Ω or 4Ω (4Ω to 8Ω when used as bridged amplifier)
- Avoid installing the unit where:
 - It would be subject to high temperatures, such as from direct sunlight or hot air from the heater.
 - It would be exposed to rain or moisture.
 - It would be subject to dust or dirt.
- If your car is parked in direct sunlight and there is a considerable rise in temperature inside the car, allow the unit to cool off before operation.
- When installing the unit horizontally, be sure not to cover the heatfink fins with the floor carpet or any other obstructions.
- If this unit is placed too close to the car radio, an interference may occur. In this case, separate the amplifier from the car radio.
- This power amplifier employs protection circuits to protect the transistors and speakers in case of amplifier malfunctions.
- Do not attempt to test the protection circuit by covering the heatsink or connecting improper loads.
- Do not use the unit with a weak car battery as its optimum performance depends on a normal battery supply voltage.
- For safety reasons, keep the volume of your car audio system moderate so that you can still hear normal traffic sounds outside your car.

FUSE REPLACEMENT

If the fuse blows, check the power connection and replace the fuse. If the fuse blows again after replacement, there may be an internal malfunction. In this case, consult your dealer.

WARNING: Use the specified amperage fuse. Use of a higher amperage fuse may cause serious damage.

PROTECTION CIRCUIT:

This amplifier is provided with a protection circuit which operates in the following cases when:

- the unit is overheated.
- the speaker terminals are short circuited.

WIRING INSTRUCTIONS

POWER CONNECTION

The battery terminal (BATT) must be connected directly to positive terminal of the vehicle battery to provide an adequate voltage source and minimize noise. Connecting the battery terminal lead to any other point (such as the fuse block) will reduce the power output and may cause noise and distortion. Use only #8 gauge or thicker (smaller gauge#) wire for this lead and connect it to terminal of the battery after all other wiring is completed.

GROUND CONNECTION

The ground terminal (GND) connection is also critical to the correct operation of the amplifier. Use a wire of the same gauge as the power connection (#8 or thicker) and connect it between the ground terminal (GND) of the amplifier and a metal part of the vehicle close to the mounting location. This wire should be as short as possible and any paint or rust at the grounding point should be scraped away to provide a clean metal surface to which the end of the ground wire can be screwed or bolted.

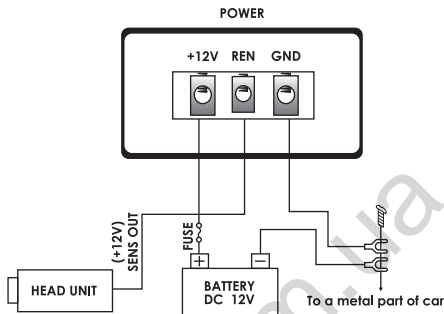
REMOTE TURN-ON CONNECTION

When using High Level Inputs, the amplifier can detect the DC offset from the high level input signal to auto turn ON/OFF. When the amplifier turns on, The REM terminal will output +12V DC to control the other device turn ON/OFF. REM IN: When using Low level input, the amplifier rem in should be connected to the REM out of the source unit. The head unit controls the amplifier turn ON/OFF.

SPEAKER CONNECTIONS

Depending on the type and number of speakers used with amplifier wire them to the speaker terminals as per the appropriate wiring diagram. For most applications # 18 gauge wire should be used for the speaker leads but in no case thinner than # 20 gauge. For leads in excess of 10 feet #16 gauge is recommended. When wiring the speakers, pay careful attention to the polarity of the terminals on the speakers and make certain they correspond to the polarity of the corresponding terminals on the amplifier. Do not ground any speaker leads to the chassis of the vehicle.

POWER CONNECTION LEADS



NOTES ON THE POWER SUPPLY

- Connect the +12V power input lead only after all other leads have been connected.
- Be sure to connect the ground wire of the unit securely to metal part of the car.
- A loose connection may cause a malfunction of the amplifier.
- REM: The unit is turned on by applying +12 Volts to this terminal. This terminal does not draw heavy current like the Tow Power Terminals so a thinner connecting wire is acceptable. Standard 18 GAUGE is fine and the standard color is yellow. If the radio is equipped with a Power Antenna control wire, it can drive this terminal. If the Power Antenna wire is already in use, you can still splice into it. With this method, the unit will turn on automatically with the radio.
- Use the power supply lead with a fuse attached whose value is the same as original fuse.
- Place the fuse in the power supply lead as close as possible to the car battery.
- During a full power operation, Maximum current will run through the system. Therefore make sure that the leads to be connected to the +12V and GND terminals of the unit respectively must be larger than 10-Gauge (AWG.10).

OPERATION

GAIN = INPUT LEVEL CONTROL

•The input level control allows the system to work well within a wide range of output level. Choose the adjustment in the way that you achieve a sound most possibly without any distortion. As a guideline the following procedure is recommended:

-If you use several amplifiers, the adjustment has to be made for each set separately. Tune in the volume of your car radio to 2/3 of the maximum volume. Now turn the gain control of the amplifier from "Min" to "Max" direction until you can hear distortions. Then turn the gain a little back until the noise disappears. The gain control adjustment is finished now.

ATTENTION: If you use 2 Ohm speakers in stereo mode, or 4 Ohm speakers in bridge mode and the overload protection is triggered, turn the gain control to "Min" direction, until the operation is free of trouble.

CROSSOVER FREQUENCY CONTROL

•When the crossover control is in the Low-Pass position, this control becomes active allowing you to select your crossover point.

•When the crossover control is in the High-Pass position, this control becomes active allowing you to select your crossover point.

CROSSOVER SWITCH

Full: full range frequency

Low pass: the lower frequency under setting point can pass through.

High pass: the higher frequency above setting point can pass through.

HOW TO PROCEED IN CASE OF FAULTS

No Function:

- The connection cable is not connected correctly (=terminal + 12V/GND/REM). Ensure that all connections and mechanic contact and that the jacket has been removed. If the fuse is defective, pay attention to the correct value of the replacement fuse.

No Sound:

- Check that the speaker cable or plug is connected correctly.

No Sound / Red LED Protection is on:

- The plus and minus wires of the speaker cable have contact, thus eliminate the short circuit. If you use a 2 Ohm Speaker in stereo mode, a 4 Ohm speaker in bridge mode or tri-mode and the set is overloaded, then turn the gain control to "min" until the operation is free of trouble.

Poor Sound Quality (Distortions):

- The speakers are overloaded, therefore turn down the volume level and check the volume control positions.

No Stereo Sound And A Weak Bass:

- Speaker cables (+) and (-) are mixed up, unit wired out of phase.

INTERFERENCE

All cables can source and create interference. The power cable and RCA audio cable are very prone to interference; the remote cables are less prone. There is often interference caused by the generator (piping), ignition (cracking) or other car electronic parts. Most of these problems can be eliminated by correct and careful cabling. In doing so, here are the following guidelines:

- Use only a screened audio cable for the wiring between "low level in" of the amplifier and RCA or DIN output of the radio.
- Lay the signal speaker and power cables separately with enough distance from one another and also from other car cable. If not possible, you can lay the circuit and ground cable together with the serial cables. Audio and speaker cable should be as far away from these as possible. The REM cable to the automatic antenna output of the radio can be laid together with the signal cables.
- Avoid ground loops by laying the ground wiring of all components to center point in a starlike way. You can find the best central point in measuring the voltage directly at the battery. Now compare this voltage value with the chosen ground point and the (+) terminal of the amplifier. If measured voltage is only slightly different, you've found the correct central. Otherwise you have to look for another point. You should measure with the ignition point for earth being switched on and additionally switched on consumers (rear window heating and light).
- If there are pickups from external electrical sources into the speaker cables, divide the core leads and twist them together.
- If there are noises from the car electrics, add an interference suppression choke into the power wiring.
- If there are humming noises, use thicker ground cables or add further ground cables to the chassis.
- To reduce contact resistance and bad or loose contacts, please solder the cable ends or use multi core cable ends, spade terminals or others. Gold Plated spade terminal are free of corrosion and have the lowest contact resistance.
- Should all these measures be without any success, the use of a ground loop isolator may solve the problem.

130.com.ua

FIND US ON:

 www.nakamichicaraudio.com

 [Nakamichi.Global](https://www.facebook.com/Nakamichi.Global)

 [Nakamichi.caraudio](https://www.instagram.com/Nakamichi.caraudio)

Autogoods "130"