



PHONES

0 (800) 800 130
(050) 462 0 130
(063) 462 0 130
(067) 462 0 130

130
COM.UA

Internet store of
autogoods



SKYPE

km-130

CAR RECEIVERS — Receivers • Media receivers and stations • Native receivers • CD/DVD changers • FM-modulators/USB adapters • Flash memory • Facia plates and adapters • Antennas • Accessories |
CAR AUDIO — Car audio speakers • Amplifiers • Subwoofers • Processors • Crossovers • Headphones • Accessories | TRIP COMPUTERS — Universal computers • Model computers • Accessories |
GPS NAVIGATORS — Portable GPS • Built-in GPS • GPS modules • GPS trackers • Antennas for GPS navigators • Accessories | VIDEO — DVR • TV sets and monitors • Car TV tuners • Cameras • Videomodules
• Transcoders • Car TV antennas • Accessories | SECURITY SYSTEMS — Car alarms • Bike alarms • Mechanical blockers • Immobilizers • Sensors • Accessories | OPTIC AND LIGHT — Xenon • Bixenon • Lamps
• LED • Stroboscopes • Optic and Headlights • Washers • Light, rain sensors • Accessories | PARKTRONICS AND MIRRORS — Rear parktronic • Front parktronic • Combined parktronic • Rear-view mirrors
• Accessories | HEATING AND COOLING — Seat heaters • Mirrors heaters • Screen-wipers heaters • Engine heaters • Auto-refrigerators • Air conditioning units • Accessories | TUNING — Vibro-isolation
• Noise-isolation • Tint films • Accessories | ACCESSORIES — Radar-detectors • Handsfree, Bluetooth • Windowlifters • Compressors • Beeps, loudspeakers • Measuring instruments • Cleaners • Car seats
• Miscellaneous | MOUNTING — Installation kits • Upholstery • Grilles • Tubes • Cable and wire • Tools • Miscellaneous | POWER — Batteries • Converters • Start-charging equipment • Capacitors
• Accessories | MARINE AUDIO AND ELECTRONICS — Marine receivers • Marine audio speakers • Marine subwoofers • Marine amplifiers • Accessories | CAR CARE PRODUCTS — Additives • Washer fluid •
Care accessories • Car polish • Flavors • Adhesives and sealants | LIQUID AND OIL — Motor oil • Transmission oil • Brake fluid • Antifreeze • Technical lubricant



In store "130" you can find and buy almost all necessary goods for your auto in Kyiv and other cities, delivery by ground and postal services. Our experienced consultants will provide you with exhaustive information and help you to choose the very particular thing. We are waiting for you at the address

<https://130.com.ua>

GATZLER®



USER MANUAL

CAR REARVIEW MIRROR WITH BUILT-IN MVR

MMR71xx/MMR51xx/MMR70xx/

MMR50xx/MUR7100/MUR5100/

MUR7000/MUR5000

Autogoods "130"

130.com.ua

ENG	User manual	4
RU	Руководство пользователя	16
UA	Посібник користувача	28

130.com.ua

Contents

1. Warning	5
2. Important information	6
3. Package contents	7
4. Controls	8
5. Usage	10
6. Mirror installation	14
7. Specifications	15

ENG

130.com.ua

Warning

Congratulations on your purchase of Gazer car rearview mirror with built-in DVR.

ENG

Please read this manual carefully, before using the device.

Warnings

- Do not use chemicals to clean the device. Please use a soft cloth to clean the body, mirror surface and lens.
- Avoid shocks, falls and mechanical damage to the device.
- Follow temperature exploitation regime! Storage from -30°C to $+70^{\circ}\text{C}$, usage from -20°C to $+65^{\circ}\text{C}$.
- Do not attempt to repair the appliance yourself. In case of any damage contact your dealer or service center.
- To install and connect the mirror without voiding your car's warranty, please consult with the personnel of service stations where your car is serviced.
- The manufacturer is not responsible for any losses or missed opportunities due to use of videos and data obtained with the help of this device.

Warning!

ENG

- Do not insert or remove the SD card when the device is on. This can lead to the built-in DVR malfunction. Wait for 30 seconds after DVR shut down and only then safely remove the memory card.
- Set the correct time and date before using the device.
- Use at least 0.5 seconds time interval while pressing control buttons, this guarantees proper functioning of the device.
- When connecting the device, use only the original power supply cable.
- Use the restart option by (long pressing **ON/OFF** button) in the following cases:
 - power indicator is not on when the power supply cable is connected;
 - the device does not switch from the standby to the recording or control mode;
 - the device fails to function properly.
- Files protected from overwriting by G-sensor are recorded in a loop with a 15 files limit. Closely monitor the free space remaining on the memory card to avoid loss of protected files due to loop overwriting that takes place within the limits allocated for such files on the memory card.

Package contents

ENG



MMR51xx/MMR71xx
MMR50xx/MMR70xx
MUR5100/MUR7100
MUR5000/MUR7000 rear-view mirrors with a built-in DVR



Mirror connection cable with a switching and control unit



Windshield cover for cable concealment



Power cord (+12V) for camera, video source, and parking sensors



Remote control



GPS antenna



User manual

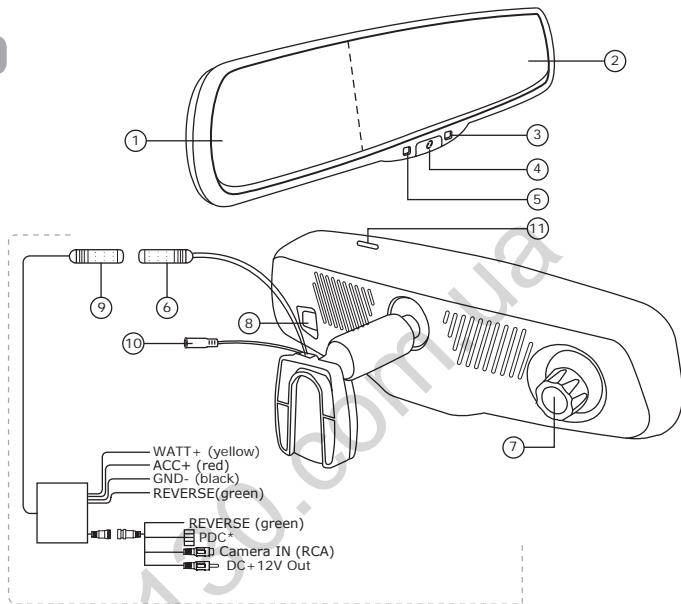


Fig. 1

- | | |
|--|---------------------------------------|
| 1. Built-in display 4.3" | 5. Passenger compartment light sensor |
| 2. Mirror | 6. Switching unit input jack |
| 3. Device mode indicator | 7. Lens |
| 4. ON/OFF button –turns the monitor on/off; reset button (long press); monitor brightness adjustment (in the rear-view camera display mode). | 8. Ambient light sensor |
| | 9. Mirror socket |
| | 10. GPS antenna socket |
| | 11. MicroSD memory card slot |

*PDC jack is used for connecting Gazer PA-XXX series parking assistant.

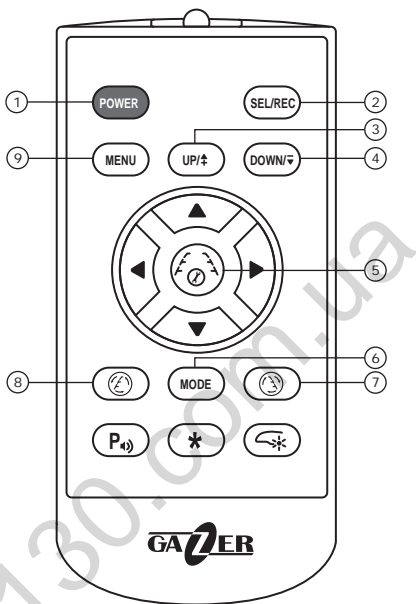


Fig. 2

- | | |
|--|--|
| <ol style="list-style-type: none"> 1. POWER – switch on/switch off the display. 2. SEL/REC – stop/start recording; activation of the setting. 3-4. UP/DOWN – navigation menu. 5. The lines parking settings button | <ol style="list-style-type: none"> 6. MODE – switch between video. 7-8. The line parking angle setting button 9. MENU – input/output menu. |
|--|--|

- Designed for installation in the passenger compartment instead of the stock rear-view mirror, MMR51xx/MMR71xx/MMR50xx/MMR70xx, MUR5100/MUR7100/MUR5000/MUR7000 Gazer rear-view mirror has a built-in 4.3" (16:9) monitor and a Super HD (for MMR51xx/ MMR71xx/ MUR5100/MUR7100 models) or a Full HD (for MMR50xx/ MMR70xx/ MUR5000/MUR7000 models) DVR. "xx" symbols in the name of the model indicate the type of the windshield mount compatible with a specific car model.
- The built-in monitor supports PAL or NTSC video standards and can automatically detect and switch to the required standard.
- When the built-in DVR is on, the image will be displayed on the monitor continuously. One can use the **ON/OFF** button to turn the built-in display on or off (the DVR will keep on recording).
- **Camera IN** input is designed for receiving video feed from the rear-view camera. When the car is backing up (with the rear-view camera broadcasting the video signal), the image from the camera will be displayed on the built-in monitor. **Camera IN** video input is prioritized: when the DVR and the rear-view camera provide video feed simultaneously, the monitor automatically switches to the rear-view camera viewing mode. If the monitor was turned off by pressing the **ON/OFF** button, it will turn on automatically when the **Camera IN** video input receives video feed and turn off when the video feed is terminated. If the rear-view camera is on and the monitor is receiving video feed from the camera, the DVR will not stop recording.
- In Gazer MMR51xx/MMR71xx/MMR50xx/MMR70xx MUR5100/MUR7100/MUR5000/MUR7000 models, the brightness of the built-in monitor can be adjusted automatically. This function is enabled by default, and, depending on the lighting conditions inside the car, the monitor will automatically adjust the brightness of its screen to the required level.
- When the video feed from the rear-view camera is displayed on the built-in monitor, one can use the **ON/OFF** button to adjust the screen brightness. Video input display parameters can also be configured with the **MENU** button when the video input is active. All custom settings will be saved and remain in effect the next time the video input is enabled.
- Gazer MMR71xx/MMR70xx MUR7100/MUR7000 models have auto-dimming function. The mirror surface of these devices dims automatically whenever it catches bright light from the headlights of vehicles traveling behind at night. This protects the driver from dazzling through the rear-view mirror, which makes driving a car at night more comfortable. In addition, the mirror surface dimming intensity changes automatically depending on the lighting conditions.

Note: Use the remote control that comes in the supply package to set up and control the mirror.

1. Interface language setting. Stop the recording by pressing **SEL/REC**, then press **MENU** to access the video settings menu. Press **MENU** again to return to the main settings. Press **UP/DOWN** to navigate to «Language» and select the interface language, then press **MENU** to exit from the settings and resume the recording by pressing **SEL/REC**.

2. Date and time setting. The mirror allows adding date and time watermarks to recorded videos. To configure date and time settings, stop recording by pressing **SEL/REC**, then press **MENU** to access the video settings menu. Press **MENU** again to return to the main settings. Press **UP/DOWN** to navigate to «System time» and configure it as required, then press **MENU** to exit from the settings and resume the recording by pressing **SEL/REC**.

3. Video resolution setting. The DVR supports the following video recording resolutions: 2560x1080 30fps; 2304x1296 30fps; 1920x1080 45fps; 1920x1080 30fps; HDR1920x1080 30fps; 1280x720 60fps; 1280x720 30fps for MMR51xx/MMR71xx/MUR5100/MUR7100 models and 1920x1080 30fps; HDR1920x1080 30fps; 1280x720 60fps; 1280x720 30fps for MMR50xx/MMR70xx/MUR5000/MUR7000 models. To select the recording resolution, first stop the recording by pressing **SEL/REC** and then switch to the settings menu by pressing **MENU**. Press **UP/DOWN** to navigate to «Video resolution» and select the required value, then press **MENU** to exit from the settings and resume the recording by pressing **SEL/REC**.

4. Loop recording. To enable/disable the DVR's loop recording function, first stop the recording by pressing **SEL/REC** and then press **MENU** to access the settings menu. Press **UP/DOWN** to navigate to «Loop recording» and select the required value, then press **MENU** to exit from the settings and resume the recording by pressing **SEL/REC**.

Recommendation: Selecting the shortest duration of recorded video clips allows minimizing pauses between them.

5. Automatic power-up on ACC signal. The mirror can switch to the recording mode automatically when ACC signal is available (this function is disabled by default). To disable this function, first stop the recording by pressing **SEL/REC**, then switch to the settings menu by

pressing **MENU**. Press **UP/DOWN** to navigate to «Auto-recording» and select the required value, then press **MENU** to exit from the settings and resume the recording by pressing **SEL/REC**.

6. G-sensor. The mirror features a built-in G-sensor (a three-axis accelerometer) that traces any sharp changes in the vehicle's driving pattern (hard braking, acceleration, and impact). Files recorded when the G-sensor is tripped are automatically protected from deletion through loop overwriting and stored in a separate "EVENT" folder (can contain a maximum of 15 files) where loop overwriting also takes place. This recording principle ensures the device's continuous operation with no additional maintenance required – the space on the SD card is freed up automatically.

To adapt the G-sensor to external operating conditions, the mirror allows adjusting the sensor's sensitivity. To configure the G-sensor sensitivity, first stop the recording by pressing **SEL/REC**, then press **MENU** to access the settings menu. Press **UP/DOWN** to navigate to «G-sensor sensitivity» and select the required value, then press **MENU** to exit from the settings menu and resume the recording by pressing **SEL/REC**.

7. Motion sensor. Thanks to the motion sensor, the built-in DVR supports automatic activation of the recording mode upon detection of motion in the frame as well as automatic deactivation of this mode after the motion in the frame stops. To enable and configure this function, first stop the recording by pressing **SEL/REC** and then press **MENU** to access the settings menu. Press **UP/DOWN** to navigate to the «Motion sensor» and enable/disable the function or go to «Motion sensor sensitivity» to set the sensitivity level.

8. Parking mode. When the parking mode is activated, the built-in DVR will continue recording up to 12 hours after ACC signal is terminated. In this case, the screen and the status indicators will be turned off. To enable this function, first stop the recording by pressing **SEL/REC** and then press **MENU** to access the settings menu. Press **UP/DOWN** to navigate to «Parking mode» and select for how long the DVR will operate after the ignition is turned off.

Note: Car Rearview Mirror with built-in MVR Gazer has the minimal system voltage control function. As soon as the specified level 11,7V is reached, the MVR shuts down and the parking mode will not be active. This makes it possible to prevent the vehicle's battery from discharging to a critical level after which it will be impossible to start the car engine.

9. Intelligent LDWS+FCWS systems. (for MMR51xx/MMR71xx/MUR5100/MUR7100 models). The mirror features intelligent LDWS (Lane Departure Warning System) and FCWS (Forward Collision Warning System) systems. LDWS system is designed to alert the driver about the departure from a chosen lane. FCWS will promptly inform you about the decreasing safe distance between your car and another vehicle thus helping avoid a possible accident or collision.

To operate correctly, LDWS and FCWS are to be calibrated with regard to your car dimensions. To perform the calibration, first stop the recording by pressing **SEL/REC** and then press **MENU** to access the settings menu. Press **UP/DOWN** to navigate to «LDWS calibration» and proceed with calibration.

10. GPS. The device has a built-in GPS receiver, which allows logging GPS coordinates and speed during the trip. To enable this function, first stop the recording by pressing **SEL/REC** and then press **MENU** to access the settings menu. Press **UP/DOWN** to navigate to the «GPS» item and then enable or disable this function.

Note: To watch video, route, fixed speed on PC, use Gazer Player program. It is available for download on the web site www.gazer.com

11. Memory card formatting. To format the memory card, stop the recording by pressing the **SEL/REC** button and then press the **MENU** button to access the video settings menu. After that, press the **MENU** button again to go to the main settings. Use the **UP/DOWN** buttons to navigate to "SD card formatting". Then press **SEL/REC** and set the parameter to "ON". Once this is done, press the **MODE** button to confirm the memory card formatting command.

Mirror installation

ENG

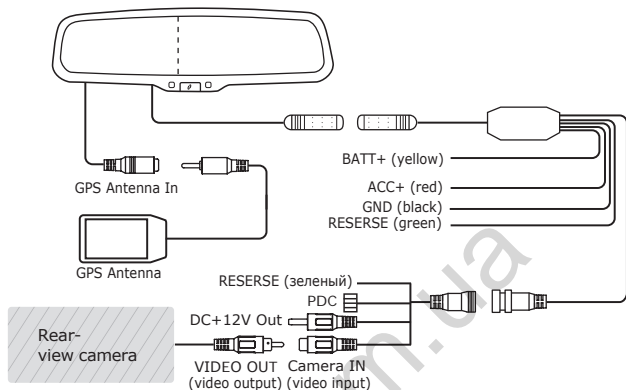


Fig. 3

Connect the black wire (**GND**) to the car chassis, the yellow wire (**BAT+**) - directly to the +12V terminal of the car battery or to the power line with the constant voltage of +12V.

Connect the red wire (**ACC+**) to the car's +12V (**ACC+**). Power ACC turns on when the car key is in the II ignition lock position.

Connect the green wire (**REVERSE**) to the +12 V power wire of the rear lights. In this case, whenever the reverse gear is engaged, the mirror will switch to the rear-view camera mode.

Connect the video input jack (**Camera IN**) with the video output (**VIDEO OUT**) jack of the rear-view camera.

Connect the switching unit jack to the corresponding jack on the mirror.

Specifications

ENG

Display	TFT LCD 4,3"
Display resolution	480x272 (16:9)
Display brightness	1000 cd/m ²
Video Input	CVBS (RCA)
Signal format	PAL/NTSC auto-detect function
Memory Card Support	micro SDHC, up to 32 Gb
Auto-dimming	Yes*
Sensor	1/3" CMOS
Viewing angle	140°
Video resolution	2560x1080 @30fps** 2304x1296 @30fps** 1920x1080 @45fps** 1920x1080 @30fps HDR1920x1080 @30fps 1280x720 @60fps 1280x720 @30fps
Video characteristics	MP4, H.264
Audio	Built-in microphone and speaker
G-sensor	Yes, with additional setting sensitivity
Motion detector	Yes, with additional setting sensitivity
Parking mode	Yes
Minimal system voltage control function	Yes, to the specified level 11,7V
Power supply	DC 12V

*for MMR71xx/MUR7100/MMR70xx/MUR7000 models.

** for MMR71xx/MMR51xx/MUR7100/MUR5100 models.

Содержание

RU

1. Меры предосторожности	17
2. Важная информация	18
3. Комплектация	19
4. Элементы управления.....	20
5. Особенности использования.....	22
6. Подключение зеркала	26
7. Технические характеристики.....	27

130.com.ua

Меры предосторожности

Поздравляем Вас с приобретением автомобильного зеркала заднего вида Gazer со встроенным видеорегистратором.

RU

Перед использованием устройства, пожалуйста, внимательно ознакомьтесь с руководством.

Меры предосторожности

- Не очищайте устройство химическими средствами. Пожалуйста, используйте мягкую ткань для очистки корпуса, зеркальной поверхности и линзы объектива.
- Оберегайте устройство от механических повреждений.
- Придерживайтесь температурного режима эксплуатации! Хранение от -30°C до +70°C, использование - от -20°C до +65°C.
- Не ремонтируйте устройство самостоятельно. В случае возникновения поломок обратитесь к продавцу или в сервисный центр.
- Обратитесь к специалистам СТО, где обслуживается Ваш автомобиль, чтобы установить и подключить устройство. Так Вы сохраните гарантию на авто.
- Завод-производитель и продавец не несут ответственности за убытки и упущенную выгоду, возникшие в результате использования или потери информации, полученной с помощью этого устройства.

Внимание!

RU

- Не вставляйте и не вынимайте SD-карту памяти при включенном питании. Это приведет к нарушениям в работе встроенного видеорегистратора. Перед установкой или извлечением карты памяти убедитесь, что питание устройства отключено не менее 30 секунд.
- Перед началом эксплуатации обязательно выполните точную настройку даты и времени.
- Для корректной работы видеорегистратора интервал времени между нажатием кнопок управления должен составлять не менее 0,5 секунды.
- Для подключения устройства используйте только оригинальный кабель питания, который поставляется в комплекте.
- Перезагрузите видеорегистратор с помощью длительного нажатия кнопки **ON/OFF** (на корпусе зеркала) в следующих случаях:
 - отсутствует индикация питания после подключения кабеля питания;
 - устройство не включается;
 - устройство не переходит из режима ожидания в режим записи или управления;
 - работа устройства не соответствует заданным режимам.
- Файлы, защищенные от перезаписи после срабатывания G-сенсора, записываются циклически в пределах 15-ти файлов. Внимательно следите за заполнением карты памяти, чтобы избежать потери защищенных файлов в процессе циклической перезаписи.



Зеркало заднего вида со встроенным видеорегистратором MMR51xx/MMR71xx MMR50xx/MMR70xx MUR5100/MUR7100 MUR5000/MUR7000



Кабель подключения зеркала с блоком коммутации и управления



Накладка на лобовое стекло для скрытия кабеля



Кабель для подключения питания камеры +12В, видеосигнала и парктроников



Пульт дистанционного управления



GPS-антенна



Руководство пользователя

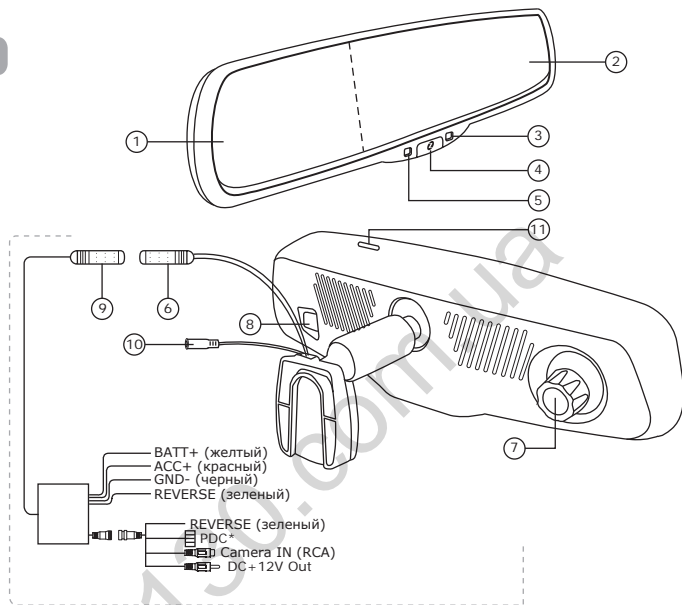


Рис. 1

- | | |
|--|--|
| <p>1. Встроенный дисплей 4,3"</p> <p>2. Зеркало</p> <p>3. Индикатор режима работы устройства</p> <p>4. Кнопка ON/OFF – включение/выключение монитора; кнопка сброса (длительное нажатие); настройка яркости монитора (в режиме отображения сигнала с камеры заднего вида).</p> <p>5. Датчик освещенности в</p> | <p>салоне</p> <p>6. Разъем подключения к блоку коммутации</p> <p>7. Объектив</p> <p>8. Датчик освещенности вокруг авто</p> <p>9. Разъем подключения зеркала</p> <p>10. Разъем подключения антенны GPS</p> <p>11. Разъем для карты памяти microSD</p> |
|--|--|

* Разъем PDC используется для подключения парковочного ассистента Gazer серии PA-XXX

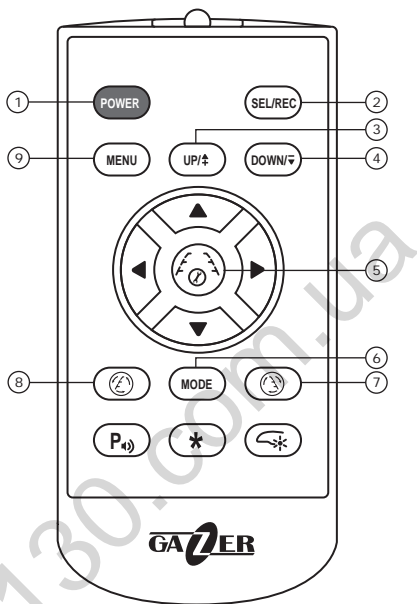


Рис. 2

- | | |
|---|--|
| <p>1. POWER – включение/выключение дисплея.</p> <p>2. SEL/REC – стоп/старт записи; применение настройки.</p> <p>3-4. UP/DOWN – навигация по меню.</p> <p>5. Кнопка настройки парковочной разметки</p> | <p>6. MODE – переключение режимов.</p> <p>7-8. Кнопки настройки угла наклона парковочных линий</p> <p>9. MENU – вход/выход из меню.</p> |
|---|--|

- Автомобильное зеркало заднего вида Gazer MMR51xx/MMR71xx/MMR50xx/MMR70xx MUR5100/MUR7100/MUR5000/MUR7000 оснащено встроенным монитором 4,3" (16:9) и Super HD (для моделей MMR51xx/MMR71xx/MUR5100/MUR7100) или Full HD (для моделей MMR50xx/MMR70xx/MUR5000/MUR7000) видеореги­стратором и предназначено для установки в салоне автомобиля вместо оригинального зеркала. Последние цифры «xx» в маркировке модели означают тип крепления на лобовое стекло, которое совместимо с определенной моделью автомобиля.
- Встроенный монитор поддерживает работу с видеостандартами PAL или NTSC, оснащен функцией автоматического определения и переключения в нужный стандарт.
- Встроенный и включенный видеоре­гистратор постоянно выводит изображение на монитор зеркала. Кнопка **ON/OFF** отключает или включает встроенный дисплей, не останавливая запись с видеоре­гистратора.
- Вывод **Camera IN** предназначен для подключения видеосигнала от видеокамеры заднего вида. При движении автомобиля задним ходом изображение с камеры будет отображаться на встроенном мониторе. Вывод **Camera IN** является приоритетным. Во время одновременного поступления сигнала с видеоре­гистратора и с камеры заднего вида монитор автоматически переключается в режим просмотра камеры заднего вида. Если монитор выключен кнопкой **ON/OFF**, он автоматически включится при поступлении сигнала на видеовход **Camera IN** и так же выключится после отключения видеосигнала. При включении камеры заднего вида и поступлении видеосигнала на монитор запись с видеоре­гистратора не останавливается.
- Gazer MMR51xx/MMR71xx/MMR50xx/MMR70xx MUR5100/MUR7100/MUR5000/MUR7000 имеет функцию автоматического изменения яркости встроенного монитора. Она включена по умолчанию. Яркость монитора автоматически регулируется в зависимости от уровня освещенности в салоне авто.
- Кнопка **ON/OFF** также регулирует яркость изображения во время подачи сигнала с видеокамеры заднего вида на дисплей. С помощью кнопки **MENU** можно регулировать параметры отображения видеовхода, когда видеовход активен. При последующей активации видеовхода выбранные настройки сохраняются.
- Модели Gazer MMR71xx/MMR70xx MUR7100/MUR7000 имеют функцию автоматического затемнения: зеркальная поверхность этих устройств затемняется в темное время суток при попадании яркого света фар позади идущих авто. Степень затемнения зеркальной поверхности корректируется в зависимости от интенсивности освещения. Это позволяет избежать ослепления водителя через зеркало заднего вида, что обеспечивает более комфортные условия для управления авто ночью.

Примечание: Зеркало настраивается и управляется с помощью пульта, который идет в комплекте.

1. Настройка языка интерфейса. Выберите нужный язык с помощью кнопок: **SEL/REC** (остановка записи) → **MENU** (меню настроек) → **MENU** (основные настройки) → Пункт «Language» (с помощью кнопок **UP/DOWN**) → установите нужный язык интерфейса → **MENU** (выход из настроек) → **SEL/REC** (возобновление записи).

2. Настройка даты и времени. Установите дату и время с помощью кнопок: **SEL/REC** (остановка записи) → **MENU** (меню настроек) → **MENU** (основные настройки) → Пункт «Системное время» (с помощью кнопок **UP/DOWN**) → укажите дату и время → **MENU** (выход из настроек) → **SEL/REC** (возобновление записи).

3. Настройка разрешения видео. Видеорегистратор производит запись в разрешениях: 2560x1080 30fps; 2304x1296 30fps; 1920x1080 45fps; 1920x1080 30fps; HDR1920x1080 30fps; 1280x720 60fps; 1280x720 30fps для моделей MMR51xx/MMR71xx/MUR5100/MUR7100 и 1920x1080 30fps; HDR1920x1080 30fps; 1280x720 60fps; 1280x720 30fps для моделей MMR50xx/MMR70xx/MUR5000/MUR7000. Выберите нужное разрешение записи: **SEL/REC** (остановка записи) → **MENU** (меню настроек) → Пункт «Разрешение видео» (с помощью кнопок **UP/DOWN**) → установите нужное разрешение видео → **MENU** (основные настройки) → **MENU** (выход из настроек) → **SEL/REC** (возобновление записи).

4. Циклическая запись. Для включения/выключения функции циклической записи видеорегистратора сделайте следующие манипуляции: **SEL/REC** (остановка записи) → **MENU** (меню настроек) → Пункт «Циклическая запись» (с помощью кнопок **UP/DOWN**) → выберите необходимый параметр → **MENU** (основные настройки) → **MENU** (выход из настроек) → **SEL/REC** (возобновление записи).

Рекомендация: *Выбирайте наименьшую длительность роликов – это позволит минимизировать длительность пауз между ними.*

5. Автоматическое включение при подаче сигнала АСС. По умолчанию активирована функция автоматического включения в режим записи при подаче сигнала АСС. Отключить ее можно, нажав кнопки на пульте в такой последовательности: **SEL/REC** (остановка записи) → **MENU** (меню настроек) → Пункт «Автозапись» (выберите с помощью кнопок **UP/DOWN**) → выберите нужный параметр → **MENU** (основные настройки) → **MENU** (выход из настроек) → **SEL/REC** (возобновление записи).

6. G-сенсор. Зеркало оснащено встроенным G-сенсором (3-х осевым датчиком ускорения), который фиксирует резкие изменения в характере передвижения автомобиля: торможения, ускорения, удары. Файлы, записанные в момент срабатывания G-сенсора, автоматически защищены от удаления при циклической перезаписи и сохраняются в отдельную папку «EVENT» в пределах 15-ти файлов, которые также перезаписываются. Благодаря такому принципу записи устройство работает беспрерывно, а дополнительная очистка SD-карты памяти не нужна.

Настройте уровень чувствительности датчика с помощью кнопок: **SEL/REC** (остановка записи) → **MENU** (меню настроек) → Пункт «Чувствительность G-сенсора» (выберите с помощью кнопок **UP/DOWN**) → выберите необходимый параметр чувствительности G-сенсора → **MENU** (основные настройки) → **MENU** (выход из настроек) → **SEL/REC** (возобновление записи).

7. Датчик движения. Встроенный видеорегистратор автоматически включает режим записи во время движения в кадре и выключает его, когда движения нет. Для активации и настройки этой функции нажмите: **SEL/REC** (остановка записи) → **MENU** (меню настроек) → для активации выберите пункт «Датчик движения» (с помощью кнопок **UP/DOWN**)/ для настройки выберите пункт «Чувствительность датчика движения» → **MENU** (основные настройки) → **MENU** (выход из настроек) → **SEL/REC** (возобновление записи).

8. Режим парковки. При включении функции режима парковки встроенный видеорегистратор продолжает запись до 12 часов после отключения сигнала АСС. При этом монитор и индикаторы состояния будут отключены. Активируйте функцию: **SEL/REC** (остановка записи) → **MENU** (меню настроек) → Пункт «Режим парковки» (с помощью кнопок **UP/DOWN**) → установите нужное время работы видеорегистратора после отключения зажигания → **MENU** (основные настройки) → **MENU** (выход из настроек) → **SEL/REC** (возобновление записи).

Примечание: Зеркало заднего вида Gazer со встроенным видеорегистратором оснащено функцией контроля минимального напряжения бортовой сети автомобиля. При достижении уровня 11,7В устройство выключается, а функция режима парковки становится неактивной. Это дает возможность избежать разряда аккумулятора автомобиля до критического уровня, после которого запуск двигателя автомобиля будет невозможен.

9. Интеллектуальные системы LDWS+FCWS (для моделей MMR51xx/MMR71xx/MUR5100/MUR7100). Зеркало оснащено интеллектуальными системами контроля пересечения полосы LDWS (Lane Departure Warning System) и контроля приближения автомобиля FCWS (Forward Collision Warning System). Система LDWS предупреждает водителя об отклонении от выбранной полосы движения. Система FCWS вовремя проинформирует о нарушении безопасной дистанции между автомобилем и другим транспортом, позволив избежать аварийной ситуации или столкновения.

Системы LDWS и FCWS необходимо откалибровать перед использованием с учетом габаритов Вашего автомобиля: **SEL/REC** (остановка записи) → **MENU** (меню настроек) → Пункт «LDWS-калибровка» (с помощью кнопок **UP/DOWN**) → выполните настройку → **MENU** (основные настройки) → **MENU** (выход из настроек) → **SEL/REC** (возобновление записи).

10. GPS. С помощью встроенного приемника устройство записывает координаты и скорость авто во время поездки. Активируйте GPS: **SEL/REC** (остановка записи) → **MENU** (меню настроек) → Пункт «GPS» (с помощью кнопок **UP/DOWN**) → включите/выключите → **MENU** (основные настройки) → **MENU** (выход из настроек) → **SEL/REC** (возобновление записи).

Примечание: Чтобы просмотреть видео, а также маршрут передвижения и зафиксированную скорость на ПК, воспользуйтесь программой Gazer Player. Она доступна для скачивания на www.gazer.com.

11. Форматирование карты памяти осуществляется так: **SEL/REC** (остановка записи) → **MENU** (меню настроек) → **MENU** (основные настройки) → Пункт «Форматирование SD-карты» (с помощью кнопок **UP/DOWN**) → **SEL/REC** → установите параметр «ВКЛ» → **MODE** (подтверждение форматирования карты памяти).

Подключение зеркала

RU

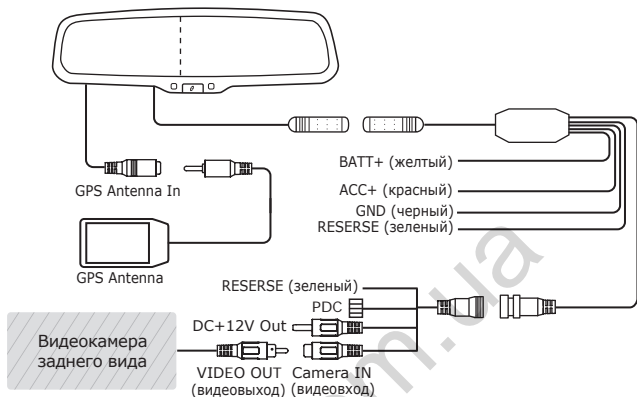


Рис. 3

Подключите черный провод (**GND**) к массе автомобиля, желтый провод (**BAT+**) - непосредственно к клемме +12В аккумуляторной батареи автомобиля или к линии с постоянным питанием +12В.

Красный провод (**ACC+**) подключите к проводу питания (**ACC+**) автомобиля +12В. Питание ACC появляется, когда ключ находится в положении II замка зажигания.

Зеленый провод (**REVERSE**) подключите к проводу питания фонарей заднего хода +12В. При включении задней передачи зеркало переходит в режим камеры заднего вида.

Соедините разъем видеовхода (**Camera IN**) с разъемом видеовыхода (**VIDEO OUT**) видеокамеры заднего вида.

Соедините разъем блока коммутации с соответствующим разъемом зеркала.

Технические характеристики

RU

Дисплей	TFT LCD 4,3"
Разрешение дисплея	480x272 (16:9)
Яркость дисплея	1000 cd/m ²
Видеовход	CVBS (RCA)
Формат видеосигнала	PAL/NTSC с функцией автоопределения
Поддержка карт памяти	micro SDHC, до 32 Gb
Функция автозатемнения	Да*
Сенсор	1/3" CMOS
Угол обзора	140°
Разрешение записи	2560x1080 @30fps** 2304x1296 @30fps** 1920x1080 @45fps** 1920x1080 @30fps HDR1920x1080 @30fps 1280x720 @60fps 1280x720 @30fps
Параметры видео	MP4, H.264
Аудио	Встроенные микрофон и динамик
G-сенсор	Да, с дополнительной настройкой чувствительности
Датчик движения	Да, с дополнительной настройкой чувствительности
Режим парковки	Да
Контроль напряжения бортовой сети	Да, минимальный уровень напряжения 11,7В
Питание	DC 12В

* для моделей MMR71xx/MUR7100/MMR70xx/MUR7000.

** для моделей MMR71xx/MMR51xx/MUR7100/MUR5100

1. Застереження	29
2. Важлива інформація	30
3. Комплектація	31
4. Елементи управління	32
5. Особливості використання.....	34
6. Підключення дзеркала	38
7. Технічні характеристики	39

130.com.ua

Застереження

Вітаємо Вас із придбанням автомобільного дзеркала заднього огляду Gazer із вбудованим відеореєстратором.

UA

Перед використанням пристрою, будь ласка, уважно ознайомтеся з посібником.

Застереження

- Не чистіть пристрій хімічними засобами. Будь ласка, використовуйте м'яку тканину для очищення корпусу, дзеркальної поверхні та лінзи об'єктиву.
- Оберегайте пристрій від механічних пошкоджень.
- Дотримуйтеся температурного режиму! Зберігайте пристрій від -30°C до $+70^{\circ}\text{C}$, експлуатуйте від -20°C до $+65^{\circ}\text{C}$.
- Не ремонтуйте пристрій самостійно. У разі виникнення несправностей зверніться до продавця або в сервісний центр.
- Будь ласка, зверніться до фахівців СТО, де обслуговується Ваше авто, щоб встановити та підключити пристрій. Так Ви збережете гарантію на машину.
- Завод-виробник і продавець не несуть відповідальності за збитки, а також упущену вигоду, що виникли в результаті використання або втрати інформації, отриманої за допомогою цього пристрою.

Увага!

UA

- Вимикайте живлення перед встановленням та вилученням SD-карти пам'яті. Інакше відеореєстратор буде працювати некоректно. Перед встановленням або вилученням карти пам'яті переконайтеся, що живлення пристрою вимкнено щонайменше 30 секунд.
- Обов'язково встановіть точну дату й час перед початком експлуатації пристрою.
- Для коректної роботи відеореєстратора інтервал часу між натисканням кнопок керування має складати щонайменше 0,5 секунди.
- Підключайте пристрій тільки за допомогою оригінального кабелю живлення, що поставляється в комплекті.
- Перезавантажте пристрій за допомогою тривалого натискання кнопки **ON/OFF** (на корпусі дзеркала) у наступних випадках:
 - після підключення кабелю живлення відсутня індикація живлення;
 - пристрій не вмикається;
 - пристрій не переходить з режиму очікування в режим запису або керування;
 - робота пристрою не відповідає заданим режимам.
- Файли захищаються від перезапису після спрацювання G-сенсора чи натискання кнопки та записуються циклічно в межах 15-ти файлів. Уважно слідкуйте за заповненням карти пам'яті, щоб не втратити захищені файли через циклічний перезапис.



Дзеркало заднього
огляду з вбудованим
відеореєстратором
MMR51xx/MMR71xx
MMR50xx/MMR70xx
MUR5100/MUR7100
MUR5000/MUR7000



Кабель для
підключення дзеркала
з блоком комутації та
управління



Накладка на лобове
скло для приховування
кабелю



Кабель для
підключення
живлення камери
+12, відеосигналу та
парктроніків



Пульт дистанційного
керування



GPS-антена



Посібник
користувача

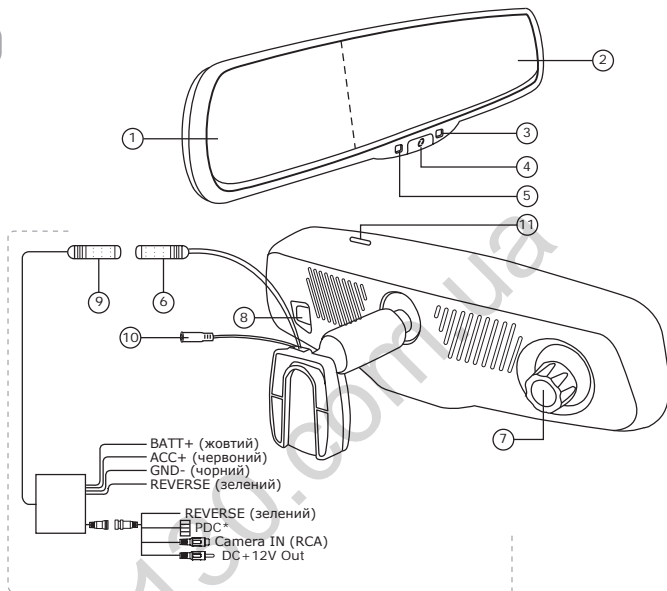


Рис. 1

1. Вбудований дисплей 4,3"
2. Дзеркало
3. Індикатор режиму роботи пристрою
4. Кнопка ON/OFF – увімкнення/вимкнення монітора; кнопка скидання (через тривале натискання); налаштування яркості монітора (в режимі відображення сигналу з камери заднього огляду)
5. Датчик освітленості в салоні
6. Роз'єм підключення до блоку комутації
7. Об'єktiv
8. Датчик освітленості навколо авто
9. Роз'єм підключення дзеркала
10. Роз'єм підключення антени GPS
11. Роз'єм для карти пам'яті microSD

* Роз'єм PDC використовується для підключення паркувального асистента Gazer серії PA-XXX

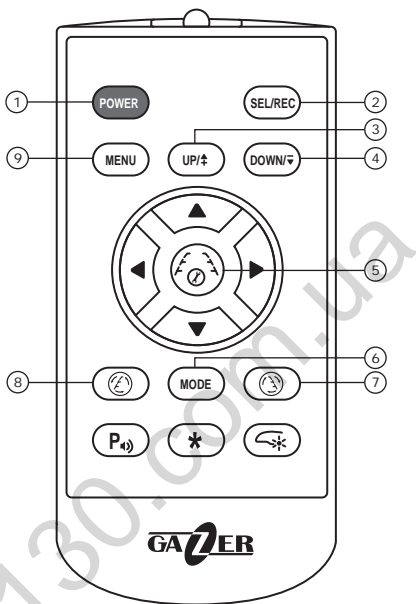


Рис. 2

1. **POWER** – увімкнення/вимкнення дисплея.
2. **SEL/REC** – стоп/старт запису; підтвердження налаштування.
- 3-4. **UP/DOWN** – навігація в меню.
5. **Кнопка налаштування паркувальної розмітки**
6. **MODE** – перемикання режимів відображення відеосигналу.
- 7-8. **Кнопки налаштування кутів нахилу паркувальних ліній**
9. **MENU** – вхід/вихід із меню.

- Автомобільне дзеркало заднього огляду Gazer MMR51xx/ MMR71xx/ MMR50xx/MMR70xx/MUR5100/MUR7100/MUR5000/MUR7000 оснащено вбудованими монітором 4,3" (16:9) і Super HD (для моделей MMR51xx/ MMR71xx/MUR5100/MUR7100) або Full HD (для моделей MMR50xx/ MMR70xx/MUR5000/ MUR7000) відеореєстратором та встановлюється в салоні автомобіля замість оригінального дзеркала. Останні цифри «xx» у маркуванні моделі означають тип кріплення на лобове скло, відповідно до моделі автомобіля.
- Вбудований монітор підтримує роботу з відеостандартами PAL або NTSC. Він оснащений функцією автоматичного визначення та перемикачання у потрібний стандарт.
- Підключений та увімкнений відеореєстратор постійно виводить зображення на монітор дзеркала. Кнопки **ON/OFF** вмикають чи вимикають вбудований дисплей, не зупиняючи запис із відеореєстратора.
- Відеовхід **Camera IN** призначений для підключення відеосигналу від відеокамери заднього огляду. Під час руху автомобіля заднім ходом зображення з камери буде відображатися на вбудованому моніторі. Відеовхід **Camera IN** є пріоритетним. У випадку подачі одночасного відеосигналу з відеореєстратора та з камери заднього огляду монітор автоматично переключатиметься у режим перегляду камери заднього огляду. Якщо монітор вимкнено кнопкою **ON/OFF**, він включиться автоматично під час надходження сигналу на відеовхід **Camera IN** та вимкнеться після відключення відеосигналу. Увімкнення камери заднього огляду та подача сигналу на монітор не зупиняє запис із відеореєстратора.
- Gazer MMR51xx/MMR71xx/MMR50xx/MMR70xx/MUR5100/MUR7100/MUR5000/MUR7000 має функцію автоматичної зміни яскравості вбудованого монітора. Вона увімкнена за замовчуванням. Залежно від рівня освітленості в салоні автомобіля яскравість монітора автоматично коригується.
- Натискання кнопки **ON/OFF** регулює яскравість зображення при увімкнених камерах заднього огляду. Також за допомогою кнопки **MENU** налаштовуються параметри відображення, коли відеовхід активний. При наступній активації відеовходу вибрані параметри будуть збережені.
- Моделі Gazer MMR71xx/MMR70xx/MUR7100/MUR7000 мають функцію автоматичного затемнення. Дзеркальна поверхня цих пристроїв самостійно затемнюється в темний час доби, якщо на дзеркало падає занадто яскраве світло від фар авто, що їдуть позаду. При цьому, ступінь затемнення дзеркала автоматично коригується залежно від інтенсивності освітлення. Це дозволяє уникнути засліплення водія через дзеркало заднього огляду, що забезпечує комфортніші умови для керування авто вночі.

Примітка: *Дзеркало налаштовується та управляється за допомогою пульта, що йде в комплекті.*

1. Налаштування мови інтерфейсу здійснюється за допомогою кнопок: **SEL/REC** (зупинка запису) → **MENU** (меню налаштувань) → **MENU** (основне меню) → Пункт «Language» (за допомогою кнопок **UP/DOWN**) → оберіть мову → **MENU** (вихід із меню) → **SEL/REC** (увімкнення запису).

2. Налаштування дати та часу. Дзеркало підтримує функцію титрування дати та часу на відеозаписі. Встановіть коректні дату й час: **SEL/REC** (зупинка запису) → **MENU** (меню налаштувань) → **MENU** (основне меню) → Пункт «Дата й час» (оберіть за допомогою кнопок **UP/DOWN**) → встановіть дату й час → **MENU** (вихід із меню) → **SEL/REC** (увімкнення запису).

3. Налаштування роздільної здатності відео. Відеореєстратор може записувати відео у роздільних здатностях: 2560x1080 30fps; 2304x1296 30fps; 1920x1080 45fps; 1920x1080 30fps; HDR1920x1080 30fps; 1280x720 60fps; 1280x720 30fps для моделей MMR51xx/MMR71xx/MUR5100/MUR7100 та 1920x1080 30fps; HDR1920x1080 30fps; 1280x720 60fps; 1280x720 30fps для моделей MMR50xx/MMR70xx/MUR5000/MUR7000. Оберіть необхідну роздільну здатність: **SEL/REC** (зупинка запису) → **MENU** (меню налаштувань) → Пункт «Роздільна здатність відео» (за допомогою кнопок **UP/DOWN**) → оберіть необхідний параметр → **MENU** (основне меню) → **MENU** (вихід із меню) → **SEL/REC** (увімкнення запису).

4. Циклічний запис. Для увімкнення/вимкнення функції циклічного запису відеореєстратора натисніть кнопки: **SEL/REC** (зупинка запису) → **MENU** (меню налаштувань) → Пункт «Циклічний запис» (оберіть за допомогою кнопок **UP/DOWN**) → встановіть необхідний параметр → **MENU** (основне меню) → **MENU** (вихід із меню) → **SEL/REC** (увімкнення запису).

Рекомендація: *Обирайте найменшу тривалість роликів, що дозволить скоротити тривалість пауз між ними.*

5. Автоматичне увімкнення при подачі сигналу ACC. Дзеркало за замовчуванням автоматично починає записувати відео при подачі сигналу ACC. Щоб вимкнути цю функцію натисність: **SEL/REC** (зупинка запису) → **MENU** (меню налаштувань) → Пункт «Увімкнення запису» (виберіть за допомогою кнопок **UP/DOWN**) → вимкніть → **MENU** (основне меню) → **MENU** (вихід із меню) → **SEL/REC** (увімкнення запису).

6. G-сенсор. Дзеркало оснащено G-сенсором із 3-х осьовим датчиком прискорення, що фіксує різкі зміни руху автомобіля: екстренні гальмування, зміну швидкості, удари. Файли, записані в момент спрацьовування G-сенсора, автоматично захищені від видалення при циклічному перезаписі та зберігаються в окремій папці «EVENT» в межах 15-ти файлів, які так само переписуються. Завдяки такому принципу запису пристрій працює безперервно, а SD-карту пам'яті не потрібно додатково очищувати.

Налаштуйте чутливість датчика: **SEL/REC** (зупинка запису) → **MENU** (меню налаштувань) → Пункт «Чутливість G-сенсора» (виберіть за допомогою кнопок **UP/DOWN**) → оберіть режим → **MENU** (основне меню) → **MENU** (вихід із меню) → **SEL/REC** (увімкнення запису).

7. Датчик руху. Відеореєстратор з датчиком руху автоматично вмикає запис, якщо зафіксовано рух, та самостійно його припиняє через 2 секунди після зупинки руху в кадрі. Для увімкнення та налаштування натисність: **SEL/REC** (зупинка запису) → **MENU** (меню налаштувань) → Пункт «Датчик руху» для увімкнення/вимкнення функції або Пункт «MD чутливість» для вибору рівня чутливості датчика (виберіть за допомогою кнопок **UP/DOWN**) → налаштуйте → **MENU** (основне меню) → **MENU** (вихід із меню) → **SEL/REC** (увімкнення запису).

8. Режим парковки. Після активації функції режиму парковки вбудований відеореєстратор продовжуватиме запис до 12 годин після вимкнення сигналу ACC. При цьому монітор та індикатори стану вимкнуться. Для увімкнення цієї функції натисність кнопки: **SEL/REC** (зупинка запису) → **MENU** (меню налаштувань) → Пункт «Режим парковки» (виберіть за допомогою кнопок **UP/DOWN**) → оберіть бажаний час роботи відеореєстратора → **MENU** (основне меню) → **MENU** (вихід із меню) → **SEL/REC** (увімкнення запису).

Примітка: Дзеркало заднього огляду Gazer із вбудованим відеореєстратором оснащено функцією контролю мінімальної напруги бортової мережі автомобіля. При досягненні рівня 11,7В пристрій вимикається, а функція режиму парковки деактивується. Тому акумулятор авто не розряджатиметься до критичного рівня, після якого запустити двигун неможливо.

9. Інтелектуальні системи LDWS + FCWS (для моделей MMR51xx/MMR71xx/MUR5100/MUR7100). Дзеркало оснащено інтелектуальними системами контролю перетину смуги LDWS (Lane Departure Warning System) і контролю наближення автомобіля FCWS (Forward Collision Warning System). Система LDWS попереджає водія про відхилення від обраної смуги руху. Система FCWS вчасно інформує про порушення безпечної дистанції між автомобілем та іншим транспортом, дозволивши уникнути аварійної ситуації або зіткнення.

Відкалібруйте системи LDWS і FCWS відповідно до габаритів Вашого авто для забезпечення коректної роботи цих систем: **SEL/REC** (зупинка запису) → **MENU** (меню налаштувань) → Пункт «Калібрування» (виберіть за допомогою кнопок **UP/DOWN**) → налаштуйте → **MENU** (основне меню) → **MENU** (вихід із меню) → **SEL/REC** (увімкнення запису).

10. GPS. У пристрій вбудовано GPS-приймач, що записує координати та швидкість авто під час руху. Для активації/деактивації функції натисність: **SEL/REC** (зупинка запису) → **MENU** (меню налаштувань) → Пункт «GPS» (оберіть за допомогою кнопок **UP/DOWN**) → налаштуйте → **MENU** (основне меню) → **MENU** (вихід із меню) → **SEL/REC** (увімкнення запису).

Примітка: Щоб переглянути на ПК відео, а також маршрут й зафіксовану швидкість, скористайтеся програмою Gazer Player. Її можна скачати на www.gazer.com.

10. Форматування карти пам'яті. Натисність на пульті: **SEL/REC** (зупинка запису) → **MENU** (меню налаштувань) → **MENU** (основне меню) → Пункт «Форматування SD карти» (виберіть за допомогою кнопок **UP/DOWN**) → налаштуйте → **SEL/REC** → встановіть параметр «Увімкнути» → **MODE** (підтвердження форматування карти пам'яті).

Підключення дзеркала

UA

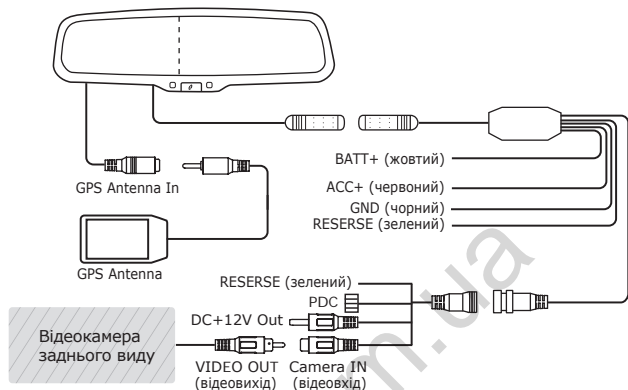


Рис. 3

Підключіть чорний провід (**GND**) до маси автомобіля, жовтий провід (**BAT +**) безпосередньо до клемми +12 акумуляторної батареї автомобіля або до лінії з постійним живленням + 12В.

Червоний провід (**ACC +**) під'єднайте до проводу живлення (**ACC +**) автомобіля +12. Живлення ACC з'являється, коли ключ знаходиться в положенні II в замку запалювання.

Зелений провід (**REVERSE**) підключіть до проводу живлення ліхтарів заднього ходу +12. Увімкнення задньої передачі переводить дзеркало у режим камери заднього огляду.

З'єднайте роз'єм відеовходу (**Camera IN**) з роз'ємом відеовиходу (**VIDEO OUT**) відеокамери заднього огляду.

З'єднайте роз'єм блоку комутації з відповідним роз'ємом дзеркала.

Технічні характеристики

UA

Дисплей	TFT LCD 4,3"
Роздільна здатність дисплея	480x272 (16:9)
Яскравість дисплея	1000 cd/m ²
Відеовхід	CVBS (RCA)
Формат відеосигналу	PAL/NTSC з функцією автовизначення
Підтримка карт пам'яті	micro SDHC, до 32 Gb
Функція автозатемнення	Так*
Сенсор	1/3" CMOS
Кут огляду	140°
Роздільна здатність запису	2560x1080 @30fps** 2304x1296 @30fps** 1920x1080 @45fps** 1920x1080 @30fps HDR1920x1080 @30fps 1280x720 @60fps 1280x720 @30fps
Параметри відео	MP4, H.264
Аудіо	Вбудовані мікрофон та динамік
G-сенсор	Так, з додатковим налаштуванням чутливості
Датчик руху	Так, з додатковим налаштуванням чутливості
Режим парковки	Так
Контроль напруги бортової мережі	Так, мінімальний рівень напруги 11,7В
Живлення	DC 12В

*для моделей MMR71xx/MUR7100/MMR70xx/MUR7000.

** для моделей MMR71xx/MMR51xx/MUR7100/MUR5100.



GAZER®