



PHONES

0 (800) 800 130
(050) 462 0 130
(063) 462 0 130
(067) 462 0 130

130
COM.UA

Internet store of
autogoods



SKYPE

km-130

CAR RECEIVERS — Receivers • Media receivers and stations • Native receivers • CD/DVD changers • FM-modulators/USB adapters • Flash memory • Facia plates and adapters • Antennas • Accessories |
 CAR AUDIO — Car audio speakers • Amplifiers • Subwoofers • Processors • Crossovers • Headphones • Accessories | TRIP COMPUTERS — Universal computers • Model computers • Accessories |
 GPS NAVIGATORS — Portable GPS • Built-in GPS • GPS modules • GPS trackers • Antennas for GPS navigators • Accessories | VIDEO — DVR • TV sets and monitors • Car TV tuners • Cameras • Videomodules
 • Transcoders • Car TV antennas • Accessories | SECURITY SYSTEMS — Car alarms • Bike alarms • Mechanical blockers • Immobilizers • Sensors • Accessories | OPTIC AND LIGHT — Xenon • Bixenon • Lamps
 • LED • Stroboscopes • Optic and Headlights • Washers • Light, rain sensors • Accessories | PARKTRONICS AND MIRRORS — Rear parktronic • Front parktronic • Combined parktronic • Rear-view mirrors
 • Accessories | HEATING AND COOLING — Seat heaters • Mirrors heaters • Screen-wipers heaters • Engine heaters • Auto-refrigerators • Air conditioning units • Accessories | TUNING — Vibro-isolation
 • Noise-isolation • Tint films • Accessories | ACCESSORIES — Radar-detectors • Handsfree, Bluetooth • Windowlifters • Compressors • Beeps, loudspeakers • Measuring instruments • Cleaners • Car seats
 • Miscellaneous | MOUNTING — Installation kits • Upholstery • Grilles • Tubes • Cable and wire • Tools • Miscellaneous | POWER — Batteries • Converters • Start-charging equipment • Capacitors
 • Accessories | MARINE AUDIO AND ELECTRONICS — Marine receivers • Marine audio speakers • Marine subwoofers • Marine amplifiers • Accessories | CAR CARE PRODUCTS — Additives • Washer fluid •
 Care accessories • Car polish • Flavors • Adhesives and sealants | LIQUID AND OIL — Motor oil • Transmission oil • Brake fluid • Antifreeze • Technical lubricant



In store "130" you can find and buy almost all necessary goods for your auto in Kyiv and other cities, delivery by ground and postal services. Our experienced consultants will provide you with exhaustive information and help you to choose the very particular thing. We are waiting for you at the address

<https://130.com.ua>



MASALTA[®]

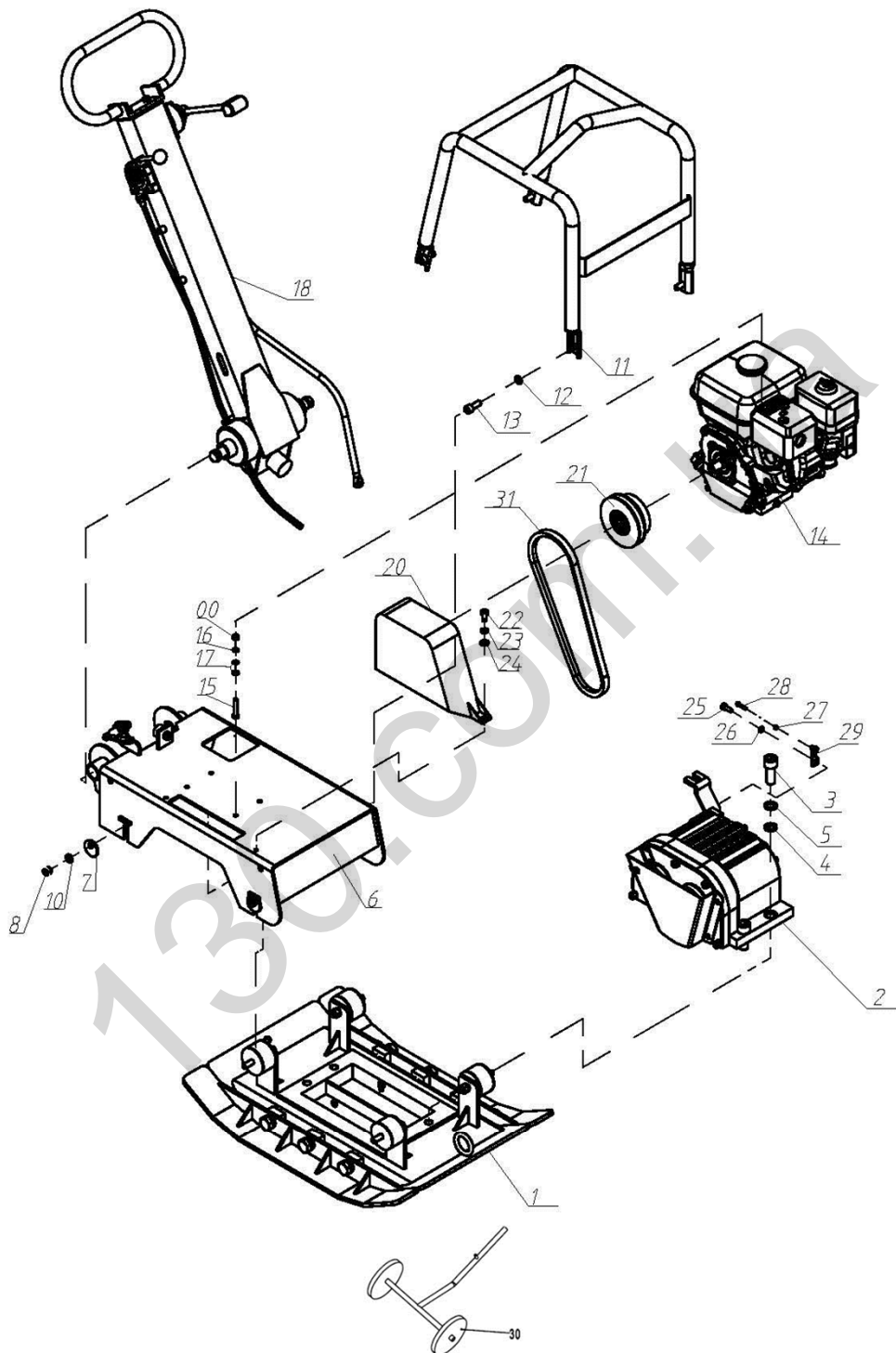


PARTS MANUAL

REVERSIBLE PLATE COMPACTOR

MS125/MSH160/MSH160E/MS250





MS125 MSH160 & MSH160E MS250 PARTS LIST 1

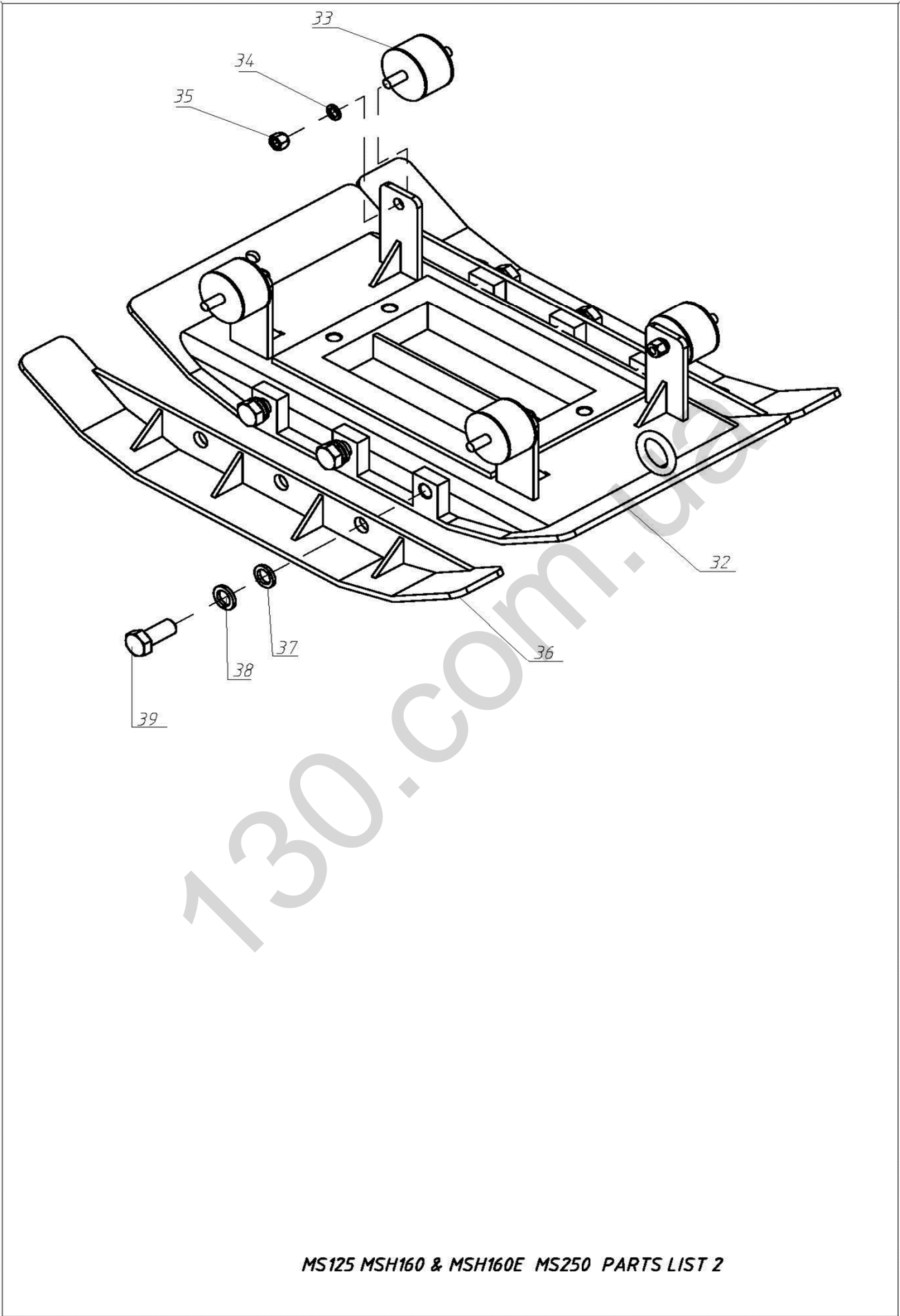
MS125 MSH160 MSH160E & MS250 PARTS LIST 1

| ITEM NO | PART NO | DESCRIPTION | QTY | REMARK |
|---------|-------------|--|-----|--------|
| 1 | 3001000-1 | BASE PLATE ASSEMBLY FOR MSH160 | 1 | |
| | 3001000-2 | BASE PLATE ASSEMBLY FOR MSH160E | 1 | |
| | 3001000-3 | BASE PLATE ASSEMBLY FOR MS125 | 1 | |
| | 3001000-4 | BASE PLATE ASSEMBLY FOR MS250 | 1 | |
| 2 | 3002000 | VIBRATION BOX FOR MSH160 & MSH160E | 1 | |
| | 3002000-2 | VIBRATION BOX FOR MS125 | 1 | |
| | 3002000-3 | VIBRATION BOX FOR MS250 | 1 | |
| 3 | 0700018-50 | BOLT M18 x 50-GB70 | 4 | |
| 5 | 0930018 | SPRING WAHSER18-GB93 | 4 | |
| 6 | 3003000-A | ENGINE MOUNTING PLATE FOR MSH160 & MSH160E | 1 | |
| | 3003000-2A | ENGINE MOUNTING PLATE FOR MS125 | 1 | |
| | 3003000-3A | ENGINE MOUNTING PLATE FOR MS250 | 1 | |
| 7 | 3004000 | ADJUSTING PLATE | 4 | |
| 8 | 0410012 | NUT12-GB41 | 4 | |
| 10 | 0930012 | SPRING WAHSER 12-GB93 | 4 | |
| 11 | 3005000 | FRAME ASSEMBLY | 1 | |
| | 3005000-1 | FRAME ASSEMBLY | 1 | |
| | 3005000-A | FRAME ASSEMBLY | 1 | |
| | 3005000-A-1 | FRAME ASSEMBLY | 1 | |
| 12 | 0700012-30 | BOLT M12 x 30-GB70 | 4 | |
| 13 | 0930012 | SPRING WASHER12-GB93 | 4 | |
| 14 | 3000001-1 | DIESEL ENGINE | 1 | |
| | 3000001-2 | HONDA ENGINE | 1 | |
| | 3000001-3 | ROBIN ENGINE | 1 | |
| 15 | 0700010-45 | BOLT M10 x 45-GB70 | 4 | |
| 16 | 0930010 | SPRING WASHER10-GB93 | 4 | |
| 17 | 0970010 | WASHER10-GB97.1 | 8 | |
| 18 | 3006000 | HANDLE ASSEMBLY FOR MSH160 & MSH160E | 1 | |
| | 3006000-2 | HANDLE ASSEMBLY FOR MS125 | 1 | |
| | 3006000-3 | HANDLE ASSEMBLY FOR MS250 | 1 | |

TO BE CONTINUED

MS125 MSH160 MSH160E & MS250 PARTS LIST 1

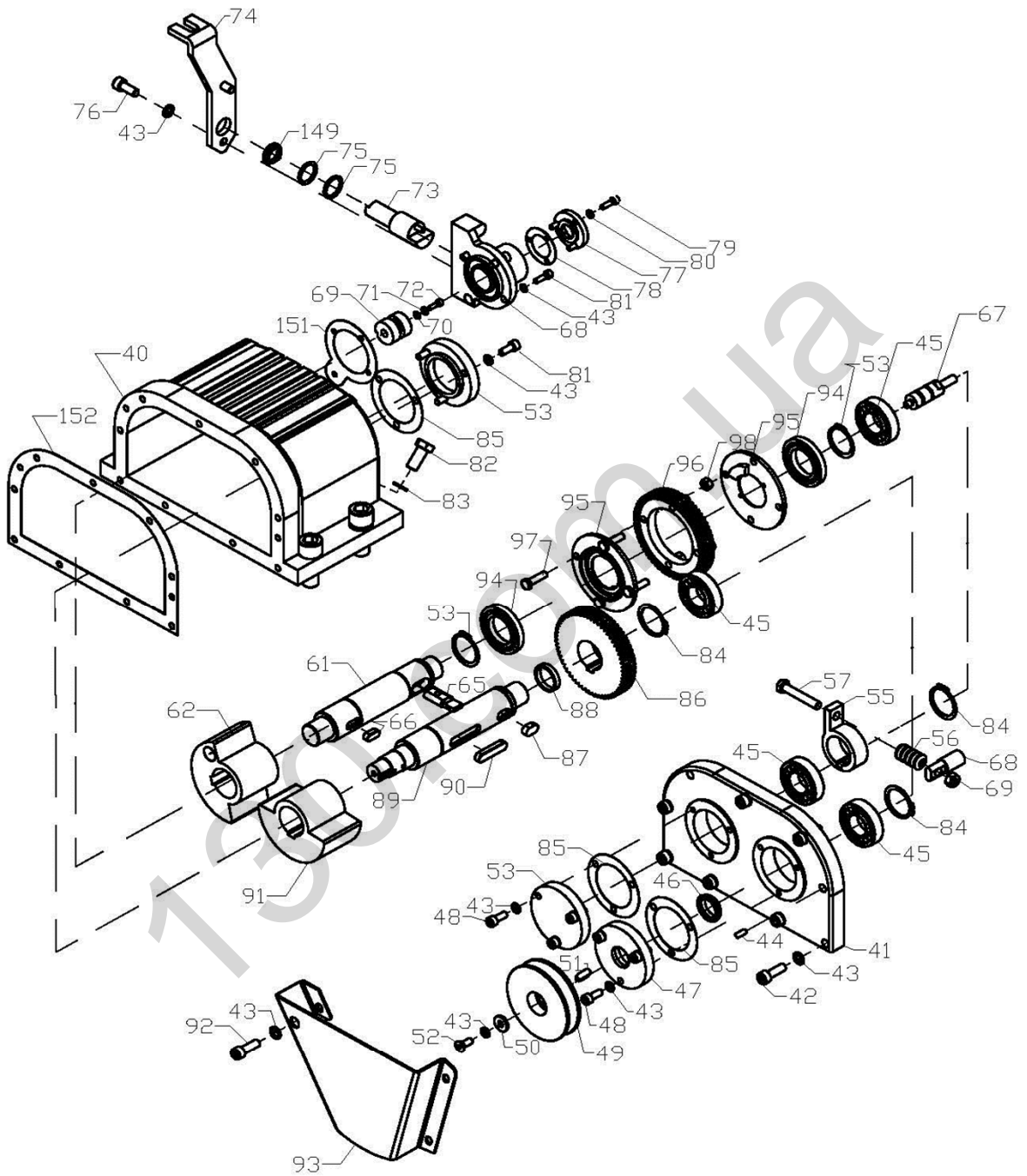
| ITEM NO | PART NO | DESCRIPTION | QTY | REMARK |
|---------|-------------|---|-----|--------|
| 20 | 3007000 | BELT GUARD FOR MS125 & MSH160 & MSH160E | 1 | |
| | 3007000-1 | BELT GUARD FOR MS125 & MSH160 & MSH160E | 1 | |
| | 3007000-A | BELT GUARD FOR MS250 | 1 | |
| | 3007000-A-1 | BELT GUARD FOR MS250 | 1 | |
| 21 | 3008000-1 | ENGINE PULLEY FOR DIESEL | 1 | |
| | 3008000-2 | ENGINE PULLEY FOR HONDA | 1 | |
| | 3008000-3 | ENGINE PULLEY FOR ROBIN | 1 | |
| 22 | 0700008-16 | BOLT M8*16-GB70 | 2 | |
| 23 | 0930008 | SPRING WASHER6-GB93 | 2 | |
| 24 | 0970008 | WASHER6-GB97.1 | 2 | |
| 25 | 0700006-20 | BOLT M8 x 20-GB70 | 1 | |
| 26 | 0930008 | SPRING WASHER8-GB93 | 1 | |
| 28 | 0700008-20 | BOLT M6 x 20-GB70 | 1 | |
| 29 | 3009000 | SPRING | 1 | |
| 30 | 3010000 | TROLLEY WHEEL | 1 | |
| 31 | 3011000-1 | V-BELT FOR DIESEL ENGINE FOR MSH160 & MSH160E | 1 | |
| | 3011000-2 | V-BELT FOR PETROL ENGINE FOR MSH160 & MSH160E | 1 | |
| | 3011000-3 | V-BELT FOR PETROL ENGINE FOR MS125 | 1 | |
| | 3011000-4 | V-BELT FOR PETROL ENGINE FOR MS125 | 1 | |
| | 3011000-5 | V-BELT FOR PETROL ENGINE FOR MS250 | 1 | |
| | 3011000-6 | V-BELT FOR PETROL ENGINE FOR MS250 | 1 | |



MS125 MSH160 & MSH160E MS250 PARTS LIST 2

MS125 MSH160 MSH160E & MS250 PARTS LIST 2

| ITEM NO | PART NO | DESCRIPTION | QTY | REMARK |
|---------|-----------|-----------------------------------|-----|--------|
| 32 | 3001001 | BASE PLATE FOR MSH160 | 1 | |
| | 3001001-1 | BASE PLATE FOR MSH160 | 1 | |
| | 3001001-1 | BASE PLATE FOR MSH160 | 1 | |
| | 3001001-2 | BASE PLATE FOR MSH160E | 1 | |
| | 3001001-3 | BASE PLATE FOR MS125 | 1 | |
| | 3001001-4 | BASE PLATE FOR MS250 | 1 | |
| 33 | 3001002 | VIBRATION DAMPER FOR MS125 | 4 | |
| | 3001002-1 | VIBRATION DAMPER FOR MS160 | 4 | |
| | 3001002-2 | VIBRATION DAMPER FOR MS250 | 4 | |
| 34 | 0970012 | WASHER12-GB97 | 4 | |
| 35 | 0617012 | NUT M12-GB6170 | 4 | |
| 36 | 3001003 | EXTENSION PLATE (MSH160E ONLY) | 2 | |
| | 3001003 | EXTENSION PLATE (MS250) | 2 | |
| 37 | 0970020 | WASHER-GB97 (MSH160E ONLY) | 6 | |
| 38 | 0930020 | SPRING WASHER-GB93 (MSH160E ONLY) | 6 | |
| 39 | 0578020 | BOLT M20X50-GB5783 (MSH160E ONLY) | 6 | |
| | 0578020-1 | BOLT M16X50-GB5783 (MS250) | 6 | |



MS125 MSH160 & MSH160E MS250 PARTS LIST 3

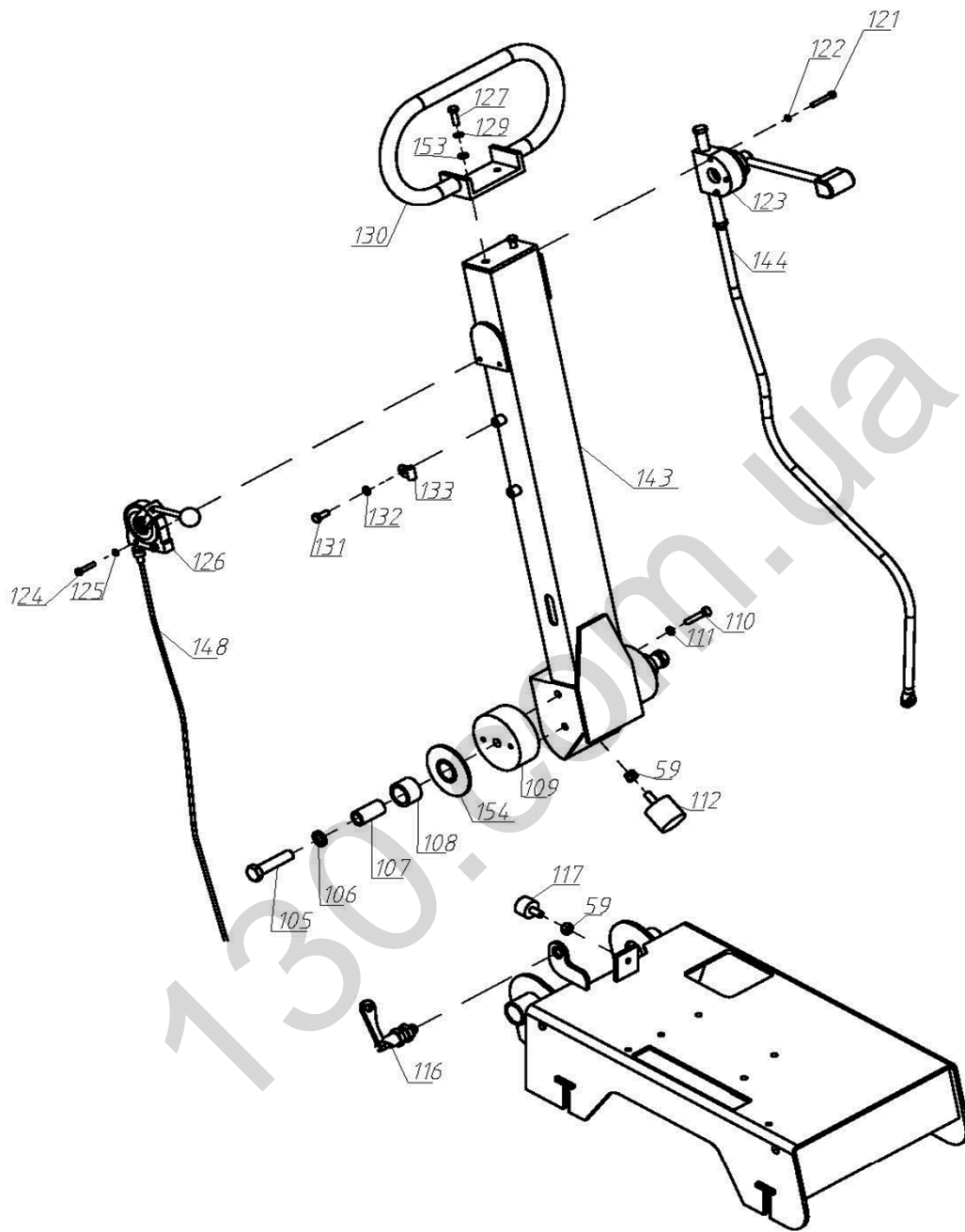
MS125 MSH160 MSH160E & MS250 PARTS LIST 3

| ITEM NO | PART NO | DESCRIPTION | QTY | REMARK |
|---------|------------|---|-----|---------------------------|
| 40 | 3002001 | EXCITER BOX FOR MSH160 & MSH160E&MS250 | 1 | 40 & 41 FOR THE COMPONENT |
| | 3002001-2 | EXCITER BOX FOR MS125 | 1 | |
| 41 | 3002002 | BOX COVER | 1 | |
| 42 | 0700008-25 | BOLT M10x 30-GB70 | 9 | |
| 43 | 09300010 | SPRING WAHSER \varnothing 8 | 9 | |
| 44 | 0119008 | PIN BOLT8-GB119 | 2 | |
| 45 | 0283006 | BEARING 32206-GB283 | 2 | |
| 46 | 0987752 | OIL SEAL \varnothing 50x \varnothing 28 x 10-GB9877.1 | 1 | |
| 47 | 3002003 | BEARING COVER | 1 | |
| 48 | 0700008-20 | BOLT M8 x 20-GB70 | 9 | |
| 49 | 3002004 | PULLEY | 1 | |
| 50 | 3002005 | WASHER | 1 | |
| 51 | 0109608 | KEY C20 x 8-GB1096 | 1 | |
| 52 | 0578308 | BOLT M8 x 20-GB5783 | 1 | |
| 53 | 3002006 | BEARING COVER | 2 | |
| 54 | 0276006 | BEARING60206-GB276 | 2 | |
| 55 | 3002007 | PINCH CLAMP (MSH160 & MSH160E ONLY) | 1 | |
| | 3002007 | PINCH CLAMP (MS250) | 1 | |
| 56 | 3002008 | BOLT M10 (MSH160 & MSH160E ONLY) | 12 | |
| 57 | 3002009 | BOLT (MSH160 & MSH160E ONLY) | 1 | |
| 58 | 0854010 | WASHER10-GB854 (MSH160 & MSH160E ONLY) | 1 | |
| 59 | 0617010 | NUT M10-GB6170 (MSH160 & MSH160E ONLY) | 1 | |
| 61 | 3002010 | SPINDLE FOR MSH160 & MSH160E | 1 | |
| | 3002010-2 | SPINDLE FOR MS125 | 1 | |
| | 3002010-3 | SPINDLE FOR MS250 | 1 | |
| 62 | 3002011 | UNBALANCE WEIGHT FOR MSH160 & MSH160E | 1 | |
| | 3002011-2 | UNBALANCE WEIGHT FOR MS125 | 1 | |
| | 3002011-3 | UNBALANCE WEIGHT FOR MS250 | 1 | |
| 63 | 0894040 | RETAINING RING40-GB894 | 2 | |
| 65 | 3002013 | DIRECTION PIN | 1 | |
| 67 | 3002014 | SPINDLE | 1 | |
| 68 | 3002015 | DIRECTION HOUSING | 1 | |
| 69 | 3002016 | ROTARY COVER | 1 | |
| 70 | 3002017 | WAHSER | 1 | |
| 71 | 0930005 | SPRING WASHER5-GB93 | 1 | |
| 72 | 0700005-16 | BOLT M5 X 16-GB70 | 1 | |

TO BE CONTINUED

MS125 MSH160 MSH160E & MS250 PARTS LIST 3

| ITEM NO | PART NO | DESCRIPTION | QTY | REMARK |
|---------|------------|---------------------------------------|-----|--------|
| 73 | 3002018 | SPINDLE | 1 | |
| 74 | 3002019 | BASE COVER | 1 | |
| 75 | 0345226 | O RING \varnothing 30x4 | 2 | |
| 76 | 0578308 | BOLT M810X 25-GB5783 | 2 | |
| 77 | 3002020 | BOARD COVER | 1 | |
| 78 | 3002021 | GASKET COVER | 1 | |
| 79 | 0700006 | BOLT M6 X 22-GB70 | 3 | |
| 80 | 0930006 | SPRING WASHER 6-GB93 | 3 | |
| 81 | 0700008-30 | BOLT M8 X 25-GB70 | 4 | |
| 82 | 0578614 | BOLT M14 X 1.5 X 20-GB5786 | 2 | |
| 83 | 3002022 | SPRING WASHER | 2 | |
| 84 | 0894042 | RETAINING RING42-GB894 | 3 | |
| 85 | 3002023 | COVER GASKET | 3 | |
| 86 | 3002024 | GEAR | 1 | |
| 87 | 0109612 | KEY A12 X 20-GB1096 | 1 | |
| 88 | 3002025 | SPACER FOR MSH160 & MSH160E&MS250 | 1 | |
| 88 | 3002025-2 | SPACER FOR MS125 | 1 | |
| 89 | 3002026 | PULLEY SHAFT FOR MSH160 & MSH160E | 1 | |
| | 3002026-2 | PULLEY SHAFT FOR MS125 | 1 | |
| | 3002026-3 | PULLEY SHAFT FOR MS250 | 1 | |
| 90 | 0109612 | KEY A12 X 50-GB1096 | 1 | |
| 91 | 3002027 | UNBALANCE WEIGHT FOR MSH160 & MSH160E | 1 | |
| | 3002027-2 | UNBALANCE WEIGHT FOR MS125 | 1 | |
| | 3002027-3 | UNBALANCE WEIGHT FOR MS250 | 1 | |
| 92 | 0578208 | BOLT M8 X 16 | 4 | |
| 93 | 3002028 | BELT GUARD | 1 | |
| 94 | 0276008 | BEARING 16008-GB276 | 2 | |
| 95 | 3002012-1 | CLUTCH BODY | 2 | |
| 96 | 3002012-2 | GEAR | 1 | |
| 97 | 3002012-3 | BOLT M8 X 30 | 4 | |
| 98 | 0617008 | NUT M8-GB6170 | 4 | |
| 151 | 3002031 | OIL SEAL GASKET | 1 | |
| 152 | 3002032 | OIL SEAL GASKET | 1 | |



MS125 MSH160 & MSH160E MS250 PARTS LIST 4

MS125 MSH160 MSH160E & MS250 PARTS LIST 4

| ITEM NO | PART NO | DESCRIPTION | QTY | REMARK |
|---------|------------|---|-----|-------------------------------|
| 105 | 0578012-60 | NUT M12 X 60 - GB5780 FOR MSH160 & MSH160E | 2 | |
| | 0578012-60 | NUT M12 X 60 - GB5780 FOR MS125 | 2 | |
| 106 | 0950012 | WASHER 12 -GB95 | 2 | |
| 107 | 3006010 | COLLAR FOR MSH160 & MSH160E&MS125&MS250 | 2 | |
| 108 | 3006012 | NYLON COLLAR FOR MSH160 & MSH160E&MS125&MS250 | 2 | |
| 109 | 3006400 | VIBRATION DAMPER FOR MSH160 & MSH160E&MS250 | 2 | |
| | 3006400-2 | VIBRATION DAMPER FOR MS125 | 2 | |
| 110 | 0578008-20 | NUT M8 X 20- GB5780 | 4 | |
| 111 | 0950008 | WASHER 8 - GB95 | 4 | |
| 112 | 3006200 | VIBRATION DAMPER FOR MSH160 & MSH160E&MS250 | 1 | |
| | 3006200-2 | VIBRATION DAMPER FOR MS125 | 1 | |
| 116 | 0617320 | BOLT M20 X 1.5 - GB6173 | 2 | 116~120,134 FOR THE COMPONENT |
| 117 | 3006004 | PIN | 1 | |
| 118 | 3006005 | SPRING | 1 | |
| 119 | 3006007 | SCREW ROD | 1 | |
| 120 | 3006009 | PULLING HANDLE | 1 | |
| 121 | 0701006-45 | NUT M6 X 45- GB701 | 3 | |
| 122 | 0859006 | SPRING WASHER 6 - GB859 | 3 | |
| 123 | 3006006-3 | TRAVEL LEVER | 1 | |
| 124 | 0701008-30 | NUT M8 X 30 - GB701 | 2 | |
| 125 | 0950008 | WASHER 8 - GB95 | 2 | |

MS125 MSH160 MSH160E & MS250 PARTS LIST 4

| ITEM NO | PART NO | DESCRIPTION | QTY | REMARK |
|---------|-------------|---|-----|-------------------------------|
| 126 | AR680805001 | THROTTLE LEVER ASSY. (OPTIONAL) | 1 | |
| 127 | 0701008-25 | NUT M8 X 25 - GB701 | 2 | |
| 129 | 0950008 | WASHER 8 - GB95 | 2 | |
| 130 | 3006500 | HANDLE FOR MSH160 & MSH160E & MS250 | 1 | |
| | 3006500-2 | HANDLE FOR MS125 | 1 | |
| 131 | 0701008-20 | NUT M8 X 20 - GB701 (OPTIONAL) | 3 | |
| 132 | 0859008 | SPRING WASHER 8 - GB859 (OPTIONAL) | 3 | |
| 133 | 3006601 | CLIP (OPTIONAL) | 3 | |
| 134 | 3006013 | KEY | 1 | 116~120,134 FOR THE COMPONENT |
| 143 | 3006014 | HANDLE FOR MSH160 & MSH160E | 1 | |
| | 3006014-2 | HANDLE FOR MS125 | 1 | |
| | 3006014-3 | HANDLE FOR MS250 | 1 | |
| 144 | 3006015-3 | CABLE FOR MSH160 & MSH160E | 1 | |
| | 3006015-3A | CABLE FOR MS125 | 1 | |
| | 3006015-3B | CABLE FOR MS250 | 1 | |
| 148 | A3006017-1 | THROTTLE WIRE (OPTIONAL) FOR MSH160 & MSH160E&MS125 | 1 | |
| | A3006017-2 | THROTTLE WIRE (OPTIONAL) FOR MS250 | 1 | |
| | A3006017-3 | THROTTLE WIRE (OPTIONAL) FOR MS250 | 1 | |
| 153 | 0930008 | SPRING WASHER 8 - GB95 | 2 | |
| 154 | 3006018 | NYLON COLLAR FOR MSH160 & MSH160E& MS250 | 2 | |



Distributed By



MASALTA ENGINEERING CO., LTD

Add: 20 Dalian Road, Baohe Industrial Estate, Hefei, China
Tel: 86-551-64846600, 64846601 Fax: 86-551-64846616, 64846626
E-mail: sales@masalta.com.cn, masalta@mail.hf.ah.cn,
[Http://www.masalta.com.cn](http://www.masalta.com.cn)

Version: 01/14/01