



PHONES

0 (800) 800 130  
(050) 462 0 130  
(063) 462 0 130  
(067) 462 0 130

130  
COM.UA

Internet store of  
autogoods



SKYPE

km-130

CAR RECEIVERS — Receivers • Media receivers and stations • Native receivers • CD/DVD changers • FM-modulators/USB adapters • Flash memory • Facia plates and adapters • Antennas • Accessories |  
CAR AUDIO — Car audio speakers • Amplifiers • Subwoofers • Processors • Crossovers • Headphones • Accessories | TRIP COMPUTERS — Universal computers • Model computers • Accessories |  
GPS NAVIGATORS — Portable GPS • Built-in GPS • GPS modules • GPS trackers • Antennas for GPS navigators • Accessories | VIDEO — DVR • TV sets and monitors • Car TV tuners • Cameras • Videomodules  
• Transcoders • Car TV antennas • Accessories | SECURITY SYSTEMS — Car alarms • Bike alarms • Mechanical blockers • Immobilizers • Sensors • Accessories | OPTIC AND LIGHT — Xenon • Bixenon • Lamps  
• LED • Stroboscopes • Optic and Headlights • Washers • Light, rain sensors • Accessories | PARKTRONICS AND MIRRORS — Rear parktronic • Front parktronic • Combined parktronic • Rear-view mirrors  
• Accessories | HEATING AND COOLING — Seat heaters • Mirrors heaters • Screen-wipers heaters • Engine heaters • Auto-refrigerators • Air conditioning units • Accessories | TUNING — Vibro-isolation  
• Noise-isolation • Tint films • Accessories | ACCESSORIES — Radar-detectors • Handsfree, Bluetooth • Windowlifters • Compressors • Beeps, loudspeakers • Measuring instruments • Cleaners • Car seats  
• Miscellaneous | MOUNTING — Installation kits • Upholstery • Grilles • Tubes • Cable and wire • Tools • Miscellaneous | POWER — Batteries • Converters • Start-charging equipment • Capacitors  
• Accessories | MARINE AUDIO AND ELECTRONICS — Marine receivers • Marine audio speakers • Marine subwoofers • Marine amplifiers • Accessories | CAR CARE PRODUCTS — Additives • Washer fluid •  
Care accessories • Car polish • Flavors • Adhesives and sealants | LIQUID AND OIL — Motor oil • Transmission oil • Brake fluid • Antifreeze • Technical lubricant



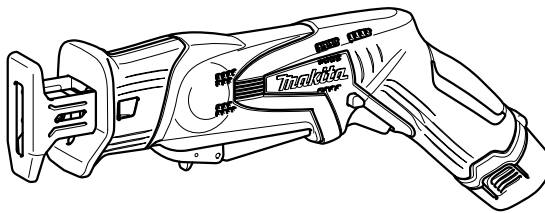
In store "130" you can find and buy almost all necessary goods for your auto in Kyiv and other cities, delivery by ground and postal services. Our experienced consultants will provide you with exhaustive information and help you to chose the very particular thing. We are waiting for you at the address

<https://130.com.ua>

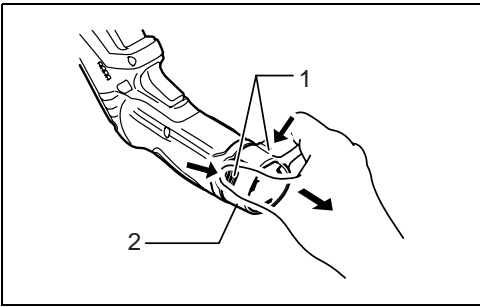


GB	Cordless Recipro Saw	Instruction manual
F	Scie Récipro sans Fil	Manuel d'instructions
D	Akku Reciprosäge	Betriebsanleitung
I	Seghetto alternativo a batteria	Istruzioni per l'uso
NL	Accureciprozaag	Gebruiksaanwijzing
E	Sierra Recíproca Inalámbrica	Manual de instrucciones
P	Serra Sabre a Bateria	Manual de instruções
DK	Ledningsfri bajonetsav	Brugsanvisning
GR	<b>Φορητή σπαθοσέγα</b>	<b>Οδηγίες χρήσης</b>
TR	<b>Akülü Kılıç Testere</b>	<b>Kullanım kılavuzu</b>

JR100D  
JR102D

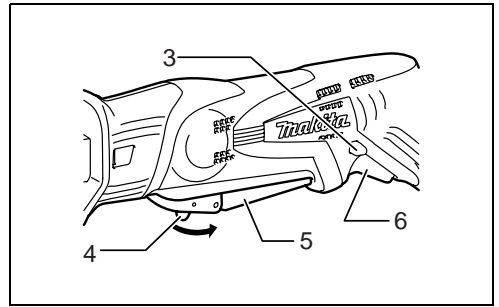


012163



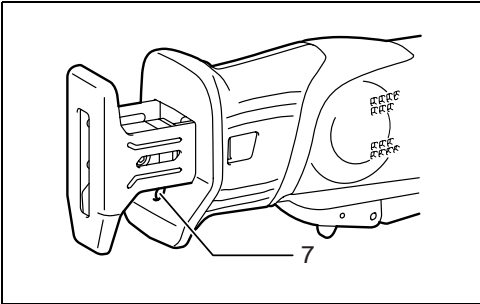
1

012164



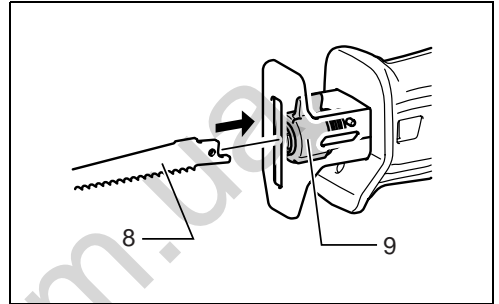
2

012169



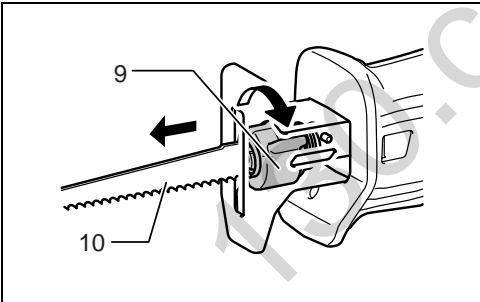
3

012168



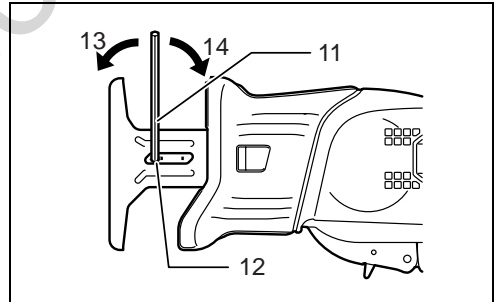
4

012161



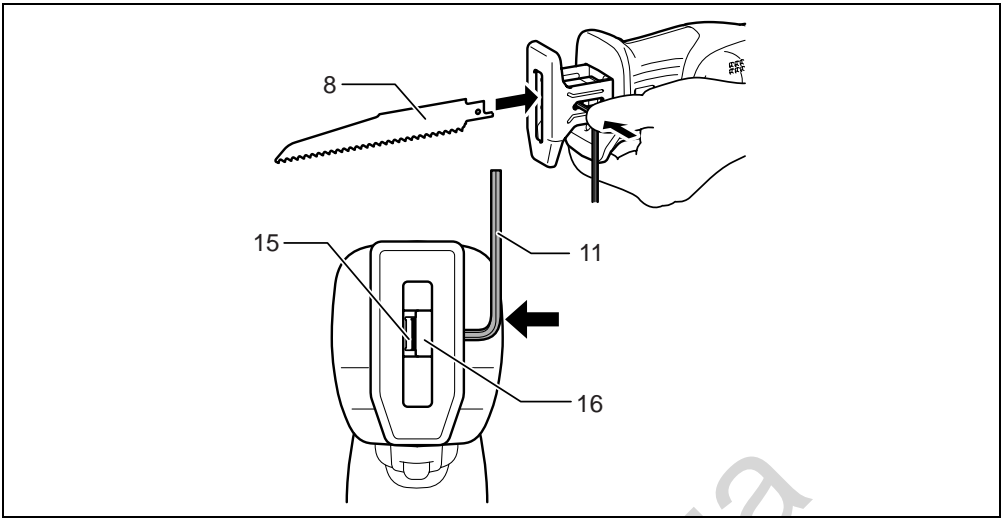
5

012162



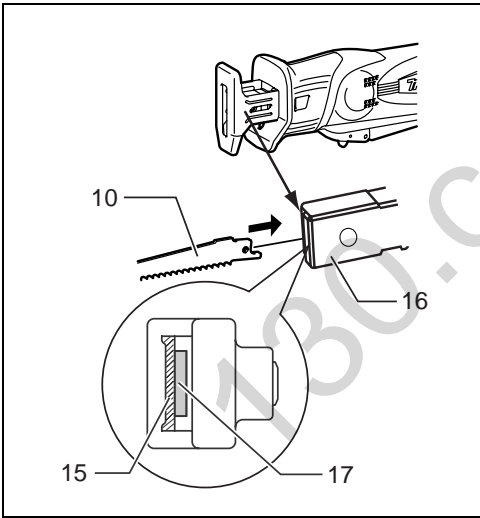
6

012165



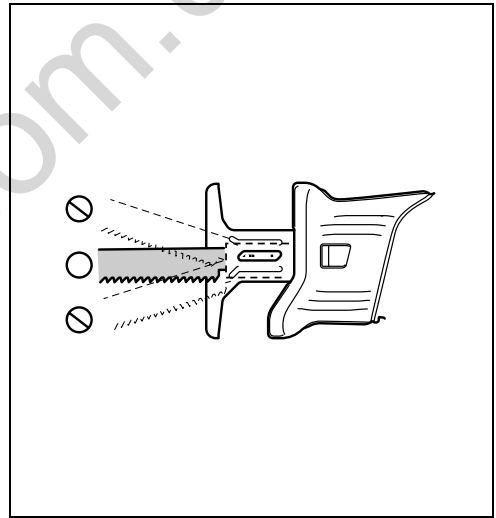
7

013062



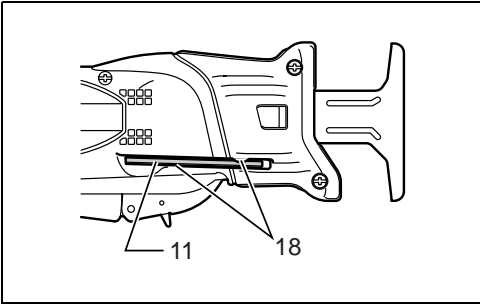
8

012229



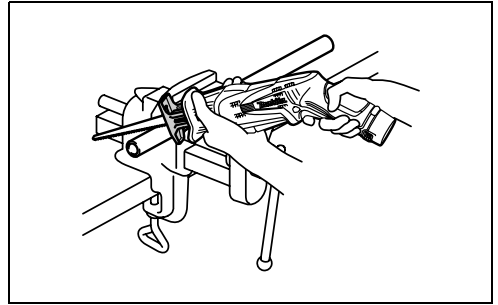
9

012230



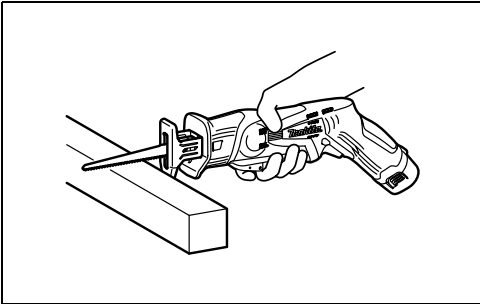
10

012167



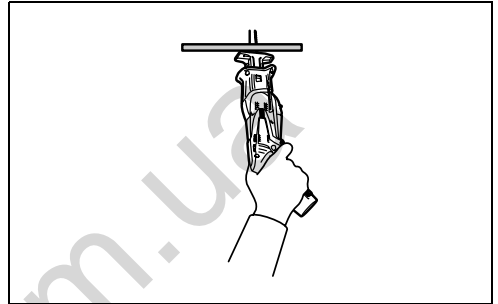
11

012171



12

012172



13

012173

## ENGLISH (Original instructions)

### Explanation of general view

- |                    |                       |                                |
|--------------------|-----------------------|--------------------------------|
| 1. Buttons         | 7. Lamp               | 13. Loosen                     |
| 2. Battery         | 8. Recipro saw blade  | 14. Tighten                    |
| 3. Lock-off button | 9. Blade clamp sleeve | 15. Hole for recipro saw blade |
| 4. Lock-off lever  | 10. Saw blade         | 16. Blade clamp                |
| 5. Switch lever    | 11. Hex wrench        | 17. Hole for jig saw blade     |
| 6. Switch trigger  | 12. Bolt              | 18. Projections                |

## SPECIFICATIONS

Model	JR100D	JR102D
Length of stroke	13 mm	
Strokes per minute (min <sup>-1</sup> )	0 - 3,300	
Max. cutting capacities	Pipe	50 mm
	Wood	50 mm
Overall length (with battery)	355 mm	
Net weight	1.2 kg	1.1 kg
Rated voltage	D.C. 10.8 V	

- Due to our continuing program of research and development, the specifications herein are subject to change without notice.
- Specifications and battery cartridge may differ from country to country.
- Weight, with battery cartridge, according to EPTA-Procedure 01/2003

### Intended use

ENE020-1

The tool is intended for sawing wood, plastic and ferrous materials.

## General Power Tool Safety Warnings

GEA010-1

**⚠ WARNING** Read all safety warnings and all instructions. Failure to follow the warnings and instructions may result in electric shock, fire and/or serious injury.

## Save all warnings and instructions for future reference.

## CORDLESS RECIPRO SAW SAFETY WARNINGS

GEB048-2

1. **Hold power tool by insulated gripping surfaces, when performing an operation where the cutting accessory may contact hidden wiring.** Cutting accessory contacting a "live" wire may make exposed metal parts of the power tool "live" and could give the operator an electric shock.
2. **Use clamps or another practical way to secure and support the workpiece to a stable platform.** Holding the work by hand or against your body leaves it unstable and may lead to loss of control.
3. **Always use safety glasses or goggles. Ordinary eye or sun glasses are NOT safety glasses.**
4. **Avoid cutting nails. Inspect workpiece for any nails and remove them before operation.**
5. **Do not cut oversize workpiece.**

6. **Check for the proper clearance beyond the workpiece before cutting so that the blade will not strike the floor, workbench, etc.**
7. **Hold the tool firmly.**
8. **Make sure the blade is not contacting the workpiece before the switch is turned on.**
9. **Keep hands away from moving parts.**
10. **Do not leave the tool running. Operate the tool only when hand-held.**
11. **Always switch off and wait for the blade to come to a complete stop before removing the blade from the workpiece.**
12. **Do not touch the blade or the workpiece immediately after operation; they may be extremely hot and could burn your skin.**
13. **Do not operate the tool at no-load unnecessarily.**
14. **Always use the correct dust mask/respirator for the material and application you are working with.**
15. **Some material contains chemicals which may be toxic. Take caution to prevent dust inhalation and skin contact. Follow material supplier safety data.**

## SAVE THESE INSTRUCTIONS.

### **⚠ WARNING:**

**DO NOT** let comfort or familiarity with product (gained from repeated use) replace strict adherence to safety rules for the subject product. **MISUSE** or failure to follow the safety rules stated in this instruction manual may cause serious personal injury.

# IMPORTANT SAFETY INSTRUCTIONS

ENC007-7

## FOR BATTERY CARTRIDGE

1. Before using battery cartridge, read all instructions and cautionary markings on (1) battery charger, (2) battery, and (3) product using battery.
2. Do not disassemble battery cartridge.
3. If operating time has become excessively shorter, stop operating immediately. It may result in a risk of overheating, possible burns and even an explosion.
4. If electrolyte gets into your eyes, rinse them out with clear water and seek medical attention right away. It may result in loss of your eyesight.
5. Do not short the battery cartridge:
  - (1) Do not touch the terminals with any conductive material.
  - (2) Avoid storing battery cartridge in a container with other metal objects such as nails, coins, etc.
  - (3) Do not expose battery cartridge to water or rain.

A battery short can cause a large current flow, overheating, possible burns and even a breakdown.

6. Do not store the tool and battery cartridge in locations where the temperature may reach or exceed 50°C (122°F).
7. Do not incinerate the battery cartridge even if it is severely damaged or is completely worn out. The battery cartridge can explode in a fire.
8. Be careful not to drop or strike battery.
9. Do not use a damaged battery.

## SAVE THESE INSTRUCTIONS.

### Tips for maintaining maximum battery life

1. Charge the battery cartridge before completely discharged.  
Always stop tool operation and charge the battery cartridge when you notice less tool power.
2. Never recharge a fully charged battery cartridge. Overcharging shortens the battery service life.
3. Charge the battery cartridge with room temperature at 10°C - 40°C (50°F - 104°F). Let a hot battery cartridge cool down before charging it.
4. Charge the battery cartridge once in every six months if you do not use it for a long period of time.

## FUNCTIONAL DESCRIPTION

### ⚠ CAUTION:

- Always be sure that the tool is switched off and the battery cartridge is removed before adjusting or checking function on the tool.

## Installing or removing battery cartridge (Fig. 1)

- Always switch off the tool before installing or removing of the battery cartridge.
- To remove the battery cartridge, withdraw it from the tool while pressing the buttons on both sides of the cartridge.
- To install the battery cartridge, hold it so that the battery cartridge front shape fits to that of the battery installation opening and slip it into place. Always insert it all the way until it locks in place with a little click. If not, it may accidentally fall out of the tool, causing injury to you or someone around you.
- Do not use force when installing the battery cartridge. If the cartridge does not slide in easily, it is not being inserted correctly.

## Battery protection system

The tool is equipped with a battery protection system. This system automatically cuts off power to the motor to extend battery life.

The tool will automatically stop during operation if the tool and/or battery are placed under one of the following conditions:

- Overloaded:  
The tool is operated in a manner that causes it to draw an abnormally high current. In this situation, release the trigger switch on the tool and stop the application that caused the tool to become overloaded. Then pull the trigger switch again to restart.
- Low battery voltage:  
The remaining battery capacity is too low and the tool will not operate. If you pull the switch trigger, the motor runs again but stops soon. In this situation, remove and recharge the battery.

## Switch action (Fig. 2)

### ⚠ CAUTION:

- Before installing the battery cartridge into the tool, always check to see that the switch lever/trigger actuates properly and returns to the "OFF" position when released.

To prevent the switch lever/trigger from accidentally pulled, the lock-off lever/button are provided.

To start the tool, pull either switch lever or trigger.

- For the switch lever, pull the lock-off lever and then pull the switch lever to start the tool.
- For the switch trigger, depress the lock-off button and then pull the switch trigger to start to the tool. The lock-off button can be pressed from either right or left.

The tool speed is increased by increasing pressure on the switch lever/trigger. Release the switch lever/trigger to stop.

### NOTICE:

- Do not pull the switch lever/trigger hard without pulling the lock-off lever/button. This can cause switch breakage.

## Lighting up the front lamp (Fig. 3)

### ⚠ CAUTION:

- Do not look in the light or see the source of light directly.

Pull the switch lever/trigger to light up the lamp. The lamp keeps on lighting while the switch lever/trigger is being pulled.

## ASSEMBLY

### CAUTION:

- Always be sure that the tool is switched off and the battery cartridge is removed before carrying out any work on the tool.

### Installing or removing the saw blade

#### CAUTION:

- Always clean out all chips or foreign matter adhering to the blade, blade clamp and/or slider. Failure to do so may cause insufficient tightening of the blade, resulting in a serious injury.

#### For Model JR100D (Fig. 4)

Insert the reciprocating saw blade into the blade clamp as far as it will go. The blade clamp sleeve rotates and the saw blade is fixed. Make sure that the saw blade cannot be extracted even though you try to pull it out.

#### CAUTION:

- If you do not insert the saw blade deep enough, the saw blade may be ejected unexpectedly during operation. This can be extremely dangerous.

#### NOTE:

- You can not use the jig saw blade with JR100D. (Fig. 5)

To remove the saw blade, rotate the blade clamp sleeve in the direction of the arrow fully. The saw blade is removed and the blade clamp sleeve is fixed at the released position.

#### NOTE:

- If you remove the saw blade without rotating the blade clamp sleeve fully, the sleeve may not be fixed. In this case, rotate the blade clamp sleeve fully, then make the sleeve fixed at the released position.

#### For Model JR102D

To install the saw blade, loosen the bolt by hex wrench. When installing a reciprocating saw blade, press the bolt with the hex wrench to open the slot during inserting the blade. (Fig. 6 & 7)

You can use both jig saw blades (B type) and reciprocating saw blades according to your work. Insert the saw blade straight into the blade clamp and tighten it by hex wrench. Pull the saw blade lightly to make sure that the saw blade does not fall off during operation.

To remove the saw blade, follow the installation procedure in reverse. (Fig. 8 & 9)

### Hex wrench storage (Fig. 10)

When not in use, store the hex wrench. It is fixed by two projections as shown in the figure to keep it from being lost.

## OPERATION (Fig. 11)

### CAUTION:

- Always press the shoe firmly against the workpiece during operation. If the shoe is held away from the

workpiece during operation, strong vibration and/or twisting will be produced, causing the blade to snap dangerously.

- Always wear gloves to protect your hands from hot flying chips when cutting metal.
- Be sure to always wear suitable eye protection which conforms with current national standards.
- Always use a suitable coolant (cutting oil) when cutting metal. Failure to do so will cause premature blade wear.

Press the shoe firmly against the workpiece. Do not allow the tool to bounce. Bring the saw blade into light contact with the workpiece. First, make a pilot groove using a slower speed. Then use a faster speed to continue cutting. (Fig. 12 & 13)

- You can use the switch lever or trigger according to your work.

#### NOTE:

- If the tool is operated continuously until the battery cartridge has discharged, allow the tool to rest for 15 minutes before proceeding with a fresh battery.

## MAINTENANCE

### CAUTION:

- Always be sure that the tool is switched off and the battery cartridge is removed before attempting to perform inspection or maintenance.
- Never use gasoline, benzene, thinner, alcohol or the like. Discoloration, deformation or cracks may result.

To maintain product SAFETY and RELIABILITY, repairs, any other maintenance or adjustment should be performed by Makita Authorized Service Centers, always using Makita replacement parts.

## OPTIONAL ACCESSORIES

### CAUTION:

- These accessories or attachments are recommended for use with your Makita tool specified in this manual. The use of any other accessories or attachments might present a risk of injury to persons. Only use accessory or attachment for its stated purpose.

If you need any assistance for more details regarding these accessories, ask your local Makita Service Center.

- Recipro saw blades
- Jig saw blades (only for Model JR102D)
- Various type of Makita genuine batteries and chargers
- Plastic carrying case

#### NOTE:

- Some items in the list may be included in the tool package as standard accessories. They may differ from country to country.

#### Noise

ENG905-1

The typical A-weighted noise level determined according to EN60745:

#### Model JR100D

Sound pressure level ( $L_{pA}$ ): 78 dB (A)

Uncertainty (K): 3 dB (A)

The noise level under working may exceed 80 dB (A).



**Model JR102D**Sound pressure level ( $L_{pA}$ ): 77 dB (A)

Uncertainty (K): 3 dB (A)

The noise level under working may exceed 80 dB (A).

**Wear ear protection.****Vibration**

ENG900-1

The vibration total value (tri-axial vector sum) determined according to EN60745:

**Model JR100D**

Work mode: cutting boards

Vibration emission ( $a_{h,B}$ ): 9.5 m/s<sup>2</sup>Uncertainty (K): 1.5 m/s<sup>2</sup>

Work mode: cutting wooden beams

Vibration emission ( $a_{h,WB}$ ): 9.5 m/s<sup>2</sup>Uncertainty (K): 2.5 m/s<sup>2</sup>**Model JR102D**

Work mode: cutting boards

Vibration emission ( $a_{h,B}$ ): 8.0 m/s<sup>2</sup>Uncertainty (K): 1.5 m/s<sup>2</sup>

Work mode: cutting wooden beams

Vibration emission ( $a_{h,WB}$ ): 7.0 m/s<sup>2</sup>Uncertainty (K): 1.5 m/s<sup>2</sup>

ENG901-1

- The declared vibration emission value has been measured in accordance with the standard test method and may be used for comparing one tool with another.
- The declared vibration emission value may also be used in a preliminary assessment of exposure.

**⚠ WARNING:**

- The vibration emission during actual use of the power tool can differ from the declared emission value depending on the ways in which the tool is used.
- Be sure to identify safety measures to protect the operator that are based on an estimation of exposure in the actual conditions of use (taking account of all parts of the operating cycle such as the times when the tool is switched off and when it is running idle in addition to the trigger time).

**For European countries only**

ENH101-15

**EC Declaration of Conformity**

**We Makita Corporation as the responsible manufacturer declare that the following Makita machine(s):**

Designation of Machine:

Cordless Recipro Saw

Model No./ Type: JR100D, JR102D

are of series production and

**Conforms to the following European Directives:**

2006/42/EC

And are manufactured in accordance with the following standards or standardised documents:

EN60745

The technical documentation is kept by our authorised representative in Europe who is:

Makita International Europe Ltd.

Michigan Drive, Tongwell,

Milton Keynes, Bucks MK15 8JD, England

3. 3. 2011



Tomoyasu Kato

Director

Makita Corporation

3-11-8, Sumiyoshi-cho,  
Anjo, Aichi, 446-8502, JAPAN

## Descriptif

- |                             |                                 |   |
|-----------------------------|---------------------------------|---|
| 1. Boutons                  | 8. Lame de scie récipro         | 15. Orifice pour la lame de scie récipro  |
| 2. Batterie                 | 9. Collet de serrage de la lame | 16. Collet de serrage de la lame          |
| 3. Bouton de sécurité       | 10. Lame                        | 17. Orifice pour la lame de scie sauteuse |
| 4. Levier de verrouillage   | 11. Clé hexagonale              | 18. Projections                           |
| 5. Levier de l'interrupteur | 12. Boulon                      |   |
| 6. Gâchette                 | 13. Desserrer                   |   |
| 7. Lampe                    | 14. Serrer                      |   |

## SPÉCIFICATIONS

Modèle		JR100D	JR102D
Longueur de course		13 mm	
Passes par minute (min <sup>-1</sup> )		0 - 3 300	
Capacités de coupe max.	Tuyau	50 mm	
	Bois	50 mm	
Longueur totale (avec la batterie)		355 mm	
Poids net		1,2 kg	1,1 kg
Tension nominale		10,8 V C.C.	

- Étant donné l'évolution constante de notre programme de recherche et de développement, les spécifications contenues dans ce manuel sont sujettes à des modifications sans préavis.
- Les spécifications et la batterie peuvent varier d'un pays à l'autre.
- Poids, batterie incluse, selon la procédure EPTA 01/2003

### Utilisations

ENE020-1

L'outil est conçu pour le sciage du bois, du plastique et des matériaux ferreux.

et vous risquez d'en perdre la maîtrise si vous la tenez avec une main ou l'appuyez simplement contre une partie du corps.

## Consignes de sécurité générales des outils électriques

GEA010-1

**⚠ AVERTISSEMENT** Veuillez lire toutes les consignes de sécurité et les instructions. Il y a un risque de choc électrique, d'incendie et/ou de blessure grave si les consignes et les instructions ne sont pas toutes respectées.

## Conservez toutes les consignes et instructions pour référence ultérieure.

## AVERTISSEMENTS DE SÉCURITÉ CONCERNANT LA SCIE RÉCIPRO SANS FIL

GEB048-2

- Tenez l'outil électrique par ses surfaces de poigne isolées lorsque vous effectuez une opération au cours de laquelle l'accessoire tranchant peut entrer en contact avec des fils cachés. Il est possible que le contact avec un fil sous tension mette les parties métalliques exposées de l'outil sous tension, risquant ainsi de provoquer un choc électrique chez l'utilisateur.
- Utilisez des dispositifs de serrage ou un autre moyen pratique pour immobiliser et soutenir la pièce sur une surface stable. La pièce sera instable
- Portez toujours des lunettes de sécurité ou des lunettes à coques. Les lunettes ordinaires et les lunettes de soleil ne sont PAS des lunettes de sécurité.
- Prenez garde aux clous pendant la coupe. Avant de commencer à scier, vérifiez la pièce pour en retirer tous les clous.
- Ne coupez pas des pièces trop grandes.
- Avant de commencer la coupe, assurez-vous qu'il y a suffisamment d'espace sous la pièce pour que la lame ne heurte pas le plancher, l'établi, etc.
- Tenez l'outil fermement.
- Assurez-vous que la lame ne touche pas la pièce à scier avant de mettre le contact.
- Gardez les mains éloignées des pièces en mouvement.
- N'abandonnez pas l'outil alors qu'il tourne. Ne faites fonctionner l'outil qu'une fois que vous l'avez bien en main.
- Avant de retirer la lame de la pièce, coupez toujours le contact et attendez l'arrêt complet de la lame.
- Ne touchez ni la lame ni la pièce immédiatement après la coupe ; elles risquent d'être extrêmement chaudes et de vous brûler la peau.
- Ne faites pas fonctionner inutilement l'outil à vide.
- Utilisez toujours un masque antipoussières ou un masque filtrant approprié au matériau à travailler et à l'outil utilisé.
- Certains matériaux contiennent des produits chimiques qui peuvent être toxiques. Prenez les précautions nécessaires pour ne pas inhaler les

poussières qu'ils dégagent et pour éviter tout contact avec la peau. Conformez-vous aux consignes de sécurité du fabricant du matériau.

## CONSERVEZ CES INSTRUCTIONS.

### ⚠ AVERTISSEMENT :

NE vous laissez PAS tromper (au fil d'une utilisation répétée) par un sentiment d'aisance et de familiarité avec le produit, en négligeant le respect rigoureux des consignes de sécurité qui accompagnent l'outil. Une UTILISATION INCORRECTE de l'outil ou un non-respect des consignes de sécurité indiquées dans ce manuel d'instructions peuvent causer des blessures graves.

## CONSIGNES DE SÉCURITÉ IMPORTANTES

ENC007-7

### POUR LA BATTERIE

1. Avant d'utiliser la batterie, veuillez lire toutes les instructions et tous les avertissements inscrits sur (1) le chargeur, (2) la batterie et (3) l'appareil alimenté par la batterie.
2. Ne démontez pas la batterie.
3. Cessez immédiatement d'utiliser la scie circulaire si le temps de fonctionnement devient excessivement court. Il y a risque de surchauffe, de brûlures, voire d'explosion.
4. Si l'électrolyte pénètre dans vos yeux, rincez-les à l'eau claire et consultez immédiatement un médecin. Il y a risque de perte de la vue.
5. Évitez de court-circuiter la batterie :
  - (1) Ne touchez les bornes avec aucun matériau conducteur.
  - (2) Évitez de ranger la batterie dans un contenant où se trouvent d'autres objets métalliques tels que des clous, pièces de monnaie, etc.
  - (3) N'exposez pas la batterie à l'eau ou à la pluie. Un court-circuit de la batterie risque de provoquer un fort courant, une surchauffe, parfois des brûlures et même une panne.
6. Ne rangez pas l'outil ou la batterie dans des endroits où la température risque d'atteindre ou de dépasser 50°C (122°F).
7. Ne jetez pas la batterie au feu même si elle est sérieusement endommagée ou complètement épuisée. La batterie peut exploser au contact du feu.
8. Veillez à ne pas laisser tomber ou heurter la batterie.
9. N'utilisez pas de batterie endommagée.

## CONSERVEZ CES INSTRUCTIONS.

## Conseils pour assurer la durée de vie optimale de la batterie

1. Rechargez la batterie avant qu'elle ne soit complètement épuisée. Arrêtez toujours l'outil et rechargez la batterie quand vous constatez que la puissance de l'outil diminue.
2. Ne rechargez jamais une batterie complètement chargée. La surcharge réduit la durée de service de la batterie.
3. Chargez la batterie alors que la température de la pièce se trouve entre 10°C et 40°C (50°F et 104°F). Si une batterie est chaude, laissez-la refroidir avant de la charger.
4. Si vous n'utilisez pas l'outil pendant une période prolongée, rechargez la batterie tous les six mois.

## DESCRIPTION DU FONCTIONNEMENT

### ⚠ ATTENTION :

- Veillez toujours à ce que l'outil soit éteint et la batterie déposée avant d'effectuer des réglages ou de vérifier le fonctionnement de l'outil.

### Installation et retrait de la batterie (Fig. 1)

- Éteignez toujours l'outil avant d'installer ou de déposer la batterie.
- Pour déposer la batterie, retirez-la de l'outil en appuyant sur les boutons situés de chaque côté de la batterie.
- Pour installer la batterie, tenez-la de sorte que la forme de la partie avant de la batterie s'ajuste à celle de l'ouverture aménagée de la batterie et faites-la glisser en position. Insérez-la toujours bien à fond, jusqu'à ce qu'elle se verrouille en émettant un léger clic. Sinon, elle risque de tomber accidentellement de l'outil, en vous blessant ou en blessant une personne située près de vous.
- N'appliquez pas une force excessive lors de l'installation de la batterie. Si la batterie ne glisse pas aisément, c'est qu'elle n'est pas insérée correctement.

### Système de protection de la batterie

L'outil est équipé d'un système de protection de la batterie. Ce système coupe automatiquement l'alimentation en électricité vers le moteur afin de prolonger la durée de vie de la batterie. L'outil s'arrête automatiquement pendant l'utilisation lorsqu'il et/ou la batterie se trouvent dans l'une des situations suivantes :

- Surchargé :

L'outil fonctionne de manière à créer un courant anormalement élevé. Dans ce cas, relâchez la gâchette située sur l'outil et arrêtez l'application ayant provoqué la surcharge de l'outil. Ensuite, tirez à nouveau sur la gâchette pour redémarrer l'outil.
- Basse tension :

L'autonomie restante est trop basse et l'outil ne fonctionnera pas. Si vous appuyez sur la gâchette, le moteur démarre de nouveau mais s'arrête rapidement. Dans ce cas, retirez la batterie et rechargez-la.

## Interrupteur (Fig. 2)

### ⚠ ATTENTION :

- Avant d'installer la batterie dans l'outil, vérifiez toujours que le levier de l'interrupteur/la gâchette fonctionne bien et revient en position d'arrêt lorsque libérée.

Pour éviter tout déclenchement accidentel du levier de l'interrupteur/de la gâchette, l'outil est muni d'un levier de verrouillage/bouton de sécurité.

Pour mettre l'outil en marche, appuyez sur la gâchette ou sur le levier de l'interrupteur.

- Pour le levier de l'interrupteur, appuyez sur le levier de verrouillage, puis sur le levier de l'interrupteur pour démarrer l'outil.
- Pour la gâchette, appuyez sur le bouton de sécurité, puis sur la gâchette pour démarrer l'outil. Vous pouvez appuyer sur les côtés gauche et droit du bouton de sécurité.

La vitesse de l'appareil augmente à mesure que vous augmentez la pression exercée sur le levier de l'interrupteur/la gâchette. Pour arrêter l'outil, relâchez la gâchette/le levier de l'interrupteur.

### NOTE :

Ne forcez pas en appuyant sur le levier de l'interrupteur/la gâchette sans avoir d'abord appuyé sur le levier de verrouillage/bouton de sécurité. Vous risqueriez de casser l'interrupteur.

## Allumage de la lampe avant (Fig. 3)

### ⚠ ATTENTION :

- Ne regardez pas directement la lumière ou la source lumineuse.

Appuyez sur le levier de l'interrupteur/la gâchette pour allumer la lampe. La lampe demeure allumée tant que la pression sur le levier de l'interrupteur/la gâchette est maintenue.

## ASSEMBLAGE

### ⚠ ATTENTION :

- Assurez-vous toujours que l'outil est hors tension et que la batterie est retirée avant d'effectuer toute intervention sur l'outil.

## Installation ou retrait de la lame

### ⚠ ATTENTION :

- Nettoyez toujours la lame, le collet de serrage de la lame et/ou le coulisseau afin d'en retirer les copeaux ou corps étrangers qui y adhèrent. La négligence de ce nettoyage peut causer un serrage insuffisant de la lame, entraînant des blessures graves.

### Pour le modèle JR100D (Fig. 4)

Insérez la lame de scie récipro à fond dans le collet de serrage de la lame. Le manchon du collet de serrage tourne et immobilise la lame. Tirez sur la lame pour vous assurer qu'il n'est pas possible de la retirer.

### ⚠ ATTENTION :

- Si vous n'insérez pas la lame à fond, elle risque d'être éjectée de manière inattendue pendant l'utilisation. Cela peut être extrêmement dangereux.

### REMARQUE :

- Vous ne pouvez pas utiliser la lame de scie sauteuse avec le modèle JR100D. (Fig. 5)

Pour retirer la lame, tournez complètement le manchon du collet de serrage de la lame dans le sens de la flèche. La lame se retire et le manchon du collet de serrage de la lame s'immobilise en position ouverte.

### REMARQUE :

- Si vous retirez la lame sans tourner complètement le manchon du collet de serrage de la lame, le manchon risque de ne pas être immobilisé. Dans ce cas, tournez complètement le manchon du collet de serrage de la lame, puis immobilisez le manchon en position ouverte.

### Pour le modèle JR102D

Pour installer la lame de scie, desserrez le boulon à l'aide d'une clé hexagonale. Lors de l'installation d'une lame de scie récipro, appuyez sur le boulon avec la clé hexagonale pour ouvrir la fente lors de l'insertion de la lame. (Fig. 6 et 7)

Vous pouvez utiliser les lames de scie sauteuse (type B) et les lames de scie récipro en fonction du travail à effectuer. Insérez la lame directement dans le collet de serrage et serrez-la avec la clé hexagonale. Appuyez légèrement sur la lame de scie pour vous assurer qu'elle ne tombe pas pendant son utilisation.

Pour retirer la lame de scie, suivez la procédure d'installation en sens inverse. (Fig. 8 et 9)

## Rangement de la clé hexagonale (Fig. 10)

Lorsque vous n'utilisez pas la clé hexagonale, rangez-la. Elle est retenue par deux ergots, comme illustré sur la figure, pour éviter qu'elle ne se perde.

## FONCTIONNEMENT (Fig. 11)

### ⚠ ATTENTION :

- Appliquez toujours fermement le sabot contre la pièce pendant l'utilisation. Si le sabot s'éloigne de la pièce pendant la coupe, cela causera de fortes vibrations et/ou torsions, faisant claquer la lame dangereusement.
- Portez toujours des gants pour protéger vos mains des projections de copeaux chauds pendant la coupe du métal.
- Assurez-vous de toujours porter un dispositif de protection des yeux adéquat, conforme aux normes nationales en vigueur.
- Utilisez toujours un fluide de refroidissement (huile de coupe) adéquat lors de la coupe du métal. Le non respect de cette instruction causera l'usure très rapide de la lame.

Appliquez le sabot fermement contre la pièce. Ne laissez pas l'outil rebondir. Amenez légèrement la lame de scie en contact avec la pièce. Pratiquez d'abord un sillon pilote en faisant fonctionner l'outil à vitesse réduite. Augmentez ensuite la vitesse pour poursuivre la coupe. (Fig. 12 et 13)

- Vous pouvez utiliser le levier de l'interrupteur ou la gâchette en fonction du travail à effectuer.

### REMARQUE :

- Si l'outil a fonctionné de façon continue jusqu'à ce que la batterie soit épuisée, laissez-le reposer pendant 15 minutes avant de poursuivre avec une batterie chargée.

## ENTRETIEN

### ⚠ ATTENTION :

- Assurez-vous toujours que l'outil est hors tension et que la batterie est retirée avant d'y effectuer tout travail d'inspection ou d'entretien.
- N'utilisez jamais d'essence, de benzine, de diluant, d'alcool ou de produit similair. Ces produits risquent de provoquer des décolorations, des déformations ou des fissures.

Pour garantir la SÉCURITÉ et la FIABILITÉ du produit, les réparations ainsi que tout autre travail d'entretien ou de réglage doivent être effectués dans un centre d'entretien Makita agréé, exclusivement avec des pièces de rechange Makita.

## ACCESSOIRES FOURNIS EN OPTION

### ⚠ ATTENTION :

- Ces accessoires ou pièces complémentaires sont recommandés pour être utilisés avec l'outil Makita spécifié dans ce mode d'emploi. L'utilisation de tout autre accessoire ou pièce complémentaire peut comporter un risque de blessure. N'utilisez les accessoires ou pièces qu'aux fins auxquelles ils ont été conçus.

Pour obtenir plus de détails sur ces accessoires, contactez votre Centre de service local Makita.

- Lames de scie récipro
- Lames de scie sauteuse (uniquement pour le modèle JR102D)
- Divers types de batteries et chargeurs de marque Makita
- Étui en plastique

### REMARQUE :

- Certains éléments de la liste peuvent être inclus en tant qu'accessoires standard dans le coffret de l'outil envoyé. Ils peuvent varier suivant les pays.

### Bruit

ENG905-1

Les niveaux de bruit pondéré A typiques ont été mesurés selon la norme EN60745 :

#### Modèle JR100D

Niveau de pression sonore ( $L_{pA}$ ) : 78 dB (A)

Incertitude (K) : 3 dB (A)

Le niveau de bruit peut dépasser 80 dB (A) lors de l'utilisation.

#### Modèle JR102D

Niveau de pression sonore ( $L_{pA}$ ) : 77 dB (A)

Incertitude (K) : 3 dB (A)

Le niveau de bruit peut dépasser 80 dB (A) lors de l'utilisation.

**Portez des protections auditives.**

### Vibrations

ENG900-1

La valeur totale de vibration (somme du vecteur triaxial) a été déterminée selon la norme EN60745 :

#### Modèle JR100D

Mode de fonctionnement : découpe de planches

Émission de vibrations ( $a_{h,B}$ ) : 9,5 m/s<sup>2</sup>

Incertitude (K) : 1,5 m/s<sup>2</sup>

Mode de fonctionnement : découpe de poutres en bois

Émission de vibrations ( $a_{h,WB}$ ) : 9,5 m/s<sup>2</sup>

Incertitude (K) : 2,5 m/s<sup>2</sup>

#### Modèle JR102D

Mode de fonctionnement : découpe de planches

Émission de vibrations ( $a_{h,B}$ ) : 8,0 m/s<sup>2</sup>

Incertitude (K) : 1,5 m/s<sup>2</sup>

Mode de fonctionnement : découpe de poutres en bois

Émission de vibrations ( $a_{h,WB}$ ) : 7,0 m/s<sup>2</sup>

Incertitude (K) : 1,5 m/s<sup>2</sup>

ENG901-1

- La valeur de l'émission des vibrations déclarée a été mesurée conformément à la méthode de test standard et peut être utilisée afin de comparer des outils entre eux.
- La valeur de l'émission des vibrations déclarée peut également être utilisée lors d'une évaluation préliminaire de l'exposition.

### ⚠ AVERTISSEMENT :

- Selon la manière dont l'outil est utilisé, il est possible que l'émission des vibrations pendant l'utilisation réelle de l'outil électrique diffère de la valeur de l'émission déclarée.
- Veillez à identifier les mesures de sécurité destinées à protéger l'opérateur et établies en fonction de l'estimation de l'exposition dans les conditions réelles d'utilisation (en prenant en compte toutes les étapes du cycle de fonctionnement, telles que les périodes de mise hors tension de l'outil, les périodes de fonctionnement au ralenti et les périodes de mise en route).

### Pour les pays d'Europe uniquement

ENH101-15

#### Déclaration de conformité CE

**Nous, Makita Corporation, en tant que fabricant responsable, déclarons que la ou les machines**

**Makita suivantes :**

Nom de la machine :

Scie Récipro sans Fil

N° de modèle/Type : JR100D, JR102D

sont fabriquées en série et

**sont conformes aux directives européennes suivantes :**

2006/42/CE

et sont produites conformément aux normes ou documents de normalisation suivants :

EN60745

La documentation technique est disponible auprès de  
notre représentant en Europe :

Makita International Europe Ltd.  
Michigan Drive, Tongwell,  
Milton Keynes, Bucks MK15 8JD, Angleterre

03. 03. 2011



Tomoyasu Kato  
Directeur

Makita Corporation  
3-11-8, Sumiyoshi-cho,  
Anjo, Aichi, 446-8502, JAPAN

130.com.ua

# DEUTSCH (Originalanweisungen)

## Erklärung der Gesamtdarstellung

- |                     |                        |                               |
|---------------------|------------------------|-------------------------------|
| 1. Tasten           | 7. Leuchte             | 13. Lösen                     |
| 2. Akku             | 8. Reciprosägeblatt    | 14. Festziehen                |
| 3. Arretiertaste    | 9. Sägeblatt-Klemmring | 15. Loch für Reciprosägeblatt |
| 4. Arretierhebel    | 10. Sägeblatt          | 16. Blattklemme               |
| 5. Schalter         | 11. Inbusschlüssel     | 17. Loch für Stichsägeblatt   |
| 6. Ein/Aus-Schalter | 12. Schraube           | 18. Vorsprünge                |

## TECHNISCHE DATEN

Modell	JR100D	JR102D
Hubhöhe	13 mm	
Schläge pro Minute (min <sup>-1</sup> )	0 - 3.300	
Max. Schneidleistungen	Rohre	50 mm
	Holz	50 mm
Gesamtlänge (mit Akku)	355 mm	
Nettogewicht	1,2 kg	1,1 kg
Nennspannung	10,8 V Gleichspannung	

- Aufgrund unserer beständigen Forschungen und Weiterentwicklungen sind Änderungen an den hier angegebenen Technischen Daten ohne Vorankündigung vorbehalten.
- Die Technischen Daten und der Akkublock können in den einzelnen Ländern Abweichungen aufweisen.
- Gewicht, mit Akkublock, ermittelt gemäß EPTA-Verfahren 01/2003

### Verwendungszweck

ENE020-1

Das Werkzeug wurde für das Sägen von Holz, Kunststoff und Eisenmaterial entwickelt.

## Allgemeine Sicherheitshinweise für Elektrowerkzeuge

GEA010-1

**⚠️ WARNUNG Lesen Sie alle Sicherheitshinweise und Anweisungen sorgfältig durch.** Wenn die Hinweise und Anweisungen nicht beachtet werden, besteht die Gefahr eines Stromschlags, Brands und/oder das Risiko von ernsthaften Verletzungen.

## Bewahren Sie alle Hinweise und Anweisungen zur späteren Referenz gut auf.

## SICHERHEITSHINWEISE ZUR AKKU-RECIPROSÄGE

GEB048-2

1. Halten Sie das Werkzeug an den isolierten Griffflächen, wenn Sie unter Bedingungen arbeiten, bei denen das Werkzeug verborgene Kabel berühren kann. Bei Kontakt des Werkzeugs mit einem stromführenden Kabel wird der Strom an die Metallteile des Elektrowerkzeugs und dadurch an den Bediener weitergeleitet, und der Bediener erleidet einen Stromschlag.
2. Verwenden Sie Klammern oder andere geeignete Geräte, um das Werkstück an einer stabilen Unterlage zu sichern. Wenn Sie das Werkstück von Hand halten oder gegen Ihren Körper pressen, kann dies zu Instabilität und Kontrollverlust führen.
3. Verwenden Sie immer Sicherheitsgläser oder Schutzbrillen. Bei gewöhnlichen Brillen und Sonnenbrillen handelt es sich NICHT um Sicherheitsgläser.
4. Vermeiden Sie es, in Nägel zu sägen. Untersuchen Sie das Werkstück auf Nägel, und entfernen Sie diese vor der eigentlichen Arbeit.
5. Sägen Sie keine zu großen Werkstücke.
6. Achten Sie auf genügend Abstand unter dem Werkstück, damit das Blatt nicht auf den Boden, die Werkbank usw. schlägt.
7. Halten Sie das Werkzeug mit festem Griff.
8. Achten Sie vor dem Einschalten des Werkzeugs darauf, dass das Blatt das Werkstück nicht berührt.
9. Halten Sie Ihre Hände von den beweglichen Teilen fern.
10. Lassen Sie das Werkzeug nicht laufen. Das Werkzeug darf nur dann in Betrieb sein, wenn es festgehalten wird.
11. Schalten Sie das Werkzeug immer aus und warten Sie auf den völligen Stillstand des Sägeblatts, bevor Sie dieses aus dem Werkstück herausziehen.
12. Berühren Sie kurz nach dem Betrieb nicht das Blatt oder das Werkstück. Diese können extrem heiß sein und zu Verbrennungen führen.
13. Lassen Sie das Werkzeug nicht unnötig ohne Last laufen.
14. Verwenden Sie bei der Arbeit stets eine für das Material geeignete Staubmaske bzw. ein Atemgerät.
15. Einige Materialien enthalten Chemikalien, die giftig sein können. Vermeiden Sie das Einatmen von Staub und den Kontakt mit der Haut. Befolgen

Sie die Sicherheitshinweise des Materialherstellers.

## BEWAHREN SIE DIESE ANLEITUNG SORGFÄLTIG AUF.

## BEWAHREN SIE DIESE ANWEISUNGEN SORGFÄLTIG AUF.

### ⚠️ WARNUNG:

Lassen Sie sich NIE durch Bequemlichkeit oder (aus fortwährendem Gebrauch gewonnener) Vertrautheit mit dem Werkzeug dazu verleiten, die Sicherheitsregeln für das Werkzeug zu missachten. Bei MISSBRÄUHLICHER Verwendung des Werkzeugs oder Missachtung der in dieser Anleitung enthaltenen Sicherheitshinweise kann es zu schweren Verletzungen kommen.

## WICHTIGE SICHERHEITSREGELN

ENC007-7

## FÜR AKKUBLOCK

1. Lesen Sie vor der Verwendung des Akkublocks alle Anweisungen und Sicherheitshinweise für das Akkuladegerät (1), den Akku (2) und das Produkt (3), für das der Akku verwendet wird, sorgfältig durch.
  2. Der Akkublock darf nicht zerlegt werden.
  3. Falls die Betriebsdauer erheblich kürzer wird, beenden Sie den Betrieb umgehend. Andernfalls besteht die Gefahr einer Überhitzung sowie das Risiko möglicher Verbrennungen und sogar einer Explosion.
  4. Wenn Elektrolyt in Ihre Augen gerät, waschen Sie diese mit klarem Wasser aus und suchen Sie sofort einen Arzt auf. Andernfalls können Sie Ihre Sehfähigkeit verlieren.
  5. Vermeiden Sie einen Kurzschluss des Akkublocks:
    - (1) Die Kontakte dürfen nicht mit leitendem Material in Berührung kommen.
    - (2) Der Akkublock darf nicht in einem Behälter aufbewahrt werden, in dem sich andere metallische Gegenstände wie beispielsweise Nägel, Münzen usw. befinden.
    - (3) Der Akkublock darf weder Feuchtigkeit noch Regen ausgesetzt werden.
- Ein Kurzschluss des Akkus kann zu hohem Kriechstrom, Überhitzung, möglichen Verbrennungen und sogar zu einer Zerstörung des Werkzeugs führen.
6. Werkzeug und Akkublock dürfen nicht an Orten aufbewahrt werden, an denen Temperaturen von 50°C oder darüber erreicht werden können.
  7. Beschädigte oder verbrauchte Akkus dürfen nicht verbrannt werden. Der Akkublock kann in den Flammen explodieren.
  8. Lassen Sie den Akku nicht fallen und vermeiden Sie Schläge gegen den Akku.
  9. Verwenden Sie niemals einen beschädigten Akku.

## Tipps für eine maximale Nutzungsdauer von Akku

1. Laden Sie den Akkublock auf, bevor der Akku vollständig entladen ist. Sobald Sie eine verringerte Leistung des Werkzeugs bemerken, beenden Sie stets den Betrieb des Werkzeugs und laden Sie den Akkublock auf.
2. Ein voll aufgeladener Akkublock darf niemals erneut geladen werden. Durch Überladungen wird die Lebensdauer des Akkus verkürzt.
3. Laden Sie den Akkublock bei einer Zimmertemperatur von 10°C bis 40°C auf. Lassen Sie einen heißen Akkublock vor dem Aufladen abkühlen.
4. Laden Sie den Akkublock aller sechs Monate auf, wenn Sie diesen für längere Zeit nicht verwenden.

## FUNKTIONSBESCHREIBUNG

### ⚠️ ACHTUNG:

- Schalten Sie das Werkzeug stets aus und entfernen Sie den Akkublock, bevor Sie Einstellungen oder eine Funktionsprüfung am Werkzeug vornehmen.

### Einsetzen und Abnehmen des Akkublocks (Abb. 1)

- Schalten Sie das Werkzeug stets aus, bevor Sie den Akkublock einsetzen oder abnehmen.
- Zum Entfernen des Akkublocks müssen Sie diesen aus dem Werkzeug herausziehen, während Sie die Tasten an beiden Seiten des Blocks drücken.
- Zum Einsetzen des Akkublocks setzen Sie den Akkublock mit der Vorderseite passgerecht auf die Öffnung des Akkufachs auf und schieben Sie den Akkublock in seine Position. Setzen Sie den Akkublock unbedingt ganz ein, bis er mit einem Klick einrastet. Andernfalls kann der Akkublock versehentlich aus dem Werkzeug fallen und Sie oder Personen in Ihrem Umfeld verletzen.
- Wenden Sie beim Einsetzen des Akkublocks keine Gewalt an. Wenn der Akkublock nicht leicht hineingleitet, ist er nicht richtig angesetzt.

### Akku-Schutzsystem

Das Werkzeug ist mit einem Akku-Schutzsystem ausgestattet. Dieses System schaltet die Stromversorgung des Motors automatisch aus, um die Lebensdauer des Akkus zu verlängern. Unter folgenden Bedingungen des Werkzeugs und/oder des Akkus kann das Werkzeug während des Betriebs automatisch stoppen:

- Überlastet:

Das Werkzeug wird auf eine Weise betrieben, die zu einer anormal hohen Stromaufnahme führt. Lassen Sie in dieser Situation den Ein/Aus-Schalter des Werkzeugs los und beenden Sie die Arbeiten, die zu der Überlastung des Werkzeugs geführt haben. Betätigen Sie anschließend den Ein/Aus-Schalter



wieder, um das Werkzeug wieder in Betrieb zu nehmen.

- Spannung des Akkus zu niedrig:  
Die noch vorhandene Akkuladung ist zu niedrig, und das Werkzeug startet nicht. Bei Betätigung des Ein/Aus-Schalters läuft der Motor an, stoppt jedoch bald wieder. Entnehmen Sie in dieser Situation den Akku und laden Sie den Akku wieder auf.

## Bedienung des Ein/Aus-Schalters (Abb. 2)

### ⚠ ACHTUNG:

- Achten Sie vor dem Einsetzen des Akkublocks in das Werkzeug darauf, dass sich der Ein/Aus-Schalter (Kippschalter oder Taster) korrekt bedienen lässt und beim Loslassen in die Position „OFF“ (AUS) zurückkehrt.

Damit der Ein/Aus-Schalter (Kippschalter oder Taster) nicht versehentlich betätigt wird, befindet sich am Werkzeug eine Arretierungstaste.

Betätigen Sie zum Starten des Werkzeugs den Ein/Aus-Schalter (Kippschalter oder Taster).

- Bei einem Kippschalter drücken Sie die Arretierhebel und drücken Sie anschließend den Kippschalter, um das Werkzeug zu starten.
- Bei einem Taster drücken Sie die Arretierungstaste und drücken Sie anschließend den Taster, um das Werkzeug zu starten. Die Arretierungstaste kann von der linken sowie von der rechten Seite aus gedrückt werden.

Die Drehzahl des Werkzeugs wird durch größeren Druck auf den Ein/Aus-Schalter (Kippschalter oder Taster) erhöht. Lassen Sie zum Ausschalten des Werkzeugs den Ein/Aus-Schalter (Kippschalter oder Taster) los.

### HINWEIS:

Betätigen Sie den Ein/Aus-Schalter (Kippschalter oder Taster) niemals mit Gewalt, ohne dabei die Arretierungstaste zu drücken. Anderenfalls kann der Ein/Aus-Schalter beschädigt werden.

## Einschalten der Frontleuchte (Abb. 3)

### ⚠ ACHTUNG:

- Schauen Sie nicht direkt in das Licht oder in die Lichtquelle.

Bei Einschalten des Ein/Aus-Schalters (Kippschalter oder Taster) leuchtet die Lampe auf. Solange Sie den Ein/Aus-Schalter (Kippschalter oder Taster) auf EIN halten, leuchtet die Lampe.

## ZUSAMMENBAU

### ⚠ ACHTUNG:

- Schalten Sie das Werkzeug stets aus und entfernen Sie den Akkublock, bevor Sie Arbeiten am Werkzeug ausführen.

## Einbauen und Ausbauen des Sägeblatts

### ⚠ ACHTUNG:

- Säubern Sie Sägeblatt, Klemmschuh und/oder Schieber stets von anhaftenden Spänen oder Fremdkörpern. Tun Sie dies nicht, kann sich das

Sägeblatt lösen, was zu schweren Personenschäden führen kann.

### Für Modell JR100D (Abb. 4)

Führen Sie das Reciprosägeblatt bis zum Anschlag in den Klemmschuh ein. Der Sägeblatt-Klemmring dreht sich, und das Sägeblatt wird fixiert. Vergewissern Sie sich durch Zugversuch, dass sich das Sägeblatt nicht herausziehen lässt.

### ⚠ VORSICHT:

- Wird das Sägeblatt nicht tief genug eingeführt, kann es während des Betriebs plötzlich herausgeschleudert werden. Dies kann gefährliche Folgen haben.

### HINWEIS:

- Mit dem Modell JR100D kann das Stichsägeblatt nicht verwendet werden. (Abb. 5)

Zum Ausbauen des Sägeblatts drehen Sie den Sägeblatt-Klemmring bis zum Anschlag in Pfeilrichtung. Das Sägeblatt wird freigegeben und der Sägeblatt-Klemmring wird in der entriegelten Stellung fixiert.

### HINWEIS:

- Wird das Sägeblatt ausgebaut, ohne den Sägeblatt-Klemmring vollständig zu drehen, wird der Klemmring möglicherweise nicht fixiert. Drehen Sie in diesem Fall den Sägeblatt-Klemmring vollständig, um ihn in der entriegelten Stellung zu fixieren.

### Für Modell JR102D

Zum Einsetzen des Sägeblatts lösen Sie mit Hilfe eines Inbusschlüssels die Schraube. Zum Einsetzen eines Reciprosägeblatts drücken Sie die Schraube mit dem Inbusschlüssel, um den Schlitz beim Einsetzen des Blattes zu öffnen. (Abb. 6 und 7)

Sie können, den auszuführenden Arbeiten entsprechend, sowohl Stichsägeblätter (Typ B) als auch Reciprosägeblätter verwenden. Führen Sie das Sägeblatt gerade in den Klemmschuh ein und ziehen Sie das Sägeblatt mit Hilfe des Inbusschlüssels fest. Ziehen Sie leicht am Sägeblatt, um sicherzustellen, dass das Sägeblatt während des Betriebs nicht herausfällt. Zum Ausbauen des Sägeblatts führen Sie den Einbauvorgang in umgekehrter Reihenfolge aus. (Abb. 8 und 9)

## Aufbewahrung des Sechskantschlüssels (Abb. 10)

Wenn der Inbusschlüssel nicht verwendet wird, bewahren Sie den Inbusschlüssel entsprechend auf. Der Inbusschlüssel wird, wie dargestellt, an zwei Nasen befestigt, damit er nicht verloren geht.

## BETRIEB (Abb. 11)

### ⚠ ACHTUNG:

- Drücken Sie den Führungsanschlag während des Betriebs immer fest gegen das Werkstück. Wird der Führungsanschlag während des Betriebs vom Werkstück weg gehalten, kann es zu Vibrationen und Windungen kommen, die das Blatt zerstören.
- Tragen Sie beim Schneiden von Metall immer Handschuhe, um sich gegen heiße, herumfliegende Metallsplitter zu schützen.
- Tragen Sie stets einen passenden Augenschutz, der den aktuellen gesetzlichen Normen entspricht.

- Verwenden Sie beim Schneiden von Metall ein geeignetes Kühlmittel (Schneideöl).

Zuwiderhandlungen können zu vorzeitiger Blattabnutzung führen.

Drücken Sie den Führungsanschlag immer fest gegen das Werkstück. Achten Sie darauf, dass das Werkzeug nicht ausschlägt. Bringen Sie das Sägeblatt in leichten Kontakt mit dem Werkstück. Machen Sie zunächst einen Führungsschnitt bei niedriger Geschwindigkeit. Sägen Sie dann bei höherer Geschwindigkeit weiter. **(Abb. 12 und 13)**

- Sie können, den auszuführenden Arbeiten entsprechend, den Kippschalter oder den Taster als Ein/Aus-Schalter verwenden.

#### HINWEIS:

- Wenn das Werkzeug bis zur vollständigen Entladung des Akkus betrieben wurde, lassen Sie das Werkzeug 15 Minuten liegen, bevor Sie die Arbeiten mit einem neuen Akku fortsetzen.

## WARTUNG

### ⚠ ACHTUNG:

- Schalten Sie das Werkzeug stets aus und ziehen Sie den Akkublock ab, bevor Sie Inspektionen oder Wartungsarbeiten am Werkzeug vornehmen.
- Verwenden Sie zum Reinigen niemals Kraftstoffe, Benzin, Verdünnern, Alkohol oder ähnliches. Dies kann zu Verfärbungen, Verformungen oder Rissen führen.

Zur Gewährleistung von SICHERHEIT und ZUVERLÄSSIGKEIT des Produkts sollten Reparaturen, Wartungsarbeiten und Einstellungen nur durch von Makita autorisierte Servicecenter durchgeführt und ausschließlich Makita-Ersatzteile verwendet werden.

## SONDERZUBEHÖR

### ⚠ ACHTUNG:

- Für das in diesem Handbuch beschriebene Makita-Gerät werden die folgenden Zubehör- und Zusatzteile empfohlen. Bei Verwendung anderer Zubehör- und Zusatzteile kann es zu Verletzungen kommen. Verwenden Sie Zubehör- und Zusatzteile nur für den vorgesehenen Zweck.

Informationen zu diesem Zubehör erhalten Sie von Ihrem Makita-Servicecenter.

- Reciprosägeblätter
- Stichsägeblätter (nur für Modelle JR102D)
- Verschiedene Arten von originalen Akkus und Ladegeräten von Makita
- Kunststoff-Tragekoffer

#### HINWEIS:

- Einige der in der Liste aufgeführten Elemente sind dem Werkzeugpaket als Standardzubehör beigelegt. Diese können in den einzelnen Ländern voneinander abweichen.

## Schallpegel

ENG905-1

Typischer A-bewerteter Schallpegel nach EN60745:

### Modell JR100D

Schalldruckpegel ( $L_{pA}$ ): 78 dB (A)

Abweichung (K): 3 dB (A)

Unter Arbeitsbedingungen kann der Schallpegel 80 dB (A) überschreiten.

### Modell JR102D

Schalldruckpegel ( $L_{pA}$ ): 77 dB (A)

Abweichung (K): 3 dB (A)

Unter Arbeitsbedingungen kann der Schallpegel 80 dB (A) überschreiten.

### Tragen Sie Gehörschutz.

## Schwingung

ENG900-1

Schwingungsgesamtwerte (Vektorsumme dreier Achsen) nach EN60745:

### Modell JR100D

Arbeitsmodus: Schneiden von Karton

Schwingungsbelastung ( $a_{h,B}$ ): 9,5 m/s<sup>2</sup>

Abweichung (K): 1,5 m/s<sup>2</sup>

Arbeitsmodus: Schneiden von Holzbalken

Schwingungsbelastung ( $a_{h,WB}$ ): 9,5 m/s<sup>2</sup>

Abweichung (K): 2,5 m/s<sup>2</sup>

### Modell JR102D

Arbeitsmodus: Schneiden von Karton

Schwingungsbelastung ( $a_{h,B}$ ): 8,0 m/s<sup>2</sup>

Abweichung (K): 1,5 m/s<sup>2</sup>

Arbeitsmodus: Schneiden von Holzbalken

Schwingungsbelastung ( $a_{h,WB}$ ): 7,0 m/s<sup>2</sup>

Abweichung (K): 1,5 m/s<sup>2</sup>

ENG901-1

- Der hier angegebene Wert für die erzeugten Schwingungen wurde gemäß dem genormten Testverfahren ermittelt und kann als Vergleich zu anderen Werkzeugen herangezogen werden.
- Der angegebene Wert für die erzeugten Schwingungen ist außerdem für eine vorbeugende Bewertung der Belastung zu verwenden.

### ⚠ WARNUNG:

- Die Schwingungsbelastung kann bei tatsächlichem Gebrauch des Elektrowerkzeugs in Abhängigkeit von der Handhabung des Elektrowerkzeugs von dem hier aufgeführten Wert abweichen.
- Stellen Sie sicher, dass Schutzmaßnahmen für den Bediener getroffen werden, die auf den unter den tatsächlichen Arbeitsbedingungen zu erwartenden Belastungen beruhen (beziehen Sie alle Bestandteile des Arbeitsablaufs ein, also zusätzlich zu den Arbeitszeiten auch Zeiten, in denen das Werkzeug ausgeschaltet ist oder ohne Last läuft).

**Nur für europäische Länder**

ENH101-15

**EG-Konformitätserklärung**

**Wir, Makita Corporation als verantwortlicher Hersteller, erklären, dass das/die folgende/n Gerät/**

**Geräte der Marke Makita:**

Bezeichnung des Geräts/der Geräte:

Akku Reciprosäge

Nummer / Typ des Modells: JR100D, JR102D

in Serienfertigung hergestellt wird/werden und

**den folgenden Richtlinien der Europäischen Union genügt/genügen:**

2006/42/EG

Außerdem werden die Geräte gemäß den folgenden Standards oder Normen gefertigt:

EN60745

Die technische Dokumentation erfolgt durch unseren

Bevollmächtigten in Europa:

Makita International Europe Ltd.

Michigan Drive, Tongwell,

Milton Keynes, Bucks MK15 8JD, England

3. 3. 2011



Tomoyasu Kato

Direktor

Makita Corporation

3-11-8, Sumiyoshi-cho,

Anjo, Aichi, 446-8502, JAPAN

130.com.ua

## ITALIANO (Istruzioni originali)

### Spiegazione della vista generale

- |                               |                                       |   |
|-------------------------------|---------------------------------------|---|
| 1. Pulsanti                   | 8. Lama per seghetto alternativo      | 14. Serrare                               |
| 2. Batteria                   | 9. Manicotto della ganaschia per lama | 15. Foro per lama di seghetto alternativo |
| 3. Pulsante di sblocco        | 10. Lama per seghetto                 | 16. Ganaschia per lama                    |
| 4. Levetta di sblocco         | 11. Chiave esagonale                  | 17. Foro per lama di seghetto a balestra  |
| 5. Levetta di accensione      | 12. Bullone                           | 18. Sporgenze                             |
| 6. Interruttore di accensione | 13. Allentare                         |   |
| 7. Lampada                    |                                       |   |

## CARATTERISTICHE TECNICHE

Modello	JR100D	JR102D
Lunghezza della corsa	13 mm	
Corse al minuto (min <sup>-1</sup> )	0 - 3.300	
Capacità massima di taglio	Tubazioni	50 mm
	Legno	50 mm
Lunghezza complessiva (con batteria)	355 mm	
Peso netto	1,2 kg	1,1 kg
Tensione nominale	10,8 V CC	

- Le caratteristiche tecniche riportate di seguito sono soggette a modifiche senza preavviso in virtù del nostro programma continuo di ricerca e sviluppo.
- Le caratteristiche tecniche e le batterie possono differire da paese a paese.
- Peso, comprensivo di batterie, calcolato in base alla Procedura EPTA 01/2003

### Uso previsto

ENE020-1

Questo utensile è progettato per segare legno, plastica e materiali ferrosi.

## Avvertenze generali di sicurezza per l'uso dell'utensile

GEA010-1

**⚠ AVVERTENZA** Leggere attentamente tutte le avvertenze di sicurezza e le istruzioni. La mancata osservanza delle istruzioni e delle avvertenze riportate di seguito potrebbe provocare scosse elettriche, incendi e/o lesioni gravi.

## Conservare le avvertenze e le istruzioni per riferimenti futuri.

## AVVERTENZE DI SICUREZZA PER IL SEGHEGGETTO ALTERNATIVO A BATTERIA

GEB048-2

- Se vengono eseguite operazioni in cui l'accessorio di taglio può toccare fili nascosti, impugnare l'utensile con i punti di presa isolati. Se l'accessorio da taglio entra a contatto con un filo percorso da corrente, le parti metalliche esposte dell'utensile si troveranno anch'esse sotto tensione e potrebbero provocare scosse elettriche all'operatore.
- Fissare e sostenere il pezzo in lavorazione a un piano stabile utilizzando morsetti o metodi analoghi. Non sorreggere il pezzo in lavorazione con le mani o contro il proprio corpo, poiché può ridurre la stabilità e provocare una perdita di controllo.
- Utilizzare sempre occhiali di protezione o di sicurezza. Gli occhiali comuni da vista o gli occhiali da sole NON sono occhiali di sicurezza.
- Evitare di tagliare chiodi. Controllare che il pezzo in lavorazione non contenga chiodi e rimuoverli prima di azionare l'attrezzo.
- Non tagliare pezzi in lavorazione sovradimensionati.
- Prima di azionare l'utensile, controllare che davanti al pezzo in lavorazione sia disponibile spazio a sufficienza per evitare di colpire con la lama il pavimento, il banco di lavoro e così via.
- Tenere l'utensile in modo saldo.
- Verificare che la lama non tocchi il pezzo in lavorazione prima che l'interruttore sia acceso.
- Mantenere le mani lontano dalle parti in movimento.
- Non lasciare l'utensile acceso. Azionare l'utensile solo dopo averlo impugnato.
- Prima di rimuovere la lama, spegnere l'utensile ed aspettare che la lama si fermi completamente.
- Non toccare la lama o il pezzo in lavorazione subito dopo aver utilizzato l'utensile in quanto possono raggiungere temperature elevate e provocare ustioni.
- Non azionare inutilmente l'attrezzo a vuoto.
- Usare sempre una maschera antipolvere e/o il respiratore appropriati al materiale e all'applicazione.
- Alcuni materiali contengono prodotti chimici potenzialmente tossici. Evitare l'inalazione della polvere e il contatto con la pelle. Attenersi alle istruzioni di sicurezza del fornitore dei materiali.

## CONSERVARE QUESTE ISTRUZIONI.

### ⚠ AVVERTENZA:

NON lasciare che la familiarità acquisita con il prodotto (dovuta all'uso ripetuto) provochi l'inosservanza delle norme di sicurezza per il presente prodotto. L'USO IMPROPRIO o la mancata osservanza delle norme di sicurezza contenute in questo manuale di istruzioni possono provocare infortuni gravi.

## ISTRUZIONI IMPORTANTI PER LA SICUREZZA

ENC007-7

### RELATIVE ALLA BATTERIA

1. Prima di utilizzare la batteria, leggere tutte le istruzioni e gli avvisi di sicurezza relativi a (1) caricabatteria, (2) batteria e (3) prodotto utilizzato con la batteria.
2. Non smontare la batteria.
3. Se il tempo di funzionamento è diventato eccessivamente breve, non utilizzare l'utensile. Potrebbero verificarsi surriscaldamenti, ustioni o esplosioni.
4. In caso di contatto dell'elettrolita della batteria con gli occhi, sciacquare con acqua fresca e rivolgersi immediatamente a un medico. Potrebbero verificarsi danni permanenti alla funzionalità visiva.
5. Non cortocircuitare la batteria:
  - (1) Non toccare i terminali della batteria con materiale in grado di condurre elettricità.
  - (2) Evitare di conservare la batteria a contatto con oggetti metallici quali chiodi, monete e così via.
  - (3) Non esporre le batterie all'acqua o alla pioggia.Un cortocircuito può provocare un elevato flusso di corrente, surriscaldamento, ustioni o rotture.
6. Non conservare l'utensile e la batteria a una temperatura superiore a 50 °C.
7. Evitare di smaltire le batterie danneggiate o esaurite bruciandole. Se esposte al fuoco, le batterie possono esplodere.
8. Evitare di far cadere o di colpire la batteria.
9. Non utilizzare batterie danneggiate.

## CONSERVARE QUESTE ISTRUZIONI.

### Suggerimenti il prolungamento della durata della batteria

1. Caricare le batterie prima di scaricarle completamente. Se si nota una diminuzione di potenza dell'utensile, interrompere il lavoro e ricaricare la batteria.
2. Non ricaricare una batteria già completamente carica.

In caso contrario, la durata operativa della batteria potrebbe ridursi.

3. Caricare la batteria in ambienti con temperatura compresa tra 10 °C e 40 °C. Prima di caricare una batteria surriscaldata, lasciarla raffreddare.
4. Caricare la batteria una volta ogni sei mesi se l'utensile rimane inutilizzato per lungo tempo.

## DESCRIZIONE FUNZIONALE

### ⚠ ATTENZIONE:

- Prima di regolare o controllare le funzioni dell'utensile, verificare sempre di averlo spento e di aver rimosso la batteria.

### Inserimento o rimozione della batteria (Fig. 1)

- Spegnerne sempre l'utensile prima di inserire o rimuovere la batteria.
- Per rimuovere la batteria è sufficiente estrarla dall'utensile mentre si tengono premuti i pulsanti su entrambi i lati della batteria.
- Per inserire la batteria, tenerla in modo che la parte anteriore penetri nell'apertura del vano batteria e scivoli in posizione. Inserire a fondo la batteria fino a quando non si blocca in posizione con uno scatto. In caso contrario potrebbe fuoriuscire accidentalmente dall'utensile e provocare danni all'operatore o a eventuali osservatori.
- Non esercitare una forza eccessiva durante l'inserimento della batteria. Se la batteria non scorre agevolmente, la manovra di inserimento non è corretta.

### Sistema di protezione della batteria

L'utensile è dotato di un sistema di protezione della batteria. Questo sistema interrompe automaticamente l'alimentazione del motore per prolungare la durata della batteria.

L'utensile si spegne automaticamente durante l'uso se l'utensile stesso e/o la batteria sono utilizzati in una delle condizioni riportate di seguito:

- Sovraccarico:

L'utensile viene utilizzato con modalità che provocano una corrente eccessivamente alta. In questa situazione occorre rilasciare l'interruttore di accensione dell'utensile e interrompere l'operazione che ha provocato il sovraccarico dell'utensile. Azionare di nuovo l'interruttore di accensione per riavviare l'utensile.
- Tensione ridotta della batteria:

La capacità rimanente della batteria è troppo bassa e non consente di utilizzare l'utensile. Se si aziona l'interruttore di accensione il motore si avvia di nuovo ma si spegne subito. In questo caso occorre rimuovere e ricaricare la batteria.

### Azionamento dell'interruttore (Fig. 2)

### ⚠ ATTENZIONE:

- Prima di inserire la batteria nell'utensile, controllare se la levetta o l'interruttore di accensione funziona correttamente e ritorna alla posizione "OFF" una volta rilasciato.

La levetta/il pulsante di sblocco consentono di evitare l'azionamento involontario della levetta o dell'interruttore di accensione.

Per avviare l'utensile è sufficiente tirare la levetta o l'interruttore di accensione.

- Per utilizzare la levetta di accensione, azionare la levetta di sblocco e quindi la levetta di accensione per avviare l'utensile.
- Per utilizzare l'interruttore di accensione, azionare il pulsante di sblocco e azionare l'interruttore di accensione per avviare l'utensile. Il pulsante di sblocco può essere premuto sia sul lato sinistro sia sul lato destro.

Per aumentare la velocità dell'utensile è sufficiente aumentare la pressione sulla levetta o sull'interruttore di accensione. Rilasciare la levetta o l'interruttore di accensione per spegnere l'utensile.

#### AVVISO:

Non azionare con eccessiva forza la levetta o l'interruttore di accensione senza prima azionare la levetta/il pulsante di sblocco. In caso contrario l'interruttore potrebbe rompersi.

### Accensione della lampada anteriore (Fig. 3)

#### ⚠ ATTENZIONE:

- Non osservare direttamente la luce o la fonte luminosa. Azionare la levetta o l'interruttore di accensione per accendere la lampada. La lampada rimane accesa fino a quando la levetta o l'interruttore rimane azionato.

## MONTAGGIO

#### ⚠ ATTENZIONE:

- Prima di eseguire operazioni sull'utensile, verificare sempre di averlo spento e di aver rimosso la batteria.

### Inserimento o rimozione della lama per seghetto

#### ⚠ ATTENZIONE:

- Rimuovere sempre tutti i trucioli o i corpi estranei che aderiscono alla lama, alla ganascia per la lama e/o al cursore. In caso contrario la lama potrebbe non essere serrata correttamente, con conseguenti gravi danni alla persona.

#### Per il modello JR100D (Fig. 4)

Inserire la lama per seghetto alternativo nella ganascia per lama fino al fermo. Il manicotto della ganascia per lama ruota e la lama per seghetto viene fissata. Assicurarsi che la lama per seghetto non possa essere estratta nemmeno se viene tirata.

#### ⚠ ATTENZIONE:

- Se la lama per seghetto non è inserita completamente è possibile che venga espulsa durante il funzionamento dell'utensile. Questo comportamento è particolarmente pericoloso.

#### NOTA:

- Non è possibile utilizzare la lama per seghetto a balestra con JR100D. (Fig. 5)

Per rimuovere la lama per seghetto, ruotare completamente il manicotto della ganascia per lama nella

direzione indicata dalla freccia. La lama per seghetto viene rimossa e il manicotto della ganascia per lama rimane nella posizione di sblocco.

#### NOTA:

- Se si rimuove la lama per seghetto senza ruotare completamente il manicotto della ganascia per lama, tale manicotto non rimarrà nella posizione di sblocco. In questo caso ruotare completamente il manicotto della ganascia per lama, quindi fissarlo nella posizione di sblocco.

#### Per il modello JR102D

Allentare il bullone con la chiave esagonale per installare la lama per seghetto Per l'installazione della lama per seghetto alternativo, premere il bullone con la chiave esagonale per aprire la fessura durante l'inserimento della lama. (Fig. 6 e 7)

È possibile utilizzare lame sia per seghetto a balestra (tipo B) sia per seghetto alternativo in base al lavoro da svolgere. Inserire in linea retta la lama per seghetto nella ganascia per lama e serrarla con la chiave esagonale. Tirare leggermente la lama per seghetto per verificare che non possa cadere durante l'uso.

Ripetere la procedura di installazione in ordine inverso per rimuovere la lama per seghetto. (Fig. 8 e 9)

### Conservazione della chiave esagonale (Fig. 10)

La chiave esagonale deve essere riposta quando non è in uso. Per evitare di perderla viene fissata a due sporgente, come mostrato nella figura.

## FUNZIONAMENTO (Fig. 11)

#### ⚠ ATTENZIONE:

- Durante l'uso premere sempre la ganascia contro il pezzo in lavorazione. Se la ganascia non rimane a contatto del pezzo durante la lavorazione è possibile che si verifichino forti vibrazioni e/o torsioni che possono provocare pericolosi colpi della lama.
- Per proteggere le mani dai trucioli caldi scagliati durante il taglio di metalli è indispensabile indossare sempre i guanti.
- Indossare sempre una protezione per gli occhi conforme alle norme nazionali in vigore.
- Per il taglio di metalli è bene utilizzare sempre un refrigerante adatto (olio da taglio). In caso contrario può verificarsi un'usura prematura della lama.

Premere saldamente la ganascia contro il pezzo in lavorazione. Non permettere all'utensile di rimbalzare. Portare la lama per seghetto a contatto con il pezzo in lavorazione. Praticare una scanalatura pilota a bassa velocità. Aumentare quindi la velocità per proseguire con il taglio. (Fig. 12 e 13)

- È possibile utilizzare sia la levetta sia l'interruttore di accensione in base al lavoro da svolgere.

#### NOTA:

- Se si utilizza l'utensile in modo continuativo fino al completo scaricamento della batteria, attendere 15 minuti prima di continuare a utilizzarlo con una batteria carica.

# MANUTENZIONE

## ATTENZIONE:

- Prima di eseguire operazioni di ispezione o manutenzione sull'utensile, verificare sempre di averlo spento e di aver rimosso la batteria.
- Evitare assolutamente di usare benzina, diluenti, solventi, alcol o sostanze simili. In caso contrario, potrebbero verificarsi scoloriture, deformazioni o incrinature.

Per garantire la sicurezza e l'affidabilità del prodotto, le riparazioni e qualsiasi altra operazione di manutenzione o regolazione devono essere effettuate presso un centro assistenza autorizzato Makita, utilizzando esclusivamente ricambi originali Makita.

# ACCESSORI OPZIONALI

## ATTENZIONE:

- Si consiglia l'uso dei seguenti accessori per l'utensile Makita descritto in questo manuale. L'uso di qualsiasi altro accessorio potrebbe provocare lesioni personali. Utilizzare gli accessori esclusivamente per l'uso dichiarato.

Per l'assistenza e per ulteriori informazioni su tali accessori, rivolgersi al centro assistenza Makita di zona.

- Lame per seghetto alternativo
- Lame per seghetto a balestra (solo per il modello JR102D)
- Vari tipi di batterie e caricabatterie originali Makita
- Custodia di trasporto in plastica

## NOTA:

- Alcuni degli accessori elencati potrebbero essere inclusi nella confezione dell'utensile come accessori standard. Gli accessori standard possono differire da paese a paese.

## Rumore

ENG905-1

Il tipico livello di rumore ponderato A è determinato in conformità alla norma EN60745:

### Modello JR100D

Livello di pressione sonora ( $L_{pA}$ ): 78 dB (A)  
Variazione (K): 3 dB (A)

Il livello di rumore in fase di funzionamento può superare 80 dB (A).

### Modello JR102D

Livello di pressione sonora ( $L_{pA}$ ): 77 dB (A)  
Variazione (K): 3 dB (A)

Il livello di rumore in fase di funzionamento può superare 80 dB (A).

## Indossare una protezione acustica.

## Vibrazioni

ENG900-1

Il valore totale delle vibrazioni (somma vettoriale triassiale) è determinato in conformità alla norma EN60745:

### Modello JR100D

Modalità di lavoro: taglio di pannelli  
Emissione di vibrazioni ( $a_{h,B}$ ): 9,5 m/s<sup>2</sup>  
Variazione (K): 1,5 m/s<sup>2</sup>

Modalità di lavoro: taglio di travi in legno  
Emissione di vibrazioni ( $a_{h,WB}$ ): 9,5 m/s<sup>2</sup>  
Variazione (K): 2,5 m/s<sup>2</sup>

### Modello JR102D

Modalità di lavoro: taglio di pannelli  
Emissione di vibrazioni ( $a_{h,B}$ ): 8,0 m/s<sup>2</sup>  
Variazione (K): 1,5 m/s<sup>2</sup>

Modalità di lavoro: taglio di travi in legno  
Emissione di vibrazioni ( $a_{h,WB}$ ): 7,0 m/s<sup>2</sup>  
Variazione (K): 1,5 m/s<sup>2</sup>

ENG901-1

- Il valore di emissione delle vibrazioni dichiarato è stato misurato in conformità con il metodo di test standard e può essere utilizzato per confrontare tra loro diversi utensili.
- Il valore dell'emissione delle vibrazioni dichiarato può anche essere usato per stime preliminari dell'esposizione.

## AVVERTENZA:

- L'emissione delle vibrazioni durante l'uso effettivo dell'utensile elettrico può risultare diversa rispetto al valore dichiarato, in base alla modalità d'uso dell'utensile.
- Assicurarsi di individuare le necessarie misure di sicurezza per proteggere l'operatore in base a una stima dell'esposizione nelle condizioni reali di utilizzo (prendendo in considerazione tutte le fasi del ciclo operativo, come quante volte l'utensile viene spento e i periodi in cui rimane inattivo, oltre al tempo di avviamento).

## Solo per i paesi europei

ENH101-15

### Dichiarazione di conformità CE

**Makita Corporation, in qualità di produttore responsabile, dichiara che gli utensili Makita indicati di seguito:**

Denominazione dell'utensile:

Seghetto alternativo a batteria

N. modello / Tipo: JR100D, JR102D

appartengono a una produzione in serie e sono conformi alle seguenti direttive europee:

2006/42/EC

Sono inoltre prodotti in conformità agli standard o ai documenti standardizzati riportati di seguito:

EN60745

La documentazione tecnica è conservata dal rappresentante autorizzato in Europa, vale a dire:

Makita International Europe, Ltd.

Michigan Drive, Tongwell,

Milton Keynes, Bucks MK15 8JD, Inghilterra

3. 3. 2011



Tomoyasu Kato  
Direttore

Makita Corporation  
3-11-8, Sumiyoshi-cho,  
Anjo, Aichi, 446-8502, JAPAN

## NEDERLANDS (Originele instructies)

### Verklaring van het onderdelenoverzicht

1. Knoppen	7. Lampje	13. Losdraaien
2. Accu	8. Reciprozaagblad	14. Vastdraaien
3. Uit-vergrendelknop	9. Zaagbladklembus	15. Opening voor reciprozaagblad
4. Uit-vergrendelhendel	10. Zaagblad	16. Zaagbladklem
5. Aan/uit-hendel	11. Inbussleutel	17. Opening voor decoupeerzaagblad
6. Aan/uit-schakelaar	12. Bout	18. Uitsteeksel

## TECHNISCHE GEGEVENS

Model	JR100D	JR102D
Slaglengte	13 mm	
Aantal zaagbewegingen per minuut (min <sup>-1</sup> )	0 - 3.300	
Max. zaagdikte	Pijp	50 mm
	Hout	50 mm
Totale lengte (met accu)	355 mm	
Nettogewicht	1,2 kg	1,1 kg
Nominale spanning	10,8 volt gelijkstroom	

- Als gevolg van ons doorlopende onderzoeks- en ontwikkelingsprogramma, zijn de technische gegevens van dit gereedschap onderhevig aan veranderingen zonder voorafgaande kennisgeving.
- Specificaties en accu's kunnen van land tot land verschillen.
- Gewicht, inclusief de accu, volgens de EPTA-procedure 01/2003

### Gebruiksdoelinden

ENE020-1

Dit gereedschap is bedoeld voor het zagen van hout, kunststof en ferro-materialen.

## Algemene veiligheidswaarschuwingen voor elektrisch gereedschap

GEA010-1

**⚠ WAARSCHUWING** Lees alle veiligheidswaarschuwingen en alle instructies. Het niet volgen van de waarschuwingen en instructies kan leiden tot elektrische schokken, brand en/of ernstig letsel.

## Bewaar alle waarschuwingen en instructies om in de toekomst te kunnen raadplegen.

## VEILIGHEIDSWAARSCHUWINGEN SPECIFIEK VOOR EEN ACCU-RECIPROZAAG

GE048-2

1. Houd het elektrisch gereedschap vast aan het geïsoleerde oppervlak van de handgrepen wanneer u werkt op plaatsen waar het booraccessoire met verborgen bedrading in aanraking kan komen. Wanneer het bitaccessoire in aanraking komt met onder spanning staande draden, zullen de niet-geïsoleerde metalen delen van het gereedschap onder spanning komen te staan zodat de gebruiker een elektrische schok kan krijgen.
2. Gebruik klemmen of een andere praktische methode om het werkstuk op een stabiele ondergrond te bevestigen en ondersteunen. Als u het werkstuk in uw hand of tegen uw lichaam geklemd houdt, is het onvoldoende stabiel en kunt u de controle erover verliezen.
3. Gebruik altijd een veiligheidsbril. Een gewone bril of een zonnebril is GEEN veiligheidsbril.
4. Voorkom dat u met de bit spijkers raakt. Inspecteer het werkstuk op spijkers en verwijder deze alvorens erin te zagen.
5. Zaag geen te grote werkstukken.
6. Controleer op voldoende vrije speling rondom het werkstuk alvorens te zagen, zodat het zaagblad de vloer, werkbank, enz., niet raakt.
7. Houd het gereedschap stevig vast.
8. Zorg ervoor dat het zaagblad het werkstuk niet raakt voordat u het gereedschap hebt ingeschakeld.
9. Houd uw handen uit de buurt van bewegende delen.
10. Laat het gereedschap niet ingeschakeld liggen. Bedien het gereedschap alleen wanneer u het vasthoudt.
11. Schakel het gereedschap uit en wacht altijd tot het zaagblad volledig tot stilstand is gekomen voordat u het zaagblad uit het werkstuk verwijdert.
12. Raak het zaagblad en het werkstuk niet onmiddellijk na gebruik aan. Zij kunnen bijzonder heet zijn en brandwonden op uw huid veroorzaken.
13. Laat het gereedschap niet onnodig onbelast draaien.
14. Gebruik altijd het juiste stofmasker/ademhalingsapparaat voor het materiaal en de toepassing waarmee u werkt.
15. Sommige materialen bevatten chemische stoffen die giftig kunnen zijn. Neem voorzorgsmaatregelen tegen het inademen van



stof en contact met de huid. Volg de veiligheidsinstructies van de leverancier van het materiaal op.

## BEWAAR DEZE INSTRUCTIES.

### ⚠ WAARSCHUWING:

Laat u NIET misleiden door een vals gevoel van comfort en bekendheid met het gereedschap (na veelvuldig gebruik) en neem alle veiligheidsvoorschriften van het betreffende product altijd strikt in acht. VERKEERD GEBRUIK of het niet volgen van de veiligheidsinstructies in deze gebruiksaanwijzing kan leiden tot ernstig persoonlijk letsel.

## BELANGRIJKE VEILIGHEIDSLINSTRUCTIES ENC007-7

### VOOR ACCU'S

1. Alvorens de accu in gebruik te nemen, leest u eerst alle instructies en waarschuwingsopdrachten op (1) de acculader, (2) de accu en (3) het apparaat waarin de accu wordt aangebracht.
2. Haal de accu niet uit elkaar.
3. Als de gebruikstijd aanzienlijk korter is geworden, stopt u onmiddellijk met het gebruik. Anders kan dit leiden tot kans op oververhitting, mogelijke brandwonden en zelfs een explosie.
4. Als de elektrolyt in uw ogen komt, wast u deze uit met schoon water en raadpleegt u onmiddellijk een arts. Dit kan leiden tot verlies van gezichtsvermogen.
5. Sluit de accu niet kort:
  - (1) Raak de accupolen niet aan met enig geleidend materiaal.
  - (2) Bewaar de accu niet op een plaats waar deze in aanraking kan komen met andere metalen voorwerpen, zoals spijkers, munten, enz.
  - (3) Stel de accu niet bloot aan water of regen. Kortsluiting van de accu kan leiden tot een hoge stroomsterkte, oververhitting, mogelijke brandwonden en zelfs een defect.
6. Bewaar het gereedschap en de accu niet op plaatsen waar de temperatuur kan oplopen tot 50 °C of hoger.
7. Werp de accu niet in een vuur, zelfs niet als deze al ernstig beschadigd of helemaal versleten is. De accu kan in een vuur exploderen.
8. Wees voorzichtig dat u de accu niet laat vallen of ergens tegenaan stoot.
9. Gebruik nooit een beschadigde accu.

## BEWAAR DEZE INSTRUCTIES.

### Tips voor een lange levensduur van de accu

1. Laad de accu op voordat deze volledig leeg is. Wanneer u merkt dat het gereedschap minder

vermogen heeft, stopt u met het gebruik ervan en laadt u eerst de accu op.

2. Laad nooit een volledig opgeladen accu op. Te lang opladen verkort de levensduur van de accu.
3. Laad de accu op bij een omgevingstemperatuur van 10 °C tot 40 °C. Laat een warme accu eerst afkoelen voordat u deze oplaadt.
4. Laad de accu ieder half jaar op als u de accu gedurende een lange tijd niet gebruikt.

## BESCHRIJVING VAN DE FUNCTIES

### ⚠ LET OP:

- Zorg ervoor dat het gereedschap is uitgeschakeld en dat de accu is verwijderd voordat u de werking van het gereedschap aanpast of controleert.

### De accu aanbrengen en verwijderen (zie afb. 1)

- Schakel het gereedschap altijd uit voordat u de accu aanbrengt of verwijderd.
- Om de accu te verwijderen, drukt u de knoppen aan beide zijanten van de accu in en trekt u tegelijkertijd de accu van het gereedschap af.
- Om de accu aan te brengen, houdt u de accu zodanig vast dat de vorm aan de voorkant van de accu past in de accuplaatsingsopening, en schuift u de accu op zijn plaats. Steek de accu zo ver mogelijk in het gereedschap tot u een klikgeluid hoort. Als u dit niet doet, kan de accu per ongeluk van het gereedschap vallen en u of anderen in uw omgeving verwonden.
- Oefen geen grote kracht uit bij het aanbrengen van de accu. Als de accu niet gemakkelijk erin kan worden geschoven, wordt deze niet goed aangebracht.

### Accu beveiligingssysteem

Het gereedschap is uitgerust met een accu beveiligingssysteem. Dit systeem schakelt automatisch de voeding naar de motor uit om de levensduur van de accu te verlengen. Het gereedschap zal tijdens gebruik automatisch stoppen wanneer het gereedschap en/of de accu zich in een van de volgende omstandigheden bevinden:

- Overbelasting:

Het gereedschap wordt gebruikt op een manier die ertoe leidt dat een abnormaal hoge stroomsterkte uit de accu wordt getrokken. Laat in die situatie de aan/uit-schakelaar van het gereedschap los en stop het gebruik dat ertoe leidde dat het gereedschap overbelast werd. Knijp daarna opnieuw de aan/uit-schakelaar in om het gereedschap weer in te schakelen.
- Lage accuspanning:

De resterende acculading is te laag en het gereedschap wordt niet ingeschakeld. Als u de aan/uit-schakelaar inknipt, zal de motor weer gaan draaien, maar spoedig stoppen. Verwijder in die situatie de accu en laad hem op.

## Aan/uit schakelen (zie afb. 2)

### LET OP:

- Controleer altijd, voordat u de accu op het gereedschap aanbrengt, of de aan/uit-schakelaar en -hendel op de juiste manier schakelen en weer terugkeren naar de uit-stand nadat ze zijn losgelaten.

Om te voorkomen dat de aan/uit-schakelaar en -hendel per ongeluk worden bediend, zijn uit-vergrendelknop en -hendel aangebracht.

Om het gereedschap in te schakelen, knijpt u een van de aan/uit-schakelaar en -hendel in.

- Om het gereedschap in te schakelen met de aan/uit-hendel, trekt u de uit-vergrendelhendel naar achteren en knijpt u vervolgens de aan/uit-hendel in.
- Om het gereedschap in te schakelen met de achterste aan/uit-schakelaar, drukt u de uit-vergrendelknop in en knijpt u vervolgens de aan/uit-schakelaar in. De uit-vergrendelknop kan vanaf zowel de linker- als de rechterkant worden ingedrukt.

De draaisnelheid van het gereedschap neemt toe naarmate u meer druk uitoefent op de aan/uit-schakelaar of -hendel. Laat de aan/uit-schakelaar of -hendel los om het gereedschap te stoppen.

### OPMERKING:

Knijp de aan/uit-schakelaar of -hendel niet hard in zonder de uit-vergrendelknop of -hendel te bedienen. Hierdoor kan de aan/uit-schakelaar of -hendel kapot gaan.

## De lamp op de voorkant inschakelen (zie afb. 3)

### LET OP:

- Kijk niet rechtstreeks in de lamp of naar de bron van het licht.

Knijp de aan/uit-schakelaar in om de lamp op de voorkant in te schakelen. De lamp blijft branden zolang u de aan/uit-schakelaar ingeknepen houdt.

## DE ONDERDELEN MONTEREN

### LET OP:

- Controleer altijd of het gereedschap is uitgeschakeld en de accu is verwijderd alvorens enige werkzaamheden aan het gereedschap te verrichten.

## Het zaagblad aanbrengen en verwijderen

### LET OP:

- Verwijder altijd eerst alle houtsnippers en vreemde stoffen die aan het zaagblad, de zaagbladklem en/of de schuivende delen kleven. Als u dat niet doet is het mogelijk dat het zaagblad onvoldoende wordt vastgeklemd, wat kan leiden tot ernstig persoonlijk letsel.

### Voor model JR100D (zie afb. 4)

Steek het reciprozaagblad zo ver mogelijk in de zaagbladklem. De zaagbladklembus draait en het zaagblad wordt vastgezet. Controleer dat het zaagblad er niet uit getrokken kan worden, ook niet als u er aan trekt.

### LET OP:

- Als u het zaagblad er niet diep genoeg insteekt, kan het zaagblad er onverwachts uit geworpen worden tijdens gebruik. Dit kan uitermate gevaarlijk zijn.

### OPMERKING:

- Met model JR100D kan geen decoupeerzaagblad worden gebruikt. (zie afb. 5)

Om het zaagblad te verwijderen, draait u de zaagbladklembus helemaal in de richting van de pijl. Het zaagblad kan worden verwijderd en de zaagbladklembus staat vast in de ontgrendelde stand.

### OPMERKING:

- Als u het zaagblad verwijdert zonder de zaagbladklembus geheel te draaien, wordt deze niet vastgezet. In dat geval draait u de zaagbladklembus helemaal en controleert u dat de zaagbladklembus vaststaat in de ontgrendelde stand.

### Voor model JR102D

Om het zaagblad aan te brengen, draait u de bout los met de inbussleutel. Bij het aanbrengen van een reciprozaagblad, duwt u met de inbussleutel de bout in om de gleuf te openen en het zaagblad te kunnen insteken. (zie afb. 6 en 7)

U kunt zowel decoupeerzaagbladen (type B) als reciprozaagbladen gebruiken, afhankelijk van uw werkzaamheden. Steek het zaagblad recht in de zaagbladklem en zet hem vast met de inbussleutel. Trek voorzichtig aan het zaagblad om er zeker van te zijn dat het zaagblad tijdens gebruik er niet uit valt.

Om het zaagblad te verwijderen, volgt u de procedure in de omgekeerde volgorde. (zie afb. 8 en 9)

## Opbergplaats van de inbussleutel (zie afb. 10)

Als de inbussleutel niet wordt gebruikt, bergt u deze op. Hij wordt vastgeklemd door twee uitsteeksels, zoals aangegeven in de afbeelding, om te voorkomen dat hij wordt verloren.

## BEDIENING (zie afb. 11)

### LET OP:

- Druk tijdens gebruik de schoen altijd stevig tegen het werkstuk. Als tijdens gebruik de schoen op een afstand van het werkstuk wordt gehouden, zullen sterke trillingen en/of draaibewegingen het gevolg zijn waardoor het zaagblad op een gevaarlijke manier zal afbreken.
- Draag tijdens het zagen van metaal altijd handschoenen om uw handen te beschermen tegen rondvliegende warme deeltjes.
- Zorg ervoor dat u altijd geschikte oogbescherming draagt die voldoet aan de meest recente richtlijnen in uw land.
- Gebruik tijdens het zagen van metaal altijd een geschikte koelvloeistof (zaagolie). Als u dat niet doet, zal het zaagblad voortijdig slijten.

Druk de schoen stevig tegen het werkstuk. Laat het gereedschap niet springen. Plaats het zaagblad op het werkstuk en druk er licht tegen. Maak eerst een geleidingsleuf met behulp van een lage zaagsnelheid. Gebruik daarna een hogere snelheid om verder te zagen. (zie afb. 12 en 13)

- Afhankelijk van uw werkzaamheden gebruikt u de aan/uit-schakelaar of -hendel die het handigste werkt.

## OPMERKING:

- Als het gereedschap continu wordt bediend totdat de accu leeg is, laat u het gereedschap gedurende 15 minuten liggen alvorens verder te werken met een volle accu.

## ONDERHOUD

### ⚠ LET OP:

- Zorg er altijd voor dat het gereedschap is uitgeschakeld en de accu is verwijderd, voordat u een inspectie of onderhoud uitvoert.
- Gebruik nooit benzine, wasbenzine, thinner, alcohol, enz. Dit kan leiden tot verkleuren, vervormen of barsten.

Om de VEILIGHEID en BETROUWBAARHEID van het gereedschap te handhaven, dienen alle reparaties, onderhoud en afstellingen te worden uitgevoerd door een erkend Makita-servicecentrum, en altijd met gebruikmaking van originele Makita-ervangingsonderdelen.

## VERKRIJGBARE ACCESSOIRES

### ⚠ LET OP:

- Deze accessoires of hulpstukken worden aanbevolen voor gebruik met het Makita-gereedschap dat in deze gebruiksaanwijzing wordt beschreven. Het gebruik van andere accessoires of hulpstukken kan gevaar voor persoonlijk letsel opleveren. Gebruik de accessoires of hulpstukken uitsluitend voor de aangegeven gebruiksdoeleinden.

Mocht u meer informatie willen hebben over deze accessoires, dan kunt u contact opnemen met uw plaatselijke Makita-servicecentrum.

- Reciprozaagbladen
- Decoupeerzaagbladen (alleen voor model JR102D)
- Diverse types originele Makita-accu's en -acculaders
- Kunststoffen draagdoos

## OPMERKING:

- Sommige items op de lijst kunnen zijn inbegrepen in de doos van het gereedschap als standaard toebehoren. Zij kunnen van land tot land verschillen.

## Geluid

ENG905-1

De typische, A-gewogen geluidsniveaus zijn gemeten volgens EN60745:

### Model JR100D

Geluidsdrukniveau ( $L_{pA}$ ): 78 dB (A)  
Onzekerheid (K): 3 dB (A)

Het geluidsniveau kan tijdens gebruik hoger worden dan 80 dB (A).

### Model JR102D

Geluidsdrukniveau ( $L_{pA}$ ): 77 dB (A)  
Onzekerheid (K): 3 dB (A)

Het geluidsniveau kan tijdens gebruik hoger worden dan 80 dB (A).

**Draag gehoorbescherming.**

## Trillingen

ENG900-1

De totale trillingswaarde (triaxiale vectorsom) zoals vastgesteld volgens EN60745:

### Model JR100D

Gebruikstoepassing: zagen van platen  
Trillingsemisatie ( $a_{h,B}$ ): 9,5 m/s<sup>2</sup>  
Onzekerheid (K): 1,5 m/s<sup>2</sup>

Gebruikstoepassing: zagen van houden balken  
Trillingsemisatie ( $a_{h,WB}$ ): 9,5 m/s<sup>2</sup>  
Onzekerheid (K): 2,5 m/s<sup>2</sup>

### Model JR102D

Gebruikstoepassing: zagen van platen  
Trillingsemisatie ( $a_{h,B}$ ): 8,0 m/s<sup>2</sup>  
Onzekerheid (K): 1,5 m/s<sup>2</sup>

Gebruikstoepassing: zagen van houden balken  
Trillingsemisatie ( $a_{h,WB}$ ): 7,0 m/s<sup>2</sup>  
Onzekerheid (K): 1,5 m/s<sup>2</sup>

ENG901-1

- De opgegeven trillingsemisiewaarde is gemeten volgens de standaardtestmethode en kan worden gebruikt om dit gereedschap te vergelijken met andere gereedschappen.
- De opgegeven trillingsemisiewaarde kan ook worden gebruikt voor een beoordeling vooraf van de blootstelling.

### ⚠ WAARSCHUWING:

- De trillingsemisatie tijdens het gebruik van het elektrisch gereedschap in de praktijk kan verschillen van de opgegeven trillingsemisiewaarde afhankelijk van de manier waarop het gereedschap wordt gebruikt.
- Zorg ervoor dat veiligheidsmaatregelen worden getroffen ter bescherming van de operator die zijn gebaseerd op een schatting van de blootstelling onder praktijkomstandigheden (rekening houdend met alle fasen van de bedrijfscyclus, zoals de tijdsduur gedurende welke het gereedschap is uitgeschakeld en stationair draait, naast de ingeschakelde tijdsduur).

## Alleen voor Europese landen

ENG101-15

### EU-verklaring van conformiteit

**Wij, Makita Corporation, als de verantwoordelijke fabrikant, verklaren dat de volgende Makita-machine(s):**

Aanduiding van de machine:

Accureciprozaag

Modelnr./Type: JR100D en JR102D

in serie zijn geproduceerd en

**Voldoen aan de volgende Europese richtlijnen:**

2006/42/EC

En zijn gefabriceerd in overeenstemming met de volgende normen of genormaliseerde documenten:

EN60745

De technische documentatie wordt bewaard door onze  
erkende vertegenwoordiger in Europa, te weten:

Makita International Europe Ltd.  
Michigan Drive, Tongwell,  
Milton Keynes, Bucks MK15 8JD, Engeland

3. 3. 2011



Tomoyasu Kato  
Directeur

Makita Corporation  
3-11-8, Sumiyoshi-cho,  
Anjo, Aichi, 446-8502 JAPAN

130.com.ua

# ESPAÑOL (Instrucciones originales)

## Explicación de los dibujos

- |                            |  |   |
|----------------------------|--|---|
| 1. Botones                 | 8. Hoja de sierra recíproca                  | 14. Apretar                                   |
| 2. Batería                 | 9. Manguito de sujeción de hoja de la sierra | 15. Orificio para la hoja de sierra recíproca |
| 3. Botón de desbloqueo     | 10. Hoja de sierra                           | 16. Sujeción de la hoja de sierra             |
| 4. Palanca de desbloqueo   | 11. Llave hexagonal                          | 17. Orificio para la hoja de sierra caladora  |
| 5. Palanca del interruptor | 12. Perno                                    | 18. Salientes                                 |
| 6. Interruptor disparador  | 13. Aflojar                                  |   |
| 7. Lámpara                 |  |   |

## ESPECIFICACIONES

Modelo	JR100D	JR102D
Longitud de carrera	13 mm	
Carreras por minuto (mín <sup>-1</sup> )	0 - 3.300	
Capacidad máxima de corte	Tubería	50 mm
	Madera	50 mm
Longitud total (con la batería)	355 mm	
Peso neto	1,2 kg	1,1 kg
Tensión nominal	CC 10,8 V	

- Debido a nuestro programa continuo de investigación y desarrollo, las especificaciones aquí descritas están sujetas a cambios sin previo aviso.
- Las especificaciones y el cartucho de la batería pueden variar de un país a otro.
- Peso, con el cartucho de la batería, de acuerdo con el procedimiento EPTA 01/2003

### Uso previsto

Esta herramienta está diseñada para serrar madera, plástico y metales.

## Advertencias de seguridad generales para herramientas eléctricas

**⚠ ADVERTENCIA** Lea todas las advertencias de seguridad y todas las instrucciones. La no observancia de las advertencias y las instrucciones puede provocar descargas eléctricas, incendios y/o lesiones graves.

## Guarde todas las advertencias e instrucciones para futuras consultas.

## ADVERTENCIAS DE SEGURIDAD PARA LA SIERRA RECÍPROCA INALÁMBRICA

1. **Sujete la herramienta por las superficies de agarre aisladas al realizar una operación en que el accesorio de corte pueda entrar en contacto con cables ocultos.** Si entra en contacto con un cable con corriente, puede que las piezas metálicas expuestas de la herramienta eléctrica se carguen también de corriente y que el operario reciba una descarga.
2. **Utilice mordazas u otros medios de sujeción prácticos para sujetar y apoyar la pieza de trabajo en una plataforma estable.** Si sujeta la pieza de

- trabajo con la mano o contra el cuerpo, estará inestable y podrá ocasionar la pérdida de control.
3. **Utilice siempre gafas de seguridad. Las gafas normales o de sol NO son gafas de seguridad.**
  4. **Evite cortar clavos. Compruebe si hay clavos en la pieza de trabajo y extraígalos antes de empezar a cortar.**
  5. **No corte piezas de trabajo más grandes de lo especificado.**
  6. **Verifique que haya espacio suficiente más allá de la pieza de trabajo antes de empezar a cortar, de forma que la hoja de sierra no choque contra el suelo, el banco de trabajo, etc.**
  7. **Sujete firmemente la herramienta.**
  8. **Asegúrese de que la hoja de sierra no esté tocando la pieza de trabajo antes de activar el interruptor.**
  9. **Mantenga las manos alejadas de las piezas móviles.**
  10. **No deje la herramienta encendida. Póngala en marcha solamente cuando la tenga en las manos.**
  11. **Apague la herramienta y espere siempre a que la hoja de sierra se haya parado completamente antes de retirarla de la pieza de trabajo.**
  12. **No toque la hoja de sierra ni la pieza de trabajo inmediatamente después de la tarea de corte; pueden estar extremadamente calientes y producir quemaduras en la piel.**
  13. **No utilice la herramienta en vacío innecesariamente.**
  14. **Utilice siempre la mascarilla antipolvo o la mascarilla de respiración adecuadas para el material y la aplicación con que esté trabajando.**
  15. **Algunos materiales contienen sustancias químicas que pueden ser tóxicas. Procure evitar la**

inhalación de polvo y el contacto con la piel. Siga los datos de seguridad del proveedor del material.

## GUARDE ESTAS INSTRUCCIONES.

### ADVERTENCIA:

NO deje que la comodidad o la familiaridad con el producto (a base de utilizarlo repetidamente) sustituya la estricta observancia de las normas de seguridad del producto en cuestión. El MAL USO o la no observancia de las normas de seguridad expuestas en este manual de instrucciones pueden ocasionar graves daños corporales.

## INSTRUCCIONES DE SEGURIDAD IMPORTANTES

ENC007-7

### PARA EL CARTUCHO DE LA BATERÍA

1. Antes de utilizar el cartucho de la batería, lea todas las instrucciones y referencias de precaución que se encuentran en (1) el cargador de baterías, (2) la batería y (3) el producto que utiliza la batería.
2. No desmonte el cartucho de la batería.
3. Si el tiempo de funcionamiento es excesivamente corto, deje de utilizar la herramienta de inmediato. De lo contrario, existe el riesgo de sobrecalentamiento, quemaduras e incluso explosión.
4. Si se produce contacto ocular con electrolito, enjuáguese los ojos con agua limpia y acuda de urgencia al médico. Corre el riesgo de perder la visión.
5. No cortocircuite el cartucho de la batería:
  - (1) No toque los terminales con material conductor.
  - (2) Evite guardar el cartucho de la batería en un recipiente con otros objetos metálicos, como clavos, monedas, etc.
  - (3) No exponga el cartucho de la batería al agua o a la lluvia.

Un cortocircuito puede provocar un elevado flujo de corriente, sobrecalentamiento, quemaduras o incluso una avería.

6. No almacene la herramienta ni el cartucho de la batería en lugares donde la temperatura supere los 50°C (122°F).
7. No queme el cartucho de la batería aunque esté gravemente dañado o completamente gastado. El cartucho de la batería puede explotar si entra en contacto con fuego.
8. Procure que la batería no sufra golpes ni caídas.
9. No utilice una batería dañada.

## GUARDE ESTAS INSTRUCCIONES.

## Consejos para conseguir una mayor duración de la batería

1. Cargue la batería antes de que se descargue por completo.  
Cuando observe que la herramienta tiene menos potencia, deje de utilizarla y cargue el cartucho de la batería.
2. No recargue nunca un cartucho de batería completamente cargado.  
La sobrecarga acorta la vida útil de la batería.
3. Cargue el cartucho de la batería a una temperatura ambiente que oscile entre 10°C y 40°C (50°F - 104°F). Antes de cargar un cartucho de batería caliente, deje que se enfríe.
4. Cargue la batería una vez cada seis meses si no la utiliza durante un período de tiempo prolongado.

## DESCRIPCIÓN DEL FUNCIONAMIENTO

### PRECAUCIÓN:

- Antes de ajustar o de comprobar la herramienta, asegúrese siempre de que está apagada y de que la batería ha sido extraída.

### Instalación o extracción del cartucho de la batería (Fig. 1)

- Apague siempre la herramienta antes de instalar o extraer el cartucho de la batería.
- Para extraer el cartucho de la batería, quítelo de la herramienta al mismo tiempo que pulsa los botones situados a ambos lados del cartucho.
- Para instalar el cartucho de la batería, sujételo de manera que la forma de la parte frontal del cartucho de la batería encaje en la forma de la abertura de instalación de la batería y deslícelo hasta que encaje en su lugar. Insértelo completamente hasta que quede firmemente sujeto y se bloquee con un clic. De lo contrario, el cartucho puede desprenderse accidentalmente de la herramienta y causar lesiones al operario o a alguna persona que se encuentre cerca.
- No haga fuerza al instalar el cartucho de la batería. Si no se inserta suavemente, significa que no lo está instalando correctamente.

### Sistema de protección de la batería

La herramienta cuenta con un sistema de protección de la batería. Este sistema corta automáticamente la alimentación al motor para ampliar la duración de la batería.

La herramienta se detendrá automáticamente durante el funcionamiento si la herramienta y/o la batería se someten a los siguientes estados:

- Sobrecarga:  
La herramienta se utiliza de una forma que hace que consuma una cantidad anómalamente alta de corriente. En ese caso, suelte el interruptor disparador de la herramienta y detenga la aplicación que provocaba que la herramienta se sobrecargara. A continuación vuelva a accionar el interruptor disparador para reanudar las operaciones.

- Tensión de la batería baja:  
La capacidad restante de la batería es demasiado baja y la herramienta no funcionará. Si acciona el interruptor disparador, el motor vuelve a ponerse en marcha pero se detiene al poco rato. En ese caso, extraiga y recargue la batería.

## Accionamiento del interruptor (Fig. 2)

### ⚠ PRECAUCIÓN:

- Antes de instalar el cartucho de la batería en la herramienta, asegúrese siempre de que la palanca o el interruptor disparador funciona como es debido y que vuelve a la posición "OFF" (apagado) cuando se suelta.

Para evitar que la palanca o el interruptor disparador se accione accidentalmente se proporciona un botón o una palanca de bloqueo en apagado.

Para poner en marcha la herramienta, tire de la palanca o del interruptor disparador.

- Para la palanca del interruptor, tire de la palanca de desbloqueo y después tire de la palanca del interruptor para poner en marcha la herramienta.
- Para el interruptor disparador, pulse el botón de desbloqueo y después tire del interruptor disparador para poner en marcha la herramienta. El botón de bloqueo se puede pulsar desde el lado izquierdo o el derecho.

La velocidad de la herramienta aumenta al incrementar la presión sobre la palanca o el interruptor disparador.

Suelte la palanca o el interruptor disparador para detener la herramienta.

### AVISO:

No tire con fuerza de la palanca o del interruptor disparador sin tirar de la palanca o el botón de desbloqueo. Podría romper el interruptor.

## Encendido de la luz frontal (Fig. 3)

### ⚠ PRECAUCIÓN:

- No mire hacia la luz ni mire directamente hacia la fuente de luz.

Tire de la palanca o del interruptor disparador para encender la luz. La luz permanece encendida mientras se acciona la palanca o el interruptor disparador.

## MONTAJE

### ⚠ PRECAUCIÓN:

- Asegúrese siempre de apagar la herramienta y extraer el cartucho de la batería antes de intentar realizar cualquier tipo de operación en la herramienta.

## Instalación o extracción de la hoja de sierra

### ⚠ PRECAUCIÓN:

- Elimine siempre todas las virutas o materias extrañas que se hayan quedado adheridas a la hoja de sierra, al manguito de sujeción de la hoja de sierra y/o al deslizador. De lo contrario, quizás no se pueda apretar bien la hoja de sierra y se puedan producir heridas graves.

## Para el modelo JR100D (Fig. 4)

Inserte la hoja de sierra recíproca en la sujeción de la hoja tanto como sea posible. El manguito de sujeción de la hoja gira y la hoja de sierra queda fija. Asegúrese de que no sea posible extraer la hoja de sierra incluso si tira de ella.

### ⚠ PRECAUCIÓN:

- Si no inserta la hoja de sierra lo suficiente, podría ser expulsada de repente durante el funcionamiento. Esto podría ser muy peligroso.

### NOTA:

- No puede usar la hoja de la sierra caladora con JR100D. (Fig. 5)

Para extraer la hoja de sierra, gire completamente el manguito de sujeción de la hoja de sierra en la dirección de la flecha. La hoja de sierra se extrae y el manguito de sujeción de la hoja de sierra queda fijo en la posición suelta.

### NOTA:

- Si extrae la hoja de sierra sin girar el manguito de sujeción de la hoja completamente, el manguito puede no estar fijo. En ese caso, gire completamente el manguito de sujeción de la hoja de sierra y fíjelo en la posición suelta.

## Para el modelo JR102D

Para instalar la hoja de sierra, afloje el perno con una llave hexagonal. Cuando instale una hoja de sierra recíproca, presione el perno con la llave hexagonal para abrir la ranura durante la inserción de la hoja. (Fig. 6 y 7) Puede utilizar las hojas de sierra caladoras (tipo B) y las hojas de sierra recíproca en función de su trabajo. Inserte la hoja de sierra recta en la sujeción de la hoja y apriétela con una llave hexagonal. Tire suavemente de la hoja de sierra para asegurarse de que no cae durante el uso. Para extraer la hoja de sierra, siga el procedimiento de instalación en orden inverso. (Fig. 8 y 9)

## Almacenamiento de la llave hexagonal (Fig. 10)

Cuando no la utilice, guarde la llave hexagonal. Se fija mediante dos salientes, tal y como se muestra en la figura, para evitar que se pierda.

## MANEJO (Fig. 11)

### ⚠ PRECAUCIÓN:

- Presione siempre la zapata firmemente contra la pieza de trabajo durante el manejo. Si durante el manejo se separa la zapata de la pieza de trabajo, se pueden producir fuertes vibraciones y/o retorcimientos, con el consecuente riesgo de que la hoja de sierra se parta de forma peligrosa.
- Lleve siempre puestos los guantes para protegerse las manos contra las virutas calientes que saltan al cortar metal.
- Asegúrese de llevar siempre una protección ocular adecuada que cumpla con las normas nacionales actuales.
- Para cortar metal, utilice siempre un líquido refrigerante adecuado (lubricante para cuchillas). De lo contrario, la hoja de sierra puede desgastarse antes de tiempo.

Presione la zapata firmemente contra la pieza de trabajo. No permita que la herramienta rebote. Coloque la hoja de sierra de forma que toque ligeramente la pieza de trabajo. Primero, realice una muesca de prueba con una velocidad lenta. A continuación, acelere la velocidad para continuar cortando. (Fig. 12 y 13)

- Puede utilizar la palanca o el interruptor disparador dependiendo del trabajo.

#### NOTA:

- Si la herramienta se utiliza continuamente hasta que el cartucho de la batería se descarga, deje reposar la herramienta durante 15 minutos antes de continuar con una batería cargada.

## MANTENIMIENTO

### ⚠ PRECAUCIÓN:

- Asegúrese de apagar siempre la herramienta y extraer el cartucho de la batería antes de intentar realizar cualquier trabajo de inspección o mantenimiento en ella.
- Nunca utilice gasolina, benceno, disolvente, alcohol o un producto similar. Se puede provocar una decoloración, una deformación o grietas.

Para mantener la SEGURIDAD y la FIABILIDAD del producto, las reparaciones y cualquier otra tarea de mantenimiento o ajuste deberán ser realizadas en centros de servicio autorizados por Makita, utilizando siempre repuestos Makita.

## ACCESORIOS OPCIONALES

### ⚠ PRECAUCIÓN:

- Se recomienda el uso de estos accesorios o complementos con la herramienta Makita especificada en este manual. El uso de otros accesorios o complementos puede conllevar el riesgo de ocasionar daños corporales. Utilice los accesorios o complementos solamente para su fin establecido.

Si necesita cualquier ayuda para obtener más información relativa a estos accesorios, pregunte a su centro de servicio Makita local.

- Hojas de sierra recíprocas
- Hojas de sierra caladoras (sólo para el modelo JR102D)
- Diversos tipos de baterías y cargadores originales de Makita
- Maletín de plástico para el transporte

#### NOTA:

- Algunos elementos de la lista se pueden incluir en el paquete de la herramienta como accesorios estándar. Pueden ser diferentes de un país a otro.

## Ruido

ENG905-1

Niveles típicos de ruido ponderado A determinados conforme a EN60745:

### Modelo JR100D

Nivel de presión de sonido ( $L_{pA}$ ): 78 dB (A)  
Incertidumbre (K): 3 dB (A)

El nivel de ruido durante el trabajo puede superar los 80 dB (A).

### Modelo JR102D

Nivel de presión de sonido ( $L_{pA}$ ): 77 dB (A)  
Incertidumbre (K): 3 dB (A)

El nivel de ruido durante el trabajo puede superar los 80 dB (A).

Utilice protección para los oídos.

## Vibración

ENG900-1

Valor total de la vibración (suma de vectores triaxiales) determinado según el estándar EN60745:

### Modelo JR100D

Modo de trabajo: corte de tablas  
Emisión de vibraciones ( $a_{h,B}$ ): 9,5 m/s<sup>2</sup>  
Incertidumbre (K): 1,5 m/s<sup>2</sup>

Modo de trabajo: corte de vigas de madera  
Emisión de vibraciones ( $a_{h,WB}$ ): 9,5 m/s<sup>2</sup>  
Incertidumbre (K): 2,5 m/s<sup>2</sup>

### Modelo JR102D

Modo de trabajo: corte de tablas  
Emisión de vibraciones ( $a_{h,B}$ ): 8,0 m/s<sup>2</sup>  
Incertidumbre (K): 1,5 m/s<sup>2</sup>

Modo de trabajo: corte de vigas de madera  
Emisión de vibraciones ( $a_{h,WB}$ ): 7,0 m/s<sup>2</sup>  
Incertidumbre (K): 1,5 m/s<sup>2</sup>

ENG901-1

- El valor de emisión de vibraciones se ha medido de acuerdo con el método de prueba estándar y se puede utilizar para comparar herramientas.
- El valor de emisión de vibraciones declarado también se puede usar en una evaluación preliminar de la exposición.

### ⚠ ADVERTENCIA:

- La emisión de vibraciones durante el uso de la herramienta eléctrica puede diferir del valor de emisiones declarado, dependiendo de las formas en que se utiliza la herramienta.
- Asegúrese de identificar las mediciones correctas para proteger al operario, que se basan en una estimación de la exposición en condiciones de uso reales (teniendo en cuenta todas las partes del ciclo de operaciones, como los momentos en los que la herramienta está apagada y cuando funciona al ralentí además del tiempo en que está activado el interruptor).



**Sólo para países europeos**

ENH101-15

**Declaración de conformidad de la CE**

**Nosotros, Makita Corporation, en calidad de fabricante responsable, declaramos que las siguientes máquinas Makita:**

Designación de la máquina:

Sierra Recíproca Inalámbrica

Nº de modelo/ Tipo: JR100D, JR102D

son de producción serie y

**Cumplen con las siguientes Directivas europeas:**

2006/42/CE

Y se han fabricado de acuerdo con los siguientes estándares o documentos estandarizados:

EN60745

La documentación técnica la conserva nuestro representante autorizado en Europa, que es:

Makita International Europe Ltd.

Michigan Drive, Tongwell,

Milton Keynes, Bucks MK15 8JD, Inglaterra

3. 3. 2011



Tomoyasu Kato

Director

Makita Corporation

3-11-8, Sumiyoshi-cho,

Anjo, Aichi, 446-8502, JAPAN

# PORTUGUÊS (Instruções de origem)

## Descrição geral

- |                            |                              |                                    |
|----------------------------|------------------------------|------------------------------------|
| 1. Botões                  | 7. Lâmpada                   | 13. Desapertar                     |
| 2. Bateria                 | 8. Lâmina de sabre           | 14. Apertar                        |
| 3. Botão de bloqueio       | 9. Manga do grampo da lâmina | 15. Orifício para lâmina de sabre  |
| 4. Alavanca de bloqueio    | 10. Lâmina                   | 16. Grampo da lâmina               |
| 5. Alavanca do interruptor | 11. Chave sextavada          | 17. Orifício para lâmina tico tico |
| 6. Gatilho                 | 12. Parafuso                 | 18. Saliências                     |

## ESPECIFICAÇÕES

Modelo	JR100D	JR102D
Comprimento do corte	13 mm	
Cortes por minuto (min <sup>-1</sup> )	0 - 3.300	
Capacidades máximas de corte	Tubo	50 mm
	Madeira	50 mm
Comprimento total (com bateria)	355 mm	
Peso líquido	1,2 kg	1,1 kg
Tensão nominal	C.C. 10,8 V	

- Devido à pesquisa e desenvolvimento constantes, estas especificações estão sujeitas a alteração sem aviso prévio.
- As especificações e o cartucho da bateria podem ser diferentes consoante o país.
- Peso, com a bateria, de acordo com o procedimento EPTA de 01/2003

### Utilização prevista

ENE020-1

A ferramenta destina-se a serrar madeira, plástico e materiais metálicos.

## Avisos gerais de segurança para ferramentas eléctricas

GEA010-1

**⚠ AVISO** Leia todos os avisos de segurança e todas as instruções. O não cumprimento dos avisos e instruções pode resultar na ocorrência de choques eléctricos, incêndios e/ou ferimentos graves.

## Guarde todos os avisos e instruções para referência futura.

## AVISOS DE SEGURANÇA PARA A SERRA SABRE A BATERIA

GEB048-2

1. Quando executar operações em que a máquina de corte possa entrar em contacto com fios eléctricos ocultos, tenha o cuidado de tocar apenas nas superfícies isoladas da máquina. O acessório de corte em contacto com um fio eléctrico ligado à corrente pode electrificar as peças de metal da ferramenta e provocar um choque.
2. Utilize grampos ou outra forma prática de fixar e suportar a peça de trabalho a uma plataforma estável. Segurar a peça com a mão ou contra o corpo deixa-a instável e poderá provocar a perda de controlo.
3. Use sempre óculos de protecção. Os óculos normais ou óculos de sol NÃO são óculos de segurança.
4. Evite cortar pregos. Inspeccione a peça de trabalho para a existência de pregos e remova-os antes de efectuar a operação.
5. Não corte uma peça de trabalho com um tamanho excessivo.
6. Verifique se existe uma distância adequada para lá da peça de trabalho antes de cortar, de forma a que a lâmina não embata no chão, bancada de trabalho, etc.
7. Segure bem na ferramenta.
8. Certifique-se de que a lâmina não está em contacto com a peça de trabalho antes de ligar o interruptor.
9. Afaste as mãos das peças em movimento.
10. Não abandone a ferramenta a funcionar. Ponha-a a funcionar apenas quando estiver a segurá-la.
11. Desligue sempre e aguarde que a lâmina pare completamente antes de remover a lâmina da peça de trabalho.
12. Não toque numa lâmina ou no material em que tiver estado a trabalhar logo após a operação porque podem estar demasiado quentes.
13. Não utilize a ferramenta sem carga, sem ser necessário.
14. Use sempre a máscara contra o pó/respirador correctos para o material e aplicação em que está a trabalhar.
15. Alguns materiais contêm químicos que podem ser tóxicos. Tenha cuidado para evitar a inalação e o contacto da pele com o pó produzido. Obedeça às instruções de segurança do fornecedor do material.

## GUARDE ESTAS INSTRUÇÕES.

## **⚠️ AVISO:**

**NÃO** deixe que o conforto ou familiaridade com o produto (obtida de uma utilização regular) substituam um cumprimento severo das regras de segurança do produto em causa. Uma **UTILIZAÇÃO INCORRECTA** ou não cumprimento das regras de segurança indicadas neste manual de instruções podem provocar ferimentos pessoais sérios.

## **INSTRUÇÕES DE SEGURANÇA IMPORTANTES**

ENC007-7

### **RELATIVAS À BATERIA**

1. Antes de utilizar a bateria, leia as instruções e chamadas de atenção de: (1) o carregador da bateria, (2) a bateria e (3) o produto que utiliza a bateria.
2. Não desmonte a bateria.
3. Se o tempo de utilização com a bateria se tornar demasiado curto, deve parar imediatamente. Se continuar, pode causar sobreaquecimento, incêndio e mesmo explosão.
4. Se o electrólito entrar em contacto com os olhos, enxágue-os com água limpa e consulte imediatamente um médico. Os riscos incluem perda de visão.
5. Não provoque um curto-circuito na bateria:
  - (1) Não deixe que quaisquer materiais condutores entrem em contacto com os terminais da bateria.
  - (2) Evite guardar a bateria juntamente com outros objectos de metal como moedas, por exemplo.
  - (3) Não exponha a bateria a água ou chuva. Um curto-circuito na bateria pode criar uma grande carga eléctrica, sobreaquecimento, fogo e uma quebra da corrente.
6. Não guarde a ferramenta e a bateria em locais onde a temperatura possa atingir ou exceder 50°C (122°F).
7. Não incinere a bateria, nem mesmo se esta estiver irremediavelmente danificada ou completamente gasta. Pode explodir e causar um incêndio.
8. Não a deixe cair e evite o choque com outros objectos.
9. Não utilize uma bateria danificada.

### **GUARDE ESTAS INSTRUÇÕES.**

#### **Sugestões para o máximo de tempo de vida da bateria**

1. Não espere que a bateria se gaste completamente para voltar a carregá-la. Pare a ferramenta e carregue a bateria sempre que detectar um baixo nível de energia.
2. Nunca volte a carregar uma bateria já completamente carregada. O carregamento excessivo diminui o tempo de vida das baterias.
3. Carregue a bateria em locais onde a temperatura se situe entre 10°C e 40°C (50°F - 104°F). Se a

bateria estiver quente, deixe-a arrefecer antes de iniciar o carregamento.

4. Carregue a bateria uma vez a cada seis meses se não a utilizar durante um longo período.

## **DESCRIÇÃO DO FUNCIONAMENTO**

### **⚠️ PRECAUÇÃO:**

- Certifique-se sempre de que a ferramenta está desligada e que a bateria foi removida antes de proceder a ajustes ou testar acessórios.

### **Inserir ou retirar a bateria (Fig. 1)**

- Desligue sempre a ferramenta antes de instalar ou retirar a bateria.
- Para retirar a bateria, puxe-a para fora ao mesmo tempo que prime os botões em ambos os lados do cartucho.
- Para colocar a bateria, segure-a de maneira a que a forma dianteira da bateria encaixe na abertura do orifício da bateria. Insira-a completamente até fixar em posição com um clique. Caso contrário, pode cair da ferramenta e causar ferimentos em si, ou em alguém que esteja perto de si.
- Não exerça força ao colocar a bateria. Se não encaixar facilmente é porque não está correctamente posicionada.

### **Sistema de protecção da bateria**

A ferramenta está equipada com um sistema de protecção da bateria. Este sistema corta automaticamente a alimentação para prolongar a vida útil da bateria.

A ferramenta pára automaticamente durante o funcionamento quando a ferramenta e/ou bateria são colocadas numa das condições seguintes:

- Sobrecarregada:

A ferramenta é utilizada de tal forma que atrai uma corrente involuntariamente alta. Nesta situação, solte o gatilho da ferramenta e pare a aplicação que causou a sobrecarga. De seguida, prima novamente o gatilho para reiniciar.
- Tensão baixa da bateria:

A carga restante da bateria é demasiado baixa e a ferramenta não funciona. Se premir o gatilho, o motor liga novamente mas pára após pouco tempo. Nesta situação, retire e recarregue a bateria.

### **O gatilho/interruptor (Fig. 2)**

#### **⚠️ PRECAUÇÃO:**

- Antes de colocar a bateria na ferramenta, verifique se o gatilho/alavanca está a funcionar correctamente e se regressa à posição "OFF" quando o solta. Para evitar que o gatilho/alavanca seja acidentalmente puxado, é fornecido um botão/alavanca de bloqueio. Para pôr a ferramenta a funcionar, puxe a alavanca ou o gatilho.
- Para a alavanca, puxe a alavanca de bloqueio e, de seguida, puxe a alavanca para ligar a ferramenta.
- Para o gatilho, pressione o botão de bloqueio e, de seguida, puxe o gatilho para ligar a ferramenta. O

botão de bloqueio pode ser premido a partir do lado direito ou esquerdo.

A velocidade da ferramenta aumenta com a pressão exercida no gatilho/alavanca. Para parar a ferramenta, solte o gatilho/alavanca.

#### **ATENÇÃO:**

Não puxe com força o gatilho/alavanca sem puxar a alavanca/botão de bloqueio. Isto poderá quebrar o interruptor.

### **A luz incorporada na ferramenta (Fig. 3)**

#### **⚠ PRECAUÇÃO:**

- Não olhe directamente para a luz da ferramenta. Para a acender prima o gatilho/alavanca. A lâmpada manter-se-á acesa enquanto o gatilho/alavanca for premido.

## **MONTAGEM**

#### **⚠ PRECAUÇÃO:**

- Certifique-se sempre de que a ferramenta está desligada e a bateria removida, antes de efectuar qualquer operação na ferramenta.

### **Instalar ou remover a lâmina**

#### **⚠ PRECAUÇÃO:**

- Limpe sempre quaisquer aparas ou material estranho que esteja colado à lâmina, grampo da lâmina e/ou carril. Se não o fizer, a lâmina poderá ficar insuficientemente apertada, resultando em ferimentos graves.

#### **Para o modelo JR100D (Fig. 4)**

Introduza a lâmina de sabre ao máximo no grampo da lâmina. A manga do grampo da lâmina roda e a lâmina fica fixa. Certifique-se de que a lâmina não pode ser retirada, mesmo que a tente puxar para fora.

#### **⚠ PRECAUÇÃO:**

- Se não introduzir a lâmina suficientemente para dentro, a lâmina poderá saltar inesperadamente durante o funcionamento. Isto pode ser extremamente perigoso.

#### **NOTA:**

- Não pode usar a lâmina tico tico com o JR100D. (Fig. 5)

Para remover a lâmina, rode totalmente a manga do grampo da lâmina na direcção da seta. A lâmina é removida e a manga do grampo da lâmina fica fixa na posição de libertada.

#### **NOTA:**

- Se retirar a lâmina sem rodar a manga do grampo da lâmina completamente, a manga não fica fixa. Neste caso, rode a manga do grampo da lâmina completamente e fixe a manga na posição de libertada.

#### **Para o modelo JR102D**

Para montar a lâmina de serra, solte o parafuso utilizando uma chave sextavada. Ao instalar uma lâmina de serra sabre, pressione o parafuso com a chave sextavada para abrir a ranhura durante a inserção da lâmina. (Fig. 6 e 7)

Pode utilizar lâminas tico tico (tipo B) e de sabre, de acordo com o trabalho a efectuar. Introduza a lâmina directamente no grampo da lâmina e aperte com uma chave sextavada. Puxe ligeiramente a lâmina para se certificar de que a lâmina não cai durante a utilização. Para remover a lâmina, siga o procedimento inverso de instalação. (Fig. 8 e 9)

### **Armazenamento da chave sextavada (Fig. 10)**

Quando não estiver em utilização, guarde a chave sextavada. É fixada por duas saliências, como ilustrado, para evitar que se perca.

## **FUNCIONAMENTO (Fig. 11)**

#### **⚠ PRECAUÇÃO:**

- Prima sempre firmemente a sapata contra a peça de trabalho durante o funcionamento. Se a sapata for mantida longe da peça de trabalho durante o funcionamento, ocorrerão vibrações e/ou torções, fazendo com que a lâmina salte perigosamente.
- Use sempre luvas para proteger as mãos contra as aparas quentes projectadas quando cortar metal.
- Certifique-se sempre de que usa protecção adequada para os olhos, que está em conformidade com as normas nacionais.
- Utilize sempre refrigerante (óleo de corte) adequado quando cortar metal. Se não o fizer poderá desgastar prematuramente a lâmina.

Prima firmemente a sapata contra a peça de trabalho. Não permita que a ferramenta ressalte. Coloque a lâmina de serra em ligeiro contacto com a peça de trabalho. Em primeiro lugar, faça uma ranhura piloto utilizando uma velocidade mais lenta. De seguida, utilize uma velocidade mais rápida para continuar a cortar. (Fig. 12 e 13)

- Pode utilizar a alavanca ou o gatilho, consoante o trabalho a efectuar.

#### **NOTA:**

- Se mantiver a ferramenta a funcionar ininterruptamente até a bateria se gastar completamente, deixe-a em repouso durante 15 minutos antes de substituir a bateria.

## **MANUTENÇÃO**

#### **⚠ PRECAUÇÃO:**

- Certifique-se sempre de que a ferramenta está desligada e a bateria removida antes de efectuar operações de inspecção ou de manutenção.
- Nunca utilize gasolina, benzina, diluente, álcool ou semelhante. Podem formar-se descolorações, deformações ou fissuras.

Para manter os níveis de SEGURANÇA e FIABILIDADE definidos para este produto, as reparações e os procedimentos de manutenção ou ajustes devem ser executados por centros de assistência Makita autorizados, utilizando sempre peças de substituição Makita.

# ACESSÓRIOS OPCIONAIS

## PRECAUÇÃO:

- Os seguintes acessórios ou extensões são os recomendados para utilizar com a ferramenta Makita especificada neste manual. A utilização de quaisquer outros acessórios poderá representar um risco de ferimento para as pessoas. Apenas utilize o acessório para o fim indicado.

Se precisar de informações adicionais relativas aos acessórios, contacte o centro local de assistência Makita.

- Lâminas de sabre
- Lâminas tico tico (apenas para o modelo JR102D)
- Vários tipos de baterias e carregadores Makita genuínos.
- Saco de transporte de plástico

## NOTA:

- Alguns itens na lista podem estar incluídos no pacote de ferramentas como acessórios de série. Podem diferir de país para país.

## Ruído ENG905-1

O nível de ruído ponderado A típico determinado, de acordo com EN60745:

### Modelo JR100D

Nível de pressão sonora ( $L_{pA}$ ): 78 dB (A)

Incerteza (K): 3 dB (A)

O nível de ruído quando em funcionamento pode exceder os 80 dB (A).

### Modelo JR102D

Nível de pressão sonora ( $L_{pA}$ ): 77 dB (A)

Incerteza (K): 3 dB (A)

O nível de ruído quando em funcionamento pode exceder os 80 dB (A).

## Use protecção ocular.

## Vibração ENG900-1

O valor total de vibração (soma vector triaxial) determinado, de acordo com EN60745:

### Modelo JR100D

Modo de trabalho: cortar placas

Emissão de vibração ( $a_{h,B}$ ): 9,5 m/s<sup>2</sup>

Incerteza (K): 1,5 m/s<sup>2</sup>

Modo de trabalho: cortar traves de madeira

Emissão de vibração ( $a_{h,WB}$ ): 9,5 m/s<sup>2</sup>

Incerteza (K): 2,5 m/s<sup>2</sup>

### Modelo JR102D

Modo de trabalho: cortar placas

Emissão de vibração ( $a_{h,B}$ ): 8,0 m/s<sup>2</sup>

Incerteza (K): 1,5 m/s<sup>2</sup>

Modo de trabalho: cortar traves de madeira

Emissão de vibração ( $a_{h,WB}$ ): 7,0 m/s<sup>2</sup>

Incerteza (K): 1,5 m/s<sup>2</sup>

ENG901-1

- O valor da emissão de vibração declarado foi medido de acordo com o método de teste padrão e pode ser utilizado para comparar uma ferramenta com outra.

- O valor da emissão de vibração declarado pode também ser utilizado numa avaliação preliminar de exposição.

## AVISO:

- A emissão de vibração durante a utilização real da ferramenta eléctrica pode ser diferente do valor de emissão declarado, dependendo da forma como a ferramenta é utilizada.
- Certifique-se de que identifica medidas de segurança, para proteger o operador, que são baseadas numa estimativa de exposição nas condições reais de utilização (tendo em conta todas as partes do ciclo de funcionamento, como as vezes que a ferramenta é desligada e quando está a trabalhar ao ralenti, além do tempo de utilização).

## Apenas para países europeus

ENH101-15

## Declaração de conformidade CE

**Nós, a Makita Corporation, como fabricante responsável, declaramos que a(s) máquina(s) Makita seguinte(s):**

Designação da máquina:

Serra Sabre a Bateria

Nº/Tipo de modelo: JR100D, JR102D

são de produção em série e

**Está em conformidade com as directivas europeias seguintes:**

2006/42/EC

E são fabricadas de acordo com as normas e documentos padronizados seguintes:

EN60745

A documentação técnica é guardada pelo nosso representante autorizado na Europa:

Makita International Europe Ltd.

Michigan Drive, Tongwell,

Milton Keynes, Bucks MK15 8JD, Inglaterra

3. 3. 2011



Tomoyasu Kato

Director

Makita Corporation

3-11-8, Sumiyoshi-cho,

Anjo, Aichi, 446-8502, JAPAN

## DANSK (Originalvejledning)

### Forklaring til generel oversigt

- |                     |                            |                              |
|---------------------|----------------------------|------------------------------|
| 1. Knapper          | 7. Lampe                   | 13. Løsn                     |
| 2. Batteri          | 8. Bajonetsavklinge        | 14. Stram                    |
| 3. Afblåseknop      | 9. Klingefastholderbøsning | 15. Hul til bajonetsavklinge |
| 4. Afblåsemekanisme | 10. Savklinge              | 16. Klingefastholder         |
| 5. Kontaktgreb      | 11. Unbrakonøgle           | 17. Hul til stiksavklinge    |
| 6. Afbryderkontakt  | 12. Bolt                   | 18. Projektioner             |

## SPECIFIKATIONER

Model	JR100D	JR102D
Længde på snit	13 mm	
Snit pr. minut (min <sup>-1</sup> )	0 - 3.300	
Maksimal skærekapacitet	Rør	50 mm
	Træ	50 mm
Længde i alt (med batteri)	355 mm	
Nettovægt	1,2 kg	1,1 kg
Nominel spænding	10,8 V jævnstrøm	

- På grund af vores løbende forsknings- og udviklingsprogram kan specifikationerne heri ændres uden forudgående varsel.
- Specifikationerne og batteripakken kan variere fra land til land.
- Vægt, inklusive batteripakken, i henhold til EPTA-Procedure 01/2003

### Tilsigtet brug

ENE020-1

Værktøjet er beregnet til at save i træ, plastik og jernmaterialer.

## Generelle sikkerhedsadvarsler for maskiner

GEA010-1

**⚠ ADVARSEL** Læs alle sikkerhedsadvarsler og alle instruktioner. Hvis De ikke følger alle advarsler og instruktioner, kan det medføre elektrisk stød, brand og/eller alvorlig personskade.

## Gem alle advarsler og instruktioner til senere reference.

## SIKKERHEDSADVARSLER FOR LEDNINGSFRI BAJONETSAV

GEB048-2

1. Hold maskiner i de isolerede gribeplader, når du udfører arbejde, hvor skæretilbehøret kan komme i kontakt med skjulte ledninger. Hvis det skærende tilbehør kommer i kontakt med en strømførende ledning, kan udsatte metaldele på maskinen blive strømførende, hvorved operatøren kan få elektrisk stød.
2. Anvend skruetvinger eller en anden praktisk metode til at fastgøre og understøtte arbejdsemnet på et solidt underlag. Hvis De holder emnet i hånden eller mod kroppen, bliver det ustabil, så De risikerer at miste kontrollen.
3. Anvend altid beskyttelsesbriller eller sikkerhedsbriller. Almindelige briller eller solbriller er IKKE beskyttelsesbriller.

4. Undgå at skære i søm. Kontroller arbejdsemnet for søm, og fjern dem før savningen.
5. Sav ikke i for store emner.
6. Kontroller, at der er tilstrækkeligt fri plads bag arbejdsemnet, før De saver, så klingens ikke rammer gulvet, arbejdsbænken osv.
7. Hold godt fast i værktøjet.
8. Sørg for, at klingens ikke har kontakt med arbejdsemnet, før der tændes på kontakten.
9. Hold hænderne på afstand af bevægelige dele.
10. Gå ikke fra værktøjet, mens det kører. Lad kun værktøjet køre, mens De holder det i hænderne.
11. Sluk altid for værktøjet, og vent, til klingens er helt i ro, før De løfter klingens fra arbejdsemnet.
12. Berør ikke klingens eller arbejdsemnet umiddelbart efter brugen. De kan være meget varme og kan forårsage forbrændinger af huden.
13. Lad ikke værktøjet køre unødvendigt uden belastning.
14. Anvend altid korrekt støvmaske/åndedrætsbeskyttelse til det materiale og formål, De arbejder med.
15. Nogle materialer indeholder kemikalier, som kan være giftige. Undgå at indånde støv eller at få det på huden. Følg sikkerhedsinstruktionerne fra leverandøren af materialerne.

## GEM DISSE INSTRUKTIONER.

### ⚠ ADVARSEL:

LAD IKKE tryk eller kendskab til produktet (fra gentagen brug) føre til, at du ikke strengt overholder sikkerhedsreglerne for det gældende produkt. MISBRUG eller manglende overholdelse af sikkerhedsreglerne i denne brugsanvisning kan medføre alvorlig personskade.

# VIGTIGE SIKKERHEDSINSTRUKTIONER

ENC007-7

## FOR BATTERIPAKKEN

1. Før brugen af batteripakken skal du læse alle instruktioner og advarsler på (1) batteriopladeren, (2) batteriet og (3) det produkt, som batteriet anvendes i.
2. Skil ikke batteripakken ad.
3. Hvis driftstiden bliver betydeligt kortere, skal du straks ophøre med brugen. Brug kan medføre risiko for overophedning, risiko for forbrændinger eller endog eksplosion.
4. Hvis du får elektrolyt i øjnene, skal du med det samme rense øjnene med rent vand og søge læge. Dette kan medføre tab af synet.
5. Kortslut ikke batteripakken:
  - (1) Undgå at røre ved terminalerne med ledende materiale.
  - (2) Undgå at opbevare batteripakken i en beholder med andre metalgenstande som f.eks. søm, mønter osv.
  - (3) Udsæt ikke batteripakken for vand eller regn. Hvis batteriet kortsluttes, kan det medføre voldsom strøm, overophedning, mulige forbrændinger og endog nedbrud.
6. Undgå at opbevare værktøjet og batteripakken på steder, hvor temperaturen kan komme op på eller overstige 50°C.
7. Sæt ikke ild til batteripakken, selvom den er alvorligt beskadiget eller helt udtjent. Batteripakken kan eksplodere ved brand.
8. Undgå at tabe eller slå på batteriet.
9. Undlad brug af et beskadiget batteri.

## GEM DISSE INSTRUKTIONER.

### Tips til, hvordan du forlænger batteriets levetid

1. Oplad batteripakken, før den bliver helt afladet. Ophør med at bruge værktøjet, og udskift batteripakken, hvis strømmen til værktøjet aftager.
2. Oplad aldrig en fuldt opladet batteripakke. Overopladning forkorter batteriets levetid.
3. Oplad batteripakken ved stuetemperatur på 10°C - 40°C. Lad batteripakken køle ned før den oplades, hvis den er varm.
4. Oplad batteripakken en gang hver sjette måned, hvis du ikke bruger det i lang tid.

## FUNKTIONSBESKRIVELSE

### ⚠ FORSIGTIG:

- Sørg altid for, at maskinen er slukket, og at batteripakken er taget ud, før du justerer maskinen eller kontrollerer dens funktion.

### Montering eller afmontering af batteripakken (Fig. 1)

- Sluk altid for maskinen inden montering eller afmontering af batteripakken.

- Ved afmontering af batteripakken trækkes den ud af maskinen, mens der trykkes ind på knapperne på begge sider af pakken.
- Når du monterer batteripakken, skal du holde den sådan, at forkanten på batteripakken passer ind i batteriåbningen, og skubbe den ind på plads. Sæt den altid hele vejen ind, indtil den låses på plads med et lille klik. Ellers kan den falde ud af maskinen og skade dig eller andre personer i nærheden.
- Brug ikke magt ved montering af batteripakken. Hvis den ikke glider let ind, er den ikke indsat korrekt.

### Batteribeskyttelsessystem

Maskinen er udstyret med et beskyttelsessystem. Dette system slukker automatisk for strømmen til motoren for at forlænge batterilevetiden.

Maskinen stopper automatisk under anvendelsen, hvis maskinen og/eller batteriet udsættes for en af de følgende situationer:

- Overbelastning:

Maskinen anvendes på en sådan måde, at det får den til at bruge unormalt meget strøm. I denne situation skal du slippe afbryderkontakten på maskinen og stoppe den anvendelse, som gjorde maskinen overbelastet. Tryk derefter ind på afbryderkontakten for starte igen.
- Lav batterispænding:

Den resterende batterikapacitet er for lav, og maskinen kan ikke køre. Hvis du trækker i afbryderkontakten, kører motoren, men stopper hurtigt. I denne situation skal du afmontere og oplade batteriet.

### Betjening af afbryderkontakt (Fig. 2)

#### ⚠ FORSIGTIG:

- Før batteripakken sættes i maskinen, skal du altid kontrollere, at kontaktgrebet/afbryderkontakten reagerer korrekt og vender tilbage til "OFF"-stillingen, når det/den slippes.

En aflåsemekanisme/-knap forhindrer, at kontaktgrebet/afbryderkontakten trykkes ind ved et uheld.

For at starte maskinen skal du trykke på kontaktgrebet eller afbryderkontakten.

- Ved brug af kontaktgrebet trækkes først i aflåsemekanismen, hvorefter du trykker på kontaktgrebet for at starte maskinen.
- Ved brug af afbryderkontakten skal aflåseknappen først trykkes ned, hvorefter du trykker på afbryderkontakten for at starte maskinen. Der kan trykkes på aflåseknappen fra både højre og venstre.

Maskinens hastighed forøges ved at trykke hårdere på kontaktgrebet/afbryderkontakten. Slip kontaktgrebet/afbryderkontakten for at stoppe.

#### BEMÆRK:

Tryk ikke hårdt på kontaktgrebet/afbryderkontakten uden at trykke på aflåsemekanismen/-knappen. Dette kan ødelægge kontakten.

### Tænding af lampen (Fig. 3)

#### ⚠ FORSIGTIG:

- Se ikke direkte ind i lyset eller lyskilden.

Tryk på kontaktgrebet/afbryderkontakten for at tænde lampen. Lampen forbliver tændt, så længe der trykkes på kontaktgrebet/afbryderkontakten.

## MONTERING

### ⚠ FORSIGTIG:

- Sørg altid for, at maskinen er slukket, og at batteripakken er taget ud, før du udfører nogen form for arbejde på maskinen.

## Montering eller afmontering af savklingen

### ⚠ FORSIGTIG:

- Fjern altid alle spåner eller fremmedlegemer fra klingens, klingefastholderen og/eller glideren. Hvis du ikke gør dette, strammes klingen muligvis ikke ordentligt fast, hvilket kan medføre alvorlig personskade.

### For Model JR100D (Fig. 4)

Sæt bajonetsavklingen så langt ind i klingefastholderen, som den kan komme. Klingefastholdermuffen drejer, og savklingen sidder fast. Sørg for, at savklingen sidder helt fast, selv om du forsøger at trække den ud.

### ⚠ FORSIGTIG:

- Hvis du ikke indsætter savklingen dybt nok, kan savklingen pludselig blive skubbet ud under anvendelsen. Dette kan være ekstremt farligt.

### BEMÆRK:

- Du kan ikke anvende stiksavklingen med JR100D. (Fig. 5)

For at afmontere savklingen drejes muffen til klingefastholderen hele vejen i pilens retning. Savklingen tages ud, og klingefastholdermuffen låses fast i den frigjorte position.

### BEMÆRK:

- Hvis du fjerner savklingen uden at dreje klingefastholdermuffen helt over, sidder muffen muligvis ikke fast. Drej i så fald klingefastholdermuffen hent om, og fastgør muffen i den frigjorte position.

### For Model JR102D

For at montere savklingen skal du løse boltene med unbrakonøglen. Når du monterer en bajonetsavklinge, skal du trykke på boltene med unbrakonøglen for at åbne åbningen op, mens klingens sættes i. (Fig. 6 og 7) Du kan anvende både stiksavsklinger (B-type) og bajonetsavsklinger afhængigt af dit arbejde. Sæt savklingen lige ind i klingefastholderen og spænd den til med unbrakonøglen. Træk forsigtigt i savklingen for at sikre at savklingen ikke falder af under anvendelsen. Følg fremgangsmåden til montering i omvendt rækkefølge for at afmontere savklingen. (Fig. 8 og 9)

## Opbevaring af unbrakonøgle (Fig. 10)

Når den ikke er i brug, skal unbrakonøglen opbevares. Den holdes fast af to projektorer som vist på figuren, så den kan opbevares uden at blive væk.

## BETJENING (Fig. 11)

### ⚠ FORSIGTIG:

- Tryk altid føringsanslaget fast mod arbejdsemnet under anvendelsen. Hvis føringsanslaget holdes væk fra arbejdsemnet under anvendelsen, kan der opstå kraftige vibrationer og/eller vridninger, hvilket kan få klingens til at brække af farlig vis.
- Bær altid handsker for at beskytte dine hænder mod flyvende splinter ved skæring i metal.
- Sørg for altid at anvende egnet øjenbeskyttelse, der er i overensstemmelse med de aktuelle nationale standarder.
- Brug altid en egnet kølevæske (skæreoile) ved skæring i metal. Undladelse af dette medfører unødigt slid på klingens.

Tryk altid føringsanslaget fast ind mod arbejdsemnet. Tillad ikke at maskinen springer ud. Før savklingen frem, så den kommer i let kontakt med arbejdsemnet. Lav først en prøverille med en langsommere hastighed. Forøg derefter hastigheden for at fortsætte savningen. (Fig. 12 og 13)

- Du kan anvende kontaktgrebet eller afbryderkontakten alt efter arbejdet.

### BEMÆRK:

- Hvis maskinen betjenes konstant, indtil batteripakken er afladet, skal du lade maskinen hvile i 15 minutter, før du fortsætter med et nyt batteri.

## VEDLIGEHOLDELSE

### ⚠ FORSIGTIG:

- Sørg altid for, at maskinen er slukket, og at batteripakken er taget ud, før du forsøger at udføre inspektion eller vedligeholdelse.
- Brug aldrig benzin, benzen, fortynder, alkohol eller lignende. Det kan muligvis medføre misfarvning, deformation eller revner.

For at holde produktet SIKKERT og PÅLIDELIGT skal reparationer samt al anden vedligeholdelse eller justering udføres af autoriserede Makita-servicecentre, og der skal altid benyttes Makita-reservedele.

## EKSTRAUDSTYR

### ⚠ FORSIGTIG:

- Dette tilbehør eller ekstraudstyr anbefales til brug med det Makita-værktøj, som er beskrevet i denne brugsanvisning. Brug af andet tilbehør eller ekstraudstyr kan forårsage personskade. Brug kun tilbehør eller ekstraudstyr til det formål, det er beregnet til.

Henvend dig til dit lokale Makita-servicecenter, hvis du har brug for hjælp eller yderligere oplysninger vedrørende tilbehøret.

- Bajonetsavsklinger
- Stiksavsklinger (kun for model JR102D)
- Forskellige typer af originale batterier og opladere fra Makita
- Plastikbæretaske

### BEMÆRK:

- Visse dele på listen er muligvis indeholdt maskinindpakningen som standardtilbehør. De kan variere fra land til land.



## Støj

Det typiske A-vægtede støjniveau bestemt i overensstemmelse med EN60745:

### Model JR100D

Lydtryksniveau ( $L_{pA}$ ): 78 dB (A)  
Usikkerhed (K): 3 dB (A)

Støjniveauet under arbejdet kan være større end 80 dB (A).

### Model JR102D

Lydtryksniveau ( $L_{pA}$ ): 77 dB (A)  
Usikkerhed (K): 3 dB (A)

Støjniveauet under arbejdet kan være større end 80 dB (A).

### Bær høreværn.

## Vibration

Den samlede vibrationsværdi (treaksiel vektorsum) bestemt i overensstemmelse med EN60745:

### Model JR100D

Arbejdstilstand: skæring i plader  
Vibrationsemission ( $a_{h,B}$ ): 9,5 m/s<sup>2</sup>  
Usikkerhed (K): 1,5 m/s<sup>2</sup>

Arbejdstilstand: savning i træbjælker  
Vibrationsemission ( $a_{h,WB}$ ): 9,5 m/s<sup>2</sup>  
Usikkerhed (K): 2,5 m/s<sup>2</sup>

### Model JR102D

Arbejdstilstand: skæring i plader  
Vibrationsemission ( $a_{h,B}$ ): 8,0 m/s<sup>2</sup>  
Usikkerhed (K): 1,5 m/s<sup>2</sup>

Arbejdstilstand: savning i træbjælker  
Vibrationsemission ( $a_{h,WB}$ ): 7,0 m/s<sup>2</sup>  
Usikkerhed (K): 1,5 m/s<sup>2</sup>

ENG905-1

Op er produceret i overensstemmelse med følgende standarder eller standardiserede dokumenter:  
EN60745

Den tekniske dokumentation findes hos vores autoriserede repræsentant i Europa:  
Makita International Europe Ltd.  
Michigan Drive, Tongwell,  
Milton Keynes, Bucks MK15 8JD, England

3. 3. 2011



Tomoyasu Kato  
Direktør

Makita Corporation  
3-11-8, Sumiyoshi-cho,  
Anjo, Aichi, 446-8502, JAPAN

ENG900-1

ENG901-1

- Den opgivne vibrationsemissionsværdi er målt i overensstemmelse med standardtestmetoden og kan bruges til at sammenligne et værktøj med et andet.
- Den opgivne vibrationsemissionsværdi kan muligvis også bruges til en indledende eksponeringsvurdering.

### ADVARSEL:

- Vibrationsemissionen under den faktiske brug af maskinen kan afvige fra den opgivne emissionsværdi afhængigt af den måde, maskinen anvendes på.
- Sørg for at bestemme sikkerhedsforanstaltninger for beskyttelse af operatøren, som er baseret på en eksponeringsvurdering for brug under faktiske forhold (hvor alle anvendelsescyklussens dele inddrages, som f.eks. antal gange maskinen slukkes, og når den kører i tomgang ud over triggertiden).

## Kun for europæiske lande

ENH101-15

### EF-overensstemmelseserklæring

Vi, Makita Corporation, erklærer som ansvarlig producent at følgende Makita-maskine(r):

Maskinens betegnelse:

Ledningsfri bajonetsav

Modelnummer/ type: JR100D, JR102D

er en produktionsserie og

Overholder følgende europæiske direktiver:

2006/42/EF

# ΕΛΛΗΝΙΚΑ (Πρωτογενείς οδηγίες)

## Περιγραφή γενικής όψης

1. Κουμπιά	7. Λυχνία	13. Ξεσφίξτε
2. Μπαταρία	8. Λάμα σπαθοσέγας	14. Σφίξτε
3. Κουμπί ασφάλισης	9. Περιβλήμα συγκράτησης λάμας	15. Τρύπα για τη λάμα σπαθοσέγας
4. Μοχλός κλειδώματος	10. Λάμα πριονιού	16. Σφικτήρας λάμας
5. Μοχλός διακόπτης	11. Εξάγωνο άλεν	17. Τρύπα για τη λάμα σέγας
6. Σκανδάλη διακόπτης	12. Μπουλόνι	18. Προεξοχές

## ΠΡΟΔΙΑΓΡΑΦΕΣ

Μοντέλο	JR100D	JR102D
Μήκος διαδρομής	13 mm	
Διαδρομές το λεπτό ( $\text{min}^{-1}$ )	0 - 3.300	
Μέγιστες ικανότητες κοπής	Σωλήνας	50 mm
	Ξύλο	50 mm
Συνολικό μήκος (με τη μπαταρία)	355 mm	
Καθαρό βάρος	1,2 kg	1,1 kg
Ονομαστική τιμή τάσης	D.C. 10,8 V	

- Λόγω του συνεχόμενου προγράμματος που εφαρμόζουμε για έρευνα και ανάπτυξη, τα τεχνικά χαρακτηριστικά στο παρόν έντυπο υπόκεινται σε αλλαγή χωρίς προειδοποίηση.
- Τα τεχνικά χαρακτηριστικά και η μπαταρία ενδέχεται να διαφέρουν από χώρα σε χώρα.
- Βάρος μαζί με την μπαταρία σύμφωνα με τη διαδικασία της ΕΡΤΑ 01/2003

### Προοριζόμενη χρήση

Το εργαλείο προορίζεται για το πριόνισμα ξύλου, πλαστικού και σιδηρούχων υλικών.

ENE020-1

επάνω στο σώμα σας, θα είναι ασταθές και μπορεί να χάσετε τον έλεγχο.

## Γενικές Προειδοποιήσεις Ασφαλείας Του Ηλεκτρικού Εργαλείου

GEA010-1

**⚠ ΠΡΟΕΙΔΟΠΟΙΗΣΗ** Διαβάστε όλες τις προειδοποιήσεις ασφαλείας και όλες τις οδηγίες. Αν δεν ακολουθήσετε όλες τις προειδοποιήσεις και τις οδηγίες, υπάρχει κίνδυνος ηλεκτροπληξίας, πυρκαγιάς ή και σοβαρού τραυματισμού.

## Φυλάξτε όλες τις προειδοποιήσεις και τις οδηγίες για μελλοντική αναφορά.

## ΠΡΟΕΙΔΟΠΟΙΗΣΕΙΣ ΑΣΦΑΛΕΙΑΣ ΓΙΑ ΤΗ ΦΟΡΗΤΗ ΣΠΑΘΟΣΕΓΑ

GEB048-2

1. Να κρατάτε το ηλεκτρικό εργαλείο από τις μονωμένες λαβές όταν εκτελείτε εργασίες κατά τις οποίες το κοπτικό εξάρτημα μπορεί να έρθει σε επαφή με κρυμμένα καλώδια. Αν το κοπτικό εξάρτημα έρθει σε επαφή με κάποιο ηλεκτροφόρο καλώδιο, τα εκτεθειμένα μεταλλικά μέρη του ηλεκτρικού εργαλείου θα γίνουν κι αυτά ηλεκτροφόρα και μπορεί να προκληθεί ηλεκτροπληξία στο χειριστή.
2. Να χρησιμοποιείτε σφικτήρες ή κάποιο άλλο πρακτικό μέσο για να ασφαλίσετε και να στηρίξετε το τεμάχιο εργασίας σε μια σταθερή πλατφόρμα. Αν κρατάτε το τεμάχιο εργασίας με το χέρι σας ή

3. Να χρησιμοποιείτε πάντοτε γυαλιά ασφαλείας ή προστατευτικά ματιών. Τα συνηθισμένα γυαλιά και τα γυαλιά ηλίου ΔΕΝ αποτελούν γυαλιά ασφαλείας.
4. Να αποφεύγετε την κοπή καρφιών. Να ελέγχετε το τεμάχιο εργασίας για τυχόν καρφιά και να τα αφαιρείτε πριν από τη λειτουργία.
5. Μην κόβετε υπερμεγέθη τεμάχια εργασίας.
6. Πριν από την κοπή, να ελέγχετε ότι υπάρχει επαρκής απόσταση πίσω από το τεμάχιο εργασίας ώστε η λάμα να μην χτυπήσει το δάπεδο, τον πάγκο εργασίας, κτλ.
7. Να κρατάτε το εργαλείο σταθερά.
8. Να βεβαιώνετε ότι η λάμα δεν ακουμπάει το τεμάχιο εργασίας πριν ενεργοποιείτε το διακόπτη λειτουργίας.
9. Μην πλησιάζετε τα χέρια σας σε κινούμενα μέρη.
10. Μην αφήνετε το εργαλείο σε λειτουργία. Το εργαλείο πρέπει να βρίσκεται σε λειτουργία μόνο όταν το κρατάτε.
11. Πάντοτε να σβήνετε το εργαλείο και να περιμένετε να σταματήσει να κινείται εντελώς η λάμα πριν τη βγάξετε από το τεμάχιο εργασίας.
12. Μην αγγίζετε την πριονοκορδέλα ή το τεμάχιο εργασίας αμέσως μετά τη λειτουργία του εργαλείου. Μπορεί να είναι εξαιρετικά θερμά και να προκληθεί έγκαυμα στο δέρμα σας.
13. Μη θέτετε το εργαλείο σε λειτουργία χωρίς φόρτο, αν αυτό δεν είναι απαραίτητο.
14. Να χρησιμοποιείτε πάντοτε προσωπίδα κατά της σκόνης ή αναπνευστήρα που είναι κατάλληλος για το υλικό και την εφαρμογή σας.
15. Μερικά υλικά περιέχουν χημικές ουσίες που μπορεί να είναι τοξικές. Να προσέχετε ώστε να

αποφεύγετε την εισπνοή της σκόνης και την επαφή με το δέρμα. Ακολουθείτε τα δεδομένα ασφάλειας υλικού που παρέχονται από τον προμηθευτή.

## ΦΥΛΑΞΤΕ ΑΥΤΕΣ ΤΙΣ ΟΔΗΓΙΕΣ.

### ⚠️ ΠΡΟΕΙΔΟΠΟΙΗΣΗ:

ΜΗΝ επιτρέψετε στη βολικότητα ή στην εξοικειωσή σας με το προϊόν (που αποκτήθηκε από επανειλημμένη χρήση) να αντικαταστήσει την αυστηρή προσήλωση στους κανόνες ασφάλειας του εν λόγω προϊόντος. Η ΛΑΝΘΑΣΜΕΝΗ ΧΡΗΣΗ ή η μη τήρηση των κανόνων ασφαλείας που διατυπώνονται στο παρόν εγχειρίδιο οδηγιών μπορεί να προκαλέσει σοβαρό τραυματισμό.

## ΣΗΜΑΝΤΙΚΕΣ ΟΔΗΓΙΕΣ ΑΣΦΑΛΕΙΑΣ

ENC007-7

### ΓΙΑ ΤΗΝ ΜΠΑΤΑΡΙΑ

1. Πριν χρησιμοποιήσετε την μπαταρία, διαβάστε όλες τις οδηγίες και τις ενδείξεις προφύλαξης στο (1) φορτιστή μπαταρίας, (2) την μπαταρία και (3) το προϊόν στο οποίο χρησιμοποιείται η μπαταρία.
2. Μην αποσυαρμολογείτε την μπαταρία.
3. Αν ο χρόνος λειτουργίας της μπαταρίας είναι υπερβολικά σύντομος, διακόψτε αμέσως τη λειτουργία. Αν συνεχίσετε, μπορεί να έχει ως αποτέλεσμα τον κίνδυνο υπερθέρμανσης, πιθανών εγκαυμάτων και ακόμη έκρηξης.
4. Αν μπει στα μάτια σας ηλεκτρολύτης, ξεπλύνετε με καθαρό νερό και αναζητήστε αμέσως ιατρική βοήθεια. Μπορεί να χάσετε την όρασή σας.
5. Μη βραχυκυκλώνετε την μπαταρία:
  - (1) Μην αγγίζετε τους ακροδέκτες με αγώγιμο υλικό.
  - (2) Μην αποθηκεύετε την μπαταρία σε δοχείο με άλλα μεταλλικά αντικείμενα, όπως καρφιά, νομίσματα, κτλ.
  - (3) Μην εκθέτετε την μπαταρία σε νερό ή βροχή. Αν βραχυκυκλωθεί η μπαταρία, μπορεί να προκληθεί μεγάλη ροή ηλεκτρικού ρεύματος, υπερθέρμανση, πιθανά εγκαύματα και ακόμη και καταστροφή της μπαταρίας.
6. Μην αποθηκεύετε το εργαλείο και την μπαταρία σε μέρη όπου η θερμοκρασία μπορεί να φτάσει ή να ξεπεράσει τους 50°C (122°F).
7. Μην αποτεφρώνετε την μπαταρία ακόμη κι αν παρουσιάζει σοβαρή ζημιά ή είναι εντελώς φθαρμένη. Η μπαταρία μπορεί να εκραγεί σε φωτιά.
8. Να προσέχετε να μη σας πέσει η μπαταρία και να μη συγκρουστεί με κάποιο αντικείμενο.
9. Μη χρησιμοποιείτε μια μπαταρία που έχει υποστεί βλάβη.

## ΦΥΛΑΞΤΕ ΑΥΤΕΣ ΤΙΣ ΟΔΗΓΙΕΣ.

## Συμβουλές για τη διατήρηση της μέγιστης ζωής της μπαταρίας

1. **Να φορτίζετε την μπαταρία πριν αποφορτιστεί εντελώς.**  
Πάντοτε να διακόπτετε τη λειτουργία του εργαλείου και να φορτίζετε την μπαταρία όταν παρατηρείται μειωμένη ισχύ του εργαλείου.
2. **Ποτέ μην επαναφορτίζετε μια πλήρως φορτισμένη μπαταρία.**  
Αν υπερφορτίσετε την μπαταρία, μειώνεται η ωφέλιμη διάρκεια ζωής της.
3. **Να φορτίζετε την μπαταρία σε θερμοκρασία δωματίου, δηλαδή στους 10°C έως 40°C (50°F έως 104°F).** Αν η μπαταρία είναι θερμή, αφήστε την να ψυχθεί πριν τη φορτίσετε.
4. **Να φορτίζετε την κασέτα μπαταρία μια φορά κάθε έξι μήνες όταν δεν τη χρησιμοποιείτε για μεγάλο χρονικό διάστημα.**

## ΠΕΡΙΓΡΑΦΗ ΛΕΙΤΟΥΡΓΙΑΣ

### ⚠️ ΠΡΟΣΟΧΗ:

- Να βεβαιώνετε πάντοτε ότι έχετε σβήσει το εργαλείο και έχετε βγάλει την κασέτα μπαταρίας πριν ρυθμίσετε ή ελέγξετε κάποια λειτουργία του εργαλείου.

### Τοποθέτηση ή αφαίρεση της κασέτας μπαταρίας (Εικ. 1)

- Πάντοτε να απενεργοποιείτε το εργαλείο πριν από την τοποθέτηση ή την αφαίρεση της κασέτας μπαταρίας.
- Για να βγάλετε την κασέτα μπαταρίας, τραβήξτε την από το εργαλείο καθώς πιέζετε τα κουμπιά και στις δυο πλευρές της κασέτας.
- Για να τοποθετήσετε τη κασέτα μπαταρίας, κρατήστε τη έτσι ώστε το μπροστινό σχήμα της μπαταρίας να ταιριάζει στο άνοιγμα στο οποίο τοποθετείται η μπαταρία και ολισθήστε την στη θέση της. Πάντοτε να την τοποθετείτε έως το τέρμα, δηλαδή έως ότου ασφαλίξει στη θέση και ακουστεί ένας χαρακτηριστικός ήχος "κλικ". Σε αντίθετη περίπτωση, μπορεί να πέσει κατά λάθος από το εργαλείο και να τραυματίσει εσάς ή κάποιον παρευρισκόμενο.
- Να μη χρησιμοποιείτε δύναμη όταν τοποθετείτε την κασέτα μπαταρίας. Αν η κασέτα δεν ολισθαίνει με ευκολία, δεν την εισήγατε σωστά.

### Σύστημα προστασίας μπαταρίας

Το εργαλείο είναι εφοδιασμένο με ένα σύστημα προστασίας μπαταρίας. Αυτό το σύστημα διακόπτει αυτόματα το ρεύμα στον κινητήρα για να παρατείνεται η διάρκεια ζωής της μπαταρίας.

Το εργαλείο θα σταματήσει αυτόματα κατά τη λειτουργία όταν το εργαλείο και/ή η μπαταρία υποστούν τις παρακάτω συνθήκες.

- Υπερφόρτιση:  
Το εργαλείο λειτουργεί με τρόπο που προκαλεί την κατανάλωση ασυνήθιστα υψηλής ποσότητας ρεύματος. Στην περίπτωση αυτή, ελευθερώστε τη σκανδάλη διακόπτης ενεργοποίησης του εργαλείου και σταματήστε την εφαρμογή που προκαλέσει την υπερφόρτωση του εργαλείου. Στη συνέχεια, τραβήξτε τη σκανδάλη διακόπτης ξανά για επανεκκίνηση.

- Χαμηλή τάση της μπαταρίας:  
Η εναπομείνουσα ποσότητα ρεύματος της μπαταρίας είναι πολύ χαμηλή και το εργαλείο δεν θα λειτουργήσει. Αν τραβήξετε τη σκανδάλη διακόπτης, ο κινητήρας θα λειτουργήσει αλλά γρήγορα θα σταματήσει. Σε αυτήν την περίπτωση, αφαιρέστε και επαναφορτίστε τη μπαταρία.

## Δράση διακόπτη (Εικ. 2)

### ⚠️ ΠΡΟΣΟΧΗ:

- Πριν την τοποθέτηση της κασέτας μπαταρίας στο εργαλείο, πάντοτε να ελέγχετε ότι ο μοχλός διακόπτης/σκανδάλη ενεργοποιείται κανονικά και επιστρέφει στη θέση "OFF" όταν τον αφήνετε.

Για να μην πιέσετε το μοχλό διακόπτη/σκανδάλη κατά λάθος, παρέχεται ένας μοχλός κλειδώματος/κουμπί. Για να ξεκινήσετε το εργαλείο, απλά τραβήξτε το μοχλό διακόπτη ή τη σκανδάλη.

- Για το μοχλό διακόπτης, τραβήξτε το μοχλό κλειδώματος και στη συνέχεια τραβήξτε το μοχλό διακόπτης για να ξεκινήσετε το εργαλείο.
- Για τη σκανδάλη διακόπτης, πατήστε το κουμπί ασφάλισης και στη συνέχεια τραβήξτε τη σκανδάλη διακόπτης. Το κουμπί ασφάλισης μπορεί να πατηθεί από τη δεξιά ή από την αριστερή πλευρά.

Αν αυξήσετε την πίεση στο μοχλό διακόπτη/σκανδάλη, αυξάνεται η ταχύτητα της συσκευής. Για να σταματήσετε το εργαλείο, αφήστε το μοχλό διακόπτης/σκανδάλη.

### ΕΙΔΟΠΟΙΗΣΗ:

Μην τραβάτε το μοχλό διακόπτης/σκανδάλη με βία χωρίς να τραβάτε το μοχλό κλειδώματος/κουμπί. Αυτό μπορεί να προκαλέσει το σπάσιμο του διακόπτη.

## Αναμμα της μπροστινής λυχνίας (Εικ. 3)

### ⚠️ ΠΡΟΣΟΧΗ:

- Μην κοιτάτε κατευθείαν μέσα στο φως ή στην πηγή του φωτός.

Πιέστε το μοχλό διακόπτης/σκανδάλη για να ανάψετε τη λυχνία. Η λυχνία εξακολουθεί να είναι αναμμένη όσο πιέζετε το μοχλό διακόπτης/σκανδάλη.

## ΣΥΝΑΡΜΟΛΟΓΗΣΗ

### ⚠️ ΠΡΟΣΟΧΗ:

- Να βεβαιώνετε πάντοτε ότι έχετε σβήσει το εργαλείο και έχετε βγάλει την κασέτα μπαταρίας πριν εκτελέσετε οποιαδήποτε εργασία σε αυτό.

## Τοποθέτηση ή αφαίρεση της λάμας πριονιού

### ⚠️ ΠΡΟΣΟΧΗ:

- Να καθαρίζετε πάντοτε όλα τα θραύσματα και τα ξένα σώματα που έχουν προσκολληθεί στη λάμα, στο σφικτήρα λάμας ή/και στον κυλιόμενο οδηγό. Αν δεν το κάνετε αυτό, μπορεί να μη είναι αρκετά σφιγμένη η λάμα και να προκληθεί σοβαρός τραυματισμός.

### Για το μοντέλο JR100D (Εικ. 4)

Τοποθετήστε τη λάμα σπαθοσέγας μέσα στο σφικτήρα της λάμας έως το τέρμα. Το περιβλήμα σφικτήρα της λάμας περιστρέφεται και η λάμα πριονιού σταθεροποιείται. Βεβαιωθείτε ότι η λάμα πριονιού δεν

βγαίνει έξω ακόμα κι όταν προσπαθείτε να την τραβήξετε για να βγει.

### ⚠️ ΠΡΟΣΟΧΗ:

- Εάν δεν τοποθετήσετε τη λάμα πριονιού αρκετά βαθιά, αυτή μπορεί να πεταχτεί απρόσμενα κατά τη λειτουργία. Αυτό μπορεί να είναι εξαιρετικά επικίνδυνο.

### ΣΗΜΕΙΩΣΗ:

- Δεν μπορείτε να χρησιμοποιήσετε τη λάμα της σέγας με το JR100D. (Εικ. 5)

Για να βγάλετε τη λάμα πριονιού, περιστρέψτε πλήρως το περιβλήμα σφικτήρα της λάμας προς την κατεύθυνση του βέλους. Η λάμα πριονιού θα βγει και το περιβλήμα σφικτήρα της λάμας θα σταθεροποιηθεί στην ελεύθερη θέση.

### ΣΗΜΕΙΩΣΗ:

- Εάν βγάλετε τη λάμα πριονιού χωρίς να περιστρέψετε πλήρως το περιβλήμα σφικτήρα της λάμας, το περιβλήμα δεν θα είναι σταθεροποιημένο. Στην περίπτωση αυτή, περιστρέψτε πλήρως το περιβλήμα σφικτήρα της λάμας και κατόπιν σταθεροποιήστε το περιβλήμα στην ελεύθερη θέση.

### Για το μοντέλο JR102D

Για να τοποθετήσετε τη λάμα πριονιού, ξεσφίξτε το μπουλόνι με ένα εξάγωνο άλεν. Κατά την εγκατάσταση της λάμας σπαθοσέγας, πιέστε το μπουλόνι με το εξάγωνο άλεν για να ανοίξετε την εγκοπή κατά την εισχώρηση της λάμας. (Εικ. 6 και 7)

Μπορείτε να χρησιμοποιήσετε τόσο τις λάμες σέγας (τύπος Β) όσο και τις λάμες σπαθοσέγας ανάλογα με την εργασία σας. Εισάγετε την λάμα πριονιού ευθεία μέσα στο σφικτήρα της λάμας και σφίξτε με το εξάγωνο άλεν. Τραβήξτε ελαφρώς την λάμα πριονιού για να βεβαιωθείτε ότι η λάμα πριονιού δεν θα βγει έξω κατά τη λειτουργία. Για να αφαιρέσετε τη λάμα πριονιού, ακολουθήστε τη διαδικασία τοποθέτησης με αντίστροφη σειρά. (Εικ. 8 και 9)

## Αποθήκευση εξάγωνου άλεν (Εικ. 10)

Όταν δεν βρίσκεται σε χρήση, αποθηκεύστε το εξάγωνο άλεν. Στερεώνεται από δυο προεξοχές όπως φαίνεται στην εικόνα ώστε να μην μπορεί να χαθεί.

## ΛΕΙΤΟΥΡΓΙΑ (Εικ. 11)

### ⚠️ ΠΡΟΣΟΧΗ:

- Κατά τη λειτουργία, να πιέζετε πάντοτε το πέλμα σταθερά επάνω στο τεμάχιο εργασίας. Αν, κατά τη λειτουργία, κρατάτε το πέλμα μακριά από το τεμάχιο εργασίας, παράγονται ισχυροί κραδασμοί ή/και δυνάμεις στρέψης που μπορεί να προκαλέσουν το επικίνδυνο σπάσιμο της λάμας.
- Όταν κόβετε μέταλλο, να φοράτε πάντοτε γάντια για να προστατευτείτε τα χέρια σας από εκτοξευόμενα, ζεστά θραύσματα.
- Να φροντίζετε να φοράτε πάντοτε κατάλληλη προστασία ματιών που συμμορφώνεται με τα τρέχοντα εθνικά πρότυπα.
- Όταν κόβετε μέταλλο, να χρησιμοποιείτε πάντοτε κατάλληλο ψυκτικό υγρό (λάδι κοπής). Αν δεν το κάνετε αυτό, θα προκληθεί πρόκληση φθορά της λάμας. Να πιέζετε το πέλμα σταθερά επάνω στο τεμάχιο εργασίας. Μην αφήνετε το εργαλείο να αναπηδήσει.

Τοποθετήστε τη λάμα πρινονίου έτσι ώστε να αγγίζει ελαφρά το τεμάχιο εργασίας. Πρώτα, κάντε ένα δοκιμαστικό αυλάκι χρησιμοποιώντας μικρή ταχύτητα. Κατόπιν, χρησιμοποιήστε μεγαλύτερη ταχύτητα για να συνεχίσετε το κόψιμο. (Εικ. 12 και 13)

- Μπορείτε να χρησιμοποιήσετε το μοχλό διακόπτης ή τη σκανδάλη ανάλογα με την εργασία σας.

#### ΣΗΜΕΙΩΣΗ:

- Αν το εργαλείο λειτουργεί συνεχόμενα έως ότου αποφορτιστεί η μπαταρία, αφήστε το εργαλείο ορθιστό για 15 λεπτά πριν συνεχίσετε την εργασία με καινούργια μπαταρία.

## ΣΥΝΤΗΡΗΣΗ

### ⚠ ΠΡΟΣΟΧΗ:

- Να βεβαιώνετε πάντοτε ότι έχετε σβήσει το εργαλείο και έχετε βγάλει την μπαταρία πριν εκτελέσετε οποιαδήποτε εργασία ελέγχου ή συντήρησης σε αυτό.
- Μην χρησιμοποιήσετε βενζίνη, βενζόλη, διαλυτικό, αλκοόλη ή κάτι παρόμοιο. Μπορεί να προκληθεί αποχρωματισμός, παραμόρφωση ή ρωγμές. Για να διατηρείται η ΑΣΦΑΛΕΙΑ και η ΑΞΙΟΠΙΣΤΙΑ του προϊόντος, οι εργασίες επισκευής, καθώς και οποιαδήποτε άλλη εργασία συντήρησης ή ρύθμισης, θα πρέπει να εκτελούνται σε εξουσιοδοτημένα κέντρα εξυπηρέτησης της Makita, και πάντοτε με τη χρήση ανταλλακτικών της Makita.

## ΠΡΟΑΙΡΕΤΙΚΑ ΑΞΕΣΟΥΑΡ

### ⚠ ΠΡΟΣΟΧΗ:

- Συνιστάται η χρήση αυτών των αξεσουάρ ή εξαρτημάτων με το εργαλείο της Makita, όπως περιγράφεται στο παρόν εγχειρίδιο. Αν χρησιμοποιήσετε άλλα αξεσουάρ ή εξαρτήματα μπορεί να παρουσιαστεί κίνδυνος για πρόκληση τραυματισμού προσώπων. Να χρησιμοποιείτε τα αξεσουάρ και τα εξαρτήματα μόνο για το σκοπό για τον οποίο προορίζονται.

Αν χρειάζεστε κάποια βοήθεια ή περισσότερες πληροφορίες σχετικά με τα αξεσουάρ αυτά, απευθυνθείτε στο πλησιέστερο κέντρο εξυπηρέτησης της Makita.

- Λάμες σπαθοσέγας
- Λάμες σέγας (μόνο για το μοντέλο JR102D)
- Διάφοροι τύποι γνήσιων μπαταριών και φορτιστών της Makita
- Πλαστική θήκη μεταφοράς

#### ΣΗΜΕΙΩΣΗ:

- Ορισμένα από τα στοιχεία της λίστα μπορεί να περιέχονται στην συσκευασία του εργαλείου ως κανονικά αξεσουάρ. Αυτά ενδέχεται να διαφέρουν από χώρα σε χώρα.

## Θορύβος

ENG905-1

Το σύνθηος σταθμισμένο επίπεδο θορύβου που έχει καθοριστεί σύμφωνα με την EN60745:

### Μοντέλο JR100D

Επίπεδο ηχητικής πίεσης ( $L_{pA}$ ): 78 dB (A)  
Αβεβαιότητα (K): 3 dB (A)

Το επίπεδο θορύβου κατά τη λειτουργία ενδέχεται να υπερβεί τα 80 dB (A).

### Μοντέλο JR102D

Επίπεδο ηχητικής πίεσης ( $L_{pA}$ ): 77 dB (A)  
Αβεβαιότητα (K): 3 dB (A)

Το επίπεδο θορύβου κατά τη λειτουργία ενδέχεται να υπερβεί τα 80 dB (A).

### Να φοράτε ωτοασπίδες.

## Δόνηση

ENG900-1

Η συνολική τιμή δόνησης (διανυσματικό άθροισμα τριών αξόνων) που έχει καθοριστεί σύμφωνα με την EN60745:

### Μοντέλο JR100D

Κατάσταση λειτουργίας: κοπή σανίδων  
Εκπομπή δόνησης ( $a_{h,WB}$ ): 9,5 m/s<sup>2</sup>  
Αβεβαιότητα (K): 1,5 m/s<sup>2</sup>

Κατάσταση λειτουργίας: κοπή ξύλινων δοκαριών  
Εκπομπή δόνησης ( $a_{h,WB}$ ): 9,5 m/s<sup>2</sup>  
Αβεβαιότητα (K): 2,5 m/s<sup>2</sup>

### Μοντέλο JR102D

Κατάσταση λειτουργίας: κοπή σανίδων  
Εκπομπή δόνησης ( $a_{h,WB}$ ): 8,0 m/s<sup>2</sup>  
Αβεβαιότητα (K): 1,5 m/s<sup>2</sup>

Κατάσταση λειτουργίας: κοπή ξύλινων δοκαριών  
Εκπομπή δόνησης ( $a_{h,WB}$ ): 7,0 m/s<sup>2</sup>  
Αβεβαιότητα (K): 1,5 m/s<sup>2</sup>

ENG901-1

- Η δηλωθείσα τιμή των παραγομένων κραδασμών έχει καταμετρηθεί σύμφωνα με την τυποποιημένη μέθοδο δοκιμασίας και μπορεί να χρησιμοποιηθεί για την σύγκριση ενός εργαλείου με ένα άλλο.
- Η δηλωθείσα τιμή των παραγομένων κραδασμών μπορεί επίσης να χρησιμοποιηθεί για μια προκαταρκτική αξιολόγηση της έκθεσης στους κραδασμούς.

### ⚠ ΠΡΟΕΙΔΟΠΟΙΗΣΗ:

- Η εκπομπή κραδασμών κατά τη διάρκεια της πραγματικής χρήσης του ηλεκτρικού εργαλείου μπορεί να διαφέρει από τη δηλωθείσα τιμή των εκπομπών, ανάλογα με τον τρόπο με τον οποίο χρησιμοποιείται το εργαλείο.
- Φροντίστε να λάβετε τα μέτρα ασφαλείας που απαιτούνται για την προστασία του χρήστη που βασίζονται σε μια εκτίμηση της έκθεσης σε πραγματικές συνθήκες χρήσης (λαμβάνοντας υπόψη όλα τα μέρη του κύκλου λειτουργίας, όπως είναι οι περιπτώσεις κατά τις οποίες το εργαλείο είναι απενεργοποιημένο και όταν λειτουργεί στο ρελαντί επιπρόσθετως του χρόνου κατά τον οποίο το εργαλείο βρίσκεται σε χρήση).

Για Ευρωπαϊκές χώρες μόνο

ENH101-15

ΕΚ – Δήλωση συμμόρφωσης

Η Εταιρία Makita ως υπεύθυνος κατασκευαστής,  
δηλώνει ότι το παρακάτω μηχάνημα ή μηχανήματα  
της Makita:

Ονομασία μηχανήματος:

Φορητή σπαθόσέγα

Αρ. Μοντέλου/ Τύπος: JR100D, JR102D

αποτελεί παραγωγή σε σειρά και

**Συμμορφώνεται με την ακόλουθη Ευρωπαϊκή Οδηγία:**

2006/42/EK

Και κατασκευάζεται σύμφωνα με τα παρακάτω πρότυπα ή  
τυποποιημένα έγγραφα:

EN60745

Ο εξουσιοδοτημένος μας αντιπρόσωπος στην Ευρώπη

διατηρεί τα τεχνικά έγγραφα, ο οποίος είναι:

Makita International Europe Ltd.

Michigan Drive, Tongwell,

Milton Keynes, Bucks MK15 8JD, England

3. 3. 2011



Tomoyasu Kato

Διευθυντής

Makita Corporation

3-11-8, Sumiyoshi-cho,

Anjo, Aichi, 446-8502, JAPAN

# TÜRKÇE (Orijinal talimatlar)

## Genel görünüm

- |                        |                           |                                   |
|------------------------|---------------------------|-----------------------------------|
| 1. Düğmeler            | 7. Lamba                  | 13. Gevşetir                      |
| 2. Akü                 | 8. Kılıç testere bıçağı   | 14. Sıkar                         |
| 3. Kilitleme düğmesi   | 9. Bıçak mengene bileziği | 15. Kılıç testere bıçağı deliği   |
| 4. Kilitleme mandalı   | 10. Testere bıçağı        | 16. Bıçak mengenesi               |
| 5. Açma/kapama mandalı | 11. Alyan anahtarı        | 17. Dekupaj testere bıçağı deliği |
| 6. Açma/kapama düğmesi | 12. Civata                | 18. Tırnaklar                     |

## TEKNİK ÖZELLİKLER

Model	JR100D	JR102D
Vuruş uzunluğu	13 mm	
Vuruş / dakika (dak <sup>1</sup> )	0 - 3.300	
Maks. kesme kapasiteleri	Boru	50 mm
	Ahşap	50 mm
Toplam uzunluk (akü dahil)	355 mm	
Net ağırlık	1,2 kg	1,1 kg
Anma gerilimi	D.C. 10,8 V	

- Sürekli yapılan araştırma ve geliştirmelerden dolayı, burada belirtilen özellikler önceden bildirilmeksizin değiştirilebilir.
- Özellikler ve akü ülkeye göre farklılıklar gösterebilir.
- EPTA Prosedürü 01/2003 uyarınca ağırlık (akü dahil)

### Kullanım amacı

ENE020-1

Alet, ahşap, plastik ve demir içeren malzemeleri testereyle kesmek için öngörülmüştür.

## Genel Elektrikli Aletler Güvenlik Uyarıları

GEA010-1

**⚠ UYARI** Tüm güvenlik uyarılarını ve tüm talimatları okuyun. Verilen uyarılara ve talimatlara uyulmaması elektrik çarpmasına, yangına ve/veya ciddi yaralanmalara yol açabilir.

## Tüm uyarıları ve talimatları ileride başvurmak üzere saklayın.

## AKÜLÜ KILIÇ TESTEREYLE İLGİLİ GÜVENLİK UYARILARI

GEB048-2

1. Kesici parçanın, gömülü elektrik kablolarına temas edebileceği uygulamalarda makineyi yalıtılmış saplarından tutun. Kesici parçanın elektrik akımı bulunan kablolarla temas etmesi halinde akım, iletken metal parçalar üzerinden operatöre iletilerek, elektrik çarpmasına yol açabilir.
2. İş parçasını sabit bir platform üzerine sabitlemek ve desteklemek için mengene ya da benzer bir alet kullanın. İş parçasının elle tutulması ya da vücuda dayanması iş parçasının sabit tutulmamasına ve kontrolün kaybedilmesine neden olabilir.
3. Her zaman koruyucu gözlük kullanın. Normal gözlük veya güneş gözlüğü koruyucu gözlük DEĞİLDİR.
4. Çivileri kesmeyin. Çalışmaya başlamadan önce iş parçası üzerinde herhangi bir çivi olup olmadığını kontrol edin, varsa çıkartın.
5. Çok büyük iş parçalarını kesmeyin.

6. Kesme işlemine başlamadan önce iş parçasının arkasında bıçağın zemine, tezgaha vs. çarpmasını önleyecek, uygun açıklığın bulunup bulunmadığını kontrol edin.
7. Aleti sıkıca kavrayın.
8. Bıçağın makine çalıştırılmadan önce iş parçasıyla temas etmemesine dikkat edin.
9. Ellerinizi hareketli parçalardan uzak tutun.
10. Makineyi çalışır durumda bırakıp uzaklaşmayın. Makineyi yalnızca ellerinizle tutarken çalıştırın.
11. Bıçağı iş parçası üzerinde bırakmadan önce makineyi kapatın ve bıçak tamamen durana kadar bekleyin.
12. Çalışmanız biter bitmez aşırı sıcak olabileceğinden dolayı bıçağa veya iş parçasına dokunmayın, aksi takdirde yanıklar meydana gelebilir.
13. Aleti gereksiz yere yüksüz çalıştırmayın.
14. Her zaman çalıştığınız malzemeye ve uygulamaya uygun toz/gaz maskesi kullanın.
15. Bazı malzemeler toksik olabilecek kimyasal maddeler içerebilir. Tozu solumamaya dikkat edin ve cilt temasından kaçının. Malzeme üreticisinin güvenlik uyarılarını dikkate alın.

## BU TALİMATLARI SAKLAYIN.

### ⚠ UYARI:

Ürünü kullanırken (defalarca kullanmanın getirdiği) rahatlık ve tanıdıklık duygusunun, güvenlik kurallarına sıkı sıkıya bağlı kalmanızı önlemesine İZİN VERMEYİN. YANLIŞ KULLANIM veya bu kullanım kılavuzunda belirtilen güvenlik kurallarına uyulmaması ciddi yaralanmalara neden olabilir.

## AKÜ İÇİN

1. Aküyü kullanmaya başlamadan önce (1) akü şarj cihazı, (2) akü ve (3) akünün takıldığı ürüne ilişkin tüm talimatları ve uyarıları okuyun.
2. Aküyü sökmeye çalışmayın.
3. Çalışma süresinde önemli bir kısıalma gözlerseniz, hemen çalışmayı bırakın. Bu durum aşırı ısınmaya, yangına ve hatta patlamaya yol açabilir.
4. Elektrolit (akü sıvısı) gözlerinize temas ederse, bol temiz suyla yıkayın ve derhal bir doktora başvurun. Elektrolit körlüğe neden olabilir.
5. Akünün kısa devre yapmasını önleyin:
  - (1) Herhangi bir iletken nesne ile akü uçlarına dokunmayın.
  - (2) Aküyü çivi, madeni para vb. metal nesnelerin bulunduğu bir yerde saklamayın.
  - (3) Aküyü suya veya yağmura maruz bırakmayın. Aküde oluşan kısa devre büyük bir elektrik akımına, aşırı ısınmaya, yangına ve aletin bozulmasına yol açabilir.
6. Aleti ve aküyü 50°C (122°F) sıcaklığa ulaşabilecek veya bu değeri aşabilecek ortamlarda saklamayın.
7. Önemli ölçüde hasar görmüş veya tümüyle tükenmiş olsa da aküyü kesinlikle yakarak imha etmeye çalışmayın. Akü ateşe atıldığında patlayabilir.
8. Akünün düşmemesine ve darbe almamasına dikkat edin.
9. Hasarlı bir aküyü kesinlikle kullanmayın.

## BU TALİMATLARI SAKLAYIN.

### Akünün öngörülen maksimum ömrü dolana kadar kullanılması için öneriler

1. Aküyü tamamen boşalmasını beklemeden şarj edin.  
Aletin çalışma gücünde bir azalma gördüğünüzde, mutlaka çalışmayı bırakıp, aküyü şarj edin.
2. Tam olarak şarj edilmiş bir aküyü tekrar şarj etmeyin.  
Akünün normalden fazla şarj edilmesi ömrünün kısaltır.
3. Aküyü 10°C - 40°C (50°F - 104°F) değerlerini aşmayan oda sıcaklığında şarj edin. Akü ısınmışsa, şarj etmeden önce soğumasını bekleyin.
4. Makineyi uzun bir süre kullanmayacaksınız bile, aküsünü her altı ayda bir şarj edin.

## KULLANIMA İLİŞKİN TANIMLAR

### ⚠ DİKKAT:

- Makine üzerinde ayar veya başka bir kontrol işlemi yapmadan önce makinenin kapalı ve aküsünün çıkartılmış olduğundan emin olun.

### Akünün takılması ve çıkartılması (Şekil 1)

- Aküyü takmadan ve çıkarmadan önce mutlaka makineyi kapalı konuma getirin.

- Aküyü çıkarmak için akünün her iki yanında bulunan düğmelere bastırın ve aküyü çekerek makineden çıkartın.
- Aküyü yerine takmak için aküyü, ön kısmı akü montaj aralığına denk gelecek şekilde tutun ve yerine kaydırarak yerleştirin. Akünün tam yerine oturduğuna klik sesinden anlayabilirsiniz. Aksi takdirde, akü makineden kayıp düşebilir ve operatörün veya çevredeki kişilerin yaralanmasına neden olabilir.
- Aküyü takarken güç kullanmayın. Akünün makineye rahat bir şekilde takılamaması, akünün yanlış takıldığını gösterir.

### Akü koruma sistemi

Bu makinede bir akü koruma sistemi mevcuttur. Bu sistem, akü ömrünü uzatmak için motora beslenen gücü otomatik olarak keser.

Makine ve/veya akü için aşağıda sıralanan durumlardan birinin geçerli olması halinde, çalışmayı otomatik olarak durdurur:

- Aşırı yüklenme:  
Makine anormal yüksek akım çekecek şekilde çalışır. Böyle bir durumda, makine üzerindeki açma/kapama düğmesinden elinizi çekin ve makinenin aşırı yüklenmesine neden olan uygulamayı durdurun. Ardından, yeniden başlatmak için açma/kapama düğmesine tekrar basın.
- Düşük akü gerilimi:  
Kalan akü kapasitesi çok düşüktür ve makine çalışmıyordur. Açma/kapama düğmesine bastığınızda, motor çalışır, ancak kısa bir süre sonra tekrar durur. Böyle bir durumda, aküyü çıkartın ve şarj edin.

### Açma/kapama işlemi (Şekil 2)

#### ⚠ DİKKAT:

- Aküyü makineye takmadan önce, açma/kapama mandalının/düğmesinin kusursuz çalışıp çalışmadığını ve açma/kapama mandalı/düğmesi bırakıldığında makinenin "KAPALI" konuma dönmeye dönmediğini mutlaka kontrol edin.

Açma/kapama mandalının/düğmesinin yanlışlıkla çekilmesini önlemek için, makinede bir kilitleme mandalı/düğmesi mevcuttur.

Makineyi çalıştırmak için açma/kapama mandalına veya düğmesine basmanız yeterlidir.

- Makineyi açma/kapama mandalı ile çalıştırmak için, kilitleme mandalını çekin ve ardından açma/kapama mandalını çekin.
- Makineyi açma/kapama düğmesi ile çalıştırmak için, kilitleme düğmesine basın ve ardından açma/kapama düğmesine basın. Kilitleme düğmesine soldan veya sağdan basılabilir.

Makine hızı, mandala/düğmeye uyguladığınız basınca göre artar. Makineyi durdurmak için mandalı/düğmeyi bırakın.

#### İKAZ:

Kilitleme düğmesine/mandalına basmadan açma/kapama düğmesini/mandalını çekmeye çalışmayın. Aksi takdirde, açma/kapama düğmesi/mandalı kırılabilir.



## Ön lambanın açılması (Şekil 3)

### ⚠️ DİKKAT:

- Doğrudan lambaya veya ışık kaynağına bakmayın. Lambanın yanması için açma/kapama mandalına/düğmesine basın. Lamba, açma/kapama mandalına/düğmesine basıldığı sürece yanar.

## KURULUM

### ⚠️ DİKKAT:

- Makine üzerinde herhangi bir işlem yapmadan önce makinenin kapalı ve aküsünün çıkartılmış olduğundan emin olun.

## Testere bıçağının takılması ve sökülmesi

### ⚠️ DİKKAT:

- Bıçağa, bıçak sıkıştırma vidasına ve/veya sürgüsüne yapışan çapakları ve yabancı maddeleri temizleyin. Çapakların ve yabancı maddelerin temizlenmemesi bıçağın yeterli şekilde sıkılmasını engelleyebilir ve ciddi yaralanmalara neden olabilir.

### JR100D Modeli için (Şekil 4)

Kılıç testere bıçağını bıçak mengesinin içine doğru sonuna kadar itirin. Bıçak mengene bileziği dönecek ve testere bıçağı sabitlenecektir. Testere bıçağını çekip çıkarmaya çalışsanız bile, yerinden çıkmadığından emin olun.

### ⚠️ DİKKAT:

- Testere bıçağını yeterince derine kadar itirmezseniz, çalışma esnasında testere bıçağı beklenmedik bir şekilde yerinden çıkabilir. Bu da oldukça tehlikeli olabilir.

### NOT:

- JR100D modeliyle birlikte dekupaj testere bıçağı kullanamazsınız. (Şekil 5)

Testere bıçağını çıkarmak için bıçak mengene bileziğini ok yönünde sonuna kadar döndürün. Testere bıçağı çıkar ve bıçak mengene bileziği serbest konumunda sabitlenir.

### NOT:

- Testere bıçağını, bıçak mengene bileziğini sonuna kadar döndürmeden çıkartırsanız, bilezik sabitlenemeyebilir. Bu durumda bıçak mengene bileziğini sonuna kadar çevirin ve ardından bileziği serbest konumda sabitleyin.

### JR102D Modeli için

Testere bıçağını takmak için, civatayı Alyan anahtarıyla gevşetin. Kılıç testere bıçağını takmak için, bıçağı takarken yuvayı açmak üzere civatayı Alyan anahtarıyla bastırın. (Şekil 6 ve 7)

Çalışmanıza uygun dekupaj testere bıçakları (B tipi) veya kılıç testere bıçakları kullanabilirsiniz. Testere bıçağını doğrudan bıçak mengesinin içine doğru sonuna kadar itirin ve Alyan anahtarıyla sıkın. Testere bıçağının çalıştırma sırasında düşmeyeceğinden emin olmak için, testere bıçağını hafifçe çekmeye çalışın. Testere bıçağını çıkarmak için, takma işlemlerini ters sırayla uygulayın. (Şekil 8 ve 9)

## Alyan anahtarının saklanması (Şekil 10)

Kullanılmıyorken, Alyan anahtarı bölgesinde saklayın. Kaybolmaması için, Alyan anahtarını şekilde gösterildiği gibi tırnaklarına takın.

## KULLANIM (Şekil 11)

### ⚠️ DİKKAT:

- Çalıştırma esnasında pabucu daima işparçasına sıkı bir şekilde dayayın. Pabuç çalışma esnasında işparçasından uzakta tutulursa, güçlü titreşimler ve/veya bükülmeler meydana gelerek bıçağın tehlikeli şekilde oturmasına neden olabilir.
- Metal parçaları keserken, elinizi sıçrayan sıcak çapaklardan korumak için daima eldiven takın.
- Daima yürürlükteki ulusal standartlara uygun bir koruyucu gözlük kullanın.
- Metal parçaları keserken daima uygun bir soğutucu (soğutucu yağı) kullanın. Aksi takdirde, bıçak normalden önce aşınabilir.

Pabucu işparçasına sıkı bir şekilde bastırın. Makinenin zıplamasına izin vermeyin. Testere bıçağını işparçası ile hafifçe temas edecek şekilde tutun. Öncelikle, düşük hızda bir kılavuz oluğu oluşturun. Ardından, kesme işlemine daha yüksek bir hızda devam edin. (Şekil 12 ve 13)

- Çalışmanıza göre açma/kapama mandalını veya düğmesini kullanabilirsiniz.

### NOT:

- Makine, akü bitene kadar sürekli olarak çalıştırılmışsa, dolu bir akü ile yeniden çalışmaya başlamadan önce 15 dakika kadar bekleyin.

## BAKIM

### ⚠️ DİKKAT:

- Makinede herhangi bir kontrol veya bakım işlemine başlamadan önce makinenin kapalı ve aküsünün çıkartılmış olduğundan emin olun.
- Kesinlikle gazolin, benzin, tiner, alkol veya benzeri bir madde kullanmayın. Aksi takdirde renk bozulması, deformasyon veya çatlaklar meydana gelebilir.

Ürünün EMNİYETLİ ve GÜVENİLİR durumda kalmasını sağlamak için tüm onarımlar, bakım ve ayarlar Makita yetkili servisleri veya fabrika servis merkezleri tarafından Makita yedek parçaları kullanılarak yapılmalıdır.

## OPSİYONEL AKSESUARLAR

### ⚠️ DİKKAT:

- Bu kullanım kılavuzunda tanıtilan Makita marka makineyle aşağıdaki aksesuarların ve parçaların kullanılması önerilir. Bunların dışında başka aksesuarların veya parçaların kullanılması yaralanmalara yol açabilir. Aksesuarlar ve parçalar doğru şekilde ve öngörüldükleri işlevler için kullanılmalıdır.

Aksesuarlara ilişkin daha ayrıntılı bilgi almak için size en yakın yetkili Makita servisine başvurabilirsiniz.

- Kılıç testere bıçakları
- Dekupaj testere bıçakları (yalnızca JR102D Modeli için)
- Çeşitli tiplerde orijinal Makita aküler ve şarj cihazları
- Plastik taşıma çantası

**NOT:**

- Listedeki bazı parçalar makineyle birlikte standart aksesuar olarak verilebilir. Ürünle verilen aksesuarlar ülkeden ülkeye farklılıklar gösterebilir.

ENG901-1

**Gürültü**

ENG905-1

EN60745 uyarınca belirlenen tipik A ağırlıklı gürültü seviyesi:

**JR100D Modeli**

Ses basıncı seviyesi ( $L_{pA}$ ): 78 dB (A)

Belirsizlik (K): 3 dB (A)

Çalışma sırasında gürültü seviyesi 80 dB (A)'yı aşabilir.

**JR102D Modeli**

Ses basıncı seviyesi ( $L_{pA}$ ): 77 dB (A)

Belirsizlik (K): 3 dB (A)

Çalışma sırasında gürültü seviyesi 80 dB (A)'yı aşabilir.

**Koruyucu kulaklık takın.**

**Titreşim**

ENG900-1

EN60745'e göre belirlenen toplam titreşim değeri (üç eksenli vektörel toplam):

**JR100D Modeli**

Çalışma modu: ahşap pano kesme

Titreşim emisyonu ( $a_{n,B}$ ): 9,5 m/s<sup>2</sup>

Belirsizlik (K): 1,5 m/s<sup>2</sup>

Çalışma modu: ahşap kiriş kesme

Titreşim emisyonu ( $a_{n,WB}$ ): 9,5 m/s<sup>2</sup>

Belirsizlik (K): 2,5 m/s<sup>2</sup>

**JR102D Modeli**

Çalışma modu: ahşap pano kesme

Titreşim emisyonu ( $a_{n,B}$ ): 8,0 m/s<sup>2</sup>

Belirsizlik (K): 1,5 m/s<sup>2</sup>

Çalışma modu: ahşap kiriş kesme

Titreşim emisyonu ( $a_{n,WB}$ ): 7,0 m/s<sup>2</sup>

Belirsizlik (K): 1,5 m/s<sup>2</sup>

- Belirtilen titreşim emisyonu değeri, standart test yöntemine göre ölçülmüştür ve makinenin diğer makinelerle karşılaştırılması için kullanılabilir.
- Belirtilen titreşim emisyonu değeri ayrıca maruziyetin ön değerlendirilmesinde de kullanılabilir.

**⚠ UYARI:**

- Elektrikli aletin gerçek kullanımı sırasında ortaya çıkacak titreşim emisyonu, aletin kullanıma şekline bağlı olarak belirtilen emisyon değerinden farklı olabilir.
- Gerçek kullanım koşullarındaki maruziyeti tahmin ederek (örneğin, aletin açılma süresine ek olarak kapalı konuma getirildiği ve rölandide çalıştığı süreler gibi çalışma döngüsünün tüm bileşenlerini dikkate alın), kullanıcıyı korumak için gerekli güvenlik önlemlerinin alındığından emin olun.

**Yalnızca Avrupa ülkeleri için**

ENH101-15

**AT Uygunluk Beyanı**

**Makita Corporation, sorumlu üretici firma olarak, Makita marka makine/makineler ile ilgili şu hususları beyan eder:**

Makinenin Adı:

Akülü Kılıç Testere

Model Numarası / Tipi: JR100D, JR102D

seri üretimdir ve

**Şu Avrupa Yönergelerine uygundur:**

2006/42/EC

Ve şu standartlara veya standartlaştırılmış belgelere uygun olarak üretilmiştir:

EN60745

Teknik dokümanlar aşağıda bilgileri verilen Avrupa'daki yetkili temsilcimiz tarafından saklanmaktadır:

Makita International Europe Ltd.

Michigan Drive, Tongwell,

Milton Keynes, Bucks MK15 8JD, İngiltere

3. 3. 2011



Tomoyasu Kato

Müdür

Makita Corporation

3-11-8, Sumiyoshi-cho,

Anjo, Aichi, 446-8502, JAPAN

130.com.ua

130.com.ua

130.com.ua

**Makita Corporation**

Anjo, Aichi, Japan

[www.makita.com](http://www.makita.com)

885069B990

ALA

Autogoods "130"