



PHONES

0 (800) 800 130  
(050) 462 0 130  
(063) 462 0 130  
(067) 462 0 130

130  
COM.UA

Internet store of  
autogoods



SKYPE

km-130

CAR RECEIVERS — Receivers • Media receivers and stations • Native receivers • CD/DVD changers • FM-modulators/USB adapters • Flash memory • Facia plates and adapters • Antennas • Accessories |  
CAR AUDIO — Car audio speakers • Amplifiers • Subwoofers • Processors • Crossovers • Headphones • Accessories | TRIP COMPUTERS — Universal computers • Model computers • Accessories |  
GPS NAVIGATORS — Portable GPS • Built-in GPS • GPS modules • GPS trackers • Antennas for GPS navigators • Accessories | VIDEO — DVR • TV sets and monitors • Car TV tuners • Cameras • Videomodules  
• Transcoders • Car TV antennas • Accessories | SECURITY SYSTEMS — Car alarms • Bike alarms • Mechanical blockers • Immobilizers • Sensors • Accessories | OPTIC AND LIGHT — Xenon • Bixenon • Lamps  
• LED • Stroboscopes • Optic and Headlights • Washers • Light, rain sensors • Accessories | PARKTRONICS AND MIRRORS — Rear parktronic • Front parktronic • Combined parktronic • Rear-view mirrors  
• Accessories | HEATING AND COOLING — Seat heaters • Mirrors heaters • Screen-wipers heaters • Engine heaters • Auto-refrigerators • Air conditioning units • Accessories | TUNING — Vibro-isolation  
• Noise-isolation • Tint films • Accessories | ACCESSORIES — Radar-detectors • Handsfree, Bluetooth • Windowlifters • Compressors • Beeps, loudspeakers • Measuring instruments • Cleaners • Car seats  
• Miscellaneous | MOUNTING — Installation kits • Upholstery • Grilles • Tubes • Cable and wire • Tools • Miscellaneous | POWER — Batteries • Converters • Start-charging equipment • Capacitors  
• Accessories | MARINE AUDIO AND ELECTRONICS — Marine receivers • Marine audio speakers • Marine subwoofers • Marine amplifiers • Accessories | CAR CARE PRODUCTS — Additives • Washer fluid •  
Care accessories • Car polish • Flavors • Adhesives and sealants | LIQUID AND OIL — Motor oil • Transmission oil • Brake fluid • Antifreeze • Technical lubricant



In store "130" you can find and buy almost all necessary goods for your auto in Kyiv and other cities, delivery by ground and postal services. Our experienced consultants will provide you with exhaustive information and help you to choose the very particular thing. We are waiting for you at the address

<https://130.com.ua>

# Specifications

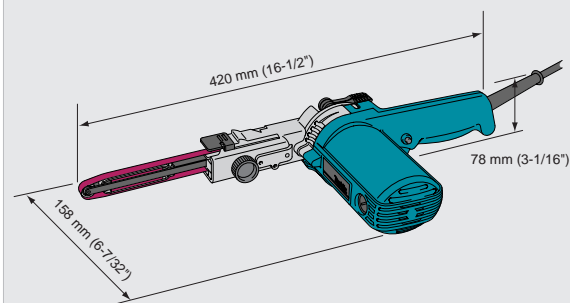
Belt Sander

- Double Insulation
- Electronic speed control
- Dust Collecting

Dimension

Belt size	9 mm x 533 mm (3/8" x 21")
Belt speed	300 – 1,700 m / min. (980 – 5,600 ft./ min.)
Max. sanding depth	110 mm (4-5/16")
Continuous rating	
Input	500 W
Overall length	420 mm (16-1/2")
Net weight	1.5 kg (3.3 lbs)
Power supply cord	2.5 m (8.2 ft.)

Specifications may differ from country to country.



A world's leading manufacturer of power tools

Double Insulation

Electronic speed control

Dust Collecting

# 9 mm (3/8") Belt Sander

## Model 9032

# Standard equipment

Belt Sander

	Part No.
Sanding belt 9 - 533 grit 80 2 pcs.	A-34469*
Dust nozzle assembly (only for European countries)	122652-8

\* 10 pcs/set part No.

Items of standard equipment may differ from country to country.

# Optional accessories

Belt Sander

Sanding arm Assembly		
	Size	Part No.
A	6 mm	125157-7
B	9 mm	125158-5
C	13 mm	125159-3

Dust Nozzle Assembly	
	Part No.
	122652-8

Hose 28	
Size	Part No.
1.5 m	192278-0
3 m	192279-8

Abrasive Belt (10pcs/set)			
	Size	Grit	Part No.
	6 x 533 mm	40	A-34512
		60	A-34528
		80	A-34534
		100	A-34540
	9 x 533 mm	40	A-34447
		60	A-34453
		80	A-34469
		100	A-34475
	13 x 533 mm	40	A-34481
		60	A-34488
		80	A-34578
		100	A-34584
		120	A-34590
		120	A-34609

*Makita new power-file sander enables you to file and sand in awkward and confined areas, replacing manual works.*



**NEW**

Makita Corporation

3-11-8, Sumiyoshi-cho, Anjo, Aichi 446-8502, Japan

PRINTED IN JAPAN Z23017-2 2001-10

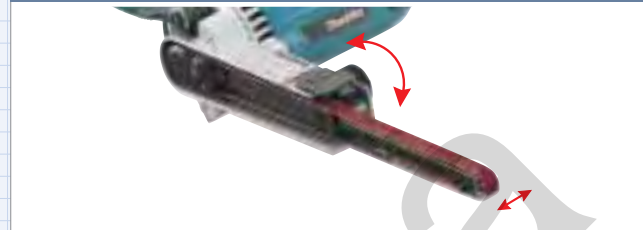
Autogoods "130"

Various sanding arms and sanding belt widths, 6 mm (1/4"), 9 mm (3/8") and 13 mm (1/2"), assures a wider range of sanding and filing applications.

## 9 mm (3/8") Belt Sander Model 9032



1. Precise adjustment for the belt position can be done by turning the knob on the sander.



2. A belt can be easily replaced by simply pulling the lever ( See the figure below ).



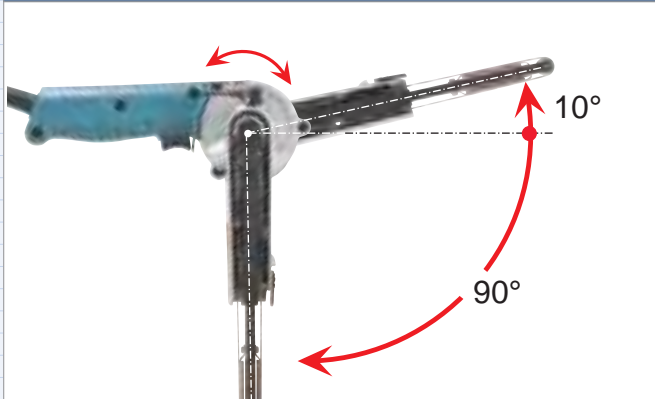
3. Electronic speed control dial.



Speed adjusting dial to select optimum speed (300-1,700 m/min.) to match various materials.

Max. sanding depth 110mm (4-5/16")

4. Adjustable sanding arm.



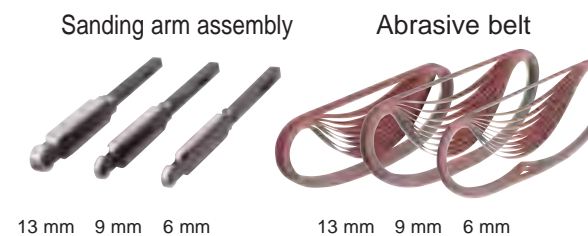
All sanding arms can be swiveled at the above angle for your convenience.

5. Dust-free work with dust extraction system.



Dust extraction directly at the power-file sander ( See the above feature ) assures a dust free and efficient work. Use Dust Nozzle Assembly and Hose 28 ( 28 mm diameter hose ).

6. 3 different sized sand arms and belts are available for your various works.



6 mm and 13 mm sized sand arms and belts as optional accessories.

7. Convenient slim tension roller with a diameter of only 14 mm enables you to do sanding and filing in confined spots.

