



PHONES

0 (800) 800 130
(050) 462 0 130
(063) 462 0 130
(067) 462 0 130

130
COM.UA

Internet store of
autogoods



SKYPE

km-130

CAR RECEIVERS — Receivers • Media receivers and stations • Native receivers • CD/DVD changers • FM-modulators/USB adapters • Flash memory • Facia plates and adapters • Antennas • Accessories |
CAR AUDIO — Car audio speakers • Amplifiers • Subwoofers • Processors • Crossovers • Headphones • Accessories | TRIP COMPUTERS — Universal computers • Model computers • Accessories |
GPS NAVIGATORS — Portable GPS • Built-in GPS • GPS modules • GPS trackers • Antennas for GPS navigators • Accessories | VIDEO — DVR • TV sets and monitors • Car TV tuners • Cameras • Videomodules
• Transcoders • Car TV antennas • Accessories | SECURITY SYSTEMS — Car alarms • Bike alarms • Mechanical blockers • Immobilizers • Sensors • Accessories | OPTIC AND LIGHT — Xenon • Bixenon • Lamps
• LED • Stroboscopes • Optic and Headlights • Washers • Light, rain sensors • Accessories | PARKTRONICS AND MIRRORS — Rear parktronic • Front parktronic • Combined parktronic • Rear-view mirrors
• Accessories | HEATING AND COOLING — Seat heaters • Mirrors heaters • Screen-wipers heaters • Engine heaters • Auto-refrigerators • Air conditioning units • Accessories | TUNING — Vibro-isolation
• Noise-isolation • Tint films • Accessories | ACCESSORIES — Radar-detectors • Handsfree, Bluetooth • Windowlifters • Compressors • Beeps, loudspeakers • Measuring instruments • Cleaners • Car seats
• Miscellaneous | MOUNTING — Installation kits • Upholstery • Grilles • Tubes • Cable and wire • Tools • Miscellaneous | POWER — Batteries • Converters • Start-charging equipment • Capacitors
• Accessories | MARINE AUDIO AND ELECTRONICS — Marine receivers • Marine audio speakers • Marine subwoofers • Marine amplifiers • Accessories | CAR CARE PRODUCTS — Additives • Washer fluid •
Care accessories • Car polish • Flavors • Adhesives and sealants | LIQUID AND OIL — Motor oil • Transmission oil • Brake fluid • Antifreeze • Technical lubricant



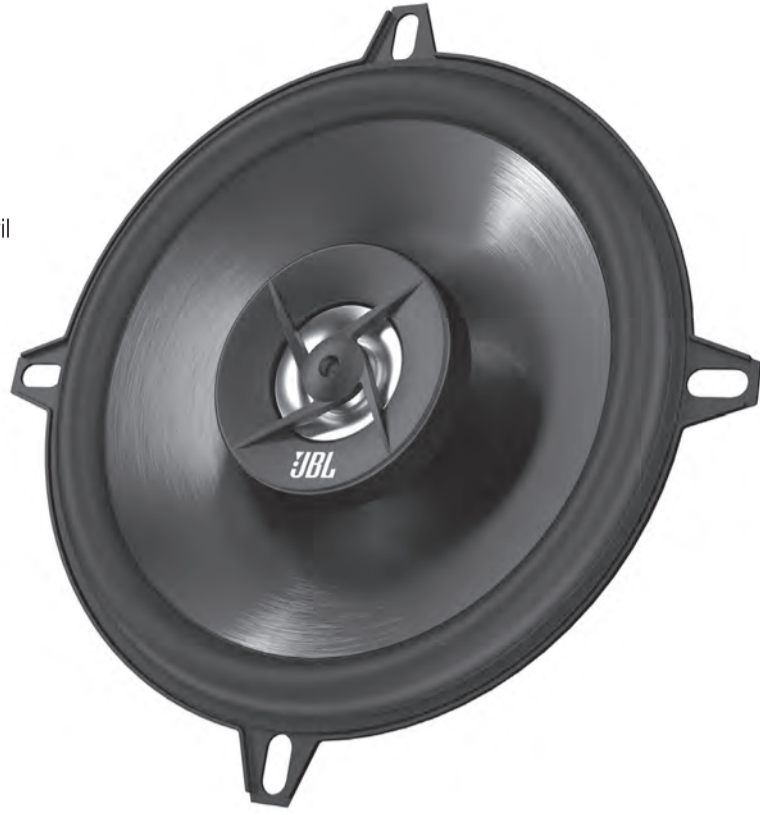
In store "130" you can find and buy almost all necessary goods for your auto in Kyiv and other cities, delivery by ground and postal services. Our experienced consultants will provide you with exhaustive information and help you to chose the very particular thing. We are waiting for you at the address

<https://130.com.ua>

JBL® STAGE SERIES



Car Audio Speaker
Haut-parleur audio automobile
Altavoz de audio para automóvil
Alto-falante automotivo
Fahrzeuglautsprecher
Diffusore Car Audio
Autoluidspreker
Bilstereohöytaler
Autokautin
Автомобильный динамик
Bilhögtalare
Bilhöjtaler
カーオーディオ・スピーカー
Głośnik samochodowy
카오디오 스피커
车载扬声器
汽車音響喇叭
Speaker Audio Mobil
Araba Ses Hoparlörü



Installation manual
Manuel d'installation
Manual de instalación
Manual de instalação
Installationshandbuch
Manuale d'installazione
Installatiehandleiding
Installasjonsveiledning
Asennusopas
Руководство по установке
Installationsanvisning
Installationsmanual
設置マニュアル
Instrukcja instalacji
설치 설명서
安裝手冊
Panduan instalasi
Kurulum klavuzu

HARMAN International Industries, Inc.
8500 Balboa Boulevard, Northridge, CA 91329 USA
© 2016 HARMAN International Industries, Incorporated. All rights reserved.
JBL is a trademark of HARMAN International Industries, Incorporated, registered in the United States and/or other countries.
Features, specifications and appearance are subject to change without notice.

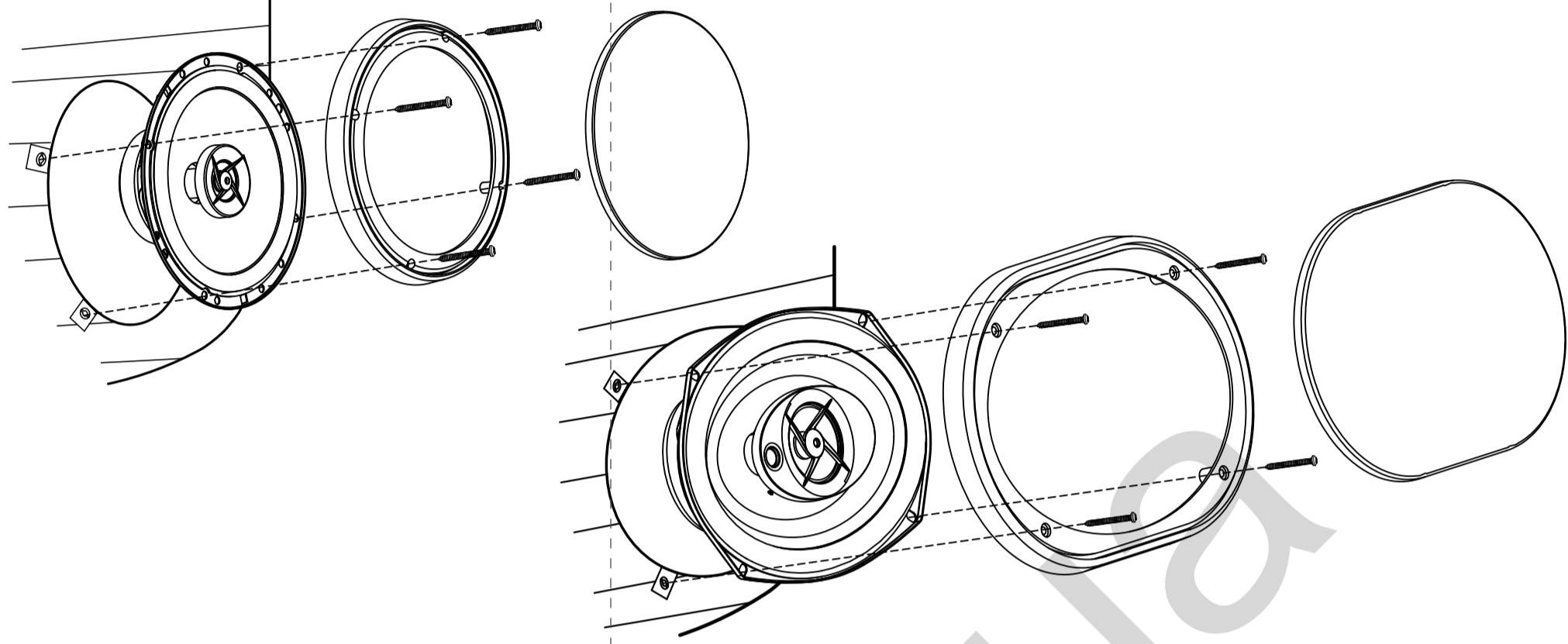
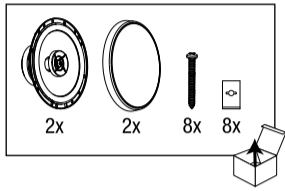
© 2016 HARMAN International Industries, Incorporated. Все права защищены.
JBL является торговой маркой HARMAN International Industries, Incorporated, зарегистрированной в США и/или других странах.
Функции, характеристики и внешний вид описываемых компонентов могут быть изменены без предварительного уведомления.

Торговая марка	: JBL
Назначение товара	: Автомобильная акустическая система
Изготовитель	: Харман Интернешнл Индастриз Инкорпорейтед, США, 06901 Коннектикут, г.Стамфорд, Атлантик Стрит 400, офис 1500
Страна происхождения	: Китай
Импортер в Россию	: ООО "ХАРМАН РУС СпАйЭс", Россия, 127018, г.Москва, ул. Двинцев, д.12, к.1
Гарантийный период	: 1 год
Информация о сервисных центрах	: www.harman.com/ru тел. +7-800-700-0467
Срок службы	: 5 лет
Номер документа соответствия	: Товар не подлежит обязательной сертификации
Дата производства	: Дата изготовления устройства определяется по двум буквенным обозначениям из второй группы символов серийного номера изделия, следующих после разделительного знака «-». Кодировка соответствует порядку букв латинского алфавита, начиная с января 2010 года: 000000-MY0000000, где «M» - месяц производства (A - январь, - февраль, C - март и т.д.) и «Y» - год производства (A - 2010, - 2011, C - 2012 и т.д.).

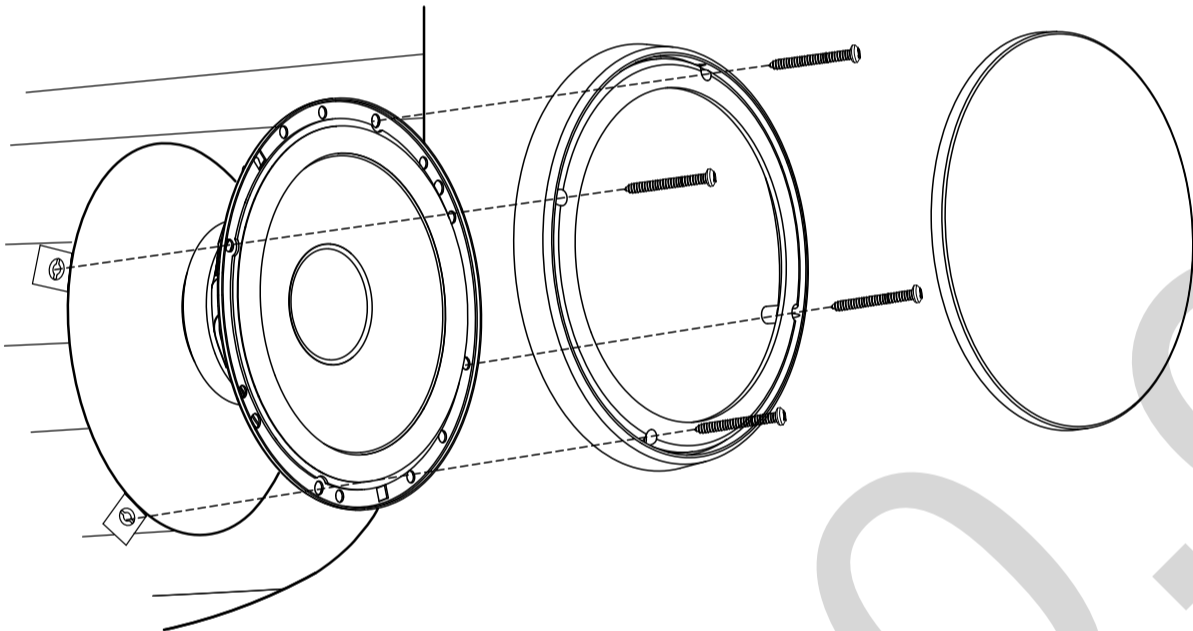
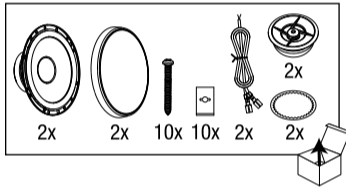
TR02034_B

www.jbl.com

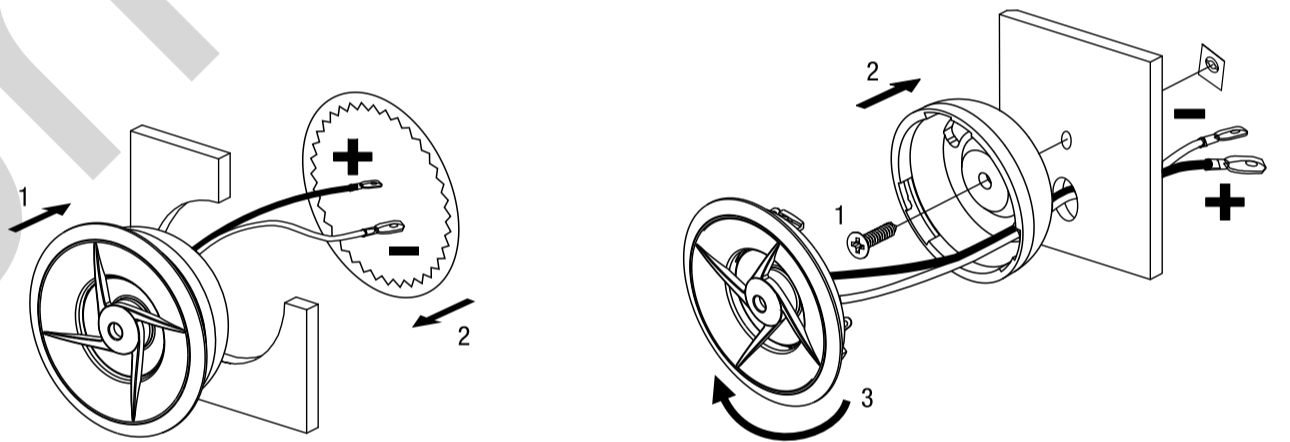
STAGE 602E, STAGE 9603E



STAGE 600CE

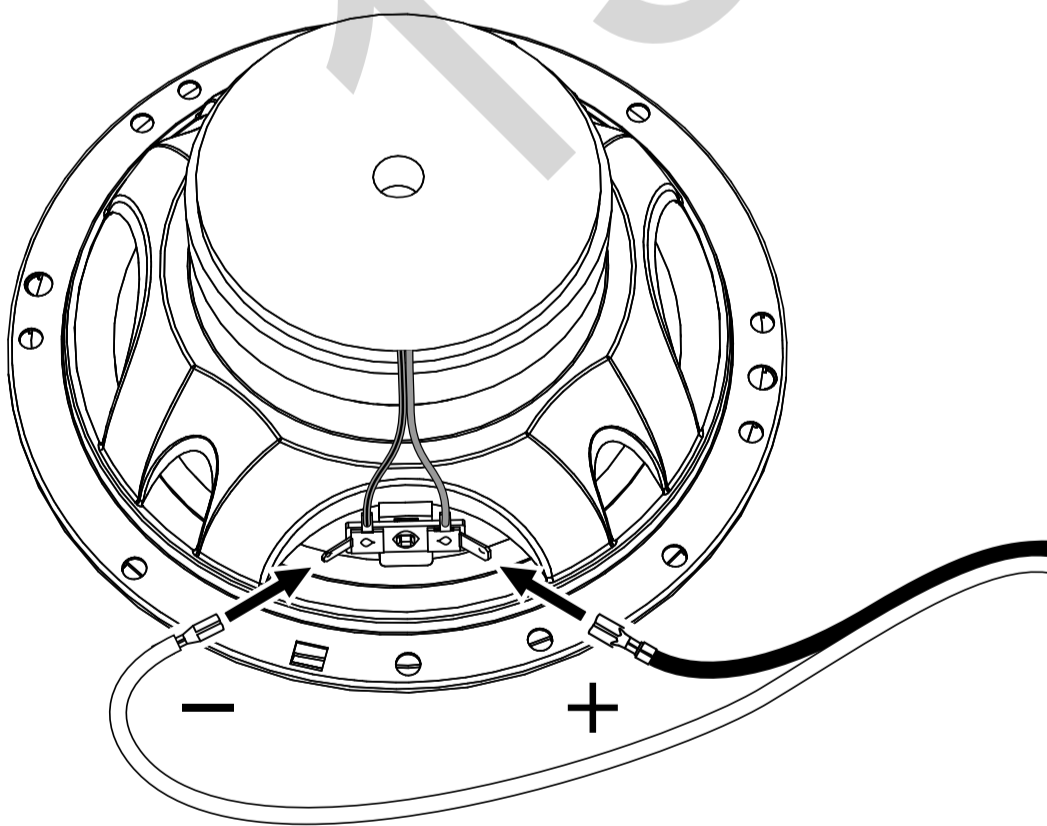


STAGE 600CE

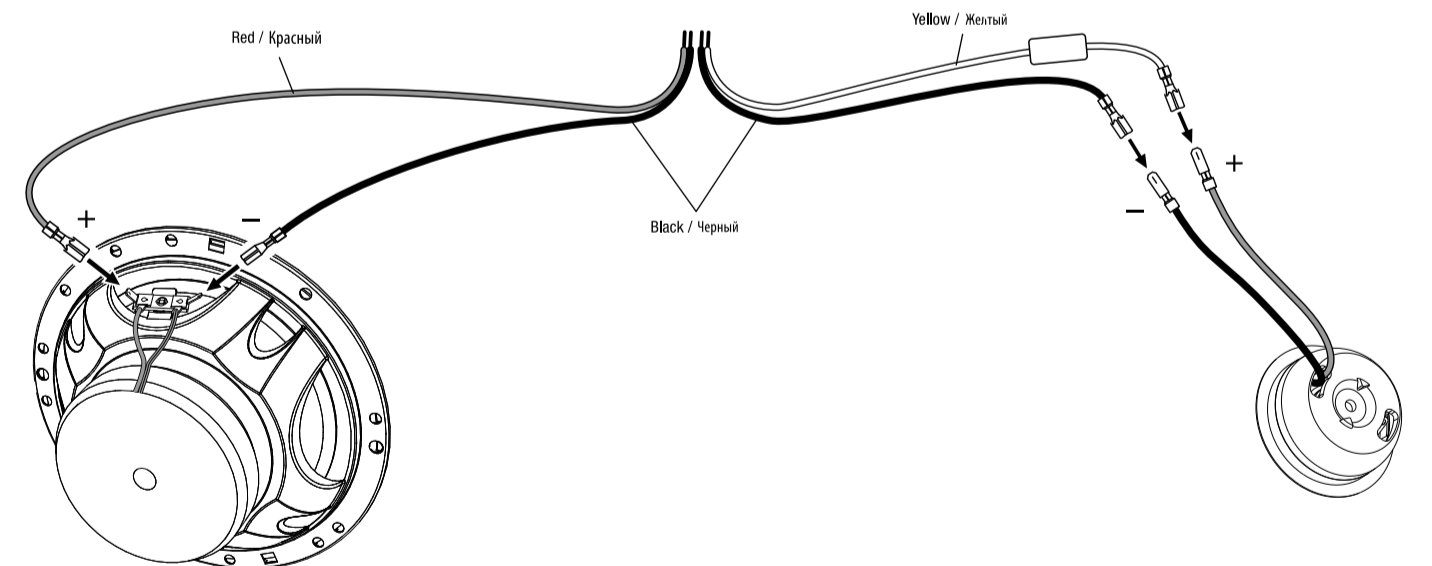


www.jbl.com

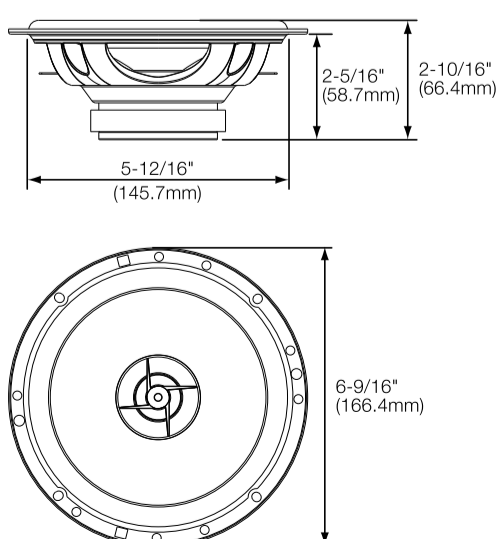
STAGE 602E, STAGE 9603E



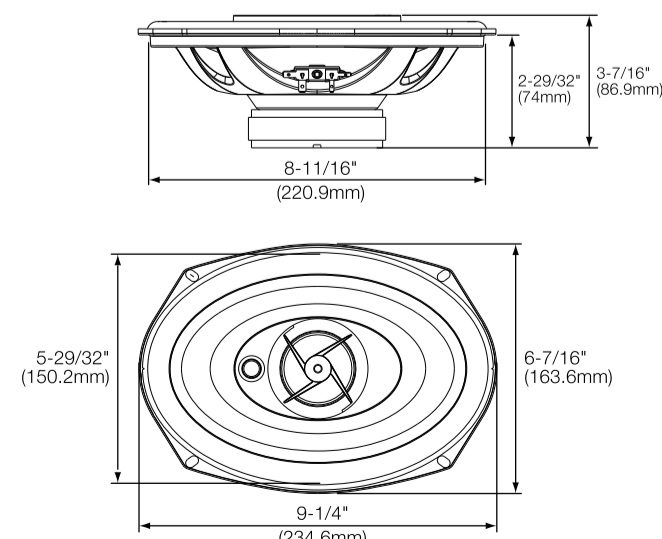
STAGE 600CE



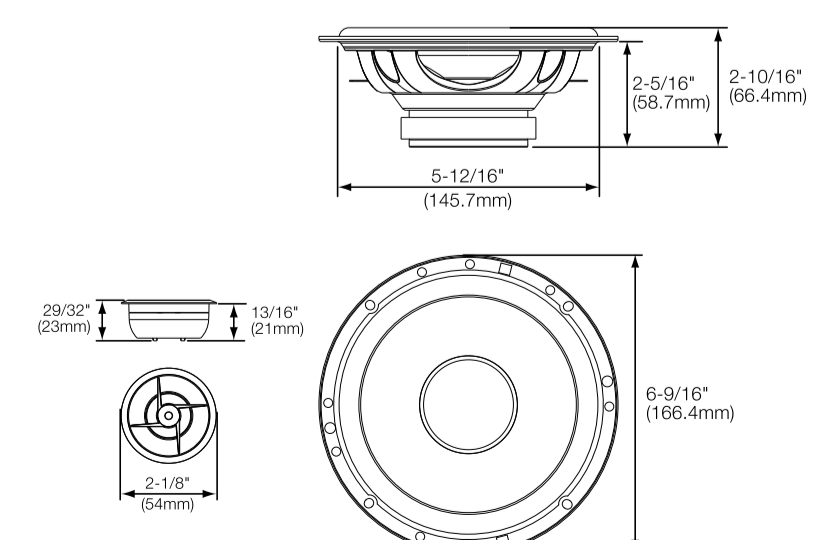
STAGE 602E



STAGE 9603E



STAGE 600CE



SPECIFICATIONS	STAGE 602E	STAGE 9603E	STAGE 600CE
Type	6-1/2" (165mm) Coaxial Car Speaker	6" x 9" (152mm x 230mm) Three-Way Car Speaker	6-1/2" (165mm) Car Audio Component System
Continuous power handling	45W	70W	50W
Peak power handling	135W	210W	150W
Frequency response	55Hz – 20kHz	45Hz – 20kHz	50Hz – 20kHz
Nominal impedance	4 ohms	4 ohms	4 ohms
Sensitivity (2.83V/m)	91dB	92dB	90dB
External diameter	6-9/16" (166.4mm)	9-1/4" (234.6mm) x 6-7/16" (163.6mm)	6-9/16" (166.4mm)
Mounting cutout diameter	5-12/16" (145.7mm)	8-11/16" (220.9mm)	5-12/16" (145.7mm)
Total depth	2-10/16" (86.4mm)	3-7/16" (86.9mm)	2-10/16" (86.4mm)
Mounting depth	2-5/16" (58.7mm)	2-29/32" (74mm)	2-5/16" (58.7mm)

English

SPECIFICATIONS	STAGE 602E	STAGE 9603E	STAGE 600CE
Type	6-1/2" (165mm) Haut-parleur automobile coaxial	6" x 9" (152mm x 230mm) Haut-parleur automobile trois voies	6-1/2" (165mm) Car Audio Système de composants
Puissance admissible continue	45W	70W	50W
Puissance admissible crête	135W	210W	150W
Réponse en fréquence	55Hz – 20kHz	45Hz – 20kHz	50Hz – 20kHz
Impédance nominale	4 ohms	4 ohms	4 ohms
Sensibilité (2.83V/m)	91dB	92dB	90dB
Diamètre externe	6-9/16" (166.4mm)	9-1/4" (234.6mm) x 6-7/16" (163.6mm)	6-9/16" (166.4mm)
Diamètre de découpe de montage	5-12/16" (145.7mm)	8-11/16" (220.9mm)	5-12/16" (145.7mm)
Profondeur totale	2-10/16" (86.4mm)	3-7/16" (86.9mm)	2-10/16" (86.4mm)
Profondeur de montage	2-5/16" (58.7mm)	2-29/32" (74mm)	2-5/16" (58.7mm)

French

TECHNISCHE DATEN	STAGE 602E	STAGE 9603E	STAGE 600CE
Typ	6-1/2" (165mm) Koaxialer Fahrzeuglautsprecher	6" x 9" (152mm x 230mm) Drei-Wege-Fahrzeuglautsprecher	6-1/2" (165mm) Car Audio Komponentsystem
Kontinuierliche Leistung	45W	70W	50W
Spitzenleistung	135W	210W	150W
Frequenzbereich	55Hz – 20kHz	45Hz – 20kHz	50Hz – 20kHz
Nennimpedanz	4 ohms	4 ohms	4 ohms
Empfindlichkeit (2.83V/m)	91dB	92dB	90dB
Äußerer Durchmesser	6-9/16" (166.4mm)	9-1/4" (234.6mm) x 6-7/16" (163.6mm)	6-9/16" (166.4mm)
Montageausschnitt-Durchmesser	5-12/16" (145.7mm)	8-11/16" (220.9mm)	5-12/16" (145.7mm)
Gesamttiefe	2-10/16" (86.4mm)	3-7/16" (86.9mm)	2-10/16" (86.4mm)
Montagetiefe	2-5/16" (58.7mm)	2-29/32" (74mm)	2-5/16" (58.7mm)

German

SPECIFICHE	STAGE 602E	STAGE 9603E	STAGE 600CE
Descrizione	6-1/2" (165mm) Diffusore Car Audio Coassiale	6" x 9" (152mm x 230mm) Diffusore Car Audio a tre vie	6-1/2" (165mm) Car Audio Sistema a Componenti
Tenuta in potenza continua	45W	70W	50W
Tenuta in potenza, picco	135W	210W	150W
Risposta in frequenza	55Hz – 20kHz	45Hz – 20kHz	50Hz – 20kHz
Impedenza nominale	4 ohms	4 ohms	4 ohms
Sensibilità (2.83 V/m)	91dB	92dB	90dB
Diametro esterno	6-9/16" (166.4mm)	9-1/4" (234.6mm) x 6-7/16" (163.6mm)	6-9/16" (166.4mm)
Diametro foro per montaggio	5-12/16" (145.7mm)	8-11/16" (220.9mm)	5-12/16" (145.7mm)
Profondità totale	2-10/16" (86.4mm)	3-7/16" (86.9mm)	2-10/16" (86.4mm)
Profondità di montaggio	2-5/16" (58.7mm)	2-29/32" (74mm)	2-5/16" (58.7mm)

Italian

TEKNISET TIEDOT	STAGE 602E	STAGE 9603E	STAGE 600CE
Tyyppi	6-1/2" (165mm) Koaksiaalinen autokautin	6" x 9" (152mm x 230mm) Kolmeis-autokautin	6-1/2" (165mm) Car Audio Komponentijärjestelmä
Tehonkesto jatkuva	45W	70W	50W
Tehonkesto huippu	135W	210W	150W
Taajuusvaste	55Hz – 20kHz	45Hz – 20kHz	50Hz – 20kHz
Nimellisimpedanssi	4 ohms	4 ohms	4 ohms
Herkkyys (2.83 V /m)	91dB	92dB	90dB
Ulkoinen halkaisija	6-9/16" (166.4mm)	9-1/4" (234.6mm) x 6-7/16" (163.6mm)	6-9/16" (166.4mm)
Asennusaukon halkaisija	5-12/16" (145.7mm)	8-11/16" (220.9mm)	5-12/16" (145.7mm)
Kokonaisyyvyys	2-10/16" (86.4mm)	3-7/16" (86.9mm)	2-10/16" (86.4mm)
Asennussyvyys	2-5/16" (58.7mm)	2-29/32" (74mm)	2-5/16" (58.7mm)

Finnish

ТЕХНИЧЕСКИЕ ХАРАКТЕРИСТИКИ	STAGE 602E	STAGE 9603E	STAGE 600CE
Тип	6-1/2" (165mm) Коаксиальный автомобильный динамик	6" x 9" (152mm x 230mm) Трехполосный автомобильный динамик	6-1/2" (165mm) Car Audio Компонентная система
Постоянная мощность	45W	70W	50W
Пиковая мощность	135W	210W	150W
Эффективный рабочий диапазон частот	55Hz – 20kHz	45Hz – 20kHz	50Hz – 20kHz
Номинальный импеданс	4 ohms	4 ohms	4 ohms
Чувствительность (2.83 В/м)	91dB	92dB	90dB
Внешний диаметр	6-9/16" (166.4mm)	9-1/4" (234.6mm) x 6-7/16" (163.6mm)	6-9/16" (166.4mm)
Диаметр выемки для установки	5-12/16" (145.7mm)	8-11/16" (220.9mm)	5-12/16" (145.7mm)
Общая глубина	2-10/16" (86.4mm)	3-7/16" (86.9mm)	2-10/16" (86.4mm)
Глубина установки	2-5/16" (58.7mm)	2-29/32" (74mm)	2-5/16" (58.7mm)

Russian

仕様書	STAGE 602E	STAGE 9603E	STAGE 600CE
型	6-1/2" (165mm) 同軸カーブスピーカー	6" x 9" (152mm x 230mm) 3ウェイカーブスピーカー	6-1/2" (165mm) Car Audio コンポーネントシステム
連続許容入力	45W	70W	50W
ピーク許容入力	135W	210W	150W
周波数特性	55Hz – 20kHz	45Hz – 20kHz	50Hz – 20kHz
公称インピーダンス	4 ohms	4 ohms	4 ohms
感度(2.83V/m)	91dB	92dB	90dB
外部直径	6-9/16" (166.4mm)	9-1/4" (234.6mm) x 6-7/16" (163.6mm)	6-9/16" (166.4mm)
取付けカットアウト直径	5-12/16" (145.7mm)	8-11/16" (220.9mm)	5-12/16" (145.7mm)
トータルの寸法	2-10/16" (86.4mm)	3-7/16" (86.9mm)	2-10/16" (86.4mm)
埋め込み寸法	2-5/16" (58.7mm)	2-29/32" (74mm)	2-5/16" (58.7mm)

Japanese

DANE TECHNICZNE	STAGE 602E	STAGE 9603E	STAGE 600CE
Rodzaj	6-1/2" (165mm) Współosiowy głośnik samochodowy	6" x 9" (152mm x 230mm) Trójdrożny głośnik samochodowy	6-1/2" (165mm) Car Audio Zestaw głośnikowy
Moc (ciągła)	45W	70W	50W
Moc (szczytowa)	135W	210W	150W
Paśmo przenoszenia	55Hz – 20kHz	45Hz – 20kHz	50Hz – 20kHz
Impedancja znamionowa	4 ohms	4 ohms	4 ohms
Efektywność (przy 2.83 V/m)	91dB	92dB	90dB
Średnica zewnętrzna	6-9/16" (166.4mm)	9-1/4" (234.6mm) x 6-7/16" (163.6mm)	6-9/16" (166.4mm)
Średnica wężki do montażu	5-12/16" (145.7mm)	8-11/16" (220.9mm)	5-12/16" (145.7mm)
Całkowita głębokość	2-10/16" (86.4mm)	3-7/16" (86.9mm)	2-10/16" (86.4mm)
Głębokość montażowa	2-5/16" (58.7mm)	2-29/32" (74mm)	2-5/16" (58.7mm)

Polish

規格	STAGE 602E	STAGE 9603E	STAGE 600CE
類型	6-1/2" (165mm) 同軸汽車喇叭	6" x 9" (152mm x 230mm) 三路汽車喇叭	6-1/2" (165mm) Car Audio 元件系統
連續的功率處理	45W	70W	50W
峰值的功率處理	135W	210W	150W
頻率回應	55Hz – 20kHz	45Hz – 20kHz	50Hz – 20kHz
標稱阻抗	4 ohms	4 ohms	4 ohms
敏感度 (2.83V /m)	91dB	92dB	90dB
外徑	6-9/16" (166.4mm)	9-1/4" (234.6mm) x 6-7/16" (163.6mm)	6-9/16" (166.4mm)
安裝開孔直徑	5-12/16" (145.7mm)	8-11/16" (220.9mm)	5-12/16" (145.7mm)
總深度	2-10/16" (86.4mm)	3-7/16" (86.9mm)	2-10/16" (86.4mm)
安裝深度	2-5/16" (58.7mm)	2-29/32" (74mm)	2-5/16" (58.7mm)

Traditional Chinese

SPEŠIFIKASI	STAGE 602E	STAGE 9603E	STAGE 600CE
Typ	6-1/2" (165mm) Speaker mobil koaksial	6" x 9" (152mm x 230mm) Speaker mobil tiga tiru	6-1/2" (165mm) Car Audio Sistem komponon
Penanganan daya kontinu	45W	70W	50W
Penanganan daya puncak	135W	210W	150W
Respons frekuensi	55Hz – 20kHz	45Hz – 20kHz	50Hz – 20kHz
Impedansi Nominal	4 ohms	4 ohms	4 ohms
Sensitivitas (2.83V /m)	91dB	92dB	90dB
Diameter eksternal	6-9/16" (166.4mm)	9-1/4" (234.6mm) x 6-7/16" (163.6mm)	6-9/16" (166.4mm)
Diameter potongan dudukan	5-12/16" (145.7mm)	8-11/16" (220.9mm)	5-12/16" (145.7mm)
Kedalaman total	2-10/16" (86.4mm)	3-7/16" (86.9mm)	2-10/16" (86.4mm)
Kedalaman dudukan	2-5/16" (58.7mm)	2-29/32" (74mm)	2-5/16" (58.7mm)

Indonesian

ESPECIFICACIONES	STAGE 602E	STAGE 9603E	STAGE 600CE
Typo	6-1/2" (165mm) Altavoz coaxial para automóvil	6" x 9" (152mm x 230mm) Altavoz de tres vías para automóvil	6-1/2" (165mm) Car Audio Sistema de componentes
Gestión de potencia máxima continua	45W	70W	50W
Gestión de potencia pico	135W	210W	150W
Intervalo de frecuencias	55Hz – 20kHz	45Hz – 20kHz	50Hz – 20kHz
Impedancia nominal	4 ohms	4 ohms	4 ohms
Sensibilidad (2.83V/m)	91dB	92dB	90dB
Díametro externo	6-9/16" (166.4mm)	9-1/4" (234.6mm) x 6-7/16" (163.6mm)	6-9/16" (166.4mm)
Díametro de corte para montaje	5-12/16" (145.7mm)	8-11/16" (220.9mm)	5-12/16" (145.7mm)
Profundidad total	2-10/16" (86.4mm)	3-7/16" (86.9mm)	2-10/16" (86.4mm)
Profundidad de montaje	2-5/16" (58.7mm)	2-29/32" (74mm)	2-5/16" (58.7mm)

Spanish

ESPECIFICAÇÕES	STAGE 602E	STAGE 9603E	STAGE 600CE
Typo	6-1/2" (165mm) Alto-falante automotivo coaxial	6" x 9" (152mm x 230mm) Alto-falante automotivo trissual	6-1/2" (165mm) Car Audio Sistema de componentes
Potência contínua máxima	45W	70W	50W
Potência máxima de pico	135W	210W	150W
Resposta de frequência	55Hz – 20kHz	45Hz – 20kHz	50Hz – 20kHz
Impedância nominal	4 ohms	4 ohms	4 ohms
Sensibilidade (2.83 V/m)	91dB	92dB	90dB
Díametro externo	6-9/16" (166.4mm)	9-1/4" (234.6mm) x 6-7/16" (163.6mm)	6-9/16" (166.4mm)
Díametro de corte de montagem	5-12/16" (145.7mm)	8-11/16" (220.9mm)	5-12/16" (145.7mm)
Profundidade total	2-10/16" (86.4mm)	3-7/16" (86.9mm)	2-10/16" (86.4mm)
Profundidade de montagem	2-5/16" (58.7mm)	2-29/32" (74mm)	2-5/16" (58.7mm)

Portuguese

SPECIFICATIES	STAGE 602E	STAGE 9603E	STAGE 600CE
Type	6-1/2" (165mm) Coaxiale auto-luidspreker	6" x 9" (152mm x 230mm) Drie-veeg auto-luidspreker	6-1/2" (165mm) Car Audio Componentsysteem
Piekmogogen	45W	70W	50W
Piekwermogen	135W	210W	150W
Frequentiebereik	55Hz – 20kHz	45Hz – 20kHz	50Hz – 20kHz
Nominale impedantie	4 ohms	4 ohms	4 ohms
Gevoelgeheid (2.83 V/m)	91dB	92dB	90dB
Externe diameter	6-9/16" (166.4mm)	9-1/4" (234.6mm) x 6-7/16" (163.6mm)	6-9/16" (166.4mm)
Diameter inbouw	5-12/16" (145.7mm)	8-11/16" (220.9mm)	5-12/16" (145.7mm)
Totaal diepte	2-10/16" (86.4mm)	3-7/16" (86.9mm)	2-10/16" (86.4mm)
Inbouwdiepte	2-5/16" (58.7mm)	2-29/32" (74mm)	2-5/16" (58.7mm)

Dutch

SPESIFIKASJONER	STAGE 602E	STAGE 9603E	STAGE 600CE
Type	6-1/2" (165mm) Koaksial bilhyttaler	6" x 9" (152mm x 230mm) Tre-veis bilhyttaler	6-1/2" (165mm) Car Audio Komponentssystem
Kontinuerlig effekthåndtering	45W	70W	50W
Toppeffekthåndtering	135W	210W	150W
Frekvensrespons	55Hz – 20kHz	45Hz – 20kHz	50Hz – 20kHz
Nominell impedans	4 ohms	4 ohms	4 ohms
Sensitivitet (2.83 V/m)	91dB	92dB	90dB
Ekstern diameter	6-9/16" (166.4mm)	9-1/4" (234.6mm) x 6-7/16" (163.6mm)	6-9/16" (166.4mm)
Montersdiameter	5-12/16" (145.7mm)	8-11/16" (220.9mm)	5-12/16" (145.7mm)
Totaldybde	2-10/16" (86.4mm)	3-7/16" (86.9mm)	2-10/16" (86.4mm)
Monteringsdybde	2-5/16" (58.7mm)	2-29/32" (74mm)	2-5/16" (58.7mm)

Norwegian

SPECIFIKATIONER	STAGE 602E	STAGE 9603E	STAGE 600CE
Typ	6-1/2" (165mm) Koaxial billygtalare	6" x 9" (152mm x 230mm) Trevägs billygtalare	6-1/2" (165mm) Car Audio Komponentssystem
Effekt (kontinuerlig)	45W	70W	50W
Effekt (peak)	135W	210W	150W
Frekvensomfång	55Hz – 20kHz	45Hz – 20kHz	50Hz – 20kHz
Nominell impedans	4 ohms	4 ohms	4 ohms
Känslighet (2.83 V/m)	91dB	92dB	90dB
Ytterdiameter	6-9/16" (166.4mm)	9-1/4" (234.6mm) x 6-7/16" (163.6mm)	6-9/16" (166.4mm)
Monteringshål	5-12/16" (145.7mm)	8-11/16" (220.9mm)	5-12/16" (145.7mm)
Totalt djup	2-10/16" (86.4mm)	3-7/16" (86.9mm)	2-10/16" (86.4mm)
Monteringsdjup	2-5/16" (58.7mm)	2-29/32" (74mm)	2-5/16" (58.7mm)

Swedish

SPECIFIKATIONER	STAGE 602E	STAGE 9603E	STAGE 600CE
Type	6-1/2" (165mm) Koaksial bilhyttaler	6" x 9" (152mm x 230mm) Trevejs bilhyttaler	6-1/2" (165mm) Car Audio Komponentssystem
Kontinuerlig effekthåndtering	45W	70W	50W
Spidsbelastning			