



PHONES

0 (800) 800 130  
(050) 462 0 130  
(063) 462 0 130  
(067) 462 0 130

130  
COM.UA

Internet store of  
autogoods



SKYPE

km-130

CAR RECEIVERS — Receivers • Media receivers and stations • Native receivers • CD/DVD changers • FM-modulators/USB adapters • Flash memory • Facia plates and adapters • Antennas • Accessories |  
 CAR AUDIO — Car audio speakers • Amplifiers • Subwoofers • Processors • Crossovers • Headphones • Accessories | TRIP COMPUTERS — Universal computers • Model computers • Accessories |  
 GPS NAVIGATORS — Portable GPS • Built-in GPS • GPS modules • GPS trackers • Antennas for GPS navigators • Accessories | VIDEO — DVR • TV sets and monitors • Car TV tuners • Cameras • Videomodules  
 • Transcoders • Car TV antennas • Accessories | SECURITY SYSTEMS — Car alarms • Bike alarms • Mechanical blockers • Immobilizers • Sensors • Accessories | OPTIC AND LIGHT — Xenon • Bixenon • Lamps  
 • LED • Stroboscopes • Optic and Headlights • Washers • Light, rain sensors • Accessories | PARKTRONICS AND MIRRORS — Rear parktronic • Front parktronic • Combined parktronic • Rear-view mirrors  
 • Accessories | HEATING AND COOLING — Seat heaters • Mirrors heaters • Screen-wipers heaters • Engine heaters • Auto-refrigerators • Air conditioning units • Accessories | TUNING — Vibro-isolation  
 • Noise-isolation • Tint films • Accessories | ACCESSORIES — Radar-detectors • Handsfree, Bluetooth • Windowlifters • Compressors • Beeps, loudspeakers • Measuring instruments • Cleaners • Car seats  
 • Miscellaneous | MOUNTING — Installation kits • Upholstery • Grilles • Tubes • Cable and wire • Tools • Miscellaneous | POWER — Batteries • Converters • Start-charging equipment • Capacitors  
 • Accessories | MARINE AUDIO AND ELECTRONICS — Marine receivers • Marine audio speakers • Marine subwoofers • Marine amplifiers • Accessories | CAR CARE PRODUCTS — Additives • Washer fluid •  
 Care accessories • Car polish • Flavors • Adhesives and sealants | LIQUID AND OIL — Motor oil • Transmission oil • Brake fluid • Antifreeze • Technical lubricant



In store "130" you can find and buy almost all necessary goods for your auto in Kyiv and other cities, delivery by ground and postal services. Our experienced consultants will provide you with exhaustive information and help you to choose the very particular thing. We are waiting for you at the address

<https://130.com.ua>

# JBL® STADIUM SPEAKER



Car Audio Speaker  
Haut-parleur audio automobile  
Altavoz de audio para automóvil  
Alto-falante automotivo  
Fahrzeuglautsprecher  
Diffusore Car Audio  
Autoluidspreker  
Bilstereohøytaler  
Autokaiutin  
Автомобильный динамик  
Bilhögtalare  
Bilhøjtaler  
カーオーディオ・スピーカー  
Głośnik samochodowy  
카오디오 스피커  
车载扬声器  
汽車音響喇叭  
Speaker Audio Mobil  
Araba Ses Hoparlörü

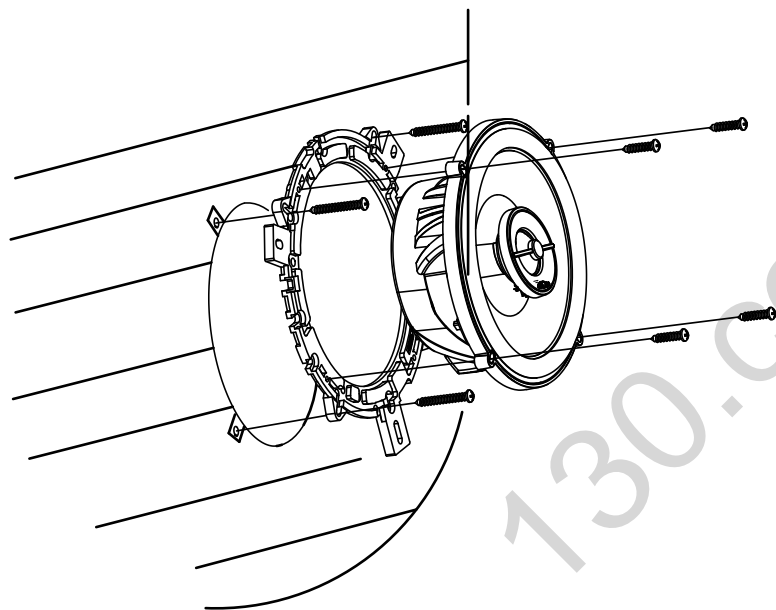


Installation manual  
Manuel d'installation  
Manual de instalación  
Manual de instalação  
Installationshandbuch  
Manuale d'installazione  
Installatiehandleiding  
Installasjonsveiledning  
Asennusopas  
Руководство по установке  
Installationsanvisning  
Installationsmanual  
設置マニュアル  
Instrukcja instalacji  
설치 설명서  
安裝手冊  
安裝手冊  
Panduan instalasi  
Kurulum kılavuzu

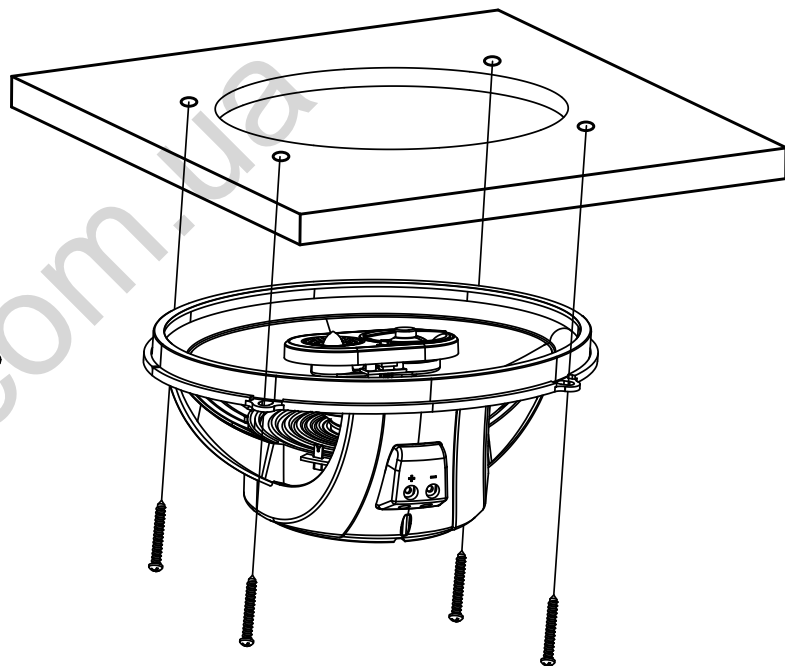




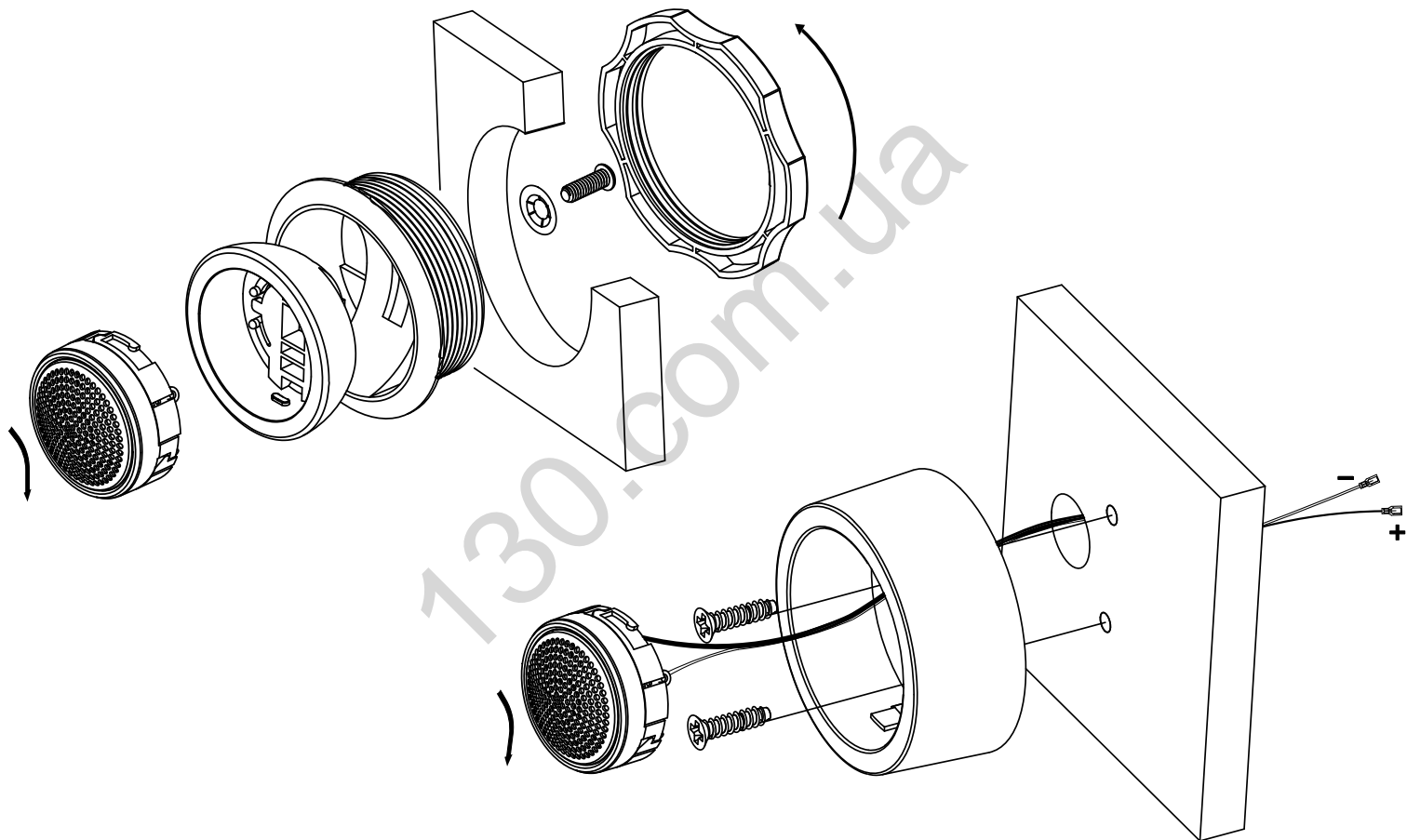
Stadium GTO620, Stadium GTO600C

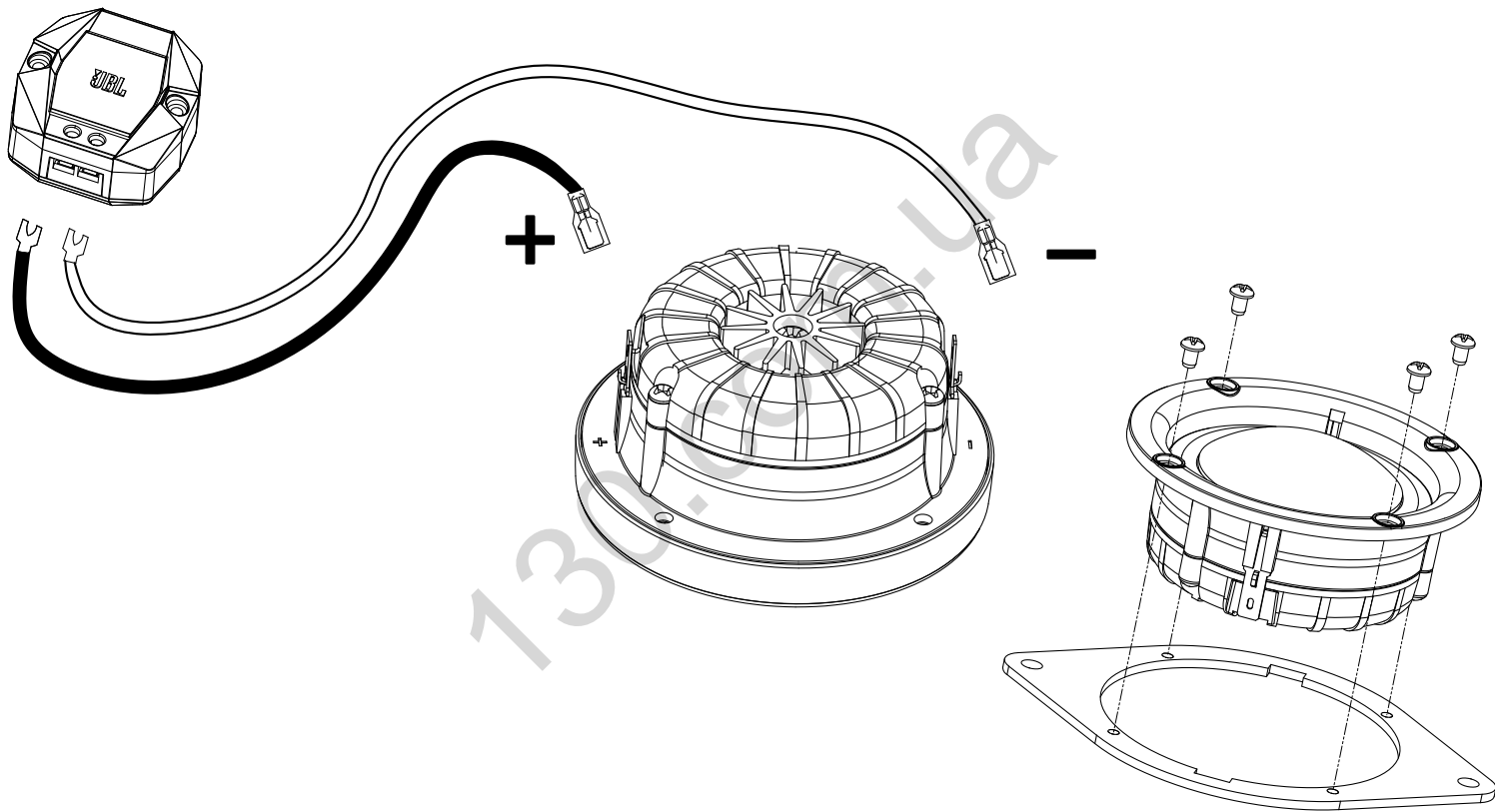


Stadium GTO960C

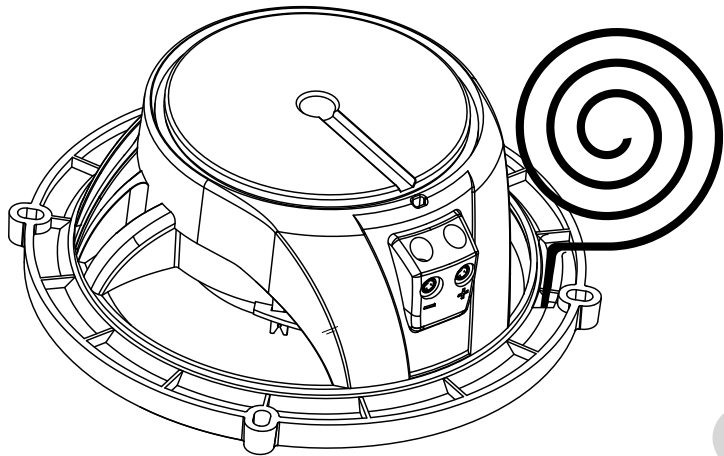


Stadium GTO600C, Stadium GTO860C  
Stadium GTO960C, Stadium GTO750T

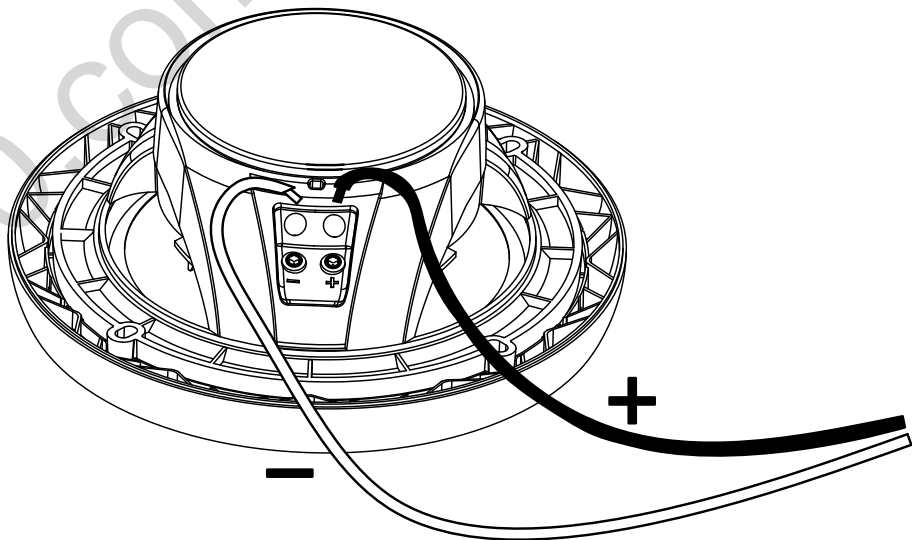




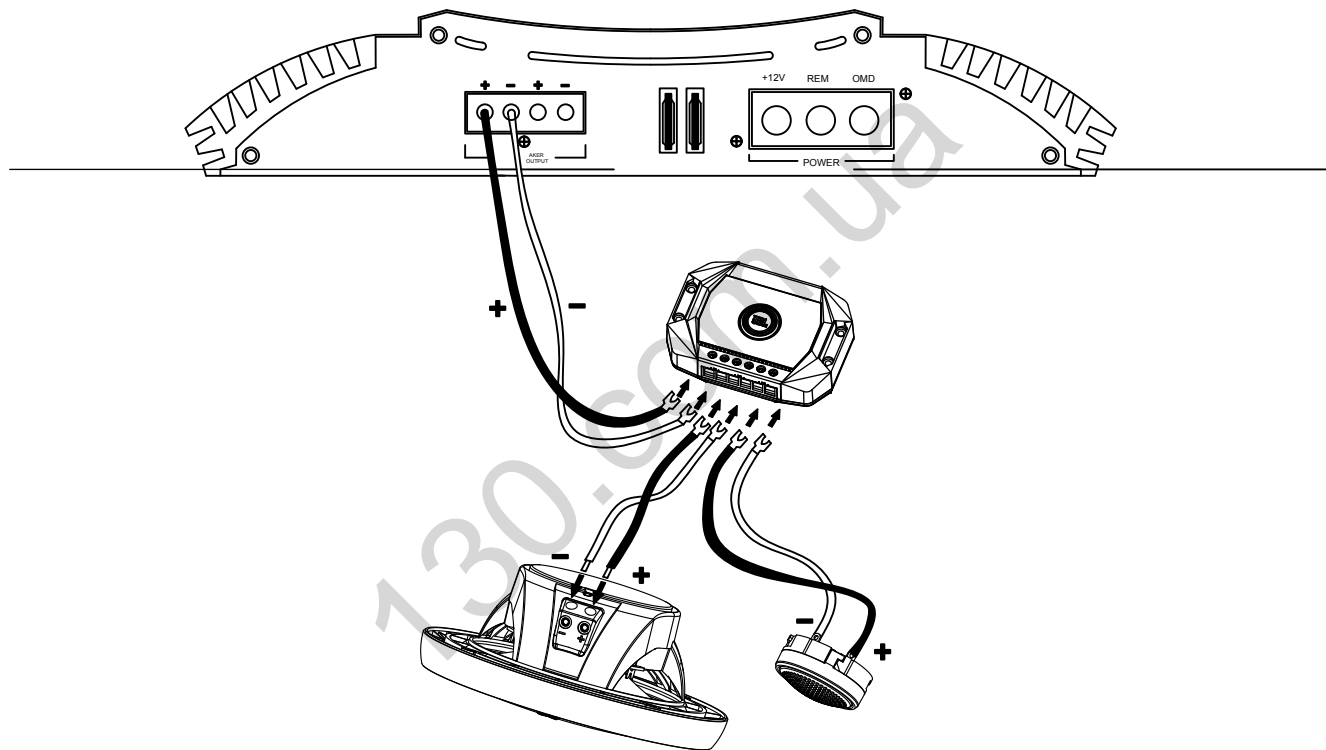
Stadium GTO620, Stadium GTO600C, Stadium GTO20M  
Stadium GTO860, Stadium GTO960C, Stadium GTO860C



Stadium GTO620, Stadium GTO600C,  
Stadium GTO860, Stadium GTO960C, Stadium GTO860C

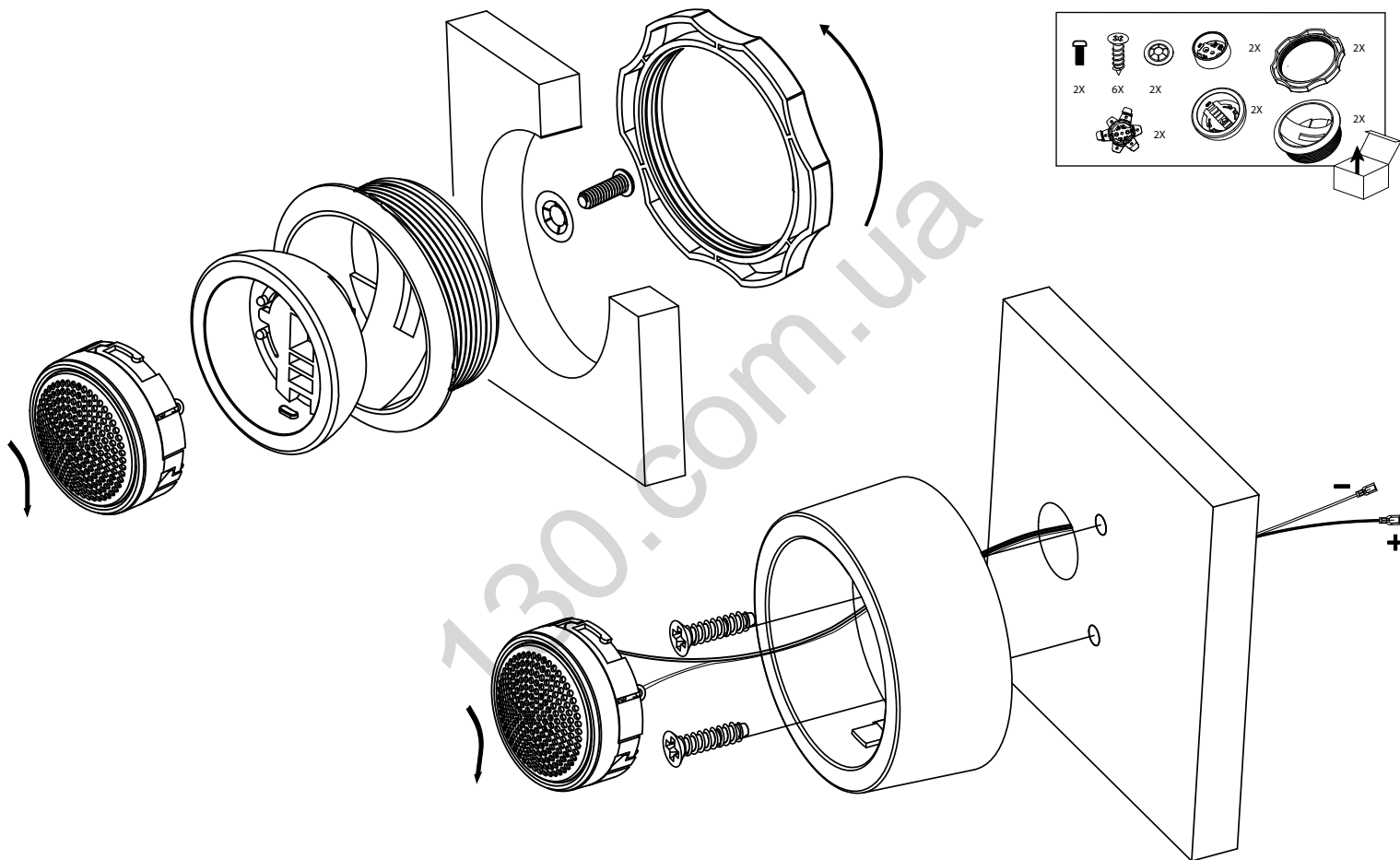


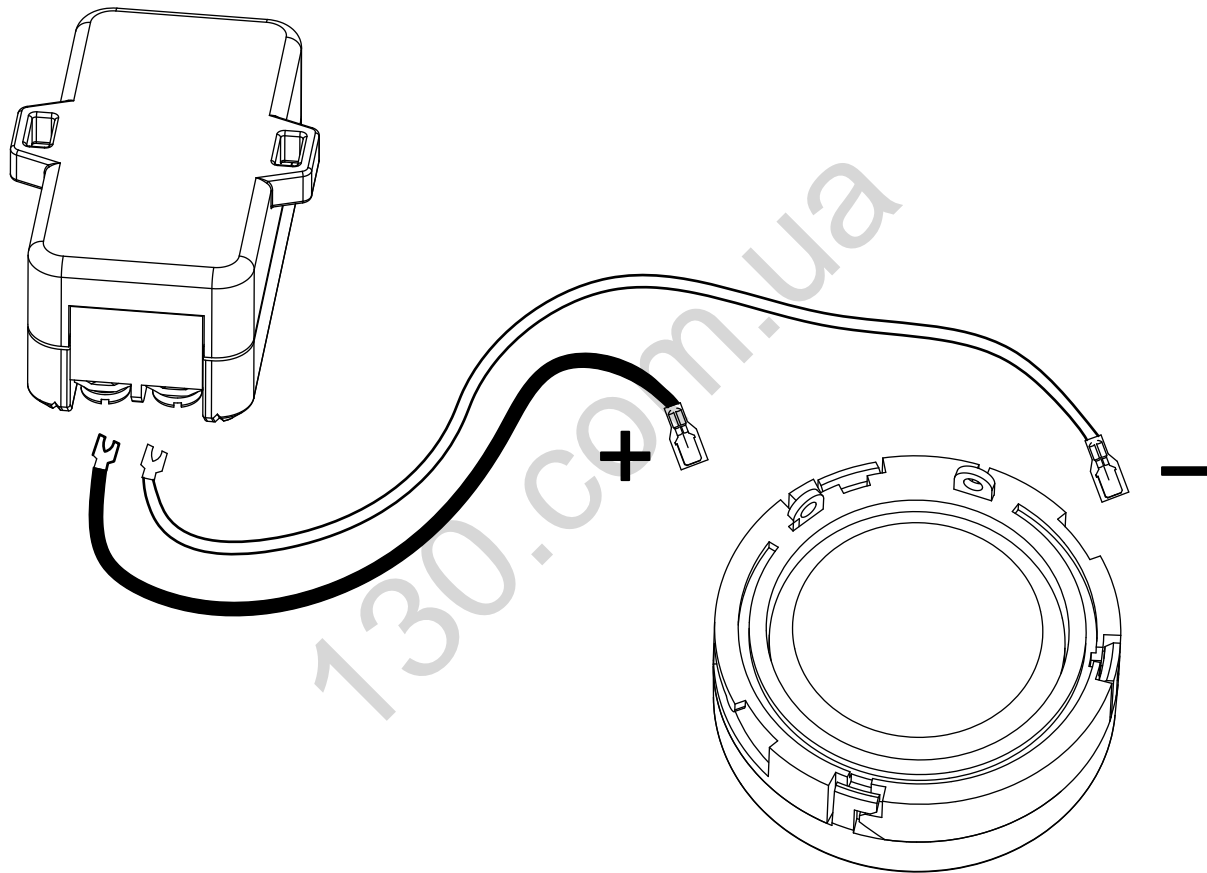




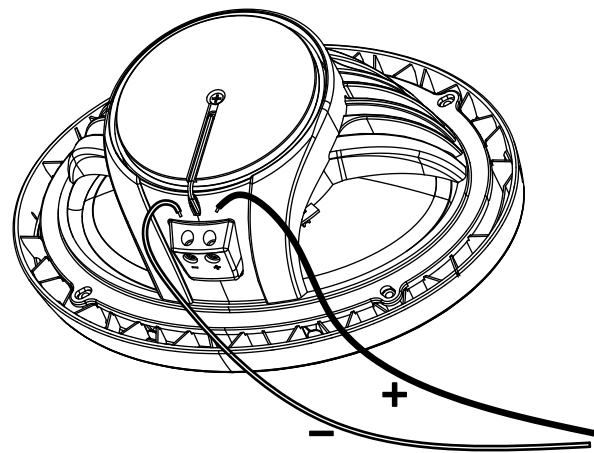
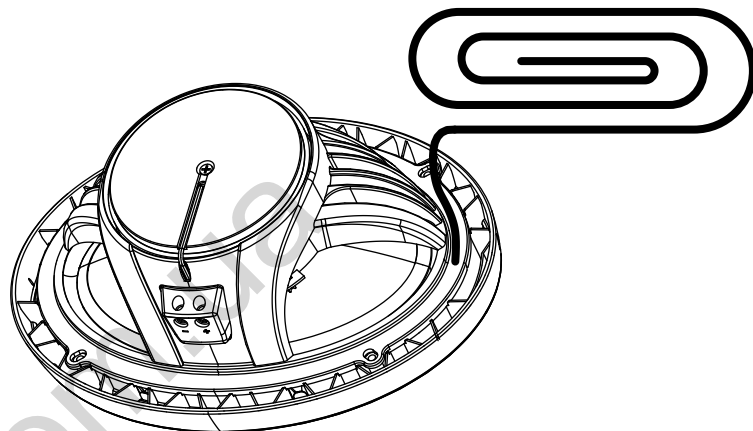
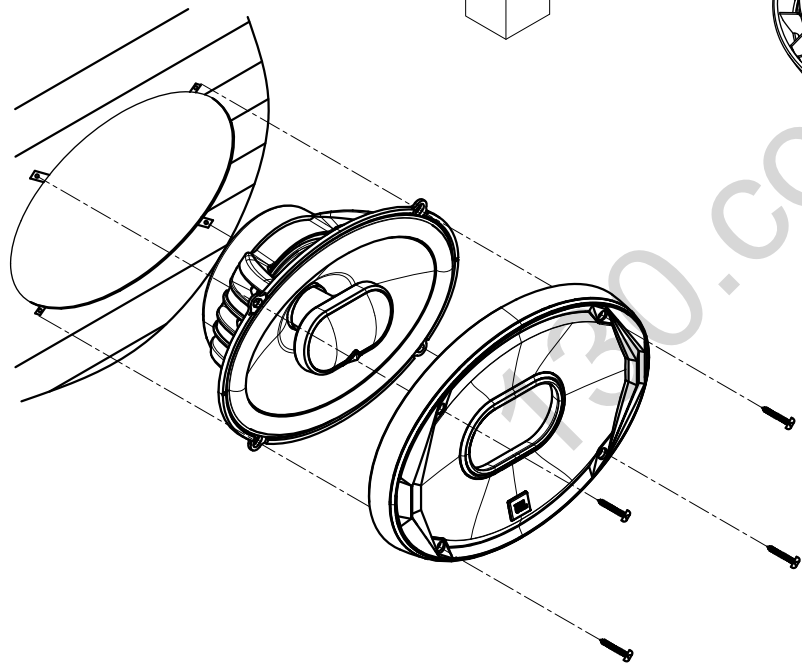
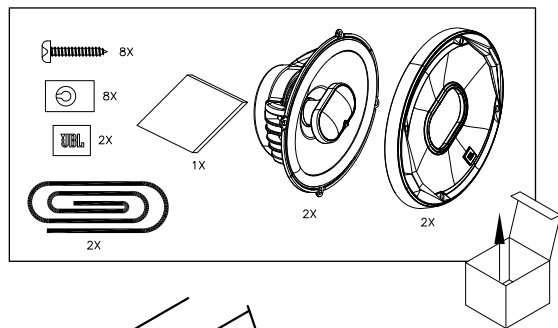
Stadium GTO750T

Stadium GTO750T

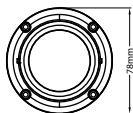




# Stadium GTO930



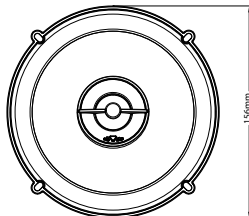
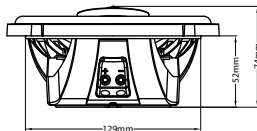
**Stadium GTO20M**



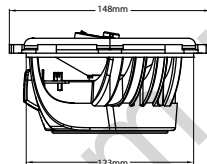
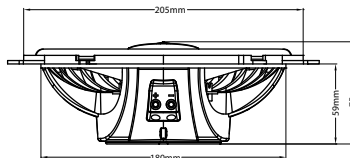
**Stadium GTO750T**



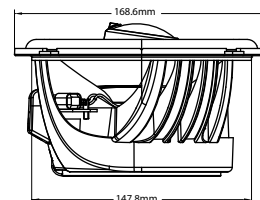
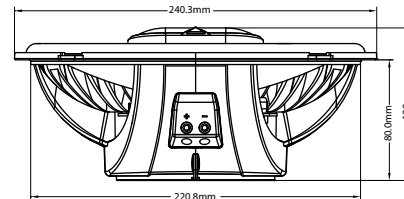
**Stadium GTO620**



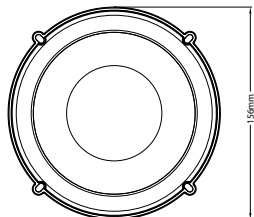
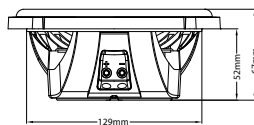
**Stadium GTO860**



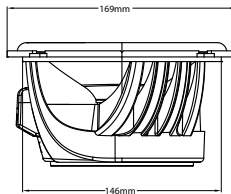
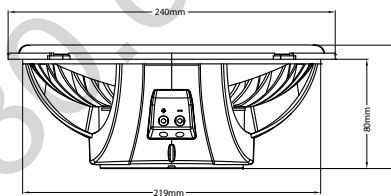
**Stadium GTO930**



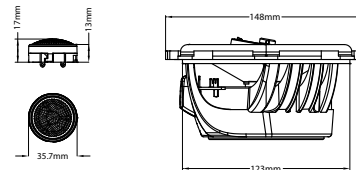
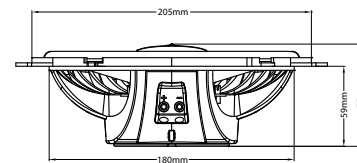
**Stadium GTO600C**



**Stadium GTO960C**



**Stadium GTO860C**



SPECIFICATIONS	Stadium GTO620	Stadium GTO930	Stadium GTO860	Stadium GTO600C	Stadium GTO860C	Stadium GTO960C	Stadium GTO20M	Stadium GTO750T
Type	6-1/2" (160mm) two-way multielement speaker	6" x 9" three-way multielement speaker	6" x 8" two-way multi-element speaker	6-1/2" (160mm) two-way component system with gap switchable crossover	6" x 8" two-way component system with gap-switchable crossover	6" x 9" two-way component system with gap-switchable crossover	2" (50mm) dome midrange with bandpass crossover enclosure	3/4" (19mm) tweeter with in-line HIGH-PASS FILTER in enclosure
Continuous power handling	75W	110W	100W	100W	100W	135W	65W	50W
Peak power handling	225W	330W	300W	300W	300W	405W	195W	150W
Frequency response	45Hz-23kHz	35Hz-30kHz	40Hz-23kHz	45Hz-25kHz	40Hz-25kHz	35Hz-25kHz	500Hz-7kHz	2K-25kHz
Nominal impedance	2.5ohm	2.5ohm	2.5ohm	2.5ohm	2.5ohm	2.5ohm	2.5ohm	2.5ohm
Sensitivity (2.83V/1m)	95dB	96dB	94dB	93dB	93dB	94dB	90dB	93dB

SPECIFICATIONS	Stadium GTO620	Stadium GTO930	Stadium GTO860	Stadium GTO600C	Stadium GTO860C	Stadium GTO960C	Stadium GTO20M	Stadium GTO750T
BL (Tm)	4.09	6.1	3.85	4.10	3.97	5.72	4.12	NA
DCR (ohms)	2.30	2.30	2.30	2.30	2.30	2.30	2.42	NA
Mms (g)	12.45	24	14.39	13.50	16.72	27.88	1.26	NA
Sd (cm <sup>2</sup> )	128.68	236	164.88	128.68	164.88	227.37	19.63	NA
Cms (µm/N)	351.00	404	404.00	333.00	349.00	353.00	53.00	NA
Vas (l)	8.17	31.5	15.43	7.73	13.34	25.60	0.03	NA
Fs (Hz)	76.00	51	66.01	75.12	65.84	50.77	615.78	NA
Qes	0.82	0.5	0.92	0.86	1.00	0.61	0.70	NA
Qms	10.45	13.4	4.05	10.29	4.14	9.21	6.50	NA
Qts	0.76	0.48	0.75	0.80	0.80	0.57	0.63	NA
Crossover Point	5.5kHz	3.3kHz	4.5kHz	5.5kHz	5.0kHz	5.5kHz	500Hz/6.5kHz	3.5kHz

ESPECIFICACIONES	Stadium GTO620	Stadium GTO930	Stadium GTO860	Stadium GTO600C	Stadium GTO860C	Stadium GTO960C	Stadium GTO20M	Stadium GTO750T
Tipo	Altavoz multielemento de dos vías de 6-1/2" (160 mm)	Altavoz multielemento de tres vías de 6" x 9"	Altavoz multielemento de dos vías de 6" x 8"	Sistema de componentes de dos vías de 6-1/2" (160 mm) con corte de frecuencias conmutable	Sistema de componentes de dos vías de 6" x 8" con corte de frecuencias conmutable	Sistema de componentes de dos vías de 6" x 9" con corte de frecuencias conmutable	Altavoz domo de gama media con caja de corte Bandpass de 2" (50 mm)	Altavoz de agudos de 3/4" (19 mm) con filtro High-Pass integrado
Gestión de potencia máxima continua	75W	110W	100W	100W	100W	135W	65W	50W
Gestión de potencia pico	225W	330W	300W	300W	300W	405W	195W	150W
Intervalo de frecuencias	45Hz-23kHz	35Hz-30kHz	40Hz-23kHz	45Hz-25kHz	40Hz-25kHz	35Hz-25kHz	500Hz-7kHz	2K-25kHz
Impedancia nominal	2.5ohm	2.5ohm	2.5ohm	2.5ohm	2.5ohm	2.5ohm	2.5ohm	2.5ohm
Sensibilidad (2.83V/1m)	95dB	96dB	94dB	93dB	93dB	94dB	90dB	93dB

SPÉCIFICATIONS	Stadium GTO620	Stadium GTO930	Stadium GTO860	Stadium GTO600C	Stadium GTO860C	Stadium GTO960C	Stadium GTO20M	Stadium GTO750T
Type	Haut-parleur coaxial deux voies 160 mm (6-1/2")	Haut-parleur coaxial trois voies 152 mm x 229mm (6" x 9")	Haut-parleur coaxial trois voies 152 mm x 203 mm (6" x 8")	Kit éclaté deux voies de 160 mm (6-1/2") avec filtre sélectionnable	Kit éclaté deux voies de 152 mm x 203 mm (6" x 8") avec filtre sélectionnable	Kit éclaté deux voies de 152 mm x 203 mm (6" x 9") avec filtre sélectionnable	Médium à dôme de 50 mm (2") avec filtre passe-bande intégré	Tweeter de 19 mm (3/4") avec filtre passe-haut intégré
Puissance admissible continue	75W	110W	100W	100W	100W	135W	65W	50W
Puissance admissible crête	225W	330W	300W	300W	300W	405W	195W	150W
Réponse en fréquence	45Hz-23kHz	35Hz-30kHz	40Hz-23kHz	45Hz-25kHz	40Hz-25kHz	35Hz-25kHz	500Hz-7kHz	2K-25kHz
Impédance nominale	2.5ohm	2.5ohm	2.5ohm	2.5ohm	2.5ohm	2.5ohm	2.5ohm	2.5ohm
Sensibilité (2.83V/1m)	95dB	96dB	94dB	93dB	93dB	94dB	90dB	93dB

ESPECIFICAÇÕES	Stadium GTO620	Stadium GTO930	Stadium GTO860	Stadium GTO600C	Stadium GTO860C	Stadium GTO960C	Stadium GTO20M	Stadium GTO750T
<b>Tipo</b>	Alto-falante two-way multi-elemento de 6-1/2" (160 mm)	Alto-falante three-way multi-elemento 6" x 9"	Alto-falante three-way multi-elemento 6" x 8"	Sistema multicomponente two-way de 6-1/2" (160 mm) com crossover entre faixas ajustável	Sistema multicomponente two-way de 6" x 8" com crossover entre faixas ajustável	Sistema multicomponente two-way de 6" x 9" com crossover entre faixas ajustável	Domo midrange de 2" (50 mm) com crossover ajustável em gabinete passa-banda	Tweeter de 3/4" (19 mm) com filtra passa-alta in-line instalado no gabinete
<b>Potência contínua máxima</b>	75W	110W	100W	100W	100W	135W	65W	50W
<b>Potência máxima de pico</b>	225W	330W	300W	300W	300W	405W	195W	150W
<b>Resposta de frequência</b>	45Hz-23kHz	35Hz-30kHz	40Hz-23kHz	45Hz-25kHz	40Hz-25kHz	35Hz-25kHz	500Hz-7kHz	2K-25kHz
<b>Impedância nominal</b>	2.5ohm	2.5ohm	2.5ohm	2.5ohm	2.5ohm	2.5ohm	2.5ohm	2.5ohm
<b>Sensibilidade (2.83V/1m)</b>	95dB	96dB	94dB	93dB	93dB	94dB	90dB	93dB

Portuguese

TECHNISCHE DATEN	Stadium GTO620	Stadium GTO930	Stadium GTO860	Stadium GTO600C	Stadium GTO860C	Stadium GTO960C	Stadium GTO20M	Stadium GTO750T
<b>Typ</b>	6-1/2" (160 mm) 2-Wege-Multi-element-Lautsprecher	6" x 9" 3-Wege-Multi-element-Lautsprecher	6" x 8" 2-Wege-Multi-element-Lautsprecher	6-1/2" (160 mm) 2-Wege-Komponentensystem mit umschaltbarer Frequenzweiche	6" x 8" 2-Wege-Komponentensystem mit umschaltbarer Frequenzweiche	6" x 9" 2-Wege-Komponentensystem mit umschaltbarer Frequenzweiche	2" (50 mm) Konus-Mitteltöner mit Bandpass-Frequenzweichegehäuse	3/4" (19 mm) Hochtöner mit In-line-Hochpassfilter im Gehäuse
<b>Kontinuierliche Leistung</b>	75W	110W	100W	100W	100W	135W	65W	50W
<b>Spitzenleistung</b>	225W	330W	300W	300W	300W	405W	195W	150W
<b>Frequenzbereich</b>	45Hz-23kHz	35Hz-30kHz	40Hz-23kHz	45Hz-25kHz	40Hz-25kHz	35Hz-25kHz	500Hz-7kHz	2K-25kHz
<b>Nennimpedanz</b>	2.5ohm	2.5ohm	2.5ohm	2.5ohm	2.5ohm	2.5ohm	2.5ohm	2.5ohm
<b>Empfindlichkeit (2.83V/1m)</b>	95dB	96dB	94dB	93dB	93dB	94dB	90dB	93dB

German

SPECIFICATIES	Stadium GTO620	Stadium GTO930	Stadium GTO860	Stadium GTO600C	Stadium GTO860C	Stadium GTO960C	Stadium GTO20M	Stadium GTO750T
<b>Type</b>	6-1/2" (160mm) tweeweg multi-element luidspreker	6" x 9" drieweg multi-element luidspreker	6" x 8" tweeweg multi-element luidspreker	6-1/2" (160mm) tweeweg componentsysteem met gap-omschakelbare crossover	6" x 8" tweeweg componentsysteem met gap-omschakelbare crossover	6" x 9" tweeweg componentsysteem met gap-omschakelbare crossover	2" (50mm) dome midrange met bandpass crossover behuizing	3/4" (19mm) tweeter met in-line High-Pass filter in behuizing
<b>Piekvermogen</b>	75W	110W	100W	100W	100W	135W	65W	50W
<b>Piekvermogen</b>	225W	330W	300W	300W	300W	405W	195W	150W
<b>Frequentiebereik</b>	45Hz-23kHz	35Hz-30kHz	40Hz-23kHz	45Hz-25kHz	40Hz-25kHz	35Hz-25kHz	500Hz-7kHz	2K-25kHz
<b>Nominale impedantie</b>	2.5ohm	2.5ohm	2.5ohm	2.5ohm	2.5ohm	2.5ohm	2.5ohm	2.5ohm
<b>Gevoeligheid (2.83V/1m)</b>	95dB	96dB	94dB	93dB	93dB	94dB	90dB	93dB

Dutch

SPECIFICHE	Stadium GTO620	Stadium GTO930	Stadium GTO860	Stadium GTO600C	Stadium GTO860C	Stadium GTO960C	Stadium GTO20M	Stadium GTO750T
<b>Descrizione</b>	Speaker coassiale a due vie da 6-1/2" (160mm)	Speaker coassiale a tre vie da 6" x 9"	Speaker coassiale a due vie da 6" x 8"	Sistema a componenti a due vie da 6-1/2" (160mm) con crossover regolabile	Sistema a componenti a due vie da 6" x 8" con crossover regolabile	Sistema a componenti a due vie da 6" x 9" con crossover regolabile	Midrange a cupola da 2" (50mm) con crossover passa-banda	Tweeter da 3/4" (19mm) con filtro passa-alto in linea
<b>Tenuta in potenza continua</b>	75W	110W	100W	100W	100W	135W	65W	50W
<b>Tenuta in potenza, picco</b>	225W	330W	300W	300W	300W	405W	195W	150W
<b>Risposta in frequenza</b>	45Hz-23kHz	35Hz-30kHz	40Hz-23kHz	45Hz-25kHz	40Hz-25kHz	35Hz-25kHz	500Hz-7kHz	2K-25kHz
<b>Impedenza nominale</b>	2.5ohm	2.5ohm	2.5ohm	2.5ohm	2.5ohm	2.5ohm	2.5ohm	2.5ohm
<b>Sensibilità (2.83V/1m)</b>	95dB	96dB	94dB	93dB	93dB	94dB	90dB	93dB

Italian

TEKNISET TIEDOT	Stadium GTO620	Stadium GTO930	Stadium GTO860	Stadium GTO600C	Stadium GTO860C	Stadium GTO960C	Stadium GTO20M	Stadium GTO750T
<b>Tyyppi</b>	6-1/2" (160mm) kaksitiemionielementtikäytin	6" x 9" kolmitiemionielementtikäytin	6" x 8" kaksitiemionielementtikäytin	6-1/2" (160mm) kaksitiemionielementtijärjestelmä vaihdettavalla jakotajuudella	6" x 8" kaksitiemionielementtijärjestelmä vaihdettavalla jakotajuudella	6" x 9" kaksitiemionielementtijärjestelmä vaihdettavalla jakotajuudella	2" (50mm) kalottikeskääninen kaistanpäästö-jakotajuuskotelolla	3/4" (19mm) diskanttikäytin koteloon sijoitettuna in-line High-Pass-suodattimella
<b>Tehonkesto jatkuva</b>	75W	110W	100W	100W	100W	135W	65W	50W
<b>Tehonkesto huippu</b>	225W	330W	300W	300W	300W	405W	195W	150W
<b>Taajuusvaste</b>	45Hz-23kHz	35Hz-30kHz	40Hz-23kHz	45Hz-25kHz	40Hz-25kHz	35Hz-25kHz	500Hz-7kHz	2K-25kHz
<b>Nimellisimpedanssi</b>	2.5ohm	2.5ohm	2.5ohm	2.5ohm	2.5ohm	2.5ohm	2.5ohm	2.5ohm
<b>Herkkyys (2.83 V/1m)</b>	95dB	96dB	94dB	93dB	93dB	94dB	90dB	93dB

SPECIFIKATIONER	Stadium GTO620	Stadium GTO930	Stadium GTO860	Stadium GTO600C	Stadium GTO860C	Stadium GTO960C	Stadium GTO20M	Stadium GTO750T
<b>Typ</b>	6,5-turns (160 mm) tvåvägs multielementshögtalare	6 x 9-turns tvåvägs multielementshögtalare	6 x 8-turns tvåvägs multielementshögtalare	6,5-turns (160 mm) tvåvägs komponentsystem med omkopplingsbart delningsfilter	6 x 8-turns tvåvägs komponentsystem med omkopplingsbart delningsfilter	6 x 9-turns tvåvägs komponentsystem med omkopplingsbart delningsfilter	2-turns (50 mm) dome-mellanregister med externt delningsfilter	0,75-turns (19 mm) diskant med externt högpasfilter
<b>Effekt (kontinuerlig)</b>	75W	110W	100W	100W	100W	135W	65W	50W
<b>Effekt (peak)</b>	225W	330W	300W	300W	300W	405W	195W	150W
<b>Frekvensomfång</b>	45Hz-23kHz	35Hz-30kHz	40Hz-23kHz	45Hz-25kHz	40Hz-25kHz	35Hz-25kHz	500Hz-7kHz	2K-25kHz
<b>Nominell impedans</b>	2.5ohm	2.5ohm	2.5ohm	2.5ohm	2.5ohm	2.5ohm	2.5ohm	2.5ohm
<b>Känslighet (2.83 V/1m)</b>	95dB	96dB	94dB	93dB	93dB	94dB	90dB	93dB

ТЕХНИЧЕСКИЕ ХАРАКТЕРИСТИКИ	Stadium GTO620	Stadium GTO930	Stadium GTO860	Stadium GTO600C	Stadium GTO860C	Stadium GTO960C	Stadium GTO20M	Stadium GTO750T
<b>Тип</b>	Двухсторонний многоэлементный динамик 6-1/2" (160 мм)	Трехсторонний многоэлементный динамик 6" x 9"	Двухсторонний многоэлементный динамик 6" x 8"	Двухсторонняя компонентная аудиосистема с переключаемым разделительным фильтром 6-1/2" (160 мм)	Двухсторонняя компонентная аудиосистема с переключаемым разделительным фильтром 6" x 8"	Двухсторонняя компонентная аудиосистема с переключаемым разделительным фильтром 6" x 9"	Купольный СЧ-динамик с полосовым разделительным фильтром 2" (50 мм)	ВЧ-динамик со встроенным фильтром верхних частот в корпусе 3/4" (19мм)
<b>Постоянная мощность</b>	75W	110W	100W	100W	100W	135W	65W	50W
<b>Пиковая мощность</b>	225W	330W	300W	300W	300W	405W	195W	150W
<b>Эффективный рабочий диапазон частот</b>	45Hz-23kHz	35Hz-30kHz	40Hz-23kHz	45Hz-25kHz	40Hz-25kHz	35Hz-25kHz	500Hz-7kHz	2K-25kHz
<b>Номинальный импеданс</b>	2.5ohm	2.5ohm	2.5ohm	2.5ohm	2.5ohm	2.5ohm	2.5ohm	2.5ohm
<b>Чувствительность (2.83В/1м)</b>	95dB	96dB	94dB	93dB	93dB	94dB	90dB	93dB

SPECIFIKATIONER	Stadium GTO620	Stadium GTO930	Stadium GTO860	Stadium GTO600C	Stadium GTO860C	Stadium GTO960C	Stadium GTO20M	Stadium GTO750T
<b>Type</b>	6-1/2" (160 mm) to-vejs multielement-höjtalar	6" x 9" tre-vejs multielement-höjtalar	6" x 8" to-vejs multielement-höjtalar	6-1/2" (160 mm) to-vejs komponentsystem med gap-valgbar crossover	6" x 8" to-vejs komponentsystem med gap-valgbar crossover	6" x 9" to-vejs komponentsystem med gap-valgbar crossover	2" (50 mm) mellantonedome med båndpas crossover kabinet	3/4" (19 mm) tweeter med indbygget high-pass-filter i kabinet
<b>Kontinuerlig effekthåndtering</b>	75W	110W	100W	100W	100W	135W	65W	50W
<b>Spidsbelastning</b>	225W	330W	300W	300W	300W	405W	195W	150W
<b>Frekvensområde</b>	45Hz-23kHz	35Hz-30kHz	40Hz-23kHz	45Hz-25kHz	40Hz-25kHz	35Hz-25kHz	500Hz-7kHz	2K-25kHz
<b>Nominel impedans</b>	2.5ohm	2.5ohm	2.5 ohms	2.5ohm	2.5ohm	2.5ohm	2.5ohm	2.5ohm
<b>Følsomhed (2.83V/1m)</b>	95dB	96dB	94dB	93dB	93dB	94dB	90dB	93dB



仕様書	Stadium GTO620	Stadium GTO930	Stadium GTO860	Stadium GTO600C	Stadium GTO860C	Stadium GTO960C	Stadium GTO20M	Stadium GTO750T
型	6-1/2インチ(160mm)2ウェイ・マルチエレメント・スピーカー	6x9インチ3ウェイ・マルチエレメント・スピーカー	6x8インチ2ウェイ・マルチエレメント・スピーカー	ギャップ・セレクトアブル・クロスオーバーネットワークを備えた6-1/2インチ(160mm)2ウェイ・コンポーネントシステム	ギャップ・セレクトアブル・クロスオーバーネットワークを備えた6x8インチ2ウェイ・コンポーネントシステム	ギャップ・セレクトアブル・クロスオーバーネットワークを備えた6x9インチ2ウェイ・コンポーネントシステム	バンドパス・クロスオーバー・エンクロージャーを備えた2インチ(50mm)ドーム・ミッドレンジ	インライン・ハイパス・フィルター付エンクロージャー3/4インチ(19mm)ツイーター
連続許容入力	75W	110W	100W	100W	100W	135W	65W	50W
ピーク許容入力	225W	330W	300W	300W	300W	405W	195W	150W
周波数特性	45Hz-23kHz	35Hz-30kHz	40Hz-23kHz	45Hz-25kHz	40Hz-25kHz	35Hz-25kHz	500Hz-7kHz	2K-25kHz
公称インピーダンス	2.5ohm	2.5ohm	2.5ohm	2.5ohm	2.5ohm	2.5ohm	2.5ohm	2.5ohm
感度(2.83V/1m)	95dB	96dB	94dB	93dB	93dB	94dB	90dB	93dB

Japanese

사양	Stadium GTO620	Stadium GTO930	Stadium GTO860	Stadium GTO600C	Stadium GTO860C	Stadium GTO960C	Stadium GTO20M	Stadium GTO750T
타입	6-1/2인치(160mm) 양방향 다중요소 스피커	6 x 9인치 3방향 다중요소 스피커	6 x 8인치 양방향 다중요소 스피커	간격 전환 가능한 크로스오버를 갖춘 6-1/2인치(160mm) 양방향 컴포넌트 시스템	간격 전환 가능한 크로스오버를 갖춘 6 x 8인치 양방향 컴포넌트 시스템	간격 전환 가능한 크로스오버를 갖춘 6 x 9인치 양방향 컴포넌트 시스템	밴드패스 크로스오버 인클로저가 있는 2인치(50mm) 커우디오 돔 미드레인지	인클로저에 인라인 고음 통과 필터를 갖춘 3/4인치(19mm) 트위터
연속 파워 핸들링	75W	110W	100W	100W	100W	135W	65W	50W
최대 파워 핸들링	225W	330W	300W	300W	300W	405W	195W	150W
주파수 응답	45Hz-23kHz	35Hz-30kHz	40Hz-23kHz	45Hz-25kHz	40Hz-25kHz	35Hz-25kHz	500Hz-7kHz	2K-25kHz
공칭 임피던스	2.5ohm	2.5ohm	2.5ohm	2.5ohm	2.5ohm	2.5ohm	2.5ohm	2.5ohm
민감도(2.83V/1m)	95dB	96dB	94dB	93dB	93dB	94dB	90dB	93dB

Korean

DANE TECHNICZNE	Stadium GTO620	Stadium GTO930	Stadium GTO860	Stadium GTO600C	Stadium GTO860C	Stadium GTO960C	Stadium GTO20M	Stadium GTO750T
Rodzaj	dwudrożny głośnik wieloelementowy 6-1/2" (160 mm)	trójdrożny głośnik wieloelementowy 6" x 9"	dwudrożny głośnik wieloelementowy 6" x 8"	dwudrożny zestaw głośnikowy 6-1/2" (160 mm) ze zwrotnicą	dwudrożny zestaw głośnikowy 6" x 8" ze zwrotnicą	dwudrożny zestaw głośnikowy 6" x 9" ze zwrotnicą	głośnik średniotonowy z kopułką 2" (50 mm) i zwrotnicą w obudowie	głośnik wysokotonowy 3/4" (19 mm) z budowanym filtrem górnoprzepustowym
Moc (ciągła)	75W	110W	100W	100W	100W	135W	65W	50W
Moc (szczytowa)	225W	330W	300W	300W	300W	405W	195W	150W
Pasma przenoszenia	45Hz-23kHz	35Hz-30kHz	40Hz-23kHz	45Hz-25kHz	40Hz-25kHz	35Hz-25kHz	500Hz-7kHz	2K-25kHz
Impedancja znamionowa	2.5ohm	2.5ohm	2.5ohm	2.5ohm	2.5ohm	2.5ohm	2.5ohm	2.5ohm
Efektywność (przy 2,83 V/1m)	95dB	96dB	94dB	93dB	93dB	94dB	90dB	93dB

Polish

规格	Stadium GTO620	Stadium GTO930	Stadium GTO860	Stadium GTO600C	Stadium GTO860C	Stadium GTO960C	Stadium GTO20M	Stadium GTO750T
类型	6-1/2" (160mm) 二频率多元件扬声器	6" x 9" 三频率多元件扬声器	6" x 8" 二频率多元件扬声器	6-1/2" (160mm) 二频率分体式扬声器, 支持间隔可切换分频器	6" x 8" 二频率分体式扬声器, 支持间隔可切换分频器	6" x 9" 二频率分体式扬声器, 支持间隔可切换分频器	2" (50mm) 球顶中频通分频器音箱	3/4" (19mm) 高音扬声器, 音箱带有串联高通滤波器
连续功率承受能力	75W	110W	100W	100W	100W	135W	65W	50W
峰值功率承受能力	225W	330W	300W	300W	300W	405W	195W	150W
频率响应	45Hz-23kHz	35Hz-30kHz	40Hz-23kHz	45Hz-25kHz	40Hz-25kHz	35Hz-25kHz	500Hz-7kHz	2K-25kHz
标称阻抗	2.5ohm	2.5ohm	2.5ohm	2.5ohm	2.5ohm	2.5ohm	2.5ohm	2.5ohm
灵敏度(2.83V/1m)	95dB	96dB	94dB	93dB	93dB	94dB	90dB	93dB

Simplified Chinese

規格	Stadium GTO620	Stadium GTO930	Stadium GTO860	Stadium GTO600C	Stadium GTO860C	Stadium GTO960C	Stadium GTO20M	Stadium GTO750T
類型	6-1/2" (160mm) 雙路多元件喇叭	6" x 9" 三路多元件喇叭	6" x 8" 雙路多元件喇叭	帶間隙開關分頻之 6-1/2" (160mm) 雙路元件系統	帶間隙開關分頻之 6" x 8" 雙路元件系統	帶間隙開關分頻之 6" x 9" 雙路元件系統	帶通式分頻音箱之 2" (50mm) 球頂型中音喇叭	音箱內帶串聯高通濾波器之 3/4" (19mm) 高音喇叭
連續的功率處理	75W	110W	100W	100W	100W	135W	65W	50W
峰值的功率處理	225W	330W	300W	300W	300W	405W	195W	150W
頻率回應	45Hz-23kHz	35Hz-30kHz	40Hz-23kHz	45Hz-25kHz	40Hz-25kHz	35Hz-25kHz	500Hz-7kHz	2K-25kHz
標稱阻抗	2.5ohm	2.5ohm	2.5ohm	2.5ohm	2.5ohm	2.5ohm	2.5ohm	2.5ohm
敏感度(2.83V/1m)	95dB	96dB	94dB	93dB	93dB	94dB	90dB	93dB

TEKNIK ÖZELLİKLER	Stadium GTO620	Stadium GTO930	Stadium GTO860	Stadium GTO600C	Stadium GTO860C	Stadium GTO960C	Stadium GTO20M	Stadium GTO750T
Tip	6-1/2" (160mm) iki yönlü çoklu element hoparlörü	6" x 9" üç yönlü çoklu element hoparlörü	6" x 8" iki yönlü çoklu element hoparlörü	Boşluk değiştirilebilir geçiş ile 6-1/2" (160mm) iki yönlü bileşen sistemi	Boşluk değiştirilebilir geçiş ile 6" x 8" iki yönlü bileşen sistemi	Boşluk değiştirilebilir geçiş ile 6" x 9" iki yönlü bileşen sistemi	Bart geçiren geçiş kabini ile 2" (50mm) kubbe orta kademe	Kabin içinde hat üstü Yüksek Geçiren filtre ile 3/4" (19mm) tweeter
Sürekli güç kullanımı	75W	110W	100W	100W	100W	135W	65W	50W
Tepe güç kullanımı	225W	330W	300W	300W	300W	405W	195W	150W
Frekans yanıtı	45Hz-23kHz	35Hz-30kHz	40Hz-23kHz	45Hz-25kHz	40Hz-25kHz	35Hz-25kHz	500Hz-7kHz	2K-25kHz
Nominal Empedans	2.5ohm	2.5ohm	2.5ohm	2.5ohm	2.5ohm	2.5ohm	2.5ohm	2.5ohm
Hassasiyet (2.83V/1m)	95dB	96dB	94dB	93dB	93dB	94dB	90dB	93dB

SPESİFİKASI	Stadium GTO620	Stadium GTO930	Stadium GTO860	Stadium GTO600C	Stadium GTO860C	Stadium GTO960C	Stadium GTO20M	Stadium GTO750T
Tip	Speaker multielemen dua arah 6-1/2" (160 mm)	Speaker multielemen tiga arah 6" x 9"	Speaker multielemen dua arah 6" x 8"	Sistem komponen dua arah 6-1/2" (160 mm) dengan crossover yang celahnya dapat ditukar	Sistem komponen dua arah 6" x 8" dengan crossover yang celahnya dapat ditukar	Sistem komponen dua arah 6" x 9" dengan crossover yang celahnya dapat ditukar	Jangkauan tengah kubah 2" (50 mm) dengan wadah crossover bandpass	Tweeter 3/4" (19 mm) dengan filter Frekuensi Tinggi in line dalam wadah
Penanganan daya kontinu	75W	110W	100W	100W	100W	135W	65W	50W
Penanganan daya puncak	225W	330W	300W	300W	300W	405W	195W	150W
Respons frekuensi	45Hz-23kHz	35Hz-30kHz	40Hz-23kHz	45Hz-25kHz	40Hz-25kHz	35Hz-25kHz	500Hz-7kHz	2K-25kHz
Impedansi Nominal	2.5ohm	2.5ohm	2.5ohm	2.5ohm	2.5ohm	2.5ohm	2.5ohm	2.5ohm
Sensitivitas (2.83V/1m)	95dB	96dB	94dB	93dB	93dB	94dB	90dB	93dB



HARMAN International Industries, Inc.  
8500 Balboa Boulevard, Northridge, CA 91329 USA

© 2017 HARMAN International Industries, Incorporated. All rights reserved.  
JBL is a trademark of HARMAN International Industries, Incorporated, registered in the United States and/or other countries.

Features, specifications and appearance are subject to change without notice.

© 2017 HARMAN International Industries, Incorporated. Все права защищены.  
JBL является торговой маркой Harman International Industries, Incorporated, зарегистрированной в США и/или других странах.

Функции, характеристики и внешний вид описываемых компонентов могут быть изменены без предварительного уведомления.



Торговая марка	: JBL
Назначение товара	: Автомобильная акустическая система
Изготовитель	: Харман Интернешнл Индастриз Инкорпорейтед, США, 06901 Коннектикут, г.Стэмфорд, Атлантик Стрит 400, офис 1500
Страна происхождения	: Китай
Импортер в Россию	: ООО "ХАРМАН РУС СиАйЭс", Россия, 127018, г.Москва, ул. Двинцев, д.12, к 1
Гарантийный период	: 1 год
Информация о сервисных центрах	: <a href="http://www.harman.com/ru">www.harman.com/ru</a> тел. +7-800-700-0467
Срок службы	: 3 года
Дата производства	: Товар не подлежит обязательной сертификации Дата изготовления устройства определяется по двум буквенным обозначениям из второй группы символов серийного номера изделия, следующих после разделительного знака «-». Кодировка соответствует порядку букв латинского алфавита, начиная с января 2010 года: 000000-MY0000000, где «М» - месяц производства (А - январь, В - февраль, С - март и т.д.) и «Y» - год производства (А - 2010, В - 2011, С - 2012 и т.д.).

TR04192\_B

Autogoods "130"



[www.jbl.com](http://www.jbl.com)