



PHONES

0 (800) 800 130  
(050) 462 0 130  
(063) 462 0 130  
(067) 462 0 130

130  
COM.UA

Internet store of  
autogoods



SKYPE

km-130

CAR RECEIVERS — Receivers • Media receivers and stations • Native receivers • CD/DVD changers • FM-modulators/USB adapters • Flash memory • Facia plates and adapters • Antennas • Accessories |  
CAR AUDIO — Car audio speakers • Amplifiers • Subwoofers • Processors • Crossovers • Headphones • Accessories | TRIP COMPUTERS — Universal computers • Model computers • Accessories |  
GPS NAVIGATORS — Portable GPS • Built-in GPS • GPS modules • GPS trackers • Antennas for GPS navigators • Accessories | VIDEO — DVR • TV sets and monitors • Car TV tuners • Cameras • Videomodules  
• Transcoders • Car TV antennas • Accessories | SECURITY SYSTEMS — Car alarms • Bike alarms • Mechanical blockers • Immobilizers • Sensors • Accessories | OPTIC AND LIGHT — Xenon • Bixenon • Lamps  
• LED • Stroboscopes • Optic and Headlights • Washers • Light, rain sensors • Accessories | PARKTRONICS AND MIRRORS — Rear parktronic • Front parktronic • Combined parktronic • Rear-view mirrors  
• Accessories | HEATING AND COOLING — Seat heaters • Mirrors heaters • Screen-wipers heaters • Engine heaters • Auto-refrigerators • Air conditioning units • Accessories | TUNING — Vibro-isolation  
• Noise-isolation • Tint films • Accessories | ACCESSORIES — Radar-detectors • Handsfree, Bluetooth • Windowlifters • Compressors • Beeps, loudspeakers • Measuring instruments • Cleaners • Car seats  
• Miscellaneous | MOUNTING — Installation kits • Upholstery • Grilles • Tubes • Cable and wire • Tools • Miscellaneous | POWER — Batteries • Converters • Start-charging equipment • Capacitors  
• Accessories | MARINE AUDIO AND ELECTRONICS — Marine receivers • Marine audio speakers • Marine subwoofers • Marine amplifiers • Accessories | CAR CARE PRODUCTS — Additives • Washer fluid •  
Care accessories • Car polish • Flavors • Adhesives and sealants | LIQUID AND OIL — Motor oil • Transmission oil • Brake fluid • Antifreeze • Technical lubricant

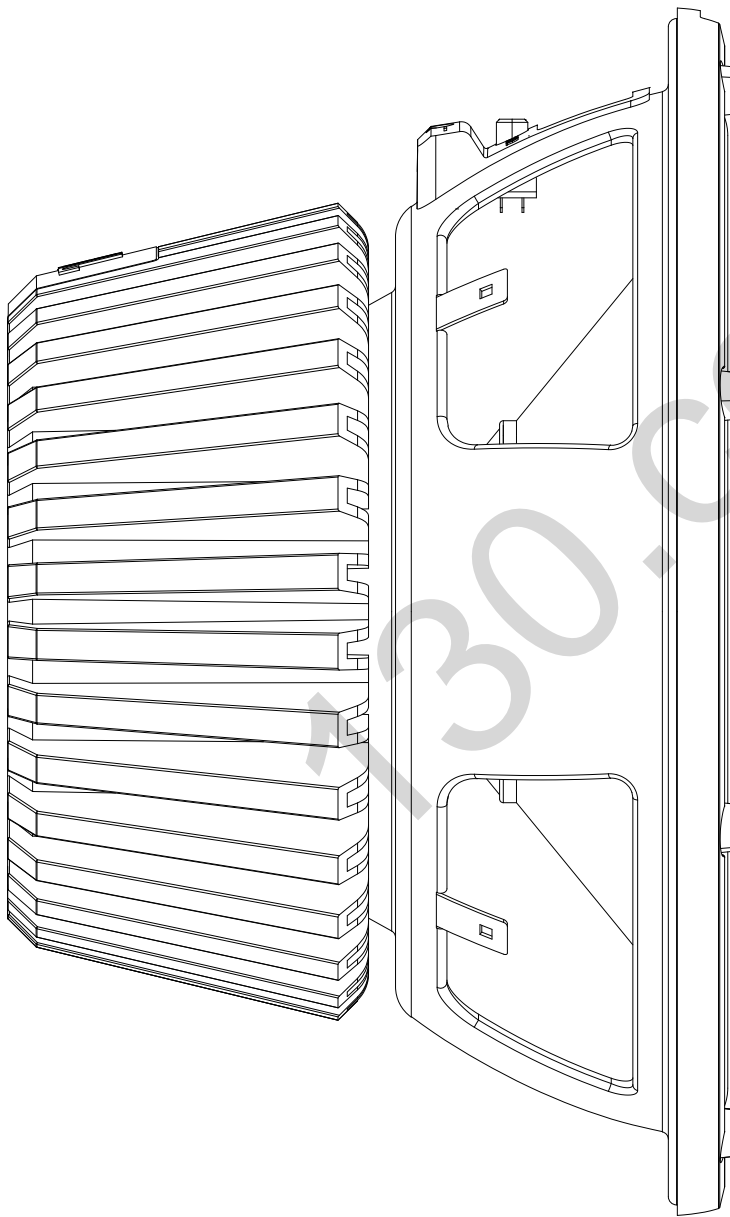


In store "130" you can find and buy almost all necessary goods for your auto in Kyiv and other cities, delivery by ground and postal services. Our experienced consultants will provide you with exhaustive information and help you to choose the very particular thing. We are waiting for you at the address

<https://130.com.ua>

**JBL**

# STADIUM 1024/STADIUM 1224



**Subwoofer Owner's Manual**

EN

**Mode d'emploi du caisson de graves**

FR

**Manual del propietario del subwoofer**

ES

**Manual do proprietário do subwoofer**

PT

**Manuale utente del Subwoofer**

IT

**Subwoofer Bedienungsanleitung**

DE

**Руководство пользователя сабвуфера**

RU

**Bruksanvisning för subwoofer**

SV

**Alibassokaiuttimen ohjekirja**

FI

**Instrukcja obsługi subwoofera**

PL

**Subwoofer Gebruikershandleiding**

NL

**Buku Panduan Pemilik Subwoofer**

ID

**サブウーファースの取扱説明書**

JP

**서브우퍼 사용 설명서**

KO

**低音炮用户手册**

CHS

**重低音喇叭擁有者手冊**

TW

**Betjeningsvejledning til subwoofer**

DA

**Subwoofer Kullanım Kılavuzu**

TR

Торговая марка: JBL  
 Назначение товара: АВТОМОБИЛЬНЫЙ САБВУФЕР  
 Изготовитель: ХАРМАН ИНТЕРНЕТНЛ ИНДАСТРИЗ ИНКОРПОРЕЙТЕД, США, 06901 КОННЕКТИКУТ, г.СТЭМФОРД, АТЛАНТИК СТРИТ 400, ОФИС 1500  
 Страна происхождения: Китай  
 Импортёр в Россию: ООО "ХАРМАН РУС СиАйЭс", РОССИЯ, 123317, МОСКВА, ПРЕСНЕНСКАЯ НАБ, Д.10  
 Гарантийный период: 1 год  
 Информация о сервисных центрах: www.harman.com/ru тел. +7-800-700-0467  
 Срок службы: 5 лет  
 Срок хранения: не ограничен  
 Условия хранения: Стандартные при нормальных значениях климатических факторов внешней среды  
 Номер документа соответствия: Товар не подлежит обязательной сертификации  
 Год производства: Год изготовления Вашего устройства можно определить по серийному номеру изделия. Серийный номер состоит из 4-х групп: 2 буквы, 4 цифры, 2 буквы, 7 цифр (XX 0000 XY 0000000), где вторая буква из 2-ой буквенной группы (слева направо) обозначает год производства. Соответствие буквенного кода году представлено в таблице.

A	2010	N	2023
B	2011	O	2024
C	2012	P	2025
D	2013	Q	2026
E	2014	R	2027
F	2015	S	2028
G	2016	T	2029
H	2017	U	2030
I	2018	V	2031
J	2019	X	2032
K	2020	Y	2033
L	2021	Z	2034
M	2022	повторно начать с A	



TR04409 A

**THANK YOU** for choosing a JBL Stadium subwoofer. These subwoofers are designed to suit a broad range of car audio applications and can be used in a wide variety of enclosure types to produce extended, powerful bass in a limited amount of vehicle space. To get the most performance from your new subwoofer, it is strongly recommended that you have a qualified professional install your subwoofer. Although this manual does provide general instructions about installing these Series subwoofers, it does not include enclosure construction details or exact installation methods for any particular vehicle. If you do not feel that you have the necessary experience, do not attempt the installation yourself, but instead ask your authorized JBL dealer about professional installation options.

Remember to keep your sales receipt in a safe place, along with this manual, so that both are available for future reference.

## WARNING

Playing loud music in a vehicle can hinder your ability to hear traffic and permanently damage your hearing. The maximum volume levels achievable by JBL speakers when combined with high-power amplification may exceed safe levels for extended listening. Using low volume levels is recommended when driving. JBL, Inc. accepts no liability for hearing loss, bodily injury, or property damage as a result of use or misuse of this product.

## REPRODUCING BASS IN VEHICLES

Depending on the size of your vehicle's interior listening space, reproduced bass frequencies below 80Hz will be boosted by nearly 12dB per octave as frequency decreases. This phenomenon, known as the vehicle's transfer function (or cabin gain), plays an important role in shaping the subwoofer's frequency response in your vehicle.

## SUBWOOFER ENCLOSURE TYPES

The subwoofers are designed to perform best in moderately sized sealed enclosures, vented enclosures and prefabricated band-pass enclosures. Infinite-baffle mounting is possible, but the subwoofer's mechanical power handling will be reduced because there will be no volume of air to stiffen the subwoofer's suspension and prevent overexcursion. If you choose infinite-baffle mounting, consider the RMS and peak power-handling ratings to be half of what is listed in the specifications in this manual.

You should choose an enclosure type based on the amount of cargo space you can devote to the enclosure, the amount of power you will use to drive your subwoofer(s), and your listening habits.

## SEALED ENCLOSURES

The air trapped inside a sealed enclosure is compressed when the subwoofer moves rearward and is rarefied when the subwoofer moves forward. In both cases, the air inside and outside the box will seek equilibrium by pushing and pulling on the subwoofer cone. The result is a stiffer suspension when compared to the subwoofer operating in free air. This means that the subwoofer's cone will be harder to move at low frequencies, a condition which protects the subwoofer from physical overexcursion, but requires more power than other designs to achieve a given acoustic output.

## SEALED-ENCLOSURE PERFORMANCE ADVANTAGES

- The in-vehicle performance will have the flattest overall frequency response.
- The in-vehicle response will have the widest bandwidth. (Usable low-frequency response inside the vehicle will be below 20Hz.)
- An optimum sealed enclosure will always be smaller than an optimum enclosure of another type.

## SEALED-ENCLOSURE PERFORMANCE TRADE-OFFS

- An optimum sealed enclosure will have lower overall efficiency than an optimum enclosure of another type.
- A subwoofer in an optimum sealed enclosure will require more amplifier power to achieve a given acoustic output than in an optimum enclosure of another type.

## SEALED-ENCLOSURE CONSTRUCTION

Sealed-enclosure construction is straightforward and forgiving of errors in volume calculation, but air leaks should be avoided. Use medium-density fiberboard (MDF), glue and screws to construct the enclosure, and seal all joints with silicone caulk.

## RECOMMENDATION

Subwoofers in sealed enclosures are recommended for enthusiasts who prefer accurate music reproduction and flat frequency response, for those who have a smaller space to devote to a subwoofer enclosure, and for those who have plenty of amplifier power devoted to driving the subwoofer. The sealed-enclosure design indicated in this manual represents the best compromise between low-frequency extension and flat response.

## VENTED ENCLOSURES

A vented enclosure acts like a sealed enclosure at frequencies above its tuned (resonance) frequency. At resonance (which is defined by the vent), the vent produces the majority of sound — the subwoofer cone is nearly stationary while the air inside the vent vibrates. This provides greater mechanical power

handling at and above resonance, but reduced mechanical power handling below resonance. Since the subwoofer cone and voice coil don't move much at resonance, airflow across the voice coil is minimized and thermal power handling is reduced slightly at resonance.

Vented enclosures provide better efficiency in the 40Hz — 60Hz range, at the expense of sound output in the lowest octave (below 40Hz). The use of an infrasonic filter is recommended with vented enclosures. An optimum vented enclosure for a Series subwoofer is larger than an optimum sealed enclosure.

## VENTED-ENCLOSURE PERFORMANCE ADVANTAGES

- An optimum vented enclosure has greater efficiency and higher output in the 40Hz — 60Hz range than an optimum sealed enclosure.
- An optimum vented enclosure provides a greater sensation of bass than an optimum sealed enclosure.
- A subwoofer in an optimum vented enclosure will require less amplifier power to achieve a given acoustic output (down to the enclosure's resonance frequency) than in an optimum sealed enclosure.

## VENTED-ENCLOSURE PERFORMANCE TRADE-OFFS

- Reduced output in the lowest octave (below 40Hz).
- Reduced mechanical power handling below the enclosure's resonance frequency. The use of an electronic infrasonic filter is strongly recommended to reduce the chance of overdriving the subwoofer below the enclosure's resonance frequency.
- An optimum vented enclosure will always be larger than an optimum sealed enclosure.

## VENTED-ENCLOSURE CONSTRUCTION

Vented-enclosure construction is more difficult than the construction of a sealed enclosure. The enclosure volume and port dimensions have a specific relationship with the physical and electromechanical characteristics of the subwoofer, requiring that the recommended enclosure volume and port characteristics be strictly observed. As with sealed enclosures, use medium-density fiberboard (MDF), glue and screws to construct the enclosure, and seal all joints with silicone caulk.

## RECOMMENDATION

Subwoofers in vented enclosures are recommended for enthusiasts who prefer accentuated bass response, for those who have plenty of cargo space to devote to a subwoofer enclosure and for those who will use a less powerful amplifier to drive their subwoofer. The volume and port

dimensions indicated must be followed precisely to ensure optimum performance.

## MOUNTING THE SUBWOOFER

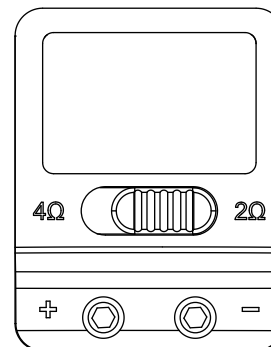
The subwoofers should be mounted from the outside of the enclosure. Use the included foam mounting gasket to ensure a leak-free seal between the subwoofer frame and the enclosure.

## CONNECTING THE SUBWOOFER

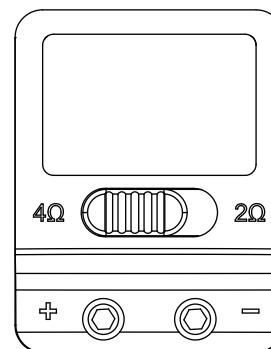
### SETTING THE IMPEDANCE

The Stadium subwoofers both feature the Selectable Smart Impedance™ (SSI) switch. This exclusive feature lets you set the subwoofer's impedance to either 2 ohms or 4 ohms with the flip of a switch (see illustrations below). This allows you to extract the most from your subwoofer amplifier in any situation.

The SSI 2-ohm setting increases the subwoofer's output over the 4-ohm setting by up to 3dB, depending on the amplifier. Performance is identical in all other respects. If the connected amplifier is rated for 2-ohm operation and its 2-ohm power ratings are within the subwoofer's power-handling specifications, setting the SSI switch in the 2-ohm position will achieve maximum output.



2-Ohm Setting



4-Ohm Setting

**IMPORTANT:** Make sure the subwoofer amplifier is turned OFF before setting the SSI switch. Do not change the switch position while the subwoofer amplifier is operating. Doing so could damage the amplifier.

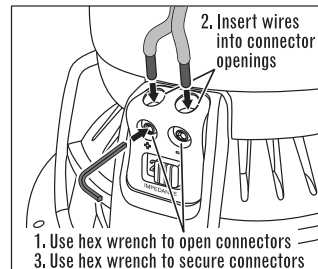
### CONNECTING THE AMPLIFIER

The subwoofer connectors are compatible with bare or tinned wires. The recommended wire gauge is between 14AWG and 8AWG, depending on the length of the wire run between the amplifier and woofer. Heavier gauge wire is preferred for runs over 6' (2m).

1. Use a 2.5 mm hex driver to open the connectors
2. Insert the wire ends into the connector openings

**NOTE:** If using untinned bare wire, be sure that no stray "+" and "-" strands touch each other. Touching strands can cause a short-circuit, which can damage your amplifier.

3. Use the hex driver to secure the wires in the connectors, as shown in the illustration to the left



### TECHNICAL DATA

## Stadium 1024

#### THIELE-SMALL PARAMETERS

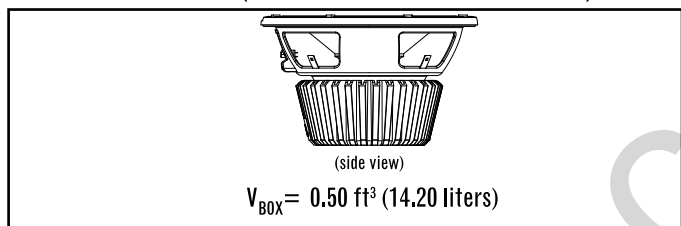
	2Ω	4Ω
VOICE-COIL DC RESISTANCE:	$R_{EVC}$ (OHMS) ..... 1.80	4.06
VOICE-COIL INDUCTANCE @ 1kHz:	$L_{EVC}$ (MH) ..... 1.04	0.91
DRIVER RADIATING AREA:	$S_D$ (IN <sup>2</sup> ) ..... 53.69	53.69
	$S_D$ (CM <sup>2</sup> ) ..... 346.36	346.36
MOTOR FORCE FACTOR:	$BL$ (T <sub>m</sub> ) ..... 10.54	14.98
COMPLIANCE VOLUME:	$V_{AS}$ (FT <sup>3</sup> ) ..... 0.86	0.89
	$V_{AS}$ (LITERS) ..... 24.22	25.27
SUSPENSION COMPLIANCE:	$C_{MS}$ (μM/N) ..... 144.00	150.00
Moving MASS, AIR LOAD:	$M_{MS}$ (GRAMS) ..... 188.72	185.47
FREE-AIR RESONANCE:	$F_S$ (Hz) ..... 30.56	30.18
MECHANICAL Q:	$Q_{MS}$ ..... 3.11	2.17
ELECTRICAL Q:	$Q_{ES}$ ..... 0.57	0.61
TOTAL Q:	$Q_{TS}$ ..... 0.48	0.48
MAGNETIC-GAP HEIGHT:	$H_{AG}$ (IN) ..... 0.39	0.39
	$H_{AG}$ (MM) ..... 10.00	10.00
VOICE-COIL HEIGHT:	$H_{VC}$ (IN) ..... 1.32	1.32
	$H_{VC}$ (MM) ..... 33.50	33.50
MAXIMUM EXCURSION:	$X_{MAX}$ (IN) ..... 0.47	0.47
	$X_{MAX}$ (MM) ..... 12.00	12.00

## Stadium 1224

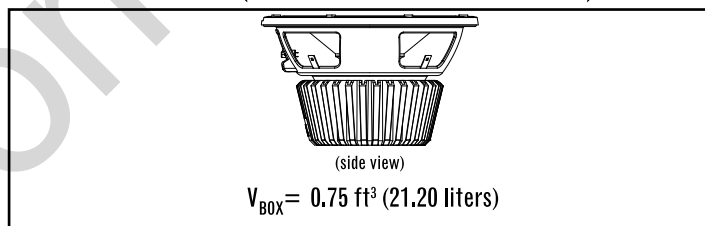
#### THIELE-SMALL PARAMETERS

	2Ω	4Ω
VOICE-COIL DC RESISTANCE:	$R_{EVC}$ (OHMS) ..... 1.82	4.07
VOICE-COIL INDUCTANCE @ 1kHz:	$L_{EVC}$ (MH) ..... 1.03	0.94
DRIVER RADIATING AREA:	$S_D$ (IN <sup>2</sup> ) ..... 82.29	82.29
	$S_D$ (CM <sup>2</sup> ) ..... 530.93	530.93
MOTOR FORCE FACTOR:	$BL$ (T <sub>m</sub> ) ..... 11.70	16.99
COMPLIANCE VOLUME:	$V_{AS}$ (FT <sup>3</sup> ) ..... 1.93	1.86
	$V_{AS}$ (LITERS) ..... 54.65	52.59
SUSPENSION COMPLIANCE:	$C_{MS}$ (μM/N) ..... 138.00	133.00
Moving MASS, AIR LOAD:	$M_{MS}$ (GRAMS) ..... 220.58	225.64
FREE-AIR RESONANCE:	$F_S$ (Hz) ..... 28.84	29.07
MECHANICAL Q:	$Q_{MS}$ ..... 4.29	2.56
ELECTRICAL Q:	$Q_{ES}$ ..... 0.53	0.58
TOTAL Q:	$Q_{TS}$ ..... 0.47	0.47
MAGNETIC-GAP HEIGHT:	$H_{AG}$ (IN) ..... 0.39	0.39
	$H_{AG}$ (MM) ..... 10.00	10.00
VOICE-COIL HEIGHT:	$H_{VC}$ (IN) ..... 1.32	1.32
	$H_{VC}$ (MM) ..... 33.50	33.50
MAXIMUM EXCURSION:	$X_{MAX}$ (IN) ..... 0.47	0.47
	$X_{MAX}$ (MM) ..... 12.00	12.00

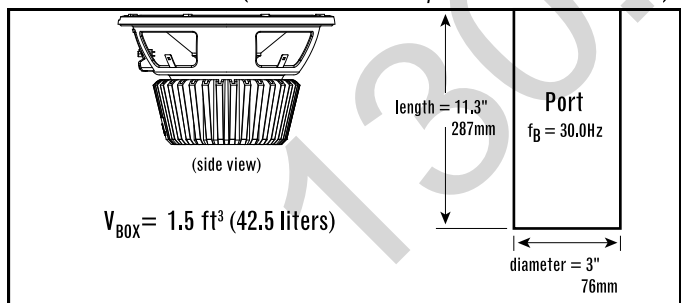
#### SEALED-BOX VOLUME (INCLUDES DRIVER DISPLACEMENT)



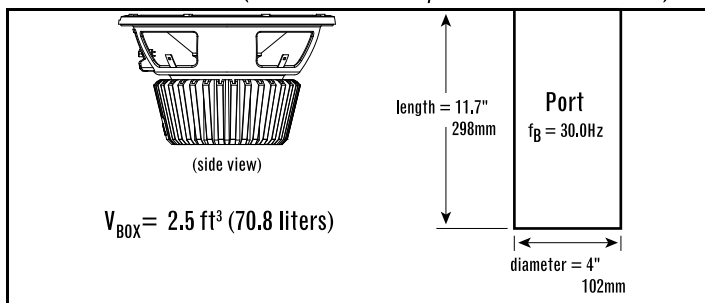
#### SEALED-BOX VOLUME (INCLUDES DRIVER DISPLACEMENT)



#### VENTED-BOX VOLUME (INCLUDES DRIVER/PORT DISPLACEMENTS)

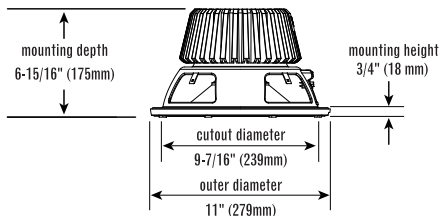


#### VENTED-BOX VOLUME (INCLUDES DRIVER/PORT DISPLACEMENTS)



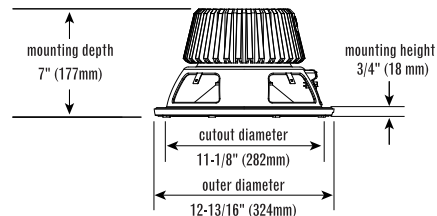
### SPECIFICATIONS

DIAMETER:	10" (254mm)
SENSITIVITY (2.83V @ 1m):	91dB
POWER HANDLING:	450Wrms (1350W PEAK)
FREQUENCY RESPONSE:	30Hz ~ 175Hz
NOMINAL IMPEDANCE:	2 OR 4 OHMS
VOICE-COIL DIAMETER:	2 1/2" (63MM)



### SPECIFICATIONS

DIAMETER:	12" (305mm)
SENSITIVITY (2.83V @ 1m):	92dB
POWER HANDLING:	500Wrms (1500W PEAK)
FREQUENCY RESPONSE:	25Hz ~ 175Hz
NOMINAL IMPEDANCE:	2 OR 4 OHMS
VOICE-COIL DIAMETER:	2 1/2" (63MM)



MERCI d'avoir choisi un haut-parleur de graves JBL Stadium. Ces haut-parleurs de graves sont conçus pour un large éventail d'applications audio automobiles et peuvent être utilisés dans une grande variété de types de caissons pour produire des graves étendus et puissants dans l'espace limité d'un véhicule. Pour obtenir les meilleures performances de votre nouveau haut-parleur de graves, on recommande fortement de le faire installer par un professionnel qualifié. Bien que ce manuel fournisse des instructions générales sur l'installation de cette série de haut-parleurs, il n'inclut pas d'informations sur la construction des caissons ou sur les méthodes d'installation exactes pour un véhicule donné. Si vous estimez que vous n'avez pas l'expérience nécessaire, n'essayez pas d'effectuer l'installation vous-même, mais interrogez plutôt votre distributeur JBL agréé sur les possibilités d'une installation professionnelle.

N'oubliez pas de conserver votre facture dans un endroit sûr, avec ce manuel, afin que les deux soient disponibles pour toute référence ultérieure.

## AVERTISSEMENT

L'écoute d'une musique forte dans un véhicule peut réduire votre capacité d'entendre la circulation et endommager définitivement votre audition. Les niveaux de volume maximaux réalisables par les haut-parleurs JBL associés à une amplification de haute puissance peuvent dépasser les niveaux sans risques pour une écoute prolongée. Des niveaux de volume modérés sont recommandés pour la conduite. JBL, Inc. n'accepte aucune responsabilité pour la perte d'audition, les dommages corporels ou les dommages aux biens suite à l'utilisation ou à une mauvaise utilisation de ce produit.

## REPRODUCTION DES GRAVES DANS LES VÉHICULES

Selon le volume de l'espace d'écoute intérieur de votre véhicule, les basses fréquences reproduites sous 80 Hz sont amplifiées de presque 12 dB par octave avec la diminution de la fréquence. Ce phénomène, appelé fonction de transfert du véhicule (ou gain de l'habitacle), joue un rôle important dans la formation de la réponse en fréquence du haut-parleur de graves dans votre véhicule.

## TYPES DE CAISSONS DE HAUT-PARLEUR DE GRAVES

Les haut-parleurs de graves sont conçus pour fonctionner au mieux dans des caissons fermés de tailles moyennes, des caissons à événement et des caissons passe-bande préfabriqués. Le montage en baffle infini est possible, mais la maîtrise de la puissance mécanique du haut-parleur de graves est réduite car aucun volume d'air ne raidira sa suspension pour éviter une course excessive. Si vous choisissez un montage en baffle infini, utilisez des valeurs de puissances crête de la moitié des spécifications indiquées dans le présent manuel.

Vous devez choisir un type de caisson en fonction du volume de l'espace de chargement que vous pouvez lui consacrer, de la puissance que vous utiliserez pour piloter votre ou vos haut-parleurs de graves et de vos habitudes d'écoute.

## CAISSONS FERMÉS

L'air piégé à l'intérieur d'un caisson fermé est comprimé quand le haut-parleur de graves se déplace vers l'arrière et se trouve raréfié quand le haut-parleur de graves avance. Dans les deux cas, l'air à l'intérieur et à l'extérieur de la boîte recherche son équilibre en poussant et en tirant sur le cône du haut-parleur de graves. Le résultat est une suspension plus raide que celle d'un haut-parleur de graves fonctionnant à l'air libre. Cela signifie que le cône du haut-parleur de graves est plus difficile à déplacer aux basses fréquences, une condition qui le protège d'une course physique excessive, mais qui requiert plus de puissance que les autres conceptions pour obtenir une sortie acoustique donnée.

## AVANTAGES DE PERFORMANCES D'UN CAISSON FERMÉ

- Les performances en véhicule auront une réponse en fréquence globalement plus plate.
- La réponse dans le véhicule aura une bande passante plus large. (La réponse en basses fréquences utilisable à l'intérieur du véhicule sera inférieure à 20 Hz.)
- Un caisson fermé optimal est toujours plus petit qu'un caisson optimal d'un autre type.

## COMPROMIS DE PERFORMANCES D'UN CAISSON FERMÉ

- Un caisson fermé optimal aura un rendement global inférieur à celui d'un caisson optimal d'un autre type.
- Un haut-parleur de graves dans un caisson fermé optimal requerra plus de puissance d'amplification pour atteindre une sortie acoustique donnée que dans un caisson optimal d'un autre type.

## CONSTRUCTION D'UN CAISSON FERMÉ

La construction d'un caisson fermé ne présente pas de difficulté et tolère des erreurs de calcul de volume, mais il faut éviter les fuites d'air. Utilisez du panneau de fibres agglomérées de densité moyenne (MDF), de la colle et des vis pour construire le caisson et scellez tous les joints avec du mastic silicone.

## RECOMMANDATIONS

Les haut-parleurs de graves en caissons fermés sont recommandés pour les amateurs qui préfèrent une reproduction musicale précise et une réponse en fréquence plate, pour ceux qui ont un espace limité à consacrer à un caisson de haut-parleur de graves et à ceux qui disposent d'une puissance d'amplification importante dédiée au haut-parleur de graves. La conception de caisson fermé indiquée dans ce manuel représente le meilleur compromis entre l'extension des basses fréquences et une réponse plate.

## CAISSONS À ÉVÉNEMENT

Un caisson à événement agit comme un caisson fermé aux fréquences supérieures à sa fréquence d'accord (la résonance). À la résonance (définie par l'événement), l'événement produit la majorité du son, le cône du haut-parleur de graves est pratiquement stationnaire tandis que l'air à l'intérieur de l'événement vibre. Cela offre une plus grande maîtrise de la puissance

mécanique à la résonance et au-dessus, mais la maîtrise de la puissance mécanique sous la résonance est réduite. Le cône du haut-parleur de graves et la bobine acoustique ne se déplaçant pas beaucoup à la résonance, le flux d'air est minimisé dans la bobine acoustique et la maîtrise de la puissance thermique est légèrement réduite à cette fréquence.

Les caissons à événement offrent le meilleur rendement dans la plage de 40 Hz à 60 Hz, au détriment de la sortie audio dans l'octave la plus grave (sous 40 Hz). L'utilisation d'un filtre infrasonore est recommandée avec les caissons à événement. Le caisson à événement optimal pour un haut-parleur de graves de la série est plus grand qu'un caisson fermé optimal.

## AVANTAGES DE PERFORMANCES D'UN CAISSON À ÉVÉNEMENT

- Un caisson à événement optimal offre un rendement et une sortie supérieurs dans la plage de 40 Hz à 60 Hz qu'un caisson fermé optimal.
- Un caisson à événement optimal offre une sensation de graves plus importante qu'un caisson fermé optimal.
- Un haut-parleur de graves dans un caisson à événement optimal requerra moins de puissance d'amplification pour atteindre une sortie acoustique donnée (en descendant jusqu'à la fréquence de résonance du caisson) que dans un caisson fermé optimal.

## COMPROMIS DE PERFORMANCES D'UN CAISSON À ÉVÉNEMENT

- Sortie réduite dans l'octave la plus grave (sous 40 Hz).
- Maîtrise de la puissance mécanique réduite sous la fréquence de résonance du caisson. L'utilisation d'un filtre infrasonore électronique est fortement recommandée afin de réduire le risque de surcharge du haut-parleur de graves sous la fréquence de résonance du caisson.
- Un caisson à événement optimal est toujours plus grand qu'un caisson fermé optimal.

## CONSTRUCTION D'UN CAISSON À ÉVÉNEMENT

La construction de caisson à événement est plus difficile que celle d'un caisson fermé. Le volume du caisson et les dimensions de l'événement ont une relation spécifique avec les caractéristiques physiques et électromécaniques du haut-parleur de graves, ce qui impose le respect strict du volume de caisson et des caractéristiques d'événement recommandés. Comme pour un caisson fermé, utilisez du panneau de fibres agglomérées de densité moyenne (MDF), de la colle et des vis pour construire le caisson et scellez tous les joints avec du mastic silicone.

## RECOMMANDATIONS

Les haut-parleurs de graves dans des caissons à événement sont recommandés pour les amateurs qui préfèrent une réponse des graves accentuée, qui ont un espace de chargement important à consacrer à un caisson de haut-parleur de graves et qui utiliseront un amplificateur moins puissant pour piloter leur haut-parleur de graves. Le volume et les dimensions de l'événement indiqués doivent être respectés précisément pour assurer des performances optimales.

## MONTAGE DU HAUT-PARLEUR DE GRAVES

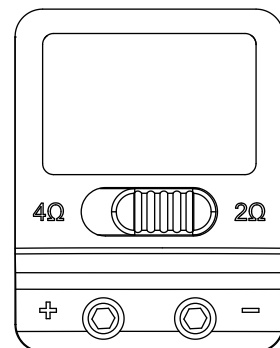
Les haut-parleurs de graves doivent être montés depuis l'extérieur du caisson. Utilisez le joint en mousse inclus pour assurer une étanchéité sans fuite entre la structure du haut-parleur de graves et le caisson.

## BRANCHEMENT DU HAUT-PARLEUR DE GRAVES

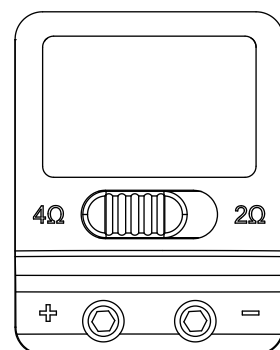
### RÉGLAGE DE L'IMPÉDANCE

Les haut-parleurs de graves Stadium incluent un commutateur de sélection d'impédance (Selectable Smart Impedance™, SSI). Cette caractéristique exclusive vous permet de régler l'impédance du haut-parleur de graves à 2 ohms ou à 4 ohms en basculant un commutateur (voir les illustrations ci-dessous). Cela vous permet d'obtenir les meilleures performances de votre amplificateur de haut-parleur de graves en toute situation.

Le réglage 2 ohms du SSI accroît la sortie du haut-parleur de graves de jusqu'à 3 dB par rapport au réglage 4 ohms, en fonction de l'amplificateur. Toutes les autres caractéristiques des performances sont identiques. Si l'amplificateur connecté est donné pour un fonctionnement sous 2 ohms et si ses valeurs de puissance sous 2 ohms sont dans les spécifications de puissance du haut-parleur de graves, le réglage du commutateur SSI sur la position 2 ohms produira la sortie maximale.



Réglage 2 ohms



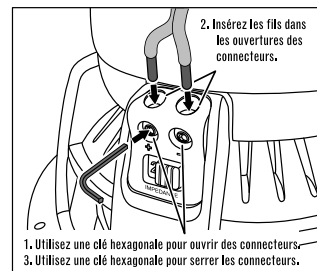
Réglage 4 ohms

**IMPORTANT :** veillez à ce que l'amplificateur du haut-parleur de graves soit éteint avant de basculer le commutateur SSI. Ne modifiez pas la position du commutateur pendant le fonctionnement de l'amplificateur du haut-parleur de graves. Ceci pourrait endommager l'amplificateur.

### BRANCHEMENT DE L'AMPLIFICATEUR

Les connecteurs du haut-parleur de graves sont compatibles avec les fils nus ou étamés. La section de fil recommandée est entre 2,08 mm<sup>2</sup> et 8,37 mm<sup>2</sup>, en fonction de la longueur du câble entre l'amplificateur et le haut-parleur de graves. Une section de fil plus importante est préférable au-delà de 2 m (6').

- Utilisez une clé hexagonale de 2,5 mm pour ouvrir les connecteurs.
- Insérez les extrémités de fil dans les ouvertures des connecteurs.  
**REMARQUE :** si vous utilisez un fil dénudé non étamé, veillez à ce que les brins des côtés + et - ne se touchent pas. Des brins en contact peuvent créer un court-circuit, qui peut endommager votre amplificateur.
- Utilisez la clé hexagonale pour bloquer les fils dans les connecteurs, comme représenté dans l'illustration à gauche.



### DONNÉES TECHNIQUES

## Stadium 1024

### PARAMÈTRES DE THIELE-SMALL

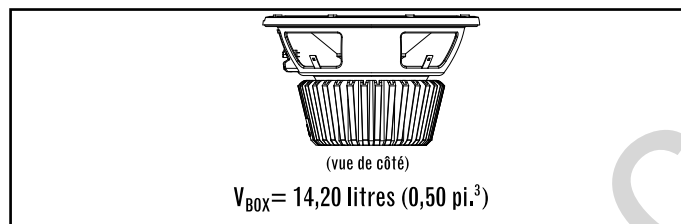
	2Ω	4Ω
RÉSISTANCE CC DE LA BOBINE ACOUSTIQUE :	REVC (OHMS) . . . . . 1.80 . . . . . 4.06	
INDUCTANCE DE LA BOBINE ACOUSTIQUE À 1 kHz :	LEVC (mH) . . . . . 1.04 . . . . . 0.91	
ZONE DE RAYONNEMENT DU HAUT-PARLEUR :	SD (IN <sup>2</sup> ) . . . . . 53.69 . . . . . 53.69	
	SD (CM <sup>2</sup> ) . . . . . 346.36 . . . . . 346.36	
FACTEUR DE FORCE DU MOTEUR :	BL (T <sub>m</sub> ) . . . . . 10.54 . . . . . 14.98	
VOLUME D'ÉLASTICITÉ :	V <sub>AS</sub> (FT <sup>3</sup> ) . . . . . 0.86 . . . . . 0.89	
	V <sub>AS</sub> (LITERS) . . . . . 24.22 . . . . . 25.27	
ÉLASTICITÉ DE LA SUSPENSION :	C <sub>MS</sub> (LJM/N) . . . . . 144.00 . . . . . 150.00	
MASSE MOBILE, CHARGE D'AIR :	M <sub>MS</sub> (GRAMS) . . . . . 188.72 . . . . . 185.47	
RÉSONANCE À L'AIR LIBRE :	F <sub>S</sub> (Hz) . . . . . 30.56 . . . . . 30.18	
Q MÉCANIQUE :	Q <sub>MS</sub> . . . . . 3.11 . . . . . 2.17	
Q ÉLECTRIQUE :	Q <sub>ES</sub> . . . . . 0.57 . . . . . 0.61	
Q TOTAL :	Q <sub>TS</sub> . . . . . 0.48 . . . . . 0.48	
HAUTEUR D'ENTREFER MAGNÉTIQUE :	H <sub>AG</sub> (IN) . . . . . 0.39 . . . . . 0.39	
	H <sub>AG</sub> (MM) . . . . . 10.00 . . . . . 10.00	
HAUTEUR DE BOBINE ACOUSTIQUE :	H <sub>VC</sub> (IN) . . . . . 1.32 . . . . . 1.32	
	H <sub>VC</sub> (MM) . . . . . 33.50 . . . . . 33.50	
COURSE MAXIMALE :	X <sub>MAX</sub> (IN) . . . . . 0.47 . . . . . 0.47	
	X <sub>MAX</sub> (MM) . . . . . 12.00 . . . . . 12.00	

## Stadium 1224

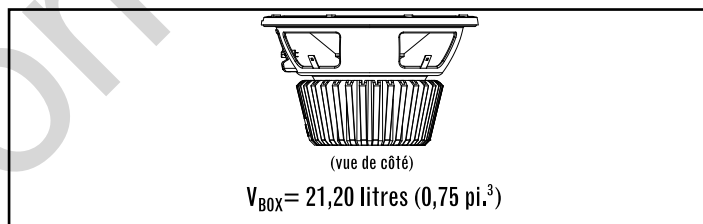
### PARAMÈTRES DE THIELE-SMALL

	2Ω	4Ω
RÉSISTANCE CC DE LA BOBINE ACOUSTIQUE :	REVC (OHMS) . . . . . 1.82 . . . . . 4.07	
INDUCTANCE DE LA BOBINE ACOUSTIQUE À 1 kHz :	LEVC (mH) . . . . . 1.03 . . . . . 0.94	
ZONE DE RAYONNEMENT DU HAUT-PARLEUR :	SD (IN <sup>2</sup> ) . . . . . 82.29 . . . . . 82.29	
	SD (CM <sup>2</sup> ) . . . . . 530.93 . . . . . 530.93	
FACTEUR DE FORCE DU MOTEUR :	BL (T <sub>m</sub> ) . . . . . 11.70 . . . . . 16.99	
VOLUME D'ÉLASTICITÉ :	V <sub>AS</sub> (FT <sup>3</sup> ) . . . . . 1.93 . . . . . 1.86	
	V <sub>AS</sub> (LITERS) . . . . . 54.65 . . . . . 52.59	
ÉLASTICITÉ DE LA SUSPENSION :	C <sub>MS</sub> (LJM/N) . . . . . 138.00 . . . . . 133.00	
MASSE MOBILE, CHARGE D'AIR :	M <sub>MS</sub> (GRAMS) . . . . . 220.58 . . . . . 225.64	
RÉSONANCE À L'AIR LIBRE :	F <sub>S</sub> (Hz) . . . . . 28.84 . . . . . 29.07	
Q MÉCANIQUE :	Q <sub>MS</sub> . . . . . 4.29 . . . . . 2.56	
Q ÉLECTRIQUE :	Q <sub>ES</sub> . . . . . 0.53 . . . . . 0.58	
Q TOTAL :	Q <sub>TS</sub> . . . . . 0.47 . . . . . 0.47	
HAUTEUR D'ENTREFER MAGNÉTIQUE :	H <sub>AG</sub> (IN) . . . . . 0.39 . . . . . 0.39	
	H <sub>AG</sub> (MM) . . . . . 10.00 . . . . . 10.00	
HAUTEUR DE BOBINE ACOUSTIQUE :	H <sub>VC</sub> (IN) . . . . . 1.32 . . . . . 1.32	
	H <sub>VC</sub> (MM) . . . . . 33.50 . . . . . 33.50	
COURSE MAXIMALE :	X <sub>MAX</sub> (IN) . . . . . 0.47 . . . . . 0.47	
	X <sub>MAX</sub> (MM) . . . . . 12.00 . . . . . 12.00	

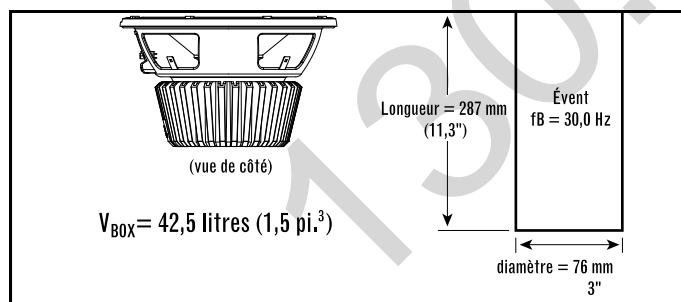
### VOLUME DE BOÎTE FERMÉE (INCLUT LE VOLUME DU MOTEUR)



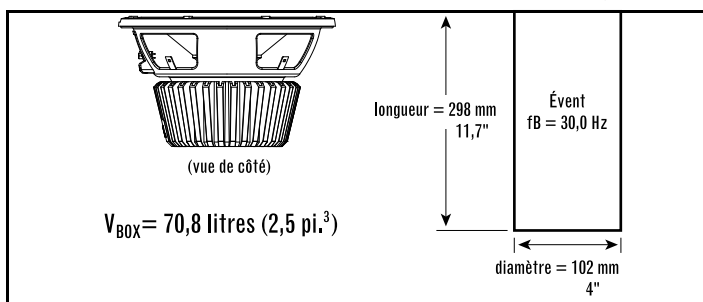
### VOLUME DE BOÎTE FERMÉE (INCLUT LE VOLUME DU MOTEUR)



### VOLUME DE BOÎTE À ÉVENT (INCLUT LES VOLUMES DE MOTEUR/ÉVENT)

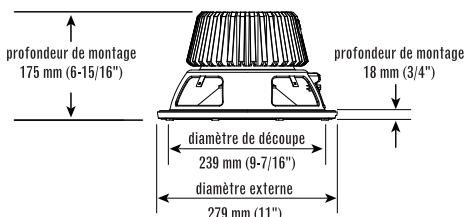


### VOLUME DE BOÎTE À ÉVENT (INCLUT LES VOLUMES DE MOTEUR/ÉVENT)



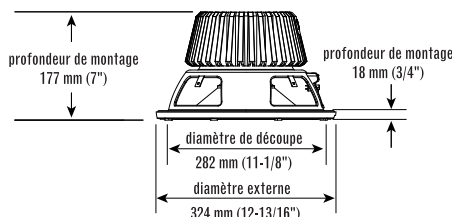
### SPÉCIFICATIONS

**DIAMÈTRE :** 254 MM (10")  
**SENSIBILITÉ (2,83 V à 1 M) :** 91dB  
**PUISSANCE ADMISSIBLE :** 450 Wrms (1350 W CRÊTE)  
**RÉPONSE EN FRÉQUENCE :** 30 HZ ~ 175 HZ  
**IMPÉDANCE NOMINALE :** 2 OU 4 OHMS  
**DIAMÈTRE DE BOBINE ACOUSTIQUE :** 63 MM (2 1/2")



### SPÉCIFICATIONS

**DIAMÈTRE :** 305 MM (12")  
**SENSIBILITÉ (2,83 V à 1 M) :** 92dB  
**PUISSANCE ADMISSIBLE :** 500 Wrms (1500 W CRÊTE)  
**RÉPONSE EN FRÉQUENCE :** 25 HZ ~ 175 HZ  
**IMPÉDANCE NOMINALE :** 2 OU 4 OHMS  
**DIAMÈTRE DE BOBINE ACOUSTIQUE :** 63 MM (2 1/2")



GRACIAS por elegir un subwoofer JBL Stadium. Estos subwoofers están diseñados de forma adecuada para una amplia gama de aplicaciones de audio de automóvil y se pueden usar en una amplia variedad de tipos de cajas para obtener bajos amplios y potentes con un espacio limitado dentro del vehículo. Con el fin de obtener el máximo rendimiento de su nuevo subwoofer, le recomendamos encarecidamente que encargue la instalación del subwoofer a un profesional cualificado. Aunque este manual proporciona instrucciones generales sobre la instalación de estos subwoofers de la serie, no incluye detalles sobre la construcción de la caja ni los métodos exactos de instalación en ningún vehículo en particular. Si no cree disponer de la experiencia necesaria, no intente instalarlo por su cuenta. En su lugar, consulte con su distribuidor autorizado JBL las opciones de instalación profesional.

Recuerde guardar su tique de compra en un lugar seguro, junto con este manual, para que ambos estén disponibles para futuras consultas.

## ADVERTENCIA

Reproducir música a volúmenes elevados en un vehículo obstaculiza su capacidad para escuchar el tráfico y puede perjudicar de forma permanente su oído. Los niveles máximos de volumen que se pueden alcanzar con los altavoces JBL en combinación con amplificadores de alta potencia puede superar los niveles de escucha seguros. Se recomienda utilizar niveles de volumen bajos durante la conducción. JBL Inc. no acepta ninguna responsabilidad por pérdidas auditivas, lesiones corporales o daños materiales como resultado del uso o abuso de este producto.

## REPRODUCCIÓN DE BAJOS EN VEHÍCULOS

Según el espacio de escucha disponible en el interior de su vehículo, las frecuencias de bajos reproducidas por debajo de 80 Hz se potenciarán en casi 12 db por octava a medida que la frecuencia disminuye. Este fenómeno se conoce como función de transferencia del vehículo (o ganancia de la cabina) y desempeña un papel importante para conformar la respuesta en frecuencias del subwoofer colocado en un vehículo.

## TIPOS DE CAJA DE SUBWOOFER

Los subwoofers están diseñados para ofrecer el máximo rendimiento con cajas selladas de tamaño moderado, cajas ventiladas y cajas pasa banda prefabricadas. Es posible montarlas en forma de sonodector infinito, pero la potencia mecánica manejada por el subwoofer se reducirá debido a que no hay volumen de aire para tensar la suspensión del subwoofer y evitar el desplazamiento excesivo. Si opta por el montaje en sonodector infinito, considere que los valores de manejo de potencia RMS y pico mitad de los indicados en las especificaciones de este manual.

Elija el tipo de caja en función del espacio de carga de que disponga para dedicar a la caja, la potencia que vaya a usar para hacer funcionar el(los) subwoofer(s) y sus hábitos de escucha.

## CAJAS SELLADAS

El aire atrapado dentro de una caja sellada se comprime cuando el subwoofer se mueve hacia atrás y queda rarificado cuando el subwoofer se mueve hacia delante. En ambos casos, el aire de dentro de la caja tratará de lograr el equilibrio empujando y tirando del cono del subwoofer. El resultado es una suspensión más rígida en comparación con el subwoofer funcionando al aire. Esto significa que el cono del subwoofer es más difícil de mover a baja frecuencia, lo cual protege el subwoofer frente a un movimiento físico excesivo, pero requiere más potencia que otros diseños para lograr una misma salida acústica.

## VENTAJAS DEL FUNCIONAMIENTO CON CAJA SELLADA

- La respuesta en el interior del vehículo tendrá la respuesta en frecuencias global más homogénea.
- La respuesta en el interior del vehículo tendrá el ancho de banda máximo. (La respuesta a baja frecuencia utilizable dentro del vehículo será menor que 20 Hz).
- Una caja sellada óptima siempre será más pequeña que una caja óptima de otro tipo.

## VENTAJAS E INCONVENIENTES DEL RENDIMIENTO DE LAS CAJAS SELLADAS

- Una caja sellada óptima siempre tendrá una eficiencia global menor que una caja óptima de otro tipo.
- Un subwoofer en una carcasa sellada óptima requerirá más potencia de amplificación para lograr el mismo rendimiento acústico de salida que una

## CONSTRUCCIÓN DE UNA CAJA SELLADA

La construcción de una caja sellada es sencilla y poco sensible a errores en el cálculo del volumen, pero es necesario evitar las fugas de aire. Utilice conglomerado de madera de densidad media (MDF), cola y tornillos para montar la caja y selle todas las juntas con selladora de silicona.

## RECOMENDACIÓN

Los subwoofers en cajas selladas son recomendables para entusiastas que prefieran una reproducción precisa de la música y una respuesta uniforme en frecuencias, para quienes tengan poco espacio para dedicar a la caja del subwoofer y para quienes disponen de mucha potencia de amplificación dedicada a hacer funcionar el subwoofer. El diseño de caja sellada indicado en este manual representa el mejor compromiso entre la extensión hacia bajas frecuencias y la respuesta plana.

## CAJAS VENTILADAS

Una caja ventilada actúa como una caja sellada a las frecuencias superiores a su frecuencia de ajuste (resonancia). En el punto de resonancia (definida por la ventilación), la ventilación genera la mayoría del sonido (el cono del subwoofer es casi estacionario mientras vibra el aire en su interior). Esto proporciona un manejo de potencia mecánica mayor en la frecuencia de resonancia o mayores, y un manejo de

potencia menor por debajo de la resonancia. Puesto que el cono y la bobina de voz del subwoofer no se mueven demasiado en el punto de resonancia, se minimiza el flujo de aire a través de la bobina de voz y se reduce ligeramente el manejo de potencia térmica en el punto de resonancia.

Las cajas ventiladas proporcionan una eficiencia mayor en el intervalo de 40 Hz a 60 Hz, a expensas de la salida de sonido en la octava más baja (por debajo de 40 Hz). Con cajas ventiladas se recomienda usar un filtro infrasónico. La caja ventilada óptima de un subwoofer de la Serie es mayor que la caja sellada óptima.

## VENTAJAS DEL FUNCIONAMIENTO CON CAJA VENTILADA

- Una caja ventilada óptima tiene mayor eficiencia y mayor salida en el intervalo de 40 Hz a 60 Hz que una caja sellada óptima.
- Una caja ventilada óptima proporciona una sensación de bajos más intensa que una caja sellada óptima.
- Un subwoofer en una caja ventilada óptima necesita menos potencia de amplificación para lograr una salida acústica determinada (en la frecuencia de resonancia de la caja) que una caja sellada óptima.

## VENTAJAS E INCONVENIENTES DEL RENDIMIENTO DE LAS CAJAS VENTILADAS

- Salida reducida en la octava más baja (debajo de 40 Hz).
- Menor potencia manejada por debajo de la frecuencia de resonancia de la caja Es muy recomendable utilizar un filtro infrasónico electrónico con el fin de reducir las posibilidades de sobrepotenciar el subwoofer a frecuencias inferiores a la de resonancia.
- Una caja ventilada óptima siempre es mayor que una caja sellada óptima.

## CONSTRUCCIÓN DE UNA CAJA VENTILADA

Construir una caja ventilada es más difícil que una caja sellada. Existe una relación específica entre el volumen y las dimensiones del puerto de la caja con las características electromecánicas del subwoofer, lo cual hace necesario seguir estrictamente las características recomendadas del volumen de la caja y el puerto. Al igual que para las cajas selladas, utilice conglomerado de madera de densidad media (MDF), cola y tornillos para montar la caja y selle todas las juntas con selladora de silicona.

## RECOMENDACIÓN

Los subwoofers y en cajas ventiladas están recomendados para entusiastas que prefieren una respuesta de bajos acentuada, para quienes tienen espacio de carga generoso para dedicarlo a una caja de subwoofer y para quienes utilicen un amplificador menos potente para impulsar el subwoofer. El volumen y las dimensiones de puerto indicadas se deben seguir con exactitud con el fin de garantizar un rendimiento óptimo.

## MONTAJE DEL SUBWOOFER

Los subwoofers se deben montar desde el lado exterior de la caja. Utilice la junta de montaje de espuma incluida con el fin de garantizar un sellado sin fugas entre el marco del subwoofer y la caja.

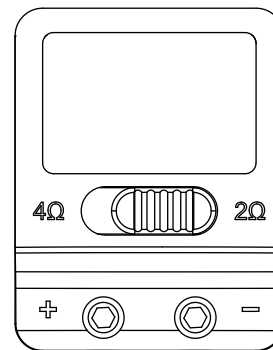
## CONEXIÓN DEL SUBWOOFER

### CONFIGURACIÓN DE LA IMPEDANCIA

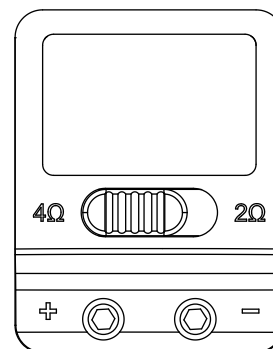
Los subwoofers de Stadium disponen del conmutador Selectable Smart Impedance™ (SSI). Esta característica exclusiva permite ajustar la impedancia del subwoofer a 2 ohm o 4 ohm con tan solo tocar un conmutador (consulte las ilustraciones siguientes). Esto permite sacar el máximo partido del amplificador del subwoofer en cualquier situación.

El ajuste de SSI de 2 ohm aumenta la salida del subwoofer frente al ajuste a 4 ohm en hasta 3 dB según el amplificador. El todos los demás sentidos, el rendimiento es idéntico. Si el amplificador conectado funciona a 2 ohm nominales y este valor está dentro de las especificaciones de manejo de potencia del subwoofer, al ajustar el conmutador SSI en la posición de 2 ohm se obtiene la salida máxima.

ES



Configuración con 2 ohm



Configuración con 4 ohm

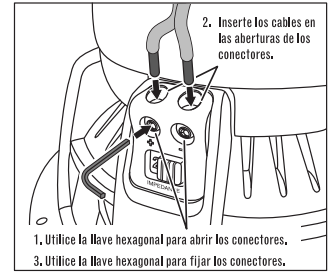


**IMPORTANTE:** Asegúrese de que el amplificador del subwoofer esté en posición OFF antes de ajustar el conmutador SSI. No cambie la posición del conmutador mientras el amplificador del subwoofer esté en marcha. Hacerlo puede dañar el amplificador.

### CONEXIÓN DEL AMPLIFICADOR

Los conectores del subwoofer son compatibles con cables pelados o estañados. El calibre de cable recomendado está entre 14AWG y 8AWG, según la longitud del cable que se deba tender entre el amplificador y el woofer. Para tendidos de más de 2 m es preferible usar un cable más grande.

1. Utilice un destornillador hexagonal de 2,5 mm para abrir los conectores.
2. Inserte los extremos de los cables en las aberturas de los conectores.  
**NOTA:** Si utiliza hilo pelado sin estañar, asegúrese de que no haya hilos sueltos "+" y "-" que se puedan tocar entre sí. Si se tocan los hilos, se puede provocar un cortocircuito capaz de dañar el amplificador.
3. Utilice el destornillador hexagonal para sujetar los cables en los conectores tal como se indica en la ilustración de la izquierda.



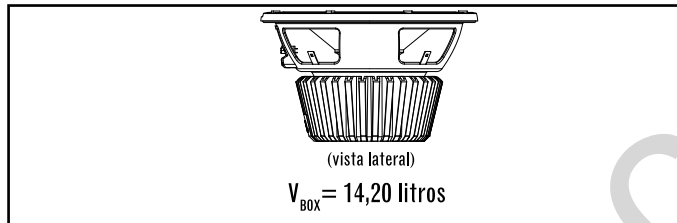
## DATOS TÉCNICOS

### Stadium 1024

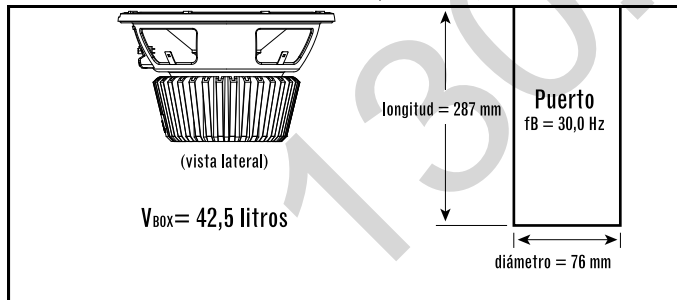
#### PARÁMETROS DE THIELE-SMALL

	2Ω	4Ω
RESISTENCIA DE CC DE LA BOBINA DE VOZ:	$R_{EVC}$ (OHMS) ..... 1,80	4,06
INDUCTANCIA DE LA BOBINA DE VOZ A 1 kHz:	$L_{EVC}$ (MH) ..... 1,04	0,91
ÁREA DE RADIACIÓN DE LA UNIDAD:	$S_D$ (IN <sup>2</sup> ) ..... 53,69	53,69
	$S_D$ (CM <sup>2</sup> ) ..... 346,36	346,36
FACTOR DE FUERZA DEL MOTOR:	$BL$ (Tm) ..... 10,54	14,98
VOLUMEN DE CUMPLIMIENTO:	$V_{AS}$ (FT <sup>3</sup> ) ..... 0,86	0,89
	$V_{AS}$ (LITERS) ..... 24,22	25,27
CUMPLIMIENTO DE SUSPENSIÓN:	$C_{MS}$ (μM/N) ..... 144,00	150,00
MASA MÓVIL, CARGA DE AIRE:	$M_{MS}$ (GRAMS) ..... 188,72	185,47
RESONANCIA EN AIRE LIBRE:	$F_S$ (Hz) ..... 30,56	30,18
Q MECÁNICA:	$Q_{MS}$ ..... 3,11	2,17
Q ELÉCTRICA:	$Q_{ES}$ ..... 0,57	0,61
Q TOTAL:	$Q_{TS}$ ..... 0,48	0,48
ALTURA DE LA SEPARACIÓN MAGNÉTICA:	$H_{AG}$ (IN) ..... 0,39	0,39
	$H_{AG}$ (MM) ..... 10,00	10,00
ALTURA DE LA BOBINA DE VOZ:	$H_{VC}$ (IN) ..... 1,32	1,32
	$H_{VC}$ (MM) ..... 33,50	33,50
RECORRIDO MÁXIMO:	$X_{MAX}$ (IN) ..... 0,47	0,47
	$X_{MAX}$ (MM) ..... 12,00	12,00

#### VOLUMEN DE LA CAJA SELLADA (INCLUYE EL DESPLAZAMIENTO DE LA UNIDAD)

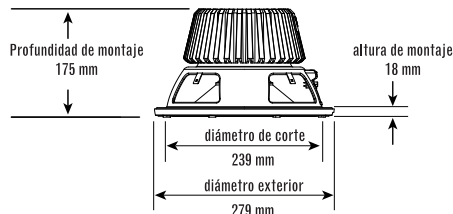


#### VOLUMEN DE LA CAJA VENTILADA (INCLUYE EL DESPLAZAMIENTO DE LA UNIDAD/PUERTO)



### ESPECIFICACIONES

DIÁMETRO:	254 mm
SENSIBILIDAD (2,83 V a 1 m):	91 dB
MANEJO DE POTENCIA:	450 Wrms (1350 W PICO)
INTERVALO DE FRECUENCIAS:	30 Hz ~ 175 Hz
IMPEDANCIA NOMINAL:	2 0 4 OHM
DIÁMETRO DE LA BOBINA DE VOZ:	63 mm
DIMENSIONES:	

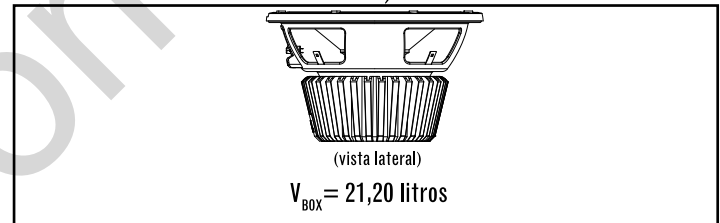


### Stadium 1224

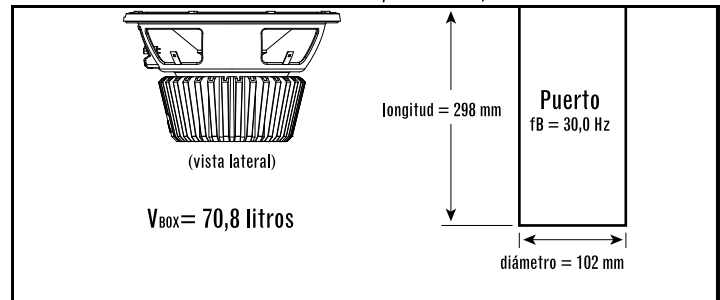
#### PARÁMETROS DE THIELE-SMALL

	2Ω	4Ω
RESISTENCIA DE CC DE LA BOBINA DE VOZ:	$R_{EVC}$ (OHMS) ..... 1,82	4,07
INDUCTANCIA DE LA BOBINA DE VOZ A 1 kHz:	$L_{EVC}$ (MH) ..... 1,03	0,94
ÁREA DE RADIACIÓN DE LA UNIDAD:	$S_D$ (IN <sup>2</sup> ) ..... 82,29	82,29
	$S_D$ (CM <sup>2</sup> ) ..... 530,93	530,93
FACTOR DE FUERZA DEL MOTOR:	$BL$ (Tm) ..... 11,70	16,99
VOLUMEN DE CUMPLIMIENTO:	$V_{AS}$ (FT <sup>3</sup> ) ..... 1,93	1,86
	$V_{AS}$ (LITERS) ..... 54,65	52,59
CUMPLIMIENTO DE SUSPENSIÓN:	$C_{MS}$ (μM/N) ..... 138,00	133,00
MASA MÓVIL, CARGA DE AIRE:	$M_{MS}$ (GRAMS) ..... 220,58	225,64
RESONANCIA EN AIRE LIBRE:	$F_S$ (Hz) ..... 28,84	29,07
Q MECÁNICA:	$Q_{MS}$ ..... 4,29	2,56
Q ELÉCTRICA:	$Q_{ES}$ ..... 0,53	0,58
Q TOTAL:	$Q_{TS}$ ..... 0,47	0,47
ALTURA DE LA SEPARACIÓN MAGNÉTICA:	$H_{AG}$ (IN) ..... 0,39	0,39
	$H_{AG}$ (MM) ..... 10,00	10,00
ALTURA DE LA BOBINA DE VOZ:	$H_{VC}$ (IN) ..... 1,32	1,32
	$H_{VC}$ (MM) ..... 33,50	33,50
RECORRIDO MÁXIMO:	$X_{MAX}$ (IN) ..... 0,47	0,47
	$X_{MAX}$ (MM) ..... 12,00	12,00

#### VOLUMEN DE LA CAJA SELLADA (INCLUYE EL DESPLAZAMIENTO DE LA UNIDAD)

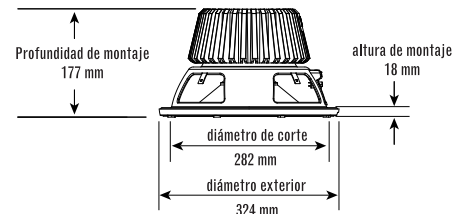


#### VOLUMEN DE LA CAJA VENTILADA (INCLUYE EL DESPLAZAMIENTO DE LA UNIDAD/PUERTO)



### ESPECIFICACIONES

DIÁMETRO:	305 mm
SENSIBILIDAD (2,83 V a 1 m):	92 dB
MANEJO DE POTENCIA:	500 Wrms (1500 W PICO)
INTERVALO DE FRECUENCIAS:	25 Hz ~ 175 Hz
IMPEDANCIA NOMINAL:	2 0 4 OHM
DIÁMETRO DE LA BOBINA DE VOZ:	63 mm
DIMENSIONES:	



**OBRIGADO** por adquirir um subwoofer JBL Stadium. Os subwoofers Series III são projetados para as mais diversas aplicações em som automotivo e podem ser usados com vários tipos de gabinete, proporcionando um baixo potente e estendido, mesmo em veículos com pouco espaço. Para obter o melhor desempenho de seu novo subwoofer, ele deve ser instalado por um profissional qualificado. Este manual apresenta instruções gerais sobre como instalar subwoofers da linha Series, mas não ensina a construir gabinetes nem descreve exatamente os procedimentos de instalação para nenhum tipo de veículo. Se achar que não possui a experiência necessária, não tente instalar o alto-falante sozinho. Procure um revendedor autorizado JBL e pergunte sobre opções de instalação profissional.

Guarde a nota fiscal em um lugar seguro junto com este manual para que ambos estejam disponíveis para consulta futura.

## ATENÇÃO

Tocar música alta em um veículo pode prejudicar sua capacidade de identificar sons do tráfego ou causar danos permanentes à sua audição. Os volumes de som produzidos por alto-falantes JBL e amplificadores de alta potência podem superar os níveis considerados seguros para ouvir por períodos prolongados. Recomenda-se manter o volume baixo ao dirigir. A JBL, Inc. não assumirá responsabilidade por perda auditiva, lesão corporal ou danos à propriedade causados pelo uso incorreto deste produto.

## REPRODUÇÃO DE GRAVES EM VEÍCULOS

Dependendo do espaço disponível no interior do veículo, a reprodução de frequências graves abaixo de 80 Hz aumentará em quase 12 dB por oitava à medida que a frequência diminui. Este fenômeno, que é conhecido como função de transferência (ou ganho de cabine) do veículo, é parte importante da resposta de frequência do subwoofer em um veículo.

## TIPOS DE GABINETE PARA SUBWOOFER

Os subwoofers são projetados para funcionar melhor em gabinetes selados de tamanho intermediário, gabinetes dutados e gabinetes passa-banda pré-fabricados. O subwoofer pode ser montado em baffle infinito, mas nesse caso sua potência mecânica será menor porque o volume de ar será insuficiente para enrijecer a suspensão do alto-falante e evitar deslocamentos excessivos. Se optar pela montagem em baffle infinito, utilize valores RMS e de pico correspondentes à metade das especificações indicadas no manual.

Selecione um tipo de gabinete apropriado para o espaço disponível, a potência que deseja aplicar no subwoofer e a utilização pretendida do sistema de som.

## GABINETES SELADOS

Ao se mover para frente e para trás, o subwoofer comprime e descomprime o ar preso no interior do gabinete selado. Em ambos os casos, o ar no interior da caixa procura o equilíbrio empurrando ou puxando o cone do subwoofer. Isso torna a suspensão mais rígida que quando o subwoofer funciona em ar livre. Assim, o cone do subwoofer torna-se mais rígido em frequências mais baixas, protegendo o alto-falante contra sobreextensão física, mas requer mais potência que outros projetos para produzir o mesmo volume acústico.

## VANTAGENS DE GABINETES SELADOS PARA O DESEMPENHO

- O desempenho no interior do veículo apresentará a curva de resposta mais plana.
- A curva de resposta dentro do veículo terá a maior largura de banda. (A resposta de baixa frequência utilizável no interior do veículo será inferior a 20 Hz.)

- Um gabinete selado ideal será sempre menor que um gabinete ideal de outro tipo.

## DESVANTAGENS DOS GABINETES SELADOS

- Um gabinete selado ideal será sempre menos eficiente que um gabinete ideal de outro tipo.
- Um subwoofer instalado em um gabinete selado ideal precisará de um amplificador mais potente para produzir o mesmo volume de som que se estivesse um gabinete ideal de outro tipo.

## CONSTRUÇÃO DE GABINETES SELADOS

Gabinetes selados são fáceis de construir e a tolerância a erros de cálculo de volume é maior, mas é preciso evitar vazamentos de ar. Use painel de fibras de densidade média (MDF), cola e parafusos para construir o gabinete e vede todas as juntas com borracha de silicone.

## RECOMENDAÇÃO

Subwoofers em gabinetes selados são melhores para reproduzir música de forma acurada e com curva de frequência plana, se o espaço disponível para instalar subwoofers for pequeno ou se houver um amplificador potente disponível para acionar o subwoofer. Projetos com gabinetes selados como os descritos neste manual são o melhor compromisso entre extensão em baixas frequências e resposta plana.

## GABINETES DUTADOS

Um gabinete dutado funciona como um gabinete selado em frequências superiores à frequência de ressonância do gabinete. O maior volume de som é produzido na frequência de ressonância definida pelo duto, na qual o cone do subwoofer fica praticamente parado,

mas o ar no interior do gabinete vibra. Assim, a energia mecânica é maior em frequências acima da de ressonância e menor em frequências mais baixas. Como o cone e a bobina do subwoofer quase não se movem na frequência de ressonância, o fluxo de ar pela bobina diminui e a dissipação de calor na frequência de ressonância é menor.

Os gabinetes dutados são mais eficientes na faixa de 40 a 60 Hz, mas o som produzido na oitava mais grave (abaixo de 40 Hz) é menor. Recomenda-se usar um filtro de infrassom com gabinetes dutados. Para subwoofers da linha Series, um gabinete dutado ideal é maior que um gabinete selado ideal.

## VANTAGENS DE GABINETES DUTADOS PARA O DESEMPENHO

- Um gabinete dutado ideal é mais eficaz e mais potente que um gabinete selado ideal na faixa de 40 a 60 Hz.

- Um gabinete dutado ideal permite sentir os sons graves melhor que um gabinete selado ideal.

- Quando instalado em um gabinete ideal, o subwoofer requer menos potência do amplificador para produzir um mesmo volume de som (em frequências acima da ressonância do gabinete) que com um gabinete selado ideal.

## DESVANTAGENS DO GABINETE DUTADO

- O volume de som é menor na oitava mais baixa (menos de 40 Hz).
- A energia mecânica é menor em frequências abaixo da ressonância do gabinete. Recomenda-se usar um filtro eletrônico de infrassom para reduzir a possibilidade de sobrecarga do subwoofer em frequências inferiores à de ressonância.
- Um gabinete dutado ideal é sempre maior que um gabinete selado ideal.

## CONSTRUÇÃO DE GABINETES DUTADOS

Um gabinete dutado é mais difícil de construir que um gabinete selado. O volume e as dimensões da saída do gabinete possuem uma relação específica com as características físicas e eletromecânicas do subwoofer. Portanto, as características recomendadas para o volume do gabinete e para a porta precisam ser rigorosamente observadas. Para construir o gabinete, use os mesmos materiais empregados para gabinetes selados (painel de fibras de densidade média (MDF), cola e parafusos) e vede todas as juntas com borracha de silicone.

## RECOMENDAÇÃO

Subwoofers em gabinetes dutados são uma opção para quem prefere um baixo mais acentuado, dispõe de bastante espaço para instalar um gabinete grande ou pretende usar um amplificador menos potente para o subwoofer. Para garantir o

melhor desempenho, as dimensões de volume e porta indicados precisam ser seguidos exatamente.

## MONTAGEM DO SUBWOOFER

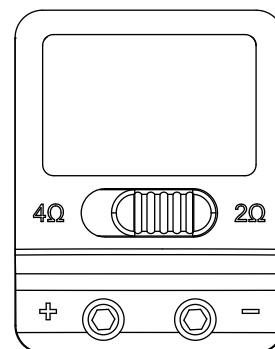
Os subwoofers devem ser montados a partir do lado externo do gabinete. Use a junta de montagem de espuma fornecida com o alto-falante para criar uma vedação sem vazamento entre o suporte do subwoofer e o gabinete.

## CONEXÃO DO SUBWOOFER

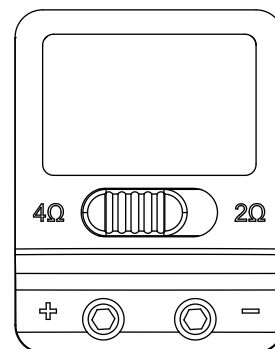
### AJUSTE DE IMPEDÂNCIA

Os subwoofers Stadium possuem a chave Selectable Smart Impedance™ (SSI). Com este recurso exclusivo, a impedância do subwoofer pode ser ajustada para 2 ou 4 Ohms com apenas uma chave (ver ilustração abaixo). Assim, você extrai o máximo de sonoridade do amplificador do subwoofer em qualquer situação.

Dependendo do amplificador, o ajuste do SSI para 2 Ohms aumenta a potência do subwoofer em até 3 dB que com 4 Ohms. O desempenho é idêntico em todos os outros aspectos. Se o amplificador conectado for próprio para operação a 2 Ohms e apresentar parâmetros a 2 Ohms apropriados para as especificações de potência do subwoofer, a potência máxima será obtida com a chave SSI na posição 2 Ohms.



Ajuste para 2 Ohms



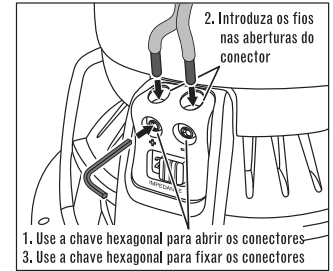
Ajuste para 4 Ohms

**IMPORTANTE:** Desligue o amplificador do subwoofer antes de ajustar a chave SSI. Não mude a chave de posição com o amplificador do subwoofer funcionando. Caso contrário, o amplificador pode ser danificado.

### CONEXÃO DO AMPLIFICADOR

Os conectores do subwoofer podem receber fios nus ou estanhados. A bitola recomendada é de 14 a 8 AWG, dependendo do comprimento de fio entre o amplificador e o subwoofer. Se a distância for maior que 2 m (6 pés), use fio mais grosso.

1. Use uma chave hexagonal de 2,5 mm para abrir os conectores
2. Coloque as extremidades dos fios nas aberturas do conector  
**OBSERVAÇÃO:** Se usar fio nu não estanhado, nunca deixe que fiapos dos fios positivo e negativo toquem uns nos outros. Isso pode causar curto-circuito e danificar o amplificador.
3. Use a chave hexagonal para prender os fios nos conectores da maneira mostrada na ilustração à esquerda



### DADOS TÉCNICOS

## Stadium 1024

#### PARÂMETROS DE THIELE-SMALL

2Ω      4Ω

RESISTÊNCIA DC DA BOBINA:	REVC (OHMS) .....	1,80	4,06
INDUTÂNCIA DA BOBINA A 1 KHZ:	LEVC (MH) .....	1,04	0,91
ÁREA DE IRRADIAÇÃO DO DRIVER:	SD (IN <sup>2</sup> ) .....	53,69	53,69
	SD (CM <sup>2</sup> ) .....	346,36	346,36
FATOR DE FORÇA DO MOTOR:	BL (T <sub>m</sub> ) .....	10,54	14,98
VOLUME DE COMPLIÂNCIA:	VAS (FT <sup>3</sup> ) .....	0,86	0,89
	VAS (LITERS) .....	24,22	25,27
COMPLIÂNCIA DA SUSPENSÃO:	CMS (LJM/N) .....	144,00	150,00
MASSA MÓVEL (LIVRE, EM AR):	MMS (GRAMS) .....	188,72	185,47
RESSONÂNCIA (LIVRE, EM AR):	FS (Hz) .....	30,56	30,18
Q MECÂNICO:	QMS .....	3,11	2,17
Q ELÉTRICO:	QES .....	0,57	0,61
Q TOTAL:	QTS .....	0,48	0,48
ALTURA DO GAP MAGNÉTICO:	HAG (IN) .....	0,39	0,39
	HAG (MM) .....	10,00	10,00
ALTURA DA BOBINA:	HVC (IN) .....	1,32	1,32
	HVC (MM) .....	33,50	33,50
EXCURSÃO MÁXIMA:	XMAX (IN) .....	0,47	0,47
	XMAX (MM) .....	12,00	12,00

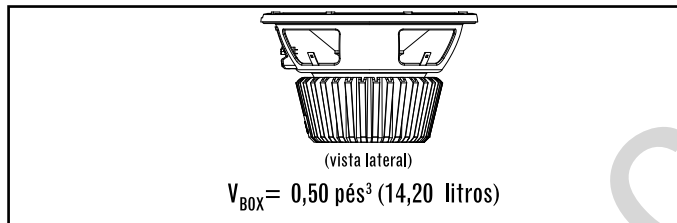
## Stadium 1224

#### PARÂMETROS DE THIELE-SMALL

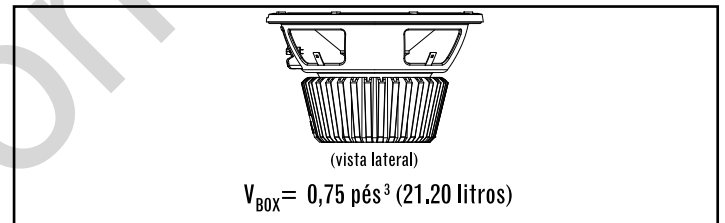
2Ω      4Ω

RESISTÊNCIA DC DA BOBINA:	REVC (OHMS) .....	1,82	4,07
INDUTÂNCIA DA BOBINA A 1 KHZ:	LEVC (MH) .....	1,03	0,94
ÁREA DE IRRADIAÇÃO DO DRIVER:	SD (IN <sup>2</sup> ) .....	82,29	82,29
	SD (CM <sup>2</sup> ) .....	530,93	530,93
FATOR DE FORÇA DO MOTOR:	BL (T <sub>m</sub> ) .....	11,70	16,99
VOLUME DE COMPLIÂNCIA:	VAS (FT <sup>3</sup> ) .....	1,93	1,86
	VAS (LITERS) .....	54,65	52,59
COMPLIÂNCIA DA SUSPENSÃO:	CMS (LJM/N) .....	138,00	133,00
MASSA MÓVEL (LIVRE, EM AR):	MMS (GRAMS) .....	220,58	225,64
RESSONÂNCIA (LIVRE, EM AR):	FS (Hz) .....	28,84	29,07
Q MECÂNICO:	QMS .....	4,29	2,56
Q ELÉTRICO:	QES .....	0,53	0,58
Q TOTAL:	QTS .....	0,47	0,47
ALTURA DO GAP MAGNÉTICO:	HAG (IN) .....	0,39	0,39
	HAG (MM) .....	10,00	10,00
ALTURA DA BOBINA:	HVC (IN) .....	1,32	1,32
	HVC (MM) .....	33,50	33,50
EXCURSÃO MÁXIMA:	XMAX (IN) .....	0,47	0,47
	XMAX (MM) .....	12,00	12,00

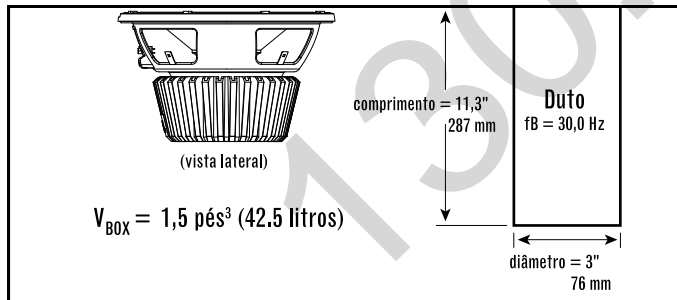
#### VOLUME DA CAIXA SELADA, INCLUINDO DESLOCAMENTO DO DRIVER



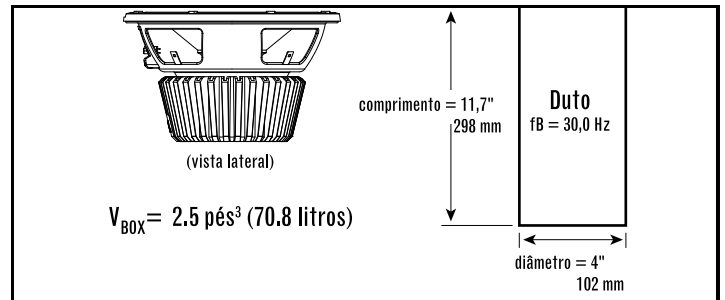
#### VOLUME DA CAIXA SELADA, INCLUINDO DESLOCAMENTO DO DRIVER



#### VOLUME DA CAIXA DUTADA, INCLUINDO DESLOCAMENTO DO DRIVER OU DA PORTA

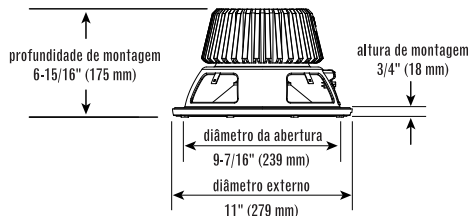


#### VOLUME DA CAIXA DUTADA, INCLUINDO DESLOCAMENTO DO DRIVER OU DA PORTA



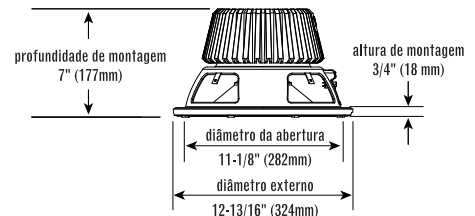
### ESPECIFICAÇÕES

DIÂMETRO:	10" (254 MM)
SENSIBILIDADE (2,83 V a 1 M):	91 dB
PROCESSAMENTO DE POTÊNCIA:	450 Wrms (PICO 1350 W)
RESPOSTA DE FREQUÊNCIA:	30 HZ ~ 175 HZ
IMPEDÂNCIA NOMINAL:	2 OU 4 OHMS
DIÂMETRO DA BOBINA:	2 1/2" (63 MM)



### ESPECIFICAÇÕES

DIÂMETRO:	12" (305 MM)
SENSIBILIDADE (2,83 V a 1 M):	92 dB
PROCESSAMENTO DE POTÊNCIA:	500 Wrms (PICO 1500 W)
RESPOSTA DE FREQUÊNCIA:	25 HZ ~ 175 HZ
IMPEDÂNCIA NOMINAL:	2 OU 4 OHMS
DIÂMETRO DA BOBINA:	2 1/2" (63 MM)



**GRAZIE** per aver scelto un subwoofer JBL Stadium. Questi subwoofer sono progettati per adattarsi a un'ampia gamma di applicazioni car audio e sono utilizzabili in svariati tipi di box per produrre bassi estesi e potenti occupando una quantità limitata di spazio nel veicolo. Per ottenere le prestazioni ottimali dal nuovo subwoofer, si consiglia vivamente di far installare il subwoofer da un professionista qualificato. Sebbene il presente manuale fornisca le istruzioni generali per l'installazione di questa Serie di subwoofer, non include i dettagli sulla costruzione del box o i metodi di installazione esatti per ciascun veicolo specifico. Se si pensa di non possedere l'esperienza necessaria, non tentare di procedere all'installazione da soli, chiedere invece informazioni sulle opzioni di installazione professionale a un rivenditore autorizzato JBL.

Ricordare di conservare la ricevuta di acquisto in un luogo sicuro, insieme con il presente manuale, in modo che siano entrambi disponibili come riferimento futuro.

## ATTENZIONE

La riproduzione di musica ad alto volume può impedire la capacità di ascoltare il traffico e danneggiare in modo permanente l'udito. I livelli di volume massimo ottenibili dai diffusori JBL in combinazione con un'amplificazione ad alta potenza potrebbero superare i livelli di sicurezza in caso di ascolto prolungato. Si consigliano livelli di volume moderati quando si è alla guida. JBL, Inc. non accetta alcuna responsabilità per perdita dell'udito, lesioni personali o danni alle cose in conseguenza dell'uso o dell'uso improprio di questo prodotto.

## RIPRODUZIONE DEI BASSI NEI VEICOLI

A seconda delle dimensioni dello spazio di ascolto all'interno del veicolo, le basse frequenze riprodotte sotto gli 80 Hz saranno aumentate di circa 12 dB per ottava man mano che la frequenza diminuisce. Questo fenomeno, noto come funzione di trasferimento del veicolo (o guadagno di cabina), svolge un ruolo importante nel dare forma alla risposta in frequenza del subwoofer nel veicolo.

## TIPOLOGIE DI BOX SUBWOOFER

I subwoofer sono progettati per prestazioni ottimali in box sigillati di dimensioni moderate, box ventilati e box passa-banda prefabbricati. È possibile il montaggio in aria libera, ma la gestione della potenza meccanica del subwoofer sarà ridotta perché non vi sarà alcun volume d'aria per trattenerne la sospensione del subwoofer e impedire l'eccessiva escursione. Se si sceglie il montaggio in aria libera, tener conto che i valori di tenuta in potenza RMS e di picco la metà di quanto elencato nelle specifiche del presente manuale.

Occorre scegliere un tipo di box in base alla quantità di spazio utile che è possibile dedicare ad esso, alla potenza che si userà per pilotare il/i subwoofer e alle proprie abitudini di ascolto.

## BOX SIGILLATI

L'aria intrappolata all'interno di un box chiuso è compressa quando il subwoofer si sposta all'indietro ed è rarefatta quando il subwoofer si sposta in avanti. In entrambi i casi, l'aria all'interno e all'esterno del box cercherà l'equilibrio spingendo e tirando sul cono del subwoofer. Il risultato è una sospensione più rigida rispetto al subwoofer che funziona in aria aperta. Ciò significa che sarà più difficile spostare il cono del subwoofer alle basse frequenze, una condizione che lo protegge dall'eccessiva escursione fisica, ma richiede maggiore potenza rispetto ad altri design per ottenere un determinato risultato acustico.

## VANTAGGI PRESTAZIONALI DEL BOX SIGILLATO

- Le prestazioni all'interno del veicolo avranno la risposta in frequenza generale più piatta.
- La risposta all'interno del veicolo avrà la larghezza di banda più ampia. (La risposta a bassa frequenza all'interno del veicolo sarà inferiore a 20 Hz).
- Un box sigillato ottimale sarà sempre più piccolo rispetto a un box ottimale di un altro tipo.

## SVANTAGGI PRESTAZIONALI DEL BOX SIGILLATO

- Un box sigillato ottimale avrà sempre un'efficienza globale minore rispetto a un box ottimale di un altro tipo.
- Un subwoofer in un box sigillato ottimale necessiterà di maggiore potenza di amplificazione per ottenere una determinata emissione acustica rispetto a un box ottimale di un altro tipo.

## COSTRUZIONE DEL BOX SIGILLATO

La costruzione di un box sigillato è semplice e indulgente in caso di errori di calcolo del volume, ma occorre evitare le perdite d'aria. Utilizzare tavole in fibra a media densità (MDF), colla e viti per costruire il box, quindi sigillare tutte le giunture con stucco al silicone.

## AVVERTENZA

I subwoofer in box sigillati sono consigliati per gli appassionati che preferiscono la riproduzione di musica accurata ed una risposta in frequenza piatta, per coloro che dispongono di uno spazio più ridotto da dedicare a un box subwoofer e per coloro che dispongono di molta potenza dell'amplificatore da dedicare al subwoofer. Il progetto del box sigillato indicato sulla scheda dei dati tecnici allegata al presente manuale rappresenta il miglior compromesso tra estensione sulle basse frequenze ed una risposta piatta.

## BOX VENTILATI

Un box ventilato funziona come un box sigillato a frequenze superiori alla sua frequenza di risonanza. Alla frequenza di risonanza (che viene determinata dalla porta di accordo), lo sfianto produce la maggior parte del suono - il cono del subwoofer è quasi stazionario, mentre l'aria all'interno dello sfianto vibra. Ciò fornisce maggiore

tenuta in potenza meccanica alla risonanza e sopra di essa, ma minore gestione della potenza meccanica al di sotto della risonanza. Dato che il cono del subwoofer e la bobina mobile non si muovono molto alla frequenza di risonanza, il flusso d'aria che attraversa la bobina mobile è ridotto al minimo e la gestione della potenza termica si riduce leggermente.

I box ventilati forniscono una migliore efficienza nell'intervallo 40Hz - 60 Hz, a spese del livello sonoro nell'ottava più bassa (inferiore ai 40 Hz). Con i box ventilati, si consiglia di usare un filtro infrasonico. Un box ventilato ottimale per un subwoofer della Serie è più grande rispetto a un box sigillato ottimale.

## VANTAGGI PRESTAZIONALI DEL BOX VENTILATO

- Un box ventilato ottimale ha una maggiore efficienza e un livello d'uscita più elevato nell'intervallo 40Hz - 60Hz rispetto a un box sigillato ottimale.
- Un box ventilato ottimale fornisce una sensazione di bassi maggiore rispetto a un box sigillato ottimale.
- Un subwoofer in box ventilato ottimale necessiterà di minore potenza dell'amplificatore per ottenere una determinata emissione acustica (fino alla frequenza di risonanza del box) rispetto a un box sigillato ottimale.

## SVANTAGGI PRESTAZIONALI DEL BOX VENTILATO

- Emissione ridotta nell'ottava più bassa (sotto ai 40 Hz).
- Minore tenuta in potenza meccanica al di sotto della frequenza di risonanza del box. Si consiglia vivamente di usare un filtro infrasonico per ridurre il rischio di un utilizzo eccessivo del subwoofer al di sotto della frequenza di risonanza del box.
- Un box ventilato ottimale sarà sempre più grande rispetto a un box sigillato ottimale.

## COSTRUZIONE DEL BOX VENTILATO

La costruzione di un box ventilato è più difficile rispetto a quella di un box sigillato. Il volume del box e le dimensioni della porta d'accordo hanno un rapporto specifico con le caratteristiche fisiche ed elettromeccaniche del subwoofer, il che richiede il rispetto preciso del volume del box e delle dimensioni della porta. Come con i box sigillati, usare tavole in fibra a media densità (MDF), colla e viti per costruire il box, quindi sigillare tutte le giunture con stucco al silicone.

## AVVERTENZA

I subwoofer in box ventilato sono consigliati per gli appassionati che preferiscono una risposta dei bassi accentuata, per coloro che dispongono di uno spazio abbondante da dedicare a un box per subwoofer e per coloro che usano un amplificatore meno potente per pilotare il subwoofer. Per garantire le prestazioni ottimali, occorre attenersi esattamente al volume e alle dimensioni della porta indicati.

## MONTAGGIO DEL SUBWOOFER

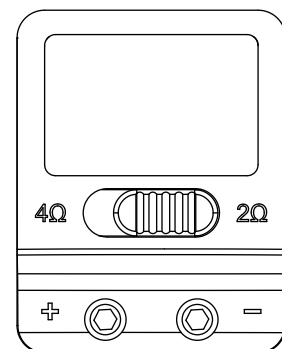
I subwoofer dovrebbero essere montati dall'esterno del box. Usare il materiale in spugna in dotazione per il montaggio, per garantire una tenuta ermetica tra il telaio del subwoofer e il box.

## COLLEGAMENTO DEL SUBWOOFER

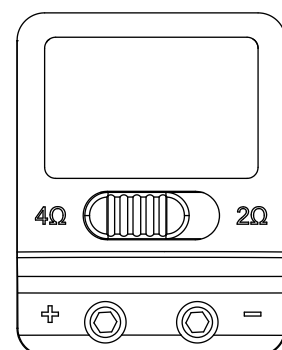
### IMPOSTAZIONE DELL'IMPIEDENZA

I subwoofer Stadium sono entrambi dotati di interruttore Selectable Smart Impedance™ (SSI). Questa funzionalità esclusiva consente di impostare l'impedenza del subwoofer su 2 ohm o 4 ohm semplicemente commutando un interruttore (v.di figure sotto). In tal modo si otterrà il massimo dall'amplificatore del subwoofer in qualsiasi situazione.

L'impostazione SSI a 2 ohm aumenta l'emissione del subwoofer rispetto a quella a 4 ohm fino a 3 dB, a seconda dell'amplificatore. Per il resto, le prestazioni sono identiche. Se l'amplificatore collegato è adatto per il funzionamento a 2 ohm e i suoi valori nominali di potenza a 2 ohm sono compresi nelle specifiche di tenuta in potenza del subwoofer, impostando l'interruttore SSI sulla posizione a 2 ohm si otterrà l'emissione massima.



Impostazione 2-Ohm



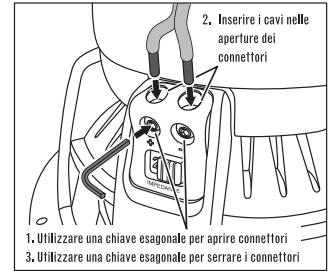
Impostazione 4-Ohm

**IMPORTANTE:** Accertarsi che l'amplificatore del subwoofer sia SPENTO (OFF) prima di impostare l'interruttore SSI. Non cambiare la posizione dell'interruttore durante il funzionamento dell'amplificatore del subwoofer. In caso contrario, si potrebbe danneggiare l'amplificatore.

**COLLEGAMENTO DELL'AMPLIFICATORE**

I connettori del subwoofer sono compatibili con cavi spelati o stagnati. La sezione del cavo raccomandata è compresa tra 14 AWG e 8 AWG, a seconda della lunghezza del cavo tra l'amplificatore e il subwoofer. Per lunghezze superiori a 6' (2 m) si consigliano cavi più spessi.

1. Utilizzare una chiave esagonale da 2,5 mm per svitare i connettori
2. Inserire i terminali dei cavi nelle aperture dei connettori  
NOTA: Se si usano cavi nudi, accertarsi che non vi siano fili vaganti "+" e "-" in contatto tra loro. In caso contrario, ne potrebbe conseguire un cortocircuito che potrebbe danneggiare l'amplificatore.
3. Utilizzare la chiave a brugola per bloccare i cavi nei connettori, come mostrato nella figura a sinistra



**DATI TECNICI**

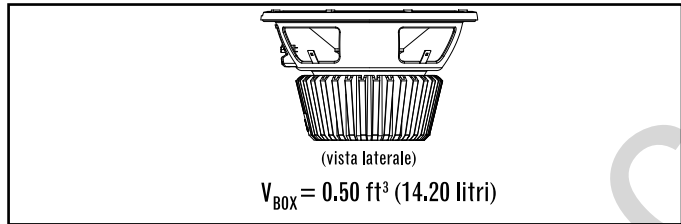
**Stadium 1024**

PARAMETRI DI THIELE-SMALL	2Ω	4Ω
RESISTENZA DC DELLA BOBINA:	$R_{EVC}$ (OHMS) ..... 1,80	4,06
INDUTTANZA DELLA BOBINA @ 1KHZ:	$L_{EVC}$ (MH) ..... 1,04	0,91
SUPERFICIE DI EMISSIONE:	$S_D$ (IN <sup>2</sup> ) ..... 53,69	53,69
	$S_D$ (CM <sup>2</sup> ) ..... 346,36	346,36
FATTORE DI FORZA DEL MOTORE:	$BL$ (T <sub>m</sub> ) ..... 10,54	14,98
VOLUME ACUSTICO EQUIVALENTE:	$V_{AS}$ (FT <sup>3</sup> ) ..... 0,86	0,89
	$V_{AS}$ (LITERS) ..... 24,22	25,27
CEDEVOLEZZA MECCANICA SOSPENSIONE:	$C_{MS}$ (μM/N) ..... 144,00	150,00
MASSA MOBILE, CARICO AD ARIA:	$M_{MS}$ (GRAMS) ..... 188,72	185,47
RISONANZA IN ARIA LIBERA:	$F_S$ (HZ) ..... 30,56	30,18
Q MECCANICO:	$Q_{MS}$ ..... 3,11	2,17
Q ELETTRICO:	$Q_{ES}$ ..... 0,57	0,61
Q TOTALE:	$Q_{TS}$ ..... 0,48	0,48
ALTEZZA DEL GAP MAGNETE:	$H_{AG}$ (IN) ..... 0,39	0,39
	$H_{AG}$ (MM) ..... 10,00	10,00
ALTEZZA DELLA BOBINA:	$H_{VC}$ (IN) ..... 1,32	1,32
	$H_{VC}$ (MM) ..... 33,50	33,50
ESCURSIONE MASSIMA	$X_{MAX}$ (IN) ..... 0,47	0,47
	$X_{MAX}$ (MM) ..... 12,00	12,00

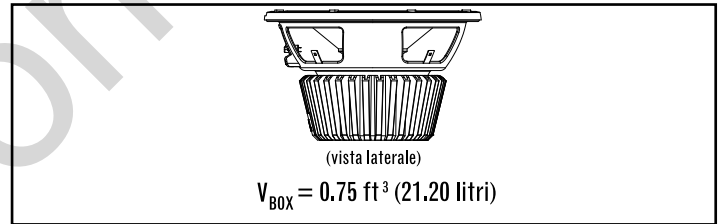
**Stadium 1224**

PARAMETRI DI THIELE-SMALL	2Ω	4Ω
RESISTENZA DC DELLA BOBINA:	$R_{EVC}$ (OHMS) ..... 1,82	4,07
INDUTTANZA DELLA BOBINA @ 1KHZ:	$L_{EVC}$ (MH) ..... 1,03	0,94
SUPERFICIE DI EMISSIONE:	$S_D$ (IN <sup>2</sup> ) ..... 82,29	82,29
	$S_D$ (CM <sup>2</sup> ) ..... 530,93	530,93
FATTORE DI FORZA DEL MOTORE:	$BL$ (T <sub>m</sub> ) ..... 11,70	16,99
VOLUME ACUSTICO EQUIVALENTE:	$V_{AS}$ (FT <sup>3</sup> ) ..... 1,93	1,86
	$V_{AS}$ (LITERS) ..... 54,65	52,59
CEDEVOLEZZA MECCANICA SOSPENSIONE:	$C_{MS}$ (μM/N) ..... 138,00	133,00
MASSA MOBILE, CARICO AD ARIA:	$M_{MS}$ (GRAMS) ..... 220,58	225,64
RISONANZA IN ARIA LIBERA:	$F_S$ (HZ) ..... 28,84	29,07
Q MECCANICO:	$Q_{MS}$ ..... 4,29	2,56
Q ELETTRICO:	$Q_{ES}$ ..... 0,53	0,58
Q TOTALE:	$Q_{TS}$ ..... 0,47	0,47
ALTEZZA DEL GAP MAGNETE:	$H_{AG}$ (IN) ..... 0,39	0,39
	$H_{AG}$ (MM) ..... 10,00	10,00
ALTEZZA DELLA BOBINA:	$H_{VC}$ (IN) ..... 1,32	1,32
	$H_{VC}$ (MM) ..... 33,50	33,50
ESCURSIONE MASSIMA	$X_{MAX}$ (IN) ..... 0,47	0,47
	$X_{MAX}$ (MM) ..... 12,00	12,00

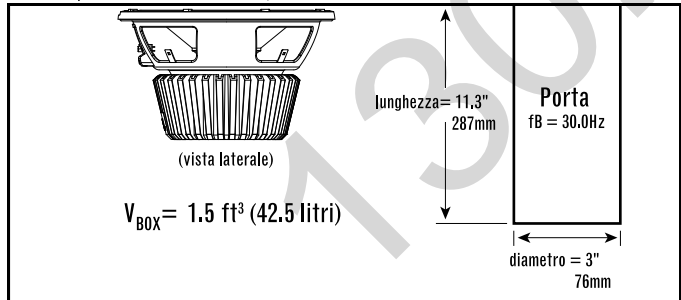
**VOLUME DEL BOX SIGILLATO (INCLUSO SPAZIO OCCUPATO DAL DRIVER)**



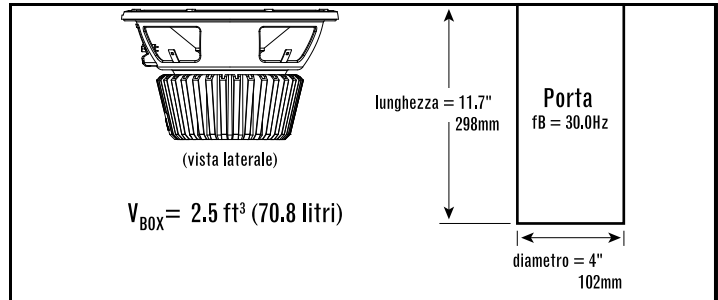
**VOLUME DEL BOX SIGILLATO (INCLUSO SPAZIO OCCUPATO DAL DRIVER)**



**VOLUME DEL BOX VENTILATO (INCLUSO SPAZIO OCCUPATO DAL DRIVER/PORTA DI ACCORDO)**

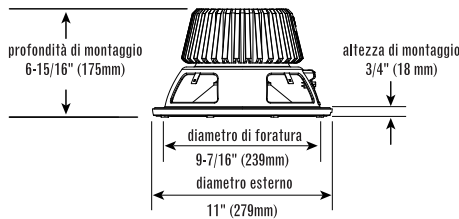


**VOLUME DEL BOX VENTILATO (INCLUSO SPAZIO OCCUPATO DAL DRIVER/PORTA DI ACCORDO)**



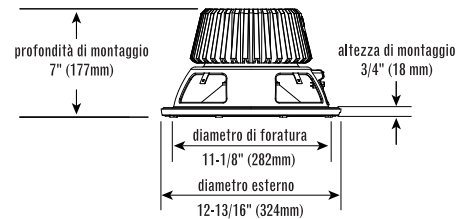
**SPECIFICHE**

DIAMETRO: 10" (254MM)  
 SENSIBILITA' (2.83V@1M): 91dB  
 TENUTA IN POTENZA: 450Wrms (1350W PICCO)  
 RISPOSTA IN FREQUENZA: 30HZ ~ 175HZ  
 IMPEDENZA NOMINALE: 2 0 4 OHM  
 DIAMETRO BOBINA: 2 1/2" (63MM)  
 DIMENSIONI:



**SPECIFICHE**

DIAMETRO: 12" (305MM)  
 SENSIBILITA' (2.83V @1M): 92dB  
 TENUTA IN POTENZA: 500Wrms (1500W PICCO)  
 RISPOSTA IN FREQUENZA: 25HZ ~ 175HZ  
 IMPEDENZA NOMINALE: 2 0 4 OHM  
 DIAMETRO BOBINA: 2 1/2" (63MM)  
 DIMENSIONI:



Vielen Dank, dass Du Dich für den JBL Stadium Subwoofer entschieden hast. Diese Subwoofer ergänzen eine Vielzahl unterschiedlicher Auto-Audiosysteme und sind für ein breites Spektrum an geschlossenen Gehäusestypen einsetzbar, um selbst in dem begrenzten Innenraum eines Autos für eine kraftvolle und optimierte Bassleistung zu sorgen. Für die maximale Leistung Deiner neuen Subwoofer ist eine professionelle und qualifizierte Installation von entscheidender Bedeutung. Auch wenn diese Bedienungsanleitung Dir grundlegende Informationen zur Installation der Reference Subwoofer-Serie liefert, beinhaltet sie keine bautechnischen Details oder spezifischen Installationsmethoden für bestimmte Fahrzeugtypen. Falls Du nicht über die notwendige Erfahrung verfügst, versuche nicht, die Installation selbst durchzuführen. Frage stattdessen Deinen autorisierten Infinity-Händler nach den Möglichkeiten einer professionellen Installation.

Bewahre den Original-Kaufbeleg zusammen mit der Bedienungsanleitung auf, damit Du bei Bedarf darauf zurückgreifen kannst.

## WARNUNG

Das Hören von lauter Musik in Deinem Fahrzeug kann verhindern, dass Du Verkehrsgereusche wahrnimmst und kann dauerhaft Dein Gehör schädigen. Die maximale Lautstärke von Infinity-Lautsprechern in Kombination mit einer hohen Verstärkung kann auf Dauer den für Dein Gehör unbedenklichen Schallpegel überschreiten. Es wird empfohlen, während der Fahrt eine eher niedrige Lautstärke einzustellen. JBL, Inc. übernimmt keine Haftung für Hörverlust und Personen- oder Sachschäden, die aus dem Gebrauch oder der falschen Verwendung des Produktes entstehen.

## BASSWIEDERGABE IN FAHRZEUGEN

In Abhängigkeit von der Größe Ihres Fahrzeuginnenraumes werden Bassfrequenzen unter 80Hz mit bis zu 12 Dezibel pro Oktave verstärkt, je geringer die Frequenz ist. Dieses Phänomen – bekannt als Fahrzeug-Übertragungsfunktion oder auch Innenraumvorteil – spielt eine entscheidende Rolle bei der Einstellung der Subwoofer-Frequenzen in Deinem Fahrzeug.

## GESCHLOSSENE GEHÄUSESTYPEN FÜR SUBWOOFER

Die Subwoofer bringen sowohl in mittelgroßen, geschlossenen Gehäusen als auch in belüfteten und vorgefertigten Bassreflex-Gehäusen absolute Bestleistung. Die Montage in einer unendlichen Schallwand ist durchaus möglich, jedoch wird die mechanische Belastung währenddessen reduziert, da kein Luftvolumen vorhanden ist, das den Druck auf die Subwoofer ausgleichen und eine Auslenkung der Membrane verhindern kann. Solltest Du Dich dennoch für die Montage in einer unendlichen Schallwand entscheiden, dann achte darauf, dass die RMS- und Höchstbelastungsraten Hälfte der in der Bedienungsanleitung genannten Werte entsprechen.

Entscheide Dich am besten für einen Gehäusestyp, der nicht nur zur Größe Deines Fahrzeuginnenraumes passt, sondern auch Deiner gewünschten Nutzung der Subwoofer und Deinen Hörgewohnheiten entspricht.

## GESCHLOSSENE GEHÄUSE

In einem geschlossenen Gehäuse wird die eingeschlossene Luft verdichtet, sobald sich der Subwoofer zurück bewegt und reduziert, sobald er sich nach vorn bewegt. In beiden Fällen sucht die Luft innerhalb und außerhalb des Gehäuses nach Ausgleich, indem sie Druck bzw. Zug auf die Membrane des Subwoofers ausübt. Infolgedessen kommt es zu einer härteren Luftfederung im Vergleich zum Betrieb der Subwoofer in einem offenen Raum. Dementsprechend lässt sich die Membran der Subwoofer bei niedrigen Frequenzen schwerer bewegen und wird so vor einer physischen Auslenkung geschützt, verlangt im Gegenzug jedoch mehr Energie für eine vergleichbare Klangausgabe anderer Designs.

## LEISTUNGSVORTEILE EINES GESCHLOSSENEN GEHÄUSES

- Die Leistung innerhalb des Fahrzeugs erreicht die absolut ebenen Frequenzgänge.
- Die Wiedergabe innerhalb des Fahrzeugs erreicht die bestmögliche Bandbreite. (Die niedrigste, nutzbare Frequenz innerhalb des Fahrzeugs wird unter 20Hz liegen.)
- Ein optimales, geschlossenes Gehäuse wird stets kleiner und raumsparender sein als ein Gehäuse anderer Art.

## LEISTUNGSKOMPROMISSE EINES GESCHLOSSENEN GEHÄUSES

- Ein optimales, geschlossenes Gehäuse wird stets eine geringere Energieeffizienz besitzen als ein vergleichbares Gehäuse anderer Art.
- Ein Subwoofer in einem optimalen, geschlossenen Gehäuse wird stets eine höhere Verstärkerleistung benötigen, um das zu erwartende Klangbild zu erreichen als ein Gehäuse anderer Art.

## KONSTRUKTION EINES GESCHLOSSENEN GEHÄUSES

Die Konstruktion eines geschlossenen Gehäuses ist im Grunde eine einfache Angelegenheit und verzichtet durchaus Fehler bei der Kalkulation der Größe. Luftundichtigkeit dagegen sollte unbedingt vermieden werden. Verwende mitteldichte Faserplatten (MDF-Platten), Kleber und Schrauben, um das Gehäuse zu bauen und dichte anschließend sämtliche Fugen mit Silikon ab.

## EMPFEHLUNG

Subwoofer in geschlossenen Gehäusen eignen sich insbesondere für Musikliebhaber, die großen Wert auf Klangpräzision und besonders ebene Frequenzbereiche legen. Wenn Du Deine Subwoofer raumsparend unterbringen willst und stattdessen über großzügige Verstärkerleistung verfügst, ist ein geschlossenes Gehäuse die geeignete Wahl. Das in dieser Anleitung vorgeschlagene Design eines geschlossenen Gehäuses vereint die Erweiterung der Tieftiefen mit besonders ebenen Frequenzbereichen.

## BELÜFTETE GEHÄUSE

Ein belüftetes Gehäuse besitzt oberhalb der abgestimmten Resonanzfrequenzen dieselben Eigenschaften wie ein geschlossenes Gehäuse. Innerhalb der Resonanzfrequenz, die durch die Entlüftung definiert wird, produziert die Ventilation den größten Anteil des

Klangvolumens – die Membran des Subwoofers ist nahezu regungslos, während in erster Linie die Luft vibriert. So kommt es in und über den Resonanzfrequenzbereichen zu einer stärkeren mechanischen Belastung und zugleich zu einer geringeren Belastung unterhalb der Resonanzfrequenzen. Solange weder die Membran noch die Schwingspule des Subwoofers innerhalb der Resonanzfrequenz in Bewegung geraten, ist auch der Luftstrom an der Schwingspule minimiert und verursacht lediglich geringe thermische Belastungen.

Belüftete Gehäuse sind vor allem in Bereichen von 40Hz - 60Hz energieeffizienter bei der Klangausgabe als in den unteren Oktaven (unter 40Hz). Es wird empfohlen, für belüftete Gehäuse einen Infrarot-Filter zu verwenden. Ein optimales, belüftetes Gehäuse für den Subwoofer der JBL-Serie ist in der Regel größer als ein optimales, geschlossenes Gehäuse.

## LEISTUNGSVORTEILE EINES BELÜFTETEN GEHÄUSES

- Ein optimales, belüftetes Gehäuse besitzt eine deutlich höhere Energieeffizienz und Wiedergabeleistung in den Frequenzbereichen von 40Hz - 60Hz als ein optimales, geschlossenes Gehäuse.
- Ein optimales, belüftetes Gehäuse verfügt über eine leistungsstärkere Basswiedergabe als ein optimales, geschlossenes Gehäuse.
- Ein Subwoofer in einem optimalen, belüfteten Gehäuse wird oberhalb der abgestimmten Resonanzfrequenzen stets eine niedrigere Verstärkerleistung benötigen, um das zu erwartende Klangbild zu erreichen als ein Gehäuse anderer Art.

## LEISTUNGSKOMPROMISSE EINES BELÜFTETEN GEHÄUSES

- Reduziert die Klangleistung in den unteren Oktaven (unter 40Hz).
- Verringert die mechanische Belastung unterhalb der Resonanzfrequenz. Um Verzerrungen des Subwoofers unterhalb der Resonanzfrequenz zu verringern, wird die Verwendung eines Infrarot-Filters dringend empfohlen.
- Ein optimales, belüftetes Gehäuse ist in der Regel größer als ein optimales, geschlossenes Gehäuse.

## KONSTRUKTION EINES BELÜFTETEN GEHÄUSES

Die Konstruktion eines belüfteten Gehäuses gestaltet sich schwieriger als der Bau eines geschlossenen Gehäuses. Die Abmessungen für Volumen und Lüftungsschlitze stehen in einem speziellen Verhältnis zu den physikalischen und elektromechanischen Eigenschaften des Subwoofers. Die genaue Einhaltung der empfohlenen Maße ist darum zwingend erforderlich. Verwende wie beim optimalen, geschlossenen Gehäuse mitteldichte Faserplatten (MDF-Platten), Kleber und Schrauben, um das Gehäuse zu bauen und dichte anschließend sämtliche Fugen mit Silikon ab.

## EMPFEHLUNG

Die Subwoofer in belüfteten Gehäusen eignen sich insbesondere für Musikliebhaber, die großen Wert auf eine überzeugende Bassleistung legen. Wenn Du Deinem Subwoofer durchaus Platz einräumen willst und stattdessen eine geringere

Verstärkerleistung aufbringst, dann ist dieser Gehäusestyp die geeignete Wahl. Die Abmessungen für Volumen und Lüftungsschlitze sollten unbedingt genau eingehalten werden, um die bestmögliche Leistung zu erreichen.

## EINBAU DES SUBWOOFERS

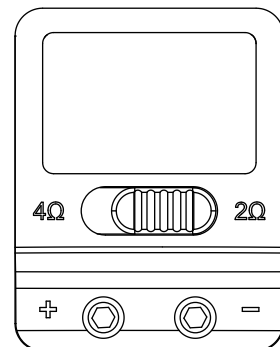
Die Subwoofer sollten von außen im Gehäuse befestigt werden. Verwende bitte die mitgelieferte Schaumstoffdichtung zur sicheren Abdichtung des Spalts zwischen Subwoofer und Gehäuse.

## ANSCHLUSS DES SUBWOOFERS

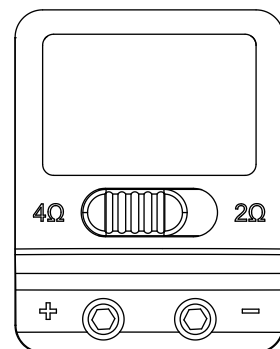
### EINSTELLEN DER IMPEDANZ

Die Stadium Subwoofer unterstützen die Funktion eines Eingangsimpedanzschalters (Selectable Smart Impedance™ – SSI switch). Diese exklusive Funktion ermöglicht Dir die einfache Einstellung des Subwoofers auf 2 oder 4 Ohm über einen manuellen Schalter (siehe unten stehende Illustration). So kannst Du bequem die Verstärkerleistung Deiner Subwoofers an jede Situation optimal anpassen.

Die Einstellung des Eingangsimpedanzschalters auf 4 Ohm verstärkt die Klangleistung Deiner Subwoofers im Gegensatz zur 2 Ohm-Einstellung je nach Verstärker auf bis zu 3 Dezibel. Die Wiedergabeleistung ist in allen anderen Punkten identisch. Falls der angeschlossene Verstärker für einen Betrieb bei 2 Ohm ausgelegt ist und seine Nennleistung innerhalb der Spezifikationen des Subwoofers liegt, erreichst Du mit der Einstellung des Schalters auf die 2 Ohm-Position bereits die maximale Klangleistung.



2 Ohm-Einstellung



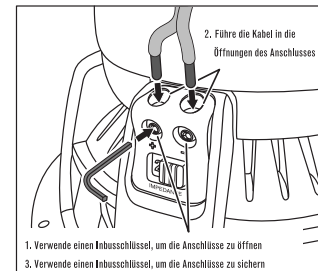
4 Ohm-Einstellung

**WICHTIG:** Stelle sicher, dass der Verstärker des Subwoofers ausgeschaltet ist, bevor Du den Eingangsimpedanzschalter bedienst. Wechsle nicht zwischen den verschiedenen Positionen des Schalters, solange der Verstärker in Betrieb ist. Dies könnte sonst zu Schäden am Verstärker führen.

### ANSCHLUSS DES VERSTÄRKERS

Die Anschlüsse des Subwoofers sind sowohl mit blanken als auch mit verzinnten Kabeln kompatibel. Der empfohlene Leiterquerschnitt liegt zwischen 2,08 mm<sup>2</sup> und 8,37 mm<sup>2</sup>, abhängig von Länge des Kabels zwischen Verstärker und Subwoofer. Ein höherer Leiterquerschnitt wird für Kabellängen ab 2 m empfohlen.

1. Verwende einen 2,5 mm Inbusschlüssel zum Öffnen der Anschlüsse.
2. Führe die Enden des Kabels in die Öffnungen des Anschlusses.  
HINWEIS: Bei der Verwendung von nicht isolierten Kabeln achte bitte darauf, dass sich Plus- und Minuspol nicht berühren. Ein Berühren der nicht isolierten Kabel kann zu einem Kurzschluss und dadurch zu Schäden am Verstärker führen.
3. Verwende den Inbusschlüssel, um die Kabel im Anschluss zu sichern, wie in der Abbildung links gezeigt.



## TECHNISCHE DATEN

### Stadium 1024

#### THIELE-SMALL-PARAMETER

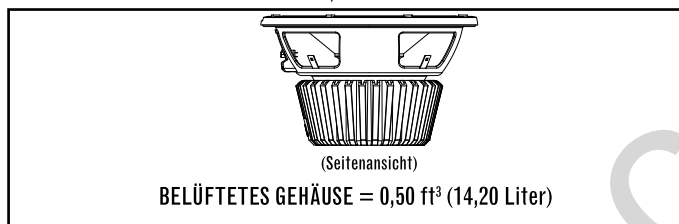
	2Ω	4Ω
GLEICHSTROMWIDERSTAND DER SPULE:	R <sub>EVC</sub> (OHMS) ..... 1.80	4.06
SCHWINGSPULENINDUKTIVITÄT @ 1KHZ:	L <sub>EVC</sub> (MH) ..... 1.04	0.91
ABSTRAHLUNGSFLÄCHE DES LAUTSPRECHERS:	S <sub>D</sub> (IN <sup>2</sup> ) ..... 53.69	53.69
	S <sub>D</sub> (CM <sup>2</sup> ) ..... 346.36	346.36
KRAFTFAKTOR DES MOTORS:	BL (T <sub>m</sub> ) ..... 10.54	14.98
NACHGIEBIGKEITSVOLUMEN:	V <sub>AS</sub> (FT <sup>3</sup> ) ..... 0.86	0.89
	V <sub>AS</sub> (LITERS) ..... 24.22	25.27
AUFHÄNGUNGSNACHGIEBIGKEIT:	C <sub>MS</sub> (µM/N) ..... 144.00	150.00
BEWEGTE MASSE, VERSCHIEBEVOLUMEN:	M <sub>MS</sub> (GRAMS) ..... 188.72	185.47
FREILUFTRESONANZ:	F <sub>S</sub> (Hz) ..... 30.56	30.18
MECHANISCHER GÜTEFAKTOR:	Q <sub>MS</sub> ..... 3.11	2.17
ELEKTNISCHER GÜTEFAKTOR:	Q <sub>ES</sub> ..... 0.57	0.61
GÜTEFAKTOR INGESAMT:	Q <sub>TS</sub> ..... 0.48	0.48
HÖHE DER MAGNETSPALTE:	H <sub>AG</sub> (IN) ..... 0.39	0.39
	H <sub>AG</sub> (MM) ..... 10.00	10.00
HÖHE DER SCHWINGSPULE:	H <sub>VC</sub> (IN) ..... 1.32	1.32
	H <sub>VC</sub> (MM) ..... 33.50	33.50
MAXIMALE AUSLENKUNG:	X <sub>MAX</sub> (IN) ..... 0.47	0.47
	X <sub>MAX</sub> (MM) ..... 12.00	12.00

### Stadium 1224

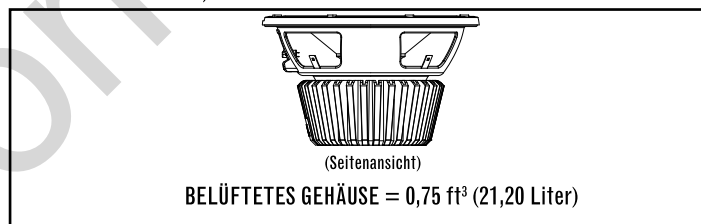
#### THIELE-SMALL-PARAMETER

	2Ω	4Ω
GLEICHSTROMWIDERSTAND DER SPULE:	R <sub>EVC</sub> (OHMS) ..... 1.82	4.07
SCHWINGSPULENINDUKTIVITÄT @ 1KHZ:	L <sub>EVC</sub> (MH) ..... 1.03	0.94
ABSTRAHLUNGSFLÄCHE DES LAUTSPRECHERS:	S <sub>D</sub> (IN <sup>2</sup> ) ..... 82.29	82.29
	S <sub>D</sub> (CM <sup>2</sup> ) ..... 530.93	530.93
KRAFTFAKTOR DES MOTORS:	BL (T <sub>m</sub> ) ..... 11.70	16.99
NACHGIEBIGKEITSVOLUMEN:	V <sub>AS</sub> (FT <sup>3</sup> ) ..... 1.93	1.86
	V <sub>AS</sub> (LITERS) ..... 54.65	52.59
AUFHÄNGUNGSNACHGIEBIGKEIT:	C <sub>MS</sub> (µM/N) ..... 138.00	133.00
BEWEGTE MASSE, VERSCHIEBEVOLUMEN:	M <sub>MS</sub> (GRAMS) ..... 220.58	225.64
FREILUFTRESONANZ:	F <sub>S</sub> (Hz) ..... 28.84	29.07
MECHANISCHER GÜTEFAKTOR:	Q <sub>MS</sub> ..... 4.29	2.56
ELEKTNISCHER GÜTEFAKTOR:	Q <sub>ES</sub> ..... 0.53	0.58
GÜTEFAKTOR INGESAMT:	Q <sub>TS</sub> ..... 0.47	0.47
HÖHE DER MAGNETSPALTE:	H <sub>AG</sub> (IN) ..... 0.39	0.39
	H <sub>AG</sub> (MM) ..... 10.00	10.00
HÖHE DER SCHWINGSPULE:	H <sub>VC</sub> (IN) ..... 1.32	1.32
	H <sub>VC</sub> (MM) ..... 33.50	33.50
MAXIMALE AUSLENKUNG:	X <sub>MAX</sub> (IN) ..... 0.47	0.47
	X <sub>MAX</sub> (MM) ..... 12.00	12.00

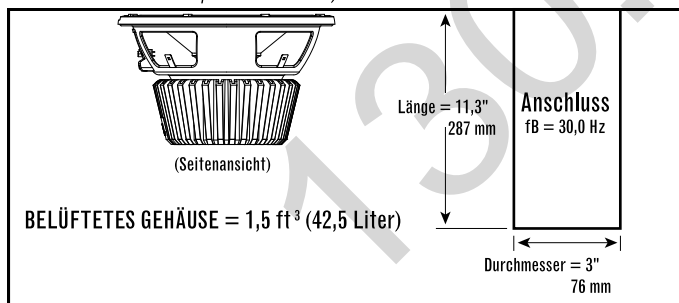
#### VOLUMEN DES GESCHLOSSENEN GEHÄUSES (BEINHÄLTET DIE AUSLENKUNG DER LAUTSPRECHER)



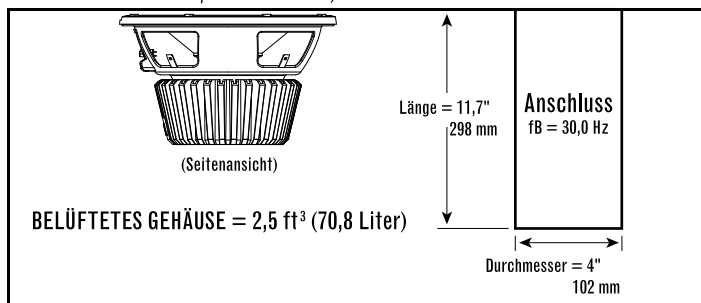
#### VOLUMEN DES GESCHLOSSENEN GEHÄUSES (BEINHÄLTET DIE AUSLENKUNG DER LAUTSPRECHER)



#### VOLUMEN DES BELÜFTETEN GEHÄUSES (BEINHÄLTET DIE AUSLENKUNG DER LAUTSPRECHER/ANSCHLÜSSE)

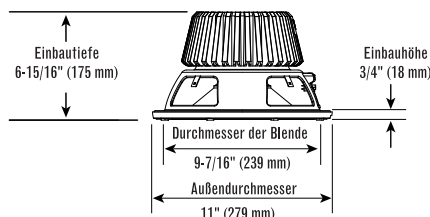


#### VOLUMEN DES BELÜFTETEN GEHÄUSES (BEINHÄLTET DIE AUSLENKUNG DER LAUTSPRECHER/ANSCHLÜSSE)



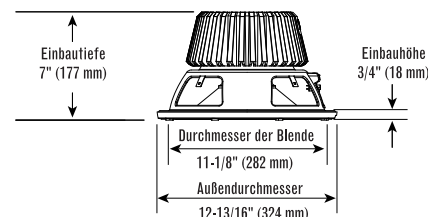
## TECHNISCHE DATEN

DURCHMESSER:	10" (254 mm)
EMPFINDLICHKEIT (2;83 V/m):	91dB
MAXIMALE HÖCHSTLEISTUNG:	450 Wrms (1350 W max.)
FREQUENZGANG:	30 Hz ~ 175 Hz
NENNIMPEDANZ:	2 ODER 4 OHM
DURCHMESSER DER SCHWINGSPULE:	2 1/2" (63 mm)
ABMESSUNGEN:	



## TECHNISCHE DATEN

DURCHMESSER:	12" (305 mm)
EMPFINDLICHKEIT (2;83 V/m):	92dB
MAXIMALE HÖCHSTLEISTUNG:	500 Wrms (1500 W max.)
FREQUENZGANG:	25 Hz ~ 175 Hz
NENNIMPEDANZ:	2 ODER 4 OHM
DURCHMESSER DER SCHWINGSPULE:	2 1/2" (63 mm)
ABMESSUNGEN:	



HARMAN

HARMAN International Industries, Inc.  
8500 Balboa Boulevard, Northridge,  
CA 91329 USA  
www.jbl.com

© 2017 HARMAN International Industries, Incorporated. Alle Rechte vorbehalten.  
JBL ist ein Warenzeichen von HARMAN International Industries, Incorporated, registriert in den Vereinigten Staaten und/oder anderen Ländern.

БЛАГОДАРИМ ВАС за выбор сабвуфера JBL Stadium. Сабвуферы подходят к широкому ряду аудиосистем для автомобилей. Они могут быть выполнены в различных корпусах, что позволяет обеспечить энергичный и мощный бас в ограниченном пространстве автомобиля. Для получения оптимальной производительности мы настоятельно рекомендуем, чтобы сабвуфер устанавливал квалифицированный специалист. Несмотря на то, что в этом руководстве приведены общие инструкции по установке сабвуферов данной серии, в нем нет информации о конструкции корпуса или подробного описания способов установки устройств в конкретные транспортные средства. Если вы недостаточно уверены в своей квалификации, не пытайтесь установить сабвуфер самостоятельно. Обратитесь к авторизованному дилеру JBL для получения информации о профессиональных вариантах установки.

Храните чек на покупку и это руководство в надежном месте, чтобы к ним можно было обратиться в любой момент.

## ПРЕДУПРЕЖДЕНИЕ

Громкое проигрывание музыки в транспортном средстве может помешать восприятию звуков дорожного движения, а также повредить ваш слух. Максимальная громкость, которой можно достичь при помощи динамиков JBL в комбинации с мощным усилением, может превышать уровень безопасного продолжительного прослушивания. При езде рекомендуется слушать музыку на низком уровне громкости. JBL, Inc. не несет ответственность за потерю слуха, телесные повреждения или материальный ущерб в результате правильного или неправильного использования продукта.

## ВОСПРОИЗВЕДЕНИЕ БАСОВ В ТРАНСПОРТНОМ СРЕДСТВЕ

В зависимости от размера внутреннего пространства прослушивания в транспортном средстве, воспроизводимые низкие частоты (ниже 80 Гц) будут усилены почти на 12 дБ/октава при понижении частоты. Это явление, известное как функция переноса в транспортном средстве (или усиление кабины), играет важную роль в формировании амплитудно-частотной характеристики сабвуфера в вашем транспортном средстве.

## ТИПЫ КОРПУСОВ САБВУФЕРА

Сабвуферы разработаны таким образом, чтобы обеспечивать оптимальную производительность в герметичных корпусах небольших размеров, вентилируемых корпусах и заводских полосо-пропускающих корпусах. Возможна также установка по типу "бесконечный экран", но обработка механической мощности сабвуфером будет снижена, так как не будет воздушного пространства, достаточного, чтобы обеспечивать упругость конуса сабвуфера и предотвращать чрезмерный износ. Если вы выбрали вариант установки с бесконечным экраном, принимайте во внимание среднеквадратичное и пиковое значения максимальной шумовой мощности, которые должны составлять половину значений, указанных в разделе технических характеристик в данном руководстве.

Необходимо выбрать тип корпуса, основываясь на объеме грузового пространства, которое вы можете выделить под установку, на количестве электроэнергии, которую вы будете использовать для сабвуфера(ов), а также на ваших звуковых предпочтениях.

## ГЕРМЕТИЧНЫЕ КОРПУСА

Воздух, попавший внутрь герметичного корпуса, сжимается, когда сабвуфер движется назад, и расширяется, когда сабвуфер движется вперед. В обоих случаях воздух внутри и снаружи корпуса пытается прийти в состояние покоя, надавливая и вытягивая конус сабвуфера. Это обеспечивает большую упругость по сравнению с сабвуферами, работающими в воздушном пространстве. Это означает, что конусу сабвуфера будет труднее двигаться на низких частотах, что защищает сабвуфер от чрезмерного износа, но требует больше мощности, чем для других конструкций, для достижения данной акустической мощности.

## ПРЕИМУЩЕСТВА ПРОИЗВОДИТЕЛЬНОСТИ ГЕРМЕТИЧНЫХ КОРПУСОВ

- Акустическая производительность внутри автомобиля будет характеризоваться наиболее плоской общей амплитудно-частотной характеристикой.
- Рабочий диапазон частот внутри автомобиля будет характеризоваться наиболее широкой полосой пропускания. (Реальный рабочий диапазон низких частот в автомобиле будет ниже 20 Гц).
- Оптимальный герметичный корпус всегда будет меньше, чем оптимальный корпус другого типа.

## ПЛЮСЫ И МИНУСЫ ПРОИЗВОДИТЕЛЬНОСТИ ГЕРМЕТИЧНОГО КОРПУСА

- Оптимальный герметичный корпус всегда будет обладать меньшей эффективностью, чем оптимальный корпус другого типа.
- Сабвуфер в оптимальном герметичном корпусе будет требовать большей мощности усилителя для достижения определенной акустической мощности, чем в оптимальном корпусе другого типа.

## КОНСТРУКЦИЯ ГЕРМЕТИЧНОГО КОРПУСА

Конструкция герметичного корпуса весьма несложная, и при расчете вместимости допускаются ошибки, но необходимо избегать просачивания воздуха. Для конструирования корпуса используется древесно-волоконная плита средней плотности (ДВП), клей и шурупы, а все стыки герметизируются при помощи силиконового герметика.

## РЕКОМЕНДАЦИЯ

Сабвуферы в герметичном корпусе рекомендованы любителям точного воспроизведения музыки и плоской амплитудно-частотной характеристики, тем пользователям, кто может выделить для корпуса сабвуфера небольшое пространство, и тем, у кого есть достаточно мощный источник питания усилителя сабвуфера. Конструкция герметичного корпуса, описанная этом руководстве, является лучшим компромиссным решением между расширением низких частот и плоской амплитудно-частотной характеристикой.

## ВЕНТИЛИРУЕМЫЕ КОРПУСА

Вентилируемый корпус действует так же, как и герметичный корпус, на частотах выше настраиваемой (резонансной) частоты. При резонансе (который определяется отверстием) именно отверстие производит большую часть звука — конус сабвуфера остается практически неподвижным, в то время как воздух внутри отверстия вибрирует. Это

обеспечивает улучшенную механическую шумовую мощность при регулировке на уровне и выше резонанса, однако при регулировке ниже резонанса механическая шумовая мощность ухудшается. Поскольку конус сабвуфера и звуковая катушка при резонансе практически не движутся, воздушный поток через звуковую катушку сводится к минимуму, а тепловая шумовая мощность при резонансе немного уменьшается.

Вентилируемые корпуса обеспечивают лучшую производительность в диапазоне 40 Гц – 60 Гц за счет вывода звука в самой нижней октаве (ниже 40 Гц). Для вентилируемых корпусов рекомендуется использование инфразвукового фильтра. Оптимальный вентилируемый корпус для сабвуферов данной серии больше, чем оптимальный герметичный корпус.

## ПРЕИМУЩЕСТВА ПРОИЗВОДИТЕЛЬНОСТИ ВЕНТИЛИРУЕМЫХ КОРПУСОВ

- Оптимальный вентилируемый корпус имеет более высокую производительность и усиленную выходную мощность в диапазоне 40 Гц — 60 Гц по сравнению с оптимальным герметичным корпусом.
- Оптимальный вентилируемый корпус обеспечивает лучшее звучание басов, чем оптимальный герметичный.
- Для сабвуферов с оптимальным вентилируемым корпусом потребуется усилитель с меньшей мощностью для достижения заданной акустической мощности (вплоть до резонансной частоты корпуса) по сравнению с оптимальным герметичным корпусом.

## ПЛЮСЫ И МИНУСЫ ПРОИЗВОДИТЕЛЬНОСТИ ВЕНТИЛИРУЕМОГО КОРПУСА

- Сниженная выходная мощность в самой нижней октаве (ниже 40 Гц).
- При регулировке ниже резонансной частоты корпуса, механическая шумовая мощность ухудшается. Чтобы снизить вероятность перегрузки сабвуфера при регулировке ниже резонансной частоты корпуса, настоятельно рекомендуется использовать электронный инфразвуковой фильтр.
- Размер оптимального вентилируемого корпуса всегда будет больше оптимального герметичного корпуса.

## КОНСТРУКЦИЯ ВЕНТИЛИРУЕМОГО КОРПУСА

Конструкция вентилируемого корпуса является более сложной по сравнению с конструкцией герметичного корпуса. Объем корпуса и размеры порта имеют определенную связь с физическими и электромеханическими характеристиками сабвуфера. Необходимо строго соблюдать рекомендуемый объем корпуса и характеристики порта. Для конструирования корпуса используется древесно-волоконная плита средней плотности (ДВП), клей и шурупы, а все стыки герметизируются при помощи силиконового герметика.

## РЕКОМЕНДАЦИЯ

Сабвуферы в вентилируемых корпусах рекомендуются для любителей акцентированных низких частот, для тех, у кого в автомобиле достаточно места, чтобы разместить корпус сабвуфера, и для тех, кто будет использовать менее мощные усилители для сабвуфера. Объем и размеры порта должны быть строго соблюдены для обеспечения оптимальной производительности.

## УСТАНОВКА САБВУФЕРА

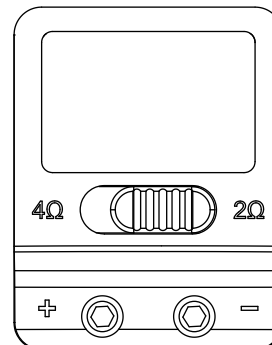
Сабвуферы следует устанавливать, находясь снаружи корпуса. Используйте прилагаемую пенинную монтажную прокладку для обеспечения герметичности прилегания рамы сабвуфера и корпуса.

## ПОДКЛЮЧЕНИЕ САБВУФЕРА

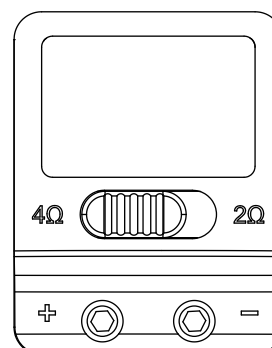
### НАСТРОЙКА ИМПЕДАНСА

Сабвуферы оснащены переключателем Selectable Smart Impedance™ (SSI). Эта эксклюзивная функция позволяет задать импеданс сабвуфера в 2 Ом или 4 Ом, щелкнув переключателем (см. иллюстрацию ниже). Это позволяет извлечь максимальную производительность из вашего усилителя сабвуфера в любой ситуации.

Установка SSI на 2 Ом увеличивает выходную мощность сабвуфера (по сравнению с установкой на 4 Ом) до 3 дБ, в зависимости от усилителя. Производительность по остальным параметрам остается той же. При подключении усилителя рассчитанного на 2 Ом с уровнями мощности при 2 Ом, совпадающими с техническими характеристиками максимальной шумовой мощности сабвуфера, необходимо установить переключатель SSI в позицию 2 Ом, чтобы добиться максимальной выходной мощности.



Установка на 2 Ом



Установка на 4 Ом

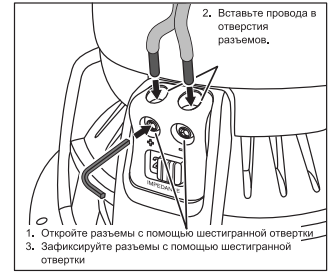


**ВНИМАНИЕ:** Перед установкой переключателя SSI в нужную позицию убедитесь, что усилитель сабвуфера выключен. Не меняйте позицию переключателя во время работы усилителя сабвуфера. Это может повредить усилитель.

### ПОДКЛЮЧЕНИЕ УСИЛИТЕЛЯ

Разъемы сабвуфера используются с неизолированными или лужеными проводами. Рекомендуемый калибр проводов 14 AWG – 8 AWG в зависимости от длины провода между усилителем и сабвуфером. Большой калибр предпочтителен, если длина провода более 2 м (6 футов).

1. Откройте разъемы с помощью шестигранной отвертки 2,5 мм.
2. Вставьте концы проводов в отверстия разъемов.  
ПРИМЕЧАНИЕ: Если использовать нелуженый неизолированный провод, необходимо обеспечить отсутствие случайных соприкосновений «+» и «-». Соприкосновение проводов может вызвать короткое замыкание, которое способно повредить усилитель.
3. Используйте шестигранную отвертку, чтобы зафиксировать провода в разъемах, как показано на иллюстрации слева.



## ТЕХНИЧЕСКИЕ ДАННЫЕ

### Stadium 1024

#### ПАРАМЕТРЫ ТИЛЯ-СМОЛЛА

2Ω      4Ω

##### СОПРОТИВЛЕНИЕ ГОЛОСОВОЙ КАТУШКИ

ПО ПОСТ. ТОКУ:

$R_{EVC}$  (OHMS) ..... 1,80 ..... 4,06

ИНДУКТИВНОСТЬ ГОЛОСОВОЙ КАТУШКИ

$L_{EVC}$  (MH) ..... 1,04 ..... 0,91

НА 1 КГЦ:

$S_D$  (IN<sup>2</sup>) ..... 53,69 ..... 53,69

ЗОНА ИЗЛУЧЕНИЯ МЕМБРАНЫ:

$S_D$  (CM<sup>2</sup>) ..... 346,36 ..... 346,36

КОЭФФИЦИЕНТ СВЯЗИ ДВИГАТЕЛЯ:

$BL$  (TA) ..... 10,54 ..... 14,98

ОБЪЕМ ДЕФОРМИРУЕМОСТИ:

$V_{AS}$  (FT<sup>3</sup>) ..... 0,86 ..... 0,89

ДЕФОРМИРУЕМОСТЬ ПОДВЕСКИ:

$V_{AS}$  (LITERS) ..... 24,22 ..... 25,27

ПОДВИЖНАЯ МАССА, ДАВЛЕНИЕ ВОЗДУХА:

$C_{MS}$  (UM/N) ..... 144,00 ..... 150,00

ВОЗДУШНЫЙ РЕЗОНАНС:

$M_{MS}$  (GRAMS) ..... 188,72 ..... 185,47

МЕХАНИЧЕСКИЙ ПОКАЗАТЕЛЬ Q:

$F_S$  (Hz) ..... 30,56 ..... 30,18

ЭЛЕКТРИЧЕСКИЙ ПОКАЗАТЕЛЬ Q:

$Q_{MS}$  ..... 3,11 ..... 2,17

ОБЩИЙ ПОКАЗАТЕЛЬ Q:

$Q_{ES}$  ..... 0,57 ..... 0,61

ВЫСОТА МАГНИТНОГО ЗАЗОРА:

$Q_{TS}$  ..... 0,48 ..... 0,48

ВЫСОТА ГОЛОСОВОЙ КАТУШКИ:

$H_{AG}$  (IN) ..... 0,39 ..... 0,39

МАКСИМАЛЬНЫЙ ХОД:

$H_{AG}$  (MM) ..... 10,00 ..... 10,00

$H_{VC}$  (IN) ..... 1,32 ..... 1,32

$H_{VC}$  (MM) ..... 33,50 ..... 33,50

$X_{MAX}$  (IN) ..... 0,47 ..... 0,47

$X_{MAX}$  (MM) ..... 12,00 ..... 12,00

### Stadium 1224

#### ПАРАМЕТРЫ ТИЛЯ-СМОЛЛА

2Ω      4Ω

##### СОПРОТИВЛЕНИЕ ГОЛОСОВОЙ КАТУШКИ

ПО ПОСТ. ТОКУ:

$R_{EVC}$  (OHMS) ..... 1,82 ..... 4,07

ИНДУКТИВНОСТЬ ГОЛОСОВОЙ КАТУШКИ НА 1

$L_{EVC}$  (MH) ..... 1,03 ..... 0,94

КГЦ:

$S_D$  (IN<sup>2</sup>) ..... 82,29 ..... 82,29

ЗОНА ИЗЛУЧЕНИЯ МЕМБРАНЫ:

$S_D$  (CM<sup>2</sup>) ..... 530,93 ..... 530,93

КОЭФФИЦИЕНТ СВЯЗИ ДВИГАТЕЛЯ:

$BL$  (TA) ..... 11,70 ..... 16,99

ОБЪЕМ ДЕФОРМИРУЕМОСТИ:

$V_{AS}$  (FT<sup>3</sup>) ..... 1,93 ..... 1,86

ДЕФОРМИРУЕМОСТЬ ПОДВЕСКИ:

$V_{AS}$  (LITERS) ..... 54,65 ..... 52,59

ПОДВИЖНАЯ МАССА, ДАВЛЕНИЕ ВОЗДУХА:

$C_{MS}$  (UM/N) ..... 138,00 ..... 133,00

ВОЗДУШНЫЙ РЕЗОНАНС:

$M_{MS}$  (GRAMS) ..... 220,58 ..... 225,64

МЕХАНИЧЕСКИЙ ПОКАЗАТЕЛЬ Q:

$F_S$  (Hz) ..... 28,84 ..... 29,07

ЭЛЕКТРИЧЕСКИЙ ПОКАЗАТЕЛЬ Q:

$Q_{MS}$  ..... 4,29 ..... 2,56

ОБЩИЙ ПОКАЗАТЕЛЬ Q:

$Q_{ES}$  ..... 0,53 ..... 0,58

ВЫСОТА МАГНИТНОГО ЗАЗОРА:

$Q_{TS}$  ..... 0,47 ..... 0,47

ВЫСОТА ГОЛОСОВОЙ КАТУШКИ:

$H_{AG}$  (IN) ..... 0,39 ..... 0,39

МАКСИМАЛЬНЫЙ ХОД:

$H_{AG}$  (MM) ..... 10,00 ..... 10,00

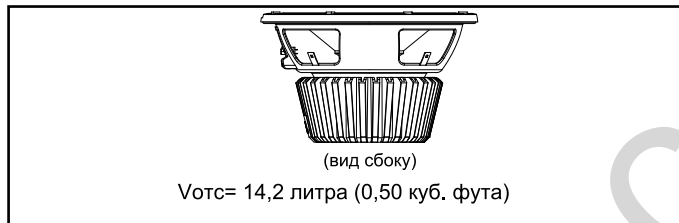
$H_{VC}$  (IN) ..... 1,32 ..... 1,32

$H_{VC}$  (MM) ..... 33,50 ..... 33,50

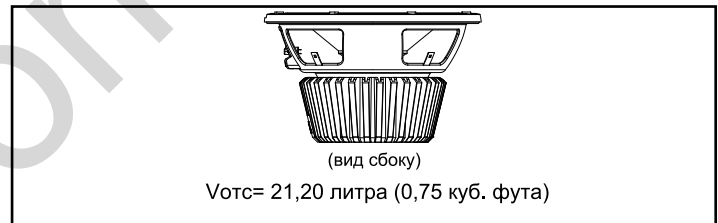
$X_{MAX}$  (IN) ..... 0,47 ..... 0,47

$X_{MAX}$  (MM) ..... 12,00 ..... 12,00

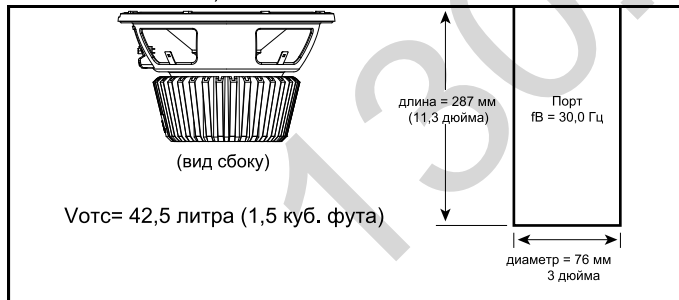
#### ОБЪЕМ ГЕРМЕТИЧНОГО ОТСЕКА (СО СМЕЩЕНИЕМ МЕМБРАНЫ)



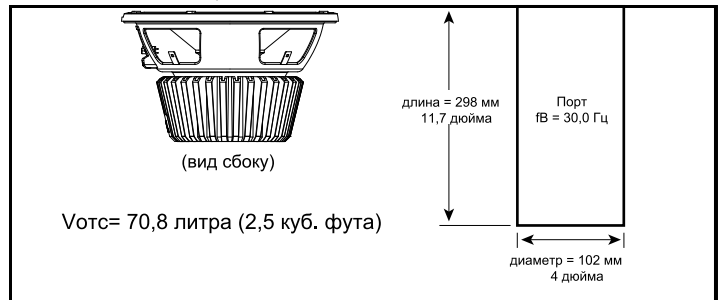
#### ОБЪЕМ ГЕРМЕТИЧНОГО ОТСЕКА (СО СМЕЩЕНИЕМ МЕМБРАНЫ)



#### ОБЪЕМ ВЕНТИЛИРУЕМОГО ОТСЕКА (СО СМЕЩЕНИЕМ МЕМБРАНЫ/ПОРТА)

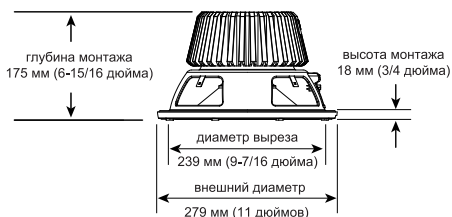


#### ОБЪЕМ ВЕНТИЛИРУЕМОГО ОТСЕКА (СО СМЕЩЕНИЕМ МЕМБРАНЫ/ПОРТА)



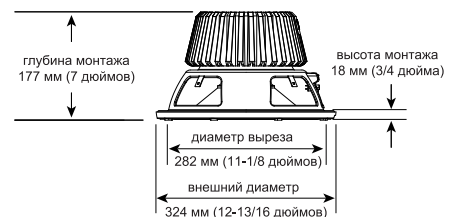
## ТЕХНИЧЕСКИЕ ХАРАКТЕРИСТИКИ

ДИАМЕТР: 254 MM (10 ДЮЙМОВ)  
 ЧУВСТВИТЕЛЬНОСТЬ (2,83 В/м): 91 дБ  
 ШУМОВАЯ МОЩНОСТЬ: 450 Вт ср. кв. (1350 Вт пик.)  
 ЭФФЕКТИВНЫЙ РАБОЧИЙ ДИАПАЗОН ЧАСТОТ: 30 ГЦ ~ 175 ГЦ  
 НОМИНАЛЬНЫЙ ИМПЕДАНС: 2 ИЛИ 4 ОМ  
 ДИАМЕТР ГОЛОСОВОЙ КАТУШКИ: 63 MM (2 1/2 ДЮЙМА)  
 ГАБАРИТЫ:



## ТЕХНИЧЕСКИЕ ХАРАКТЕРИСТИКИ

ДИАМЕТР: 305 MM (12 ДЮЙМОВ)  
 ЧУВСТВИТЕЛЬНОСТЬ (2,83 В/м): 92 дБ  
 ШУМОВАЯ МОЩНОСТЬ: 500 Вт ср. кв. (1500 Вт пик.)  
 ЭФФЕКТИВНЫЙ РАБОЧИЙ ДИАПАЗОН ЧАСТОТ: 25 ГЦ ~ 175 ГЦ  
 НОМИНАЛЬНЫЙ ИМПЕДАНС: 2 ИЛИ 4 ОМ  
 ДИАМЕТР ГОЛОСОВОЙ КАТУШКИ: 63 MM (2 1/2 ДЮЙМА)  
 ГАБАРИТЫ:



**HARMAN**

HARMAN International Industries, Inc.  
 8500 Balboa Boulevard, Northridge,  
 CA 91329 США  
 www.jbl.com

© 2017 HARMAN International Industries, Incorporated. Все права защищены.  
 JBL является товарным знаком HARMAN International Industries, Incorporated, зарегистрированным в США и/или других странах.

TACK för att du har valt en JBL Stadium subwoofer. Dessa subwoofers är designade för att passa ett brett utbud av bilstereoapplikationer och kan användas i många olika lådor och ger förstärkt, kraftfull bas i ett begränsat utrymme i fordonet. För att få bästa resultat från din nya subwoofer rekommenderar vi starkt att du låter en utbildad tekniker installera din subwoofer. Även om denna manual innehåller allmänna instruktioner för installation av dessa Series subwoofers innefattar den inte konstruktion av låda eller exakta installationsmetoder för något speciellt fordon. Om du inte anser dig ha tillräcklig erfarenhet ska du inte installera själv utan i stället be din auktoriserade JBL-återförsäljare om alternativ för professionell installation.

Kom ihåg att spara inköpskvittot på ett säkert ställe, tillsammans med manualen, så att du lätt hittar dem för framtida referens.

## VARNING

Spelar du musik högt i bilen kan det hindra att du hör omgivande trafik och permanent skada din hörsel. Maxvolym som kan uppnås med JBL-högtalare i kombination med kraftiga förstärkare kan överskrida säkra nivåer för längre lyssnande. Vi rekommenderar lyssnande på lägre volym under körning. JBL, Inc. har inget ansvar för hörselskador, kropps- eller egendomsskador som kan uppkomma på grund av användning eller missbruk av denna produkt.

## ÅTERGE BAS I FORDON

Beroende på hur stort lyssningsutrymme i fordonet är kan basfrekvenser under 80 Hz förstärkas med upp till 12 dB per oktav när frekvensen sjunker. Detta fenomen, som kallas fordonets överföring (även "cabin gain") är en viktig del för att forma subwoofers frekvensomfång i ditt fordon.

## SUBWOOFERLÅD TYPER

Dessa subwoofers är designade för att ge bästa resultat i normalstora slutna lådor, basreflexlådor och förfabricerade "band-pass"-lådor. Skiljeväggsmontering kan användas men subwoofers mekaniska effekthantering minskar eftersom det de inte finns någon luftvolym som håller mot subwoofers dämpning och förhindrar överdämpning. Om du väljer skiljeväggsmontering ska du räkna med att RMS och peakeffekthantering är hälften mot vad som anges i specifikationerna i denna manual.

Välj typ av låda efter storlek på lastutrymme som du kan undvara till lådan, hur stor effekt du kommer att använda för subwoofers och dina lyssningsvanor.

## SLUTNA LÅDOR

Luften inuti en sluten låda komprimeras när subwoofern rör sig bakåt och renas när subwoofern rör sig framåt. I båda fallen söker luften inuti och utanför uppna jämvikt genom att dra i eller trycka på subwooferkonen. Resultatet är styvare dämpning jämfört med en subwoofer som verkar i öppen luft. Det innebär att subwooferkonen är svårare att röra på vid låga frekvenser, ett förhållande som skyddar subwoofern från fysisk utmattningsmen kräver mer effekt än andra designers för att ge en viss akustisk uteffekt.

## FÖRDELAR MED SLUTNA LÅDOR

- Prestandan i bilen får jämnast möjliga frekvensomfång som helhet.
- Omfånget i bilen får den största bandbredden. (Användbart lågfrekvensomfång inuti bilen blir under 20 Hz.)
- En optimalt sluten låda är alltid mindre än en optimal låda av annan typ.

## KOMPROMISSER PÅ GRUND AV SLUTEN LÅDA

- En optimalt sluten låda får lägre generell effektivitet än en optimalt sluten låda av annan typ.
- En subwoofer i en optimalt sluten låda kräver mer förstärkareffekt för att uppnå en viss akustisk uteffekt än en optimalt sluten låda av annan typ.

## KONSTRUKTION AV SLUTEN LÅDA

Konstruktion av sluten låda är enkelt och förlåtande vad gäller beräkningar av volym, men generellt ska luftläckage undvikas. Använd spånskiva med medelhög densitet (medium-density fiberboard, MDF), lim och skruvar för att bygga lådan och täta alla skarvar med silikon.

## REKOMMENDATION

Subwoofers i sluten låda rekommenderas för entusiaster som föredrar exakt musikätergivning och jämnt frekvensomfång, för de som har mindre utrymme att undvara för en subwooferlåda och för de som har mycket förstärkareffekt att driva subwoofern med. Sluten design som indikeras i manualen visar bästa kompromiss mellan lågfrekvensförstärkning och jämn respons.

## BASREFLEXLÅDOR

Basreflexlåda fungerar som sluten låda för frekvenser som ligger över inställda frekvens (resonansfrekvens). Vid resonans (som bestäms av "hållet") ger detta majoriteten av ljudet – subwooferkonen är nästan orörlig medan luften i hålet vibrerar. Det ger bättre mekanisk effekt vid och över resonansfrekvensen men minskad mekanisk effekt under

resonansfrekvensen. Eftersom subwooferkonen och röstspolen inte rör sig så mycket vid resonansfrekvensen minimeras luftflödet förbi röstspolen och termoeffekthanteringen minskar något vid resonansfrekvensen.

Basreflexlådor är mer effektiva i intervallet 40 Hz – 60 Hz på bekostnad av ljudut effekt vid lägsta oktaven (under 40 Hz). Vi rekommenderar användning av infrasoniskt filter med basreflexlådor. En optimal basreflexlåda för Series subwoofer är större än en optimalt sluten låda.

## FÖRDELAR MED BASREFLEXLÅDOR

- En optimal basreflexlåda har bättre effektivitet och högre uteffekt i intervallet 40 Hz – 60 Hz än en optimalt sluten låda.
- En optimal basreflexlåda ger större baskänsla än en optimalt sluten låda.
- En subwoofer i en optimal basreflexlåda kräver mindre förstärkareffekt för att uppnå en viss akustisk uteffekt (beroende på lådans resonansfrekvens) än en optimalt sluten låda.

## KOMPROMISSER MED BASREFLEXLÅDOR

- Minskad uteffekt i lägsta oktaven (under 40 Hz).
- Minskad mekanisk effekt under lådans resonansfrekvens. Vi rekommenderar användning av elektroniskt infrasoniskt filter för att minska risken att subwoofern körs för hårt under lådans resonansfrekvens.
- En optimal basreflexlåda är alltid större än en optimalt sluten låda.

## KONSTRUKTION AV BASREFLEXLÅDA

Konstruktion av basreflexlåda är svårare än konstruktion av sluten låda. Lådans volym och håldimensioner har en specifik relation med de fysiska och elektromekaniska egenskaperna för subwoofern som kräver att rekommenderade volym- och hållkaraktistiska följs noggrant. Precis som med slutna lådor kan du använda spånskiva med medelhög densitet (medium-density fiberboard, MDF), lim och skruvar för att bygga lådan och täta alla skarvar med silikon.

## REKOMMENDATION

Subwoofers i basreflexlåda rekommenderas för entusiaster som föredrar förstärkt basåtergivning, för de som har mycket utrymme att undvara för en subwooferlåda och för de som använder en kraftig förstärkare att driva subwoofern med. Volym och håldimensioner som indikeras måste följas i detalj för att ge optimalt resultat.

## MONTERA SUBWOOFER

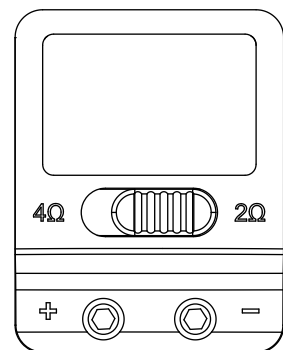
Subwoofern kan monteras från lådans utsida eller från lådans insida. Använd den medföljande skumpackningen för att säkerställa läckagefri tätning mellan subwooferramen och lådan.

## ANSLUTA SUBWOOFERN

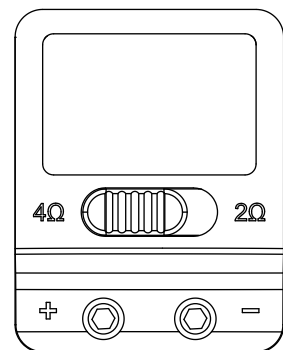
### STÄLLA IN IMPEDANSEN

Stadium subwoofer har Selectable Smart Impedance™ (SSI)-brytare. Denna exklusiva funktion låter dig ställa in subwoofers impedans på antingen 2 eller 4 ohm genom att slå om brytaren (se bilder nedan). På så sätt kan du få ut mesta möjliga från subwooferstärkaren i alla situationer.

SSI 2-ohmsinställning ökar subwoofers uteffekt jämfört med 4-ohmsinställningen med upp till 3 dB, beroende på förstärkaren. I övrigt är all prestanda identisk. Om den anslutna förstärkaren är klassad för 2 ohm och dess 2-ohmsklassificering ligger inom subwoofers effektspecifikationer ger inställning av SSI-brytaren på 2 ohm maximal uteffekt.



2-ohmsinställning



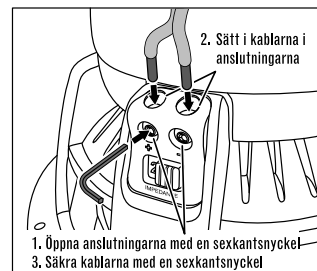
4-ohmsinställning

**VIKTIGT:** Kontrollera att subwooferförstärkaren är avstängd innan SSI-brytaren ställs in. Ändra inte brytarens läge då subwooferförstärkaren är i gång. Det kan förstöra förstärkaren.

### ANSLUTA FÖRSTÄRKAREN

Subwooferanslutningarna är kompatibla med nakna eller förtennade kablar. Rekommenderad kabel ligger mellan 14 AWG och 8 AWG, beroende på kabelns längd mellan förstärkare och woofer. Tjockare kabel krävs för längder över 6 tum (2 m).

1. Öppna anslutningarna med en 2,5 mm sexkantsnyckel
2. Sätt i kabeländarna i anslutningarna  
**OBS!** Om naken kabel används ska du vara noga med att inga lösa "+" och "-" delar rör vid varandra. Om de vidrör varandra kan det orsaka kortslutning som kan skada förstärkaren.
3. Säkra kablarna i anslutningarna med sexkantsnyckeln enligt illustrationen till vänster



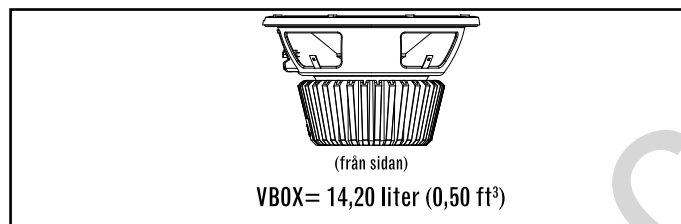
### TEKNISKA DATA

## Stadium 1024

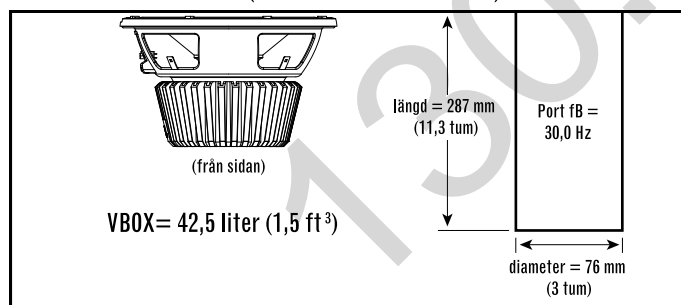
### THIELE-SMÅ PARAMETRAR

	2Ω	4Ω
VOICE-COIL DC-RESISTANS:	$R_{EVC}$ (OHMS) ..... 1.80	4.06
VOICE-COIL INDUKTANS @ 1 KHZ:	$L_{EVC}$ (MH) ..... 1.04	0.91
ELEMENTETS STRÅLNINGSOMRÅDE:	$S_D$ (IN <sup>2</sup> ) ..... 53.69	53.69
	$S_D$ (CM <sup>2</sup> ) ..... 346.36	346.36
MOTORS DRIVFAKTOR:	$BL$ (T <sub>m</sub> ) ..... 10.54	14.98
ÖVERENSSTÄMMELSEVOLYM:	$V_{AS}$ (FT <sup>3</sup> ) ..... 0.86	0.89
	$V_{AS}$ (LITERS) ..... 24.22	25.27
ÖVERENSSTÄMMELSE DÄMPNING:	$C_{MS}$ (μM/N) ..... 144.00	150.00
RÖLIG MASSA, LUFTBELASTNING:	$M_{MS}$ (GRAMS) ..... 188.72	185.47
ÖPPEN RESONANS:	$F_S$ (HZ) ..... 30.56	30.18
MEKANISK Q:	$Q_{MS}$ ..... 3.11	2.17
ELEKTRISK Q:	$Q_{ES}$ ..... 0.57	0.61
TOTAL Q:	$Q_{TS}$ ..... 0.48	0.48
MAGNETLUCKA, HÖJD:	$H_{AG}$ (IN) ..... 0.39	0.39
	$H_{AG}$ (MM) ..... 10.00	10.00
VOICE-COIL HÖJD:	$H_{VC}$ (IN) ..... 1.32	1.32
	$H_{VC}$ (MM) ..... 33.50	33.50
MAX AVVIKELSE:	$X_{MAX}$ (IN) ..... 0.47	0.47
	$X_{MAX}$ (MM) ..... 12.00	12.00

### VOLYM SLUTEN LÅDA (INKLUSIVE ELEMENT)

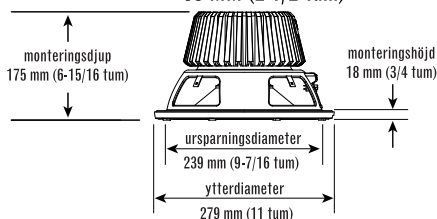


### VOLYM ÖPPEN LÅDA (INKLUSIVE ELEMENT)



### SPECIFIKATIONER

DIAMETER:	254 MM (10 tum)
KÄNSLIGHET (2,83 V/1 m):	91dB
EFFEKT:	450 Wrms (1350 W PEAK)
FREKVENNSOMFÅNG:	30 HZ ~ 175 HZ
NOMINELL IMPEDANS:	2 ELLER 4 OHM
VOICE-COIL DIAMETER:	63 MM (2 1/2 tum)
MÅTT:	

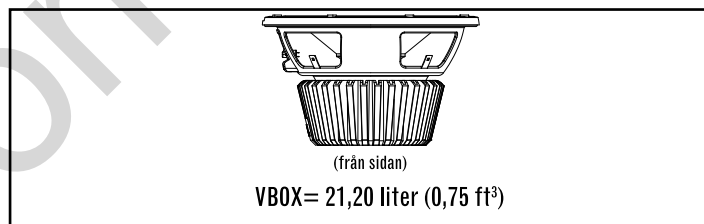


## Stadium 1224

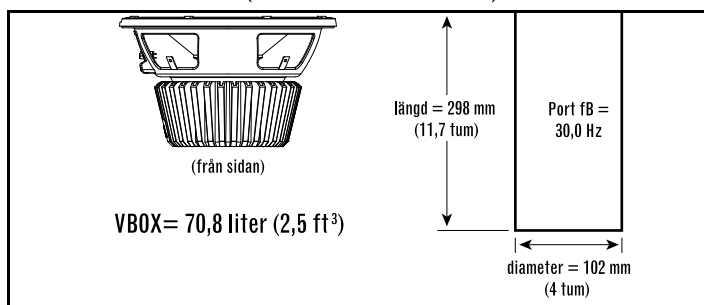
### THIELE-SMÅ PARAMETRAR

	2Ω	4Ω
VOICE-COIL DC-RESISTANS:	$R_{EVC}$ (OHMS) ..... 1.82	4.07
VOICE-COIL INDUKTANS @ 1 KHZ:	$L_{EVC}$ (MH) ..... 1.03	0.94
ELEMENTETS STRÅLNINGSOMRÅDE:	$S_D$ (IN <sup>2</sup> ) ..... 82.29	82.29
	$S_D$ (CM <sup>2</sup> ) ..... 530.93	530.93
MOTORS DRIVFAKTOR:	$BL$ (T <sub>m</sub> ) ..... 11.70	16.99
ÖVERENSSTÄMMELSEVOLYM:	$V_{AS}$ (FT <sup>3</sup> ) ..... 1.93	1.86
	$V_{AS}$ (LITERS) ..... 54.65	52.59
ÖVERENSSTÄMMELSE DÄMPNING:	$C_{MS}$ (μM/N) ..... 138.00	133.00
RÖLIG MASSA, LUFTBELASTNING:	$M_{MS}$ (GRAMS) ..... 220.58	225.64
ÖPPEN RESONANS:	$F_S$ (HZ) ..... 28.84	29.07
MEKANISK Q:	$Q_{MS}$ ..... 4.29	2.56
ELEKTRISK Q:	$Q_{ES}$ ..... 0.53	0.58
TOTAL Q:	$Q_{TS}$ ..... 0.47	0.47
MAGNETLUCKA, HÖJD:	$H_{AG}$ (IN) ..... 0.39	0.39
	$H_{AG}$ (MM) ..... 10.00	10.00
VOICE-COIL HÖJD:	$H_{VC}$ (IN) ..... 1.32	1.32
	$H_{VC}$ (MM) ..... 33.50	33.50
MAX AVVIKELSE:	$X_{MAX}$ (IN) ..... 0.47	0.47
	$X_{MAX}$ (MM) ..... 12.00	12.00

### VOLYM SLUTEN LÅDA (INKLUSIVE ELEMENT)

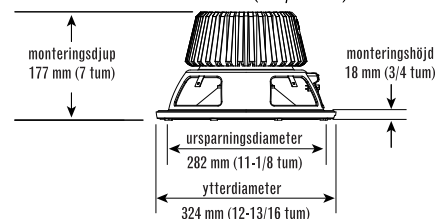


### VOLYM ÖPPEN LÅDA (INKLUSIVE ELEMENT)



### SPECIFIKATIONER

DIAMETER:	305 MM (12 tum)
KÄNSLIGHET (2,83 V/1 m):	92dB
EFFEKT:	500 Wrms (1500 W PEAK)
FREKVENNSOMFÅNG:	25 HZ ~ 175 HZ
NOMINELL IMPEDANS:	2 ELLER 4 OHM
VOICE-COIL DIAMETER:	63 MM (2 1/2 tum)
MÅTT:	



**HARMAN**

HARMAN International Industries, Inc.  
8500 Balboa Boulevard, Northridge,  
CA 91329 USA  
www.jbl.com

© 2017 HARMAN International Industries, Incorporated. Alla rättigheter reserverade.  
JBL är ett varumärke som tillhör HARMAN International Industries, Incorporated, registrerat i USA och/eller andra länder.

**KIITÄMME** että valitsit JBL Stadium -bassokaiuttimen. Nämä bassokaiuttimet ovat suunniteltuja laajaan valikoimaan ajoneuvojen äänentoiston sovelluksia ja niitä voidaan käyttää useissa eri koteloiden tyypeissä tuottamaan laajennettua ja voimakasta bassoaääntä ajoneuvon rajoitetussa tilassa. Saadaksesi mahdollisimman kattavan suorituksen bassokaiuttimestasi, suosittelaaan pätevoitetyn ammattilaisen käyttöä bassokaiuttimen asentamisessa. Huolimatta siitä että tämä ohjekirja antaa yleiset ohjeet Series-bassokaiuttimien asentamiselle, se ei pidä sisällään kotelon rakenteen yksityiskohtia tai tarkkoja asennusmenetelmiä millekään tietyllä ajoneuvolle. Jos koet ettet omaa riittävää kokemuspohjaa, älä pyri suorittamaan asennusta itse, vaan pyydä sen sijaan pätevoitettyä JBL-jakelijaa kertomaan ammattimaisen asennuksen vaihtoehtoista.

Muista pitää myyntikuititisi turvallisessa paikassa yhdessä tämän ohjekirjan kanssa, niin että molemmat ovat käytettävissä tulevaisuuden tarpeita varten.

## VAROITUS

Musiikin kovaaääninen soitto ajoneuvossa saattaa estää sinua kuulemasta liikennettä ja vahingoittaa pysyvästi kuuloasi. Äänentason enimmäismäärä joka voidaan saavuttaa JBL-kaiuttimilla näiden ollessa yhdistettynä korkeatehoiseen vahvistimeen saattaa ylittää turvalliset tasot pitkäaikaisessa kuuntelussa. Alhaisten äänitasojen käyttöä suositellaan ajaessa. JBL Inc. ei omaa mitään vastuuta kuulon menetyksen, fyysisen vammautumisen, tai omaisuusvahingon osalta joka johtuu tämän tuotteen käytöstä tai väärinkäytöstä.

## BASSOÄÄNTEN TUOTTO AJONEUVOISSA

Riippuen ajoneuvosi sisäpuolen kuuntelutilan koosta, tuotettujen bassoaänten taajuuksia jotka ovat alle 80 Hz tullaan tehostamaan melkein 12 dB oktaavia kohti taajuuden vähetessä. Tämä ilmiö joka tunnetaan ajoneuvon siirtotoimintona (tai ohjaamolisänä), omaa tärkeän roolin bassokaiuttimen taajuusvasteen muokkaamisessa ajoneuvossasi.

## BASSOKAIUTTIMEN KOTELOTYYPIT

Bassokaiuttimet ovat suunniteltuja tuottamaan parhaan suorituksen keskimääräisen kokoisissa suljetuissa kotelossa, kotelossa joissa ilmanvaihto ja kotelossa joissa on esimuokattu kaistasyöttö. Infinite-välilevykiinnitys on mahdollinen, mutta bassokaiuttimen mekaaninen tehonsieto tulee vähenemään koska ei ole ilman määrää joka jäykistää bassokaiuttimen jännitystä ja estää yllirasitusta. Jos valitset infinite-välilevyn asennuksen, huomioi RMS ja huippu tehokuormituksen lukemat jotka ovat puolet tämän ohjekirjan sisällössä ilmoitetusta.

Sinun tulee valita kotelotyyppi joka perustuu tilan määrälle jonka voit omistaa kotelolle, tehon määrälle jota tulet käyttämään bassokaiuttimien käyttöön, sekä kuuntelutottumuksiisi

## SULJETUT KOTELOT

Ilma joka on juuttunut suljetun kotelon sisään puristuu kun bassokaiutin liikkuu takasuuntaisesti ja laajenee kun bassokaiutin liikkuu etusuuntaisesti. Molemmissa tapauksissa, ilma laatikon sisä- ja ulkopuolella hakee tasapainoa työntämällä ja vetämällä bassokaiuttimen kartiota. Tuloksena on jäykempi jännite kuin bassokaiuttimeen verrattuna joka toimii avoimessa ilmassa. Tämä tarkoittaa että bassokaiuttimen kartiota on vaikeampaa liikuttaa alhaisilla taajuuksilla, tämä on tila joka suojaa bassokaiuttimia fyysisiltä yllirasitteilta, mutta vaatii enemmän tehoa kuin muut mallit tuottaakseen toteutettavan ulostulon.

## TIIVISTEKOTELON SUORITUSKYKYEDUT

- Ajoneuvossa suorituskyky omaa yleisesti ottaen tasaisimman taajuusvaste.
- Ajoneuvon sisällä tapahtuva vaste omaa laajimman kaistanleveyden. (Käytettävä matala-taajuuksinen vaste ajoneuvon sisällä on alle 20 Hz.)
- Optimaalinen suljettu kotelo tulee aina olemaan pienempi kuin optimaalinen kotelo joka on toisen tyyppinen.

## SULJETUN KOTELON SUORITUSKYVYN PUUTTEITA

- Optimaalinen suljettu kotelo omaa alemman yleisen tehokkuuden kuin optimaalinen kotelo joka on toisen tyyppinen.
- 1000s tai 1200s -Bassokaiutin optimaalisessa suljetussa kotelossa vaatii enemmän vahvistintehoa saavuttaakseen annetun akustisen ulostulon kuin optimaalinen kotelo joka on toisen tyyppinen.

## SULJETUN KOTELON RAKENNE

Suljetun kotelon rakenne on suora-viivainen ja äänentason laskennan virheiden osalta joustava, mutta ilmapuotoja tulee välttää. Käytä keskitiivistä kuitulevyä (MDF), liimaa ja ruuveja kotelon rakentamiseen, ja tiivistä kaikki liitokset silikonitiilikillä.

## SUOSITUS

Bassokaiuttimet suljetuissa kotelossa ovat suositeltuja harrastajille jotka suosivat tarkkaa musiikin toistoa sekä tasaista taajuusvastetta, niille joilla on vähän tilaa bassokaiuttimen kotelolle, ja niille joilla on paljon vahvistimen tehoa omistettuna bassokaiuttimen tehostamiseen. Suljettu kotelo malli joka on määritelty tässä ohjekirjassa edustaa parasta kompromissia matalan taajuuden laajentuman ja tasaisen vasteen välillä.

## KOTELOT AUKOLLA

Kotelo aukolla toimii kuten suljettu kotelo taajuuksilla jotka ovat sen viritetyn (resonanssin) taajuuden yläpuolella. Resonanssissa (joka määritellään aukolla), aukko tuottaa suurimman osan äänestä – bassokaiuttimen kartio on melkein liikkumaton ilman värähdellessä aukon sisäpuolella. Tämä mahdollistaa suuremman mekaanisen tehonsiedon resonanssin tasolla ja sen yläpuolella, mutta vähennetyt

mekaanisen tehonsiedon resonanssin alapuolella. Koska bassokaiuttimen kartio ja äänikämmi eivät liiku paljon resonanssissa, ilmapuotoja äänikämmiin läpi on minimoitu ja termaalinen tehonsieto vähenee jonkin verran resonanssissa.

Kotelot aukolla tuottavat paremman tehokkuuden 40 Hz – 60 Hz taajuudella, äänen ulostulon kustannuksella alhaisimmalla oktaavilla (alle 40 Hz). Infraäänialtuosuoittimen käyttöä suositellaan aukollisilla kotelloilla. Optimaalinen kotelo aukolla Series-bassokaiuttimille on suurempi kuin optimaalinen suljettu kotelo.

## AUKOLLISTEN KOTELOIDEN SUORITUSKYVYN ETUUSUUKSIA

- Optimaalinen aukollinen kotelo omaa suuremman tehokkuuden ja korkeamman ulostulon 40 Hz – 60 Hz taajuuksilla kuin optimaalinen suljettu kotelo.
- Optimaalinen aukollinen kotelo toimittaa korkeamman basson tuntemuksen kuin optimaalinen suljettu
- Bassokaiutin optimaalisessa aukollisessa kaiuttimessa vaatii vähemmän tehoa saavuttaakseen annetun akustisen ulostulon (alas kotelon resonanssin taajuudelle) kuin optimaalisessa suljetussa kotelossa.

## AUKOLLISEN KOTELON SUORITUSKYVYN KOMPROMISSIT

- Vähennetty ulostulo alhaisimmassa oktaavissa (alle 40Hz).
- Vähennetty mekaaninen tehonsieto kotelon resonanssitaajuuden alapuolella. Vähennetty mekaaninen tehonsieto kotelon resonanssitaajuuden alapuolella.
- Optimaalinen aukollinen kotelo tulee aina olemaan suurempi kuin optimaalinen suljettu kotelo.

## AUKOLLISEN KOTELON RAKENNE

Aukollisen kotelon rakenne on vaikeampi kuin suljetun kotelon rakenne. Kotelon äänenvoimakkuuden ja liittännän ulottuvuudet omaavat erityisen suhteen bassokaiuttimen fyysisten ja sähkömekaanisten ominaisuuksien kanssa, vaati että suositeltuja kotelon äänenvoimakkuuden ja liittännän ominaisuuksia noudatetaan tarkasti. Kuten suljettujen rakenteiden kanssa, käytä keskivahvaa kuitulevyä (MDF),

## SUOSITUS

Bassokaiuttimet aukollisissa kotelossa suositellaan harrastajille jotka suosivat painotettua basson vastetta, niille joilla on paljon tilaa bassokaiuttimen kotelolle, ja niille jotka käyttävät vähäisempää vahvistimen tehoa bassokaiuttimen tehostamiseen. Äänenvoimakkuuden ja portin ulottuvuudet jotka ovat ilmaistuna tulee noudattaa tarkasti jotta varmistetaan optimaalinen suorituskyky.

## BASSOKAIUTTIMEN KIINNITYS

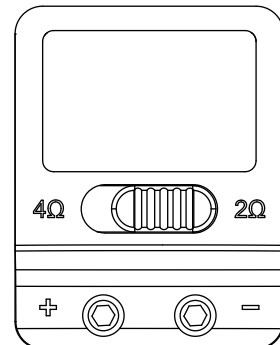
Bassokaiutin tulee kiinnittää kotelon ulkopuolelle. Käytä mukana toimitettua vaahtokiinnitystiivistettä varmistamaan vuotamaton tiiviste bassokaiuttimen rungon ja kotelon välillä.

## BASSOKAIUTTIMEN KYTKENTÄ

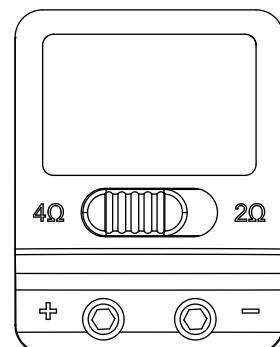
### IMPEDANSSIN ASETUS

Molemmissa Stadium-bassokaiuttimissa on ominaisuutena Selectable Smart Impedance™ (SSI) -kytkin. Tällä ainutlaatuisella toiminnolla voit määrittää bassokaiuttimen impedanssin joko 2 tai 4 ohmiin kytkintä kääntämällä (katso alla olevat kuvat). Tämä mahdollistaa hyödyntämään bassokaiuttimen vahvistinta mahdollisimman paljon jokaisessa tilanteessa.

SSI 2-ohmin asetus lisää bassokaiuttimen tehoa yli 4 ohmin asetuksen jopa 3 dB vahvistimesta riippuen. Suorituskyky on vastaava kaikissa muissa suhteissa. Jos kytketyn vahvistimen nimellistehona on 2 ohmin käyttö ja sen 2-ohmin nimellistehot ovat bassokaiuttimen tehonsiedon ominaisuuksia, SSI-kytkimen asetus 2-ohmin tilaan saavuttaa suurimman tehon.



2-Ohmin asetus



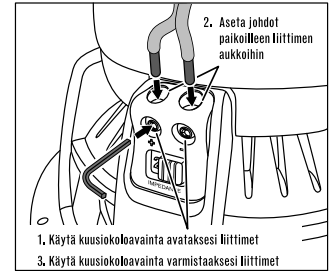
4-Ohmin asetus

**TÄRKEÄÄ:** Varmista, että bassokaiuttimen vahvistin on kytketty POIS PÄÄLTÄ -asentoon ennen kuin SSI-kytkintä asetetaan. Älä vaihda kytkintä asentoon ennen kuin bassokaiuttimen vahvistin toimii. Tämä saattaa vahingoittaa kaiuttimia.

### VAHVISTIMEN LIITTÄMINEN

Bassokaiuttimen liittimet ovat yhteensopivat paljaiden tai tinattujen johtojen kanssa. Suositeltu johdon paksuus on 14AWG ja 8AWG, riippuen johdon pituudesta vahvistimen ja kaiuttimen välillä. Paksumpaa johtoa suositellaan yli 6' (2 m) pituuksille.

- Käytä 2,5 mm kuusiokoloavainta avataksesi liittimet
- Aseta johtojen päät paikoilleen liittimien aukkoihin  
**HUOMAA:** Jos käytät suojaamatonta paljasta johdinta, varmista, ettei ole irrallisia "+" ja "-" säikeitä jotka koskettavat toisiaan. Säikeiden kosketus saattaa aiheuttaa oikosulun, joka saattaa vaurioittaa kaiutintasi.
- Käytä kuusiokoloavainta varmistaaksesi johdot liittimiin, kuten on näkyvissä vasemmassa olevassa kuvituksessa



### TEKNISET TIEDOT

#### THIELE-SMALL PARAMETRIT

	2Ω	4Ω
ÄÄNIKÄÄMIN TASAVIRTAVASTUS:	REVC (OHMS) ..... 1.80..... 4.06	
ÄÄNIKÄÄMIN INDUKTANSI @ 1KHZ:	LEVC (MH)..... 1.04 ..... 0.91	
AJURIN SÄTEILYALUE:	SD (M <sup>2</sup> ) ..... 53.69..... 53.69	
	SD (CM <sup>2</sup> ) ..... 346.36..... 346.36	
MOOTTORIN VOIMAKERROIN:	BL (TM)..... 10.54..... 14.98	
YHTEENSOPIVUUDEN ÄÄNENVOIMAKKUUS:	VAS (FT <sup>3</sup> )..... 0.86..... 0.89	
	VAS (LITERS)..... 24.22..... 25.27	
SUSPENSION YHTEENSOPIVUUS:	CMS (LJM/N) ..... 144.00..... 150.00	
SIIRTOMASSA, ILMAKUORMITUS:	MMS (GRAMS) ..... 188.72..... 185.47	
VAPAAILMARESONANSSI:	FS (HZ) ..... 30.56..... 30.18	
MEKAANINEN Q:	QMS ..... 3.11..... 2.17	
SÄHKÖ Q:	QES..... 0.57..... 0.61	
YHTEENSÄ Q:	QTS..... 0.48..... 0.48	
MAGNEETTIVÄLIN KORKEUS:	HAG (MM) ..... 0.39..... 0.39	
	HAG (MM) ..... 10.00..... 10.00	
ÄÄNIKÄÄMIN KORKEUS:	HVC (MM) ..... 1.32..... 1.32	
	HVC (MM) ..... 33.50..... 33.50	
ENIMMÄISPOIKKEAMA:	XMAX (MM) ..... 0.47..... 0.47	
	XMAX (MM) ..... 12.00..... 12.00	

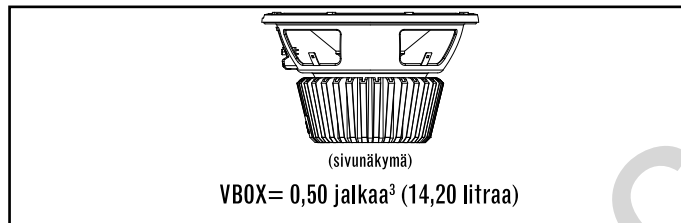
## Stadium 1024

#### THIELE-SMALL PARAMETRIT

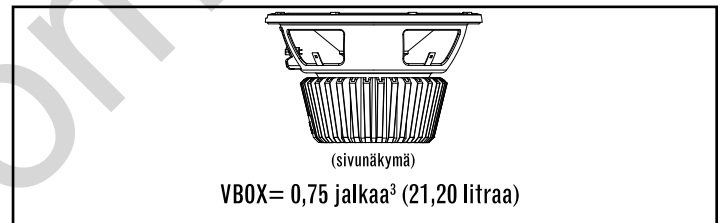
	2Ω	4Ω
ÄÄNIKÄÄMIN TASAVIRTAVASTUS:	REVC (OHMS) ..... 1.82..... 4.07	
ÄÄNIKÄÄMIN INDUKTANSI @ 1KHZ:	LEVC (MH)..... 1.03..... 0.94	
AJURIN SÄTEILYALUE:	SD (M <sup>2</sup> ) ..... 82.29..... 82.29	
	SD (CM <sup>2</sup> ) ..... 530.93..... 530.93	
MOOTTORIN VOIMAKERROIN:	BL (TM)..... 11.70..... 16.99	
YHTEENSOPIVUUDEN ÄÄNENVOIMAKKUUS:	VAS (FT <sup>3</sup> )..... 1.93..... 1.86	
	VAS (LITERS)..... 54.65..... 52.59	
SUSPENSION YHTEENSOPIVUUS:	CMS (LJM/N) ..... 138.00..... 133.00	
SIIRTOMASSA, ILMAKUORMITUS:	MMS (GRAMS) ..... 220.58..... 225.64	
VAPAAILMARESONANSSI:	FS (HZ) ..... 28.84..... 29.07	
MEKAANINEN Q:	QMS ..... 4.29..... 2.56	
SÄHKÖ Q:	QES..... 0.53..... 0.58	
YHTEENSÄ Q:	QTS..... 0.47..... 0.47	
MAGNEETTIVÄLIN KORKEUS:	HAG (MM) ..... 0.39..... 0.39	
	HAG (MM) ..... 10.00..... 10.00	
ÄÄNIKÄÄMIN KORKEUS:	HVC (MM) ..... 1.32..... 1.32	
	HVC (MM) ..... 33.50..... 33.50	
ENIMMÄISPOIKKEAMA:	XMAX (MM) ..... 0.47..... 0.47	
	XMAX (MM) ..... 12.00..... 12.00	

## Stadium 1224

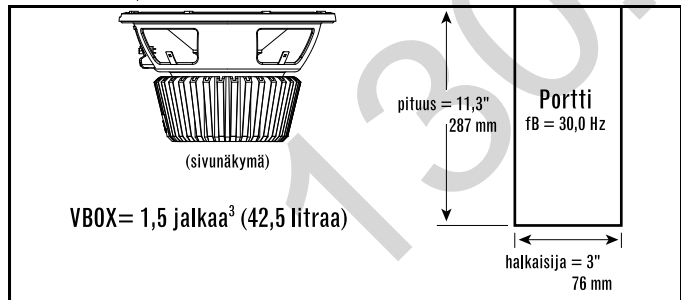
#### TIIVISTEKOTELON TILAVUUS (SISÄLTÄÄ AJURIN SIIRTYMÄN)



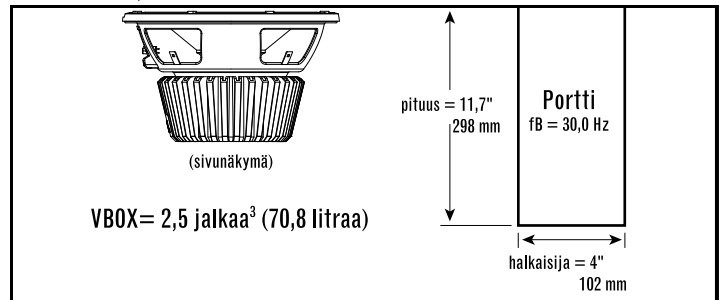
#### TIIVISTEKOTELON TILAVUUS (SISÄLTÄÄ AJURIN SIIRTYMÄN)



#### ILMAKIERTOKOTELON TILAVUUS (SISÄLTÄÄ AJURIN/PORTIN SIIRTYMÄT)

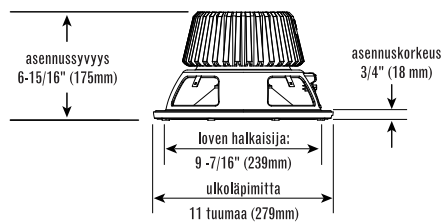


#### ILMAKIERTOKOTELON TILAVUUS (SISÄLTÄÄ AJURIN/PORTIN SIIRTYMÄT)



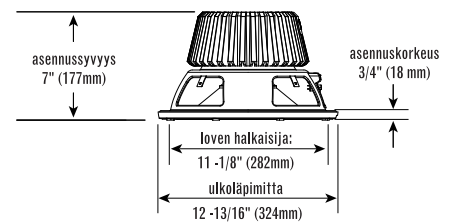
### TIEDOT

HALKAISIJA 10" (254MM)  
HERKKYYS (2,83V @ 1M): 91dB  
TEHONSIETO: 450Wrms (1350W HUIPPU)  
TAAJUUSVASTE: 30HZ ~ 175HZ  
NOMINAALINEN IMPEDANSSI: 2 TAI 4 OHMIA  
ÄÄNIKELAN HALKAISIJA: 2 1/2" (63MM)  
MITTASUHTEET:



### TIEDOT

HALKAISIJA 12" (305MM)  
HERKKYYS (2,83V @ 1M): 92dB  
TEHONSIETO: 500Wrms (1500W HUIPPU)  
TAAJUUSVASTE: 25HZ ~ 175HZ  
NOMINAALINEN IMPEDANSSI: 2 TAI 4 OHMIA  
ÄÄNIKELAN HALKAISIJA: 2 1/2" (63MM)  
MITTASUHTEET:



**HARMAN**

HARMAN International Industries, Inc.  
8500 Balboa Boulevard, Northridge,  
CA 91329 USA  
www.jbl.com

© 2017 HARMAN International Industries, Incorporated. Kaikki oikeudet pidätetään.  
JBL on HARMAN International Industries, Incorporated -yhtiön Yhdysvalloissa ja/tai muissa maissa rekisteröity tavaramerkki.

**DZIĘKUJEMY** za wybór subwoofera Stadium firmy JBL. Niniejsze subwoofery Reference są dostosowane do szerokiej gamy samochodowych systemów dźwiękowych i mogą pracować w różnych typach obudów, zapewniając wzmocniony, potężny bas w ograniczonej przestrzeni pojazdu. Aby wykorzystać pełen potencjał nowego subwoofera, zaleca się zlecenie jego instalacji profesjonalnemu monterowi. Chociaż instrukcja obsługi zawiera ogólne wytyczne dotyczące montażu subwoofierów, brakuje w niej szczegółowych informacji na temat obudowy lub metod montażu dla danego pojazdu. Jeśli nie uważają Państwo, że są wystarczający wykwalifikowani, proszę nie instalować urządzenia na własną rękę, a zamiast tego poprosić autoryzowanego sprzedawcę JBL o przedstawienie opcji profesjonalnego montażu.

Proszę przechowywać dowód zakupu wraz z instrukcją obsługi w bezpiecznym miejscu na wypadek, gdyby dokumenty były wymagane.

## UWAGA

Odtwarzanie głośnej muzyki w pojeździe może silić otoczenia i na trwałe uszkodzić słuch. Maksymalne poziomy głośności osiągalne przy użyciu głośników JBL w połączeniu ze wzmacniaczem o dużej mocy mogą przekroczyć bezpieczne poziomy zalecane w przypadku długotrwałego słuchania. Podczas kierowania pojazdem zaleca się niskie poziomy głośności. JBL, Inc. nie ponosi odpowiedzialności za utratę słuchu, uszkodzenia ciała lub mienia powstałe w wyniku używania lub niewłaściwego używania niniejszego produktu.

## REPRODUKCYJA BASU W POJAZDACH

Zależnie od rozmiaru przestrzeni słuchowej wewnątrz pojazdu, częstotliwości reprodukowanego basu poniżej 80 Hz ulegną wzmocnieniu o blisko 12 dB na oktawę w miarę spadku częstotliwości. Zjawisko to, zwane funkcją przenoszenia wewnątrz pojazdu, odgrywa istotną rolę w reakcji na częstotliwości subwoofera w pojeździe.

## TYPY OBUDÓW NA SUBWOOFER

Subwoofery zostały zaprojektowane z myślą o najlepszej wydajności w średnich rozmiarów obudowach zamkniętych, obudowach wentylowanych oraz prefabrykowanych obudowach pasmowoprzepustowych. Nieskończenie wielka odgrada akustyczna jest możliwa, jednak mechaniczna obciążalność subwoofera ulegnie obniżeniu wskutek braku powietrza, które utwardziłoby zawieszenie i zapobiegło przeciążeniu. W przypadku wyboru odgrody akustycznej o nieskończonej wielkości należy podzielić na pół wartości RMS i szczytowe obciążalności podane w specyfikacji w niniejszej instrukcji.

Typ obudowy należy dostosować do ilości miejsca przeznaczonego na obudowę, ilości mocy napędzającej subwoofer(y) oraz nawyków słuchania.

## OBUDOWY ZAMKNIĘTE

Powietrze w obudowie zamkniętej jest kompresowane, gdy subwoofer rusza do tyłu, i przesuwa się podczas ruchu do przodu. W obu przypadkach powietrze wewnątrz i na zewnątrz komory będzie dążyło do równowagi, popychając i ciągnąc stożek subwoofera. Prowadzi to do twardszego zawieszenia w porównaniu do konstrukcji free-air. W konsekwencji stożek subwoofera będzie bardziej oporny na niższych częstotliwościach – rozwiązanie to chroni urządzenie przed fizycznym przeciążeniem, jednak sprawia również, że osiągnięcie pożądanego dźwięku wymaga więcej mocy.

## ZALETY OBUDOWY ZAMKNIĘTEJ

- Wydajność pracy wewnątrz pojazdu będzie cechowała się najbardziej płaską ogólną reakcją na częstotliwość.
- Reakcja wewnątrz pojazdu będzie cechowała się najszerzym pasmem (używalna reakcja niskotonowa wewnątrz pojazdu będzie wynosić poniżej 20 Hz.)
- Optymalna obudowa zamknięta będzie zawsze mniejsza niż optymalna obudowa innego typu.

## WADY OBUDOWY ZAMKNIĘTEJ

- Optymalna obudowa zamknięta będzie cechowała się mniejszą skutecznością niż optymalna obudowa innego typu.
- Subwoofer w optymalnej obudowie zamkniętej wymaga więcej mocy wzmacniacza do osiągnięcia pożądanego efektu akustycznego niż optymalna obudowa innego typu.

## STRUKTURA OBUDOWY ZAMKNIĘTEJ

Obudowa zamknięta cechuje się prostą konstrukcją i dużą tolerancją na błędy w obliczeniu pojemności, chociaż należy unikać nieszczelności. Należy złożyć obudowę, używając pilśniowej płyty średniej gęstości (MDF), kleju i śrub, a następnie uszczelnić wszystkie połączenia silikonem.

## ZALECENIE

Subwoofery w obudowach zamkniętych najlepiej nadają się dla entuzjastów szukających dokładnego odwzorowania dźwięku i płaskiej reakcji na częstotliwość, osób dysponujących niewielką przestrzenią na obudowę subwoofera lub tych, którzy przeznaczyci na urządzenie dużo mocy wzmacniacza. Projekt obudowy zamkniętej przedstawiony w niniejszej instrukcji obsługi stanowi najlepszy kompromis zapewniający duże rozciągnięcie niskich częstotliwości i płaską reakcję.

## OBUDOWY WENTYLOWANE

Obudowa wentylowana zachowuje się jak obudowa zamknięta przy częstotliwościach powyżej częstotliwości nastrojonej (rezonansowej). Przy rezonansie (określonym przez otwór wentylacyjny) otwór wentylacyjny stanowi główne źródło dźwięku – stożek subwoofera jest omalże nieruchomy, podczas gdy

powietrze w środku otworu wentylacyjnego wpada w vibrację. Dzięki temu urządzenie cechuje się większą obciążalnością mechaniczną na poziomie i powyżej rezonansu, ale za to obniżoną obciążalnością mechaniczną poniżej rezonansu. Ponieważ stożek subwoofera i cewka głosowa nie ruszają się zbyt przy rezonansie, przepływ powietrza przez cewkę głosową jest ograniczony, a obciążalność termiczna nieznacznie obniżona przy rezonansie.

Obudowy wentylowane zapewniają lepszą skuteczność w zakresie 40 Hz – 60 Hz, kosztem dźwięku w najniższej oktawie (poniżej 40 Hz). Do obudów wentylowanych zaleca się stosowanie filtra poddźwiękowego. Optymalna obudowa wentylowana do subwoofera jest większa od optymalnej obudowy zamkniętej.

## ZALETY OBUDOWY WENTYLOWANEJ

- Optymalna obudowa wentylowana cechuje się większą skutecznością i wyższym poziomem wyjściowym dźwięku w zakresie 40 Hz – 60 Hz niż optymalna obudowa zamknięta.
- Optymalna obudowa wentylowana produkuje bardziej odczuwalne basy niż optymalna obudowa zamknięta.
- Subwoofer w optymalnej obudowie wentylowanej wymaga mniej mocy wzmacniacza do osiągnięcia pożądanego efektu akustycznego (włącznie z częstotliwością rezonansu obudowy) niż optymalna obudowa zamknięta.

## WADY OBUDOWY WENTYLOWANEJ

- Obniżony poziom wyjściowy dźwięku przy niższej oktawie (poniżej 40 Hz).
- Obniżona obciążalność mechaniczna poniżej częstotliwości rezonansowej obudowy. Zaleca się użycie elektronicznego filtra poddźwiękowego do ograniczenia ryzyka przesterowania subwoofera poniżej częstotliwości rezonansowej obudowy.
- Optymalna obudowa wentylowana będzie zawsze większa niż optymalna obudowa zamknięta.

## KONSTRUKCYJA OBUDOWY WENTYLOWANEJ

Konstrukcja obudowy wentylowanej jest bardziej skomplikowana niż w przypadku obudowy zamkniętej. Wymiary obudowy i portu mają określony związek z fizycznymi i elektromechanicznymi parametrami subwoofera, przez co należy dokładnie przestrzegać zalecanych wymiarów obudowy i specyfikacji portu. Podobnie jak w przypadku obudowy zamkniętej, do budowy należy użyć pilśniowej płyty średniej gęstości (MDF), kleju i śrubek, a następnie uszczelnić wszystkie połączenia silikonem.

## ZALECENIE

Subwoofery w obudowach wentylowanych są zalecane dla entuzjastów szukających wyrazistej reakcji na bas, osób dysponujących

dużą ilością przestrzeni na urządzenie lub tych, którzy korzystają z mniej potężnego wzmacniacza. Aby uzyskać optymalną wydajność, należy dokładnie przestrzegać wymiarów portu i poziomów głośności.

## MONTAŻ SUBWOOFERA

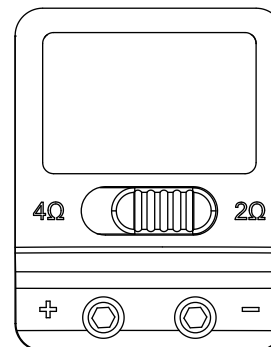
Subwoofery należy zamontować poza obudowę. W tym celu należy skorzystać z dołączonej uszczelki piankowej, aby uszczelnić połączenie między ramą subwoofera a obudową.

## PODŁĄCZENIE SUBWOOFERA

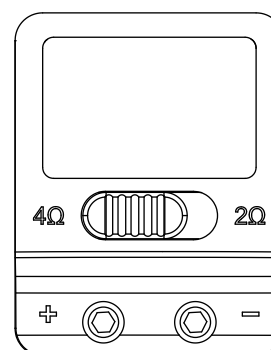
### USTAWIENIE IMPEDANCJI

Subwoofery Stadium są wyposażone w przełącznik Selectable Smart Impedance™ (SSI). Ta unikalna funkcja umożliwia ustawienie impedancji na 2 omy lub 4 omy za pomocą przełącznika (patrz ilustracje poniżej). Dzięki temu użytkownik może w pełni wykorzystać potencjał wzmacniacza subwoofera w każdej sytuacji.

2-omowe ustawienie SSI zwiększa poziom wyjściowy dźwięku subwoofera w stosunku do ustawienia 4-omowego o maksymalnie 3 dB, zależnie od wzmacniacza. Wszelkie pozostałe parametry wydajnościowe pozostają bez zmian. Jeśli podłączony wzmacniacz jest przeznaczony do pracy przy 2-omowej impedancji, a jego parametry mocy przy 2-omowej impedancji mieszczą się w zakresie obciążalności subwoofera, ustawienie przełącznika SSI w pozycji 2 om pozwoli osiągnąć najwyższy możliwy poziom wyjściowy dźwięku.



Ustawienie 2-omowe



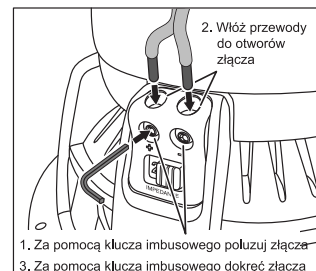
Ustawienie 4-omowe

**WAŻNE:** Przed użyciem przełącznika SSI należy upewnić się, że wzmacniacz subwoofera jest wyłączony. Nie należy zmieniać pozycji przełącznika podczas pracy wzmacniacza. Może to spowodować uszkodzenie wzmacniacza.

### PODŁĄCZENIE WZMACNIACZA

Złącza subwoofera są kompatybilne z przewodami nieosłoniętymi i ocynkowanymi. Zalecany przekrój kabla wynosi od 14AWG do 8AWG, zależnie od długości kabla między wzmacniaczem a subwooferem. W przypadku długości ponad 2 m zaleca się użycie większego przekroju.

1. Za pomocą 2,5 mm klucza imbusowego otwórz złącza
2. Włóż końce przewodu do otworów w złączu  
**UWAGA:** W przypadku nieocynkowanych, nieosłoniętych przewodów nie należy dopuścić do zetknięcia części dodatnich z ujemnymi. Zetknięcie tych wiązek może spowodować zwarcie obwodu i uszkodzić wzmacniacz.
3. Za pomocą klucza imbusowego przymocuj przewody do złączy, jak pokazano na ilustracji z lewej strony



## DANE TECHNICZNE

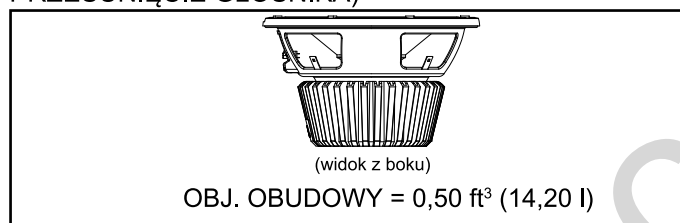
### Stadium 1024

#### PARAMETRY THIELE'A-SMALLA

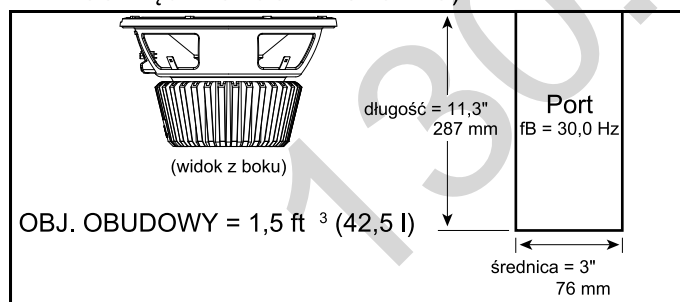
2 Ω      4 Ω

REZYSTANCJA CEWKI DRGAJĄCEJ PRZY DC:	$R_{EVC}$ (OHMS)	1,80	4,06
INDUKCYJNOŚĆ CEWKI DRGAJĄCEJ PRZY 1 KHZ:	$L_{EVC}$ (MH)	1,04	0,91
OBSZAR PROMIENIOWANIA DŹWIĘKU:			
	$S_D$ (IN <sup>2</sup> )	53,69	53,69
	$S_D$ (CM <sup>2</sup> )	346,36	346,36
SIŁA DZIAŁAJĄCA NA CEWKĘ GŁOŚNIKA:			
OBJĘTOŚĆ EKWIWALENTNA:	$V_{AS}$ (FT <sup>3</sup> )	0,86	0,89
	$V_{AS}$ (LITERS)	24,22	25,27
ZGODNOŚĆ ZAWIESZENIA:	$C_{MS}$ (UM/N)	144,00	150,00
MASA RUCHOMA, ŁĄCZNIE Z POWIETRZEM:	$M_{MS}$ (GRAMS)	188,72	185,47
REZONANS W WOLNEJ PRZESTRZENI:	$F_S$ (HZ)	30,56	30,18
DOBROĆ MECHANICZNA:	$Q_{MS}$	3,11	2,17
DOBROĆ ELEKTRYCZNA:	$Q_{ES}$	0,57	0,61
DOBROĆ CAŁKOWITA:	$Q_{TS}$	0,48	0,48
WYSOKOŚĆ SZCZELINY MAGNETYCZNEJ:			
	$H_{AG}$ (IN)	0,39	0,39
	$H_{AG}$ (MM)	10,00	10,00
WYSOKOŚĆ CEWKI DRGAJĄCEJ:			
	$H_{VC}$ (IN)	1,32	1,32
	$H_{VC}$ (MM)	33,50	33,50
WYCHYLENIE GRANICZNE:			
	$X_{MAX}$ (IN)	0,47	0,47
	$X_{MAX}$ (MM)	12,00	12,00

#### OBJĘTOŚĆ OBUDOWY ZAMKNIĘTEJ (UWZGL. PRZESUNIĘCIE GŁOŚNIKA)

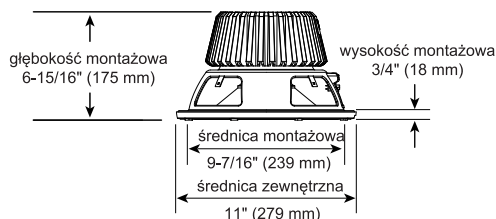


#### OBJĘTOŚĆ OBUDOWY WENTYLOWANEJ (UWZGL. PRZESUNIĘCIE GŁOŚNIKA/PORTU)



## DANE TECHNICZNE

ŚREDNICA:	10" (254 MM)
WRAŻLIWOŚĆ PRZY 2,83 V/1 M:	91 dB
OBCIĄŻALNOŚĆ MECHANICZNA:	450 Wrms (1350 W SZCZYT.)
PASMO PRZENOSZENIA:	30 HZ ~ 175 HZ
IMPEDANCJA ZNAMIONOWA:	2 LUB 4 OMY
ŚREDNICA CEWKI DRGAJĄCEJ:	2 1/2" (63 MM)
WYMIARY:	



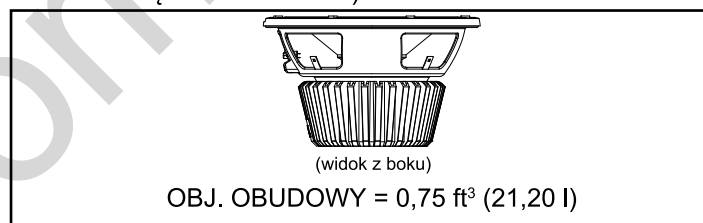
### Stadium 1224

#### PARAMETRY THIELE'A-SMALLA

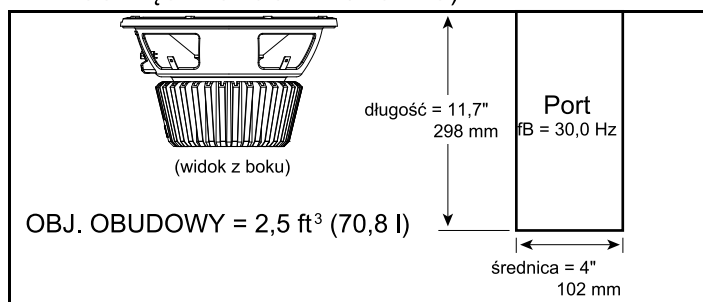
2 Ω      4 Ω

REZYSTANCJA CEWKI DRGAJĄCEJ PRZY DC:	$R_{EVC}$ (OHMS)	1,82	4,07
INDUKCYJNOŚĆ CEWKI DRGAJĄCEJ PRZY 1 KHZ:	$L_{EVC}$ (MH)	1,03	0,94
OBSZAR PROMIENIOWANIA DŹWIĘKU:			
	$S_D$ (IN <sup>2</sup> )	82,29	82,29
	$S_D$ (CM <sup>2</sup> )	530,93	530,93
SIŁA DZIAŁAJĄCA NA CEWKĘ GŁOŚNIKA:			
OBJĘTOŚĆ EKWIWALENTNA:	$V_{AS}$ (FT <sup>3</sup> )	1,93	1,86
	$V_{AS}$ (LITERS)	54,65	52,59
ZGODNOŚĆ ZAWIESZENIA:	$C_{MS}$ (UM/N)	138,00	133,00
MASA RUCHOMA, ŁĄCZNIE Z POWIETRZEM:	$M_{MS}$ (GRAMS)	220,58	225,64
REZONANS W WOLNEJ PRZESTRZENI:	$F_S$ (HZ)	28,84	29,07
DOBROĆ MECHANICZNA:	$Q_{MS}$	4,29	2,56
DOBROĆ ELEKTRYCZNA:	$Q_{ES}$	0,53	0,58
DOBROĆ CAŁKOWITA:	$Q_{TS}$	0,47	0,47
WYSOKOŚĆ SZCZELINY MAGNETYCZNEJ:			
	$H_{AG}$ (IN)	0,39	0,39
	$H_{AG}$ (MM)	10,00	10,00
WYSOKOŚĆ CEWKI DRGAJĄCEJ:			
	$H_{VC}$ (IN)	1,32	1,32
	$H_{VC}$ (MM)	33,50	33,50
WYCHYLENIE GRANICZNE:			
	$X_{MAX}$ (IN)	0,47	0,47
	$X_{MAX}$ (MM)	12,00	12,00

#### OBJĘTOŚĆ OBUDOWY ZAMKNIĘTEJ (UWZGL. PRZESUNIĘCIE GŁOŚNIKA)

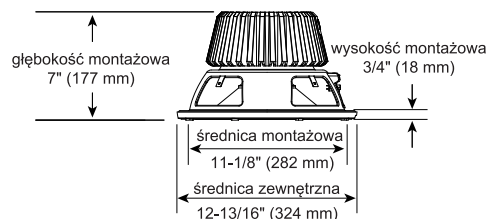


#### OBJĘTOŚĆ OBUDOWY WENTYLOWANEJ (UWZGL. PRZESUNIĘCIE GŁOŚNIKA/PORTU)



## DANE TECHNICZNE

ŚREDNICA:	12" (305 MM)
WRAŻLIWOŚĆ PRZY 2,83 V/1 M:	92 dB
OBCIĄŻALNOŚĆ MECHANICZNA:	500 Wrms (1500 W SZCZYT.)
PASMO PRZENOSZENIA:	25 HZ ~ 175 HZ
IMPEDANCJA ZNAMIONOWA:	2 LUB 4 OMY
ŚREDNICA CEWKI DRGAJĄCEJ:	2 1/2" (63 MM)
WYMIARY:	



**DANK U** voor de keuze van een JBL Stadium subwoofer. Deze subwoofers zijn ontworpen voor een breed scala van caraudio toepassingen en kunnen worden gebruikt in een grote verscheidenheid van behuizingen, en produceren krachtige bas in de beperkte ruimte van een voertuig. Om optimaal te profiteren van uw nieuwe subwoofer, wordt het sterk aanbevolen dat u de subwoofer door een gekwalificeerde vakman laat installeren. Deze handleiding biedt algemene instructies over het installeren van deze Serie subwoofers, maar bevat geen aanwijzingen voor installatiemethodes voor specifieke voertuigen. Als u niet over de nodige ervaring beschikt, probeer het apparaat dan niet zelf te installeren maar vraag uw geautoriseerde JBL-dealer naar mogelijkheden voor professionele installatie.

Vergeet niet om uw aankoopbewijs samen met deze handleiding op een veilige plaats te bewaren, zodat ze beide beschikbaar zijn voor toekomstig gebruik.

## WAARSCHUWING

Het luisteren naar luide muziek in de auto kan uw vermogen om het verkeer te horen belemmeren en uw gehoor permanent beschadigen. Het maximale haalbare volumeniveaus van de JBL-speakers in combinatie met high-power versterking kan veilige niveaus voor lang luisteren overschrijden. Gebruik van een laag volume wordt aanbevolen tijdens het rijden. JBL Inc. aanvaardt geen aansprakelijkheid voor gehoorverlies, lichamelijk letsel of materiële schade als gevolg van gebruik of misbruik van dit product.

## BASS PRODUCEREN IN VOERTUIGEN

Afhankelijk van de ruimte in het voertuig, worden gereproduceerde bass frequenties onder 80Hz versterkt met bijna 12 dB per octaaf wanneer de frequentie afneemt. Dit fenomeen, bekend als overdrachtsfunctie van het voertuig ("cabin gain"), speelt een belangrijke rol in het vormgeven van de frequentierespons van de subwoofer in uw auto.

## SUBWOOFER BEHUIZING TYPEN

De subwoofers zijn ontworpen om optimaal te presteren in middelgrote gesloten behuizingen, geventileerde behuizingen en prefab band-bass behuizingen. Infinite-baffle montage is mogelijk, maar de mechanische belastbaarheid van de subwoofer zal worden vermindert, omdat er geen luchtvolume is om de subwoofer's suspension te beheersen en te grote uitslag voorkomt. Als u infinite-baffle montage kiest, overweeg dan de RMS en piek belastbaarheid ratings de helft is van wat wordt vermeld in de specificaties van deze handleiding.

Selecteer een type behuizing op basis van de ruimte die in het voertuig beschikbaar is, het vermogen dat u gebruik voor uw subwoofer(s), en uw eigen voorkeuren.

## GESLOTEN BEHUIZING

De lucht opgesloten in een gesloten behuizing wordt samengeperst wanneer de subwoofer naar achteren beweegt en is ij als de subwoofer naar voren beweegt. In beide gevallen zal de lucht binnen en buiten de box evenwicht zoeken door de subwoofer conus heen en weer te bewegen. Het resultaat is een strakkere suspensie vergeleken met de subwoofer die in vrije lucht functioneert. Dit betekent dat het moeilijk is voor de conus van de subwoofer om bij lage frequenties te bewegen, een conditie die de subwoofer beschermt tegen te grote uitslag, maar dit vereist meer vermogen dan andere ontwerpen om een bepaalde akoestische output te bereiken.

## PRESTATIEVOORDELEN VAN GESLOTEN BEHUIZING

- De prestaties in het voertuig zullen de vlakste totale frequentie respons hebben.
- De response in het voertuig heeft de breedste bandbreedte (Bruikbaar lage-frequentierespons in het voertuig zal onder 20Hz zijn.)
- Een optimale gesloten behuizing zal altijd kleiner zijn dan een optimale behuizing van een ander type.

## PRESTATIE AFWEGINGEN VAN GESLOTEN BEHUIZING

- Een optimale gesloten behuizing zal altijd een lager totaal rendement hebben dan een optimale behuizing van een ander type.
- Een subwoofer in een optimale gesloten behuizing zal meer versterkervermogen vereisen om een bepaalde akoestische output te realiseren dan een optimale behuizing van een ander type.

## GESLOTEN BEHUIZING CONSTRUCTIE

Gesloten behuizing constructie is eenvoudig en tolerant voor fouten in volumeberekening, maar het lekken van lucht moet worden vermeden. Gebruik medium-density vezelplaat (MDF), lijm en schroeven voor de constructie van de behuizing, en verzegeling van alle verbindingen met siliconenkit.

## AANBEVELINGEN

Subwoofers in gesloten behuizingen worden aanbevolen voor muzikliefhebbers die accurate muziek en vlakke frequentierespons eisen, en voor degenen die een kleinere ruimte beschikbaar hebben voor een subwooferbehuizing, en voor degenen die veel versterkervermogen hebben voor de subwoofer. Het gesloten behuizing-ontwerp vermeld in deze handleiding vertegenwoordigt het beste compromis tussen lage-frequentie extensie en vlakke respons.

## GEVENTILEERDE SYSTEMEN

Een geventileerde behuizing fungeert als een gesloten behuizing bij frequenties boven zijn afgestemd (resonantie) frequentie. Bij resonantie (die gedefinieerd wordt door de ventilatie), produceert de open kast het meeste geluid - de subwoofer conus bijna stationair terwijl de lucht in de open kast

trilt. Dit zorgt voor een betere mechanische belastbaarheid bij en boven de resonantie, maar verminderde mechanische belastbaarheid onder de resonantie. Omdat de subwoofer conus en voice coil niet veel bewegen bij resonantie, wordt de luchtstroom over de spreekspoel geminimaliseerd en thermische belastbaarheid wordt iets verlaagd bij resonantie.

Open systemen bieden een betere efficiëntie in het 40Hz-60Hz bereik, ten koste van het geluid in de laagste octaaf (onder 40Hz). Het gebruik van een infrasonische filter wordt aanbevolen met geventileerde behuizingen. Een optimaal geventileerde behuizing voor een Serie subwoofer is groter dan een optimale gesloten behuizing.

## PRESTATIEVOORDELEN OPEN BEHUIZING

- Een optimale open behuizing heeft grotere efficiëntie en een hogere output in het 40 Hz-60 Hz bereik dan een optimale gesloten behuizing.
- Een optimaal geventileerde behuizing zorgt voor een groter bas-effect dan een optimale gesloten behuizing
- Een subwoofer in een optimaal geventileerde behuizing zal minder versterkervermogen vereisen voor een bepaalde akoestische output (tot de resonantiefrequentie van de behuizing) dan in een optimale gesloten behuizing.

## PRESTATIE AFWEGINGEN VAN OPEN BEHUIZING

- Verminderd vermogen in het laagste octaaf (onder 40 Hz).
- Verminderde mechanische belastbaarheid onder de resonantiefrequentie behuizing. Het gebruik van een elektronisch infrasonisch filter wordt sterk aanbevolen om de kans op oversturing de subwoofer onder de resonantiefrequentie van de behuizing te reduceren.
- Een optimaal geventileerde behuizing zal altijd groter dan een optimale gesloten behuizing zijn.

## OPEN BEHUIZING CONSTRUCTIE

Open behuizing constructie is moeilijker dan de bouw van een gesloten behuizing. Het volume van de ruimte en de poort afmetingen hebben een specifieke relatie met de fysieke en elektromechanische eigenschappen van de subwoofer, en eisen dat het aanbevolen volume van de behuizing en poort kenmerken strikt worden nageleefd. Gebruik net als bij gesloten behuizingen medium-density vezelplaat (MDF), lijm en schroeven voor de constructie van de behuizing, en verzegeling van alle verbindingen met siliconenkit.

## AANBEVELINGEN

Subwoofers in open behuizingen worden aanbevolen voor liefhebbers die geaccentueerd basweergave prefereren, voor degenen die voldoende ruimte hebben voor een subwooferbehuizing, en voor degenen die een minder krachtige versterker gebruiken om hun subwoofer aan te sturen. De aangegeven afmetingen van het volume en de poort moeten nauwkeurig worden gevolgd om te zorgen voor optimale prestaties.

## DE SUBWOOFER MONTEREN

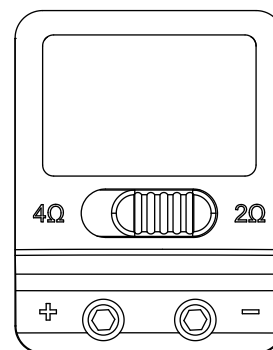
De subwoofers moeten aan de buitenkant van de behuizing worden gemonteerd. Gebruik de meegeleverde schuimontage pakking om een lekvrije afdichting tussen de subwoofer frame en de behuizing te verzekeren.

## DE SUBWOOFER AANSLUITEN

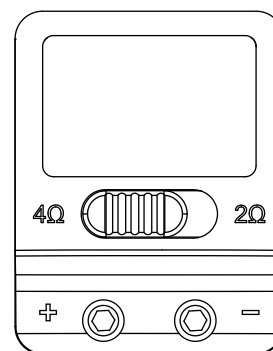
### DE IMPEDANTIE INSTELLEN

De Stadium subwoofers zijn beide voorzien van een Selecteerbare Smart Impedantie™ (SSI) schakelaar. Met deze exclusieve functie kunt u de impedantie van de subwoofer met de schakelaar eenvoudig instellen op 2 ohm of 4 ohm (zie afbeelding hieronder). Hiermee kunt u in alle situaties optimaal van uw subwoofer versterker profiteren.

De SSI 2-ohm instelling verhoogt de output van de subwoofer boven de 4 ohm instelling met maximaal 3 dB, afhankelijk van de versterker. De prestaties zijn in alle andere opzichten identiek. Als de aangesloten versterker is gespecificeerd om te werken op 2-ohm en het 2-ohm vermogen binnen de belastbare specificaties van de subwoofer is, krijgt u maximale output door de SSI-schakelaar in de stand 2-ohm te zetten.



2-ohm instelling



4-ohm instelling

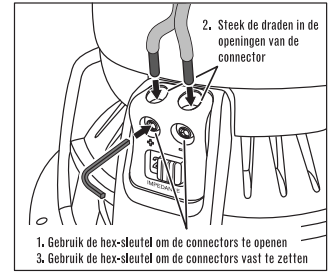


**BELANGRIJK:** Zorg ervoor dat de subwoofer versterker is uitgeschakeld voordat de SSI-schakelaar instelt. De stand van de schakelaar niet veranderen terwijl de subwoofer versterker is ingeschakeld. Dit kan de versterker beschadigen.

### DE VERSTERKER AANSLUITEN

De subwoofer connectors zijn compatibel met blank of vertind draad. De aanbevolen draaddikte is tussen 14AWG en 8AWG, afhankelijk van de lengte van het draad tussen de versterker en woofer. Dikkere draad wordt aanbevolen bij aansluiting die langer zijn dan 2 meter.

1. Gebruik een 2,5 mm hex sleutel om de connectors te openen
2. De draaduiteinden in de openingen van de connectors steken
3. Gebruik de hex sleutel om de connectors vast te zetten, zoals geïllustreerd in de afbeelding links



### TECHNISCHE GEGEVENS

## Stadium 1024

### THIELE-SMALL PARAMETERS

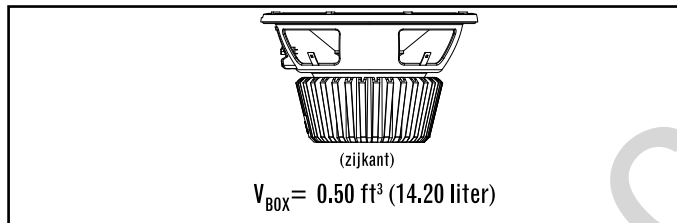
	2Ω	4Ω
SPREEKSPOEL GELIJKSTROOMWEERSTAND:	$R_{EVC}$ (OHMS) . . . . . 1,80 . . . . . 4,06	
SPREEKSPOEL INDUCTANTIE @ 1KHZ:	$L_{EVC}$ (MH) . . . . . 1,04 . . . . . 0,91	
DRIVER STRALINGSGBIED:	$S_D$ (IN <sup>2</sup> ) . . . . . 53,69 . . . . . 53,69	
	$S_D$ (CM <sup>2</sup> ) . . . . . 346,36 . . . . . 346,36	
MOTOR FORCE FACTOR:	$BL$ (T <sub>w</sub> ) . . . . . 10,54 . . . . . 14,98	
NALEVING VOLUME:	$V_{AS}$ (FT <sup>3</sup> ) . . . . . 0,86 . . . . . 0,89	
	$V_{AS}$ (LITERS) . . . . . 24,22 . . . . . 25,27	
SUSPENSION NALEVING:	$C_{MS}$ (LJM/N) . . . . . 144,00 . . . . . 150,00	
MOVING MASS, AIR LOAD:	$M_{MS}$ (GRAMS) . . . . . 188,72 . . . . . 185,47	
FREE-AIR RESONANTIE:	$F_S$ (Hz) . . . . . 30,56 . . . . . 30,18	
MECHANISCHE Q:	$Q_{MS}$ . . . . . 3,11 . . . . . 2,17	
ELECTRISCHE Q:	$Q_{ES}$ . . . . . 0,57 . . . . . 0,61	
TOTAAL Q:	$Q_{TS}$ . . . . . 0,48 . . . . . 0,48	
HOOGTE MAGNETISCHE OPENING:	$H_{AG}$ (IN) . . . . . 0,39 . . . . . 0,39	
	$H_{AG}$ (MM) . . . . . 10,00 . . . . . 10,00	
HOOGTE SPREEKSPOEL:	$H_{VC}$ (IN) . . . . . 1,32 . . . . . 1,32	
	$H_{VC}$ (MM) . . . . . 33,50 . . . . . 33,50	
MAXIMALE SLAG:	$X_{MAX}$ (IN) . . . . . 0,47 . . . . . 0,47	
	$X_{MAX}$ (MM) . . . . . 12,00 . . . . . 12,00	

## Stadium 1224

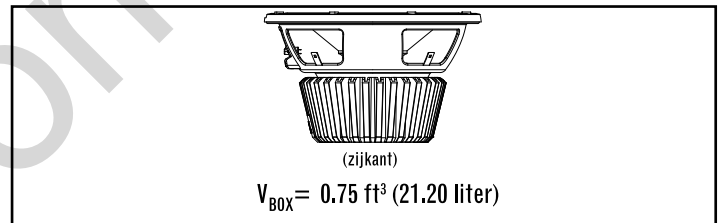
### THIELE-SMALL PARAMETERS

	2Ω	4Ω
SPREEKSPOEL GELIJKSTROOMWEERSTAND:	$R_{EVC}$ (OHMS) . . . . . 1,82 . . . . . 4,07	
SPREEKSPOEL INDUCTANTIE @ 1KHZ:	$L_{EVC}$ (MH) . . . . . 1,03 . . . . . 0,94	
DRIVER STRALINGSGBIED:	$S_D$ (IN <sup>2</sup> ) . . . . . 82,29 . . . . . 82,29	
	$S_D$ (CM <sup>2</sup> ) . . . . . 530,93 . . . . . 530,93	
MOTOR FORCE FACTOR:	$BL$ (T <sub>w</sub> ) . . . . . 11,70 . . . . . 16,99	
NALEVING VOLUME:	$V_{AS}$ (FT <sup>3</sup> ) . . . . . 1,93 . . . . . 1,86	
	$V_{AS}$ (LITERS) . . . . . 54,65 . . . . . 52,59	
SUSPENSION NALEVING:	$C_{MS}$ (LJM/N) . . . . . 138,00 . . . . . 133,00	
MOVING MASS, AIR LOAD:	$M_{MS}$ (GRAMS) . . . . . 220,58 . . . . . 225,64	
FREE-AIR RESONANTIE:	$F_S$ (Hz) . . . . . 28,84 . . . . . 29,07	
MECHANISCHE Q:	$Q_{MS}$ . . . . . 4,29 . . . . . 2,56	
ELECTRISCHE Q:	$Q_{ES}$ . . . . . 0,53 . . . . . 0,58	
TOTAAL Q:	$Q_{TS}$ . . . . . 0,47 . . . . . 0,47	
HOOGTE MAGNETISCHE OPENING:	$H_{AG}$ (IN) . . . . . 0,39 . . . . . 0,39	
	$H_{AG}$ (MM) . . . . . 10,00 . . . . . 10,00	
HOOGTE SPREEKSPOEL:	$H_{VC}$ (IN) . . . . . 1,32 . . . . . 1,32	
	$H_{VC}$ (MM) . . . . . 33,50 . . . . . 33,50	
MAXIMALE SLAG:	$X_{MAX}$ (IN) . . . . . 0,47 . . . . . 0,47	
	$X_{MAX}$ (MM) . . . . . 12,00 . . . . . 12,00	

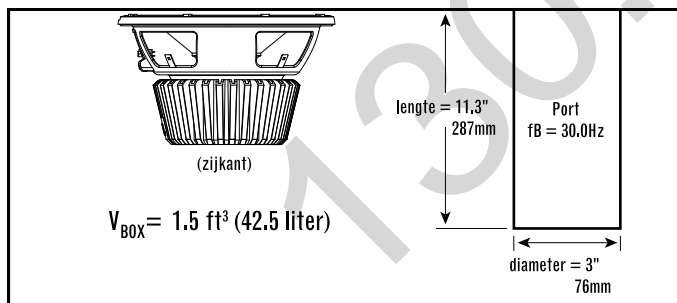
### SEALED-BOX VOLUME (INCLUSIEF DRIVER DISPLACEMENT)



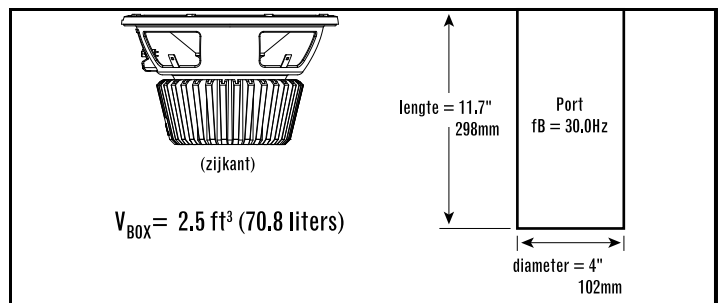
### SEALED-BOX VOLUME (INCLUSIEF DRIVER DISPLACEMENT)



### VENTED-BOX VOLUME (INCLUSIEF DRIVER/PORT DISPLACEMENTS)

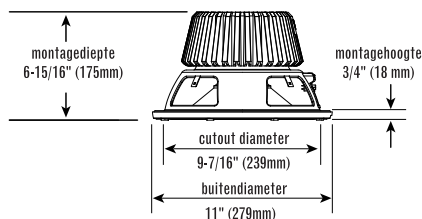


### VENTED-BOX VOLUME (INCLUSIEF DRIVER/PORT DISPLACEMENTS)



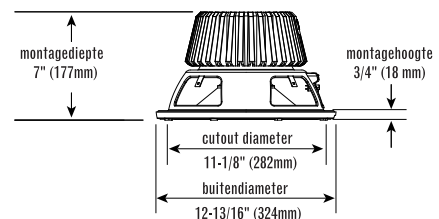
### SPECIFICATIES

DIAMETER: 10" (254MM)  
 GEVOELIGHEID (2.83V @ 1M): 91dB  
 BELASTBAARHEID: 450Wrms (1350W PIEK)  
 FREQUENTIEBEREIK: 30HZ ~ 175HZ  
 NOMINALE IMPEDANTIE: 2 OF 4 OHMS  
 DIAMETER SPREEKSPOEL: 2 1/2" (63MM)  
 AFMETINGEN:



### SPECIFICATIES

DIAMETER: 12" (305MM)  
 GEVOELIGHEID (2.83V @ 1M): 92dB  
 BELASTBAARHEID: 500Wrms (1500W PIEK)  
 FREQUENTIEBEREIK: 25HZ ~ 175HZ  
 NOMINALE IMPEDANTIE: 2 OF 4 OHMS  
 DIAMETER SPREEKSPOEL: 2 1/2" (63MM)  
 AFMETINGEN:



TERIMA KASIH telah memilih JBL subwoofer Stadium. Subwoofer ini dirancang untuk memenuhi banyak ragam aplikasi audio mobil dan bisa digunakan dalam berbagai tipe wadah untuk menghasilkan bas yang kuat dan panjang dalam ruangan kendaraan yang terbatas. Untuk mendapatkan performa terbaik dari subwoofer baru Anda, sangat disarankan agar Anda menggunakan jasa tenaga profesional yang memenuhi syarat untuk memasang subwoofer Anda. Walaupun buku panduan ini memberikan petunjuk umum tentang cara memasang subwoofer Seri ini, buku panduan ini tidak menyertakan detail konstruksi wadah atau metode pemasangan terperinci untuk kendaraan tertentu. Jika Anda merasa tidak memiliki pengalaman yang diperlukan jangan mencoba untuk memasangnya sendiri. Sebaliknya, tanyakan kepada dealer JBL resmi Anda tentang opsi pemasangan profesional.

Ingatlah untuk selalu menyimpan bukti pembelian dan buku panduan ini di tempat yang aman, sehingga bisa digunakan di kemudian hari.

## PERINGATAN

Memaikan musik yang keras di dalam kendaraan bisa mengganggu kemampuan Anda untuk mendengar suara lalu lintas dan bisa merusak pendengaran Anda secara permanen. Tingkat volume maksimum yang bisa dicapai oleh penguat suara JBL ketika dikombinasikan dengan penguat berdaya tinggi bisa melebihi tingkat yang aman untuk mendengarkan dalam jangka waktu panjang. Disarankan untuk menggunakan tingkat volume rendah ketika berkendara. JBL, Inc. tidak bertanggung jawab atas kehilangan pendengaran, cacat tubuh, atau kerusakan properti yang disebabkan oleh penggunaan atau kesalahan penggunaan produk ini.

## MEREPRODUKSI BAS DI DALAM KENDARAAN

Tergantung pada ukuran ruang mendengarkan dalam interior kendaraan Anda, frekuensi bas yang direproduksi di bawah 80 Hz akan diperkuat 12 dB per oktaf saat frekuensi berkurang. Fenomena ini, yang dikenal sebagai fungsi transfer kendaraan (atau gain kabin), memainkan peran penting dalam membentuk respons frekuensi subwoofer dalam kendaraan Anda.

## TIPE WADAH SUBWOOFER

Subwoofer dirancang untuk berfungsi paling baik dalam wadah tersekat berukuran medium, wadah berventilasi dan wadah lolos pita prefabrikasi. Pemasangan sekat tak terbatas bisa dilakukan, tetapi penanganan daya mekanis subwoofer akan berkurang karena tidak ada volume udara untuk memperkuat suspensi subwoofer dan mencegah ekskursi berlebihan. Jika Anda memilih pemasangan sekat tak terbatas pertimbangkan RMS dan penanganan daya puncak menjadi setengah dari apa yang tertulis pada spesifikasi dalam buku panduan ini.

Anda harus memilih tipe wadah berdasarkan pada besarnya ruang bagasi yang bisa Anda gunakan sebagai wadah, jumlah daya yang akan Anda gunakan untuk menggerakkan subwoofer Anda, dan kebiasaan pendengaran Anda.

## WADAH TERSEKAT

Udara yang terperangkap di dalam wadah tersekat dimampatkan ketika subwoofer bergerak ke belakang dan dijarangkan ketika subwoofer bergerak ke depan. Dalam kedua kasus, udara di dalam dan di luar kotak akan mencari keseimbangan dengan cara menekan dan menarik kerucut subwoofer. Hasilnya adalah suspensi yang lebih kaku jika dibandingkan dengan subwoofer yang beroperasi di udara bebas. Hal ini berarti bahwa kerucut subwoofer akan lebih sulit untuk bergerak pada frekuensi rendah. Situasi ini melindungi subwoofer dari ekskursi berlebihan secara fisik, tetapi memerlukan daya yang lebih banyak daripada desain lainnya untuk mencapai keluaran akustik tertentu.

## KEUNGGULAN PERFORMA WADAH TERSEKAT

- Performa dalam kendaraan akan memiliki respons frekuensi keseluruhan paling datar.
- Respons dalam kendaraan akan memiliki lebar pita paling lebar. (Respons frekuensi rendah yang bisa digunakan di dalam kendaraan akan berada di bawah 20 Hz.)
- Wadah tersekat optimum akan selalu lebih kecil daripada wadah optimum tipe lainnya.

## KOMPROMI PERFORMA WADAH TERSEKAT

- Wadah tersekat optimum akan memiliki efisiensi keseluruhan lebih rendah daripada wadah optimum tipe lainnya.
- Subwoofer dalam wadah tersekat optimum akan memerlukan daya penguatan lebih banyak untuk mencapai keluaran akustik tertentu daripada wadah optimum tipe lainnya.

## KONSTRUKSI WADAH TERSEKAT

Konstruksi wadah tersekat sangat sederhana dan memaafkan kesalahan dalam perhitungan volume, tetapi kebocoran udara harus dihindari. Gunakan papan serat densitas medium (MDF), lem dan sekrup untuk membuat wadah, dan sekat semua sambungan dengan dempul silikon.

## REKOMENDASI

Subwoofer dalam wadah tersekat direkomendasikan untuk orang-orang yang menyukai reproduksi musik akurat dan respons frekuensi datar, bagi mereka yang memiliki ruangan lebih kecil untuk digunakan sebagai wadah subwoofer, dan bagi mereka yang memiliki daya penguatan cukup banyak untuk digunakan menggerakkan subwoofer. Desain wadah tersekat yang ditunjukkan dalam buku panduan ini mewakili kompromi terbaik antara ekstensi frekuensi rendah dan respons datar.

## WADAH BERVENTILASI

Wadah berventilasi bertindak seperti wadah tersekat pada frekuensi di atas frekuensi (resonansi) tertala. Pada resonansi (yang ditentukan oleh ventilasi), ventilasi menghasilkan mayoritas suara – kerucut subwoofer hampir tidak bergerak saat udara di dalam ventilasi bergetar. Hal ini memberikan penanganan daya mekanis yang lebih besar pada dan di atas resonansi,

tetapi mengurangi penanganan daya mekanis di bawah resonansi. Karena kerucut subwoofer dan koil suara tidak banyak bergerak pada resonansi, aliran udara melewati koil suara diminimalkan dan penanganan daya termal sedikit dikurangi pada resonansi.

Wadah berventilasi memberikan efisiensi lebih besar dalam kisaran 40 Hz – 60 Hz, dengan mengorbankan keluaran suara pada oktaf paling rendah (di bawah 40 Hz). Disarankan untuk menggunakan filter infrasonik bersama wadah berventilasi. Wadah berventilasi optimum untuk subwoofer Seri lebih besar daripada wadah tersekat optimum.

## KEUNGGULAN PERFORMA WADAH BERVENTILASI

- Wadah berventilasi optimum memiliki efisiensi lebih besar dan keluaran lebih tinggi dalam kisaran 40 Hz – 60 Hz daripada wadah tersekat optimum.
- Wadah berventilasi optimum memberikan sensasi bas lebih besar daripada wadah tersekat optimum.
- Subwoofer dalam wadah berventilasi optimum akan memerlukan daya penguatan lebih sedikit untuk mencapai keluaran akustik tertentu (turun hingga frekuensi resonansi wadah) daripada pada wadah tersekat optimum.

## KOMPROMI PERFORMA WADAH BERVENTILASI

- Keluaran lebih kecil pada oktaf terendah (di bawah 40 Hz).
- Penanganan daya mekanis lebih rendah di bawah frekuensi resonansi wadah. Sangat disarankan untuk menggunakan filter infrasonik elektronik untuk mengurangi kemungkinan menggerakkan subwoofer secara berlebihan di bawah frekuensi resonansi wadah.
- Wadah berventilasi optimum akan selalu lebih besar daripada wadah tersekat optimum.

## KONSTRUKSI WADAH BERVENTILASI

Konstruksi wadah berventilasi lebih sulit daripada konstruksi wadah tersekat. Volume wadah dan dimensi port memiliki hubungan spesifik dengan karakteristik fisik dan elektromekanis subwoofer, yang mengharuskan untuk mengikuti dengan saksama volume wadah dan karakteristik port yang direkomendasikan. Seperti pada wadah tersekat, gunakan papan serat densitas medium (MDF), lem dan sekrup untuk membuat wadah, dan sekat semua sambungan dengan dempul silikon.

## REKOMENDASI

Subwoofer dalam wadah berventilasi direkomendasikan untuk orang-orang yang menyukai reproduksi musik dengan penekanan respons bas, bagi mereka yang memiliki banyak ruang bagasi untuk digunakan sebagai wadah subwoofer, dan bagi mereka yang akan menggunakan lebih sedikit daya penguatan untuk menggerakkan subwoofer. Volume dan dimensi port yang ditunjukkan harus diikuti dengan persis untuk memastikan performa optimum.

## MEMASANG SUBWOOFER

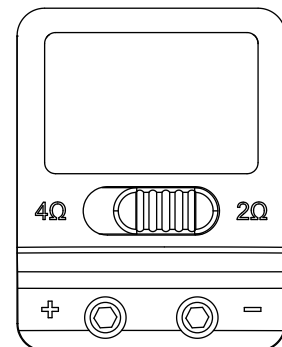
Subwoofer harus dipasang dari sisi luar wadah. Gunakan gasket pemasangan dari busa yang disertakan untuk memastikan penyekatan bebas bocor antara rangka subwoofer dan wadah.

## MENGHUBUNGAN SUBWOOFER

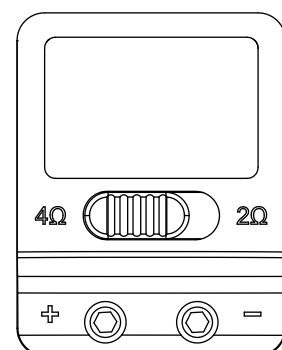
### MENGATUR IMPEDANSI

Subwoofer Stadium memiliki fitur sakelar Selectable Smart Impedance™ (SSI) atau Impedansi Pintar Dapat Dipilih. Fitur eksklusif ini memungkinkan Anda untuk mengatur impedansi subwoofer menjadi 2 ohm atau 4 ohm hanya dengan mengubah sakelar (lihat gambar di bawah ini). Hal ini membuat Anda bisa mendapatkan hasil terbaik dari penguat subwoofer Anda dalam situasi apa pun.

Pengaturan SSI 2-ohm meningkatkan keluaran subwoofer dibandingkan pengaturan 4-ohm hingga sebesar 3 dB, tergantung pada penguat. Dalam semua aspek lainnya, performa keduanya sama persis. Jika peringkat penguat yang tersambung adalah untuk operasi 2-ohm dan peringkat dayanya sebesar 2-ohm berada di dalam spesifikasi penanganan daya subwoofer, pengaturan sakelar SSI pada posisi 2-ohm akan mencapai keluaran maksimum.



Pengaturan 2-Ohm



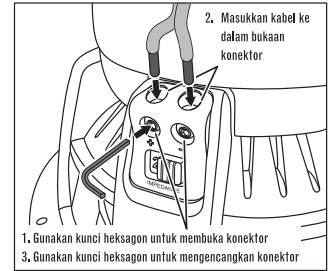
Pengaturan 4-Ohm

**PENTING:** Pastikan bahwa penguat subwoofer DIMATIKAN sebelum mengatur sakelar SSI. Jangan mengubah posisi sakelar saat penguat subwoofer sedang beroperasi. Jika dilakukan bisa merusak penguat.

### MENGHUBUNGANKAN PENGUAT

Konektor subwoofer kompatibel dengan kabel telanjang atau kabel berlapis timah. Ukuran kabel yang direkomendasikan berkisar antara 14AWG dan 8AWG, tergantung pada panjang kabel antara penguat dan woofer. Kabel berukuran lebih berat lebih disukai untuk panjang kabel lebih dari 6' (2 m).

- Gunakan obeng heksagon 2,5 mm untuk membuka konektor
- Masukkan ujung kabel ke dalam bukaan konektor  
**CATATAN:** Jika menggunakan kabel telanjang yang tidak dilapisi timah, pastikan bahwa tidak ada untai kabel "+" dan "-" yang saling bersentuhan. Untai kabel yang bersentuhan bisa menyebabkan hubungan pendek, yang bisa merusak penguat Anda.
- Gunakan obeng heksagon untuk mengencangkan kabel pada konektor seperti diperlihatkan dalam gambar di sebelah kiri.



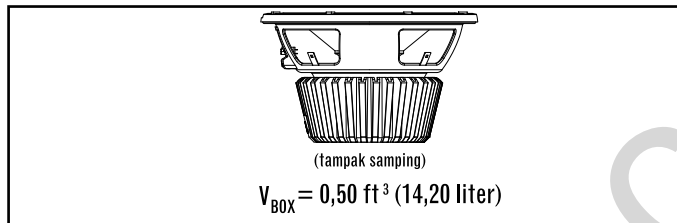
### DATA TEKNIS

## Stadium 1024

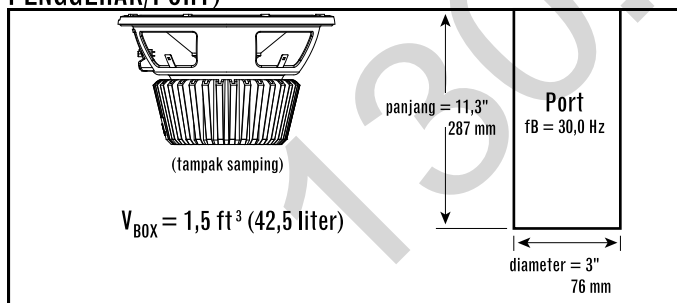
#### PARAMETER THIELE KECIL

	2Ω	4Ω
HAMBATAN DC KOIL SUARA:	$R_{EVC}$ (OHMS) ..... 1,80	4,06
INDUKTANSI KOIL SUARA @ 1 KHZ:	$L_{EVC}$ (MH) ..... 1,04	0,91
AREA RADIASI PENGGERAK:	$S_D$ (IN <sup>2</sup> ) ..... 53,69	53,69
	$S_D$ (CM <sup>2</sup> ) ..... 346,36	346,36
FAKTOR GAYA MOTOR:	$BL$ (T <sub>m</sub> ) ..... 10,54	14,98
	VOLUME KESESUAIAN:	$V_{AS}$ (FT <sup>3</sup> ) ..... 0,86
KESESUAIAN SUSPENSII:	$V_{AS}$ (LITERS) ..... 24,22	25,27
	MASSA BERGERAK, BEBAN UDARA:	$C_{MS}$ (LJM/N) ..... 144,00
RESONANSI UDARA BEBAS:	$M_{MS}$ (GRAMS) ..... 188,72	185,47
Q MEKANIS:	$F_S$ (HZ) ..... 30,56	30,18
	$Q_{MS}$ ..... 3,11	2,17
Q ELEKTRIK:	$Q_{ES}$ ..... 0,57	0,61
	TOTAL Q:	$Q_{TS}$ ..... 0,48
KETINGGIAN CELAH MAGNETIS:	$H_{AG}$ (IN) ..... 0,39	0,39
	$H_{AG}$ (MM) ..... 10,00	10,00
KETINGGIAN KOIL SUARA:	$H_{VC}$ (IN) ..... 1,32	1,32
	$H_{VC}$ (MM) ..... 33,50	33,50
EKSKURSI MAKSIMUM:	$X_{MAX}$ (IN) ..... 0,47	0,47
	$X_{MAX}$ (MM) ..... 12,00	12,00

#### VOLUME KOTAK TERSEKAT (TERMASUK VOLUME PENGGERAK)

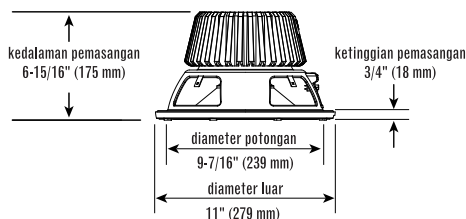


#### VOLUME KOTAK BERVENTILASI (TERMASUK VOLUME PENGGERAK/PORT)



### SPESIFIKASI

DIAMETER: 10" (254 MM)  
 SENSITIVITAS (2,83 V @ 1 M): 91dB  
 PENANGANAN DAYA: 450 Wrms (1350 W PUNCAK)  
 RESPONS FREKUENSI: 30 HZ ~ 175 HZ  
 IMPEDANSI NOMINAL: 2 ATAU 4 OHM  
 DIAMETER KOIL SUARA: 2 1/2" (63 MM)  
 DIMENSI:

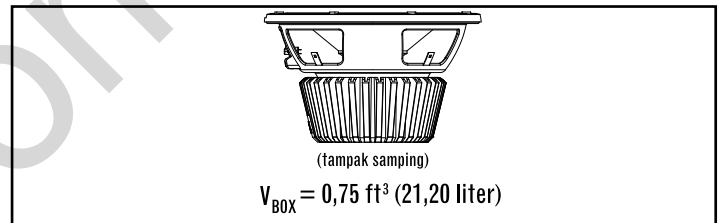


## Stadium 1224

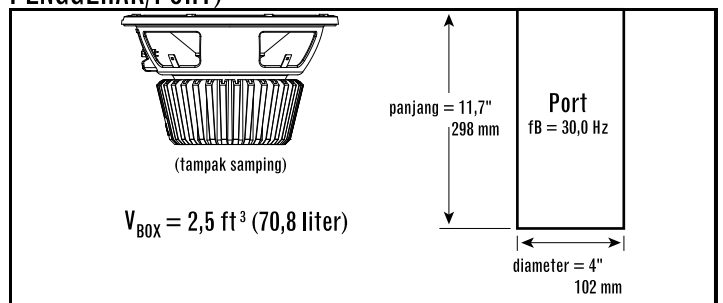
#### PARAMETER THIELE KECIL

	2Ω	4Ω
HAMBATAN DC KOIL SUARA:	$R_{EVC}$ (OHMS) ..... 1,82	4,07
INDUKTANSI KOIL SUARA @ 1 KHZ:	$L_{EVC}$ (MH) ..... 1,03	0,94
AREA RADIASI PENGGERAK:	$S_D$ (IN <sup>2</sup> ) ..... 82,29	82,29
	$S_D$ (CM <sup>2</sup> ) ..... 530,93	530,93
FAKTOR GAYA MOTOR:	$BL$ (T <sub>m</sub> ) ..... 11,70	16,99
	VOLUME KESESUAIAN:	$V_{AS}$ (FT <sup>3</sup> ) ..... 1,93
KESESUAIAN SUSPENSII:	$V_{AS}$ (LITERS) ..... 54,65	52,59
	MASSA BERGERAK, BEBAN UDARA:	$C_{MS}$ (LJM/N) ..... 138,00
RESONANSI UDARA BEBAS:	$M_{MS}$ (GRAMS) ..... 220,58	225,64
Q MEKANIS:	$F_S$ (HZ) ..... 28,84	29,07
	$Q_{MS}$ ..... 4,29	2,56
Q ELEKTRIK:	$Q_{ES}$ ..... 0,53	0,58
	TOTAL Q:	$Q_{TS}$ ..... 0,47
KETINGGIAN CELAH MAGNETIS:	$H_{AG}$ (IN) ..... 0,39	0,39
	$H_{AG}$ (MM) ..... 10,00	10,00
KETINGGIAN KOIL SUARA:	$H_{VC}$ (IN) ..... 1,32	1,32
	$H_{VC}$ (MM) ..... 33,50	33,50
EKSKURSI MAKSIMUM:	$X_{MAX}$ (IN) ..... 0,47	0,47
	$X_{MAX}$ (MM) ..... 12,00	12,00

#### VOLUME KOTAK TERSEKAT (TERMASUK VOLUME PENGGERAK)

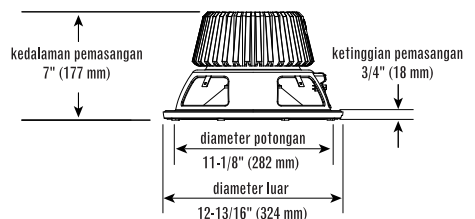


#### VOLUME KOTAK BERVENTILASI (TERMASUK VOLUME PENGGERAK/PORT)



### SPESIFIKASI

DIAMETER: 12" (305 MM)  
 SENSITIVITAS (2,83 V @ 1 M): 92dB  
 PENANGANAN DAYA: 500 Wrms (1500 W PUNCAK)  
 RESPONS FREKUENSI: 25 HZ ~ 175 HZ  
 IMPEDANSI NOMINAL: 2 ATAU 4 OHM  
 DIAMETER KOIL SUARA: 2 1/2" (63 MM)  
 DIMENSI:



JBL Stadium サブウーファーをお選びいただき、誠にありがとうございます。これらのサブウーファーは広範囲のカーオーディオ・アプリケーションに合うように設計されており、限られた車のスペースで強化されたパワフルな低音を作り出すために、幅広い種類の筐体タイプで使用できます。新しいサブウーファーから最高のパフォーマンスを引き出すためにサブウーファーを、資格を持った専門家に設置してもらうことを強くお勧めいたします。この取扱説明書は、これらのシリーズ・サブウーファーの設置についての全般的な説明が書いてありますが、本書には筐体の構造の詳細、またはどんな車にも対応できる正確な設置方法は記載されていません。必要な経験がないと感じる場合は、自分で設置しようとせず、代わりにJBL公認販売店に専門家による設置オプションについて尋ねてください。

将来どちらも参照できるように、このマニュアルと共に、領収書を安全な場所に忘れずに保管しておいてください。

## 警告

車内で大音量の音楽をかけると、交通車両の音が聞こえず、聴力に永久的な損傷を与える可能性があります。ハイパワー・アンプと組み合わせた場合、JBL スピーカーで実現できる最大ボリュームレベルは広範なリスニングの安全レベルを超えることがあります。運転中はボリューム・レベルを下げて使うことをお勧めします。JBL, Inc. は難聴、肉体的損傷、本製品の使用または誤用の結果としての所有物の損傷に責任を負いません。

## 車内での低音再生

車内のリスニング・スペースの大きさに応じて、80Hz以下の再生される低周波は、周波が低下するにつれて、1オクターブ当たり12dB近く増強されます。乗り物の伝達関数（またはキャビン利得）として知られているこの現象は、車のサブウーファーの周波数特性を形成するのに重要な役割を果たしています。

## サブウーファー筐体タイプ

サブウーファーは適度なサイズの密閉型筐体、通気筐体、組み立て式のバンドパス筐体内で最高のパフォーマンスをするように設計されています。Infinite（インフィニット）バッフルの取り付けは可能ですが、サブウーファーのサスペンションを固定し、過偏位を防ぐために空気の体積がなくなるので、サブウーファーの機械的許容入力には減少します。無限バッフルの取り付けを選択される場合、RMS およびピーク許容電力定格が、この取扱説明書の仕様に記載されている数値の半分になるようにしてください。筐体を専用位置に置くための貨物スペース、サブウーファーを駆動させるために使用するパワー

の大きさ、そしてリスニング習慣に応じて筐体タイプを選択する必要があります。

## 密閉型筐体

密閉型筐体内部に閉じ込められた空気は、サブウーファーが後方に動く時圧縮され、前方に動く時は希薄になります。どちらのケースでも、ボックス内部と外部の空気はサブウーファー・コーンを押したり引っ張ったりすることによって釣り合おうとします。その結果、開放された空気で作動するサブウーファーに比べてサスペンションがより固くなります。これは、サブウーファー・コーンの低域特性での動きがより固くなり、物理的な過偏位からサブウーファーを保護している状態を意味しますが、一定の音響出力を実現するには他の設計よりもよりパワーが必要です。

## 密閉型筐体のパフォーマンスの利点

- 車内のパフォーマンスでは、最も均一で一般的な周波数特性を備えています。
- 車内の周波数特性は、最も広い帯域幅を備えています。（車内で使用可能な低周波数特性は20Hz以下です。）
- 最適な密閉型筐体は常に、他のタイプの最適な筐体よりも小型です。

## 密閉型筐体のパフォーマンスの妥協点

- 最適な密閉型筐体は、他のタイプの最適な筐体よりも全体的な効率が低いのです。
- 最適な密閉型筐体内のサブウーファーは一定の音響出力を実現するために、他のタイプの最適な筐体よりもより大きなアンプ出力を必要とします。

## 密閉型筐体の構造

密閉型筐体の構造は単純で、体積計算の誤りを許容しますが、空気漏れは避けるべきです。筐体を組み立てるには、中密度のファイバー・ボード（MDF）を使用し、接着してねじを締め、シリコン・コルクで全接合部を密閉してください。

## 推奨

密閉型筐体に入ったサブウーファーは精密な音楽再生とフラットな周波数特性を好み、サブウーファー筐体に割けるスペースがより少なく、サブウーファーの駆動に使える大容量のアンプ出力をお持ちのオーディオ・ファンにお勧めします。この取扱説明書に表示された密閉型筐体の設計は、低周波の伸びとフラットな周波数特性の間の最高の妥協点を表しています。

## 通気筐体

通気筐体は、調整された（増幅した）周波数より上の周波数では密閉型筐体と同様に作動します。増幅（通気孔によって決定される）

時には、通気孔が大部分のサウンドを生み出します。通気孔内部で空気が振動している間、サブウーファー・コーンはほぼ静止しています。これにより、増幅時および増幅値を超えた高いレベルの機械的許容入力を実現しますが、増幅値以下では機械的許容入力は低下します。サブウーファー・コーンおよびボイス・コイルは増幅時にはあまり動かないので、ボイス・コイルの周りの空気の流れは最小になり、増幅時には熱許容入力がわずかに減少します。

通気筐体は、最低オクターブ（40Hz未満）でのサウンド出力を犠牲にして、40Hz～60Hzの範囲でより良い効率を実現しています。通気筐体には、超低周波音フィルターの使用がお勧めです。シリーズ・サブウーファーのための最適な通気筐体は最適な密閉型筐体よりも大きいのです。

## 通気筐体のパフォーマンスの長所

- 最適な通気筐体は 40Hz～60Hz の範囲では、最適な密閉型筐体よりもより効率が良く、高出力になっています。
- 最適な通気筐体は最適な密閉型筐体よりも優れた低音感覚を実現します。
- 最適な通気筐体内のサブウーファーは、最適な密閉型筐体内よりも、一定の音響出力（筐体の増幅周波数に至るまで）を実現するためのアンプ出力をあまり必要としません。

## 通気筐体のパフォーマンスの妥協点

- 最低オクターブ（40Hz以下）での出力の低下。
- 筐体の増幅周波数以下の機械的許容入力の低下筐体の増幅周波数以下でサブウーファーのオーバードライブの可能性を減らすために、超低周波音電子フィルターの使用を強くお勧めします。
- 最適な通気筐体は、常に最適な密閉型筐体よりも大きくなります。

## 通気筐体の構造

通気筐体の構造は密閉型筐体の構造より複雑です。筐体の体積とポートの寸法は、サブウーファーの物理的および電気機械的特性を備えた特別な関係にあり、推奨される筐体の体積とポートの特性は厳しく守る必要があります。密閉型筐体と同様に、中密度のファイバー・ボード（MDF）を使用し、接着してねじを締め、シリコン・コルクで全接合部を密閉してください。

## 推奨

通気筐体に入ったサブウーファーは強調された低音域レスポンスを好み、サブウーファー筐体に割ける貨物スペースが十分あり、サブウーファーの駆動にあまりパワフルでないアンプを使うオーディオ・ファンにお勧めします。最適なパフォーマンスを確実にするため

に、記載されている体積とポートの寸法には正確に従わなくてはなりません。

## サブウーファーの取り付け

サブウーファーは筐体の外側から取り付けるべきです。同梱の発泡体の取り付けガスケットを使用して、確実にサブウーファーのフレームと筐体の間の漏電を防止してください。

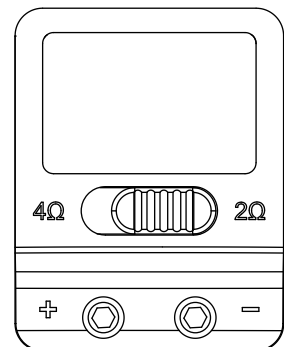
## サブウーファーの接続

### インピーダンスの設定

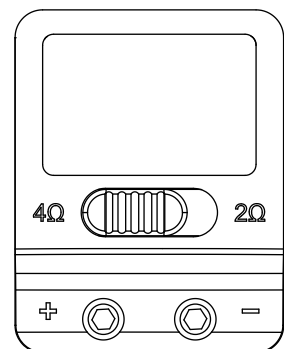
Stadium サブウーファーは共に Selectable Smart Impedance™（セレクトابل・スマート・インピーダンス）。

（SSI）スイッチを特徴としておりません。この独自の機能により、スイッチを切り替えてサブウーファーのインピーダンスを2または4に設定できます（下のイラストをご覧ください）。これにより、どんな状況でもサブウーファー・アンプからその性能を最大限に引き出すことができます。

SSI 2 設定はアンプ次第で、4 設定より最大 3dB までサブウーファーの出力を増加させます。他の全ての点では、パフォーマンスはまったく同じです。接続されたアンプが2で動作し、その2の電力定格がサブウーファーの許容入力以内である場合、SSIスイッチを2に設定すれば、最大出力を実現いたします。



2 設定



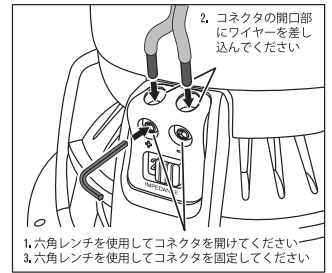
4 設定

重要：SSI スイッチの設定の前にサブウーファー・アンプが「オフ」になっていることを確認してください。サブウーファー・アンプの作動中にスイッチの位置を変えないでください。この操作をすると、アンプに損傷を与える可能性があります。

### アンプに接続

サブウーファー・コネクタは裸線またはすずめっき線に対応しています。推奨されるワイヤー・ゲージは走っているワイヤーの長さによって 14AWG および 8AWG の間になります。より重いゲージ・ワイヤーは6フィート (2m) 以上あることが好ましいです。

- 2.5 mm 六角ドライバーを使用してコネクタを開けてください
- ワイヤーの端をコネクタの開口部に差し込んでください  
注意：すずめっきしていない裸線を使用する場合、ほつれた「+」と「-」のより線が互いに接触していないことを確かめてください。より線に触れるとショートして、アンプに損傷を与える可能性があります。
- 左のイラストに示されているように、六角ドライバーを使用してコネクタにワイヤーを固定してください



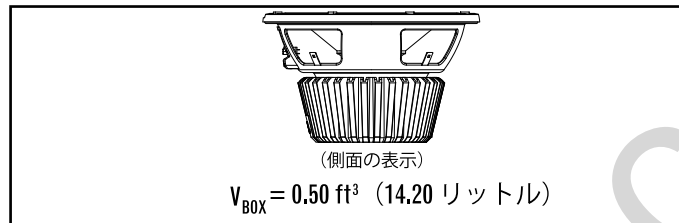
### 技術仕様

## Stadium 1024

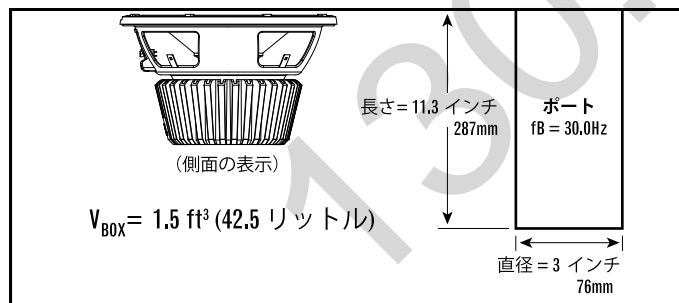
### T/S パラメータ

	2Ω	4Ω
ボイスコイル直流抵抗:	$R_{EVC}$ (OHMS) ..... 1,80	4,06
ボイスコイル・インダクタンス@ 1KHZ:	$L_{EVC}$ (MH) ..... 1,04	0,91
ドライバー放射面積:	$S_D$ (IN <sup>2</sup> ) ..... 53,69	53,69
	$S_D$ (CM <sup>2</sup> ) ..... 346,36	346,36
モーター力係数:	$BL$ (T <sub>m</sub> ) ..... 10,54	14,98
適合音量:	$V_{AS}$ (FT <sup>3</sup> ) ..... 0,86	0,89
	$V_{AS}$ (LITERS) ..... 24,22	25,27
サスペンション・コンプライアンス:	$C_{MS}$ (μM/N) ..... 144,00	150,00
移動質量、空気負荷:	$M_{MS}$ (GRAMS) ..... 188,72	185,47
最低共振周波数:	$F_S$ (HZ) ..... 30,56	30,18
機械的 Q:	$Q_{MS}$ ..... 3,11	2,17
電氣的 Q:	$Q_{ES}$ ..... 0,57	0,61
トータル Q:	$Q_{TS}$ ..... 0,48	0,48
磁気ギャップの高さ:	$H_{AG}$ (IN) ..... 0,39	0,39
	$H_{AG}$ (MM) ..... 10,00	10,00
ボイスコイルの高さ:	$H_{VC}$ (IN) ..... 1,32	1,32
	$H_{VC}$ (MM) ..... 33,50	33,50
最大エクスカージョン:	$X_{MAX}$ (IN) ..... 0,47	0,47
	$X_{MAX}$ (MM) ..... 12,00	12,00

密閉型ボックスの体積 (ドライバーの排除容積を含む)

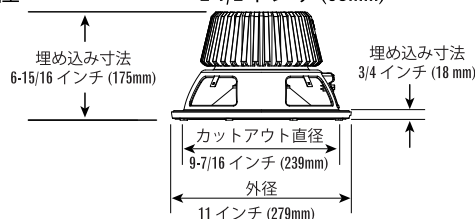


通気ボックスの体積 (ドライバー/ポートの排除容積を含む)



### 仕様

直径: 10 インチ (254mm)  
 感度 (2.83V @ 1M): 91dB  
 許容入力: 450Wrms (1350W ピーク)  
 周波数特性: 30HZ~175HZ  
 公称インピーダンス: 2 または 4  
 ボイスコイルの直径: 2 1/2 インチ (63mm)  
 寸法:

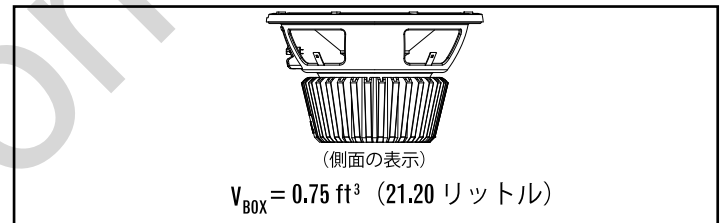


## Stadium 1224

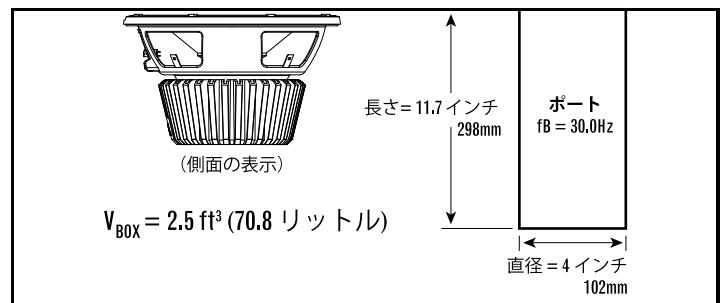
### T/S パラメータ

	2Ω	4Ω
ボイスコイル直流抵抗:	$R_{EVC}$ (OHMS) ..... 1,82	4,07
ボイスコイル・インダクタンス@ 1KHZ:	$L_{EVC}$ (MH) ..... 1,03	0,94
ドライバー放射面積:	$S_D$ (IN <sup>2</sup> ) ..... 82,29	82,29
	$S_D$ (CM <sup>2</sup> ) ..... 530,93	530,93
モーター力係数:	$BL$ (T <sub>m</sub> ) ..... 11,70	16,99
適合音量:	$V_{AS}$ (FT <sup>3</sup> ) ..... 1,93	1,86
	$V_{AS}$ (LITERS) ..... 54,65	52,59
サスペンション・コンプライアンス:	$C_{MS}$ (μM/N) ..... 138,00	133,00
移動質量、空気負荷:	$M_{MS}$ (GRAMS) ..... 220,58	225,64
最低共振周波数:	$F_S$ (HZ) ..... 28,84	29,07
機械的 Q:	$Q_{MS}$ ..... 4,29	2,56
電氣的 Q:	$Q_{ES}$ ..... 0,53	0,58
トータル Q:	$Q_{TS}$ ..... 0,47	0,47
磁気ギャップの高さ:	$H_{AG}$ (IN) ..... 0,39	0,39
	$H_{AG}$ (MM) ..... 10,00	10,00
ボイスコイルの高さ:	$H_{VC}$ (IN) ..... 1,32	1,32
	$H_{VC}$ (MM) ..... 33,50	33,50
最大エクスカージョン:	$X_{MAX}$ (IN) ..... 0,47	0,47
	$X_{MAX}$ (MM) ..... 12,00	12,00

密閉型ボックスの体積 (ドライバーの排除容積を含む)

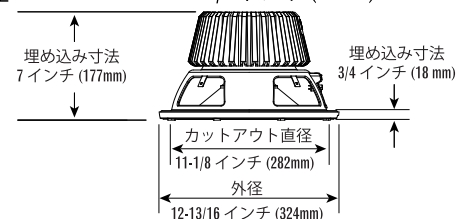


通気ボックスの体積 (ドライバー/ポートの排除容積を含む)



### 仕様

直径: 12 インチ (305mm)  
 感度 (2.83V @ 1M): 92dB  
 許容入力: 500Wrms (1500W ピーク)  
 周波数特性: 25HZ~175HZ  
 公称インピーダンス: 2 または 4  
 ボイスコイルの直径: 2 1/2 インチ (63mm)  
 寸法:



HARMAN

ハーマン インターナショナル インダストリーズ 株式会社  
 (HARMAN International Industries, Inc.)  
 8500 Balboa Boulevard, Northridge,  
 CA 91329 USA  
 www.jbl.com

© 2017 HARMAN International Industries, Incorporated  
 (ハーマン・インターナショナル・インダストリーズ株式会社)。無断複写・転載を禁じます。  
 JBL は、ハーマン インターナショナル インダストリーズ 株式会社 (HARMAN International Industries, Incorporated) の、米国および/またはその他の国々の登録商標です。

## JBL Stadium 서브우퍼를

선택해주셔서 감사합니다! 본 서브우퍼는 다양한 자동차 오디오 분야에 맞게 디자인되었으며 광범위한 인클로저 유형에서 사용하여 제한된 차량 공간에서 풍부하고 강력한 베이스를 생성할 수 있습니다. 새 서브우퍼의 성능을 최대한 활용하려면 반드시 자격을 갖춘 전문가가 서브우퍼를 설치하는 것이 좋습니다. 이 설명서는 이 시리즈의 서브우퍼 설치에 대한 일반적인 지침을 제공하지만 인클로저 구조에 대한 세부 정보나 특정 차량에서 정밀한 설치 방법은 포함하지 않습니다. 필요한 경험이 없다고 생각하시면 직접 설치하려고 하지 마시고 공식 JBL 대리점에 전문가 설치 옵션을 문의하십시오.

나중에 참고할 수 있도록 구매 영수증과 이 설명서를 안전한 곳에 함께 보관하십시오.

## 경고

차량에서 큰 소리로 음악을 재생하면 교통 상황을 파악할 수 없고 청력이 영구적으로 손상될 수 있습니다. JBL 스피커의 최대 볼륨 레벨과 강력한 파워의 앰프를 조합하면 장기간 청취하기에 안전한 수준을 넘어설 수 있습니다. 운전 중에는 낮은 볼륨 레벨을 사용하는 것이 좋습니다. JBL, Inc.는 이 제품의 사용 또는 오용으로 인한 청력 손실, 신체 부상 또는 재산 피해에 대한 법적 책임을 수용하지 않습니다.

## 차량 내에서의 베이스 재생

차량 내부 청취 공간의 크기에 따라 80Hz 미만의 재생 베이스 주파수는 주파수가 감소함에 따라 옥타브당 거의 12dB까지 증가합니다. 차량의 전달 함수(또는 케빈 케인)로 알려진 이 현상은 차량 내 서브우퍼의 주파수 응답을 형성하는 데 있어 중요한 역할을 합니다.

## 서브우퍼 인클로저 유형

본 서브우퍼는 중간 크기의 실드 인클로저, 벤트드 인클로저 및 조립식 대역 통과 인클로저에서 최상의 성능을 내도록 설계되었습니다. 무한 배플 장착이 가능하나 서브우퍼의 서스펜션을 단단하게 하고 과편위를 방지할 공간이 없으므로 서브우퍼의 기계적 파워 핸들링이 감소합니다. 무한 배플 장착을 선택한 경우 RMS 및 최대 핸들링 정격을 이 설명서 중 사양에 나열된 수치의 절반으로 생각하십시오.

인클로저 유형은 인클로저에 할애할 수 있는 적재 공간의 양, 서브우퍼 구동에 사용할 전력의 양 및 청취 습관에 따라 선택해야 합니다.

## 실드 인클로저

실드 인클로저 내에 갇힌 공기는 서브우퍼가 후방으로 이동하면 압축되며 전방으로 이동하면 희박해집니다. 두 경우 모두 합 내부와 외부의 공기는 서브우퍼 콘을 밀고 당겨 균형을 찾습니다. 그 결과 자유 대기에서 작동하는 서브우퍼와 비교해 서스펜션이 단단해집니다. 즉 서브우퍼의 콘이 낮은 주파수에서 이동하기 위해 단단해집니다. 이는 서브우퍼의 물리적 과편위를 방지하지만 주어진 음향 출력을 달성하기 위해 다른 디자인에 비해 더 많은 출력이 필요합니다.

## 실드 인클로저의 성능상 이점

- 차량 내 성능은 전체적으로 평탄한 주파수 응답을 가집니다.
- 차량 내 응답은 광범위한 대역폭을 가집니다. (차량 내에서 사용 가능한 저주파수 응답은 20Hz 미만임)
- 최적의 실드 인클로저는 항상 다른 유형의 최적의 인클로저보다 더 작습니다.

## 실드 인클로저의 성능상 상충 관계

- 최적의 실드 인클로저는 다른 유형의 최적의 인클로저보다 전반적인 효율이 더 낮습니다.
- 최적의 실드 인클로저에 설치한 서브우퍼는 주어진 음향 출력을 달성하기 위해 다른 유형의 최적의 인클로저보다 더 많은 앰프 출력이 필요합니다.

## 실드 인클로저 구축

실드 인클로저 구축은 간단하고 볼륨 계산 오류가 허용되지만 공기가 누출되지 않도록 해야 합니다. 인클로저를 구축하려면 MDF(Medium-Density Fiberboard), 접착제 및 나사를 사용하며 실리콘 코킹으로 모든 이음새를 밀봉합니다.

## 권장

실드 인클로저 내의 서브우퍼는 정확한 음악 재생과 평탄 주파수 응답을 선호하며 서브우퍼 인클로저에 할애할 공간이 적고 서브우퍼 구동에 할애할 앰프 출력이 충분한 애호가에게 권합니다. 이 설명서의 실드 인클로저 디자인은 저주파수 확장 및 평탄 응답 사이에서 최고의 타협점을 나타냅니다.

## 벤트드 인클로저

벤트드 인클로저는 동조(공진) 주파수 이상의 주파수에서 실드 인클로저와 같은 역할을 합니다. 공진(벤트에 의해 정의됨)할 때 벤트는 소리의 대부분을 만들어내며 서브우퍼 콘은 벤트 내부의 공기가 진동하는 동안 거의 고정 상태입니다.

이는 공진 이상에서 더 큰 기계적 파워 핸들링을 제공하지만 공진 미만에서 기계적 파워 핸들링이 감소합니다. 서브우퍼 콘과 음성 코일은 공진할 때 많이 이동하지 않으므로 음성 코일 전방에서 공기 흐름이 최소화되고 공진에서 써벌 파워 핸들링은 약간 감소합니다.

벤트드 인클로저는 40Hz ~ 60Hz 범위, 최저 옥타브의 사운드 출력(40Hz 미만)을 희생하면서 더 나은 효율을 냅니다. 초저주파 필터를 벤트드 인클로저와 함께 사용하는 것이 좋습니다. 시리즈 서브우퍼에 대한 최적의 벤트드 인클로저는 최적의 실드 인클로저보다 더 큼니다.

## 벤트드 인클로저의 성능상 이점

- 최적의 벤트드 인클로저는 최적의 실드 인클로저보다 40Hz ~ 60Hz 범위에서 더 나은 효율과 높은 출력을 가집니다.
- 최적의 벤트드 인클로저는 최적의 실드 인클로저보다 더 나은 베이스감을 제공합니다.
- 최적의 벤트드 인클로저에 설치한 서브우퍼는 주어진 음향 출력을 달성하기 위해 최적의 실드 인클로저보다 더 적은 앰프 출력이 필요합니다(인클로저의 공진 주파수 이하로).

## 벤트드 인클로저의 성능상 상충 관계

- 최저 옥타브(40Hz 미만)에서 출력이 감소합니다.
- 인클로저의 공진 주파수 미만에서 기계적 파워 핸들링이 감소합니다. 서브우퍼가 인클로저의 공진 주파수 미만으로 오버드라이빙할 가능성을 줄이기 위해 전자 초저주파 필터 사용을 강력히 권장합니다.
- 최적의 벤트드 인클로저는 항상 최적의 실드 인클로저보다 더 큼니다.

## 벤트드 인클로저 구축

벤트드 인클로저 구축은 실드 인클로저 구축보다 더 어렵습니다. 인클로저 부피와 포트 치수는 서브우퍼의 물리적, 전자 기계적 특성과 분명한 관계를 가지므로 권장 인클로저 부피 및 포트 특성을 엄격히 준수해야 합니다. 실드 인클로저와 마찬가지로

MDF(Medium-Density Fiberboard), 접착제 및 나사를 사용하여 인클로저를 구축하며 실리콘 코킹으로 모든 이음새를 밀봉합니다.

## 권장

벤트드 인클로저 내의 서브우퍼는 두드러진 베이스 응답을 선호하며 서브우퍼 인클로저에 할애할 공간이

충분하고 서브우퍼 구동에 출력이 더 적은 앰프를 사용할 애호가에게 권합니다. 최적의 성능을 위해 표시된 부피 및 포트 치수를 정확히 준수해야 합니다.

## 서브우퍼 장착

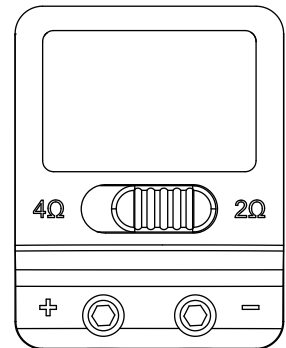
본 서브우퍼는 인클로저 외부에서 장착해야 합니다. 함께 제공된 폼 장착 개스킷을 사용하여 서브우퍼 프레임과 인클로저 사이에 누출이 없도록 합니다.

## 서브우퍼 연결

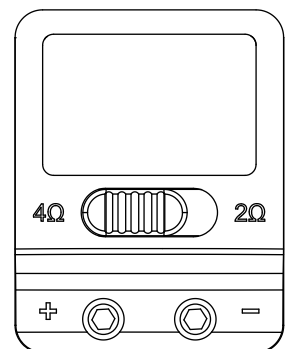
### 임피던스 설정

Stadium 서브우퍼의 두 제품 모두 Selectable Smart Impedance™(SSI) 스위치를 제공합니다. 이 독점적 기능을 사용하면 스위치를 눌러 서브우퍼의 임피던스를 2Ω 또는 4Ω으로 설정할 수 있습니다(아래 그림 참조). 따라서 어떤 상황에서나 서브우퍼 앰프를 최대한 활용할 수 있습니다.

SSI 2Ω 설정은 앰프에 따라 서브우퍼의 출력을 4Ω 설정 이상으로 최대 3dB까지 높입니다. 성능은 다른 모든 점에서 동일합니다. 연결된 앰프의 정격이 2Ω에서 동작하고 2Ω 정격 출력이 서브우퍼의 파워 핸들링 사양 내에 있는 경우 SSI 스위치를 2Ω 위치에 설정하면 최대 출력을 달성합니다.



2Ω 설정



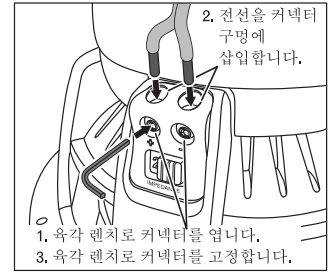
4Ω 설정

중요: SSI 스위치를 설정하기 전에 서브우퍼 앰프를 꺼야 합니다. 서브우퍼 작동 중에는 스위치 위치를 변경하지 마십시오. 앰프가 손상될 수 있습니다.

**앰프 연결**

서브우퍼 커넥터는 나선 또는 주석 도금선과 호환 가능합니다. 전선 게이지는 14AWG ~ 8AWG 사이가 좋으며 앰프와 우퍼 사이를 연결하는 전선의 길이에 따라 다릅니다. 2m(6 인치) 이상 연결된 경우 게이지가 높은 것이 좋습니다.

- 2.5mm 육각 드라이버로 커넥터를 엽니다.
- 전선 끝을 커넥터의 구멍에 삽입합니다.  
주: 주석 비도금 나선을 사용하는 경우 "+" 및 "-" 스트랜드가 서로 닿지 않도록 하십시오. 스트랜드가 닿으면 합선을 일으켜 앰프가 손상될 수 있습니다.
- 육각 드라이버를 사용하여 그림의 왼쪽과 같이 커넥터의 전선을 고정합니다.



**기술 데이터**

**Stadium 1024**

**틸/스몰 파라미터**

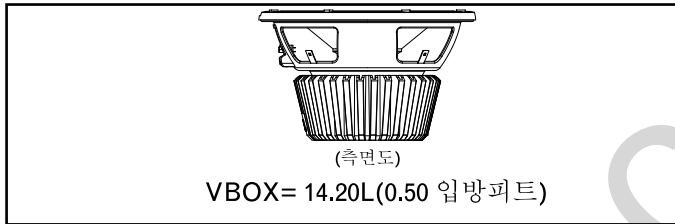
	2Ω	4Ω
음성 코일 DC 저항:	$R_{EVC}$ (OHMS) ..... 1,80	4,06
음성 코일 인덕턴스 @ 1KHZ:	$L_{EVC}$ (MH) ..... 1,04	0,91
드라이버 방사 면적:	$S_D$ (IN <sup>2</sup> ) ..... 53,69	53,69
	$S_D$ (CM <sup>2</sup> ) ..... 346,36	346,36
모터 힘 계수:	$BL$ (T <sub>m</sub> ) ..... 10,54	14,98
컴플라이언스 볼륨:	$V_{AS}$ (FT <sup>3</sup> ) ..... 0,86	0,89
	$V_{AS}$ (LITERS) ..... 24,22	25,27
서스펜션 컴플라이언스:	$C_{MS}$ (μM/N) ..... 144,00	150,00
이동 질량, 공기 부하:	$M_{MS}$ (GRAMS) ..... 188,72	185,47
공명 주파수:	$F_S$ (HZ) ..... 30,56	30,18
기계적 Q:	$Q_{MS}$ ..... 3,11	2,17
전기적 Q:	$Q_{ES}$ ..... 0,57	0,61
충 Q:	$Q_{TS}$ ..... 0,48	0,48
자기 갭 높이	$H_{AG}$ (IN) ..... 0,39	0,39
	$H_{AG}$ (MM) ..... 10,00	10,00
음성 코일 높이:	$H_{VC}$ (IN) ..... 1,32	1,32
	$H_{VC}$ (MM) ..... 33,50	33,50
최대 편위:	$X_{MAX}$ (IN) ..... 0,47	0,47
	$X_{MAX}$ (MM) ..... 12,00	12,00

**Stadium 1224**

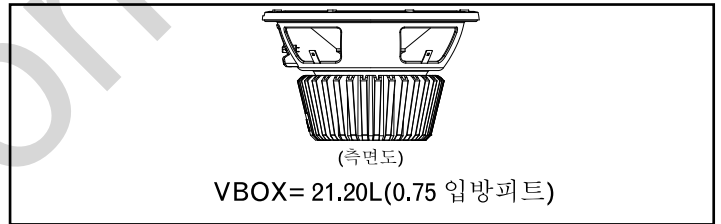
**틸/스몰 파라미터**

	2Ω	4Ω
음성 코일 DC 저항:	$R_{EVC}$ (OHMS) ..... 1,82	4,07
음성 코일 인덕턴스 @ 1KHZ:	$L_{EVC}$ (MH) ..... 1,03	0,94
드라이버 방사 면적:	$S_D$ (IN <sup>2</sup> ) ..... 82,29	82,29
	$S_D$ (CM <sup>2</sup> ) ..... 530,93	530,93
모터 힘 계수:	$BL$ (T <sub>m</sub> ) ..... 11,70	16,99
컴플라이언스 볼륨:	$V_{AS}$ (FT <sup>3</sup> ) ..... 1,93	1,86
	$V_{AS}$ (LITERS) ..... 54,65	52,59
서스펜션 컴플라이언스:	$C_{MS}$ (μM/N) ..... 138,00	133,00
이동 질량, 공기 부하:	$M_{MS}$ (GRAMS) ..... 220,58	225,64
공명 주파수:	$F_S$ (HZ) ..... 28,84	29,07
기계적 Q:	$Q_{MS}$ ..... 4,29	2,56
전기적 Q:	$Q_{ES}$ ..... 0,53	0,58
충 Q:	$Q_{TS}$ ..... 0,47	0,47
자기 갭 높이	$H_{AG}$ (IN) ..... 0,39	0,39
	$H_{AG}$ (MM) ..... 10,00	10,00
음성 코일 높이:	$H_{VC}$ (IN) ..... 1,32	1,32
	$H_{VC}$ (MM) ..... 33,50	33,50
최대 편위:	$X_{MAX}$ (IN) ..... 0,47	0,47
	$X_{MAX}$ (MM) ..... 12,00	12,00

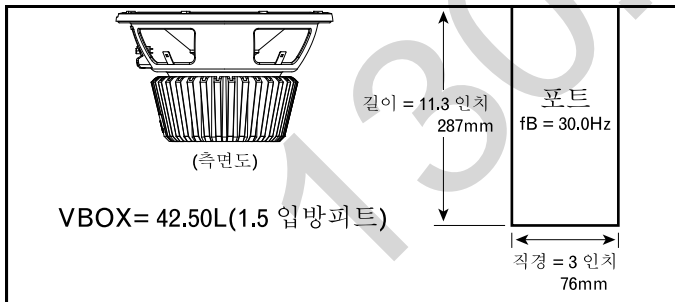
**실드 박스 볼륨(드라이버 변위 포함)**



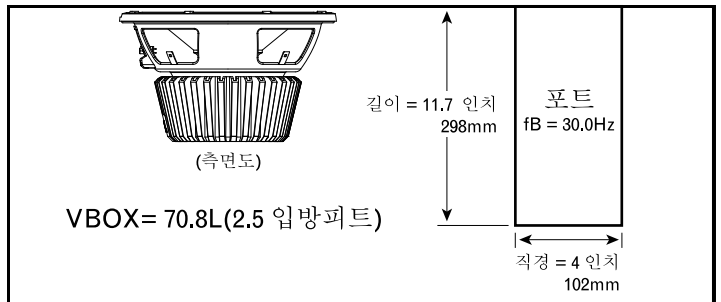
**실드 박스 볼륨(드라이버 변위 포함)**



**벤티드 박스 볼륨(드라이버/포트 변위 포함)**

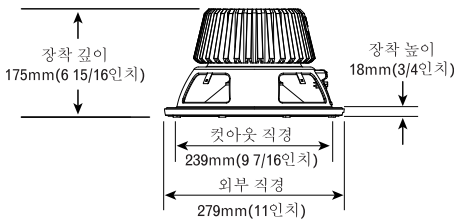


**벤티드 박스 볼륨(드라이버/포트 변위 포함)**



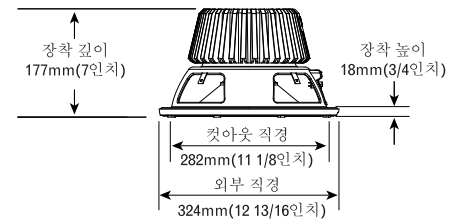
**사양**

직경: 254mm(10인치)  
 민감도(2.83V @ 1M): 91dB  
 파워 핸들링: 450Wrms(1350W,최대)  
 주파수 응답: 30HZ ~ 175HZ  
 공칭 임피던스: 2Ω 또는 4Ω  
 음성 코일 직경: 63mm(2 1/2인치)  
 치수:



**사양**

직경: 305mm(12인치)  
 민감도(2.83V @ 1M): 92dB  
 파워 핸들링: 500Wrms(1,500W,최대)  
 주파수 응답: 25HZ ~ 175HZ  
 공칭 임피던스: 2Ω 또는 4Ω  
 음성 코일 직경: 63mm(2 1/2인치)  
 치수:



感谢您选择 JBL Stadium 低音炮。该款低音炮是为满足各种车载音响应用的需求而设，适用于多种外壳类型，能够在有限的车内空间产生广阔、强劲的低音。为充分利用这款全新的低音炮，强烈建议您将其安装工作交由合格的专业人士完成。虽然本手册提供了与安装 Series 低音炮有关的概括指引，但并未涉及到每款车型的外壳结构详细信息或具针对性的安装方法。如果您认为自己不具备相关的经验，请勿尝试自行安装，可咨询获授权的 JBL 经销商以了解专业的安装方案。

请谨记将您的销售收据和本手册存放在一个安全的位置，以便在日后需要时能够找到。

#### 警告

如果车载音响音量过大，会妨碍您从听觉上注意交通情况，并可能会对您的听觉造成永久损伤。JBL 扬声器配合高功率功放所产生的最大音量可能会超过适合长时间收听的安全水平。驾驶过程中，建议使用低音量。对于因使用或错误使用本产品而导致的听觉受损、人身伤害或财产损失，JBL, Inc. 概不承担任何责任。

#### 在车内重现低音

按照您的车内收听空间的大小，重现 80Hz 的低音频率时，随着频率降低，每倍频程将增强近 12dB。这个现象被称为汽车的传递函数（或小空间增益），在塑造车内低音炮频率响应形状方面发挥着重要的作用。

#### 低音炮外壳类型

本款低音炮是为了在中等大小的密封外壳、放气外壳和预制带通外壳中展现最佳性能而设。可以采用无限障板安装，但是低音炮的机械功率承受能力将会下降，原因在于没有空气会导致低音炮悬挂无法变硬，且不能防止过冲程。如果选择无限障板安装，那么 RMS 和峰值承受能力将只有本手册所列规格的一半。

选择外壳类型时，请考虑有多少车内空间可用于安装外壳、驱动低音炮所需的功率，以及您的收听习惯。

#### 密封外壳

密封外壳中的空气在低音炮向后移动时会被压缩，在低音炮向前移动时则变得稀薄。这两种情况下，外壳内外的空气将通过推拉低音炮锥盆以保持均衡。结果是与在大气中使用的低音炮相比，其悬挂效果显得更生硬。这意味着低音炮的锥盆在低频时将难以移动（锥盆移动是一种保护低音炮避免发生物理过冲程的手段），但与其他设计相比，需要更强的功率才能够达到指定的声音输出。

#### 密封外壳的性能优点

- 车载音响性能拥有最平整的整体频率响应。
- 车载音响响应拥有最大的带宽。（车内可使用的低频响应将低于 20Hz。）
- 与其他类型的适用外壳相比，一个适用的密封外壳拥有更小的体积。

#### 密封外壳性能取舍

- 与其他类型的适用外壳相比，一个适用的密封外壳的整体效率相对较低。
- 与其他类型的适用外壳相比，安装在适用密封外壳中的低音炮将需要更强的功放功率才能够达到指定的声音输出。

#### 密封外壳结构

密封外壳结构相对直观简明，可以容忍体积计算错误，但必须避免发生空气泄漏。外壳是用中密度纤维板（MDF）、粘合剂和螺丝组装而成，再用硅树脂填料密封所有连接处。

#### 建议

对于重视准确的音乐重现和平整的频率响应的发烧友，以及可用于安装低音炮外壳的空间较小、或有充足的功放功率可用于驱动低音炮的用户，建议将低音炮安装在密封外壳中。本手册随附的密封外壳设计是低频扩展和平整响应之间最佳的折中方案。

#### 放气外壳

在超过调谐（共振）频率的频率下，放气外壳就相当于一个密封外壳。发生共振（通过出气孔判断）时，大部分的声音都是由出气孔产生，低音炮锥盆基本上保

持稳定，而通气孔内的空气则会震动。这能够在共振和超过共振时提供更强的机械功率承受能力，在低于共振时则会减弱机械功率承受能力。由于在共振时低音炮锥盆和音圈几乎不会移动，因此穿过音圈的气流会减少，在共振时热功率承受能力会稍微下降。

在 40Hz–60Hz 频率范围中，放气外壳拥有更高的效率，但会牺牲在最低的倍频程（低于 40Hz）时的声音输出质量。如果选择放气外壳，建议配合次声滤波器使用。对于 Series 低音炮，适用的放气外壳会比适用的密封外壳大。

#### 放气外壳的性能优点

- 在 40Hz–60Hz 范围中，适用的放气外壳在效率和输出两方面都优于适用的密封外壳。
- 适用的放气外壳在低音质感方面也优于适用的密封外壳。
- 与适用的密封外壳相比，安装在适用放气外壳中的低音炮只需较少的功放功率便能够提供指定的声音输出（最低至外壳的共振频率）。

#### 放气外壳性能取舍

- 减少在最低倍频程（低于 40Hz）的输出。
- 机械功率承受能力减弱至低于外壳的共振频率。强烈建议使用电子次声滤波器以减少低音炮过载至低于外壳共振频率的几率。
- 与适用的密封外壳相比，适用的放气外壳拥有更大的体积。

#### 放气外壳的结构

放气外壳的结构比密封外壳的结构复杂。外壳体积和倒相孔尺寸都与低音炮的物理和机电特性有着密切的关系，请严格遵守建议的外壳体积和倒相孔特性进行安装。和密封外壳一样，放气外壳是用中密度纤维板（MDF）、粘合剂和螺丝组装而成，再用硅树脂填料密封所有连接处。

#### 建议

对于重视低音响应的发烧友，以及拥有足够的车内空间以安装低音炮外壳、或使用功率较弱的功放以驱动低音炮的用户，建议将低音炮安装在放气外壳中。请严格遵守手册指明的音量和倒相孔尺寸，以确保最佳的性能。

#### 安装低音炮

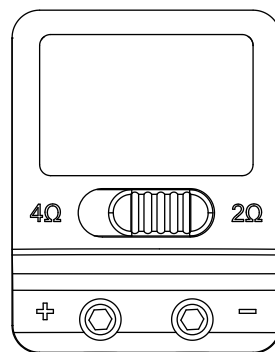
低音炮可从外壳外开始安装。请使用随附的泡棉安装垫，以确保低音炮框架和外壳之间完全密封，无任何泄漏。

#### 连接低音炮

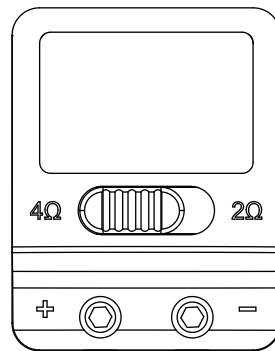
#### 设置阻抗

Stadium 低音炮均设有 Selectable Smart Impedance™ (SSI) 开关。这个独特的功能让您只需调拨一下开关，即可将低音炮的阻抗设置为 2 ohm 或 4 ohm（请参阅下图）。这让您在任何情况下都能够彻底发挥低音炮功放的性能。

取决于您所使用的功放，选择 SSI 2-ohm 设置时，低音炮输出最高可比 4-ohm 设置高 3dB。其他方面的性能都是相同的。如果所连接的功放的阻抗为 2-ohm，并且在 2-ohm 运作时额定功率在低音炮的功率承受规格范围内，那么将 SSI 设置在 2-ohm 位置将可以获得最强的输出。



2-ohm 设置



4-ohm 设置

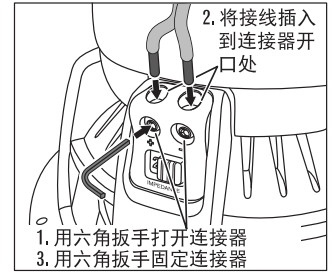


重要信息：在设置 SSI 开关前，请确保已关闭低音炮功放。切勿在低音炮功放运作期间更改开关位置。这样会损坏功放。

### 连接功放

低音炮连接器兼容裸线或镀锡线。建议按照功放和低音扬声器之间线缆连接的长度，使用 14AWG 至 8AWG 范围内的线规。如果连接线缆长度超过 6' (2m)，建议使用更重的线规。

1. 用 2.5 mm 六角螺丝刀打开连接器
2. 将接线端插入连接器开口处  
注意：如果使用不镀锡的裸线，请确保“+”和“-”绞线没有互相接触。绞线接触会导致短路，继而损坏功放。
3. 用六角螺丝刀将接线固定在连接器中，如左图所示



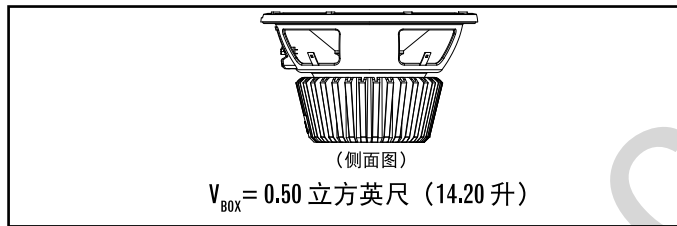
### 技术数据

## Stadium 1024

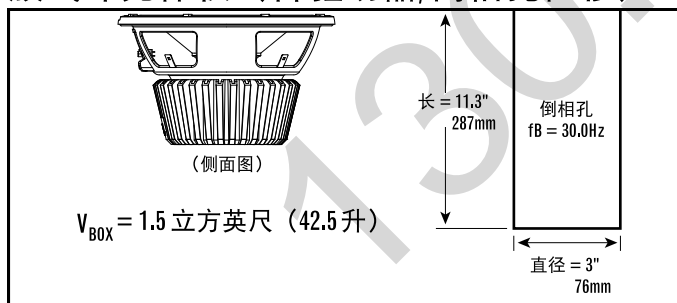
### THIELE-SMALL 参数

	2Ω	4Ω
音圈直流阻抗:	$R_{EVC}$ (OHMS) ..... 1,80	4,06
音圈电感 @ 1KHZ:	$L_{EVC}$ (MH) ..... 1,04	0,91
驱动器辐射面积:	$S_D$ (IN <sup>2</sup> ) ..... 53,69	53,69
	$S_D$ (CM <sup>2</sup> ) ..... 346,36	346,36
电机力因子:	$BL$ (T <sub>m</sub> ) ..... 10,54	14,98
顺性体积:	$V_{AS}$ (FT <sup>3</sup> ) ..... 0,86	0,89
	$V_{AS}$ (LITERS) ..... 24,22	25,27
悬挂顺性:	$C_{MS}$ (LJM/N) ..... 144,00	150,00
移动质量, 气动载荷:	$M_{MS}$ (GRAMS) ..... 188,72	185,47
自由场谐振频率:	$F_S$ (HZ) ..... 30,56	30,18
机械 Q:	$Q_{MS}$ ..... 3,11	2,17
电气 Q:	$Q_{ES}$ ..... 0,57	0,61
总 Q:	$Q_{TS}$ ..... 0,48	0,48
磁隙高度:	$H_{AG}$ (IN) ..... 0,39	0,39
	$H_{AG}$ (MM) ..... 10,00	10,00
音圈高度:	$H_{VC}$ (IN) ..... 1,32	1,32
	$H_{VC}$ (MM) ..... 33,50	33,50
最大偏移:	$X_{MAX}$ (IN) ..... 0,47	0,47
	$X_{MAX}$ (MM) ..... 12,00	12,00

### 密封外壳体积 (含驱动器位移)

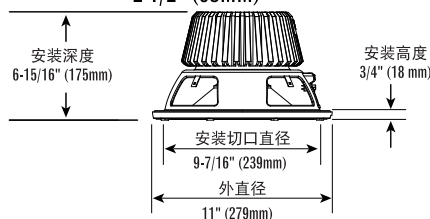


### 放气外壳体积 (含驱动器/倒相孔位移)



### 规格

直径:	10" (254MM)
灵敏度 (2.83V @ 1M):	91dB
功率承受能力:	450Wrms (峰值为 1350W)
频率响应:	30HZ ~ 175HZ
标称阻抗:	2 或 4 OHMS
音圈直径:	2 1/2" (63MM)
尺寸:	

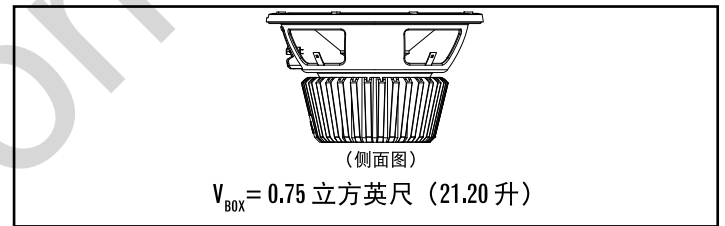


## Stadium 1224

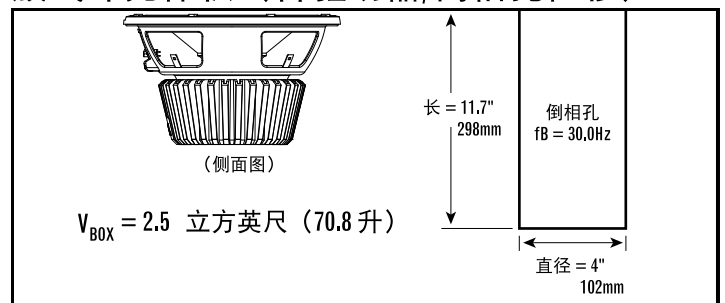
### THIELE-SMALL 参数

	2Ω	4Ω
音圈直流阻抗:	$R_{EVC}$ (OHMS) ..... 1,82	4,07
音圈电感 @ 1KHZ:	$L_{EVC}$ (MH) ..... 1,03	0,94
驱动器辐射面积:	$S_D$ (IN <sup>2</sup> ) ..... 82,29	82,29
	$S_D$ (CM <sup>2</sup> ) ..... 530,93	530,93
电机力因子:	$BL$ (T <sub>m</sub> ) ..... 11,70	16,99
顺性体积:	$V_{AS}$ (FT <sup>3</sup> ) ..... 1,93	1,86
	$V_{AS}$ (LITERS) ..... 54,65	52,59
悬挂顺性:	$C_{MS}$ (LJM/N) ..... 138,00	133,00
移动质量, 气动载荷:	$M_{MS}$ (GRAMS) ..... 220,58	225,64
自由场谐振频率:	$F_S$ (HZ) ..... 28,84	29,07
机械 Q:	$Q_{MS}$ ..... 4,29	2,56
电气 Q:	$Q_{ES}$ ..... 0,53	0,58
总 Q:	$Q_{TS}$ ..... 0,47	0,47
磁隙高度:	$H_{AG}$ (IN) ..... 0,39	0,39
	$H_{AG}$ (MM) ..... 10,00	10,00
音圈高度:	$H_{VC}$ (IN) ..... 1,32	1,32
	$H_{VC}$ (MM) ..... 33,50	33,50
最大偏移:	$X_{MAX}$ (IN) ..... 0,47	0,47
	$X_{MAX}$ (MM) ..... 12,00	12,00

### 密封外壳体积 (含驱动器位移)

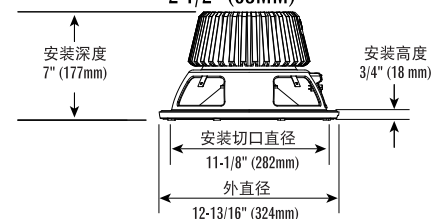


### 放气外壳体积 (含驱动器/倒相孔位移)



### 规格

直径:	12" (305MM)
灵敏度 (2.83V @ 1M):	92dB
功率承受能力:	500Wrms (峰值为 1500W)
频率响应:	25HZ ~ 175HZ
标称阻抗:	2 或 4 OHMS
音圈直径:	2 1/2" (63MM)
尺寸:	



感謝您選擇 JBL Stadium 重低音喇叭。重低音喇叭經設計適合廣泛的汽車音響應用，並可以用於各種箱體類型中，以在有限的車輛空間內產生延伸、強勁的低音效果。為了讓新的重低音喇叭發揮最佳效能，強烈建議您安排合格的專業人員來安裝重低音喇叭。儘管本手冊會就安裝系列重低音喇叭提供一般性說明，但並不包括特定車型的箱體構造詳情或確切的安裝方法。如果您認為自己不具備必要的經驗，請勿嘗試自行安裝，而應就專業安裝方案諮詢授權的 JBL 經銷商。

請記得將銷售收據及本手冊保存在安全的地方，以便未來參考之用。

#### 警告

車內播放大聲的音樂會妨礙您收聽交通資訊，並永久性損傷您的聽力。JBL 喇叭在與高功率放大係數結合時達到的最大音量可能超出長期收聽的安全音量。駕車時建議使用低音量。JBL, Inc. 對因使用或誤用本產品導致的聽力喪失、身體傷害或財產損害概不負責。

#### 車內再現低音

根據車輛內部收聽空間的大小，低於 80Hz 重現的低音頻率隨頻率降低而提升近 12dB/八音度。這種現象被稱為車輛的傳輸功能（或車室增益），在形成車內重低音喇叭的頻率回應中發揮重要作用。

#### 重低音喇叭箱體類型

重低音喇叭經設計在尺寸適中的密封式箱體、敞開式箱體、帶通式箱體中都能發揮最佳效能。可以安裝理想障板，但重低音喇叭的機械功率處理會減少，因為沒有氣量來加強重低音喇叭的懸置並防止過衝程。如果您選擇理想障板安裝，則將 RMS 和峰理額定視為本手冊中規格部分所列的一半。

您應根據對箱體提供的後車廂空間、用於驅動重低音喇叭的功率以及收聽習慣來選擇箱體類型。

#### 密封式箱體

密封式箱體內滯留的空氣在重低音喇叭向後移動時被壓縮，向前移動時變得稀疏。在這兩種情況下，箱內外的空氣將透過推拉重低音喇叭振膜來尋求平衡。結果是比大氣中操作的重低音喇叭更強的懸置。這意味著，重低音喇叭

的振膜在低頻率下更難移動，這種條件可防止重低音喇叭進行過衝程，但需要比其他設計更大的功率，以實現給定的聲音輸出。

#### 密封式箱體的效能優勢

- 車內效能將具有最平坦的總體頻率回應。
- 車內回應將具有最寬的頻寬。（車內可用低頻率回應將低於 20Hz。）
- 最佳密封式箱體總是比其他類型的最佳箱體更小。

#### 密封式箱體效能權衡

- 最佳密封式箱體總是比其他類型的最佳箱體的總效率更低。
- 最佳密封式箱體中的重低音喇叭需要的放大器功率比其他類型的最佳箱體中更大，以實現給定的聲音輸出。

#### 密封式箱體構造

密封式箱體構造比較簡單，可忽略容積計算中的錯誤，但應該避免漏氣。使用中密度纖維板 (MDF)、膠水和螺釘建構箱體，並使用☒質填縫膠密封所有接合點。

#### 推薦

採用密封式箱體的重低音喇叭面向具備下列特點發燒友推薦：偏好於準確再現與平坦頻率回應；擁有較小空間用於重低音喇叭箱體；以及擁有較大的放大器功率來驅動重低音喇叭。本手冊中註明的密封式箱體設計代表了低頻延伸和平坦回應之間最佳的折衷結果。

#### 敞開式箱體

與密封式箱體相似，敞開式箱體在比其調諧（共振）頻率更高的頻率下使用。在出現共振（由通氣孔而定）時，通氣孔會產生大部分的聲音，重低音喇叭的振膜幾乎保持靜止，而通氣孔內的空氣會產生振動。這可在共振及上共振時提供更大的機械功率處理能力，而在下共振時提供較小的機械功率處理能力。由於重低音喇叭振膜和音圈在共振時不會移動太多，通過音圈的氣流會被減到最少，並且熱功率處理能力在共振時會略為降低。

敞開式箱體以最低八音度（低於 40Hz）中的聲音輸出為代價，在 40Hz – 60Hz 範圍內提供更佳的

效率。建議對敞開式箱體使用超低音頻濾波器。Series 重低音喇叭的最佳敞開式箱體大於最佳的密封式箱體。

#### 敞開式箱體的效能優勢

- 與最佳的密封式箱體相比較，最佳的敞開式箱體在 40Hz – 60Hz 的範圍內具有更高的效率及輸出。
- 最佳的敞開式箱體提供的低音感比最佳的密封式箱體要更強。
- 最佳敞開式箱體中的重低音喇叭需要的放大器功率比最佳密封式箱體中要更低（低至箱體的共振頻率），以實現給定的聲音輸出。

#### 敞開式箱體效能權衡

- 在最低八音度中減少輸出（低於 40Hz）。
- 在低於箱體共振頻率時，機械功率處理能力低。強烈建議使用電子超低音頻濾波器，以減少重低音喇叭在低於箱體共振頻率時被過度驅動的機會。
- 最佳的敞開式箱體始終大於最佳的密封式箱體。

#### 敞開式箱體構造

敞開式箱體的構造比密封式箱體更困難。箱體容積和反射孔尺寸與重低音喇叭的物理和電氣機械特性具有特定的關係，要求嚴格遵守建議的箱體容積和反射孔特徵。對於密封式箱體而言，使用中密度纖維板 (MDF)、膠水和螺釘建構箱體，並使用☒質填縫膠密封所有接合點。

#### 推薦

採用敞開式箱體的重低音喇叭面向具備下列特點發燒友推薦：偏好於強調低音回應；擁有大量後車廂空間用於重低音喇叭箱體；以及使用不☒強大的放大器來驅動重低音喇叭。必須確切地遵守註明的容積和反射孔尺寸，以確保發揮最佳效能。

#### 安裝重低音喇叭

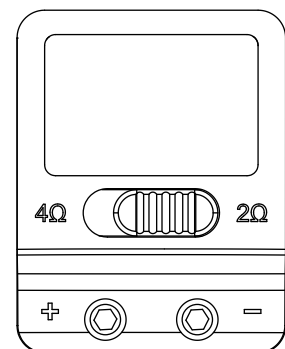
重低音喇叭應從箱體外側安裝。使用隨附的泡沫安裝墊片，確保重低音喇叭框架和箱體之間存在無洩漏密封。

#### 連接重低音喇叭

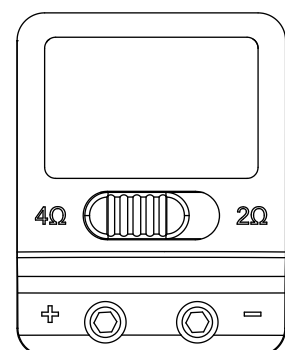
#### 設定阻抗

Stadium 重低音喇叭二者都採用 Selectable Smart Impedance™ (SSI) 開關。利用此專屬功能，只需撥動開關便可將重低音喇叭設為 2 或 4 歐姆（請參閱下方示意圖）。任何情況下，您都可藉此充分發揮重低音喇叭放大器的效能。

與 4 歐姆設定相比較，SSI 2 歐姆設定可將重低音喇叭的輸出增加達 3dB，具體取決於放大器。在所有其他方面，效能皆相同。如果連接的放大器額定設為 2 歐姆作業，並且其 2 歐姆功率額定☒介於重低音喇叭的功率處理規格內，則將 SSI 開關設定在 2 歐姆位置將會取得最大的輸出。



2 歐姆設定



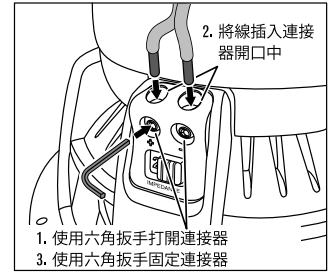
4 歐姆設定

重要事項：確保在設定 SSI 開關前已關閉重低音喇叭放大器。請勿在重低音喇叭放大器工作期間變更開關位置。這樣做會損壞放大器。

### 連接放大器

重低音喇叭連接器與裸線或鍍錫線相容。推薦的線徑介於 14AWG 與 8AWG 之間，具體取決於放大器和低音喇叭之間的線長。粗線條的線長最好大於 6' (2m)。

1. 使用 2.5 mm 六角螺絲起子打開連接器
2. 將線端插入連接器開口中  
附註：如果使用未鍍錫的裸線，需確保雜散的「+」和「-」線股不會彼此接觸。接觸線股可能會導致短路，從而損壞放大器。
3. 使用六角螺絲起子將線固定在連接器中，如左圖所示。



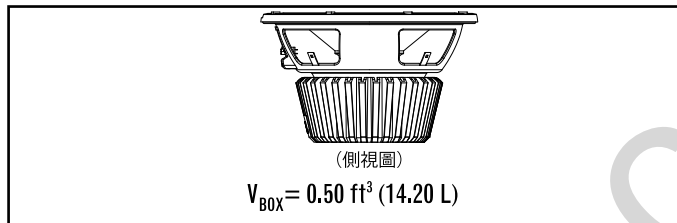
### 技術資料

## Stadium 1024

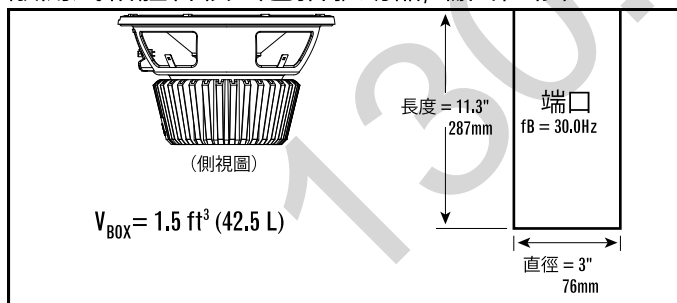
### TS 參數

	2Ω	4Ω
音圈直流電阻：	$R_{EVC}$ (OHMS) ..... 1.80	4.06
1KHZ 時的音圈電感：	$L_{EVC}$ (MH) ..... 1.04	0.91
驅動器的輻射面積：	$S_D$ (IN <sup>2</sup> ) ..... 53.69	53.69
	$S_D$ (CM <sup>2</sup> ) ..... 346.36	346.36
電動機推力因數：	$BL$ (T <sub>m</sub> ) ..... 10.54	14.98
順性容積：	$V_{AS}$ (FT <sup>3</sup> ) ..... 0.86	0.89
	$V_{AS}$ (LITERS) ..... 24.22	25.27
懸浮順性：	$C_{MS}$ (μM/N) ..... 144.00	150.00
振動質量 (含空氣負載)：	$M_{MS}$ (GRAMS) ..... 188.72	185.47
自由場諧振頻率：	$F_S$ (HZ) ..... 30.56	30.18
機械阻尼因素：	$Q_{MS}$ ..... 3.11	2.17
電氣阻尼因素：	$Q_{ES}$ ..... 0.57	0.61
總阻尼因素：	$Q_{TS}$ ..... 0.48	0.48
磁隙高度：	$H_{AG}$ (IN) ..... 0.39	0.39
	$H_{AG}$ (MM) ..... 10.00	10.00
音圈高度：	$H_{VC}$ (IN) ..... 1.32	1.32
	$H_{VC}$ (MM) ..... 33.50	33.50
最大衝程：	$X_{MAX}$ (IN) ..... 0.47	0.47
	$X_{MAX}$ (MM) ..... 12.00	12.00

### 密封箱體容積 (包括驅動器位移)

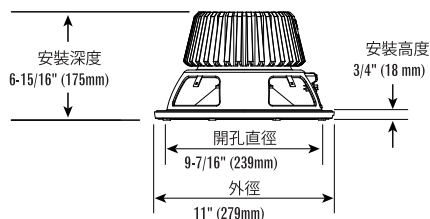


### 敞開式箱體容積 (包括驅動器/端口位移)



### 規格

直徑：	10" (254MM)
敏感度 (1M, 2.83V)：	91dB
功率容量：	450Wrms (1350W 峰值)
頻率回應：	30HZ ~ 175HZ
標稱阻抗：	2 或 4 歐姆
音圈直徑：	2 1/2" (63MM)
尺寸：	

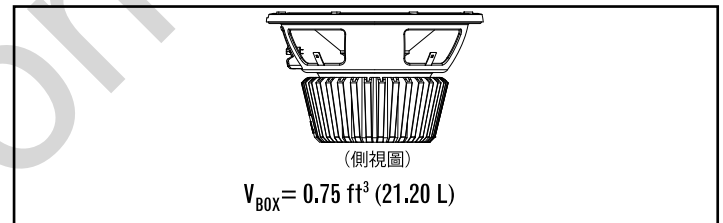


## Stadium 1224

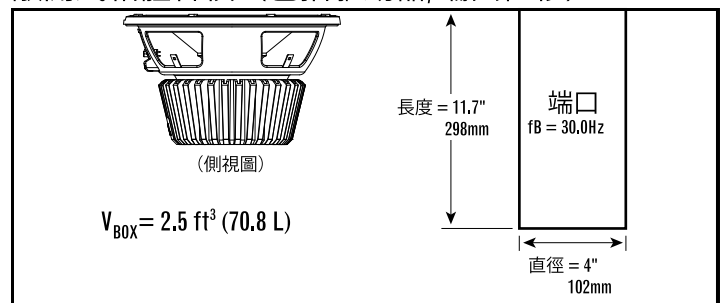
### TS 參數

	2Ω	4Ω
音圈直流電阻：	$R_{EVC}$ (OHMS) ..... 1.82	4.07
1KHZ 時的音圈電感：	$L_{EVC}$ (MH) ..... 1.03	0.94
驅動器的輻射面積：	$S_D$ (IN <sup>2</sup> ) ..... 82.29	82.29
	$S_D$ (CM <sup>2</sup> ) ..... 530.93	530.93
電動機推力因數：	$BL$ (T <sub>m</sub> ) ..... 11.70	16.99
順性容積：	$V_{AS}$ (FT <sup>3</sup> ) ..... 1.93	1.86
	$V_{AS}$ (LITERS) ..... 54.65	52.59
懸浮順性：	$C_{MS}$ (μM/N) ..... 138.00	133.00
振動質量 (含空氣負載)：	$M_{MS}$ (GRAMS) ..... 220.58	225.64
自由場諧振頻率：	$F_S$ (HZ) ..... 28.84	29.07
機械阻尼因素：	$Q_{MS}$ ..... 4.29	2.56
電氣阻尼因素：	$Q_{ES}$ ..... 0.53	0.58
總阻尼因素：	$Q_{TS}$ ..... 0.47	0.47
磁隙高度：	$H_{AG}$ (IN) ..... 0.39	0.39
	$H_{AG}$ (MM) ..... 10.00	10.00
音圈高度：	$H_{VC}$ (IN) ..... 1.32	1.32
	$H_{VC}$ (MM) ..... 33.50	33.50
最大衝程：	$X_{MAX}$ (IN) ..... 0.47	0.47
	$X_{MAX}$ (MM) ..... 12.00	12.00

### 密封箱體容積 (包括驅動器位移)

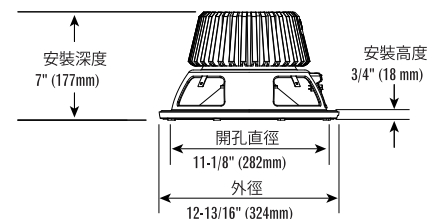


### 敞開式箱體容積 (包括驅動器/端口位移)



### 規格

直徑：	12" (305MM)
敏感度 (1M, 2.83V)：	92dB
功率容量：	500Wrms (1500W 峰值)
頻率回應：	25HZ ~ 175HZ
標稱阻抗：	2 或 4 歐姆
音圈直徑：	2 1/2" (63MM)
尺寸：	



**MANGE TAK** for dit valg af en JBL-subwoofer i Stadium. Disse subwoofere er designet til at passe til mange forskellige anvendelsesformål inden for billyd og kan anvendes til en lang række kabinettyper med henblik på at producere udvidet, kraftfuld bas i køretøjer med begrænset monteringsplads. Du kan få mest muligt ud af din nye subwoofer ved at få en fagmand til at installere din subwoofer. Selvom denne vejledning indeholder overordnede instruktioner vedr. installation af subwoofere i denne serie, omfatter den ikke oplysninger vedr. kabinetkonstruktion eller nøjagtige installationsmetoder til noget bestemt bilmærke. Hvis du ikke mener, at du har den nødvendige erfaring, bør du ikke selv forsøge på installation men i stedet spørge din autoriserede JBL-forhandler til råds.

Husk at opbevare din købskvittering på et sikkert sted sammen med denne betjeningsvejledning af hensyn til evt. fremtidig brug.

## ADVARSEL

Afspilning af høj musik i bilen kan svække din evne til at høre trafik og permanent skade din hørelse. JBL-højttalere leverer maksimale lyd niveauer, når de kombineres med forstærkning ved højefrekvenser, og kan overskride sikkerhedsniveauer for længere tids lytning. Afspilning ved lave lydstyrker anbefales under kørsel. JBL, Inc. påtager sig intet ansvar for høreskader, kvæstelser eller tingskade som resultat af brug eller misbrug af dette projekt.

## GENVIELSE AF BAS I KØRETØJER

Afhængigt af størrelsen af din bils interiør vil gengivelse af lyd ved basfrekvenser under 80 Hz blive boostet med næsten 12 dB pr. oktav, i takt med at frekvenserne falder. Dette fænomen, der kaldes for køretøjets overføringsfunktion (eller cabin gain), spiller en vigtig rolle i forhold til at forme subwooferens frekvensområde i dit køretøj.

## BASGENGIVELSE I LUKKEDE TYPER

Disse subwoofere er designet til at præstere bedst muligt i relativt kompakte forseglede kabinetter, ventilerede kabinetter og præfabrikerede båndpaskabinetter. Uendelig baffelmontering er mulig, men subwooferens mekaniske effekthåndtering vil være reduceret, fordi der ikke vil være noget luftvolumen til afstivning af subwooferens ophæng og forebyggelse af overbevægelse. Hvis du vælger uendelig baffelmontering, skal du tage hensyn til, at værdierne for RMS og spidseffektbelastning vil være halvdelen af det, der fremgår af denne manual.

Du bør vælge en kabinettype på baggrund af den bagagerumsplads, du kan afsætte til kabinettet, omfanget af effekt, du vil bruge til at drive din eller dine subwoofere, samt dine lytvaner.

## FORSEGLEDE KABINETTER

Den luft, der spærres inde i et forseglet kabinet, komprimeres, når subwooferen bevæges bagud, og udtynnes, når subwooferen bevæger sig fremad. I begge tilfælde søger luften indeni og udenfor kassen at opnå udligning ved at skubbe til og trække i subwooferkeglen. Resultatet er et stivere ophæng sammenlignet med drift af en subwoofer i fri luft. Det betyder, at subwooferens kegle får vanskeligere ved at bevæge sig ved lave frekvenser – en tilstand, der beskytter subwooferen imod fysisk overbelastning, men kræver mere effekt end øvrige design for at opnå et givent akustisk output.

## FORDELE VED FORSEGLEDE KABINETTER

- Ydeevnen i bilen vil have det fladeste overordnede frekvensområde.
- Responen i bilen vil have den bredeste båndbredde. (Det brugbare lavfrekvensområde inden i bilen vil være under 20 Hz.)
- Et optimalt forseglede kabinet vil altid være mindre sammenlignet med et optimalt kabinet af en anden type.

## ULEMPER VED FORSEGLEDE KABINETTER

- Et optimalt forseglede kabinet vil have lavere effektivitet sammenlignet med et optimalt kabinet af en anden type.
- En subwoofer i et optimalt forseglede kabinet kræver mere forstærkerkraft til at opnå et givent akustisk output sammenlignet med et optimalt kabinet af en anden type.

## KONSTRUKTION MED FORSEGLET KABINET

Den forseglede kabinetkonstruktion er enkel og tolerant over for fejl i volumeberegning, selvom luftlækager bør undgås. Anvend filterpanel (MDF) med mellemhøj tæthed, lim og skruer til at konstruere kabinettet. Sørg for at tætte alle sammenføjninger med silikonepakninger.

## ANBEFALING

Subwoofere i forseglede kabinetter anbefales til entusiaster, der foretrækker nøjagtig musikgengivelse og fladt frekvensområde, til dem, der har mindre plads til et subwooferkabinet, og til dem, der har masser af forstærkerkraft til drift af subwooferen. Det forseglede kabinetdesign, der fremgår af denne manual, repræsenterer det bedste kompromis mellem lavfrekvent ekstension og fladt frekvensområde.

## VENTILEREDE KABINETTER

Et ventileret kabinet fungerer som et forseglede kabinet ved frekvenser over dens justerede (resonans) frekvens. Ved resonans (der defineres af ventilationsprækken) producerer ventilationsprækken størstedelen af lyden – subwooferkeglen er næsten stationær, mens luften inden i ventilationsprækken vibrerer. Dette giver større mekanisk effekthåndtering ved og over resonans men reduceret mekanisk

effekthåndtering under resonans. Eftersom subwooferkeglen og stemmespolen ikke bevæger sig meget ved resonans, minimeres luftstrømmen langs stemmespolen, og den termiske effekthåndtering reduceres en smule ved resonans.

Ventilerede kabinetter leverer forbedret effektivitet inden for området 40 Hz - 60 Hz på bekostning af lydoutput i den laveste oktav (under 40 Hz). Brug af et infrasonisk filter anbefales sammen med ventilerede kabinetter. Et optimalt ventileret kabinet til en subwoofer i Reference-serien er større end et optimalt forseglede kabinet.

## YDEEVNEFORDELE VED VENTILEREDE KABINETTER

- Et optimalt ventileret kabinet har større effektivitet og højere output i området 40 Hz - 60 Hz sammenlignet med et optimalt forseglede kabinet.
- Et optimalt ventileret kabinet leverer en stærkere basformelse sammenlignet med optimalt forseglede kabinet.
- En subwoofer i et optimalt ventileret kabinet kræver mindre forstærkereffekt til at opnå et givent akustisk output (ned til kabinettets resonansfrekvens) sammenlignet med et optimalt forseglede kabinet.

## ULEMPER VED VENTILEREDE KABINETTER

- Reduceret output i den laveste oktav (under 40 Hz).
- Reduceret mekanisk effekthåndtering under kabinettets resonansfrekvens. Brug af et elektronisk infrasonisk filter anbefales kraftigt med henblik på at reducere risikoen for overdrift af subwooferen under kabinettets resonansfrekvens.
- Et optimalt ventileret kabinet vil altid være større end et optimalt forseglede kabinet.

## VENTILERET KABINETKONSTRUKTION

Det er vanskeligere at et ventileret kabinet sammenlignet med at konstruere et forseglede kabinet. Kabinettets volumen og portens mål er specifikt relateret til de fysiske og elektromekaniske karakteristika for subwooferen og kræver nøje overholdelse af de anbefalede karakteristika for kabinetvolumen og port. Som med forseglede kabinetter bør der anvendes et filterpanel (MDF) med mellemhøj tæthed, lim og skruer til konstruktion af kabinettet og forseglers alle led med silikonepakninger.

## ANBEFALING

Subwoofere i ventilerede kabinetter anbefales til entusiaster, der foretrækker accentueret basrespons, til dem, der har masser af bagagerumsplads til et subwooferkabinet, og til dem, der ønsker sig en mindre kraftfuld forstærker til at drive deres subwoofer. De omfattede volumen- og portmål skal omhyggeligt følges med henblik på at sikre optimal ydeevne.

## MONTERING AF SUBWOOFEREN

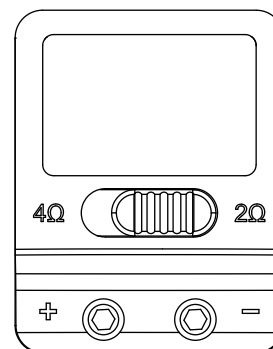
Subwoofere bør monteres på ydersiden af kabinettet. Brug den medfølgende skumpakning til at sikre en lækagefri forsegling mellem subwooferens ramme og kabinettet.

## TILSLUTNING AF SUBWOOFEREN

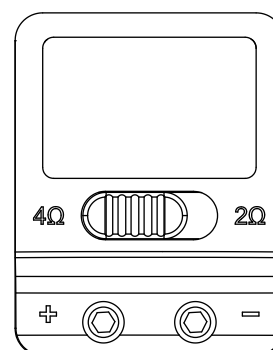
### INDSTILLING AF IMPEDANS

Subwoofere i Stadium leveres begge med en Selectable Smart Impedance™-kontakt (SSI). Denne eksklusive funktion lader dig indstille subwooferens impedans til enten 2 ohm eller 4 ohm med et tryk på en kontakt (se illustrationerne nedenfor). På den måde kan du få mest muligt ud af din subwooferforstærker i alle situationer.

SSI's 2-ohmsindstilling forøger subwooferens output sammenlignet med 4-ohmsindstillingen med op til 3 dB afhængigt af forstærkeren. Ydeevnen er identisk i alle øvrige henseender. Hvis den tilsluttede forstærker er klassificeret til 2-ohmsdrift, og dens 2-ohmsstrømklassificering befinder sig inden for subwooferens effekthåndterings-specifikationer, opnås der optimal output ved at indstille SSI-kontakten til 2-ohmspositionen.



Indstillingen 2 ohm



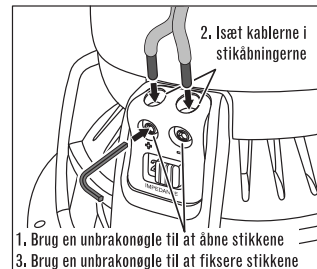
Indstillingen 4 ohm

**VIGTIG:** Sørg for, at subwooferforstærkeren er SLUKKET, før SSI-kontakten indstilles. Undgå at trykke på kontakten, mens subwooferforstærkeren er i drift. I modsat fald kan forstærkeren tage skade.

### TILSLUTNING AF FORSTÆRKEREN

Subwooferens stik er kompatible med blottede eller fortinne kabler. Det anbefalede kabelmål er mellem 14 AWG og 8 AWG afhængigt af længden af det kabel, der trækkes mellem forstærker og subwoofer. Ved kabellængder på over 6' (2 m) anbefales kraftigere kabler.

1. Brug en 2,5 mm unbrakonøgle til at åbne stikkene.
2. Isæt kabelenderne i stikåbningerne. **BEMÆRK:** Hvis du benytter en blottet ledning, skal du sikre dig, at "+" / "-" -delene ikke kommer i kontakt med hinanden. I modsat fald kan der opstå kortslutning, som kan beskadige din forstærker.
3. Brug unbrakonøglen til at fiksere kablerne i stikkene som vist i illustrationen til venstre.



### TEKNISKE DATA

## Stadium 1024

#### THIELE-SMÅ PARAMETRE

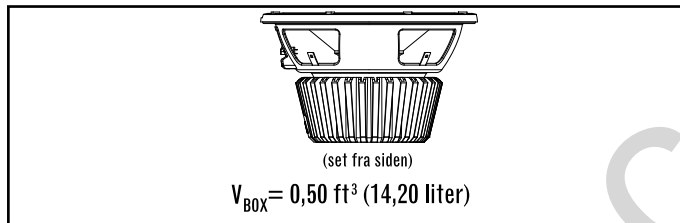
	2Ω	4Ω
DC-MODSTAND FOR STEMMESPOLE:	$R_{EVC}$ (OHMS) . . . . . 1.80 . . . . . 4.06	
INDUKTANS FOR STEMMESPOLE VED 1 kHz:	$L_{EVC}$ (mH) . . . . . 1.04 . . . . . 0.91	
UDSTRÅLINGSOMRÅDE FOR DRIVER:	$S_D$ (in <sup>2</sup> ) . . . . . 53.69 . . . . . 53.69	
	$S_D$ (cm <sup>2</sup> ) . . . . . 346.36 . . . . . 346.36	
MOTORKRAFTFAKTOR:	$BL$ (T <sub>m</sub> ) . . . . . 10.54 . . . . . 14.98	
	$V_{AS}$ (FT <sup>3</sup> ) . . . . . 0.86 . . . . . 0.89	
FØJELIGHEDSVOLUMEN:	$V_{AS}$ (LITERS) . . . . . 24.22 . . . . . 25.27	
	$C_{MS}$ (μM/N) . . . . . 144.00 . . . . . 150.00	
OPHÆNGSFØJELIGHED:	$M_{MS}$ (GRAMS) . . . . . 188.72 . . . . . 185.47	
MASSE I BEVÆGELSE, LUFTBELASTNING:	$F_S$ (Hz) . . . . . 30.56 . . . . . 30.18	
RESONANS I FRI LUFT:	$Q_{MS}$ . . . . . 3.11 . . . . . 2.17	
MEKANISK Q:	$Q_{ES}$ . . . . . 0.57 . . . . . 0.61	
ELEKTRISK Q:	$Q_{TS}$ . . . . . 0.48 . . . . . 0.48	
SAMLET Q:	$H_{AG}$ (IN) . . . . . 0.39 . . . . . 0.39	
HØJDE AF MAGNETISK FRIRUM:	$H_{AG}$ (MM) . . . . . 10.00 . . . . . 10.00	
	$H_{VC}$ (IN) . . . . . 1.32 . . . . . 1.32	
HØJDE AF STEMMESPOLE:	$H_{VC}$ (MM) . . . . . 33.50 . . . . . 33.50	
	$X_{MAX}$ (IN) . . . . . 0.47 . . . . . 0.47	
MAKS. UDSVING:	$X_{MAX}$ (MM) . . . . . 12.00 . . . . . 12.00	

## Stadium 1224

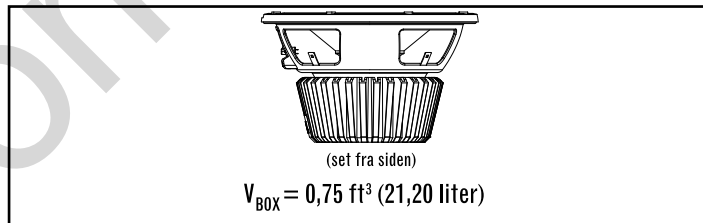
#### THIELE-SMÅ PARAMETRE

	2Ω	4Ω
DC-MODSTAND FOR STEMMESPOLE:	$R_{EVC}$ (OHMS) . . . . . 1.82 . . . . . 4.07	
INDUKTANS FOR STEMMESPOLE VED 1 kHz:	$L_{EVC}$ (mH) . . . . . 1.03 . . . . . 0.94	
UDSTRÅLINGSOMRÅDE FOR DRIVER:	$S_D$ (in <sup>2</sup> ) . . . . . 82.29 . . . . . 82.29	
	$S_D$ (cm <sup>2</sup> ) . . . . . 530.93 . . . . . 530.93	
MOTORKRAFTFAKTOR:	$BL$ (T <sub>m</sub> ) . . . . . 11.70 . . . . . 16.99	
	$V_{AS}$ (FT <sup>3</sup> ) . . . . . 1.93 . . . . . 1.86	
FØJELIGHEDSVOLUMEN:	$V_{AS}$ (LITERS) . . . . . 54.65 . . . . . 52.59	
	$C_{MS}$ (μM/N) . . . . . 138.00 . . . . . 133.00	
OPHÆNGSFØJELIGHED:	$M_{MS}$ (GRAMS) . . . . . 220.58 . . . . . 225.64	
MASSE I BEVÆGELSE, LUFTBELASTNING:	$F_S$ (Hz) . . . . . 28.84 . . . . . 29.07	
RESONANS I FRI LUFT:	$Q_{MS}$ . . . . . 4.29 . . . . . 2.56	
MEKANISK Q:	$Q_{ES}$ . . . . . 0.53 . . . . . 0.58	
ELEKTRISK Q:	$Q_{TS}$ . . . . . 0.47 . . . . . 0.47	
SAMLET Q:	$H_{AG}$ (IN) . . . . . 0.39 . . . . . 0.39	
HØJDE AF MAGNETISK FRIRUM:	$H_{AG}$ (MM) . . . . . 10.00 . . . . . 10.00	
	$H_{VC}$ (IN) . . . . . 1.32 . . . . . 1.32	
HØJDE AF STEMMESPOLE:	$H_{VC}$ (MM) . . . . . 33.50 . . . . . 33.50	
	$X_{MAX}$ (IN) . . . . . 0.47 . . . . . 0.47	
MAKS. UDSVING:	$X_{MAX}$ (MM) . . . . . 12.00 . . . . . 12.00	

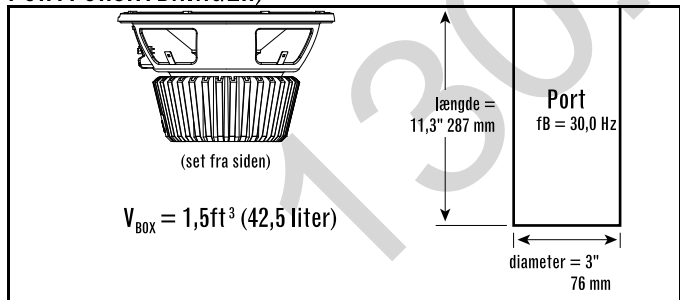
### VOLUMEN I FORSEGLET KASSE (INKL. DRIVERFORSKYDNING)



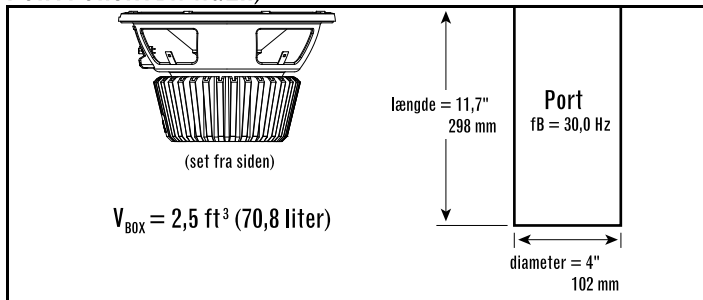
### VOLUMEN I FORSEGLET KASSE (INKL. DRIVERFORSKYDNING)



### VOLUMEN I VENTILERET KASSE (INKL. DRIVER-/PORTFORSKYDNINGER)

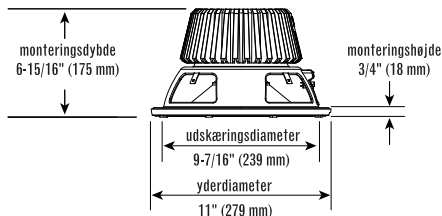


### VOLUMEN I VENTILERET KASSE (INKL. DRIVER-/PORTFORSKYDNINGER)



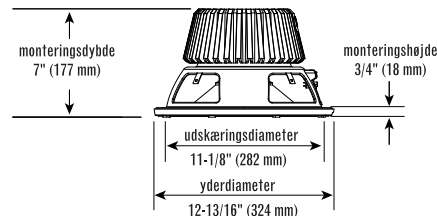
### SPECIFIKATIONER

DIAMETER:	10" (254 mm)
FØLSOMHED (2,83 V VED 1 M):	91dB
EFFEKTHÅNDTERING:	450 Wrms (1.350 W SPIDSBELASTNING)
FREKVENSOBRÅDE:	30-175 Hz
NOMINEL IMPEDANS:	2 ELLER 4 OHM
STEMMESPOLEDIAMETER:	2 1/2" (63 mm)
MÅL:	



### SPECIFIKATIONER

DIAMETER:	12" (305 mm)
FØLSOMHED (2,83 V VED 1 M):	92dB
EFFEKTHÅNDTERING:	500 Wrms (1.500 W SPIDSBELASTNING)
FREKVENSOBRÅDE:	25-175 Hz
NOMINEL IMPEDANS:	2 ELLER 4 OHM
STEMMESPOLEDIAMETER:	2 1/2" (63 mm)
MÅL:	



JBL Stadium subwoofer seçtiğiniz için TEŞEKKÜR EDERİZ. Bu subwooferlar geniş bir yelpazede araba ses uygulamalarına uygun tasarlanmış olup, sınırlı bir araç alanı miktarında genişletilmiş, güçlü bas üretmek için geniş bir yelpazede kabin tiplerinde kullanılabilir. Yeni subwooferdan en yüksek performansı almak için, subwoofer kurulumu için nitelikli profesyonelden destek almanız önerilir. Bu kılavuzun, bu Seri Subwooferları kurma hakkında genel bilgiler sağlanmasına rağmen, kabin yapım bilgilerini veya belirli bir araç için tam kurma yöntemlerini içermez. Gerekli tecrübeye sahip olduğunuzu hissetmiyorsanız, kurulumu kendi kendinize kurulumu denemeyin, ancak bunun yerine profesyonel kurulum seçenekleri hakkında yetkili JBL satıcınıza sorun.

Her ikisinin de gelecekteki referans için kullanılabilirliği şeklinde, bu kılavuz ile birlikte satış makbuzunu güvenli bir yerde saklamayı unutmayın.

#### UYARI

Bir araçta yüksek sesle müzik dinleme trafiği duymayı engelleyebilir ve kalıcı olarak işitme yeteneğinize zarar verebilir. Yüksek güç amplifikasyonu ile birleştirildiğinde JBL hoparlörler ile ulaşılabilen maksimum ses seviyeleri uzun süre dinlemek için güvenli seviyeleri aşabilir. Sürüş esnasında, düşük ses seviyeleri kullanılması tavsiye edilir. JBL, Inc, bu ürünün kullanımı veya hatalı kullanımının bir sonucu olarak işitme kaybı, fiziksel yaralanma veya maddi hasar için herhangi bir sorumluluk kabul etmez.

#### ARAÇLARDA BAS ÜRETİMİ

Aracınızın iç dinleme alanının büyüklüğüne bağlı olarak, üretilen 80Hz altındaki bas frekansları frekans azaldıkça oktav başına yaklaşık 12dB ile güçlendirilecektir. Aracın transfer fonksiyonu (veya kabin kazancı) olarak bilinen bu olgu, aracınıza subwoofer frekans yanıtının şekillenmesinde önemli bir rol oynamaktadır.

#### SUBWOOFER KABİN TİPLERİ

Subwooferlar orta ölçüde boyutlandırılmış kabinler, havalandırılmalı kabinler ve prefabrik bant geçiren kabinlerin en iyi şekilde performans göstermesi için tasarlanmıştır. Sonsuz yönlendirici olan hoparlör montajı mümkündür, ancak subwoofer mekanik güç kullanımı azalacaktır çünkü subwoofer süspansiyonunu pekiştirmek ve aşırı gezinti yapmasını önlemek için hiçbir hava hacmi olmayacaktır. Sonsuz yönlendirici olan hoparlör montajı yapmayı seçerseniz, bu kılavuzda teknik özelliklerde listelenenlerin yarısı olacak RMS ve tepe güç kullanmayı düşünün.

Kabine ayırabileceğiniz yük alanı miktarına, subwoofer ya da subwooferları sürmek için kullanacağınız güç miktarına ve dinleme alışkanlıklarınıza göre bir kabin tipi seçmelisiniz

#### KAPALI KABİNLER

Subwoofer geriye doğru hareket ederken kapalı kabinin içinde kalan hava sıkışır ve subwoofer ileriye doğru hareket ederken hava azalır. Her iki durumda da, kutunun içindeki ve dışındaki hava subwoofer konisini iterek ve çekerek dengeyi arayacaktır. Serbest havada çalışan subwoofer ile karşılaştırıldığında sonuç daha sert süspansiyon olur. Bu Subwoofer konisinin, fiziksel olarak aşırı gezinti yapmasını önleyen bir durum olarak düşük frekanslarda hareket etmesinin daha zor olacağı, ancak belirli bir akustik çıkışı elde etmek için diğer tasarımlardan daha fazla güç gerektireceği anlamına gelir.

#### KAPALI KABİN PERFORMANSI AVANTAJLARI

- Araç içi performansı en düz genel frekans yanıtına sahip olacaktır.
- Araç içi performansı en geniş bant genişliğine sahip olacaktır. (Araç içindeki kullanılabilir düşük frekans yanıtı 20Hz altında olacaktır.)
- Optimum kapalı kabin her zaman başka tip optimum kabinde daha küçük olacaktır.

#### KAPALI KABİN PERFORMANSI ÖDÜNLERİ

- Optimum kapalı kabin başka bir tip optimum kabinde daha düşük genel frekansa sahip olacaktır.
- Optimum kapalı kabinde subwoofer, belirli bir akustik çıkış elde etmek için başka bir tip optimum kabindekine göre daha az amplifikatör gücü gerektirir.

#### KAPALI KABİN YAPIMI

Kapalı kabin üretimi doğrudan ve hacim hesaplama hatalarını başlatılan bir işlemdir, ama hava kaçaklarından kaçınılmalıdır. Kabin yapımı için orta yoğunlukta lifli levha (MDF), tutkal ve vidalar kullanın ve silikon kalafat ile tüm birleşme yerlerini kapatın.

#### ÖNERİ

Kapalı kabinlerde subwooferlar hassas müzik üretimi ve düz frekans yanıtı tercih eden meraklılar, subwoofer kabine küçük bir alan ayırabilecekler, subwoofer sürmek için ayrılmış bol amplifikatör gücü olanlar için tavsiye edilir. Bu kılavuzda belirtilen kapalı kabin tasarımı, düşük frekanslı uzantısı ve düz yanıt arasındaki en iyi dengeyi ifade eder.

#### HAVALANDIRILMALI KABİNLER

Bir havalandırılmalı kabin ayarlandığı (rezonans) frekansın üstündeki frekanslarda kapalı bir kabin gibi davranır. Rezonansta (havalandırma tarafından tanımlanan), havalandırma sesin çoğunluğunu üretir - subwoofer konisi havalandırma içindeki havanın titreşimi sırasında hemen hemen sabittir. Bu rezonansta ve rezonansın üstünde daha büyük mekanik güç kullanmayı sağlar,

fakat rezonansın altında mekanik güç kullanma azaltılır. Subwoofer konisi ve ses bobini rezonansta fazla hareket etmediklerinden, ses bobini boyunca hava akımı minimize edilmiştir ve termal güç kullanma rezonansta biraz azalır.

Havalandırılmalı kabinler, en düşük oktav (40Hz altında) ses çıkışı pahasına 40Hz – 60Hz aralığında daha iyi verimlilik sağlar. İnfrasonik filtre kullanımı havalandırılmalı kabinler ile tavsiye edilir. Seri subwoofer için optimum havalandırılmalı kabin optimum kapalı kabinde daha büyüktür.

#### HAVALANDIRILMALI - KAPALI KABİN PERFORMANSI AVANTAJLARI

- Optimum havalandırılmalı kabinin optimum kapalı kabinlerden 40Hz – 60Hz aralığında daha fazla verimliliği ve daha yüksek çıkışı vardır.
- Optimum havalandırılmalı kabin optimum kapalı kabinde daha büyük bas hissi sağlar.
- Optimum havalandırılmalı kabinde subwoofer, belirli bir akustik çıkış (kabinin rezonans frekansına kadar inen) elde etmek için optimum kapalı kabindekine göre daha az amplifikatör gücü gerektirir.

#### HAVALANDIRILMALI KABİN PERFORMANSI ÖDÜNLERİ

- En düşük oktavda (40Hz altında) azaltılmış çıkış.
- Kabinin rezonans frekansının altında azaltılmış mekanik güç kullanımı. Kabinin rezonans frekansının altında subwooferin aşırı sürülme şansını azaltmak için, bir elektronik infrasonik filtre kullanımı son derece tavsiye edilir.
- Optimum havalandırılmalı kabin her zaman optimum kapalı kabinde daha büyük olacaktır.

#### HAVALANDIRILMALI KABİN YAPIMI

Havalandırılmalı kabin yapımı kapalı kabin yapımından daha zordur. Kabin hacmi ve bağlantı noktası boyutlarının, önerilen kabin hacmi ve bağlantı noktası özelliklerine kesinlikle uyulmasını gerektiren, subwoofer fiziksel ve elektromekanik özellikleri ile özel bir ilişkisi vardır. Kapalı kabinlerde olduğu gibi, kabin yapımı için orta yoğunlukta lifli levha (MDF), tutkal ve vidalar kullanın ve silikon kalafat ile tüm birleşme yerlerini kapatın.

#### ÖNERİ

Havalandırılmalı kabinlerde subwooferlar, vurgulu bas yanıtı tercih eden meraklılar, subwoofer kabine ayırabilecek bol yük alanı olanlar ve subwooferlarını sürmek için daha az güçlü bir amplifikatör kullanacak olanlar için tavsiye edilir. Optimum performans sağlamak için, belirtilen hacim ve bağlantı noktası ölçülerine tam olarak uyulmalıdır.

#### SUBWOOFER MONTAJI

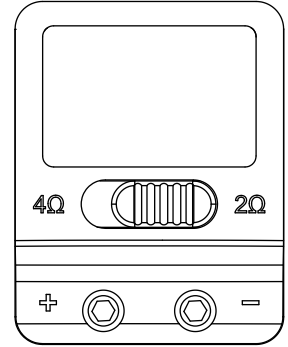
Subwooferlar kabinin dışından veya kabinin içinden monte edilebilir. Subwoofer çerçevesi ve kabin arasında sızdırmazlık sağlamak için birlikte verilen köpük montaj contasını kullanın.

#### SUBWOOFER BAĞLANTISI

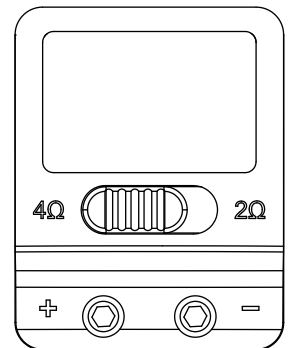
##### EMPEDANS AYARI

Stadium subwooferların her ikisi Selectable Smart Impedance™ (SSI) anahtarı özelliği sunar. Bu seçkin özellik, subwoofer empedansını bir anahtarın (aşağıdaki resimlere bakın) çevrilmesiyle 2 ohm veya 4 ohm değerlerinden birine ayarlanmasını sağlar. Bu, herhangi bir durumda subwoofer amplifikatörden en fazlasını elde etmenize izin verir.

SSI 2-ohm ayarı amplifikatöre bağlı olarak, 4-ohm ayarı üzerinde subwoofer çıkışını 3dB değerine kadar artırır. Performans tüm diğer açılardan ayırdır. Bağlı amplifikatör 2-ohm çalışma için derecelendirilmiş ve onun 2-ohm güç derecelendirmesi subwoofer güç kullanma teknik özelliklerinde ise, SSI anahtarının 2-ohm konumuna ayarlanması maksimum çıkış elde edecektir.



2-Ohm Ayarı



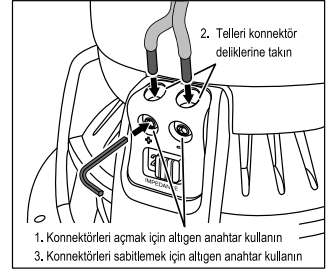
4-Ohm Ayarı

ÖNEMLİ: SSI anahtarını ayarlamadan önce, subwoofer amplifikatörünün KAPALI olduğundan emin olun. Subwoofer amplifikatörü çalışırken anahtar konumunu değiştirmeyin. Bunu yaparsanız amplifikatöre zarar verebilir.

### AMPLİFİKATÖRÜ BAĞLAMA

Subwoofer konnektörler çıplak veya kalaylı teller ile uyumludur. Amplifikatör ve woofer arasında çekilen tel uzunluğuna bağlı olarak, tavsiye edilen tel çapı 14 AWG ile 8AWG arasındadır. Daha kalın ölçüde tel 6'(2m) üzerinde çekilenler için tercih edilir.

1. Konnektörleri açmak için 2,5 mm altıgen tornavida kullanın.
2. Tel uçlarını konnektör deliklerine takın. NOT: Kalaysız çıplak tel kullanıyorsanız, "-" ve "+" tellerin birbirine temas etmediğinden ve bir kaçak olmadığından emin olun. Tellerin birbirine temas etmesi amplifikatörünüze zarar verebilecek şekilde kısa devreye neden olabilir.
3. Soldaki resimde gösterildiği gibi, konnektörlerde telleri sabitlemek için altıgen tornavida kullanın.



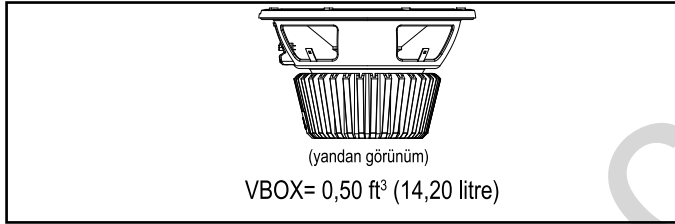
### TEKNİK VERİ

## Stadium 1024

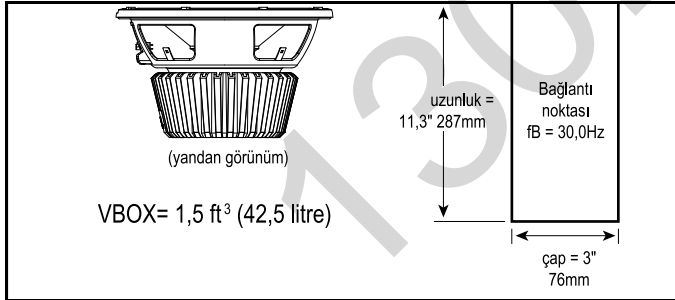
### THIELE KÜÇÜK PARAMETRELERİ

	2Ω	4Ω
SES BOBİNİ DC DİRENCİ:	$R_{EVC}$ (OHMS) ..... 1.80	4.06
1KHZ'DE SES BOBİNİ İNDÜKTANSI:	$L_{EVC}$ (MH) ..... 1.04	0.91
SÜRÜCÜ YAYILMA ALANI:	$S_D$ (IN <sup>2</sup> ) ..... 53.69	53.69
	$S_D$ (CM <sup>2</sup> ) ..... 346.36	346.36
MOTOR GÜCÜ FAKTÖRÜ:	$BL$ (T <sub>m</sub> ) ..... 10.54	14.98
UYUM HACMİ:	$V_{AS}$ (FT <sup>3</sup> ) ..... 0.86	0.89
	$V_{AS}$ (LITERS) ..... 24.22	25.27
SÜSPANSİYON UYUMU:	$C_{MS}$ (µM/N) ..... 144.00	150.00
HAREKETLİ KÜTLE, HAVA YÜKÜ:	$M_{MS}$ (GRAMS) ..... 188.72	185.47
SERBEST HAVA REZONANSI:	$F_S$ (Hz) ..... 30.56	30.18
MEKANİK Q:	$Q_{MS}$ ..... 3.11	2.17
ELEKTRİKSEL Q:	$Q_{ES}$ ..... 0.57	0.61
TOPLAM Q:	$Q_{TS}$ ..... 0.48	0.48
MANYETİK BOŞLUK YÜKSEKLİĞİ:	$H_{AG}$ (IN) ..... 0.39	0.39
	$H_{AG}$ (MM) ..... 10.00	10.00
SES BOBİNİ YÜKSEKLİĞİ:	$H_{VC}$ (IN) ..... 1.32	1.32
	$H_{VC}$ (MM) ..... 33.50	33.50
MAKSİMUM GEZİNİM:	$X_{MAX}$ (IN) ..... 0.47	0.47
	$X_{MAX}$ (MM) ..... 12.00	12.00

### KAPALI KUTU HACMİ (SÜRÜCÜ DEPLASMANI DÂHİL)

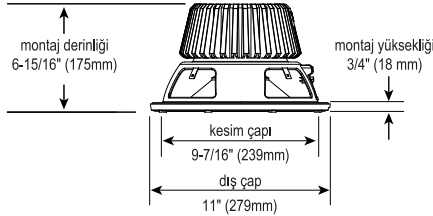


### HAVALANDIRMALI KUTU HACMİ (SÜRÜCÜ/BAĞLANTI NOKTASI DEPLASMANI DÂHİL)



### TEKNİK ÖZELLİKLER

ÇAP:	10" (254MM)
HASSASİYET (M'DE 2,83V):	91dB
GÜÇ KULLANMA:	450W <sub>rms</sub> (1350W TEPE)
FREKANS YANITI:	30HZ ~ 175HZ
NOMİNAL EMPEDANS:	2 VEYA 4 OHM
SES BOBİNİ ÇAP:	2 1/2" (63MM)
BOYUTLAR:	

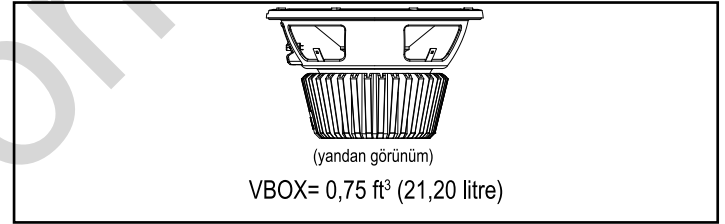


## Stadium 1224

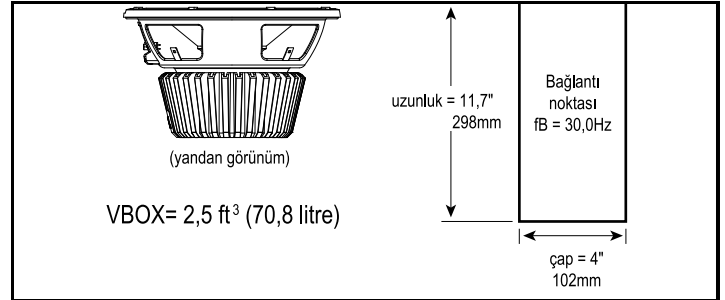
### THIELE KÜÇÜK PARAMETRELERİ

	2Ω	4Ω
SES BOBİNİ DC DİRENCİ:	$R_{EVC}$ (OHMS) ..... 1.82	4.07
1KHZ'DE SES BOBİNİ İNDÜKTANSI:	$L_{EVC}$ (MH) ..... 1.03	0.94
SÜRÜCÜ YAYILMA ALANI:	$S_D$ (IN <sup>2</sup> ) ..... 82.29	82.29
	$S_D$ (CM <sup>2</sup> ) ..... 530.93	530.93
MOTOR GÜCÜ FAKTÖRÜ:	$BL$ (T <sub>m</sub> ) ..... 11.70	16.99
UYUM HACMİ:	$V_{AS}$ (FT <sup>3</sup> ) ..... 1.93	1.86
	$V_{AS}$ (LITERS) ..... 54.65	52.59
SÜSPANSİYON UYUMU:	$C_{MS}$ (µM/N) ..... 138.00	133.00
HAREKETLİ KÜTLE, HAVA YÜKÜ:	$M_{MS}$ (GRAMS) ..... 220.58	225.64
SERBEST HAVA REZONANSI:	$F_S$ (Hz) ..... 28.84	29.07
MEKANİK Q:	$Q_{MS}$ ..... 4.29	2.56
ELEKTRİKSEL Q:	$Q_{ES}$ ..... 0.53	0.58
TOPLAM Q:	$Q_{TS}$ ..... 0.47	0.47
MANYETİK BOŞLUK YÜKSEKLİĞİ:	$H_{AG}$ (IN) ..... 0.39	0.39
	$H_{AG}$ (MM) ..... 10.00	10.00
SES BOBİNİ YÜKSEKLİĞİ:	$H_{VC}$ (IN) ..... 1.32	1.32
	$H_{VC}$ (MM) ..... 33.50	33.50
MAKSİMUM GEZİNİM:	$X_{MAX}$ (IN) ..... 0.47	0.47
	$X_{MAX}$ (MM) ..... 12.00	12.00

### KAPALI KUTU HACMİ (SÜRÜCÜ DEPLASMANI DÂHİL)

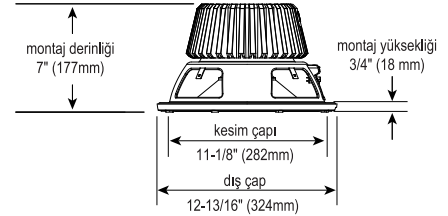


### HAVALANDIRMALI KUTU HACMİ (SÜRÜCÜ/BAĞLANTI NOKTASI DEPLASMANI DÂHİL)



### TEKNİK ÖZELLİKLER

ÇAP:	12" (305MM)
HASSASİYET (M'DE 2,83V):	92dB
GÜÇ KULLANMA:	500W <sub>rms</sub> (1500W TEPE)
FREKANS YANITI:	25HZ ~ 175HZ
NOMİNAL EMPEDANS:	2 VEYA 4 OHM
SES BOBİNİ ÇAP:	2 1/2" (63MM)
BOYUTLAR:	



HARMAN

HARMAN International Industries, Inc.  
8500 Balboa Boulevard, Northridge,  
CA 91329 USA  
www.jbl.com

© 2017 HARMAN International Industries, Incorporated. Tüm hakları saklıdır.  
JBL Amerika Birleşik Devletleri ve/veya diğer ülkelerde kayıtlı Harman International Industries, Incorporated şirketinin ticari markasıdır.