



PHONES

0 (800) 800 130  
(050) 462 0 130  
(063) 462 0 130  
(067) 462 0 130

130  
COM.UA

Internet store of  
autogoods



SKYPE

km-130

CAR RECEIVERS — Receivers • Media receivers and stations • Native receivers • CD/DVD changers • FM-modulators/USB adapters • Flash memory • Facia plates and adapters • Antennas • Accessories |  
CAR AUDIO — Car audio speakers • Amplifiers • Subwoofers • Processors • Crossovers • Headphones • Accessories | TRIP COMPUTERS — Universal computers • Model computers • Accessories |  
GPS NAVIGATORS — Portable GPS • Built-in GPS • GPS modules • GPS trackers • Antennas for GPS navigators • Accessories | VIDEO — DVR • TV sets and monitors • Car TV tuners • Cameras • Videomodules  
• Transcoders • Car TV antennas • Accessories | SECURITY SYSTEMS — Car alarms • Bike alarms • Mechanical blockers • Immobilizers • Sensors • Accessories | OPTIC AND LIGHT — Xenon • Bixenon • Lamps  
• LED • Stroboscopes • Optic and Headlights • Washers • Light, rain sensors • Accessories | PARKTRONICS AND MIRRORS — Rear parktronic • Front parktronic • Combined parktronic • Rear-view mirrors  
• Accessories | HEATING AND COOLING — Seat heaters • Mirrors heaters • Screen-wipers heaters • Engine heaters • Auto-refrigerators • Air conditioning units • Accessories | TUNING — Vibro-isolation  
• Noise-isolation • Tint films • Accessories | ACCESSORIES — Radar-detectors • Handsfree, Bluetooth • Windowlifters • Compressors • Beeps, loudspeakers • Measuring instruments • Cleaners • Car seats  
• Miscellaneous | MOUNTING — Installation kits • Upholstery • Grilles • Tubes • Cable and wire • Tools • Miscellaneous | POWER — Batteries • Converters • Start-charging equipment • Capacitors  
• Accessories | MARINE AUDIO AND ELECTRONICS — Marine receivers • Marine audio speakers • Marine subwoofers • Marine amplifiers • Accessories | CAR CARE PRODUCTS — Additives • Washer fluid •  
Care accessories • Car polish • Flavors • Adhesives and sealants | LIQUID AND OIL — Motor oil • Transmission oil • Brake fluid • Antifreeze • Technical lubricant



In store "130" you can find and buy almost all necessary goods for your auto in Kyiv and other cities, delivery by ground and postal services. Our experienced consultants will provide you with exhaustive information and help you to chose the very particular thing. We are waiting for you at the address

<https://130.com.ua>



# INSTALLATION MANUAL

Stadium 22S

Stadium 32S

Stadium 52F

Stadium 52CF

Stadium 62F

Stadium 62CF

Stadium 192T

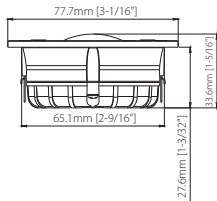
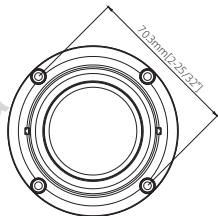
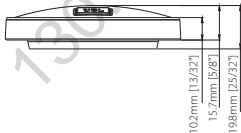
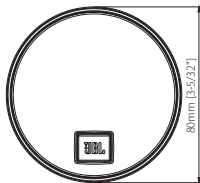
Stadium 862F  
Autogoods "130"

Stadium 862CF

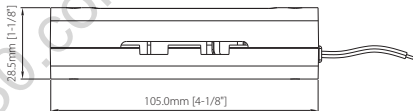
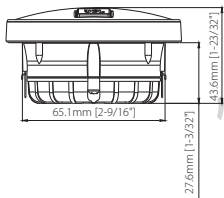
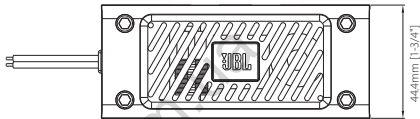
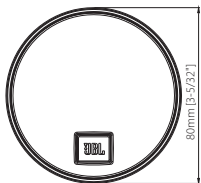
Stadium 962C

Stadium 962M

# Stadium 22S

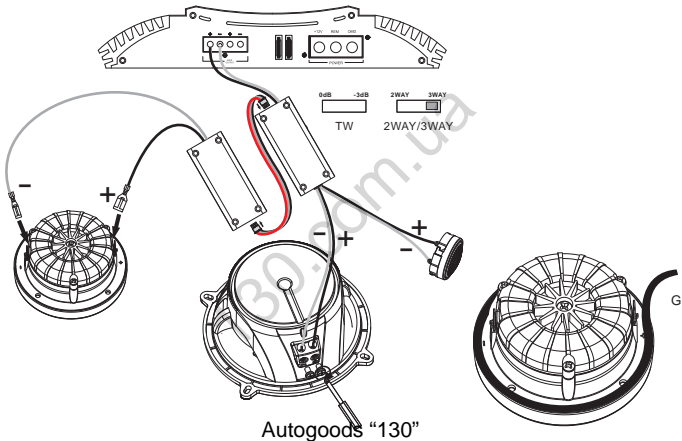


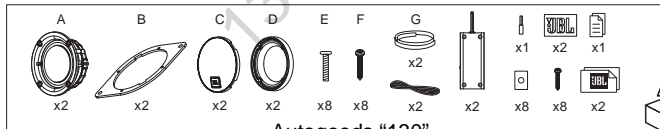
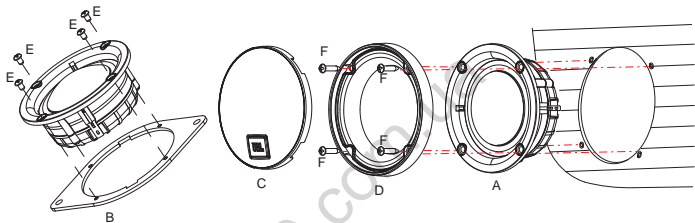
Autogoods "130"



Autogoods "130"







Autogoods "130"



## Specifications

- Type: 2" (50 mm) PEI Dome Midrange with Bandpass Crossover Enclosure
- Power Handling: 50 Wrms, 150 W peak
- Sensitivity (@ 2.83 V): 94 dB
- Frequency Response: 500 Hz – 7 kHz
- Impedance: 3.0 ohms

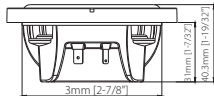
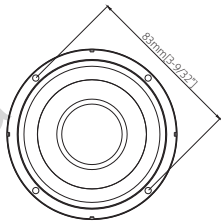
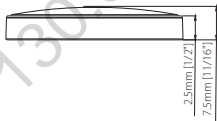
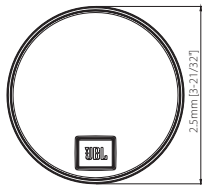
## Thiele-Small Parameters

- Crossover Point: 600 Hz

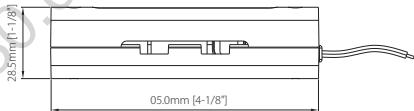
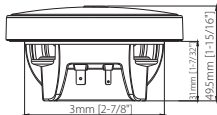
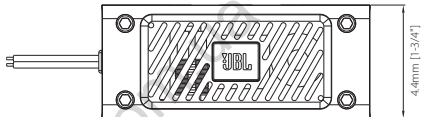
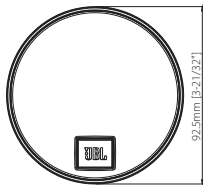
130.com.ua

Autogoods "130"

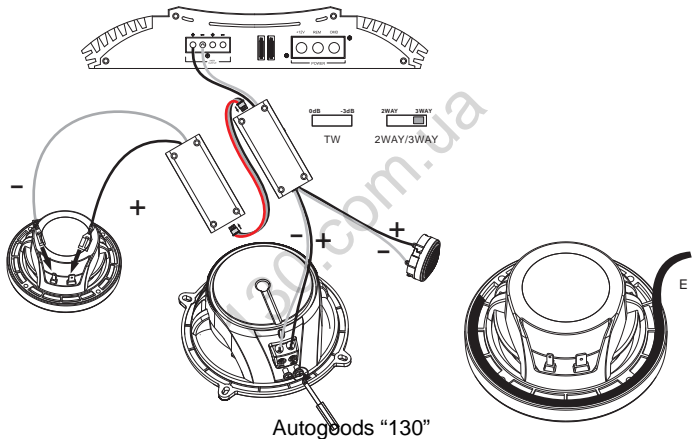
# Stadium 32S



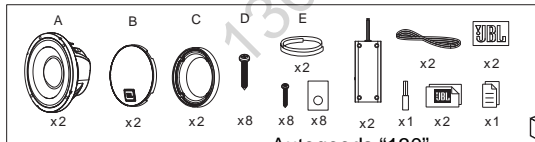
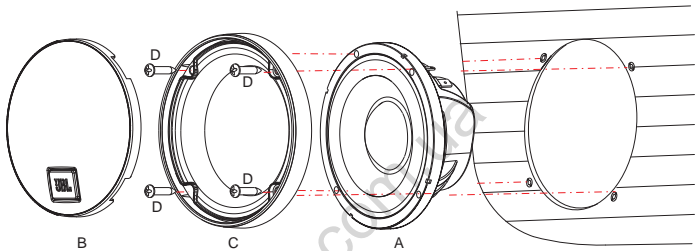
Autogoods "130"



Autogoods "130"







Autogoods "130"



## Specifications

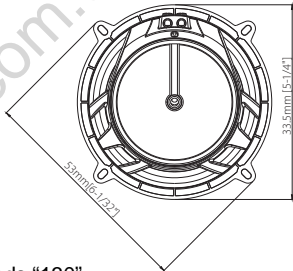
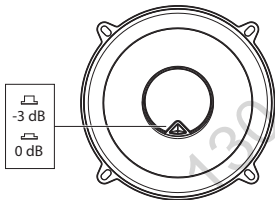
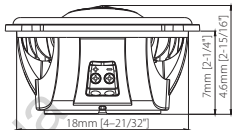
- Type: 3" (89 mm) Midrange with Bandpass Crossover Enclosure
- Power Handling: 55 Wrms, 165 W peak
- Sensitivity (@ 2.83 V): 93 dB
- Frequency Response: 200 Hz – 15 kHz
- Impedance: 3.0 ohms

## Thiele-Small Parameters

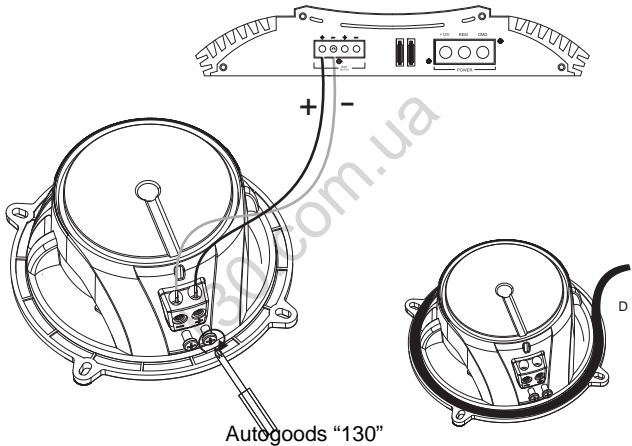
- BL (Tm): 5.64
- DCR (ohms): 2.7
- Mms (g): 4.964
- Sd (cm<sup>2</sup>): 35.26
- Cms (mm/N): 0.113
- Vas (l): 0.198
- Fs (Hz): 212.9
- Qes: 0.58
- Qms: 12.282
- Qts: 0.554
- Crossover Point: 300 Hz

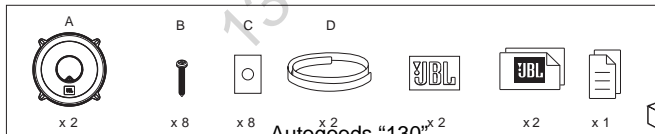
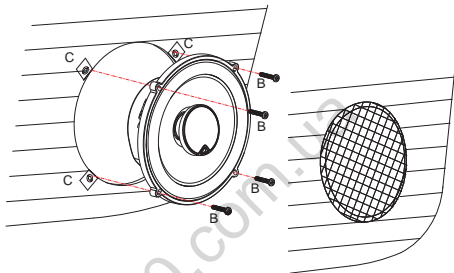
Autogoods "130"

# Stadium 52F



Autogoods "130"





Autogoods "130" x 2



## Specifications

- Type: 5-1/4" (133 mm) Two-Way Car Speaker
- Power Handling: 60 Wrms, 180 W peak
- Sensitivity (@ 2.83 V): 93 dB
- Frequency Response: 55 Hz – 40 kHz
- Impedance: 3.0 ohms

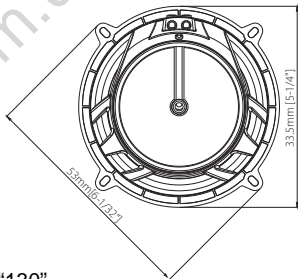
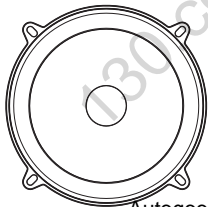
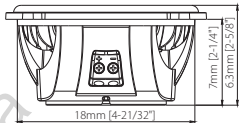
## Thiele-Small Parameters

- BL (Tm): 3.88
- DCR (ohms): 2.70
- Mms (g): 9.82
- Sd (cm<sup>2</sup>): 102.07
- Cms (mm/N): 0.40
- Vas (l): 5.95
- Fs (Hz): 79.90
- Qes: 0.92
- Qms: 6.85
- Qts: 0.81
- Crossover Point: 4.6 kHz

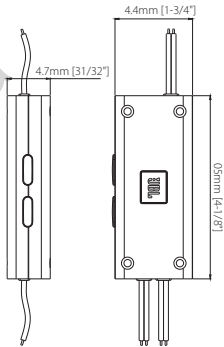
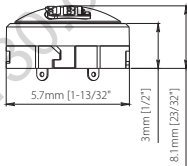
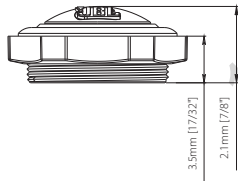
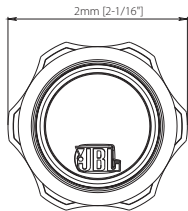
Autogoods "130"



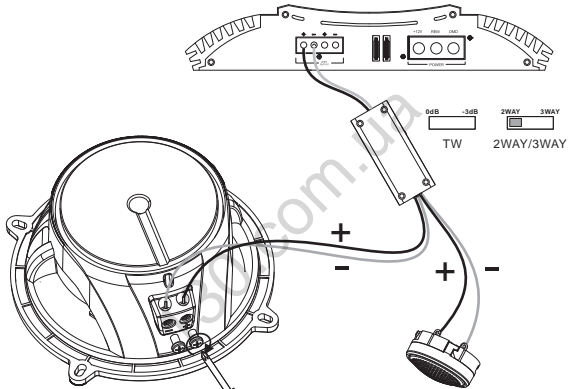
# Stadium 52CF



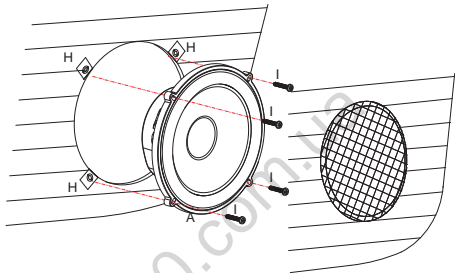
Autogoods "130"



Autogoods "130"



Autogoods "130"



x2



x2



x2



x2



x2



x2



x6



x16



x8



x2



x1



x8



x2



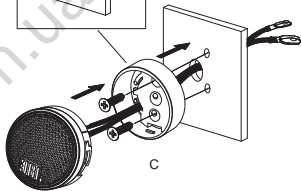
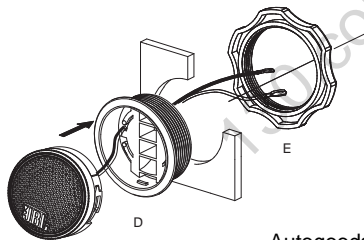
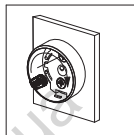
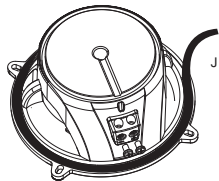
x2



x1



Autogoods "130"



Autogoods "130"

## Specifications

- Type: 5-1/4" (133 mm) Two-Way Component Speaker System
- Power Handling: 80 Wrms, 240 W peak
- Sensitivity (@ 2.83 V): 93 dB
- Frequency Response: 55 Hz – 40 kHz
- Impedance: 3.0 ohms

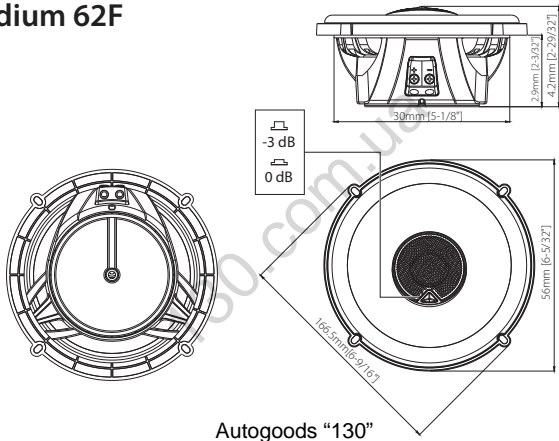
## Thiele-Small Parameters

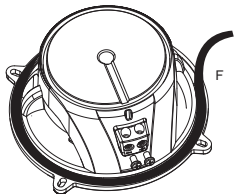
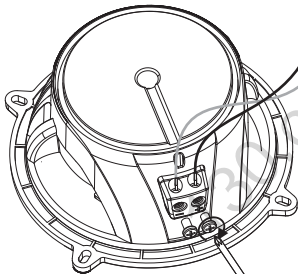
- BL (Tm): 3.96
- DCR (ohms): 2.70
- Mms (g): 11.42
- Sd (cm<sup>2</sup>): 102.07
- Cms (mm/N): 0.40
- Vas (l): 5.89
- Fs (Hz): 74.50
- Qes: 0.92
- Qms: 6.98
- Qts: 0.81
- Crossover Point: 4.0 kHz

Autogoods "130"

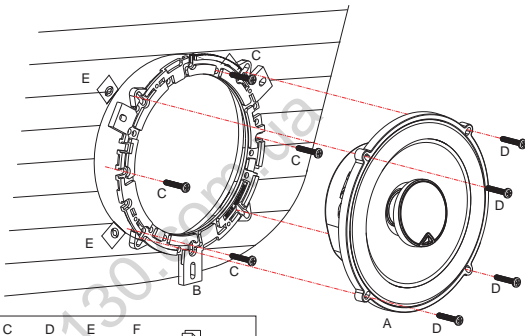











# Stadium 62F






Autogoods "130"



<b>A</b>	<b>B</b>	<b>C</b>	<b>D</b>	<b>E</b>	<b>F</b>	
						
x2	x2	x8	x8	x8	x2	x1
						
					x2	x2



Autogoods "130"

## Specifications

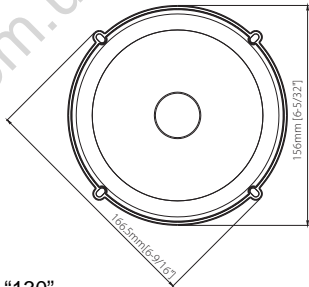
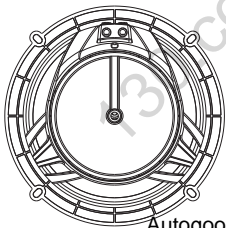
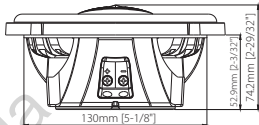
- Type: 6-1/2" (165 mm) Two-way Car Speaker
- Power Handling: 85 Wrms, 255 W peak
- Sensitivity (@ 2.83 V): 93 dB
- Frequency Response: 45 Hz – 40 kHz
- Impedance: 3.0 ohms

## Thiele-Small Parameters

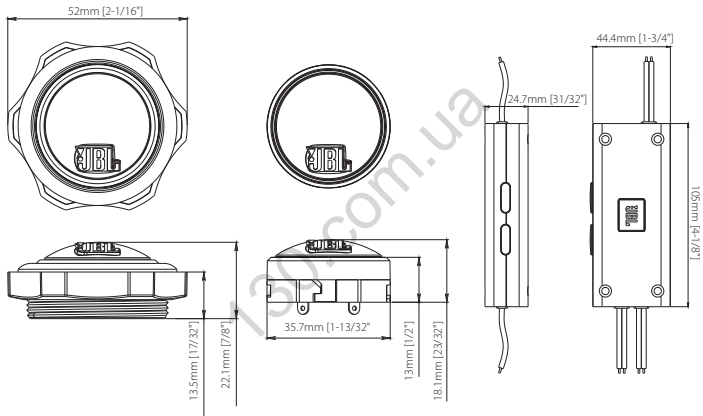
- BL (Tm): 4.23
- DCR (ohms): 2.70
- Mms (g): 14.23
- Sd (cm<sup>2</sup>): 143.14
- Cms (mm/N): 0.24
- Vas (l): 6.99
- Fs (Hz): 86.00
- Qes: 1.19
- Qms: 11.31
- Qts: 1.08
- Crossover Point: 4.6 kHz

Autogoods "130"

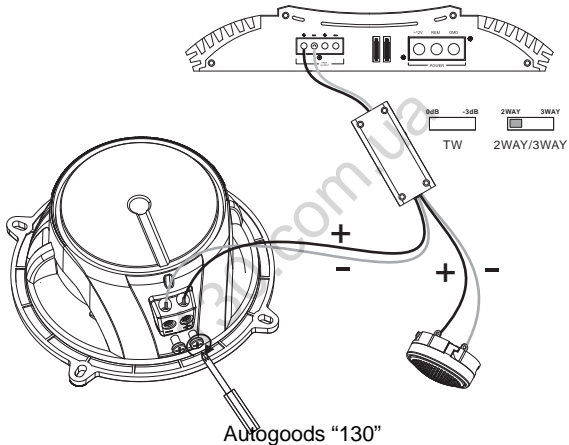
# Stadium 62CF



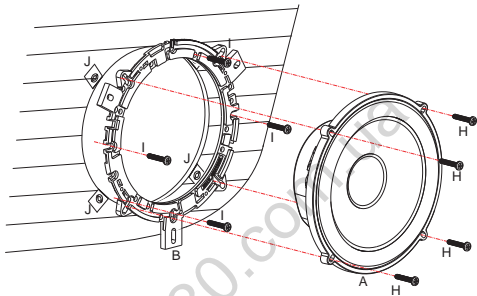
Autogoods "130"



Autogoods "130"



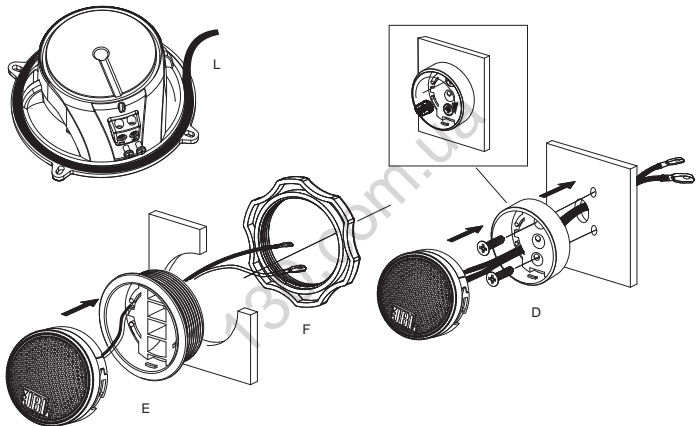
Autogoods "130"



Autogoods "130"







Autogoods "130"

## Specifications

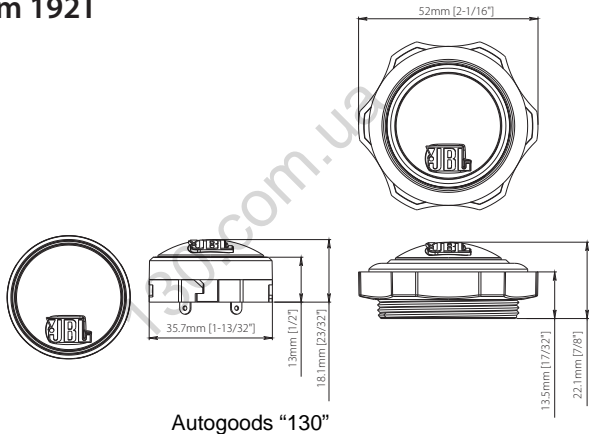
- Type: 6-1/2" (165 mm) Two-way Component Speaker System
- Power Handling: 110 Wrms, 330 W peak
- Sensitivity (@ 2.83 V): 93 dB
- Frequency Response: 45 Hz – 40 kHz
- Impedance: 3.0 ohms

## Thiele-Small Parameters

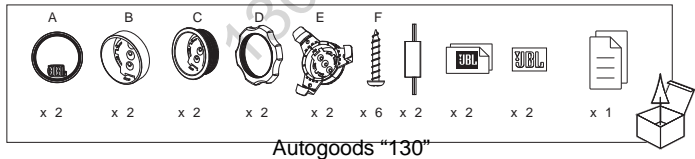
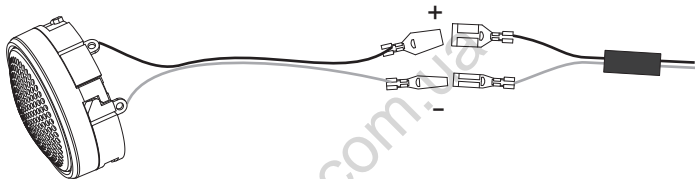
- BL (Tm): 4.45
- DCR (ohms): 2.70
- Mms (g): 14.62
- Sd (cm<sup>2</sup>): 143.14
- Cms (mm/N): 0.25
- Vas (l): 7.34
- Fs (Hz): 82.70
- Qes: 1.02
- Qms: 8.47
- Qts: 0.91
- Crossover Point: 4.6 kHz

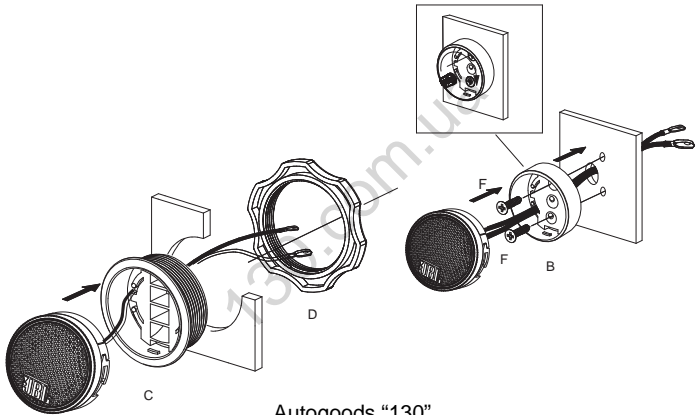
Autogoods "130"

# Stadium 192T

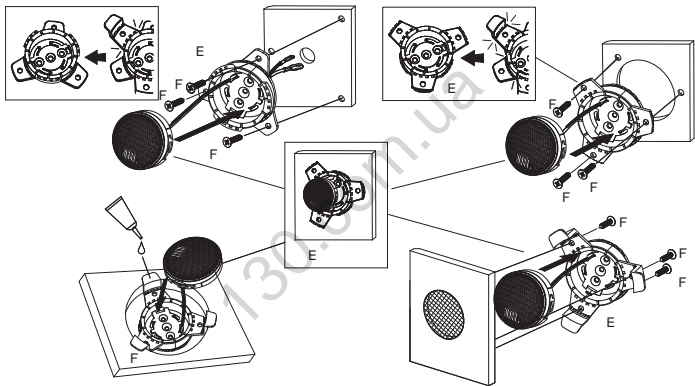


Autogoods "130"





Autogoods "130"



Autogoods "130"

## Specifications

- Type: 3/4" (19 mm) Edge-Driven Aluminum Dome Tweeter
- Power Handling: 50 Wrms, 150 W peak
- Sensitivity (@ 2.83 V): 93 dB
- Frequency Response: 2 kHz – 40 kHz
- Impedance: 3.0 ohms

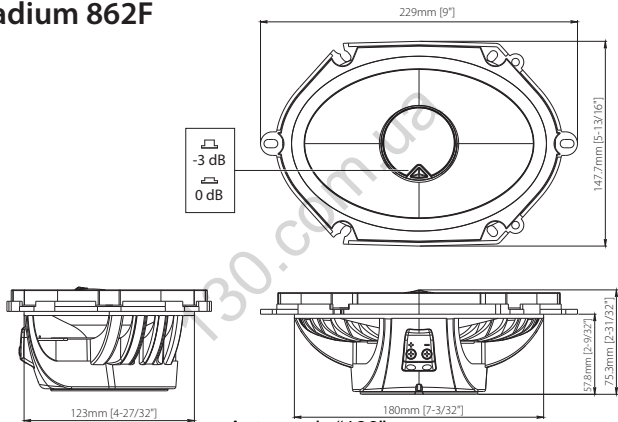
## Thiele-Small Parameters

- Crossover Point: 4.6 kHz

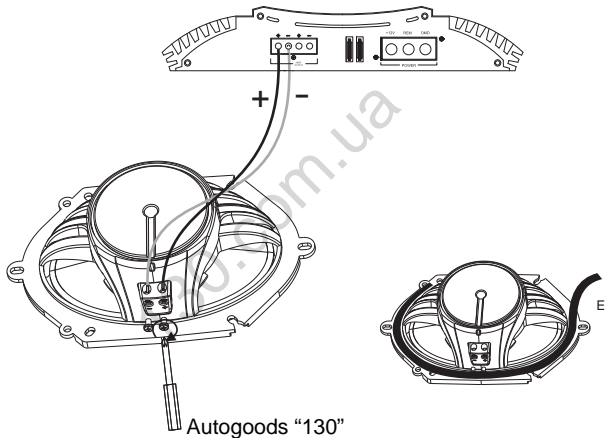
130.com.ua

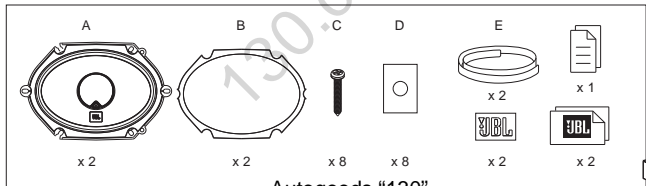
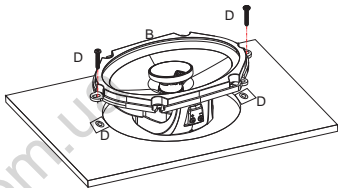
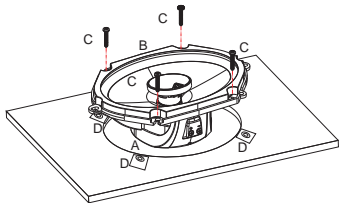
Autogoods "130"

# Stadium 862F









Autogoods "130"



## Specifications

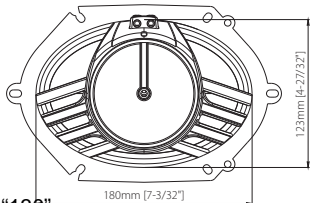
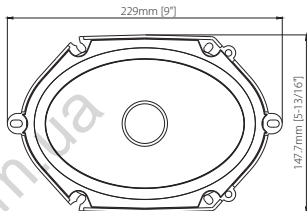
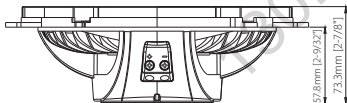
- Type: 6" x 8" (147 mm x 205 mm)  
Two-way Car Speaker
- Power Handling: 100 Wrms, 300 W peak
- Sensitivity (@ 2.83 V): 93 dB
- Frequency Response: 40 Hz – 40 kHz
- Impedance: 3.0 ohms

## Thiele-Small Parameters

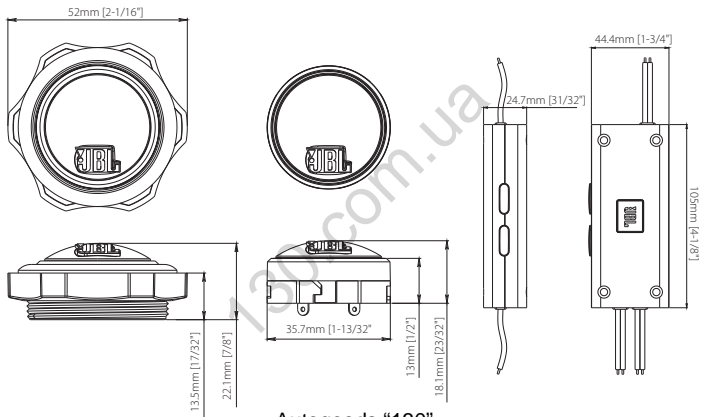
- BL (Tm): 4.66
- DCR (ohms): 2.70
- Mms (g): 17.58
- Sd (cm<sup>2</sup>): 167.42
- Cms (mm/N): 0.25
- Vas (l): 9.94
- Fs (Hz): 75.80
- Qes: 1.03
- Qms: 10.19
- Qts: 0.93
- Crossover Point: 4.1 kHz

Autogoods "130"

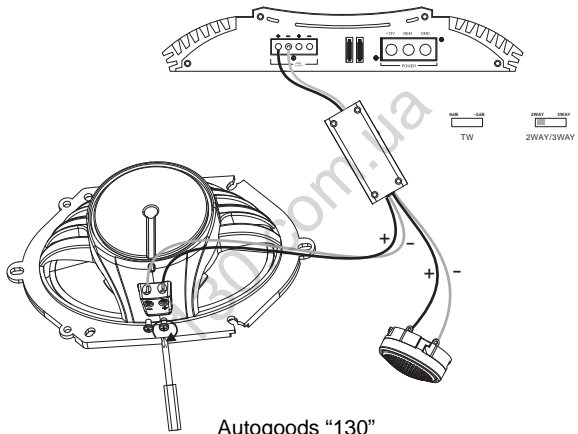
# Stadium 862CF



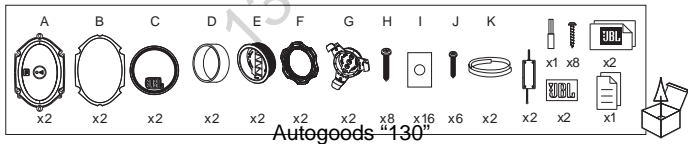
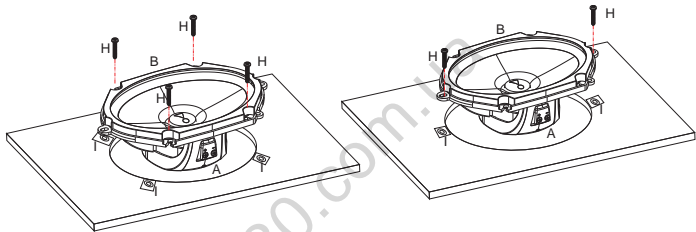
Autogoods "130"

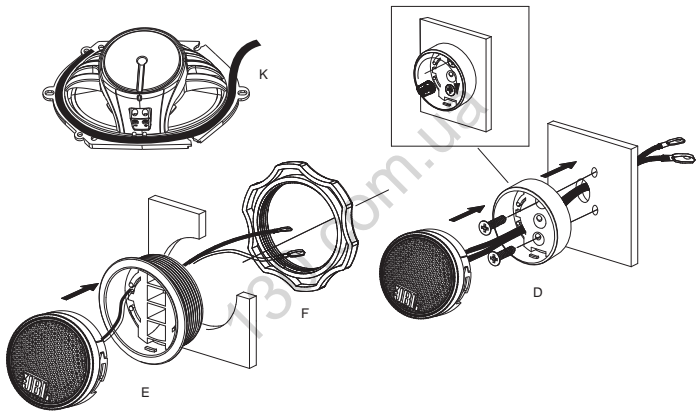


Autogoods "130"



Autogoods "130"





Autogoods "130"



## Specifications

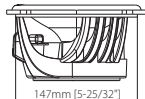
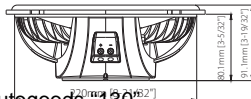
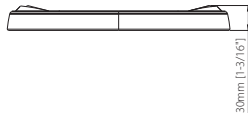
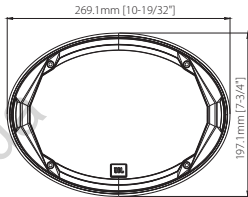
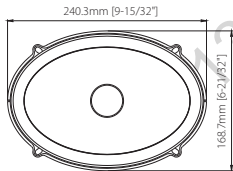
- Type: 6" x 8" (147 mm x 205 mm)  
Two-way Component Speaker System
- Power Handling: 120 Wrms, 360 W peak
- Sensitivity (@ 2.83 V): 93 dB
- Frequency Response: 40 Hz – 40 kHz
- Impedance: 3.0 ohms

## Thiele-Small Parameters

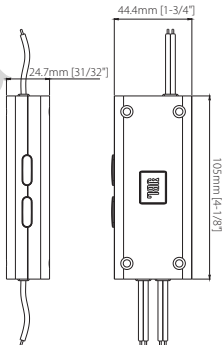
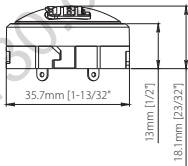
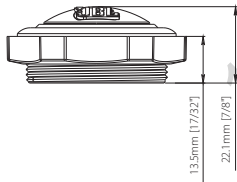
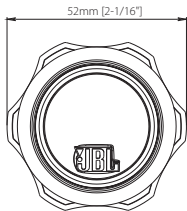
- BL (Tm): 4.70
- DCR (ohms): 2.70
- Mms (g): 16.74
- Sd (cm<sup>2</sup>): 167.42
- Cms (mm/N): 0.28
- Vas (l): 11.06
- Fs (Hz): 73.70
- Qes: 0.97
- Qms: 6.16
- Qts: 0.84
- Crossover Point: 4.0 kHz

Autogoods "130"

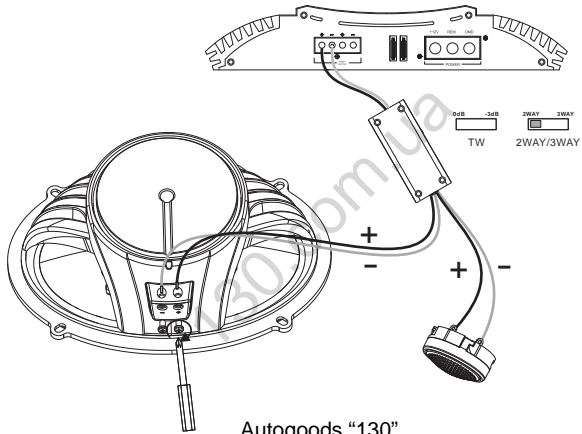
# Stadium 962C



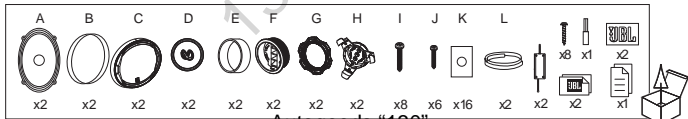
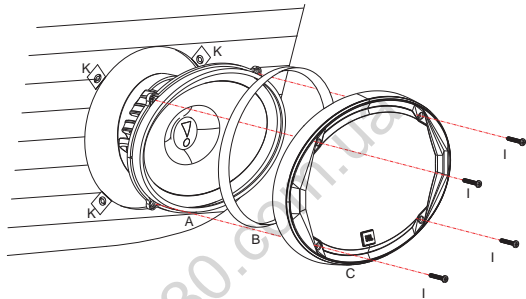
Autogoods 130



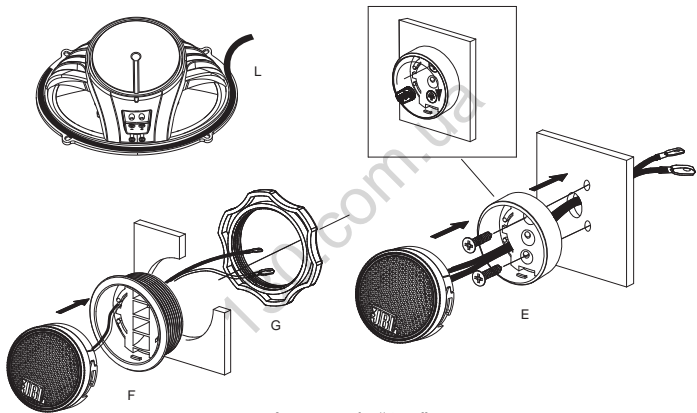
Autogoods "130"



Autogoods "130"



Autogoods "130"



Autogoods "130"

## Specifications

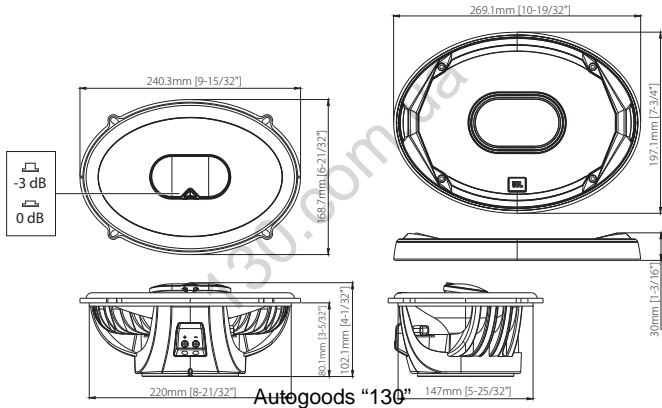
- Type: 6" x 9" (168 mm x 240 mm)  
Two-way Component Speaker System
- Power Handling: 145 Wrms, 435 W peak
- Sensitivity (@ 2.83 V): 94 dB
- Frequency Response: 35 Hz – 40 kHz
- Impedance: 3.0 ohms

## Thiele-Small Parameters

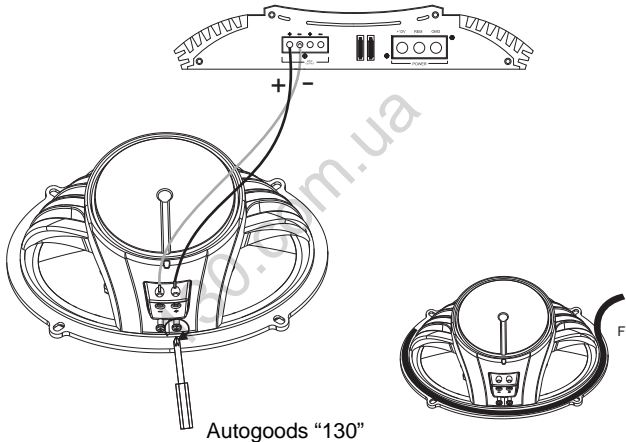
- BL (Tm): 6.162
- DCR (ohms): 2.70
- Mms (g): 28.033
- Sd (cm<sup>2</sup>): 248.85
- Cms (mm/N): 0.34
- Vas (l): 29.7588
- Fs (Hz): 51.6
- Qes: 0.671
- Qms: 7.374
- Qts: 0.615
- Crossover Point: 3.9 kHz

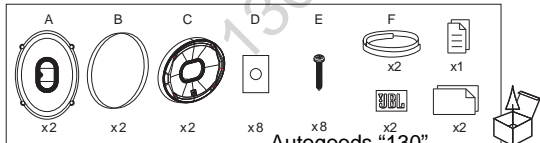
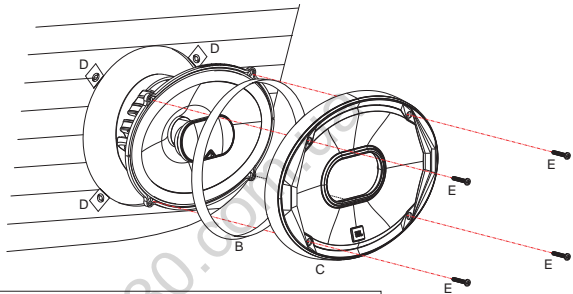
Autogoods "130"

# Stadium 962M









Autogoods "130"

## Specifications

- Type: 6"x 9" (168 mm x 240 mm)  
Three-way Car Speaker
- Power Handling: 120 Wrms, 360 W peak
- Sensitivity (@ 2.83 V): 94 dB
- Frequency Response: 35 Hz – 40 kHz
- Impedance: 3.0 ohms

## Thiele-Small Parameters

- BL (Tm): 6.578
- DCR (ohms): 2.70
- Mms (g): 27.904
- Sd (cm<sup>2</sup>): 248.85
- Cms (mm/N): 0.24
- Vas (l): 21.0071
- Fs (Hz): 61.5
- Qes: 0.741
- Qms: 8.637
- Qts: 0.682
- Crossover Point: 3.9 kHz

Autogoods "130"



HARMAN International  
Industries, Incorporated 8500  
Balboa Boulevard, Northridge,  
CA 91329 USA

© 2021 HARMAN International  
Industries, Incorporated.

All rights reserved.

JBL is a trademark of HARMAN International Industries,  
Incorporated, registered in the United States and/or other  
countries.

Features, specifications and appearance are subject to change  
without notice.

**Autogoods "130"**