



PHONES

0 (800) 800 130  
(050) 462 0 130  
(063) 462 0 130  
(067) 462 0 130

130  
COM.UA

Internet store of  
autogoods



SKYPE

km-130

CAR RECEIVERS — Receivers • Media receivers and stations • Native receivers • CD/DVD changers • FM-modulators/USB adapters • Flash memory • Facia plates and adapters • Antennas • Accessories |  
CAR AUDIO — Car audio speakers • Amplifiers • Subwoofers • Processors • Crossovers • Headphones • Accessories | TRIP COMPUTERS — Universal computers • Model computers • Accessories |  
GPS NAVIGATORS — Portable GPS • Built-in GPS • GPS modules • GPS trackers • Antennas for GPS navigators • Accessories | VIDEO — DVR • TV sets and monitors • Car TV tuners • Cameras • Videomodules  
• Transcoders • Car TV antennas • Accessories | SECURITY SYSTEMS — Car alarms • Bike alarms • Mechanical blockers • Immobilizers • Sensors • Accessories | OPTIC AND LIGHT — Xenon • Bixenon • Lamps  
• LED • Stroboscopes • Optic and Headlights • Washers • Light, rain sensors • Accessories | PARKTRONICS AND MIRRORS — Rear parktronic • Front parktronic • Combined parktronic • Rear-view mirrors  
• Accessories | HEATING AND COOLING — Seat heaters • Mirrors heaters • Screen-wipers heaters • Engine heaters • Auto-refrigerators • Air conditioning units • Accessories | TUNING — Vibro-isolation  
• Noise-isolation • Tint films • Accessories | ACCESSORIES — Radar-detectors • Handsfree, Bluetooth • Windowlifters • Compressors • Beeps, loudspeakers • Measuring instruments • Cleaners • Carsits  
• Miscellaneous | MOUNTING — Installation kits • Upholstery • Grilles • Tubes • Cable and wire • Tools • Miscellaneous | POWER — Batteries • Converters • Start-charging equipment • Capacitors  
• Accessories | MARINE AUDIO AND ELECTRONICS — Marine receivers • Marine audio speakers • Marine subwoofers • Marine amplifiers • Accessories | CAR CARE PRODUCTS — Additives • Washer fluid •  
Care accessories • Car polish • Flavors • Adhesives and sealants | LIQUID AND OIL — Motor oil • Transmission oil • Brake fluid • Antifreeze • Technical lubricant



In store "130" you can find and buy almost all necessary goods for your auto in Kyiv and other cities, delivery by ground and postal services. Our experienced consultants will provide you with exhaustive information and help you to chose the very particular thing. We are waiting for you at the address

<https://130.com.ua>



# INSTALLATION MANUAL

Club 322F

Club 3412T

Club 422F

Club 522F

Club 602C

Club 602CTP

Club 620F

Club 622

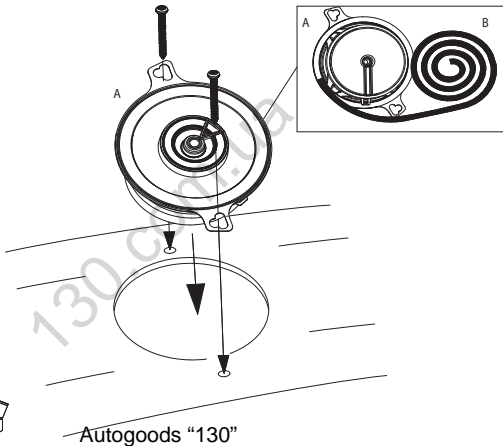
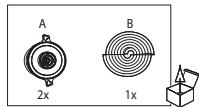
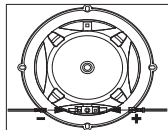
Autogoods "130"

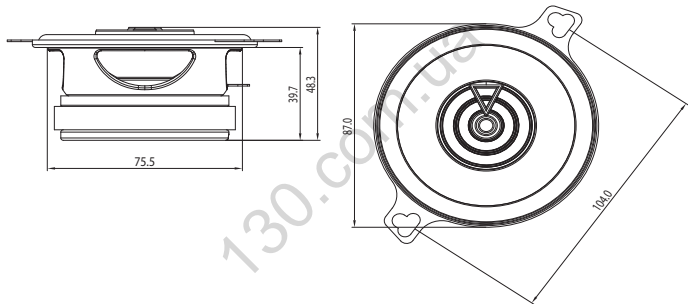
Club 6422F

Club 8622F

Club 9632

# Club 322F





Autogoods "130"

## Specifications

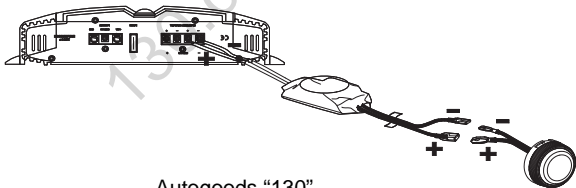
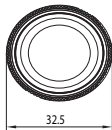
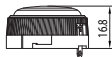
- Type: 3-1/2" (87mm) Two-Way Car Speaker
- Power Handling: 25W RMS, 75W peak
- Sensitivity (@ 2.83V/m): 89dB
- Frequency Response: 90Hz – 20kHz
- Nominal Impedance: 3.0 ohms

## Thiele-Small Parameters

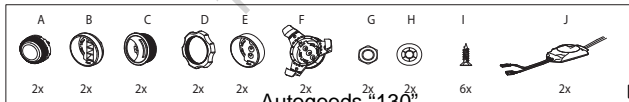
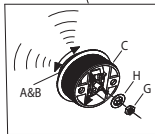
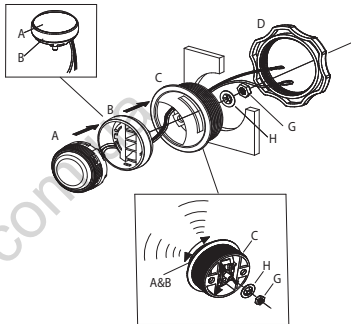
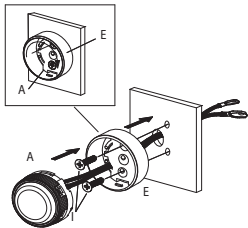
- BL (Tm): 2.873
- DCR (ohms): 2.26
- Mms (g): 3.723
- Sd (cm<sup>2</sup>): 44.18
- Cms (μm/N): 0.491
- Vas (l): 1.3574
- Fs (Hz): 117.7
- Qes: 0.755
- Qms: 7.777
- Qts: 0.688
- Crossover Point: 4kHz

Autogoods "130"

# Club 3412T

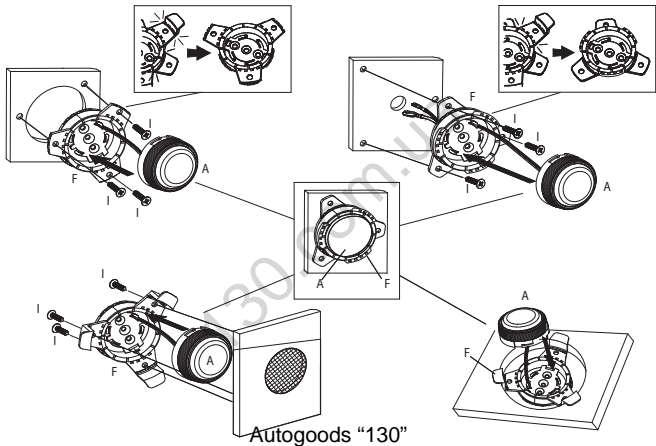


Autogoods "130"



Autogoods "130"





Autogoods "130"



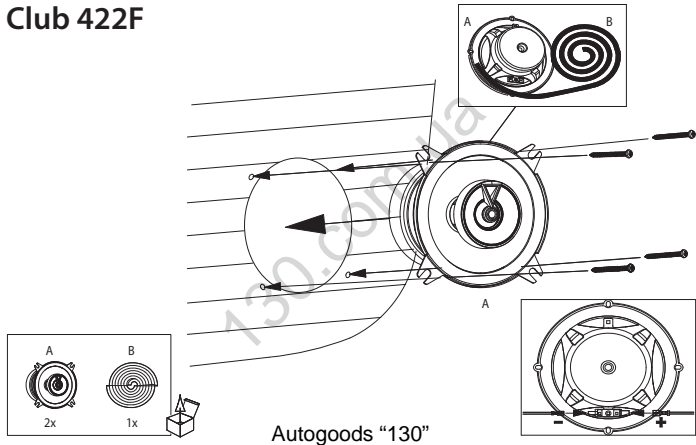
## Specifications

- Type: 3/4" (19mm) Edge-Driven dome tweeter
- Power Handling: 50W RMS, 150W peak
- Sensitivity (@ 2.83V): 92dB
- Frequency Response: 3kHz – 20kHz
- Nominal Impedance: 3.0 ohms

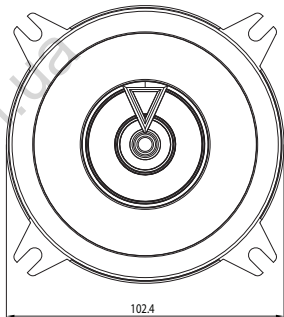
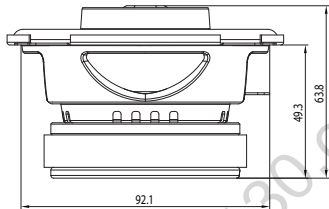
130.com.ua

Autogoods "130"

# Club 422F



Autogoods "130"



Autogoods "130"

## Specifications

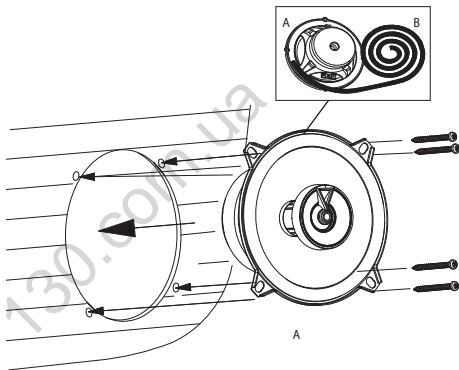
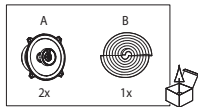
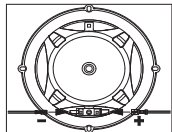
- Type: 4" (100mm) Two-Way Car Speaker
- Power Handling: 35W RMS, 105W peak
- Sensitivity (@ 2.83V): 90dB
- Frequency Response: 75Hz – 20kHz
- Nominal Impedance: 3.0 ohms

## Thiele-Small Parameters

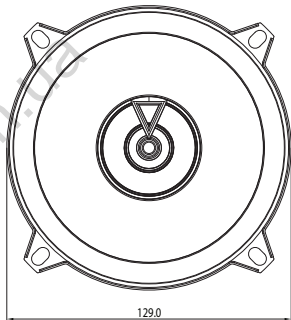
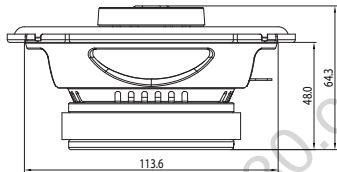
- BL (Tm): 3.783
- DCR (ohms): 2.46
- Mms (g): 6.608
- Sd (cm<sup>2</sup>): 63.62
- Cms ( $\mu\text{m/N}$ ): 0.750
- Vas (l): 4.2937
- Fs (Hz): 71.5
- Qes: 0.510
- Qms: 6.495
- Qts: 0.473
- Crossover Point: 3kHz

Autogoods "130"

# Club 522F



Autogoods "130"



Autogoods "130"

## Specifications

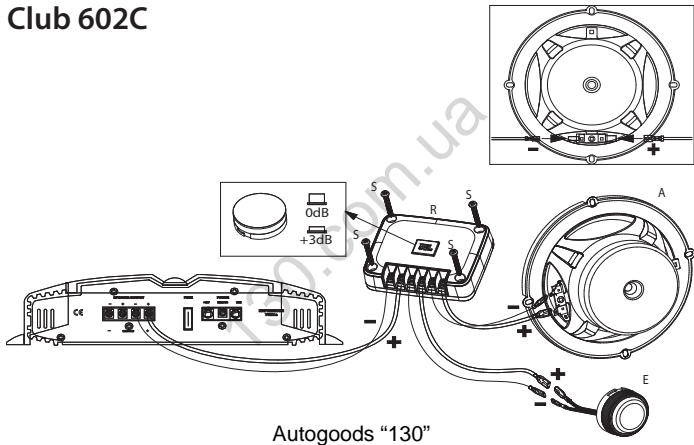
- Type: 5-1/4" (130mm) Two-Way Car Speaker
- Power Handling: 45W RMS, 135W peak
- Sensitivity (@ 2.83V): 91dB
- Frequency Response: 75Hz – 20kHz
- Nominal Impedance: 3.0 ohms

## Thiele-Small Parameters

- BL (Tm): 3.563
- DCR (ohms): 2.24
- Mms (g): 9.484
- Sd (cm<sup>2</sup>): 103.87
- Cms (μm/N): 0.274
- Vas (l): 4.1850
- Fs (Hz): 98.7
- Qes: 1.036
- Qms: 8.608
- Qts: 0.925
- Crossover Point: 3kHz

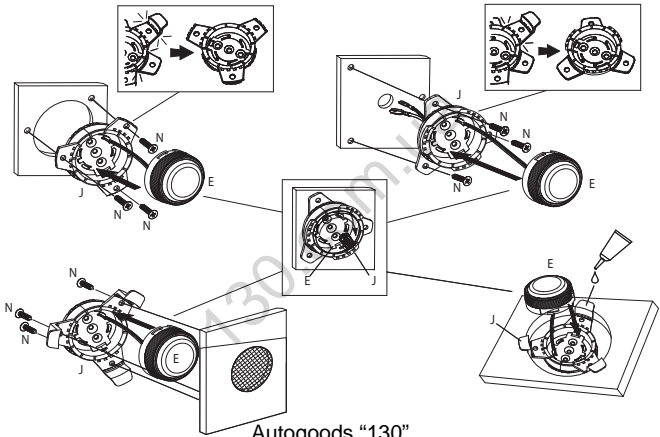
Autogoods "130"

# Club 602C

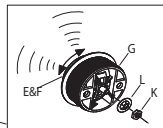
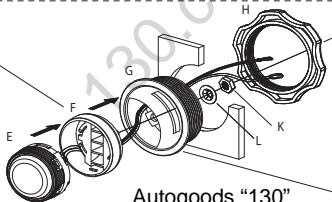
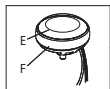
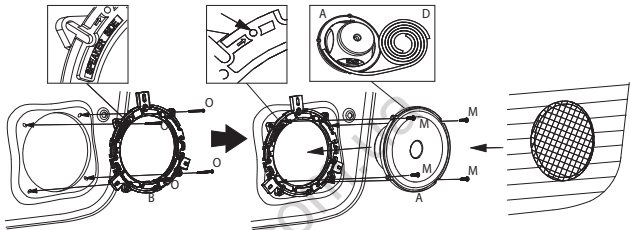


Autogoods "130"

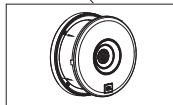
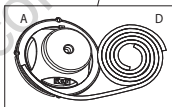
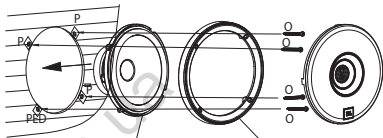
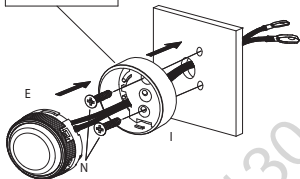
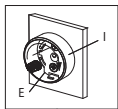




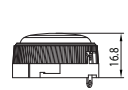
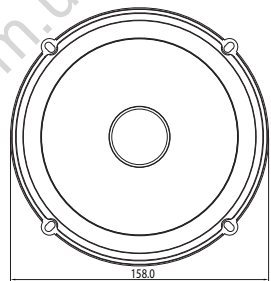
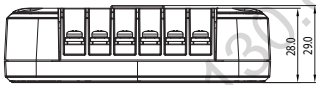
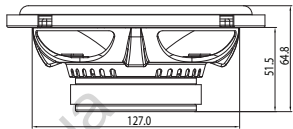
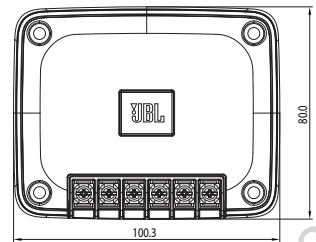
Autogoods "130"



Autogoods "130"



Autogoods "130"



Autogoods "130"

## Specifications

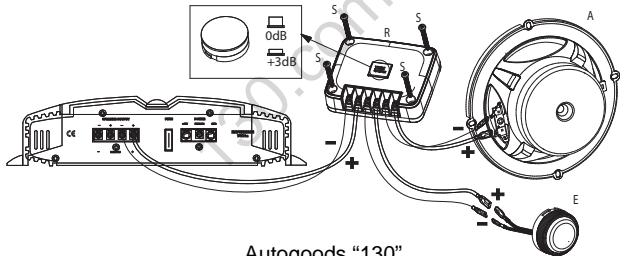
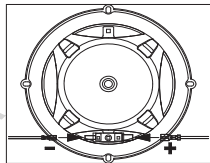
- Type: 6-1/2" (160mm) Two-Way Component Speaker System
- Power Handling: 70W RMS, 210W peak
- Sensitivity (@ 2.83V): 92dB
- Frequency Response: 55Hz – 20kHz
- Nominal Impedance: 3.0 ohms

## Thiele-Small Parameters

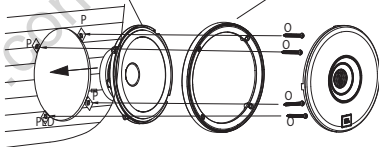
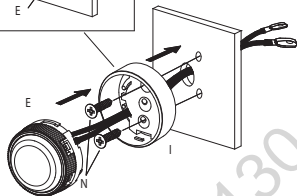
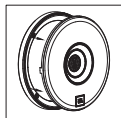
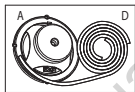
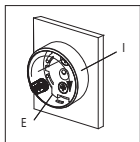
- BL (Tm): 3.635
- DCR (ohms): 2.37
- Mms (g): 14.409
- Sd (cm<sup>2</sup>): 132.73
- Cms (μm/N): 0.257
- Vas (l): 6.4107
- Fs (Hz): 82.7
- Qes: 1.340
- Qms: 10.965
- Qts: 1.194
- Crossover Point: 5.5kHz

Autogoods "130"

# Club 602CTP



Autogoods "130"

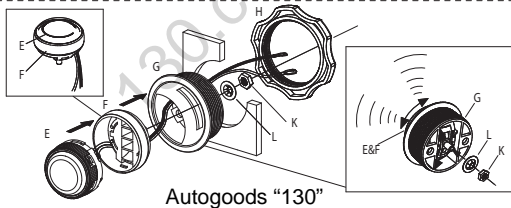
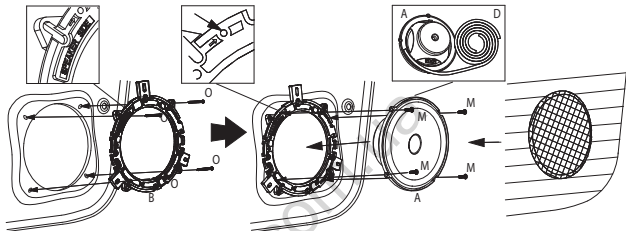


130.com.ua

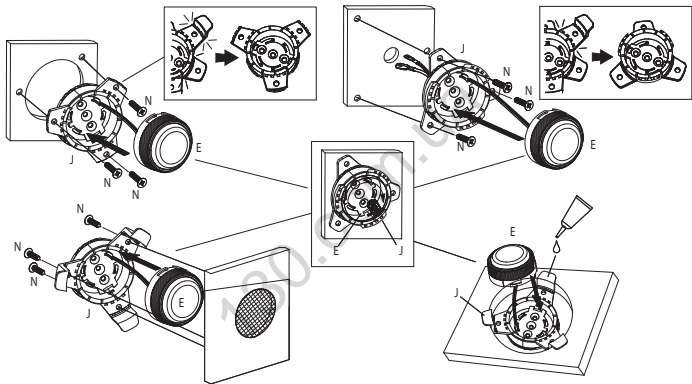


Autogoods "130"

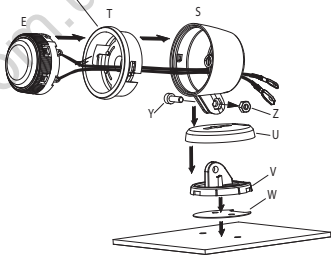
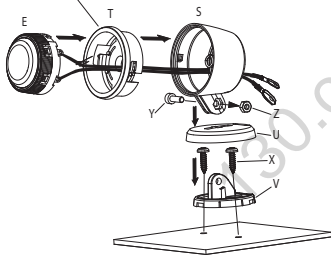
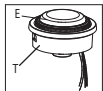




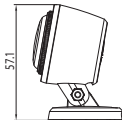
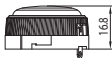
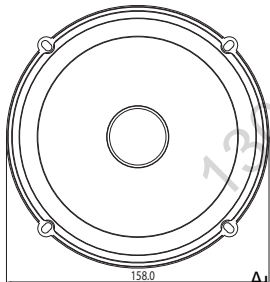
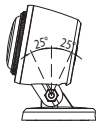
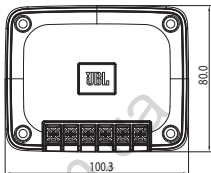
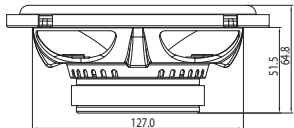




Autogoods "130"



Autogoods "130"



Autogoods "130"

## Specifications

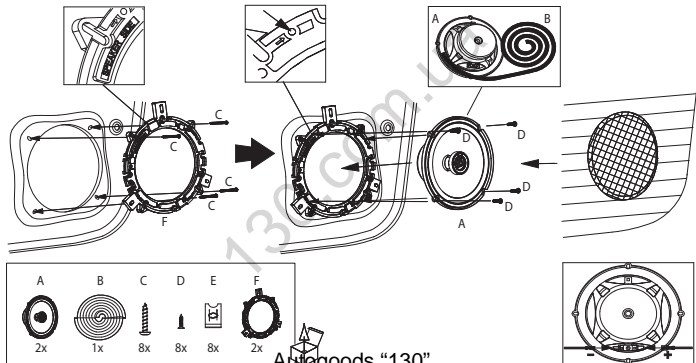
- Type: 6-1/2" (160mm) Two-Way Component Speaker System with tweeter Pod
- Power Handling: 70W RMS, 210W peak
- Sensitivity (@ 2.83V): 92dB
- Frequency Response: 55Hz – 20kHz
- Nominal Impedance: 3.0 ohms

## Thiele-Small Parameters

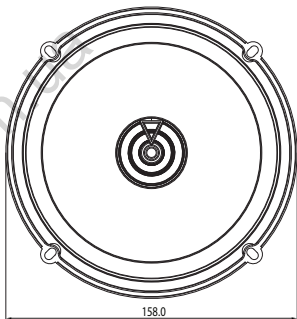
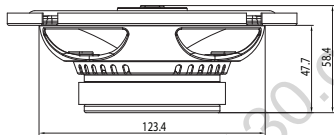
- BL (Tm): 3.635
- DCR (ohms): 2.37
- Mms (g): 14.409
- Sd (cm<sup>2</sup>): 132.73
- Cms (μm/N): 0.257
- Vas (l): 6.4107
- Fs (Hz): 82.7
- Qes: 1.340
- Qms: 10.965
- Qts: 1.194
- Crossover Point: 5.5kHz

Autogoods "130"

# Club 620F



Autogoods "130"



Autogoods "130"

## Specifications

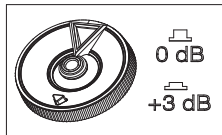
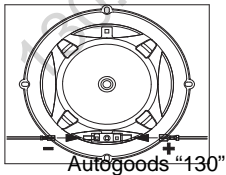
- Type: Shallow-Mount 6-1/2" (160mm) Two-Way Car Speaker
- Power Handling: 55W RMS, 165W peak
- Sensitivity (@ 2.83V): 92dB
- Frequency Response: 55Hz – 20kHz
- Nominal Impedance: 3.0 ohms

## Thiele-Small Parameters

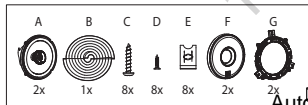
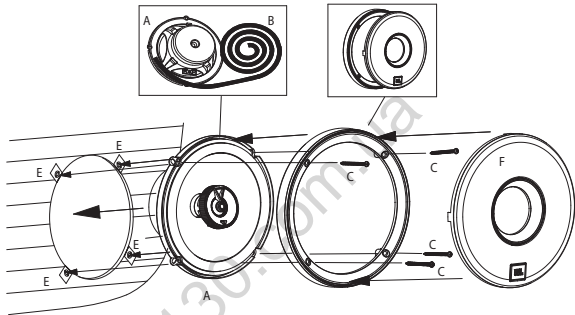
- BL (Tm): 3.739
- DCR (ohms): 2.41
- Mms (g): 9.934
- Sd (cm<sup>2</sup>): 122.72
- Cms (μm/N): 0.278
- Vas (l): 5.9287
- Fs (Hz): 95.7
- Qes: 1.032
- Qms: 11.357
- Qts: 0.946
- Crossover Point: 4kHz

Autogoods "130"

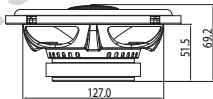
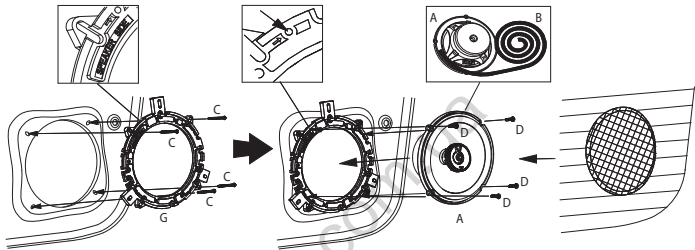
# Club 622



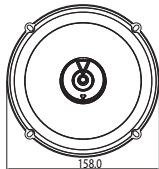




Autogoods "130"



Autogoods "130"



## Specifications

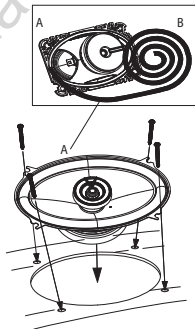
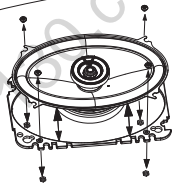
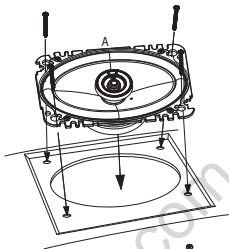
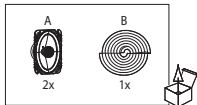
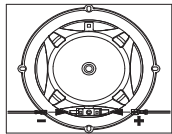
- Type: 6-1/2" (160mm) Two-way Car Speaker , Engineered For Better Sound Performance.
- Power Handling: 60W RMS, 180W peak
- Sensitivity (@ 2.83V): 93dB
- Frequency Response: 48Hz – 21kHz
- Nominal Impedance: 3.0 ohms

## Thiele-Small Parameters

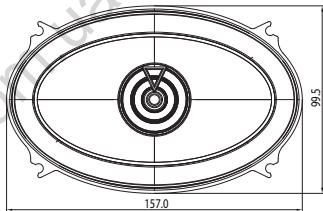
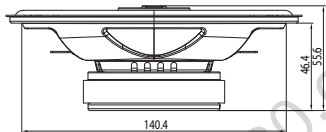
- BL (Tm): 3.632
- DCR (ohms): 2.36
- Mms (g): 13.758
- Sd (cm<sup>2</sup>): 132.73
- Cms (μm/N): 0.378
- Vas (l): 9.4253
- Fs (Hz): 69.8
- Qes: 1.080
- Qms: 10.655
- Qts: 0.980
- Crossover Point: 3.5kHz

Autogoods "130"

# Club 6422F



Autogoods "130"



Autogoods "130"

## Specifications

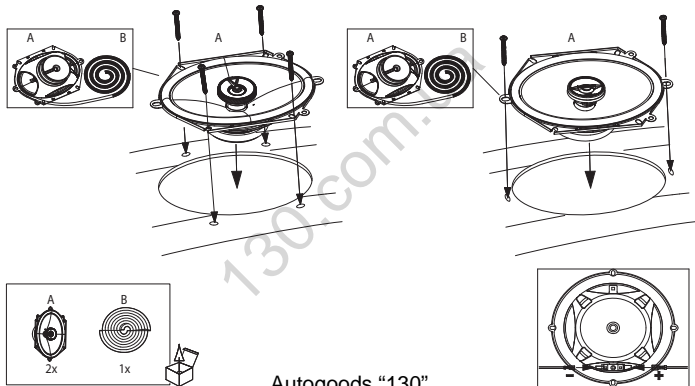
- Type: 4"x 6" (100mm x 152mm) Two-Way Car Speaker
- Power Handling: 40W RMS, 120W peak
- Sensitivity (@ 2.83V): 92dB
- Frequency Response: 75Hz – 20kHz
- Nominal Impedance: 3.0 ohms

## Thiele-Small Parameters

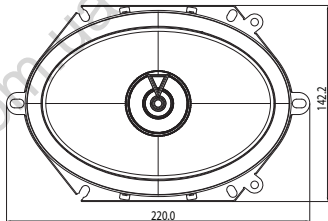
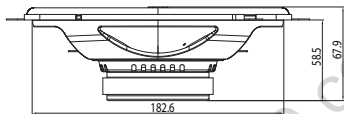
- BL (Tm): 3.296
- DCR (ohms): 2.5
- Mms (g): 7.86
- Sd (cm<sup>2</sup>): 86.59
- Cms (µm/N): 0.245
- Vas (l): 2.5977
- Fs (Hz): 114.7
- Qes: 1.303
- Qms: 12.752
- Qts: 1.182
- Crossover Point: 3kHz

Autogoods "130"

# Club 8622F



Autogoods "130"



Autogoods "130"



## Specifications

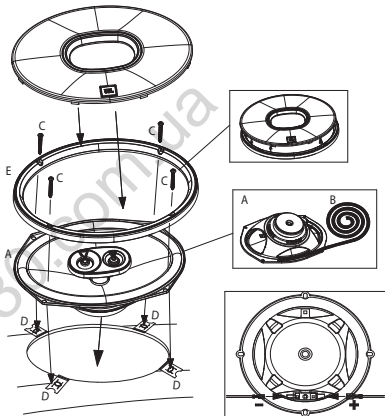
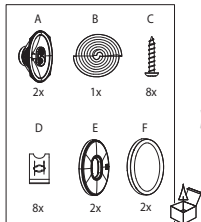
- Type: 6"x8" (152mm x 203mm) two-way car speaker, no grille
- Power Handling: 60W RMS, 180W peak
- Sensitivity (@ 2.83V): 93dB
- Frequency Response: 65Hz – 20kHz
- Nominal Impedance: 3.0 ohms

## Thiele-Small Parameters

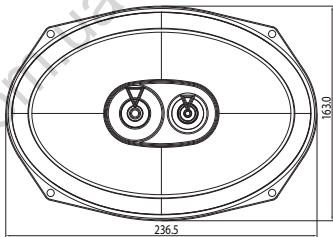
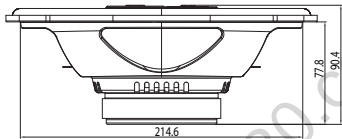
- BL (Tm): 3.785
- DCR (ohms): 2.39
- Mms (g): 17.718
- Sd (cm<sup>2</sup>): 165.13
- Cms (µm/N): 0.336
- Vas (l): 12.9798
- Fs (Hz): 65.2
- Qes: 1.210
- Qms: 14.592
- Qts: 1.118
- Crossover Point: 3.5kHz

Autogoods "130"

# Club 9632



Autogoods "130"



Autogoods "130"

## Specifications

- Type: 6"x9" (152mm x 230mm) three-way car speaker
- Power Handling: 85W RMS, 255W peak
- Sensitivity (@ 2.83V): 93dB
- Frequency Response: 50Hz – 20kHz
- Nominal Impedance: 3.0 ohms

## Thiele-Small Parameters

- BL (Tm): 4.063
- DCR (ohms): 2.63
- Mms (g): 23.163
- Sd (cm<sup>2</sup>): 226.98
- Cms (μm/N): 0.337
- Vas (l): 24.5866
- Fs (Hz): 56.9
- Qes: 1.321
- Qms: 11.751
- Qts: 1.188
- Crossover Point: 3kHz

Autogoods "130"



HARMAN International  
Industries, Incorporated, 8500  
Balboa Boulevard, Northridge,  
CA 91329 USA

© 2019 HARMAN International  
Industries, Incorporated.

All rights reserved. JBL is a  
trademark of HARMAN International Industries, Incorporated,  
registered in the United States and/or other countries.  
Features, specifications and appearance are subject to change  
without notice.

**Autogoods "130"**