



PHONES

0 (800) 800 130  
(050) 462 0 130  
(063) 462 0 130  
(067) 462 0 130

130  
COM.UA

Internet store of  
autogoods



SKYPE

km-130

CAR RECEIVERS — Receivers • Media receivers and stations • Native receivers • CD/DVD changers • FM-modulators/USB adapters • Flash memory • Facia plates and adapters • Antennas • Accessories |  
CAR AUDIO — Car audio speakers • Amplifiers • Subwoofers • Processors • Crossovers • Headphones • Accessories | TRIP COMPUTERS — Universal computers • Model computers • Accessories |  
GPS NAVIGATORS — Portable GPS • Built-in GPS • GPS modules • GPS trackers • Antennas for GPS navigators • Accessories | VIDEO — DVR • TV sets and monitors • Car TV tuners • Cameras • Videomodules  
• Transcoders • Car TV antennas • Accessories | SECURITY SYSTEMS — Car alarms • Bike alarms • Mechanical blockers • Immobilizers • Sensors • Accessories | OPTIC AND LIGHT — Xenon • Bixenon • Lamps  
• LED • Stroboscopes • Optic and Headlights • Washers • Light, rain sensors • Accessories | PARKTRONICS AND MIRRORS — Rear parktronic • Front parktronic • Combined parktronic • Rear-view mirrors  
• Accessories | HEATING AND COOLING — Seat heaters • Mirrors heaters • Screen-wipers heaters • Engine heaters • Auto-refrigerators • Air conditioning units • Accessories | TUNING — Vibro-isolation  
• Noise-isolation • Tint films • Accessories | ACCESSORIES — Radar-detectors • Handsfree, Bluetooth • Windowlifters • Compressors • Beeps, loudspeakers • Measuring instruments • Cleaners • Car seats  
• Miscellaneous | MOUNTING — Installation kits • Upholstery • Grilles • Tubes • Cable and wire • Tools • Miscellaneous | POWER — Batteries • Converters • Start-charging equipment • Capacitors  
• Accessories | MARINE AUDIO AND ELECTRONICS — Marine receivers • Marine audio speakers • Marine subwoofers • Marine amplifiers • Accessories | CAR CARE PRODUCTS — Additives • Washer fluid •  
Care accessories • Car polish • Flavors • Adhesives and sealants | LIQUID AND OIL — Motor oil • Transmission oil • Brake fluid • Antifreeze • Technical lubricant

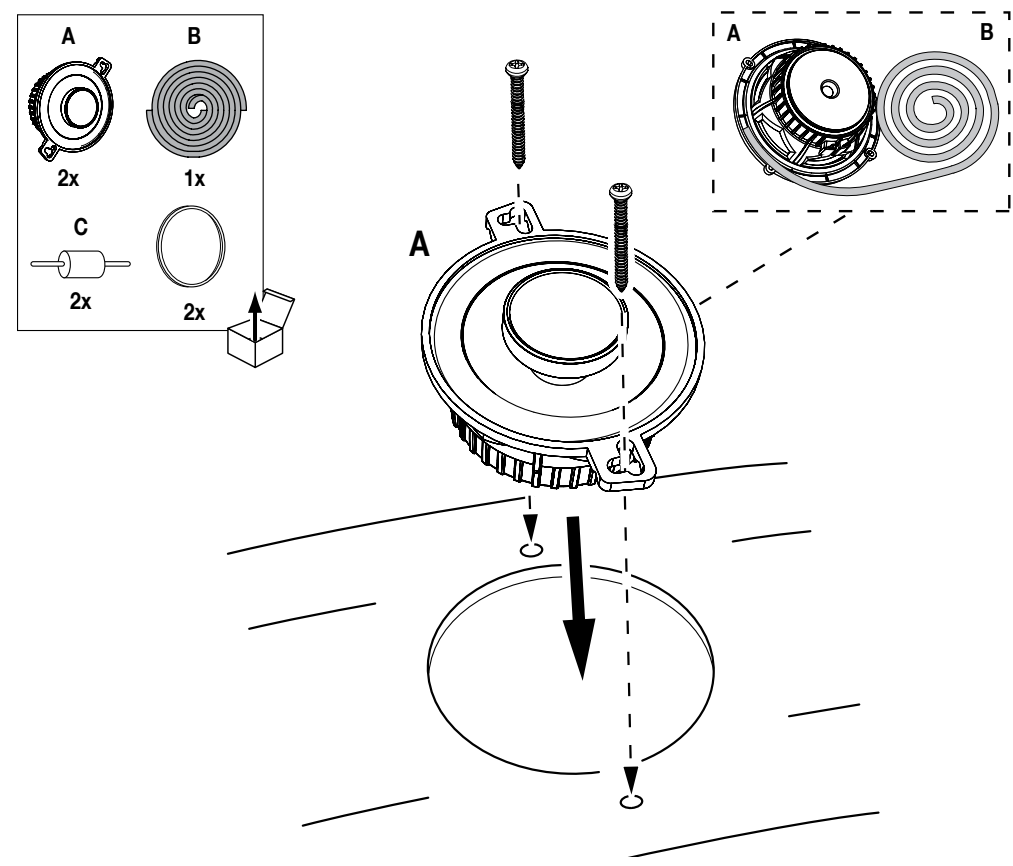


In store "130" you can find and buy almost all necessary goods for your auto in Kyiv and other cities, delivery by ground and postal services. Our experienced consultants will provide you with exhaustive information and help you to choose the very particular thing. We are waiting for you at the address

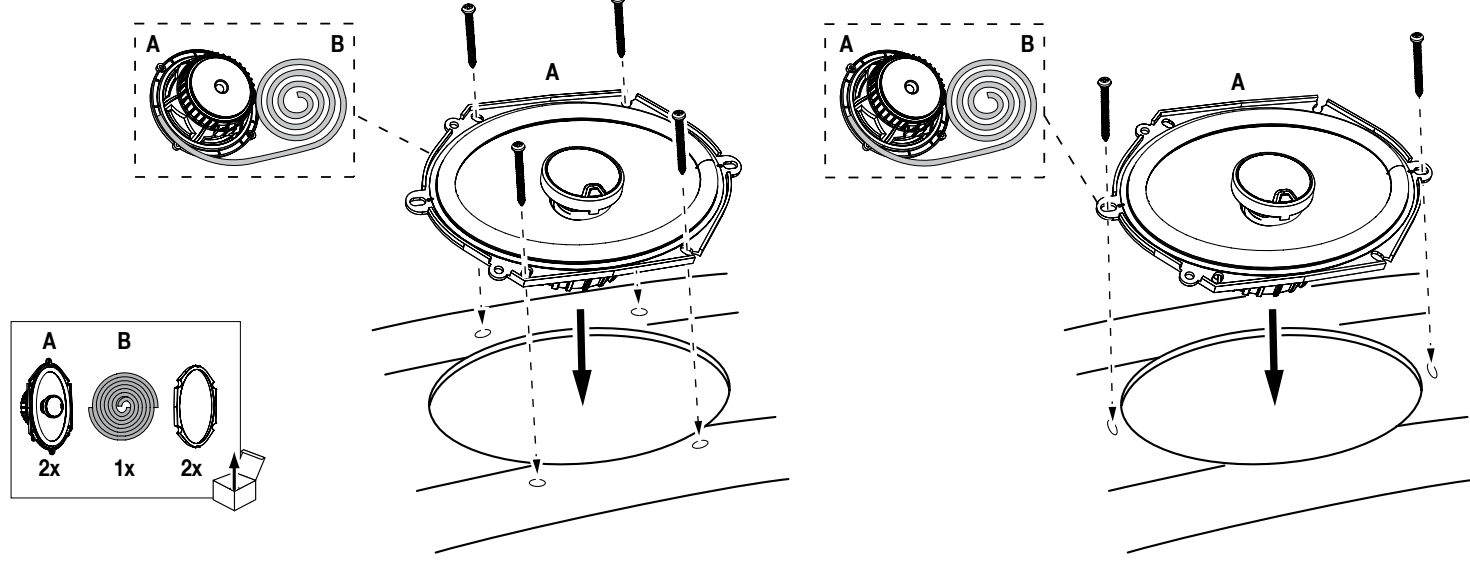
<https://130.com.ua>



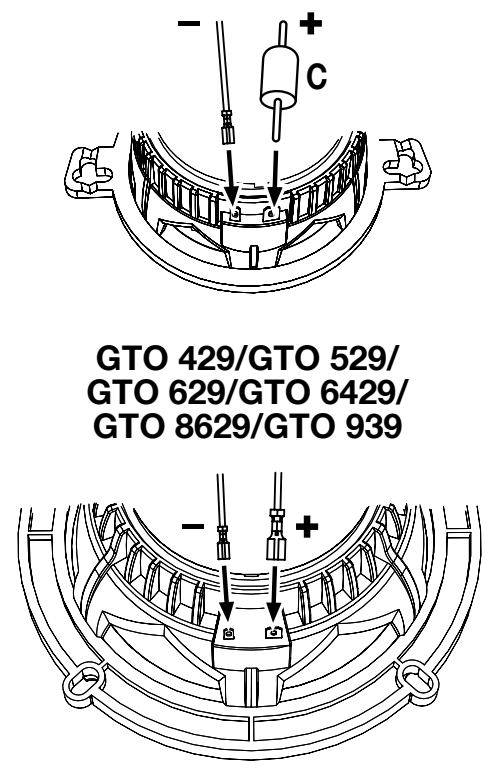
**GTO 329**



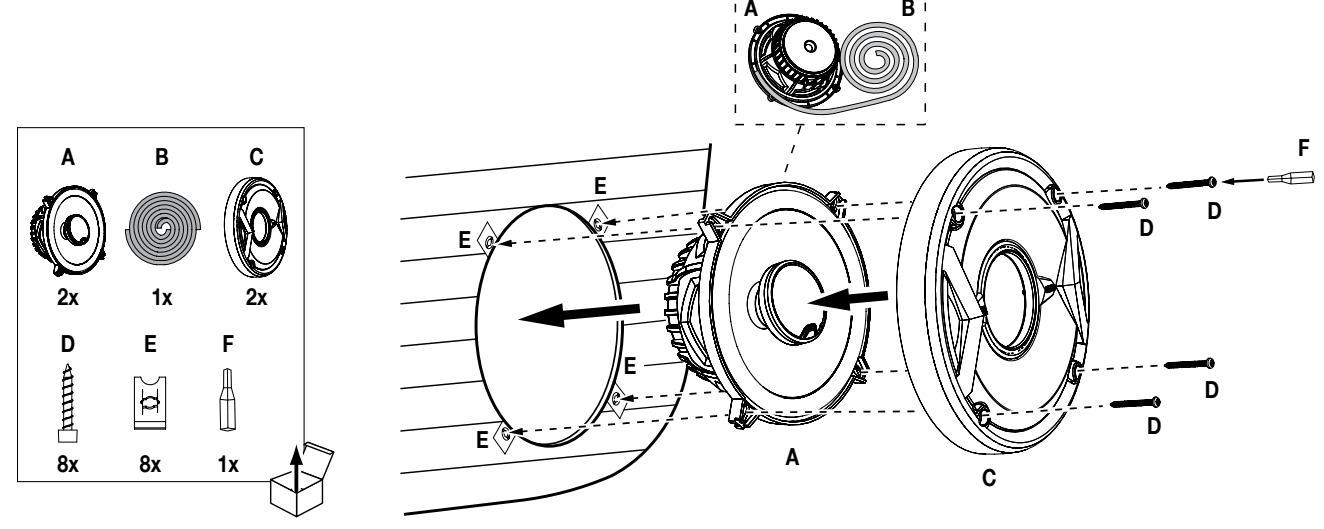
**GTO 8629**



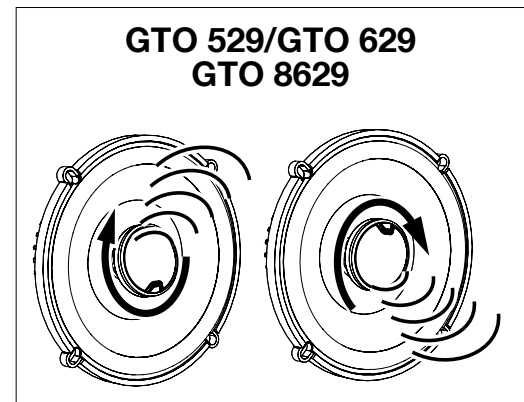
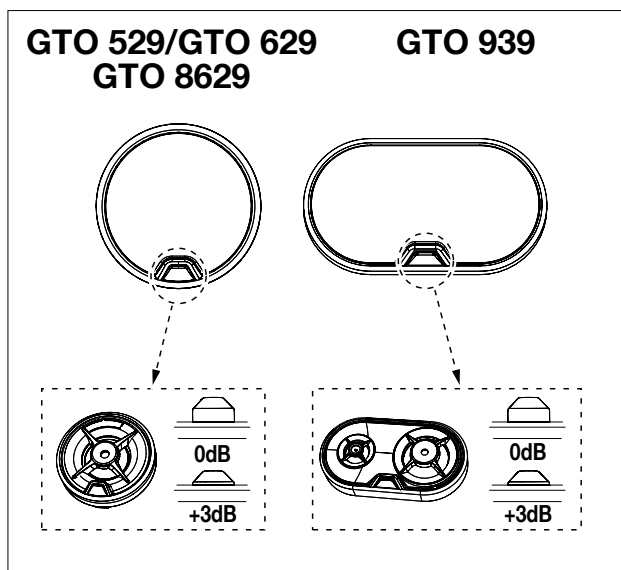
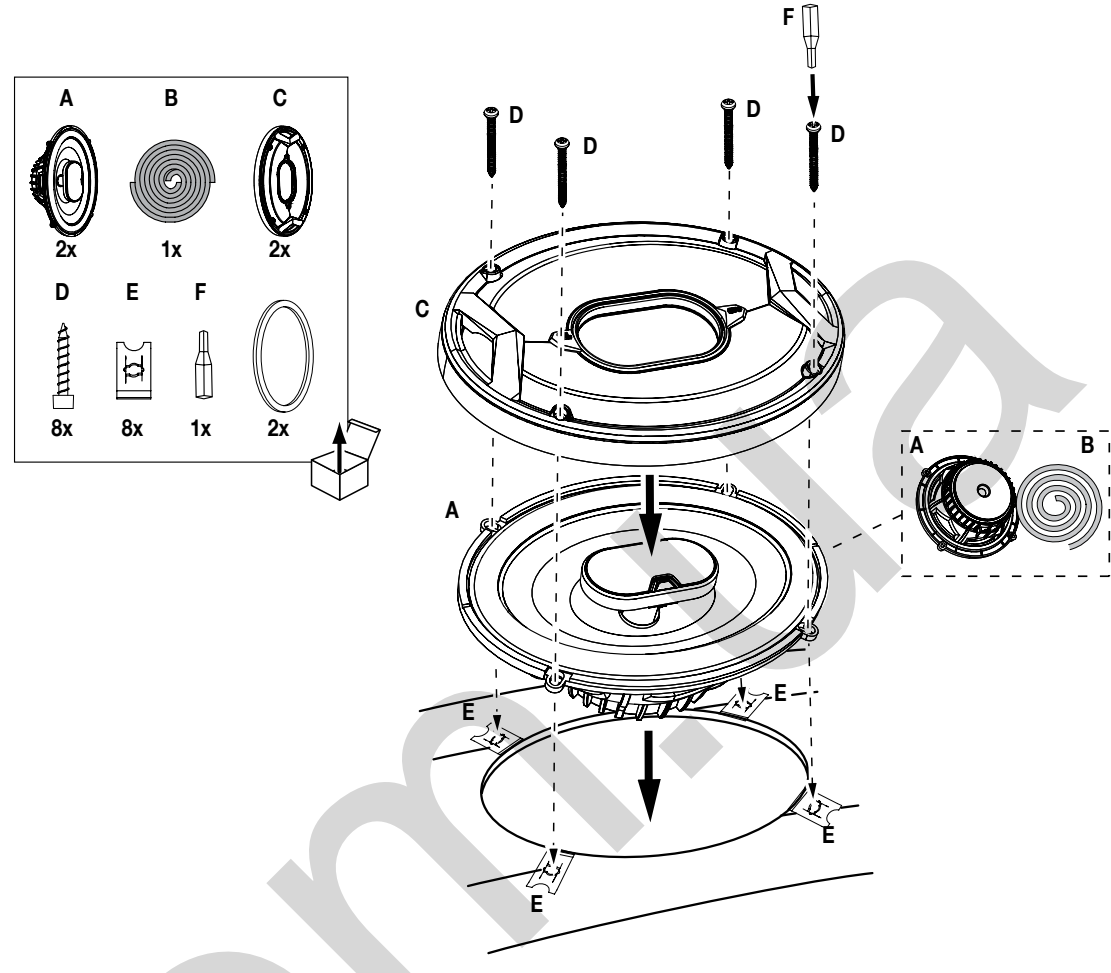
**GTO 329**



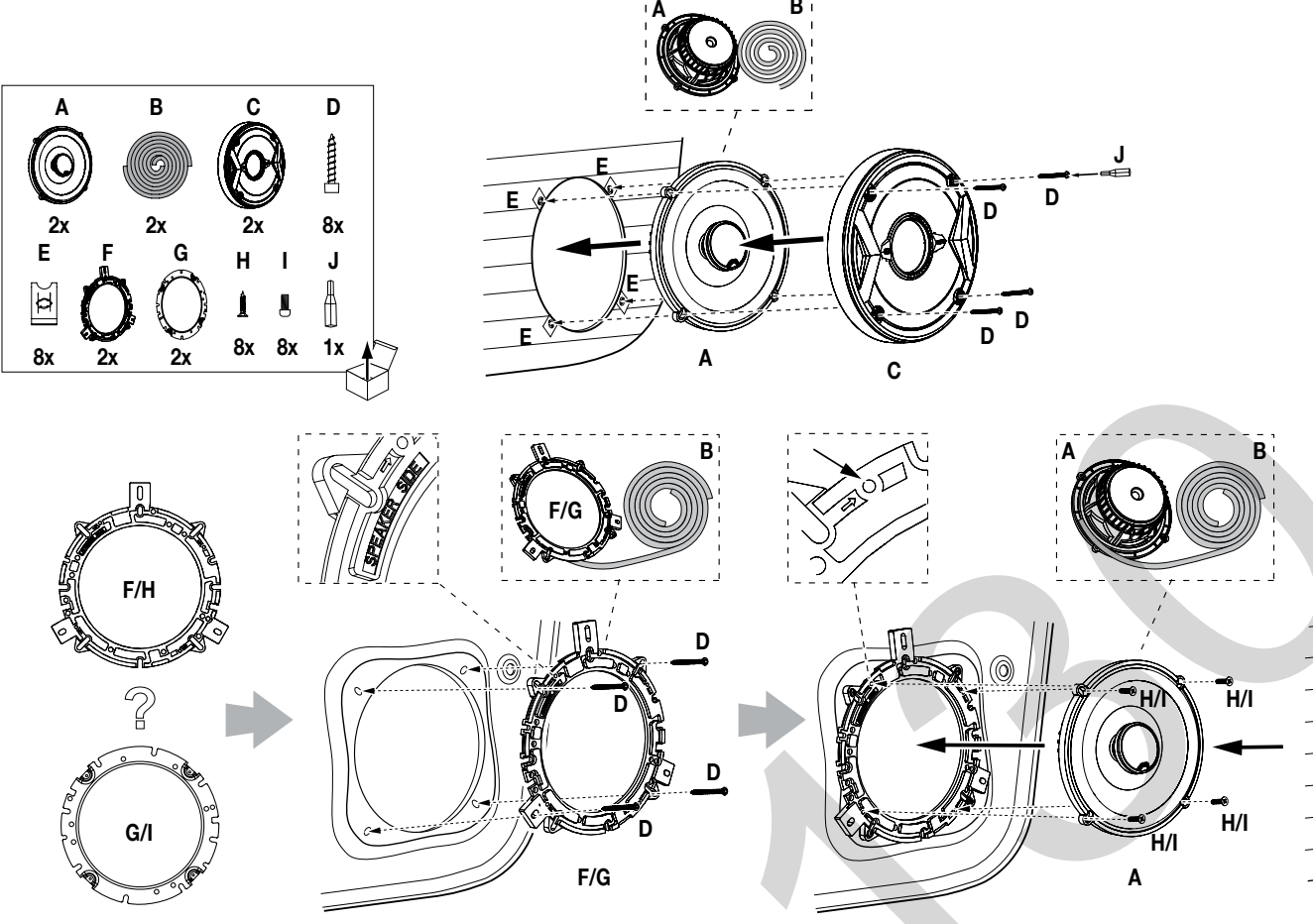
**GTO 429/GTO 529**



**GTO 939**

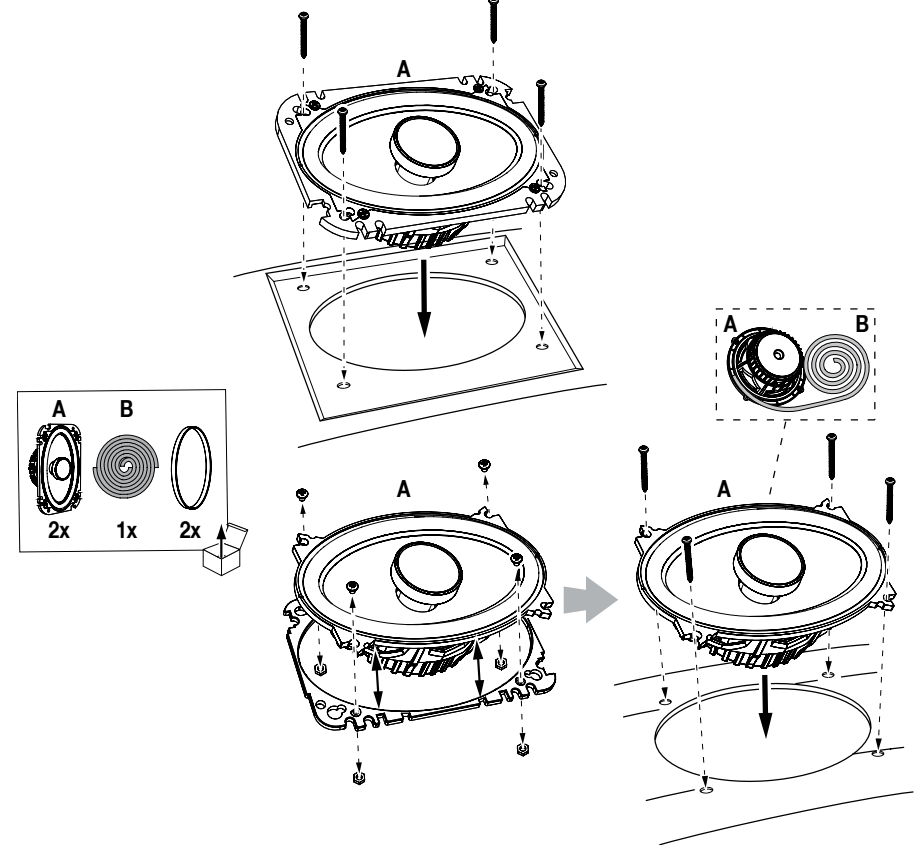


**GTO 629**



HARMAN International Industries, Incorporated  
8500 Balboa Boulevard, Northridge, CA 91329 USA  
© 2012 HARMAN International Industries, Incorporated. All rights reserved.  
JBL and Grand Touring are trademarks of HARMAN International Industries, Incorporated.  
Registered in the United States and/or other countries.  
Features, specifications and appearance are subject to change without notice.  
Part No. 950-0423-001 Rev. A

**GTO 6429**



**GTO SERIES**

GTO 329/GTO 429/GTO 529/GTO 629/  
GTO 6429/GTO 8629/GTO 939

**OWNER'S MANUAL**



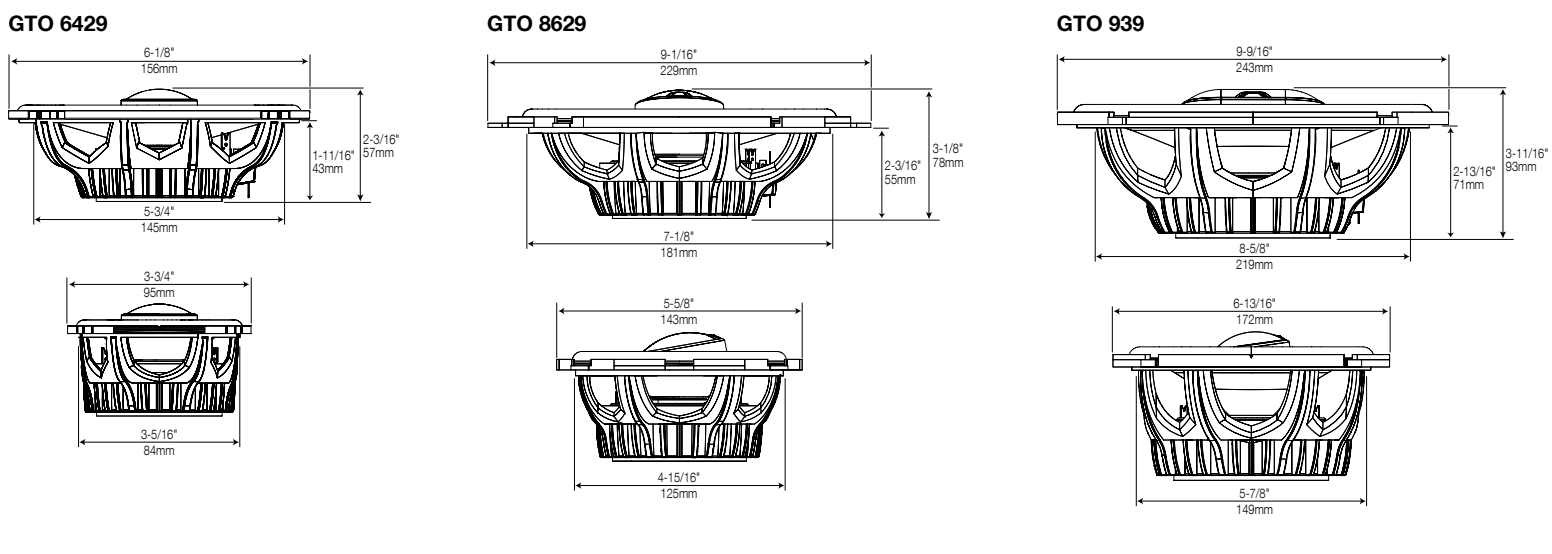
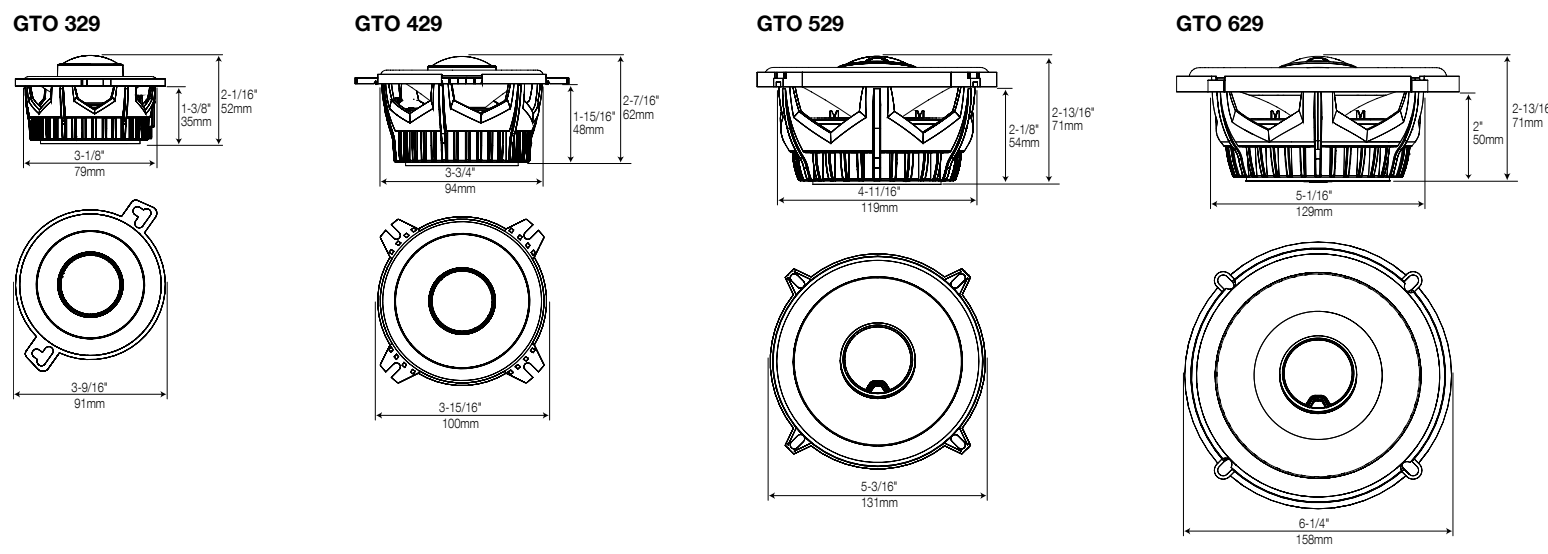


Table with columns for speaker model (GTO 329, GTO 429, GTO 529, GTO 629, GTO 6429, GTO 8629, GTO 939) and rows for specifications: BL (Tm), DCR (ohms), Mms (g), Sd (cm²), Cms (µm/N), Vas (l), Fs (Hz), Qes, Qms, Qts.

Table with columns for speaker model and rows for specifications: Type, Peak power handling, Power handling, Recommended amplifier RMS power range, Frequency response, Nominal impedance, Sensitivity, GENERAL CARE, WARRANTY.

Table with columns for speaker model and rows for specifications: Type, Spidsbelastning, Effektstyring, Anbefalet forstærkereffekt, Frekvensområde, Nominel impedans, Følsomhed.

Table with columns for speaker model and rows for specifications: Type, Spitzenbelastbarkeit, Durchschnittliche Dauerbelastbarkeit, Empfohlene Verstärkerleistung, Frequenzgang, Nennimpedanz, Empfindlichkeit.

Table with columns for speaker model and rows for specifications: Type, Capacidad de potencia máxima, Capacidad de potencia promedio, Amplificador recomendado de rango de potencia RMS, Respuesta en frecuencia, Impedancia nominal, Sensibilidad.

Table with columns for speaker model and rows for specifications: Type, Enimmäistehonkesto, Vahvistimen suositeltu RMS-tehoalue, Taajuusvaste, Nimellisedanssi, Herkkyys.

Table with columns for speaker model and rows for specifications: Type, Puissance de crête, Puissance moyenne continue, Plage de puissance RMS recommandée, Réponse en fréquence, Impédance nominale, Sensibilité.

Table with columns for speaker model and rows for specifications: Type, Tenuta in potenza di picco, Tenuta in potenza, media continua, Gamma di potenza RMS consigliata, Risposta in frequenza, Impedenza nominale, Sensibilità.

Table with columns for speaker model and rows for specifications: Type, Piekvermogenverwerking, Vermogenverwerking, Aanbevolen RMS-vermogensbereik versterker, Frequentierespons, Nominale impedantie, Gevoeligheid.

Table with columns for speaker model and rows for specifications: Type, Moc maksymalna, Moc znamionowa, Zalecana moc wzmacniacza, Pasma przenoszenia, Impedancja znamionowa, Skuteczność.

Table with columns for speaker model and rows for specifications: Type, Potência de áudio, Potência de áudio, média continua, Intervalo recomendado de potência RMS do amplificador, Resposta de frequência, Impedância nominal, Sensibilidade.

Table with columns for speaker model and rows for specifications: Type, Максимальная мощность, Средняя мощность при непрерывной работе, Рекомендуемый диапазон мощности усилителя, Эффективный рабочий диапазон частот, Номинальный импеданс, Чувствительность.

Table with columns for speaker model and rows for specifications: Type, Максимальная мощность, Средняя мощность при непрерывной работе, Рекомендуемый диапазон мощности усилителя, Эффективный рабочий диапазон частот, Номинальный импеданс, Чувствительность.

Table with columns for speaker model and rows for specifications: Type, Enimmäistehonkesto, Vahvistimen suositeltu RMS-tehoalue, Taajuusvaste, Nimellisedanssi, Herkkyys.

Table with columns for speaker model and rows for specifications: Type, Puissance de crête, Puissance moyenne continue, Plage de puissance RMS recommandée, Réponse en fréquence, Impédance nominale, Sensibilité.

Table with columns for speaker model and rows for specifications: Type, Tenuta in potenza di picco, Tenuta in potenza, media continua, Gamma di potenza RMS consigliata, Risposta in frequenza, Impedenza nominale, Sensibilità.

Table with columns for speaker model and rows for specifications: Type, Tip: Spécification, Tenuta in potenza di picco, Tenuta in potenza, media continua, Gamma di potenza RMS consigliata, Risposta in frequenza, Impedenza nominale, Sensibilità.