



PHONES

0 (800) 800 130
(050) 462 0 130
(063) 462 0 130
(067) 462 0 130

130
COM.UA

Internet store of
autogoods



SKYPE

km-130

CAR RECEIVERS — Receivers • Media receivers and stations • Native receivers • CD/DVD changers • FM-modulators/USB adapters • Flash memory • Facia plates and adapters • Antennas • Accessories |
CAR AUDIO — Car audio speakers • Amplifiers • Subwoofers • Processors • Crossovers • Headphones • Accessories | TRIP COMPUTERS — Universal computers • Model computers • Accessories |
GPS NAVIGATORS — Portable GPS • Built-in GPS • GPS modules • GPS trackers • Antennas for GPS navigators • Accessories | VIDEO — DVR • TV sets and monitors • Car TV tuners • Cameras • Videomodules
• Transcoders • Car TV antennas • Accessories | SECURITY SYSTEMS — Car alarms • Bike alarms • Mechanical blockers • Immobilizers • Sensors • Accessories | OPTIC AND LIGHT — Xenon • Bixenon • Lamps
• LED • Stroboscopes • Optic and Headlights • Washers • Light, rain sensors • Accessories | PARKTRONICS AND MIRRORS — Rear parktronic • Front parktronic • Combined parktronic • Rear-view mirrors
• Accessories | HEATING AND COOLING — Seat heaters • Mirrors heaters • Screen-wipers heaters • Engine heaters • Auto-refrigerators • Air conditioning units • Accessories | TUNING — Vibro-isolation
• Noise-isolation • Tint films • Accessories | ACCESSORIES — Radar-detectors • Handsfree, Bluetooth • Windowlifters • Compressors • Beeps, loudspeakers • Measuring instruments • Cleaners • Car seats
• Miscellaneous | MOUNTING — Installation kits • Upholstery • Grilles • Tubes • Cable and wire • Tools • Miscellaneous | POWER — Batteries • Converters • Start-charging equipment • Capacitors
• Accessories | MARINE AUDIO AND ELECTRONICS — Marine receivers • Marine audio speakers • Marine subwoofers • Marine amplifiers • Accessories | CAR CARE PRODUCTS — Additives • Washer fluid •
Care accessories • Car polish • Flavors • Adhesives and sealants | LIQUID AND OIL — Motor oil • Transmission oil • Brake fluid • Antifreeze • Technical lubricant



In store "130" you can find and buy almost all necessary goods for your auto in Kyiv and other cities, delivery by ground and postal services. Our experienced consultants will provide you with exhaustive information and help you to chose the very particular thing. We are waiting for you at the address

<https://130.com.ua>



Operator's manual
Manuel d'utilisation
Manual de instrucciones

120i

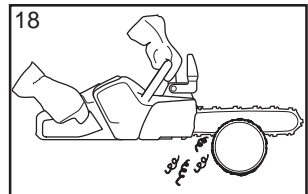
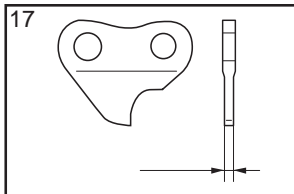
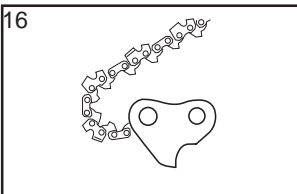
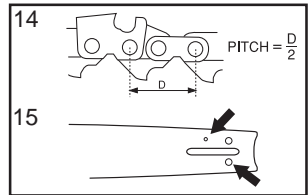
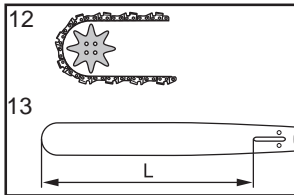
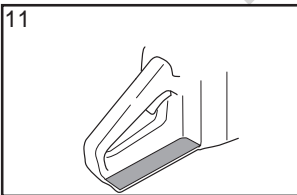
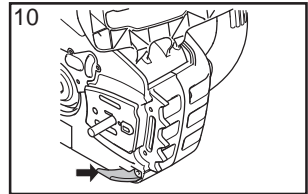
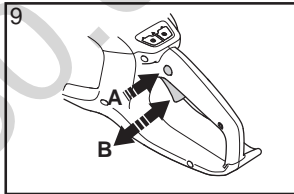
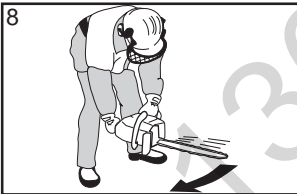
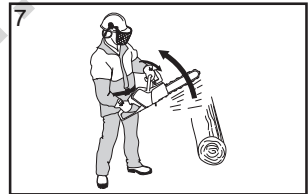
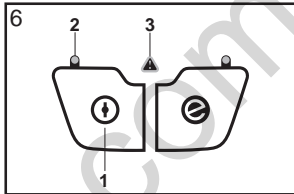
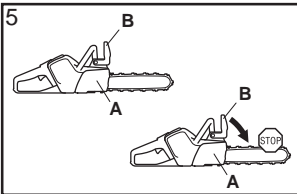
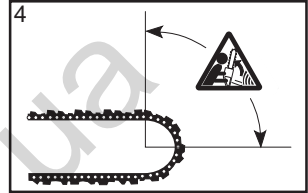
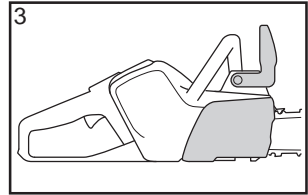
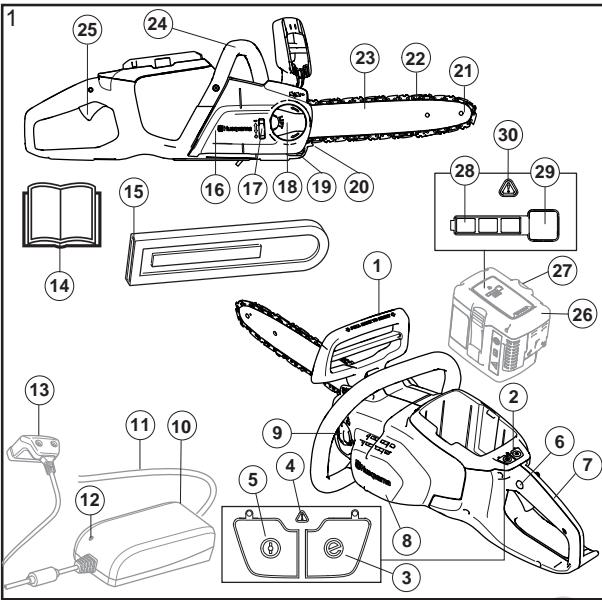


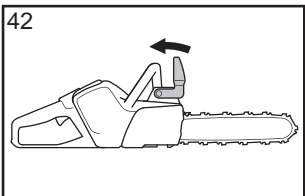
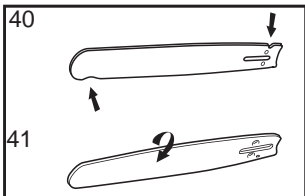
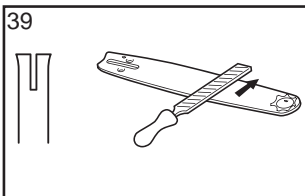
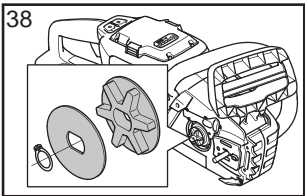
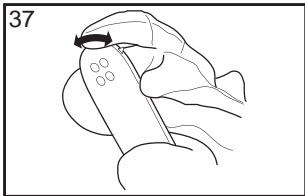
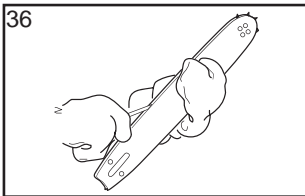
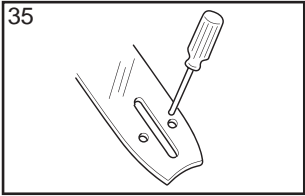
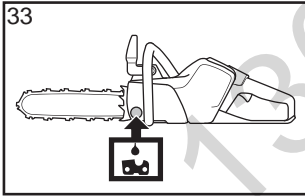
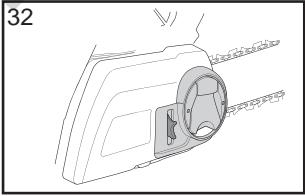
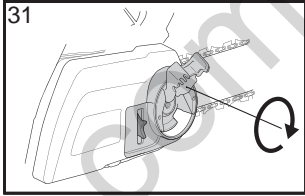
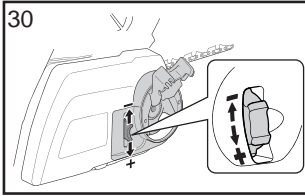
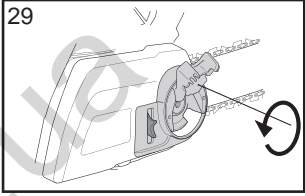
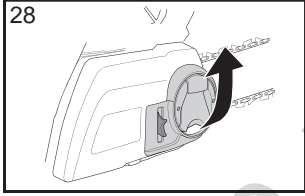
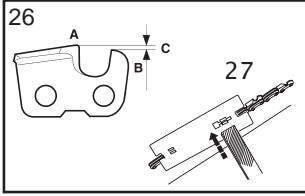
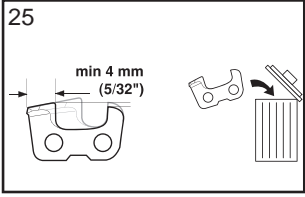
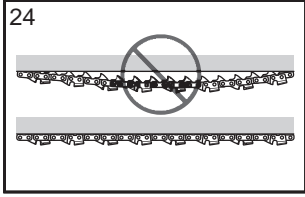
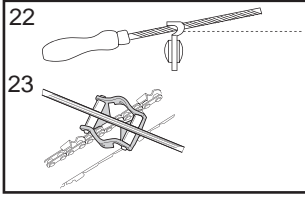
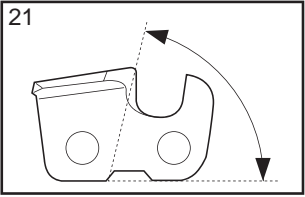
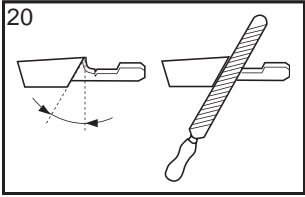
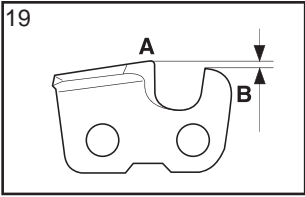
Please read the operator's manual carefully and make sure you understand the instructions before using the machine.

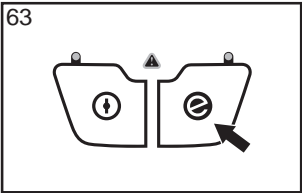
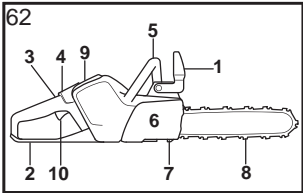
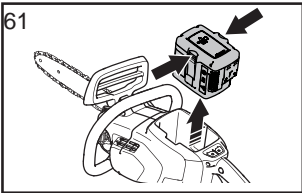
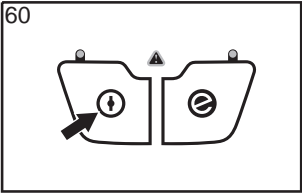
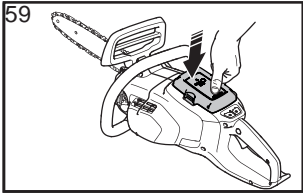
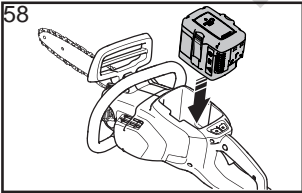
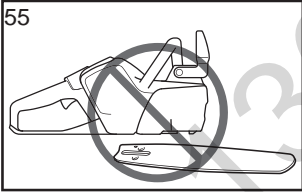
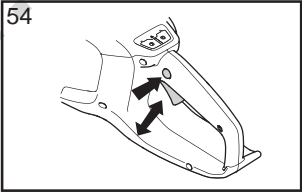
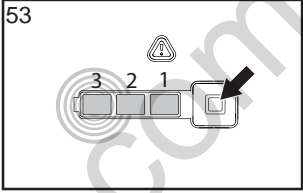
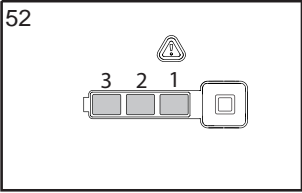
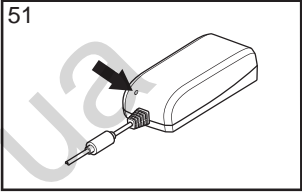
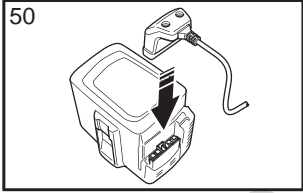
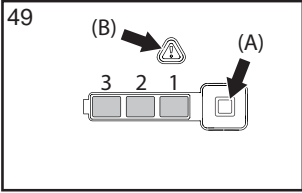
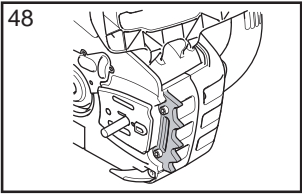
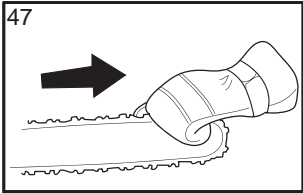
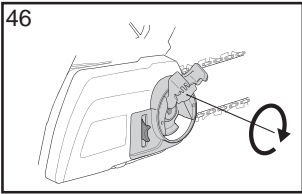
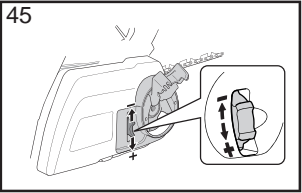
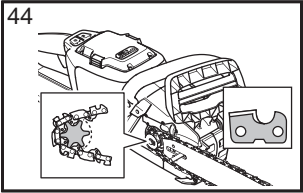
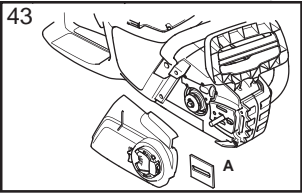
Lire attentivement et bien assimiler le manuel d'utilisation avant d'utiliser la machine.

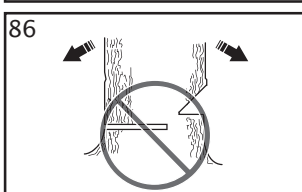
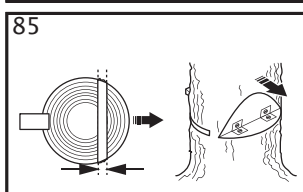
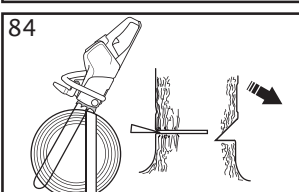
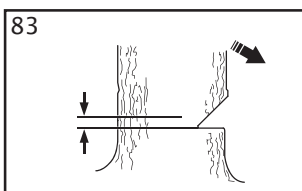
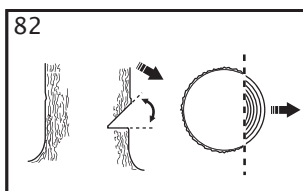
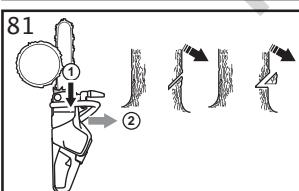
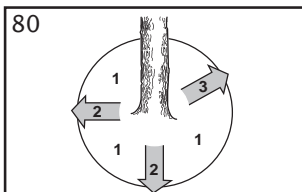
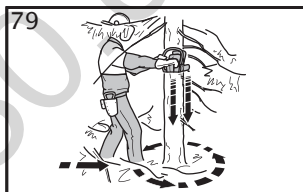
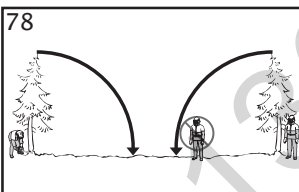
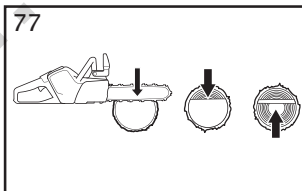
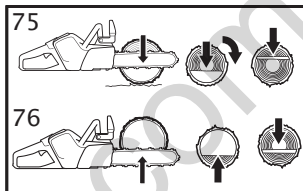
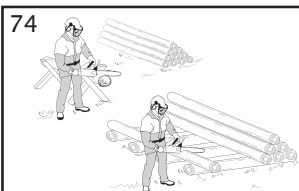
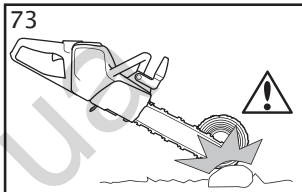
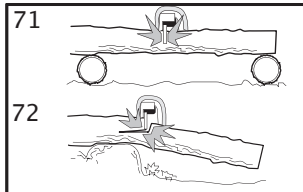
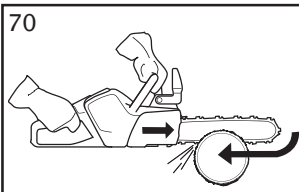
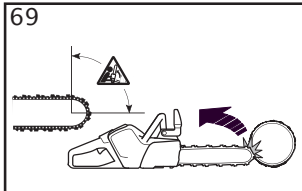
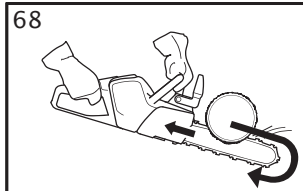
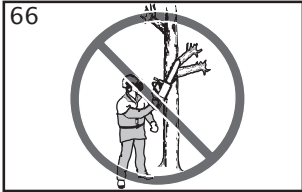
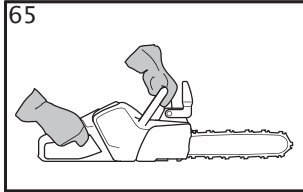
Lea detenidamente el manual de instrucciones y asegúrese de entender su contenido antes de utilizar la máquina.

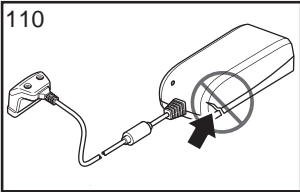
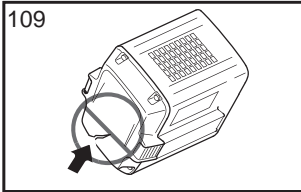
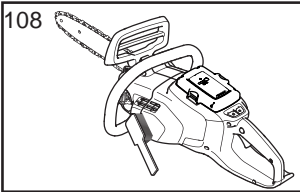
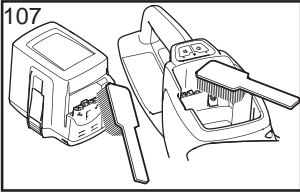
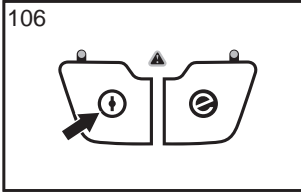
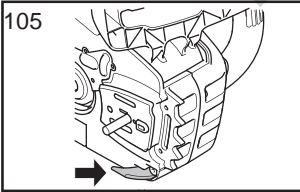
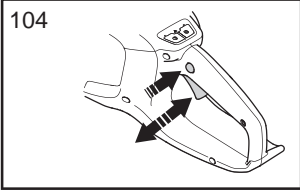
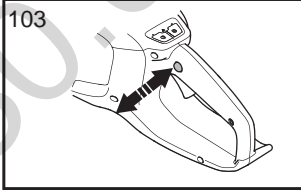
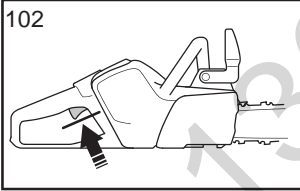
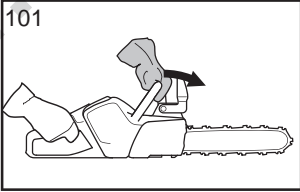
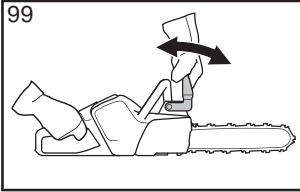
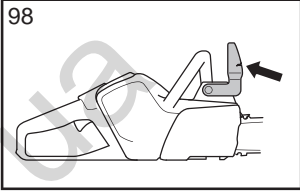
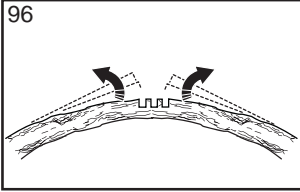
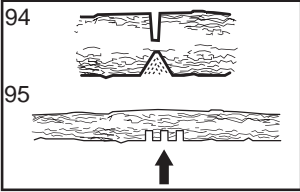
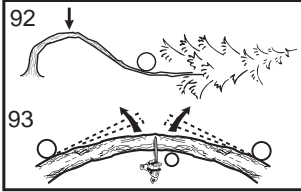
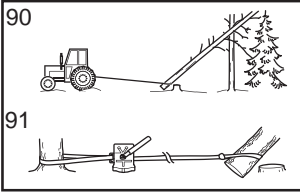
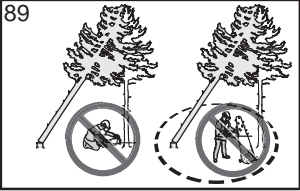
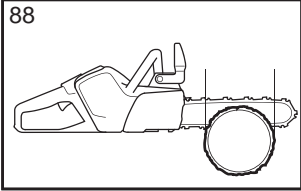
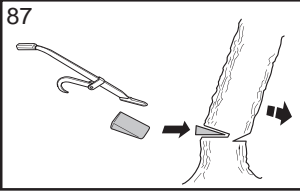
English (7-33)
French (34-63)
Spanish (64-93)











KEY TO SYMBOLS

Symbols on the machine:

Translation of the original Swedish operating instruction.

WARNING! Chain saws can be dangerous! Careless or improper use can result in serious or fatal injury to the operator or others.



Please read the operator's manual carefully and make sure you understand the instructions before using the machine.



Always wear:

- Approved protective helmet
- Approved hearing protection
- Protective goggles or a visor



Both of the operator's hands must be used to operate the chain saw.



Never operate a chain saw holding it with one hand only.



Never let the guide bar tip come in contact with any object.



WARNING! Kickback may occur when the nose or tip of the guide bar touches an object, and cause a lightning fast reverse reaction, kicking the guide bar up and towards the operator. May cause serious personal injury.



Recommended cutting equipment in this example: - Bar length 14 inches (350mm) - Max. nose radius 7 Teeth.



Chain brake, activated (right)
Chain brake, not activated (left)



Chain oil fill.



Environmental marking. Symbols on the product or its packaging indicate that this product cannot be handled as domestic waste. It must instead be submitted to an appropriate recycling station for the recovery of electrical and electronic equipment.



Direct current.



Do not expose to rain.



Rated voltage, V



The rating plate showing serial number. **yyyy** is the production year, **ww** is the production week.

yyyywwxxxxx

Other symbols/decals on the machine refer to special certification requirements for certain markets.

Symbols on the battery and/or on the battery charger:

This product must be deposited at an appropriate recycling facility. (Applies in Europe only)



Fail-safe transformer



Use and store battery charger only indoors.



Double insulation



California Prop 65 Warning

⚠ WARNING

This product contains or emits a chemical known to the State of California to cause cancer or birth defects or other reproductive harm.

For customer assistance call: 1-800-487-5951 or visit www.usa.husqvarna.com.

CONTENTS

Contents

KEY TO SYMBOLS

Symbols on the machine:	7
Symbols on the battery and/or on the battery charger:	7

CONTENTS

Contents	8
----------------	---

INTRODUCTION

Dear customer!	9
----------------------	---

WHAT IS WHAT?

What is what on the chain saw?	9
--------------------------------------	---

GENERAL SAFETY PRECAUTIONS

General power tool safety warnings	10
Before using a new chain saw	12
Important	13
Always use common sense	13
Personal protective equipment	13
Machine's safety equipment	13
Battery and battery charger	15
Cutting equipment	16

ASSEMBLY

Fitting the bar and chain	20
---------------------------------	----

BATTERY HANDLING

Battery	21
Battery charger	21
Transport and storage	21
Disposal of the battery, battery charger and machine	21

STARTING AND STOPPING

Starting and stopping	22
-----------------------------	----

WORKING TECHNIQUES

Before use:	23
SavE	23
General working instructions	23
How to avoid kickback	26

MAINTENANCE

General	28
Checking, maintaining and servicing chain saw safety equipment	28
Battery connectors	28
Cooling system	28
Battery	28
Battery charger	28
Maintenance schedule	29
Troubleshooting schedule	30

TECHNICAL DATA

Technical data	31
----------------------	----

AMERICAN STANDARD SAFETY PRECAUTIONS

Safety precautions for chain saw users	33
--	----

INTRODUCTION

Dear customer!

Congratulations on your choice to buy a Husqvarna product! Husqvarna is based on a tradition that dates back to 1689, when the Swedish King Karl XI ordered the construction of a factory on the banks of the Huskvarna River, for production of muskets. The location was logical, since water power was harnessed from the Huskvarna River to create the water-powered plant. During over 300 years of continuous operation, the Husqvarna factory has produced a lot of different products, from wood stoves to modern kitchen appliances, sewing machines, bicycles, motorcycles etc. In 1956, the first motor driven lawn mowers appeared, followed by chain saws in 1959, and it is within this area Husqvarna is working today.

Today Husqvarna is one of the leading manufacturers in the world of forest and garden products, with quality as our highest priority. We develop, manufacture and market high quality motor driven products for forestry and gardening as well as for building and construction industry.

Your purchase gives you access to professional help with repairs and service whenever this may be necessary. If the retailer who sells your machine is not one of our authorized dealers, ask for the address of your nearest servicing dealer.

It is our wish that you will be satisfied with your product and that it will be your companion for a long time. Think of this operator's manual as a valuable document. By following its' content (using, service, maintenance etc) the life span and the second-hand value of the machine can be extended. If you ever lend or sell this machine, make sure that the borrower or buyer gets the operator's manual, so they will also know how to properly maintain and use it.

Thank you for using a Husqvarna product.

Husqvarna AB has a policy of continuous product development and therefore reserves the right to modify the design and appearance of products without prior notice.

What is what on the chain saw? (1)

- 1 Front hand guard
- 2 Keypad
- 3 SavE button
- 4 Warning indicator
- 5 Activate and deactivate button
- 6 Power trigger lockout
- 7 Rear handle with right hand guard
- 8 Fan housing
- 9 Chain oil tank
- 10 Battery charger
- 11 Power cord
- 12 Warning indicator
- 13 Connector
- 14 Operator's manual
- 15 Guide-bar cover
- 16 Drive sprocket cover
- 17 Chain tensioner wheel
- 18 Knob
- 19 Chain catcher
- 20 Spiked bumper
- 21 Bar tip sprocket
- 22 Saw chain
- 23 Guide bar
- 24 Front handle
- 25 Power trigger
- 26 Battery
- 27 Battery release buttons
- 28 Battery status
- 29 Button, battery status
- 30 Warning indicator

GENERAL SAFETY PRECAUTIONS

General power tool safety warnings



WARNING! Read all safety warnings and all instructions. Failure to follow the warnings and instructions may result in electric shock, fire and/or serious injury.

IMPORTANT! Save all warnings and instructions for future reference. The term "power tool" in the warnings refers to your mains-operated (corded) power tool or battery-operated (cordless) power tool.

Work area safety

- **Keep work area clean and well lit.** Cluttered or dark areas invite accidents.
- **Do not operate power tools in explosive atmospheres, such as in the presence of flammable liquids, gases or dust.** Power tools create sparks which may ignite the dust or fumes.
- **Keep children and bystanders away while operating a power tool.** Distractions can cause you to lose control.

Electrical safety

- **Power tool plugs must match the outlet. Never modify the plug in any way. Do not use any adapter plugs with earthed (grounded) power tools.** Unmodified plugs and matching outlets will reduce the risk of electric shock.
- **Avoid body contact with earthed or grounded surfaces, such as pipes, radiators, ranges and refrigerators.** There is an increased risk of electric shock if your body is earthed or grounded.
- **Do not expose power tools to rain or wet conditions.** Water entering a power tool will increase the risk of electric shock.
- **Do not abuse the cord. Never use the cord for carrying, pulling or unplugging the power tool. Keep cord away from heat, oil, sharp edges or moving parts.** Damaged or entangled cords increase the risk of electric shock.
- **When operating a power tool outdoors, use an extension cord suitable for outdoor use.** Use of a cord suitable for outdoor use reduces the risk of electric shock.
- **If operating a power tool in a damp location is unavoidable, use a ground fault circuit interrupter (GFCI) protected supply.** Use of an GFCI reduces the risk of electric shock.

Personal safety

- **Stay alert, watch what you are doing and use common sense when operating a power tool. Do not use a power tool while you are tired or under**

the influence of drugs, alcohol or medication. A moment of inattention while operating power tools may result in serious personal injury.

- **Use personal protective equipment. Always wear eye protection.** Protective equipment such as dust mask, non-skid safety shoes, hard hat, or hearing protection used for appropriate conditions will reduce personal injuries.
- **Prevent unintentional starting. Ensure the switch is in the OFF-position before connecting to power source and/or battery pack, picking up or carrying the tool.** Carrying power tools with your finger on the switch or energising power tools that have the switch on invites accidents.
- **Remove any adjusting key or wrench before turning the power tool on.** A wrench or a key left attached to a rotating part of the power tool may result in personal injury.
- **Do not overreach. Keep proper footing and balance at all times.** This enables better control of the power tool in unexpected situations.
- **Dress properly. Do not wear loose clothing or jewellery. Keep your hair, clothing and gloves away from moving parts.** Loose clothes, jewellery or long hair can be caught in moving parts.
- **If devices are provided for the connection of dust extraction and collection facilities, ensure that these are connected and properly used.** Use of dust collection can reduce dust-related hazards.

Power tool use and care

- **Do not force the power tool. Use the correct power tool for your application.** The correct power tool will do the job better and safer at the rate for which it was designed.
- **Do not use the power tool if the switch does not turn it on and off.** Any power tool that cannot be controlled with the switch is dangerous and must be repaired.
- **Disconnect the plug from the power source and/or the battery pack from the power tool before making any adjustments, changing accessories, or storing power tools.** Such preventive safety measures reduce the risk of starting the power tool accidentally.
- **Store idle power tools out of the reach of children and do not allow persons unfamiliar with the power tool or these instructions to operate the power tool.** Power tools are dangerous in the hands of untrained users.
- **Maintain power tools. Check for misalignment or binding of moving parts, breakage of parts and any other condition that may affect the power tool's operation. If damaged, have the power tool repaired before use.** Many accidents are caused by poorly maintained power tools.

GENERAL SAFETY PRECAUTIONS

- **Keep cutting tools sharp and clean.** Properly maintained cutting tools with sharp cutting edges are less likely to bind and are easier to control.
- **Use the power tool, accessories and tool bits etc. in accordance with these instructions, taking into account the working conditions and the work to be performed.** Use of the power tool for operations different from those intended could result in hazardous situations.

Battery tool use and care

- **Recharge only with the charger specified by the manufacturer.** A charger that is suitable for one type of battery pack may create a risk of fire when used with another battery pack.
- **Use power tools only with specifically designated battery packs.** Use of any other battery packs may create a risk of injury and fire.
- **When battery pack is not in use, keep it away from other metal objects, like paper clips, coins, keys, nails, screws or other small metal objects, that can make a connection from one terminal to another.** Shorting the battery terminals together may cause burns or a fire.
- **Under abusive conditions, liquid may be ejected from the battery; avoid contact. If contact accidentally occurs, flush with water. If liquid contacts eyes, additionally seek medical help.** Liquid ejected from the battery may cause irritations or burns.

Service

- **Have your power tool serviced by a qualified repair person using only identical replacement parts.** This will ensure that the safety of the power tool is maintained.

Chain saw safety warnings

- **Keep all parts of the body away from the saw chain when the chain saw is operating. Before you start the chain saw, make sure the saw chain is not contacting anything.** A moment of inattention while operating chain saws may cause entanglement of you clothing or body with the saw chain.
- **Always hold the chain saw with your right hand on the rear handle and your left hand on the front handle.** Holding the chain saw with a reversed hand configuration increases the risk of personal injury and should never be done.
- **Hold the power tool by insulated gripping surface only, because the saw chain may contact hidden wiring.** Saw chain contacting a "live" wire may make exposed metal parts of the power tool "live" and could give the operator an electric shock.
- **Wear safety glasses and hearing protection. Further protective equipment for head, hands, legs and feet is recommended.** Adequate protective

clothing will reduce personal injury by flying debris or accidental contact with the saw chain.

- **Do not operate a chain saw in a tree.** Operation of chain saw while up a tree may result in personal injury.
- **Always keep proper footing and operate the chain saw only when standing on fixed, secure and level surface.** Slippery or unstable surfaces such as ladders may cause a loss of balance or control of the chain saw.
- **When cutting a limb that is under tension be alert for spring back.** When the tension in the wood fibres is released the spring loaded limb may strike the operator and/or throw the chain saw out of control.
- **Use extreme caution when cutting brush and saplings.** The slender material may catch the saw chain and be whipped forward toward you or pull you off balance.
- **Carry the chain saw by the front handle with the chain saw switched off and away from your body. When transporting or storing the chain saw always fit the guide bar cover.** Proper handling of the chain saw will reduce the likelihood of accidental contact with the moving saw chain.
- **Follow instruction for lubricating, chain tensioning and changing accessories.** Improperly tensioned or lubricated saw chain may either brake or increase the chance of kickback.
- **Keep handles dry, clean and free from oil and grease.** Greasy, oily handles are slippery causing loss of control.
- **Cut wood only. Do not use chain saw for purposes not intended. For example: do not use chain saw for cutting plastic, masonry or nonwood building materials.** Use of the chain saw for operations different than intended could result in a hazardous situation.
- We strongly recommend that first time users practice sawing logs on a saw horse or cradle.

Causes and operator prevention of kickback

Kickback may occur when the nose or tip of the guide bar touches an object, or when the wood closes in and pinches the saw chain in the cut. Tip contact in some cases may cause a sudden reverse reaction, kicking the guide bar up and back towards the operator. Pinching the saw chain along the top of the guide bar may push the guide bar rapidly back towards the operator. Either of these reactions may cause you to lose control of the saw which could result in serious personal injury. Do not rely exclusively upon the safety devices built into your saw. As a chain saw user, you should take several steps to keep your cutting jobs free from accident or injury. Kickback is a result of tool misuse and/or incorrect operating procedures or conditions and can be avoided by taking proper precautions as given below:

GENERAL SAFETY PRECAUTIONS

- **Maintain a firm grip, with thumbs and fingers encircling the chain saw handles, with both hands on the saw and position your body and arm to allow you to resist kickback forces.** Kickback forces can be controlled by the operator, if proper precautions are taken. Do not let go of the chain saw.
- **Do not overreach and do not cut above shoulder height.** This helps prevent unintended tip contact and enables better control of the chain saw in unexpected situations.
- **Only use replacement bars and chains specified by the manufacturer.** Incorrect replacement bars and chains may cause chain breakage and/or kickback.
- **Follow the manufacturer's sharpening and maintenance instructions for the saw chain.** Decreasing the depth gauge height can lead to increased kickback.

Before using a new chain saw

- Please read this manual carefully.
- **(1) - (110)** refer to figures on p. 2-6.
- Fully charge the battery before using it the first time. See instructions under the heading Charging the battery.
- Fill with chain oil. See instructions under the heading Filling with chain oil.
- Check that the cutting equipment is correctly fitted and adjusted. See instructions under the heading Assembly.
- Do not use the chain saw until sufficient chain oil has reached the chain. See instructions under the heading Lubricating cutting equipment.
- Long-term exposure to noise can result in permanent hearing impairment. So always use approved hearing protection.



WARNING! Long term inhalation of chain oil mist and dust from sawdust can represent a health risk.



WARNING! This machine produces an electromagnetic field during operation. This field may under some circumstances interfere with active or passive medical implants. To reduce the risk of serious or fatal injury, we recommend persons with medical implants consult their physician and the medical implant manufacturer before operating this machine.



WARNING! Never allow children to use or be in the vicinity of the machine. Since the machine is easy to start, children may be able to start it if they are not kept under full surveillance. This can mean a risk of serious personal injury. Therefore disconnect the battery when the machine is not under close supervision.



WARNING! Under no circumstances may the design of the machine be modified without the permission of the manufacturer. Always use genuine accessories. Non-authorized modifications and/or accessories can result in serious personal injury or the death of the operator or others. Your warranty may not cover damage or liability caused by the use of non-authorized accessories or replacement parts.



WARNING! A chain saw is a dangerous tool if used carelessly or incorrectly and can cause serious, even fatal injuries. It is very important that you read and understand the contents of this operator's manual.

GENERAL SAFETY PRECAUTIONS

Important

IMPORTANT!

This chain saw for forest service is designed for forest work such as felling, limbing and cutting. The product is designed to manage 10-15 cm (4-6 inch) wood.

You should only use the saw with the bar and chain combinations we recommend in the chapter Technical data.

Never use the machine if you are fatigued, while under the influence of alcohol or drugs, medication or anything that could affect your vision, alertness, coordination or judgement. Be more cautious before rest periods and towards the end of your shift.

Wear personal protective equipment. See instructions under the heading "Personal protective equipment".

Do not modify this product or use it if it appears to have been modified by others.

Never use a machine, battery or battery charger that is faulty. Carry out the checks, maintenance and service instructions described in this manual. Some maintenance and service measures must be carried out by trained and qualified specialists. See instructions under the heading Maintenance.

Never use any accessories other than those recommended in this manual. See instructions under the headings Cutting equipment and Technical data.

CAUTION! Always wear protective glasses or a face visor to reduce the risk of injury from thrown objects. A chain saw is capable of throwing objects, such as wood chips, small pieces of wood, etc. at great force. This can result in serious injury, especially to the eyes.



WARNING! Faulty cutting equipment or the wrong combination of bar and saw chain increases the risk of kickback! Only use the bar/saw chain combinations we recommend, and follow the filing instructions. See instructions under the heading Technical data.

Always use common sense

It is not possible to cover every conceivable situation you can face when using a chain saw. Always exercise care and use your common sense. Avoid all situations which you consider to be beyond your capability. If you still feel uncertain about operating procedures after reading these instructions, you should consult an expert before continuing. Do not hesitate to contact your dealer or us if you have any questions about the use of the chain saw. We will willingly be of service and provide you with advice as well as help you to use your chain saw both efficiently and safely. Attend a training course in chain saw usage if possible. Your dealer, forestry school or your library can provide information about which training materials and courses are available. **(Figure 2)**

Work is constantly in progress to improve the design and technology - improvements that increase your safety and efficiency. Visit your dealer regularly to see whether you can benefit from new features that have been introduced.

Personal protective equipment



WARNING! Most chain saw accidents happen when the chain touches the operator. You must use approved personal protective equipment whenever you use the machine. Personal protective equipment cannot eliminate the risk of injury but it will reduce the degree of injury if an accident does happen. Ask your dealer for help in choosing the right equipment.

Always wear:

- Approved protective helmet
- Hearing protection
- Protective goggles or a visor
- Gloves with saw protection
- Trousers with saw protection
- Boots with saw protection, steel toe-cap and non-slip sole
- Always have a first aid kit nearby.

Generally clothes should be close-fitting without restricting your freedom of movement.

Machine's safety equipment

In this section the machine's safety features and their function are explained. For inspection and maintenance see instructions under the heading Checking, maintaining and servicing chain saw safety equipment. See instructions under the heading, What is what?, to find where these parts are located on your machine.

The life span of the machine can be reduced and the risk of accidents can increase if machine maintenance is not carried out correctly and if service and/or repairs are not carried out professionally. If you need further information please contact your nearest servicing dealer.



WARNING! Never use a machine with defective safety components. Safety equipment must be inspected and maintained. See instructions under the heading Checking, maintaining and servicing chain saw safety equipment. If your machine does not pass all the checks, take the saw to a servicing dealer for repair.

GENERAL SAFETY PRECAUTIONS

Keypad

Make sure the machine is switched on or off when the activate/deactivate button (1) is pressed and held (>1 sec.). The green LED (2) is lit or turned off.

The warning indicator (3) flashes if the chain brake is activated or if there is a risk of overload. The overload protection temporarily deactivates the machine. When the machine is restored to normal temperature it is again ready for use. Solid light indicates need for service.

(Figure 6)

Automatic switch off functionality

The machine is equipped with an automatic shutdown feature that deactivates the machine if not used. The machine will deactivate after 1 minute.

Chain brake and front hand guard

Your chain saw is equipped with a chain brake that is designed to stop the chain if you get a kickback. The chain brake reduces the risk of accidents, but only you can prevent them. **(Figure 3)**

Take care when using your saw and make sure the kickback zone of the bar never touches any object. **(Figure 4)**

- The chain brake (A) can either be activated manually (by your left hand) or automatically by the inertia release mechanism. **(Figure 5)**
- The brake is applied when the front hand guard (B) is pushed forwards. **(Figure 5)**
- This movement activates a spring-loaded mechanism that stops the drive sprocket.
- The front hand guard is not designed solely to activate the chain brake. Another important feature is that it reduces the risk of your left hand hitting the chain if you lose grip of the front handle.
- The chain brake must be engaged when the chain saw is started.
- Use the chain brake as a "parking brake" when starting and when moving over short distances, to reduce the risk of moving chain accidentally hitting your leg or anyone or anything close by.
- To release the chain brake pull the front hand guard backwards, towards the front handle.
- Kickback can be very sudden and violent. Most kickbacks are minor and do not always activate the chain brake. If this happens you should hold the chain saw firmly and not let go. **(Figure 65)**
- The way the chain brake is activated, either manually or automatically by the inertia release mechanism, depends on the force of the kickback and the position of the chain saw in relation to the object that the kickback zone of the bar strikes.

If you get a violent kickback while the kickback zone of the bar is farthest away from you the chain brake is designed to be activated by the inertia in the kickback direction. **(Figure 7)**

- If the kickback is less violent or the kickback zone of the bar is closer to you the chain brake is designed to be activated manually by the movement of your left hand.
- In the felling position the left hand is in a position that makes manual activation of the chain brake impossible. With this type of grip, that is when the left hand is placed so that it cannot affect the movement of the front hand guard, the chain brake can only be activated by the inertia action. **(Figure 8)**

Will my hand always activate the chain brake during a kickback?

No. It takes a certain force to move the hand guard forward. If your hand only lightly touches the front guard or slips over it, the force may not be enough to trigger the chain brake. You should also maintain a firm grip of the chain saw handles while working. If you do and experience a kickback, your hand may never leave the front handle and will not activate the chain brake, or the chain brake will only activate after the saw has swung around a considerable distance. In such instances, the chain brake might not have enough time to stop the saw chain before it touches you.

There are also certain positions in which your hand cannot reach the front hand guard to activate the chain brake; for example, when the saw chain is held in felling position.

Will my inertia activated chain brake always activate during kickback in the event of a kickback?

No. First your brake must be in working order. Second the kickback must be strong enough to activate the chain brake. If the chain brake is too sensitive it would activate all the time which would be a nuisance.

Will my chain brake always protect me from injury in the event of a kickback?

No. First, the chain brake must be in working order to provide the intended protection. Second, it must be activated during the kickback as described above to stop the saw chain. Third, the chain brake may be activated but if the bar is too close to you the brake might not have enough time to slow down and stop the chain before the chain saw hits you.

Only you and proper working technique can eliminate kickback and its danger.

Throttle trigger lockout

The power trigger lockout is designed to prevent accidental operation of the power trigger. When you press the power trigger lockout (A) (i.e. when you grasp the handle) it releases the power trigger (B). When you release the handle the power trigger and the power trigger lockout both move back to their original positions. **(Figure 9)**

GENERAL SAFETY PRECAUTIONS

Chain catcher

The chain catcher is designed to catch the chain if it snaps or jumps off. This should not happen if the chain is properly tensioned (see instructions under the heading Assembly) and if the bar and chain are properly serviced and maintained (see instructions under the heading General working instructions). (Figure 10)

Right hand guard

Apart from protecting your hand if the chain jumps or snaps, the right hand guard stops branches and twigs from interfering with your grip on the rear handle. (Figure 11)

Vibrations

Cutting hardwoods (most broadleaf trees) creates more vibration than cutting softwoods (most conifers). Cutting with cutting equipment that is blunt or faulty (wrong type or badly sharpened) will increase the vibration level.



WARNING! Overexposure to vibration can lead to circulatory damage or nerve damage in people who have impaired circulation. Contact your doctor if you experience symptoms of overexposure to vibration. Such symptoms include numbness, loss of feeling, tingling, pricking, pain, loss of strength, changes in skin colour or condition. These symptoms normally appear in the fingers, hands or wrists. These symptoms may be increased in cold temperatures.

Battery and battery charger

This section describes the battery and battery charger safety for your battery product.

Only use Husqvarna original batteries for Husqvarna products and only charge them in an original battery QC charger from Husqvarna. The batteries are software encrypted.

Battery safety

The rechargeable Husqvarna batteries, BLi, are exclusively used as a power supply for the relevant Husqvarna cordless appliances. To avoid injury, the battery must not be used as a power source for other devices.



WARNING! Protect the battery from direct sunlight, heat or open flame. There is a risk the battery may explode if it is thrown into an open fire. There is a risk of burns and/or chemical burns.



WARNING! Avoid all skin contact with battery acid. Battery acid may cause skin irritation, burns or corrosive injuries. If you get acid in your eyes, do not rub but flush your eyes with plenty of water for at least 15 minutes. See a doctor. You must wash any exposed skin with copious amounts of water and soap in case of incidental contact.



WARNING! Never connect the battery terminal to keys, coins, screws or other metal as this may short-circuit the battery. Never insert objects into the battery's air vents.

Unused batteries must be kept away from metal objects such as nails, coins, jewellery. Do not try to disassemble or crush the battery

- Use the battery in surroundings where temperatures are between -10 °C (14 °F) and 40 °C (104 °F).
- Do not expose the battery to microwaves or high pressure.
- Never clean the battery or the battery charger with water. See instructions under the heading Maintenance.
- Store the battery out of reach of children.
- Protect the battery from rain and wet conditions.

Battery charger safety

Only use Chargers, Husqvarna QC, for charging the Husqvarna replacement batteries, BLi.



WARNING! Minimise the risk of electric shock or short circuit as follows:

Never insert any object into the charger's cooling slots.

Do not try to dismantle the battery charger.

Never connect the charger terminals to metal objects as this can short circuit the battery charger.

Use approved and intact wall sockets.

- Regularly check that the battery charger connection wire is intact and that there are no cracks in it.
- Never carry the battery charger using the cord and never pull out the plug by pulling the cord.
- Use only three-wire outdoor extension cords that have three-prong grounding plugs and grounding receptacles that accept the appliance's plug.

GENERAL SAFETY PRECAUTIONS

- Keep all cords and extension cords away from water, oil and sharp edges. Make sure the cord is not pinched in doors, fences or the like. Otherwise it can cause the object to become live.



WARNING! Do not use the battery charger close to corrosive or flammable materials. Do not cover the battery charger. Pull out the plug to the battery charger in the event of smoke or fire. Remember the risk of fire.

Do not use:

- a faulty or damaged battery charger or never use a faulty, damaged or deformed battery.

Do not charge:

- non-rechargeable batteries in the battery charger or use them in the machine.
- the battery in the battery charger outdoors.
- the battery in the rain or in wet conditions.
- the battery in direct sunlight.

Use the battery charger only when the surrounding temperature is between 5 °C (41 °F) and 40 °C (104 °F). Use the charger in an environment which is well ventilated, dry and free from dust.

Cutting equipment

This section describes how to choose and maintain your cutting equipment in order to:

- Reduce the risk of kickback.
- Reduce the risk of the saw chain breaking or jumping off the bar.
- Obtain optimal cutting performance.
- Extend the life of cutting equipment.
- Avoid increasing vibration levels.

General rules

- **Only use cutting equipment recommended by us!** See instructions under the heading Technical data.
- **Keep the chain's cutting teeth properly sharpened! Follow our instructions and use the recommended file gauge.** A damaged or badly sharpened chain increases the risk of accidents and may cause the product to go into over temperature faster.
- **Maintain the correct depth gauge setting! Follow our instructions and use the recommended depth gauge clearance.** Too large a clearance increases the risk of kickback. (Figure 19)
- **Keep the chain properly tensioned!** If the chain is slack it is more likely to jump off and lead to increased wear on the bar, chain and drive sprocket. (Figure 24)
- **Keep cutting equipment well lubricated and properly maintained!** A poorly lubricated chain is

more likely to break and lead to increased wear on the bar, chain and drive sprocket.

Cutting equipment designed to reduce kickback



WARNING! Faulty cutting equipment or the wrong combination of bar and saw chain increases the risk of kickback! Only use the bar/saw chain combinations we recommend, and follow the filing instructions. See instructions under the heading Technical data.

The only way to avoid kickback is to make sure that the kickback zone of the bar never touches anything.

By using cutting equipment with "built-in" kickback reduction and keeping the chain sharp and well-maintained you can reduce the effects of kickback.

Guide bar

The smaller the tip radius the lower the chance of kickback.

Saw chain

A chain is made up of a number of links, which are available in standard and low-kickback versions.

IMPORTANT! No saw chain design eliminates the danger of kickback.



WARNING! Any contact with a rotating saw chain can cause extremely serious injuries.

Some terms that describe the bar and chain

To maintain the safety features of the cutting equipment, you should replace a worn or damaged bar or chain with a bar and chain combinations recommended by Husqvarna. See instructions under the heading Technical Data for a list of replacement bar and chain combinations we recommend.

Guide bar

- Length (inches/cm) (Figure 13)
- Number of teeth on bar tip sprocket (T). (Figure 12)
- Chain pitch (inches). The spacing between the drive links of the chain must match the spacing of the teeth on the bar tip sprocket and drive sprocket. (Figure 14)
- Number of drive links. The number of drive links is determined by the length of the bar, the chain pitch and the number of teeth on the bar tip sprocket. (Figure 16)
- Bar groove width (inches/mm). The groove in the bar must match the width of the chain drive links.
- Chain oil hole and hole for chain tensioner. The bar must be matched to the chain saw design. (Figure 15)

GENERAL SAFETY PRECAUTIONS

Saw chain

- Chain pitch (inches) (Figure 14)
- Drive link width (mm/inches) (Figure 17)
- Number of drive links. (Figure 16)

Sharpening your chain and adjusting depth gauge setting



Always wear gloves, when working with the chain.

General information on sharpening cutting teeth

- Never use a blunt chain. When the chain is blunt you have to exert more pressure to force the bar through the wood and the chips will be very small. If the chain is very blunt it will produce wood powder and no chips or shavings.
- A sharp chain eats its way through the wood and produces long, thick chips or shavings. (Figure 18)
- The cutting part of the chain is called the cutter and consists of a cutting tooth (A) and the depth gauge (B). The cutters cutting depth is determined by the difference in height between the two (depth gauge setting). (Figure 19)

When you sharpen a cutting tooth there are four important factors to remember.

- 1 Filing angle (Figure 20)
- 2 Cutting angle (Figure 21)
- 3 File position (Figure 22)
- 4 Round file diameter

It is very difficult to sharpen a chain correctly without the right equipment. We recommend that you use our file gauge. This will help you obtain the maximum kickback reduction and cutting performance from your chain. (Figure 23)

See instructions under the heading Technical data for information about sharpening your chain.



WARNING! Departure from the sharpening instructions considerably increases the risk of kickback.

Sharpening cutting teeth

To sharpen cutting teeth you will need a round file and a file gauge. See instructions under the heading Technical data for information on the size of file and gauge that are recommended for the chain fitted to your chain saw.

- Check that the chain is correctly tensioned. A slack chain will move sideways, making it more difficult to sharpen correctly. (Figure 24)
- Always file cutting teeth from the inside face. Reduce the pressure on the return stroke. File all the teeth on

one side first, then turn the chain saw and file the teeth on the other side. (Figure 20)

- File all the teeth to the same length. When the length of the cutting teeth is reduced to 5/32 inch (4 mm) the chain is worn out and should be replaced. (Figure 25)

General advice on adjusting depth gauge setting

- When you sharpen the cutting tooth (A) the depth gauge setting (C) will decrease. To maintain optimal cutting performance the depth gauge (B) has to be filed down to achieve the recommended depth gauge setting. See instructions under the heading Technical data to find the correct depth gauge setting for your particular chain. (Figure 26)



WARNING! The risk of kickback is increased if the depth gauge setting is too large!

Adjustment of depth gauge setting

- The cutting teeth should be newly sharpened before adjusting the depth gauge setting. We recommend that you adjust the depth gauge setting every third time you sharpen the cutting teeth. NOTE! This recommendation assumes that the length of the cutting teeth is not reduced excessively.
- You will need a flat file and a depth gauge tool. We recommend that you use our depth gauge tool to achieve the correct depth gauge setting and bevel for the depth gauge.
- Place the depth gauge tool over the chain. Detailed information regarding the use of the depth gauge tool, will be found on the package for the depth gauge tool. Use the flat file to file off the tip of the depth gauge that protrudes through the depth gauge tool. The depth gauge setting is correct when you no longer feel resistance as you draw the file along the depth gauge tool. (Figure 27)

Tensioning the chain



WARNING! A slack chain may jump off the bar and cause serious or even fatal injury.



WARNING! Always remove the battery before any assembly, maintenance and/or checking is done on the machine.

The more you use a chain the longer it becomes. It is therefore important to adjust the chain regularly to take up the slack.

Check the chain tension every time you refill with saw chain oil. NOTE! A new chain has a running-in period during which you should check the tension more frequently.

Tension the chain as tightly as possible, but not so tight that you cannot pull it round freely by hand. (Figure 47)

GENERAL SAFETY PRECAUTIONS

- Release the knob by folding it out until it snaps open. **(Figure 28)**
- Turn the knob anti clockwise to loosen the drive sprocket cover. **(Figure 29)**
- Adjust the tension on the chain by turning the chain tensioner wheel down (+) for tighter tension and up (-) to loosen the tension. **(Figure 30)**
- Tighten the bar clutch by turning the knob clockwise. **(Figure 31)**
- Fold the knob back in to lock the tensioning. **(Figure 32)**

Lubricating cutting equipment



WARNING! Poor lubrication of cutting equipment may cause the chain to snap, which could lead to serious, even fatal injuries. A worn bar and chain can stress the product to over temperature. You should make sure to work with a well maintained bar and chain to avoid this.

IMPORTANT! A worn bar and chain can stress the product to over temperature. You should make sure to work with a well maintained bar and chain to avoid this.

Chain oil

Chain oil must demonstrate good adhesion to the chain and also maintain its flow characteristics regardless of whether it is warm summer or cold winter weather.

Never use waste oil! Using waste oil can be dangerous to you and damage the machine and environment.

Filling with chain oil

- Always use mineral based chain oil. **(Figure 33)**
- Contact your service agent when choosing chain oil.
- All our chain saws have an automatic chain lubrication system. On some models the oil flow is also adjustable.
- The saw chain oil tank is designed to last approximately three battery charges. However, this safety feature requires that you use the right sort of chain oil (if the chain oil is to thin it will last shorter time).
- Never use waste oil. This results in damage to the oil pump, the bar and the chain.
- It is important to use oil of the right grade (suitable viscosity range) to suit the air temperature.
- In temperatures below 32°F (0°C) some oils become too viscous. This can overload the oil pump and result in damage to the oil pump components.

Checking chain lubrication

- Check the chain lubrication every third battery charge.

Aim the tip of the bar at a light coloured surface about 20 cm (8 inches) away. After 1 minute running at 3/4 throttle you should see a distinct line of oil on the light surface. **(Figure 34)**

If the chain lubrication is not working:

- Check that the oil channel in the bar is not obstructed. Clean if necessary. **(Figure 35)**
- Check that the groove in the edge of the bar is clean. Clean if necessary. **(Figure 36)**
- Check that the bar tip sprocket turns freely and that the lubricating hole in the tip sprocket is not blocked. Clean and lubricate if necessary. **(Figure 37)**

If the chain lubrication system is still not working after carrying out the above checks and associated measures you should contact your servicing dealer.

Chain drive sprocket

The drive system is fitted with a drive sprocket. **(Figure 38)**

Regularly check the degree of wear on the drive sprocket. Replace if wear is excessive.

Checking wear on cutting equipment

Check the chain daily for:

- Visible cracks in rivets and links.
- Whether the chain is stiff.
- Whether rivets and links are badly worn.

Replace the saw chain if it exhibits any of the points above.

We recommend you compare the existing chain with a new chain to decide how badly the existing chain is worn.

When the length of the cutting teeth has worn down to only 5/32 inch (4 mm) the chain must be replaced.

Guide bar

Check regularly:

- Whether there are burrs on the edges of the bar. Remove these with a file if necessary. **(Figure 39)**
- Whether the groove in the bar has become badly worn. Replace the bar if necessary.
- Whether the tip of the bar is uneven or badly worn. If a hollow forms on the underside of the bar tip this is due to running with a slack chain. **(Figure 40)**
- To prolong the life of the bar you should turn it over daily. **(Figure 41)**

GENERAL SAFETY PRECAUTIONS



WARNING! Most chain saw accidents happen when the chain touches the operator.

Wear personal protective equipment. See instructions under the heading "Personal protective equipment".

Do not tackle any job that you feel you are not adequately trained for. See instructions under the headings Personal protective equipment, How to avoid kickback, Cutting equipment and General working instructions.

Avoid situations where there is a risk of kickback. See instructions under the heading Machine's safety equipment.

Use the recommended protective equipment and check its condition. See instructions under the headings Technical data and General safety precautions.

Check that all the chain saw safety features are working. See instructions under the headings General working instructions and General safety precautions.

Never use a chain saw by holding it with one hand. A chain saw is not safely controlled with one hand. Always have a secure, firm grip around the handles with both hands.

Fitting the bar and chain



WARNING! Always remove the battery before any assembly, maintenance and/or checking is done on the machine.

Always wear gloves, when working with the chain.

- Check that the chain brake is in disengaged position by moving the front hand guard towards the front handle. **(Figure 42)**
- Remove the drive sprocket cover by turning the knob counterclockwise. Take off the transportation guard (A). **(Figure 43)**
- Fit the bar over the bar bolt. Place the bar in its rearmost position. Place the chain over the drive sprocket and in the groove on the bar. Begin on the top side of the bar. **(Figure 44)**
- Make sure that the edges of the cutting links are facing forward on the top edge of the bar.

Mount the clutch cover and remember to fit the chain adjuster pin in the hole in the bar. Check that the drive links of the chain fit correctly over the drive sprocket and that the chain is correctly located in the groove in the bar.

- Tension the chain by turning the wheel down (+). The chain should be tensioned until it does not sag from the underside of the bar. **(Figure 45)**
- The chain is correctly tensioned when it does not sag from the underside of the bar, but can still be turned easily by hand. Hold up the bar tip and tighten the bar knob by turning the knob clockwise. **(Figure 46)**
- When fitting a new chain, the chain tension has to be checked frequently until the chain is run-in. Check the chain tension regularly. A correctly tensioned chain ensures good cutting performance and long life. **(Figure 47)**

BATTERY HANDLING

Battery

The display shows the battery capacity and if there are any problems with the battery. The battery capacity is displayed for 5 seconds after the machine is switched off or the battery indicator button (1) is pressed. The warning symbol on the battery is lit when an error has occurred (2). See fault codes. (Figure 49)

LED lights	Battery status
All LEDs are lit	Fully charged (67%–100%).
LED 1, LED 2 are lit.	The battery is 34%-66% charged.
LED 1 is lit.	The battery is 1%-33% charged.
LED 1 flashes.	The battery is empty. Charge the battery.

Battery charger



WARNING! Risk of electric shock and short circuiting. Use approved and intact wall sockets. Make sure that the cable is not damaged. Replace cable if it appears to be damaged in any way.

Connect the battery charger

- Connect the battery charger to the voltage and frequency specified on the rating plate. Put the electric plug in a earthed socket-outlet. (Figure 50)
- The battery will not be charged if the battery temperature is over 50 °C (122 °F).

Connect the battery to the battery charger.

Regularly check that the battery charger and the battery are intact. See instructions under the heading Maintenance.

The battery must be charged before using it the first time. The battery is only 30% charged when delivered.

- Connect the battery to the battery charger. (Figure 50)
- The green charging light on the charger is lit when the battery is connected to the battery charger. (Figure 51) The charging process is ongoing.
- When all the LEDs are lit on the battery, it is fully charged. (Figure 52)
- Pull out the plug. Never jerk the power supply cable to disconnect it from the wall socket.
- Disconnect the charger from the battery.

Charging status

Lithium-ion batteries can be charged at whatever charging level. The charging process can be cancelled or

started whatever the battery's charge level is. (Figure 53) A fully charged battery will not lose its charge even when the battery is left in the charger.

Transport and storage

- The contained lithium-ion batteries are subject to the Dangerous Goods Legislation requirements.
- For commercial transports e.g. by third parties, forwarding agents, special requirement on packing and labeling must be observed.
- For preparation of the item being shipped, consulting an expert for hazardous material is required. Please also observe possibly more detailed national regulations.
- Tape or mask off open contacts and pack up the battery in such a manner that it cannot move around in the packing.
- Always remove the battery for storage or transport.
- Store the battery and the battery charger in a dry, moisture-free and frost-free space.
- Do not store the battery in places where static electricity can occur. Never store the battery in a metal box.
- Store the battery where the temperature is between 5 °C (41 °F) and 25 °C (77 °F) and never in direct sunlight.
- Store the battery charger where the temperature is between 40 °F and 113 °F and never in direct sunlight.
- Store the battery charger only in an enclosed and dry space.
- Be sure to store the battery separate from the battery charger. Store the equipment in a lockable area so that it is out of reach of children and unauthorized persons.
- Ensure the machine is cleaned and that a complete service is carried out before long-term storage.
- Secure the machine during transport.

Disposal of the battery, battery charger and machine

Symbols on the product or its packaging indicate that this product cannot be handled as domestic waste. It must instead be submitted to an appropriate recycling station for the recovery of electrical and electronic equipment.

By ensuring that this product is taken care of correctly, you can help to counteract the potential negative impact on the environment and people that can otherwise result through the incorrect waste management of this product. For more detailed information about recycling this product, contact your municipality, your domestic waste service or the shop from where you purchased the product.

STARTING AND STOPPING

Starting and stopping



WARNING! Note the following before starting:

Never start a chain saw unless the bar, chain and all covers are fitted correctly. Otherwise the drive sprocket can come loose and cause personal injuries.

Make sure you have a secure footing and that the chain cannot touch anything.

Keep people and animals well away from the working area.

- Before inserting the battery into the machine, always check to see that the power trigger actuates properly and returns to the "OFF" position when released. To prevent the power trigger from being accidentally pulled, a power trigger lockout is provided. **(Figure 54)**
- Never start a chain saw unless the bar, chain and all covers are fitted correctly. See instructions under the heading Assembly. **(Figure 55)**
- Observe your surroundings and make sure that there is no risk of people or animals coming into contact with the cutting equipment. **(Figure 56)**
- Always hold the saw with both hands. The right hand should be on the rear handle, and the left hand on the front handle. All people, whether right or left handed, should use this grip. Use a firm grip with thumbs and fingers encircling the chain saw handles. **(Figure 57)**

Starting

- Insert the battery in the machine. The battery should slide easily into the battery holder on the machine. If the battery does not slide in easily, it is not being inserted correctly. **(Figure 58)**
- Press down on the battery. You will hear a click as the battery locks itself into place. **(Figure 59)**
- Press and hold the start button (>1 sec.) until the green LED is lit. **(Figure 60)**

Stopping

The machine is deactivated by pressing the start/stop button on the keypad (green LED off). **(Figure 60)**

Note! To avoid involuntary start up, the battery must always be removed when the machine is not in use or is unsupervised. To remove the battery, withdraw it from the machine while pressing the battery release buttons on the battery. **(Figure 61)**

WORKING TECHNIQUES

Before use: (Figure 62)

- 1 Check that the chain brake works correctly and is not damaged.
- 2 Check that the rear right hand guard is not damaged.
- 3 Check that the power trigger lockout works correctly and is not damaged.
- 4 Check that the keypad works correctly and is not damaged.
- 5 Check that all handles are free from oil.
- 6 Check that all parts of the chain saw are tightened correctly and that they are not damaged or missing.
- 7 Check that the chain catcher is in place and not damaged.
- 8 Sharpen the chain and check its tension and condition.
- 9 Check that the battery is fully charged and securely attached in the chain saw.
- 10 Check that the saw chain stops moving when the power trigger is released.

SavE

The machine is equipped with a power saving function (savE). This function is activated by pressing the savE button on the keypad. With savE activated the runtime of the machine is prolonged as the chain speed is reduced. (Figure 63)

Note! Using the machine with SavE activated only reduces the chain speed not the cutting power of the machine.

General working instructions

IMPORTANT!

This section describes basic safety rules for using a chain saw. This information is never a substitute for professional skills and experience. If you get into a situation where you feel unsafe, stop and seek expert advice. Contact your chain saw dealer, service agent or an experienced chain saw user. Do not attempt any task that you are not sure you can handle!

Before using a chain saw you must understand the effects of kickback and how to avoid them. See instructions under the heading How to avoid kickback.

Before using a chain saw you must understand the difference between cutting with the top and bottom edges of the bar. See instructions under the headings How to avoid kickback and Machine's safety equipment.

Wear personal protective equipment. See instructions under the heading "Personal protective equipment".

Basic safety rules

- 1 Look around you:
 - To ensure that people, animals or other things cannot affect your control of the machine.
 - To make sure that none of the above might come within reach of your saw or be injured by falling trees.

CAUTION! Follow the instructions above, but do not use a chain saw in a situation where you cannot call for help in case of an accident.

- 2 Do not use the machine in bad weather, such as dense fog, heavy rain, strong wind, intense cold, etc. Working in bad weather is tiring and often brings added risks, such as icy ground, lightning, unpredictable felling direction, etc.
- 3 Take great care when removing small branches and avoid cutting bushes (i.e. cutting many small branches at the same time). Small branches can be grabbed by the chain and thrown back at you, causing serious injury.
- 4 Make sure you can move and stand safely. Check the area around you for possible obstacles (roots, rocks, branches, ditches, etc.) in case you have to move suddenly. Take great care when working on sloping ground.
- 5 Take great care when cutting a tree that is under tension. A tree that is under tension may spring back to its normal position before or after being cut. If you position yourself incorrectly or make the cut in the wrong place the tree may hit you or the machine and cause you to lose control. Both situations can cause serious personal injury. (Figure 64)
- 6 Before moving your chain saw deactivate it and lock the saw chain using the chain brake. Carry the chain saw with the bar and chain pointing backwards. Fit a guard to the bar before transporting the chain saw or carrying it for any distance.
- 7 When you put the chain saw on the ground, lock the saw chain using the chain brake and ensure you have a constant view of the machine. Deactivate the machine and remove the battery before leaving your chain saw for any length of time.



WARNING! Sometimes chips get stuck in the drive system causing the saw chain to jam. Always deactivate the machine and remove the battery before any cleaning.

General rules

- 1 If you understand what kickback is and how it happens then you can reduce or eliminate the element of surprise. By being prepared you reduce the risk. Kickback is usually quite mild, but it can sometimes be very sudden and violent.
- 2 Always hold the chain saw firmly with your right hand on the rear handle and your left hand on the front handle. Wrap your fingers and thumbs around the handles. You should use this grip whether you are right-handed or left-handed. This grip minimizes the effect of kickback and lets you keep the chain saw under control. **Do not let go of the handles! (Figure 65)**
- 3 Most kickback accidents happen during limbing. Make sure you are standing firmly and that there is nothing in the way that might make you trip or lose your balance.

WORKING TECHNIQUES

Lack of concentration can lead to kickback if the kickback zone of the bar accidentally touches a branch, nearby tree or some other object.

Have control over the workpiece. If the pieces you intend to cut are small and light, they can jam in the saw chain and be thrown towards you. Even if this does not need to be a danger, you may be surprised and lose control of the saw. Never saw stacked logs or branches without first separating them. Only saw one log or one piece at a time. Remove the cut pieces to keep your working area safe. (Figure 74)

- 4 **Never use the chain saw above shoulder height and avoid cutting with the tip of the bar. Never use the chain saw one-handed!** (Figure 66)

- 5 In order to keep control of your saw, always maintain a firm foothold. Never work on a ladder, in a tree or on any other insecure support. (Figure 67)

- 6 Always use a fast cutting speed, i.e. full throttle.

- 7 Take great care when you cut with the top edge of the bar, i.e. when cutting from the underside of the object. This is known as cutting with a pushing chain. The chain tries to push the chain saw back towards the user. If the saw chain is jamming, the saw may be pushed back at you. (Figure 68)

- 8 Unless the user resists this pushing force there is a risk that the chain saw will move so far backwards that only the kickback zone of the bar is in contact with the tree, which can lead to a kickback. (Figure 69)

Cutting with the bottom edge of the bar, i.e. from the top of the object downwards, is known as cutting with a pulling chain. In this case the chain saw pulls itself towards the tree and the front edge of the chain saw body rests naturally on the trunk when cutting. Cutting with a pulling chain gives the operator better control over the chain saw and the position of the kickback zone. (Figure 70)

- 9 Follow the instructions on sharpening and maintaining your bar and chain. When you replace the bar and chain use only combinations that are recommended by us. See instructions under the headings Cutting equipment and Technical data.

Basic cutting technique



WARNING! Never use a chain saw by holding it with one hand. A chain saw is not safely controlled with one hand. Always have a secure, firm grip around the handles with both hands.

General

- Always use full throttle when cutting!
- Let go of the power trigger after every cut (running the motor for too long at full power without any load, i.e. without any resistance from the chain during cutting, can lead to serious damage to the motor).
- Cutting from above = Cutting with a pulling chain.

- Cutting from below = Cutting with pushing chain.

Cutting with a pushing chain increases the risk of kickback. See instructions under the heading How to avoid kickback.

Terms

Cutting = General term for cutting through wood.

Cutting/bucking = General term for cutting through wood.

Limbing = Cutting branches off a felled tree.

Splitting = When the object you are cutting breaks off before the cut is complete.

There are a number of important factors you should consider before making a cut:

- 1 Make sure the cutting equipment will not jam in the cut. (Figure 71)
- 2 Make sure the object you are cutting will not split. (Figure 72)
- 3 Make sure the chain will not strike the ground or any other object during or after cutting. (Figure 73)
- 4 Is there a risk of kickback? (Figure 4)
- 5 Do the conditions and surrounding terrain affect how safely you can stand and move about?
- 6 When cutting on a slope, always stand on the uphill side of the log. To maintain complete control of the chain saw when cutting through the log, release the cutting pressure near the end of the cut without relaxing your grip on the chain saw handles. Do not let the saw chain contact the ground. After completing the cut, wait for the saw chain to stop before you move the chain saw. Always stop the motor before moving from tree to tree.

Two factors decide whether the chain will jam or the object that you are cutting will split: the first is how the object is supported before and after cutting, and the second is whether it is in tension.

In most cases you can avoid these problems by cutting in two stages; from the top and from the bottom. You need to support the object so that it will not trap the chain or split during cutting.



WARNING! If the saw chain jams in the cut: deactivate the machine! Do not try to pull the machine free. If you do you may be injured by the saw chain when the machine suddenly brakes free. Use a lever to open up the cut and free the machine.

The following instructions describe how to handle the common situations you are likely to encounter when using a chain saw.

WORKING TECHNIQUES

Cutting/bucking



WARNING! Never attempt to cut logs while they are in a pile or when a couple of logs are lying together. Such procedures drastically increase the risk of kickback which can result in a serious or fatal injury.

If you have a pile of logs, each log you attempt to cut should be removed from the pile, placed on a saw horse or runners and cut individually.

Remove the cut pieces from the cutting area. By leaving them in the cutting area, you increase the risk for inadvertently getting a kickback, as well as increasing the risk of losing your balance while working. **(Figure 74)**

The log is lying on the ground. There is little risk of the chain jamming or the object splitting. However there is a risk that the chain will touch the ground when you finish the cut.

Cut all the way through the log from above. Avoid letting the chain touch the ground as you finish the cut. Maintain full throttle but be prepared for what might happen.

If it is possible (can you turn the log?) stop cutting about 2/3 of the way through the log.

Turn the log and finish the cut from the opposite side. **(Figure 75)**

The log is supported at one end. There is a high risk that it will split.

Start by cutting from below (about 1/3 of the way through).

Finish by cutting from above so that the two cuts meet. **(Figure 76)**

The log is supported at both ends. There is a high risk that the chain will jam.

Start by cutting from above (about 1/3 of the way through).

Finish by cutting from below so that the two cuts meet. **(Figure 77)**

Tree felling technique

IMPORTANT! It takes a lot of experience to fell a tree. Inexperienced users of chain saws should not fell trees. Do not attempt any task beyond your experience level!

Safe distance

The safe distance between a tree that is to be felled and anyone else working nearby is at least 2 1/2 tree lengths. Make sure that no-one else is in this "risk zone" before or during felling. **(Figure 78)**

Felling direction

Trees should not be felled in a manner that would endanger any person, strike any utility line or cause any property damage. If the tree does make contact with any utility line, the utility company should be notified immediately.

The aim is to fell the tree in a position where you can limb and cross-cut the log as easily as possible. You want it to fall in a location where you can stand and move about safely.

Once you have decided which way you want the tree to fall you must judge which way the tree would fall naturally.

Several factors affect this:

- Lean of the tree
- Bend
- Wind direction
- Arrangement of branches
- Weight of snow
- Obstacles within the reach of the tree: for example, other trees, power lines, roads and buildings.
- Look for signs of damage and rot in the stem, this makes it more probably that the tree will break and start to fall before you expect it to.

You may find you are forced to let the tree fall in its natural direction because it is impossible or dangerous to try to make it fall in the direction you first intended.

Another very important factor, which does not affect the felling direction but does affect your safety, is to make sure the tree has no damaged or dead branches that might break off and hit you during felling.

Always keep on the uphill side of the terrain as the tree is likely to roll or slide downhill after it is felled.

The main point to avoid is letting the tree fall onto another tree. It is very dangerous to remove a trapped tree and there is high accident risk. See instructions under the heading Freeing a tree that has fallen badly.

IMPORTANT! During critical felling operations, hearing protectors should be lifted immediately when sawing is completed so that sounds and warning signals can be heard.

Clearing the trunk and preparing your retreat

Delimb the stem up to shoulder height. It is safer to work from the top down and to have the tree between you and the saw. **(Figure 79)**

Remove dirt, stones, loose bark, nails, staples, and wire from the tree where felling cuts are to be made.

Remove any undergrowth from the base of the tree and check the area for obstacles (stones, branches, holes, etc.) so that you have a clear path of retreat when the tree starts to fall. Your path of retreat should be roughly 135 degrees away from the intended felling direction. **(Figure 80)**

- 1 Danger zone
- 2 Retreat path
- 3 Felling direction

WORKING TECHNIQUES

Felling



WARNING! Unless you have special training we advise you not to fell trees with a diameter larger than the bar length of your saw!

Felling is done using three cuts. First you make the directional cuts, which consist of the top cut and the bottom cut, then you finish with the felling cut. By placing these cuts correctly you can control the felling direction very accurately.

Directional cuts

To make the directional cut you begin with the top cut. Aim using to the saw's felling direction mark (1) toward a goal further forward in the terrain, where you would like the tree to fall (2). Stand on the right-hand side of the tree, behind the saw, and cut with a pull stroke.

Next make the bottom cut so that it finishes exactly at the end of the top cut. **(Figure 81)**

The directional cuts should run 1/4 of the diameter through the trunk and the angle between the top cut and bottom cut should be 45°.

The line where the two cuts meet is called the directional cut line. This line should be perfectly horizontal and at right angles (90°) to the chosen felling direction. **(Figure 82)**

Felling cut

The felling cut is made from the opposite side of the tree and it must be perfectly horizontal. Stand on the left side of the tree and cut on the pull stroke.

Make the felling cut about 1.5-2 inches (3-5 cm) above the bottom directional cut. **(Figure 83) (Figure 84)**

Finish the felling cut parallel with the directional cut line so that the distance between them is at least 1/10 of the trunk diameter. The uncut section of the trunk is called the felling hinge.

The felling hinge controls the direction that the tree falls in. **(Figure 85)**

All control over the felling direction is lost if the felling hinge is too narrow or non-existent, or if the directional cuts and felling cut are badly placed. **(Figure 86)**

When the felling cut and directional cut are complete the tree should start to fall by itself or with the aid of a felling wedge or breaking bar. **(Figure 87)**

We recommend that you use a bar that is longer than the diameter of the tree, so that you can make the felling cut and directional cuts with single cutting strokes. See instructions under the heading Technical data section to find out which lengths of bar are recommended for your saw. **(Figure 88)**

There are methods for felling trees with a diameter larger than the bar length. However these methods involve a much greater risk that the kickback zone of the bar will come into contact with the tree. **(Figure 4)**

Freeing a tree that has fallen badly

Freeing a "trapped tree"

It is very dangerous to remove a trapped tree and there is high accident risk.

Never try to fell the tree that is trapped.

Never work in the risk zone of the hanging trapped tree. **(Figure 89)**

The safest method is to use a winch.

- Tractor-mounted **(Figure 90)**
- Portable **(Figure 91)**

Cutting trees and branches that are in tension

Preparations: Work out which side is in tension and where the point of maximum tension is (i.e. where it would break if it was bent even more). **(Figure 92)**

Decide which is the safest way to release the tension and whether you are able to do it safely. In complicated situations the only safe method is to put aside your chain saw and use a winch.

General advice:

Position yourself so that you will be clear of the tree or branch when the tension is released. **(Figure 93)**

Make one or more cuts at or near the point of maximum tension. Make as many cuts of sufficient depth as necessary to reduce the tension and make the tree or branch break at the point of maximum tension. **(Figure 94)**

Never cut straight through a tree or branch that is in tension!

If you must cut across tree/limb, make two to three cuts, one inch apart, one to two inches deep. **(Figure 95)**

Continue to cut deeper until tree/limb bends and tension is released. **(Figure 96)**

Cut tree/limb from outside the bend, after tension has been released.

How to avoid kickback



WARNING! Kickback can happen very suddenly and violently; kicking the chain saw, bar and chain back at the user. If this happens when the chain is moving it can cause very serious, even fatal injuries. It is vital you understand what causes kickback and that you can avoid it by taking care and using the right working technique.

What is kickback?

The word kickback is used to describe the sudden reaction that causes the chain saw and bar to jump off an object when the upper quadrant of the tip of the bar, known as the kickback zone, touches an object. **(Figure 69)**

WORKING TECHNIQUES

Kickback always occurs in the cutting plane of the bar. Normally the chain saw and bar are thrown backwards and upwards towards the user. However, the chain saw may move in a different direction depending on the way it was being used when the kickback zone of the bar touched the object.

Kickback only occurs if the kickback zone of the bar touches an object. **(Figure 4)**

Limbing



WARNING! A majority of kickback accidents occur during limbing. Do not use the kickback zone of the guide bar. Be extremely cautious and avoid contacting the log, other limbs or objects with the nose of the guide bar. Be extremely cautious of limbs under tension. They can spring back toward you and cause loss of control resulting in injury.

When limbing, leave larger, lower limbs to support the tree off the ground. Limbs should be cut one at a time. Branches under tension should be cut from the bottom up to avoid binding the chain saw.

Make sure that you can stand and move about safely. Work on the left side of the trunk. Work as close as possible to the chain saw for maximum control. If possible, let the weight of the chain saw rest on the trunk.

Keep the trunk between you and the chain saw as you move along the trunk. **(Figure 97)**

Cutting the trunk into logs

See instructions under the heading Basic cutting technique.

MAINTENANCE

General

The user must only carry out the maintenance and service work described in this manual. More extensive work must be carried out by an authorized service workshop.

Checking, maintaining and servicing chain saw safety equipment



WARNING! Always remove the battery before any assembly, maintenance and/or checking is done on the machine.

Note! All servicing and repair work on the machine requires special training. This is especially true of the machine's safety equipment. If your machine fails any of the checks described below we recommend you to contact our servicing dealer.

Important! Never clean the battery or the battery charger with water. Strong cleaning agents can damage the plastic.

Chain brake and front hand guard

Checking the front hand guard

- Make sure the front hand guard is not damaged and that there are no visible defects such as cracks. **(Figure 98)**
- Move the front hand guard forwards and back to make sure it moves freely and that it is securely anchored to the machine. **(Figure 99)**

Checking the inertia brake release

- Place the chain saw, deactivated, above a stump or other stable surface. Release the front handle and let the chain saw fall by its own weight, rotating around the rear handle towards the stump. **(Figure 100)**

When the bar hits the stump the brake should be activated.

Checking the brake trigger

- Activate the chain saw. Make sure the saw chain does not touch the ground or any other object. See instructions under the heading Starting and stopping.
- Grasp the chain saw firmly, wrapping your fingers and thumbs around the handles. **(Figure 65)**
- Apply full power and activate the chain brake by tilting your left wrist forward onto the front hand guard. Do not let go of the front handle. **The chain should stop immediately. (Figure 101)**

Power trigger lockout

- Make sure that the power trigger is locked at the idle setting when the power trigger lockout is released. **(Figure 102)**
- Press the power trigger lockout and make sure it returns to its original position when released. **(Figure 103)**
- Check that the power trigger and power trigger lockout move freely and that the return springs work properly. **(Figure 104)**
- Activate the chain saw and apply full power. Release the power trigger and check that the saw chain stops and remains stationary.

Chain catcher

- Check that the chain catcher is not damaged and is firmly attached to the body of the chain saw. **(Figure 105)**

Keypad

- Activate the chain saw (green LED on) and make sure the chain saw deactivates when the start/stop button is pressed (green LED off). **(Figure 106)**

Battery connectors

Clean the battery and the machines battery compartment with a soft brush after use. Make sure all cooling slots and battery connectors are cleaned. **(Figure 107)**

Cooling system

To keep the working temperature as low as possible the machine is equipped with a cooling system.

The cooling system consists of:

- 1 Air intake (left side of the machine).
 - 2 A fan on the motor.
- Clean the cooling system with a brush once a week, more often in demanding conditions. A dirty or blocked cooling system results in overheating which causes damage to the machine. **(Figure 108)**
 - 3 To reduce the risk of stressing the product to over temperature, you should make sure to work with a sharp chain and frequently secure that there is sufficient amount and quality of chain oil in the tank.

Battery

- Make sure the battery is not damaged or deformed and that there are no visible defects such as cracks. **(Figure 109)**

Battery charger

- Make sure the battery charger and the power supply cord is not damaged or deformed and that there are no visible defects such as cracks. **(Figure 110)**

MAINTENANCE

Maintenance schedule

The following is a list of the maintenance that must be performed on the machine. Most of the items are described in the Maintenance section.

Daily Maintenance	Weekly maintenance	Monthly maintenance
Clean the outside of the machine.	File off any burrs from the edges of the bar.	Check the connections between the battery and the machine and also check the connection between battery and the battery charger.
Check that the components of the power trigger work safely. (Power trigger lockout and power trigger.)		Empty the oil tank and clean the inside.
Clean the chain brake and check that it operates safely. Make sure that the chain catcher is undamaged, and replace it if necessary.		Blow through the product and battery cooling slots gently with compressed air.
The bar should be turned daily for more even wear. Check the lubrication hole in the bar, to be sure it is not clogged. Clean the bar groove.		
Check that the bar and chain are getting sufficient oil.		
Check the saw chain with regard to visible cracks in the rivets and links, whether the saw chain is stiff or whether the rivets and links are abnormally worn. Replace if necessary.		
Sharpen the chain and check its tension and condition. Check the drive sprocket for excessive wear and replace if necessary.		
Clean the machine's air inlet.		
Check that nuts and screws are tight.		
Check that the keypad works correctly and is not damaged.		

MAINTENANCE

Troubleshooting schedule

Keypad

Possible fault codes on the chain saw keypad.

Keypad	Possible faults	Possible action
Warning indicator flashing.	Chain brake engaged.	Pull back the front hand guard to release the chain brake.
	Temperature deviation.	Allow the machine to cool down.
	Overload. Cutting attachment jammed.	The cutting attachment is jammed. Release the cutting attachment.
	The power trigger and the activate button are pressed at the same time.	Release the power trigger and the machine is active.
Green activate LED flashing.	Low battery voltage.	Charge the battery.
Warning indicator lit.	Service	Contact your service agent.

Battery

Troubleshooting the battery and/or the battery charger during charging.

LED display	Possible faults	Possible action
Warning indicator flashing.	Temperature deviation.	Use the battery in surroundings where temperatures are between -10 °C (14 °F) and 40 °C (104 °F).
	Over voltage.	Check that the mains voltage corresponds with that stated on the rating plate on the machine.
		Remove the battery from the battery charger.
Under voltage.	Charge the battery.	
Warning indicator lit.	Cell difference too much (1V).	Contact your service agent.

Battery charger

LED display	Possible faults	Possible action
Error LED flashing	Temperature deviation.	Use the battery charger only when the surrounding temperature is between 5 °C (41 °F) and 40 °C (104 °F).
Red LED on	Cell difference too much (1V).	Contact your service agent.

TECHNICAL DATA

Technical data

Model designation	120i
Platform	CS100UL
Motor	
Type	BLDC (brushless) 36V
Features	
Battery runtime, min, (free run) with SavE activated	42
Lubrication system	
Type of oil pump	Automatic
Oil tank capacity, US pint/litre	0.42/0,20
Weight	
Chain saw without battery, bar and chain, empty chain oil tank, lb/kg	6.5/2,95
Chain/bar	
Recommended bar lengths, inch/cm	14/35
Usable cutting length, inches/cm	13/33
Drive sprocket type/teeth	Spur/6
Maximum chain speed / (savE), m/s	11.5 (10)

Approved batteries for the chain saw models above		
Battery	BLi20	
Type	Lithium-ion	
Battery capacity, Ah	4.2 (VTC4)	4 (HD2)
Voltage, V	36	36.5
Weight, lb/kg	2.6/1.2	2.6/1.2

Approved chargers for the specified batteries, BLi20.	
Battery charger	QC80
Input Voltage, V	100-240
Frequency, Hz	50-60
Power, W	100

TECHNICAL DATA

Recommended cutting equipment for USA

Following is a list of recommended cutting equipment for Husqvarna cordless chain saw model 120i. This chain saw model equipped with either of the listed guide bar and saw chain combination(s), fulfills the requirements according to UL 60745-2-13.

Chain saw model Husqvarna 120i met the kickback performance requirements of ANSI B175.1-2012 when tested with the combinations of bars and saw chains listed below. The saw chain Husqvarna H37/H38 is also classified as a low kickback saw chain since it met the requirements for low kickback saw chain outlined in ANSI B175.1-2012. We recommend to use only the listed combinations of bars and chains for chain saw model Husqvarna 120i. Other chain saw models may not meet the kickback requirements when equipped with the listed guide bar and saw chain combinations.

Recommended cutting equipment for Canada

Following is a list of recommended cutting equipment for the Husqvarna cordless chain saw model 120i. The listed combination(s) of powerhead, guide bar and saw chain meet all requirements outlined in Canadian Standards Association Z62.1-11 (Chain Saws) and Z62.3-11 (Chain Saw Kickback).

Furthermore the saw chain Husqvarna H37/H38 is evaluated and listed as a Type C Low Kickback Saw chain according to the provisions in Z62.3-11.

Kickback information


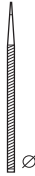



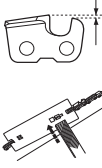
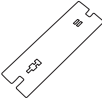

The guide bar nose radius is determined by either the maximum number of teeth in the nose sprocket or the corresponding maximum nose radius of a solid bar.

As we are listing the maximum guide bar nose radius, you may use a guide bar with smaller nose radius than in our list. For guide bars of the same length, all sprocket-nose guide bars of the same pitch and having the same number of sprocket teeth may be considered to have equivalent kickback energy.

The following cutting attachments are approved for the model Husqvarna 120i.

Guide bar				Saw chain	
Length, inch	Pitch, inch	Gauge, inch	Max. nose radius	Type	Drive link count
14	3/8	0.050	7T	Husqvarna H37	52
14	3/8	0.043	7T	Husqvarna H38	52

Note! Depending on your model version of Husqvarna 120i you must ensure that you combine the correct guide bar and saw chain (0.050 gauge bar= H37 and 0.043 gauge bar= H38). The chainsaw will not function correctly with the wrong combination of guide bar and saw chain.

							
	inch/mm				inch/mm		
37	5/32"/4,0mm	80°	30°	0°	0.025 / 0,65	5056981-03	5795588-01
38	4,5mm	75°	30°	0°	0.025 / 0,65	5056981-03	5795588-01

AMERICAN STANDARD SAFETY PRECAUTIONS

Safety precautions for chain saw users

(ANSI B175.1-2012 Annex C)

Kickback safety precautions



WARNING! Kickback may occur when the nose or tip of the guide bar touches an object, or when the wood closes in and pinches the saw chain in the cut.

Tip contact in some cases may cause a lightning fast reverse reaction, kicking the guide bar up and back towards the operator.

Pinching the saw chain along the top of the guide bar may push the guide bar rapidly back towards the operator.

Either of these reactions may cause you to lose control of the saw which could result in serious personal injury.

Do not rely exclusively upon the safety devices built into your saw. As a chain saw user, you should take several steps to keep your cutting jobs free from accident or injury.

With a basic understanding of kickback, you can reduce or eliminate the element of surprise. Sudden surprise contributes to accidents.

Keep a good firm grip on the saw with both hands, the right hand on the rear handle, and the left hand on the front handle, when the engine is running. Use a firm grip with thumbs and fingers encircling the chain saw handles. A firm grip will help you reduce kickback and maintain control of the saw. Don't let go.

Make sure that the area in which you are cutting is free from obstacles. Do not let the nose of the guide bar contact a log, branch, or any other obstacle which could be hit while you are operating the saw.

Cut at high engine speeds.

Do not overreach or cut above shoulder height.

Follow manufacturer's sharpening and maintenance instructions for the saw chain.

Only use replacement bars and chains specified by the manufacturer or the equivalent.

Other safety precautions



WARNING! Do not operate a chain saw with one hand! Serious injury to the operator, helpers, bystanders or any combination of these persons may result from one-handed operation. A chain saw is intended for two-handed use.

Do not operate a chain saw when you are fatigued.

Use safety footwear; snug-fitting clothing, protective gloves, and eye, hearing and head protection devices.

Use caution when handling fuel. Move the chain saw at least 10 feet (3 m) from the fueling point before starting the engine.

Do not allow other persons to be near the chain saw when starting or cutting with the chain saw. Keep bystanders and animals out of the work area.

Do not start cutting until you have a clear work area, secure footing and a planned retreat path from the falling tree.

Keep all parts of your body away from the saw chain when the engine is running.

Before you start the engine, make sure that the saw chain is not contacting anything.

Carry the chain saw with the engine stopped, the guide bar and saw chain to the rear, and the muffler away from your body.

Do not operate a chain saw that is damaged, improperly adjusted, or not completely and securely assembled. Be sure that the saw chain stops moving when the throttle control trigger is released.

Shut off the engine before setting the chain saw down.

When cutting a limb that is under tension be alert for springback so that you will not be struck when the tension in the wood fibers is released.

Keep handles dry, clean and free of oil or fuel mixture.

Operate the chain saw only in well-ventilated areas.

Do not operate a chain saw in a tree unless you have been specifically trained to do so.

Do not operate a chain saw above shoulder height.

All chain saw service, other than the items listed in the operator's/owner's safety and maintenance instructions, should be performed by competent chain saw service personnel. (For example, if improper tools are used to remove the flywheel or if an improper tool is used to hold the flywheel in order to remove the clutch, structural damage to the flywheel could occur and subsequently cause the flywheel to burst.)

When transporting your chain saw, use the appropriate guide bar guard.

Use extreme caution when cutting small size brush and saplings because slender material may catch the saw chain and be whipped toward you or pull you off balance.

Note: This Annex is intended primarily for the consumer or occasional user.

EXPLICATION DES SYMBOLES

Symboles sur la machine:

Traduction du manuel d'utilisation original du suédois.

AVERTISSEMENT! Cette tronçonneuse peut être dangereuse! Une utilisation erronée ou négligente peut occasionner des blessures graves, voire mortelles pour l'utilisateur ou une tierce personne.



Lire attentivement et bien assimiler le manuel d'utilisation avant d'utiliser la machine.



Toujours utiliser:

- Casque de protection homologué
- Protecteurs d'oreilles homologués
- Lunettes protectrices ou visière



Toujours utiliser les deux mains pour manipuler la tronçonneuse.



Ne jamais utiliser une seule main pour manipuler la tronçonneuse.



Ne jamais laisser le nez du guide entrer en contact avec un objet.



AVERTISSEMENT! Il risque de se produire un rebond si le nez du guide entre en contact avec un objet et entraîne une réaction qui projette le guide vers le haut et vers l'utilisateur. Ceci risque de causer de graves blessures personnelles.



Équipement de coupe recommandé dans cet exemple: - Longueur de guide-chaîne: 14 pouces (350mm) - Rayon maximum du nez: 7 dents.



Frein de chaîne, activé (droit) Frein de chaîne, non activé (gauche)



Remplissage d'huile de chaîne.



Marquage environnemental. Ce symbole figurant sur le produit ou sur son emballage indique que ce produit ne peut pas être traité comme déchet ménager. Il doit être collecté et amené à une installation de récupération appropriée de déchets d'équipements électriques et électroniques. 34 – French



Courant continu.



Ne les exposez pas à la pluie.



Tension nominale, V



La plaque d'identification indiquant le numéro de série. **yyyy** est l'année de production, **ww** est la semaine de production.

yyyywwxxxxx

Les autres symboles/autocollants présents sur la machine concernent des exigences de certification spécifiques à certains marchés.

Symboles sur la batterie et/ou son chargeur :

Ce produit doit être remis à un centre de recyclage approprié. (Concerne seulement l'Europe)



Transformateur non dangereux en cas de défaillance



Utilisez et stockez le chargeur de batterie uniquement en intérieur.



Double isolation



Avertissement lié à la proposition 65 de l'État de Californie.

⚠ ATTENTION!

Ce produit contient ou émet un produit chimique qui, d'après l'État de Californie, peuvent causer le cancer, des malformations congénitales ou autre danger pour la reproduction.

Pour joindre le service à la clientèle, appelez le 1 800 487-5951 ou visitez le site www.usa.husqvarna.com.

SOMMAIRE

Sommaire

EXPLICATION DES SYMBOLES

Symboles sur la machine: 34

Symboles sur la batterie et/ou son chargeur : 34

SOMMAIRE

Sommaire 35

INTRODUCTION

Cher client, 36

QUELS SONT LES COMPOSANTS?

Quels sont les composants de la tronçonneuse? . 36

INSTRUCTIONS GÉNÉRALES DE SÉCURITÉ

Consignes générales de sécurité relatives à l'outil à moteur 37

Mesures à prendre avant de mettre en usage une tronçonneuse neuve 39

Important! 40

Utilisez toujours votre bon sens 40

Équipement de protection personnelle 41

Équipement de sécurité de la machine 41

Batterie et chargeur de batterie 43

Équipement de coupe 44

MONTAGE

Montage du guide-chaîne et de la chaîne 48

MANIPULATION DE LA BATTERIE

Batterie 49

Chargeur de batterie 49

Transport et rangement 49

Mettez au rebut la batterie, le chargeur de batterie et la machine lorsqu'ils sont usagés 50

DÉMARRAGE ET ARRÊT

Démarrage et arrêt 51

TECHNIQUES DE TRAVAIL

Avant chaque utilisation: 52

SavE 52

Méthodes de travail 52

Mesures anti-rebond 56

ENTRETIEN

Généralités 57

Contrôle, maintenance et entretien des équipements de sécurité de la tronçonneuse 57

Connecteurs de batterie 57

Système de refroidissement 57

Batterie 57

Chargeur de batterie 57

Schéma d'entretien 58

Plan de recherche de pannes 59

CARACTÉRISTIQUES TECHNIQUES

Caractéristiques techniques 60

PRÉCAUTIONS SÉCURITAIRES

CONFORMANT AUX NORMES AMÉRICAINES

Consignes de sécurité pour les utilisateurs de tronçonneuses 62

INTRODUCTION

Cher client,

Félicitations pour ce choix d'un produit Husqvarna. Husqvarna a vu le jour en 1689 lorsque le roi Karl XI décida de construire un arsenal pour la fabrication des mousquets au bord de la rivière Huskvarna. Le choix de l'emplacement était logique puisque la rivière Huskvarna servait à produire de l'énergie hydraulique et constituait donc une sorte de centrale hydraulique. En plus de 300 ans d'existence, l'usine Husqvarna a fabriqué de nombreux produits, depuis les cuisinières à bois jusqu'aux équipements de cuisine modernes, sans oublier les machines à coudre, les bicyclettes, les motos, etc. La première tondeuse à moteur a été lancée en 1956, suivie en 1959 de la première tronçonneuse. C'est dans ce secteur que Husqvarna est actif aujourd'hui.

Husqvarna est aujourd'hui un des plus grands fabricants du monde de produits destinés à l'entretien des forêts et des jardins. La qualité et les performances sont nos priorités. Notre concept d'affaires est de développer, fabriquer et commercialiser des produits à moteur pour l'entretien des forêts et des jardins et pour les entreprises de construction et d'aménagement des sols. L'objectif d'Husqvarna est aussi d'être à la pointe du progrès en matière d'ergonomie, de facilité d'utilisation, de sécurité et de protection de l'environnement; un grand nombre d'innovations ont été développées pour améliorer les produits dans ces domaines.

Nous sommes persuadés que vous apprécierez la qualité et les performances de nos produits pendant de longues années. L'achat d'un de nos produits vous garantit une assistance professionnelle au niveau du service et des réparations en cas de besoin. Si la machine n'a pas été achetée chez un de nos revendeurs autorisés, demandez à un revendeur l'adresse de l'atelier d'entretien le plus proche.

Nous espérons que cette machine vous donnera toute satisfaction et qu'elle vous accompagnera pendant de longues années. N'oubliez pas que ce manuel d'utilisation est important. En suivant les instructions qu'il contient (utilisation, révision, entretien, etc.), il est possible d'allonger considérablement la durée de vie de la machine et d'augmenter sa valeur sur le marché de l'occasion. En cas de vente de la machine, ne pas oublier de remettre le manuel d'utilisation au nouveau propriétaire.

Nous vous remercions d'utiliser un produit Husqvarna !

Husqvarna AB travaille continuellement au développement de ses produits et se réserve le droit d'en modifier, entre autres, la conception et l'aspect sans préavis.

Quels sont les composants de la tronçonneuse? (1)

- 1 Arceau protecteur
- 2 Clavier
- 3 Bouton SavE
- 4 Avertisseur
- 5 Bouton d'activation/désactivation
- 6 Blocage de la gâchette de puissance
- 7 Poignée arrière avec protection de la main droite
- 8 Logement de ventilateur
- 9 Réservoir d'huile pour chaîne
- 10 Chargeur de batterie
- 11 Cordon d'alimentation
- 12 Avertisseur
- 13 Raccord
- 14 Manuel d'utilisation
- 15 Fourreau protecteur du guide-chaîne
- 16 Carter d'embrayage
- 17 Manette de tension de chaîne
- 18 Bouton
- 19 Capteur de chaîne
- 20 Griffes d'abatage
- 21 Pignon avant
- 22 Chaîne
- 23 Guide-chaîne
- 24 Poignée avant
- 25 Gâchette de puissance
- 26 Batterie
- 27 Boutons de libération de la batterie
- 28 État de la batterie
- 29 Bouton, état de la batterie
- 30 Avertisseur

INSTRUCTIONS GÉNÉRALES DE SÉCURITÉ

Consignes générales de sécurité relatives à l'outil à moteur



AVERTISSEMENT! Lire toutes les consignes et instructions de sécurité. Le non-respect des consignes et instructions peut provoquer une électrocution, un incendie et/ou des blessures graves.

IMPORTANT! Conserver toutes ces consignes et instructions pour toute consultation ultérieure. Le terme "machine à usiner" utilisé dans les consignes fait référence à la machine branchée sur secteur ou à la machine alimentée par batterie (sans fil).

Sécurité dans l'espace de travail

- **Maintenir un espace de travail propre et bien éclairé.** Les espaces encombrés ou sombres exposent à des accidents.
- **Ne pas utiliser de machines à usiner dans des atmosphères explosives, en présence de liquides, de gaz ou de poussières inflammables par exemple.** Les machines à usiner provoquent des étincelles qui peuvent enflammer la poussière ou les vapeurs.
- **Tenir les enfants et les spectateurs à distance lorsque la machine à usiner est en marche.** Un moment d'inattention peut vous faire perdre le contrôle.

Sécurité électrique

- **Les fiches des machines à usiner doivent être adaptées à la prise. Ne jamais modifier la fiche. Ne pas utiliser de fiches d'adaptation avec des machines mises à la terre.** Les fiches non modifiées et les prises adaptées permettent de réduire le risque d'électrocution.
- **Éviter tout contact physique avec les surfaces mises à la terre telles que les tuyaux, les radiateurs, les cuisinières et les réfrigérateurs.** Le risque d'électrocution est plus important si le corps est relié à la terre.
- **Ne pas exposer les outils électriques à la pluie ou à l'humidité.** L'infiltration d'eau dans une machine à usiner augmente le risque d'électrocution.
- **Ne pas malmenager le cordon. Ne jamais utiliser le cordon pour porter, tirer ou débrancher la machine.** Tenir le cordon éloigné de toute source de chaleur, de l'huile, des bords tranchants ou des pièces mobiles. Les cordons endommagés ou emmêlés augmentent le risque d'électrocution.
- **Lorsqu'une machine à usiner est utilisée à l'extérieur, installer une rallonge adaptée à un usage extérieur.** L'utilisation d'un cordon adapté à un usage extérieur réduit le risque d'électrocution.

- **Si la machine doit être mise sous tension dans un endroit humide, utilisez une alimentation protégée par un disjoncteur-détecteur de fuite à la terre.** L'utilisation d'un DDFT réduit le risque de choc électrique.

Sécurité du personnel

- **Restez attentif, regardez ce que vous faites et ayez recours à votre bon sens lorsque vous utilisez une machine à usiner. N'utilisez pas de machine à usiner si vous êtes fatigué ou si vous êtes sous l'emprise de drogues, de l'alcool ou de médicaments.** Un moment d'inattention pendant l'utilisation des machines à usiner peut entraîner des blessures corporelles graves.
- **Utilisez un équipement de protection personnelle. Travaillez toujours avec des lunettes de protection.** Les équipements de protection tels que les masques antipoussières, les chaussures de sécurité antidérapantes, le casque ou le protecteur d'oreilles utilisés dans les conditions qui conviennent réduisent les blessures corporelles.
- **Évitez tout démarrage intempestif. Vérifiez que l'interrupteur est en position OFF avant de brancher la machine à la prise et/ou au bloc d'alimentation, de la ramasser ou de la transporter.** Le fait de garder le doigt sur l'interrupteur pendant le transport des outils ou le branchement des machines alors que l'interrupteur est en position ON expose à des accidents.
- **Retirez toute clé ou clavette de calage avant de mettre la machine à usiner sous tension.** Une clé ou une clavette reliée à une pièce mobile de la machine à usiner peut entraîner des blessures corporelles.
- **Ne vous éloignez pas trop. Restez toujours en équilibre et sur vos appuis.** Cela favorise le contrôle de la machine à usiner dans les situations inattendues.
- **Habillez-vous correctement. Ne portez jamais de vêtements amples ou de bijoux. Éloignez vos cheveux, vêtements et gants des pièces mobiles.** Les vêtements amples, les bijoux et les cheveux longs peuvent rester coincés dans les pièces mobiles.
- **Si des dispositifs sont fournis pour raccorder des systèmes de collecte et d'extraction de la poussière, vérifiez qu'ils sont correctement branchés et utilisés.** L'utilisation de dépoussiéreur peut réduire les risques associés à la poussière.

Utilisation et entretien de la machine à usiner

- **Ne pas forcer sur la machine à usiner. Utiliser la machine à usiner qui convient à l'application.** La machine qui convient réalisera mieux son travail et de façon plus sûre, à la vitesse pour laquelle elle a été conçue.

INSTRUCTIONS GÉNÉRALES DE SÉCURITÉ

- **Ne pas utiliser la machine à usiner si l'interrupteur ne permet pas la mise sous tension ou l'arrêt.** Toute machine à usiner impossible à commander avec l'interrupteur est dangereuse et doit être réparée.
- **Débrancher la fiche de la prise et/ou du bloc d'alimentation avant de procéder aux réglages, de changer les accessoires ou de stocker la machine.** Ces mesures de sécurité préventive réduisent le risque de mise sous tension accidentelle de la machine à usiner.
- **Ranger les machines à usiner hors de la portée des enfants et ne pas laisser des personnes qui ne connaissent pas la machine ou ces consignes utiliser l'appareil.** Les machines à usiner sont dangereuses si elles sont entre les mains d'utilisateurs non formés.
- **Entretien des machines à usiner. Vérifier le mauvais alignement ou la fixation des pièces mobiles, l'éventuelle rupture des pièces ou toute autre condition susceptible d'altérer le fonctionnement de la machine. Si elle est endommagée, la machine à usiner doit être réparée avant toute réutilisation.** De nombreux accidents sont dus à des machines mal entretenues.
- **Maintenir les outils tranchants aiguisés et propres.** Des outils tranchants correctement entretenus avec des bords aiguisés sont moins susceptibles de se coincer et sont plus faciles à contrôler.
- **Utiliser la machine à usiner, les accessoires, les grains, etc. en suivant ces consignes et en tenant compte des conditions de travail et de la tâche à réaliser.** L'utilisation de la machine à usiner pour des opérations autres que celles pour lesquelles elle a été prévue peut entraîner des situations dangereuses.

Utilisation et entretien d'un outil à batterie

- **Ne rechargez la machine qu'avec le chargeur indiqué par le fabricant.** Un chargeur convenant à un type de bloc de batteries particulier peut entraîner un risque d'incendie s'il est utilisé avec un autre bloc.
- **N'utilisez des outils à moteur qu'avec des blocs de batteries spécifiquement désignés.** L'utilisation d'un autre bloc de batteries peut entraîner un risque de blessure et d'incendie.
- **Lorsque vous n'utilisez pas un bloc de batteries, maintenez-le à distance d'objets métalliques, tels que des trombones, pièces de monnaie, clés, clous, vis, ou autres petits objets en métal risquant de relier une borne à l'autre.** Court-circuiter les bornes de batterie entraîne un risque de brûlures et d'incendie.
- **Une utilisation abusive peut faire s'échapper du liquide de la batterie ; évitez tout contact de ce liquide avec votre peau. En cas de contact accidentel, rincez à l'eau. Si du liquide pénètre**

dans vos yeux, consultez un médecin. Le liquide échappé de la batterie peut causer irritations et brûlures.

Service

- **Confier la réparation de la machine à usiner à un réparateur qualifié utilisant uniquement des pièces de rechange identiques.** Cela permet de garantir la sécurité de la machine.

Consignes de sécurité concernant la tronçonneuse

- **Lorsque la tronçonneuse est en marche, maintenez la chaîne éloignée de toute partie du corps. Avant de démarrer la tronçonneuse, assurez-vous que la chaîne n'est en contact avec aucun objet.** Lorsque la tronçonneuse est en marche, il suffit d'un moment d'inattention pour que la chaîne accroche vos vêtements ou vous blesse.
- **Tenez toujours la tronçonneuse fermement des deux mains, la main droite sur la poignée arrière, la gauche sur la poignée avant.** N'inversez pas cette position, même si vous êtes gaucher, le risque de blessure serait plus élevé.
- **Tenez l'outil électrique uniquement par la surface de préhension isolée, car la chaîne pourrait entrer en contact avec un câble électrique non apparent.** Si la chaîne entre en contact avec un câble sous tension, elle risque de mettre également sous tension les parties métalliques de l'outil électrique et vous pourriez recevoir un choc électrique.
- **Portez des lunettes de sécurité et des protecteurs d'oreilles. Il est recommandé de porter également un équipement de protection pour la tête, les mains, les jambes et les pieds.** Des vêtements de protection appropriés réduisent les blessures causées par la projection de débris ou un contact accidentel avec la chaîne.
- **N'utilisez pas une tronçonneuse si vous êtes dans un arbre.** Vous risqueriez de vous blesser ou de blesser quelqu'un.
- **Ayez toujours un bon appui et n'utilisez la tronçonneuse que si vous êtes debout sur une surface plane, fixe et sécurisée.** Sur une surface glissante ou instable telle qu'une échelle, vous pourriez perdre l'équilibre ou le contrôle de la tronçonneuse.
- **Lorsque vous sciez une branche en tension, attention à l'effet de rebond.** Lorsque la tension des fibres du bois est libérée, la branche peut vous frapper ou dévier la tronçonneuse.
- **Soyez extrêmement prudent lorsque vous coupez des broussailles ou de jeunes arbres.** Les branches minces peuvent bloquer la chaîne, vous fouetter ou vous déséquilibrer.
- **Portez la tronçonneuse en la tenant par la poignée, toujours éteinte et éloignée de votre**

INSTRUCTIONS GÉNÉRALES DE SÉCURITÉ

corps. Pour transporter ou ranger la tronçonneuse, remettez toujours le fourreau du guide-chaîne. Un maniement approprié de la tronçonneuse réduit le risque de contact accidentel avec la chaîne.

- **Suivez les instructions pour la lubrification, la tension de la chaîne et le changement d'accessoires.** Une chaîne mal tendue ou mal lubrifiée peut freiner et accroître les risques de rebond.
- **Les poignées doivent toujours être propres, sèches et sans traces d'huile ni de graisse.** La présence d'huile ou de graisse sur les poignées les rendrait glissantes et vous pourriez perdre le contrôle de la tronçonneuse.
- **Ne coupez que du bois. N'utilisez pas la tronçonneuse pour un autre usage. Par exemple : n'utilisez pas une tronçonneuse pour couper du plastique, un ouvrage de maçonnerie ni aucun matériau de construction autre que le bois.** L'utilisation d'une tronçonneuse pour un usage non prévu peut entraîner un risque.
- Nous recommandons fortement aux débutants de commencer par s'entraîner en sciant des bûches sur un chevalet de sciage ou une traverse.

Causes et prévention des rebonds

Un rebond peut se produire si l'extrémité avant du guide-chaîne touche un objet, ou si le bois bloque la tronçonneuse. Dans certains cas, lorsque l'avant du guide entre en contact avec un objet, la tronçonneuse rebondit vers l'opérateur. Si la chaîne est bloquée sur l'avant du guide, celui-ci peut rebondir soudainement vers l'opérateur. L'un ou l'autre de ces accidents peut vous faire perdre le contrôle de la tronçonneuse et provoquer une blessure grave. Ne vous fiez pas exclusivement aux dispositifs de sécurité de votre tronçonneuse. Lorsque vous utilisez une tronçonneuse, prenez plusieurs mesures pour éviter tout accident ou blessure. Un rebond est le résultat de conditions inappropriées, d'une procédure incorrecte ou d'une mauvaise utilisation de l'outil, et peut être évité en prenant les précautions suivantes :

- **Tenez fermement la tronçonneuse des deux mains, les pouces sous les poignées, et placez votre corps et vos bras de manière à résister à la force d'un éventuel rebond.** La force de rebond peut être contrôlée si vous prenez les bonnes précautions. Ne lâchez pas la tronçonneuse.
- **Ne coupez jamais au-dessus de la hauteur de vos épaules.** Cela permet de réduire les contacts accidentels et de mieux contrôler la tronçonneuse dans des situations inattendues.
- **N'utilisez que les chaînes et guide-chaînes spécifiés par le fabricant.** Une chaîne ou un guide-chaîne inappropriés peuvent se rompre ou provoquer un rebond.

- **Suivez les instructions du fabricant pour l'affûtage et l'entretien de la chaîne.** Réduire la hauteur de la butée de profondeur peut accroître le risque de rebond.

Mesures à prendre avant de mettre en usage une tronçonneuse neuve

- Lisez attentivement ce manuel d'utilisation.
- **(1) - (110)** fait référence aux figures des p. 2-6.
- Chargez complètement la batterie avant la première utilisation. Voir les instructions du chapitre Charge de la batterie.
- Remplissage du réservoir d'huile de chaîne. Voir les instructions du chapitre Remplissage du réservoir d'huile de chaîne.
- Vérifier le montage et le réglage de l'outil de coupe. Voir les instructions au chapitre Montage.
- Ne pas utiliser la tronçonneuse avant que la chaîne ait reçu une quantité suffisante d'huile de chaîne. Voir les instructions au chapitre Lubrification de l'équipement de coupe.
- Une exposition prolongée au bruit risque de causer des lésions auditives permanentes. Toujours utiliser des protecteurs d'oreille agréés.



AVERTISSEMENT! Ne jamais modifier sous aucun prétexte la machine sans l'autorisation du fabricant. N'utiliser que des accessoires et des pièces d'origine. Des modifications non-autorisées et l'emploi d'accessoires non-homologués peuvent provoquer des accidents graves et même mortels, à l'utilisateur ou d'autres personnes. Votre garantie ne couvre ni les dommages ni la responsabilité qu'entraîne l'utilisation de pièces ou d'accessoires non autorisés.



AVERTISSEMENT! Utilisée de manière erronée ou négligente, la tronçonneuse peut être un outil dangereux pouvant causer des blessures personnelles graves, voire mortelles. Il importe donc de lire attentivement et de bien assimiler le contenu de ce manuel d'utilisation.



AVERTISSEMENT! L'inhalation prolongée de brume d'huile de chaîne et de poussière de sciure peut représenter un risque pour la santé.

INSTRUCTIONS GÉNÉRALES DE SÉCURITÉ



AVERTISSEMENT! Cette machine génère un champ électromagnétique en fonctionnement. Ce champ peut dans certaines circonstances perturber le fonctionnement d'implants médicaux actifs ou passifs. Pour réduire le risque de blessures graves ou mortelles, les personnes portant des implants médicaux doivent consulter leur médecin et le fabricant de leur implant avant d'utiliser cette machine.



AVERTISSEMENT! Ne laissez jamais des enfants utiliser la machine ou s'en approcher. Dans la mesure où la machine est facile à démarrer, il est possible que des enfants arrivent à la mettre en route lorsque vous les quittez des yeux. Ceci peut entraîner un risque de graves blessures personnelles. Retirez donc la batterie lorsque vous n'êtes pas en mesure de surveiller la machine de près.

Important!

IMPORTANT!

Cette tronçonneuse pour l'administration des forêts est conçue pour des travaux forestiers tels que l'abattage, l'ébranchage et la coupe. Le produit est conçu pour le bois de 10-15 cm (4-6 pouces).

Utilisez seulement les combinaisons guide-chaîne/chaîne recommandées au chapitre Caractéristiques techniques.

N'utilisez jamais la machine si vous êtes fatigué, avez bu de l'alcool ou pris des médicaments susceptibles d'affecter votre vue, votre jugement ou la maîtrise de votre corps. Soyez plus prudent avant des périodes de repos et à la fin de votre travail.

Utiliser les équipements de protection personnelle. Voir au chapitre "Équipement de protection personnelle".

Ne modifiez jamais cette machine de façon à ce qu'elle ne soit plus conforme au modèle d'origine et n'utilisez jamais une machine qui semble avoir été modifiée.

N'utilisez jamais une machine, une batterie ou un chargeur de batterie défectueux. Suivez les instructions de contrôle, de maintenance et d'entretien indiquées dans ce manuel. Certaines opérations de maintenance et d'entretien doivent être réalisées par un spécialiste dûment formé et qualifié. Voir les instructions du chapitre Entretien.

N'utiliser que les accessoires recommandés dans ce manuel. Voir les chapitres Équipement de coupe et Caractéristiques techniques.

REMARQUE! Utilisez toujours des lunettes de protection ou une visière faciale pour vous protéger d'une éventuelle projection d'objet. Une tronçonneuse peut projeter avec violence des objets, de la sciure et de petits morceaux de bois par exemple. Il peut en résulter des blessures graves, surtout au niveau des yeux.



AVERTISSEMENT! Un équipement de coupe inapproprié ou une mauvaise combinaison guide-chaîne/chaîne augmente le risque de rebond ! N'utilisez que les combinaisons chaîne et guide-chaîne recommandées et respectez les instructions d'affûtage. Voir les instructions au chapitre Caractéristiques techniques.

Utilisez toujours votre bon sens

Il est impossible de prévoir toutes les situations que vous pouvez rencontrer lorsque vous utilisez une tronçonneuse. Soyez toujours prudent et utilisez votre bon sens. Évitez les situations que vous n'êtes pas sûr de maîtriser. Si, après avoir lu ces instructions, vous n'êtes toujours pas sûr de la procédure à suivre, demandez conseil à un expert avant de poursuivre. N'hésitez pas à prendre contact avec votre revendeur ou avec nous si vous avez des questions sur l'utilisation de la tronçonneuse. Nous sommes à votre disposition et vous conseillons volontiers pour vous aider à mieux utiliser

INSTRUCTIONS GÉNÉRALES DE SÉCURITÉ

votre tronçonneuse en toute sécurité. N'hésitez pas à suivre une formation sur l'utilisation des tronçonneuses. Votre revendeur, votre établissement de formation forestière et votre bibliothèque peuvent vous renseigner sur le matériel de formation et les cours disponibles. **(Figure 2)**

Nous travaillons en permanence à l'amélioration de la conception et de la technique, des améliorations qui augmentent votre sécurité et votre efficacité. Rendez régulièrement visite à votre revendeur pour vous tenir au courant des nouveautés qui peuvent vous être utiles.

Équipement de protection personnelle



AVERTISSEMENT! La plupart des accidents surviennent quand la chaîne de la tronçonneuse touche l'utilisateur. Un équipement de protection personnelle homologué doit impérativement être utilisé lors de tout travail avec la machine. L'équipement de protection personnelle n'élimine pas les risques mais réduit la gravité des blessures en cas d'accident. Demander conseil au concessionnaire afin de choisir un équipement adéquat.

Toujours utiliser:

- Casque de protection homologué
- Protecteur d'oreilles
- Lunettes protectrices ou visière
- Gants protecteurs anti-chaîne
- Pantalon avec protection anti-chaîne
- Bottes avec protection anti-chaîne, embout acier et semelle antidérapante
- Une trousse de premiers secours doit toujours être disponible.

Porter des vêtements près du corps et ne risquant pas de gêner les mouvements.

Équipement de sécurité de la machine

Cette section traite des équipements de sécurité de la machine et de leur fonction. Pour le contrôle et l'entretien, voir les instructions au chapitre Contrôle, maintenance et entretien des équipements de sécurité de la tronçonneuse. Voir le chapitre Quels sont les composants? pour savoir où se trouvent équipements sur la machine.

La durée de vie de la machine risque d'être écourtée et le risque d'accidents accru si la maintenance de la machine n'est pas effectuée correctement et si les mesures d'entretien et/ou de réparation ne sont pas effectuées de manière professionnelle. Pour obtenir de plus amples

informations, contacter l'atelier de réparation le plus proche.



AVERTISSEMENT! N'utilisez jamais une machine dont les équipements de sécurité sont défectueux. Les équipements de sécurité doivent être contrôlés et entretenus. Voir les instructions au chapitre Contrôle, maintenance et entretien des équipements de sécurité de la tronçonneuse. Si les contrôles ne donnent pas un résultat positif, faites réparer votre machine par un atelier d'entretien.

Clavier

Assurez-vous que la machine est selon le cas allumée ou éteinte lorsque vous appuyez sur le bouton d'activation/désactivation (1) et le maintenez enfoncé (>1 sec.). La DEL verte (2) est allumée ou éteinte.

L'indicateur d'avertissement (3) clignote si le frein de chaîne est enclenché ou s'il y a un risque de surcharge. La protection de surcharge désactive temporairement la machine. Lorsque la machine retrouve sa température normale, vous pouvez à nouveau l'utiliser. Une lumière fixe indique la nécessité d'une opération de maintenance. **(Figure 6)**

Fonction d'arrêt automatique

La machine est équipée d'une fonction d'arrêt qui l'éteint lorsqu'elle n'est pas utilisée. La machine s'éteint au bout d'une minute.

Frein de chaîne avec arceau protecteur

Votre tronçonneuse est équipée d'un frein de chaîne conçu pour arrêter la chaîne en cas de rebond. Le frein de chaîne réduit le risque d'accidents, mais seul l'utilisateur peut prévenir les accidents. **(Figure 3)**

Observer la plus grande prudence en utilisant la tronçonneuse et s'assurer que la zone de rebond du guide-chaîne ne touche rien. **(Figure 4)**

- Le frein de chaîne (A) est activé soit manuellement (de la main gauche), soit avec la fonction d'inertie. **(Figure 5)**
- Pousser l'arceau (B) vers l'avant pour activer le frein de chaîne. **(Figure 5)**
- Ce mouvement active un mécanisme à ressort qui arrête le pignon d'entraînement.
- L'arceau protecteur ne déclenche pas seulement le frein de chaîne. Il réduit aussi le risque que la main gauche ne se blesse à la chaîne en cas de perte de la prise sur la poignée avant.
- Le frein de chaîne doit être activé quand la tronçonneuse est démarrée.
- Utilisez le frein de chaîne comme 'frein de stationnement' au démarrage et lors de courts

INSTRUCTIONS GÉNÉRALES DE SÉCURITÉ

déplacements, pour éviter une mise en marche involontaire de la tronçonneuse et les accidents.

- Tirer l'arceau vers l'arrière contre la poignée avant pour désactiver le frein de chaîne.
- Un rebond peut être rapide et très violent. Toutefois la plupart des rebonds sont courts et n'activent pas nécessairement le frein de chaîne. Dans ce cas, tenir fermement la tronçonneuse et ne pas la lâcher. **(Figure 65)**
- Le mode d'activation du frein de chaîne (manuel ou automatique par inertie) dépend de l'ampleur du rebond et de la position de la tronçonneuse par rapport à l'objet rencontré par la zone de danger du guide.

Si le rebond est violent et si la zone de danger du guide se trouve loin de l'utilisateur, le frein de chaîne est activé par le contrepoids (inertie) du frein de chaîne dans le sens du rebond. **(Figure 7)**

- En cas de rebond moins violent ou si, en raison de la situation de travail, la zone de danger du guide est proche de l'utilisateur, le frein de chaîne est activé manuellement par la main gauche.
- En position d'abattage, la main gauche se trouve dans une position qui rend l'activation manuelle du frein de chaîne impossible. Dans cette position, quand la main gauche ne peut pas agir sur le mouvement de la protection anti-rebond, le frein de chaîne ne peut être activé que par inertie. **(Figure 8)**

Ma main active-t-elle toujours le frein de chaîne en cas de rebond?

Non. Il faut une certaine force pour pousser la protection anti-rebond vers l'avant. Si votre main ne fait qu'effleurer la protection anti-rebond ou glisse dessus, la force peut ne pas suffire pour déclencher le frein de chaîne. Vous devez aussi tenir fermement la poignée de la tronçonneuse quand vous travaillez. Ainsi, vous ne lâchez peut être jamais la poignée avant en cas de rebond et n'activez pas le frein de chaîne, ou n'activez pas le frein de chaîne avant que la tronçonneuse n'ait eu le temps de tourner sur une certaine distance. Dans un tel cas, il se peut que le frein de chaîne n'ait pas le temps d'arrêter la chaîne avant qu'elle ne vous heurte.

Certaines positions de travail empêchent aussi votre main d'atteindre la protection anti-rebond pour activer le frein de chaîne, quand la tronçonneuse est tenue en position d'abattage par exemple.

L'inertie du frein de chaîne est-elle toujours activée en cas de rebond?

Non. Le frein doit fonctionner. Le rebond doit aussi être suffisamment violent pour activer le frein de chaîne. Si le frein de chaîne était trop sensible, il serait continuellement activé, ce qui serait gênant.

Le frein de chaîne me protège-t-il toujours des blessures en cas de rebond?

Non. Tout d'abord, votre frein doit fonctionner pour assurer la protection souhaitée. Ensuite, il doit être activé comme décrit ci-dessus pour arrêter la chaîne en cas de rebond. Pour finir, le frein de chaîne peut être activé mais si le guide-chaîne est trop près de vous, le frein peut ne pas avoir le temps de ralentir et arrêter la chaîne avant que la tronçonneuse ne vous heurte.

La seule façon d'éviter les rebonds et le danger qu'ils représentent est de faire attention et d'utiliser une méthode de travail correcte.

Blocage de l'accélération

Le blocage de la gâchette est conçu de manière à empêcher son activation accidentelle. Lorsque vous appuyez sur le blocage de la gâchette (A), c'est-à-dire lorsque vous saisissez la poignée, la gâchette (B) se libère. Relâchez la poignée pour remettre la gâchette et son blocage en position initiale. **(Figure 9)**

Capteur de chaîne

Le capteur de chaîne est construit pour rattraper une chaîne qui a sauté ou s'est brisée. Dans la plupart des cas, ces situations peuvent être évitées par une tension correcte de la chaîne (voir le chapitre Montage) et en entretenant correctement le guide et la chaîne (voir le chapitre Méthodes de travail). **(Figure 10)**

Protection de la main droite

La protection de la main droite protège la main si la chaîne saute ou se casse et empêche les branchettes et brindilles de gêner la prise sur la poignée arrière. **(Figure 11)**

Vibrations

Le sciage de bois durs (la plupart des feuillus) produit davantage de vibrations que celui des bois tendres (la plupart des conifères). Si la chaîne est mal affûtée ou défectueuse (type inadéquat ou affûtage défectueux), le taux de vibrations augmente.



AVERTISSEMENT! Une exposition excessive aux vibrations peut entraîner des troubles circulatoires ou nerveux chez les personnes sujettes à des troubles cardio-vasculaires. Consultez un médecin en cas de symptômes liés à une exposition excessive aux vibrations. De tels symptômes peuvent être: engourdissement, perte de sensibilité, chatouillements, picotements, douleur, faiblesse musculaire, décoloration ou modification épidermique. Ces symptômes affectent généralement les doigts, les mains ou les poignets. Ces symptômes peuvent être accentués par le froid.

INSTRUCTIONS GÉNÉRALES DE SÉCURITÉ

Batterie et chargeur de batterie

Cette section présente les consignes de sécurité relatives à la batterie et au chargeur de batterie associés à votre produit alimenté par batterie.

N'utilisez que les batteries d'origine Husqvarna et ne les rechargez qu'avec Le chargeur QC de Husqvarna. Les batteries sont codées par logiciel.

Consignes de sécurité relatives à l'utilisation de la batterie

Les batteries rechargeables Husqvarna, BLi, sont exclusivement utilisées comme alimentation électrique des appareils sans fil Husqvarna adaptés. Pour éviter toute blessure, n'utilisez pas la batterie pour d'autres appareils.



AVERTISSEMENT! Protégez la batterie des rayons directs du soleil, de la chaleur et de flammes nues. La batterie risque d'exploser si elle est jetée dans un foyer ouvert. Risque de brûlures et/ou de brûlures chimiques.



AVERTISSEMENT! Évitez tout contact de la peau avec l'acide de batterie. L'acide de batterie peut irriter la peau, la brûler ou la blesser par son effet corrosif. Si vous recevez de l'acide dans les yeux, ne les frottez pas ; rincez-les abondamment à l'eau pendant au moins 15 minutes. Consultez un médecin. Si votre peau entre accidentellement en contact avec de l'acide, lavez-la abondamment à l'eau et au savon.



AVERTISSEMENT! Ne branchez jamais les bornes de la batterie à des clés, des pièces de monnaie, des vis ou tout autre élément métallique ; cela pourrait causer un court-circuit de la batterie. N'insérez jamais d'objets dans les événements d'aération de la batterie.

Les batteries inutilisées doivent rester à distance d'objets métalliques tels que des clous, des pièces de monnaie ou des bijoux. N'essayez pas de démonter ou d'écraser la batterie.

- Utilisez la batterie dans des environnements où règne une température comprise entre -10 °C (14 °F) et 40 °C (104 °F).
- N'exposez pas la batterie à des micro-ondes ou à une pression élevée.
- Ne nettoyez jamais la batterie ou le chargeur de batterie avec de l'eau. Voir également les indications au chapitre Entretien.

- Rangez la batterie hors de portée des enfants.
- Protégez la batterie de la pluie et de l'humidité.

Consignes de sécurité relatives au chargeur de batterie

Utilisez uniquement des chargeurs Husqvarna QC pour le chargement des batteries de recharge Husqvarna, BLi.



AVERTISSEMENT! Réduisez les risques de choc électrique ou de court-circuit au minimum en respectant les consignes suivantes :

N'introduisez jamais un quelconque objet dans les fentes de refroidissement du chargeur.

N'essayez pas de démonter le chargeur de batterie.

Ne raccordez jamais les bornes du chargeur à des objets métalliques car cela peut court-circuiter le chargeur de batterie.

Utilisez des prises de courant agréées et intactes.

- Vérifiez régulièrement que le fil de raccordement du chargeur de batterie est intact et ne présente aucune fissure.
- Ne portez jamais le chargeur de batterie par le câble et ne débranchez jamais la fiche en tirant sur le câble.
- Utilisez uniquement des rallonges d'extérieur trifilaires avec prises de mise à la terre à trois dents et prises avec terre adaptées à la prise de l'appareil.
- Conserver tous les câbles et toutes les rallonges loin de l'eau, de l'huile et des bords tranchants. Veiller à ce que le câble ne soit pas coincé dans des portes, des clôtures ou d'autres équipements similaires. Des objets pourraient alors être sous tension.



AVERTISSEMENT! N'utilisez pas le chargeur de batterie à proximité de matières corrosives ou inflammables. Ne recouvrez pas le chargeur de batterie. En cas de dégagement de fumée ou de début d'incendie, débranchez aussitôt la fiche reliée au chargeur de batterie. Attention au risque d'incendie.

N'utilisez jamais :

- un chargeur de batterie défectueux ou endommagé ni une batterie défectueuse, endommagée ou déformée,

Ne rechargez pas :

- de batteries non-rechargeables dans le chargeur de batterie et ne pas en utiliser dans la machine.

INSTRUCTIONS GÉNÉRALES DE SÉCURITÉ

- le chargeur de batterie pour recharger la batterie à l'extérieur.
- la batterie par temps de pluie ou en milieu humide,
- la batterie en plein soleil.

N'utilisez le chargeur de batterie que si la température ambiante est comprise entre 5 °C (41 °F) et 40 °C (104 °F). Utilisez le chargeur dans un environnement bien ventilé, sec et exempt de poussières.

Équipement de coupe

Cette section explique comment, grâce à l'utilisation du bon équipement de coupe et grâce à un entretien correct:

- Réduire le risque de rebond de la machine.
- Réduit le risque de saut ou de rupture de chaîne.
- Permet des performances de coupe optimales.
- Augmenter la durée de vie de l'équipement de coupe.
- Évite l'augmentation du niveau de vibration.

Règles élémentaires

- **N'utiliser que l'équipement de coupe recommandé!** Voir les instructions au chapitre Caractéristiques techniques.
- **Veiller à ce que les dents de la chaîne soient toujours bien affûtées! Suivre les instructions et utiliser le gabarit d'affûtage recommandé.** Une chaîne émoussée ou endommagée augmente les risques d'accident et peut entraîner une surchauffe rapide du produit.
- **Veillez à travailler avec une épaisseur de copeau correcte! Suivez les instructions et utilisez le gabarit d'épaisseur de copeau recommandé.** Une épaisseur de copeau trop importante augmente le risque de rebond. (Figure 19)
- **Veiller à ce que la chaîne soit toujours bien tendue!** Une tension de chaîne insuffisante augmente le risque de rupture de chaîne ainsi que l'usure du guide, de la chaîne et du pignon. (Figure 24)
- **Maintenir l'équipement de coupe bien lubrifié et bien entretenu!** Un équipement insuffisamment lubrifié augmente le risque de rupture de chaîne ainsi que l'usure du guide, de la chaîne et du pignon.

Équipement de coupe anti-rebond



AVERTISSEMENT! Un équipement de coupe inapproprié ou une mauvaise combinaison guide-chaîne/chaîne augmente le risque de rebond ! N'utilisez que les combinaisons chaîne et guide-chaîne recommandées et respectez les instructions d'affûtage. Voir les instructions au chapitre Caractéristiques techniques.

La seule manière d'éviter un rebond est de s'assurer que la zone de danger du nez du guide n'entre jamais en contact avec un objet.

44 – French

L'utilisation d'un équipement de coupe avec fonction anti-rebond "intégrée" et un affûtage et un entretien corrects de la chaîne permettent de réduire les effets de rebond.

Guide-chaîne

Plus le rayon du nez est petit, plus la tendance au rebond est petite.

Chaîne

Une chaîne comporte un certain nombre de maillons, tant en modèle standard qu'en version anti-rebond.

IMPORTANT! Aucune chaîne n'élimine le risque de rebond.



AVERTISSEMENT! Chaque contact avec une chaîne en rotation peut entraîner des blessures graves.

Terminologie concernant le guide-chaîne et la chaîne

Afin de maintenir toutes les fonctions de sécurité sur l'équipement de coupe, vous devez remplacer les combinaisons chaîne/guide-chaîne usées ou abîmées par un guide-chaîne et une chaîne recommandés par Husqvarna. Voir le chapitre Caractéristiques techniques pour les combinaisons chaîne/guide-chaîne recommandées.

Guide-chaîne

- Longueur (pouces/cm) (Figure 13)
- Nombre de dents par pignon (T). (Figure 12)
- Pas de chaîne (=pitch) (pouces). Le pignon du nez et le pignon d'entraînement doivent correspondre à l'espace entre les maillons. (Figure 14)
- Nombre de maillons entraîneurs (pce). La longueur du guide, le pas de chaîne et le nombre de dents au pignon donnent un nombre déterminé de maillons entraîneurs. (Figure 16)
- Jauge du guide-chaîne (mm/pouces). Celle-ci doit correspondre à la jauge des maillons entraîneurs de la chaîne.
- Trou de graissage de chaîne et trou du tendeur de chaîne. Le guide-chaîne doit correspondre au modèle de tronçonneuse. (Figure 15)

Chaîne

- Pas de chaîne (=pitch) (pouces) (Figure 14)
- Jauge du maillon entraîneur (mm/pouces) (Figure 17)
- Nombre de maillons entraîneurs (pce) (Figure 16)

Affûtage et réglage de l'épaisseur du copeau de la chaîne



Utiliser des gants pour toute manipulation de la chaîne.

Généralités concernant l'affûtage des dents

- N'utilisez jamais une tronçonneuse dont les dents sont émoussées. Les dents de la chaîne sont

INSTRUCTIONS GÉNÉRALES DE SÉCURITÉ

considérées comme émoussées quand il faut forcer sur l'équipement de coupe pour qu'il traverse le bois et quand les copeaux sont très petits. Une chaîne très émoussée ne produit pas de copeaux du tout, seulement de la poudre de bois.

- Une chaîne bien affûtée avance tout seule dans le bois, laissant de gros et longs copeaux. (Figure 18)
- La partie coupante de la chaîne consiste en un maillon coupant qui comporte une dent (A) et un limiteur d'épaisseur de copeau (B). La distance verticale entre ces éléments détermine la profondeur de coupe. (Figure 19)

Quatre dimensions doivent être prises en compte lors de l'affûtage d'une dent.

- 1 Angle d'affûtage (Figure 20)
- 2 Angle d'impact (Figure 21)
- 3 Position de la lime (Figure 22)
- 4 Diamètre de la lime ronde

Il est très difficile d'affûter correctement une chaîne de tronçonneuse sans outils spéciaux. Nous recommandons donc d'utiliser notre gabarit d'affûtage qui assure un affûtage permettant une réduction du risque de rebond et des performances de coupe optimales. (Figure 23)

Vous trouverez les informations nécessaires pour l'affûtage de la chaîne de votre tronçonneuse au chapitre Caractéristiques techniques.



AVERTISSEMENT! La tendance au rebond augmente considérablement si les instructions d'affûtage ne sont pas respectées.

Affûtage de la dent

Pour affûter une dent, une lime ronde et un gabarit d'affûtage sont nécessaires. Vous trouverez des informations sur le diamètre de lime ronde et le gabarit d'affûtage recommandés pour la chaîne de votre tronçonneuse au chapitre Caractéristiques techniques.

- S'assurer que la chaîne est tendue. Une tension insuffisante rend la chaîne instable latéralement, gênant ainsi l'affûtage de la chaîne. (Figure 24)
- Toujours limer de l'intérieur de la dent vers l'extérieur. Soulager la lime sur le mouvement de retour. Commencer par limer toutes les dents du même côté, retourner la tronçonneuse et limer de l'autre côté. (Figure 20)
- Limer de manière à amener toutes les dents à la même hauteur. Si la hauteur de dent est inférieure à 4 mm (5/32"), la chaîne est usée et doit être remplacée. (Figure 25)

Généralités sur le réglage de l'épaisseur du copeau

- Quand la dent est affûtée, l'épaisseur du copeau (=profondeur de coupe) diminue. Pour conserver une capacité de coupe maximale, le limiteur d'épaisseur du copeau doit être abaissé au niveau recommandé.

Vous trouverez l'épaisseur de copeau recommandée pour la chaîne de votre tronçonneuse au chapitre Caractéristiques techniques. (Figure 26)



AVERTISSEMENT! Une épaisseur de copeau excessive augmente la tendance au rebond de la chaîne!

Réglage de l'épaisseur du copeau

- Le réglage de l'épaisseur du copeau doit être effectué sur des dents nouvellement affûtées. Nous recommandons de régler l'épaisseur du copeau tous les trois affûtages de chaîne. REMARQUE! Cette recommandation suppose que les dents n'ont pas été anormalement réduites lors de l'affûtage.
- Pour le réglage de l'épaisseur du copeau, une lime plate et un gabarit d'épaisseur sont nécessaires. Nous vous recommandons d'utiliser notre gabarit d'affûtage pour l'épaisseur afin d'obtenir l'épaisseur souhaitée et le bon angle pour le limiteur d'épaisseur du copeau.
- Mettez le gabarit d'affûtage sur la chaîne. Vous trouverez des informations sur l'utilisation du gabarit d'affûtage sur l'emballage. Utilisez une lime plate pour retirer l'excès sur la partie qui dépasse du limiteur d'épaisseur du copeau. L'épaisseur est correcte quand vous pouvez passer la lime sur le gabarit sans ressentir de résistance. (Figure 27)

Tension de la chaîne



AVERTISSEMENT! Une tension insuffisante de la chaîne augmente le risque que la chaîne saute et donc de blessures graves, voire mortelles.



AVERTISSEMENT! Retirez toujours la batterie avant toute opération de montage, de maintenance ou de contrôle sur la machine.

Plus on utilise une chaîne, plus elle s'allonge. L'équipement de coupe doit être réglé après une telle altération.

Vérifiez la tension de la chaîne chaque fois que vous faites l'appoint en huile de chaîne. REMARQUE ! Une nouvelle chaîne exige une période de rodage durant laquelle il faudra vérifier la tension plus souvent.

En règle générale, il faut tendre la chaîne au maximum, mais pas au point de ne plus pouvoir la faire tourner manuellement. (Figure 47)

- Libérer le bouton en le dépliant jusqu'à ce qu'il s'ouvre d'un coup sec. (Figure 28)
- Tournez le bouton dans le sens contraire des aiguilles d'une montre pour libérer le couvercle du pignon d'entraînement. (Figure 29)

INSTRUCTIONS GÉNÉRALES DE SÉCURITÉ

- Régler la tension de la chaîne en tournant le tendeur de chaîne vers le bas (+) pour augmenter la tension ou vers le haut (-) pour relâcher la tension. (Figure 30)
- Serrer l'embrayage du guide en tournant le bouton dans le sens des aiguilles d'une montre. (Figure 31)
- Rabattre le bouton pour verrouiller la tension de chaîne. (Figure 32)

Lubrification de l'équipement de coupe



AVERTISSEMENT! Une lubrification insuffisante de l'équipement de coupe augmente le risque de rupture de chaîne et donc de blessures graves, voire mortelles.

IMPORTANT! Un guide-chaîne et une chaîne usés peuvent entraîner une surchauffe du produit. Assurez-vous de travailler avec un guide-chaîne et une chaîne bien entretenus afin d'éviter ces problèmes.

Huile de chaîne de tronçonneuse

L'huile de chaîne doit bien adhérer à la chaîne et posséder d'excellentes qualités de fluidité par tous les temps, aussi bien en été qu'en hiver.

Ne jamais utiliser de l'huile usagée! Cela représente un danger pour vous, pour la machine et pour l'environnement.

Remplissage d'huile de chaîne

- Utilisez toujours de l'huile de chaîne minéralisée. (Figure 33)
- Contacter l'atelier spécialisé pour obtenir des conseils sur le choix d'une huile de chaîne adéquate.
- Toutes nos tronçonneuses sont dotées d'un dispositif de lubrification automatique de la chaîne. Certains modèles ont également un débit réglable.
- Le réservoir d'huile de chaîne est conçu pour une durée d'environ trois charges de batterie. Cette caractéristique de sécurité nécessite néanmoins que vous utilisiez l'huile de chaîne recommandée. Si l'huile est trop fluide, elle durera moins longtemps.
- Ne jamais utiliser d'huile usagée. Ceci endommagerait la pompe à huile, le guide-chaîne et la chaîne.
- Il est important d'utiliser une huile adaptée à la température de l'air (viscosité appropriée).
- Les températures inférieures à 0°C rendent certaines huiles visqueuses. Ceci peut causer un surcharge de la pompe à huile, endommageant les pièces de la pompe.

Contrôle de la lubrification de la chaîne

- Vérifiez la lubrification tous les trois rechargements de batterie.

Diriger le nez du guide sur un objet fixe clair à une distance de 20 cm (8 pouces). Après 1 minute de marche à 3/4 de régime, l'objet clair doit nettement présenter un film d'huile en forme de ruban. (Figure 34)

En cas de mauvais fonctionnement de la lubrification de la chaîne:

- Vérifier que le canal de graissage du guide-chaîne est bien ouvert. Le nettoyer au besoin. (Figure 35)
- S'assurer que la gorge du guide est propre. La nettoyer au besoin. (Figure 36)
- Vérifier que le pignon du nez tourne librement et que l'orifice de graissage est propre. Nettoyer et graisser au besoin. (Figure 37)

Si, après les contrôles et mesures ci-dessus, la lubrification de la chaîne n'est toujours pas satisfaisante, s'adresser obligatoirement à un atelier spécialisé.

Pignon d'entraînement

Le système d'entraînement comprend un pignon. (Figure 38)

Vérifier régulièrement le degré d'usure du pignon. Le remplacer en cas d'usure excessive.

Contrôle de l'usure de l'équipement de coupe

Vérifier quotidiennement l'état de la chaîne et s'assurer:

- Que les rivets et les maillons ne comportent pas de fissures.
- Que la chaîne n'est pas raide.
- Que les rivets et les maillons ne sont pas anormalement usés.

Jetez la chaîne si un des points ci-dessus est vérifié.

Il est recommandé de comparer avec une chaîne neuve pour évaluer le degré d'usure.

Si la hauteur de dent est inférieure à 4 mm (5/32 pouce), la chaîne est usée et doit être remplacée.

Guide-chaîne

Vérifier régulièrement:

- Qu'il n'y a pas de bavures sur les côtés extérieurs de la gorge. Les limer au besoin. (Figure 39)
- Que la gorge du guide n'est pas anormalement usée. Remplacer le guide si nécessaire.
- Que le nez n'est pas anormalement ou irrégulièrement usé. Si un creux s'est formé à l'extrémité du rayon du nez (bord inférieur), la chaîne n'était pas suffisamment tendue. (Figure 40)
- Retourner le guide quotidiennement pour assurer une durée de vie optimale. (Figure 41)

INSTRUCTIONS GÉNÉRALES DE SÉCURITÉ



AVERTISSEMENT! La plupart des accidents surviennent quand la chaîne de la tronçonneuse touche l'utilisateur.

Utiliser les équipements de protection personnelle. Voir au chapitre "Équipement de protection personnelle".

L'utilisateur se doit d'éviter tous les travaux pour lesquels il se sent mal préparé. Voir aux chapitres Équipement de protection personnelle, Mesures anti-rebond, Équipement de coupe et Méthodes de travail.

Éviter les situations susceptibles de provoquer des rebonds. Voir le chapitre Équipement de sécurité de la machine.

Utiliser les équipements de coupe recommandés et en vérifier le bon état. Voir aux chapitres Caractéristiques techniques et Instructions générales de sécurité.

Vérifier le bon fonctionnement des équipements de sécurité de la tronçonneuse. Voir aux chapitres Méthodes de travail et Instructions générales de sécurité.

N'utilisez jamais une tronçonneuse en la tenant d'une seule main. Il n'est pas possible de contrôler correctement une tronçonneuse d'une seule main. Tenez toujours fermement les poignées des deux mains.

Montage du guide-chaîne et de la chaîne



AVERTISSEMENT! Retirez toujours la batterie avant toute opération de montage, de maintenance ou de contrôle sur la machine.

Utiliser des gants pour toute manipulation de la chaîne.

- S'assurer que le frein de chaîne ne s'est pas déclenché en amenant l'arceau protecteur contre l'étrier de la poignée avant. **(Figure 42)**
- Retirez le couvercle du pignon d'entraînement en tournant le bouton dans le sens inverse des aiguilles d'une montre. Déposer la protection de transport (A). **(Figure 43)**
- Monter le guide-chaîne sur le boulon du guide. Placer le guide sur sa position la plus reculée. Placer la chaîne sur le pignon d'entraînement et dans la rainure du guide-chaîne. Commencer par le dessus du guide-chaîne. **(Figure 44)**
- S'assurer que la face tranchante des dents est vers l'avant sur le dessus du guide.
Monter le carter d'embrayage et veillez à placer le goujon de tension de la chaîne dans l'ouverture du guide. S'assurer que les maillons d'entraînement s'engagent dans le pignon et que la chaîne est correctement placée dans la gorge du guide.
- Serrer la chaîne en tournant la manette vers le bas. La chaîne doit être tendue jusqu'à ce qu'elle ne pende plus sous le guide. **(Figure 45)**
- La chaîne est tendue correctement quand elle ne pend plus sous le guide et peut encore être tournée facilement à la main. Tenir le nez du guide et serrer l'embrayage du guide en tournant la manette dans le sens contraire des aiguilles d'une montre. **(Figure 46)**
- La tension d'une chaîne neuve doit être vérifiée fréquemment pendant son rodage. Vérifier régulièrement la tension. Une tension correcte est synonyme de bonne capacité de coupe et de longue durée de vie. **(Figure 47)**

MANIPULATION DE LA BATTERIE

Batterie

L'écran indique la capacité de la batterie et tout problème éventuel lié à son fonctionnement. La capacité de la batterie s'affiche pendant 5 secondes après l'arrêt de la machine ou l'enfoncement de l'indicateur de batterie (1). L'avertisseur sur la batterie s'allume en cas d'erreur (2). Voir les codes d'erreur. (Figure 49)

Voyants DEL	Status batterie
Toutes les DEL sont allumées.	Entièrement chargée (67 % à 100 %).
Les DEL 1 et 2 sont allumées.	La batterie est chargée à 34-66 %.
La DEL 1 est allumée.	La batterie est chargée à 1-33 %.
La DEL 1 clignote.	La batterie est vide. Rechargez la batterie.

Chargeur de batterie



AVERTISSEMENT! Risque de choc électrique et de court-circuit. Utilisez des prises de courant agréées et intactes. Assurez-vous que le câble n'est pas endommagé. Remplacez le câble s'il s'avère être endommagé d'une quelconque manière.

Branchez le chargeur de batterie.

- Branchez le chargeur de batterie sur une prise électrique dont les caractéristiques de tension et de fréquence correspondent aux spécifications mentionnées sur la plaque signalétique. Branchez la fiche électrique dans la prise de courant mise à la terre. (Figure 50)
- La batterie ne se recharge pas si sa température dépasse 50 °C (122 °F).

Insérez la batterie dans le chargeur de batterie.

Vérifiez régulièrement que la batterie et son chargeur sont en parfait état. Voir également les indications au chapitre Entretien.

La batterie doit être chargée avant sa première utilisation. La batterie n'est chargée qu'à 30 % au moment de la livraison.

- Insérez la batterie dans le chargeur de batterie. (Figure 50)
- Le témoin de chargement vert, sur le chargeur, est allumé lorsque la batterie est connectée au chargeur de la batterie. (Figure 51) Le processus de charge est en cours.
- Lorsque toutes les DEL sont allumées, la batterie est pleine. (Figure 52)

- Débranchez la fiche. Ne tirez jamais sur le câble d'alimentation pour le débrancher de la prise de courant.
- Débranchez le chargeur de la batterie.

État de charge

Vous pouvez charger les batteries au lithium-ion quel que soit le niveau de charge. Le processus de chargement peut être annulé ou recommencé quel que soit le niveau de charge de la batterie. (Figure 53) Une batterie pleine ne perdra pas sa charge même si elle est laissée dans le chargeur.

Transport et rangement

- La batterie au lithium-ion est soumise aux exigences de la loi sur les produits dangereux.
- Lors du transport commercial (par exemple par un transporteur tiers), des exigences spéciales doivent être respectées sur les emballages et étiquettes.
- Il est nécessaire de consulter un expert en matière dangereuse pour préparer l'élément à expédier. Veuillez également respecter les autres réglementations nationales éventuellement applicables.
- Bouchez ou masquez les contacts ouverts à l'aide de ruban adhésif et emballez la batterie de façon à ce qu'elle ne puisse pas bouger dans l'emballage.
- Retirez toujours la batterie lorsque vous rangez ou déplacez la machine.
- Rangez la batterie et le chargeur de batterie dans un endroit sec, à l'abri du gel et de l'humidité.
- Ne remisez pas la batterie dans des endroits présentant un risque d'électricité statique. Ne remisez jamais la batterie dans une boîte métallique.
- Rangez la batterie à un endroit où la température reste comprise entre 5 °C (41 °F) et 25 °C (77 °F) et ne les exposez jamais en plein soleil.
- Entrez le chargeur de batterie dans un endroit où la température se situe entre 5 °C et 45 °C toujours à l'abri de la lumière directe du soleil.
- Rangez le chargeur de batterie uniquement dans un endroit sec et fermé.
- Assurez-vous de ranger la batterie séparément du chargeur de batterie. Stockez l'équipement dans un endroit verrouillé afin de le maintenir hors de portée des enfants et de toute personne incompétente.
- Avant de remiser la machine pour une période prolongée, veillez à ce qu'elle soit bien nettoyée et que toutes les mesures d'entretien aient été effectuées.
- Sécurisez la machine pendant le transport.

Mettez au rebut la batterie, le chargeur de batterie et la machine lorsqu'ils sont usagés

Ce symbole figurant sur le produit ou sur son emballage indique que ce produit ne peut pas être traité comme déchet ménager. Il doit être collecté et amené à une installation de récupération appropriée de déchets d'équipements électriques et électroniques.

En veillant à ce que ce produit soit correctement éliminé, vous pouvez contribuer à prévenir les conséquences négatives potentielles sur l'environnement et les hommes, qui pourraient sinon être le résultat d'un traitement incorrect des déchets de ce produit. Pour des informations plus détaillées sur le recyclage de ce produit, contactez votre commune ou le magasin où vous avez acheté le produit.

130.com.ua

Démarrage et arrêt



AVERTISSEMENT! Contrôler les points suivants avant la mise en marche:

Ne démarrez pas la tronçonneuse si le guide, la chaîne et tous les capots ne sont pas montés. Sinon, l'embrayage risque de se détacher et de provoquer des blessures.

Veiller à adopter une position stable et à ce que la chaîne ne puisse pas entrer en contact avec quoi que ce soit.

Veiller à ce qu'aucune personne non autorisée ne se trouve dans la zone la travail.

- Avant d'insérer la batterie dans la machine, vérifiez toujours si la gâchette fonctionne correctement et revient en position OFF lorsque vous la relâchez. Pour éviter d'appuyer accidentellement sur la gâchette, celle-ci est munie d'un dispositif de blocage. **(Figure 54)**
- Ne jamais démarrer une tronçonneuse tant que le guide, la chaîne et tous les capots n'ont pas été mis en place correctement. Voir les instructions au chapitre Montage. **(Figure 55)**
- S'assurer que la zone de travail est bien dégagée et qu'aucune personne et aucun animal ne risquent d'entrer en contact avec l'équipement de coupe. **(Figure 56)**
- Tenez toujours la tronçonneuse à deux mains. Tenez la main droite sur la poignée arrière et la main gauche sur la poignée avant. **Tous les utilisateurs, droitiers et gauchers, doivent la tenir ainsi.** Tenez fermement en entourant la poignée de la tronçonneuse avec les pouces et les autres doigts. **(Figure 57)**

Démarrage

- Insérez la batterie dans la machine. Vous devez pouvoir faire glisser facilement la batterie dans son support sur la machine. Si vous n'y parvenez pas, c'est que la batterie est mal insérée. **(Figure 58)**
- Appuyez sur la batterie. Vous entendrez un clic lorsque la batterie est en place et verrouillée. **(Figure 59)**
- Appuyez sur le bouton de démarrage et maintenez-le enfoncé (>1 sec.) jusqu'à ce que la DEL verte s'allume. **(Figure 60)**

Arrêt

La machine est éteinte en appuyant sur le bouton marche/arrêt du clavier (témoin vert éteint). **(Figure 60)**

Remarque! Pour éviter tout démarrage accidentel, la batterie doit toujours être retirée lorsque la machine n'est pas utilisée ou laissée sans surveillance. Pour retirer la batterie, appuyez sur les boutons de libération et sortez-la de son logement. **(Figure 61)**

Avant chaque utilisation: (Figure 62)

- 1 Contrôler que le frein de chaîne fonctionne correctement et n'est pas endommagé.
- 2 Contrôler que la protection arrière de la main droite n'est pas endommagée.
- 3 Vérifier que le blocage de la gâchette de puissance fonctionne correctement et n'est pas endommagé.
- 4 Vérifiez que le clavier fonctionne correctement et n'est pas endommagé.
- 5 Contrôler que toutes les poignées ne comportent pas d'huile.
- 6 Contrôler que tous les éléments de la tronçonneuse sont serrés et qu'ils ne sont ni endommagés ni absents.
- 7 Contrôler que le capteur de chaîne est bien en place et qu'il n'est pas endommagé.
- 8 Affûter la chaîne et en contrôler la tension et l'état général.
- 9 Vérifiez que la batterie est complètement chargée et bien fixée sur la tronçonneuse.
- 10 Vérifiez que la chaîne cesse de bouger dès que la gâchette de puissance est relâchée.

SavE

La machine est équipée d'une fonction d'économie de la batterie (savE). Activez cette fonction en appuyant sur le bouton savE. Lorsque cette fonction est activée, la durée de fonctionnement de la tronçonneuse est prolongée en réduisant la vitesse de la chaîne. **(Figure 63)**

Remarque! La fonction SavE ne réduit que la vitesse de la chaîne et non la puissance de coupe de la tronçonneuse.

Méthodes de travail

IMPORTANT!

Ce chapitre concerne les mesures élémentaires de sécurité en utilisant la tronçonneuse. Mais aucune information ne peut remplacer l'expérience et le savoir-faire de l'opérateur. En cas de doute ou de difficulté, il est recommandé de s'adresser à un spécialiste, soit le concessionnaire habituel, soit l'atelier le plus proche, soit enfin un professionnel expérimenté (consulter l'annuaire du téléphone à la rubrique exploitation forestière). Éviter tout emploi de la tronçonneuse pour lequel on ne se sent pas suffisamment qualifié!

Avant d'utiliser la tronçonneuse, il convient de comprendre le phénomène de rebond et de savoir comment l'éviter. Voir au chapitre Mesures anti-rebond.

Avant d'utiliser la tronçonneuse, il faut connaître les différences entre les deux méthodes de sciage: sciage avec la partie supérieure ou sciage avec la partie inférieure de la chaîne. Voir les instructions aux chapitres Mesures anti-rebond et Équipement de sécurité de la machine.

Utiliser les équipements de protection personnelle. Voir au chapitre "Équipement de protection personnelle".

Règles élémentaires de sécurité

- 1 Bien observer la zone de travail:
 - S'assurer qu'aucune personne, aucun animal ou aucun autre facteur ne risque de gêner l'utilisateur de la machine.
 - S'assurer que les susnommés ne risquent pas d'entrer en contact avec la chaîne de la tronçonneuse ou d'être blessés par la chute de l'arbre coupé.

REMARQUE! Observer les règles ci-dessus mais ne jamais utiliser une tronçonneuse sans s'assurer la possibilité de pouvoir appeler à l'aide en cas d'accident.

- 2 Ne pas travailler par mauvais temps: brouillard épais, pluie diluvienne, vent violent, grand froid, etc. Travailler par mauvais temps est éprouvant et ajoute des risques tels qu'un sol glissant, de l'orage, direction de chute d'arbre modifiée, etc.
- 3 Observer la plus grande prudence en élaguant les petites branches et éviter de scier un bosquet (ou plusieurs branchettes en même temps). Les branchettes peuvent se coincer dans la chaîne, être projetées vers l'utilisateur et causer des blessures personnelles graves.
- 4 S'assurer de pouvoir se tenir et se déplacer en toute sécurité. Repérer les éventuels obstacles en cas de déplacement imprévu: souches, pierres, branchages, fondrières, etc. Observer la plus grande prudence lors de travail sur des terrains en pente.
- 5 Observer la plus grande prudence lors de l'abattage des arbres sous tension. Avant et après le sciage, les arbres sous tension risquent de brutalement retrouver leur position initiale. Un mauvais placement de l'utilisateur ou de l'entaille d'abattage peut entraîner un choc avec l'arbre pouvant résulter en une chute ou

TECHNIQUES DE TRAVAIL

en une perte du contrôle de la machine. Ces deux cas de figure sont susceptibles de provoquer des blessures graves. **(Figure 64)**

- 6 Avant de vous déplacer, désactivez la tronçonneuse et bloquez la chaîne avec le frein. Lorsque vous portez la tronçonneuse, le guide et la chaîne doivent être orientés vers l'arrière. Pour un transport plus long, remettez le fourreau du guide-chaîne.
- 7 Quand vous posez la tronçonneuse sur le sol, bloquez la chaîne avec le frein et veillez à ne jamais perdre de vue la machine. Éteignez la tronçonneuse et retirez la batterie si vous ne devez pas vous en servir durant une période prolongée.



AVERTISSEMENT! Des copeaux se coincent parfois dans le carter de l'embrayage, ce qui bloque la chaîne. Éteignez toujours la machine et retirez la batterie avant de procéder au nettoyage.

Règles élémentaires

- 1 En comprenant en quoi consiste et comment se produit un rebond, il est possible de limiter et même d'éliminer l'effet de surprise qui augmente le risque d'accident. La plupart des rebonds sont courts, mais certains peuvent être extrêmement rapides et violents.
- 2 Toujours tenir la tronçonneuse fermement des deux mains, la main droite sur la poignée arrière, la gauche sur la poignée avant. Tenir les poignées solidement avec les doigts et le pouce. Toujours tenir la tronçonneuse dans cette position, que l'on soit droitier ou gaucher. Une prise solide aide à maîtriser les rebonds et à mieux contrôler la tronçonneuse. **Ne pas lâcher les poignées! (Figure 65)**
- 3 La plupart des accidents dus à un rebond se produisent lors de l'élagage. Se tenir fermement sur les jambes et s'assurer que la zone de travail est bien dégagée pour ne pas risquer de trébucher ou de perdre l'équilibre.

Par manque d'attention, la zone de rebond du nez du guide peut buter sur une souche, un rondin, une branche ou un arbre voisin et occasionner un rebond.

Gardez le contrôle de la pièce de travail. Si les pièces que vous sciez sont petites et légères, elles peuvent se coincer dans la chaîne et être projetées sur vous. Même si cela n'est pas dangereux en soi, vous pouvez être surpris et perdre le contrôle de la tronçonneuse. Ne sciez jamais des branches ou des billes empilées sans les séparer. Sciez seulement une bille ou un morceau à la fois. Retirez les morceaux sciés pour que votre zone de travail reste sûre. **(Figure 74)**

- 4 **Ne jamais se servir de la tronçonneuse à un niveau trop élevé, plus haut que les épaules, et éviter de couper avec la pointe du guide-chaîne. Ne jamais tenir la tronçonneuse d'une seule main! (Figure 66)**

- 5 Afin de conserver le contrôle de la tronçonneuse, toujours conserver une position stable. Ne jamais travailler sur une échelle, dans un arbre ou sur tout autre support ne garantissant pas une bonne sécurité. **(Figure 67)**
- 6 Toujours travailler à la vitesse maximale, c'est à dire à plein régime.
- 7 Observer la plus grande prudence en utilisant le tranchant supérieur du guide-chaîne, c'est à dire en sciant la pièce par en dessous (de bas en haut). Ceci s'appelle travailler en poussée. La force réactionnelle de la chaîne pousse la tronçonneuse vers l'utilisateur. Si la chaîne se coince, la tronçonneuse peut être rejetée contre vous. **(Figure 68)**
- 8 Il importe de résister à la poussée en arrière du guide-chaîne. En effet, si le guide-chaîne est repoussé suffisamment en arrière pour que la zone de rebond du nez se trouve en contact avec l'arbre, un rebond peut se produire. **(Figure 69)**

Le tronçonnage avec la partie inférieure de la chaîne, c'est à dire par dessus (de haut en bas), s'appelle méthode "poussée". La tronçonneuse est attirée vers l'arbre et le bord avant de la tronçonneuse devient un appui naturel contre l'arbre. Dans ce cas, l'utilisateur contrôle mieux à la fois sa tronçonneuse et la zone de rebond du nez. **(Figure 70)**

- 9 Suivre les instructions du fabricant relatives à l'affûtage et à l'entretien. Lors du remplacement du guide et de la chaîne, n'utiliser que les combinaisons chaîne et guide-chaîne recommandées. Voir aux chapitres Équipement de coupe et Caractéristiques techniques.

Technique de base pour la coupe



AVERTISSEMENT! N'utilisez jamais une tronçonneuse en la tenant d'une seule main. Il n'est pas possible de contrôler correctement une tronçonneuse d'une seule main. Tenez toujours fermement les poignées des deux mains.

Généralités

- Toujours travailler à plein régime!
- Relâchez la gâchette de puissance après chaque coupe (le maintien du régime maximal hors charge, c'est à dire sans que le moteur ait à supporter le travail de la chaîne, risque d'endommager gravement le moteur).
- Scier de haut en bas = méthode "tirée"
- Scier de bas en haut = méthode "poussée".

Scier en utilisant la méthode "poussée" implique un risque accru de rebond. Voir au chapitre Mesures anti-rebond.

Terminologie

Sciage = consiste à scier le tronc de part en part.

TECHNIQUES DE TRAVAIL

Élagage = consiste à ébrancher un arbre abattu.

Fendage = consiste à casser la pièce avant que l'entaille ne soit terminée.

Avant toute opération de sciage, il convient d'observer un certain nombre de points importants :

- 1 Ne pas coincer l'outil de coupe dans l'entaille. **(Figure 71)**
- 2 Ne pas casser la pièce en cours de sciage. **(Figure 72)**
- 3 La chaîne ne doit rencontrer ni le sol ni tout autre obstacle pendant ou après le sciage. **(Figure 73)**
- 4 Y a-t-il risque de rebond? **(Figure 4)**
- 5 L'aspect du site et du terrain peut-il gêner la sécurité de la position de travail et des déplacements?
- 6 Lorsque le sciage a lieu dans une pente, toujours être placé en amont du tronc. Pour garder le contrôle de la tronçonneuse pendant le sciage, relâcher la pression lorsque la fin de la coupe approche tout en maintenant la prise sur les poignées de la tronçonneuse. Ne pas laisser la tronçonneuse entrer en contact avec le sol. Une fois le sciage terminé, attendre que la chaîne s'arrête avant de déplacer la tronçonneuse. Toujours arrêter le moteur avant de se déplacer d'un arbre à l'autre.

Si la chaîne se coince ou si la pièce à scier se casse, cela dépend de deux raisons: le support de la pièce avant et après le sciage et l'état de tension de la pièce.

Il est en général possible d'éviter les inconvénients indiqués ci-dessus en effectuant le sciage en deux temps, soit de haut en bas, soit de bas en haut. Il s'agit alors de neutraliser la tendance naturelle de la pièce à coincer la chaîne ou à se fendre.



AVERTISSEMENT! Si la chaîne se coince dans l'entaille : éteignez-la ! Ne tirez pas sur la tronçonneuse pour la dégager, vous risqueriez de vous blesser avec la chaîne si elle se libère subitement. Utilisez un levier pour écarter l'entaille et décroincer la tronçonneuse.

La liste suivante indique comment se tirer des situations les plus couramment rencontrées par les utilisateurs de tronçonneuses.

Sciage



AVERTISSEMENT! N'essayez jamais de scier des billes empilées ou serrées les unes contre les autres. Vous augmenteriez considérablement le risque de rebond et de blessures graves et même mortelles.

Si vous avez une pile de billes, chaque bille à scier doit être retirée du tas, placée sur un chevalet ou un autre support approprié et être sciée séparément.

Retirez les morceaux sciés de la zone de travail. Si vous les laissez dans la zone de travail, vous augmentez le risque de rebond accidentel et le risque de perdre l'équilibre quand vous travaillez. **(Figure 74)**

Le tronc est couché à même le sol. Il n'y a aucun risque de coincage de la chaîne ou de fendage de la pièce à scier. Par contre, il existe un risque important que la chaîne rencontre le sol après le sciage.

Couper le tronc de haut en bas. Faire attention à la fin de l'entaille pour éviter que la chaîne ne rencontre le sol. Maintenir le plein régime et se préparer à toute éventualité.

Si cela est possible (= s'il est possible de retourner le tronc), interrompre de préférence l'entaille aux 2/3 du tronc.

Retourner le tronc de manière à pouvoir couper le 1/3 restant de haut en bas. **(Figure 75)**

Une extrémité du tronc repose sur un support. Risque important de fendage.

Commencer par couper le tronc par en bas (environ 1/3 du diamètre).

Finir la coupe par en haut, de manière que les deux traits de coupe se rencontrent. **(Figure 76)**

Les deux extrémités du tronc reposent sur des supports. Risque important de coincage de la chaîne.

Commencer par couper le tronc par le haut (environ 1/3 du diamètre).

Finir la coupe par en dessous, de manière que les traits de coupe se rencontrent. **(Figure 77)**

Techniques d'abattage

IMPORTANT! L'abattage d'un arbre demande beaucoup d'expérience. Un utilisateur non expérimenté ne doit pas effectuer d'abattages. L'utilisateur se doit d'éviter toute utilisation qu'il ne maîtrise par suffisamment!

Distance de sécurité

La distance de sécurité à respecter entre un arbre à abattre et le lieu de travail doit être d'au moins 2 1/2 fois la hauteur de l'arbre. Veiller à ce que personne ne se trouve dans la "zone dangereuse" avant et pendant l'abattage. **(Figure 78)**

Sens d'abattage

Les arbres ne doivent pas tomber d'une façon qui pourrait mettre en danger la vie des personnes, heurter une ligne électrique ou endommager un bien. En cas de heurt d'une ligne électrique par un arbre, la compagnie d'électricité doit être immédiatement avertie.

Le but consiste à placer l'arbre abattu de façon à ce que l'ébranchage et le tronçonnage ultérieurs du tronc puissent être effectués sur un terrain aussi favorable que possible. Chercher à sécuriser au maximum la position de travail.

TECHNIQUES DE TRAVAIL

Après avoir décidé du sens d'abattage de l'arbre, déterminer dans quel sens l'arbre aura tendance à s'abattre naturellement.

Les facteurs déterminants sont:

- L'inclinaison
- La courbure
- La direction du vent
- La densité des branches
- Le poids éventuel de la neige
- Obstacles autour de l'arbre: d'autres arbres, des lignes électriques, des routes et des bâtiments par exemples.
- Observez si l'arbre est abîmé ou pourri, car il risque alors de se rompre et de commencer à tomber plus tôt que prévu.

Cette estimation peut amener à juger plus prudent de laisser l'arbre tomber dans son sens naturel de chute, soit que le sens d'abattage décidé auparavant soit impossible à obtenir, soit qu'il constitue un danger.

Un autre facteur important (qui n'a aucune incidence sur le sens d'abattage mais concerne la sécurité), est la présence éventuelle de branches mortes ou abîmées qui, en se détachant, risquent de provoquer des blessures.

Se tenir toujours en amont du terrain afin d'éviter les troncs qui peuvent rouler ou glisser vers le bas après avoir été abattus.

Il convient avant tout éviter que l'arbre abattu ne s'accroche à un autre arbre. Décrocher un arbre coincé dans un autre peut s'avérer très dangereux et présente un grand risque d'accident. Voir les instructions au chapitre Solution à un abattage raté.

IMPORTANT! Lors de délicates opérations d'abattage, les protecteurs d'oreilles devront être retirés dès la fin du tronçonnage afin que tout bruit ou signal d'avertissement puisse être entendu.

Émondage des branches basses et voie de retraite

Ébranchez le tronc jusqu'à hauteur d'épaule. Pour des raisons de sécurité, il est préférable de travailler de haut en bas avec le tronc entre la tronçonneuse et vous. (Figure 79)

Retirer la saleté, les pierres, les morceaux d'écorce, les clous, les cavaliers et les câbles de l'arbre, là où les traits de chute doivent être effectués.

Dégager les taillis autour du tronc et éviter les obstacles tels que pierres, branches cassées, fondrières, etc. pour s'assurer d'une voie de retraite facile au moment de la chute. La voie de retraite doit être à 135° derrière le sens de chute prévu de l'arbre. (Figure 80)

- 1 Zone de danger
- 2 Voie de retrait
- 3 Sens d'abattage

Abattage



AVERTISSEMENT! Il est déconseillé aux utilisateurs non expérimentés d'abattre un arbre dont le diamètre du tronc est supérieur à la longueur du guide-chaîne!

L'abattage est constitué de trois entailles. On procède d'abord à l'encoche qui comprend une entaille supérieure et une entaille inférieure, puis à l'abattage proprement dit grâce au trait de chute. Un emplacement correct de ces entailles permet de déterminer le point de chute de l'arbre de manière très précises.

Encoche

Pour effectuer l'encoche, commencer par l'entaille supérieure. Aligner la marque d'abattage située la tronçonneuse sur un but, plus loin sur le terrain, là où l'arbre doit tomber (2). Se tenir à droite de l'arbre, derrière la tronçonneuse et utiliser la méthode de sciage dite tirée.

Effectuer ensuite l'entaille inférieure de façon que les deux entailles correspondent. (Figure 81)

L'encoche doit faire 1/4 du diamètre du tronc et l'angle entre les deux entailles doit être d'au moins 45°.

La ligne de jointure entre les deux entailles s'appelle le trait de chute. Le trait de chute doit être horizontal et former un angle de 90° avec le sens de chute prévu. (Figure 82)

Trait de chute

Le trait de chute se fait de l'autre côté du tronc et doit être parfaitement horizontal. Se tenir à gauche de l'arbre et utiliser la méthode tirée.

Placer le trait de chute à environ 3-5 cm (1,5-2 pouces) au-dessus du plan horizontal de l'encoche. (Figure 83)

Le trait de chute doit s'achever parallèlement à l'encoche, l'espace entre les deux étant 1/10 du diamètre du tronc. La partie non coupée du tronc s'appelle la charnière.

La charnière guide le tronc dans la direction de chute. (Figure 85)

Le contrôle de la direction de chute de l'arbre fonctionne mal si la charnière est trop petite ou coupée trop profondément ou si les deux entailles ne coïncident pas. (Figure 86)

Une fois l'encoche et le trait de chute terminés, l'arbre commence à tomber de lui-même ou à l'aide d'un coin ou d'un bras de levier. (Figure 87)

Nous recommandons une longueur de guide-chaîne supérieure au diamètre du tronc, pour que le trait de chute et l'encoche soient réalisés d'un simple trait de scie. Vous trouverez des informations sur les longueurs de guide-chaîne recommandées pour votre modèle de tronçonneuse au chapitre Caractéristiques techniques. (Figure 88)

Il existe des méthodes d'abattage spécifiques pour les troncs dont le diamètre est supérieur à la longueur du guide-chaîne. Ces méthodes comportent un risque

TECHNIQUES DE TRAVAIL

important de choc entre la zone de rebond du guide-chaîne et un objet. (Figure 4)

Solution à un abattage raté

Récupération d'un arbre accroché

Décrocher un arbre coincé dans un autre peut s'avérer très dangereux et présente un grand risque d'accident.

N'essayez jamais de faire tomber un arbre qui s'est coincé dans un autre.

Ne travaillez jamais sous un arbre abattu resté coincé dans un autre arbre. (Figure 89)

Le plus sûr est d'utiliser un treuil.

- Monté sur tracteur (Figure 90)
- Mobile (Figure 91)

Sciage d'un arbre ou d'une branche pliés

Préparations: Apprécier la direction dans laquelle l'arbre ou la branche est susceptible de se détendre, ainsi que son point de rupture (en cas de flexion supplémentaire). (Figure 92)

S'assurer de pouvoir agir sans risque et déterminer si une solution de toute sécurité est possible. En cas de difficulté, le plus sûr moyen est de ne pas se servir de la tronçonneuse et d'avoir recours à un treuil.

Règles générales:

Se placer de façon à ne pas se trouver dans la trajectoire de la branche/de l'arbre lors de la détente. (Figure 93)

Faire plusieurs entailles à proximité du point de rupture en nombre et de profondeur suffisants pour libérer la tension dans la branche/l'arbre et donc provoquer la cassure de la branche/de l'arbre au point de rupture. (Figure 94)

Ne jamais scier de part en part un arbre ou une branche pliés!

Si vous devez scier à travers l'arbre/la branche, faites trois découpes de 3 à 5 cm de profondeur à 3 cm d'intervalle. (Figure 95)

Continuez à scier plus profondément jusqu'à ce que la tension de l'arbre/la branche se libère. (Figure 96)

Sciez l'arbre/la branche sur le côté opposé une fois la tension libérée.

Mesures anti-rebond



AVERTISSEMENT! Un rebond peut-être soudain, rapide et violent et renvoyer la tronçonneuse, le guide-chaîne et la chaîne en direction de l'utilisateur. Si la chaîne est alors en rotation, les blessures encourues sont graves et quelquefois mortelles. Il convient donc de comprendre les raisons d'un rebond afin de pouvoir éviter ce phénomène grâce à une bonne méthode de travail et un comportement prudent.

Qu'est-ce qu'un rebond?

Un rebond est la réaction de recul qui peut se produire quand le quart supérieur du nez du guide-chaîne (la zone de rebond) touche un objet quelconque. (Figure 69)

Le rebond se produit toujours dans le plan du guide-chaîne. En général, tronçonneuse et guide-chaîne sont relevés simultanément en direction de l'utilisateur.

Néanmoins, la direction du rebond peut varier suivant la position de la tronçonneuse au moment où la zone de rebond du guide-chaîne touche un objet quelconque.

Le rebond ne peut se produire que quand la pointe ou nez du guide-chaîne (zone de rebond) touche un objet quelconque. (Figure 6)

Élagage



AVERTISSEMENT! La plupart des accidents de rebond se produisent lors de l'ébranchage. N'utilisez pas la zone de rebond du guide. Soyez très prudent et évitez que le nez du guide n'entre en contact avec la bille, d'autres branches ou d'autres objets. Soyez particulièrement prudent avec les branches sous tension. Elles peuvent revenir vers vous et vous faire perdre le contrôle, ce qui pourrait entraîner des blessures.

Se tenir bien d'aplomb et en position sûre. Travailler depuis la gauche du tronc. Se tenir aussi proche que possible de la tronçonneuse pour mieux la maîtriser. Si possible, prendre appui sur le tronc avec le corps de la tronçonneuse.

Ne se déplacer qu'avec le tronc entre soi et la tronçonneuse. (Figure 97)

Tronçonnage en rondins

Voir les instructions au chapitre Technique de base pour la coupe.

ENTRETIEN

Généralités

L'utilisateur ne peut effectuer que les travaux d'entretien et de révision décrits dans ce manuel d'utilisation. Les mesures plus importantes doivent être effectuées dans un atelier d'entretien agréé.

Contrôle, maintenance et entretien des équipements de sécurité de la tronçonneuse



AVERTISSEMENT! Retirez toujours la batterie avant toute opération de montage, de maintenance ou de contrôle sur la machine.

Remarque! L'entretien et la réparation de la machine exigent une formation spéciale, et plus particulièrement l'équipement de sécurité de la machine. Si les contrôles suivants ne donnent pas un résultat positif, nous vous recommandons de prendre contact avec votre atelier d'entretien.

Important! Ne nettoyez jamais la batterie ou le chargeur de batterie avec de l'eau. Des produits de nettoyage puissants peuvent endommager la plastique.

Frein de chaîne avec arceau protecteur

Contrôle de l'arceau protecteur

- Vérifier que l'arceau est intact et sans aucun défaut apparent tel que fissures. **(Figure 98)**
- Actionnez l'arceau d'avant en arrière pour vous assurer qu'il se meut librement et qu'il est solidement fixé à son articulation dans le carter d'embrayage. **(Figure 99)**

Contrôle de la fonction d'inertie

- Placez la tronçonneuse, éteinte, sur une souche ou sur toute autre base stable. Relâchez la poignée avant et laissez la tronçonneuse tomber contre la souche de son propre poids, en pivotant autour de la poignée arrière. **(Figure 100)**

Dès que le nez du guide rencontre l'obstacle, le frein doit se déclencher automatiquement.

Contrôle de l'effet de freinage

- Démarrez la tronçonneuse. Vérifiez que la chaîne ne touche pas le sol ou tout autre objet. Voir les instructions au chapitre Démarrage et arrêt.
- Tenir fermement la tronçonneuse des deux mains, les doigts et le pouce épousant bien les poignées. **(Figure 65)**
- Donner le plein régime puis activer le frein de chaîne en poussant le poignet gauche contre l'arceau protecteur. Ne pas lâcher la poignée avant. **La chaîne doit s'arrêter immédiatement. (Figure 101)**

Blocage de la gâchette de puissance

- Vérifiez que la gâchette est bloquée en position de ralenti lorsqu'elle est relâchée. **(Figure 102)**
- Appuyez sur le blocage de la gâchette et vérifiez qu'elle revient en position initiale lorsque vous la relâchez. **(Figure 103)**
- Vérifiez que la gâchette et son blocage se déplacent librement et que le ressort de rappel fonctionne correctement. **(Figure 104)**
- Mettez la tronçonneuse en marche et accélérez au maximum. Lâchez la gâchette et vérifiez que la chaîne s'arrête et demeure immobile.

Capteur de chaîne

- Vérifier que le capteur de chaîne est en bon état et qu'il est bien fixé dans le corps de la tronçonneuse. **(Figure 105)**

Clavier

- Activez la tronçonneuse et vérifiez qu'elle s'éteint lorsque vous appuyez sur le bouton marche/arrêt (témoin vert éteint). **(Figure 106)**

Connecteurs de batterie

Nettoyez la batterie et son compartiment après utilisation, à l'aide d'une brosse douce. Veillez à bien nettoyer toutes les fentes de refroidissement et tous les connecteurs de la batterie. **(Figure 107)**

Système de refroidissement

La machine est équipée d'un système de refroidissement permettant d'obtenir une température de fonctionnement aussi basse que possible.

Le système de refroidissement est composé des éléments suivants:

- 1 Admission d'air (côté gauche de la machine).
 - 2 Ventilateur sur le moteur.
- Nettoyez le système de refroidissement à l'aide d'une brosse une fois par semaine, voire plus souvent dans des conditions difficiles. Un système de refroidissement sale ou colmaté provoque une surchauffe pouvant endommager la machine. **(Figure 108)**
- 3 Afin de réduire le risque de surchauffe du produit, vous devez vous assurer de travailler avec une chaîne affûtée et vérifier à fréquence régulière que le réservoir contient suffisamment d'huile de chaîne de qualité correcte.

Batterie

- Vérifiez que la batterie n'est pas endommagée ou déformée et ne présente aucun défaut apparent (fissure, etc.). **(Figure 109)**

Chargeur de batterie

- Assurez-vous que le chargeur de batterie et le câble d'alimentation électrique ne sont pas endommagés ou déformés et qu'ils ne présentent aucun défaut apparent (fissure, etc.). **(Figure 110)**

ENTRETIEN

Schéma d'entretien

La liste ci-dessous indique l'entretien à effectuer sur la machine. La plupart des points sont décrits à la section Entretien.

Entretien Quotidien	Entretien hebdomadaire	Entretien mensuel
Nettoyer l'extérieur de la machine.	Limer les bavures éventuelles sur les côtés du guide-chaîne.	Vérifiez les connexions entre la batterie et la machine, ainsi que la connexion entre la batterie et son chargeur.
Vérifiez que les composants de la gâchette fonctionnent correctement et en toute sécurité. (Gâchette et son dispositif de blocage).		Vider le réservoir d'huile et le nettoyer à l'intérieur.
Nettoyer le frein de chaîne et en contrôler le bon fonctionnement. S'assurer que le capteur de chaîne est en bon état, le remplacer si nécessaire.		Nettoyez les fentes de refroidissement de la tronçonneuse et de la batterie avec de l'air comprimé à faible pression.
Retourner le guide-chaîne tous les jours afin de répartir l'usure. S'assurer que le trou de lubrification n'est pas obturé. Nettoyer la gorge de la chaîne.		
S'assurer que le guide et la chaîne sont correctement alimentés en huile.		
Vérifier que les rivets et les maillons de la chaîne sont dépourvus de fissures, que la chaîne n'est pas raide et que les rivets et les maillons ne sont pas anormalement usés. Remplacer au besoin.		
Affûter la chaîne et en contrôler la tension et l'état général. Examiner le pignon d'entraînement de la chaîne et le remplacer s'il est usé.		
Nettoyez l'orifice d'admission d'air.		
S'assurer que toutes les vis et tous les écrous sont bien serrés.		
Vérifiez que le clavier fonctionne correctement et n'est pas endommagé.		

ENTRETIEN

Plan de recherche de pannes

Clavier

Codes d'erreurs sur le clavier de la tronçonneuse.

Clavier	Défaillances possibles	Action possible
Témoin d'avertissement clignote.	Frein de chaîne enclenché.	Tirez l'arceau vers l'arrière pour désactiver le frein de chaîne.
	Écart de température.	Laissez la machine refroidir.
	Surcharge. Équipement de coupe coincé.	L'équipement de coupe est coincé. Relâchez l'équipement de coupe.
	Il convient d'appuyer simultanément sur la gâchette de puissance et le bouton d'activation.	Relâchez la gâchette de puissance pour activer la machine.
La diode verte clignote.	Tension de batterie faible.	Rechargez la batterie.
Témoin d'avertissement s'allume.	Entretien	Contactez votre atelier spécialisé.

Batterie

Résolution des problèmes liés à la batterie et/ou au chargeur de batterie pendant une phase de charge.

Affichage à LED	Défaillances possibles	Action possible
Témoin d'avertissement clignote.		
	Écart de température.	Utilisez la batterie dans des environnements où règne une température comprise entre -10 °C (14 °F) et 40 °C (104 °F).
	Surtension.	Contrôlez que la tension secteur est conforme aux indications sur la plaque de la machine.
		Dégagez la batterie du chargeur de batterie.
Sous-tension	Charge de la batterie.	
Témoin d'avertissement s'allume.	Écart de tension entre cellules trop important (1 V).	Contactez votre atelier spécialisé.

Chargeur de batterie

Affichage à LED	Défaillances possibles	Action possible
La LED « ERROR » clignote	Écart de température.	N'utilisez le chargeur de batterie que si la température ambiante est comprise entre 5 °C (41 °F) et 40 °C (104 °F).
LED rouge allumée	Écart de tension entre cellules trop important (1 V).	Contactez votre atelier spécialisé.

CARACTÉRISTIQUES TECHNIQUES

Caractéristiques techniques

Désignation du modèle	120i
Plateforme	CS100UL
Moteur	
Type	BLDC (sans balais) 36 V
Fonctions	
Durée de fonctionnement de la batterie, min, (fonctionnement libre) avec fonction SavE activée	42
Système de graissage	
Type de pompe à huile	Automatique
Contenance du réservoir d'huile, pint/litre	0.42/0,20
Poids	
Tronçonneuse sans batterie, guide, ni chaîne et avec réservoirs vides, lb/kg	6.5/2,95
Chaîne/guide-chaîne	
Longueurs de guide recommandées, pouces/cm	14/35
Longueur de coupe utile, pouces/cm	13/33
Type de pignon/dents	Spur/6
Vitesse de chaîne maximum/(SavE), m/s	11.5 (10)

Batteries homologuées pour les modèles de tronçonneuse ci-dessus		
Batterie	BLi20	
Type	Lithium-Ion	
Capacité de la batterie, Ah	4.2 (VTC4)	4 (HD2)
Tension, V	36	36.5
Poids, lb/kg	2.6/1.2	2.6/1.2

Chargeurs compatibles avec les batteries spécifiées, BLi20.	
Chargeur de batterie	QC80
Tension secteur, V	100-240
Fréquence, Hz	50-60
Effet,W	100

Équipement de coupe recommandé pour USA

Voici une liste d'équipements de coupe recommandés pour le modèle de tronçonneuse électrique sans fil Husqvarna 120i. Ce modèle de tronçonneuse, équipé de l'une des combinaisons guide-chaîne/chaîne répertoriées, répond aux exigences des normes UL 60745-2-13.

Le modèle de tronçonneuse Husqvarna 120i a satisfait aux exigences en matière de contrôle du rebond de la norme ANSI B175.1-2012 lorsqu'il a été testé avec les combinaisons de guide-chaîne et de chaîne énumérées ci-dessous. La tronçonneuse Husqvarna H38/H37 est également considérée comme une tronçonneuse à faible tendance au rebond, car elle répond aux exigences de la norme ANSI B175.1-2012 relativement aux tronçonneuses à faible rebond. Nous recommandons d'utiliser uniquement les combinaisons indiquées de guide-chaîne et de chaîne pour le modèle de tronçonneuse Husqvarna 120i. Il est possible que les autres modèles de tronçonneuse ne répondent pas aux exigences en matière de rebond lorsqu'ils sont équipés des combinaisons de guide-chaîne et de chaîne indiqués.

CARACTÉRISTIQUES TECHNIQUES

Équipement de coupe recommandé pour Canada

Ce qui suit est une liste de combinaisons recommandées pour tronçonneuses Husqvarna 120i. La/les combinaison(s) répertoriée(s) de tête motrice, guide-chaîne et chaîne répond(ent) à toutes les exigences indiquées par les normes Z62.1-11 (Tronçonneuses) et Z62.3-11 (Rebond des tronçonneuses) de l'Association canadienne de normalisation.

De plus, la tronçonneuse Husqvarna H37/H38 est évaluée et répertoriée en tant que tronçonneuse à faible rebond de Type C, selon la norme Z62.3-11.

Information de rebond


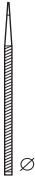



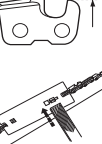
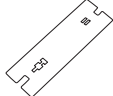

Le rayon de la pointe du guide-chaîne est déterminé soit par le nombre maximal de dents de la roue dentée de la pointe, soit par le rayon de pointe maximal correspondant à un guide-chaîne massive.

Du fait que nous ayons listé les rayons maximums des guide-chaîne, vous pouvez utiliser un guide-chaîne avec un rayon de pointe inférieur à ceux de notre liste. Pour les guide-chaîne de mêmes longueurs, toutes les guide-chaîne à pointe à roue dentée et ayant le même nombre de dents peuvent être considérés comme ayant des valeurs énergétiques de rebond équivalentes.

Les équipements de coupe suivants sont homologués pour le modèle Husqvarna 120i.

Guide-chaîne				Chaîne	
Longueur, pouces	Pas, pouces	Jauge, pouces	Nombre max. de dents, pignon avant	Type	Longueur, maillons entraîneurs (pce)
14	3/8	0.050	7T	Husqvarna H37	52
14	3/8	0.043	7T	Husqvarna H38	52

Remarque! En fonction de la version de votre modèle de tronçonneuse Husqvarna 120i, vous devez vous assurer d'utiliser la bonne combinaison de guide-chaîne et chaîne (0,050 po jauge guide-chaîne = H37 et 0,043 po jauge guide-chaîne = H38). La tronçonneuse ne fonctionnera pas correctement avec la mauvaise combinaison de guide-chaîne et chaîne.

							
	inch/mm				inch/mm		
37	5/32"/4,0mm	80°	30°	0°	0.025 / 0,65	5056981-03	5795588-01
38	4,5mm	75°	30°	0°	0.025 / 0,65	5056981-03	5795588-01

PRÉCAUTIONS SÉCURITAIRES CONFORMANT AUX NORMES

Consignes de sécurité pour les utilisateurs de tronçonneuses

(ANSI B175.1-2012 Annexe C)

Précautions à prendre pour se protéger des rebonds



AVERTISSEMENT! Un rebond peut se produire quand le nez ou l'extrémité du guide heurte un objet ou quand le bois se referme et coince la chaîne dans l'entaille.

Un contact entre l'extrémité et un objet peut engendrer un soudain mouvement de réaction vers l'arrière, repoussant le guide-chaîne vers le haut et l'arrière, en direction de l'utilisateur.

Le pincement de la chaîne le long du sommet du guide peut aussi engendrer un mouvement rapide du guide vers l'arrière, en direction de l'utilisateur.

Chacun de ces mouvements de réaction peut vous faire perdre le contrôle de la tronçonneuse et causer des blessures graves.

Ne faites pas une confiance aveugle dans les dispositifs de sécurité intégrés dans la tronçonneuse. En tant qu'utilisateur de la tronçonneuse, vous devez prendre les mesures nécessaires pour éviter tout accident et blessure au cours de vos travaux de coupe.

Avec des connaissances de base sur le phénomène du rebond, vous pouvez réduire ou éliminer l'élément de surprise. Toute surprise est par principe inattendue et contribue aux accidents.

Maintenez fermement la tronçonneuse des deux mains quand le moteur est en marche : la main droite sur la poignée arrière et la main gauche sur la poignée avant. Maintenez fermement avec les pouces et les autres doigts entourant les poignées de la tronçonneuse. Un maintien ferme vous aide à réduire le risque de rebond et à garder le contrôle de la tronçonneuse. Ne lâchez pas.

Assurez-vous de l'absence d'obstacle dans votre zone de travail. Faites attention de ne pas heurter une bille, une branche ou tout autre obstacle avec le nez du guide-chaîne quand vous utilisez la tronçonneuse.

Coupez à un régime de moteur élevé.

Ne tendez pas les bras trop loin ni ne coupez au-dessus de la hauteur de vos épaules.

Respectez les instructions de maintenance et d'affûtage du fabricant de la tronçonneuse.

N'utilisez que des chaînes et des guides de remplacement spécifiés par le fabricant ou des équivalents.

Autres consignes de sécurité



AVERTISSEMENT! N'utilisez pas une tronçonneuse en la tenant d'une seule main. Une utilisation d'une seule main peut causer des blessures graves à l'utilisateur et aux personnes se trouvant à proximité. Une tronçonneuse est prévue pour être utilisée à deux mains.

N'utilisez pas une tronçonneuse si vous êtes fatigué.

Utilisez des chaussures de sécurité, des vêtements bien ajustés, des gants de protection, des protections auditives, des lunettes de protection et un casque.

Manipulez le carburant avec précaution. Éloignez la tronçonneuse d'au moins 3 m de l'endroit où vous avez remplie de carburant avant de démarrer le moteur.

Personne ne doit se trouver à proximité de la tronçonneuse lors de son démarrage et de la coupe. Personnes et animaux doivent rester en dehors de la zone de travail.

Ne commencez pas à couper avant que votre zone de travail soit dégagée, avant d'avoir trouvé une position bien stable sur vos pieds et avant d'avoir identifié un chemin de retraite pour vous éloigner de l'arbre en train de tomber.

Conservez toutes les parties de votre corps à distance de la tronçonneuse quand le moteur est en marche.

Avant de démarrer le moteur, assurez-vous que la tronçonneuse n'est pas en contact avec quoi que ce soit.

Transportez la tronçonneuse avec le moteur à l'arrêt, le guide-chaîne et la chaîne vers l'arrière et le silencieux à distance de votre corps.

N'utilisez pas une tronçonneuse endommagée, mal réglée ou n'étant pas correctement assemblée. Assurez-vous que la chaîne s'arrête quand la gâchette de commande des gaz est relâchée.

Arrêtez le moteur avant de poser la tronçonneuse.

Prenez garde au retour quand vous coupez une branche sous tension : elle peut vous heurter quand la tension dans les fibres du bois est relâchée.

Veillez à la propreté des poignées : elles doivent être sèches et exemptes d'huile et de mélange de carburant.

Utilisez toujours la tronçonneuse dans des endroits bien aérés.

Ne coupez pas un arbre avec la tronçonneuse sans avoir reçu une formation spécifique.

N'utilisez pas la tronçonneuse au-dessus de la hauteur de vos épaules.

À part les opérations indiquées dans les instructions de maintenance et dans la section sécurité du propriétaire/utilisateur, tout entretien de la tronçonneuse doit être effectué par du personnel d'entretien compétent en matière de tronçonneuse. (Par exemple, si un outil incorrect est utilisé pour retirer le rotor volant magnétique ou pour le tenir lors du retrait de l'embrayage, le rotor volant magnétique peut subir des dommages qui entraîneront son explosion ultérieurement.)

PRÉCAUTIONS SÉCURITAIRES CONFORMANT AUX NORMES

Utilisez la protection de guide-chaîne appropriée lors de tout transport de votre tronçonneuse.

Faites preuve d'une grande précaution quand vous coupez des broussailles et de jeunes arbres car ils peuvent se prendre dans la chaîne et être projetés vers vous ou vous faire perdre l'équilibre.

Remarque: Cette annexe est essentiellement prévue pour le consommateur et l'utilisateur occasionnel.

130.com.ua

ACLARACION DE LOS SIMBOLOS

Símbolos en la máquina:

Traducción del manual de funcionamiento original sueco.

¡ATENCIÓN! ¡Las motosierras pueden ser peligrosas! Su uso descuidado o erróneo puede provocar heridas graves o mortales al operador o terceros.



Lea detenidamente el manual de instrucciones y asegúrese de entender su contenido antes de utilizar la máquina.



Utilice siempre:

- Casco protector homologado
- Protectores auriculares homologados
- Gafas protectoras o visor



El operador debe manejar la motosierra con ambas manos.



No manejar nunca una motosierra sujetándola sólo con una mano.



No permita nunca que la punta de la espada entre en contacto con ningún objeto.



¡ATENCIÓN! Si la punta de la espada toca en un objeto se puede producir reculada que lanza la espada hacia arriba y atrás contra el usuario. Ello puede causar daños personales graves.



Equipo de corte recomendado en este ejemplo: - Longitud de la espada: 14 in (350mm) - Radio máx. del cabezal: 7 dientes.



Freno de cadena, activado (derecha). Freno de cadena, no activado (izquierda).



Rellenado de aceite para cadena.



Etiquetado ecológico. El símbolo en el producto o en su envase indica que no se puede tratar este producto como desperdicio doméstico. Deberá por lo tanto depositarse en un centro de recogida adecuado para el reciclado de equipos eléctricos y electrónicos.



Corriente continua.



No deben exponerse a la lluvia.



Tensión nominal, V



La placa de identificación muestra el número de serie.

yyyy es el año de producción, **ww** es la semana de producción.

yyyywwxxxxx

Los demás símbolos/etiquetas que aparecen en la máquina corresponden a requisitos de homologación específicos en determinados mercados.

Símbolos que aparecen en la batería o el cargador de la batería:

El producto debe depositarse en las instalaciones de reciclaje correspondientes. (Rige sólo para Europa)



Transformador a prueba de fallos



Utilice y guarde el cargador de la batería solo en interiores.



Doble aislamiento



Advertencia de la Ley 65 de California.

¡ADVERTENCIA!

Este producto contiene o emite productos químicos que pueden causar cáncer, defectos congénitos u otros daños en el sistema reproductor.

Para comunicarse con asistencia al cliente, llame al: 1-800-487-5951 o visite www.usa.husqvarna.com.

INDICE

Índice

ACLARACION DE LOS SIMBOLOS	
Símbolos en la máquina:	64
Símbolos que aparecen en la batería o el cargador de la batería:	64
INDICE	
Índice	65
INTRODUCCION	
Apreciado cliente:	66
¿QUE ES QUE?	
¿Qué es qué en la motosierra?	66
INSTRUCCIONES GENERALES DE SEGURIDAD	
Advertencias generales de seguridad relacionadas con la herramienta eléctrica	67
Medidas a tomar antes de utilizar una motosierra nueva	69
Importante	70
Emplee siempre el sentido común	70
Equipo de protección personal	71
Equipo de seguridad de la máquina	71
Batería y cargador de batería	73
Equipo de corte	74
MONTAJE	
Montaje de la espada y la cadena	78
MANEJO DE LA BATERÍA	
Batería	79
Cargador de batería	79
Transporte y almacenamiento	79
Eliminación de la batería, el cargador y la máquina	80
ARRANQUE Y PARADA	
Arranque y parada	81
TECNICA DE TRABAJO	
Antes de utilizar la máquina:	82
SavE	82
Instrucciones generales de trabajo	82
Medidas preventivas de las reculadas	86
MANTENIMIENTO	
Generalidades	87
Control, mantenimiento y servicio del equipo de seguridad de la motosierra	87
Conectores de la batería	87
Sistema refrigerante	87
Batería	87
Cargador de batería	87
Programa de mantenimiento	88
Tabla de localización de fallos	89

DATOS TECNICOS

Datos técnicos	90
PRECAUCIONES DE SEGURIDAD DE LA NORMA AMERICANA	
Precauciones de seguridad para usuarios de motosierras	92

INTRODUCCION

Apreciado cliente:

¡Felicidades por haber adquirido un producto Husqvarna! La historia de Husqvarna data del año 1689, cuando el Rey Karl XI encargó la construcción de una fábrica en la ribera del río Huskvarna para la fabricación de mosquetes. La ubicación junto al río Huskvarna era lógica, dado que el río se utilizaba para generar energía hidráulica. Durante los más de 300 años de existencia de la fábrica Husqvarna, se han fabricado productos innumerables; desde estufas de leña hasta modernas máquinas de cocina, máquinas de coser, bicicletas, motocicletas, etc. En 1956 se introdujo el primer cortacésped motorizado, seguido de la motosierra en 1959; y es en este segmento en el que actualmente trabaja Husqvarna.

Husqvarna es hoy uno de los principales fabricantes del mundo de productos de bosque y jardín, con la calidad y las prestaciones como principal prioridad. La idea de negocio es desarrollar, fabricar y comercializar productos motorizados para silvicultura y jardinería, así como para las industrias de construcción y obras públicas.

Husqvarna tiene como objetivo estar en la vanguardia en lo que respecta a ergonomía, facilidad de empleo, seguridad y consideración ambiental; motivo por el cual ha desarrollado una serie de detalles para mejorar los productos en estas áreas.

Estamos convencidos de que usted apreciará con satisfacción la calidad y prestaciones de nuestro producto por mucho tiempo en adelante. Con la adquisición de alguno de nuestros productos, usted dispone de asistencia profesional con reparaciones y servicio en caso de ocurrir algo. Si ha adquirido el producto en un punto de compra que no es uno de nuestros concesionarios autorizados, pregúnteles por el taller de servicio más cercano.

Esperamos que su máquina le proporcione plena satisfacción y le sirva de ayuda por mucho tiempo en adelante. Tenga en cuenta que este manual de instrucciones es un documento de valor. Siguiendo sus instrucciones (de uso, servicio, mantenimiento, etcétera) puede alargar considerablemente la vida útil de la máquina e incrementar su valor de reventa. Si vende su máquina, entregue el manual de instrucciones al nuevo propietario.

¡Gracias por utilizar un producto Husqvarna!

Husqvarna AB trabaja constantemente para perfeccionar sus productos y se reserva, por lo tanto, el derecho a introducir modificaciones en la construcción y el diseño sin previo aviso.

¿Qué es qué en la motosierra? (1)

- 1 Protección contra reculadas
- 2 Teclado
- 3 Botón SavE
- 4 Indicador de advertencias
- 5 Botón de activación y desactivación
- 6 Bloqueo del gatillo de alimentación
- 7 Empuñadura trasera con protección para la mano derecha
- 8 Carcasa de ventilador
- 9 Depósito de aceite de cadena
- 10 Cargador de batería
- 11 Cable eléctrico
- 12 Indicador de advertencias
- 13 Conector
- 14 Manual de instrucciones
- 15 Protección de la espada
- 16 Cubierta del piñón de arrastre
- 17 Rueda de tensor de cadena
- 18 Perilla
- 19 Captor de cadena
- 20 Apoyo de corteza
- 21 Cabezal de rueda
- 22 Cadena
- 23 Espada
- 24 Mango delantero
- 25 Gatillo de alimentación
- 26 Batería
- 27 Botones para extraer la batería
- 28 Estado de la batería
- 29 Botón, estado de la batería
- 30 Indicador de advertencias

INSTRUCCIONES GENERALES DE SEGURIDAD

Advertencias generales de seguridad relacionadas con la herramienta eléctrica



¡ATENCIÓN! Lea todas las advertencias e instrucciones de seguridad. No atender a estas advertencias e instrucciones puede provocar descargas eléctricas, incendios y lesiones graves.

¡IMPORTANTE! Conserve todas las advertencias e instrucciones para su consulta. El término «herramienta eléctrica» empleado en las advertencias hace referencia a una herramienta eléctrica que funciona con conexión a la red de suministro (con cable) o a una herramienta que funciona con batería (sin cable).

Seguridad en el área de trabajo

- **Mantenga el área de trabajo limpia y bien iluminada.** Las zonas abarrotadas de cosas u oscuras favorecen los accidentes.
- **No maneje herramientas eléctricas en ambientes explosivos como aquellos en los que hay líquidos, gases o polvo inflamables.** Las herramientas eléctricas producen chispas que pueden inflamar el polvo o los vapores.
- **Mantenga alejados a los niños y a otras personas mientras trabaje con una herramienta eléctrica.** Las distracciones pueden hacer que pierda el control de esta.

Seguridad eléctrica

- **Los enchufes de las herramientas eléctricas deben corresponder a la toma de corriente utilizada.** No modifique nunca el enchufe de modo alguno. No utilice adaptadores para las herramientas eléctricas con conexión a tierra. No modificar los enchufes y usar las tomas de corriente que se adaptan a estos reducirán el riesgo de descarga eléctrica.
- **Evite el contacto de su cuerpo con superficies puestas a tierra como tuberías, radiadores, cocinas y neveras.** Si su cuerpo está en contacto con el suelo, existe un mayor riesgo de descarga eléctrica.
- **No exponga las herramientas eléctricas a la lluvia o a ambientes húmedos.** El riesgo de recibir descargas eléctricas aumentará si penetra agua en la herramienta eléctrica.
- **Maneje el cable con cuidado. No lo utilice nunca para transportar, tirar o desenchufar la herramienta eléctrica.** Manténgalo alejado de fuentes de calor, aceite, aristas vivas o piezas móviles. Los cables dañados o enredados incrementan el riesgo de descarga eléctrica.

- **Cuando trabaje con una herramienta eléctrica en exteriores, utilice un alargador indicado para este uso.** Utilizar un cable adecuado para su uso en exteriores reduce el riesgo de descarga eléctrica.
- Si es necesario utilizar una herramienta eléctrica en un lugar húmedo, utilice suministro eléctrico protegido con un interruptor diferencial. La utilización de un interruptor diferencial reduce el riesgo de descargas eléctricas.

Seguridad personal

- **Esté siempre atento, fíjese en lo que está haciendo y utilice el sentido común cuando maneje una herramienta eléctrica. No utilice herramientas eléctricas si está cansado o bajo los efectos de estupefacientes, alcohol o medicamentos.** Un momento de descuido, mientras se trabaja con herramientas eléctricas, puede causar lesiones graves.
- **Utilice el equipo de protección individual. Utilice siempre protección para los ojos.** El equipo de protección, como la mascarilla antipolvo, los zapatos de seguridad antideslizantes, el casco o los protectores auditivos, utilizados en función de las condiciones de trabajo, reducirán el riesgo de lesiones.
- **Evite el encendido accidental de la herramienta. Asegúrese de que el interruptor está en la posición de apagado antes de conectar la máquina a la fuente de alimentación y/o la batería, cogerla o transportarla.** Transportar herramientas eléctricas con el dedo puesto sobre el interruptor o encenderlas con el interruptor en la posición de encendido puede provocar accidentes.
- **Quite todas las clavijas de ajuste o llaves de tuercas antes de encender la herramienta eléctrica.** Una llave de tuercas o clavija de ajuste que se ha dejado colocada en una pieza giratoria de la herramienta eléctrica puede causar lesiones.
- **No se estire demasiado. Mantenga una posición correcta y el equilibrio en todo momento.** Esto le permitirá controlar mejor la herramienta eléctrica en situaciones imprevistas.
- **Utilice la ropa adecuada. No utilice nunca ropa amplia ni joyas. Mantenga el pelo, la ropa y los guantes alejados de las piezas móviles.** La ropa amplia, las joyas o el pelo largo pueden quedar atrapados en las piezas móviles.
- **Si se suministran equipos de aspiración o captación de polvo, asegúrese de que estén conectados y se utilicen correctamente.** El uso de estos equipos puede reducir los riesgos derivados del polvo.

Uso y cuidado de la herramienta eléctrica

- **No sobrecargue la herramienta eléctrica. Utilice la herramienta eléctrica adecuada para el trabajo que debe realizar.** Con la herramienta eléctrica

INSTRUCCIONES GENERALES DE SEGURIDAD

apropiada hará el trabajo mejor y con mayor seguridad a la potencia para la que fue diseñada.

- **No utilice la herramienta eléctrica si el interruptor no funciona.** Las herramientas que no se puedan controlar con el interruptor son peligrosas y deben repararse.
- **Desconecte el enchufe de la fuente de alimentación y/o la batería de la herramienta eléctrica antes de realizar cualquier ajuste, cambiar accesorios o guardarla.** Estas medidas de seguridad preventivas reducen el riesgo de encendido accidental de la herramienta eléctrica.
- **Guarde las herramientas eléctricas que no se utilicen fuera del alcance de los niños y no permita que personas no familiarizadas con su uso o con estas instrucciones las manejen.** Las herramientas eléctricas resultan peligrosas en manos de usuarios no cualificados.
- **Cuide las herramientas.** Compruebe que no haya partes móviles mal alineadas o trabadas, piezas rotas o cualquier otra circunstancia que pueda afectar al funcionamiento de la herramienta eléctrica. Si detecta daños, haga reparar la herramienta eléctrica antes de utilizarla. Muchos accidentes se deben al uso de herramientas eléctricas que carecen de un mantenimiento adecuado.
- **Mantenga las herramientas de corte afiladas y limpias.** Las herramientas de corte con aristas afiladas y un mantenimiento adecuado tienen menos probabilidades de trabarse y son más fáciles de controlar.
- **Utilice la herramienta eléctrica, los accesorios, útiles, etc. según se indica en estas instrucciones, teniendo en cuenta las condiciones de trabajo y la tarea que debe realizar.** El uso de la herramienta eléctrica para trabajos distintos a aquellos para los que fue diseñada podría dar lugar a situaciones peligrosas.

Uso y cuidado de la herramienta con batería

- **Efectúe las recargas únicamente con el cargador especificado por el fabricante.** Un cargador apto para un tipo de batería puede comportar riesgo de incendio al utilizarse con otra batería distinta.
- **Utilice las herramientas eléctricas únicamente con las baterías específicas para ellas.** El uso de otra batería puede comportar riesgo de lesiones e incendio.
- **Cuando una batería no se esté utilizando, manténgala alejada de objetos metálicos que puedan conectar un terminal a otro, como clips, monedas, llaves, clavos, tornillos u otros objetos metálicos pequeños.** Un cortocircuito en los terminales de la batería puede causar quemaduras o un incendio.

- **En condiciones extremas, el líquido puede expulsarse de la batería; evite el contacto. Si se produjera un contacto accidentalmente, enjuáguese con agua. Si el líquido se introdujera en los ojos, acuda a un médico.** El líquido expulsado de la batería puede causar irritaciones o quemaduras.

Servicio

- **Solicite que su herramienta eléctrica sea reparada por personal cualificado y utilizando únicamente piezas de repuesto originales.** Esto garantizará la seguridad de la herramienta.

Advertencias de seguridad sobre la motosierra

- **Mantenga todas las partes del cuerpo alejadas de la cadena de sierra mientras la motosierra se encuentre en funcionamiento. Antes de arrancar la motosierra, asegúrese de que la cadena de sierra no está en contacto con ningún elemento.** Un único instante de distracción mientras maneja una motosierra basta para que la cadena de sierra cause un accidente con sus prendas o cuerpo.
- **Sujete siempre la motosierra con la mano derecha en el mango trasero y la mano izquierda en el mango delantero.** Nunca debe manejarse la motosierra con una posición invertida de las manos, ya que aumenta considerablemente el riesgo de daños personales.
- **Sujete la herramienta eléctrica únicamente por la superficie de agarre aislada, ya que la cadena de sierra puede entrar en contacto con algún cable oculto.** Si la cadena de sierra entra en contacto con un cable con tensión, puede hacer que las partes metálicas de la herramienta eléctrica expuestas a tensión produzcan al usuario una sacudida eléctrica.
- **Lleve gafas de seguridad y protectores auriculares. Se recomienda utilizar equipos de protección adicionales para la cabeza, manos, piernas y pies.** Una ropa de protección adecuada reducirá los daños personales a causa de fragmentos desprendidos o de un contacto accidental con la cadena de sierra.
- **No utilice una motosierra en un árbol.** Utilizar una motosierra mientras que está subido en un árbol, comporta riesgo de daños personales.
- **Mantenga en todo momento una posición correcta y manipule la motosierra únicamente cuando se encuentre en una superficie nivelada, sólida y segura.** Una superficie inestable o resbaladiza, como una escalera, puede hacerle perder el equilibrio o el control de la motosierra.
- **Preste especial atención a las reculadas al cortar ramas tensas.** Cuando la tensión de las fibras de madera se libera, la rama puede golpear al usuario y / o provocar la pérdida del control de la motosierra.

INSTRUCCIONES GENERALES DE SEGURIDAD

- **Sea especialmente cauto al cortar broza y árboles jóvenes.** Los materiales delgados pueden atascarse en la cadena de sierra y golpearle o hacerle perder el equilibrio.
- **Transporte la motosierra apagada, agarrándola por el mango y alejada de su cuerpo.** Cuando transporte o almacene la motosierra, coloque siempre la cubierta de la espada. Manipular la motosierra de manera adecuada reducirá la posibilidad de sufrir un contacto accidental con la cadena de sierra en funcionamiento.
- **Siga las instrucciones correspondientes para la lubricación, el tensado de la cadena y el cambio de accesorios.** Una cadena con una tensión o lubricación inadecuadas puede romperse y aumentar el riesgo de reculadas.
- **Mantenga los mangos secos, limpios y sin aceites o grasas.** Un mango grasiento resulta resbaladizo y puede provocar que se pierda el control de la herramienta.
- **Corte únicamente madera. No utilice la motosierra con otros fines. Por ejemplo: no utilice la motosierra para cortar plásticos, materiales de albañilería u otros distintos a la madera.** El uso de la motosierra con fines distintos a aquellos para los que fue diseñada podría dar lugar a situaciones peligrosas.
- Recomendamos encarecidamente que aquellos que utilicen por primera vez la motosierra practiquen antes con troncos en soportes para serrar.

Causas y prevención de las reculadas

Las reculadas pueden producirse cuando la punta de la espada roza un objeto o cuando la madera se cierra y atasca la cadena durante el corte. El contacto con la punta de la espada, en algunos casos, puede provocar una reculada repentina que golpee al usuario al lanzar la espada hacia arriba y atrás. Un atasco en la cadena de sierra en la parte superior de la espada puede empujar a esta rápidamente hacia atrás, hacia el usuario. Cualquiera de estas reacciones puede hacerle perder el control de la sierra, lo que a su vez puede provocar daños personales de gravedad. Su seguridad no solo depende de los dispositivos de seguridad incorporados en la motosierra. Como usuario de una motosierra, debe tomar ciertas precauciones para realizar cortes sin riesgo de accidentes ni lesiones. Una reculada es consecuencia de un uso inapropiado y / o incorrecto de la herramienta, en cuanto a sus procedimientos o condiciones de funcionamiento. Por lo tanto, puede evitarse tomando las siguientes precauciones:

- **Mantenga un agarre firme de la motosierra con ambas manos, con los pulgares y el resto de dedos rodeando los mangos. El cuerpo y el brazo deben encontrarse en una postura que le permita resistir las fuerzas de las reculadas.** El usuario puede controlar las fuerzas de las reculadas si toma las precauciones correspondientes. No suelte la motosierra.

- **No intente acceder a lugares demasiado altos y no corte a una altura superior a la de sus hombros.** De esta manera, se evita el contacto involuntario de la punta y se obtiene un control mayor de la motosierra en caso de imprevistos.
- **Utilice únicamente las espadas y cadenas de repuesto indicadas por el fabricante.** Una sustitución incorrecta de la espada y cadena puede causar la rotura de la cadena y / o reculadas.
- **Siga las instrucciones de afilado y mantenimiento de la cadena de sierra facilitadas por el fabricante.** Disminuir el calibre de profundidad puede aumentar las reculadas.

Medidas a tomar antes de utilizar una motosierra nueva

- Lea detenidamente el manual de instrucciones.
- **(1) - (110)** refiérase a las figuras en p. 2-6.
- Cargue la batería completamente antes de utilizarla por primera vez. Consulte las instrucciones en el título Carga de la batería.
- Llene con aceite para cadena. Consulte las instrucciones en el título Repostaje de aceite para cadena de motosierra.
- Compruebe el montaje y ajuste del equipo de corte. Vea las instrucciones bajo el título Montaje.
- No utilice la motosierra hasta que haya llegado suficiente aceite lubricante a la cadena. Lea las instrucciones bajo el título Lubricación del equipo de corte.
- La exposición prolongada al ruido puede causar daños crónicos en el oído. Por consiguiente, use siempre protectores auriculares homologados.



¡ATENCIÓN! Bajo ninguna circunstancia debe modificarse la configuración original de la máquina sin autorización del fabricante. Utilizar siempre recambios originales. Las modificaciones y/o la utilización de accesorios no autorizados pueden ocasionar accidentes graves o incluso la muerte del operador o de terceros. Su garantía podría no abarcar daños o responsabilidades causados por el uso de accesorios o piezas de repuesto no autorizados.



¡ATENCIÓN! La utilización errónea o descuidada de una motosierra puede convertirla en una herramienta peligrosa que puede causar accidentes graves e incluso mortales. Es muy importante que lea y comprenda el contenido de este manual de instrucciones.

INSTRUCCIONES GENERALES DE SEGURIDAD



¡ATENCIÓN! La inhalación prolongada de la neblina de aceite para cadena y el polvo de serrín puede poner en riesgo la salud.



¡ATENCIÓN! Esta máquina genera un campo electromagnético durante el funcionamiento. Este campo magnético puede, en determinadas circunstancias, interferir con implantes médicos activos o pasivos. Para reducir el riesgo de lesiones graves o letales, las personas que utilizan implantes médicos deben consultar a su médico y al fabricante del implante antes de emplear esta máquina.



¡ATENCIÓN! No permita nunca que los niños utilicen la máquina ni permanezcan cerca de ella. La máquina es muy fácil de arrancar y los niños podrían hacerlo si no se les vigila lo suficiente. Ello puede comportar riesgo de daños personales graves. Por consiguiente, desconecte la batería cuando la máquina no esté bajo control.

Importante

¡IMPORTANTE!

Esta motosierra para los servicios forestales está concebida para realizar tareas en el bosque como la tala, la poda y el corte. El producto está diseñado para manipular madera de 10-15 cm (4 a 6 pulgadas).

Utilice solamente las combinaciones de espada/cadena de sierra recomendadas en el capítulo Datos técnicos.

Nunca utilice la máquina si está cansado, si ha ingerido alcohol o si toma medicamentos que puedan afectarle la vista, su capacidad de discernimiento o el control del cuerpo. Sea más prudente antes de los periodos de descanso y hacia el final de su turno de trabajo.

Utilice el equipo de protección personal. Vea las instrucciones bajo el título "Equipo de protección personal".

No modifique nunca esta máquina de forma que se desvíe de la versión original, y no la utilice si parece haber sido modificada por otras personas.

No utilice en ningún caso una máquina, batería o cargador de batería defectuoso. Siga las instrucciones de mantenimiento, control y servicio de este manual. Algunas medidas de mantenimiento y servicio deben ser efectuadas por especialistas formados y cualificados. Consulte las instrucciones en el título Mantenimiento.

Nunca utilice otros accesorios que los recomendados en este manual. Vea las instrucciones bajo los títulos Equipo de corte y Datos técnicos.

¡NOTA! Utilice siempre gafas protectoras o visera para reducir el riesgo de daños causados por objetos lanzados. Una motosierra puede lanzar con gran fuerza objetos como virutas, trozos de madera pequeños, etc. Ello comporta riesgo de daños personales graves, especialmente en los ojos.



¡ATENCIÓN! Un equipo de corte defectuoso o una combinación errónea de espada/cadena de sierra aumentan el riesgo de reculadas. Utilice solamente las combinaciones de espada/cadena de sierra recomendadas y siga las instrucciones. Vea las instrucciones bajo el título Datos técnicos

Emplee siempre el sentido común

Es imposible abarcar todas las situaciones imaginables que se pueden producir al utilizar una motosierra. Proceda con cuidado y emplee el sentido común. Evite todo uso para el cual no se sienta suficientemente calificado. Si después de leer estas instrucciones todavía se siente inseguro en cuanto al procedimiento de uso, consulte con un experto antes de proseguir. No dude en ponerse en contacto con el distribuidor o con nosotros si tiene alguna duda en cuanto al empleo de la motosierra.

INSTRUCCIONES GENERALES DE SEGURIDAD

Estamos a su disposición para darle consejos que le ayuden a emplear su motosierra de forma mejor y más segura. Le recomendamos hacer un cursillo sobre empleo de motosierras. El distribuidor local, una escuela de silvicultura o una biblioteca pueden informarle acerca del material de formación y los cursos disponibles. (Figura 2)

Se realiza un trabajo constante de mejoras del diseño y la técnica, que aumentan su seguridad y eficacia. Visite al distribuidor local regularmente para averiguar qué provecho pueden proporcionarle las novedades que se introducen.

Equipo de protección personal



¡ATENCIÓN! La mayoría de los accidentes con la motosierra se producen cuando la cadena toca al usuario. Para trabajar con la máquina debe utilizarse un equipo de protección personal homologado. El equipo de protección personal no elimina el riesgo de lesiones, pero reduce su efecto en caso de accidente. Pida a su distribuidor que le asesore en la elección del equipo.

Utilice siempre:

- Casco protector homologado
- Protectores auriculares
- Gafas protectoras o visor
- Guantes con protección anticorte
- Pantalones con protección contra sierra
- Botas con protección anticorte, puntera de acero y suela antideslizante
- Tenga siempre a mano el equipo de primeros auxilios.

Utilice prendas ajustadas que no limiten su movilidad.

Equipo de seguridad de la máquina

En este capítulo se explican los componentes de seguridad de la máquina y sus funciones. Para el control y mantenimiento, vea las instrucciones del capítulo Control, mantenimiento y servicio del equipo de seguridad de la motosierra. Vea el capítulo Componentes de la máquina para ver dónde están situados estos componentes en su máquina.

La vida útil de la máquina puede acortarse y el riesgo de accidentes puede aumentar si el mantenimiento de la máquina no se hace de forma adecuada y si los trabajos de servicio y/o reparación no se efectúan de forma

profesional. Para más información, consulte con el taller de servicio oficial más cercano.



¡ATENCIÓN! No emplee nunca una máquina con equipo de seguridad defectuoso. El equipo de seguridad se debe controlar y mantener. Vea las instrucciones del capítulo Control, mantenimiento y servicio del equipo de seguridad de la motosierra. Si el control de su máquina no da resultado satisfactorio, hay que acudir a un taller de servicio para la reparación.

Teclado

Asegúrese de que la máquina se enciende y apaga al pulsar y mantener pulsado durante más de un segundo el botón de activación y desactivación (1). El LED verde (2) está encendido o apagado.

El indicador de advertencia (3) parpadea si el freno de la cadena está activado o hay riesgo de sobrecarga. La protección contra sobrecarga desactiva temporalmente la máquina. Cuando la máquina recupere la temperatura normal, estará lista para funcionar de nuevo. Una luz fija significa que es necesario reparar la máquina. (Figura 6)

Función de apagado automático

La máquina está equipada con una función automática que la desactiva cuando no se utiliza. La máquina se desactivará tras 1 minuto.

Freno de cadena con protección contra reculadas

Su motosierra está equipada con un freno de cadena diseñado para detener la cadena de sierra en caso de reculada. Un freno de cadena reduce el riesgo de accidentes, pero sólo es usted, el usuario, quien puede impedirlos. (Figura 3)

Proceda con cuidado en la utilización de la sierra, procurando que el sector de riesgo de reculada de la espada nunca toque ningún objeto. (Figura 4)

- El freno de cadena (A) se activa bien manualmente (con la mano izquierda) o por efecto de la inercia. (Figura 5)
- La activación se produce al empujar hacia delante la protección contra reculadas (B). (Figura 5)
- Este movimiento activa un mecanismo de muelle que detiene el piñón de arrastre.
- La protección contra reculadas no sólo activa el freno de cadena. También cumple otra función importante: reduce el riesgo de que la mano izquierda toque la cadena si el usuario suelta el mango delantero.
- El freno de cadena debe estar activado al poner en marcha la motosierra.
- Utilice el freno de cadena como 'freno de estacionamiento' al arrancar y para los traslados cortos a fin de prevenir accidentes por contacto

INSTRUCCIONES GENERALES DE SEGURIDAD

involuntario de usted o el entorno con la cadena de sierra en movimiento.

- El freno de cadena se desacopla empujando la protección contra reculadas hacia atrás, contra el mango delantero.
- Las reculadas pueden ser rapidísimas y muy violentas. La mayoría de las reculadas son pequeñas y, por tanto, no siempre activan el freno de cadena. En estos casos debe sujetarse la motosierra con fuerza, sin soltarla. **(Figura 65)**
- El modo de activación del freno de cadena, manual o por inercia, depende de la fuerza de la reculada y de la posición de la motosierra en relación al objeto con el que toca el sector de riesgo de reculada de la espada.

En reculadas fuertes y con el sector de riesgo de reculada de la espada lo más lejos posible del usuario, el freno de cadena está diseñado para ser activado por su propio contrapeso (inercia) en el sentido de reculada. **(Figura 7)**

- En las reculadas poco violentas, o al trabajar con el sector de riesgo de reculada cerca del usuario, el freno de cadena se activa manualmente con la mano izquierda.
- En posición de tala, la mano izquierda está en una posición que permite la activación manual del freno de cadena. Con este agarre, cuando la mano izquierda está colocada de forma que no puede influir en el movimiento de la protección contra reculada, el freno de cadena sólo se puede activar mediante la función de inercia. **(Figura 8)**

¿Activará siempre mi mano el freno de cadena en caso de reculada?

No. Hace falta una fuerza determinada para mover la protección contra reculada hacia adelante. Si su mano sólo roza la protección contra reculada o resbala sobre ella, puede ocurrir que la fuerza no sea suficiente para activar el freno de cadena. También debe agarrar con firmeza la empuñadura de la motosierra cuando trabaja. Si lo hace y se produce una reculada, puede ocurrir que no suelte el agarre de la empuñadura delantera y que no active el freno de cadena, o que el freno de cadena no se active hasta que la sierra haya girado bastante. En casos así puede suceder que el freno de cadena no tenga tiempo de detener la cadena antes de que le toque a usted.

Ello ocurre también en determinadas posturas de trabajo que impiden que su mano llegue a la protección contra reculada para activar el freno de cadena; por ejemplo, cuando se sujeta la sierra en posición de tala.

¿Se activa siempre por inercia el freno de cadena cuando se produce una reculada?

No. En primer lugar, su freno debe funcionar. En segundo lugar, la reculada debe tener la fuerza suficiente para

activar el freno de cadena. Si el freno de cadena fuera demasiado sensible, se activaría constantemente, lo que sería molesto.

¿Me protegerá siempre el freno de cadena contra daños si se produce una reculada?

No. En primer lugar, su freno debe funcionar para proporcionar la protección prevista. En segundo lugar, el freno se debe activar tal como se describe arriba para detener la cadena de sierra en una reculada. En tercer lugar, el freno de cadena se puede activar, pero si la espada está demasiado cerca de usted puede ocurrir que el freno no tenga tiempo de reducir la velocidad y parar la cadena antes de que la motosierra le toque.

Solamente usted y empleando una técnica de trabajo correcta puede eliminar el efecto de reculada y los riesgos que comporta.

Fiador del acelerador

El bloqueo del gatillo de alimentación está destinado a evitar un uso accidental del gatillo. El gatillo de alimentación (B) se libera cuando se presiona el bloqueo (A); por ejemplo, cuando se agarra el mango. Al soltar el mango, el gatillo de alimentación y el bloqueo vuelven a sus posiciones originales. **(Figura 9)**

Captor de cadena

El captor de cadena está diseñado para captar las cadenas que se sueltan o se rompen. Normalmente esto se evita con el tensado correcto de la cadena (vea las instrucciones bajo el título Montaje) y con un mantenimiento adecuado de la espada y la cadena (vea las instrucciones bajo el título Instrucciones generales de trabajo). **(Figura 10)**

Protección de la mano derecha

La protección de la mano derecha, además de proteger la mano cuando una cadena se suelta o se rompe, impide que las ramas perjudiquen el agarre del mango posterior. **(Figura 11)**

Vibraciones

El corte de maderas duras (la mayoría de los árboles caducifolios) produce más vibraciones que el de maderas blandas (la mayoría de las coníferas). El corte con un equipo de corte desafilado o incorrecto (modelo

INSTRUCCIONES GENERALES DE SEGURIDAD

incorrecto o mal afilado) incrementa el nivel de vibraciones.



¡ATENCIÓN! La sobreexposición a las vibraciones puede provocar problemas circulatorios y dolencias de carácter nervioso, especialmente en personas con patologías circulatorias. Acuda a un médico si nota síntomas corporales que puedan relacionarse con la sobreexposición a las vibraciones. Son ejemplos de tales síntomas la pérdida de sensibilidad, el 'cosquilleo', las 'punzadas', el dolor, la pérdida o reducción de la fuerza normal o los cambios en el color y la superficie de la piel. Estos síntomas se presentan normalmente en dedos, manos y muñecas. Los síntomas pueden aumentar en temperaturas frías.

Batería y cargador de batería

En este apartado se describe la seguridad de la batería y del cargador del producto.

Solo use las baterías originales Husqvarna con los productos Husqvarna, y solo cárguelas en un cargador QC de baterías original de Husqvarna. Las baterías están encriptadas mediante software.

Seguridad de la batería

Las baterías recargables Husqvarna, BLi, solo pueden utilizarse como fuente de alimentación de los aparatos sin cables Husqvarna para los que han sido diseñadas. Para evitar daños, la batería no debe utilizarse como fuente de alimentación de otros dispositivos.



¡ATENCIÓN! Mantenga la batería lejos de la luz directa del sol, de fuentes de calor o de llamas abiertas. Existe el riesgo de que la batería explote si se arroja a un fuego abierto. Existe riesgo de quemaduras por calor o quemaduras químicas.



¡ATENCIÓN! Evite que el ácido de la batería entre en contacto con la piel. El ácido de la batería puede causar irritación cutánea, quemaduras o heridas corrosivas. Si el ácido entra en contacto con los ojos, no los frote: enjuáguelos con abundante agua durante al menos 15 minutos. Consulte con un médico. En caso de contacto accidental, lave siempre la piel expuesta con abundante agua y jabón.



¡ATENCIÓN! No conecte nunca los bornes de la batería a llaves, monedas, tornillos u otros objetos metálicos, ya que podría causar un cortocircuito en la batería. No inserte nunca objetos en los conductos de ventilación de la batería.

Las baterías que no se utilicen deben mantenerse alejadas de objetos metálicos como clavos, monedas o joyas. No intente desmontar o aplastar la batería.

- Utilice la batería en entornos en los que la temperatura se encuentre entre los -10 °C (14 °F) y los 40 °C (104 °F).
- No exponga la batería a microondas o altas presiones.
- Nunca limpie la batería o el cargador con agua. Consulte también las instrucciones bajo el título Mantenimiento.
- Guarde la batería lejos del alcance de los niños.
- Mantenga la batería resguardada de la lluvia y la humedad.

Seguridad del cargador de la batería

Utilice únicamente cargadores Husqvarna QC para cargar las baterías de sustitución Husqvarna BLi.



¡ATENCIÓN! Reduzca al mínimo el riesgo de sufrir una descarga eléctrica o un cortocircuito del siguiente modo:

No introduzca nunca un objeto en las ranuras de refrigeración del cargador.

No intente desmontar el cargador.

No conecte nunca los bornes del cargador a objetos metálicos: pueden cortocircuitar el cargador.

Utilice tomas de corriente homologadas y en perfecto estado.

- Compruebe periódicamente que el cable de conexión del cargador esté en buen estado y que no tenga grietas.
- Nunca agarre el cargador por el cable y no tire del cable para desenchufarlo.
- Utilice únicamente cables alargadores de exteriores de tres hilos que cuenten con conexiones a tierra de tres clavijas y receptáculos de tierra compatibles con el enchufe del dispositivo.
- Mantenga todos los cables y cables de empalme apartados de agua, aceite y cantos agudos. Proceda con cuidado para evitar que el cable se apriete en

INSTRUCCIONES GENERALES DE SEGURIDAD

puertas, vallas o similares. Hay riesgo de cargar objetos con electricidad.



¡ATENCIÓN! No utilice el cargador cerca de materiales corrosivos o inflamables. No cubra el cargador. Desenchufe el cargador en caso de humareda o incendio. Preste atención al riesgo de incendio.

No utilice:

- un cargador defectuoso o dañado o una batería defectuosa, dañada o deformada;

No cargue:

- baterías no recargables en el cargador ni las utilice en la máquina;
- el cargador de batería para cargar la batería en el exterior.
- la batería en ambientes húmedos o con lluvia;
- la batería expuesta a la luz solar directa.

Utilice el cargador únicamente cuando la temperatura del entorno se encuentre entre los 5 °C (41 °F) y los 40 °C (104 °F). Utilice el cargador en un entorno ventilado, seco y sin polvo.

Equipo de corte

Este capítulo describe cómo Ud., con un mantenimiento correcto y utilizando el equipo de corte adecuado, podrá:

- Reducir la propensión a las reculadas de la máquina.
- Reduce la ocurrencia de salidas y roturas de la cadena de sierra.
- Proporciona un resultado de corte óptimo.
- Aumentar la duración del equipo de corte.
- Evita el aumento de los niveles de vibraciones.

Reglas básicas

- **¡Utilice solamente el equipo de corte recomendado por nosotros!** Vea las instrucciones bajo el titular Datos técnicos
- **¡Mantenga los dientes cortantes de la cadena bien y correctamente afilados! Siga nuestras instrucciones y utilice el calibrador de limado recomendado.** Una cadena mal afilada o dañada aumenta el riesgo de accidentes y puede hacer que se caliente más rápido.
- **¡Mantenga la profundidad de corte correcta! Siga nuestras instrucciones y utilice el calibrador de profundidad recomendado.** Una profundidad de corte demasiado grande aumenta el riesgo de reculada. **(Figura 19)**
- **¡Mantenga la cadena correctamente tensada!** Con un tensado insuficiente se incrementa el riesgo de solturas de la cadena y se aumenta el desgaste de la espada, la cadena y el piñón de arrastre. **(Figura 24)**

- **¡Mantenga el equipo de corte bien lubricado y efectúe el mantenimiento adecuado!** Con una lubricación insuficiente se incrementa el riesgo de roturas de cadena y se aumenta el desgaste de la espada, la cadena y el piñón de arrastre.

Equipo de corte reductor de reculadas



¡ATENCIÓN! Un equipo de corte defectuoso o una combinación errónea de espada/cadena de sierra aumentan el riesgo de reculadas. Utilice solamente las combinaciones de espada/cadena de sierra recomendadas y siga las instrucciones. Vea las instrucciones bajo el titular Datos técnicos

Las reculadas sólo puede evitarlas Ud. el usuario, impidiendo que el sector de riesgo de reculada de la espada toque algún objeto.

El efecto de las reculadas puede reducirse utilizando un equipo de corte con reducción de reculada "incorporada", así como con un afilado y mantenimiento correctos de la cadena.

Espada

Cuanto más pequeño es el radio de punta, menor es la propensión a la reculada.

Cadena

Una cadena de sierra consta de distintos eslabones que se presentan en versión estándar y en versión reductora de reculada.

¡IMPORTANTE! Ninguna cadena de sierra elimina el riesgo de reculada.



¡ATENCIÓN! Cualquier contacto con una sierra de cadena en girando puede causar daños muy graves.

Expresiones características de la espada y cadena

Para conservar la eficacia de todos los componentes de seguridad del equipo de corte, debe sustituir las combinaciones de espada/cadena de sierra gastadas o dañadas por una espada y una cadena recomendadas por Husqvarna. Vea las instrucciones del capítulo Datos técnicos para información sobre las combinaciones de espada/cadena de sierra que recomendamos.

Espada

- Longitud (pulgadas/cm) **(Figura 13)**
- Número de dientes en el cabezal de rueda (T). **(Figura 12)**
- Paso de cadena (=pitch) (pulgadas). El cabezal de rueda de la espada y el piñón de arrastre de la cadena de la motosierra deben adaptarse a la distancia entre los eslabones de arrastre. **(Figura 14)**

INSTRUCCIONES GENERALES DE SEGURIDAD

- Número de eslabones de arrastre (unidades). A cada combinación de longitud de cadena, paso de cadena y número de dientes del cabezal de rueda, le corresponde un número determinado de eslabones de arrastre. (Figura 16)
- Ancho de la guía de la espada (pulgadas/mm). El ancho de la guía de la espada debe estar adaptado al ancho del eslabón de arrastre de la cadena.
- Orificio para aceite de cadena y orificio para pasador tensor de cadena. La espada debe estar adaptada al diseño de la motosierra. (Figura 15)

Cadena

- Paso de cadena (=pitch) (pulgadas) (Figura 14)
- Ancho del eslabón de arrastre (mm/pulgadas) (Figura 17)
- Número de eslabones de arrastre (unidades) (Figura 16)

Afilado y ajuste del talón de profundidad de una cadena de sierra



Para manipular la cadena deben utilizarse guantes protectores.

Generalidades sobre el afilado de los dientes cortantes

- No corte nunca con una sierra roma. Es señal de sierra roma cuando es necesario presionar el equipo de corte a través de la madera y el que las virutas son muy pequeñas. Una cadena de sierra muy roma no produce virutas. El único resultado es polvo de madera.
- Una sierra de cadena bien afilada atraviesa por sí sola la madera y produce virutas grandes y largas. (Figura 18)
- La parte cortante de una cadena de sierra se denomina eslabón de corte, formado por un diente de corte (A) y un talón de profundidad (B). La distancia en altura entre ellos determina la profundidad de corte. (Figura 19)

Hay tres medidas a considerar para el afilado del diente de corte.

- 1 Ángulo de afilado (Figura 20)
- 2 Ángulo de corte (Figura 21)
- 3 Posición de la lima (Figura 22)
- 4 Diámetro de la lima redonda

Es muy difícil afilar correctamente una cadena de sierra sin los accesorios adecuados. Por ello le recomendamos que utilice nuestro calibrador de afilado. La plantilla garantiza un afilado de la cadena de sierra para una reducción de la reculada y una capacidad de corte óptimas. (Figura 23)

Vea las instrucciones del capítulo Datos técnicos en lo referente a los datos para el afilado de la cadena de su motosierra.



¡ATENCIÓN! La negligencia en seguir las instrucciones de afilado aumenta considerablemente la propensión a la reculada de la cadena de sierra.

Afilado de dientes cortantes

Para afilar dientes de corte se requiere una lima redonda y un calibrador de afilado. Vea las instrucciones del capítulo Datos técnicos en lo referente al diámetro de lima redonda y el calibrador de afilado recomendados para la cadena de su motosierra.

- Compruebe que la cadena esté bien tensada. Con un tensado insuficiente, la cadena tiene inestabilidad lateral, lo cual dificulta el afilado correcto. (Figura 24)
- Afile siempre desde el interior del diente hacia fuera. En el retorno, suavice la presión de la lima. Primero, afile todos los dientes de un lado y, luego, vuelva la motosierra y afile los dientes del otro lado. (Figura 20)
- Afile todos los dientes a la misma longitud. Cuando sólo queden 4 mm (5/32") de la longitud de diente, la cadena está desgastada y debe cambiarse. (Figura 25)

Generalidades sobre el ajuste de la profundidad de corte

- Al afilar el diente de corte se reduce la altura del talón de profundidad (= profundidad de corte). Para mantener una capacidad máxima de corte hay que bajar el talón de profundidad al nivel recomendado. En lo referente a la profundidad de corte de la cadena de su motosierra, vea el capítulo Datos técnicos. (Figura 26)



¡ATENCIÓN! ¡Una profundidad de corte excesiva aumenta la propensión a las reculadas de la cadena!

Ajuste de la profundidad de corte

- El ajuste de la profundidad de corte debe hacerse con los dientes cortantes recién afilados. Recomendamos ajustar la profundidad de corte después de cada tercer afilado de la cadena de sierra. ¡ATENCIÓN! Esta recomendación presupone que la longitud de los dientes de corte no se ha reducido anormalmente.
- Para ajustar la profundidad de corte se necesita una lima plana y un calibrador de profundidad de corte. Recomendamos utilizar nuestro calibrador de afilado de profundidad para obtener la medida de profundidad correcta y el ángulo correcto del talón de profundidad.
- Ponga el calibrador de afilado sobre la cadena de sierra. En el envase del calibrador hay instrucciones sobre su empleo. Utilice la lima plana para limar el sobrante de la parte sobresaliente del talón de

INSTRUCCIONES GENERALES DE SEGURIDAD

profundidad. La profundidad de corte es correcta cuando no se nota resistencia alguna al pasar la lima sobre el calibrador. (Figura 27)

Tensado de la cadena



¡ATENCIÓN! Una cadena insuficientemente tensada puede soltarse y ocasionar accidentes graves, incluso mortales.



¡ATENCIÓN! No olvide extraer la batería antes de realizar cualquier tarea de montaje, mantenimiento y / o comprobación de la máquina.

La cadena se alarga con la utilización. Por consiguiente, es importante ajustar el equipo de corte para compensar este cambio.

El tensado de la cadena debe controlarse cada vez que se reposte aceite. **NOTA:** Las cadenas nuevas requieren un periodo de rodaje, durante el que debe controlarse el tensado con mayor frecuencia.

En general, la cadena debe tensarse tanto como sea posible, aunque debe ser posible girarla fácilmente con la mano. (Figura 47)

- Afloje la manija abriéndola en su totalidad. (Figura 28)
- Gire la manija a izquierdas para soltar la cubierta del piñón de arrastre. (Figura 29)
- Ajuste la tensión de la cadena girando la rueda hacia abajo (+) para aumentarla y hacia arriba (-) para reducirla. (Figura 30)
- Apretar el acoplamiento de la espada, girando la manija a derechas. (Figura 31)
- Cerrar la manija para fijar el tensado. (Figura 32)

Lubricación del equipo de corte



¡ATENCIÓN! La lubricación insuficiente del equipo de corte puede ocasionar roturas de cadena, con el riesgo consiguiente de accidentes graves e incluso mortales.

¡IMPORTANTE! El desgaste de la espada y la cadena puede calentar el producto en exceso. Debe asegurarse de trabajar con una espada y una cadena bien mantenidas para evitar estos problemas.

Aceite para cadena de motosierra

Un aceite para cadena de motosierra ha de tener buena adhesión a la cadena, así como buena fluidez tanto en climas cálidos como fríos.

¡No utilizar nunca aceite residual! Es nocivo para usted, la máquina y el medio ambiente.

Repostaje de aceite para cadena de motosierra

- Utilice siempre aceite para cadena de base mineral. (Figura 33)
- Para la selección de aceite lubricante de cadena, consulte con su taller de servicio.
- Todos nuestros modelos de motosierra tienen lubricación automática de la cadena. Algunos modelos pueden obtenerse también con flujo de aceite regulable.
- El depósito de aceite para la cadena de sierra está diseñado para una duración de aproximadamente tres cargas de batería. No obstante, esta función de seguridad requiere el uso del tipo correcto de aceite para cadenas, ya que si su densidad es inferior, durará menos tiempo.
- No utilice nunca aceite residual. Puede ocasionar averías en la bomba de aceite, la espada y la cadena.
- Es importante utilizar un aceite adecuado para la temperatura ambiente (con la viscosidad correcta).
- Con temperaturas bajo cero, algunos aceites se espesan. Ello puede causar sobrecargas en la bomba de aceite, con averías subsiguientes de las piezas de la bomba.

Control de la lubricación de la cadena

- Compruebe la lubricación de la cadena cada tres cargas de batería.
Apunte la punta de la espada a unos 20 cm (8 pulgadas) de un objeto fijo y claro. Después de 1 minuto de funcionamiento a 3/4 de aceleración debe verse una línea de aceite clara en el objeto. (Figura 34)

Si no funciona la lubricación de la cadena:

- Compruebe que el canal de aceite de cadena en la espada esté abierto. Límpielo si es necesario. (Figura 35)
- Compruebe que la guía de la espada esté limpia. Límpiela si es necesario. (Figura 36)
- Compruebe que el cabezal de rueda de la espada gire con facilidad y que su orificio de lubricación esté abierto. Limpie y lubrique si es necesario. (Figura 37)

Si la lubricación de la cadena no funciona después de efectuar los controles y medidas anteriores, contacte a su taller de servicio.

Piñón de arrastre de la cadena

El sistema de transmisión cuenta con un piñón de arrastre. (Figura 38)

Compruebe regularmente el nivel de desgaste del piñón de arrastre de la cadena y cámbielo si presenta un desgaste anormal.

Control del desgaste del equipo de corte

Controle diariamente la cadena para comprobar si:

INSTRUCCIONES GENERALES DE SEGURIDAD

- Hay grietas visibles en los remaches y eslabones.
- La cadena está rígida.
- Los remaches y eslabones presentan un desgaste anormal.

Deseche la cadena de sierra si concuerda con alguno o varios de los puntos anteriores.

Para comprobar el desgaste de la cadena que utiliza, le recomendamos que la compare con una cadena nueva.

Cuando sólo queden 4 mm (5/32 de pulgada) de longitud de diente cortante, la cadena está gastada y debe cambiarse.

Espada

Controle a intervalos regulares:

- Si se han formado rebabas en los lados de la espada. Lime si es necesario. **(Figura 39)**
- Si la guía de la espada presenta un desgaste anormal. Cambie la espada si es necesario.
- Si la punta de la espada presenta un desgaste anormal o irregular. Si se ha formado una "cavidad" al final del radio de la punta, en la parte inferior de la espada, es señal de que Ud. ha utilizado la máquina con un tensado de cadena insuficiente. **(Figura 40)**

- Para obtener una duración óptima, la espada debe girarse cada día. **(Figura 41)**



¡ATENCIÓN! La mayoría de los accidentes con la motosierra se producen cuando la cadena toca al usuario.

Utilice el equipo de protección personal. Vea las instrucciones bajo el título "Equipo de protección personal".

Evite los trabajos para los que no se sienta suficientemente capacitado. Vea las instrucciones bajo los títulos Equipo de protección personal, Medidas preventivas de reculadas, Equipo de corte e Instrucciones generales de trabajo.

Evite situaciones con riesgo de reculada. Vea las instrucciones bajo el título Equipo de seguridad de la máquina.

Utilice el equipo de corte recomendado y controle su estado. Vea las instrucciones bajo los títulos Datos técnicos e Instrucciones generales de seguridad.

Compruebe el funcionamiento de las piezas de seguridad de la motosierra. Vea las instrucciones bajo los títulos Instrucciones generales de trabajo e Instrucciones generales de seguridad.

No utilice nunca una motosierra agarrándola solamente con una mano. Una motosierra no se controla con seguridad con una mano. Agarre con fuerza y firmeza las empuñaduras con ambas manos.

Montaje de la espada y la cadena



¡ATENCIÓN! No olvide extraer la batería antes de realizar cualquier tarea de montaje, mantenimiento y / o comprobación de la máquina.

Para manipular la cadena deben utilizarse guantes protectores.

- Compruebe que no esté activado el freno de cadena empujando la protección contra reculadas del freno de cadena hacia el mango delantero. **(Figura 42)**
- Desmonte la cubierta del piñón de arrastre girando el bloqueo hacia la izquierda. Saque la protección de transporte (A). **(Figura 43)**
- Monte la espada sobre el perno de la espada. Coloque la espada en la posición posterior extrema. Coloque la cadena sobre el piñón de arrastre y en la guía de la espada. Empiece con la parte superior de la cadena. **(Figura 44)**
- Compruebe que los filos de los eslabones de corte estén orientados hacia delante en la parte superior de la espada.

Monte la cubierta del embrague y no olvide poner el vástago de tensado de cadena en el orificio de la espada. Compruebe que los eslabones de arrastre de la cadena encajen en el piñón de arrastre y que la cadena esté bien colocada en la guía de la espada.

- Tensar la cadena girando la rueda hacia abajo (+). La cadena se debe tensar hasta que no tenga deflexión en la parte inferior de la espada. **(Figura 45)**
- La cadena está correctamente tensada cuando no cuelga en la parte inferior de la espada y puede girarse fácilmente con la mano. Apriete las tuercas de la espada con la llave combinada, sujetando al mismo tiempo la punta de la espada. **(Figura 46)**
- El tensado de una cadena nueva debe controlarse con frecuencia, hasta que se haya hecho el rodaje. Controle el tensado regularmente. Una cadena correcta significa buena capacidad de corte y larga duración. **(Figura 47)**


MANEJO DE LA BATERÍA

Batería

En la pantalla puede verse la carga de la batería y si hay algún problema con ella. La carga de la batería se muestra durante cinco segundos después de apagar la máquina o pulsar el botón del indicador de la batería (1). El símbolo de advertencia de la batería se enciende cuando se produce un error (2). Consulte los códigos de error. (Figura 49)

Indicadores LED	Estado de la batería
Todos los LED están encendidos	Totalmente cargado (67 %-100 %).
LED 1 y LED 2 encendidos.	La batería está cargada en un 34-66 %.
LED 1 encendido.	La batería está cargada en un 1-33 %.
El LED 1 parpadea.	La batería está descargada. Cargue la batería.

Cargador de batería



¡ATENCIÓN! Riesgo de descarga eléctrica y cortocircuito. Utilice tomas de corriente homologadas y en perfecto estado. Asegúrese de que el cable no esté dañado. En caso de que así sea, sustitúyalo.

Conexión del cargador

- Conecte el cargador a la tensión y la frecuencia indicadas en la placa de características. Conecte el aparato eléctrico en una toma de corriente conectada a tierra. (Figura 50)
- La batería no se cargará si su temperatura supera los 50 °C (122 °F).

Conexión de la batería al cargador.

Compruebe periódicamente que el cargador y la batería están intactos. Consulte también las instrucciones bajo el título Mantenimiento.

La batería debe cargarse antes de utilizarse por primera vez. La batería cuenta con el 30 % de carga cuando se entrega.

- Conexión de la batería al cargador. (Figura 50)
- La luz de carga verde del cargador permanece encendida cuando la batería está conectada al cargador. (Figura 51) El proceso de carga está en curso.
- Cuando todos los LED de la batería están encendidos, indica que está completamente cargada. (Figura 52)
- Desenchufe el cargador. Nunca tire del cable de alimentación para desenchufar el cargador de la toma de corriente.

- Desconecte el cargador de la batería.

Estado de carga

Las baterías de iones de litio pueden cargarse independientemente de su nivel de carga. El proceso de carga puede interrumpirse o iniciarse sin que afecte el nivel de carga de la batería. (Figura 53) Una batería completamente cargada no pierde su carga aun cuando se deje en el cargador.

Transporte y almacenamiento

- Las baterías de iones de litio que se incluyen cumplen con los requerimientos de la Legislación de productos peligrosos.
- Deben cumplirse los requisitos de embalaje y etiquetado a la hora de realizar transportes comerciales por parte de terceros o agentes de transporte.
- Es necesario consultar a un experto en materiales peligrosos para preparar el artículo que se va a enviar. También debe tener en cuenta cualquier normativa nacional más detallada aplicable.
- Coloque cinta aislante sobre los contactos abiertos o tápelos y embale la batería de tal forma que no se mueva dentro del paquete.
- No olvide extraer la batería para el almacenamiento o transporte.
- Almacene la batería y el cargador en un lugar seco, sin humedad ni escarcha.
- No almacene la batería en lugares donde pueda generarse electricidad estática. No transporte nunca la batería en una caja metálica.
- Guarde la batería en un lugar donde la temperatura sea de entre 5 °C y 25 °C y que nunca esté expuesto directamente al sol.
- Guarde el cargador de la batería en un lugar donde la temperatura sea de entre 5 °C y 45 °C y que nunca esté expuesto directamente al sol.
- Almacene el cargador únicamente en un lugar cerrado y seco.
- Asegúrese de almacenar la batería y el cargador por separado. Almacene la cortadora en lugar seguro fuera del alcance de los niños y personas no calificadas para su uso.
- Antes del almacenaje prolongado, limpie bien la máquina y haga el servicio completo.
- Asegure la máquina durante el transporte.

Eliminación de la batería, el cargador y la máquina

El símbolo en el producto o en su envase indica que no se puede tratar este producto como desperdicio doméstico. Deberá por lo tanto depositarse en un centro de recogida adecuado para el reciclado de equipos eléctricos y electrónicos.

Haciendo que este producto sea manipulado adecuadamente, se ayuda a evitar consecuencias negativas potenciales para el medio ambiente y las personas, lo que puede ocurrir con la manipulación inadecuada como residuos del producto. Para obtener información más detallada sobre el reciclado de este producto, contacte con la oficina municipal local, con el servicio de eliminación de desperdicios domésticos o con la tienda donde compró el producto.

130.com.ua

Arranque y parada



¡ATENCIÓN! Antes de arrancar, observe lo siguiente:

No ponga en marcha la motosierra sin haber montado antes la espada, la cadena y todas las cubiertas. De lo contrario, el piñón de arrastre puede aflojarse y causar daños personales.

Asegúrese de tener buena estabilidad y de que la cadena no pueda tocar ningún objeto.

Asegúrese de que no haya terceros desautorizados en la zona de trabajo.

- Antes de introducir la batería en la máquina, compruebe siempre que el gatillo de alimentación funciona correctamente y que vuelve a la posición de apagado cuando se suelta. Para evitar un arranque accidental del gatillo de alimentación, este dispone de un bloqueo. **(Figura 54)**
- Nunca ponga en marcha la motosierra sin haber montado antes correctamente la espada, la cadena y todas las cubiertas. Vea las instrucciones bajo el título Montaje. **(Figura 55)**
- Observe el entorno y asegúrese de que no haya riesgo de tocar a personas o animales con el equipo de corte. **(Figura 56)**
- Sujete siempre la motosierra con ambas manos. Agarre la empuñadura trasera con la mano derecha y la empuñadura delantera con la mano izquierda. **Todos los usuarios, diestros o zurdos, deben usar este agarre.** Agarre con firmeza, con todos los dedos alrededor de las empuñaduras de la motosierra. **(Figura 57)**

Arranque

- Coloque la batería en la máquina. La batería debe deslizarse fácilmente en su compartimento de la máquina. Si la batería no se desliza con facilidad, es porque no se está colocando correctamente. **(Figura 58)**
- Presione hacia abajo en la batería. Oirá un "clic" cuando la batería se quede fija en su posición. **(Figura 59)**
- Mantenga pulsado el botón de arranque durante más de un segundo, hasta que se encienda el LED verde. **(Figura 60)**

Parada

La máquina se detiene pulsando el botón de inicio / parada del teclado (LED verde apagado). **(Figura 60)**

Aclaración! Para evitar arranques accidentales, la batería debe extraerse siempre cuando la máquina no se esté utilizando o no esté vigilada. Para extraer la batería de la máquina, presione los dos botones de esta. **(Figura 61)**

Antes de utilizar la máquina: (Figura 62)

- 1 Compruebe que el freno de cadena funcione correctamente y no esté dañado.
- 2 Compruebe que la protección trasera de la mano derecha no esté dañada.
- 3 Compruebe que el bloqueo del gatillo de alimentación funcione correctamente y no esté dañado.
- 4 Compruebe que el teclado funcione correctamente y no esté dañado.
- 5 Compruebe que todos los mangos estén libres de aceite.
- 6 Compruebe que todas las piezas de la motosierra estén bien apretadas, no presenten daños y estén presentes.
- 7 Compruebe que el retén de cadena esté montado y en buenas condiciones.
- 8 Afíle la cadena y compruebe su tensado y su estado.
- 9 Compruebe que la batería está completamente cargada y bien fijada a la motosierra.
- 10 Compruebe que la cadena de sierra se detiene cuando se suelta el gatillo de alimentación.

SavE

La batería cuenta con una función de ahorro de potencia (savE). Esta función se activa pulsando el botón savE del teclado. Con la función savE activada, se prolonga el tiempo de funcionamiento de la máquina, ya que se reduce la velocidad de la cadena. **(Figura 63)**

Aclaración! Utilizar la máquina con la función SavE activada únicamente reduce la velocidad de la cadena, no la potencia de la máquina.

Instrucciones generales de trabajo

¡IMPORTANTE!

Este capítulo se refiere a las reglas de seguridad básicas para el trabajo con una motosierra. En ningún caso, su contenido podrá sustituir a los conocimientos, formación y experiencia práctica de un profesional. Por consiguiente, cuando no esté seguro de cómo utilizar la máquina, consulte a un experto. Diríjase a la tienda donde compró la motosierra, al taller de servicio o a un usuario de motosierras experto. ¡Evite los trabajos para los que no se sienta suficientemente cualificado!

No utilice la motosierra hasta que haya comprendido el significado de las reculadas y la forma de evitarlas. Vea las instrucciones bajo el título Medidas preventivas de las reculadas.

No utilice la motosierra hasta que haya comprendido la diferencia entre las técnicas de corte con la parte superior y la parte inferior de la espada. Vea las instrucciones de los capítulos Medidas preventivas de las reculadas y Equipo de seguridad de la máquina.

Utilice el equipo de protección personal. Vea las instrucciones bajo el título "Equipo de protección personal".

Reglas básicas de seguridad

- 1 Observe el entorno para:
 - Comprobar que no hayan personas, animales, etc., que puedan influir en su control de la máquina.
 - Impedir que eventuales personas o animales puedan entrar en contacto con la cadena o sean alcanzadas o lesionadas por un árbol derribado.
- ¡NOTA! Siga las instrucciones mencionadas arriba y no utilice la motosierra sin que haya alguien a quien recurrir en caso de accidente.
- 2 No trabaje en condiciones atmosféricas desfavorables como niebla, lluvia intensa, tempestad, frío intenso, etc. El trabajo con mal tiempo es fatigoso y puede crear circunstancias peligrosas, como terreno resbaladizo, cambio imprevisto de la dirección de derribo de los árboles, etc.
 - 3 Proceda con sumo cuidado en el corte de ramas pequeñas y evite cortar arbustos (= varias ramas al mismo tiempo). Después del corte, las ramas pequeñas pueden atascarse en la cadena, ser lanzadas hacia Ud. y herirle de gravedad.
 - 4 Compruebe que pueda caminar y mantenerse de pie con seguridad. Vea si hay eventuales impedimentos para desplazamientos imprevistos (raíces, piedras, ramas, fosos, zanjas, etc.). Proceda con sumo cuidado al trabajar en terreno inclinado.
 - 5 Sea sumamente cuidadoso al cortar en árboles en tensión. Un árbol en tensión puede, tanto antes como después de terminar de cortar, volver a su posición normal. Si Ud. o el corte están mal ubicados, el árbol puede golpearlo a Ud. o a la máquina y hacerle

TECNICA DE TRABAJO

perder el control. Las dos situaciones pueden ocasionar daños personales graves. (Figura 64)

- 6 Para los desplazamientos, desactive y bloquee la cadena con el freno. Lleve la motosierra con la espada y cadena orientadas hacia atrás. Para los desplazamientos largos y los transportes utilice siempre la protección de la espada.
- 7 Cuando ponga la motosierra en el suelo, bloquee la cadena de sierra con el freno de cadena y no pierda de vista la motosierra. Desactive la máquina y extraiga la batería antes de almacenar la motosierra durante un periodo prolongado.



¡ATENCIÓN! A veces las astillas se quedan atascadas en el sistema de transmisión, lo que hace que la cadena se bloquee. Detenga siempre la máquina y retire la batería antes de efectuar la limpieza.

Reglas básicas

- 1 Entendiendo las implicaciones y causas de la reculada, Ud. puede reducir o eliminar sorpresas que incrementen el riesgo de accidente. La mayoría de reculadas son pequeñas, aunque algunas son rapidísimas y muy violentas.
- 2 Sujete siempre la motosierra con firmeza, con la mano derecha en el mango trasero y la mano izquierda en el mango delantero, agarrando los mangos con todos los dedos. Este agarre deben utilizarlo todos los usuarios, incluso los zurdos. Este agarre es la mejor forma de reducir el efecto de una reculada y, al mismo tiempo, mantener el control de la motosierra. **¡No suelte los mangos! (Figura 65)**
- 3 La mayoría de los accidentes por reculada se producen al desramar. Procure trabajar con una postura estable y que en el suelo no hayan objetos que puedan hacerle tropezar y perder el equilibrio.

Si se trabaja con negligencia, el sector de riesgo de reculada de la espada puede tocar involuntariamente una rama, un árbol u otro objeto y producir una reculada.

Controle la pieza de trabajo. Si las piezas de trabajo que sierra son pequeñas y ligeras, pueden atascarse en la cadena de sierra y ser lanzadas contra usted. Esto, aunque no es necesariamente peligroso, puede sorprenderle y hacerle perder el control de la motosierra. No sierre nunca troncos apilados ni ramas sin separarlos antes. Sierre solamente los troncos de trozo en trozo. Aparte los trozos aserrados para mantener segura su zona de trabajo. (Figura 74)

- 4 **No utilice nunca la motosierra por encima de los hombros y evite cortar con la punta de la motosierra. ¡No utilice nunca la motosierra con una sola mano! (Figura 66)**
- 5 Para obtener máximo control de la motosierra, es necesario adoptar una posición estable. No trabaje

nunca subido a una escalera, trepado a un árbol o en una posición que carezca de una base firme. (Figura 67)

- 6 Corte con velocidad de cadena alta, acelerando al máximo.
- 7 Para cortar con la parte superior de la espada, en sentido ascendente desde la parte inferior del objeto a cortar, proceda con muchísimo cuidado. Al trabajar con esta técnica, llamada de cadena impelente, la cadena empuja la motosierra hacia atrás, hacia el usuario. Si la cadena de sierra se atasca, la motosierra puede ser lanzada hacia atrás contra usted. (Figura 68)
- 8 Si el usuario no resiste la fuerza de la motosierra, puede ocurrir que ésta retroceda tanto que el sector de riesgo de reculada de la espada toque el árbol y se produzca una reculada. (Figura 69)

El corte con la parte inferior de la espada, en sentido descendente desde la parte superior del objeto a cortar, se denomina de corte con cadena tirante. La motosierra es tirada hacia el árbol y el canto delantero del cuerpo se apoya contra el tronco. Con esta técnica de cadena tirante, el usuario controla mejor la motosierra y la situación del sector de riesgo de reculada de la espada. (Figura 70)

- 9 Siga las instrucciones de afilado y mantenimiento de la espada y la cadena. Al cambiar la espada y la cadena sólo deben utilizarse las combinaciones recomendadas por nosotros. Vea las instrucciones bajo los títulos Equipo de corte y Datos técnicos.

Técnica básica de corte



¡ATENCIÓN! No utilice nunca una motosierra agarrándola solamente con una mano. Una motosierra no se controla con seguridad con una mano. Agarre con fuerza y firmeza las empuñaduras con ambas manos.

Generalidades

- ¡Para cortar, utilice siempre la aceleración máxima!
- Después de cada corte de sierra, suelte el gatillo de alimentación (dejar el motor durante demasiado tiempo en aceleración máxima prolongada sin carga, es decir, sin que el motor tenga la resistencia de la cadena en el aserrado, produce avería grave del motor).
- Corte descendente = con cadena "tirante".
- Corte ascendente = con cadena "impelente".

La técnica con cadena "impelente" supone un mayor riesgo de reculada. Vea las instrucciones bajo el título Medidas preventivas de las reculadas.

Designaciones

Tronzado = denominación genérica del corte transversal de la madera.

TECNICA DE TRABAJO

Tronzado = denominación genérica del corte transversal de la madera.

Desramado = corte de las ramas de un árbol talado.

Partición = rotura del objeto que se corta antes de concluir el corte.

Cuestiones importantes que debe tener en cuenta antes de trabajar con la motosierra:

- 1 El equipo de corte no debe quedar apretado en el surco. (Figura 71)
- 2 El objeto que se corta no debe partirse. (Figura 72)
- 3 Durante el tronzado y después del mismo, la cadena de la sierra no debe tocar el suelo ni objeto alguno. (Figura 73)
- 4 ¿Hay riesgo de reculada? (Figura 4)
- 5 ¿Puede la configuración del terreno y el entorno influir en su estabilidad y seguridad para caminar y mantenerse de pie?
- 6 Cuando corte en una pendiente, colóquese siempre en la parte superior del tronco. Para mantener un control completo de la motosierra cuando corte el tronco, suelte la presión de corte cerca del fin del corte sin dejar de empuñar fuerte los mangos de la motosierra. No deje que la cadena de la sierra entre en contacto con el suelo. Después de completar el corte, espere a que la cadena se detenga antes de mover la motosierra. Antes de cambiar de árbol, pare siempre el motor.

El atasco de la cadena y la partición del objeto de corte pueden deberse a dos factores: el apoyo del objeto antes y después del tronzado, y si el objeto a cortar está tenso.

En la mayoría de casos, estos factores pueden evitarse efectuando el tronzado en dos etapas: por arriba y por abajo. Así se neutraliza la propensión del objeto a cortar a apretar la cadena o a partirse.



¡ATENCIÓN! Si la cadena de sierra se atasca en el corte: ¡desactive la máquina! No intente sacar la máquina por la fuerza. Si lo hace, puede sufrir lesiones con la cadena de sierra cuando se suelta repentinamente la máquina. Para soltar la máquina, utilice una palanca.

A continuación, se indica un listado teórico de la forma de tratar las situaciones más comunes con que puede enfrentarse un usuario de motosierra.

Corte



¡ATENCIÓN! No intente nunca serrar troncos apilados ni dos troncos que están muy juntos. Estos métodos incrementan drásticamente el riesgo de reculada, que comportan riesgo de daños personales graves y peligro de muerte.

Si hay una pila de troncos, se debe separar de ella cada tronco que se va a cortar, colocarlo en un soporte para serrar guiadera y cortarlo por separado.

Aparte los trozos cortados de la zona de trabajo. Si los deja en la zona de trabajo, aumenta el riesgo de reculada por equivocación y el riesgo de perder el equilibrio cuando trabaja. (Figura 74)

El tronco en el suelo. No hay riesgo de atasco de la cadena o de partición del objeto de corte. Sin embargo, hay un riesgo considerable de que la cadena toque el suelo después del corte.

Corte desde arriba todo el tronco. Al final del corte, proceda con cuidado para evitar que la cadena toque el suelo. Mantenga la aceleración máxima y esté alerta a lo que va a pasar.

Si es posible (¿puede girarse el tronco?), termine el corte a 2/3 del diámetro del tronco.

Gire el tronco para cortar el tercio restante desde arriba. (Figura 75)

El tronco está apoyado en un extremo. Gran riesgo de partición.

Empiece cortando desde abajo (aproximadamente 1/3 del diámetro del tronco).

Termine el corte desde arriba, hasta que se encuentren los dos surcos. (Figura 76)

El tronco está apoyado en ambos extremos. Gran riesgo de atasco de la cadena.

Empiece cortando desde arriba (aproximadamente 1/3 del diámetro del tronco).

Termine el corte desde abajo, hasta que se encuentren los dos surcos. (Figura 77)

Técnica de tala

¡IMPORTANTE! La tala de árboles requiere mucha experiencia. Un usuario de motosierra inexperto no debe talar árboles. ¡Evite los trabajos para los que no se considere suficientemente capacitado!

Distancia de seguridad

La distancia de seguridad entre el árbol a talar y el lugar de trabajo más cercano debe ser de 2,5 longitudes de árbol. Asegúrese de que no haya nadie en esta "zona de riesgo" antes de la tala y durante la misma. (Figura 78)

Dirección de derribo

No deben talarse árboles de modo que puedan poner en peligro a las personas, golpear líneas de suministro o causar daños materiales. En caso de que un árbol entre en contacto con una línea de suministro, deberá avisarse de manera inmediata a la empresa responsable de dicha línea.

El derribo tiene por objeto la colocación del árbol de forma que el desramado y tronzado subsiguientes puedan efectuarse en un terreno lo más "fácil" posible. El talador debe poder caminar y mantenerse de pie con seguridad.

TECNICA DE TRABAJO

Cuando haya decidido en qué dirección quiere derribar el árbol, debe considerar la dirección natural de caída del mismo.

Esta depende de varios factores:

- Inclinación
- Torcimiento
- Dirección del viento
- Concentración de las ramas
- Peso de la nieve, si la hay
- Obstáculos dentro del alcance del árbol: como otros árboles, cables eléctricos, paredes y edificios.
- Compruebe si el tronco tiene daños o podredumbre, que aumentan la probabilidad de que el árbol se rompa y empiece a caer antes de lo previsto.

Una vez considerados estos factores, puede verse obligado a dejar que el árbol caiga en su dirección natural, ya que es imposible, o demasiado arriesgado, intentar colocarlo en la dirección decidida en un principio.

Otro factor muy importante, que no afecta a la dirección de derribo pero sí a su seguridad personal, es el control de que el árbol no tenga ramas dañadas o "muertas" que puedan romperse por sí solas y dañarle a Ud. durante la tala.

Manténgase siempre en el lado superior del terreno, ya que es probable que el árbol ruede o se deslice hacia abajo cuando lo tale.

Ante todo, debe evitarse que el árbol derribado se atasque en otro árbol. Es muy peligroso retirar un árbol atascado y hay un elevado riesgo de accidente. Vea las instrucciones bajo el título Tratamiento de una tala fallida.

¡IMPORTANTE! En momentos críticos de la tala deberán levantarse los protectores auriculares apenas termine el aserrado, a fin de poder advertir ruidos y señales de advertencia.

Corte de ramas bajas y camino de retirada

Desrame el ronco hasta la altura del hombro. Es más seguro trabajar de arriba a abajo y tener el tronco entre usted y la motosierra. (Figura 79)

Retire la suciedad, las piedras, la corteza suelta, los clavos, las grapas y los alambres de donde se vayan a realizar los cortes de derribo.

Limpie la vegetación que hay alrededor del árbol y elimine los eventuales obstáculos (piedras, ramas, huecos, etc.) para tener preparado un camino de retirada cuando empiece a caer el árbol. El camino de retirada debe estar a unos 135°, oblicuamente hacia atrás, de la dirección de derribo prevista. (Figura 80)

- 1 Zona de riesgo
- 2 Vía de retirada
- 3 Dirección de derribo

Tala



¡ATENCIÓN! ¡Desaconsejamos a los usuarios insuficientemente cualificados que talen árboles con espada de longitud más pequeña que el diámetro del tronco a cortar!

La tala se hace con tres cortes. Se empieza con el corte de indicación, compuesto por un corte superior y un corte inferior; y se termina con el corte de derribo. Con la ubicación correcta de estos cortes puede controlarse con gran exactitud la dirección de derribo.

Corte de indicación

Para cortar el corte de indicación se empieza con el corte superior. Oriente las marcas de dirección de tala (1) hacia un objeto del terreno en el sentido en que se quiere abatir el árbol (2). Sitúese en el lado derecho del árbol, detrás de la sierra, y corte con cadena tirante.

Luego, efectúe el corte inferior, que debe terminar exactamente donde terminó el corte superior. (Figura 81)

La profundidad del corte de indicación debe ser igual a 1/4 del diámetro del tronco, y el ángulo entre los cortes superior e inferior debe ser de 45° como mínimo.

La convergencia de ambos cortes se denomina línea de corte de indicación. La línea de corte de indicación debe ser perfectamente horizontal y formar un ángulo recto (90°) con la dirección de derribo elegida. (Figura 82)

Corte de derribo

El corte de derribo se hace en el lado opuesto del árbol y debe ser perfectamente horizontal. Sitúese a la izquierda del árbol y corte con cadena tirante.

Sitúe el corte de derribo a unos 3-5 cm (1,5-2 pulgadas) por encima del plano horizontal del corte de indicación. (Figura 83) (Figura 84)

El corte de derribo debe quedar paralelo con la línea de corte de indicación, con una distancia mínima entre ambos de 1/10 del diámetro del tronco. La parte del tronco sin cortar se denomina faja de desgaje.

La faja de desgaje funciona como una bisagra que dirige la dirección de derribo del árbol. (Figura 85)

Se pierde completamente el control de la dirección de derribo del árbol si la faja de desgaje es demasiado pequeña o se atraviesa al cortar, o si los cortes de indicación y derribo están mal situados. (Figura 86)

Cuando están terminados los cortes de indicación y de derribo, el árbol debe empezar a caer; bien por sí solo, o con ayuda de la cuña de derribo o de la barra desgajadora. (Figura 87)

Recomendamos emplear una longitud de espada mayor que el diámetro del tronco para que los cortes de derribo e indicación se puedan hacer con un 'corte sencillo'. Vea las instrucciones del capítulo Datos técnicos en lo referente a las longitudes de espada recomendadas para su modelo de motosierra. (Figura 88)

Hay técnicas para la tala de árboles con diámetros de tronco más grandes que la longitud de la espada. Estas técnicas conllevan un riesgo considerable de que el sector de riesgo de reculada de la espada toque un objeto. (Figura 4)

Tratamiento de una tala fallida

Derribo de un árbol "atascado"

Es muy peligroso retirar un árbol atascado y hay un elevado riesgo de accidente.

No intente nunca cortar árboles talados apoyados sobre otros.

No trabaje nunca dentro de la zona de riesgo de árboles talados atascados y suspendidos. (Figura 89)

El método más seguro es utilizar un torno.

- Montado en un tractor (Figura 90)
- Portátil (Figura 91)

Corte de árboles y ramas tensos

Preparativos: Estime el sentido de la tensión y dónde tiene su punto de ruptura (es decir, el punto en el que se rompería si se siguiera tensando). (Figura 92)

Determine la forma más segura de soltar la tensión y también, si Ud. puede hacerlo. En situaciones muy complicadas, el único método seguro consiste en utilizar un torno en vez de la motosierra.

Generalidades:

Sitúese de modo que no haya riesgo de que sea alcanzado por el tronco/la rama cuando se suelte. (Figura 93)

Haga uno o varios cortes en el punto de ruptura o cerca del mismo. Corte a la profundidad requerida y con el número de cortes necesarios para que la tensión del tronco/la rama se suelte lo suficiente para que el tronco/la rama se "parta" en el punto de ruptura. (Figura 94)

¡No corte nunca del todo un objeto en tensión!

Si necesita cortar a través del árbol/rama, haga dos o tres cortes con una separación de 3 cm y una profundidad de 3 a 5 cm. (Figura 95)

Continúe serrando a más profundidad hasta que soltar la fuerza y la tensión del árbol/rama. (Figura 96)

Sierre el árbol/rama desde el lado opuesto después de soltar la tensión.

Medidas preventivas de las reculadas



¡ATENCIÓN! Las reculadas pueden ser rapidísimas, repentinas y violentas, lanzando la motosierra, la espada y la cadena contra el usuario. Si la cadena en movimiento toca al usuario, pueden producirse lesiones muy graves e incluso mortales. Es necesario comprender las causas de las reculadas y que pueden evitarse procediendo con cuidado y trabajando con la técnica correcta.

¿Qué es la reculada?

Reculada es la denominación de una reacción repentina por la que la motosierra y la espada salen despedidas de un objeto que ha entrado en contacto con el cuadrante superior de la punta de la espada, denominado sector de riesgo de reculada. (Figura 69)

La reculada sigue siempre el sentido del plano de la espada. Lo más común es que la motosierra y la espada reboten hacia atrás en sentido ascendente, hacia el usuario. También hay otros sentidos de reculada dependiendo de la posición de la motosierra en el momento en que el sector de riesgo de reculada de la espada toca un objeto.

La reculada sólo puede producirse cuando el sector de riesgo de reculada de la espada toca un objeto. (Figura 4)

Desramado



¡ATENCIÓN! La mayoría de accidentes por reculada ocurren al desramar. No use el sector de riesgo de reculada de la espada. Proceda con sumo cuidado y evite que la punta de la espada entre toque en el tronco, en otras ramas o en objetos. Proceda con sumo cuidado con las ramas que están tensadas. Pueden ser despedidas contra usted y hacerle perder el control, con el riesgo consiguiente de daños.

Cuando desrame, deje las ramas inferiores más grandes para mantener el árbol despegado del suelo. Las ramas se deben cortar una por una. Las que estén en tensión, se deben cortar desde abajo hacia arriba para evitar atascar la motosierra.

¡Cerciórese de que pueda caminar y mantenerse de pie con seguridad! Trabaje desde el lado izquierdo del tronco. Trabaje lo más cerca posible de la motosierra para máximo control. Cuando sea posible, descargue el peso de la motosierra apoyándola en el tronco.

Desplácese solamente cuando el tronco esté situado entre Ud. y la motosierra. (Figura 97)

Tronzado del tronco

Vea las instrucciones bajo el título Técnica básica de

MANTENIMIENTO

Generalidades

El usuario sólo puede efectuar los trabajos de mantenimiento y servicio descritos en este manual. Los trabajos de mayor envergadura debe efectuarlos un taller de servicio oficial.

Control, mantenimiento y servicio del equipo de seguridad de la motosierra



¡ATENCIÓN! No olvide extraer la batería antes de realizar cualquier tarea de montaje, mantenimiento y / o comprobación de la máquina.

Aclaración! Para todos los trabajos de servicio y reparación de la máquina es necesaria una capacitación especial. Esto es especialmente aplicable al equipo de seguridad. Si la máquina no da resultados satisfactorios en alguno de los controles de la lista abajo, le recomendamos que acuda a un taller de servicio.

Importante! Nunca limpie la batería o el cargador con agua. Los agentes de limpieza agresivos pueden dañar el plástico.

Freno de cadena con protección contra reculadas

Control de la protección contra reculadas

- Compruebe que la protección contra reculadas esté intacta, sin defectos visibles como, por ejemplo, grietas. **(Figura 98)**
- Empuje la protección contra reculadas hacia adelante y atrás para comprobar que se mueve con facilidad y que está firmemente anclada a la máquina. **(Figura 99)**

Control de la función de inercia

- Mantenga la motosierra, desactivada, sobre un tocón u otro objeto estable. Suelte la empuñadura delantera y deje caer la motosierra por su propio peso, rotando en la empuñadura trasera, contra el tocón. **(Figura 100)**

El freno de cadena debe activarse cuando la punta de la espada toca el tocón.

Control del efecto de frenado

- Arranque la motosierra. Tenga cuidado de que la cadena de sierra no entre en contacto con el suelo u otro objeto. Consulte las instrucciones bajo el título Arranque y parada.
- Sostenga la motosierra con firmeza, agarrando los mangos con todos los dedos. **(Figura 65)**
- Acelere al máximo y active el freno de cadena girando la muñeca izquierda hacia la protección contra reculadas. No suelte el mango delantero. **La cadena debe detenerse inmediatamente. (Figura 101)**

Bloqueo del gatillo de alimentación

- Asegúrese de que el gatillo de alimentación está bloqueado en la posición de ralentí cuando el bloqueo se suelta. **(Figura 102)**
- Presione el bloqueo del gatillo de alimentación y compruebe que vuelve a su posición inicial al soltarlo. **(Figura 103)**
- Compruebe que el gatillo de alimentación y el bloqueo se mueven con facilidad y que sus sistemas de muelles de retorno funcionan correctamente. **(Figura 104)**
- Arranque la motosierra y aplique la máxima potencia. Suelte el gatillo de alimentación y compruebe que la cadena de sierra se para y permanece inmóvil.

Captor de cadena

- Compruebe que el captor de cadena esté intacto y que esté firmemente montado al cuerpo de la motosierra. **(Figura 105)**

Teclado

- Arranque la motosierra y asegúrese de que se detiene cuando se pulsa el botón de inicio / parada (LED verde apagado). **(Figura 106)**

Conectores de la batería

Limpie la batería y los compartimentos de la batería con un cepillo de cerdas suaves tras el uso. Asegúrese de limpiar todas las ranuras de ventilación y los conectores de la batería. **(Figura 107)**

Sistema refrigerante

Para lograr una temperatura de funcionamiento lo más baja posible, la máquina incorpora un sistema refrigerante.

El sistema refrigerante está compuesto por:

- 1 Toma de aire (lado izquierdo de la máquina).
 - 2 Un ventilador en el motor.
- Limpie el sistema de refrigeración con un cepillo una vez por semana (en condiciones difíciles, con mayor frecuencia). Un sistema de refrigeración sucio u obstruido provoca el sobrecalentamiento de la máquina, que a su vez genera daños en esta. **(Figura 108)**

3 Para reducir el riesgo de calentar en exceso el producto, debe asegurarse de trabajar con una sierra de cadena bien afilada. Asegúrese también de disponer de aceite suficiente y de la calidad estipulada en el depósito.

Batería

- Compruebe que la batería no presenta daños, deformaciones ni defectos visibles, como grietas. **(Figura 109)**

Cargador de batería

- Asegúrese de que el cargador de la batería y el cable de alimentación no presentan daños, deformaciones ni defectos visibles, como grietas. **(Figura 110)**

MANTENIMIENTO

Programa de mantenimiento

A continuación incluimos una lista con los puntos de mantenimiento a efectuar en la máquina. La mayoría de los puntos se describen en el capítulo "Mantenimiento".

Mantenimiento Diario	Mantenimiento semanal	Mantenimiento mensual
Limpie la parte exterior de la máquina.	Lime las eventuales rebabas en los lados de la espada.	Compruebe las conexiones entre la batería y la máquina, así como la conexión entre la batería y el cargador.
Compruebe que los componentes del gatillo de alimentación funcionan de manera segura (gatillo de alimentación y bloqueo).		Vacíe el depósito de aceite y límpiolo interiormente.
Limpie el freno de cadena y compruebe que funcione con seguridad. Verifique que el captor de cadena esté intacto y cámbielo si es necesario.		Aplique cuidadosamente aire comprimido en el producto y las ranuras de refrigeración de la batería.
Dé vuelta la espada cada día para que el desgaste sea regular. Compruebe que el orificio de lubricación de la espada no esté obturado. Limpie la guía de la cadena.		
Compruebe que la espada y la cadena reciban aceite suficiente.		
Revise la cadena de sierra en lo referente a grietas en remaches y eslabones, rigidez de la cadena o desgaste anormal de remaches y eslabones. Cambie las piezas gastadas.		
Afile la cadena y compruebe su tensado y su estado. Verifique que el piñón de arrastre de la cadena no esté demasiado desgastado, cámbielo si es necesario.		
Limpie la toma de aire de la máquina.		
Compruebe que los tornillos y las tuercas estén apretados.		
Compruebe que el teclado funcione correctamente y no esté dañado.		

MANTENIMIENTO

Tabla de localización de fallos

Teclado

Posibles códigos de error del teclado de la motosierra.

Teclado	Posibles errores	Posible acción
Indicador de advertencia parpadeando.	Freno de cadena aplicado.	Tire de la protección contra reculadas hacia atrás para liberar el freno de cadena.
	Desviación de la temperatura.	Deje que la máquina se enfríe.
	Sobrecarga. Equipo de corte atascado.	El equipo de corte está atascado. Desmonte el equipo de corte.
	El gatillo de alimentación y el botón de activación se pulsan simultáneamente.	Suelte el gatillo de alimentación y se activará la máquina.
LED verde de activación parpadeando.	Tensión de la batería baja.	Cargue la batería.
Indicador de advertencia encendido.	Servicio técnico	Contacte con su taller de servicio.

Batería

Resolución de problemas de la batería y / el cargador durante la carga.

Pantalla LED	Posibles errores	Posible acción
Indicador de advertencia parpadeando.	Desviación de la temperatura.	Utilice la batería en entornos en los que la temperatura se encuentre entre los -10 °C (14 °F) y los 40 °C (104 °F).
	Sobretensión.	Compruebe que la tensión de red concuerda con la que se indica en la placa de características de la máquina. Retire la batería del cargador.
	Bajo voltaje	Cargar la batería.
Indicador de advertencia encendido.	Demasiada diferencia de célula (1V).	Contacte con su taller de servicio.

Cargador de batería

Pantalla LED	Posibles errores	Posible acción
LED DE ERROR parpadeando	Desviación de la temperatura.	Utilice el cargador únicamente cuando la temperatura del entorno se encuentre entre los 5 °C (41 °F) y los 40 °C (104 °F).
El LED de color rojo está encendido	Demasiada diferencia de célula (1V).	Contacte con su taller de servicio.

DATOS TECNICOS

Datos técnicos

Designación de modelo	120i
Plataforma	CS100UL
Motor	
Tipo	BLDC (sin cepillo) 36 V
Características	
Duración de la batería, min, (funcionamiento continuo) con SavE activado	42
Sistema de lubricación	
Tipo de bomba de aceite	Automática
Capacidad del depósito de aceite, US pint/litros	0.42/0,20
Peso	
Motosierra sin batería, espada ni cadena, depósito de aceite de cadena vacío, lb/kg	6.5/2,95
Cadena /espada	
Longitudes de espada recomendadas, pulgadas/cm	14/35
Longitud efectiva de corte, pulgadas/cm	13/33
Tipo de piñón de arrastre/número de dientes	Spur/6
Velocidad máxima de la cadena / (savE), m/s	11.5 (10)

Batería homologada para anteriores modelos de motosierra		
Batería	BLi20	
Tipo	Iones de litio	
Capacidad de la batería, Ah	4.2 (VTC4)	4 (HD2)
Tensión, V	36	36.5
Peso, lb/kg	2.6/1.2	2.6/1.2

Cargadores compatibles con las baterías especificadas, BLi20.	
Cargador de batería	QC80
Tensión de red (V)	100-240
Frecuencia, Hz	50-60
Potencia, W	100

DATOS TECNICOS

Equipo de corte recomendado para EE.UU.

A continuación se indica el equipo de corte recomendado para el modelo de motosierra sin cables 120i de Husqvarna. Este modelo de motosierra está equipado con una combinación de espada y cadena de sierra y cumple con las normas UL 60745-2-13.

Los modelos de motosierra 120i de Husqvarna cumplen los requisitos de rendimiento en reculada de ANSI B175.1-2012 en ensayos con las combinaciones de espadas y cadenas indicadas a continuación. La cadena de motosierra H37/H38 de Husqvarna también está clasificada como cadena de motosierra de reculada reducida, porque cumple los requisitos de cadena de motosierra de reculada reducida definidos en ANSI B175.1-2012. Recomendamos usar solamente las combinaciones indicadas de espadas y cadenas para los modelos de motosierra 120i de Husqvarna. Otros modelos de motosierras podrían no cumplir los requisitos de reculada, si se equipan con las combinaciones de espada y cadena indicadas.

A continuación, se indica una lista del equipo de corte recomendado para los modelos de motosierra 120i de Husqvarna.

Información de reculadas




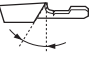

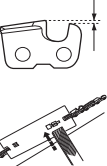
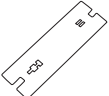

El radio de la punta de la espada viene determinado bien por el número mínimo de dientes del piñón de la punta o por el radio de punta máximo correspondiente de una punta dura.

En la lista se indica el radio de punta de espada máximo, por lo que también es posible usar una espada con radio de punta más pequeño que el indicado en la lista. Para espadas de la misma longitud, todas las espadas con punta de piñón tienen el mismo paso y, al tener el mismo número de dientes de piñón, puede considerarse que tienen una energía de reculada equivalente. Puede considerarse que una espada de punta dura de la misma longitud y radio de punta que una espada con punta de piñón tiene una energía de reculada equivalente o menor que la espada con punta de piñón.

Los siguientes equipos de corte están homologados para el modelo Husqvarna 120i.

Espada				Cadena	
Longitud, pulgadas	Paso, pulgadas	Anchura de ranura, pulgadas	Máximo número de dientes, cabezal de rueda	Tipo	Longitud, eslabones de arrastre (unidad)
14	3/8	0.050	7T	Husqvarna H37	52
14	3/8	0.043	7T	Husqvarna H38	52

Aclaración! Según la versión del modelo de Husqvarna 120i, debe asegurarse de combinar la espada guía y la cadena de sierra correctas (0,050 anchura de ranura espada= H37 y 0,043 anchura de ranura espada= H38). La motosierra no funcionará correctamente con la combinación incorrecta entre la espada guía y la cadena de sierra.

							
	inch/mm				inch/mm		
37	5/32"/4,0mm	80°	30°	0°	0.025 / 0,65	5056981-03	5795588-01
38	4,5mm	75°	30°	0°	0.025 / 0,65	5056981-03	5795588-01

PRECAUCIONES DE SEGURIDAD DE LA NORMA AMERICANA

Precauciones de seguridad para usuarios de motosierras

(ANSI B175.1-2012 Anexo C)

Precauciones de seguridad en reculadas



ATENCIÓN! La reculada se puede producir cuando la punta de la espada toca en un objeto o cuando la madera se cierra y agarra la cadena de la motosierra en el corte.

En algunos casos el contacto de la punta de la espada puede causar una reacción de inversión rapidísima que hace rebotar la espada hacia arriba y atrás hacia el operador.

El agarre de la cadena de la motosierra a lo largo de la parte superior de la espada puede empujar la espada rápidamente hacia atrás, contra el operador.

Cualquiera de estas reacciones puede hacerle perder el control de la motosierra, con el riesgo consiguiente de daños personales graves.

No confíe exclusivamente en los dispositivos de seguridad de su motosierra. Usted, como usuario de motosierra, debe tomar varias medidas para que sus trabajos de corte no comporten riesgo de accidentes y daños personales.

Con una comprensión básica del efecto de reculada, usted puede reducir o eliminar el factor sorpresa. La sorpresa súbita contribuye a los accidentes.

Agarre firmemente la motosierra con ambas manos, con la mano derecha en la empuñadura trasera y la mano izquierda en la empuñadura delantera, cuando el motor está en marcha. Agarre fuerte con los pulgares y dedos envolviendo las empuñaduras de la motosierra. Un agarre firme le ayudará a reducir la reculada y mantener el control de la motosierra. No suelte las empuñaduras.

Asegúrese de que no hay obstáculos en la zona en que está cortando. No permita que la punta de la espada entre en contacto con troncos, ramas ni ningún otro obstáculo que pudiera tocarse cuando se utiliza la motosierra.

Corte con velocidades altas del motor.

No extienda demasiado ni corte por encima de la altura del hombro.

Siga las instrucciones de afilado y mantenimiento del fabricante de la cadena.

Utilice solamente las espadas y cadenas de repuesto especificadas por el fabricante o equivalentes.

Otras precauciones de seguridad



ATENCIÓN! No maneje la motosierra con una mano. El manejo con una sola mano comporta riesgo de daños graves al operador, los ayudantes, espectadores o a una combinación de estas personas. Las motosierras están concebidas para usar con dos manos.

No utilice una motosierra si está fatigado.

Use calzado, ropas ceñidas, guantes protectores y protecciones de ojos, auriculares y de cabeza.

Proceda con cuidado al manipular combustible. Aparte la motosierra a como mínimo 3 metros del lugar de repostaje antes de poner en marcha el motor.

No permita la presencia de otras personas cerca de la motosierra al ponerla en marcha o al cortar. Mantenga a los espectadores y animales fuera de la zona de trabajo.

No empiece a cortar sin tener la zona de trabajo esté despejada, los pies firmemente en el suelo y una ruta de retirada del árbol abatido.

Mantenga todas las partes de su cuerpo apartadas de cadena de la motosierra cuando funciona el motor.

Antes de poner en marcha el motor, compruebe que la cadena de la motosierra no toca en nada.

Transporte la motosierra con el motor parado, la espada y la cadena en la parte trasera y el silenciador apartado de su cuerpo.

No utilice una motosierra que esté dañada, incorrectamente ajustada o que no esté armada completamente y de forma segura. Compruebe que la cadena de la motosierra deja de moverse cuando se suelta el acelerador.

Pare el motor antes de colocar la motosierra en el suelo.

Cuando corte una rama tensada, preste atención al retorno para que no le golpee cuando se suelta la tensión en las fibras de madera.

Mantenga las empuñaduras secas, limpias y libres de aceite o mezcla de combustible.

Utilice la motosierra solamente en áreas bien ventiladas.

No utilice una motosierra en un árbol si no ha sido especialmente formado para ello.

No utilice una motosierra por encima de la altura del hombro.

Todos los trabajos de servicio de una motosierra, excepto los que se indican en las instrucciones de seguridad y mantenimiento del manual del operador/propietario, deben ser realizados por técnicos de servicio de motosierras competentes. (Por ejemplo, si se utilizan herramientas inadecuadas para desmontar el volante o si se usa una herramienta inadecuada para sujetar el volante cuando se desmonta el embrague, pueden producirse daños estructurales en el volante que causen la rotura del mismo.)

PRECAUCIONES DE SEGURIDAD DE LA NORMA AMERICANA

Para transportar la motosierra, utilice la protección de espada adecuada.

Proceda con suma precaución al cortar arbustos y arbolitos pequeños porque podría agarrarse material fino en la cadena y ser lanzado contra usted o hacerle perder el equilibrio.

Aclaración: Este anexo está destinado principalmente al consumidor o usuario ocasional.

130.com.ua

130.com.ua

130.com.ua

www.husqvarna.com

Husqvarna AB
SE-561 82 Huskvarna, Sweden
Visiting address: Drottninggatan 2

1159509-49



2017-11-20

Autogoods "130"