



PHONES

0 (800) 800 130
(050) 462 0 130
(063) 462 0 130
(067) 462 0 130

130
COM.UA

Internet store of
autogoods



SKYPE

km-130

CAR RECEIVERS — Receivers • Media receivers and stations • Native receivers • CD/DVD changers • FM-modulators/USB adapters • Flash memory • Facia plates and adapters • Antennas • Accessories |
 CAR AUDIO — Car audio speakers • Amplifiers • Subwoofers • Processors • Crossovers • Headphones • Accessories | TRIP COMPUTERS — Universal computers • Model computers • Accessories |
 GPS NAVIGATORS — Portable GPS • Built-in GPS • GPS modules • GPS trackers • Antennas for GPS navigators • Accessories | VIDEO — DVR • TV sets and monitors • Car TV tuners • Cameras • Videomodules
 • Transcoders • Car TV antennas • Accessories | SECURITY SYSTEMS — Car alarms • Bike alarms • Mechanical blockers • Immobilizers • Sensors • Accessories | OPTIC AND LIGHT — Xenon • Bixenon • Lamps
 • LED • Stroboscopes • Optic and Headlights • Washers • Light, rain sensors • Accessories | PARKTRONICS AND MIRRORS — Rear parktronic • Front parktronic • Combined parktronic • Rear-view mirrors
 • Accessories | HEATING AND COOLING — Seat heaters • Mirrors heaters • Screen-wipers heaters • Engine heaters • Auto-refrigerators • Air conditioning units • Accessories | TUNING — Vibro-isolation
 • Noise-isolation • Tint films • Accessories | ACCESSORIES — Radar-detectors • Handsfree, Bluetooth • Windowlifters • Compressors • Beeps, loudspeakers • Measuring instruments • Cleaners • Car seats
 • Miscellaneous | MOUNTING — Installation kits • Upholstery • Grilles • Tubes • Cable and wire • Tools • Miscellaneous | POWER — Batteries • Converters • Start-charging equipment • Capacitors
 • Accessories | MARINE AUDIO AND ELECTRONICS — Marine receivers • Marine audio speakers • Marine subwoofers • Marine amplifiers • Accessories | CAR CARE PRODUCTS — Additives • Washer fluid •
 Care accessories • Car polish • Flavors • Adhesives and sealants | LIQUID AND OIL — Motor oil • Transmission oil • Brake fluid • Antifreeze • Technical lubricant



In store "130" you can find and buy almost all necessary goods for your auto in Kyiv and other cities, delivery by ground and postal services. Our experienced consultants will provide you with exhaustive information and help you to choose the very particular thing. We are waiting for you at the address

<https://130.com.ua>

HITACHI

Disc Grinder

Winkelschleifer

Γωυιακοι τροχοι λειασεωζ / κοπήζ

Szlfierka kątowa

Sarokcsiszoló

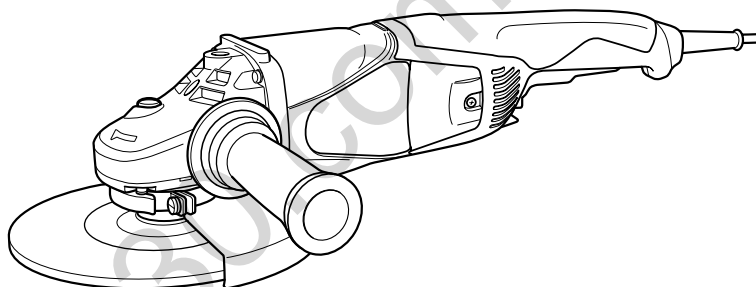
Úhlová bruska

Ташлама

Угловая шлифовальная машина

G 18MR · G 18MRU

G 23MR · G 23MRU



G23MR

Read through carefully and understand these instructions before use.

Diese Anleitung vor Benutzung des Werkzeugs sorgfältig durchlesen und verstehen.

Διαβάστε προσεκτικά και κατανοήσετε αυτές τις οδηγίες πριν τη χρήση.

Przed użytkowaniem należy dokładnie przeczytać niniejszą instrukcję i zrozumieć jej treść.

Használat előtt olvassa el figyelmesen a használati utasítást.

Před použitím si pečlivě přečtěte tento návod a ujistěte se, že mu dobře rozumíte.

Aleti kullanmadan önce bu kılavuzu iyice okuyun ve talimatları anlayın.

Внимательно прочтите данную инструкцию по эксплуатации прежде чем пользоваться инструментом.



Handling instructions

Bedienungsanleitung

Οδηγίες χειρισμού

Instrukcja obsługi

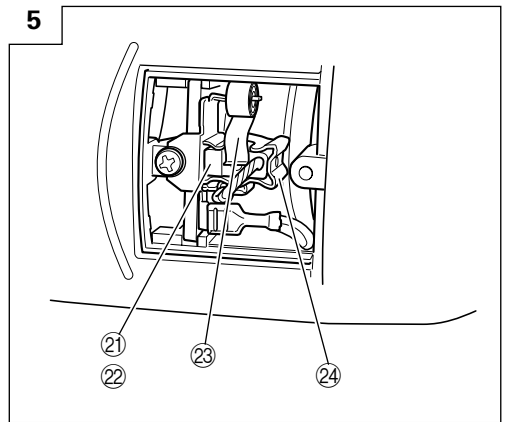
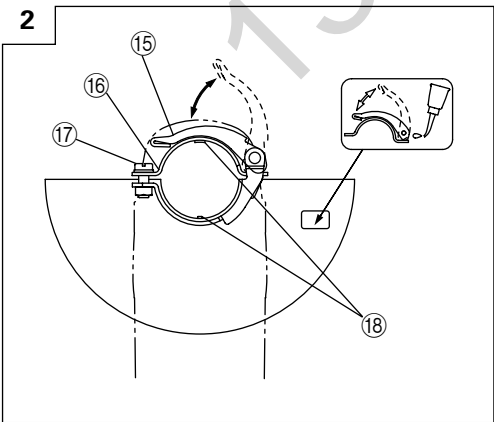
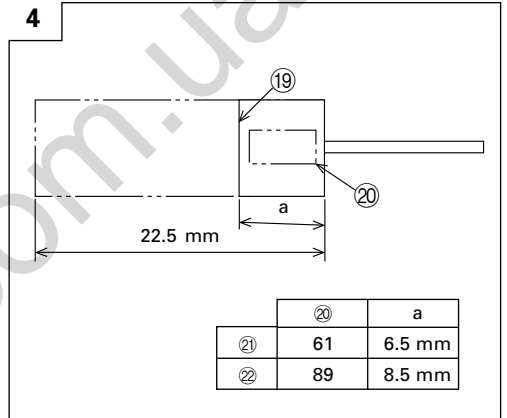
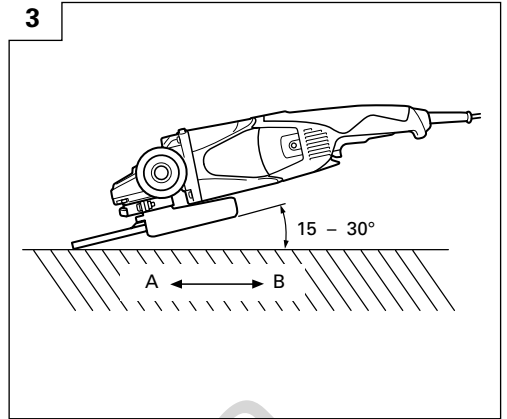
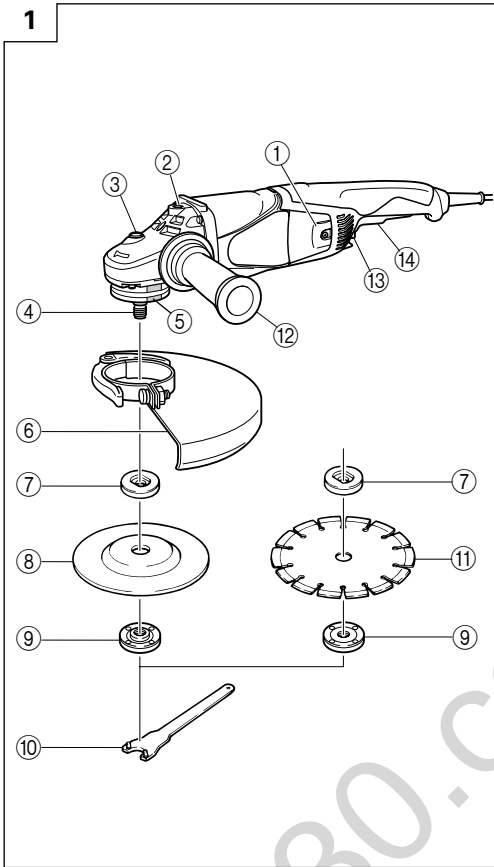
Kezelési utasítás

Návod k obsluze

Kullanım talimatları







Инструкция по эксплуатации

Hitachi Koki



	English	Deutsch	Ελληνικά	Polski
①	Brush cover	Bürstenabdeckung	Κάλυμμα ψήκτρας	Osłona szczotki
②	Socket for side handle	Sockel für Seitengriff	Υποδοχή για τη πλευρική λαβή	Oprawka dla uchwytu bocznego
③	Push button (Spindle lock)	Druckknopf (Sperrplatte)	Κουμπί ώθησης (ασφάλιση άξονα)	Przycisk (Blokada wrzeciona)
④	Spindle	Spindel	Άξονας	Wrzeciono
⑤	Across flats	Quervertiefungen	Διάκενο	Powierzchnie oporowe
⑥	Wheel guard	Schutzhaube	Προφυλακτήρας τροχού	Osłona tarczy
⑦	Wheel washer	Unterlegscheibe	Ροδέλλα τροχού	Podkładka tarczy
⑧	Depressed center wheel	Schleifscheibe	Χαμηλωμένος κεντρικά τροχός	Obniżona tarcza środkowa
⑨	Wheel nut	Mutter für die Schleifscheibe	Παξιμάδι τροχού	Nakrętka tarczy
⑩	Wrench	Schlüssel	Κλειδί	Klucz
⑪	Diamond wheel	Diamantscheibe	Διαμαντένιος τροχός	Ściernica diamentowa
⑫	Side handle	Handgriff	Πλευρική λαβή	Klucz
⑬	Lock button	Sperrknopf	Κουμπί κλειδώματος	Przycisk blokujący
⑭	Switch	Schalter	Διακόπτης	Włącznik główny
⑮	Lever	Hebel	Μοχλός	Dźwignia
⑯	Set piece	Stellstück	Τμήμα σύνδεσης	Element ustalający (B)
⑰	Screw	Schraube	Βίδα	Śruba
⑱	Locating pin	Passtift	Περόνη συναρμογής	Kolek ustalający
⑲	Wear limit	Verschleißgrenze	Όριο φθοράς	Granica zużycia
⑳	No. of carbon brush	Nr. der Kohlebürste	Αρ. Καρβουνακίων	Numer szczotki węglowej
㉑	Usual carbon brush	Gewöhnliche Kohlebürste	Συνηθισμένα καρβουνάκια	Zwykła szczotka węglowa
㉒	Auto-stop carbon brush	Auto-Stop Kohlebürste	Καρβουνάκια αυτομάτης διακοπής	Szczotka węglowa auto-stop
㉓	Spring	Feder	Ελατήριο	Sprężyna
㉔	Brush holder	Bürstenhalter	Θήκη ψύκτρας	Obsada szczotkowa

	Magyar	Čeština	Türkçe	Русский
①	Szénkefetartó burkolata	Kryt kartáče	Kömür kapağı	Крышка щетки
②	Oldalfogantyú aljzata	Zásuvka pro boční rukojeť	Yan kol soketi	Гнездо для боковой рукоятки
③	Nyomógomb (Orsózár)	Tlačítko (Zámek hřídele)	Kilit iğnesi (Mil kilidi)	Нажимная кнопка (Блокировка шпинделя)
④	Tengely	Hřídel	Mil	Шпиндель
⑤	Keresztmélyedések	Plošky	Yan düzleme	Параллельные грани
⑥	Tárcsavédő	Kryt kotouče	Disk muhafazası	Защитное приспособление шлифовального круга
⑦	Tárcsa alátét	Podložka kotouče	Disk pulu	Шайба шлифовального круга
⑧	Süllyesztett közepű tárcsa	Bruný kotouč	Tek taraflı oyuk taşlama diskı	Шлифовальный круг с утопленным центром
⑨	Tárcsarögzítő anya	Matka kotouče	Disk somunu	Гайка шлифовального круга
⑩	Csavarkulcs	Klíč	Anahtar	Гаечный ключ
⑪	Gyémánt tárcsa	Diamantový kotouč	Elmas disk	Шлифовальный круг с алмазной кромкой
⑫	Oldalfogantyú	Vysouvací držadlo	Yan Kol	Боковая рукоятка
⑬	Zárógomb	Tlačítko pojistky	Kilit iğnesi	Кнопка блокировки
⑭	Kapcsoló	Spínač	Şalter	Выключатель
⑮	Kar	Páčka	Kol	Рычаг
⑯	Rögzítőelem	Stavěcí část	Ayar parçası	Посадочная деталь
⑰	Csavar	Šroub	Vida	Винт
⑱	Beállító csap	Polohovací kolík	Konumlandırma pimi	Установочный штифт
⑲	Kopási határ	Mez opotřebení	Aşınma sınırı	Предел износа
⑳	Szénkefe száma	Číslo uhlíkového kartáčku	Kömür tanımlama sayısı	№ угольной щетки
㉑	Hagyományos szénkefe	Obvyklý uhlíkový kartáček	Normal kömür	Обычная угольная щетка
㉒	A Automatikus leállítású szénkefe	Uhlíkový kartáček pro automatické zastavení	Otomatik durdurmalı kömür	Угольная щетка автоматической остановки
㉓	Rúgó	Pružina	Yay	Пружина
㉔	Szénkefetartó	Držák kartáčku	Kömür tutucusu	Щеткодержатель

	<p>Symbols ⚠ WARNING The following show symbols used for the machine. Be sure that you understand their meaning before use.</p>	<p>Symbole ⚠ WARNING Die folgenden Symbole werden für diese Maschine verwendet. Achten Sie darauf, diese vor der Verwendung zu verstehen.</p>	<p>Σύμβολα ⚠ ΠΡΟΣΟΧΗ Τα παρακάτω δείχνουν τα σύμβολα που χρησιμοποιούνται στο μηχάνημα. Βεβαιωθείτε ότι κατανοείτε τη σημασία τους πριν τη χρήση.</p>	<p>Symbole ⚠ OSTRZEŻENIE Następujące oznaczenia to symbole używane w instrukcji obsługi maszyny. Upewnij się, że rozumiesz ich znaczenie zanim używiesz narzędzia.</p>
	<p>Read all safety warnings and all instructions. Failure to follow the warnings and instructions may result in electric shock, fire and/or serious injury.</p>	<p>Lesen Sie sämtliche Sicherheitshinweise und Anweisungen durch. Wenn die Warnungen und Anweisungen nicht befolgt werden, kann es zu Stromschlag, Brand und/oder ernsthaften Verletzungen kommen.</p>	<p>Διαβάστε όλες τις προειδοποιήσεις ασφαλείας και όλες τις οδηγίες. Η μη τήρηση των προειδοποιήσεων και οδηγιών μπορεί να προκαλέσει ηλεκτροπληξία, πυρκαγιά και/ή σοβαρό τραυματισμό.</p>	<p>Należy dokładnie zapoznać się ze wszystkimi ostrzeżeniami i wskazówkami bezpieczeństwa. Nieprzestrzeganie ostrzeżeń oraz wskázówek bezpieczeństwa może spowodować porażenie prądem elektrycznym, pożar i/lub odniesienie poważnych obrażeń.</p>
	<p>Always wear eye protection.</p>	<p>Tragen Sie immer einen Augenschutz.</p>	<p>Φοράτε πάντα τον κατάλληλο εξοπλισμό για την προστασία των ματιών.</p>	<p>Zawsze nosić okulary ochronne.</p>
	<p>Only for EU countries Do not dispose of electric tools together with household waste material! In observance of European Directive 2002/96/EC on waste electrical and electronic equipment and its implementation in accordance with national law, electric tools that have reached the end of their life must be collected separately and returned to an environmentally compatible recycling facility.</p>	<p>Nur für EU-Länder Werfen Sie Elektrowerkzeuge nicht in den Hausmüll! Gemäss Europäischer Richtlinie 2002/96/EG über Elektro- und Elektronik-Altgeräte und Umsetzung in nationales Recht müssen verbrauchte Elektrowerkzeuge getrennt gesammelt und einer umweltgerechten Wiederverwertung zugeführt werden.</p>	<p>Μόνο για τις χώρες της ΕΕ Μην πετάτε τα ηλεκτρικά εργαλεία στον κάδο οικιακών απορριμμάτων! Σύμφωνα με την ευρωπαϊκή οδηγία 2002/96/ΕΚ περί ηλεκτρικών και ηλεκτρονικών συσκευών και την ενσωμάτωσή της στο εθνικό δίκαιο, τα ηλεκτρικά εργαλεία πρέπει να συλλέγονται χωριστά και να επιστρέφονται για ανακύκλωση με τρόπο φιλικό προς το περιβάλλον.</p>	<p>Dotyczy tylko państw UE Nie wyrzucaj elektronarzędzi wraz z odpadami z gospodarstwa domowego! Zgodnie z Europejską Dyrektywą 2002/96/WE w sprawie zużytego sprzętu elektrotechnicznego i elektronicznego oraz dostosowaniem jej do prawa krajowego, zużyte elektronarzędzia należy posegregować i zutylizować w sposób przyjazny dla środowiska.</p>
	<p>Jelölések ⚠ FIGYELEM Az alábbiakban a géphez alkalmazott jelölések vannak felsorolva. A gép használatá előtt feltétlenül ismerje meg ezeket a jelöléseket.</p>	<p>Symbole ⚠ UPOZORNĚNÍ Následující text obsahuje symboly, které jsou použity na zařízení. Ujistěte se, že rozumíte jejich obsahu před tím, než začnete zařízení používat.</p>	<p>Simgeler ⚠ ΔΙΚΚΑΤ Ασφάλεια, να αλετ için kullanılan simgeler gösterilmiştir. Aleti kullanmadan önce bu simgelerin ne anlama geldiğini anladığınızdan emin olun.</p>	<p>Символы ⚠ ПРЕДУПРЕЖДЕНИЕ Ниже приведены символы, используемые для машины. Перед началом работы обязательно убедитесь в том, что Вы понимаете их значение.</p>
	<p>Olvasson el minden biztonsági figyelmeztetést és minden utasítást. A figyelmeztetések és utasítások be nem tartása áramütést, tüzet és/vagy súlyos sérülést eredményezhet.</p>	<p>Přečtete si všechna varování týkající se bezpečnosti a všechny pokyny. Nedodržení těchto varování a pokynů může mít za následek elektrický šok, požár a/nebo vážné zranění.</p>	<p>Tüm güvenlik uyarılarını ve tüm talimatları okuyun. Uyarılara ve talimatlara uyulmaması elektrik çarpmasına, yangına ve/veya ciddi yaralanmaya neden olabilir.</p>	<p>Прочтите все правила безопасности и инструкции. Не выполнение правил и инструкций может привести к поражению электрическим током, пожару и/или серьезной травме.</p>
	<p>Mindig viseljen védőszemüveget.</p>	<p>Vždy noste ochranu očí.</p>	<p>Daima koruyucu gözlük takın.</p>	<p>Всегда надевайте средства защиты глаз.</p>
	<p>Csak EU-országok számára Az elektromos kéziszerszámokat ne dobja a háztartási szemétké! A használt villamos és elektronikai készülékekről szóló 2002/96/EK irányelv és annak a nemzeti jogra való átültetése szerint az elhasznált elektromos kéziszerszámokat külön kell gyűjteni, és környezetbarát módon újra kell hasznosítani.</p>	<p>Jen pro státy EU Elektrické nářadí nevyhazujte do komunálního odpadu! Podle evropské směrnice 2002/96/EG o nakládání s použitými elektrickými a elektronickými zařízeními a odpovídajícími ustanoveními jednotlivých předpisů je povinných žemí se použitá elektrická nářadí musí sbírat odděleně od ostatního odpadu a podrobit ekologicky šetrnému recyklování.</p>	<p>Sadece AB ülkeleri için Elektrikli el aletlerini evdeki çöp kutusuna atmayınız! Kullanılmış elektrikli aletleri, elektrik ve elektronikli eski cihazlar hakkındaki 2002/96/EC Avrupa yönetelerine göre be bu yöneteler ulusal hukuk kurallarına göre uyarlanarak, ayrı olarak toplanmalı ve çevre şartlarına uygun bir şekilde tekrar değerlendirilmeye gönderilmelidir.</p>	<p>Только для стран ЕС Не выкидывайте электроприборы вместе с обычным мусором! В соответствии с европейской директивой 2002/96/EG об утилизации старых электрических и электронных приборов и в соответствии с местными законами электроприборы, бывшие в эксплуатации, должны утилизироваться отдельно безопасным для окружающей среды способом.</p>

GENERAL POWER TOOL SAFETY WARNINGS

WARNING

Read all safety warnings and all instructions.

Failure to follow the warnings and instructions may result in electric shock, fire and/or serious injury.

Save all warnings and instructions for future reference.

The term "power tool" in the warnings refers to your mains-operated (corded) power tool or battery-operated (cordless) power tool.

1) Work area safety

- a) **Keep work area clean and well lit.**
Cluttered or dark areas invite accidents.
- b) **Do not operate power tools in explosive atmospheres, such as in the presence of flammable liquids, gases or dust.**
Power tools create sparks which may ignite the dust or fumes.
- c) **Keep children and bystanders away while operating a power tool.**
Distractions can cause you to lose control.

2) Electrical safety

- a) **Power tool plugs must match the outlet. Never modify the plug in any way. Do not use any adapter plugs with earthed (grounded) power tools.**
Unmodified plugs and matching outlets will reduce risk of electric shock.
- b) **Avoid body contact with earthed or grounded surfaces, such as pipes, radiators, ranges and refrigerators.**
There is an increased risk of electric shock if your body is earthed or grounded.
- c) **Do not expose power tools to rain or wet conditions.**
Water entering a power tool will increase the risk of electric shock.
- d) **Do not abuse the cord. Never use the cord for carrying, pulling or unplugging the power tool. Keep cord away from heat, oil, sharp edges or moving parts.**
Damaged or entangled cords increase the risk of electric shock.
- e) **When operating a power tool outdoors, use an extension cord suitable for outdoor use.**
Use of a cord suitable for outdoor use reduces the risk of electric shock.
- f) **If operating a power tool in a damp location is unavoidable, use a residual current device (RCD) protected supply.**
Use of an RCD reduces the risk of electric shock.

3) Personal safety

- a) **Stay alert, watch what you are doing and use common sense when operating a power tool. Do not use a power tool while you are tired or under the influence of drugs, alcohol or medication.**
A moment of inattention while operating power tools may result in serious personal injury.
- b) **Use personal protective equipment. Always wear eye protection.**
Protective equipment such as dust mask, non-skid safety shoes, hard hat, or hearing protection used for appropriate conditions will reduce personal injuries.
- c) **Prevent unintentional starting. Ensure the switch is in the off-position before connecting to power source and/or battery pack, picking up or carrying the tool.**

Carrying power tools with your finger on the switch or energising power tools that have the switch on invites accidents.

- d) **Remove any adjusting key or wrench before turning the power tool on.**
A wrench or a key left attached to a rotating part of the power tool may result in personal injury.
- e) **Do not overreach. Keep proper footing and balance at all times.**
This enables better control of the power tool in unexpected situations.
- f) **Dress properly. Do not wear loose clothing or jewellery. Keep your hair, clothing and gloves away from moving parts.**
Loose clothes, jewellery or long hair can be caught in moving parts.
- g) **If devices are provided for the connection of dust extraction and collection facilities, ensure these are connected and properly used.**
Use of dust collection can reduce dust related hazards.

4) Power tool use and care

- a) **Do not force the power tool. Use the correct power tool for your application.**
The correct power tool will do the job better and safer at the rate for which it was designed.
- b) **Do not use the power tool if the switch does not turn it on and off.**
Any power tool that cannot be controlled with the switch is dangerous and must be repaired.
- c) **Disconnect the plug from the power source and/or the battery pack from the power tool before making any adjustments, changing accessories, or storing power tools.**
Such preventive safety measures reduce the risk of starting the power tool accidentally.
- d) **Store idle power tools out of the reach of children and do not allow persons unfamiliar with the power tool or these instructions to operate the power tool. Power tools are dangerous in the hands of untrained users.**
- e) **Maintain power tools. Check for misalignment or binding of moving parts, breakage of parts and any other condition that may affect the power tool's operation. If damaged, have the power tool repaired before use. Many accidents are caused by poorly maintained power tools.**
- f) **Keep cutting tools sharp and clean.**
Properly maintained cutting tools with sharp cutting edges are less likely to bind and are easier to control.
- g) **Use the power tool, accessories and tool bits etc. in accordance with these instructions, taking into account the working conditions and the work to be performed.**
Use of the power tool for operations different from those intended could result in a hazardous situation.

5) Service

- a) **Have your power tool serviced by a qualified repair person using only identical replacement parts.**
This will ensure that the safety of the power tool is maintained.

PRECAUTION

Keep children and infirm persons away.

When not in use, tools should be stored out of reach of children and infirm persons.

SAFETY WARNINGS COMMON FOR GRINDING OR ABRASIVE CUTTING-OFF OPERATIONS

- a) **This power tool is intended to function as a grinder or cut-off tool. Read all safety warnings, instructions, illustrations and specifications provided with this power tool.**

Failure to follow all instructions listed below may result in electric shock, fire and/or serious injury.

- b) **Operations such as sanding, wire brushing or polishing are not recommended to be performed with this power tool.**

Operations for which the power tool was not designed may create a hazard and cause personal injury.

- c) **Do not use accessories which are not specifically designed and recommended by the tool manufacturer.**

Just because the accessory can be attached to your power tool, it does not assure safe operation.

- d) **The rated speed of the accessory must be at least equal to the maximum speed marked on the power tool.**

Accessories running faster than their rated speed can break and fly apart.

- e) **The outside diameter and the thickness of your accessory must be within the capacity rating of your power tool.**

Incorrectly sized accessories cannot be adequately guarded or controlled.

- f) **The arbour size of wheels, flanges, backing pads or any other accessory must properly fit the spindle of the power tool.**

Accessories with arbour holes that do not match the mounting hardware of the power tool will run out of balance, vibrate excessively and may cause loss of control.

- g) **Do not use a damaged accessory. Before each use inspect the accessory such as abrasive wheels for chips and cracks, backing pad for cracks, tear or excess wear, wire brush for loose or cracked wires. If power tool or accessory is dropped, inspect for damage or install an undamaged accessory. After inspecting and installing an accessory, position yourself and bystanders away from the plane of the rotating accessory and run the power tool at maximum no-load speed for one minute.**

Damaged accessories will normally break apart during this test time.

- h) **Wear personal protective equipment. Depending on application, use face shield, safety goggles or safety glasses. As appropriate, wear dust mask, hearing protectors, gloves and workshop apron capable of stopping small abrasive or workpiece fragments.**

The eye protection must be capable of stopping flying debris generated by various operations. The dust mask or respirator must be capable of filtering particles generated by your operation. Prolonged exposure to high intensity noise may cause hearing loss.

- i) **Keep bystanders a safe distance away from work area. Anyone entering the work area must wear personal protective equipment.**

Fragments of workpiece or of a broken accessory may fly away and cause injury beyond immediate area of operation.

- j) **Hold power tool by insulated gripping surfaces only, when performing an operation where the cutting accessory may contact hidden wiring or its own cord. Cutting accessory contacting a "live" wire may make exposed metal parts of the power tool "live" and shock the operator.**

- k) **Position the cord clear of the spinning accessory. If you lose control, the cord may be cut or snagged and your hand or arm may be pulled into the spinning accessory.**

- l) **Never lay the power tool down until the accessory has come to a complete stop.**

The spinning accessory may grab the surface and pull the power tool out of your control.

- m) **Do not run the power tool while carrying it at your side.**

Accidental contact with the spinning accessory could snag your clothing, pulling the accessory into your body.

- n) **Regularly clean the power tool's air vents.**

The motor's fan will draw the dust inside the housing and excessive accumulation of powdered metal may cause electrical hazards.

- o) **Do not operate the power tool near flammable materials.**

Sparks could ignite these materials.

- p) **Do not use accessories that require liquid coolants. Using water or other liquid coolants may result in electrocution or shock.**

KICKBACK AND RELATED WARNINGS

Kickback is a sudden reaction to a pinched or snagged rotating wheel, backing pad, brush or any other accessory. Pinching or snagging causes rapid stalling of the rotating accessory which in turn causes the uncontrolled power tool to be forced in the direction opposite of the accessory's rotation at the point of the binding.

For example, if an abrasive wheel is snagged or pinched by the workpiece, the edge of the wheel that is entering into the pinch point can dig into the surface of the material causing the wheel to climb out or kick out. The wheel may either jump toward or away from the operator, depending on direction of the wheel's movement at the point of pinching. Abrasive wheels may also break under these conditions.

Kickback is the result of power tool misuse and/or incorrect operating procedures or conditions and can be avoided by taking proper precautions as given below.

- a) **Maintain a firm grip on the power tool and position your body and arm to allow you to resist kickback forces. Always use auxiliary handle, if provided, for maximum control over kickback or torque reaction during start-up.**

The operator can control torque reactions or kickback forces, if proper precautions are taken.

- b) **Never place your hand near the rotating accessory. Accessory may kickback over your hand.**

- c) **Do not position your body in the area where power tool will move if kickback occurs.**

Kickback will propel the tool in direction opposite to the wheel's movement at the point of snagging.

- d) **Use special care when working corners, sharp edges etc. Avoid bouncing and snagging the accessory. Corners, sharp edges or bouncing have a tendency to snag the rotating accessory and cause loss of control or kickback.**

- e) **Do not attach a saw chain woodcarving blade or toothed saw blade.**
Such blades create frequent kickback and loss of control.
- b) **Do not position your body in line with and behind the rotating wheel.**
When the wheel, at the point of operation, is moving away from your body, the possible kickback may propel the spinning wheel and the power tool directly at you.

SAFETY WARNINGS SPECIFIC FOR GRINDING AND ABRASIVE CUTTING-OFF OPERATIONS

- a) **Use only wheel types that are recommended for your power tool and the specific guard designed for the selected wheel.**
Wheels for which the power tool was not designed cannot be adequately guarded and are unsafe.
- b) **The guard must be securely attached to the power tool and positioned for maximum safety, so the least amount of wheel is exposed towards the operator.**
The guard helps to protect operator from broken wheel fragments and accidental contact with wheel.
- c) **Wheels must be used only for recommended applications. For example: do not grind with the side of cut-off wheel.**
Abrasive cut-off wheels are intended for peripheral grinding, side forces applied to these wheels may cause them to shatter.
- d) **Always use undamaged wheel flanges that are of correct size and shape for your selected wheel.**
Proper wheel flanges support the wheel thus reducing the possibility of wheel breakage. Flanges for cut-off wheels may be different from grinding wheel flanges.
- e) **Do not use worn down wheels from larger power tools.**
Wheel intended for larger power tool is not suitable for the higher speed of a smaller tool and may burst.

ADDITIONAL SAFETY WARNINGS SPECIFIC FOR ABRASIVE CUTTING-OFF OPERATIONS

- a) **Do not "jam" the cut-off wheel or apply excessive pressure. Do not attempt to make an excessive depth of cut.**
Overstressing the wheel increases the loading and susceptibility to twisting or blinding of the wheel in the cut and the possibility of kickback or wheel breakage.

- c) **When wheel is binding or when interrupting a cut for any reason, switch off the power tool and hold the power tool motionless until the wheel comes to a complete stop. Never attempt to remove the cut-off wheel from the cut while the wheel is in motion otherwise kickback may occur.**
Investigate and take corrective action to eliminate the cause of wheel binding.
- d) **Do not restart the cutting operation in the workpiece. Let the wheel reach full speed and carefully reenter the cut.**
The wheel may bind, walk up or kickback if the power tool is restarted in the workpiece.

PRECAUTIONS ON USING DISC GRINDER

1. Never operate these power tools without Wheel Guards.
2. Check that speed marked on the wheel is equal to or greater than the rated speed of the grinder. Use only depressed center wheels rated at 80m/s or more.
3. Ensure that the wheel dimensions are compatible with the grinder and that the wheel fits the spindle.
4. Abrasive wheels shall be stored and handled with care in accordance with manufacturer's instructions.
5. Inspect the depressed center wheel before use, do not use chipped, cracked or otherwise defective products.
6. Always hold the body handle and side handle of the power tool firmly. Otherwise the counterforce produced may result in inaccurate and even dangerous operation.
7. Do not use cutting-off wheels for side grinding.
8. Do not use of separate reducing bushings or adapters to adapt large hole abrasive wheels.
9. The wheel continues to rotate after the tool is switched off.

SPECIFICATIONS

Model	G18MR	G18MRU	G23MR	G23MRU
Voltage (by areas)*1	(110V, 220V, 230V, 240V) ∪			
Input*1	2400 W	2500 W	2400 W	2500 W
No-load speed	8500 min ⁻¹		6600 min ⁻¹	
Wheel	Outer dia.	180 mm	230 mm	
	Hole dia.	22.23 mm		
	Peripheral speed	80 m/s		
Weight*2	5.4 kg			
Starting current limiter*3	No	Yes	No	Yes

*1 Be sure to check the nameplate on product as it is subject to change by areas.

*2 Weight: Only main body

*3 The starting current limiter produces the starting current to such an extent that a fuse (16 A, slow-blow) is not tripped.

STANDARD ACCESSORIES

- (1) Wrench 1
 (2) Side handle 1
 Depressed center wheels are not provided as standard accessories.

Standard accessories are subject to change without notice.

APPLICATIONS

- Removal of casting fin and finishing of various types of steel, bronze and aluminum materials and castings.
- Grinding of welded sections or sections cut by means of a cutting torch.
- Grinding of synthetic resins, slate, brick, marble, etc.
- Cutting of synthetic concrete, stone, brick, marble and similar materials.

PRIOR TO OPERATION

1. Power source

Ensure that the power source to be utilized conforms to the power requirements specified on the product nameplate.

2. Power switch

Ensure that the power switch is in the OFF position. If the plug is connected to a receptacle while the power switch is in the ON position, the power tool will start operating immediately, which could cause a serious accident.

3. Extension cord

When the work area is removed from the power source, use an extension cord of sufficient thickness and rated capacity. The extension cord should be kept as short as practicable.

4. Fitting and adjusting the wheel guard

The wheel guard is a protective device to prevent injury should the depressed center wheel shatter during operation. Ensure that the guard is properly fitted and fastened before commencing grinding operation.

[Installing and adjusting the wheel guard]

- Open the lever and insert the locating pin of wheel guard, bringing it into line with the across flats of packing ground.
- Then, turn the wheel guard to a desired position (for use).
- Close the lever and fix it. If and when required, carry out adjustments by tightening or loosening the screw.
- If the lever does not move smoothly, apply some lubricating oil to the sliding section between the set piece and the lever.
- Fasten the wheel guard at the position where the across flats of the wheel guard positioning pin and packing ground are aligned (the position where the wheel guard is inserted), but do not use it.

5. Ensure that the depressed center wheel to be utilized is the correct type and free of cracks or surface defects. Also ensure that the depressed center wheel is properly mounted and the wheel nut is securely tightened, refer to the section on "Depressed Center Wheel Assembly".

6. Conducting a trial run

Ensure that the abrasive products is correctly mounted and tightened before use and run the tool at no-load for 30 seconds in a safe position, stop immediately if there is considerable vibration or if other defects are detected.

If this condition occurs, check the machine to determine the cause.

7. Confirm the spindle lock mechanism

Confirm that the spindle lock is disengaged by pushing push button two or three times before switching the power tool on (See Fig. 1).

8. Fixing the side handle

Screw the side handle into the gear cover.

PRACTICAL GRINDER APPLICATION

1. Pressure

To prolong the life of the machine and ensure a first class finish, it is important that the machine should not be overloaded by applying too much pressure. In most applications, the weight of the machine alone is sufficient for effective grinding. Too much pressure will result in reduced rotational speed, inferior surface finish, and overloading which could reduce the life of the machine.

2. Grinding angle

Do not apply the entire surface of the depressed center wheel to the material to be ground. As shown in Fig. 3, the machine should be held at an angle of 15° – 30° so that the external edge of the depressed center wheel contacts the material at an optimum angle.

3. To prevent a new depressed center wheel from digging into the workpiece, initial grinding should be performed by drawing the grinder across the workpiece toward the operator (Fig. 3 direction B). Once the leading edge of the depressed center wheel is properly abraded, grinding may be conducted in either direction.

4. Switch operation

Switch ON: Push the locking button forward and then press the switch lever.

* For continuous use, press the switch lever. The switch lever is locked by pushing the locking button forward once again.

(*Subject to change depending on area.)

Switch OFF: Press and release the switch lever.

5. Precautions immediately after finishing operation

After switching off the machine, do not put it down until the depressed center wheel has come to a complete stop. Apart from avoiding serious accidents, this precaution will reduce the amount of dust and swarf sucked into the machine.

CAUTIONS

- Check that the work piece is properly supported.
- Ensure that ventilation openings are kept clear when working in dusty conditions.

If it should become necessary to clear dust, first disconnect the tool from the mains supply (use non-metallic objects) and avoid damaging internal parts.

- Ensure that sparks resulting from use do not create a hazard e.g. do not hit persons, or ignite flammable substances.

- Always use eye and ear protection. Other personal protective equipment such as dust mask, gloves, helmet and apron should be worn when necessary. If in doubt, wear the protective equipment.
- When the machine is not use, the power source should be disconnected.

ASSEMBLING AND DISASSEMBLING THE DEPRESSED CENTER WHEEL

CAUTION Be sure to switch OFF and disconnect the attachment plug from the receptacle to avoid a serious accident.

1. Assembling (Fig. 1)

- (1) Turn the machine upside down so that the spindle is facing upward.
- (2) Mount the wheel washer onto the spindle.
- (3) Fit the protruding part of the depressed center wheel or diamond wheel onto the wheel washer.
- (4) Screw the wheel nut onto the spindle.
(For diamond wheel assembling, use the wheel nut with the convex side against the diamond wheel.)
- (5) Insert the push button to prevent rotation of the spindle, and tighten the wheel nut with the accessory wrench, as shown in Fig. 1.

2. Disassembling

Follow the above procedures in reverse.

CAUTIONS

- Confirm that the depressed center wheel is mounted firmly.
- Confirm that the push button is disengaged by pushing push button two or three times before switching the power tool on.

MAINTENANCE AND INSPECTION

1. Inspecting the depressed center wheel

Ensure that the depressed center wheel is free of cracks and surface defects.

2. Inspecting the mounting screws

Regularly inspect all mounting screws and ensure that they are properly tightened. Should any of the screws be loose, retighten them immediately. Failure to do so could result in serious hazard.

3. Inspecting the carbon brushes (Fig. 4)

The motor employs carbon brushes which are consumable parts.

When they become worn to or near the "wear limit", it could result in motor trouble. When an auto-stop carbon brush is equipped, the motor will stop automatically.

At that time, replace both carbon brushes with new ones which have the same carbon brush numbers shown in the figure. In addition, always keep carbon brushes clean and ensure that they slide freely within the brush holders.

4. Replacing carbon brushes (Fig. 5)

(Disassembly)

- (1) Loosen the D4 tapping screw retaining the brush cover and remove the brush cover.
- (2) Use the auxiliary hexagonal wrench or small screwdriver to pull up the edge of the spring that is holding down the carbon brush. Remove the edge of the spring toward the outside of the brush holder.

- (3) Remove the end of the pig-tail on the carbon brush from the terminal section of brush holder and then remove the carbon brush from the brush holder.

(Assembly)

- (1) Insert the end of the pig-tail of the carbon brush in the terminal section of brush holder.
- (2) Insert the carbon brush in the brush holder.
- (3) Use the auxiliary hexagonal wrench or small screwdriver to return the edge of the spring to the head of the carbon brush.
- (4) Mount the tail cover and tighten the D4 tapping screw.

5. Maintenance of the motor

The motor unit winding is the very "heart" of the power tool. Exercise due care to ensure the winding does not become damaged and/or wet with oil or water.

6. Service parts list

- A: Item No.
- B: Code No.
- C: No. Used
- D: Remarks

CAUTION

Repair, modification and inspection of Hitachi Power Tools must be carried out by a Hitachi Authorized Service Center.

This Parts List will be helpful if presented with the tool to the Hitachi Authorized Service Center when requesting repair or other maintenance.

In the operation and maintenance of power tools, the safety regulations and standards prescribed in each country must be observed.

MODIFICATIONS

Hitachi Power Tools are constantly being improved and modified to incorporate the latest technological advancements.

Accordingly, some parts (i.e. code numbers and/or design) may be changed without prior notice.

GUARANTEE

We guarantee Hitachi Power Tools in accordance with statutory/country specific regulation. This guarantee does not cover defects or damage due to misuse, abuse, or normal wear and tear. In case of complaint, please send the Power Tool, undismantled, with the GUARANTEE CERTIFICATE found at the end of this Handling instruction, to a Hitachi Authorized Service Center.

NOTE

Due to HITACHI's continuing program of research and development, the specifications herein are subject to change without prior notice.

Information concerning airborne noise and vibration

The measured values were determined according to EN50144.

The typical A-weighted sound pressure level: 90 dB (A)
The typical A-weighted sound power level: 103 dB (A)

Wear ear protection.

The typical weighted root mean square acceleration value does not exceed 2.5 m/s².

● Information about power supply system of nominal voltage 230 V~ (For G18MR, G23MR only)

Under unfavorable mains conditions, this power tool may cause *transient voltage drops* or *interfering voltage fluctuations*.

This power tool is intended for the connection to a power supply system with a maximum permissible system impedance Z_{MAX} of 0.23 Ohm at the interface point (power service box) of the user's supply.

The user has to ensure that this power tool is connected only to a power supply system which fulfills the requirement above.

If necessary, the user can ask the public power supply company for the system impedance at the interface point.

ALLGEMEINE SICHERHEITSHINWEISE FÜR ELEKTROGERÄTE

⚠️ WARNUNG

Lesen Sie sämtliche Sicherheitshinweise und Anweisungen durch. Wenn die Warnungen und Anweisungen nicht befolgt werden, kann es zu Stromschlag, Brand und/oder ernsthaften Verletzungen kommen.

Bitte bewahren Sie alle Warnhinweise und Anweisungen zum späteren Nachschlagen auf.

Der Begriff „Elektrowerkzeug“ bezieht sich in den Warnhinweisen auf Elektrowerkzeuge mit Netz- (schnurgebunden) oder Akkubetrieb (schnurlos).

1) Sicherheit im Arbeitsbereich

- a) Sorgen Sie für einen sauberen und gut ausgeleuchteten Arbeitsbereich.
Zugestellte oder dunkle Bereiche ziehen Unfälle förmlich an.
- b) Verwenden Sie Elektrowerkzeuge niemals an Orten, an denen Explosionsgefahr besteht – zum Beispiel in der Nähe von leicht entflammaren Flüssigkeiten, Gasen oder Stäuben.
Bei der Arbeit mit Elektrowerkzeugen kann es zu Funkenbildung kommen, wodurch sich Stäube oder Dämpfe entzünden können.
- c) Sorgen Sie bei der Arbeit mit Elektrowerkzeugen dafür, dass sich keine Zuschauer (insbesondere Kinder) in der Nähe befinden.
Wenn Sie abgelenkt werden, können Sie die Kontrolle über das Werkzeug verlieren.

2) Elektrische Sicherheit

- a) Elektrowerkzeuge müssen mit passender Stromversorgung betrieben werden.
Nehmen Sie niemals irgendwelche Änderungen am Anschlussstecker vor.
Verwenden Sie bei Elektrowerkzeugen mit Schutzkontakt (geerdet) niemals Adapterstecker.
Stecker im Originalzustand und passende Steckdosen reduzieren das Stromschlagrisiko.
- b) Vermeiden Sie Körperkontakt mit geerdeten Gegenständen wie Rohrleitungen, Heizungen, Herden oder Kühlschränken.
Bei Körperkontakt mit geerdeten Gegenständen besteht ein erhöhtes Stromschlagrisiko.
- c) Setzen Sie Elektrowerkzeuge niemals Regen oder sonstiger Feuchtigkeit aus.
Wenn Flüssigkeiten in ein Elektrowerkzeug eindringen, erhöht sich das Stromschlagrisiko.
- d) Verwenden Sie die Anschlusschnur nicht missbräuchlich. Tragen Sie das Elektrowerkzeug niemals an der Anschlusschnur, ziehen Sie es nicht damit heran und ziehen Sie den Stecker nicht an der Anschlusschnur aus der Steckdose.
Halten Sie die Anschlusschnur von Hitzequellen, Öl, scharfen Kanten und beweglichen Teilen fern.
Beschädigte oder verdrehte Anschlusschnüre erhöhen das Stromschlagrisiko.
- e) Wenn Sie ein Elektrowerkzeug im Freien benutzen, verwenden Sie ein für den Außeneinsatz geeignetes Verlängerungskabel.
Ein für den Außeneinsatz geeignetes Kabel vermindert das Stromschlagrisiko.
- f) Falls sich der Betrieb des Elektrowerkzeuges in feuchter Umgebung nicht vermeiden lässt, verwenden Sie eine Stromversorgung mit Fehlerstromschutzeinrichtung (Residual Current Device, RCD).
Durch den Einsatz einer Fehlerstromschutzeinrichtung wird das Risiko eines elektrischen Schlages reduziert.

3) Persönliche Sicherheit

- a) Bleiben Sie wachsam, achten Sie auf das, was Sie tun, und setzen Sie Ihren Verstand ein, wenn Sie mit Elektrowerkzeugen arbeiten.
Benutzen Sie keine Elektrowerkzeuge, wenn Sie müde sind oder unter Einfluss von Drogen, Alkohol oder Medikamenten stehen.
Bei der Arbeit mit Elektrowerkzeugen können bereits kurze Phasen der Unaufmerksamkeit zu schweren Verletzungen führen.
 - b) Benutzen Sie eine persönliche Schutzausrüstung. Tragen Sie immer einen Augenschutz.
Schutzausrüstung wie Staubmaske, rutschsichere Sicherheitsschuhe, Schutzhelm und Gehörschutz senken das Verletzungsrisiko bei angemessenem Einsatz.
 - c) Vermeiden Sie unbeabsichtigten Anlauf. Achten Sie darauf, dass sich der Schalter in der Aus- (Off-) Position befindet, ehe Sie das Gerät mit der Stromversorgung und/oder Batteriestromversorgung verbinden, es aufheben oder herumtragen.
Das Herumtragen von Elektrowerkzeugen mit dem Finger am Schalter oder das Herstellen der Stromversorgung bei betätigtem Schalter zieht Unfälle regelrecht an.
 - d) Entfernen Sie sämtliche Einstellwerkzeuge (Einstellschlüssel), ehe Sie das Elektrowerkzeug einschalten.
Ein an einem beweglichen Teil des Elektrowerkzeug angebrachter Schlüssel kann zu Verletzungen führen.
 - e) Sorgen Sie für einen festen Stand. Achten Sie jederzeit darauf, sicher zu stehen und das Gleichgewicht zu bewahren.
Dadurch haben Sie das Elektrowerkzeug in unerwarteten Situationen besser im Griff.
 - f) Kleiden Sie sich richtig. Tragen Sie keine lose Kleidung oder Schmuck. Halten Sie Haar, Kleidung und Handschuhe von beweglichen Teilen fern.
Lose Kleidung, Schmuck oder langes Haar kann von beweglichen Teilen erfasst werden.
 - g) Wenn Anschlüsse für Staubabsaug- und -sammelvorrichtungen vorhanden sind, sorgen Sie dafür, dass diese richtig angeschlossen und eingesetzt werden.
Durch Entfernen des Staubes können staubbezogene Gefahren vermindert werden.
- #### 4) Einsatz und Pflege von Elektrowerkzeugen
- a) Überansprechen Sie Elektrowerkzeuge nicht. Benutzen Sie das richtige Elektrowerkzeug für Ihren Einsatzzweck.
Das richtige Elektrowerkzeug erledigt seine Arbeit bei bestimmungsgemäßem Einsatz besser und sicherer.
 - b) Benutzen Sie das Elektrowerkzeug nicht, wenn es sich nicht am Schalter ein- und ausschalten lässt.
Jedes Elektrowerkzeug, das nicht mit dem Schalter betätigt werden kann, stellt eine Gefahr dar und muss repariert werden.
 - c) Stecken Sie den Stecker der Stromversorgung oder Batteriestromversorgung vom Gerät ab, ehe Sie Einstellarbeiten vornehmen, Zubehörteile tauschen oder das Elektrowerkzeug verstauen.
Solche präventiven Sicherheitsmaßnahmen verhindern den unbeabsichtigten Anlauf des Elektrowerkzeugs und die damit verbundenen Gefahren.
 - d) Lagern Sie nicht benutzte Elektrowerkzeuge außerhalb der Reichweite von Kindern, lassen Sie nicht zu, dass Personen das Elektrowerkzeug bedienen, die nicht mit dem Werkzeug selbst und/oder diesen Anweisungen vertraut sind.
Elektrowerkzeuge in ungeschulten Händen sind gefährlich.
 - e) Halten Sie Elektrowerkzeuge in Stand. Prüfen Sie auf Fehlausrichtungen, sicheren Halt und Leichtgängigkeit beweglicher Teile, Beschädigungen von Teilen und auf jegliche andere Zustände, die sich auf den Betrieb des Elektrowerkzeugs auswirken können.

Bei Beschädigungen lassen Sie das Elektrowerkzeug reparieren, ehe Sie es benutzen.

Viele Unfälle mit Elektrowerkzeugen sind auf schlechte Wartung zurückzuführen.

- f) Halten Sie Schneidwerkzeuge scharf und sauber. Richtig gewartete Schneidwerkzeuge mit scharfen Schneidkanten bleiben weniger häufig hängen und sind einfacher zu beherrschen.
- g) Benutzen Sie Elektrowerkzeuge, Zubehör, Werkzeugspitzen und Ähnliches in Übereinstimmung mit diesen Anweisungen – beachten Sie dabei die jeweiligen Arbeitsbedingungen und die Art und Weise der auszuführenden Arbeiten.
Der Gebrauch des Elektrowerkzeuges für andere als die vorgesehenen Anwendungen kann zu gefährlichen Situationen führen.
- 5) Service
- a) Lassen Sie Elektrowerkzeuge durch qualifizierte Fachkräfte und unter Einsatz passender, zugelassener Originalteile warten.
Dies sorgt dafür, dass die Sicherheit des Elektrowerkzeuges nicht beeinträchtigt wird.

VORSICHT

Von Kindern und gebrechlichen Personen fernhalten.

Werkzeuge sollten bei Nichtgebrauch außerhalb der Reichweite von Kindern und gebrechlichen Personen aufbewahrt werden.

FÜR SCHLEIF- UND TRENNSCHLEIFARBEITEN GELTENDE SICHERHEITSHINWEISE

- a) Dieses Elektrowerkzeug kann als Schleif- oder Trennschleifwerkzeug eingesetzt werden. Bitte beachten Sie sämtliche mit diesem Gerät gelieferten Sicherheitshinweise, Anweisungen, Illustrationen und technischen Angaben.
Wenn nicht sämtliche nachstehenden Anweisungen befolgt werden, kann es zu Stromschlag, Feuergefahr und/oder ernsthaften Verletzungen kommen.
- b) Es wird nicht empfohlen, Arbeiten wie Sandpapierschleifen, Drahtbürsten oder Polieren mit diesem Elektrowerkzeug auszuführen.
Arbeiten, für die dieses Elektrowerkzeug nicht konzipiert wurde, könnten eine Gefahr darstellen, die zu Verletzungen oder Geräteschäden führen könnten.
- c) Verwenden Sie keine Zubehörteile, die nicht speziell vom Hersteller für die Verwendung mit dem Werkzeug konzipiert und empfohlen wurden.
Der Umstand, dass ein Zubehörteil an dem Elektrowerkzeug angebracht werden kann, bedeutet nicht, dass damit ein sicherer Betrieb garantiert ist.
- d) Die Nenndrehzahl des Schleifkörpers muss mindestens der maximalen auf dem Elektrowerkzeug angegebenen Drehzahl entsprechen.
Schleifkörper, die mit einer höheren Geschwindigkeit als ihrer Nenndrehzahl betrieben werden, können zerbersten und in Folge können Bruchstücke davon weggeschleudert werden.
- e) Außendurchmesser und Dicke des Schleifkörpers müssen den Maßangaben Ihres Elektrowerkzeugs entsprechen.
Falsch bemessene Schleifkörper können nicht ausreichend abgesichert oder bei Arbeit nicht ausreichend kontrolliert werden.
- f) Schleifscheiben, Flansche, Schleifteller oder anderes Zubehör müssen genau auf die Schleifspindel Ihres Elektrowerkzeugs passen.
- Einsatzwerkzeuge, die nicht genau auf die Schleifspindel des Elektrowerkzeugs passen, laufen mit Unwucht, vibrieren sehr stark und können zu einem Verlust der Kontrolle über das Werkzeug führen.
- g) Benutzen Sie niemals beschädigte Schleifkörper. Überprüfen Sie vor jedem Gebrauch Einsatzwerkzeuge wie Schleifkörper auf Absplitterungen und Risse, Schleifteller auf Sprünge, Risse oder starke Abnutzung, Drahtbürsten auf lose oder gebrochene Drähte. Wenn das Elektrowerkzeug oder der Schleifkörper herunter fällt, überprüfen Sie es/ihn auf Beschädigung oder montieren Sie einen unbeschädigten Schleifkörper. Lassen Sie nach Prüfung und Montage des Schleifkörpers das Elektrowerkzeug eine Minute lang mit maximaler Leerlaufdrehzahl laufen. Achten Sie dabei darauf, dass Sie und alle anderen in der Nähe befindlichen Personen sich außerhalb der Rotationsebene des Schleifkörpers aufhalten.
Normalerweise zerbersten schadhafte Schleifwerkzeuge bei einem solchen Probelauf.
- h) Tragen Sie eine Schutzausrüstung. Benutzen Sie je nach Anwendung Gesichtsschutz oder Schutzbrille. Soweit angemessen, tragen Sie eine Staubmaske, einen Gehörschutz, Handschuhe sowie eine Arbeitsschürze, die geeignet sind, Sie vor Schleifkörper- und Werkstückteilen zu schützen.
Die Schutzbrille muss sich eignen, die bei unterschiedlichen Arbeiten weggeschleuderten Partikel abzuwehren. Die Staub- oder die Atemschutzmaske muss in der Lage sein, die bei der Arbeit entstehenden Partikel zu filtern. Eine dauerhaft hohe Lärmbelastung kann zu Gehörverlust führen.
- i) Halten Sie umstehende Personen von Ihrem Arbeitsbereich fern. Jeder, der den Arbeitsbereich betritt, muss eine Schutzausrüstung tragen.
Werkstückteilen oder Stücke geborstener Schleifkörper können weggeschleudert werden und auch außerhalb des unmittelbaren Arbeitsbereiches Verletzungen verursachen.
- j) Falls der Schleifkörper bei der Arbeit mit versteckt liegenden Leitungen oder mit der Anschlussleitung des Elektrowerkzeugs selbst in Berührung kommen kann, halten Sie das Elektrowerkzeug nur an seinen isolierten Griffflächen.
Schleifkörper, die in Kontakt mit einer spannungsführenden Leitung kommen, können die Metallteile des Elektrowerkzeugs spannungsführend machen und dem Bediener einen elektrischen Schlag versetzen.
- k) Halten Sie die Anschlussleitung des Elektrowerkzeugs stets vom drehenden Schleifkörper fern.
Falls Sie die Kontrolle über das Elektrowerkzeug verlieren, kann die Anschlussleitung durchtrennt oder erfasst werden, und Ihre Hand oder Ihr Arm in das sich drehende Einsatzwerkzeug geraten.
- l) Legen Sie das Elektrowerkzeug niemals ab, bevor der Schleifkörper vollständig zum Stillstand gekommen ist.
Der sich drehende Schleifkörper kann in Berührung mit der Ablagefläche geraten, wodurch Sie die Kontrolle über das Elektrowerkzeug verlieren können.
- m) Lassen Sie das Elektrowerkzeug nicht laufen, während Sie es tragen.
Der sich drehende Schleifkörper kann bei versehentlicher Berührung Ihre Kleidung erfassen und in Ihren Körper gezogen werden.

- n) **Reinigen Sie regelmäßig die Lüftungsöffnungen des Elektrowerkzeugs.**
Das Motorgebläse zieht Staub in das Gehäuse. Übermäßige Ansammlungen von Metallstaub könnten zu elektrischen Gefährdungen führen.
- o) **Verwenden Sie das Elektrowerkzeug nicht in der Nähe entflammbarer Materialien.**
Funken könnten diese Materialien entzünden.
- p) **Verwenden Sie keine Zubehörteile, die flüssige Kühlmittel erfordern.**
Die Verwendung von Wasser oder anderen flüssigen Kühlmitteln kann zu einem elektrischen Schlag oder Schock führen.

RÜCKSCHLAG UND DAZU GEHÖRIGE SICHERHEITSHINWEISE

Rückschlag ist die plötzliche Reaktion infolge eines Verklemmens oder Verhakens eines drehenden Schleifkörpers, eines Schleiftellers oder einer Drahtbürste etc. Dieses Verklemmen oder Verhaken führt zu einem plötzlichen Stopp des rotierenden Schleifkörpers, wodurch ein unkontrolliertes Elektrowerkzeug an der Blockierstelle ruckartig gegen die Drehrichtung des Schleifkörpers bewegt wird.

Wenn beispielsweise eine Schleifscheibe im Werkstück verklemmt oder verhakt wird, kann sich die Kante der in die Blockierstelle eindringenden Schleifscheibe in die Oberfläche des Werkstücks graben, wodurch die Schleifscheibe ausbrechen oder einen Rückschlag verursachen kann. Je nach Drehrichtung der Scheibe an der Blockierstelle kann sich die Schleifscheibe dabei auf die Bedienperson zu oder von ihr weg bewegen. Schleifscheiben können unter diesen Umständen auch brechen.

Zum Rückschlag kommt es in Folge einer falschen und/oder nicht ordnungsgemäßen Verwendung des Elektrowerkzeugs. Dies kann durch geeignete Vorsichtsmaßnahmen vermieden werden, die im Folgenden beschrieben werden.

- a) **Halten Sie das Elektrowerkzeug stets gut fest und bringen Sie Ihren Körper und Ihren Arm in eine Position, in der Sie mögliche Rückschlagkräfte abfangen können.** Verwenden Sie immer den Zusatzgriff, falls vorhanden, um beim Hochlauf die größtmögliche Kontrolle über Rückschlagkräfte oder Reaktionsmomente zu haben.
Der Bediener kann Rückschlagkräfte oder Reaktionsmomente durch geeignete Vorsichtsmaßnahmen beherrschen.
- b) **Bringen Sie Ihre Hand nie in die Nähe rotierenden Einsatzwerkzeuge.**
Das Einsatzwerkzeug könnte sich beim Rückschlag über Ihre Hand bewegen.
- c) **Meiden Sie den Bereich, in den sich das Elektrowerkzeug bei einem Rückschlag bewegen würde.**
Durch den Rückschlag wird das Elektrowerkzeug ruckartig entgegen der Drehrichtung der Schleifscheibe an der Blockierstelle bewegt.
- d) **Arbeiten Sie besonders vorsichtig im Bereich von Ecken und scharfen Kanten etc. Verhindern Sie, dass Einsatzwerkzeuge vom Werkstück zurückprallen und verklemmen.**

- An Ecken und scharfen Kanten oder beim Abprallen neigen rotierende Einsatzwerkzeuge dazu, sich zu verklemmen, was in weiterer Folge zum Verlust der Kontrolle des Werkzeugs oder zum Rückschlag führt.*
- e) **Verwenden Sie kein Ketten- oder gezähntes Sägeblatt.** Solche Einsatzwerkzeuge führen häufig zu Rückschlag oder zum Verlust der Kontrolle über das Elektrowerkzeug.

BESONDERE SICHERHEITSHINWEISE FÜR SCHLEIF- BZW. TRENNSCHLEIFARBEITEN

- a) **Verwenden Sie lediglich die für Ihr Elektrowerkzeug zugelassenen Schleifkörper und die für diese Schleifkörper vorgesehene Schutzhaube.**
Schleifkörper, die nicht für das Elektrowerkzeug vorgesehen sind, können nicht ausreichend abgeschirmt werden und ihre Verwendung ist daher nicht sicher.
- b) **Die Schutzhaube muss sicher am Elektrowerkzeug befestigt und so positioniert sein, dass der kleinstmögliche Teil des Schleifkörpers offen zur Bedienperson zeigt und somit ein Höchstmaß an Sicherheit garantiert wird.**
Die Schutzhaube soll die Bedienperson vor Bruchstücken defekter Schleifkörper und versehentlichem Kontakt mit dem Schleifkörper schützen.
- c) **Schleifkörper dürfen nur für die jeweils vorgesehenen Einsatzmöglichkeiten verwendet werden. Schleifen Sie beispielsweise nie mit der Seitenfläche einer Trennscheibe.**
Trennscheiben sind zum Abtragen von Material durch die Scheibenkante bestimmt und können bei seitlicher Kraftereinwirkung auf den Schleifkörper zerbrechen.
- d) **Verwenden Sie immer unbeschädigte Flansche in der für die gewählte Schleifscheibe passenden Größe und Form.**
Passende Flansche stützen die Schleifscheibe und verringern so die Gefahr eines Zerbrechens der Schleifscheibe. Flansche für Trennscheiben können sich von Flanschen für andere Schleifscheiben unterscheiden.
- e) **Verwenden Sie niemals durch größere Elektrowerkzeuge abgenutzte Schleifscheiben.**
Für größere Elektrowerkzeuge konzipierte Schleifscheiben sind nicht für die höheren Drehzahlen kleinerer Elektrowerkzeuge ausgelegt und können brechen.

WEITERE SICHERHEITSHINWEISE ZU TRENNSCHLEIFARBEITEN

- a) **Vermeiden Sie ein Blockieren der Trennscheibe oder das Ausüben übertriebenen Drucks auf die Trennscheibe. Versuchen Sie nicht, übermäßig tiefe Schnitte auszuführen.**
Durch das Überlasten der Trennscheibe erhöht sich deren Beanspruchung und die Anfälligkeit zum Verkanten oder Blockieren und damit die Möglichkeit eines Rückschlags oder Zerbrechens des Schleifkörpers.
- b) **Meiden Sie den Bereich vor und hinter der rotierenden Trennscheibe.**
Bewegt sich die Trennscheibe im Werkstück von Ihnen weg, so kann im Falle eines Rückschlags das Elektrowerkzeug mit der sich drehenden Scheibe direkt auf Sie zugeschleudert werden.

- c) Falls die Trennscheibe verklemmt oder Sie die Arbeit aus irgendeinem Grund unterbrechen müssen, schalten Sie das Elektrowerkzeug aus und halten Sie es an derselben Stelle, bis die Scheibe völlig zum Stillstand gekommen ist. Versuchen Sie niemals, eine noch laufende Trennscheibe aus dem Schnitt zu ziehen, sonst kann dies zu einem Rückschlag führen.

Ermitteln und beheben Sie die Ursache für das Verklemmen der Scheibe.

- d) Schalten Sie das Elektrowerkzeug nicht wieder ein, solange es sich noch im Werkstück befindet. Warten Sie nach dem Einschalten bis die Trennscheibe ihre volle Geschwindigkeit erreicht hat, bevor Sie das Werkzeug vorsichtig wieder in den Schnitt einsetzen. Ansonsten kann die Scheibe blockieren, aus dem Werkstück springen oder einen Rückschlag verursachen.

VORSICHTSMASSNAHMEN BEI DER BENUTZUNG DES WINKELSCHLEIFERS

1. Diese Werkzeuge nie ohne Schutzhaube benutzen.
2. Überprüfen Sie, daß die auf der Schleifscheibe angegebene Drehzahl mindestens gleich der Nennzahl des Schleifers ist. Nur schleifscheiben mit vertieftem Mittelteil und einer zulässigen Schleifgeschwindigkeit von 80 m/s oder mehr verwenden.
3. Stellen Sie sicher, daß die Abmessungen der Schleifscheibe angemessen für den Schleifer sind und daß die Schleifscheibe auf die Spindel paßt.
4. Schleifscheiben müssen vorsichtig und entsprechend den Anweisungen des Herstellers gelagert und gehandhabt werden.
5. Inspizieren Sie die Schleifscheibe vor der Verwendung und verwenden Sie keine abgesplittete, gesprungene oder auf andere Weise defekte Schleifscheibe.
6. Immer den Körper-Handgriff und den Seiten-Handgriff des Elektrowerkzeugs festhalten, weil sonst die entstehende Gegenkraft zu einem ungenauen und sogar gefährlichen Arbeiten führen kann.
7. Trennscheiben nicht zum Seitenschleifen verwenden.
8. Keine separaten Reduzierbuchsen oder Adapter verwenden, um Schleifscheiben mit einem größeren Lochdurchmesser verwenden zu können.
9. Die Schleifscheibe dreht sich auch nach dem Ausschalten des Werkzeugs weiter.

TECHNISCHE DATEN

Modell	G18MR	G18MRU	G23MR	G23MRU
Spannung (je nach Gebiet)*1	(110V, 220V, 230V, 240V) ~			
Leistungsaufnahme*1	2400 W	2500 W	2400 W	2500 W
Leerlaufdrehzahl	8500 min ⁻¹		6600 min ⁻¹	
Schleifscheibe	Außendurchmesser	180 mm	230 mm	
	Innendurchmesser	22,23 mm		
	Umlaufgeschwindigkeit	80 m/s		
Gewicht*2	5,4 kg			
Anlaufstrombegrenzung*3	Nein	Ja	Nein	Ja

*1 Vergessen Sie nicht, die Produktangaben auf dem Typenschild zu überprüfen, da sich diese je nach Verkaufsgebiet ändern.

*2 Gewicht: Gerät selbst.

*3 Durch die Anlaufstrombegrenzung wird der Einschaltstrom so weit reduziert, daß eine Sicherung (16 A träge) nicht anspricht.

STANDARDZUBEHÖR

- (1) Schlüssel 1
 (2) Handgriff 1
 Tiefhängende Mittenräder werden nicht als Standardzubehör geliefert.

Das Standardzubehör kann ohne vorherige Bekanntmachung jederzeit geändert werden.

ANWENDUNGSGEBIETE

- Entfernung von Gußgrat und Endbearbeitung verschiedener Stahlqualitäten, Bronze- und Aluminiummaterialien und Gußteile.
- Schleifen von geschweißten Stücken oder von durch Brennschneiden hergestellten Abschnitten.
- Schleifen von Kunstharz, Schiefer, Ziegelstein, Marmor, usw.
- Beim Schneiden von synthetischem Zement, Steinen, Mauersteinen, Marmor und ähnlichen Materialien.

VOR INBETRIEBNAHME

1. **Netzspannung**
Prüfen, daß die zu verwendende Netzspannung der Angabe auf dem Typenschild entspricht.
2. **Netzschalter**
Prüfen, daß der Netzschalter auf "AUS" steht. Wenn der Stecker an das Netz angeschlossen wird, während der Schalter auf "EIN" steht, beginnt das Werkzeug sofort zu laufen, was gefährlich ist.
3. **Verlängerungskabel**
Wenn der Arbeitsbereich nicht in der Nähe des Netzanschlusses liegt, ist ein Verlängerungskabel ausreichenden Querschnitts und ausreichender Nennleistung zu verwenden. Das Verlängerungskabel sollte so kurz wie möglich gehalten werden.
4. **Anbringen und Einstellen der Schutzhaube**
Die Schutzhaube ist eine Schutzvorrichtung, durch die Schaden verhindert werden soll, wenn die Schleifscheibe während des Betriebs zerbrechen sollte. Es ist darauf zu achten, daß die Haube ordnungsgemäß angebracht und befestigt ist, ehe mit der Schleifarbeit begonnen wird.
[Installieren und Einstellen der Schleifscheibenhaube]
 - Öffnen Sie den Hebel, führen Sie den Passtift der Schleifscheibenhaube ein, und richten Sie ihn auf die Quervertiefungen des Dichtungsgrunds aus.
 - Drehen Sie dann die Schleifscheibenhaube in die gewünschte Position (zum Gebrauch).
 - Schließen Sie den Hebel, und fixieren Sie ihn. Führen Sie erforderlichenfalls Einstellungen durch Anziehen oder Lösen der Schraube durch.
 - Falls der Hebel schwergängig ist, tragen Sie etwas Schmieröl auf die Gleitfläche zwischen dem Stellstück und dem Hebel auf.
 - Befestigen Sie die Schleifscheibenhaube an der Position, an der die Abflachungen des Schleifscheibenhauben-Anschlagstifts und des Dichtungsgrunds ausgerichtet sind (Position, an der die Schleifscheibenhaube eingeschoben wird), ohne sie jedoch zu benutzen.
5. Es ist weiter darauf zu achten, daß die zu verwendende Schleifscheibe die richtige Ausführung und ohne Risse und Oberflächenfehler ist. Es ist auch darauf zu achten, daß die Schleifscheibe richtig montiert und die Mutter der Schleifscheibe fest angezogen ist. Siehe Abschnitt "Anbringen der Schleifscheibe".
6. **Durchführung eines Probelaufs**
Stellen Sie vor der Verwendung sicher, daß das Schleiferzeugnis korrekt angebracht und fest angezogen ist, und lassen Sie das Werkzeug ohne Last 30 Sekunden an einer sicheren Position laufen. Halten Sie das Werkzeug sofort an, wenn beträchtliche Vibrationen auftreten oder Defekte festgestellt werden.
Wenn ein solcher Zustand eintritt, so überprüfen Sie die Maschine, um die Ursache zu finden.
7. **Überprüfen der Sperrstiftmechanik**
Es ist zu überprüfen, ob die Sperrstift gelöst ist, indem zwei- oder dreimal vor Einschalten des Gerätes auf die Druckknopf gedrückt wird (siehe **Abb. 1**).
8. **Anbringen des Handgriffs**
Den Handgriff in den Getriebedeckel einschrauben.

PRAKTISCHE SCHLEIFARBEIT

1. **Druck**
Zur Verlängerung der Lebensdauer Maschine und für erstklassige Arbeit ist es wichtig, daß die Maschine nicht durch zu starken Druck überbelastet wird. Bei den meisten Anwendungen reicht das Gewicht der Maschine für effektives Schleifen aus. Zu starker Druck führt zu verminderter Drehzahl, unbefriedigendem Oberflächenaussehen und einer Überbelastung, die die Lebensdauer der Maschine vermindern könnte.
 2. **Schleifwinkel**
Nicht die gesamte Fläche der Schleifscheibe auf das zu schleifende Material auflegen. Die Maschine sollte, wie in **Abb. 3** dargestellt ist, in einem Winkel von 15° – 30° gehalten werden, so daß die Außenkante der Schleifscheibe das Werkstück in einem optimalen Winkel berührt.
 3. Damit sich eine neue Schleifscheibe nicht in das Werkstück hineingräbt, sollte zu Anfang die Schleifarbeit so durchgeführt werden, daß der Winkelschleifer über das Werkstück zum Bedienungsmann gezogen wird (**Abb. 3 Richtung B**). Wenn die Vorderkante der Schleifscheibe entsprechend abgeschliffen ist, kann das Schleifen in beiden Richtungen durchgeführt werden.
 4. **Betätigung des Schalters**
Schalter in ON-Stellung:
Den Sperrknopf nach vorne drücken und dann den Schalterhebel drücken.
* Für Dauerbetrieb den Schalterhebel drücken. Der Schalterhebel wird durch einmaliges Vorwärtsdrücken des Sperrknopfes wieder gesperrt.
(* Änderungen je nach Vertriebsgebiet vorbehalten.)
Schalter in OFF-Stellung:
Den Schalterhebel drücken und loslassen.
 5. **Vorsichtsmaßnahmen unmittelbar nach Beendigung der Arbeit**
Nach dem Ausschalten darf die Maschine erst abgelegt werden, wenn die Schleifscheibe völlig zum Stillstand gekommen ist. Abgesehen vom Vermeiden ernsthafter Unfälle wird durch diese Vorsichtsmaßnahme vermieden, daß Staub und Späne in die Maschine gesaugt werden.
- ACHTUNG**
- Überprüfen Sie, daß das Werkstück richtig unterstützt ist.
 - Überprüfen Sie bei Arbeit an einem staubigen Ort, daß die Ventilationsöffnungen freigehalten werden. Wenn Beseitigung von Staub erforderlich werden sollte, so ziehen Sie zuerst den Stecker des Netzkabels aus der Steckdose (verwenden Sie nichtmetallische Gegenstände) und vermeiden Sie Beschädigung innerer Teile.
 - Stellen Sie sicher, daß bei der Verwendung auftretende Funken keine Gefährdung darstellen, d.h. daß sie keine Personen treffen und keine entflammaren Substanzen entzünden.
 - Verwenden Sie immer Augen- und Ohrschutz. Sonstige persönliche Schutzausrüstung wie eine Staubmaske, Handschuhe, ein Helm und eine Schürze sollte getragen werden, wenn sie erforderlich ist. Tragen Sie im Zweifelsfall Schutzausrüstung.

- Wenn die Maschine nicht benutzt wird, sollte der Netzstecker gezogen werden.

ANBRINGEN UND ABNEHMEN DER SCHLEIFSCHLEIBE

VORSICHT Immer den Betriebsschalter auf "Aus" stellen und den Netzstecker aus der Steckdose ziehen, um Unfälle zu vermeiden.

1. Anbringen (Abb. 1)

- (1) Die Maschine auf den Kopf stellen, sodaß die Spindel nach oben zeigt.
- (2) Die Unterlagsscheibe auf die Spindel setzen.
- (3) Die Schleifscheibe oder Diamantscheibe mit dem vorstehenden Stück auf die Unterlagsscheibe setzen.
- (4) Die Mutter auf die Spindel schrauben.
(Bei der Montage der Diamantscheibe die Radmutter mit der Konvex-Seite gegen die Diamantscheibe setzen.)
- (5) Den Druckknopf einsetzen, damit ein Drehen der Spindel verhindert wird, und die Mutter der Schleifscheibe mit dem zum Werkzeug gehörigen Schlüssel anziehen, wie in **Abb. 1**.

2. Abnehmen

Beim Abnehmen wird in umgekehrter Reihenfolge vorgegangen.

VORSICHT

- Prüfen, ob die Schleifscheibe fest angezogen ist.
- Es ist zu überprüfen, ob die Druckknopf freigegeben ist, indem zwei- oder dreimal vor Einschalten des Gerätes auf die Druckknopf gedrückt wird.

WARTUNG UND INSPEKTION

1. Überprüfung der Schleifscheibe

Es ist darauf zu achten, daß die Schleifscheibe ohne Risse und Fehler an der Oberfläche ist.

2. Inspektion der Befestigungsschrauben

Alle Befestigungsschrauben werden regelmäßig inspiziert und geprüft, ob sie gut angezogen sind. Wenn sich eine der Schrauben lockert, muß sie sofort wieder angezogen werden. Geschieht das nicht, kann das zu erheblichen Gefahren führen.

3. Inspektion der Kohlebürsten (Abb. 4)

Im Motor sind Kohlebürsten verwendet, die Verbrauchsteile sind.

Wenn sie "abgenutzt" sind, kann das zu Motorschäden führen. Wenn der Motor mit einer Auto-Stop-Kohlebürste ausgestattet ist, wird er automatisch anhalten.

Beide Kohlebürsten sollen dann durch neue ersetzt werden, die dieselbe Bürstenummer tragen, wie auf der Abbildung. Darüber hinaus müssen die Kohlebürsten immer sauber gehalten werden und müssen sich in der Bürstenhalterung frei bewegen können.

4. Austausch einer Kohlebürste (Abb. 5)

(Zerlegen)

- (1) Lösen Sie die D4-Blechschaube, welche die Bürstenabdeckung hält, und entfernen Sie die Bürstenabdeckung.
- (2) Mit dem mitgelieferten Sechskantschlüssel oder einem Schraubenzieher die Kante der Feder hochziehen, die die Kohlebürste nach unten drückt. Die Kante der Feder zur Außenseite des Kohlebürstenhalters hin herausziehen.

- (3) Die Kante der Anschlußlitze an der Kohlebürste von dem Anschlußteil des Bürstenhalters entfernen und die Kohlebürste aus dem Bürstenhalter nehmen.

(Baugruppe)

- (1) Das Ende der Kohlenbürsten-Anschlußlitze in den Anschlußteil des Bürstenhalters einstecken
- (2) Die Kohlebürste in den Bürstenhalter einsetzen.
- (3) Die Kante der Feder mit dem mitgelieferten Sechskantschlüssel oder einem Schraubenzieher wieder zurück zum Kohlebürstenkopf drücken.
- (4) Die hintere Abdeckung wieder ansetzen und mit den D4-Schneidschrauben anmontieren.

5. Wartung des Motors

Die Motorwicklung ist das "Herz" des Elektrowerkzeugs. Daher ist besonders sorgfältig darauf zu achten, daß die Wicklung nicht beschädigt wird und/oder mit Öl oder Wasser in Berührung kommt.

6. Liste der Wartungsteile

- A: Punkt Nr.
- B: Code Nr.
- C: Verwendete Anzahl
- D: Bemerkungen

ACHTUNG

Reparatur, Modifikation und Inspektion von Hitachi-Elektrowerkzeugen müssen durch ein Autorisiertes Hitachi-Wartungszentrum durchgeführt werden.

Diese Teileliste ist hilfreich, wenn sie dem Autorisierten Hitachi-Wartungszentrum zusammen mit dem Werkzeug für Reparatur oder Wartung ausgehändigt wird.

Bei Betrieb und Wartung von Elektrowerkzeugen müssen die Sicherheitsvorschriften und Normen beachtet werden.

MODIFIKATIONEN

Hitachi-Elektrowerkzeuge werden fortwährend verbessert und modifiziert, um die neuesten technischen Fortschritte einzubauen.

Dementsprechend ist es möglich, daß einige Teile (z.B. Codenummern bzw. Entwurf) ohne vorherige Benachrichtigung geändert werden.

GARANTIE

Auf Hitachi-Elektrowerkzeuge gewähren wir eine Garantie unter Zugrundelegung der jeweils geltenden gesetzlichen und landesspezifischen Bedingungen. Dieses Garantie erstreckt sich nicht auf Gehäusedefekte und nicht auf Schäden, die auf Missbrauch, bestimmungswidrigen Einsatz oder normalen Verschleiß zurückzuführen sind. Im Schadensfall senden Sie das nicht zerlegte Elektrowerkzeug zusammen mit dem GARANTIESCHEIN, den Sie am Ende der Bedienungsanleitung finden, an ein von Hitachi autorisiertes Servicecenter.

ANMERKUNG

Aufgrund des ständigen Forschungs- und Entwicklungsprogramms von HITACHI sind Änderungen der hierin gemachten technischen Angaben nicht ausgeschlossen.

Information über Betriebslärm und Vibration

Die Meßwerte wurden entsprechend EN50144 bestimmt.

Der typische A-gewichtete Schalldruck: 90 dB (A)

Der typische A-gewichtete Schalleistungspegel: 103 dB (A)

Bei der Arbeit immer einen Ohrenschutz tragen.

Der typische gewichtete Effektiv-Beschleunigungswert überschreitet nicht 2,5 m/s².

● Informationen zum Stromversorgungssystem mit einer Nennspannung von 230 V oder mehr (Nur für G18MR, G23MR)

Unter ungünstigen Netzbedingungen kann dieses Elektrowerkzeug *vorübergehenden Spannungsabfall* oder *störende Spannungsschwankungen* verursachen.

Dieses Elektrowerkzeug ist vorgesehen für den Anschluss an ein Stromversorgungssystem mit einer maximal zulässigen Systemimpedanz Z_{MAX} von 0,23 Ohm an der Schnittstelle (Anschlusskasten) des Benutzers.

Der Benutzer muss sicherstellen, dass dieses Elektrowerkzeug nur an ein Stromversorgungssystem angeschlossen wird, das die obige Anforderung erfüllt. Wenn erforderlich, kann sich der Benutzer für die Systemimpedanz an der Schnittstelle an die öffentliche Stromversorgungsgesellschaft wenden.

ΓΕΝΙΚΕΣ ΠΡΟΕΙΔΟΠΟΙΗΣΕΙΣ ΑΣΦΑΛΕΙΑΣ ΗΛΕΚΤΡΙΚΟΥ ΕΡΓΑΛΕΙΟΥ

⚠ ΠΡΟΣΟΧΗ

Διαβάξτε όλες τις προειδοποιήσεις ασφαλείας και όλες τις οδηγίες.

Η μη τήρηση των προειδοποιήσεων και οδηγιών μπορεί να προκαλέσει ηλεκτροπληξία, πυρκαγιά και/ή σοβαρό τραυματισμό.

Φυλάξτε όλες τις προειδοποιήσεις και τις οδηγίες για μελλοντική αναφορά.

Ο όρος "ηλεκτρικό εργαλείο" στις προειδοποιήσεις αναφέρεται στο ηλεκτρικό εργαλείο (με καλώδιο) που λειτουργεί στους αγωγούς ή στο ηλεκτρικό εργαλείο που λειτουργεί στη μπαταρία (χωρίς καλώδιο).

1) Ασφάλεια χώρου εργασίας

a) **Διατηρείτε το χώρο εργασίας καθαρό και καλά φωτισμένο.**

Σε ακατάστατες ή σκοτεινές περιοχές μπορεί να προκληθούν ατυχήματα.

b) **Μην χρησιμοποιείτε τα ηλεκτρικά εργαλεία σε περιβάλλον, στο οποίο μπορεί να προκληθεί έκρηξη, όπως παρουσία εύφλεκτων υγρών, αερίων ή σκόνης.**

Τα ηλεκτρικά εργαλεία δημιουργούν σπινθήρες, οι οποίοι μπορεί να αναφλέξουν τη σκόνη ή τον καπνό.

c) **Κρατήστε τα παιδιά και τους παρευρισκόμενους μακριά όταν χρησιμοποιείτε ένα ηλεκτρικό εργαλείο.**

Αν αποσπαστεί η προσοχή σας, υπάρχει κίνδυνος να χάσετε τον έλεγχο.

2) Ηλεκτρική ασφάλεια

a) **Τα φως των ηλεκτρικών εργαλείων πρέπει να είναι κατάλληλα για τις πρίζες.**

Μην τροποποιήσετε ποτέ το φως με οποιονδήποτε τρόπο. Μην χρησιμοποιείτε φως προσαρμογής με γειωμένα ηλεκτρικά εργαλεία.

Τα μη τροποποιημένα φως και οι κατάλληλες πρίζες μειώνουν τον κίνδυνο ηλεκτροπληξίας.

b) **Αποφύγετε τη σωματική επαφή με γειωμένες επιφάνειες όπως σωλήνες, θερμάστρες, μαγειρικές συσκευές και ψυγεία.**

Υπάρχει αυξημένος κίνδυνος ηλεκτροπληξίας όταν το σώμα σας είναι γειωμένο.

c) **Μην εκθέτετε τα ηλεκτρικά εργαλεία στη βροχή ή σε συνθήκες υγρασίας.**

Το νερό που εισέρχεται σε ένα ηλεκτρικό εργαλείο αυξάνει τον κίνδυνο ηλεκτροπληξίας.

d) **Μην ασκείτε δύναμη στο καλώδιο. Μη χρησιμοποιείτε ποτέ το καλώδιο για να μεταφέρετε, να τραβήξετε ή να βγάλετε από την πρίζα το ηλεκτρικό εργαλείο.**

Κρατήστε το καλώδιο μακριά από θερμότητα, λάδι, κοφτερές γωνίες και κινούμενα μέρη.

Τα κατεστραμμένα ή μπερδεμένα καλώδια αυξάνουν τον κίνδυνο ηλεκτροπληξίας.

e) **Όταν χρησιμοποιείτε το εργαλείο σε εξωτερικό χώρο, χρησιμοποιήστε καλώδιο προέκτασης που προορίζεται για χρήση σε εξωτερικό χώρο.**

Η χρήση ενός καλώδιου κατάλληλου για εξωτερικό χώρο μειώνει τον κίνδυνο ηλεκτροπληξίας.

f) **Αν είναι αναπόφευκτη η λειτουργία ενός ηλεκτρικού εργαλείου σε χώρο με υγρασία, χρησιμοποιείτε διάταξη προστασίας ρεύματος διαρροής (RCD).**

Η χρήση της RCD μειώνει τον κίνδυνο ηλεκτροπληξίας.

3) Προσωπική ασφάλεια

a) **Να είστε σε ετοιμότητα, να βλέπετε αυτό που κάνετε και να χρησιμοποιείτε την κοινή λογική όταν χρησιμοποιείτε ένα ηλεκτρικό εργαλείο.**

Μην χρησιμοποιείτε ηλεκτρικά εργαλεία όταν είστε κουρασμένοι ή υπό την επήρεια ναρκωτικών ουσιών, οινοπνεύματος ή φαρμάκων.

Μια στιγμή απροσεξίας κατά τη χρήση ενός ηλεκτρικού εργαλείου μπορεί να προκαλέσει σοβαρό προσωπικό τραυματισμό.

b) **Χρησιμοποιείτε προσωπικό προστατευτικό εξοπλισμό. Φοράτε πάντα προστασία για τα μάτια.**

Ο προστατευτικός εξοπλισμός, όπως μάσκα για τη σκόνη, αντιοισθητικά παπούτσια, σκληρό καπέλο ή προστασία για τα αυτιά, που χρησιμοποιείται για ανάλογες συνθήκες μπορεί να μειώσει τους τραυματισμούς.

c) **Προλαμβάνετε τυχόν ακούσια εκκίνηση. Βεβαιωθείτε ότι ο διακόπτης είναι σε θέση απενεργοποίησης πριν συνδέσετε τη συσκευή με πηγή ρεύματος και/ή τη θήκη της μπαταρίας, πριν σηκώσετε ή μεταφέρετε το εργαλείο.**

Η μεταφορά ηλεκτρικού εργαλείου με τα δάχτυλά σας στο διακόπτη ή η ηλεκτροδότηση ηλεκτρικού εργαλείου με ενεργοποιημένο το διακόπτη μπορεί να προκαλέσουν ατυχήματα.

d) **Να αφαιρέτε τυχόν κλειδιά ρυθμιζόμενου ανοίγματος ή τα απλά κλειδιά πριν θέσετε σε λειτουργία το ηλεκτρικό εργαλείο.**

Ένα απλό κλειδί ή ένα κλειδί ρυθμιζόμενου ανοίγματος που είναι προσαρτημένο σε περιστρεφόμενο εξάρτημα του ηλεκτρικού εργαλείου μπορεί να προκαλέσει προσωπικό τραυματισμό.

e) **Μην τετνώνατε. Να διατηρείτε πάντοτε το κατάλληλο πάτημα και την ισορροπία σας.**

Με αυτόν τον τρόπο μπορείτε να ελέγχετε καλύτερα το ηλεκτρικό εργαλείο σε μη αναμενόμενες καταστάσεις.

f) **Να είστε ντυμένοι κατάλληλα. Μη φοράτε φαρδιά ρούχα ή κοσμήματα. Να κρατάτε τα μαλλιά σας, τα ρούχα σας και τα γάντια σας μακριά από κινούμενα μέρη.**

Τα φαρδιά ρούχα, τα κοσμήματα και τα μακριά μαλλιά μπορεί να πιαστούν σε κινούμενα μέρη.

g) **Αν παρέχονται εξαρτήματα για τη σύνδεση συσκευών εξαγωγής και συλλογής σκόνης, να βεβαιώνετε ότι είναι συνδεδεμένα και χρησιμοποιούνται με το σωστό τρόπο.**

Η χρήση συλλέκτη σκόνης μειώνει τους κινδύνους που προέρχονται από τη σκόνη.

4) Χρήση και φροντίδα ηλεκτρικών εργαλείων

a) **Μην ασκείτε δύναμη στο ηλεκτρικό εργαλείο. Να χρησιμοποιείτε το ηλεκτρικό εργαλείο που είναι κατάλληλο για το είδος της εργασίας που εκτελείτε.**

Το κατάλληλο ηλεκτρικό εργαλείο θα εκτελέσει την εργασία καλύτερα και με μεγαλύτερη ασφάλεια με τον τρόπο που σχεδιάστηκε.

b) **Μην χρησιμοποιήσετε το ηλεκτρικό εργαλείο αν ο διακόπτης λειτουργίας δεν ανοίγει και δεν κλείνει.**

Ένα ηλεκτρικό εργαλείο που δεν ελέγχεται από το διακόπτη λειτουργίας είναι επικίνδυνο και πρέπει να επισκευαστεί.

c) **Αποσυνδέστε το βύσμα από την πηγή ισχύος και/ή τη θήκη μπαταρίας από το ηλεκτρικό εργαλείο πριν προβείτε σε ρυθμίσεις, αλλαγή εξαρτήματος ή αποθήκευση του ηλεκτρικού εργαλείου.**

Αυτά τα προληπτικά μέτρα ασφαλείας μειώνουν τον κίνδυνο να ξεκινήσει το ηλεκτρικό εργαλείο κατά λάθος.

d) **Αποθηκεύετε τα εργαλεία που δεν χρησιμοποιείτε μακριά από παιδιά και μην αφήνετε τα άτομα που δεν είναι εξοικειωμένα με το ηλεκτρικό εργαλείο ή με αυτές τις οδηγίες να χρησιμοποιούν το ηλεκτρικό εργαλείο.**

Τα ηλεκτρικά εργαλεία είναι επικίνδυνα στα χέρια μη εκπαιδευμένων ατόμων.

e) Συντηρείτε τα ηλεκτρικά εργαλεία. Να ελέγχετε την ευθυγράμμιση τους ή το μπλοκάρισμα των κινούμενων μερών, τη θραύση των εξαρτημάτων και οποιαδήποτε άλλη κατάσταση που ενδέχεται να επηρεάσει τη λειτουργία του ηλεκτρικού εργαλείου.

Σε περιπτώσεις βλάβης, το ηλεκτρικό εργαλείο πρέπει να επισκευαστεί πριν χρησιμοποιηθεί.

Πολλά ατυχήματα προκαλούνται από ηλεκτρικά εργαλεία που δεν έχουν συντηρηθεί σωστά.

f) Διατηρείτε τα εργαλεία κοπής κοφτερά και καθαρά.

Τα κατάλληλα συντηρημένα εργαλεία κοπής με κοφτερές γωνίες μπλοκάρουν πιο δύσκολα και ελέγχονται πιο εύκολα.

g) Χρησιμοποιείτε το ηλεκτρικό εργαλείο, τα εξαρτήματα και τα μέρη κ.τ.λ. σύμφωνα με τις παρούσες οδηγίες, λαμβάνοντας υπόψη τις συνθήκες εργασίας και την εργασία που θα εκτελέσετε.

Η χρήση του ηλεκτρικού εργαλείου για εργασίες πέρα από εκείνες για τις οποίες προορίζεται, ενδέχεται να δημιουργήσει κινδύνους.

5) Σέρβις

a) **Να δίνετε το ηλεκτρικό εργαλείο για σέρβις σε κατάλληλα εκπαιδευμένα άτομα και να χρησιμοποιείτε μόνο γνήσια ανταλλακτικά.**

Με αυτόν τον τρόπο είστε σίγουροι για την ασφάλεια του ηλεκτρικού εργαλείου.

ΠΡΟΦΥΛΑΞΗ

Μακριά από τα παιδιά και τους αναπήρους.

Όταν δεν χρησιμοποιούνται, τα εργαλεία πρέπει να φυλάζονται μακριά από τα παιδιά και τους αναπήρους.

ΠΡΟΕΙΔΟΠΟΙΗΣΕΙΣ ΑΣΦΑΛΕΙΑΣ ΚΟΙΝΕΣ ΓΙΑ ΤΡΟΧΙΣΜΑ Η ΤΡΑΧΥ ΠΡΙΟΝΙΣΜΑ

a) **Αυτό το ηλεκτρικό εργαλείο προορίζεται για λειτουργία τροχίσματος ή κοπής. Διαβάξτε όλες προειδοποιήσεις ασφαλείας, τις οδηγίες, τις εικόνες και τις προδιαγραφές που παρέχονται με το ηλεκτρικό εργαλείο.**

Η μη τήρηση των οδηγιών που αναφέρονται παρακάτω μπορεί να προκαλέσει ηλεκτροπληξία, πυρκαγιά και/ή σοβαρό τραυματισμό.

b) **Ενέργειες, όπως η επίτρωση με άμμο, ο καθαρισμός με συμπατόβουρτσα ή το γυάλισμα δεν συνιστώνται με αυτό το ηλεκτρικό εργαλείο.**

Ενέργειες για τις οποίες δεν σχεδιάστηκε το ηλεκτρικό εργαλείο μπορούν να αποτελέσουν κίνδυνο και να προκαλέσουν τραυματισμό.

c) **Μην χρησιμοποιείτε εξαρτήματα που δεν είναι ειδικά σχεδιασμένα και δεν συνιστώνται από τον κατασκευαστή.**

Το γεγονός ότι το εξάρτημα προσαρτάται στο ηλεκτρικό σας εργαλείο δεν σημαίνει ότι έτσι διασφαλίζεται η ασφαλής λειτουργία του.

d) **Η ονομαστική ταχύτητα του εξαρτήματος πρέπει να ισοδυναμεί τουλάχιστον με τη μέγιστη ταχύτητα που αναφέρεται στο ηλεκτρικό εργαλείο.**

Τα εξαρτήματα που έχουν μεγαλύτερη ταχύτητα από την ονομαστική ταχύτητα μπορεί να σπάσουν και να εκτοξευθούν μακριά.

e) **Η εξωτερική διάμετρος και το πάχος του εξαρτήματος σας πρέπει να βρίσκεται εντός της ονομαστικής τιμής όγκου του ηλεκτρικού σας εργαλείου.**

Δεν είναι δυνατή η επαρκής προστασία και ο έλεγχος εξαρτημάτων με λάθος υπολογισμό μεγέθους.

f) **Το μέγεθος των τροχών, των φλαντζών, των πίσω περιβλημάτων ή άλλων εξαρτημάτων πρέπει να ταιριάζουν απόλυτα στον άξονα του ηλεκτρικού εργαλείου.**

Τα εξαρτήματα με σπές που δεν ταιριάζουν στο πλαίσιο είναι υλικοί του ηλεκτρικού εργαλείου δεν θα έχουν ισορροπία, θα δονούνται υπερβολικά και μπορεί να προκαλέσουν απώλεια ελέγχου.

g) **Μην χρησιμοποιείτε κατεστραμμένα εξαρτήματα. Πριν από κάθε χρήση ελέγχετε το εξάρτημα, όπως τους τροχούς λείανσης για θραύσματα και σχισμές ή υπερβολική φθορά, τη συρματίνη βούρτσα για χαλαρά ή σπασμένα σύρματα. Αν το ηλεκτρικό εργαλείο ή το εξάρτημα πέσουν, ελέγχετε για ζημιές ή εγκαταστήστε ένα ακεραίο εξάρτημα. Μετά τον έλεγχο και την εγκατάστασή του εξαρτήματος, απομακρυνθείτε, και υποδείξτε το ίδιο σε όσους βρίσκονται γύρω, από την πτέρυγα του περιστρεφόμενου εξαρτήματος και λειτουργήστε το ηλεκτρικό εργαλείο στη μέγιστη ταχύτητα μη φόρτισης για ένα λεπτό.**

Τα κατεστραμμένα εξαρτήματα θα διαλυθούν κατά τη διάρκεια αυτή της δοκιμής.

h) **Φοράτε προστατευτικό εξοπλισμό. Ανάλογα με την ενέργεια, χρησιμοποιείτε μάσκα για το πρόσωπο, μάσκα οξυγονόκλησης ή προστατευτικά γυαλιά. Όπως αρμόζει, φοράτε μάσκα για τη σκόνη, προστατευτικά για τα αυτιά, γάντια και στολή συνερχειού που μπορεί να σας προστατέψει από μικρά τραχιά θραύσματα.**

Η προστασία για τα μάτια πρέπει να σας προστατεύει από τα μικρά θραύσματα. Η μάσκα για τη σκόνη ή ο αναπνευστήρας πρέπει να φιλτράρουν τα σωματίδια που παράγονται κατά τις εργασίες σας. Η παρατεταμένη έκθεση σε υψηλή ένταση ήχου μπορεί να επιφέρει απώλεια ακοής.

i) **Διατηρείτε τους γύρω σας σε ασφαλή απόσταση από την περιοχή εργασίας σας. Οποιοσδήποτε εισέρχεται στην περιοχή εργασίας σας πρέπει να φοράει προστατευτικό εξοπλισμό.**

Μπορεί να εκτοξευθούν θραύσματα ή ένα χαλασμένο εξάρτημα και να προκαλέσει τραυματισμό πέρα από την περιοχή εργασίας σας.

j) **Κρατάτε το ηλεκτρικό εργαλείο μόνο από τις μονωμένες λαβές, όταν εκτελείτε μια ενέργεια κατά την οποία το εξάρτημα κοπής κινείται να έρθει σε επαφή με το κρυφό σύρμα ή το καλώδιό του.**

Το εξάρτημα κοπής που έρχεται σε επαφή με "ενεργό" καλώδιο μπορεί να "ενεργοποιήσει" τα εκτεθειμένα μεταλλικά μέρη του ηλεκτρικού εργαλείου και να τινάξει το χειριστή.

k) **Τοποθετείτε το καλώδιο χωρίς το περιστρεφόμενο εξάρτημα.**

Αν χάσετε τον έλεγχο, το καλώδιο μπορεί να κοπεί ή να σκιστεί και το χέρι σας να βρεθεί μέσα στο περιστρεφόμενο εξάρτημα.

l) **Ποτέ μην αποθέτετε κάτω το ηλεκτρικό εργαλείο πριν σταματήσει τελειώς η λειτουργία του εξαρτήματος.**

Το περιστρεφόμενο εξάρτημα μπορεί να αρπάξει την επιφάνεια και να χάσετε τον έλεγχο του ηλεκτρικού εργαλείου.

m) **Το ηλεκτρικό εργαλείο δεν πρέπει να λειτουργεί ενώ το μεταφέρετε.**

Μια τυχαία επαφή με το περιστρεφόμενο εξάρτημα θα μπορούσε να πιάσει τα ρούχα σας τραβώντας το εξάρτημα προς το σώμα σας.

- n) **Καθαρίζετε τακτικά τις σπές αερισμού του ηλεκτρικού εργαλείου.**
Ο ανεμιστήρας του μοτέρ απορροφάει τη σκόνη στο περιβλήμα και η υπερβολική συγκέντρωση ρινομάτων μπορεί να προκαλέσει ηλεκτρικούς κινδύνους.
- o) **Μην χρησιμοποιείτε το ηλεκτρικό εργαλείο κοντά σε εύφλεκτα υλικά.**
Οι σπινθήρες μπορεί να αναφλέξουν αυτά τα υλικά.
- p) **Μην χρησιμοποιείτε εξαρτήματα που χρειάζονται ψυκτικό υγρό.**
Η χρήση νερού ή άλλων ψυκτικών υγρών μπορεί να προκαλέσει θανατηφόρα ηλεκτροπληξία.

ΠΡΟΕΙΔΟΠΟΙΗΣΕΙΣ ΑΣΦΑΛΕΙΑΣ ΕΙΔΙΚΕΣ ΓΙΑ ΤΡΟΧΙΣΜΑ Η ΤΡΑΧΥ ΠΡΙΟΝΙΣΜΑ

ΛΑΚΤΙΣΜΑ ΚΑΙ ΣΧΕΤΙΚΕΣ ΠΡΟΕΙΔΟΠΟΙΗΣΕΙΣ

Λάκτισμα ονομάζεται η ξαφνική αντίδραση σε ένα ραγισμένο ή φθαρμένο περιστρεφόμενο τροχό με προεξοχές, βάση αλοϊφαδούρου, βούρτσα ή οποιοδήποτε άλλο εξάρτημα. Το ράγισμα ή το σκίσιμο προκαλούν απότομο σταμάτημα του περιστρεφόμενου εξαρτήματος, το οποίο με τη σειρά του προκαλεί την ώθηση του ανεξέλεγκτου ηλεκτρικού εργαλείου προς μία διεύθυνση αντίθετη από την περιστροφή του εξαρτήματος στο σημείο της εμπλοκής.

Εάν, για παράδειγμα, ένας τροχός λείανσης σκιστεί ή ραγίσει από το τεμάχιο εργασίας, το άκρο του τροχού που εισάγεται στο σημείο θραύσης μπορεί να σκάψει την επιφάνεια του υλικού, προκαλώντας την ανεξέλεγκτη έξοδο ή το λάκτισμα του τροχού. Ο τροχός μπορεί να αναπηδήσει προς το χειριστή ή προς την αντίθετη κατεύθυνση από αυτόν, ανάλογα με τη διεύθυνση της κίνησης του τροχού τη στιγμή της θραύσης. Οι τροχοί λείανσης μπορεί επίσης να σπάσουν υπό αυτές τις συνθήκες.

Το λάκτισμα είναι αποτέλεσμα της εσφαλμένης μεταχείρισης του ηλεκτρικού εργαλείου και/ή εσφαλμένων λειτουργικών διαδικασιών ή συνθηκών και μπορεί να αποφευχθεί με τη λήψη των κατάλληλων προφυλάξεων, όπως περιγράφεται στη συνέχεια.

- a) **Κρατάτε σταθερά το ηλεκτρικό εργαλείο και τοποθετήστε το σώμα και το χέρι σας έτσι, ώστε να μπορείτε να αντισταθείτε σε δυνάμεις ανάκρουσης.** Χρησιμοποιείτε πάντα μία βοηθητική λαή, εάν παρέχεται, για μέγιστο έλεγχο του λακτίσματος ή αντίδραση ροπής κατά την εκκίνηση.
Ο χειριστής μπορεί να ελέγχει τις αντιδράσεις ροπής ή τις δυνάμεις ανάκρουσης, εάν έχουν ληφθεί τα κατάλληλα μέτρα προφύλαξης.
- b) **Μην έχετε ποτέ το χέρι σας κοντά στο περιστρεφόμενο εξάρτημα.**
Το εξάρτημα μπορεί να λακτίσει πάνω από το χέρι σας.
- c) **Μην τοποθετείτε το σώμα σας στην περιοχή που θα κινηθεί το ηλεκτρικό εργαλείο, εάν λακτίσει.**
Το λάκτισμα θα τινάξει το εργαλείο προς την αντίθετη διεύθυνση από την κίνηση του τροχού τη στιγμή της θραύσης.
- d) **Να είστε ιδιαίτερα προσεκτικοί όταν εργάζεστε σε γωνίες, αιχμηρά άκρα κ.λπ. Αποφύγετε την αναπήδηση και τη φθορά του εξαρτήματος.**
Οι γωνίες, αιχμηρά άκρα ή η αναπήδηση έχουν την τάση να φθείρουν το περιστρεφόμενο εξάρτημα και να προκαλούν απώλεια ελέγχου ή λάκτισμα.

- e) **Μην αναρτάτε λάμα κοπής ξύλου αλυσοπριονίου ή οδοντωτή λάμα πριονιού.**
Οι λάμες αυτές δημιουργούν συχνά λακτίσματα και προκαλούν απώλεια ελέγχου.

Τροχό για τους οποίους δεν σχεδιάστηκε το ηλεκτρικό εργαλείο δεν μπορούν να ελεγχθούν επαρκώς και δεν είναι ασφαλείς.

- b) **Το προστατευτικό πρέπει να είναι σωστά αναρτημένο στο ηλεκτρικό εργαλείο και να τοποθετείται για μέγιστη ασφάλεια έτσι ώστε να εκτίθεται όσο το δυνατόν μικρότερο μέρος του τροχού στον χειριστή.** Το προστατευτικό βοηθά στην προστασία του χειριστή από θραύσματα τροχού και από εκούσια επαφή με τον τροχό.

- c) **Οι τροχοί πρέπει να χρησιμοποιούνται μόνο για τις συνιστώμενες εφαρμογές. Για παράδειγμα: μην ακονίζετε με το πλάι του τροχού πριονίσματος.**

Οι λειαντικοί τροχοί πριονίσματος σχεδιάστηκαν για περιμετρικό ακόνισμα. Οι πλευρικές δυνάμεις που ασκούνται σε αυτούς τους τροχούς μπορεί να προκαλέσουν τη θραύση τους.

- d) **Χρησιμοποιείτε πάντα άφθαρτες φλάντζες τροχών που έχουν το σωστό μέγεθος και σχήμα για τον επιλεγμένο τροχό.**

Οι κατάλληλες φλάντζες υποστηρίζουν τον τροχό και ελαττώνουν την πιθανότητα θραύσης. Οι φλάντζες για τροχούς πριονίσματος μπορεί να διαφέρουν από τις φλάντζες για τροχούς ακονίσματος.

- e) **Μην χρησιμοποιείτε φθαρμένους τροχούς από μεγαλύτερα ηλεκτρικά εργαλεία.**

Τροχός, σχεδιασμένος για μεγαλύτερο ηλεκτρικό εργαλείο είναι ακατάλληλος για τη μεγαλύτερη ταχύτητα ενός μικρότερου εργαλείου και μπορεί να σκάσει.

ΠΡΟΣΘΕΤΕΣ ΠΡΟΕΙΔΟΠΟΙΗΣΕΙΣ ΑΣΦΑΛΕΙΑΣ ΕΙΔΙΚΕΣ ΓΙΑ ΤΡΟΧΙΣΜΑ Η ΤΡΑΧΥ ΠΡΙΟΝΙΣΜΑ

- a) **Μην μπλοκάρτε τον τροχό πριονίσματος και μην ασκείτε υπερβολική πίεση. Μην επιχειρήσετε να κόψετε σε υπερβολικό βάθος.**

Η άσκηση υπερβολικής πίεσης στον τροχό αυξάνει το φορτίο και την τάση στρέβλωσης του τροχού στην τομή και την πιθανότητα λακτίσματος ή θραύσης του τροχού.

- b) **Μην τοποθετείτε το σώμα σας σε ευθεία με τον περιστρεφόμενο τροχό ή πίσω από αυτόν.**

Όταν κατά τη λειτουργία του ο τροχός απομακρύνεται από το σώμα σας, το πιθανό λάκτισμα μπορεί να τινάξει τον περιστρεφόμενο τροχό και να αθήσει με δύναμη το ηλεκτρικό εργαλείο προς το μέρος σας.

- c) **Όταν ο τροχός "κολλάει" ή όταν διακόπτετε μία τομή για οποιοδήποτε λόγο, απενεργοποιήστε το ηλεκτρικό εργαλείο και κρατήστε το ακίνητο εωστού ακινητοποιηθεί τελείως ο τροχός. Μην επιχειρήσετε ποτέ να απομακρύνετε τον τροχό πριονίσματος από την τομή, ενώ κινείται, γιατί μπορεί να προκύψει λάκτισμα.**

Ερευνήστε και λάβετε διορθωτικά μέτρα για να εξαλείψετε την αιτία εμπλοκής του τροχού.

- d) **Μην προσπαθήσετε να συνεχίσετε την τομή στο υλικό που επεξεργάζεστε. Αφήστε τον τροχό να φτάσει στην τελική του ταχύτητα και ξαναδοκιμάστε προσεκτικά στην τομή.**

Ο τροχός μπορεί να "κολλήσει", να μετατοπιστεί ή να λακτίσει, εάν θέσετε το εργαλείο σε λειτουργία όταν βρίσκεται μέσα στο υλικό που επεξεργάζεστε.

- Βεβαιωθείτε ότι οι διαστάσεις του τροχού είναι συμβατές με αυτές του λειαντή και ότι ο τροχός ταιριάζει στον άξονα.
- Οι λειαντικοί τροχοί θα πρέπει να αποθηκεύονται και να χειρίζονται με προσοχή σύμφωνα με τις οδηγίες του κατασκευαστή.
- Ελέγξτε τον τροχό λείανσης πριν τη χρήση, μην χρησιμοποιήσετε σπασμένα στα άκρα, ραγισμένα ή ελαττωματικά προϊόντα.
- Πάντοτε κρατάτε σταθερά τη λαβή του κορμού και την πλευρική λαβή του ηλεκτρικού εργαλείου. Διαφορετικά η αντίρροπη δύναμη που παράγεται μπορεί να προκαλέσει την λανθασμένη και ενδεχόμενα επικίνδυνη λειτουργία.
- Μην χρησιμοποιήσετε τροχούς κοπής για πλευρική λείανση.
- Μην χρησιμοποιήσετε ξεχωριστούς μειωτικούς δακτυλίσκους ή προσαρμογείς για να προσαρμόσετε λειαντικούς τροχούς με μεγάλη τρύπα.
- Ο τροχός συνεχίζει να περιστρέφεται αφότου το μηχάνημα έχει σβήσει.

ΠΡΟΦΥΛΑΚΤΙΚΑ ΜΕΤΡΑ ΠΑΝΩ ΣΤΗ ΧΡΗΣΗ ΤΟΥ ΔΙΣΚΟΥ ΛΕΙΑΝΣΗΣ

- Ποτέ να μην θέσετε σε λειτουργία αυτά τα ηλεκτρικά εργαλεία χωρίς να έχουν τους Προφυλακτήρες των Τροχών.
- Ελέγξτε ότι η ταχύτητα που είναι σημειωμένη στον τροχό είναι ίση ή μεγαλύτερη από την εκτιμώμενη ταχύτητα του λειαντή. Χρησιμοποιήστε μόνο τους κεντρικά χαμηλωμένους τροχούς με εκτιμώμενη ταχύτητα 80 m/s ή περισσότερο.

ΤΕΧΝΙΚΑ ΧΑΡΑΚΤΗΡΙΣΤΙΚΑ

Μοντέλο	G18MR	G18MRU	G23MR	G23MRU
Τάση (ανά περιοχές)*1	(110V, 220V, 230V, 240V) ~			
Ισχύς εισόδου*1	2400 W	2500 W	2400 W	2500 W
Ταχύτητα χωρίς φορτίο	8500 min ⁻¹		6600 min ⁻¹	
Τροχός	Εξωτερική διάμετρος	180 mm		230 mm
	Διάμετρος τρύπας	22,23 mm		
	Περιφερειακή ταχύτητα	80 m/s		
Βάρος*2	5,4 kg			
Ρυθμιστής εκκίνησης ρεύματος*3	Ναι	Όχι	Ναι	Όχι

*1 Βεβαιωθείτε να ελέγξετε την πινακίδα στο προϊόν επειδή υπόκειται σε αλλαγή σε εξάρτηση από την περιοχή.

*2 Βάρος: Μόνο του κυρίου μέρους

*3 Ο ρυθμιστής εκκίνησης ρεύματος παράγει το ρεύμα εκκίνησης ούτως ώστε η ασφάλεια (16 A βραδείας καύσης) να μην απελευθερωθεί.

ΚΑΝΟΝΙΚΑ ΕΞΑΡΤΗΜΑΤΑ

- (1) Κλειδί 1
 (2) Πλευρική λαβή 1
 Οι χαμηλωμένοι κεντρικά τροχοί δεν τταρέχονται ως βασικά εξαρτήματα.
 Τα κανονικά εξαρτήματα υπόκεινται σε αλλαγή χωρίς προειδοποίηση.

ΕΦΑΡΜΟΓΕΣ

- Αφαίρεση των υλικών που παραμένουν στις οπές χυτών αντικειμένων και τελειώματα διάφορων τύπων ατσάλιου, χαλκού και υλικών αλουμινίου και χυτών υλικών.
- Λείανση ηλεκτροκολλημένων τμημάτων ή τμημάτων που έχουν κοπεί από φλόγιστρο.
- Λείανση συνθετικών ρητινών, σχιστόλιθο, τούβλο, μάρμαρο κλπ.
- Κοπή συνθετικού τσιμέντου, πέτρα, τούβλο, μάρμαρο και παρόμοιων υλικών.

ΠΡΙΝ ΤΗ ΛΕΙΤΟΥΡΓΙΑ

- 1. Πηγή ρεύματος**
Βεβαιωθείτε ότι η πηγή ρεύματος που πρόκειται να χρησιμοποιηθεί είναι εναρμονισμένη με τις απαιτήσεις σε ρεύμα που αναφέρεται στην πινακίδα του εργαλείου.
- 2. Διακόπτης ρεύματος**
Βεβαιωθείτε ότι ο διακόπτης ρεύματος βρίσκεται στη θέση OFF. Αν το βίσμα είναι στη μπίτσα καθώς ο διακόπτης ρεύματος βρίσκεται στο ON, το εργαλείο θα αρχίσει να λειτουργεί αμέσως, με πιθανότητα πρόκλησης σοβαρού ατυχήματος.
- 3. Καλώδιο προέκτασης**
Όταν ο χώρος εργασίας βρίσκεται μακριά από την παροχή ρεύματος. Χρησιμοποιήστε ένα καλώδιο προέκτασης με κατάλληλο πάχος και ικανότητα μεταφοράς ρεύματος. Το καλώδιο προέκτασης πρέπει να είναι τόσο κοντό όσο είναι πρακτικά δυνατό.

4. Τοποθέτηση και ρύθμιση του προφυλακτήρα του τροχού

Ο προφυλακτήρας του τροχού είναι μια προστατευτική συσκευή για την αποφυγή τραυματισμού στην περίπτωση που ο χαμηλωμένος κεντρικά τροχός θρυσματιστεί κατά την λειτουργία. Βεβαιωθείτε ότι ο προφυλακτήρας είναι κατάλληλα συνδεδεμένος και στερεωμένος πριν εκτελέσετε την λειτουργία της λειανσης.

[Εγκατάσταση και ρύθμιση του προφυλακτήρα του τροχού]

- Ανοίξτε το μοχλό και βάλτε μέσα την περόνη συναρμολογής του προφυλακτήρα του τροχού, ταιριάζοντάς την με το διάκενο της βάσης συναρμολόγησης.
 - Μετά, περιστρέψτε τον προφυλακτήρα του τροχού στην επιθυμητή θέση (για τη χρήση).
 - Κλείστε το μοχλό και στερεώστε τον. Εάν και εφόσον απαιτείται, πραγματοποιήστε τις όποιες ρυθμίσεις σφίγγοντας ή χαλαρώνοντας τη βίδα.
 - Αν ο μοχλός δεν κινείται ομαλά, βάλτε λίγο λιπαντικό λάδι στο ολισθαίνων τμήμα ανάμεσα στο τμήμα σύνδεσης και στο μοχλό.
 - Στερεώστε τον προφυλακτήρα του τροχού στη θέση όπου το διάκενο του προφυλακτήρα του τροχού στη περόνη τοποθέτησης και η βάση συναρμολόγησης ευθυγραμμίζονται (η θέση όπου εισέρχεται ο προφυλακτήρας του τροχού), αλλά μην τον χρησιμοποιήσετε.
5. Βεβαιωθείτε ότι ο χαμηλωμένος κεντρικά τροχός, που πρόκειται να χρησιμοποιηθεί είναι του σωστού τύπου και χωρίς ραγίσματα και ατέλειες στην επιφάνεια. Επίσης βεβαιωθείτε ότι ο χαμηλωμένος κεντρικά τροχός έχει στερωθεί κατάλληλα και το παξιμάδι του τροχού είναι σφικμένο με ασφάλεια. Ανατρέξτε στο τμήμα "Συναρμολόγηση Χαμηλωμένου Κεντρικά Τροχού".

6. Εκτέλεση δοκιμαστικής χρήσης

Βεβαιωθείτε ότι τα προϊόντα λειανσης είναι σωστά συνδεδεμένα και σφικμένα πριν από την χρήση και λειτουργήστε το εργαλείο χωρίς φορτίο για 30 δευτερόλεπτα σε μια ασφαλή θέση, σταματήστε αμέσως αν υπάρξει έντονη δόνηση ή αν παρουσιαστούν άλλες ανωμαλίες.

Αν αυτή η κατάσταση συμβεί, εξέγξτε το μηχάνημα για να ανακαλύψετε την αιτία.

7. Επιθεώρηση του μηχανισμού ασφάλισης του άξονα

Επιβεβαιώστε ότι ο μηχανισμός ασφάλισης του άξονα έχει απελευθερωθεί πατώντας το κουμπί ώθησης δυο ή τρεις φορές πριν θέσετε σε εκκίνηση το εργαλείο (Δείτε την **Εικ. 1**).

8. Στερέωση της πλευρικής λαβής

Βιδώστε την πλευρική λαβή στο κάλυμμα των γρναζιών.

ταχύτητας, τελειώμα επιφάνειας κατώτερης ποιότητας, και υπερφόρτωση η οποία θα ελαττώσει τον χρόνο ζωής του μηχανήματος.

2. Γωνία λείανσης

Μην ακουμπήσετε ολόκληρη την επιφάνεια του χαμηλωμένου κεντρικά τροχού στο υλικό το οποίο πρόκειται να λειανθεί. Όπως φαίνεται στην **Εικ. 3** το μηχάνημα πρέπει να κρατιέται σε γωνία 15° – 30° έτσι ώστε η εξωτερική άκρη του χαμηλωμένου κεντρικά τροχού να εφάπτεται στο υλικό κατά την βέλτιστη γωνία.

3. Για την αποφυγή του σκαψίματος ενός καινούργιου χαμηλωμένου κεντρικά τροχού πάνω στο αντικείμενο εργασίας, η αρχική λείανση πρέπει να εκτελεστεί τραβώντας τον λειαντή πάνω στο αντικείμενο εργασίας προς το χρήστη (**Εικ. 3 διεύθυνση Β**). Αφότου το μπιστινό άκρο του χαμηλωμένου κεντρικά τροχού έχει κατάλληλα τριβεί, η λείανση μπορεί να πραγματοποιηθεί κατά την οποιαδήποτε κατεύθυνση.

4. Λειτουργία διακόπτη

Εκκίνηση (ON): Πατήστε το κουμπί κλειδώματος προς τα εμπρός και πιέστε τον διακόπτη.

* Για συνεχή χρήση, πιέζετε το διακόπτη. Ο διακόπτης κλειδώνεται σπρώχνοντας το κουμπί κλειδώματος προς τα εμπρός ακόμα μια φορά.

(*Υπόκειται σε αλλαγή σε εξάρτηση από την περιοχή.)

Κλείσιμο (OFF): Πατήστε και ελευθερώστε το διακόπτη.

5. Προφυλακτικά μέτρα αμέσως μετά το τέλος της λειτουργίας

Μετά το κλείσιμο της μηχανής, μην το βάλτε κάτω πριν ο χαμηλωμένος κεντρικά τροχός σταματήσει τελείως. Εκτός από την αποφυγή σοβαρών ατυχημάτων, αυτό το μέτρο προφύλαξης θα ελαττώσει τη ποσότητα της σκόνης και τριμμάτων που προσιφώνεται από το μηχάνημα.

ΠΡΟΣΟΧΗ

- Ελέγξτε αν το αντικείμενο εργασίας υποστηρίζεται κατάλληλα.
- Βεβαιωθείτε ότι τα ανοίγματα αερισμού διατηρούνται καθαρά κατά την διάρκεια της εργασίας σε σκονισμένες περιοχές. Αν είναι απαραίτητο να καθαρίσετε τη σκόνη, πρώτα αποσυνδέστε το εργαλείο από την παροχή ρεύματος (χρησιμοποιήστε μη μεταλλικά αντικείμενα) και αποφύγετε να προκαλέσετε ζημιά στα εσωτερικά τμήματα.
- Βεβαιωθείτε ότι οι σπίνες που προκαλούνται από τη χρήση δεν δημιουργούν κίνδυνο πχ δεν κτυπούν τους ανθρώπους, ή αναφλέγουν εύφλεκτα υλικά.
- Πάντοτε να χρησιμοποιείτε προστατευτικά ματιών και αυτιών.
- Άλλος εξοπλισμός προσωπικής προστασίας όπως μάσκα σκόνης, γάντια, κράνος και ποδιά πρέπει να χρησιμοποιείται όταν είναι απαραίτητο. Αν βρίσκεστε σε αμφιβολία φορέστε τον προστατευτικό εξοπλισμό.
- Όταν το μηχάνημα δεν χρησιμοποιείται, η πηγή ηλεκτρικού ρεύματος πρέπει να αποσυνδέεται.

ΠΡΑΚΤΙΚΗ ΕΦΑΡΜΟΓΗ ΤΟΥ ΛΕΙΑΝΤΗ

1. Πίεση

Για την επιμήκυνση του χρόνου ζωής του μηχανήματος και την εξασφάλιση ενός τελειώματος πρώτης ποιότητας, είναι σημαντικό το μηχάνημα να μην υπερφορτώνεται με την άσκηση υπερβολικής πίεσης. Στις περισσότερες εφαρμογές μόνο το βάρος του μηχανήματος είναι αρκετό για μια αποτελεσματική λείανση. Η υπερβολική πίεση θα προκαλέσει την ελάττωση της περιστροφικής

ΣΥΝΑΡΜΟΛΟΓΗΣΗ ΚΑΙ ΑΠΟΣΥΝΑΡΜΟΛΟΓΗΣΗ ΤΟΥ ΧΑΜΗΛΩΜΕΝΟΥ ΚΕΝΤΡΙΚΑ ΤΡΟΧΟΥ

ΠΡΟΣΟΧΗ Βεβαιωθείτε να κλείσετε και να αποσυνδέσετε τον υποδοχέα από την πρίζα για την αποφυγή σοβαρού ατυχήματος.

1. Συναρμολόγηση (Εικ. 1)

- (1) Γυρίστε το μχάνημα ανάποδα έτσι ώστε ο άξονας να βλέπει προς τα επάνω.
- (2) Στερεώστε την ροδέλλα του τροχού πάνω στον άξονα.
- (3) Εφαρμόστε το προεξέχων τμήμα του χαμηλωμένου κεντρικά τροχού ή του διαμαντένιου τροχού πάνω στη ροδέλλα του τροχού.
- (4) Βιδώστε το παξιμάδι του τροχού στον άξονα. (Για την συναρμολόγηση του διαμαντένιου τροχού, χρησιμοποιήστε το παξιμάδι του τροχού με την κυρτή πλευρά ενάντια στο διαμαντένιο τροχό.)
- (5) Εισάγετε το κουμπί ώθησης για την αποφυγή της περιστροφής του άξονα, και σφίξτε το παξιμάδι του τροχού με το βοηθητικό κλειδί όπως φαίνεται στην **Εικ. 1**.

2. Αποσυναρμολόγηση

Ακολουθήστε τις παραπάνω διαδικασίες αντίστροφα.

ΠΡΟΣΟΧΗ

- Επιβεβαιώστε ότι ο χαμηλωμένος κεντρικά τροχός έχει στερεωθεί καλά.
- Επιβεβαιώστε ότι το κουμπί ώθησης έχει απεμπλακεί επικοινωνώντας το δυο ή τρεις φορές πριν την εκκίνηση του ηλεκτρικού εργαλείου.

ΣΥΝΤΗΡΗΣΗ ΚΑΙ ΕΛΕΓΧΟΣ

1. Έλεγχος του χαμηλωμένου κεντρικά τροχού

Βεβαιωθείτε ότι ο χαμηλωμένος κεντρικά τροχός δεν έχει ραγίσματα ή ατέλειες στην επιφάνεια.

2. Έλεγχος των βιδών στερέωσης

Ελέγχετε περιοδικά όλες τις βίδες στερέωσης και βεβαιωθείτε ότι είναι κατάλληλα σφιγμένες. Στην περίπτωση που χαλαρώσει οποιαδήποτε βίδα σφίξτε την ξανά αμέσως. Αν δεν το κάνετε αυτό μπορεί να έχει ως αποτέλεσμα το σοβαρό τραυματισμό.

3. Έλεγχος στα καρβουνάκια (Εικ. 4)

Το μοτέρ χρησιμοποιεί καρβουνάκια τα οποία είναι αναλώσιμα μέρη.

Όταν φθαρούν ή όταν φθάσουν κοντά στο "όριο φθοράς", μπορεί να προκληθεί πρόβλημα στο μοτέρ. Όταν παρασχεθεί ένα καρβουνάκι αυτομάτης διακοπής, το μοτέρ θα σταματήσει αυτόματα.

Σε αυτή τη χρονική στιγμή, αντικαταστήστε και τα δυο καρβουνάκια με καινούργια τα οποία έχουν τους ίδιους αριθμούς άνθρακα που φαίνονται στην εικόνα. Επιπρόσθετα, πάντοτε κρατάτε τα καρβουνάκια καθαρά και εξασφαλίστε ότι ολισθαίνουν ελεύθερα ανάμεσα στις θήκες.

4. Αντικατάσταση των καρβουνακίων (Εικ. 5)

(Αποσυναρμολόγηση)

- (1) Χαλαρώστε την βίδα στερέωσης D4 που συγκρατεί το κάλυμμα της ψήκτρας και αφαιρέστε το κάλυμμα της ψήκτρας.
- (2) Χρησιμοποιήστε το βοηθητικό εξ. κλειδί ή ένα μικρό καταβίδι για να τραβήξετε το άκρο του ελατηρίου που κρατά κάτω το καρβουνάκι. Αφαιρέστε το άκρο του ελατηρίου προς το εξωτερικό της θήκης του καρβουνακίου.

- (3) Αφαιρέστε το άκρο της ψήκτρας στο καρβουνάκι από το τερματικό τμήμα της θήκης του καρβουνακίου και μετά αφαιρέστε το καρβουνάκι από την θήκη του καρβουνακίου.

(Συναρμολόγηση)

- (1) Βάλτε το άκρο της ψήκτρας του καρβουνακίου στο τερματικό τμήμα της θήκης του καρβουνακίου.
- (2) Βάλτε το καρβουνάκι στην θήκη του καρβουνακίου.
- (3) Χρησιμοποιήστε το βοηθητικό εξ. κλειδί ή ένα μικρό καταβίδι για να επιστρέψετε το άκρο του ελατηρίου στο πάνω μέρος του καρβουνακίου.
- (4) Στερεώστε το πίσω κάλυμμα και σφίξτε την D4 αυτόματα προσαρμοζόμενη βίδα.

5. Συντήρηση του μοτέρ

Η περιέλιξη της μονάδα του μοτέρ είναι η "καρδιά" του ηλεκτρικού εργαλείου. Δώστε μεγάλη προσοχή για να σιγουρευτείτε ότι η περιέλιξη δεν θα πάθει ζημιά και / ή θα βρεχθεί με λάδι ή νερό.

6. Λίστα συντήρησης των μερών

- A: Αρ. Αντικειμένου
- B: Αρ. Κωδικού
- C: Αρ. που χρησιμοποιήθηκε
- D: Παρατηρήσεις

ΠΡΟΣΟΧΗ

Η επισκευή, η τροποποίηση και ο έλεγχος των Ηλεκτρικών Εργαλείων Hitachi πρέπει να γίνεται από ένα Εξουσιοδοτημένο Κέντρο Σέρβις της Hitachi.

Αυτή η Λίστα των Μερών θα είναι χρήσιμη αν παρουσιαστεί μαζί με το εργαλείο στο Εξουσιοδοτημένο Κέντρο Σέρβις της Hitachi όταν ζητάτε επισκευή ή κάποια άλλη συντήρηση.

Κατά τον έλεγχο και τη συντήρηση των ηλεκτρικών εργαλείων, οι κανόνες ασφαλείας και οι κανονισμοί που υπάρχουν σε κάθε χώρα πρέπει να ακολουθούνται.

ΤΡΟΠΟΠΟΙΗΣΗ

Τα Ηλεκτρικά Εργαλεία Hitachi βελτιώνονται συνεχώς και τροποποιούνται για να συμπεριλάβουν τις τελευταίες τεχνολογικές προόδους.

Κατά συνέπεια, ορισμένα τμήματα (δηλ. κωδικοί αριθμοί και / ή σχεδιασμός) μπορούν να αλλάξουν χωρίς προηγούμενη ειδοποίηση.

ΕΓΓΥΗΣΗ

Εγγυώμαστε τα εργαλεία Hitachi Power Tools σύμφωνα με τη νομοθεσία και τους κανονισμούς ανά χώρα. Η παρούσα εγγύηση δεν καλύπτει ελαττώματα ή ζημιές λόγω κακής χρήσης, κακοποίησης ή φυσιολογικής φθοράς. Σε περίπτωση παραπόνων παρακαλούμε αποστείλετε το Power Tool χωρίς να το αποσυναρμολογήσετε μαζί με το ΠΙΣΤΟΠΟΙΗΤΙΚΟ ΕΓΓΥΗΣΗΣ το οποίο βρίσκεται στο τέλος των οδηγιών αυτών, σε Εξουσιοδοτημένο Κέντρο Επισκευής της Hitachi.

ΣΗΜΕΙΩΣΗ

Εξαιτίας του συνεχιζόμενου προγράμματος έρευνας και ανάπτυξης της HITACHI τα τεχνικά χαρακτηριστικά που εδώ αναφέρονται μπορούν να αλλάξουν χωρίς προηγούμενη ειδοποίηση.

Πληροφορίες που αφορούν τον εκπεμπόμενο θόρυβο και τη δόνηση

Οι τιμές μετρήθηκαν σύμφωνα με το EN50144.

Το τυπικό A-επίπεδο ηχητικής πίεσης: 90 dB (A)

Το τυπικό A-επίπεδο ηχητικής ισχύος: 103 dB (A)

Φοράτε προστατευτικά αυτιών.

Μια τυπική τιμή ρίζας μέσης τετραγωνικής επιτάχυνσης δεν πρέπει να ξεπερνά 2,5 m/s²

● Πληροφορίες για το σύστημα παροχής ρεύματος ονομαστικής τάσης 230 V ~ (Μόνο για G18MR, G23MR)

Κάτω από δυσμενείς συνθήκες του δικτύου παροχής, αυτό το ηλεκτρικό εργαλείο μπορεί να προκαλέσει προσωρινές πτώσεις της τάσης ή παρεμβολή μέσω διακυμάνσεις στην τάση.

Αυτό το ηλεκτρικό εργαλείο προορίζεται για σύνδεση σε σύστημα παροχής ρεύματος με μέγιστη επιτρεπτή σύνθετη αντίσταση Z_{MAX} των 0,23 Ωm στο διασυνδεδετικό σημείο (κουτί ρεύματος) της παροχής του χρήστη.

Ο χρήστης πρέπει να εξασφαλίσει ότι το ηλεκτρικό εργαλείο είναι συνδεδεμένο μόνο σε σύστημα παροχής ρεύματος που πληρεί την παραπάνω απαίτηση.

Αν είναι απαραίτητο, ο χρήστης μπορεί να αποταθεί στην εταιρεία παροχής ηλεκτρικού ρεύματος για την σύνθετη αντίσταση του συστήματος στο διασυνδεδετικό σημείο.

OGÓLNE WSKAZÓWKI BEZPIECZEŃSTWA DOTYCZĄCE URZĄDZEŃ ELEKTRYCZNYCH

⚠ OSTRZEŻENIE

Należy dokładnie zapoznać się ze wszystkimi ostrzeżeniami i wskazówkami bezpieczeństwa.

Nieprzestrzeganie ostrzeżeń oraz wskazówek bezpieczeństwa może spowodować porażenie prądem elektrycznym, pożar i/lub odniesienie poważnych obrażeń.

Ostrzeżenia i wskazówki bezpieczeństwa powinny być przechowywane do użycia w przyszłości.

Wykorzystywane w treści wskazówek wyrażenie "narzędzie elektryczne" dotyczy narzędzi zasilanych z sieci (przewodowych) lub z baterii (beprzewodowych).

1) Bezpieczeństwo stanowiska pracy

- Miejsce pracy powinno być czyste i dobrze oświetlone.**
Brak porządku lub nieodpowiednie oświetlenie miejsca pracy może być przyczyną wypadku.
- Nie należy używać narzędzi elektrycznych w miejscach zagrożonych wybuchem, na przykład w pobliżu łatwopalnych cieczy, gazów lub pyłów.**
Pracujące narzędzie elektryczne wytwarza iskry grożące wybuchem.
- Dzieci oraz osoby postronne powinny pozostawać w bezpiecznej odległości od pracującego urządzenia.**
Dekonzakcja może spowodować utratę kontroli nad urządzeniem.

2) Bezpieczeństwo elektryczne

- Wtyczka narzędzia musi pasować do gniazda zasilania.**
Nie wolno przerabiać wtyczki.
Narzędzia posiadające uzziemienie nie powinny być używane z wtyczkami przejściowymi.
Przestrzeganie powyższych zaleceń dotyczących wtyczek i gniazdek pozwoli zmniejszyć ryzyko porażenia prądem elektrycznym.
- Należy unikać dotykania jakichkolwiek powierzchni i elementów uzziemionych, takich jak rury, grzejniki, kuchenki lub urządzenia chłodnicze.**
Ryzyko porażenia prądem elektrycznym jest wyższe, gdy ciało jest uziemione.
- Nie należy narażać narzędzi elektrycznych na działania deszczu lub wilgoci.**
Obecność wody zwiększa niebezpieczeństwo porażenia prądem elektrycznym.
- Nie należy używać przewodu zasilającego w sposób niezgodny z przeznaczeniem.** Nie wolno używać przewodu do przenoszenia lub ciągnięcia urządzenia bądź wyłączania go z prądu.
Przewód powinien znajdować się w bezpiecznej odległości od źródeł ciepła, oleju, ostrych krawędzi lub poruszających się części.
Uszkodzenie lub zapętlenie przewodu zwiększa ryzyko porażenia prądem elektrycznym.
- W przypadku używania narzędzia elektrycznego na wolnym powietrzu należy korzystać z przedłużaczy przeznaczonych do takiego zastosowania.**
Używanie odpowiednich przedłużaczy zmniejsza ryzyko porażenia prądem elektrycznym.
- W przypadku korzystania z narzędzia w miejscu o dużej wilgotności należy zawsze używać wyłącznika różnicowoprądowego.**
Korzystanie z takiego wyłącznika zmniejsza ryzyko porażenia prądem elektrycznym.

3) Bezpieczeństwo osobiste

- Podczas korzystania z narzędzia elektrycznego należy zawsze koncentrować się na wykonywanej pracy i postępować zgodnie z zasadami zdrowego rozsądku.**
Narzędzia elektryczne nie powinny być obsługiwane przez osoby zmęczone lub znajdujące się pod wpływem substancji odurzających, alkoholu bądź leków.
Chwila nieuwagi podczas obsługi narzędzia elektrycznego może spowodować odniesienie poważnych obrażeń.
 - Zawsze używać odpowiedniego osobistego wyposażenia ochronnego.** Zawsze nosić odpowiednie okulary ochronne.
Stosowane w odpowiednich warunkach wyposażenie zabezpieczające, takie jak maska przeciwpływowa, obuwie antypoślizgowe, kask lub nauszniki zmniejsza ryzyko odniesienia obrażeń ciała.
 - Uniemożliwić nieoczekiwane uruchomienie narzędzia.** Przed podłączeniem narzędzia do gniazda zasilania i/lub zestawu baterii, a także przed podniesieniem lub przeniesieniem go, należy upewnić się, że wyłącznik znajduje się w położeniu wyłączenia.
Ze względów bezpieczeństwa nie należy przenosić narzędzi elektrycznych, trzymając palec na wyłączniku, ani podłączać do zasilania urządzeń, których wyłącznik znajduje się w położeniu włączenia.
 - Przed włączeniem usunąć wszystkie klucze regulacyjne.**
Pozostawienie klucza regulacyjnego połączonego z częścią obrotową narzędzia może spowodować odniesienie obrażeń.
 - Nie sięgać zbyt daleko.** Należy zawsze stać stabilnie, zachowując równowagę.
Zapewnia to lepsze panowanie nad narzędziem w nieoczekiwanych sytuacjach.
 - Należy nosić odpowiednią odzież roboczą.** Nie nosić luźnych ubrań lub biżuterii. Trzymać włosy, odzież i rękawice w bezpiecznej odległości od ruchomych części urządzenia.
Luźne ubrania, biżuteria lub długie włosy mogą zostać wciągnięte przez ruchome części narzędzia.
 - Jeżeli wraz z narzędziem dostarczone zostało wyposażenie służące do odprowadzania pyłów, należy pamiętać o jego właściwym podłączeniu i używaniu.**
Właściwe zbieranie i odprowadzanie pyłu zmniejsza zagrożenia związane z jego obecnością.
- #### 4) Obsługa i konserwacja narzędzi elektrycznych
- Nie używać narzędzia elektrycznego ze zbyt dużą siłą.** Należy stosować narzędzie odpowiednie dla wykonywanej pracy.
Narzędzie przeznaczone do określonej pracy wykona ją lepiej i w sposób bardziej bezpieczny, pracując z zalecaną prędkością.
 - Nie należy używać narzędzia, którego wyłącznik jest uszkodzony.**
Każde urządzenie, które nie może być właściwie włączane i wyłączane, stanowi zagrożenie i musi zostać naprawione.
 - Należy zawsze odłączyć urządzenie z sieci zasilania i/lub baterii przed przystąpieniem do jakichkolwiek modyfikacji, wymiany akcesoriów itp. oraz kiedy urządzenie nie będzie używane przez dłuższy czas.**
Powyższe środki mają na celu wyeliminowanie ryzyka nieoczekiwanego uruchomienia urządzenia.
 - Nie używane narzędzia elektryczne powinny być przechowywane w miejscu niedostępnym dla dzieci oraz osób, które nie znają zasad ich obsługi lub niniejszych zaleceń.**
Korzystanie z narzędzi elektrycznych przez osoby, które nie zostały przeszkolone, może stanowić zagrożenie.
 - Należy dbać o odpowiednią konserwację narzędzi elektrycznych.** Przed rozpoczęciem pracy należy sprawdzić, czy ruchome części urządzenia nie są wygięte, uszkodzone lub pęknięte i czy nie występują jakiegokolwiek inne okoliczności, które mogłyby uniemożliwić bezpieczną pracę urządzenia.

W razie uszkodzenia przed kolejnym użyciem narzędzie musi zostać naprawione.

Wiele wypadków następuje z powodu nieprawidłowej konserwacji narzędzi elektrycznych.

- f) **Narzędzia tnące powinny być zawsze ostre i czyste.**
Narzędzia tnące powinny być utrzymywane w odpowiednim stanie, a ich krawędzie muszą być odpowiednio ostre - zmniejsza to ryzyko wygięcia i ułatwia obsługę narzędzia.
- g) **Należy zawsze obsługiwać narzędzie, jego akcesoria takie jak wiertła itp. w sposób zgodny z zaleceniami niniejszej instrukcji, biorąc pod uwagę warunki robocze oraz rodzaj wykonywanej pracy.**
Używanie narzędzia do celów niezgodnych z jego przeznaczeniem może spowodować niebezpieczeństwo.

5) Serwis

- a) **Narzędzia elektryczne mogą być naprawiane wyłącznie przez uprawnionych techników serwisowych, przy zastosowaniu oryginalnych części zamiennych.**
Zapewnia to utrzymanie bezpieczeństwa obsługi urządzenia.

UWAGA

Dzieci i osoby niepełnosprawne muszą pozostawać w bezpiecznej odległości od narzędzia.

Nie używane narzędzia elektryczne powinny być przechowywane w miejscu niedostępnym dla dzieci i osób niepełnosprawnych.

OGÓLNE WSKAZÓWKI BEZPIECZEŃSTWA DOTYCZĄCE PRAC SZLIFIERSKICH I CIĘCIA

- a) **To elektronarzędzie jest przeznaczone do szlifowania lub cięcia. Należy dokładnie zapoznać się ze wszystkimi wskazówkami bezpieczeństwa, zaleceniami, ilustracjami oraz specyfikacjami dostarczonymi razem z urządzeniem.**
Nieprzestrzeganie zamieszczonych poniżej zaleceń może spowodować porażenie prądem elektrycznym, wybuch pożaru i/lub odniesienie poważnych obrażeń ciała.
- b) **Prace takie, jak szlifowanie, czyszczenie szczotką metalową lub polerowanie nie powinny być wykonywane za pomocą tego urządzenia.**
Stosowanie elektronarzędzia do celów, do jakich nie jest przeznaczone może stanowić niebezpieczeństwo i spowodować odniesienie obrażeń ciała.
- c) **Nie należy używać akcesoriów, które nie zostały specjalnie opracowane i nie są zalecane przez producenta urządzenia.**
Możliwość podłączenia do elektronarzędzia nie oznacza, że wykorzystywanie danych akcesoriów jest bezpieczne.
- d) **Prędkość znamionowa akcesoriów musi być co najmniej równa maksymalnej prędkości roboczej elektronarzędzia.**
W przypadku akcesoriów pracujących z wyższą prędkością, może nastąpić ich pęknięcie i odpadnięcie.
- e) **Srednica zewnętrzna oraz grubość akcesoriów muszą być zgodne z danymi znamionowymi elektronarzędzia.**
Nieprawidłowe rozmiary akcesoriów utrudniają działanie elementów zabezpieczających.
- f) **Wymiary kół, kołnierzy, podkładek centrujących i innych akcesoriów muszą odpowiadać rozmiarom osi elektronarzędzia.**
Akcesoria, których otwór montażowy nie pasuje do elementu mocującego elektronarzędzia mogą pracować nieprawidłowo, powodować silne wibracje oraz utratę panowania nad urządzeniem.
- g) **Nie należy używać żadnych akcesoriów, które są uszkodzone. Przed każdym użyciem należy sprawdzić, czy akcesoria, takie jak podkładki centrujące nie są pęknięte, wyszczerbione lub zużyte, a szczotki druciane nie mają poluzowanych lub pękniętych drutów. Jeżeli elektronarzędzie lub akcesoria zostaną upuszczone, należy sprawdzić, czy nie zostały w żaden sposób uszkodzone. Po skontrolowaniu i założeniu akcesoriów, należy pamiętać, aby operator oraz osoby postronne znajdowały się z dala od obracającej się tarczy. Elektronarzędzie powinno zostać uruchomione na jedną minutę przy maksymalnych obrotach bez obciążania.**
Uszkodzone akcesoria powinny ulec zniszczeniu w trakcie tej próby.
- h) **Nosić odpowiednie osobiste wyposażenie ochronne. W zależności od wykonywanej pracy, należy nosić maskę na twarz oraz gogle lub okulary ochronne. W razie potrzeby należy nosić maskę przeciwpyłową, słuchawki ochronne, rękawice oraz fartuch roboczy zabezpieczający przed odpryskami niewielkich części obrabianego przedmiotu.**
Okulary ochronne muszą zabezpieczać użytkownika przed odpryskującymi elementami. Maskę przeciwpyłową lub oddechową powinna zabezpieczać przed pyłem wytwarzanym podczas prac. Długotrwałe narażenie na wysoki poziom hałasu może spowodować uszkodzenie słuchu.
- i) **Osoby postronne powinny pozostawać w bezpiecznej odległości od pracującego urządzenia. Wszystkie osoby znajdujące się na stanowisku roboczym muszą nosić osobiste wyposażenie ochronne.**
Części przedmiotu obrabianego lub złamanego narzędzia mogą odpaść i spowodować obrażenia osoby znajdującej się nawet poza miejscem pracy urządzenia.
- j) **Elektronarzędzia powinny być przytrzymywane wyłącznie za pomocą przeznaczonych do tego celu izolowanych uchwytów, w szczególności, kiedy element tnący może dotknąć ukrytych przewodów lub kabla zasilającego elektronarzędzia.**
Dotknięcie znajdującego się pod napięciem przewodu elektrycznego przez pracujący element tnący może spowodować przeniesienie napięcia na urządzenie i porażenie użytkownika prądem elektrycznym.
- k) **Przewód zasilający powinien znajdować się w bezpiecznej odległości od obracającego się elementu.**
Utrata panowania nad narzędziem może doprowadzić do przecięcia przewodu zasilającego lub wciągnięcia dłoni lub całej ręki przez obracający się element.
- l) **Nie należy nigdy odkładać elektronarzędzia, dopóki obracający się element nie zostanie całkowicie zatrzymany.**
Dotknięcie obracającego się elementu może spowodować pochwycenie i wciągnięcie ubrania operatora i doprowadzić do obrażeń ciała.
- m) **Nie należy uruchamiać elektronarzędzia, trzymając je w pobliżu ciała.**
Przypadkowe dotknięcie ubrania przez obracający się element może spowodować pochwycenie i przyciągnięcie elektronarzędzia do operatora.
- n) **Należy systematycznie czyścić wszystkie otwory wentylacyjne elektronarzędzia.**

Wentylatory silnika mogą powodować wciągnięcie nagromadzonych zanieczyszczeń do środka urządzenia i zwiększenie zagrożenia elektrycznego.

- o) Nie należy używać elektronarzędzia w pobliżu materiałów łatwopalnych.**
Wytwarzane iskry mogą spowodować zapalenie się tych materiałów.
- p) Nie należy używać akcesoriów wymagających stosowania cieczy chłodzących.**
Używanie wody lub innych cieczy chłodzących może spowodować porażenie prądem elektrycznym.

OSTRZEŻENIA DOTYCZĄCE ODRZUTU ORAZ PODOBNYCH ZAGROŻEN

Odrzut to nagle reakcja na zakleszczenie lub zablokowanie obracającej tarczy szlifierskiej, podkładki, szczotki lub innego akcesorium. Zakleszczenie lub zablokowanie narzędzia powoduje nagłe zatrzymanie ruchu obrotowego, które powoduje nagły odrzut urządzenia w kierunku odwrotnym do ruchu obrotowego narzędzia.

Dla przykładu: jeżeli tarcza szlifierska zostanie zablokowana lub zakleszczona przez obrabiany przedmiot, jej krawędź może zagłębić się w materiale, co spowoduje wyrzucenie tarczy. Może ona zostać wyrzucona w kierunku operatora lub przeciwnym, w zależności od kierunku obrotów w chwili zakleszczenia. W takim przypadku tarcza szlifierska może również zostać złamana.

Odrzut jest spowodowany nieprawidłowym wykorzystaniem urządzenia elektrycznego i/lub pracą w niewłaściwym sposobie lub w nieodpowiednich warunkach roboczych. Można temu zapobiec, przestrzegając poniższych wskazówek bezpieczeństwa.

- a) Należy zawsze mocno trzymać urządzenie i utrzymywać pozycję umożliwiającą zamortyzowanie odrzutu.** Jeżeli urządzenie posiada uchwyt boczny, należy zawsze go używać w celu zapewnienia maksymalnego bezpieczeństwa w razie odrzutu lub reakcji momentu obrotowego podczas uruchamiania. Operator może kontrolować reakcję i siłę odrzutu pod warunkiem przestrzegania wskazówek bezpieczeństwa.
- b) Nie należy nigdy przybliżać rąk do obracającego się narzędzia.**
Obracające się narzędzie może zostać odrzucone w kierunku ręki.
- c) Żadne części ciała nie powinny znajdować się w miejscu, w kierunku którego może zostać odrzucone urządzenie.**
Siła odrzutu wyrzuca urządzenie w kierunku przeciwnym do kierunku obrotu tarczy szlifierskiej w chwili jej zakleszczenia.
- d) Należy zachować szczególną ostrożność podczas pracy przy narożnikach, ostrych krawędziach itp. Należy unikać nagłych szarpnięć i uderzeń.**
Narożniki, ostre krawędzie lub uderzenie mogą spowodować nagłe zatrzymanie używanego narzędzia i spowodować odrzut i utratę panowania nad urządzeniem.
- e) Nie należy zakładać tarcz przeznaczonych do obróbki drewna lub tarcz zębatych.**
Korzystanie z tego rodzaju ostrzy może powodować częste występowanie odrzutu i utratę panowania nad urządzeniem.

WSKAZÓWKI BEZPIECZEŃSTWA DOTYCZĄCE SZLIFOWANIA I ŚCIERANIA

- a) Należy używać wyłącznie tarcz szlifierskich przeznaczonych do wykorzystania z urządzeniem oraz osłon zalecanych dla określonej tarczy.**
Korzystanie z tarcz, które nie są przeznaczone dla tego urządzenia, może być niebezpieczne.
- b) Osłona zabezpieczająca musi być założona w sposób zapewniający maksymalne bezpieczeństwo - jak najmniejsza część tarczy szlifierskiej powinna być odsłonięta.**
Osłona zabezpiecza użytkownika przed odłamanymi częściami tarcz szlifierskich oraz przed przypadkowym dotknięciem tarczy.
- c) Tarcze szlifierskie powinny być używane wyłącznie do celów, do których są przeznaczone. Dla przykładu: nie należy wykorzystywać bocznej ściany tarczy szlifierskiej do ścierania.**
Specjalne tarcze tnące są przeznaczone do ścierania krawędziowego – w ich przypadku wywierana na tarczę siła boczna może spowodować jej złamanie.
- d) Z tarczami należy zawsze używać obsad, które nie są uszkodzone. Obsada powinna być odpowiednia dla kształtu i rozmiaru używanej tarczy.**
Odpowiednia obsada zabezpiecza tarczę przed złamaniem. Obsady przeznaczone do tarcz tnących mogą być inne niż do tarcz szlifierskich.
- e) Nie należy używać zużytych tarcz, wykorzystywanych wcześniej w większych urządzeniach.**
Tarcze przeznaczone do większych urządzeń elektrycznych nie mogą być używane w mniejszych urządzeniach o większej prędkości – grozi to pęknięciem tarczy.

DODATKOWE WSKAZÓWKI BEZPIECZEŃSTWA DOTYCZĄCE PRAC ZWIĄZANYCH Z PRZECINANIEM

- a) Nie blokować ani nie dociskać tarczy tnącej. Nie próbować wykonać cięcia o zbyt dużej głębokości.**
Przeciążenie tarczy zwiększa ryzyko jej wygięcia lub zakleszczenia, co z kolei grozi odrzutem urządzenia lub złamaniem tarczy.
- b) Żadne części ciała użytkownika nie mogą znajdować się na linii działania obracającej się tarczy.**
Jeżeli tarcza obraca się w kierunku przeciwnym do użytkownika, siła odrzutu może skierować urządzenie bezpośrednio w jego stronę.
- c) Jeżeli tarcza uległa zakleszczeniu lub użytkownik przerywa pracę z jakiegokolwiek powodu, należy wyłączyć urządzenie, ale wciąż przytrzymać je mocno aż do chwili całkowitego zatrzymania tarczy. W żadnym wypadku nie należy wyjmować tarczy tnącej z rządu przed jej całkowitym zatrzymaniem, ponieważ może to spowodować odrzut urządzenia. Należy znaleźć i wyeliminować przyczynę blokowania się tarczy.**
- d) Nie należy wznawiać cięcia wewnątrz obrabianego przedmiotu. Należy poczekać, aż urządzenie osiągnie pełną prędkość roboczą i dopiero później ostrożnie rozpocząć cięcie.**
Tarcza tnąca może ulec zakleszczeniu, wyrzuceniu lub odrzuceniu, jeżeli urządzenie zostanie uruchomione wewnątrz obrabianego przedmiotu.

ŚRODKI OSTROŻNOŚCI PRZY UŻYCIU SZLIFIERKI TARCZOWEJ

1. Nigdy nie używaj narzędzia bez osłony tarczy.
2. Upewnij się że prędkość zaznaczona na tarczy jest równa lub większa niż znamionowa prędkość szlifierki. Używaj wyłącznie obniżonych tarczy środkowych obliczonych na 80 m/secj lub więcej.
3. Upewnij się, że rozmiary tarczy są odpowiednie do szlifierki i że tarcza pasuje do wrzeciona.
4. Tarcze ścierne powinny być odpowiednio przechowywane i używane zgodnie z instrukcją producenta.
5. Sprawdzaj obniżone tarcze środkowe przed użyciem i nie używaj wyszczerbionych, pękniętych i wadliwych produktów.
6. Zawsze mocno trzymaj za główny oraz boczny uchwyt narzędzia. Inaczej powstała siła odśrodkowa może spowodować niedokładne i niebezpieczne działanie.
7. Nie używaj tarcz wiertarskich tnących do szlifowania bocznego.
8. Nie używaj oddzielnych pierścieni redukcyjnych ani pośrednich aby zamocować tarcze z większymi otworami.
9. Tarcze obracają się nadal po wyłączeniu narzędzia.

DANE TECHNICZNE

Model	G18MR	G18MRU	G23MR	G23MRU
Napięcie (w zależności od miejsca)*1	(110V, 220V, 230V, 240V) ~			
Moc pobierana*1	2400 W	2500 W	2400 W	2500 W
Prędkość obrotowa bez obciążenia	8500 min ⁻¹		6600 min ⁻¹	
Tarcza	Zewnętrzna średnica	180 mm	230 mm	
	Średnica otworu	22,23 mm		
	Prędkość obwodowa	80 m/s		
Waga*2	5,4 kg			
Ogranicznik prądu rozruchowego*3	Nie	Tak	Nie	Tak

*1 Sprawdź nazwę produktu, jako że ulega ona zmianie w zależności od miejsca zakupu.

*2 Ciężar: Tylko główne urządzenie

*3 Ogranicznik prądu rozruchowego wytwarza prąd o mocy, która nie powoduje zadziałania bezpiecznika (bezpiecznik zwłoczny 16 A).

WYPOSAŻENIE STANDARDOWE

- (1) Klucz 1
 (2) Boczny uchwyt 1
 Tarcze ścierne z wpuszczonym środkiem nie wchodzi w skład wyposażenia standardowego.

Wyposażenie standardowe może ulec zmianie bez uprzedzenia.

ZASTOSOWANIE

- Usuwanie żebra odlewniczego i wykończenia różnego typu stali, brązu, i aluminiowych materiałów i odlewów.
- Zeszlifowywanie niespawanych części lub części pociętych palnikiem.
- Zeszlifowywanie syntetycznych żywic, łupka, cegły, marmuru itp.
- Cięcie betonu syntetycznego, kamienia, cegieł, marmuru i podobnych materiałów.

PRZED UŻYCIEM

1. Źródło mocy

Upewnij się, że źródło mocy jest zgodne z wymogami mocy zaznaczonymi na tabliczce znamionowej.

2. Wyłącznik sieciowy

Upewnij się, że wyłącznik jest wyłączony (pozycja OFF). Jeśli wtyczka jest włączona do sieci podczas gdy wyłącznik jest włączony (pozycja ON), narzędzie zacznie działać natychmiast, co może spowodować poważny wypadek.

3. Przedłużacz

Kiedy miejsce pracy znajduje się daleko od źródła prądu, użyj przedłużacza o odpowiedniej grubości i mocy. Przedłużacz powinien być najkrótszy jak tylko jest to możliwe.

4. Montaż i dopasowanie osłony tarczy

Oslona tarczy to urządzenie zabezpieczające przed zranieniem się w przypadku, gdyby obniżone tarcze środkowe pękły w trakcie pracy. Upewnij się, że osłona jest odpowiednio zamocowana i zaciśnięta przed rozpoczęciem szlifowania.

[Mocowanie i regulacja osłony tarczy]

- Podnieś dźwignię i umieść kołek ustalający osłony tarczy tak, aby znalazł się w jednej linii z powierzchniami oporowymi głowicy oporowej.
- Następnie ustaw osłonę tarczy w wybranej pozycji (do pracy).
- Opuść dźwignię i ją zablokuj. Niezbędnej regulacji położenia można dokonać poprzez dociśnięcie lub poluzowanie śruby.
- Jeśli dźwignia nie porusza się swobodnie, nasmaruj olejem smarowym element przesuwny między półpierścieniem ustalającym i dźwignią.
- Zamocuj osłonę tarczy w takiej pozycji, by powierzchnie oporowe kołka ustalającego osłony tarczy i głowicy oporowej były w jednej linii (pozycja, w której nakładana jest osłona tarczy).
- 5. Upewnij się, że obniżona tarcza środkowa, której zamierzasz użyć jest odpowiedniego typu i nie ma pęknięć bądź uszkodzeń. Także upewnij się, że obniżona tarcza środkowa jest odpowiednio

zamocowana i że nakrętka tarczy jest bezpiecznie dociśnięta. Porównaj z punktem instrukcji dotyczącym „Składania Obniżonej Piasty”.

6. Przeprowadzenie próby

Upewnij się, że urządzenie jest właściwie zamocowane i zaciśnięte zanim go użyjesz, i uruchom narzędzie na biegu jałowym na 30 sekund w bezpiecznej pozycji (safe). Zatrzymaj niezwłocznie, jeśli wystąpi silna wibracja lub jeśli wykryjesz inne defekty. Jeśli wystąpi taka sytuacja, sprawdź urządzenie by znaleźć przyczynę.

7. Sprawdź mechanizm blokujący wrzeciono

Zanim uruchomisz narzędzie, upewnij się, że mechanizm blokujący jest rozłączony wciskając dwa lub trzy razy blokadę wrzeciono (**Rys. 1**).

8. Założenie bocznego uchwytu

Przykręć boczny uchwyt do pokrywy narzędzia.

- Upewnij się, że otwory wentylacyjne są przepustowe podczas pracy w kurzu. Jeśli koniecznym jest usunięcie kurzu, najpierw rozłącz narzędzie z sieci (nie używaj do tego obiektów z metalu) oraz unikaj uszkodzenia części wewnętrznych.
- Upewnij się, że pojawiające się w trakcie pracy iskry nie powodują zagrożenia, tzn. nie trafiają w ludzi lubi nie podpalają łatwopalnych substancji.
- Zawsze używaj zabezpieczeń oczu i uszu. Inny osobisty sprzęt ochronny jak np. maska przeciwpyłowa, rękawice, hełm i fartuch powinny być zakładane w razie potrzeby. Jeśli masz wątpliwości, użyj odzieży i sprzętu ochronnego.
- Jeśli maszyna nie jest używana, powinna być wyłączona z kontaktu.

PRAKTYCZNE ZASTOSOWANIE SZLIFIERKI

1. Nacisk

W celu przedłużenia żywotności maszyny oraz uzyskania wykończenia pierwszej jakości, ważne jest, by nie przeciążyć maszyny przez wywieranie na nią zbyt silnego nacisku.

Przy większości zastosowań ciężar własny maszyny jest wystarczający do skutecznego szlifowania. Zbyt silny nacisk spowoduje ograniczenie prędkości obrotowej, niedoskonałe wykończenie powierzchni i przeciążenie, które może spowodować skrócenie żywotności maszyny.

2. Kąt szlifowania

Nie dotykaj całą powierzchnią obniżonej tarczy środkowej do szlifowanego materiału. Jak pokazano w **Rys. 3**, maszyna powinna być trzymana pod kątem 15° – 30°, tak aby zewnętrzny kraniec obniżonej tarczy środkowej stykał się z materiałem pod optymalnym kątem.

3. By zapobiec werżnięciu się nowej obniżonej tarczy środkowej w obrabiany przedmiot, początkowe szlifowanie powinno być przeprowadzone przez pociągnięcie szlifierki w poprzek obiektu w kierunku operatora szlifierki (Rys. 3 kierunek B**). Kiedy już krawędź prowadząca obniżonej tarczy środkowej jest odpowiednio starta, szlifowanie może być prowadzone w dowolnym kierunku.**

4. Uruchamianie szlifierki kątowej

Włączanie: Przesuń w przód przycisk blokujący a następnie wciśnij dźwignię włącznika.
 *Wciśnij dźwignię włącznika, aby przejść do trybu pracy ciągłej. Dźwignię włącznika można zablokować ponownie przesuwając do przodu przycisk blokujący.
 (*Zastrzegamy możliwość zmian w zależności od regionu.)

Wyłączanie: Wciśnij i zwolnij dźwignię włącznika.

5. Środki ostrożności bezpośrednio po skończeniu pracy

Tarcza obraca się nadal po wyłączeniu narzędzia. Po wyłączeniu nie odkładaj maszyny zanim obniżona tarcza nie zatrzyma się całkowicie. To zabezpieczenie pomoże uniknięcia poważnych wypadków i ograniczy ilość kurzu i opiłków wciągniętych do maszyny.

OSTRZEŻENIA

- Sprawdź czy obrabiany przedmiot jest odpowiednio umocowany.

SKŁADANIE I ROZKŁADANIE OBNIŻONYCH TARCZ ŚRODKOWYCH

UWAGA Upewnij się, że wyłączyłeś wyłącznik (przełącz na OFF) oraz wtyczkę z kontaktu aby uniknąć poważnego wypadku.

1. Składanie (Rys. 1**)**

- (1) Odwróć szlifierkę tak, aby wrzeciono skierowane było ku górze.
- (2) Na wrzeciono zamocuj podkładkę tarczy.
- (3) Dopasuj wystającą część tarczy ścierniej z wpuszczonym środkiem lub tarczy diamentowej do podkładki tarczy.
- (4) Do wrzeciono przykręć nakrętkę tarczy.
 (Podczas montowania tarczy diamentowej, przykręć nakrętkę tarczy tak, aby wypukła strona nakrętki zwrócona była do tarczy.)
- (5) Wciśnij przycisk blokujący, aby zapobiec obracaniu się wrzeciono i dokręć nakrętkę tarczy dołączonym kluczem, jak to pokazano na **Rys. 1**.

2. Rozłożenie

Użyj powyższych wskazówek tylko w odwrotnej kolejności.

UWAGA

- Upewnij się, że obniżona tarcza środkowa jest mocno zamocowana.
- Upewnij się, że przycisk jest rozłączony wciskając go dwa lub trzy razy zanim włączysz narzędzie (ON).

KONSERWACJA I INSPEKCJA

1. Sprawdzanie obniżonej tarczy środkowej

Upewnij się, że obniżona tarcza środkowa nie ma pęknięć i defektów powierzchni.

2. Sprawdzanie śrub mocujących

Regularnie sprawdzaj wszystkie mocujące śruby i upewnij się, że są mocno przykręcone. Jeśli któraś z nich się obluzuje, natychmiast ją przykręć. Zaniedbanie tego może spowodować poważne zagrożenie.

3. Sprawdzanie szczotek węglowych (Rys. 4**)**

Silnik wyposażony jest w szczoteczki węglowe, które ulegają stopniowemu zużyciu.

Jeśli szczoteczki osiągną poziom zużycia bliski lub równy „granicy zużycia”, mogą spowodować uszkodzenie silnika. Jeśli urządzenie wyposażone jest w szczoteczki węglową z funkcją automatycznego wyłączenia, silnik zatrzyma się samoczynnie.

W takiej sytuacji, obie szczoteczki węglowe należy wymienić na nowe o takiej samej numeracji, jak

pokazana na rysunku. Dodatkowo, szczoteczki węglowe należy utrzymywać w czystości i dbać o to, aby swobodnie mogły poruszać się w obsadkach szczotkowych.

4. Wymiana szczotek węglowych (Rys. 5)

(Demontaż)

- (1) Poluzuj wkręt samogwintujący D4 przytrzymujący osłonę szczotek i zdejmij osłonę.
- (2) Za pomocą klucza sześciokątnego lub małego śrubokręta podważ krawędź sprężyny przytrzymującej szczoteczkę węglową. Przesuń krawędź sprężyny na zewnątrz obsadki szczotkowej.
- (3) Wyjmij końcówkę przewodu elastycznego szczoteczki węglowej z części zaciskowej obsadki szczotkowej i wyjmij szczoteczkę z obsadki.

(Montaż)

- (1) Umieść końcówkę przewodu elastycznego szczoteczki węglowej w części zaciskowej obsadki szczotkowej.
- (2) Włóż szczoteczkę węglową do obsadki.
- (3) Za pomocą klucza sześciokątnego lub małego śrubokręta załóż krawędź sprężyny na głowice szczoteczki węglowej.
- (4) Zamocuj osłonę i dokręć wkręt samogwintujący D4.

5. Konserwacja silnika

Wirnik silnika jest sercem narzędzia. Zadbaj, by wirnik nie został uszkodzony i nie zawilgotniał lub pokrył się olejem.

6. Lista części zamiennych

A: Nr części

B: Nr kodu

C: Ilość użytych części

D: Uwagi

UWAGA

Naprawy, modyfikacji i kontroli Narzędzi Elektrycznych Hitachi może dokonywać tylko Autoryzowane Centrum Obsługi Hitachi.

Ta lista części będzie przydatna, jeśli zostanie wręczona Autoryzowanemu Centrum Obsługi Hitachi, gdy zanieśliemy narzędzie do naprawy lub przeglądu.

Podczas używania i konserwacji narzędzi elektrycznych należy przestrzegać przepisów i norm bezpieczeństwa danego kraju.

MODYFIKACJE

Narzędzia elektryczne Hitachi są ciągle ulepszone i modyfikowane w celu wprowadzania najnowszych osiągnięć nauki i techniki.

W związku z tym pewne części (a także numery kodów i konstrukcja) mogą ulec zmianom bez uprzedzenia.

GWARANCJA

Gwarancja na elektronarzędzia Hitachi jest udzielana z uwzględnieniem praw statutowych i przepisów krajowych. Gwarancja nie obejmuje wad i uszkodzeń powstałych w wyniku niewłaściwego użytkowania lub wynikających z normalnego zużycia. W wypadku reklamacji należy dostarczyć kompletne elektronarzędzie do autoryzowanego centrum serwisowego Hitachi wraz z KARTĄ GWARANCYJNĄ znajdującą się na końcu instrukcji obsługi.

UWAGA

W związku z prowadzonym przez HITACHI programem badań i rozwoju, specyfikacje te mogą się zmienić w każdej chwili bez uprzedzenia.

Informacja dotycząca poziomu hałasu i wibracji

Mierzone wartości były określone według EN50144

Typowy poziom dźwięku A: 90 db (A)

Typowe natężenie dźwięku A: 103 dB (A)

Używaj ochraniacza uszu.

Typowa ważona wartość średnia kwadratowa przyspieszenia nie przekracza 2,5 m/sec².

● Informacje o systemie zasilania prądem o napięciu znamionowym 230 V~ (tylko dla modeli G18MR, G23MR)

W przypadku niedostosowanej sieci elektrycznej, szlifierka kątowa może powodować wystąpienie *przejściowych spadków napięcia* lub *zaktócenionych zmian napięcia*.

Urządzenie jest przystosowane do zasilania prądem elektrycznym o maksymalnej dopuszczalnej impedancji Z_{MAX} 0,23 oma mierzonym w punkcie przyłączenia (skrzynka przyłączeniowa) lokalnego zasilania.

Użytkownik musi dopilnować, aby urządzenie było podłączane jedynie do źródła zasilania spełniającego powyższe warunki.

Jeśli zachodzi taka konieczność, użytkownik może sprawdzić impedancję systemu w miejscu przyłączenia użytkownika do lokalnej sieci energetycznej.

SZERSZÁMGÉPEKRE VONATKOZÓ ÁLTALÁNOS BIZTONSÁGI FIGYELMEZTETÉSEK

⚠ FIGYELEM

Olvasson el minden biztonsági figyelmeztetést és minden utasítást.

A figyelmeztetések és utasítások be nem tartása áramütést, tüzet és/vagy súlyos sérülést eredményezhet.

Őrizzen meg minden figyelmeztetést és utasítást a jövőbeni hivatkozás érdekében.

A "szerszámgép" kifejezés a figyelmeztetésekben a hálózatról működő (vezetékes) vagy akkumulátorról működő (vezeték nélküli) szerszámgépre vonatkozik.

1) Munkaterületi biztonság

a) **Tartsa a munkaterületet tisztán és jól megvilágítva.**

A teletszűfolt vagy sötét területek vonzzák a baleseteket.

b) **Ne üzemeltesse a szerszámgépeket robbanásveszélyes atmoszférában, mint például gyúlékony folyadékok, gázok vagy por jelenlétében.**

A szerszámgépek szikrákat keltenek, amelyek meggyújthatják a port vagy gőzöket.

c) **Tartsa távol a gyermekeket és körülállókát, miközben a szerszámgépet üzemelteti.**

A figyelemelvonás a kontroll elvesztését okozhatja.

2) Érintésvédelem

a) **A szerszámgép dugaszoknak meg kell felelniük az aljzatnak.**

Soha, semmilyen módon ne módosítsa a dugaszt. Ne használjon semmilyen adapter dugaszt földelt szerszámgépekkel.

A nem módosított dugaszok és a megfelelő aljzatok csökkentik az áramütés kockázatát.

b) **Kerülje a test érintkezését földelt felületekkel, mint például csövekkel, radiátorokkal, tűzhelyekkel és hűtőszekrényekkel.**

Az áramütés kockázata megnövekszik, ha a teste földelve van.

c) **Ne tegye ki a szerszámgépeket esőnek vagy nedves körülményeknek.**

A szerszámgépbe kerülő víz növeli az áramütés kockázatát.

d) **Ne rongálja meg a vezetéket. Soha ne használja a vezetéket a szerszámgép szállítására, húzására vagy kihúzására.**

Tartsa távol a vezetéket a hőtől, olajtól, éles szegélyektől vagy mozgó alkatrészekről.

A sérült vagy összekuszálódott vezetékek növelik az áramütés kockázatát.

e) **Szerszámgép szabadban történő üzemeltetése esetén használjon szabadtéri használatra alkalmas hosszabbító kábelt.**

A szabadtéri használatra alkalmas kábel használata csökkenti az áramütés kockázatát.

f) **Ha elkerülhetetlen a szerszámgép nyirkos helyen történő használata, használjon maradékáram-készülékkel (RCD) védett táplálást.**

Az RCD használata csökkenti az áramütés kockázatát.

3) Személyi biztonság

a) **Álljon készenlétben, figyelje, hogy mit tesz, és használja a józan eszt a szerszámgép üzemeltetésekor.**

Ne használja a szerszámgépet fáradtan, kábítószert, alkoholt vagy gyógyszer befolyása alatt.

A szerszámgépek üzemeltetése közben egy pillanatnyi figyelmen kívül hagyás súlyos személyi sérülést eredményezhet.

b) **Használjon személyi védőfelszerelést. Mindig viseljen védőszemüveget.**

A megfelelő körülmények esetén használt védőfelszerelés, mint például a porálarc, nem csúszó biztonsági cipő, kemény sisak, vagy hallásvédő csökkenti a személyi sérüléseket.

c) **Előzze meg a véletlen elindítást. Győződjön meg arról, hogy a kapcsoló a KI helyzetben van, mielőtt csatlakoztatja az áramforráshoz és/vagy az akkumulátorcsoomaghoz, amikor felveszi vagy szállítja a szerszámot.**

A szerszámgépek szállítása úgy, hogy az ujjai a kapcsolón van vagy a bekapcsolt helyzetű szerszámgépek áram alá helyezése vonzza a baleseteket.

d) **Távolítson el minden állítókulcsot vagy csavarkulcsot, mielőtt bekapcsolja a szerszámgépet.**

A szerszámgép forgó részéhez csatlakoztatva hagyott csavarkulcs vagy kulcs személyi sérülést eredményezhet.

e) **Ne nyúljon át. Mindenkor álljon stabilan, és őrizze meg egyensúlyát.**

Ez lehetővé teszi a szerszámgép jobb ellenőrzését váratlan helyzetekben.

f) **Öltözzön megfelelően. Ne viseljen laza ruházatot vagy ékszert. Tartsa távol a haját, ruházatát és kesztyűjét a mozgó részekről.**

A laza ruházat, ékszer vagy hosszú haj beakadhat a mozgó részekbe.

g) **Ha vannak rendelkezésre bocsátott eszközök a porleszívó és gyűjtő létesítmények csatlakoztatásához, gondoskodjon arról, hogy ezek csatlakoztatva és megfelelően használva legyenek.**

A porgyűjtő használata csökkentheti a porhoz kapcsolódó veszélyeket.

4) A szerszámgép használata és ápolása

a) **Ne erőltesse a szerszámgépet. Használjon az alkalmazásához megfelelő szerszámgépet.**

A megfelelő szerszámgép jobban és biztonságosabban végzi el a feladatot azon a sebességen, amelyre azt tervezték.

b) **Ne használja a szerszámgépet, ha a kapcsoló nem kapcsolja azt be és ki.**

Az a szerszámgép, amely a kapcsolóval nem vezérelhető, veszélyes és meg kell javítani.

c) **Húzza ki a dugaszt az áramforrásból és/vagy az akkumulátorcsoomagot a szerszámgépéből, mielőtt bármilyen beállítást végez, tartozékokat cserél vagy tárolja a szerszámgépet.**

Az ilyen megelőző biztonsági intézkedések csökkentik a szerszámgép véletlen beindulásának kockázatát.

d) **A használaton kívüli szerszámgépeket tárolja úgy, hogy gyermekek ne érhessek el, és ne engedje meg, hogy a szerszámgépet vagy ezeket az utasításokat nem ismerő személyek üzemeltessék a szerszámgépet.**

Képzetlen felhasználók kezében a szerszámgépek veszélyesek.

e) **A szerszámgépek karbantartása. Ellenőrizze a helytelen beállítás, a mozgó részek elakadása, alkatrészek törése és minden olyan körülmény szempontjából, amelyek befolyásolhatják a szerszám működését.**

Ha sérült, használat előtt javíttassa meg a szerszámot. Sok balesetet a rosszul karbantartott szerszámgépek okoznak.

f) **A vágószerszámokat tartsa élesen és tisztán.**

Az éles vágóélekkel rendelkező, megfelelően karbantartott vágószerszámok kevésbé valószínűen akadnak el és könnyebben kezelhetők.

- g) A szerszám gép tartozékait és betétkéseit, stb. használja ezeknek az utasításoknak megfelelően, figyelembe véve a munkakörülményeket és a végzendő munkát.

A szerszám gép olyan műveletekre történő használata, amelyek különböznek a szándékoltaktól, veszélyes helyzetet eredményezhet.

5) Szerviz

- a) A szerszám gépét képesített javító személyel szervizeltesse, csak azonos cserealkatrészek használatával.

Ez biztosítja, hogy a szerszám gép biztonsága megmaradjon.

VIGYÁZAT

Tartsa távol a gyermekeket és beteg személyeket.

Amikor nincs használatban, a szerszámokat úgy kell tárolni, hogy gyermekek és beteg személyek ne érhessek el.

BIZTONSÁGI FIGYELMEZTETÉSEK CSISZOLÓ ÉS VÁGÓ MŰVELETEKHEZ

- a) Ez az elektromos kéziszerszám csiszolásra és vágásra lett tervezve. Olvasson el minden biztonsági figyelmeztetést, útmutatást, illusztrációt és specifikációt, amely az elektromos kéziszerszámhoz lett mellékelve.

Az alább felsorolt útmutatások be nem tartása áramütéshez, tűz kialakulásához és/vagy súlyos sérüléshez vezethet.

- b) Az olyan műveletek végrehajtása, mint a homokcsiszolás, a drótkéfélys vagy a polírozás nem ajánlott ezzel az elektromos kéziszerszámmal.

Az olyan műveletek végrehajtása, amelyekre az elektromos kéziszerszám nem lett felkészítve, veszélyesek lehetnek és személyi sérülést okozhatnak.

- c) Ne használjon olyan tartozékokat, amelyeket a kéziszerszám gyártója nem kifejezetten ehhez az elektromos kéziszerszámhoz tervezett.

Az, hogy a tartozék csatlakoztatható az elektromos kéziszerszámmal, még nem jelenti azt, hogy az biztonságosan is használható.

- d) A tartozék hitelesített sebességének legalább akkorának kell lennie, mint az elektromos kéziszerszám maximális sebessége.

Ha a tartozék a hitelesített sebességénél gyorsabban üzemel, akkor az eltörhet és széjjel repülhet.

- e) A tartozék külső átmérőjének és vastagságának az elektromos kéziszerszám hitelesített kapacitásán belül kell lennie.

A nem megfelelő méretű tartozékokat nem lehet megfelelően levágni és kontrollálni.

- f) A tárcsáknak, a peremeknek, a támasztékoknak, és minden egyéb tartozéknak tökéletesen kell illeszkednie az elektromos kéziszerszám tengelyéhez.

Az olyan tartozékok, amelyek furatai nem felelnek meg pontosan az elektromos kéziszerszám rögzítő elemének, elvesztik egyensúlyukat, erősen rázkódnak, és így a kezelő elveszítheti a kéziszerszám feletti uralmat.

- g) Ne használjon sérült tartozékokat. A használat előtt mindig ellenőrizze a tartozékokat, így a csiszolókorongot, hogy nincs-e rajta csorba vagy repedés, a támasztékokat, hogy nincs-e rajta repedés vagy nincs-e túlzottan elkopva, a drótkéfé, hogy

nincs-e meglazulva vagy nincsenek-e rajta törött drótszálok. Ha az elektromos kéziszerszámot vagy a tartozékok leejti, nézze meg, hogy nem sérült-e meg, vagy helyezzen fel egy ép tartozékokat. A tartozék ellenőrzése és felhelyezése után helyezkedjen Ön és a közelben állók a forgó tartozék síkján kívül, és járassa egy percig az elektromos kéziszerszámot maximális sebességen, terhelés nélkül.

A sérült tartozékok ezen teszt során általában eltörnek.

- h) Viseljen védőfelszerelést. Alkalmazástól függően, használjon védőmaszkot, védőszemüveget vagy védőkesztyűt. Szükség esetén viseljen maszkot, füldugót, kesztyűt és munkakötényt, amely képes megállítani az elszálló részecskéket.

A védőszemüvegnek képesnek kell lennie a különböző műveletek során keletkező szálló repeszek megállítására. A maszknak vagy gázálarcnak képesnek kell lennie a művelet során keletkező por kiszűrésére. A hosszú ideig tartó erős zajhatás halláskárosodást okozhat.

- i) A közelben állókat tartsa biztonságos távolságban a munkaterülettől. Aki belép a munkaterületre, annak védőfelszerelést kell viselnie.

A munkadarab repeszei vagy egy letört tartozék elszállhat, és végzetes kimenetelű sérülést okozhat.

- j) Az elektromos kéziszerszámot kizárólag a szigetelt markolórésznél fogja, ha olyan műveletet hajt végre, ahol a vágó tartozék rejtett vezetékeket vagy a saját kábelét vághatja el.

Ha a vágó tartozék elektromos áram alatt lévő vezetékhez ér, akkor az elektromos kéziszerszám szabadon lévő fém részei elektromos áram alá kerülnek, és megrázzák a kezelőt.

- k) A forgó tartozéktól távol helyezze el a kábelt.

Ha elveszti az uralmat a kéziszerszám felett, akkor a kábel elvágódhat, és az Ön kezét vagy karját beránthatja a forgó tartozék.

- l) Ne tegye le addig az elektromos kéziszerszámot, amíg a tartozék teljesen meg nem állt.

A forgó tartozék beleakadhat a felületbe, és kíránthatja kezéből az elektromos kéziszerszámot.

- m) Ne használja az elektromos kéziszerszámot, ha azt az oldalánál fogva hordozza.

A forgó tartozék bekaphatja a ruhát, majd az Ön testét.

- n) Rendszeresen tisztítsa meg az elektromos kéziszerszám szellőzőnyílásait.

A motor ventilátora beszívja a port a borítás alá, és a nagy mennyiségben felhalmozódott fémpor áramütést okozhat.

- o) Ne használja az elektromos kéziszerszámot gyúlékony anyagok közelében.

A szikrák lángra gyújthatják ezeket az anyagokat.

- p) Ne használjon olyan tartozékokat, amelyek hűtőfolyadékot igényelnek.

Víz vagy egyéb hűtőfolyadék használata áramütéshez vezethet.

VISSZARÚGÁS ÉS AZ ARRA VONATKOZÓ FIGYELMEZTETÉSEK

A visszarágás egy hirtelen reakció egy blokkolt, beragadt forgókorong, csiszolólemez, kefe vagy más tartozék esetén. A beszorulás, beragadás hirtelen leállít, sebességvesztést okoz a forgó tartozékoknál, amely a nem kontrollálható szerszámot ellentétes irányú forgásra kényszeríti.

Például, ha az csiszolókorong beragad, beszorul egy munkadarab miatt, a korong szélei, amelyek a felületen érintkeznek, visszarúgást eredményeznek. A korong kiugorhat a használó felé vagy attól másik irányba, attól függően, hogy a korong mozgása a munkadarabon merre fele történt. A csiszolókorong el is törhet ezek miatt. A visszarúgás a szerszám gép helytelen/nem rendeltetésszerű használatából adódhat és az alábbi óvintézkedésekkel megelőzhető.

a) **Egy jó fogású markolat a szerszámgépre való szerelése, és a test, kéz megfelelő elhelyezése lehetővé teszi a visszarúgó erő elleni ellenállást. Minden esetben használjon kiegészítő fogantyút, hogy a visszarúgást, torzítást a beindításnál kontrollálni tudja.**

A használó kontrollálni tudja a torzítást ill. a visszarúgást, ha megfelelő óvintézkedéseket tesz.

b) **Ne tegye a kezét a forgó tartozékok közelébe.**

A tartozékok visszarúghatnak a kezén túl is.

c) **Ne helyezze arra a helyre a testét, ahová a visszarúgás során a szerszám gép mozdulhat. A visszarúgás során a szerszám az ellentétes irányban mozog a korongmozgással a beszorulás helyén.**

d) **Legyen különös figyelemmel, ha sarkokkal, éles részekkel stb. dolgozik. Kerülje a tartozékok beakadását, beszorulását.**

A sarkok, éles részek vagy az ugrálás beszoríthatja a forgó tartozékokat, és a kontroll szerszám gépen történő elvesztését vagy visszarúgást eredményezhet.

e) **Ne csatoljon fűrészláncot, fafaragó pengét vagy fogas fűrészpengét a készülékre.**

Ezek a pengék sűrű visszarúgást, a kontroll szerszám gépen történő elvesztését okozhatják.

BIZTONSÁGI FIGYELMEZTETÉSEK CSISZOLÁSRA ÉS A DARABOLÁSI FOLYAMATRA VONAKOZÓAN

a) **Csak olyan korongtípusokat alkalmazzon, amelyek javasoltak a szerszám gép használatához, valamint használja a kiválasztott koronghoz a specifikus védőberendezést.**

Az olyan korongok, amelyeket nem a szerszám géphez alakítottak ki, veszélyesek és nem biztonságosak.

b) **A védőberendezést biztonságosan csatolja a szerszám gépre és helyezze el úgy, hogy az maximális védelmet nyújtson, hogy a korongból a legkisebb rész nézzen a használó felé.**

A védőberendezés segít megvédeni a használót a törött korongszilánkoktól, és a véletlen koronggal való érintkezésektől.

c) **A korongokat csak a javasolt felhasználási módon használjon. Például: ne dörszölje, élesítse a vágókorong oldalát.**

A vágókorongokat periférikus vágásra alakították ki, az oldalsó erő kifejtés a korongra összetörheti azt.

d) **Minden esetben sértetlen korongperemeket használjon, amely megfelelő méretű és alakú a kiválasztott korongnak.**

A megfelelő korongperem megvédi az eltöréstől, csökkenti annak valószínűségét. A daraboló korong pereme eltér a csiszolókorong peremétől.

e) **Ne használjon nagyobb szerszámgépről való használt korongokat.**

A nagyobb szerszám géphez való korongok nem alkalmasak nagyobb sebességű, kisebb szerszám gépekhez, el is törhetnek.

KIEGÉSZÍTŐ BIZTONSÁGI FIGYELMEZTETÉSEK A DARABOLÓ MŰVELETRE VONATKOZÓAN

a) **Ne fejtessen ki nagy nyomást a daraboló korongra. Ne erőltesse a vágási mélységet.**

A korong túlterhelése megnöveli a terhelést és a korong billeghet a vágásban, visszarúgást vagy a korong eltörését okozhatja.

b) **Ne helyezze a testét a forgó koronggal egy vonalba, vagy az mögé.**

Ha a korong a működtetés során a testtől elfelé forog, a visszarúgás közvetlenül Ön felé fog történni.

c) **Ha a korong beszorul, vagy bármilyen okból a vágás abbamarad, kapcsolja ki a szerszám gépet, és tartsa a szerszám gépet mozdulatlanul, amíg a korong teljesen meg nem áll. Ne vegye le a vágókorongot a vágásból, ha a korong még mozgásban van, mert az visszarúgást eredményezhet.**

Tegyen óvintézkedéseket a kerék beszorulása ellen.

d) **Ne indítsa újra a vágási folyamatot a munkadarabon. Engedje, hogy a korong elérje a teljes sebességet, tegye a gépet óvatosan a vágatra.**

A korong beszorulhat, fel-alá járhat, vagy visszarúghat, ha a szerszám gépet a munkadarabon indítja újra.

A TÁRCSÁS KÉZIKÖSZÖRŰ HASZNÁLATÁRA VONATKOZÓ ÓVINTÉZKEDÉSEK

1. Tárcsavédők nélkül soha ne működtesse ezeket a kéziszerszámokat.

2. Ellenőrizze, hogy a köszörűkorongon feltüntetett sebesség-érték megegyezzen a köszörű névleges fordulatszám értékével, vagy attól magasabb legyen. Kizárólag 80 m/s vagy attól magasabb névleges sebességű, sülyesztett középu korongokat használjon.

3. Ügyeljen rá, hogy a tárcsa méretei megfeleljenek a köszörűhöz, és hogy a tárcsa megfelelően illeszkedjen a tengelyre.

4. A köszörűtárcsákat a gyártó útmutatásának megfelelő körülményekkel kell kezelni illetve tárolni.

5. Használat előtt vizsgálja meg a sülyesztett középu tárcsát, és soha ne használjon csorba, repedt, vagy más módon sérült tartozékokat.

6. Mindig tartsa szilárdan a kéziszerszám markolatát és oldalfogantyúját. Ellenkező esetben a kifejtett ellenerő pontatlan munkavégzést, vagy balesetveszélyt okozhat.

7. Oldalköszörűléshoz ne használjon vágótárcsát.

8. Soha ne használjon külön szűkítő betéteket illetve adaptereket a nagyobb furatú köszörűtárcsák felszereléséhez.

9. A tárcsa a kéziszerszám kikapcsolása után még tovább forog.

MŰSZAKI ADATOK

Modell	G18MR	G18MRU	G23MR	G23MRU
Feszültség (terület szerint)*1	(110V, 220V, 230V, 240V) ~			
Névleges teljesítményfelvétel*1	2400 W	2500 W	2400 W	2500 W
Üresjárat fordulatszám	8500 min ⁻¹		6600 min ⁻¹	
Tárcsa	Külső átmérő	180 mm		230 mm
	Furat átmérő	22,23 mm		
	Kerületi sebesség	80 m/s		
Súly*2	5,4 kg			
Indítóáram határoló*3	Nem	Igen	Nem	Igen

*1 Ne felejtse el ellenőrizni a típusablán feltüntetett adatokat, mivel ezek eladási területenként változnak!

*2 Súly: Csak a szerszámtest súlya

*3 A kezdőáram határoló olyan kezdőáramot hoz létre, hogy a biztosíték (16 A, késleltetett biztosíték) nem old ki.

MŰSZAKI ADATOK

- (1) Csavarkulcs 1
 (2) Oldalfogantyú 1
 A csiszolókorongok nem standard tartozékok.
 A standard tartozékok előzetes tájékoztatás nélkül változhatnak.

ALKALMAZÁSOK

- Különböző acél-, bronz-, és alumínium anyagok valamint öntvények öntési sorjájának eltávolítása, illetve az ilyen anyagok felületi megmunkálása.
- Hegesztett, vagy lángvágással vágott profilok köszörülése.
- Műgyanták, pala, téglá, márvány, stb. csiszolása.
- Szintetikus beton, kő, téglá, márvány és hasonló anyagok vágása.

AZ ÜZEMBEHELYEZÉS ELŐTTI TENNIVALÓK

- 1. Áramforrás**
 Ügyeljen rá, hogy a készülék adattábláján feltüntetett feszültség értéke megegyezzen az alkalmazni kívánt hálózati feszültséggel.
- 2. Hálózati kapcsoló**
 Ügyeljen rá, hogy a hálózati kapcsoló KI állásba legyen kapcsolva. Ha a csatlakozódugót úgy csatlakoztatja a dugaszolóaljzatba, hogy közben a hálózati kapcsoló BE állásban van, a kéziszerszám azonnal működésbe lép, ami súlyos balesetet idézhet elő.
- 3. Hosszabbító vezeték**
 Ha a munkaterület az áramforrástól távol található, akkor egy megfelelő keresztmetszetű és teljesítményű hosszabbító vezetékkel kell alkalmazni. A hosszabbító vezetéknek a lehető legrövidebbnek kell lennie.
- 4. A tárcsavédő felszerelése és beállítása**
 A tárcsavédő egy balesetvédelmi eszköz, ami a sülyesztett közepű tárcsa üzemelés közbeni szétrobbanása esetén a személyi sérülések ellen nyújt védelmet. A köszörülés megkezdése előtt ellenőrizze, hogy a tárcsavédő megfelelően fel legyen szerelve és a helyére legyen rögzítve.

[A tárcsavédő felszerelése és igazítása]

- Nyissa ki a karos szorítót és illesse be a tárcsavédő beállító csapjait úgy, hogy azokat egy vonalba hozza a tömítőaljat keresztmélyedéseivel.
 - Majd pedig fordítsa el a tárcsavédőt a kívánt (használati) pozícióba.
 - Csukja le a karos szorítót és rögzítse. Ha és amikor módosításokra van szükség, akkor ezt a csavar megszorításával vagy meglazításával végezze el.
 - Ha a szorító nem jár könnyedén, juttasson egy kevés kenőolajat a befogott darab és a karos szorító közé.
 - Rögzítse a tárcsavédőt abban a pozícióban, ahol a tárcsavédő beállító csapjainak keresztmélyedései és a tömítőaljat egy vonalban vannak (vagyis abban a pozícióban, ahova a tárcsavédő beilleszthető), de még ne használja.
- 5. Ellenőrizze, hogy az alkalmazott sülyesztett közepű tárcsa megfelelő típusú legyen, és ne tartalmazzon repedéseket illetve felületi hibákat. Ugyancsak ellenőrizze, hogy a sülyesztett közepű tárcsa megfelelő módon legyen felszerelve, és a tárcsarögzítő anyaga megfelelően meg legyen húzva. Lásd a „Sülyesztett közepű tárcsaegység” című fejezetet.**
 - 6. Próbaköszörülés végrehajtása**
 Használat előtt ellenőrizze, hogy a köszörűfej megfelelően fel van-e szerelve és rögzítve, majd a biztonságos helyzetben tartott kéziszerszámot terhelés nélkül futtassa 30 másodpercig. Azonnal állítsa le a kéziszerszámot, ha nagymértékű vibrációt, vagy más rendellenességet tapasztal.
 Ilyen esetben ellenőrizze le a gépet annak kiderítéséhez, hogy mi okozta a rendellenességet.
 - 7. A tengelyrögzítő mechanizmus ellenőrzése**
 A kéziszerszám bekapcsolása előtt a nyomógomb kétszer-háromszor történő megnyomásával ellenőrizze, hogy a tengelyrögzítő kikapcsol-e (lásd **1. Ábra**).
 - 8. Az oldalfogantyú felszerelése**
 Csavarja az oldalfogantyút a hajtóműház fedelébe.

A KÉZIKÖSZÖRŰ GYAKORLATI KEZELÉSE

1. Nyomás

A gép élettartamának meghosszabbítása, valamint a minőségi munkavégzés érdekében fontos, hogy a gép ne legyen túlterhelve a túlságosan erős nyomás kifejtése miatt. A legtöbb esetben a gép saját súlya elegendő

a hatékony köszörülés eléréséhez. A túl nagy nyomás kifejtése csökkent fordulatszámot, rosszabb minőségű felületet, és a gép élettartamának csökkenéséhez vezető túlterhelést okoz.

2. Köszörülési szög

A sülylesztett középsü köszörütárcsának ne fektesse fel a teljes felületét a köszörülendü munkadarabhoz. Amint az az **3. Ábrán** látható, a gépet 15° – 30° szögben kell tartani úgy, hogy a sülylesztett középsü tárcsa külsü öle optimális szögben érintkezzen a munkadarabbal.

3. Annak megakadályozására, nehogy egy új sülylesztett középsü tárcsa bemaia a munkadarabot, a köszörülést kezdetben úgy kell végezni, hogy a köszörüt a munkadarabon keresztben a gép kezelöje felé kell húzni (**3. Ábra, B irány**). Ha a sülylesztett középsü tárcsa öle megfelelő mértékben lekopott, a köszörülést bármelyik irányban lehet végezni.

4. A kapcsoló működtetése

Bekapcsolás: Nyomja előre a zárógombot, majd pedig nyomja meg a kapcsolót.

* Folyamatos használathoz tartsa nyomva a kapcsolót. A kapcsoló akkor van lezárva, ha a zárógombot újra előrefelé nyomja.

(*A terület függvényében változhat.)

Kikapcsolás: Nyomja meg és engedje fel a kapcsolót.

5. A közvetlenül a felületi megmunkálás után betartandó óvintézkedések

A tárcsa a kéziszerszám kikapcsolása után még tovább forog. Kikapcsolás után ne tegye le a gépet mindaddig, amíg a sülylesztett középsü tárcsa teljesen le nem állt. A súlyos balesetek veszélyének az elkerülése mellett ilyen módon csökken a munkahelyen a por mértéke, és a gép által beszívott reszelékek mennyisége.

FIGYELMEZTETÉSEK

- Ellenörizze, hogy a munkadarab megfelelően alá legyen támasztva.
- Ügyeljen rá, hogy poros helyen történü munkavégzés esetén szabadon maradjanak a szellöztetü nyílások. Amennyiben a felgyülemlt port el kell távolítani, először húzza ki a gép csatlakozódugóját a hálózati dugaszolóaljzatból (használgjon valamilyen nem fémből készült tárgyat), és ügyeljen rá, nehogy megsérüljenek a gép belsü alkatrészei.
- Ügyeljen rá, hogy a használat során keletkezü szikrák ne idézzenek elő veszélyes helyzetet (pl. ne repüljenek emberek közé, illetve ne gyútsanak be valamilyen gyúlékony anyagot).
- Mindig viseljen valamilyen szem- illetve fülvédü eszközt. Szükség esetén más személyi munkavédelmi eszközöket, pl. porvédü álarcot, kesztyüt, védősisakot, valamint kötenyt is viselni kell. Ha nem biztos benne, hogy egy adott védüfelszerelésre szükség van-e, a biztonság kedvéért mégis használja azt.
- Ha a gépet nem használják, a csatlakozódugót ki kell húzni a hálózati dugaszolóaljzatból.

A SÜLYLESZTETT KÖZEPÜ TÁRCSA ÖSSZESZERELÉSE ÉS SZÉTSZERELÉSE

FIGYELEM A súlyos sérülések elkerülése érdekében ügyeljen rá, hogy a gép KI legyen kapcsolva, és a csatlakozódugó ki legyen húzva a hálózati dugaszolóaljzatból.

1. Összeszerelés (1. Ábra)

- (1) Fordítsa felfelé a gépet úgy, hogy az orsó nézzen felfelé.
- (2) Szerelje fel a tárcsaalátétet az orsóra.
- (3) Illessze be a csiszolókorong vagy a gyémánt vágókorong kiálló részét a tárcsaalátébe.
- (4) Csavarja rá a korong csavarját az orsóra. (Gyémánt vágókorong felszerelésekor a tárcsa csavarjának domborü oldala nézzen a gyémánt vágókorong felé.)
- (5) Illessze be a nyomógombot az orsó forgásának megakadályozására, majd pedig szorítsa meg a tárcsa csavarját az eszközt tartozékaaként szállított villáskulccsal (lásd a **1. ábrát**).

2. Szétszerelés

Kövesse a fenti eljárást, fordított sorrendben.

FIGYELMEZTETÉSEK

- Ellenörizze, hogy a sülylesztett középsü tárcsa szilárdan a helyére legyen szerelve.
- A kéziszerszám bekapcsolása előtt a nyomógomb kétszer-háromszor történü megnyomásával ellenörizze, hogy a nyomógomb szabadon kikapcsol-e.

ELLENÖRZÉS ÉS KARBANTARTÁS

1. A sülylesztett középsü tárcsa ellenörzése

Ellenörizze, hogy a sülylesztett középsü tárcsán ne legyenek repedések vagy egyéb felületi sérülések.

2. A rögzítü csavarok ellenörzése

Rendszeresen ellenörizzen minden rögzítü csavart, és ügyeljen rá, hogy azok megfelelően meg legyenek szorítva. Minden meglazult csavart azonnal szorítson meg. Ennek elhanyagolása súlyos veszélyeket hordoz magában.

3. A szénkefék ellenörzése (4. Ábra)

A motor szénkeféket használ, amelyek fogyó alkatrészek.

Ha a kefék a „kopási határ”-ig vagy ennek közeléig elhasználdtak, akkor ez a motor számára problémát okozhat. Ha automatikusan leállítü szénkefe van beszerelve, akkor a motor automatikusan leáll.

Ekkor mindkét szénkefét cserélje ki olyan új szénkefékre, amelyeknek a szénkefe-száma megegyezik az ábrán bemutatottal. Ezen túlmenően a szénkeféket mindig tartsa tisztán és gondoskodjon arról, hogy azok szabadon mozogjanak a szénkefe-tartókban.

4. A szénkefék cseréje (5. Ábra)

(Szétszerelés)

- (1) Lazítsa ki a szénkefe-tartó burkolatot rögzítü D4 csavart és távolítsa el a szénkefe-tartó burkolatát.
- (2) Használgjon egy kiségitü hatlapfejú villáskulcsot vagy egy kis csavarhúzóat a szénkefét lefogó rugó végének a felhúzására. Húzza a rugó végét a szénkefe-tartó burkolat külsü oldala felé.
- (3) Távolítsa el szénkefén lévü tartógyürü végét a szénkefe-tartó aljzatából, majd pedig vegye ki a szénkefét a szénkefe-tartóból.

(Összeszerelés)

- (1) Illessze be a szénkefe tartógyürüjének végét a szénkefe-tartó aljzatába.
- (2) Illessze be a szénkefét a szénkefe-tartóba.
- (3) Használgjon egy kiségitü hatlapfejú villáskulcsot vagy egy kis csavarhúzóat a szénkefét lefogó rugó végének a visszatételéhez.
- (4) Helyezze fel a szénkefe-tartó burkolatát és szorítsa meg a D4 rögzítü csavart.

5. A motor karbantartása

A motor tekerceselése az elektromos szerszám „szíve”. Gondosan ügyeljen rá, hogy a tekerceselés ne sérüljön, illetve ne kerüljön kapcsolatba olajjal vagy vízzel.

6. Szervizelési alkatrészlista

- A: Alkatrész-szám
B: Kódszám
C: Használt darabszám
D: Megjegyzések

FIGYELEM

Hitachi kéziszerszámok javítását, módosítását és ellenőrzését csak Hitachi Szakszervíz végezheti. Javítás vagy egyéb karbantartás esetén hasznos ha ezt a szervíz-alkatrész listát a szerszámmal együtt átadjuk a Hitachi szakszervíznek.

A kéziszerszámok üzemeltetése és karbantartása során be kell tartani az egyes országokban érvényben lévő biztonsági rendelkezéseket és szabványokat.

MÓDOSÍTÁSOK

A Hitachi kéziszerszámok állandó tökéletesítéseken mennek át, hogy alkalmazni tudják a legújabb műszaki fejlesztések eredményeit.

Éppen ezért egyes alkatrészek (azok kódszamai illetve kiviteli módjai) előzetes bejelentés nélkül megváltozhatnak.

GARANCIA

A Hitachi Power Tools szerszámokra a törvényes/országos előírásoknak megfelelő garanciát vállalunk. A garancia nem vonatkozik a helytelen vagy nem rendeltetésszerű használatból, továbbá a normál mértékűnek számító elhasználódásból, kopásból származó meghibásodásokra, károokra. Reklamáció esetén kérjük, küldje el a - nem szétszerelt - szerszámot a kezelési útmutató végén található GARANCIA BIZONYLATTAL együtt a hivatalos Hitachi szervizközpontba.

MEGJEGYZÉS

A HITACHI folyamatos kutatási és fejlesztési programja következtében az itt szereplő műszaki adatok előzetes bejelentés nélkül változhatnak.

A környezeti zajra és vibrációra vonatkozó információk

A mért értékek az EN50144 szabvány szerint kerültek meghatározásra.

Jellemző A-súlyozott hangnyomásszint: 90 dB (A)

Jellemző A-súlyozott hangteljesítmény-szint: 103 dB (A)

Viseljen hallásvédelmi eszközt.

A jellemző súlyozott négyzetes gyorsulási középérték nem haladja meg a 2,5 m/s² értéket.

● Információk a 230 V~ névleges feszültségű tápfeszültség ellátó rendszerről (csak a G18MR, G23MR modellek esetében)

Kedvezőtlen hálózati feltételek esetén, ez az elektromos szerszám *lökőfeszültség csökkenést* vagy *zavaró feszültségingadozásokat* okozhat.

Ezt az elektromos eszközt a felhasználó ellátó rendszere elosztódobozának interfész pontján 0,23 Ohm Z_{max} megengedhető rendszerimpedanciával rendelkező tápfeszültség ellátó rendszerhez történő csatlakoztatásra tervezték.

A felhasználónak kell gondoskodnia arról, hogy ezt az elektromos eszközt csak a fenti követelményeknek megfelelő tápfeszültség ellátó rendszerhez csatlakoztassák. Szükség esetén a felhasználó az elektromos műveket kérdezheti meg az interfész pont rendszerimpedanciájával kapcsolatban.

OBCENÁ VAROVÁNÍ TÝKAJÍCÍ SE BEZPEČNOSTI EL. PŘÍSTROJE

⚠ UPOZORNĚNÍ

Přečtěte si všechna varování týkající se bezpečnosti a všechny pokyny.

Neododržení těchto varování a pokynů může mít za následek elektrický šok, požár a/nebo vážné zranění.

Všechna varování a pokyny si uschovejte. V budoucnu se vám mohou hodit.

Pojem "elektrický nástroj" v těchto varováních se vztahuje k vašemu elektrickému nástroji napájenému ze sítě (se šňůrou) nebo napájenému z baterie (bez šňůry).

1) Bezpečnost na pracovišti

- Udržujte vaše pracoviště čisté a dobře osvětlené.**
V důsledku nepořádku nebo tmy dochází k nehodám.
- Neprovazujte elektrické nástroje ve výbušném ovzduší, např. v přítomnosti hořlavých kapalin, plynů či prachu.**

Elektrické nástroje produkují jiskry, které by mohly zapálit prach anebo plyny.

- Během práce s elektrickým nástrojem zabraňte přístupu dětí a přihlížejících osob.**
Rozptylování by mohlo způsobit ztrátu vaší kontroly nad nástrojem.

2) Elektrická bezpečnost

- Zástrčka elektrického nástroje musí odpovídat zásuvce.**

Nikdy se nepokoušejte zástrčku jakkoli upravovat. U uzemněných elektrických nástrojů nepoužívejte žádné rozbočovací zásuvky.

Neupravované zástrčky a odpovídající zásuvky sniží nebezpečí elektrického šoku.

- Zabraňte kontaktu s uzemněnými povrchy jako jsou trubky, radiátory, sporáky a lednice.**

Je-li uzemněné vaše tělo, existuje zvýšené nebezpečí elektrického šoku.

- Nevystavujte elektrický nástroj dešti nebo vlhkým podmínkám.**

Voda, která vnikne do elektrického nástroje, zvyší nebezpečí elektrického šoku.

- Zacházejte správně s napájecí šňůrou. Nikdy šňůru nepoužívejte k přenášení, tahání nebo odpojování elektrického nástroje ze zásuvky. Umístěte napájecí šňůru mimo působení horka, mimo olej, ostré hrany nebo pohybující se části.**

Poškozené nebo zamotané šňůry zvyšují nebezpečí elektrického šoku.

- Během provozu elektrického nástroje venku používejte prodlužovací šňůru vhodnou k venkovnímu použití.**

Použití šňůry vhodné k venkovnímu použití snižuje nebezpečí elektrického šoku.

- Pokud je použití elektrického nástroje na vlhkém místě nevyhnutelné, použijte napájení s ochranným zařízením na zbytkový proud.**

Použití zařízení na zbytkový proud snižuje riziko elektrického šoku.

3) Osobní bezpečnost

- Buďte pozorní, sledujte, co děláte a při práci s elektrickým nástrojem používejte zdravý rozum. Elektrický nástroj nepoužívejte, jste-li unavení nebo pod vlivem drog, alkoholu nebo léků.**

Jediný okamžik nepozornosti při práci s elektrickým nástrojem může způsobit vážné zranění.

- Používejte osobní ochranné pracovní pomůcky. Vždy noste ochranu očí.**

Ochranné pracovní pomůcky jako respirátor, bezpečnostní obuv s protiskluzovou podrážkou, ochranná přilba nebo ochrana sluchu použité v příslušných podmínkách sniží možnost zranění.

- Zabraňte nechtěnému spuštění. Před připojením ke zdroji napájení a/nebo bateriového zdroje, zvedáním nebo přenášením elektrického nástroje se ujistěte, že je spínač v poloze vypnuto.**

Nošením elektrických nástrojů s prstem na vypínači nebo jejich aktivací s vypínačem v poloze zapnuto vzniká nebezpečí úrazu.

- Před zapnutím elektrického nástroje odstraňte seřizovací klíč.**

Klíč ponechaný připevněný k rotující části elektrického nástroje může způsobit zranění.

- Nepřehánějte to. Vždy si udržujte správné postavení a stabilitu.**

To umožní lepší kontrolu nad elektrickým nástrojem v nepředvídaných situacích.

- Noste správný oděv. Nenoste volné oblečení ani šperky. Vlasy, oděv a rukavice udržujte mimo pohybující se části.**

Volný oděv, šperky nebo dlouhé vlasy mohou být vtazeny do pohybujících se částí.

- Pokud jsou k dispozici zařízení k připojení přístrojů k odsávání a sběru prachu, ujistěte se, že jsou připojena a správně používána.**

Použitím zařízení ke sběru prachu lze snížit rizika související s prachem.

4) Používání a péče o elektrický nástroj

- Netlačte na elektrický nástroj. Používejte vždy vhodný elektrický nástroj pro danou aplikaci. Správný elektrický nástroj provede daný úkol lépe a bezpečněji, rychleji, pro jakou byl zkonstruován.**

- Nepoužívejte elektrický nástroj, pokud nefunguje jeho zapínání a vypínání pomocí vypínače.**

Jakýkoli elektrický nástroj, který nelze ovládat vypínačem, je nebezpečný a musí být opraven.

- Před prováděním jakéhokoli seřízení, před výměnou příslušenství nebo uskladněním elektrických nástrojů vždy nejprve odpojte zástrčku ze zdroje napájení a/nebo odpojte bateriový zdroj.**

Taková preventivní opatření snižují nebezpečí nechtěného spuštění elektrického nástroje.

- Nepoužívané elektrické nástroje skladujte mimo dosah dětí a nedovolte, aby s elektrickým nástrojem pracovaly osoby, které nejsou seznámeny s ním nebo s pokyny k jeho používání.**

Elektrické nástroje v rukou nevyškolených uživatelů jsou nebezpečné.

- Udržujte elektrické nástroje. Kontrolujte případná vychýlení nebo sevření pohybujících se částí, poškození části a jakékoli ostatní podmínky, které mohou mít vliv na provoz elektrických nástrojů. V případě poškození nechte elektrický nástroj před jeho dalším použitím opravit.**

Mnoho nehod vzniká v důsledku nesprávné údržby elektrických nástrojů.

- Udržujte řezací nástroje ostré a čisté. Správně udržované řezací nástroje s ostrými řeznými hranami se méně pravděpodobně zaseknou a lépe se ovládnají.**

- g) Elektrický nástroj, příslušenství, vsazené části atd. používejte v souladu s těmito pokyny. Berte přitom zřetel na pracovní podmínky a prováděnou práci.
Použití elektrického nástroje k jinému než určenému účelu může způsobit nebezpečnou situaci.
- 5) Servis
- a) Servis vašeho elektrického nástroje svěřte kvalifikovanému opraváři, který použije pouze identické náhradní díly.
Tak bude i nadále zajištěna bezpečnost elektrického nástroje.

PREVENTIVNÍ OPATŘENÍ

Nedovolte přístup dětem a slabomyslným osobám. Pokud nástroje nepoužíváte, měli byste je skladovat mimo dosah dětí a slabomyslných osob.

BEZPEČNOSTNÍ VAROVÁNÍ SPOLEČNÁ PRO BROUŠENÍ A ODŘEZÁVÁNÍ

- a) Tento elektrický nástroj je určen k broušení a odřezávání. Přečtete si všechna varování, pokyny, obrázky a specifikace, která jsou k tomuto elektrickému nástroji k dispozici.
Nedodržení níže uvedených pokynů může mít za následek elektrický šok, požár a/nebo vážné zranění.
- b) Tento elektrický nástroj se nedoporučuje používat k broušení pískem, kartáčování nebo leštění.
Práce, pro které tento elektrický nástroj nebyl určen, mohou způsobit nebezpečí a zranění.
- c) **Nepoužívejte příslušenství, které není přímo navrženo a doporučeno výrobcem nástroje.**
To, že takové příslušenství lze k vašemu elektrickému nástroji připojit, ještě neznamená, že bude jeho provoz bezpečný.
- d) **Jmenovitá rychlost příslušenství se musí alespoň rovnat maximální rychlosti vyznačené na elektrickém nástroji.**
Příslušenství, které bude pracovat vyšší rychlostí, než je jeho jmenovitá rychlost, se může zlomit a odletět.
- e) **Vnější průměr a tloušťka vašeho příslušenství musí odpovídat kapacitě vašeho elektrického nástroje.**
Příslušenství s nesprávnými rozměry nemůže být adekvátně chráněno nebo ovládáno.
- f) **Osová velikost kol, přírub, podložek nebo jakéhokoli jiného příslušenství musí správně sedět s vřetenem elektrického nástroje.**
Příslušenství s osovými otvory, které nebudou souhlasit s montážní technikou elektrického nástroje, nebudou v rovnováze, budou nadměrně vibrovat a mohou způsobit ztrátu kontroly nad nástrojem.
- g) **Nepoužívejte poškozené příslušenství. Před každým použitím zkontrolujte příslušenství jako brusné kotouče, zda nejsou ulomené nebo prasklé, podložku, zda nevykazuje praskliny, trhliny nebo nadměrné opotřebení, a kartáč, zda nevykazuje uvolněné nebo prasklé dráty. Pokud elektrický nástroj nebo příslušenství upustíte, zkontrolujte poškození nebo nainstalujte nepoškozené příslušenství. Po kontrole a instalaci příslušenství se vy i přihlízející osoby postavte mimo oblast rotujícího příslušenství a na jednu minutu spusťte elektrický nástroj na maximální rychlost bez zátěže. Poškozené příslušenství se v normálním případě během tohoto testování rozpadne.**
- h) **Noste profesionální ochranné pracovní pomůcky. V závislosti na daném použití noste ochranný štít a ochranné brýle. Je-li to vhodné, noste respirátor, chrániče sluchu, rukavice a dleňskou zástěru, která dokáže zastavit malé abrazivní části nebo úlomky obrobku.**
Ochrana očí musí být schopna zastavit odlétaající úlomky vznikající při různých operacích. Respirátor musí být schopen filtrovat prachové částice vytvářející se během vaší práce. Dlouhotrvající vystavení vysokému hluku může způsobit ztrátu sluchu.
- i) **Udržujte přihlízející osoby v bezpečné vzdálenosti od pracovní oblasti. Kdokoli, kdo vstoupí do pracovní oblasti, musí mít na sobě osobní ochranné pomůcky. Úlomky obrobku nebo zlomeného příslušenství mohou odletět a způsobit zranění mimo bezprostřední oblast provozu nástroje.**
- j) **Provádíte-li operaci, při které by se mohlo řezné příslušenství dostat do kontaktu se skrytým elektrickým vedením vlastní napájecí šňůry, držte elektrický nástroj pouze za izolované svěrací plochy. Řezné příslušenství, které se dostane do kontaktu s elektrickým vedením pod proudem, může "nabít" exponované kovové části elektrického nástroje a způsobit uživatelí elektrický šok.**
- k) **Umístěte napájecí šňůru mimo rotující příslušenství. Ztratíte-li kontrolu nad nástrojem, může dojít k přeřznutí nebo zachycení šňůry a vaše ruka nebo paže může být vtlačena do rotujícího příslušenství.**
- l) **Nikdy elektrický nástroj nepokládejte, dokud se příslušenství zcela nezastaví. Rotující příslušenství se může zachytit o povrch a stáhnout elektrický nástroj mimo vaši kontrolu.**
- m) **Nedržte elektrický nástroj při práci po svém boku. Náhodným kontaktem s rotujícím příslušenstvím se může příslušenství zachytit za vaši oděv a způsobit vám zranění na těle.**
- n) **Pravidelně čistěte větrací otvory elektrického nástroje. Větrák motoru vtahuje prach do těla nástroje a nadměrné nashromáždění kovového prachu může způsobit elektrická nebezpečí.**
- o) **Neprovozuje elektrický nástroj v blízkosti hořlavých materiálů. Jiskry by mohly tyto materiály zapálit.**
- p) **Nepoužívejte příslušenství vyžadující kapalně chladící prostředky. Použití vody nebo jiných kapalných chladících prostředků může způsobit usmrcení elektrickým proudem nebo šok.**

KOPNUTÍ A S TÍM SOUVISEJÍCÍ VAROVÁNÍ

Kopnutí je náhlá reakce na zaseknutí nebo zachycení rotujícího kotouče, podložky, kartáče či jiného příslušenství. Zaseknutí nebo zachycení způsobí rapidní zastavení rotujícího příslušenství, v důsledku čehož pak dojde k vytlačení neovladatelného elektrického nástroje proti rotaci příslušenství v bodě zadření.
Pokud se například brusný kotouč zasekne nebo zachytí o obrobek, hrana kotouče, která vstupuje do bodu zaseknutí, se může zarýt do povrchu materiálu a způsobit vyhození nebo vykopnutí kotouče. Kotouč může buď skočit k uživateli nebo od něj odskočit, v závislosti na směru pohybu kotouče v bodě zaseknutí. Brusné kotouče se za těchto podmínek mohou také zlomit.

Kopnutí je důsledkem špatného použití elektrického nástroje a/nebo nesprávného postupu nebo podmínek při práci s ním a lze se mu vyhnout zavedením řádných bezpečnostních opatření uvedených níže.

- a) Udržujte pevné uchopení elektrického nástroje a umístěte své tělo a paži tak, aby bylo možné klást odpor proti takovým silám při kopnutí. Vždy používejte pomocné držadlo, je-li k dispozici, pro maximální kontrolu nad kopnutím nebo reakčním momentem při spuštění.
Uživatel může kontrolovat síly při reakčním momentu nebo kopnutí, pokud jsou zavedena řádná bezpečnostní opatření.
- b) Nikdy neumísťujte ruku blízko rotujícího příslušenství. Příslušenství se může odrazit přes vaši ruku.
- c) Nestavějte se do oblasti, kam se elektrický nástroj v případě kopnutí odrazí.
Kopnutí odhodí nástroj směrem proti pohybu kotouče v bodě zaseknutí.
- d) Při práci s rohy, ostrými hranami apod. buďte obzvláště opatrní. Zabráňte odskočení a zachycení příslušenství. Rohy, ostré hrany nebo odskakování mají tendenci zachytit rotující příslušenství a způsobit ztrátu kontroly nebo kopnutí.
- e) Nepřipojujte k nástroji kotouč řetězové pily na dřevo ani kotouč ozubené pily.
Takové čepele způsobují často kopnutí a ztrátu kontroly.

BEZPEČNOSTNÍ VAROVÁNÍ SPECIFICKÁ PRO BROUŠENÍ A ŘEZÁNÍ

- a) Používejte pouze typy kotoučů, které jsou doporučeny pro váš elektrický nástroj, a specifický kryt určený pro zvolený kotouč.
Kotouče, pro které nebyl tento elektrický nástroj určen, nelze adekvátně chránit a jsou nebezpečné.
- b) Ochrana musí být bezpečně připevněna k elektrickému nástroji a umístěna tak, aby poskytovala maximální bezpečnost, tzn. aby byl uživatel vystaven co nejmenší části kotouče.
Ochrana pomáhá chránit uživatele před zlomenými částmi kotouče a náhodným kontaktem s kotoučem.
- c) Kotouče je nutno používat pouze pro doporučené aplikace. Například: boční částí řezného kotouče neprovádějte broušení.
Brusné řezné kotouče jsou určeny pro obvodové broušení, boční síla aplikovaná na tyto kotouče může způsobit jejich roztržení.
- d) Vždy používejte nepoškozené příruby kotoučů, které mají správnou velikost a tvar pro vámi zvolený kotouč. Správné příruby kotoučů podepírají kotouč a snižují tak možnost zlomení kotouče. Příruby pro řezné kotouče se mohou lišit od přírub pro brusné kotouče.
- e) Nepoužívejte opotřeбенé kotouče z větších elektrických nástrojů.
Kotouče určené pro větší elektrické nástroje nejsou vhodné pro vyšší rychlosti používané u menších nástrojů a mohou prasknout.

DODATEČNÁ BEZPEČNOSTNÍ VAROVÁNÍ SPECIFICKÁ PRO ŘEZÁNÍ

- a) "Nezadřete" řezný kotouč a netlačte na něj nadměrnou silou. Nesnažte se o nadměrnou hloubku řezu.
Nadměrné namáhání kotouče způsobí, že zátěž a sklon kotouče ho stočí nebo ucpou v řezu a může dojít ke kopnutí nebo zlomení kotouče.
- b) Nestavějte se v jedné linii s rotujícím kotoučem ani za něj.
Když se kotouč během provozu pohybuje směrem od vašeho těla, možné kopnutí může odhodit otáčející se kotouč a celý elektrický nástroj přímo k vám.
- c) Když se kotouč zadře nebo přerušíte-li řezání z jakéhokoliv důvodu, vypněte elektrický nástroj a podržte ho nehybně, dokud se kotouč zcela nezastaví. Nikdy se nepokoušejte odstranit řezný kotouč z řezu, zatímco je v pohybu, jinak může dojít ke kopnutí.
Prozkoumejte a zaveďte nápravná opatření k eliminaci příčiny zadření kotouče.
- d) Řezání nezačínajte znovu v obrobku. Nechejte kotouč, aby dosáhl maximálních otáček, a poté opatrně znovu vstupte do řezu.
Pokud elektrický nástroj znovu spustíte v obrobku, kotouč se může zadřít, vyskočit nebo kopnout.

UPOZORNĚNÍ PRO POUŽÍVÁNÍ KOTOUČOVÉ BRUSKY

1. Nikdy nepoužívejte tyto elektrické nástroje bez chráničů kotouče.
2. Zkontrolujte, zda maximální počet otáček na kotouči je stejný nebo vyšší než je počet otáček brusky. Používejte pouze brusného kotouče při rychlostech 80 m/s, nebo vyšších.
3. Přesvědčte se, že rozměry kotouče odpovídají brusce, a že kotouč odpovídá rozměru hřídele.
4. Brusné kotouče musí být uskladněny a manipulovány opatrně podle pokynů výrobce.
5. Před použitím zkontrolujte brusný kotouč. Nepoužívejte poškozené, prasklé nebo defektní kotouče.
6. Vždy pevně držte hlavní a boční držadla nástroje. V opačném případě může reakční síla způsobit nepřesnosti nebo dokonce nebezpečí při práci.
7. Nepoužívejte řezací kotouče pro broušení.
8. Nepoužívejte zvláštní vložky nebo redukce pro upnutí kotoučů s většími otvory.
9. Kotouč se nadále otáčí i po vypnutí nástroje.

PARAMETRY

Model	G18MR	G18MRU	G23MR	G23MRU
Napětí (podle oblasti)*1	(110V, 220V, 230V, 240V) √			
Vstupní příkon*1	2400 W	2500 W	2400 W	2500 W
Rychlost bez zatížení	8500 min ⁻¹		6600 min ⁻¹	
Kotouč	Vnější průměr	180 mm	230 mm	
	Průměr otvoru	22,23 mm		
	Obvodová rychlost	80 m/s		
Váha*2	5,4 kg			
Omezovač spouštěcího proudu*3	Ne	Ano	Ne	Ano

*1 Zkontrolujte, prosíme, štítek na výrobku. Štítek podléhá změnám v závislosti na oblastech použití.

*2 Hmotnost: Pouze hlavní tělo přístroje

*3 omezovač spouštěcího proudu v takové hodnotě, že nedojde k výpadku pojistky (16 A, pomalé hoření).

STANDARDNÍ PŘÍSLUŠENSTVÍ

(1) Klíč 1

(2) Vysouvací držadlo 1

Kotouče se zahluobeným středem nejsou součástí standardního příslušenství.

Standardní příslušenství podléhá změnám bez upozornění.

POUŽITÍ

- Odstranění nerovností na odlitcích a povrchová úprava různých ocelových, bronzových a hliníkových materiálů a odlitků.
- Broušení svařenců nebo povrchů po řezání plamenem.
- Broušení syntetických pryskyřic, břidlice, cihel, mramoru apod.
- Řezání umělého betonu, kamene, cihel, mramoru a podobných materiálů.

PŘED POUŽITÍM

1. Zdroj elektřiny

Ujistěte se, že elektrický zdroj odpovídá požadavkům uvedeným na štítku výrobku.

2. Spínač

Ujistěte se, že spínač je v poloze VYPNUTO (OFF). Pokud je zařízení připojeno ke zdroji elektrického proudu a spínač je v poloze ZAPNUTO (ON), nástroj začne okamžitě pracovat a to může vést k vážnému úrazu.

3. Prodlužovací šňůra

Pokud je pracoviště vzdáleno od zdroje elektrického proudu, použijte prodlužovací šňůru o dostatečné tloušťce a kapacitě. Dbejte na to, aby prodlužovací šňůra byla co nejkratší.

4. Instalace a nastavení krytu kotouče

Kryt kotouče je ochranný prostředek v případě, že dojde k roztržení brusného kotouče během práce. Ujistěte se, že kryt je správně nastaven a připevněn před tím, než začnete brousit.

[Instalace a seřízení ochranného krytu kotouče]

- Odjistěte páku a vložte polohovací kolík ochranného krytu kotouče a zarovnejte jej s oběma ploškami.
- Pak otočte ochranný kryt kotouče do požadované polohy (pro použití).
- Zajistěte páku a upevněte ji. V případě potřeby proveďte seřízení dotažením nebo povolením šroubu.

- Pokud se páka nepohybuje hladce, naneste mazací olej do kluzného uložení mezi stavěcím prvkem a pákou.

- Upevněte ochranný kryt kotouče v poloze, kde jsou zarovnané obě plošky polohovacího kolíku ochranného krytu kotouče a těla (poloha vložení krytu kotouče), ale nepoužívejte jej.

5. Ujistěte se, že středově vtlačený kotouč je správného typu a je bez trhlin nebo povrchových vad. Také se ujistěte, že brusný kotouč je správně nainstalován, a že matka kotouče je utažena - viz kapitola „Sestava středově vtlačeného kotouče“.

6. Pokusné broušení

Ujistěte se, že brusný nástroj je před použitím správně nainstalován a utažen. Zapněte brusku a nechte ji volně běžet v bezpečné poloze po dobu 30 ti vteřin. Pokud cítíte silné vibrace nebo zjistíte další závady, okamžitě brusku zastavte.

Pokud tato situace nastane, zjistěte příčinu.

7. Zkontrolujte pojistný mechanismus hřídele

Zkontrolujte, že pojistný mechanismus hřídele je vypnutý a to dvěma nebo třemi stisknutími před zapnutím nástroje (viz Obr. 1).

8. Připevnění bočního držadla

Přišroubujte boční držadlo ke krytu převodovky.

PRAKTICKÉ POUŽITÍ BRUSKY

1. Tlak

Zařízení nesmí být přetíženo přílišným tlakem, aby se prodloužila jeho životnost a zaručila vysoká kvalita broušení. Pro efektivní broušení postačí ve většině případů tlak vyvozený vlastní vahou zařízení. Příliš vysoký tlak vede ke snížení otáček, podřadné kvalitě povrchu a přetížení, které snižuje životnost zařízení.

2. Brusný úhel

Neaplikujte celý povrch brusného kotouče na broušení materiálů. Bruska má svírat úhel s povrchem 15 – 30 stupňů tak, aby vnější okraj brusného kotouče byl v kontaktu s materiálem pod optimálním úhlem - Obr. 3.

3. Aby se zabránilo zařezávání nového brusného kotouče do materiálu, je třeba provést počáteční broušení pohybem brusky přes broušený kus směrem k obsluze - Obr. 3, směr B. Jakmile je brusný okraj kotouče správně opotřeben, lze brousit v obou směrech.

4. Funkce spínače

Spínač v poloze ON:

Pressuňte pojistné tlačítko směrem dopředu a pak stiskněte páku spínače.

* Při trvalém použití stiskněte páku spínače.

Páka spínače je zajištěna zatlačením pojistného tlačítka směrem dopředu.

(*Může se lišit v závislosti na místě použití.)

Spínač v poloze OFF:

Stiskněte a uvolněte páku spínače.

5. Upozornění na situaci ihned po ukončení brusné operace

Kotouč se nadále otáčí i po vypnutí zařízení. Po vypnutí brusky ji neodkládejte, dokud se brusný kotouč úplně nezastaví. Kromě zamezení vážnému zranění zabrání tento postup tvorbě prachu a jeho nasátí do brusky.

POZOR

- Zajistěte, aby byl materiál správně upnut.
- Zajistěte, aby větrací otvory byly volné, pracujete-li v prašném prostředí.
- Pokud musíte očistit prach, odpojte nejprve zařízení od zdroje elektrického proudu (použijte nekovové předměty) a dejte pozor, abyste nepoškodili vnitřní součástky.
- Zajistěte, aby jiskry, které vznikají při použití, nezpůsobovaly riziko jako například kontakt s obsluhou nebo vznícení hořlavých materiálů.
- Vždy chraňte oči a sluch.
- V případě nutnosti použijte další osobní ochranné pomůcky jako jsou rukavice, zástěra a přilba.
- Pokud máte pochybnosti, vždy raději volte ochranné pomůcky.
- Pokud zařízení nepoužíváte, odpojte jej od zdroje elektrického proudu.

MONTÁŽ A DEMONTÁŽ BRUSNÉHO KOTOUČE

POZOR Ujistěte se, že spínač je v poloze VYPNUTO a zařízení je odpojeno od zdroje elektrického proudu, aby se předešlo vážnému úrazu.

1. Montáž (Obr. 1)

- (1) Otočte nástroj tak, aby hřídel směřoval nahoru.
- (2) Namontujte na hřídel podložku kotouče.
- (3) Namontujte vyčnívající část kotouče se zahloubeným středem nebo diamantového kotouče na podložku kotouče.
- (4) Našroubujte na hřídel matici kotouče.
(Při montáži diamantového kotouče použijte matici s vypouklou stranou natočenou čelem k diamantovému kotouči.)
- (5) Stiskněte tlačítko tak, aby bylo zabráněno otáčení hřídele a dotáhněte matici kotouče pomocí dodaného klíče, jak je vidět na **Obr. 1**.

2. Demontáž

Aplikujte postup uvedený v části „Montáž“ v opačném pořadí.

POZOR

- Ujistěte se, že brusný kotouč je pevně nainstalován.
- Ujistěte se, že tlačítko je vypnuto tak, že jej dvakrát nebo třikrát stlačíte před tím, než brusku zapnete.

ÚDRŽBA A KONTROLA

1. Kontrola brusného kotouče

Ujistěte se, že brusný kotouč je bez trhlin a povrchových vad.

2. Kontrola šroubů

Pravidelně zkontrolujte všechny šrouby a ujistěte se, že jsou správně utažené. Pokud najdete některé šrouby uvolněné, ihned je utáhněte. Neutažené šrouby mohou vést k vážnému riziku.

3. Kontrola uhlíkových kartáčků (Obr. 4)

Motor využívá uhlíkových kartáčků, které jsou spotřebním materiálem.

Pokud se opotřebují nebo dosáhnou „limitu“ provozuschopnosti, mohlo by to vést k problémům s motorem. Pokud je nástroj vybaven automatickým zastavením funkce závislejší na stavu kartáčků, motor se zastaví automaticky.

Současně vyměňte oba uhlíkové kartáče za nové, se stejnými čísly, jako jsou uvedené na obrázku. Kromě toho je nutné vždy udržovat uhlíkové kartáče v čistotě a zajistit, aby je do držáků bylo možné zasunout volně.

4. Výměna uhlíkových kartáčků (Obr. 5)

(Demontáž)

- (1) Povolte D4 samořezný šroub přidržující kryt kartáče a sejměte jej.
- (2) Použijte pomocný šestihřanný klíč nebo malý šroubovák a zvedněte okraj pružiny, která přidržuje uhlíkové kartáče. Přetáhněte okraj pružiny ven z držáku kartáče.
- (3) Vyjměte konec drátěného kontaktu na uhlíkovém kartáči z koncové části držáku a pak z držáku vyjměte celý uhlíkový kartáč.

(Montáž)

- (1) Vložte konec drátěného kontaktu uhlíkového kartáče do koncové části držáku kartáče.
- (2) Vložte uhlíkový kartáč do držáku.
- (3) Použijte pomocný šestihřanný klíč nebo malý šroubovák a vraťte okraj pružiny nazpět do hlavy uhlíkového kartáče.
- (4) Upevněte koncový kryt a dotáhněte samořezný šroub D4.

5. Údržba motoru

Vinutí motoru je „srdce“ elektrického zařízení. Ujistěte se, že vinutí není poškozené nebo vlhké vodou nebo olejem.

6. Seznam servisních položek

A: Číslo položky

B: Kód položky

C: Číslo použití

D: Poznámky

POZOR

Opravy, modifikace a kontroly zařízení Hitachi musí provádět Autorizované servisní středisko Hitachi.

Tento seznam servisních položek bude užitečný, předložíte-li jej s vaším zařízením Autorizovanému servisnímu středisku Hitachi společně s požadavkem na opravu nebo další servis.

Při obsluze a údržbě elektrických zařízení musí být dodržovány bezpečnostní předpisy a normy platné v každé zemi, kde je výrobek používán.

MODIFIKACE

Výrobky firmy Hitachi jsou neustále zdokonalovány a modifikovány tak, aby se zavedly nejposlednější výsledky výzkumu a vývoje.

Následně, některé díly (např. čísla kódů nebo návrh) mohou být změněny bez předešlého oznámení.

ZÁRUKA

Ručíme za to, že elektrické nářadí Hitachi splňuje zákonné/ místně platné předpisy. Tato záruka nezahrnuje závady nebo poškození vzniklé v důsledku nesprávného použití, hrubého zacházení nebo normálního opotřebení. V případě reklamace zašlete prosím elektrické nářadí v nerozebraném stavu společně se ZÁRUČNÍM LISTEM připojeným na konci těchto pokynů pro obsluhu do autorizovaného servisního střediska firmy Hitachi.

POZNÁMKA

Vlivem stále pokračujícího výzkumného a vývojového programu HITACHI mohou zde uvedené parametry podléhat změnám bez předchozího upozornění.

Informace o hluku a vibracích

Měřené hodnoty byly určeny podle EN50144.

Typická vážená úroveň hladiny akustického tlaku: 90 dB (A)
Typická vážená úroveň hladiny akustické energie: 103 dB (A)

Použijte ochranu sluchu.

Typická vážená hodnota druhé odmocniny čtverce zrychlení nepřekročí 2,5 m/s².

● Informace o systému napájení se jmenovitým napětím 230 V~ (pouze pro modely G18MR, G23MR)

Za nepříznivých podmínek napájení ze sítě může tento nástroj způsobit *přechodové poklesy napětí* nebo *rušivé výpadky napětí*.

Tento nástroj je určen pro připojení k napájecímu systému s maximální povolenou hodnotou impedance systému $Z_{MAX} = 0,23$ ohmů v místě rozhraní (napájecí rozvaděč) uživatelského napájení.

Uživatel musí zajistit, aby tento nástroj byl připojen pouze k systému napájení, který splňuje výše uvedené požadavky. V případě potřeby může uživatel požádat o sdělení hodnoty impedance systému v místě rozhraní.

GENEL ELEKTRİKLİ ALET GÜVENLİK UYARILARI

⚠ DİKKAT

Tüm güvenlik uyarılarını ve tüm talimatları okuyun. Uyarılara ve talimatlara uyulmaması elektrik çarpmasına, yangına ve/veya ciddi yaralanmaya neden olabilir.

Bu kılavuzu gelecekte başvurmak üzere saklayın.

Uyarılarda kullanılan "elektrikli alet" terimi, şebeke elektrikliyle çalışan (kablolu) veya pille çalışan (kablesiz) elektrikli aletinizi belirtir.

1) Çalışma alanının güvenliği

- Çalışma alanı temiz ve iyi aydınlatılmış olmalıdır.**
Dağınık veya karanlık alanlar kazalara davetiye çıkarır.
- Elektrikli aletleri yarıcı sıvı, gaz veya toz patlayıcı maddelerin bulunduğu ortamlarda çalıştırmayın.**
Elektrikli aletlerin çıkardığı kıvılcıklar toz veya gaz halindeki bu maddeleri ateşleyebilir.
- Bir elektrikli aletle çalışırken çocukları ve izleyicileri uzaklaştırın.**
Dikkatinizin dağılması kontrolü kaybetmenize neden olabilir.

2) Elektrik güvenliği

- Elektrikli aletin fişi elektrik prizine uygun olmalıdır.**
Fişi herhangi bir şekilde değiştirmeyin.
Topraklanmış elektrikli aletlerle herhangi bir adaptör kullanmayın.
Fişlerde değişiklik yapılmaması ve uygun prizlerde kullanılması elektrik çarpması riskini azaltacaktır.
- Borular, radyatörler, fırınlar ve buzdolapları gibi topraklanmış yüzeylerle gövde temasından kaçının.**
Vücudunuzun toprakla temasa geçmesi halinde elektrik çarpması riski artar.
- Elektrikli aletleri yağmura veya ıslak ortamlara maruz bırakmayın.**
Elektrikli alete su girmesi elektrik çarpması riskini artıracaktır.
- Elektrik kablosuna zarar vermeyin.** Elektrikli aleti taşımak, çekmek veya fişini prizden çıkarmak için kablolu kullanmayın.
Kabloyu ısıdan, yağdan, keskin kenarlardan veya hareketli parçalardan uzak tutun.
Hasar görmüş veya dolaşmış kablolar elektrik çarpması riskini artırır.
- Elektrikli aleti açık alanda kullanırken, açık alanda kullanıma uygun bir uzatma kablosu kullanın.**
Açık alanda kullanıma uygun bir kablo kullanılması elektrik çarpması riskini azaltır.
- Eğer bir elektrikli aletin ıslak bir yerde kullanılması kaçınılmaz ise, artık akım cihazıyla (RCD) korunan bir güç kaynağı kullanın.**
RCD kullanılması elektrik çarpması riskini azaltır.

3) Kişisel emniyet

- Bir elektrikli alet kullanırken daima tetikte olun; yaptığınız işi izleyin ve sağduyulu davranın.**
Aleti yorgunken, alkol veya ilaç etkisi altındayken kullanmayın.
Elektrikli aletleri kullanırken göstereceğiniz bir anlık dikkatsizlik ciddi yaralanmaya sonuçlanabilir.
- Kişisel koruyucu donanım kullanın.** Daima koruyucu gözlük takın.
Uygun koşullar için kullanılan toz maskesi, kaymaz emniyet ayakkabıları, kask veya kulak koruyucu gibi koruyucu ekipmanlar yaralanmaları azaltacaktır.
- Aletin istenmeden çalışmasını engelleyin.** Aleti güç kaynağına ve/veya akü ünitesine bağlamadan, kaldırmadan veya taşımadan önce, güç düğmesinin kapalı konumunda olduğundan emin olun.

Elektrikli aletleri parmağınızın güç düğmesinin üzerinde olarak taşımamız veya güç düğmesi açılmış durumda fişini takmamız kazalara davetiye çıkarır.

- Aletin gücünü açmadan önce alet üzerindeki ayar veya somun anahtarlarını çıkarın.**
Aletin dönen parçalarından birine bağlı kalan bir somun anahtarı veya ayar anahtarı yaralanmaya yol açabilir.
 - Çok fazla yaklaşmayın.** Uygun bir adım mesafesi bırakın ve sürekli olarak dengeni koruyun.
Böylece, beklenmedik durumlarda aleti daha iyi kontrol etmeniz mümkün olur.
 - Uygun şekilde giyinin.** Bol elbiseler giymeyin ve takı eşyaları takmayın. Saçlarınızı, elbisenizi ve eldivenlerinizi hareketli parçalardan uzak tutun.
Bol elbiseler, takılar veya uzun saçlar hareketli parçalara takılabilir.
 - Eğer toz çekme ve toplama bağlantıları için gerekli aygıtlar sağlanmışsa, bunların bağlı olduğundan ve doğru şekilde kullanıldığını emin olun.**
Toz toplama kullanımı, tozla ilişkili tehlikeleri azaltabilir.
- 4) Elektrikli aletin kullanımı ve bakımı
- Elektrikli aleti zorlamayın.** Yapacağınız iş için doğru alet kullanın.
Doğru alet, işinizi daha iyi ve tasarlanmıştır olduğu hız değerinde daha güvenli şekilde yapacaktır.
 - Elektrikli alet güç düğmesinden açılıp kapanmıyorsa, aleti kullanmayın.**
Güç düğmesiyle kontrol edilemeyen bir alet tehlikelidir ve tamir edilmeden kullanılmamalıdır.
 - Herhangi bir ayar yapmadan, aksesuarları değiştirmeden veya aleti saklamadan önce fişi güç kaynağından ve/veya akü ünitesinden sökün.**
Bu koruyucu güvenlik önlemleri, elektrikli aletin kazayla çalışma riskini azaltır.
 - Atıl durumdaki elektrikli aletleri çocukların ulaşamayacağı bir yerde saklayın ve elektrikli alet ve bu kullanın talimatları hakkında bilgi sahibi olmayan kişilerin aleti kullanmasına izin vermeyin.**
Elektrikli aletler eğitimsiz kullanıcıların elinde tehlikelidir.
 - Elektrikli aletin bakımını yapın.** Hareketli parçalarda yanlış hizalanma veya sıkışma olup olmadığını, kırık parça olup olmadığını ve elektrikli aletin çalışmasını etkileyebilecek diğer koşulları kontrol edin.
Eğer hasar varsa, kullanmadan önce aleti tamir ettirin.
Kazaların çoğu elektrikli aletlere kötü bakım işlemleri uygulanmasından kaynaklanmaktadır.
 - Aletleri keskin ve temiz tutun.**
Uygun şekilde bakımı yapılan, keskin kenarlara sahip aletlerin sıkışma ihtimali daha azdır ve kontrol edilmesi daha kolaydır.
 - Elektrikli aleti, aksesuarları, uçları, v.b., bu talimatlara uygun şekilde, çalışma koşullarını ve yapılacak işi göz önünde bulundurarak kullanın.**
Elektrikli aletin amaçlanan kullanımlardan farklı işlemler için kullanılması tehlikeli bir duruma yol açabilir.
- 5) Servis
- Elektrikli aletinizin servisini sadece orijinal yedek parçalar kullanmak suretiyle uzman bir tamirciye yaptırın.**
Böylece, elektrikli aletin güvenli kullanımı sağlanacaktır.

ÖNLEM

Çocukları ve zayıf kişileri uzak tutun. Alet, kullanılmadığı zamanlarda çocukların ve zayıf kişilerin ulaşamayacağı bir yerde saklanmalıdır.

TAŞLAMA VEYA AŞINDIRARAK KESME İŞLEMLERİ İÇİN GENEL GÜVENLİK UYARILARI

- a) Bu elektrikli alet, bir taşlama aleti veya kesme aleti olarak kullanım için tasarlanmıştır. Bu elektrikli aletle birlikte sağlanan tüm güvenlik uyarılarını, talimatları, şekilli açıklamaları ve teknik özelliklerini okuyun. Aşağıda belirtilen tüm talimatlara uyulmaması elektrik çarpmasına, yangına ve/veya ciddi yaralanmaya neden olabilir.
- b) Bu elektrikli aletle zımparalama, tel fırça ile fırçalama veya cilalama gibi işlemlerin yapılması tavsiye edilmez. Aletin kullanım amacı dışındaki işlemlerde kullanılması tehlike yaratabilir ve yaralanmaya neden olabilir.
- c) Alet üreticisi tarafından özel olarak tasarlanmayan ve tavsiye edilmeyen aksesuarları kullanmayın. Sadece aksesuarın elektrikli aletinize takılabiliyor olması güvenli çalışmayı garanti etmez.
- d) Aksesuarın anma hızı, en az elektrikli alet üzerinde işaretli olan maksimum hıza eşit olmalıdır. Anma hızlarından daha yüksek hızda çalışan aksesuarlar kırılarak fırlayabilir.
- e) Aksesuarınızın dış çapı ve kalınlığı, elektrikli aletinizin nominal kapasitesi dahilinde olmalıdır. Yanlış boyutlu aksesuarlar uygun şekilde korunamaz ve kontrol edilemez.
- f) Çarkların, flanşların, destek yastıkcıklarının veya diğer aksesuarların mil boyutu elektrikli aletin miline uygun şekilde oturmaldır. Elektrikli aletin montaj donanımına uymayan mil deliklerine sahip aksesuarlar denge kaybına, aşırı titreşime ve kontrol kaybına neden olacaktır.
- g) Hasarlı aksesuarları kullanmayın. Her kullanımdan önce, taşlama disklerinden kırıklar ve çatlaklar olup olmadığını, destek yastıkcıklarında çatlaklar, yırtılmalar veya aşırı aşınma olup olmadığını, tel fırçanın gevşeyip gevşemediğini veya tellerinin hasar görüp görmediğini kontrol edin. Eğer elektrikli alet veya aksesuar düşürülürse, hasara karşı kontrol edin veya hasar görmemiş bir aksesuar takın. Bir aksesuarı kontrol ettikten ve taktıktan sonra, kendinizle birlikte çevredeki insanları da dönen aksesuar düzleminden uzaklaştırın ve elektrikli aleti bir dakika için maksimum yüksek hızda çalıştırın. Hasar gören aksesuarlar normalde bu test süresi içerisinde aletten koparak ayrılır.
- h) Kişisel koruyucu donanım kullanın. Yaptığımız işe bağlı olarak, yüz siperi, koruyucu gözlük veya emniyet gözlüğü kullanın. Gerekliğinde toz maskesi, kulak koruyucusu, eldiven ve taşlama işleminden veya iş parçasından sıçrayan parçacıkları durdurabilen bir önlük kullanın. Koruyucu gözlük, çeşitli işlemlerin ürettiği fırlayan parçaları durdurabilir. Toz maskesi veya solunum maskesi, çalışmanızın ürettiği parçacıkları süzme yeteneğine sahip olmalıdır. Yüksek gürültü yoğunluğuna uzun süre maruz kalmak, işitme kayıplarına neden olabilir.
- i) Çevredeki insanlarla çalışma alanı arasında bir güvenlik mesafesi koruyun. Çalışma alanına giren herkes, kişisel koruyucu donanım kullanmalıdır. İş parçasından veya kırılan bir aksesuardan ayrılan parçacıklar fırlayarak, yakın çalışma alanının ötesinde yaralanmaya neden olabilir.

- j) Kesici aksesuarın gizli kablolarla veya kendi kablosuyla temas edebileceği bir işlem yaparken, elektrikli aleti sadece yalıtılmış kavrama yüzeylerinden tutun. Bir "aktif" kabloyla temas eden kesme aksesuarı, elektrikli aletin çıplak parçalarını "aktif" hale getirebilir ve operatörü çarpabilir.
- k) Kabloyu dönen aksesuardan uzağa yerleştirin. Eğer kontrolü kaybederseniz, kablo kesilebilir veya takılabılır ve eliniz veya kolunuz dönen aksesuar tarafından çekilebilir.
- l) Kesinlikle elektrikli aleti aksesuar tamamen duruncaya kadar yere koymayın. Dönen aksesuar yüzeyi kavrayarak elektrikli aletin kontrolünüzden çıkmasına neden olabilir.
- m) Elektrikli aleti yanınızda taşıırken çalıştırmayın. Kazara elbisenizin dönen aksesuarla temas etmesi, aksesuarın elbisenizi kavrayarak vücudunuza çekilmesine neden olabilir.
- n) Elektrikli aletin hava çıkış deliklerini düzenli olarak temizleyin. Aksi halde, motor fanı tozu muhafazasının içine çeker ve fazla metal tozu birikmesi elektrik arızasına neden olabilir.
- o) Elektrikli aleti yanıcı maddelerin yakınında kullanmayın. Kıvılcımlar bu malmeleri ateşleyebilir.
- p) Sıvı soğutma maddeleri gerektiren aksesuarları kullanmayın. Su veya başka sıvı soğutucuların kullanılması elektrik çarpmasına ve hatta ölüme yol açabilir.

GERİ TEPME VE İLGİLİ UYARILAR

Geri tepme, dönen bir çarkın, destek yastıkcığının, fırçanın veya herhangi bir aksesuarın sıkıştırılmasına veya takılmasına karşı gösterilen ani reaksiyondur. Sıkışma veya takılma, dönen aksesuarın hızlı bir şekilde durarak, kontrolsüz elektrikli aletin bağlanma noktasında aksesuarın dönme yönüne ters yönde zorlanmasına neden olur. Örneğin, bir taşlama diski iş parçası tarafından engellenir veya sıkıştırılırsa, diskin sıkışma noktasına giren kenarı malzemenin yüzeyini delerek diskin dışarıya doğru kaymasına veya geri tepmesine neden olabilir. Disk, sıkışma noktasında diskin hareket yönüne bağlı olarak operatöre doğru veya operatörden uzaklaşacak yönde ileri fırlayabilir. Aynı zamanda, taşlama diskleri bu koşullar altında kırılabilir. Geri tepme, elektrikli aletin yanlış kullanıldığını ve/veya yanlış çalıştırma işlemlerinin veya koşullarının sonucu oluşur ve aşağıda belirtildiği gibi uygun önlemler alınarak engellenebilir.

- a) Elektrikli aleti sıkı şekilde kavrayın ve vücudunuzun ve kolunuzun konumunu geri tepme kuvvetlerine dayanacak şekilde ayarlayın. Çalıştırmaya başlama sırasında geri tepme veya tork reaksiyonu üzerinde maksimum kontrol için (eğer mevcutsa) daima yardımcı kolu kullanın. Eğer uygun önlemler alınır, operatör tork reaksiyonlarını veya geri tepme kuvvetlerini kontrol edebilir.
- b) Kesinlikle elinizi dönen bir aksesuarın yakınında tutmayın. Aksesuar geri teperek elinize çarpabilir.
- c) Vücudunuzun elektrikli aletin geri tepme durumunda hareket edeceği bölgenin dışında tutun. Geri tepme hareketi, aleti takılma noktasında çarkın hareketine zıt yönde itecektir.

- d) Köşeler, keskin kenarlar, v.b. ile çalışırken özel dikkat gösterin. Aksesuar sıçramasından ve takılmasından kaçının.

Köşeler, sert kenarlar veya sıçrama hareketi dönen aksesuarı sıkıştırma eğilimindedir ve kontrol kaybına veya geri tepmeye neden olur.

- e) Alete testere zinciri, ağaç oyma bıçağı veya dişli testere bıçağı takmayın.

Bu tür bıçaklar sık sık geri tepme yaratır ve kontrol kaybına neden olur.

- d) Kesme işlemine tekrar başlarken, hemen iş parçası üzerinde çalışmayın. Diskin tam hıza ulaşmasını bekledikten sonra dikkatli bir şekilde kesme noktasına tekrar girin.

Eğer elektrikli alet iş parçası üzerinde tekrar çalıştırılmaya başlarsa, disk sıkışabilir, hareket edebilir veya geri tepebilir.

DİSK TAŞLAMA ALETİNİ KULLANIRKEN ALINACAK ÖNLEMLER

1. Bu elektrikli aletleri hiçbir zaman disk muhafazası olmadan kullanmayın.
2. Taşlama diskinin üzerinde belirtilen hızın, taşlama aletinin hızına eşit veya bu hızdan daha büyük olmasına özen gösterin. Yalnızca çalışma hızı 80 m/s olan tek tarafı oyuk taşlama diskleri kullanın.
3. Disk boyutlarının taşlama aletine uygun olduğundan ve diskin mile oturduğundan emin olun.
4. Taşlama diskleri, imalatçının talimatlarına uygun olarak dikkatli bir şekilde muhafaza edilmeli ve kullanılmalıdır.
5. Kullanmadan önce tek tarafı oyuklu taşlama diskini inceleyin. Kırılmış, çatlamış veya başka bir şekilde hasar görmüş ürünleri kullanmayın.
6. Daima gövdeyi ve yan kolu sıkıca tutun. Aksi takdirde oluşan tepki kuvveti, işin hatalı olmasına ve tehlikeli durumların ortaya çıkmasına neden olabilir.
7. Yüzey taşlama işlerinde kesme disklerini kullanmayın.
8. Büyük delikli taşlama disklerini kullanmak amacıyla deliği küçültülen bilezik veya adaptörler gibi ek parçalar kullanmayın.
9. Alet kapatıldıktan sonra taşlama diski dönmeye devam eder.

TAŞLAMA VE AŞINDIRARAK KESME İŞLEMLERİ İÇİN ÖZEL GÜVENLİK UYARILARI

- a) Sadece elektrikli aletiniz için tavsiye edilen disk tiplerini ve seçilen disk için tasarlanan özel muhafazayı kullanın.

Elektrikli aletiniz için tasarlanmamış diskler uygun şekilde korunamayabilir ve güvenli değildir.

- b) Muhafaza elektrikli alete emniyetli şekilde takılmalı ve diskin operatöre bakan açık kısmı minimum olacak şekilde maksimum güvenlik için yerleştirilmelidir.

Muhafaza, operatörü kırılan disk parçalarından ve kazayla diske temas etmekten korur.

- c) Diskler sadece tavsiye edilen uygulamalar için kullanılmalıdır. Örneğin, Kesme diskinin kenarıyla taşlama yapmayın.

Aşındırarak kesme diskleri çevresel taşlama amaçlıdır; bu disklere uygulanan yan kuvvetler parçalanmalarına neden olabilir.

- d) Daima seçtiğiniz disk için uygun boyut ve şekle sahip, hasar görmemiş disk flanşları kullanın.

Uygun disk flanşları diski desteklemek suretiyle kırılma olasılığını azaltır. Kesme diskleri için flanşlar, taşlama çarkı flanşlarından farklı olabilir.

- e) Daha büyük elektrikli aletlerde kullanılıp aşınarak küçülmüş diskler kullanmayın.

Daha büyük elektrikli aletler için üretilen diskler, küçük bir aletin daha yüksek hızı için uygun değildir ve yaralıdır.

AŞINDIRARAK KESME İŞLEMLERİ İÇİN ÖZEL İLAVE GÜVENLİK UYARILARI

- a) Kesme diskini "sıkıştırmayın" veya aşırı baskı uygulamayın. Kesme derinliğini artırmaya çalışmayın.

Diske aşırı baskı uygulanması, kesme işlemi sırasında diskin yükünü ve bükülme veya körelme hassasiyetini ve geri tepme veya disk kırılma olasılığını artırır.

- b) Vücudunuzu dönen diskle aynı hizada veya diskin arkasında tutmayın.

Çalışma noktasında disk vücudunuzdan uzaklaşacak şekilde hareket ettiğinde, olası geri tepme hareketi dönen diski ve elektrikli aleti doğrudan üzerinize itebilir.

- c) Disk sıkıştığında veya herhangi bir nedenle bir kesme işlemine ara verdiğinizde, elektrikli aleti güç düğmesinden kapatın ve disk tamamen duruncaya kadar elektrikli aleti hareketsiz olarak tutun.

Kesinlikle kesme diski hareket etmeye devam ederken diski kesme noktasından çıkarmaya çalışmayın; aksi takdirde geri tepme oluşabilir.

Diskin sıkışma nedenini araştırın ve gidermek için gerekli işlemi yapın.

TEKNİK ÖZELLİKLER

Model	G18MR	G18MRU	G23MR	G23MRU
Voltaj (bölgelere göre)*1	(110V, 220V, 230V, 240V) ~			
Güç girişi*1	2400 W	2500 W	2400 W	2500 W
Yüksüz hız	8500 dak ⁻¹		6600 dak ⁻¹	
Taşlama Diski	Dış çap	180 mm		230 mm
	Delik çapı	22,23 mm		
	Dönüş hızı	80 m/s		
Ağırlık*2	5,4 kg			
Çalıştırma akım sınırlayıcısı*3	Hayır	Evet	Hayır	Evet

*1 Bu değer bölgeden bölgeye değişiklik gösterdiği için ürünün üzerindeki plakayı kontrol etmeyi unutmayın.

*2 Ağırlık: Sadece ana gövde

*3 Çalıştırma akımı sınırlayıcısı sigortanın (16 A, yavaş atmalı) atmayacağı şekilde üretir.

STANDART AKSESUARLAR

- (1) Anahtar 1
 (2) Yan Kol 1
 Tek tarafı oyuk diskler standart aksesuar olarak sağlanmaz. Standart aksesuarlarda önceden bildirimde bulunulmadan değişiklik yapılabilir.

UYGULAMALAR

- Döküm çapaklarının alınması ve çeşitli çelik, bronz ve alüminyum malzemelerin ve döküm işlerinin perdahlanması.
- Kaynak yerlerinin veya kesme tertibatıyla kesilmiş kısımların taşlanması.
- Sentetik reçinelerin, arduvaz levhalarının, tuğlaların, mermerlerin, vb. taşlanması.
- Sentetik beton, taş, tuğla, mermer ve diğer benzer malzemelerin kesilmesi.

ALETİ KULLANIM ÖNCESİNDE

1. **Güç Kaynağı**
Kullanacağımız güç kaynağının, aletin etiketinde belirtilen elektrik gereklerine uygun olduğundan emin olun.
2. **Güç Şalteri**
Güç şalterinin OFF konumunda olduğundan emin olun. Şalter ON konumundayken güç kaynağına bağlanan alet hemen çalışmaya başlayarak ciddi bir kazaya neden olabilir.
3. **Uzatma Kablo**
Çalışma yeri güç kaynağına uzak olduğunda, yeterli kalınlık ve kapasiteye sahip bir uzatma kablosu kullanılır. Uzatma kablosu mümkün olduğunca kısa tutulmalıdır.
4. **Disk Muhafazasının Takılması ve Ayarlanması**
Disk muhafazası, bir tarafı oyuk taşlama diskinin çalışma sırasında parçalanması durumunda yaralanmayı önlemek için kullanılan bir korumadır. Taşlama işlemine başlamadan önce muhafazanın doğru şekilde yerleştirilip yerine sabitlendiğinden emin olun.

[Disk muhafazasının takılması ve ayarlanması]

- Kolu açın ve disk muhafazasının kilitleme pimini, zeminin yan düzlemleriyle hizalayarak takın.
- Ardından, disk muhafazasını istenen konuma (kullanım için) çevirin.
- Kolu kapatın ve sabitleyin. Gerekirse ve gerektiğinde vidayı sıkıştırarak veya gevşeterek ayar yapın.

- Kol pürüzsüz şekilde hareket etmiyorsa, ayar parçası ile kol arasındaki kayan kısma biraz yağ uygulayın.
- Disk muhafazasını, disk muhafazası konumlandırma pimi yan düzlemleri ve zeminin hizalı olduğu konumda sıkıştırın (disk muhafazasının takıldığı konum), ama bu konumda kullanmayın.
- 5. **Kullanılan taşlama diskisi doğru tip ve hasarsız olmalıdır.** Ayrıca taşlama diskinin doğru şekilde monte edilmiş olduğundan ve disk somununun emniyetli bir şekilde sıkıldığından emin olun. "Tek Tarafı Oyuk Taşlama Diski Montajı" bölümüne bakın.
- 6. **Deneme Kullanımı**
Taşlama işlemi öncesinde aşındırma ürünlerinin doğru monte edildiğinden ve iyice sabitlendiğinden emin olun ve aleti güvenli bir yerde 30 saniye kadar boşa olarak çalıştırın. Önemli ölçüde titreme olduğunda veya başka arızalar tespit ederseniz aleti derhal durdurun. Bu durum devam ederse, sorunun ne olduğunu anlamak için aleti kontrol edin.
- 7. **Kilit İğne mekanizması**
Aleti çalıştırmadan önce, mil kilit düğmesine iki veya üç kez bastırarak, iğnenin devre dışı olduğundan emin olun (**Şekil 1'ye** bakın).
- 8. **Yan Kolun Takılması**
Yan kolu, dişli kutusundaki yerine vidalayarak takın.

PRATİK TAŞLAMA UYGULAMALARI

1. **Basınç**
Makine ömrünü uzatmak ve birinci sınıf işçilik elde etmek için, aletin aşırı basınç uygulanarak zorlanmaması önemlidir. Çoğu uygulamada etkili taşlama için aletin kendi ağırlığı yeterlidir. Aşırı basınç uygulama; aletin hızının düşmesine, yüzeyin dengesiz işlenmesine ve kullanım ömrünü azaltacak şekilde aşırı yüklenmeye neden olur.
2. **Taşlama Açısı**
Tek tarafı oyuk taşlama diskini yüzeyinin tamamını, taşlanacak malzemeye temas ettirmeyin. **Şekil 3'de** gösterildiği gibi alet, taşlama diskinin dış kenarının taşlanacak malzemeye temas edeceği şekilde 15° – 30° açıyla tutulmalıdır.
3. **Yeni bir taşlama diskinin üzerinde çalışılan parçanın içine işlenmesini önlemek için, taşlama aletini parça boyunca kendinize doğru sürerek kullanın (**Şekil 3; B yönü**).** Taşlama diskinin kenarı gerektiği gibi aşındıktan sonra, taşlama işlemi her iki yönde de yapılabilir.

4. Şalterle Çalıştırma

Şalteri AŞMA: Kilit iğnesini ileri itin ardından şalter kolunu bastırın.

* Sürekli kullanım için şalter kolunu bastırın. Şalter kolu, kilit iğnesini bir kez daha ileri itererek kilitletir. (*Bölgeye bağlı olarak farklılık gösterebilir.)

Şalteri KAPATMA: Şalter kolunu bastırın ve serbest bırakın.

5. İşlemden Hemen Sonra Uygulanacak Önlemler

Alet kapatıldıktan sonra taşlama diski dönmeye devam eder. Alet kapatıldıktan sonra taşlama diski tamamen durmadıkça makineyi yere bırakmayın. Bu önlem, olası ciddi kazaların önlenmesinin yanı sıra, aletin içine toz ve kir girmesini de engeller.

UYARILAR

- Üzerinde çalışılan parçanın gerektiği gibi desteklendiğinden emin olun.
- Tozlu ortamlarda çalışırken, havalandırma açıklıklarının temiz olduğundan emin olun. Tozunu temizlemesi gerekirse, önce aletin elektrik bağlantısını kesin (metal olmayan nesnelere kullanın) ve içerideki parçalara zarar vermeye özen gösterin.
- Aletin kullanım sırasındaki oluşan kıvılcımların, insanların veya patlayıcı maddelerin üzerine gelmesi gibi tehlikeli durumlara neden olmamasına dikkat edin.
- Her zaman koruyucu gözlük kullanın. Toz maskesi, eldiven, önlük ve baret gibi diğer kişisel koruyucu teçhizatlar gerektiğinde kullanılmalıdır. Tereddit ediyorsanız, koruyucu teçhizatı kullanın.
- Alet kullanılmadığında güç kaynağı bağlantısı kesilmelidir.

TEK TARAFI OYUK TAŞLAMA DİSKİNİN TAKILIP ÇIKARILMASI

UYARI Ciddi kazaları önlemek için şalterin OFF konumunda olduğundan ve fişin prizden çekilmiş olduğundan emin olun.

1. Takma işlemi (Şekil 1)

- (1) Aleti, milin yukarı bakacağı şekilde baş aşağı çevirin.
- (2) Disk pulunu mile takın.
- (3) Tek tarafı oyuklu diskin veya elmas diskin çıkıntılı kısmını disk puluna takın.
- (4) Diski mile vadalayın. (Elmas diskin takılması için disk civatasını, içbükey tarafı elmas diske gelecek şekilde kullanın.)
- (5) Milin dönmelerini engellemek için kilit iğnesini bastırın ve disk civatasını Şekil 1'de gösterildiği gibi gerekli aksesuar anahtarla sıkıştırın.

2. Çıkarım işlemi

Yukarıdaki prosedürleri tersten uygulayın.

UYARILAR

- Tek tarafı oyuk taşlama diskinin sıkıca takılı olduğundan emin olun.
- Aleti çalıştırmadan önce, kilit iğnesini iki veya üç kez bastırarak, iğnenin devre dışı olduğundan emin olun.

BAKIM VE İNCELEME

1. Tek Tarafı Oyuk Taşlama Diskinin Kontrol Edilmesi

Tek tarafı oyuk taşlama diskinde çatlak veya yüzey bozuklukları olmadığından emin olun.

2. Montaj vidalarının incelenmesi

Tüm montaj vidalarını düzenli olarak inceleyin ve sağlam şekilde sıkılı olduğundan emin olun. Gevşeyen vidaları derhal sıkın. Gevşemiş vidalar ciddi tehlikelere yol açabilir.

3. Kömürlerin Kontrol Edilmesi (Şekil 4)

Motorla tükenebilir malzemeler olan kömürler kullanılır. Kömürler yıprandığında veya "yıpranma sınırına" yaklaştığında, bu motorda sorunlara neden olabilir. Otomatik durdurulmalı kömür kullanıldığında motor otomatik olarak duracaktır.

Bu durumda, her iki kömürü de şekilde gösterilenle aynı kömür tanımlama numarasına sahip kömürlerle değiştirin. Ayrıca, kömürleri daima temiz tutun ve kömür tutucuların içinde serbestçe kayabildiklerinden emin olun.

4. Kömürün Değiştirilmesi (Şekil 5)

(Sökme)

- (1) Kömür kapağını tutan D4 kılavuz vidayı gevşetin ve kömür kapağını çıkarın.
- (2) Yardımcı alyan anahtarını veya küçük tornavidayı kullanarak kömürü tutan yayın kenarını yukarı çıkarın. Yay kömür tutucunun dışına doğru çıkarın.
- (3) Kömürün üzerindeki bağlantı telinin ucunu kömür tutucunun bağlantı bölümünden çıkarın, ardından kömürü, kömür tutucudan çıkarın.

(Takma)

- (1) Kömür bağlantı telinin ucunu kömür tutucunun bağlantı bölümüne takın.
- (2) Kömürü, kömür tutucuya takın.
- (3) Yayın kenarını kömürün kafasına geri takmak için yardımcı alyan anahtarını veya küçük tornavidayı kullanın.
- (4) Arka kapağı takın ve D4 kılavuz vidayı sıkıştırın.

5. Motorun incelenmesi

Motor biriminin sargıları, bu ağır iş aletin "kalbidir". Sargının hasar görmediğinden ve/veya yağ ya da su ile ıslanmadığından emin olun.

6. Servis parçaları listesi

- A: Parça no.
- B: Kod no.
- C: Kullanılan sayı
- D: Açıklamalar

DİKKAT

Hitachi Güç Takımlarının onarımı, modifikasyonu ve gözden geçirilmesi Hitachi yetkili Servis Merkezi tarafından yapılmalıdır.

Hitachi yetkili Servis Merkezine tamir ya da bakım amacıyla başvurulduğunda Parça Listesinin takım ile birlikte verilmesi faydalı olacaktır.

Güç takımlarının çalıştırılması ve bakımlarının yapılması esnasında her ülke için belirtilen güvenlik düzenlemelerine ve standartlarına uyulması gerekmektedir.

DEĞİŞİKLİKLER

Hitachi Ağır İş Aletleri en son teknolojik ilerlemelere uygun olarak sürekli değiştirilmekte ve geliştirilmektedir. Dolayısıyla ısıyla, bazı kısımlarda (örneğin kod numaraları ve/veya tasarım gibi) önceden bildirimde bulunulmadan değişiklik yapılabilir.

GARANTİ

Hitachi Elektrikli El Aletlerine ülkelere özgü hukuki düzenlemeler çerçevesinde garanti vermekteyiz. Bu garanti, yanlış veya kötü kullanım, normal aşınma ve yıpranmadan kaynaklanan arıza ve hasarları kapsamamaktadır. Şikayet durumunda, Elektrikli El Aleti, sökülmemiş bir şekilde, bu kullanım kılavuzunun sonunda bulunan GARANTİ BELGESİYLE birlikte bir Hitachi yetkili servis merkezine gönderilmelidir.

NOT

HITACHI'nin süregelen araştırma ve geliştirme programına bağlı olarak burada belirtilen teknik özelliklerde önceden bildirimde bulunulmadan değişiklik yapılabilir.

Bu ürün, elektrikli ve elektronik eşyalarda bazı tehlikeli maddelerin kullanımının sınırlandırılmasına dair yönetmeliğin şartlarına uygundur.

Havadan yayılan gürültü ve titreşimle ilgili bilgiler
Ölçülen değerlerin EN50144'e uygun olduğu tespit edilmiştir.

Tipik A ağırlıklı ses basınç seviyesi: 90 dB (A)

Tipik A ağırlıklı ses gücü seviyesi: 103 dB (A)

Kulak koruyucusu kullanın.

Tipik ağırlıklı ortalama karekök ivme değeri, 2,5 m/s² değerini aşmaz.

● 230 V~ nominal voltajlık güç kaynağı sistemi hakkında bilgi (sadece G18MR, G23MR için)

Olumsuz ana şebeke koşullarında, bu alette *geçiş voltaj düşüşleri* veya voltaj dalgalanmaları olabilir.

Bu alet, kullanıcının kaynağının arabirim noktasında (güç servis kutusu) maksimum izin verilen sistem empedansı Z_{MAX} , 0,23 Ohm olan bir güç kaynağı sistemine bağlantı içindir.

Kullanıcının bu aletin sadece yukarıdaki gerekleri karşılayan bir güç kaynağı sistemine bağlandığından emin olması gerekir. Gerekirse, kullanıcı arabirim noktasındaki sistem empedansını elektrik şirketinden öğrenebilir.

ОБЩИЕ ПРАВИЛА БЕЗОПАСНОСТИ ПРИ РАБОТЕ С ЭЛЕКТРОИНСТРУМЕНТОМ

⚠ ПРЕДУПРЕЖДЕНИЕ

Прочтите все правила безопасности и инструкции.

Не выполнение правил и инструкций может привести к поражению электрическим током, пожару и/или серьезной травме.

Сохраняйте все правила и инструкции на будущее.

Термин "электроинструмент" в контексте всех мер предосторожности относится к эксплуатируемому Вами электроинструменту с питанием от сетевой розетки (с сетевым шнуром) или электроинструменту с питанием от аккумуляторной батареи (беспроводному).

1) Безопасность на рабочем месте

a) Поддерживайте чистоту и хорошее освещение на рабочем месте.

Беспорядок и плохое освещение приводят к несчастным случаям.

b) Не используйте электроинструменты во взрывоопасных окружающих условиях, например, в непосредственной близости огнеопасных жидкостей, горючих газов или легковоспламеняющейся пыли.

Электроинструменты порождают искры, которые могут воспламенить пыль или испарения.

c) Держите детей и наблюдающих на безопасном расстоянии во время эксплуатации электроинструмента.

Отвлечение внимания может стать для Вас причиной потери управления.

2) Электробезопасность

a) Сетевые вилки электроинструментов должны соответствовать сетевой розетке.

Никогда не модифицируйте штепсельную вилку никоим образом.

Не используйте никакие адаптерные переходники с заземленными (замкнутыми на землю) электроинструментами.

Немодифицированные штепсельные вилки и соответствующие им сетевые розетки уменьшат опасность поражения электрическим током.

b) Не прикасайтесь телом к заземленным поверхностям, например, к трубопроводам, радиаторам, кухонным плитам и холодильникам.

Если Ваше тело соприкоснется с заземленными поверхностями, возрастет опасность поражения электрическим током.

c) Не подвергайте электроинструменты действию воды или влаги.

При попадании воды в электроинструмент возрастет опасность поражения электрическим током.

d) Правильно обращайтесь со шнуром. Никогда не переносите электроинструмент, взявшись за шнур, не тяните за шнур и не дергайте за шнур с целью отсоединения электроинструмента от сетевой розетки. Располагайте шнур подальше от источников тепла, нефтепродуктов, предметов с острыми кромками и движущихся деталей.

Поврежденные или запутанные шнуры увеличивают опасность поражения электрическим током.

e) При эксплуатации электроинструмента вне помещений, используйте удлинительный шнур, предназначенный для использования вне помещений.

Использование шнура, предназначенного для работы вне помещений, уменьшит опасность поражения электрическим током.

f) При эксплуатации электроинструмента во влажной среде, используйте устройство защитного отключения (RCD) источника питания.

Использование RCD уменьшит опасность поражения электрическим током.

3) Личная безопасность

a) Будьте готовы к неожиданным ситуациям, внимательно следите за своими действиями и руководствуйтесь здравым смыслом при эксплуатации электроинструмента.

Не используйте электроинструмент, когда Вы устали или находитесь под влиянием наркотиков, алкоголя или лекарственных препаратов.

Мгновенная потеря внимания во время эксплуатации электроинструментов может привести к серьезной травме.

b) Используйте индивидуальные средства защиты.

Всегда надевайте средства защиты глаз. Защитное снаряжение, например, противопылевой респиратор, защитная обувь с нескользкой подошвой, защитный шлем-каска или средства защиты органов слуха, используемые для соответствующих условий, уменьшат травмы.

c) Избегайте непреднамеренного включения двигателя. Убедитесь в том, что выключатель находится в положении выключения перед подниманием, переноской или подсоединением к сетевой розетке и/или портативному батарейному источнику питания.

Переноска электроинструментов, когда Вы палец держите на выключателе, или подсоединение электроинструментов к сетевой розетке, когда выключатель будет находиться в положении включения, приводит к несчастным случаям.

d) Снимите все регулировочные или гаечные ключи перед включением электроинструмента.

Гаечный или регулировочный ключ, оставленный прикрепленным к вращающейся детали электроинструмента, может привести к получению травмы.

e) Не теряйте устойчивости. Все время имейте точку опоры и сохраняйте равновесие.

Это поможет лучше управлять электроинструментом в непредвиденных ситуациях.

f) Одевайтесь надлежащим образом. Не надевайте просторную одежду или ювелирные изделия. Держите волосы, одежду и перчатки как можно дальше от движущихся частей.

Просторная одежда, ювелирные изделия или длинные волосы могут попасть в движущиеся части.

g) Если предусмотрены устройства для присоединения приспособлений для отвода и сбора пыли, убедитесь в том, что они присоединены и используются надлежащим образом.

Использование данных устройств может уменьшить опасности, связанные с пылью.

4) Эксплуатация и обслуживание электроинструментов

a) Не перегружайте электроинструмент. Используйте надлежащий для Вашего применения электроинструмент.

Надлежащий электроинструмент будет выполнять работу лучше и надежнее в том режиме работы, на который он рассчитан.

- b) Не используйте электроинструмент с неисправным выключателем, если с его помощью нельзя будет выключить и выключить инструмент.

Каждый электроинструмент, которым нельзя управлять с помощью выключателя, будет представлять опасность, и его будет необходимо отремонтировать.

- c) Отсоедините штепсельную вилку от источника питания и/или портативный батарейный источник питания от электроинструмента перед началом выполнения какой-либо из регулировок, перед сменой принадлежностей или хранением электроинструментов.

Такие профилактические меры безопасности уменьшат опасность непреднамеренного включения двигателя электроинструмента.

- d) Храните неиспользуемые электроинструменты в недоступном для детей месте, и не разрешайте людям, не знающим как обращаться с электроинструментом или не изучившим данное руководство, работать с электроинструментом.

Электроинструменты представляют опасность в руках неподготовленных пользователей.

- e) Содержите электроинструменты в исправности. Проверьте, нет ли несоосности или заедания движущихся частей, повреждения деталей или какого-либо другого обстоятельства, которое может повлиять на функционирование электроинструментов.

При наличии повреждения отремонтируйте электроинструмент перед его эксплуатацией.

Большое количество несчастных случаев связано с плохим обслуживанием электроинструментов.

- f) Содержите режущие инструменты остро заточенными и чистыми.

Надлежащим образом содержащиеся в исправности режущие инструменты с острыми режущими кромками будут меньше заедать и будут легче в управлении.

- g) Используйте электроинструмент, принадлежности, насадки и т.п. в соответствии с данным руководством, принимая во внимание условия и объем выполняемой работы.

Использование электроинструмента для выполнения работ не по прямому назначению может привести к опасной ситуации.

5) Обслуживание

- a) Обслуживание Вашего электроинструмента должно выполняться квалифицированным представителем ремонтной службы с использованием только идентичных запасных частей.

Это обеспечит сохранность и безопасность электроинструмента.

МЕРА ПРЕДОСТОРОЖНОСТИ

Держите подальше от детей и немощных людей. Если инструменты не используются, их следует хранить в недоступном для детей и немощных людей месте.

ОБЩИЕ ПРЕДУПРЕЖДЕНИЯ ОБ ОСТОРОЖНОСТИ ДЛЯ ПРОВЕДЕНИЯ ШЛИФОВАЛЬНЫХ РАБОТ ИЛИ ОТРЕЗАНИЯ

- a) Этот электроприбор предназначен для шлифовальных работ или отрезания. Прочтите все предупреждения об осторожности, инструкции, иллюстрации и спецификации, которые предоставлены в комплекте с этим электроприбором.

Несоблюдение всех инструкций, перечисленных ниже, может привести к поражению электрическим током, пожару и/или серьезной травме.

- b) Этот электроприбором не рекомендуются производить такие работы как обработка пескоструйкой, очистка проволочной щёткой или полировка.

Работы, для которых этот электроприбор не предназначен, могут создать опасную ситуацию и привести к несчастному случаю.

- c) Не используйте принадлежности, которые не предназначены конкретно для заданной цели или, которые не рекомендуются производителем прибора.

Если принадлежность можно установить на ваш электроприбор, то это ещё не значит, что она обеспечит безопасную работу.

- d) Номинальная скорость принадлежности должна быть, по крайней мере, равной максимальной скорости указанной на электроприборе.

Принадлежности, используемые в работе при высшей скорости, чем их номинальная скорость, могут сломаться и развалиться на части.

- e) Внешний диаметр и толщина вашей принадлежности должны быть в пределах проектной мощности вашего электроприбора.

Неверно подобранные по размеру принадлежности не могут быть защищены или контролируемые соответствующим образом.

- f) Размер отверстия кругов, фланцев, прижимных подкладок или любой другой принадлежности должен полностью соответствовать шпинделю электроприбора.

Принадлежности, размер отверстия которых не совпадает с устанавливаемым изделием электроприбора, разбалансируется, будет сильно вибрировать и может стать причиной потери контроля над ним.

- g) Не используйте поврежденную принадлежность. Перед каждым использованием, проверяйте принадлежность: шлифовальные круги на наличие отбитых кусков и трещин, прижимные подкладки на наличие трещин, разрывов или изношенность, проволочные щётки на выпадение или поломку проводки.

В случае падения электроприбора или принадлежности, проверьте на наличие повреждения или установите неповрежденную принадлежность. После проверки и установки принадлежности, направьте вращающуюся принадлежность в сторону от себя и стоящих вблизи вас и включите электроприбор на максимальную скорость без нагрузки на одну минуту.

Во время такой проверки, поврежденные принадлежности обычно разбиваются.

- h) Наденьте средства индивидуальной защиты. В зависимости от вида работы, используйте щиток-маску, защитные или предохранительные очки. При необходимости, наденьте респиратор, средства защиты слуха, перчатки и рабочий фартук, защищающий от попадания фрагментов или деталей материала.

Средства защиты глаз должны защищать глаза от попадания летящих обрезков, которые возникают

при выполнении различных видов работ. Лицевая маска или респиратор должны отфильтровывать частицы пыли, которые образуются во время работы. Длительное влияние сильного шума может вызвать потерю слуха.

- i) **Наблюдатели должны находиться на безопасном расстоянии от рабочего места. Любой, кто заходит на территорию рабочего места, должен надеть средства индивидуальной защиты.**

Фрагменты материала или сломанной принадлежности могут отлететь и нанести травму в непосредственной близости от рабочего места.

- j) **Во время работы, держите электроприбор только за изолированные поверхности, если существует риск, что режущие принадлежности могут соприкоснуться со скрытым проводом или проводом самого электроприбора.**

Если режущие принадлежности соприкоснутся с «живым» проводом, тогда ток пройдёт через «незащищённые» металлические части электроприбора и ударит работника.

- k) **Расположите провод подальше от вращающихся принадлежностей.**

В случае потери вами контроля, электропровод может быть перерезан или ободран, а ваша рука может попасть во вращающуюся принадлежность.

- l) **Никогда не кладите электроприбор до тех пор, пока принадлежность остановится полностью. Вращающаяся принадлежность может зацепиться за поверхность и оттолкнуть электроприбор от вас.**

- m) **Не включайте электроприбор, если вы держите его близко к себе.**

При случайном соприкосновении с вращающейся принадлежностью, она может зацепиться за вашу одежду и притянуть прибор к вашему телу.

- n) **Регулярно прочищайте выпускные воздушные отверстия электроприбора.**

Вентилятор мотора всасывает пыль в корпус, а чрезмерное накопление металлической пыли может вызвать опасность поражения электрическим током.

- o) **Не включайте электроприбор вблизи легковоспламеняющихся материалов.**

Искры могут воспламенить эти материалы.

- p) **Не используйте принадлежности, которые необходимо охлаждать при помощи жидкого охладителя.**

Использование воды или другой охлаждающей жидкости может привести к электрооглушению или поражению электрическим током.

ОТДАЧА И ДРУГИЕ ПОХОЖИЕ ПРЕДУПРЕЖДЕНИЯ

Отдача - это внезапная реакция на защемление или остановку вращающегося круга, опорной прокладки, щётки или иного другого приспособления. Защемление или остановка вызывают резкое глушение вращающегося приспособления, которое в свою очередь приводит к тому, что неконтролируемый электроинструмент с силой отшвыривает в сторону, противоположную вращению приспособления в точке зажима.

К примеру, если изделие защемило или остановило шлифовальный круг, то край круга, который входит в зону защемления может врезаться в поверхность данного материала, что приведёт к тому, что круг выбросит

вверх или вышвырнет. Круг может либо подпрыгнуть по направлению к оператору либо в сторону от него, в зависимости от направления движения круга в точке защемления. Шлифовальные круги также могут сломаться при таких условиях.

Отдача - это результат неправильного использования электроинструмента и/или несоблюдения техники эксплуатации или рабочего режима, который можно избежать, соблюдая соответствующие меры предосторожности, представленные ниже.

- a) **Крепко держите электроинструмент и займите такое положение, при котором ваше тело и рука смогут оказать сопротивление силе отдачи. Всегда пользуйтесь вспомогательной ручкой, если такая имеется, для максимального контроля над отдачей или реакцией от крутящего момента во время запуска.**

Оператор может контролировать реакции от крутящего момента или силу отдачи, если предприняты соответствующие меры предосторожности.

- b) **Никогда не держите руку вблизи вращающегося приспособления.**

Это приспособление может быть отброшено на вашу руку.

- c) **Не стойте в зоне, куда, в случае отдачи, может отбросить электроинструмент.**

Отдача может отбросить инструмент по направлению, противоположному вращению круга в точке остановки.

- d) **Будьте особо внимательны при работе с углами, острыми краями и т. д.. Избегайте тряски и остановки приспособления.**

Углы, острые края или тряска обычно могут привести к заземлению вращающегося приспособления и вызвать потерю контроля или отдачу.

- e) **Не одевайте пильную цепь для резбы по дереву или зубчатое режущее полотно.**

Такие полотна часто приводят к отдаче и потере контроля.

ОСОБЫЕ МЕРЫ ПРЕДОСТОРОЖНОСТИ ДЛЯ РЕЖУЩИХ РАБОТ И АБРАЗИВНОЙ ОТРЕЗКИ

- a) **Используйте только тот вид кругов, который рекомендован для вашего электроинструмента, а также специфическое защитное приспособление, спроектированное для выбранного круга.**

Круги, которые не соответствуют данному электроинструменту, не могут быть защищены соответствующим образом, и они небезопасны.

- b) **Защитное приспособление должно быть надёжно прикреплено к электроинструменту и установлено таким образом, чтобы достичь максимальной безопасности, с тем, чтобы наименьшая часть круга была обращена к оператору.**

Защитное приспособление помогает защитить оператора от фрагментов сломанного круга и случайного соприкосновения с кругом.

- c) **Круги должны использоваться только согласно рекомендованным работам. К примеру: не шлифуйте стороной отрезного круга.**

Абразивные отрезные круги предназначены для периферийного шлифования, боковые силы, прилагаемые к этим кругам, могут вызвать их разрушение.

- d) **Всегда пользуйтесь неповреждёнными фланцами крепления круга соответствующего размера и формы для выбранного вами круга.** Соответствующие фланцы кругов поддерживают круг и таким образом уменьшают вероятность поломки круга. Фланцы для отрезных кругов могут отличаться от фланцев шлифовальных кругов.
- e) **Не используйте использованные круги с больших электроинструментов.** Круг, предназначенный для большего электроинструмента, не подходит для больших скоростей меньшего инструмента и может сломаться.

- d) **Не продолжайте резку, если круг инструмента находится внутри обрабатываемой детали.** Сначала круг должен набрать полную скорость и тогда его можно осторожно повторно ввести в надрез.
Круг может застрять, вырваться или отскочить, если электроинструмент повторно запускается, когда круг находится в обрабатываемой детали.

МЕРЫ ПРЕДОСТОРОЖНОСТИ ПРИ ЭКСПЛУАТАЦИИ ШЛИФОВАЛЬНОЙ МАШИНЫ

1. Никогда не используйте такие электрические инструменты без защитных приспособлений шлифовального круга.
2. Проверьте, что скорость, указанная на шлифовальном круге равна или превышает номинальную скорость шлифовальной машины. Используйте только шлифовальные круги с утопленным центром, рассчитанные на скорость 80 м/с или более.
3. Проверьте и убедитесь в том, что размеры шлифовального круга совместимы с размерами шлифовальной машины, и шлифовальный круг соответствует шпинделю.
4. Абразивные шлифовальные круги необходимо хранить и использовать осторожно, в соответствии с инструкциями предприятия-изготовителя.
5. Перед использованием внимательно осмотрите шлифовальный круг с утопленным центром. Не используйте выщербленные, треснувшие изделия или же изделия, поврежденные каким-либо другим образом.
6. Всегда крепко удерживайте рукоятку корпуса и боковую рукоятку электрического инструмента. В противном случае, возникающая сила противодействия может привести к неточным и даже опасным действиям.
7. Не используйте отрезные круги для бокового шлифования.
8. Не используйте отдельные переходные втулки или насадки для того, чтобы приспособить абразивные шлифовальные круги с отверстиями большего диаметра.
9. Шлифовальный круг продолжает вращаться после выключения инструмента.

ДОПОЛНИТЕЛЬНЫЕ ОСОБЫЕ МЕРЫ ПРЕДОСТОРОЖНОСТИ ДЛЯ АБРАЗИВНОЙ ОТРЕЗКИ

- a) **Не "заклинивайте" отрезной круг и не давите на него слишком сильно. Не пытайтесь сделать слишком глубокий надрез.**
Чрезмерное напряжение на круг увеличивает нагрузку и подверженность к перекручиванию или блокировке круга в надрезе и к вероятности отдачи или поломке круга.
- b) **Не занимайте позицию на линии или позади вращающегося круга.**
Когда круг во время работы сдвигается в сторону от вашего тела, тогда вероятная отдача может выбросить вращающийся круг и электроинструмент прямо на вас.
- c) **Когда круг застрял или когда резка прерывается по какой-либо причине, выключите электроинструмент и держите его неподвижно, пока круг полностью остановится. Никогда не пытайтесь вынуть отрезной круг из надреза в то время, когда круг находится в движении, иначе может произойти отскок.**
Установите причину застревания круга и устраните её.

ТЕХНИЧЕСКИЕ ХАРАКТЕРИСТИКИ

Модель	G18MR	G18MRU	G23MR	G23MRU
Напряжение (по регионам)*1	(110В, 220В, 230В, 240В) √			
Потребляемая мощность*1	2400 Вт	2500 Вт	2400 Вт	2500 Вт
Число оборотов холостого хода	8500 мин. ⁻¹		6600 мин. ⁻¹	
Шлифовальный круг	Наружный диаметр	180 мм		230 мм
	Диаметр отверстия	22,23 мм		
	Окружная скорость	80 м/с ²		
Вес*2	5,4 kr			
Ограничитель пускового тока*3	Нет	Да	Нет	Да

*1 Проверьте паспортную табличку на изделии, так как она меняется в зависимости от региона.

*2 Вес: Только главный корпус

*3 Ограничитель пускового тока ограничивает пусковой ток до такого значения, при котором плавкий предохранитель (16 А, с задержкой срабатывания) не будет срабатывать.

СТАНДАРТНЫЕ АКСЕССУАРЫ

- (1) Гаечный ключ 1
 - (2) Боковая рукоятка 1
- Шлифовальные круги с утопленным центром не предусмотрены в качестве стандартных принадлежностей. Набор стандартных аксессуаров может быть без предупреждения изменён.

ОБЛАСТЬ ПРИМЕНЕНИЯ

- Удаление облоя на отливках, чистовая обработка различных видов изделий и отливок из стали, бронзы и алюминия.
- Шлифование сварных сечений или сечений, полученных резкой при помощи газового резака.
- Шлифование синтетических пластмасс, шифера, кирпича, мрамора и т.п.
- Резание синтетического бетона, камня, кирпича, мрамора и аналогичных материалов.

ПОДГОТОВКА К ЭКСПЛУАТАЦИИ

1. Источник электропитания

Проследите за тем, чтобы используемый источник электропитания соответствовал требованиям к источнику электропитания, указанным на типовой табличке изделия.

2. Переключатель "Вкл./ Выкл."

Убедитесь в том, что переключатель находится в положении "Выкл.". Если вы вставляете штепсель в розетку, а переключатель находится в положении "Вкл.", инструмент немедленно заработает, что может стать причиной серьёзной травмы.

3. Удлинитель

Когда рабочая площадка удалена от источника электропитания, пользуйтесь удлинителем. Удлинитель должен иметь требуемую площадь поперечного сечения и обеспечивать работу инструмента заданной мощности. Разматывайте удлинитель только на реально необходимую для данного конкретного применения длину.

4. Установка и регулировка защитного приспособления шлифовального круга

Защитное приспособление шлифовального круга является предохранительным устройством, для предотвращения получения травмы, которую можно получить во время работы обломком шлифовального круга с утопленным центром. Перед началом шлифования убедитесь в том, что защитное приспособление установлено и закреплено надлежащим образом.

[Установка и регулировка защитного приспособления шлифовального круга]

- Откройте рычаг и вставьте установочный штифт защитного приспособления шлифовального круга, выравнивая его по линии для совмещения с параллельными гранями основания сальниковой коробки.
- Затем поверните защитное приспособление шлифовального круга в нужное положение (для использования).
- Закройте рычаг и зафиксируйте его. Если возникнет необходимость, и когда она возникнет, выполните регулировку путем затягивания или ослабления винта.

- Если рычаг не будет плавно перемещаться, нанесите немного смазочного масла на скользящий участок между посадочной деталью и рычагом.

- Закрепите защитное приспособление шлифовального круга в положении, при котором выровнены параллельные грани установочных штифтов защитного приспособления шлифовального круга и основания сальниковой коробки (в положении, при котором вставляется защитное приспособление шлифовального круга), но не используйте его.

5. Убедитесь в том, что используемый шлифовальный круг с утопленным центром подходит по типу, и не имеет трещин и дефектов поверхности. Обязательно убедитесь также в том, что шлифовальный круг с утопленным центром установлен надлежащим образом и гайка крепления круга надежно затянута. Обратитесь к разделу "Шлифовальный круг с утопленным центром в сборе".

6. Проведение испытательного прогона

Перед использованием убедитесь в том, что абразивные изделия правильно установлены и затянуты, и опробуйте инструмент без нагрузки в течение 30 секунд в безопасном положении, немедленно выключите его при появлении большой вибрации или при обнаружении других неисправностей. Если такое состояние будет иметь место, проверьте машину для определения причины неисправности.

7. Проверьте механизм блокировки шпинделя

Перед включением электрического инструмента проверьте нажимную кнопку и убедитесь в том, что блокировка шпинделя освобождена, путем двух- или трехразового нажатия. (См. Рис. 1).

8. Прикрепление боковой рукоятки

Винтите боковую рукоятку в крышку редуктора.

ПРАКТИЧЕСКОЕ ПРИМЕНЕНИЕ ШЛИФОВАЛЬНОЙ МАШИНЫ

1. Нажатие

Для продления срока службы машины и обеспечения высококачественной чистовой обработки, важно избегать перегрузки, возникающей при слишком сильном нажатии на машину. В большинстве случаев применения, вес самой машины является достаточным для эффективного шлифования. Слишком сильное нажатие на машину может привести в результате к снижению скорости вращения, разрушению внутренней поверхности и перегрузке, которая может сократить срок службы машины.

2. Угол шлифования

Не прикладывайте всю поверхность шлифовального круга с утопленным центром к обрабатываемому материалу. Как показано на Рис. 3, машина должна удерживаться под углом 15° – 30° таким образом, чтобы наружная кромка шлифовального круга с утопленным центром соприкасалась с материалом под оптимальным углом.

3. Для предотвращения врезания нового шлифовального круга с утопленным центром в обрабатываемое изделие, первоначальное шлифование новым кругом должно выполняться таким образом, чтобы движение шлифовальной машины было направлено поперек обрабатываемого изделия в сторону оператора (Рис. 3 направление В). Когда передняя кромка шлифовального круга

с утопленным центром будет должным образом истерта, шлифование можно будет выполнять в любом направлении.

4. Операция включения

Положение выключателя ВКЛ:

Нажмите кнопку блокировки вперед, а затем нажмите рычаг выключателя.

* Для непрерывного использования, нажмите рычаг выключателя. Рычаг выключателя будет заблокирован нажатием кнопки блокировки вперед еще раз.

(*Возможны изменения в зависимости от площади.)

Положение выключателя ВЫКЛ:

Нажмите и отпустите рычаг выключателя.

Меры предосторожности непосредственно после окончания работы

5. После выключения машины не кладите его до тех пор, пока шлифовальный круг с утопленным центром полностью не остановится. Не считая того, что эта мера предосторожности поможет избежать несчастного случая с тяжелыми последствиями, она уменьшит количество пыли и мелкой шлифовальной стружки, которая может засосаться внутрь машины.

ОСТОРОЖНО

- Проверьте и убедитесь в том, что обрабатываемое изделие поддерживается надлежащим образом.
- Убедитесь в том, что вентиляционные отверстия очищены при работе в запыленных условиях. Если возникнет необходимость очистить инструмент от пыли, прежде всего, отсоедините его от сети питания (используйте неметаллические предметы) и постарайтесь не повредить внутренние части.
- Убедитесь в том, что искры, образующиеся в процессе работы, не являются источником опасности, например, не попадают на людей или не воспламеняют огнеопасные вещества.
- Всегда используйте средства защиты глаз и органов слуха. Другие индивидуальные средства защиты, например, противопылевой респиратор, перчатки, защитный шлем и фарук следует надевать при необходимости. В сомнительной ситуации наденьте средства защиты.
- Если машина не используется, она должно быть отключена от источника питания.

УСТАНОВКА И СНЯТИЕ ШЛИФОВАЛЬНОГО КРУГА С УТОПЛЕННЫМ ЦЕНТРОМ

ОСТОРОЖНО

Обязательно убедитесь в выключении машины и отсоединении патронного ответвительного штепселя от сетевой розетки для предотвращения несчастного случая с тяжелыми последствиями.

1. Установка (Рис. 1)

- (1) Поверните угловую шлифовальную машину верхней стороной вниз таким образом, чтобы шпindel был направлен вверх.
- (2) Установите шайбу шлифовального круга на шпindel.
- (3) Посадите выступающую часть шлифовального круга с утопленным центром или шлифовальный круг с алмазной кромкой на шайбу шлифовального круга.

- (4) Завинтите гайку крепления шлифовального круга на шпindel. (Для установки шлифовального круга с алмазной кромкой, используйте гайку крепления шлифовального круга выпуклой стороной к шлифовальному кругу с алмазной кромкой.)

- (5) Включите нажимную кнопку для того, чтобы предотвратить вращение шпинделя и затяните гайку крепления шлифовального круга при помощи прилагаемого гаечного ключа, как показано на Рис. 1.

2. Снятие

Выполните действия вышеописанной процедуры в обратном порядке.

ОСТОРОЖНО

- Убедитесь в том, что шлифовальный круг с утопленным центром установлен плотно.
- Перед включением электрического инструмента проверьте нажимную кнопку и убедитесь в том, что нажимная кнопка освобождена, путем двух- или трехразового нажатия.

ТЕХНИЧЕСКОЕ ОБСЛУЖИВАНИЕ И ПРОВЕРКА

1. Обследование шлифовального круга с утопленным центром

Убедитесь в том, что шлифовальный круг с утопленным центром не имеет трещин и дефектов поверхности.

2. Проверка установленных винтов

Регулярно проверяйте все установленные на инструменте винты, следите за тем, чтобы они были как следует затянуты. Немедленно затяните винт, который окажется ослабленным. Невыполнение этого правила грозит серьезной опасностью.

3. Обследование угольных щеток (Рис. 4)

В двигателе используются угольные щетки, которые постепенно изнашиваются.

Использование изношенных угольных щеток или щеток в состоянии близком к "пределу износа" может привести к неисправности двигателя. Если двигатель оснащен угольной щеткой автоматической остановки, он остановится автоматически.

В это время замените обе угольные щетки новыми щетками, которые имеют те же номера угольных щеток, как и показанные на рисунке. Кроме того, всегда содержите угольные щетки в чистоте и обязательно следите за тем, чтобы они могли свободно скользить в щеткодержателе.

4. Замена угольных щеток (Рис. 5)

(Снятие)

- (1) Ослабьте самонарезающий винт D4 удерживающий крышку щетки и снимите крышку щетки.
- (2) Используйте вспомогательный шестигранный гаечный ключ или маленькую отвертку для того, чтобы оттянуть вверх кромку пружины, которая удерживает угольную щетку. Передвиньте кромку пружины в направлении наружу от щеткодержателя.
- (3) Выньте конец щеточного канатика угольной щетки из клеммного отсека щеткодержателя, а затем выньте угольную щетку из щеткодержателя.

(Установка)

- (1) Вставьте конец щеточного канатика угольной щетки в клеммный отсек щеткодержателя.
- (2) Вставьте угольную щетку в щеткодержатель.
- (3) Используйте вспомогательный шестигранный гаечный ключ или маленькую отвертку для того, чтобы вернуть кромку пружины на верхнюю часть угольной щетки.
- (4) Установите заднюю крышку и затяните самонарезающий винт D4.

5. Техническое обслуживание двигателя

Обмотка двигателя - "сердце" электроинструмента. Проявляйте должное внимание, следя за тем, чтобы обмотка не была повреждена и/ или залита маслом или водой.

6. Порядок записей по техобслуживанию

A: пункт №

B: код №

C: количество применений

D: замечания

ОСТОРОЖНО

Ремонт, модификацию и осмотр механизированного инструмента фирмы Hitachi следует проводить в авторизованном сервисном центре Hitachi.

Этот перечень запасных частей пригодится при представлении его вместе с инструментом в авторизованный сервисный центр Hitachi с запросом на ремонт или прочее обслуживание.

При работе и обслуживании механизированных инструментов нужно соблюдать правила и стандарты безопасности, действующие в каждой данной стране.

ЗАМЕЧАНИЕ

Фирма HITACHI непрерывно работает над усовершенствованием своих изделий, поэтому мы сохраняем за собой право на внесение изменений в технические характеристики, упомянутые в данной инструкции по эксплуатации, без предупреждения об этом.

ГАРАНТИЯ

Мы гарантируем соответствие автоматических инструментов Hitachi нормативным/национальным положениям. Данная гарантия не распространяется на дефекты или ущерб, возникший вследствие неправильного использования или ненадлежащего обращения, а также нормального износа. В случае подачи жалобы отправляйте автоматический инструмент в неразобранном состоянии вместе с ГАРАНТИЙНЫМ СЕРТИФИКАТОМ, который находится в конце инструкции по обращению, в авторизованный центр обслуживания Hitachi.

ПРИМЕЧАНИЕ

На основании постоянных программ исследования и развития, HITACHI оставляют за собой право на изменение указанных здесь технических данных без предварительного уведомления.

Информация, касающаяся создаваемого шума и вибрации

Измеряемые величины были определены в соответствии с EN50144.

Типичный средневзвешенный уровень звукового давления: 90 дБ(А)

Типичный средневзвешенный уровень звуковой мощности: 103 дБ(А)

Надевайте наушники.

Величина типичного взвешенного среднеквадратического ускорения не превышает 2,5 м/с².

● Информация о системе электроснабжения с номинальным напряжением 230 В~ (только для G18MR, G23MR)

При неблагоприятном состоянии сети электроснабжения данный электроинструмент может стать причиной *кратковременных падений напряжения* или мешающих колебаний напряжения.

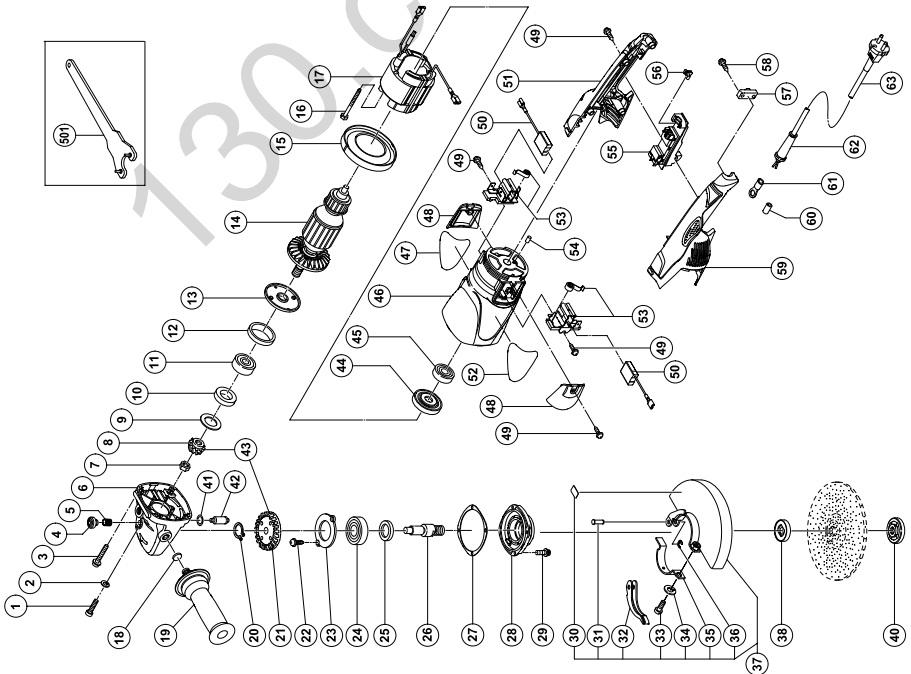
Данный электроинструмент предназначен для подсоединения к системе электроснабжения с максимальным допустимым полным сопротивлением системы Z_{max} , равным 0,23 Ом в точке подключения (распределительная коробка сети электроснабжения) к сети электроснабжения пользователя.

Пользователь должен обязательно убедиться в том, что данный электроинструмент будет подсоединен только к системе электроснабжения, которая удовлетворяет изложенным выше требованиям. В случае необходимости, пользователь может обратиться в компанию коммунального электроснабжения относительно полного сопротивления системы в точке подключения.

G18MR

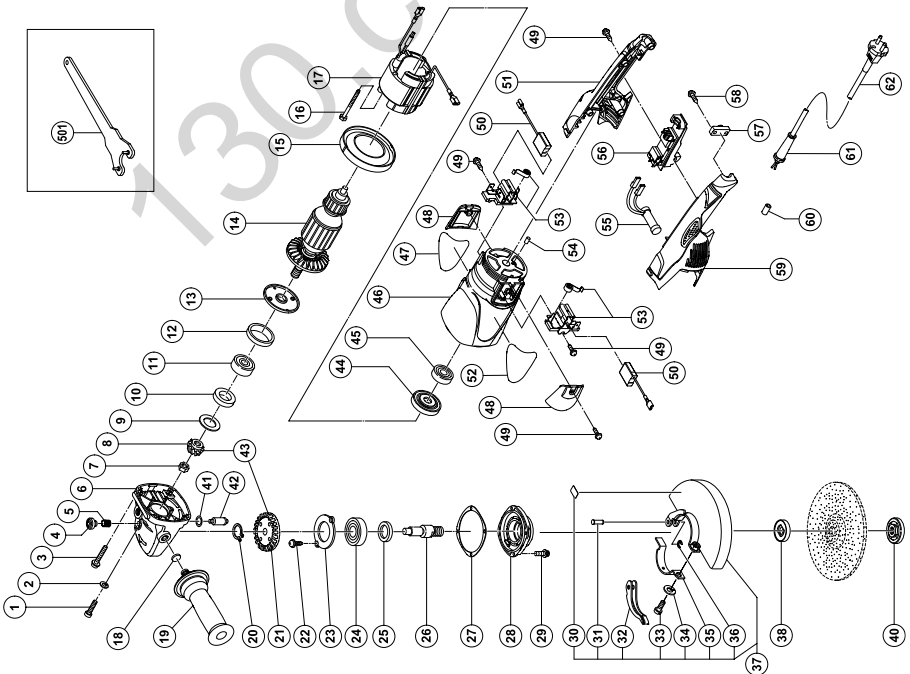
A	B	C	D
44	320-216	1	
45	620-0V	1	6200VVCMP2L
46	322-543	1	
47	322-547	2	
48	305-812	8	D4×16
49	999-061	1	
50	999-089	1	
51	322-546	1	
52	322-323	2	
53	946-362	1	
54	320-239	1	
55	320-238	1	
56	322-549	1	
57	960-266	1	D4×16
58	984-750	2	
59	322-545	1	
60	981-373	2	
61	930-804	2	
62	958-049	1	D8.2
62	940-778	1	D10.7
63	937913Z	1	
501	937913Z	1	

A	B	C	D
1	984-509	2	M5×14
2	949-454	2	M5
3	313-585	4	M5×30
4	306-888	1	
5	320-219	1	
6	322-544	1	"4, 5, 18, 41, 42"
7	320-226	1	M10
8	320-243	1	
9	320-221	1	
10	320-222	1	
11	630-1DD	1	6301DDC2MPS2L
12	994-208	1	
13	320-220	1	
14	360-594E	1	220V-230V
15	320-215	1	
16	984-271	2	D5×75
17	340-546E	1	220V-230V
18	937-033	1	
19	322-411	1	
20	939-542	1	
21	320-242	1	
22	949-236	2	
23	320-229	1	
24	630-2DD	1	6302DDC2MPS2L
25	990-852	1	
26	320-234	1	
27	320-228	1	
28	320-227	1	
29	994-192	4	M5×16
30	311-492	1	
31	321-546	1	
32	321-545	1	
33	306-887	1	M8×22
34	949-457	1	M8
35	321-544	1	
36	673-489	1	
37	321-543	1	"30-36"
38	937-907Z	1	
40	937-909Z	1	
41	320-218	1	
42	306-890	1	
43	320-241	1	



G18MRU

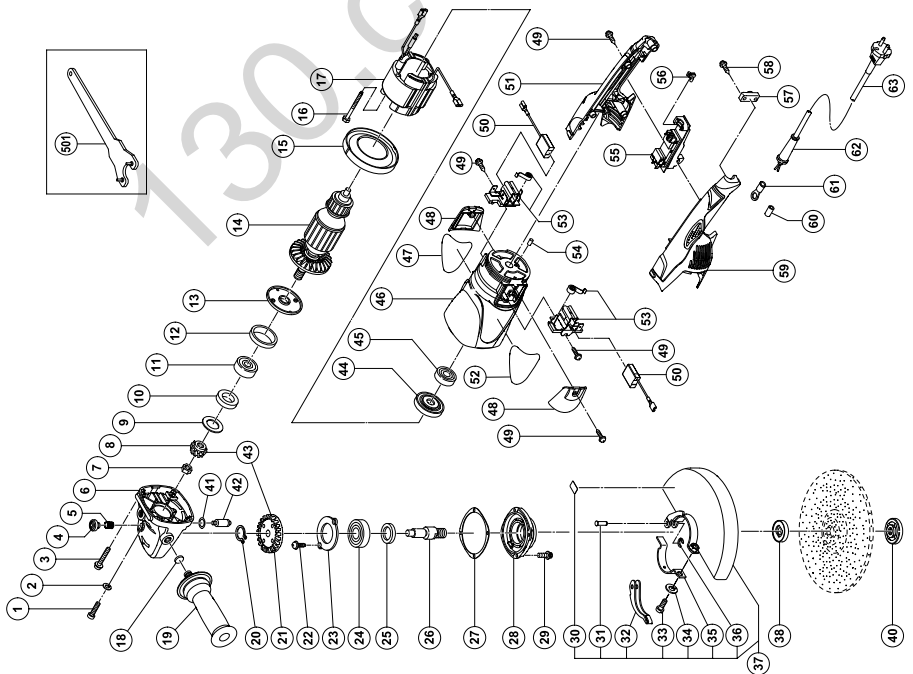
A	B	C	D
1	984-509	2	M5×14
2	949-454	2	M5
3	313-585	4	M5×30
4	306-888	1	
5	320-219	1	
6	322-544	1	"4, 5, 18, 41, 42"
7	320-226	1	M10
8	320-243	1	
9	320-221	1	
10	320-222	1	
11	630-1DD	1	6301DDC MPS2L
12	994-208	1	
13	320-220	1	
14	360-594E	1	220V-230V
15	320-215	1	
16	984-271	2	D5×75
17	340-546E	1	220V-230V
18	937-033	1	
19	322-411	1	
20	939-542	1	
21	320-242	1	
22	949-236	2	M5×10
23	320-229	1	
24	630-2DD	1	6302DDC MPS2L
25	990-852	1	
26	320-234	1	
27	320-228	1	
28	320-227	1	
29	994-192	4	M5×16
30	311-492	1	
31	321-546	1	
32	321-545	1	
33	306-887	1	M8×22
34	949-457	1	M8
35	321-544	1	
36	673-489	1	
37	321-543	1	"30-36"
38	937-907Z	1	
40	937-909P	1	
41	320-218	1	
42	306-890	1	
43	320-241	1	
44	320-216	1	
45	620-0VV	1	6200VVC MPS2L
46	322-543	1	
47	322-547	1	
48	305-812	8	D4×16
49	999-061	1	
50	999-089	1	
51	322-546	1	
52	322-323	2	
53	946-362	1	
54	320-236	1	
55	320-371	1	
56	320-235	1	
57	960-266	2	D4×16
58	984-750	2	
59	322-545	1	
60	981-373	2	
61	940-778	2	
62	937-913Z	1	
501	937-913Z	1	



G23MR

A	B	C	D
1	984-509	2	M5×14
2	949-454	2	M5
3	313-585	4	M5×30
4	306-888	1	
5	320-219	1	
6	322-544	1	"4, 5, 18, 41, 42"
7	320-226	1	M10
8	320-225	1	
9	320-221	1	
10	320-222	1	
11	630-1DD	1	6301DDC MPS2L
12	994-208	1	
13	320-220	1	
14	360-594E	1	220V-230V
15	320-215	1	
16	984-271	2	D5×75
17	340-546E	1	220V-230V
18	937-033	1	
19	322-411	1	
20	939-542	1	
21	320-224	1	
22	949-236	2	
23	320-229	1	M5×10
24	630-2DD	1	6302DDC MPS2L
25	990-852	1	
26	320-234	1	
27	320-228	1	
28	994-192	4	M5×16
29	321-546	1	
30	311-492	1	
31	321-545	1	
32	321-545	1	
33	306-887	1	M8×22
34	949-457	1	M8
35	321-544	1	
36	673-489	1	
37	321-547	1	"30-36"
38	937-907Z	1	

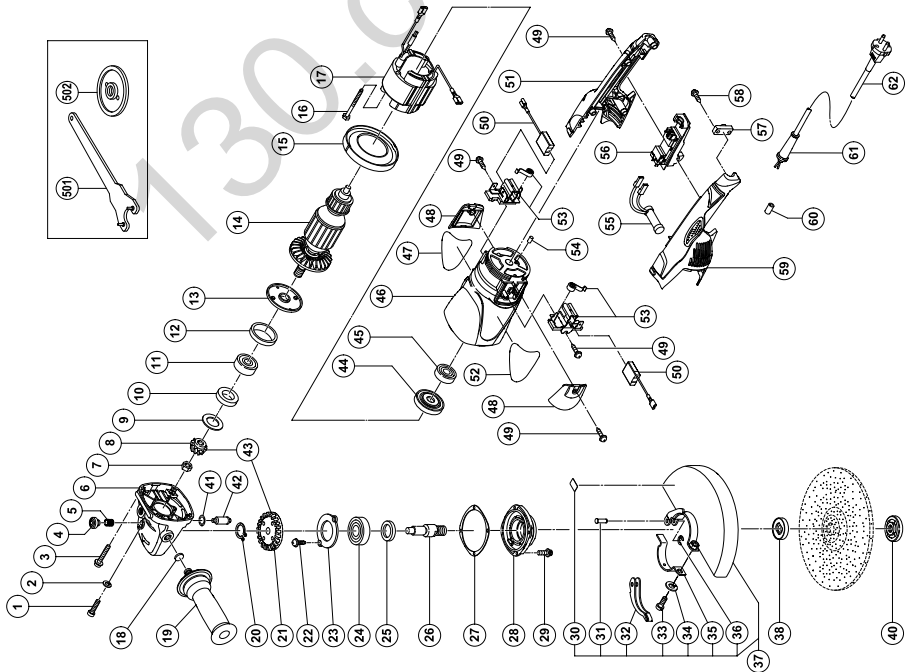
A	B	C	D
40	937-909Z	1	
41	320-218	1	
42	306-890	1	
43	320-223	1	
44	320-216	1	
45	620-0VV	1	6200VVC MPS2L
46	322-543	1	
47	_____	1	
48	322-547	2	
49	305-812	8	D4×16
50	999-061	1	
50	999-089	1	
51	322-546	1	
52	_____	1	
53	322-323	2	
54	946-362	1	
55	320-239	1	
55	320-238	1	
56	322-549	1	
57	960-266	1	
58	984-750	2	D4×16
59	322-545	1	
60	981-373	2	
61	930-804	2	
62	958-049	1	D8.2
62	940-778	1	D10.7
63	_____	1	
501	937-913Z	1	



G23MRU

A	B	C	D
38	937-907Z	1	
40	937-909Z	1	
41	320-218	1	
42	306-890	1	
43	320-223	1	
44	320-216	1	6200VVCMP5ZL
45	620-0VV	1	
46	322-543	1	
47		1	
48	322-547	2	
49	305-812	8	D4×16
50	999-061	1	
50	999-089	1	
51	322-546	1	
52		1	
53	322-323	2	
54	946-362	1	
55	320-236	1	
56	320-371	1	
56	320-235	1	
57	960-266	1	
58	984-750	2	D4×16
59	322-545	1	
60	981-373	2	
61	958-049	1	D8.2
61	940-778	1	D10.7
62		1	
501	937-913Z	1	

A	B	C	D
1	984-509	2	M5×14
2	949-454	2	M5
3	313-585	4	M5×30
4	306-888	1	
5	320-219	1	
6	322-544	1	"4, 5, 18, 41, 42"
7	320-226	1	M10
8	320-225	1	
9	320-221	1	
10	320-222	1	
11	630-1DD	1	6301DDCMP5ZL
12	994-208	1	
13	320-220	1	
14	360-594E	1	220V-230V
15	320-215	1	
16	984-271	2	D5×75
17	340-546E	1	220V-230V
18	937-033	1	
19	322-411	1	
20	939-542	1	
21	320-224	1	
22	949-236	2	
23	320-229	1	
24	630-2DD	1	6302DDCMP5ZL
25	990-852	1	
26	320-234	1	
27	320-228	1	
28	320-227	1	
29	994-192	4	M5×16
30	311-492	1	
31	321-546	1	
32	321-545	1	
33	306-887	1	M8×22
34	949-457	1	M8
35	321-544	1	
36	673-489	1	
37	321-547	1	"30-36"



<p>English</p> <p><u>GUARANTEE CERTIFICATE</u></p> <ol style="list-style-type: none"> ① Model No. ② Serial No. ③ Date of Purchase ④ Customer Name and Address ⑤ Dealer Name and Address (Please stamp dealer name and address) 	<p>Magyar</p> <p><u>GARANCIA BIZONYLAT</u></p> <ol style="list-style-type: none"> ① Típuszám ② Sorozatszám ③ A vásárlás dátuma ④ A Vásárló neve és címe ⑤ A Kereskedő neve és címe (Kérjük ide elhelyezni a Kereskedő nevének és címének pecsétjét)
<p>Deutsch</p> <p><u>GARANTIESCHEIN</u></p> <ol style="list-style-type: none"> ① Modell-Nr. ② Serien-Nr. ③ Kaufdatum ④ Name und Anschrift des Kunden ⑤ Name und Anschrift des Händlers (Bitte mit Namen und Anschrift des Handlers abstempeln) 	<p>Čeština</p> <p><u>ZÁRUČNÍ LIST</u></p> <ol style="list-style-type: none"> ① Model č. ② Série č. ③ Datum nákupu ④ Jméno a adresa zákazníka ⑤ Jméno a adresa prodejce (Prosíme o razítko se jménem a adresou prodejce)
<p>Ελληνικά</p> <p><u>ΠΙΣΤΟΠΟΙΗΤΙΚΟ ΕΓΓΥΗΣΗΣ</u></p> <ol style="list-style-type: none"> ① Αρ. Μοντέλου ② Αύξων Αρ. ③ Ημερομηνία αγοράς ④ Όνομα και διεύθυνση πελάτη ⑤ Όνομα και διεύθυνση μεταπωλητή (Παρακαλούμε να χρησιμοποιηθεί σφραγίδα) 	<p>Türkçe</p> <p><u>GARANTİ SERTİFİKASI</u></p> <ol style="list-style-type: none"> ① Model No. ② Seri No. ③ Satın Alma Tarihi ④ Müşteri Adı ve Adresi ⑤ Bayi Adı ve Adresi (Lütfen bayi adını ve adresini kaşe olarak basın)
<p>Polski</p> <p><u>GWARANCJA</u></p> <ol style="list-style-type: none"> ① Model ② Numer seryjny ③ Data zakupu ④ Nazwa klienta i adres ⑤ Nazwa dealera i adres (Pieczęć punktu sprzedaży) 	<p>Русский</p> <p><u>ГАРАНТИЙНЫЙ СЕРТИФИКАТ</u></p> <ol style="list-style-type: none"> ① Модель № ② Серийный № ③ Дата покупки ④ Название и адрес заказчика ⑤ Название и адрес дилера (Пожалуйста, внесите название и адрес дилера)



HITACHI

①	
②	
③	
④	
⑤	

130.com.ua



Hitachi Power Tools Österreich GmbH

Str. 7, Objekt 58/A6, Industriezentrum NÖ –Süd 2355
Wiener Neudorf, Austria
Tel: +43 2236 64673/5
Fax: +43 2236 63373

Hitachi Power Tools Hungary Kft.

1106 Bogancsvirag U.5-7, Budapest, Hungary
Tel: +36 1 2643433
Fax: +36 1 2643429
URL: <http://www.hitachi-powertools.hu>

Hitachi Power Tools Polska Sp.z o.o.

ul. Kleszczowa27
02-485 Warszawa, Poland
Tel: +48 22 863 33 78
Fax: +48 22 863 33 82
URL: <http://www.hitachi-elektronarzedzia.pl>

Hitachi Power Tools Czech s.r.o.



Videnska 102,619 00 Brno, Czech
Tel: +420 547 426 598
Fax: +420 547 426 599
URL: <http://www.hitachi-powertools.cz>

Hitachi Power Tools Netherlands B.V. Moscow Branch

Kashirskoye Shosse Dom 65, 4F
115583 Moscow, Russia
Tel: +7 495 727 4460 or 4462
Fax: +7 495 727 4461
URL: <http://www.hitachi-pt.ru>

Hitachi Power Tools Romania

Str Sf. Gheorghe nr 20-Ferma, Pantelimon, Jud. Ilfov
Tel: +031 805 25 77
Fax: +031 805 27 19

<p>English</p> <p>EC DECLARATION OF CONFORMITY</p> <p>We declare under our sole responsibility that this product is in conformity with standards or standardized documents EN60745, EN55014 and EN61000 in accordance with Council Directives 2004/108/EC and 98/37/EC. This product also complies with the essential requirements of 2006/42/EC to be applied from 29 December 2009 instead of 98/37/EC.</p> <p>The European Standards Manager at Hitachi Koki Europe Ltd. is authorized to compile the technical file.</p> <p>This declaration is applicable to the product affixed CE marking.</p>	<p>Magyar</p> <p>EU MEGFELELŐSÉGI NYILATKOZAT</p> <p>Teljes felelősségünk tudatában kijelentjük, hogy ez a termék megfelel az EN60745, EN55014, és EN 61000 szabványoknak illetve szabványosított dokumentumoknak, az Európa Tanács 2004/108/EC, és 98/37/EC Tanácsi Direktíváival összhangban. A termék ezen kívül a korábbi, 98/37/EC irányelv helyett már az új, 2006/42/EC irányelv követelményeinek felel meg, melyeket 2009. december 29.-től kell alkalmazni.</p> <p>Az Hitachi Koki Europe Ltd. Európai Szabványkezelője fel van hatalmazva a műszaki fájl elkészítésére.</p> <p>Jelen nyilatkozat a terméken feltüntetett CE jelzésre vonatkozik.</p>
<p>Deutsch</p> <p>ERKLÄRUNG ZUR KONFORMITÄT MIT CE-REGELN</p> <p>Wir erklären mit alleiniger Verantwortung, daß dieses Produkt den Standards oder standardisierten Dokumenten EN60745, EN55014 und EN61000 in Übereinstimmung mit den Direktiven des Europarats 2004/108/CE und 98/37/CE entspricht. Dieses Produkt entspricht auch den wesentlichen Anforderungen der Richtlinie 2006/42/CE, die ab 29. Dezember 2009 statt 98/37/CE in Kraft ist.</p> <p>Der Manager für europäische Standards bei der Hitachi Koki Europe Ltd. ist zum Verfassen der technischen Datei befugt.</p> <p>Diese Erklärung gilt für Produkte, die die CE-Markierung tragen.</p>	<p>Čeština</p> <p>PROHLÁŠENÍ O SHODĚ S CE</p> <p>Prohlašujeme na svoji zodpovědnost, že tento výrobek odpovídá normám EN60745, EN55014 a EN61000 v souladu se směrnicemi 2004/108/EC a 98/37/EC. Tento výrobek rovněž vyhovuje základním požadavkům 2006/42/EC platných od 29 prosince 2009 náhradou za 98/37/EC.</p> <p>Vedoucí pracovník pro Evropské normy v Hitachi Koki Europe Ltd. je oprávněný ke zpracování technického souboru.</p> <p>Toto prohlášení platí pro výrobek označený značkou CE.</p>
<p>Ελληνικά</p> <p>ΕΚ ΔΗΛΩΣΗ ΕΝΑΡΜΟΝΙΣΜΟΥ</p> <p>Δηλώνουμε με απόλυτη υπευθυνότητα ότι αυτό το προϊόν είναι εναρμονισμένο με τα πρότυπα ή τα έγγραφα προτύπων EN60745, EN55014 και EN61000 σε συμφωνία με τις Οδηγίες του Συμβουλίου 2004/108/ΕΚ και 98/37/ΕΚ. Αυτό το προϊόν επίσης ανταποκρίνεται στις θεμελιώδεις απαιτήσεις της οδηγίας 2006/42/ΕΚ προς εφαρμογή από 29 Δεκεμβρίου 2009 αντί της 98/37/ΕΚ.</p> <p>Ο υπεύθυνος για τα ευρωπαϊκά πρότυπα στην Hitachi Koki Europe Ltd. είναι εξουσιοδοτημένος να συντάσσει τον τεχνικό φάκελο.</p> <p>Αυτή η δήλωση ισχύει στο προϊόν με το σημάδι CE.</p>	<p>Türkçe</p> <p>AB UYGUNLUK BEYANI</p> <p>Bu ürünün, 2004/108/EC ve 98/37/EC sayılı Konsey Direktiflerine uygun olarak, EN60745, EN55014 ve EN61000 sayılı standartlara ve standartlaştırılmış belgelere uygun olduğunu, tamamen kendi sorumluluğumuz altında beyan ederiz. Bu ürün, 29 Eylül 2009'dan itibaren 98/37/EC Direktifinin yerine uygulanacak 2006/42/EC Direktifinin temel şartlarına da uymaktadır.</p> <p>Hitachi Koki Europe Ltd. Avrupa Standartlar Müdürlü, teknik dosyayı hazırlama yetkisine sahiptir.</p> <p>Bu beyan, üzerinde CE işareti bulunan ürünler için geçerlidir.</p>
<p>Polski</p> <p>DEKLARACJA ZGODNOŚCI Z EC</p> <p>Oznajmiamy z całkowitą odpowiedzialnością, że produkt ten pozostaje w zgodzie ze standardami lub standardową formą dokumentów EN60745, EN55014 i EN61000 w zgodzie z Zasadami Rady 2004/108/EC i 98/37/EC. Ten produkt spełnia także wymogi Dyrektywy 2006/42/EC, zamiast 98/37/EC, które wchodzi w życie z dniem 29 grudnia 2009 r.</p> <p>Menadžer Standardów Europejskich w firmie Hitachi Koki Europ Ltd. Jest upoważniony do kompiłowania pliku technicznego.</p> <p>To oświadczenie odnosi się do załączonego produktu z oznaczeniami CE.</p>	<p>Русский</p> <p>ДЕКЛАРАЦИЯ СООТВЕТСТВИЯ ЕС</p> <p>Мы с полной ответственностью заявляем, что данное изделие соответствует стандартам или стандартизованным документам EN60745, EN55014 и EN61000 согласно Директивам Совета 2004/108/EC и 98/37/EC. Этот продукт соответствует главным требованиям 2006/42/EC от 29 декабря 2009 г. вместо 98/37/EC.</p> <p>Менеджер отдела европейских стандартов качества компании Hitachi Koki Europe Ltd. имеет право составлять технический файл.</p> <p>Данная декларация относится к изделиям, на которых имеется маркировка CE.</p>
<p>Representative office in Europe Hitachi Power Tools Europe GmbH Siemensring 34, 47877 Willich 1, F. R. Germany</p> <p>Technical file at: Hitachi Koki Europe Ltd. Clonsaugh Business & Technology Park, Dublin 17, Ireland</p> <p>Head office in Japan Hitachi Koki Co., Ltd. Shinagawa Intercity Tower A, 15-1, Konan 2-chome, Minato-ku, Tokyo, Japan</p> <div style="text-align: right;">  <p>30. 10. 2009</p>  <p>K. Kato Board Director</p> </div>	

 **Hitachi Koki Co., Ltd.**

910

Code No. C99126193 E

Printed in Ireland

Autogoods "130"