



PHONES

0 (800) 800 130
(050) 462 0 130
(063) 462 0 130
(067) 462 0 130

130
COM.UA

Internet store of
autogoods



SKYPE

km-130

CAR RECEIVERS — Receivers • Media receivers and stations • Native receivers • CD/DVD changers • FM-modulators/USB adapters • Flash memory • Facia plates and adapters • Antennas • Accessories |
CAR AUDIO — Car audio speakers • Amplifiers • Subwoofers • Processors • Crossovers • Headphones • Accessories | TRIP COMPUTERS — Universal computers • Model computers • Accessories |
GPS NAVIGATORS — Portable GPS • Built-in GPS • GPS modules • GPS trackers • Antennas for GPS navigators • Accessories | VIDEO — DVR • TV sets and monitors • Car TV tuners • Cameras • Videomodules
• Transcoders • Car TV antennas • Accessories | SECURITY SYSTEMS — Car alarms • Bike alarms • Mechanical blockers • Immobilizers • Sensors • Accessories | OPTIC AND LIGHT — Xenon • Bixenon • Lamps
• LED • Stroboscopes • Optic and Headlights • Washers • Light, rain sensors • Accessories | PARKTRONICS AND MIRRORS — Rear parktronic • Front parktronic • Combined parktronic • Rear-view mirrors
• Accessories | HEATING AND COOLING — Seat heaters • Mirrors heaters • Screen-wipers heaters • Engine heaters • Auto-refrigerators • Air conditioning units • Accessories | TUNING — Vibro-isolation
• Noise-isolation • Tint films • Accessories | ACCESSORIES — Radar-detectors • Handsfree, Bluetooth • Windowlifters • Compressors • Beeps, loudspeakers • Measuring instruments • Cleaners • Car seats
• Miscellaneous | MOUNTING — Installation kits • Upholstery • Grilles • Tubes • Cable and wire • Tools • Miscellaneous | POWER — Batteries • Converters • Start-charging equipment • Capacitors
• Accessories | MARINE AUDIO AND ELECTRONICS — Marine receivers • Marine audio speakers • Marine subwoofers • Marine amplifiers • Accessories | CAR CARE PRODUCTS — Additives • Washer fluid •
Care accessories • Car polish • Flavors • Adhesives and sealants | LIQUID AND OIL — Motor oil • Transmission oil • Brake fluid • Antifreeze • Technical lubricant



In store "130" you can find and buy almost all necessary goods for your auto in Kyiv and other cities, delivery by ground and postal services. Our experienced consultants will provide you with exhaustive information and help you to chose the very particular thing. We are waiting for you at the address

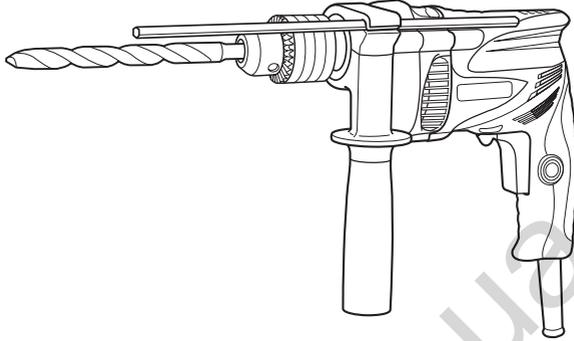
<https://130.com.ua>

HITACHI

Model
Modèle
Modelo

DV 13SS • DV 16SS
DV 13VSS • DV 16VSS

Hammer Drill
Perceuse percussion
Taladro de percusion



SAFETY INSTRUCTIONS AND INSTRUCTION MANUAL

WARNING

IMPROPER OR UNSAFE use of this power tool can result in death or serious bodily injury! This manual contains important information about product safety. Please read and understand this manual **BEFORE** operating the power tool. Please keep this manual available for other users and owners before they use the power tool. This manual should be stored in safe place.

INSTRUCTIONS DE SECURITE ET MODE D'EMPLOI

AVERTISSEMENT

Une utilisation **INCORRECTE OU DANGEREUSE** de cet outil motorisé peut entraîner la mort ou de sérieuses blessures corporelles ! Ce mode d'emploi contient d'importantes informations à propos de la sécurité de ce produit. Prière de lire et de comprendre ce mode d'emploi **AVANT** d'utiliser l'outil motorisé. Garder ce mode d'emploi à la disponibilité des autres utilisateurs et propriétaires avant qu'ils utilisent l'outil motorisé. Ce mode d'emploi doit être conservé dans un endroit sûr.

INSTRUCCIONES DE SEGURIDAD Y MANUAL DE INSTRUCCIONES

ADVERTENCIA

¡La utilización **INAPROPIADA O PELIGROSA** de esta herramienta eléctrica puede resultar en lesiones de gravedad o la muerte! Este manual contiene información importante sobre la seguridad del producto. Lea y comprenda este manual **ANTES** de utilizar la herramienta eléctrica. Guarde este manual para que puedan leerlo otras personas antes de utilizar la herramienta eléctrica. Este manual debe ser guardado en un lugar seguro.



DOUBLE INSULATION
DOUBLE ISOLATION
AISLAMIENTO DOBLE

CONTENTS

English	Page		Page
IMPORTANT SAFETY INSTRUCTIONS	3	ASSEMBLY AND OPERATION	8
MEANINGS OF SIGNAL WORDS	3	APPLICATIONS	8
SAFETY	3	PRIOR TO OPERATION	8
GENERAL POWER TOOL SAFETY WARNINGS	3	HOW TO USE	10
SPECIFIC SAFETY RULES AND SYMBOLS	4	MAINTENANCE AND INSPECTION	11
DOUBLE INSULATION FOR SAFER OPERATION	5	ACCESSORIES	12
FUNCTIONAL DESCRIPTION	7	STANDARD ACCESSORIES	12
NAME OF PARTS	7	OPTIONAL ACCESSORIES	12
SPECIFICATIONS	7	PARTS LIST	33

TABLE DES MATIERES

Français	Page		Page
CONSIGNES DE SÉCURITÉ IMPORTANTES	13	ASSEMBLAGE ET FONCTIONNEMENT	18
SIGNIFICATION DES MOTS D'AVERTISSEMENT	13	APPLICATIONS	18
SECURITE	13	AVANT L'UTILISATION	18
AVERTISSEMENTS DE SÉCURITÉ GÉNÉRAUX CONCERNANT LES OUTILS ÉLECTRIQUES ...	13	UTILISATION	20
REGLES DE SECURITE SPECIFIQUES ET SYMBOLES	15	ENTRETIEN ET INSPECTION	21
DOUBLE ISOLATION POUR UN FONCTIONNEMENT PLUS SUR	16	ACCESSOIRES	22
DESCRIPTION FONCTIONNELLE	17	ACCESSOIRES STANDARD	22
NOM DES PARTIES	17	ACCESSOIRES SUR OPTION	22
SPECIFICATIONS	17	LISTE DES PIECES	33

ÍNDICE

Español	Página		Página
INSTRUCCIONES IMPORTANTES SOBRE SEGURIDAD	23	MONTAJE Y OPERACIÓN	28
SIGNIFICADO DE LAS PALABRAS DE SEÑALIZACIÓN	23	APLICACIONES	28
SEGURIDAD	23	ANTES DE LA OPERACIÓN	28
ADVERTENCIAS DE SEGURIDAD GENERAL DE LA HERRAMIENTA ELÉCTRICA	23	COMO SE USA	30
NORMAS Y SÍMBOLOS ESPECIFICOS DE SEGURIDAD	25	MANTENIMIENTO E INSPECCIÓN	31
AISLAMIENTO DOBLE PARA OFRECER UNA OPERACIÓN MÁS SEGURA	26	ACCESORIOS	32
DESCRIPCIÓN FUNCIONAL	27	ACCESORIOS ESTÁNDAR	32
NOMENCLATURA	27	ACCESORIOS OPCIONALES	32
ESPECIFICACIONES	27	LISTA DE PIEZAS	33

IMPORTANT SAFETY INSTRUCTIONS

Read and understand all of the safety precautions, warnings and operating instructions in the Instruction Manual before operating or maintaining this power tool.

Most accidents that result from power tool operation and maintenance are caused by the failure to observe basic safety rules or precautions. An accident can often be avoided by recognizing a potentially hazardous situation before it occurs, and by observing appropriate safety procedures.

Basic safety precautions are outlined in the "SAFETY" section of this Instruction Manual and in the sections which contain the operation and maintenance instructions.

Hazards that must be avoided to prevent bodily injury or machine damage are identified by WARNINGS on the power tool and in this Instruction Manual.

NEVER use this power tool in a manner that has not been specifically recommended by HITACHI.

MEANINGS OF SIGNAL WORDS

WARNING indicates a potentially hazardous situations which, if ignored, could result in death or serious injury.

CAUTION indicates a potentially hazardous situations which, if not avoided, may result in minor or moderate injury, or may cause machine damage.

NOTE emphasizes essential information.

SAFETY

GENERAL POWER TOOL SAFETY WARNINGS

⚠ WARNING:

Read all safety warnings and all instructions.

Failure to follow the warnings and instructions may result in electric shock, fire and/or serious injury.

Save all warnings and instructions for future reference.

The term "power tool" in the warnings refers to your mains-operated (corded) power tool or battery-operated (cordless) power tool.

- 1) **Work area safety**
 - a) **Keep work area clean and well lit.**
Cluttered or dark areas invite accidents.
 - b) **Do not operate power tools in explosive atmospheres, such as in the presence of flammable liquids, gases or dust.**
Power tools create sparks which may ignite the dust or fumes.
 - c) **Keep children and bystanders away while operating a power tool.**
Distractions can cause you to lose control.
- 2) **Electrical safety**
 - a) **Power tool plugs must match the outlet. Never modify the plug in any way. Do not use any adapter plugs with earthed (grounded) power tools.**
Unmodified plugs and matching outlets will reduce risk of electric shock.
 - b) **Avoid body contact with earthed or grounded surfaces such as pipes, radiators, ranges and refrigerators.**
There is an increased risk of electric shock if your body is earthed or grounded.
- 3) **Personal safety**
 - a) **Stay alert, watch what you are doing and use common sense when operating a power tool. Do not use a power tool while you are tired or under the influence of drugs, alcohol or medication.**
 - c) **Do not expose power tools to rain or wet conditions.**
Water entering a power tool will increase the risk of electric shock.
 - d) **Do not abuse the cord. Never use the cord for carrying, pulling or unplugging the power tool. Keep cord away from heat, oil, sharp edges or moving parts.**
Damaged or entangled cords increase the risk of electric shock.
 - e) **When operating a power tool outdoors, use an extension cord suitable for outdoor use.**
Use of a cord suitable for outdoor use reduces the risk of electric shock.
 - f) **If operating a power tool in a damp location is unavoidable, use a residual current device (RCD) protected supply.**
Use of an RCD reduces the risk of electric shock.

A moment of inattention while operating power tools may result in serious personal injury.

- b) **Use personal protective equipment. Always wear eye protection.**
Protective equipment such as dust mask, non-skid safety shoes, hard hat, or hearing protection used for appropriate conditions will reduce personal injuries.
- c) **Prevent unintentional starting. Ensure the switch is in the off-position before connecting to power source and/or battery pack, picking up or carrying the tool.**
Carrying power tools with your finger on the switch or energising power tools that have the switch on invites accidents.
- d) **Remove any adjusting key or wrench before turning the power tool on.**
A wrench or a key left attached to a rotating part of the power tool may result in personal injury.
- e) **Do not overreach. Keep proper footing and balance at all times.**
This enables better control of the power tool in unexpected situations.
- f) **Dress properly. Do not wear loose clothing or jewellery. Keep your hair, clothing and gloves away from moving parts.**
Loose clothes, jewellery or long hair can be caught in moving parts.
- g) **If devices are provided for the connection of dust extraction and collection facilities, ensure these are connected and properly used.**
Use of dust collection can reduce dust-related hazards.
- 4) **Power tool use and care**
- a) **Do not force the power tool. Use the correct power tool for your application.**
The correct power tool will do the job better and safer at the rate for which it was designed.
- b) **Do not use the power tool if the switch does not turn it on and off.**
Any power tool that cannot be controlled with the switch is dangerous and must be repaired.
- c) **Disconnect the plug from the power source and/or the battery pack from the power tool before making any adjustments, changing accessories, or storing power tools.**
Such preventive safety measures reduce the risk of starting the power tool accidentally.
- d) **Store idle power tools out of the reach of children and do not allow persons unfamiliar with the power tool or these instructions to operate the power tool.**
Power tools are dangerous in the hands of untrained users.
- e) **Maintain power tools. Check for misalignment or binding of moving parts, breakage of parts and any other condition that may affect the power tool's operation.**

If damaged, have the power tool repaired before use.

Many accidents are caused by poorly maintained power tools.

- f) **Keep cutting tools sharp and clean.**
Properly maintained cutting tools with sharp cutting edges are less likely to bind and are easier to control.
- g) **Use the power tool, accessories and tool bits etc. in accordance with these instructions, taking into account the working conditions and the work to be performed.**
Use of the power tool for operations different from those intended could result in a hazardous situation.
- 5) **Service**
- a) **Have your power tool serviced by a qualified repair person using only identical replacement parts.**
This will ensure that the safety of the power tool is maintained.

SPECIFIC SAFETY RULES AND SYMBOLS

1. Wear ear protectors when impact drilling.



Exposure to noise can cause hearing loss.

2. **Use auxiliary handle(s), if supplied with the tool.**
Loss of control can cause personal injury.
3. **Hold power tool by insulated gripping surfaces, when performing an operation where the cutting accessory may contact hidden wiring or its own cord.** Cutting accessory contacting a "live" wire may make exposed metal parts of the power tool "live" and could give the operator an electric shock.
4. **NEVER** touch the tool bit with bare hands after operation.
5. **NEVER** wear gloves made of stuff liable to roll up such as cotton, wool, cloth or string, etc.
6. **ALWAYS** securely grip the Drill.
7. **NEVER touch moving parts.**
NEVER place your hands, fingers or other body parts near the tool's moving parts.
8. **NEVER operate without all guards in place.**
NEVER operate this tool without all guards or safety features in place and in proper working order. If maintenance or servicing requires the removal of a guard or safety feature, be sure to replace the guard or safety feature before resuming operation of the tool.
9. **Use right tool.**
Don't force small tool or attachment to do the job of a heavy-duty tool.
Don't use tool for purpose not intended — for example— don't use circular saw for cutting tree limbs or logs.

10. **NEVER use a power tool for applications other than those specified.**

NEVER use a power tool for applications other than those specified in the Instruction Manual.

11. **Handle tool correctly.**

Operate the tool according to the instructions provided herein. Do not drop or throw the tool. **NEVER** allow the tool to be operated by children, individuals unfamiliar with its operation or unauthorized personnel.

12. **Keep all screws, bolts and covers tightly in place.**

Keep all screws, bolts, and plates tightly mounted. Check their condition periodically.

13. **Do not use power tools if the plastic housing or handle is cracked.**

Cracks in the tool's housing or handle can lead to electric shock. Such tools should not be used until repaired.

14. **Blades and accessories must be securely mounted to the tool.**

Prevent potential injuries to yourself or others. Blades, cutting implements and accessories which have been mounted to the tool should be secure and tight.

15. **Keep motor air vent clean.**

The tool's motor air vent must be kept clean so that air can freely flow at all times. Check for dust build-up frequently.

16. **Operate power tools at the rated voltage.**

Operate the power tool at voltages specified on its nameplate.

If using the power tool at a higher voltage than the rated voltage, it will result in abnormally fast motor revolution and may damage the unit and the motor may burn out.

17. **NEVER use a tool which is defective or operating abnormally.**

If the tool appears to be operating unusually, making strange noises, or otherwise appears defective, stop using it immediately and arrange for repairs by a Hitachi authorized service center.

18. **NEVER leave tool running unattended. Turn power off.**

Don't leave tool until it comes to a complete stop.

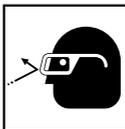
19. **Carefully handle power tools.**

Should a power tool be dropped or struck against hard materials inadvertently, it may be deformed, cracked, or damaged.

20. **Do not wipe plastic parts with solvent.**

Solvents such as gasoline, thinner benzine, carbon tetrachloride, and alcohol may damage and crack plastic parts. Do not wipe them with such solvents. Wipe plastic parts with a soft cloth lightly dampened with soapy water and dry thoroughly.

21. **ALWAYS** wear eye protection that meets the requirement of the latest revision of ANSI Standard Z87.1.



22. **ALWAYS** be careful with buried object such as an underground wiring.

Touching these active wiring or electric cable with this tool, you may receive an electric shock.

Confirm if there are any buried object such as electric cable within the wall, floor or ceiling where you are going to operate here after.

23. Definitions for symbols used on this tool

V volts

Hz hertz

A amperes

n_0 no load speed

W watt

 Class II Construction

---/min revolutions per minute

DOUBLE INSULATION FOR SAFER OPERATION

To ensure safer operation of this power tool, HITACHI has adopted a double insulation design. "Double insulation" means that two physically separated insulation systems have been used to insulate the electrically conductive materials connected to the power supply from the outer frame handled by the operator. Therefore, either the symbol "" or the words "Double insulation" appear on the power tool or on the nameplate.

Although this system has no external grounding, you must still follow the normal electrical safety precautions given in this Instruction Manual, including not using the power tool in wet environments.

To keep the double insulation system effective, follow these precautions:

- Only HITACHI AUTHORIZED SERVICE CENTER should disassemble or assemble this power tool, and only genuine HITACHI replacement parts should be installed.
- Clean the exterior of the power tool only with a soft cloth moistened with soapy water, and dry thoroughly. Never use solvents, gasoline or thinners on plastic components; otherwise the plastic may dissolve.

**SAVE THESE INSTRUCTIONS
AND
MAKE THEM AVAILABLE TO
OTHER USERS
AND
OWNERS OF THIS TOOL!**

130.com.ua

FUNCTIONAL DESCRIPTION

NOTE:

The information contained in this Instruction Manual is designed to assist you in the safe operation and maintenance of the power tool.

NEVER operate, or attempt any maintenance on the tool unless you have first read and understood all safety instructions contained in this manual.

Some illustrations in this Instruction Manual may show details or attachments that differ from those on your own power tool.

NAME OF PARTS

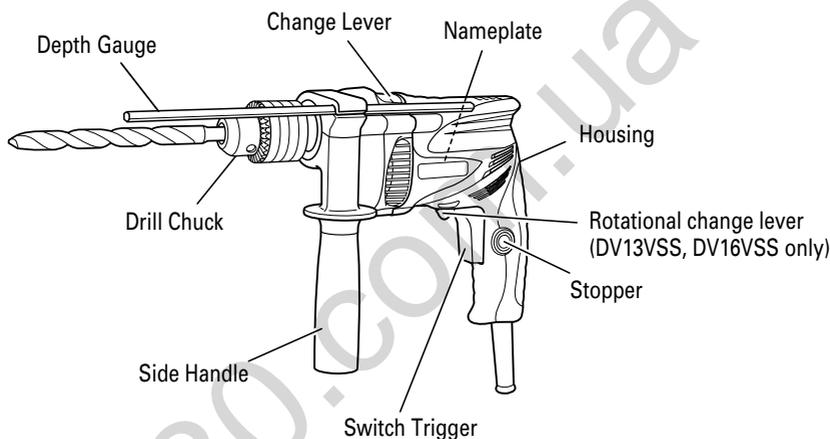


Fig. 1

SPECIFICATIONS

Model	DV13SS	DV13VSS	DV16SS	DV16VSS
Motor	Single Phase, Series Commutator Motor			
Power source	Single Phase 120V AC 60 Hz			
Current	4.9 A		5.4 A	
Reversible	None	Yes	None	Yes
No-load speed	2,900/min	0-2,900/min	2,900/min	0-2,900/min
Drill chuck capacity	1/2" (13mm)			
Capacity	Steel	1/2" (13mm)		
	Concrete	1/2" (13mm)		5/8" (16mm)
	Wood	25/32" (20mm)		1" (25mm)
Weight (Without Cord)	3.1 lbs (1.4 kg)		3.3 lbs (1.5 kg)	

ASSEMBLY AND OPERATION

APPLICATIONS

- By combined actions of ROTATION and IMPACT: Boring holes in hard surfaces (concrete, marble, granite, tiles, etc.)
- By ROTATIONAL action: Boring holes in metal, wood and plastic.

PRIOR TO OPERATION

1. Power source
Ensure that the power source to be utilized conforms to the power source requirements specified on the product nameplate.
2. Power switch
Ensure that the switch is in the OFF position. If the plug is connected to a receptacle while the switch is in the ON position, the power tool will start operating immediately and can cause serious injury.
3. Extension cord
When the work area is far away from the power source, use an extension cord of sufficient thickness and rated capacity. The extension cord should be kept as short as practicable.



⚠ WARNING:
Damaged cord must be replaced or repaired.

4. Check the receptacle
If the receptacle only loosely accepts the plug, the receptacle must be repaired. Contact a licensed electrician to make appropriate repairs. If such a faulty receptacle is used, it may cause overheating, resulting in a serious hazard.
5. Check your work environment
Confirm that the work site is placed under appropriate conditions conforming to prescribed precautions.
6. Side handle attachment
Attach the side handle to the mounting part. Rotate the side handle grip in a clockwise direction to secure it. Set the side handle to a position that is suited to the operation and then securely tighten the side handle grip.
7. Selecting the appropriate drill bit
 - When boring concrete or stone
Use the drill bits specified in the Optional Accessories.

- When boring metal or plastic
Use an ordinary metalworking drill bit.
 - When boring wood
Use an ordinary woodworking drill bit. However, when drilling 1/4" (6.5 mm) or smaller holes, use a metalworking drill bit.
8. Mounting and dismounting of the bit

For Drill chuck with chuck wrench (Fig. 2)

- (1) Open the chuck jaws, and insert the bit into the chuck.
- (2) Place the chuck wrench in each of the three holes in the chuck, and turn it in the clockwise direction (viewed from the front side). Tighten securely.
- (3) To remove the bit, place the chuck wrench into one of the holes in the chuck and turn it in the counterclockwise direction.

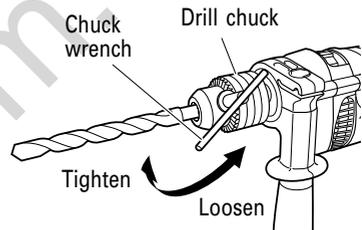


Fig. 2

For keyless chuck (Fig. 3)

- (1) Open the chuck jaws, and insert the bit into the chuck.
To open the chuck jaws, hold the retaining ring while turning the sleeve in the counterclockwise direction (viewed from the front side).
- (2) Firmly grasp the retaining ring and turn the sleeve in the clockwise direction. Tighten securely.
- (3) To remove the bit, firmly grasp the retaining ring and turn the sleeve in the counterclockwise direction.

NOTE:

When the sleeve does not become loose any further, fix the side handle to retaining ring, hold side handle firmly, then turn the sleeve to loosen by hand. (Fig. 4)

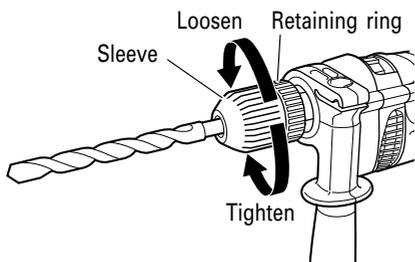


Fig. 3

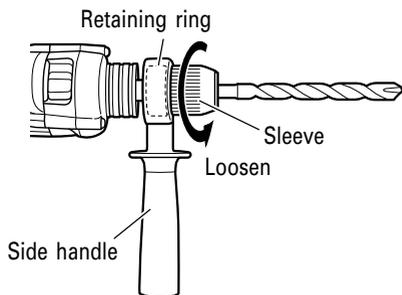


Fig. 4

9. Check the rotational direction (Fig. 4) (DV13VSS, DV16VSS only)

The bit rotates clockwise (viewed from the rear side) by turning the rotational change lever to R-mark.

The rotational change lever is returned to the L-mark to turn the bit counterclockwise.

(The (L) and (R) marks are provided on the body.)

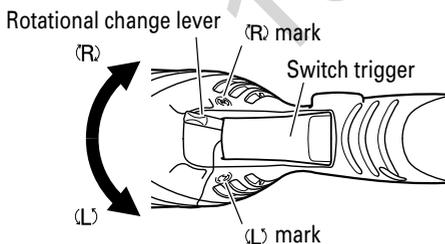


Fig. 5

⚠ CAUTION:

- Never change the direction of bit rotation while operating. Turn the power switch OFF before changing the direction of bit rotation: otherwise, burning of the motor will result.
- Always use the hammer drill with clockwise rotation, when using it as an hammer drill.

10. Fixing the side handle (Fig. 6)
Attach the side handle to the mounting part. Rotate the side handle grip in a clockwise direction to secure it.

Set the side handle to a position that is suited to the operation and then securely tighten the side handle grip.

To attach a depth gauge on the side handle, insert the gauge into the U-shaped groove on the side handle, adjust the position of the depth gauge in accordance with the desired depth of the hole, and firmly tighten the side handle grip. (Fig. 7)

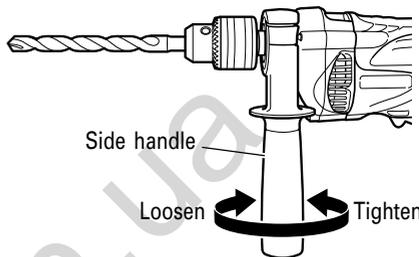


Fig. 6

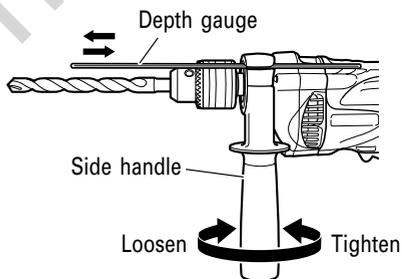


Fig. 7

11. IMPACT to ROTATION changeover (Fig. 8)
Shift the change lever between the right and left positions to switch easily between IMPACT (rotation and impact) and ROTATION (rotation only), respectively.

To bore holes in hard materials such as concrete, stone and tiles, shift the change lever to the right-hand position (as indicated by the **T** mark).

The drill bit operates by the combined actions of impact and rotation.

To bore holes in metal, wood and plastic, shift the change lever to the left-hand position (as indicated by the **L** mark). The drill bit operates by rotational action only, as in the case of a conventional electric drill.

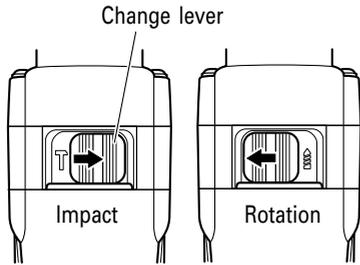


Fig. 8

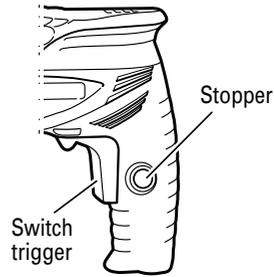


Fig. 9

- ⚠ CAUTION:**
- **Do not use the Hammer Drill in the IMPACT function if the material can be bored by rotation only. Such action will not only reduce drill efficiency, but may also damage the drill tip.**
 - **Operating the Hammer Drill with the change lever in mid-position may result in damage. When switching, make sure that you shift the change lever to the correct position.**

HOW TO USE

- ⚠ CAUTION:**
To prevent accidents, make sure to turn the switch off and disconnect the plug from the receptacle when the drill bits and other various parts are installed or removed. The power switch should also be turned off during a work break and after work.

1. Switch operation (Fig. 9)
 - When the trigger switch is depressed, the tool rotates. When the trigger is released, the tool stops.
 - Pulling the trigger and pushing the stopper, it keeps the switched-on condition which is convenient for continuous running. When switching off, the stopper can be disconnected by pulling the trigger again.
- < DV13VSS, DV16VSS only >
- The rotational speed of the drill can be controlled by varying the amount that the Trigger switch is pulled. Speed is low when the trigger switch is pulled slightly and increases as the trigger switch is pulled more.

2. When using as a Drill or a Hammer Drill
 - (1) Pressing force of the drill
You cannot drill holes more quickly even if you press the drill with a stronger force than necessary. It not only damages tip of drill bits and decreases the efficiency of operation, but also shortens the life of the drill.
 - (2) In case of penetrating holes
Drill bits can be broken when the material being drilled is penetrated. It is important to decrease pressing force just before penetrating.

- ⚠ CAUTION:**
In continuous operation, conduct no-load operation for five seconds after completing a drilling job.

- ⚠ WARNING:**
When a thick drill bit is used, your arm is subjected to larger reaction force. Be careful not to be moved by the reaction force. For this, establish a foothold, hold the unit tightly with both hands perpendicularly to the material being drilled.

MAINTENANCE AND INSPECTION

⚠ WARNING: Be sure to switch power OFF and disconnect the plug from the receptacle during maintenance and inspection.

1. Inspecting the drill bits
Since use of a dull tool will cause motor malfunctioning and degraded efficiency, replace the drill bit with a new one or resharpener without delay when abrasion is noted.
2. Inspecting the screws
Regularly inspect all screws and ensure that they are fully tightened. Should any of the screws be loosened, retighten them immediately.

⚠ WARNING: Using this hammer drill with loosened screws is extremely dangerous.

3. Keeping after use
When not in use, the Power tool should be kept in a dry place out of the reach of children.
4. Inspecting the carbon brushes
For your continued safety and electrical shock protection, carbon brush inspection and replacement on this tool should ONLY be performed by a HITACHI AUTHORIZED SERVICE CENTER.
5. Maintenance of the motor
The motor unit winding is the very "heart" of the power tool. Exercise due care to ensure the winding does not become damaged and/or wet with oil or water.
6. Service and repairs
All quality power tools will eventually require servicing or replacement of parts because of wear from normal use. To assure that only authorized replacement parts will be used, all service and repairs must be performed by a HITACHI AUTHORIZED SERVICE CENTER, ONLY.
7. Service parts list
A: Item No.
B: Code No.
C: No. Used
D: Remarks

⚠ CAUTION:

- **Repair, modification and inspection of Hitachi Power Tools must be carried out by a Hitachi Authorized Service Center.**
This Parts List will be helpful if presented with the tool to the Hitachi Authorized Service Center when requesting repair or other maintenance.
In the operation and maintenance of power tools, the safety regulations and standards prescribed in each country must be observed.

MODIFICATIONS:

Hitachi Power Tools are constantly being improved and modified to incorporate the latest technological advancements.

Accordingly, some parts (i.e. code numbers and/or design) may be changed without prior notice.

ACCESSORIES

⚠ WARNING: ALWAYS use Only authorized HITACHI replacement parts and accessories. NEVER use replacement parts or accessories which are not intended for use with this tool. Contact HITACHI if you are not sure whether it is safe to use a particular replacement part or accessory with your tool. The use of any other attachment or accessory can be dangerous and could cause injury or mechanical damage.

NOTE:

Accessories are subject to change without any obligation on the part of the HITACHI.

STANDARD ACCESSORIES

Model	Drill chuck specification	Standard accessories
DV13SS	Keyed chuck	None
DV13VSS	Keyed chuck	None
	Keyless chuck	(1) Case (Code No. 330702) 1 (2) Depth gauge (Code No. 310331) 1 (3) Side handle (Code No. 303659) 1
DV16SS	Keyed chuck	(1) Depth gauge (Code No. 310331) 1 (2) Side handle (Code No. 303659) 1
DV16VSS	Keyed chuck	(1) Depth gauge (Code No. 310331) 1 (2) Side handle (Code No. 303659) 1
	Keyless chuck	(1) Case (Code No. 330702) 1 (2) Depth gauge (Code No. 310331) 1 (3) Side handle (Code No. 303659) 1

OPTIONAL ACCESSORIES sold separately

- Drill bit for concrete and stone

Bit Dia.	Overall Length	Code No.	Bit Dia.	Overall Length	Code No.	Bit Dia.	Overall Length	Code No.
1/8" (3.2mm)	2-9/16" (65mm)	939875	5/16" (8mm)	4" (100mm)	931852	9/16" (14.3mm)	6-5/16" (160mm)	931776
3/16" (4.8mm)	3-3/8" (85mm)	939879	3/8" (10mm)	4-3/4" (120mm)	931854	5/8" (16mm)	6-5/16" (160mm)	931670
7/32" (5.5mm)	4" (100mm)	939882	15/32" (12mm)	4-3/4" (120mm)	971704			
1/4" (6.4mm)	4" (100mm)	939884	1/2" (13mm)	6-5/16" (160mm)	931855			

NOTE:

Specifications are subject to change without any obligation on the part of the HITACHI.

CONSIGNES DE SÉCURITÉ IMPORTANTES

Lire et comprendre toutes les précautions de sécurité, les avertissements et les instructions de fonctionnement dans ce mode d'emploi avant d'utiliser ou d'entretenir cet outil motorisé.

La plupart des accidents causés lors de l'utilisation ou de l'entretien de l'outil motorisé proviennent d'un non respect des règles ou précautions de base de sécurité. Un accident peut la plupart du temps être évité si l'on reconnaît une situation de danger potentiel avant qu'elle ne se produise, et en observant les procédures de sécurité appropriées.

Les précautions de base de sécurité sont mises en évidence dans la section "SECURITE" de ce mode d'emploi et dans les sections qui contiennent les instructions de fonctionnement et d'entretien.

Les dangers qui doivent être évités pour prévenir des blessures corporelles ou un endommagement de la machine sont identifiés par AVERTISSEMENTS sur l'outil motorisé et dans ce mode d'emploi.

NE JAMAIS utiliser cet outil motorisé d'une manière qui n'est pas spécifiquement recommandée par HITACHI.

SIGNIFICATION DES MOTS D'AVERTISSEMENT

AVERTISSEMENT indique des situations potentiellement dangereuses qui, si elles sont ignorées, pourraient entraîner la mort ou de sérieuses blessures.

PRECAUTION indique des situations dangereuses potentielles qui, si elles ne sont pas évitées, peuvent entraîner de mineures et légères blessures ou endommager la machine.

REMARQUE met en relief des informations essentielles.

SECURITE

AVERTISSEMENTS DE SÉCURITÉ GÉNÉRAUX CONCERNANT LES OUTILS ÉLECTRIQUES

⚠ AVERTISSEMENT :

Lire tous les avertissements de sécurité et les instructions

Tout manquement à observer ces avertissements et instructions peut engendrer des chocs électriques, des incendies et/ou des blessures graves.

Conservez tous les avertissements et toutes les instructions pour vous y référer ultérieurement.

Le terme "outil électrique", utilisé dans les avertissements, se réfère aux outils électriques (câblé) ou aux outils à piles (sans fil).

1) Sécurité de l'aire de travail

a) Maintenir l'aire de travail propre et bien éclairée.

Les endroits encombrés ou sombres sont propices aux accidents.

b) Ne pas utiliser d'outils électriques en présence de liquides, gaz ou poussière inflammables, au risque de provoquer une explosion.

Les outils électriques créent des étincelles susceptibles d'enflammer la poussière.

c) Ne pas laisser les enfants et les visiteurs s'approcher de vous lorsque vous utiliser un outil électrique.

Les distractions peuvent faire perdre le contrôle.

2) Sécurité électrique

a) Les prises de l'outil électrique doivent correspondre à la prise secteur.

Ne jamais modifier la prise.

Ne pas utiliser d'adaptateurs avec les outils électriques mis à la masse.

Les prises non modifiées et les prises secteurs correspondantes réduisent les risques de choc électrique.

b) Éviter tout contact avec les surfaces mises à la masse telles que les tuyaux, radiateurs, bandes et réfrigérateurs.

Le risque de choc électrique est accru en cas de mise à la masse du corps.

c) Ne pas exposer les outils électriques à la pluie ou à des conditions humides.

Si l'eau pénètre dans l'outil, cela augmente les risques de choc électrique.

d) Ne pas utiliser le cordon à tort. Ne jamais utiliser le cordon pour transporter ou débrancher l'outil électrique.

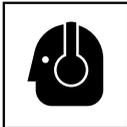
Maintenir le cordon loin de la chaleur, de l'huile, des bords pointus ou des pièces mobiles.

Les cordons endommagés ou usés augmentent les risques de choc électrique.

- e) **En cas d'utilisation d'un outil électrique à l'extérieur, utiliser un cordon de rallonge adapté à un usage extérieur.**
L'utilisation d'un cordon adapté à l'usage extérieur réduit les risques de choc électrique.
- f) **Si vous devez utiliser un outil électrique dans un endroit humide, utilisez une alimentation protégée contre les courants résiduels.**
L'utilisation d'un dispositif de protection contre les courants résiduels réduit le risque de choc électrique.
- 3) **Sécurité personnelle**
- a) **Restez alerte, regarder ce que vous faites et usez de votre bon sens en utilisant un outil électrique.**
Ne pas utiliser d'outil électrique si vous êtes sous l'influence de drogues, d'alcool ou de médicaments.
Pendant l'utilisation d'outils électrique, un instant d'inattention peut entraîner des blessures graves.
- b) **Utiliser un équipement de protection individuelle. Toujours porter des verres de protection.**
L'utilisation d'équipements de protection tels que les masques anti-poussière, les chaussures de sécurité anti-dérapantes, les casques ou les protections auditives dans des conditions appropriées réduisent les risques de blessures.
- c) **Empêcher les démarrages intempestifs. Veiller à ce que l'interrupteur soit en position d'arrêt avant de brancher à une source d'alimentation et/ou une batterie, de ramasser l'outil au sol ou de le transporter.**
Transporter les outils électriques avec le doigt sur l'interrupteur ou brancher les outils électriques avec l'interrupteur en position de marche peut entraîner des accidents.
- d) **Retirer toute clé de sécurité ou clé avant de mettre l'outil électrique en marche.**
Laisser une clé ou une clé de sécurité sur une partie mobile de l'outil électrique peut engendrer des blessures.
- e) **Ne pas trop se pencher. Toujours garder une bonne assise et un bon équilibre pendant le travail.**
Cela permet un meilleur contrôle de l'outil électrique dans des situations imprévisibles.
- f) **Porter des vêtements adéquats. Ne pas porter de vêtements amples ni de bijoux. Maintenir les cheveux, les vêtements et les gants loin des pièces mobiles.**
Les vêtements amples ou les cheveux longs peuvent se prendre dans les pièces mobiles.
- g) **En cas de dispositifs destinés au raccordement d'installations d'extraction et de recueil de la poussière, veiller à ce qu'ils soient correctement raccordés et utilisés.**
- L'utilisation d'un dispositif de collecte de la poussière peut réduire les dangers associés à la poussière.
- 4) **Utilisation et entretien d'un outil électrique**
- a) **Ne pas forcer sur l'outil électrique. Utiliser l'outil électrique adapté à vos travaux.**
Le bon outil électrique fera le travail mieux et en toute sécurité au régime pour lequel il a été conçu.
- b) **Ne pas utiliser l'outil électrique si l'interrupteur ne le met pas en position de marche et d'arrêt.**
Tout outil ne pouvant être contrôlé par l'interrupteur est dangereux et doit être réparé.
- c) **Débrancher la prise ou retirer la batterie avant de procéder à des réglages, au remplacement des accessoires ou au stockage des outils électriques.**
Ces mesures préventives de sécurité réduisent les risques de démarrage accidentel de l'outil électrique.
- d) **Stockez les outils électriques inutilisés hors de la portée des enfants et ne pas laisser des personnes non familiarisées avec l'outil ou ces instructions utiliser l'outil électrique.**
Les outils électriques sont dangereux entre les mains d'utilisateurs non habilités.
- e) **Entretien des outils électriques. Vérifier l'absence de mauvais alignement ou d'arrêt, d'endommagement de pièces ou toute autre condition susceptible d'affecter l'opération de l'outil.**
Si l'outil est endommagé, le faire réparer avant utilisation.
De nombreux accidents sont dus à des outils mal entretenus.
- f) **Maintenir les outils coupants aiguisés et propres.**
Des outils coupants bien entretenus avec des bords aiguisés sont moins susceptibles de se coincer et plus simples à contrôler.
- g) **Utiliser l'outil électrique, les accessoires et les mèches de l'outil, etc. conformément à ces instructions en tenant compte des conditions d'utilisation et du travail à réaliser.**
L'utilisation de l'outil électrique pour des opérations différentes de celles pour lesquelles il a été conçu est dangereuse.
- 5) **Service**
- a) **Faire entretenir l'outil électrique par un technicien habilité à l'aide de pièces de rechange identiques exclusivement.**
Cela garantira le maintien de la sécurité de l'outil électrique.

REGLES DE SECURITE SPECIFIQUES ET SYMBOLES

1. **Portez des protections auditives lorsque vous utilisez la perceuse percussion.**



L'exposition au bruit peut engendrer une perte de l'audition.

2. **Utilisez la ou les poignées auxiliaires si elles sont prévues avec l'outil.**

Toute perte de contrôle peut entraîner des blessures.

3. **Tenir l'outil électrique par les surfaces isolées permettant de l'agripper pour effectuer une opération où l'accessoire de coupe peut entrer en contact avec des fils électriques masqués ou son propre cordon.** Le contact d'un outil de coupe avec un fil "sous tension" risque de mettre les parties métalliques de l'outil "sous tension" d'électrocuter l'utilisateur.

4. **NE JAMAIS** toucher la mèche avec des mains nues après l'utilisation.

5. **NE JAMAIS** porter de gants faits d'une matière qui risque de s'enrouler, comme du coton, de la laine, de la toile ou de la ficelle, etc.

6. **TOUJOURS** tenir la perceuse fermement.

7. **NE JAMAIS** toucher les parties mobiles. **NE JAMAIS** placer ses mains, ses doigts ou toute autre partie de son corps près des parties mobiles de l'outil.

8. **NE JAMAIS** utiliser l'outil sans que tous les dispositifs de sécurité ne soient en place.

NE JAMAIS faire fonctionner cet outil sans que tous les dispositifs et caractéristiques de sécurité ne soient en place et en état de fonctionnement. Si un entretien ou une réparation nécessite le retrait d'un dispositif ou d'une caractéristique de sécurité, s'assurer de bien remettre en place le dispositif ou la caractéristique de sécurité avant de recommencer à utiliser l'outil.

9. **Utiliser l'outil correct.**

Ne pas forcer sur un petit outil ou accessoire pour faire le travail d'un outil de grande puissance.

Ne pas utiliser un outil pour un usage pour lequel il n'a pas été prévu : par exemple, ne pas utiliser une scie circulaire pour couper des branches d'arbre ou des bûches.

10. **NE JAMAIS** utiliser un outil motorisé pour des applications autres que celles spécifiées.

NE JAMAIS utiliser un outil motorisé pour des applications autres que celles spécifiées dans le mode d'emploi.

11. **Manipuler l'outil correctement.**

Utiliser l'outil de la façon indiquée dans ce mode d'emploi. Ne pas laisser tomber ou lancer l'outil.

NE JAMAIS permettre que l'outil soit utilisé par

des enfants, des personnes non familiarisées avec son fonctionnement ou un personnel non autorisé.

12. **Maintenir toutes les vis, tous les boulons et les couvercles fermement en place.**

Maintenir toutes les vis, tous les boulons et les couvercles fermement montés. Vérifier leurs conditions périodiquement.

13. **Ne pas utiliser les outils motorisés si le revêtement de plastique ou la poignée est fendu.**

Des fentes dans le revêtement ou la poignée peuvent entraîner une électrocution. De tels outils ne doivent pas être utilisés avant d'être réparé.

14. **Les lames et les accessoires doivent être fermement montés sur l'outil.**

Eviter les blessures potentielles personnelles et aux autres. Les lames, les instruments de coupe et les accessoires qui ont été montés sur l'outil doivent être fixés et serrés fermement.

15. **Garder propres les événements d'air du moteur.**

Les événements d'air du moteur doivent être maintenus propres de façon que l'air puisse circuler librement tout le temps. Vérifier les accumulations de poussière fréquemment.

16. **Utiliser l'outil motorisé à la tension nominale.**

Utiliser l'outil motorisé à la tension spécifiée sur sa plaque signalétique.

Si l'on utilise l'outil motorisé avec une tension supérieure à la tension nominale, il en résultera une rotation anormalement trop rapide du moteur et cela risque d'endommager l'outil et le moteur risque de griller.

17. **NE JAMAIS** utiliser un outil défectueux ou qui fonctionne anormalement.

Si l'outil n'a pas l'air de fonctionner normalement, fait des bruits étranges ou sans cela paraît défectueux, arrêter de l'utiliser immédiatement et le faire réparer par un centre de service Hitachi autorisé.

18. **NE JAMAIS** laisser fonctionner l'outil sans surveillance. **Le mettre hors tension.**

Ne pas abandonner l'outil avant qu'il ne soit complètement arrêté.

19. **Manipuler l'outil motorisé avec précaution.**

Si un outil motorisé tombe ou frappe un matériau dur accidentellement, il risque d'être déformé, fendu ou endommagé.

20. **Ne pas essuyer les parties en plastique avec du solvant.**

Les solvants comme l'essence, les diluants, la benzine, le tétrachlorure de carbone et l'alcool peuvent endommager et fissurer les parties en plastique. Ne pas les essuyer avec de tels solvants. Essuyer les parties en plastique avec un chiffon doux légèrement imbibé d'une solution d'eau savonneuse et sécher minutieusement.

- 21. TOUJOURS** porter des lunettes de protection qui respectent les dernières révisions du Standard ANSI Z87.1.



- 22. TOUJOURS** vérifier s'il y a des objets encastrés par exemple des fils électriques. Le fait de toucher avec l'outil un fil ou un câble électrique sous tension encastré dans le mur risque de provoquer une décharge électrique. Vérifier s'il y a des objets encastrés, par exemple un câble électrique, dans le mur, le plancher ou le plafond avant d'y commencer le travail.
- 23.** Définitions pour les symboles utilisés sur cet outil
- V volts
 Hz hertz
 A ampères
 n_o vitesse sans charge
 W watt
 Construction de classe II
 --/min tours par minute

DOUBLE ISOLATION POUR UN FONCTIONNEMENT PLUS SÛR

Pour assurer un fonctionnement plus sûr de cet outil motorisé, HITACHI a adopté une conception à double isolation. "Double isolation" signifie que deux systèmes d'isolation physiquement séparés ont été utilisés pour isoler les matériaux conducteurs d'électricité connectés à l'outil motorisé à partir du cadre extérieur manipulé par l'utilisateur. C'est pourquoi, le symbole "⊞" ou les mots "Double insulation" (double isolation) apparaissent sur l'outil motorisé ou sur la plaque signalétique.

Bien que ce système n'ait pas de mise à terre extérieure, il est quand même nécessaire de suivre les précautions de sécurité électrique données dans ce mode d'emploi, y-compris de ne pas utiliser l'outil motorisé dans un environnement humide.

Pour garder le système de double isolation effectif, suivre ces précautions :

- Seuls les CENTRES DE SERVICE AUTORISÉS HITACHI peuvent démonter et remonter cet outil motorisé et uniquement des pièces de rechange HITACHI garanties d'origine doivent être utilisées.
- Nettoyer l'extérieur de l'outil motorisé uniquement avec un chiffon doux légèrement imbibé d'une solution savonneuse et essuyer minutieusement. Ne jamais utiliser des solvants, de l'essence ou des diluants sur les parties en plastique ; sinon le plastique risquerait de se dissoudre.

**CONSERVER CES INSTRUCTIONS
 ET
 LES METTRE A LA DISPOSITION DES
 AUTRES UTILISATEURS
 ET
 PROPRIETAIRES DE CET OUTIL !**

DESCRIPTION FONCTIONNELLE

REMARQUE :

Les informations contenues dans ce mode d'emploi sont conçues pour assister l'utilisateur dans une utilisation sans danger et un entretien de l'outil motorisé.

NE JAMAIS utiliser ni entreprendre une révision de l'outil sans avoir d'abord lu et compris toutes les instructions de sécurité contenues dans ce manuel.

Certaines illustrations dans ce mode d'emploi peuvent montrer des détails ou des accessoires différents de ceux de l'outil motorisé utilisé.

NOM DES PARTIES

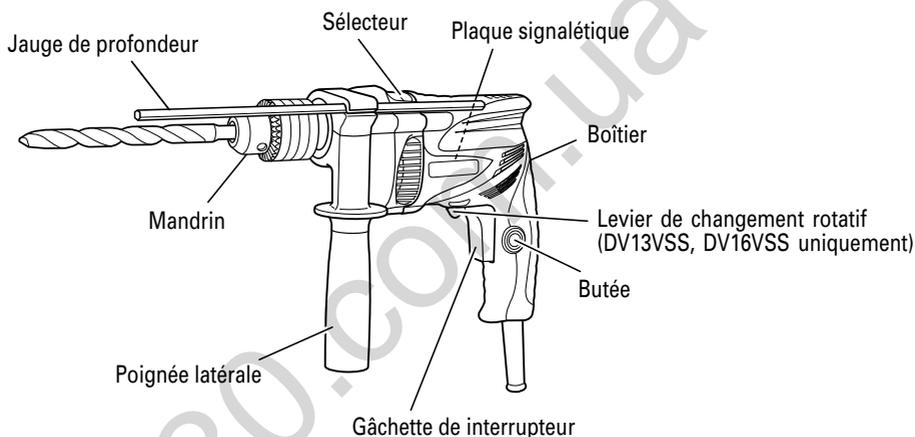


Fig. 1

SPECIFICATIONS

Modèle	DV13SS	DV13VSS	DV16SS	DV16VSS
Moteur	Moteur série monophasé à collecteur			
Source d'alimentation	Secteur, 120V 60 Hz, monophaséz			
Courant	4,9 A		5,4 A	
Réversible	Aucune	Oui	Aucune	Oui
Vitesse sans charge	2,900/min	0-2,900/min	2,900/min	0-2,900/min
Capacité du mandrin porte-foret	1/2" (13mm)			
Capacité	Acier	1/2" (13mm)		
	Béton	1/2" (13mm)		5/8" (16mm)
	Bois	25/32" (20mm)		1" (25mm)
Poids (sans cordon)	3,1 lbs (1,4 kg)		3,3 lbs (1,5 kg)	

ASSEMBLAGE ET FONCTIONNEMENT

APPLICATIONS

- Par action combinée de ROTATION et PERCUSSION:
Perçage de trous dans le béton, le marbre, le granit, la tuile et des matériaux similaires.
- Par action de ROTATION seulement:
Perçage de trous dans le métal, le bois et le plastique.

AVANT L'UTILISATION

1. Source d'alimentation
S'assurer que la source d'alimentation qui doit être utilisée est conforme à la source d'alimentation requise spécifiée sur la plaque signalétique du produit.
2. Interrupteur d'alimentation
S'assurer que l'interrupteur est sur la position OFF (arrêt). Si la fiche est connectée sur une prise alors que l'interrupteur est sur la position ON (marche), l'outil motorisé démarrera immédiatement risquant de causer de sérieuses blessures.
3. Cordon prolongateur
Quand la zone de travail est éloignée de la source d'alimentation, utiliser un cordon prolongateur d'épaisseur et de capacité nominale suffisante. Le cordon prolongateur doit être aussi court que possible.



⚠ AVERTISSEMENT:
Tout cordon endommagé devra être remplacé ou réparé.

4. Vérifier la prise
Si la prise reçoit la fiche avec beaucoup de jeu, elle doit être réparée. Contacter un électricien licencié pour réaliser les réparations nécessaires. Si une telle prise défectueuse est utilisée, elle peut causer une surchauffe entraînant des dangers sérieux.
5. Vérifier l'environnement de travail
Vérifier que l'état de l'aire de travail est conforme aux précautions.
6. Fixation de la poignée latérale
Fixer la poignée latérale à la pièce de montage. Tourner la griffe de la poignée latérale dans le sens des aiguilles d'une montre pour la serrer.
Régler la poignée sur une position correspondant au fonctionnement, puis serrer la griffe de la poignée latérale.

7. Choix du foret de perçage
 - Pour perçage du béton ou de la pierre
Utiliser les mèches spécifiées comme accessoires en option.
 - Pour perçage du métal ou du plastique
Utiliser un foret de perçage ordinaire pour métal.
 - Pour perçage du bois
Utiliser un foret de perçage ordinaire pour bois. Toutefois, pour percer des trous dont le diamètre est inférieur ou égal à 1/4" (6,5 mm) utiliser un foret de perçage pour métal.
8. Montage et démontage des forets

Pour le mandrin porte-foret avec clé à mandrin (Fig. 2)

- (1) Ouvrir les mâchoires du mandrin et insérer la mèche dans le mandrin.
- (2) Mettre la clavette à mandrin dans chacun des trois trous du mandrin, et la tourner dans le sens des aiguilles d'une montre (vue depuis l'avant). Serrer à fond.
- (3) Pour retirer la mèche, mettre la clavette à mandrin dans l'un des trous du mandrin et la tourner dans le sens inverse des aiguilles d'une montre.

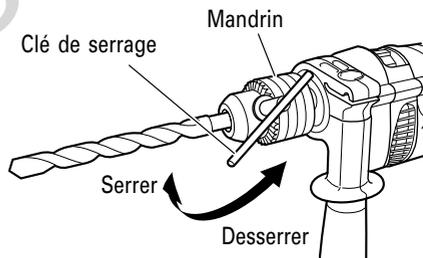


Fig. 2

Pour mandrin sans clé (Fig. 3)

- (1) Ouvrir les mâchoires du mandrin et insérer la mèche dans le mandrin.
- (2) Pour ouvrir le mandrin, tenir la bague de retenue tout en tournant le manchon dans le sens inverse des aiguilles d'une montre (vu de face).
- (3) Saisir fermement la bague de retenue et tourner le manchon dans le sens des aiguilles d'une montre. Serrer à fond.
- (3) Pour retirer la mèche, saisir fermement la bague de retenue et tourner le manchon dans le sens inverse des aiguilles d'une montre.

REMARQUE:

Lorsque le manchon ne se relâche plus, fixer la poignée latérale à la bague de retenue, tenir la poignée latérale fermement, puis tourner le manchon pour le desserrer manuellement. (Fig. 4)

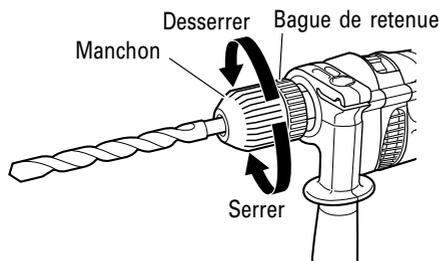


Fig. 3

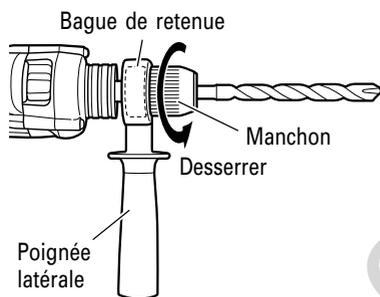


Fig. 4

9. Vérification du sens de rotation (Fig. 4) (DV13VSS, DV16VSS uniquement)

La mèche tourne dans le sens des aiguilles d'une montre (vue de l'arrière) quand on tourne le levier de changement rotatif vers le côté marqué R.

Tournez le levier de changement rotatif vers le côté repère (L) pour faire tourner la mèche dans le sens inverse des aiguilles d'une montre.

(Il y a des repères (L) (gauche) et (R) (droite) sur le corps de l'outil.)

Levier de

changement rotatif

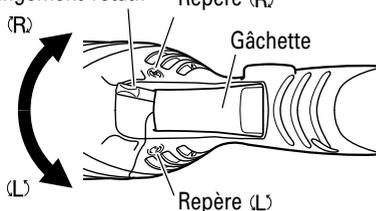


Fig. 5

PRECAUTION:

- Ne jamais changer la direction de rotation de la mèche pendant le fonctionnement. Mettez l'interrupteur principal sur "OFF" avant de changer la direction de rotation de la mèche sinon le moteur prend feu.
- Quand vous utilisez l'outil en tant que marteau perforateur, faites-le toujours tourner dans le sens horaire.

10. Fixation de la poignée latérale (Fig. 6)
 Fixer la poignée latérale à la pièce de montage. Tourner la griffe de la poignée latérale dans le sens des aiguilles d'une montre pour la serrer. Régler la poignée sur une position correspondant au fonctionnement, puis serrer la griffe de la poignée latérale.

Pour attacher un témoin de profondeur sur la poignée latérale, introduire le témoin dans la rainure en U sur la poignée latérale, régler la position du témoin en fonction de la profondeur souhaitée pour le trou, et resserrer la saisie de la poignée latérale à fond. (Fig. 7)

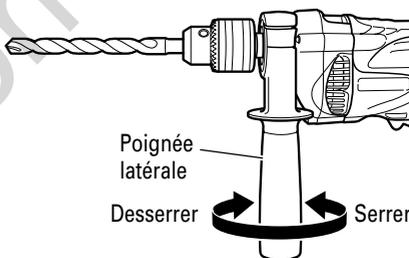


Fig. 6

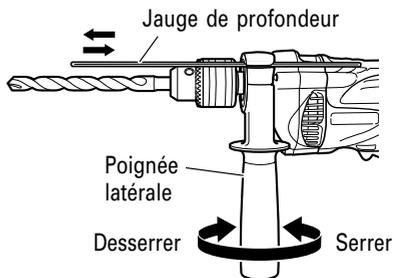


Fig. 7

11. Changement de PERCUSSION à ROTATION (Fig. 8)

Déplacer le levier de la position droite sur la position gauche pour pouvoir commuter facilement entre PERCUSSION (rotation et percussion) et ROTATION (rotation seulement), respectivement.

Pour percer des trous dans un matériau dur, par exemple du béton, de la pierre et des tuiles, déplacer le levier sur la position de droite (comme indiqué par le repère **T**).

La mèche effectue alors une action combinée de percussion et de rotation.

Pour percer des trous dans du métal, du bois ou des matières plastiques, déplacer le levier sur la position de gauche (comme indiqué par le repère **R**). La mèche effectue une action de rotation seulement, et elle fonctionne alors comme une perceuse électrique ordinaire.

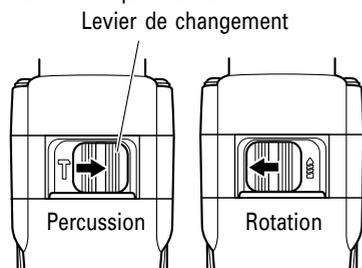


Fig. 8

⚠ PRECAUTION:

- N'utilisez pas la marteau perforateur en mode PERCUSSION si le matériau peut être percé par rotation seulement. Une telle action pourrait non seulement réduire l'efficacité de la perceuse mais endommagerait aussi le bout de la perceuse.
- Le fait de faire fonctionner la perceuse percussion avec le levier sur une position intermédiaire risque de provoquer des dommages. Lors de la commutation, bien déplacer le levier à fond sur la position souhaitée.

UTILISATION

⚠ PRECAUTION:

Pour éviter tout risque d'accident, bien couper le contact et débrancher la fiche de la prise secteur lors de l'installation ou du retrait des mèches et des autres pièces. Il faudra également couper le contact lors d'une interruption de travail et lorsque le travail est terminé.

1. Fonctionnement de l'interrupteur (Fig. 9)

- Quand on tire sur la gâchette, l'outil se met à tourner. Quand on relâche la gâchette, l'outil s'arrête.
- Si l'on tire sur la gâchette et qu'on appuie sur la butée, l'outil continue à tourner tout seul, ce qui est pratique pour un travail continu. Pour arrêter l'outil, déconnecter la butée en tirant à nouveau sur la gâchette.

< DV13VSS, DV16VSS uniquement >

- Il est possible de régler la vitesse de rotation de la perceuse en faisant varier la pression sur la gâchette. La vitesse est lente quand on tire légèrement sur la gâchette, et elle augmente quand on tire davantage sur la gâchette.

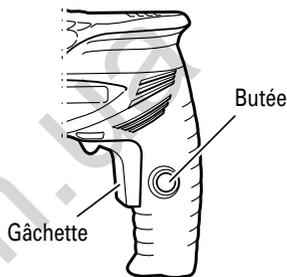


Fig. 9

2. Utilisation comme perceuse ou comme marteau perforateur

- (1) Forte pression sur la perceuse
Les trous ne seront pas percés plus vite si l'on appuie sur la perceuse plus fort qu'il n'est nécessaire. Non seulement cela endommagera les forets et réduira le rendement, mais cela raccourcira également la durée de vie du foret.
- (2) Cas de traversée d'orifices
Les forets risquent de se casser lorsque le matériau à percer est traversé. Il est important de réduire la force de pression juste avant que le matériau ne soit traversé.

⚠ PRECAUTION:

Lors d'une utilisation continue, effectuer une opération à vide pendant cinq secondes lorsque le perçage est terminé.

⚠ AVERTISSEMENT:

Si l'on utilise un foret épais, le bras sera soumis à une force de réaction plus importante. Veiller à résister à cette force de réaction. A cette fin, avoir une assise solide, et tenir solidement l'outil avec les deux mains placées perpendiculairement au matériau à percer.

ENTRETIEN ET INSPECTION

⚠ AVERTISSEMENT: S'assurer de mettre l'interrupteur d'alimentation sur la position OFF et de déconnecter la fiche de la prise secteur avant l'entretien et l'inspection de la meuleuse.

1. Vérification de la mèche
Etant donné que l'utilisation d'un outil émoussé provoquera un mauvais fonctionnement du moteur et réduira le rendement, remplacez la mèche par une neuve ou réaffûtez-la dès que vous constatez une abrasion.
2. Inspection des vis
Inspecter régulièrement toutes les vis et s'assurer qu'elles sont serrées à fond. Si l'une des vis était desserrée, la resserrer immédiatement.

⚠ AVERTISSEMENT: Il serait extrêmement dangereux d'utiliser la perceuse percussion avec des vis desserrées.

3. Après usage
Lorsqu'on ne se sert pas de l'outil électrique, le ranger dans un lieu sec et hors de portée des enfants.
4. Inspection des balais en carbone
Pour assurer à tout moment la sécurité et la protection contre les chocs électrique, confier l'inspection et le remplacement des balais en carbone de l'outil EXCLUSIVEMENT à UN CENTRE DE SERVICE APRÈS-VENTE AGRÉÉ PAR HITACHI.
5. Entretien du moteur
Le bobinage de l'ensemble moteur est le "cœur" même de l'outil électro-portatif. Veiller soigneusement à ce que ce bobinage ne soit pas endommagé et/ou mouillé par de l'huile ou de l'eau.
6. Entretien et réparation
Tous les outils motorisés de qualité auront éventuellement besoin d'une réparation ou du remplacement d'une pièce à cause de l'usure normale de l'outil. Pour assurer que seules des pièces de rechange autorisées seront utilisées, tous les entretiens et les réparations doivent être effectués uniquement par UN CENTRE DE SERVICE HITACHI AUTORISÉ.

7. Liste des pièces de rechange
A: No. élément
B: No. code
C: No. utilisé
D: Remarques

⚠ PRECAUTION:
● **Les réparations, modifications et inspections des outils électriques Hitachi doivent être confiées à un service après-vente Hitachi agréé.**
Il sera utile de présenter cette liste de pièces au service après-vente Hitachi agréé lorsqu'on apporte un outil nécessitant des réparations ou tout autre entretien.
Lors de l'utilisation et de l'entretien d'un outil électrique, respecter les règlements et les normes de sécurité en vigueur dans le pays en question.

MODIFICATIONS :

Les outils électriques Hitachi sont constamment améliorés et modifiés afin d'incorporer les tous derniers progrès technologiques.
En conséquence, il est possible que certaines pièces (c.-à-d. no. de code et/ou dessin) soient modifiées sans avis préalable.

ACCESSOIRES

⚠ AVERTISSEMENT: TOUJOURS utiliser uniquement des pièces de rechange et des accessoires HITACHI. NE JAMAIS utiliser de pièce de rechange ou d'accessoires qui ne sont pas prévus pour être utilisés avec cet outil. En cas de doute, contacter HITACHI pour savoir si une pièce de rechange ou un accessoire particulier peuvent être utilisés en toute sécurité avec votre outil. L'utilisation de tout autre attachement ou accessoire peut être dangereux et peut causer des blessures ou des dommages mécaniques.

REMARQUE:

Les accessoires sont sujets à changement sans obligation de la part de HITACHI.

ACCESSOIRES STANDARD

Modèle	Spéc. du mandrin	Accessoires standard
DV13SS	Avec clé	Aucune
DV13VSS	Avec clé	Aucune
	Sans clé	(1) Boîtier (No. de code 330702) 1 (2) Jauge de profondeur (No. de code 310331) 1 (3) Poignée latérale (No. de code 303659) 1
DV16SS	Avec clé	(1) Jauge de profondeur (No. de code 310331) 1 (2) Poignée latérale (No. de code 303659) 1
DV16VSS	Avec clé	(1) Jauge de profondeur (No. de code 310331) 1 (2) Poignée latérale (No. de code 303659) 1
	Sans clé	(1) Boîtier (No. de code 330702) 1 (2) Jauge de profondeur (No. de code 310331) 1 (3) Poignée latérale (No. de code 303659) 1

ACCESSOIRES SUR OPTION vendus séparément

Mèche pour béton et pierre

Dia. de mèche	Longueur totale	No. de code	Dia. de mèche	Longueur totale	No. de code	Dia. de mèche	Longueur totale	No. de code
1/8" (3,2mm)	2-9/16" (65mm)	939875	5/16" (8mm)	4" (100mm)	931852	9/16" (14,3mm)	6-5/16" (160mm)	931776
3/16" (4,8mm)	3-3/8" (85mm)	939879	3/8" (10mm)	4-3/4" (120mm)	931854	5/8" (16mm)	6-5/16" (160mm)	931670
7/32" (5,5mm)	4" (100mm)	939882	15/32" (12mm)	4-3/4" (120mm)	971704			
1/4" (6,4mm)	4" (100mm)	939884	1/2" (13mm)	6-5/16" (160mm)	931855			

REMARQUE:

Les spécifications sont sujettes à modification sans aucune obligation de la part de HITACHI.

INSTRUCCIONES IMPORTANTES SOBRE SEGURIDAD

Antes de utilizar o de realizar cualquier trabajo de mantenimiento de esta herramienta eléctrica, lea y comprenda todas las precauciones de seguridad, advertencias e instrucciones de funcionamiento de este Manual de instrucciones.

La mayoría de los accidentes producidos en la operación y el mantenimiento de una herramienta eléctrica se deben a la falta de observación de las normas o precauciones de seguridad. Los accidentes normalmente podrán evitarse reconociendo una situación potencialmente peligrosa a tiempo y siguiendo los procedimientos de seguridad apropiados.

Las precauciones básicas de seguridad se describen en la sección "SEGURIDAD" de este Manual de instrucciones y en las secciones que contienen las instrucciones de operación y mantenimiento.

Para evitar lesiones o el daño de la herramienta eléctrica, los riesgos están identificados con ADVERTENCIAS en dicha herramienta y en este Manual de instrucciones.

No utilice **NUNCA** esta herramienta eléctrica de ninguna forma que no esté específicamente recomendada por HITACHI.

SIGNIFICADO DE LAS PALABRAS DE SEÑALIZACIÓN

ADVERTENCIA indica situaciones potencialmente peligrosas que, si se ignoran, pueden resultar en la muerte o en lesiones de gravedad.

PRECAUCIÓN indica situaciones potencialmente peligrosas que, de no evitarse, pueden resultar en lesiones menores o moderadas, o causar daños en la herramienta eléctrica.

NOTA acentúa información esencial.

SEGURIDAD

ADVERTENCIAS DE SEGURIDAD GENERAL DE LA HERRAMIENTA ELÉCTRICA

⚠ ADVERTENCIA:

Lea todas las instrucciones y advertencias de seguridad.

Si no se siguen las advertencias e instrucciones, podría producirse una descarga eléctrica, un incendio y/o daños graves.

Guarde todas las advertencias e instrucciones para futura referencia.

El término "herramienta eléctrica" en las advertencias hace referencia a la herramienta eléctrica que funciona con la red de suministro (con cable) o a la herramienta eléctrica que funciona con pilas (sin cable).

CONSERVE ESTAS INSTRUCCIONES

1) Seguridad en el área de trabajo

a) **Mantenga la zona de trabajo limpia y bien iluminada.**

Las zonas desordenadas o oscuras pueden provocar accidentes.

b) **No utilice las herramientas eléctricas en entornos explosivos como, por ejemplo, en presencia de líquidos inflamables, gases o polvo.** Las herramientas eléctricas crean chispas que pueden hacer que el polvo desprenda humo.

c) **Mantenga a los niños y transeúntes alejados cuando utilice una herramienta eléctrica.** Las distracciones pueden hacer que pierda el control.

2) Seguridad eléctrica

a) **Los enchufes de las herramientas eléctricas tienen que ser adecuados a la toma de corriente. No modifique el enchufe.**

No utilice enchufes adaptadores con herramientas eléctricas conectadas a tierra.

Si no se modifican los enchufes y se utilizan tomas de corriente adecuadas se reducirá el riesgo de descarga eléctrica.

b) **Evite el contacto corporal con superficies conectadas a tierra como tuberías, radiadores y frigoríficos.**

Hay mayor riesgo de descarga eléctrica si su cuerpo está en contacto con el suelo.

c) **No exponga las herramientas eléctricas a la lluvia o a la humedad.**

La entrada de agua en una herramienta eléctrica aumentará el riesgo de descarga eléctrica.

d) **No utilice el cable incorrectamente. No utilice el cable para transportar, tirar de la herramienta eléctrica o desenchufarla.**

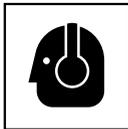
Mantenga el cable alejado del calor, del aceite, de bordes afilados o piezas móviles.

Los cables dañados o enredados aumentan el riesgo de descarga eléctrica.

- e) **Cuando utilice una herramienta eléctrica al aire libre, utilice un cable prolongador adecuado para utilizarse al aire libre.**
La utilización de un cable adecuado para usarse al aire libre reduce el riesgo de descarga eléctrica.
- f) **Si no se puede evitar el uso de una herramienta eléctrica en un lugar húmedo, utilice un suministro protegido mediante un dispositivo de corriente residual (RCD).**
El uso de un RCD reduce el riesgo de descarga eléctrica.
- 3) **Seguridad personal**
- a) **Esté atento, preste atención a lo que hace y utilice el sentido común cuando utilice una herramienta eléctrica.**
No utilice una herramienta eléctrica cuando esté cansado o esté bajo la influencia de drogas, alcohol o medicación.
La distracción momentánea cuando utiliza herramientas eléctricas puede dar lugar a importantes daños personales.
- b) **Utilice un equipo de protección. Utilice siempre una protección ocular.**
El equipo de protección como máscara para el polvo, zapatos de seguridad antideslizantes, casco o protección para oídos utilizado para condiciones adecuadas reducirá los daños personales.
- c) **Evite un inicio involuntario. Asegúrese de que el interruptor está en "off" antes de conectar la herramienta a una fuente de alimentación y/o batería, cogerla o transportarla.**
El transporte de herramientas eléctricas con el dedo en el interruptor o el encendido de herramientas eléctricas con el interruptor encendido puede provocar accidentes.
- d) **Retire las llaves de ajuste antes de encender la herramienta eléctrica.**
Si se deja una llave en una pieza giratoria de la herramienta eléctrica podrían producirse daños personales.
- e) **No se extralimite. Mantenga un equilibrio adecuado en todo momento.**
Esto permite un mayor control de la herramienta eléctrica en situaciones inesperadas.
- f) **Vístase adecuadamente. No lleve prendas sueltas o joyas. Mantenga el pelo, la ropa y los guantes alejados de las piezas móviles.**
La ropa suelta, las joyas y el pelo largo pueden pillarse en las piezas móviles.
- g) **Si se proporcionan dispositivos para la conexión de extracción de polvo e instalaciones de recogida, asegúrese de que están conectados y se utilizan adecuadamente.**
La utilización de un sistema de recogida de polvo puede reducir los riesgos relacionados con el polvo.
- 4) **Utilización y mantenimiento de las herramientas eléctricas**
- a) **No fuerce la herramienta eléctrica. Utilice la herramienta eléctrica correcta para su aplicación.**
La herramienta eléctrica correcta trabajará mejor y de forma más segura si se utiliza a la velocidad para la que fue diseñada.
- b) **No utilice la herramienta eléctrica si el interruptor no la enciende y apaga.**
Las herramientas eléctricas que no pueden controlarse con el interruptor son peligrosas y deben repararse.
- c) **Antes de hacer ajustes, cambiar accesorios o almacenar las herramientas eléctricas, desconecte el enchufe de la fuente eléctrica y/o las baterías de la herramienta.**
Estas medidas de seguridad preventivas reducen el riesgo de que la herramienta eléctrica se ponga en marcha accidentalmente.
- d) **Guarde las herramientas eléctricas que no se utilicen para que no las cojan los niños y no permita que utilicen las herramientas eléctricas personas no familiarizadas con las mismas o con estas instrucciones.**
Las herramientas eléctricas son peligrosas si son utilizadas por usuarios sin formación.
- e) **Mantenimiento de las herramientas eléctricas. Compruebe si las piezas móviles están mal alineadas o unidas, si hay alguna pieza rota u otra condición que pudiera afectar al funcionamiento de las herramientas eléctricas. Si la herramienta eléctrica está dañada, llévela a reparar antes de utilizarla.**
Se producen muchos accidentes por no realizar un mantenimiento correcto de las herramientas eléctricas.
- f) **Mantenga las herramientas de corte afiladas y limpias.**
Las herramientas de corte correctamente mantenidas con los bordes de corte afilados son más fáciles de controlar.
- g) **Utilice la herramienta eléctrica, los accesorios y las brocas de la herramienta, etc. de acuerdo con estas instrucciones, teniendo en cuenta las condiciones laborales y el trabajo que se va a realizar.**
La utilización de la herramienta eléctrica para operaciones diferentes a pretendidas podría dar lugar a una situación peligrosa.
- 5) **Revisión**
- a) **Lleve su herramienta a que la revise un experto cualificado que utilice sólo piezas de repuesto idénticas.**
Esto garantizará el mantenimiento de la seguridad de la herramienta eléctrica.

NORMAS Y SÍMBOLOS ESPECÍFICOS DE SEGURIDAD

1. **Leve protectores auditivos cuando utilice el taladro de percusión.**



La exposición al ruido puede causar daños auditivos.

2. **Utilice los mangos auxiliares en el caso de que se proporcionen con la herramienta.**
La pérdida de control puede causar daños personales.
3. **Sostenga la herramienta eléctrica por las superficies de agarre aisladas cuando realice una operación en la que el accesorio de corte pueda entrar en contacto con el cableado oculto o con su propio cable.**
Un accesorio de corte en contacto con un conductor "activo" puede "activar" las partes metálicas expuestas de la herramienta eléctrica y podría dar una descarga eléctrica al operario.
4. **NO toque NUNCA una broca de la herramienta con las manos desnudas después de la operación.**
5. **NO utilice NUNCA guantes hechos de material que pueda quedar pillado en la herramienta, como algodón, lana, paño, cuerda, etc.**
6. **SIEMPRE sujete el taladro firmemente.**
7. **NO toque NUNCA las piezas móviles.**
NO coloque **NUNCA** sus manos, dedos, ni demás partes del cuerpo cerca de las piezas móviles de la herramienta.
8. **NO utilice NUNCA la herramienta sin los protectores colocados en su lugar.**
NO utilice **NUNCA** esta herramienta sin los protectores de seguridad correctamente instalados. Si el trabajo de mantenimiento o de reparación requiere el desmontaje de un protector de seguridad, cerciórese de volver a instalarlo antes de utilizar la herramienta.
9. **Utilice la herramienta correcta.**
No fuerce herramientas ni accesorios pequeños para realizar un trabajo pesado.
No utilice las herramientas para fines no proyectados, por ejemplo, no utilice una sierra circular para cortar ramas o lenos.
10. **NO utilice NUNCA una herramienta eléctrica para aplicaciones que no sean las especificadas.**
NO utilice **NUNCA** una herramienta eléctrica para aplicaciones no especificadas en este Manual de instrucciones.
11. **Maneje correctamente la herramienta.**
Maneje la herramienta de acuerdo con las instrucciones ofrecidas aquí. No deje caer ni tire la herramienta. **NO** permita **NUNCA** que los niños ni otras personas no autorizadas ni familiarizadas con la operación de la herramienta utilicen ésta.
12. **Mantenga todos los tornillos, pernos, y cubiertas firmemente fijados en su lugar.**
Mantenga todos los tornillos, pernos, y cubiertas firmemente montados. Compruebe periódicamente su condición.
13. **No utilice herramientas eléctricas si la carcasa o la empuñadura de plástico está rajada.**
Las rajaduras en la carcasa o en la empuñadura de plástico pueden conducir a descargas eléctricas. Tales herramientas no deberán utilizarse mientras no se hayan reparado.
14. **Las cuchillas y los accesorios deberán montarse con seguridad en la herramienta.**
Evite lesiones personales y de otras personas. Las cuchillas, los accesorios de corte, y demás accesorios montados en la herramienta deberán fijarse con seguridad.
15. **Mantenga limpio el conducto de ventilación del motor.**
El conducto de ventilación del motor limpio para que el aire pueda circular libremente en todo momento. Compruebe frecuentemente y limpie el polvo acumulado.
16. **Utilice las herramientas eléctricas con la tensión de alimentación nominal.**
Utilice las herramientas eléctricas con las tensiones indicadas en sus placas de características. La utilización de una herramienta eléctrica con una tensión superior a la nominal podría resultar en revoluciones anormalmente altas del motor, en el daño de la herramienta, y en la quemadura del motor.
17. **NO utilice NUNCA una herramienta defectuosa o que funcione anormalmente.**
Si la herramienta parece que funciona anormalmente, produciendo ruidos extraños, etc., deje inmediatamente de utilizarla y solicite su arreglo a un centro de servicio autorizado por Hitachi.
18. **NO deje NUNCA la herramienta en funcionamiento desatendida. Desconecte su alimentación.**
No deje sola la herramientas hasta mientras no se haya parado completamente.
19. **Maneje con cuidado las herramientas eléctricas.**
Si una herramienta eléctrica se ha caído o ha chocado inadvertidamente contra materiales duros, es posible que se haya deformado, rajado, o dañado.
20. **No limpie las partes de plástico con disolvente.**
Los disolventes, como gasolina, diluidor de pintura, bencina, tetracloruro de carbono, y alcohol pueden dañar o rajar las partes de plástico. No las limpie con tales disolventes.
Limpie las partes de plástico con un paño suave ligeramente humedecido en agua jabonosa y después séquelas bien.

21. **SIEMPRE** utilice gafas protectoras que cumplan con los requerimientos de la última revisión de la norma ANSI Z87.1.



22. Tenga cuidado **SIEMPRE** con los objetos que puedan estar enterrados o emparedados, tales como cables eléctricos. Si tocase un cable activo con esta herramienta, podría recibir una descarga eléctrica.

Confirme que no haya ningún objeto enterrado o emparedado, como cables eléctricos, en el suelo, el techo, o en las paredes en los que vaya a trabajar.

23. Definiciones para las magnitudes utilizadas en esta herramienta

V tensión eléctrica
 Hz hertzios
 A amperios
 N_o velocidad sin carga
 W vatios
 □ Construcción de clase II
 --/min revoluciones por minuto

AISLAMIENTO DOBLE PARA OFRECER UNA OPERACIÓN MÁS SEGURA

Para garantizar una operación más segura de esta herramienta eléctrica, HITACHI ha adoptado un diseño de aislamiento doble. "Aislamiento doble" significa que se han utilizado dos sistemas de aislamiento físicamente separados para aislar los materiales eléctricamente conductores conectados a la fuente de alimentación del bastidor exterior manejado por el operador. Por lo tanto, en la herramienta eléctrica o en su placa de características aparecen el símbolo "□" o las palabras "Double insulation" (aislamiento doble).

Aunque este sistema no posee puesta a tierra externa, usted deberá seguir las precauciones sobre seguridad eléctrica ofrecidas en este Manual de instrucciones, incluyendo la no utilización de la herramienta eléctrica en ambientes húmedos.

Para mantener efectivo el sistema de aislamiento doble, tenga en cuenta las precauciones siguientes:

- Esta herramienta eléctrica solamente deberá desensamblar y ensamblarla un CENTRO DE SERVICIO AUTORIZADO POR HITACHI, y solamente deberán utilizarse con ella piezas de reemplazo genuinas de HITACHI.
- Limpie el exterior de la herramienta eléctrica solamente con un paño suave humedecido en agua jabonosa, y después séquela bien. No utilice disolventes, gasolina, ni diluidor de pintura para limpiar las partes de plástico, ya que podría disolverlas.

**¡GUARDE ESTAS INSTRUCCIONES
 Y
 PÓNGALAS A DISPOSICIÓN DE
 OTROS USUARIOS
 Y
 PROPIETARIOS DE ESTA
 HERRAMIENTA!**

DESCRIPCIÓN FUNCIONAL

NOTA:

La información contenida en este Manual de instrucciones ha sido diseñada para ayudarle a utilizar con seguridad y mantener esta herramienta eléctrica.

NUNCA haga funcionar ni efectúe el mantenimiento de la herramienta antes de leer y comprender todas las instrucciones de seguridad contenidas en este manual.

Algunas ilustraciones de este Manual de Instrucciones pueden mostrar detalles o accesorios diferentes a los de la propia herramienta eléctrica.

NOMENCLATURA

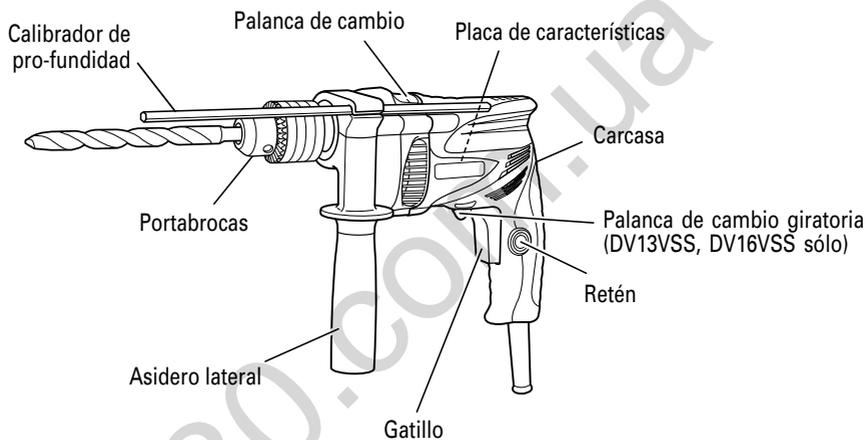


Fig. 1

ESPECIFICACIONES

Modelo	DV13SS	DV13VSS	DV16SS	DV16VSS
Motor	Motor conmutador en serie monofásico			
Fuente de alimentación	120 V c.a., 60 Hz, monofásica			
Corriente	4,9 A		5,4 A	
Reversible	Ninguno	Si	Ninguno	Si
Velocidad de marcha en vacío	2 900/min	0-2 900/min	2 900/min	0-2 900/min
Capacidad del portabrocas	1/2" (13 mm)			
Capacidad	Acero	1/2" (13 mm)		
	Hormigón	1/2" (13 mm)		5/8" (16 mm)
	Madera	25/32" (20 mm)		1" (25 mm)
Peso (sin cable)	3,1 lbs (1,4 kg)		3,3 lbs (1,5 kg)	

MONTAJE Y OPERACIÓN

APLICACIONES

- Acciones combinadas de ROTACION e IMPACTO: Perforación de orificios en superficies duras (concreto, mármol, granito, roca, etc.)
- Acción de ROTACION: Por acción de orificios en metal, madera y plástico.

ANTES DE LA OPERACIÓN

1. Fuente de alimentación
Cerciórese de que la fuente de alimentación que vaya a utilizar cumpla los requisitos indicados en la placa de características del producto.
2. Interruptor de alimentación
Cerciórese de que el interruptor de alimentación esté en la posición OFF. Si enchufase el cable de alimentación en un tomacorriente de la red con el interruptor en ON, la herramienta eléctrica comenzaría a funcionar inmediatamente, lo que podría provocar lesiones serias.
3. Cable prolongador
Cuando el área de trabajo esté alejada de la fuente de alimentación, utilice un cable prolongador de suficiente grosor y con la capacidad nominal. El cable prolongador deberá mantenerse lo más corto posible.



⚠ ADVERTENCIA:
Si un cable está dañado deberá reemplazar o repararse.

4. Comprobación del tomacorriente
Si el enchufe del cable de alimentación queda flojo en el tomacorriente, habrá que reparar éste. Póngase en contacto con un electricista cualificado para que realice las reparaciones adecuadas. Si utilizase un tomacorriente en este estado, podría producirse recalentamiento, lo que supondría un riesgo serio.
5. Verifique su entorno de trabajo
Condírmelo que el lugar de trabajo esté en las condiciones apropiadas de acuerdo con las precauciones descritas.
6. Instalación del asidero lateral
Instale el asidero lateral en la parte de montaje. Gire la empuñadura del asidero lateral hacia la derecha para asegurarla. Coloque el asidero lateral en la posición adecuada para la operación, y después apriete firmemente la empuñadura del mismo.

7. Seleccionar la broca de taladro apropiada
 - Caso de perforar hormigón o piedra
Usar las brocas de taladro especificadas en los accesorios facultativos.
 - Perforando metal o plástico
Usar una broca de taladro ordinaria para trabajos en metal.
 - Perforando madera
Usar una broca de taladro ordinaria para trabajos en madera.
8. Montaje y desmontaje de las brocas

Para portabrocas con llave para el mismo (Fig. 2)

- (1) Abra las mordazas del portabrocas e inserte la broca en el portabrocas.
- (2) Coloque la llave del portabrocas en cada uno de los tres orificios del portabrocas, y gírela en el sentido de las agujas del reloj (visto desde el lado delantero). Apriete firmemente.
- (3) Para sacar la broca, coloque la llave del portabrocas en uno de los orificios del portabrocas y gírela en el sentido contrario a las agujas del reloj.

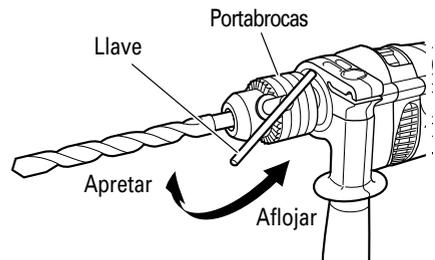


Fig. 2

Para portabrocas sin llave (Fig. 3)

- (1) Abra las mordazas del portabrocas e inserte la broca en el portabrocas.
Para abrir las mordazas del portabrocas, sujete el anillo de retención mientras gira el manguito en el sentido contrario a las agujas del reloj (visto desde el lado delantero).
- (2) Sujete firmemente el anillo de retención y gire el manguito en el sentido de las agujas del reloj. Apriete firmemente.
- (3) Para sacar la broca, sujete firmemente el anillo de retención y gire el manguito en el sentido contrario a las agujas del reloj.

NOTA:

Cuando el manguito no se afloje más, fije el asa lateral en el anillo de retención, sujete firmemente el asa, y después gire el manguito para aflojarlo manualmente. (Fig. 4)

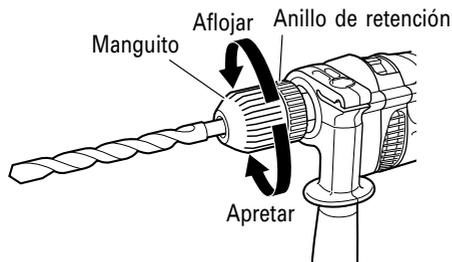


Fig. 3

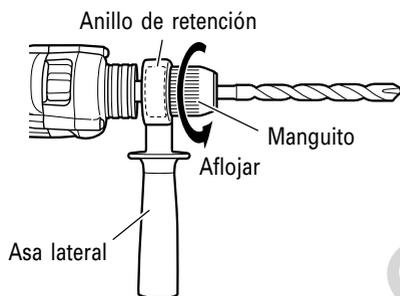


Fig. 4

9. Verifique la dirección de rotación (Fig. 4) (DV13VSS, DV16VSS sólo)

La broca gira en el sentido de las agujas del reloj (visto desde el lado trasero) girando la palanca de cambio giratoria a la marca R.

Si empuja el lado L de la palanca de cambio giratoria, la broca girará en sentido contrario a las agujas del reloj.

(Las marcas (L) y (R) están provistas en el cuerpo).

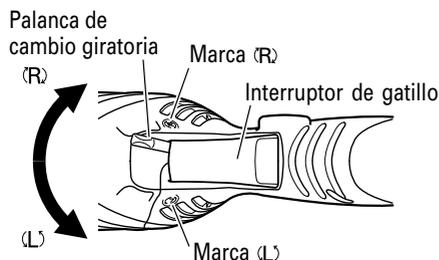


Fig. 5

PRECAUCIÓN:

- Nunca hay que cambiar la dirección de broca cuando está funcionando. Desconecte la unidad (en "OFF") antes de cambiar la dirección de rotación, de lo contrario, puede quemarse el motor.
- Usar siempre el taladro-destornillador de impacto con rotación a derecha, cuando se lo emplea como taladro de impacto.

10. Montar el asidero lateral (Fig. 6)

Instale el asidero lateral en la parte de montaje. Gire la empuñadura del asidero lateral hacia la derecha para asegurarla.

Coloque el asidero lateral en la posición adecuada para la operación, y después apriete firmemente la empuñadura del mismo.

Para aplicar el calibrador de profundidad en el asidero lateral, insertar el calibrador en el hueco en forma de U en el asidero lateral, ajustar la posición del calibrador de profundidad de acuerdo con la profundidad de orificio deseada y apretar firmemente la empuñadura del asidero lateral. (Fig. 7)

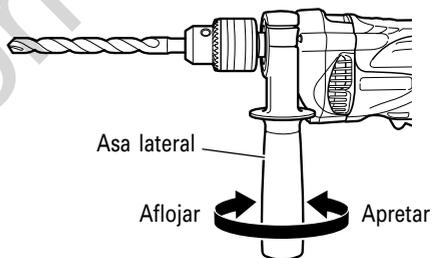


Fig. 6

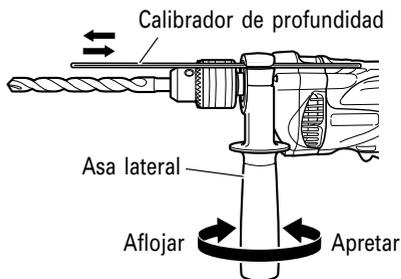


Fig. 7

11. Alteración de IMPACTO a ROTACION (Fig. 8)
 Mover la palanca de cambio entre las posiciones derecha e izquierda para conmutar fácilmente entre IMPACTO (rotación e impacto) y ROTACION (sólo rotación) respectivamente.
 Para perforar orificios en materiales duros como hormigón, piedra y baldosas, mover la palanca de cambio hasta la posición de la derecha (como indica la marca **T**).
 La broca de taladro funcionará combinando las acciones de impacto y de rotación.
 Para perforar orificios en metal, madera y plástico, mover la palanca de cambio hasta la posición de la izquierda (como indica la marca **R**). La broca de taladro funcionará sólo en sentido rotatorio, como un taladro eléctrico convencional.

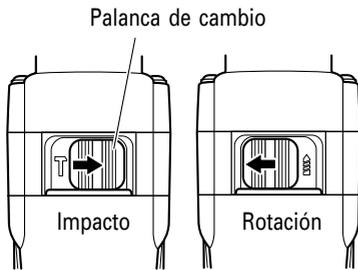


Fig. 8

- ⚠ PRECAUCIÓN:**
- **No usar el taladro impulsor en la función IMPACTO si el material puede ser perforado en sólo rotación. Una acción de tal manera no sólo reduciría la eficiencia de taladro, sino que dañaría también la punta del taladrador.**
 - **Si utiliza el taladro de percusión con la palanca de cambio en la posición central, podrían producirse daños. Al conmutar, asegúrese de que mueve la palanca de cambio a la posición correcta.**

COMO SE USA

- ⚠ PRECAUCIÓN:**
 Para evitar accidentes, cerciórese de desconectar la alimentación y el enchufe del tomacorriente antes de instalar o desmontar brocas u otras partes. La alimentación también deberá desconectarse durante un descanso en el trabajo, o después de éste.
1. Operación del interruptor (Fig. 9)
 - La herramienta gira al presionar el interruptor de gatillo. Al soltar el gatillo, la herramienta se detiene.

- Tire del gatillo y empuje el tope para mantener activada la alimentación, lo cual es conveniente para un funcionamiento continuo. Cuando se lo desconecta, el tope puede quitarse tirando del gatillo otra vez.
- < DV13VSS, DV16VSS sólo >
- La velocidad de rotación del taladro puede controlarse variando la fuerza de apriete del interruptor de gatillo. Apretando ligeramente el interruptor de gatillo la velocidad es lenta, pero aumenta mientras más se lo aprieta.

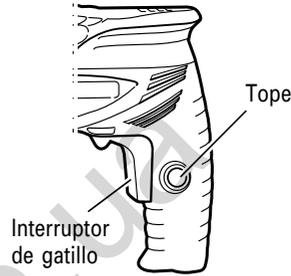


Fig. 9

2. Utilización como taladro o como martillo rotopercutor
 - (1) Fuerza de presión del taladro
 Usted no podrá taladrar orificios más rápidamente aunque presione el taladro con más fuerza de la necesaria. Si hiciere esto, no solamente dañaría la punta de las brocas y reduciría la eficacia de la operación, sino que acortaría la duración útil del taladro.
 - (2) En caso de taladrar orificios pasantes
 Cuando se taladre un orificio pasante, es posible que la broca se rompa. Antes de llegar a la otra parte es muy importante reducir la fuerza de presión.

- ⚠ PRECAUCIÓN:**
 Cuando realice una operación continua, deje el taladro en funcionamiento sin carga durante cinco segundos después de haber completado una tarea de taladrado.

- ⚠ ADVERTENCIA:**
 Cuando utilice una broca gruesa, sus manos estarán sometidos a una fuerza de reacción más grande. Tenga cuidado con esta fuerza de reacción. Para ello, asíntese bien y sujete firmemente la herramienta con ambas manos perpendicularmente al material que vaya a taladrar.

MANTENIMIENTO E INSPECCIÓN

⚠ ADVERTENCIA: Antes de realizar el mantenimiento o la inspección de la amoladora, cerciéndose de **DESCONECTAR** la alimentación y de **desenchufar** el cable de alimentación del tomacorriente.

1. Inspección de la broca de taladro
Debido a que el uso de una herramienta sin filo provocará el funcionamiento defectuoso del motor y una reducción de la eficiencia, reemplace la broca por una nueva o reafilela a la brevedad posible cuando advierta signos de abrasión.
2. Inspección de los tornillos
Inspeccione regularmente todos los tornillos y asegúrese de que estén completamente apretados. Si hay algún tornillo flojo, apriételo inmediatamente.

⚠ ADVERTENCIA: La utilización de este taladro de percusión con tornillos flojos es extremadamente peligroso.

3. Mantenimiento después de la utilización
Cuando no vaya a utilizar la herramienta eléctrica, ésta deberá mantenerse en un lugar seco fuera del alcance de los niños.
4. Inspección de las escobillas
Por motivos de seguridad contra descargas eléctricas, la inspección y el reemplazo de las escobillas deberán realizarse **SOLAMENTE** en un **CENTRO DE SERVICIO AUTORIZADO POR HITACHI**.
5. Mantenimiento del motor
La unidad de devanado del motor es el verdadero "corazón" del herramientas eléctricas. Prestar el mayor cuidado a asegurarse de que el devando no se dañe y/o se humedezca con aceite o agua.
6. Mantenimiento y reparación
Todas las herramientas eléctricas de calidad requieren de vez en cuando el servicio de mantenimiento o el reemplazo de piezas debido al desgaste producido durante la utilización normal. Para asegurarse de que solamente se utilicen piezas de reemplazo autorizadas, todos los servicios de mantenimiento y reparación deberán realizarse **SOLAMENTE EN UN CENTRO DE SERVICIO AUTORIZADO POR HITACHI**.

7. Lista de repuestos
 - A: N°. ítem
 - B: N°. código
 - C: N°. usado
 - D: Observaciones

⚠ PRECAUCIÓN:

● La reparación, modificación e inspección de las herramientas eléctricas Hitachi deben ser realizadas por un Centro de Servicio Autorizado de Hitachi.

Esta lista de repuestos será de utilidad si es presentada junto con la herramienta al Centro de Servicio Autorizado de Hitachi, para solicitar la reparación o cualquier otro tipo de mantenimiento.

En el manejo y el mantenimiento de las herramientas eléctricas, se deberán observar las normas y reglamentos vigentes en cada país.

MODIFICACIONES:

Hitachi Power Tools introduce constantemente mejoras y modificaciones para incorporar los últimos avances tecnológicos.

Por consiguiente, algunas partes (por ejemplo, números de códigos y/o diseño) pueden ser modificadas sin previo aviso.

ACCESORIOS

⚠ ADVERTENCIA: SIEMPRE utilice únicamente repuestos y accesorios autorizados por HITACHI. NO utilice NUNCA repuestos o accesorios no previstos para usar con esta herramienta. Si tiene dudas en cuanto a la seguridad de usar determinado repuesto o accesorio junto con su herramienta, póngase en contacto con HITACHI. La utilización de otros accesorios puede resultar peligrosa y causar lesiones o daños mecánicos.

NOTA:

Los accesorios están sujetos a cambio sin ninguna obligación por parte de HITACHI.

ACCESORIOS ESTÁNDAR

Modelo	Espec. para el portabrocas	Accesorios estándar
DV13SS	Con llave	Ninguno
DV13VSS	Con llave	Ninguno
	Sin llave	(1) Caja (Núm. de código 330702) 1 (2) Calibrador de pro-fundidad (Núm. de código 310331) ... 1 (3) Asa lateral (Núm. de código 303659) 1
DV16SS	Con llave	(1) Calibrador de pro-fundidad (Núm. de código 310331) ... 1 (2) Asa lateral (Núm. de código 303659) 1
DV16VSS	Con llave	(1) Calibrador de pro-fundidad (Núm. de código 310331) ... 1 (2) Asa lateral (Núm. de código 303659) 1
	Sin llave	(1) Caja (Núm. de código 330702) 1 (2) Calibrador de pro-fundidad (Núm. de código 310331) ... 1 (3) Asa lateral (Núm. de código 303659) 1

ACCESORIOS OPCIONALES de venta por separado

Broca para hormigón y piedra

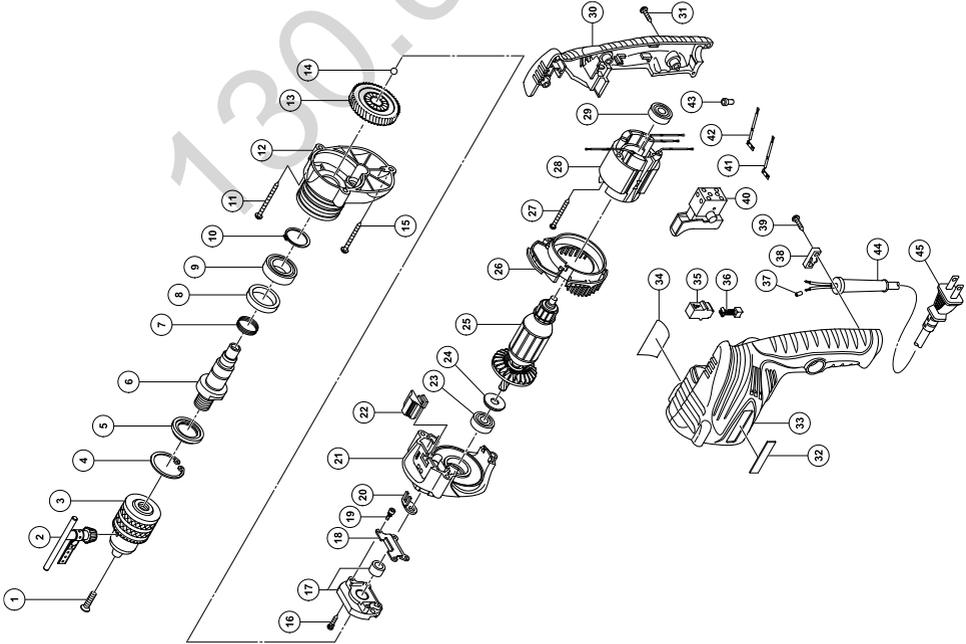
Diá. de la broca	Longitud total	Núm. de código	Diá. de la broca	Longitud total	Núm. de código	Diá. de la broca	Longitud total	Núm. de código
1/8" (3,2 mm)	2-9/16" (65 mm)	939875	5/16" (8 mm)	4" (100 mm)	931852	9/16" (14,3 mm)	6-5/16" (160 mm)	931776
3/16" (4,8 mm)	3-3/8" (85 mm)	939879	3/8" (10 mm)	4-3/4" (120 mm)	931854	5/8" (16 mm)	6-5/16" (160 mm)	931670
7/32" (5,5 mm)	4" (100 mm)	939882	15/32" (12 mm)	4-3/4" (120 mm)	971704			
1/4" (6,4 mm)	4" (100 mm)	939884	1/2" (13 mm)	6-5/16" (160 mm)	931855			

NOTA:

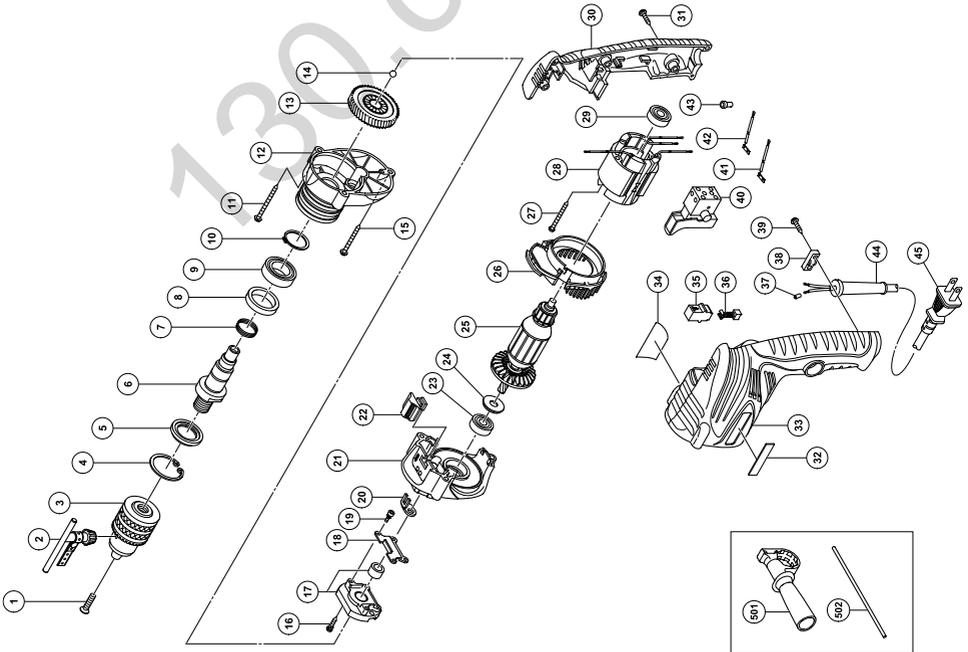
Las especificaciones están sujetas a cambio sin ninguna obligación por parte de HITACHI.

DV13SS

A	B	C	D	A	B	C	D
1	995-344	1	M6x25	41	330-724	1	
2	987-576	1		42	330-725	1	
3	_____	1	13VLR-C-D	43	959-140	2	
4	948-001	1		44	938-051	1	D10.1
5	971-654	1		45	_____	1	
6	322-513	1					
7	322-514	1					
8	330-682	1	6002VVCMP2SL				
9	600-2VV	1					
10	939-544	1					
11	322-657	2	D4x60				
12	330-681	1					
13	330-683	1					
14	959-150	1	D6.35				
15	301-815	1	D4x45				
16	330-680	2	D4				
17	330-677	1					
18	330-678	1					
19	330-679	4	M3				
20	330-676	1					
21	330-675	1					
22	322-510	1					
23	608-DDM	1	608DDC2PS2L				
24	330-674	1					
25	360-864U	1	120V "23, 24, 29"				
26	330-673	1					
27	991-031	2	D4x45				
28	340-745D	1	120V				
29	608-VVM	1	608VVC2PS2L				
30	330-721	1					
31	301-653	3	D4x20				
32	330-719	1					
33	330-720	1					
34	_____	1					
35	955-203	2					
36	999-041	2					
37	981-373	2					
38	937-631	1					
39	984-750	2	D4x16				
40	330-727	1					



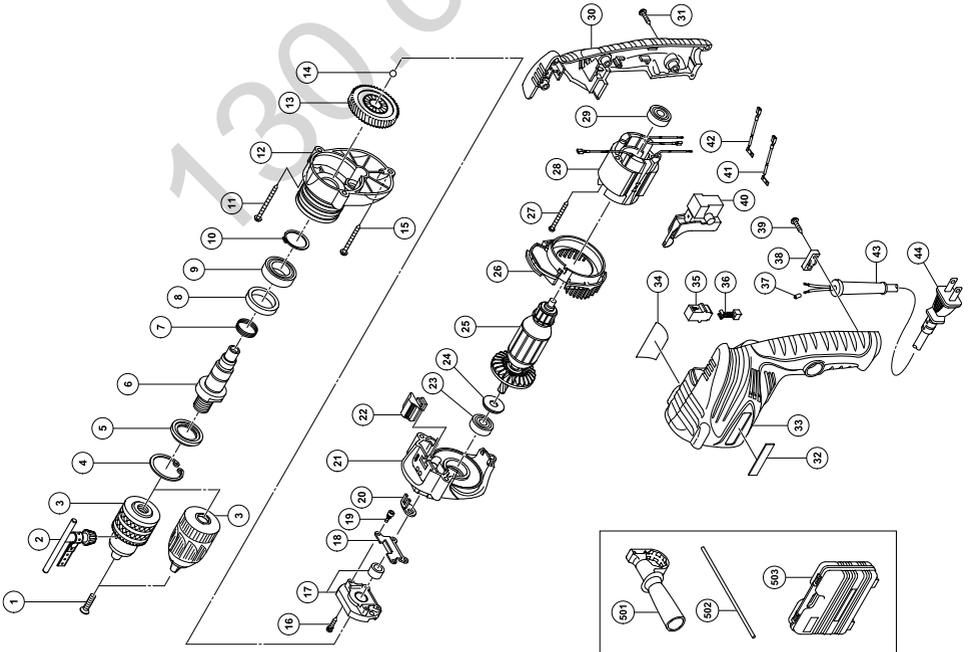
DV16SS



A	B	C	D	A	B	C	D
1	995-344	1	M6x25	41	330-724	1	
2	987-576	1		42	330-725	1	
3	—	1	13VLR-C-D	43	959-140	2	
4	948-001	1		44	938-051	1	D10.1
5	971-654	1		45	—	1	
6	322-513	1		501	303-659	1	
7	322-514	1		502	303-709	1	
8	330-682	1	6002VVCMP2S2L				
9	600-2VV	1					
10	939-544	1					
11	322-657	2	D4x60				
12	330-726	1					
13	330-683	1					
14	959-150	1	D6.35				
15	301-815	1	D4x45				
16	330-680	2	D4				
17	330-677	1					
18	330-678	1					
19	330-679	4	M3				
20	330-676	1					
21	330-675	1					
22	322-510	1					
23	608-DDM	1	608DDC2PS2L				
24	330-674	1					
25	360-863U	1	120V "23, 24, 29"				
26	330-673	1					
27	950-515	2	D4x50				
28	340-744D	1	120V				
29	608-VVM	1	608VVC2PS2L				
30	330-721	1					
31	301-653	3	D4x20				
32	330-719	1					
33	330-720	1					
34	—	1					
35	955-203	2					
36	999-041	2					
37	981-373	2					
38	937-631	1					
39	984-750	2	D4x16				
40	330-727	1					

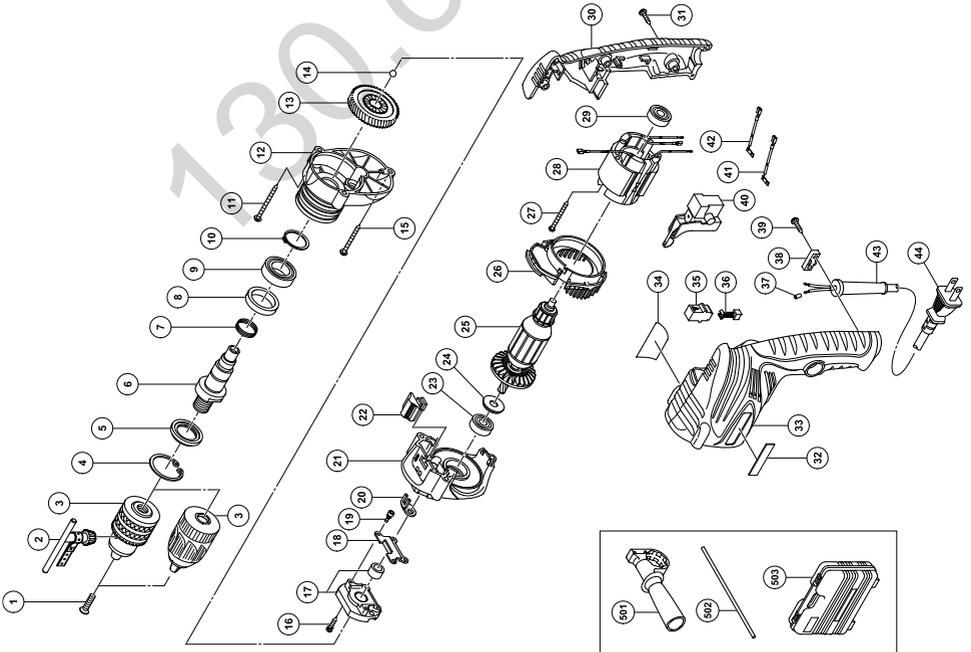
DV13VSS

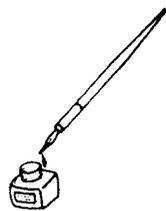
A	B	C	D	A	B	C	D
1	995-344	1	M6x25	41	330-717	1	
2	987-576	1		42	330-718	1	
3-1		1	13VLR-C-D	43	938-051	1	D10.1
3-2	322-625	1	13VLRJ-N	44		1	
4	948-001	1		501	303-659	1	
5	971-654	1		502	303-709	1	
6	322-513	1		503	330-702	1	
7	322-514	1					
8	330-682	1					
9	600-2VV	1	6002VVCMP2SL				
10	939-544	1					
11	322-657	2	D4x60				
12	330-681	1					
13	330-683	1					
14	959-150	1	D6.35				
15	301-815	1	D4x45				
16	330-680	2	D4				
17	330-677	1					
18	330-678	1					
19	330-679	4	M3				
20	330-676	1					
21	330-675	1					
22	322-510	1					
23	608-DDM	1	608DDC2PS2L				
24	330-674	1					
25	360-864U	1	120V "23, 24, 29"				
26	330-673	1					
27	991-031	2	D4x45				
28	340-743D	1	120V				
29	608-VVM	1	608VVC2PS2L				
30	330-715	1					
31	301-653	3	D4x20				
32	330-719	1					
33	330-714	1					
34		1					
35	955-203	2					
36	999-041	2					
37	981-373	2					
38	937-631	1					
39	984-750	2	D4x16				
40	330-716	1					
40	330-684	1					



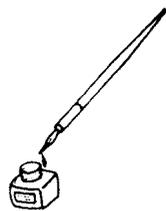
DV16VSS

A	B	C	D	A	B	C	D
1	995-344	1	M6x25	41	330-717	1	
2	987-576	1		42	330-718	1	
3-1		1	13VLR-C-D	43	938-051	1	D10.1
3-2	322-625	1	13VLR-J-N	44		1	
4	948-001	1		501	303-659	1	
5	971-654	1		502	303-709	1	
6	322-513	1		503	330-702	1	
7	322-514	1					
8	330-682	1					
9	600-2VV	1	6002VVCMP2SL				
10	939-544	1					
11	322-657	2	D4x60				
12	330-726	1					
13	330-683	1					
14	959-150	1	D6.35				
15	301-815	1	D4x45				
16	330-680	2	D4				
17	330-677	1					
18	330-678	1					
19	330-679	4	M3				
20	330-676	1					
21	330-675	1					
22	322-510	1					
23	608-DDM	1	608DDC2PS2L				
24	330-674	1					
25	360-863JU	1	120V "23, 24, 29"				
26	330-673	1					
27	950-515	2	D4x50				
28	340-742D	1	120V				
29	608-VVM	1	608VVC2PS2L				
30	330-715	1					
31	301-653	3	D4x20				
32	330-719	1					
33	330-714	1					
34		1					
35	955-203	2					
36	999-041	2					
37	981-373	2					
38	937-631	1					
39	984-750	2	D4x16				
40	330-684	1					

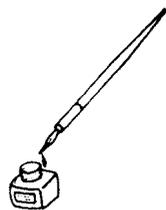




130.com.ua



130.com.ua



130.com.ua

WARNING:

Some dust created by power sanding, sawing, grinding, drilling, and other construction activities contains chemicals known to the State of California to cause cancer, birth defects or other reproductive harm. Some examples of these chemicals are:

- Lead from lead-based paints,
- Crystalline silica from bricks and cement and other masonry products, and
- Arsenic and chromium from chemically-treated lumber.

Your risk from these exposures varies, depending on how often you do this type of work. To reduce your exposure to these chemicals: work in a well ventilated area, and work with approved safety equipment, such as those dust masks that are specially designed to filter out microscopic particles.

AVERTISSEMENT:

La poussière résultant d'un ponçage, d'un sciage, d'un meulage, d'un perçage ou de toute autre activité de construction renferme des produits chimiques qui sont connus par l'Etat de Californie pour causer des cancers, des défauts de naissance et autres anomalies de reproduction. Nous énumérons ci-dessus certains de ces produits chimiques:

- Plomb des peintres à base de plomb,
- Silice cristalline des briques et du ciment et autres matériaux de maçonnerie, et
- Arsenic et chrome du bois d'oeuvre traité chimiquement.

Le risque d'exposition à ces substances varie en fonction de la fréquence d'exécution de ce genre de travail. Pour réduire l'exposition à ces produits chimiques, travailler dans un lieu bien ventilé, et porter un équipement de protection agréé, par exemple un masque anti-poussière spécialement conçu pour filter les particules microscopiques.

ADVERTENCIA:

Algunos polvos creados por el lijado mecánico, el aserrado, el esmerilado, el taladrado y otras actividades de construcción contienen sustancias químicas conocidas por el Estado de California como agentes cancerígenos, defectos congénitos y otros daños reproductores. Algunos ejemplos de estas sustancias químicas son:

- El plomo de las pinturas a base de plomo,
- El sílice cristalino de los ladrillos y cemento y otros productos de mampostería, y
- El arsénico y el cromo de la madera tratada químicamente.

El riesgo resultante de la exposición varía según la frecuencia con que se realiza este tipo de trabajo. Para reducir la exposición a esta sustancias químicas: trabaje en un lugar bien ventilado y realice el trabajo utilizando el equipamiento apropiado, tal como las máscaras para el polvo especialmente diseñados para eliminar las partículas minúsculas.

Issued by

Koki Holdings Co.,Ltd.

Shinagawa Intercity Tower A, 15-1, Konan 2-chome,
Minato-ku, Tokyo 108-6020, Japan

Distributed by

Koki Holdings America Ltd.

1111 Broadway Ave,
Braselton, Georgia, 30517

Koki Holdings America Ltd. Canadian Branch

3405 American Drive, Units 9-10,
Mississauga, ON, L4V 1T6

Hikoki Power Tools de Mexico S.A. de C.V.

Calle Isaac Newton No.286, 2do Piso, Col. Polanco V Sección,
Del. Miguel Hidalgo, C. P. 11560
Ciudad de México, México.

Autogoods "130"

806

Code No. C99238461 F

Printed in China