



PHONES

0 (800) 800 130
(050) 462 0 130
(063) 462 0 130
(067) 462 0 130

130
COM.UA

Internet store of
autogoods



SKYPE

km-130

CAR RECEIVERS — Receivers • Media receivers and stations • Native receivers • CD/DVD changers • FM-modulators/USB adapters • Flash memory • Facia plates and adapters • Antennas • Accessories |
CAR AUDIO — Car audio speakers • Amplifiers • Subwoofers • Processors • Crossovers • Headphones • Accessories | TRIP COMPUTERS — Universal computers • Model computers • Accessories |
GPS NAVIGATORS — Portable GPS • Built-in GPS • GPS modules • GPS trackers • Antennas for GPS navigators • Accessories | VIDEO — DVR • TV sets and monitors • Car TV tuners • Cameras • Videomodules
• Transcoders • Car TV antennas • Accessories | SECURITY SYSTEMS — Car alarms • Bike alarms • Mechanical blockers • Immobilizers • Sensors • Accessories | OPTIC AND LIGHT — Xenon • Bixenon • Lamps
• LED • Stroboscopes • Optic and Headlights • Washers • Light, rain sensors • Accessories | PARKTRONICS AND MIRRORS — Rear parktronic • Front parktronic • Combined parktronic • Rear-view mirrors
• Accessories | HEATING AND COOLING — Seat heaters • Mirrors heaters • Screen-wipers heaters • Engine heaters • Auto-refrigerators • Air conditioning units • Accessories | TUNING — Vibro-isolation
• Noise-isolation • Tint films • Accessories | ACCESSORIES — Radar-detectors • Handsfree, Bluetooth • Windowlifters • Compressors • Beeps, loudspeakers • Measuring instruments • Cleaners • Car seats
• Miscellaneous | MOUNTING — Installation kits • Upholstery • Grilles • Tubes • Cable and wire • Tools • Miscellaneous | POWER — Batteries • Converters • Start-charging equipment • Capacitors
• Accessories | MARINE AUDIO AND ELECTRONICS — Marine receivers • Marine audio speakers • Marine subwoofers • Marine amplifiers • Accessories | CAR CARE PRODUCTS — Additives • Washer fluid •
Care accessories • Car polish • Flavors • Adhesives and sealants | LIQUID AND OIL — Motor oil • Transmission oil • Brake fluid • Antifreeze • Technical lubricant



In store "130" you can find and buy almost all necessary goods for your auto in Kyiv and other cities, delivery by ground and postal services. Our experienced consultants will provide you with exhaustive information and help you to chose the very particular thing. We are waiting for you at the address

<https://130.com.ua>

Montageanleitung

Kennzeichenleuchte

Mounting instructions

Licence plate ligh

Instructions de montage

Feu éclairer de plaque

Monteringsanvisning

Nummerskyltlampa

Montagehandleiding

Nummerskyltlampa

Instrucciones de montaje

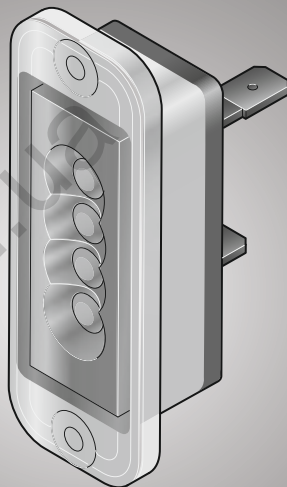
Piloto de matrícula

Istruzioni di montaggio

Luce targa

Asennusohje

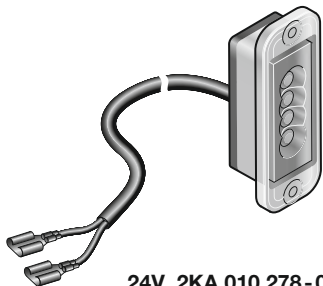
Rekisterikilven valo



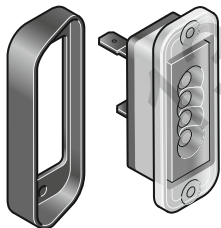
Lieferumfang
Kit includes
Forniture

Leveransomfattning
Inhoud set
Volumen del suministro

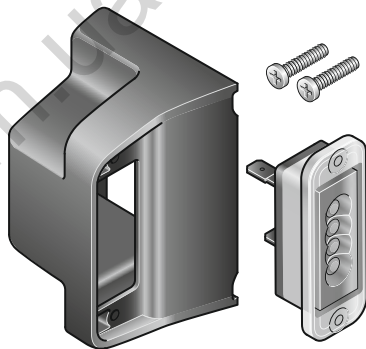
Dotazione di fornitura
Osaluettelo



24V 2KA 010 278-031



24V 2KA 010 278-011/7
12V 2KA 010 278-311/7

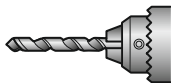
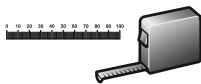


24V 2KA 010 278-021/7
12V 2KA 010 278-321/7

Benötigte Montagewerkzeuge
Installation tools required
Outils de montage requis

Nödvändiga monteringsverktyg
Benodigde montagewerktuigen
Herramientas de montaje necesarias

Attrezzi necessari per il montaggio
Tarvittavat asennustyökalut



max. Ø4 mm



Zubehör
Accessories
Accessories

Tillbehör
Toebehoren
Accessorios

Accessori
Lisätarvikkeet

8KW 708 374-003



Montage
Mounting
Montage

Montering
Montage
Montaje

Montaggio
Asennus

2KA 010 278-011/7
2KA 010 278-311/7

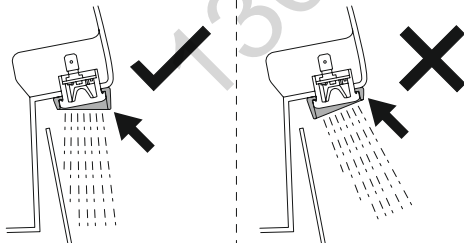


30-85mm

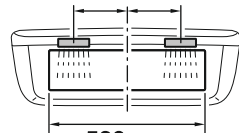
40-100mm

90°±1°

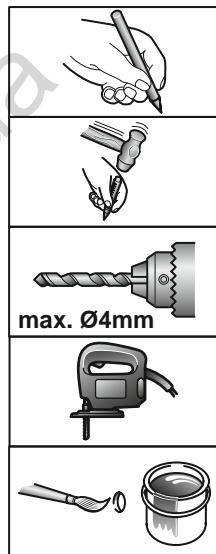
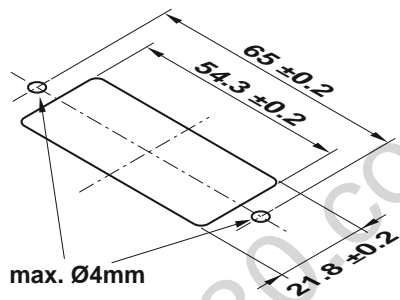
0°-15°

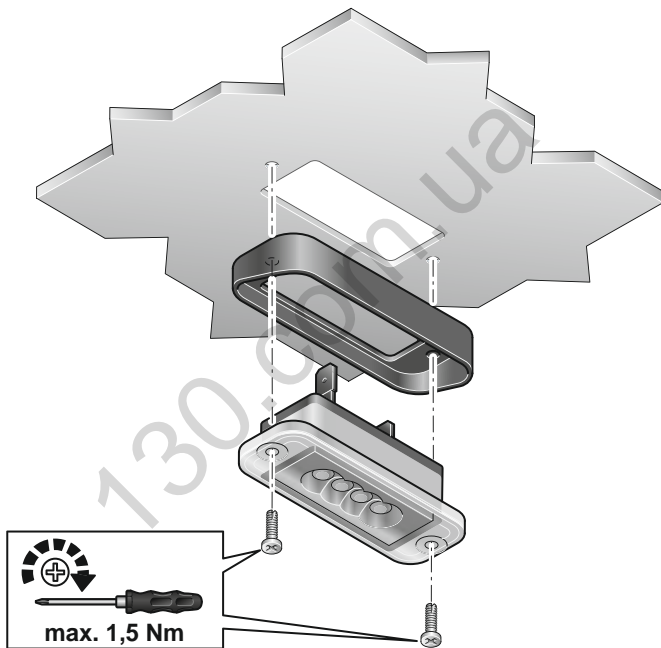


130±2mm 130±2mm



520mm



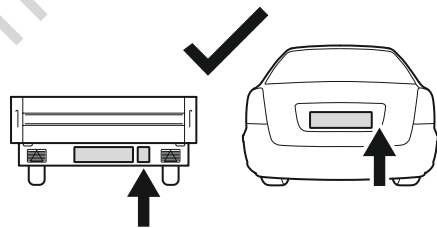
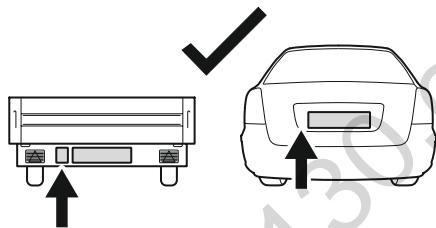


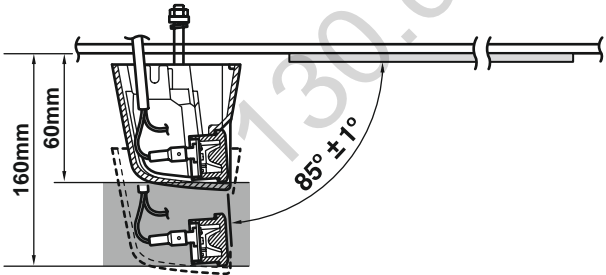
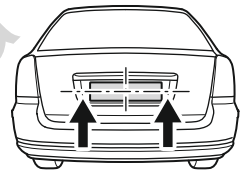
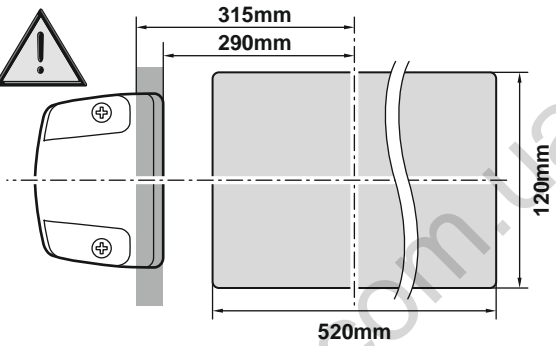
Montage
Mounting
Montaje

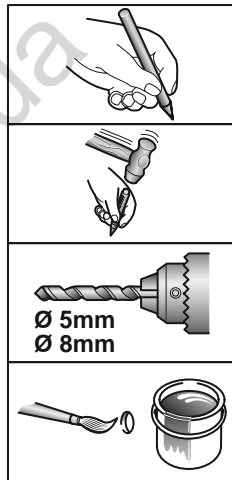
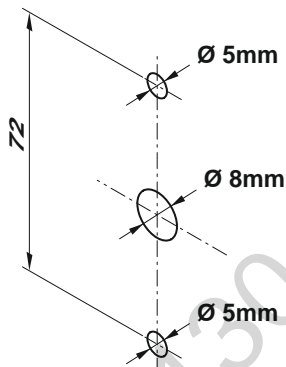
Montering
Montage
Montaje

Montaggio
Asennus

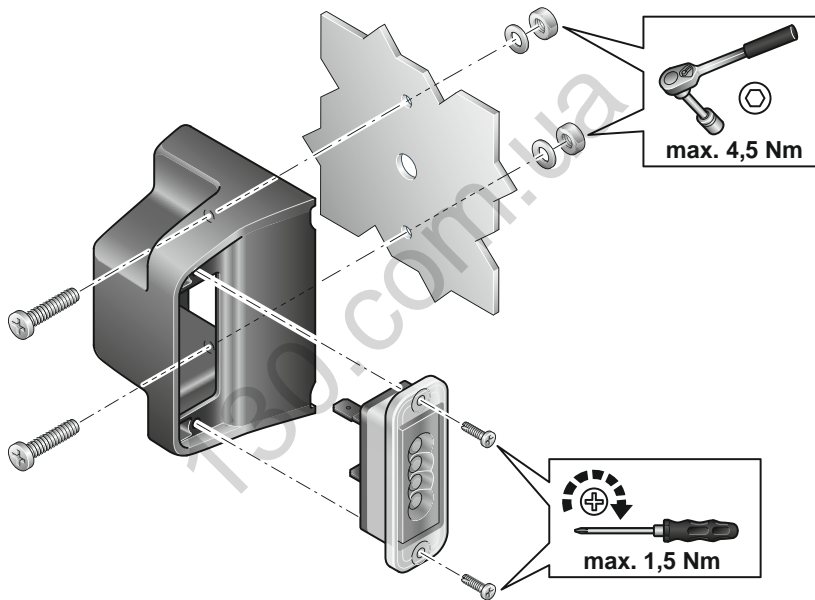
2KA 010 278-021/7
2KA 010 278-321/7







10



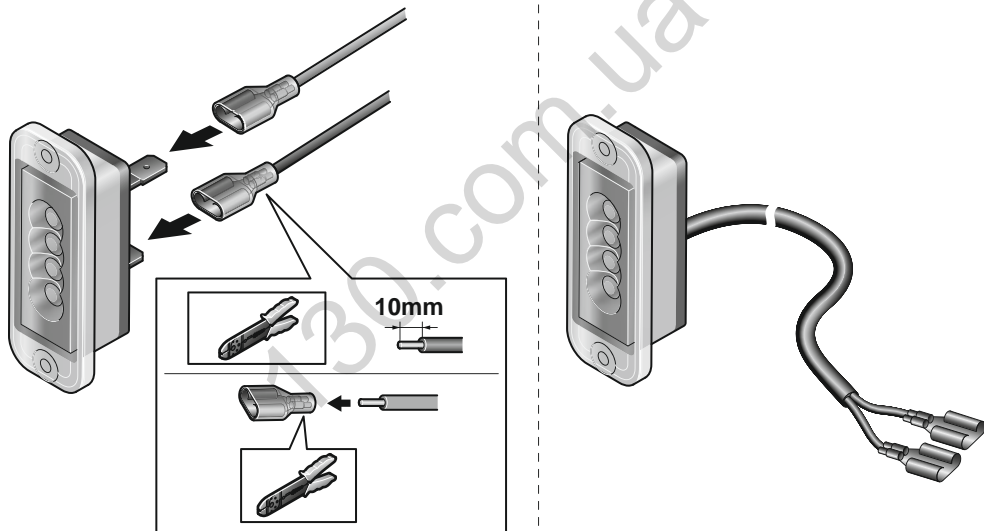
Autogoods "130"

Elektrischer Anschluss
Electrical connection
Branchement électrique

Elektrisk anslutning
Elektrische aansluiting
Conexión eléctrica

Collegamento elettrico
Osaluettelo

11



DE	DEUTSCH	<i>Technische Änderungen vorbehalten</i>	13
EN	ENGLISH	<i>Subject to alteration without notice</i>	13
FR	FRANÇAIS	<i>Sous réserve de modifications techniques</i>	13
SV	SVENSKA	<i>Vi reserverar oss för tekniska ändringar</i>	13
NL	NEDERLANDS	<i>Technische wijzigingen voorbehouden</i>	14
ES	ESPAÑOL	<i>Reservadas modificaciones técnicas</i>	14
IT	ITALIANO	<i>Con riserva di modifiche tecniche</i>	14
FI	SUOMI	<i>Oikeus teknisiin muutoksiin pidätetään</i>	14

Technische Daten

Betriebsspannungsbereich: 12 V (9-16 V)

Betriebsspannungsbereich: 24 V (18-32 V)

Gesamtstromaufnahme: max. 40 mA

Temperaturbereich: -40°C bis +50°C

Schutzklasse: IP 6K9K

Verpolschutz: Ja

Technical data

Operating-voltage range: 12V (9-16 V)

Operating-voltage range: 24V (18-32 V)

Total current consumption: max. 40 mA

Temperature range: -40 °C to +50 °C

Protective class: IP 6K9K

Polarity reversal protection: Yes

Techniques générales

Plage de tension de service: 12V (9-16 V)

Plage de tension de service: 24V (18-32 V)

Consommation de courant totale: 40 mA

Plage de température: -40°C à +50°C

Classe de protection: IP 6K9K

Protection contre les inversions de polarité: oui

Tekniska data

Driftsspänningsintervall: 12V (9-16 V)

Driftsspänningsintervall: 24V (18-32 V)

Strömförbrukning totalt: max. 40 mA

Temperaturintervall: -40°C till +50°C

Skyddsklass: IP 6K9K

Polomkastningskydd: ja

Technische gegevens

Bedrijfsspanningsbereik: 12V (9-16 V)

Bedrijfsspanningsbereik: 9-32V

Totale stroomopname: max. 40 mA

Temperatuurbereik: -40°C tot +50°C

Beschermklasse: IP 6K9K

Beveiliging tegen poolverwisseling: Ja

Datos técnicos

Intervalo de tensión de servicio: 12V (9-16 V)

Intervalo de tensión de servicio: 24V (18-32 V)

Absorción total de corriente: max.40 mA

Intervalo de temperaturas: -40°C hasta +50°C

Grado de protección: IP 6K9K

Protección contra las inversiones de polaridad: Sí

Dati tecnici

Fascia tensione d'esercizio: 12V (9-16 V)

Fascia tensione d'esercizio: 24V (18-32 V)

Assorbimento di potenza totale: max. 40 mA

Fascia di temperatura: da -40°C a +50°C

Grado di protezione: IP 6K9K

Protezione contro l'inversione di polarità: sì

Tekniset tiedot

B Käyttöjännitealue: 12V (9-16 V)

B Käyttöjännitealue: 24V (18-32 V)

Virran otto: max. 40 mA

Lämpötila-alue: -40°C ... +50°C

Suojaluokka: IP 6K9K

Napaisuussuojaus: Kyllä

DE Beleuchtungsanlage auf einwandfreie Funktion hin prüfen

EN Check that the lighting system is working perfectly

FR Contrôler le bon fonctionnement de l'installation d'éclairage

SV Kontrollera att ljussystemet fungerar felfritt

NL Controleer of de verlichting goed functioneert

ES Comprobar que el sistema de iluminación funciona impecablemente

IT Controllare la perfetta funzionalità dell'impianto di illuminazione

FI Tarkasta valaistusjärjestelmän toiminta

DE Bei Fragen oder Einbauproblemen, rufen Sie bitte den HELLA Kundendienst, Großhändler an oder wenden Sie sich an Ihre Werkstatt.

EN If you have questions or installation problems, please call the HELLA Service, wholesaler, or turn to your garage.

FR Pour toutes questions ou problèmes de montage, merci de contacter le service après-vente HELLA, votre distributeur ou votre garage.

SV Vid frågor eller monteringsproblem, kontakta Hellas kundtjänst, återförsäljaren eller din verkstad.

NL In geval van vragen of montageproblemen verzoeken wij u contact met de HELLA-klanten-service, de groothandel of uw dealer op te nemen.

ES En caso de dudas o problemas de montaje, por favor, llame al Servicio postventa de Hella o al mayorista, o bien diríjase a su taller.

IT Per qualsiasi domanda o problemi di montaggio si prega di contattare il servizio assistenza o il proprio grossista HELLA oppure di rivolgersi alla propria officina.

FI Jos sinulla on kysymyksiä tai asennusongelmia, soita HELLA-asiakaspalvelulle tai tukkuliikkeelle tai käänny korjaamon puoleen.

130.com.ua

