



PHONES

0 (800) 800 130  
(050) 462 0 130  
(063) 462 0 130  
(067) 462 0 130

130  
COM.UA

Internet store of  
autogoods



SKYPE

km-130

CAR RECEIVERS — Receivers • Media receivers and stations • Native receivers • CD/DVD changers • FM-modulators/USB adapters • Flash memory • Facia plates and adapters • Antennas • Accessories |  
 CAR AUDIO — Car audio speakers • Amplifiers • Subwoofers • Processors • Crossovers • Headphones • Accessories | TRIP COMPUTERS — Universal computers • Model computers • Accessories |  
 GPS NAVIGATORS — Portable GPS • Built-in GPS • GPS modules • GPS trackers • Antennas for GPS navigators • Accessories | VIDEO — DVR • TV sets and monitors • Car TV tuners • Cameras • Videomodules  
 • Transcoders • Car TV antennas • Accessories | SECURITY SYSTEMS — Car alarms • Bike alarms • Mechanical blockers • Immobilizers • Sensors • Accessories | OPTIC AND LIGHT — Xenon • Bixenon • Lamps  
 • LED • Stroboscopes • Optic and Headlights • Washers • Light, rain sensors • Accessories | PARKTRONICS AND MIRRORS — Rear parktronic • Front parktronic • Combined parktronic • Rear-view mirrors  
 • Accessories | HEATING AND COOLING — Seat heaters • Mirrors heaters • Screen-wipers heaters • Engine heaters • Auto-refrigerators • Air conditioning units • Accessories | TUNING — Vibro-isolation  
 • Noise-isolation • Tint films • Accessories | ACCESSORIES — Radar-detectors • Handsfree, Bluetooth • Windowlifters • Compressors • Beeps, loudspeakers • Measuring instruments • Cleaners • Carsits  
 • Miscellaneous | MOUNTING — Installation kits • Upholstery • Grilles • Tubes • Cable and wire • Tools • Miscellaneous | POWER — Batteries • Converters • Start-charging equipment • Capacitors  
 • Accessories | MARINE AUDIO AND ELECTRONICS — Marine receivers • Marine audio speakers • Marine subwoofers • Marine amplifiers • Accessories | CAR CARE PRODUCTS — Additives • Washer fluid •  
 Care accessories • Car polish • Flavors • Adhesives and sealants | LIQUID AND OIL — Motor oil • Transmission oil • Brake fluid • Antifreeze • Technical lubricant



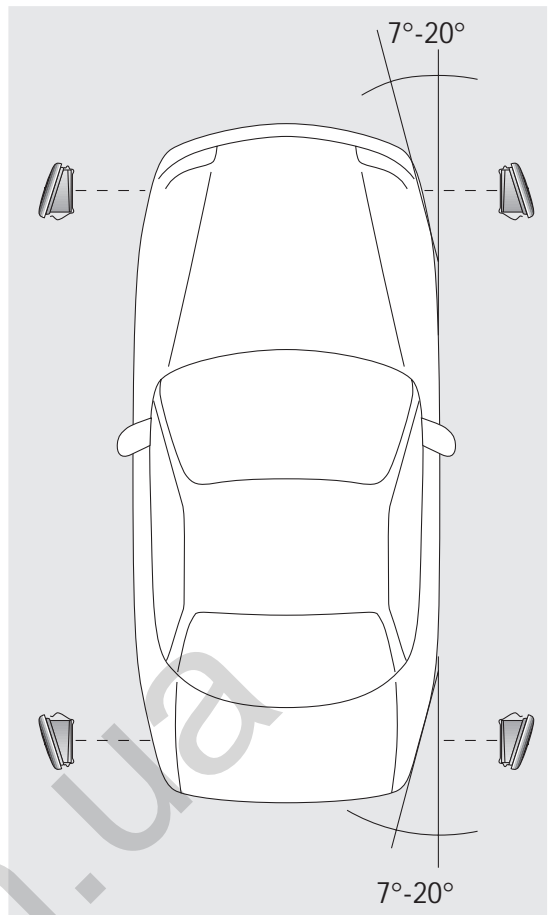
In store "130" you can find and buy almost all necessary goods for your auto in Kyiv and other cities, delivery by ground and postal services. Our experienced consultants will provide you with exhaustive information and help you to chose the very particular thing. We are waiting for you at the address

<https://130.com.ua>



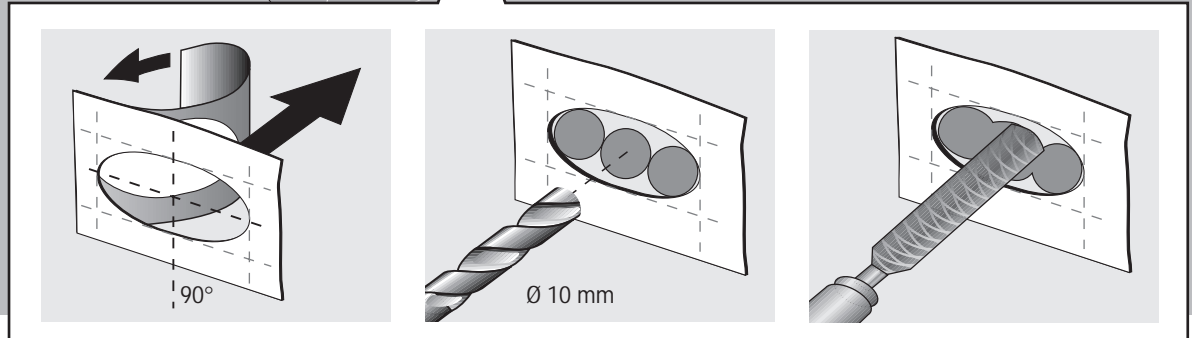
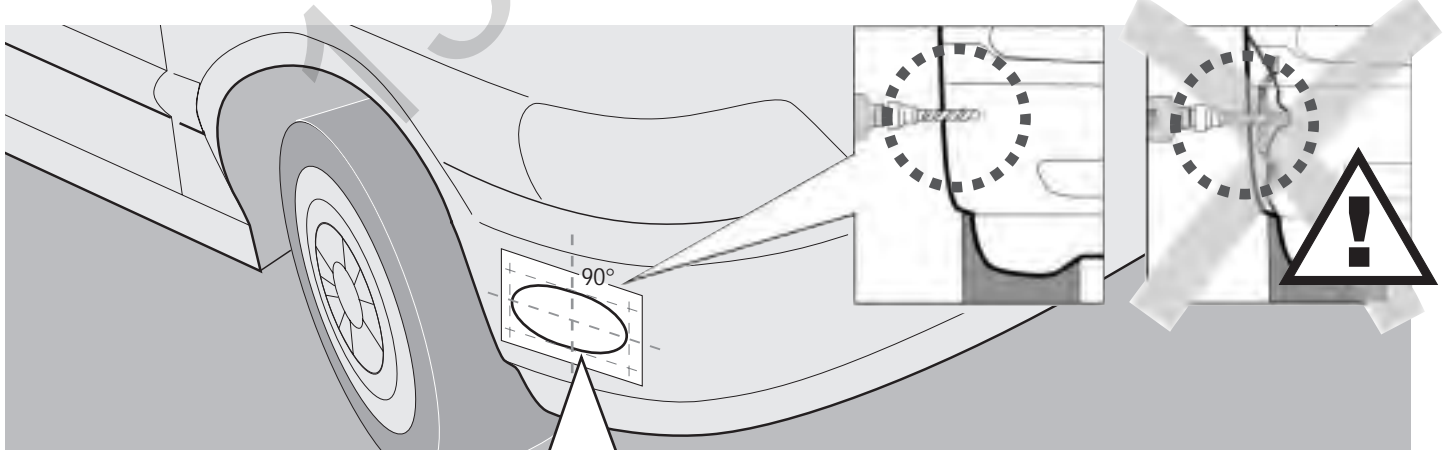
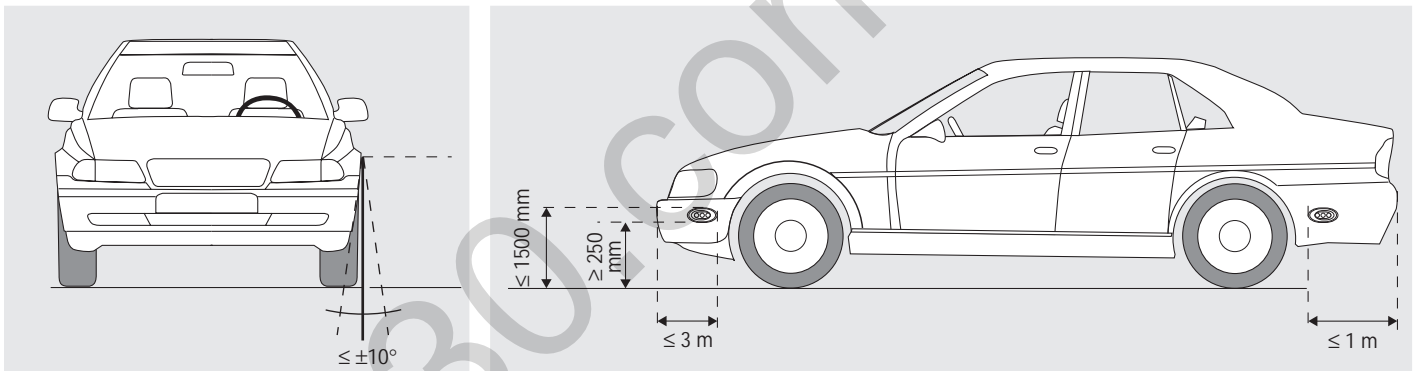
460 860-00/07/98

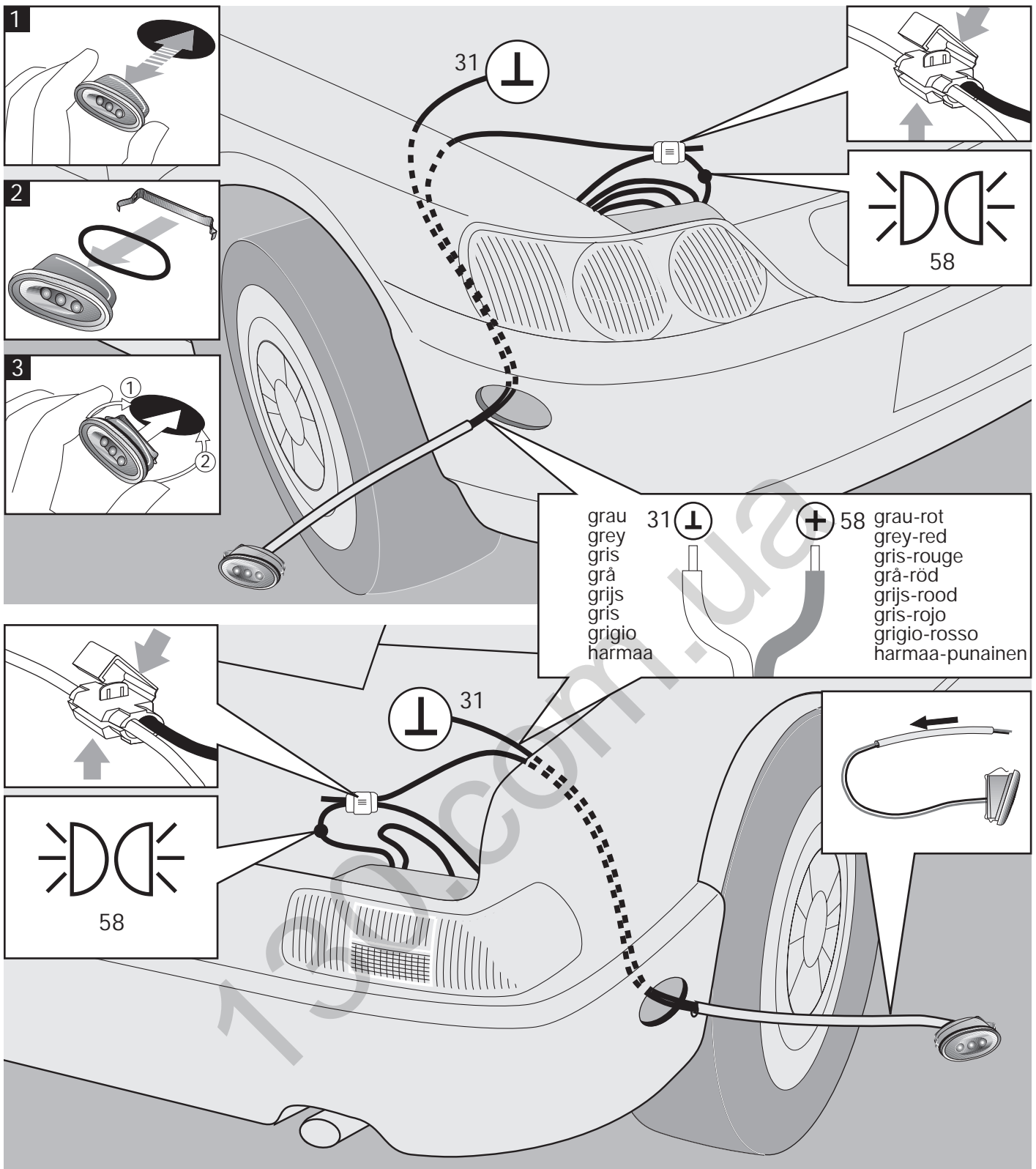
Montageanleitung  
 Mounting instructions  
 Instructions de Montage  
 Monteringsanvisning  
 Montagehandleiding  
 Instrucciones de montaje  
 Istruzioni di montaggio  
 Asennusohjeet



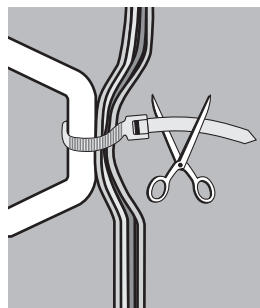
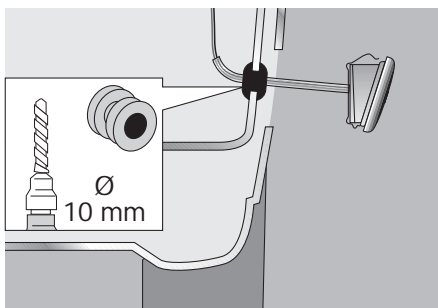
**Lieferumfang:**  
 Kit includes:  
 Le produit et les pièces jointes:  
 Leveransomfatning:  
 De levering:  
 Volumen del suministro:  
 Dotazione di forniture:  
 Osaluetelo:

	4 X		4 X		20 X
	4 X		8 X		1m





grau	31	⊥	+	58	grau-rot
grey					grey-red
gris					gris-rouge
grå					grå-röd
grijs					grijs-rood
gris					gris-rojo
grigio					grigio-rosso
harmaa					harmaa-punainen



Befestigung der Leitung mittels beiliegenden Kabelbindern.  
 Secure lead with cable strap supplied.  
 Fixation du câble par l'attache-câble fourni.  
 Fäst kabelaget med de medleverade buntbanden.  
 Bevestiging van de kabel middels meegeleverde kabelbinders.  
 Fijación de los cables con las abrazaderas de cables adjuntas.  
 Fissaggio del cavo tramite fascetta in dotazione.  
 Johdon kiinnitys mukana olevalla nippusiteellä.

Bei Bohrungen im Blech Dichtungsgummi einsetzen.  
 Fit sealing rubber if holes are drilled in metal.  
 En cas de perçage de la tôle, mettre en place le joint en caoutchouc.  
 Montera gummigenomföringen i det borrade hålet.  
 Bij boringen in de carrosserie afdichtrubber gebruiken.  
 En caso de perforaciones en la chapa utilizar juntas de goma.  
 Per forare la lamiera inserire una guarnizione in gomma.  
 Porattaessa peltiin on asennettava tiivistekumi.

