



PHONES

0 (800) 800 130  
(050) 462 0 130  
(063) 462 0 130  
(067) 462 0 130

130  
COM.UA

Internet store of  
autogoods



SKYPE

km-130

CAR RECEIVERS — Receivers • Media receivers and stations • Native receivers • CD/DVD changers • FM-modulators/USB adapters • Flash memory • Facia plates and adapters • Antennas • Accessories |  
CAR AUDIO — Car audio speakers • Amplifiers • Subwoofers • Processors • Crossovers • Headphones • Accessories | TRIP COMPUTERS — Universal computers • Model computers • Accessories |  
GPS NAVIGATORS — Portable GPS • Built-in GPS • GPS modules • GPS trackers • Antennas for GPS navigators • Accessories | VIDEO — DVR • TV sets and monitors • Car TV tuners • Cameras • Videomodules  
• Transcoders • Car TV antennas • Accessories | SECURITY SYSTEMS — Car alarms • Bike alarms • Mechanical blockers • Immobilizers • Sensors • Accessories | OPTIC AND LIGHT — Xenon • Bixenon • Lamps  
• LED • Stroboscopes • Optic and Headlights • Washers • Light, rain sensors • Accessories | PARKTRONICS AND MIRRORS — Rear parktronic • Front parktronic • Combined parktronic • Rear-view mirrors  
• Accessories | HEATING AND COOLING — Seat heaters • Mirrors heaters • Screen-wipers heaters • Engine heaters • Auto-refrigerators • Air conditioning units • Accessories | TUNING — Vibro-isolation  
• Noise-isolation • Tint films • Accessories | ACCESSORIES — Radar-detectors • Handsfree, Bluetooth • Windowlifters • Compressors • Beeps, loudspeakers • Measuring instruments • Cleaners • Car seats  
• Miscellaneous | MOUNTING — Installation kits • Upholstery • Grilles • Tubes • Cable and wire • Tools • Miscellaneous | POWER — Batteries • Converters • Start-charging equipment • Capacitors  
• Accessories | MARINE AUDIO AND ELECTRONICS — Marine receivers • Marine audio speakers • Marine subwoofers • Marine amplifiers • Accessories | CAR CARE PRODUCTS — Additives • Washer fluid •  
Care accessories • Car polish • Flavors • Adhesives and sealants | LIQUID AND OIL — Motor oil • Transmission oil • Brake fluid • Antifreeze • Technical lubricant



In store "130" you can find and buy almost all necessary goods for your auto in Kyiv and other cities, delivery by ground and postal services. Our experienced consultants will provide you with exhaustive information and help you to choose the very particular thing. We are waiting for you at the address

<https://130.com.ua>

# POWER AMPLIFIER

## GZTA 4230X-B

### Owner's Manual

#### Features

- 4-channel Mosfet high power amplifier
- 2-ohms stable / 4-ohms stable in bridged mode
- Adjustable Bass Boost (@ 45 Hz)
- Adjustable crossover (HPF or LPF/BPF)
- HPF: 5 – 500 Hz
- LPF: 40 – 4000 Hz
- High pass filter usable as subsonic filter
- Active BIAS control (automatic)
- 4x RCA low level input
- Adjustable input sensitivity
- Soft delayed remote turn-on
- Large dimensional power wire terminal
- Thermal / short circuit / overload protection
- Operation / protection circuit indicator

## General mounting instructions

- As a precaution, it is recommended to disconnect the vehicles battery before mounting the amplifier.

Note: For new vehicles, disconnecting the battery might cause various errors in your vehicle´s electric system that can be cleared only by authorized service partners of your vehicle´s manufacturer! Please ask your service partner first before disconnecting the battery!

- The power supply wire (+12 V) has to be protected within max. 20 cm / 8" by a main fuse holder with a fuse value matching the recommendation for your amplifier

Note: If there is more than one amplifier connected using this power wire, the main fuse value must be equal to the sum of the recommended fuses of all connected devices. However, make sure the diameter of your power wire will be enough for the required current!

- If necessary, replace a defective fuse by a fuse with identical quality and value
- Never drill a hole to the vehicle´s gas tank or brake lines, to wirings or any other important vehicle parts!
- Never pass wires over sharp edges or vehicle parts due avoid any kind of damage
- Keep the wiring away from the antenna and electronic devices contributing to radio reception
- Lay the power supply wiring always separated from speaker wiring to avoid disturbance
- The amplifier contains a temperature protection circuit that turns the device off in case of overheating. After a certain cooling time, it will turn on automatically. To avoid heat build-up, enough air supply for cooling must be provided. Never cover the surface of the amplifier´s heatsink entirely
- The amplifier should **NEVER** be mounted onto a vibrating part or surface such as a subwoofer enclosure. This might lead to malfunction due to loosened electrical parts inside the amplifier.
- Some amplifiers offer a high-level input option, however if a pre-amplified output (RCA) is available (at the head unit), it is strongly recommended to make use of them.



*GROUND ZERO products are engineered in Germany*

GROUND ZERO - international sponsor of





GZTA 4230X-B

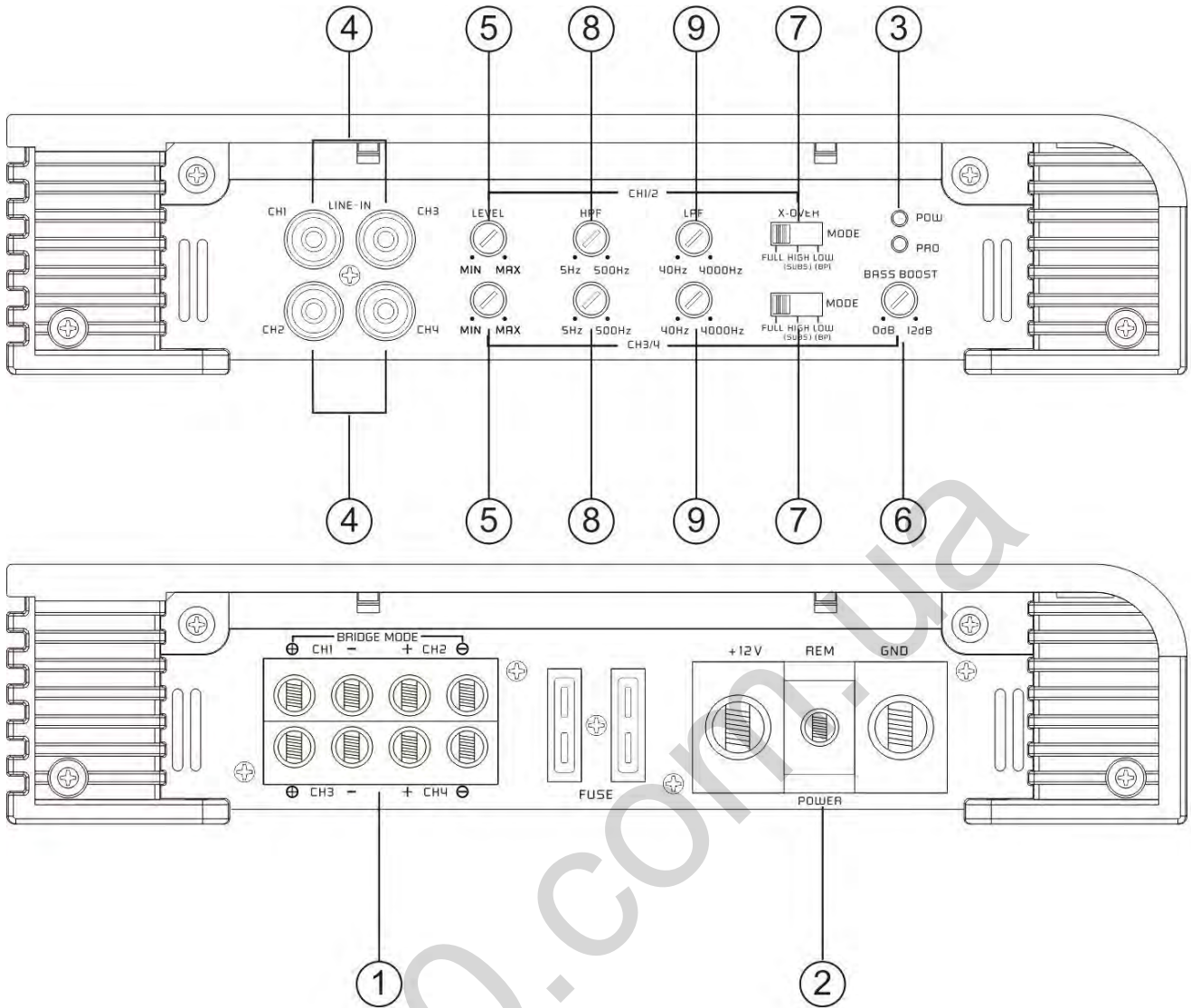


yellow color side panels included

## Specifications

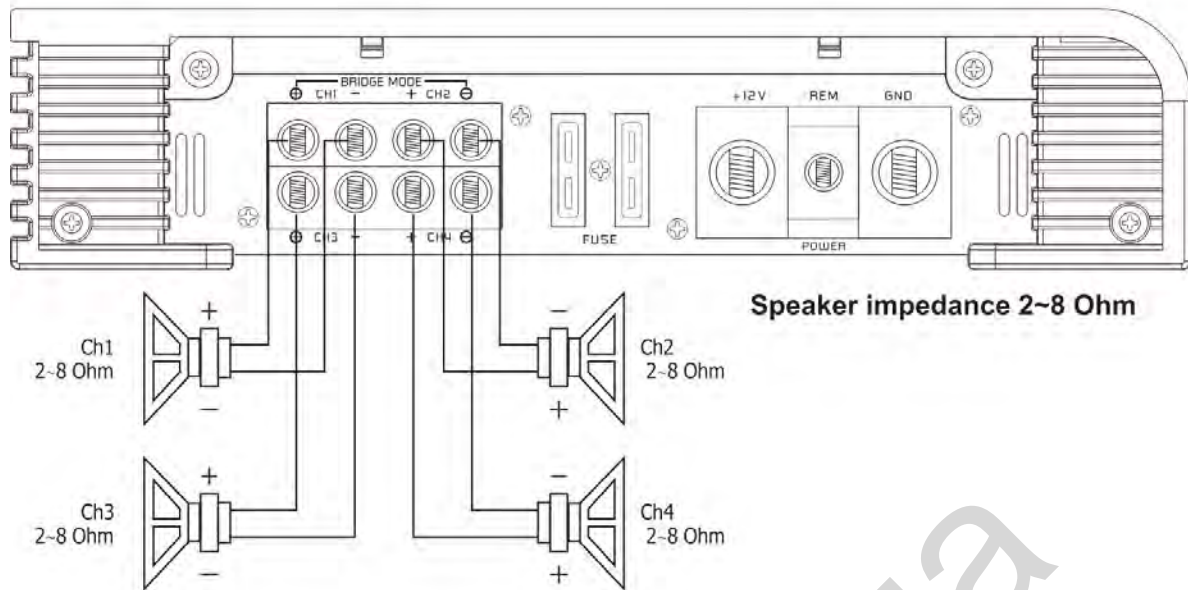
| Model                             | GZTA 4230X-B                                                                                                                                                                               |
|-----------------------------------|--------------------------------------------------------------------------------------------------------------------------------------------------------------------------------------------|
| Amplifier type                    | 4 channel class A/B high power amplifier                                                                                                                                                   |
| Output power                      | 4 x 140 W RMS @ 4 Ohm ≤ 1% THD+N<br>4 x 230 W RMS @ 2 Ohm ≤ 1% THD+N<br>4 x 275 W max @ 2 Ohm ≤ 10% THD+N<br>2 x 460 W bridged @ 4 Ohm ≤ 1% THD+N<br>2 x 550 W bridged @ 4 Ohm ≤ 10% THD+N |
| Damping factor                    | > 150                                                                                                                                                                                      |
| High pass crossover               | HPF: 5 Hz – 500 Hz                                                                                                                                                                         |
| Low pass crossover (BP)           | LPF: 40 Hz – 4000 Hz (HPF active for band pass configuration)                                                                                                                              |
| Frequency response                | 5 Hz – 38 kHz (± 1 dB)                                                                                                                                                                     |
| Bass Boost (on channel 3/4)       | 0 to 12 dB (@ 45 Hz)                                                                                                                                                                       |
| Input sensitivity                 | 0.5 V – 9 V (± 5%)                                                                                                                                                                         |
| Fuse(s)                           | 2x 40 A                                                                                                                                                                                    |
| Dimensions<br>w x h x l (mm/inch) | 230 x 53 x 476<br>9.04" x 2.09" x 18.74"                                                                                                                                                   |

Controls and features

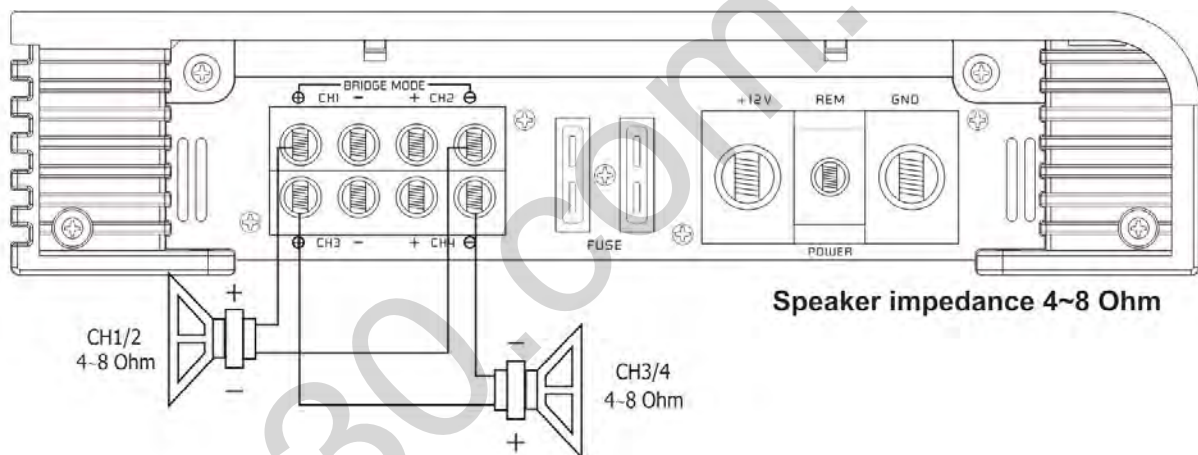


|   | Function                           |                                                                                                                                                                                                                                                                                                                                                                                                                                    |
|---|------------------------------------|------------------------------------------------------------------------------------------------------------------------------------------------------------------------------------------------------------------------------------------------------------------------------------------------------------------------------------------------------------------------------------------------------------------------------------|
| 1 | Speaker terminal                   | Speaker connection                                                                                                                                                                                                                                                                                                                                                                                                                 |
| 2 | Power supply terminal              | GROUND -> ground terminal<br>REM -> remote wire<br>BATT+ -> +12 Volt wire from battery terminal                                                                                                                                                                                                                                                                                                                                    |
| 3 | Status LEDs                        | POW -> green -> ok (correct operation)<br>PROT -> red -> error / protection                                                                                                                                                                                                                                                                                                                                                        |
| 4 | Signal input (RCA)                 | Input sockets to connect RCA wires - to avoid any malfunction, it is recommended to use only high quality RCA cables<br><br>Cable recommendation:<br>GCZZ X-TP series (available lengths 0.57 / 1.14 / 3.14 / 5.49 m)                                                                                                                                                                                                              |
| 5 | Input sensitivity                  | Controller to adjust the input sensitivity                                                                                                                                                                                                                                                                                                                                                                                         |
| 6 | Bass Boost (on channel 3/4)        | Controller to adjust the bass boost level ( 0 to +12 dB at 45 Hz)                                                                                                                                                                                                                                                                                                                                                                  |
| 7 | Crossover / Mode switch            | To setup the crossover for the required use of the amplifier<br><br>FULL - entire frequency range will be reproduced<br>HIGH (SUBS) - only mid/high frequencies are reproduced according the control (8)<br>LOW (BP)* - only low frequencies are reproduced according the control (9)<br><br>*: Set to LOW filter, the high-pass filter (SUBSONIC) will be activated simultaneously resulting in a band-pass filter (5 Hz 4000 Hz) |
| 8 | High pass (HPF) control (Subsonic) | To adjust the required crossover point. Frequencies below the selected crossover point will be filtered (5 Hz to 500 Hz).<br>This control will also be activated at MODE switch set to LOW (7)                                                                                                                                                                                                                                     |
| 9 | Low pass (LPF) control (Bandpass)  | To adjust the required crossover point. Frequencies above the selected crossover point will be filtered (40 Hz to 4000 Hz)                                                                                                                                                                                                                                                                                                         |

## Stereo mode



## Bridged mode



## Trouble shooting guide

| Symptoms                                 | Check / Cause                           | Action                                                                                                                                                                    |
|------------------------------------------|-----------------------------------------|---------------------------------------------------------------------------------------------------------------------------------------------------------------------------|
| No audible sound                         | Does the POW LED turn to green?         | Check protection fuse(s) of the amplifier<br>Check remote wire connection (RCA input mode)<br>Check +12 Volt power supply wire connection<br>Check ground wire connection |
|                                          | Did the PRO LED turned to red?          | Check for speaker short or amplifier overheating                                                                                                                          |
| Device does not turn on                  | Power supply of the amplifier?          | Check power wire or connections                                                                                                                                           |
|                                          | Remote wire powered? (RCA input mode)   | Check remote wire connection to the head unit                                                                                                                             |
| No sound on one channel                  | Speaker wiring undamaged?               | Check for short circuit or open connections                                                                                                                               |
|                                          | Input signal on both RCA leads?         | Reverse left and right RCA inputs to check the audio input signal                                                                                                         |
| Device turns off at medium / high volume | Load impedance of each speaker correct? | Check if each speaker load impedance matches the technical specifications of the amplifier                                                                                |
| Status LED turned on red                 | Temperature protection circuit active   | Decrease head units volume / wait for cooling                                                                                                                             |
|                                          | Speaker wires short / speaker damaged   | Check speaker / wires and insulate if necessary                                                                                                                           |

## Terms of warranty

*The limited warranty for this product is covered by GROUND ZERO's regional distribution partners and their terms and conditions. For further information contact your local retailer or distributor.*



*Listening to music can be emotional, impressive, relaxing or enjoyable. At that, it doesn't really matter what kind of music is the personal favorite, whether it's Instrumental, Jazz, Electro, Latin, Classic, Rock or any other music direction. However, audio reproduction quality at each desired volume is elementary. Some music styles require higher levels while others prefer the soft tones*

*GROUND ZERO considers all the different wishes of customers during the development of new products. Along with this, the target is to create the most realistic sound, to transfer the soul of the music and the intention of the performer. Summarized to one phrase: RESPECT THE MUSIC!*

## Ground Zero GmbH

Erlenweg 25  
85658 Eggenmating  
Germany

Tel. +49 (0)8095/873 830

[www.ground-zero-audio.com](http://www.ground-zero-audio.com)



# VERSTÄRKER

## GZTA 4230X-B

### Bedienungsanleitung

#### Ausstattungsmerkmale

- 4-Kanal Mosfet-Hochleistungsverstärker
- 2-Ohm stabil / 4-Ohm stabil in Brückenschaltung
- Regelbare Bassanhebung (Bass Boost) bei 45 Hz
- Einstellbare Frequenzweiche (HPF oder LPF/BPF)
- HPF: 5 – 500 Hz (paarweise für Kanal 1/2 und 3/4)
- LPF: 40 – 4000 Hz (paarweise für Kanal 1/2 und 3/4)
- Hochpassfilter als Subsonic-Filter nutzbar
- Aktive BIAS Regelung (automatisch)
- 4x Cinch (RCA) Eingang
- Regelbare Eingangsempfindlichkeit
- Einschaltverzögerung
- Großdimensionierter Kabelanschluss
- Temperatur- / Kurzschluss- / Überlastschutzschaltung
- Betriebsanzeige / Anzeige der Schutzschaltung



## Allgemeine Montagehinweise

- Als Vorsichtsmaßnahme wird empfohlen, die Fahrzeugbatterie vor der Installation zu trennen! (Hinweis: Bei einigen neueren Fahrzeugen kann das Trennen der Batterie zu Fehlermeldungen der Bordelektrik führen, welche ausschließlich durch eine autorisierte Fachwerkstatt gelöscht werden können. Bitte beachten Sie Hinweise in der Betriebsanleitung des Fahrzeuges oder fragen Sie einen Servicepartner für Ihr Fahrzeug, bevor Sie die Batterie trennen!)
- Das Hauptstromkabel muss innerhalb der ersten 20 cm nach dem Anschluss und der Batterie durch eine geeignete Sicherung mit dem in der Anleitung genannten Wert abgesichert werden. (Hinweis: Wenn das Hauptstromkabel mehrere Verbraucher versorgt, sollte der Wert der Summe aller empfohlenen Sicherungswerte entsprechen. Hierbei muss gewährleistet sein, dass der gewählte Kabelquerschnitt für eine entsprechende Stromhöhe geeignet ist.)
- Wenn notwendig, sollten defekte Sicherungen ausschließlich durch neue Sicherungen derselben Qualität und mit identischem Sicherungswert ersetzt werden
- Niemals Löcher in den Tank, die Bremsleitung, Kabel oder andere wichtige Fahrzeugteile bohren!
- Kabel niemals über scharfe Kanten führen, die zu Beschädigungen führen könnten
- Signal- und Lautsprecherkabel nicht in der Nähe von Antennen-Elektronik oder Antennenkabel verlegen, die für den Radioempfang wichtig sind
- Signal- und Lautsprecherkabel weitestgehend getrennt von stromführenden Kabeln verlegen
- Der Verstärker verfügt über eine thermische Schutzschaltung, welche bei zu hoher Temperatur das Gerät abschaltet; nach der Abkühlung schaltet sich dieses wieder selbstständig ein. Um einen Wärmestau zu vermeiden, sollte für ausreichende Luftzufuhr zur Kühlung gesorgt werden. Die Oberfläche des Kühlkörpers darf nicht vollflächig abgedeckt werden
- Der Verstärker sollte NIEMALS auf stark vibrierenden Bauteilen oder Oberflächen montiert werden wie z.B. Subwoofer-Gehäusen. Dies könnte zu Fehlfunktionen aufgrund sich gelöster Bauteile führen



GROUND ZERO Produkte werden in Deutschland entwickelt

GROUND ZERO - internationaler Sponsor der





GZTA 4230X-B

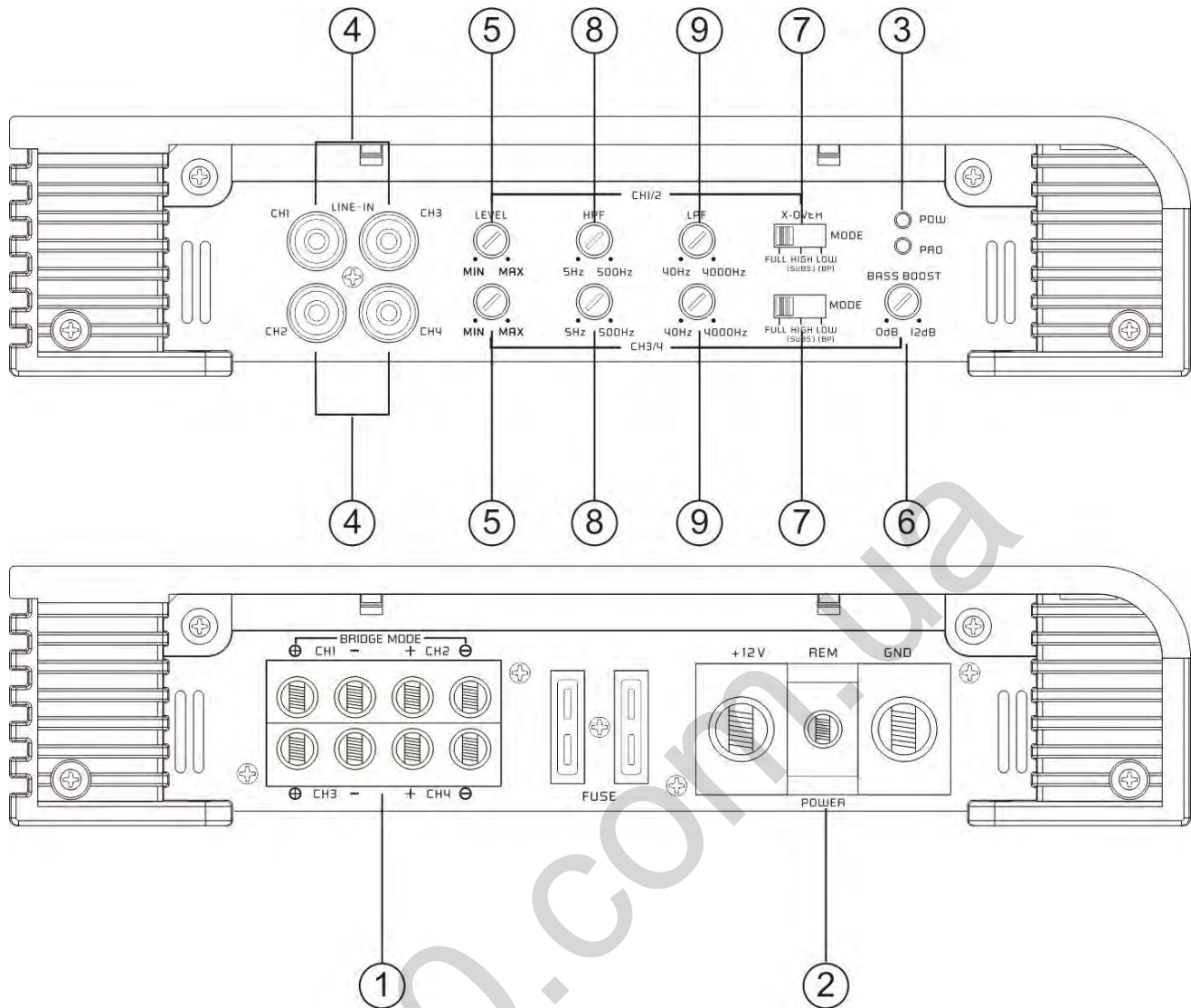


yellow color side panels included

## Technische Daten

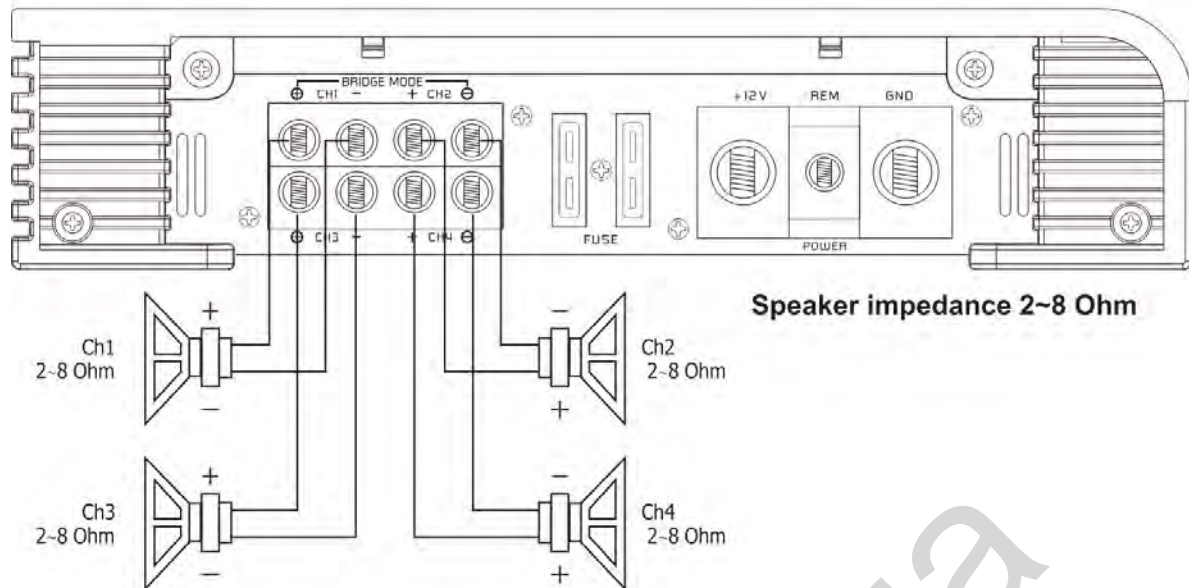
| Modell                               | GZTA 4230X-B                                                                                                                                                                                                        |
|--------------------------------------|---------------------------------------------------------------------------------------------------------------------------------------------------------------------------------------------------------------------|
| Verstärkerart                        | 4-Kanal Mosfet Hochleistungsverstärker                                                                                                                                                                              |
| Ausgangsleistung                     | 4 x 140 W RMS @ 4 Ohm $\leq$ 1% THD+N<br>4 x 230 W RMS @ 2 Ohm $\leq$ 1% THD+N<br>4 x 275 W max @ 2 Ohm $\leq$ 10% THD+N<br>2 x 460 W bridged @ 4 Ohm $\leq$ 1% THD+N<br>2 x 550 W bridged @ 4 Ohm $\leq$ 10% THD+N |
| Dämpfungsfaktor                      | > 150                                                                                                                                                                                                               |
| Hochpass Weiche                      | HPF: 5 – 500 Hz                                                                                                                                                                                                     |
| Tiefpass Weiche (BP)                 | LPF: 40 – 4000 Hz (HPF aktiv für Bandpass-Konfiguration)                                                                                                                                                            |
| Frequenzgang                         | 5 Hz – 38 kHz ( $\pm$ 1 dB)                                                                                                                                                                                         |
| Bass Boost (für die Kanäle 3/4)      | 0 bis 12 dB (45 Hz)                                                                                                                                                                                                 |
| Eingangsempfindlichkeit              | 0.5 – 9 V ( $\pm$ 5%)                                                                                                                                                                                               |
| Sicherung(en)                        | 2x 40 A                                                                                                                                                                                                             |
| Abmessungen<br>B x H x L (mm / Inch) | 230 x 53 x 476 mm<br>9.04 x 2.09 x 18.74"                                                                                                                                                                           |

## Einstellungen und Funktionen

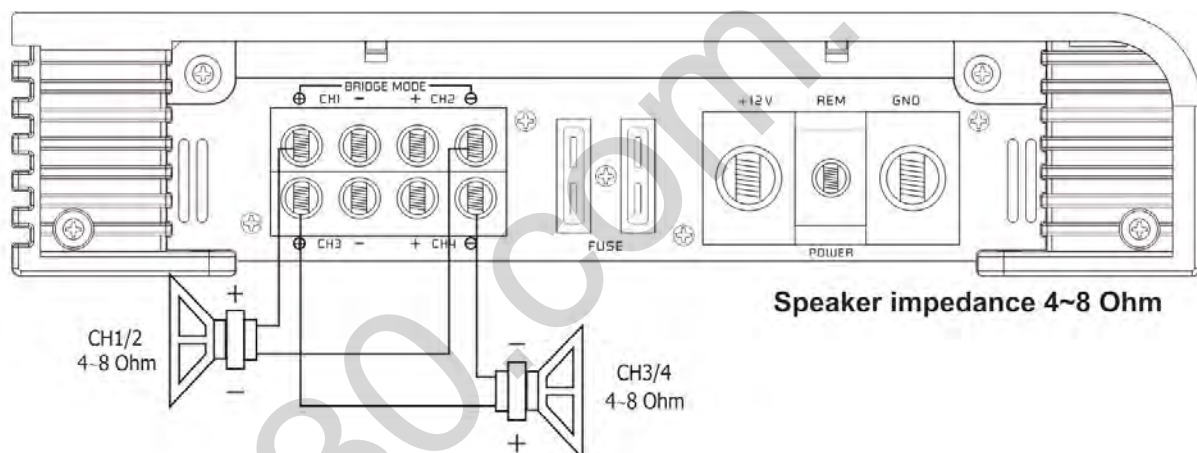


|   | Funktion                |                                                                                                                                                                                                                                                                                                                                                                                                                                                   |
|---|-------------------------|---------------------------------------------------------------------------------------------------------------------------------------------------------------------------------------------------------------------------------------------------------------------------------------------------------------------------------------------------------------------------------------------------------------------------------------------------|
| 1 | Lautsprecheranschluss   | Zum Anschluss der Lautsprecherkabel                                                                                                                                                                                                                                                                                                                                                                                                               |
| 2 | Stromanschluss          | GND Masse Anschluss<br>REM Remote Antennenanschluss<br>BATT + 12 Volt (Batterie)                                                                                                                                                                                                                                                                                                                                                                  |
| 3 | Zustandsanzeige         | Grün OK (Gerät in Betrieb)<br>Rot Fehler (Gerät in Schutzschaltung)                                                                                                                                                                                                                                                                                                                                                                               |
| 4 | Signaleingang           | Zum Anschluss des Vorverstärker-Ausgangs (RCA) des Steuergerätes oder einer separaten aktiven Frequenzweiche (z.B. DSP)                                                                                                                                                                                                                                                                                                                           |
| 5 | Eingangsempfindlichkeit | Zur Einstellung der Eingangsempfindlichkeit                                                                                                                                                                                                                                                                                                                                                                                                       |
| 6 | Bass Boost - Regler     | Zum Einstellen des Bass Boost Levels im Bereich von 0 bis +12 dB (für die Kanäle 3/4)                                                                                                                                                                                                                                                                                                                                                             |
| 7 | Mode - Schalter         | Zur Auswahl der Frequenzweichenfunktion<br>LOW*: Es werden nur Frequenzen unterhalb der gewählten Trennfrequenz übertragen (LPF)<br>FULL: Alle Frequenzen werden übertragen<br>HIGH: Es werden nur Frequenzen oberhalb der gewählten Trennfrequenz übertragen (HPF)<br>*bei Wahl der LOW Einstellung ist auch der Hochpassfilter aktiv und kann als Subsonic-Filter (SUBS) eingesetzt werden. Dies entspricht einer Bandpass-Filter Funktion (BP) |
| 8 | Hochpass - Regler       | HPF: Einstellung der Hochpass-Trennfrequenz (zwischen 5 und 500 Hz)                                                                                                                                                                                                                                                                                                                                                                               |
| 9 | Tiefpass - Regler       | LPF: Einstellung der Tiefpass-Trennfrequenz (zwischen 40 und 4000 Hz)                                                                                                                                                                                                                                                                                                                                                                             |

## Stereobetrieb



## Brückenbetrieb



## Fehlerdiagnose

| Problem                               | Kontrolle                            | Hilfe                                                                            |
|---------------------------------------|--------------------------------------|----------------------------------------------------------------------------------|
| Kein Ton                              | Leuchtet die PWR LED?                | Sicherung prüfen<br>Remote Kabel prüfen<br>+12 Volt prüfen<br>Masse prüfen       |
|                                       | Leuchtet die PROT LED?               | Kurzschluss am Lautsprecher<br>Gerät überhitzt<br>Gerät defekt                   |
| Verstärker schaltet nicht ein         | Keine Stromzufuhr                    | Sicherung prüfen<br>+12 Volt prüfen<br>Masse prüfen                              |
|                                       | Keine Spannung am Remote             | Remote am Radio prüfen                                                           |
| Verstärker schaltet bei Lautstärke ab | Lautsprecherimpedanz prüfen          | Prüfen Sie, ob der Widerstand am LS Terminal von 2 Ohm nicht unterschritten wird |
| Kein Ton (eine Seite)                 | Cinch / Lautsprecherkabel prüfen     | Kabel/Stecker beschädigt                                                         |
| Protection LED leuchtet               | Verstärker überhitzt                 | Lautstärke verringern oder Gerät einige Zeit abschalten                          |
|                                       | Kurzschluss am Lautsprecheranschluss | Lautsprecherkabel auf Kurzschluss prüfen                                         |

## Garantiebedingungen

Die Gewährleistung entspricht der gesetzlichen Regelung. Eine Rücksendung kann nur nach vorheriger Absprache und in der Originalverpackung erfolgen. Bitte unbedingt einen maschinell erstellten Kaufbeleg und eine Fehlerbeschreibung beilegen. Von der Gewährleistung ausgeschlossen sind Defekte, die durch Überlastung, unsachgemäße Behandlung oder bei Teilnahme an Wettbewerben entstanden sind. Wir behalten uns das Recht vor, zukünftige Änderungen oder Verbesserungen an Produkten vorzunehmen, ohne zuvor darüber zu informieren.



Musik hören kann unter anderem emotional, beeindruckend, entspannend oder unterhaltsam sein. Dabei spielt es kaum eine Rolle, welche Art von Musik der jeweils persönliche Favorit ist, also ob es sich um instrumentale Musik, Jazz, Electro, Latin, Klassik, Rock oder eine andere Musikrichtung handelt. Die Wiedergabequalität bei dem jeweils gewünschten Pegel spielt dabei hingegen eine wichtige Rolle. Manche Musik verlangt nach gehobenen Pegeln, während andere eher leisere Töne bevorzugt.

GROUND ZERO berücksichtigt all die unterschiedlichen Wünsche der Kunden bei der Entwicklung neuer Produkte. Hierbei gilt stets die Zielsetzung, einen möglichst realistischen Sound zu erzeugen und damit die Seele der Musik und die Intention des Künstlers zu vermitteln. Zu einem einzigen Satz zusammengefasst: RESPECT THE MUSIC!

## Ground Zero GmbH

Erlenweg 25  
85658 Eggening  
Germany

Tel. +49 (0)8095/873 830

[www.ground-zero-audio.com](http://www.ground-zero-audio.com)

