



PHONES

0 (800) 800 130  
(050) 462 0 130  
(063) 462 0 130  
(067) 462 0 130

130  
COM.UA

Internet store of  
autogoods



SKYPE

km-130

CAR RECEIVERS — Receivers • Media receivers and stations • Native receivers • CD/DVD changers • FM-modulators/USB adapters • Flash memory • Facia plates and adapters • Antennas • Accessories |  
 CAR AUDIO — Car audio speakers • Amplifiers • Subwoofers • Processors • Crossovers • Headphones • Accessories | TRIP COMPUTERS — Universal computers • Model computers • Accessories |  
 GPS NAVIGATORS — Portable GPS • Built-in GPS • GPS modules • GPS trackers • Antennas for GPS navigators • Accessories | VIDEO — DVR • TV sets and monitors • Car TV tuners • Cameras • Videomodules  
 • Transcoders • Car TV antennas • Accessories | SECURITY SYSTEMS — Car alarms • Bike alarms • Mechanical blockers • Immobilizers • Sensors • Accessories | OPTIC AND LIGHT — Xenon • Bixenon • Lamps  
 • LED • Stroboscopes • Optic and Headlights • Washers • Light, rain sensors • Accessories | PARKTRONICS AND MIRRORS — Rear parktronic • Front parktronic • Combined parktronic • Rear-view mirrors  
 • Accessories | HEATING AND COOLING — Seat heaters • Mirrors heaters • Screen-wipers heaters • Engine heaters • Auto-refrigerators • Air conditioning units • Accessories | TUNING — Vibro-isolation  
 • Noise-isolation • Tint films • Accessories | ACCESSORIES — Radar-detectors • Handsfree, Bluetooth • Windowlifters • Compressors • Beeps, loudspeakers • Measuring instruments • Cleaners • Carfits  
 • Miscellaneous | MOUNTING — Installation kits • Upholstery • Grilles • Tubes • Cable and wire • Tools • Miscellaneous | POWER — Batteries • Converters • Start-charging equipment • Capacitors  
 • Accessories | MARINE AUDIO AND ELECTRONICS — Marine receivers • Marine audio speakers • Marine subwoofers • Marine amplifiers • Accessories | CAR CARE PRODUCTS — Additives • Washer fluid •  
 Care accessories • Car polish • Flavors • Adhesives and sealants | LIQUID AND OIL — Motor oil • Transmission oil • Brake fluid • Antifreeze • Technical lubricant



In store "130" you can find and buy almost all necessary goods for your auto in Kyiv and other cities, delivery by ground and postal services. Our experienced consultants will provide you with exhaustive information and help you to chose the very particular thing. We are waiting for you at the address

<https://130.com.ua>



# *Amplifier*

## Owner's Manual

# HYDROGEN

GZHA 1.1200DXII

GZHA 1.1800DXII

## PLEASE READ BEFORE INSTALLATION

Thank you for selecting a **Ground Zero** amplifier.

We are providing a helpful hints list which should keep you from experiencing unnecessary shut down.

Have fun with this high quality Hydrogen product.

### Hydrogen amplifier

Due to their state-of-the-art technology and high efficiency, these Class-D mono amplifiers help your system to provide an impressive sound experience.

The digital circuit technology of the power supply and the signal processing allows achieving maximum performance levels from the provided power. Due to the different filters and circuits a very high power output is achieved, therefore these amplifiers are made for low frequency information (Subwoofer). They can not be used for high- and midrange speakers.

The link mode enables to use to full power of two amplifiers for one speaker. This is first of all advantageous for a really powerful and lively music playback.

### Features

- Class-D Design for high efficiency
- Stabilized dual power supply
- Damping factor >180 at 100 Hz 4Ω
- 16 Volt max. Voltage supply
- Linkable with 1 amplifier
- 1 Ω stable (Linkmode 2Ω)
- Full Power MOS-FET amplifier
- Power and Protection indicator
- Variable lowpass 30 – 250 Hz
- Variable subsonic 5 – 50 Hz
- 180° variable Phase Shift
- Aluminum heat sink
- Adjustable input sensitivity 200mV ~ 9 Volt
- RCA Inputs & Outputs
- Bassremote Control
- 0 ~ +9dB Bassboost (30 – 80 Hz)

#### Tools and materials you need

- Screwdriver
- Electric drill, 3 mm / 0.12" carbide drill bit
- Mounting screws
- Power wire min. 35 mm<sup>2</sup> / 2 AWG
- Ground wire min. 35 mm<sup>2</sup> / 2 AWG
- Speaker wire min. 2 x 4 mm<sup>2</sup> / 11 AWG

#### Please note!

- As a precaution it is advisable to disconnect the vehicle's battery before making connection to the +12 Volts supply wiring (see owner's manual of your car for further information).
- Please use great caution drilling your trunk. Your gas tank and brake lines can be damaged by puncturing with your drill bit – this could cause damage or failure of your cars operating systems.
- Never pass wires over sharp angles. It is recommended to buffer the power supply of the amplifier with an additional battery (GZBP 12.2500 or GZBP 12.3500) to guarantee a stable operation voltage.

#### **WARNING !**

High powered audio systems in a vehicle are capable of generating "Live Concert" levels of sound pressure. Continued exposure to excessively high volume sound levels may cause hearing loss or damage. Also, operation of a motor vehicle while listening to audio equipment at high volume levels may impair your ability to hear external sounds such as; horns, warning signals, or emergency vehicles, thus constituting to a potential traffic hazard. In the interest of safety, Consumer Electronics recommends listening at lower volume levels while driving.

#### Planning your system

Before beginning the installation, consider the following:

- a. If you plan to expand your system by adding other components sometime in the future, ensure adequate space is left, and cooling requirements are met.
- b. If your radio is equipped with preamplifier outputs (RCA), it is advisable to use them.

#### Mounting your amplifier

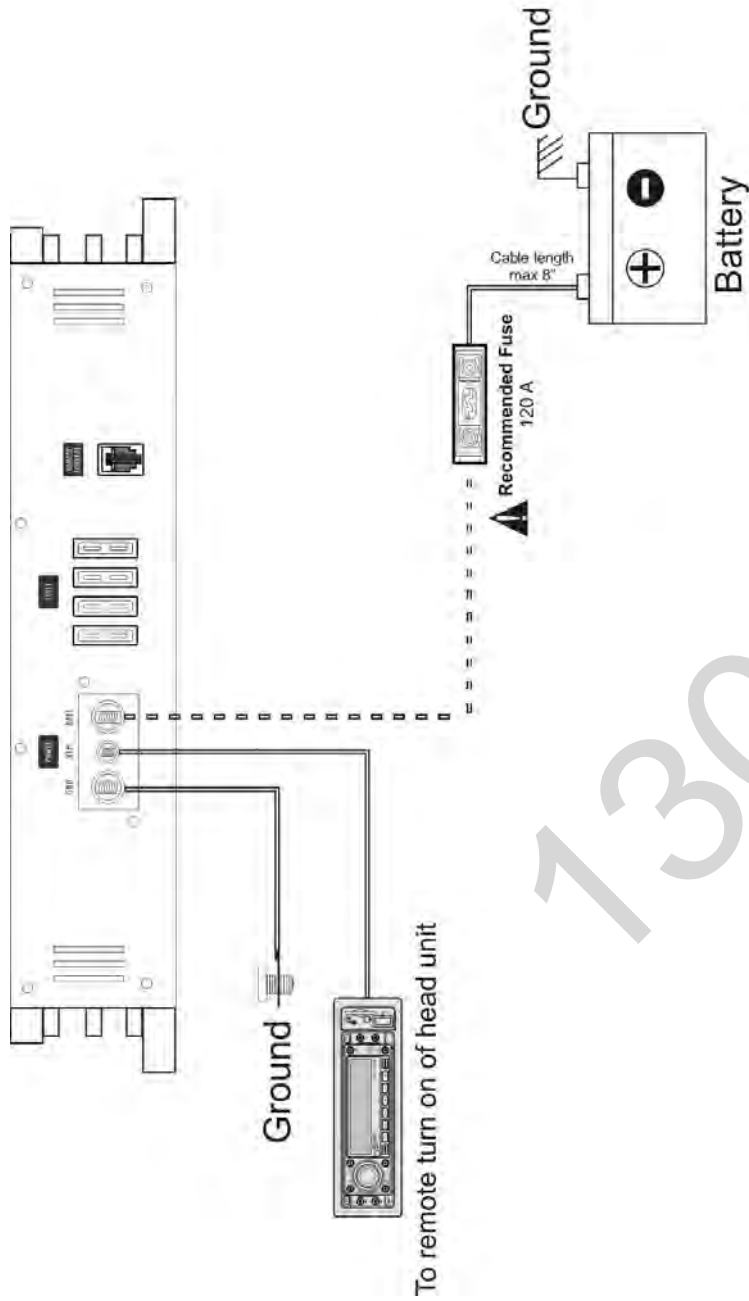
- a. Select a suitable location that is convenient for mounting, is accessible for wiring and has ample room for air circulation and cooling.
- b. Use the amplifier as a template to mark the mounting holes, remove the amplifier and drill 4 holes. Then mount the amplifier with the mounting screws.

#### Warning

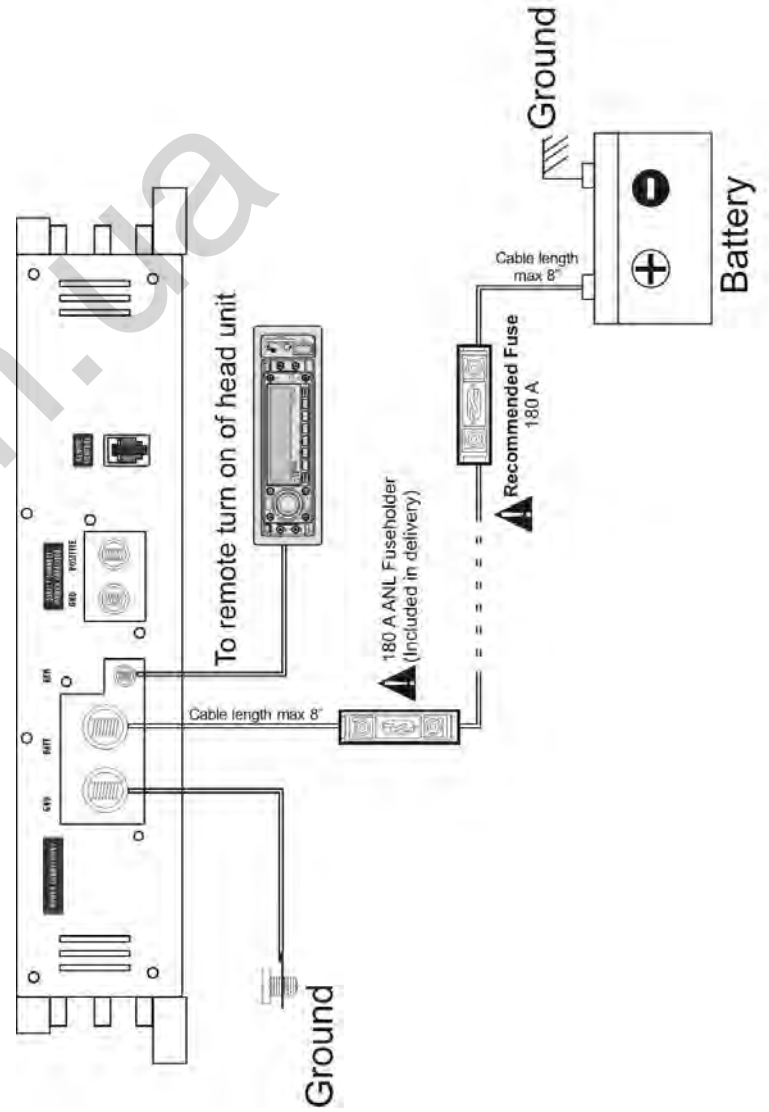
Choose a mounting position where all eclectic wires are protected from being damaged by sharp edges, heat or other conditions. +12Volt DC electrical connections must be fused on the battery side. Make sure your radio and all other devices will be turned off while connection your system.

The GZHR 1.1800DXII does not have an internal fuse. Therefore it is absolutely necessary to connect the ANL- fuseholder (included in delivery) with its 180 A fuse. The cable length between amplifier and fuseholder must not be longer than max 20 cm / 7.9". Please see the connection diagram on the following side for correct wiring.

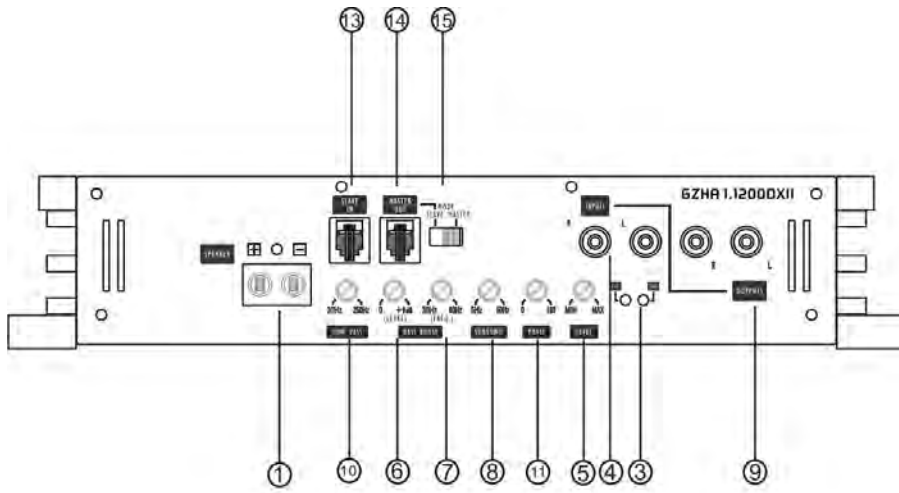
Power connection – GZHA 1.1200DXII



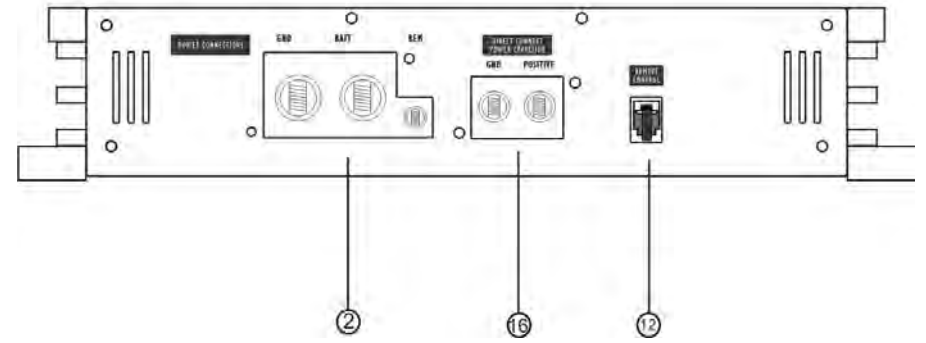
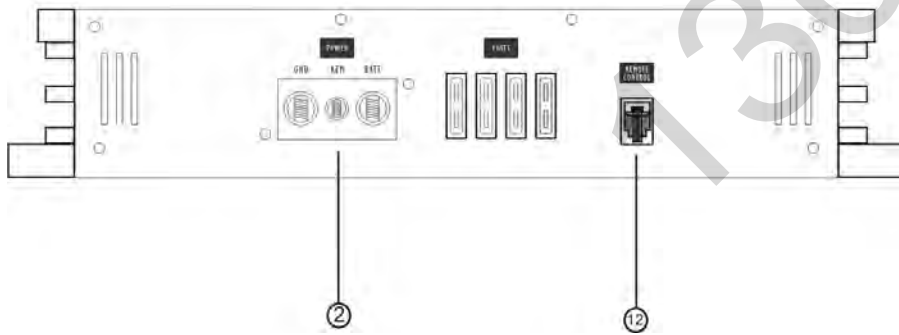
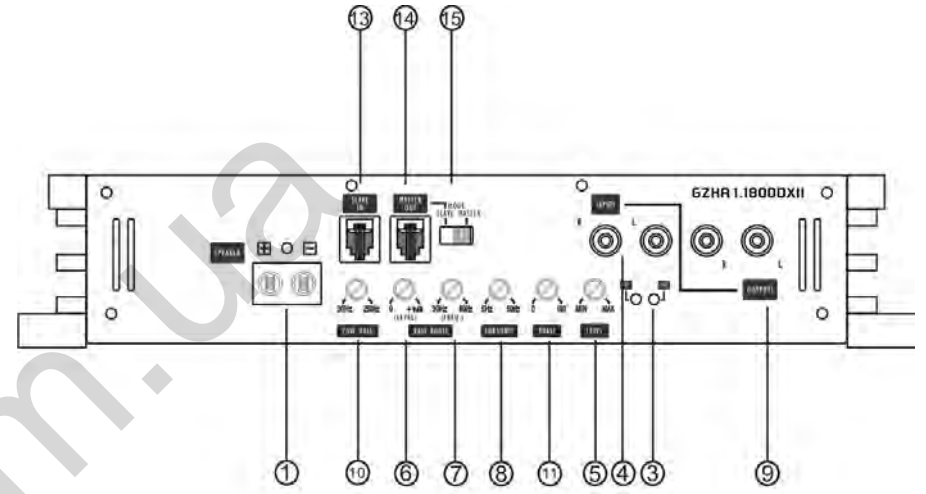
Power connection – GZHA 1.1800DXII



Controls and functions – GZHA 1.1200DXII



Controls and functions – GZHA 1.1800DXII



## Controls and functions

1	<b>Speaker terminals</b>	For connection of the subwoofer
2	<b>Power terminals</b>	GND -> Ground connection REM -> Remote antenna terminal BATT -> +12 Volt
3	<b>Status indication</b>	BLUE – OK RED – Error
4	<b>Cinch inputs</b>	Terminal for connection of the RCA wires. To avoid failure, please use high quality RCA wires.
5	<b>Input level controller</b>	With this controller you can adjust the input sensitivity.
6	<b>Bass boost controller</b>	For adjusting of the bass boost level in the range from 0 to +9 dB.
7	<b>Bass frequency controller</b>	For adjusting of the bass boost frequency in a range from 30Hz to 80Hz.
8	<b>Subsonic controller</b>	This controller allows you to filter low frequencies in a range between 5 and 50 Hz. This function reduces the mechanical Xmax and raises the capacity of the connected subwoofer.
9	<b>Cinch Outputs</b>	For connection of additional amplifiers.
10	<b>Low pass controller</b>	Adjust the variable lowpass frequency to the desired frequency between 30 and 250 Hz using the controller.
11	<b>Phase shift controller</b>	This controller allows you to fit the subwoofer channel in-phase to the front system.
12	<b>Remote control input</b>	For connection of the bass remote control.
13	<b>Slave In connection</b>	For connection of the slave amplifier in link mode. See page 10
14	<b>Master Out connection</b>	For connection of the master amplifier in link mode. See page 10
15	<b>Master / Slave Switch</b>	For choosing the operation mode of each amplifier in link mode. See page 10
16	<b>Capacitor connection</b>	For connection of a optional powercap.

## Turning on the amplifier

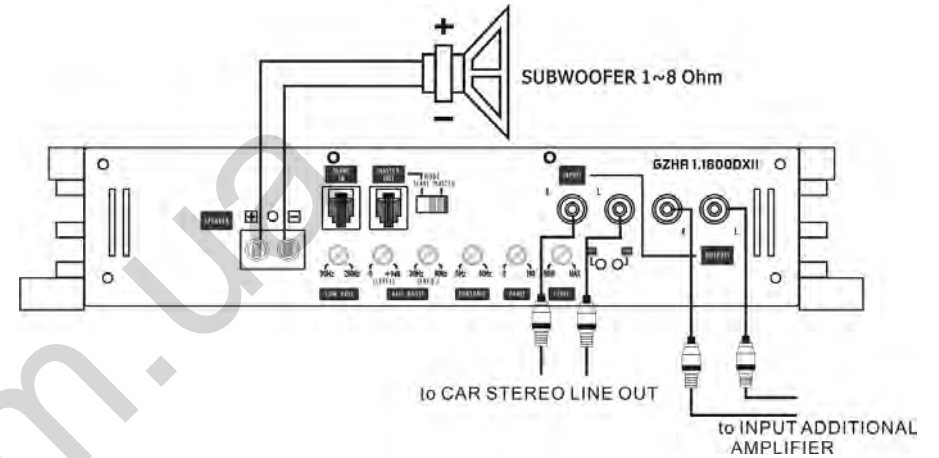
The amplifier automatically turns on a few seconds after you turn on your radio.

Note: Your amplifier temporarily shuts down if it gets too hot, then restarts automatically once it cools (At about 80° / 176° F).

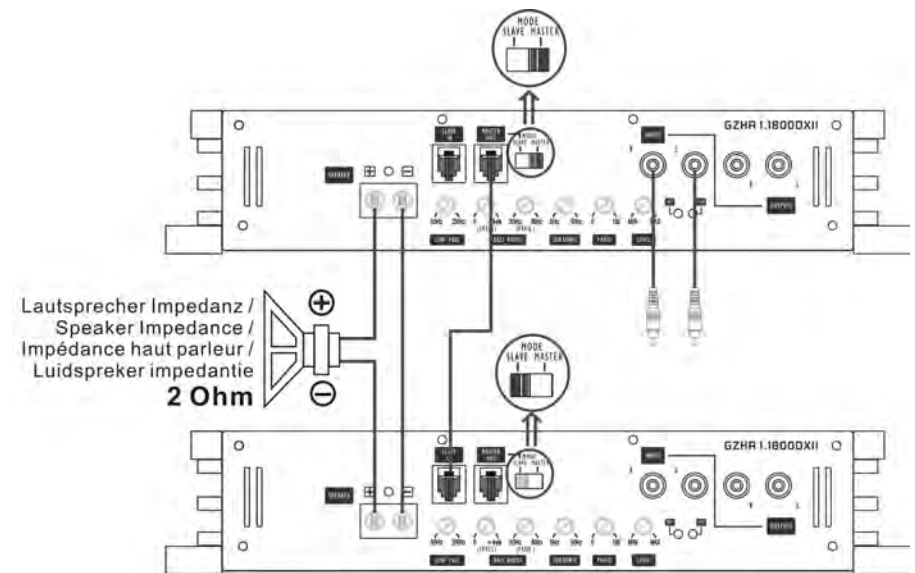
## Adjusting the audio level

1. LEVEL (Min/Max): Turn fully counter- clockwise to MIN position
2. Turn the auto sound system's volume control to about two-third of its full range.
3. Adjust LEVEL to a comfortable listening level.

## Connecting the speaker



## Master & Slave operation



Specifications

Model	GZHA 1.1200DXII	GZHA 1.1800DXII
<b>RMS Power @ 4 Ω</b> CEA Standard CEA-2006-A	500W (1% THD+N)	650W (1% THD+N)
<b>RMS Power @ 2 Ω</b> CEA Standard CEA-2006-A	900W (1% THD+N)	1150W (1% THD+N)
<b>RMS Power @ 1 Ω</b> CEA Standard CEA-2006-A	1400W (1% THD+N) 1900W (10% THD+N)	1800W (1% THD+N) 2400W (10% THD+N)
<b>RMS Power @ 2Ω Linkmode</b> CEA Standard CEA-2006-A	1 x 3800W (10% THD+N)	1 x 4800W (10% THD+N)
<b>Damping factor</b>	> 180	> 180
<b>Signal to noise Ratio</b>	> 90 dB	> 90 dB
<b>Lowpass</b>	30 – 250 Hz (24 dB)	30 – 250 Hz (24 dB)
<b>Subsonic filter</b>	5 Hz – 50 Hz (24 dB)	5 Hz – 50 Hz (24 dB)
<b>Bass boost</b>	0 ~ +9 dB	0 ~ +9 dB
<b>Bass boost Frequency</b>	30 Hz ~ 80 Hz	30 Hz ~ 80 Hz
<b>Phase shift</b>	0 – 180°	0 – 180°
<b>Frequency response</b>	10 Hz – 250 Hz	10 Hz – 250 Hz
<b>Efficiency @ 4 Ω</b>	~ 80 %	~ 80 %
<b>Input sensitivity</b>	200 mV – 9 V (± 5%)	200 mV – 9 V (± 5%)
<b>THD</b>	< 0,50 %	< 0,50 %
<b>Bass remote</b>	✓	✓
<b>Fuse</b>	--	-
<b>Dimensions W x H x L mm</b>	305 x 62 x 360	305 x 62 x 400
<b>Dimensions W x H x L inch</b>	12 x 2.44 x 14.2"	12 x 2.44 x 15.7"

Trouble shooting guide

Symptoms	Check Points	Cure
<b>No sound</b>	Is the POWER LED illuminated?	Check fuses in amplifier. Be sure remote lead is connected. Check signal leads. Check again control. Check tuner/deck volume level.
	Is the diagnostic LED illuminated?	Check for speaker short or amplifier overheating
<b>Amp not switching on</b>	No power to the amplifier	Check power wire or connections
	No power to remote wire with receiver on	Check connections to radio
<b>No sound in one channel</b>	Check speaker leads	Inspect for short circuit or an open connection
	Check audio leads	Reverse left and right RCA inputs to determine if it is occurring before the amp
<b>Amp turning off at medium / high volume</b>	Check speaker load impedance	Be sure proper speaker load impedance recommendations are observed (If you use an ohm meter to check speaker resistance, please remember that DC resistance and AC impedance may not be the same.)
<b>Protection LED is on</b>	Temperature shut down	Turn radio volume down
	Speaker wires short	Separate speaker wires and insulate

Die Gewährleistung entspricht der gesetzlichen Regelung. Eine Rücksendung kann nur nach vorheriger Absprache und in der Originalverpackung erfolgen. Bitte unbedingt einen maschinell erstellten Kaufbeleg und eine Fehlerbeschreibung beilegen. Von der Gewährleistung ausgeschlossen sind Defekte, die durch Überlastung, unsachgemäße Behandlung oder bei Teilnahme an Wettbewerben entstanden sind.

Limited warranty - defective products must be returned in original packaging - please add a copy of the original purchasing invoice showing the purchasing date and a detailed description of the failure. Failure caused by overload, misuse or by using the product for competition purpose are not covered by the warranty.

De Garantie bepalingen van alle door ground zero geleverde producten is volgens wettelijke bepalingen geregeld. Een retourzending kan alleen na duidelijke afspraak en in de originele verpakking plaatsvinden. SVP een aankoopbon en een duidelijke storingsomschrijving bijvoegen. Van garantie uitgesloten zijn defecten door overbelasting, onkundig gebruik, of door deelname aan wedstrijden (SPL) ontstaan zijn.

La garantie est conforme aux droits légaux. Un retour du produit défectueux doit être dans son emballage d'origine sur présentation du reçu ou de la facture indiquant la description du défaut. La présente Garantie n'est pas applicable lorsque le produit a été endommagé en raison: Mauvaise alimentation, Trop de puissance (HP, Subwoofer) Accident, Installation ou Utilisation non conforme aux normes Technique (Concours SPL etc).

## **GROUND ZERO GmbH**

**Erlenweg 25; D - 85658 Egming, Germany**

**Tel. +49 (0)8095/873 830 Fax -8310**

**[www.ground-zero-audio.com](http://www.ground-zero-audio.com)**

Wir behalten uns das Recht vor, zukünftig nötige Änderungen oder Verbesserungen an dem Produkt vorzunehmen ohne den Kunden darüber zu informieren.

We reserve the right to make needed change or improvement to the product without informing customer about this in advance.

Wij behouden ons het recht om de nodige veranderingen of verbeteringen aan het product door te voeren zonder de klant hierover te informeren.

Nous nous réservons le droit d'entreprendre à l'avenir nécessairement des modifications ou des améliorations au produit sans informer le client.