



PHONES

0 (800) 800 130
(050) 462 0 130
(063) 462 0 130
(067) 462 0 130

130
COM.UA

Internet store of
autogoods



SKYPE

km-130

CAR RECEIVERS — Receivers • Media receivers and stations • Native receivers • CD/DVD changers • FM-modulators/USB adapters • Flash memory • Facia plates and adapters • Antennas • Accessories |
CAR AUDIO — Car audio speakers • Amplifiers • Subwoofers • Processors • Crossovers • Headphones • Accessories | TRIP COMPUTERS — Universal computers • Model computers • Accessories |
GPS NAVIGATORS — Portable GPS • Built-in GPS • GPS modules • GPS trackers • Antennas for GPS navigators • Accessories | VIDEO — DVR • TV sets and monitors • Car TV tuners • Cameras • Videomodules
• Transcoders • Car TV antennas • Accessories | SECURITY SYSTEMS — Car alarms • Bike alarms • Mechanical blockers • Immobilizers • Sensors • Accessories | OPTIC AND LIGHT — Xenon • Bixenon • Lamps
• LED • Stroboscopes • Optic and Headlights • Washers • Light, rain sensors • Accessories | PARKTRONICS AND MIRRORS — Rear parktronic • Front parktronic • Combined parktronic • Rear-view mirrors
• Accessories | HEATING AND COOLING — Seat heaters • Mirrors heaters • Screen-wipers heaters • Engine heaters • Auto-refrigerators • Air conditioning units • Accessories | TUNING — Vibro-isolation
• Noise-isolation • Tint films • Accessories | ACCESSORIES — Radar-detectors • Handsfree, Bluetooth • Windowlifters • Compressors • Beeps, loudspeakers • Measuring instruments • Cleaners • Car seats
• Miscellaneous | MOUNTING — Installation kits • Upholstery • Grilles • Tubes • Cable and wire • Tools • Miscellaneous | POWER — Batteries • Converters • Start-charging equipment • Capacitors
• Accessories | MARINE AUDIO AND ELECTRONICS — Marine receivers • Marine audio speakers • Marine subwoofers • Marine amplifiers • Accessories | CAR CARE PRODUCTS — Additives • Washer fluid •
Care accessories • Car polish • Flavors • Adhesives and sealants | LIQUID AND OIL — Motor oil • Transmission oil • Brake fluid • Antifreeze • Technical lubricant



In store "130" you can find and buy almost all necessary goods for your auto in Kyiv and other cities, delivery by ground and postal services. Our experienced consultants will provide you with exhaustive information and help you to choose the very particular thing. We are waiting for you at the address

<https://130.com.ua>

COMPETITION-SERIES

Kick- / Midwoofer

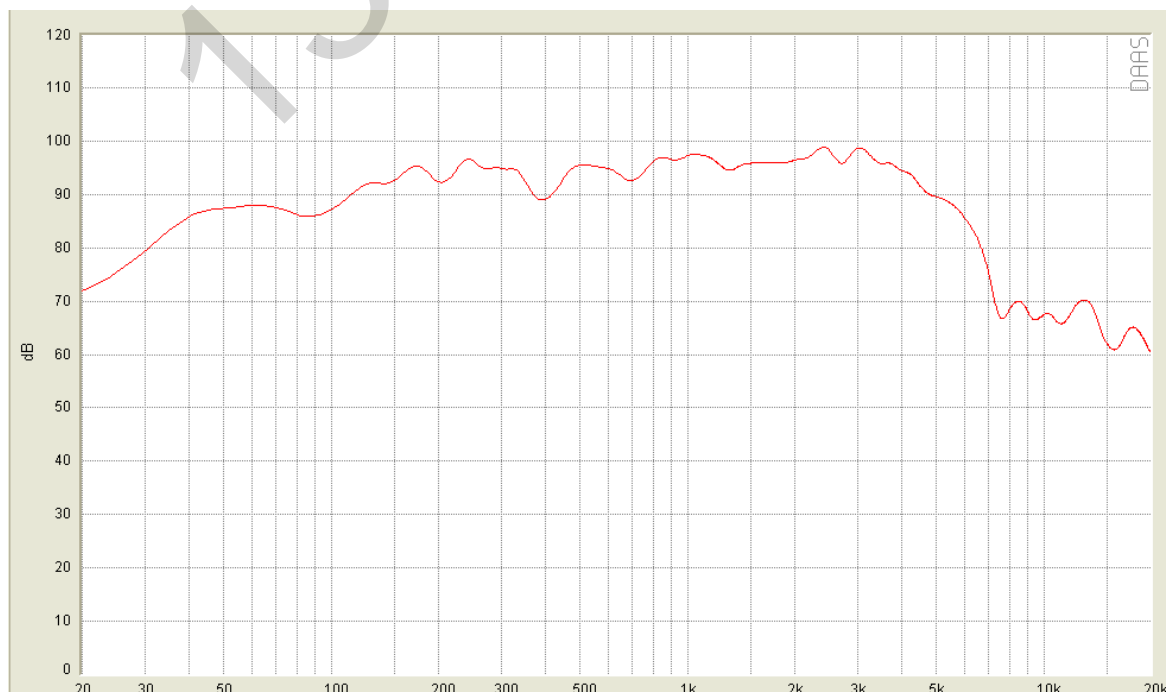
ANLEITUNG / OWNER'S MANUAL

GZCK 250SPL

Spezifikationen / Specifications

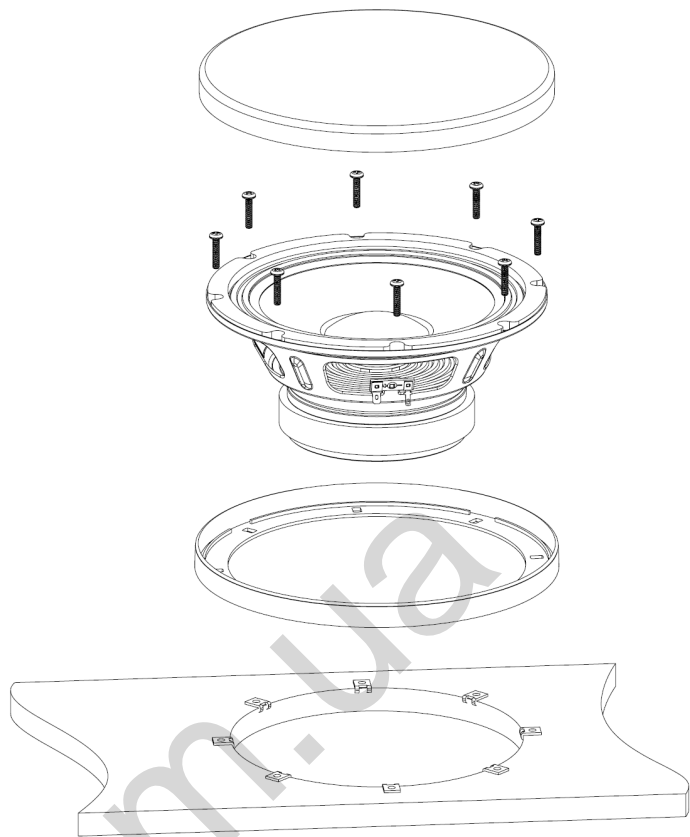
- Hochleistungs Tief-Mitteltöner
 - Faser verstärkte gepresste Papier Membrane
 - Langhub Schaumstoff W-Sicke
 - 50 mm Kupfer-beschichtete Aluminium Runddraht Schwingspule
- *High power midwoofer*
 - *Fiber reinforced pressed paper cone*
 - *High X-max foam W-Surround*
 - *2" Copper-clad aluminium round wire voice coil*

Frequenzgang auf Achse / Frequency response on axis



Technische Daten / Specifications

Model	GZCK 250SPL
Durchmesser / Diameter	255 mm / 10.04"
Impedanz / Impedance	4 Ω
Frequenzgang / frequency response	40 Hz – 6 kHz
Power Watt RMS	200
Power Watt Maximum	400
SPL / Sensivity / 1W / 1m	95 dB
FS - VAS	45.4 Hz – 67.9 L / 2.4 cu.ft.
QMS - QES - QTS	9.19 - 0.38 - 0.36
BL - RE - LE	8.7 N/A – 3.3 Ohm – 0.38 mH
MMS - CMS - RMS	30.4 Gr – 0.40 mm/N – 0.9 Kg/s
Schwingspule / Voicecoil	\varnothing 50 mm / 2" EISV-CCAW* * Hoch temperaturfeste Kupfer-beschichtete Aluminium Runddraht Schwingspule / High temperature copper-clad aluminium round wire voice coil
Magnet	\varnothing 135 mm / 5.31" 37oz Ferrit
Einbaudurchmesser / Mounting diameter	\varnothing 230 mm / 9"
Einbautiefe / Mounting Depth	107 mm / 4.21"



Garantie- und Gewährleistungsbestimmungen

Die Gewährleistung entspricht der gesetzlichen Regelung. Eine Rücksendung kann nur nach vorheriger Absprache und in der Originalverpackung erfolgen. Bitte unbedingt einen maschinell erstellten Kaufbeleg und eine Fehlerbeschreibung beilegen. Von der Gewährleistung ausgeschlossen sind Defekte, die durch Überlastung, unsachgemäße Behandlung oder bei Teilnahme an Wettbewerben entstanden sind. Wir behalten uns das Recht vor, zukünftig nötige Änderungen oder Verbesserungen an dem Produkt vorzunehmen ohne den Kunden darüber zu informieren.

Terms of warranty

The limited warranty for this product is covered by Ground Zero's local distribution partners and their terms and conditions. For further information contact your local retailer or distributor.

Ground Zero GmbH

Erlenweg 25, 85658 Eggening, Germany

Tel. +49 (0)8095/873 830 Fax -8310

www.ground-zero-audio.com

