



PHONES

0 (800) 800 130  
(050) 462 0 130  
(063) 462 0 130  
(067) 462 0 130

130  
COM.UA

Internet store of  
autogoods



SKYPE

km-130

CAR RECEIVERS — Receivers • Media receivers and stations • Native receivers • CD/DVD changers • FM-modulators/USB adapters • Flash memory • Facia plates and adapters • Antennas • Accessories |  
 CAR AUDIO — Car audio speakers • Amplifiers • Subwoofers • Processors • Crossovers • Headphones • Accessories | TRIP COMPUTERS — Universal computers • Model computers • Accessories |  
 GPS NAVIGATORS — Portable GPS • Built-in GPS • GPS modules • GPS trackers • Antennas for GPS navigators • Accessories | VIDEO — DVR • TV sets and monitors • Car TV tuners • Cameras • Videomodules  
 • Transcoders • Car TV antennas • Accessories | SECURITY SYSTEMS — Car alarms • Bike alarms • Mechanical blockers • Immobilizers • Sensors • Accessories | OPTIC AND LIGHT — Xenon • Bixenon • Lamps  
 • LED • Stroboscopes • Optic and Headlights • Washers • Light, rain sensors • Accessories | PARKTRONICS AND MIRRORS — Rear parktronic • Front parktronic • Combined parktronic • Rear-view mirrors  
 • Accessories | HEATING AND COOLING — Seat heaters • Mirrors heaters • Screen-wipers heaters • Engine heaters • Auto-refrigerators • Air conditioning units • Accessories | TUNING — Vibro-isolation  
 • Noise-isolation • Tint films • Accessories | ACCESSORIES — Radar-detectors • Handsfree, Bluetooth • Windowlifters • Compressors • Beeps, loudspeakers • Measuring instruments • Cleaners • Car seats  
 • Miscellaneous | MOUNTING — Installation kits • Upholstery • Grilles • Tubes • Cable and wire • Tools • Miscellaneous | POWER — Batteries • Converters • Start-charging equipment • Capacitors  
 • Accessories | MARINE AUDIO AND ELECTRONICS — Marine receivers • Marine audio speakers • Marine subwoofers • Marine amplifiers • Accessories | CAR CARE PRODUCTS — Additives • Washer fluid •  
 Care accessories • Car polish • Flavors • Adhesives and sealants | LIQUID AND OIL — Motor oil • Transmission oil • Brake fluid • Antifreeze • Technical lubricant



In store "130" you can find and buy almost all necessary goods for your auto in Kyiv and other cities, delivery by ground and postal services. Our experienced consultants will provide you with exhaustive information and help you to choose the very particular thing. We are waiting for you at the address

<https://130.com.ua>

# 2400807

<b>EN</b>	40V Cordless Jet Blower	USER'S MANUAL	1
<b>DE</b>	40V kabelloser Jet-Laubbläser	BEDIENUNGSANLEITUNG	9
<b>ES</b>	Soplador de chorro inalambrico de V	MANUAL DE UTILIZACIÓN	18
<b>IT</b>	Soffiatore Jet senza cavi da 40V	MANUALE D'USO	27
<b>FR</b>	Souffleur à jet sans fil 40V	MANUE L D'UTILISATION	36
<b>PT</b>	Soprador de jorro sem fios de 40 V	MANUAL DE UTILIZAÇÃO	45
<b>NL</b>	40V draadloze blazer	GEBRUIKERSHANDLEIDING	54
<b>RU</b>	Беспроводная воздуходувка 40 В	РУКОВОДСТВО ПО ЭКСПЛУАТАЦИИ	63
<b>FI</b>	40 V langaton puhallin	KÄYTTÄJÄN KÄSIKIRJA	72
<b>SV</b>	40 V kabelfri jetblåsare	INSTRUKTIONSBOK	80
<b>NO</b>	40V batteridrevet jet-blåser	BRUKSANVISNING	88
<b>DA</b>	40V trådløs havestøvsuger	BRUGERVEJLEDNING	96
<b>PL</b>	Bezprzewodowa dmuchawa strumieniowa 40 V	INSTRUKCJA OBSŁUGI	105
<b>CS</b>	40 V bezdrátový fukar s tryskou	NÁVOD K OBSLUZE	114
<b>SK</b>	40 V akumulátorové prúdové dúchadlo	NÁVOD NA POUŽITIE	123
<b>SL</b>	40 V kabelfri jetblåsare	INSTRUKTIONSBOK	132
<b>HR</b>	Bežična mlazna puhalica od 40 V	KORISNI ČKI PRIRU ČNIK	140
<b>HU</b>	40V Akkumulátoros légfúvó	HASZNÁL ATI ÚTMUTATÓ	148
<b>RO</b>	Aparat de suflat fără fir la 40V	MANUAL DE UTILIZARE	157
<b>BG</b>	Безжичен обдухвател, 40 V	РЪКОВ ОДСТВО ЗА УПОТРЕ БА	166
<b>EL</b>	Ασύρματος φυσητήρας 40V	ΕΓΧΕΙΡΙΔΙΟ ΧΡΗΣΗΣ	175
<b>AR</b>	تلوف 40 ياكلسال ثافن خفان	مدختسمل ل يلد	184
<b>TR</b>	40V Kablosuz Jet Yaprak Üfleme Makinesi	KULLANICI KILAVUZU	192
<b>HE</b>	לבב אלל טלוו 40 מילע חופמ	ממתשמל ירדמ	200
<b>LT</b>	40 V belaidis srautinė orpūtė	NAUDOJIMO VADOVAS	208
<b>LV</b>	40 V bezvadu strūklas pūtējs	LIETOTĀJA ROKASGR ĀMATA	217
<b>ET</b>	Jugapuhur akuga 40 V	KASUTAJAUHEND	225

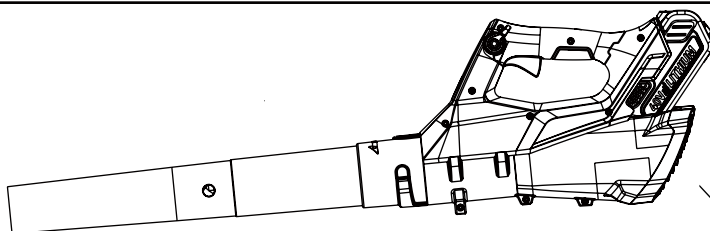


Fig. 1

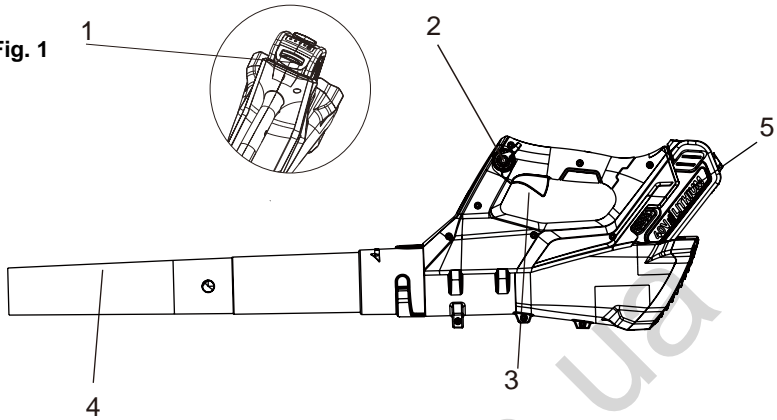


Fig.2

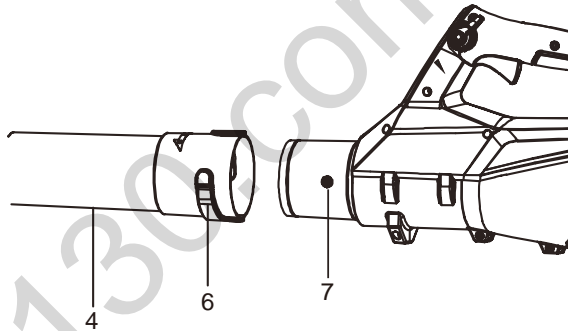


Fig. 3

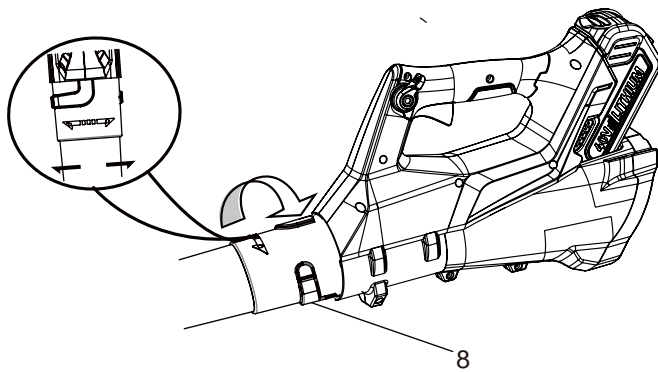


Fig. 4

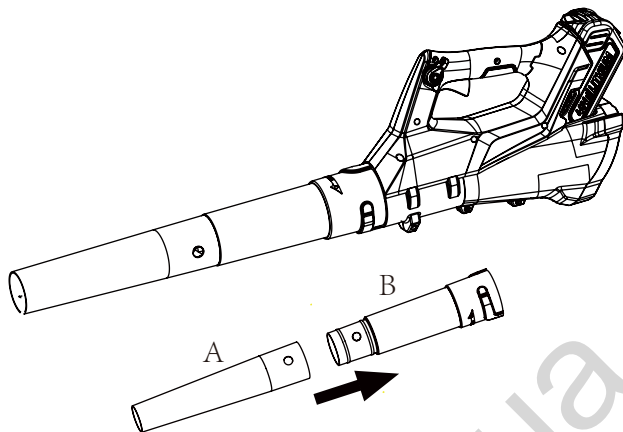


Fig. 5

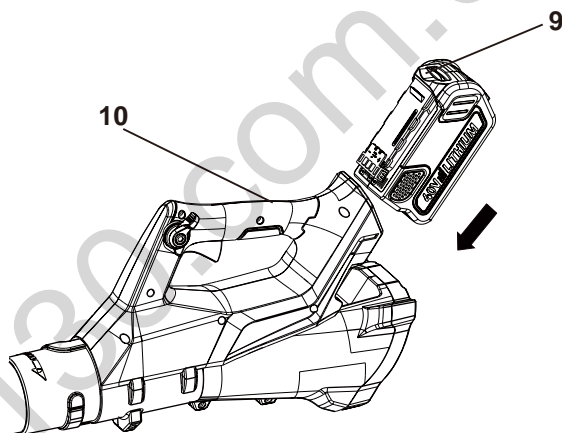
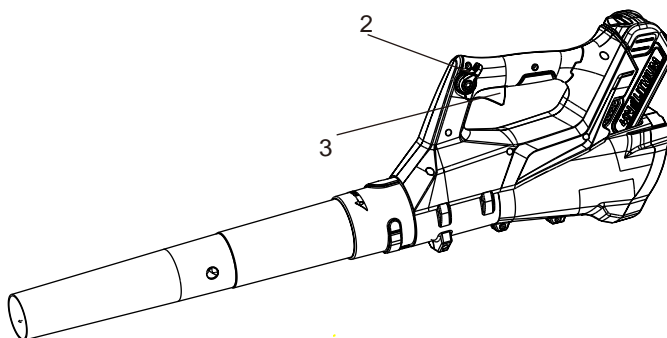


Fig. 6



## English (original instructions)

Your machine has been engineered and manufactured to Greenworks tools's high standard for dependability, ease of operation, and operator safety. When properly cared for, it will give you years of trouble-free performance.

For use with tool only.

This appliance can be used by children aged from 8 years and above and persons with reduced physical, sensory or mental capabilities or lack of experience and knowledge if they have been given supervision or instruction concerning use of the appliance in a safe way and understand the hazards involved. Children shall not play with the appliance. Cleaning and user maintenance shall not be made by children without supervision.

### GENERAL SAFETY RULES

#### ⚠ WARNING

When using battery operated tools basic safety precautions should always be followed to reduce the risk of fire, leaking batteries and personal injury, including the following.

- Do not touch the fan when operating this unit.
- Keep the handles dry and clean.

#### TRAINING

- Read the instructions carefully be familiar with the controls and the proper use of the appliance.
- Never allow children to use the appliance.
- Never allow people unfamiliar with these instructions for use the appliance local regulations may restrict the age of the operator.
- Never operate the appliance while people especially children, or pets are nearby.
- The operator or user is responsible for accidents or hazards occurring to other people or their property.

#### PREPARATION

- While operating the appliance, always wear substantial footwear and long trousers.
- Do not wear loose clothing or jewellery that can be drawn into the air inlet. Keep

long hair away from the air inlets.

- Obtain ear protection and safety glasses. Wear them at all times while operating the machine.
- Wearing a face mask is recommended to prevent dust irritation.
- Operate the machine in a recommended position and only on a firm, level surface.
- Do not operate the machine on a paved or gravel surface where ejected material could cause injury.
- Before using, always visually inspect to see, that the shredding means, shredding means bolts and other fasteners are secure, the housing is undamaged and that guards and screens are in place. Replace worn or damaged components in sets to preserve balance. Replace damaged or unreadable labels.

#### OPERATION

- Operate the appliance only in daylight or in good artificial light.
- Do not overreach and keep your balance at all times.
- Always be sure of your footing on steps.
- Walk, never run.
- Keep all cooling air inlets clear of debris.
- Never blow debris in the direction of bystanders
- Before starting the machine, make certain that the feeding chamber is empty.
- Keep your face and body away from the feed intake opening.
- Do not allow hands or any other part of the body or clothing inside the feeding chamber, discharge chute, or near any moving part.
- When feeding material into the machine be extremely careful that pieces of metal, rocks, bottles, cans or other foreign objects are not included.
- If the cutting mechanism strikes any foreign objects or if the machine should start making any unusual noise or vibration, immediately shut off the power source and allow the machine to stop. Disconnect the machine from the supply and take the following steps before restarting and operating the machine: i)

## English (original instructions)

inspect for damage;

- 1) replace or repair any damaged parts;
  - 2) check for and tighten any loose parts.
- Do not allow processed material to build up in the discharge zone; this may prevent proper discharge and can result in kickback of material through the intake opening.
  - If the machine becomes clogged, shut-off the power source and disconnect the machine from supply before cleaning debris.
  - Never operate the machine with defective guards or shields, or without safety devices, for example debris collector in place.

**NOTE** If a debris collector is not used the text of the example may be deleted.

- Keep the power source clean of debris and other accumulations to prevent damage to the power source or possible fire.
- Do not transport this machine while the power source is running.
- Do not tilt the machine while the power source is running.
- Do not operate the machine when barefoot or wearing open sandals. Avoid wearing clothing that is loose fitting or that has hanging cords or ties.
- Always stand clear of the discharge zone when operating this machine.
- Stop the machine, and remove battery pack. Make sure that all moving parts have come to a complete stop
  - whenever you leave the machine,
  - before clearing blockages or unclogging chute,
  - before checking, cleaning or working on the machine.

### MAINTENANCE AND STORAGE

- Keep all nuts, bolts and screws tight to be sure the appliance is in safe working condition.
- Replace worn or damaged parts.
- Use only genuine replacement parts and accessories.
- Store the appliance only in a dry place.
- When the machine is stopped for servicing, inspection, or storage, or to

change an accessory, shut off the power source, disconnect the machine from the supply and make sure that all moving parts are come to a complete stop. Allow the machine to cool before making any inspections, adjustments, etc. Maintain the machine with care and keep it clean.

- Always allow the machine to cool before storing.
- When servicing the shredding means be aware that, even though the power source is switched off due to the interlock feature of the guard, the shredding means can still be moved.
- Never attempt to override the interlocked feature of the guard.

### ⚠ WARNING

Use only the manufacturer's replacement parts. Failure to do so may cause poor performance, possible injury and may void your warranty.

The term "power tool" in the warnings refers to your mains-operated (corded) power tool or battery-operated (cordless) power tool.

### WORK AREA SAFETY

- Keep work area clean and well lit. Cluttered or dark areas invite accidents.
- Do not operate power tools in explosive atmospheres, such as in the presence of flammable liquids, gases or dust. Power tools create sparks which may ignite the dust or fumes.
- Keep children and bystanders away while operating a power tool. Distractions can cause you to lose control.

### ELECTRICAL SAFETY

- Avoid body contact with earthed or grounded surfaces, such as pipes, radiators, ranges and refrigerators. There is an increased risk of electric shock if your body is earthed or grounded.
- Do not expose power tools to rain or wet conditions. Water entering a power tool will increase the risk of electric shock.

### PERSONAL SAFETY

- Stay alert, watch what you are doing and use common sense when operating a power tool. Do not use a power tool while you are tired or under the influence of

## English (original instructions)

drugs, alcohol or medication. A moment of inattention while operating power tools may result in serious personal injury.

- Use personal protective equipment. Always wear eye protection. Protective equipment such as dust mask, non-skid safety shoes, hard hat, or hearing protection used for appropriate conditions will reduce personal injuries.
- Prevent unintentional starting. Ensure the switch is in the off-position before connecting to power source and/or battery pack, picking up or carrying the tool. Carrying power tools with your finger on the switch or energising power tools that have the switch on invites accidents.
- Remove any adjusting key or wrench before turning the power tool on. A wrench or a key left attached to a rotating part of the power tool may result in personal injury.
- Do not overreach. Keep proper footing and balance at all times. This enables better control of the power tool in unexpected situations.
- Dress properly. Do not wear loose clothing or jewellery. Keep your hair, clothing and gloves away from moving parts. Loose clothes, jewellery or long hair can be caught in moving parts.

### POWER TOOL USE AND CARE

- Do not force the power tool. Use the correct power tool for your application. The correct power tool will do the job better and safer at the rate for which it was designed.
- Do not use the power tool if the switch does not turn it on and off. Any power tool that cannot be controlled with the switch is dangerous and must be repaired.
- Store idle power tools out of the reach of children and do not allow persons unfamiliar with the power tool or these instructions to operate the power tool. Power tools are dangerous in the hands of untrained users.
- Maintain power tools. Check for misalignment or binding of moving parts, breakage of parts and any other condition that may affect the power tool's operation. If damaged, have the power

tool repaired before use. Many accidents are caused by poorly maintained power tools.

- Keep cutting tools sharp and clean. Properly maintained cutting tools with sharp cutting edges are less likely to bind and are easier to control.
- Use the power tool, accessories and tool bits etc. in accordance with these instructions, taking into account the working conditions and the work to be performed. Use of the power tool for operations different from those intended could result in a hazardous situation.

### BATTERY TOOL USE AND CARE

- Recharge only with the charger specified by the manufacturer. A charger that is suitable for one type of battery pack may create a risk of fire when used with another battery pack.
- Use power tools only with specifically designated battery packs. Use of any other battery packs may create a risk of injury and fire.
- When battery pack is not in use, keep it away from other metal objects, like paper clips, coins, keys, nails, screws or other small metal objects, that can make a connection from one terminal to another. Shorting the battery terminals together may cause burns or a fire.
- Under abusive conditions, liquid may be ejected from the battery; avoid contact. If contact accidentally occurs, flush with water. If liquid contacts eyes, additionally seek medical help. Liquid ejected from the battery may cause irritation or burns.

### SERVICE




- Have your power tool serviced by a qualified repair person using only identical replacement parts. This will ensure that the safety of the power tool is maintained.

**SAVE THESE INSTRUCTIONS. REFER TO THEM FREQUENTLY AND USE THEM TO INSTRUCT OTHERS WHO MAY USE THIS UNIT. IF YOU LOAN SOMEONE THIS UNIT, LOAN THEM THESE INSTRUCTIONS ALSO.**

## English (original instructions)

Some of the following symbols may be used on this tool. Please study them and understand their meaning. Proper interpretation of these symbols will allow you to operate the tool better and safer.

SYMBOL	DESCRIPTION/EXPLANATION
	Precautions that involve your safety.
	Read the operation manual and follow all warnings and safety instructions.
	Wear eye protection and ear protection.
	Thrown objects can ricochet and result in personal injury or property damage. Wear protective clothing and boots. Keep bystanders away.
	Keep all bystanders, especially children and pets, at least 15m from the operating area.
	Do not touch the fan when operating this unit.
	Do not expose to rain or damp conditions.
	Failure to keep long hair away from the air inlet could result in personal injury.
	Failure to keep loose clothing from being drawn into air intake could result in personal injury.
	Rotating impeller blades can cause severe injury.
	Double-insulated construction.

The following signal words and meanings are intended to explain the levels of risk associated with this product.		
SYMBOL	SIGNAL	MEANING
	<b>DANGER:</b>	Indicates an imminently hazardous situation, which, if not avoided, will result in death or serious injury.
	<b>WARNING:</b>	Indicates a potentially hazardous situation, which, if not avoided, could result in death or serious injury.
	<b>CAUTION:</b>	Indicates a potentially hazardous situation, which, if not avoided, may result in minor or moderate injury.
	<b>CAUTION:</b>	(Without Safety Alert Symbol) Indicates a situation that may result in property damage.



## English (original instructions)

### SPECIFICATIONS

Type	2400807
Voltage	40V DC
AIR volume	7.62 m <sup>3</sup> /min
Air speed	162 KM/H
Weight (Battery Pack not included)	1.9 kg
Battery Pack	29717/29727
Charger	2904607/2904707
Sound pressure level	LpA: 87.6 dB(A) k: 3 dB(A)
Sound power level	LwA: 99.7 dB(A) K: 3.0dB(A)
Vibration level	ah: <2.5 m/s <sup>2</sup> ; K: <1.5 m/s <sup>2</sup>

### DESCRIPTION

See Figure 1.

1. Battery Release Button
2. Cruise Control Lever
3. Trigger
4. Blower tube
5. 40V Lithium-Ion battery

### ASSEMBLY

#### UNPACKING

- Carefully remove the product and any accessories from the box.
- Inspect the product carefully to make sure no breakage or damage occurred during shipping.
- Do not discard the packing material until you have carefully inspected and satisfactorily operated the product.
- If any parts are damaged or missing, please call your Greenworks Tools service centre for assistance.

#### ⚠ WARNING

Do not use this product if any parts on the Packing List are already assembled to your product when you unpack it. Parts on this list are not assembled to the product by the manufacturer and require customer installation. Use of a product that may have been improperly assembled could result in serious personal injury.

### ASSEMBLING THE BLOWER TUBE

See Figure 2, 3, 4

#### ⚠ WARNING

To prevent accidental starting that could cause serious personal injury, always remove the battery pack from the tool when assembling parts.

- Align either of the grooves (6) on the tube (4) with the tabs (7) on the blower housing. Slide the tube onto the blower housing until the tab engages the grooves.
- Turn the tube in the direction of the arrow until both of the tabs slide into the lock positions (8).
- To install the Front tube (A) to Rear Tube (B), line the hole on the front tube to the tab on the rear tube. Once aligned slide the front tube on to the rear tube until the tube is secured.

### TO INSTALL/REMOVE BATTERY PACK

See Figure 5.

- Align the ribs of the battery pack with the mounting slots in the blower's battery port.
- Insert the battery into the battery opening until the battery release button locks into place.

#### ⚠ CAUTION

When placing battery pack in the blower, be sure the raised ribs on the battery pack align with the grooves in the top of the blower. Make sure the battery is fully seated, and it latches into place properly. Improper installation of the battery pack can cause damage to internal components.

### TO REMOVE BATTERY PACK

See Figure 5.

- Press and hold the latch button (9) with firm grip.
- Grasp the trigger handle (10) firmly. Pull the battery pack out of the handle.

#### ⚠ WARNING

Always take care of your feet, children, or pets around you when pressing the battery release button. Serious injury could result if the battery pack falls. NEVER remove the battery pack when in a high location.

## English (original instructions)

### ⚠ WARNING

Do not allow familiarity with this product to make you careless. Remember that a careless fraction of a second is sufficient to inflict serious injury.

### ⚠ WARNING

To avoid serious personal injury, wear goggles or safety glasses at all times when operating this unit. Wear a face mask or dust mask in dusty locations.

### ⚠ WARNING

Always wear eye protection with side shields marked to comply with ANSI Z87.1, along with hearing protection. Failure to do so could result in objects being thrown into your eyes and other possible serious injuries.

### ⚠ WARNING

To prevent serious personal injury or damage to the unit, make sure the blower tube is in place before operating the unit.

### ⚠ WARNING

Do not use any attachments or accessories not recommended by the manufacturer of this product. The use of attachments or accessories not recommended can result in serious personal injury. Before each use, inspect the entire product for damaged, missing, or loose parts, such as screws, nuts, bolts, caps, etc. Tighten securely all fasteners and caps and do not operate this product until all missing or damaged parts are replaced.

### CRUISE CONTROL LEVER (See figure 6)

This blower is equipped with a cruise control function. Please read and understand the function of the Cruise control lever (2).

- Squeeze the trigger (3) to start the unit.
- Once the unit is on, push back the lever clockwise to increase the speed. This will lock the speed at the desired setting.
- To decrease the speed, push the lever counter clockwise to decrease the speed to the desired setting.

**NOTE:** If you decrease the speed all the way, the unit will shut off and step one will need to be repeated.

### APPLICATION

You may use this product for the purposes listed below:

- Clearing hard surfaces such as driveways and walkways.
- Keeping decks and driveways free from leaves and pine needles.

### OPERATING THE BLOWER

- To keep from scattering debris, blow around the outer edges of a debris pile. Never blow directly into the center of a pile.
- To reduce sound levels, limit the number of pieces of equipment used at any one time.
- Use rakes and brooms to loosen debris before blowing. In dusty conditions, slightly dampen surfaces when water is available.
- Conserve water by using power blowers instead of hoses for many lawn and garden applications, including areas such as gutters, screens, patios, grills, porches, and gardens.
- Watch out for children, pets, open windows, or cars, and blow debris safely away.
- After using blowers or other equipment, clean up. Dispose of debris properly.

### CHARGE BEFORE FIRST USE.

### ⚠ WARNING

Always remove battery pack from the product when you are assembling parts, making adjustments, cleaning, or when not in use. Removing battery pack will prevent accidental starting that could cause serious personal injury.

### STARTING /STOPPING THE BLOWER (See figure 6)

- Ensure that the battery is installed in the blower.
- Squeeze the trigger to start the blower.
- Release the trigger to stop.

# English (original instructions)

## MAINTENANCE

### ⚠ WARNING

In order to avoid personal injury and the risk of fire and electric shock, remove the battery pack before adjusting, inspecting, or cleaning the blower.

### CLEANING

Remove the battery pack.

- Brush or blow dust and debris out of the air vents using compressed air or a vacuum. Keep the air vents free of obstructions, sawdust, and wood chips. Do not spray, wash, or immerse the air vents in water.
- Wipe off the housing and the plastic components using a moist, soft cloth. Do not use strong solvents or detergents on the plastic housing or plastic components. Certain household cleaners may cause damage, and may cause a shock hazard.

### BATTERY PACK

- Store the battery pack charged.
- Once the charging light turns green, remove the battery from the charger and disconnect the charger from the outlet.
- Recharge the battery pack anytime you have notice there is less power. Never let the battery pack become completely discharged.
- After charging, the battery pack may be stored in the charger as long as the charger is not plugged in.

### ⚠ WARNING

When servicing use only identical replacement parts. Use of any other parts may create a hazard or cause product damage.

Avoid using solvents when cleaning plastic parts. Most plastics are susceptible to damage from various types of commercial solvents and may be damaged by their use. Use clean cloths to remove dirt, dust, oil, grease, etc.

### ⚠ WARNING

Do not at any time let brake fluids, gasoline, petroleum based products, penetrating oils, etc. come in contact with plastic parts. They contain chemicals that can damage, weaken or destroy plastic.

### ⚠ WARNING

To avoid serious personal injury, always remove the battery pack from the tool when cleaning or performing any maintenance.

### STORING THE BLOWER

Clean the blower thoroughly before storing. Store the blower in a dry, well-ventilated place that is inaccessible to children. Keep away from corrosive agents such as garden chemicals and de-icing salts.

- Store and charge your batteries in a cool area. Temperatures above or below normal room temperature will shorten battery pack life.
- Once the light on the charger turns solid green, remove the battery from the charger and disconnect the charger from the outlet.
- Do not store the battery pack on the tool.
- Never store batteries in a discharged condition. Wait for battery pack to cool and fully charge immediately.
- All batteries gradually lose their charge. The higher the temperature, the quicker they lose their charge. If you store your unit for long periods of time without using it, recharge the batteries every month or two. This practice will prolong battery pack life.

## DISPOSAL

Waste electrical products should not be disposed of together with household waste. Please recycle where facilities exist. Check with your local authority or retailer for recycling advice.



Separate collection of used products and packaging allows materials to be recycled and used again. Re-use of recycled materials helps prevent environmental pollution and reduces the demand for raw materials.



At the end of their useful life, discard batteries with due care for our environment.

The battery contains material which is hazardous to you and the environment. It must be removed and disposed of separately at a facility that accepts lithium-ion batteries.



**English (original instructions)**

**TROUBLESHOOTING**

PROBLEM	POSSIBLE CAUSE	SOLUTION
Unit will not start.	1. Battery is not secure.	1. To secure the battery pack, make sure the battery is fully secured in the blower. Refer to <b>Installing the Battery</b> section in this manual.
	2. Battery is not charged.	2. Charge the battery pack according to the instructions included with your model.
	3. Defective power switch.	3. Call +004922129242919 for technical service.
The unit will start, but air will not flow through the tube.	Blocked tube.	Inspect the intake vent and blower tube for any blockage of air flow. If so, remove the blockage.
Cruise Control Lever doesn't work.	The screw is loose.	Tighten the screw with a phillips head screwdriver.

## Русский (Перевод оригинальных инструкций)

Ваше устройство сконструировано и изготовлено в соответствии с высокими стандартами изделий Greenworks, касающимися надежности, простоты в эксплуатации и безопасности оператора. При правильном уходе ваше устройство будет безотказно работать в течение многих лет. Настоящие инструкции предназначены только для данного устройства. Это оборудование может использоваться детьми 8 лет и старше, а также людьми с ограниченными физическими и умственными способностями, с нарушенной чувствительностью, не обладающими опытом и знаниями, при условии, что их действиями руководит другое лицо или если им объяснили, как пользоваться машиной, и они понимают возможную опасность. Дети не должны играть с оборудованием. Чистка и плановое обслуживание не должны выполняться детьми без присмотра.

### ОБЩИЕ УКАЗАНИЯ ПО БЕЗОПАСНОСТИ

#### ▲ ВНИМАНИЕ!

При работе с электроинструментами, оснащенными батареей, всегда необходимо соблюдать общие правила безопасности, чтобы уменьшить риск возгорания, протекания батареи и получения травм, включая указанные ниже риски.

- Не прикасайтесь к вентилятору во время работы устройства.
- Держите рукоятки сухими и чистыми.

#### ОБУЧЕНИЕ

- Внимательно прочитайте инструкции, чтобы ознакомиться с элементами управления и правильным использованием устройства.
- Детям запрещается пользоваться устройством.
- Никогда не позволяйте людям, незнакомым с данной инструкцией, использовать устройство. Местное законодательство может ограничивать возраст оператора.
- Запрещается работать с устройством, если вблизи находятся люди, особенно дети или домашние животные.
- Оператор или пользователь несет ответственность за несчастные случаи

или ущерб, нанесенный другим людям или их собственности.

#### ПОДГОТОВКА

- Во время эксплуатации изделия всегда носите специальную обувь и длинные брюки.
- Не носите просторную одежду или ювелирные украшения, к которым могут затянуться в воздухозаборное отверстие. Не допускайте попадания длинных волос в воздухозаборники.
- Пользуйтесь средствами защиты органов слуха и защитными очками. Всегда носите их во время эксплуатации устройства.
- Рекомендуется носить защитную маску для предотвращения раздражения, вызываемого пылью.
- Работайте с устройством, занимая рекомендуемое положение и только на твердой, ровной поверхности.
- Не эксплуатируйте устройство на асфальтированной или гравийной поверхности, где выброшенный материал может привести к травме.
- Перед использованием обязательно выполняйте визуальную проверку, чтобы убедиться в том, что болты и иные крепежные детали затянуты, корпус не поврежден, а защитные приспособления и экраны находятся на месте. Замените изношенные или поврежденные детали для обеспечения оптимальной производительности. Замените поврежденные или нечитаемые этикетки.

#### ЭКСПЛУАТАЦИЯ

- Эксплуатируйте устройство только при дневном свете или хорошем искусственном освещении.
- Не перенапрягайтесь и сохраняйте устойчивое положение.
- Всегда следите за тем, чтобы ноги стояли на ровной поверхности.
- Ходите, никогда не бегите.
- Держите все воздухозаборники охлаждающего воздуха свободными от мусора.
- Никогда не сдувайте мусор в сторону оказавшихся в рабочей зоне людей.
- Перед запуском устройства убедитесь, что питающая камера пуста.

## Русский (Перевод оригинальных инструкций)

- Не приближайте лицо и тело к всасывающему отверстию.
- Не допускайте попадания руки или какой-либо другой части тела или одежды внутрь питающей камеры, разгрузочного желоба и держитесь подальше от любых движущихся частей.
- При подаче материала в устройство внимательно следите за тем, чтобы туда не попадали куски металла, камни, бутылки, консервные банки и другие посторонние предметы.
- Если режущий механизм ударяет по каким-либо посторонним предметам, или если устройство начинает издавать какие-либо необычные шумы или вибрировать, немедленно отключите его от электропитания и дождитесь его остановки. Отключите устройство от электропитания и предпримите следующие шаги перед его повторным пуском и эксплуатацией: i) проверьте на предмет повреждения; ii) замените или отремонтируйте поврежденные детали; iii) проверьте и затяните все незакрепленные детали.
- Не допускайте накопления обрабатываемого материала в зоне разгрузки, это может помешать надлежащему сбросу и привести к попаданию материала в устройство через всасывающее отверстие.
- Если устройство засорилось, выключите его и отсоедините от источника питания, прежде чем выполнять чистку.
- Запрещается эксплуатация изделия с неисправными защитными устройствами или щитками, а также без предохранительных устройств, например, без установленного мусоросборника.

**ПРИМЕЧАНИЕ.** Если мусоросборник не используется, текст примера можно пропустить.

- Держите источник питания свободным от мусора и других накоплений для предотвращения повреждения источника питания или возможного пожара.
- Не перемещайте и не перевозите

- устройство при работающем двигателе.
- Не наклоняйте устройство во время работы двигателя.
- Запрещается эксплуатировать устройство без установленных защитных устройств или работать в открытых сандалях. Не носите слишком свободную одежду или такую одежду, в которой есть свисающие шнурки или завязки.
- Не приближайтесь к зоне разгрузки при эксплуатации этого устройства.
- Остановите устройство и снимите батарею. Убедитесь, что все движущиеся части полностью остановились:
  - когда устройство оставляется без присмотра;
  - перед удалением засора или чисткой желоба;
  - перед проверкой, чисткой и техобслуживанием изделия.

### ТЕХОБСЛУЖИВАНИЕ И ХРАНЕНИЕ

- Все гайки, болты и винты должны быть затянуты, чтобы устройство находилось в безопасном рабочем состоянии.
- Замените изношенные или поврежденные детали
- Используйте только оригинальные запасные части и аксессуары.
- Храните устройство только в сухом месте.
- Когда устройство остановлено для обслуживания, осмотра, хранения или смены аксессуаров, отключите подачу питания, отсоедините устройство от источника питания и убедитесь, что все движущиеся детали полностью остановились. Дайте устройству остыть перед выполнением любых проверок, регулировок и т. д. Обращайтесь с устройством осторожно и держите его в чистоте.
- Дайте устройству остыть перед постановкой на хранение.
- При обслуживании измельчающих деталей имейте в виду, что даже если

## Русский (Перевод оригинальных инструкций)

питание выключено системой защитной блокировки, измельчающие детали все еще могут быть двигаться.

- Никогда не пытайтесь изменить функционирование системы защитной блокировки.

### ⚠ ВНИМАНИЕ!

Используйте только оригинальные запасные части от производителя. Несоблюдение этого правила может привести к снижению производительности, возможным травмам и аннулированию гарантии.

Термин «электроинструмент» в предупреждениях относится к вашему электроинструменту, работающему от сети (сетевому) или работающему от батареи (беспроводному).

### БЕЗОПАСНОСТЬ РАБОЧЕЙ ЗОНЫ

- Рабочая зона должна быть чистой и хорошо освещенной. Замусоренная и плохо освещенная рабочая зона может стать причиной несчастных случаев.
- Не используйте электроинструмент во взрывоопасной атмосфере, например, рядом с горючими жидкостями, газами или в запыленных местах. Из электроинструмента вылетают искры, которые могут воспламенить пыль или пары.
- Не допускайте детей и посторонних наблюдателей к рабочей зоне. Присутствие посторонних может стать причиной потери контроля над инструментом.

### ЭЛЕКТРОБЕЗОПАСНОСТЬ

- Избегайте контакта с заземленными предметами, например, трубами, батареями, кухонными плитами, холодильниками. Это уменьшит риск поражения током.
- Не допускайте попадания на электроинструмент влаги и не используйте его во влажной атмосфере. Влажный инструмент создает повышенный риск поражения током.

### ЛИЧНАЯ БЕЗОПАСНОСТЬ

- Будьте внимательны, следите за своими действиями и руководствуйтесь здравым смыслом при работе с электроинструментом. Не работайте с электроинструментом, если вы утомлены, нах одитесь в состоянии алкогольного, наркотического опьянения или под воздействием лекарственных средств. Малейшая невнимательность при работе с электроинструментом может привести к серьезным травмам.
- Используйте индивидуальные средства защиты. Работайте в защитных очках. Средства индивидуальной защиты, например, противопылевые респираторы, защитная обувь с нескользящей подошвой, каски, средства защиты органов слуха, помогут вам избежать травм.
- Не допускайте случайного запуска. Убедитесь, что выключатель находится в положении Выкл. перед тем как подключаться к электросети или батарее, брать или переносить инструмент. Перенос электроинструмента с пальцем на выключателе или подключение к электросети во включенном состоянии может привести к несчастному случаю.
- Перед включением электроинструмента снимите регулировочные и гаечные ключи. Ключ, закрепленный на вращающихся частях инструмента, может привести к травме.
- Не перенапрягайтесь. Сохраняйте устойчивое положение. Это позволит лучше управлять электроинструментом в непредвиденных ситуациях.
- Работайте в специальной одежде. Не надевайте болтающуюся одежду и украшения. Не допускайте попадания волос, одежды и перчаток в движущиеся детали. Болтающаяся одежда, украшения и небрежные волосы могут быть затянуты движущимися деталями.

**Русский (Перевод оригинальных инструкций)****ЭКСПЛУАТАЦИЯ И УХОД ЗА ЭЛЕКТРОИНСТРУМЕНТОМ**

- Не перегружайте электроинструмент. Правильно подбирайте инструмент для выполнения необходимой работы. Правильно подобранный электроинструмент лучше и безопаснее выполняет свою работу на такой скорости вращения двигателя, для которой он был разработан.
- Не используйте электроинструмент, если невозможно остановить двигатель выключателем. Любой электроинструмент, который не может управляться с помощью выключателя, представляет опасность и должен быть отремонтирован.
- Храните электроинструмент в месте, недоступном для детей и не позволяйте лицам, незнакомым с электроинструментом или данными инструкциями, работать с электроинструментом. Электроинструменты опасны в руках неподготовленных пользователей.
- Поддерживайте электроинструмент в надлежащем рабочем состоянии. Проверьте движущиеся детали на предмет несоосности или заедания, выявите поломанные детали и другие условия, которые могут повлиять на работу электроинструмента. Если в электроинструменте есть неполадки, устраните их перед его использованием. Плохое обслуживание электроинструментов является причиной большого числа несчастных случаев.
- Держите режущие инструменты в заточенном и чистом состоянии. Режущие инструменты с острыми краями, поддерживаемые в надлежащем рабочем состоянии, режут заклиниваются, и ими легче управлять.
- Применяйте электроинструмент, дополнительное оборудование, наконечники и т. п. в соответствии с настоящими инструкциями, учитывая при этом рабочие условия и выполняемую работу. Во избежание опасности соблюдайте указанное для электроинструмента предназначение.

**ЭКСПЛУАТАЦИЯ И УХОД ЗА БАТАРЕЕЙ**

- Заряжайте только с помощью зарядного устройства, указанного изготовителем. Зарядное устройство, подходящее для одного типа батареи, может создать риск возгорания при использовании с другой батареей.
- Используйте электроинструмент только с предназначенными для него батареями. Использование любых других батарей может создать риск травм и пожара.
- Когда батарея не используется, держите ее вдали от металлических предметов, например, канцелярских скрепок, монет, ключей, гвоздей, винтов или других мелких металлических предметов, которые могут замкнуть полюса батареи. Замыкание полюсов батареи может стать причиной ожогов или пожара.
- При ненормальных условиях эксплуатации из батареи может вытечь жидкость. Избегайте контакта с ней. Если случайно произошел контакт, смойте жидкость водой. Если жидкость попала в глаза, обратитесь за медицинской помощью. Жидкость, вытекающая из батареи, может вызвать раздражение или ожоги.

**ОБСЛУЖИВАНИЕ**

- Ваш электроинструмент должен обслуживаться только квалифицированным специалистом с использованием только оригинальных запасных частей. Это будет обеспечивать безопасность электроинструмента.

**СОХРАНИТЕ ДАННЫЕ ИНСТРУКЦИИ. РЕГУЛЯРНО ОБРАЩАЙТЕСЬ К НИМ И ИСПОЛЬЗУЙТЕ ИХ, ЧТОБЫ ОБУЧАТЬ ДРУГИХ ЛИЦ, КОТОРЫЕ МОГУТ ИСПОЛЬЗОВАТЬ ЭТО УСТРОЙСТВО. ЕСЛИ ВЫ ДАЕТЕ ЭТО УСТРОЙСТВО ДРУГОМУ ПОЛЬЗОВАТЕЛЮ, ПРЕДОСТАВЬТЕ ЕМУ ЭТИ ИНСТРУКЦИИ.**



## Русский (Перевод оригинальных инструкций)

Следующие символы могут быть использованы на этом устройстве. Изучите и уясните их. Понимание этих символов позволит вам эксплуатировать данное устройство лучше и безопаснее.

ОБОЗНАЧЕНИЕ	ОБОЗНАЧЕНИЕ/ ПОЯСНЕНИЕ
	Меры предосторожности, которые включают вашу безопасность.
	Прочитайте руководство по эксплуатации и соблюдайте все пред уп реж деня и и нструкции по технике безопасности.
	Носите специальные устройства для защиты глаз и органов слуха.
	Брошенный объекты могут от ricoшетить и привести к травме или повреждению имущества. Носите защитную одежду и обувь. Не допускайте приближения посторонних лиц.
	Не допускайте приближения посторонних лиц, особенно детей и домашних животных к рабочей зоне ближе чем на 15 м.
	Не прикасайтесь к вентилятору во время работу устройства.
	Не допускайте попадания влаги на устройство.
	Попадание длинных волос в воздухозаборник может привести к травме.
	Попадание незаправленной одежды в воздухозаборник может привести к травме.
	Вращающиеся лопасти рабочего колеса могут стать причиной тяжелых травм.

	Двойная изоляция
--	------------------

Следующие сигнальные слова и значения предназначены для того, чтобы объяснить уровень риска, связанного с этим изделием.

ОБОЗНАЧЕНИЕ	СИГНАЛ	ЗНАЧЕНИЕ
	<b>ОПАСНОСТЬ!</b>	Указывает на потенциально опасную ситуацию, которая, если ее не избежать, приведет к летальному исходу или серьезной травме.
	<b>ВНИМАНИЕ!</b>	Указывает на потенциально опасную ситуацию, которая, если ее не избежать, может привести к летальному исходу или серьезной травме.
	<b>ПРЕДУПРЕЖДЕНИЕ!</b>	Указывает на потенциально опасную ситуацию, которая, если ее не избежать, может привести к травме легкой или средней тяжести.
	<b>ПРЕДУПРЕЖДЕНИЕ!</b>	(Без предупреждающего символа) Указывает на ситуацию, которая может привести к порче имущества.

## Русский (Перевод оригинальных инструкций)

### ТЕХНИЧЕСКИЕ ХАРАКТЕРИСТИКИ

Тип	2400807
Двигатель	40V DC
Объем воздуха	7.62 m <sup>3</sup> /min
Скорость воздушного потока	162 KM/H
Масса (без батареи)	1.9 kg
Батарея	29717/29727
Зарядное устройство	2904607/2904707
Измеренный уровень звуковой мощности	LpA: 87.6 dB(A) k: 3 dB(A)
Измеренный уровень звуковой мощности	LwA: 99.7 dB(A) K: 3.0dB(A)
Уровень вибрации	ah: <2.5 m/s <sup>2</sup> ; K: <1.5 m/s <sup>2</sup>

### ОПИСАНИЕ НАС СМ. РИС. 1.

1. Кнопка фиксатора батареи
2. Рычажок стабилизатора скорости
3. Кнопка запуска
4. Трубка воздуходувки
5. Литий-ионная батарея 40 V

### СБОРКА/УВАLENÍ

#### РАСПАКОВКА

- Осторожно извлеките изделие и аксессуары из коробки.
- Тщательно осмотрите изделие, чтобы убедиться в отсутствии поломки и липо повреждения, произошедшего во время транспортировки.
- Не выбрасывайте упаковочный материал до тех пор, пока вы внимательно не осмотрели и не начали эксплуатировать изделие.
- Если какие-либо детали повреждены или отсутствуют, обратитесь за помощью в сервисный центр Greenworks Tools.

#### ⚠ ВНИМАНИЕ!

Не используйте это изделие, если вы обнаружите в упаковке, что какие-либо детали из комплекта поставки уже установлены на изделие. Детали из этого списка не устанавливаются на изделие изготовителем и должны быть установлены покупателем. Использование неправильно собранного изделия может привести к серьезным травмам.

### СБОРКА ТРУБКИ ВОЗДУХОДУВКИ СМ. РИС. 2.3.4

#### ⚠ ВНИМАНИЕ!

Чтобы предотвратить случайный запуск, что может привести к серьезным травмам, всегда снимайте батарею с устройства при сборке деталей.

- Совместите один из пазов(6) на трубке(4) с выступами(7) на корпусе воздуходувки. Толкайте трубку на корпус воздуходувки до тех пор, пока выступы не войдут в зацепление с пазами.
- Поверните трубку в направлении, указанном стрелкой, до тех пор, пока оба выступа не войдут в запорное положение(8).
- Чтобы установить переднюю трубку (A) на заднюю трубку (B), совместите отверстие передней трубки с выступом на задней трубке. После этого наденьте переднюю трубку на заднюю так, чтобы надежно закрепить ее.

### УСТАНОВКА/СНЯТИЕ БАТАРЕИ СМ. РИС. 5.

- Совместите ребра батареи с монтажными пазами в отсеке для батареи воздуходувки.
- Вставьте батарею в предназначенный для нее отсек до тех пор, пока кнопка фиксатора батареи не встанет на место.

#### ⚠ ПРЕДУПРЕЖДЕНИЕ!

При установке батареи в воздуходувку убедитесь, что ребра на батарее совмещены с пазами в верхней части воздуходувки. Убедитесь, что батарея надежно установлена и правильно закреплена. Неправильная установка батареи может привести к повреждению внутренних компонентов.

### СНЯТИЕ БАТАРЕИ

См. рис. 5.

- Нажмите кнопку фиксатора батареи(9) на воздуходувке.
- Крепко держите воздуходувку(10) и вытяните батарею за ручку.

#### ⚠ ВНИМАНИЕ!

При нажатии на кнопку фиксатора аккумулятора следите за тем, чтобы батарея не упала вам на ноги, на детей или домашних животных, находящихся поблизости. Падение батареи может привести к серьезным травмам. Никогда не снимайте батарею, если она расположена высоко.

**Русский (Перевод оригинальных инструкций)****⚠ ВНИМАНИЕ!**

Овладев зарядным устройством, не теряйте бдительности. Помните, что достаточно секунды невнимания, чтобы получить тяжелую травму.

**⚠ ВНИМАНИЕ!**

Всегда надевайте защитные очки с боковыми щитками, обеспечивающие защиту в соответствии с EN 166, а также устройства защиты слуха. Несоблюдение этого правила может привести к попаданию летящего мусора в глаза и прочим серьезным травмам.

**⚠ ВНИМАНИЕ!**

Не используйте насадки или устройства, не рекомендованные производителем этого изделия. Использование нерекондованных насадок или аксессуаров может привести к серьезным травмам. Перед каждым использованием внимательно осмотрите все изделие на предмет поврежденных, отсутствующих или незакрепленных деталей, таких как винты, гайки, болты, крышки и т. д. Надежно затяните все крепежные детали и крышки и не эксплуатируйте это изделие, пока не будут установлены новые детали взамен отсутствующих или поврежденных.

**ИСПОЛЬЗОВАНИЕ**

Это изделие предназначено для использования в следующих целях:

- очистка твердых поверхностей, таких как дороги и пешеходные дорожки;
- уборка листьев и хвои с поверхности земли.

**ЗАРЯДИТЕ ПЕРЕД ПЕРВЫМ ИСПОЛЬЗОВАНИЕМ.****⚠ ВНИМАНИЕ!**

Всегда извлекайте батарею из изделия при сборке деталей, регулировке, очистке, проведении техобслуживания, или когда изделие не используется. Извлечение батареи необходимо для предотвращения случайного запуска, в результате которого оператор может получить серьезные травмы.

**ЗАПУСК/ОСТАНОВКА ВОЗДУХОДУВКИ СМ. РИС. 6.**

- Убедитесь, что батарея установлена в воздуходувке.
- Нажмите на кнопку запуска, чтобы запустить воздуходувку.
- Отпустите кнопку запуска, чтобы остановить устройство.

**⚠ ВНИМАНИЕ!**

Во избежание серьезных травм всегда носите защитные очки во время эксплуатации данного устройства. Носите противопылевую маску в пыльных местах.

**⚠ ВНИМАНИЕ!**

Для предотвращения серьезных травм или повреждения устройства перед началом работы убедитесь, что трубка воздуходувки на своем месте.

**РЫЧАЖОК СТАБИЛИЗАТОРА СКОРОСТИ**

(см. рис. 6)

Воздуходувка снабжена функцией стабилизатора скорости.

Прочитайте и уясните, как используется рычажок стабилизатора скорости(2).

- Нажмите на кнопку запуска(3), чтобы запустить устройство.
- После запуска сдвиньте рычажок по часовой стрелке, чтобы повысить скорость. Это позволяет установить необходимую скорость.
- Для снижения скорости сдвиньте рычажок против часовой стрелки.

**ПРИМЕЧАНИЕ.** Если продолжить снижение скорости, устройство выключится, и необходимо будет повторить первый шаг.

**ЭКСПЛУАТАЦИЯ ВОЗДУХОДУВКИ**

- Чтобы мусор не разбрасывался, обдувайте кучи мусора вокруг наружного края. Никогда не направляйте поток воздуха на центр кучи.
- Чтобы снизить уровень шума, ограничьте количество единиц оборудования, используемых одновременно.
- Используя грабли и метлы, уберите крупный мусор, прежде чем использовать воздуходувку. В условиях сильной запыленности по возможности слегка смочите поверхности.
- Экономьте воду, используя воздуходувку вместо шлангов для многих работ на газоне и саду, в том числе в таких местах как сточные желоба, перегородки, внутренние дворики, решетки, балконы и клумбы.
- При уборке мусора следите за тем, чтобы поблизости не было детей, животных, открытых окон или автомобилей.
- После окончания работ выполните очистку воздуходувки и прочего оборудования. Выбрасывайте мусор надлежащим образом.

## Русский (Перевод оригинальных инструкций)

### ТЕХНИЧЕСКОЕ ОБСЛУЖИВАНИЕ ЛОПАСТЕЙ

#### ⚠ ВНИМАНИЕ!

Во избежание травм, опасности возгорания и поражения электрическим током, извлеките батарею перед проведением регулировки, проверки и очистки воздуходувки.

#### ОЧИСТКА

- Снимите батарею.
- Очистите щеткой или выдуйте пыль и мусор из воздухозаборников с помощью сжатого воздуха или вакуума. Держите воздухозаборники свободными от препятствий, опилок и щепок. Не брызгайте, не мойте и не погружайте воздухозаборники в воду.
- Протрите корпус и пластиковые компоненты с помощью влажной, мягкой ткани. Не используйте растворители или моющие средства для очистки пластикового корпуса или пластиковых компонентов. Некоторые бытовые чистящие средства могут вызвать повреждение и привести к опасности поражения электрическим током.

#### БАТАРЕЯ

- Храните батарею заряженной.
- Когда индикатор зарядки загорится зеленым, извлеките батарею из зарядного устройства и отключите зарядное устройство от источника питания.
- Заряжайте батарею, как только вы заметите падение мощности устройства. Не допускайте полной разрядки батареи.
- После зарядки батарея может храниться в зарядном устройстве при условии, что зарядное устройство не подключено к источнику питания.

#### ⚠ ВНИМАНИЕ!

При выполнении технического обслуживания используйте только оригинальные запчасти. Использование других запчастей может создать опасность или привести к повреждению изделия.

При выполнении технического обслуживания используйте только оригинальные запчасти. Использование других запчастей может создать опасность или привести к повреждению изделия.

#### ⚠ ВНИМАНИЕ!

Не допускайте контакта тормозных жидкостей, бензина, продуктов на нефтяной основе, проникающих масел и т. д. с пластиковыми деталями. Они содержат химические вещества, которые могут повредить, ослабить или разрушить пластик.

#### ⚠ ВНИМАНИЕ!

Во избежание серьезных травм всегда извлекайте батарею перед очисткой электроинструмента или выполнением каких-либо работ по его обслуживанию.

### ХРАНЕНИЕ ВОЗДУХОДУВКИ

Полностью очистите воздуходувку перед постановкой на хранение. Храните воздуходувку в сухом, прохладном и хорошо вентилируемом помещении, недоступном для детей. Не допускайте контакта с агрессивными агентами, такими как садовые химикаты и антиобледенительные соли.

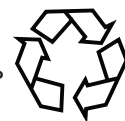
- Храните и заряжайте батареи в прохладном месте. Температура выше или ниже нормальной комнатной температуры сократит срок службы батареи.
- Когда индикатор на зарядном устройстве горит зеленым, извлеките батарею из зарядного устройства и отключите зарядное устройство от источника питания.
- Не храните батарею на устройстве.
- Никогда не храните батарею в разряженном состоянии. Подождите, пока батарея остынет, и сразу полностью зарядите ее.
- Все батареи постепенно теряют свой заряд. Чем выше температура, тем быстрее они теряют свой заряд. Если вы храните устройство в течение длительного времени без использования, заряжайте батареи каждый месяц или два. Это продлит срок службы батарей.

### УТИЛИЗАЦИЯ

Отработанные электроинструменты не должны утилизироваться вместе с другими бытовыми отходами. Отправляйте их на вторичную переработку, где это возможно. Проконсультируйтесь с местными органами власти или вашим продавцом по вопросу утилизации.



Раздельный сбор отработанных изделий и использованных упаковочных материалов позволяет их перерабатывать и повторно использовать. Использование переработанных материалов помогает предотвратить загрязнение окружающей среды и снижает спрос на сырье.



В конце срока службы батарей утилизируйте их с надлежащей заботой об окружающей среде. Батарея содержит вещества, которые являются опасными для вас и окружающей среды. Ее следует снять и отправить для утилизации в пункт приема отработанных литий-ионных батарей.



## Русский (Перевод оригинальных инструкций)

### ПОИСК И УСТРАНЕНИЕ НЕИСПРАВНОСТЕЙ

ПРОБЛЕМА	ВОЗМОЖНАЯ ПРИЧИНА	РЕШЕНИЕ
Устройство не запускается.	1. Батарея не закреплена.	1. Убедитесь, что батарея надежно закреплена в воздуходувке. См. раздел «Установка батареи» в данном руководстве.
	2. Батарея не заряжена.	2. Зарядите батарею в соответствии с инструкциями, относящимися к вашей модели.
	3. Неисправен выключатель питания.	3. По вопросам технического обслуживания звоните +004922129242919.
Устройство запускается, но воздух не поступает через трубку.	Забита трубка.	Проверьте, не засорены ли воздухозаборник и трубки воздуходувки. При необходимости очистите их.
Рычажок стабилизатора скорости не работает.	Винт ослаблен.	Затяните винт с помощью четырехгранной отвертки.



**PERIOD OF WARRANTY**

All new Greenworks Tools machinery is supplied with a 2 year parts and labour warranty from original date of purchase. A 30 day warranty is available for machines used professionally as Greenworks Tools are designed primarily to be used by DIY consumers. This warranty is non-transferable.

**LIMITATIONS**

This warranty applies only to defective parts/components and does not cover repairs due to:

1. Normal wear and tear.
2. Routine tune up or adjustment.
3. Damage caused by improper handling/abuse/misuse or neglect.
4. Overheating due to lack of maintenance.
5. Damage due to fittings/fasteners becoming loose/detached through lack of maintenance.
6. Damage caused by cleaning with water.
7. Machines serviced or repaired by non-authorized Greenworks Tools service centres.
8. Machines incorrectly assembled or adjusted.
9. Damage caused by improper use of the machine.
10. Damage caused by improper winterisation (pressure washers)
11. Items considered as consumable parts are not normally covered by the warranty, including but not limited to:
  - Batteries
  - Electric cables
  - Blade and blade assemblies
  - Belts
  - Filters
  - Chucks and tool holders
12. Certain products may contain components such as engines, transmissions from an alternative manufacturer, these items will be subject to the appropriate manufacturer's warranty policy except where Greenworks Tools Europe GmbH agrees to underwrite any claims outside the said manufacturer's warranty period.
13. Second hand goods are not covered under this warranty policy.
14. The fitting of spares, replacements or extra components which are not supplied or approved by Greenworks Tools Europe GmbH.

**Warranty**

To claim a warranty on any product under this policy a proof of original purchase is required. Credit card statement do not qualify as sufficient proof of purchase. In the first instance of a warranty event occurring the consumer should return the product to the original place of purchase with their proof of purchase. The machine will be sent to our central service facility and an inspection made. If the machine be found to be at fault it will be repaired and sent back to the address of the consumer free of charge. Machines that retail for less than €100 euros including sales taxes will generally be replaced.

If the central service facility finds that machine is not found to be at fault then the consumer will be advised they will need to pay for the cost of the repair.

This warranty policy is subject to change from time to time to accommodate the needs of new products. A copy of the latest warranty policy will be available at [www.greenworkstools.eu](http://www.greenworkstools.eu).



**GEWÄHRLEISTUNGSFRIST**

Alle neuen Greenworks Werkzeuge sind mit einer 2 Jahre Garantie auf Teile und Arbeit ab Kaufdatum ausgestattet. Eine 30 Tage Garantie ist für Maschinen im professionellen Einsatz verfügbar, weil Greenworks Werkzeuge hauptsächlich für den Einsatz durch Heimwerker konstruiert sind. Diese Garantie ist nicht übertragbar.

**EINSCHRÄNKUNGEN**

Diese Garantie gilt nur für defekte Teile/Komponenten und deckt keine Reparaturen ab aufgrund von:

1. Normaler Abnutzung.
2. Routinewartungen oder Einstellungen.
3. Durch falsche Handhabung/Missbrauch/Fehlanwendung oder Vernachlässigung verursachte Schäden.
4. Überhitzung aufgrund von fehlender Wartung.
5. Schäden aufgrund von durch fehlende Wartung lockeren/gelösten Anschlüssen/Befestigungen.
6. Durch Reinigung mit Wasser verursachte Schäden.
7. Maschinen die nicht von einem autorisierten Greenworks Kundendienst gewartet oder repariert wurden.
8. Maschinen die falsch montiert oder eingestellt wurden.
9. Schäden aufgrund falscher Benutzung der Maschine.
10. Schäden aufgrund von falscher Wintereinlagerung (Hochdruckreiniger).
11. Elemente die als Verschleißteile betrachtet werden sind normalerweise nicht von dieser Garantie abgedeckt, einschließlich, aber nicht beschränkt auf:
  - Akkus
  - Elektrische Kabel
  - Klingen und Klingeneinheiten
  - Bänder
  - Filter
  - Spannfutter und Werkzeughalter
12. Bestimmte Produkte können Teile wie Motoren, Getriebe von anderen Herstellern enthalten, diese Elemente unterliegen der entsprechenden Herstellergarantie, außer in Fällen wo Greenworks Tools Europe GmbH zustimmt Ansprüche außerhalb der genannten Herstellergarantiefrist zu akzeptieren.
13. Gebrauchte Waren sind nicht von dieser Garantie abgedeckt.
14. Die Montage von Ersatzteilen oder zusätzlichen Teilen die nicht von Greenworks Tools Europe GmbH geliefert oder zugelassen sind.

**Garantie**

Für einen Gewährleistungsanspruch auf ein Produkt unter dieser Garantie ist ein Original-Kaufbeleg erforderlich. Kreditkartenauszüge sind als Kaufbeleg ausreichend. Im Falle eines Garantiefalls sollte der Kunde das Produkt zuerst mit dem Kaufbeleg zu ein Einkaufsort bringen. Die Maschine wird an unsere zentrale Serviceeinrichtung gesendet und dort überprüft. Wenn die Maschine fehlerhaft ist, wird sie repariert und kostenfrei an die Kundenadresse gesendet. Maschinen die für unter 100 € einschließlich Mehrwertsteuer verkauft werden, werden generell ersetzt.

Wenn die zentrale Serviceeinrichtung feststellt, dass die Maschine nicht ursächlich für den Fehler ist, wird der Kunde informiert, dass er die Kosten der Reparatur zu tragen hat.

Änderungen dieser Garantie sind vorbehalten, um neue Produkte einzubeziehen. Eine Kopie der aktuellen Garantie ist verfügbar auf [www.greenworkstools.eu](http://www.greenworkstools.eu).



## **GARANTIETERMIJN**

Al het nieuwe Greenworks Tools gereedschap wordt geleverd met een garantie van 2 jaar op onderdelen en werk vanaf de aankoopdatum. Een garantie van 30 dagen is beschikbaar voor machines die professioneel worden gebruikt, aangezien Greenworks Tools vooral ontworpen zijn voor doe-het-zelvers.

Deze garantie is niet overdraagbaar.

## **BEPERKINGEN**

Deze garantie is uitsluitend van toepassing op defecte onderdelen en dekt geen herstellingen als gevolg van:

1. Normale slijtage.
2. Routine onderhoud of afstelling.
3. Schade veroorzaakt door foutieve handelingen/misbruik of verwaarlozing.
4. Oververhitting tengevolge van een gebrek aan onderhoud.
5. Schade tengevolge van verbinders/armaturen die los komen door een gebrek aan onderhoud.
6. Schade veroorzaakt door reiniging met water.
7. Machines die worden onderhouden of hersteld door niet-geautoriseerde Greenworks Tools onderhoudscentra.
8. Machines die foutief zijn gemonteerd of afgesteld.
9. Schade veroorzaakt door een foutief gebruik van de machine.
10. Schade veroorzaakt door foutieve voorbereidingen voor winterisering (hogedrukreiniger)
11. Voorwerpen die als verbruiksartikelen worden beschouwd, zijn normaal gezien niet door de garantie gedekt, met inbegrip van, maar niet beperkt tot:
  - Batterijen
  - Elektrische kabels
  - Zaagblad en bladonderdelen
  - Riemen
  - Filters
  - Boor- en gereedschapshouders
12. Bepaalde producten kunnen onderdelen bevatten, zoals motoren of transmissies van een andere fabrikant. Deze voorwerpen zijn onderworpen aan het overeenkomstige garantiebeleid van de fabrikant, behalve in de gevallen waar Greenworks Tools Europe GmbH ermee instemt om vorderingen te aanvaarden die zich buiten de garantieperiode van de respectievelijke fabrikant bevinden.
13. Tweedehandsartikelen zijn niet gedekt onder dit garantiebeleid.
14. Het monteren van vervang- of bijkomende onderdelen die niet door Greenworks Tools Europe GmbH worden geleverd of zijn goedgekeurd.

## **Garantie**

Om in het kader van dit beleid een vordering voor een product in te dienen, is het noodzakelijk een bewijs van de originele aankoopbon voor te leggen. Een kredietkaartafschrift geldt niet als voldoende aankoopbewijs. Bij een eerste garantie-incident dient de klant het product naar de originele aankoopplaats terug te brengen, voorzien van het aankoopbewijs. De machine wordt naar onze centrale onderhoudsdienst gestuurd, waar een inspectie wordt uitgevoerd. Indien wordt vastgesteld dat er een fout aan de machine aanwezig is, zal deze worden hersteld en gratis naar het adres van de klant worden teruggezonden. Machines met een verkoopprijs van minder dan €100, inclusief BTW, worden over het algemeen vervangen.

Als de centrale onderhoudsdienst vaststelt dat de machine geen fout bevat, wordt de klant op de hoogte gesteld van het feit dat hij de kosten van de herstelling dient te betalen.

Dit garantiebeleid is onder voorbehoud van wijzigingen om tegemoet te komen aan de noden van nieuwe producten. Een exemplaar van het meest recente garantiebeleid is beschikbaar op [www.greenworkstools.eu](http://www.greenworkstools.eu).

## **С Р О К ГАРАНТИИ**

Все новые агрегаты поставляются, в случае домашнего использования, с 2-летней гарантией от первоначальной даты покупки на запчасти и работу по ремонту, и 1 год на аккумуляторные батареи и, в случае коммерческого использования, с гарантией 90 дней от первоначальной даты покупки на запчасти и работу по ремонту.

На профессиональную технику 80Вольт и аккумуляторные ручные инструменты 24Вольт (отвертки, дрели, лобзики, циркулярная пила, гайковерты, фонарик, мульти-устройство) действует гарантия в 1 год. Эта гарантия не подлежит передаче.

## **ОГРАНИЧЕНИЯ**

Настоящая гарантия распространяется только на дефектные части / компоненты и не охватывает ремонт, который потребовался как следствие:

1. Нормального износа.
2. Плановой настройки или регулировки.
3. Ущерб, причиненный в результате неправильного обращения / ненадлежащего использования или пренебрежения.
4. Перегрев из-за отсутствия технического обслуживания.
5. Повреждения, вызванные разбалтыванием / отсоединением фитингов / крепежных деталей, из-за отсутствия технического обслуживания.
6. Повреждения, вызванные очисткой при помощи воды.
7. Агрегаты, обслуживание или ремонт которых проводился не авторизованными сервисными центрами компании GREENWORKS.
8. Агрегаты, неправильно собранные или отрегулированные.
9. Повреждения, вызванные неправильным использованием агрегата.
10. Ущерб, причиненный в результате неправильной подготовки к эксплуатации в зимний период (моющие устройства высокого давления).
11. Позиции, рассматриваемые в качестве расходных деталей, и обычно не покрываемые гарантией, включая, но не ограничиваясь, следующим:
  - Электрические кабели
  - Ножи и режущие полотна
  - Ремни
  - Фильтры
  - Зажимные устройства и держатели инструмента
12. Подержанные товары не подпадают под данные гарантийные обязательства.
13. Установка запчастей, сменных деталей или дополнительных компонентов, которые не поставляются компанией Greenworks Tools Europe GmbH, или не утверждены этой компанией.

## **Гарантия**

Чтобы подать заявку на гарантийное обслуживание какого-либо продукта в рамках данных гарантийных обязательств, требуется доказательство первоначальной покупки. Доказательство покупки включает в себя одно из:

- Квитанция розничного продавца
- Счет, подтверждающий покупку в Интернете
- Копия свидетельства о регистрации продукта

### **Продукт необходимо зарегистрировать на сайте:**

[www.greenworkstools.ru](http://www.greenworkstools.ru)

Выписка по кредитной карте не считается достаточным доказательством покупки. В первую очередь, при возникновении гарантийного случая потребитель должен обратиться в авторизованный сервис, или к импортеру, указанных в инструкции, или на сайте [www.Greenworkstools.eu](http://www.Greenworkstools.eu) с соответствующим доказательством покупки. Агрегат будет отправлен в наш центральный сервисный центр и там проведена проверка. Если будет установлено, что агрегат неисправен, то он будет бесплатно отремонтирован. Агрегаты, которые продаются в розницу менее чем за 7 000 рублей, включая налоги с продаж, как правило, подлежат замене. Если установлено, что агрегат не является не гарантийным случаем, то потребителю будет предложено оплатить ремонт.

Настоящие гарантийные обязательства подлежат периодическим изменениям, чтобы удовлетворить потребности новой продукции. Копия последней редакции гарантийных обязательств будет доступна на сайте [www.greenworkstools.eu](http://www.greenworkstools.eu) и на русскоязычной версии сайта [www.greenworkstools.ru](http://www.greenworkstools.ru).

Адрес сервисной и гарантийной службы в России:

Горячая линия: +74997132292

Россия, Москва, 2-й Грайвороновский проезд 48

Техносервис

Проходная завода «Сатурн»

ИП Осипян

+74997132292

**EN** EC DECLARATION OF CONFORMITY FOR MACHINERY

Manufacturer: Changzhou Globe Co., Ltd.  
Address: No.65 Xinggang Road Zhonglou Zone Changzhou, Jiangsu 213000  
P.R.China

Name and address of the person authorised to compile the technical file:

Name: Gary Gao Naixin (Director of Outdoor Power Equipment)

Address: Greenworks Tools Europe GmbH

Wankelstrasse 40.

50996 Koln

Germany

Herewith we declare that the product

Category ..... **CORDLESS BLOWER**

Model.....2400807

Serial number ..... See product rating label

Year of Construction ..... See product rating label

• is in conformity with the relevant provisions of the Machinery Directive (2006/42/EC)

• is in conformity with the provisions of the following other EC-Directive

2014/30/EU (EMC-Directive), and

2000/14/EC (Noise-Directive) incl. modifications (2005/88/EC)

And furthermore, we declare that

• the following (parts/clauses of) European harmonised standards have been used

EN 60335-1, EN 50636-2-100;

EN 62233, EN ISO 3744; EN 55014-1;

EN 55014-2

Measured sound power level LWA: 99.7 dB(A)

Guaranteed sound power level 104 dB(A)

Conformity assessment method to Annex V/ Directive 2000/14/EC

Place, date: Changzhou, 22/07/2016

Signature: Gary Gao Naixin (BEng, CEng,

MIET) Vice president of Engineering

**DE** EC KONFORMITÄTSERKLÄRUNG FÜR MASCHINEN

Hersteller: Changzhou Globe Co., Ltd.  
Adresse: No.65 Xinggang Road Zhonglou Zone Changzhou, Jiangsu 213000  
P.R.China

Name und Adresse der Person, die autorisiert ist, die technische Akte

zusammenzustellen:

Name: Gary Gao Naixin (Leiter Motorgartengeräte)

Adresse: Greenworks Tools Europe GmbH

Wankelstrasse 40.

50996 Koln

Germany

Hiermit erklären wir, dass das Produkt

Kategorie..... **AKKU-BLASSGERÄT**

Modell.....2400807

Seriennummer ..... siehe Produkt-Leistungsschild

Baujahr..... siehe Produkt-Leistungsschild

• in Übereinstimmung mit den entsprechenden Bestimmungen der

Maschinenrichtlinie ist (2006/42/EC)

• mit den Bestimmungen der folgenden anderen EC-Richtlinien übereinstimmt

2014/30/EU (EMC-Richtlinie), und

2000/14/EC (Geräuschemissionen durch Geräte im Außeneinsatz) einschl.

Modifikationen (2005/88/EC)

und weiterhin erklären wir, dass

• die folgenden (Teile/Bestimmungen aus) europäischen harmonisierten Normen

verwendet wurden

EN 60335-1, EN 50636-2-100;

EN 62233, EN ISO 3744; EN 55014-1;

EN 55014-2

Gemessener Schallleistungspegel LWA:99.7 dB(A)

Garantierter Schallleistungspegel 104 dB(A)

Konformitätsbeurteilungsmethode zu Anhang V/Richtlinie 2000/14/EC

Ort, Datum: Changzhou, 22/07/2016 Unterschrift: Gary Gao Naixin (BEng, CEng,

MIET) Vizepräsident Technik

**ES** DECLARACIÓN CE DE CONFORMIDAD PARA MAQUINARIA

Fabricante: Changzhou Globe Co., Ltd.  
Dirección: No.65 Xinggang Road Zhonglou Zone Changzhou, Jiangsu 213000  
China

Nombre y dirección de la persona autorizada para compilar el expediente técnico:

Nombre: Gary Gao Naixin (Director de Equipos motorizados para uso exterior)

Dirección: Greenworks Tools Europe GmbH

Wankelstrasse 40.

50996 Koln

Germany

Por la presente declaramos que el producto

Categoría..... **SOPLADOR INALÁMBRICO**

Modelo.....2400807

Número de serie..... Ver etiqueta de clasificación de productos

Año de fabricación..... Ver etiqueta de clasificación de productos

• está en conformidad con las disposiciones pertinentes de la Directiva de

maquinaria 2006/42/EC

• está en conformidad con las disposiciones de estas otras Directivas-EC

2014/30/EU (Directiva EMC), y

2000/14/EC (Directiva sobre el ruido) incl. modificaciones (2005/88/EC)

Y además, declaramos que

• se han utilizado las siguientes (partes o cláusulas de las) normas armonizadas

europas

EN 60335-1, EN 50636-2-100;

EN 62233, EN ISO 3744; EN 55014-1;

EN 55014-2

Nivel de potencia acústica medido LWA: 99.7 dB (A)

Nivel de potencia acústica garantizado 104 dB (A)

Método de evaluación de conformidad con el anexo V/Directiva 2000/14/EC

Lugar, fecha: Changzhou, 22/07/2016 Firma: Gary Gao Naixin (BEng, CEng, MIET)

Vicepresidente de Ingeniería

**IT** DICHIARAZIONE DI CONFORMITÀ EC PER L'UTENSILE

Ditta produttrice: Changzhou Globe Co., Ltd.  
Indirizzo: No.65 Xinggang Road Zhonglou Zone Changzhou, Jiangsu 213000  
Repubblica Popolare Cinese

Nome e indirizzo della persona autorizzata a compilar il file tecnico:

Nome: Gary Gao Naixin (Direttore degli elettroattrezzi da esterni)

Indirizzo: Greenworks Tools Europe GmbH

Wankelstrasse 40.

50996 Koln

Germany

Con la presente dichiariamo che il presente prodotto

Categoria..... **SOFFIATORE A BATTERIA**

Modello.....2400807

Numero di serie..... Vedere l'etichetta nominale sul prodotto

Anno di costruzione..... Vedere l'etichetta nominale sul prodotto

• è conforme con le rilevanti norme della Direttiva Macchine 2006/42/EC

• è conforme con le norme delle seguenti Direttive Europee

2014/30/EU (Direttiva EMC), e

2000/14/EC (Direttiva sul Rumore) comprese modifiche (2005/88/EC)

E inoltre, si dichiara di seguito che

• I seguenti standard europei armonizzati (parti/clausole degli stessi) sono stati

utilizzati

EN 60335-1, EN 50636-2-100;

EN 62233, EN ISO 3744; EN 55014-1;

EN 55014-2

Livello di potenza sonora misurata LWA: 99.7 dB(A)

Livello di potenza sonora garantita 104 dB(A)

Metodo di valutazione della conformità svolto secondo l'Allegato V/ Direttiva

2000/14/EC

Luogo, data: Changzhou, 22/07/2016 Firma: Gary Gao Naixin (BEng, CEng, MIET)

Vice Presidente Sezione Ingegneria



**FR** DÉCLARATION DE CONFORMITÉ CE CONCERNANT LES MACHINES

Fabricant : Changzhou Globe Co., Ltd.  
Adresse : No.65 Xinggang Road Zhonglou Zone Changzhou, Jiangsu 213000 R.P. de Chine  
Nom et adresse de la personne habilitée à établir le dossier technique :  
Name: Gary Gao Naixin (Directeur de l'Outillage Extérieur à Moteur)  
Adresse : Greenworks Tools Europe GmbH  
Wankelstrasse 40.  
50996 Koln  
Germany

Nous déclarons par la présente que le produit

Catégorie ..... **SOUFFLEUR SANS FIL**  
Modèle.....2400807

Numéro de série ..... Voir plaque signalétique du produit  
Année de fabrication ..... Voir plaque signalétique du produit

- est conforme aux réserves applicables de la Directive Machinerie (2006/42/EC)
  - est conforme aux réserves applicables des autres Directives CE suivantes  
2014/30/EU (Directive EMC), et  
2000/14/CE (Directive Émissions Sonores) y-compris modifications (2005/88/CE)
- Nous déclarons par ailleurs que
- les parties suivantes (parties/clauses des) standards Européens harmonisés ont été utilisées

EN 60335-1, EN 50636-2-100;  
EN 62233, EN ISO 3744; EN 55014-1;  
EN 55014-2

Niveau de puissance sonore mesuré LWA : 99.7 dB(A)  
Niveau de puissance sonore garanti 104 dB(A)  
Méthode d'évaluation de conformité de l'annexe V/Directive 2000/14/CE

Lieu, date : Changzhou, 22/07/2016 Signature : Gary Gao Naixin (BEng, CEng, MIET) Vice président de l'Ingénierie

**PT** DECLARAÇÃO EC DE CONFORMIDADE PARA MÁQUINAS

Fabricante: Changzhou Globe Co., Ltd.  
Endereço: No.65 Xinggang Road Zhonglou Zone Changzhou, Jiangsu 213000 China  
Nome e endereço da pessoa autorizada a compilar o dossier técnico:  
Nome: Gary Gao Naixin (Diretor de Equipamento Eléctrico para Exteriores)  
Endereço: Greenworks Tools Europe GmbH  
Wankelstrasse 40.  
50996 Koln  
Germany

Pelo presente declaramos que o produto

Categoria..... **SOPRADOR SEM FIO**  
Modelo.....2400807

Número de série..... Ver etiqueta de classificação do produto  
Ano de construção..... Ver etiqueta de classificação do produto

- encontra-se em conformidade com as disposições relevantes da Directiva sobre Máquinas (2006/42/EC)
- se encontra em conformidade com as provisões das outras seguintes Directivas EC

2014/30/EU (Directiva EMC), e  
2000/14/EC (directiva sobre ruído) incluindo modificações (2005/88/EC)

Além disso, declaramos que

- as seguintes (partes/cláusulas de) normas harmonizadas europeias foram utilizadas

EN 60335-1, EN 50636-2-100;  
EN 62233, EN ISO 3744; EN 55014-1;  
EN 55014-2

Nível de potência sonora medido LWA: 99.7 dB(A)  
Nível de potência sonora garantido 104 dB(A)

Método de avaliação de conformidade para o anexo V/ Directiva 2000/14/EC

Local, data: Changzhou, 22/07/2016 Assinatura: Gary Gao Naixin (BEng, CEng, MIET) Vice-presidente de Engenharia

**NL** EC CONFORMITEITSVERKLARING VOOR MACHINES

Fabrikant: Changzhou Globe Co., Ltd.  
Adres: No.65 Xinggang Road Zhonglou Zone Changzhou, Jiangsu 213000 P.R.China  
Naam en adres van de person die verantwoordelijk is voor de opmaak van de technische fiche:  
Naam: Gary Gao Naixin (Director of Outdoor Power Equipment)  
Adres: Greenworks Tools Europe GmbH  
Wankelstrasse 40.  
50996 Koln  
Germany

Hierbij verklaren wij dat het product

Categorie ..... **ACCU-BLADBLAZER**  
Model.....2400807

Serienummer ..... Zie etiket productrating  
Bouwjaar ..... Zie etiket productrating

- is in overeenstemming met de relevante bepalingen van de Machinerichtlijn (2006/42/EC)
- is in overeenstemming met de bepalingen van de volgende andere EU-richtlijnen

2014/30/EU (EMC-richtlijn) en  
2000/14/EC (Lawaairichtlijn) incl. wijzigingen (2005/88/EC)

En bovendien verklaren wij dat

- de volgende (delen/clausules van) de Europese gestandaardiseerde normen werden gebruikt

EN 60335-1, EN 50636-2-100;  
EN 62233, EN ISO 3744; EN 55014-1;  
EN 55014-2

Gemeten geluidsdruk niveau LWA: 99.7 dB(A)  
Gegarandeerd geluidsdruk niveau 104 dB(A)

Conformiteitsanalyse methode in overeenstemming met Annex V/ Richtlijn 2000/14/EC

Plaats, datum: Changzhou, 22/07/2016 Handtekening: Gary Gao Naixin (BEng, CEng, MIET) Vice-president ontwerp

**RU** DECLARAÇÃO EC DE CONFORMIDADE PARA MÁQUINAS

Fabricante: Changzhou Globe Co., Ltd.  
Endereço: No.65 Xinggang Road Zhonglou Zone Changzhou, Jiangsu 213000 China  
Nome e endereço da pessoa autorizada a compilar o dossier técnico:  
Nome: Gary Gao Naixin (Diretor de Equipamento Eléctrico para Exteriores)  
Endereço: Greenworks Tools Europe GmbH  
Wankelstrasse 40.  
50996 Koln  
Germany

Pelo presente declaramos que o produto

Categoria..... **БЕСПРОВОДНОЕ ВОЗДУХОДУВНОЕ УСТРОЙСТВО**  
Modelo.....2400807

Número de série..... Ver etiqueta de classificação do produto  
Ano de construção..... Ver etiqueta de classificação do produto

- encontra-se em conformidade com as disposições relevantes da Directiva sobre Máquinas (2006/42/EC)
- se encontra em conformidade com as provisões das outras seguintes Directivas EC

2014/30/EU (Directiva EMC), e  
2000/14/EC (directiva sobre ruído) incluindo modificações (2005/88/EC)

Além disso, declaramos que

- as seguintes (partes/cláusulas de) normas harmonizadas europeias foram utilizadas

EN 60335-1, EN 50636-2-100;  
EN 62233, EN ISO 3744; EN 55014-1;  
EN 55014-2

Nível de potência sonora medido LWA: 99.7 dB(A)  
Nível de potência sonora garantido 104 dB(A)

Método de avaliação de conformidade para o anexo V/ Directiva 2000/14/EC

Local, data: Changzhou, 22/07/2016 Assinatura: Gary Gao Naixin (BEng, CEng, MIET) Vice-presidente de Engenharia