



PHONES

0 (800) 800 130
(050) 462 0 130
(063) 462 0 130
(067) 462 0 130

130
COM.UA

Internet store of
autogoods



SKYPE

km-130

CAR RECEIVERS — Receivers • Media receivers and stations • Native receivers • CD/DVD changers • FM-modulators/USB adapters • Flash memory • Facia plates and adapters • Antennas • Accessories |
CAR AUDIO — Car audio speakers • Amplifiers • Subwoofers • Processors • Crossovers • Headphones • Accessories | TRIP COMPUTERS — Universal computers • Model computers • Accessories |
GPS NAVIGATORS — Portable GPS • Built-in GPS • GPS modules • GPS trackers • Antennas for GPS navigators • Accessories | VIDEO — DVR • TV sets and monitors • Car TV tuners • Cameras • Videomodules
• Transcoders • Car TV antennas • Accessories | SECURITY SYSTEMS — Car alarms • Bike alarms • Mechanical blockers • Immobilizers • Sensors • Accessories | OPTIC AND LIGHT — Xenon • Bixenon • Lamps
• LED • Stroboscopes • Optic and Headlights • Washers • Light, rain sensors • Accessories | PARKTRONICS AND MIRRORS — Rear parktronic • Front parktronic • Combined parktronic • Rear-view mirrors
• Accessories | HEATING AND COOLING — Seat heaters • Mirrors heaters • Screen-wipers heaters • Engine heaters • Auto-refrigerators • Air conditioning units • Accessories | TUNING — Vibro-isolation
• Noise-isolation • Tint films • Accessories | ACCESSORIES — Radar-detectors • Handsfree, Bluetooth • Windowlifters • Compressors • Beeps, loudspeakers • Measuring instruments • Cleaners • Car seats
• Miscellaneous | MOUNTING — Installation kits • Upholstery • Grilles • Tubes • Cable and wire • Tools • Miscellaneous | POWER — Batteries • Converters • Start-charging equipment • Capacitors
• Accessories | MARINE AUDIO AND ELECTRONICS — Marine receivers • Marine audio speakers • Marine subwoofers • Marine amplifiers • Accessories | CAR CARE PRODUCTS — Additives • Washer fluid •
Care accessories • Car polish • Flavors • Adhesives and sealants | LIQUID AND OIL — Motor oil • Transmission oil • Brake fluid • Antifreeze • Technical lubricant



In store "130" you can find and buy almost all necessary goods for your auto in Kyiv and other cities, delivery by ground and postal services. Our experienced consultants will provide you with exhaustive information and help you to chose the very particular thing. We are waiting for you at the address

<https://130.com.ua>



PARKING ASSISTANCE SYSTEM Gazer PA40R/PA45R

USER MANUAL

130.com.ua

EN	User manual	4-17
RU	Руководство пользователя	18-31
UA	Посібник користувача.....	32-45

130.com.ua



Usage precautions	5
Equipment	6
General information	7
Usage specifications	8
Operating recommendations	10
Connection diagram	11
Installation recommendations	12
System adjustment	16
Problems and troubleshooting	17

130.com.ua

Congratulations on purchasing the Gazer PA40R/PA45R parking system.

Before using the system, please read this manual carefully.

Usage precautions

1. In order to avoid loss of warranty service for your car, please contact the specialists of the service station, where your car is serviced, for installation and connection of the system.
2. During the installation of the system, the car battery must be disconnected.
3. To install the system, use only the original sensor elements and wires that come with the kit.
4. Do not attempt to repair the parking system by yourself. In case of any damage, contact the service center.
5. Avoid blows and mechanical damage to the system.
6. Do not use or store components in places that are too cold or too hot.
 - Storage temperature: -40°C to $+90^{\circ}\text{C}$
 - Operating temperature: -30°C to $+70^{\circ}\text{C}$
7. The manufacturing factory reserves the right to change technical specifications and/or equipment, without prior notice.
8. The warranty repair of the device does not include the installation / deinstallation of the device from the car.

Equipment



Central Block



Wiring for power supply and sensors connection



4 ultrasonic sensors with 3° spacer rings*



2 sets of spacer rings*



4 ultrasonic sensors for internal installation**



Loudspeaker



Loudspeaker/Screen extension cord (8 meters)



Cutter



Installation kit



Marking ruler



User's manual



Warranty card

* For model PA40R

** For model PA45R

- Gazer parking assistance system PA40R/PA45R consists of ultrasonic sensors (installed in rear bumper of the car), central unit, warning speaker and wires for connection. A special intelligent sensor algorithm based on trigonometric equations allows you to accurately as possible determine the distance to obstacles, determine the "ground level", work without misoperations at any height of the sensor installation and determine distances to curbs or other low objects.
- The warning system is built according to an intuitive, optimal for perception scheme. Hazard warning signals are broadcast through a loudspeaker or an optional monitor.
- For more accurate distance to the obstacle and its location judgement, the system supports the connection of the optional Gazer PAD20 display.
- Parking assistance system PA40R/PA45R has the ability to connect to the car mirrors of the series MU\MM\MUR\MMR for graphically displaying the distance to obstacles, and also supports the connection of the front parking assistance system Gazer PA40F or Gazer PA45F with the optional cable Gazer PAC10.

Usage specifications

EN

- The parking system turns on after shifting the reverse gear.
- At the moment when the parking system is turned on, the warning speaker will emit a short beep, which means that the system speaker is working and the system is successfully activated.

After turning on, a self-test of the device is performed. If, based on the results of the test, all the nodes and sensors of the system function correctly, the system will continue to work and begin to detect obstacles.

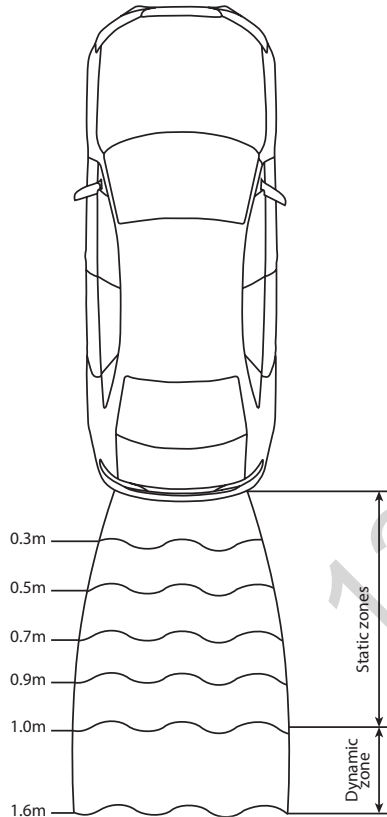
In case if the device detects a defective sensor, a sound command indicating a non-working sensor will follow:

Signal	Meaning
Short signal	Sensor # 1 is disabled or defective
Two short signals	Sensor # 2 is disabled or defective
Three short signals	Sensor # 3 is disabled or defective
Four short signals	Sensor # 4 is disabled or defective
Long signal	All sensors are disabled or defective

After malfunction indication of one of the sensors, the system will continue to work and will begin to detect the obstacles based on the data from the working sensors. Parking radar can work even if there is only one serviceable sensor.

Attention! A defective sensor can cause damage of the the vehicle while parking.

The parking system has 5 static and one dynamic zones.



Detection of obstacles occurs according to the following algorithm:

- If the object is in the dynamic zone and approaches the car – the system detects it and warns the driver with sound signals.
- If the obstacle is in the dynamic range and stops approaching to the car or begins to move away from it – the system stops beeping for obstacles.

Thus, the parking assistant helps to avoid unnecessary sound signals inside the car if the driver stops while reversing. At the same time, the system continues to work and, in case of approaching to an obstacle, it will immediately start to notify about the danger of a collision.

- Further, when approaching closer to the car, the obstacle alternately gets into static zones.

When an object is in static zones, sound signals are given regardless of whether the obstacle moves relative to the car or not.

As the static zones pass, the interval between the sound signals is reduced, which allows the driver to orientate himself by ear when parking.

- When the parking obstacle gets into very first static zone (0-0.3 m from the car), the system starts to sound a continuous beep, indicating that it is dangerous to move backwards.

Note: The information about the alert zones shown in the figure may differ depending on the settings of the unit.

Operating recommendations

- After installation, test the system and ensure that each sensor operates correctly before using the parking assistant.
- In difficult weather conditions (heavy rain, snow, icing), a layer of dirt or ice may form on the sensors, which may lead to malfunction of the parking assistant.
- Clean the sensors after heavy contamination to maintain the full operational capability of the parking system.
- Clean the sensors from ice with warm water.

130.com.ua

Installation recommendations

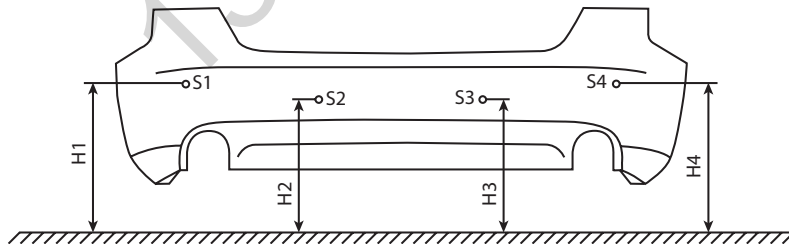
System installation order:

- Mark and make mounting bores for the sensors in the rear bumper of the car.
- Install the sensors in the bumper.
- Install the central unit.
- Connect the sensors to the basic wiring and continue the wiring to the location of the central unit.
- Connect the power to the central unit.
- Route the speaker extension cable to the speaker position.
- Install the speaker.

Sensors installations:

Important: Do not install the sensors in a metal bumper, this will lead to the system shutdown.

- The sensors are recommended to be installed in proper locations. Most carmakers are marking where to drill the sensor holes on the back of the bumper.
- If the marking is missing or the installation in proper locations is impossible for some reason, use the marking ruler that comes in basic equipment.
- With standard settings, the height of the sensors is 50-60 cm. The height of the installation can also be 40-50 cm or 60-70 cm, these parameters can be adjusted with an optional programmer Gazer PAC30 and specialized software, separately for each sensor.



Installation recommendations

EN

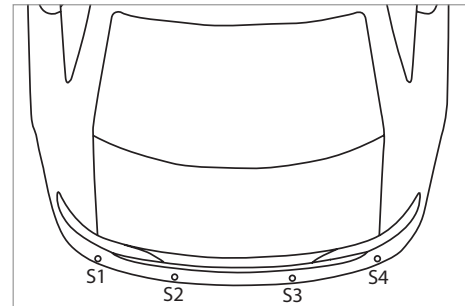
- Install the sensors not below the recommended height (take into account the possibility of the car load).
- The sensors' body should not abut against the body fitting of the car.
- It is recommended to drill the holes using the supplied cutter.
- Please note that the sensor working surface must be at an angle of 90° thus to the ground surface.
- For PA40R systems, use spacer rings to compensate the bumper tilt angle.
- For correct installation of sensors thrust to the horizon, follow the marks on the sensor body. On the spacer ring, there is a dot indicating the top of the sensor. On the back of the sensor body there is also a mark in the form of an arrow pointing to the top during installation.
- The sensors must bear against the outer surface of the bumper.

Central unit installation:

- It is recommended to install the central unit in the waterproof place of the car's interior or trunk.
- Select the location for installation so that the connection cable can be routed normally and the length of the cable is enough for the sensors' connection.
- Do not install the unit on the outside of the passenger compartment, the device is not sealed and is susceptible to moisture.
- Secure the central unit with double-sided tape or plastic ties.
- When installing the unit, avoid places near high-current, impulse or high-voltage cables and vehicle's units.

Laying wiring:

- Route the wiring from the central unit to the bumper with the sensors installed.
- Connect the wiring to the sensors. At factory settings, the sensors must be connected from left to right according to the following scheme:



The procedure for connecting the sensors can be changed using an optional programming tool Gazer PAC30 and specialized software.

- Secure the wiring with plastic ties.
- Avoid hard tightening of the wires.
- Avoid high current, surge and high voltage cables when laying the wiring. To ensure the integrity of the wiring should also avoid the heated and moving parts of the car.
- Make sure the cable outlet is hermetically sealed. For convenient output, a rubber gasket is provided on the protective cable ripple.

Remote loudspeaker installation:

- The loudspeaker should be installed in the passenger compartment.
- It is advisable to think through the installation site so that you can still access the speaker volume control.
- The installation site must be selected in such a way that the warning signals are clearly distinguishable from the driver's seat.
- To connect the speaker, use the extension cord that is supplied with the system.

Power supply connection:

- **Black wire GND** – must be connected to the car body or to the ground braiding of the regular wiring of the car.
- **Red wire ACC** – must be connected to the accessories power supply (appears at the start of the engine and disappears when it is turned off).
- **The orange wire Reverse** – must be connected to the positive contact of the rear light or to the signal of the reverse gear in the fuse box.

It is recommended to connect the power supply using the connectors that come in the kit.

Note: Ensure that the ground braiding connection point is securely connected. If contact is unsecure, the system can be unstable.

Sensors dyeing:

- When preparing for dyeing, remove the spacer rings from the sensors, then remove the O-rings.
- Degrease the sensor surfaces to be dyed.
- Dye the sensor parts.
- The paint layer should be minimal and even.
- Dyeing of sensors should be done with professional equipment.
- After the paint has dried, collect the sensors.

Please note!

- A thick coat of paint reduces the sensitivity of the sensor.
- Uneven dyeing, waves on the surface, etc. may cause the system to malfunction.
- Painting the gap between the work surface and the spacer ring will result in the malfunction of the system.

System adjustment

The parking system can be adjusted in several ways:

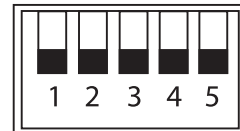
- Using an optional programmer tool Gazer PAC30 and specialized software.
- Using the DIP switch box.

To adjust the system using the programmer tool Gazer PAC30 you need:

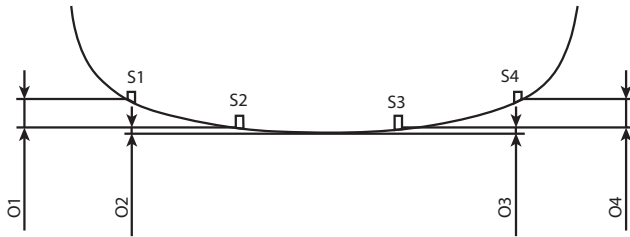
- Connect the wiring of the programmer to the connector on the body of the central unit.
- Supply the +12V power to the programmer tool wiring.
- Connect the USB cable from the programmer tool to the computer.
- Configure the system using firmware.

Adjusting using the DIP switch box

To adjust the system parameters using the DIP switch block, move the miniature switches up or down depending on the desired setting.

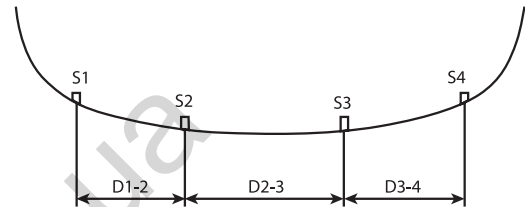


Adjusting the bumper curvature compensation:



DIP 1	O1	O2	O3	O4
Down	0 cm	0 cm	0 cm	0 cm
Up	5 cm	0 cm	0 cm	5 cm

Adjusting the interval between the sensors:



DIP 4	DIP 5	D 1-2	D 2-3	D 3-4
Down	Down	40 cm	40 cm	40 cm
Down	Up	35 cm	50 cm	35 cm
Up	Down	30 cm	60 cm	30 cm
Up	Up	20 cm	80 cm	20 cm

Adjusting the horizontal angle of the direction pattern:

DIP 2	DIP 3	Aperture angle
Down	Down	Factory settings
Down	Up	Reducing the angle for 5%
Up	Down	Reducing the angle for 10%
Up	Up	Reducing the angle for 20%

After installation, the parking system does not work:

- Remember that the system only works when the ignition and reverse gear are on.
- Make sure that the main connector of the central unit is securely connected.
- Check the loudspeaker connection.
- Check the condition of the fuse on the wiring for the central unit.

Detected defective sensor:

- Make sure the sensor is securely connected to the wiring.
- Check for damage the sensor connection cable and the cable from the sensor.
- Replace the defective sensor.

False detection of obstacles:

- Check the height of the sensors.
- Check the settings of the central unit.
- Make sure that the sensors are installed at an angle of 90° thus to the ground surface.
- Make sure that the sensors are not mounted upside down or to the side.

If there are any problems that are not described in the user's guide, contact the Gazer contact center via the feedback form on the website www.gazer.com or by calling the hotline **+44 203 137 35 63**.

Attention! Incorrect installation of the parking system deprives the buyer of warranty service.

If there is a malfunction in the parking system operation, please contact the technical experts of the Gazer contact center before contacting the service center.

Меры предосторожности	19
Комплектация	20
Общая информация	21
Особенности использования	22
Рекомендации по эксплуатации	24
Схема подключения	25
Рекомендации по установке	26
Настройка системы	30
Проблемы и методы их устранения	31

130.com.ua

Поздравляем Вас с приобретением парковочной системы Gazer PA40R/PA45R.

Перед использованием системы, пожалуйста, внимательно ознакомьтесь с данным руководством.

Меры предосторожности

1. Во избежание потери гарантийного обслуживания на Ваш автомобиль, для установки и подключения системы, пожалуйста, обратитесь к специалистам СТО, на котором производится обслуживание Вашего автомобиля.
2. Во время установки системы аккумулятор автомобиля должен быть отключен.
3. Для установки системы используйте только оригинальные датчики и провода, которые поставляются в комплекте.
4. Не пытайтесь ремонтировать парковочную систему самостоятельно. В случае возникновения каких-либо поломок обратитесь в сервисный центр.
5. Избегайте ударов и механических повреждений системы.
6. Не используйте и не храните компоненты системы в слишком холодных или горячих местах.
 - Температура хранения: -40°C до $+90^{\circ}\text{C}$
 - Температура эксплуатации: -30°C до $+70^{\circ}\text{C}$
7. Завод-изготовитель оставляет за собой право изменения технических характеристик и/или комплектации без предварительного уведомления об этом.
8. В гарантийный ремонт устройства не входит монтаж/демонтаж устройства из автомобиля.

Комплектация



Центральный блок



Проводка для подключения питания и датчиков



4x ультразвуковых датчика с проставочными кольцами 3°*



2x комплекта проставочных колец*



4x ультразвуковых датчика для внутренней установки**



Динамик



Удлинитель динамика/монитора (8 метров)



Фреза



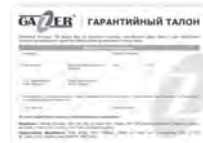
Комплект для установки



Разметочная линейка



Руководство пользователя



Гарантийный талон

* Для модели PA40R

** Для модели PA45R

- Парковочная система Gazer PA40R/PA45R состоит из ультразвуковых датчиков, которые устанавливаются в заднем бампере автомобиля, центрального блока, предупредительного динамика и проводки для подключения. Специальный интеллектуальный алгоритм работы датчиков на основе тригонометрических уравнений позволяет максимально точно определить расстояние до препятствий, определить «уровень земли», работать без ложных срабатываний при любой высоте установки датчиков и определять расстояния до бордюров или других низких объектов.
- Работа системы оповещений выстроена по интуитивно понятной, оптимальной для восприятия схеме. Сигналы предупреждения об опасности транслируются через комплектный динамик или опциональный монитор.
- Для более точной оценки расстояния до препятствия и его местонахождения система поддерживает подключение опционального дисплея Gazer PAD20.
- Парковочная система PA40R/PA45R имеет возможность подключения к зеркалам серий MU\MM\MUR\MMR для графического отображения расстояния до препятствий, а также поддерживает подключение системы передних парктроников Gazer PA40F или Gazer PA45F при помощи опционального кабеля Gazer PAC10.

- Парковочная система начинает работу после включения задней передачи.
- В момент включения парковочной системы предупреждающий динамик издаст короткий звуковой сигнал, который означает, что динамик системы исправен и система успешно активирована.

После включения, следует самопроверка устройства. Если по результатам проверки все узлы и датчики системы находятся в порядке, система продолжит работу и приступит к обнаружению препятствий.

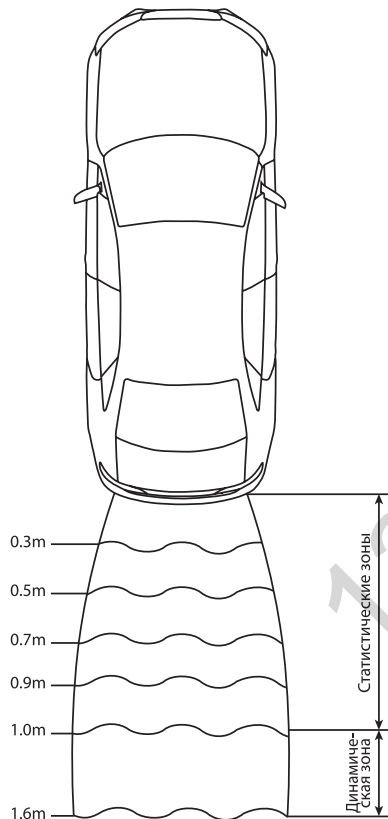
В случае, если устройство обнаружит неисправный датчик, последует звуковая команда, обозначающая нерабочий датчик:

Сигнал	Значение
Короткий сигнал	Датчик №1 отключен или неисправен
Два коротких сигнала	Датчик №2 отключен или неисправен
Три коротких сигнала	Датчик №3 отключен или неисправен
Четыре коротких сигнала	Датчик №4 отключен или неисправен
Длинный сигнал	Все датчики отключены или неисправны

После сигнализации о неисправности одного из датчиков система продолжит работу и приступит к обнаружению препятствия основываясь на данных от рабочих датчиков. Парковочный радар может работать даже при наличии всего одного исправного датчика.

Внимание! Неисправный датчик может стать причиной повреждения автомобиля при парковке.

Парковочная система обладает 5-ю статическими и одной динамической зонами.



Детектирование препятствий происходит по следующему алгоритму:

- Если объект находится в динамической зоне и приближается к автомобилю – система детектирует его и предупреждает водителя звуковыми сигналами.
- Если препятствие находится в динамической зоне и перестает приближаться к автомобилю или же начинает удаляться от него – система перестает подавать звуковые сигналы о наличии помехи.

Таким образом парковочный ассистент позволяет избежать излишних звуковых сигналов внутри автомобиля, если водитель при движении задним ходом остановился на время. При этом система продолжает работать и в случае приближения к препятствию она сразу начнет оповещать об опасности столкновения.

- Далее, при приближении ближе к автомобилю, препятствие поочередно попадает в статические зоны.

При нахождении объекта в статических зонах, звуковые сигналы подаются в независимости от того движется препятствие относительно автомобиля или нет.

По мере прохождения статических зон интервал между звуковыми сигналами сокращается, что позволяет водителю ориентироваться на слух при парковке.

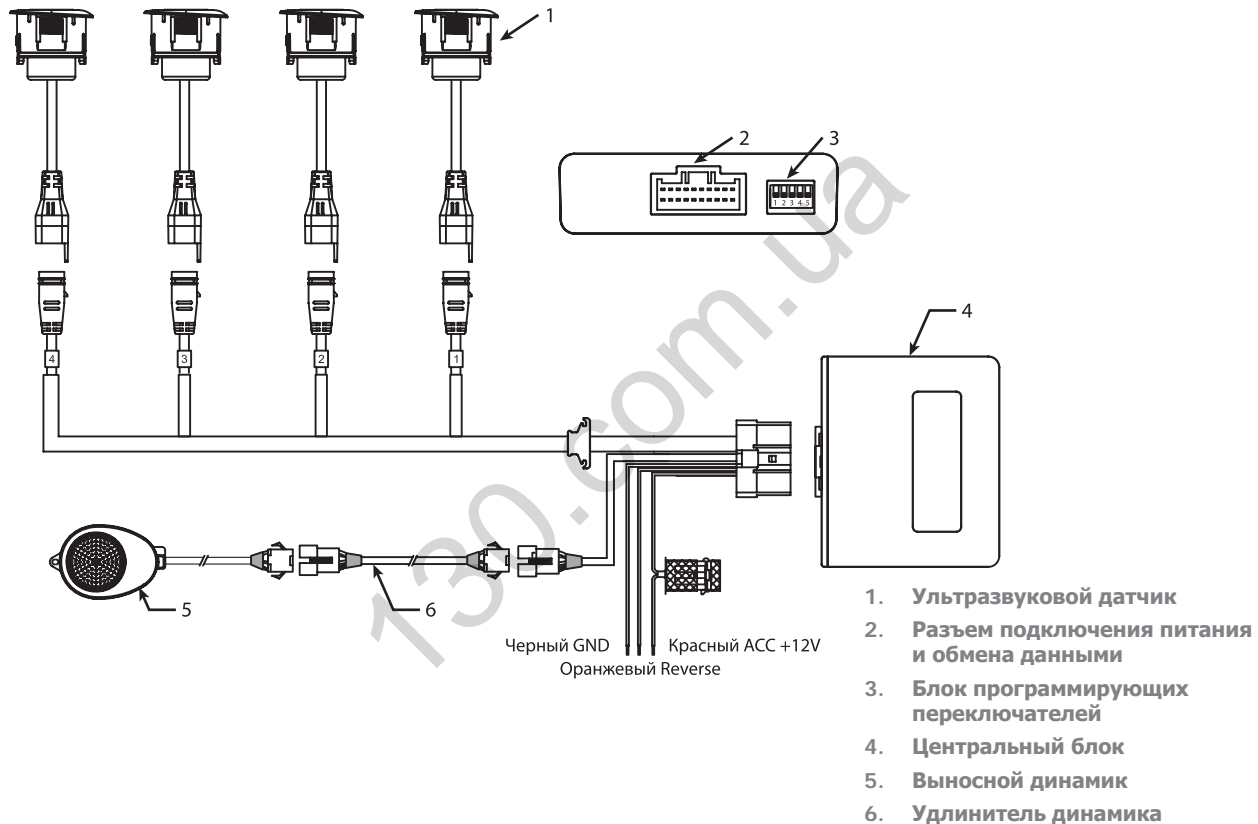
- Когда помеха для парковки переходит в самую первую статическую зону (0-0.3 м от автомобиля) система начинает подавать непрерывный звуковой сигнал, что свидетельствует об опасности дальнейшего движения назад.

Примечание: Информация о зонах оповещения, указанная на рисунке, может отличаться в зависимости от настроек блока.

- После установки протестируйте систему и убедитесь в корректной работе каждого датчика перед использованием парковочного ассистента.
- При сложных погодных условиях (сильный дождь, снег, обледенение) на датчиках может образовываться слой грязи или льда, что может привести к некорректной работе парковочного ассистента.
- Очищайте датчики после сильных загрязнений, чтобы поддерживать полную работоспособность парковочной системы.
- Очищать датчики ото льда рекомендуется теплой водой.

Схема подключения

RU



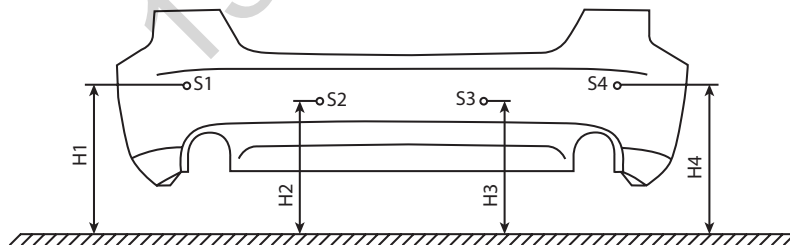
Порядок установки системы:

- Разметить и проделать установочные отверстия для датчиков в заднем бампере автомобиля.
- Установить датчики в бампер.
- Установить центральный блок.
- Подключить датчики к основной проводке и проложить проводку до места установки центрального блока.
- Произвести подключение питания на центральный блок.
- Проложить кабель удлинителя динамика до места установки динамика.
- Установить динамик.

Установка датчиков:

Важно: Не устанавливайте датчики в металлический бампер, это приведет к неработоспособности системы.

- Датчики рекомендуется устанавливать в штатные места. Большинство автопроизводителей наносят маркировку для сверления отверстий датчиков с обратной стороны бампера.
- В случае если маркировка отсутствует или установка в штатные места невозможна по каким-либо причинам, для разметки отверстий воспользуйтесь маркировочной линейкой, идущей в комплекте с системой.
- При стандартных настройках, высота установки датчиков 50-60 см. Высота установки также может быть 40-50 см или 60-70 см, эти параметры можно настроить с помощью опционального программатора Gazer PAC30 и специализированного ПО, отдельно для каждого датчика.



Autogoods "130"

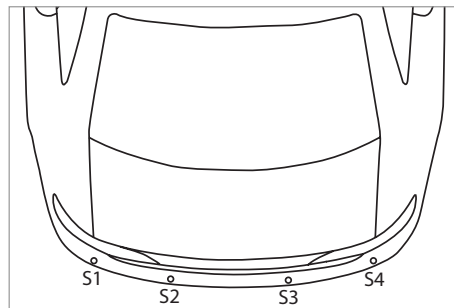
- Устанавливайте датчики не ниже рекомендуемой высоты (учтите возможность загрузки автомобиля).
- Датчики не должны упираться задней частью корпуса в элементы кузова.
- Сверление отверстий рекомендуется производить фрезой, идущей в комплекте.
- Примите во внимание, что рабочая поверхность датчика должна располагаться под углом 90° по отношению к поверхности земли.
- Для систем PA40R используйте проставочные кольца для компенсации угла наклона бампера.
- Для правильной установки датчиков относительно горизонта ориентируйтесь по меткам на корпусе датчика. На проставочном кольце имеется точка, обозначающая верх датчика. На задней части корпуса также имеется метка в виде стрелки, указывающей на верх при установке.
- Датчики должны плотно прилегать к внешней поверхности бампера.

Установка центрального блока:

- Устанавливать центральный блок рекомендуется во влагозащищенном месте салона или багажника автомобиля.
- Выберите место для установки таким образом, чтобы было возможным нормальное прокладывание кабеля подключения и длины кабеля хватило для подключения датчиков.
- Не допускается установка блока снаружи салона, устройство не герметично и подвержено влиянию влаги.
- Надежно закрепите центральный блок с помощью двустороннего скотча или пластиковых стяжек.
- При установке блока избегайте мест вблизи импульсных или высоковольтных кабелей и блоков автомобиля.

Прокладывание проводки:

- Проложите проводку подключения от центрального блока к бамперу с установленными датчиками.
- Подключите проводку к датчикам. При заводских настройках датчики необходимо подключать слева направо по следующей схеме:



Порядок подключения датчиков можно изменить, используя опциональный программатор Gazer PAC30 и специализированное ПО.

- Закрепляйте проводку с помощью пластиковых стяжек.
- Избегайте сильного натяжения проводов.
- При прокладывании проводки избегайте импульсных и высоковольтных кабелей. Для обеспечения целостности проводки также стоит избегать нагревающихся и подвижных частей автомобиля.
- Убедитесь в герметичности места вывода кабеля наружу из салона. Для удобного вывода, на защитной гофре кабеля, предусмотрена резиновая прокладка.

Установка выносного динамика:

- Установку динамика следует выполнять в салоне автомобиля.
- Рекомендуется продумать место установки так, чтобы остался доступ к регулировке громкости динамика.
- Место для установки необходимо выбирать таким образом, чтобы предупредительные сигналы были хорошо различимы с водительского места.
- Для подключения динамика используйте удлинитель, который поставляется в комплекте с системой.

Подключение питания:

- **Черный провод GND** – необходимо подключить на кузов автомобиля или на провод массы штатной проводки автомобиля.
- **Красный провод ACC** – необходимо подключить на питание аксессуаров (появляется при старте двигателя и исчезает при его выключении).
- **Оранжевый провод Reverse** – необходимо подключить к плюсовому контакту фонаря заднего хода или к сигналу о включении задней передачи в щитке предохранителей.

Подключение питания рекомендуется производить с помощью коннекторов, идущих в комплекте.

Примечание: Убедитесь в надежном контакте точки соединения провода массы. При плохом контакте система может работать нестабильно.

Покраска датчиков:

- При подготовке к окрашиванию снимите проставочные кольца с датчиков, затем извлеките уплотнительные кольца.
- Обезжирьте окрашиваемые поверхности датчиков.
- Произведите окраску деталей датчиков.
- Слой краски должен быть минимальным и равномерным.
- Окрашивание датчиков необходимо производить профессиональным оборудованием.
- После высыхания лакокрасочного покрытия соберите датчики.

Обратите внимание!

- Толстый слой краски снижает чувствительность датчика.
- Неравномерное окрашивание, волны по поверхности и т.д. могут стать причиной некорректной работы системы.
- Закрашивание зазора между рабочей поверхностью и проставочным кольцом приведет к неработоспособности системы.

Настройка системы

Парковочную систему можно настроить несколькими способами:

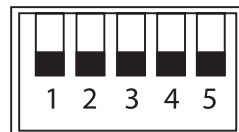
- С помощью опционального программатора Gazer PAC30 и специализированного ПО.
- С помощью блока DIP переключателей.

Для настройки системы с помощью программатора Gazer PAC30 необходимо:

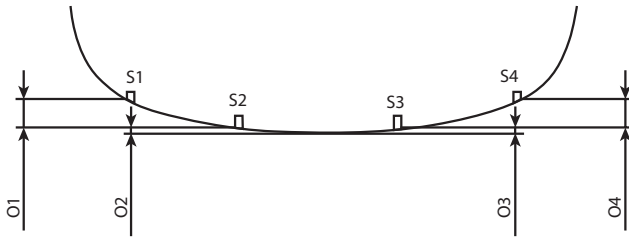
- Подключить проводку программатора в разъем на корпусе центрального блока.
- Подать питание +12V на проводку программатора.
- Подсоединить USB кабель от программатора в компьютер.
- Настроить систему с помощью фирменного ПО.

Настройка с помощью блока DIP переключателей

Для настройки параметров системы с помощью блока DIP переключателей переведите миниатюрные переключатели в положение вверх или вниз в зависимости от требуемой настройки.

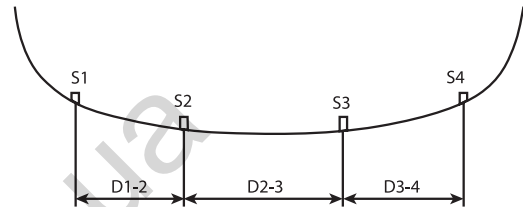


Настройка компенсации кривизны бампера:



DIP 1	O1	O2	O3	O4
Вниз	0 см	0 см	0 см	0 см
Вверх	5 см	0 см	0 см	5 см

Настройка расстояния между датчиками:



DIP 4	DIP 5	D 1-2	D 2-3	D 3-4
Вниз	Вниз	40 см	40 см	40 см
Вниз	Вверх	35 см	50 см	35 см
Вверх	Вниз	30 см	60 см	30 см
Вверх	Вверх	20 см	80 см	20 см

Настройка горизонтального угла раскрытия диаграммы направленности:

DIP 2	DIP 3	Угол раскрытия
Вниз	Вниз	Заводские настройки
Вниз	Вверх	Уменьшение угла на 5%
Вверх	Вниз	Уменьшение угла на 10%
Вверх	Вверх	Уменьшение угла на 20%

После установки парковочная система не работает:

- Помните, что система работает только при включенном зажигании и задней передаче.
- Убедитесь, что основной разъем центрального блока надежно подключен.
- Проверьте подключение динамика.
- Проверьте состояние предохранителя на проводке подключения центрального блока.

Обнаружен неисправный датчик:

- Убедитесь в надежном подключении датчика к проводке.
- Проверьте кабель подключения датчика и кабель от датчика на наличие повреждений.
- Замените неисправный датчик.

Ложные обнаружения препятствий:

- Проверьте высоту установки датчиков.
- Проверьте настройки центрального блока.
- Убедитесь, что датчики установлены под углом 90° по отношению к поверхности земли.
- Убедитесь, что датчики установлены не в перевернутом положении или в сторону.

При возникновении проблем, которые не описаны в руководстве пользователя, обратитесь за помощью в контактный центр Gazer через форму обратной связи на сайте www.gazer.com либо по телефону горячей линии 8 800 301 52 30.

Внимание! Неправильное подключение парковочной системы лишает покупателя прав на гарантийное обслуживание.

При возникновении неисправности в работе парковочной системы, перед обращением в сервисный центр проконсультируйтесь с техническими специалистами контактного центра Gazer.

Застереження	33
Комплектація	34
Загальна інформація	35
Особливості використання	36
Рекомендації по експлуатації	38
Схема підключення	39
Рекомендації по встановленню	40
Налаштування системи	44
Проблеми і методи їх усунення	45

Вітаємо Вас з придбанням паркувальної системи Gazer PA40R/PA45R.

Перед використанням системи, будь ласка, уважно ознайомтеся з цим посібником.

UA

Запобіжні заходи:

1. Щоб уникнути втрати гарантійного обслуговування на Ваш автомобіль, для встановлення і підключення системи, будь ласка, зверніться до фахівців СТО, на якому проводиться обслуговування Вашого автомобіля.
2. Під час встановлення системи акумулятор автомобіля повинен бути відключений.
3. Для встановлення системи використовуйте тільки оригінальні датчики і кабелі, які поставляються в комплекті.
4. Не намагайтеся ремонтувати паркувальну систему самостійно. У разі виникнення будь-яких несправностей зверніться в сервісний центр.
5. Уникайте ударів і механічних пошкоджень системи.
6. Не використовуйте і не зберігайте компоненти системи в занадто холодних або гарячих місцях.
 - Температура зберігання: -40°C до +90°C
 - Температура експлуатації: -30°C до +70°C
7. Завод-виробник залишає за собою право зміни технічних характеристик і/або комплектації без попереднього повідомлення про це.
8. В гарантійний ремонт пристрою не входить монтаж/демонтаж пристрою з автомобіля.

Комплектація



Центральний блок



Проводка для підключення живлення і датчиків



4x ультразвукових датчика з проставочними кільцями 3^o*



2x комплекти проставочних кільць*



4x ультразвукових датчика для внутрішнього встановлення **



Динамік



Подовжувач динаміка/монітора (8 метрів)



Фреза



Комплект для встановлення



Розмічувальна лінійка



Посібник користувача



Гарантійний талон

* Для моделі PA40R

** Для моделі PA45R

- Паркувальна система Gazer PA40R/PA45R складається з ультразвукових датчиків, які встановлюються в задньому бампері автомобіля, центрального блока, попереджувального динаміка та проводки для підключення. Спеціальний інтелектуальний алгоритм роботи датчиків на основі тригонометричних рівнянь дозволяє максимально точно визначити відстань до перешкод, визначити «рівень землі», працювати без хибних спрацювань при будь-якій висоті встановлення датчиків і визначити відстань до бордюрів або інших низьких об'єктів.
- Робота системи оповіщення вибудована по інтуїтивно зрозумілій, оптимальній для сприйняття схемі. Сигнали попередження про небезпеку транслюються через комплектний динамік або опціональний монітор.
- Для більш точної оцінки відстані до перешкоди і її місцезнаходження система підтримує підключення опціонального дисплея Gazer PAD20.
- Паркувальна система PA40R/PA45R має можливість підключення до дзеркал серій MU\M\MUR\MMR для графічного відображення відстані до перешкод, а також підтримує підключення передньої паркувальної системи Gazer PA40F або Gazer PA45F за допомогою опціонального кабелю Gazer PAC10.

Особливості використання

- Паркувальна система починає роботу після включення задньої передачі.
- У момент включення паркувальної системи попереджуючий динамік видасть короткий звуковий сигнал, який означає, що динамік системи справний і система успішно активована.

Після включення, слідує самоперевірка пристрою. Якщо за результатами перевірки всі вузли і датчики системи знаходяться в порядку, система продовжить роботу і приступить до виявлення перешкод.

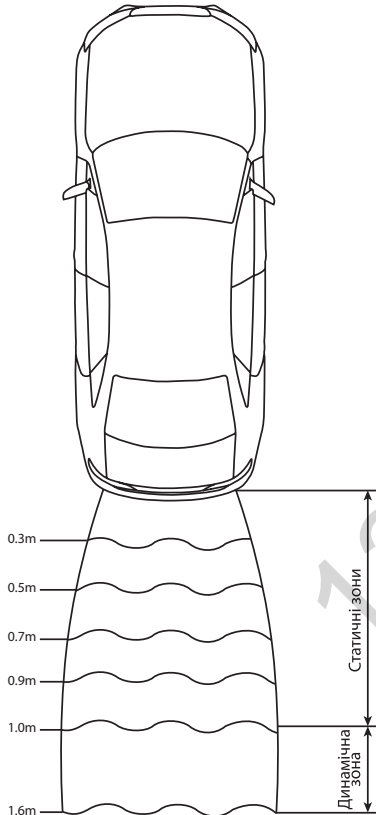
У випадку, якщо пристрій виявляє несправний датчик, слідує звукова команда, що позначає несправний датчик:

Сигнал	Значення
Короткий сигнал	Датчик №1 відключений або несправний
Два коротких сигнали	Датчик №2 відключений або несправний
Три коротких сигнали	Датчик №3 відключений або несправний
Чотири коротких сигнали	Датчик №4 відключений або несправний
Довгий сигнал	Всі датчики відключені або несправні

Після сигналізації про несправність одного з датчиків система продовжить роботу і приступить до виявлення перешкоди ґрунтуючись на даних від робочих датчиків. Паркувальний радар може працювати навіть при наявності всього одного справного датчика.

Увага! Несправний датчик може стати причиною пошкодження автомобіля при паркуванні.

Паркувальна система має 5 статичних і одну динамічну зону.



Детектування перешкод відбувається за наступним алгоритмом:

- Якщо об'єкт знаходиться в динамічній зоні і наближається до автомобіля – система детектує його і попереджає водія звуковими сигналами.
- Якщо перешкода знаходиться в динамічній зоні і перестає наближатися до автомобіля або ж починає віддалятися від нього – система перестає подавати звукові сигнали про наявність перешкоди.

Таким чином паркувальний асистент дозволяє уникнути зайвих звукових сигналів усередині автомобіля, якщо водій під час руху заднім ходом зупинився на деякий час. При цьому система продовжує працювати і в разі наближення до перешкоди вона відразу почне сповіщати про небезпеку зіткнення.

- Далі, при наближенні ближче до автомобіля, перешкода по черзі потрапляє в статичні зони.

При знаходженні об'єкта в статичних зонах, звукові сигнали подаються в незалежності від того рухається перешкода відносно автомобіля чи ні. По мірі проходження статичних зон інтервал між звуковими сигналами скорочується, що дозволяє водієві орієнтуватися на слух при паркуванні.

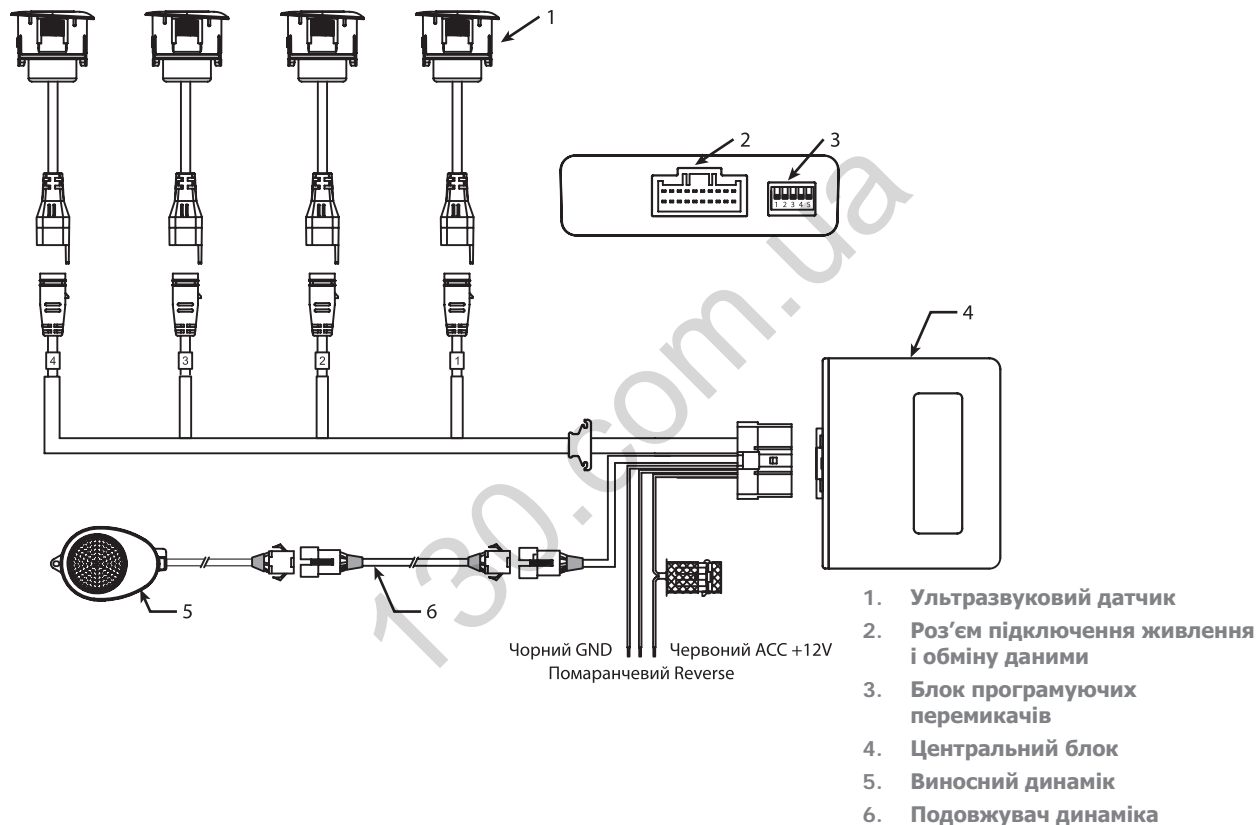
- Коли перешкода для паркування переходить в найпершу статичну зону (0-0.3 м від автомобіля) система починає подавати безперервний звуковий сигнал, що свідчить про небезпеку подальшого руху назад.

Примітка: Інформація про зони оповіщення, що зазначена на малюнку, може відрізнятись в залежності від налаштувань блоку.

Рекомендації по експлуатації

- Після встановлення протестуйте систему і переконайтеся в коректній роботі кожного датчика перед використанням паркувального асистента.
- При складних погодних умовах (сильний дощ, сніг, обмерзання) на датчиках може утворюватися шар бруду або льоду, що може привести до некоректної роботи паркувального асистента.
- Очищайте датчики після сильних забруднень, щоб підтримувати повну працездатність паркувальної системи.
- Очищати датчики від льоду рекомендується теплою водою.

Схема підключення



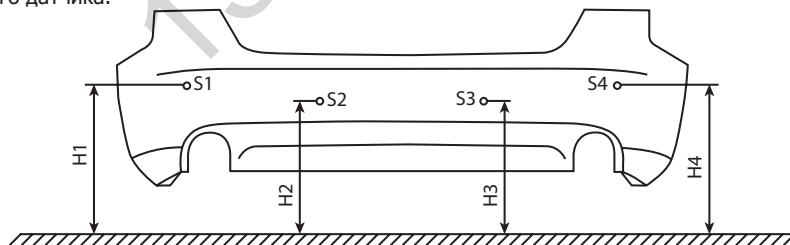
Порядок встановлення системи:

- Розмітити і зробити місця отворів для датчиків в задньому бампері автомобіля.
- Встановити датчики в бампер.
- Встановити центральний блок.
- Підключити датчики до основної проводки і прокласти проводку до місця встановлення центрального блоку.
- Провести підключення живлення на центральний блок.
- Прокласти кабель подовжувача динаміка до місця встановлення динаміка.
- Встановити динамік.

Встановлення датчиків:

Важливо: Не встановлюйте датчики в металевий бампер, це призведе до непрацездатності системи.

- Датчики рекомендується встановлювати в штатні місця. Більшість автовиробників наносять маркування для свердління отворів датчиків зі зворотного боку бампера.
- У разі якщо маркування відсутнє або установка в штатні місця неможлива з яких-небудь причин, для розмітки отворів скористайтеся маркувальною лінійкою, що йде в комплекті з системою.
- При стандартних налаштуваннях, висота встановлення датчиків 50-60 см. Висота встановлення також може бути 40-50 см або 60-70 см, ці параметри можна налаштувати за допомогою опціонального програматора Gazer PAC30 і спеціалізованого ПЗ, окремо для кожного датчика.



Autogoods "130"

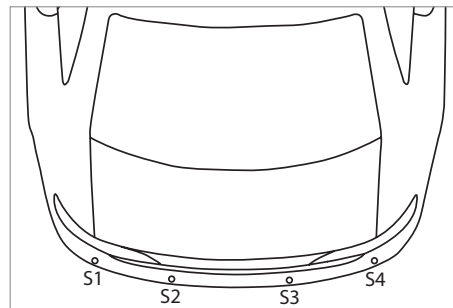
- Встановлюйте датчики не нижче рекомендованої висоти (врахуйте можливість завантаження автомобіля).
- Датчики не повинні впиратися задньою частиною корпусу в елементи кузова.
- Свердління отворів рекомендується проводити фрезою, що йде в комплекті.
- Візьміть до уваги, що робоча поверхня датчика повинна розташовуватися під кутом 90° по відношенню до поверхні землі.
- Для систем PA40R використовуйте проставочні кільця для компенсації кута нахилу бампера.
- Для правильного встановлення датчиків відносно горизонту орієнтуйтеся по мітках на корпусі датчика. На проставочному кільці є точка, яка означає верх датчика. На задній частині корпусу також є мітка у вигляді стрілки, що вказує на верх при встановленні.
- Датчики повинні щільно прилягати до зовнішньої поверхні бампера.

Встановлення центрального блоку:

- Встановлювати центральний блок рекомендується у вологозахищеному місці салону або багажника автомобіля.
- Виберіть місце для встановлення таким чином, щоб було можливим нормальне прокладання кабелю підключення і довжини кабелю вистачило для підключення датчиків.
- Не допускається встановлення блоку зовні салону, пристрій не герметичний і піддається впливу вологи.
- Надійно закріпіть центральний блок за допомогою двостороннього скотчу або пластикових стяжок.
- Під час встановлення блоку уникайте місць поблизу сильнострумних, імпульсних або високовольтних кабелів і блоків автомобіля.

Прокладання проводки:

- Прокладіть проводку підключення від центрального блоку до бамперу з встановленими датчиками.
- Підключіть проводку до датчиків. При заводських налаштуваннях датчики повинні бути підключені зліва направо за наступною схемою:



Порядок підключення датчиків можна змінити, використовуючи опціональний програматор Gazer PAC30 і спеціалізоване ПЗ.

- Закріплюйте проводку за допомогою пластикових стяжок.
- Уникайте сильного натягування проводів.
- Під час прокладання проводки уникайте сильнострумних, імпульсних і високовольтних кабелів. Для забезпечення цілісності проводки також варто уникати частин, які нагріваються і рухомих частин автомобіля.
- Переконайтеся в герметичності місця виведення кабелю назовні з салону. Для зручного виведення, на захисній гофрі кабелю, передбачена гумова прокладка.

Встановлення виносного динаміка:

- Встановлення динаміка варто виконувати в салоні автомобіля.
- Рекомендується продумати місце встановлення так, щоб залишився доступ до регулювання гучності динаміка.
- Місце для встановлення необхідно вибирати таким чином, щоб попереджувальні сигнали були добре чутні з водійського місця.
- Для підключення динаміка використовуйте подовжувач, який поставляється в комплекті з системою.

Підключення живлення:

- **Чорний дріт GND** – необхідно підключити на кузов автомобіля або на кабель маси штатної проводки автомобіля.
- **Червоний дріт ACC** – необхідно підключити на живлення аксесуарів (з'являється при старті двигуна і зникає при його вимкненні).
- **Помаранчевий дріт Reverse** – необхідно підключити до плюсового контакту ліхтаря заднього ходу або до сигналу про увімкнення задньої передачі в щитку запобіжників.

Підключення живлення рекомендується проводити за допомогою конекторів, що йдуть в комплекті.

Примітка: Переконайтеся в надійному контакті точки з'єднання дроту маси. При поганому контакті система може працювати нестабільно.

Фарбування датчиків:

- При підготовці до фарбування зніміть проставочні кільця з датчиків, потім витягніть ущільнювальні кільця.
- Знежирте поверхні датчиків, які будете фарбувати.
- Проведіть фарбування деталей датчиків.
- Шар фарби повинен бути мінімальним і рівномірним.
- Фарбування датчиків необхідно проводити професійним обладнанням.
- Після висихання лакофарбового покриття зберіть датчики.

Зверніть увагу!

- Товстий шар фарби знижує чутливість датчика.
- Нерівномірне фарбування, хвилі по поверхні і т. п. можуть стати причиною некоректної роботи системи.
- Зафарбовування зазору між робочою поверхнею і проставочним кільцем призведе до непрацездатності системи.

Налаштування системи

Паркувальну систему можна налаштувати кількома способами:

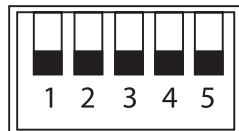
- За допомогою опціонального програматора Gazer PAC30 і спеціалізованого ПЗ.
- За допомогою блоку DIP перемикачів.

Для налаштування системи за допомогою програматора Gazer PAC30 необхідно:

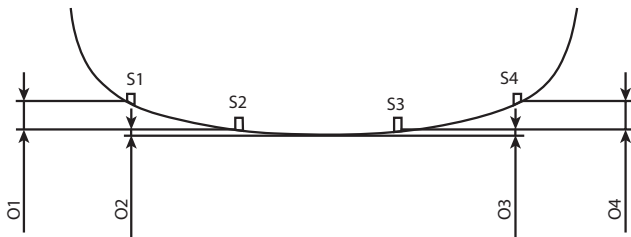
- Підключити проводку програматора в роз'єм на корпусі центрального блоку.
- Подати живлення + 12V на проводку програматора.
- Приєднати USB кабель від програматора до комп'ютера.
- Налаштувати систему за допомогою фірмового ПЗ.

Налаштування за допомогою блоку DIP перемикачів

Для налаштування параметрів системи за допомогою блоку DIP перемикачів переведіть мініатюрні перемикачі в положення вгору або вниз у залежності від необхідного налаштування.



Налаштування корекції кривизни бампера:

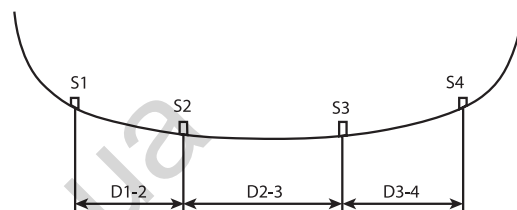


DIP 1	O1	O2	O3	O4
Вниз	0 см	0 см	0 см	0 см
Вгору	5 см	0 см	0 см	5 см

Налаштування горизонтального кута розкриття діаграми спрямованості:

DIP 2	DIP 3	кут розкриття
Вниз	Вниз	Заводські налаштування
Вниз	Вгору	Зменшення кута на 5%
Вгору	Вниз	Зменшення кута на 10%
Вгору	Вгору	Зменшення кута на 20%

Налаштування відстані між датчиками:



DIP 4	DIP 5	D 1-2	D 2-3	D 3-4
Вниз	Вниз	40 см	40 см	40 см
Вниз	Вгору	35 см	50 см	35 см
Вгору	Вниз	30 см	60 см	30 см
Вгору	Вгору	20 см	80 см	20 см

Після встановлення паркувальна система не працює:

- Пам'ятайте, що система працює тільки при включеному запалюванні і задній передачі.
- Переконайтеся, що основний роз'єм центрального блоку надійно підключений.
- Перевірте підключення динаміка.
- Перевірте стан запобіжника на проводці підключення центрального блоку.

Виявлено несправний датчик:

- Переконайтеся в належному під'єднанні датчика до проводки.
- Перевірте кабель підключення датчика і кабель від датчика на наявність пошкоджень.
- Замініть несправний датчик.

Помилкові виявлення перешкод:

- Перевірте висоту встановлення датчиків.
- Перевірте налаштування центрального блоку.
- Переконайтеся, що датчики встановлені під кутом 90° по відношенню до поверхні землі.
- Переконайтеся, що датчики встановлені не в перевернутому положенні чи в сторону.

При виникненні проблем, які не описані в посібнику користувача, зверніться за допомогою до контактному центру Gazer через форму зворотного зв'язку на сайті www.gazer.com або за телефоном гарячої лінії **0 800 30 15 30** (дзвінки безкоштовні в межах України).

Увага! Неправильне підключення паркувальної системи позбавляє покупця прав на гарантійне обслуговування

При виникненні несправності в роботі паркувальної системи, перш ніж звертатися до сервісного центру проконсультуйтеся з технічними фахівцями контактному центру Gazer.

130.com.ua

130.com.ua

GAZER[®]

130.com.ua

www.gazer.com
Autogoods "130"