



PHONES

(044) 338-0-130
(050) 332-0-130
(063) 577-0-130
(067) 353-0-130

130
COM.UA

Internet store of
autogoods



SKYPE
km-130

CAR RECEIVERS — Receivers • Media receivers and stations • Native receivers • CD/DVD changers • FM-modulators/USB adapters • Flash memory • Facia plates and adapters • Antennas • Accessories |
CAR AUDIO — Car audio speakers • Amplifiers • Subwoofers • Processors • Crossovers • Headphones • Accessories | TRIP COMPUTERS — Universal computers • Model computers • Accessories |
GPS NAVIGATORS — Portable GPS • Built-in GPS • GPS modules • GPS trackers • Antennas for GPS navigators • Accessories | VIDEO — DVR • TV sets and monitors • Car TV tuners • Cameras • Videomodules
• Transcoders • Car TV antennas • Accessories | SECURITY SYSTEMS — Car alarms • Bike alarms • Mechanical blockers • Immobilizers • Sensors • Accessories | OPTIC AND LIGHT — Xenon • Bixenon • Lamps
• LED • Stroboscopes • Optic and Headlights • Washers • Light, rain sensors • Accessories | PARKTRONICS AND MIRRORS — Rear parktronic • Front parktronic • Combined parktronic • Rear-view mirrors
• Accessories | HEATING AND COOLING — Seat heaters • Mirrors heaters • Screen-wipers heaters • Engine heaters • Auto-refrigerators • Air conditioning units • Accessories | TUNING — Vibro-isolation
• Noise-isolation • Tint films • Accessories | ACCESSORIES — Radar-detectors • Handsfree, Bluetooth • Windowlifters • Compressors • Measuring instruments • Cleaners • Carsits
• Miscellaneous | MOUNTING — Installation kits • Upholstery • Grilles • Tubes • Cable and wire • Tools • Miscellaneous | POWER — Batteries • Converters • Start-charging equipment • Capacitors
• Accessories | MARINE AUDIO AND ELECTRONICS — Marine receivers • Marine audio speakers • Marine subwoofers • Marine amplifiers • Accessories | CAR CARE PRODUCTS — Additives • Washer fluid •
Care accessories • Car polish • Flavors • Adhesives and sealants | LIQUID AND OIL — Motor oil • Transmission oil • Brake fluid • Antifreeze • Technical lubricant

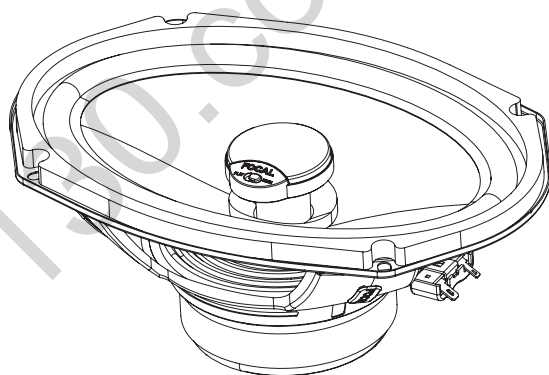
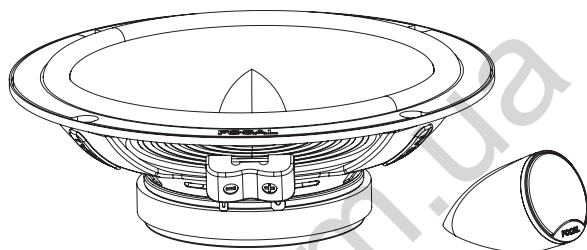


In store "130" you can find and buy almost all necessary goods for your auto in Kyiv and other cities, delivery by ground and postal services. Our experienced consultants will provide you with exhaustive information and help you to chose the very particular thing. We are waiting for you at the address

<http://130.com.ua>

INTEGRATION UNIVERSAL

Manuel d'utilisation / User manual

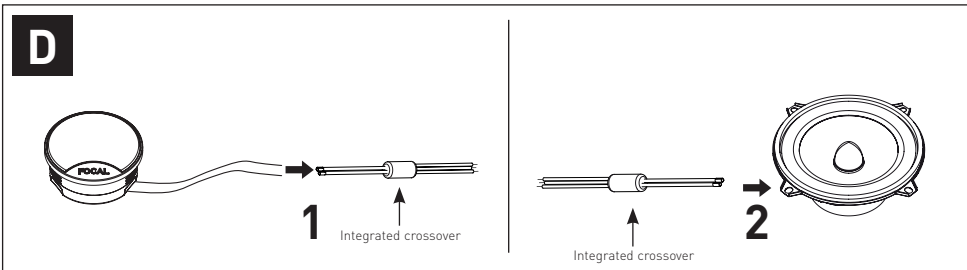
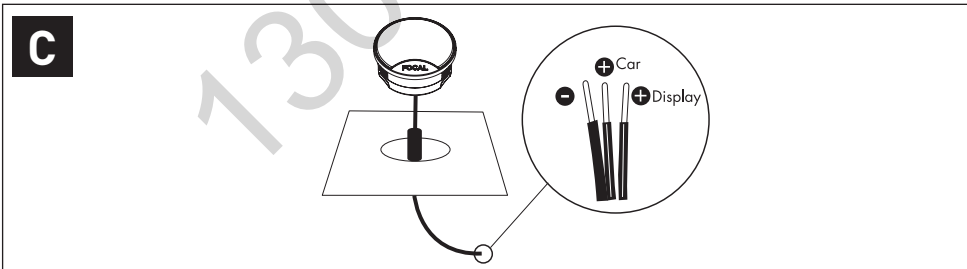
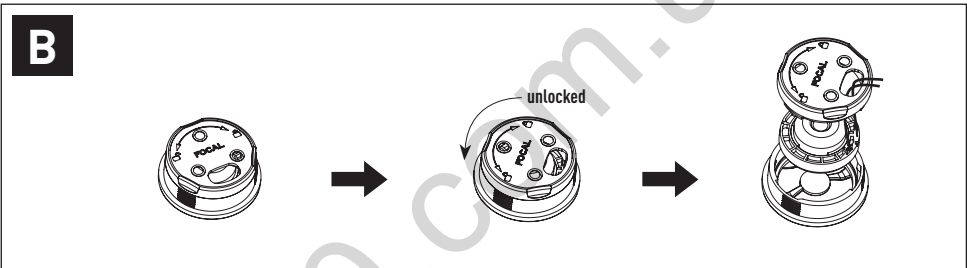
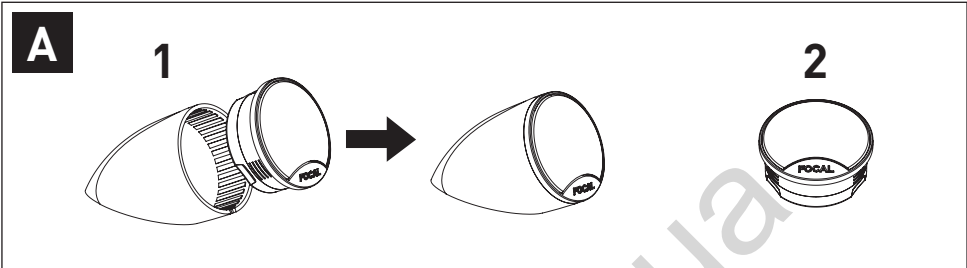


English

INTEGRATION UNIVERSAL

Manuel d'utilisation / User manual

Installation du tweeter / Fitting the tweeter (ISU130, ISU165, ISU200, ISU570, ISU690)

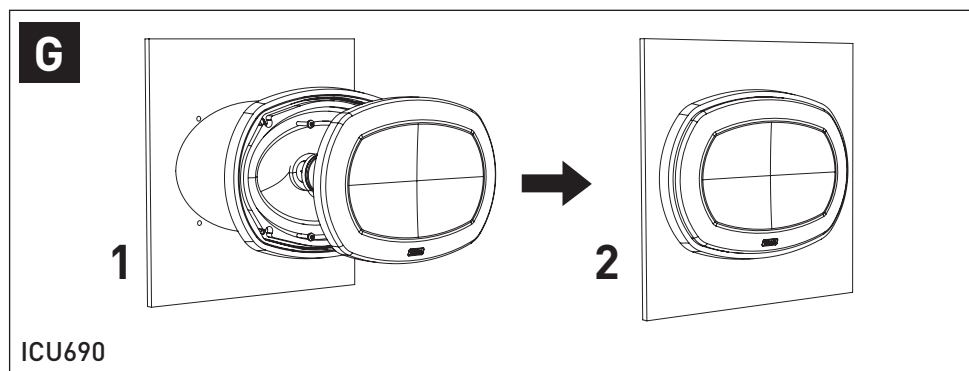
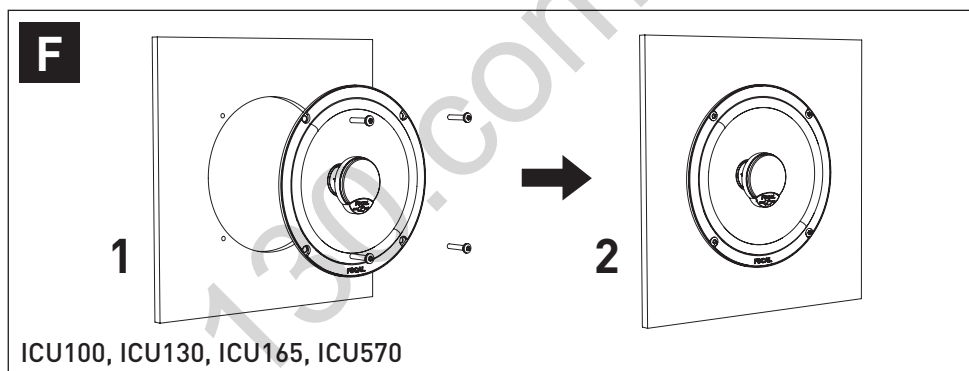
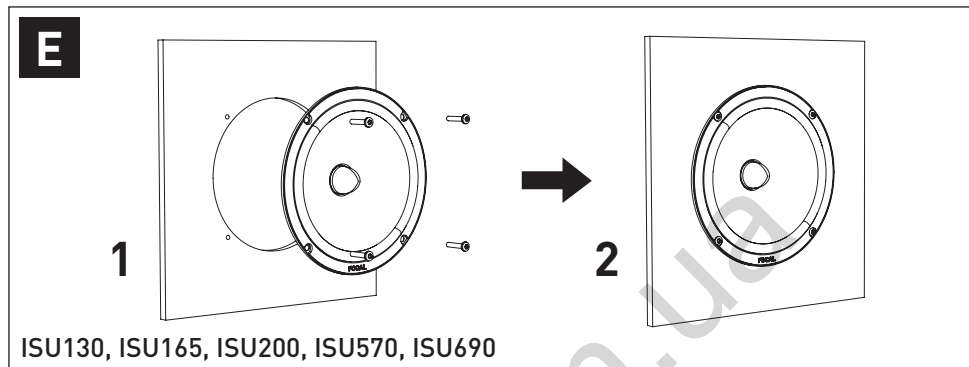


INTEGRATION UNIVERSAL

Manuel d'utilisation / User manual

3

Installation du woofer / Fitting the woofer

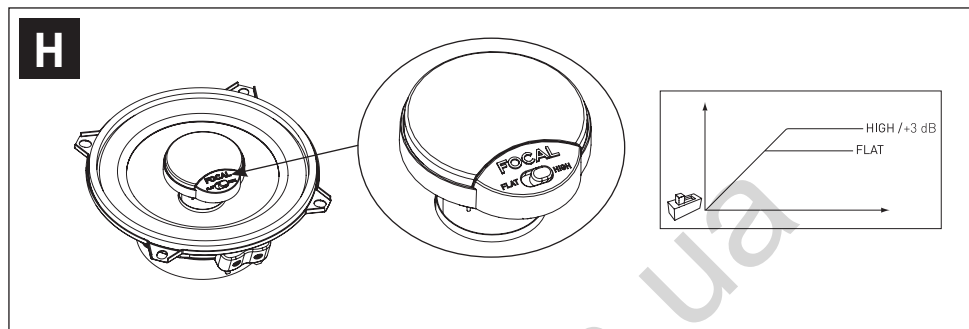


INTEGRATION UNIVERSAL

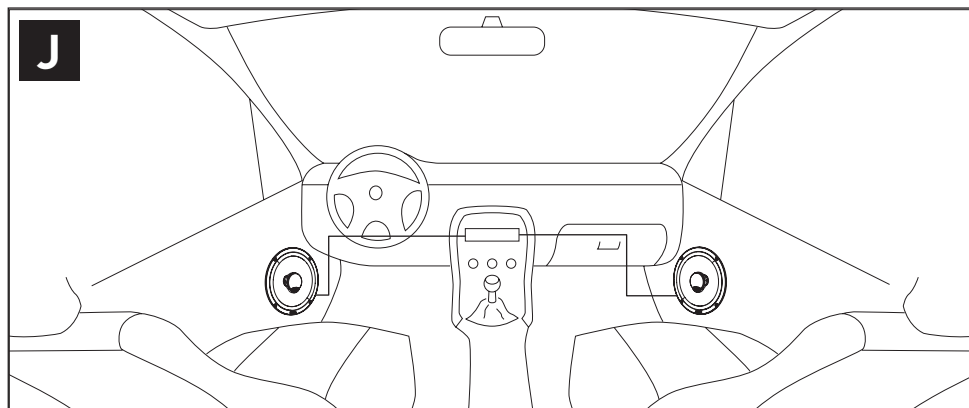
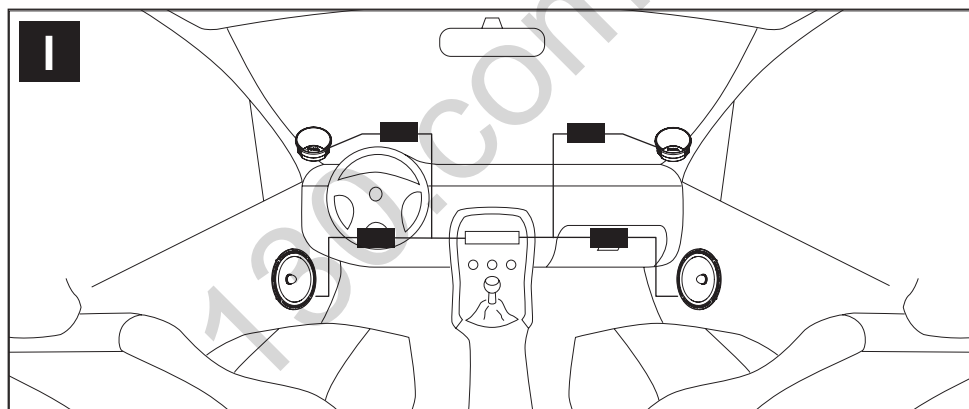
Manuel d'utilisation / User manual

4

Réglage niveau tweeter / Tweeter level adjustment (ICU100, ICU130, ICU165, ICU570, ICU690)



Vue de l'installation complète dans le véhicule / View of the full installation in the vehicle



INTEGRATION UNIVERSAL

Manuel d'utilisation / User manual

English

Please validate your Focal-JMLab warranty,
it is now possible to register your product online: www.focal.com/warranty



Warning

Listening for a prolonged period at a high volume level over 110 dB may result in hearing loss. Exposure, even brief, to sound at over 130 dB may result in irreparable hearing loss.

Important recommendations

First of all, check the space available for the loudspeakers (see the plans on the packaging) and then start cutting. If the loudspeakers are to be mounted in their original place, check whether there is enough space between the loudspeaker and the protective grating.

- Keep the loudspeakers away from metal chips and dust.
- Clean carefully prior to mounting the loudspeakers.

Warranty conditions

If you encounter problems, contact your Focal distributor first. For all Focal equipment, the warranty applicable to France covers a 2-year period as of the purchase date and is non-transmissible in case of resale. In the event of faulty equipment, it should be sent, at your own expense, in its original packaging to your distributor, who will then check the equipment and determine the nature of the problem. If it is under warranty, the equipment will be returned to you or replaced "postage paid". Otherwise, a quote for repair will be sent to you. The warranty does not cover damage arising from improper use or incorrect connection (e.g. burned voice coils...)

Environmental information

Your Focal-JMLab product has been designed and manufactured using high quality materials and components, which can be recycled and reused. This symbol signifies that the electrical and electronic devices, at the end of their life, should be disposed of separately from household waste. Please take this device to the local collection point or to a recycling centre. You will thus contribute to environmental conservation.



Tweeter installation (ISU130, ISU165, ISU200, ISU570, ISU690)

There are three possible mounting options :

Tilted mounting : (Fig. A1)

Drill a hole for the cables and screws in the desired location, fix the mount in place using the screws provided with the kit, route the 2 wires through, then, fix the tweeter to its housing (close-fitting). These operations can be carried out with the tweeter grille in place.

Flush mounting : (Fig. A2)

Cut out a hole the same diameter as the tweeter in the desired location. Then, insert the tweeter.

Installing in the factory locations : (Fig. B)

Unscrew the plastic cover at the rear of the tweeter by rotating it to the left (towards the "unlocked" symbol / Fig.B). The tweeter is ready to be mounted alone into the factory location.

Note: the "+" is indicated by a red line.

Handle with care: do not touch the dome or let it come into contact with the rear of the vehicle's original grille.

Wiring the tweeters: (Fig. C)

If wiring to a display stand, connect the "display" wire.

If wiring to a vehicle: connect the "car" wire.

The wire with the "-" symbol is the negative wire in both cases.

INTEGRATION UNIVERSAL

Manuel d'utilisation / User manual

Connecting the tweeter / woofer to the connector of the integrated crossover : (Fig. D)

For the tweeter: connect both wires (Fig.D1) directly to the cable lugs on the integrated crossover.

For the woofer: connect the two cable lugs on the integrated crossover (Fig.D2) directly to the two terminals on the basket of the woofer.

Note: the "+" is indicated by a red line.

Caution: the tweeter crossover is integrated into the connector. Ensure that the wiring is correct using the cable lugs (tweeter/crossover connector) in order to ensure optimal performance of the kits.

The woofers in the ISU130, ISU165, ISU200, ISU570 and ISU690 kits are equipped with a crossover integrated into the connector (for a more compact basket and one which is easy to install in factory locations).

Make sure that ONLY the connectors supplied with the kit are used.

Installing the different woofers

(Fig.E) represents the typical installation for the ISU130, ISU165, ISU200, ISU570 and ISU690 speaker drivers.

(Fig.E1) Fix the speaker driver in place using the screws provided.

(Fig.E2) represents the speaker driver once fixed in place.

(Fig.F) represents the typical installation for the ICU100, ICU130, ICU165 and ICU570 speaker drivers.

(Fig.F1) Fix the speaker driver in place using the screws provided.

(Fig.F2) represents the speaker driver once fixed in place.

(Fig.G) represents the typical installation of the ICU690 speaker driver with its grille.

(Fig.G1) Insert the grille's plastic support onto the rear of the speaker driver. Fix the speaker driver in place using the screws provided, then, clip on the grille supplied

(Fig. G2) represents the speaker driver once fixed in place and with its protective grille.

Adjusting the tweeter level (ICU100, ICU130, ICU165, ICU570, ICU690)

The integrated tweeter on the coaxial speaker drivers is equipped with a level adjustment, giving you the choice out of two output levels for the treble (Fig.H.):

View of the full installation in the vehicle

(Fig.I) represents an example of a full installation of a component kit (ISU130, ISU165, ISU200, ISU570, ISU690)

(Fig.J) represents an example of a full installation of a coaxial kit (ICU100, ICU130, ICU165, ICU570, ICU690)

If all the speaker drivers are located in the lower part of the door, we recommend setting the tweeter to "HIGH" to increase the treble level.

If the speaker drivers are located in the upper part of the door, we recommend setting the tweeter to "FLAT".

Note : of course, you can always adjust these settings according to your personal preference.