



PHONES

0 (800) 800 130
(050) 462 0 130
(063) 462 0 130
(067) 462 0 130

130
COM.UA

Internet store of
autogoods



SKYPE

km-130

CAR RECEIVERS — Receivers • Media receivers and stations • Native receivers • CD/DVD changers • FM-modulators/USB adapters • Flash memory • Facia plates and adapters • Antennas • Accessories |
CAR AUDIO — Car audio speakers • Amplifiers • Subwoofers • Processors • Crossovers • Headphones • Accessories | TRIP COMPUTERS — Universal computers • Model computers • Accessories |
GPS NAVIGATORS — Portable GPS • Built-in GPS • GPS modules • GPS trackers • Antennas for GPS navigators • Accessories | VIDEO — DVR • TV sets and monitors • Car TV tuners • Cameras • Videomodules
• Transcoders • Car TV antennas • Accessories | SECURITY SYSTEMS — Car alarms • Bike alarms • Mechanical blockers • Immobilizers • Sensors • Accessories | OPTIC AND LIGHT — Xenon • Bixenon • Lamps
• LED • Stroboscopes • Optic and Headlights • Washers • Light, rain sensors • Accessories | PARKTRONICS AND MIRRORS — Rear parktronic • Front parktronic • Combined parktronic • Rear-view mirrors
• Accessories | HEATING AND COOLING — Seat heaters • Mirrors heaters • Screen-wipers heaters • Engine heaters • Auto-refrigerators • Air conditioning units • Accessories | TUNING — Vibro-isolation
• Noise-isolation • Tint films • Accessories | ACCESSORIES — Radar-detectors • Handsfree, Bluetooth • Windowlifters • Compressors • Beeps, loudspeakers • Measuring instruments • Cleaners • Car seats
• Miscellaneous | MOUNTING — Installation kits • Upholstery • Grilles • Tubes • Cable and wire • Tools • Miscellaneous | POWER — Batteries • Converters • Start-charging equipment • Capacitors
• Accessories | MARINE AUDIO AND ELECTRONICS — Marine receivers • Marine audio speakers • Marine subwoofers • Marine amplifiers • Accessories | CAR CARE PRODUCTS — Additives • Washer fluid •
Care accessories • Car polish • Flavors • Adhesives and sealants | LIQUID AND OIL — Motor oil • Transmission oil • Brake fluid • Antifreeze • Technical lubricant



In store "130" you can find and buy almost all necessary goods for your auto in Kyiv and other cities, delivery by ground and postal services. Our experienced consultants will provide you with exhaustive information and help you to choose the very particular thing. We are waiting for you at the address

<https://130.com.ua>

Settings & Preferences

Press and hold the SEN and BRT buttons to access Preferences. To exit Preferences, simply wait a few seconds without pressing a button. The unit will display **Completed** to confirm your selections.

Press SEN to go from one category to the next		Press VOLUME + or – to change your setting within a category	
User Mode	Advanced* Novice	Access and customize all Settings and Preferences Access and customize units and display color, (all other Settings are set to factory defaults) <i>NOTE: Switch back to advance mode to view all Preferences.</i>	
Pilot	Scan Bar* Full Word	Scanning Bar with Full Word Full Word: Auto, Auto NoX, AutoLoK or Highway	
Arrow Mode	Single* Multiple Band	Displays a single threat-direction arrow only for the primary alert Displays threat-direction arrows for multiple alerts Displays color-coded threat-direction arrows for multiple alert bands X = green, K = blue, Ka/Laser = red	
Display Color	Blue*/Green/Red/Amber	Set color to match your vehicle's dash display	
Speed Display	On* Off	Displays current speed Displays battery voltage	
Cruise Alert	20 mph* Off / 20-160 mph	Offers double beep alert tones below specified speed	
Over Speed	70 mph* Off / 20-160mph	Reminds you when you exceed a specified speed	
Over Speed Limit	Speed Limit* Off / Speed Limit / 5 Over / 7 Over / 10 Over / 15 Over	Reminds you when you reach specified speed at or over the speed limit	
Meter Mode	Standard	Displays primary alert band with front signal strength bar graph	
	Standard FR1*	Displays primary alert band with front and rear signal strength bar graphs	
	Standard FR2	Displays primary and secondary alert bands with front and rear signal strength bar graphs	
	Spec FR1	Displays primary alert band with numeric frequency and front and rear signal strength bar graphs	
	Spec FR2	Displays primary alert band with numeric frequency, secondary alert band, and front and rear signal strength bar graphs	
	Expert FR	Displays up to four alert bands with front and rear signal strength bar graphs for each	
	Simple	Simple messages replace alert band and signal strength bar graphs: Caution (if traveling below cruise alert limit) Slow Down (if traveling above cruise alert limit)	

Tones	Standard* Standard+	Standard alert tones Standard alert tones for primary alert and double-beep tones for additional alerts	
	Mild	Mild doorbell chime alert tones	
AutoMute	Low / Med* / High / Off	Automatically reduces audio to preferred volume during alert	
AutoLearn	On* / Off	Automatically stores and locks out false alarms	
Units	English* / Metric	Units for distance and speed	
Language	English* / Espanol	Language for voice and text	
Voice	On* / Off	Voice announcements	
GPS Filter	On* / Off	Enables GPS-powered features	
AutoPower	Off	Power turns on or off depending on your vehicle's ignition type (constant power or switched) Powers off automatically after 1 hour Powers off automatically after 2 hours Powers off automatically after 4 hours Powers off automatically after 8 hours <i>NOTE: If AutoPower is on, to save screen life the display screen goes blank after 30 minutes without moving. Display screen will turn on automatically after you reach 10MPH.</i>	<i>NOTE: AutoPower only works with constant power ignition.</i>
Band Enables	Default* Modified	Band Enables have been modified from their default settings	
Press BRT to go from one Band category to the next		Press VOLUME + or – to change your setting within a category	
X Band	On* / Off	Freq: 24.050 – 24.250 GHz	
K Band	On* / Off	<i>NOTE: When K Band is off, you can select separate segments of the band to turn on or off.</i>	
	KN1	Freq: 24.050 - 24.110 GHz	
	KN2	Freq: 24.110 - 24.175 GHz	
	KN3	Freq: 24.175 - 24.250 GHz	
	KN4	Freq: 23.950 - 24.050 GHz	
Ka Band	On* / Off	Freq: 33.400-36.000 GHz	
	<i>NOTE: When Ka Band is off, you can select separate segments of the band to turn on or off.</i>		
	KaN1	Freq: 33.400 - 33.700 GHz	KaN6 On / Off* Freq: 34.800 - 35.160 GHz
	KaN2	Freq: 33.700 - 33.900 GHz	KaN7 On / Off* Freq: 35.160 - 35.400 GHz
	KaN3	Freq: 33.900 - 34.200 GHz	KaN8 On* / Off Freq: 35.400 - 35.600 GHz
	KaN4	Freq: 34.200 - 34.600 GHz	KaN9 On / Off* Freq: 35.600 - 35.840 GHz
	KaN5	Freq: 34.600 - 34.800 GHz	KaN10 On / Off* Freq: 35.840 - 36.000 GHz
Ka-POP	On / Off*		
Laser	On* / Off		
TSR	On* / Off	Automatically rejects traffic flow sensors-monitoring false alarms	
Marker Enables	Default* Modified	Default Settings Marker Enables have been modified from their default settings	

Press BRT to go from one Marker category to the next

Other	On* / Off	Other location
Redlight	On* / Off	Red light camera
Red & Speed	On* / Off	Red light & speed camera
Speed Cam	On* / Off	Speed camera
Speed Trp	On* / Off	Speed trap
Air Patrol	On / Off*	Known aircraft patrolled areas <i>NOTE: User cannot mark an air patrol location.</i>
Clear Locations	Marked Lockouts Defender Format	Clear all user Marked locations. Press MUTE button to confirm Clear all lockouts. Press MUTE button to confirm Clear all DEFENDER data. Press MUTE button to confirm Clear DEFENDER database, all markers, and all lockouts Press MUTE button to confirm
Wi-Fi	On* / Off	Turns Wi-Fi Connect on or off
Bluetooth	On* / Off	Turns Bluetooth on or off
Auto Update	Off/Defender/ Software/All*	Automatically checks for selected updates when detector is powered on
Perform Update	Defender Software	Perform Defender update. Press MUTE to confirm Perform Software update. Press MUTE to confirm

*Default Setting

Notes for Settings & Preferences

For descriptions of features and functions available when connected to ESCORT Live, visit EscortRadar.com and download the MAX 360c Owner's Manual.

To view serial number and software revision press MRK and MUTE while powering on detector.

To restore MAX 360c to its original factory Settings, press and hold MRK and BRT while turning the power on. A "Restored" message will display, acknowledging the reset.

Software Updates

In its factory default settings MAX 360c automatically receives software updates from your connected vehicle's Wi-Fi network. See **Using Wi-Fi Connect** on page 6 for connection instructions.

The MAX 360c operating firmware and red light and speed camera database can also be updated using a USB A/Mini B cable (not included) connected to a computer using our detector software tools found on our web site. In order to have access to these updates, please register your MAX 360c at www.EscortRadar.com

Warranty

ESCORT One Year Limited Warranty

What this warranty covers: Escort, Inc. ("Escort") warrants your Product against all defects in materials and workmanship.

For how long: One (1) year from the date of original purchase from an authorized Escort dealer.

What we will do: If a breach of warranty occurs, Escort, at its discretion, will either repair or replace your Product free of charge.

What we will not do: Escort will not pay shipping charges that you incur for sending your Product to us.

What you must do to maintain this warranty: Show original proof of purchase or receipt from an authorized Escort dealer.

Warranty exclusions: This warranty does not apply to your product under any of the following conditions: 1.The serial number has been removed or modified. 2. Your product has been subjected to misuse or damage (including water damage, physical abuse, and/or improper installation). 3. Your product has been modified in any way. 4. Your receipt or proof-of-purchase is from a nonauthorized dealer or internet auction site, including E-bay, U-bid, or other non-authorized resellers. 5. You are not the original purchaser of the Product from an authorized dealer or did not receive it as a gift from the original purchaser of the Product from an authorized dealer.

To obtain service: 1. Contact ESCORT (1-800-543-1608) to obtain a Return Authorization Number. 2. Properly pack your Product and include: your name, complete return address, written description of the problem with your Product, daytime telephone number, and a copy of the original proof of purchase or receipt. 3. Label the outside of the package clearly with your Return Authorization Number. Ship the Product pre-paid (insured, for your protection) to: ESCORT, Inc., 5440 West Chester Rd., West Chester, OH 45069.

LIMITATION OF WARRANTY: The obligations set forth above are ESCORT's sole obligations and your exclusive remedy. **ESCORT makes no other express warranty. Any implied warranty of merchantability or fitness for a particular purpose that may be applicable to the Product is limited in duration to the duration of this warranty.** Some States do not allow limitations on how long an implied warranty lasts, so the above limitation may not apply to you. **ESCORT SHALL NOT BE LIABLE FOR CONSEQUENTIAL, SPECIAL OR INCIDENTAL DAMAGES INCLUDING, WITHOUT LIMITATION, DAMAGES ARISING OUT OF THE USE, MISUSE OR MOUNTING OF THE PRODUCT.**

Some States do not allow the exclusion or limitation of incidental or consequential damages, so the above limitation or exclusion may not apply to you. ESCORT is not responsible for products lost in shipment between the owner and our service center.

Other legal rights: This warranty gives you specific legal rights, and you may also have other rights which vary from State to State.

©2017 ESCORT Inc. ESCORT® is a registered trademark of ESCORT Inc.

Contact Us

Accessories

800.433.3487

EscortRadar.com

Designed in the USA by Escort, Inc.,
Manufactured in the Philippines

ESCORT Inc.
5440 West Chester Road
West Chester OH 45069

Sales / Service 800.433.3487
www.EscortRadar.com

©2017 ESCORT Inc. ESCORT®, MAX 360c®, Defender®, AutoLearn®, TrueLock™, AutoSensitivity™, SpecDisplay™, ExpertMeter™, ESCORT Live™, IVT Filter™, SmartMute™ and EZ Mag Mount™ are trademarks of ESCORT, Inc.

FCC NOTE: Modifications not expressly approved by the manufacturer could void the user's FCC granted authority to operate the equipment. FCC ID:QKLM6C.CONTAINS FCC ID:TFB-1003. This device complies with part 15 of the FCC rules. Operation is subject to the following two conditions: (1) This device may not cause harmful interference, and (2) This device must accept any interference received including interference that may cause undesired operation.

ESCORT Live Compatible



The Bluetooth® word mark and logos are registered trademarks owned by Bluetooth SIG, Inc. and any use of such marks by ESCORT is under license.

Quick Reference

ESCORT MAX 360c

360° Radar/Laser Detector with
Alert-Signaling Arrows

MAX 360c | Intelligent 360° Radar
Laser Detection



360° Directional
Alert Arrows



Connected Car's Wi-Fi
Provides Crowd Sourced
Alerts & Software Updates



GPS Intelligence
Rejects False Alerts



ESCORT Live App
Provides Crowd-
Sourced Alerts



Lightning Fast Response



360°
ALERTS

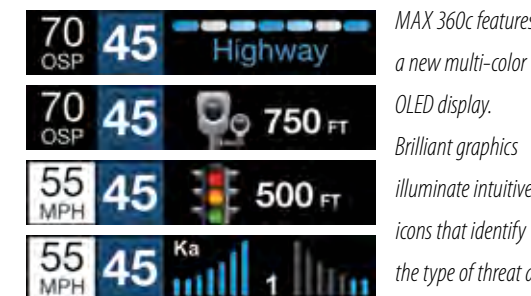
Congratulations



You've just purchased the MAX 360c with 360° directional arrows, GPS-based intelligence, plus Bluetooth® and Wi-Fi connectivity.

Go to EscortRadar.com for the full featured MAX 360c Owner's Manual.

Guía de Referencia Rápida Española traducida y manual con todas las funciones también son disponibles a www.EscortRadar.com



MAX 360c features a new multi-color OLED display. Brilliant graphics illuminate intuitive icons that identify the type of threat at a glance.

360° INTELLIGENT LONG-RANGE
RADAR - LASER DETECTION

2

MAX 360c Features

- Front and rear radar receivers offer 360° ticket protection.
- Threat direction arrows report the direction an alert is coming from.
- MAX 360c's GPS location-based intelligence automatically locks out false alerts and allows you to mark locations for future reference.
- Using Wi-Fi, MAX 360c gives you wireless access to ESCORT's DEFENDER Database, which warns you of verified speed traps, speed cameras, and red light cameras.
- MAX 360c with built in Bluetooth® and Wi-Fi technology, gives you access to ESCORT's award-winning app, ESCORT Live. Our exclusive real-time ticket-protection network which warns you of upcoming alerts received and reported by other users in the area, and gives you access to local speed limit data for over-speed alerts.



2

Registration and ESCORT Live

Before downloading ESCORT Live, you must first register your device. Be sure to have your device nearby, as you will need its serial number.

- Visit www.EscortRadar.com and click Product Registration.
- Click the "Registration for all devices" link.
- Follow the onscreen instructions to register your device.

Be sure to write down the username and password you create, as you will need this information to access and download ESCORT Live. (You will also receive an e-mail with this information, once you have registered your device.)

For iPhone:

- Ensure MAX 360c power is ON
- Open the App Store on your iPhone and search for **ESCORT Live Radar**.
- Follow the onscreen instructions to download **ESCORT Live Radar** and then open the app.
- When prompted, enter the username and password you created when registering your product at EscortRadar.com.
- Press the Settings button then select **Devices**.
- You should see **MAX 360c** listed with Not Connected underneath. Press the **MAX 360c** device entry and when prompted select Pair.
- The Bluetooth icon on the MAX 360c display will appear to confirm that it is paired to your iPhone.

3

For Android based smartphones:

- Ensure MAX 360c power is ON.
- On your smartphone go to Bluetooth® Settings and make sure that Bluetooth® is ON.
- Press Scan for devices and wait for the device list to populate, **MAX 360c** Live should appear under Available devices.
- Press the **MAX 360c** device entry.
- The Bluetooth icon on the MAX 360c display will appear to confirm that it is paired to your smartphone.
- Open Google Play on your smartphone and search for **Escort Live Radar**.
- Follow the onscreen instructions to download **Escort Live Radar** and then open the app.
- When prompted, enter the username and password you created when registering your product at EscortRadar.com.
- Open the app, walk through the tutorial, and you're ready to hit the road!



Installation

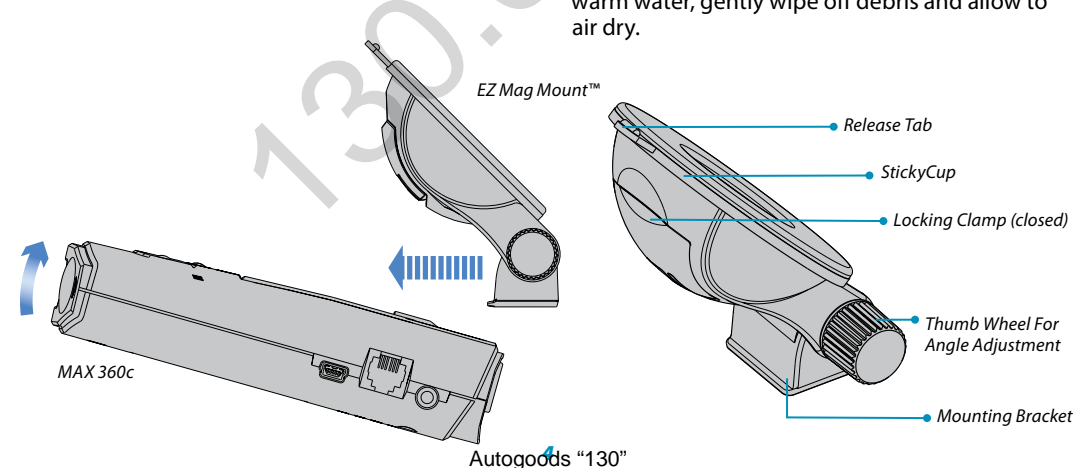
Your new detector comes with our latest **EZ Mag Mount™**. Simply tilt the display end of the detector up and slide it onto the mounting bracket. The magnetic mount holds the detector in place. To remove the detector from the mount, simply lift the display end of the detector and the detector releases from the mount.

Mounting Tips:

- Center of windshield between driver and passenger.
- Ensure clear view of road ahead and sky above.
- Avoid windshield wipers and heavily tinted areas.

To mount the detector in your vehicle:

- Remove paper backing from EZ Mag Mount™ StickyCup.
- Ensure the locking clamp is open.



Autogodds "130"

Controls & Features

Using MAX 360c

- Plug small end of SmartCord USB into modular jack on MAX 360c and large end of SmartCord USB into your car's lighter/accessory socket.
- MAX 360c should power on automatically. If not, press the device's power button.

Using Wi-Fi Connect

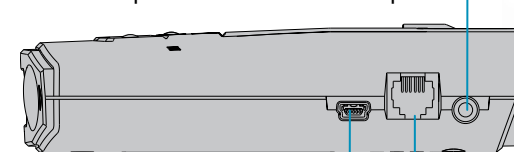
To connect MAX 360c to your connected vehicle's Wi-Fi network.

- Follow the directions on page 3 to register your MAX 360c, download the ESCORT Live app and pair the MAX 360c to your smartphone.
- In the ESCORT Live app press Settings, select **Wi-Fi Settings** then **Connect to Wi-Fi Network**.
- Enter your connected vehicle's Wi-Fi network password.

After successfully connecting and when powering up, MAX 360c will briefly display the connected Wi-Fi network's name. The speed limit indicator will be white when receiving Escort Live data from Wi-Fi (see page 6).

Earphone Jack

Connects to optional 3.5 mm stereo earphone



Mini USB Jack

Connects to your computer via USB A / Mini B cable for downloading software updates

Modular Jack
Connects to SmartCord USB for powering your device



SmartCord USB Adapter
Connects to lighter/accessory socket

5

Controls & Features

Mount Area
The EZ Mag Mount™ attaches to device here

Sensitivity (SEN)

Press to adjust detector sensitivity (Auto, Auto NoX, AutoLoK, and Highway)

Power
Press to turn MAX 360c on or off

Brightness (BRT)

Press to adjust display brightness (Min, Med, Max, Auto, Dark)

Volume

Press and hold + or - to adjust volume

Mark Location (MRK)

To mark a location for future alerts, press MRK twice, then VOL + or - to select the type of marker, then MRK again to confirm. Press twice while receiving marker alert to unmark

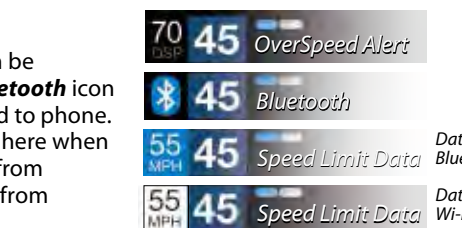
Display (OSP)

OverSpeed alert setting, can be adjusted in Preferences. **Bluetooth** icon will appear here when paired to phone. Speed limit data will appear here when receiving ESCORT Live data from smartphone's **Bluetooth** or from vehicle's **Wi-Fi**.

Display
Alert area

Display
Current speed

Mute
Press to mute an alert; press three times to lock out a false alert; press twice while receiving a locked-out alert to unlock



Continued →

6