



PHONES

0 (800) 800 130
(050) 462 0 130
(063) 462 0 130
(067) 462 0 130

130
COM.UA

Internet store of
autogoods



SKYPE

km-130

CAR RECEIVERS — Receivers • Media receivers and stations • Native receivers • CD/DVD changers • FM-modulators/USB adapters • Flash memory • Facia plates and adapters • Antennas • Accessories |
CAR AUDIO — Car audio speakers • Amplifiers • Subwoofers • Processors • Crossovers • Headphones • Accessories | TRIP COMPUTERS — Universal computers • Model computers • Accessories |
GPS NAVIGATORS — Portable GPS • Built-in GPS • GPS modules • GPS trackers • Antennas for GPS navigators • Accessories | VIDEO — DVR • TV sets and monitors • Car TV tuners • Cameras • Videomodules
• Transcoders • Car TV antennas • Accessories | SECURITY SYSTEMS — Car alarms • Bike alarms • Mechanical blockers • Immobilizers • Sensors • Accessories | OPTIC AND LIGHT — Xenon • Bixenon • Lamps
• LED • Stroboscopes • Optic and Headlights • Washers • Light, rain sensors • Accessories | PARKTRONICS AND MIRRORS — Rear parktronic • Front parktronic • Combined parktronic • Rear-view mirrors
• Accessories | HEATING AND COOLING — Seat heaters • Mirrors heaters • Screen-wipers heaters • Engine heaters • Auto-refrigerators • Air conditioning units • Accessories | TUNING — Vibro-isolation
• Noise-isolation • Tint films • Accessories | ACCESSORIES — Radar-detectors • Handsfree, Bluetooth • Windowlifters • Compressors • Beeps, loudspeakers • Measuring instruments • Cleaners • Car seats
• Miscellaneous | MOUNTING — Installation kits • Upholstery • Grilles • Tubes • Cable and wire • Tools • Miscellaneous | POWER — Batteries • Converters • Start-charging equipment • Capacitors
• Accessories | MARINE AUDIO AND ELECTRONICS — Marine receivers • Marine audio speakers • Marine subwoofers • Marine amplifiers • Accessories | CAR CARE PRODUCTS — Additives • Washer fluid •
Care accessories • Car polish • Flavors • Adhesives and sealants | LIQUID AND OIL — Motor oil • Transmission oil • Brake fluid • Antifreeze • Technical lubricant



In store "130" you can find and buy almost all necessary goods for your auto in Kyiv and other cities, delivery by ground and postal services. Our experienced consultants will provide you with exhaustive information and help you to choose the very particular thing. We are waiting for you at the address

<https://130.com.ua>



PARTS CATALOG

GRASS-TRIMMER / BRUSHCUTTER

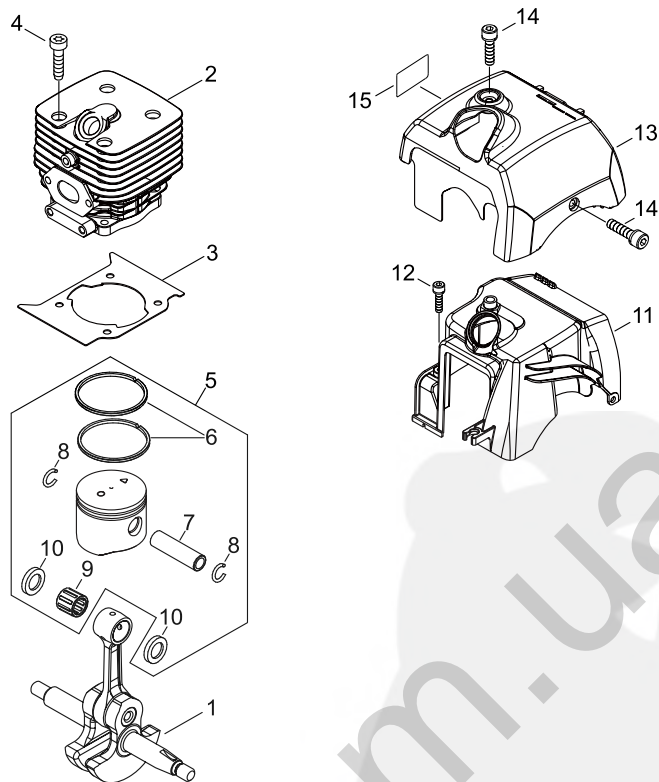
SRM-520ES/U(37)

37000001 -



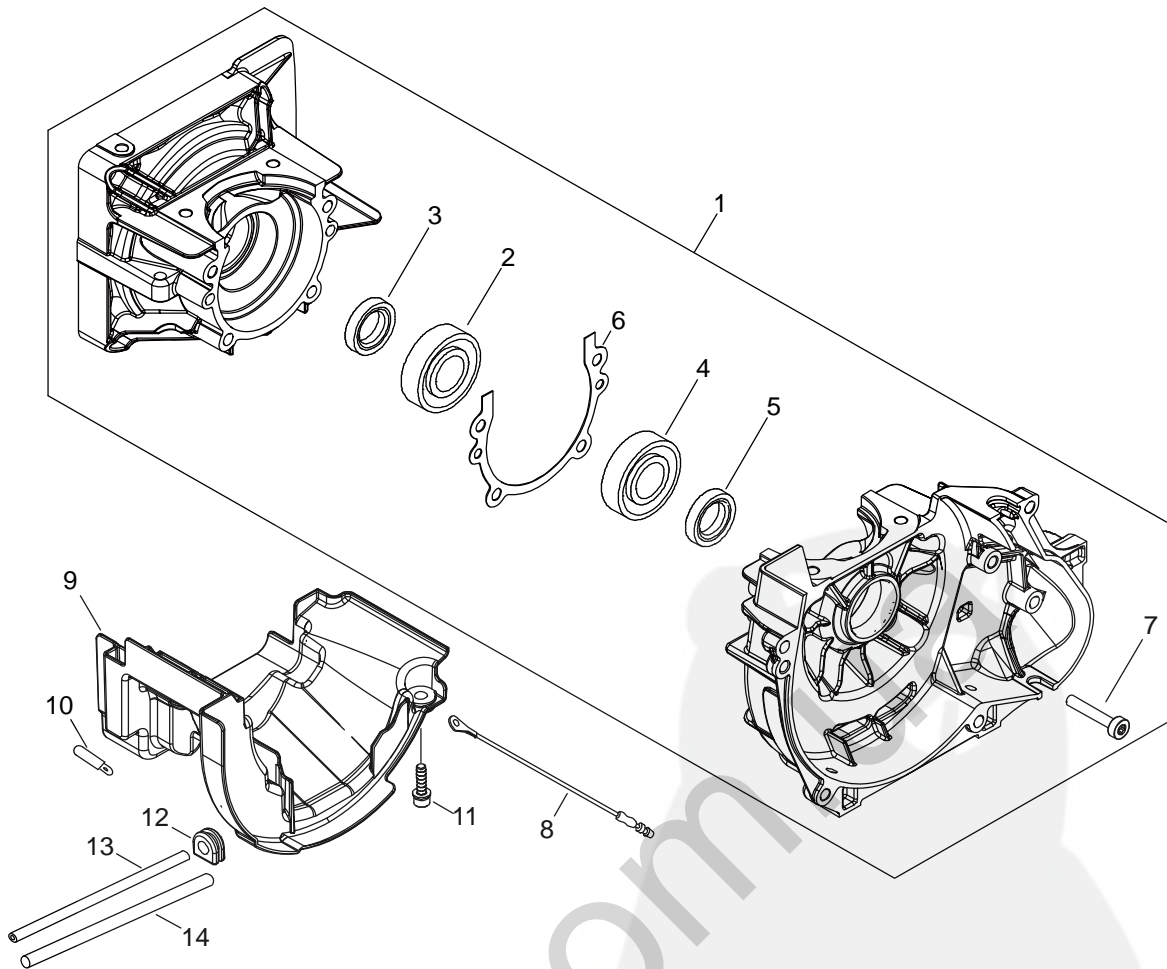
P014-003950-14Eb

1. CYLINDER, PISTON, CRANKSHAFT



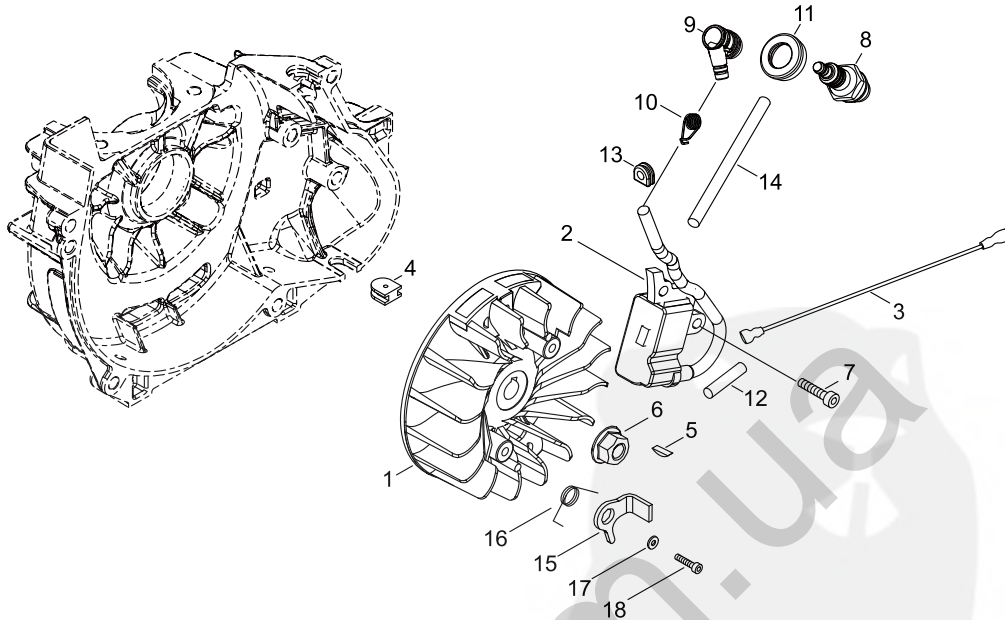
KEY	LV	PART NUMBER	Q'TY	DESCRIPTION	REMARKS	NOTE1	NOTE2
1		A011-001350	1	CRANKSHAFT,ASY			
2		A130-002190	1	CYLINDER			
3		V100-000790	1	GASKET,CYL			
4		V805-000210	4	BOLT, TORX 5	TB-5*20 12.9		
5		P021-047110	1	PISTON KIT			
6	+	A101-000070	2	RING,PISTON			
7	+	V609-000000	1	PIN,ENG 11			
8	+	100015-32330	2	CIRCLIP, PISTON PIN			
9	+	V556-000000	1	BEARING,NEEDLE 11	KBK11*15*15.8X2		
10	+	V308-000100	2	WASHER,CIRCULAR 11			
11		A160-002930	1	COVER,CYLINDER			
12		V835-000000	1	BOLT, TORX 5			
13		A160-002631	1	COVER,CYLINDER			
14		V835-000000	2	BOLT, TORX 5			
15		X547-002410	1	LABEL,ECHO			

2. CRANKCASE



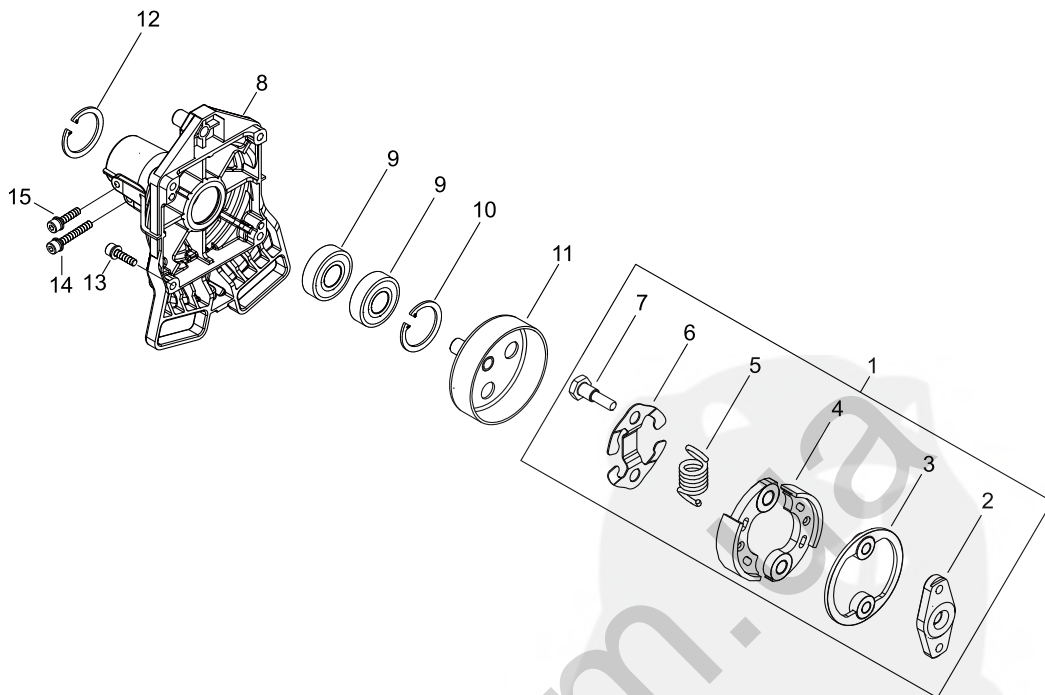
KEY	LV	PART NUMBER	Q'TY	DESCRIPTION	REMARKS	NOTE1	NOTE2
1		P021-047120	1	CRANK CASE SET			
2	+	900810-36202	1	BEARING, BALL 6202	6202/C3		
3	+	100213-00310	1	OILSEAL	ISCD 15 25 7		
4	+	900810-36202	1	BEARING, BALL 6202	6202/C3		
5	+	100213-00310	1	OILSEAL	ISCD 15 25 7		
6	+	V102-000260	1	GASKET, CRANKCASE			
7	+	V805-000180	4	BOLT, TORX 5	TB-5*30 12.9		
8		V485-002570	1	LEAD			
9		A209-000740	1	PLATE, INSULATOR			
10		159116-21231	1	CLAMP			
11		V835-000000	2	BOLT, TORX 5			
12		156110-04920	1	BUSHING			
13		V471-000740	1	PIPE			
14		V475-008080	1	TUBE			

3. MAGNETO



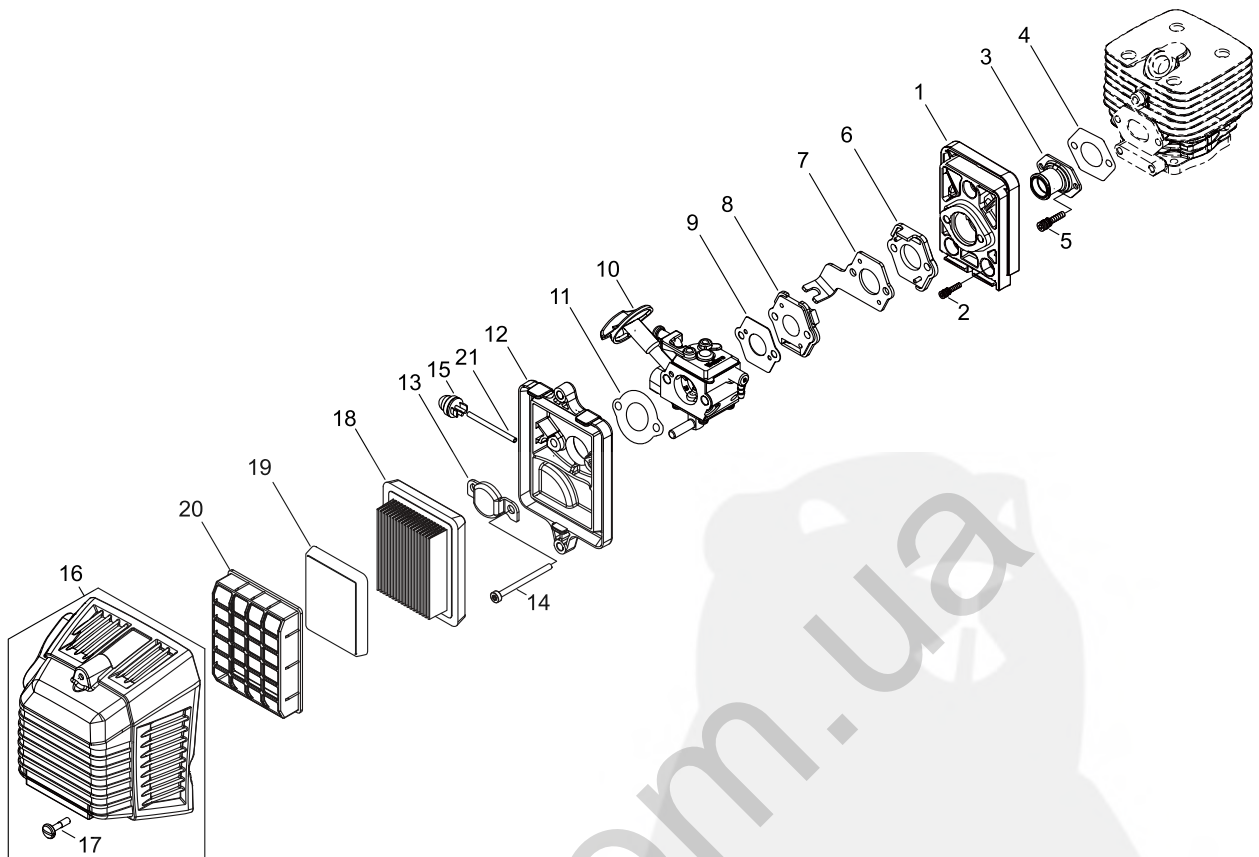
KEY	LV	PART NUMBER	Q'TY	DESCRIPTION	REMARKS	NOTE1	NOTE2
1		A409-001210	1	ROTOR, MAGNETO			
2		A411-001480	1	COIL, IGNITION			
3		V485-002331	1	LEAD			
4		156114-07320	1	GROMMET			
5		100142-12330	1	KEY, WOODRUFF			
6		92105-08000	1	NUT, FLANGE	M8*1.25 L		
7		V805-000150	2	BOLT, TORX 5	TB-5*16 10.9		
8		A425-000000	1	SPARKPLUG	BPMR8Y		
9		A427-000060	1	CAP, SPARK PLUG			
10		A426-000010	1	TERMINAL, SPARKPLUG			
11		A429-000090	1	COVER, CAP			
12		V475-007540	1	TUBE			
13		156110-04920	1	BUSHING			
14		V475-007550	1	TUBE			
15		A514-000280	2	PAWL			
16		V452-001471	2	SPRING, TORSION			
17		177247-04630	2	SPACER, RATCHET	5.2*8*2.1		
18		V805-000140	2	BOLT, TORX 5	TB-5*12 10.9		

4. CLUTCH



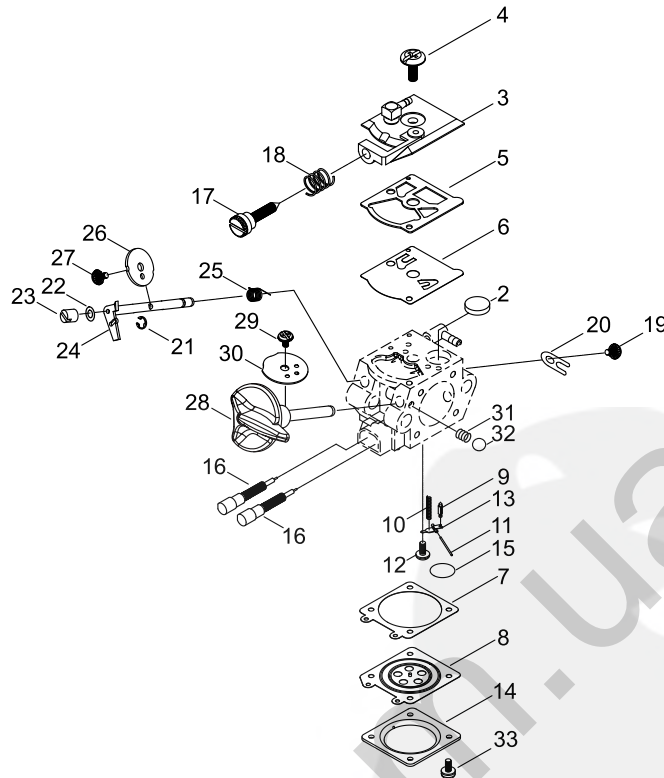
KEY	LV	PART NUMBER	Q'TY	DESCRIPTION	REMARKS	NOTE1	NOTE2
1		P021-047140	1	CLUTCH ASY			
2	+	175016-54430	1	HUB, CLUTCH			
3	+	V376-001650	1	SPACER			
4	+	A553-000040	2	ARM, CLUTCH			
5	+	A566-000260	1	SPRING, CLUTCH			
6	+	V453-000100	1	SPRING, FLAT	10.2		
7	+	A557-000200	2	SHAFT, CLUTCH			
8		A570-000291	1	CASE, CLUTCH			
9		94018-46001	2	BEARING, BALL			
10		900702-00028	1	CIRCLIP 28	CR-28		
11		A556-000181	1	DRUM, CLUTCH			
12		900701-00012	1	CIRCLIP 12	CS-12		
13		V805-000160	4	BOLT, TORX 5	TB-5*20 10.9		
14		V805-000160	1	BOLT, TORX 5	TB-5*20 10.9		
15		V805-000130	1	BOLT, TORX 5	TB-5*10 10.9		

5. AIR CLEANER, CARBURETOR



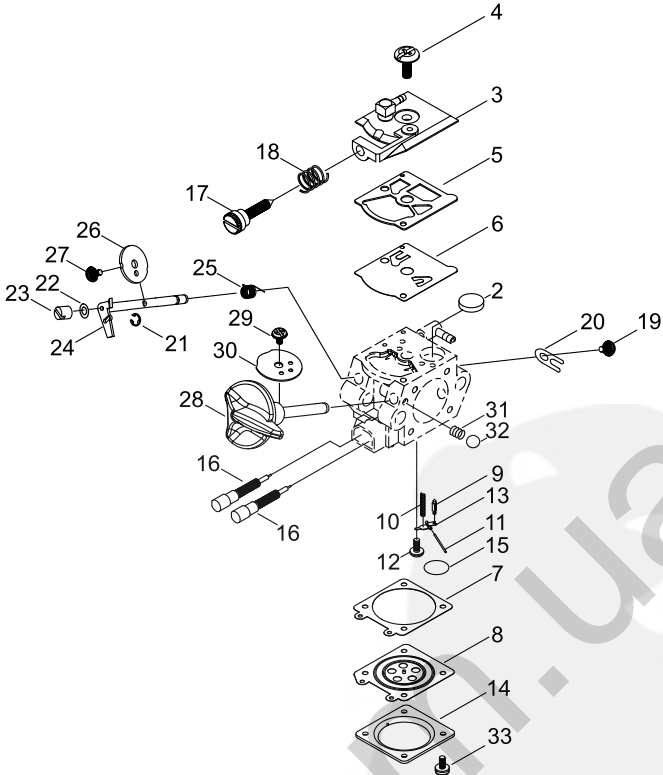
KEY	LV	PART NUMBER	Q'TY	DESCRIPTION	REMARKS	NOTE1	NOTE2
1		A200-000990	1	INSULATOR, INTAKE			
2		V855-000000	3	BOLT, TORX 5	TB-5*20		
3		A202-000270	1	BELLOWS, INTAKE			
4		V103-001620	1	GASKET,INTAKE			
5		V835-000010	2	BOLT, TORX 5	TB-5*12 10.9		
6		A209-000720	1	PLATE, INSULATOR			
7		C487-000410	1	HOLDER, CABLE			
8		A209-000840	1	PLATE, INSULATOR			
9		V103-001610	1	GASKET,INTAKE			
10		A021-004220	1	CARBURETOR,DIAPHRAGM			
11		V103-000500	1	GASKET,INTAKE	ASK NO.4600		
12		A225-000690	1	CASE,CLEANER			
13		A244-000290	1	PLATE, PREVENT			
14		V805-000330	2	BOLT, TORX 5			
15		123181-39130	1	PUMP, PRIMER			
16		P021-047150	1	CLEANER LID ASY			
17	+	V253-000100	2	SCREW,5	5*20		
18		A226-001730	1	ELEMENT,AIR FILTER			
19		A226-001740	1	ELEMENT, AIR FILTER			
20		A227-000040	1	PLATE, ELEMENT			
21		V471-001300	1	PIPE	2.4*5*65		

6. CARBURETOR



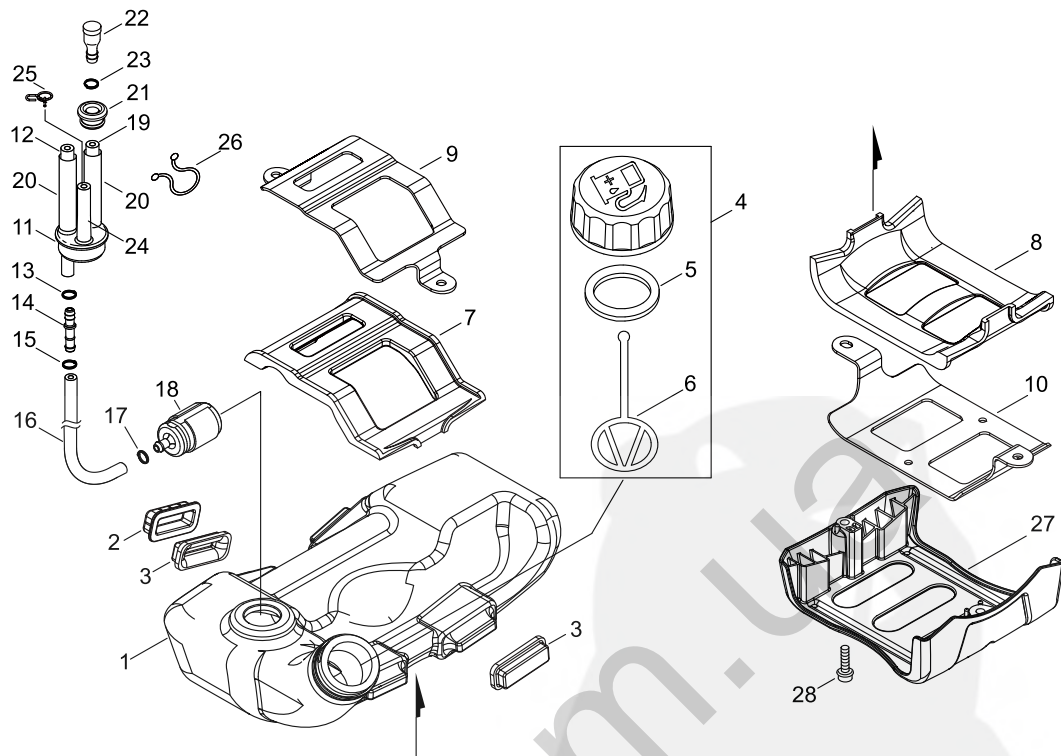
KEY	LV	PART NUMBER	Q'TY	DESCRIPTION	REMARKS	NOTE1	NOTE2
		A021-004220	1	CARBURETOR,DIAPHRAGM			
2	+	123126-10631	1	SCREEN, INLET			
3	+	P003-005450	1	PUMP COVER ASY			
4	+	123110-03930	1	SCREW, PUMP COVER			
5	+	123125-15030	1	GASKET, FUEL PUMP			
6	+	123112-15030	1	DIAPHRAGM, FUEL PUMP			
7	+	123140-27230	1	GASKET, M. DIAPHRAGM			
8	+	P003-001850	1	DIAPHRAGM, METERING			
9	+	123137-19830	1	VALVE, INLET NEEDLE			
10	+	123122-03660	1	SPRING, METER. LEVER			
11	+	123138-03930	1	PIN, METERING LEVER			
12	+	123139-03930	1	SCREW, M. LEVER PIN			
13	+	123123-03930	1	LEVER, METERING			
14	+	123142-03930	1	COVER, M. DIAPHRAGM			
15	+	123146-10631	1	PLUG, WELCH			
16	+	P003-002270	2	NEEDLE			
17	+	123134-04260	1	SCREW, IDLE ADJUST			
18	+	123133-04260	1	SPRING, IDLE ADJUST			
19	+	P003-005120	1	SCREW			
20	+	123127-03930	1	CLIP, THROTTLE SHAFT			
21	+	123173-07930	1	CLIP			
22	+	123149-54230	1	WASHER			
23	+	P003-005460	1	SWIVEL			
24	+	P003-005020	1	SHAFT ASM THROTTLE			
25	+	123113-47530	1	SPRING, THR. RTN.			

6. CARBURETOR



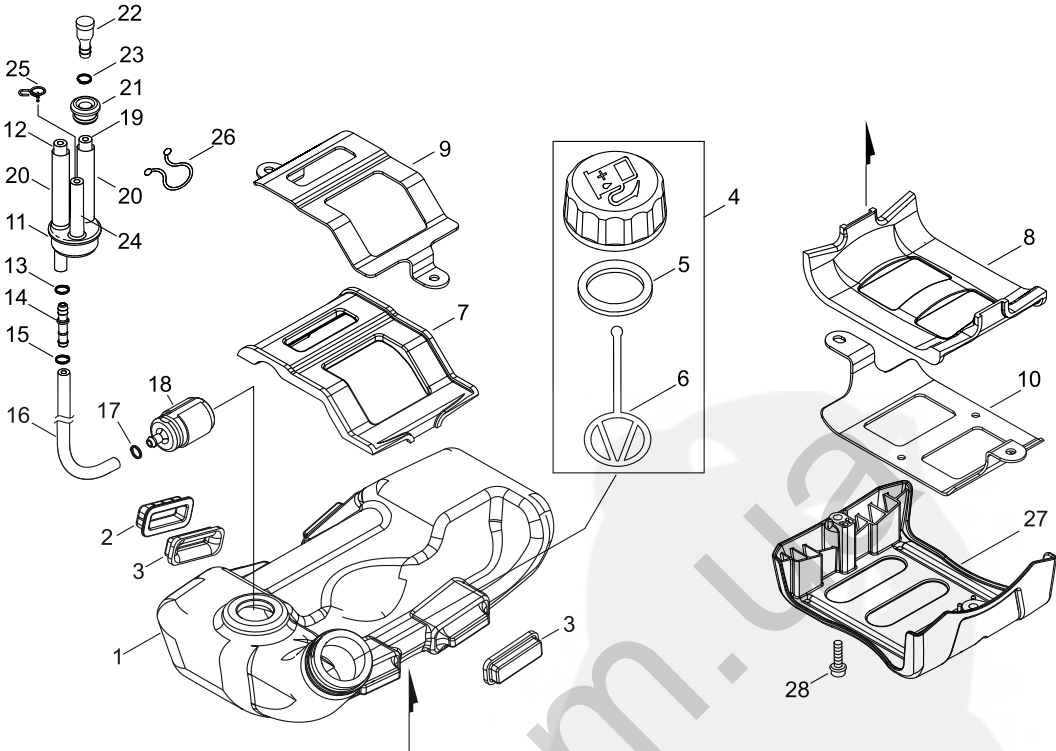
KEY	LV	PART NUMBER	Q'TY	DESCRIPTION	REMARKS	NOTE1	NOTE2
26	+	P003-000310	1	VALVE THROTTLE			
27	+	P003-002380	1	SCREW			
28	+	P003-005470	1	SHAFT ASY. CHOKE			
29	+	123114-38830	1	SCREW			
30	+	P003-001790	1	VALVE, CHOKE			
31	+	123135-10630	1	SPRING, CHOKE FRICT.			
32	+	123136-10630	1	BALL, CHOKE FRICTION			
33	+	123130-02960	4	SCREW			

7. FUEL TANK



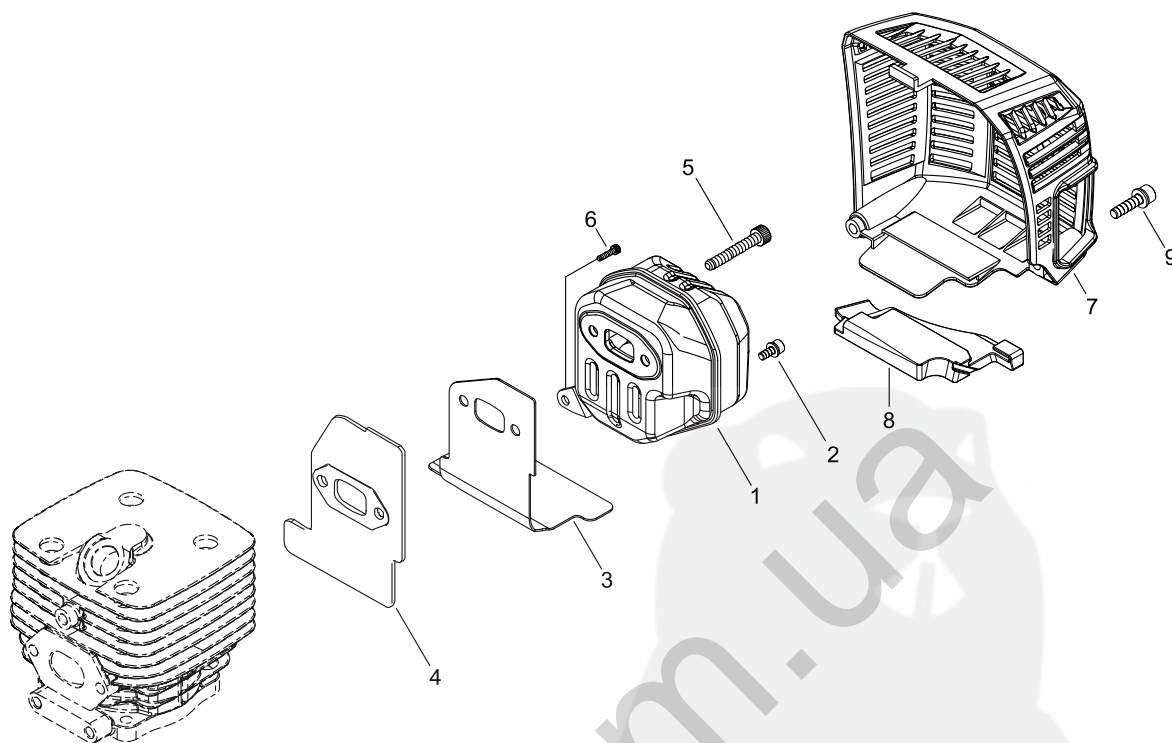
KEY	LV	PART NUMBER	Q'TY	DESCRIPTION	REMARKS	NOTE1	NOTE2
1		A350-002020	1	TANK, FUEL			
2		V423-000130	2	HOLDER,CUSHION			
3		V420-004860	4	CUSHION			
4		P021-012210	1	CAP,FUEL ASY			
5	+	131016-55830	1	GASKET, FUEL CAP			
6	+	A365-000060	1	CONNECTOR,CAP	L=123		
7		A390-000050	1	SEAT,FUEL TANK			
8		A390-000060	1	SEAT,FUEL TANK			
9		A393-000320	1	BRACKET,FUEL TANK			
10		A393-000330	1	BRACKET,FUEL TANK			
11		132115-55930	1	GROMMET, FUEL			
12		V471-002310	1	PIPE	3*6*130		
13		V490-001240	1	CLIP			
14		V186-000510	1	JOINT,PIPE			
15		130111-00530	1	CLIP	5.5		
16		V470-000840	1	PIPE			
17		V490-001240	1	CLIP			
18		A369-000001	1	STRAINER, FUEL	125-528		
19		130110-14530	1	PIPE, IMPULSE	3*6*135L		
20		V475-007720	2	TUBE	8*9*80		
21		132115-01461	1	GROMMET			
22		131300-56431	1	VENT ASSEMBLY, FUEL			
23		V490-001240	1	CLIP			
24		V471-000630	1	PIPE			
25		V490-000510	1	CLIP			

7. FUEL TANK



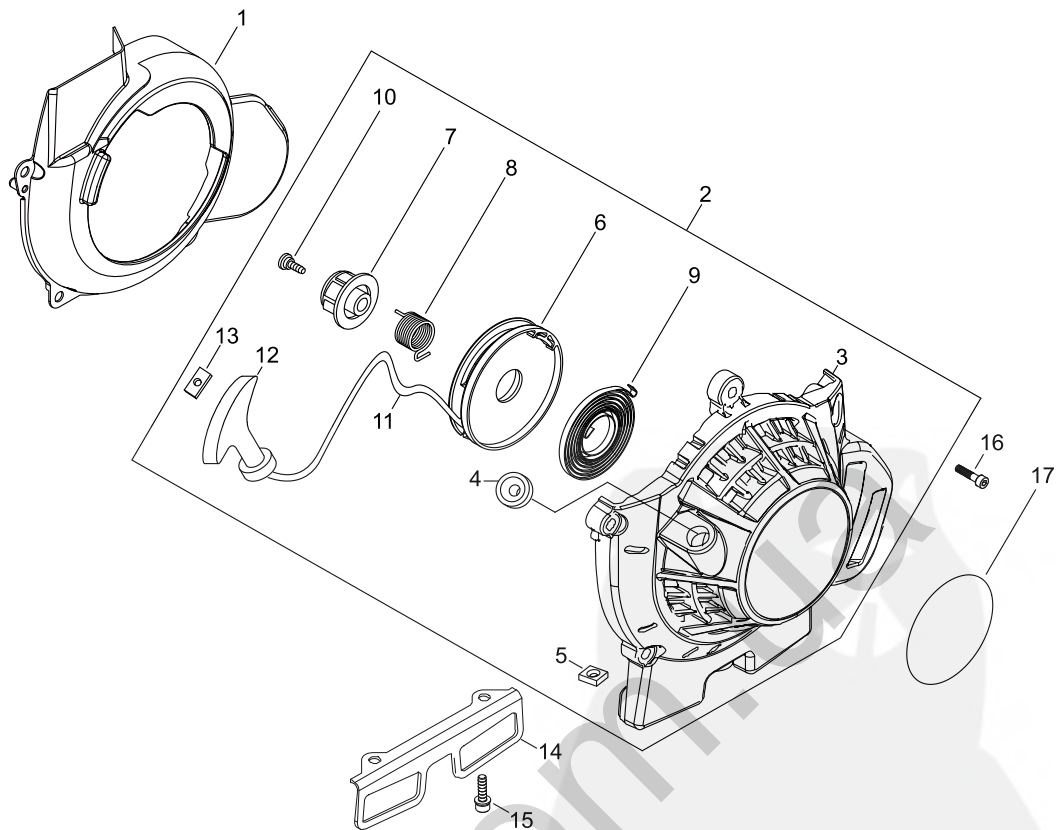
KEY	LV	PART NUMBER	Q'TY	DESCRIPTION	REMARKS	NOTE1	NOTE2
26		V491-000460	1	CLIP			
27		A175-000331	1	STAND			
28		V835-000030	2	BOLT, TORX 5	TB-5*20 10.9		

8. MUFFLER



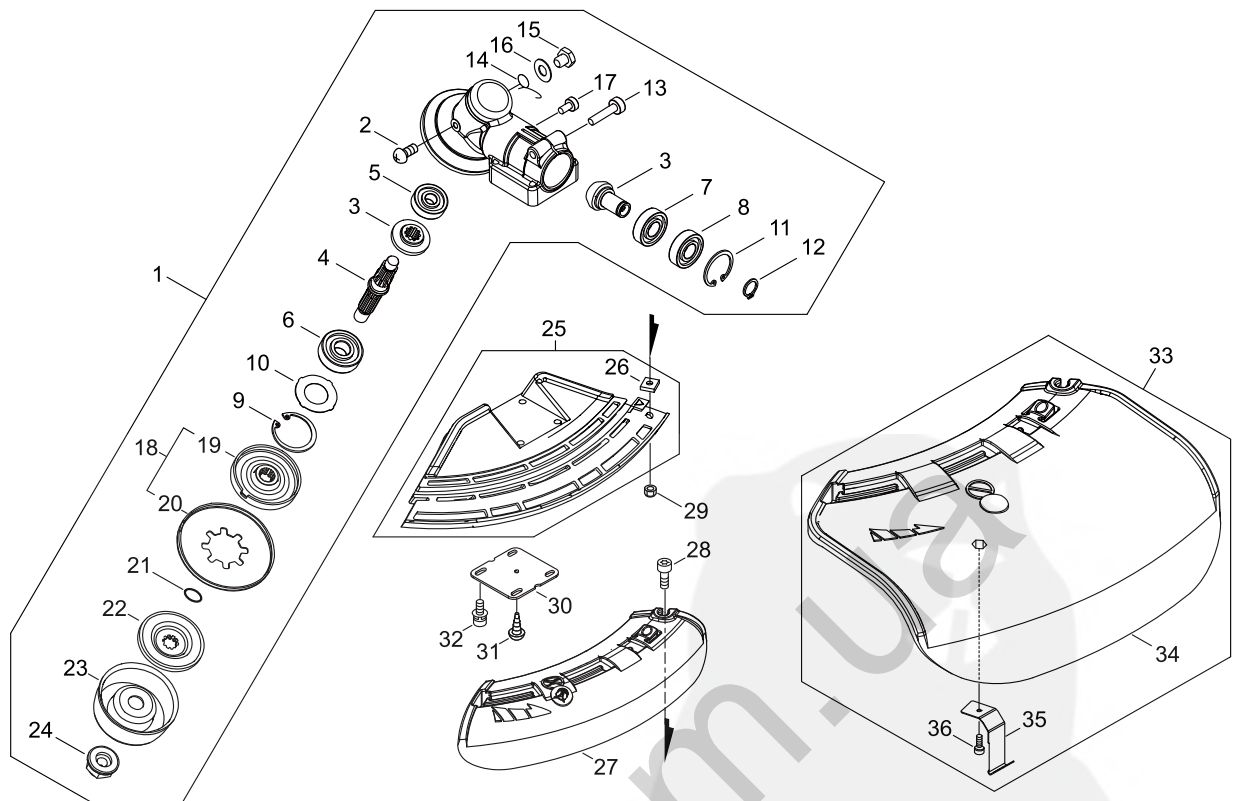
KEY	LV	PART NUMBER	Q'TY	DESCRIPTION	REMARKS	NOTE1	NOTE2
1		A300-001850	1	MUFFLER, EXHAUST			
2		V804-000030	1	BOLT, TORX 4	TB-4*8 10.9		
3		V104-002170	1	GASKET, EXHAUST			
4		V104-002030	1	GASKET, EXHAUST			
5		V806-000050	2	BOLT, TORX 6	TB-6*20 12.9		
6		V805-000300	1	BOLT, TORX 5	TB-5*12 12.9		
7		A320-001100	1	COVER, MUFFLER			
8		V541-000540	1	SEAL			
9		V805-000260	2	BOLT, TORX 5	TB5*25 10.9		

9. RECOIL STARTER, PULLY



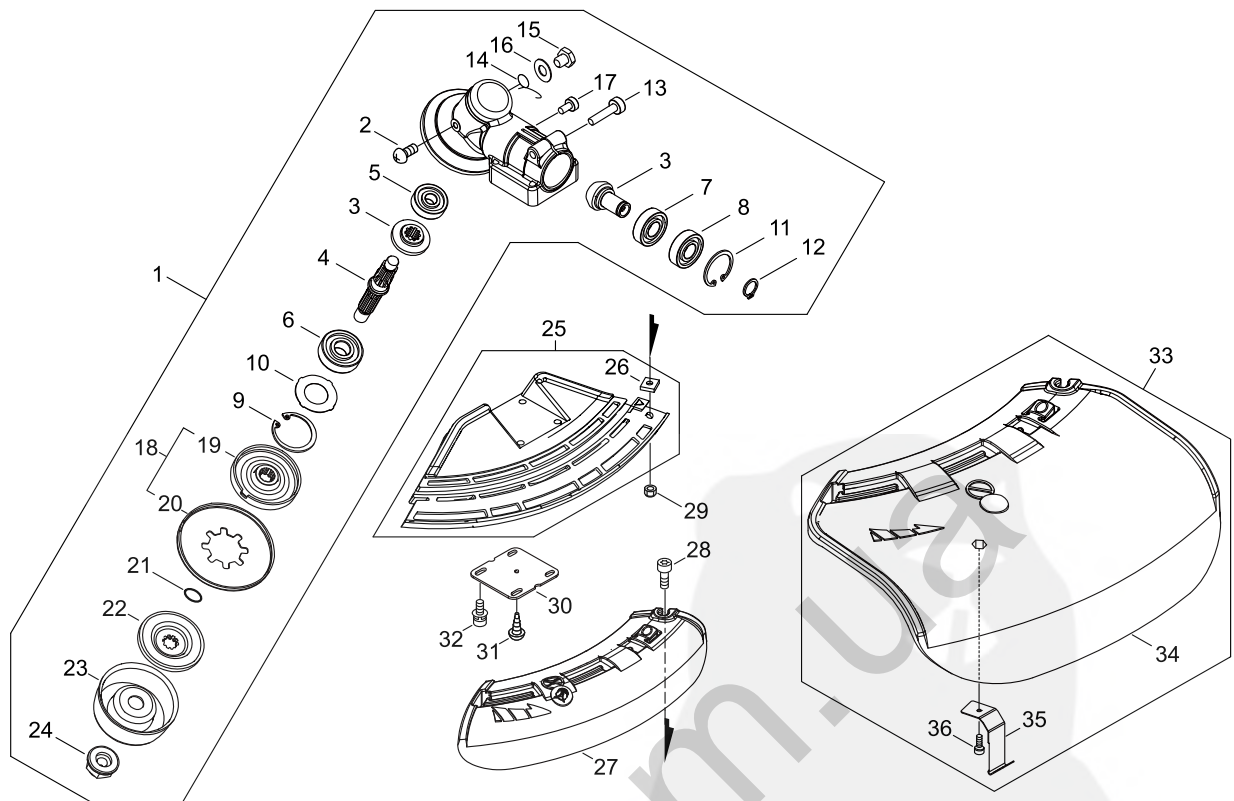
KEY	LV	PART NUMBER	Q'TY	DESCRIPTION	REMARKS	NOTE1	NOTE2
1		A172-002600	1	COVER,FAN			
2		A051-002881	1	STARTER,RECOIL ASY			
3	+	P022-037550	1	STARTER CASE			
4	+	177227-42030	1	GUIDE, ROPE			
5	+	900565-00005	1	NUT	5		
6	+	P022-023140	1	DRUM, STARTER			
7	+	P022-033830	1	CAM			
8	+	P022-023120	1	SPRING,DAMPER			
9	+	P022-004680	1	SPRING, SPIRAL			
10	+	P022-023110	1	SCREW			
11	+	P022-037560	1	ROPE, STARTER			
12	+	177228-11120	1	GRIP, STARTER			
13	+	177246-11120	1	CLIP, STARTER ROPE			
14		A393-000300	1	BRACKET,FUEL TANK	T1.5		
15		V805-000150	2	BOLT, TORX 5	TB-5*16 10.9		
16		V835-000030	4	BOLT, TORX 5	TB-5*20 10.9		
17		X502-000900	1	LABEL,ECHO			

10. GEAR CASE, SHIELD



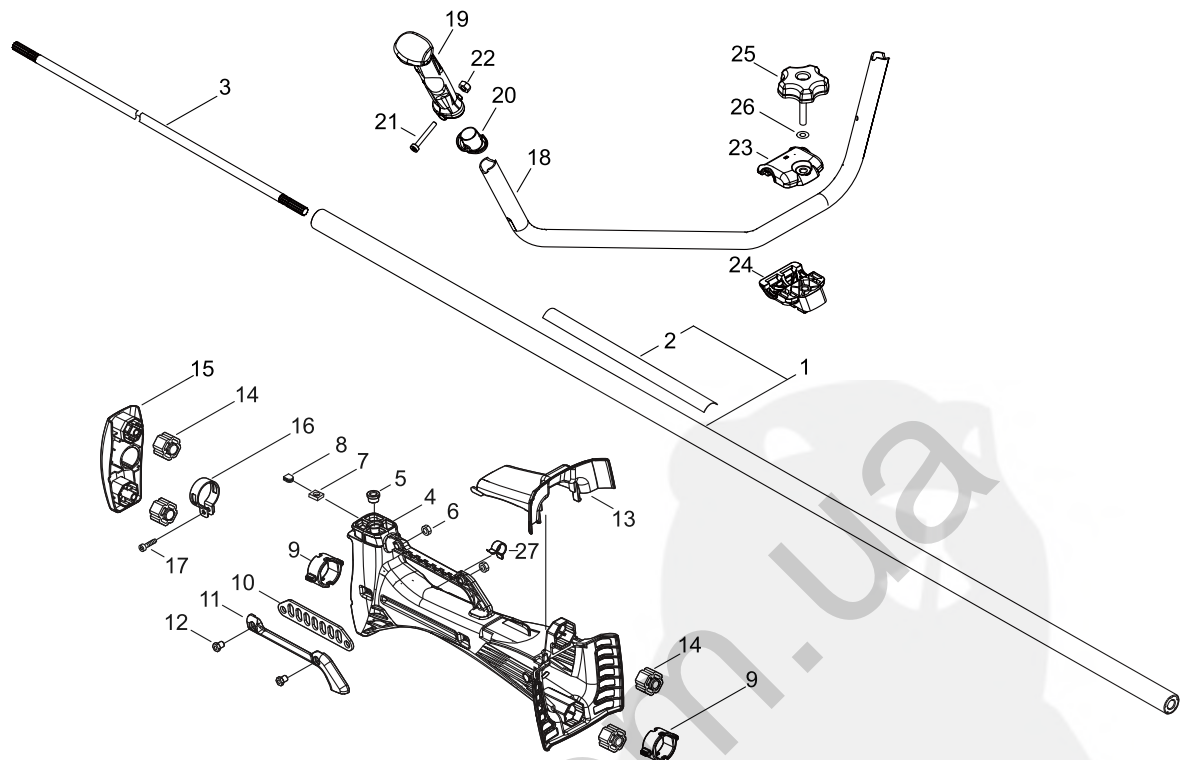
KEY	LV	PART NUMBER	Q'TY	DESCRIPTION	REMARKS	NOTE1	NOTE2
1		P021-041342	1	CASE,GEAR			
2	+	900220-04006	1	SCREW 4*6	4*6		
3	+	610300-56930	1	GEAR SET			
4	+	610310-56933	1	SHAFT, P.T.O.	12*10*1		
5	+	900810-00629	1	BEARING, BALL 629			
6	+	900812-06201	1	BEARING, BALL 6201			
7	+	900800-06001	1	BEARING, BALL 6001			
8	+	900803-06001	1	BEARING, BALL 6001			
9	+	900702-00032	1	CIRCLIP 32	CR-32		
10	+	610444-56830	1	WASHER			
11	+	900702-00028	1	CIRCLIP 28	CR-28		
12	+	900701-00012	1	CIRCLIP 12	CS-12		
13	+	V806-000100	1	BOLT, TORX 6	TB-6*30 10.9		
14	+	V452-001310	1	SPRING,TORSION			
15	+	610434-50031	1	BOLT 8* 8	M8*8		
16	+	900603-50008	1	WASHER	8.5*18*0.8T		
17	+	V805-000130	1	BOLT, TORX 5	TB-5*10 10.9		
18	+	610313-52932	1	FIXTURE,BLADE			
19	++	610313-52132	1	FIXTURE,BLADE			
20	++	610352-56830	1	PLATE, CUP			
21	+	900720-00012	1	O-RING 12	P-12		
22	+	610314-52130	1	PLATE, ADAPTER (L)			
23	+	699229-56830	1	PLATE, COVER			
24	+	610320-52130	1	NUT 10			
25		C550-000511	1	SHIELD,BLADE			

10. GEAR CASE, SHIELD



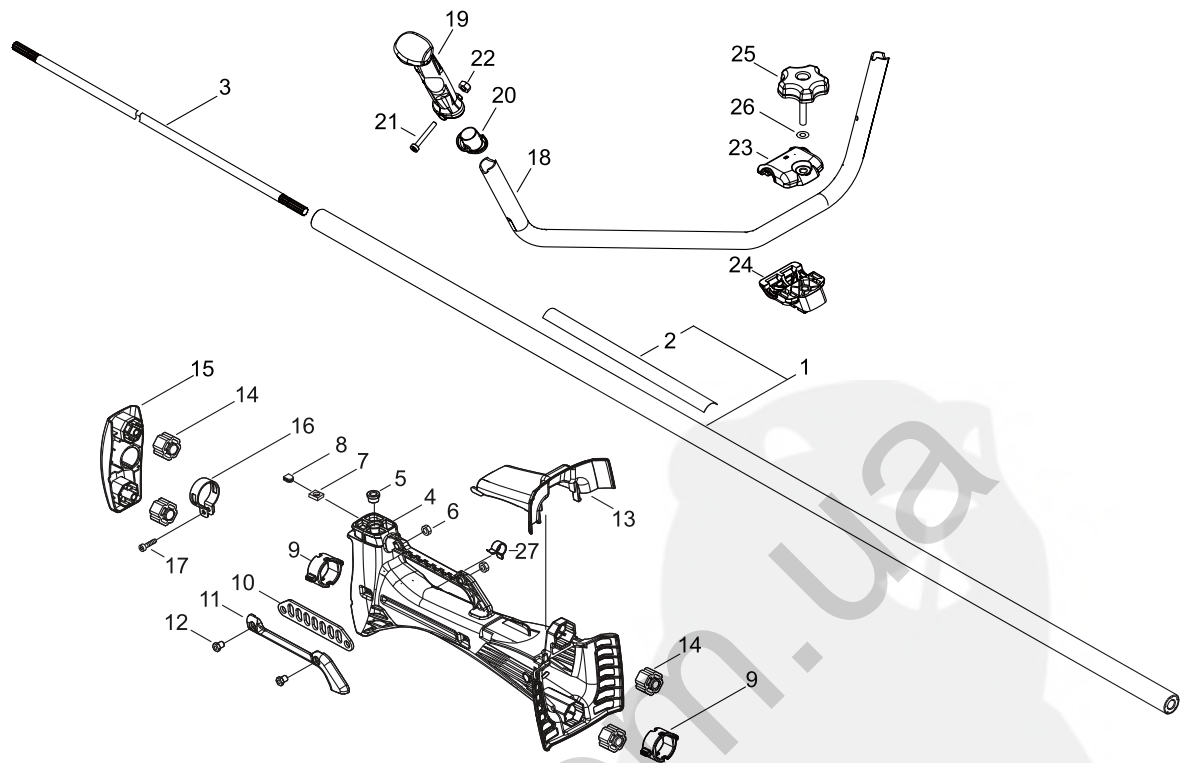
KEY	LV	PART NUMBER	Q'TY	DESCRIPTION	REMARKS	NOTE1	NOTE2
26	+	900565-00005	1	NUT	5		
27		C550-000551	1	SHIELD, BLADE			
28		V805-000170	1	BOLT, TORX 5	TB-5*25 10.9		
29		900562-00005	1	NUT, LOCK	5		
30		C552-000200	1	PLATE, SHIELD			
31		91316-04010	1	SCREW	M4*10		
32		V805-000260	4	BOLT, TORX 5	TB5*25 10.9		
33		P021-041320	1	SHIELD ASY, BLADE			
34	+	C550-000570	1	SHIELD, BLADE			
35	+	C554-000030	1	KNIFE, CORD	17INCH		
36	+	V805-000150	1	BOLT, TORX 5	TB-5*16 10.9		

11. MAIN PIPE, HANDLE



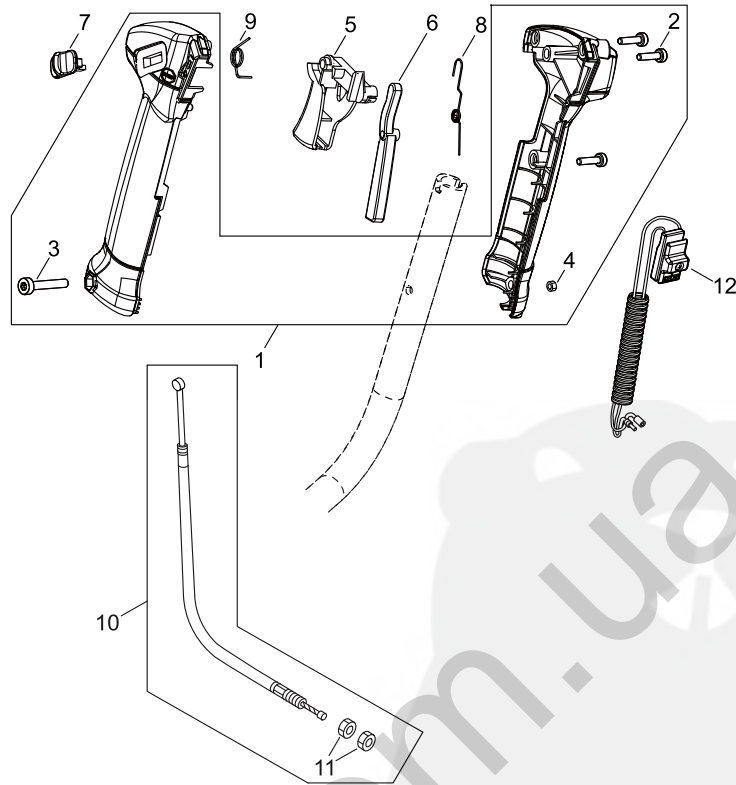
KEY	LV	PART NUMBER	Q'TY	DESCRIPTION	REMARKS	NOTE1	NOTE2
1		P021-047220	1	MAIN PIPE ASY			
2	+	890617-43130	1	LABEL,CAUTION			
3		610011-49931	1	SHAFT, DRIVE			
4		C415-000170	1	SUPPORTER, HANDLE			
5		V355-000750	1	COLLAR,8	SRM-420ES		
6		V263-000020	2	NUT,5			
7		900565-50008	1	NUT			
8		101538-28230	1	GROMMET,PLUG			
9		C427-000050	2	STOPPER, HANDLE			
10		V150-003590	1	PLATE,EYE			
11		C648-000030	1	HOLDER,LIFTING			
12		V805-000150	2	BOLT, TORX 5	TB-5*16 10.9		
13		C480-000140	1	GUIDE, CABLE			
14		V420-004100	4	CUSHION			
15		C610-000060	1	FIXTURE, CUSHION			
16		V495-002880	1	BAND			
17		V805-000150	1	BOLT, TORX 5	TB-5*16 10.9		
18		C400-001440	1	HANDLE,FRONT			
19		C403-000810	1	GRIP, HANDLE			
20		C441-000000	1	PIECE,HAND GUARD			
21		V805-000070	1	BOLT, TORX 5	TB-5*40 10.9		
22		900562-50005	1	LOCKNUT 5	5		
23		C423-000960	1	FIXTURE, HANDLE			
24		C423-000970	1	FIXTURE, HANDLE			
25		V299-000110	1	KNOB,FASTENER			

11. MAIN PIPE, HANDLE



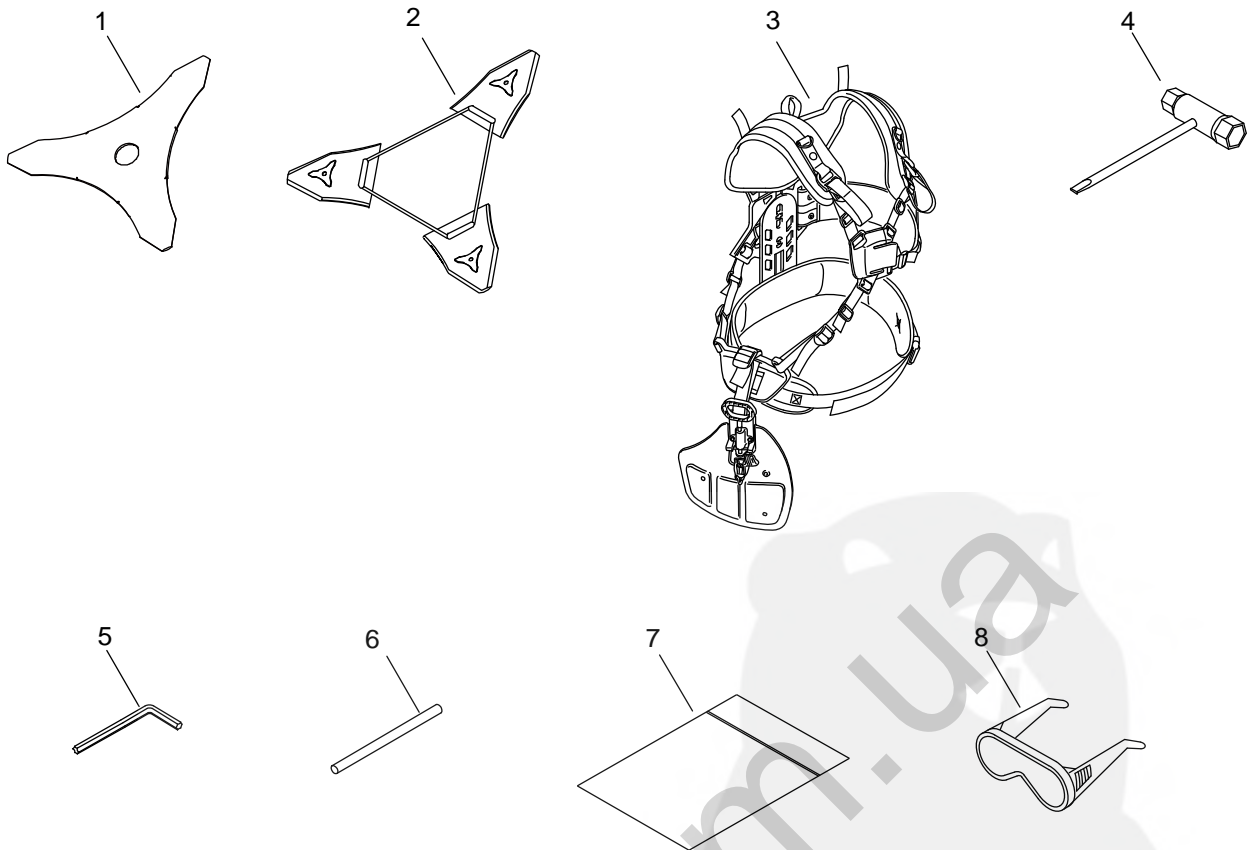
KEY	LV	PART NUMBER	Q'TY	DESCRIPTION	REMARKS	NOTE1	NOTE2
26		175049-03920	1	WASHER			
27		V490-001220	1	CLIP			

12. THROTTLE



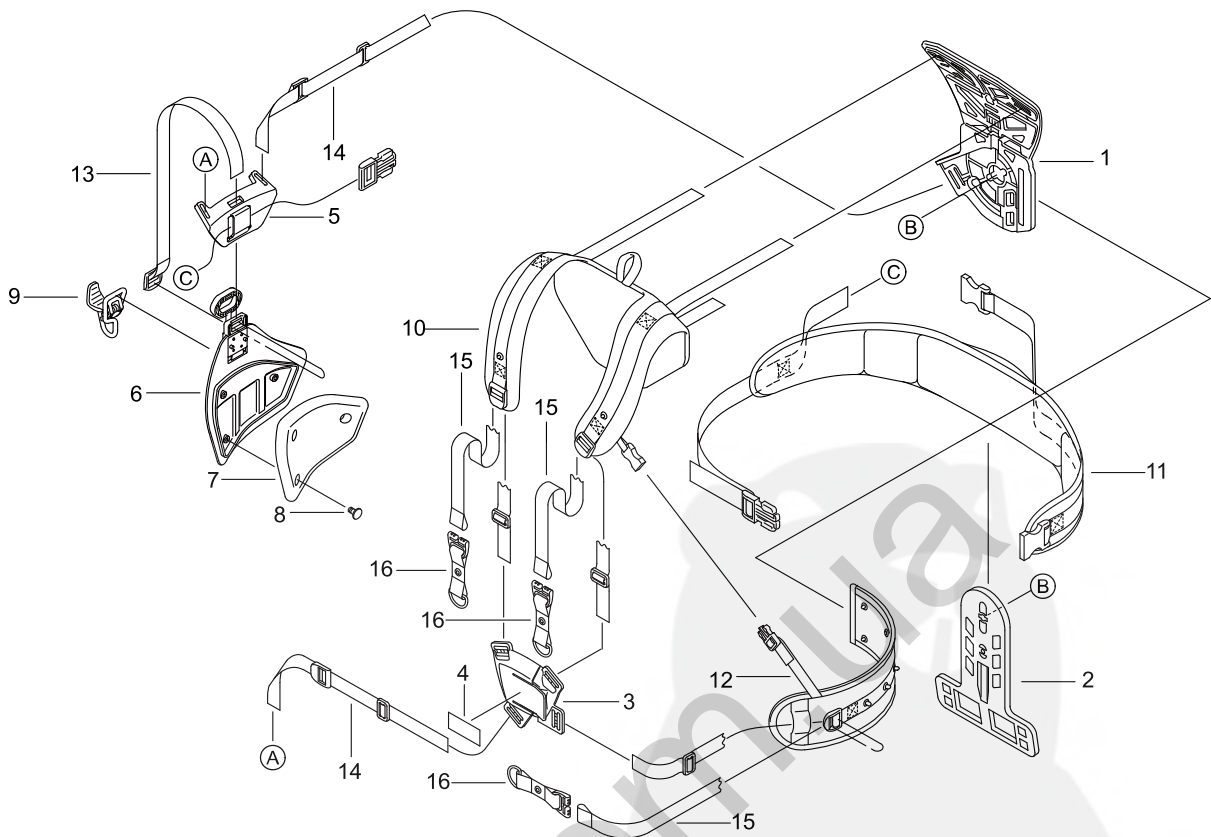
KEY	LV	PART NUMBER	Q'TY	DESCRIPTION	REMARKS	NOTE1	NOTE2
1		P021-047370	1	HANDLE GRIP SET			
2	+	V804-000010	3	BOLT, TORX 4	TT-4*16 DG 10.9		
3	+	V805-000060	1	BOLT, TORX 5	TB-5*35 10.9		
4	+	900500-00005	1	NUT 5	5		
5		C450-000880	1	CONTROL, THROTTLE			
6		C460-000490	1	LOCKOUT, THROTTLE			
7		C463-000000	1	KNOB,LATCH			
8		V452-001540	1	SPRING,TORSION			
9		V452-000060	1	SPRING,TORSION			
10		V430-004690	1	CABLE,BOWDEN			
11	+	900502-00006	2	NUT 6 (3N)	3N6		
12		P021-041470	1	SWITCH,ON OFF ASY			

13. ACCESSORIES



KEY	LV	PART NUMBER	Q'TY	DESCRIPTION	REMARKS	NOTE1	NOTE2
1		P021-014320	1	SAW,BUSH CUTTER	255*T3.0		
2		X495-000270	1	SCABBARD,BLADE			
3		C062-000590	1	HARNESS, SHOULDER			
4		X602-000020	1	TOOL,WRENCH	17*19 L200		
5		X605-000170	1	TOOL,L WRENCH			
6		X606-000080	1	TOOL,BAR	5*120		
7		898510-07130	1	BAG, TOOL			
8		X690-000080	1	GOGGLE	SI CHINA, Z87.1		

14. HARNESS



KEY	LV	PART NUMBER	Q'TY	DESCRIPTION	REMARKS	NOTE1	NOTE2
		C062-000590	1	HARNESS, SHOULDER			
1	+	C630-000230	1	SEAT, BACKPACK			
2	+	C630-000250	1	SEAT, BACKPACK			
3	+	P021-047390	1	BUCKLE, HARNESS SET			
4	+	X502-000390	1	LABEL,ECHO	ECHO 72.5*15		
5	+	C652-000070	1	PAD, WAIST			
6	+	P021-047230	1	PAD, WAIST ASY			
7	+	C652-000080	1	PAD, WAIST			
8	+	V491-000260	3	CLIP			
9	+	C063-000050	1	HOOK,LIFTING			
10	+	C644-000220	1	PAD, HARNESS			
11	+	C651-000070	1	BELT, HARNESS			
12	+	C652-000090	1	PAD, WAIST			
13	+	C650-000000	1	ADJUSTER,STRAP			
14	+	C650-000010	2	ADJUSTER,STRAP			
15	+	C650-000020	3	ADJUSTER,STRAP			
16	+	C653-000000	3	END,BELT			

Index

Patrs Number	Key No.	Patrs Number	Key No.	Patrs Number	Key No.
100015-32330	1 - 8	610314-52130	10 - 22	A226-001740	5 - 19
100142-12330	3 - 5	610320-52130	10 - 24	A227-000040	5 - 20
100213-00310	2 - 3	610352-56830	10 - 20	A244-000290	5 - 13
100213-00310	2 - 5	610434-50031	10 - 15	A300-001850	8 - 1
101538-28230	11 - 8	610444-56830	10 - 10	A320-001100	8 - 7
123110-03930	6 - 4	699229-56830	10 - 23	A350-002020	7 - 1
123112-15030	6 - 6	890617-43130	11 - 2	A365-000060	7 - 6
123113-47530	6 - 25	898510-07130	13 - 7	A369-000001	7 - 18
123114-38830	6 - 29	900220-04006	10 - 2	A390-000050	7 - 7
123122-03660	6 - 10	900500-00005	12 - 4	A390-000060	7 - 8
123123-03930	6 - 13	900502-00006	12 - 11	A393-000300	9 - 14
123125-15030	6 - 5	900562-00005	10 - 29	A393-000320	7 - 9
123126-10631	6 - 2	900562-50005	11 - 22	A393-000330	7 - 10
123127-03930	6 - 20	900565-00005	9 - 5	A409-001210	3 - 1
123130-02960	6 - 33	900565-00005	10 - 26	A411-001480	3 - 2
123133-04260	6 - 18	900565-50008	11 - 7	A425-000000	3 - 8
123134-04260	6 - 17	900603-50008	10 - 16	A426-000010	3 - 10
123135-10630	6 - 31	900701-00012	4 - 12	A427-000060	3 - 9
123136-10630	6 - 32	900701-00012	10 - 12	A429-000090	3 - 11
123137-19830	6 - 9	900702-00028	4 - 10	A514-000280	3 - 15
123138-03930	6 - 11	900702-00028	10 - 11	A553-000040	4 - 4
123139-03930	6 - 12	900702-00032	10 - 9	A556-000181	4 - 11
123140-27230	6 - 7	900720-00012	10 - 21	A557-000200	4 - 7
123142-03930	6 - 14	900800-06001	10 - 7	A566-000260	4 - 5
123146-10631	6 - 15	900803-06001	10 - 8	A570-000291	4 - 8
123149-54230	6 - 22	900810-00629	10 - 5	C062-000590	13 - 3
123173-07930	6 - 21	900810-36202	2 - 2	C062-000590	14 -
123181-39130	5 - 15	900810-36202	2 - 4	C063-000050	14 - 9
130110-14530	7 - 19	900812-06201	10 - 6	C400-001440	11 - 18
130111-00530	7 - 15	91316-04010	10 - 31	C403-000810	11 - 19
131016-55830	7 - 5	92105-08000	3 - 6	C415-000170	11 - 4
131300-56431	7 - 22	94018-46001	4 - 9	C423-000960	11 - 23
132115-01461	7 - 21	A011-001350	1 - 1	C423-000970	11 - 24
132115-55930	7 - 11	A021-004220	5 - 10	C427-000050	11 - 9
156110-04920	2 - 12	A021-004220	6 -	C441-000000	11 - 20
156110-04920	3 - 13	A051-002881	9 - 2	C450-000880	12 - 5
156114-07320	3 - 4	A101-000070	1 - 6	C460-000490	12 - 6
159116-21231	2 - 10	A130-002190	1 - 2	C463-000000	12 - 7
175016-54430	4 - 2	A160-002631	1 - 13	C480-000140	11 - 13
175049-03920	11 - 26	A160-002930	1 - 11	C487-000410	5 - 7
177227-42030	9 - 4	A172-002600	9 - 1	C550-000511	10 - 25
177228-11120	9 - 12	A175-000331	7 - 27	C550-000551	10 - 27
177246-11120	9 - 13	A200-000990	5 - 1	C550-000570	10 - 34
177247-04630	3 - 17	A202-000270	5 - 3	C552-000200	10 - 30
610011-49931	11 - 3	A209-000720	5 - 6	C554-000030	10 - 35
610300-56930	10 - 3	A209-000740	2 - 9	C610-000060	11 - 15
610310-56933	10 - 4	A209-000840	5 - 8	C630-000230	14 - 1
610313-52132	10 - 19	A225-000690	5 - 12	C630-000250	14 - 2
610313-52932	10 - 18	A226-001730	5 - 18	C644-000220	14 - 10

Index

Patrs Number	Key No.	Patrs Number	Key No.	Patrs Number	Key No.
C648-000030	11 - 11	V263-000020	11 - 6	V805-000160	4 - 14
C650-000000	14 - 13	V299-000110	11 - 25	V805-000170	10 - 28
C650-000010	14 - 14	V308-000100	1 - 10	V805-000180	2 - 7
C650-000020	14 - 15	V355-000750	11 - 5	V805-000210	1 - 4
C651-000070	14 - 11	V376-001650	4 - 3	V805-000260	8 - 9
C652-000070	14 - 5	V420-004100	11 - 14	V805-000260	10 - 32
C652-000080	14 - 7	V420-004860	7 - 3	V805-000300	8 - 6
C652-000090	14 - 12	V423-000130	7 - 2	V805-000330	5 - 14
C653-000000	14 - 16	V430-004690	12 - 10	V806-000050	8 - 5
P003-000310	6 - 26	V452-000060	12 - 9	V806-000100	10 - 13
P003-001790	6 - 30	V452-001310	10 - 14	V835-000000	1 - 12
P003-001850	6 - 8	V452-001471	3 - 16	V835-000000	1 - 14
P003-002270	6 - 16	V452-001540	12 - 8	V835-000000	2 - 11
P003-002380	6 - 27	V453-000100	4 - 6	V835-000010	5 - 5
P003-005020	6 - 24	V470-000840	7 - 16	V835-000030	7 - 28
P003-005120	6 - 19	V471-000630	7 - 24	V835-000030	9 - 16
P003-005450	6 - 3	V471-000740	2 - 13	V855-000000	5 - 2
P003-005460	6 - 23	V471-001300	5 - 21	X495-000270	13 - 2
P003-005470	6 - 28	V471-002310	7 - 12	X502-000390	14 - 4
P021-012210	7 - 4	V475-007540	3 - 12	X502-000900	9 - 17
P021-014320	13 - 1	V475-007550	3 - 14	X547-002410	1 - 15
P021-041320	10 - 33	V475-007720	7 - 20	X602-000020	13 - 4
P021-041342	10 - 1	V475-008080	2 - 14	X605-000170	13 - 5
P021-041470	12 - 12	V485-002331	3 - 3	X606-000080	13 - 6
P021-047110	1 - 5	V485-002570	2 - 8	X690-000080	13 - 8
P021-047120	2 - 1	V490-000510	7 - 25		
P021-047140	4 - 1	V490-001220	11 - 27		
P021-047150	5 - 16	V490-001240	7 - 13		
P021-047220	11 - 1	V490-001240	7 - 17		
P021-047230	14 - 6	V490-001240	7 - 23		
P021-047370	12 - 1	V491-000260	14 - 8		
P021-047390	14 - 3	V491-000460	7 - 26		
P022-004680	9 - 9	V495-002880	11 - 16		
P022-023110	9 - 10	V541-000540	8 - 8		
P022-023120	9 - 8	V556-000000	1 - 9		
P022-023140	9 - 6	V609-000000	1 - 7		
P022-033830	9 - 7	V804-000010	12 - 2		
P022-037550	9 - 3	V804-000030	8 - 2		
P022-037560	9 - 11	V805-000060	12 - 3		
V100-000790	1 - 3	V805-000070	11 - 21		
V102-000260	2 - 6	V805-000130	4 - 15		
V103-000500	5 - 11	V805-000130	10 - 17		
V103-001610	5 - 9	V805-000140	3 - 18		
V103-001620	5 - 4	V805-000150	3 - 7		
V104-002030	8 - 4	V805-000150	9 - 15		
V104-002170	8 - 3	V805-000150	10 - 36		
V150-003590	11 - 10	V805-000150	11 - 12		
V186-000510	7 - 14	V805-000150	11 - 17		
V253-000100	5 - 17	V805-000160	4 - 13		

YAMABIKO CORPORATION

7-2 SUEHIROCHO 1-CHOME, OHME, TOKYO 198-8760, JAPAN
PHONE: 81-428-32-6118. FAX: 81-428-32-6145.

ECHO®

14Eb
No. 06-130