



PHONES

0 (800) 800 130
(050) 462 0 130
(063) 462 0 130
(067) 462 0 130

130
COM.UA

Internet store of
autogoods



SKYPE

km-130

CAR RECEIVERS — Receivers • Media receivers and stations • Native receivers • CD/DVD changers • FM-modulators/USB adapters • Flash memory • Facia plates and adapters • Antennas • Accessories |
 CAR AUDIO — Car audio speakers • Amplifiers • Subwoofers • Processors • Crossovers • Headphones • Accessories | TRIP COMPUTERS — Universal computers • Model computers • Accessories |
 GPS NAVIGATORS — Portable GPS • Built-in GPS • GPS modules • GPS trackers • Antennas for GPS navigators • Accessories | VIDEO — DVR • TV sets and monitors • Car TV tuners • Cameras • Videomodules
 • Transcoders • Car TV antennas • Accessories | SECURITY SYSTEMS — Car alarms • Bike alarms • Mechanical blockers • Immobilizers • Sensors • Accessories | OPTIC AND LIGHT — Xenon • Bixenon • Lamps
 • LED • Stroboscopes • Optic and Headlights • Washers • Light, rain sensors • Accessories | PARKTRONICS AND MIRRORS — Rear parktronic • Front parktronic • Combined parktronic • Rear-view mirrors
 • Accessories | HEATING AND COOLING — Seat heaters • Mirrors heaters • Screen-wipers heaters • Engine heaters • Auto-refrigerators • Air conditioning units • Accessories | TUNING — Vibro-isolation
 • Noise-isolation • Tint films • Accessories | ACCESSORIES — Radar-detectors • Handsfree, Bluetooth • Windowlifters • Compressors • Beeps, loudspeakers • Measuring instruments • Cleaners • Car seats
 • Miscellaneous | MOUNTING — Installation kits • Upholstery • Grilles • Tubes • Cable and wire • Tools • Miscellaneous | POWER — Batteries • Converters • Start-charging equipment • Capacitors
 • Accessories | MARINE AUDIO AND ELECTRONICS — Marine receivers • Marine audio speakers • Marine subwoofers • Marine amplifiers • Accessories | CAR CARE PRODUCTS — Additives • Washer fluid •
 Care accessories • Car polish • Flavors • Adhesives and sealants | LIQUID AND OIL — Motor oil • Transmission oil • Brake fluid • Antifreeze • Technical lubricant



In store "130" you can find and buy almost all necessary goods for your auto in Kyiv and other cities, delivery by ground and postal services. Our experienced consultants will provide you with exhaustive information and help you to chose the very particular thing. We are waiting for you at the address

<https://130.com.ua>

↔ DOMETIC

MOBILE COOLING

CFF

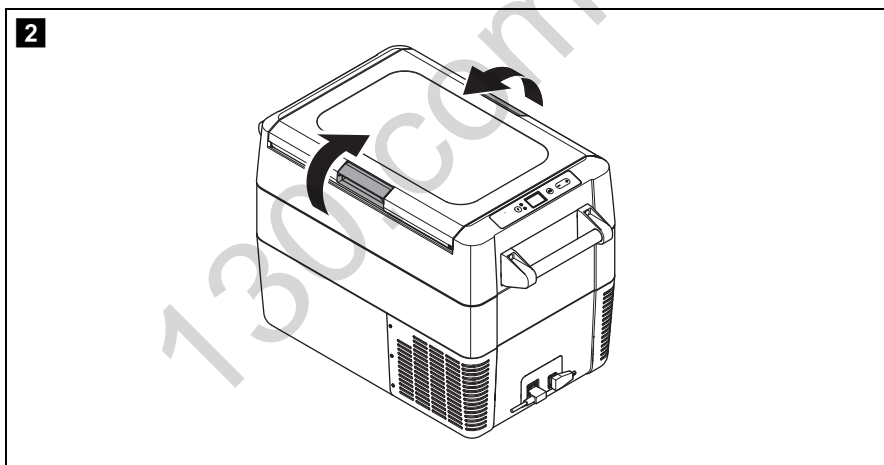
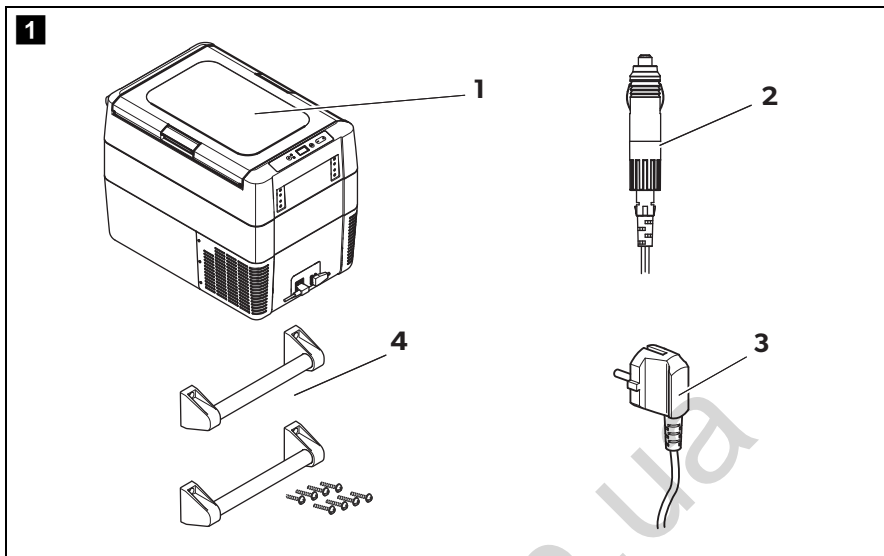


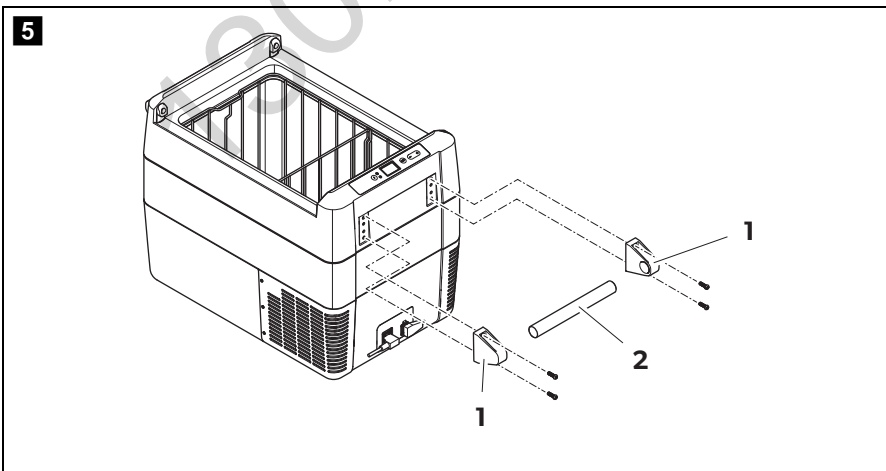
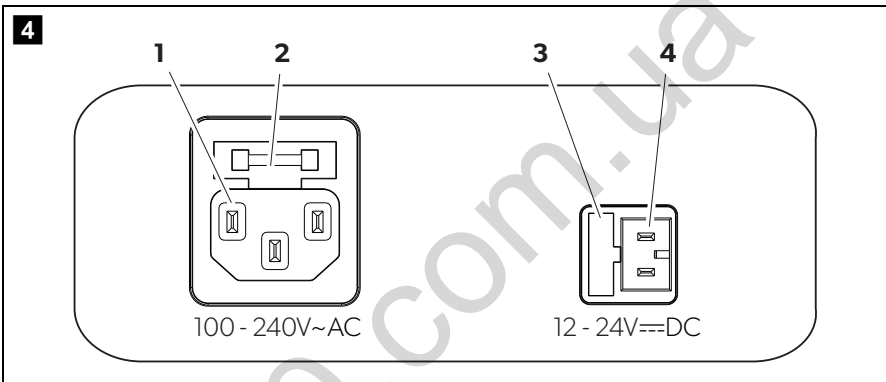
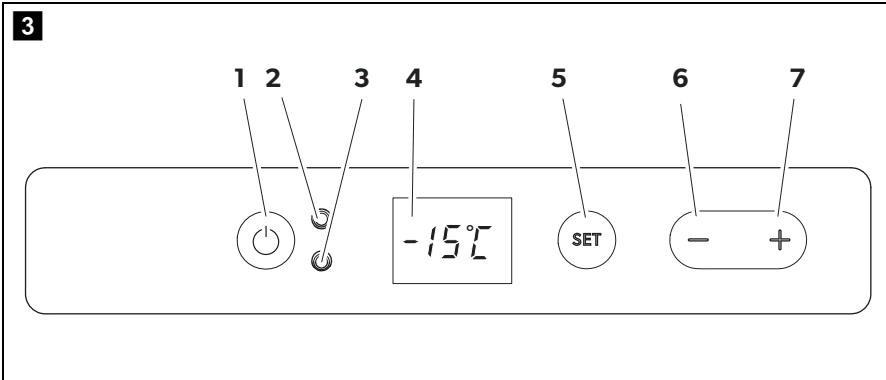
CFF35, CFF45

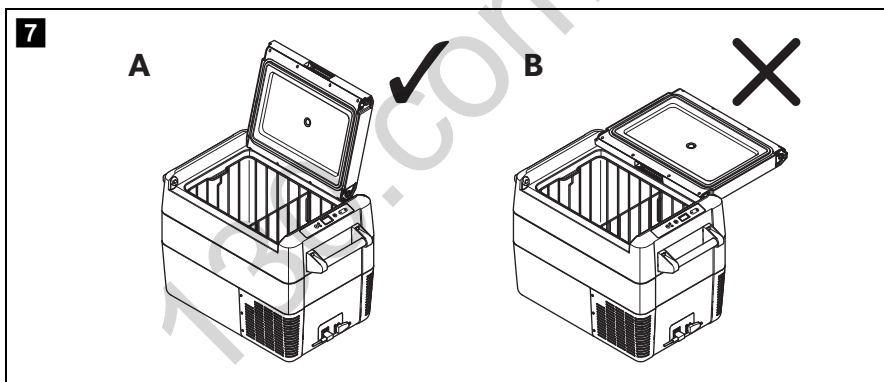
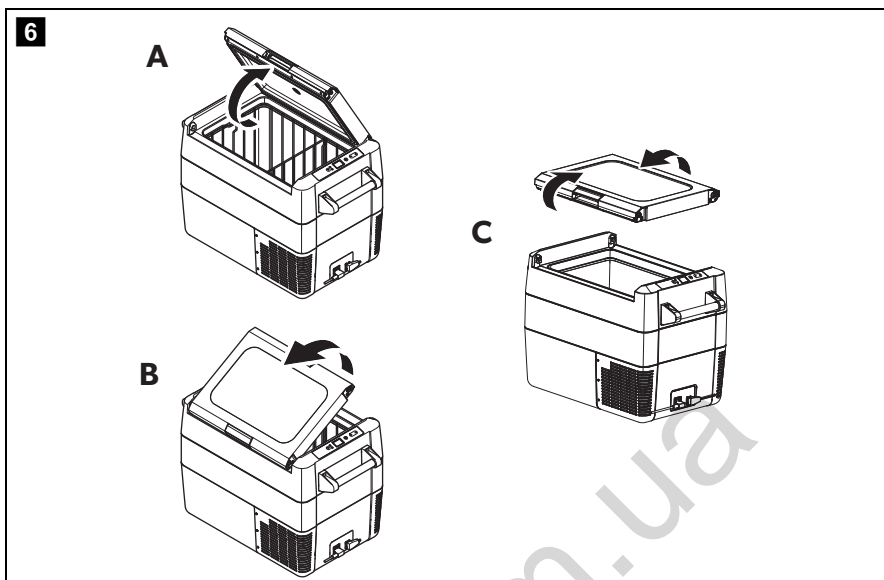
EN	Compressor Cooler Operating manual	8
DE	Kompressor-Kühlbox Bedienungsanleitung	27
FR	Réfrigérateur à compression Notice d'utilisation	48
ES	Nevera con compresor Instrucciones de uso	69
PT	Frigorífico com compressor Manual de instruções	90
IT	Frigorifero a compressore Istruzioni per l'uso	111
NL	Compressorkoelbox Gebruiksaanwijzing	132
DA	Kompressor-koleboks Betjeningsvejledning	152
SV	Kylbox med kompressor Bruksanvisning	171
NO	Kjoleboks med kompressor Bruksanvisning	190
FI	Kompressorikylmalaatikko Käyttöohje	209
RU	Компрессорный холодильник Инструкция по эксплуатации	228
PL	Przenośna lodowka kompresorowa Instrukcja obsługi	250
SK	Chladiaci box s kompresorom Návod na obsluhu	272
CS	Kompressorový chladič box Návod k obsluze	292
HU	Kompresszor hűtőlada Használati utasítás	311

130.com.ua

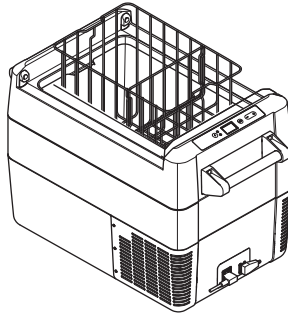
© 2020 Dometic Group. The visual appearance of the contents of this manual is protected by copyright and design law. The underlying technical design and the products contained herein may be protected by design, patent or be patent pending. The trademarks mentioned in this manual belong to Dometic Sweden AB. All rights are reserved.



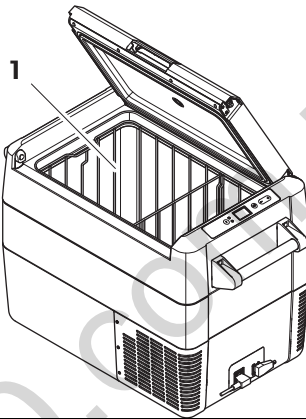




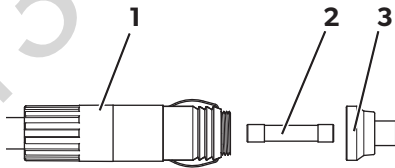
8

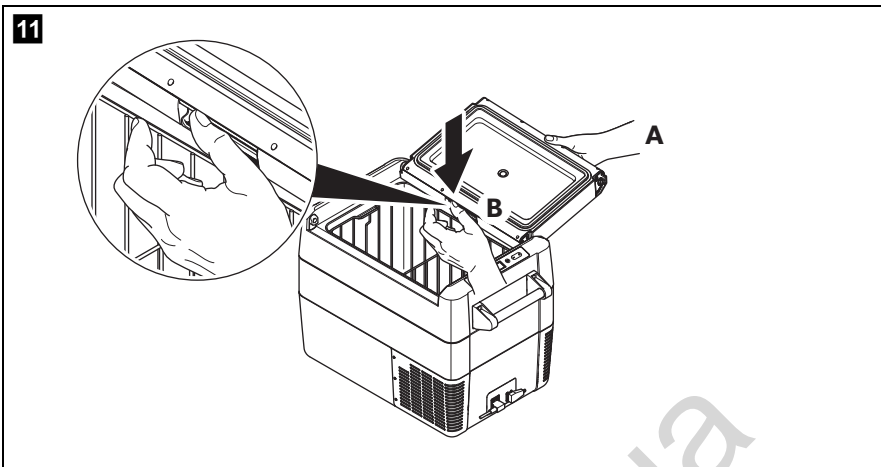


9



10





Please read this manual carefully before starting the device. Keep it in a safe place for future reference. If the device is passed on to another person, this manual must be handed over to the user along with it.

The manufacturer cannot be held liable for damage resulting from **improper usage** or **incorrect operation**.

Contents

1	Explanation of symbols	8
2	Safety instructions	9
3	Scope of delivery	11
4	Intended use	12
5	Function description	12
6	Operation	14
7	Cleaning and maintenance	22
8	Troubleshooting	23
9	Warranty	24
10	Disposal	25
11	Technical data	25

1 Explanation of symbols



DANGER!

Safety instruction: Indicates a hazardous situation that, if not avoided, will result in death or serious injury.



WARNING!

Safety instruction: Indicates a hazardous situation that, if not avoided, could result in death or serious injury.



CAUTION!

Safety instruction: Indicates a hazardous situation that, if not avoided, could result in minor or moderate injury.

**NOTICE!**

Indicates a situation that, if not avoided, can result in property damage.

**NOTE**

Supplementary information for operating the product.

2 Safety instructions



WARNING! Failure to obey these warnings could result in death or serious injury.

Electrocution hazard

- Do not operate the cooling device if it is visibly damaged.
- If this cooling device's power cable is damaged, it must be replaced to prevent safety hazards.
- This cooling device may only be repaired by qualified personnel. Improper repairs can lead to considerable hazards.

Fire hazard

- When positioning the device, ensure the supply cord is not trapped or damaged.
- Do not locate multiple portable socket-outlets or portable power supplies at the rear of the device.

Health hazard

- This device can be used by children aged from 8 years and above and persons with reduced physical, sensory or mental capabilities or lack of experience and knowledge if they have been given supervision or instruction concerning use of the device in a safe way and understand the hazards involved.
- Children shall not play with the device.
- Cleaning and user maintenance shall not be made by children without supervision.
- Children aged from 3 to 8 years are allowed to load and unload cooling devices.

Explosion hazard

- Do not store any explosive substances such as spray cans with a flammable propellant in the cooling device.



CAUTION! Failure to obey these cautions could result in minor or moderate injury.

Electrocution hazard

- Before starting the cooling device, ensure that the power supply line and the plug are dry.
- Disconnect the cooling device from the power supply
 - before each cleaning and maintenance
 - after every use

Health hazard

- Please check if the cooling capacity of the device is suitable for storing the food or medicine you wish to cool.
- Food may only be stored in its original packaging or in suitable containers.
- Opening the cooling device for long periods can cause significant increase of the temperature in the compartments of the device.
- Clean regularly surfaces that can come in contact with food and accessible drainage systems.
- Store raw meat and fish in suitable containers in the device, so that it is not in contact with or can drip onto other food.
- If the device is left empty for long periods:
 - Switch off the device.
 - Defrost the device.
 - Clean and dry the device.
 - Leave the lid open to prevent mould developing within the device.



NOTICE! Damage hazard

- Check that the voltage specification on the type plate corresponds to that of the energy supply.
- Only connect the cooling device as follows:
 - With the DC connection cable to a DC power supply in the vehicle
 - Or with the AC connection cable to an AC power supply
- Never pull the plug out of the socket by the cable.
- If the cooling device is connected to a DC outlet: Disconnect the cooling device and other power consuming devices from the battery before connecting a quick charging device.
- If the cooling device is connected to a DC outlet: Disconnect the cooling device or switch it off when you turn off the engine. Otherwise you may discharge the battery.

- The cooling device is not suitable for transporting caustic materials or materials containing solvents.
- The insulation of the cooling device contains flammable cyclopentane and requires special disposal procedures. Deliver the cooling device at the end of its life-cycle to an appropriate recycling center.
- Do not use electrical devices inside the cooling device unless they are recommended by the manufacturer for the purpose.
- Do not place the cooling device near naked flames or other heat sources (heaters, direct sunlight, gas ovens etc.).
- **Risk of overheating!**
Ensure at all times that there is a minimum of 50 mm ventilation on all four sides of the cooling device. Keep the ventilation area free of any objects that could restrict the air flow to the cooling components. Do not place the cooling device in closed compartments or areas with none or minimal air flow.
- Ensure that the ventilation openings are not covered.
- Do not fill the inner container with ice or fluids.
- Never immerse the cooling device in water.
- Protect the cooling device and cables against heat and moisture.
- Protect the cooling device from exposure to rain.

3 Scope of delivery

Item (fig. 1, page 3)	Quantity	Description
1	1	Cooler
2	1	Connection cable for DC connection
3	1	Connection cable for AC connection
4	2	Carry handle, consisting of: <ul style="list-style-type: none"> • 2 holders • 1 handle • 4 fastening screws • 1 allen wrench
-	1	Operating manual

4 Intended use

The cooling device is suitable for:

- cooling and freezing foods
- camping use and in mobile applications

The cooling device is designed to be operated from:

- a DC on-board power supply of a vehicle, boat or RV
- a DC auxiliary battery
- an AC power supply

The cooling device is intended to be used in household and similar applications such as

- staff kitchen areas in shops, offices and other working environments
- farm houses
- clients in hotels, motels and other residential type environments
- bed and breakfast type environments
- catering and similar non-retail applications

5 Function description

The cooler can chill products, keep them cool as well as freeze them. A low maintenance refrigerant circuit with compressor provides the cooling. The generous insulation and powerful compressor ensure efficient and fast cooling.

The cooler is portable.

The cooler can withstand a short-term inclination of 30°, for example on boats.

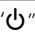
5.1 Scope of functions

- Power supply with priority circuit for connecting to the AC mains
- Three-level battery monitor to protect the vehicle battery
- Display with temperature gauge in °C and °F switches off automatically at low battery voltage
- Temperature setting: With two buttons in steps of 1 °C (2 °F)
- Display dimming function with 3 brightness levels
- Removable wire basket
- Removable carrying handles

5.2 Operating and display elements

Lid latches (fig. 2, page 3)

Operating panel (fig. 3, page 4)

Item	Description	Explanation
1	ON OFF	Switches the cooler on or off when the button is pressed for between one and two seconds
2	POWER “  ”	Status indication LED lights up green: Compressor is on LED lights up orange: Compressor is off LED flashes orange: Display switched off automatically due to low battery voltage
3	ERROR	LED flashes red: Device is switched on but not ready for operation
4	–	Display, shows the information
5	SET	Selects the input mode – Temperature setting – Celsius or Fahrenheit display – Set battery monitor – Set brightness of display
6	DOWN –	Press once to decrease the value
7	UP +	Press once to increase the value

Connection sockets (fig. 4, page 4)

Item	Description
1	Connection socket AC voltage supply
2	AC fuse holder
3	DC fuse cover
4	Connection socket DC voltage supply

6 Operation

6.1 Before initial use



NOTE

Before starting your new cooler for the first time, you should clean it inside and outside with a damp cloth for hygienic reasons (please also refer to the chapter "Cleaning and maintenance" on page 22).

Mounting the handles (fig. 5, page 4)

The handles are enclosed unassembled. If you wish to attach the handles, proceed as follows:

- Assemble a handle by putting two holders (1) and a handle (2) together.
- Fasten the holders with the enclosed screws in the holes provided.

Opening or removing the lid (fig. 6, page 5)

The lid can be opened from either side or removed completely without the need of tools as follows:

- To open the lid, unlatch in the preferred opening direction, (A) or (B).
- To remove the lid, unlatch both sides at the same time (C).

Lid stop position (fig. 7, page 5)

The lid has a built-in stop position (A). Do not force the lid past the built-in stop (B).

**NOTICE!****DAMAGE HAZARD!**

Failure to observe this instruction can cause the lid to break off.

- ▶ If the lid has been forced too far, follow the steps described in the chapter "The lid has been forced past the built-in stop (fig. 11, page 7)" on page 24.

Removing the basket (fig. 8, page 6)**NOTICE!****DAMAGE HAZARD!**

Failure to obey this instruction may result in damage to the device. Removing the basket with the lid open may scratch the lid and deform the basket. We recommend to remove the lid before removing the basket.

Selecting the temperature units

Temperature display units can be switched between Celsius and Fahrenheit as follows:

- ▶ Switch on the cooler.
 - ▶ Press the "SET" button (fig. 3 5, page 4) twice.
 - ▶ Use the "UP +" (fig. 3 7, page 4) or "DOWN -" (fig. 3 6, page 4) buttons to select Celsius or Fahrenheit.
- ✓ The selected temperature unit then appears in the display for a few seconds. The display flashes several times before it returns to the current temperature.

6.2 Energy saving tips

- Choose a well ventilated location which is protected from direct sunlight.
- Allow warm food to cool down first before placing it in the cooling device to keep cool.
- Do not open the cooling device more often than necessary.
- Do not leave the cooling device open for longer than necessary.
- Defrost the cooler once a layer of ice forms.
- Avoid unnecessarily low temperatures.

6.3 Connecting the cooler

Connecting to a battery (Vehicle or boat)

The cooler can be operated with 12 V or 24 V $\overline{=}$.



NOTICE!

DAMAGE HAZARD!

Failure to obey this instruction may result in damage to the device. Disconnect the cooler and other consumer units from the battery before you connect the battery to a quick charging device. Overvoltage can damage the electronics of the device.

For safety reasons the cooler is equipped with an electronic system to prevent polarity reversal. This protects the cooler against short-circuiting when connecting to a battery.

Using the fused DC plug



NOTICE!

DAMAGE HAZARD!

Failure to obey this instruction may result in damage to the device. For protection of the device the DC cable supplied includes a fuse inside the plug. Do **not** remove the fused DC plug. Only use the DC cable supplied.

- Plug the DC connection cable (fig. **1** 2, page 3) into the DC voltage socket of the cooler (fig. **4** 3, page 4).
- Connect the connection cable to a DC power outlet.

Connecting to an AC power supply (e.g. in the home or office)



DANGER!

ELECTROCUTION HAZARD!

Failure to obey these warnings will result in death or serious injury.

- Never handle plugs and switches with wet hands or if you are standing on a wet surface.
- If you are operating your cooler on board a boat from a AC power supply, you must install a residual current circuit breaker between the AC power supply and the cooler. Seek advice from a trained technician.

The coolers have an integrated multi-voltage power supply with priority circuit for connecting to an AC voltage source. The priority circuit automatically switches the cooler to AC operation if the device is connected to an AC power supply, even if the DC connection cable is still attached.

When switching between the AC power supply and the battery supply, the red LED may light up briefly.

- Plug the AC connection cable (fig. **1** 3, page 3) into the AC voltage socket of the cooler (fig. **4** 1, page 4).
- Connect the connection cable to an AC power outlet.

6.4 Using the battery monitor

The device is equipped with a multi-level battery monitor that protects your vehicle battery against excessive discharging when the device is connected to the on-board DC supply.

If the cooler is operated when the vehicle ignition is switched off, the cooler switches off automatically as soon as the supply voltage falls below a set level. The cooler will switch back on once the battery has been recharged to the restart voltage level.



NOTICE!

DAMAGE HAZARD!

Failure to obey this instruction may result in damage to the battery. When switched off by the battery monitor, the battery will no longer be fully charged. Avoid starting repeatedly or operating current consumers without longer charging phases. Ensure that the battery is recharged.

In "HIGH" mode, the battery monitor responds faster than at the levels "LOW" and "MED" (see the following table).

Battery monitor mode	LOW	MED	HIGH
Switch-off voltage at 12 V	10.1 V	11.4 V	11.8 V
Restart-voltage at 12 V	11.1 V	12.2 V	12.6 V
Switch-off voltage at 24 V	21.5 V	24.1 V	24.6 V
Restart voltage at 24 V	23.0 V	25.3 V	26.2 V

The battery monitor mode can be selected as follows:

- Switch on the cooler.

- ▶ Press the "SET" button (fig. **3** 5, page 4) three times.
- ▶ Use the "UP +" (fig. **3** 7, page 4) or "DOWN -" (fig. **3** 6, page 4) buttons to select the battery monitor mode.
- ✓ Display will be as follows:
Lo (LOW), ПEd (MED), Hi (HIGH)
- ✓ The selected mode then appears in the display for a few seconds. The display flashes several times before it returns to the current temperature.

**NOTE**

When the cooler is supplied by the starter battery, select the battery monitor mode "HIGH". If the cooler is connected to a supply battery, the battery monitor mode "LOW" will suffice.

6.5 Using the cooler

**NOTICE!****OVERHEATING HAZARD!**

Failure to obey this instruction may result in damage to the device. Ensure at all times that there is sufficient ventilation so that the heat that generated during operation can dissipate. Ensure that the ventilation slots are not covered. Make sure that the device is sufficiently far away from walls and other objects so that the air can circulate.

- ▶ Place the cooler on a firm foundation.
Make sure that the ventilation slots are not covered and that the heated air can dissipate. We recommend keeping a gap of at least 2" around ventilation holes.

**NOTE**

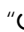
Place the cooler as shown (fig. **1**, page 3). If you operate the cooler in a different orientation it can be damaged.

- ▶ Connect the cooler, see chapter "Connecting the cooler" on page 16.

**NOTICE!****EXCESSIVELY LOW TEMPERATURE HAZARD!**

Failure to obey this instruction may result in damage to the objects placed in the cooler.

Ensure that the only those objects are placed in the cooler that are intended to be cooled at the selected temperature.

- Press the “ON/OFF” button (fig. **3** 1, page 4) for between one and two seconds.
- ✓ The LED “” lights up (fig. **3** 2, page 4).
- ✓ The display (fig. **3** 4, page 4) switches on and shows the current temperature.
- ✓ The cooler starts cooling the interior.




NOTE – Displayed temperature

The temperature displayed is that of the large section of the interior compartment (fig. **9** 1).



NOTE

When operating from a battery, the display switches off automatically if the battery voltage is low. The LED “” flashes orange.

Latching the cooler lid

- Close the lid.
- Press the latch (fig. **2**, page 3) down, until it latches in place audibly.



NOTE

When latching the lid, ensure that both latch side pins are fully engaged to ensure a good lid seal. One latch may engage slightly before the other.

- If the lid is not closed equally at both sides, press until a second click is heard.

6.6 Setting the temperature

- Press the “SET” button (fig. **3** 5, page 4) once.
- Use the “UP +” (fig. **3** 7, page 4) and “DOWN –” (fig. **3** 6, page 4) buttons to select the cooling temperature.
- ✓ The cooling temperature appears in the display for a few seconds. The display flashes several times and then the current temperature is displayed again.

6.7 Setting the display brightness

The display brightness can be dimmed for low ambient light conditions. To set the dimming level of the display proceed as follows:

- Switch on the cooler.
- Press the “SET” button (fig. **3** 5, page 4) four times.
- Use the “UP +” (fig. **3** 7, page 4) or “DOWN –” (fig. **3** 6, page 4) buttons to set the brightness of the display.
- ✓ Display will be as follows:
d0 (default), d1 (medium), d2 (dark)
- ✓ The display shows the set mode for several seconds. The display flashes twice before it returns to the current temperature.



NOTE

- The factory setting of brightness of the display is d0 (default).
- If a fault occurs, the brightness automatically reverts to brightness d0 (default). After troubleshooting the set brightness is reactivated.

6.8 Switching off the cooler

- Empty the cooler.
- Switch the cooler off.
- Pull out the connection cable.

If you do not want to use the cooler for a longer period of time:

- Leave the lid slightly open. This prevents odor build-up.

6.9 Defrosting the cooler

Humidity can form frost in the interior of the cooling device or on the evaporator. This reduces the cooling capacity.



NOTICE!

DAMAGE HAZARD!

Failure to obey this instruction may result in damage to the device. Never use hard or pointed tools to remove ice or to loosen objects which have frozen in place.

To defrost the cooler, proceed as follows:

- Take out the contents of the cooler.
- If necessary, place them in another cooling device to keep them cool.
- Switch off the device.
- Leave the lid open.
- Wipe off the defrosted water.

6.10 Replacing the AC fuse



DANGER!

ELECTROCUTION HAZARD!

Failure to obey this warning will result in death or serious injury. Disconnect the power supply and the connection cable before you replace the device fuse.

- Disconnect the power supply to the device.
- Remove the connection cable.
- Pry out the fuse insert (fig. **4** 2, page 4) with a screwdriver.
- Replace the defective glass fuse with a new one that has the same type and rating (4 A, 250 V).
- Press the fuse insert back into the housing.
- Reconnect the power supply to the device.

6.11 Replacing the device DC Fuse

- Disconnect the power supply to the device.
- Pry out the fuse cover (fig. **4** 3, page 4) to access the fuse.
- Reverse the fuse cover and use the hook to remove the fuse.
- Replace the defective fuse with a new fuse of the same type (Automotive Standard blade fuse, 10 A).
- Re-fit the fuse cover.
- Reconnect the power supply to the device.

6.12 Replacing the DC plug fuse (fig. 10, page 6)

- Unscrew the contact pin housing (3) from the plug (1).
- Replace the defective fuse (2) with a new fuse of the same type and rating (3AG, Fast Acting, 10 A).
- Re-assemble the plug in reverse order.

7 Cleaning and maintenance



WARNING!

ELECTROCUTION HAZARD!

Failure to obey this warning could result in death or serious injury. Always disconnect the device from the power supply before you clean and service it.



NOTICE!

DAMAGE HAZARD!

Failure to obey these instructions may result in damage to the device.

- Never clean the cooler under running water or in dish water.
- Do not use abrasive cleaning agents or hard objects during cleaning as these can damage the cooler.

- Occasionally clean the device interior and exterior with a damp cloth.
- Make sure that the air inlet and outlet vents on the device are free of any dust and dirt, so that heat can be released and the device is not damaged.

8 Troubleshooting

Fault	Possible cause	Suggested remedy
Device does not function, LED does not glow.	No voltage was detected in the DC power outlet.	In most vehicles the ignition must be turned on before power will be supplied to the DC power outlet.
	No voltage present in the AC power outlet.	Try using another plug outlet.
	One of the device fuses is defective.	Replace the defective device fuse, see chapter "Replacing the AC fuse" on page 21 or chapter "Replacing the device DC Fuse" on page 21.
	The integrated mains adapter is defective.	This can only be repaired by an authorised repair centre.
The device does not cool (plug is inserted, "POWER" LED is lit).	Defective compressor.	This can only be repaired by an authorised repair centre.
The device does not cool (plug is inserted, "POWER" LED flashes orange, display is switched off).	Battery monitor is set too high.	Select a lower battery monitor setting.
	Battery voltage is too low.	Test the battery and charge it as needed.
When operating from the DC outlet: The ignition is on and the device is not working and the LED is not lit.	The DC outlet is dirty. This results in a poor electrical contact.	If the plug of your cooler becomes very warm in the DC outlet, either the DC outlet must be cleaned or the plug has not been assembled correctly.
	The fuse of the DC plug has blown.	Replace the fuse in the DC plug, see chapter "Replacing the DC plug fuse (fig. 10, page 6)" on page 22.
	The device DC fuse has blown.	Replace the defective fuse, see chapter "Replacing the device DC Fuse" on page 21.
	The vehicle fuse has blown.	Replace the vehicle's DC outlet fuse. Please refer to your vehicle's operating manual.
The display shows an error message (e.g. "Err1") and the appliance does not cool.	The appliance has switched off due to an internal fault.	This can only be repaired by an authorised repair centre.

8.1 The lid has been forced past the built-in stop (fig. 11, page 7)

- Support the lid with one hand (A).
- Hold the latch down with the other hand (B).



CAUTION!

HEALTH HAZARD!

Failure to obey this caution could result in minor or moderate injury. Beware pinching your thumb while closing the lid.



NOTICE!

DAMAGE HAZARD!

Failure to observe this instruction can cause the lid to break off.

- Close the lid as far as possible without pinching your thumb, while still holding the latch down, to keep it from breaking.
- ✓ The lid should now be approximately at angle (fig. 11, page 7).
- Remove the hand from the latch (B), and continue closing the lid all the way.



NOTE

The hinges may release from the correct position during the final closing action. Reposition the lid as follows:

- Operate the latches on both sides of the lid simultaneously.
- Lift and reposition the lid.

9 Warranty

The statutory warranty period applies. If the product is defective, please contact the manufacturer's branch in your country (see dometic.com/dealer) or your retailer.

For repair and warranty processing, please include the following documents when you send in the device:

- A copy of the receipt with purchasing date
- A reason for the claim or description of the fault

10 Disposal

- Place the packaging material in the appropriate recycling waste bins wherever possible.



If you wish to finally dispose of the product, ask your local recycling centre or specialist dealer for details about how to do this in accordance with the applicable disposal regulations.

11 Technical data

	CFF35	CFF45
Connection voltage:	12/24 V $\overline{=}$ and 100 to 240 V \sim	
Rated current:	12 V $\overline{=}$: 7.8 A 24 V $\overline{=}$: 3.5 A 240 V \sim : 0.4 A	12 V $\overline{=}$: 8.6 A 24 V $\overline{=}$: 3.8 A 240 V \sim : 0.41 A
Cooling capacity:	+10 °C to -18 °C (+50 °F to 0 °F)	
Category:	1	
Energy efficiency class:	A+	
Energy consumption:	85 kWh/annum	84 kWh/annum
Gross volume:	34 l	44 l
Storage volume:	30 l	38 l
Climate class:	N, T	
Ambient temperature:	+16 °C to +43 °C +60 °F to +110 °F	
Refrigerant volume:	34 g	43 g
CO ₂ equivalent:	0.049 t	0.061 t
Global warming potential (GWP):	1430	

	CFF35	CFF45
Dimensions (W x H x D) in mm (including handles):	715 x 407 x 398	715 x 475 x 398
(W x H x D) in mm (with handles removed):	590 x 407 x 398	590 x 475 x 398
Weight:	17.2 kg	18.6 kg



NOTE

If the ambient temperature is above +32 °C (+90 °F), the minimum temperature cannot be attained.

Test/certificates:



The coolant circuit contains R134a.

Contains fluorinated greenhouse gases

Hermetically sealed equipment

130.com.ua

Bitte lesen Sie diese Anleitung vor der Inbetriebnahme sorgfältig durch und bewahren Sie sie auf. Geben Sie sie im Falle einer Weitergabe des Kühlgerätes an den Nutzer weiter.

Der Hersteller haftet nicht für Schäden, die durch **nicht bestimmungsgemäßen Gebrauch** oder **falsche Bedienung** verursacht werden.

Inhalt

1	Erklärung der Symbole	27
2	Sicherheitshinweise	28
3	Lieferumfang	31
4	Bestimmungsgemäßer Gebrauch	31
5	Funktionsbeschreibung	32
6	Bedienung	33
7	Reinigung und Pflege	42
8	Störungsbeseitigung	43
9	Garantie	45
10	Entsorgung	45
11	Technische Daten	46

1 Erklärung der Symbole



GEFAHR!

Sicherheitshinweis auf eine Gefahrensituation, die zum Tod oder zu schwerer Verletzung führt, wenn sie nicht vermieden wird.



WARNUNG!

Sicherheitshinweis auf eine Gefahrensituation, die zum Tod oder zu schwerer Verletzung führen kann, wenn sie nicht vermieden wird.



VORSICHT!

Sicherheitshinweis auf eine Gefahrensituation, die zu einer leichten oder mittelschweren Verletzung führen kann, wenn sie nicht vermieden wird.

**ACHTUNG!**

Hinweis auf eine Situation, die zu Sachschäden führen kann, wenn sie nicht vermieden wird.

**HINWEIS**

Ergänzende Informationen zur Bedienung des Produktes.

2 Sicherheitshinweise



WARNUNG! Nichtbeachtung dieser Sicherheitshinweise kann zum Tod oder zu schweren Verletzungen führen.

Lebensgefahr durch Stromschlag

- Wenn das Kühlgerät sichtbare Beschädigungen aufweist, dürfen Sie es nicht in Betrieb nehmen.
- Wenn das Anschlusskabel dieses Kühlgerätes beschädigt wird, muss es ersetzt werden, um Gefährdungen zu vermeiden.
- Reparaturen an diesem Kühlgerät dürfen nur von Fachkräften durchgeführt werden. Durch unsachgemäße Reparaturen können erhebliche Gefahren entstehen.

Brandgefahr

- Stellen Sie beim Aufstellen des Geräts sicher, dass das Anschlusskabel nicht eingeklemmt oder beschädigt wird.
- Positionieren Sie an der Geräterückseite keine tragbaren Mehrfachsteckdosen oder tragbare Netzteile.

Gesundheitsgefahr

- Dieses Gerät kann von Kindern ab 8 Jahren und Personen mit eingeschränkten physischen, sensorischen oder geistigen Fähigkeiten oder einem Mangel an Erfahrung und Wissen verwendet werden, wenn sie beaufsichtigt werden oder eine Anleitung zur sicheren Benutzung des Geräts erhalten haben und sie die daraus resultierenden Gefahren verstehen.
- Kinder dürfen nicht mit dem Kühlgerät spielen.
- Reinigung und Benutzer-Wartung dürfen nicht von Kindern ohne Beaufsichtigung durchgeführt werden.
- Kinder im Alter von 3 bis 8 Jahren dürfen Kühlgeräte be- und entladen.

Explosionsgefahr

- Lagern Sie keine explosionsfähigen Stoffe wie z. B. Sprühdosen mit brennbarem Treibgas im Kühlgerät.

**VORSICHT! Nichtbeachtung dieser Sicherheitshinweise kann zu leichten oder mittelschweren Verletzungen führen.****Lebensgefahr durch Stromschlag**

- Achten Sie vor der Inbetriebnahme darauf, dass Zuleitung und Stecker trocken sind.
- Trennen Sie das Kühlgerät von der Stromversorgung
 - vor jeder Reinigung und Pflege
 - nach jedem Gebrauch

Gesundheitsgefahr

- Prüfen Sie, ob die Kühlleistung des Kühlgerätes den Anforderungen der Lebensmittel oder Medikamente entspricht, die Sie kühlen wollen.
- Lebensmittel dürfen nur in Originalverpackungen oder geeigneten Behältern eingelagert werden.
- Das Öffnen des Kühlgerätes über einen längeren Zeitraum kann einen erheblichen Temperaturanstieg in den Fächern des Gerätes verursachen.
- Reinigen Sie regelmäßig Oberflächen, die mit Lebensmitteln und zugänglichen Entwässerungssystemen in Berührung kommen können.
- Lagern Sie rohes Fleisch und Fisch in geeigneten Behältern im Gerät, damit sie nicht mit anderen Lebensmitteln in Berührung kommen oder auf diese abtropfen.
- Wenn das Gerät für längere Zeit leer steht:
 - Schalten Sie das Gerät aus.
 - Tauen Sie das Gerät ab.
 - Reinigen und trocknen Sie das Gerät.
 - Lassen Sie den Deckel offen, um Schimmelbildung im Gerät zu verhindern.

**ACHTUNG! Beschädigungsgefahr**

- Vergleichen Sie die Spannungsangabe auf dem Typenschild mit der vorhandenen Energieversorgung.

- Schließen Sie das Kühlgerät nur wie folgt an:
 - mit dem Gleichstrom-Anschlusskabel an das Gleichstromnetz im Fahrzeug
 - oder mit dem Wechselstrom-Anschlusskabel an das Wechselstromnetz
- Ziehen Sie den Stecker nie am Anschlusskabel aus der Steckdose.
- Wenn das Kühlgerät an der Gleichstrom-Steckdose angeschlossen ist: Klemmen Sie Ihr Kühlgerät und andere Verbraucher von der Fahrzeugbatterie ab, bevor Sie ein Schnellladegerät anschließen.
- Wenn das Kühlgerät an der Gleichstrom-Steckdose angeschlossen ist: Trennen Sie die Verbindung oder schalten Sie das Kühlgerät aus, wenn Sie den Motor ausschalten. Sonst kann die Fahrzeugbatterie entladen werden.
- Das Kühlgerät ist nicht geeignet für den Transport ätzender oder lösungsmittelhaltiger Stoffe.
- Die Isolierung des Kühlgeräts enthält brennbares Cyclopentan und erfordert ein besonderes Entsorgungsverfahren. Führen Sie das Kühlgerät am Ende seiner Lebensdauer einer ordnungsgemäßen Entsorgung zu.
- Benutzen Sie keine Elektrogeräte innerhalb des Kühlgerätes, außer wenn diese Elektrogeräte vom Hersteller dafür empfohlen werden.
- Stellen Sie das Kühlgerät nicht in der Nähe von offenen Flammen oder anderen Wärmequellen (Heizung, starke Sonneneinstrahlung, Gasöfen usw.) ab.
- **Überhitzungsgefahr!**

Achten Sie stets darauf, dass die Belüftung auf allen vier Seiten des Kühlgeräts mindestens 50 mm beträgt. Halten Sie den Lüftungsbereich frei von jeglichen Gegenständen, die den Luftdurchfluss zu den Kühlkomponenten behindern können.

Platzieren Sie das Kühlgerät nicht in geschlossenen Fächern oder Bereichen, die keinen oder nur einen minimalen Luftstrom aufweisen.
- Achten Sie darauf, dass die Lüftungsöffnungen nicht abgedeckt werden.
- Füllen Sie keine Flüssigkeiten oder Eis in den Innenbehälter.
- Tauchen Sie das Kühlgerät nie in Wasser.
- Schützen Sie das Kühlgerät und die Kabel vor Hitze und Nässe.
- Setzen Sie das Kühlgerät keinem Regen aus.

3 Lieferumfang

Position (Abb. 1, Seite 3)	Anzahl	Bezeichnung
1	1	Kühlbox
2	1	Anschlusskabel für Gleichstrom-Anschluss
3	1	Anschlusskabel für Wechselstrom-Anschluss
4	2	Tragegriff, bestehend aus: <ul style="list-style-type: none"> • 2 Halterungen • 1 Griffstück • 4 Befestigungsschrauben • 1 Innensechskantschlüssel
-	1	Bedienungsanleitung

4 Bestimmungsgemäßer Gebrauch

Das Kühlgerät ist für folgende Verwendungszwecke geeignet:

- Kühlen und Tiefkühlen von Lebensmitteln
- Einsatz beim Camping und in mobilen Anwendungen

Das Gerät ist für den Betrieb an folgenden Stromquellen ausgelegt:

- einem bordeigenen Gleichstromanschluss eines Fahrzeugs, Boots oder Wohnmobils
- einer Gleichstrom-Hilfsbatterie
- einem Wechselstromanschluss

Das Kühlgerät ist für den Hausgebrauch und ähnliche Anwendungsbereiche vorgesehen wie zum Beispiel

- in Personalküchen von Läden, Büros und anderen Arbeitsbereichen
- in der Landwirtschaft
- von Gästen in Hotels, Motels oder anderen Unterkünften
- in Frühstückspensionen
- im Catering und ähnlichen Großhandelsanwendungen

5 Funktionsbeschreibung

Das Kühlgerät kann Waren abkühlen und kühl halten sowie tiefkühlen. Die Kühlung erfolgt durch einen wartungsarmen Kühlkreislauf mit Kompressor. Die umfassende Isolierung und der leistungsstarke Kompressor gewährleisten eine effiziente und schnelle Kühlung.

Das Kühlgerät ist für den mobilen Einsatz geeignet.

Das Kühlgerät kann auch in Umgebungsbedingungen eingesetzt werden, in denen es zu kurzzeitigen Neigungen von 30° kommt (z. B. Einsatz in Booten).


5.1 Funktionsumfang

- Netzteil mit Vorrangschaltung zum Anschluss an Wechselspannung
- Dreistufiger Batteriewächter zum Schutz der Fahrzeugbatterie
- Display mit Temperaturanzeige in °C und °F
automatische Abschaltung bei niedriger Batteriespannung
- Temperatureinstellung: Mit zwei Tasten in Schritten von 1 °C (2 °F)
- Displayhelligkeitsregelung mit 3 Helligkeitsstufen
- Herausnehmbarer Korbeinsatz
- Abnehmbare Tragegriffe

5.2 Bedien- und Anzeigeelemente

Deckelverriegelungen (Abb. 2, Seite 3)

Bedienfeld (Abb. 3, Seite 4)

Position	Bezeichnung	Erläuterung
1	EIN AUS	Schaltet die Kühlbox ein oder aus, wenn die Taste ein bis zwei Sekunden gedrückt wird
2	BETRIEBS- ANZEIGE „  “	Betriebsanzeige LED leuchtet grün: Kompressor ist an LED leuchtet orange: Kompressor ist aus LED blinkt orange: Display aufgrund niedriger Batteriespannung automatisch ausgeschaltet

Position	Bezeichnung	Erläuterung
3	FEHLER	LED blinkt rot: Gerät ist eingeschaltet, jedoch nicht betriebsbereit
4	–	Display, zeigt die Werte an
5	SET	Wählt den Eingabemodus – Temperatureinstellung – Anzeige Celsius oder Fahrenheit – Einstellung Batteriewächter – Einstellung Displayhelligkeit
6	MINUS –	Einmal drücken, um den Wert zu verringern
7	PLUS +	Einmal drücken, um den Wert zu erhöhen

Anschlussbuchsen (Abb. 4, Seite 4)

Position	Bezeichnung
1	Anschlussbuchse Wechselspannungsversorgung
2	Halter Sicherung für Wechselstromkreis
3	Abdeckung Sicherung für Gleichstromkreis
4	Anschlussbuchse Gleichspannungsversorgung

6 Bedienung

6.1 Vor dem ersten Gebrauch



HINWEIS

Bevor Sie das neue Kühlgerät in Betrieb nehmen, sollten Sie es aus hygienischen Gründen innen und außen mit einem feuchten Tuch reinigen (siehe auch Kapitel „Reinigung und Pflege“ auf Seite 42).

Griffe montieren (Abb. 5, Seite 4)

Die Griffe liegen lose bei. Falls Sie die Griffe montieren wollen, gehen Sie wie folgt vor:

- Fügen Sie jeweils zwei Halter (1) und ein Griffstück (2) zu einem Griff zusammen.

- ▶ Befestigen Sie die Halter mit den beiliegenden Schrauben in den vorgesehenen Bohrungen.

Deckel öffnen oder abnehmen (Abb. **6**, Seite 5)

Der Deckel lässt sich von beiden Seiten öffnen oder kann ohne Werkzeug vollständig entfernt werden. Gehen Sie dabei wie folgt vor:

- ▶ Lösen Sie die Verriegelung zum Öffnen des Deckels an der gewünschten Öffnungsseite (**A**) oder (**B**).
- ▶ Lösen Sie die Verriegelung an beiden Seiten (**C**) gleichzeitig, um den Deckel abzunehmen.

Deckelanschlag (Abb. **7**, Seite 5)

Der Deckel wird durch einen integrierten Anschlag in einer Endposition gehalten (**A**). Drücken Sie den Deckel nicht gewaltsam über diese Endposition hinaus (**B**).



ACHTUNG!

BESCHÄDIGUNGSGEFAHR!

Nichtbeachtung kann zu einem Abbrechen des Deckels führen.

- ▶ Wenn der Deckel zu weit geöffnet wurde, führen Sie die in Kapitel „Der Deckel wurde über den integrierten Anschlag hinaus gedrückt (Abb. **11**, Seite 7)“ auf Seite 44 beschriebenen Schritte durch.

Korbeinsatz herausnehmen (Abb. **8**, Seite 6)



ACHTUNG!

BESCHÄDIGUNGSGEFAHR!

Nichtbeachtung kann zu Schäden am Gerät führen.

Wird der Korbeinsatz bei geöffnetem Deckel herausgenommen, kann der Deckel verkratzt und der Korbeinsatz verbogen werden. Wir empfehlen daher, den Deckel vor Herausnehmen des Korbeinsatzes abzunehmen.

Temperatureinheit wählen

Die Temperaturanzeige kann zwischen Celsius und Fahrenheit umgeschaltet werden. Gehen Sie dazu wie folgt vor:

- ▶ Schalten Sie das Kühlgerät ein.
- ▶ Drücken Sie die Taste „SET“ (Abb. **3** 5, Seite 4) zweimal.

- ▶ Wählen Sie mithilfe der Plus- „+“ (Abb. **3** 7, Seite 4) bzw. Minus-Taste „-“ (Abb. **3** 6, Seite 4) Celsius oder Fahrenheit aus.
- ✓ Das Display zeigt für einige Sekunden die eingestellte Temperatureinheit an. Das Display blinkt einige Male, bevor es zur Darstellung der aktuellen Temperatur zurückkehrt.

6.2 Tipps zum Energiesparen

- Wählen Sie einen gut belüfteten und vor Sonnenstrahlen geschützten Einsatzort.
- Lassen Sie warme Speisen erst abkühlen, bevor Sie sie im Kühlgerät kühl halten.
- Öffnen Sie das Kühlgerät nicht häufiger als nötig.
- Lassen Sie das Kühlgerät nicht länger offen als nötig.
- Tauen Sie die Kühlbox ab, sobald sich eine Eisschicht gebildet hat.
- Vermeiden Sie eine unnötig tiefe Innentemperatur.

6.3 Kühlgerät anschließen

An eine Batterie anschließen (Fahrzeug oder Boot)

Die Kühlbox kann mit 12 V oder 24 V $\overline{=}$ betrieben werden.



ACHTUNG!

BESCHÄDIGUNGSGEFAHR!

Nichtbeachtung kann zu Schäden am Gerät führen.
Klemmen Sie die Kühlbox und andere Verbraucher von der Batterie ab, bevor Sie die Batterie mit einem Schnellladegerät aufladen.
Überspannungen können die Elektronik der Geräte beschädigen.

Zur Sicherheit ist die Kühlbox mit einem elektronischen Verpolungsschutz ausgestattet, der die Kühlbox gegen Kurzschluss beim Batterieanschluss schützt.

Gleichstromstecker mit Sicherung verwenden



ACHTUNG!

BESCHÄDIGUNGSGEFAHR!

Nichtbeachtung kann zu Schäden am Gerät führen.
Zum Schutz des Geräts verfügt das im Lieferumfang enthaltene Gleichstromkabel eine Sicherung im Stecker. Entfernen Sie **nicht** den Gleichstromstecker mit der Sicherung.
Verwenden Sie nur das im Lieferumfang enthaltene Gleichstromkabel.

- Stecken Sie das Gleichstromanschlusskabel (Abb. **1** 2, Seite 3) in die Gleichspannungsbuchse der Kühlbox (Abb. **7** 3, Seite 5).
- Schließen Sie das Anschlusskabel an eine Gleichstromversorgung an.

An eine Wechselstromversorgung anschließen (z. B. Zuhause oder im Büro)



GEFAHR!

LEBENSGEFAHR DURCH STROMSCHLAG!

Nichtbeachtung dieser Warnungen kann zum Tod oder schwerer Verletzung führen.

- Hantieren Sie nie mit Steckern und Schaltern, wenn Sie nasse Hände haben oder mit den Füßen in der Nässe stehen.
- Wenn Sie Ihr Kühlgerät an Bord eines Bootes an einem Wechselspannungsnetz betreiben, müssen Sie einen FI-Schutzschalter zwischen Wechselspannungsnetz und Kühlgerät schalten. Lassen Sie sich von einem Fachmann beraten.

Die Kühlgeräte verfügen über ein integriertes Multispannungsnetzteil mit Vorrangschaltung zum Anschluss an eine Wechselspannung. Durch die Vorrangschaltung wird automatisch auf Wechselspannungsbetrieb umgeschaltet, wenn das Gerät an ein Wechselstromnetz angeschlossen wird, auch wenn das Gleichstromanschlusskabel noch angeschlossen ist.

Beim Umschalten zwischen Wechselstromnetz und Batterieversorgung kann die rote LED kurz aufleuchten.

- Stecken Sie das Wechselstromanschlusskabel (Abb. **1** 3, Seite 3) in die Wechselspannungsbuchse der Kühlbox (Abb. **4** 1, Seite 4).
- Schließen Sie das Anschlusskabel an eine Wechselstromversorgung an.

6.4 Batteriewächter verwenden

Das Gerät ist mit einem mehrstufigen Batteriewächter ausgestattet, der Ihre Fahrzeugbatterie beim Anschluss an das Bordnetz vor zu tiefer Entladung schützt.

Wird das Kühlgerät bei ausgeschalteter Zündung im Fahrzeug betrieben, schaltet sich das Kühlgerät selbstständig ab, sobald die Versorgungsspannung unter einen einstellbaren Wert abfällt. Das Kühlgerät schaltet sich wieder ein, sobald durch Aufladung der Batterie die Wiedereinschaltspannung erreicht wird.



ACHTUNG! **BESCHÄDIGUNGSGEFAHR!**

Nichtbeachtung kann zu Schäden an der Batterie führen. Die Batterie ist bei Abschalten durch den Batteriewächter nicht mehr vollständig aufgeladen. Vermeiden Sie daher mehrmaliges Starten oder den Betrieb von Stromverbrauchern ohne längere Aufladephasen. Sorgen Sie dafür, dass die Batterie wieder aufgeladen wird.

Im Modus „HIGH“ spricht der Batteriewächter schneller an als in den Stufen „LOW“ und „MED“ (siehe folgende Tabelle).

Batteriewächter-Modus	LOW	MED	HIGH
Ausschaltspannung bei 12 V	10,1 V	11,4 V	11,8 V
Wiedereinschaltspannung bei 12 V	11,1 V	12,2 V	12,6 V
Ausschaltspannung bei 24 V	21,5 V	24,1 V	24,6 V
Wiedereinschaltspannung bei 24 V	23,0 V	25,3 V	26,2 V

Der Batteriewächter-Modus kann wie folgt eingestellt werden:

- ▶ Schalten Sie das Kühlgerät ein.
- ▶ Drücken Sie die Taste „SET“ (Abb. **3** 5, Seite 4) dreimal.
- ▶ Wählen Sie mithilfe der Plus- „+“ (Abb. **3** 7, Seite 4) bzw. Minus-Taste „-“ (Abb. **3** 6, Seite 4) den Batteriewächter-Modus aus.
- ✓ Auf dem Display wird Folgendes angezeigt:
Lo (LOW), Med (MED), Hi (HIGH)
- ✓ Das Display zeigt für einige Sekunden den eingestellten Modus an. Das Display blinkt einige Male, bevor es zur Darstellung der aktuellen Temperatur zurückkehrt.



HINWEIS

Wenn das Kühlgerät von der Starterbatterie versorgt wird, wählen Sie den Batteriewächter-Modus „HIGH“. Wenn die Kühlbox an eine Versorgungsbatterie angeschlossen ist, ist der Batteriewächter-Modus „LOW“ ausreichend.

6.5 Kühlgerät verwenden



ACHTUNG!

GEFAHR VON ÜBERHITZUNG!

Nichtbeachtung kann zu Schäden am Gerät führen.

Stellen Sie jederzeit eine ausreichende Belüftung sicher, sodass die beim Betrieb entstehende Wärme abgeführt werden kann. Stellen Sie sicher, dass die Lüftungsschlitze nicht abgedeckt sind. Sorgen Sie dafür, dass das Gerät in ausreichendem Abstand zu Wänden oder Gegenständen steht, sodass die Luft zirkulieren kann.

- ▶ Stellen Sie das Kühlgerät auf eine feste Unterlage. Achten Sie darauf, dass die Lüftungsschlitze nicht abgedeckt sind und die erwärmte Luft abgeleitet werden kann. Wir empfehlen einen Abstand von mindestens 2" um die Lüftungsschlitze.



HINWEIS

Stellen Sie das Kühlgerät wie dargestellt auf (Abb. **1**, Seite 3). Wird das Kühlgerät in einer anderen Ausrichtung betrieben, kann das Gerät Schaden nehmen.

- ▶ Schließen Sie das Kühlgerät an (siehe Kapitel „Kühlgerät anschließen“ auf Seite 35).

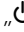


ACHTUNG!

GEFAHR DURCH ZU NIEDRIGE TEMPERATUR!

Nichtbeachtung kann zu Schäden an in dem Kühlgerät aufbewahrten Gegenständen führen.


Achten Sie darauf, dass sich nur Gegenstände bzw. Waren in dem Kühlgerät befinden, die auf die gewählte Temperatur gekühlt werden dürfen.

- ▶ Drücken Sie die Ein-/Austaste (Abb. **3** 1, Seite 4) für ein bis zwei Sekunden.
- ✓ Die LED „“ leuchtet auf (Abb. **3** 2, Seite 4).
- ✓ Das Display (Abb. **3** 4, Seite 4) schaltet sich ein und zeigt die aktuelle Temperatur an.
- ✓ Der Kühlschrank startet mit dem Kühlen des Innenraums.

**HINWEIS – Angezeigte Temperatur**

Die angezeigte Temperatur bezieht sich auf den großen Bereich im Innenraum (Abb. **9**, Seite 6, 1).

**HINWEIS**

Bei Betrieb an einer Batterie schaltet sich das Display bei niedriger Batteriespannung automatisch ab. Die LED „“ blinkt orange.

Kühlboxdeckel verriegeln

- Schließen Sie den Deckel.
- Drücken Sie die Verriegelung (Abb. **2**, Seite 3) nach unten, bis sie hörbar einrastet.

**HINWEIS**

Stellen Sie bei Verriegeln des Deckels sicher, dass die Verriegelungsstifte auf beiden Seiten vollständig eingerastet sind, um eine gute Abdichtung des Deckels sicherzustellen. Eine Verriegelung rastet möglicherweise kurz vor der anderen ein.

- Wenn der Deckel nicht auf beiden Seiten gleichmäßig geschlossen ist, drücken Sie erneut, bis ein Einrasten hörbar ist.

6.6 Temperatur einstellen

- Drücken Sie die Taste „SET“ (Abb. **3** 5, Seite 4) einmal.
- Stellen Sie mithilfe der Plus- „+“ (Abb. **3** 7, Seite 4) bzw. Minus-Taste „-“ (Abb. **3** 6, Seite 4) die Kühltemperatur ein.
- ✓ Das Display zeigt für einige Sekunden die Kühltemperatur an. Das Display blinkt einige Male, bevor es zur Darstellung der aktuellen Temperatur zurückkehrt.

6.7 Displayhelligkeit einstellen

Die Displayhelligkeit kann an dunkle Umgebungen angepasst werden. Um die Helligkeitsstufe des Displays einzustellen, gehen Sie wie folgt vor:

- Schalten Sie das Kühlgerät ein.
- Drücken Sie die Taste „SET“ (Abb. **3** 5, Seite 4) viermal.
- Stellen Sie mithilfe der Plus- „+“ (Abb. **3** 7, Seite 4) oder Minus-Taste „-“ (Abb. **3** 6, Seite 4) die Helligkeit des Displays ein.

- ✓ Auf dem Display wird Folgendes angezeigt:
d0 (Standard), d1 (mittel), d2 (dunkel)
- ✓ Auf dem Display wird der eingestellte Modus für einige Sekunden angezeigt. Das Display blinkt zweimal, bevor es zur Darstellung der aktuellen Temperatur zurückkehrt.

**HINWEIS**

- Die werkseitige Standardeinstellung des Displays ist d0 (Standard).
- Bei Auftreten einer Störung wird die Helligkeit automatisch auf den Wert d0 (Standard) zurückgestellt. Nach der Störungsbeseitigung wird die eingestellte Helligkeit wieder aktiviert.

6.8 Kühlgerät ausschalten

- Entleeren Sie das Kühlgerät.
- Schalten Sie das Kühlgerät aus.
- Ziehen Sie das Anschlusskabel ab.

Wenn Sie das Kühlgerät für längere Zeit nicht benutzen wollen:

- Lassen Sie den Deckel leicht geöffnet. So verhindern Sie, dass sich Gerüche bilden.

6.9 Kühlbox abtauen

Luftfeuchtigkeit kann sich im Innenraum des Kühlgerätes als Reif niederschlagen, der die Kühlleistung verringert.

**ACHTUNG!****BESCHÄDIGUNGSGEFAHR!**

Nichtbeachtung kann zu Schäden am Gerät führen.

Verwenden Sie nie harte oder spitze Werkzeuge zum Entfernen von Eisschichten oder zum Lösen festgefrorener Gegenstände.

Gehen Sie wie folgt vor, um das Kühlgerät abzutauen:

- Entfernen Sie alle Gegenstände aus dem Kühlgerät.
- Lagern Sie sie ggf. in einem anderen Kühlgerät, damit sie kalt bleiben.
- Schalten Sie das Gerät aus.
- Lassen Sie den Deckel geöffnet.

- Wischen Sie das Tauwasser auf.

6.10 Sicherung für Wechselstromkreis ersetzen



GEFAHR!

LEBENSGEFAHR DURCH STROMSCHLAG!

Nichtbeachtung dieser Warnung kann zum Tod oder schwerer Verletzung führen.

Trennen Sie das Gerät vor dem Austauschen der Gerätesicherung von der Spannungsversorgung und ziehen Sie das Anschlusskabel ab.

- Unterbrechen Sie die Spannungsversorgung des Gerätes.
- Ziehen Sie das Anschlusskabel ab.
- Hebeln Sie den Sicherungseinsatz (Abb. **4** 2, Seite 4) z. B. mit einem Schraubendreher heraus.
- Tauschen Sie die defekte Glassicherung gegen eine neue Sicherung desselben Typs mit demselben Wert (4 A, 250 V) aus.
- Drücken Sie den Sicherungseinsatz wieder in das Gehäuse.
- Verbinden Sie das Gerät wieder mit der Spannungsversorgung.

6.11 Gerätesicherung für Gleichstromkreis ersetzen

- Unterbrechen Sie die Spannungsversorgung des Gerätes.
- Hebeln Sie die Abdeckung der Sicherung (Abb. **4** 3, Seite 4) heraus.
- Drehen Sie die Abdeckung der Sicherung um und entfernen Sie die Sicherung mithilfe des Hakens.
- Ersetzen Sie die defekte Sicherung durch eine neue Sicherung des gleichen Typs (Flachstecksicherung, 10 A, gemäß Automobilstandard).
- Setzen Sie den Sicherungsdeckel wieder ein.
- Verbinden Sie das Gerät wieder mit der Spannungsversorgung.

6.12 Sicherung im Gleichstromstecker ersetzen (Abb. **10**, Seite 6)

- Schrauben Sie das Kontaktstiftgehäuse (**3**) vom Stecker (**1**) ab.

- Ersetzen Sie die defekte Sicherung (**2**) durch eine neue Sicherung desselben Typs mit demselben Wert (3AG, flink, 10 A).
- Setzen Sie den Stecker in umgekehrter Reihenfolge wieder zusammen.

7 Reinigung und Pflege



WARNUNG!

LEBENSGEFAHR DURCH STROMSCHLAG!

Nichtbeachtung dieser Warnung kann zum Tod oder schwerer Verletzung führen.

Trennen Sie vor jeder Reinigung und Pflege das Gerät von der Stromversorgung.



ACHTUNG!

BESCHÄDIGUNGSGEFAHR!

Nichtbeachtung kann zu Schäden am Gerät führen.

- Reinigen Sie das Kühlgerät niemals unter fließendem Wasser oder gar im Spülwasser.
- Verwenden Sie zum Reinigen keine scharfen Reinigungsmittel oder harten Gegenstände, da diese das Kühlgerät beschädigen können.

- Reinigen Sie das Gerät innen und außen gelegentlich mit einem feuchten Tuch.
- Stellen Sie sicher, dass die Be- und Entlüftungsöffnungen des Geräts frei von Staub und Verunreinigungen sind, damit die beim Betrieb entstehende Wärme abgeführt werden kann und das Gerät keinen Schaden nimmt.

8 Störungsbeseitigung

Störung	Mögliche Ursache	Lösungsvorschlag
Das Gerät funktioniert nicht, LED leuchtet nicht.	Die Gleichstromversorgung führt keine Spannung.	Bei den meisten Fahrzeugen muss der Zündschalter eingeschaltet sein, damit die Gleichstromsteckdose Spannung führt.
	Die Wechselstromversorgung führt keine Spannung.	Versuchen Sie es an einer anderen Steckdose.
	Eine der Gerätesicherungen ist defekt.	Tauschen Sie die defekte Gerätesicherung aus (siehe Kapitel „Sicherung für Wechselstromkreis ersetzen“ auf Seite 41 oder Kapitel „Gerätesicherung für Gleichstromkreis ersetzen“ auf Seite 41).
	Das integrierte Netzteil ist defekt.	Die Reparatur kann nur von einem zugelassenen Kundendienstbetrieb durchgeführt werden.
Das Gerät kühlt nicht (Stecker ist eingesteckt, LED der Betriebsanzeige leuchtet).	Kompressor defekt.	Die Reparatur kann nur von einem zugelassenen Kundendienstbetrieb durchgeführt werden.
Das Gerät kühlt nicht (Stecker ist eingesteckt, LED der Betriebsanzeige blinkt orange, Display ist abgeschaltet).	Der Batteriewächter ist zu hoch eingestellt.	Wählen Sie eine niedrigere Einstellung für den Batteriewächter.
	Batteriespannung nicht ausreichend.	Prüfen Sie die Batterie und laden Sie sie gegebenenfalls.

Störung	Mögliche Ursache	Lösungsvorschlag
Bei Betrieb an der Gleichstromsteckdose: Die Zündung ist eingeschaltet, das Gerät funktioniert nicht und die LED leuchtet nicht.	Die Gleichstromsteckdose ist verschmutzt. Das hat einen schlechten elektrischen Kontakt zur Folge.	Wenn der Stecker in der Gleichstromsteckdose sehr warm wird, muss entweder die Steckdose gereinigt werden oder der Stecker ist möglicherweise nicht richtig zusammengebaut.
	Die Sicherung des Gleichstromsteckers ist durchgebrannt.	Ersetzen Sie die Sicherung im Gleichstromstecker (siehe Kapitel „Sicherung im Gleichstromstecker ersetzen (Abb. 10 , Seite 6)“ auf Seite 41).
	Die Gerätesicherung für den Gleichstromkreis ist durchgebrannt.	Tauschen Sie die defekte Sicherung aus (siehe Kapitel „Gerätesicherung für Gleichstromkreis ersetzen“ auf Seite 41).
	Die Fahrzeugsicherung ist durchgebrannt.	Tauschen Sie die Sicherung der Gleichstromsteckdose des Fahrzeugs aus. Beachten Sie dazu die Bedienungsanleitung Ihres Fahrzeugs.
Das Display zeigt eine Fehlermeldung (z. B. „Err1“) an und das Gerät kühlt nicht.	Eine interne Betriebsstörung hat das Gerät ausgeschaltet.	Die Reparatur kann nur von einem zugelassenen Kundendienstbetrieb durchgeführt werden.

8.1 Der Deckel wurde über den integrierten Anschlag hinaus gedrückt (Abb. **11**, Seite 7)

- Stützen Sie den Deckel mit einer Hand (**A**).
- Drücken Sie mit der anderen Hand die Verriegelung nach unten (**B**).



VORSICHT!

GESUNDHEITSGEFAHR!

Nichtbeachtung kann zu geringer oder mittelschwerer Verletzung führen.

Achten Sie darauf, sich bei Schließen des Deckels nicht den Daumen einzuklemmen.



ACHTUNG!

BESCHÄDIGUNGSGEFAHR!

Nichtbeachtung kann zu einem Abbrechen des Deckels führen.

- Schließen Sie den Deckel so weit, wie es ohne Einklemmen Ihres Daumens möglich ist, und drücken Sie dabei die Verriegelung weiter nach unten, damit diese nicht abbricht.
- ✓ Der Deckel sollte nun in etwa im gezeigten Winkel sein (Abb. **11**, Seite 7).
- Entfernen Sie die Hand von der Verriegelung (**B**) und schließen Sie den Deckel vollständig.



HINWEIS

Die Scharniere können sich während des Schließens aus ihrer korrekten Position lösen. Positionieren Sie den Deckel wie folgt:

- Betätigen Sie die Scharniere auf beiden Seiten des Deckels gleichzeitig.
- Heben Sie den Deckel ab und positionieren Sie ihn neu.

9 Garantie

Es gilt die gesetzliche Gewährleistungsfrist. Sollte das Produkt defekt sein, wenden Sie sich bitte an die Niederlassung des Herstellers in Ihrem Land (siehe dometic.com/dealer) oder an Ihren Fachhändler.

Zur Reparatur- bzw. Gewährleistungsbearbeitung müssen Sie folgende Unterlagen mitschicken:

- eine Kopie der Rechnung mit Kaufdatum,
- einen Reklamationsgrund oder eine Fehlerbeschreibung.

10 Entsorgung

- Geben Sie das Verpackungsmaterial möglichst in den entsprechenden Recycling-Müll.



Wenn Sie das Produkt endgültig außer Betrieb nehmen, informieren Sie sich bitte beim nächsten Recyclingcenter oder bei Ihrem Fachhändler über die zutreffenden Entsorgungsvorschriften.

11 Technische Daten

	CFF35	CFF45
Anschlussspannung:	12/24 V \equiv und 100 bis 240 V \sim	
Nennstrom:	12 V \equiv : 7,8 A 24 V \equiv : 3,5 A 240 V \sim : 0,4 A	12 V \equiv : 8,6 A 24 V \equiv : 3,8 A 240 V \sim : 0,41 A
Kühlleistung:	+10 °C bis -18 °C (+50 °F bis 0 °F)	
Kategorie:	1	
Energieeffizienzklasse:	A+	
Energieverbrauch:	85 kWh/Jahr	84 kWh/Jahr
Bruttoinhalt:	34 l	44 l
Nutzinhalt:	30 l	38 l
Klimaklasse:	N, T	
Umgebungstemperatur:	+16 °C bis +43 °C +60 °F bis +110 °F	
Kältemittelmenge:	34 g	43 g
CO ₂ -Äquivalent:	0,049 t	0,061 t
Treibhauspotential (GWP):	1430	
Abmessungen (B x H x T) in mm (inkl. Griffe):	715 x 407 x 398	715 x 475 x 398
(B x H x T) in mm (bei abgenommenen Griffen):	590 x 407 x 398	590 x 475 x 398
Gewicht:	17,2 kg	18,6 kg



HINWEIS

Beim Umgebungstemperaturen über +32 °C (+90 °F) kann die minimale Temperatur nicht erreicht werden.

Prüfung/Zertifikate:



Der Kühlkreis enthält R134a.

Enthält fluorierte Treibhausgase

Hermetisch geschlossene Einrichtung

130.com.ua

Veillez lire ce manuel avec attention avant de mettre l'appareil en service. Conservez ensuite ce manuel. En cas de passer de l'appareil, veuillez le transmettre au nouvel acquéreur.

Le fabricant décline toute responsabilité en cas de dommages provoqués par une **utilisation non-conforme de l'appareil** ou **par des erreurs de manipulation**.

Sommaire

1	Signification des symboles	48
2	Consignes de sécurité	49
3	Contenu de la livraison	51
4	Usage conforme	52
5	Description du fonctionnement	53
6	Utilisation	55
7	Nettoyage et entretien	63
8	Guide de dépannage	64
9	Garantie	66
10	Élimination des déchets	66
11	Caractéristiques techniques	67

1 Signification des symboles



DANGER !

Consigne de sécurité signalant une situation dangereuse qui entraîne la mort ou de graves blessures si elle n'est pas évitée.



AVERTISSEMENT !

Consigne de sécurité signalant une situation dangereuse qui peut entraîner la mort ou de graves blessures si elle n'est pas évitée.



ATTENTION !

Consigne de sécurité signalant une situation dangereuse qui peut entraîner des blessures de gravité moyenne ou légère si elle n'est pas évitée.

**AVIS !**

Remarque signalant une situation qui peut entraîner des dommages matériels si elle n'est pas évitée.

**REMARQUE**

Informations complémentaires sur l'utilisation du produit.

2 Consignes de sécurité



AVERTISSEMENT ! Le non-respect de ces mises en garde peut entraîner des blessures graves, voire mortelles.

Danger de mort par électrocution

- Si l'appareil présente des dégâts visibles, vous ne devez pas le mettre en service.
- Si le câble d'alimentation de ce dispositif de refroidissement est endommagé, il doit être remplacé pour éviter tout danger.
- Seul un personnel qualifié est habilité à effectuer des réparations sur l'appareil. Toute réparation mal effectuée risque d'entraîner de graves dangers.

Risque d'incendie

- Veillez à ne pas coincer ni endommager le cordon d'alimentation lors de la mise en place de l'appareil.
- Ne placez pas de multiprises portables ou de blocs d'alimentation portables à l'arrière de l'appareil.

Risque pour la santé

- Cet appareil peut être utilisé par des enfants âgés de 8 ans et plus et des personnes ayant des capacités physiques, sensorielles ou mentales réduites ou un manque d'expérience et de connaissances, s'ils sont sous surveillance ou ont reçu des instructions sur l'utilisation de l'appareil en toute sécurité et comprennent les risques impliqués.
- Les enfants ne doivent pas jouer avec cet appareil.
- Le nettoyage et la maintenance ne doivent pas être effectués par des enfants sans surveillance.
- Les enfants âgés de 3 à 8 ans peuvent charger et décharger les appareils de réfrigération.

Risque d'explosion

- Ne stockez aucune substance explosive comme p. ex. des aérosols contenant des agents propulseurs dans l'appareil.

**ATTENTION ! Le non-respect de ces mises en garde peut entraîner des blessures légères ou de gravité modérée.****Danger de mort par électrocution**

- Avant de mettre l'appareil en service, assurez-vous que la ligne d'alimentation électrique et la fiche sont sèches.
- Débranchez l'appareil du secteur
 - avant tout nettoyage et entretien
 - après chaque utilisation

Risque pour la santé

- Veuillez vérifier si la puissance frigorifique de l'appareil correspond à la température de conservation recommandée pour les aliments ou les médicaments que vous souhaitez refroidir.
- Les aliments ne peuvent être conservés que dans leurs emballages originaux ou dans des récipients appropriés.
- Une ouverture prolongée de l'appareil de réfrigération peut entraîner une augmentation significative de la température dans les compartiments de l'appareil.
- Nettoyez régulièrement les surfaces qui entrent en contact avec les aliments, ainsi que les systèmes de drainage accessibles.
- Stockez la viande et le poisson crus dans des récipients appropriés afin qu'ils n'entrent pas en contact avec d'autres aliments qui se trouvent dans l'appareil ou ne risquent pas de couler dessus.
- Si l'appareil reste vide pendant une longue période :
 - Éteignez l'appareil.
 - Dégivrez l'appareil.
 - Nettoyez et séchez l'appareil.
 - Laissez la porte ouverte pour éviter la formation de moisissures à l'intérieur de l'appareil.

**AVIS ! Risque d'endommagement**

- Comparez la tension indiquée sur la plaque signalétique avec l'alimentation électrique dont vous disposez.
- Branchez l'appareil uniquement comme indiqué ci-dessous :
 - avec le câble de raccordement CC sur une prise CC du véhicule
 - ou avec le câble de raccordement CA au secteur à courant alternatif

- Ne tirez jamais sur le câble de raccordement pour sortir la fiche de la prise.
- Si la glacière est raccordée à la prise CC : débranchez de la batterie la glacière et les autres consommateurs d'énergie avant de raccorder un chargeur rapide.
- Si la glacière est raccordée à la prise CC : débranchez ou éteignez la glacière lorsque vous éteignez le moteur. Dans le cas contraire, il se pourrait que la batterie se décharge.
- N'utilisez pas la glacière pour le transport de produits corrosifs ou de solvants.
- Cette glacière contient du cyclopentane inflammable dans son isolation. Les gaz contenus dans le matériau d'isolation exigent une procédure de retraitement particulière. Une fois que vous ne l'utilisez plus, recyclez l'appareil de manière conforme.
- N'utilisez aucun appareil électrique dans la glacière, sauf si ces appareils sont recommandés par le fabricant pour cet usage.
- Ne placez pas l'appareil près de flammes ou d'autres sources de chaleur (chauffage, rayons solaires, réchauds à gaz, etc.).
- **Risque de surchauffe !**
En toutes circonstances, maintenir une zone de ventilation de 50 mm minimum autour du dispositif de réfrigération. Cette zone de ventilation doit rester libre de tout objet susceptible de réduire le flux d'air acheminé vers les composants réfrigérants.
Ne placez pas le dispositif de réfrigération dans des zones ou à l'intérieur de boîtiers clos dans lesquels l'air ne peut circuler pas ou trop peu.
- Assurez-vous que les fentes d'aération ne sont pas recouvertes.
- Ne pas remplir le bac intérieur de substances liquides ou de glace.
- Ne plongez jamais l'appareil dans l'eau.
- Tenez l'appareil et les câbles à l'abri de la chaleur et de l'humidité.
- Tenez l'appareil réfrigérant à l'abri de la pluie.

3 Contenu de la livraison

Repère (fig. 1, page 3)	Quantité	Description
1	1	Glacière

Repère (fig. 1, page 3)	Quantité	Description
2	1	Câble de raccordement au courant continu
3	1	Câble de raccordement au courant alternatif
4	2	Poignée de transport, composée de : <ul style="list-style-type: none"> • 2 supports • 1 poignée • 4 vis de fixation • 1 clé Allen
–	1	Mode d'emploi

4 Usage conforme

L'appareil réfrigérant est conçu pour :

- la réfrigération et la congélation d'aliments
- le camping et les applications mobiles

L'appareil est conçu pour être utilisé sur :

- une alimentation CC à bord d'un véhicule, d'un bateau ou d'une caravane
- une batterie auxiliaire CC
- une alimentation courant alternatif

La glacière est conçue pour un usage à domicile et tous les domaines d'applications semblables, comme par exemple

- dans les cuisines destinées au personnel de boutiques, bureaux et autres lieux de travail
- dans l'agriculture
- pour les clients d'hôtels, de motels ou autres types d'hébergement
- dans les « bed and breakfast »
- dans le catering et les utilisations semblables du commerce en gros

5 Description du fonctionnement

L'appareil de réfrigération permet de réfrigérer, de tenir au frais ou de congeler des produits. La réfrigération est assurée par un circuit de refroidissement à compresseur qui nécessite peu d'entretien. L'isolation forte et le puissant compresseur assurent un refroidissement particulièrement rapide.

La glacière convient pour une utilisation mobile.

La glacière supporte pendant une courte durée d'être inclinée à 30 °, par exemple sur les bateaux.


5.1 Étendue des fonctions

- Bloc d'alimentation avec raccordement prioritaire pour raccordement sur un courant alternatif
- Protecteur de batterie à trois niveaux pour protéger la batterie du véhicule
- Écran avec affichage de la température en °C et °F
S'éteint automatiquement lorsque la tension de la batterie est faible
- Réglage de la température : Avec deux touches par pas de 1 °C (et de 2 °F)
- Écran avec fonction de tamisage à 3 niveaux de luminosité
- Élément panier amovible
- Poignées amovibles

5.2 Éléments de commande et d'affichage

Loquets du couvercle (fig. 2, page 3)

Panneau de commande (fig. 3, page 4)

Repère	Description	Description
1	ON OFF	Permet de mettre en marche ou d'arrêter la glacière en appuyant une à deux secondes sur la touche
2	POWER «  »	Indication d'état La LED s'allume en vert : Le compresseur est en marche La LED s'allume en orange : Le compresseur est arrêté La LED clignote en orange : Affichage éteint automatiquement en raison de la faible tension de la batterie
3	ERROR	La LED clignote en rouge : L'appareil est allumé mais n'est pas prêt à fonctionner
4	-	Écran, affiche les valeurs
5	SET	Sélection du mode de saisie - Réglage de la température - Affichage en Celsius ou Fahrenheit - Réglage du protecteur de batterie - Réglage de la luminosité de l'écran
6	DOWN -	Une pression sur cette touche diminue la valeur de saisie
7	UP +	Une pression sur cette touche augmente la valeur de saisie

Douilles de raccordement (fig. 4, page 4)

Repère	Description
1	Prise de raccordement de l'alimentation en tension alternative
2	Porte-fusible CA
3	Fusible CC
4	Prise de raccordement de l'alimentation en tension continue

6 Utilisation

6.1 Avant la première utilisation



REMARQUE

Avant de mettre en service votre nouvelle glacière, vous devez, pour des raisons d'hygiène, la nettoyer à l'intérieur et à l'extérieur à l'aide d'un tissu humide (voir aussi chapitre « Nettoyage et entretien », page 63).

Montage des poignées (fig. 5, page 4)

Les poignées sont fournies non assemblées. Si vous souhaitez fixer les poignées, procédez comme suit :

- Montez une poignée en assemblant deux supports (1) et une poignée (2).
- Fixez les supports en vissant les vis fournies dans les trous prévus.

Ouverture ou retrait du couvercle (fig. 6, page 5)

Le couvercle peut être ouvert des deux côtés ou retiré entièrement sans outils de la manière suivante :

- Pour ouvrir le couvercle, déverrouillez-le dans la direction d'ouverture que vous souhaitez, (A) ou (B).
- Pour retirer le couvercle, débloquez les deux côtés en même temps (C).

Position d'arrêt du couvercle (fig. 7, page 5)

Le couvercle a une position d'arrêt intégrée (A). Ne forcez pas sur le couvercle pour l'amener au-delà de cette butée (B).



AVIS !

RISQUE DE DÉGÂTS !

Le non-respect de cette mise en garde peut provoquer la cassure du couvercle.

- Si vous avez trop forcé sur le couvercle, suivez les étapes décrites dans le chapitre « Le couvercle a été forcé au-delà de sa position d'arrêt intégrée (fig. 11, page 7) », page 65.

Retrait du panier (fig. 8, page 6)



AVIS !

RISQUE DE DÉGÂTS !

Le non-respect de cette mise en garde peut entraîner des dommages de l'appareil.

En cas de retrait du panier avec le couvercle ouvert, cela peut rayer le couvercle et déformer le panier. Nous vous recommandons de retirer le couvercle avant d'enlever le panier.

Sélection des unités de température

Les unités de température peuvent être commutées entre Celsius et Fahrenheit de la manière suivante :

- ▶ Mettez la glacière en marche.
- ▶ Appuyez deux fois sur la touche « SET » (fig. 3 5, page 4).
- ▶ Sélectionnez Celsius ou Fahrenheit à l'aide des touches « UP + » (fig. 3 7, page 4) ou « DOWN – » (fig. 3 6, page 4).
- ✓ L'écran affiche l'unité de température sélectionnée pendant quelques secondes. L'écran clignote plusieurs fois avant de revenir à l'affichage de la température actuelle.

6.2 Comment économiser de l'énergie ?

- Choisissez un emplacement bien aéré et à l'abri du soleil.
- Laissez refroidir les aliments chauds avant de les déposer dans la glacière.
- Ne pas ouvrir la glacière plus souvent que nécessaire.
- Ne laissez pas la glacière ouverte plus longtemps que nécessaire.
- Dégivrez la glacière dès qu'une couche de glace s'est formée.
- Évitez les basses températures inutiles.

6.3 Raccordement de la glacière

Raccordement à une batterie (véhicule ou bateau)

La glacière peut être utilisée sur une alimentation 12 V ou 24 V $\overline{=}$.



AVIS !
RISQUE DE DÉGÂTS !

Le non-respect de cette mise en garde peut entraîner des dommages de l'appareil.

Débranchez la glacière et les autres consommateurs d'énergie de la batterie avant de recharger la batterie avec un chargeur rapide.

Les surtensions peuvent endommager l'électronique des appareils.

Pour des raisons de sécurité, la glacière est équipée d'un système électronique pour empêcher l'inversion de polarité. Cela protège la glacière contre un court-circuit lors de la connexion à une batterie.

Utilisation de la fiche CC protégée par fusible



AVIS !
RISQUE DE DÉGÂTS !

Le non-respect de cette mise en garde peut entraîner des dommages de l'appareil.

Pour la protection de l'appareil, le câble CC fourni comprend un fusible à l'intérieur de la fiche. **Ne retirez pas** la fiche CC protégée par fusible.

Utilisez uniquement le câble de raccordement fourni à la livraison.

- Branchez le câble de raccordement au courant continu (fig. **1** 2, page 3) dans la prise de tension CC de la glacière (fig. **1** 3, page 3).
- Branchez le câble de raccordement à la prise de sortie CC.

Raccordement à une alimentation CA (par ex. dans la maison ou au bureau)



DANGER !
RISQUE D'ÉLECTROCUTION !

Le non-respect de cette mise en garde entraînera des blessures graves, voire mortelles.

- Ne vous approchez pas de prises ou de commutateurs lorsque vous avez les mains mouillées ou les pieds dans l'eau.
- Si vous raccordez votre glacière à bord d'un bateau à un secteur alternatif, vous devez dans tous les cas brancher un disjoncteur différentiel entre le secteur de tension alternative et la glacière. Veuillez vous renseigner auprès d'un spécialiste.

Les glacières sont équipées d'un bloc d'alimentation intégré à tensions multiples avec raccordement prioritaire pour branchement sur une tension alternative. Le raccordement prioritaire permet de passer directement en fonctionnement sur courant alternatif quand l'appareil est raccordé à un réseau de courant alternatif, même si le câble de raccordement au courant continu est encore branché.

Lors de la commutation entre l'alimentation secteur et l'alimentation de la batterie, la LED rouge peut s'allumer brièvement.

- Branchez le câble de raccordement au courant alternatif (fig. **1** 3, page 3) dans la prise de tension CA de la glacière (fig. **1** 1, page 3).
- Branchez le câble de raccordement à la prise de sortie CA.

6.4 Utilisation du protecteur de batterie

Le conteneur réfrigérant est équipé d'un protecteur de batterie à plusieurs niveaux qui protège la batterie de votre véhicule, afin d'éviter une décharge profonde lorsqu'il est raccordé au réseau en courant CC.

Si la glacière est mise en marche alors que l'allumage du véhicule est éteint, elle s'arrête automatiquement dès que la tension d'alimentation descend en dessous d'une valeur réglable. La glacière se remet en marche dès que la batterie est rechargée et que la tension de rallumage est atteinte.



AVIS !

RISQUE DE DÉGÂTS !

Le non-respect de cette mise en garde peut entraîner des dommages de la batterie.

En cas d'extinction par le protecteur de batterie, la batterie n'est plus complètement chargée. Évitez les démarrages répétés ou l'utilisation de consommateurs d'énergie sans phases de charge plus longues. Veillez à recharger la batterie.

En mode « HIGH », le protecteur de batterie se met en marche plus rapidement qu'en mode « LOW » ou « MED » (voir tableau suivant).

Mode protecteur de batterie	LOW	MED	HIGH
Tension d'arrêt à 12 V	10,1V	11,4V	11,8V
Tension de redémarrage à 12 V	11,1V	12,2V	12,6V
Tension d'arrêt à 24 V	21,5V	24,1V	24,6V
Tension de redémarrage à 24 V	23,0V	25,3V	26,2V

Le protecteur de batterie peut être sélectionné comme suit :

- Mettez la glacière en marche.
- Appuyez trois fois sur la touche « SET » (fig. **3** 5, page 3).
- Servez-vous des touches « UP + » (fig. **3** 7, page 3) ou « DOWN – » (fig. **3** 6, page 3) pour sélectionner le mode du protecteur de batterie.
- ✓ L'écran indique :
Lo (LOW), ПEd (MED), Hi (HIGH)
- ✓ L'écran affiche le mode sélectionné pendant quelques secondes. L'écran clignote plusieurs fois avant de revenir à l'affichage de la température actuelle.



REMARQUE

Lorsque la glacière est alimentée par la batterie de démarrage, réglez le protecteur de batterie sur le mode « HIGH ». Si la glacière est raccordée à une batterie d'alimentation, le mode « LOW » suffit.

6.5 Utilisation de la glacière



AVIS !

RISQUE DE SURCHAUFFE !

Le non-respect de cette mise en garde peut entraîner des dommages de l'appareil.

Garantissez en permanence une ventilation suffisante pour que la chaleur générée pendant le fonctionnement puisse se dissiper. Assurez-vous que les fentes d'aération ne sont pas recouvertes. Veillez à ce que l'appareil se trouve à une distance suffisante des murs ou des objets, de sorte que l'air puisse circuler.

- Placez la glacière sur une surface stable.
Veillez à ce que les fentes d'aération ne soient pas recouvertes, afin que l'air chaud puisse bien s'évacuer. Nous vous recommandons de maintenir une distance de 2" autour des ouvertures d'aération.



REMARQUE


Montez la glacière comme indiqué sur l'illustration (fig. **1**, page 3). Si la glacière est utilisée dans une autre position, l'appareil risque d'être endommagé.

- Raccordez la glacière (voir chapitre « Dégivrez la glacière dès qu'une couche de glace s'est formée. », page 56).

**AVIS !****RISQUE DE TEMPÉRATURES TROP BASSES !**

Le non-respect de cette mise en garde peut entraîner des dommages des objets déposés dans la glacière.

Veillez à ne déposer dans la glacière que des objets ou des aliments qui peuvent être réfrigérés à la température sélectionnée.

- Appuyez pendant une à deux secondes sur la touche « ON/OFF » (fig. **3** 1, page 4).
- ✓ La LED «  » s'allume (fig. **3** 2, page 4).
- ✓ L'écran (fig. **3** 4, page 4) s'allume et indique la température actuelle.
- ✓ La glacière commence par la réfrigération du compartiment intérieur.

**REMARQUE – Température affichée**

La température affichée correspond à celle mesurée dans la partie large du compartiment intérieur (fig. **9**, page 6, 1).

**REMARQUE**

Lorsque vous utilisez la batterie, l'écran s'éteint automatiquement si la tension de la batterie est faible. La LED «  » clignote en orange.

Verrouillage du couvercle de la glacière

- Fermez le couvercle.
- Abaissez le verrouillage (fig. **2**, page 3,) jusqu'à ce qu'il s'enclenche de manière audible.

**REMARQUE**

Au moment de verrouiller le couvercle, assurez-vous que les deux étriers latéraux sont entièrement enclenchés afin de garantir une bonne étanchéité au niveau du couvercle. Il se peut que l'un des deux loquets s'engage un peu avant l'autre.

- Si le couvercle n'est pas fermé de manière égale des deux côtés, appuyez dessus jusqu'à entendre un second clic.

6.6 Réglage de la température

- Appuyez une fois sur la touche « SET » (fig. **3** 5, page 4).

- ▶ Sélectionnez la température de refroidissement à l'aide des touches « UP + » (fig. **3** 7, page 4) et « DOWN – » (fig. **3** 6, page 4).
- ✓ L'écran affiche la température de réfrigération pendant quelques secondes. L'affichage clignote plusieurs fois, puis la température actuelle est à nouveau affichée.

6.7 Réglage de la luminosité de l'écran

La luminosité de l'écran peut s'adapter à une luminosité ambiante faible. Pour effectuer le réglage, procédez de la manière suivante :

- ▶ Mettez la glacière en marche.
- ▶ Appuyez quatre fois sur la touche « SET » (fig. **3** 5, page 4).
- ▶ Servez-vous des touches « UP + » (fig. **3** 7, page 4) ou « DOWN – » (fig. **3** 6, page 4) pour sélectionner la luminosité de l'écran.
- ✓ L'écran indique :
d0 (par défaut), d1 (moyenne), d2 (sombre)
- ✓ L'écran affiche le mode de fonctionnement réglé pendant plusieurs secondes. L'écran clignote deux fois avant de revenir à l'affichage de la température actuelle.



REMARQUE

- Le réglage d'usine de la luminosité de l'écran est d0 (par défaut).
- En cas de dysfonctionnement, la luminosité bascule automatiquement sur d0 (par défaut). Une fois la panne éliminée, la luminosité réglée est réactivée.

6.8 Extinction de la glacière

- ▶ Videz l'appareil de réfrigération.
- ▶ Éteignez la glacière.
- ▶ Débranchez le câble de raccordement.

Lorsque vous ne voulez pas utiliser la glacière pendant une période prolongée :

- ▶ Laissez le couvercle légèrement ouvert. Vous évitez ainsi la formation d'odeurs.

6.9 Dégivrage de la glacière

L'humidité de l'air peut se condenser sous forme de givre au niveau de l'évaporateur ou à l'intérieur de l'appareil de réfrigération. Cela diminue la puissance frigorifique.



AVIS !

RISQUE DE DÉGÂTS !

Le non-respect de cette mise en garde peut entraîner des dommages de l'appareil.

N'utilisez jamais d'outils durs ou pointus pour enlever la glace ou pour décoincer les objets pris dans la glace.

Procédez de la manière suivante pour dégivrer la glacière :

- Sortez le contenu de la glacière.
- Placez les aliments éventuellement dans un autre réfrigérateur pour qu'ils restent froids.
- Éteignez l'appareil.
- Laissez le couvercle ouvert.
- Essayez l'eau de dégivrage.

6.10 Remplacer le fusible CA



DANGER !

RISQUE D'ÉLECTROCUTION !

Le non-respect de cette mise en garde entraînera des blessures graves, voire mortelles.

Débranchez l'alimentation électrique et le câble de raccordement avant de remplacer le fusible de l'appareil.

- Débranchez l'alimentation électrique de l'appareil.
- Retirez le câble de raccordement.
- Retirez le porte-fusible (fig. **4** 2, page 4) en faisant par ex. levier avec un tournevis.
- Remplacez le fusible en verre défectueux par un nouveau fusible de même valeur (4 A, 250 V).
- Replacez le porte-fusible dans le boîtier, en appuyant dessus.
- Raccordez de nouveau l'alimentation électrique de l'appareil.

6.11 Remplacement du fusible CC de l'appareil

- Débranchez l'alimentation électrique de l'appareil.
- Retirez le couvercle du fusible (fig. **4** 3, page 4) pour accéder au fusible.
- Retournez le couvercle du fusible et utilisez le crochet pour retirer le fusible.
- Remplacez le fusible défectueux par un fusible neuf de même type et de même caractéristique (fusible lame standard automobile, 10 A).
- Remettez le couvercle du fusible en place.
- Raccordez de nouveau l'alimentation électrique de l'appareil.

6.12 Remplacement du fusible de la fiche CC (fig. **10**, page 6)

- Dévissez le boîtier de la fiche de contact (**3**) du connecteur (**1**).
- Remplacez le fusible défectueux (**2**) par un fusible neuf de même type et de même caractéristique (3AG, Fast Acting, 10 A).
- Remontez le connecteur en effectuant les opérations dans l'ordre inverse.

7 Nettoyage et entretien



AVERTISSEMENT !

RISQUE D'ÉLECTROCUTION !

Le non-respect de cette mise en garde peut entraîner des blessures graves, voire mortelles.

Avant toute opération de nettoyage ou d'entretien de l'appareil, veillez à débrancher celui-ci du secteur.



AVIS !

RISQUE DE DÉGÂTS !

Le non-respect de cette mise en garde peut entraîner des dommages de l'appareil.

- Ne nettoyez jamais l'appareil à l'eau courante et ne le plongez jamais dans l'eau.
- N'utilisez ni détergents abrasifs, ni objets durs pour le nettoyage, ceux-ci pouvant endommager la glacière.

- Nettoyez l'appareil à l'intérieur et à l'extérieur de temps en temps avec un chiffon humide.
- Assurez-vous que les ouvertures d'aération et de ventilation de l'appareil ne sont pas encombrées de saletés ou de poussières, pour que la chaleur générée par le fonctionnement soit évacuée et que l'appareil ne soit pas endommagé.

8 Guide de dépannage

Dysfonctionnement	Cause possible	Solution proposée
L'appareil ne fonctionne pas, la LED n'est pas allumée.	Aucune tension n'a été détectée dans la prise de sortie CC.	Dans la plupart des véhicules, l'allumage doit être allumé avant que l'alimentation soit fournie à la prise CC.
	La prise de sortie CA n'est pas sous tension.	Essayez une autre prise.
	L'un des fusibles de l'appareil est défectueux.	Remplacez le fusible défectueux, voir chapitre « Remplacement du fusible CC de l'appareil », page 63 ou chapitre « Remplacer le fusible CA », page 62.
	Le bloc d'alimentation intégré est défectueux.	La réparation doit être effectuée uniquement par un service après-vente agréé.
L'appareil ne réfrigère pas (le connecteur est branché, la LED « POWER » est allumée).	Compresseur défectueux.	La réparation doit être effectuée uniquement par un service après-vente agréé.
L'appareil ne réfrigère pas (le connecteur est branché, la LED « POWER » clignote en orange, l'écran est éteint).	Le réglage du protecteur de batterie est trop élevé.	Sélectionnez un réglage plus faible.
	La tension de la batterie est insuffisante.	Contrôlez la batterie et chargez-la si nécessaire.

Dysfonctionnement	Cause possible	Solution proposée
En cas d'utilisation sur la prise de courant continu : L'allumage est en marche, l'appareil ne fonctionne pas et la LED n'est pas allumée.	La prise de courant continu est sale. Ceci entraîne un mauvais contact électrique.	Si le connecteur devient très chaud lorsqu'il est branché dans la prise de l'allume-cigare, c'est que la prise de l'allume-cigare doit être nettoyée ou que le connecteur n'est pas bien monté.
	Le fusible de sécurité de la prise CC a sauté.	Remplacez le fusible de la prise CC, voir chapitre « Remplacement du fusible de la fiche CC (fig. 10, page 6) », page 63.
	Le fusible CC de l'appareil a sauté.	Remplacez le fusible de l'appareil, voir chapitre « Remplacement du fusible CC de l'appareil », page 63.
	Le fusible du véhicule a sauté.	Remplacez le fusible de la prise CC du véhicule. Veuillez vous référer au manuel d'utilisation de votre véhicule.
Un message d'erreur s'affiche (par ex. « Err1 ») et l'appareil ne réfrigère pas.	Un dysfonctionnement interne a arrêté l'appareil.	La réparation doit être effectuée uniquement par un service après-vente agréé.

8.1 Le couvercle a été forcé au-delà de sa position d'arrêt intégrée (fig. 11, page 7)

- Soutenez le couvercle d'une main (A).
- Maintenez appuyé le loquet de l'autre main (B).



ATTENTION !

RISQUE POUR LA SANTÉ !

Le non-respect de cette mise en garde peut entraîner des blessures légères ou de gravité modérée.

Faites attention de ne pas vous coincer le pouce à la fermeture du couvercle.



AVIS !

RISQUE DE DÉGÂTS !

Le non-respect de cette mise en garde peut provoquer la cassure du couvercle.

- Fermez le couvercle autant que possible sans vous coincer le pouce, tout en maintenant appuyé le loquet pour éviter qu'il ne se casse.
- ✓ Le couvercle devrait maintenant être à l'angle souhaité (fig. **11**, page 7).
- Retirez la main du loquet (**B**), et continuez à fermer le couvercle tout en l'accompagnant.

**REMARQUE**

Il se peut que les charnières sortent de leur position correcte durant l'action de fermeture finale. Repositionnez le couvercle de la manière suivante :

- Actionnez les loquets des deux côtés du couvercle simultanément.
- Soulevez et repositionnez le couvercle.

9 Garantie

Le délai légal de garantie s'applique. Si le produit s'avérait défectueux, veuillez vous adresser à la filiale du fabricant située dans votre pays (voir dometic.com/dealer) ou à votre revendeur spécialisé.

Veuillez y joindre les documents suivants pour la gestion des réparations et de la garantie :

- une copie de la facture avec la date d'achat,
- le motif de la réclamation ou une description du dysfonctionnement.

10 Élimination des déchets

- Jetez les emballages dans les conteneurs de déchets recyclables prévus à cet effet.



Lorsque vous mettez votre produit définitivement hors service, informez-vous auprès du centre de recyclage le plus proche ou auprès de votre revendeur spécialisé sur les prescriptions relatives au retraitement des déchets.

11 Caractéristiques techniques

	CFF35	CFF45
Tension de raccordement :	12/24 V \equiv et 100 à 240 V \sim	
Courant nominal :	12 V \equiv : 7,8 A 24 V \equiv : 3,5 A 240 V \sim : 0,4 A	12 V \equiv : 8,6 A 24 V \equiv : 3,8 A 240 V \sim : 0,41 A
Puissance frigorifique :	+10 °C à -18 °C (+50 °F à 0 °F)	
Catégorie :	1	
Classe d'efficacité énergétique :	A+	
Énergie absorbée :	85 kWh/an	84 kWh/an
Volume brut :	34 l	44 l
Contenance :	30 l	38 l
Classe climatique :	N, T	
Température ambiante :	+16 °C à +43 °C +60 °F à +110 °F	
Quantité de réfrigérant :	34 g	43 g
Équivalent CO ₂ :	0,049 t	0,061 t
Potentiel d'effet de serre (GWP) :	1430	
Dimensions (L x h x p) en mm (poignées comprises) :	715 x 407 x 398	715 x 475 x 398
(L x h x p) en mm (sans les poignées) :	590 x 407 x 398	590 x 475 x 398
Poids :	17,2 kg	18,6 kg



REMARQUE

Si la température ambiante est supérieure à + 32 °C (+ 90 °F), la température minimale ne peut être atteinte.

Contrôle/certificats :



Le circuit frigorifique contient du R134a.

Contient des gaz à effet de serre fluorés

Equipement hermétiquement scellé

130.com.ua

Lea atentamente este manual antes de la puesta en funcionamiento del aparato y consérvelo en un lugar seguro para futuras consultas. En caso de vender o entregar el aparato a otra persona, entregue también estas instrucciones.

El fabricante declina toda responsabilidad por los daños causados por **el uso inadecuado** o por el **uso incorrecto** del aparato.

Índice

1	Explicación de los símbolos	69
2	Indicaciones de seguridad	70
3	Volumen de entrega	73
4	Uso adecuado	73
5	Descripción del funcionamiento	74
6	Manejo.	75
7	Limpieza y mantenimiento	84
8	Solución de averías.	85
9	Garantía	87
10	Gestión de residuos	87
11	Datos técnicos.	88

1 Explicación de los símbolos



¡PELIGRO!

Aviso de seguridad sobre una situación de peligro que, si no se evita, es causa de muerte o heridas graves.



¡ADVERTENCIA!

Aviso de seguridad sobre una situación de peligro que, si no se evita, puede causar la muerte o heridas graves.

**¡ATENCIÓN!**

Aviso de seguridad sobre una situación de peligro que, si no se evita, puede causar heridas leves o de consideración.

**¡AVISO!**

Aviso sobre una situación que, si no se evita, puede causar daños materiales.

**NOTA**

Información complementaria para el manejo del producto.

2 Indicaciones de seguridad



¡ADVERTENCIA! El incumplimiento de estas advertencias podría acarrear la muerte o lesiones graves.

Peligro de muerte por descarga eléctrica

- No ponga el aparato en funcionamiento si presenta desperfectos visibles.
- Si el cable de alimentación de este aparato de refrigeración está dañado, se deberá sustituir para evitar riesgos de seguridad.
- Sólo personal especializado puede realizar reparaciones en el aparato. Las reparaciones realizadas indebidamente pueden dar lugar a situaciones de considerable peligro.

Peligro de incendio

- Al colocar el aparato, asegúrese de que el cable de suministro eléctrico no se haya quedado atrapado o esté dañado.
- No coloque varias tomas o suministros de corriente portátiles detrás del aparato.

Riesgo para la salud

- Este aparato puede ser utilizado por menores a partir de 8 años y personas con capacidad física, sensorial o mental reducida, o con falta de experiencia y conocimientos, siempre que lo hagan bajo supervisión o hayan recibido instrucciones relativas al uso del mismo de manera segura y entendiendo los riesgos asociados.
- No deje que los niños jueguen con el aparato.

- Los niños solo podrán realizar las tareas de limpieza y mantenimiento bajo vigilancia.
- Los menores de 3 a 8 años pueden meter y sacar artículos de la nevera.

Peligro de explosión

- No guarde en el aparato sustancias con peligro de explosión como, p. ej., atomizadores con gases combustibles.



¡ATENCIÓN! El incumplimiento de estas precauciones podría acarrear lesiones moderadas o leves.

Peligro de muerte por descarga eléctrica

- Antes de la puesta en funcionamiento, asegúrese de que el cable de alimentación y la clavija de enchufe estén secos.
- Desconecte el aparato de la red
 - antes de realizar cualquier tarea de limpieza y mantenimiento;
 - después de cada uso.

Riesgo para la salud

- Compruebe si la potencia de refrigeración del aparato cumple las exigencias de los alimentos o medicamentos que desea enfriar.
- Los alimentos sólo se pueden guardar en los envases originales o en recipientes adecuados.
- Mantener la nevera abierta durante largos períodos de tiempo puede producir un incremento considerable de la temperatura en los compartimentos del aparato.
- Limpie periódicamente las superficies que puedan estar en contacto con alimentos y los sistemas de desagüe accesibles.
- Guarde la carne y el pescado crudos en recipientes adecuados dentro del aparato para que no entren en contacto con otros alimentos ni goteen sobre estos.
- Si el aparato va a estar vacío durante un período prolongado:
 - Desconéctelo.
 - Descongélelo.
 - Límpielo y séquelo.
 - Deje la puerta abierta para evitar que se forme moho en el aparato.



¡AVISO! Peligro de ocasionar daños materiales

- Compare el valor de tensión indicado en la placa de características con el suministro de energía existente.

- Conecte el aparato únicamente del siguiente modo:
 - conecte el cable de alimentación CC a una caja de enchufe CC en el vehículo
 - o bien conecte el cable de alimentación de CA a la red de corriente alterna
- No extraiga nunca la clavija de la caja de enchufe tirando del cable de conexión.
- Si la nevera está conectada a la caja de enchufe CC: Desconecte de la batería el aparato refrigerador u otros dispositivos consumidores si va a conectar un cargador rápido.
- Si la nevera está conectada a la caja de enchufe CC: Desconecte la conexión o apague el aparato cuando apague el motor. De lo contrario podrá descargarse la batería.
- Este aparato refrigerador no es apto para transportar sustancias corrosivas o disolventes.
- Este aislamiento de este aparato refrigerador contiene ciclopentano inflamable. Los gases presentes en el material aislante requieren un proceso de eliminación especial. Elimine debidamente el aparato al final de su vida útil.
- No utilice ningún aparato eléctrico dentro de la nevera, a no ser que el aparato en cuestión haya sido recomendado para ello por el fabricante.
- No coloque el aparato cerca de llamas vivas ni de otras fuentes de calor (calefacción, radiación directa del sol, estufas de gas, etc.).
- **¡Peligro de sobrecalentamiento!**

Asegúrese de que siempre haya un mínimo de 50 mm de ventilación en los cuatro lados del aparato de refrigeración. Mantenga la zona de ventilación libre de objetos que puedan impedir el paso de aire a los componentes refrigerantes.

No coloque el aparato de refrigeración en compartimentos cerrados o en áreas donde no haya un flujo mínimo de aire.
- Procure que no se obstruyan las ranuras de ventilación.
- No introduzca líquidos ni hielo en el contenedor interior.
- No sumerja nunca el aparato en agua.
- Proteja el aparato y los cables del calor y de la humedad.
- Proteger el aparato de refrigeración de la exposición a la lluvia.

3 Volumen de entrega

Elemento (fig. 1, página 3)	Cantidad	Descripción
1	1	Nevera portátil
2	1	Cable de conexión para la conexión de corriente continua
3	1	Cable de conexión para la conexión de corriente alterna
4	2	Asa de transporte, compuesta de: <ul style="list-style-type: none"> • 2 soportes • 1 asa • 4 tornillos de fijación • 1 llave Allen
-	1	Instrucciones de uso

4 Uso adecuado

El aparato de refrigeración es adecuado para:

- refrigerar y congelar alimentos
- su uso en lugares de acampada y aplicaciones móviles

El aparato de refrigeración está diseñado para conectarlo a:

- una alimentación de tensión corriente continua de un vehículo, embarcación o caravana
- una batería de corriente continua auxiliar
- una conexión de corriente alterna

Esta nevera está concebida para el uso doméstico o usos similares, como por ejemplo:

- en las cocinas destinadas al personal en establecimientos comerciales, oficinas u otros recintos de trabajo
- en el trabajo en el campo
- para los huéspedes de hoteles, moteles u otros tipos de alojamiento
- en pensiones con desayuno
- en servicios de catering y otras aplicaciones semejantes

5 Descripción del funcionamiento

En la nevera se pueden enfriar, mantener fríos y congelar productos. La refrigeración se realiza a través de un circuito de refrigeración de bajo mantenimiento con compresor. El amplio aislamiento y el potente compresor aseguran una refrigeración eficiente y rápida.

La nevera está prevista para un uso portátil.

La nevera puede estar inclinada a 30° durante períodos cortos (por ejemplo, en embarcaciones).

5.1 Ámbito del funcionamiento

- Fuente de alimentación con conexión de prioridad para conexión a la tensión alterna
- Controlador de la batería de tres etapas para proteger la batería del vehículo
- La pantalla con sensor de temperatura en °C y °F se apaga automáticamente en caso de tensión baja de la batería
- Regulación de la temperatura: con dos botones, a intervalos de 1 °C (2 °F)
- Función de atenuación lumínica de la pantalla con 3 niveles de brillo
- Cesta interior extraíble
- Asas de transporte extraíbles

5.2 Elementos de mando y de indicación

Bloqueos de la tapa (fig. 2, página 3)

Panel de control (fig. 3, página 4)

Elemento	Descripción	Explicación
1	ON OFF	Enciende o apaga la nevera cuando se pulsa la tecla durante uno o dos segundos
2	POWER "⏻"	Indicación de funcionamiento LED iluminado en verde: El compresor está en marcha LED iluminado en naranja: El compresor está apagado LED intermitente en naranja: la pantalla se apaga automáticamente debido a tensión baja de la batería

Elemento	Descripción	Explicación
3	ERROR	LED intermitente en rojo: La nevera está encendida pero no lista para funcionar
4	–	Pantalla, muestra la información
5	SET	Selecciona el modo de entrada de datos – Regulación de temperatura – Indicación en Celsius o Fahrenheit – Ajustar el controlador de la batería – Ajustar el brillo de la pantalla
6	DOWN –	Pulsar una vez para disminuir el valor
7	UP +	Pulsar una vez para aumentar el valor

Hembrillas de conexión (fig. 4, página 4)

Elemento	Descripción
1	Conectores para la alimentación de tensión alterna
2	Portafusibles de corriente alterna
3	Fusible CC
4	Conectores para la alimentación de tensión continua

6 Manejo

6.1 Antes del primer uso



NOTA

Por razones de higiene, deberá limpiar la nevera por dentro y por fuera con un paño húmedo antes de ponerla en funcionamiento (véase también capítulo “Limpieza y mantenimiento” en la página 84).

Montar las asas (fig. 5, página 4)

Se incluyen las asas sin ensamblar. Si desea fijar las asas, proceda de la forma siguiente:

- Monte un asa poniendo juntos dos soportes (1) y un asa (2).
- Fije las asas con los tornillos incluidos en los agujeros previstos a tal fin.

Abrir o retirar la tapa (fig. 6, página 5)

La tapa puede abrirse desde cualquiera de los lados o retirarse completamente sin que haya que utilizar herramientas como se explica a continuación:

- ▶ Para abrir la tapa, desbloquee la dirección de apertura preferida, (A) o (B).
- ▶ Para retirar la tapa, desbloquee ambos lados al mismo tiempo (C).

Posición de tope de la tapa (fig. 7, página 5)

La tapa tiene una posición de tope integrada (A). No fuerce la tapa más allá del tope integrado (B).



¡AVISO!

¡RIESGO DE DAÑOS!

El incumplimiento de estas instrucciones puede provocar que la tapa se rompa.

- ▶ Si la tapa se ha forzado demasiado, siga los pasos descritos en el capítulo "La tapa ha sido forzada más allá del tope integrado (fig. 11, página 7)" en la página 86.

Retirar la cesta (fig. 8, página 6)



¡AVISO!

¡RIESGO DE DAÑOS!

La inobservancia de estas instrucciones puede causar daños en el aparato.

Retirar la cesta con la tapa abierta puede arañar la tapa y deformar la cesta. Le recomendamos que retire la tapa antes de extraer la cesta.

Selección de las unidades de temperatura

Las unidades de indicación de temperatura puede cambiarse entre Celsius y Fahrenheit como se explica a continuación:

- ▶ Encienda la nevera.
- ▶ Pulse dos veces el pulsador "SET" (fig. 3 5, página 4).
- ▶ Use los pulsadores "UP +" (fig. 3 7, página 4) y "DOWN -" (fig. 3 6, página 4) para seleccionar grados Celsius o Fahrenheit.
- ✓ La pantalla indica durante unos segundos la unidad de temperatura ajustada. La pantalla parpadea algunas veces antes de volver a mostrar la temperatura actual.

6.2 Consejos para el ahorro de energía

- Elija un lugar de emplazamiento correctamente ventilado y protegido de la radiación solar.
- Antes de introducir alimentos calientes, deje que se enfríen.
- Evite abrir la nevera más de lo necesario.
- No deje la nevera abierta más tiempo del que sea necesario.
- Descongele la nevera una vez que se haya formado una capa de escarcha.
- Evite temperaturas innecesariamente bajas.

6.3 Conexión de la nevera

Conexión a una batería (vehículo o embarcación)

La nevera se puede usar a 12 V o 24 V==.



¡AVISO!

¡RIESGO DE DAÑOS!

La inobservancia de estas instrucciones puede causar daños en el aparato.

Antes de conectar la batería a un cargador rápido, desconecte la nevera y otros consumidores.

La sobretensión puede dañar el sistema electrónico de los aparatos.

Por razones de seguridad la nevera está equipada con un sistema electrónico para prevenir la inversión de polaridad. De esta manera se protege la nevera de cortocircuitos al conectarse a una batería.

Uso de la clavija de corriente continua con fusible



¡AVISO!

¡RIESGO DE DAÑOS!

La inobservancia de estas instrucciones puede causar daños en el aparato.

Para proteger el aparato, el cable de CC suministrado incluye un fusible dentro de la clavija. **No** retire la clavija de CC con fusible.

Utilice únicamente el cable de CC suministrado.

- Enchufe el cable de conexión de CC (fig. **1** 2, página 3) en la caja de enchufe de CC de la nevera (fig. **4** 3, página 4).
- Conecte el cable de conexión a una salida de corriente continua.

Conexión a fuente de alimentación de corriente alterna (p. ej. en casa o en la oficina)



¡PELIGRO!

¡RIESGO DE ELECTROCUCIÓN!

El incumplimiento de estas advertencias puede acarrear la muerte o lesiones graves.

- No manipule los enchufes ni interruptores con las manos mojadas ni con los pies sobre una superficie mojada.
- Si la nevera funciona en una embarcación conectada a una red de corriente alterna, deberá conectar un interruptor diferencial entre la red de corriente alterna y la nevera.
Consulte con un especialista.

Las neveras tienen un suministro de energía multivoltaje con una conexión de prioridad para su conexión a una fuente de voltaje de corriente continua. La conexión de prioridad conmuta automáticamente la nevera a la operación de corriente alterna si el aparato está conectado a una fuente de alimentación de corriente alterna, incluso si un cable de conexión de corriente continua aún está conectado.

El LED rojo puede iluminarse brevemente al cambiar entre la fuente de alimentación de corriente alterna y la alimentación de la batería.

- Enchufe el cable de conexión de corriente alterna (fig. **1** 3, página 3) en la caja de enchufe de corriente alterna de la nevera (fig. **4** 1, página 4).
- Conecte el cable de conexión a la salida de corriente alterna.

6.4 Utilización del controlador de la batería

El aparato está equipado con un controlador de batería de varias etapas que evita que la batería del vehículo se descargue excesivamente cuando el aparato esté conectado a la red de a bordo de corriente continua.

En caso de poner la nevera en funcionamiento en el vehículo con el contacto apagado, ésta se desconectará automáticamente en cuanto la tensión de alimentación descienda por debajo del valor programable. La nevera vuelve a conectarse tan pronto como se cargue la batería y se alcance la tensión de alimentación de reconexión.

**¡AVISO!****¡RIESGO DE DAÑOS!**

La inobservancia de estas instrucciones puede causar daños en la batería.

La batería no se cargará de forma completa, al ser desconectada por el controlador de la batería. Evite arranques repetidos o utilizar los aparatos conectados a la corriente sin fases de recarga largas. Asegúrese de que la batería está recargada.

En el modo "HIGH" el controlador de batería se activa antes que en el nivel "LOW" y "MED" (véase la siguiente tabla).

Modo del controlador de batería	LOW	MED	HIGH
Tensión de desconexión a 12 V	10,1 V	11,4 V	11,8 V
Tensión de reconexión a 12 V	11,1 V	12,2 V	12,6 V
Tensión de desconexión a 24 V	21,5 V	24,1 V	24,6 V
Tensión de reconexión a 24 V	23,0 V	25,3 V	26,2 V

El modo del controlador de la batería puede seleccionarse como se muestra a continuación:

- ▶ Encienda la nevera.
- ▶ Pulse tres veces el pulsador "SET" (fig. 3 5, página 4).
- ▶ Utilice los botones "UP +" (fig. 3 7, página 4) y "DOWN -" (fig. 3 6, página 4) para seleccionar el modo del controlador de la batería.
- ✓ En la pantalla se muestra lo siguiente:
Lo (LOW), ΠEd (MED), Hi (HIGH)
- ✓ La pantalla indica durante unos segundos el modo seleccionado. La pantalla parpadea algunas veces antes de volver a mostrar la temperatura actual.

**NOTA**

Cuando la nevera está alimentada por la batería de arranque, seleccione el modo del controlador de batería "HIGH". Si la nevera está conectada a una batería de alimentación, es suficiente el modo de controlador de batería "LOW".

6.5 Uso de la nevera



¡AVISO!

¡RIESGO DE SOBRECALENTAMIENTO!

La inobservancia de estas instrucciones puede causar daños en el aparato.

Asegúrese que en todo momento exista suficiente ventilación para que el calor originado durante el uso se pueda disipar. Evite que se obstruyan las ranuras de ventilación. Asegúrese de que el aparato guarde la suficiente distancia respecto a paredes u objetos, de forma que el aire pueda circular.

- ▶ Coloque la nevera sobre una base firme. Asegúrese de que no se obstruyan las ranuras de ventilación y que el aire recalentado se evacue correctamente. Recomendamos mantener un espacio de al menos 2" alrededor de los orificios de ventilación.



NOTA

Coloque la nevera como se indica en (fig. **1**, página 3). Si la nevera se pone en marcha con otra orientación, podría sufrir daños.

- ▶ Conecte la nevera como se indica en capítulo "Conexión de la nevera" en la página 77.



¡AVISO!

¡RIESGO POR TEMPERATURA EXCESIVAMENTE BAJA!

La inobservancia de estas instrucciones puede causar daños en los objetos depositados en la nevera.

Asegúrese de que en la nevera estén solamente los objetos o productos que se pretendan enfriar a la temperatura ajustada.


- ▶ Mantenga el pulsador "ON/OFF" (fig. **3** 1, página 4) pulsado durante uno o dos segundos.
- ✓ El LED "⏻" se ilumina (fig. **3** 2, página 4).
- ✓ La pantalla (fig. **3** 4, página 4) se enciende e indica la temperatura actual.
- ✓ La nevera empieza a refrigerar el espacio interior.



NOTA – Temperatura indicada

La temperatura mostrada es la de la sección grande del compartimento interior (fig. **9**, página 6, 1).

**NOTA**

En el funcionamiento con batería, la pantalla de desconecta de forma automática si la tensión es baja. El LED “” parpadea en naranja.

Bloqueo de la tapa de nevera

- Cierre la tapa.
- Presione el bloqueo (fig. **2**, página 3) hacia abajo hasta que lo oiga encajar.

**NOTA**

Al bloquear la tapa, asegúrese de que los dos estribos laterales del bloqueo están completamente engranados para asegurar que la tapa cierre bien. Un bloqueo puede engranar un poco antes que el otro.

- Si la tapa no está cerrada de forma uniforme en los dos lados, presione hasta que se oiga un segundo clic.

6.6 Ajustar la temperatura

- Presione una vez el pulsador “SET” (fig. **3** 5, página 4).
- Seleccione la temperatura de refrigeración usando los pulsadores “UP +” (fig. **3** 7, página 4) y “DOWN –” (fig. **3** 6, página 4).
- ✓ La temperatura de refrigeración se indica durante unos segundos en la pantalla. La pantalla parpadea varias veces y se vuelve a mostrar la temperatura actual.

6.7 Ajuste del brillo de la pantalla

El brillo de la pantalla puede atenuarse para condiciones lumínicas poco intensas. Proceda como se explica a continuación para ajustar el nivel de atenuación de la pantalla:

- Encienda la nevera.
- Pulse cuatro veces el pulsador “SET” (fig. **3** 5, página 4).
- Utilice los botones “UP +” (fig. **3** 7, página 4) y “DOWN –” (fig. **3** 6, página 4) para ajustar el brillo de la pantalla.
- ✓ En la pantalla se muestra lo siguiente:
d0 (por defecto), d1 (medio), d2 (oscuro)
- ✓ La pantalla muestra el modo ajustado durante varios segundos. La pantalla parpadea dos veces antes de volver a mostrar la temperatura actual.

**NOTA**

- Los ajustes de fábrica para el brillo de la pantalla es d0 (por defecto).
- Si se produce un fallo, el brillo se revierte automáticamente al brillo d0 (por defecto). Tras la resolución de problemas, el brillo ajustado se restablece.

6.8 Desconexión de la nevera

- Vacíe la nevera.
- Apague la nevera.
- Desenchufe el cable de conexión.

Si no va a usar la nevera durante un largo período de tiempo:

- Deje la tapa ligeramente abierta. De esta forma, evitará la formación de olores.

6.9 Descongelar la nevera

La humedad del aire puede formar escarcha en el interior de la nevera o en el evaporador. Esto reduce la capacidad de refrigeración.

**¡AVISO!****¡PELIGRO DE DAÑOS!**

La inobservancia de estas instrucciones puede causar daños en el aparato.

No utilice nunca herramientas de material duro o afiladas para quitar el hielo o soltar objetos que se hayan congelado en su ubicación.

Para descongelar la nevera, proceda como se indica a continuación:

- Retire el contenido de la nevera.
- En caso necesario, colóquelo en otro aparato refrigerador para mantenerlos refrigerados.
- Desconecte el aparato.
- Deje la tapa abierta.
- Limpie el agua descongelada.

6.10 Cambiar el fusible de corriente alterna



¡PELIGRO!

¡RIESGO DE ELECTROCUCIÓN!

El incumplimiento de esta advertencia podría acarrear la muerte o lesiones graves.

Desconecte el suministro eléctrico y el cable de conexión antes de sustituir el fusible del aparato.

- Desconecte la alimentación de corriente del aparato.
- Retire el cable de conexión.
- Quite el juego de fusibles (fig. **4** 2, página 4) con un destornillador.
- Cambie el fusible de vidrio averiado por otro nuevo del mismo tipo y valor (4 A, 250 V).
- Vuelva a presionar el juego de fusibles en la carcasa.
- Vuelva a conectar la alimentación de corriente del aparato.

6.11 Sustitución del fusible de corriente continua del aparato

- Desconecte la alimentación de corriente del aparato.
- Extraiga la tapa del fusible (fig. **4** 3, página 4) para acceder al fusible.
- Dé la vuelta a la tapa del fusible y utilice el gancho para extraer el fusible defectuoso.
- Sustituya el fusible averiado por uno nuevo del mismo tipo (Automotive Standard blade fuse, 10 A).
- Vuelva a colocar la cubierta de fusibles.
- Vuelva a conectar la alimentación de corriente del aparato.

6.12 Sustitución del fusible de la clavija de corriente continua (fig. 10, página 6)

- ▶ Desatornille la carcasa de la clavija de contacto (3) de la clavija (1).
- ▶ Sustituya el fusible estropeado (2) por uno nuevo del mismo tipo y valor (3AG, Fast Acting, 10 A).
- ▶ Vuelva a montar la clavija procediendo en el orden inverso.

7 Limpieza y mantenimiento



¡ADVERTENCIA!

¡RIESGO DE ELECTROCUCIÓN!

El incumplimiento de esta advertencia puede acarrear la muerte o lesiones graves.

Desconecte siempre el aparato de la red de corriente antes de proceder a la limpieza o al mantenimiento de la misma.



¡AVISO!

¡RIESGO DE DAÑOS!

La inobservancia de estas instrucciones puede causar daños en el aparato.

- Nunca limpie la nevera bajo el chorro de agua corriente ni inmersa en agua jabonosa.
- No emplee productos de limpieza corrosivos ni objetos duros, pues podrían dañar la nevera.

- ▶ Limpie de vez en cuando el interior y el exterior del aparato con un paño húmedo.
- ▶ Asegúrese de que las aberturas de ventilación y desaireación del aparato estén limpias de polvo para que se pueda evacuar el calor generado durante el funcionamiento y el aparato no resulte perjudicado.

8 Solución de averías

Fallo	Posible causa	Propuesta de solución
El aparato no funciona, el LED no se ilumina.	No se ha detectado ninguna tensión en la salida de corriente de corriente continua.	En la mayoría de los vehículos, la ignición debe estar encendida antes de suministrar corriente a la salida de alimentación de corriente continua.
	No hay tensión en la toma de salida de corriente alterna.	Inténtelo en otra toma de salida.
	Uno de los fusibles del aparato está averiado.	Cambie el fusible averiado del aparato, véase capítulo "Cambiar el fusible de corriente alterna" en la página 83 o capítulo "Sustitución del fusible de corriente continua del aparato" en la página 83.
	La fuente de alimentación integrada está averiada.	Solo un centro de reparación autorizado puede realizar la reparación.
El aparato no enfría (la clavija está conectada, el LED "POWER" se ilumina).	Compresor averiado.	Solo un centro de reparación autorizado puede realizar la reparación.
El aparato no enfría (el enchufe está enchufado, el LED "POWER" parpadea en naranja, la pantalla está desconectada).	El controlador de la batería está ajustado demasiado alto.	Seleccione un ajuste más bajo para el controlador de la batería.
	La tensión de batería no es suficiente.	Compruebe la batería y cárguela si fuera necesario.

Fallo	Posible causa	Propuesta de solución
En funcionamiento conectado a corriente continua: El encendido está conectado, pero el aparato no funciona y el LED no está iluminado.	La toma de corriente continua está sucia. En consecuencia, el contacto eléctrico es defectuoso.	Si el enchufe de la nevera se calienta demasiado en la toma de corriente continua, limpie la caja del enchufe o conecte bien el enchufe.
	El fusible del enchufe de corriente se ha fundido.	Cambie el fusible del enchufe de corriente continua, véase capítulo "Sustitución del fusible de la clavija de corriente continua (fig. 10, página 6)" en la página 84.
	El fusible de la salida de corriente continua se ha fundido.	Cambie el fusible averiado, véase capítulo "Sustitución del fusible de corriente continua del aparato" en la página 83.
	Se ha fundido el fusible del vehículo.	Sustituya el fusible de la toma de corriente continua del vehículo. Consulte para ello las instrucciones de uso del vehículo.
La pantalla muestra un mensaje de error (p. ej. "Err1") y el aparato no enfría.	El aparato se ha apagado por un fallo interno.	Solo un centro de reparación autorizado puede realizar la reparación.

8.1 La tapa ha sido forzada más allá del tope integrado (fig. 11, página 7)

- Sujete la tapa con una mano (A).
- Sujete el bloque abajo con la otra mano (B).



¡ATENCIÓN!

¡RIESGO PARA LA SALUD!

El incumplimiento de esta precaución puede acarrear lesiones moderadas o leves.

Tenga cuidado para no pellizcarse el pulgar al cerrar la tapa.



¡AVISO!

¡RIESGO DE DAÑOS!

El incumplimiento de estas instrucciones puede provocar que la tapa se rompa.

- ▶ Cierre la tapa todo lo posible sin pellizcarse el pulgar, mientras mantiene el bloqueo abajo, para evitar que se rompa.
- ✓ Ahora la tapa debe estar aproximadamente en ángulo (fig. **11**, página 7).
- ▶ Retire la mano del bloqueo (**B**) y continúe cerrando la tapa por completo.

**NOTA**

Los topes pueden soltarse de su posición correcta durante el procedimiento final de cierre. Vuelva a colocar la tapa como se indica a continuación:

- ▶ Accione los bloqueos a ambos lados de la tapa simultáneamente.
- ▶ Levante y vuelva a colocar la tapa.

9 Garantía

Rige el plazo de garantía legal. Si el producto presenta algún defecto, diríjase a la sucursal del fabricante de su país (véase dometic.com/dealer) o a su establecimiento especializado.

Para la tramitación de la reparación y de la garantía debe enviar también los siguientes documentos:

- una copia de la factura con fecha de compra,
- el motivo de la reclamación o una descripción de la avería.

10 Gestión de residuos

- ▶ Deseche el material de embalaje en el contenedor de reciclaje correspondiente.



Cuando vaya a desechar definitivamente el producto, infórmese en el centro de reciclaje más cercano o en un comercio especializado sobre las normas pertinentes de eliminación de materiales.

11 Datos técnicos

	CFF35	CFF45
Tensión de conexión:	12/24 V \equiv y 100 – 240 V \sim	
Corriente nominal:	12 V \equiv : 7,8 A 24 V \equiv : 3,5 A 240 V \sim : 0,4 A	12 V \equiv : 8,6 A 24 V \equiv : 3,8 A 240 V \sim : 0,41 A
Potencia de refrigeración:	+10 °C a -18 °C (+50 °F a 0 °F)	
Categoría:	1	
Clase de eficiencia energética:	A+	
Consumo de energía:	85 kWh/año	84 kWh/año
Volumen total:	34 l	44 l
Capacidad útil:	30 l	38 l
Clase climática:	N, T	
Temperatura ambiente:	De +16 °C a +43 °C De +60 °F a +110 °F	
Cantidad de refrigerante:	34 g	43 g
Equivalente de CO ₂ :	0,049 t	0,061 t
Índice GWP (Global warming potential):	1430	
Dimensiones (A x H x P) en mm (incluyendo asas):	715 x 407 x 398	715 x 475 x 398
Dimensiones (A x H x P) en mm (sin incluir las asas):	590 x 407 x 398	590 x 475 x 398
Peso:	17,2 kg	18,6 kg



NOTA

Si la temperatura ambiente es mayor de +32 °C (+90 °F), no se puede alcanzar la temperatura mínima.

Inspección/certificados:



El circuito de refrigeración contiene R134a.

Contiene gases de efecto invernadero fluorados

Aparato sellado herméticamente

130.com.ua

Por favor, leia atentamente este manual antes da colocação em funcionamento do aparelho e guarde-o em local seguro. Em caso de revenda do aparelho, entregue o manual ao novo comprador.

O fabricante não se responsabiliza por danos resultantes de uma **utilização inadequada** ou de uma **operação incorrecta**.

Índice

1	Explicação dos símbolos	90
2	Indicações de segurança	91
3	Material fornecido	94
4	Utilização adequada	94
5	Descrição do funcionamento	95
6	Operação	96
7	Limpeza e manutenção	105
8	Resolução de falhas	106
9	Garantia	108
10	Eliminação	108
11	Dados técnicos	109

1 Explicação dos símbolos



PERIGO!

Indicação de segurança sobre uma situação de perigo que leva à morte ou a ferimentos graves se não for evitada.



AVISO!

Indicação de segurança sobre uma situação de perigo que pode levar à morte ou a ferimentos graves se não for evitada.



PRECAUÇÃO!

Indicação de segurança sobre uma situação de perigo que pode levar a ferimentos ligeiros ou moderados se não for evitada.

**NOTA!**

Indicação sobre uma situação que leva a danos materiais se não for evitada.

**OBSERVAÇÃO**

Informações complementares sobre a operação do produto.

2 Indicações de segurança



AVISO! O incumprimento destes avisos poderá resultar em morte ou ferimentos graves.

Perigo de morte devido a choque elétrico

- Quando o aparelho apresentar danos visíveis, ele não deve ser colocado em funcionamento.
- Se o cabo de alimentação deste aparelho de refrigeração estiver danificado, ele terá de ser substituído para evitar perigos.
- As reparações neste aparelho apenas devem ser realizadas por técnicos especializados. As reparações inadequadas podem provocar perigos substanciais.

Perigo de incêndio

- Ao colocar o aparelho, certifique-se de que o cabo de alimentação não fica preso nem é danificado.
- Não coloque tomadas múltiplas ou fontes de alimentação portáteis na parte de trás do aparelho.

Risco para a saúde

- Este aparelho pode ser utilizado por crianças a partir dos 8 anos e pessoas com capacidades físicas, sensoriais ou mentais reduzidas ou sem experiência e conhecimento se forem supervisionadas ou receberem instruções sobre a utilização do aparelho de forma segura e compreenderem os perigos implicados.
- As crianças não podem brincar com o aparelho.
- A limpeza e a manutenção por parte do utilizador não podem ser efetuadas por crianças sem supervisão.
- Crianças com idades entre os 3 e os 8 anos podem colocar e tirar itens de aparelhos frigoríficos.

Perigo de explosão

- Não guarde as substâncias com risco de explosão, como p.ex. latas de spray com gás carburante inflamável, no aparelho.

**PRECAUÇÃO! O incumprimento destas advertências poderá resultar em ferimentos ligeiros ou moderados.****Perigo de morte devido a choque elétrico**

- Antes da colocação em funcionamento, tenha atenção para que o cabo de conexão e a ficha estejam secos.
- Separe o aparelho da rede
 - antes de cada limpeza e conservação
 - após cada utilização

Risco para a saúde

- Por favor, verifique se a capacidade de refrigeração do aparelho cumpre os requisitos dos géneros alimentares ou dos medicamentos que pretende refrigerar.
- Os géneros alimentícios apenas podem ser armazenados nas embalagens originais ou recipientes adequados.
- Abrir o aparelho de refrigeração durante longos períodos pode provocar um aumento significativo da temperatura nos compartimentos do aparelho.
- Limpe regularmente as superfícies que entram em contacto com géneros alimentícios e os sistemas de drenagem acessíveis.
- Armazene a carne crua e o peixe cru em recipientes adequados no aparelho, de modo que não escorram sobre ou entrem em contacto com outros géneros alimentícios.
- Se o aparelho permanecer vazio durante um longo período de tempo:
 - Desligue o aparelho.
 - Descongele o aparelho.
 - Limpe e seque o aparelho.
 - Deixe a porta aberta para evitar a formação de bolor no aparelho.

**NOTA! Perigo de danos**

- Compare a indicação da tensão na placa de características com a alimentação de energia existente.
- Conecte o aparelho apenas do seguinte modo:
 - com o cabo de ligação DC à tomada de bordo DC no veículo.
 - ou com o cabo de ligação de AC à rede de corrente alternada

- Nunca retire a ficha da tomada eléctrica puxando pelo cabo de conexão.
- Se a geleira estiver ligada à tomada DC: Desconecte a sua geleira e outros consumidores da bateria antes de conectar um carregador rápido.
- Se a geleira estiver ligada à tomada DC: Separe a ligação ou desligue a geleira se desligar o motor. Caso contrário, a bateria pode ficar descarregada.
- A geleira não é adequada para o transporte de substâncias corrosivas ou substâncias com solventes.
- Este aparelho contém ciclopentano inflamável no isolamento. Os gases no material de isolamento requerem um processo de eliminação especial. No final da sua vida útil, entregue o aparelho num ponto de eliminação apropriado.
- Não utilize aparelhos eléctricos dentro da geleira, excepto se estes aparelhos tiverem sido recomendados pelo fabricante.
- Não coloque o aparelho na proximidade de chamas abertas ou outras fontes de calor (aquecimento, radiação solar intensa, fogões a gás, etc.).
- **Perigo de sobreaquecimento!**
Certifique-se sempre de que existe um espaço mínimo de ventilação de 50 mm nos quatro lados do aparelho de refrigeração. Mantenha a área de ventilação livre de quaisquer objetos que possam obstruir o fluxo de ar para os componentes de refrigeração.
Não coloque o aparelho de refrigeração em compartimentos fechados ou em áreas sem circulação de ar ou com uma circulação de ar muito reduzida.
- Tenha atenção para que as aberturas de ventilação não sejam cobertas.
- Não verta líquidos ou gelo para dentro do recipiente interior.
- Nunca mergulhe o aparelho em água.
- Proteja o aparelho e os cabos do calor e da humidade.
- Proteger o aparelho de refrigeração da exposição à chuva.

3 Material fornecido

N.º (fig. 1, página 3)	Quantidade	Designação
1	1	Geleira
2	1	Cabo de conexão de corrente contínua
3	1	Cabo de conexão de corrente alternada
4	2	Pega de transporte constituída por: <ul style="list-style-type: none"> • 2 suportes • 1 pega • 4 parafusos de fixação • 1 chave Allen
-	1	Manual de instruções

4 Utilização adequada

O aparelho de refrigeração é adequado para:

- refrigerar e congelar géneros alimentícios
- utilização em campismo e aplicações móveis

O aparelho de refrigeração foi desenvolvido para ser ligado a:

- redes de alimentação de bordo de corrente contínua de veículos, barcos ou autocaravanas
- baterias de corrente contínua auxiliares
- fontes de alimentação de corrente alternada

A geleira foi concebida para a utilização doméstica e outras áreas de utilização semelhantes como por exemplo

- em copas de lojas, escritórios e outras áreas de trabalho
- na agricultura
- por hóspedes em hotéis, motéis ou outros alojamentos
- em pensões com pequeno-almoço
- no Catering e outras utilizações semelhantes no comércio grossista

5 Descrição do funcionamento

A geleira pode refrigerar produtos e mantê-los frios, assim como congelá-los. A refrigeração é efetuada através de um circuito de refrigeração com compressor que requer pouca manutenção. O elevado isolamento e o compressor potente asseguram uma refrigeração eficiente e rápida.

A geleira é adequada para a utilização móvel.

A geleira resiste a uma inclinação de 30°, por exemplo, em barcos, durante períodos curtos.

5.1 Âmbito de funções

- Fonte de alimentação com ligação prioritária à rede de corrente alternada
- Monitorizador da bateria com três níveis para proteção da bateria do veículo
- Monitor com indicador da temperatura em °C e °F desliga-se automaticamente se a tensão da bateria for baixa
- Regulação da temperatura: com dois botões em passos de 1 °C (2 °F)
- Função de regulação de intensidade da luminosidade do monitor com 3 níveis
- Cesto amovível
- Pegas amovíveis

5.2 Elementos de comando e de indicação

Linguetas da tampa (fig. 2, página 3)

Painel de comando (fig. 3, página 4)

N.º	Designação	Explicação
1	ON OFF	Liga ou desliga a geleira quando o botão é pressionado durante um a dois segundos
2	POWER "⏻"	Indicação de estado
	LED acende a verde:	O compressor está ligado
	LED acende a laranja:	O compressor está desligado
	LED pisca a laranja:	O monitor desligou-se automaticamente devido a uma tensão da bateria baixa

N.º	Designação	Explicação
3	ERROR	LED pisca a vermelho: O aparelho está ligado, mas não está operacional
4	–	Monitor, indica a informação
5	SET	Seleciona o modo de introdução – Regulação da temperatura – Representação em Celsius ou Fahrenheit – Regulação do monitorizador da bateria – Regulação da luminosidade do monitor
6	DOWN –	Prima uma vez para reduzir o valor
7	UP +	Prima uma vez para aumentar o valor

Tomadas de ligação (fig. 4, página 4)

N.º	Designação
1	Tomada de ligação da alimentação de tensão em corrente alternada
2	Porta-fusíveis de corrente alternada
3	Fusível de corrente contínua
4	Tomada de ligação da alimentação de tensão em corrente contínua

6 Operação

6.1 Antes da primeira utilização



OBSERVAÇÃO

Por razões de higiene, antes de colocar a sua geleira em funcionamento pela primeira vez, deverá limpar o interior e o exterior com um pano húmido (ver também capítulo “Limpeza e manutenção” na página 105).

Instalar as pegas (fig. 5, página 4)

As pegas são fornecidas desmontadas. Se pretende montar as pegas, proceda do seguinte modo:

- Encaixe dois suportes (1) e uma pega (2) para montar uma pega.
- Fixe os suportes com os parafusos fornecidos nos orifícios existentes.

Abrir ou remover a tampa (fig. 6, página 5)

A tampa pode ser aberta de qualquer lado ou pode ser completamente removida sem recurso a ferramentas da seguinte forma:

- ▶ Para abrir a tampa, desencaixe a lingueta na direção de abertura preferencial (A) ou (B).
- ▶ Para remover a tampa, desencaixe as linguetas de ambos os lados ao mesmo tempo (C).

Posição de abertura da tampa (fig. 7, página 5)

A tampa tem uma posição de abertura integrada (A). Não force a tampa para além desta posição integrada (B).



NOTA!

RISCO DE DANOS!

O incumprimento desta instrução pode levar a que a tampa se parta.

- ▶ Se a tampa foi demasiado forçada, siga os passos descritos no capítulo "A tampa foi forçada além da posição de abertura integrada (fig. 11, página 7)" na página 107.

Remover o cesto (fig. 8, página 6)



NOTA!

RISCO DE DANOS!

O incumprimento desta instrução pode resultar em danos no aparelho. Se o cesto for removido com a tampa aberta, esta poderá ficar riscada e o cesto deformado. Recomendamos que remova a tampa antes de remover o cesto.

Selecionar as unidades de temperatura

As unidades de representação de temperatura podem ser alternadas entre Celsius e Fahrenheit da seguinte forma:

- ▶ Ligue a geleira.
- ▶ Prima o botão "SET" (fig. 3 5, página 4) duas vezes.
- ▶ Utilize os botões "UP +" (fig. 3 7, página 4) ou "DOWN -" (fig. 3 6, página 4) para selecionar Celsius ou Fahrenheit.

- ✓ O monitor indica, durante alguns segundos, a unidade de temperatura selecionada. O monitor pisca algumas vezes antes de voltar a apresentar a temperatura atual.

6.2 Sugestões para poupar energia

- Escolha um local de utilização bem arejado e protegido de raios solares.
- Primeiro, deixe as refeições quentes arrefecer antes de as manter frescas.
- Não abra a geleira mais do que as vezes necessárias.
- Não deixe a geleira aberta mais tempo do que o necessário.
- Descongele a geleira assim que se formar uma camada de gelo.
- Evite temperaturas desnecessariamente baixas.

6.3 Ligar a geleira

Ligar a uma bateria (veículo ou barco)

A geleira pode funcionar com 12 V ou 24 V $\overline{=}$.



NOTA!

RISCO DE DANOS!

O incumprimento desta instrução pode resultar em danos no aparelho. Desligue a geleira e outros consumidores da bateria antes de ligar a bateria a um carregador rápido.

As sobretensões podem danificar o sistema eletrónico do aparelho.

Por motivos de segurança, a geleira está equipada com um sistema eletrónico para evitar a inversão da polaridade. Desta forma, protege-se a geleira de um curto-circuito ao ligar a mesma a uma bateria.

Utilização de uma ficha de corrente contínua com fusível



NOTA!

RISCO DE DANOS!

O incumprimento desta instrução pode resultar em danos no aparelho. Para proteção do aparelho, o cabo de corrente contínua fornecido inclui um fusível no interior da ficha. **Não** remova a ficha de corrente contínua com fusível.

Utilize apenas o cabo de corrente contínua fornecido.

- ▶ Ligue o cabo de conexão de corrente contínua (fig. **1** 2, página 3) à tomada de tensão em corrente contínua da geleira (fig. **4** 3, página 4).
- ▶ Ligue o cabo de conexão a uma tomada de corrente contínua.

Ligar a uma fonte de alimentação de corrente alternada (por ex., em casa ou no escritório)



PERIGO!

RISCO DE ELETROCUSSÃO!

O incumprimento destes avisos resultará em morte ou ferimentos graves.

- Nunca manuseie as fichas e os interruptores quando tiver as mãos molhadas ou quando tiver os pés em pavimento molhado.
- Se estiver a utilizar a sua geleira a bordo de um barco com ligação a uma fonte de alimentação de corrente alternada, deverá instalar sempre um disjuntor de tensão residual entre a fonte de alimentação de corrente alternada e a geleira.
Solicite o parecer de um técnico especializado.

As geleiras possuem uma fonte de alimentação integrada para múltiplas tensões com sistema de ligação prioritária a uma fonte de tensão em corrente alternada. A ligação prioritária comuta automaticamente o funcionamento da geleira para corrente alternada se o aparelho estiver ligado a uma fonte de alimentação de corrente alternada, mesmo que o cabo de conexão de corrente contínua ainda esteja ligado.

Ao comutar entre a fonte de alimentação de corrente alternada e a alimentação por bateria, o LED vermelho pode acender brevemente.

- ▶ Ligue o cabo de conexão de corrente alternada (fig. **1** 3, página 3) à tomada de tensão em corrente alternada da geleira (fig. **4** 1, página 4).
- ▶ Ligue o cabo de conexão a uma tomada de corrente alternada.

6.4 Utilizar o monitorizador da bateria

O aparelho está equipado com um monitorizador de bateria multinível que protege a bateria do seu veículo contra uma descarga profunda ao ser ligada à rede de bordo de corrente contínua.

Se a geleira for operada com a ignição do veículo desligada, desliga-se automaticamente assim que a tensão de alimentação descer abaixo de um valor definido. A geleira liga-se novamente assim que a bateria estiver carregada até ao nível de tensão para o novo arranque.

**NOTA!****RISCO DE DANOS!**

O incumprimento desta instrução pode causar danos na bateria. Quando desligada pelo monitorizador da bateria, a bateria deixará de estar completamente carregada. Evite ligar repetidamente ou utilizar consumidores de energia sem fases de carregamento longas. Certifique-se de que a bateria está carregada.

No modo "HIGH", o monitorizador da bateria responde mais rapidamente do que nos níveis "LOW" e "MED" (ver tabela seguinte).

Modo do monitorizador da bateria	LOW	MED	HIGH
Tensão de desconexão a 12 V	10,1 V	11,4 V	11,8 V
Tensão de novo arranque a 12 V	11,1 V	12,2 V	12,6 V
Tensão de desconexão a 24 V	21,5 V	24,1 V	24,6 V
Tensão de novo arranque a 24 V	23,0 V	25,3 V	26,2 V

O modo do monitorizador da bateria pode ser seleccionado como se segue:

- ▶ Ligue a geleira.
- ▶ Prima o botão "SET" (fig. 3 5, página 4) três vezes.
- ▶ Use os botões "UP +" (fig. 3 7, página 4) ou "DOWN -" (fig. 3 6, página 4) para seleccionar o modo do monitorizador da bateria.
- ✓ No monitor é exibida a seguinte informação:
Lo (LOW), ME (MED), Hi (HIGH)
- ✓ O monitor exhibe, durante alguns segundos, o modo seleccionado. O monitor pisca algumas vezes antes de voltar a apresentar a temperatura actual.

**OBSERVAÇÃO**

Se a geleira for alimentada pela bateria de arranque, selecione o modo do monitorizador da bateria "HIGH". Se a geleira estiver conectada a uma bateria de alimentação, o modo do monitorizador da bateria "LOW" será suficiente.

6.5 Utilizar a geleira



NOTA!

PERIGO DE SOBREAQUECIMENTO!

O incumprimento desta instrução pode resultar em danos no aparelho. Certifique-se sempre de que existe ventilação suficiente por forma a que o calor gerado possa ser dissipado. Assegure-se de que as aberturas de ventilação não estão tapadas. Certifique-se de que o aparelho está posicionado a uma distância suficiente de paredes e outros objetos de modo a que o ar possa circular livremente.

- ▶ Coloque a geleira sobre uma base estável. Certifique-se de que as aberturas de ventilação não estão tapadas e que o ar aquecido pode dissipar-se. Recomendamos uma distância de pelo menos 2" à volta das aberturas de ventilação.



OBSERVAÇÃO

Coloque a geleira como ilustrado (fig. **1**, página 3). Se utilizar a geleira noutra posição, pode danificá-la.

- ▶ Conecte a geleira, ver capítulo "Ligar a geleira" na página 98.



NOTA!

PERIGO DE TEMPERATURA EXCESSIVAMENTE BAIXA!

O incumprimento desta instrução pode causar danos nos objetos colocados na geleira. Certifique-se de que apenas objetos/produtos que possam ser refrigerados à temperatura selecionada são colocados na geleira.


- ▶ Prima o botão "ON/OFF" (fig. **3** 1, página 4) durante um a dois segundos.
- ✓ O LED "⏻" acende (fig. **3** 2, página 4).
- ✓ O monitor (fig. **3** 4, página 4) liga-se e indica a temperatura atual.
- ✓ A geleira começa a refrigerar o interior.



OBSERVAÇÃO – Temperatura exibida

A temperatura exibida é a da secção grande do compartimento interior (fig. **9**, página 6,1).

**OBSERVAÇÃO**

No funcionamento com bateria, o monitor desliga-se automaticamente se a tensão da bateria for baixa. O LED “” pisca a laranja.

Trancar a tampa da geleira

- ▶ Feche a tampa.
- ▶ Pressione a lingueta (fig. **2**, página 3) para baixo até encaixar de forma audível.

**OBSERVAÇÃO**

Ao trancar a tampa, certifique-se de que ambos os pinos laterais das linguetas estão totalmente encaixados para garantir uma boa vedação da tampa. Uma lingueta poderá encaixar-se ligeiramente antes da outra.

- ▶ Se a tampa não estiver fechada de igual forma em ambos os lados, pressione até ouvir um segundo clique.

6.6 Regular a temperatura

- ▶ Prima o botão “SET” (fig. **3** 5, página 4) uma vez.
- ▶ Utilize os botões “UP +” (fig. **3** 7, página 4) e “DOWN –” (fig. **3** 6, página 4) para selecionar a temperatura de refrigeração.
- ✓ A temperatura de refrigeração aparece no monitor durante alguns segundos. O monitor pisca algumas vezes e a temperatura atual volta a ser apresentada.

6.7 Definir a luminosidade do monitor

A luminosidade do monitor pode ser regulada para condições de pouca iluminação ambiente. Para definir o nível de regulação de intensidade da luminosidade do monitor, proceda da seguinte forma:

- ▶ Ligue a geleira.
- ▶ Prima o botão “SET” (fig. **3** 5, página 4) quatro vezes.
- ▶ Utilize os botões “UP +” (fig. **3** 7, página 4) ou “DOWN –” (fig. **3** 6, página 4) para definir a luminosidade do monitor.
- ✓ No monitor é exibida a seguinte informação:
d0 (predefinição), d1 (médio), d2 (escuro)
- ✓ O monitor exibe, durante alguns segundos, o modo definido. O monitor pisca duas vezes antes de voltar a apresentar a temperatura atual.

**OBSERVAÇÃO**

- A definição de fábrica da luminosidade do monitor é d0 (predefinição).
- Em caso de falha, a luminosidade volta automaticamente para d0 (predefinição). Após a resolução de falhas, a luminosidade definida é reativada.

6.8 Desligar a geleira

- Esvazie a geleira.
- Desligue a geleira.
- Desconecte o cabo de conexão.

Se não pretender utilizar a geleira durante um longo período:

- Deixe a tampa ligeiramente aberta. Assim, evita-se a formação de odores.

6.9 Descongelar a geleira

A humidade do ar pode formar gelo no interior do aparelho de refrigeração ou no evaporador. Tal reduz a potência de refrigeração.

**NOTA!****RISCO DE DANOS!**

O incumprimento desta instrução pode resultar em danos no aparelho. Nunca utilize ferramentas duras ou pontiagudas para retirar as camadas de gelo ou soltar objetos congelados.

Proceda do seguinte modo para descongelar a geleira:

- Retire os produtos que se encontram na geleira.
- Se necessário, guarde-os noutra aparelho de refrigeração para que permaneçam refrigerados.
- Desligue o aparelho.
- Deixe a tampa aberta.
- Limpe a água de descongelação.

6.10 Substituir o fusível de corrente alternada



PERIGO!

RISCO DE ELETROCUSSÃO!

O incumprimento deste aviso resultará em morte ou ferimentos graves. Antes da substituição do fusível do aparelho, desligue a fonte de alimentação e retire o cabo de conexão.

- Desligue a fonte de alimentação do aparelho.
- Retire o cabo de conexão.
- Retire o encaixe do fusível (fig. **4** 2, página 4) com uma chave de parafusos.
- Substitua o fusível de vidro danificado por um fusível novo com o mesmo tipo e a mesma especificação (4 A, 250 V).
- Volte a pressionar o encaixe do fusível para dentro da caixa.
- Volte a ligar a fonte de alimentação ao aparelho.

6.11 Substituir o fusível de corrente contínua do aparelho

- Desligue a fonte de alimentação do aparelho.
- Retire a tampa do fusível (fig. **4** 3, página 4) para aceder ao fusível.
- Inverta a tampa do fusível e utilize o gancho para remover o fusível.
- Substitua o fusível danificado por um novo do mesmo tipo (fusível de encaixe plano padrão para automóveis, 10 A).
- Volte a colocar a tampa do fusível.
- Volte a ligar a fonte de alimentação ao aparelho.

6.12 Substituir o fusível da ficha de corrente contínua (fig. **10**, página 6)

- Desenrosque a caixa do pino de contacto (**3**) da ficha (**1**).
- Substitua o fusível danificado (**2**) por um novo do mesmo tipo e com a mesma especificação (3AG, ação rápida, 10 A).
- Volte a montar a ficha pela ordem inversa.

7 Limpeza e manutenção



AVISO!

RISCO DE ELETROCUSSÃO!

O incumprimento deste aviso poderá resultar em morte ou ferimentos graves.

Desconecte sempre o aparelho da fonte de alimentação antes de proceder à limpeza e manutenção.



NOTA!

RISCO DE DANOS!

O incumprimento destas instruções pode resultar em danos no aparelho.

- Nunca limpe a geleira debaixo de água corrente nem dentro de água de lavar a loiça.
- Não utilize produtos de limpeza abrasivos nem objetos duros para a limpeza, pois estes podem danificar a geleira.

- De vez em quando, limpe o interior e o exterior do aparelho com um pano húmido.
- Certifique-se que as aberturas de entrada e saída de ar do aparelho estão livres de pó e sujidade para que, durante o funcionamento, o calor possa ser libertado e o aparelho não seja danificado.

8 Resolução de falhas

Falha	Possível causa	Sugestão de solução
O aparelho não funciona, o LED não acende.	Não foi detetada tensão na tomada de corrente contínua.	Na maioria dos veículos, a ignição tem de ser ligada antes de ser possível fornecer energia à tomada de corrente contínua.
	Não existe tensão na tomada de corrente alternada.	Tente novamente noutra tomada.
	Um dos fusíveis do aparelho está danificado.	Substitua o fusível danificado do aparelho, ver capítulo "Substituir o fusível de corrente alternada" na página 104 ou capítulo "Substituir o fusível de corrente contínua do aparelho" na página 104.
	O adaptador de rede integrado está avariado.	Esta reparação só pode ser realizada por um centro de reparação autorizado.
O aparelho não refrigera (ficha inserida na tomada, o LED "POWER" acende).	Avaria no compressor.	Esta reparação só pode ser realizada por um centro de reparação autorizado.
O aparelho não refrigera (ficha inserida na tomada, o LED "POWER" pisca a laranja, o monitor está desligado).	O monitorizador da bateria foi definido a um nível demasiado elevado.	Selecione uma definição inferior do monitorizador da bateria.
	Tensão da bateria demasiado baixa.	Verifique a bateria e, se necessário, carregue-a.

Falha	Possível causa	Sugestão de solução
Durante o funcionamento na tomada de corrente contínua: A ignição está ligada, o aparelho não funciona e o LED não acende.	A tomada de corrente contínua está suja. Tal origina um mau contacto eléctrico.	Se a ficha da sua geleira ficar muito quente na tomada de corrente contínua, é necessário limpar a tomada de corrente contínua ou a ficha não foi montada corretamente.
	O fusível da ficha de corrente contínua está queimado.	Substitua o fusível da ficha de corrente contínua, ver capítulo “Substituir o fusível da ficha de corrente contínua (fig. 10, página 6)” na página 104.
	O fusível de corrente contínua do aparelho está queimado.	Substitua o fusível danificado, ver capítulo “Substituir o fusível de corrente contínua do aparelho” na página 104.
	O fusível do veículo está queimado.	Substitua o fusível da tomada de corrente contínua do veículo. Consulte o manual de instruções do seu veículo.
O monitor apresenta uma mensagem de erro (p. ex., “Err1”) e o aparelho não refrigera.	O aparelho desligou-se devido a uma falha interna.	Esta reparação só pode ser realizada por um centro de reparação autorizado.

8.1 A tampa foi forçada além da posição de abertura integrada (fig. 11, página 7)

- Segure na tampa com uma mão (A).
- Pressione a lingueta com a outra mão (B).



PRECAUÇÃO!

RISCO PARA A SAÚDE!

O incumprimento desta advertência poderá resultar em ferimentos ligeiros ou moderados.

Tenha cuidado para não entalar o dedo enquanto fecha a tampa.



NOTA!

RISCO DE DANOS!

O incumprimento desta instrução pode levar a que a tampa se parta.

- Feche a tampa o mais que conseguir sem entalar o dedo, enquanto pressiona a lingueta para evitar que se parta.

- ✓ Nesta altura, a tampa deve estar numa posição aproximadamente inclinada (fig. 11, página 7).
- Retire a mão da lingueta (B) e continue a fechar a tampa até ao fim.

**OBSERVAÇÃO**

As dobradiças poderão soltar-se da posição correta durante a ação de fecho final. Reposicione a tampa como se segue:

- Desencaixe simultaneamente as linguetas de ambos os lados da tampa.
- Levante e reposicione a tampa.

9 Garantia

É válido o prazo de garantia legal. Se o produto estiver com defeito, por favor, dirija-se à representação do fabricante no seu país (ver dometic.com/dealer) ou ao seu revendedor.

Para fins de reparação ou de garantia, terá de enviar os seguintes documentos em conjunto:

- uma cópia da factura com a data de aquisição,
- um motivo de reclamação ou uma descrição da falha.

10 Eliminação

- Sempre que possível, coloque o material de embalagem no respectivo contentor de reciclagem.



Para colocar o aparelho definitivamente fora de funcionamento, por favor, informe-se junto do centro de reciclagem mais próximo ou revendedor sobre as disposições de eliminação aplicáveis.

11 Dados técnicos

	CFF35	CFF45
Tensão de conexão:	12/24 V $\overline{=}$ e 100 a 240 V \sim	
Corrente nominal:	12 V $\overline{=}$: 7,8 A 24 V $\overline{=}$: 3,5 A 240 V \sim : 0,4 A	12 V $\overline{=}$: 8,6 A 24 V $\overline{=}$: 3,8 A 240 V \sim : 0,41 A
Potência de refrigeração:	+10 °C a -18 °C (+50 °F a 0 °F)	
Categoria:	1	
Classe de eficiência energética:	A+	
Consumo de energia:	85 kWh/ano	84 kWh/ano
Volume bruto:	34 l	44 l
Volume útil:	30 l	38 l
Classe de climatização:	N, T	
Temperatura ambiente:	+16 °C a +43 °C +60 °F a +110 °F	
Quantidade de agente de refrigeração:	34 g	43 g
Equivalente a CO ₂ :	♦ 0,049 t	0,061 t
Potencial de aquecimento global (PAG):	1430	
Dimensões (L x A x P) em mm (incluindo pegas):	715 x 407 x 398	715 x 475 x 398
(L x A x P) em mm (sem pegas):	590 x 407 x 398	590 x 475 x 398
Peso:	17,2 kg	18,6 kg



OBSERVAÇÃO

Se a temperatura ambiente for superior a +32 °C (+90 °F), não é possível atingir a temperatura mínima.

Teste/certificados:



O circuito de refrigeração contém R134a.

Contém gases fluorados com efeito de estufa

Equipamento hermeticamente fechado

130.com.ua

Prima della messa in funzione leggere accuratamente questo manuale di istruzioni, conservarlo e, nel caso in cui il frigorifero portatile venga consegnato a un altro utente, consegnare anche le relative istruzioni.

Il produttore declina ogni responsabilità per danni risultanti da un **uso non conforme alla destinazione** o **da un impiego scorretto**.

Indice

1	Spiegazione dei simboli	111
2	Istruzioni per la sicurezza	112
3	Dotazione	114
4	Conformità d'uso	115
5	Descrizione del funzionamento	115
6	Funzionamento	117
7	Pulizia e cura	126
8	Eliminazione dei guasti	127
9	Garanzia	129
10	Smaltimento	129
11	Specifiche tecniche	130

1 Spiegazione dei simboli



PERICOLO!

Indicazione di sicurezza che segnala una situazione di pericolo che se non evitata provoca morte o gravi lesioni.



AVVERTENZA!

Indicazione di sicurezza che segnala una situazione di pericolo che se non evitata può provocare morte o gravi lesioni.



ATTENZIONE!

Indicazione di sicurezza che segnala una situazione di pericolo che se non evitata può provocare lesioni lievi o di gravità media.

**AVVISO!**

Indicazione di una situazione che se non evitata può provocare danni materiali.

**NOTA**

Informazioni integranti relative all'impiego del prodotto.

2 Istruzioni per la sicurezza



AVVERTENZA! La mancata osservanza di queste avvertenze potrebbe causare la morte o lesioni gravi.

Pericolo di morte a causa di scossa elettrica

- Se l'apparecchio presenta danni visibili, non metterlo in funzione.
- Se il cavo di alimentazione di questo frigorifero è danneggiato, deve essere sostituito per evitare pericoli per la sicurezza.
- Questo apparecchio deve essere riparato solo da personale specializzato. Le riparazioni effettuate in modo scorretto potrebbero causare rischi enormi.

Pericolo di incendio

- Durante il posizionamento dell'apparecchio, assicurarsi che il cavo di alimentazione non venga bloccato o danneggiato.
- Non collocare prese multiple portatili o alimentatori portatili sul retro dell'apparecchio.

Pericolo per la salute

- Questo apparecchio può essere utilizzato da bambini di età superiore a 8 anni, da persone con ridotte capacità fisiche, sensoriali o mentali o da persone inesperte o prive di conoscenze specifiche solo se sorvegliate o preventivamente istruite sull'impiego dell'apparecchio in sicurezza e se informate dei pericoli legati al prodotto stesso.
- I bambini non devono giocare con l'apparecchio.
- La pulizia e la manutenzione da parte dell'utente non possono essere compiute da bambini lasciati soli.
- I bambini dai 3 agli 8 anni possono caricare e scaricare gli apparecchi di refrigerazione.

Pericolo di esplosione

- Nell'apparecchio non conservare sostanze esplosive come ad es. bombolette spray con gas propellente infiammabile.

**ATTENZIONE! La mancata osservanza di queste precauzioni potrebbe causare lesioni lievi o moderate.****Pericolo di morte a causa di scossa elettrica**

- Prima della messa in funzione assicurarsi che la linea di alimentazione e la spina siano asciutte.
- Staccare l'apparecchio dalla rete
 - prima di effettuare la pulizia e la cura
 - dopo ogni utilizzo

Pericolo per la salute

- Controllare che la capacità di raffreddamento dell'apparecchio sia conforme ai requisiti degli alimenti o medicinali che si desidera raffreddare.
- I prodotti alimentari possono essere conservati solo nelle confezioni originali o in contenitori adeguati.
- L'apertura prolungata del frigorifero può causare un significativo aumento della temperatura nei vani dell'apparecchio.
- Pulire regolarmente le superfici che vengono a contatto con gli alimenti e i sistemi di scarico accessibili.
- Conservare la carne cruda e il pesce in contenitori adatti nell'apparecchio, in modo che non vengano a contatto con altri alimenti o sgocciolino su di essi.
- Se l'apparecchio resta vuoto a lungo:
 - Spegnere l'apparecchio.
 - Sbrinare l'apparecchio.
 - Pulire e asciugare l'apparecchio.
 - Lasciare la porta aperta per prevenire la formazione di muffa nell'apparecchio.

**AVVISO! Pericolo di danni**

- Confrontare i dati della tensione riportati sulla targhetta con quelli delle prese e degli attacchi disponibili.
- Collegare l'apparecchio solo nel modo seguente:
 - con il cavo di allacciamento CC alla spina CC del veicolo
 - oppure con il cavo di allacciamento da CA alla rete di alimentazione in corrente alternata

- Non estrarre mai la spina dalla presa tirando il cavo di allacciamento.
- Quando il frigorifero è collegato ad un presa CC: Staccare il frigorifero e le altre utenze dalla batteria prima di collegare il caricabatterie rapido.
- Quando il frigorifero è collegato ad un presa CC: Interrompere il collegamento o spegnere il frigorifero se il motore viene spento. Altrimenti la batteria si può scaricare.
- Il frigorifero non è adatto per il trasporto di sostanze corrosive o solventi.
- Questo frigorifero contiene nell'isolamento ciclopentano infiammabile. I gas contenuti nel materiale di isolamento richiedono un processo di smaltimento particolare. Al termine della sua vita utile, smaltire l'apparecchio in modo conforme.
- Non utilizzare apparecchi elettrici all'interno del frigorifero ad eccezione di quelli consigliati dallo stesso produttore.
- Non collocare l'apparecchio nelle vicinanze di fiamme libere o altre fonti di calore (riscaldamento, intensa esposizione ai raggi solari, forni a gas ecc.).
- **Pericolo di surriscaldamento!**
Assicurarsi che ci sia sempre una ventilazione minima di 50 mm su tutti i quattro lati del frigorifero. Mantenere l'area di ventilazione priva di oggetti che potrebbero limitare il flusso d'aria verso i componenti di raffreddamento.
Non collocare il frigorifero in scomparti chiusi o aree con flusso d'aria assente o minimo.
- Fare attenzione che le feritoie di aerazione non vengano coperte.
- Non versare nessun tipo di liquido o ghiaccio nel contenitore interno.
- Non immergere mai l'apparecchio in acqua.
- Proteggere l'apparecchio e i cavi dal caldo e dall'umidità.
- Proteggere il frigorifero dalla pioggia.

3 Dotazione

Elemento (fig. 1, pagina 3)	Quantità	Descrizione
1	1	Frigorifero portatile
2	1	Cavo di collegamento per corrente continua

Elemento (fig. 1, pagina 3)	Quantità	Descrizione
3	1	Cavo di collegamento per corrente alternata
4	2	Maniglia di trasporto costituita da: <ul style="list-style-type: none"> • 2 supporti • 1 maniglia • 4 viti di fissaggio • 1 chiave per brugole
–	1	Manuale di istruzioni

4 Conformità d'uso

Il frigorifero è adatto per:

- raffreddare e congelare alimenti
- uso in campeggio e applicazioni mobili.

Il frigorifero è stato ideato per il funzionamento con:

- una rete di bordo a corrente continua di un veicolo, imbarcazione o camper
- una batteria ausiliaria a corrente continua
- una rete di alimentazione alternata.

Il frigorifero è adatto per l'uso domestico e campi di applicazione simili come ad esempio

- in cucine per il personale in negozi, uffici e altri campi professionali
- in agricoltura
- dagli ospiti in hotel, motel o altri alloggi
- in bed & breakfast
- nel catering e applicazioni simili nel commercio all'ingrosso

5 Descrizione del funzionamento

Il frigorifero può raffreddare, mantenere freddi e congelare prodotti. Il raffreddamento avviene mediante un circuito di raffreddamento a bassa manutenzione e con compressore. Il generoso isolamento e il potente compressore assicurano un raffreddamento efficiente e rapido.

Il frigorifero è adatto per l'uso mobile.

Il frigorifero portatile può sopportare per brevi periodi un'inclinazione di 30°, ad esempio sulle barche.

5.1 Funzioni

- Alimentatore con circuito prioritario per il collegamento alla tensione alternata
- Dispositivo di controllo automatico della batteria a tre livelli per proteggere la batteria del veicolo
- Il display con indicazione della temperatura in °C e °F si disattiva automaticamente in caso di bassa tensione della batteria
- Regolazione della temperatura: con due tasti in passaggi di 1 °C (e di 2 °F)
- Funzione di regolazione del display con 3 livelli di luminosità
- Cestino estraibile
- Maniglie di trasporto rimovibili

5.2 Elementi di comando e indicazione

Fermi per il coperchio (fig. 2, pagina 3)

Unità di comando (fig. 3, pagina 4)

Elemento	Descrizione	Spiegazione
1	ON OFF	Accende o spegne il frigorifero se si tiene premuto il tasto da uno a due secondi
2	ACCENSIONE "⏻"	Indicazione di stato
		Il LED si accende con luce verde: Il compressore è acceso
		Il LED si accende con luce arancione: Il compressore è spento
		Il LED lampeggia con luce arancione: Il display si spegne automaticamente in caso di bassa tensione della batteria
3	ERRORE	Il LED lampeggia con luce rossa: L'apparecchio è acceso ma non è pronto per il funzionamento
4	-	Display, indica i valori

Elemento	Descrizione	Spiegazione
5	SET	Seleziona la modalità di impostazione – Regolazione della temperatura – Indicazione in gradi Celsius o Fahrenheit – Impostazione del dispositivo di controllo automatico della batteria – Impostazione della luminosità del display
6	GIÙ –	Premuto una volta diminuisce il valore impostato
7	SU +	Premuto una volta aumenta il valore impostato

Prese di collegamento (fig. 4, pagina 4)

Elemento	Descrizione
1	Presa di collegamento per l'alimentazione di tensione alternata
2	Portafusibili CA
3	Coperchio del fusibile CC
4	Presa di collegamento per l'alimentazione di tensione continua

6 Funzionamento

6.1 Prima della messa in funzione iniziale



NOTA

Per motivi igienici, prima della messa in funzione iniziale del frigorifero portatile, pulirne l'interno e l'esterno con un panno umido (vedi anche capitolo "Pulizia e cura" a pagina 126).

Montaggio delle maniglie (fig. 5, pagina 4)

Le maniglie sono fornite non montate. Per applicarle, procedere come segue:

- assemblare una maniglia unendo due supporti (1) e una maniglia (2).
- Fissare i supporti negli appositi fori con le viti fornite.

Apertura o rimozione del coperchio (fig. 6, pagina 5)

Il coperchio può essere aperto da entrambi i lati o rimosso completamente senza dover utilizzare attrezzi come indicato di seguito:

- per aprire il coperchio, sbloccarlo nella direzione di apertura preferita, **(A)** o **(B)**;
- per rimuovere il coperchio, sbloccare i due lati contemporaneamente **(C)**.

Posizione di arresto del coperchio (fig. 7, pagina 5)

Il coperchio prevede una posizione di arresto integrata **(A)**. Non forzare il coperchio oltre l'arresto integrato **(B)**.



AVVISO!

RISCHIO DI DANNI!

La mancata osservanza di questa istruzione può provocare la rottura del coperchio.

- Se il coperchio è stato sforzato, seguire i passi descritti nel capitolo "Il coperchio è stato forzato oltre l'arresto integrato (fig. 11, pagina 7)" a pagina 128.

Rimozione del cestino (fig. 8, pagina 6)



AVVISO!

RISCHIO DI DANNI!

La mancata osservanza di questa istruzione può causare danni all'apparecchio.

Se si rimuove il cestino con il coperchio aperto si rischia di graffiare il coperchio e deformare il cestino. Si raccomanda di rimuovere il coperchio prima di rimuovere il cestino.

Selezione dell'unità di misura della temperatura

La temperatura può essere visualizzata in due unità di misura, Celsius e Fahrenheit. Procedere come indicato di seguito.

- Accendere il frigorifero portatile.
- Premere due volte il tasto "SET" (fig. 3 5, pagina 4).
- Utilizzare i tasti "SU +" (fig. 3 7, pagina 4) o "GIÙ -" (fig. 3 6, pagina 4) per selezionare Celsius o Fahrenheit.

- ✓ Il display visualizza per alcuni secondi l'unità di temperatura selezionata. Il display lampeggia alcune volte prima di tornare alla visualizzazione della temperatura attuale.

6.2 Suggerimenti per risparmiare energia

- Scegliere un luogo di impiego ben aerato e riparato dai raggi solari.
- Prima di immagazzinare cibi caldi nell'apparecchio, lasciarli prima raffreddare.
- Non aprire il frigorifero più spesso del necessario.
- Non lasciare il frigorifero aperto più del necessario.
- Sbrinare il frigorifero portatile se si forma uno strato di ghiaccio.
- Evitare temperature inutilmente basse.

6.3 Collegamento del frigorifero portatile

Collegamento a una batteria (veicolo o imbarcazione)

Il frigorifero portatile può essere fatto funzionare a 12 V o 24 V $\overline{=}$.



AVVISO!

RISCHIO DI DANNI!

La mancata osservanza di questa istruzione può causare danni all'apparecchio.

Staccare il frigorifero portatile e le altre utenze dalla batteria prima di collegarla a un caricabatterie rapido.

Le sovratensioni possono danneggiare il sistema elettronico dell'apparecchio.

Per motivi di sicurezza, il frigorifero portatile è dotato di un sistema elettronico che lo protegge contro l'inversione di polarità. In questo modo il frigorifero portatile è protetto dai cortocircuiti durante il collegamento a una batteria.

Utilizzo della spina di corrente continua con fusibile



AVVISO!

RISCHIO DI DANNI!

La mancata osservanza di questa istruzione può causare danni all'apparecchio.

Per proteggere l'apparecchio, il cavo di corrente continua fornito comprende un fusibile all'interno della spina. **Non** rimuovere la spina di corrente continua con fusibile.

Utilizzare solo il cavo di corrente continua fornito in dotazione.

- Inserire il cavo di collegamento per corrente continua (fig. **1** 2, pagina 3) nella presa CC del frigorifero portatile (fig. **4** 3, pagina 4).
- Allacciare il cavo di collegamento a una presa CC.

Collegamento a una rete di alimentazione alternata (ad es. a casa o in ufficio)



PERICOLO!

PERICOLO DI SCOSSE ELETTRICHE!

La mancata osservanza di queste avvertenze può causare la morte o lesioni gravi.

- Non toccare mai spine e interruttori con le mani bagnate o se si sta con i piedi su una superficie bagnata.
- Se il frigorifero portatile si trova a bordo di un'imbarcazione ed è alimentato da una rete di alimentazione a corrente alternata, occorre inserire un interruttore differenziale di protezione fra la rete di alimentazione e il frigorifero portatile.
Farsi consigliare da un esperto.

I frigoriferi portatili prevedono un'alimentazione multitemperatura con circuito di priorità per il collegamento a una fonte di tensione CA. Se l'apparecchio è collegato a un'alimentazione CA, il circuito di priorità fa passare automaticamente il frigorifero portatile al funzionamento CA, anche se il cavo di collegamento per corrente continua è ancora collegato.

Quando si passa dalla rete di alimentazione alternata all'alimentazione di batteria e viceversa, il LED rosso può accendersi brevemente.

- Inserire il cavo di collegamento per corrente alternata (fig. **1** 3, pagina 3) nella presa CA del frigorifero portatile (fig. **4** 1, pagina 4).
- Allacciare il cavo di collegamento a una presa CA.

6.4 Utilizzo del dispositivo di controllo automatico della batteria

L'apparecchio dispone di un dispositivo di controllo automatico della batteria a più livelli che protegge la batteria del veicolo da uno scaricamento eccessivo durante il collegamento alla rete di bordo CC.

Se il frigorifero viene azionato nel veicolo con l'accensione disinserita, il frigorifero si spegne automaticamente non appena la tensione di alimentazione scende al di sotto di un valore impostabile. Il frigorifero portatile si riaccende non appena viene raggiunta la tensione di ripristino ottenuta caricando la batteria.



AVVISO!

RISCHIO DI DANNI!

La mancata osservanza di questa istruzione può causare danni alla batteria.

Quando viene spenta dal dispositivo di controllo automatico della batteria, la batteria non viene più caricata completamente. Evitare riavvii ripetuti o di utilizzare utenze senza lunghe fasi di carica. Assicurare che la batteria venga ricaricata.

Nella modalità "HIGH", il dispositivo di controllo automatico della batteria si attiva più velocemente che nei livelli "LOW" e "MED" (vedi la tabella seguente).

Modalità del dispositivo di controllo automatico della batteria	LOW	MED	HIGH
Tensione di interruzione a 12 V	10,1V	11,4V	11,8V
Tensione di riaccensione a 12 V	11,1V	12,2V	12,6V
Tensione di interruzione a 24 V	21,5V	24,1V	24,6V
Tensione di riaccensione a 24 V	23,0V	25,3V	26,2V

Per selezionare la modalità del dispositivo di controllo automatico della batteria procedere come segue.

- Accendere il frigorifero portatile.
- Premere tre volte il tasto "SET" (fig. **3** 5, pagina 4).
- Utilizzare i tasti "SU +" (fig. **3** 7, pagina 4) o "GIÙ -" (fig. **3** 6, pagina 4) per selezionare la modalità del dispositivo di controllo automatico della batteria.

- ✓ Sul display appare:
Lo (LOW), ΠEd (MED), Hi (HIGH)
- ✓ Il display visualizza per alcuni secondi la modalità impostata. Il display lampeggia alcune volte prima di tornare alla visualizzazione della temperatura attuale.

**NOTA**

Se il frigorifero portatile è alimentato dalla batteria di avviamento del veicolo, selezionare la modalità "HIGH" del dispositivo di controllo automatico della batteria. Se il frigorifero è collegato a una batteria di alimentazione, è sufficiente selezionare la modalità "LOW" del dispositivo di controllo automatico della batteria.

6.5 Utilizzo del frigorifero portatile

**AVVISO!****PERICOLO DI SURRISCALDAMENTO!**

La mancata osservanza di questa istruzione può causare danni all'apparecchio.

Assicurarsi che ci sia sempre sufficiente ventilazione in modo che il calore che si sviluppa durante il funzionamento possa essere dissipato. Fare attenzione che le griglie di aerazione non vengano coperte. Fare in modo che la distanza fra l'apparecchio e le pareti o altri oggetti sia tale da permettere all'aria di circolare.

- Collocare il frigorifero portatile su una base stabile. Assicurarsi che le griglie di aerazione non vengano coperte e che l'aria calda prodotta possa fuoriuscire liberamente. Si raccomanda di mantenere uno spazio di almeno 2" intorno ai fori di aerazione.

**NOTA**

Posizionare il frigorifero portatile come raffigurato (pagina 4). Se il frigorifero portatile viene posizionato con un orientamento diverso, esso può venire danneggiato.

- Collegare il frigorifero portatile, vedi capitolo "Collegamento del frigorifero portatile" a pagina 119.

**AVVISO!****PERICOLO DI TEMPERATURA ECCESSIVAMENTE BASSA!**

La mancata osservanza di questa istruzione può danneggiare gli oggetti collocati nel frigorifero portatile.

Assicurarsi che nel frigorifero portatile si trovino solo oggetti o prodotti che possono essere raffreddati alla temperatura selezionata.

- Premere il tasto "ON/OFF" (fig. **3** 1, pagina 4) da uno a due secondi.
- ✓ Il LED "⏻" si accende (fig. **3** 2, pagina 4).
- ✓ Il display (fig. **3** 4, pagina 4) si accende e indica la temperatura attuale.
- ✓ Il frigorifero portatile inizia a raffreddare l'interno.

**NOTA – Temperatura indicata**

La temperatura indicata è quella della sezione grande del vano interno (fig. **9**, pagina 6, 1).

**NOTA**

In caso di alimentazione tramite una batteria, il display si spegne automaticamente se la tensione di batteria è bassa. Il LED "⏻" lampeggia di colore arancione.

Arresto del coperchio del frigorifero portatile

- Chiudere il coperchio.
- Premere il fermo (fig. **2**, pagina 3) verso il basso finché non si innesta con uno scatto udibile.

**NOTA**

Quando si blocca il coperchio, verificare che entrambi i perni siano completamente inseriti per assicurare una buona tenuta del coperchio. Un fermo può inserirsi leggermente prima dell'altro.

- Se il coperchio non si chiude equamente sui due lati, premere fino a sentire un secondo clic.

6.6 Regolazione della temperatura

- Premere una volta il tasto "SET" (fig. **3** 5, pagina 4).
- Utilizzare i tasti "SU +" (fig. **3** 7, pagina 4) e "GIÙ -" (fig. **3** 6, pagina 4) per selezionare la temperatura di raffreddamento.

- ✓ Il display visualizza per alcuni secondi la temperatura di raffreddamento. Il display lampeggia alcune volte, quindi viene visualizzata nuovamente la temperatura corrente.

6.7 Impostazione della luminosità del display

La luminosità del display può essere regolata per adeguarsi a una luce ambiente bassa. Per impostare la luminosità del display procedere come segue.

- Accendere il frigorifero portatile.
- Premere quattro volte il tasto "SET" (fig. **3** 5, pagina 4).
- Utilizzare i tasti "SU +" (fig. **3** 7, pagina 4) o "GIÙ -" (fig. **3** 6, pagina 4) per impostare la luminosità del display.
- ✓ Sul display appare:
d0 (predefinito), d1 (medio), d2 (scuro)
- ✓ Il display mostra la modalità impostata per alcuni secondi. Il display lampeggia due volte prima di tornare alla visualizzazione della temperatura attuale.



NOTA

- L'impostazione di fabbrica della luminosità del display è d0 (predefinito).
- Se si verifica un guasto, la luminosità torna automaticamente al livello d0 (predefinito). Dopo la risoluzione del guasto si riattiva la luminosità impostata.

6.8 Spegnimento del frigorifero portatile

- Svuotare il frigorifero portatile.
- Spegnerne il frigorifero.
- Estrarre il cavo di collegamento.

Nel caso in cui il frigorifero portatile non venga utilizzato per un lungo periodo di tempo:

- Lasciare il coperchio leggermente aperto per prevenire la formazione di odori.

6.9 Sbrinamento del frigorifero portatile

L'umidità dell'aria può formare brina all'interno del frigorifero o sul vaporizzatore, riducendo così la capacità di raffreddamento.



AVVISO!

RISCHIO DI DANNI!

La mancata osservanza di questa istruzione può causare danni all'apparecchio.

Non utilizzare mai attrezzi duri o appuntiti per rimuovere il ghiaccio o per staccare oggetti che sono rimasti congelati.

Per sbrinare il frigorifero, procedere come segue.

- Togliere il contenuto dal frigorifero portatile.
- Metterlo eventualmente in un altro frigorifero affinché si mantenga freddo.
- Spegnerne l'apparecchio.
- Lasciare il coperchio aperto.
- Rimuovere l'acqua scongelata.

6.10 Sostituzione del fusibile CA



PERICOLO!

PERICOLO DI SCOSSE ELETTRICHE!

La mancata osservanza di questa avvertenza può causare la morte o lesioni gravi.

Scollegare l'alimentazione e il cavo di collegamento prima di sostituire il fusibile dell'apparecchio.

- Scollegare l'alimentazione all'apparecchio.
- Togliere il cavo di collegamento.
- Facendo leva con un cacciavite, estrarre il portafusibili (fig. 4 2, pagina 4).
- Sostituire il fusibile guasto con uno nuovo dello stesso tipo e amperaggio (4 A, 250 V).
- Premere di nuovo in sede il portafusibili.
- Ricollegare l'alimentazione all'apparecchio.

6.11 Sostituzione del fusibile CC dell'apparecchio

- Scollegare l'alimentazione all'apparecchio.
- Facendo leva sollevare il coperchio del fusibile (fig. **4** 3, pagina 4) per accedere al fusibile.
- Girare il coperchio del fusibile e utilizzare il gancio per rimuovere il fusibile.
- Sostituire il fusibile guasto con uno nuovo dello stesso tipo (fusibile a innesto piatto conforme allo standard automobilistico, 10 A).
- Riapplicare il coperchio del fusibile.
- Ricollegare l'alimentazione all'apparecchio.

6.12 Sostituzione del fusibile della spina di corrente continua (fig. **10**, pagina 6)

- Svitare l'alloggiamento del piedino di contatto (**3**) dalla presa (**1**).
- Sostituire il fusibile guasto (**2**) con uno nuovo dello stesso tipo e amperaggio (3AG, azione rapida, 10 A).
- Rimontare la spina nell'ordine inverso.

7 Pulizia e cura



AVVERTENZA!

PERICOLO DI SCOSSE ELETTRICHE!

La mancata osservanza di questa avvertenza potrebbe causare la morte o lesioni gravi.

Staccare l'apparecchio dalla rete di alimentazione ogni volta che si effettua la pulizia e la cura.



AVVISO!

RISCHIO DI DANNI!

La mancata osservanza di queste istruzioni può causare danni all'apparecchio.

- Non lavare mai il frigorifero portatile sotto acqua corrente e non immergerlo in acqua.
- Per la pulizia non impiegare detersivi corrosivi oppure oggetti duri, perché potrebbero danneggiare il frigorifero portatile.

- Pulire l'interno e l'esterno dell'apparecchio di tanto in tanto con un panno umido.
- Assicurarsi che le aperture di aerazione e disaerazione dell'apparecchio siano prive di polvere e sporcizia da permettere al calore generato durante il funzionamento di fuoriuscire e non danneggiare l'apparecchio.

8 Eliminazione dei guasti

Guasto	Possibile causa	Rimedio
L'apparecchio non funziona, il LED è spento.	Nessuna tensione rilevata nella presa CC.	Nella maggior parte dei veicoli occorre attivare l'accensione prima che la presa CC venga alimentata.
	Nella presa di corrente alternata non c'è tensione.	Provare a collegare l'apparecchio a un'altra presa.
	Uno dei fusibili dell'apparecchio è bruciato.	Sostituire il fusibile bruciato dell'apparecchio, vedi capitolo "Sostituzione del fusibile CA" a pagina 125 o capitolo "Sostituzione del fusibile CC dell'apparecchio" a pagina 126.
	L'alimentatore integrato è difettoso.	I lavori di riparazione devono essere effettuati solo da un centro riparazioni autorizzato.
L'apparecchio non raffredda (la spina è inserita nella presa, il LED "ACCENSIONE" è acceso).	Compressore difettoso.	I lavori di riparazione devono essere effettuati solo da un centro riparazioni autorizzato.
L'apparecchio non raffredda (la spina è inserita nella presa, il LED "ACCENSIONE" lampeggia di colore arancione, il display è spento).	Il dispositivo di controllo automatico della batteria è impostato troppo alto.	Selezionare un'impostazione del dispositivo di controllo automatico della batteria più bassa.
	Tensione della batteria insufficiente.	Controllare la batteria ed eventualmente caricarla.

Guasto	Possibile causa	Rimedio
In caso di funzionamento dalla presa per corrente continua: l'accensione è inserita, l'apparecchio non funziona e il LED non è acceso.	La presa per corrente continua è sporca. Questo provoca un contatto elettrico insufficiente.	Se la spina del frigorifero portatile inserita nella presa per corrente continua si scalda molto, significa che è necessario pulirla o che non è stata montata correttamente.
	Il fusibile della spina per corrente continua si è bruciato.	Sostituire il fusibile della spina per corrente continua, vedi capitolo "Sostituzione del fusibile della spina di corrente continua (fig. 10, pagina 6)" a pagina 126.
	Il fusibile CC dell'apparecchio si è bruciato.	Sostituire il fusibile bruciato, vedi capitolo "Sostituzione del fusibile CC dell'apparecchio" a pagina 126.
	Il fusibile del veicolo è bruciato.	Sostituire il fusibile della presa per corrente continua del veicolo. Fare riferimento al manuale di istruzioni del veicolo.
Il display indica un messaggio di errore (ad es. "Err1") e l'apparecchio non raffredda.	Un guasto di funzionamento interno ha spento l'apparecchio.	I lavori di riparazione devono essere effettuati solo da un centro riparazioni autorizzato.

8.1 Il coperchio è stato forzato oltre l'arresto integrato (fig. 11, pagina 7)

- Sostenere il coperchio con una mano (A).
- Tenere giù il fermo con l'altra mano (B).



ATTENZIONE!

PERICOLO PER LA SALUTE!

La mancata osservanza di questa precauzione potrebbe causare lesioni lievi o moderate.

Prestare attenzione a non pizzicarsi il pollice quando si chiude il coperchio.



AVVISO!
RISCHIO DI DANNI!

La mancata osservanza di questa istruzione può provocare la rottura del coperchio.

- Chiudere il coperchio il più possibile senza pizzicarsi il pollice, tenendo ancora giù il fermo, per impedire che si rompa.
- ✓ Il coperchio dovrebbe ora trovarsi approssimativamente ad angolo (fig. 11, pagina 7).
- Allontanare la mano dal fermo (B) e chiudere completamente il coperchio.



NOTA

Le cerniere possono sbloccarsi dalla posizione corretta durante la fase finale di chiusura. Riposizionare il coperchio come segue.

- Azionare contemporaneamente i fermi su entrambi i lati del coperchio.
- Sollevare e riposizionare il coperchio.

9 Garanzia

Vale il termine di garanzia previsto dalla legge. Qualora il prodotto risultasse difettoso, La preghiamo di rivolgersi alla filiale del produttore del suo Paese (vedi dometic.com/dealer), oppure al rivenditore specializzato di riferimento.

Per la riparazione e per il disbrigo delle condizioni di garanzia è necessario inviare la seguente documentazione:

- una copia della fattura con la data di acquisto del prodotto,
- un motivo su cui fondare il reclamo, oppure una descrizione del guasto.

10 Smaltimento

- Raccogliere il materiale di imballaggio possibilmente negli appositi contenitori di riciclaggio.



Quando il prodotto viene messo fuori servizio definitivamente, informarsi al centro di riciclaggio più vicino, oppure presso il proprio rivenditore specializzato, sulle prescrizioni adeguate concernenti lo smaltimento.

11 Specifiche tecniche

	CFF35	CFF45
Tensione di allacciamento:	12/24 V \equiv e 100 a 240 V \sim	
Corrente nominale:	12 V \equiv : 7,8 A 24 V \equiv : 3,5 A 240 V \sim : 0,4 A	12 V \equiv : 8,6 A 24 V \equiv : 3,8 A 240 V \sim : 0,41 A
Capacità di raffreddamento:	da +10 °C a -18 °C (da +50 °F a 0 °F)	
Categoria:	1	
Classe di efficienza energetica:	A+	
Consumo energetico:	85 kWh/anno	84 kWh/anno
Volume lordo:	34 l	44 l
Volume utile:	30 l	38 l
Classe climatica:	N, T	
Temperatura ambiente:	da +16 °C a +43 °C da +60 °F a +110 °F	
Quantità di refrigerante:	34 g	43 g
CO ₂ equivalente:	0,049 t	0,061 t
Potenziale di riscaldamento globale (GWP):	1430	
Dimensioni (L x A x P) in mm (maniglie comprese):	715 x 407 x 398	715 x 475 x 398
(L x A x P) in mm (con le maniglie rimosse):	590 x 407 x 398	590 x 475 x 398
Peso:	17,2 kg	18,6 kg



NOTA

Se la temperatura ambiente è superiore a +32 °C (+90 °F), non è possibile raggiungere la temperatura minima.

Certificati di controllo:



Il circuito di raffreddamento contiene R134a.

Contiene gas fluorurati a effetto serra

Apparecchiature ermeticamente sigillate

130.com.ua

Lees deze handleiding voor de ingebruikname zorgvuldig door en bewaar deze. Geef de handleiding bij doorgeven van het toestel door aan de gebruiker.

De fabrikant kan niet aansprakelijk worden gesteld voor schade die door **gebruik tegen de voorschriften in** of door **verkeerde bediening** wordt veroorzaakt.

Inhoudsopgave

1	Verklaring van de symbolen	132
2	Veiligheidsinstructies	133
3	Omvang van de levering	135
4	Beoogd gebruik	136
5	Functiebeschrijving.	136
6	Bediening	138
7	Reiniging en onderhoud.	146
8	Verhelpen van storingen.	147
9	Garantie	149
10	Afvoer	149
11	Technische gegevens.	150

1 Verklaring van de symbolen



GEVAAR!

Veiligheidsaanwijzing met betrekking tot een gevaarlijke situatie die leidt tot ernstig letsel of de dood, als deze niet wordt vermeden.



WAARSCHUWING!

Veiligheidsaanwijzing met betrekking tot een gevaarlijke situatie die kan leiden tot ernstig letsel of de dood, als deze niet wordt vermeden.



VOORZICHTIG!

Veiligheidsaanwijzing met betrekking tot een gevaarlijke situatie die kan leiden tot licht of gemiddeld letsel, als deze niet wordt vermeden.

**LET OP!**

Aanwijzing met betrekking tot een situatie die kan leiden tot materiële schade, als deze niet wordt vermeden.

**INSTRUCTIE**

Meer informatie over de bediening van het product.

2 Veiligheidsinstructies



WAARSCHUWING! Niet in acht nemen van deze waarschuwingen kan leiden tot ernstig letsel of de dood.

Levensgevaar door elektrische schok

- Als het toestel zichtbaar beschadigd is, mag het niet in gebruik worden genomen.
- Als de stroomkabel van deze koelbox beschadigd is, moet deze worden vervangen om veiligheidsrisico's te voorkomen.
- Reparaties aan dit toestel mogen uitsluitend door vakmonteurs uitgevoerd worden. Door ondeskundige reparaties kunnen grote gevaren ontstaan.

Brandgevaar

- Voorkom bij het positioneren van het apparaat het blijven hangen of beschadigd raken van de voedingskabel.
- Plaats geen beweeglijke, meervoudige stopcontacten of dergelijke voedingsseenheden aan de achterkant van het apparaat.

Gevaar voor de gezondheid

- Dit toestel kan door kinderen vanaf 8 jaar en ouder evenals door personen met verminderde fysieke, zintuiglijke of geestelijke vermogens of tekortschietende ervaring en kennis gebruikt worden, als ze worden begeleid of hun is uitgelegd hoe ze het toestel veilig kunnen gebruiken. Ook dienen ze inzicht te hebben in de gevaren die het gebruik van het toestel met zich meebrengt.
- Kinderen mogen niet met het toestel spelen.
- Reiniging en gebruikersonderhoud mogen niet door kinderen zonder begeleiding worden uitgevoerd.
- Kinderen van 3 tot 8 jaar mogen koelapparaten laden en ontladen.

Explosiegevaar

- Bewaar geen explosiegevaarlijke stoffen, zoals spuitbussen met brandbaar drijfgas, in het toestel.

**VOORZICHTIG! Niet in acht nemen van deze voorzichtigheidsaanwijzingen kan leiden tot licht of gemiddeld letsel.****Levensgevaar door elektrische schok**

- Let er voor de ingebruikneming op dat de voedingskabel en de stekker droog zijn.
- Scheid het toestel van het net
 - voor iedere reiniging en ieder onderhoud
 - na elk gebruik

Gevaar voor de gezondheid

- Controleer of het koelvermogen van het toestel voldoet aan de eisen van de levensmiddelen of geneesmiddelen die u wilt koelen.
- Levensmiddelen mogen alleen in de originele verpakkingen of geschikte bakken worden opgeslagen.
- Langdurig openen van het koeltoestel kan leiden tot een aanzienlijke temperatuurstijging in de compartimenten van het toestel.
- Reinig oppervlakken die in contact komen met voedsel en aftap-systemen regelmatig.
- Sla rauw vlees en vis op in geschikte containers in het apparaat, zodat ze niet met andere levensmiddelen in contact komen of erop druppelen.
- Als het apparaat langdurig leeg blijft:
 - Schakel het apparaat uit.
 - Ontdooi het apparaat.
 - Reinig het apparaat en droog het af.
 - Laat de deur open om schimmelvorming in het apparaat te voorkomen.

**LET OP! Gevaar voor beschadiging**

- Vergelijk de spanning op het typeplaatje met de voorhanden energievoorziening.
- Sluit het toestel alleen als volgt aan:
 - met de DC-aansluitkabel aan een DC-stopcontact in het voertuig
 - of met de AC-aansluitkabel op het wisselstroomnet
- Trek de stekker nooit aan de aansluitkabel uit het stopcontact.

- Als het koeltoestel aan de DC-contactdoos is aangesloten: Klem uw koeltoestel en andere verbruikers van de accu af voor u een snellader aansluit.
- Als het koeltoestel aan de DC-contactdoos is aangesloten: Verbreek de verbinding of schakel het koeltoestel uit, als u de motor uitschakelt. Anders kan de accu worden ontladen.
- Het koeltoestel is niet geschikt voor het transport van bijtende of oplosmiddelhoudende stoffen.
- Deze koeltoestel bevat in de isolering brandbaar cyclopentaan. De gassen in het isoleringsmateriaal vereisen een bijzonder afvoerproces. Voer het apparaat aan het einde van zijn levensduur af volgens de voorschriften.
- Gebruik geen elektrische toestellen binnen de koeltoestel, behalve als deze toestellen daarvoor door de fabrikant worden aanbevolen.
- Zet het toestel niet in de buurt van open vlammen of andere warmtebronnen (verwarming, sterke zonnestraling, gasovens enz.).
- **Gevaar voor oververhitting!**
Zorg er altijd voor dat er rond het koeltoestel minimaal 50 mm ventilatie is. Houd het ventilatiebereik vrij van objecten die de luchtstroom rond de koelcomponenten kunnen hinderen. Plaats het koeltoestel niet in gesloten ruimtes of bereiken met minimale luchtstroming.
- Let erop dat de ventilatiesleuven niet worden afgedekt.
- Doe geen vloeistoffen of ijs in het binnenreservoir.
- Dompel het toestel nooit onder water.
- Bescherm het toestel en de kabels tegen hitte en vocht.
- Bescherm het koeltoestel tegen regen.

3 Omvang van de levering

Item (afb. 1, pagina 3)	Aantal	Beschrijving
1	1	Koeltoestel
2	1	Aansluitkabel voor gelijkstroom-aansluiting
3	1	Aansluitkabel voor wisselstroom-aansluiting

Item (afb. 1, pagina 3)	Aantal	Beschrijving
4	2	Draaggreep, bestaande uit: <ul style="list-style-type: none"> • 2 houders • 1 hendel • 4 bevestigingsschroeven • 1 inbussleutel
–	1	Gebruiksaanwijzing

4 Beoogd gebruik

Dit koeltoestel is geschikt voor:

- koelen en bevriezen van voedsel
- gebruik op campings en mobiele toepassingen

Het koeltoestel is bedoeld voor gebruik met:

- een gelijkstroombron aan boord van een voertuig, boot of vrijetijdsvoertuig
- een gelijkstroom-hulpaccu
- een wisselstroomvoeding

Het koeltoestel is bestemd voor het gebruik thuis en soortgelijke toepassingen, zoals

- in personeelskeukens van winkels, kantoren en andere werkruimtes
- in de landbouw
- door gasten in hotels, motels of andere accommodaties
- in B&B's
- in de catering en vergelijkbaar commercieel gebruik

5 Functiebeschrijving

Het koeltoestel kan waren afkoelen, koel houden en diepvriezen. De koeling gebeurt door een onderhoudsarme koelkring met compressor. De algemene isolatie en krachtige compressor garanderen efficiënte en snelle koeling.

Het koeltoestel is geschikt voor mobiel gebruik.

Het koeltoestel houdt kort een kanteling van 30° uit, bijvoorbeeld op boten.

5.1 Functies

- Voedingseenheid met voorrangschakeling voor de aansluiting op wisselspanning
- Accumonitor met drie niveaus ter bescherming van de voertuigaccu
- Display met temperatuurweergave in °C en °F wordt bij lage accuspanning automatisch uitgeschakeld
- Temperatuurinstelling: Met twee toetsen in stappen van 1 °C (en stappen van 2 °F)
- Display-dimfunctie met 3 helderheidsniveaus
- Uitneembare draadkorf
- Uitneembare draaghendels

5.2 Bedienings- en displayelementen

Dekselvergrendelingen (afb. 2, pagina 3)

Bedieningspaneel (afb. 3, pagina 4)

Item	Beschrijving	Toelichting
1	AAN UIT	Schakelt het koeltoestel in of uit, als de toets één tot twee seconden wordt ingedrukt
2	POWER „⏻“	Statusindicatie
	Led brandt groen:	Compressor is aan
	Led brandt oranje:	Compressor is uit
	Led knippert oranje:	Display wordt bij lage accuspanning automatisch uitgeschakeld
3	ERROR	Led knippert rood: Ingeschakeld toestel is niet klaar voor gebruik
4	–	Display, toont de waarden
5	SET	Kiest de invoermodus – Temperatuurinstelling – Celsius of Fahrenheit display – Instelling accumulator – Instelling displayhelderheid
6	DOWN –	Een keer tikken om de waarde te verlagen

Item	Beschrijving	Toelichting
------	--------------	-------------

7	UP +	Een keer tikken om de waarde te verhogen
---	------	--

Aansluitbussen (afb. 4, pagina 4)

Item	Beschrijving
------	--------------

1	Aansluitbus wisselspanningsvoorziening
2	Wisselstroom-zekeringhouder
3	Gelijkstroom-zekeringdeksel
4	Stekkeraansluiting gelijkspanningsvoorziening

6 Bediening

6.1 Voor het eerste gebruik



INSTRUCTIE

Voordat u het nieuwe koeltoestel in gebruik neemt, moet u deze om hygiënische redenen van binnen en van buiten reinigen met een vochtige doek (zie ook hoofdstuk „Reiniging en onderhoud” op pagina 146).

De hendels gebruiken (afb. 5, pagina 4)

De hendels zijn nog niet gemonteerd. Indien gewenst, de hendels als volgt monteren:

- Monteer een hendel door de twee houders (1) en een hendel (2) samen te bouwen.
- Bevestig de houders met de meegeleverde schroeven in de hiervoor bedoelde openingen.

Deksel openen of verwijderen (afb. 6, pagina 5)

De deksel kan zonder gereedschap als volgt van beide zijden worden geopend of compleet worden verwijderd:

- Om de deksel te openen, deze in de gewenste richting ontgrendelen, (A) of (B).
- Om de deksel te verwijderen, beide zijden gelijktijdig ontgrendelen (C).

Deksel-stoppositie (afb. 7, pagina 5)

De deksel heeft een ingebouwde stoppositie (A). Forceer de deksel niet over de ingebouwde stop heen (B).



LET OP!

SCHADEGEVAAR!

Als deze instructie niet in acht wordt genomen, kan de deksel afbreken.

- ▶ Als de deksel te ver werd geforceerd, de stappen opvolgen zoals beschreven in de hoofdstuk „De deksel werd geforceerd over de ingebouwde stop bewogen (afb. 11, pagina 7)” op pagina 148.

De korf verwijderen (afb. 8, pagina 6)



LET OP!

SCHADEGEVAAR!

Niet acht nemen van deze instructie kan leiden tot beschadiging van het toestel.

Verwijderen van de korf als de deksel is geopend, kan de deksel bekrassen en de korf vervormen. Aanbevolen wordt om de deksel te verwijderen alvorens de korf te verwijderen.

Temperatuureenheden selecteren

De temperatuureenheden op de displays kunnen als volgt tussen Celsius en Fahrenheit worden geschakeld:

- ▶ Schakel het koeltoestel in.
- ▶ Druk twee keer op de „SET” knop (afb. 3 5, pagina 4).
- ▶ Selecteer de „UP +” (afb. 3 7, pagina 4) of „DOWN –” (afb. 3 6, pagina 4) knoppen om Celsius of Fahrenheit te selecteren.
- ✓ De geselecteerde temperatuureenheid verschijnt enkele seconden op het display. Het display knippert meerdere keren alvorens terug te keren naar de actuele temperaturen.

6.2 Tips om energie te sparen

- Kies een goed geventileerde en tegen zonnestrallen beschermde plaats.
- Laat warme spijzen eerst afkoelen, voordat u ze in het toestel koel houdt.
- Open het koeltoestel niet vaker dan nodig.
- Laat het koeltoestel niet langer open dan nodig is.

- Ontdooi het koeltoestel zodra er zich een ijslaag gevormd heeft.
- Voorkom onnodig lage temperaturen.

6.3 Koeltoestel aansluiten

Aansluiten op de accu (voertuig of boot)

Het koeltoestel kan worden bediend met 12 V of 24 V==.



LET OP!

SCHADEGEVAAR!

Niet acht nemen van deze instructie kan leiden tot beschadiging van het toestel.

Ontkoppel het koeltoestel en andere verbruikers van de accu, alvorens de accu op een snellader aan te sluiten.

Overspanning kan de elektronica van het toestel beschadigen.

Uit veiligheidsredenen is de koeler uitgerust met een elektronisch systeem dat beschermt tegen verkeerd polen. Dit beschermt het koeltoestel tegen kortsluiting na aansluiting op een accu.

Met zekering beveiligde gelijkstroomstekker gebruiken



LET OP!

SCHADEGEVAAR!

Niet acht nemen van deze instructie kan leiden tot beschadiging van het toestel.

Ter beveiliging van het toestel van de gelijkstroomkabel bevindt zich in de stekker een zekering. Verwijder de met zekering beveiligde gelijkstroomstekker **niet**.

Gebruik alleen de bijgeleverde gelijkstroomkabel.

- Steek de gelijkstroomkabel (afb. **1** 2, pagina 3) in de gelijkstroom-contactdoos van de koeler (afb. **4** 3, pagina 4).
- Sluit de aansluitkabel aan op de gelijkstroomuitgang.

Op een wisselstroomvoeding aansluiten (bijv. thuis of op kantoor)



GEVAAR!

GEVAAR VOOR ELEKTRISCHE SCHOKKEN!

Niet in acht nemen van deze waarschuwingen leidt tot ernstig letsel of de dood.

- Werk nooit met stekkers en schakelaars als u natte handen heeft of met uw voeten op een natte ondergrond staat.
- Als u uw koeler aan boord van een boot met een wisselstroomvoeding gebruikt, moet eerst een aardlekschakelaar tussen de wisselstroomvoeding en de koeler worden geïnstalleerd.
Laat u door een opgeleid technicus adviseren.

De koelers hebben een geïntegreerde multispanningsvoedingseenheid met prioriteitscircuit voor de verbinding met een wisselstroomvoeding. Het prioriteitscircuit schakelt de koeler naar wisselstroomvoeding, als het toestel wordt verbonden met een wisselstroomvoeding, ook als de gelijkstroomkabel nog is aangesloten.

Bij het wisselen tussen de wisselstroomvoeding en de accuvoeding, kan de rode led eventueel even branden.

- Steek de wisselstroomkabel (afb. **1** 3, pagina 3) in de wisselstroom-contactdoos van de koeler (afb. **4** 1, pagina 4).
- Sluit de aansluitkabel aan op de wisselstroomuitgang.

6.4 Accumonitor gebruiken

Het toestel is uitgerust met een meerniveau-accumonitor die de voertuigaccu bij aansluiting op het gelijkstroom-boordnet beschermt tegen te diepe ontlading.

Als het koeltoestel bij uitgeschakeld contact in het voertuig wordt gebruikt, wordt het koeltoestel automatisch uitgeschakeld zodra de voedingsspanning daalt tot onder een ingestelde waarde. Het koeltoestel wordt weer ingeschakeld zodra door oplading van de accu de herinschakelspanning is bereikt.



LET OP!

SCHADEGEVAAR!

Niet in acht nemen van deze instructie kan leiden tot beschadiging van de accu.

Als de accu wordt uitgeschakeld door de accumonitor, wordt de accu niet meer volledig opgeladen. Voorkom herhaaldelijk starten of inschakelen van stroomverbruikers zonder langere laadfasen. Zorg ervoor dat de accu weer wordt opgeladen.

In de stand „HIGH” reageert de accubewaker sneller dan in de standen „LOW” en „MED” (zie volgende tabel).

Accumonitormodus	LOW	MED	HIGH
Uitschakelspanning bij 12 V	10,1 V	11,4 V	11,8 V
Herinschakelspanning bij 12 V	11,1 V	12,2 V	12,6 V
Uitschakelspanning bij 24 V	21,5 V	24,1 V	24,6 V
Herinschakelspanning bij 24 V	23,0 V	25,3 V	26,2 V

De accubewakingsmodus kan als volgt worden geselecteerd:

- Schakel het koeltoestel in.
- Druk drie keer op de „SET” knop (afb. **3** 5, pagina 4).
- Gebruik de „UP +” (afb. **3** 7, pagina 4) of „DOWN -” (afb. **3** 6, pagina 4) knoppen om de accubewakingsmodus te selecteren.
- ✓ Het display toont het volgende:
Lo (LOW), ΠEd (MED), Hi (HIGH)
- ✓ Het display geeft voor enkele seconden de ingestelde modus weer. Het display knippert meerdere keren alvorens terug te keren naar de actuele temperaturen.



INSTRUCTIE

Als het koeltoestel wordt gevoed door de starteraccu, kiest dan de accumulator-modus „HIGH”. Als het koeltoestel is aangesloten op een voedingsaccu, is de accumulator-modus „LOW” voldoende.

6.5 Koeltoestel gebruiken



LET OP!

GEVAAR VOOR OVERVERHITTING!

Niet acht nemen van deze instructie kan leiden tot beschadiging van het toestel.

Zorg er altijd voor dat er voldoende ventilatie is zodat de tijdens gebruik gegenereerde warmte kan ontsnappen. Let erop dat de ventilatiesleuven niet worden afgedekt. Zorg ervoor dat het toestel op voldoende afstand tot wanden en andere voorwerpen staat, zodat de lucht kan circuleren.

- Plaats het koeltoestel op een vaste ondergrond.
Let erop dat de ventilatiesleuven niet zijn afgedekt en de verwarmde lucht goed kan wegtrekken. Aanbevolen wordt om een opening van minstens 2" rond de ventilatie-openingen aan te houden.



INSTRUCTIE

Plaats het koeltoestel zoals afgebeeld (afb. **1**, pagina 3). Als het koeltoestel in een andere richting wordt gebruikt, kan het toestel worden beschadigd.

- Sluit het koeltoestel aan, zie hoofdstuk „Koeltoestel aansluiten” op pagina 140.



LET OP!

GEVAAR VOOR EXTREEM LAGE TEMPERATUREN!

Niet in acht nemen van deze instructie kan leiden tot beschadiging van de objecten in het koeltoestel.

Zorg ervoor dat er zich alleen voorwerpen of waren in het koeltoestel bevinden die op de gekozen temperatuur gekoeld mogen worden.

- Druk tussen en een twee seconden op de „ON/OFF” knop (afb. **3** 1, pagina 4).
- ✓ De led „⏻” gaat branden (afb. **3** 2, pagina 4).
- ✓ Het display (afb. **3** 4, pagina 4) wordt ingeschakeld en toont de actuele temperatuur.
- ✓ Het koeltoestel start met het koelen van de binnenruimte.



INSTRUCTIE – Weergegeven temperatuur

De weergegeven temperatuur is die in de grote sectie van de binnenzijde (afb. **9**, pagina 6, 1).



INSTRUCTIE

Bij gebruik van een accu wordt het display automatisch uitgeschakeld, als de accuspanning laag is. De led „⏻” knippert oranje.

De koeldeksel vergrendelen

- Sluit de deksel.
- Druk de vergrendeling (afb. **2**, pagina 3) naar beneden tot deze hoorbaar vastklikt.

**INSTRUCTIE**

Garandeer bij het vergrendelen van de deksel dat beide vergrendelingszijpen goed afdichten. Een vergrendeling kan iets eerder dan de andere vergrendelen.

- Als de deksel niet aan beide zijden gelijktijdig wordt gesloten, drukken tot een tweede klik hoorbaar is.

6.6 Temperatuur instellen

- Druk een keer op de „SET” knop (afb. **3** 5, pagina 4).
- Druk op de „UP +” (afb. **3** 7, pagina 4) en „DOWN -” (afb. **3** 6, pagina 4) knoppen om de koeltemperatuur te selecteren.
- ✓ De koeltemperatuur verschijnt enkele seconden op het display. Het display knippert meerdere keren. Daarna verschijnt de actuele temperatuur weer.

6.7 Displayhelderheid instellen

De displayhelderheid kan worden gedimd, als de omgeving donkerder is. Stel het dimniveau van de display als volgt in:

- Schakel het koeltoestel in.
- Druk vier keer op de „SET” knop (afb. **3** 5, pagina 4).
- Gebruik de „UP +” (afb. **3** 7, pagina 4) of „DOWN -” (afb. **3** 6, pagina 4) knoppen om de displayhelderheid in te stellen.
- ✓ Het display toont het volgende:
d0 (standaard), d1 (medium), d2 (donker)
- ✓ De display toont enkele seconden de ingestelde modus. Het display knippert twee keer alvorens terug te keren naar de actuele temperatuur.

**INSTRUCTIE**

- De fabrieksinstelling van de displayhelderheid is d0 (standaard).
- Als een storing optreedt, keert de helderheid automatisch terug naar de helderheid d0 (standaard). Na het verhelpen van storingen, wordt de ingestelde helderheid weer geactiveerd.

6.8 Koeltoestel uitschakelen

- Leeg het koeltoestel.

- Schakel de koelbox uit.
- Trek de verbindingskabel eruit.

Als u het koeltoestel gedurende langere tijd niet wilt gebruiken:

- Laat de deksel licht geopend. Dit voorkomt geurvorming.

6.9 Het koeltoestel ontdooien

Vocht kan vorst op de verdamper of in de binnenruimte van het koeltoestel vormen. Daardoor wordt het koelvermogen verminderd.



LET OP!

SCHADEGEVAAR!

Niet acht nemen van deze instructie kan leiden tot beschadiging van het toestel.

Gebruik nooit harde of scherpe voorwerpen om ijs te verwijderen of om vastgevroren objecten los te maken.

Ga als volgt te werk om het koeltoestel te ontdooien:

- Neem de inhoud uit het koeltoestel.
- Bewaar deze eventueel in een ander koeltoestel om ze koud te houden.
- Schakelt het toestel uit.
- Laat het deksel geopend.
- Wis het dooiwater weg.

6.10 Wisselstroom-zekering vervangen



GEVAAR!

GEVAAR VOOR ELEKTRISCHE SCHOKKEN!

Niet in acht nemen van deze waarschuwing leidt tot ernstig letsel of de dood.

Ontkoppel de voeding en de verbindingskabel alvorens de toestelzekering te vervangen.

- Ontkoppel de stroomvoorziening naar het toestel.
- Ontkoppel de aansluitkabel.

- Wrik het zekeringinzetstuk (afb. **4** 2, pagina 4) er met een schroevendraaier uit.
- Vervang de defecte glaszekering door een nieuwe zekering met dezelfde waarde (4 A, 250 V).
- Druk de zekeringhouder weer in de behuizing.
- Sluit de stroomvoorziening naar het toestel weer aan.

6.11 Gelijkstroomzekering van het toestel vervangen

- Ontkoppel de stroomvoorziening naar het toestel.
- Verwijder het zekeringdeksel (afb. **4** 3, pagina 4) voor toegang tot de zekering.
- Draai het zekeringdeksel om en gebruik de haak om de zekering te verwijderen.
- Vervang de defecte zekering door een nieuwe zekering van hetzelfde type (standaard autozekering, 10 A).
- Breng het zekeringdeksel weer aan.
- Sluit de stroomvoorziening naar het toestel weer aan.

6.12 Zekering van gelijkstroomstekker vervangen (afb. **10**, pagina 6)

- Schroef de contactpenbehuizing (**3**) van de plug (**1**).
- Vervang de defecte zekering (**2**) door een nieuwe van hetzelfde type (3AG, snelle zekering 10 A).
- Monteren van de stekker in omgekeerde volgorde.

7 Reiniging en onderhoud



WAARSCHUWING!

GEVAAR VOOR ELEKTRISCHE SCHOKKEN!

Niet in acht nemen van deze waarschuwing kan leiden tot ernstig letsel of de dood.

Scheid het toestel voor reiniging en onderhoud altijd van het stroomnet.

**LET OP!****SCHADEGEVAAR!**

Niet acht nemen van deze instructies kan leiden tot beschadiging van het toestel.

- Reinig het koeltoestel nooit onder stromend water of in afwaswater.
- Gebruik voor het reinigen geen bijtende schoonmaakmiddelen of harde voorwerpen omdat deze het koeltoestel kunnen beschadigen.

- Reinig het koeltoestel regelmatig van binnen en buiten met een vochtige doek.
- Zorg ervoor dat de ventilatieopeningen van het toestel vrij zijn van stof en verontreinigingen, zodat de bij het gebruik ontstane warmte kan worden afgevoerd en het toestel niet beschadigd raakt.

8 Verhelpen van storingen

Storing	Mogelijke oorzaak	Voorstel tot oplossing
Het toestel werkt niet, led brandt niet.	Er werd geen spanning herkend aan de gelijkstroomuitgang.	In de meeste voertuigen moet het contact worden ingeschakeld om de gelijkstroomuitgang te activeren.
	Geen spanning voorhanden aan de wisselstroomuitgang.	Probeer een andere uitgang.
	Een van de toestelzekerings is defect.	Vervang de defecte toestelzekerings, zie hoofdstuk „Wisselstroom-zekering vervangen” op pagina 145 of hoofdstuk „Gelijkstroomzekering van het toestel vervangen” op pagina 146.
	De geïntegreerde voedingseenheid is defect.	Deze kan alleen worden gerepareerd door een geautoriseerd reparatiecentrum.
Het toestel koelt niet (stekker is ingestoken, led „POWER” brandt).	Compressor defect.	Deze kan alleen worden gerepareerd door een geautoriseerd reparatiecentrum.

Storing	Mogelijke oorzaak	Voorstel tot oplossing
Het koeltoestel koelt niet (stekker is ingestoken, led „POWER” knippert oranje, display is uitgeschakeld).	Accubewaking is te hoog ingesteld.	Selecteer een lagere accubewakingsinstelling.
	Accuspanning onvoldoende.	Controleer de accu en laad hem indien nodig.
Bij gebruik met de gelijkstroomuitgang: Het contact is aan, het toestel werkt niet en de led brandt niet.	De gelijkstroomuitgang is vervuild. Dit heeft een slecht elektrisch contact tot gevolg.	Als de stekker van uw koeltoestel in de gelijkstroomuitgang zeer heet wordt, moet ofwel de gelijkstroomuitgang worden gereinigd of is de stekker niet correct in elkaar gezet.
	De zekering van de gelijkstroomstekker is doorgebrand.	Vervang de zekering in de gelijkstroomstekker, zie hoofdstuk „Zekering van gelijkstroomstekker vervangen (afb. 10, pagina 6)” op pagina 146.
	De gelijkstroomzekering van het toestel werd geactiveerd.	Vervang de defecte zekering, zie hoofdstuk „Gelijkstroomzekering van het toestel vervangen” op pagina 146.
	De voertuigzekering is doorgebrand.	Vervang de gelijkstroom-uitgangszekering van het voertuig. Zie de bedieningshandleiding van uw voertuig.
Het display toont een foutmelding (bijv. „Err1”), en het toestel koelt niet.	Een interne bedrijfsstoring heeft het toestel uitgeschakeld.	Deze kan alleen worden gerepareerd door een geautoriseerd reparatiecentrum.

8.1 De deksel werd geforceerd over de ingebouwde stopbewogen (afb. 11, pagina 7)

- Ondersteun de deksel met een hand (A).
- Houd de vergrendeling met de andere hand omlaag (B).



VOORZICHTIG!

GEVAAR VOOR DE GEZONDHEID!

Niet in acht nemen van deze voorzichtigheidsaanwijzing kan leiden tot licht of gemiddeld letsel.

Vorkom inklemmen van uw duim bij het sluiten van de deksel.



LET OP!
SCHADEGEVAAR!

Als deze instructie niet in acht wordt genomen, kan de deksel afbreken.

- Sluit de deksel zo ver mogelijk zonder dat uw duim wordt ingeklemd, en houd tegelijkertijd de vergrendeling omlaag om breken te voorkomen.
- ✓ De deksel moet nu ongeveer in een hoek zijn (afb. **11**, pagina 7).
- Verwijder uw hand van de vergrendeling (**B**), en sluit de deksel dan helemaal.



INSTRUCTIE

De scharnieren kunnen tijdens de laatste sluitbeweging uit de juiste positie loskomen. Herpositioneer de deksel als volgt:

- Vergrendel de vergrendelingen aan beide zijden van de deksel gelijktijdig.
- Til de deksel op en herpositioneer de deksel dan.

9 Garantie

De wettelijke garantieperiode is van toepassing. Als het product defect is, wendt u zich tot het filiaal van de fabrikant in uw land (zie dometic.com/dealer) of tot uw speciaalzaak.

Voor de afhandeling van de reparatie of garantie dient u de volgende documenten mee te sturen:

- een kopie van de factuur met datum van aankoop,
- reden van de klacht of een beschrijving van de storing.

10 Afvoer

- Laat het verpakkingsmateriaal indien mogelijk recyclen.



Als u het product definitief buiten bedrijf stelt, informeer dan bij het dichtstbijzijnde recyclingcentrum of uw speciaalzaak naar de betreffende afvoerschriften.

11 Technische gegevens

	CFF35	CFF45
Aansluitspanning:	12/24 V \equiv en 100 tot 240 V \sim	
Nominale stroom:	12 V \equiv : 7,8 A 24 V \equiv : 3,5 A 240 V \sim : 0,4 A	12 V \equiv : 8,6 A 24 V \equiv : 3,8 A 240 V \sim : 0,41 A
Koelvermogen:	+10 °C tot -18 °C (+50 °F tot 0 °F)	
Categorie:	1	
Energie-efficiëntieklasse:	A+	
Energieverbruik:	85 kWh/jaar	84 kWh/jaar
Bruto volume:	34 l	44 l
Nuttige inhoud:	30 l	38 l
Klimaatklasse:	N, T	
Omgevingstemperatuur:	+16 °C tot +43 °C +60 °F tot +110 °F	
Koelmiddelhoeveelheid:	34 g	43 g
CO ₂ -equivalent:	0,049 t	0,061 t
Aardopwarmingsvermogen (GWP):	1430	
Afmetingen (b x h x d) in mm (inclusief hendels):	715 x 407 x 398	715 x 475 x 398
(b x h x d) in mm (hendels verwijderd):	590 x 407 x 398	590 x 475 x 398
Gewicht:	17,2 kg	18,6 kg



INSTRUCTIE

Als de omgevingstemperatuur boven +32 °C (+90 °F) is, kan de minimumtemperatuur niet worden bereikt.

Test/certificaten:



De koelkring bevat R134a.

Bevat gefluoreerde broeikasgassen

Hermetisch afgesloten apparatuur

130.com.ua

Læs denne vejledning omhyggeligt før ibrugtagning, og opbevar den. Giv den til brugeren, hvis du giver køleapparatet videre.

Producenten hæfter ikke for skader, der er forårsaget af **ukorrekt brug** eller **forkert betjening**.

Indhold

1	Forklaring af symbolerne	152
2	Sikkerhedshenvisninger	153
3	Leveringsomfang	155
4	Korrekt brug	156
5	Funktionsbeskrivelse	156
6	Betjening	158
7	Rengøring og vedligeholdelse	166
8	Udbedring af fejl	167
9	Garanti	168
10	Bortskaffelse	169
11	Tekniske data	169

1 Forklaring af symbolerne



FARE!

Sikkerhedshenvisning til en farlig situation, der medfører død eller alvorlige kvæstelser, hvis den ikke undgås.



ADVARSEL!

Sikkerhedshenvisning til en farlig situation, der kan medføre død eller alvorlige kvæstelser, hvis den ikke undgås.



FORSIGTIG!

Sikkerhedshenvisning til en farlig situation, der kan medføre lette eller mindre kvæstelser, hvis den ikke undgås.

**VIGTIGT!**

Henvisning til en situation, der kan medføre materielle skader, hvis den ikke undgås.

**BEMÆRK**

Supplerende informationer om betjening af produktet.

2 Sikkerhedshenvisninger



ADVARSEL! Manglende overholdelse af disse advarsler kan medføre dødelige eller alvorlige kvæstelser.

Livsfare på grund af elektrisk stød

- Hvis apparatet har synlige beskadigelser, må du ikke tage det i brug.
- Hvis dette køleapparats strømkabel er beskadiget, skal det udskiftes for at forhindre sikkerhedsfarer.
- Reparationer på dette apparat må kun foretages af fagfolk. Ved ukorrekte reparationer kan der opstå betydelige farer.

Brandfare

- Når apparatet positioneres, skal det sikres, at strømledningen sidder i klemme eller beskadiges.
- Placér ikke flere bærbare stikdåser eller bærbare strømforsyninger i bagved apparatet.

Sundhedsfare

- Dette apparat kan anvendes af børn over 8 år og personer med reducerede fysiske, sanse- eller mentale evner eller uden erfaring eller viden, hvis de er under opsyn eller blev instrueret i sikker brug af apparatet og forstår de involverede farer.
- Børn må ikke lege med apparatet.
- Rengøring og brugerens vedligeholdelse må ikke udføres af børn uden opsyn.
- Børn i alderen fra 3 til 8 år må fylde og tømme køleapparater.

Eksplodingsfare

- Opbevar ikke eksplosive stoffer, som f.eks. spraydåser med drivgas, i apparatet.

**FORSIGTIG! Manglende overholdelse af disse forsigtigheds-henvisninger kan medføre mindre eller moderate kvæstelser.****Livsfare på grund af elektrisk stød**

- Kontrollér før ibrugtagning, at ledningen og stikket er tørre.
- Afbryd apparatet fra nettet
 - før rengøring og vedligeholdelse
 - efter brug

Sundhedsfare

- Kontrollér, om apparatets kølekapacitet svarer til kravene for fødevarerne eller lægemidlerne, som du vil køle.
- Levnedsmidler må kun opbevares i original emballage eller egnede beholdere.
- Hvis køleapparatet er åbnet i længere tid, kan temperaturen stige betydeligt i apparatets rum.
- Rengør regelmæssigt overflader, som kan komme i kontakt med levnedsmidler og adgang til kloaksystemer.
- Opbevar rått kød og fisk i egnede beholdere i apparatet, så de ikke kommer i berøring med andre levnedsmidler eller drypper på dem.
- Hvis apparatet står tomt i længere tid:
 - Sluk apparatet.
 - Afrim apparatet.
 - Rengør og tør apparatet.
 - Lad døren stå åben for at forhindre, at der dannes skimmel i apparatet.

**VIGTIGT! Fare for beskadigelse**

- Sammenlign spændingsangivelsen på typeskiltet med energiforsyningen, der er til rådighed.
- Tilslut kun apparatet på følgende måde:
 - Til en DC-stikdåse i køretøjet med DC-tilslutningskablet
 - Eller til vekselstrømnettet med AC-tilslutningskablet
- Træk aldrig stikket ud af stikdåsen med tilslutningskablet.
- Når køleapparatet er tilsluttet til DC-stikdåsen: Afbryd køleapparatet og andre forbrugere fra batteriet, før du tilslutter hurtigopladeren.
- Når køleapparatet er tilsluttet til DC-stikdåsen: Afbryd forbindelsen, eller slå køleapparatet fra, når motoren standses. I modsat fald kan batteriet blive afladet.

- Køleapparatet er ikke egnet til transport af stoffer, der er ætsende eller indeholder opløsningsmidler.
- Dette køleapparatet indeholder brændbart cyklopentan i isoleringen. Gasserne i isoleringsmaterialet kræver en særlig bortskaffelsesmetode. Aflevér apparatet til korrekt bortskaffelse ved afslutningen af dets levetid.
- Anvend ikke elektriske apparater i køleapparatet, undtagen hvis producenten anbefaler disse apparater hertil.
- Stil ikke apparatet i nærheden af åben ild eller andre varmekilder (varmeapparater, stærk sol, gasovne osv.).
- **Fare for overophedning!**
Sørg for, at der altid er et minimum på 50 mm ventilation på alle fire sider af køleapparatet. Hold ventilationsområdet frit for genstande, som kan begrænse luftstrømmen til kølekomponenterne. Placér ikke køleapparatet i lukkede rum eller områder uden eller med minimal luftstrøm.
- Ventilationsåbningerne må ikke tildækkes.
- Fyld ikke væsker eller is i den indvendige beholder.
- Dyb aldrig apparatet i vand.
- Beskyt apparatet og kablerne mod varme og fugtighed.
- Beskyt køleapparatet mod at blive udsat for regn.

3 Leveringsomfang

Artikel (fig. 1, side 3)	Antal	Betegnelse
1	1	Køleboks
2	1	Tilslutningskabel til jævnstrømtilslutning
3	1	Tilslutningskabel til vekselstrømtilslutning
4	2	Bæregreb, bestående af: <ul style="list-style-type: none"> • 2 holdere • 1 greb • 4 fastgørelsesskruer • 1 unbrakonøgle
-	1	Betjeningsvejledning

4 Korrekt brug

Køleapparatet er egnet til:

- køling og frysning af madvarer
- campingbrug og i mobile anvendelser

Køleapparatet er beregnet til at blive tilsluttet til:

- en jævnstrømsforsyning fra ledningsnettet i et køretøj, en båd eller et fritidskøretøj
- et ekstra jævnstrømsbatteri
- et vekselstrømnet.

Køleapparatet er beregnet til husholdningsbrug og tilsvarende anvendelsesområder som f.eks.

- i personalekøkkener i forretninger, kontorer og andre arbejdsområder
- inden for landbruget
- af gæster i hoteller, moteller og andre logier
- i pensioner
- inden for catering og lignende engroshandelanvendelser.

5 Funktionsbeskrivelse

Køleapparatet kan afkøle varer og holde varer kolde samt dybfryse dem. Kølingen sker med et kølekredsløb og en kompressor med lav vedligeholdelse. Den kraftige isolering og kompressor sørger for en effektiv og hurtig køling.

Køleapparatet er egnet til mobil anvendelse.

Køleboksen kan modstå en kortvarig hældning på 30°, for eksempel på både.

5.1 Funktionernes omfang

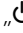
- Netdel med prioritetskobling til tilslutning til vekselspænding
- Tretrins batteriovervågning til at beskytte køretøjets batteri
- Display med temperaturvisning i °C og °F slukkes automatisk ved lav batterispænding
- Temperaturindstilling: Med to taster i trin på 1 °C (og trin på 2 °F)
- Funktion til nedblænding af display med 3 lysstyrkeniveauer
- Kurveindsats til at tage ud

- Aftagelige bæregreb

5.2 Betjenings- og visningselementer

Låghængsler (fig. 2, side 3)

Betjeningspanel (fig. 3, side 4)

Artikel	Betegnelse	Forklaring
1	ON OFF	Tænder eller slukker køleboksen, når der trykkes på tasten i et til to sekunder
2	POWER „  “	Driftsvisning LED'en lyser grønt: Kompressoren er tændt LED'en lyser orange: Kompressoren er slukket LED'en blinker orange: Displayet slukker automatisk ved lav batterispænding
3	ERROR	LED'en blinker rødt: Det tændte apparat er ikke driftsklart
4	–	Display, viser værdierne
5	SET	Vælger indtastningsmodusen – Temperaturindstilling – Celsius- eller fahrenheit-visning – Indstillet batteriovervågning – Indstillet lysstyrke for displayet
6	DOWN –	Et tryk reducerer indtastningsværdien
7	UP +	Et tryk forøger indtastningsværdien

Tilslutningsbøsninger (fig. 4, side 4)

Artikel	Betegnelse
1	Tilslutningsbøsning vekselspændingsforsyning
2	Vekselspændingssikringsholder
3	Jævnspændingssikringsafdækning
4	Tilslutningsbøsning jævnspændingsforsyning

6 Betjening

6.1 Før første brug



BEMÆRK

Før du tager den nye køleboks i brug, bør du af hygiejniske årsager rengøre den indvendigt og udvendigt med en fugtig klud (se også kapitlet „Rengøring og vedligeholdelse“ på side 166).

Montering af grebene (fig. 5, side 4)

Grebene leveres afmonterede. Gør følgende, hvis du vil montere grebene:

- ▶ Montér et greb ved at sætte to holdere (1) og et greb (2) sammen.
- ▶ Fastgør holderne med de medfølgende skruer i de tilhørende huller.

Åbning eller lukning af låget (fig. 6, side 5)

Låget kan åbnes fra begge sider eller fjernes helt uden brug af værktøj på følgende måde:

- ▶ For at åbne låget skal du trække det ud af låsene i den ønskede åbneretning, (A) eller (B).
- ▶ For at fjerne låget skal du trække det ud af låsene på begge sider samtidigt (C).

Stopposition for låg (fig. 7, side 5)

Låget har en indbygget stopposition (A). Du må ikke forcere låget forbi dette indbyggede stop (B).



VIGTIGT!

FARE FOR BESKADIGELSE!

Hvis denne anvisning ignoreres, kan låget knække af.

- ▶ Hvis låget er blevet skubbet for langt, så følg de anvisninger, der er beskrevet i kapitlet „Låget er blevet forceret forbi det indbyggede stop (fig. 11, side 7)“ på side 168.

Fjernelse af kurven (fig. 8, side 6)



VIGTIGT!

FARE FOR BESKADIGELSE!

Manglende overholdelse af denne anvisning kan medføre skade på apparatet.

Når kurven tages ud mens låget er åbnet, kan låget blive ridset og kurven blive deformeret. Vi anbefaler at fjerne låget, før kurven tages ud.

Valg af temperaturenhederne

Temperaturvisningsenheden skal skiftes mellem celsius og fahrenheit på følgende måde:

- Tænd køleboksen.
- Tryk to gange på tasten „SET“ (fig. 3 5, side 4).
- Benyt tasterne „UP +“ (fig. 3 7, side 4) eller „DOWN –“ (fig. 3 6, side 4) for at vælge celsius eller fahrenheit.
- ✓ Displayet viser den valgte temperaturenhed i et par sekunder. Displayet blinker et par gange, før det skifter tilbage til visning af den aktuelle temperatur.

6.2 Tips til energibesparelse

- Vælg et anvendelsessted, der er godt ventileret og beskyttet mod sol.
- Lad først varm mad afkøle, før du holder den kold i apparatet.
- Åbn ikke køleapparatet hyppigere end nødvendigt.
- Lad ikke køleapparatet forblive åbent længere end nødvendigt.
- Afrim køleboksen, når der dannes et islag.
- Undgå unødigt lave temperaturer.

6.3 Tilslutning af køleboksen

Tilslutning til et batteri (køretøj eller båd)

Køleboksen kan tilsluttes til 12 V eller 24 V $\overline{=}$.

**VIGTIGT!****FARE FOR BESKADIGELSE!**

Manglende overholdelse af denne anvisning kan medføre skade på apparatet.

Afbryd køleboksen og andre forbrugereenheder fra batteriet, før du oplader batteriet med en hurtigoplader.

Overspænding kan beskadige apparatets elektronik.

Af sikkerhedsmæssige årsager er køleboksen udstyret med et elektronisk system, så man undgår at vende på polerne. Det beskytter køleboksen mod kortslutning, når den tilsluttes til et batteri.

Anvendelse af jævnstrømsstikket med sikring**VIGTIGT!****FARE FOR BESKADIGELSE!**

Manglende overholdelse af denne anvisning kan medføre skade på apparatet.

For at beskytte apparatet sidder der en sikring i stikket på det medfølgende jævnstrømskabel. Fjern **ikke** det sikrede jævnstrømsstik.

Anvend kun det medfølgende jævnstrømskabel.

- Sæt jævnstrømstilslutningskablet (fig. **1** 2, side 3) i jævnspændingsstikket på køleboksen (fig. **4** 3, side 4).
- Tilslut tilslutningskablet til en jævnstrømsudgang.

Tilslutning til en vekselspændingsforsyning (f.eks. hjemme eller på kontoret)**FARE!****FARE FOR ELEKTRISK STØD!**

Manglende overholdelse af disse advarsler medfører dødelige eller alvorlige kvæstelser.

- Berør aldrig stik og kontakter, når du har våde hænder eller står med fødderne i vand.
- Hvis du anvender køleboksen om bord på en båd ved hjælp af en tilslutning til vekselstrømsforsyning, skal du under alle omstændigheder montere et fejlstrømsrelæ mellem vekselstrømsforsyningen og køleboksen.

Få råd hos en fagmand.

Køleboksene har en integreret strømforsyning med flere spændinger med prioritetskobling til tilslutning til en vekselspændingskilde. Prioritetskoblingen skifter automatisk køleboksen til vekselstrømsdrift, hvis apparatet er tilsluttet til en vekselstrømsforsyning, selv om jævnstrøms tilslutningskablet stadig er tilsluttet.

Når der skiftes mellem vekselstrømnet og batteriforsyning kan den røde LED lyse kortvarigt.

- Sæt vekselstrøms tilslutningskablet (fig. **1** 3, side 3) i vekselspændingsstikket på køleboksen (fig. **4** 1, side 4).
- Tilslut tilslutningskablet til en vekselstrømsudgang.

6.4 Anvendelse af batteriovervågningen

Apparatet er udstyret med en flertrins batteriovervågning, der beskytter køretøjets batteri mod for kraftig afladning ved tilslutning til køretøjets jævnstrømsnet.

Hvis køleboksen anvendes, når køretøjets tænding er slået fra, frakobles køleboksen automatisk, så snart forsyningsspændingen falder under et indstillet niveau. Køleboksen tilkobles igen, når batteriet er opladet og gentilkoblingsspændingen nået.



VIGTIGT!

FARE FOR BESKADIGELSE!

Manglende overholdelse af denne anvisning kan medføre skade på batteriet.

Når det er frakoblet af batteriovervågningen, oplades batteriet ikke længere fuldstændigt. Undgå at starte flere gange eller at forsyne strømforbrugere uden længere opladningsfaser. Sørg for, at batteriet oplades igen.

I modusen „HIGH“ reagerer batteriovervågningen hurtigere end på niveauerne „LOW“ og „MED“ (se følgende tabel).

Batteriovervågningsmodus	LOW	MED	HIGH
Frakoblingsspænding ved 12 V	10,1V	11,4V	11,8V
Gentilkoblingsspænding ved 12 V	11,1V	12,2V	12,6V
Frakoblingsspænding ved 24 V	21,5V	24,1V	24,6V
Gentilkoblingsspænding ved 24 V	23,0V	25,3V	26,2V

Batteriovervågningsmodus kan vælges på følgende måde:

- Tænd køleboksen.
- Tryk tre gange på tasten „SET“ (fig. **3** 5, side 4).
- Benyt tasterne „UP +“ (fig. **3** 7, side 4) og „DOWN –“ (fig. **3** 6, side 4) til at vælge batteriovervågningsmodusen.
- ✓ Displayet viser følgende:
Lo (LOW), ΠEd (MED), Hi (HIGH)
- ✓ Displayet viser den indstillede modus i et par sekunder. Displayet blinker et par gange, før det skifter tilbage til visning af den aktuelle temperatur.

**BEMÆRK**

Hvis køleboksen forsynes fra startbatteriet, skal batteriovervågningsmodusen „HIGH“ vælges. Hvis køleboksen er tilsluttet til et forsyningsbatteri, er batteriovervågningsmodusen „LOW“ tilstrækkelig.

6.5 Anvendelse af køleboksen

**VIGTIGT!****FARE FOR OVEROPHEDNING!**

Manglende overholdelse af denne anvisning kan medføre skade på apparatet.

Sørg for, at der altid er tilstrækkelig ventilation, så varmen, der opstår under driften, kan afledes. Ventilationsåbningerne må ikke tildækkes.

Sørg for, at apparatet har tilstrækkelig afstand til vægge og genstande, så luften kan cirkulere.

- Stil køleskabet på et fast underlag.
Sørg for, at ventilationsåbningerne ikke er tildækkede og den opvarmede luft kan slippe bort. Vi anbefaler, at der er et mellemrum på mindst 2" omkring ventilationsåbningerne.

**BEMÆRK**


Anbring køleboksen som vist (fig. **1**, side 3). Hvis køleboksen anvendes vendt på en anden måde, kan den tage skade.

- Tilslut køleboksen, se kapitlet „Tilslutning af køleboksen“ på side 159.

**VIGTIGT!****FARE I FORBINDELSE MED FOR LAV TEMPERATUR!**

Manglende overholdelse af denne anvisning kan beskadige ting, der er anbragt i køleboksen.

Sørg for, at der kun er genstande eller varer i køleapparatet, der må afkøles til den valgte temperatur.

- ▶ Tryk på tasten „ON/OFF“ (fig. **3** 1, side 4) i et til to sekunder.
- ✓ LED'en „“ lyser (fig. **3** 2, side 4).
- ✓ Displayet (fig. **3** 4, side 4) tænder og viser den aktuelle temperatur.
- ✓ Køleboksen starter med at køle det indvendige rum.

**BEMÆRK - Vist temperatur**

Den viste temperatur gælder for det store område af det indvendige rum (fig. **9**, side 6, 1).

**BEMÆRK**

Når den forsynes fra et batteri, slukker displayet automatisk, hvis batterispændingen er lav. LED'en „“ blinker orange.

Låsning af køleboksens låg

- ▶ Luk låget.
- ▶ Tryk låsen (fig. **2**, side 3) ned, indtil det kan høres, at den går i indgreb.

**BEMÆRK**

Når låget låses, skal du sikre, at begge låsestifter i siden er sat helt i, så låget lukker tæt. En lås kan gå i indgreb lidt før den anden.

- ▶ Hvis låget ikke låses ensartet i begge sider, skal du trykke, indtil du hører et andet klik.

6.6 Indstilling af temperaturen

- ▶ Tryk en gang på tasten „SET“ (fig. **3** 5, side 4).
- ▶ Benyt tasterne „UP +“ (fig. **3** 7, side 4) og „DOWN –“ (fig. **3** 6, side 4) til at vælge køletemperaturen.
- ✓ Køletemperaturen vises på displayet i et par sekunder. Displayet blinker flere gange, og derefter vises den aktuelle temperatur igen.

6.7 Indstilling af displayets lysstyrke

Displayets lysstyrke kan dæmpes ved lave lysforhold i omgivelserne. Gør følgende for at dæmpe displayets lysstyrke:

- ▶ Tænd køleboksen.
- ▶ Tryk fire gange på tasten „SET“ (fig. **3** 5, side 4).
- ▶ Benyt tasterne „UP +“ (fig. **3** 7, side 4) eller „DOWN –“ (fig. **3** 6, side 4) for at indstille displayets lysstyrke.
- ✓ Displayet viser følgende:
d0 (standard), d1 (mellem), d2 (mørk)
- ✓ Displayet viser den indstillede modus i et par sekunder. Displayet blinker to gang, før det skifter tilbage til visning af den aktuelle temperatur.



BEMÆRK

- Fabriksindstillingen for displayets lysstyrke er d0 (standard).
- Hvis der optræder en fejl, går lysstyrken automatisk tilbage på d0 (standard). Efter fejlen er udbedret, kan man igen indstille lysstyrken.

6.8 Frakobling af køleboksen

- ▶ Tøm køleboksen.
- ▶ Sluk for køleboksen.
- ▶ Træk tilslutningskablet ud.

Hvis du ikke vil anvende køleboksen i længere tid:

- ▶ Lad låget stå lidt åbent. Det forhindrer, at der dannes lugt.

6.9 Afrimning af køleboksen

Luftfugtighed kan sætte sig som rim inde i apparatet eller på fordampere. Derved reduceres kølekapaciteten.



VIGTIGT!

FARE FOR BESKADIGELSE!

Manglende overholdelse af denne anvisning kan medføre skade på apparatet.

Anvend aldrig hårdt eller spidst værktøj til at fjerne is eller til at løsne genstande, som er frosset fast.

Gå frem på følgende måde for at afrime køleboksen:

- Tag indholdet ud af køleboksen.
- Læg det evt. i et andet køleapparat for at holde dem kolde.
- Sluk apparatet.
- Lad låget stå åbent.
- Tør der afrimede vand af.

6.10 Udskiftning af vekselstrømsikringen



FARE!

FARE FOR ELEKTRISK STØD!

Manglende overholdelse af denne advarsel medfører dødelige eller alvorlige kvæstelser.

Afbryd strømforsyningen og tilslutningskablet, før du udskifter apparatets sikring.

- Afbryd strømforsyningen til apparatet.
- Fjern tilslutningskablet.
- Vip sikringsindsatsen (fig. 4 2, side 4) ud f.eks. med en skruetrækker.
- Udskift den defekte glassikring med en ny sikring af samme type og med samme værdi (4 A, 250 V).
- Tryk sikringsindsatsen ind i kabinettet igen.
- Tilslut strømforsyningen til apparatet igen.

6.11 Udskiftning af apparatets jævnstrømsikring

- Afbryd strømforsyningen til apparatet.
- Vip sikringsafdækningen (fig. 4 3, side 4) ud for at få adgang til sikringen.
- Vend sikringsafdækningen om, og brug hagen til at fjerne sikringen.
- Udskift sikringen med en ny af samme type (bilstandard, indstikksikring, 10 A).
- Sæt sikringsafdækningen på igen.
- Tilslut strømforsyningen til apparatet igen.

6.12 Udskiftning af jævnstrømsstiksikringen (fig. 10, side 6)

- Skru kontaktstifhuset (3) af stikket (1).
- Udskift den defekte sikring (2) med en ny sikring af samme type og med samme værdi (3AG, hurtig, 10 A).
- Sæt stikket sammen igen i omvendt rækkefølge.

7 Rengøring og vedligeholdelse



ADVARSEL!

FARE FOR ELEKTRISK STØD!

Manglende overholdelse af denne advarsel kan medføre dødelige eller alvorlige kvæstelser.

Afbryd apparatet fra strømforsyningen før rengøring og vedligeholdelse.



VIGTIGT!

FARE FOR BESKADIGELSE!

Manglende overholdelse af disse anvisninger kan medføre skade på apparatet.

- Rengør aldrig køleapparatet under rindende vand eller i opvaskevand.
- Anvend ikke slibende rengøringsmidler eller hårde genstande under rengøring, da de kan beskadige køleboksen.

- Rengør af og til apparatet indvendigt og udvendigt med en fugtig klud.
- Sørg for, at apparatets ventilations- og udluftningsåbninger er fri for støv og urenheder, så varmen, der opstår under driften, kan ledes bort, og apparatet ikke tager skade.

8 Udbedring af fejl

Fejl	Mulig årsag	Løsningsforslag
Apparatet fungerer ikke, LED'en lyser ikke.	Der registreres ingen spænding på jævnstrømsudgangen.	I de fleste køretøjer skal tændingen slås til, før jævnstrømsudgangen forsynes med strøm.
	Vekselstrømsudgangen har ingen spænding.	Prøv at benytte en anden stikudgang.
	En af apparatets sikringer er defekt.	Udskift den defekte apparatsikring, se kapitlet „Udskiftning af vekselstrømsikringen“ på side 165 eller kapitlet „Udskiftning af apparatets jævnstrømsikring“ på side 165.
	Den integrerede netdel er defekt.	Reparationen kan kun foretages af et tilfaldt reparationscenter.
Apparatet køler ikke (stikket er sat i, LED'en „POWER“ lyser).	Kompressor defekt.	Reparationen kan kun foretages af et tilfaldt reparationscenter.
Apparatet køler ikke (stikket er sat i, LED'en „POWER“ blinker orange, displayet er slukket).	Batteriovervågningen er indstillet for højt.	Vælg en lavere indstilling for batteriovervågningen.
	Batterispænding ikke tilstrækkelig.	Kontrollér batteriet, og oplad det i givet fald.
Ved tilslutning til jævnstrømsstikket: Tændingen er slået til, apparatet fungerer ikke, og LED'en lyser ikke.	Jævnstrømsstikket er snavset. Konsekvensen er en dårlig elektrisk forbindelse.	Hvis stikket bliver meget varmt i jævnstrømsstikket, skal jævnstrømsstikket enten rengøres, eller stikket er muligvis ikke samlet rigtigt.
	Jævnstrømsstikkets sikring er brændt over.	Udskift sikringen i jævnstrømsstikket, se kapitlet „Udskiftning af jævnstrømsstik-sikringen (fig. 10, side 6)“ på side 166.
	Apparatets jævnstrøms-sikring er sprunget.	Udskift den defekte sikring, se kapitlet „Udskiftning af apparatets jævnstrøms-sikring“ på side 165.
	Køretøjets sikring er brændt over.	Udskift sikringen til køretøjets jævnstrømsstik. Se dit køretøjs betjeningsvejledning.

Fejl	Mulig årsag	Løsningsforslag
Displayet viser en fejl-melding (f.eks. „Err1“), og apparatet køler ikke.	En intern driftsfejl har frakoblet apparatet.	Reparationen kan kun foretages af et til-ladt reparationscenter.

8.1 Låget er blevet forceret forbi det indbyggede stop (fig. 11, side 7)

- Støt låget med en hånd (A).
- Hold låsen nede med den anden hånd (B).



FORSIGTIG!

SUNDHEDSFARE!

Manglende overholdelse af denne forsigtighedshenvisning kan medføre mindre eller moderate kvæstelser. Pas på, at din tommelfinger ikke kommer i klemme, når du lukker låget.



VIGTIGT!

FARE FOR BESKADIGELSE!

Hvis denne anvisning ignoreres, kan låget knække af.

- Luk låget så meget som muligt uden at klemme din tommelfinger, mens du fortsat holder låsen nede, så den ikke går i stykker.
- ✓ Låget burde nu være næsten i vinkel (fig. 11, side 7).
- Fjern hånden fra låsen (B), og fortsæt med at lukke låget helt i.



BEMÆRK

Hængslerne kan løsne sig fra den korrekte position, når den sidste lukkehandling udføres. Genpositionér låget på følgende måde:

- Betjen låsene på begge sider af låget samtidigt.
- Løft og genpositionér låget.

9 Garanti

Den lovbestemte garantiperiode gælder. Hvis produktet er defekt, skal du kontakte producentens afdeling i dit land (se dometic.com/dealer) eller din forhandler.

Ved reparation eller krav om garanti skal du medsende følgende bilag:

- En kopi af regningen med købsdato
- En reklameringsgrund eller en fejlbeskrivelse

10 Bortskaffelse

► Bortskaf så vidt muligt emballagen sammen med det tilsvarende genbrugsaffald.



Hvis du tager produktet endegyldigt ud af drift, skal du kontakte det nærmeste recyclingcenter eller din faghandel for at få de pågældende forskrifter om bortskaffelse.

11 Tekniske data

	CFF35	CFF45
Tilslutningsspænding:	12/24 V $\overline{=}$ og 100 til 240 V \sim	
Mærkestrøm:	12 V $\overline{=}$: 7,8 A 24 V $\overline{=}$: 3,5 A 240 V \sim : 0,4 A	12 V $\overline{=}$: 8,6 A 24 V $\overline{=}$: 3,8 A 240 V \sim : 0,41 A
Kølekapacitet:	+10 °C til -18 °C (+50 °F til 0 °F)	
Kategori:	1	
Energieffektivitetsklasse:	A+	
Energiforbrug:	85 kWh/årligt	84 kWh/årligt
Bruttoindhold:	34 l	44 l
Opbevaringsvolumen:	30 l	38 l
Klimaklasse:	N, T	
Udenomstemperatur:	+16 °C til +43 °C +60 °F til +110 °F	
Kølemiddelmængde:	34 g	43 g
CO ₂ ækvivalent:	0,049 t	0,061 t
Drivhuspotentiale (GWP):	1430	

	CFF35	CFF45
Mål (B x H x D) i mm (inkl. greb):	715 x 407 x 398	715 x 475 x 398
(B x H x D) i mm (uden greb):	590 x 407 x 398	590 x 475 x 398
Vægt:	17,2 kg	18,6 kg

**BEMÆRK**

Hvis udenomstemperaturen er over +32 °C (+90 °F), kan minimumtemperaturen ikke nås.

Godkendelse/certifikater:



Kølekredsløbet indeholder R134a.

Indeholder fluorerede drivhusgasser

Hermetisk lukkede anlæg eller hermetisk lukket udstyr

Läs igenom anvisningen noga innan kylen används. Spara den för senare bruk. Om kylen byter ägare ska anvisningen följa med.

Tillverkaren ansvarar inte för skador som uppstår p.g.a. **icke ändamålsenlig användning** eller **felaktig hantering/skötsel**.

Innehållsförteckning

1	Förklaring av symboler	171
2	Säkerhetsanvisningar	172
3	Leveransomfattning	175
4	Ändamålsenlig användning	175
5	Funktionsbeskrivning	176
6	Användning	177
7	Rengöring och skötsel	185
8	Felsökning	186
9	Garanti	188
10	Avfallshantering	188
11	Tekniska data	188

1 Förklaring av symboler



FARA!

Säkerhetsanvisning för en farlig situation som, om den inte går att undvika, ger upphov till dödsfall eller allvarliga personskador.



VARNING!

Säkerhetsanvisning för en farlig situation som, om den inte går att undvika, kan ge upphov till dödsfall eller allvarliga personskador.



AKTA!

Säkerhetsanvisning för en farlig situation som, om den inte går att undvika, kan ge upphov till en lindrig eller måttlig personskada.

**OBSERVERA!**

Anvisning för en situation som, om den inte går att undvika, kan ge upphov till materiella skador.

**ANVISNING**

Kompletterande information om användning av produkten.

2 Säkerhetsanvisningar



WARNING! Om man underlåter att följa de här varningarna kan följden bli dödsfall eller allvarlig personskada.

Risk för strömstötar – livsfara

- Om apparaten uppvisar synliga skador får den ej tas i drift.
- Om kylapparatens elkabel skadas måste den bytas ut för att förhindra säkerhetsrisker.
- Reparationer på apparaten får endast utföras av behörigt fackfolk. Icke fackmässiga reparationer kan leda till att allvarliga faror uppstår.

Brandrisk

- Kontrollera att elsladden inte har fastnat eller skadats i samband med placering av apparaten.
- Placera inte ut flera bärbara uttag eller bärbara nätaggregat bakom apparaten.

Hälsorisk

- Barn från åtta års ålder, personer med nedsatt fysisk, sensorisk eller mental förmåga, eller personer med bristande erfarenhet och kunskaper får använda den här apparaten förutsatt att de hålls under uppsikt eller om de har fått anvisningar om hur man använder den här apparaten på ett säkert sätt och känner till vilka risker som är förknippade med användningen.
- Barn får inte leka med apparaten.
- Rengöring och underhåll får inte genomföras av barn utan uppsikt.
- Barn i åldrarna tre till åtta år får lasta in eller ut varor i eller ur kylapparater.

Explosionsrisk

- Lagra inga ämnen som kan explodera i apparaten, som t.ex. sprayburkar med brännbar drivgas.



AKTA! Om man underlåter att följa de här försiktighetsåtgärderna kan följden bli lindrig eller måttlig personskada.

Risk för strömstötar – livsfara

- Kontrollera, innan apparaten tas i drift, att elkabeln och stickkontakten är torra.
- Koppla alltid bort apparaten från elnätet
 - före rengöring och underhåll
 - efter användning

Hälsorisk

- Kontrollera om apparatens kyleffekt motsvarar kravet för de livsmedel eller mediciner du vill hålla kalla.
- Livsmedel får endast förvaras i originalförpackningarna eller i andra lämpliga behållare.
- Om kylapparaten hålls öppen under lång tid finns det risk att man får en betydande ökning av temperaturen i anordningens fack.
- Rengör med jämna mellanrum ytor som kan komma i kontakt med livsmedel och åtkomliga avloppssystem.
- Förvara rått kött och rå fisk i lämpliga behållare i apparaten, så att de inte kommer i kontakt med andra livsmedel eller droppar på dessa.
- Om apparaten står tom under en längre tid:
 - Stäng av apparaten.
 - Frosta av apparaten.
 - Rengör och torka apparaten.
 - Låt dörren vara öppen, så att det inte bildas mögel.



OBSERVERA! Risk för skador

- Jämför spänningsangivelsen på typskylten med elförsörjningen på plats.
- Anslut apparaten endast på följande vis:
 - till ett DC-uttag i fordonet med DC-anslutningskabel
 - eller till ett växelström uttag med den medföljande AC-anslutningskabeln
- Dra aldrig ut stickkontakten ur uttaget genom att dra i anslutningskabeln.

- När kylapparaten är ansluten till ett DC-uttag: Koppla bort kylapparaten och andra elförbrukare från batteriet innan en batteriladdare ansluts.
- När kylapparaten är ansluten till ett DC-uttag: Skilj apparaten från elnätet eller stäng av den när motorn stängs av. Annars kan batteriet urladdas.
- Kylapparaten är inte ämnad för transport av frätande ämnen och ämnen som innehåller lösningsmedel.
- Kylapparaten isolering innehåller brännbart cyklopentan. Gaserna i isoleringsmaterialet gör att materialet kräver särskild hantering. Lämna in kylboxen till en lämplig återvinningscentral när den inte ska användas längre.
- Använd inga elektriska apparater för arbeten inne i kylapparaten. Undantag: apparaterna rekommenderas för sådan användning av tillverkaren.
- Ställ inte kylapparaten i närheten av öppen eld eller andra värmekällor (värmeelement, starkt solljus, gasspisar osv.).
- **Risk för överhettning!**
Kontrollera att det alltid finns minst 50 mm ventilationsutrymme på kylapparatens samtliga fyra sidor. Kontrollera att det inte finns några föremål i ventilationsutrymmet som skulle kunna hindra luftflödet till kylkomponenterna.
Placera inte kylapparaten i stängda fack eller utrymmen utan luftflöde eller med bara minimalt luftflöde.
- Se till att ventilationsspringorna inte täcks över.
- Fyll inte innerfacket med vätskor eller is.
- Doppa aldrig ned apparaten i vatten.
- Skydda apparaten och kablarna mot hetta och fukt.
- Skydda kylapparaten så att den inte utsätts för regn.

3 Leveransomfattning

Komponent (bild 1, sida 3)	Mängd	Beskrivning
1	1	Kylbox
2	1	Anslutningskabel för likströmsanslutning
3	1	Anslutningskabel för växelströmsanslutning
4	2	Bärhandtag, bestående av: <ul style="list-style-type: none"> • 2 hållare • 1 handtag • 4 fästskruvar • 1 sexkantsnyckel
–	1	Bruksanvisning

4 Ändamålsenlig användning

Den här kylapparaten är avsedd för:

- att kyla och frysa livsmedel
- användning vid camping och i mobila anordningar

Kylapparaten är utformad för att användas från:

- ett fordons, en båts eller ett fritidsfordons likströmssystem
- ett likströms-reservbatteri
- en växelströmsförsörjning

Kylapparaten är avsedd för privat bruk i hushållet och liknande användningsområden, t.ex:

- personalkök i butiker, kontor och andra arbetsplatser
- lantbruk
- för gäster på hotell, motell och andra övernattningsanläggningar
- bed & breakfast pensionat
- catering och liknande, t.ex. partihandel

5 Funktionsbeskrivning

Kylen både kyler och djupfryser varor. Kylningsprocessen sker med hjälp av en kylkrets med kompressor som kräver mycket lite underhåll. Tack vare den generösa isoleringen och den kraftfulla kompressorn får man effektiv och snabb kylning.

Kylen är lämpad för mobil användning.

Kylboxen klarar en kort tids lutning på 30°, till exempel på båt.

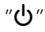
5.1 Funktioner

- Nätdel med prioritetskoppling för anslutning till växelspanning
- Trestegs-batterivakt som skyddar fordonets batteri
- Display med temperaturvisning i °C och °F stängs av automatiskt vid låg batterispänning
- Temperaturinställning: Med två knappar i 1 °C-steg (och 2 °F-steg)
- Visa dimningsfunktion med tre ljusnivåer
- Uttagbar korg
- Borttagbara bärhandtag

5.2 Reglage och indikeringskomponenter

Locklås (bild 2, sida 3)

Driftspanel (bild 3, sida 4)

Komponent	Beskrivning	Förklaring
1	ON (PÅ) OFF (AV)	Slår på och av kylboxen när knappen trycks ned 1–2 sekunder
2	POWER “  ”	Statusindikering Lysdioden lyser grönt: Kompressorn är på Lysdioden lyser orange: Kompressorn avstängd Lysdioden blinkar orange: Displayen stängs av automatiskt vid låg batterispänning
3	ERROR	Lysdioden blinkar rött: Produkten påslagen, men inte klar för användning
4	–	Display, visar värdena

Komponent	Beskrivning	Förklaring
5	SET	Aktiverar inmatningsläget – Temperaturinställning – Display med Celsius eller Fahrenheit – Inställning av batterivakt – Inställning av displayens ljusstyrka
6	DOWN –	En tryckning sänker värdet
7	UP +	En tryckning höjer värdet

Uttag (bild 4, sida 4)

Komponent	Beskrivning
1	Anslutningsuttag för växelström
2	Säkringshållare för växelström
3	Säkringskydd för likström
4	Anslutningsuttag för likström

6 Användning

6.1 Före den första användningen



ANVISNING

Innan kylboxen tas i drift ska det, av hygieniska skäl, torkas av in- och utvändigt med en fuktig trasa (se även kapitel "Rengöring och skötsel" på sidan 185).

Montera handtagen (bild 5, sida 4)

Handtagen skickas omonterade. Gör på följande sätt om du vill montera handtagen:

- Montera ett handtag genom att kombinera två hållare(1) med ett handtag (2).
- Sätt fast hållarna med hjälp av de medföljande skruvarna i de avsedda hålen.

Öppna eller ta bort locket (bild 6, sida 5)

Locket går att öppna från båda sidor eller tas bort fullständigt utan några verktyg:

- Lås upp locket i valfri riktning för att öppna det, (A) eller (B).
- Lås upp båda sidorna samtidigt för att ta bort locket (C).

Stoppläge för locket (bild 7, sida 5)

Locket har ett inbyggt stoppläge (A). Tvinga inte locket längre bort än det inbyggda stoppet (B).



OBSERVERA!

RISK FÖR SKADA!

Om man inte beaktar den här anvisningen kan locket gå sönder.

- Om du har tvingar locket för långt bort ska du följa de steg som beskrivs i kapitel "Locket har forcerats längre bort än det inbyggda stoppet (bild 11, sida 7)" på sidan 187.

Ta bort korgen (bild 8, sida 6)



OBSERVERA!

RISK FÖR SKADA!

Om man underlåter att följa den här anvisningen kan följden bli att apparaten skadas.

Om du tar bort korgen medan locket är öppet kan locket repas och korgen deformeras. Vi rekommenderar att man tar bort locket innan man tar bort korgen.

Välja temperaturenheter

Temperaturenheterna kan visas som Celsius eller Fahrenheit och man kan växla mellan enheterna på följande sätt:

- Slå på kylboxen.
- Tryck två gånger på knappen "SET" (bild 3 5, sida 4).
- Använd knappen "UP +"- (bild 3 7, sida 4) eller "DOWN -" (bild 3 6, sida 4) för att välja Celsius eller Fahrenheit.
- ✓ På displayen visas den inställda temperaturenheten i några sekunder. Displayen blinkar flera gånger innan aktuell temperatur visas igen.

6.2 Tips för att spara energi

- Välj en uppställningsplats med god ventilation som är skyddad mot direkt solljus.
- Låt varm mat svalna innan den läggs in i kylapparaten.
- Öppna inte kylapparaten oftare än nödvändigt.
- Låt inte kylskåpsdörren stå öppen längre än nödvändigt.
- Frosta av kylboxen så snart det bildas is i den.
- Undvik onödigt låga temperaturer.

6.3 Ansluta kylboxen

Anslutning av batteri (fordon eller båt)

Kylboxen kan användas med 12 V eller 24 V $\overline{=}$.



OBSERVERA!

RISK FÖR SKADA!

Om man underlåter att följa den här anvisningen kan följderna bli att apparaten skadas.

Koppla bort kylboxen och andra förbrukare från batteriet innan en batteriladdare ansluts till batteriet.

Överspänning kan skada apparatens elektronik.

Av säkerhetsskäl är kylboxen utrustad med ett elektroniskt system för att förhindra att polerna omvänds. Vid anslutning till ett batteri skyddas kylboxen på det här sättet mot kortslutning.

Använda likströmskontaktens säkring



OBSERVERA!

RISK FÖR SKADA!

Om man underlåter att följa den här anvisningen kan följderna bli att apparaten skadas.

För att skydda apparaten har likströmskabeln utrustats med en säkring inuti kontakten. Ta **inte** bort likströmskontaktens säkring.

Använd endast den medföljande likströmskabeln.

- Sätt in anslutningskabeln för likström (bild **1** 2, sida 3) i kylboxens uttag för likström (bild **4** 3, sida 4).
- Anslut anslutningskabeln till utgången för likström.

Anslutning till växelström (t.ex. hemma eller på kontoret)



FARA!

RISK FÖR DÖDSFALL PÅ GRUND AV ELEKTRICITET!

Om man underlåter att följa de här varningarna blir följden dödsfall eller allvarlig personskada.

- Ta inte i brytare eller kontakter med våta händer eller om du står på ett fuktigt underlag.
- Om kylboxen används på en båt och ansluts till växelström måste en jordfelsbrytare installeras mellan strömförsörjningen och kylboxen. Kontakta en behörig elektriker.

Kylboxarna har en multispänningskälla med prioritetskoppling så att man kan ansluta till en spänningskälla för växelström. Med hjälp av prioritetskopplingen växlar kylboxen automatiskt om till växelströmsdrift, om apparaten är ansluten till ett växelströmsnät, även om anslutningskabeln för likström fortfarande är inkopplad.

När man växlar mellan växelström och batteriförsörjning kan det hända att den röda lysdioden tänds en kort stund.

- Sätt in anslutningskabeln för växelström (bild **1** 3, sida 3) i kylboxens uttag för växelström (bild **4** 1, sida 4).
- Anslut anslutningskabeln till en växelströmsförsörjning.

6.4 Använda batterivakten

Produkten har en flerstegs batterivakt som skyddar fordonsbatteriet mot urladdning när produkten ansluts till fordonets elsystem för likström.

När kylboxen används utan påslagen tändning i fordonet, stängs den av automatiskt om försörjningsspänningen sjunker under ett inställbart värde. Kylboxen startar så fort batteriet har laddats och återinkopplingsspänningen uppnås.



OBSERVERA!

RISK FÖR SKADA!

Om man underlåter att följa den här anvisningen kan följden bli att batteriet skadas.

När batterivakten har stängt av batteriet laddas batteriet inte längre fullt. Starta inte många gånger eller använd strömbbrukare utan längre laddningsfaser. Kontrollera att batteriet laddas igen.

I läget "HIGH" reagerar batterivakten snabbare än i läget "LOW" eller "MED" (se den nedanstående tabellen).

Batterivaktens läge	LOW	MED	HIGH
Frånkopplingsspänning vid 12 V	10,1 V	11,4 V	11,8 V
Omstart-spänning vid 12 V	11,1 V	12,2 V	12,6 V
Frånkopplingsspänning vid 24 V	21,5 V	24,1 V	24,6 V
Omstart spänning vid 24 V	23,0 V	25,3 V	26,2 V

Gör så här för att välja batterivaktsläget:

- Slå på kylboxen.
- Tryck tre gånger på knappen "SET" (bild **3** 5, sida 4).
- Använd knappen "UP +" (bild **3** 7, sida 4) eller "DOWN –" (bild **3** 6, sida 4) för att välja batterivaktsläget.
- ✓ Följande visas på displayen:
Lo (LOW), ME (MED), Hi (HIGH)
- ✓ På displayen visas det inställda läget i några sekunder. Displayen blinkar flera gånger innan aktuell temperatur visas igen.



ANVISNING

Välj läget "HIGH" för batterivakten om kylboxen försörjs med hjälp av startbatteriet. Om kylboxen ansluts till ett förbrukarbatteri räcker läget "LOW" för batterivakten.

6.5 Använda kylboxen



OBSERVERA!

RISK FÖR ÖVERHETTNING!

Om man underlåter att följa den här anvisningen kan följden bli att apparaten skadas.

Kontrollera alltid att det finns tillräckligt med ventilation så att den värme som alstras under driften kan skingras. Se till att ventilationsspringorna inte täcks över. Apparaten måste ha tillräckligt stort avstånd till vägg/andra föremål så att luften kan cirkulera fritt.

- Ställ kylboxen mot ett fast underlag.
Se till att ventilationsspringorna inte täcks över och att den varma luften kan avledas utan hinder. Vi rekommenderar ett avstånd på minst 2" kring ventilationshålen.

**ANVISNING**

Placera kylboxen enligt bilden (bild **1**, sida 3). Om kylboxen körs i en annan riktning kan den ta skada.

- Ansluta kylboxen, se kapitel "Ansluta kylboxen" på sidan 179.

**OBSERVERA!****RISK FÖR EXTREMT LÅGA TEMPERATURER!**

Om man underlåter att följa den här anvisningen kan följden bli att de föremål som placeras i kylboxen skadas.

Se till att det endast finns föremål resp. varor i kylboxen som får kylas vid den inställda temperaturen.

- Håll "ON/OFF"-knappen (bild **3** 1, sida 4) intryckt i en till två sekunder.
- ✓ Lysdioden "⏻" tänds (bild **3** 2, sida 4).
- ✓ Displayen (bild **3** 4, sida 4) aktiveras och visar den aktuella temperaturen.
- ✓ Kylboxen startar och kyler kylfacket.

**ANVISNING – Visad temperatur**

Den temperatur som visas avser innerfackets stora område (bild **9**, sida 6, 1).

**ANVISNING**

Om man använder ett batteri för kylboxen, stängs displayen automatiskt av om batterispänningen är låg. Lysdioden "⏻" blinkar orange.

Låsa fast kylboxens lock

- Stäng locket.
- Tryck ned låset (bild **2**, sida 3) tills du hör att det hakar fast.

**ANVISNING**

Kontrollera att de båda låsstiften är fullständigt fastlåsta för att kontrollera att låset sitter tätt när du låser fast locket. Det kan hända att ett lås låses fast något före nästa.

- ▶ Om låset inte låses fast lika mycket på båda sidorna ska man trycka till det hörs ett till klick.

6.6 Ställa in temperaturen

- ▶ Tryck en gång på knappen "SET" (bild **3** 5, sida 4).
- ▶ Använd knappen "UP +" (bild **3** 7, sida 4) eller "DOWN –" (bild **3** 6, sida 4) för att välja kyltemperatur.
- ✓ På displayen visas kyltemperaturen i några sekunder. Displayen blinkar flera gånger och sedan visas den aktuella temperaturen igen.

6.7 Ställa in displayens ljusstyrka

Det är möjligt att dimma displayens ljusstyrka för lägre omgivningsljus. Gör på följande sätt för att ställa in displayens dimningsnivå:

- ▶ Slå på kylboxen.
- ▶ Tryck fyra gånger på knappen "SET" (bild **3** 5, sida 4).
- ▶ Använd knappen "UP +" (bild **3** 7, sida 4) eller "DOWN –" (bild **3** 6, sida 4) för att ställa in displayens ljusstyrka.
- ✓ Följande visas på displayen:
d0 (standard), d1 (mellan), d2 (mörkt)
- ✓ På displayen visas inställningsläget i flera sekunder. Displayen blinkar två gånger innan aktuell temperatur visas igen.

**ANVISNING**

- Displayens fabriksinställning för ljusstyrkan är d0 (standard).
- Vid ett fel återgår ljusstyrkan automatiskt till ljusstyrkan d0 (standard). Efter felsökning återaktiveras den inställda ljusstyrkan.

6.8 Stänga av kylboxen

- Töm kylboxen.
- Stäng av kylboxen.
- Dra ut anslutningskabeln.

Om kylboxen inte ska användas under en längre tid:

- Låt locket vara lite öppet. Detta gör att det inte alstras lukt.

6.9 Avfrostas kylboxen

Luftfuktigheten kan avsätta sig som frost på förångaren eller i kylapparaten. Detta gör att kyleffekten minskar.



OBSERVERA!

RISK FÖR SKADA!

Om man underlåter att följa den här anvisningen kan följden bli att apparaten skadas.

Använd inte hårda eller spetsiga verktyg för att ta bort is eller lossa på fastfrosna föremål.

Avfrostas:

- Ta ut kylboxens innehåll.
- Förvara dem vid behov i en annan kylapparat så att de förblir kalla.
- Stäng av apparaten.
- Låt locket vara öppet.
- Torka av avfrostningsvattnet.

6.10 Byta säkringen för växelström



FARA!

RISK FÖR DÖDSFALL PÅ GRUND AV ELEKTRICITET!

Om man underlåter att följa den här varningen blir följden dödsfall eller allvarlig personskada.

Innan man byter ut apparatens säkring ska man koppla från strömtillförseln och anslutningskabeln.

- Koppla från strömtillförseln från apparaten.
- Ta bort anslutningskabeln.
- Ta loss säkringshållaren (bild **4** 2, sida 4) med en skuvmejsel.
- Byt ut den trasiga glassäkring mot en ny säkring av samma typ med samma värde (4 A, 250 V).
- Tryck in säkringshållaren i höljet igen.
- Återkoppla strömtillförseln till apparaten.

6.11 Byta produktens säkring för likström

- Koppla från strömtillförseln från apparaten.
- Ta loss säkringsskyddet (bild **4** 3, sida 4) för att komma åt säkringen.
- Vänd på säkringsskyddet och använd kroken för att ta bort säkringen.
- Byt ut säkringen mot en ny av samma typ (standardbladsäkring för bilar, 10 A).
- Montera tillbaka säkringsskyddet.
- Anslut strömtillförseln till apparaten igen.

6.12 Byta likströmskontaktens säkring (bild **10**, sida 6)

- Skruva bort kontaktstifthuset (**3**) från kontakten (**1**).
- Byt ut den trasiga säkringen (**2**) mot en ny säkring av samma typ och med samma värde (3 AG, snabbverkande, 10 A).
- Montera tillbaka kontakten i omvänd ordning.

7 Rengöring och skötsel



VARNING!

RISK FÖR DÖDSFALL PÅ GRUND AV ELEKTRICITET!

Om man underlåter att följa den här varningen kan följden bli dödsfall eller allvarlig personskada.

Koppla alltid bort apparaten från elnätet före rengöring och skötsel.



OBSERVERA! **RISK FÖR SKADA!**

Om man underlåter att följa de här anvisningarna kan följden bli att apparaten skadas.

- Rengör aldrig kylan under rinnande vatten eller i diskvatten.
- Använd inga frätande rengöringsmedel eller hårda föremål vid rengöring, då dessa kan skada kylboxen.

- Rengör kylboxen emellanåt in- och utvändigt med en fuktig trasa.
- Kontrollera att luftnings-/ventilationsöppningarna är rena från damm och annat smuts. På så kan värmen avledas vid användning och produkten skadas inte.

8 Felsökning

Fel	Möjlig orsak	Lösning
Produkten fungerar inte, lysdioden lyser inte.	Det upptäcktes inte någon spänning i utgången för likström.	I de flesta fordon måste man första slå på tändningen innan det tillförs ström till utgången för likström.
	Det finns ingen spänning i utgången för växelström.	Prova med en annan utgång.
	En apparatsäkring är trasig.	Byt den trasiga säkringen, se kapitel "Byta säkringen för växelström" på sidan 184 eller kapitel "Byta produktens säkring för likström" på sidan 185.
Produkten kylar inte (kontakten är insatt, lysdioden "POWER" lyser).	Den integrerade nätdelen är defekt.	Reparationer får endast utföras på en auktoriserad reparationscentral.
	Kompressorn defekt.	Reparationer får endast utföras på en auktoriserad reparationscentral.
	Apparaten kylar inte (kontakten är insatt, lysdioden "POWER" blinkar med orange sken, displayen är avstängd).	Batterivakten är inställd för högt.
	Batterispänningen är för låg.	Kontrollera batteriet, ladda det vid behov.

Fel	Möjlig orsak	Lösning
Vid drift från uttag för likström: Tändningen är påslagen men apparaten fungerar inte och lysdi-oden lyser inte.	Utgången för likström är smutsig. Det ger dålig elektrisk kontakt.	Om kylboxens stickkontakt blir mycket varm i uttaget för likström, måste antingen uttaget för likström rengöras eller så är stickkontakten möjligtvis inte korrekt ansluten.
	Likströmskontaktens säkring har gått.	Byt säkringen i likströmskontakten, se kapitel "Byta likströmskontaktens säkring (bild 10, sida 6)" på sidan 185.
	Apparatens säkring för likström har löst ut.	Byt den trasiga säkringen, se kapitel "Byta produktens säkring för likström" på sidan 185.
På displayen visas ett felmeddelande (t.ex. "Err1") och apparaten kylvlar inte.	Fordonets säkring har gått.	Byt säkringen för fordonets likströmsuttag. Se fordonets bruksanvisning.
	Produkten har stängts av p.g.a. en intern driftstörning.	Reparationer får endast utföras på en auktoriserad reparationscentral.

8.1 Locket har forcerats längre bort än det inbyggda stoppet (bild 11, sida 7)

- Använd en hand för att stödja locket (A).
- Håll ned låset med den andra handen (B).



AKTA!

HÄLSORISK!

Om man underlåter att följa den här försiktighetsåtgärden kan följden bli lindrig eller måttlig personskada.
Akta så att du inte klämmer tummen när du stänger locket.



OBSERVERA!

RISK FÖR SKADA!

Om man inte beaktar den här anvisningen kan locket gå sönder.

- Stäng locket i möjligaste mån utan att klämma tummen och håll samtidigt fortfarande ned låset så att det inte går sönder.
- ✓ Nu borde locket luta (bild 11, sida 7).

- Ta bort handen från låset (**B**) och fortsätt genom att stänga locket fullständigt.



ANVISNING

Det kan hända att hakarna lossnar från det korrekta läget när man avslutar stängningen. Omplacera locket på följande sätt:

- Hantera låsen på lockets båda sidor samtidigt.
- Lyft och omplacera locket.

9 Garanti

Den lagstadgade garantitiden gäller. Om produkten är defekt: kontakta tillverkarens kontor i ditt land (se dometic.com/dealer) eller återförsäljaren.

Vid reparations- resp. garantiärenden ska följande skickas med:

- en kopia på fakturan med inköpsdatum,
- en reklambeskrivning/felbeskrivning.

10 Avfallshantering

- Lämna om möjligt förpackningsmaterialet till återvinning.



När produkten slutgiltigt tas ur bruk: informera dig om gällande bestämmelser hos närmaste återvinningscentral eller hos återförsäljaren.

11 Tekniska data

	CFF 35	CFF 45
Anslutningsspänning:	12/24 V \equiv och 100 till 240 V \sim	
Nominell ström:	12 V \equiv : 7,8 A 24 V \equiv : 3,5 A 240 V \sim : 0,4 A	12 V \equiv : 8,6 A 24 V \equiv : 3,8 A 240 V \sim : 0,41 A
Kyleffekt:	+10 °C till -18 °C (+50 °F till 0 °F)	
Kategori:	1	
Energieffektklass:	A+	
Energiförbrukning:	85 kWh/år	84 kWh/år

	CFF35	CFF45
Totalvolym:	34 l	44 l
Nyttovolym:	30 l	38 l
Klimatklass:	N, T	
Omgivningstemperatur:	+16 °C till +43 °C +60 °F till +110 °F	
Köldmediemängd:	34 g	43 g
CO ₂ motsvarande:	0,049 t	0,061 t
Global uppvärmningspotential (GWP):	1 430	
Mått (B x H x D) i mm (inklusive handtag):	715 x 407 x 398	715 x 475 x 398
(B x H x D) i mm (utan handtag):	590 x 407 x 398	590 x 475 x 398
Vikt:	17,2 kg	18,6 kg

**ANVISNING**

Om omgivningstemperaturen överstiger +32 °C (+90 °F) är det inte möjligt att uppnå minimitemperaturen.

Provning/certifikat:



Kylkretsen innehåller R134a.

Innehåller fluorerade växthusgaser

Hermetiskt sluten utrustning

Les bruksanvisningen nøye før du tar apparatet i bruk og ta vare på den. Hvis kjøleapparatet selges videre, må du sørge for å gi bruksanvisningen videre også.

Produsenten påtar seg intet ansvar for skader som skyldes **ikke tiltenkt bruk** eller **feil bruk**.

Innhold

1	Symbolforklaring	190
2	Sikkerhetsregler	191
3	Leveringsomfang	193
4	Forskriftsmessig bruk	194
5	Funksjonsbeskrivelse	194
6	Betjening	196
7	Rengjøring og vedlikehold	204
8	Utbedring av feil	205
9	Garanti	207
10	Avfallsbehandling	207
11	Tekniske spesifikasjoner	207

1 Symbolforklaring



FARE!

Sikkerhetshenvisning til en faresituasjon som fører til alvorlige personskader, eventuelt med døden til følge, dersom de ikke blir unngått.



ADVARSEL!

Sikkerhetshenvisning til en faresituasjon som kan føre til alvorlige personskader, eventuelt med døden til følge, dersom de ikke blir unngått.



FORSIKTIG!

Sikkerhetshenvisning til en faresituasjon som kan føre til lette eller middels alvorlige personskader, dersom de ikke blir unngått.

**PASS PÅ!**

Henvising til en situasjon som kan føre til tingskader dersom den ikke blir unngått.

**MERK**

Utfyllende informasjon om betjening av produktet.

2 Sikkerhetsregler



ADVARSEL! Manglende overholdelse av disse advarslene kan resultere i alvorlige personskader, eventuelt med døden til følge.

Livsfare på grunn av strømstøt

- Apparatet må ikke tas i bruk hvis det har synlige skader.
- Hvis denne kjøleenhetens strømkabel er skadd må den erstattes for å forhindre sikkerhetsrisikoer.
- Reparasjoner på dette apparatet må kun utføres av fagfolk. Feil reparasjoner kan føre til betydelige skader.

Brannfare

- Ved posisjonering av apparatet må det sørges for at tilførselsledningen ikke sitter fast eller skades.
- Ikke plasser flere mobile strømkontakter eller mobile strømforsyninger bak på apparatet.

Helsefare

- Dette apparatet kan brukes av barn fra 8 år og oppover og personer med reduserte fysiske, sensoriske eller mentale evner eller som mangler erfaring og kunnskap, hvis de er under oppsyn eller har fått veiledning i hvordan apparatet brukes på en forsvarlig måte og forstår hvilke farer det innebærer.
- Barn må ikke leke med apparatet.
- Rengjøring og vedlikehold må ikke utføres av barn uten at de er under oppsikt.
- Barn i alderen 3 – 8 år får lov til å laste og losse kjøleapparater.

Eksplisjonsfare

- Ikke lagre eksplisjonsfarlige stoffer som f.eks. spraybokser med drivgass i apparatet.



FORSIKTIG! Manglende overholdelse av disse forsiktighetsvarslene kan resultere i mindre til moderate personskader.

Livsfare på grunn av strømstøt

- Før du tar apparatet i bruk, må du passe på at ledningen og støpslet er tørre.
- Koble apparatet fra strømmettet
 - før rengjøring og stell
 - hver gang etter bruk

Helsefare

- Kontroller om apparatets kjøleeffekt oppfyller kravene til næringsmidlene eller medikamentene som du ønsker å kjøle.
- Næringsmidler må oppbevares i originalforpakning eller i egnede beholdere.
- Det å åpne kjøleapparater for en lengre periode kan føre til en vesentlig økning av temperaturen i enhetens rom.
- Overflater som kan komme i kontakt med matvarer og tilgjengelige deler av dreneringssystemet må rengjøres regelmessig.
- Oppbevar rått kjøtt og fisk i egnede beholdere i apparatet, slik at de ikke kommer i kontakt med eller drypper på andre matvarer.
- Hvis apparatet står tomt over lengre tid:
 - Slå av apparatet.
 - Avrim apparatet.
 - Rengjør og tørk apparatet.
 - La dørene stå åpne for å forhindre muggdannelse i apparatet.



PASS PÅ! Fare for skade

- Sammenlign spenningsspesifikasjonene på merkeskiltet med tilgjengelig strømtilførsel.
- Koble til apparatet kun på følgende måte:
 - med DC-tilkoblingskabelen til et DC-stikkontakt i kjøretøyet
 - eller med AC-tilkoblingskabelen som følger med til vekselstrøm
- Trekk aldri støpslet ut av stikkontakten etter ledningen.
- Hvis kjøleapparatet er plagget inn i DC-stikkontakten: Koble dette kjøleapparatet og andre forbrukere fra batteriet før du kobler til hurtiglader.

- Hvis kjøleapparatet er plagget inn i DC-stikkkontakten: Koble fra forbindelsen eller slå av kjøleapparatet når du slår av motoren. Hvis ikke kan batteriet bli ladet ut.
- Kjøleapparatet er ikke egnet for transport av etsende eller løsemiddelholdige stoffer.
- Dette kjøleapparatet inneholder isoleringen brennbar cyclopentan. Gassene i isolasjonsmaterialet krever en spesiell bortskaffingsprosess. Etter endt levetid skal apparatet bortskaffes på forskriftsmessig måte.
- Ikke bruk elektriske apparater inne i kjøleapparatet, hvis ikke disse apparatene er anbefalt brukt av produsenten.
- Ikke plasser apparatet i nærheten av åpen flamme eller andre varmekilder (oppvarming, sterk solbestråling, gassovner osv.).
- **Fare for overoppheting!**
Se til at det finnes minimum 50 mm ventilasjon på alle fire sider av kjøleapparatet. Hold ventilasjonsområdet fritt for eventuelle objekter som kunne begrense luftstrømmen til kjølekomponentene. Ikke plasser kjøleapparatet i lukkede rom eller områder med ingen eller minimal luftstrøm.
- Pass på at lufteåpningene ikke blir blokkert.
- Fyll ikke væsker eller is i den innvendige beholderen.
- Dypp aldri apparatet i vann.
- Beskytt apparatet og kablen mot varme og fuktighet.
- Beskytt kjøleapparatet mot å bli eksponert for regn.

3 Leveringsomfang

Element (fig. 1, side 3)	Antall	Beskrivelse
1	1	Kjøler
2	1	Tilkoblingskabel for likestrøm-kontakt
3	1	Tilkoblingskabel for vekselstrøm-kontakt
4	2	Bærehåndtak, bestående av: <ul style="list-style-type: none"> • 2 holdere • 1 håndtak • 4 festeskruer • 1 unbrakonøkkel

Element (fig. 1, side 3)	Antall	Beskrivelse
–	1	Bruksanvisning

4 Forskriftsmessig bruk

Kjøleapparatet er egnet for:

- Kjøling og frysing av matvarer
- Campingbruk og i mobilt utstyr

Kjøleapparatet er designet for betjening fra:

- en likestrømsstrømforsyning om bord et kjøretøy, en båt eller et fritidskjøretøy
- et likestrømsekstrabatteri
- Et vekselstrømnett

Kjøleapparatet er beregnet for husholdninger og lignende applikasjoner, som for eksempel

- i personalkjøkken til butikker, kontorer og andre bransjer
- i landbruket
- av gjester i hoteller, moteller og andre overnattingssteder
- i bed-and-breakfast
- i catering og lignende større kommersielle bruksområder

5 Funksjonsbeskrivelse

Kjølesystemet kan avkjøle varer og holde dem kalde samt dypfryse varer. Kjølingen skjer ved hjelp av et kjølekretsløp med kompressor med minimalt vedlikeholdsbehov. Den generøse isoleringen og kraftige kompressoren sørger for en effektiv og rask kjøling.

Kjøleapparatet er egnet for mobil bruk.

Kjøleren kan tåle en kortsiktig stigning på 30°, for eksempel på båter.

5.1 Funksjonsomfang

- Nettdel med prioritetskobling for tilkobling til vekselspanning
- 3-trinns batterivakt for beskyttelse av kjøretøybatteriet

- Display med temperaturindikering i °C og °F
Slår seg automatisk av ved lav batterispenning
- Temperaturinnstilling: Med to taster i trinn på 1 °C (2 °F)
- Displayet har en dimmefunksjon med 3 lysstyrkenivåer
- Uttakbar kurvinnset
- Avtakbare bærehåndtak

5.2 Drifts- og visningselementer

Lokkfester (fig. 2, side 3)

Betjeningspanel (fig. 3, side 4)

Element	Beskrivelse	Forklaring
1	PÅ AV	Slår kjøleboksen av eller på når knappen trykkes inn ett til to sekunder
2	POWER «  »	Statusindikasjon LED-lampen lyser grønt: Kompressoren er på LED-lampen lyser oransje: Kompressoren er av LED-lampen blinker oransje: display slått av automatisk på grunn av lav batterispenning
3	FEIL	LED-lampen blinker rødt: Det påslåtte apparatet er ikke driftsklart
4	–	Display, viser verdier
5	SET	Velger innleggingsmodus - Temperaturinnstilling - Celsius/Fahrenheit-visning - Still inn batterivakten - Still inn lysstyrken på displayet
6	NED -	Trykk én gang for å redusere verdien
7	OPP +	Trykk én gang for å øke verdien

Tilkoblingskontakter (fig. 4, side 4)

Element	Beskrivelse
1	Tilkoblingskontakt vekselspenningsforsyning

Element	Beskrivelse
2	Vekselstrøm-sikringsholder
3	Likestrøm-sikringsholder
4	Tilkoblingskontakt likespenningsforsyning

6 Betjening

6.1 Før første gangs bruk



MERK

Før du starter den nye kjøleren for første gang, skal du rengjøre den på innsiden og utsiden med en fuktig klut av hygieniske grunner (se også kapittel «Rengjøring og vedlikehold» på side 204).

Montering av håndtakene (fig. 5, side 4)

Håndtakene er vedlagt umontert. Gå frem på følgende måte dersom du ønsker å feste håndtakene:

- Monter et håndtak ved å sette to holdere (1) og ett håndtak (2) sammen.
- Fest holderne med de vedlagte skruene i hullene som er forhåndsboret.

Åpne eller fjerne lokket (fig. 6, side 5)

Lokket kan åpnes fra begge sider eller fjernes helt uten bruk av verktøy på følgende måte:

- For å åpne lokket låser du det opp i ønsket åpningsretning, (A) eller (B).
- For å fjerne lokket låser du opp på begge sider samtidig (C).

Lukkets stoppesposisjon (fig. 7, side 5)

Lokket har en innebygget stoppesposisjon (A). Ikke tving lokket ut over den innebygde stopperen (B).

**PASS PÅ!****FARE FOR SKADER!**

Hvis denne instruksjonen ikke følges kan det medføre at lokket brytes av.

- Hvis lokket har blitt tvunget for langt må du følge trinnene som er beskrevet i kapittel «Lokket har blitt tvunget forbi den innebygde stopperen (fig. 11, side 7)» på side 206.

Fjerne kurven (fig. 3, side 6)**PASS PÅ!****FARE FOR SKADER!**

Manglende overholdelse av denne instruksjonen kan resultere i skader på apparatet.

Det å fjerne kurven med lokket åpnet kan føre til skrammer på lokket og deformeringer på kurven. Vi anbefaler at du fjerner lokket før du fjerner kurven.

Velge temperaturenheter

Viste temperaturenheter kan veksles mellom Celsius og Fahrenheit på følgende måte:

- Slå på kjøleboksen.
- Trykk to ganger på knappen «SET» (fig. 3 5, side 4).
- Bruk knappene «OPP +» (fig. 3 7, side 4) eller «NED -» (fig. 3 6, side 4) for å velge Celsius eller Fahrenheit.
- ✓ Displayet viser innstilt temperaturenhet i noen sekunder. Displayet blinker noen ganger, før det går tilbake til visning av aktuell temperatur.

6.2 Tips for energisparing

- Velg et montasjested som har god ventilasjon og er beskyttet mot solstråling.
- Avkjøl varm mat før du plasserer den i apparatet for avkjøling.
- Ikke åpne kjøleapparatet lenger enn nødvendig.
- Ikke la kjøleskapet stå lenger åpent enn nødvendig.
- Rim av kjøleren hvis det har dannet seg et lag av is.
- Unngå unødvendig lave temperaturer.

6.3 Koble til kjølesystemet

Tilkobling til et batteri (kjøretøy eller båt)

Kjøleren kan betjenes med 12 V eller 24 V $\overline{=}$.



PASS PÅ!

FARE FOR SKADER!

Manglende overholdelse av denne instruksen kan resultere i skader på apparatet.

Koble fra kjøleboksen og andre forbrukere fra batteriet før du lader opp batteriet med hurtiglader.

Overspenninger kan skade apparatets elektronikk.

Av sikkerhetshensyn er kjøleboksen utstyrt med et elektronisk system som forhindrer feil polaritet. Dette beskytter kjøleboksen mot kortslutninger ved tilkobling til et batteri.

Bruke den sikrede likestrømpluggen



PASS PÅ!

FARE FOR SKADER!

Manglende overholdelse av denne instruksen kan resultere i skader på apparatet.

For beskyttelse av enheten har den medfølgende likestrømkabelen en sikring på inn i pluggen. **Ikke** fjern den sikrede likestrømpluggen.

Bruk kun den medfølgende likestrømkabelen.

- Plugg likestrømkabelen (fig. **1** 2, side 3) inn i likestrømkontakten på kjøleboksen (fig. **4** 3, side 4).
- Koble tilkoblingskabelen til et likestrømuttak.

Tilkobling til et vekselstrømsuttak (f.eks. hjemme eller på kontoret)



FARE!

FARE FOR ELEKTRISK STØT!

Manglende overholdelse av disse advarslene resulterer i alvorlige personskader, eventuelt med døden til følge.

- Ta aldri i støpsler og brytere med våte hender eller hvis det er vått der du står.
- Hvis du bruker kjøleboksen med vekselspenningsforsyning om bord på en båt, må du koble en jordfeilbryter mellom vekselspenningsforsyningen og kjøleboksen.
Be om råd fra fagfolk.

Kjøleboksene har en integrert multispenningsforsyning med prioritetskobling for tilkobling til en vekselstrømkilde. Prioritetskoblingen sørger for at kjøleboksen automatisk kobler om til vekselstrømdrift når apparatet kobles til vekselstrømnettet, selv om likestrømkabelen fortsatt er tilkoblet.

Når du veksler mellom vekselstrømnett og batteriforsyning kan den røde LED-en lyse et kort øyeblikk.

- Plugg vekselstrømkabelen (fig. **1** 3, side 3) inn i vekselstrømkontakten på kjøleboksen (fig. **4** 1, side 4).
- Koble tilkoblingskabelen til et vekselstrømuttak.

6.4 Bruke batterivakten

Apparatet er utstyrt med en flertrinns batterivakt som beskytter kjøretøybatteriet mot for dyp utlading ved tilkobling til likestrømforsyningen.

Hvis kjøleboksen brukes i kjøretøyet når tenningen er avslått, kobler kjølesystemet seg ut automatisk når tilførselsspenningen faller under en innstillbar verdi. Kjøleboksen slår seg på automatisk igjen straks gjeninnkoblingsspenningen nås ved at batteriet lades opp.



PASS PÅ!

FARE FOR SKADER!

Manglende overholdelse av denne instruksjonen kan resultere i skader på batteriet.

Når batteriet slås av via batterivakten, har det ikke lenger full ladekapasitet. Unngå å starte flere ganger eller å bruke strømforbrukere uten lengre oppladninger. Sørg for å lade opp batteriet igjen.

I modusen «HIGH» reagerer batterivakten raskere enn i trinnene «LOW» og «MED» (se tabellen nedenfor).

Batterivakt-modus	LOW	MED	HIGH
Utkoblingsspenning ved 12 V	10,1 V	11,4 V	11,8 V
Gjenstartsspenning ved 12 V	11,1 V	12,2 V	12,6 V
Utkoblingsspenning ved 24 V	21,5 V	24,1 V	24,6 V
Gjenstartsspenning ved 24 V	23,0 V	25,3 V	26,2 V

Batterivakt-modus kan velges på følgende måte:

- Slå på kjøleboksen.
- Trykk på tre ganger på knappen «SET» (fig. 3 5 side 4).
- Bruk knappene «OPP +» (fig. 3 7, side 4) eller «NED -» (fig. 3 6, side 4) for å velge batterivakt-modus.
- ✓ I displayet vises:
 - Lo (LOW), Med (MED), Hi (HIGH)
- ✓ Displayet viser innstilt modus i noen sekunder. Displayet blinker noen ganger, før det går tilbake til visning av aktuell temperatur.



MERK

Når kjøleboksen forsynes fra starterbatteriet, velger du batterivaktmodus «HIGH». Hvis kjøleboksen er tilkoblet et forsyningsbatteri, er batterivaktmodus «LOW» tilstrekkelig.

6.5 Bruke kjøleapparatet



PASS PÅ!

FARE FOR OVEROPPHETING!

Manglende overholdelse av denne instruksjonen kan resultere i skader på apparatet.

Sørg for at det alltid er tilstrekkelig ventilasjon slik at varmen som oppstår under drift, kan føres bort. Pass på at lufteåpningene ikke blokkeres.

Påse at apparatet står langt nok unna vegger eller gjenstander, slik at luften kan sirkulere.

- Plasser kjøleren på et fast underlag.
Påse at lufteåpningene ikke er tildekket, og at den oppvarmede luften kan ledes bort skikkelig. Vi anbefaler å holde en avstand på minst 2" rundt lufteåpningene.

**MERK**

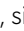
Plasser kjøleboksen som vist (fig. **1**, side 3). Hvis kjøleboksen brukes i en annen stilling kan apparatet bli ødelagt.

- Koble til kjølesystemet, se kapittel «Koble til kjølesystemet» på side 198.

**PASS PÅ!****FARE FOR OVERDREVENT LAV TEMPERATUR!**

Manglende overholdelse av denne instruksjonen kan resultere i skader på gjenstander plassert i kjøleboksen.

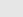
Pass på at kun elementer, hhv. varer som befinner seg i kjøleboksen og som tåler nedkjøling blir nedkjølt til innstilt temperatur.

- Trykk tasten «ON/OFF» (fig. **3** 1, side 4) i mellom ett og to sekunder.
- ✓ LED-en «» tennes (fig. **3** 2, side 4).
- ✓ Displayet (fig. **3** 4, side 4) slår seg på og indikerer den aktuelle temperaturen.
- ✓ Kjøleren begynner å kjøle ned det innvendige rommet.

**MERK - Vist temperatur**

Temperaturen som er vist, er den som gjelder i store deler av det innvendige rommet (fig. **9**, side 6, 1).

**MERK**

Ved drift fra et batteri, slås displayet av automatisk hvis batterispenningen er lav. LED-lampen «» blinker oransje.

Feste lokket på kjøleboksen

- Lukk lokket.
- Trykk ned låsen (fig. **2**, side 3) helt til du hører at den går i lås.

**MERK**

Når du låser lokket må du passe på at begge låsens sidebøyer smekker ordentlig på plass for å sikre at lokket er tettet godt. En lås kan smekke i lås litt før den andre.

- Hvis lokket ikke lukkes likt på begge sider må du trykke inn helt til et nytt klikk høres.

6.6 Temperaturinnstilling

- Trykk på knappen «SET» (fig. **3** 5, side 4) én gang.
- Bruk knappene «OPP +» (fig. **3** 7, side 4) og «NED -» (fig. **3** 6, side 4) for å velge kjøletemperaturen.
- ✓ Kjøletemperaturen vises på displayet i noen sekunder. Displayet blinker noen ganger, og deretter vises den aktuelle temperaturen igjen.

6.7 Stille inn displayets lysstyrke

Displayets lysstyrke kan dimmes for svake lysomgivelser. For å stille inn dimmenivået på displayet går du frem på følgende måte:

- Slå på kjøleboksen.
- Trykk fire ganger på knappen «SET» (fig. **3** 5 side 4).
- Bruk knappene «OPP +» (fig. **3** 7, side 4) eller «NED -» (fig. **3** 6, side 4) for å stille inn lysstyrken på displayet.
- ✓ I displayet vises:
d0 (standard), d1 (middels), d2 (mørk)
- ✓ Displayet viser innstilt modus i noen få sekunder. Displayet blinker to ganger før det går tilbake til visning av aktuell temperatur.

**MERK**

- Fabrikkinnstillingen av displayets lysstyrke er d0 (standard).
- Hvis det oppstår en feil går lysstyrken automatisk tilbake til lysstyrken d0 (standard). Etter feilretting aktiveres den innstilte lysstyrken igjen.

6.8 Slå av kjøleren

- Tøm kjøleapparatet.
- Slå av kjøleboksen.
- Trekk ut tilkoblingskabelen.

Når kjøleboksen ikke skal brukes på lang tid:

- La lokket stå litt åpent. Dette forhindrer luktdannelse.

6.9 Avising av kjøleren

Luftfuktighet kan fryse til rim inne i kjøleapparatet eller på fordampere. Dette reduserer kjøleeffekten.



PASS PÅ!

FARE FOR SKADER!

Manglende overholdelse av denne instruksjonen kan resultere i skader på apparatet.

Bruk aldri harde eller spisse redskaper for å fjerne is eller for å løsne fast-frosne gjenstander.

Gå fram på følgende måte for å avrime kjøleboksen:

- Ta ut innholdet fra kjøleboksen.
- Hvis nødvendig, plasser dem i et annet kjøleapparat, slik at de holder seg kjølige.
- Slå av apparatet.
- La lokket stå åpent.
- Tørk av det optinte vannet.

6.10 Skifte vekselstrømsikring



FARE!

FARE FOR ELEKTRISK STØT!

Manglende overholdelse av denne advarselen resulterer i alvorlige personskader, eventuelt med døden til følge.

Koble fra strømforsyningen og tilkoblingskabelen før du skifter ut sikringen i apparatet.

- Koble fra strømforsyningen til apparatet.
- Trekk ut tilkoblingskabelen.
- Vipp ut sikringsinnsatsen (fig. **4** 2, side 4) med en skrutrekker.
- Skift ut den defekte glassikringen med en ny sikring av samme type og med samme verdi (4 A, 250 V).
- Trykk sikringsinnsatsen inn i kapslingen igjen.
- Koble strømforsyningen til apparatet igjen.

6.11 Skifte apparatets likestrømsikring

- Koble fra strømforsyningen til apparatet.
- Vipp ut sikringsdekselet (fig. **4** 3, side 4) for å komme til sikringen.
- Snu sikringsdekselet og bruk kroken for å fjerne sikringen.
- Skift ut den defekte sikringen med en ny sikring av samme type (standard bladsikring for bil, 10 A).
- Sett på sikringsdekselet igjen.
- Koble strømforsyningen til apparatet igjen.

6.12 Skifte ut likestrømpluggsikring (fig. **10**, side 6)

- Skru kontaktstifhuset (**3**) av fra pluggen (**1**).
- Skift ut den defekte sikringen (**2**) med en ny sikring av samme type og med samme verdi (3AG, hurtig, 10 A).
- Sett inn pluggen igjen i motsatt rekkefølge.

7 Rengjøring og vedlikehold



ADVARSEL!

FARE FOR ELEKTRISK STØT!

Manglende overholdelse av denne advarselen kan resultere i alvorlige personskader, eventuelt med døden til følge.

Før rengjøring og vedlikehold må apparatet alltid kobles fra strømmettet.

**PASS PÅ!****FARE FOR SKADER!**

Manglende overholdelse av disse instruksene kan resultere i skader på apparatet.

- Kjøleapparatet må aldri rengjøres under rennende vann eller spyles.
- Ikke bruk sterke vaskemidler eller harde gjenstander til rengjøring, da det kan skade kjøleboksen.

- Rengjør apparatet innvendig og utvendig fra tid til annen med en fuktig klut.
- Påse at ventilasjonsåpningene på apparatet er fri for støv og forurensinger, slik at varmen som oppstår under drift kan ledes bort og apparatet ikke tar skade.

8 Utbedring av feil

Problem	Mulig årsak	Løsningsforslag
Apparatet fungerer ikke, LED lyser ikke.	Det ble ikke registrert spenning i likestrømuttaket.	I de fleste kjøretøy må tenningen slås på før strøm kan tilføres til likestrømuttaket.
	Vekselstrømuttaket har ikke spenning.	Prøv å bruke et annet plugguttak.
	En av apparatets sikringer er defekt.	Skift ut den defekte sikringen i apparatet, se kapittel «Skifte vekselstrømsikring» på side 203 eller kapittel «Skifte apparatets likestrømsikring» på side 204.
	Den integrerte nettdelen er defekt.	Dette kan bare repareres av et autorisert verksted.
Apparatet kjøler ikke (støpslet er plagget inn, LED-en «POWER» lyser).	Kompressoren er defekt.	Dette kan bare repareres av et autorisert verksted.
Kjøleboksen kjøler ikke (støpslet er plagget inn, LED-en «POWER» blinker oransje, displayet er slått av).	Batterivakten er stilt inn for høyt.	Velg en lavere batterivakt-innstilling.
	Batterispenning for lav.	Kontroller batteriet og lad det eventuelt opp.

Problem	Mulig årsak	Løsningsforslag
Ved drift fra likestrømuttaket: Tenningen er på, apparatet er ikke i drift og LED-lampen lyser ikke.	Likestrømuttaket er tilsmusset. Dette fører til dårlig elektrisk kontakt.	Hvis pluggen i kjøleren blir svært varm i likestrømuttaket, må enten likestrømuttaket rengjøres, eller pluggen er ikke montert på riktig måte.
	Sikringen i likestrømpluggen har gått.	Skift ut sikringen i likestrømpluggen, se kapittel «Skifte ut likestrømpluggsikring (fig. 10, side 6)» på side 204.
	Apparatets likestrømsikring har gått.	Skift ut den defekte sikringen, se kapittel «Skifte apparatets likestrømsikring» på side 204.
	Kjøretøysikringen har gått.	Skift ut sikringen for likestrømuttaket i bilen. Se håndboken for kjøretøyet.
Displayet viser en feilmelding (f.eks. «Err1») og apparatet kjøler ikke.	En intern driftsfeil har slått av apparatet.	Dette kan bare repareres av et autorisert verksted.

8.1 Lokket har blitt tvunget forbi den innebygde stopperen (fig. 11, side 7)

- Støtt lokket med en hånd (A).
- Hold låsen ned med den andre hånden (B).



FORSIKTIG! HELSEFARE!

Manglende overholdelse av dette forsiktighetsvarselet kan resultere i mindre til moderate personskader.
Pass på at du ikke klemmer tommelen når du lukker lokket.



PASS PÅ! FARE FOR SKADER!

Hvis denne instruksjonen ikke følges kan det medføre at lokket brytes av.

- Lukk lokket så langt som mulig uten å klemme tommelen mens du fortsatt holder låsen nede for å unngå at den brekker.
- ✓ Lokket bør nå være omtrent i vinkel (fig. 11, side 7).
- Ta vekk hånden fra låsen (B) og fortsett å lukke lokket helt.

**MERK**

Hengslene kan løsne fra riktig posisjon under den endelige lukkingen. Posisjoner lokket på ny på følgende måte:

- Beveg låsene på begge sider av lokket samtidig.
- Løft opp og posisjonere lokket på ny.

9 Garanti

Lovmessig garantitid gjelder. Hvis produktet skulle være defekt, kontakter du produsentens filial i ditt land (se dometic.com/dealer) eller til din faghandler.

Ved henvendelser vedrørende reparasjon eller garanti, må du sende med følgende dokumentasjon:

- kopi av kvitteringen med kjøpsdato,
- årsak til reklamasjonen eller beskrivelse av feilen.

10 Avfallsbehandling

- Lever emballasje til resirkulering så langt det er mulig.



Når du tar produktet ut av drift for siste gang, må du sørge for å få informasjon om deponeringsforskrifter hos nærmeste resirkuleringsstasjon eller hos din faghandler.

11 Tekniske spesifikasjoner

	CFF 35	CFF 45
Tilkoblingsspenning:	12/24 V \equiv og 100 til 240 V \sim	
Merkestrøm:	12 V \equiv : 7,8 A 24 V \equiv : 3,5 A 240 V \sim : 0,4 A	12 V \equiv : 8,6 A 24 V \equiv : 3,8 A 240 V \sim : 0,41 A
Kjølekapasitet:	+10 °C til -18 °C (+50 °F til 0 °F)	
Kategori:	1	
Energimerking:	A+	
Energiforbruk:	85 kWh/år	84 kWh/år

	CFF 35	CFF 45
Bruttovolum:	34 l	44 l
Oppbevaringsvolum:	30 l	38 l
Klimaklasse:	N, T	
Omgivelsestemperatur:	+16 °C til +43 °C +60 °F til +110 °F	
Kjølemiddelmengde:	34 g	43 g
CO ₂ -ekvivalent:	0,049 t	0,061 t
GWP-verdi:	1430	
Mål (B x H x D) i mm (inkludert håndtak):	715 x 407 x 398	715 x 475 x 398
(B x H x D) i mm (med hånd- tak fjernet):	590 x 407 x 398	590 x 475 x 398
Vekt:	17,2 kg	18,6 kg

**MERK**

Hvis omgivelsestemperaturen er over +32 °C (+90 °F) kan ikke minimumstemperaturen oppnås.

Test/sertifikater:



Kjølekretsen inneholder R134a.

Inneholder fluoriserte drivhusgasser

Hermetisk lukket innretning

Lue tämä ohje huolellisesti läpi ennen laitteen käyttöön ottamista ja säilytä ohje. Jos luovutat laitteen toiselle käyttäjälle, luovuta tällöin myös ohje uudelle käyttäjälle.

Valmistaja ei ota vastuuta vahingoista, jotka aiheutuvat **epäasianmukaisesta käytöstä** tai **väärästä käytöstä**.

Sisältö

1	Symbolien selitykset	209
2	Turvallisuusohjeet	210
3	Toimituskokonaisuus	213
4	Käyttötarkoitus	213
5	Toimintakuvaus	214
6	Käyttö	215
7	Puhdistus ja hoito	223
8	Vianetsintä	224
9	Takuu	226
10	Hävittäminen	226
11	Tekniset tiedot	226

1 Symbolien selitykset



VAARA!

Turvallisuusohje koskien vaaratilannetta, joka johtaa kuolemaan tai vakavaan vammaan, jos tilannetta ei vältetä.



VAROITUS!

Turvallisuusohje koskien vaaratilannetta, joka voi johtaa kuolemaan tai vakavaan vammaan, jos tilannetta ei vältetä.



HUOMIO!

Turvallisuusohje koskien vaaratilannetta, joka voi johtaa lievään tai kohtalaiseen vammaan, jos tilannetta ei vältetä.

**HUOMAUTUS!**

Ohje koskien tilannetta, joka voi johtaa esinevahinkoihin, jos sitä ei vältetä.

**OHJE**

Tuotteen käyttöä koskevia lisätietoja.

2 Turvallisuusohjeet



VAROITUS! Näiden varoitusten noudattamatta jättäminen voi johtaa kuolemaan tai vakavaan vammaan.

Sähköiskusta johtuva hengenvaara

- Laitetta ei saa ottaa käyttöön, jos siinä on näkyviä vaurioita.
- Jos tämän jäähdytyslaitteen virtajohto on vioittunut, se täytyy vaihtaa vaarojen välttämiseksi.
- Ainoastaan ammattilaiset saavat korjata tätä laitetta. Epäasianmukaisista korjauksista saattaa aiheutua huomattavia vaaroja.

Palovaara

- Varmista, että virtajohto ei juutu kiinni eikä vaurioidu sijoittaessasi laitetta paikalleen.
- Älä sijoita siirrettäviä pistorasialistoja tai siirrettäviä virtalähteitä laitteen taakse.

Terveysriski

- Tätä laitetta voivat käyttää valvonnan alaisuudessa myös vähintään 8-vuotiaat lapset samoin kuin henkilöt, joiden fyysiset, aistinvaraiset tai henkiset kyvyt ovat rajoittuneet tai joilta puuttuu laitteen käytön vaatima kokemus tai tietämys, mikäli edellä mainittuja henkilöitä on opastettu käyttämään laitetta turvallisesti ja mikäli henkilöt ymmärtävät laitteen käyttöön liittyvät riskit.
- Lapset eivät saa leikkiä laitteella.
- Lapset eivät saa puhdistaa laitetta tai tehdä käyttäjähuoltoa ilman valvontaa.
- 3 – 8-vuotiaat lapset saavat sekä sijoittaa tuotteita jääkaappiin että noutaa tuotteita sieltä.

Räjähdyksvaara

- Älä säilytä laitteessa mitään räjähdysalttiita tavaroita kuten esim. suihkepurkkeja, joissa on palavaa ponneainetta.



HUOMIO! Näiden varoitusten noudattamatta jättäminen voi johtaa vähäiseen tai kohtalaiseen vammaan.

Sähköiskusta johtuva hengenvaara

- Huolehdi ennen laitteen käyttöönottoa siitä, että johto ja pistoke ovat kuivia.
- Irrota laite verkosta
 - ennen jokaista puhdistusta tai hoitoa
 - jokaisen käytön jälkeen

Terveysriski

- Ole hyvä ja tarkista, vastaako laitteen jäähdysteho niiden elintarvikkeiden tai lääkkeiden vaatimuksia, joita haluat jäähdyttää.
- Elintarvikkeita saa säilyttää vain alkuperäispakkauksissa tai tarkoitukseen sopivissa astioissa.
- Kylmälaitteen avaaminen pitkiksi ajoiksi voi merkittävästi nostaa lämpötilaa laitteen lokeroissa.
- Puhdista säännöllisesti pinnat, jotka voivat joutua kosketuksiin elintarvikkeiden ja suojaamattomien viemärijärjestelmän osien kanssa.
- Säilytä raakaa lihaa ja kalaa laitteen sisällä tarkoitukseen sopivissa astioissa, jotta raaka liha ja kala eivät joudu kosketuksiin muiden elintarvikkeiden kanssa ja jotta niistä ei tipu nestettä muiden elintarvikkeiden päälle.
- Jos laite jää pitkäksi aikaa tyhjilleen:
 - Kytke laite pois päältä.
 - Sulata laite.
 - Puhdista ja desinfioi laite.
 - Jätä laitteen ovi auki, jotta laitteen sisälle ei muodostu homeita.



HUOMAUTUS! Vaurioitumisvaara

- Verrattakaa tyyppikilven jännitetietoja käytettävissä olevaan energiansyöttöön.
- Liitätkää laite vain seuraavalla tavalla:
 - toimituskokonaisuuteen kuuluvalla DC-liitäntäjohdolla DC-pistorasiaan
 - toimituskokonaisuuteen kuuluvalla AC-liitäntäjohdolla vaihtovirtaverkkoon

- Älä ota pistoketta koskaan pois pistorasiasta johdosta vetämällä.
- Jos kylmälaite on liitetty DC-pistorasiaan: Irrottaa kylmälaitteenne ja muut sähköä käyttävät laitteet akusta ennen pikalaturin liittämistä.
- Jos kylmälaite on liitetty DC-pistorasiaan: Irrota liitäntä tai sammuta ylmälaite, kun sammutat moottorin. Muuten akku voi purkautua.
- Kylmälaite ei sovi syövyttävien tai liuotinainepitoisten aineiden kuljettamiseen.
- Tämän kylmälaitteen erityksessä on palavaa syklopentaania. Eristysmateriaalin kaasut vaativat erityisen hävittämismenetelmän. Vie kylmälaite käyttöiän täytyttyä asianmukaiseen hävityspisteeseen.
- Älä käytä kylmälaukun sisällä mitään sähkölaitteita, vaikka valmistaja näitä suosittelisikin.
- Älkää asettako laitetta avoliekkien tai muiden lämpölähteiden (lämmitys, voimakas auringonpaiste, kaasu-uunit jne.) lähelle.
- **Ylikuumenemisvaara!**
Varmista aina, että kylmälaitteen kaikilla neljällä sivulla on vähintään 50 mm tilaa tuuletukselle. Pidä tuuletustila vapaana kaikista esineistä, jotka voisivat haitata ilman virtausta jäähdytysosiin.
Älä sijoita kylmälaitetta suljettuihin tiloihin tai alueille, joissa ilma ei virtaa tai virtaa vain hyvin vähän.
- Huolehtikaa siitä, että tuuletusrakojia ei peitetä.
- Älkää laittako sisäästiaan minkäänlaisia nesteitä tai jäätä.
- Älkää upottako laitetta koskaan veteen.
- Suojatkaa laite ja sen johto kuumuudelta ja kosteudelta.
- Suojaa kylmälaite sateelta.

3 Toimituskokonaisuus

Kohta (kuva 1, sivulla 3)	Määrä	Kuvaus
1	1	Kylmälaatikko
2	1	Tasavirtaliitännän liitäntäjohto
3	1	Vaihtovirtaliitännän liitäntäjohto
4	2	Kantokahva, joka sisältää seuraavat osat: <ul style="list-style-type: none"> • 2 pidikettä • 1 kahva • 4 kiinnitysruuvia • 1 kuusiokoloavain
-	1	Käyttöohje

4 Käyttötarkoitus

Kylmälaite soveltuu

- elintarvikkeiden kylmäsäilytykseen ja pakastamiseen
- käyttöön leirintäalueella ja matkalla

Kylmälaite on suunniteltu käytettäväksi

- ajoneuvon, veneen tai matkailuauton tasavirtaverkolla
- ulkoisella tasavirta-akulla
- vaihtovirtaliitännällä

Kylmälaite on tarkoitettu sisäkäyttöön ja vastaaviin käyttötarkoituksiin, esim.

- kauppojen, toimistojen ja muiden työpaikkojen henkilöstökeittäihin
- maatalouskäyttöön
- hotellien, motellien ja muiden majoituspaikkojen vieraskäyttöön
- aamiaismajoituksiin
- pitopalvelu- ja tukkukauppakäyttöön

5 Toimintakuvaus

Kylmälaite pystyy jäähdyttämään tuotteita ja pitämään ne kylminä sekä pakastamaan niitä. Jäähdyttämiseen käytetään jäähdytyskiertoa ja kompressoria, joita ei juurikaan tarvitse huoltaa. Rungas eristys ja tehokas kompressori takaavat tehokkaan ja nopean jäähdytyksen.

Kylmälaite sopii liikkuvaan käyttöön.

Kylmälaatikko kestää väliaikaiset, enintään 30^o:n kallistumat esimerkiksi veneessä.

5.1 Toiminnot

- Verkkoalaite, jossa on ensisijaiskytkentä laitteen liittämiseksi vaihtojännitteeseen
- Kolmiportainen akkuvahvi ajoneuvon akun suojaamiseen
- Lämpötilanäyttö °C ja °F
kytkeytyy automaattisesti pois päältä, kun akkujännite on alhainen
- Lämpötilasäätö: Kahdella painikkeella 1 °C:n välein (ja 2 °F:n välein)
- Näytönhimmennystoiminto, jossa 3 kirkkautta
- Irrotettava lankakori
- Irrotettavat kantokahvat

5.2 Käyttö- ja näyttölaitteet

Kannen salvat (kuva 2, sivulla 3)

Käyttökenttä (kuva 3, sivulla 4)

Kohta	Kuvaus	Selitys
1	PÄÄLLE POIS	Kytkee kylmälaukun päälle tai pois, kun painiketta painetaan yksi tai kaksi sekuntia
2	VIRTA "⏻"	Tilan ilmaisin
		LED loistaa vihreänä: Kompressori on päällä
		LED loistaa oranssina: Kompressori on pois päältä
		LED vilkkuu oranssina: Näyttö kytkeytynyt automaattisesti pois päältä, koska akkujännite on alhainen
3	VIRHE	LED vilkkuu punaisena: Laite on päällä, mutta ei käyttövalmis

Kohta	Kuvaus	Selitys
4	–	Näyttö, näyttää arvot
5	ASETUS	Valitsee syöttötilan – Lämpötilasäätö – Celsius- tai Fahrenheit-näyttö – Akkuvahdin asetus – Näytön kirkkauden säätö
6	ALHAISEMPI –	Napautus kerran alentaa arvoa
7	KORKEAMPI +	Napautus kerran nostaa arvoa

Liitäntäpistorasiat (kuva 4, sivulla 4)

Kohta	Kuvaus
1	Vaihtojännitesyötön liitin
2	Vaihtovirtasulakkeenpidin
3	Tasajännitesulakkeen kansi
4	Tasajännitesyötön liitin

6 Käyttö

6.1 Ennen ensikäyttöä



OHJE

Ennen kuin uusi kylmälaatikko otetaan käyttöön ensimmäisen kerran, se on hygieniaasyistä puhdistettava kostealla liinalla sisältä ja ulkoa (ks. myös kap. "Puhdistus ja hoito" sivulla 223).

Kahvojen asennus (kuva 5, sivulla 4)

Kahvat toimitetaan asentamattomina. Menettele seuraavasti, jos aiot asentaa kahvat:

- Kokoa kahva liittämällä kaksi pidikettä (1) ja kahva (2) toisiinsa.
- Kiinnitä pidikkeet mukana toimitetuilla ruuveilla, jotka ruuvataan niitä varten oleviin reikiin.

Kannen avaaminen ja poistaminen (kuva 6, sivulla 5)

Kansi voidaan avata kummalta puolelta tahansa tai poistaa kokonaan ilman työkaluja seuraavalla tavalla:

- Avaa kansi avaamalla salpa haluamasi avautumissuunnan puolelta (A) tai (B).
- Ota kansi pois avaamalla salvat yhtä aikaa molemmilta puolilta (C).

Kannen pysäytysasento (kuva 7, sivulla 5)

Kannessa on sisäänrakennettu pysäytysasento (A). Älä käännä kantta väkisin pysäytysasennon yli (B).



HUOMAUTUS!

VAURION VAARA!

Jos tätä ohjetta ei noudateta, kansi voi murtua irti.

- Jos kantta on käännetty väkisin liian pitkälle, noudata ohjeita, ks. kap. "Kansi on käännetty väkisin pysäytysasennon yli (kuva 11, sivulla 7)" sivulla 225.

Korin poistaminen (kuva 8, sivulla 6)



HUOMAUTUS!

VAURION VAARA!

Tämän ohjeen noudattamatta jättäminen saattaa johtaa laitevaurioon.

Jos kori otetaan pois kannen ollessa avattuna kansi voi naarmuuntua ja kori vääntyä. Suosittelemme poistamaan kannen ensin kokonaan ja vasta sitten ottamaan korin pois.

Lämpötilayksikön valinta

Lämpötilanäytön yksikkö, Celsius tai Fahrenheit, valitaan seuraavasti:

- Kytke kylmälaatikko päälle.
- Paina "SET" (ASETUS) -painiketta (kuva 3 5, sivulla 4) kaksi kertaa.
- Valitse Celsius- tai Fahrenheit-asteet painikkeilla "UP +" (KORKEAMPI +) (kuva 3 7, sivulla 4) tai "DOWN -" (ALHAISEMPI -) (kuva 3 6, sivulla 4).
- ✓ Asetettu lämpötilayksikkö näkyy näytössä muutaman sekunnin ajan. Näyttö vilkkuu monta kertaa, ennen kuin se palaa tämänhetkisen lämpötilan näyttöön.

6.2 Vinkkejä energian säästämiseen

- Valitkaa asennuspaikka, joka on hyvin tuuletettu ja suojassa auringonpaisteelta.
- Antakaa lämminten ruokien jäähtyä ennen niiden säilyttämistä laitteessa kylminä.
- Älkää avatko kylmälaitetta tarpeettoman usein.
- Älä jätä jäähdytyslaitetta auki pidemmäksi ajaksi kuin tarpeen.
- Sulata kylmälaatikko heti, kun siihen on muodostunut jääkerros.
- Vältä turhan alhaisia lämpötiloja.

6.3 Kylmälaitteen liittäminen

Liitäntä akkuun (ajoneuvo tai vene)

Kylmälaatikkoa voidaan käyttää tasavirralla 12 V tai 24 V $\overline{=}$.



HUOMAUTUS!

VAURION VAARA!

Tämän ohjeen noudattamatta jättäminen saattaa johtaa laitevaurioon. Irrota kylmälaatikko ja muut sähkölaitteet akusta ennen kuin lataat akkua pikalaturilla. Ylijännite voi vahingoittaa laitteiden elektroniikkaa.

Kylmälaatikossa on elektroninen järjestelmä, joka estää vääränapaisuuden. Näin kylmälaatikko on suojattu oikosululta akkua liitettäessä.

Sulakkeellisen tasavirtapistokkeen käyttö



HUOMAUTUS!

VAURION VAARA!

Tämän ohjeen noudattamatta jättäminen saattaa johtaa laitevaurioon. Mukana toimitetun tasavirtajohdon pistokkeessa on sulake laitteen suojaamiseksi. **Älä** poista sulakkeellista tasavirtapistoketta. Käytä ainoastaan mukana toimitettua tasavirtajohtoa.

- Työnnä tasavirtaliitäntäjohto (kuva **1** 2, sivulla 3) kylmälaatikon tasavirtaliitäntään (kuva **4** 3, sivulla 4).
- Yhdistä liitäntäjohto tasavirtapistorasiaan.

Liitântä vaihtovirtaverkkoon (esim. kotona tai toimistossa)



VAARA!

SÄHKÖISKUN VAARA!

Näiden varoitusten noudattamatta jättäminen johtaa kuolemaan tai vakavaan vammaan.

- Älä käsittele pistokkeita ja kytkimiä märin käsin tai kun seisot märässä paikassa.
- Jos kylmälaatikkoa käytetään veneessä vaihtojännitteellä, vaihtojänniteverkon ja kylmälaatikon väliin täytyy kytkeä vikavirtasuojakytkin. Lisätietoja saat alan ammattilaisilta.

Kylmälaatikoissa on integroitu monijännitesyöttö ja ensisijaiskytkentä laitteen liittämiseksi vaihtovirtaverkkoon. Ensisijaiskytkentä kytkee kylmälaatikon automaattisesti vaihtovirtakäytölle kun laite liitetään vaihtovirtaan, vaikka tasavirtaliitântäjohto olisi yhä liitettynä.

Kun virtalähdettä vaihdetaan vaihtovirtaverkosta akkuun tai päinvastoin, punainen LED saattaa syttyä hetkeksi.

- Työnnä vaihtovirtaliitântäjohto (kuva **1** 3, sivulla 3) kylmälaatikon vaihtovirtaliitântään (kuva **4** 1, sivulla 4).
- Yhdistä liitântäjohto vaihtovirtapistorasiaan.

6.4 Akkuvahdin käyttäminen

Laitteessa on moniportainen akkuvahdi, joka suojaa ajoneuvon akkua syväpurkautumiselta silloin, kun laite on liitetty ajoneuvon tasavirtaverkkoon.

Jos kylmälaatikkoa käytetään ajoneuvon sytytyksen ollessa pois päältä, kylmälaatikko kytkeytyy itsestään pois päältä heti, kun syöttöjännite laskee asetetun arvon alle. Kylmälaatikko kytkeytyy päälle heti, kun akun lataustila on saavuttanut uudelleenkytkentäjännitteen.



HUOMAUTUS!

VAURION VAARA!

Tämän ohjeen noudattamatta jättäminen saattaa johtaa akkuvaurioon. Kun akkuvahdi on kytkenyt virran pois, akku ei enää ole täyteen ladattu. Vältä toistuvaa uudelleenkäynnistämistä ja virrankuluttajien käyttöä ilman pitempiä latausvaiheita. Varmista, että akku ladataan uudelleen.

Tilassa "HIGH" akkuvahdi reagoi nopeammin kuin tasoilla "LOW" ja "MED" (ks. seuraava taulukko).

Akkuvahdin tila	LOW	MED	HIGH
Poiskytkentäjännite 12 V:n järjestelmässä	10,1 V	11,4 V	11,8 V
Uudelleenkäynnistysjännite 12 V:n järjestelmässä	11,1 V	12,2 V	12,6 V
Poiskytkentäjännite 24 V:n järjestelmässä	21,5 V	24,1 V	24,6 V
Uudelleenkäynnistysjännite 24 V:n järjestelmässä	23,0 V	25,3 V	26,2 V

Akkuvahdilla on kolme käyttötilaa, jotka valitaan seuraavasti:

- Kytke kylmälaatikko päälle.
- Paina painiketta "SET" (ASETUS) (kuva **3** 5, sivulla 4) kolme kertaa.
- Aseta akkuvahdin tila painikkeilla "UP +" (KORKEAMPI +) (kuva **3** 7, sivulla 4) tai "DOWN –" (ALHAISEMPI –) (kuva **3** 6, sivulla 4).
- ✓ Näytössä näkyy
Lo (LOW), Med (MED), Hi (HIGH)
- ✓ Näyttö näyttää asetetun tilan muutaman sekunnin ajan. Näyttö vilkkuu monta kertaa, ennen kuin se palaa tämänhetkisen lämpötilan näyttöön.



OHJE

Kun kylmälaatikko saa virtansa käynnistysakusta, valitse akkuvahdin tilaksi "HIGH". Jos kylmälaatikko on liitetty erilliseen syöttöakkuun, akkuvahdin tilaksi riittää "LOW".

6.5 Kylmälaatikon käyttö



HUOMAUTUS!

YLIKUUMENEMISEN VAARA!

Tämän ohjeen noudattamatta jättäminen saattaa johtaa laitevaurioon. Varmista aina riittävä tuuletus, jotta käytön aikana syntyvä lämpö pääsee poistumaan. Huolehdi siitä, ettei tuuletusrakoa peitetä. Huolehdi siitä, että laite on riittävän etäällä seinistä tai esineistä, jotta ilma pääsee kiertämään.

- Sijoita kylmälaatikko tukevalle alustalle. Huolehdi siitä, että tuuletusrakoja ei peitetä ja että lämmennyt ilma pääsee poistumaan. Suosittelemme jättämään ainakin 2":n raon tuuletusaukkojen ympärille.

**OHJE**

Aseta kylmälaukku kuvan osoittamalla tavalla, ks. (kuva **1**, sivulla 3). Jos kylmälaatikkoa käytetään muussa asennossa, se saattaa vahingoittaa.

- Liitä kylmälaatikko, ks. kap. "Kylmälaitteen liittäminen" sivulla 217.

**HUOMAUTUS!****VAARA, ETTÄ LÄMPÖTILA LASKEE LIIKAA!**

Tämän ohjeen noudattamatta jättäminen saattaa johtaa kylmälaatikossa olevien tuotteiden vaurioitumiseen.

Huolehdi siitä, että kylmälaatikossa on vain esineitä tai tuotteita, jotka saa jäähdyttää valittuun lämpötilaan.

- Paina painiketta "ON/OFF" (PÄÄLLE/POIS) (kuva **3** 1, sivulla 4) yhdestä kahdeksan sekuntia.
- ✓ LED "⏻" syttyy (kuva **3** 2, sivulla 4).
- ✓ Näyttö (kuva **3** 4, sivulla 4) kytkeytyy päälle ja näyttää nykyisen lämpötilan.
- ✓ Kylmälaatikko alkaa jäähdyttää sisältönsä.

**OHJE – Näytetty lämpötila**

Näytössä näkyy sisälokeron ison puolen lämpötila (kuva **9**, sivulla 6, 1).

**OHJE**

Jos kylmälaatikkoa käytetään akun avulla, näyttö sammuu automaattisesti, jos akkujännite on alhainen. LED "⏻" LED vilkkuu oranssina.

Kylmälaatikon kannen salpaaminen

- Sulje kansi.
- Paina salpaa (kuva **2**, sivulla 3) alaspäin kunnes kuulet sen lukittuvan.

**OHJE**

Kun salpaat kannen, varmista että salpojen sivutapit menevät kokonaan paikoilleen, jotta kansi on tiiviisti kiinni. Toinen salvoista voi lukittua hiukan aikaisemmin kuin toinen.

- Jos kantta ei suljeta samalla tavalla kummaltakin puolelta, paina, kunnes kuulet toisen naksahduksen.

6.6 Lämpötilan säätö

- Paina painiketta "SET" (ASETUS) (kuva **3** 5, sivulla 4) kerran.
- Valitse jäähdytyslämpötila painikkeilla "UP +" (KORKEAMPI +) (kuva **3** 7, sivulla 4) tai "DOWN –" (ALHAISEMPI –) (kuva **3** 6, sivulla 4).
- ✓ Valittu jäähdytyslämpötila näkyy näytössä muutaman sekunnin ajan. Näyttö vilkkuu monta kertaa, minkä jälkeen tämänhetkinen lämpötila palaa näyttöön.

6.7 Näytön kirkkauden säätäminen

Näytön kirkkautta voidaan himmentää, jos ympäristön valo niin vaatii. Säädä näytön himmennystä seuraavasti:

- Kytke kylmälaatikko päälle.
- Paina painiketta "SET" (ASETUS) (kuva **3** 5, sivulla 4) neljä kertaa.
- Säädä näytön kirkkaus painikkeilla "UP +" (KORKEAMPI +) (kuva **3** 7, sivulla 4) tai "DOWN –" (ALHAISEMPI –) (kuva **3** 6, sivulla 4).
- ✓ Näytössä näkyy d0 (oletus), d1 (keskitaso), d2 (himmeä)
- ✓ Säädetty tila näkyy näytössä usean sekunnin ajan. Näyttö vilkahtaa kaksi kertaa, ennen kuin se palaa tämänhetkisen lämpötilan näyttöön.

**OHJE**

- Näytön kirkkauden tehdasasetus on d0 (oletus).
- Häiriön ilmetessä kirkkaus säätty aina kirkkauteen d0 (oletus). Vianetsinnän jälkeen säädetty kirkkaus asettuu takaisin.

6.8 Kylmälaatikon kytkeminen pois päältä

- Tyhjennä kylmälaatikko.
- Kytke kylmälaukku pois päältä.
- Vedä liitântäjohto irti.

Jos poistat kylmälaatikon käytöstä pidemmäksi aikaa:

- Jätä kansi hieman auki. Näin vältät hajun muodostumisen.

6.9 Kylmälaatikon sulattaminen

Kosteus voi muodostaa kylmälaitteen sisälle tai haihduttimeen huurretta. Tämä pienentää jäähdytystehoa.



HUOMAUTUS!

VAURION VAARA!

Tämän ohjeen noudattamatta jättäminen saattaa johtaa laitevaurioon. Älä koskaan poista jäätä tai irrota kiinni jäätyneitä esineitä tai tuotteita kovilla tai terävillä työkaluilla.

Sulata kylmälaatikko seuraavalla tavalla:

- Tyhjennä kylmälaatikko.
- Pane kylmälaatikon sisältämät tuotteet tarvittaessa toiseen kylmälaitteeseen, jotta ne pysyvät kylminä.
- Kytke laite pois päältä.
- Jätä kansi auki.
- Pyyhi sulamisvesi pois.

6.10 Vaihtovirtasulakkeen vaihtaminen



VAARA!

SÄHKÖISKUN VAARA!

Tämän varoituksen noudattamatta jättäminen johtaa kuolemaan tai vakavaan vammaan.

Irrota liitântäjohto virtalähteestä ennen laitteen sulakkeen vaihtamista.

- Katkaise laitteen virransaanti.

- Irrota liitäntäjohto.
- Työnnä sulakepesä (kuva **4** 2, sivulla 4) ruuvimeisselillä ulos.
- Vaihda viallisen sulakkeen tilalle uusi lasiputkisulake, jonka arvo on sama (4 A, 250 V).
- Paina sulakepesä takaisin runkoon.
- Kytke laitteen virransaanti takaisin.

6.11 Laitteen tasavirtasulakkeen vaihtaminen

- Katkaise laitteen virransaanti.
- Käännä sulakekansi irti (kuva **4** 3, sivulla 4), jotta pääset käsiksi sulakkeeseen.
- Käännä sulakekansi ja käytä koukkua sulakkeen poistamiseen.
- Vaihda sulake uuteen samantyyppiseen (ajoneuvokäyttöön tarkoitettu vakiosulake, 10 A).
- Aseta sulakekansi takaisin paikalleen.
- Kytke laitteen virransaanti takaisin.

6.12 Tasavirtapistokkeen sulakkeen vaihtaminen (kuva **10**, sivulla 6)

- Kierrä liitintappikotelo (**3**) irti pistokkeesta (**1**).
- Vaihda viallinen sulake (**2**) uuteen samantyyppiseen ja -arvoiseen (3AG, nopea, 10 A).
- Kokoa pistoke päinvastaisessa järjestyksessä.

7 Puhdistus ja hoito



VAROITUS!

SÄHKÖISKUN VAARA!

Tämän varoituksen noudattamatta jättäminen voi johtaa kuolemaan tai vakavaan vammaan.

Irrota laite sähköverkosta aina ennen puhdistusta ja huoltoa.



HUOMAUTUS! **VAURION VAARA!**

Näiden ohjeiden noudattamatta jättäminen saattaa johtaa laitevaurioon.

- Älä puhdista kylmälaitetta koskaan juoksevan veden alla tai tiskivedessä.
- Älä käytä puhdistamiseen voimakkaita puhdistusaineita tai kovia esineitä, koska ne voivat vahingoittaa kylmälaatikkoa.

- Puhdista laite toisinaan sisältä ja ulkoa kostealla liinalla.
- Varmista, että laitteen ilmanotto- ja poistoaukot ovat puhtaita pölystä ja liasta, jotta toiminnassa syntyvä lämpö voidaan johtaa pois ja laite ei pääse vaurioitumaan.

8 Vianetsintä

Häiriö	Mahdollinen syy	Ratkaisuehdotus
Laite ei toimi, LED ei pala.	Tasavirtapistorasiassa ei ole jännitettä.	Useimmissa ajoneuvoissa sytytyksen täytyy olla päällä, jotta tasavirtapistorasia saa virtaa.
	Vaihtovirtapistorasiassa ei ole jännitettä.	Kokeile toista pistorasiaa.
	Jokin laitteen sulakkeista on viallinen.	Vaihda laitteen viallinen sulake, ks. kap. "Vaihtovirtasulakkeen vaihtaminen" sivulla 222 tai kap. "Laitteen tasavirtasulakkeen vaihtaminen" sivulla 223.
	Sisäänrakennettu verkolaite on rikki.	Tämän vian saa korjata vain valtuutettu korjausliike.
Laite ei jäähdytä (pistoke on kiinnitetty, "POWER" (VIRTA) -LED palaa).	Kompressorin rikki.	Tämän vian saa korjata vain valtuutettu korjausliike.
Laite ei jäähdytä (pistoke on kiinnitetty, "POWER" (VIRTA) -LED vilkkuu oranssina, näyttö on sammutettu).	Akkuvahdin tila on säädetty liian korkeaksi.	Valitse alhaisempi akkuvahdin asetus.
	Käyttöjännite ei riitä.	Tarkasta akku ja lataa se tarvittaessa.

Häiriö	Mahdollinen syy	Ratkaisuehdotus
Käytettäessä tasavirtapistorasiassa: Sytytys on päällä, laite ei toimi eikä LED pala.	Tasavirtapistorasia on likainen. Tämän vuoksi sähkökontakti on heikko.	Jos kylmälaitteen pistoke kuumenee voimakkaasti tasavirtapistorasiassa, tasavirtapistorasia on puhdistettava tai pistokkeen osat on koottu virheellisesti.
	Tasavirtapistokkeen sulake on palanut.	Vaihda tasavirtapistokkeen sulake, ks. kap. "Tasavirtapistokkeen sulakkeen vaihtaminen (kuva 10, sivulla 6)" sivulla 223.
	Laitteen tasavirtasulake on palanut.	Vaihda viallinen sulake, ks. kap. "Laitteen tasavirtasulakkeen vaihtaminen" sivulla 223.
	Ajoneuvosulake on palanut.	Vaihda ajoneuvon tasavirtapistorasian sulake. Lisätietoja ajoneuvosi käyttöohjeessa.
Näytössä näkyy virheilmoitus (esim. "Err1"), eikä laite jäähdytä.	Sisäinen käyttöhäiriö on sammuttanut laitteen.	Tämän vian saa korjata vain valtuutettu korjausliike.

8.1 Kansi on käännetty väkisin pysäytysasennon yli (kuva 11, sivulla 7)

- Tue kantta kädellä (A).
- Pidä salpaa alhaalla toisella kädellä (B).



HUOMIO!

TERVEYSRISKI!

Tämän varoituksen noudattamatta jättäminen voi johtaa lievään tai kohtalaiseen vammaan.
Varo peukaloasi kun suljet kantta.



HUOMAUTUS!

VAURION VAARA!

Jos tätä ohjetta ei noudateta, kansi voi murtua irti.

- Sulje kansi siten, että peukalosi ei jää väliin kun pidät salpaa alhaalla, jotta salpa ei murru.
- ✓ Kannen pitäisi nyt olla suunnilleen kuvan osoittamassa kulmassa (kuva 11, sivulla 7).

- Ota käsi pois salvalta (**B**), ja sulje kansi kokonaan.



OHJE

Saranat voivat lähteä oikeista asennoistaan sulkemisen loppuvaiheessa. Korjaa kannen asento seuraavasti:

- Käytä salpoja saman aikaisesti kannen molemmilta puolilta.
- Nosta kantta ja korjaa sen asento.

9 Takuu

Laitetta koskee lakisääteinen takuu-aika. Jos tuote sattuu olemaan viallinen, käänny maasi valmistajan toimipisteen puoleen (katso dometic.com/dealer) tai ota yhteyttä omaan ammattikauppiaseesi.

Korjaus- ja takuukäsittelyä varten lähetä mukana seuraavat asiakirjat:

- kopio ostolaskusta, jossa näkyy ostopäivä,
- valitusperuste tai vikakuvaus.

10 Hävittäminen

- Vie pakkausmateriaali mahdollisuuksien mukaan vastaavan kierrätysjätteen joukkoon.



Jos poistat tuotteen lopullisesti käytöstä, pyydä tietoa sen hävittämistä koskevista määräyksistä lähimmästä kierrätyskeskuksesta tai ammattiliikkeestäsi.

11 Tekniset tiedot

	CFF35	CFF45
Liitäntäjännite:	12 V $\overline{=}$ ja 100 ... 240 V \sim	
Nimellisvirta:	12 V $\overline{=}$: 7,8 A 24 V $\overline{=}$: 3,5 A 240 V \sim : 0,4 A	12 V $\overline{=}$: 8,6 A 24 V $\overline{=}$: 3,8 A 240 V \sim : 0,41 A
Jäähdytysteho:	+10 °C ... -18 °C (+50 °F ... 0 °F)	
Luokka:	1	

	CFF35	CFF45
Energiatehokkuusluokka:	A+	
Energiankulutus:	85 kWh/vuosi	84 kWh/vuosi
Bruttotilavuus:	34 l	44 l
Hyötytilavuus:	30 l	38 l
Ilmastoluokka:	N, T	
Ympäristön lämpötila:	+16 °C ... +43 °C +60 °F ... +110 °F	
Kylmäaineen määrä:	34 g	43 g
CO ₂ -ekvivalentti:	0,049 t	0,061 t
Vaikutus ilmaston lämpenemiseen (GWP):	1430	
Mitat (l x k x s), mm (kahvat mukaan lukien):	715 x 407 x 398	715 x 475 x 398
(l x k x s), mm (kahvat irrotettuina):	590 x 407 x 398	590 x 475 x 398
Paino:	17,2 kg	18,6 kg

**OHJE**

Jos ympäristön lämpötila on yli +32 °C (+90 °F), minimilämpötilaa ei saavuteta.

Tarkastus/sertifikaatit:



Jäähdytyskierto sisältää kylmäainetta R134a.

Sisältää fluorattuja kasvihuonekaasuja

Ilmatiiviisti suljetulla laitteella

Прочтите данную инструкцию перед вводом в эксплуатацию и сохраните ее. В случае передачи холодильника передайте инструкцию следующему владельцу.

Изготовитель не несет ответственности за ущерб, вызванный **использованием не по назначению** или **неправильным управлением**.

Содержание

1	Пояснение к символам	228
2	Указания по технике безопасности	229
3	Комплект поставки	232
4	Использование по назначению	233
5	Описание работы	233
6	Управление.	235
7	Очистка и уход	244
8	Устранение неисправностей	245
9	Гарантия	247
10	Утилизация	248
11	Технические характеристики	248

1 Пояснение к символам



ОПАСНОСТЬ!

Указание по технике безопасности, указывающее на опасную ситуацию, которая ведет к смерти или серьезной травме, если ее не предотвратить.



ПРЕДУПРЕЖДЕНИЕ!

Указание по технике безопасности, указывающее на опасную ситуацию, которая может привести к смерти или серьезной травме, если ее не предотвратить.

**ОСТОРОЖНО!**

Указание по технике безопасности, указывающее на опасную ситуацию, которая может привести к травмам легкой или средней тяжести, если ее не предотвратить.

**ВНИМАНИЕ!**

Указание на ситуацию, которая может привести к материальному ущербу, если ее не предотвратить.

**УКАЗАНИЕ**

Дополнительная информация по управлению продуктом.

2 Указания по технике безопасности



ПРЕДУПРЕЖДЕНИЕ! Несоблюдение этих предупреждений может привести к смерти или серьезной травме.

Опасность для жизни из-за поражения электрическим током

- Запрещается вводить прибор в работу, если он имеет видимые повреждения,
- Если кабель питания этого охлаждающего устройства поврежден, его необходимо заменить, чтобы предотвратить угрозу безопасности.
- Ремонт данного прибора разрешается выполнять только специалистам. Неправильно выполненный ремонт может приводить к серьезным опасностям.

Опасность пожара

- При установке устройства шнур питания не должен быть зажат или поврежден.
- Не располагайте позади устройства выносные переходники и удлинители с несколькими розетками.

Опасность для здоровья

- Это устройство может использоваться детьми с 8-ми лет и старше, а также лицами с ограниченными физическими, сенсорными и умственными возможностями или при недостатке необходимого опыта и знаний только под присмотром или после прохождения инструктажа по безопасному использованию устройства, если они понимают опасности, которые при этом могут возникнуть.
- Детям запрещается играть с устройством.
- Запрещается выполнять очистку и пользовательское техническое обслуживание детям без присмотра.
- Детям в возрасте от 3 до 8 лет разрешается загружать и разгружать холодильные устройства.

Опасность взрыва

- Не храните в приборе взрывоопасные вещества, например, аэрозольные баллоны с горючим газами-вытеснителями.

**ОСТОРОЖНО! Несоблюдение этих предостережений может привести к травме легкой или средней степени тяжести.****Опасность для жизни из-за поражения электрическим током**

- Перед вводом в эксплуатацию убедитесь в том, что питающий кабель и штекер сухие.
- Отсоединяйте прибор от сети
 - перед каждой чисткой и уходом
 - после каждого использования

Опасность для здоровья

- Проверьте, соответствует ли холодопроизводительность прибора требованиям продуктов питания или медикаментов, которые нужно охладить.
- Продукты питания разрешается хранить только в оригинальной упаковке или подходящих емкостях.
- Удерживание двери охлаждающего устройства открытой в течение длительного времени может привести к существенному повышению температуры внутри устройства.
- Регулярно очищайте поверхности, которые могут контактировать с пищевыми продуктами и доступными сливными системами.
- Храните сырое мясо и рыбу в устройстве в подходящих контейнерах, чтобы они не соприкасались с другими продуктами питания или не капали на них.

- Если устройство не используется в течение длительного времени:
 - Отключите устройство.
 - Разморозьте устройство.
 - Очистите и просушите устройство.
 - Оставьте дверцу открытой, чтобы предотвратить образование плесени в устройстве.



ВНИМАНИЕ! Опасность повреждения

- Сравните значения напряжения, указанные на заводской табличке, с характеристиками имеющегося источника питания.
- Присоединяйте прибор следующим образом:
 - соединительным кабелем постоянного тока к источнику питания постоянного тока в автомобиле
 - или соединительным кабелем переменного тока к сети переменного тока
- Не вытаскивайте штекер из розетки за питающий кабель.
- Если холодильник присоединен к розетке постоянного тока: Отсоедините холодильник и другие потребители от аккумуляторной батареи, прежде чем присоединить устройство для ускоренного заряда.
- Если холодильник присоединен к розетке постоянного тока: Прервите соединение или выключите холодильник перед выключением двигателя. В противном случае аккумуляторная батарея может разрядиться.
- Холодильник не предназначен для транспортировки едких или содержащих растворители веществ.
- Этот холодильный аппарат содержит в своей изоляции горючий циклопентан. Газы в изоляционном материале требуют особого метода утилизации. После окончания срока службы холодильного аппарата сдайте его должным образом в центр по утилизации.
- Не используйте электрические приборы внутри холодильника, за исключением случаев, когда эти приборы рекомендованы для этого изготовителем.
- Не устанавливайте прибор вблизи открытого огня или других источников тепла (радиаторов отопления, сильных солнечных лучей, газовых печей и т. п.).

- **Опасность перегрева!**

Следите за тем, чтобы со всех четырех сторон охлаждающего устройства имелось свободное пространство не менее 50 мм для надлежащей вентиляции. Поддерживайте зону вентиляции свободной от любых объектов, которые могут ограничить воздушный поток к охлаждающим компонентам.

Не размещайте охлаждающее устройство в закрытых отсеках или в зонах, в которых отсутствует поток воздуха или же он минимален.

- Следите за тем, чтобы не перекрывались вентиляционные отверстия.
- Запрещается заполнять внутреннее пространство жидкостями или льдом.
- Не погружайте прибор в воду.
- Предохраняйте прибор и кабели от действия жары и влаги.
- Защищайте охлаждающее устройство от воздействия дождя.

3 Комплект поставки

Поз. (рис. 1, стр. 3)	Количество	Описание
1	1	Холодильник
2	1	Соединительный кабель для присоединения к сети постоянного тока
3	1	Соединительный кабель для присоединения к сети переменного тока
4	2	Ручка, в комплект которой входят: <ul style="list-style-type: none"> • 2 держателя • 1 ручка • 4 крепежных винта • 1 торцовый ключ
–	1	Инструкция по эксплуатации

4 Использование по назначению

Охлаждающее устройство предназначено для следующих целей:

- охлаждение и заморозка продуктов питания
- использование в кемпингах и мобильное использование

Охлаждающее устройство предназначено для работы от:

- бортовой сети постоянного тока автомобиля, катера или автодома
- вспомогательной батареи постоянного тока
- источника переменного тока

Холодильник предназначен для бытового использования и аналогичных областей применения, как, например:

- на кухнях для сотрудников в магазинах, офисах и других рабочих зонах
- в сельском хозяйстве
- для гостей гостиниц, мотелей и т. п.
- в пансионатах, предлагающих завтраки
- при кейтеринге и подобных организациях питания

5 Описание работы

Холодильник предназначен для охлаждения продуктов и поддержания их в охлажденном состоянии, а также для глубокого охлаждения. Охлаждение осуществляется посредством холодильного контура с компрессором. Контур требует минимального обслуживания. Надежная изоляция и мощный компрессор обеспечивают эффективное и быстрое охлаждение.

Охлаждающее устройство является портативным устройством.

Холодильник может подвергаться кратковременному крену в 30°, например, на катерах.

5.1 Объем функций

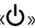
- Блок питания с приоритетной схемой для подключения к переменному напряжению
- Трехступенчатое реле контроля для защиты аккумуляторной батареи автомобиля
- Дисплей с индикацией температуры в °C и °F, который выключается автоматически при низком напряжении аккумулятора

- Регулировка температуры: двумя кнопками с шагом 1 °С (и шагом 2 °F)
- Функция затемнения дисплея с 3 уровнями яркости
- Вынимающаяся корзина
- Съемные ручки для переноски

5.2 Органы управления и индикации

Защелки крышки (рис. 2, стр. 3)

Панель управления (рис. 3, стр. 4)

Поз.	Описание	Пояснение
1	ON OFF	Включает или выключает холодильник, если нажать кнопку на одну-две секунды
2	POWER «  »	Индикация состояния Светодиод горит зеленым светом: компрессор включен Светодиод горит оранжевым светом: компрессор выключен Светодиод мигает оранжевым светом: дисплей автоматически выключен из-за низкого напряжения аккумулятора
3	ERROR	Светодиод мигает красным светом: включенный прибор не готов к работе
4	–	Дисплей, для вывода информации
5	SET	Позволяет выбрать режим ввода – Регулировка температуры: – Показания в градусах Цельсия или Фаренгейта – Настройка устройства слежения за аккумулятором – Настройка яркости дисплея
6	DOWN –	Однократное нажатие уменьшает значение
7	UP +	Однократное нажатие увеличивает значение

Соединительные гнезда (рис. 4, стр. 4)

Поз.	Описание
1	Гнездо для подключения источника переменного тока
2	Держатель предохранителя переменного тока
3	Крышка предохранителя постоянного тока
4	Гнездо для источника постоянного тока

6 Управление

6.1 Перед первым использованием



УКАЗАНИЕ

Перед вводом нового холодильника в эксплуатацию в гигиенических целях необходимо протереть его снаружи и изнутри влажной тряпкой (см. также гл. «Очистка и уход» на стр. 244).

Монтаж ручек (рис. 5, стр. 4)

Ручки входят в объем поставки незакрепленными. Если вы хотите установить ручки, соблюдайте следующий порядок действий:

- Соберите ручку, соединив два держателя (1) и ручку (2).
- Закрепите держатели входящими в объем поставки винтами в предусмотренных для этого отверстиях.

Открытие или снятие крышки (рис. 6, стр. 5)

Крышка может быть открыта с любой стороны или снята полностью без необходимости использования инструментов следующим образом:

- Чтобы открыть крышку, разблокируйте в предпочтительном направлении открытия, (A) или (B).
- Чтобы снять крышку, разблокируйте обе стороны одновременно (C).

Положение остановки крышки (рис. 7, стр. 5)

Крышка имеет встроенное положение остановки (A). Не проталкивайте крышку мимо встроенного упора (B).

**ВНИМАНИЕ!**
РИСК ПОВРЕЖДЕНИЯ!

Несоблюдение этого указания может привести к поломке крышки.

- ▶ Если крышка была сдвинута слишком далеко, выполните действия, описанные в гл. «Крышка была сдвинута мимо встроенного упора (рис. 11, стр. 7)» на стр. 247.

Извлечение корзины (рис. 8, стр. 6)**ВНИМАНИЕ!**
РИСК ПОВРЕЖДЕНИЯ!

Несоблюдение этого указания может привести к повреждению устройства.

Извлечение корзины с открытой крышкой может поцарапать крышку и деформировать корзину. Мы рекомендуем снять крышку перед извлечением корзины.

Выбор единицы измерения температуры

Единицы отображения температуры можно переключать между градусами Цельсия и Фаренгейта следующим образом:

- ▶ Включите холодильник.
- ▶ Нажмите два раза кнопку «SET» (рис. 3 5, стр. 4).
- ▶ Выберите кнопками «UP +» (рис. 3 7, стр. 4) или «DOWN -» (рис. 3 6, стр. 4) градусы Цельсия или градусы Фаренгейта.
- ✓ На дисплее на несколько секунд появляется выбранная единица измерения температуры. Дисплей мигает несколько раз, прежде чем вернуться к отображению текущей температуры.

6.2 Советы по энергосбережению

- Выбирайте хорошо проветриваемое, защищенное от солнечных лучей место применения.
- Дайте теплым блюдам охладиться, прежде чем поддерживать их в холодном состоянии в холодильнике.
- Не открывайте холодильник чаще, чем это действительно необходимо.
- Не оставляйте холодильник открытым дольше, чем это действительно необходимо.

- Оттаивайте холодильник, как только образовался слой льда.
- Избегайте излишне низкую внутреннюю температуру.

6.3 Подключение холодильника

Подключение к аккумулятору (автомобиля или катера)

Холодильник может работать от 12 В или 24 В \equiv .



ВНИМАНИЕ!

РИСК ПОВРЕЖДЕНИЯ!

Несоблюдение этого указания может привести к повреждению устройства.

Отсоедините холодильник и другие потребители от аккумуляторной батареи, прежде чем зарядить ее устройством для ускоренного заряда.

Перенапряжение может повредить электронное оборудование подключенных потребителей.

В целях безопасности холодильник оснащен электронной системой, предотвращающей перепутывание полярности. Она защищает холодильник от короткого замыкания при присоединении к батарее.

Использование штекера постоянного тока с предохранителем



ВНИМАНИЕ!

РИСК ПОВРЕЖДЕНИЯ!

Несоблюдение этого указания может привести к повреждению устройства.

Для защиты устройства в комплект поставки входит кабель постоянного тока с предохранителем, расположенным внутри штекера. **Не** снимайте штекер постоянного тока с предохранителем.

Используйте только входящий в комплект поставки кабель постоянного тока.

- Вставьте соединительный кабель постоянного тока (рис. **1** 2, стр. 3) во вход питающего напряжения постоянного тока холодильника (рис. **4** 3, стр. 4).
- Подсоедините соединительный кабель к розетке постоянного тока.

Соединение с источником питания переменного тока (например, дома или в офисе)



ОПАСНОСТЬ!

ОПАСНОСТЬ ПОРАЖЕНИЯ ЭЛЕКТРИЧЕСКИМ ТОКОМ!

Несоблюдение этих предупреждений ведет к смерти или серьезной травме.

- Не беритесь за вилки и выключатели влажными руками или стоя ногами на мокрой поверхности.
- Если холодильник на борту катера работает от сети переменного тока, обязательно установить автоматический выключатель дифференциальной защиты между сетью переменного тока и холодильником.

Проконсультируйтесь со специалистом.

Для соединения с источником напряжения переменного тока холодильники оснащены интегрированным универсальным блоком питания с приоритетной схемой. Приоритетная схема автоматически переключает холодильник на работу от переменного тока, если устройство соединено с источником питания переменного тока, даже если соединительный кабель постоянного тока остается присоединенным.

При переключении между источником переменного тока и питанием от аккумуляторной батареи на несколько минут могут загораться красные светодиоды.

- Вставьте соединительный кабель переменного тока (рис. **1** 3, стр. 3) во вход питающего напряжения переменного тока холодильника (рис. **4** 1, стр. 4).
- Подсоедините соединительный кабель к розетке переменного тока.

6.4 Использование устройства слежения за аккумулятором

Прибор оснащен многоуровневым устройством слежения за аккумулятором, которое защищает аккумуляторную батарею автомобиля от глубокого разряда при присоединении к бортовой электрической сети постоянного тока.

Если холодильник работает при выключенном зажигании в автомобиле, то холодильник отключается автоматически, как только напряжение питания падает ниже установленного значения. Холодильник включается снова, когда благодаря заряду батареи достигается напряжение повторного включения.



ВНИМАНИЕ!
РИСК ПОВРЕЖДЕНИЯ!

Несоблюдение этого указания может привести к повреждению аккумулятора.

После выключения устройством слежения за аккумулятором аккумулятор больше не будет полностью заряжен. Избегайте многократных запусков или эксплуатации потребителей тока без длительных фаз зарядки. Регулярно заряжайте аккумулятор.

В режиме «HIGH» защитное реле срабатывает быстрее, чем в режиме «LOW» и «MED» (см. следующую таблицу).

Режим работы устройства слежения за аккумулятором	LOW	MED	HIGH
Напряжение выключения при 12 В	10,1 В	11,4 В	11,8 В
Напряжение повторного включения при 12 В	11,1 В	12,2 В	12,6 В
Напряжение выключения при 24 В	21,5 В	24,1 В	24,6 В
Напряжение повторного включения при 24 В	23,0 В	25,3 В	26,2 В

Режим работы устройства слежения за аккумулятором можно выбрать следующим образом:

- Включите холодильник.
- Нажмите кнопку «SET» (рис. 3 5, стр. 4) три раза.
- Выберите кнопками «UP +» (рис. 3 7, стр. 4) или «DOWN -» (рис. 3 6, стр. 4) нужный режим работы устройства слежения за аккумулятором.
- ✓ На дисплее появляется следующее:
Lo (LOW), PEd (MED), Hi (HIGH)
- ✓ На дисплее на несколько секунд появится индикация выбранного режима. Дисплей мигает несколько раз, прежде чем вернуться к отображению текущей температуры.

**УКАЗАНИЕ**

Если питание холодильника осуществляется от стартерной аккумуляторной батареи, то выберите режим работы устройства слежения за аккумулятором «HIGH». Если питание холодильника осуществляется от питающей аккумуляторной батареи, то достаточно режима работы устройства слежения за аккумулятором «LOW».

6.5 Пользование холодильником

**ВНИМАНИЕ!****ОПАСНОСТЬ ПЕРЕГРЕВА!**

Несоблюдение этого указания может привести к повреждению устройства.

Следите за эффективностью вентиляции: тепло, которое образуется во время эксплуатации, должно отводиться полностью. Убедитесь, что воздух свободно проходит через вентиляционные щели. Следите за тем, чтобы устройство располагалось на достаточном расстоянии от стен или других предметов и ничто не препятствовало циркуляции воздуха.

- Установите холодильник на прочную опору. Следите за тем, чтобы не перекрывались вентиляционные щели, обеспечьте эффективный отвод нагретого воздуха. Мы рекомендуем оставить зазор не менее 2" вокруг вентиляционных отверстий.

**УКАЗАНИЕ**


Установите холодильник, как показано на (рис. **1**, стр. 3). Если холодильник эксплуатировать в другом положении, возможно повреждение холодильника.

- Присоедините холодильник, см. гл. «Подключение холодильника» на стр. 237.

**ВНИМАНИЕ!****ОПАСНОСТЬ ЧРЕЗМЕРНО НИЗКОЙ ТЕМПЕРАТУРЫ!**

Несоблюдение этого указания может привести к повреждению объектов, помещенных в холодильник.

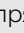
Следите за тем, чтобы в холодильнике находились только предметы и продукты, которые разрешается охлаждать до выбранной температуры.

- ▶ Нажмите кнопку «ON/OFF» (рис. **3** 1, стр. 4) на одну-две секунды.
- ✓ Светодиод «» загорается (рис. **3** 2, стр. 4).
- ✓ Включится дисплей (рис. **3** 4, стр. 4), отобразится текущая температура охлаждения.
- ✓ Холодильник начинает охлаждать внутреннее пространство.

**УКАЗАНИЕ – Отображаемая температура**

Отображаемая температура соответствует большей части внутреннего отделения (рис. **9**, стр. 6, 1).

**УКАЗАНИЕ**

При работе от аккумулятора дисплей автоматически выключается при низком напряжении аккумулятора. Индикатор «» мигает оранжевым светом.

Закрытие крышки холодильника

- ▶ Закройте крышку.
- ▶ Прижмите защелку (рис. **2**, стр. 3) вниз, чтобы она защелкнулась с характерным щелчком.

**УКАЗАНИЕ**

При закрытии крышки убедитесь в том, что оба штифта со стороны защелки полностью зафиксированы, чтобы обеспечить хорошее уплотнение крышки. Одна защелка может сработать немного раньше другой.

- ▶ Если крышка не закрыта одинаково с обеих сторон, нажимайте, пока не услышите второй щелчок.

6.6 Настройка температуры

- ▶ Нажмите кнопку «SET» (рис. **3** 5, стр. 4) один раз.
- ▶ Выберите кнопками «UP +» (рис. **3** 7, стр. 4) и «DOWN -» (рис. **3** 6, стр. 4) температуру охлаждения.
- ✓ На дисплее на несколько секунд появляется выбранная температура охлаждения. Дисплей мигает несколько раз, затем снова отображается текущая температура.

6.7 Настройка яркости дисплея

Яркость дисплея может быть уменьшена в условиях низкой освещенности. Чтобы установить уровень яркости, выполните следующие действия:

- Включите холодильник.
- Нажмите кнопку «SET» (рис. **3** 5, стр. 4) четыре раза.
- Выберите кнопками «UP +» (рис. **3** 7, стр. 4) или «DOWN -» (рис. **3** 6, стр. 4) нужную яркость дисплея.
- ✓ На дисплее появляется следующее:
d0 (по умолчанию), d1 (средний уровень), d2 (темный)
- ✓ На дисплее на несколько секунд появляется настроенный режим. Дисплей мигает два раза, прежде чем вернуться к отображению текущей температуры.



УКАЗАНИЕ

- Заводская настройка яркости дисплея - d0 (по умолчанию).
- Если возникает неисправность, яркость автоматически возвращается к яркости d0 (по умолчанию). После устранения неисправности установленная яркость снова активируется.

6.8 Выключение холодильника

- Опорожните холодильник.
- Выключите холодильник.
- Отсоедините кабель.

Если холодильник не используется длительное время:

- Оставьте крышку слегка открытой. Это предотвратит возникновение запахов.

6.9 Оттаивание холодильника

Влага из воздуха может выпадать в камере холодильника или на испарителе в виде снеговой шубы. Это ведет к уменьшению мощности охлаждения.



ВНИМАНИЕ!

РИСК ПОВРЕЖДЕНИЯ!

Несоблюдение этого указания может привести к повреждению устройства.

Для удаления слоя льда и отделения примерзших продуктов не используйте твердые или острые инструменты.

При размораживании холодильника соблюдайте следующий порядок действий:

- Извлеките содержимое холодильника.
- При необходимости, переположите их в другой холодильник, чтобы они оставались холодными.
- Выключите устройство.
- Оставьте крышку открытой.
- Уберите оттаявшую воду.

6.10 Замена предохранителя переменного тока



ОПАСНОСТЬ!

ОПАСНОСТЬ ПОРАЖЕНИЯ ЭЛЕКТРИЧЕСКИМ ТОКОМ!

Несоблюдение этого предупреждения ведет к смерти или серьезной травме.

Перед заменой предохранителя прибора отсоедините электропитание и вытяните питающий кабель.

- Отсоедините электропитание устройства.
- Вытащите из розетки соединительный кабель.
- Извлеките вставку предохранителя (рис. **4** 2, стр. 4), например, отверткой.
- Замените неисправный предохранитель на новый того же типа и с теми же параметрами (4 А, 250 В).
- Вставьте вставку предохранителя в корпус.
- Присоедините электропитание устройства.

6.11 Замена предохранителя устройства постоянного тока

- Отсоедините электропитание устройства.
- Снимите крышку (рис. **4** 3, стр. 4), чтобы получить доступ к предохранителю.
- Переверните крышку предохранителя и с помощью крючка удалите предохранитель.
- Замените неисправный предохранитель на новый такого же типа (стандартный автомобильный плоский предохранитель, 10 А).
- Установите крышку предохранителя на место.
- Присоедините электропитание устройства.

6.12 Замена предохранителя штекера постоянного тока (рис. **10**, стр. 6)

- Отвинтите корпус контактного штифта (**3**) от штекера (**1**).
- Замените неисправный предохранитель (**2**) на новый такого же типа и с теми же параметрами (3AG, быстродействующий, 10 А).
- Установите штекер на место в обратной последовательности.

7 Очистка и уход



ПРЕДУПРЕЖДЕНИЕ!

ОПАСНОСТЬ ПОРАЖЕНИЯ ЭЛЕКТРИЧЕСКИМ ТОКОМ!

Несоблюдение этого предупреждения может привести к смерти или серьезной травме.

Перед чисткой и уходом всегда отсоединяйте прибор от сети.

**ВНИМАНИЕ!****РИСК ПОВРЕЖДЕНИЯ!**

Несоблюдение этих указаний может привести к повреждению устройства.

- Категорически запрещается чистить прибор под струей воды или в посудомоечной машине.
- Не используйте для чистки абразивные чистящие средства или острые предметы, т. к. они могут привести к повреждениям холодильника.

- Периодически очищайте устройство снаружи и изнутри влажной тряпкой.
- Убедитесь в том, что приточно-вытяжные вентиляционные отверстия очищены от пыли загрязнений, чтобы можно было отвести возникающее при работе тепло и предотвратить опасность повреждения прибора.

8 Устранение неисправностей

Неисправность	Возможные причины	Вариант устранения
Устройство не работает, светодиод не горит.	Отсутствует напряжение в розетке постоянного тока.	В большинстве транспортных средств зажигание должно быть включено до подачи питания на розетку постоянного тока.
	Отсутствует напряжение в розетке переменного тока.	Попробуйте подключить устройство к другой розетке.
	Неисправен один из предохранителей устройства.	Замените неисправный предохранитель прибора, см. гл. «Замена предохранителя переменного тока» на стр. 243 или гл. «Замена предохранителя устройства постоянного тока» на стр. 244.
	Поврежден встроенный блок питания от сети.	Ремонт разрешается выполнять только в авторизованном сервисном центре.

Неисправность	Возможные причины	Вариант устранения
Устройство не охлаждает (штекер вставлен, светодиод «POWER» горит).	Неисправен компрессор.	Ремонт разрешается выполнять только в авторизованном сервисном центре.
Устройство не охлаждает (штекер вставлен, индикатор «POWER» мигает оранжевым светом, дисплей выключен).	Слишком высокая настройка устройства слежения за аккумулятором.	Уменьшите настроенное значение устройства слежения за аккумулятором.
При работе от гнезда постоянного тока: Зажигание включено, прибор не работает, светодиод не горит.	Гнездо постоянного тока загрязнено. Плохой электрический контакт.	Если вилка сильно нагревается в гнезде постоянного тока, то, возможно, загрязнено гнездо или неправильно собрана вилка.
	Перегорел предохранитель вилки постоянного тока.	Проверьте батарею и, при необходимости, зарядите ее.
	Перегорел предохранитель устройства постоянного тока.	Если вилка сильно нагревается в гнезде постоянного тока, то, возможно, загрязнено гнездо или неправильно собрана вилка.
	Вышел из строя предохранитель в бортовой сети автомобиля.	Замените предохранитель штекера постоянного тока, см. гл. «Замена предохранителя штекера постоянного тока (рис. 10, стр. 6)» на стр. 244.
На дисплее отображается сообщение об ошибке (например, «Err1»), и прибор не охлаждает.	Внутренний сбой отключил прибор.	Замените неисправный предохранитель прибора, см. гл. «Замена предохранителя устройства постоянного тока» на стр. 244.
		Заменить предохранитель постоянного тока в бортовой сети автомобиля. Обратитесь к инструкции по эксплуатации автомобиля.
		Ремонт разрешается выполнять только в авторизованном сервисном центре.

8.1 Крышка была сдвинута мимо встроенного упора (рис. 11, стр. 7)

- Поддержите крышку одной рукой (А).
- Удерживайте защелку другой рукой (В).



ОСТОРОЖНО!

ОПАСНОСТЬ ДЛЯ ЗДОРОВЬЯ!

Несоблюдение этого предостережения может привести к травме легкой или средней степени тяжести.

Закрывая крышку, следите за положением большого пальца.



ВНИМАНИЕ!

РИСК ПОВРЕЖДЕНИЯ!

Несоблюдение этого указания может привести к поломке крышки.

- Закройте крышку как можно дальше, не зажимая большой палец и продолжая удерживать защелку, чтобы она не сломалась.
- ✓ Крышка теперь должна быть примерно под углом (рис. 11, стр. 7).
- Снимите руку с защелки (В) и продолжайте закрывать крышку до конца.



УКАЗАНИЕ

Петли могут выйти из правильного положения во время заключительного действия по закрытию. Установите крышку на место следующим образом:

- Используйте защелки с обеих сторон крышки одновременно.
- Поднимите и установите крышку на место.

9 Гарантия

Действителен установленный законом срок гарантии. Если продукт неисправен, обратитесь в представительство изготовителя в Вашей стране (см. dometic.com/dealer) или в торговую организацию.

В целях проведения ремонта или гарантийного обслуживания Вы должны также послать следующие документы:

- копию счета с датой покупки,
- причину рекламации или описание неисправности.

10 Утилизация

- По возможности, выкидывайте упаковочный материал в мусор, подлежащий вторичной переработке.



Если Вы окончательно выводите продукт из эксплуатации, то получите информацию в ближайшем центре по вторичной переработке или в торговой сети о соответствующих предписаниях по утилизации.

11 Технические характеристики

	CFF 35	CFF45
Напряжение питания:	12/24 В $\overline{\text{---}}$ и 100 до 240 В \sim	
Номинальный ток:	12 В $\overline{\text{---}}$: 7,8 А 24 В $\overline{\text{---}}$: 3,5 А 240 В \sim : 0,4 А	12 В $\overline{\text{---}}$: 8,6 А 24 В $\overline{\text{---}}$: 3,8 А 240 В \sim : 0,41 А
Холодопроизводительность:	от +10 °С до -18 °С (от +50 °F до 0 °F)	
Категория:	I	
Класс энергоэффективности:	A+	
Потребление энергии:	85 кВт-ч/год	84 кВт-ч/год
Объем брутто:	34 л	44 л
Полезный объем:	30 л	38 л
Климатический класс:	N, T	
Температура окружающей среды:	от +16 °С до +43 °С от +60 °F до +110 °F	
Количество хладагента:	34 г	43 кг
CO ₂ -эквивалент:	0,049 т	0,061 т
Потенциал глобального потепления (GWP):	1430	

	CFF35	CFF45
Размеры (Ш x В x Г), мм (с ручками):	715 x 407 x 398	715 x 475 x 398
(Ш x В x Г), мм (без ручек):	590 x 407 x 398	590 x 475 x 398
Вес:	17,2 кг	18,6 кг

**УКАЗАНИЕ**

Устройство не обеспечивает минимальную температуру, если температура окружающей среды превышает +32 °С (+90 °F).

Испытания/сертификаты:



Холодильный контур содержит R134a.

Содержит фторированные парниковые газы

Герметически закрытая конструкция

Przed uruchomieniem urządzenia należy uważnie przeczytać niniejszą instrukcję. Instrukcję należy zachować. Należy ją dołączyć do urządzenia chłodniczego w razie jego przekazania innemu użytkownikowi.

Producent nie odpowiada za szkody powstałe w **wyniku użytkowania niezgodnego z przeznaczeniem** lub **niewłaściwej obsługi**.

Spis treści

1	Objaśnienie symboli	250
2	Wskazówki bezpieczeństwa	251
3	W zestawie	254
4	Użytkowanie zgodne z przeznaczeniem	254
5	Opis działania	255
6	Obsługa	257
7	Czyszczenie i konserwacja	266
8	Usuwanie usterek	267
9	Gwarancja	269
10	Utylizacja	269
11	Dane techniczne	270

1 Objąśnienie symboli



NIEBEZPIECZEŃSTWO!

Wskazówka bezpieczeństwa informująca o niebezpiecznej sytuacji, która – jeśli się jej nie uniknie – prowadzi do śmierci lub ciężkich obrażeń.



OSTRZEŻENIE!

Wskazówka bezpieczeństwa informująca o niebezpiecznej sytuacji, która – jeśli się jej nie uniknie – może prowadzić do śmierci lub ciężkich obrażeń.

**OSTROŻNIE!**

Wskazówka bezpieczeństwa informująca o niebezpiecznej sytuacji, która – jeśli się jej nie uniknie – może prowadzić do lekkich lub średnich obrażeń.

**UWAGA!**

Wskazówka informująca o sytuacji, która – jeśli się jej nie uniknie – może prowadzić do powstania szkód materialnych.

**WSKAZÓWKA**

Informacje uzupełniające dotyczące obsługi produktu.

2 Wskazówki bezpieczeństwa



OSTRZEŻENIE! Nieprzestrzeganie tych ostrzeżeń może prowadzić do śmierci lub ciężkich obrażeń.

Zagrożenie życia w wyniku porażenia prądem

- Uruchamianie urządzenia jest zabronione, gdy ma ono widoczne uszkodzenia.
- Jeśli kabel zasilający tego urządzenia chłodzącego jest uszkodzony, należy go wymienić, aby zapobiec zagrożeniom bezpieczeństwa.
- Napraw mogą dokonywać tylko odpowiednio wykwalifikowane osoby. Niefachowe naprawy mogą spowodować poważne niebezpieczeństwo.

Niebezpieczeństwo pożaru

- Podczas ustawiania urządzenia należy uważać, aby nie przygnieść ani nie uszkodzić przewodu zasilającego.
- Nie umieszcza z tyłu urządzenia rozgałęziaczy ani zasilaczy.

Zagrożenie zdrowia

- Dzieci od 8 lat i osoby o ograniczonych możliwościach fizycznych, sensorycznych lub intelektualnych oraz osoby niedysponujące stosowną wiedzą i doświadczeniem mogą używać tego urządzenia jedynie pod nadzorem innej osoby bądź pod warunkiem uzyskania informacji dotyczących bezpiecznego użytkowania urządzenia i zrozumienia wynikających z tego zagrożeń.
- Dzieci nie mogą bawić się urządzeniem.

- Dzieci nie mogą również czyścić i konserwować urządzenia bez nadzoru.
- Dzieci od 3 do 8 lat mogą umieszczać produkty w urządzeniach chłodniczych i wyjmować je z nich.

Ryzyko wybuchu

- W urządzeniu nie wolno przechowywać substancji wybuchowych, np. pojemników aerozolowych z palnym gazem wyłaczającym.



OSTROŻNIE! Nieprzestrzeganie tych uwag może prowadzić do lekkich lub nieznacznych obrażeń.

Zagrożenie życia w wyniku porażenia prądem

- Przed użyciem należy sprawdzić, czy przewód i wtyczka są suche.
- Urządzenie należy odłączyć od sieci
 - przed każdym czyszczeniem i konserwacją
 - po każdym użyciu

Zagrożenie zdrowia

- Należy sprawdzić, czy wydajność chłodzenia odpowiada wymaganiom związanym z przechowywaną żywnością lub lekami.
- Środki spożywcze mogą być przechowywane tylko w oryginalnych opakowaniach lub odpowiednich pojemnikach.
- Pozostawianie drzwi urządzenia chłodniczego otwartych przez dłuższy czas może spowodować znaczny wzrost temperatury w jego komorach.
- Regularnie czyścić powierzchnie, które mogą mieć kontakt z żywnością i dostępnymi układami odprowadzania wody.
- Surowe mięso i ryby należy przechowywać wewnątrz urządzenia w odpowiednich pojemnikach, aby nie miały one kontaktu z innymi artykułami spożywczymi lub nie kapały na nie.
- Jeśli urządzenie pozostaje puste przez dłuższy czas:
 - Wyłączyć urządzenie.
 - Odszronić urządzenie.
 - Wyczyścić i osuszyć urządzenie.
 - Pozostawić otwarte drzwi, aby zapobiec powstawaniu pleśni w urządzeniu.



UWAGA! Niebezpieczeństwo uszkodzenia

- Należy porównać dane dotyczące napięcia na tabliczce znamionowej z danymi dostępnego źródła zasilania.

- Urządzenie można podłączać tylko w następujący sposób:
 - do gniazda pokładowego prądu stałego pojazdu za pomocą przewodu przyłączeniowego prądu stałego
 - lub za pomocą przewodu przyłączeniowego prądu przemiennego do sieci prądu przemiennego
- Wtyczki nie należy nigdy wyciągać z gniazda zapalniczki samochodowej ani gniazda elektrycznego, pociągając za przewód zasilania.
- Jeśli przenośna lodówka jest podłączona do gniazdka DC: Przed podłączeniem do ładowarki należy odłączyć lodówkę i inne urządzenia od akumulatora.
- Jeśli przenośna lodówka jest podłączona do gniazdka DC: Wyłączając silnik należy odłączyć urządzenie lub je wyłączyć. W przeciwnym razie akumulator może się rozładować.
- Przenośna lodówka nie nadaje się do transportu substancji żrących lub zawierających rozpuszczalniki!
- Izolacja tego urządzenia chłodniczego zawiera cyklopentan. Znajdujące się w materiale izolacyjnym gazy wymagają specjalnej procedury utylizacyjnej. Nienadające się do dalszej eksploatacji urządzenie chłodnicze należy dostarczyć do specjalistycznego zakładu utylizacyjnego.
- Wewnątrz przenośnej lodówki nie należy używać żadnych urządzeń elektrycznych – z wyjątkiem urządzeń zaleconych przez producenta.
- Nie należy ustawiać urządzenia w pobliżu otwartego ognia i innych źródeł ciepła (ogrzewanie, silne promieniowanie słoneczne, piec gazowy itp.).
- **Niebezpieczeństwo przegrzania!**

Należy zawsze zapewniać minimum 50 mm przestrzeni do wentylacji ze wszystkich czterech stron urządzenia chłodniczego. W przestrzeni tej nie mogą znajdować się żadne przedmioty ograniczające dopływ powietrza do chłodzonych elementów.

Nie umieszczać urządzenia chłodniczego w zamkniętych przestrzeniach ani w miejscach całkowicie lub prawie całkowicie pozbawionych dopływu powietrza.
- Należy uważać, aby nie zakrywać otworów wentylacyjnych.
- Wypełnianie wewnętrznego pojemnika cieczami i lodem jest zabronione.
- Zanurzanie urządzenia w wodzie jest zabronione.
- Urządzenie i przewody należy chronić przed wysoką temperaturą i wilgocią.

- Chronić urządzenie chłodnicze przed deszczem.

3 W zestawie

Poz. (rys. 1, strona 3)	Ilość	Opis
1	1	Lodówka przenośna
2	1	Przewód przyłączeniowy do gniazda prądu stałego
3	1	Kabel przyłączeniowy do gniazdko prądu przemiennego
4	2	Uchwyt, w którego skład wchodzi: <ul style="list-style-type: none"> • 2 elementy mocujące • 1 uchwyt • 4 śruby mocujące • 1 klucz imbusowy
-	1	Instrukcja obsługi

4 Użytkowanie zgodne z przeznaczeniem

Urządzenie chłodnicze nadaje się do:

- chłodzenia i zamrażania żywności
- zastosowania na kempingu i jako urządzenie przenośne

Urządzenie chłodnicze jest zaprojektowane do zasilania z:

- gniazda prądu stałego sieci pokładowej pojazdu, łodzi lub kampera
- dodatkowego akumulatora prądu stałego
- z sieci prądu przemiennego

Urządzenie chłodzące jest przeznaczone do użytku domowego i w podobnych obszarach zastosowań, takich jak:

- aneksy kuchenne w sklepach, biurach i innych miejscach pracy
- w rolnictwie
- przez gości hotelowych, motelowych i innych miejscach noclegowych
- w barach mlecznych
- w cateringu i podobnych miejscach żywienia zbiorowego

5 Opis działania

Lodówka służy do chłodzenia, utrzymywania w chłodzie i zamrażania produktów. Chłodzenie odbywa się za pomocą kompresorowego obiegu chłodniczego o niskich wymaganiach w zakresie konserwacji. Skuteczna izolacja i wydajny kompresor zapewniają efektywne i szybkie chłodzenie.

Jest to lodówka przenośna.

Lodówka jest przystosowana do pracy przy krótkotrwałych nachyleniach do 30°, np. na łodziach.

5.1 Zakres funkcji

- Zasilacz z układem wyboru priorytetu zasilania sieciowego do podłączania do sieci prądu przemiennego
- Trzy poziomowy układ monitorowania stanu akumulatora chroniący akumulator pojazdu
- Ekran wyświetlający temperaturę w °C oraz °F automatycznie wyłącza się w przypadku niskiego napięcia akumulatora
- Regulacja temperatury: Za pomocą dwóch przycisków co 1°C (2°F)
- Funkcja przyciemniania wyświetlacza z 3 poziomami jasności
- Wyjmowany kosz
- Zdemontowane uchwyty

5.2 Elementy obsługowe i wskaźniki

Blokady pokrywy (rys. 2, strona 3)

Panel obsługi (rys. 3, strona 4)

Poz.	Opis	Objaśnienie
1	ON OFF	Poprzez naciśnięcie tego przycisku na jedną do dwóch sekund można włączyć lub wyłączyć lodówkę
2	POWER „⏻”	Wskazanie stanu
		Dioda LED świeci się na zielono: Sprężarka jest włączona
		Dioda LED świeci się na pomarańczowo: Sprężarka jest wyłączona
		Dioda LED miga na pomarańczowo: Wyświetlacz został automatycznie wyłączony z powodu niskiego napięcia akumulatora
3	ERROR (błąd)	Dioda LED miga na czerwono: Urządzenie jest włączone, ale nie jest gotowe do pracy
4	–	Wyświetlacz informacyjny
5	SET (ustawienia)	Przycisk wyboru ustawień – Regulacja temperatury – Przelączanie wyświetlania w stopniach Celsjusza i Fahrenheita – Regulacja czujnika ochrony akumulatora – Ustawianie jasności wyświetlacza
6	DOWN – (w dół)	Jednorazowe naciśnięcie powoduje zmniejszenie wartości
7	UP + (do góry)	Jednorazowe naciśnięcie powoduje zwiększenie wartości

Gniazda przyłączeniowe (rys. 4, strona 4)

Poz.	Opis
1	Gniazdo przyłączeniowe zasilania napięciem przemiennym
2	Gniazdo bezpiecznika prądu zmiennego
3	Ośłona bezpiecznika prądu stałego
4	Gniazdo przyłączeniowe zasilania napięciem stałym

6 Obsługa

6.1 Przed pierwszym użyciem



WSKAZÓWKA

Ze względów higienicznych przed uruchomieniem nowej lodówki należy wyczyścić ją od wewnątrz i z zewnątrz wilgotną szmatką (patrz również rozdz. „Czyszczenie i konserwacja” na stronie 266).

Montowanie uchwytów (rys. 5, strona 4)

Uchwyty są dostarczane luzem. W celu zamontowania uchwytów, należy postępować w następujący sposób:

- Zmontować uchwyt, łącząc ze sobą dwa elementy mocujące (1) i uchwyt (2).
- Zamocować elementy mocujące za pomocą dołączonych śrub w odpowiednich otworach.

Otwieranie i zdejmowanie pokrywy (rys. 6, strona 5)

Pokrywę można otworzyć z każdej strony lub całkowicie zdjąć bez użycia narzędzi. W tym celu należy postępować w następujący sposób:

- Aby otworzyć pokrywę, odblokować ją po stronie, na którą ma ona zostać otwarta (A) lub (B).
- Aby zdjąć pokrywę, odblokować ją po obu stronach jednocześnie (C).

Ogranicznik otwarcia pokrywy (rys. 7, strona 5)

Pokrywa posiada wbudowany ogranicznik otwarcia (A). Nie otwierać na siłę pokrywy poza wbudowany ogranicznik (B).



UWAGA!

RYZIKO USZKODZENIA!

Nieprzestrzeganie tej wskazówki może spowodować odłamanie pokrywy.

- Jeśli pokrywa została na siłę otwarta zbyt szeroko, należy postępować zgodnie z odpowiednimi instrukcjami – patrz rozdz. „Pokrywa została na siłę otwarta poza wbudowany ogranicznik (rys. 11, strona 7)” na stronie 268.

Wymowanie kosza (rys. 8, strona 6)



UWAGA!

RYZIKO USZKODZENIA!

Nieprzestrzeganie tej instrukcji może prowadzić do uszkodzenia urządzenia.

Wymowanie kosza przy otwartej pokrywie może spowodować porysowanie pokrywy i odkształcenie kosza. Zalecamy zdjęcie pokrywy przed wyjęciem kosza.

Wybór jednostki temperatury

Jednostkę wyświetlania temperatury można przełączać pomiędzy stopniami Celsjusza i Fahrenheita. W tym celu należy postępować w następujący sposób:

- ▶ Włączyć lodówkę.
- ▶ Dwukrotnie nacisnąć przycisk „SET” (rys. 3 5, strona 4).
- ▶ Za pomocą przycisków „UP +” (rys. 3 7, strona 4) lub „DOWN -” (rys. 3 6, strona 4) wybrać stopnie Celsjusza lub Fahrenheita.
- ✓ Na wyświetlaczu przez kilka sekund wskazywana jest ustawiona jednostka temperatury. Następnie wyświetlacz kilkakrotnie miga i powraca do wyświetlania aktualnej temperatury.

6.2 Porady związane z oszczędzaniem energii

- Wybierz miejsce z dobrą wentylacją, nienarażone na promieniowanie słoneczne.
- Schłódź ciepłe potrawy przed ich włożeniem do urządzenia.
- Nie otwieraj lodówki częściej niż jest to konieczne.
- Nie zostawiaj otwartej lodówki dłużej niż to jest konieczne.
- Lodówkę przenośną należy bezzwłocznie odszronić w przypadku wytworzenia się w niej warstwy lodu.
- Unikać niepotrzebnie niskich temperatur.

6.3 Podłączanie lodówki

Podłączanie do akumulatora (w samochodzie lub łodzi)

Lodówka zasilana może być napięciem 12 V lub 24 V $\overline{=}$.

**UWAGA!****RYZYO USZKODZENIA!**

Nieprzestrzeganie tej instrukcji może prowadzić do uszkodzenia urządzenia.

Przed ładowaniem akumulatora za pomocą szybkiej ładowarki należy odłączyć od niego lodówkę oraz inne odbiorniki energii elektrycznej. Przepięcia mogą uszkodzić elektronikę urządzenia.

Ze względów bezpieczeństwa lodówka została wyposażona w układ elektroniczny chroniący przed nieprawidłowym podłączeniem biegunów. Zabezpiecza on lodówkę przed zwarcim podczas podłączania do akumulatora.

Używanie wtyku zasilania prądem stałym z bezpiecznikiem**UWAGA!****RYZYO USZKODZENIA!**

Nieprzestrzeganie tej instrukcji może prowadzić do uszkodzenia urządzenia.

W celu ochrony urządzenia dostarczony wraz z nim kabel do zasilania prądem stałym wyposażony jest we wtyk z bezpiecznikiem. **Nie** należy usuwać wtyku zasilania prądem stałym z bezpiecznikiem. Należy używać wyłącznie dostarczonego kabla zasilania prądem stałym.

- Podłączyć kabel przyłączeniowy prądu stałego (rys. **1** 2, strona 3) do gniazda prądu stałego lodówki (rys. **4** 3, strona 4).
- Podłączyć kabel przyłączeniowy do gniazda zasilającego prądu stałego.

Podłączanie do sieci prądu przemiennego (np. w domu lub w biurze)**NIEBEZPIECZEŃSTWO!****RYZYO PORAŻENIA PRĄDEM!**

Nieprzestrzeganie tych ostrzeżeń prowadzi do śmierci lub ciężkich obrażeń.

- Nie dotykać wtyczek ani wyłączników wilgotnymi rękami lub stojąc na mokrej powierzchni.
- W przypadku korzystania z lodówki na pokładzie statku i zasilania jej z lądowej sieci prądu przemiennego pomiędzy siecią prądu przemiennego a lodówką należy zainstalować wyłącznik różnicowoprądowy.

Należy zasięgnąć porady odpowiednio przeszkolonego technika.

Lodówki wyposażone są we wbudowany układ zasilania różnymi wartościami napięcia z układem wyboru priorytetu zasilania sieciowego, aktywowanym po przyłączeniu lodówki do sieci prądu przemiennego. Po podłączeniu lodówki do sieci prądu przemiennego układ wyboru priorytetu zasilania sieciowego automatycznie przełącza ją na zasilanie prądem przemiennym, nawet jeśli wciąż podłączony jest kabel przyłączeniowy prądu stałego.

Podczas przełączania między siecią prądu przemiennego a zasilaniem z akumulatora przez krótki czas może świecić się czerwona dioda LED.

- ▶ Podłączyć kabel przyłączeniowy prądu przemiennego (rys. **1** 3, strona 3) do gniazda prądu przemiennego lodówki (rys. **4** 1, strona 4).
- ▶ Podłączyć kabel przyłączeniowy prądu przemiennego do gniazda zasilającego prądu przemiennego.

6.4 Korzystanie z układu monitorowania stanu akumulatora

Urządzenie jest wyposażone w wielopoziomowy układ monitorowania stanu akumulatora, który po podłączeniu urządzenia do gniazda pokładowej sieci prądu stałego chroni akumulator pojazdu przed nadmiernym rozładowaniem.

Jeżeli lodówka jest używana przy wyłączonym zapłonie w pojeździe, automatycznie wyłącza się ona, gdy napięcie spadnie poniżej ustawionej wartości. Lodówka włącza się ponownie po naładowaniu akumulatora i osiągnięciu napięcia ponownego włączenia.



UWAGA! **RYZIKO USZKODZENIA!**

Nieprzestrzeganie tej instrukcji może prowadzić do uszkodzenia akumulatora.

Jeśli urządzenie zostanie wyłączone przez układ monitorowania stanu akumulatora, oznacza to, że akumulator nie jest już w pełni naładowany. Należy wówczas unikać wielokrotnego uruchamiania rozrusznika i używania odbiorników energii elektrycznej bez dłuższych faz ładowania. Należy pamiętać o ponownym naładowaniu akumulatora.

W trybie „HIGH” czujnik ochrony akumulatora reaguje szybciej niż na poziomach „LOW” i „MED” (patrz poniższa tabela).

Tryb układu monitorowania stanu akumulatora	LOW	MED	HIGH
Napięcie wyłączenia dla zasilania 12 V	10,1V	11,4V	11,8V
Napięcie ponownego włączenia dla zasilania 12 V	11,1V	12,2V	12,6V
Napięcie wyłączenia dla zasilania 24 V	21,5V	24,1V	24,6V
Napięcie ponownego włączenia dla zasilania 24 V	23,0V	25,3V	26,2V

Tryb układu monitorowania stanu akumulatora można wybrać w następujący sposób:

- Włączyć lodówkę.
- Trzykrotnie naciśnięć przycisk „SET” (rys. **3** 5, strona 4).
- Za pomocą przycisków „UP +” (rys. **3** 7, strona 4) i „DOWN –” (rys. **3** 6, strona 4) wybrać tryb układu monitorowania stanu akumulatora.
- ✓ Na wyświetlaczu pojawi się następujące wskazanie:
Lo (LOW), ПEd (MED), Hi (HIGH)
- ✓ Na wyświetlaczu przez kilka sekund widoczny jest ustawiony tryb. Następnie wyświetlacz kilkakrotnie miga i powraca do wyświetlania aktualnej temperatury.



WSKAZÓWKA

Jeżeli lodówka jest zasilana z akumulatora rozruchowego, należy wybrać tryb układu monitorowania stanu akumulatora „HIGH”. Jeżeli lodówka jest podłączona do akumulatora pokładowego, wystarczający jest tryb układu monitorowania stanu akumulatora „LOW”.

6.5 Korzystanie z lodówki



UWAGA!

RYZIKO PRZEGRZANIA!

Nieprzestrzeżenie tej instrukcji może prowadzić do uszkodzenia urządzenia.

Należy zawsze zapewniać dostateczną wentylację, aby umożliwić rozpraszanie wytwarzanego podczas pracy ciepła. Nie zakrywać otworów wentylacyjnych. Dbać o odpowiednią odległość urządzenia od ścian lub przedmiotów, aby zapewnić wystarczającą cyrkulację powietrza.

- ▶ Ustawiać lodówkę na stabilnym podłożu. Należy uważać, aby nie zakrywać otworów wentylacyjnych, aby mogło z nich uchodzić nagrzane powietrze. Zalecamy zachowanie wokół otworów wentylacyjnych odstępów co najmniej 2" (5 cm).



WSKAZÓWKA

Lodówkę należy ustawić w przedstawiony sposób (rys. **1**, strona 3). Eksploatowanie lodówki w innej pozycji może spowodować jej uszkodzenie.

- ▶ Podłączyć lodówkę, patrz rozdz. „Podłączanie lodówki” na stronie 258.

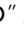


UWAGA!

RYZIKO SPOWODOWANE PRZEZ ZBYT NISKĄ TEMPERATURĘ!

Nieprzestrzeżenie tej instrukcji może prowadzić do uszkodzenia artykułów umieszczonych w lodówce.

Należy uważać, aby w lodówce znajdowały się wyłącznie produkty, które mogą być chłodzone do wybranej temperatury.

- ▶ Nacisnąć przycisk „ON/OFF” (rys. **3** 1, strona 4) i przytrzymać przez jedną-dwie sekundy.
- ✓ Dioda LED „” zaświeci się (rys. **3** 2, strona 4).
- ✓ Wyświetlacz (rys. **3** 4, strona 4) włączy się i wyświetli aktualną temperaturę chłodzenia.
- ✓ Lodówka zacznie chłodzić komorę.

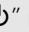


WSKAZÓWKA – wyświetlana temperatura

Wyświetlana jest temperatura panująca w większej części komory urządzenia (rys. **9**, strona 6, 1).



WSKAZÓWKA

W przypadku zasilania z akumulatora wyświetlacz automatycznie wyłączy się, jeżeli napięcie akumulatora jest niskie. Dioda LED „” miga na pomarańczowo.

Blokowanie pokrywy lodówki

- Zamknąć pokrywę.
- Dociskać blokadę (rys. **2**, strona 3) w dół do momentu, gdy słyszalne będzie jej zatrzaśnięcie.



WSKAZÓWKA

Podczas blokowania pokrywy należy upewnić się, że oba boczne bolce blokujące są w pełni wsunięte, aby zapewnić dobre uszczelnienie pokrywy. Jedna z blokad może się zatrzaśkiwać z nieznacznym opóźnieniem w stosunku do drugiej.

- Jeśli pokrywa nie jest zamknięta jednakowo po obu stronach, przycisnąć ją aż do usłyszenia drugiego kliknięcia.

6.6 Ustawianie temperatury

- Jednokrotnie nacisnąć przycisk „SET” (rys. **3** 5, strona 4).
- Za pomocą przycisków „UP +” (rys. **3** 7, strona 4) i „DOWN -” (rys. **3** 6, strona 4) wybrać temperaturę chłodzenia.
- ✓ Na wyświetlaczu przez kilka sekund widoczna będzie ustawiona temperatura chłodzenia. Następnie wyświetlacz kilkakrotnie miga i powraca do wyświetlania aktualnej temperatury.

6.7 Ustawianie jasności wyświetlacza

Jasność wyświetlacza można przyciemniać w warunkach słabego oświetlenia w otoczeniu. Aby ustawić poziom przyciemnienia wyświetlacza, należy postępować w następujący sposób:

- Włączyć lodówkę.
- Czterokrotnie nacisnąć przycisk „SET” (rys. **3** 5, strona 4).
- Za pomocą przycisków „UP +” (rys. **3** 7, strona 4) i „DOWN -” (rys. **3** 6, strona 4) ustawić jasność wyświetlacza.

- ✓ Na wyświetlaczu pojawi się następujące wskazanie: d0 (domyślna jasność), d1 (średnia jasność), d2 (niska jasność)
- ✓ Na wyświetlaczu na kilka sekund pojawia się ustawiony tryb. Następnie wyświetlacz dwukrotnie miga i powraca do wyświetlania aktualnej temperatury.

**WSKAZÓWKA**

- Fabrycznie jasność wyświetlacza ustawiona jest na d0 (domyślna jasność).
- W przypadku wystąpienia błędu jasność jest automatycznie z powrotem przełączana na ustawienie d0 (domyślne). Po rozwiązaniu problemu ponownie aktywowana jest ustawiona jasność.

6.8 Wyłączenie lodówki

- Opróżnić lodówkę.
- Wyłączyć lodówkę.
- Odłączyć przewód przyłączeniowy.

W przypadku, gdy lodówka nie będzie eksploatowana przez dłuższy czas, należy:

- Pozostawić uchyloną pokrywę. Zapobiega to powstawaniu nieprzyjemnych zapachów.

6.9 Odszranianie lodówki

Wilgoć może się osadzać na parowniku lub wewnątrz lodówki w postaci szronu. Powoduje to zmniejszenie wydajności chłodzenia.

**UWAGA!****RYZIKO USZKODZENIA!**

Nieprzestrzeganie tej instrukcji może prowadzić do uszkodzenia urządzenia.

Do usuwania warstw lodu lub oddzielania przymarzniętej żywności nigdy nie używać twardych lub ostro zakończonych narzędzi.

Aby odszronić lodówkę, należy postępować w następujący sposób:

- Opróżnić lodówkę.
- W razie potrzeby umieścić zawartość w innym urządzeniu chłodniczym w celu utrzymania jej w odpowiedniej temperaturze.

- Wyłączyć urządzenie.
- Pozostawić otwartą pokrywę.
- Zetrzeć wodę z roztopionego lodu.

6.10 Wymiana bezpiecznika prądu przemiennego



NIEBEZPIECZEŃSTWO!

RYZIKO PORAŻENIA PRĄDEM!

Nieprzestrzeżenie tego ostrzeżenia prowadzi do śmierci lub ciężkich obrażeń.

Przed wymianą bezpiecznika urządzenia należy odłączyć zasilanie i kabel przyłączeniowy.

- Odłączyć urządzenie od zasilania.
- Odłączyć kabel przyłączeniowy.
- Podważyć wkładkę bezpiecznikową (rys. 4 2, strona 4) wkrętakiem.
- Wymienić uszkodzony szklany bezpiecznik na nowy takiego samego typu i o takich samych parametrach (4 A, 250 V).
- Z powrotem włożyć wkładkę bezpiecznikową do obudowy.
- Ponownie podłączyć urządzenie do zasilania.

6.11 Wymiana bezpiecznika prądu stałego urządzenia

- Odłączyć urządzenie od zasilania.
- Podważyć osłonę bezpieczników (rys. 4 3, strona 4), aby uzyskać dostęp do bezpiecznika.
- Cofnąć osłonę bezpieczników i użyć haczyka, aby wymontować bezpiecznik.
- Wymienić uszkodzony bezpiecznik na nowy tego samego typu (samochodowy bezpiecznik płytkowy, 10 A).
- Z powrotem założyć osłonę bezpieczników.
- Ponownie podłączyć urządzenie do zasilania.

6.12 Wymiana bezpiecznika wtyku prądu stałego (rys. 10, strona 6)

- ▶ Odkręcić obudowę styku (3) od wtyku (1).
- ▶ Wymienić uszkodzony bezpiecznik (2) na nowy tego samego typu (3AG, szybki, 10 A).
- ▶ Złożyć wtyk w odwrotnej kolejności.

7 Czyszczenie i konserwacja



OSTRZEŻENIE!

RYZIKO PORAŻENIA PRĄDEM!

Nieprzestrzeganie tego ostrzeżenia może prowadzić do śmierci lub ciężkich obrażeń.

Przed każdym czyszczeniem i serwisowaniem należy odłączyć urządzenie od zasilania.



UWAGA!

RYZIKO USZKODZENIA!

Nieprzestrzeganie tych instrukcji może prowadzić do uszkodzenia urządzenia.

- Nigdy nie czyścić lodówki pod bieżącą wodą ani nie zamaczać jej w wodzie.
- Do czyszczenia nie używać agresywnych środków czyszczących ani twardych przedmiotów, gdyż mogą one uszkodzić lodówkę.

- ▶ Urządzenie należy od czasu do czasu czyścić od wewnątrz i z zewnątrz wilgotną ściereczką.
- ▶ Upewnić się, że otwory wlotowe i wylotowe powietrza urządzenia nie są zabrudzone ani zakurzone, aby umożliwić odprowadzanie ciepła i uniknąć uszkodzenia urządzenia.

8 Usuwanie usterek

Usterka	Możliwa przyczyna	Proponowane rozwiązanie
Urządzenie nie działa, dioda LED nie świeci się.	W gnieździe zasilającym prądu stałego nie wykryto napięcia.	W większości pojazdów zapłon musi być włączony, aby do gniazda zasilającego prądu stałego dostarczane było napięcie.
	Brak napięcia w gnieździe zasilającym prądu przemiennego.	Spróbować podłączyć urządzenie do innego gniazda.
	Jeden z bezpieczników urządzenia jest uszkodzony.	Wymienić uszkodzony bezpiecznik urządzenia, patrz rozdz. „Wymiana bezpiecznika prądu przemiennego” na stronie 265 lub rozdz. „Wymiana bezpiecznika prądu stałego urządzenia” na stronie 265.
	Zintegrowany zasilacz jest uszkodzony.	Naprawy może dokonać tylko autoryzowany zakład serwisowy.
Urządzenie nie chłodzi (wtyk jest podłączony, dioda LED „POWER” świeci się).	Uszkodzony kompresor.	Naprawy może dokonać tylko autoryzowany zakład serwisowy.
Urządzenie nie chłodzi (wtyk jest podłączony, dioda LED „POWER” miga na pomarańczowo, wyświetlacz jest wyłączony).	Wybrano zbyt wysokie ustawienie układu monitorowania stanu akumulatora.	Wybrać niższe ustawienie układu monitorowania stanu akumulatora.
	Napięcie akumulatora jest niewystarczające.	Sprawdzić akumulator i w razie potrzeby naładować go.

Usterka	Możliwa przyczyna	Proponowane rozwiązanie
Podczas zasilania z gniazda prądu stałego: Zapłon jest włączony, urządzenie nie działa, nie świeci się dioda LED.	Gniazdo prądu stałego jest zabrudzone. Unie-możliwia to prawidłowe przewodzenie prądu w złączu.	Jeśli wtyk lodówki bardzo nagrzewa się w gnieździe prądu stałego, oznacza to, że należy wyczyścić gniazdo prądu stałego albo że wtyk nie został prawidłowo złożony.
	Bezpiecznik wtyku prądu stałego przepalił się.	Wymienić bezpiecznik we wtyku prądu stałego, patrz rozdz. „Wymiana bezpiecznika wtyku prądu stałego (rys. 10, strona 6)” na stronie 266.
	Bezpiecznik prądu stałego urządzenia przepalił się.	Wymienić uszkodzony bezpiecznik, patrz rozdz. „Wymiana bezpiecznika prądu stałego urządzenia” na stronie 265.
	Bezpiecznik pojazdu przepalił się.	Wymienić bezpiecznik w gnieździe prądu stałego pojazdu. Patrz instrukcja obsługi pojazdu.
Na wyświetlaczu pojawia się komunikat o błędzie (np. „Err1”), a urządzenie nie chłodzi.	Urządzenie wyłączyło się z powodu wewnętrznego błędu.	Naprawy może dokonać tylko autoryzowany zakład serwisowy.

8.1 Pokrywa została na siłę otwarta poza wbudowany ogranicznik (rys. 11, strona 7)

- Jedną ręką podeprzeć pokrywę (A).
- Drugą ręką przyciskać blokadę (B).



OSTROŻNIE!

ZAGROŻENIE ZDROWIA!

Nieprzestrzeganie tego ostrzeżenia może prowadzić do lekkich lub umiarkowanych obrażeń.

Uważać, aby przy zamykaniu pokrywy nie przytrzasnąć kciuka.



UWAGA!

RYZIKO USZKODZENIA!

Nieprzestrzeganie tej wskazówki może spowodować odłamanie pokrywy.

- ▶ Zamknąć pokrywę na tyle, jak to możliwe bez przytrzaśnięcia kciuka, jednocześnie przyciskając blokadę w dół, aby nie doszło do jej złamania.
- ✓ Pokrywa powinna teraz znajdować się w przybliżeniu pod odpowiednim kątem (rys. 11, strona 7).
- ▶ Zdjąć rękę z blokady (**B**) i do końca zamknąć pokrywę.



WSKAZÓWKA

Podczas ostatecznego zamykania zawiasy mogą wysunąć się z właściwej pozycji. Przesunąć pokrywę w następujący sposób:

- ▶ Uruchomić jednocześnie blokady po obu stronach pokrywy.
- ▶ Podnieść pokrywę i przesunąć ją.

9 Gwarancja

Obowiązuje ustawowy okres gwarancji. Jeśli produkt jest uszkodzony, należy zgłosić się do partnera serwisowego w danym kraju (patrz dometic.com/dealer).

W celu naprawy lub rozpatrzenia gwarancji konieczne jest przesłanie:

- kopii rachunku z datą zakupu,
- informacji o przyczynie reklamacji lub opisu wady.

10 Utylizacja

- ▶ Opakowanie należy wyrzucić do odpowiedniego pojemnika na śmieci do recyklingu.



Jeżeli produkt nie będzie dłużej eksploatowany, koniecznie dowiedz się w najbliższym zakładzie recyklingu lub w specjalistycznym sklepie, jakie są aktualnie obowiązujące przepisy dotyczące utylizacji.

11 Dane techniczne

	CFF35	CFF45
Napięcie zasilania:	12/24 V \equiv i 100 do 240 V \sim	
Prąd znamionowy:	12 V \equiv : 7,8 A 24 V \equiv : 3,5 A 240 V \sim : 0,4 A	12 V \equiv : 8,6 A 24 V \equiv : 3,8 A 240 V \sim : 0,41 A
Zakres temperatur chłodzenia:	+10°C do -18°C (+50°F do 0°F)	
Kategoria:	1	
Klasa efektywności energetycznej:	A+	
Zużycie energii:	85 kWh/rocznie	84 kWh/rocznie
Objętość brutto:	34 l	44 l
Pojemność użytkowa:	30 l	38 l
Klasa klimatyczna:	N, T	
Temperatura otoczenia:	od +16 °C do +43 °C od +60 °F do +110 °F	
Ilość czynnika chłodniczego:	34 g	43 g
Ekwiwalent CO ₂ :	0,049 t	0,061 t
Potencjał tworzenia efektu cieplarnianego (GWP):	1430	
Wymiary (szer. x wys. x gł.) w mm (łącznie z uchwytem):	715 x 407 x 398	715 x 475 x 398
(szer. x wys. x gł.) w mm (ze zdjętymi uchwytemi):	590 x 407 x 398	590 x 475 x 398
Masa:	17,2 kg	18,6 kg



WSKAZÓWKA

Przy temperaturze otoczenia wynoszącej powyżej +32°C (+90°F) nie można osiągnąć minimalnej temperatury.

Badania/certyfikaty:



Obieg czynnika chłodniczego zawiera R134a.

Zawiera fluorowane gazy cieplarniane

Hermetycznie zamknięte urządzenie

130.com.ua

Pred uvedením zariadenia do prevádzky si prosím pozorne prečítajte tento návod a odložte si ho. V prípade odovzdania chladiaceho zariadenia ďalšiemu používateľovi mu odovzdajte aj tento návod.

Výrobca neručí za škody, ktoré vzniknú používaním, ktoré **nie je v súlade s určeným použitím** alebo boli spôsobené **nesprávnou obsluhou**.

Obsah

1	Vysvetlenie symbolov	272
2	Bezpečnostné pokyny	273
3	Rozsah dodávky	275
4	Používanie v súlade s určením	276
5	Opis činnosti	276
6	Obsluha	278
7	Čistenie a údržba	286
8	Odstraňovanie porúch	287
9	Záruka	289
10	Likvidácia	290
11	Technické údaje	290

1 Vysvetlenie symbolov



NEBZPEČENSTVO!

Bezpečnostné upozornenie na nebezpečnú situáciu, ktorá vedie k usmrteniu alebo ťažkému poraneniu, ak sa jej nezabráni.



VÝSTRAHA!

Bezpečnostné upozornenie na nebezpečnú situáciu, ktorá môže viesť k usmrteniu alebo ťažkému poraneniu, ak sa jej nezabráni.



UPOZORNENIE!

Bezpečnostné upozornenie na nebezpečnú situáciu, ktorá môže viesť k ľahkému alebo stredne ťažkému usmrteniu alebo ťažkému poraneniu, ak sa jej nezabráni.

**POZOR!**

Upozornenie na situáciu, ktorá môže viesť k materiálnym škodám, ak sa jej nezabráni.

**POZNÁMKA**

Doplňujúce informácie týkajúce sa obsluhy produktu.

2 Bezpečnostné pokyny



VÝSTRAHA! Nedodržanie týchto varovaní môže mať za následok smrť alebo vážne poranenie.

Nebezpečenstvo ohrozenia života zásahom elektrického prúdu

- Ak zariadenie vykazuje očividné poškodenia, nesmiete ho uviesť do prevádzky.
- Ak je napájací kábel tohto chladiaceho zariadenia poškodený, musí sa vymeniť, aby sa zabránilo bezpečnostným rizikám.
- Opravy tohoto zariadenia smú robiť len odborníci. Neodbornými opravami môžu vzniknúť značné nebezpečenstvá.

Nebezpečenstvo požiaru

- Pri umiestňovaní zariadenia sa ubezpečte, že napájací kábel nie je zachytený alebo poškodený.
- Neumiestňujte žiadne viacnásobné prenosné zásuvky alebo prenosné napájacie adaptéry na zadnú stranu zariadenia.

Ohrozenie zdravia

- Toto zariadenie smú používať deti od 8 rokov a osoby so zníženými psychickými, zmyslovými alebo mentálnymi schopnosťami a vedomosťami, keď sú pod dozorom alebo keď boli poučené o bezpečnom používaní zariadenia a chápu, aké riziká z toho vyplývajú.
- Deti sa nesmú hrať so zariadením.
- Čistenie a bežnú údržbu nesmú deti vykonávať bez dozoru.
- Deti vo veku od 3 do 8 rokov smú vkladať potraviny do chladiacich zariadení a tiež ich z nich vyberať.

Nebezpečenstvo výbuchu

- V prístroji neuskładňujte látky, pri ktorých hrozí nebezpečenstvo výbuchu, napr. sprejové nádoby s hnacím plynom.

**UPOZORNENIE! Nedodržanie týchto upozornení môže mať za následok drobné alebo stredne ťažké poranenie.****Nebezpečenstvo ohrozenia života zásahom elektrického prúdu**

- Pred uvedením do prevádzky dbajte, aby boli prívod a zástrčka suché.
- Odpojte zariadenie z el. siete
 - pred každým čistením a ošetrovaním
 - po každom použití

Ohrozenie zdravia

- Skontrolujte, či chladiaci výkon zariadenia zodpovedá požiadavkám potravín alebo liekov, ktoré chcete chladit'.
- Potraviny sa smú uskladniť len v originálnom balení alebo vo vhodných nádobách.
- Otvorenie chladiaceho zariadenia na dlhšiu dobu môže spôsobiť výrazné zvýšenie teploty v priehradkách spotrebiča.
- Pravidelne čistite povrchy, ktoré môžu prísť do kontaktu s potravinami a prístupnými systémami na odvádzanie kondenzátu.
- Surové mäso a ryby uskladnite v zariadení vo vhodných nádobách, aby neprišli do kontaktu s inými potravinami alebo aby na ne nekvapali.
- Ak je zariadenie dlhšiu dobu prázdne a nepoužíva sa:
 - Zariadenie vypnite.
 - Zariadenie odmrzte.
 - Zariadenie vyčistite a vysušte.
 - Nechajte otvorené dvere, aby ste zabránili tvorbe plesní.

**POZOR! Nebezpečenstvo poškodenia**

- Porovnajzte údaj o napätí na typovom štítku s prívodom el. energie, ktorý máte k dispozícii.
- Chladiace zariadenie pripájajte iba nasledovne:
 - pripájacím káblom na jednosmerný prúd palubnej zásuvke jednosmerného prúdu vo vozidle
 - alebo pripájacím káblom na striedavý prúd k sieti striedavého napätia
- Nikdy nevyt'ahujte zástrčku zo zásuvky za pripojovací kábel.

- Keď je chladiace zariadenie pripojené na zásuvku jednosmerného prúdu: Odpojte vaše chladiace zariadenie a ostatné spotrebiče od batérie skôr než pripojíte rýchlonabíjačku.
- Keď je chladiace zariadenie pripojené na zásuvku jednosmerného prúdu: Rozpojte spojenie alebo vypnite chladiace zariadenie, keď vypnete motor. V opačnom prípade sa môže vybiť batéria.
- Chladiace zariadenie nie je vhodné na prepravu dráždivých alebo rozpúšťadlých obsahujúcich látok.
- Toto chladiace zariadenie obsahuje v izolácii horľavý cyklopentan. Plyn v izolačných materiáloch vyžadujú špeciálnu metódu na likvidáciu. Chladiace zariadenie na konci životnosti odovzdajte k riadnej likvidácii.
- Nepoužívajte žiadne elektrické prístroje vo vnútri chladiaceho zariadenia, okrem prístrojov, ktoré sú na to doporučené výrobcom zariadenia.
- Nepostavte zariadenie v blízkosti otvoreného ohňa alebo iných zdrojov tepla (kúrenie, slnečné žiarenie, plynové kachle atď.).
- **Nebezpečenstvo prehriatia!**
Ubezpečte sa, že po celú dobu je na všetkých štyroch stranách chladiaceho zariadenia minimálne 50 mm voľného priestoru na vetranie. Neblokujte vetrací priestor žiadnymi predmetmi, ktoré by mohli prekážať prúdeniu vzduchu k chladiacim súčiastkam. Neumiestňujte chladiace zariadenie do uzavretých priehradiek alebo priestorov bez prúdenia alebo s minimálnym prúdením vzduchu.
- Dbajte, aby nedošlo k zakrytiu vetracích otvorov.
- Do vnútornej nádoby nedávajte žiadne kvapaliny alebo ľad.
- Nikdy neponorte zariadenie do vody.
- Chráňte zariadenie a káble pred horúčavou a vlhkom.
- Chráňte chladiace zariadenie pred dažďom.

3 Rozsah dodávky

Výr. (obr. 1, strane 3)	Počet	Označenie
1	1	Chladiaci box
2	1	Pripájací kábel pre prípojku s jednosmerným prúdom

Výr. (obr. 1, strane 3)	Počet	Označenie
3	1	Pripájací kábel pre prípojku so striedavým prúdom
4	2	Rúčka na prenášanie, pozostávajúca z: <ul style="list-style-type: none"> • 2 držiaky • 1 rukoväť • 4 upevňovacie skrutky • 1 inbusový kľúč
–	1	Návod na obsluhu

4 Používanie v súlade s určením

Chladiace zariadenie je vhodné na:

- chladenie a hlboké chladenie potravín
- kempovanie a prenášanie

Chladiace zariadenie je určené na prevádzku z

- palubnej siete s jednosmerným prúdom vozidla, člnu alebo rekreačného vozidla
- pomocnej batérie s jednosmerným prúdom
- siete striedavého napätia

Chladiaci prístroj je určený na domáce použitie a podobné oblasti použitia, ako napríklad

- v kuchyniach pre personál v obchodoch, úradoch a iných pracovných oblastiach
- v poľnohospodárstve
- pre hostí v hoteloch, motelloch a iných ubytovacích zariadeniach
- v penziónoch s raňajkami
- na cateringoch a na podobne účely

5 Opis činnosti

Chladiaci box môže schladiť potraviny, udržiavať ich v chlade, ako aj ich hlboko zmraziť. Chladenie sa uskutočňuje prostredníctvom takmer bezúdržbového chladiaceho okruhu s kompresorom. Dostatočná izolácia a výkonný kompresor zaručujú účinné a rýchle chladenie.

Chladiaci box je určený na mobilné použitie.

Chladiaci box vydrží krátkodobý náklon 30°, napríklad na člnoch.

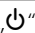
5.1 Rozsah funkcií

- Sieťová časť s prioritným spínaním na pripojenie na striedavé napätie
- Trojstupňový kontrolný snímač stavu batérie na ochranu batérie vozidla
- Displej so zobrazením teploty v °C a °F sa pri nízkom napätí batérie automaticky vypne.
- Nastavenie teploty: Dvomi tlačidlami v krokoch po 1 °C (a 2 °F)
- Funkcia stmavenia displeja s 3 úrovňami jasu
- Vyberateľný vkladací kôš
- Demontovateľné rukoväte na prenášanie

5.2 Ovládacie a indikačné prvky

Západka veka (obr. 2, strane 3)

Ovládací panel (obr. 3, strane 4)

Výr.	Označenie	Vysvetlenie
1	ON VYP	Zapne a vypne chladiaci box, keď sa tlačidlo podrží stlačené jednu až dve sekundy
2	POWER „  “	Indikácia stavu LED svieti zeleno: Kompresor je zapnutý LED svieti oranžovo: Kompresor je vypnutý LED bliká oranžovo: Displej sa pri nízkom napätí batérie automaticky vypne
3	ERROR	LED bliká červeno: Zapnuté zariadenie nie je pripravené na prevádzku
4	–	Displej, zobrazuje hodnoty
5	SET	Zvolí režim zadávania – Nastavenie teploty – Zobrazenie stupňov Celzia alebo Fahrenheita – Nastavenie indikátor batérie – Nastavenie jasu displeja
6	DOWN –	Jedno stlačenie zníži hodnotu zadania

Výr.	Označenie	Vysvetlenie
7	UP +	Jedno stlačenie zvýši hodnotu zadania

Pripájacie zásuvky (obr. 4, strane 4)

Výr.	Označenie
1	Prípojná zásuvka napájania striedavým napätím
2	Držiak poistky pre striedavý prúd
3	Kryt poistky pre jednosmerný prúd
4	Prípojná zásuvka napájania jednosmerným napätím

6 Obsluha

6.1 Pred prvým použitím



POZNÁMKA

Pred uvedením chladiaceho boxu do prevádzky by ste ho z hygienických dôvodov mali vyčistiť zvonku a zvnútra vlhkou handričkou (pozri tiež kap. „Čistenie a údržba“ na strane 286).

Montáž rúčok (obr. 5, strane 4)

Rúčky sú voľne priložené. Ak chcete rúčky namontovať, postupujte nasledovne:

- Spojte dva držiaky (1) a rukoväť (2) do jednej rúčky.
- Upevnite držiaky s priloženými skrutkami do pripravených otvorov.

Otvorenie alebo demontáž veka

Veko je možné otvoriť z ľubovoľnej strany alebo kompletne demontovať bez použitia nástrojov nasledovne:

- Pre otvorenie veka ho odistite vo zvolenom smere otvárania (A) alebo (B).
- Pre odobratie veka ho odistite súčasne na oboch stranách (C).

Dorazová poloha veka (obr. 6, strane 5)

Veko má vstavanú dorazovú polohu (A). Neotvárajte veko nasilu za vstavaný doraz (B).



POZOR!
NEBEZPEČENSTVO POŠKODENIA!

Nedodržanie tohto pokynu môže viesť k odlomeniu veka.

- Pokiaľ ste veko nasilu otvorili priveľmi, vykonajte kroky uvedené v kap. „Veko bolo nasilu otvorené za vstavaný doraz (obr. 11, strane 7)“ na strane 289.

Vybratie košíka (obr. 7, strane 5)



POZOR!
NEBEZPEČENSTVO POŠKODENIA!

Nedodržanie tohto pokynu môže mať za následok poškodenie zariadenia.

Vyberanie košíka pri otvorenom veku môže mať za následok poškrabanie veka a zdeformovanie košíka. Pred vyberaním košíka odporúčame demontovať veko.

Voľba jednotky teploty

Jednotky teploty na displeji je možné prepínať medzi stupňom Celzia a Fahrenheita nasledovne:

- Zapnite chladiaci box.
- Tlačidlo „SET“ (obr. 3 5, strane 4) stlačte dvakrát.
- Použitie tlačidla „UP +“ (obr. 3 7, strane 4) alebo „DOWN –“ (obr. 3 6, strane 4) na výber medzi stupňom Celzia a Fahrenheita.
- ✓ Na displeji sa na niekoľko sekúnd zobrazí nastavená jednotka teploty. Displej niekoľkokrát zabliká, kým sa vráti zobrazenie aktuálnej teploty.

6.2 Tipy pre úsporu energie

- Zvoľte dobre odvetrané a pred slnečným žiarením chránené miesto osadenia.
- Teplé jedlá nechajte najprv ochladiť, pokým ich budete v zariadení udržiavať studené.
- Neotvárajte chladiace zariadenia častejšie než je to potrebné.
- Nenechávajte chladiace zariadenie otvorené dlhšie než je to potrebné.
- Odmrazte chladiaci box hneď, ako sa vytvorí vrstva námrazy.
- Zabráňte zbytočne nízkej teplote vnútri zariadenia.

6.3 Pripojenie chladiaceho boxu

Pripojenie k batérii (vozidlo alebo čln)

Chladiaci box sa môže prevádzkovať s napätím 12 V alebo 24 V $\overline{=}$.



POZOR!

NEBEZPEČENSTVO POŠKODENIA!

Nedodržanie tohto pokynu môže mať za následok poškodenie zariadenia.

Pred pripojením batérie k rýchlonabíjačke odpojte chladiaci box a iné spotrebiče od batérie.

Prepätie môže poškodiť elektroniku zariadenia.

Z bezpečnostných dôvodov je chladiaci box vybavený s elektronickým systémom na zabránenie prepólovaniu. To chráni chladiaci box pred zoskratovaním pri pripojení k batérii.

Použitie zástrčky na jednosmerný prúd s poistkou



POZOR!

NEBEZPEČENSTVO POŠKODENIA!

Nedodržanie tohto pokynu môže mať za následok poškodenie zariadenia.

Na ochranu zariadenia sa kábel na jednosmerný prúd dodáva s poistkou vo vnútri zástrčky. **Neodstraňujte** zástrčku na jednosmerný prúd s poistkou

Používajte len dodaný kábel na jednosmerný prúd.

- Pripojte pripájací kábel jednosmerného prúdu (obr. **1** 2, strane 3) do zásuvky jednosmerného prúdu chladiaceho boxu (obr. **4** 3, strane 4).
- Pripojte pripájací kábel do zásuvky s jednosmerným prúdom.

Pripojenie k sieti striedavého napätia (napr. doma alebo v kancelárii)



NEBZPEČENSTVO!

NEBEZPEČENSTVO ÚRAZU ELEKTRICKÝM PRÚDOM!

Nedodržanie týchto varovaní bude mať za následok smrť alebo vážne poranenie.

- Nikdy nemanipulujte s konektormi a spínačmi, keď máte mokré ruky alebo stojíte vo vode.
- Keď prevádzkujete chladiaci box na palube lode zo siete striedavého napätia, musíte v každom prípade medzi napájanie striedavým prúdom a chladiaci box zapojiť prúdový chránič. Poradte sa s kvalifikovaným odborníkom.

Chladiace boxy musia disponovať integrovaným multinapäťovým zdrojom napájania s prioritným obvodom na pripojenie k zdroju striedavého prúdu. Prioritný obvod automaticky prepne chladiaci box na striedavú prevádzku, ak je zariadenie pripojené k sieti striedavého napätia, dokonca aj v prípade, že je stále pripojený pripájací kábel jednosmerného prúdu.

Pri prepínaní medzi sieťou striedavého napätia a napájaním batériou môže niekoľko minút svietiť červená LED dióda.

- Pripojte pripájací kábel striedavého prúdu (obr. **1** 3, strane 3) do zásuvky striedavého prúdu chladiaceho boxu (obr. **4** 1, strane 4).
- Pripojte pripájací kábel do zásuvky so striedavým prúdom.

6.4 Použitie indikátora batérie

Zariadenie je vybavené viacúrovňovým indikátorom batérie, ktorý chráni batériu vášho vozidla pred hlbokým vybitím pri pripojení k jednosmernej palubnej sieti.

Ak sa chladiaci box používa pri vypnutom zapalovaní vozidla, samočinne sa vypne hneď, ako napájacie napätie klesne pod nastavenú hodnotu. Chladiaci box sa znova zapne hneď, ako sa nabitím batérie dosiahne znovuzapínacie napätie.



POZOR!

NEBEZPEČENSTVO POŠKODENIA!

Nedodržanie tohto pokynu môže mať za následok poškodenie batérie. Pri vypnutí indikátorom batérie už batéria nemá svoju plnú kapacitu nabitia. Vyvarujte sa opakovaného spúšťania alebo prevádzkovania elektrických spotrebičov bez dlhších nabíjacích fáz. Postarajte sa, aby sa batéria opäť nabila.

V režime „HIGH“ reaguje indikátor batérie rýchlejšie ako v stupňoch „LOW“ a „MED“ (pozri nasledovnú tabuľku).

Režim s indikátorom batérie	LOW	MED	HIGH
Vypínacie napätie pri 12 V	10,1 V	11,4 V	11,8 V
Znovuzapínacie napätie pri 12 V	11,1 V	12,2 V	12,6 V
Vypínacie napätie pri 24 V	21,5 V	24,1 V	24,6 V
Znovuzapínacie napätie pri 24 V	23,0 V	25,3 V	26,2 V

Režim indikátora batérie je možné vybrať nasledovne:

- Zapnite chladiaci box.
- Tlačidlo „SET“ (obr. **3** 5, strane 4) stlačte trikrát.
- Použite tlačidlá „UP +“ (obr. **3** 7, strane 4) alebo „DOWN –“ (obr. **3** 6, strane 4) na voľbu režimu s indikátorom batérie.
- ✓ Na displeji sa zobrazí nasledovné:
Lo (LOW), ME (MED), Hi (HIGH)
- ✓ Displej zobrazí na niekoľko sekúnd nastavený režim. Displej niekoľkokrát zabliká, kým sa vráti zobrazenie aktuálnej teploty.



POZNÁMKA

Keď je chladiaci box napájaný štartovacou batériou, zvolte režim s indikátorom batérie „HIGH“. Keď je chladiaci box pripojený k napájacej batérii, stačí režim s indikátorom batérie „LOW“.

6.5 Použitie chladiaceho boxu



POZOR!

NEBEZPEČENSTVO PREHRIATIA!

Nedodržanie tohto pokynu môže mať za následok poškodenie zariadenia.

Zabezpečte po celú dobu dostatočné vetranie, aby teplo vytvárané počas prevádzky mohlo byť odvádzané. Dbajte na to, aby vetracie otvory neboli zakryté. Zabezpečte, aby zariadenie bolo v dostatočnej vzdialenosti od stien alebo predmetov, takže bude zaručená cirkulácia vzduchu.

- Postavte chladiaci box na pevný podklad.
Dbajte na to, aby vetracie otvory neboli zakryté a aby sa teplo mohlo dobre odvádzať. Odporúčame dodržať medzeru aspoň 2" okolo vetracích otvorov.



POZNÁMKA

Chladiaci box umiestnite podľa vyobrazenia (obr. **1**, strane 3). Ak sa box prevádzkuje v inej polohe, môže sa poškodiť.

- Pripojte chladiaci box, pozri kap. „Pripojenie chladiaceho boxu“ na strane 280.

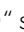


POZOR!

NEBEZPEČENSTVO NADMERNE NÍZKEJ TEPLoty!

Nedodržanie tohto pokynu môže mať za následok poškodenie predmetov uložených v chladiacom boxe.

Dbajte na to, aby sa v chladiacom boxe nachádzali len produkty, ktoré sa môžu chladiť na zvolenú teplotu.

- Stlačte tlačidlo „ON/OFF“ (obr. **3** 1, strane 4) na jednu až dve sekundy.
- ✓ LED „“ sa rozsvieti (obr. **3** 2, strane 4).
- ✓ Displej (obr. **3** 4, strane 4) sa zapne a zobrazí aktuálnu teplotu.
- ✓ Chladiaci box sa spustí s chladením vnútorného priestoru.

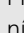


POZNÁMKA – Zobrazená teplota

Zobrazená teplota je teplota veľkej časti vnútornej priehradky (obr. **9**, strane 6, 1).



POZNÁMKA

Pri napájaní z batérie sa displej automaticky vypne, ak je napätie batérie nízke. LED „“ bliká oranžovou farbou.

Zaistenie veka chladiaceho boxu západkou

- Zatvorte veko.
- Zatláčte západku (obr. **2**, strane 3) nadol tak, aby počuteľne zapadla na miesto.



POZNÁMKA

Pri zaistovaní veka západkou sa ubezpečte, že obidva bočné kolíky západky úplne zapadli, aby veko dobre tesnilo. Jedna západka môže zapadnúť tesne pred druhou.

- Ak veko nie je rovnomerne zatvorené na oboch stranách, zatlačte, kým nebudete počuť druhé kliknutie.

6.6 Nastavenie teploty

- Tlačidlo „SET“ (obr. **3** 5, strane 4) stlačte jedenkrát.
- Použite tlačidlá „UP +“ (obr. **3** 7, strane 4) a „DOWN –“ (obr. **3** 6, strane 4) na voľbu teploty chladenia.
- ✓ Displej zobrazí na niekoľko sekúnd zvolenú teplotu chladenia. Displej niekoľkokrát zabliká a potom sa znova zobrazí aktuálna teplota.

6.7 Nastavenie jasu displeja

Jas displeja je možné stlmiť v prípade slabého okolitého osvetlenia. Pre nastavenie úrovne stlmenia displeja postupujte nasledovne:

- Zapnite chladiaci box.
- Tlačidlo „SET“ (obr. **3** 5, strane 4) stlačte štyrikrát.
- Použite tlačidlá „UP +“ (obr. **3** 7, strane 4) alebo „DOWN –“ (obr. **3** 6, strane 4) pre nastavenie jasu displeja.
- ✓ Na displeji sa zobrazí nasledovné: d0 (štandardný), d1 (stredný), d2 (tmavý)
- ✓ Na displeji sa na niekoľko sekúnd objaví nastavený režim: Displej dvakrát zabliká, kým sa vráti zobrazenie aktuálnej teploty.



POZNÁMKA

- Výrobné nastavenie jasu displeja je d0 (štandardný).
- Ak sa vyskytne porucha, jas sa automaticky prestaví na jas d0 (štandardný). Po odstránení poruchy sa jas displeja obnoví na pôvodný jas.

6.8 Vypnutie chladiaceho boxu

- Vyprázdňte chladiaci box.

- Vypnite chladiaci box.
- Vytiahnite pripájací kábel.

Ak chladiaci box dlhší čas nebudete používať:

- Nechajte veko pootvorené. Zabráňte tým tvorbe zápachu.

6.9 Odmrazenie chladiaceho boxu

Vlhkosť vzduchu môžu vo vnútri chladiaceho zariadenia alebo na výparníku vytvárať námrazu. Tým sa znižuje chladiaci výkon.



POZOR!

NEBEZPEČENSTVO POŠKODENIA!

Nedodržanie tohto pokynu môže mať za následok poškodenie zariadenia.

Na odstránenie vrstvy námrazy alebo uvoľnenie primrznutých predmetov nepoužívajte tvrdé alebo špicaté nástroje.

Pri odmrazovaní chladiaceho boxu postupujte nasledovne:

- Vyberte obsah chladiaceho boxu.
- V prípade potreby ho uskladnite v inom chladiacom zariadení, aby zostal chladený.
- Vypnite zariadenie.
- Veko nechajte otvorené.
- Utrite rozmrazenú vodu.

6.10 Výmena poistky striedavého prúdu



NEBEZPEČENSTVO!

NEBEZPEČENSTVO ÚRAZU ELEKTRICKÝM PRÚDOM!

Nedodržanie tohto varovania bude mať za následok smrť alebo vážne poranenie.

Pred výmenou poistky zariadenia odpojte zdroj napájania a pripájacie káble.

- Odpojte prívod elektrickej energie do zariadenia.
- Vytiahnite pripájací kábel.

- Vypáčte vložku poistky (obr. **4** 2, strane 4) s pomocou skrutkovača.
- Vymeňte chybnú sklenenú poistku za novú poistku rovnakého typu a s rovnakou hodnotou (4 A, 250 V).
- Zatláčte poistkovú vložku znova naspäť do krytu.
- Znovu pripojte prívod elektrickej energie do zariadenia.

6.11 Výmena poistky jednosmerného prúdu

- Odpojte prívod elektrickej energie do zariadenia.
- Vypáčte kryt poistky (obr. **4** 3, strane 4), aby ste sa dostali k poistke.
- Vyklopte kryt poistky dozadu a s pomocou háku vyberte poistku.
- Vymeňte chybnú poistku za novú rovnakého typu (štandardná automobilová poistka, nožová, 10 A).
- Znovu nasadíte kryt poistky.
- Znovu pripojte prívod elektrickej energie do zariadenia.

6.12 Výmena poistky zástrčky na jednosmerný prúd (obr. **10**, strane 6)

- Odskrutkujte kryt dotykového kolíka (**3**) zo zástrčky (**1**).
- Vymeňte chybnú poistku (**2**) za novú poistku rovnakého typu a s rovnakou hodnotou (3AG, rýchlo reagujúca, 10 A).
- Zástrčku zmontujte v obrátenom poradí.

7 Čistenie a údržba



VÝSTRAHA!

NEBEZPEČENSTVO ÚRAZU ELEKTRICKÝM PRÚDOM!

Nedodržanie tohto varovania môže mať za následok smrť alebo vážne poranenie.

Pred každým čistením a ošetrovaním odpojte zariadenie od napájania.

**POZOR!****NEBEZPEČENSTVO POŠKODENIA!**

Nedodržanie týchto pokynov môže mať za následok poškodenie zariadenia.

- Chladiaci box nikdy nečistite pod tečúcou vodou alebo dokonca vo vode.
- Na čistenie nepoužívajte ostré čistiace prostriedky alebo tvrdé predmety, pretože by mohli poškodiť chladiaci box.

- Vyčistite zariadenie zvnútra a zvonku príležitostne vlhkou handrou.
- Zabezpečte, aby vetracie a odvzdušňovacie otvory prístroja boli bez prachu a nečistôt, aby sa teplo vznikajúce pri prevádzke mohlo odvádzať a aby sa prístroj nepoškodil.

8 Odstraňovanie porúch

Porucha	Možná príčina	Návrh riešenia
Zariadenie nefunguje, LED nesvieti.	V zásuvke s jednosmerným prúdom nebolo namerané žiadne napätie.	Vo väčšine vozidiel musí byť zapnuté zapaľovanie, aby do zásuvky s jednosmerným prúdom bolo privádzané napätie.
	Zásuvka so striedavým prúdom nevedie napätie.	Vyskúšajte inú zásuvku.
	Jedna z poistiek zariadenia je chybná.	Vymeňte chybnú poistku zariadenia, pozri kap. „Výmena poistky striedavého prúdu“ na strane 285 alebo kap. „Výmena poistky jednosmerného prúdu“ na strane 286.
	Integrovaný sieťový adaptér je chybný.	Opravu môže vykonať iba autorizované servisné stredisko.
Zariadenie nechladí (zástrčka je zasunutá, LED „POWER“ svieti).	Kompresor je chybný.	Opravu môže vykonať iba autorizované servisné stredisko.

Porucha	Možná príčina	Návrh riešenia
Zariadenie nechladí (zástrčka je zasunutá, LED „POWER“ bliká oranžovo, displej je vypnutý).	Indikátor batérie je nastavený na príliš vysokú hodnotu.	Zvoľte nižšie nastavenie indikátora batérie.
	Napätie batérie nie je dostatočné.	Skontrolujte batériu a v prípade potreby ju nabite.
Pri prevádzke z výstupu s jednosmerným prúdom: Zapaľovanie je zapnuté, zariadenie nefunguje a LED nesvieti.	Výstup s jednosmerným prúdom je znečistený. To má za následok zlý elektrický kontakt.	Keď sa zástrčka chladiaceho boxu vo výstupe s jednosmerným prúdom veľmi zohreje, musí sa buď vyčistiť výstup s jednosmerným prúdom alebo zástrčka pravdepodobne nie je správne zmontovaná.
	Poistka zástrčky na jednosmerný prúd je prehorená.	Vymeňte poistku v zástrčke na jednosmerný prúd, pozri kap. „Výmena poistky zástrčky na jednosmerný prúd (obr. 10, strane 6)“ na strane 286.
	Poistka jednosmerného prúdu zariadenia prehorela.	Vymeňte chybnú poistku, pozri kap. „Výmena poistky jednosmerného prúdu“ na strane 286.
	Poistka vozidla je prehorená.	Vymeňte poistku výstupu s jednosmerným prúdom vozidla. Pozrite si návod na obsluhu vášho vozidla.
Na displeji sa zobrazí hlásenie chyby (napr. „Err1“) a zariadenie nechladí.	Zariadenie sa vyplo kvôli internej prevádzkovej poruche.	Opravu môže vykonať iba autorizované servisné stredisko.

8.1 Veko bolo nasilu otvorené za vstavaný doraz (obr. 11, strane 7)

- Podoprite veko jednou rukou (A).
- Druhou rukou pridržite západku dole (B).



UPOZORNENIE!

NEBEZPEČENSTVO OHROZENIA ZDRAVIA!

Nedodržanie tohto upozornenia môže mať za následok drobné alebo stredne ťažké poranenie.

Pri zatváraní veka dávajte pozor, aby ste si neprivreli palec.



POZOR!

NEBEZPEČENSTVO POŠKODENIA!

Nedodržanie tohto pokynu môže viesť k odlomeniu veka.

- Zatvorte veko čo najviac tak, aby ste si neprivreli palec, pritom pridržiavajte západku dole, aby ste zabránili jej zlomeniu.
- ✓ Veko by teraz malo byť v uhle (obr. 11, strane 7).
- Odtiahnite ruku zo západky (B), a pokračujte v zatváraní veka po celej dráhe.



POZNÁMKA

Na konci zatvárania sa závesy môžu uvoľniť zo svojej správnej polohy. Veko dajte naspäť do polohy nasledovne:

- Súčasne stlačte západky na oboch stranách veka.
- Nadvihnite veko a dajte ho naspäť do polohy.

9 Záruka

Platí zákonom stanovená záručná lehota. Ak by bol výrobok chybný, obráťte sa na pobočku vo vašej krajine (pozri dometic.com/dealer) alebo na vášho špecializovaného predajcu.

Ak žiadate o vybavenie opravy alebo nárokov vyplývajúcich zo záruky, musíte priložiť nasledovné podklady:

- kópiu faktúry s dátumom kúpy,
- dôvod reklamácie alebo opis chyby.

10 Likvidácia

- Obalový materiál podľa možnosti odovzdajte do príslušného odpadu na recykláciu.



Keď výrobok definitívne vyradíte z prevádzky, informujte sa v najbližšom recyklačnom stredisku alebo u vášho špecializovaného predajcu o príslušných predpisoch týkajúcich sa likvidácie.

11 Technické údaje

	CFF35	CFF45
Pripájacie napätie:	12/24 V $\overline{=}$ a 100 až 240 V \sim	
Menovitý prúd:	12 V $\overline{=}$: 7,8 A 24 V $\overline{=}$: 3,5 A 240 V \sim : 0,4 A	12 V $\overline{=}$: 8,6 A 24 V $\overline{=}$: 3,8 A 240 V \sim : 0,41 A
Chladiaci výkon:	+10 °C až -18 °C (+50 °F až 0 °F)	
Kategória:	1	
Trieda energetickej účinnosti:	A+	
Spotreba:	85 kWh/ročne	84 kWh/ročne
Hrubý objem:	34 l	44 l
Skladovací objem:	30 l	38 l
Klimatická trieda:	N, T	
Teplota okolia:	+16 °C až +43 °C +60 °F až +110 °F	
Množstvo chladiaceho prostriedku:	34 g	43 g
Ekvivalent CO ₂ :	0,049 t	0,061 t
Potenciál globálneho otepľovania (GWP):	1430	

	CFF35	CFF45
Rozmery Rozmery (Š × V × H) v mm (vrátane rukoväti):	715 × 407 × 398	715 × 475 × 398
Rozmery (Š × V × H) v mm (s demontovanými rukoväťami):	590 × 407 × 398	590 × 475 × 398
Hmotnosť:	17,2 kg	18,6 kg

**POZNÁMKA**

Ak je teplota okolia vyššia ako +32 °C (+90 °F), minimálnu teplotu nie je možné dosiahnuť.

Test/certifikáty:



Chladiaci obvod obsahuje R134a.

Obsahuje fluórované skleníkové plyny

Hermeticky uzavreté zariadenie

Před uvedením do provozu si pečlivě přečtěte tento návod k obsluze a uschovejte jej. V případě dalšího prodeje ledničky předejte návod novému uživateli.

Výrobce neručí za škody, které vzniknou **nesprávným použitím** nebo **nesprávnou obsluhou**.

Obsah

1	Vysvětlení symbolů	292
2	Bezpečnostní pokyny	293
3	Obsah dodávky	295
4	Použití v souladu s účelem	296
5	Popis funkce	296
6	Obsluha	298
7	Čištění a péče	306
8	Odstraňování poruch a závad	307
9	Odpovědnost za vady	309
10	Likvidace	309
11	Technické údaje	309

1 Vysvětlení symbolů



NEBEZPEČÍ!

Bezpečnostní upozornění na nebezpečnou situaci, která vede k úmrtí nebo těžkému poranění osob, pokud se jí nevyhnete.



VÝSTRAHA!

Bezpečnostní upozornění na nebezpečnou situaci, která může vést k úmrtí nebo těžkému poranění osob, pokud se jí nevyhnete.



UPOZORNĚNÍ!

Bezpečnostní upozornění na nebezpečnou situaci, která může vést k lehkému nebo středně těžkému poranění osob, pokud se jí nevyhnete.

**POZOR!**

Upozornění na situaci, která může vést k poškození majetku, pokud se jí nevyhnete.

**POZNÁMKA**

Doplňující informace týkající se obsluhy výrobku.

2 Bezpečnostní pokyny



VÝSTRAHA! Nedodržení těchto varování by mohlo mít za následek smrt nebo vážné zranění.

Ohrožení života elektrickým proudem

- V případě, že je přístroj viditelně poškozen, nesmíte jej používat.
- Pokud je přívodní kabel tohoto chladicího přístroje poškozen, musí být vyměněn, aby nevzniklo nebezpečí.
- Opravy tohoto přístroje smí provádět pouze odborníci. Nesprávně provedené opravy mohou způsobit značné škody.

Nebezpečí požáru

- Při umístění přístroje nesmí být zachycen nebo poškozen přívodní kabel.
- Za přístrojem neumísťujte vícenásobné přenosné zásuvky nebo přenosné napájecí zdroje.

Nebezpečí ohrožení zdraví

- Tento přístroj mohou používat děti od 8 let a osoby se sníženými fyzickými, smyslovými nebo duševními schopnostmi nebo s nedostatečnými zkušenostmi a znalostmi, pokud jsou pod dohledem nebo obdržely pokyny týkající se používání přístroje bezpečným způsobem a porozuměly souvisejícím nebezpečím.
- Děti si s přístrojem nesmí hrát.
- Čištění a údržba prováděná uživatelem nesmějí provádět děti bez dozoru.
- Děti ve věku 3 až 8 let smí chladicí přístroj nakládat a vykládat.

Nebezpečí výbuchu

- Neskladujte v přístroji výbušné látky, jako např. spreje s hořlavým hnacím plynem.



UPOZORNĚNÍ! Nedodržení těchto upozornění by mohlo mít za následek lehké nebo střední zranění.

Ohrožení života elektrickým proudem

- Před uvedením do provozu zkontrolujte, zda jsou přívodní kabel a zástrčka suché.
- Přístroj odpojte od sítě:
 - Před každým čištěním a údržbou
 - Po každém použití

Nebezpečí ohrožení zdraví

- Zkontrolujte, zda chladicí výkon přístroje odpovídá požadavkům potravin nebo léčiv, které chcete skladovat.
- Skladujte potraviny pouze v originálním balení nebo ve vhodných nádobách.
- Otevření chladicího přístroje na delší dobu může způsobit značné zvýšení teploty v přihrádkách přístroje.
- Pravidelně čistěte povrchy, které se mohou dostat do kontaktu s potravinami a přístupnými odtokovými systémy.
- Syrové maso a ryby skladujte ve vhodných nádobách v přístroji tak, aby se nedostaly do styku s jinými potravinami nebo neodkapávaly na jiné potraviny.
- Pokud je přístroj delší dobu nečinný:
 - Vypněte přístroj.
 - Odmrazte přístroj.
 - Vyčistěte a osušte přístroj.
 - Dvířka udržujte otevřená, aby se zabránilo tvorbě plísně uvnitř přístroje.



POZOR! Nebezpečí poškození

- Porovnejte údaj o napětí na typovém štítku se stávajícím zdrojem napájení.
- Ledničku připojte pouze následujícím způsobem:
 - Přívodním kabelem na stejnosměrný proud k palubní zásuvce stejnosměrného proudu ve vozidle
 - Nebo přívodním kabelem na střídavý proud k síti střídavého proudu
- Nikdy nevytahujte zástrčku ze zásuvky tahem za přívodní kabel.
- Pokud je chladnička připojena k zásuvce stejnosměrného proudu: Odpojte chladničku a jiné spotřebiče od baterie dříve, než je připojíte k rychlonabíječce.

- Pokud je chladnička připojena k zásuvce stejnosměrného proudu: Po vypnutí motoru přerušte spojení nebo vypněte chladničku. V opačném případě může dojít k vybití baterie.
- Chladnička není vhodná k přepravě leptavých látek nebo látek obsahujících rozpouštědla.
- V izolaci této ledničky je hořlavý cyklopentan. Plyny v izolačním materiálu vyžadují speciální metodu likvidace. Po ukončení životnosti ledničku odevzdejte k řádné likvidaci.
- Nepoužívejte uvnitř chladničky žádné elektrické přístroje, pouze pokud jsou k tomu takové přístroje doporučeny výrobcem.
- Neinstalujte přístroj v blízkosti otevřeného ohně nebo jiných tepelných zdrojů (topení, přímé sluneční záření, plynová kamna apod.).
- **Nebezpečí přehřátí!**
Zajistěte, aby bylo vždy kolem chladicího zařízení ze všech čtyř stran alespoň 50 mm volného místa k větrání. Větrací prostor udržujte volný bez jakýchkoli předmětů, které by mohly překážet proudu vzduchu a zabránit tak chlazení součástí zařízení. Chladicí zařízení neumísťujte do uzavřených schránek nebo prostor, kde nemůže proudit vzduch.
- Pamatujte, že nesmějí být zakryty větrací otvory.
- Do vnitřní nádoby nelijte žádné kapaliny ani do ní nedávejte led.
- Nikdy neponořujte přístroj do vody.
- Chraňte přístroje a kabely před horkem a vlhkem.
- Chraňte chladicí přístroj před vystavením dešti.

3 Obsah dodávky

Položka (obr. 1, strana 3)	Počet	Popis
1	1	Chladicí box
2	1	Přívodní kabel pro přípojku stejnosměrného proudu
3	1	Přívodní kabel pro přípojku střídavého proudu

Položka (obr. 1, strana 3)	Počet	Popis
4	2	Madlo, sestávající z částí: <ul style="list-style-type: none"> • 2 držáky • 1 rukojeť • 4 upevňovací šrouby • 1 imbusový klíč
–	1	Návod k obsluze

4 Použití v souladu s účelem

Chladicí přístroj je vhodný pro:

- chlazení a zmrazování potravin
- použití při kempování a v mobilních aplikacích

Chladicí přístroj je určen k ovládání z:

- palubního napájecího zdroje stejnosměrného proudu ve vozidle, lodi nebo obytného vozidla;
- pomocné baterie stejnosměrného proudu;
- napájecí sítě střídavého proudu.

Chladnička je určena k použití v domácnostech a v podobných oblastech používání – například:

- v kuchyních personálu v obchodech, kancelářích a dalších pracovních oblastech;
- v zemědělství;
- pro hosty v hotelech, motelech a dalších ubytovacích zařízeních;
- v penzionech se snídání;
- ve stravovacích a podobných velkoobchodních aplikacích.

5 Popis funkce

Chladicí box umožňuje chladit výrobky, udržovat je chladné a umožňuje také jejich hluboké chlazení. Chlazení je provedeno pomocí chladicího okruhu s kompresorem s nízkými nároky na údržbu. Velkorysá izolace a výkonný kompresor zajišťují účinné a rychlé chlazení.

Chladicí box je vhodný k mobilnímu využití.

Chladicí box dokáže odolat krátkodobému sklonu 30°, například na lodích.


5.1 Funkční rozsah

- Síťový zdroj k prioritnímu spínání k připojení ke střídavému napětí
- Třístupňový snímač baterie k ochraně baterie vozidla
- Displej se zobrazováním teploty ve °C a °F
Při nízkém napětí baterie se automaticky vypíná
- Nastavení teploty: Pomocí dvou tlačítek v krocích po 1 °C (nebo 2 °F)
- Zobrazení funkce stmívání se 3 úrovněmi jasu
- Odnímatelný vnitřní koš
- Odnímatelná madla

5.2 Ovládací a indikační prvky

Západky víka (obr. 2, strana 3)

Ovládací panel (obr. 3, strana 4)

Položka	Popis	Vysvětlení
1	ZAP VYP	Zapnutí nebo vypnutí chladicího boxu, pokud tlačítko podržíte jednu až dvě vteřiny stisknuté
2	POWER (NAPÁ- JENÍ) „  “	Indikace stavu LED svítí zeleně: Kompresor je zapnutý LED svítí oranžově: Kompresor je vypnutý LED bliká oranžově: Displej automaticky vypnutý z důvodu nízkého napětí baterie
3	CHYBA	LED bliká červeně: Zapnutý přístroj není připraven k provozu
4	–	Displej, zobrazuje hodnoty
5	NASTAVENÍ	Výběr režimu zadávání – Nastavení teploty – Zobrazení stupňů Celsia nebo Fahrenheita – Nastavení snímače baterie – Nastavení jasu displeje
6	DOWN –	Jedním klepnutím snížíte hodnotu

Položka	Popis	Vysvětlení
7	UP +	Jedním klepnutím zvýšíte hodnotu

Přívodní zdířky (obr. 3, strana 4)

Položka	Popis
1	Přívodní zdířka napájení střídavým napětím
2	Držák pojistky střídavého proudu
3	Kryt pojistky stejnosměrného proudu
4	Přívodní zdířka napájení stejnosměrným napětím

6 Obsluha

6.1 Před prvním použitím



POZNÁMKA

Dříve než uvedete nový chladicí box do provozu, musíte jej z hygienických důvodů očistit vlhkou utěrkou jak zevnitř, tak zvenčí (viz též kap. „Čištění a péče“ na strani 306).

Montáž rukojetí (obr. 5, strana 4)

Rukojeti jsou dodány volně, nenamontované. Pokud si přejete rukojeti namontovat, postupujte takto:

- Sestavte vždy ze dvou držáků (1) a jednoho madla (2) celou rukojeť.
- Upevněte držáky pomocí dodaných šroubů do připravených otvorů.

Otevření nebo sejmутí víka (obr. 6, strana 5)

Víko lze otevřít z obou stran nebo zcela sejmut bez potřeby nářadí následujícím způsobem:

- Chcete-li víko otevřít, odjistěte ho v upřednostněném směru otevírání (A) nebo (B).
- Chcete-li víko sejmut, odjistěte obě strany současně (C).

Dorazová poloha víka (obr. 7, strana 5)

Víko má vestavěnou dorazovou polohu (A). Víko netlačte za vestavěný doraz (B).



POZOR!

NEBEZPEČÍ POŠKOZENÍ!

Následkem nedodržení pokynů se víko může odlomit.

- Pokud je víko zatlačené příliš daleko, postupujte podle kroků popsaných v kap. „Víko bylo tlačeno přes vestavěný doraz (obr. 11, strana 7)“ na straně 308.

Vyjmutí koše (obr. 8, strana 6)



POZOR!

NEBEZPEČÍ POŠKOZENÍ!

Nedodržení tohoto pokynu může mít za následek poškození přístroje. Vyjmutím koše s otevřeným víkem se může poškrábat víko a deformovat koš. Před vyjmutím koše doporučujeme odstranit víko.

Výběr jednotek pro zobrazení teploty

Jednotky zobrazující teplotu lze přepínat mezi stupněm Celsia a Fahrenheita takto:

- Zapněte chladicí box.
- Stiskněte dvakrát tlačítko „SET“ (obr. 3 5, strana 4).
- Pomocí tlačítek „UP +“ (obr. 3 7, strana 4) nebo „DOWN –“ (obr. 3 6, strana 4) vyberte stupně Celsia nebo Fahrenheita.
- ✓ Displej zobrazuje na několik sekund nastavenou jednotku teploty. Displej několikrát zabliká dříve, než se vrátí k aktuální teplotě.

6.2 Tipy k úspoře energie

- K používání vyberte dobře větrané místo chráněné před slunečním zářením.
- Teplé pokrmy nechejte před uložením do chladničky vychladnout.
- Neotevírejte chladničku častěji, než je nezbytně nutné.
- Nenechávejte chladničku otevřenou déle, než je nezbytně nutné.
- Odmrazte chladicí box, jakmile se vytvoří vrstva ledu.
- Zabraňte vzniku zbytečně nízkých vnitřních teplot.

6.3 Připojení chladicího boxu

Připojení k baterii (vozidla nebo lodi)

Chladicí box lze provozovat na 12 V nebo 24 V $\overline{=}$.



POZOR!

NEBEZPEČÍ POŠKOZENÍ!

Nedodržení tohoto pokynu může mít za následek poškození přístroje. Odpojte chladicí box a jiné spotřebiče od baterie dříve, než připojíte baterii k rychlonabíječce. Přepětí může poškodit elektronické systémy přístrojů.

Z bezpečnostních důvodů je chladicí box vybaven elektronickým systémem, který zabráňuje obrácení polarity. Tím je chladicí box při připojení k baterii chráněn před zkratováním.

Použití zástrčky stejnosměrného proudu s pojistkou



POZOR!

NEBEZPEČÍ POŠKOZENÍ!

Nedodržení tohoto pokynu může mít za následek poškození přístroje. K ochraně zařízení obsahuje dodaný kabel stejnosměrného proudu pojistku uvnitř zástrčky. **Neodstraňujte** zástrčku stejnosměrného proudu s pojistkou. Používejte pouze dodaný kabel stejnosměrného proudu.

- Připojte přívodní kabel na stejnosměrný proud (obr. **1** 2, strana 3) ke zdířce stejnosměrného proudu chladicího boxu (obr. **4** 3, strana 4).
- Připojte přívodní kabel k zásuvce stejnosměrného proudu.

Připojení k napájecí síti střídavého proudu (např. doma nebo v kanceláři)



NEBEZPEČÍ!

NEBEZPEČÍ USMRCENÍ ELEKTRICKÝM PROUDEM!

Nedodržení těchto varování bude mít za následek smrt nebo vážné zranění.

- Nikdy nemanipulujte se zástrčkami a spínači s mokřkýma rukama nebo pokud stojíte v moku.
- Pokud používáte chladicí box na palubě lodi, která je připojena k napájecí síti střídavého proudu, musíte vždy instalovat mezi napájení střídavého proudu a chladicí box proudový chránič. Poradte se s odborníkem.

Chladicí boxy mají integrovaný vícenapěťový napájecí adaptér s prioritním obvodem pro připojení k napájecímu zdroji střídavého proudu. Prioritní obvod automaticky přepíná na provoz na střídavý proud, je-li přístroj připojen k napájecí síti na střídavý proud, i když je přívodní kabel na stejnosměrný proud stále připojen.

Při přepínání mezi napájením střídavého proudu a napájením z baterie se může na několik minut rozsvítit červená kontrolka LED.

- Připojte přívodní kabel na střídavý proud (obr. **1** 3, strana 3) k zásuvce střídavého napětí chladicího boxu (obr. **4** 1, strana 4).
- Připojte přívodní kabel k zásuvce střídavého proudu.

6.4 Použití snímače stavu baterie

Přístroj je vybaven víceúrovňovým snímačem baterie, který chrání vaši baterii při připojování k palubní síti před příliš hlubokým vybitím.

Pokud chladicí box používáte ve vozidle s vypnutým zapalováním, dojde k samočinnému vypnutí chladicího boxu, jakmile napájecí napětí poklesne pod předem definovanou hodnotu. Chladicí box se opět zapne, jakmile je nabitím baterie dosaženo napětí k opětovnému zapnutí.



POZOR!

NEBEZPEČÍ POŠKOZENÍ!

Nedodržení tohoto pokynu může mít za následek poškození baterie. Po vypnutí snímačem baterie nebude baterie již plně nabitá. Zamezte opakovanému spouštění nebo provozu elektrických spotřebičů bez delších fází nabíjení. Zajistěte dobití baterie.

V režimu „HIGH“ je snímač stavu baterie aktivován rychleji než ve stupních „LOW“ a „MED“ (viz tabulka níže).

Režim snímače stavu baterie	LOW	MED	HIGH
Vypínací napětí při 12 V	10,1 V	11,4 V	11,8 V
Napětí k opětovnému zapnutí při 12 V	11,1 V	12,2 V	12,6 V
Vypínací napětí při 24 V	21,5 V	24,1 V	24,6 V
Napětí k opětovnému zapnutí při 24 V	23,0 V	25,3 V	26,2 V

Režim snímače stavu baterie lze vybrat takto:

- ▶ Zapněte chladicí box.
- ▶ Stiskněte třikrát tlačítko „SET“ (obr. **3** 5, strana 4).
- ▶ Pomocí tlačítek „UP +“ (obr. **3** 7, strana 4) nebo „DOWN –“ (obr. **3** 6, strana 4) vyberte režim snímače baterie.
- ✓ Na displeji se zobrazí následující hlášení:
Lo (LOW), ME (MED), Hi (HIGH)
- ✓ Displej zobrazuje na několik sekund nastavený režim. Displej několikrát zabliká dříve, než se vrátí k aktuální teplotě.



POZNÁMKA

Pokud je chladicí box napájen ze startovací baterie, vyberte režim snímače baterie „HIGH“. Pokud je chladicí box připojen k napájecí baterii, stačí režim snímače „LOW“.

6.5 Použití chladicího boxu



POZOR!

NEBEZPEČÍ PŘEHŘÁTÍ!

Nedodržení tohoto pokynu může mít za následek poškození přístroje. Vždy zajistěte dostatečné větrání, aby se teplo vytvářené během provozu mohlo rozptýlit. Pamatujte, že nesmí být zakryty větrací otvory. Zajistěte, aby byla chladnička postavena v dostatečné vzdálenosti od stěn nebo předmětů tak, aby mohl vzduch cirkulovat.

- Postavte chladicí box na pevný základ.
Dbejte na to, aby nebyly nikdy zakryty větrací otvory, které slouží k odvádění zahřátého vzduchu. Doporučujeme dodržet mezeru nejméně 2" kolem větracích otvorů.



POZNÁMKA

Postavte chladicí box tak, jak je vidět na obrázku (obr. **1**, strana 3). Pokud budete chladicí box používat v jiné orientaci, může dojít k poškození.

- Připojte chladicí box, viz kap. „Připojení chladicího boxu“ na straně 300.




POZOR!

NEBEZPEČÍ V PŘÍPADĚ VELMI NÍZKÉ TEPLoty!

Nedodržení tohoto pokynu může mít za následek poškození předmětů umístěných v chladicím boxu.

Dbejte, aby byly v chladicím boxu skladovány pouze předměty nebo potraviny, které je dovoleno chladit za nastavené teploty.

- Stiskněte tlačítko „ON/OFF“ (obr. **3** 1, strana 4) na jednu až dvě sekundy.
- ✓ Rozsvítí se kontrolka LED „“ (obr. **3** 2, strana 4).
- ✓ Zapne se displej (obr. **3** 4, strana 4) a zobrazí aktuální teplotu.
- ✓ Chladicí box zahájí chlazení vnitřního prostoru.

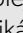


POZNÁMKA – Zobrazená teplota

Zobrazená teplota se vztahuje na velkou část vnitřního prostoru (obr. **9**, strana 6, 1).



POZNÁMKA

Při provozu z baterie se displej automaticky vypne, je-li napětí baterie nízké. Kontrolka LED „“ bliká oranžově.

Zajištění víka chladicího boxu

- Zavřete víko.
- Zatlačte západku (obr. **2**, strana 3) dolů tak, aby slyšitelně zacvakla.

**POZNÁMKA**

Při zajištění víka se přesvědčte, že jsou oba kolíky na straně západky zcela zajištěny, aby víko dobře těsnilo. Jedna západka může zapadnout mírně před druhou.

- ▶ Pokud není víko rovnoměrně uzavřeno na obou stranách, zatlačte jej, dokud neuslyšíte druhé cvaknutí.

6.6 Nastavení teploty

- ▶ Jednou stiskněte tlačítko „SET“ (obr. **3** 5, strana 4).
- ▶ Nastavte pomocí tlačítek „UP +“ (obr. **3** 7, strana 4) nebo „DOWN –“ (obr. **3** 6, strana 4) teplotu chlazení.
- ✓ Na displeji se zobrazí na několik sekund teplota chlazení. Displej několikrát zablíká a poté se opět zobrazí aktuální teplota.

6.7 Nastavení jasu displeje

Jas displeje lze ztlumit při slabém okolním osvětlení. Při nastavení úrovně stmívání displeje postupujte následovně:

- ▶ Zapněte chladicí box.
- ▶ Stiskněte čtyřikrát tlačítko „SET“ (obr. **3** 5, strana 4).
- ▶ Pomocí tlačítek „UP +“ (obr. **3** 7, strana 4) nebo „DOWN –“ (obr. **3** 6, strana 4) nastavte jas displeje.
- ✓ Na displeji se zobrazí následující hlášení: d0 (výchozí), d1 (střední), d2 (tmavý)
- ✓ Na displeji se na několik sekund zobrazí nastavený režim. Displej dvakrát zablíká, než se vrátí k aktuální teplotě.

**POZNÁMKA**

- Nastavení jasu displeje z výroby je d0 (výchozí).
- Pokud dojde k poruše, jas se automaticky vrátí k úrovni d0 (výchozí). Po odstranění závady se obnoví nastavený jas.

6.8 Vypnutí chladicího boxu

- ▶ Vyprázdněte chladicí box.
- ▶ Vypněte chladicí box.

- Vytáhněte přívodní kabel.

Pokud nebudete chladicí box déle používat:

- Nechejte víko pootevřené. Tím se zabrání tvorbě zápachu.

6.9 Odmrazování chladicího boxu

Vzdušná vlhkost se může srážet uvnitř chladicího přístroje nebo na výparníku. Tím se snižuje chladicí výkon.



POZOR!

NEBEZPEČÍ POŠKOZENÍ!

Nedodržení tohoto pokynu může mít za následek poškození přístroje. Nepoužívejte k odstraňování ledu nebo k uvolňování přimrzlých předmětů špičaté nástroje.

Při rozmrazování chladicího boxu postupujte takto:

- Vyjměte obsah z chladicího boxu.
- Uložte jej případně do jiného chladicího přístroje, aby zůstal v chladu.
- Vypněte přístroj.
- Nechejte víko otevřené.
- Otřete odmrazenou vodu.

6.10 Výměna pojistky střídavého proudu



NEBEZPEČÍ!

NEBEZPEČÍ USMRČENÍ ELEKTRICKÝM PROUDEM!

Nedodržení tohoto varování bude mít za následek smrt nebo vážné zranění.

Před výměnou pojistek přístroje odpojte napájení a přívodní kabel.

- Odpojte přístroj od napájení.
- Vyjměte přívodní kabel.
- Uvolněte držák pojistek (obr. **4** 2, strana 4) šroubovákem.
- Vyměňte vadnou skleněnou pojistku za novou stejného typu a se stejnou hodnotou (4 A, 250 V).

- Zatlačte držák pojistek opět do krytu.
- Opět připojte napájení k přístroji.

6.11 Výměna pojistek stejnosměrného proudu přístroje

- Odpojte přístroj od napájení.
- Uvolněte kryt pojistek (obr. 4 3, strana 4) pro přístup k pojistce.
- Obraťte kryt pojistky a použijte háček k odstranění pojistky.
- Vadnou pojistku vyměňte za novou pojistku stejného typu (standardní nožová pojistka pro automobily, 10 A).
- Znovu nasadte kryt pojistky.
- Opět připojte napájení k přístroji.

6.12 Výměna pojistky stejnosměrné zástrčky (obr. 10, strana 6)

- Odšroubujte těleso kontaktního kolíku (3) ze zástrčky (1).
- Vyměňte vadnou pojistku (2) za novou stejného typu a o stejné hodnotě (3AG, rychločinná, 10 A).
- Smontujte zástrčku v opačném pořadí.

7 Čištění a péče



VÝSTRAHA!

NEBEZPEČÍ USMRČENÍ ELEKTRICKÝM PROUDEM!

Nedodržení tohoto varování by mohlo mít za následek smrt nebo vážné zranění.

Před zahájením jakéhokoliv čištění nebo údržby odpojte výrobek od napájení.

**POZOR!****NEBEZPEČÍ POŠKOZENÍ!**

Nedodržení těchto pokynů může mít za následek poškození přístroje.

- Nikdy neumývejte chladicí box pod tekoucí vodou nebo ve vodní lázni.
- K čištění nepoužívejte čisticí písky nebo tvrdé předměty, může dojít k poškození chladicího boxu.

- Pokud je to nutné, očistěte přístroj zevnitř a zvenčí vlhkým hadrem.
- Zajistěte, aby nebyly větrací a odvětrávací otvory přístroje zaprášené a znečištěné. Tím může být teplo vznikající za provozu odváděno a nedojde k poškození přístroje.

8 Odstraňování poruch a závad

Porucha	Možná příčina	Návrh řešení
Přístroj nefunguje, LED nesvítí.	V zásuvce stejnosměrného proudu nebylo zjištěno žádné napětí.	U většiny vozidel musí být před přivedením napájení do zásuvky stejnosměrného proudu zapnuto zapalování.
	V zásuvce střídavého proudu není přítomno napětí.	Zkuste použít jinou zásuvku.
	Jedna z pojistek přístroje je vadná.	Vyměňte vadnou pojistku přístroje, viz kap. „Výměna pojistky střídavého proudu“ na straně 305 nebo kap. „Výměna pojistek stejnosměrného proudu přístroje“ na straně 306.
	Integrovaný síťový zdroj je vadný.	Opravu může provést pouze autorizované středisko oprav.
Přístroj nechladí (zástrčka je připojená, svítí LED „POWER“).	Vadný kompresor.	Opravu může provést pouze autorizované středisko oprav.
Přístroj nechladí (zástrčka je připojená, LED „POWER“ bliká oranžově, displej je vypnutý).	Je nastaven příliš vysoko snímač baterie.	Vyberte nižší nastavení snímače baterie.
	Nedostatečné napětí baterie.	Zkontrolujte baterii a případně ji nabijte.

Porucha	Možná příčina	Návrh řešení
Provoz ze stejnosměrné zásuvky: Zapalování je zapnuto, přístroj nefunguje a LED nesvítí.	Zásuvka stejnosměrného napětí je znečištěná. Následkem je špatný elektrický kontakt.	Pokud je zástrčka chladicího boxu v zásuvce stejnosměrného proudu velmi horká, buď očištěte objímku, nebo zkontrolujte, zda je zástrčka správně namontována.
	Pojistka zástrčky stejnosměrného napájení je přepálená.	Vyměňte pojistku stejnosměrné zásuvky, viz kap. „Výměna pojistky stejnosměrné zástrčky (obr. 10, strana 6)” na straně 306.
	Spálená pojistka stejnosměrného proudu přístroje.	Vyměňte vadnou pojistku, viz kap. „Výměna pojistek stejnosměrného proudu přístroje” na straně 306.
	Pojistka vozidla je přepálená.	Vyměňte pojistku stejnosměrné zásuvky vozidla. Viz návod k obsluze vašeho vozidla.
Na displeji se zobrazuje chybové hlášení (např. např. „Err1”) a přístroj nechladí.	Interní provozní porucha vypnula přístroj.	Opravu může provést pouze autorizované středisko oprav.

8.1 Víko bylo tlačeno přes vestavěný doraz (obr. 11, strana 7)

- Podepřete víko jednou rukou (A).
- Druhou rukou přidržte západku (B).



UPOZORNĚNÍ!

NEBEZPEČÍ OHROŽENÍ ZDRAVÍ!

Nedodržení tohoto upozornění by mohlo mít za následek lehké nebo střední zranění.

Při zavírání víka dávejte pozor, abyste si nepřiskřípli palec.



POZOR!

NEBEZPEČÍ POŠKOZENÍ!

Následkem nedodržení pokynů se víko může odlomit.

- Uzavřete víko co nejvíce, aniž byste si přiskřípli palec, zatímco přidržujete západku, aby nedošlo k jejímu zlomení.

- ✓ Víko by mělo být nyní přibližně šikmo (obr. **11**, strana 7).
- Vyjměte ruku ze západky (**B**) a pokračujte v zavírání víka po celé dráze.



POZNÁMKA

Závěsy se mohou během konečného zavírání uvolnit ze správné polohy. Umístěte víko zpět následujícím způsobem:

- Ovládejte západky na obou stranách víka současně.
- Zvedněte a opět umístěte víko.

9 Odpovědnost za vady

Na výrobek je poskytována záruka v souladu s platnými zákony. Zjistíte-li, že je výrobek vadný, zašlete jej do pobočky výrobce ve vaší zemi (viz dometic.com/dealer) nebo do specializovanému prodejci.

K vyřízení opravy nebo záruky nezapomeňte odeslat následující dokumenty:

- Kopii účtenky s datem zakoupení,
- Uvedení důvodu reklamace nebo popis vady.

10 Likvidace

- Obalový materiál likvidujte v odpadu určeném k recyklaci.



Jakmile výrobek zcela vyřadíte z provozu, informujte se v příslušných recyklačních centrech nebo u specializovaného prodejce o příslušných předpisech o likvidaci odpadu.

11 Technické údaje

	CFF 35	CFF 45
Napájecí napětí:	12/24 V $\overline{=}$ a 100 až 240 V \sim	
Jmenovitý proud:	12 V $\overline{=}$: 7,8 A 24 V $\overline{=}$: 3,5 A 240 V \sim : 0,4 A	12 V $\overline{=}$: 8,6 A 24 V $\overline{=}$: 3,8 A 240 V \sim : 0,41 A
Chladicí výkon:	+10 °C až -18 °C (+50 °F až 0 °F)	
Kategorie:	1	

	CFF 35	CFF 45
Energetická třída účinnosti:	A+	
Spotřeba elektrické energie:	85 kWh/rok	84 kWh/rok
Hrubý obsah:	34 l	44 l
Užitečný obsah	30 l	38 l
Klimatická třída:	N, T	
Okolní teplota:	+16 °C až +43 °C +60 °F až +110 °F	
Množství chladicího média:	34 g	43 g
Ekvivalent CO ₂ :	0,049 t	0,061 t
Potenciál skleníkových plynů (GWP):	1430	
Rozměry (Š x V x H) v mm (včetně rukojetí):	715 x 407 x 398	715 x 475 x 398
(Š x V x H) v mm (bez rukojetí):	590 x 407 x 398	590 x 475 x 398
Hmotnost:	17,2 kg	18,6 kg

**POZNÁMKA**

Pokud je okolní teplota vyšší než +32 °C (+90 °F), nelze dosáhnout minimální teploty.

Zkouška/certifikáty:



Chladicí okruh obsahuje médium R134a.

Obsahuje fluorované skleníkové plyny

Hermeticky uzavřeným zařízením

Az üzembe helyezés előtt gondosan olvassa el és őrizze meg ezt az útmutatót. Ha a hűtökészüléket továbbadja, mellékelje hozzá az útmutatót is.

A gyártó nem felelős olyan károkért vagy sérülésekért, amelyeket **nem rendeltetésszerű használat** vagy **hibás kezelés** okozott.

Tartalom

1	Szimbólumok magyarázata	311
2	Biztonsági tudnivalók	312
3	A csomag tartalma	315
4	Rendeltetésszerű használat	315
5	A működés leírása	316
6	Kezelés	317
7	Tisztítás és ápolás	326
8	Hibaelhárítás	326
9	Garancia	328
10	Ártalmatlanítás	329
11	Műszaki adatok	329

1 Szimbólumok magyarázata



VESZÉLY!

Biztonsági megjegyzés olyan veszélyes helyzetre vonatkozóan, amely halált vagy súlyos sérülést okoz, ha nem kerülük el.



FIGYELMEZTETÉS!

Biztonsági megjegyzés olyan veszélyes helyzetre vonatkozóan, amely halált vagy súlyos sérülést okozhat, ha nem kerülük el.



VIGYÁZAT!

Biztonsági megjegyzés olyan veszélyes helyzetre vonatkozóan, amely könnyű vagy közepesen súlyos sérülést okozhat, ha nem kerülük el.

**FIGYELEM!**

Felhívás olyan helyzetre, amely dologi kárt okozhat, ha nem kerülik el.

**MEGJEGYZÉS**

A termék kezelésére vonatkozó kiegészítő információk.

2 Biztonsági tudnivalók



FIGYELMEZTETÉS! Ezeknek a figyelmeztetéseknek a figyelmen kívül hagyása súlyos, vagy halálos sérüléshez vezethet.

Áramütés miatti életveszély

- Ha a készüléken sérülések láthatók, akkor azt nem szabad üzembe helyezni.
- Ha a hűtőkészülék tápkábele megsérült, akkor a biztonsági kockázatok elkerülése érdekében ki kell cserélni ezt.
- Javításokat csak szakemberek végezhetnek a készüléken. Nem szakszerű javítások jelentős veszélyeket okozhatnak.

Tűzveszély

- A készülék elhelyezésekor ügyeljen arra, hogy ne csípjé be és ne károsítsa a tápkábelt.
- Ne helyezzen el több hordozható aljzatot, vagy hordozható tápegységet a készülék hátsó részénél.

Egészségkárosodás veszélye

- A készüléket 8 év feletti gyermekek, valamint korlátozott fizikai, érzékelési és mentális képességű, illetve megfelelő tapasztalattal és tudással nem rendelkező személyek csak felügyelet mellett, illetve a készülék biztonságos használatát és az abból eredő veszélyeket megértve használhatják.
- A készülékkel gyerekek nem játszhatnak.
- A tisztítást és a felhasználói karbantartást gyermekek felügyelet nélkül nem végezhetik.
- A 3 és 8 év közötti gyermekek már kivehetnek és berakhatnak élelmiszereket a hűtőkészülékekbe.

Robbanásveszély

- Ne tároljon a készülékben robbanékony anyagokat (például éghető hajtógázt tartalmazó permetpalackokat).

**VIGYÁZAT! Ezeknek a vigyázat felhívásoknak a figyelmen kívül hagyása könnyű, vagy közepesen súlyos sérüléshez vezethet.****Áramütés miatti életveszély**

- Üzembe helyezés előtt ügyeljen arra, hogy a vezeték és a dugasz száraz legyen.
- Az alábbi esetekben mindig húzza ki a készülék csatlakozódugóját a hálózati aljzataból:
 - minden tisztítás és karbantartás előtt
 - minden használat után.

Égésveszélyveszélye

- Ellenőrizze, hogy a készülék hűtőteltjesítménye megfelel-e a hűteni kívánt élelmiszerek vagy gyógyszerek követelményeinek.
- Élelmiszert csak eredeti csomagolásban vagy megfelelő tárolókban szabad tárolni.
- Ha hosszabb időszakokra kinyitja a hűtőkészüléket, azzal jelentősen megnövekedhet a hőmérséklet a készülék rekeszeiben.
- Tisztítsa meg rendszeresen az élelmiszerekkel érintkező felületeket és a hozzáférhető lefolyórendszereket.
- Annak érdekében hogy ne érjenek hozzá más élelmiszerekhez és ne csöpögjenek ezekre, a nyers húst és a halat a készülék erre a célra szolgáló rekeszébe tárolja.
- Ha a készülék hosszabb ideig üresen áll:
 - Kapcsolja ki a készüléket.
 - Olvassa le a készüléket.
 - Tisztítsa meg és szárítsa ki a készüléket.
 - A készülék penészedésének elkerülése érdekében hagyja nyitva az ajtót.

**FIGYELEM! Sérülés veszélye**

- Hasonlítsa össze a típustáblán feltüntetett a feszültségadatokat a rendelkezésre álló energiaellátással.
- A hűtőkészüléket a következő módon csatlakoztassa:
 - Az egyenáramú csatlakozókábelrel a jármű egyenáramú fedélzeti aljzatához
 - vagy a váltakozó áramú csatlakozókábelrel a váltakozó áramú hálózathoz.

- Soha ne húzza ki a csatlakozódugót a csatlakozókábelnél fogva az aljzathból.
- Ha a hűtőkészülék az egyenáramú aljzathoz van csatlakoztatva: Kösse le a hűtőkészüléket és más fogyasztókat az akkumulátorról, mielőtt gyorstöltő berendezést csatlakoztatna rá.
- Ha a hűtőkészülék az egyenáramú aljzathoz van csatlakoztatva: Húzza ki a csatlakozódugót vagy kapcsolja ki a hűtőkészüléket, ha a jármű motorját kikapcsolja. Ellenkező esetben az akkumulátor lemerülhet.
- A hűtőkészülék nem alkalmas maró hatású vagy oldószert tartalmazó anyagok szállítására.
- A hűtőegység szigetelése gyúlékony ciklopentánt tartalmaz. A szigetelőanyagban található gázok miatt különleges ártalmatlanítási eljárásra van szükség. A hűtőegységet az élettartama végén a szabályozásoknak megfelelően ártalmatlaníttassa.
- Ne használjon elektromos készülékeket a hűtőkészüléken belül, kivéve ha ezeket a készülékeket a gyártó erre a célra javasolja.
- Ne helyezze a készüléket nyílt láng vagy más hőforrás közelébe (fűtés, erős napsugárzás, gázkályha stb.).
- **Túlmelegedés miatti veszély!**
Mindig gondoskodjon arról, hogy a hűtőkészülék mind a négy oldalánál legyen legalább 50 mm-nyi szellőzőrés. Minden olyan tárgyat tartson távol a szellőzőterülettől, amely korlátozná a hűtő szerkezeti elemekhez menő légáramlatot.
Ne helyezze a hűtőkészüléket zárt rekeszekbe vagy olyan területekre, ahol nincs vagy minimális a légáramlás.
- Ügyeljen arra, hogy a szellőzőnyílások ne legyenek lefedve.
- Ne töltsön folyadékot vagy jeget a belső tartályba.
- Soha ne merítse vízbe a készüléket.
- Védje a készüléket és a kábeleket a hőtől és a nedvességtől.
- Védje a hűtőkészüléket az esőtől.

3 A csomag tartalma

Tétel (1. ábra, 3. oldal)	Mennyiség	Leírás
1	1	Hűtőláda
2	1	Csatlakozókábel egyenáramú csatlakozáshoz
3	1	Csatlakozókábel váltakozó áramú csatlakozáshoz
4	2	Hordozófogantyú, részei: <ul style="list-style-type: none"> • 2 tartóelem • 1 fogantyú • 4 rögzítőcsavar • 1 imbuszkulcs
-	1	Kezelési útmutató

4 Rendeltetészerű használat

A hűtőkészülék a következőkre alkalmas:

- élelmiszerek hűtése és fagyasztása
- hordozható és kempingezéshez használható

A hűtőkészülék az alábbiakról üzemeltethető:

- jármű, hajó vagy lakókocsi egyenáramú fedélzeti hálózatáról
- egyenáramú segédakkumulátorról
- váltakozó áramú hálózatról

A hűtőkészülék háztartási és hasonló területeken használható, például

- boltok, irodák és más munkaterületek konyháin
- a mezőgazdaságban
- hotelek, motelek vagy más szálláshelyek vendégei által
- panziókban
- vendéglátási és hasonló nagykereskedelmi területeken

5 A működés leírása

A hűtőláda áruk lehűtésére, hidegen tartására, illetve mélyhűtésére alkalmas. A hűtést alacsony karbantartási igényű, kompresszorral ellátott hűtőkör teszi lehetővé. A megbízható szigetelés és az erős kompresszor hatékony és gyors hűtésről gondoskodik.

A hűtőláda hordozható.

A hűtőláda rövid ideig 30°-os dőlésszöget is elvisel, például hajókon.

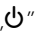
5.1 Rendelkezésre álló funkciók

- Elsőbbségi kapcsolást biztosító hálózati tápegység váltakozó áramra való csatlakozáshoz
- Háromfokozatú akkumulátorfelügyelő a jármű akkumulátorának védelmére
- Kijelző °C vagy °F egységű hőmérséklet-megjelenítéssel
Automatikus kikapcsolás alacsony akkumulátorfeszültség esetén
- Hőmérséklet-beállítás: Két gombbal 1 °C-os (2 °F-es) lépésekben
- Kijelzőfényerő-állító funkció 3 fényerőfokozattal
- Kivehető kosárbetét
- Levehető hordozófogantyúk

5.2 Kezelő- és kijelzőelemek

Fedélreteszek (2. ábra, 3. oldal)

Kezelőpanel (3. ábra, 4. oldal)

Tétel	Leírás	Magyarázat
1	ON OFF	A gombot egy-két másodpercig megnyomva a hűtőláda ki- vagy bekapcsolására szolgál
2	POWER „  ”	Állapotjelző A LED zölden világít: A kompresszor be van kapcsolva A LED narancssárgán világít: A kompresszor ki van kapcsolva A LED narancssárgán villog: A kijelző automatikusan kikapcsol alacsony akkumulátorfeszültség miatt
3	ERROR	A LED pirosan villog: A bekapcsolt készülék nem üzemkész

Tétel	Leírás	Magyarázat
4	-	Kijelző az értékek megjelenítéséhez
5	SET	Kiválasztja a beviteli módot - Hőmérséklet-beállítás - Celsius- vagy Fahrenheit-fokos kijelzés - Akkumulátorfelügyelő beállítása - Kijelző fényerejének beállítása
6	DOWN -	Egyszeri megnyomása csökkenti az értéket
7	UP +	Egyszeri megnyomása növeli az értéket

Csatlakozóaljzatok (4. ábra, 4. oldal)

Tétel	Leírás
1	Csatlakozóaljzat váltakozó áramú tápellátáshoz
2	Váltakozó áramú biztosítéktartó
3	Egyenáramú biztosítékfedél
4	Csatlakozóaljzat egyenáramú tápellátáshoz

6 Kezelés

6.1 Az első használat előtt



MEGJEGYZÉS

Az új hűtőládát az üzembe helyezés előtt – higiéniai okokból – tisztítsa meg nedves ruhával belül és kívül (lásd még: „Tisztítás és ápolás” fejr., 326. oldal).

A fogantyúk felszerelése (5. ábra, 4. oldal)

A fogantyúk szétszerelt állapotban vannak mellékelve. A fogantyúk felszerelése esetén a következő módon járjon el:

- Szerelje össze a fogantyút úgy, hogy két tartóelemet (1) és egy fogantyút (2) egymásba illeszt.
- Rögzítse a fogantyúkat a mellékelt csavarokkal az erre szolgáló furatokban.

A fedél kinyitása vagy eltávolítása (6. ábra, 5. oldal)

A fedél bármely oldalról kinyitható, vagy teljesen eltávolítható anélkül, hogy szerszámok használatára lenne szükség:

- ▶ A fedél kinyitásához oldja ki a reteszt a kívánt nyitási iránynak megfelelően, (A) vagy (B).
- ▶ A fedél eltávolításához oldja ki a reteszt mindkét oldalon egyszerre (C).

Fedélütköző (7. ábra, 5. oldal)

A fedél beépített ütközővel rendelkezik (A). Tilos erőltetve túlhajtani a fedelet az ütközőn (B).



FIGYELEM!

KÁROSODÁS VESZÉLYE!

Ennek az utasításnak a figyelmen kívül hagyása a fedél letörését eredményezheti.

- ▶ Amennyiben erőltetve túlhajtotta a fedelet az ütközőn, kövesse a következő részben leírt lépéseket: „A fedél erőltetett túlhajtása a beépített ütközőn (11. ábra, 7. oldal)” fejj., 327. oldal.

A kosár eltávolítása (8. ábra, 6. oldal)



FIGYELEM!

KÁROSODÁS VESZÉLYE!

Ennek az utasításnak a figyelmen kívül hagyása a készülék károsodását eredményezheti.

A kosár nyitott fedél mellett történő eltávolítása esetén megkarcolódhat a fedél és eldeformálódhat a kosár. Javasoljuk, hogy távolítsa el a fedelet, mielőtt eltávolítja a kosarat.

A hőmérséklet mértékegységeinek kiválasztása

A hőmérséklet Celsius és Fahrenheit mértékegységekben jeleníthető meg a következő módon:

- ▶ Kapcsolja be a hűtőládát.
- ▶ Nyomja meg kétszer a „SET” gombot (3. ábra 5, 4. oldal).
- ▶ Az „UP +” (3. ábra 7, 4. oldal) vagy „DOWN -” (3. ábra 6, 4. oldal) gombok segítségével válassza ki a Celsius-fokot vagy a Fahrenheit-fokot.

- ✓ A kijelző néhány másodpercig mutatja a beállított hőmérséklet-mértékegységet. A kijelző néhányszor villog, mielőtt visszatér az aktuális hőmérséklet kijelzéséhez.

6.2 Energiatakarékossági tippek

- A készülék működtetéséhez válasszon jól szellőző és napfénytől védett helyet.
- Hagyja lehűlni a meleg ételeket, mielőtt azokat hidegen tartaná a készülékben.
- Ne nyissa ki a hűtőkészüléket a szükségesnél gyakrabban.
- Ne hagyja nyitva a hűtőkészüléket a szükségesnél hosszabban.
- Olvassa le a hűtőládát, ha abban jégréteg képződött.
- Kerülje a szükségtelenül alacsony hőmérsékletet.

6.3 A hűtőláda csatlakoztatása

Csatlakoztatás akkumulátorra (jármű vagy hajó)

A hűtőláda 12 V vagy 24 V== feszültségről üzemeltethető.



FIGYELEM!

KÁROSODÁS VESZÉLYE!

Ennek az utasításnak a figyelmen kívül hagyása a készülék károsodását eredményezheti.

Válassza le a hűtőládát és más fogyasztókat az akkumulátorról, mielőtt az akkumulátort gyorstöltő készülékre csatlakoztatná.

A túlfeszültség károsíthatja a készülék elektronikáját.

Biztonsági okokból a hűtőláda egy olyan elektronikus rendszerrel rendelkezik, amely megakadályozza a polaritás felcserélését. Ez védi a hűtőládát a rövidre zárástól akkumulátorra csatlakoztatás során.

A biztosítókkal rendelkező egyenáramú dugasz használata



FIGYELEM!

KÁROSODÁS VESZÉLYE!

Ennek az utasításnak a figyelmen kívül hagyása a készülék károsodását eredményezheti.

A készülék védelme érdekében a csomagban található egyenáramú kábel dugaszának belsejében egy biztosíték található. **Ne** távolítsa el a biztosítókkal rendelkező egyenáramú dugaszt.

Csak a mellékelt egyenáramú csatlakozókábelt használja.

- Csatlakoztassa az egyenáramú csatlakozókábelt (**1**. ábra 2, 3. oldal) a hűtőláda egyenáramú aljzatához (**4**. ábra 3, 4. oldal).
- Csatlakoztassa a csatlakozókábelt egy egyenáramú hálózati aljzathoz.

Csatlakoztatás váltakozó áramú tápellátáshoz (pl. otthon vagy irodában)



VESZÉLY!

ÁRAMÜTÉS VESZÉLYE!

Ezeknek a figyelmeztetéseknek a figyelmen kívül hagyása súlyos vagy halálos sérüléshez vezet.

- Soha ne dolgozzon dugócsatlakozókkal és kapcsolókkal, ha nedves a keze vagy nedves helyen áll.
- Ha hűtőládáját egy hajó fedélzetén, váltakozó áramú hálózatról üzemelteti, akkor áram-védőkapcsolót kell a váltakozó áramú hálózat és a hűtőláda közé iktatnia.
Ilyen esetben kérje szakember tanácsát.

A hűtőládák váltakozó áramra való csatlakozáshoz elsőbbségi kapcsolást biztosító, többféle feszültséggel kompatibilis integrált tápegységgel rendelkeznek. Ha a készülék váltakozó áramú hálózathoz van csatlakoztatva, az elsőbbségi kapcsolás automatikusan váltakozó áramú üzemre kapcsolja a hűtőládát akkor is, ha az egyenáramú csatlakozókábel csatlakoztatva van.

Váltakozó áramú hálózat és akkumulátorról való ellátás közötti átkapcsoláskor a piros LED rövid időre világíthat.

- Csatlakoztassa a váltakozó áramú csatlakozókábelt (**1**. ábra 3, 3. oldal) a hűtőláda váltakozó áramú aljzatához (**4**. ábra 1, 4. oldal).
- Csatlakoztassa a csatlakozókábelt egy váltakozó áramú hálózati aljzathoz.

6.4 Az akkumulátorfelügyelő használata

A készülék olyan többszintes akkumulátorfelügyelővel van ellátva, amely a fedélzeti egyenáramú hálózatra történő csatlakozás esetén védi a járműakkumulátort a túlzott lemerüléstől.

Ha a hűtőládát olyankor üzemelteti, amikor a jármű gyújtása ki van kapcsolva, akkor a hűtőláda automatikusan kikapcsol, amint a tápfeszültség egy beállítható szint alá csökken. Amint az akkumulátor a feltöltés során eléri a visszakapcsoláshoz szükséges feszültséget, a hűtőláda ismét bekapcsol.

**FIGYELEM!****KÁROSODÁS VESZÉLYE!**

Ennek az utasításnak a figyelmen kívül hagyása az akkumulátor károsodását eredményezheti.

Az akkumulátorfelügyelő általi kikapcsolás esetén az akkumulátor teljes töltése már nem biztosított. Kerülje az ismételt indításokat vagy az áramfogyasztók hosszabb feltöltési fázisok nélküli üzemeltetését. Gondoskodjon az akkumulátor újratöltéséről.

„HIGH” üzemmódban az akkumulátorfelügyelő hamarabb jelez, mint „LOW” és „MED” üzemmód esetén (lásd a következő táblázatot).

Akkumulátorfelügyelő üzemmód	LOW	MED	HIGH
Kikapcsolási feszültség 12 V esetén	10,1 V	11,4 V	11,8 V
Visszakapcsolási feszültség 12 V esetén	11,1 V	12,2 V	12,6 V
Kikapcsolási feszültség 24 V esetén	21,5 V	24,1 V	24,6 V
Visszakapcsolási feszültség 24 V esetén	23,0 V	25,3 V	26,2 V

Az akkumulátorfelügyelő üzemmód az alábbi módon választható ki:

- Kapcsolja be a hűtőládát.
- Nyomja meg háromszor a „SET” gombot (**3** . ábra 5, 4. oldal).
- Az „UP +” (**3** . ábra 7, 4. oldal) és „DOWN –” (**3** . ábra 6, 4. oldal) gombok segítségével válassza ki az akkumulátorfelügyelő üzemmódot.
- ✓ A kijelzőn a következő jelenik meg:
Lo (LOW), MEd (MED), Hi (HIGH)
- ✓ A kijelző néhány másodpercig a kiválasztott üzemmódot mutatja. A kijelző néhányszor villog, mielőtt visszatér az aktuális hőmérséklet kijelzéséhez.

**MEGJEGYZÉS**

Ha a hűtőládát indítóakkumulátorról használja, akkor válassza a „HIGH” akkumulátorfelügyelő üzemmódot. Ha a hűtőládát kiegészítő akkumulátorról használja, akkor elegendő a „LOW” akkumulátorfelügyelő üzemmód.

6.5 A hűtőláda használata



FIGYELEM!

TÚLMELEGEDÉS VESZÉLYE!

Ennek az utasításnak a figyelmen kívül hagyása a készülék károsodását eredményezheti.

Mindig ügyeljen arra, hogy elegendő legyen a szellőzés, így az üzemeltetés közben keletkező hő távozni tud. Ügyeljen arra, hogy a szellőzőnyílások ne legyenek lefedve. A levegő keringése érdekében gondoskodjon arról, hogy a készülék megfelelő távolságra legyen a fal-tól vagy más tárgytól.

- ▶ A hűtőládát szilárd aljzatra állítsa. Ügyeljen arra, hogy a szellőzőnyílások ne legyenek lefedve és a meleg levegő megfelelően távozhasson. A szellőzőlyukak körül legalább 2"-nyi szabad helyet kell hagyni.



MEGJEGYZÉS

A hűtőládát az ábrázolt módon állítsa fel (1. ábra, 3. oldal). Ha a hűtőládát másik helyzetben üzemelteti, akkor a készülék károsodhat.

- ▶ Csatlakoztassa a hűtőládát, lásd: „A hűtőláda csatlakoztatása” fejj., 319. oldal.



FIGYELEM!

TÚL ALACSONY HŐMÉRSÉKLET VESZÉLYE!

Ennek az utasításnak a figyelmen kívül hagyása a hűtőláda elhelyezett tárgyak károsodását eredményezheti.

Ügyeljen arra, hogy csak olyan tárgyak, ill. áruk legyenek a hűtőládaiban, amelyek lehűthetők a kiválasztott hőmérsékletre.

- ▶ Tartsa nyomva az „ON/OFF” gombot (3. ábra 1, 4. oldal) egy-két másodpercig.
- ✓ A LED „⏻” kigyullad (3. ábra 2, 4. oldal).
- ✓ A kijelző (3. ábra 4, 4. oldal) bekapcsol, és mutatja az aktuális hőmérsékletet.
- ✓ A hűtőláda megkezdí a belső tér hűtését.

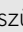


MEGJEGYZÉS – Kijelzett hőmérséklet

A kijelzett hőmérséklet a belső rekesz nagyobb részének hőmérséklete (9. ábra, 6. oldal, 1).



MEGJEGYZÉS

Akkumulátorról való üzemeltetés esetén a kijelző automatikusan kikapcsol, ha alacsony az akkumulátor feszültsége. A LED „” narancssárgán villog.

A hűtőláda fedelének lezárása

- Zárja le a fedelet.
- Nyomja le a reteszt (**2**. ábra, 3. oldal) úgy, hogy az hallhatóan rögzüljön.



MEGJEGYZÉS

A fedél lezárásakor ügyeljen mindkét reteszoldali csap teljes reteszelésére annak érdekében, hogy a fedél szorosan zárjon. Az egyik retesz finoman rögzíthető a másik előtt.

- Amennyiben a fedél nem egyformán van lezárva mindkét oldalt, nyomja le annyira, míg egy második kattanást nem hall.

6.6 A hőmérséklet beállítása

- Nyomja meg egyszer a „SET” gombot (**3**. ábra 5, 4. oldal).
- Az „UP +” (**3**. ábra 7, 4. oldal) és „DOWN –” (**3**. ábra 6, 4. oldal) gombok segítségével válassza ki a hűtési hőmérsékletet.
- ✓ A kijelző néhány másodpercig mutatja a hűtési hőmérsékletet. A kijelző néhány-szor villog, mielőtt visszatér az aktuális hőmérséklet kijelzéséhez.

6.7 A kijelző fényerejének beállítása

A kijelző fényereje sötétebb fényviszonyok esetére beállítható. A kijelző fényerejének beállításához az alábbiak szerint járjon el:

- Kapcsolja be a hűtőládát.
- Nyomja meg négyszer a „SET” gombot (**3**. ábra 5, 4. oldal).
- Az „UP +” (**3**. ábra 7, 4. oldal) és „DOWN –” (**3**. ábra 6, 4. oldal) gombok segítségével állítsa be a kijelző fényerejét.
- ✓ A kijelzőn a következő jelenik meg:
d0 (default), d1 (medium), d2 (dark)
- ✓ A kijelző néhány másodpercig mutatja a beállított módot. A kijelző kétszer villog, mielőtt visszatér az aktuális hőmérséklet kijelzéséhez.

**MEGJEGYZÉS**

- A kijelző fényerejének gyári beállítása d0 (default).
- Hiba esetén a fényerő automatikusan visszaáll d0 (default) értékre. A hiba elhárítása után újra aktiválódik a beállított fényerő.

6.8 A hűtőláda kikapcsolása

- Ürítse ki a hűtőládát.
- Kapcsolja ki a hűtőládát.
- Húzza ki a csatlakozókábelt.

Ha a hűtőládát hosszabb ideig nem fogja használni:

- Hagyja a fedelet kissé nyitva. Ez megakadályozza a kellemetlen szagok képződését.

6.9 A hűtőláda leolvasztása

A levegő nedvességtartalma jeget képezhet a hűtőkészülék belső terében vagy az elpárologtatón. Emiatt csökken a hűtési teljesítmény.

**FIGYELEM!****KÁROSODÁS VESZÉLYE!**

Ennek az utasításnak a figyelmen kívül hagyása a készülék károsodását eredményezheti.

Soha ne használjon kemény vagy hegyes végű eszközöket a jég eltávolításához vagy a fagyott tárgyak lazításához.

A hűtőláda leolvasztásához a következő módon járjon el:

- Vegyen ki mindent a hűtőládából.
- Tárolja azokat adott esetben egy másik hűtőkészülékben, hogy hidegen maradjanak.
- Kapcsolja ki a készüléket.
- Hagyja nyitva a fedelet.
- Törölje le a leolvadt vizet.

6.10 A váltakozó áramú biztosíték kicserélése



VESZÉLY!

ÁRAMÜTÉS VESZÉLYE!

Ennek a figyelmeztetésnek a figyelmen kívül hagyása súlyos vagy halálos sérüléshez vezet.

A készülék biztosítékának cseréje előtt szüntesse meg az áramellátást és húzza ki a csatlakozókábelt.

- ▶ Szüntesse meg a készülék áramellátását.
- ▶ Válassza le a csatlakozókábelt.
- ▶ Pattintsa ki a biztosítékbetétet (4. ábra 2, 4. oldal) csavarhúzó segítségével.
- ▶ Cserélje ki a meghibásodott üveg biztosítékot egy ugyanolyan típusú és paraméterű új biztosítékra (4 A, 250 V).
- ▶ Pattintsa vissza a biztosítékbetétet a tokozásba.
- ▶ Állítsa helyre a készülék áramellátását.

6.11 A készülék egyenáramú biztosítékának kicserélése

- ▶ Szüntesse meg a készülék áramellátását.
- ▶ Pattintsa ki a biztosítékfedelelet (4. ábra 3, 4. oldal), hogy hozzáférjen a biztosítékhoz.
- ▶ Fordítsa meg a biztosítékfedelelet és egy kampóval távolítsa el a biztosítékot.
- ▶ Cserélje ki a meghibásodott biztosítékot egy azonos típusú új biztosítékra (klasszikus kése biztosíték, 10 A).
- ▶ Helyezze vissza a biztosítékfedelelet.
- ▶ Állítsa helyre a készülék áramellátását.

6.12 Az egyenáramú dugasz biztosítékának cseréje (10. ábra, 6. oldal)

- ▶ Csavarja le az érintkező csapos sapkát (3) a dugaszról (1).
- ▶ Cserélje ki a meghibásodott biztosítékot (2) egy azonos típusú és paraméterű új biztosítékra (3AG, gyors kioldású, 10 A).
- ▶ Fordított sorrendben szerelje össze a dugaszt.

7 Tisztítás és ápolás



FIGYELMEZTETÉS!

ÁRAMÜTÉS VESZÉLYE!

Ennek a figyelmeztetésnek a figyelmen kívül hagyása súlyos vagy halálos sérüléshez vezethet.

A készüléket minden tisztítás és karbantartás előtt válassza le a tápellátásról.



FIGYELEM!

KÁROSODÁS VESZÉLYE!

Ezeknek az utasításoknak a figyelmen kívül hagyása a készülék károsodását eredményezheti.

- Soha ne tisztítsa a hűtőládát csapvíz alatt vagy mosogatóvízben.
- Ne használjon a tisztításhoz dörzsölő hatású tisztítószeret vagy kemény tárgyakat, mert ezek károsíthatják a hűtőládát.

- Alkalmanként tisztítsa meg a készülék belsejét és külsejét nedves kendővel.
- Biztosítsa, hogy a készülék szellőzőnyílásai por- és szennyeződésmentesek legyenek, így az üzem közben keletkező hő távozhat és a készülék nem károsodik.

8 Hibaelhárítás

Hiba	Lehetséges ok	Megoldási javaslat
A készülék nem működik, a LED nem világít.	Nincs feszültség az egyenáramú kimenetben.	A legtöbb járműben előbb be kell kapcsolni a gyújtást ahhoz, hogy az egyenáramú kimenet áram alá kerüljön.
	Nincs feszültség a váltakozó áramú kimenetben.	Próbáljon egy másik aljzatot használni.
	A készülék egyik biztosítéka meghibásodott.	Cserélje ki a készülék hibás biztosítékát, lásd: „A váltakozó áramú biztosíték kicserélése” fejr., 325. oldal vagy „A készülék egyenáramú biztosítékának kicserélése” fejr., 325. oldal.
	A beépített hálózati tápegység hibás.	A javítást csak engedéllyel rendelkező vevőszolgálat végezheti.

Hiba	Lehetséges ok	Megoldási javaslat
A készülék nem hűt (a dugasz be van dugva, a „POWER” LED világít).	A kompresszor meghibásodott.	A javítást csak engedéllyel rendelkező vevőszolgálat végezheti.
A készülék nem hűt (a dugasz be van dugva, a „POWER” LED narancssárgán villog, a kijelző ki van kapcsolva).	Az akkumulátorfelügyelő túl magasra van beállítva. Az akkumulátorfeszültség túl alacsony.	Válasszon alacsonyabb beállítást az akkumulátorfelügyelő számára. Ellenőrizze és szükség esetén töltsse fel az akkumulátort.
Egyenáramú kimenetről való üzemeltetéskor: A gyújtás be van kapcsolva, a készülék nem működik és a LED nem világít.	Elszennyeződött az egyenáramú kimenet. Emiatt rossz az elektromos érintkezés. Kiegyezett az egyenáramú dugasz biztosítóka. Kiegyezett a készülék egyenáramú biztosítóka. Kiegyezett a jármű biztosítóka.	Ha a hűtőláda dugasza nagyon felmelegszik az egyenáramú kimenetben, akkor vagy az egyenáramú kimenetet kell megtisztítani, vagy esetleg a dugasz van hibásan összeszerelve. Cserélje ki az egyenáramú dugasz biztosítókat, lásd: „Az egyenáramú dugasz biztosítókanak cseréje (10. ábra, 6. oldal)” fejj., 325. oldal. Cserélje ki a hibás biztosítókat, lásd: „A készülék egyenáramú biztosítókanak kicserélése” fejj., 325. oldal. Cserélje ki a jármű egyenáramú kimenetének biztosítókat. Vegye figyelembe a jármű kezelési útmutatóját.
A kijelzőn hibaüzenet (pl. „Err1”) jelent meg, és a készülék nem hűt.	Belső üzemműzavar miatt a készülék kikapcsolt.	A javítást csak engedéllyel rendelkező vevőszolgálat végezheti.

8.1 A fedél erőltetett túlhajtása a beépített ütközön (11. ábra, 7. oldal)

- Fogja meg a fedelet az egyik kezével (A).
- Nyomja le a reteszt a másik kezével (B).

**VIGYÁZAT!****EGÉSZSÉGHÁRÓSODÁS VESZÉLYE!**

Ennek a felhívásnak a figyelmen kívül hagyása könnyű vagy mérsékelt sérüléshez vezethet.

Ügyeljen arra, hogy a fedél lezárásakor ne csípje oda a hüvelykujját.

**FIGYELEM!****KÁROSODÁS VESZÉLYE!**

Ennek az utasításnak a figyelmen kívül hagyása a fedél letörését eredményezheti.

- ▶ Anélkül, hogy odacsípné a hüvelykujját, zárja le a fedelet, amennyire csak tudja, és közben tartsa lenyomva a reteszt, hogy el ne törjön.
- ✓ A fedélnek ekkor már nagyjából megfelelő szögben kell állnia. (11. ábra, 7. oldal).
- ▶ Engedje el a reteszt (B), majd zárja le teljesen a fedelet.

**MEGJEGYZÉS**

Előfordulhat, hogy a pántok kiugranak a helyükről a művelet végén. Illeszse a helyére a fedelet az alábbi módon:

- ▶ Használja egyszerre a fedél mindkét oldali reteszét.
- ▶ Emelje fel és igazítsa meg a fedelet.

9 Garancia

A termékre a törvény szerinti szavatossági időszak érvényes. A termék meghibásodása esetén forduljon a gyártói lerakathoz (lásd dometic.com/dealer), illetve az illetékes szakkereskedőhöz.

A javításhoz, illetve a szavatossági adminisztrációhoz a következő dokumentumokat kell mellékelnie:

- a számla vásárlási dátummal rendelkező másolatát,
- a reklamáció okát vagy a hibát tartalmazó leírást.

10 Ártalmatlanítás

- A csomagolóanyagot lehetőleg a megfelelő újrahasznosítható hulladék közé tegye.



Ha a terméket véglegesen kivonja a forgalomból, kérjük, tájékozódjon a legközelebbi hulladékártalmatlanító központnál vagy a szakkereskedőjénél az idevonatkozó ártalmatlanítási előírásokkal kapcsolatban.

11 Műszaki adatok

	CFF35	CFF45
Csatlakozási feszültség:	12/24 V $\overline{=}$ és 100 és 240 V \sim	
Névleges áram:	12 V $\overline{=}$: 7,8 A 24 V $\overline{=}$: 3,5 A 240 V \sim : 0,4 A	12 V $\overline{=}$: 8,6 A 24 V $\overline{=}$: 3,8 A 240 V \sim : 0,41 A
Hűtési teljesítmény:	+10 °C és -18 °C között (+50 °F és 0 °F között)	
Kategória:	1	
Energiahatékonysági osztály:	A+	
Energiafogyasztás:	85 kWh/év	84 kWh/év
Bruttó térfogat:	34 l	44 l
Hasznos térfogat:	30 l	38 l
Klímaosztály:	N, T	
Környezeti hőmérséklet:	+16 °C és +43 °C között +60 °F és +110 °F között	
Hűtőközeg mennyisége:	34 g	43 g
CO ₂ egyenérték:	0,049 t	0,061 t
Globális felmelegedési potenciál (GWP):	1430	

	CFF35	CFF45
Méreték (Sz x Ma x Mé) mm-ben (fogantyúkkal együtt):	715 x 407 x 398	715 x 475 x 398
(Sz x Ma x Mé) mm-ben (fogantyúk nélkül):	590 x 407 x 398	590 x 475 x 398
Súly:	17,2 kg	18,6 kg

**MEGJEGYZÉS**

Ha a környezeti hőmérséklet +32 °C (+90 °F) felett van, a minimum hőmérséklet nem érhető el.

Vizsgálat / tanúsítványok:



A hűtőkör R134a közeget tartalmaz.

Fluorozott üvegházgázokat tartalmaz

Hermetikusan zárt berendezés

130.com.ua

Mobile living made easy.



130.com.ua

dometic.com

**YOUR LOCAL
DEALER**

dometic.com/dealer

**YOUR LOCAL
SUPPORT**

dometic.com/contact

**YOUR LOCAL
SALES OFFICE**

dometic.com/sales-offices

44445102909 02/2020

A complete list of Dometic companies, which comprise the Dometic Group, can be found in the public filings of:

DOMETIC GROUP AB Hemvärnsgatan 15 SE-17154 Solna Sweden
Autogoods "130"