



PHONES

(044) 338-0-130
(050) 332-0-130
(063) 577-0-130
(067) 353-0-130

130
COM.UA

Internet store of
autogoods



SKYPE
km-130

CAR RECEIVERS — Receivers • Media receivers and stations • Native receivers • CD/DVD changers • FM-modulators/USB adapters • Flash memory • Facia plates and adapters • Antennas • Accessories |
CAR AUDIO — Car audio speakers • Amplifiers • Subwoofers • Processors • Crossovers • Headphones • Accessories | TRIP COMPUTERS — Universal computers • Model computers • Accessories |
GPS NAVIGATORS — Portable GPS • Built-in GPS • GPS modules • GPS trackers • Antennas for GPS navigators • Accessories | VIDEO — DVR • TV sets and monitors • Car TV tuners • Cameras • Videomodules
• Transcoders • Car TV antennas • Accessories | SECURITY SYSTEMS — Car alarms • Bike alarms • Mechanical blockers • Immobilizers • Sensors • Accessories | OPTIC AND LIGHT — Xenon • Bixenon • Lamps
• LED • Stroboscopes • Optic and Headlights • Washers • Light, rain sensors • Accessories | PARKTRONICS AND MIRRORS — Rear parktronic • Front parktronic • Combined parktronic • Rear-view mirrors
• Accessories | HEATING AND COOLING — Seat heaters • Mirrors heaters • Screen-wipers heaters • Engine heaters • Auto-refrigerators • Air conditioning units • Accessories | TUNING — Vibro-isolation
• Noise-isolation • Tint films • Accessories | ACCESSORIES — Radar-detectors • Handsfree, Bluetooth • Windowlifters • Compressors • Measuring instruments • Cleaners • Carsits
• Miscellaneous | MOUNTING — Installation kits • Upholstery • Grilles • Tubes • Cable and wire • Tools • Miscellaneous | POWER — Batteries • Converters • Start-charging equipment • Capacitors
• Accessories | MARINE AUDIO AND ELECTRONICS — Marine receivers • Marine audio speakers • Marine subwoofers • Marine amplifiers • Accessories | CAR CARE PRODUCTS — Additives • Washer fluid •
Care accessories • Car polish • Flavors • Adhesives and sealants | LIQUID AND OIL — Motor oil • Transmission oil • Brake fluid • Antifreeze • Technical lubricant



In store "130" you can find and buy almost all necessary goods for your auto in Kyiv and other cities, delivery by ground and postal services. Our experienced consultants will provide you with exhaustive information and help you to chose the very particular thing. We are waiting for you at the address

<http://130.com.ua>

↗ DOMETIC COOLING BOXES COOLFUN

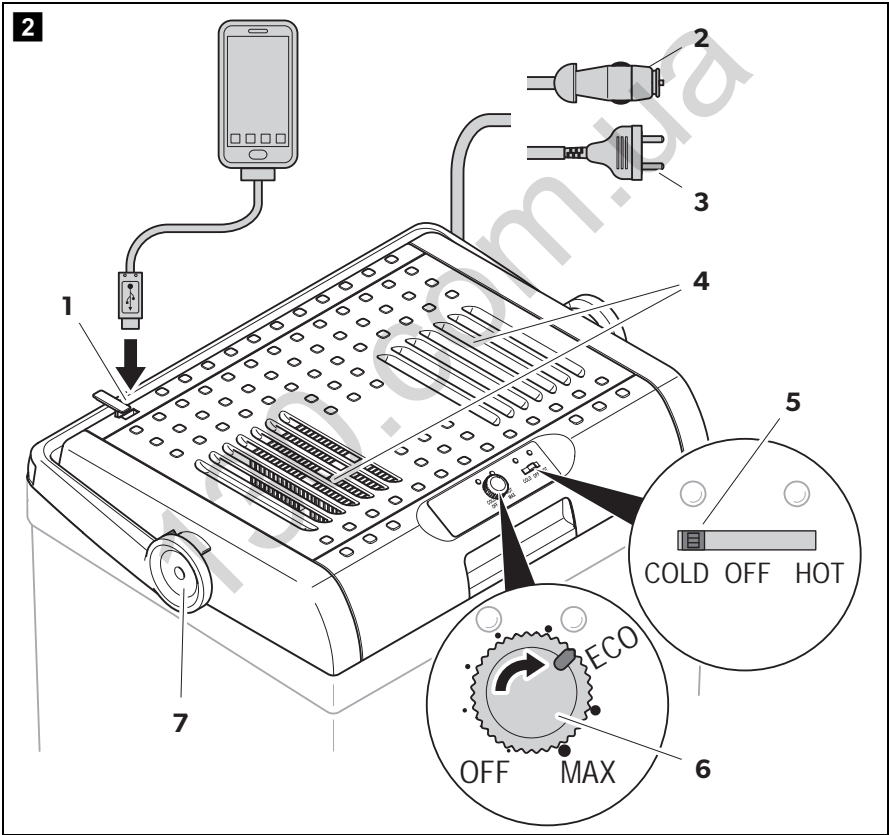


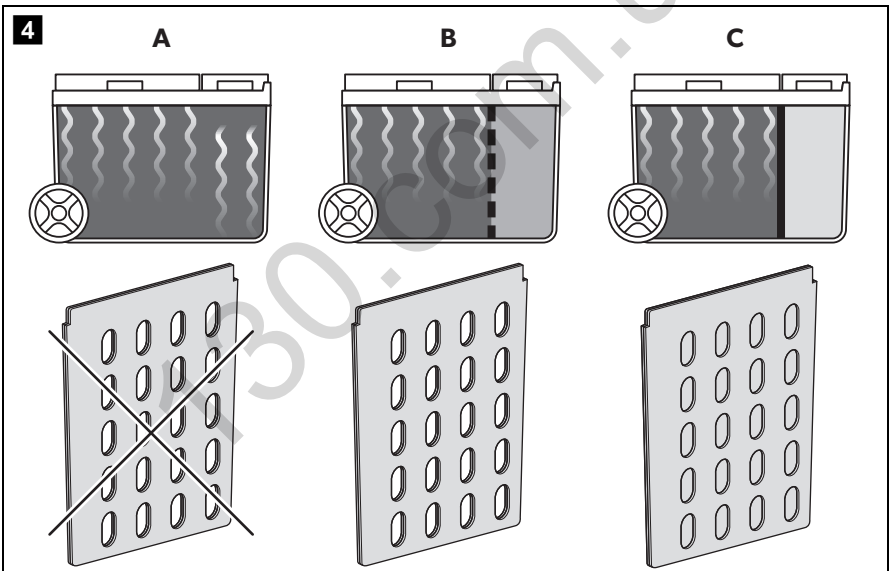
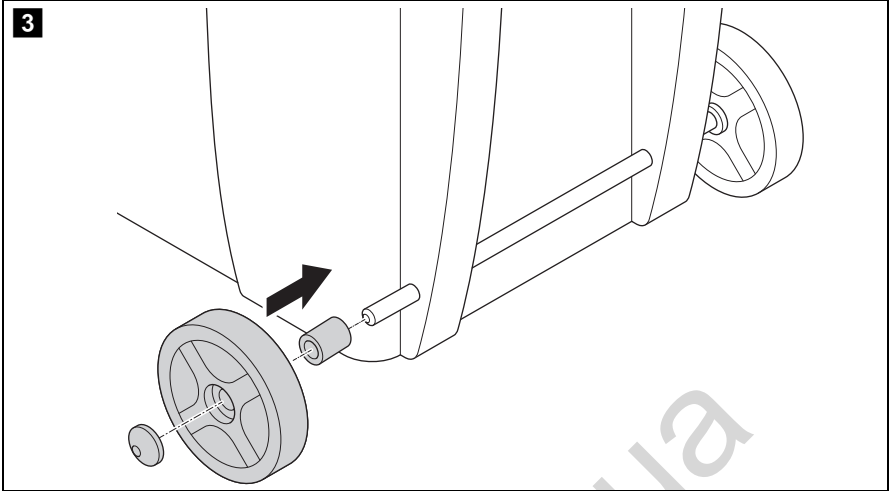
SC26, SCT26, SC30, SC38

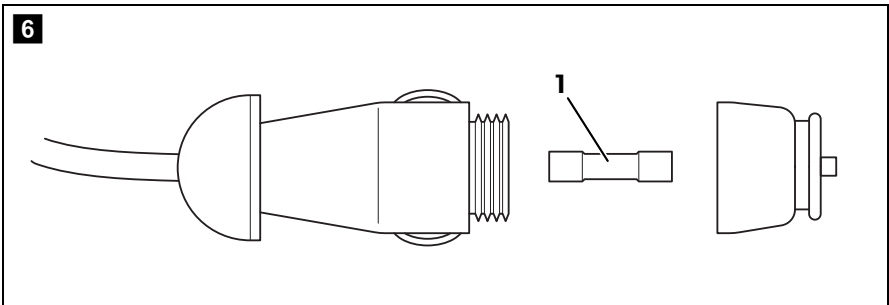
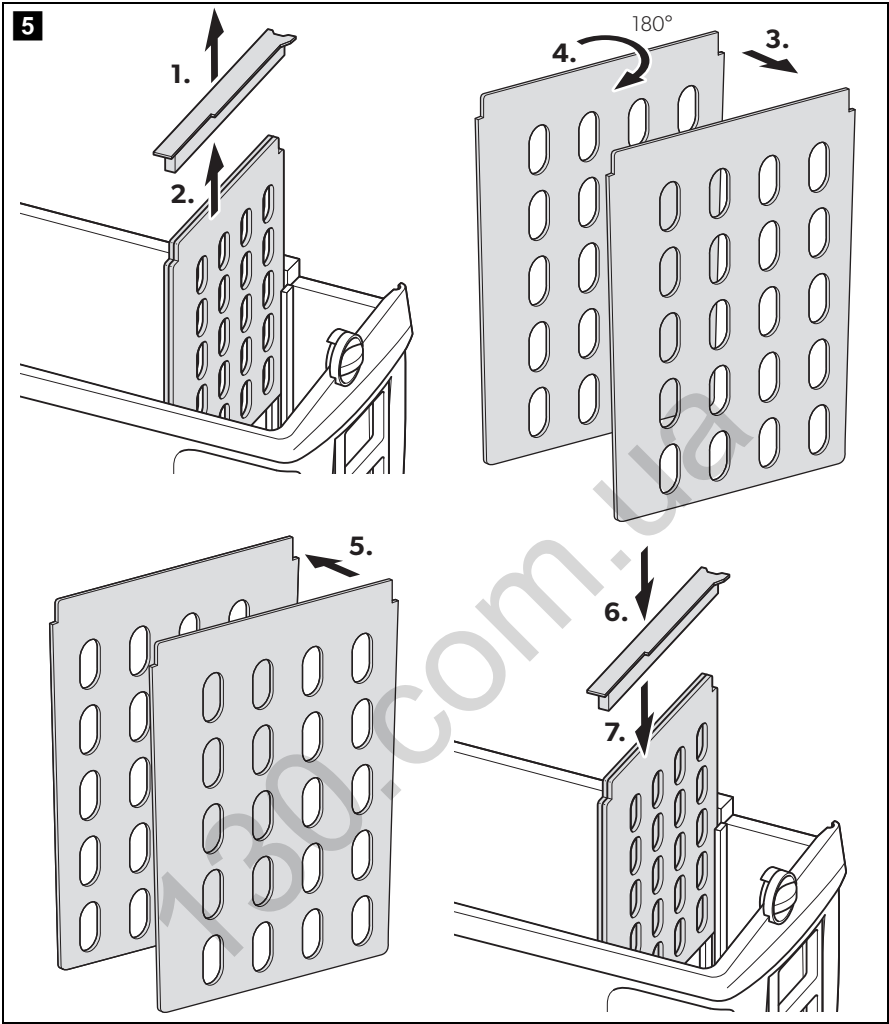
EN

Thermoelectric cooler

Operating manual 6







Please read this operating manual carefully before starting the device. Keep it in a safe place for future reference. If the device is resold, this operating manual must be handed over to the purchaser along with it.

The manufacturer cannot be held liable for damage resulting from **improper usage** or **incorrect operation**.

Contents

1	Explanation of symbols	7
2	Safety instructions	7
3	Scope of delivery	9
4	Intended use	10
5	Technical description	10
6	Operation	12
7	Cleaning and maintenance	15
8	Guarantee	15
9	Troubleshooting	16
10	Disposal	16
11	Technical data	17

1 Explanation of symbols

**WARNING!**

Safety instruction: Failure to observe this instruction can cause fatal or serious injury.

**CAUTION!**

Safety instruction: Failure to observe this instruction can lead to injury.

**NOTICE!**

Failure to observe this instruction can cause material damage and impair the function of the product.

**NOTE**

Supplementary information for operating the product.

2 Safety instructions

2.1 General safety

**WARNING!**

- Do not operate the device if it is visibly damaged.
- If this device's power cable is damaged, it must be replaced by the manufacturer, customer service or a similarly qualified person in order to prevent safety hazards.
- This device may only be repaired by qualified personnel. Improper repairs can lead to considerable hazards.
- This device can be used by children aged 8 years or over, as well as by persons with diminished physical, sensory or mental capacities or a lack of experience and/or knowledge, providing they are supervised or have been taught how to use the device safely and are aware of the resulting risks.
- Cleaning and user maintenance must not be carried out by children without supervision.
- Children must not play with the device.

- Children must be supervised to ensure that they do not play with the device.
- Always keep and use the device out of the reach of children under the age of 8 years.
- Do not store any explosive substances such as spray cans with a flammable propellant in the device.

**CAUTION!**

- Disconnect the device from the power supply
 - before each cleaning and maintenance
 - after every use
- Food may only be stored in its original packaging or in suitable containers.

**NOTICE!**

- Check that the voltage specification on the type plate corresponds to that of the energy supply.
- Only connect the device as follows:
 - With the DC cable to a DC plug socket in the vehicle (e. g. cigarette lighter)
 - Or with the 230 V connection cable to the 230 V AC mains supply
- Never pull the plug out of the socket by the cable.
- If the cooler is connected to the DC socket: Disconnect the cooler and other power consuming devices from the battery before connecting the quick charging device.
- If the cooler is connected to the DC socket: Disconnect the cooler or switch it off when you turn off the engine. Otherwise you may discharge the battery.
- The cooling device is not suitable for transporting caustic materials or materials containing solvents.
- The cooling device contains inflammable cyclopentane in the insulation. The gases in the insulation material require special disposal procedures. Deliver the device at the end of its life-cycle to an appropriate recycling.

2.2 Operating the device safely



CAUTION!

- Before starting the device, ensure that the power supply line and the plug are dry.



NOTICE!

- Do not use electrical devices inside the cooler unless they are recommended by the manufacturer for the purpose.
- Do not place the device near naked flames or other heat sources (heaters, direct sunlight, gas ovens etc.).
- **Danger of overheating!**
Ensure at all times that there is sufficient ventilation so that the heat that arises during operation does not build up. Make sure that the device is sufficiently far away from walls and other objects so that the air can circulate.
- Ensure that the ventilation openings are not covered.
- Do not fill the inner container with ice or fluid.
- Never immerse the device in water.
- Protect the device and the cable against heat and moisture.

3 Scope of delivery

Quantity	Description
1	Thermoelectric cooler
1	Instruction manual

4 Intended use

The cooling device can be used to cool (SC26, SCT26, SC30, SC38) and keep foodstuffs warm (only SC30, SC38). It is possible to change between the heating and cooling operation by means of a switch (only SC30, SC38).

The device can be connected as follows:

- SC26: to 12 V ---
- SCT26: to 12 V --- or to 24 V ---
- SC30, SC38: to 12 V --- or to 230 V \sim

The cooling device is intended to be used in household and similar applications such as

- staff kitchen areas in shops, offices and other working environments
- farm houses
- clients in hotels, motels and other residential type environments
- bed and breakfast type environments
- catering and similar non-retail applications

The appliance may also be used for camping use. The appliance shall not to be exposed to rain.



CAUTION! Health hazard!

Please check if the cooling capacity of the device is suitable for storing the food or medicine you wish to cool.

5 Technical description

The cooler is suitable for mobile use. You can cool products to a maximum of 18 °C under the ambient temperature (SC26, SCT26, SC30, SC38) or warm them to a maximum of 65 °C (SC30, SC38).

Its cooling system is a non-wearing Peltier cooling, the heat is discharged by a fan.

5.1 Control elements

No. in fig. 2, page 3	Description
1	USB port for power supply
2	Connection cable for DC connection
3	Connection cable for AC connection
4	Ventilation slots
5	Cold/hot switch
6	Cooling capacity control
7	Handle

Only SC30, SC38:

The desired mode is selected with the cold/hot switch (fig. 2 5, page 3).

When the cooler is connected to an AC mains supply, it can be used in two different operating modes:

- ECO mode: the cooler consumes less energy
- MAX mode: the cooler reaches maximum cooling capacity

The desired cooling capacity is selected with the cooling capacity control (fig. 2 6, page 3):

- To **increase** the cooling capacity, turn the cooling capacity control clockwise. For the maximum cooling capacity turn the cooling capacity control clockwise all the way to the stop (MAX position).
- To **decrease** the cooling capacity, turn the cooling capacity control counterclockwise.

To turn off the cooler, turn the cooling capacity control counterclockwise all the way to the stop (OFF position).

When the cooler is connected to the DC socket, the cooling capacity **cannot** be adjusted.

6 Operation



CAUTION! Health hazard!

Food may only be stored in its original packaging or in suitable containers.



NOTICE! Risk of damage

- Ensure that the objects placed in the cooler are suitable for cooling to the selected temperature.
- Ensure that food or liquids in glass containers are not excessively refrigerated. Liquids expand when they freeze and can therefore destroy the glass containers.
- Ensure that your cooler is well ventilated so that any heat created can dissipate. Otherwise proper functioning cannot be ensured. It is especially important not to cover the air vents.



NOTE

- Before starting your new cooling device for the first time, you should clean it inside and outside with a damp cloth for hygienic reasons (please also refer to the chapter "Cleaning and maintenance" on page 15).
- A few water drops may form inside the cooler if it has been cooling for a lengthy period. This is normal because the moisture in the air condenses to water when the temperature in the cooler falls. The cooler is not defective. Wipe it out with a dry cloth if necessary.
- If the handle is folded back or if the cooler is being carried, the lid is locked. You can only open the lid when the handle is folded forwards.

6.1 Energy saving tips

- Choose a well ventilated installation location which is protected against direct sunlight.
- If you want to set an increased energy efficiency and a limited cooling capacity for the cooler device, use the device's ECO mode.
- Allow warm food to cool down first before placing it in the cooling device to keep cool.
- Do not open the cooling device more often than necessary.
- Do not leave the cooling device open for longer than necessary.

6.2 Mounting the wheels (only SC38)

- Mount the wheels as shown to the cooling device (fig. **3**, page 4).

6.3 Using the cooler in DC mode



NOTE

If you connect the cooler to the cigarette lighter of your vehicle, remember that the ignition must be turned on to supply it with power.

- Place the device on a firm base.
- Connect the DC connection cable to the cigarette lighter or the DC socket in the vehicle.



- ✓ The device starts cooling/heating the interior.
- To switch off the cooling device, disconnect the DC connection cable.

6.4 Using the cooler in AC mode (only SC30, SC38)

- Place the device on a firm base.
- Connect the AC cable to the AC mains supply.



- Turn the cooling capacity control (fig. **2** 6, page 3) to the desired position.
- Push the cold/hot switch (fig. **2** 5, page 3) to the position "Cold" (cooling) or "Hot" (heating) to switch the device on.
- ✓ The device starts cooling/heating the interior.

6.5 Devide the interior (only SC38)

You can devide the interior of the refrigerator as follows (fig. **4**, page 4):

- No partition grille (**A**): Both coolers are actively cooled or heated.
- Open partition grille (**B**): The large cooling compartment is actively cooled or heated. The small cooling compartment is less cooled or heated.
- Closed partition grille (**C**): The big cooling compartment is actively cooled or heated. The small refrigerator compartment is passively cooled or heated.



NOTE

Mount the bar, even if you operate the cooling device without partition grille, so that the lids can close properly.

- ▶ Mount the partition grille as shown (fig. **5**, page 5).

6.6 USB port for power supply

The USB port (fig. **2** 1, page 3) allows you to charge small devices like mobile phones and mp3-players.

Using the USB port does **not** affect the cooling performance.



NOTICE!

Ensure that any device connected to the USB port is compatible with 5 V/500 mA operation.

Proceed as follows (fig. **2**, page 3):

- ▶ Connect the DC connection cable (**2**) or the AC connection cable (**3**) of the cooling device with the power supply.
- ▶ **SC30, SC38:** Turn the cooling capacity control (**6**) to the "MAX" position.
- ▶ Connect your device to the USB port (**1**).

7 Cleaning and maintenance

**WARNING!**

Always disconnect the device from the power supply before you clean and service it.

**NOTICE! Risk of damage**

- Never clean the cooler under running water or in dish water.
- Do not use abrasive cleaning agents or hard objects during cleaning as these can damage the cooler.

- Occasionally clean the device interior and exterior with a damp cloth.
- Make sure that the air inlet and outlet vents on the device are free of any dust and dirt, so that heat can be released and the device is not damaged.

8 Guarantee

The statutory warranty period applies. If the product is defective, please contact the manufacturer's branch in your country (see the back of the instruction manual for the addresses) or your retailer.

For repair and guarantee processing, please include the following documents when you send in the device:

- A copy of the receipt with purchasing date
- A reason for the claim or description of the fault

9 Troubleshooting

Problem	Possible cause	Suggested remedy
Your device is not working (plug is inserted).	There is no voltage flowing in the DC socket in your vehicle.	The ignition must be switched on in most vehicles to apply current to the DC socket.
	No voltage present in the AC voltage socket.	Try using another plug socket.
	The inner fan or the cooling element is defective.	This can only be repaired by an authorised repair centre.
When operating from the DC socket: The ignition is on and the cooler is not working.	The fuse of the DC plug is dirty. This results in a poor electrical contact.	If the plug of your cooler becomes very warm in the DC socket fitting, either the fitting must be cleaned or the plug has not been assembled correctly.
	The fuse of the DC plug has blown.	Replace the fuse (fig. 6 1, page 5) of the DC plug with one of the same rating.
	The vehicle fuse has blown.	Replace the vehicle's DC socket fuse (usually 15 A). Please refer to the operating manual of your vehicle.





10 Disposal

- Place the packaging material in the appropriate recycling waste bins wherever possible.



If you wish to finally dispose of the product, ask your local recycling centre or specialist dealer for details about how to do this in accordance with the applicable disposal regulations.

11 Technical data

	CoolFun SC26	CoolFun SCT26
Ref. number:	9600000484	9600000485
Connection voltage:	12 V $\overline{=}$	12/24 V
Power consumption:	47 W	47 W (12 V $\overline{=}$) 55 W (24 V $\overline{=}$)
Cooling capacity:	max. 18 °C under ambient temperature	
Gross capacity:	25 l	26 l
Usable capacity:	24 l	25 l
Climate class:	N	
Ambient temperature:	+16 °C – +32 °C	
Dimensions (W x H x D) in mm:	396 x 296 x 395	396 x 296 x 395
Weight:	ca. 3.7 kg	ca. 4.0 kg
Testing/certification:	   	

	CoolFun SC30	CoolFun SC38
Ref. number:	9600000486	9600000487
Connection voltage:	12 V=== 220 – 240 V~, 50/60 Hz	
Power consumption		
12 V===, cold mode:	47 W	
12 V===, hot mode:	39 W	
230 V~, cold mode:	max. 55 W	
230 V~, hot mode:	39 W	
230 V~, ECO mode:	6.2 W	7.5 W
Cooling capacity:	max. 18 °C under ambient temperature	
Thermal energy:	65 °C	
Category:	Pantry	
Energy efficiency class:	A+++	A++
Energy consumption:	54 kWh/annum	66 kWh/annum
Gross capacity:	30 l	38 l
Usable capacity:	29 l	37 l
Climate class:	ST	
Ambient temperature:	+16 °C – +38 °C	
Noise emission:	39 dB	
Dimensions (W x H x D) in mm:	396 x 296 x 445	565 x 391 x 295
Weight:	ca. 4.3 kg	5.4 kg
Testing/certification:	