



PHONES

(044) 338-0-130
(050) 332-0-130
(063) 577-0-130
(067) 353-0-130

130
COM.UA

Internet store of
autogoods



SKYPE
km-130

CAR RECEIVERS — Receivers • Media receivers and stations • Native receivers • CD/DVD changers • FM-modulators/USB adapters • Flash memory • Facia plates and adapters • Antennas • Accessories |
CAR AUDIO — Car audio speakers • Amplifiers • Subwoofers • Processors • Crossovers • Headphones • Accessories | TRIP COMPUTERS — Universal computers • Model computers • Accessories |
GPS NAVIGATORS — Portable GPS • Built-in GPS • GPS modules • GPS trackers • Antennas for GPS navigators • Accessories | VIDEO — DVR • TV sets and monitors • Car TV tuners • Cameras • Videomodules
• Transcoders • Car TV antennas • Accessories | SECURITY SYSTEMS — Car alarms • Bike alarms • Mechanical blockers • Immobilizers • Sensors • Accessories | OPTIC AND LIGHT — Xenon • Bixenon • Lamps
• LED • Stroboscopes • Optic and Headlights • Washers • Light, rain sensors • Accessories | PARKTRONICS AND MIRRORS — Rear parktronic • Front parktronic • Combined parktronic • Rear-view mirrors
• Accessories | HEATING AND COOLING — Seat heaters • Mirrors heaters • Screen-wipers heaters • Engine heaters • Auto-refrigerators • Air conditioning units • Accessories | TUNING — Vibro-isolation
• Noise-isolation • Tint films • Accessories | ACCESSORIES — Radar-detectors • Handsfree, Bluetooth • Windowlifters • Compressors • Measuring instruments • Cleaners • Carsits
• Miscellaneous | MOUNTING — Installation kits • Upholstery • Grilles • Tubes • Cable and wire • Tools • Miscellaneous | POWER — Batteries • Converters • Start-charging equipment • Capacitors
• Accessories | MARINE AUDIO AND ELECTRONICS — Marine receivers • Marine audio speakers • Marine subwoofers • Marine amplifiers • Accessories | CAR CARE PRODUCTS — Additives • Washer fluid •
Care accessories • Car polish • Flavors • Adhesives and sealants | LIQUID AND OIL — Motor oil • Transmission oil • Brake fluid • Antifreeze • Technical lubricant



In store "130" you can find and buy almost all necessary goods for your auto in Kyiv and other cities, delivery by ground and postal services. Our experienced consultants will provide you with exhaustive information and help you to chose the very particular thing. We are waiting for you at the address

<http://130.com.ua>

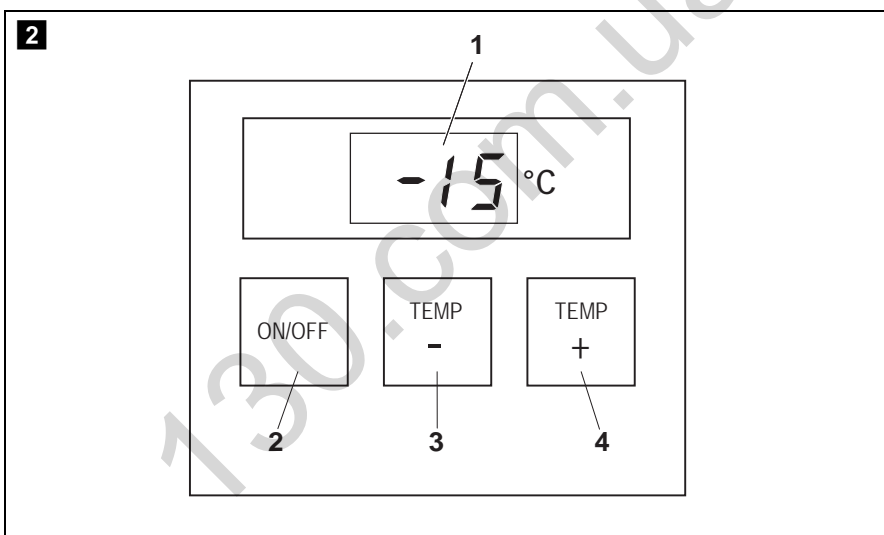
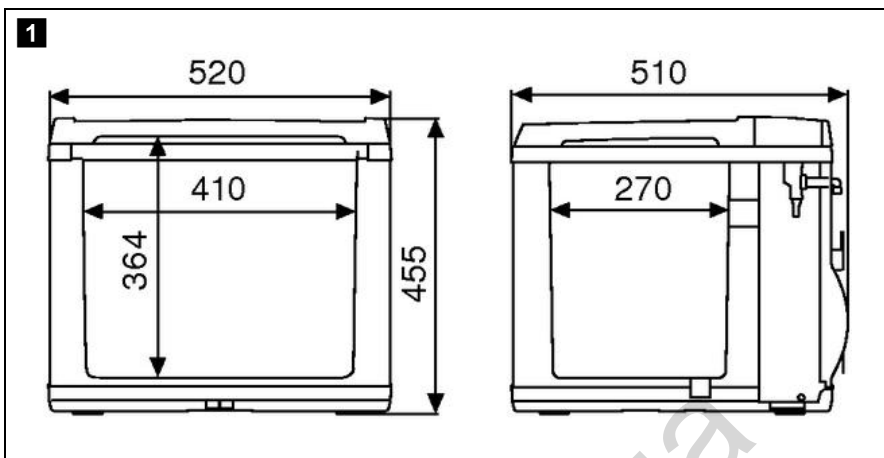
WAECO

by Dometic GROUP



CoolFun CK40D

EN 16 **Compressor Cooler**
Instruction Manual



Please read this operating manual carefully before starting the device. Keep it in a safe place for future reference. If the device is passed on to another person, this operating manual must be handed over to the user along with it.

The manufacturer cannot be held liable for damage resulting from **improper usage** or **incorrect operation**.

Contents

1	Explanation of symbols	16
2	Safety instructions	17
3	Scope of delivery	19
4	Proper use	19
5	Technical description	20
6	Operation	20
7	Cleaning and care	23
8	Troubleshooting	23
9	Guarantee	23
10	Disposal	24
11	Technical data	24

1 Explanation of symbols



DANGER!

Safety instruction: Failure to observe this instruction will cause fatal or serious injury.



WARNING!

Safety instruction: Failure to observe this instruction can cause fatal or serious injury.

**CAUTION!**

Safety instruction: Failure to observe this instruction can lead to injury.

**NOTICE!**

Failure to observe this instruction can cause material damage and impair the function of the product.

**NOTE**

Supplementary information for operating the product.

- ▶ **Action:** This symbol indicates that action is required on your part. The required action is described step-by-step.
- ✓ This symbol describes the result of an action.

Fig. 1 5, page 3: This refers to an element in an illustration. In this case, item 5 in figure 1 on page 3.

2 Safety instructions

2.1 General safety

**DANGER!**

- On boats: If the appliance is powered by the mains, ensure that the power supply has a residual current circuit breaker.

**WARNING!**

- Do not operate the device if it is visibly damaged.
- If this device's power cable is damaged, it must be replaced by the manufacturer, customer service or a similarly qualified person in order to prevent safety hazards.
- This device may only be repaired by qualified personnel. Improper repairs can lead to considerable hazards.
- This device can be used by children aged 8 years or over, as well as by persons with diminished physical, sensory or mental capacities or a lack of experience and/or knowledge, providing they are supervised or have been taught how to use the device safely and are aware of the resulting risks.

- Cleaning and user maintenance must not be carried out by children without supervision.
- Children must not play with the device.
- Children must be supervised to ensure that they do not play with the device.
- Always keep and use the device out of the reach of children under the age of 8 years.
- Do not store any explosive substances such as spray cans with a flammable propellant in the device.

**CAUTION!**

- Disconnect the device from the mains
 - before each cleaning and maintenance
 - after every use
- Food may only be stored in its original packaging or in suitable containers.

**NOTICE!**

- Check that the voltage specification on the type plate corresponds to that of the energy supply.
- Connect the device with the 230 V connection cable to the 230 V AC mains supply.
- Never pull the plug out of the socket by the cable.
- The cooling device is not suitable for transporting caustic materials or materials containing solvents.

2.2 Operating the device safely

**DANGER!**

- Do not touch exposed cables with your bare hands.

**CAUTION!**

- Before starting the device, ensure that the power supply line and the plug are dry.

**NOTICE!**

- Do not use electrical devices inside the cooler unless they are recommended by the manufacturer for the purpose.
- Do not place the device near naked flames or other heat sources (heaters, direct sunlight, gas ovens etc.).

- **Danger of overheating!**
Ensure at all times that there is sufficient ventilation so that the heat that arises during operation does not build up. Make sure that the device is sufficiently far away from walls and other objects so that the air can circulate.
- Ensure that the ventilation openings are not covered.
- Do not fill the inner container with ice or fluid.
- Never immerse the device in water.
- Protect the device and the cable against heat and moisture.

3 Scope of delivery

Quantity	Description
1	Coolbox
1	Instruction manual

4 Proper use

The coolbox is suitable for cooling and freezing foodstuffs. The appliance may also be used for camping use. The appliance shall not to be exposed to rain.



CAUTION! Health hazard!

Please check if the cooling capacity of the device is suitable for storing the food or medicine you wish to cool.

5 Technical description

The coolbox is suitable for use when camping, on a terrace, in the backyard, or anywhere where a 220–240 V power connection is available. The device can cool goods down and keep them cool or freeze them.

A maintenance-free refrigerant circuit with compressor provides the cooling. The extra strong insulation and powerful compressor ensure especially fast cooling.

You can use the digital display to set the temperature you require.

The lid is sealed all round and has a magnetic lock.

The cooler has the following control elements:

No. in fig. 2, page 3	Description	Explanation
1	Display	Shows the current or required temperature.
2	ON/OFF	Switches the cooler on or off.
3	TEMP –	Decreases the desired cooling temperature by 1 °C.
4	TEMP +	Increases the desired cooling temperature by 1 °C.

6 Operation



CAUTION! Health hazard!

Food may only be stored in its original packaging or in suitable containers.



NOTE

- Before starting your new coolbox for the first time, you should clean it inside and outside with a damp cloth for hygienic reasons (please also refer to the chapter “Cleaning and care” on page 23).
- A few water drops may form inside the cooler if it has been cooling for a lengthy period. This is normal because the moisture in the air condenses to water when the temperature in the cooler falls. The cooler is not defective. Wipe it out with a dry cloth if necessary.

6.1 Energy saving tips

- Choose a well ventilated installation location which is protected against direct sunlight.
- Allow warm food to cool down first before placing it in the device to keep cool.
- Do not open the cooling device more often than necessary.
- Do not leave the cooler unit open for longer than necessary.

6.2 Using the cooler



NOTICE! Risk of damage

- Do not switch on the device immediately after transporting it. This could damage the cooling system. Leave the device to stand for about 30 minutes after transporting, before you switch it on. This allows the refrigerant to collect again in the compressor, and the compressor does not run dry.
 - Ensure that the objects or goods placed in the cooling device are suitable for cooling to the selected temperature.
 - Ensure that food or liquids in glass containers are not excessively refrigerated. Liquids expand when they freeze and can therefore destroy glass containers.
 - Ensure that your cooler is well ventilated so that any heat created can dissipate. Otherwise proper functioning cannot be ensured. It is especially important not to cover the air vents.
- Place the cooler on a firm foundation.
 - Use the cable to connect the cooler to a 220–240 V~ socket.
 - Switch the cooler on by pressing the “ON/OFF” button (fig. **2** 2, page 3).
 - ✓ The display switches on and shows the current cooling temperature in °C.
 - ✓ The cooler starts cooling the interior.
 - To switch the cooler off, press the “ON/OFF” button (fig. **2** 2, page 3).
 - The display switches off.

6.3 Setting the temperature

The cooling capacity can be influenced by:

- The ambient temperature
 - The number of wine bottles to be cooled
 - The frequency with which the door is opened
- Press the “TEMP –” (fig. **2** 3, page 3) button to **decrease** the desired cooling temperature by 1 °C.
- Press the “TEMP +” (fig. **2** 4, page 3) button to **increase** the desired cooling temperature by 1 °C.
- ✓ The cooling temperature set in °C then appears in the display for a few seconds.
- ✓ The display flashes to confirm that the selected temperature has been set.

6.4 Defrosting the cooler

Humidity can form frost in the interior of the cooling device or on the vaporiser. This reduces the cooling capacity. Defrost the device in good time to avoid this.



NOTICE! Danger of damaging the device!

Never use hard or pointed tools to remove ice or to loosen objects which have frozen in place.

To defrost the cooler, proceed as follows:

- Take out the contents of the cooling device.
- If necessary, place them in another cooling device to keep them cool.
- Switch off the device.
- Leave the cover open.
- Wipe off the defrosted water.

7 Cleaning and care



WARNING!

Always disconnect the device from the mains before you clean and service it.



NOTICE! Risk of damage

- Never clean the cooler under running water or in dish water.
- Do not use abrasive cleaning agents or hard objects during cleaning as these can damage the cooler.

- Occasionally clean the device interior and exterior with a damp cloth.
- Make sure that the air inlet and outlet vents on the device are free of any dust and dirt, so that heat can be released and the device is not damaged.

8 Troubleshooting

Fault	Possible cause	Suggested remedy
The coolbox does not work.	The coolbox is not properly connected.	Check whether the connection cable and any extension cables are correctly plugged in. If you are using an extension cable, check it and replace if defective.
	The refrigerant circuit is defective.	This can only be repaired by an authorised customer services unit.

9 Guarantee

The statutory warranty period applies. If the product is defective, please contact the manufacturer's branch in your country (see the back of the instruction manual for the addresses) or your retailer.

For repair and guarantee processing, please include the following documents when you send in the device:

- A copy of the receipt with purchasing date
- A reason for the claim or description of the fault

10 Disposal

- Place the packaging material in the appropriate recycling waste bins wherever possible.



If you wish to finally dispose of the product, ask your local recycling centre or specialist dealer for details about how to do this in accordance with the applicable disposal regulations.

11 Technical data

	CoolFun CK40D
Connection voltage:	220–240 V~, 50 Hz
Mean power consumption:	65 W
Cooling capacity:	continuously variable from +10 °C to –15 °C
Category:	1
Energy efficiency class:	A++
Energy consumption:	82 kWh/annum
Gross capacity:	40 l
Usable capacity:	38 l
Climate class:	N, T
Ambient temperature:	+16 °C – +43 °C
Noise emission:	46 dB
Weight:	Approx. 22 kg
Testing/certification:	