



PHONES

(044) 338-0-130
(050) 332-0-130
(063) 577-0-130
(067) 353-0-130

130
COM.UA

Internet store of
autogoods



SKYPE
km-130

CAR RECEIVERS — Receivers • Media receivers and stations • Native receivers • CD/DVD changers • FM-modulators/USB adapters • Flash memory • Facia plates and adapters • Antennas • Accessories |
CAR AUDIO — Car audio speakers • Amplifiers • Subwoofers • Processors • Crossovers • Headphones • Accessories | TRIP COMPUTERS — Universal computers • Model computers • Accessories |
GPS NAVIGATORS — Portable GPS • Built-in GPS • GPS modules • GPS trackers • Antennas for GPS navigators • Accessories | VIDEO — DVR • TV sets and monitors • Car TV tuners • Cameras • Videomodules
• Transcoders • Car TV antennas • Accessories | SECURITY SYSTEMS — Car alarms • Bike alarms • Mechanical blockers • Immobilizers • Sensors • Accessories | OPTIC AND LIGHT — Xenon • Bixenon • Lamps
• LED • Stroboscopes • Optic and Headlights • Washers • Light, rain sensors • Accessories | PARKTRONICS AND MIRRORS — Rear parktronic • Front parktronic • Combined parktronic • Rear-view mirrors
• Accessories | HEATING AND COOLING — Seat heaters • Mirrors heaters • Screen-wipers heaters • Engine heaters • Auto-refrigerators • Air conditioning units • Accessories | TUNING — Vibro-isolation
• Noise-isolation • Tint films • Accessories | ACCESSORIES — Radar-detectors • Handsfree, Bluetooth • Windowlifters • Compressors • Beeps, loudspeakers • Measuring instruments • Cleaners • Carsits
• Miscellaneous | MOUNTING — Installation kits • Upholstery • Grilles • Tubes • Cable and wire • Tools • Miscellaneous | POWER — Batteries • Converters • Start-charging equipment • Capacitors
• Accessories | MARINE AUDIO AND ELECTRONICS — Marine receivers • Marine audio speakers • Marine subwoofers • Marine amplifiers • Accessories | CAR CARE PRODUCTS — Additives • Washer fluid •
Care accessories • Car polish • Flavors • Adhesives and sealants | LIQUID AND OIL — Motor oil • Transmission oil • Brake fluid • Antifreeze • Technical lubricant



In store "130" you can find and buy almost all necessary goods for your auto in Kyiv and other cities, delivery by ground and postal services. Our experienced consultants will provide you with exhaustive information and help you to chose the very particular thing. We are waiting for you at the address

<http://130.com.ua>

↗ DOMETIC

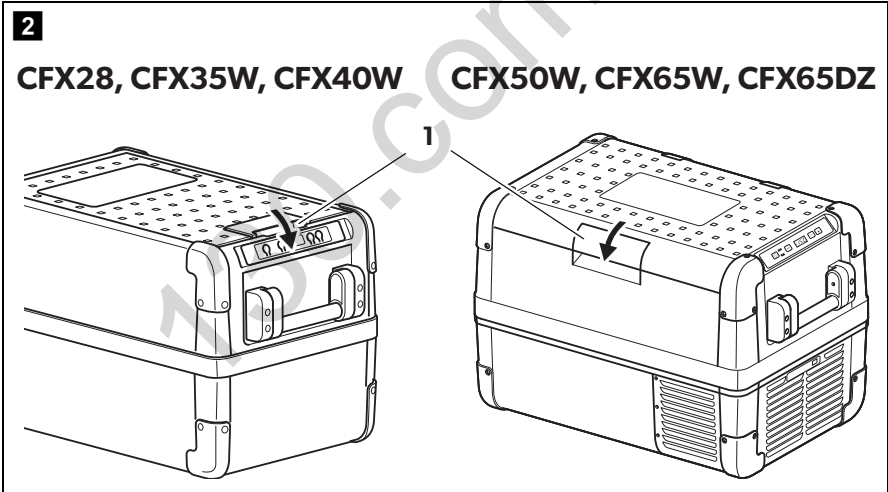
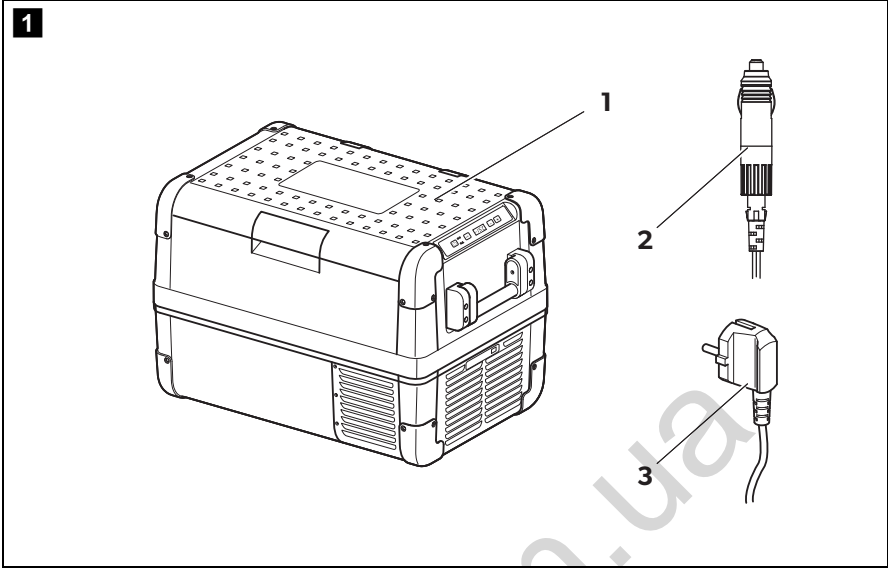
COOLING BOXES

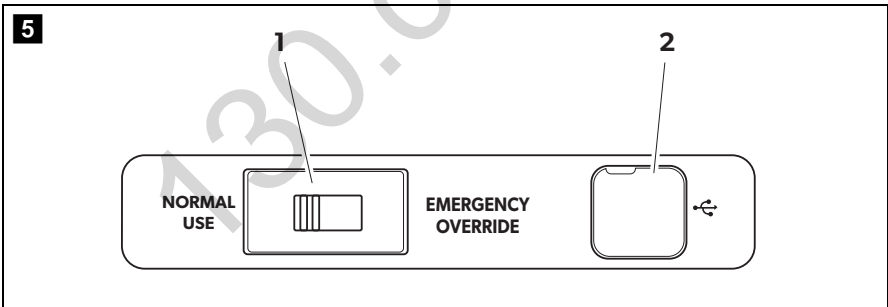
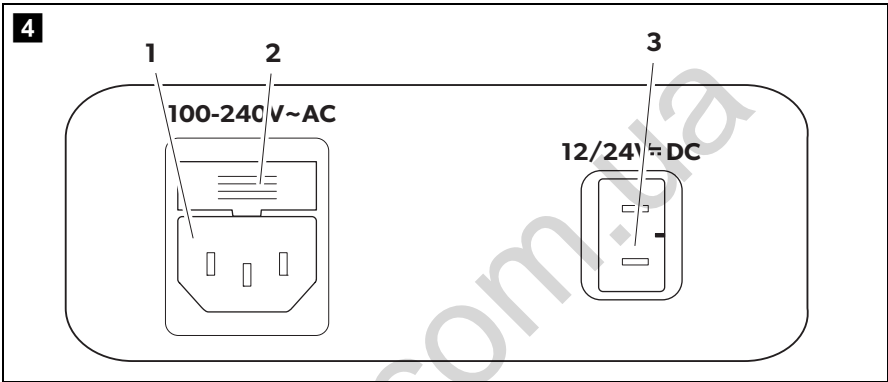
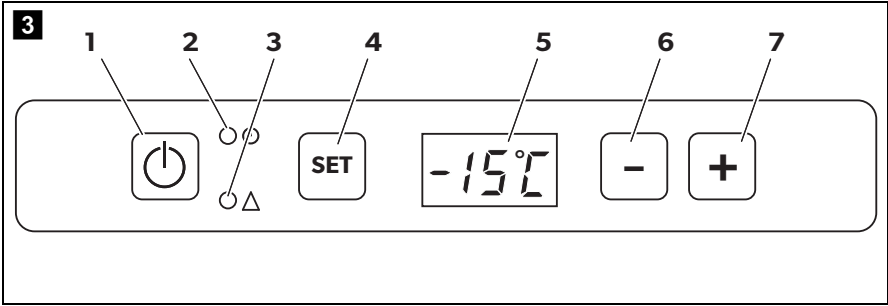
CFX SERIES



CFX 28, CFX35W, CFX40W, CFX50W, CFX65W, CFX65DZ

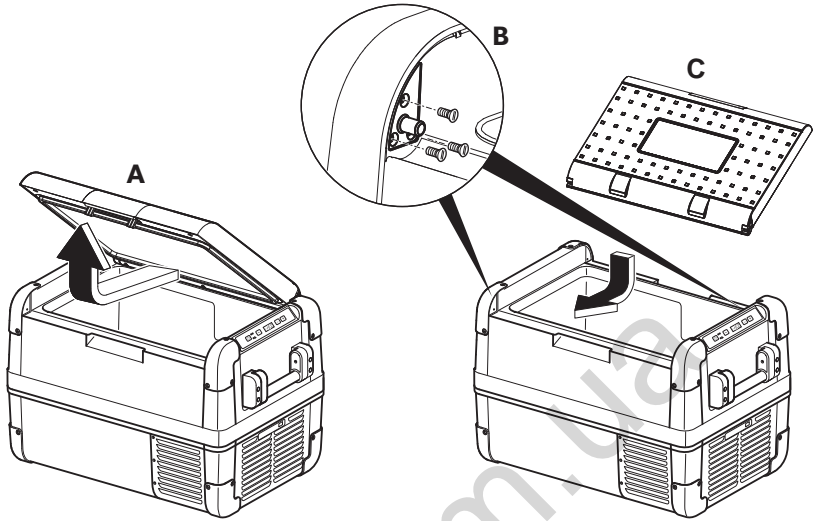
EN	Compressor Cooler Operating manual	SV	Kylbox med kompressor Bruksanvisning	6	202
DE	Kompressor-Kühlbox Bedienungsanleitung	NO	Kjøleboks med kompressor Bruksanvisning	30	224
FR	Glacière à compression Notice d'utilisation	FI	Kompressori-kylmälaatikko Käyttöohje	55	247
ES	Nevera por compresor Instrucciones de uso	RU	Компрессорный холодильник Инструкция по эксплуатации	80	269
PT	Geleira com compressor Manual de instruções	PL	Przenośna lodówka kompresorowa Instrukcja obsługi	105	296
IT	Frigorifero a compressore Istruzioni per l'uso	SK	Chladiaci box s kompresorom Návod na obsluhu	130	321
NL	Compressorkoelbox Gebruiksaanwijzing	CS	Kompressorový chladičí box Návod k obsluze	155	345
DA	Kompressor-køleboks Betjeningsvejledning	HU	Kompresszor hűtőláda Használati utasítás	179	367





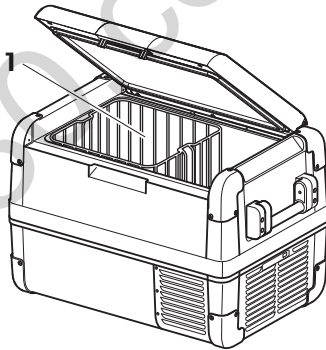
6

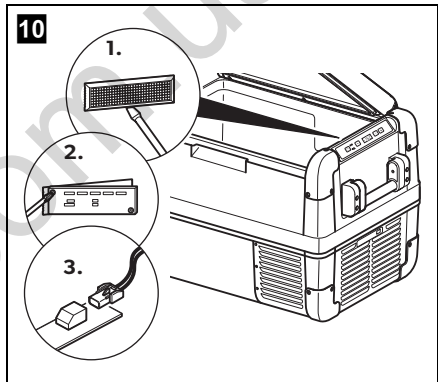
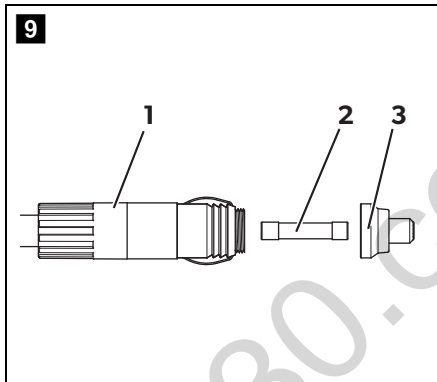
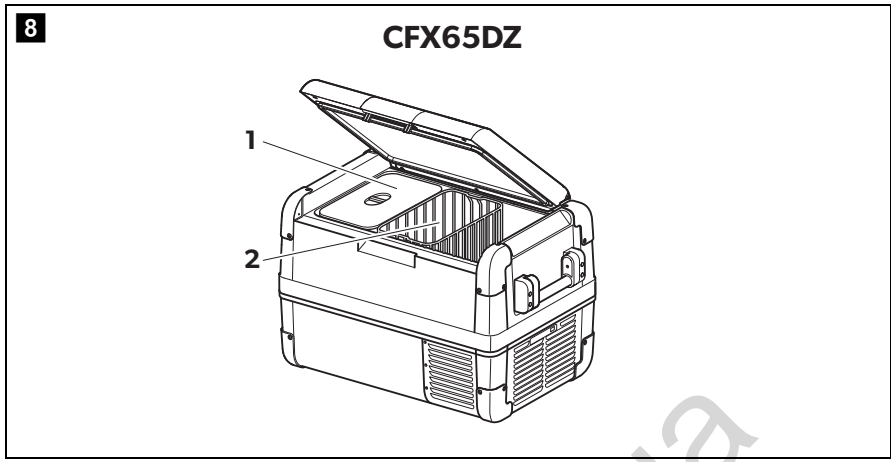
CFX50W, CFX65W, CFX65DZ



7

CFX50W, CFX65W





Please read this operating manual carefully before starting the device. Keep it in a safe place for future reference. If the device is passed on to another person, this operating manual must be handed over to the user along with it.

The manufacturer cannot be held liable for damage resulting from **improper usage** or **incorrect operation**.

Contents

1	Explanation of symbols	7
2	Safety instructions	8
2.1	General safety	8
2.2	Operating the cooling device safely	9
3	Scope of delivery	10
4	Accessories	10
5	Intended use	11
6	Function description	12
6.1	Scope of functions	12
6.2	Operating and display elements	13
7	Operation	14
7.1	Before initial use	14
7.2	Energy saving tips	15
7.3	Connecting the cooler	15
7.4	Using the battery monitor	17
7.5	Using the cooler	18
7.6	Setting the temperature	19
7.7	Enabling WiFi signal for optional app (all except CFX28 and CFX65DZ)	20
7.8	Set brightness of display	21
7.9	Using the emergency switch (where fitted)	21
7.10	USB port for power supply	21
7.11	Switching off the cooler	22
7.12	Defrosting the cooler	22
7.13	Replacing the AC fuse	23
7.14	Replacing the DC plug fuse	23
7.15	Replacing the light PCB	23

8	Cleaning and maintenance	24
9	Guarantee	24
10	Troubleshooting	25
11	Disposal	26
12	Technical data	27

1 Explanation of symbols



WARNING!

Safety instruction: Failure to observe this instruction can cause fatal or serious injury.



CAUTION!

Safety instruction: Failure to observe this instruction can lead to injury.



NOTICE!

Failure to observe this instruction can cause material damage and impair the function of the product.



NOTE

Supplementary information for operating the product.

2 Safety instructions

2.1 General safety



WARNING!

- Do not operate the cooling device if it is visibly damaged.
- If this cooling device's power cable is damaged, it must be replaced by the manufacturer, customer service or a similarly qualified person in order to prevent safety hazards.
- This cooling device may only be repaired by qualified personnel. Improper repairs can lead to considerable hazards.
- This cooling device can be used by children aged 8 years or over, as well as by persons with diminished physical, sensory or mental capacities or a lack of experience and/or knowledge, providing they are supervised or have been taught how to use the cooling device safely and are aware of the resulting risks.
- Cleaning and user maintenance must not be carried out by children without supervision.
- Children must not play with the cooling device.
- Children must be supervised to ensure that they do not play with the cooling device.
- Always keep and use the cooling device out of the reach of children under the age of 8 years.
- Do not store any explosive substances such as spray cans with a flammable propellant in the cooling device.



CAUTION!

- Disconnect the cooling device from the power supply
 - before each cleaning and maintenance
 - after every use
- Food may only be stored in its original packaging or in suitable containers.



NOTICE!

- Check that the voltage specification on the type plate corresponds to that of the energy supply.
- Only connect the cooling device as follows:
 - With the DC connection cable to a DC power supply in the vehicle
 - Or with the AC connection cable to the AC power supply

- Never pull the plug out of the socket by the cable.
- If the cooling device is connected to the DC outlet: Disconnect the cooling device and other power consuming devices from the battery before connecting a quick charging device.
- If the cooling device is connected to the DC outlet: Disconnect the cooling device or switch it off when you turn off the engine. Otherwise you may discharge the battery.
- The cooling device is not suitable for transporting caustic materials or materials containing solvents.
- The insulation of the cooling device contains flammable cyclopentane and requires special disposal procedures. Deliver the cooling device at the end of its life-cycle to an appropriate recycling.

2.2 Operating the cooling device safely



CAUTION!

- Before starting the cooling device, ensure that the power supply line and the plug are dry.



NOTICE!

- Do not use electrical devices inside the cooling device unless they are recommended by the manufacturer for the purpose.
- Do not place the cooling device near naked flames or other heat sources (heaters, direct sunlight, gas ovens etc.).
- **Danger of overheating!**
Ensure at all times that there is sufficient ventilation so that the heat that arises during operation does not build up. Make sure that the cooling device is sufficiently far away from walls and other objects so that the air can circulate.
- Ensure that the ventilation openings are not covered.
- Do not fill the inner container with ice or fluid.
- Never immerse the cooling device in water.
- Protect the cooling device and the cable against heat and moisture.

3 Scope of delivery

See fig. 1, page 2

Item	Quantity	Description
1	1	Cooler
2	1	Connection cable for DC connection
3	1	Connection cable for AC connection
–	1	Operating manual

4 Accessories

Available as accessory (not included in scope of delivery):

Designation	Ref. no.	Model
Universal fixing kit (belt system) CFX-UFK	9108300002	suits all models
Quick release fixing kit CFX-QFK	9600000166	CFX28 only
Wireless display CFX-WD	9600000164	suits CFX28, CFX65DZ and older models without WIFI app function

Visit the Dometic website (see back page) for information about a WiFi app with control-, display- and alarm functions (**all except** CFX28 and CFX65DZ). Note that the app may not be available in your country.

5 Intended use

The cooler is suitable for cooling and freezing foods.

The cooler is designed to be operated from:

- a DC on-board power supply of a vehicle, boat or caravan
- a DC auxiliary battery
- an AC power supply

The cooling device is intended to be used in household and similar applications such as

- staff kitchen areas in shops, offices and other working environments
- farm houses
- clients in hotels, motels and other residential type environments
- bed and breakfast type environments
- catering and similar non-retail applications



CAUTION! Health hazard!

Please check if the cooling capacity of the device is suitable for storing the food or medicine you wish to cool.

6 Function description

The cooler can chill products, keep them cool as well as freeze them. A low maintenance refrigerant circuit with compressor provides the cooling. The generous insulation and powerful compressor ensure efficient and fast cooling.

The cooler is portable.

The cooler can withstand a short-term inclination of 30°, for example on boats.

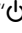
6.1 Scope of functions

- Power supply with priority circuit for connecting to the AC mains
- Three-level battery monitor to protect the vehicle battery
- Display with temperature gauge in °C and °F switches off automatically at low battery voltage
- Temperature setting: With two buttons in steps of 1 °C (2 °F)
- Integrated WiFi transmitter hence controllable using an app (**all except** CFX28 and CFX65DZ)
- Foldable carrying handles
- USB port for power supply
- Emergency switch (where fitted)
- Removable wire basket

6.2 Operating and display elements

Latch for lid: fig. 2 1, page 2

Operating panel (fig. 3, page 3)

Item	Description	Explanation
1	ON OFF	Switches the cooler on or off when the button is pressed for between one and two seconds
2	POWER “  ”	Status indication LED lights up green: Compressor is on LED lights up orange: Compressor is off LED flashes orange: Display switched off automatically due to low battery voltage
3	ERROR	LED flashes red: Device is switched on but not ready for operation
4	SET	Selects the input mode: <ul style="list-style-type: none"> • Temperature setting • Celsius or Fahrenheit display • Set battery monitor • Set brightness of display • Switch WiFi on or off (all except CFX28 and CFX65DZ)
5	–	Display, shows the information
6	DOWN –	Press once to decrease the value
7	UP +	Press once to increase the value

Connection sockets (fig. 4, page 3)

Item	Description
1	Connection socket AC voltage supply
2	Fuse holder
3	Connection socket DC voltage supply

Emergency switch (when fitted) and USB port (fig. 5, page 3)

Item	Description
1	Emergency switch (when fitted)
2	Power supply for USB devices

7 Operation

7.1 Before initial use

**NOTE**

Before starting your new cooler for the first time, you should clean it inside and outside with a damp cloth for hygienic reasons (please also refer to the chapter “Cleaning and maintenance” on page 24).

Reversing the lid opening direction (only CFX50W, CFX65W, CFX65DZ)

The lid hinges can be moved to the opposite side if you want to open the lid from the opposite direction. To do this, proceed as follows:

- Open the lid and remove it (fig. 6 A, page 4).
- Remove the 3 screws per hinge (fig. 6 B, page 4) and take off hinges.
- Remove the plastic covers from the new hinge positions with a small screwdriver and re-fit to the old hinge positions.
- Re-fit the hinges in new positions.
- Insert the lid in the hinges on the opposite side (fig. 6 C, page 4).

Selecting the temperature units

Temperature display units can be switched between Celsius and Fahrenheit as follows:

- Switch on the cooler.
 - Press the “SET” button (fig. **3** 4, page 3) twice.
 - Use the “UP +” (fig. **3** 7, page 3) or “DOWN –” (fig. **3** 6, page 3) buttons to select Celsius or Fahrenheit.
- ✓ The selected temperature units then appear in the display for a few seconds. The display flashes several times before it returns to the current temperature.

7.2 Energy saving tips

- Choose a well ventilated installation location which is protected against direct sunlight.
- Allow warm food to cool down first before placing it in the cooling device to keep cool.
- Do not open the cooling device more often than necessary.
- Do not leave the cooling device open for longer than necessary.
- Defrost the cooler once a layer of ice forms.
- Avoid unnecessarily low temperatures.

7.3 Connecting the cooler

Connecting to a battery (Vehicle or boat)

The cooler can be operated with 12 V \approx or 24 V \approx .



NOTICE! Danger of damage!

Disconnect the cooler and other consumer units from the battery before you connect the battery to a quick charging device. Overvoltage can damage the electronics of the device.

For safety reasons the cooler is equipped with an electronic system to prevent polarity reversal. This protects the cooler against short-circuiting when connecting to a battery.

Using the fused DC plug



NOTICE! Danger of damage!

For protection of the device the DC cable supplied includes a fuse inside the plug. Do **not** remove the fused DC plug. Only use the DC cable supplied.

- Plug the DC connection cable (fig. **1** 2, page 2) into the DC voltage socket of the cooler (fig. **4** 5, page 3).
- Connect the connection cable to the DC power outlet.

Connecting to an AC power supply (e.g. in the home or office)



DANGER! Danger of electrocution!

- Never handle plugs and switches with wet hands or if you are standing on a wet surface.
- If you are operating your cooler on board a boat from a AC power supply, you must install a residual current circuit breaker between the AC power supply and the cooler. Seek advice from a trained technician.

The coolers have an integrated multi-voltage power supply with priority circuit for connecting to an AC voltage source. The priority circuit automatically switches the cooler to AC operation, if the device is connected to an AC power supply, even if the DC connection cable is still attached.

When switching between the AC power supply and the battery supply, the red LED may light up briefly.

- Plug the AC connection cable (fig. **1** 3, page 2) into the AC voltage socket of the cooler (fig. **4** 1, page 3).
- Connect the connection cable to the AC power outlet.

7.4 Using the battery monitor

The device is equipped with a multi-level battery monitor that protects your vehicle battery against excessive discharging when the device is connected to the on-board DC supply.

If the cooler is operated when the vehicle ignition is switched off, the cooler switches off automatically as soon as the supply voltage falls below a set level. The cooler will switch back on once the battery has been recharged to the restart voltage level.



NOTICE! Danger of damage!

When switched off by the battery monitor, the battery will no longer be fully charged. Avoid starting repeatedly or operating current consumers without longer charging phases. Ensure that the battery is recharged.

In "HIGH" mode, the battery monitor responds faster than at the levels "LOW" and "MED" (see the following table).

Battery monitor mode	LOW	MED	HIGH
Switch-off voltage at 12 V	10.1 V	11.4 V	11.8 V
Restart-voltage at 12 V	11.1 V	12.2 V	12.6 V
Switch-off voltage at 24 V	21.5 V	24.1 V	24.6 V
Restart voltage at 24 V	23.0 V	25.3 V	26.2 V

The battery monitor mode can be selected as follows:

- Switch on the cooler.
- Press the "SET" button (fig. 3 4, page 3) three times.
- Use the "UP +" (fig. 3 7, page 3) or "DOWN -" (fig. 3 6, page 3) buttons to select the battery monitor mode.
- ✓ Display will be as follows:
Lo (LOW), Md (MED), Hi (HIGH)
- ✓ The selected mode then appears in the display for a few seconds. The display flashes several times before it returns to the current temperature.



NOTE

When the cooler is supplied by the starter battery, select the battery monitor mode "HIGH". If the cooler is connected to a supply battery, the battery monitor mode "LOW" will suffice.

7.5 Using the cooler



NOTICE! Danger of overheating!

Ensure at all times that there is sufficient ventilation so that the heat that generated during operation can dissipate. Ensure that the ventilation slots are not covered. Make sure that the device is sufficiently far away from walls and other objects so that the air can circulate.

- Place the cooler on a firm foundation.
Make sure that the ventilation slots are not covered and that the heated air can dissipate.



NOTE

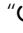
Place the cooler as shown (fig. **1**, page 2). If you operate the box in a different orientation it can be damaged.

- Connect the cooler, see chapter “Connecting the cooler” on page 15.



NOTICE! Danger from excessively low temperature!

Ensure that the only those objects are placed in the cooler that are intended to be cooled at the selected temperature.

- Press the “ON/OFF” button (fig. **3** 1, page 3) for between one and two seconds.
- ✓ The LED “” lights up (fig. **3** 2, page 3).
- ✓ The display (fig. **3** 5, page 3) switches on and shows the current cooling temperature.



CAUTION! Health hazard! **CFX65DZ:**

If the temperature in the freezer compartment (fig. **8** 1, page 5) is very low ($-22\text{ }^{\circ}\text{C}$), the temperature range in the cooling department (fig. **8** 2, page 5) can be below freezing as well.

**NOTE****Displayed temperature**

- **CFX28, CFX35W, CFX40W, CFX50W, CFX65W:**

The temperature displayed is that of the large interior compartment (e.g. CFX50W, CFX65W: fig. 7 1, page 4).

- **CFX65DZ:**

- With fridge/freezer divider in: The temperature displayed is that of the freezer compartment (fig. 8 1, page 5).
- With fridge/freezer divider out: The actual compartment temperature will be considerably warmer than the displayed temperature

- ✓ The cooler starts cooling the interior.

**NOTE**

When operating with the battery, the display switches off automatically if the battery voltage is low. The LED “⏻” flashes orange.

Latching the cooler lid

- ▶ Close the lid.
- ▶ Press the latch (fig. 2 1, page 2) down, until it latches in place audibly.

**NOTE – Alarm “Lid open”**

If the lid is left open for three minutes or more and the device is switched on, the interior light will flash until the lid is closed.

7.6 Setting the temperature

- ▶ Press the “SET” button (fig. 3 4, page 3) once.
- ▶ Use the “UP +” (fig. 3 7, page 3) and “DOWN –” (fig. 3 6, page 3) buttons to select the cooling temperature.
- ✓ The cooling temperature appears in the display for a few seconds. The display flashes several times and then the current temperature is displayed again.

**NOTE**

The temperature can be set to $-22\text{ }^{\circ}\text{C}$. The manufacturer however recommends a cooling temperature of $-15\text{ }^{\circ}\text{C}$ to $-18\text{ }^{\circ}\text{C}$ for normal usage and optimum energy consumption.

7.7 Enabling WiFi signal for optional app (all except CFX28 and CFX65DZ)

The cooler can be controlled via WiFi using an app that you can install on a compatible device. The app has control, display and alarm functions.

For further information go to the Dometic website for your country (see back page). Note that the app may not be available in your country.

The WiFi name of the compressor cooler begins with “CFX”. The preset password is “00000000”. You can change the WiFi name and password individually.

Switching the WiFi signal on or off

- ▶ Press the “SET” button (fig. **3** 4, page 3) five times.
- ▶ Use the “UP +” (fig. **3** 7, page 3) and “DOWN–” (fig. **3** 6, page 3) buttons to switch the WiFi signal on or off.
- ✓ The desired setting appears in the display for a few seconds. The display flashes several times and then the current temperature is displayed again.



NOTE

- The default setting for the WiFi transmitter is off. For first time use and whenever power to the device is interrupted, switch on the WiFi transmitter to use the app.
- The WiFi transmitter uses a small amount of power. For optimal energy performance switch the WiFi transmitter off if it is not being used.

Resetting the WiFi to factory settings

In case you have personalized the WiFi settings of your cooling device using the WiFi app and forgotten your password, you can reset to the factory settings as follows:

- ▶ Press the “SET” button (fig. **3** 4, page 3) five times.
- ▶ Hold the “UP +” (fig. **3** 7, page 3) button for at least five seconds.
- ✓ In both displays “rES” will blink several times before returning to the previous display.
- ✓ The WiFi settings have been reset to factory settings.

For additional information visit the Dometic website from which you downloaded the app.

7.8 Set brightness of display

The display brightness can be dimmed for low ambient light conditions. To set the dimming level of the display proceed as follows:

- ▶ Switch on the cooler.
- ▶ Press the “SET” button (fig. **3** 4, page 3) four times.
- ▶ Use the “UP +” (fig. **3** 7, page 3) or “DOWN –” (fig. **3** 6, page 3) buttons to set the brightness of the display.
- ✓ Display will be as follows:
d0 (default), d1 (medium), d2 (dark)
- ✓ The display shows the set mode for some seconds. The display flashes several times before it returns to the current brightness.



NOTE

- The factory setting of brightness of the display is d0 (default).
- If a fault occurs, the brightness automatically is d0 (default). After troubleshooting the set brightness is reactivated.

7.9 Using the emergency switch (where fitted)

The emergency switch (fig. **4** 3, page 3) is located below the control panel on all models except CFX28 where it is located above the power inlet sockets. For normal operation the switch is in the “NORMAL USE” position.

- ▶ If an electronic control failure occurs, slide the switch to “EMERGENCY OVERRIDE” position



NOTE

If the switch is in the “EMERGENCY OVERRIDE” position, the cooler runs with full cooling capacity and may freeze.

7.10 USB port for power supply

USB port allows you to charge small devices like mobile phones and mp3-players.

To use your cooling box with any USB devices, simply connect a USB cable (not included) to your device.



NOTE

Ensure that any small device connected to the USB port is compatible with 5 V/500 mA operation.

7.11 Switching off the cooler

- Empty the cooler.
- Switch the cooler off.
- Pull out the connection cable.

If you do not want to use the cooler for a longer period of time:

- Leave the cover slightly open. This prevents odour build-up.

7.12 Defrosting the cooler

Humidity can form frost in the interior of the cooling device or on the evaporator. This reduces the cooling capacity. Defrost the device in good time to avoid this.



NOTICE! Danger of damage!

Never use hard or pointed tools to remove ice or to loosen objects which have frozen in place.

To defrost the cooler, proceed as follows:

- Take out the contents of the cooler.
- If necessary, place them in another cooling device to keep them cool.
- Switch off the device.
- Leave the lid open.
- Wipe off the defrosted water.

7.13 Replacing the AC fuse



DANGER! Danger of electrocution!

Disconnect the power supply and the connection cable before you replace the device fuse.

- Disconnect the power supply to the device.
- Pull off the connection cable.
- Pry out the fuse insert (fig. **4** 2, page 3) with a screwdriver.
- Replace the defective glass fuse with a new one that has the same type and rating (4 A, 250 V).
- Press the fuse insert back into the housing.
- Reconnect the power supply to the device.

7.14 Replacing the DC plug fuse

- Unscrew the contact pin housing (fig. **9** 3, page 5) from the plug (fig. **9** 1, page 5).
- Replace the defective fuse (fig. **9** 2, page 5) with a new fuse of the same type and rating (3AG, Fast Acting, 10 A).
- Re-assemble the plug in reverse order.

7.15 Replacing the light PCB

- Disconnect the power supply to the device.
- Pry out the transparent cover with a screwdriver (fig. **10** 1, page 5).
- Unscrew the PCB mounting screws (fig. **10** 2, page 5).
- Pull out the plug from the PCB (fig. **10** 3, page 5).
- Replace the defective light PCB with a new one.
- Fit new PCB using reverse of removal instructions.
- Press the transparent cover back into the housing.
- Reconnect the power supply to the device.

8 Cleaning and maintenance

**WARNING!**

Always disconnect the device from the power supply before you clean and service it.

**NOTICE! Risk of damage**

- Never clean the cooler under running water or in dish water.
- Do not use abrasive cleaning agents or hard objects during cleaning as these can damage the cooler.

- Occasionally clean the device interior and exterior with a damp cloth.
- Make sure that the air inlet and outlet vents on the device are free of any dust and dirt, so that heat can be released and the device is not damaged.

9 Guarantee

The statutory warranty period applies. If the product is defective, please contact the manufacturer's branch in your country (see the back of the instruction manual for the addresses) or your retailer.

For repair and guarantee processing, please include the following documents when you send in the device:

- A copy of the receipt with purchasing date
- A reason for the claim or description of the fault

10 Troubleshooting

Fault	Possible cause	Suggested remedy
Device does not function, LED does not glow.	No voltage was detected in the DC power outlet.	In most vehicles the ignition must be turned on before power will be supplied to the DC power outlet.
	No voltage present in the AC voltage socket.	Try using another plug socket.
	The device fuse is defective.	Replace the device fuse, see chapter "Replacing the AC fuse" on page 23.
The device does not cool (plug is inserted, "POWER" LED is lit).	The integrated mains adapter is defective.	This can only be repaired by an authorised repair centre.
	Defective compressor.	This can only be repaired by an authorised repair centre.
	The device does not cool (plug is inserted, "POWER" LED flashes orange, display is switched off).	Select a lower battery monitor setting.
The device does not cool (plug is inserted, "POWER" LED flashes orange, display is switched off).	Battery monitor is set too high.	Select a lower battery monitor setting.
	Battery voltage is too low.	Test the battery and charge it as needed.
When operating from the DC outlet: The ignition is on and the device is not working and the LED is not lit.	The DC outlet is dirty. This results in a poor electrical contact.	If the plug of your cooler becomes very warm in the DC outlet, either the DC outlet must be cleaned or the plug has not been assembled correctly.
	The fuse of the DC plug has blown.	Replace the fuse in the DC plug, see chapter "Replacing the DC plug fuse" on page 23.
	The vehicle fuse has blown.	Replace the vehicle's DC outlet fuse. Please refer to your vehicle's operating manual.
The display shows an error message (e.g. "Err1") and the appliance does not cool.	The appliance has switched off due to an internal fault.	This can only be repaired by an authorised repair centre.
The interior light of a compartment flashes.	The lid of the compartment has been left open for more than three minutes.	Close the lid of the compartment.

11 Disposal

- Place the packaging material in the appropriate recycling waste bins wherever possible.



If you wish to finally dispose of the product, ask your local recycling centre or specialist dealer for details about how to do this in accordance with the applicable disposal regulations.

130.com.ua

12 Technical data

	CFX28	CFX35W	CFX40W
Ref. no.:	9600000468 9600000469	9600000470 9600000471	9600000472 9600000473
Connection voltage:	12/24 V $\overline{=}$ and 100 – 240 V \sim		
Rated current:	12 V $\overline{=}$: 6.5 A 24 V $\overline{=}$: 3.2 A 100 V \sim : 0.75 A 240 V \sim : 0.32 A		12 V $\overline{=}$: 7.0 A 24 V $\overline{=}$: 3.2 A 100 V \sim : 0.86 A 240 V \sim : 0.42 A
Cooling capacity:	+10 °C to –22 °C (+50 °F to –8 °F)		
Category:	1		
Energy efficiency class:	A++		
Energy consumption:	61 kWh/annum	62 kWh/annum	64 kWh/annum
Gross volume:	28 l	34.5 l	41 l
Storage volume:	26 l	32 l	38 l
Climate class:	N, T		
Ambient temperature:	+16 °C to +43 °C (+61 °F to +110 °F)		
Noise emission:	34 dB(A)	42 dB(A)	
USB:	5 V $\overline{=}$, 500 mA		
Frequency band (WiFi):	2.4 GHz (wireless module)	2.4 GHz	
RF power (WiFi):	11 – 0 dBm (wireless module)	16 ± 1.5 dBm (802.11 b CCK, 11 Mbps) 12 ± 1.5 dBm (802.11 g OFDM, 54 Mbps) 11 ± 1.5 dBm (802.11 n HT20, MCS7)	
Refrigerant quantity:	38 g	33 g	38 g
CO ₂ equivalent:	0.054 t	0.047 t	0.054 t
Global warming potential (GWP):	1430		
Dimensions (W x H x D) in mm (including handles):	342 x 425 x 620	398 x 411 x 692	398 x 461 x 692
Weight:	13 kg	17.5 kg	18.5 kg

	CFX50W	CFX65W	CFX65DZ
Ref. no.:	9600000474 9600000475	9600000476 9600000477	9600000478 9600000479
Connection voltage:	12/24 V $\overline{=}$ and 100 – 240 V \sim		
Rated current:	12 V $\overline{=}$: 7.8 A 24 V $\overline{=}$: 3.6 A 100 V \sim : 0.95 A 240 V \sim : 0.46 A	12 V $\overline{=}$: 8.2 A 24 V $\overline{=}$: 3.8 A 100 V \sim : 1.0 A 240 V \sim : 0.48 A	12 V $\overline{=}$: 5.5 A 24 V $\overline{=}$: 2.6 A 100 V \sim : 0.75 A 240 V \sim : 0.37 A
Cooling capacity:	+10 °C to -22 °C (+50 °F to -8 °F)		
Category:	1		
Energy efficiency class:	A++		A+
Energy consumption:	66 kWh/annum	69 kWh/annum	115 kWh/annum
Gross volume:	50 l	65 l	with divider: 61 l without divider: 65 l
Storage volume:	46 l	60 l	53 l
Climate class:	N, T		
Ambient temperature:	+16 °C to +43 °C (+61 °F to +110 °F)		
Noise emission:	42 dB(A)		
USB:	5 V $\overline{=}$, 500 mA		
Frequency band (WiFi):	2.4 GHz		–
RF power (WiFi):	16 \pm 1.5 dBm (802.11 b CCK, 11 Mbps) 12 \pm 1.5 dBm (802.11 g OFDM, 54 Mbps) 11 \pm 1.5 dBm (802.11 n HT20, MCS7)		–
Refrigerant quantity:	43 g	57 g	31 g
CO ₂ equivalent:	0.062 t	0.082 t	0.044 t
Global warming potential (GWP):	1430		
Dimensions (W x H x D) in mm (including handles):	725 x 471 x 455	725 x 561 x 455	725 x 561 x 455
Weight:	20.4 kg	22.3 kg	23.2 kg

**NOTE**

If the ambient temperature is above +32 °C (+90 °F), the minimum temperature cannot be attained.

Test/certificates:



The coolant circuit contains R134a.

Contains fluorinated greenhouse gases

Hermetically sealed equipment

There are no restrictions on using the WiFi function of the device in the EU member states.

Bitte lesen Sie diese Anleitung vor der Inbetriebnahme sorgfältig durch und bewahren Sie sie auf. Geben Sie sie im Falle einer Weitergabe des Kühlgerätes an den Nutzer weiter.

Der Hersteller haftet nicht für Schäden, die durch **nicht bestimmungsgemäßen Gebrauch** oder **falsche Bedienung** verursacht werden.

Inhaltsverzeichnis

1	Erklärung der Symbole	31
2	Sicherheitshinweise	31
2.1	Allgemeine Sicherheit	31
2.2	Sicherheit beim Betrieb des Kühlgerätes	33
3	Lieferumfang	34
4	Zubehör	34
5	Bestimmungsgemäßer Gebrauch	35
6	Funktionsbeschreibung	36
6.1	Funktionsumfang	36
6.2	Bedien- und Anzeigeelemente	37
7	Bedienung	38
7.1	Vor dem ersten Gebrauch	38
7.2	Tipps zum Energiesparen	39
7.3	Kühlbox anschließen	39
7.4	Batteriewächter verwenden	41
7.5	Kühlbox benutzen	42
7.6	Temperatur einstellen	43
7.7	WLAN-Signal für optionale App aktivieren (alle außer CFX28 und CFX65DZ)	44
7.8	Helligkeit des Displays einstellen	45
7.9	Notschalter verwenden (falls vorhanden)	46
7.10	USB-Anschluss für Spannungsversorgung	46
7.11	Kühlbox ausschalten	46
7.12	Kühlbox abtauen	47
7.13	Wechselstromsicherung austauschen	47
7.14	Gleichstrom-Steckersicherung austauschen	48
7.15	Lichtleiterplatte wechseln	48
8	Reinigung und Pflege	49

9	Gewährleistung	49
10	Störungsbeseitigung	50
11	Entsorgung	51
12	Technische Daten	52

1 Erklärung der Symbole



WARNUNG!

Sicherheitshinweis: Nichtbeachtung kann zu Tod oder schwerer Verletzung führen.



VORSICHT!

Sicherheitshinweis: Nichtbeachtung kann zu Verletzungen führen.



ACHTUNG!

Nichtbeachtung kann zu Materialschäden führen und die Funktion des Produktes beeinträchtigen.



HINWEIS

Ergänzende Informationen zur Bedienung des Produktes.

2 Sicherheitshinweise

2.1 Allgemeine Sicherheit



WARNUNG!

- Wenn das Kühlgerät sichtbare Beschädigungen aufweist, dürfen Sie es nicht in Betrieb nehmen.
- Wenn das Anschlusskabel dieses Kühlgerätes beschädigt wird, muss es durch den Hersteller, seinen Kundendienst oder eine ähnlich qualifizierte Person ersetzt werden, um Gefährdungen zu vermeiden.
- Reparaturen an diesem Kühlgerät dürfen nur von Fachkräften durchgeführt werden. Durch unsachgemäße Reparaturen können erhebliche Gefahren entstehen.

- Dieses Kühlgerät kann von Kindern ab 8 Jahren und darüber sowie von Personen mit verringerten physischen, sensorischen oder mentalen Fähigkeiten oder Mangel an Erfahrung und Wissen benutzt werden, wenn sie beaufsichtigt oder bezüglich des sicheren Gebrauchs des Kühlgerätes unterwiesen wurden und die daraus resultierenden Gefahren verstehen.
- Reinigung und Benutzer-Wartung dürfen nicht von Kindern ohne Beaufsichtigung durchgeführt werden.
- Kinder dürfen nicht mit dem Kühlgerät spielen.
- Kinder sollten beaufsichtigt werden, um sicherzustellen, dass sie nicht mit dem Kühlgerät spielen.
- Verwahren und benutzen Sie das Kühlgerät außerhalb der Reichweite von Kindern unter 8 Jahren.
- Lagern Sie keine explosionsfähigen Stoffe wie z. B. Sprühdosen mit brennbarem Treibgas im Kühlgerät.

**VORSICHT!**

- Trennen Sie das Kühlgerät von der Stromversorgung
 - vor jeder Reinigung und Pflege
 - nach jedem Gebrauch
- Lebensmittel dürfen nur in Originalverpackungen oder geeigneten Behältern eingelagert werden.

**ACHTUNG!**

- Vergleichen Sie die Spannungsangabe auf dem Typenschild mit der vorhandenen Energieversorgung.
- Schließen Sie das Kühlgerät nur wie folgt an:
 - mit dem Gleichstrom-Anschlusskabel an das Gleichstromnetz im Fahrzeug
 - oder mit dem Wechselstrom-Anschlusskabel an das Wechselstromnetz
- Ziehen Sie den Stecker nie am Anschlusskabel aus der Steckdose.
- Wenn das Kühlgerät an der Gleichstrom-Steckdose angeschlossen ist: Klemmen Sie Ihr Kühlgerät und andere Verbraucher von der Fahrzeugbatterie ab, bevor Sie ein Schnellladegerät anschließen.
- Wenn das Kühlgerät an der Gleichstrom-Steckdose angeschlossen ist: Trennen Sie die Verbindung oder schalten Sie das Kühlgerät aus, wenn Sie den Motor ausschalten. Sonst kann die Fahrzeugbatterie entladen werden.

- Das Kühlgerät ist nicht geeignet für den Transport ätzender oder lösungsmittelhaltiger Stoffe.
- Die Isolierung des Kühlgeräts enthält brennbares Zyklopentan und erfordert ein besonderes Entsorgungsverfahren. Führen Sie das Kühlgerät am Ende seiner Lebensdauer einer ordnungsgemäßen Entsorgung zu.

2.2 Sicherheit beim Betrieb des Kühlgerätes



VORSICHT!

- Achten Sie vor der Inbetriebnahme darauf, dass Zuleitung und Stecker trocken sind.



ACHTUNG!

- Benutzen Sie keine Elektrogeräte innerhalb des Kühlgerätes, außer wenn diese Elektrogeräte vom Hersteller dafür empfohlen werden.
- Stellen Sie das Kühlgerät nicht in der Nähe von offenen Flammen oder anderen Wärmequellen (Heizung, starke Sonneneinstrahlung, Gasöfen usw.) ab.
- **Überhitzungsgefahr!**
Achten Sie stets darauf, dass beim Betrieb entstehende Wärme ausreichend abgeführt werden kann. Sorgen Sie dafür, dass das Kühlgerät in ausreichendem Abstand zu Wänden oder Gegenständen steht, sodass die Luft zirkulieren kann.
- Achten Sie darauf, dass die Lüftungsöffnungen nicht abgedeckt werden.
- Füllen Sie keine Flüssigkeiten oder Eis in den Innenbehälter.
- Tauchen Sie das Kühlgerät nie in Wasser.
- Schützen Sie das Kühlgerät und die Kabel vor Hitze und Nässe.

3 Lieferumfang

Siehe Abb. **1**, Seite 2

Pos.	Menge	Bezeichnung
1	1	Kühlbox
2	1	Anschlusskabel für Gleichstrom-Anschluss
3	1	Anschlusskabel für Wechselstrom-Anschluss
–	1	Bedienungsanleitung

4 Zubehör

Als Zubehör erhältlich (nicht im Lieferumfang enthalten):

Bezeichnung	Art.-Nr.	Modell
Universales Befestigungs-Kit (Gurtsystem) CFX-UFK	9108300002	passend für alle Modelle
Quick-Release-Befestigungs-Kit CFX-QFK	9600000166	für CFX28
Funk-Display CFX-WD	9600000164	passend für CFX28, CFX65DZ und ältere Modelle ohne WLAN-App-Funktion

Auf der Dometic-Webseite (siehe Rückseite) finden Sie Informationen über eine WLAN-App mit Kontroll-, Anzeige- und Alarmfunktionen (**alle außer** CFX28 und CFX65DZ). Die App ist möglicherweise in Ihrem Land nicht verfügbar.

5 Bestimmungsgemäßer Gebrauch

Die Kühlbox eignet sich zum Kühlen und Tiefkühlen von Lebensmitteln.

Die Kühlbox ist ausgelegt für den Betrieb an:

- einem Gleichstromnetz eines Fahrzeugs, Boots oder Wohnmobils
- einer Gleichstrom-Versorgungsbatterie
- einem Wechselstromnetz ausgelegt

Das Kühlgerät ist für den Hausgebrauch und ähnliche Anwendungsbereiche vorgesehen wie zum Beispiel

- in Personalküchen von Läden, Büros und anderen Arbeitsbereichen
- in der Landwirtschaft
- von Gästen in Hotels, Motels oder anderen Unterkünften
- in Frühstückspensionen
- im Catering und ähnlichen Großhandelsanwendungen



VORSICHT! Gesundheitsgefahr!

Prüfen Sie bitte, ob die Kühlleistung des Gerätes den Anforderungen der Lebensmittel oder Medikamente entspricht, die Sie kühlen wollen.

6 Funktionsbeschreibung

Die Kühlbox kann Waren abkühlen und kühl halten sowie tiefkühlen. Die Kühlung erfolgt durch einen wartungsfreien Kühlkreislauf mit Kompressor. Die extrastarke Isolierung und der leistungsstarke Kompressor gewährleisten eine besonders schnelle Kühlung.

Die Kühlbox ist für den mobilen Einsatz geeignet.

Die Kühlbox kann einer kurzzeitigen Krängung von 30° ausgesetzt werden, z. B. beim Einsatz auf Booten.

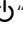
6.1 Funktionsumfang

- Netzteil mit Vorrangschaltung zum Anschluss an Wechselspannung
- Dreistufiger Batteriewächter zum Schutz der Fahrzeugbatterie
- Display mit Temperaturanzeige in °C und °F schaltet sich bei niedriger Batteriespannung automatisch aus
- Temperatureinstellung: Mit zwei Tasten in 1 °C-Schritten (und 2 °F-Schritten)
- Integrierter WLAN-Sender, dadurch bedienbar per App (**alle außer** CFX28 und CFX65DZ)
- Klappbare Tragegriffe
- USB-Anschluss für Spannungsversorgung
- Notschalter (falls vorhanden)
- Herausnehmbarer Korbeinsatz

6.2 Bedien- und Anzeigeelemente

Verriegelung des Deckels: Abb. 2 1, Seite 2

Bedienfeld (Abb. 3, Seite 3)

Pos.	Bezeichnung	Erklärung
1	ON OFF	Schaltet die Kühlbox ein oder aus, wenn die Taste ein bis zwei Sekunden gedrückt wird
2	POWER „  “	Betriebsanzeige LED leuchtet grün: Kompressor ist an LED leuchtet orange: Kompressor ist aus LED blinkt orange: Display wurde automatisch abgeschaltet, weil die Batteriespannung niedrig ist
3	ERROR	LED blinkt rot: Eingeschaltetes Gerät ist nicht betriebsbereit
4	SET	Wählt den Eingabemodus: <ul style="list-style-type: none"> • Temperatureinstellung • Angabe von °Celsius oder °Fahrenheit • Batteriewächter einstellen • Helligkeit des Displays einstellen • WLAN ein- oder ausstellen (alle außer CFX28 und CFX65DZ)
5	–	Display, zeigt die Werte an
6	DOWN –	Einmal antippen verringert den gewählten Eingabewert
7	UP +	Einmal antippen erhöht den gewählten Eingabewert

Anschlussbuchsen (Abb. 4, Seite 3)

Pos.	Bezeichnung
1	Anschlussbuchse Wechselspannungsversorgung
2	Sicherungshalter
3	Anschlussbuchse Gleichspannungsversorgung

Notschalter (falls vorhanden) und USB-Anschluss (Abb. 5, Seite 3)

Pos.	Bezeichnung
1	Notschalter
2	Stromversorgung für USB-Geräte

7 Bedienung

7.1 Vor dem ersten Gebrauch

**HINWEIS**

Bevor Sie die neue Kühlbox in Betrieb nehmen, sollten Sie sie aus hygienischen Gründen innen und außen mit einem feuchten Tuch reinigen (siehe auch Kapitel „Reinigung und Pflege“ auf Seite 49).

Deckelanschlag umdrehen (nur CFX50W, CFX65W, CFX65DZ)

Sie können den Deckelanschlag umdrehen, falls Sie den Deckel zur anderen Seite öffnen möchten. Gehen Sie hierzu wie folgt vor:

- Öffnen Sie den Deckel, und nehmen Sie ihn ab (Abb. 6 A, Seite 4).
- Entfernen Sie jeweils die drei Schrauben der Scharniere (Abb. 6 B, Seite 4), und nehmen Sie die Scharniere ab.
- Entfernen Sie die Plastikabdeckungen von den neuen Scharnierpositionen mithilfe eines kleinen Schraubendrehers, und bringen Sie sie wieder an den alten Scharnierpositionen an.
- Bringen Sie die Scharniere an den neuen Positionen an.
- Setzen Sie den Deckel in die Scharniere auf der gegenüberliegenden Seite (Abb. 6 C, Seite 4).

Temperatureinheit wählen

Sie können zur Temperaturanzeige zwischen den Werten für °Celsius und °Fahrenheit wählen. Gehen Sie hierzu wie folgt vor:

- Schalten Sie die Kühlbox ein.
- Drücken Sie den Taster „SET“ (Abb. **3** 4, Seite 3) zweimal.
- Stellen Sie mit den Tastern „UP +“ (Abb. **3** 7, Seite 3) oder „DOWN –“ (Abb. **3** 6, Seite 3) die Temperatureinheit °Celsius oder °Fahrenheit ein.
- ✓ Das Display zeigt für einige Sekunden die eingestellte Temperatureinheit an. Das Display blinkt einige Male, bevor es zur Darstellung der aktuellen Temperatur zurückkehrt.

7.2 Tipps zum Energiesparen

- Wählen Sie einen gut belüfteten und vor Sonnenstrahlen geschützten Einsatzort.
- Lassen Sie warme Speisen erst abkühlen, bevor Sie sie im Kühlgerät kühl halten.
- Öffnen Sie das Kühlgerät nicht häufiger als nötig.
- Lassen Sie das Kühlgerät nicht länger offen als nötig.
- Tauen Sie das Kühlgerät ab, sobald sich eine Eisschicht gebildet hat.
- Vermeiden Sie eine unnötig tiefe Innentemperatur.

7.3 Kühlbox anschließen

An eine Batterie anschließen (Fahrzeug oder Boot)

Die Kühlbox kann mit 12 V \equiv oder 24 V \equiv betrieben werden.



ACHTUNG! Beschädigungsgefahr!

Klemmen Sie die Kühlbox und andere Verbraucher von der Batterie ab, bevor Sie die Batterie mit einem Schnellladegerät aufladen. Überspannungen können die Elektronik der Geräte beschädigen.

Zur Sicherheit ist die Kühlbox mit einem elektronischen Verpolungsschutz ausgestattet, der die Kühlbox gegen Verpolung beim Batterieanschluss und gegen Kurzschluss schützt.

Das Gleichstrom-Anschlusskabel mit Sicherung nutzen



ACHTUNG! Beschädigungsgefahr!

Zum Schutz des Gerätes ist der Stecker des mitgelieferten Gleichstrom-Anschlusskabel mit einer Sicherung ausgestattet. Entfernen Sie den abgesicherten Gleichstrom-Stecker **nicht**.

Benutzen Sie ausschließlich das mitgelieferte Gleichstrom-Anschlusskabel.

- Stecken Sie das Gleichstrom-Anschlusskabel (Abb. **1** 2, Seite 2) in die Buchse für die Gleichstromversorgung der Kühlbox (Abb. **4** 5, Seite 3).
- Schließen Sie das Anschlusskabel an eine Gleichstromsteckdose an.

An ein Wechselstromnetz anschließen (z. B. zu Hause oder im Büro)



GEFAHR! Lebensgefahr durch Stromschlag!

- Hantieren Sie nie mit Steckern und Schaltern, wenn Sie nasse Hände haben oder mit den Füßen in der Nässe stehen.
- Wenn Sie Ihre Kühlbox an Bord eines Bootes per Landanschluss mit Wechselstrom betreiben, müssen Sie auf jeden Fall einen FI-Schutzschalter zwischen Wechselstromnetz und Kühlbox schalten. Lassen Sie sich von einem Fachmann beraten.

Die Kühlboxen haben ein integriertes Multispannungsnetzteil mit Vorrangschaltung zum Anschluss an Wechselstrom. Durch die Vorrangschaltung wird automatisch auf Wechselstrombetrieb umgeschaltet, wenn das Gerät an ein Wechselstromnetz angeschlossen ist, auch wenn das Gleichstrom-Anschlusskabel noch angeschlossen ist.

Wenn die Kühlbox von einer Wechselstrom-Netzversorgung auf eine Gleichstrom-Batterieversorgung umschaltet, kann die rote LED kurz aufleuchten.

- Stecken Sie das Wechselstrom-Anschlusskabel (Abb. **1** 3, Seite 2) in die Buchse für die Wechselstromversorgung der Kühlbox (Abb. **4** 1, Seite 3).
- Schließen Sie das Anschlusskabel an eine Wechselstromsteckdose an.

7.4 Batteriewächter verwenden

Das Gerät ist mit einem mehrstufigen Batteriewächter ausgestattet, der Ihre Fahrzeugbatterie beim Anschluss an das Gleichstrom-Bordnetz vor zu tiefer Entladung schützt.

Wird die Kühlbox bei ausgeschalteter Zündung im Fahrzeug betrieben, schaltet sich die Box selbstständig ab, sobald die Versorgungsspannung unter einen einstellbaren Wert abfällt. Die Kühlbox schaltet sich wieder ein, sobald durch Aufladung der Batterie die Wiedereinschaltspannung erreicht wird.



ACHTUNG! Beschädigungsgefahr!

Die Batterie besitzt beim Abschalten durch den Batteriewächter nicht mehr ihre volle Ladekapazität. Vermeiden Sie mehrmaliges Starten oder den Betrieb von Stromverbrauchern ohne längere Aufladephasen. Sorgen Sie dafür, dass die Batterie wieder aufgeladen wird.

Im Modus „HIGH“ spricht der Batteriewächter schneller an als in den Stufen „LOW“ und „MED“ (siehe folgende Tabelle).

Batteriewächter-Modus	LOW	MED	HIGH
Ausschaltspannung bei 12 V	10,1 V	11,4 V	11,8 V
Wiedereinschaltspannung bei 12 V	11,1 V	12,2 V	12,6 V
Ausschaltspannung bei 24 V	21,5 V	24,1 V	24,6 V
Wiedereinschaltspannung bei 24 V	23,0 V	25,3 V	26,2 V

Um den Modus für den Batteriewächter zu ändern, gehen Sie wie folgt vor:

- ▶ Schalten Sie die Kühlbox ein.
- ▶ Drücken Sie den Taster „SET“ (Abb. **3** 4, Seite 3) dreimal.
- ▶ Stellen Sie mit den Tastern „UP +“ (Abb. **3** 7, Seite 3) oder „DOWN –“ (Abb. **3** 6, Seite 3) den Modus für den Batteriewächter ein.
- ✓ Auf dem Display wird Folgendes angezeigt:
Lo (LOW), Md (MED), Hi (HIGH)
- ✓ Das Display zeigt für einige Sekunden den eingestellten Modus an. Das Display blinkt einige Male, bevor es zur Darstellung der aktuellen Temperatur zurückkehrt.

**HINWEIS**

Wenn die Kühlbox von der Starterbatterie versorgt wird, wählen Sie den Batteriewächter-Modus „HIGH“. Wenn die Kühlbox an eine Versorgungsbatterie angeschlossen ist, reicht der Batteriewächter-Modus „LOW“ aus.

7.5 Kühlbox benutzen**ACHTUNG! Überhitzungsgefahr!**

Achten Sie stets darauf, dass beim Betrieb entstehende Wärme ausreichend abgeführt werden kann. Achten Sie darauf, dass die Lüftungsschlitze nicht abgedeckt werden. Sorgen Sie dafür, dass das Gerät in ausreichendem Abstand zu Wänden oder Gegenständen steht, sodass die Luft zirkulieren kann.

- Stellen Sie die Kühlbox auf eine feste Unterlage. Achten Sie darauf, dass die Lüftungsschlitze nicht abgedeckt sind und die erwärmte Luft gut abziehen kann.


**HINWEIS**

Stellen Sie die Kühlbox wie dargestellt auf (Abb. **1**, Seite 2). Wird die Box in einer anderen Position betrieben, so kann das Gerät Schaden nehmen.

- Schließen Sie die Kühlbox an, siehe Kapitel „Kühlbox anschließen“ auf Seite 39.

**ACHTUNG! Gefahr durch zu niedrige Temperatur!**

Achten Sie darauf, dass sich nur Gegenstände bzw. Waren in der Kühlbox befinden, die auf die gewählte Temperatur gekühlt werden dürfen.

- Drücken Sie den Taster „ON/OFF“ (Abb. **3** 1, Seite 3) für ein bis zwei Sekunden.
- ✓ Die LED „“ leuchtet.
- ✓ Das Display (Abb. **3** 5, Seite 3) schaltet sich ein und zeigt die aktuelle Kühltemperatur an.

**VORSICHT! Gesundheitsgefahr!
CFX65DZ:**

Ist die Temperatur im Gefrierfach (Abb. **8** 1, Seite 5) sehr niedrig eingestellt (z. B. $-22\text{ }^{\circ}\text{C}$), kann auch der Temperaturbereich im mittleren Kühlfach (Abb. **8** 2, Seite 5) Minusgrade aufweisen.

**HINWEIS****Angezeigte Temperatur**

- **CFX28, CFX35W, CFX40W, CFX50W, CFX65W:**

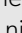
Die angezeigte Temperatur bezieht sich auf das große Kühl- und Gefrierfach (z. B. CFX50W, CFX65W: Abb. **7** 1, Seite 4).

- **CFX65DZ:**

- Mit Trennwand im Kühl- und Gefrierfach: Die angezeigte Temperatur bezieht sich auf das Gefrierfach (Abb. **8** 1, Seite 5).
- Ohne Trennwand im Kühl- und Gefrierfach: Die tatsächliche Temperatur im Innenraum kann um einiges von der angezeigten Temperatur abweichen.

- ✓ Die Kühlbox startet mit dem Kühlen des Innenraums.

**HINWEIS**

Beim Betrieb an einer Batterie schaltet das Display automatisch ab, wenn die Batteriespannung niedrig ist. Die LED „“ blinkt orange.

Kühlbox verriegeln

- Schließen Sie den Deckel.
- Drücken Sie die Verriegelung (Abb. **2** 1, Seite 2) nach unten, bis sie hörbar einrastet.

**HINWEIS – Alarm „Deckel offen“**

Wenn der Deckel länger als drei Minuten offen gelassen wird und das Gerät eingeschaltet ist, blinkt die Innenleuchte, bis der Deckel geschlossen wird.

7.6 Temperatur einstellen

- Drücken Sie den Taster „SET“ (Abb. **3** 4, Seite 3) einmal.
- Stellen Sie mit den Tastern „UP +“ (Abb. **3** 7, Seite 3) oder „DOWN –“ (Abb. **3** 6, Seite 3) die Kühltemperatur ein.
- ✓ Das Display zeigt für einige Sekunden die eingestellte gewünschte Kühltemperatur an. Das Display blinkt einige Male, bevor es zur Darstellung der aktuellen Temperatur zurückkehrt.

**HINWEIS**

Die Temperatur jedes Kühlfachs lässt sich auf -22 °C einstellen. Der Hersteller empfiehlt jedoch eine Temperatur von -15 °C bis -18 °C für den Normalbetrieb und optimalen Energieverbrauch.

7.7 WLAN-Signal für optionale App aktivieren (alle außer CFX28 und CFX65DZ)

Das Kühlgerät kann über WLAN mit einer App gesteuert werden, die Sie auf einem kompatiblen Gerät installieren können. Die App ist mit Kontroll-, Anzeige- und Alarmfunktionen ausgestattet.

Nähere Informationen finden Sie auf der Dometic-Webseite Ihres Landes (siehe Rückseite). Beachten Sie, dass die App in ihrem Land nicht verfügbar sein könnte.

Der WLAN-Name der Kompressor-Kühlbox beginnt mit „CFX“. Das voreingestellte Passwort lautet „00000000“. WLAN-Name und Passwort können Sie individuell ändern.

WLAN-Signal ein-/ausschalten

- ▶ Drücken Sie den Taster „SET“ (Abb. **3** 4, Seite 3) fünfmal.
- ▶ Stellen Sie mit den Tastern „UP +“ (Abb. **3** 7, Seite 3) oder „DOWN –“ (Abb. **3** 6, Seite 3) das WLAN-Signal ein oder aus.
- ✓ Das Display zeigt für einige Sekunden die gewünschte Einstellung an. Das Display blinkt einige Male, bevor es zur Darstellung der aktuellen Temperatur zurückkehrt.

**HINWEIS**

- In der Werkseinstellung ist der WLAN-Sender ausgeschaltet. Während der ersten Inbetriebnahme und nach jeder Stromunterbrechung müssen Sie den WLAN-Sender einschalten, um die App benutzen zu können.
- Der WLAN-Sender nutzt eine geringe Menge Strom. Um eine optimale Energieleistung zu erreichen, schalten Sie den WLAN-Sender aus, wenn er nicht genutzt wird.

WLAN auf Werkseinstellung zurücksetzen

Wenn Sie die WLAN-Einstellungen des Kühlgeräts über die WLAN-App personalisiert haben und Ihr Passwort vergessen haben, können Sie das Kühlgerät wie folgt auf Werkseinstellungen zurücksetzen:

- Drücken Sie den Taster „SET“ (Abb. **3** 4, Seite 3) fünfmal.
- Halten Sie den Taster „UP +“ (Abb. **3** 7, Seite 3) mindestens fünf Sekunden gedrückt.
- ✓ Auf den Displays blinkt einige Male „rES“, bevor sie zur vorherigen Darstellung zurückkehren.
- ✓ Die WLAN-Einstellungen wurden auf Werkseinstellung zurückgesetzt.

Für weitere Informationen besuchen Sie die Dometic-Webseite, von der Sie die App heruntergeladen haben.

7.8 Helligkeit des Displays einstellen

In dunkler Umgebung kann die Helligkeit des Displays gedimmt werden. Um die Helligkeit des Displays einzustellen, gehen Sie wie folgt vor:

- Schalten Sie die Kühlbox ein.
- Drücken Sie den Taster „SET“ (Abb. **3** 4, Seite 3) viermal.
- Stellen Sie mit den Tastern „UP +“ (Abb. **3** 7, Seite 3) oder „DOWN –“ (Abb. **3** 6, Seite 3) die Helligkeit des Displays ein.
- ✓ Auf dem Display wird Folgendes angezeigt:
d0 (voreingestellt), d1 (mittelhell), d2 (dunkel)
- ✓ Das Display zeigt für einige Sekunden den eingestellten Modus an. Das Display blinkt einige Male, bevor es zur Darstellung der aktuellen Helligkeit zurückkehrt.



HINWEIS

- Werkseinstellung für die Helligkeit des Displays ist d0 (voreingestellt).
- Wenn eine Störung auftritt, ist die Helligkeit automatisch d0 (voreingestellt). Nach der Störungsbeseitigung wird die eingestellte Helligkeit wieder aktiviert.

7.9 Notschalter verwenden (falls vorhanden)

Der Notschalter (Abb. **4** 3, Seite 3) befindet sich bei allen Modellen außer CFX28 unter dem Bedienpanel. Bei CFX28 ist der Notschalter über den Anschlussbuchsen. Für den Normalbetrieb steht der Schalter auf „NORMAL USE“ (normaler Gebrauch).

- ▶ Tritt eine Störung der Steuerelektronik auf, schieben Sie den Schalter auf „EMERGENCY OVERRIDE“ (Notbetätigung).



HINWEIS

Steht der Schalter auf „EMERGENCY OVERRIDE“, arbeitet die Kühlbox mit voller Kühlleistung und der Inhalt kann tiefgekühlt werden.

7.10 USB-Anschluss für Spannungsversorgung

Sie können den USB-Anschluss zum Laden von Kleingeräten (z. B. Mobiltelefone und MP3-Player) nutzen.

Wenn Sie Ihre Kühlbox mit einem USB-Gerät verwenden möchten, schließen Sie einfach ein USB-Kabel (nicht im Lieferumfang enthalten) an das Gerät an.



HINWEIS

Stellen Sie sicher, dass das an den USB-Anschluss angeschlossene Kleingerät für den Betrieb bei 5 V/500 mA geeignet ist.

7.11 Kühlbox ausschalten

- ▶ Räumen Sie die Kühlbox leer.
- ▶ Schalten Sie die Kühlbox aus.
- ▶ Ziehen Sie das Anschlusskabel ab.

Wenn Sie die Kühlbox für längere Zeit nicht benutzen wollen:

- ▶ Lassen Sie den Deckel leicht geöffnet. So verhindern Sie, dass sich Gerüche bilden.

7.12 Kühlbox abtauen

Luftfeuchtigkeit kann sich am Verdampfer oder im Innenraum der Kühlbox als Reif niederschlagen, der die Kühlleistung verringert. Tauen Sie das Gerät rechtzeitig ab.



ACHTUNG! Beschädigungsgefahr!

Verwenden Sie nie harte oder spitze Werkzeuge zum Entfernen von Eisschichten oder zum Lösen festgefrorener Gegenstände.

Gehen Sie wie folgt vor, um die Kühlbox abzutauen:

- Nehmen Sie das Kühlgut heraus.
- Lagern Sie es ggf. in einem anderen Kühlgerät, damit es kalt bleibt.
- Schalten Sie das Gerät ab.
- Lassen Sie den Deckel offen.
- Wischen Sie das Tauwasser auf.

7.13 Wechselstromsicherung austauschen



GEFAHR! Lebensgefahr durch Stromschlag!

Trennen Sie die Spannungsversorgung und das Anschlusskabel, bevor Sie die Gerätesicherung austauschen.

- Trennen Sie die Spannungsversorgung zum Gerät.
- Ziehen Sie die Anschlusskabel ab.
- Hebeln Sie den Sicherungseinsatz (Abb. 4 2, Seite 3) z. B. mit einem Schraubendreher heraus.
- Tauschen Sie die defekte Glassicherung gegen eine neue Glassicherung vom selben Typ mit demselben Wert (4 A, 250 V) aus.
- Drücken Sie den Sicherungseinsatz wieder in das Gehäuse.
- Schließen Sie die Spannungsversorgung zum Gerät an.

7.14 Gleichstrom-Steckersicherung austauschen

- Schrauben Sie das Kontaktstiftgehäuse (Abb. **9** 3, Seite 5) vom Stecker ab (Abb. **9** 1, Seite 5).
- Tauschen Sie die defekte Sicherung (Abb. **9** 2, Seite 5) gegen eine neue Sicherung vom selben Typ und mit demselben Wert (3AG, Fast Acting, 15 A) aus.
- Setzen Sie den Stecker in umgekehrter Reihenfolge wieder zusammen.

7.15 Lichtleiterplatte wechseln

- Trennen Sie die Spannungsversorgung zum Gerät.
- Öffnen Sie die transparente Abdeckung mithilfe eines Schraubendrehers (Abb. **10** 1, Seite 5).
- Lösen Sie die Montageschrauben der Leiterplatte (Abb. **10** 2, Seite 5).
- Ziehen Sie den Stecker aus der Leiterplatte (Abb. **10** 3, Seite 5).
- Tauschen Sie eine fehlerhafte Lichtleiterplatte gegen eine neue aus.
- Setzen Sie eine neue Leiterplatte ein, indem Sie die in der Anweisung zum Entfernen der Leiterplatte beschriebenen Schritte in umgekehrter Reihenfolge ausführen.
- Setzen Sie die transparente Abdeckung wieder in das Gehäuse ein.
- Schließen Sie die Spannungsversorgung zum Gerät an.

8 Reinigung und Pflege

**WARNUNG!**

Trennen Sie vor jeder Reinigung und Pflege das Kühlgerät von der Stromversorgung.

**ACHTUNG! Beschädigungsgefahr!**

- Reinigen Sie das Kühlgerät niemals unter fließendem Wasser oder gar im Spülwasser.
- Verwenden Sie zur Reinigung keine scharfen Reinigungsmittel oder harten Gegenstände, da diese das Kühlgerät beschädigen können.

- Reinigen Sie das Kühlgerät innen und außen gelegentlich mit einem feuchten Tuch.
- Stellen Sie sicher, dass die Be- und Entlüftungsöffnungen des Kühlgerätes frei von Staub und Verunreinigungen sind, damit die beim Betrieb entstehende Wärme abgeführt werden kann und das Kühlgerät keinen Schaden nimmt.

9 Gewährleistung

Es gilt die gesetzliche Gewährleistungsfrist. Sollte das Produkt defekt sein, wenden Sie sich bitte an die Niederlassung des Herstellers in Ihrem Land (Adressen siehe Rückseite der Anleitung) oder an Ihren Fachhändler.

Zur Reparatur- bzw. Gewährleistungsbearbeitung müssen Sie folgende Unterlagen mitschicken:

- eine Kopie der Rechnung mit Kaufdatum,
- einen Reklamationsgrund oder eine Fehlerbeschreibung.

10 Störungsbeseitigung

Störung	Mögliche Ursache	Lösungsvorschlag
Das Kühlgerät funktioniert nicht, LED leuchtet nicht.	An der Gleichstromsteckdose im Fahrzeug liegt keine Spannung an.	In den meisten Fahrzeugen muss der Zündschalter eingeschaltet sein, damit die Gleichstromsteckdose Spannung hat.
	Wechselstromsteckdose führt keine Spannung.	Versuchen Sie es an einer anderen Steckdose.
	Gerätesicherung ist defekt.	Tauschen Sie die Gerätesicherung aus, siehe Kapitel „Wechselstromsicherung austauschen“ auf Seite 47.
	Das integrierte Netzteil ist defekt.	Die Reparatur kann nur von einem zugelassenen Kundendienstbetrieb durchgeführt werden.
Das Kühlgerät kühlt nicht (Stecker ist eingesteckt, LED „POWER“ leuchtet).	Kompressor defekt.	Die Reparatur kann nur von einem zugelassenen Kundendienstbetrieb durchgeführt werden.
Das Kühlgerät kühlt nicht (Stecker ist eingesteckt, LED „POWER“ blinkt orange, Display ist ausgeschaltet).	Modus des Batteriewächters ist zu hoch.	Stellen Sie den Batteriewächter auf einen niedrigeren Modus.
	Batteriespannung nicht ausreichend.	Laden Sie die Batterie gegebenenfalls.

Störung	Mögliche Ursache	Lösungsvorschlag
Beim Betrieb an der Gleichstromsteckdose: Die Zündung ist eingeschaltet, das Gerät funktioniert nicht und die LED leuchtet nicht.	Die Fassung der Gleichstromsteckdose ist verschmutzt. Das hat einen schlechten elektrischen Kontakt zur Folge.	Wenn der Stecker in der Gleichstromsteckdose sehr warm wird, muss entweder die Fassung gereinigt werden, oder der Stecker ist möglicherweise nicht richtig zusammengebaut.
	Die Sicherung des Gleichstromsteckers ist durchgebrannt.	Tauschen Sie die Sicherung des Gleichstromsteckers aus, siehe Kapitel „Gleichstrom-Steckersicherung austauschen“ auf Seite 48
	Die Fahrzeug-Sicherung ist durchgebrannt.	Tauschen Sie die Fahrzeug-Sicherung der Gleichstromsteckdose aus (Beachten Sie dazu die Bedienungsanleitung zu Ihrem KFZ).
Das Display zeigt eine Fehlermeldung (z.B. „Err1“) an und das Kühlgerät kühlt nicht.	Eine interne Betriebsstörung hat das Kühlgerät ausgeschaltet.	Die Reparatur kann nur von einem zugelassenen Kundendienstbetrieb durchgeführt werden.
Die Innenbeleuchtung eines Fachs blinkt.	Der Deckel des Fachs wurde über drei Minuten offen gelassen	Schließen Sie den Deckel des Fachs.

11 Entsorgung

- Geben Sie das Verpackungsmaterial möglichst in den entsprechenden Recycling-Müll.



Wenn Sie das Produkt endgültig außer Betrieb nehmen, informieren Sie sich bitte beim nächsten Recyclingcenter oder bei Ihrem Fachhändler über die zutreffenden Entsorgungsvorschriften.

12 Technische Daten

	CFX28	CFX35W	CFX40W
Art.-Nr.:	9600000468 9600000469	9600000470 9600000471	9600000472 9600000473
Anschlussspannung:	12/24 V $\overline{=}$ und 100 – 240 V \sim		
Nennstrom:	12 V $\overline{=}$: 6,5 A 24 V $\overline{=}$: 3,2 A 100 V \sim : 0,75 A 240 V \sim : 0,32 A	12 V $\overline{=}$: 7,0 A 24 V $\overline{=}$: 3,2 A 100 V \sim : 0,86 A 240 V \sim : 0,42 A	
Kühlleistung:	+10 °C bis -22 °C (+50 °F bis -8 °F)		
Kategorie:	1		
Energieeffizienzklasse:	A++		
Energieverbrauch:	61 kWh/annum	62 kWh/annum	64 kWh/annum
Bruttinhalt:	28 l	34,5 l	41 l
Nutzhalt:	26 l	32 l	38 l
Klimaklasse:	N, T		
Umgebungstemperatur:	+16 °C bis +43 °C (+61 °F bis +110 °F)		
Schallemissionen:	34 dB(A)	42 dB(A)	
USB-Anschluss:	5 V $\overline{=}$, 500 mA		
Frequenzband (WiFi):	2,4 GHz (Funkmodul)	2,4 GHz	
Hochfrequenzleistung (WiFi):	11 – 0 dBm (Funkmodul)	16 \pm 1,5 dBm (802.11b CCK, 11 MBit/s) 12 \pm 1,5 dBm (802.11g OFDM, 54 MBit/s) 11 \pm 1,5 dBm (802.11n HT20, MCS7)	
Kühlmittelmenge:	38 g	33 g	38 g
CO ₂ -Äquivalent:	0,054 t	0,047 t	0,054 t
Treibhauspotential (GWP):	1430		
Abmessungen (B x H x T) in mm (mit Handgriffen):	342 x 425 x 620	398 x 411 x 692	398 x 461 x 692
Gewicht:	13 kg	17,5 kg	18,5 kg

	CFX50W	CFX65W	CFX65DZ
Art.-Nr.:	9600000474 9600000475	9600000476 9600000477	9600000478 9600000479
Anschlussspannung:	12/24 V \equiv und 100 – 240 V \sim		
Nennstrom:	12 V \equiv : 7,8 A 24 V \equiv : 3,6 A 100 V \sim : 0,95 A 240 V \sim : 0,46 A	12 V \equiv : 8,2 A 24 V \equiv : 3,8 A 100 V \sim : 1,0 A 240 V \sim : 0,48 A	12 V \equiv : 5,5 A 24 V \equiv : 2,6 A 100 V \sim : 0,75 A 240 V \sim : 0,37 A
Kühlleistung:	+10 °C bis -22 °C (+50 °F bis -8 °F)		
Kategorie:	1		
Energieeffizienzklasse:	A++		A+
Energieverbrauch:	66 kWh/annum	69 kWh/annum	115 kWh/annum
Bruttinhalt:	50 l	65 l	mit Teiler: 61 l ohne Teiler: 65 l
Nutzhalt:	46 l	60 l	53 l
Klimaklasse:	N, T		
Umgebungstemperatur:	+16 °C bis +43 °C (+61 °F bis +110 °F)		
Schallemissionen:	42 dB(A)		
USB-Anschluss:	5 V \equiv , 500 mA		
Frequenzband (WiFi):	2,4 GHz		–
Hochfrequenzleistung (WiFi):	16 \pm 1,5 dBm (802.11b CCK, 11 MBit/s) 12 \pm 1,5 dBm (802.11g OFDM, 54 MBit/s) 11 \pm 1,5 dBm (802.11n HT20, MCS7)		–
Kühlmittelmenge:	43 g	57 g	31 g
CO ₂ -Äquivalent:	0,062 t	0,082 t	0,044 t
Treibhauspotential (GWP):	1430		
Abmessungen (B x H x T) in mm (mit Handgriffen):	725 x 471 x 455	725 x 561 x 455	725 x 561 x 455
Gewicht:	20,4 kg	22,3 kg	23,2 kg

**HINWEIS**

Ab Umgebungstemperaturen von über 32 °C (90 °F) kann die minimale Temperatur nicht mehr erreicht werden.

Prüfung/Zertifikate:



Der Kühlkreis enthält R134a.

Enthält fluoridierte Treibhausgase

Hermetisch geschlossene Einrichtung

Es gibt keine Einschränkungen für die Nutzung der WiFi-Funktion des Gerätes in den EU-Mitgliedsstaaten.

Veillez lire ce manuel avec attention avant de mettre l'appareil en service. Conservez ensuite ce manuel. En cas de passer de l'appareil, veuillez le transmettre au nouvel acquéreur.

Le fabricant décline toute responsabilité en cas de dommages provoqués par une **utilisation non-conforme de l'appareil** ou **par des erreurs de manipulation**.

Sommaire

1	Explication des symboles	56
2	Consignes de sécurité	56
2.1	Sécurité générale	56
2.2	Consignes de sécurité concernant le fonctionnement de l'appareil	58
3	Contenu de la livraison	59
4	Accessoires	59
5	Usage conforme	60
6	Description du fonctionnement	61
6.1	Fonctions	61
6.2	Éléments de commande et d'affichage	62
7	Utilisation	63
7.1	Avant la première utilisation	63
7.2	Astuces pour économiser de l'énergie	64
7.3	Raccordement de la glacière	64
7.4	Utilisation du protecteur de batterie	66
7.5	Utilisation de la glacière	67
7.6	Réglage de la température	69
7.7	Activation du signal WiFi pour l'appli en option (tous modèles sauf CFX 28 et CFX 65DZ)	69
7.8	Réglage de la luminosité de l'écran	70
7.9	Utilisation de l'interrupteur d'urgence (le cas échéant)	71
7.10	Port USB pour l'alimentation électrique	71
7.11	Arrêt de la glacière	72
7.12	Dégivrage de la glacière	72
7.13	Remplacement du fusible pour courant alternatif	72
7.14	Remplacement du fusible du connecteur pour courant continu	73
7.15	Remplacement de la platine de commande lumineuse	73
8	Entretien et nettoyage	74

9	Garantie	74
10	Guide de dépannage	75
11	Retraitement	76
12	Caractéristiques techniques	77

1 Explication des symboles



AVERTISSEMENT !

Consigne de sécurité : le non-respect de ces consignes peut entraîner la mort ou de graves blessures.



ATTENTION !

Consigne de sécurité : le non-respect de ces consignes peut entraîner des blessures.



AVIS !

Le non-respect de ces consignes peut entraîner des dommages matériels et des dysfonctionnements du produit.



REMARQUE

Informations complémentaires sur l'utilisation du produit.

2 Consignes de sécurité

2.1 Sécurité générale



AVERTISSEMENT !

- Si l'appareil présente des dégâts visibles, vous ne devez pas le mettre en service.
- Si le câble de raccordement de l'appareil est endommagé, il doit être remplacé par le fabricant, son service après-vente ou une personne de qualification similaire, afin d'éviter tout danger.
- Seul un personnel qualifié est habilité à effectuer des réparations sur l'appareil. Toute réparation mal effectuée risque d'entraîner de graves dangers.

- Les enfants âgés de 8 ans et plus ainsi que les personnes ayant des déficiences physiques, sensorielles ou mentales ou un manque d'expérience ou de connaissances peuvent utiliser ce produit à condition d'être sous surveillance ou d'avoir reçu des instructions concernant l'utilisation de l'appareil en toute sécurité et de comprendre les dangers qui en résultent.
- Le nettoyage et la maintenance ne doivent pas être effectués par des enfants sans surveillance.
- Les enfants ne doivent pas jouer avec cet appareil.
- Les enfants doivent être surveillés pour s'assurer qu'ils ne jouent pas avec l'appareil.
- Placez et utilisez l'appareil hors de portée des enfants de moins de 8 ans.
- Ne stockez aucune substance explosive comme p. ex. des aérosols contenant des agents propulseurs dans l'appareil.

**ATTENTION !**

- Débranchez l'appareil du secteur
 - avant tout nettoyage et entretien
 - après chaque utilisation
- Les aliments ne peuvent être conservés que dans leurs emballages originaux ou dans des récipients appropriés.

**AVIS !**

- Comparez la tension indiquée sur la plaque signalétique avec l'alimentation électrique dont vous disposez.
- Branchez l'appareil uniquement comme indiqué ci-dessous :
 - avec le câble de raccordement CC sur une prise CC du véhicule
 - ou avec le câble de raccordement CA au secteur à courant alternatif
- Ne tirez jamais sur le câble de raccordement pour sortir la fiche de la prise.
- Si la glacière est raccordée à la prise CC : débranchez de la batterie la glacière et les autres consommateurs d'énergie avant de raccorder un chargeur rapide.
- Si la glacière est raccordée à la prise CC : débranchez ou éteignez la glacière lorsque vous éteignez le moteur. Dans le cas contraire, il se pourrait que la batterie se décharge.
- N'utilisez pas la glacière pour le transport de produits corrosifs ou de solvants.

- Cette glacière contient du cyclopentane inflammable dans son isolation. Les gaz contenus dans le matériau d'isolation exigent une procédure de retraitement particulière. Une fois que vous ne l'utilisez plus, recyclez l'appareil de manière conforme.

2.2 Consignes de sécurité concernant le fonctionnement de l'appareil



ATTENTION !

- Avant de mettre l'appareil en service, assurez-vous que la ligne d'alimentation électrique et la fiche sont sèches.



AVIS !

- N'utilisez aucun appareil électrique dans la glacière, sauf si ces appareils sont recommandés par le fabricant pour cet usage.
- Ne placez pas l'appareil près de flammes ou d'autres sources de chaleur (chauffage, rayons solaires, réchauds à gaz, etc.).
- **Danger de surchauffe !**
Veillez toujours à ce que la chaleur produite lors du fonctionnement soit suffisamment dissipée. Veillez à ce que l'appareil se trouve à une distance suffisante des murs ou des objets, de sorte que l'air puisse circuler.
- Assurez-vous que les fentes d'aération ne sont pas recouvertes.
- Ne pas remplir le bac intérieur de substances liquides ou de glace.
- Ne plongez jamais l'appareil dans l'eau.
- Tenez l'appareil et les câbles à l'abri de la chaleur et de l'humidité.

3 Contenu de la livraison

Voir fig. 1, page 2

Pos.	Quantité	Désignation
1	1	Glacière
2	1	Câble de raccordement au courant continu
3	1	Câble de raccordement au courant alternatif
–	1	Manuel d'utilisation

4 Accessoires

Disponibles en accessoires (non compris dans la livraison) :

Désignation	Réf.	Modèle
Kit de fixation universel (système de sangles) CFX-UFK	9108300002	Convient à tous les modèles
Kit de fixation Quick Release CFX-QFK	9600000166	pour CFX28
Écran sans fil CFX-WD	9600000164	Compatible avec CFX28, CFX65DZ et les anciens modèles sans fonction WiFi

Vous trouverez sur le site Web Dometic (voir au dos) les informations sur une application WiFi dotée de fonctions de contrôle, d'affichage et d'alarme (**tous modèles sauf CFX28 et CFX65DZ**). Il se peut que l'application ne soit pas disponible dans votre pays.

5 Usage conforme

La glacière est conçue pour la réfrigération et la congélation d'aliments.

La glacière est conçue pour fonctionner sur :

- un réseau continu d'un véhicule, d'un bateau ou d'un camping car
- une batterie d'alimentation en courant continu
- un réseau alternatif

La glacière est conçue pour un usage à domicile et tous les domaines d'applications semblables, comme par exemple

- dans les cuisines destinées au personnel de boutiques, bureaux et autres lieux de travail
- dans l'agriculture
- pour les clients d'hôtels, de motels ou autres types d'hébergement
- dans les « bed and breakfast »
- dans le catering et les utilisations semblables du commerce en gros



ATTENTION ! Risques pour la santé !

Veillez vérifier si la puissance frigorifique de l'appareil correspond à la température de conservation recommandée pour les aliments ou les médicaments que vous souhaitez conserver au frais.

6 Description du fonctionnement

La glacière permet de réfrigérer, de tenir au frais ou de congeler des produits. La réfrigération est assurée par un circuit de refroidissement à compresseur qui ne nécessite aucune maintenance. Sa puissante isolation et son compresseur performant garantissent un refroidissement particulièrement rapide.

La glacière convient pour une utilisation mobile.

La glacière peut supporter un angle de gîte de 30° pendant une courte durée, par exemple lorsqu'elle est utilisée sur un bateau.


6.1 Fonctions

- Bloc d'alimentation avec raccordement prioritaire pour raccordement sur un courant alternatif
- Protecteur de batterie à trois niveaux pour protéger la batterie du véhicule
- Écran avec affichage de la température en °C et °F
S'éteint automatiquement lorsque la tension de la batterie est faible
- Réglage de la température : Avec deux boutons par pas de 1 °C (et de 2 °F)
- Émetteur WiFi intégré, pouvant être commandé depuis l'appli (**tous modèles sauf CFX28 et CFX65DZ**)
- Poignées rabattables
- Port USB pour alimentation électrique
- Interrupteur d'urgence (le cas échéant)
- Élément panier amovible

6.2 Éléments de commande et d'affichage

Verrouillage du couvercle : fig. 2 1, page 2

Panneau de commande (fig. 3, page 3)

Pos.	Désignation	Explication
1	ON OFF	Permet de mettre en marche ou d'arrêter la glacière en appuyant une à deux secondes sur la touche
2	POWER «  »	Témoin lumineux de fonctionnement La LED s'allume en vert : Le compresseur est en marche La LED s'allume en orange : Le compresseur est arrêté La LED clignote en orange : L'écran a été automatiquement éteint parce que la tension de la batterie est faible
3	ERROR	La LED clignote en rouge : L'appareil est allumé mais n'est pas prêt à fonctionner
4	SET	Sélection du mode de saisie : <ul style="list-style-type: none"> • Réglage de la température • Indication en degrés °Celsius ou °Fahrenheit • Réglage du protecteur de batterie • Réglage de la luminosité de l'écran • Activer/désactiver la connexion WiFi (tous modèles sauf CFX28 et CFX65DZ)
5	–	Écran, affiche les valeurs
6	DOWN –	Une pression sur cette touche diminue la valeur de saisie sélectionnée
7	UP +	Une pression sur cette touche augmente la valeur de saisie sélectionnée

Prises de raccordement (fig. 4, page 3)

Pos.	Désignation
1	Prise de raccordement de l'alimentation en tension alternative
2	Porte-fusible
3	Prise de raccordement de l'alimentation en tension continue

Interrupteur d'urgence (le cas échéant) et port USB (fig. 5, page 3)

Pos.	Désignation
1	Interrupteur d'urgence
2	Alimentation électrique pour appareils USB

7 Utilisation

7.1 Avant la première utilisation

**REMARQUE**

Avant de mettre en service votre nouvelle glacière, vous devez, pour des raisons d'hygiène, la nettoyer à l'intérieur et à l'extérieur à l'aide d'un tissu humide (voir aussi chapitre « Entretien et nettoyage », page 74).

Retourner la butée du couvercle (CFX50W, CFX65W, CFX65DZ)

Vous pouvez retourner la butée du couvercle si vous voulez ouvrir celui-ci par l'autre côté. Procédez comme suit :

- Ouvrez le couvercle et déposez-le (fig. 6 A, page 4).
- Retirez les trois vis des charnières (fig. 6 B, page 4), et déposez les charnières.
- Retirez les caches plastique des nouvelles positions de la charnière à l'aide d'un petit tournevis et remettez-les aux anciens emplacements de la charnière.
- Placez les charnières sur les nouvelles positions.
- Placez le couvercle dans les charnières du côté opposé (fig. 6 C, page 4).

Sélectionner l'unité de température

Pour l'affichage de la température, vous pouvez choisir entre les valeurs en °Celsius ou en °Fahrenheit. Procédez comme suit :

- Allumez la glacière.
- Appuyez deux fois sur la touche « SET » (fig. 3 4, page 3).
- À l'aide des touches « UP + » (fig. 3 7, page 3) ou « DOWN – » (fig. 3 6, page 3), réglez la température °Celsius ou °Fahrenheit.
- ✓ L'écran affiche l'unité de température sélectionnée pendant quelques secondes. L'écran clignote plusieurs fois avant de revenir à l'affichage de la température actuelle.

7.2 Astuces pour économiser de l'énergie

- Choisissez un emplacement bien aéré et à l'abri du soleil.
- Laissez refroidir les aliments chauds avant de les déposer dans la glacière.
- Ne pas ouvrir la glacière plus souvent que nécessaire.
- Ne laissez pas la glacière ouverte plus longtemps que nécessaire.
- Dégivrez le réfrigérateur dès qu'une couche de glace s'est formée.
- Évitez une température intérieure inutilement basse.

7.3 Raccordement de la glacière

Raccordement à une batterie (véhicule ou bateau)

La glacière peut être branchée sur une tension continue de 12 V $\overline{=}$ ou 24 V $\overline{=}$.



AVIS ! Risque d'endommagement !

Débranchez la glacière et les autres consommateurs d'énergie de la batterie avant de recharger la batterie avec un chargeur rapide.

Les surtensions peuvent endommager l'électronique des appareils.

Pour des raisons de sécurité, la glacière est équipée d'une protection électronique contre les inversions de polarité en cas de raccordement à une batterie et contre les courts-circuits.

Utiliser câble de raccordement pour courant continu avec fusible



AVIS ! Risque d'endommagement !

Pour protéger l'appareil, le connecteur du câble pour courant continu inclus dans la livraison est équipé d'un fusible. Ne retirez **pas** le connecteur protégé pour courant continu.

Utilisez uniquement le câble pour courant continu inclus dans la livraison.

- Introduisez le câble pour courant continu (fig. **1** 2, page 2) dans la douille d'alimentation continue de la glacière (fig. **4** 5, page 3).
- Raccordez le câble de raccordement à une prise de courant continu.

Raccordement sur secteur alternatif (p.ex. à domicile ou au bureau)



DANGER ! Danger de mort par électrocution !

- Ne vous approchez pas de prises ou de commutateurs lorsque vous avez les mains mouillées ou les pieds dans l'eau.
- Si vous raccordez votre glacière à bord d'un bateau à la tension alternative par l'intermédiaire d'une prise de quai, vous devez dans tous les cas brancher un disjoncteur différentiel entre le secteur de tension alternative et la glacière.
Veuillez vous renseigner auprès d'un spécialiste.

Les glacières sont dotées d'un bloc d'alimentation multitension avec circuit prioritaire pour le raccordement en courant alternatif. Le circuit prioritaire permet de passer directement en fonctionnement à courant alternatif quand l'appareil est raccordé à un réseau de courant alternatif, même si le câble de raccordement au courant continu est encore branché.

Lorsque la glacière passe de l'alimentation en courant alternatif à une alimentation en courant continu, il est possible que la LED rouge s'allume brièvement.

- Introduisez le câble pour courant alternatif (fig. **1** 3, page 2) dans la douille d'alimentation en courant alternatif de la glacière (fig. **4** 1, page 3).
- Raccordez le câble de raccordement à une prise de courant alternatif.

7.4 Utilisation du protecteur de batterie

La glacière est équipée d'un protecteur de batterie qui protège la batterie de votre véhicule, afin qu'elle ne se décharge pas excessivement lorsque la glacière est raccordée au réseau de bord continu du véhicule.

Si le conteneur réfrigérant est mis en marche alors que l'allumage du véhicule est éteint, il s'arrête automatiquement dès que la tension d'alimentation descend en dessous d'une valeur réglable. Le conteneur réfrigérant se remet en marche dès que la batterie est rechargée et que la tension de réactivation est atteinte.



AVIS ! Risque d'endommagement !

Lorsque la batterie est éteinte par le contrôleur de batterie, elle n'a plus sa pleine capacité de charge. Évitez les démarrages répétés ou d'utiliser des consommateurs de courant sans phases de recharge prolongées. Veillez à recharger la batterie.

En mode « HIGH », le protecteur de batterie se met en marche plus rapidement qu'en mode « LOW » ou « MED » (voir tableau suivant).

Mode protecteur de batterie	LOW	MED	HIGH
Tension d'arrêt à 12 V	10,1 V	11,4 V	11,8 V
Remise en marche à 12 V	11,1 V	12,2 V	12,6 V
Tension d'arrêt à 24 V	21,5 V	24,1 V	24,6 V
Remise en marche à 24 V	23,0 V	25,3 V	26,2 V

Pour modifier le mode du protecteur de batterie, procédez comme suit :

- Allumez la glacière.
- Appuyez trois fois sur la touche « SET » (fig. **3** 4, page 3).
- Réglez le mode du protecteur de batterie à l'aide des touches « UP + » (fig. **3** 7, page 3) ou « DOWN – » (fig. **3** 6, page 3).
- ✓ L'écran indique :
Lo (LOW), Md (MED), HI (HIGH)
- ✓ L'écran affiche le mode sélectionné pendant quelques secondes. L'écran clignote plusieurs fois avant de revenir à l'affichage de la température actuelle.

**REMARQUE**

Lorsque la glacière est alimentée par la batterie de démarrage, réglez le protecteur de batterie sur le mode « HIGH ». Lorsque la glacière est raccordée à une batterie d'alimentation, le mode « LOW » suffit.

7.5 Utilisation de la glacière**AVIS ! Risque de surchauffe !**

Veillez toujours à ce que la chaleur produite lors du fonctionnement puisse se dissiper suffisamment. Assurez-vous que les fentes d'aération ne sont pas recouvertes. Veillez à ce que l'appareil se trouve à distance suffisante des murs ou des objets, de sorte que l'air puisse circuler.

- Placez la glacière sur une surface stable. Veillez à ce que les fentes d'aération ne soient pas recouvertes, afin que l'air chaud puisse bien s'évacuer.


**REMARQUE**

Montez la glacière comme indiqué sur l'illustration (fig. **1**, page 2). Si la glacière est utilisée dans une autre position, l'appareil risque d'être endommagé.

- Raccordez la glacière, voir chapitre « Raccordement de la glacière », page 64.

**AVIS ! Risque de températures trop basses !**

Veillez à ne déposer dans la glacière que des objets ou des aliments qui peuvent être réfrigérés à la température sélectionnée.

- Appuyez pendant une à deux secondes sur la touche « ON/OFF » (fig. **3** 1, page 3).
- ✓ La LED «  » s'allume.
- ✓ L'écran (fig. **3** 5, page 3) s'allume et indique la température de refroidissement actuelle.

**ATTENTION ! Risques pour la santé !****CFX65DZ :**

Si le réglage de la température du compartiment congélateur (fig. **8** 1, page 5) est très bas (p. ex. -22°C), la plage de température du compartiment réfrigérateur du milieu (fig. **8** 2, page 5) peut également être négative.

**REMARQUE****Température affichée****• CFX28, CFX35W, CFX40W, CFX50W, CFX65W :**


La température affichée est celle du grand compartiment réfrigération et congélation (par exemple, CFX50W, CFX65W : fig. **7** 1, page 4).

• CFX65DZ :

- Avec cloison dans le compartiment réfrigération et congélation : la température affichée est celle du compartiment congélateur (fig. **8** 1, page 5).
- Sans cloison dans le compartiment réfrigération et congélation : La température réelle à l'intérieur peut différer de la température indiquée.

- ✓ La glacière commence par la réfrigération du compartiment intérieur.

**REMARQUE**

En cas de fonctionnement sur batterie, l'écran s'éteint automatiquement lorsque la tension de la batterie est faible. La LED «  » clignote en orange.

Verrouillage de la glacière

- Fermez le couvercle.
- Abaissez le verrouillage (fig. **2** 1, page 2) jusqu'à ce qu'il s'enclenche de manière audible.

**REMARQUE – Alarme « Couvercle ouvert »**

Lorsque le couvercle reste ouvert pendant plus de trois minutes et que l'appareil est en marche, l'ampoule interne s'allume jusqu'à ce que le couvercle soit refermé.

7.6 Réglage de la température

- ▶ Appuyez une fois sur la touche « SET » (fig. **3** 4, page 3).
- ▶ Réglez la température de refroidissement à l'aide des touches « UP + » (fig. **3** 7, page 3) ou « DOWN – » (fig. **3** 6, page 3).
- ✓ L'écran affiche la température de refroidissement sélectionnée pendant quelques secondes. L'écran clignote plusieurs fois avant de revenir à l'affichage de la température actuelle.



REMARQUE

La température de chaque compartiment de réfrigération peut être réglée à -22 °C . Le fabricant recommande toutefois une température de -15 °C à -18 °C pour le mode normal et une consommation électrique optimale.

7.7 Activation du signal WiFi pour l'appli en option (tous modèles sauf CFX 28 et CFX 65DZ)

La glacière peut être pilotée à l'aide d'une application sur le réseau WiFi, compatible avec l'appareil. L'application utilise de fonctions de contrôle, d'affichage et d'alarme.

Vous trouverez de plus amples informations sur le site Web Dometic de votre pays (voir au dos). Veuillez noter que l'application peut ne pas être disponible dans votre pays.

Le nom du réseau WiFi du compresseur-glacière commence par « CFX ». Le mot de passe réglé par défaut est « 00000000 ». Vous pouvez modifier individuellement le nom WiFi et le mot de passe.

Activer/désactiver le signal WiFi

- ▶ Appuyez cinq fois sur la touche « SET » (fig. **3** 4 page 3).
- ▶ Activez ou désactivez le signal WiFi à l'aide des touches « UP + » (fig. **3** 7, page 3) ou « DOWN – » (fig. **3** 6, page 3).
- ✓ L'écran affiche le réglage sélectionné pendant quelques secondes. L'écran clignote plusieurs fois avant de revenir à l'affichage de la température actuelle.

**REMARQUE**

- Avec le réglage d'usine, l'émetteur WiFi est éteint. À la première mise en service et après une interruption de courant, vous devez allumer l'émetteur WiFi pour pouvoir utiliser l'appli.
- L'émetteur WiFi consomme peu de courant. Pour optimiser les performances énergétiques, désactivez l'émetteur WiFi lorsqu'il n'est pas utilisé.

Réinitialisation du WiFi à la configuration usine

Si vous avez personnalisé les réglages WiFi de la glacière à l'aide de l'application WiFi et que vous avez oublié votre mot de passe, vous pouvez réinitialiser la glacière à la configuration usine en suivant la procédure ci-après :

- ▶ Appuyez cinq fois sur la touche « SET » (fig. **3** 4 page 3).
- ▶ Appuyez pendant au moins cinq secondes sur la touche « UP + » (fig. **3** 7, page 3).
- ✓ L'indication « rES » clignote plusieurs fois sur l'écran avant de revenir à l'affichage précédent.
- ✓ Les réglages WiFi ont été réinitialisés à la configuration usine.

Pour plus d'informations, rendez-vous sur le site Web Dometic sur lequel vous avez téléchargé l'application.

7.8 Réglage de la luminosité de l'écran

Dans l'obscurité, la luminosité de l'écran peut être atténuée. Pour régler la luminosité de l'écran, procédez comme suit :

- ▶ Allumez la glacière.
- ▶ Appuyez quatre fois sur la touche « SET » (fig. **3** 4, page 3).
- ▶ Réglez la luminosité de l'écran à l'aide des touches « UP + » (fig. **3** 7, page 3) ou « DOWN – » (fig. **3** 6, page 3).
- ✓ L'écran indique :
d0 (réglage prédéfini), d1 (luminosité moyenne), d2 (sombre)
- ✓ L'écran affiche le mode sélectionné pendant quelques secondes. L'écran clignote plusieurs fois avant de revenir à l'affichage de la luminosité actuelle.

**REMARQUE**

- Le réglage d'usine de la luminosité de l'écran est d0 (réglage prédéfini).
- En cas de dysfonctionnement, la luminosité revient automatiquement à d0 (réglage prédéfini). Après résolution de la panne, la luminosité réglée par l'utilisateur sera de nouveau activée.

7.9 Utilisation de l'interrupteur d'urgence (le cas échéant)

Sur tous les modèles sauf CFX28, l'interrupteur d'urgence (fig. **4** 3, page 3) se trouve sous le panneau de commande. Sur le CFX28, l'interrupteur d'urgence se trouve au dessus des douilles de raccordement. Pour le fonctionnement normal, le commutateur est placé sur « NORMAL USE » (utilisation normale).

- En cas de dysfonctionnement de l'électronique de commande, réglez le commutateur sur « EMERGENCY OVERRIDE » (mode urgence).

**REMARQUE**

Le commutateur est placé sur « EMERGENCY OVERRIDE », la glacière fonctionne à pleine puissance frigorifique et son contenu peut être congelé.

7.10 Port USB pour l'alimentation électrique

Vous pouvez utiliser le port USB pour le chargement de petits appareils (par ex. un téléphone mobile ou un lecteur MP3).

Pour utiliser votre glacière avec un appareil USB, branchez simplement un câble USB (non fourni) sur l'appareil.

**REMARQUE**

Assurez-vous que le petit appareil branché sur le port USB soit utilisable sous 5 V/500 mA.

7.11 Arrêt de la glacière

- Videz la glacière.
- Éteignez la glacière.
- Débranchez le câble de raccordement.

Lorsque vous ne voulez pas utiliser la glacière pendant une période prolongée :

- Laissez le couvercle légèrement ouvert. Vous évitez ainsi la formation d'odeurs.

7.12 Dégivrage de la glacière

L'humidité de l'air peut se condenser sous forme de givre au niveau de l'évaporateur ou à l'intérieur de la glacière et diminuer ainsi sa puissance frigorifique. Veillez donc à dégivrer l'appareil à temps.



AVIS ! Risque d'endommagement !

N'utilisez jamais d'outils durs ou pointus pour enlever les couches de glace ou pour détacher des objets pris dans le givre.

Procédez de la manière suivante pour dégivrer la glacière :

- Retirez les aliments.
- Placez-les éventuellement dans un autre réfrigérateur pour qu'ils restent froids.
- Éteignez l'appareil.
- Laissez le couvercle ouvert.
- Essayez l'eau provenant du dégivrage.

7.13 Remplacement du fusible pour courant alternatif



DANGER ! Danger de mort par électrocution !

Débranchez l'alimentation électrique et le câble de raccordement avant de changer le fusible de l'appareil.

- Débranchez l'alimentation électrique de l'appareil.
- Débranchez les câbles de raccordement.
- Retirez le porte-fusible (fig. 4 2, page 3) en faisant par ex. levier avec un tournevis.

- Remplacez le fusible en verre défectueux par un nouveau fusible en verre de même type et de même valeur (4 A, 250 V).
- Remplacez le porte-fusible dans le boîtier, en appuyant dessus.
- Raccordez l'alimentation électrique de l'appareil.

7.14 Remplacement du fusible du connecteur pour courant continu

- Dévissez le boîtier de la fiche de contact (fig. **9** 3, page 5) du connecteur (fig. **9** 1, page 5).
- Remplacez le fusible défectueux (fig. **9** 2, page 5) par un nouveau fusible de même type et de même valeur (3AG, Fast Acting, 15 A).
- Remontez le connecteur en effectuant les opérations dans l'ordre inverse.

7.15 Remplacement de la platine de commande lumineuse

- Débranchez l'alimentation électrique de l'appareil.
- Ouvrez le cache transparent à l'aide d'un tournevis (fig. **10** 1, page 5).
- Desserrez les vis de montage de la platine de commande (fig. **10** 2, page 5).
- Retirez la fiche de la platine de commande (fig. **10** 3, page 5).
- Remplacez la platine de commande défectueuse par une neuve.
- Mettez en place une nouvelle platine de commande en exécutant dans l'ordre inverse des étapes décrites pour la dépose de la platine de commande.
- Remplacez le couvercle transparent dans le boîtier.
- Raccordez l'alimentation électrique de l'appareil.

8 Entretien et nettoyage



AVERTISSEMENT !

Avant toute opération de nettoyage ou d'entretien de l'appareil, veillez à le mettre hors secteur.



AVIS ! Risque d'endommagement !

- Ne nettoyez jamais la glacière à l'eau courante et ne la plongez pas non plus dans l'eau.
- N'utilisez pour le nettoyage ni produits abrasifs ni objets durs qui pourraient endommager la glacière.

- Nettoyez de temps à autre l'appareil à l'intérieur et à l'extérieur avec un chiffon humide.
- Assurez-vous que les ouvertures d'aération et de ventilation de l'appareil ne sont pas encombrées de saletés ou de poussières, pour que la chaleur générée par le fonctionnement soit évacuée et que l'appareil ne soit pas endommagé.

9 Garantie

Le délai légal de garantie s'applique. Si le produit s'avérait défectueux, veuillez vous adresser à la filiale du fabricant située dans votre pays (voir adresses au verso du présent manuel) ou à votre revendeur spécialisé.

Veillez y joindre les documents suivants pour la gestion des réparations et de la garantie :

- une copie de la facture avec la date d'achat,
- le motif de la réclamation ou une description du dysfonctionnement.

10 Guide de dépannage

Dysfonctionnement	Cause possible	Solution proposée
L'appareil ne fonctionne pas, la LED n'est pas allumée.	La prise de courant continu de votre véhicule n'est pas sous tension.	Dans la plupart des véhicules, le contact doit être mis pour que la prise de courant continu soit sous tension.
	La prise de courant alternatif n'est pas sous tension.	Essayez une autre prise.
	Le fusible de l'appareil est défectueux.	Remplacez le fusible de l'appareil, voir chapitre « Remplacement du fusible pour courant alternatif », page 72.
	Le bloc d'alimentation intégré est défectueux.	La réparation doit être effectuée uniquement par un service après-vente agréé.
La glacière ne réfrigère pas (le connecteur est branché, la LED « POWER » est allumée).	Compresseur défectueux.	La réparation doit être effectuée uniquement par un service après-vente agréé.
La glacière ne réfrigère pas (le connecteur est branché, la LED « POWER » clignote en orange, l'écran est éteint).	Le mode du protecteur de batterie est trop élevé.	Réglez le protecteur de batterie sur un mode moins élevé.
	La tension de la batterie est insuffisante.	Chargez la batterie si besoin.

Dysfonctionnement	Cause possible	Solution proposée
En cas d'utilisation sur la prise de courant continu : L'allumage est en marche, l'appareil ne fonctionne pas et la LED n'est pas allumée.	La prise de courant est sale. Ceci entraîne un mauvais contact électrique.	Si la fiche devient très chaude lorsqu'elle est branchée dans la prise de l'allume-cigare, c'est que la prise de l'allume-cigare doit être nettoyée ou que la fiche n'est pas bien montée.
	Le fusible de sécurité du câble de raccordement a grillé.	Remplacez le fusible du connecteur de courant continu, voir chapitre « Remplacement du fusible du connecteur pour courant continu », page 73
	Le fusible du véhicule est grillé.	Remplacez le fusible du véhicule de la prise de courant continu (veuillez respecter les instructions du manuel d'entretien de votre véhicule).
Un message d'erreur s'affiche (p. ex. « Err1 ») et l'appareil ne réfrigère pas.	Un dysfonctionnement interne a arrêté la glacière.	La réparation doit être effectuée uniquement par un service après-vente agréé.
L'éclairage intérieur d'un compartiment cli-gnote.	Le couvercle du compartiment a été laissé ouvert pendant plus de trois minutes	Refermez le couvercle du compartiment.

11 Retraitement

- Jetez les emballages dans les conteneurs de déchets recyclables prévus à cet effet.



Lorsque vous mettez votre produit définitivement hors service, informez-vous auprès du centre de recyclage le plus proche ou auprès de votre revendeur spécialisé sur les prescriptions relatives au retraitement des déchets.

12 Caractéristiques techniques

	CFX28	CFX35W	CFX40W
Réf. :	9600000468 9600000469	9600000470 9600000471	9600000472 9600000473
Tension de raccordement :	12/24 V \equiv et 100– 240 V \sim		
Courant nominal :	12 V \equiv : 6,5 A 24 V \equiv : 3,2 A 100 V \sim : 0,75 A 240 V \sim : 0,32 A	12 V \equiv : 7,0 A 24 V \equiv : 3,2 A 100 V \sim : 0,86 A 240 V \sim : 0,42 A	
Puissance frigorifique :	de +10 °C à –22 °C (de +50 °F à –8 °F)		
Catégorie :	1		
Catégories d'efficacité d'énergie :	A++		
Consommation électrique :	61 kWh/an	62 kWh/an	64 kWh/an
Capacité :	28 l	34,5 l	41 l
Capacité utile :	26 l	32 l	38 l
Classe climatique :	N, T		
Température ambiante :	de +16 °C à +43 °C (de +61 °F à +110 °F)		
Émissions sonores :	34 dB(A)	42 dB(A)	
Port USB :	5 V \equiv , 500 mA		
Bande de fréquences (WiFi) :	2,4 GHz (Module radio)	2,4 GHz	
Puissance haute fréquence (WiFi) :	11 – 0 dBm (Module radio)	16 \pm 1,5 dBm (802.11b CCK, 11 MBit/s) 12 \pm 1,5 dBm (802.11g OFDM, 54 MBit/s) 11 \pm 1,5 dBm (802.11n HT20, MCS7)	
Quantité de fluide frigorigène :	38 g	33 g	38 g
Équivalent CO ₂ :	0,054 t	0,047 t	0,054 t
Potentiel d'effet de serre (GWP) :	1430		

	CFX28	CFX35W	CFX40W
Dimensions(L x H x P) en mm (avec poignées) :	342 x 425 x 620	398 x 411 x 692	398 x 461 x 692
Poids :	13 kg	17,5 kg	18,5 kg

	CFX50W	CFX65W	CFX65DZ
Réf. :	9600000474 9600000475	9600000476 9600000477	9600000478 9600000479
Tension de raccordement :	12/24 V \equiv et 100 – 240 V \sim		
Courant nominal :	12 V \equiv : 7,8 A 24 V \equiv : 3,6 A 100 V \sim : 0,95 A 240 V \sim : 0,46 A	12 V \equiv : 8,2 A 24 V \equiv : 3,8 A 100 V \sim : 1,0 A 240 V \sim : 0,48 A	12 V \equiv : 5,5 A 24 V \equiv : 2,6 A 100 V \sim : 0,75 A 240 V \sim : 0,37 A
Puissance frigorifique :	de +10 °C à -22 °C (de +50 °F à -8 °F)		
Catégorie :	1		
Catégories d'efficacité d'énergie :	A++		A+
Consommation électrique :	66 kWh/an	69 kWh/an	115 kWh/an
Capacité :	50 l	65 l	avec diviseur : 61 l sans diviseur : 65 l
Capacité utile :	46 l	60 l	53 l
Classe climatique :	N, T		
Température ambiante :	de +16 °C à +43 °C (de +61 °F à +110 °F)		
Émissions sonores :	42 dB(A)		
Port USB :	5 V \equiv , 500 mA		
Bande de fréquences (WiFi) :	2,4 GHz		-
Puissance haute fréquence (WiFi) :	16 \pm 1,5 dBm (802.11b CCK, 11 MBit/s) 12 \pm 1,5 dBm (802.11g OFDM, 54 MBit/s) 11 \pm 1,5 dBm (802.11n HT20, MCS7)		-

	CFX 50W	CFX65W	CFX65DZ
Quantité de fluide frigorigène :	43 g	57 g	31 g
Équivalent CO ₂ :	0,062 t	0,082 t	0,044 t
Potentiel d'effet de serre (GWP) :	1430		
Dimensions (L x H x P) en mm (avec poignées) :	725 x 471 x 455	725 x 561 x 455	725 x 561 x 455
Poids :	20,4 kg	22,3 kg	23,2 kg

**REMARQUE**

La température minimale ne peut plus être atteinte à des températures ambiantes supérieures à +32° C (90° F).

Contrôle/certificats :



Le circuit frigorifique contient du R134a.

Contient des gaz à effet de serre fluorés

Équipement hermétiquement scellé

Il n'y a aucune limitation pour l'utilisation de la fonction WiFi dans les pays membres de l'UE.

Lea atentamente este manual antes de la puesta en funcionamiento del aparato y consérvelo en un lugar seguro para futuras consultas. En caso de vender o entregar el aparato a otra persona, entregue también estas instrucciones.

El fabricante declina toda responsabilidad por los daños causados por **el uso inadecuado** o por el **uso incorrecto** del aparato.

Índice

1	Explicación de los símbolos	81
2	Indicaciones de seguridad	81
2.1	Seguridad general.	81
2.2	Seguridad durante el funcionamiento del aparato	83
3	Volumen de entrega	84
4	Accesorios	84
5	Uso adecuado	85
6	Descripción del funcionamiento	86
6.1	Características	86
6.2	Elementos de mando y de visualización	87
7	Manejo	88
7.1	Antes del primer uso	88
7.2	Consejos para el ahorro de energía	89
7.3	Conexión de la nevera	89
7.4	Utilización del controlador de la batería	91
7.5	Uso de la nevera	92
7.6	Ajuste de la temperatura	94
7.7	Activar la señal WiFi para app opcional (todos menos CFX28 y CFX65DZ)	94
7.8	Ajustar el brillo de la pantalla	95
7.9	Uso interruptor de emergencia (si existe)	96
7.10	Conexión USB para alimentación de tensión	96
7.11	Apagado de la nevera	96
7.12	Descongelamiento de la nevera	97
7.13	Sustitución del fusible de corriente alterna	97
7.14	Cambio de fusible de clavija de corriente continua	98
7.15	Cambio de circuito impreso de luces	98

8	Limpieza y mantenimiento	99
9	Garantía legal	99
10	Solución de averías	100
11	Gestión de residuos	101
12	Datos técnicos	102

1 Explicación de los símbolos



¡ADVERTENCIA!

Indicación de seguridad: su incumplimiento puede acarrear la muerte o graves lesiones.



¡ATENCIÓN!

Indicación de seguridad: su incumplimiento puede acarrear lesiones.



¡AVISO!

Su incumplimiento puede acarrear daños materiales y perjudicar el correcto funcionamiento del producto.



NOTA

Información adicional para el manejo del producto.

2 Indicaciones de seguridad

2.1 Seguridad general



¡ADVERTENCIA!

- No ponga el aparato en funcionamiento si presenta desperfectos visibles.
- Si se daña el cable de conexión del aparato, éste deberá ser reemplazado por el fabricante, su servicio de atención al cliente o una persona cualificada para evitar así posibles peligros.

- Sólo personal especializado puede realizar reparaciones en el aparato. Las reparaciones realizadas indebidamente pueden dar lugar a situaciones de considerable peligro.
- Los niños mayores de 8 años y las personas de capacidad física, sensorial o mental disminuida, así como aquellas personas con falta de experiencia y/o conocimientos suficientes solo podrán utilizar este aparato si están vigilados o han sido instruidos respecto al uso seguro del aparato y a los posibles peligros que pueden emanar de él.
- Los niños solo podrán realizar las tareas de limpieza y mantenimiento bajo vigilancia.
- Los niños no están autorizados a jugar con el aparato.
- Se ha de vigilar a los niños para garantizar que no usen este aparato como juguete.
- Mantenga y utilice el aparato fuera del alcance de los niños menores de 8 años.
- No guarde en el aparato sustancias con peligro de explosión como, p. ej., atomizadores con gases combustibles.



¡ATENCIÓN!

- Desconecte el aparato de la red
 - antes de realizar cualquier tarea de limpieza y mantenimiento;
 - después de cada uso.
- Los alimentos sólo se pueden guardar en los envases originales o en recipientes adecuados.



¡AVISO!

- Compare el valor de tensión indicado en la placa de características con el suministro de energía existente.
- Conecte el aparato únicamente del siguiente modo:
 - conecte el cable de alimentación CC a una caja de enchufe CC en el vehículo
 - o bien conecte el cable de alimentación de CA a la red de corriente alterna
- No extraiga nunca la clavija de la caja de enchufe tirando del cable de conexión.
- Si la nevera está conectada a la caja de enchufe CC: Desconecte de la batería el aparato refrigerador u otros dispositivos consumidores si va a conectar un cargador rápido.

- Si la nevera está conectada a la caja de enchufe CC: Desconecte la conexión o apague el aparato cuando apague el motor. De lo contrario podrá descargarse la batería.
- Este aparato refrigerador no es apto para transportar sustancias corrosivas o disolventes.
- Este aislamiento de este aparato refrigerador contiene ciclopentano inflamable. Los gases presentes en el material aislante requieren un proceso de eliminación especial. Elimine debidamente el aparato al final de su vida útil.

2.2 Seguridad durante el funcionamiento del aparato



¡ATENCIÓN!

- Antes de la puesta en funcionamiento, asegúrese de que el cable de alimentación y la clavija de enchufe estén secos.



¡AVISO!

- No utilice ningún aparato eléctrico dentro de la nevera, a no ser que el aparato en cuestión haya sido recomendado para ello por el fabricante.
- No coloque el aparato cerca de llamas vivas ni de otras fuentes de calor (calefacción, radiación directa del sol, estufas de gas, etc.).
- **¡Peligro de sobrecalentamiento!**
Asegúrese todo el tiempo de que el calor producido durante el funcionamiento se puede desalojar adecuadamente. Asegúrese de que el aparato guarda la suficiente distancia con las paredes u objetos, de forma que el aire pueda circular.
- Procure que no se obstruyan las ranuras de ventilación.
- No introduzca líquidos ni hielo en el contenedor interior.
- No sumerja nunca el aparato en agua.
- Proteja el aparato y los cables del calor y de la humedad.

3 Volumen de entrega

Véase fig. 1, página 2

Pos.	Cantidad	Denominación
1	1	Nevera
2	1	Cable de conexión para la conexión de corriente continua
3	1	Cable de conexión para la conexión de corriente alterna
–	1	Instrucciones de uso

4 Accesorios

Disponibles como accesorio (no incluidos en el volumen de entrega):

Denominación	N° de art.	Modelo
Kit de fijación universal (sistema de correas) CFX-UFK	9108300002	adecuado para todos los modelos
Kit de fijación "Quick Release" CFX-QFK	9600000166	para CFX 28
Pantalla remota CFX-WD	9600000164	apto para CFX 28, CFX 65DZ y modelos más antiguos sin función App de WiFi

En el sitio web de Dometic (véase al dorso) encontrará información acerca de una app de WiFi con funciones de control, visualización y alarma (**todos excepto** CFX28 y CFX65DZ). Puede que la app no esté disponible en su país.

5 Uso adecuado

La nevera es apta tanto para enfriar como para congelar los alimentos.

La nevera está dimensionada para su uso en:

- la red de corriente continua de un vehículo, una embarcación o una caravana
- una batería de alimentación de corriente continua
- una red de corriente alterna

Esta nevera está concebida para el uso doméstico o usos similares, como por ejemplo:

- en las cocinas destinadas al personal en establecimientos comerciales, oficinas u otros recintos de trabajo
- en el trabajo en el campo
- para los huéspedes de hoteles, moteles u otros tipos de alojamiento
- en pensiones con desayuno
- en servicios de catering y otras aplicaciones semejantes



¡ATENCIÓN! ¡Riesgo para la salud!

Compruebe si la potencia de refrigeración del aparato cumple los requisitos de los alimentos o medicamentos que desea enfriar.

6 Descripción del funcionamiento

En la nevera se pueden enfriar, mantener fríos y congelar productos. La refrigeración se realiza a través de un circuito de refrigeración, exento de mantenimiento, con compresor. El aislamiento exterior extrafuerte y el compresor de alto rendimiento garantizan una refrigeración especialmente rápida.

La nevera está prevista para un uso portátil.

La nevera puede funcionar con un ángulo de escora de 30° durante periodos breves, por ejemplo al usarse en embarcaciones.

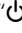
6.1 Características

- Fuente de alimentación con conexión de prioridad para conexión a la tensión alterna
- Controlador de la batería de tres etapas para proteger la batería del vehículo
- Pantalla con indicación de temperatura en °C y °F se apaga automáticamente en caso de tensión baja de la batería
- Regulación de temperatura: Con dos teclas a pasos de 1 °C (y a pasos de 2 °F)
- Emisor WiFi integrado y, por tanto, manejable con app (**todos excepto** CFX28 y CFX65DZ)
- Asas de transporte abatibles
- Conexión USB para alimentación de tensión
- Interruptor de emergencia (si existe)
- Cesta interior extraíble

6.2 Elementos de mando y de visualización

Bloqueo de la tapa: fig. 2 1, página 2

Panel de mando (fig. 3, página 3)

Pos.	Denominación	Explicación
1	ON OFF	Enciende o apaga la nevera cuando se pulsa la tecla durante uno o dos segundos
2	POWER “  ”	Indicación del modo de funcionamiento LED iluminado en verde: el compresor está en marcha LED iluminado en naranja: el compresor está apagado LED intermitente en naranja: la pantalla se apaga automáticamente porque la tensión de la batería es baja
3	ERROR	LED intermitente en rojo: la nevera está encendida pero no lista para funcionar
4	SET	Selecciona el modo de entrada de datos: <ul style="list-style-type: none"> Regulación de temperatura Indicación de grados centígrados o Fahrenheit Ajuste del controlador de la batería Ajuste del brillo de la pantalla Activación o desactivación de WiFi (todos excepto CFX28 y CFX65DZ)
5	–	Pantalla, muestra los valores
6	DOWN –	Pulsando una vez, disminuye el valor de entrada seleccionado
7	UP +	Pulsando una vez, aumenta el valor de entrada seleccionado

Conectores (fig. 4, página 3)

Pos.	Denominación
1	Conectores para la alimentación de tensión alterna
2	Portafusibles
3	Conectores para la alimentación de tensión continua

Interruptor de emergencia (si existe) y conexión USB (fig. 5, página 3):

Pos.	Denominación
1	Interruptor de emergencia
2	Sistemas de energía para aparatos USB

7 Manejo

7.1 Antes del primer uso

**NOTA**

Por razones de higiene, debería limpiar la nueva nevera por dentro y por fuera con un paño húmedo antes de ponerla en funcionamiento (véase también el capítulo “Limpieza y mantenimiento” en la página 99).

Cambiar de lado el tope de la tapa (para CFX50W, CFX65W, CFX65DZ)

Puede cambiar de lado el tope de la tapa, en caso de que desee abrir la tapa hacia el otro lado. Para ello proceda de la siguiente manera:

- Abra la tapa y retírela (fig. 6 A, página 4).
- Retire los tres tornillos respectivos de las bisagras (fig. 6 B, página 4), y extraiga las bisagras.
- Retire las tapas de plástico de las nuevas posiciones de las bisagras laterales con ayuda de un pequeño destornillador y vuelva a colocarlas en las posiciones anteriores de las bisagras.
- Monte las bisagras en las nuevas posiciones.
- Coloque la tapa en las bisagras del lado opuesto (fig. 6 C, página 4).

Seleccionar la unidad de temperatura

Para la indicación de temperatura puede elegir entre grados centígrados o Fahrenheit. Para ello proceda de la siguiente manera:

- Encienda la nevera.
- Pulse dos veces el pulsador "SET" (fig. **3** 4, página 3).
- Ajuste con los pulsadores "UP +" (fig. **3** 7, página 3) o "DOWN –" (fig. **3** 6, página 3) la unidad de temperatura que desee: grados centígrados o Fahrenheit.
- ✓ La pantalla indica durante unos segundos la unidad de temperatura ajustada. La pantalla parpadea algunas veces antes de volver a mostrar la temperatura actual.

7.2 Consejos para el ahorro de energía

- Elija un lugar de montaje correctamente ventilado y protegido de la radiación solar.
- Antes de introducir alimentos calientes, deje que se enfríen.
- Evite abrir la nevera más de lo necesario.
- No deje la nevera abierta más tiempo del que sea necesario.
- Descongele la nevera cuando se forme una capa de escarcha.
- No regule una temperatura innecesariamente baja en el interior.

7.3 Conexión de la nevera

Conexión a una batería (automóvil o embarcación)

La nevera puede funcionar con una tensión continua de 12 V $\overline{=}$ ó 24 V $\overline{=}$.



¡AVISO! ¡Peligro de ocasionar daños materiales!

Antes de cargar la batería con un cargador rápido, desconéctela de la nevera y de otros consumidores.

La sobretensión puede dañar el sistema electrónico de los aparatos.

Por motivos de seguridad, la nevera está equipada con una protección electrónica contra inversión de polaridad y contra cortocircuitos.

El cable de conexión de corriente continua debe usarse con fusible.



¡AVISO! ¡Peligro de ocasionar daños materiales!

Para proteger el aparato, la clavija del cable de conexión de corriente continua adjunto está provista de un fusible. **No** retire la clavija de corriente continua protegida.

Utilice exclusivamente el cable de conexión de corriente continua adjunto.

- Conecte el cable de conexión de corriente continua (fig. **1** 2, página 2) a la clavija para la alimentación de corriente continua de la nevera (fig. **4** 5, página 3).
- Conecte el cable de conexión a la caja de enchufe de corriente continua.

Conexión a una red de corriente alterna (por ejemplo, en casa o en la oficina)



¡PELIGRO! ¡Peligro de muerte por descarga eléctrica!

- No manipule los enchufes ni interruptores con las manos mojadas ni con los pies sobre una superficie mojada.
- Si la nevera funciona en una embarcación conectada a una red de corriente alterna a través de una conexión de tierra, se deberá conectar un interruptor de protección FI entre la red de corriente alterna y la nevera.
Consulte con un especialista.

Las neveras están provistas de una fuente de alimentación integrada de tensión múltiple con conexión de prioridad para conectar a corriente alterna. Mediante la conexión de prioridad se cambia automáticamente al funcionamiento por corriente alterna cuando la nevera se conecta a una red de corriente alterna, incluso si el cable de corriente continua aún está enchufado.

Cuando se conmuta la alimentación de red de la nevera de corriente alterna a corriente continua, el LED rojo puede encenderse brevemente.

- Conecte el cable de conexión de corriente alterna (fig. **1** 3, página 2) a la clavija para la alimentación de corriente alterna de la nevera (fig. **4** 1, página 3).
- Conecte el cable de conexión a la caja de enchufe de corriente alterna.

7.4 Utilización del controlador de la batería

El aparato está provisto de un controlador de batería de varias etapas que evita que la batería del vehículo se descargue excesivamente al utilizar la red de a bordo de corriente continua.

En caso de poner en funcionamiento el refrigerador en el vehículo con el contacto apagado, este se desconectará automáticamente en cuanto descienda la tensión de alimentación por debajo del valor programable. El refrigerador vuelve a conectarse tan pronto como se cargue la batería y se alcance la tensión de alimentación de reconexión.



¡AVISO! ¡Peligro de ocasionar daños materiales!

Cuando el controlador de la batería la desconecta, ésta ya no dispone de su capacidad de carga plena. Evite arranques reiterados o poner en funcionamiento otros aparatos conectados a la corriente sin fases de recarga prolongadas. Asegúrese de recargar la batería.

En el modo "HIGH" el controlador de batería se activa antes que en el nivel "LOW" y "MED" (véase la siguiente tabla).

Modo del controlador de batería	LOW	MED	HIGH
Tensión de desconexión a 12 V	10,1 V	11,4 V	11,8 V
Tensión de reconexión a 12 V	11,1 V	12,2 V	12,6 V
Tensión de desconexión a 24 V	21,5 V	24,1 V	24,6 V
Tensión de reconexión a 24 V	23,0 V	25,3 V	26,2 V

Para cambiar el modo del controlador de la batería, proceda como sigue:

- ▶ Encienda la nevera.
- ▶ Pulse tres veces la tecla "SET" (fig. 3 4, página 3).
- ▶ Ajuste con los pulsadores "UP +" (fig. 3 7, página 3) o "DOWN –" (fig. 3 6, página 3) el modo para el controlador de la batería.
- ✓ En la pantalla se muestra lo siguiente:
Lo (LOW), Πd (MED), Hi (HIGH)
- ✓ La pantalla indica durante unos segundos el modo ajustado. La pantalla parpadea algunas veces antes de volver a mostrar la temperatura actual.

**NOTA**

Cuando la nevera está alimentada por la batería de arranque, seleccione el modo del controlador de batería "HIGH". Cuando la nevera está conectada a una batería de alimentación, es suficiente el modo de controlador de batería "LOW".

7.5 Uso de la nevera

**¡AVISO! ¡Peligro de sobrecalentamiento!**

Asegúrese de que quede constantemente garantizada una salida adecuada del calor que se desprende durante el funcionamiento. Evite que se obstruyan las ranuras de ventilación. Asegúrese también de que el aparato guarde la suficiente distancia respecto a paredes u objetos, de forma que el aire pueda circular.

- ▶ Coloque la nevera sobre una base firme. Procure que no se obstruyan las ranuras de ventilación y que el aire recalentado se evacue correctamente.

**NOTA**

Coloque la nevera como se indica en (fig. **1**, página 2). Si la nevera se pone en marcha en otra posición, podría sufrir daños.

- ▶ Conecte la nevera, véase capítulo "Conexión de la nevera" en la página 89.

**¡AVISO! ¡Peligro debido a una temperatura demasiado baja!**

Asegúrese de que en la nevera solo haya objetos o productos que puedan enfriarse a la temperatura ajustada.

- ▶ Mantenga el pulsador "ON/OFF" (fig. **3** 1, página 3) pulsado durante uno o dos segundos.
- ✓ El LED "⏻" se ilumina.
- ✓ La pantalla (fig. **3** 5, página 3) se enciende e indica la temperatura de enfriamiento actual.

**¡ATENCIÓN! ¡Riesgo para la salud!
CFX65DZ:**

Si la temperatura en el congelador (fig. **8** 1, página 5) se ha ajustado a un valor muy bajo (por ejemplo, -22 °C), puede ocurrir que el rango de temperatura en el compartimento central (fig. **8** 2, página 5) esté también por debajo de cero.

**NOTA****Temperatura indicada**

- **CFX28, CFX35W, CFX40W, CFX50W, CFX65W:**

La temperatura indicada se refiere al compartimento grande de refrigeración y de congelación (por ejemplo, CFX50W, CFX65W: fig. 7 1, página 4).

- **CFX65DZ:**

- Con pared divisoria en el compartimento de refrigeración y de congelación: la temperatura indicada se refiere al congelador (fig. 8 1, página 5).
- Sin pared divisoria en el compartimento de refrigeración y de congelación: la temperatura real en el interior puede variar ligeramente de la aquí mostrada.

- ✓ La nevera empieza a enfriar el interior.

**NOTA**

Durante el funcionamiento con una batería, la pantalla se apaga automáticamente si la tensión de la batería es baja. El LED “⏻” parpadea en naranja.

Bloqueo de la nevera

- Cierre la tapa.
- Presione el bloqueo (fig. 2 1, página 2) hacia abajo hasta que lo oiga encajar.

**NOTA – Alarma “Tapa abierta”**

Si la tapa se deja abierta durante más de tres minutos y el aparato está encendido, la correspondiente luz interior parpadea hasta que se cierra la tapa.

7.6 Ajuste de la temperatura

- ▶ Presione una vez el pulsador "SET" (fig. **3** 4, página 3).
- ▶ Ajuste la temperatura de enfriamiento con los pulsadores "UP +" (fig. **3** 7, página 3) o "DOWN –" (fig. **3** 6, página 3).
- ✓ La pantalla indica durante unos segundos la temperatura de enfriamiento ajustada. La pantalla parpadea algunas veces antes de volver a mostrar la temperatura actual.



NOTA

La temperatura de cada compartimiento de refrigeración se puede ajustar hasta -22°C . Sin embargo, el fabricante recomienda una temperatura de -15°C hasta -18°C para el funcionamiento normal y para un consumo de energía óptimo.

7.7 Activar la señal WiFi para app opcional (todos menos CFX28 y CFX65DZ)

La nevera se puede controlar a través de WLAN con una app que se puede instalar en cualquier dispositivo compatible. La app dispone de funciones de control, visualización y alarma.

Encontrará información más detallada en el sitio web de Dometic de su país (véase al dorso). Tenga en cuenta que es posible que la app no esté disponible en su país.

El nombre WiFi de la nevera con compresor empieza con "CFX". La contraseña preajustada de fábrica es "00000000". El nombre WiFi y la contraseña se pueden cambiar individualmente.

Encendido/apagado de la señal de WLAN

- ▶ Pulse cinco veces la tecla "SET" (fig. **3** 4, página 3).
- ▶ Con los pulsadores "UP +" (fig. **3** 7, página 3) o "DOWN –" (fig. **3** 6, página 3) active o desactive la señal WiFi.
- ✓ La pantalla indica durante algunos segundos los ajustes deseados. La pantalla parpadea algunas veces antes de volver a mostrar la temperatura actual.

**NOTA**

- En la configuración de fábrica, el emisor WiFi está desactivado. Durante la primera puesta en funcionamiento y después de cada corte de corriente, usted deberá activar el emisor WiFi para poder utilizar la app.
- El emisor WLAN consume muy poca corriente. Para alcanzar un rendimiento energético óptimo, apague el emisor WLAN cuando no esté en uso.

Restablecimiento de ajustes de fábrica de WLAN

Si ha personalizado los ajustes de WLAN de la nevera a través de la app de WLAN y ha olvidado su contraseña, puede restablecer los ajustes de fábrica de la nevera de la siguiente manera:

- ▶ Pulse cinco veces la tecla "SET" (fig. **3** 4, página 3).
- ▶ Mantenga la tecla "UP +" (fig. **3** 7, página 3) pulsada durante al menos cinco segundos.
- ✓ En las pantallas parpadea varias veces el mensaje "rES" antes de volver a la visualización anterior.
- ✓ Los ajustes de WLAN se han restablecido a los ajustes de fábrica.

Para obtener más información visite el sitio web de Dometic desde el que haya descargado la app.

7.8 Ajustar el brillo de la pantalla

En un entorno oscuro se puede atenuar el brillo de la pantalla. Para ajustar el brillo de la pantalla proceda tal y como se indica a continuación:

- ▶ Encienda la nevera.
- ▶ Presione cuatro veces el pulsador "SET" (fig. **3** 4, página 3).
- ▶ Ajuste el brillo de la pantalla con los pulsadores "UP +" (fig. **3** 7, página 3) o "DOWN -" (fig. **3** 6, página 3).
- ✓ En la pantalla se muestra lo siguiente:
d0 (por defecto), d1 (brillo mediano), d2 (oscuro)
- ✓ La pantalla indica durante unos segundos el modo ajustado. La pantalla parpadea algunas veces antes de volver al brillo actual.

**NOTA**

- El ajuste por defecto del brillo de la pantalla es d0 (preajustado).
- Si se produce una avería, el brillo pasa automáticamente al ajuste por defecto d0 (preajustado). Tras la solución de averías se vuelve a activar el brillo ajustado.

7.9 Uso interruptor de emergencia (si existe)

El interruptor de emergencia (fig. **4** 3, página 3) se encuentra debajo del panel de control en todos los modelos, exceptuando el CFX28. En el CFX28, el interruptor de emergencia está encima de las hembrillas de conexión. Para el funcionamiento normal el interruptor se coloca en "NORMAL USE" (uso normal).

- Si se produce una avería en la electrónica de control, coloque el interruptor en "EMERGENCY OVERRIDE" (accionamiento de emergencia).

**NOTA**

Si el interruptor está en "EMERGENCY OVERRIDE", la nevera funciona a la máxima potencia y se puede congelar el contenido.

7.10 Conexión USB para alimentación de tensión

La conexión USB se puede utilizar para cargar dispositivos pequeños (como por ejemplo teléfonos móviles y reproductores de MP3).

Si desea utilizar su nevera con un dispositivo USB, solo tiene que conectar un cable USB (no incluido en el volumen de entrega) al aparato.

**NOTA**

Asegúrese de que el dispositivo pequeño que enchufe a la conexión USB sea adecuado para el funcionamiento con 5 V/500 mA.

7.11 Apagado de la nevera

- Vacíe la nevera.
- Apague la nevera.
- Desenchufe el cable de conexión.

Si no va a usar la nevera durante un largo período de tiempo:

- Deje la tapa ligeramente abierta. De esta forma, evitará la formación de olores.

7.12 Descongelamiento de la nevera

Es posible que la humedad del aire se deposite en forma de escarcha en el evaporador o en el interior de la nevera, disminuyendo de este modo la potencia frigorífica. Descongele a tiempo el aparato.



¡AVISO! ¡Peligro de ocasionar daños materiales!

Nunca utilice herramientas duras ni puntiagudas para retirar capas de hielo o despegar productos que se hayan adherido al congelarse.

Para descongelar la nevera, proceda como se indica a continuación:

- Extraiga los productos.
- En caso necesario, coloque los productos en otro frigorífico para mantenerlos fríos.
- Apague el aparato.
- Deje abierta la tapa.
- Seque con un paño el agua descongelada.

7.13 Sustitución del fusible de corriente alterna



¡PELIGRO! ¡Peligro de muerte por descarga eléctrica!

Antes de sustituir el fusible del aparato, desconecte la alimentación de tensión y el cable de conexión.

- Desconecte la alimentación de tensión al aparato.
- Desenchufe el cable de conexión.
- Quite el juego de fusibles (fig. 4 2, página 3) con un destornillador.
- Cambie el fusible de cristal averiado por otro nuevo del mismo tipo y el mismo valor (4 A, 250 V).
- Vuelva a presionar el juego de fusibles en la carcasa.
- Conecte la alimentación de tensión al aparato.

7.14 Cambio de fusible de clavija de corriente continua

- Desatornille la carcasa de la clavija de contacto (fig. **9** 3, página 5) de la clavija (fig. **9** 1, página 5).
- Cambie el fusible averiado (fig. **9** 2, página 5) por otro nuevo del mismo tipo y con el mismo valor (3AG, Fast Acting, 15 A).
- Vuelva a montar el enchufe procediendo en el orden inverso.

7.15 Cambio de circuito impreso de luces

- Desconecte la alimentación de tensión al aparato.
- Abra la cubierta transparente con un destornillador (fig. **10** 1, página 5).
- Suelte los tornillos de montaje del circuito impreso (fig. **10** 2, página 5).
- Extraiga la clavija del circuito impreso (fig. **10** 3, página 5).
- Cambie el circuito impreso de luces defectuoso por uno nuevo.
- Coloque un nuevo circuito impreso realizando en sentido inverso los pasos indicados en las instrucciones para quitar el circuito impreso.
- Coloque la cubierta transparente nuevamente en la carcasa.
- Conecte la alimentación de tensión al aparato.

8 Limpieza y mantenimiento



¡ADVERTENCIA!

Desconecte el aparato de la red antes de proceder con la limpieza o el mantenimiento del mismo.



¡AVISO! ¡Peligro de ocasionar daños materiales!

- Nunca limpie la nevera bajo el chorro de agua corriente ni inmersa en agua jabonosa.
- No emplee productos de limpieza corrosivos u objetos que puedan arañar o deteriorar el aparato durante su limpieza.

- Limpie de vez en cuando el interior y el exterior de la nevera con un paño húmedo.
- Asegúrese de que las aberturas de ventilación y desaireación del aparato están limpias de polvo para que se pueda evacuar el calor generado durante el funcionamiento y el aparato no resulte perjudicado.

9 Garantía legal

Rige el plazo de garantía legal. Si el producto presenta algún defecto, diríjase a la sucursal del fabricante de su país (ver direcciones en el dorso de estas instrucciones) o a su establecimiento especializado.

Para la tramitación de la reparación y de la garantía debe enviar también los siguientes documentos:

- una copia de la factura con fecha de compra,
- el motivo de la reclamación o una descripción de la avería.

10 Solución de averías

Avería	Posible causa	Propuesta de solución
La nevera no funciona, el LED no se ilumina.	No hay tensión en el enchufe de corriente continua del vehículo.	En la mayoría de los vehículos debe estar conectado el interruptor de encendido para que el enchufe de corriente continua reciba tensión.
	El enchufe de corriente alterna no conduce tensión.	Inténtelo en otra toma.
	El fusible del aparato está averiado.	Cambie el fusible del aparato, véase capítulo "Sustitución del fusible de corriente alterna" en la página 97.
	La fuente de alimentación integrada está averiada.	Solo un servicio de atención al cliente autorizado puede realizar la reparación.
La nevera no enfría (la clavija está conectada, el LED "POWER" se ilumina).	Compresor averiado.	Solo un servicio de atención al cliente autorizado puede realizar la reparación.
La nevera no enfría (la clavija está conectada, el LED "POWER" parpadea en naranja, la pantalla está apagada).	El modo del controlador de la batería es demasiado alto.	Ajuste el controlador de la batería a un modo más bajo.
	La tensión de batería no es suficiente.	Cargue la batería en caso necesario.

Avería	Posible causa	Propuesta de solución
Para el funcionamiento en la toma de corriente continua: el encendido está conectado, pero el aparato no funciona y el LED no está iluminado.	El casquillo del enchufe de corriente continua está sucio y, en consecuencia, el contacto eléctrico es defectuoso.	Si la clavija se calienta demasiado en el enchufe de corriente continua, puede que sea necesario limpiar el casquillo o que la clavija no se haya montado correctamente.
	El fusible del enchufe de corriente continua está fundido.	Cambie el fusible del enchufe de corriente continua, véase capítulo "Cambio de fusible de clavija de corriente continua" en la página 98.
	Se ha fundido el fusible del vehículo.	Cambie el fusible del enchufe de la toma de corriente continua del vehículo (consulte para ello el manual de instrucciones de su vehículo).
La pantalla muestra un mensaje de error (por ejemplo, "Err1") y la nevera no enfría.	La nevera se ha apagado por un fallo interno.	Solo un servicio de atención al cliente autorizado puede realizar la reparación.
La iluminación interior de un compartimiento parpadea.	La tapa del compartimiento se dejó abierta durante más de tres minutos.	Cierre la tapa del compartimiento.

11 Gestión de residuos

- Deseche el material de embalaje en el contenedor de reciclaje correspondiente.



Cuando vaya a desechar definitivamente el producto, infórmese en el centro de reciclaje más cercano o en un comercio especializado sobre las normas pertinentes de eliminación de materiales.

12 Datos técnicos

	CFX28	CFX35W	CFX40W
N.º de art.:	9600000468 9600000469	9600000470 9600000471	9600000472 9600000473
Tensión de conexión:	12/24 V \equiv y 100 – 240 V \sim		
Corriente nominal:	12 V \equiv : 6,5 A 24 V \equiv : 3,2 A 100 V \sim : 0,75 A 240 V \sim : 0,32 A	12 V \equiv : 7,0 A 24 V \equiv : 3,2 A 100 V \sim : 0,86 A 240 V \sim : 0,42 A	
Potencia de refrigeración:	+10 °C hasta -22 °C (+50 °F hasta -8 °F)		
Categoría:	1		
Clase de eficiencia energética:	A++		
Consumo de energía:	61 kWh/año	62 kWh/año	64 kWh/año
Capacidad bruta:	28 l	34,5 l	41 l
Capacidad útil:	26 l	32 l	38 l
Clase climática:	N, T		
Temperatura ambiente:	de +16 °C a +43 °C (+61 °F hasta +110 °F)		
Emisiones de ruido:	34 dB(A)	42 dB(A)	
Conexión USB:	5 V \equiv , 500 mA		
Banda de frecuencia (WiFi):	2,4 GHz (módulo de radio)	2,4 GHz	
Potencia en alta frecuencia (WiFi):	11 – 0 dBm (módulo de radio)	16 ± 1,5 dBm (802.11b CCK, 11 MBit/s) 12 ± 1,5 dBm (802.11g OFDM, 54 MBit/s) 11 ± 1,5 dBm (802.11n HT20, MCS7)	
Cantidad de refrigerante:	38 g	33 g	38 g
Equivalente de CO ₂ :	0,054 t	0,047 t	0,054 t
Índice GWP:	1430		
Dimensiones (A x H x P) en mm (con asas):	342 x 425 x 620	398 x 411 x 692	398 x 461 x 692
Peso:	13 kg	17,5 kg	18,5 kg

	CFX50W	CFX65W	CFX65DZ
N.º de art.:	9600000474 9600000475	9600000476 9600000477	9600000478 9600000479
Tensión de conexión:	12/24 V \equiv y 100 – 240 V \sim		
Corriente nominal:	12 V \equiv : 7,8 A 24 V \equiv : 3,6 A 100 V \sim : 0,95 A 240 V \sim : 0,46 A	12 V \equiv : 8,2 A 24 V \equiv : 3,8 A 100 V \sim : 1,0 A 240 V \sim : 0,48 A	12 V \equiv : 5,5 A 24 V \equiv : 2,6 A 100 V \sim : 0,75 A 240 V \sim : 0,37 A
Potencia de refrigeración:	+10 °C hasta -22 °C (+50 °F hasta -8 °F)		
Categoría:	1		
Clase de eficiencia energética:	A++		A+
Consumo de energía:	66 kWh/año	69 kWh/año	115 kWh/año
Capacidad bruta:	50 l	65 l	con distribuidor: 61 l sin distribuidor: 65 l
Capacidad útil:	46 l	60 l	53 l
Clase climática:	N, T		
Temperatura ambiente:	de +16 °C a +43 °C (+61 °F hasta +110 °F)		
Emisiones de ruido:	42 dB(A)		
Conexión USB:	5 V \equiv , 500 mA		
Banda de frecuencia (WiFi):	2,4 GHz		-
Potencia en alta frecuencia (WiFi):	16 \pm 1,5 dBm (802.11b CCK, 11 MBit/s) 12 \pm 1,5 dBm (802.11g OFDM, 54 MBit/s) 11 \pm 1,5 dBm (802.11n HT20, MCS7)		-
Cantidad de refrigerante:	43 g	57 g	31 g
Equivalente de CO ₂ :	0,062 t	0,082 t	0,044 t
Índice GWP:	1430		
Dimensiones (An x Al x P) en mm (con asas):	725 x 471 x 455	725 x 561 x 455	725 x 561 x 455
Peso:	20,4 kg	22,3 kg	23,2 kg

**NOTA**

A partir de temperaturas ambiente superiores a +32°C (90° F) no será posible alcanzar la temperatura mínima.

Inspección/certificados:



El circuito de refrigeración contiene R134a.

Contiene gases de efecto invernadero fluorados

Aparato sellado herméticamente

No hay limitaciones al uso de la función de WiFi del aparato en los países miembros de la UE.

Por favor, leia atentamente este manual antes da colocação em funcionamento do aparelho e guarde-o em local seguro. Em caso de revenda do aparelho, entregue o manual ao novo comprador.

O fabricante não se responsabiliza por danos resultantes de uma **utilização inadequada** ou de uma **operação incorrecta**.

Índice

1	Explicação dos símbolos	106
2	Indicações de segurança	106
2.1	Segurança geral.	106
2.2	Segurança durante a utilização do aparelho	108
3	Material fornecido	109
4	Acessórios	109
5	Utilização adequada	110
6	Descrição do funcionamento	111
6.1	Âmbito de funções	111
6.2	Elementos de comando e de indicação	112
7	Utilização	113
7.1	Antes da primeira utilização	113
7.2	Sugestões para poupar energia	114
7.3	Conectar a geleira	114
7.4	Utilizar o monitorizador da bateria	116
7.5	Utilizar a geleira	117
7.6	Regular a temperatura	119
7.7	Ativar o sinal WLAN para a aplicação opcional (todos os modelos, exceto CFX28 e CFX65DZ)	119
7.8	Configurar a luminosidade do monitor	120
7.9	Utilizar o interruptor de emergência (se existente)	121
7.10	Conexão USB para a alimentação de tensão	121
7.11	Desligar a geleira	121
7.12	Descongela a geleira	122
7.13	Substituir o fusível da corrente alternada	122
7.14	Substituir o fusível da ficha de corrente contínua	123
7.15	Substituir a placa do circuito de luz	123
8	Limpeza e manutenção	124

9	Garantia	124
10	Resolução de falhas	125
11	Eliminação	126
12	Dados técnicos	127

1 Explicação dos símbolos



AVISO!

Indicação de segurança: o incumprimento pode provocar a morte ou ferimentos graves.



PRECAUÇÃO!

Indicação de segurança: o incumprimento pode provocar ferimentos.



NOTA!

O incumprimento pode causar danos materiais e pode prejudicar o funcionamento do produto.



OBSERVAÇÃO

Informações suplementares sobre a operação do produto.

2 Indicações de segurança

2.1 Segurança geral



AVISO!

- Quando o aparelho apresentar danos visíveis, ele não deve ser colocado em funcionamento.
- Quando o cabo de conexão for danificado, o mesmo tem de ser substituído pelo fabricante, pela sua assistência técnica ou por uma pessoa com qualificações equivalentes para evitar perigos.
- As reparações neste aparelho apenas devem ser realizadas por técnicos especializados. As reparações inadequadas podem provocar perigos substanciais.

- Este aparelho pode ser utilizado por crianças a partir dos 8 anos, assim como por pessoas com capacidades físicas, sensoriais ou mentais reduzidas e/ou com insuficiente experiência e conhecimento, quando supervisionadas ou quando tenham recebido informação acerca da utilização segura do aparelho e tenham compreendido os perigos dele resultantes.
- A limpeza e a manutenção por parte do utilizador não podem ser efetuadas por crianças sem supervisão.
- As crianças não podem brincar com o aparelho.
- As crianças devem ser supervisionadas para garantir que não brincam com o aparelho.
- Guarde e utilize o aparelho fora do alcance de crianças com idade inferior a 8 anos.
- Não guarde as substâncias com risco de explosão, como p.ex. latas de spray com gás carburante inflamável, no aparelho.

**PRECAUÇÃO!**

- Separe o aparelho da rede
 - antes de cada limpeza e conservação
 - após cada utilização
- Os géneros alimentícios apenas podem ser armazenados nas embalagens originais ou recipientes adequados.

**NOTA!**

- Compare a indicação da tensão na placa de características com a alimentação de energia existente.
- Conecte o aparelho apenas do seguinte modo:
 - com o cabo de ligação DC à tomada de bordo DC no veículo.
 - ou com o cabo de ligação de AC à rede de corrente alternada
- Nunca retire a ficha da tomada eléctrica puxando pelo cabo de conexão.
- Se a geleira estiver ligada à tomada DC: Desconecte a sua geleira e outros consumidores da bateria antes de conectar um carregador rápido.
- Se a geleira estiver ligada à tomada DC: Separe a ligação ou desligue a geleira se desligar o motor. Caso contrário, a bateria pode ficar descarregada.
- A geleira não é adequada para o transporte de substâncias corrosivas ou substâncias com solventes.

- Este aparelho contém ciclopentano inflamável no isolamento. Os gases no material de isolamento requerem um processo de eliminação especial. No final da sua vida útil, entregue o aparelho num ponto de eliminação apropriado.

2.2 Segurança durante a utilização do aparelho



PRECAUÇÃO!

- Antes da colocação em funcionamento, tenha atenção para que o cabo de conexão e a ficha estejam secos.



NOTA!

- Não utilize aparelhos eléctricos dentro da geleira, excepto se estes aparelhos tiverem sido recomendados pelo fabricante.
- Não coloque o aparelho na proximidade de chamas abertas ou outras fontes de calor (aquecimento, radiação solar intensa, fogões a gás, etc.).
- **Perigo de sobreaquecimento!**
Tenha sempre atenção para que o calor gerado durante o funcionamento possa ser dissipado adequadamente. Certifique-se de que o aparelho está posicionado com uma distância suficiente em relação a paredes ou objectos de modo a que o ar possa circular livremente.
- Tenha atenção para que as aberturas de ventilação não sejam cobertas.
- Não verta líquidos ou gelo para dentro do recipiente interior.
- Nunca mergulhe o aparelho em água.
- Proteja o aparelho e os cabos do calor e da humidade.

3 Material fornecido

Ver fig. 1, página 2

Pos.	Quantidade	Designação
1	1	Geleira
2	1	Cabo de conexão de corrente contínua
3	1	Cabo de conexão de corrente alternada
–	1	Manual de instruções

4 Acessórios

Disponível como acessório (não incluído no material fornecido):

Designação	N.º art.	Modelo
Kit de fixação universal (sistema de cinto) CFX-UFK	9108300002	adequado para todos os modelos
Kit de fixação Quick-Release CFX-QFK	9600000166	para CFX28
Monitor sem fios CFX-WD	9600000164	adequado para CFX28, CFX65DZ e modelos mais antigos sem função de aplicação WLAN

Na página Internet da Dometic (ver verso) encontra informações sobre uma aplicação WLAN com funções de controlo, indicação e alarme (**todos os modelos, exceto CFX28 e CFX65DZ**). Possivelmente a aplicação não está disponível no seu país.

5 Utilização adequada

A geleira é adequada para refrigerar e congelar géneros alimentícios.

A geleira está concebida para a operação:

- numa rede de corrente contínua de um veículo, embarcação ou autocaravana
- com uma bateria de alimentação de corrente contínua
- numa rede de corrente alternada

A geleira foi concebida para a utilização doméstica e outras áreas de utilização semelhantes como por exemplo

- em copas de lojas, escritórios e outras áreas de trabalho
- na agricultura
- por hóspedes em hotéis, motéis ou outros alojamentos
- em pensões com pequeno-almoço
- no Catering e outras utilizações semelhantes no comércio grossista



PRECAUÇÃO! Perigo para a saúde!

Por favor, verifique se a potência de refrigeração do aparelho cumpre os requisitos dos géneros alimentícios ou dos medicamentos que pretende refrigerar.

6 Descrição do funcionamento

A geleira pode refrigerar géneros e mantê-los no frio assim como congelá-los. A refrigeração é feita através de um circuito de refrigeração com compressor que não carece de manutenção. O isolamento extra-resistente e o eficiente compressor garantem uma refrigeração especialmente rápida.

A geleira é adequada para a utilização móvel.

A geleira pode ser exposta a uma inclinação temporária de 30°, por exemplo, durante a utilização em embarcações.

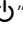
6.1 Âmbito de funções

- Fonte de alimentação com ligação prioritária à corrente alternada
- Monitorizador da bateria com três níveis para proteção da bateria do veículo
- Monitor com visualização da temperatura em °C e °F desliga automaticamente em caso de uma tensão da bateria baixa
- Regulação da temperatura: Com dois botões em passos de 1 °C (e passos de 2 °F)
- Emissor WLAN integrado, assim, utilizável através da aplicação (**todos os modelos, exceto** CFX28 e CFX65DZ)
- Pegas articuladas
- Conexão USB para a alimentação de tensão
- Interruptor de emergência (se existente)
- Cesto amovível

6.2 Elementos de comando e de indicação

Bloqueio da tampa: fig. 2 1, página 2

Painel de controlo (fig. 3, página 3)

Pos.	Designação	Explicação
1	ON OFF	Liga ou desliga a geleira quando o botão é pressionado durante um a dois segundos
2	POWER “  ”	Indicação de funcionamento LED acende a verde: compressor ligado LED acende a cor de laranja: compressor desligado LED pisca a cor de laranja: monitor foi desligado automaticamente porque a tensão da bateria está baixa
3	ERROR	LED pisca a vermelho: aparelho está ligado mas não está operacional
4	SET	Seleciona o modo de introdução: <ul style="list-style-type: none"> • Regulação da temperatura • Indicação em °Centígrados ou °Fahrenheit • Regular o monitorizador da bateria • Configurar a luminosidade do monitor • Ligar ou desligar a WLAN (todos os modelos, exceto CFX28 e CFX65DZ)
5	–	Monitor, indica os valores
6	DOWN –	Ao tocar uma vez, diminui o valor introduzido selecionado
7	UP +	Ao tocar uma vez, aumenta o valor introduzido selecionado

Tomadas de ligação (fig. 4, página 3)

Pos.	Designação
1	Tomada de ligação da alimentação de tensão alternada
2	Porta-fusíveis
3	Tomada de ligação da alimentação de tensão contínua

Interruptor de emergência (caso existente) e conexão USB (fig. 5, página 3)

Pos.	Designação
1	Interruptor de emergência
2	Fonte de alimentação para dispositivos USB

7 Utilização

7.1 Antes da primeira utilização



OBSERVAÇÃO

Por razões de higiene, antes de colocar a nova geleira em funcionamento deverá limpar o interior e o exterior com um pano húmido (ver também capítulo “Limpeza e manutenção” na página 124).

Inverter o encosto da tampa (para CFX 50W, CFX 65W, CFX 65DZ)

É possível inverter o encosto da tampa se pretender abrir a tampa para o outro lado. Para esse efeito, proceda do seguinte modo:

- ▶ Abra a tampa e remove-a (fig. 6 A, página 4).
- ▶ Remova respetivamente os três parafusos das dobradiças (fig. 6 B, página 4) e retire as dobradiças.
- ▶ Remova as coberturas de plástico das posições das charneiras novas com a ajuda de uma chave de parafusos e volte a colocá-las nas posições antigas das dobradiças.
- ▶ Coloque as dobradiças nas novas posições.
- ▶ Coloque a tampa nas dobradiças do lado oposto (fig. 6 C, página 4).

Selecionar a unidade de temperatura

Poderá selecionar a indicação de temperatura entre os valores para °Centígrados e °Fahrenheit. Para esse efeito, proceda do seguinte modo:

- ▶ Ligue a geleira.
- ▶ Prima duas vezes o botão “SET” (fig. **3** 4, página 3).
- ▶ Regule a unidade de temperatura para °Centígrados ou °Fahrenheit com os botões “UP +” (fig. **3** 7, página 3) ou “DOWN –” (fig. **3** 6, página 3).
- ✓ O monitor indica, durante alguns segundos, a unidade de temperatura que foi regulada. O monitor pisca algumas vezes antes de voltar a apresentar a temperatura atual.

7.2 Sugestões para poupar energia

- Escolha um local de utilização bem arejado e protegido de raios solares.
- Primeiro, deixe as refeições quentes arrefecer antes de as manter frescas.
- Não abra a geleira mais do que as vezes necessárias.
- Não deixe a geleira aberta mais tempo do que o necessário.
- Descongele o aparelho de refrigeração logo que se formar uma camada de gelo.
- Evite uma temperatura interna desnecessariamente baixa.

7.3 Conectar a geleira

Ligar a uma bateria (veículo ou embarcação)

A geleira pode funcionar com 12 V_{DC} ou 24 V_{DC}.



NOTA! Perigo de danos!

Desligue a geleira e outros consumidores da bateria antes de carregar a mesma com um carregador rápido.

As sobretensões podem danificar o sistema eletrónico dos aparelhos.

Para efeitos de segurança, a geleira está equipada com uma proteção eletrónica contra a inversão da polaridade quando é ligada à bateria e que também protege a geleira contra curto-circuitos.

Utilizar o cabo de conexão de corrente contínua com fusível



NOTA! Perigo de danos!

Para proteger o aparelho, a ficha do cabo de conexão de corrente contínua fornecido está equipada com um fusível. **Não** remova a ficha de corrente contínua protegida.

Utilize exclusivamente o cabo de conexão de corrente contínua fornecido.

- Insira o cabo de conexão de corrente contínua (fig. **1** 2, página 2) na ficha da alimentação de corrente contínua da geleira (fig. **4** 5, página 3).
- Ligue o cabo de conexão à tomada de corrente contínua.

Conectar a uma rede de corrente alternada (p. ex. em casa ou no escritório)



PERIGO! Perigo de morte devido a choque elétrico!

- Nunca manipule as fichas e os interruptores quando tiver as mãos molhadas ou quando tiver os pés em pavimento molhado.
- Se utilizar a sua geleira a bordo de uma embarcação com ligação à corrente alternada para terra firme, deverá sempre instalar um interruptor de segurança entre a rede de corrente alternada e a geleira. Solicite o parecer de um técnico especializado.

As geleiras possuem uma fonte de alimentação integrada para múltiplas tensões com ligação prioritária para a conexão à corrente alternada. Graças à ligação prioritária, é realizada automaticamente a comutação para o funcionamento com corrente alternada quando o aparelho estiver ligado a uma rede de corrente alternada e mesmo se o cabo de conexão de corrente contínua ainda estiver conectado.

Se a geleira comutar de uma alimentação de corrente alternada para uma alimentação com bateria de corrente contínua, o LED vermelho pode acender por breves instantes.

- Insira o cabo de conexão de corrente alternada (fig. **1** 3, página 2) na ficha da alimentação de corrente alternada da geleira (fig. **4** 1, página 3).
- Ligue o cabo de conexão à tomada de corrente alternada.

7.4 Utilizar o monitorizador da bateria

O aparelho está equipado com um monitorizador da bateria que evita que a bateria do veículo se descarregue excessivamente ao ser ligada à rede de bordo de corrente contínua.

Se a geleira for operada com a ignição do veículo desligada, desliga-se automaticamente logo que a tensão de alimentação desça abaixo de um valor regulado. A geleira liga-se novamente assim que a tensão de reativação for alcançada através do carregamento da bateria.



NOTA! Perigo de danos!

Quando a bateria é desligada através do monitorizador da bateria deixa de dispor da sua capacidade de carregamento completa. Evite arranques contínuos ou por em funcionamento outros consumidores de energia sem ter carregado bem a bateria. Garanta que a bateria é recarregada.

No modo “HIGH”, o monitorizador da bateria é mais rapidamente ativado do que nos níveis “LOW” e “MED” (ver seguinte tabela).

Modo do monitorizador da bateria	LOW	MED	HIGH
Tensão de desconexão a 12 V	10,1 V	11,4 V	11,8 V
Tensão de reativação a 12 V	11,1 V	12,2 V	12,6 V
Tensão de desconexão a 24 V	21,5 V	24,1 V	24,6 V
Tensão de reativação a 24 V	23,0 V	25,3 V	26,2 V

Para alterar o modo do monitorizador da bateria, proceda do seguinte modo:

- ▶ Ligue a geleira.
- ▶ Prima três vezes o botão “SET” (fig. 3 4, página 3).
- ▶ Regule com os botões “UP +” (fig. 3 7, página 3) ou “DOWN –” (fig. 3 6, página 3), o modo do monitorizador da bateria.
- ✓ No monitor é exibida a seguinte informação:
Lo (LOW), Md (MED), Hi (HIGH)
- ✓ O monitor indica, durante alguns segundos, o modo ajustado. O monitor pisca algumas vezes antes de voltar a apresentar a temperatura atual.

**OBSERVAÇÃO**

Quando a geleira é alimentada pela bateria de arranque, selecione o modo do monitorizador da bateria “HIGH”. Quando a geleira está conectada a uma bateria de alimentação, é suficiente o modo do monitorizador da bateria “LOW”.

7.5 Utilizar a geleira**NOTA! Perigo de sobreaquecimento!**

Tenha sempre atenção para que o calor gerado durante o funcionamento seja dissipado adequadamente. Tenha atenção para que as aberturas de ventilação não sejam obstruídas. Certifique-se de que o aparelho está posicionado a uma distância suficiente de paredes ou objetos de modo a que o ar possa circular livremente.

- ▶ Pouse a geleira sobre uma superfície estável. Tenha atenção para que as aberturas de ventilação não sejam cobertas e o ar aquecido possa sair adequadamente.

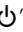
**OBSERVAÇÃO**

Coloque a geleira como ilustrado na (fig. **1**, página 2). Se colocar a geleira em funcionamento noutra posição, pode danificá-la.

- ▶ Ligue a geleira, ver capítulo “Conectar a geleira” na página 114.

**NOTA! Perigo devido a temperatura demasiado baixa!**

Certifique-se de que na geleira apenas se encontram objetos ou produtos que possam ser refrigerados à temperatura selecionada.

- ▶ Prima o botão “ON/OFF” (fig. **3** 1, página 3) durante um a dois segundos.
- ✓ O LED “” acende.
- ✓ O monitor (fig. **3** 5, página 3) liga-se e indica a temperatura de refrigeração atual.

**PRECAUÇÃO! Perigo para a saúde!**
CFX65DZ:

Se a temperatura no compartimento do congelador (fig. **8** 1, página 5) estiver ajustada de modo demasiado baixo (p. ex., -22°C), também o âmbito de temperatura pode apresentar graus negativos no compartimento central (fig. **8** 2, página 5).

**OBSERVAÇÃO****Temperatura exibida****• CFX28, CFX35W, CFX40W, CFX50W, CFX65W:**

A temperatura exibida refere-se ao compartimento de refrigeração e do congelador grande (p. ex., CFX50W, CFX65W: fig. **7** 1, página 4).

• CFX65DZ:

- Com parede de separação no compartimento de refrigeração e do congelador: A temperatura exibida refere-se ao compartimento do congelador (fig. **8** 1, página 5).
- Sem parede de separação no compartimento de refrigeração e do congelador: A temperatura real no interior pode divergir um pouco da temperatura exibida.

- ✓ A geleira inicia a refrigeração do interior.

**OBSERVAÇÃO**

No funcionamento com uma bateria, o monitor desliga-se automaticamente quando a tensão da bateria é demasiado baixa. O LED “**U**” pisca a cor de laranja.

Bloquear a geleira

- Feche a tampa.
- Pressione o bloqueio (fig. **2** 1, página 2) para baixo até ele engrenar de forma audível.

**OBSERVAÇÃO– Alarme “Tampa aberta”**

Se deixar a tampa aberta durante mais de três minutos e o aparelho estiver ligado, a luz interior pisca até a tampa voltar a ser fechada.

7.6 Regular a temperatura

- ▶ Prima uma vez o botão “SET” (fig. **3** 4, página 3).
- ▶ Regule a temperatura de refrigeração com os botões “UP +” (fig. **3** 7, página 3) ou “DOWN –” (fig. **3** 6, página 3).
- ✓ O monitor indica, durante alguns segundos, a temperatura de refrigeração pretendida que foi regulada. O monitor pisca algumas vezes antes de voltar a apresentar a temperatura atual.



OBSERVAÇÃO

Regular a temperatura de cada compartimento de regulação para $-22\text{ }^{\circ}\text{C}$. No entanto, o fabricante recomenda uma temperatura de $-15\text{ }^{\circ}\text{C}$ a $-18\text{ }^{\circ}\text{C}$ para o modo normal e um consumo de energia ótimo.

7.7 Ativar o sinal WLAN para a aplicação opcional (todos os modelos, exceto CFX28 e CFX65DZ)

O aparelho de refrigeração pode ser comandado via WLAN com uma aplicação que pode ser instalada num aparelho compatível. A aplicação está equipada com funções de controlo, indicação e alarme.

Encontra informações mais pormenorizadas na página web da Dometic do seu país (ver verso). Lembre-se de que a aplicação poderá não estar disponível no seu país.

O nome WLAN da geleira com compressor inicia com “CFX”. A palavra-passe predefinida é “00000000”. O nome da WLAN e a palavra-passe podem ser modificados individualmente.

Ligar/desligar o sinal WLAN

- ▶ Prima cinco vezes o botão “SET” (fig. **3** 4, página 3).
- ▶ Ligue ou desligue o sinal WLAN com os botões “UP +” (fig. **3** 7, página 3) ou “DOWN –” (fig. **3** 6, página 3).
- ✓ O monitor indica, durante alguns segundos, o ajuste pretendido. O monitor pisca algumas vezes antes de voltar a apresentar a temperatura atual.

**OBSERVAÇÃO**

- O emissor WLAN está desligado na definição de fábrica. Para poder utilizar a aplicação é necessário ligar o emissor WLAN durante a primeira colocação em funcionamento e após cada interrupção de corrente.
- O emissor WLAN utiliza uma pequena quantidade de corrente elétrica. Para alcançar uma capacidade energética ótima, desligue o emissor WLAN se o mesmo não for utilizado.

Repor a WLAN para as configurações de fábrica

Se tiver personalizado as regulações WLAN do aparelho de refrigeração através da aplicação WLAN e se tiver esquecido da sua palavra-passe, poderá repor o aparelho de refrigeração para as definições de fábrica da seguinte forma:

- ▶ Prima cinco vezes o botão “SET” (fig. 3 4, página 3).
- ▶ Mantenha o botão “UP +” (fig. 3 7, página 3) premido durante, pelo menos, cinco segundos.
- ✓ Nos monitores pisca algumas vezes “rES” antes dos mesmos serem repostos para a representação anterior.
- ✓ As regulações WLAN foram repostas para a definição de fábrica.

Para obter mais informações, visite a página web da Dometic da qual descarregou a aplicação.

7.8 Configurar a luminosidade do monitor

Num ambiente escuro, a luminosidade do monitor pode ser alterada. Para ajustar a luminosidade do monitor, proceda do seguinte modo:

- ▶ Ligue a geleira.
- ▶ Prima quatro vezes o botão “SET” (fig. 3 4, página 3).
- ▶ Regule a luminosidade do monitor com os botões “UP +” (fig. 3 7, página 3) ou “DOWN –” (fig. 3 6, página 3).
- ✓ No monitor é exibida a seguinte informação: d0 (predefinição), d1 (luminosidade média), d2 (escuro)
- ✓ O monitor indica, durante alguns segundos, o modo ajustado. O monitor pisca algumas vezes antes de voltar a apresentar a luminosidade atual.

**OBSERVAÇÃO**

- O ajuste de fábrica da luminosidade do monitor é d0 (predefinição).
- Se ocorrer uma falha, a luminosidade é automaticamente ajustada para d0 (predefinição). Após a resolução da falha, a luminosidade ajustada é novamente ativada.

7.9 Utilizar o interruptor de emergência (se existente)

Em todos os modelos, exceto no CFX 28, o interruptor de emergência (fig. **4** 3, página 3) encontra-se por baixo do painel de comando. No CFX 28, o interruptor de emergência encontra-se sobre as tomadas de ligação. Para o funcionamento normal, o interruptor encontra-se em “NORMAL USE” (utilização normal).

- Se ocorrer uma falha da eletrónica de controlo, faça deslizar o interruptor até “EMERGENCY OVERRIDE” (acionamento de emergência).

**OBSERVAÇÃO**

Se o interruptor estiver na posição “EMERGENCY OVERRIDE”, a geleira funciona com a potência de refrigeração total e o conteúdo pode ser congelado.

7.10 Conexão USB para a alimentação de tensão

Poderá utilizar a conexão USB para carregar peças de pequenas dimensões (p. ex. telemóveis e leitores MP3).

Se pretender utilizar a sua geleira com um dispositivo USB, conecte simplesmente um cabo USB (não incluído no material fornecido) ao dispositivo.

**OBSERVAÇÃO**

Certifique-se de que o aparelho de pequenas dimensões conectado à conexão USB é adequado para o funcionamento com 5 V/500 mA.

7.11 Desligar a geleira

- Esvazie a geleira.
- Desligue a geleira.
- Retire o cabo de conexão da tomada.

Se não pretender utilizar a geleira durante um período de tempo mais prolongado:

- Deixe a tampa ligeiramente aberta. Deste modo, evita a formação de odores.

7.12 Descongelar a geleira

A humidade do ar pode formar gelo no vaporizador ou no interior da geleira, o que reduz a potência de refrigeração. Descongele o aparelho atempadamente.



NOTA! Perigo de danos!

Nunca utilize ferramentas duras ou pontiagudas para retirar as camadas de gelo ou para libertar objetos congelados.

Proceda do seguinte modo para descongelar a geleira:

- Retire os produtos congelados.
- Se necessário, guarde-os num outro aparelho de refrigeração para que permaneçam frios.
- Desligue o aparelho.
- Deixe a tampa aberta.
- Limpe a água de degelo.

7.13 Substituir o fusível da corrente alternada



PERIGO! Perigo de morte devido a choque elétrico!

Separe a alimentação de tensão e substitua o cabo de conexão antes de substituir o fusível do aparelho.

- Separe a alimentação de tensão até ao aparelho.
- Retire os cabos de conexão das tomadas.
- Retire o encaixe do fusível (fig. **4** 2, página 3) p. ex. com uma chave de parafusos.
- Substitua o fusível queimado com defeito por um novo fusível em vidro do mesmo tipo com o mesmo valor (4 A, 250 V).
- Volte a pressionar o encaixe do fusível para dentro da caixa.
- Feche a alimentação de tensão até ao aparelho.

7.14 Substituir o fusível da ficha de corrente contínua

- ▶ Desaparafuse a caixa do pino de contacto (fig. **9** 3, página 5) da ficha (fig. **9** 1, página 5).
- ▶ Substitua o fusível queimado (fig. **9** 2, página 5) por um fusível novo do mesmo tipo e com as mesmas características (3AG, Fast Acting, 15 A).
- ▶ Volte a montar a ficha na sequência inversa.

7.15 Substituir a placa do circuito de luz

- ▶ Separe a alimentação de tensão até ao aparelho.
- ▶ Abra a cobertura transparente com a ajuda de uma chave de parafusos (fig. **10** 1, página 5).
- ▶ Solte os parafusos de montagem da placa de circuitos (fig. **10** 2, página 5).
- ▶ Retire a ficha da placa de circuitos (fig. **10** 3, página 5).
- ▶ Substitua a placa do circuito de luz danificada por uma nova.
- ▶ Aplique uma nova placa de circuitos, executando, em sequência inversa, os passos descritos na instrução para a remoção da placa de circuitos.
- ▶ Volte a colocar a cobertura transparente na caixa.
- ▶ Feche a alimentação de tensão até ao aparelho.

8 Limpeza e manutenção

**AVISO!**

Antes de cada limpeza e conservação, separe o aparelho da rede.

**NOTA! Perigo de danos!**

- Nunca limpe a geleira debaixo de água corrente nem dentro de água de lavar a loiça.
- Não utilize produtos de limpeza abrasivos ou objectos duros para a limpeza, uma vez que podem danificar a geleira.

- De vez em quando, limpe o interior e o exterior do aparelho com um pano húmido.
- Certifique-se que as aberturas de ventilação e extracção de ar do aparelho estão livres de pó e sujidade para que, durante o funcionamento, o ar quente possa ser extraído e o aparelho não seja danificado.

9 Garantia

É válido o prazo de garantia legal. Se o produto estiver com defeito, por favor, dirija-se à representação do fabricante no seu país (endereços, ver verso do manual) ou ao seu revendedor.

Para fins de reparação ou de garantia, terá de enviar os seguintes documentos em conjunto:

- uma cópia da factura com a data de aquisição,
- um motivo de reclamação ou uma descrição da falha.

10 Resolução de falhas

Falha	Possível causa	Sugestão de solução
O aparelho de refrigeração não funciona, o LED não acende.	A tomada de corrente contínua existente no veículo não tem tensão.	Na maioria dos veículos, a ignição tem de estar ligada para que a tomada de corrente contínua tenha tensão elétrica.
	A tomada de corrente alternada não conduz tensão.	Tente novamente noutra tomada.
	O fusível do aparelho está queimado.	Substitua o fusível do aparelho, ver capítulo “Substituir o fusível da corrente alternada” na página 122.
	A fonte de alimentação integrada está avariada.	A reparação apenas pode ser realizada por um serviço de assistência técnica autorizado.
O aparelho de refrigeração não refrigera (ficha inserida na tomada, LED “POWER” acende).	Compressor avariado.	A reparação apenas pode ser realizada por um serviço de assistência técnica autorizado.
O aparelho de refrigeração não refrigera (ficha inserida na tomada, LED “POWER” pisca a cor de laranja, monitor desligado).	Modo do monitorizador da bateria demasiado alto.	Regule o monitorizador da bateria para um modo mais baixo.
	Tensão da bateria insuficiente.	Eventualmente, carregue a bateria.

Falha	Possível causa	Sugestão de solução
No funcionamento com tomada de corrente contínua: a ignição está ligada, o aparelho não funciona e o LED não acende.	O casquilho da tomada de corrente contínua está sujo. Isto resulta num mau contacto eléctrico.	Se a ficha ficar muito quente na tomada de corrente contínua, é necessário limpar o casquilho ou é possível que a ficha não esteja montada corretamente.
	O fusível da ficha de corrente contínua está queimado.	Substitua o fusível da ficha de corrente contínua, ver capítulo “Substituir o fusível da ficha de corrente contínua” na página 123
	O fusível do veículo está queimado.	Substitua o fusível do veículo da tomada de corrente contínua (para isso, consulte o manual de instruções do seu automóvel).
O monitor indica uma mensagem de erro (p. ex. “Err1”) e o aparelho de refrigeração não refrigera.	Uma falha de funcionamento interna desligou o aparelho de refrigeração.	A reparação apenas pode ser realizada por um serviço de assistência técnica autorizado.
A iluminação interior de um compartimento pisca.	A tampa do compartimento foi deixada aberta durante mais de três minutos	Fechete a tampa do compartimento.

11 Eliminação

- ▶ Sempre que possível, coloque o material de embalagem no respectivo contentor de reciclagem.



Para colocar o aparelho definitivamente fora de funcionamento, por favor, informe-se junto do centro de reciclagem mais próximo ou revendedor sobre as disposições de eliminação aplicáveis.

12 Dados técnicos

	CFX28	CFX35W	CFX40W
N.º art.:	9600000468 9600000469	9600000470 9600000471	9600000472 9600000473
Tensão de conexão:	12/24 V \equiv e 100 – 240 V \sim		
Corrente nominal:	12 V \equiv : 6,5 A 24 V \equiv : 3,2 A 100 V \sim : 0,75 A 240 V \sim : 0,32 A	12 V \equiv : 7,0 A 24 V \equiv : 3,2 A 100 V \sim : 0,86 A 240 V \sim : 0,42 A	
Potência de refrigeração:	+10 °C até -22 °C (+50 °F até -8 °F)		
Categoria:	1		
Classe de eficiência energética:	A++		
Consumo de energia:	61 kWh/ano	62 kWh/ano	64 kWh/ano
Volume bruto:	28 l	34,5 l	41 l
Volume útil:	26 l	32 l	38 l
Classe de climatização:	N, T		
Temperatura ambiente:	+16 °C a +43 °C (+61 °F até +110 °F)		
Emissões acústicas:	34 dB(A)	42 dB(A)	
Conexão USB:	5 V \equiv , 500 mA		
Banda de frequência (Wi-Fi):	2,4 GHz (Módulo de rádio)	2,4 GHz	
Potência de alta frequência (Wi-Fi):	11 – 0 dBm (Módulo de rádio)	16 \pm 1,5 dBm (802.11b CCK, 11 MBit/s) 12 \pm 1,5 dBm (802.11g OFDM, 54 MBit/s) 11 \pm 1,5 dBm (802.11n HT20, MCS7)	
Quantidade do agente de refrigeração:	38 g	33 g	38 g
Equivalente a CO ₂ :	0,054 t	0,047 t	0,054 t
Potencial de aquecimento global (GWP):	1430		

	CFX28	CFX35W	CFX40W
Dimensões (L x A x P) em mm (com pegas):	342 x 425 x 620	398 x 411 x 692	398 x 461 x 692
Peso:	13 kg	17,5 kg	18,5 kg

	CFX50W	CFX65W	CFX65DZ
N.º art.:	9600000474 9600000475	9600000476 9600000477	9600000478 9600000479
Tensão de conexão:	12/24 V $\overline{=}$ e 100 – 240 V \sim		
Corrente nominal:	12 V $\overline{=}$: 7,8 A 24 V $\overline{=}$: 3,6 A 100 V \sim : 0,95 A 240 V \sim : 0,46 A	12 V $\overline{=}$: 8,2 A 24 V $\overline{=}$: 3,8 A 100 V \sim : 1,0 A 240 V \sim : 0,48 A	12 V $\overline{=}$: 5,5 A 24 V $\overline{=}$: 2,6 A 100 V \sim : 0,75 A 240 V \sim : 0,37 A
Potência de refrigeração:	+10 °C até -22 °C (+50 °F até -8 °F)		
Categoria:	1		
Classe de eficiência energética:	A++		A+
Consumo de energia:	66 kWh/ano	69 kWh/ano	115 kWh/ano
Volume bruto:	50 l	65 l	com separador: 61 l sem separador: 65 l
Volume útil:	46 l	60 l	53 l
Classe de climatização:	N, T		
Temperatura ambiente:	+16 °C a +43 °C (+61 °F até +110 °F)		
Emissões acústicas:	42 dB(A)		
Conexão USB:	5 V $\overline{=}$, 500 mA		
Banda de frequência (Wi-Fi):	2,4 GHz		-
Potência de alta frequência (Wi-Fi):	16 \pm 1,5 dBm (802.11b CCK, 11 MBit/s) 12 \pm 1,5 dBm (802.11g OFDM, 54 MBit/s) 11 \pm 1,5 dBm (802.11n HT20, MCS7)		-
Quantidade do agente de refrigeração:	43 g	57 g	31 g

	CFX50W	CFX65W	CFX65DZ
Equivalente a CO ₂ :	0,062 t	0,082 t	0,044 t
Potencial de aquecimento global (GWP):	1430		
Dimensões (L x A x P) em mm (com pegas):	725 x 471 x 455	725 x 561 x 455	725 x 561 x 455
Peso:	20,4 kg	22,3 kg	23,2 kg

**OBSERVAÇÃO**

A partir de temperaturas ambiente acima de 32 °C (90 °F), a temperatura mínima deixa de poder ser alcançada.

Verificação/Certificados:



O circuito de refrigeração contém R134a.

Contém gases fluorados com efeito de estufa

Equipamento hermeticamente fechado

Não existem restrições para a utilização da função Wi-Fi do aparelho nos Estados-Membros da UE.

Prima di effettuare la messa in funzione leggere accuratamente questo manuale di istruzioni, conservarlo e, in caso di trasmissione dell'apparecchio consegnarlo all'utente successivo.

Il produttore declina ogni responsabilità per danni risultanti da un **uso non conforme alla destinazione** o **da un impiego scorretto**.

Indice

1	Spiegazione dei simboli	131
2	Istruzioni per la sicurezza	131
2.1	Sicurezza generale	131
2.2	Sicurezza durante il funzionamento dell'apparecchio	133
3	Dotazione	134
4	Accessori	134
5	Conformità d'uso	135
6	Descrizione del funzionamento	136
6.1	Funzioni	136
6.2	Elementi di comando e indicazione	137
7	Impiego	138
7.1	Prima della messa in funzione iniziale	138
7.2	Suggerimenti per risparmiare energia	139
7.3	Collegamento del frigorifero portatile	139
7.4	Utilizzo del dispositivo di controllo automatico della batteria	141
7.5	Utilizzo del frigorifero portatile	142
7.6	Regolazione della temperatura	144
7.7	Attivazione del segnale WLAN per la app opzionale (tutti tranne CFX28 e CFX65DZ)	144
7.8	Impostazione della luminosità del display	145
7.9	Utilizzo dell'interruttore di emergenza (se disponibile)	146
7.10	Porta USB per la tensione di alimentazione	146
7.11	Disattivazione del frigorifero	147
7.12	Sbrinamento del frigorifero	147
7.13	Sostituzione del fusibile della corrente alternata	147
7.14	Sostituzione del fusibile della spina della corrente continua	148
7.15	Sostituzione del circuito stampato delle luci	148
8	Pulizia e cura	149

9	Garanzia	149
10	Ricerca guasti	150
11	Smaltimento	151
12	Specifiche tecniche	152

1 Spiegazione dei simboli



AVVERTENZA!

Avviso di sicurezza: la mancata osservanza di questo avviso può causare ferite gravi anche mortali.



ATTENZIONE!

Avviso di sicurezza: la mancata osservanza di questo avviso può essere causa di lesioni.



AVVISO!

La mancata osservanza di questa nota può causare danni materiali e compromettere il funzionamento del prodotto.



NOTA

Informazioni integranti relative all'impiego del prodotto.

2 Istruzioni per la sicurezza

2.1 Sicurezza generale



AVVERTENZA!

- Se l'apparecchio presenta danni visibili, non metterlo in funzione.
- Se il cavo di allacciamento di questo apparecchio viene danneggiato, esso deve essere sostituito dal produttore, da parte del suo servizio clienti, oppure da una persona sufficientemente qualificata, al fine di evitare pericoli.
- Questo apparecchio deve essere riparato solo da personale specializzato. Le riparazioni effettuate in modo scorretto potrebbero causare rischi enormi.

- Il presente apparecchio può essere usato da bambini a partire dagli 8 anni e da utenti con ridotte capacità fisiche, sensoriali o mentali o inesperti e/o con conoscenze insufficienti, se non sono lasciati soli o se sono stati istruiti sull'utilizzo sicuro dell'apparecchio e hanno compreso i pericoli che possono insorgere.
- La pulizia e la manutenzione da parte dell'utente non possono essere compiute da bambini lasciati soli.
- I bambini non possono giocare con l'apparecchio.
- Sorvegliare i bambini per evitare che giochino con l'apparecchio.
- Conservare e utilizzare l'apparecchio lontano dalla portata dei bambini al di sotto degli 8 anni.
- Nell'apparecchio non conservare sostanze esplosive come ad es. bombolette spray con gas propellente infiammabile.

**ATTENZIONE!**

- Staccare l'apparecchio dalla rete
 - prima di effettuare la pulizia e la cura
 - dopo ogni utilizzo
- I prodotti alimentari possono essere conservati solo nelle confezioni originali o in contenitori adeguati.

**AVVISO!**

- Confrontare i dati della tensione riportati sulla targhetta con quelli delle prese e degli attacchi disponibili.
- Collegare l'apparecchio solo nel modo seguente:
 - con il cavo di allacciamento CC alla spina CC del veicolo
 - oppure con il cavo di allacciamento da CA alla rete di alimentazione in corrente alternata
- Non estrarre mai la spina dalla presa tirando il cavo di allacciamento.
- Quando il frigorifero è collegato ad un presa CC: Staccare il frigorifero e le altre utenze dalla batteria prima di collegare il caricabatterie rapido.
- Quando il frigorifero è collegato ad un presa CC: Interrompere il collegamento o spegnere il frigorifero se il motore viene spento. Altrimenti la batteria si può scaricare.
- Il frigorifero non è adatto per il trasporto di sostanze corrosive o solventi.

- Questo frigorifero contiene nell'isolamento ciclopentano infiammabile. I gas contenuti nel materiale di isolamento richiedono un processo di smaltimento particolare. Al termine della sua vita utile, smaltire l'apparecchio in modo conforme.

2.2 Sicurezza durante il funzionamento dell'apparecchio



ATTENZIONE!

- Prima della messa in funzione assicurarsi che la linea di alimentazione e la spina siano asciutte.



AVVISO!

- Non utilizzare apparecchi elettrici all'interno del frigorifero ad eccezione di quelli consigliati dallo stesso produttore.
- Non collocare l'apparecchio nelle vicinanze di fiamme libere o altre fonti di calore (riscaldamento, intensa esposizione ai raggi solari, forni a gas ecc.).
- **Pericolo di surriscaldamento!**
Assicurarsi che il calore generato durante il funzionamento sfiori sufficientemente. Assicurarsi che la distanza fra l'apparecchio e le pareti o altri oggetti sia tale che l'aria possa circolare liberamente.
- Fare attenzione che le feritoie di aerazione non vengano coperte.
- Non versare nessun tipo di liquido o ghiaccio nel contenitore interno.
- Non immergere mai l'apparecchio in acqua.
- Proteggere l'apparecchio e i cavi dal caldo e dall'umidità.

3 Dotazione

Vedi fig. 1, pagina 2

Pos.	Quantità	Denominazione
1	1	Frigorifero portatile
2	1	Cavo di collegamento per corrente continua
3	1	Cavo di collegamento per corrente alternata
–	1	Manuale di istruzioni

4 Accessori

Disponibili come accessori (non in dotazione):

Denominazione	N. art.	Modello
Kit di fissaggio universale (sistema a cinghie) CFX-UFK	9108300002	adatto per tutti i modelli
Kit di fissaggio Quick-Release CFX-QFK	9600000166	per CFX28
Display remoto CFX-WD	9600000164	adatto per CFX28, CFX65DZ e modelli precedenti senza funzione per la WLAN app

Sulla pagina web di Dometic (vedi retro) trovate informazioni su una app per la WLAN con funzioni di controllo, visualizzazione e allarme (**tutti tranne** CFX28 e CFX65DZ). È possibile che questa app non sia disponibile nel vostro paese.

5 Conformità d'uso

Il frigorifero è adatto per raffreddare e congelare gli alimenti.

Il frigorifero portatile è stato realizzato per il funzionamento con:

- una rete di corrente continua di un veicolo, una barca o un camper
- una batteria di alimentazione a corrente continua
- Una rete di alimentazione alternata

Il frigorifero è adatto per l'uso domestico e campi di applicazione simili come ad esempio

- in cucine per il personale in negozi, uffici e altri campi professionali
- in agricoltura
- dagli ospiti in hotel, motel o altri alloggi
- in bed & breakfast
- nel catering e applicazioni simili nel commercio all'ingrosso



ATTENZIONE! Pericolo per la salute!

Controllare che la capacità di raffreddamento dell'apparecchio sia conforme ai requisiti dei generi alimentari o dei medicinali che si desidera raffreddare.

6 Descrizione del funzionamento

Il frigorifero portatile può raffreddare, mantenere freddi i prodotti e surgelarli. Il raffreddamento avviene mediante un circuito di raffreddamento che non richiede manutenzione e con compressore. L'isolamento particolarmente spesso e il potente compressore garantiscono un raffreddamento estremamente veloce.

Il frigorifero portatile è adatto per essere impiegato anche per l'uso mobile.

Il frigorifero portatile può essere esposto a uno sbandamento momentaneo di 30°, ad es. per l'impiego sulle barche.

6.1 Funzioni

- Alimentatore con circuito prioritario per il collegamento alla tensione alternata
- Dispositivo di controllo automatico della batteria a tre livelli per proteggere la batteria del veicolo
- Il display con indicazione della temperatura in °C e °F si disattiva automaticamente in caso di bassa tensione della batteria
- Regolazione della temperatura: con due tasti in passaggi di 1 °C (e di 2 °F)
- Trasmettitore WLAN integrato, per il comando con la app (**tutti tranne CFX28 e CFX65DZ**)
- Maniglie richiudibili
- Porta USB per la tensione di alimentazione
- Interruttore di emergenza (se disponibile)
- Cestino estraibile

6.2 Elementi di comando e indicazione

Fermo del coperchio: fig. 2 1, pagina 2

Pannello di controllo (fig. 3, pagina 3)

Pos.	Denominazione	Spiegazione
1	ON OFF	Accende o spegne il frigorifero se si tiene premuto il tasto da uno a due secondi
2	POWER "⏻"	Spia di funzionamento Il LED lampeggia con luce verde: il compressore è acceso Il LED lampeggia con luce arancio: il compressore è spento Il LED arancione lampeggia: il display si è spento automaticamente perché la tensione della batteria è bassa
3	ERROR:	Il LED lampeggia con luce rossa: Il dispositivo è acceso ma non è pronto per il funzionamento
4	SET	Seleziona la modalità di impostazione: <ul style="list-style-type: none"> • Regolazione della temperatura • Indicazione della temperatura in °Celsius o °Fahrenheit • Impostazione del dispositivo di controllo automatico della batteria • Impostazione della luminosità del display • Accensione/spengimento della WLAN (tutti tranne CFX28 e CFX65DZ)
5	–	Display, indica i valori
6	DOWN –	Premuto una volta diminuisce il valore impostato
7	UP +	Premuto una volta aumenta il valore impostato

Prese di collegamento (fig. 4, pagina 3)

Pos.	Denominazione
1	Presa di collegamento per l'alimentazione di tensione alternata
2	Portafusibile
3	Presa di collegamento per l'alimentazione di tensione continua

Interruttore di emergenza (se presente) e porta USB (fig. 5, pagina 3)

Pos.	Denominazione
1	Interruttore di emergenza
2	Elettronica per dispositivi USB

7 Impiego

7.1 Prima della messa in funzione iniziale

**NOTA**

Per motivi igienici, prima della messa in funzione iniziale del frigorifero, pulirne l'interno e l'esterno con un panno umido (vedi anche capitolo "Pulizia e cura" a pagina 149).

Spostamento del lato di apertura (per CFX50W, CFX65W, CFX65DZ)

Nel caso in cui si desideri aprire il coperchio dall'altro lato, è possibile spostare il lato di apertura. A questo scopo procedere come segue.

- Aprire il coperchio e toglierlo (fig. 6 A, pagina 4).
- Estrarre le tre viti per ogni cerniera (fig. 6 B, pagina 4) e togliere le cerniere.
- Estrarre le coperture in plastica dalle nuove posizioni delle cerniere servendosi di un cacciavite piccolo e posizionarle sopra le cerniere precedenti.
- Applicare le cerniere sulle nuove posizioni.
- Posizionare il coperchio nelle cerniere sul lato opposto (fig. 6 C, pagina 4).

Selezione dell'unità di misura della temperatura

L'indicazione di temperatura può essere selezionata in gradi Celsius e Fahrenheit. A questo scopo procedere come segue.

- ▶ Accendere il frigorifero.
- ▶ Premere due volte il tasto "SET" (fig. **3** 4, pagina 3).
- ▶ Impostare con i tasti "UP +" (fig. **3** 7, pagina 3) o "DOWN –" (fig. **3** 6, pagina 3), l'unità di temperatura °Celsius o °Fahrenheit.
- ✓ Il display visualizza per alcuni secondi l'unità di temperatura impostata. Il display lampeggia alcune volte prima di tornare alla visualizzazione della temperatura attuale.

7.2 Suggerimenti per risparmiare energia

- Scegliere un luogo di impiego ben aerato e riparato dai raggi solari.
- Prima di immagazzinare cibi caldi nell'apparecchio, lasciarli prima raffreddare.
- Non aprire il frigorifero più spesso del necessario.
- Non lasciare il frigorifero aperto più del necessario.
- Sbrinare il vostro frigorifero appena si è formato uno strato di ghiaccio.
- Evitare un abbassamento eccessivo della temperatura interna se non necessario.

7.3 Collegamento del frigorifero portatile

Collegamento a una batteria (veicolo o imbarcazione)

Il frigorifero portatile può essere allacciato a una tensione continua da 12 V \equiv o da 24 V \equiv .



AVVISO! Pericolo di danni!

Staccare il frigorifero portatile e altre utenze dalla batteria prima di caricare la batteria con un caricabatterie rapido.

Le sovratensioni possono danneggiare il sistema elettronico dei dispositivi.

Per motivi di sicurezza, il frigorifero portatile è dotato di una protezione elettronica contro l'inversione di polarità che lo protegge contro l'inversione di polarità quando la batteria viene collegata e da un eventuale cortocircuito.

Utilizzare il cavo di collegamento della corrente continua con fusibile



AVVISO! Pericolo di danni!

Per proteggere il dispositivo la spina del cavo di collegamento della corrente continua è dotato di un fusibile. **Non** rimuovere la spina della corrente continua con fusibile.

Utilizzare esclusivamente il cavo di collegamento della corrente continua fornito.

- Inserire il cavo di collegamento della corrente continua (fig. **1** 2, pagina 2) nella presa per l'alimentazione della corrente continua del frigorifero portatile (fig. **4** 5, pagina 3).
- Collegare il cavo a una presa della corrente continua.

Collegamento a una rete di alimentazione alternata (ad es. a casa o in ufficio)



PERICOLO! Pericolo di morte a causa di scossa elettrica!

- Non usare spine e interruttori se avete mani o piedi bagnati.
- Se il frigorifero portatile si trova a bordo di un'imbarcazione ed è azionato mediante un collegamento a terra a una rete di corrente alternata, è assolutamente necessario inserire un interruttore differenziale di protezione fra la rete di corrente alternata e il frigorifero portatile.
Fatevi consigliare da un esperto.

I frigoriferi portatili hanno un alimentatore multitemperatura integrato con circuito di priorità per il collegamento alla corrente alternata. Con il circuito di priorità, quando il dispositivo viene allacciato a una rete di alimentazione alternata, viene commutato automaticamente al funzionamento la corrente alternata, anche se il cavo di collegamento di corrente continua è ancora attaccato.

Quando il frigorifero portatile viene commutato da un'alimentazione di rete della corrente alternata a un'alimentazione a batteria della corrente continua il LED rosso potrebbero accendersi per breve tempo.

- Inserire il cavo di collegamento della corrente alternata (fig. **1** 3, pagina 2) nella presa per l'alimentazione della corrente alternata del frigorifero portatile (fig. **4** 1, pagina 3).
- Collegare il cavo a una presa della corrente alternata.

7.4 Utilizzo del dispositivo di controllo automatico della batteria

Il frigorifero portatile dispone di un dispositivo di controllo automatico della batteria a più livelli che protegge la batteria del veicolo da uno scaricamento eccessivo durante il collegamento alla rete di bordo della corrente continua.

Se il frigorifero portatile viene azionato a motore spento all'interno del veicolo, esso si spegne automaticamente non appena la tensione di alimentazione scende al di sotto di un valore impostato. Se il frigorifero portatile viene azionato a motore spento all'interno del veicolo, esso si spegne automaticamente non appena la tensione di alimentazione scende al di sotto di un valore impostato.



AVVISO! Pericolo di danni!

La batteria, al momento della disattivazione tramite il dispositivo di controllo automatico, non possiede più la sua piena capacità di carica. Evitare l'accensione ripetuta o l'utilizzo di utenze senza fasi di carica lunghe. Fare in modo che la batteria venga ricaricata.

Nella modalità "HIGH", il dispositivo di controllo automatico della batteria si attiva più velocemente che nei livelli "LOW" e "MED" (vedi la tabella seguente).

Modalità del dispositivo di controllo automatico della batteria	LOW	MED	HIGH
Tensione di interruzione a 12 V	10,1 V	11,4 V	11,8 V
Tensione di ripristino a 12 V	11,1 V	12,2 V	12,6 V
Tensione di interruzione a 24 V	21,5 V	24,1 V	24,6 V
Tensione di ripristino a 24 V	23,0 V	25,3 V	26,2 V

Per modificare la modalità per il dispositivo di controllo automatico della batteria, procedere come segue:

- Accendere il frigorifero.
- Premere tre volte il tasto "SET" (fig. 3 4, pagina 3).
- Impostare con i tasti "UP +" (fig. 3 7, pagina 3) o "DOWN –" (fig. 3 6, pagina 3), la modalità per il dispositivo di controllo automatico della batteria.
- ✓ Sul display appare:
Lo (LOW), Пd (MED), Hi (HIGH)

- ✓ Il display visualizza per alcuni secondi la modalità impostata. Il display lampeggia alcune volte prima di tornare alla visualizzazione della temperatura attuale.

**NOTA**

Se il frigorifero è alimentato dalla batteria di avviamento del veicolo, selezionare la modalità del dispositivo di controllo automatico della batteria "HIGH". Se il frigorifero è collegato ad una batteria di alimentazione, è sufficiente selezionare la modalità del dispositivo di controllo automatico della batteria "LOW".

7.5 Utilizzo del frigorifero portatile

**AVVISO! Pericolo di surriscaldamento!**

Assicurarsi sempre che il calore generato durante il funzionamento possa fuoriuscire in modo adeguato. Fare attenzione che le feritoie di aerazione non vengano coperte. Fare in modo che la distanza fra il dispositivo e le pareti o altri oggetti sia tale da permettere all'aria di circolare liberamente.

- Collocare il frigorifero portatile su una base stabile. Assicurarsi che le feritoie di aerazione non vengano coperte e che l'aria calda prodotta possa fuoriuscire liberamente.

**NOTA**

Posizionare il frigorifero portatile come rappresentato dall'immagine (fig. **1**, pagina 2). Se il frigorifero portatile viene posizionato in maniera differente, esso può venire danneggiato.

- Per collegare il frigorifero portatile, vedi capitolo "Collegamento del frigorifero portatile" a pagina 139.

**AVVISO! Pericolo dovuto a temperature troppo basse!**

Assicurarsi che nel frigorifero portatile si trovino solo oggetti o prodotti che possono essere raffreddati alla temperatura selezionata.

- Premere il tasto "ON/OFF" (fig. **3** 1, pagina 3) da uno a due secondi.
- ✓ Si accende il LED "⏻".
- ✓ Il display (fig. **3** 5, pagina 3) si accende e indica la temperatura di raffreddamento attuale.

**ATTENZIONE! Pericolo per la salute!****CFX65DZ:**

Qualora la temperatura nel freezer (fig. **8** 1, pagina 5) sia impostata a un livello molto basso (ad es. $-22\text{ }^{\circ}\text{C}$), anche la temperatura nel vano frigorifero intermedio (fig. **8** 2, pagina 5) può risultare sotto zero.

**NOTA****Temperatura indicata**

- **CFX28, CFX35W, CFX40W, CFX50W, CFX65W:**

La temperatura indicata si riferisce al vano frigorifero e freezer grande (ad es. CFX50W, CFX65W: fig. **7** 1, pagina 4).

- **CFX65DZ:**

- Con divisoria nel vano frigorifero e freezer: la temperatura indicata si riferisce al vano freezer (fig. **8** 1, pagina 5).
- Senza divisoria nel vano frigorifero e freezer: La temperatura effettiva all'interno può discostare leggermente dalla temperatura indicata.

✓ Lo spazio interno del frigorifero portatile inizia a raffreddarsi.

**NOTA**

In caso di funzionamento con una batteria, il display si spegne automaticamente quando la tensione della batteria è bassa. Il LED arancione "⏻" lampeggia.

Bloccaggio del frigorifero portatile

- Chiudere il coperchio.
- Premere il fermo (fig. **2** 1, pagina 2) verso il basso, finché non si innesta con uno scatto udibile.

**NOTA – Allarme "Coperchio aperto"**

Se il coperchio viene lasciato aperto per più di tre minuti e il dispositivo è acceso, la spia lampeggia fino a che il coperchio non viene richiuso.

7.6 Regolazione della temperatura

- ▶ Premere una volta il tasto “SET” (fig. **3** 4, pagina 3).
- ▶ Impostare la temperatura di raffreddamento con i tasti “UP +” (fig. **3** 7, pagina 3) o “DOWN –” (fig. **3** 6, pagina 3).
- ✓ Il display visualizza per alcuni secondi la temperatura di raffreddamento impostata. Il display lampeggia alcune volte prima di tornare alla visualizzazione della temperatura attuale.



NOTA

È possibile impostare la temperatura di ogni vano a $-22\text{ }^{\circ}\text{C}$. Il produttore consiglia tuttavia una temperatura da $-15\text{ }^{\circ}\text{C}$ a $-18\text{ }^{\circ}\text{C}$ per il funzionamento normale e un consumo ottimale di energia.

7.7 Attivazione del segnale WLAN per la app opzionale (tutti tranne CFX28 e CFX65DZ)

Il frigorifero portatile può essere comandato tramite WLAN con un'app installabile su un dispositivo compatibile. L'app è dotata di funzione di controllo, visualizzazione e allarme.

Ulteriori informazioni sono reperibili sulle pagine web di Dometic del vostro paese (vedi lato posteriore). Osservare che l'app potrebbe non essere disponibile nel vostro paese.

Il nome nella WLAN del frigorifero portatile a compressore inizia con “CFX”. La password preimpostata è “00000000”. Il nome nella WLAN e la password possono essere modificati.

Attivazione/disattivazione del segnale WLAN

- ▶ Premere cinque volte il tasto “SET” (fig. **3** 4, pagina 3).
- ▶ Attivare o disattivare il segnale WLAN con i tasti “UP +” (fig. **3** 7, pagina 3) o “DOWN –” (fig. **3** 6, pagina 3).
- ✓ Il display visualizza per alcuni secondi l'impostazione desiderata. Il display lampeggia alcune volte prima di tornare alla visualizzazione della temperatura attuale.

**NOTA**

- Nelle impostazioni di fabbrica il trasmettitore della WLAN è disattivato. Durante la prima messa in funzione e dopo ogni interruzione dell'alimentazione elettrica, è necessario attivare il trasmettitore della WLAN per poter utilizzare la app.
- Il trasmettitore WLAN utilizza una ridotta quantità di corrente. Per ottenere un consumo di energia ottimale, disattivare il trasmettitore WLAN quando non viene utilizzato.

Ripristino della WLAN alle impostazioni di fabbrica

Se avete personalizzato le impostazioni WLAN del frigorifero portatile tramite la WLAN app e avete dimenticato la password, potete riportare il frigorifero alle impostazioni di fabbrica nel seguente modo:

- Premere cinque volte il tasto "SET" (fig. **3** 4, pagina 3).
- Tenere premuto il tasto "UP +" (fig. **3** 7, pagina 3) almeno per cinque secondi.
- ✓ Sul display lampeggia alcune volte "rES" prima di tornare alla visualizzazione precedente.
- ✓ La WLAN è stata riportata alle impostazioni di fabbrica.

Per ulteriori informazioni, visitare il sito web Dometic dal quale avete scaricato l'app.

7.8 Impostazione della luminosità del display

In ambienti scuri è possibile ridurre la luminosità del display. Per impostare la luminosità del display, procedere come segue:

- Accendere il frigorifero.
- Premere quattro volte il tasto "SET" (fig. **3** 4, pagina 3).
- Impostare la luminosità del display con i tasti "UP +" (fig. **3** 7, pagina 3) o "DOWN –" (fig. **3** 6, pagina 3).
- ✓ Sul display appare:
d0 (preimpostata), d1 (parzialmente luminosa), d2 (scura)
- ✓ Il display visualizza per alcuni secondi la modalità impostata. Il display lampeggia alcune volte prima di tornare alla visualizzazione della luminosità attuale.

**NOTA**

- L'impostazione di fabbrica per la luminosità del display è d0 (preimpostata).
- Se si presenta un guasto, la luminosità è automaticamente d0 (preimpostata). Dopo la risoluzione del guasto, viene nuovamente attivata la luminosità impostata.

7.9 Utilizzo dell'interruttore di emergenza (se disponibile)

L'interruttore d'emergenza (fig. **4** 3, pagina 3) si trova per tutti i modelli, tranne che per CFX28, sotto il pannello di controllo. Per CFX28 l'interruttore d'emergenza si trova sopra le prese di collegamento. Per l'utilizzo normale l'interruttore deve essere su "NORMAL USE" (uso normale).

- ▶ Se si verifica un guasto al sistema di controllo elettronico, spostare l'interruttore su "EMERGENCY OVERRIDE" (funzione di emergenza).

**NOTA**

Se l'interruttore si trova su "EMERGENCY OVERRIDE", il frigorifero portatile funziona alla massima capacità di raffreddamento e il contenuto può essere surgelato.

7.10 Porta USB per la tensione di alimentazione

È possibile utilizzare la porta USB per ricaricare piccoli dispositivi (ad es. telefoni cellulari e lettori MP3).

Per utilizzare il frigorifero portatile con un dispositivo USB, collegare semplicemente il cavo USB (non in dotazione) al dispositivo.

**NOTA**

Assicurarsi che il piccolo dispositivo collegato alla presa USB sia idoneo per il funzionamento a 5 V/500 mA.

7.11 Disattivazione del frigorifero

- ▶ Svuotare il frigorifero.
- ▶ Spegnerne il frigorifero.
- ▶ Estrarre il cavo di allacciamento.

Nel caso in cui il frigorifero portatile non venga utilizzato per un lungo periodo di tempo:

- ▶ Lasciare il coperchio leggermente aperto. In questo modo si impedisce la formazione di odori.

7.12 Sbrinamento del frigorifero

L'umidità dell'aria può condensarsi sul vaporizzatore o all'interno del frigorifero formando brina la quale diminuisce la potenza frigorifera. Sbrinare perciò il dispositivo a tempo debito.



AVVISO! Pericolo di danni!

Non impiegare mai utensili duri o acuminati per rimuovere gli strati di ghiaccio o per liberare oggetti congelati.

Per sbrinare il frigorifero, procedere come segue:

- ▶ Togliere i prodotti dal frigorifero.
- ▶ Metterli eventualmente in un altro frigorifero affinché si mantengano freddi.
- ▶ Spegnerne il dispositivo.
- ▶ Lasciare il coperchio aperto.
- ▶ Asciugare la condensa.

7.13 Sostituzione del fusibile della corrente alternata



PERICOLO! Pericolo di morte a causa di scossa elettrica!

Scollegare la tensione di alimentazione e il cavo di collegamento prima di sostituire il fusibile.

- ▶ Scollegare l'alimentazione elettrica del dispositivo.
- ▶ Estrarre i cavi di collegamento.
- ▶ Sbloccare il portafusibili (fig. 4 2, pagina 3) utilizzando ad es. un cacciavite.

- ▶ Sostituire il fusibile difettoso con uno nuovo dello stesso tipo con lo stesso amperaggio (4 A, 250 V).
- ▶ Premere di nuovo in sede il portafusibili.
- ▶ Collegare l'alimentazione elettrica del dispositivo.

7.14 Sostituzione del fusibile della spina della corrente continua

- ▶ Svitare il corpo del piedino di contatto (fig. **9** 3, pagina 5) dalla spina (fig. **9** 1, pagina 5).
- ▶ Sostituire il fusibile difettoso (fig. **9** 2, pagina 5) con uno nuovo dello stesso tipo e amperaggio (3AG, Fast Acting, 15 A).
- ▶ Riasssemblare la spina nell'ordine inverso.

7.15 Sostituzione del circuito stampato delle luci

- ▶ Scollegare l'alimentazione elettrica del dispositivo.
- ▶ Aprire la copertura trasparente utilizzando un cacciavite (fig. **10** 1, pagina 5).
- ▶ Togliere le viti di fissaggio del circuito stampato (fig. **10** 2, pagina 5).
- ▶ Estrarre la spina dal circuito stampato (fig. **10** 3, pagina 5).
- ▶ Sostituire il circuito stampato guasto con uno nuovo.
- ▶ Inserire un circuito nuovo eseguendo in senso contrario i passaggi descritti nelle istruzioni per l'estrazione del circuito.
- ▶ Inserire di nuovo la copertura trasparente nell'alloggiamento.
- ▶ Collegare l'alimentazione elettrica del dispositivo.

8 Pulizia e cura



AVVERTENZA!

Staccare l'apparecchio dalla rete ogni volta che si effettua la pulizia e la cura.



AVVISO! Pericolo di danni!

- Non lavare mai il frigorifero sotto acqua corrente e non immergerlo in acqua per risciaccarlo.
- Per la pulizia non impiegare detersivi corrosivi oppure oggetti ruvidi, perché potrebbero danneggiare il frigorifero.

- Pulire l'interno e l'esterno dell'apparecchio di tanto in tanto con un panno umido.
- Assicurarsi che le aperture di aerazione e disaerazione dell'apparecchio siano prive di polvere e sporcizia in modo da permettere, al calore generato durante il funzionamento, di fuoriuscire e non danneggiare l'apparecchio.

9 Garanzia

Vale il termine di garanzia previsto dalla legge. Qualora il prodotto risultasse difettoso, La preghiamo di rivolgersi alla filiale del produttore del suo Paese (l'indirizzo si trova sul retro del manuale di istruzioni), oppure al rivenditore specializzato di riferimento.

Per la riparazione e per il disbrigo delle condizioni di garanzia è necessario inviare la seguente documentazione:

- una copia della fattura con la data di acquisto del prodotto,
- un motivo su cui fondare il reclamo, oppure una descrizione del guasto.

10 Ricerca guasti

Guasto	Possibile causa	Soluzione proposta
Il frigorifero portatile non funziona, il LED è spento.	Nella presa di corrente continua del veicolo non c'è tensione.	Nella maggior parte dei veicoli è necessario che l'interruttore di accensione sia inserito perché alla presa di corrente continua possa arrivare tensione.
	Nella presa di corrente alternata non c'è tensione.	Provare a collegare il dispositivo a un'altra presa.
	Il fusibile dell'apparecchio è difettoso.	Sostituire il fusibile dell'apparecchio, vedi capitolo "Sostituzione del fusibile della corrente alternata" a pagina 147.
	L'alimentatore integrato è difettoso.	I lavori di riparazione devono essere effettuati solo da un centro autorizzato per il Servizio Assistenza Clienti.
Il frigorifero portatile non raffredda (la spina è inserita nella presa, il LED "POWER" è acceso).	Compressore difettoso.	I lavori di riparazione devono essere effettuati solo da un centro autorizzato per il Servizio Assistenza Clienti.
Il frigorifero portatile non raffredda (la spina è inserita nella presa, il LED "POWER" lampeggia con luce arancione, il display è spento).	La modalità del dispositivo di controllo automatico della batteria è troppo elevata	Posizionare il dispositivo di controllo automatico della batteria su una modalità più bassa.
	Tensione della batteria insufficiente.	Caricare eventualmente la batteria.

Guasto	Possibile causa	Soluzione proposta
<p>In caso di funzionamento con la presa di corrente continua:</p> <p>l'accensione è inserita, l'apparecchio non funziona e il LED non è acceso.</p>	<p>La presa di corrente continua è sporca. Questo provoca un contatto elettrico sbagliato.</p> <hr/> <p>Il fusibile della spina di corrente continua è bruciato.</p> <hr/> <p>Il fusibile del veicolo è bruciato.</p>	<p>Se la spina inserita nella presa di corrente continua si scalda molto, significa che è necessario pulirla o che probabilmente non è montata in modo corretto.</p> <hr/> <p>Sostituire il fusibile della spina a corrente continua, vedi capitolo "Sostituzione del fusibile della spina della corrente continua" a pagina 148</p> <hr/> <p>Sostituire il fusibile del veicolo della presa di corrente continua osservare inoltre il manuale di istruzioni del proprio veicolo).</p>
<p>Il display indica un messaggio di errore (p.es. "Err1") e il frigorifero portatile non raffredda.</p>	<p>Un guasto di funzionamento interno ha disattivato il frigorifero portatile.</p>	<p>I lavori di riparazione devono essere effettuati solo da un centro autorizzato per il Servizio Assistenza Clienti.</p>
<p>La luce interna di un vano lampeggia.</p>	<p>Il coperchio del vano è stato lasciato aperto per più di tre minuti.</p>	<p>Chiudere il coperchio del vano.</p>

11 Smaltimento

- Raccogliere il materiale di imballaggio possibilmente negli appositi contenitori di riciclaggio.



Quando il prodotto viene messo fuori servizio definitivamente, informarsi al centro di riciclaggio più vicino, oppure presso il proprio rivenditore specializzato, sulle prescrizioni adeguate concernenti lo smaltimento.

12 Specifiche tecniche

	CFX28	CFX35W	CFX40W
N. art:	9600000468 9600000469	9600000470 9600000471	9600000472 9600000473
Tensione di allacciamento:	12/24 V \equiv e 100 – 240 V \sim		
Corrente nominale:	12 V \equiv : 6,5 A 24 V \equiv : 3,2 A 100 V \sim : 0,75 A 240 V \sim : 0,32 A	12 V \equiv : 7,0 A 24 V \equiv : 3,2 A 100 V \sim : 0,86 A 240 V \sim : 0,42 A	
Capacità di raffreddamento:	da +10 °C a -22 °C (da +50 °F a -8 °F)		
Categoria:	1		
Classe di efficienza energetica:	A++		
Consumo energetico:	61 kWh/annum	62 kWh/annum	64 kWh/annum
Capacità lorda:	28 l	34,5 l	41 l
Volume utile:	26 l	32 l	38 l
Classe climatica:	N, T		
Temperatura ambiente:	da +16 °C a +43 °C (da +61 °F a +110 °F)		
Emissioni acustiche:	34 dB(A)	42 dB(A)	
Porta USB:	5 V \equiv , 500 mA		
Banda di frequenze (WiFi):	2,4 GHz (Modulo radio)	2,4 GHz	
Prestazioni ad alta frequenza (WiFi):	11 – 0 dBm (Modulo radio)	16 \pm 1,5 dBm (802.11b CCK, 11 MBit/s) 12 \pm 1,5 dBm (802.11g OFDM, 54 MBit/s) 11 \pm 1,5 dBm (802.11n HT20, MCS7)	
Quantità di refrigerante:	38 g	33 g	38 g
CO ₂ equivalente:	0,054 t	0,047 t	0,054 t
Potenziale di riscaldamento globale (GWP):	1430		

	CFX28	CFX35W	CFX40W
Dimensioni (L x A x P) in mm (con le maniglie):	342 x 425 x 620	398 x 411 x 692	398 x 461 x 692
Peso:	13 kg	17,5 kg	18,5 kg

	CFX50W	CFX65W	CFX65DZ
N. art:	9600000474 9600000475	9600000476 9600000477	9600000478 9600000479
Tensione di allacciamento:	12/24 V \equiv e 100 – 240 V \sim		
Corrente nominale:	12 V \equiv : 7,8 A 24 V \equiv : 3,6 A 100 V \sim : 0,95 A 240 V \sim : 0,46 A	12 V \equiv : 8,2 A 24 V \equiv : 3,8 A 100 V \sim : 1,0 A 240 V \sim : 0,48 A	12 V \equiv : 5,5 A 24 V \equiv : 2,6 A 100 V \sim : 0,75 A 240 V \sim : 0,37 A
Capacità di raffreddamento:	da +10 °C a -22 °C (da +50 °F a -8 °F)		
Categoria:	1		
Classe di efficienza energetica:	A++		A+
Consumo energetico:	66 kWh/annum	69 kWh/annum	115 kWh/annum
Capacità lorda:	50 l	65 l	con divisore: 61 l senza divisore: 65 l
Volume utile:	46 l	60 l	53 l
Classe climatica:	N, T		
Temperatura ambiente:	da +16 °C a +43 °C (da +61 °F a +110 °F)		
Emissioni acustiche:	42 dB(A)		
Porta USB:	5 V \equiv , 500 mA		
Banda di frequenze (WiFi):	2,4 GHz		–
Prestazioni ad alta frequenza (WiFi):	16 \pm 1,5 dBm (802.11b CCK, 11 MBit/s) 12 \pm 1,5 dBm (802.11g OFDM, 54 MBit/s) 11 \pm 1,5 dBm (802.11n HT20, MCS7)		–
Quantità di refrigerante:	43 g	57 g	31 g

	CFX50W	CFX65W	CFX65DZ
CO ₂ equivalente:	0,062 t	0,082 t	0,044 t
Potenziale di riscaldamento globale (GWP):	1430		
Dimensioni (L x A x P) in mm (con le maniglie):	725 x 471 x 455	725 x 561 x 455	725 x 561 x 455
Peso:	20,4 kg	22,3 kg	23,2 kg

**NOTA**

In caso di temperature ambiente superiori a 32 °C (90 °F), non è possibile raggiungere la temperatura minima.

Certificati di controllo:



Il circuito di raffreddamento contiene R134a.

Contiene gas fluorurati a effetto serra

Apparecchiature ermeticamente sigillate

Non si applicano limitazioni per l'uso della funzione WiFi dell'apparecchio nei nuovi stati membri dell'UE.

Lees deze handleiding voor de ingebruikname zorgvuldig door en bewaar deze. Geef de handleiding bij doorgeven van het toestel door aan de gebruiker.

De fabrikant kan niet aansprakelijk worden gesteld voor schade die door **gebruik tegen de voorschriften in** of door **verkeerde bediening** wordt veroorzaakt.

Inhoudsopgave

1	Verklaring van de symbolen	156
2	Veiligheidsinstructies	156
2.1	Algemene veiligheid	156
2.2	Veiligheid bij het gebruik van het toestel	158
3	Omvang van de levering	158
4	Toebehoren	159
5	Reglementair gebruik	159
6	Functiebeschrijving	160
6.1	Functies	160
6.2	Bedienings- en indicatie-elementen	161
7	Bediening	162
7.1	Voor het eerste gebruik	162
7.2	Tips om energie te sparen	163
7.3	Koelbox aansluiten	163
7.4	Accubewaker gebruiken	165
7.5	Koelbox gebruiken	166
7.6	Temperatuur instellen	167
7.7	WLAN-sigitaal voor optionele app activeren (allemaal behalve CFX28 en CFX65DZ)	168
7.8	Helderheid van het display instellen	169
7.9	Noodschakelaar gebruiken (indien voorhanden)	170
7.10	USB-aansluiting voor spanningsvoorziening	170
7.11	Koelbox uitschakelen	170
7.12	Koelbox ontdooien	171
7.13	Wisselstroomzekering vervangen	171
7.14	Gelijkstroomstekkerzekering vervangen	172
7.15	Lichtprintplaat vervangen	172
8	Reiniging en onderhoud	173

9	Garantie	173
10	Verhelpen van storingen	174
11	Afvoer	175
12	Technische gegevens	176

1 Verklaring van de symbolen



WAARSCHUWING!

Veiligheidsaanwijzing: Het niet naleven kan leiden tot overlijden of ernstig letsel.



VOORZICHTIG!

Veiligheidsaanwijzing: Het niet naleven kan leiden tot letsel.



LET OP!

Het niet naleven ervan kan leiden tot materiële schade en de werking van het product beperken.



INSTRUCTIE

Aanvullende informatie voor het bedienen van het product.

2 Veiligheidsinstructies

2.1 Algemene veiligheid



WAARSCHUWING!

- Als het toestel zichtbaar beschadigd is, mag het niet in gebruik worden genomen.
- Als de aansluitkabel van dit toestel wordt beschadigd, moet deze, om gevaren te vermijden, door de fabrikant, diens klantenservice of een gelijkwaardig gekwalificeerd persoon vervangen worden.
- Reparaties aan dit toestel mogen uitsluitend door vakmonteurs uitgevoerd worden. Door ondeskundige reparaties kunnen grote gevaren ontstaan.

- Dit toestel kan door kinderen vanaf 8 jaar en ouder evenals door personen met verminderde fysieke, zintuiglijke of geestelijke vermogens of tekortschietende ervaring en/of kennis gebruikt worden, als ze worden begeleid of hun is uitgelegd hoe ze het toestel veilig kunnen gebruiken. Ook dienen ze inzicht te hebben in de gevaren die het gebruik van het toestel met zich meebrengt.
- Reiniging en gebruikersonderhoud mogen niet door kinderen zonder begeleiding worden uitgevoerd.
- Kinderen mogen niet met het toestel spelen.
- Er moet toezicht worden gehouden op kinderen, zodat ze niet met toestel gaan spelen.
- Bewaar en gebruik het toestel buiten het bereik van kinderen onder 8 jaar.
- Bewaar geen explosiegevaarlijke stoffen, zoals spuitbussen met brandbaar drijfgas, in het toestel.



VOORZICHTIG!

- Scheid het toestel van het net
 - voor iedere reiniging en ieder onderhoud
 - na elk gebruik
- Levensmiddelen mogen alleen in de originele verpakkingen of geschikte bakken worden opgeslagen.



LET OP!

- Vergelijk de spanning op het typeplaatje met de voorhanden energievoorziening.
- Sluit het toestel alleen als volgt aan:
 - met de DC-aansluitkabel aan een DC-stopcontact in het voertuig
 - of met de AC-aansluitkabel op het wisselstroomnet
- Trek de stekker nooit aan de aansluitkabel uit het stopcontact.
- Als het koeltoestel aan de DC-contactdoos is aangesloten: Klem uw koeltoestel en andere verbruikers van de accu af voor u een snellader aansluit.
- Als het koeltoestel aan de DC-contactdoos is aangesloten: Verbreek de verbinding of schakel het koeltoestel uit, als u de motor uitschakelt. Anders kan de accu worden ontladen.
- Het koeltoestel is niet geschikt voor het transport van bijtende of oplosmiddelhoudende stoffen.

- Deze koeltoestel bevat in de isolering brandbaar cyclopentaan. De gassen in het isoleringsmateriaal vereisen een bijzonder afvoerproces. Voer het apparaat aan het einde van zijn levensduur af volgens de voorschriften.

2.2 Veiligheid bij het gebruik van het toestel



VOORZICHTIG!

- Let er voor de ingebruikneming op dat de voedingskabel en de stekker droog zijn.



LET OP!

- Gebruik geen elektrische toestellen binnen de koeltoestel, behalve als deze toestellen daarvoor door de fabrikant worden aanbevolen.
- Zet het toestel niet in de buurt van open vlammen of andere warmtebronnen (verwarming, sterke zonnestraling, gasovens enz.).
- **Oververhittingsgevaar!**
Let er altijd op dat de warmte, die bij het bedrijf ontstaat, goed afgevoerd kan worden. Zorg ervoor, dat het toestel op voldoende afstand tot wanden en voorwerpen staat, zodat de lucht kan circuleren.
- Let erop dat de ventilatiesleuven niet worden afgedekt.
- Doe geen vloeistoffen of ijs in het binnenreservoir.
- Dompel het toestel nooit onder water.
- Bescherm het toestel en de kabels tegen hitte en vocht.

3 Omvang van de levering

Zie afb. **1**, pagina 2

Pos.	Aantal	Omschrijving
1	1	Koelbox
2	1	Aansluitkabel voor gelijkstroom-aansluiting
3	1	Aansluitkabel voor wisselstroom-aansluiting
–	1	Gebruiksaanwijzing

4 Toebehoren

Als toebehoren verkrijgbaar (niet bij de levering inbegrepen):

Omschrijving	Artikelnr.	Model
Universele bevestigingsset (riemsysteem) CFX-UFK	9108300002	passend voor alle modellen
Quick-Release-bevestigingsset CFX-QFK	9600000166	voor CFX28
Draadloos display CFX-WD	9600000164	passend voor CFX28, CFX65DZ en oudere modellen zonder WLAN-app-functie

Op de Dometic-website (zie ommezijde) vindt u informatie over een WLAN-app met controle-, weergave- en alarmfunctie (**allemaal behalve** CFX28 en CFX65DZ). De app is eventueel niet beschikbaar in uw land.

5 Reglementair gebruik

De koelbox is geschikt voor het koelen en invriezen van levensmiddelen.

De koelbox is bestemd voor het gebruik op:

- een gelijkstroomnet van een voertuig, boot of camper
- een gelijkstroomvoedingsaccu
- een wisselstroomnet

Het koeltoestel is bestemd voor het gebruik thuis en soortgelijke toepassingen, zoals

- in personeelskeukens van winkels, kantoren en andere werkruimtes
- in de landbouw
- door gasten in hotels, motels of andere accommodaties
- in B&B's
- in de catering en vergelijkbaar commercieel gebruik



VOORZICHTIG! Gevaar voor de gezondheid!

Controleer of het koelvermogen van het toestel voldoet aan de eisen van de levensmiddelen of geneesmiddelen die u wilt koelen.

6 Functiebeschrijving

De koelbox kan waren afkoelen, koel houden en invriezen. De koeling gebeurt door een onderhoudsvrije koelkring met compressor. De extra sterke isolatie en de krachtige compressor garanderen een bijzonder snelle koeling.

De koelbox is geschikt voor mobiel gebruik.

De koelbox kan aan een kortstondige kanteling van 30° worden blootgesteld, bijv. bij het gebruik op boten.

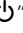
6.1 Functies

- Voedingseenheid met voorrangschakeling voor de aansluiting op wisselspanning
- Accumonitor met drie niveaus ter bescherming van de voertuigaccu
- Display met temperatuurweergave in °C en °F wordt bij lage accuspanning automatisch uitgeschakeld
- Temperatuurinstelling: Met twee toetsen in stappen van 1 °C (en stappen van 2 °F)
- Geïntegreerde WLAN-zender, hierdoor bedienbaar per app (**allemaal behalve** CFX28 en CFX65DZ)
- Opklapbare draaggrepen
- USB-aansluiting voor spanningsvoorziening
- Noodschakelaar (indien voorhanden)
- Uitneembare korf

6.2 Bedienings- en indicatie-elementen

Vergrendeling van de deksel: **afb. 2** 1, pagina 2

Bedieningsveld (afb. **3**, pagina 3)

Pos.	Omschrijving	Verklaring
1	ON OFF	Schakelt de koelbox in of uit als de toets één tot twee seconden wordt ingedrukt
2	POWER „  “	Bedrijfsindicatie Led brandt groen: compressor is aan Led brandt oranje: compressor is uit Led knippert oranje: display werd automatisch uitgeschakeld, omdat accuspanning laag is
3	ERROR	Led knippert rood: ingeschakeld apparaat is niet klaar voor gebruik
4	SET	Kiest de invoermodus: <ul style="list-style-type: none"> • Temperatuurinstelling • Weergave in °Celsius of °Fahrenheit • Accumonitor instellen • Helderheid van het display instellen • WLAN in- of uitschakelen (allemaal behalve CFX28 en CFX65DZ)
5	–	Display, toont de waarden
6	DOWN –	Eén keer aantikken verlaagt de geselecteerde invoerwaarde
7	UP +	Eén keer aantikken verhoogt de geselecteerde invoerwaarde

Aansluitbussen (afb. **4**, pagina 3)

Pos.	Omschrijving
1	Aansluitbus wisselspanningsvoorziening
2	Zekeringhouder
3	Aansluitbus gelijkspanningsvoorziening

Noodschakelaar (indien voorhanden) en USB-aansluiting (afb. **5**, pagina 3)

Pos.	Omschrijving
1	Noodschakelaar
2	Stroomvoorziening voor USB-toestellen

7 Bediening

7.1 Voor het eerste gebruik



INSTRUCTIE

Voordat u de nieuwe koelbox in gebruik neemt, moet u deze om hygiënische redenen vanbinnen en vanbuiten reinigen met een vochtige doek (zie ook hoofdstuk „Reiniging en onderhoud” op pagina 173).

Dekselaanslag omdraaien (voor CFX50W, CFX65W, CFX65DZ)

U kunt de dekselaanslag omdraaien, indien u de deksel naar de andere kant wilt openen. Ga hiervoor als volgt te werk:

- Open de deksel en neem deze eraf (afb. **6** A, pagina 4).
- Verwijder de drie schroeven van de scharnieren (afb. **6** B, pagina 4) en demonteer de scharnieren.
- Verwijder de kunststofafdekkingen van de nieuwe scharnierposities met een schroevendraaier en breng deze aan op de oude scharnierposities.
- Bevestig de zijscharnieren op de nieuwe posities.
- Plaats de deksel in de scharnieren op de tegenoverliggende zijde (afb. **6** C, pagina 4).

Temperatuureenheid selecteren

U kunt voor de temperatuurindicatie tussen de waarden voor °Celsius en °Fahrenheit kiezen. Ga hiervoor als volgt te werk:

- Schakel de koelbox in.
- Druk twee keer op de toets „SET“ (afb. **3** 4, pagina 3).
- Stel met de toetsen „UP +“ (afb. **3** 7, pagina 3) of „DOWN –“ (afb. **3** 6, pagina 3) de temperatuureenheid °Celsius of °Fahrenheit in.
- ✓ Het display geeft voor enkele seconden de ingestelde temperatuureenheid weer. Het display knippert een paar keer, voordat de weergave van de actuele temperatuur weer verschijnt.

7.2 Tips om energie te sparen

- Kies een goed geventileerde en tegen zonnestralen beschermde plaats.
- Laat warme spijzen eerst afkoelen, voordat u ze in het toestel koel houdt.
- Open het koeltoestel niet vaker dan nodig.
- Laat het koeltoestel niet langer open dan nodig is.
- Ontdooi het koelapparaat zodra er zich een ijslaag gevormd heeft.
- Vermijd een onnodig lage binnentemperatuur.

7.3 Koelbox aansluiten

Op een accu aansluiten (voertuig of boot)

De koelbox kan met 12 V \equiv of 24 V \equiv worden gebruikt.



LET OP! Gevaar voor beschadiging!

Koppel de koelbox en andere verbruikers van de accu los, voordat u de accu met een snellader oplaadt.

Overspanningen kunnen de elektronica van de apparaten beschadigen.

Voor de veiligheid is de koelbox met een elektronische beveiliging tegen verkeerd polen uitgerust, die de koelbox beschermt tegen kortsluiting en tegen verkeerd polen bij aansluiting op de accu.

De gelijkstroomaansluitkabel met zekering gebruiken



LET OP! Gevaar voor beschadiging!

Ter bescherming van het toestel is de stekker van de meegeleverde gelijkstroomaansluitkabel met een zekering uitgerust. Verwijder de beveiligde gelijkstroomstekker **niet**.

Gebruik uitsluitend de meegeleverde gelijkstroomaansluitkabel.

- ▶ Steek de gelijkstroomaansluitkabel (afb. **1** 2, pagina 2) in de bus voor de gelijkstroomvoeding van de koelbox (afb. **4** 5, pagina 3).
- ▶ Sluit de aansluitkabel aan op de gelijkstroomcontactdoos.

Op een wisselstroomnet aansluiten (bijv. thuis of op kantoor)



GEVAAR! Levensgevaar door elektrische schok!

- Werk nooit met stekkers en schakelaars, als u natte handen heeft of met uw voeten op een natte ondergrond staat.
- Als u uw koelbox aan boord van een boot per landaansluiting aan met wisselstroom gebruikt, dan moet u in elk geval een aardlekschakelaar tussen wisselstroomnet en koelbox schakelen. Laat u door een deskundige adviseren.

De koelboxen hebben een geïntegreerde multispansing-voedingseenheid met prioriteitsschakeling voor de aansluiting aan wisselstroom. Door de prioriteitsschakeling wordt automatisch op wisselstroombedrijf omgeschakeld, als het apparaat op een wisselstroomnet is aangesloten, ook als de gelijkstroomaansluitkabel nog is aangesloten.

Als de koelbox van een wisselstroomnetvoeding op een gelijkstroomaccuvoeding overschakelt, kan de rode led kort oplichten.

- ▶ Steek de wisselstroomaansluitkabel (afb. **1** 3, pagina 2) in de bus voor de wisselstroomvoeding van de koelbox (afb. **4** 1, pagina 3).
- ▶ Sluit de aansluitkabel aan op de wisselstroomcontactdoos.

7.4 Accubewaker gebruiken

Het apparaat is uitgerust met een accubewaker met meerdere niveaus die uw voertuigaccu bij de aansluiting op het gelijkstroomboordnet beschermt tegen te diepe ontlading.

Als de koelcontainer bij uitgeschakeld contact in het voertuig wordt gebruikt, schakelt de box automatisch uit zodra de voedingsspanning daalt onder een ingestelde waarde. De koelcontainer schakelt weer in zodra door oplading van de accu de herinschakelspanning is bereikt.



LET OP! Gevaar voor beschadiging!

De accu heeft bij het uitschakelen door de accumonitor niet meer de volle laadcapaciteit. Vermijd meermaals starten of het gebruik van stroomverbruikers zonder langere oplaadfasen. Zorg ervoor dat de accu weer geladen wordt.

In de stand „HIGH” wordt de accubewaker sneller geactiveerd dan in de standen „LOW” en „MED” (zie volgende tabel).

Accubewakermodus	LOW	MED	HIGH
Uitschakelspanning bij 12 V	10,1 V	11,4 V	11,8 V
Herinschakelspanning bij 12 V	11,1 V	12,2 V	12,6 V
Uitschakelspanning bij 24 V	21,5 V	24,1 V	24,6 V
Herinschakelspanning bij 24 V	23,0 V	25,3 V	26,2 V

Om de modus voor de accubewaker te wijzigen, gaat u als volgt te werk:

- Schakel de koelbox in.
- Druk drie maal op de toets „SET” (afb. **3** 4, pagina 3).
- Stel met de toetsen „UP +” (afb. **3** 7, pagina 3) of „DOWN –” (afb. **3** 6, pagina 3) de modus voor de accumonitor in.
- ✓ Op het display verschijnt het volgende:
Lo (LOW), Md (MED), Hi (HIGH)
- ✓ Het display geeft voor enkele seconden de ingestelde modus weer. Het display knippert een paar keer, voordat de weergave van de actuele temperatuur weer verschijnt.

**INSTRUCTIE**

Als de koelbox wordt gevoed door de starteraccu, kiest u de accubewakermodus „HIGH”. Als de koelbox is aangesloten op een voedingsaccu, is de accubewakermodus „LOW” voldoende.

7.5 Koelbox gebruiken**LET OP! Oververhittingsgevaar!**

Let er altijd op dat de warmte die bij het gebruik ontstaat goed afgevoerd kan worden. Let erop dat de ventilatiesleuven niet worden afgedekt. Zorg ervoor dat het toestel op voldoende afstand tot wanden en voorwerpen staat, zodat de lucht kan circuleren.

- Plaats de koelbox op een vaste ondergrond.
Let erop dat de ventilatiesleuven niet zijn afgedekt en de verwarmde lucht goed kan wegtrekken.


**INSTRUCTIE**

Stel de koelbox neer zoals afgebeeld op (afb. **1**, pagina 2). Als de koelbox in een andere positie wordt gebruikt, kan het apparaat worden beschadigd.

- Sluit de koelbox aan, zie hoofdstuk „Koelbox aansluiten” op pagina 163.

**LET OP! Gevaar door te lage temperatuur!**

Zorg ervoor dat er zich alleen voorwerpen of waren in de koelbox bevinden die op de gekozen temperatuur gekoeld mogen worden.

- Druk minstens twee seconden op de toets „ON/OFF” (afb. **3** 1, pagina 3).
- ✓ De LED „” brandt.
- ✓ Het display (afb. **3** 5, pagina 3) wordt ingeschakeld en toont de actuele koeltemperatuur.

**VOORZICHTIG! Gevaar voor de gezondheid!****CFX65DZ:**

Als de temperatuur in het vriesvak (afb. **8** 1, pagina 5) zeer laag is ingesteld (bijvoorbeeld $-22\text{ }^{\circ}\text{C}$), kan ook het temperatuurbereik in het middelste koelvak (afb. **8** 2, pagina 5) onder nul liggen.

**INSTRUCTIE****Weergegeven temperatuur**

- **CFX28, CFX35W, CFX40W, CFX50W, CFX65W:**

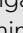
De weergegeven temperatuur heeft betrekking op het grote koel- en vriesvak (bijvoorbeeld CFX50W, CFX65W: afb. **7** 1, pagina 4).

- **CFX65DZ:**

- Met scheidingswand in het koel- en vriesvak: de weergegeven temperatuur heeft betrekking op het vriesvak (afb. **8** 1, pagina 5).
- Zonder scheidingswand in het koel- en vriesvak: De daadwerkelijke temperatuur in de binnenruimte kan iets van de weergegeven temperatuur afwijken.

- ✓ De koelbox start met het koelen van de binnenruimte.

**INSTRUCTIE**

Bij gebruik met een voertuigaccu wordt het display automatisch uitgeschakeld, als de accuspanning laag is. De LED „“ knippert oranje.

Koelbox vergrendelen

- Sluit de deksel.
- Druk de vergrendeling (afb. **2** 1, pagina 2) naar beneden tot deze hoorbaar vastklikt.

**INSTRUCTIE – Alarm „Deksel open“**

Als de deksel langer dan drie minuten open wordt gelaten en het apparaat is ingeschakeld, knippert de binnenlamp tot de deksel wordt gesloten.

7.6 Temperatuur instellen

- Druk een keer op de toets „SET“ (afb. **3** 4, pagina 3).
- Stel met de toetsen „UP +“ (afb. **3** 7, pagina 3) of „DOWN –“ (afb. **3** 6, pagina 3) de koeltemperatuur in.
- ✓ Het display geeft voor enkele seconden de ingestelde gewenste koeltemperatuur weer. Het display knippert een paar keer, voordat de weergave van de actuele temperatuur weer verschijnt.

**INSTRUCTIE**

De temperatuur van elk koelvak kan op -22 °C worden ingesteld. De fabrikant adviseert een temperatuur van -15 °C tot -18 °C voor normaal bedrijf en optimaal energieverbruik.

7.7 WLAN-sigitaal voor optionele app activeren (allemaal behalve CFX28 en CFX65DZ)

Het koelapparaat kan via WLAN met een app worden aangestuurd, die op een compatibel apparaat kan worden geïnstalleerd. De app is met controle-, weergave- en alarmfuncties uitgerust.

Meer informatie vindt u op de Dometic-website van uw land (zie ommezijde). Eventueel is de app in uw land niet beschikbaar.

De WLAN-naam van de compressorkoelbox begint met „CFX“. Het vooraf ingestelde wachtwoord is „00000000“. WLAN-naam en wachtwoord kunt u individueel aanpassen.

WLAN-sigitaal in-/uitschakelen

- ▶ Druk vijf keer op de toets „SET“ (afb. **3** 4, pagina 3).
- ▶ Stel met de toetsen „UP +“ (afb. **3** 7, pagina 3) of „DOWN –“ (afb. **3** 6, pagina 3) het WLAN-sigitaal in of uit.
- ✓ Het display geeft voor enkele seconden de ingestelde gewenste instelling weer. Het display knippert een paar keer, voordat de weergave van de actuele temperatuur weer verschijnt.

**INSTRUCTIE**

- In de fabriekinstelling is de WLAN-zender uitgeschakeld. Tijdens de eerste inbedrijfstelling en na elke stroomonderbreking moet u de WLAN-zender inschakelen om de app te kunnen gebruiken.
- De WLAN-zender verbruikt een kleine hoeveelheid stroom. Om een optimaal energieverbruik te bereiken, schakelt u de WLAN-zender uit als deze niet wordt gebruikt.

WLAN naar fabrieksinstellingen terugzetten

Als u de WLAN-instellingen van het koelapparaat via de WLAN-app heeft gepersonaliseerd en u uw wachtwoord bent vergeten, kan het koelapparaat als volgt worden teruggezet naar de fabrieksinstellingen:

- Druk vijf keer op de toets „SET” (afb. **3** 4, pagina 3).
- Houd de toets „UP +” (afb. **3** 7, pagina 3) minstens vijf seconden ingedrukt.
- ✓ Op de displays knippert een paar keer „rES” voordat deze terugkeert naar de vorige weergave.
- ✓ De WLAN-instellingen zijn teruggezet naar de fabrieksinstellingen.

Ga voor meer informatie naar de Dometic-website waar u de app heeft gedownload.

7.8 Helderheid van het display instellen

In een donkere omgeving kan de helderheid van het display wordt gedimd. Stel de helderheid van het display als volgt in:

- Schakel de koelbox in.
- Druk vier keer op toets „SET” (afb. **3** 4, pagina 3).
- Stel met de toetsen „UP +” (afb. **3** 7, pagina 3) of „DOWN –” (afb. **3** 6, pagina 3) de helderheid van het display in.
- ✓ Op het display verschijnt het volgende:
d0 (vooringesteld), d1 (gemiddeld helder), d2 (donker)
- ✓ Het display geeft voor enkele seconden de ingestelde modus weer. Het display knippert enkele keren, voordat het naar de actuele helderheid terugkeert.



INSTRUCTIE

- Fabrieksinstelling voor de helderheid van het display is d0 (vooringesteld).
- Bij storingen is de helderheid automatisch d0 (vooringesteld). Na het verhelpen van de storing wordt de ingestelde helderheid weer geactiveerd.

7.9 Noodschakelaar gebruiken (indien voorhanden)

De noodschakelaar (afb. 4 3, pagina 3) bevindt zich bij alle modellen behalve bij de CFX28 onder het bedieningspaneel. Bij de CFX28 bevindt zich de noodschakelaar boven de aansluitbussen. Voor normaal bedrijf staat de schakelaar op „NORMAL USE” (normaal gebruik).

- ▶ Als een storing in de besturingselektronica optreedt, zet de schakelaar dan op „EMERGENCY OVERRIDE” (noodbediening).



INSTRUCTIE

Als de schakelaar op „EMERGENCY OVERRIDE” staat, werkt de koelbox met vol koelvermogen en kan de inhoud worden diepgevroren.

7.10 USB-aansluiting voor spanningsvoorziening

U kunt de USB-aansluiting voor het opladen van kleine apparaten (bijvoorbeeld mobiele telefoon en mp3-speler) gebruiken.

Als u uw koelbox met een USB-apparaat wilt gebruiken, sluit u een USB-kabel (niet meegeleverd) aan.



INSTRUCTIE

Controleer of het aan de USB-aansluiting aangesloten apparaat geschikt is voor het bedrijf met 5 V/500 mA.

7.11 Koelbox uitschakelen

- ▶ Leeg de koelbox.
- ▶ Schakel de koelbox uit.
- ▶ Trek de aansluitkabel uit het stopcontact.

Als u de koelbox gedurende langere tijd niet wilt gebruiken:

- ▶ laat de deksel licht geopend. Zo verhindert u geurvorming.

7.12 Koelbox ontdooien

Luchtvochtigheid kan zich op de verdampers of in de binnenruimte van de koelbox als rijp afzetten, waardoor het koelvermogen verminderd wordt. Ontdooi het apparaat op tijd.



LET OP! Gevaar voor beschadiging!

Gebruik nooit hard of spits gereedschap voor het verwijderen van ijslagen of het losmaken van vastgevroren voorwerpen.

Ga als volgt te werk om de koelbox te ontdooien:

- Neem de waren eruit.
- Bewaar deze eventueel in een ander koelapparaat, zodat ze koud blijven.
- Schakel het apparaat uit.
- Laat de deksel open.
- Veeg het smeltwater op.

7.13 Wisselstroomzekering vervangen



GEVAAR! Levensgevaar door elektrische schok!

Scheid de spanningsvoorziening en de aansluitkabel alvorens de apparaatzekering te vervangen.

- Scheid de spanningsvoorziening van het apparaat.
- Trek de aansluitkabel los.
- Verwijder de zekeringhouder (afb. **4** 2, pagina 3) bijv. met een schroevendraaier.
- Vervang de defecte glaszekering door een nieuwe glaszekering van hetzelfde type met dezelfde waarde (4 A, 250 V).
- Druk de zekeringhouder weer in de behuizing.
- Sluit de spanningsvoorziening aan op het apparaat.

7.14 Gelijkstroomstekkerzekering vervangen

- Schroef de contactpenbehuizing (afb. **9** 3, pagina 5) van de stekker (afb. **9** 1, pagina 5).
- Vervang de defecte zekering (afb. **9** 2, pagina 5) door een nieuwe zekering van hetzelfde type en met dezelfde waarde (3AG, Fast Acting, 15 A).
- Zet de stekker in omgekeerde volgorde weer in elkaar.

7.15 Lichtprintplaat vervangen

- Scheid de spanningsvoorziening van het apparaat.
- Open de transparante afdekking met een schroevendraaier (afb. **10** 1, pagina 5).
- Draai de montageschroeven van de printplaat los (afb. **10** 2, pagina 5).
- Trek de stekker uit de printplaat (afb. **10** 3, pagina 5).
- Vervang een defecte lichtprintplaat door een nieuwe.
- Plaats een nieuwe printplaat door de in de instructies voor het verwijderen van de printplaat beschreven stappen in omgekeerde volgorde uit te voeren.
- Plaats de transparante afdekking weer in de behuizing.
- Sluit de spanningsvoorziening aan op het apparaat.

8 Reiniging en onderhoud



WAARSCHUWING!

Scheid voor elke reiniging en verzorging het toestel van het net.



LET OP! Gevaar voor beschadiging!

- Reinig het koeltoestel nooit onder stromend water of in afwaswater.
- Gebruik voor het reinigen geen bijtende schoonmaakmiddelen of harde voorwerpen, aangezien het koeltoestel hierdoor beschadigd zou kunnen raken.

- Reinig het toestel van binnen en buiten af en toe met een vochtige doek.
- Zorg ervoor dat de ventilatieopeningen van het toestel vrij zijn van stof en verontreinigingen, zodat de bij het gebruik ontstane warmte kan worden afgevoerd en het toestel niet beschadigd raakt.

9 Garantie

De wettelijke garantieperiode is van toepassing. Als het product defect is, wendt u zich tot het filiaal van de fabrikant in uw land (adressen zie achterkant van de handleiding) of tot uw speciaalzaak.

Voor de afhandeling van de reparatie of garantie dient u de volgende documenten mee te sturen:

- een kopie van de factuur met datum van aankoop,
- reden van de klacht of een beschrijving van de storing.

10 Verhelpen van storingen

Storing	Mogelijke oorzaak	Voorstel tot oplossing
Het koelapparaat werkt niet, led brandt niet.	Aan de gelijkstroom-contactdoos in het voertuig is geen spanning.	In de meeste voertuigen moet de contactschakelaar ingeschakeld zijn om de gelijkstroomcontactdoos van spanning te voorzien.
	Op het wisselspanningsstopcontact staat geen spanning.	Probeer een ander stopcontact.
	Apparaatzekering is defect.	Vervang de apparaatzekering, zie hoofdstuk „Wisselstroomzekering vervangen” op pagina 171.
	De geïntegreerde voedingseenheid is defect.	De reparatie kan alleen door een geautoriseerd servicebedrijf uitgevoerd worden.
Het koelapparaat koelt niet (stekker is in het stopcontact, led „POWER” brandt).	Compressor defect.	De reparatie kan alleen door een geautoriseerd servicebedrijf uitgevoerd worden.
Het koelapparaat koelt niet (stekker zit in het stopcontact, led „POWER” knippert oranje, display is uitgeschakeld).	Modus van de accumulator is te hoog.	Zet de accumulator op een lagere modus.
	Accuspanning onvoldoende.	Laad de accu eventueel op.

Storing	Mogelijke oorzaak	Voorstel tot oplossing
Bij het gebruik aan de gelijkstroomcontactdoos: het contact is ingeschakeld, het apparaat werkt niet en de led brandt niet.	De fitting van de gelijkstroomcontactdoos is vervuild. Dit heeft een slecht elektrisch contact tot gevolg.	Als de stekker in gelijkstroomcontactdoos heel warm wordt, moet de fitting worden gereinigd of is de stekker mogelijk niet juist gemonteerd.
	De zekering van de gelijkstroomstekker is doorgebrand.	Vervang de zekering van de gelijkstroomstekker, zie hoofdstuk „Gelijkstroomstekkerzekering vervangen“ op pagina 172
	De voertuigzekering is doorgebrand.	Vervang de voertuigzekering van de gelijkstroomcontactdoos (neem hiervoor de bedieningshandleiding van uw voertuig in acht).
Het display geeft een foutmelding (bijv. „Err1“) weer en het koelapparaat koelt niet.	Een interne bedrijfsstoring heeft het koelapparaat uitgeschakeld.	De reparatie kan alleen door een geautoriseerd servicebedrijf uitgevoerd worden.
De binnenverlichting van een vak knippert.	De deksel van het vak werd meer dan drie minuten open gelaten.	Sluit het deksel van het vak.

11 Afvoer

- Laat het verpakkingsmateriaal indien mogelijk recycleren.



Als u het product definitief buiten bedrijf stelt, informeer dan bij het dichtstbijzijnde recyclingcentrum of uw speciaalzaak naar de betreffende afvoerschriften.

12 Technische gegevens

	CFX28	CFX35W	CFX40W
Artikelnr.:	9600000468 9600000469	9600000470 9600000471	9600000472 9600000473
Aansluitspanning:	12/24 V \equiv en 100 – 240 V \sim		
Nominale stroom:	12 V \equiv : 6,5 A 24 V \equiv : 3,2 A 100 V \sim : 0,75 A 240 V \sim : 0,32 A	12 V \equiv : 7,0 A 24 V \equiv : 3,2 A 100 V \sim : 0,86 A 240 V \sim : 0,42 A	
Koelvermogen:	+10 °C tot –22 °C (+50 °F tot –8 °F)		
Categorie:	1		
Energie-efficiëntieklasse:	A++		
Energieverbruik:	61 kWh/annum	62 kWh/annum	64 kWh/annum
Bruto-inhoud:	28 l	34,5 l	41 l
Nuttige inhoud:	26 l	32 l	38 l
Klimaatklasse:	N, T		
Omgevingstemperatuur:	+16 °C tot +43 °C (+61 °F tot +110 °F)		
Geluidsemissie:	34 dB(A)	42 dB(A)	
USB-aansluiting:	5 V \equiv , 500 mA		
Frequentieband (WiFi):	2,4 GHz (radiomodule)	2,4 GHz	
Hoogfrequentievermogen (WiFi):	11 – 0 dBm (radiomodule)	16 \pm 1,5 dBm (802.11b CCK, 11 MBit/s) 12 \pm 1,5 dBm (802.11g OFDM, 54 MBit/s) 11 \pm 1,5 dBm (802.11n HT20, MCS7)	
Koelmiddelhoeveelheid:	38 g	33 g	38 g
CO ₂ -equivalent:	0,054 t	0,047 t	0,054 t
Aardopwarmingsvermogen (GWP):	1430		
Afmetingen (b x h x d) in mm (met handgrepen):	342 x 425 x 620	398 x 411 x 692	398 x 461 x 692
Gewicht:	13 kg	17,5 kg	18,5 kg

	CFX50W	CFX65W	CFX65DZ
Artikelnr.:	9600000474 9600000475	9600000476 9600000477	9600000478 9600000479
Aansluitspanning:	12/24 V \equiv en 100 – 240 V \sim		
Nominale stroom:	12 V \equiv : 7,8 A 24 V \equiv : 3,6 A 100 V \sim : 0,95 A 240 V \sim : 0,46 A	12 V \equiv : 8,2 A 24 V \equiv : 3,8 A 100 V \sim : 1,0 A 240 V \sim : 0,48 A	12 V \equiv : 5,5 A 24 V \equiv : 2,6 A 100 V \sim : 0,75 A 240 V \sim : 0,37 A
Koelvermogen:	+10 °C tot -22 °C (+50 °F tot -8 °F)		
Categorie:	1		
Energie-efficiëntieklasse:	A++		A+
Energieverbruik:	66 kWh/annum	69 kWh/annum	115 kWh/annum
Bruto-inhoud:	50 l	65 l	met deler: 61 l zonder deler: 65 l
Nuttige inhoud:	46 l	60 l	53 l
Klimaatklasse:	N, T		
Omgevingstemperatuur:	+16 °C tot +43 °C (+61 °F tot +110 °F)		
Geluidsemissie:	42 dB(A)		
USB-aansluiting:	5 V \equiv , 500 mA		
Frequentieband (WiFi):	2,4 GHz		–
Hoogfrequentievermogen (WiFi):	16 \pm 1,5 dBm (802.11b CCK, 11 MBit/s) 12 \pm 1,5 dBm (802.11g OFDM, 54 MBit/s) 11 \pm 1,5 dBm (802.11n HT20, MCS7)		–
Koelmiddelhoeveelheid:	43 g	57 g	31 g
CO ₂ -equivalent:	0,062 t	0,082 t	0,044 t
Aardopwarmingsvermogen (GWP):	1430		
Afmetingen (b x h x d) in mm (met handgrepen):	725 x 471 x 455	725 x 561 x 455	725 x 561 x 455
Gewicht:	20,4 kg	22,3 kg	23,2 kg

**INSTRUCTIE**

Vanaf omgevingtemperaturen van meer dan 32 °C (90 °F) kan de minimale temperatuur niet meer worden bereikt.

Keurmerk/certificaten:



De koelkring bevat R134a.

Bevat gefluoreerde broeikasgassen

Hermetisch afgesloten apparatuur

Er zijn geen beperkingen voor het gebruik van de WiFi-functie van het toestel in de EU-lidstaten.

Læs denne vejledning omhyggeligt igennem før ibrugtagning, og gem den. Giv den til brugeren, hvis du giver apparatet videre.

Producenten hæfter ikke for skader, der er forårsaget af **ukorrekt brug** eller **forkert betjening**.

Indholdsfortegnelse

1	Forklaring af symbolerne	180
2	Sikkerhedshenvisninger	180
2.1	Generel sikkerhed	180
2.2	Sikkerhed under anvendelse af apparatet	182
3	Leveringsomfang	182
4	Tilbehør	183
5	Korrekt brug	183
6	Funktionsbeskrivelse	184
6.1	Funktionsomfang	184
6.2	Betjenings- og visningselementer	185
7	Betjening	186
7.1	Før første brug	186
7.2	Tips til energibesparelse	187
7.3	Tilslutning af køleboksen	187
7.4	Anvendelse af batteriovervågningen	188
7.5	Anvendelse af køleboksen	190
7.6	Indstilling af temperaturen	191
7.7	Aktivering af WLAN-signal for ekstra app (alle bortset fra CFX28 og CFX65DZ)	191
7.8	Indstilling af displayets lysstyrke	192
7.9	Anvendelse af nødkontakt (hvis den findes)	193
7.10	USB-tilslutning til spændingsforsyning	193
7.11	Frakobling af køleboksen	194
7.12	Afrimning af køleboksen	194
7.13	Udskiftning af vekselstrømsikringen	194
7.14	Udskiftning af jævnstrøm-stiksikringen	195
7.15	Udskiftning af lysprintpladen	195
8	Rengøring og vedligeholdelse	196
9	Garanti	196

10	Udbedring af fejl	197
11	Bortskaffelse	198
12	Tekniske data	199

1 Forklaring af symbolerne



ADVARSEL!

Sikkerhedshenvisning: Manglende overholdelse kan medføre død eller alvorlig kvæstelse.



FORSIGTIG!

Sikkerhedshenvisning: Manglende overholdelse kan medføre kvæstelser.



VIGTIGT!

Manglende overholdelse kan medføre materielle skader og begrænse produktets funktion.



BEMÆRK

Supplerende informationer om betjening af produktet.

2 Sikkerhedshenvisninger

2.1 Generel sikkerhed



ADVARSEL!

- Hvis apparatet har synlige beskadigelser, må du ikke tage det i brug.
- Hvis dette apparats tilslutningskabel beskadiges, skal det udskiftes af producenten, dennes kundeservice eller en lignende kvalificeret person for at undgå farer.
- Reparationer på dette apparat må kun foretages af fagfolk. Ved ukorrekte reparationer kan der opstå betydelige farer.

- Dette apparat kan anvendes af børn over 8 år og derudover af personer med begrænsede fysiske, sanse- eller mentale evner eller uden erfaring og/eller viden, hvis de er under opsyn eller blev instrueret i sikker brug af apparatet og forstår farerne, der følger heraf.
- Rengøring og brugerens vedligeholdelse må ikke udføres af børn uden opsyn.
- Børn må ikke lege med apparatet.
- Børn bør være under opsyn for at sikre, at de ikke leger med apparatet.
- Opbevar og anvend apparatet uden for børns rækkevidde (under 8 år).
- Opbevar ikke eksplosive stoffer, som f.eks. spraydåser med drivgas, i apparatet.

**FORSIGTIG!**

- Afbryd apparatet fra nettet
 - før rengøring og vedligeholdelse
 - efter brug
- Levnedsmidler må kun opbevares i original emballage eller egnede beholdere.

**VIGTIGT!**

- Sammenlign spændingsangivelsen på typeskiltet med energiforsyningen, der er til rådighed.
- Tilslut kun apparatet på følgende måde:
 - Til en DC-stikdåse i køretøjet med DC-tilslutningskablet
 - Eller til vekselstrømnettet med AC-tilslutningskablet
- Træk aldrig stikket ud af stikdåsen med tilslutningskablet.
- Når køleapparatet er tilsluttet til DC-stikdåsen: Afbryd køleapparatet og andre forbrugere fra batteriet, før du tilslutter hurtigopladeren.
- Når køleapparatet er tilsluttet til DC-stikdåsen: Afbryd forbindelsen, eller slå køleapparatet fra, når motoren standses. I modsat fald kan batteriet blive afladet.
- Køleapparatet er ikke egnet til transport af stoffer, der er ætsende eller indeholder opløsningsmidler.
- Dette køleapparatet indeholder brændbart cyklopentan i isoleringen. Gasserne i isoleringsmaterialet kræver en særlig bortskaffelsesmetode. Aflever apparatet til korrekt bortskaffelse ved afslutningen af dets levetid.

2.2 Sikkerhed under anvendelse af apparatet



FORSIGTIG!

- Kontrollér før ibrugtagning, at ledningen og stikket er tørre.



VIGTIGT!

- Anvend ikke elektriske apparater i køleapparatet, undtagen hvis producenten anbefaler disse apparater hertil.
- Stil ikke apparatet i nærheden af åben ild eller andre varmekilder (varmeapparater, stærk sol, gasovne osv.).
- **Fare for overophedning!**
Sørg altid for, at varme, der opstår under driften, kan føres tilstrækkeligt bort. Sørg for, at apparatet har tilstrækkelig afstand til vægge og genstande, så luften kan cirkulere.
- Ventilationsåbningerne må ikke tildækkes.
- Fyld ikke væsker eller is i den indvendige beholder.
- Dyb aldrig apparatet i vand.
- Beskyt apparatet og kablerne mod varme og fugtighed.

3 Leveringsomfang

Se fig. 1, side 2

Pos.	Mængde	Betegnelse
1	1	Køleboks
2	1	Tilslutningskabel til jævnstrømstilslutning
3	1	Tilslutningskabel til vekselstrømstilslutning
–	1	Betjeningsvejledning

4 Tilbehør

Kan fås som tilbehør (ikke indeholdt i leveringsomfanget):

Betegnelse	Art.nr.	Model
Universalt fastgørelsessæt (remsystem) CFX-UFK	9108300002	Passer til alle modeller
Quick-release-fastgørelsessæt CFX-QFK	9600000166	til CFX28
Trådløst display CFX-WD	9600000164	Passer til CFX28, CFX65DZ og ældre modeller uden WLAN-app-funktion

På Dometic-websiden (se bagsiden) findes der informationer om en WLAN-app med kontrol-, visnings- og alarmfunktioner (**alle bortset fra** CFX28 og CFX65DZ). App'en står muligvis ikke til rådighed i dit land.

5 Korrekt brug

Køleboksen egner sig til at køle og dybfryse levnedsmidler.

Køleboksen er beregnet til tilslutning til:

- et jævnstrømsnet i et køretøj, en båd eller autocamper
- et jævnstrømsforsyningsbatteri
- et vekselstrømnet

Køleapparatet er beregnet til husholdningsbrug og tilsvarende anvendelsesområder som f.eks.

- i personalekøkkener i forretninger, kontorer og andre arbejdsområder
- inden for landbruget
- af gæster i hoteller, moteller og andre logier
- i pensioner
- inden for catering og lignende engroshandelanvendelser.

**FORSIGTIG! Sundhedsfare!**

Kontrollér, om apparatets kølekapacitet svarer til kravene for fødevarer eller lægemidlerne, som du vil køle.

6 Funktionsbeskrivelse

Køleboksen kan afkøle varer og holde varer kolde samt dybfryse dem. Afkølingen foretages med et vedligeholdelsesfrit kølekredsløb med kompressor. Den ekstra kraftige isolering og den effektive kompressor sikrer en særlig hurtig afkøling.

Køleboksen er egnet til mobil anvendelse.

Køleboksen kan udsættes for en kortvarig hældning på 30°, f.eks. ved anvendelse på både.

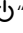
6.1 Funktionsomfang

- Netdel med prioritetskobling til tilslutning til vekselspænding
- Tretrins batteriovervågning til at beskytte køretøjets batteri
- Display med temperaturvisning i °C og °F slukkes automatisk ved lav batterispænding
- Temperaturindstilling: Med to taster i trin på 1 °C (og trin på 2 °F)
- Integreret WLAN-sender, kan derved betjenes med app (**alle bortset fra CFX28 og CFX65DZ**)
- Bæregreb, der kan klappes op
- USB-tilslutning til spændingsforsyning
- Nødkontakt (hvis den findes)
- Kurveindsats til at tage ud

6.2 Betjenings- og visningselementer

Låsning af låget: fig. 2 1, side 2

Betjeningsfelt (fig. 3, side 3)

Pos.	Betegnelse	Forklaring
1	ON OFF	Tænder eller slukker køleboksen, når der trykkes på tasten i et til to sekunder
2	POWER „  “	Driftsindikator Lysdioden lyser grønt: Kompressoren er tændt Lysdioden lyser orange: Kompressoren er slukket Lysdioden blinker orange: Display blev frakoblet automatisk, fordi batterispændingen er lav
3	ERROR	Lysdioden blinker rødt: Det tændte apparat er ikke driftsklar
4	SET	Vælger indtastningsmodusen: <ul style="list-style-type: none"> • Temperaturindstilling • Angivelse af °celsius eller °fahrenheit • Indstilling af batteriovervågning • Indstilling af displayets lysstyrke • Til- eller frakobling af WLAN (alle bortset fra CFX28 og CFX65DZ)
5	–	Display, viser værdierne
6	DOWN –	Et tryk reducerer den valgte indtastningsværdi
7	UP +	Et tryk forøger den valgte indtastningsværdi

Tilslutningsbøsninger (fig. 4, side 3)

Pos.	Betegnelse
1	Tilslutningsbøsning vekselspændingsforsyning
2	Sikringsholder
3	Tilslutningsbøsning jævnspændingsforsyning

Nødkontakt (hvis den findes) og USB-tilslutning (fig. 5, side 3)**Pos. Betegnelse**

- | | |
|---|----------------------------------|
| 1 | Nødkontakt |
| 2 | Strømforsyning for USB-apparater |

7 Betjening

7.1 Før første brug

**BEMÆRK**

Før du tager den nye køleboks i brug, bør du af hygiejniske årsager rengøre den indvendigt og udvendigt med en fugtig klud (se også kapitlet „Rengøring og vedligeholdelse“ på side 196).

Omdrejning af låglukningen (til CFX 50W, CFX65W, CFX65DZ)

Du kan dreje hængslet til låget om, hvis du vil åbne låget til den anden side. Gå frem på følgende måde:

- Åbn låget, og tag det af (fig. 6 A, side 4).
- Fjern de tre skruer på hængslerne (fig. 6 B, side 4), og tag hængslerne af.
- Fjern plastikafdækningerne fra de nye hængselspositioner ved hjælp af en lille skruetrækker, og anbring dem igen på de gamle hængselspositioner.
- Anbring hængslerne på de nye positioner.
- Sæt låget i hængslerne på den modsatte side (fig. 6 C, side 4).

Valg af temperaturenheden

Til temperaturvisningen kan der vælges mellem værdierne for °celsius og °fahrenheit. Gå frem på følgende måde:

- Tænd køleboksen.
- Tryk to gange på tasten „SET“ (fig. 3 4, side 3).
- Indstil temperaturenheden °celsius eller °fahrenheit med tasterne „UP +“ (fig. 3 7, side 3) eller „DOWN –“ (fig. 3 6, side 3).
- ✓ Displayet viser den indstillede temperaturenhed i et par sekunder. Displayet blinker et par gange, før det skifter tilbage til visning af den aktuelle temperatur.

7.2 Tips til energibesparelse

- Vælg et anvendelsessted, der er godt ventileret og beskyttet mod sol.
- Lad først varm mad afkøle, før du holder den kold i apparatet.
- Åbn ikke køleapparatet hyppigere end nødvendigt.
- Lad ikke køleapparatet forblive åbent længere end nødvendigt.
- Afrim køleapparatet, så snart der har dannet sig et islag.
- Undgå unødigt lav indvendig temperatur.

7.3 Tilslutning af køleboksen

Tilslutning til et batteri (køretøj eller båd)

Køleboksen kan tilsluttes til 12 V $\overline{=}$ eller 24 V $\overline{=}$.



VIGTIGT! Fare for beskadigelse!

Afbryd køleboksen og andre forbrugere fra batteriet, før du oplader batteriet med en hurtigoplader.

Overspænding kan beskadige apparatets elektronik.

Af sikkerhedsmæssige årsager er køleboksen udstyret med en elektronisk polbeskyttelse, der beskytter køleboksen mod forkert polforbindelse ved tilslutning til batterier og mod kortslutning.

Anvendelse af jævnstrømtilslutningskablet med sikring



VIGTIGT! Fare for beskadigelse!

For at beskytte apparatet er stikket på det medfølgende jævnstrømtilslutningskabel udstyret med en sikring. Fjern **ikke** det sikrede jævnstrømsstik.

Anvend udelukkende det medfølgende jævnstrømtilslutningskabel.

- ▶ Sæt jævnstrømtilslutningskablet (fig. **1** 2, side 2) i bøsningen til jævnstrømsforsyning af køleboksen (fig. **4** 5, side 3).
- ▶ Tilslut tilslutningskablet til en jævnstrømsstikdåse.

Tilslutning til et vekselstrømnet (f.eks. hjemme eller på kontoret)



FARE! Livsfare på grund af elektrisk stød!

- Berør aldrig stik og kontakter, når du har våde hænder eller står med fødderne i vand.
- Hvis du anvender køleboksen om bord på en båd ved hjælp af en tilslutning til vekselstrøm på land, skal du under alle omstændigheder montere et fejlstrømsrelæ mellem vekselstrømnettet og køleboksen. Få råd hos en fagmand.

Køleboksene har en integreret multispændingsnetdel med prioritetskobling til tilslutning til vekselstrøm. Ved hjælp af prioritetskoblingen omstilles der automatisk til vekselstrømdrift, hvis apparatet er tilsluttet til et vekselstrømnet, selv om jævnstrømtilslutningskablet stadig er tilsluttet.

Når køleboksen omstilles fra en vekselstrømsnetforsyning til en jævnstrømsbatteriforsyning, kan den røde lysdiode lyse kortvarigt.

- ▶ Sæt vekselstrømtilslutningskablet (fig. **1** 3, side 2) i bøsningen til vekselstrømsforsyning af køleboksen (fig. **4** 1, side 3).
- ▶ Tilslut tilslutningskablet til en vekselstrømsstikdåse.

7.4 Anvendelse af batteriovervågningen

Apparatet er udstyret med en fleretrins batteriovervågning, der beskytter køretøjets batteri mod for kraftig afladning ved tilslutning til køretøjets jævnstrømsledningsnet.

Hvis kølecontaineren anvendes i køretøjet, når tændingen er slået fra, frakobles boksen automatisk, når forsyningsspændingen kommer under en indstillelig værdi. Kølecontaineren tilkobles igen, når batteriet er opladet og gentilkoblingsspændingen nået.



VIGTIGT! Fare for beskadigelse!

Batteriet har ikke længere sin fulde ladekapacitet, når batteriovervågningen frakobler. Undgå at starte flere gange eller at anvende strømforbrugere uden længere opladningsfaser. Sørg for, at batteriet oplades igen.

I modusen „HIGH“ reagerer batteriovervågningen hurtigere end på trinnene „LOW“ og „MED“ (se følgende tabel).

Batteriovervågningsmodus	LOW	MED	HIGH
Frakoblingspænding ved 12 V	10,1 V	11,4 V	11,8 V
Gentilkoblingspænding ved 12 V	11,1 V	12,2 V	12,6 V
Frakoblingspænding ved 24 V	21,5 V	24,1 V	24,6 V
Gentilkoblingspænding ved 24 V	23,0 V	25,3 V	26,2 V

Gå frem på følgende måde for at skifte modusen for batteriovervågningen:

- ▶ Tænd køleboksen.
- ▶ Tryk tre gange på tasten „SET“ (fig. 3 4, side 3).
- ▶ Indstil modusen for batteriovervågningen med tasterne „UP +“ (fig. 3 7, side 3) eller „DOWN –“ (fig. 3 6, side 3).
- ✓ På displayet vises følgende:
Lo (LOW), Пd (MED), Hi (HIGH)
- ✓ Displayet viser den indstillede modus i et par sekunder. Displayet blinker et par gange, før det skifter tilbage til visning af den aktuelle temperatur.



BEMÆRK

Hvis køleboksen forsynes fra startbatteriet, skal batteriovervågningsmodusen „HIGH“ vælges. Hvis køleboksen er tilsluttet til et forsyningsbatteri, er batteriovervågningsmodusen „LOW“ tilstrækkelig.

7.5 Anvendelse af køleboksen



VIGTIGT! Fare for overophedning!

Sørg altid for, at varme, der opstår under driften, kan føres tilstrækkeligt bort. Ventilationsåbningerne må ikke tildækkes. Sørg for, at apparatet har tilstrækkelig afstand til vægge og genstande, så luften kan cirkulere.

- ▶ Stil køleboksen på et fast underlag.
Sørg for, at ventilationsåbningerne ikke er tildækkede og den opvarmede luft kan slippe bort.



BEMÆRK

Opstil køleboksen som vist på (fig. **1**, side 2). Hvis boksen anvendes i en anden position, kan apparatet tage skade.

- ▶ Tilslut køleboksen, se kapitlet „Tilslutning af køleboksen” på side 187.



VIGTIGT! Fare på grund af for lav temperatur!

Sørg for, at der kun er genstande eller varer i køleboksen, der må afkøles til den valgte temperatur.

- ▶ Tryk på tasten „ON/OFF” (fig. **3** 1, side 3) i et til to sekunder.
- ✓ Lysdioden „” lyser.
- ✓ Displayet (fig. **3** 5, side 3) tændes og viser den aktuelle køletemperatur.



FORSIGTIG! Sundhedsfare! CFX65DZ:

Hvis temperaturen i fryseboksen (fig. **8** 1, side 5) er indstillet meget lavt (f.eks. -22°C), kan temperaturområdet i den midterste køleboks (fig. **8** 2, side 5) også være under nul.



BEMÆRK

Vist temperatur

- **CFX28, CFX35W, CFX40W, CFX50W, CFX65W:**


Den viste temperatur henviser til den store køle- og fryseboks (f.eks. CFX50W, CFX65W: fig. **7** 1, side 4).

- **CFX65DZ:**

- Med skillevæg i køle- og fryseboksen: Den viste temperatur henviser til fryseboksen (fig. **8** 1, side 5).
- Uden skillevæg i køle- og fryseboksen: Den faktiske temperatur i det indvendige rum kan afvige lidt fra den viste temperatur.

- ✓ Køleboksen starter med at køle det indvendige rum.

**BEMÆRK**

Ved tilslutning til et batteri frakobles displayet automatisk, hvis batterispændingen er lav. Lysdioden „“ blinker orange.

Låsning af køleboksen

- Luk låget.
- Tryk låsen (fig. **2** 1, side 2) ned, indtil det kan høres, at den går i indgreb.

**BEMÆRK – Alarm „låg åbent“**

Hvis låget står åbent i mere end minutter, og hvis apparatet er tændt, blinker den indvendige lampe, indtil låget lukkes.

7.6 Indstilling af temperaturen

- Tryk en gang på tasten „SET“ (fig. **3** 4, side 3).
- Indstil køletemperaturen med tasterne „UP +“ (fig. **3** 7, side 3) eller „DOWN –“ (fig. **3** 6, side 3).
- ✓ Displayet viser den indstillede ønskede køletemperatur i et par sekunder. Displayet blinker et par gange, før det skifter tilbage til visning af den aktuelle temperatur.

**BEMÆRK**

Temperaturen i hvert kølerum kan indstilles på -22 °C . Producenten anbefaler dog en temperatur på -15 °C til -18 °C til normal drift og optimalt energiforbrug.

7.7 Aktivering af WLAN-signal for ekstra app (alle bortset fra CFX28 og CFX65DZ)

Via WLAN kan køleapparatet styres med en app, som du kan installere på et kompatibelt apparat. App'en er udstyret med kontrol-, visnings- og alarmfunktioner.

Nærmere informationer findes på Dometic-websiden i dit land (se bagsiden). Vær opmærksom på, at app'en eventuelt ikke står til rådighed i dit land.

Kompressor-køleboksens WLAN-navn begynder med „CFX“. Det forindstillede password er „00000000“. Du kan ændre WLAN-navn og password individuelt.

Til-/frakobling af WLAN-signalet

- ▶ Tryk fem gange på tasten „SET“ (fig. **3** 4, side 3).
- ▶ Tænd eller sluk WLAN-signalet med tasterne „UP +“ (fig. **3** 7, side 3) eller „DOWN –“ (fig. **3** 6, side 3).
- ✓ Displayet viser den ønskede indstilling i et par sekunder. Displayet blinker et par gange, før det skifter tilbage til visning af den aktuelle temperatur.



BEMÆRK

- I fabriksindstillingen er WLAN-senderen frakoblet. Under den første ibrugtagning og efter hver strømafbrydelse skal du tilkoble WLAN-senderen for at kunne anvende app'en.
- WLAN-senderen bruger en lav mængde strøm. For at opnå en optimal energieffekt skal du slukke WLAN-senderen, hvis den ikke anvendes.

Reset af WLAN til fabriksindstillingen

Hvis du har personaliseret køleapparatets WLAN-indstillinger med WLAN-app'en, og du har glemt dit password, kan resette køleapparatet til fabriksindstillingerne på følgende måde:

- ▶ Tryk fem gange på tasten „SET“ (fig. **3** 4, side 3).
- ▶ Hold tasten „UP +“ (fig. **3** 7, side 3) trykket ind i mindst fem sekunder.
- ✓ På displayene blinker „rES“ et par gange, før de skifter tilbage til den forrige visning.
- ✓ WLAN-indstillingerne blev resettet til fabriksindstillingen.

Besøg Dometic-websiden, hvor du har downloadet app'en, for at få yderligere informationer.

7.8 Indstilling af displayets lysstyrke

I mørke omgivelser kan displayets lysstyrke dæmpes. For at indstille displayets lysstyrke skal du gå frem på følgende måde:

- ▶ Tænd køleboksen.
- ▶ Tryk fire gange på tasten „SET“ (fig. **3** 4, side 3).

- ▶ Indstil displayets lysstyrke med tasterne „UP +“ (fig. 3 7, side 3) eller „DOWN –“ (fig. 3 6, side 3).
- ✓ På displayet vises følgende:
d0 (forindstillet), d1 (halvlys), d2 (mørk)
- ✓ Displayet viser den indstillede modus i et par sekunder. Displayet blinker et par gange, før det skifter tilbage til visning af den aktuelle lysstyrke.

**BEMÆRK**

- Fabriksindstilling for displayets lysstyrke er d0 (forindstillet).
- Hvis der forekommer en fejl, er lysstyrken automatisk d0 (forindstillet). Efter udbedringen af fejl aktiveres den indstillede lysstyrke igen.

7.9 Anvendelse af nødkontakt (hvis den findes)

Nødkontakten (fig. 4 3, side 3) befinder sig ved alle modeller bortset fra CFX28 under betjeningspanelet. Ved CFX28 er nødkontakten over tilslutningsbøsningen. Ved normal drift står kontakten på „NORMAL USE“ (normal brug).

- ▶ Hvis der forekommer en fejl ved styreelektronikken, skal du skubbe kontakten til „EMERGENCY OVERRIDE“ (nødbetjening).

**BEMÆRK**

Hvis kontakten står på „EMERGENCY OVERRIDE“, arbejder køleboksen med fuld kølekapacitet, og indholdet kan dybfryses.

7.10 USB-tilslutning til spændingsforsyning

Du kan anvendes USB-tilslutningen til at oplade små apparater (f.eks. mobiltelefoner og MP3-players).

Hvis du vil anvende din køleboks med et USB-apparat, skal du tilslutte et USB-kabel (ikke indeholdt i leveringsomfanget) til apparatet.

**BEMÆRK**

Sørg for, at det lille apparat, der er tilsluttet til USB-tilslutningen, er egnet til drift med 5 V/500 mA.

7.11 Frakobling af køleboksen

- Tøm køleboksen.
- Slå køleboksen fra.
- Træk tilslutningskablet ud.

Hvis du ikke vil anvende køleboksen i længere tid:

- Lad låget stå lidt åbent. På den måde forhindrer du, at der opstår lugtgener.

7.12 Afrimning af køleboksen

Luftfugtighed kan sætte sig som rim på fordampere eller i køleboksens indvendige rum og derved reducere kølekapaciteten. Afrim apparatet rettidigt.



VIGTIGT! Fare for beskadigelse!

Anvend aldrig hårdt eller spidst værktøj til at fjerne islag eller til at løse fastfrosne genstande.

Gå frem på følgende måde for at afrime køleboksen:

- Tag indholdet ud.
- Opbevar det evt. i et andet køleapparat, så det forbliver koldt.
- Sluk apparatet.
- Lad låget stå åbent.
- Tør vandet op.

7.13 Udskiftning af vekselstrømsikringen



FARE! Livsfare på grund af elektrisk stød!

Afbryd spændingsforsyningen og tilslutningskablet, før du udskifter apparatets sikring.

- Afbryd spændingsforsyningen til apparatet.
- Træk tilslutningskablerne ud.
- Vip sikringsindsatsen (fig. 4 2, side 3) ud med f.eks. en skruetrækker.

- Udskift den defekte glassikring med en ny glassikring af den samme type med den samme værdi (4 A, 250 V).
- Tryk sikringsindsaten ind i kabinettet igen.
- Tilslut spændingsforsyningen til apparatet.

7.14 Udskiftning af jævnstrøm-stiksikringen

- Skru kontaktstifhuset (fig. **9** 3, side 5) af stikket (fig. **9** 1, side 5).
- Udskift den defekte sikring (fig. **9** 2, side 5) med en ny sikring af den samme type og med den samme værdi (3AG, Fast Acting, 15 A).
- Sæt stikket sammen igen i omvendt rækkefølge.

7.15 Udskiftning af lysprintpladen

- Afbryd spændingsforsyningen til apparatet.
- Åbn den transparente afdækning med en skruetrækker (fig. **10** 1, side 5).
- Løsn printpladens monteringskruer (fig. **10** 2, side 5).
- Træk stikket af printpladen (fig. **10** 3, side 5).
- Udskift en defekt lysprintplade med en anden.
- Sæt en ny printplade i ved at udføre de trin til fjernelse af printpladen, der er beskrevet i anvisningen, i omvendt rækkefølge.
- Sæt igen den transparente afdækning i huset.
- Tilslut spændingsforsyningen til apparatet.

8 Rengøring og vedligeholdelse

**ADVARSEL!**

Afbryd før rengøring og vedligeholdelse apparatet fra nettet.

**VIGTIGT! Fare for beskadigelse!**

- Rengør aldrig køleapparatet under rindende vand eller i opvaskevand.
- Anvend ikke skrappe rengøringsmidler eller hårde genstande ved rengøringen, da de kan beskadige køleapparatet.

- Rengør af og til apparatet indvendigt og udvendigt med en fugtig klud.
- Sørg for, at apparatets ventilations- og udluftningsåbninger er fri for støv og urenheder, så varmen, der opstår under driften, kan ledes bort, og apparatet ikke tager skade.

9 Garanti

Den lovbestemte garantiperiode gælder. Hvis produktet er defekt, skal du kontakte producentens afdeling i dit land (adresser, se vejledningens bagside) eller din forhandler.

Ved reparation eller krav om garanti skal du medsende følgende bilag:

- En kopi af regningen med købsdato
- En reklamationsgrund eller en fejlbeskrivelse

10 Udbedring af fejl

Fejl	Mulig årsag	Løsningsforslag
Køleapparatet fungerer ikke, lysdioden lyser ikke.	Der er ikke strøm på jævnstrømsstikdåsen i køretøjet.	I de fleste køretøjer skal tændingen være slået til, for at jævnstrømsstikdåsen har spænding.
	Vekselstrømsstikdåsen har ikke spænding.	Forsøg med en anden stikdåse.
	Apparatsikringen er defekt.	Udskift apparatsikringen, se kapitlet „Udskiftning af vekselstrømsikringen“ på side 194.
Køleapparatet kører ikke (stikket er sat i, lysdioden „POWER“ lyser).	Den integrerede netdel er defekt.	Reparationen kan kun foretages af en tilladt kundeservice.
	Kompressor defekt.	Reparationen kan kun foretages af en tilladt kundeservice.
Køleapparatet kører ikke (stikket er sat i, lysdioden „POWER“ blinker orange, display er slukket).	Batteriovervågningens modus er for høj.	Indstil batteriovervågningen på en lavere modus.
	Batterispænding ikke tilstrækkelig.	Oplad også batteriet.
Ved tilslutning til jævnstrømsstikdåsen: Tændingen er slået til, apparatet fungerer ikke, og lysdioden lyser ikke.	Jævnstrømsstikdåsens fatning er snavset. Konsekvensen er en dårlig elektrisk forbindelse.	Hvis stikket bliver meget varmt i jævnstrømsstikdåsens fatning, skal fatningen enten rengøres, eller stikket er muligvis ikke samlet rigtigt.
	Jævnstrømsstikkets sikring er brændt over.	Udskift jævnstrømsstikkets sikring, se kapitlet „Udskiftning af jævnstrøm-stiksikringen“ på side 195
	Køretøjets sikring er sprunget.	Udskift køretøjets sikring til jævnstrømsstikdåsen (se køretøjets betjeningsvejledning).
Displayet viser en fejlmedling (f.eks. „Err1“), og køleapparatet kører ikke.	En intern driftsfejl har frakoblet køleapparatet.	Reparationen kan kun foretages af en tilladt kundeservice.
Den indvendige belysning i et rum blinker.	Rummets låg stod åbent i mere end tre minutter.	Luk rummets låg.

11 Bortskaffelse

- Bortskaf så vidt muligt emballagen sammen med det tilsvarende genbrugsaffald.



Hvis du tager produktet endegyldigt ud af drift, skal du kontakte det nærmeste recyclingcenter eller din faghandel for at få de pågældende forskrifter om bortskaffelse.

130.com.ua

12 Tekniske data

	CFX28	CFX35W	CFX40W
Art.nr.:	9600000468 9600000469	9600000470 9600000471	9600000472 9600000473
Tilslutningsspænding:	12/24 V \equiv og 100 – 240 V \sim		
Mærkestrøm:	12 V \equiv : 6,5 A 24 V \equiv : 3,2 A 100 V \sim : 0,75 A 240 V \sim : 0,32 A	12 V \equiv : 7,0 A 24 V \equiv : 3,2 A 100 V \sim : 0,86 A 240 V \sim : 0,42 A	
Kølekapacitet:	+10 °C til -22 °C (+50 °F til -8 °F)		
Kategori:	1		
Energieffektivitetsklasse:	A++		
Energiforbrug:	61 kWh/årligt	62 kWh/årligt	64 kWh/årligt
Bruttoindhold:	28 l	34,5 l	41 l
Nettoindhold:	26 l	32 l	38 l
Klimaklasse:	N, T		
Udenomstemperatur:	+16 °C til +43 °C (+61 °F til +110 °F)		
Lydemissioner:	34 dB(A)	42 dB(A)	
USB-tilslutning:	5 V \equiv , 500 mA		
Frekvensbånd (WiFi):	2,4 GHz (sendermodul)	2,4 GHz	
Højfrekvensydelse (WiFi):	11 – 0 dBm (sendermodul)	16 ± 1,5 dBm (802.11b CCK, 11 MBit/s) 12 ± 1,5 dBm (802.11g OFDM, 54 MBit/s) 11 ± 1,5 dBm (802.11n HT20, MCS7)	
Kølemiddelmængde:	38 g	33 g	38 g
CO ₂ -ækvivalent:	0,054 t	0,047 t	0,054 t
Drivhuspotentiale (GWP):	1430		
Mål (B x H x D) i mm (med håndtag):	342 x 425 x 620	398 x 411 x 692	398 x 461 x 692
Vægt:	13 kg	17,5 kg	18,5 kg

	CFX50W	CFX65W	CFX65DZ
Art.nr.:	9600000474 9600000475	9600000476 9600000477	9600000478 9600000479
Tilslutningsspænding:	12/24 V \equiv og 100 – 240 V \sim		
Mærkestrøm:	12 V \equiv : 7,8 A 24 V \equiv : 3,6 A 100 V \sim : 0,95 A 240 V \sim : 0,46 A	12 V \equiv : 8,2 A 24 V \equiv : 3,8 A 100 V \sim : 1,0 A 240 V \sim : 0,48 A	12 V \equiv : 5,5 A 24 V \equiv : 2,6 A 100 V \sim : 0,75 A 240 V \sim : 0,37 A
Kølekapacitet:	+10 °C til -22 °C (+50 °F til -8 °F)		
Kategori:	1		
Energieffektivitetsklasse:	A++		A+
Energiforbrug:	66 kWh/årligt	69 kWh/årligt	115 kWh/årligt
Bruttoindhold:	50 l	65 l	med opdeling: 61 l uden opdeling: 65 l
Nettoindhold:	46 l	60 l	53 l
Klimaklasse:	N, T		
Udenomstemperatur:	+16 °C til +43 °C (+61 °F til +110 °F)		
Lydemissioner:	42 dB(A)		
USB-tilslutning:	5 V \equiv , 500 mA		
Frekvensbånd (WiFi):	2,4 GHz		–
Højfrekvensydelse (WiFi):	16 \pm 1,5 dBm (802.11b CCK, 11 MBit/s) 12 \pm 1,5 dBm (802.11g OFDM, 54 MBit/s) 11 \pm 1,5 dBm (802.11n HT20, MCS7)		–
Kølemiddelmængde:	43 g	57 g	31 g
CO ₂ -ækvivalent:	0,062 t	0,082 t	0,044 t
Drivhuspotentiale (GWP):	1430		
Mål (B x H x T) i mm (med håndtag):	725 x 471 x 455	725 x 561 x 455	725 x 561 x 455
Vægt:	20,4 kg	22,3 kg	23,2 kg

**BEMÆRK**

Fra udenomstemperaturer på over 32 °C (90 °F) kan minimum-temperaturen ikke længere nås.

Godkendelse/certifikater:



Kølekredsen indeholder R134a.

Indeholder fluorerede drivhusgasser

Hermetisk lukkede anlæg eller hermetisk lukket udstyr

Der findes ikke begrænsere for anvendelsen af apparatets WiFi-funktion i EU-medlemsstaterne.

130.com.ua

Läs igenom anvisningarna noga innan apparaten tas i drift. Spara bruksanvisningen för senare bruk. Överlämna bruksanvisningen till den nya ägaren vid ev. vidareförsäljning.

Tillverkaren ansvarar inte för skador som uppstår p.g.a. **icke ändamålsenlig användning** eller **felaktig hantering/skötsel**.

Innehållsförteckning

1	Förklaring av symboler	203
2	Säkerhetsanvisningar	203
2.1	Allmän säkerhet	203
2.2	Säkerhet under drift	205
3	Leveransomfattning	205
4	Tillbehör	206
5	Ändamålsenlig användning	206
6	Funktionsbeskrivning	207
6.1	Funktioner	207
6.2	Reglage och indikeringar	208
7	Användning	209
7.1	Före driftstart	209
7.2	Tips för att spara energi	210
7.3	Anslutning av kylbox	210
7.4	Använda batterivakten	212
7.5	Använda kylboxen	213
7.6	Ställa in temperaturen	214
7.7	Aktivera WLAN-signal för app (tillval för alla utom CFX28 och CFX65DZ)	215
7.8	Ställa in displayens ljusstyrka	216
7.9	Använda nödstopsbrytare (i förekommande fall)	216
7.10	USB-anslutning för spänningsförsörjning	217
7.11	Stänga av kylboxen	217
7.12	Avfrosta kylboxen	217
7.13	Byta växelströmssäkring	218
7.14	Byta säkring till likström-stickkontakten	218
7.15	Byta ljuskretskort	218
8	Rengöring och skötsel	219

9	Garanti	219
10	Felsökning	219
11	Avfallshantering	220
12	Tekniska data	221

1 Förklaring av symboler



WARNING!

Observera: Beaktas anvisningen ej kan det leda till dödsfara eller svåra skador.



AKTA!

Observera: Beaktas anvisningen ej kan det leda till kroppsskador.



OBSERVERA!

Om anvisningarna inte beaktas kan det leda till materialskador och produktens funktion kan påverkas negativt.



ANVISNING

Kompletterande information om användning av produkten.

2 Säkerhetsanvisningar

2.1 Allmän säkerhet



WARNING!

- Om apparaten uppvisar synliga skador får den ej tas i drift.
- Om apparatens anslutningskabel skadas måste den, av säkerhetsskäl, bytas ut av tillverkaren, tillverkarens kundtjänst eller annan behörig person.
- Reparationer på apparaten får endast utföras av behörigt fackfolk. Icke fackmässiga reparationer kan leda till att allvarliga faror uppstår.

- Denna apparat kan användas av barn från 8 år samt personer med fysiska, sensoriska eller mentala funktionshinder eller oerfarenhet och/eller ovetande under uppsikt av en ansvarig person eller om de har undervisats hur apparaten används på ett säkert sätt utan att faror uppstår.
- Rengöring och underhåll får inte genomföras av barn utan uppsikt.
- Barn får inte leka med apparaten.
- Barn bör hållas under uppsikt, så att de inte leker med apparaten.
- Förvara och använd apparaten utom räckhåll för barn under 8 år.
- Lagra inga ämnen som kan explodera i apparaten, som t.ex. sprayburkar med brännbar drivgas.

**AKTA!**

- Koppla alltid bort apparaten från elnätet
 - före rengöring och underhåll
 - efter användning
- Livsmedel får endast förvaras i originalförpackningarna eller i andra lämpliga behållare.

**OBSERVERA!**

- Jämför spänningsangivelsen på typskylten med elförsörjningen på plats.
- Anslut apparaten endast på följande vis:
 - till ett DC-uttag i fordonet med DC-anlutningskabel
 - eller till ett växelström uttag med den medföljande AC-anlutningskabeln
- Dra aldrig ut stickkontakten ur uttaget genom att dra i anlutningskabeln.
- När kylapparaten är ansluten till ett DC-uttag: Koppla bort kylapparaten och andra elförbrukare från batteriet innan en batteriladdare ansluts.
- När kylapparaten är ansluten till ett DC-uttag: Skilj apparaten från elnätet eller stäng av den när motorn stängs av. Annars kan batteriet urladdas.
- Kylapparaten är inte ämnad för transport av frätande ämnen och ämnen som innehåller lösningsmedel.

- Kylapparaten isolering innehåller brännbart cyklopentan. Gaserna i isoleringsmaterialet gör att materialet kräver särskild hantering. Lämna in kylboxen till en lämplig återvinningscentral när den inte ska användas längre.

2.2 Säkerhet under drift



AKTA!

- Kontrollera, innan apparaten tas i drift, att elkabeln och stickkontakten är torra.



OBSERVERA!

- Använd inga elektriska apparater för arbeten inne i kylapparaten. Undantag: apparaterna rekommenderas för sådan användning av tillverkaren.
- Ställ inte kylapparaten i närheten av öppen eld eller andra värmekällor (värmeelement, starkt solljus, gasspisar osv.).
- **Risk för överhettning!**
Se till att värmen som alstras under användningen kan avledas ordentligt. Apparaten måste ha tillräckligt stort avstånd till vägen/andra föremål, så att luften kan cirkulera fritt.
- Se till att ventilationsspringorna inte täcks över.
- Fyll inte innerfacket med vätskor eller is.
- Doppa aldrig ned apparaten i vatten.
- Skydda apparaten och kablarna mot hetta och fukt.

3 Leveransomfattning

Se bild **1**, sida 2

Pos.	Mängd	Beteckning
1	1	Kylbox
2	1	Anslutningskabel för likströmsanslutning
3	1	Anslutningskabel för växelströmsanslutning
–	1	Bruksanvisning

4 Tillbehör

Följande tillbehör finns tillgängliga (ingår inte i leveransomfattningen):

Beteckning	Art.nr	Modell
Universal-fästkit (remsystem) CFX-UFK	9108300002	passar alla modeller
Quick-release-förankringssats CFX-QFK	9600000166	för CFX28
Trådlös display CFX-WD	9600000164	passar för CFX28, CFX65DZ och äldre modeller utan WLAN-app-funktion

På Dometics hemsida (se baksidan) hittar du information om en WLAN-app med kontroll-, visnings- och larmfunktioner (**alla förutom** CFX28 och CFX65DZ). Det kan hända att det inte går att använda appen i ditt land.

5 Ändamålsenlig användning

Kylboxen är avsedd för kylning och djupfrysning av livsmedel.

Kylboxen är avsedd att anslutas till:

- Ett likströmsnät på ett fordon, en båt eller en husbil
- Ett likströms-försörjningsbatteri
- Ett växelströmsnät

Kylapparaten är avsedd för privat bruk i hushållet och liknande användningsområden, t.ex:

- personalkök i butiker, kontor och andra arbetsplatser
- lantbruk
- för gäster på hotell, motell och andra övernattningsanläggningar
- bed & breakfast pensionat
- catering och liknande, t.ex. partihandel



AKTA! Hälsorisk!

Kontrollera om produktens kyleffekt motsvarar kraven för de livsmedel eller mediciner du vill hålla kalla.

6 Funktionsbeskrivning

Kylboxen både kyler och djupfryser varor. Kylningsprocessen sker i en underhållsfri kylkrets med kompressor. Den extrastarka isoleringen och den kraftiga kompressorn möjliggör mycket snabb kylning.

Kylboxen är lämpad för mobil användning.

Kylboxen kan utsättas för en kortvarig krängning på upp till 30°, t.ex. vid användning i båtar.

6.1 Funktioner

- Nätdel med prioritetskoppling för anslutning till växelspanning
- Trestegs-batterivakt som skyddar fordonets batteri
- Skrämsystem med temperaturvisning i °C och °F stängs av automatiskt vid låg batterispänning
- Temperaturinställning: Med två knappar i 1 °C-steg (och 2 °F-steg)
- Integrerad WLAN-sändare, som möjliggör användning via app (**alla förutom CFX28 och CFX65DZ**)
- Hopfällbara bärhandtag
- USB-anslutning för spänningsförsörjning
- Nödstoppsbrytare (i förekommande fall)
- Uttagbar korg

6.2 Reglage och indikeringar

Lås till locket: bild **2** 1, sida 2

Kontrollpanel (bild **3**, sida 3)

Pos.	Beteckning	Förklaring
1	ON OFF	Slår på och av kylboxen när knappen trycks ned 1-2 sekunder
2	POWER "⏻"	<p>Lysdiod</p> <p>Lysdioden lyser grönt: Kompressorn på</p> <p>Lysdioden lyser orange: Kompressorn avstängd</p> <p>Lysdioden blinkar orange: Displayen stängdes av automatiskt på grund av låg batterispänning</p>
3	ERROR	<p>Lysdioden blinkar rött: Produkten påslagen, men inte klar för användning</p>
4	SET	<p>Aktiverar inmatningsläget:</p> <ul style="list-style-type: none"> • Temperaturinställning • Visning av °Celsius eller °Fahrenheit • Ställa in batterivakt • Ställa in displayens ljusstyrka • Aktivera eller stänga av WLAN (alla förutom CFX28 och CFX65DZ)
5	–	Display, visar värdena
6	DOWN –	Tryck en gång för att sänka valt inställningsvärde
7	UP +	Tryck en gång för att höja valt inställningsvärde

Anslutningsbox (bild **4**, sida 3)

Pos.	Beteckning
1	Uttag för växelström
2	Säkringshållare
3	Uttag för likström

Nödstoppsbrytare (om det finns) och USB-anslutning (bild 5, sida 3)**Pos. Beteckning**

- | | |
|---|------------------------------------|
| 1 | Nödknapp |
| 2 | Strömförsörjning för USB-apparater |

7 Användning

7.1 Före driftstart

**ANVISNING**

Innan kylboxen tas i drift ska den, av hygieniska skäl, torkas av in- och utvändigt med en fuktig trasa (se även kapitel "Rengöring och skötsel" på sidan 219).

Rotera lockens gångjärn (för CFX 50W, CFX 65W, CFX 65DZ)

Det går att ändra lockens gångjärn så att locken öppnas åt andra hållet. Tillvägagångssätt:

- Öppna locket och ta bort det (bild 6 A, sida 4).
- Ta bort tre skruvar från vart och ett av gångjärnen (bild 6 B, sida 4), och ta av gångjärnen.
- Ta bort plastskydden från de nya gångjärnspositionerna med hjälp av en liten skruvmejsel och sätt tillbaka dem i de gamla gångjärnspositionerna.
- Sätt fast gångjärnen i de nya positionerna.
- Sätt locket i gångjärnen på den motsatta sidan (bild 6 C, sida 4).

Välja temperaturenhet

Temperaturvisningen kan ställas om mellan °Celsius och °Fahrenheit.

Tillvägagångssätt:

- Slå på kylboxen.
- Tryck två gånger på knappen "SET" (bild **3** 4, sida 3).
- Använd knapparna "UP +" (bild **3** 7, sida 3) eller "DOWN –" (bild **3** 6, sida 3) för att ställa in temperaturenheten till °Celsius eller °Fahrenheit.
- ✓ På displayen visas den inställda temperaturenheten i några sekunder. Displayen blinkar några gånger innan aktuell temperatur visas igen.

7.2 Tips för att spara energi

- Välj en uppställningsplats med god ventilation som är skyddad mot direkt solljus.
- Låt varm mat svalna innan den läggs in i kylapparaten.
- Öppna inte kylapparaten oftare än nödvändigt.
- Låt inte kylskåpsdörren stå öppen längre än nödvändigt.
- Frosta av kylboxen så snart det bildas is i den.
- Undvik en onödigt låg temperatur i inne i kylskåpet.

7.3 Anslutning av kylbox

Anslutning av batteri (fordon eller båt)

Kylboxen kan anslutas till 12 V \equiv eller 24 V \equiv likspänning.



OBSERVERA! Risk för skador!

Koppla bort kylboxen och andra elförbrukare från batteriet innan en batteriladdare ansluts till batteriet.

Överspänning kan skada elektroniken.

Kylboxen har ett elektroniskt polaritetsskydd, som skyddar den mot kortslutning och omvänd polaritet vid batterianslutning.

Använd likström-anslutningskabeln med säkring



OBSERVERA! Risk för skador!

För att skydda apparaten är kontakten till den medföljande likström-anslutningskabeln utrustad med en säkring. Ta **inte** bort likströmskontakten med säkringen.

Använd endast den medföljande likström-anslutningskabeln.

- Sätt fast likström-anslutningskabeln (bild **1** 2, sida 2) i uttaget för likströmsanslutning på kylboxen (bild **4** 5, sida 3).
- Anslut anslutningskabeln till ett uttag med likström.

Anslut till växelström (t.ex. hemma eller på kontoret)



FARA! Livsfara p.g.a. elektriska stötar!

- Tag inte i brytare eller kontakter med våta händer eller om du står på fuktigt underlag.
- Om kylboxen används på en båt och ansluts till växelströmsnätet på land måste en jordfelsbrytare installeras mellan växelströmsnätet och kylboxen.
Kontakta en behörig elektriker.

Kylboxen har en inbyggd multispänningsnättdel med prioritetskoppling som används för att ansluta till växelström. Tack vare prioritetskopplingen kopplar apparaten automatiskt om till växelströmsdrift när den ansluts till ett växelströmsuttag, detta görs även om likströmskabeln fortfarande är ansluten.

När kylboxen kopplar om från försörjning via växelströmsnätet till likström-batteri-försörjning, kan den röda LED-lampan lysa en kort tid.

- Sätt fast växelström-anslutningskabeln (bild **1** 3, sida 2) i uttaget för växelström på kylboxen (bild **4** 1, sida 3).
- Anslut anslutningskabeln till ett uttag med växelström.

7.4 Använda batterivakten

Produkten har en flerstegs batterivakt som skyddar fordonets batteri mot urladdning när kylboxen ansluts till fordonets likströmssystem.

När kylbehållaren används utan påslagen tändning i fordonet, stängs den av automatiskt om försörjningsspänningen sjunker under ett inställbart värde. Kylbehållaren startar så fort batteriet har laddats upp och återinkopplingsspänningen nås.



OBSERVERA! Risk för skador!

Vid avstängning via batterivakten har batteriet inte längre full laddningskapacitet. Starta inte om flera gånger och använd inte strömförbrukare utan långa laddningsfaser. Se till att batteriet laddas igen.

I läget "HIGH" reagerar batterivakten tidigare än i läget "LOW" eller "MED" (se efterföljande tabell).

Batterivaktens läge	LOW	MED	HIGH
Frånkopplingsspänning vid 12 V	10,1 V	11,4 V	11,8 V
Återinkopplingsspänning vid 12 V	11,1 V	12,2 V	12,6 V
Frånkopplingsspänning vid 24 V	21,5 V	24,1 V	24,6 V
Återinkopplingsspänning vid 24 V	23,0 V	25,3 V	26,2 V

Gör på följande sätt för att ändra batterivaktens inställning:

- Slå på kylboxen.
- Tryck tre gånger på knappen "SET" (bild **3** 4, sida 3).
- Använd knapparna "UP +" (bild **3** 7, sida 3) eller "DOWN –" (bild **3** 6, sida 3) för att ställa in läget för batterivakten.
- ✓ Följande visas på displayen:
Lo (LOW), Md (MED), Hi (HIGH)
- ✓ På displayen visas det inställda läget i några sekunder. Displayen blinkar några gånger innan aktuell temperatur visas igen.



ANVISNING

Välj läget "HIGH" för batterivakten om kylboxen försörjs av startbatteriet. Om kylboxen ansluts till ett förbrukarbatteri räcker läget "LOW" för batterivakten.

7.5 Använda kylboxen



OBSERVERA! Risk för överhettning!

Se till att värmen som alstras under användningen kan avledas ordentligt. Se till att ventilationsspringorna inte täcks över. Produkten måste ha tillräckligt stort avstånd till väggen/andra föremål, så att luften kan cirkulera fritt.

- Ställ kylboxen på ett fast underlag.
Se till att ventilationsspringorna inte täcks över och att den varma luften kan avledas utan hinder.



ANVISNING

Ställ in kylboxen såsom det visas på (bild **1**, sida 2). Om kylboxen körs i ett annat läge kan den ta skada.

- Anslut kylboxen, se kapitel "Anslutning av kylbox" på sidan 210.



OBSERVERA! Varor kan skadas av för låg temperatur!

Se till att det endast finns föremål resp. varor i kylboxen som får kylas till den inställda temperaturen.

- Håll knappen "ON/OFF" (bild **3** 1, sida 3) intryckt en till två sekunder.
- ✓ Lysdioden "⏻" tänds.
- ✓ Displayen (bild **3** 5, sida 3) slås på och den aktuella kyltemperaturen visas.



AKTA! Hälsorisk! CFX65DZ:

Om temperaturen i frysfacket (bild **8** 1, sida 5) har ställts in på en mycket låg temperatur (t.ex. -22 °C) kan det bli minusgrader även i det mellersta kylfacket (bild **8** 2, sida 5).

**ANVISNING****Visad temperatur****• CFX28, CFX35W, CFX40W, CFX50W, CFX65W:**

Temperaturen som visas avser det stora kyl- och frysfacket (t. ex. CFX50W, CFX65W: bild **7** 1, sida 4).

• CFX65DZ:

- Med skiljevägg i kyl- och frysfacket: Temperaturen som visas avser frysfacket (bild **8** 1, sida 5).
- Utan skiljevägg i kyl- och frysfacket: Den faktiska inomhus-temperaturen kan skilja sig något från temperaturen som visas.

- ✓ Kylboxen startar och kyler kylfacket.

**ANVISNING**

Vid drift med batteri stängs displayen automatiskt av vid låg batterispänning. LED-lampan "⏻" blinkar orange.

Låsa kylboxen

- ▶ Stäng locket.
- ▶ Tryck ned låset (bild **2** 1, sida 2) tills det hörs att det hakar fast.

**ANVISNING – Larm "Öppet lock"**

Om locket lämnas öppet längre än tre minuter och apparaten är tillkopplad, blinkar innerbelysningen tills locket stängs.

7.6 Ställa in temperaturen

- ▶ Tryck en gång på knappen "SET" (bild **3** 4, sida 3).
 - ▶ Använd knapparna "UP +" (bild **3** 7, sida 3) eller "DOWN –" (bild **3** 6, sida 3) för att ställa in kyltemperaturen.
- ✓ På displayen visas den inställda kyltemperaturen i några sekunder. Displayen blinkar några gånger innan aktuell temperatur visas igen.

**ANVISNING**

Temperaturen i kylfacken kan ställas in ned till $-22\text{ }^{\circ}\text{C}$. Tillverkaren rekommenderar emellertid att temperaturen ställs in på $-15\text{ }^{\circ}\text{C}$ till $-18\text{ }^{\circ}\text{C}$ för normaldrift och optimal energiförbrukning.

7.7 Aktivera WLAN-signal för app (tillval för alla utom CFX28 och CFX65DZ)

Kylboxen går att styra med hjälp av en app via WLAN, som du kan installera på en kompatibel produkt. Appen har utrustats med kontroll-, visnings- och larmfunktioner.

Du hittar mer information på ditt lands Dometic-hemsida (se baksidan). Observera att appen kanske inte går att använda i ditt land.

WLAN-namnet för kompressorkylboxen börjar med "CFX". Det förinställda lösenordet är "00000000". Du kan ändra det WLAN-namnet och lösenordet om du vill.

Aktivera/stänga av WLAN-signal

- ▶ Tryck fem gånger på knappen "SET" (bild **3** 4, sida 3).
- ▶ Slå på och av WLAN-signalen med hjälp av knapparna "UP +" (bild **3** 7, sida 3) eller "DOWN –" (bild **3** 6, sida 3).
- ✓ På displayen visas önskad inställning i några sekunder. Displayen blinkar några gånger innan aktuell temperatur visas igen.



ANVISNING

- I fabriksinställningen är det trådlösa LAN-nätverkets sändare avstängd. Vid det första idrifttagandet och efter alla strömavbrott, måste du aktivera det trådlösa LAN-nätverkets sändare för att kunna använda appen.
- Det behövs en liten mängd ström för WLAN-sändaren. För bästa energieffekt ska du slå av WLAN-sändaren när den inte används.

Återställa WLAN till fabriksinställningar

Om du har anpassat kylboxens WLAN-inställningar via WLAN-appen enligt önskemål och glömt bort ditt lösenord kan du återställa kylboxen till fabriksinställningarna på följande sätt:

- ▶ Tryck fem gånger på knappen "SET" (bild **3** 4, sida 3).
- ▶ Håll knappen "ON/OFF" (bild **3** 7, sida 3) intryckt i minst fem sekunder.
- ✓ På displayen blinkar "rES" några gånger, innan inställningarna återgår till tidigare visningsalternativ.
- ✓ WLAN-inställningarna återställdes till fabriksinställningarna.

Om du vill ha mer information går du till Dometics hemsida där du hämtade appen.

7.8 Ställa in displayens ljusstyrka

I mörka omgivningar kan displayens ljusstyrka dimras. Tillvägagångssätt för att ställa in displayens ljusstyrka:

- ▶ Slå på kylboxen.
- ▶ Tryck fyra gånger på knappen "SET" (bild **3** 4, sida 3).
- ▶ Använd knapparna "UP +" (bild **3** 7, sida 3) eller "DOWN –" (bild **3** 6, sida 3) för att ställa in displayens ljusstyrka.
- ✓ Följande visas på displayen:
d0 (förinställd), d1 (mellanljus), d2 (mörk)
- ✓ På displayen visas det inställda läget i några sekunder. Displayen blinkar några gånger innan aktuell ljusstyrka visas igen.



ANVISNING

- Fabriksinställning displayens ljusstyrka är d0 (förinställd).
- När ett fel inträffar är ljusstyrkan automatiskt d0 (förinställd). Efter att störningen åtgärdats aktiveras den inställda ljusstyrkan igen.

7.9 Använda nödstoppsbrytare (i förekommande fall)

Nödstoppsbrytaren (bild **4** 3, sida 3) sitter under manöverpanelen på alla modeller utom CFX28. På CFX28 sitter nödstoppsbrytaren ovanpå anslutningsboxen. Vid normal drift står brytaren på "NORMAL USE" (normal användning).

- ▶ Om det uppstår ett fel i styrelektroniken för brytaren till "EMERGENCY OVERRIDE" (nödstopp aktiveras).



ANVISNING

Om brytaren står på "EMERGENCY OVERRIDE", arbetar kylboxen med maximal kyleffekt och innehållet kan djupfrysas.

7.10 USB-anslutning för spänningsförsörjning

USB-anslutningen kan användas till laddning av små apparater (t.ex. Mobiltelefoner och MP3-spelare).

Om du vill använda kylboxen tillsammans med en USB-enhet behöver bara ansluta en USB-kabel (följer inte med vid leverans) till produkten.



ANVISNING

Säkerställ att den lilla enheten som anslutits till USB-anslutningen kan köras med 5 V/500 mA.

7.11 Stänga av kylboxen

- ▶ Töm kylboxen.
- ▶ Stäng av kylboxen.
- ▶ Dra ut anslutningskabeln.

Om kylboxen inte ska användas under en längre tid:

- ▶ Låt locket vara lite öppet. På så sätt förhindrar man att det bildas störande lukt.

7.12 Avfrosta kylboxen

Luftfuktigheten kan avsätta sig som frost på förångaren och i kylboxen, om så sker minskar kylförmågan. Frosta då av produkten så snart som möjligt.



OBSERVERA! Risk för skador!

Avlägsna aldrig isbeläggningar eller fastfrusna föremål med hårda eller vassa/spetsiga verktyg.

Avfrosta:

- ▶ Ta ut varorna.
- ▶ Förvara dem vid behov i en annan kylprodukt så att de förblir kalla.
- ▶ Stäng av produkten.
- ▶ Låt locket vara öppet.
- ▶ Torka upp vattnet.

7.13 Byta växelströmssäkring



FARA! Livsfara p.g.a. elektriska stötar!

Koppla från spänningskällan och anslutningskabeln innan du byter ut produktens säkring.

- Koppla från spänningskällan från produkten.
- Dra ut anslutningskablarna.
- Ta loss säkringshållaren (bild **4** 2, sida 3), använd t.ex. en skruvmejsel.
- Byt ut den trasiga glassäkring mot en ny glassäkring av samma typ och med samma värde (4 A, 250 V).
- Tryck in säkringshållaren i höljet igen.
- Anslut spänningskällan till produkten.

7.14 Byta säkring till likström-stickkontakten

- Skruva av kontaktstiftshylsan (bild **9** 3, sida 5) från stickkontakten (bild **9** 1, sida 5).
- Byt ut den trasiga säkringen (bild **9** 2, sida 5) mot en ny säkring av samma typ med samma värde (3AG, Fast Acting, 15 A).
- Sätt ihop kontakten i omvänd ordningsföljd igen.

7.15 Byta ljuskretskort

- Koppla från spänningskällan från produkten.
- Öppna den transparenta kåpan med hjälp av en skruvmejsel (bild **10** 1, sida 5).
- Lossa på kretskortets monteringskruvar (bild **10** 2, sida 5).
- Dra ut kontakten ur kretskortet (bild **10** 3, sida 5).
- Byt ut ett defekt ljuskretskort mot ett nytt.
- Sätt in ett nytt kretskort genom att genomföra stegen som beskrivs i anvisningen om hur man tar bort ett kretskort i omvänd ordning.
- Sätt tillbaka den transparenta kåpan i höljet.
- Anslut spänningskällan till produkten.

8 Rengöring och skötsel



VARNING!

Koppla alltid bort apparaten från elnätet före rengöring och skötsel.



OBSERVERA! Risk för skador!

- Rengör aldrig kylapparaten under rinnande vatten eller i diskvatten.
- Använd inga skarpa rengöringsmedel eller hårda föremål vid rengöring, det kan skada kylapparaten.

- Rengör apparaten då och då in- och utvändigt med en fuktig trasa.
- Kontrollera att luftnings-/ventilationsöppningarna är rena från damm och annat smuts så att värmen i vid användning kan avledas ordentligt så att produkten inte skadas.

9 Garanti

Den lagstadgade garantitiden gäller. Om produkten är defekt: kontakta tillverkarens kontor i ditt land (adresser, se bruksanvisningens baksida) eller återförsäljaren.

Vid reparations- resp. garantiärenden ska följande skickas med:

- en kopia på fakturan med inköpsdatum,
- en reklamationsbeskrivning/felbeskrivning.

10 Felsökning

Störning	Möjlig orsak	Lösning
Kylaren fungerar inte, lysdioden lyser inte.	Det finns ingen spänning i fordonets uttag för likström.	På de flesta fordon finns det ingen spänning i uttaget för likström om tändningen inte har slagits på.
	Ingen spänning i växelströmsuttaget.	Prova med ett annat uttag.
	Produktens säkring	Byt säkring, se kapitel "Byta växelströms-säkring" på sidan 218.
	Den integrerade nätdelen är defekt.	Reparationer får endast utföras av auktoriserad kundservice.

Störning	Möjlig orsak	Lösning
Kylaren kylar inte (kontakten är insatt, lysdioden "POWER" lyser).	Kompressorn defekt.	Reparationer får endast utföras av auktoriserad kundservice.
Kylaren kylar inte (kontakten är insatt, lysdioden "POWER" blinkar orange, displayen är avstängd).	Batterivaktsläget är för högt.	Ställ in batterivakten på ett lägre läge.
	Batterispänningen är för låg.	Ladda eventuellt batteriet.
Vid drift med likströmsuttaget : tändningen är påslagen men kylboxen fungerar inte och lysdioden lyser inte.	Hållaren på uttaget för likström är smutsig. Det ger dålig elektrisk kontakt.	Om stickkontakten blir mycket varm i uttaget för likström, måste antingen hållaren rengöras eller så är stickkontakten möjligtvis inte korrekt ansluten.
	Likströmskontaktens säkring har gått.	Byt ut säkringen till uttaget för likström, se kapitel "Byta säkring till likström-stickkontakten" på sidan 218
	Fordonets säkring har gått.	Byt fordonssäkringen i likströmsuttaget (se fordonets bruksanvisning).
Det visas ett felmeddelande (t.ex. "Err1") på displayen och kylaren kylar inte.	Kylaren har stängts av på grund av en intern driftstörning.	Reparationer får endast utföras av auktoriserad kundservice.
Innerbelysningen i ett fack blinkar.	Fackets lock lämnades öppet i mer än tre minuter.	Stäng fackets lock.

11 Avfallshantering

- Lämna om möjligt förpackningsmaterialet till återvinning.



När produkten slutgiltigt tas ur bruk: informera dig om gällande bestämmelser hos närmaste återvinningscentral eller hos återförsäljaren.

12 Tekniska data

	CFX28	CFX35W	CFX40W
Art.nr:	9600000468 9600000469	9600000470 9600000471	9600000472 9600000473
Anslutningsspänning:	12/24 V $\overline{=}$ och 100 – 240 V \sim		
Nominell ström:	12 V $\overline{=}$: 6,5 A 24 V $\overline{=}$: 3,2 A 100 V \sim : 0,75 A 240 V \sim : 0,32 A	12 V $\overline{=}$: 7,0 A 24 V $\overline{=}$: 3,2 A 100 V \sim : 0,86 A 240 V \sim : 0,42 A	
Kyleffekt:	+10 °C till –22 °C (+50 °F till –8 °F)		
Kategori:	1		
Energieffektklass:	A++		
Energiförbrukning:	61 kWh/år	62 kWh/år	64 kWh/år
Bruttovolym:	28 l	34,5 l	41 l
Nyttovolym:	26 l	32 l	38 l
Klimatklass:	N, T		
Omgivningstemperatur:	+16 °C till +43 °C (+61 °F till +110 °F)		
Ljudemission:	34 dB (A)	42 dB (A)	
USB-anslutning:	5 V $\overline{=}$, 500 mA		
Frekvensband (WiFi):	2,4 GHz (radiosignalmodul)	2,4 GHz	
Högfrekvensseffekt (WiFi):	11 – 0 dBm (radiosignalmodul)	16 ± 1,5 dBm (802.11b CCK, 11 MBit/s) 12 ± 1,5 dBm (802.11g OFDM, 54 MBit/s) 11 ± 1,5 dBm (802.11n HT20, MCS7)	
Mängd kylvätska:	38 g	33 g	38 g
CO ₂ -motsvarande:	0,054 t	0,047 t	0,054 t
Global uppvärmningspotential (GWP):	1430		
Mått (B x H x T) i mm (med handtag):	342 x 425 x 620	398 x 411 x 692	398 x 461 x 692
Vikt:	13 kg	17,5 kg	18,5 kg

	CFX50W	CFX65W	CFX65DZ
Art.nr:	9600000474 9600000475	9600000476 9600000477	9600000478 9600000479
Anslutningsspänning:	12/24 V $\overline{=}$ och 100 – 240 V \sim		
Nominell ström:	12 V $\overline{=}$: 7,8 A 24 V $\overline{=}$: 3,6 A 100 V \sim : 0,95 A 240 V \sim : 0,46 A	12 V $\overline{=}$: 8,2 A 24 V $\overline{=}$: 3,8 A 100 V \sim : 1,0 A 240 V \sim : 0,48 A	12 V $\overline{=}$: 5,5 A 24 V $\overline{=}$: 2,6 A 100 V \sim : 0,75 A 240 V \sim : 0,37 A
Kyleffekt:	+10 °C till –22 °C (+50 °F till –8 °F)		
Kategori:	1		
Energieffektklass:	A++		A+
Energiförbrukning:	66 kWh/år	69 kWh/år	115 kWh/år
Bruttovolym:	50 l	65 l	med fördelare: 61 l utan fördelare: 65 l
Nyttovolym:	46 l	60 l	53 l
Klimatklass:	N, T		
Omgivningstemperatur:	+16 °C till +43 °C (+61 °F till +110 °F)		
Ljudemission:	42 dB (A)		
USB-anslutning:	5 V $\overline{=}$, 500 mA		
Frekvensband (WiFi):	2,4 GHz		–
Högfrekvensseffekt (WiFi):	16 ± 1,5 dBm (802.11b CCK, 11 MBit/s) 12 ± 1,5 dBm (802.11g OFDM, 54 MBit/s) 11 ± 1,5 dBm (802.11n HT20, MCS7)		–
Mängd kylvätska:	43 g	57 g	31 g
CO ₂ -motsvarande:	0,062 t	0,082 t	0,044 t
Global uppvärmningspotential (GWP):	1430		
Mått (B x H x D) i mm (med handtag):	725 x 471 x 455	725 x 561 x 455	725 x 561 x 455
Vikt:	20,4 kg	22,3 kg	23,2 kg

**ANVISNING**

Den lägsta temperaturen (min. temperatur) nås inte om omgivningstemperaturen ligger över 32 °C (90 °F).

Provning/certifikat:



Kylkretsen innehåller R134a.

Innehåller fluorerade växthusgaser

Hermetiskt sluten utrustning

Det finns inga begränsningar för användandet av apparatens WiFi-funktion i EU-medlemsstaterna.

Les bruksanvisningen nøye før du tar i bruk apparatet, og ta vare på den. Hvis apparatet selges videre, må man sørge for å gi bruksanvisningen videre også.

Produsenten påtar seg intet ansvar for skader som skyldes **ikke tiltenkt bruk** eller **feil bruk**.

Innhold

1	Symbolforklaring	225
2	Sikkerhetsregler	225
2.1	Generell sikkerhet	225
2.2	Sikkerhet ved bruk av apparatet	227
3	Leveringsomfang	227
4	Tilbehør	228
5	Tiltenkt bruk	228
6	Funksjonsbeskrivelse	229
6.1	Funksjonsomfang	229
6.2	Betjenings- og indikeringslementer	230
7	Betjening	231
7.1	Før første gangs bruk	231
7.2	Tips for energisparing	232
7.3	Koble til kjøleboksen	232
7.4	Bruke batterivakten	234
7.5	Bruk av kjøleboksen	235
7.6	Stille inn temperaturen	236
7.7	Aktiver WLAN-signal for valgfri app (alle unntatt CFX28 og CFX65DZ)	237
7.8	Stille inn lysstyrken til displayet	238
7.9	Bruke nødbryter (hvis tilgjengelig)	238
7.10	USB-tilkobling for spenningsforsyning	239
7.11	Slå av kjøleboksen	239
7.12	Avriming av kjøleboksen	239
7.13	Bytte vekselstrømsikring	240
7.14	Bytte likestrømsikring i støpslet	240
7.15	Skifte lyskortet	240
8	Rengjøring og stell	241

9	Garanti	241
10	Utbedring av feil	242
11	Deponering	243
12	Tekniske spesifikasjoner	244

1 Symbolforklaring



ADVARSEL!

Sikkerhetsregel: Hvis man ikke overholder denne regelen, kan det føre til død eller alvorlig skade.



FORSIKTIG!

Sikkerhetsregel: Hvis man ikke overholder denne regelen, kan det føre til personskader.



PASS PÅ!

Hvis man ikke overholder denne regelen, kan det føre til materielle skader og skade funksjonen til produktet.



MERK

Utfyllende informasjon om bruk av produktet.

2 Sikkerhetsregler

2.1 Generell sikkerhet



ADVARSEL!

- Apparatet må ikke tas i bruk hvis det har synlige skader.
- Hvis tilkoblingskabelen på dette apparatet blir skadet, må den erstattes av produsent, kundeservice eller annen kvalifisert person for å unngå farlige situasjoner.
- Reparasjoner på dette apparatet må kun utføres av fagfolk. Feil reparasjoner kan føre til betydelige skader.

- Dette apparatet kan brukes av barn fra 8 år og oppover, og av personer med nedsatte fysiske, sensoriske eller mentale evner eller manglende erfaring og/eller kunnskap, når de er under oppsikt eller har fått opplæring i sikker bruk av apparatet og hvilke farer som er forbundet med det.
- Rengjøring og vedlikehold må ikke utføres av barn uten at de er under oppsikt.
- Barn må ikke leke med apparatet.
- Barn skal være under tilsyn for å sikre at de ikke leker med apparatet.
- Oppbevar og bruk apparatet slik at det ikke er tilgjengelig for barn under 8 år.
- Ikke lagre eksplosjonsfarlige stoffer som f.eks. spraybokser med drivgass i apparatet.

**FORSIKTIG!**

- Koble apparatet fra strømmettet
 - før rengjøring og stell
 - hver gang etter bruk
- Næringsmidler må oppbevares i originalforpakning eller i egnede beholdere.

**PASS PÅ!**

- Sammenlign spenningsspesifikasjonene på merkeskiltet med tilgjengelig strømtilførsel.
- Koble til apparatet kun på følgende måte:
 - med DC-tilkoblingskabelen til et DC-stikkontakt i kjøretøyet
 - eller med AC-tilkoblingskabelen som følger med til vekselstrøm
- Trekk aldri støpslet ut av stikkontakten etter ledningen.
- Hvis kjøleapparatet er plagget inn i DC-stikkontakten: Koble dette kjøleapparatet og andre forbrukere fra batteriet før du kobler til hurtiglader.
- Hvis kjøleapparatet er plagget inn i DC-stikkontakten: Koble fra forbindelsen eller slå av kjøleapparatet når du slår av motoren. Hvis ikke kan batteriet bli ladet ut.
- Kjøleapparatet er ikke egnet for transport av etsende eller løsemiddelholdige stoffer.
- Dette kjøleapparatet inneholder isoleringen brennbar cyklopentan. Gassene i isolasjonsmaterialet krever en spesiell bortskaffingsprosess. Etter endt levetid skal apparatet bortskaffes på forskriftsmessig måte.

2.2 Sikkerhet ved bruk av apparatet



FORSIKTIG!

- Før du tar apparatet i bruk, må du passe på at ledningen og støpslet er tørre.



PASS PÅ!

- Ikke bruk elektriske apparater inne i kjøleapparatet, hvis ikke disse apparatene er anbefalt brukt av produsenten.
- Ikke plasser apparatet i nærheten av åpen flamme eller andre varmekilder (oppvarming, sterk solbestråling, gassovner osv.).
- **Fare for overoppheting!**
Påse at varme som oppstår under drift alltid blir ventilert bort på en tilfredsstillende måte. Påse derfor at apparatet står langt nok unna vegger eller gjenstander, slik at luften kan sirkulere.
- Pass på at lufteåpningene ikke blir blokkert.
- Fyll ikke væsker eller is i den innvendige beholderen.
- Dypp aldri apparatet i vann.
- Beskytt apparatet og kablen mot varme og fuktighet.

3 Leveringsomfang

Se fig. 1, side 2

Pos.	Antall	Betegnelse
1	1	Kjøleboks
2	1	Tilkoblingskabel for likestrøm-kontakt
3	1	Tilkoblingskabel for vekselstrøm-kontakt
–	1	Bruksanvisning

4 Tilbehør

Tilgjengelig som tilbehør (ikke inkludert i leveransen):

Betegnelse	Art.nr.	Modell
Universal-festesett (stropssystem) CFX-UFK	9108300002	passer til alle modeller
Quick-Release-festesett CFX-QFK	9600000166	for CFX 28
Trådløst display CFX-WD	9600000164	passende til CFX28, CFX65DZ og eldre modeller uten WLAN-app-funksjon

På Dometics internettside (se baksiden) finner du informasjon om en WLAN-app med kontroll-, visnings- og alarmfunksjoner (**alle unntatt** CFXCFX28 og CFX65DZ). Det kan være at appen ikke er tilgjengelig i ditt land.

5 Tiltent bruk

Kjøleboksen er beregnet på å kjøle ned og dypfryse næringsmidler.

Kjøleboksen er beregnet for drift på:

- et likestrømsnett i et kjøretøy, en båt eller en bil
- et likestrømsforsyningsbatteri
- et vekselstrømsnett

Kjøleapparatet er beregnet for husholdninger og lignende applikasjoner, som for eksempel

- i personalkjøkken til butikker, kontorer og andre bransjer
- i landbruket
- av gjester i hoteller, moteller og andre overnattingssteder
- i bed-and-breakfast
- i catering og lignende større kommersielle bruksområder

**FORSIKTIG! Helsefare!**

Kontroller om apparatets kjøleeffekt oppfyller kravene til næringsmidlene eller medikamentene som du ønsker å kjøle.

6 Funksjonsbeskrivelse

Kjøleboksen kan avkjøle varer og holde dem kalde, samt dypfryse varer. Kjølingen skjer ved hjelp av et vedlikeholdsfritt kjølekretsløp med kompressor. Den ekstra sterke isolasjonen og den kraftige kompressoren garanterer spesielt hurtig kjøling.

Kjøleboksen er egnet for mobil bruk.

Kjøleboksen kan utsettes for en kortvarig krenging på 30°, f.eks. ved bruk på båter.


6.1 Funksjonsomfang

- Nettdel med prioritetskobling for tilkobling til vekselspenning
- 3-trinns batterivakt for beskyttelse av kjøretøybatteriet
- Display med temperaturindikering i °C og °F
Slår seg automatisk av ved lav batterispenning
- Temperaturinnstilling: Med to taster i trinn på 1 °C (og 2 °F)
- Integret WLAN-sender, dermed betjenbar via app (**alle unntatt** CFX28 og CFX65DZ)
- Sammenleggbare bærehåndtak
- USB-tilkobling for spenningsforsyning
- Nødbryter (hvis tilgjengelig)
- Uttakbar kurvinnsetning

6.2 Betjenings- og indikeringslementer

Låsing av dekselet: fig. 2 1, side 2

Betjeningspanel (fig. 3, side 3)

Pos.	Betegnelse	Forklaring
1	ON OFF	Slår kjøleboksen av eller på når knappen trykkes inn ett til to sekunder
2	POWER «  »	Varsellampe LED lyser grønt: Kompressor er på LED lyser oransje: Kompressor er av LED-en blinker oransje: Display ble koblet ut automatisk pga. lav batterispenning
3	ERROR	lysdioden blinker rødt: Det påslåtte apparatet er ikke driftsklart
4	SET	Velger innleggingsmodus: <ul style="list-style-type: none"> • Temperaturinnstilling • Angivelse av °Celsius eller °Fahrenheit • Innstilling av batterivakten • Stille inn lysstyrken til displayet • Slå på eller av WLAN (alle unntatt CFX28 og CFX65DZ)
5	–	Display, viser verdier
6	DOWN –	Trykk én gang for å redusere valgt verdi som skal legges inn
7	UP +	Trykk én gang for å øke valgt verdi som skal legges inn

Tilkoblingskontakter (fig. 4, side 3)

Pos.	Betegnelse
1	Tilkoblingskontakt vekselspenningsforsyning
2	Sikringsholder
3	Tilkoblingskontakt likespenningsforsyning

Nødbryter (hvis utstyrt) og USB-tilkobling (fig. 5, side 3)

Pos.	Betegnelse
1	Nødbryter
2	Strømforsyning for USB-enheter

7 Betjening

7.1 Før første gangs bruk

**MERK**

Før den nye kjøleboksen tas i bruk, skal man av hygieniske årsaker rengjøre den innvendig og utenpå med en fuktig klut (se også kapittel «Rengjøring og stell» på side 241).

Hengsle om hengsel (for CFX50W, CFX65W, CFX65DZ)

Du kan hengsle om lokkhengselet hvis du ønsker å åpne lokket til den andre siden. Gå fram på følgende måte:

- Åpne lokket, og ta det av (fig. 6 A, side 4).
- Fjern de tre skruene på hengslene (fig. 6 B, side 4) og ta hengslene av.
- Fjern plasttildekningene fra de nye hengselposisjonene ved hjelp av en liten skruetrekker, og sett dem på de gamle hengselposisjonene.
- Sett hengslene på i de nye posisjonene.
- Sett lokket i hengslene på motstående (fig. 6 C, side 4).

Velge temperaturenhet

Du kan velge å vise temperaturen enten i °Celsius eller Fahrenheit. Gå fram på følgende måte:

- Slå på kjøleboksen.
- Trykk to ganger på knappen «SET» (fig. 3 4, side 3).
- Velg temperaturenhet °Celsius eller °Fahrenheit med tastene «UP +» (fig. 3 7, side 3) hhv. «DOWN –» (fig. 3 6, side 3).
- ✓ Displayet viser innstilt temperaturenhet i noen sekunder. Displayet blinker noen ganger, før det går tilbake til visning av aktuell temperatur.

7.2 Tips for energisparing

- Velg et montasjested som har god ventilasjon og er beskyttet mot solstråling.
- Avkjøl varm mat før du plasserer den i apparatet for avkjøling.
- Ikke åpne kjøleapparatet lenger enn nødvendig.
- Ikke la kjøleskapet stå lenger åpent enn nødvendig.
- Rim av kjøleapparatet hvis det har dannet seg is på det.
- Unngå unødvendig høy innnetemperatur.

7.3 Koble til kjøleboksen

Tilkobling til et batteri (kjøretøy eller båt)

Kjøleboksen kan drives med 12 V_{DC} eller 24 V_{DC}.



PASS PÅ! Fare for skade!

Koble kjøleboksen og andre forbrukere fra batteriet før du lader opp batteriet med hurtiglader.

Overspenninger kan skade apparatets elektronikk.

For sikkerhets skyld er kjøleboksen utstyrt med en elektronisk polbeskyttelse som beskytter den mot feil polaritet ved batteritilkobling og mot kortslutning.

Bruk likestrøm-tilkoblingskabelen med sikring



PASS PÅ! Fare for skade!

Til beskyttelse av apparatet er støpselet til medfølgende likestrømstilkoblingskabel utstyrt med en sikring. **Ikke** fjern sikret likestrømsstøpsel. Bruk kun medfølgende likestrømstilkoblingskabel.

- Sett likestrømstilkoblingskabelen (fig. **1** 2, side 2) inn i bøsningen for likestrømsforsyningen til kjøleboksen (fig. **4** 5, side 3).
- Koble tilkoblingskabelen til en likestrøm-stikkontakt.

Tilkobling til et vekselstrømnett (f.eks. hjemme eller på kontoret)



FARE! Livsfare ved strømstøt!

- Ta aldri i støpsler og brytere med våte hender eller hvis det er vått der du står.
- Hvis du bruker kjøleboksen om bord på en båt via landtilkobling på likestrøm, må du koble en jordfeilbryter mellom likestrømnettet og kjøleboksen. Spør fagfolk.

Kjøleboksene har en innebygget multispenningsnettdel med forrangskobling til tilkobling til vekselstrøm. Ved hjelp av forrangskoblingen kobles det automatisk om til vekselstrømdrift når apparatet kobles til et vekselstrømnett, også når likestrøms-tilkoblingskabelen fortsatt er tilkoblet.

Når kjøleboksen kobler om fra en vekselstrøm-nettforsyning til en likestrøm-batteriforsyning, kan den røde LED-en tennes kort.

- Sett likestrømstilkoblingskabelen (fig. **1** 3, side 2) inn i bøsningen for vekselstrømsforsyningen til kjøleboksen (fig. **4** 1, side 3).
- Koble tilkoblingskabelen til en vekselstrøm-stikkontakt.

7.4 Bruke batterivakten

Apparatet er utstyrt med en flertrinns batterivakt som beskytter kjøretøysbatteriet mot en for dyp utlading ved tilkobling til likestrømforsyningen.

Hvis kjølebeholderen brukes i kjøretøyet når tenningen er avslått, kobler beholderen seg ut automatisk når tilførselsspenningen faller under en innstillbar verdi. Kjølebeholderen slår seg på automatisk igjen straks gjeninnkoblingsspenningen nås ved at batteriet lades opp.



PASS PÅ! Fare for skade!

Når batteriet slås av via batterivakten, har det ikke lenger full ladekapasitet. Unngå å starte flere ganger eller å bruke strømforbrukere uten lengre oppladinger. Sørg for å lade opp batteriet igjen.

I modus «HIGH» reagerer batterivakten raskere enn i trinnene «LOW» og «MED» (se følgende tabell).

Batterivakt-modus	LOW	MED	HIGH
Utkoblingsspenning ved 12 V	10,1 V	11,4 V	11,8 V
Gjeninnkoblingsspenning ved 12 V	11,1 V	12,2 V	12,6 V
Utkoblingsspenning ved 24 V	21,5 V	24,1 V	24,6 V
Gjeninnkoblingsspenning ved 24 V	23,0 V	25,3 V	26,2 V

Gå fram på følgende måte for å endre modus til batterivakten:

- ▶ Slå på kjøleboksen.
- ▶ Trykk på knappen «SET» (fig. 3 4, side 3) tre ganger.
- ▶ Velg modus for batterivakt med tastene «UP +» (fig. 3 7, side 3) eller «DOWN -» (fig. 3 6, side 3).
- ✓ I displayet vises følgende:
Lo (LOW), Md (MED), Hi (HIGH)
- ✓ Displayet viser innstilt modus i noen sekunder. Displayet blinker noen ganger, før det går tilbake til visning av aktuell temperatur.



MERK

Når kjøleboksen forsynes fra starterbatteriet, velger du batterivakt-modus «HIGH». Når kjøleboksen er tilkoblet et forsyningsbatteri, er batterivakt-modus «LOW» tilstrekkelig.

7.5 Bruk av kjøleboksen



PASS PÅ! Fare for overoppheting!

Påse at varme som oppstår under drift alltid blir ventilert bort på en tilfredsstillende måte. Pass på at lufteåpningene ikke blir blokkert. Påse derfor at apparatet står langt nok unna vegger eller gjenstander, slik at luften kan sirkulere.

- Sett kjøleboksen på et stødig underlag.
Påse at lufteåpningene ikke er tildekket og at den oppvarmede luften kan ledes bort skikkelig.



MERK


Plasser kjøleboksen som vist (fig. **1**, side 2). Hvis boksen brukes i en annen posisjon, kan apparatet bli ødelagt.

- Koble til kjøleboksen (se kapittel «Koble til kjøleboksen» på side 232).



PASS PÅ! Fare på grunn av for lav temperatur!

Pass på at kun gjenstander hhv. varer som befinner seg i kjøleboksen og som tåler nedkjøling blir nedkjølt til innstilt temperatur.

- Trykk tasten «ON/OFF» (fig. **3** 1, side 3) i ett til to sekunder.
- ✓ LED-en «» lyser.
- ✓ Displayet (fig. **3** 5, side 3) slår seg på og indikerer den aktuelle kjøletemperaturen.



FORSIKTIG! Helsefare! **CFX 65 DZ:**

Hvis temperaturen i fryserommet (fig. **8** 1, side 5) er satt veldig lavt (f. eks. -22°C), kan også temperaturområdet i det midtre kjølerommet (fig. **8** 2, side 5) ha minusgrader.

**MERK****Vist temperatur****• CFX28, CFX35W, CFX40W, CFX50W, CFX65W:**


Den viste temperaturen gjelder det store kjøle- og fryserommet (f.eks. CFX 50W, CFX 65W: fig. **7** 1, side 4).

• CFX65DZ:

- Med skillevegg i kjøle- og fryserommet: Den viste temperaturen gjelder fryserommet (fig. **8** 1, side 5).
- Uten skillevegg i kjøle- og fryserommet: Virkelig temperatur i rommet kan avvike fra angitt temperatur.

- ✓ Kjøleboksen begynner å kjøle ned det innvendige rommet.

**MERK**

Ved drift på et batteri kobles displayet ut automatisk ved lav batterispenning. LED-en «» blinker oransje.

Låse kjøleboksen

- Lukk lokket.
- Trykk ned låsen (fig. **2** 1, side 2) til du hører at den går i lås.

**MERK – Alarm «Lokk åpent»**

Når lokket blir latt værende åpent i mer enn tre minutter og apparatet er slått på, blinker det innvendige lyset til lokket lukkes.

7.6 Stille inn temperaturen

- Trykk på knappen «SET» (fig. **3** 4, side 3) én gang.
- Still inn kjøletemperaturen med tastene «UP +» (fig. **3** 7, side 3) og «DOWN -» (fig. **3** 6, side 3).
- ✓ Displayet viser ønsket kjøletemperatur i noen sekunder. Displayet blinker noen ganger, før det går tilbake til visning av aktuell temperatur.

**MERK**

Temperaturen i hvert kjølerom lar seg stille inn til -22°C . Produsenten anbefaler likevel en temperatur på mellom -15°C til -18°C for normal drift og optimalt energiforbruk.

7.7 Aktiver WLAN-signal for valgfri app (alle unntatt CFX28 og CFX65DZ)

Kjølesystemet kan styres via WLAN med en app som du kan installere på en kompatibel enhet. Appen er utstyrt med kontroll-, visnings- og alarmfunksjoner.

Nærmere informasjon finner du på Dometic-nettsiden i landet ditt (se baksiden). Vær oppmerksom på at det kan være at appen ikke er tilgjengelig i landet ditt.

WLAN-navnet til kompressor-kjøleboksen begynner med «CFX». Det forhåndsdefinerte passordet lyder «00000000». WLAN-navn og passord kan du endre individuelt.

Slå på/av WLAN-signalet

- ▶ Trykk på knappen «SET» (fig. 3 4, side 3) fem ganger.
- ▶ Sett WLAN-signalet på eller av med tastene «UP +» (fig. 3 7, side 3) eller «DOWN →» (fig. 3 6, side 3).
- ✓ Displayet viser den ønskede innstillingen i noen sekunder. Displayet blinker noen ganger, før det går tilbake til visning av aktuell temperatur.



MERK

- I fabrikkinnstillingen er WLAN-senderen slått av. Under første gangs oppstart og etter hvert strøbrudd må du slå på WLAN-senderen for å kunne bruke applikasjonen.
- WLAN-senderen bruker bare en lite mengde strøm. For å oppnå et optimalt energiforbruk slår du av WLAN-senderen av når den ikke brukes.

Tilbakestille WLAN til fabrikkinnstilling

Når du har tilpasset WLAN-innstillingene til kjølesystemet via WLAN-appen og du har glemt passordet, kan du tilbakestille kjølesystemet til fabrikkinnstillingene som følger:

- ▶ Trykk på knappen «SET» (fig. 3 4, side 3) fem ganger.
- ▶ Trykk og hold tasten «UP +» (fig. 3 7, side 3) trykket i minst fem sekunder.
- ✓ Displayene blinker «rES» noen ganger, før de går tilbake til forrige visning.
- ✓ WLAN-innstillingene tilbakestilles til fabrikkinnstillingen.

For ytterligere informasjon besøker du Dometic-nettstedet hvor du lastet ned appen fra.

7.8 Stille inn lysstyrken til displayet

I mørke omgivelser kan displayets lysstyrke dimmes. Slik stiller du inn lysstyrken på displayet:

- ▶ Slå på kjøleboksen.
- ▶ Trykk på knappen «SET» (fig. **3** 4, side 3) fire ganger.
- ▶ Still inn lysstyrken på displayet med tastene «UP +» (fig. **3** 7, side 3) og «DOWN –» (fig. **3** 6, side 3).
- ✓ I displayet vises følgende:
d0 (forhåndsinnstilt), d1 (middels lys), d2 (mørk)
- ✓ Displayet viser innstilt modus i noen sekunder. Displayet blinker noen ganger, før det går tilbake til visning av aktuell lysstyrke.



MERK

- Fabrikkinnstillingen av displayets lysstyrke er d0 (forhåndsinnstilt).
- Hvis det oppstår en feil er lysstyrken automatisk d0 (forhåndsinnstilt). Etter feilrettingen blir den innstilte lysstyrken aktivert igjen.

7.9 Bruke nødbryter (hvis tilgjengelig)

Nødbryteren (fig. **4** 3, side 3) finnes i alle modeller bortsett fra CFX28 under betjeningspanelet. På CFX28 sitter nødbryteren over tilkoblingskontakten. For normal drift benyttes bryteren «NORMAL USE» (normal bruk).

- ▶ Hvis det oppstår en feil på styreelektronikken, skyv bryteren til «EMERGENCY OVERRIDE» (nødbetjening).



MERK

Hvis bryteren står på «EMERGENCY OVERRIDE» går kjøleboksen med full kjøleeffekt og innholdet kan dypfrys.

7.10 USB-tilkobling for spenningsforsyning

Du kan bruke USB-kontakten for å lade småapparater (f.eks. mobiltelefoner og MP3-spiller).

Når du ønsker å drive kjøleboksen med et USB-apparat, koble ganske enkelt en USB-kabel (ikke inkludert i leveringsomfanget) til apparatet.



MERK

Kontroller at det lille apparatet koblet til USB-tilkoblingen er egnet til drift ved 5 V/500 mA.

7.11 Slå av kjøleboksen

- ▶ Tøm kjøleboksen.
- ▶ Slå av kjøleboksen.
- ▶ Trekk ut tilkoblingskabelen.

Når kjøleboksen ikke skal brukes på lang tid:

- ▶ La lokket stå litt åpent. På den måten forhindrer man at det danner seg lukt.

7.12 Avriming av kjøleboksen

Luftfuktighet kan legge seg på fordampere eller inne i kjøleboksen som rim, og dette reduserer kjøleeffekten. Avrim apparatet til riktig tid.



PASS PÅ! Fare for skade!

Bruk aldri harde eller spisse redskaper for å fjerne islag eller for å løsne fastfrosne gjenstander.

Gå fram på følgende måte for å avrime kjøleboksen:

- ▶ Ta ut matvarene.
- ▶ Oppbevar dem evt. i et annet kjøleapparat, slik at de holder seg kalde.
- ▶ Slå av apparatet.
- ▶ La lokket stå åpent.
- ▶ Tørk opp tinevannet.

7.13 Bytte vekselstrømsikring



FARE! Livsfare ved strømstøt!

Koble fra spenningsforsyningen og tilkoblingskabelen før du skifter sikring i apparatet.

- Koble spenningsforsyningen fra apparatet.
- Trekk ut tilkoblingskabelen.
- Hev sikringsinnsatsen (fig. **4** 2, side 3) ut med f.eks. en skrutrekker.
- Bytt den defekte glassikringen ut med en ny glassikring av samme type med samme verdi (4 A, 250 V).
- Trykk sikringsinnsatsen inn i kapslingen igjen.
- Koble spenningsforsyningen til apparatet.

7.14 Bytte likestrømsikring i støpslet

- Skru kontaktstifhuset (fig. **9** 3, side 5) av støpslet (fig. **9** 1, side 5).
- Bytt ut den defekte sikringen (fig. **9** 2, side 5) mot en ny sikring av samme type og med samme verdi (3AG, Fast Acting, 15 A).
- Sett sammen støpslet igjen i motsatt rekkefølge.

7.15 Skifte lyskortet

- Koble spenningsforsyningen fra apparatet.
- Åpne det gjennomsiktige dekslet med en skrutrekker (fig. **10** 1, side 5).
- Løsne festeskruene på kortet (fig. **10** 2, side 5).
- Trekk pluggen ut av kortet (fig. **10** 3, side 5).
- Bytt det defekte lyskortet med et nytt.
- Sett i et nytt lyskort ved å utføre trinnene i omvendt rekkefølge fra den som er beskrevet i veiledningen for å fjerne kortet.
- Sett det gjennomsiktige dekslet inn i kapslingen igjen.
- Koble spenningsforsyningen til apparatet.

8 Rengjøring og stell

**ADVARSEL!**

Skill apparatet fra strømmettet før rengjøring og stell.

**PASS PÅ! Fare for skade!**

- Kjøleapparatet må aldri rengjøres under rennende vann eller spyles.
- Bruk ikke slipende vaskemidler eller harde gjenstander til rengjøring, da det kan skade kjøleapparatet.

- Rengjør apparatet innvendig og utvendig fra tid til annen med en fuktig klut.
- Påse at ventilasjonsåpningene på apparatet er fri for støv og forurensinger, slik at varmen som oppstår under drift kan ledes bort og apparatet ikke tar skade.

9 Garanti

Lovmessig garantitid gjelder. Hvis produktet skulle være defekt, kontakter du produsentens filial i ditt land (du finner adressene på baksiden av veiledningen) eller til din faghandler.

Ved henvendelser vedrørende reparasjon eller garanti, må du sende med følgende dokumentasjon:

- kopi av kvitteringen med kjøpsdato,
- årsak til reklamasjonen eller beskrivelse av feilen.

10 Utbedring av feil

Feil	Mulig årsak	Forslag til løsning
Kjølesystemet fungerer ikke, lysdioden lyser ikke.	Det er ikke noen spenning i likestrømsstikkontakten i kjøretøyet.	I de fleste kjøretøyer må tenningen være på for at likestrømsstikkontakten skal ha spenning.
	Vekselspenningsstikkontakten har ikke spenning.	Prøv å koble til en annen stikkontakt.
	Apparatsikringen er defekt.	Bytt apparatsikringen, se kapittel «Bytte vekselstrømsikring» på side 240.
	Den integrerte nett delen er defekt.	Reparasjonen kan kun utføres av en godkjent kundeservicebedrift.
Kjølesystemet kjøler ikke (støpslet er pluggert inn, LED-en «POWER» lyser).	Kompressoren er defekt.	Reparasjonen kan kun utføres av en godkjent kundeservicebedrift.
Kjølesystemet kjøler ikke (støpslet er pluggert inn, LED-en «POWER» blinker oransje, displayet er slått av).	Modus på batterivakten er for høy	Still inn batterivakten på en lavere modus.
	Batterispenning for lav.	Lad eventuelt opp batteriet.
Ved drift fra likestrømsstikkontakt: Tenningen er slått på, apparatet fungerer ikke og lysdioden lyser ikke.	Kontakten til likestrømsstikkontakten er tilsmusset. Dette fører til dårlig elektrisk kontakt.	Hvis pluggen i likestrømsstikkontakten blir svært varm, må enten kontakten gjøres ren, eller så er pluggen muligens ikke korrekt montert.
	Sikringen til likestrømspluggen har gått.	Bytt sikringen til likestrømspluggen, se kapittel «Bytte likestrømsikring i støpslet» på side 240
	Kjøretøysikringen har gått.	Skift ut kjøretøysikringen til likestrømsstikkontakten (følg bruksanvisningen til kjøretøyet).

Feil	Mulig årsak	Forslag til løsning
Displayet viser en feilmelding (f.eks. «Err1»), og kjølesystemet kjøler ikke.	En intern driftsfeil har slått av kjølesystemet.	Reparasjonen kan kun utføres av en godkjent kundeservicebedrift.
Det innvendige lyset i et rom blinker.	Lokket til rommet har stått åpent i mer enn tre minutter.	Lukk lokket til rommet.

11 Deponering

- Lever emballasje til resirkulering så langt det er mulig.



Når du tar produktet ut av drift for siste gang, må du sørge for å få informasjon om deponeringsforskrifter hos nærmeste resirkuleringsstasjon eller hos din faghandler.

12 Tekniske spesifikasjoner

	CFX28	CFX35W	CFX40W
Art.nr.:	9600000468 9600000469	9600000470 9600000471	9600000472 9600000473
Tilkoblingsspenning:	12/24 V \equiv og 100 – 240 V \sim		
Merkestrøm:	12 V \equiv : 6,5 A 24 V \equiv : 3,2 A 100 V \sim : 0,75 A 240 V \sim : 0,32 A	12 V \equiv : 7,0 A 24 V \equiv : 3,2 A 100 V \sim : 0,86 A 240 V \sim : 0,42 A	
Kjøleeffekt:	+10 °C til -22 °C (+50 °F til -8 °F)		
Kategori:	1		
Energimerking:	A++		
Energiforbruk:	61 kWh/år	62 kWh/år	64 kWh/år
Bruttoinnhold:	28 l	34,5 l	41 l
Nytteinnhold:	26 l	32 l	38 l
Klimaklasse:	N, T		
Omgivelsestemperatur:	+16 °C til +43 °C (+61 °F til +110 °F)		
Støyutslipp:	34 dB(A)	42 dB(A)	
USB-tilkobling:	5 V \equiv , 500 mA		
Frekvensbånd (WiFi):	2,4 GHz (Radiomodul)	2,4 GHz	
Høyfrekvenseffekt (WiFi):	11 – 0 dBm (Radiomodul)	16 ± 1,5 dBm (802.11b CCK, 11 MBit/s) 12 ± 1,5 dBm (802.11g OFDM, 54 MBit/s) 11 ± 1,5 dBm (802.11n HT20, MCS7)	
Kjølemiddelmengde:	38 g	33 g	38 g
CO ₂ -ekvivalent:	0,054 t	0,047 t	0,054 t
GWP-verdi:	1430		
Mål (B x H x D) i mm (med håndtak):	342 x 425 x 620	398 x 411 x 692	398 x 461 x 692
Vekt:	13 kg	17,5 kg	18,5 kg

	CFX50W	CFX65W	CFX65DZ
Art.nr.:	9600000474 9600000475	9600000476 9600000477	9600000478 9600000479
Tilkoblingsspenning:	12/24 V \equiv og 100 – 240 V \sim		
Merkestrøm:	12 V \equiv : 7,8 A 24 V \equiv : 3,6 A 100 V \sim : 0,95 A 240 V \sim : 0,46 A	12 V \equiv : 8,2 A 24 V \equiv : 3,8 A 100 V \sim : 1,0 A 240 V \sim : 0,48 A	12 V \equiv : 5,5 A 24 V \equiv : 2,6 A 100 V \sim : 0,75 A 240 V \sim : 0,37 A
Kjøleeffekt:	+10 °C til -22 °C (+50 °F til -8 °F)		
Kategori:	1		
Energimerking:	A++		A+
Energiforbruk:	66 kWh/år	69 kWh/år	115 kWh/år
Bruttoinnhold:	50 l	65 l	med deler: 61 l uten deler: 65 l
Nytteinnhold:	46 l	60 l	53 l
Klimaklasse:	N, T		
Omgivelsestemperatur:	+16 °C til +43 °C (+61 °F til +110 °F)		
Støyutslipp:	42 dB(A)		
USB-tilkobling:	5 V \equiv , 500 mA		
Frekvensbånd (WiFi):	2,4 GHz		–
Høyfrekvenseffekt (WiFi):	16 \pm 1,5 dBm (802.11b CCK, 11 MBit/s) 12 \pm 1,5 dBm (802.11g OFDM, 54 MBit/s) 11 \pm 1,5 dBm (802.11n HT20, MCS7)		–
Kjølemiddelmengde:	43 g	57 g	31 g
CO ₂ -ekvivalent:	0,062 t	0,082 t	0,044 t
GWP-verdi:	1430		
Mål (B x H x D) i mm (med håndtak):	725 x 471 x 455	725 x 561 x 455	725 x 561 x 455
Vekt:	20,4 kg	22,3 kg	23,2 kg

**MERK**

Fra omgivelsestemperaturer på over 32 °C (90 °F) kan man ikke lenger nå minimumstemperaturen.

Test/sertifikater:



Kjølekretsen inneholder R134a.

Inneholder fluoriserte drivhusgasser

Hermetisk lukket innretning

Det finnes ingen begrensninger for bruken av WiFi-funksjonen til apparatet i EU-medlemsstatene.

Lue tämä ohje huolellisesti läpi ennen käyttöönottoa ja säilytä ohje hyvin. Jos myyt tuotteen eteenpäin, anna ohje tällöin edelleen uudelle käyttäjälle.

Valmistaja ei ota vastuuta vahingoista, jotka aiheutuvat **epäasianmukaisesta käytöstä** tai **väärästä käytöstä**.

Sisällysluettelo

1	Symbolien selitykset	248
2	Turvallisuusohjeet	248
2.1	Yleinen turvallisuus	248
2.2	Laitteen käyttöturvallisuus	250
3	Toimituskokonaisuus	250
4	Lisävarusteet	251
5	Tarkoituksenmukainen käyttö	251
6	Toimintakuvaus	252
6.1	Toiminnot	252
6.2	Käyttö- ja näyttölaitteet	253
7	Käyttö	254
7.1	Ennen ensimmäistä käyttöä	254
7.2	Vinkkejä energian säästämiseen	255
7.3	Kylmälaukun liittäminen	255
7.4	Akkuvahdin käyttäminen	256
7.5	Kylmälaukun käyttö	257
7.6	Lämpötilan säätäminen	259
7.7	WLAN-signaalin aktivoiminen optiosovellusta varten (kaikki paitsi CFX28 ja CFX65DZ)	259
7.8	Näytön kirkkauden säätäminen	260
7.9	Hätäkytkimen käyttäminen (jos olemassa)	261
7.10	USB-liitäntä jännitteensyöttöä varten	261
7.11	Kylmälaukun kytkeminen pois päältä	261
7.12	Kylmälaukun sulattaminen	262
7.13	Verkkovirtasulakkeen vaihtaminen	262
7.14	Pistokesulakkeen (tasavirta) vaihtaminen	263
7.15	Valopiirilevyn vaihtaminen	263
8	Puhdistus ja hoito	263

9	Tuotevastuu	264
10	Häiriöiden poistaminen	264
11	Hävittäminen	265
12	Tekniset tiedot	266

1 Symbolien selitykset

**VAROITUS!**

Turvallisuusohje: Huomiotta jättäminen voi aiheuttaa hengenvaaran tai vakavan loukkaantumisen.

**HUOMIO!**

Turvallisuusohje: Huomiotta jättäminen voi johtaa loukkaantumiseen.

**HUOMAUTUS!**

Huomiotta jättäminen voi johtaa materiaalivaurioihin ja haitata tuotteen toimintaa.

**OHJE**

Tuotteen käyttöä koskevia lisätietoja.

2 Turvallisuusohjeet

2.1 Yleinen turvallisuus

**VAROITUS!**

- Laitetta ei saa ottaa käyttöön, jos siinä on näkyviä vaurioita.
- Jos tämän laitteen liitäntäjohto vaurioituu, tulee valmistajan tai valtuutetun asiakaspalvelun tai vastaavasti pätevän henkilön vaihtaa se vaaran välttämiseksi.
- Ainoastaan ammattilaiset saavat korjata tätä laitetta. Epäasianmukaisista korjauksista saattaa aiheutua huomattavia vaaroja.

- 8-vuotiaat tai sitä vanhemmat lapset sekä henkilöt, joiden fyysiset, sensoriset tai psyykkiset kyvyt ovat rajoittuneita tai jotka ovat kokemattomia ja/tai tietämättömiä, voivat käyttää tätä laitetta valvonnan alaisina tai kun heille on opetettu laitteen turvallinen käyttö ja he ovat ymmärtäneet siitä aiheutuvat vaarat.
- Lapset eivät saa puhdistaa laitetta tai tehdä käyttäjähuoltoa ilman valvontaa.
- Lapset eivät saa leikkiä laitteella.
- Lapsia tulee valvoa sen varmistamiseksi, etteivät he leiki laitteella.
- Säilytä ja käytä laitetta alle 8-vuotiaiden lasten ulottumattomissa.
- Älä säilytä laitteessa mitään räjähdysalttiita tavaroita kuten esim. suihkepurkkeja, joissa on palavaa ponneainetta.



HUOMIO!

- Irrota laite verkosta
 - ennen jokaista puhdistusta tai hoitoa
 - jokaisen käytön jälkeen
- Elintarvikkeita saa säilyttää vain alkuperäispakkauksissa tai tarkoitukseen sopivissa astioissa.



HUOMAUTUS!

- Verrattaka tyypikilven jännitetietoja käytettävissä olevaan energiansyöttöön.
- Liitäkää laite vain seuraavalla tavalla:
 - toimituskokonaisuuteen kuuluvalla DC-liitäntäjohdolla DC-pistorasiaan
 - toimituskokonaisuuteen kuuluvalla AC-liitäntäjohdolla vaihtovirtaverkkoon
- Älä ota pistoketta koskaan pois pistorasiasta johdosta vetämällä.
- Jos kylmälaite on liitetty DC-pistorasiaan: Irrottaa kylmälaitteenne ja muut sähköä käyttävät laitteet akusta ennen pikalaturin liittämistä.
- Jos kylmälaite on liitetty DC-pistorasiaan: Irrota liitäntä tai sammuta ylmälaite, kun sammutat moottorin. Muuten akku voi purkautua.
- Kylmälaite ei sovi syövyttävien tai liuotainepitoisten aineiden kuljettamiseen.
- Tämän kylmälaitteen erityksessä on palavaa syklopentaania. Eristysmateriaalin kaasut vaativat erityisen hävittämismenetelmän. Vie kylmälaite käyttöiän täytyttyä asianmukaiseen hävityspisteeseen.

2.2 Laitteen käyttöturvallisuus



HUOMIO!

- Huolehtikaa ennen laitteen käyttöönottoa siitä, että johto ja pistoke ovat kuivia.



HUOMAUTUS!

- Älä käytä kylmälaukun sisällä mitään sähkölaitteita, vaikka valmistaja näitä suosittelisikin.
- Älkää asettako laitetta avoliekkien tai muiden lämpölähteiden (lämmitys, voimakas auringonpaiste, kaasuuunit jne.) lähelle.
- **Ylikuumenemisvaara!**
Huolehtikaa aina siitä, käytössä syntyvä lämpö saadaan johdettua riittävän hyvin pois. Huolehtikaa siitä, että laite on riittävän etäällä seinistä tai esineistä, jotta ilma pääsee kiertämään.
- Huolehtikaa siitä, että tuuletusrajoja ei peitetä.
- Älkää laittako sisäastiaan minkäänlaisia nesteitä tai jäätä.
- Älkää upottako laitetta koskaan yteen.
- Suojatkaa laite ja sen johto kuumuudelta ja kosteudelta.

3 Toimituskokonaisuus

Katso kuva **1**, sivulla 2

Kohde	Määrä	Nimitys
1	1	Kylmälaukku
2	1	Tasavirtaliitännän liitäntäjohto
3	1	Vaihtovirtaliitännän liitäntäjohto
–	1	Käyttöohje

4 Lisävarusteet

Saatavissa lisävarusteena (ei sisälly toimituskokonaisuuteen):

Nimitys	Tuotenro	Malli
Yleinen kiinnityssarja (hihnajärjestelmä) CFX-UFK	9108300002	sopii kaikkiin malleihin
Pikavapautuskiinnityssarja CFX-QFK	9600000166	malliin CFX28
Langaton näyttö CFX-WD	9600000164	sopii malleihin CFX28, CFX65DZ ja vanhempiin malleihin, joissa ei ole WLAN-sovellustointoa

Dometic-verkkosivustossa (ks. takasivu) on tietoja WLAN-sovelluksesta sekä sen hallinta-, näyttö- ja hälytystoiminnoista (**kaikki paitsi** CFX28 ja CFX65DZ). Sovellus ei välttämättä ole saatavissa maassasi.

5 Tarkoituksenmukainen käyttö

Kylmälaatikko sopii elintarvikkeiden jäähdyttämiseen ja pakastamiseen.

Kylmälaatikko on tarkoitettu yhdistettäväksi:

- ajoneuvon, veneen tai asuntoauton tasavirtaverkkoon
- tasavirtaa syöttävään akkuun
- vaihtovirtaverkkoon

Kylmälaite on tarkoitettu sisäkäyttöön ja vastaaviin käyttötarkoituksiin, esim.

- kauppojen, toimistojen ja muiden työpaikkojen henkilöstökeittäihin
- maatalouskäyttöön
- hotellien, motellien ja muiden majoituspaikkojen vieraskäyttöön
- aamiaismajoituksiin
- pitopalvelu- ja tukkukauppakäyttöön



HUOMIO! Terveysriski!

Ole hyvä ja tarkista, vastaako laitteen jäähdytysteho niiden elintarvikkeiden tai lääkkeiden vaatimuksia, joita haluat jäähdyttää.

6 Toimintakuvaus

Kylmälaukku pystyy jäähdyttämään tuotteita ja pitämään ne kylminä sekä pakastamaan niitä. Jäähdyttämiseen käytetään jäähdytyskiertoa ja kompressoria, joita ei tarvitse huoltaa. Erikoisvahva eristys ja tehokas kompressori takaavat erityisen nopean jäähdytyksen.

Kylmälaukku sopii liikkuvaan käyttöön.

Kylmälaukkua voidaan kallistaa lyhytaikaisesti 30°, esimerkiksi venekäytössä.

6.1 Toiminnot

- Verkkolaite, jossa on ensisijaiskytkentä laitteen liittämiseksi vaihtojännitteeseen
- Kolmiportainen akkuvahvi ajoneuvon akun suojaamiseen
- Lämpötilanäyttö °C ja °F
kytkeytyy automaattisesti pois päältä, kun akkujännite on alhainen
- Lämpötilasäätö: Kahdella painikkeella 1° C:n välein (ja 2° F:n välein)
- Yhdysrakenteinen WLAN-lähetin, jonka ansiosta käytettävissä sovelluksen avulla (**kaikki paitsi** CFX28 ja CFX65DZ)
- Taitettavat kantokahvat
- USB-liitäntä jännitteensyöttöä varten
- Hätäkytkin (jos olemassa)
- Irrotettava lankakori

6.2 Käyttö- ja näyttölaitteet

Kannen salpaus: kuva 2 1, sivulla 2

Ohjauspaneeli (kuva 3, sivulla 3)

Kohde	Nimitys	Selitys
1	ON OFF	Kytkee kylmälaukun päälle tai pois, kun painiketta painetaan yksi tai kaksi sekuntia
2	POWER "⏻"	Toimintailmaisin LED loistaa vihreänä: Kompressori on päällä LED loistaa oranssina: Kompressori on pois päältä LED vilkkuu oranssina: Näyttö sammutettiin automaattisesti, koska akkujännite on alhainen
3	ERROR	LED vilkkuu punaisena: Laite on päällä, mutta ei käyttövalmis
4	SET	Valitsee syöttötilan: <ul style="list-style-type: none"> Lämpötilan säätö Lämpötilayksikkö °Celsius tai °Fahrenheit Akkuvahdin asetus Näytön kirkkauden säätö WLAN:in päälle ja pois kytkentä (kaikki paitsi CFX28 ja CFX65DZ)
5	–	Näyttö, näyttää arvot
6	DOWN –	Napautus kerran pienentää valittua syöttöarvoa
7	UP +	Napautus kerran suurentaa valittua syöttöarvoa

Liittimet (kuva 4, sivulla 3)

Kohde	Nimitys
1	Vaihtojännitesyötön liitin
2	Sulakepidike
3	Tasajännitesyötön liitin

Hätäkytkin (mikäli käytettävissä) ja USB-liitäntä (kuva 5, sivulla 3):

Kohde	Nimitys
1	Hätäkytkin
2	Virransyöttö USB-laitteille

7 Käyttö

7.1 Ennen ensimmäistä käyttöä

**OHJE**

Puhdista uusi kylmälaukku hygieenisistä syistä kostealla liinalla sisältä ja ulkoa ennen laitteen käyttöön ottamista (ks. myös kap. ”Puhdistus ja hoito” sivulla 263).

Kannen kätisyyden kääntäminen (mallit CFX50W, CFX65W, CFX65DZ)

Voit vaihtaa kannen kätisyyttä, jos haluat sen aukeavan toiselta puolelta. Toimi tätä varten seuraavasti:

- Avaa ja irrota kansi (kuva 6 A, sivulla 4).
- Poista kolme ruuvia kummastakin saranasta (kuva 6 B, sivulla 4) ja irrota saranat.
- Poista muovisuojukset saranoiden uusista kiinnityspaikoista pienellä ruuvimeisselillä ja kiinnitä muovisuojukset saranoiden entisiin kiinnityspaikkoihin.
- Kiinnitä saranat uusiin paikkoihin.
- Laita kansi saranoihin vastakkaiselle puolelle (kuva 6 C, sivulla 4).

Lämpötilayksikön valinta

Voit valita lämpötilan näytön °Celsius- ja °Fahrenheit-yksikköjen välillä. Toimi tätä varten seuraavasti:

- Kytke kylmälaukku päälle.
- Paina ”SET”-painiketta (kuva 3 4, sivulla 3) kaksi kertaa.
- Aseta lämpötilayksikkö °Celsius tai °Fahrenheit painikkeilla ”UP +” (kuva 3 7, sivulla 3) ja ”DOWN -” (kuva 3 6, sivulla 3).
- ✓ Näyttö näyttää asetetun lämpötilayksikön muutaman sekunnin ajan. Näyttö vilkkuu muutaman kerran, ennen kuin se palaa tämänhetkisen lämpötilan näyttöön.

7.2 Vinkkejä energian säästämiseen

- Valitkaa asennuspaikka, joka on hyvin tuuletettu ja suojassa auringonpaisteelta.
- Antakaa lämminten ruokien jäähtyä ennen niiden säilyttämistä laitteessa kylminä.
- Älkää avatko kylmälaitetta tarpeettoman usein.
- Älä jätä jäähdytyslaitetta auki pidemmäksi ajaksi kuin tarpeen.
- Sulata kylmälaite heti, kun siihen on muodostunut jääkerros.
- Vältä tarpeettoman matalaa sisälämpötilaa.

7.3 Kylmälaulun liittämisen

Liitäntä akkuun (ajoneuvo tai vene)

Kylmälaulun käyttöjännite on 12 V \approx tai 24 V \approx .



HUOMAUTUS! Vaurioitumisvaara!

Irrota kylmälaulukku ja muut sähköä kuluttavat laitteet akusta, ennen kuin lataat akkua pikalaturilla.

Ylijännitteet voivat vahingoittaa laitteiden elektroniikkaa.

Kylmälaulukku on varmuuden vuoksi varustettu elektronisella napaisuussuojauksella, joka suojaa kylmälaulukkuu vääraltä napaisuudelta akkuliitännässä sekä oikosululta.

Käytä sulakkeella varustettua tasavirtaliitäntäjohtoa



HUOMAUTUS! Vaurioitumisvaara!

Mukana tuleva tasavirtaliitäntäjohto on varustettu sulakkeella laitteen suojaamiseksi. Sulakkeella varustettua tasavirtaliitintä **ei saa** poistaa.

Käytä virransyöttöön ainoastaan mukana tulevaa tasavirtaliitäntäjohtoa.

- Työnnä tasavirtaliitäntäjohto (kuva **1** 2, sivulla 2) kylmälaulun tasavirtaliitintään (kuva **4** 5, sivulla 3).
- Yhdistä liitäntäjohto tasavirtapistorasiaan.

Liitäntä vaihtovirtaverkkoon (esim. kotona tai toimistossa)



VAARA! Sähköiskusta johtuva hengenvaara!

- Älä käsittele pistokkeita ja kytkimiä märin käsin tai kun seisot märässä paikassa.
- Jos kylmälaukku käytetään veneessä maihin vedetyn kaapelin välityksellä vaihtovirtaverkossa, vaihtovirtaverkon ja kylmälaukun väliin täytyy aina kytkeä vikavirtasuojakytkin.
Lisätietoja saat alan ammattilaisilta.

Kylmälaukuissa on integroitu, jännitteenvälitsimellä varustettu monijänniteverkko-laite laitteen liittämiseksi vaihtovirtaan. Jännitteenvälitsimen avulla kylmälaite kytetään automaattisesti vaihtovirtakäytölle silloin kun se on liitetty vaihtovirtaverkkoon, vaikka tasavirtaliitäntäjohto olisi yhä liitettynä.

Kun kylmälaukku siirtyy vaihtovirtakäytöstä akkukäyttöön, punainen LED voi syttyä hetkeksi.

- Työnnä vaihtovirtaliitäntäjohto (kuva **1** 3, sivulla 2) kylmälaukun vaihtovirtaliitäntään (kuva **4** 1, sivulla 3).
- Yhdistä liitäntäjohto vaihtovirtapistorasiaan.

7.4 Akkuvahdin käyttäminen

Laitteessa on moniportainen akkuvahdi, joka suojelee ajoneuvosi akkua syväpurkaumiselta, kun laitetta käytetään ajoneuvon tasavirtajärjestelmän avulla.

Jos kylmälaukku käytetään ajoneuvon sytytyksen ollessa pois päältä, laukku kytkeytyy itsestään pois päältä heti, kun syöttöjännite laskee säädetyn arvon alle. Kylmälaukku kytkeytyy päälle heti, kun akun lataustila on saavuttanut uudelleenkytkentäjännitteen.



HUOMAUTUS! Vaurioitumisvaara!

Akkuun jää akkuvahdin suorittaman poiskytkennän jälkeen vain osa sen täydestä latauskapasiteetista. Vältä useita käynnistyksiä ja sähköä kuluttavien laitteiden käyttämistä ilman pidempiä latausvaiheita. Huolehdi siitä, että akku ladataan uudelleen.

Tilassa ”HIGH” akkuvahdi reagoi nopeammin kuin tasoilla ”LOW” ja ”MED” (ks. seuraava taulukko).

Akkuvahdin tila	LOW	MED	HIGH
Poiskytkentäjännite 12 V:lla	10,1 V	11,4 V	11,8 V
Uudelleenkytkentäjännite 12 V:lla	11,1 V	12,2 V	12,6 V
Poiskytkentäjännite 24 V:lla	21,5 V	24,1 V	24,6 V
Uudelleenkytkentäjännite 24 V:lla	23,0 V	25,3 V	26,2 V

Vaihda akkuvahdin tila seuraavasti:

- Kytke kylmälaukku päälle.
- Paina painiketta ”SET” (kuva **3** 4, sivulla 3) kolme kertaa.
- Aseta akkuvahdin tila painikkeilla ”UP +” (kuva **3** 7, sivulla 3) ja ”DOWN –” (kuva **3** 6, sivulla 3).
- ✓ Näytössä näkyy seuraava näyttö:
Lo (LOW), Pd (MED), Hi (HIGH)
- ✓ Näyttö näyttää asetetun tilan muutaman sekunnin ajan. Näyttö vilkkuu muutaman kerran, ennen kuin se palaa tämänhetkisen lämpötilan näyttöön.



OHJE

Kun kylmälaukku saa virtansa käynnistysakusta, valitse akkuvahdin tilaksi ”HIGH”. Jos kylmälaukku on liitetty erilliseen syöttöakkuun, akkuvahdin tilaksi riittää ”LOW”.

7.5 Kylmälaukun käyttö



HUOMAUTUS! Ylikuumenemisvaara!

Huolehdi aina siitä, käytössä syntyvä lämpö saadaan johdettua riittävän hyvin pois. Huolehdi siitä, ettei tuuletusrakojä peitetä. Huolehdi siitä, että laite on riittävän etäällä seinistä tai esineistä, jotta ilma pääsee kiertämään.

- Aseta kylmälaukku tukevalle alustalle.
Huolehdi siitä, että tuuletusrakojä ei peitetä ja että lämmennyt ilma pääsee poistumaan hyvin.

**OHJE**

Aseta kylmälaukku kuvasta ilmenevällä tavalla (kuva **1**, sivulla 2). Jos laukkuu käytetään muussa asennossa, se saattaa vahingoittua.

- Liitä kylmälaukku, ks. kap. "Kylmälaukun liittäminen" sivulla 255.

**HUOMAUTUS! Liian alhaisesta lämpötilasta aiheutuu vaara!**

Huolehdi siitä, että kylmälaukussa on vain esineitä tai tuotteita, jotka saa jäähdyttää valittuun lämpötilaan.

- Paina painiketta "ON/OFF" (kuva **3** 1, sivulla 3) yksi tai kaksi sekuntia.
- ✓ LED "⏻" loistaa.
- ✓ Näyttö (kuva **3** 5, sivulla 3) käynnistyy ja näyttää nykyisen jäähdytyslämpötilan.

**HUOMIO! Terveysriski!****CFX65DZ:**

Jos pakastelokeron (kuva **8** 1, sivulla 5) lämpötila on säädetty hyvin alhaiseksi (esim. -22 °C), myös keskimmäisen kylmälokeron (kuva **8** 2, sivulla 5) lämpötila voi painua miinukselle.

**OHJE****Näytetty lämpötila**

- **CFX28, CFX35W, CFX40W, CFX50W, CFX65W:**

Näytetty lämpötila koskee suurta kylmä- ja pakastelokeroa (esim. CFX50W, CFX65W: kuva **7** 1, sivulla 4).

- **CFX65DZ:**

- Kylmä- ja pakastelokerossa väliseinä: Näytetty lämpötila koskee pakastelokeroa (kuva **8** 1, sivulla 5).
- Ilman väliseinää kylmä- ja pakastelokerossa: Sisätilan todellinen lämpötila voi poiketa jonkin verran näytetystä lämpötilasta.

- ✓ Kylmälaukku alkaa jäähdyttää sisätilaansa.

**OHJE**

Akun kanssa käytettäessä näyttö sammuu automaattisesti, kun akkujännite on matala. LED "⏻" vilkkuu oranssina.

Kylmälaukun lukitseminen

- Sulje kansi.
- Paina lukitusta (kuva **2** 1, sivulla 2) alaspäin kunnes kuulet sen lukittuvan.



OHJE – Hälytys ”Kansi auki”

Jos kansi jää auki yli kolmeksi minuutiksi ja laite on päällä, sisävalo vilkkuu, kunnes kansi suljetaan.

7.6 Lämpötilan säätäminen

- Paina painiketta ”SET” (kuva **3** 4, sivulla 3) kerran.
- Aseta jäähdytyslämpötila painikkeilla ”UP +” (kuva **3** 7, sivulla 3) ja ”DOWN –” (kuva **3** 6, sivulla 3).
- ✓ Näyttö näyttää asetetun jäähdytyslämpötilan muutaman sekunnin ajan. Näyttö vilkkuu muutaman kerran, ennen kuin se palaa tämänhetkisen lämpötilan näyttöön.



OHJE

Kummankin kylmälokeroon lämpötilaksi voidaan asettaa enintään –22 °C. Valmistaja suosittelee normaalikäytön lämpötilaksi kuitenkin –15 °C ... –18 °C, sillä siten optimoidaan myös energiankulutus.

7.7 WLAN-signaalin aktivoiminen optiosovellusta varten (kaikki paitsi CFX28 ja CFX65DZ)

Kylmälaitetta voidaan ohjata WLAN-verkossa sovelluksella, joka voidaan asentaa yhteensopivalle laitteelle. Sovellus on varustettu hallinta-, näyttö- ja hälytystoiminnoilla.

Katso lisätietoja maasi Dometic-verkkosivustolta (katso takasivu). Huomioi, että sovellus ei välttämättä ole käytettävissä maassasi.

Kompressorikylmälaukun WLAN-nimi alkaa merkkisarjalla ”CFX”. Esiasetettu salasana on ”00000000”. Voit muuttaa WLAN-tunnusta ja salasanaa toiveittesi mukaisesti.

WLAN-signaalin kytkentä päälle / pois päältä

- Paina painiketta ”SET” (kuva **3** 4, sivulla 3) viisi kertaa.
- Kytke WLAN-signaali päälle tai pois päältä painikkeella ”UP +” (kuva **3** 7, sivulla 3) tai ”DOWN –” (kuva **3** 6, sivulla 3).

- ✓ Näyttö näyttää halutun asetuksen muutaman sekunnin ajan. Näyttö vilkkuu muutaman kerran, ennen kuin se palaa tämänhetkisen lämpötilan näyttöön.



OHJE

- WLAN-lähetin on tehdasasetuksissa kytkettynä pois päältä. Ensimmäisen käyttöönnoton yhteydessä ja jokaisen virtakatkon jälkeen WLAN-lähetin täytyy kytkeä päälle, jotta App-sovellusta on mahdollista käyttää.
- WLAN-lähetin kuluttaa hyvin vähän virtaa. Varmista optimaalinen energiatehokkuus kytkemällä WLAN-lähetin pois päältä, kun se ei ole käytössä.

WLAN-lähettimen tehdasasetusten palauttaminen

Jos olet muuttanut kylmälaitteen WLAN-asetuksia WLAN-sovelluksella ja unohtanut salasanasasi, voit palauttaa kylmälaitteen tehdasasetukset seuraavalla tavalla:

- Paina painiketta "SET" (kuva **3** 4, sivulla 3) viisi kertaa.
- Paina painiketta "UP +" (kuva **3** 7, sivulla 3) vähintään viisi sekuntia.
- ✓ Näytöissä vilkkuu muutaman kerran "rES", ennen kuin se palaa edelliseen esitykseen.
- ✓ WLAN-asetukset palautetaan tehdasasetuksiin.

Katso lisätietoja Dometic-verkkosivustosta, josta lataisit sovelluksen.

7.8 Näytön kirkkauden säätäminen

Pimeässä ympäristössä näytön kirkkautta voidaan himmentää. Toimi seuraavalla tavalla näytön kirkkauden säätämiseksi:

- Kytke kylmälaulukku päälle.
- Paina painiketta "SET" (kuva **3** 4, sivulla 3) neljä kertaa.
- Aseta näytön kirkkaus painikkeilla "UP +" (kuva **3** 7, sivulla 3) ja "DOWN –" (kuva **3** 6, sivulla 3).
- ✓ Näytössä näkyy seuraava näyttö:
d0 (esiasetettu), d1 (keskikirkas), d2 (himmeä)
- ✓ Näyttö näyttää asetetun tilan muutaman sekunnin ajan. Näyttö vilkkuu muutaman kerran, ennen kuin se palaa tämänhetkisen kirkkauden näyttöön.

**OHJE**

- Näytön kirkkauden tehdasasetus on d0 (esiasetettu).
- Häiriön ilmetessä kirkkaus on automaattisesti d0 (esiasetettu). Häiriön poistamisen jälkeen säädetty kirkkaus on jälleen käytössä.

7.9 Hätäkytkimen käyttäminen (jos olemassa)

Hätäkytkin (kuva **4** 3, sivulla 3) on kaikissa muissa malleissa paitsi mallissa CFX28 käyttöpaneelin alapuolella. Mallissa CFX28 hätäkytkin on liitäntäpistorasioiden yläpuolella. Normaalikäyttöä varten kytkin on asennossa "NORMAL USE" (normaali käyttö).

- Jos ohjauselektronikassa ilmenee häiriö, työnnä kytkin asentoon "EMERGENCY OVERRIDE" (hätäkäyttö).

**OHJE**

Kun kytkin on asennossa "EMERGENCY OVERRIDE", kylmälaukku toimii täydellä jäähdystysteholla ja sisältö voidaan pakastaa.

7.10 USB-liitäntä jännitteensyöttöä varten

USB-liitäntää voidaan käyttää pienten laitteiden (esim. matkapuhelinten ja MP3-soittimien) lataamiseen.

Jos haluat käyttää kylmälaukkuasi USB-laitteen kanssa, liitä USB-johto (ei sisälly toimitukseen) laitteeseen.

**OHJE**

Varmista, että USB-liitäntään liitetty laite soveltuu käyttöön 5 V:n jännitteellä / 500 mA:n virralla.

7.11 Kylmälaukun kytkeminen pois päältä

- Tyhjennä kylmälaukku.
- Kytke kylmälaukku pois päältä.
- Irrota liitäntäjohto.

Jos poistat kylmälaukun käytöstä pidemmäksi aikaa:

- Jätä kansi hieman auki. Näin estät hajujen muodostumisen.

7.12 Kylmälaukun sulattaminen

Ilmankosteus voi muodostaa haihduttimeen tai kylmälaukun sisälle huurretta, joka heikentää jäähdystystehoa. Sulata laite ajoissa.



HUOMAUTUS! Vaurioitumisvaara!

Älä koskaan käytä kovia tai teräviä esineitä jääkerrostumisen poistoon tai kiinni jäätyneiden esineiden irrottamiseen.

Sulata kylmälaukku seuraavalla tavalla:

- Ota kylmätavarat pois.
- Laita ne mahd. toiseen kylmälaitteeseen, jotta ne pysyvät kylminä.
- Kytke laite pois päältä.
- Jätä kansi auki.
- Pyyhi sulamisvesi pois.

7.13 Verkkovirtasulakkeen vaihtaminen



VAARA! Sähköiskusta johtuva hengenvaara!

Erota jännitteensyöttö ja -liitäntäjohto, ennen kuin vaihdat laitesulakkeen.

- Erota laitteen jännitteensyöttö.
- Vedä liitäntäjohdot irti.
- Työnnä sulakepesä (kuva **4** 2, sivulla 3) esim. ruuvimeisselillä ulos.
- Vaihda viallinen lasisulake uuteen samantyyppiseen ja samanarvoiseen lasisulakkeeseen (4 A, 250 V).
- Paina sulakepesä takaisin runkoon.
- Liitä jännitteensyöttö laitteeseen.

7.14 Pistokesulakkeen (tasavirta) vaihtaminen

- Kierrä kosketintappi (kuva **9** 3, sivulla 5) irti pistokkeesta (kuva **9** 1, sivulla 5).
- Vaihda viallinen sulake (kuva **9** 2, sivulla 5) uuteen samantyyppiseen ja samanarvoiseen sulakkeeseen (3AG, nopea, 15 A).
- Kokoa pistoke käänteisessä järjestyksessä kokoon.

7.15 Valopiirilevyn vaihtaminen

- Erotta laitteen jännitteensyöttö.
- Avaa läpinäkyvä suojus ruuvimeisselillä (kuva **10** 1, sivulla 5).
- Avaa piirilevyn kiinnitysruuvit (kuva **10** 2, sivulla 5).
- Vedä pistoke irti piirilevystä (kuva **10** 3, sivulla 5).
- Vaihda viallinen valopiirilevy uuteen.
- Aseta uusi piirilevy paikalleen noudattamalla piirilevyn irrottamisohjeissa kuvattuja toimenpiteitä päinvastaisessa järjestyksessä.
- Aseta läpinäkyvä suojus takaisin koteloon.
- Liitä jännitteensyöttö laitteeseen.

8 Puhdistus ja hoito



VAROITUS!

Irrota laite verkosta aina ennen puhdistusta ja huoltoa.



HUOMAUTUS! Vaurioitumisvaara!

- Älä puhdistu kylmälaitetta koskaan juoksevan veden alla tai tiskivedessä.
- Älä käytä puhdistamiseen kovia puhdistusaineita tai kovia esineitä, koska ne voivat vahingoittaa kylmälaitetta.

- Puhdistakaa laite toisinaan sisältä ja ulkoa kostealla liinalla.
- Varmista, että laitteen ilmanotto- ja poistoaukot ovat puhtaita pölystä ja liasta, jotta toiminnassa syntyvä lämpö voidaan johtaa pois ja laite ei pääse vaurioitumaan.

9 Tuotevastuu

Laitetta koskee lakisääteinen takuu-aika. Jos tuote sattuu olemaan viallinen, käänny maasi valmistajan toimipisteen puoleen (osoitteet käyttöohjeen takasivulla) tai ota yhteyttä omaan ammattikauppiaseesi.

Korjaus- ja takuukäsittelyä varten lähetä mukana seuraavat asiakirjat:

- kopio ostolaskusta, jossa näkyy ostopäivä,
- valitusperuste tai vikakuvaus.

10 Häiriöiden poistaminen

Häiriö	Mahdollinen syy	Ratkaisuehdotus
Kylmälaite ei toimi, LED ei pala.	Ajoneuvon tasavirtapistorasiasa ei ole jännitettä.	Useimmissa ajoneuvoissa virran täytyy olla päällä, jotta tasavirtapistorasiasa saa jännitettä.
	Vaihtovirtapistorasiasa ei ole jännitettä.	Kokeile toista pistorasiasa.
	Laitteen sulake on palanut.	Vaihda laitteen sulake, ks. kap. "Verkko-virtasulakkeen vaihtaminen" sivulla 262.
	Sisäänrakennettu verkkolaite on rikki.	Vain valtuutettu asiakaspalveluliike voi korjata vian.
Kylmälaite ei jäähdytä (pistoke on kiinnitetty, LED "POWER" loistaa).	Kompressorin rikki.	Vain valtuutettu asiakaspalveluliike voi korjata vian.
	Akkuvahdin tila on liian korkea.	Aseta akkuvahdi matalampaan tilaan.
Kylmälaite ei jäähdytä (pistoke on kiinnitetty, LED "POWER" vilkkuu oranssina, näyttö on kytketty pois).	Käyttäjännite ei riitä.	Lataa akku tarvittaessa.

Häiriö	Mahdollinen syy	Ratkaisuehdotus
Käytettäessä tasavirtapistorasiassa: Sytytys on päällä, laite ei toimi ja LED ei loista.	Tasavirtapistorasian kehys on likainen. Tämän vuoksi sähköisen kontakti on heikko.	Jos pistoke lämpenee tasavirtapistorasiassa hyvin lämpimäksi, joko kehys täytyy puhdistaa tai pistoketta ei ole mahdollisesti koottu oikein.
	Tasavirtapistokkeen sulake on palanut.	Vaihda tasavirtapistokkeen sulake, ks. kap. "Pistokesulakkeen (tasavirta) vaihtaminen" sivulla 263.
	Ajoneuvon sulake on palanut.	Vaihda ajoneuvon tasavirtapistorasian sulake (noudata ajoneuvon käyttöohjeita).
Näytössä näkyy virheilmoitus (esim. "Err1"), ja kylmälaite ei jäähdytä.	Sisäinen käyttöhäiriö on sammuttanut kylmälaitteen.	Vain valtuutettu asiakaspalveluliike voi korjata vian.
Lokeron sisävalo vilkkuu.	Lokeron kansi on ollut auki yli kolme minuuttia	Sulje lokeron kansi.

11 Hävittäminen

- Vie pakkausmateriaali mahdollisuuksien mukaan vastaavan kierrätysjätteen joukkoon.



Jos poistat tuotteen lopullisesti käytöstä, pyydä tietoa sen hävittämistä koskevista määräyksistä lähimmästä kierrätyskeskuksesta tai ammattiliikkeestäsi.

12 Tekniset tiedot

	CFX28	CFX35W	CFX40W
Tuotenro:	9600000468 9600000469	9600000470 9600000471	9600000472 9600000473
Liitäntäjännite:	12/24 V \equiv ja 100–240 V \sim		
Nimellisvirta:	12 V \equiv : 6,5 A 24 V \equiv : 3,2 A 100 V \sim : 0,75 A 240 V \sim : 0,32 A		12 V \equiv : 7,0 A 24 V \equiv : 3,2 A 100 V \sim : 0,86 A 240 V \sim : 0,42 A
Jäähdytysteho:	+10 °C ... –22 °C (+50 °F ... –8 °F)		
Luokka:	1		
Energiatohokkuusluokka:	A++		
Energiankulutus:	61 kWh/vuosi	62 kWh/vuosi	64 kWh/vuosi
Bruttotilavuus:	28 l	34,5 l	41 l
Hyötytilavuus:	26 l	32 l	38 l
Ilmastoluokka:	N, T		
Ympäristön lämpötila:	+16 °C ... +43 °C (+61 °F ... +110 °F)		
Melupäästöt:	34 dB(A)	42 dB(A)	
USB-liitäntä:	5 V \equiv , 500 mA		
Taajuuskaista (WiFi):	2,4 GHz (Radiomoduuli)	2,4 GHz	
Radiotaajuusteho (WiFi):	11 – 0 dBm (Radiomoduuli)	16 ± 1,5 dBm (802.11b CCK, 11 MBit/s) 12 ± 1,5 dBm (802.11g OFDM, 54 MBit/s) 11 ± 1,5 dBm (802.11n HT20, MCS7)	
Jäähdytysainemäärä:	38 g	33 g	38 g
CO ₂ -ekvivalentti:	0,054 t	0,047 t	0,054 t
Vaikutus ilmaston lämpenemiseen (GWP):	1430		
Mitat (L x K x S), mm (kahvojen kanssa):	342 x 425 x 620	398 x 411 x 692	398 x 461 x 692
Paino:	13 kg	17,5 kg	18,5 kg

	CFX50W	CFX65W	CFX65DZ
Tuotenro:	9600000474 9600000475	9600000476 9600000477	9600000478 9600000479
Liitäntäjännite:	12/24 V \equiv ja 100–240 V \sim		
Nimellisvirta:	12 V \equiv : 7,8 A 24 V \equiv : 3,6 A 100 V \sim : 0,95 A 240 V \sim : 0,46 A	12 V \equiv : 8,2 A 24 V \equiv : 3,8 A 100 V \sim : 1,0 A 240 V \sim : 0,48 A	12 V \equiv : 5,5 A 24 V \equiv : 2,6 A 100 V \sim : 0,75 A 240 V \sim : 0,37 A
Jäähdytysteho:	+10 °C ... –22 °C (+50 °F ... –8 °F)		
Luokka:	1		
Energiatohokkuusluokka:	A++		A+
Energiankulutus:	66 kWh/vuosi	69 kWh/vuosi	115 kWh/vuosi
Bruttotilavuus:	50 l	65 l	jakajan kanssa: 61 l ilman jakajaa: 65 l
Hyötytilavuus:	46 l	60 l	53 l
Ilmastoluokka:	N, T		
Ympäristön lämpötila:	+16 °C ... +43 °C (+61 °F ... +110 °F)		
Melupäästöt:	42 dB(A)		
USB-liitäntä:	5 V \equiv , 500 mA		
Taajuuskaista (WiFi):	2,4 GHz		–
Radiotaajuusteho (WiFi):	16 \pm 1,5 dBm (802.11b CCK, 11 MBit/s) 12 \pm 1,5 dBm (802.11g OFDM, 54 MBit/s) 11 \pm 1,5 dBm (802.11n HT20, MCS7)		–
Jäähdytysainemäärä:	43 g	57 g	31 g
CO ₂ -ekvivalentti:	0,062 t	0,082 t	0,044 t
Vaikutus ilmaston lämpenemiseen (GWP):	1430		
Mitat (L x K x S), mm (kahvoilla kanssa):	725 x 471 x 455	725 x 561 x 455	725 x 561 x 455
Paino:	20,4 kg	22,3 kg	23,2 kg

**OHJE**

Yli 32 °C:n (90 °F) ympäristölämpötilassa vähimmäislämpötilaa ei voida saavuttaa.

Tarkastus/sertifikaatit:



Jäähdytyskierto sisältää R134a:ta.

Sisältää fluorattuja kasvihuonekaasuja

Ilmatiiviisti suljetulla laitteella

Laitteen WiFi-toiminnan käytölle ei ole rajoituksia EU:n jäsenvaltioissa.

130.com.ua

Прочтите данную инструкцию перед вводом в эксплуатацию и сохраните ее. В случае передачи прибора передайте инструкцию следующему пользователю.

Изготовитель не несет ответственности за ущерб, вызванный **использованием не по назначению** или **неправильным управлением**.

Оглавление

1	Пояснение к символам	270
2	Инструкции по технике безопасности	271
2.1	Общая безопасность	271
2.2	Техника безопасности при работе прибора	272
3	Комплект поставки	274
4	Аксессуары	274
5	Использование по назначению	275
6	Описание работы	276
6.1	Объем функций	276
6.2	Элементы управления и индикации	277
7	Управление	278
7.1	Перед первым использованием	278
7.2	Советы по энергосбережению	279
7.3	Подключение холодильника	280
7.4	Использование защитного реле	281
7.5	Использование холодильника	282
7.6	Настройка температуры	285
7.7	Включение сигнала беспроводной сети для активации приложения (все устройства, за исключением CFX28 и CFX65DZ)	285
7.8	Настройка яркости дисплея	286
7.9	Использование аварийного выключателя (при наличии)	287
7.10	USB-порт для электропитания	287
7.11	Выключение холодильника	287
7.12	Размораживание холодильника	288
7.13	Замена предохранителя переменного тока	288
7.14	Замена предохранителя в вилке кабеля постоянного тока	289
7.15	Замена печатной платы	289

8	Чистка и уход	290
9	Гарантия	290
10	Устранение неисправностей	291
11	Утилизация	292
12	Технические характеристики	293

1 Пояснение к символам



ПРЕДУПРЕЖДЕНИЕ!

Указания по технике безопасности: Несоблюдение может привести к смертельному исходу или тяжелым травмам.



ОСТОРОЖНО!

Указания по технике безопасности: Несоблюдение может привести к травмам.



ВНИМАНИЕ!

Несоблюдение может привести к повреждениям и нарушить работу продукта.



УКАЗАНИЕ

Дополнительная информация по управлению продуктом.

2 Инструкции по технике безопасности

2.1 Общая безопасность



ПРЕДУПРЕЖДЕНИЕ!

- Запрещается вводить прибор в работу, если он имеет видимые повреждения,
- В случае повреждения питающего кабеля данного прибора он – во избежание опасностей – должен быть заменен изготовителем, сервисным центром или имеющим аналогичную квалификацию персоналом.
- Ремонт данного прибора разрешается выполнять только специалистам. Неправильно выполненный ремонт может приводить к серьезным опасностям.
- Этот прибор может использоваться детьми с 8-ми лет и старше, а также лицами с ограниченными физическими, сенсорными и умственными способностями или при недостатке необходимого опыта и/или знаний только под присмотром или после прохождения инструктажа по безопасному использованию прибора, если они поняли опасности, которые при этом могут возникнуть.
- Запрещается выполнять очистку и пользовательское техническое обслуживание детям без присмотра.
- Детям запрещается играть с прибором.
- За детьми необходимо постоянно следить, чтобы не допустить их игры с прибором.
- Поэтому храните и используйте прибор в месте, недоступном для детей младше 8-ми лет.
- Не храните в приборе взрывоопасные вещества, например, аэрозольные баллоны с горючим газами-вытеснителями.



ОСТОРОЖНО!

- Отсоединяйте прибор от сети
 - перед каждой чисткой и уходом
 - после каждого использования
- Продукты питания разрешается хранить только в оригинальной упаковке или подходящих емкостях.

**ВНИМАНИЕ!**

- Сравните значения напряжения, указанные на заводской табличке, с характеристиками имеющегося источника питания.
- Присоединяйте прибор следующим образом:
 - соединительным кабелем постоянного тока к источнику питания постоянного тока в автомобиле
 - или соединительным кабелем переменного тока к сети переменного тока
- Не вытаскивайте штекер из розетки за питающий кабель.
- Если холодильник присоединен к розетке постоянного тока: Отсоедините холодильник и другие потребители от аккумуляторной батареи, прежде чем присоединить устройство для ускоренного заряда.
- Если холодильник присоединен к розетке постоянного тока: Прервите соединение или выключите холодильник перед выключением двигателя. В противном случае аккумуляторная батарея может разрядиться.
- Холодильник не предназначен для транспортировки едких или содержащих растворители веществ.
- Этот холодильный аппарат содержит в своей изоляции горючий циклопентан. Газы в изоляционном материале требуют особого метода утилизации. После окончания срока службы холодильного аппарата сдайте его должным образом в центр по утилизации.

2.2**Техника безопасности при работе прибора****ОСТОРОЖНО!**

- Перед вводом в эксплуатацию убедитесь в том, что питающий кабель и штекер сухие.

**ВНИМАНИЕ!**

- Не используйте электрические приборы внутри холодильника, за исключением случаев, когда эти приборы рекомендованы для этого изготовителем.
- Не устанавливайте прибор вблизи открытого огня или других источников тепла (радиаторов отопления, сильных солнечных лучей, газовых печей и т. п.).

- **Опасность перегрева!**

Постоянно следите за тем, чтобы образующееся при работе тепло могло быть надежно отведено. Прибор должен всегда находиться на достаточном расстоянии до стен или иных предметов, чтобы обеспечивалась хорошая циркуляция воздуха.

- Следите за тем, чтобы не перекрывались вентиляционные отверстия.
- Запрещается заполнять внутреннее пространство жидкостями или льдом.
- Не погружайте прибор в воду.
- Предохраняйте прибор и кабели от действия жары и влаги.

130.com.ua

3 Комплект поставки

См. рис. 1, стр. 2

Поз.	Кол-во	Наименование
1	1	Холодильник
2	1	Кабель для подключения к источнику постоянного тока
3	1	Кабель для подключения к источнику переменного тока
–	1	Инструкция по эксплуатации

4 Аксессуары

Дополнительное оснащение, которое приобретается отдельно (не входит в комплект поставки):

Наименование	Арт. №	Модель
Универсальный комплект для крепления и фиксации с помощью ремней CFX-UFK	9108300002	Подходит для всех моделей
Быстросъемное крепление	9600000166	для CFX28
Беспроводной дисплей CFX-WD	9600000164	подходит к CFX28, CFX65DZ и к старым моделям, не поддерживающим работу с приложением по беспроводной сети

На сайте Dometic (см. на обороте) приведена информация о беспроводном приложении с функциями контроля, индикации и сигнализации (**не поддерживается** CFX28 и CFX65DZ). Возможно, это приложение недоступно в вашей стране.

5 Использование по назначению

Холодильник предназначен для охлаждения и глубокого охлаждения продуктов питания.

Портативный холодильник предназначен для работы от:

- сети постоянного тока автомобиля, судна или жилого автомобиля
- аккумулятора постоянного тока
- сети переменного тока

Холодильник предназначен для бытового использования и аналогичных областей применения, как, например:

- на кухнях для сотрудников в магазинах, офисах и других рабочих зонах
- в сельском хозяйстве
- для гостей гостиниц, мотелей и т. п.
- в пансионатах, предлагающих завтраки
- при кейтеринге и подобных организациях питания



ОСТОРОЖНО! Опасность для здоровья!

Убедитесь, что холодопроизводительность устройства отвечает условиям хранения охлаждаемых продуктов питания и медикаментов.

6 Описание работы

Холодильник предназначен для охлаждения продуктов и поддержания их в охлажденном состоянии, а также для заморозки. Охлаждение осуществляется не требующим обслуживания холодильным контуром с компрессором. Изоляция большой толщины и мощный компрессор обеспечивают особо быстрое охлаждение.

Холодильник подходит для мобильного использования.

Портативный холодильник может подвергаться кратковременному крену в 30° (например, на судах).


6.1 Объем функций

- Блок питания с приоритетной схемой для подключения к переменному напряжению
- Трехступенчатое реле контроля для защиты аккумуляторной батареи автомобиля
- Дисплей с индикацией температуры в °C и °F, который выключается автоматически при низком напряжении аккумулятора
- Регулировка температуры: двумя кнопками с шагом 1 °C (и шагом 2 °F)
- Встроенный Wi-Fi-передатчик, позволяющий управлять устройством через специальное приложение (**за исключением** CFX28 и CFX65DZ)
- Складные ручки для переноски
- USB-порт для электропитания
- Аварийный выключатель (при наличии)
- Вынимающаяся корзина

6.2 Элементы управления и индикации

Блокировка крышки: рис. 2 1, стр. 2

Панель управления (рис. 3, стр. 3)

Поз.	Наименование	Пояснение
1	ON OFF	Включает или выключает холодильник, если нажать кнопку на одну-две секунды
2	POWER «  »	Индикатор состояний Светодиод горит зеленым светом: компрессор включен Светодиод горит оранжевым светом: компрессор выключен Светодиод мигает оранжевым светом: дисплей был автоматически отключен из-за низкого напряжения аккумулятора
3	ERROR	Светодиод мигает красным светом: включенный прибор не готов к работе
4	SET	Позволяет выбрать режим ввода: <ul style="list-style-type: none"> • Регулировка температуры • Указание температуры в градусах Цельсия или градусах Фаренгейта • Настройка защитного реле аккумулятора • Настройка яркости дисплея • Включение или выключение беспроводной сети (WLAN) (за исключением CFX28 и CFX65DZ)
5	–	Дисплей, отображает значения
6	DOWN –	Однократное нажатие уменьшает введенное значение
7	UP +	Однократное нажатие увеличивает введенное значение

Разъемы подключения (рис. 4, стр. 3)

Поз.	Наименование
1	Гнездо для подключения источника переменного тока
2	Держатель предохранителя
3	Гнездо для подключения источника постоянного тока

Аварийный выключатель (если имеется) и USB-порт (рис. 5, стр. 3):**Поз. Наименование**

- | | |
|---|------------------------------------|
| 1 | Аварийный выключатель |
| 2 | Источник питания для USB-устройств |

7 Управление

7.1 Перед первым использованием

**УКАЗАНИЕ**

Перед вводом нового холодильника в работу его, в гигиенических целях, следует протереть снаружи и изнутри влажной тряпкой (см. также гл. «Чистка и уход» на стр. 290).

Перестановка ограничителя крышки на другую сторону (для CFX 50W, CFX 65W, CFX 65DZ)

Ограничитель можно установить с противоположной стороны, если требуется открывать крышку в другую сторону. Для этого выполните следующее:

- Откройте крышку и снимите ее (рис. 6 А, стр. 4).
- Вывинтите по три винта из петель (рис. 6 В, стр. 4) и снимите петли.
- Снимите пластиковые заглушки в петлях с другой стороны с помощью небольшой отвертки и установите их в старые петли.
- Установите петли с противоположной стороны.
- Вставьте крышку в петли с противоположной стороны (рис. 6 С, стр. 4).

Выбор единицы измерения температуры

Для указания температуры можно выбрать градусы Цельсия или градусы Фаренгейта. Для этого выполните следующее:

- Включите холодильник.
- Нажмите кнопку «SET» (рис. **3** 4, стр. 3) два раза.
- Кнопками «UP +» (рис. **3** 7, стр. 3) или «DOWN –» (рис. **3** 6, стр. 3) выберите единицу измерения температуры – градус Цельсия или градус Фаренгейта.
- ✓ На дисплее на несколько секунд появляется выбранная единица измерения температуры. Дисплей мигает несколько раз, прежде чем вернуться к отображению текущей температуры.

7.2 Советы по энергосбережению

- Выбирайте хорошо проветриваемое, защищенное от солнечных лучей место применения.
- Дайте теплым блюдам охладиться, прежде чем поддерживать их в холодном состоянии в холодильнике.
- Не открывайте холодильник чаще, чем это действительно необходимо.
- Не оставляйте холодильник открытым дольше, чем это действительно необходимо.
- Размораживайте холодильник, как только образовался слой льда.
- Избегайте излишне низкую внутреннюю температуру.

7.3 Подключение холодильника

Подключение к аккумулятору (автомобиля или катера)

Холодильник может работать от источника питания 12 В \pm или 24 В \pm .



ВНИМАНИЕ! Опасность повреждения!

Прежде чем зарядить аккумулятор устройством для ускоренного заряда, отсоедините от аккумулятора холодильник и другие потребители.

Перенапряжение может повредить электронное оборудование подключенных потребителей.

В целях безопасности холодильник оснащен электронной защитой от включения с неправильной полярностью, которая защищает холодильник от повреждений при неправильном включении и от короткого замыкания.

Использование кабеля постоянного тока с предохранителем



ВНИМАНИЕ! Опасность повреждения!

Для защиты устройства в вилку прилагаемого кабеля постоянного тока встроен предохранитель. Не **отсоединяйте** вилку кабеля с предохранителем.

Используйте только кабель постоянного тока, прилагаемый к устройству.

- Вставьте кабель постоянного тока (рис. **1** 2, стр. 2) в гнездо постоянного тока холодильника (рис. **4** 5, стр. 3).
- Подсоедините кабель к розетке постоянного тока.

Присоединение к сети переменного тока (например, дома или в офисе)



ОПАСНОСТЬ! Опасность для жизни из-за поражения электрическим током!

- Не беритесь за вилки и выключатели, если у вас влажные руки или вы стоите ногами на мокрой поверхности.
- Если холодильник на борту судна работает от береговой сети переменного тока, то следует обязательно установить автоматический выключатель дифференциальной защиты между сетью переменного тока и холодильником.
Проконсультируйтесь со специалистом.

Портативные холодильники имеют встроенный блок питания от сети постоянного/переменного тока с приоритетной схемой для присоединения к сети переменного тока. Благодаря приоритетной схеме производится автоматическое переключение на работу от сети переменного тока, даже если присоединен кабель постоянного тока.

Если холодильник переключается от источника переменного тока на источник постоянного, возможно кратковременное вспыхивание красного индикатора.

- Вставьте кабель переменного тока (рис. **1** 3, стр. 2) в гнездо переменного тока холодильника(рис. **4** 1, стр. 3).
- Подсоедините кабель к розетке переменного тока.

7.4 Использование защитного реле

Прибор оснащен многоступенчатым реле контроля аккумуляторной батареи, которое защищает аккумуляторную батарею автомобиля от глубокого разряда при подключении холодильника к бортовой сети постоянного тока.

Если холодильник работает, когда зажигание выключено, холодильник отключается автоматически, как только напряжение питания падает ниже установленного значения. Холодильник включается снова, как только аккумулятор заряжается до уровня, когда возможно повторное включение.



ВНИМАНИЕ! Опасность повреждения!

Если отключение производится защитным реле, аккумуляторная батарея не имеет полной емкости заряда. Избегайте многократного пуска или работы потребителей тока без длительных периодов заряда. Регулярно заряжайте аккумулятор.

В режиме «HIGH» защитное реле срабатывает быстрее, чем в режиме «LOW» и «MED» (см. следующую таблицу).

Режим работы защитного реле	LOW	MED	HIGH
Напряжение выключения при 12 В	10,1 В	11,4 В	11,8 В
Напряжение повторного включения при 12 В	11,1 В	12,2 В	12,6 В
Напряжение выключения при 24 В	21,5 В	24,1 В	24,6 В
Напряжение повторного включения при 24 В	23,0 В	25,3 В	26,2 В

Чтобы изменить режим работы защитного реле, выполните следующее:

- Включите холодильник.
- Нажмите кнопку «SET» (рис. **3** 4, стр. 3) три раза.
- Кнопками «UP +» (рис. **3** 7, стр. 3) или «DOWN –» (рис. **3** 6, стр. 3) настройте режим работы защитного реле.
- ✓ На дисплее отображается следующее:
Lo (LOW), Pd (MED), Hi (HIGH)
- ✓ На дисплее на несколько секунд появится индикация выбранного режима. Дисплей мигает несколько раз, прежде чем вернуться к отображению текущей температуры.

**УКАЗАНИЕ**

Если питание холодильника осуществляется от стартерной аккумуляторной батареи, выберите режим работы защитного реле «HIGH». Если питание холодильника осуществляется от питающей аккумуляторной батареи, достаточно режима работы защитного реле «LOW».

7.5 Использование холодильника

**ВНИМАНИЕ! Опасность перегрева!**

Следите за тем, чтобы ничто не препятствовало отводу тепловой энергии, образующейся во время работы холодильника. Не препятствуйте прохождению воздуха через вентиляционные щели. Прибор должен всегда находиться на достаточном расстоянии от стен или иных предметов, чтобы обеспечивалась хорошая циркуляция воздуха.

- Установите холодильник на прочную опору. Следите за тем, чтобы не перекрывались вентиляционные щели, обеспечьте эффективный отвод нагретого воздуха.

**УКАЗАНИЕ**

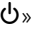
Установите холодильник, как показано на (рис. **1**, стр. 2). Если холодильник эксплуатировать в другом положении, возможно повреждение холодильника.

- Подключите холодильник, см. гл. «Подключение холодильника» на стр. 280.



ВНИМАНИЕ! Опасность, вызванная слишком низкой температурой!

Следите за тем, чтобы в холодильнике находились только предметы и продукты, которые разрешается охлаждать до выбранной температуры.

- Нажмите кнопку «ON/OFF» (рис. **3** 1, стр. 3) на одну-две секунды.
- ✓ Загорится индикатор «».
- ✓ Включится дисплей (рис. **3** 5, стр. 3), на нем отображается текущая температура охлаждения.



ОСТОРОЖНО! Опасность для здоровья! CFX65DZ:

Если температура в морозильной камере (рис. **8** 1, стр. 5) настроена слишком низкой (например, -22 °C), то возможны отрицательные температуры в средней холодильной камере (рис. **8** 2, стр. 5).



УКАЗАНИЕ

Отображаемая температура

- **CFX28, CFX35W, CFX40W, CFX50W, CFX65W:**

На дисплее отображается температура в большой холодильно-морозильной камере (например, CFX50W, CFX65W: рис. **7** 1, стр. 4).


- **CFX65DZ:**

- С перегородкой в холодильно-морозильной камере: Отображается температура в морозильной камере (рис. **8** 1, стр. 5).
- Без перегородки в холодильно-морозильной камере: Фактическая температура в камере может несколько отличаться от отображаемой температуры.

- ✓ Холодильник начинает охлаждать внутреннее пространство.



УКАЗАНИЕ

При работе от аккумуляторной батареи дисплей автоматически отключается, если напряжение батареи становится слишком низким. Индикатор «» мигает оранжевым светом.

Блокировка холодильника

- Закройте крышку.

- ▶ Прижмите фиксатор (рис. **2** 1, стр. 2) вниз, чтобы он защелкнулся с характерным щелчком.

**УКАЗАНИЕ – Сигнализация «Крышка открыта»**

Если крышка включенного прибора открыта более трех минут, внутреннее освещение начинает мигать и мигает до тех пор, пока крышка не будет закрыта.

130.com.ua

7.6 Настройка температуры

- ▶ Нажмите кнопку «SET» (рис. **3** 4, стр. 3) один раз.
- ▶ Кнопками «UP +» (рис. **3** 7, стр. 3) или «DOWN –» (рис. **3** 6, стр. 3) выберите температуру охлаждения.
- ✓ На дисплее на несколько секунд появляется индикация заданной температуры. Дисплей мигает несколько раз, прежде чем вернуться к отображению текущей температуры.



УКАЗАНИЕ

Температура каждой камеры может быть настроена до -22°C . Но для нормального режима работы и оптимального энергопотребления изготовитель рекомендует температуру от -15°C до -18°C .

7.7 Включение сигнала беспроводной сети для активации приложения (все устройства, за исключением CFX 28 и CFX 65DZ)

Холодильником можно управлять через беспроводную сеть с помощью приложения, установленном на совместимом устройстве. Приложение имеет функции контроля, индикации и сигнализации.

Подробная информация приведена на региональном сайте Dometic (см. на обороте). В некоторых странах приложение недоступно.

Сетевое имя холодильника в сети WLAN начинается с «CFX». Предварительно установленный пароль: 00000000. Сетевое имя и пароль можно изменить.

Включение/выключение Wi-Fi-сигнала

- ▶ Нажмите кнопку «SET» (рис. **3** 4, стр. 3) пять раз.
- ▶ Кнопками «UP +» (рис. **3** 7, стр. 3) или «DOWN –» (рис. **3** 6, стр. 3) включите или выключите W-Fi-сигнал.
- ✓ На дисплее на несколько секунд отображается выбранная настройка. Дисплей мигает несколько раз, прежде чем вернуться к отображению текущей температуры.

**УКАЗАНИЕ**

- Стандартно беспроводной передатчик отключен. Во время ввода в эксплуатацию, а также после каждого отключения источника питания необходимо включать беспроводной передатчик для того, чтобы иметь возможность использовать приложение.
- Wi-Fi-передатчик потребляет незначительное количество электроэнергии. Для оптимального энергопотребления выключите Wi-Fi-передатчик, если он не используется.

Восстановление заводской настройки Wi-Fi-сети

Если стандартные настройки Wi-Fi-сети холодильника были изменены в приложении, а пароль утрачен, можно восстановить заводские настройки следующим образом:

- ▶ Нажмите кнопку «SET» (рис. **3** 4, стр. 3) пять раз.
- ▶ Удерживайте кнопку «UP +» (рис. **3** 7, стр. 3) нажатой не менее пяти секунд.
- ✓ На дисплее несколько раз мигает «rES», после чего он возвращается к предыдущему отображению.
- ✓ Настройки Wi-Fi сброшены, восстановлены заводские значения.

Дальнейшая информация приведена на сайте Dometic, с которого вы скачали приложение.

7.8 Настройка яркости дисплея

В условиях слабого освещения можно уменьшить яркость дисплея. Чтобы изменить яркость дисплея, выполните следующее:

- ▶ Включите холодильник.
- ▶ Нажмите кнопку «SET» (рис. **3** 4, стр. 3) четыре раза.
- ▶ Кнопками «UP +» (рис. **3** 7, стр. 3) или «DOWN -» (рис. **3** 6, стр. 3) отрегулируйте яркость.
- ✓ На дисплее отображается следующее: d0 (стандартное значение), d1 (средняя яркость), d2 (низкая яркость)
- ✓ На дисплее на несколько секунд появится индикация выбранного режима. Дисплей мигает несколько раз, прежде чем вернуться к отображению текущей яркости.

**УКАЗАНИЕ**

- Заводская настройка яркости (стандартная): d0.
- При возникновении неполадки яркость дисплея автоматически становится d0. После устранения неполадки будет восстановлена заданная настройка яркости.

7.9 Использование аварийного выключателя (при наличии)

Во всех моделях, за исключением CFX28, аварийный выключатель (рис. 4 3, стр. 3) находится под панелью управления. В CFX28 аварийный выключатель находится над разъемами подключения. В нормальном режиме переключатель находится в положении «NORMAL USE» (нормальное использование).

- ▶ При возникновении неисправности в управляющей электронике переместите переключатель в положение «EMERGENCY OVERRIDE» (аварийное управление).

**УКАЗАНИЕ**

Если переключатель в положении «EMERGENCY OVERRIDE», холодильник работает с полной холодопроизводительностью и возможно замерзание содержимого холодильника.

7.10 USB-порт для электропитания

USB-порт можно использовать для зарядки небольших приборов (например, мобильных телефонов или MP3-плееров).

Чтобы подключить прибор к холодильнику через USB, присоедините USB-кабель (не входит в комплект поставки) к прибору.

**УКАЗАНИЕ**

Убедитесь в том, что присоединенный к USB-порту прибор пригоден для работы с 5 В/500 мА.

7.11 Выключение холодильника

- ▶ Опорожните холодильник.
- ▶ Выключите холодильник.
- ▶ Вытащите из розетки питающий кабель.

Если холодильник не используется длительное время:

- Оставьте крышку слегка открытой. Это предотвращает образование запахов.

7.12 Размораживание холодильника

Влага из воздуха может выпадать на испарителе или в камере холодильника в виде снеговой шубы, которая уменьшает холодопроизводительность. Своевременно размораживайте прибор.



ВНИМАНИЕ! Опасность повреждения!

Для удаления слоя льда и отделения примерзших продуктов не используйте твердые или острые инструменты.

При размораживании холодильника соблюдайте следующий порядок действий:

- Выньте охлаждаемые продукты.
- При необходимости, переположите их в другой холодильник, чтобы они оставались холодными.
- Отключите прибор.
- Оставьте крышку открытой.
- Вытрите образовавшуюся воду.

7.13 Замена предохранителя переменного тока



ОПАСНОСТЬ! Опасность для жизни из-за поражения электрическим током!

Отсоедините электропитание и кабель, прежде чем заменить предохранитель устройства.

- Отсоедините электропитание от устройства.
- Отсоедините кабель.
- Извлеките вставку предохранителя (рис. **4** 2, стр. 3), например, отверткой.
- Замените неисправный стеклянный предохранитель на новый такого же типа и с таким же номиналом (4 A, 250 В).
- Вставьте вставку предохранителя в корпус.
- Подключите устройство к источнику питания.

7.14 Замена предохранителя в вилке кабеля постоянного тока

- ▶ Отвинтите корпус контактов (рис. **9** 3, стр. 5) от вилки (рис. **9** 1, стр. 5).
- ▶ Замените неисправный предохранитель (рис. **9** 2, стр. 5) на предохранитель такого же типа и такого же номинала (3AG, Fast Acting, 15 A).
- ▶ Соберите вилку в обратной последовательности.

7.15 Замена печатной платы

- ▶ Отсоедините электропитание от устройства.
- ▶ Откройте прозрачную крышку с помощью отвертки (рис. **10** 1, стр. 5).
- ▶ Отвинтите монтажные винты печатной платы (рис. **10** 2, стр. 5).
- ▶ Выньте штекер из печатной платы (рис. **10** 3, стр. 5).
- ▶ Замените неисправную печатную плату на новую.
- ▶ Установите новую печатную плату, выполнив в обратной последовательности шаги по демонтажу печатной платы.
- ▶ Вставьте прозрачную крышку в корпус.
- ▶ Подключите устройство к источнику питания.

8 Чистка и уход



ПРЕДУПРЕЖДЕНИЕ!

Перед чисткой и уходом всегда отсоединяйте прибор от сети.



ВНИМАНИЕ! Опасность повреждения!

- Категорически запрещается чистить прибор под струей воды или даже в емкости с водой.
- Не используйте для чистки абразивные чистящие средства или острые предметы, т. к. они могут привести к повреждениям холодильника.

- Периодически очищайте прибор снаружи и изнутри влажной тряпкой.
- Убедитесь в том, что приточно-вытяжные вентиляционные отверстия очищены от пыли загрязнений, чтобы можно было отвести возникающее при работе тепло и предотвратить опасность повреждения прибора.

9 Гарантия

Действителен установленный законом срок гарантии. Если продукт неисправен, обратитесь в представительство изготовителя в Вашей стране (адреса см. на оборотной стороне инструкции) или в торговую организацию.

В целях проведения ремонта или гарантийного обслуживания Вы должны также послать следующие документы:

- копию счета с датой покупки,
- причину рекламации или описание неисправности.

10 Устранение неисправностей

Неисправность	Возможная причина	Вариант устранения
Холодильник не работает, светодиод не горит.	В розетке постоянного тока в автомобиле отсутствует напряжение.	В большинстве автомобилей для подачи напряжения на розетку постоянного тока необходимо включить зажигание.
	Отсутствует напряжение в розетке переменного тока.	Попробуйте подключить устройство к другой розетке.
	Неисправен предохранитель прибора.	Замените предохранитель прибора, см. гл. «Замена предохранителя переменного тока» на стр. 288.
	Поврежден встроенный блок питания от сети.	Ремонт разрешается выполнять только авторизованному сервисному центру.
Холодильник не охлаждает (вилка вставлена, светодиод «POWER» горит).	Неисправен компрессор.	Ремонт разрешается выполнять только авторизованному сервисному центру.
Холодильник не охлаждает (вилка вставлена, светодиод «POWER» мигает оранжевым светом, дисплей выключен).	Слишком высокий режим защитного реле.	Установите защитное реле на пониженный режим.
	Недостаточное напряжение аккумулятора.	При необходимости, зарядите батарею.

Неисправность	Возможная причина	Вариант устранения
При работе от розетки постоянного тока: Зажигание включено, прибор не работает, светодиод не горит.	Гнездо розетки постоянного тока загрязнено. Это ведет к плохому электрическому контакту.	Если вилка сильно нагревается в розетке постоянного тока, то, возможно, загрязнена розетка или неправильно собрана вилка.
	Перегорел предохранитель вилки постоянного тока.	Замените предохранитель вилки постоянного тока, см. гл. «Замена предохранителя в вилке кабеля постоянного тока» на стр. 289
	Перегорел предохранитель в бортовой сети автомобиля.	Заменить предохранитель розетки постоянного тока (соблюдать инструкцию по эксплуатации автомобиля).
На дисплее отображается сообщение об ошибке (например, «Err1»), и холодильник не охлаждает.	Холодильник отключен в результате внутреннего сбоя.	Ремонт разрешается выполнять только авторизованному сервисному центру.
Мигает внутреннее освещение одной из камер.	Крышка камеры открыта более трех минут.	Закройте крышку камеры.

11 Утилизация

- По возможности, выкидывайте упаковочный материал в мусор, подлежащий вторичной переработке.



Если Вы окончательно выводите продукт из эксплуатации, то получите информацию в ближайшем центре по вторичной переработке или в торговой сети о соответствующих предписаниях по утилизации.

12 Технические характеристики

	CFX28	CFX35W	CFX40W
Арт. №:	9600000468 9600000469	9600000470 9600000471	9600000472 9600000473
Подводимое напряжение:	12/24 В \equiv и 100 – 240 В \sim		
Номинальный ток:	12 В \equiv : 6,5 А 24 В \equiv : 3,2 А 100 В \sim : 0,75 А 240 В \sim : 0,32 А	12 В \equiv : 7,0 А 24 В \equiv : 3,2 А 100 В \sim : 0,86 А 240 В \sim : 0,42 А	
Холодопроизводительность:	от +10 °С до –22 °С (от +50 °F до –8 °F)		
Категория:	1		
Класс энергоэффективности:	A++		
Потребление энергии:	61 кВт*ч/год	62 кВт*ч/год	64 кВт*ч/год
Емкость брутто:	28 л	34,5 л	41 л
Полезный объем:	26 л	32 л	38 л
Климатический класс:	N, T		
Температура окружающей среды:	от +16 °С до +43 °С (от +61 °F до +110 °F)		
Акустическая эмиссия:	34 дБ (А)	42 дБ (А)	
USB-порт:	5 В \equiv , 500 мА		
Диапазон частот (WiFi):	2,4 ГГц (радиомодуль)	2,4 ГГц	
Мощность высокой частоты (WiFi):	11 – 0 дБм (радиомодуль)	16 ± 1,5 дБм (802.11b ССК, 11 Мбит/с) 12 ± 1,5 дБм (802.11g OFDM, 54 Мбит/с) 11 ± 1,5 дБм (802.11n HT20, MCS7)	
Количество хладагента:	38 г	33 кг	38 г
Эквивалент CO ₂ :	0,054 т	0,047 т	0,054 т
Потенциал глобального потепления (GWP):	1430		

	CFX28	CFX35W	CFX40W
Размеры в мм, Ш x В x Г (с ручками):	342 x 425 x 620	398 x 411 x 692	398 x 461 x 692
Вес:	13 кг	17,5 кг	18,5 кг

	CFX50W	CFX65W	DM65DZ
Арт. №:	9600000474 9600000475	9600000476 9600000477	9600000478 9600000479
Подводимое напряжение:	12/24 В \equiv и 100 – 240 В \sim		
Номинальный ток:	12 В \equiv : 7,8 А 24 В \equiv : 3,6 А 100 В \sim : 0,95 А 240 В \sim : 0,46 А	12 В \equiv : 8,2 А 24 В \equiv : 3,8 А 100 В \sim : 1,0 А 240 В \sim : 0,48 А	12 В \equiv : 5,5 А 24 В \equiv : 2,6 А 100 В \sim : 0,75 А 240 В \sim : 0,37 А
Холодопроизводительность:	от +10 °С до –22 °С (от +50 °F до –8 °F)		
Категория:	1		
Класс энергоэффективности:	A++		A+
Потребление энергии:	66 кВт*ч/год	69 кВт*ч/год	115 кВт*ч/год
Емкость брутто:	50 л	65 л	с делителем: 61 л без делителя: 65 л
Полезный объем:	46 л	60 л	53 л
Климатический класс:	N, T		
Температура окружающей среды:	от +16 °С до +43 °С (от +61 °F до +110 °F)		
Акустическая эмиссия:	42 дБ (A)		
USB-порт:	5 В \equiv , 500 мА		
Диапазон частоты (WiFi):	2,4 ГГц		–
Мощность высокой частоты (WiFi):	16 ± 1,5 дБм (802.11b ССК, 11 Мбит/с) 12 ± 1,5 дБм (802.11g OFDM, 54 Мбит/с) 11 ± 1,5 дБм (802.11n HT20, MCS7)		–

	CFX50W	CFX65W	DM65DZ
Количество хладагента:	43 г	57 г	31 г
Эквивалент CO ₂ :	0,062 т	0,082 т	0,044 т
Потенциал глобального потепления (GWP):	1430		
Размеры (Ш x В x Г), мм (с ручками):	725 x 471 x 455	725 x 561 x 455	725 x 561 x 455
Вес:	20,4 кг	22,3 кг	23,2 кг

**УКАЗАНИЕ**

При температурах окружающего воздуха свыше 32 °С (90 °F) минимальная температура более не может быть достигнута.

Испытания/сертификаты:



Холодильный контур содержит R134a.

Содержит фторированные парниковые газы

Герметически закрытая конструкция

Использование функции WiFi устройства не имеет ограничений в странах ЕС.

Przed uruchomieniem urządzenia należy uważnie przeczytać niniejszą instrukcję. Instrukcję należy zachować. W razie przekazywania urządzenia należy ją przekazać kolejnemu nabywcy.

Producent nie odpowiada za szkody powstałe w **wyniku użytkowania niezgodnego z przeznaczeniem** lub **niewłaściwej obsługi**.

Spis treści

1	Objaśnienie symboli	297
2	Wskazówki bezpieczeństwa	297
2.1	Ogólne bezpieczeństwo	297
2.2	Bezpieczeństwo podczas eksploatacji urządzenia	299
3	W zestawie	300
4	Osprzęt	300
5	Użytkowanie zgodne z przeznaczeniem	301
6	Opis działania	302
6.1	Zakres funkcji	302
6.2	Elementy obsługi i wyświetlacza	303
7	Obsługa	304
7.1	Przed pierwszym użyciem	304
7.2	Wskazówki dotyczące oszczędzania energii	305
7.3	Podłączanie lodówki	305
7.4	Korzystanie z czujnika ochrony akumulatora	307
7.5	Korzystanie z lodówki	308
7.6	Ustawianie temperatury	310
7.7	Aktywacja sygnału WLAN dla opcjonalnej aplikacji (wszystkie modele poza CFX28 i CFX65DZ)	310
7.8	Regulacja jasności wyświetlacza	311
7.9	Stosowanie wyłącznika awaryjnego (jeśli dotyczy)	312
7.10	Przyłącze USB do ładowania	312
7.11	Wyłączanie lodówki	313
7.12	Rozmrażanie lodówki	313
7.13	Wymiana bezpiecznika prądu przemiennego	314
7.14	Wymiana bezpiecznika wtyczki prądu stałego	314
7.15	Wymiana płytki drukowanej	314
8	Czyszczenie	315

9	Gwarancja	315
10	Usuwanie usterek	316
11	Utylizacja	317
12	Dane techniczne	318

1 Objąśnienie symboli



OSTRZEŻENIE!

Wskazówka dot. bezpieczeństwa: Nieprzestrzeganie może prowadzić do śmierci lub ciężkich obrażeń ciała.



OSTROŻNIE!

Wskazówka dot. bezpieczeństwa: Nieprzestrzeganie może prowadzić do obrażeń ciała.



UWAGA!

Nieprzestrzeganie może prowadzić do powstania szkód materialnych i zakłóceń w działaniu produktu.



WSKAZÓWKA

Informacje uzupełniające dot. obsługi produktu.

2 Wskazówki bezpieczeństwa

2.1 Ogólne bezpieczeństwo



OSTRZEŻENIE!

- Uruchamianie urządzenia jest zabronione, gdy ma ono widoczne uszkodzenia.
- Gdy przewód zasilania ulegnie uszkodzeniu, musi zostać wymieniony przez producenta, jego serwis lub podobnie wykwalifikowaną osobę, aby uniknąć zagrożenia.
- Napraw mogą dokonywać tylko odpowiednio wykwalifikowane osoby. Niefachowe naprawy mogą spowodować poważne niebezpieczeństwo.

- Dzieci od 8 roku życia i osoby o ograniczonych możliwościach fizycznych, sensorycznych lub umysłowych oraz/lub osoby niedysponujące stosowną wiedzą i doświadczeniem mogą użytkować to urządzenie, o ile osoby te znajdują się pod nadzorem lub zostały poinstruowane w zakresie bezpiecznego użytkowania urządzenia i zrozumiały ewentualne zagrożenia wynikające z niewłaściwego użytkowania.
- Dzieci nie mogą również czyścić i konserwować urządzenia bez nadzoru.
- Dzieci nie mogą bawić się urządzeniem.
- Należy dopilnować, aby dzieci nie bawiły się urządzeniem.
- Urządzenie należy stosować i przechowywać poza zasięgiem dzieci poniżej 8 roku życia.
- W urządzeniu nie wolno przechowywać substancji wybuchowych, np. pojemników aerozolowych z palnym gazem wyłaczającym.

**OSTROŻNIE!**

- Urządzenie należy odłączyć od sieci
 - przed każdym czyszczeniem i konserwacją
 - po każdym użyciu
- Środki spożywcze mogą być przechowywane tylko w oryginalnych opakowaniach lub odpowiednich pojemnikach.

**UWAGA!**

- Należy porównać dane dotyczące napięcia na tabliczce znamionowej z danymi dostępnego źródła zasilania.
- Urządzenie można podłączać tylko w następujący sposób:
 - do gniazda pokładowego prądu stałego pojazdu za pomocą przewodu przyłączeniowego prądu stałego
 - lub za pomocą przewodu przyłączeniowego prądu przemiennego do sieci prądu przemiennego
- Wtyczki nie należy nigdy wyciągać z gniazda zapalniczek samochodowej ani gniazdko elektrycznego, pociągając za przewód zasilania.
- Jeśli przenośna lodówka jest podłączona do gniazdko DC: Przed podłączeniem do ładowarki należy odłączyć lodówkę i inne urządzenia od akumulatora.
- Jeśli przenośna lodówka jest podłączona do gniazdko DC: Wyłączając silnik należy odłączyć urządzenie lub je wyłączyć. W przeciwnym razie akumulator może się rozładować.

- Przenośna lodówka nie nadaje się do transportu substancji żrących lub zawierających rozpuszczalniki!
- Izolacja tego urządzenia chłodniczego zawiera cyklopentan. Znajdujące się w materiale izolacyjnym gazy wymagają specjalnej procedury utylizacyjnej. Nienadające się do dalszej eksploatacji urządzenie chłodnicze należy dostarczyć do specjalistycznego zakładu utylizacyjnego.

2.2 Bezpieczeństwo podczas eksploatacji urządzenia



OSTROŻNIE!

- Przed użyciem należy sprawdzić, czy przewód i wtyczka są suche.



UWAGA!

- Wewnątrz przenośnej lodówki nie należy używać żadnych urządzeń elektrycznych – z wyjątkiem urządzeń zaleconych przez producenta.
- Nie należy ustawiać urządzenia w pobliżu otwartego ognia i innych źródeł ciepła (ogrzewanie, silne promieniowanie słoneczne, piec gazowy itp.).
- **Niebezpieczeństwo przegrzania!**
Należy zawsze pamiętać, że ciepło powstające przy eksploatacji musi być odpowiednio odprowadzone. Należy zadbać o to, aby urządzenie stało w odpowiedniej odległości od ścian lub przedmiotów, tak by możliwa była cyrkulacja powietrza.
- Należy uważać, aby nie zakrywać otworów wentylacyjnych.
- Wypełnianie wewnętrznego pojemnika cieczami i lodem jest zabronione.
- Zanurzanie urządzenia w wodzie jest zabronione.
- Urządzenie i przewody należy chronić przed wysoką temperaturą i wilgocią.

3 W zestawie

Zobacz rys. **1**, strona 2

Poz.	Ilość	Nazwa
1	1	Lodówka przenośna
2	1	Przewód przyłączeniowy do gniazdka prądu stałego
3	1	Kabel przyłączeniowy do gniazdka prądu przemiennego
–	1	Instrukcja obsługi

4 Osprzęt

Elementy dostępne jako akcesoria (nie dostępne w zestawie):

Nazwa	Nr prod.	Model
Uniwersalny zestaw montażowy (system pasów) CFX-UFK	9108300002	pasuje do wszystkich modeli
Zestaw montażowy Quick Release CFX-QFK	9600000166	dla CFX28
Wyświetlacz radiowy CFX-WD	9600000164	pasuje do CFX28, CFX65DZ i starszych modeli bez funkcji aplikacji WLAN

Na stronie internetowej Dometic (patrz na odwrocie) znajdują się informacje o aplikacji WLAN posiadającej funkcje kontroli, wyświetlania i alarmu (**wszystkie oprócz** CFX28 i CFX65DZ). Możliwe, że aplikacja nie jest dostępna w Państwa kraju.

5 Użytkowanie zgodne z przeznaczeniem

Lodówka przenośna jest przeznaczona do chłodzenia i mrożenia artykułów spożywczych.

Lodówka może być zasilana prądem z:

- sieci prądu stałego pojazdu, łodzi lub kampera
- akumulatora zasilającego
- sieci prądu przemiennego

Urządzenie chłodzące jest przeznaczone do użytku domowego i w podobnych obszarach zastosowań, takich jak:

- aneksy kuchenne w sklepach, biurach i innych miejscach pracy
- w rolnictwie
- przez gości hotelowych, motelowych i innych miejscach noclegowych
- w barach mlecznych
- w katering i podobnych miejscach żywienia zbiorowego



OSTROŻNIE! Zagrożenie zdrowia!

Należy sprawdzić, czy wydajność chłodzenia odpowiada wymaganiom związanym z żywnością lub lekami, które mają być przechowywane w lodówce.

6 Opis działania

Lodówka przenośna może chłodzić, utrzymywać w chłodzie i zamrażać artykuły. Chłodzenie odbywa się za pomocą bezobsługowego obiegu chłodzenia ze sprężarką. Bardzo dobra izolacja i wydajny kompresor zapewniają wyjątkowo szybkie chłodzenie.

Lodówka przenośna to urządzenie mobilne.

Lodówka może być poddawana chwilowym przechyłom pod kątem 30°, np. podczas używania na łodziach.

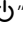
6.1 Zakres funkcji

- Zasilacz z włączaniem priorytetowym do podłączania do napięcia przemiennego
- Trzy poziomy czujnik ochrony akumulatora do zabezpieczenia akumulatora pojazdu
- Ekran z wyświetlaczem temperatury w °C oraz °F automatycznie wyłącza się w przypadku niskiego napięcia akumulatora
- Regulacja temperatury: Za pomocą dwóch przycisków co 1°C (oraz co 2°F)
- Wbudowany nadajnik WLAN, obsługiwany za pomocą aplikacji (**wszystkie oprócz CFX28 i CFX65DZ**)
- Rozkładane uchwyty do przenoszenia
- Gniazdo USB do zasilania elektrycznego
- Wyłącznik awaryjny (jeśli istnieje)
- Wyjmowany wkład koszykowy

6.2 Elementy obsługi i wyświetlacza

Blokada pokrywy: rys. 2 1, strona 2

Pole obsługi (rys. 3, strona 3)

Poz.	Nazwa	Objaśnienie
1	ON OFF	Włącza lub wyłącza przenośną lodówkę, gdy przycisk jest naciskany przez jedną do dwóch sekund
2	POWER „  ”	Wskaźnik trybu pracy Dioda LED świeci się na zielono: Kompresor jest włączony Dioda LED świeci się na pomarańczowo: Kompresor jest wyłączony Dioda LED miga pomarańczowym światłem: Wyświetlacz został automatycznie wyłączony z powodu niskiego napięcia akumulatora
3	ERROR	Dioda LED miga na czerwono: Włączone urządzenie nie jest gotowe do użycia
4	SET	Wybiera tryb wprowadzania: <ul style="list-style-type: none"> • ustawienia temperatury • wyświetlanie °Celsiusza lub °Fahrenheita • ustawianie czujnika akumulatora • ustawianie jasności wyświetlacza • włączanie lub wyłączanie WLAN (wszystkie oprócz CFX28 i CFX65DZ)
5	–	Wyświetlacz prezentuje wartości
6	DOWN –	Jednorazowe naciśnięcie obniża wybraną wartość wejściową
7	UP +	Jednorazowe naciśnięcie podwyższa wybraną wartość wejściową

Gniazda podłączeniowe (rys. 4, strona 3)

Poz.	Nazwa
1	Gniazdo przyłączeniowe zasilania napięciem przemiennym
2	Uchwyt bezpiecznikowy
3	Gniazdo przyłączeniowe zasilania napięciem stałym

Wyłącznik awaryjny (jeśli występuje) i gniazdo USB (rys. 5, strona 3)

Poz.	Nazwa
1	Wyłącznik awaryjny
2	Zasilanie elektryczne dla urządzeń USB

7 Obsługa

7.1 Przed pierwszym użyciem

**WSKAZÓWKA**

Przed pierwszym użyciem lodówki należy ze względów higienicznych wyczyścić ją od wewnątrz i z zewnątrz wilgotną ściereczką (patrz również rozdz. „Czyszczenie” na stronie 315).

Odwracanie pokrywy (dla CFX 50W, CFX 65W, CFX 65DZ)

Jeżeli pokrywa powinna się otwierać z innej strony, można przełożyć ogranicznik otworu pokrywy. W tym celu należy postępować w następujący sposób:

- Otworzyć pokrywę i ją zdjąć (rys. 6 A, strona 4).
- Usunąć po trzy śruby z zawiasów (rys. 6 B, strona 4) i zdjąć zawiasy.
- Usunąć plastikowe osłony z nowych pozycji zawiasów za pomocą małego śrubokręta i przymocować je ponownie w miejsca, w których znajdowały się stare zawiasy.
- Przyczepić zawiasy w nowych miejscach.
- Włożyć pokrywę w zawiasy po przeciwległej stronie (rys. 6 C, strona 4).

wybór jednostki temperatury

Przy ustawianiu temperatury można wybrać wartości wyrażone w stopniach Celsjusza i Fahrenheita. W tym celu należy postępować w następujący sposób:

- ▶ Należy włączyć przenośną lodówkę.
- ▶ Następnie należy dwukrotnie nacisnąć klawisz „SET” (rys. **3** 4, strona 3).
- ▶ Za pomocą przycisków „UP +” (rys. **3** 7, strona 3) lub „DOWN –” (rys. **3** 6, strona 3) ustawić jednostkę temperatury °Celsjusza lub °Fahrenheita.
- ✓ Na wyświetlaczu przez kilka sekund przedstawiona jest ustawiona jednostka temperatury. Wyświetlacz kilkakrotnie miga przed wyświetleniem aktualnej temperatury.

7.2 Wskazówki dotyczące oszczędzania energii

- Wybierz miejsce z dobrą wentylacją, nienarażone na promieniowanie słoneczne.
- Schłódź ciepłe potrawy przed ich włożeniem do urządzenia.
- Nie otwieraj lodówki częściej niż jest to konieczne.
- Nie zostawiaj otwartej lodówki dłużej niż to jest konieczne.
- Należy rozmrozić urządzenie chłodnicze zaraz po wytworzeniu się warstwy lodu.
- Unikać zbyt niskiej temperatury wewnętrznej.

7.3 Podłączanie lodówki

Podłączanie do akumulatora (samochodu lub łodzi)

Lodówkę można używać z napięciem 12 V \equiv lub 24 V \equiv .



UWAGA! Niebezpieczeństwo uszkodzenia!

Przed ładowaniem akumulatora za pomocą ładowarki odłączyć od niego lodówkę lub inne odbiorniki prądu.

Przebiecia mogą uszkodzić elektronikę urządzeń.

Przenośną lodówkę wyposażono w zabezpieczenie chroniące przed nieprawidłowym połączeniem biegunów przy podłączeniu akumulatora oraz przed zwarcieniem.

Używać kabla przyłączeniowego z zabezpieczeniem



UWAGA! Niebezpieczeństwo uszkodzenia!

Do ochrony urządzenia wtyczka dostarczonego kabla przyłączeniowego prądu stałego posiada zabezpieczenie. **Nie** usuwać zabezpieczonej wtyczki prądu stałego.

Używać wyłącznie dostarczonego kabla przyłączeniowego prądu stałego.

- ▶ Wetknąć kabel przyłączeniowy prądu stałego (rys. **1** 2, strona 2) w gniazdo zasilania prądem stałym łódówki (rys. **4** 5, strona 3).
- ▶ Podłączyć kabel przyłączeniowy do gniazda prądu stałego.

Podłączanie do sieci prądu przemiennego (np. w domu lub biurze)



NIEBEZPIECZEŃSTWO! Zagrożenie życia w wyniku porażenia prądem!

- Nie wolno manipulować wtyczkami i wyłącznikami wilgotnymi rękami lub stojąc na mokrej powierzchni.
- W przypadku korzystania z łódówki na łodzi przy zastosowaniu przyłącza lądowego do sieci prądu przemiennego konieczne jest włączenie bezpiecznika różnicowoprądowego pomiędzy siecią prądu przemiennego a łódówką. Wówczas należy skorzystać z porady specjalisty.

Łódówki mają wbudowany zasilacz wielonapięciowy z włączaniem priorytetowym do podłączania do napięcia przemiennego. Dzięki układowi wyboru priorytetu zasilania sieciowego urządzenie po podłączeniu do sieci prądu przemiennego przełącza się automatycznie na zasilanie prądem przemiennym, nawet gdy nadal jest podłączony kabel przyłączeniowy prądu stałego.

Gdy łódówka przełącza się z zasilanie sieciowego prądem przemiennym na zasilanie akumulatorowe prądem stałym, może nastąpić chwilowe zapalenie się czerwonej diody LED.

- ▶ Wetknąć kabel przyłączeniowy prądu przemiennego (rys. **1** 3, strona 2) w gniazdo zasilania prądem przemiennym łódówki (rys. **4** 1, strona 3).
- ▶ Podłączyć kabel przyłączeniowy do gniazda prądu przemiennego.

7.4 Korzystanie z czujnika ochrony akumulatora

Urządzenie jest wyposażone w wielopoziomowy czujnik ochrony akumulatora, który przy podłączaniu do pokładowej sieci prądu stałego chroni akumulator pojazdu przed nadmiernym rozładowaniem.

Jeżeli kontener chłodniczy jest używany przy wyłączonym zapłonie w pojeździe, wyłączy się samodzielnie, gdy napięcie spadnie poniżej możliwej do ustawienia wartości. Kontener chłodniczy włączy się ponownie, gdy poprzez naładowanie akumulatora uzyskane zostanie napięcie wystarczające do ponownego włączenia.



UWAGA! Niebezpieczeństwo uszkodzenia!

Po wyłączeniu akumulatora przez czujnik akumulator nie jest już w pełni naładowany. Należy unikać wielokrotnego uruchamiania lub eksploataowania odbiorników energii bez dłuższych faz ładowania. Należy pamiętać o ponownym naładowaniu akumulatora.

W trybie „HIGH” czujniki akumulatora reagują szybciej niż na poziomie „LOW” i „MED” (patrz poniższa tabela).

Tryb czujnika ochrony akumulatora	LOW	MED	HIGH
Napięcie wyłączeniowe przy 12 V	10,1 V	11,4 V	11,8 V
Napięcie ponownego włączenia przy 12 V	11,1 V	12,2 V	12,6 V
Napięcie wyłączeniowe przy 24 V	21,5 V	24,1 V	24,6 V
Napięcie ponownego włączenia przy 24 V	23,0 V	25,3 V	26,2 V

W celu zmiany trybu pracy czujnika ochrony akumulatora należy postępować w następujący sposób:

- Należy włączyć przenośną lodówkę.
- Należy trzykrotnie nacisnąć przycisk „SET” (rys. **3** 4, strona 3).
- Za pomocą przycisków „UP +” (rys. **3** 7, strona 3) lub „DOWN –” (rys. **3** 6, strona 3) ustawić tryb dla czujnika ochrony akumulatora.
- ✓ Na wyświetlaczu pojawią się następujące informacje: Lo (LOW), Md (MED), Hi (HIGH)
- ✓ Na wyświetlaczu przez kilka sekund przedstawiony jest ustawiony tryb. Wyświetlacz kilkakrotnie miga przed wyświetleniem aktualnej temperatury.

**WSKAZÓWKA**

Jeżeli lodówka jest zaopatrzona w baterię rozruchową, należy wybrać tryb „HIGH” czujnika ochrony akumulatora. Jeżeli lodówka jest podłączona do akumulatora zasilającego, wystarczający jest tryb czujnika ochrony akumulatora „LOW”.

7.5 Korzystanie z lodówki

**UWAGA! Niebezpieczeństwo przegrzania!**

Należy pamiętać, że ciepło powstające podczas eksploatacji musi być odpowiednio odprowadzane. Należy uważać, aby nie zakryć otworu wentylacyjnego. Należy zadbać o to, aby urządzenie stało w odpowiedniej odległości od ścian lub przedmiotów, tak by możliwa była cyrkulacja powietrza.

- Przenośną lodówkę należy stawiać na stałym podłożu. Trzeba pamiętać, aby nie były zakryte otwory wentylacyjne, przez które może uchodzić nagrzane powietrze.

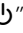
**WSKAZÓWKA**

Przenośną lodówkę należy ustawić w sposób przedstawiony na (rys. **1**, strona 2). Eksploatowanie lodówki w innej pozycji może spowodować jej uszkodzenie.

- Podłączyć lodówkę, patrz rozdz. „Podłączanie lodówki” na stronie 305.

**UWAGA! Zagrożenie spowodowane zbyt niską temperaturą!**

Należy uważać, aby w lodówce znajdowały się tylko rzeczy lub produkty, które mogą być chłodzone do wybranej temperatury.

- Nacisnąć przycisk „ON/OFF” (rys. **3** 1, strona 3) i przytrzymać przez jedną-dwie sekundy.
- ✓ Świeci się dioda LED „”.
- ✓ Wyświetlacz (rys. **3** 5, strona 3) włącza się i wskazuje aktualną temperaturę chłodzenia.



OSTROŻNIE! Zagrożenie zdrowia!

CFX65DZ:

Jeśli temperatura w zamrażalniku (rys. **8** 1, strona 5) jest ustawiona na bardzo niski poziom (np. $-22\text{ }^{\circ}\text{C}$), również zakres temperatury w środkowej szufladzie chłodzącej (rys. **8** 2, strona 5) może wskazywać wartość ujemną.



WSKAZÓWKA

Wyświetlana temperatura

- **CFX28, CFX35W, CFX40W, CFX50W, CFX65W:**

Wyświetlana temperatura dotyczy dużej szuflady chłodzącej i zamrażarki (np. CFX50W, CFX65W: rys. **7** 1, strona 4).


- **CFX65DZ:**

- Ze ścianką działową w komorze chłodzącej i zamrażalniku: Wyświetlana temperatura odnosi się do zamrażalnika (rys. **8** 1, strona 5).
- Bez ścianki działowej w komorze chłodzącej i zamrażalniku: Rzeczywista temperatura wewnątrz może się różnić od temperatury wskazywanej.

✓ Przenośna lodówka zaczyna chłodzić komorę.



WSKAZÓWKA

W przypadku zasilania akumulatorem wyświetlacz automatycznie się wyłączy, jeżeli napięcie akumulatora będzie niskie. Dioda LED „” miga na pomarańczowo.

Zamykanie lodówki

- Zamknąć pokrywę.
- Należy dociskać blokadę (rys. **2** 1, strona 2) w dół do momentu, gdy słyszalne będzie jej zatrzaśnięcie.



WSKAZÓWKA – Alarm „Pokrywa otwarta”

Gdy pokrywa pozostanie otwarta dłużej niż przez trzy minuty przy włączonym urządzeniu, miga lampka wewnętrzną do momentu zamknięcia pokrywy.

7.6 Ustawianie temperatury

- ▶ Nacisnąć jednokrotnie przycisk „SET” (rys. **3** 4, strona 3).
- ▶ Za pomocą przycisków „UP +” (rys. **3** 7, strona 3) lub „DOWN –” (rys. **3** 6, strona 3) ustawić temperaturę chłodzenia.
- ✓ Na wyświetlaczu przez kilka sekund wyświetla się ustawiona wymagana temperatura chłodzenia. Wyświetlacz kilkakrotnie miga przed wyświetleniem aktualnej temperatury.



WSKAZÓWKA

Temperaturę dla każdej komory chłodzącej można ustawić na $-22\text{ }^{\circ}\text{C}$. Producent zaleca jednak ustawianie temperatury w zakresie $-15\text{ }^{\circ}\text{C}$ do $-18\text{ }^{\circ}\text{C}$ dla normalnej pracy i optymalnego zużycia energii.

7.7 Aktywacja sygnału WLAN dla opcjonalnej aplikacji (wszystkie modele poza CFX28 i CFX65DZ)

Lodówka może być sterowana poprzez WLAN za pomocą aplikacji, którą mogą Państwo zainstalować na kompatybilnym urządzeniu. Aplikacja posiada funkcje kontrolne, wyświetlania i alarmu.

Więcej informacji znajduje się na stronie internetowej Dometic Państwa kraju (patrz na odwrotnej stronie). Proszę uwzględnić, że aplikacja może nie być dostępna w Państwa kraju.

Nazwa WLAN lodówki kompresorowej rozpoczyna się od „CFX”. Ustawione domyślnie hasło brzmi „00000000”. Nazwę WLAN i hasło można dowolnie zmieniać.

Włączanie/wyłączanie sygnału WLAN

- ▶ Nacisnąć przycisk „SET” (rys. **3** 4, strona 3) pięciokrotnie.
- ▶ Za pomocą przycisków „UP +” (rys. **3** 7, strona 3) lub „DOWN –” (rys. **3** 6, strona 3) ustawić włączenie lub wyłączenie sygnału WLAN.
- ✓ Wyświetlacz przez kilka sekund wyświetli pożądane ustawienia. Wyświetlacz kilkakrotnie miga przed wyświetleniem aktualnej temperatury.



WSKAZÓWKA

- W ustawieniach domyślnych nadajnik WLAN jest wyłączony. Podczas pierwszego uruchomienia oraz po każdej przerwie w dostawie prądu w celu umożliwienia korzystania z aplikacji należy włączyć nadajnik WLAN.
- Nadajnik WLAN pobiera niewielką ilość prądu. W celu osiągnięcia optymalnej wydajności energetycznej należy wyłączać nadajnik WLAN, jeśli nie jest on wykorzystywany.

Przywracanie ustawień domyślnych WLAN

Jeśli spersonalizowali Państwo ustawienia WLAN lodówki za pomocą aplikacji WLAN i zapomnieli Państwo hasła, w następujący sposób można przywrócić ustawienia domyślne lodówki:

- ▶ Nacisnąć przycisk „SET” (rys. 3 4, strona 3) pięciokrotnie.
- ▶ Wcisnąć przycisk „UP +” (rys. 3 7, strona 3) na minimum pięć sekund.
- ✓ Na wyświetlaczach kilkakrotnie mignie „rES”, zanim powrócą one do poprzedniego stanu wyświetlania.
- ✓ Przywrócono ustawienia domyślne WLAN.

Pozostałe informacje znajdą Państwo na stronie internetowej Dometic, z której pobrali Państwo aplikację.

7.8 Regulacja jasności wyświetlacza

W ciemnym otoczeniu można zmniejszyć jasność wyświetlacza. W celu regulacji jasności wyświetlacza należy wykonać poniższe działania:

- ▶ Należy włączyć przenośną lodówkę.
- ▶ Nacisnąć czterokrotnie przycisk „SET” (rys. 3 4, strona 3).
- ▶ Za pomocą przycisków „UP +” (rys. 3 7, strona 3) lub „DOWN –” (rys. 3 6, strona 3) ustawić jasność wyświetlacza.
- ✓ Na wyświetlaczu pojawią się następujące informacje: d0 (ustawienia domyślne), d1 (umiarkowanie jasny), d2 (ciemny)
- ✓ Na wyświetlaczu przez kilka sekund przedstawiony jest ustawiony tryb. Wyświetlacz mignie kilkakrotnie, zanim powróci do wyświetlania aktualnego poziomu jasności.

**WSKAZÓWKA**

- Ustawieniem domyślnym jasności wyświetlacza jest d0 (domyślne).
- W razie wystąpienia zakłócenia jasność automatycznie ustawia się na d0 (domyślne). Po usunięciu zakłócenia aktywowany zostaje ustalony poziom jasności.

7.9 Stosowanie wyłącznika awaryjnego (jeśli dotyczy)

Wyłącznik awaryjny (rys. **4** 3, strona 3) znajduje się we wszystkich modelach, oprócz CFX28, pod panelem sterowania. W CFX28 wyłącznik awaryjny znajduje się nad skrzynką przyłączeniową. Dla trybu normalnego przełącznik znajduje się w położeniu „NORMAL USE” (użycie normalne).

- ▶ W przypadku wystąpienia zakłócenia elektroniki sterującej wyłącznik przesunąć do położenia „EMERGENCY OVERRIDE” (uruchomienie awaryjne).

**WSKAZÓWKA**

Jeśli wyłącznik znajduje się w położeniu „EMERGENCY OVERRIDE”, lodówka pracuje z pełną mocą chłodzenia, a jej zawartość może zostać zamrożona.

7.10 Przyłącze USB do ładowania

Przyłącze USB można wykorzystywać w celu ładowania małych urządzeń (np. telefonów komórkowych lub odtwarzaczy mp3).

Jeśli chcieliby Państwo skorzystać z tej opcji, wystarczy podłączyć kabel USB (nie wchodzi w zakres dostawy) do urządzenia.

**WSKAZÓWKA**

Należy się upewnić, że małe urządzenie podłączone do przyłącza USB nadaje się do zasilania 5 V/500 mA.

7.11 Wyłączanie lodówki

- ▶ Należy opróżnić lodówkę.
- ▶ Wyłączyć lodówkę.
- ▶ Wyciągnąć przewód przyłączeniowy.

W przypadku gdy lodówka nie będzie eksploatowana przez dłuższy czas, należy:

- ▶ Pozostawić pokrywę lekko otwartą. To zapobiegnie powstawaniu nieprzyjemnego zapachu.

7.12 Rozmrażanie lodówki

Wilgotne powietrze może się osadzać na parowniku lub wewnątrz lodówki w postaci szronu, który ogranicza wydajność chłodzenia. Należy więc w odpowiednim czasie rozmrozić urządzenie.



UWAGA! Niebezpieczeństwo uszkodzenia!

Do usuwania warstw lodu i do oddzielania mocno zamrożonych artykułów od powierzchni zamrażarki nie wolno używać twardych lub ostrych narzędzi.

Aby rozmrozić lodówkę, należy postępować w następujący sposób:

- ▶ Wyjąć chłodzone produkty.
- ▶ Następnie włożyć je do innego urządzenia chłodniczego, tak aby pozostały zimne.
- ▶ Wyłączyć urządzenie.
- ▶ Pozostawić otwartą pokrywę.
- ▶ Wodę powstałą w wyniku rozmrażania należy wytrzeć.

7.13 Wymiana bezpiecznika prądu przemiennego



NIEBEZPIECZEŃSTWO! Zagrożenie życia w wyniku porażenia prądem!

Odłączyć lodówkę od źródła zasilania i wyciągnąć kabel przyłączeniowy, zanim przystąpią Państwo do wymiany bezpiecznika.

- Odłączyć lodówkę od zasilania.
- Wyciągnąć przewód przyłączeniowy.
- Wyjąć wkładkę bezpiecznikową (rys. **4** 2, strona 3) np. wkrętakiem.
- Wymienić zepsuty bezpiecznik ceramiczny na nowy bezpiecznik ceramiczny tego samego typu i o tej samej wartości (4 A, 250 V).
- Włożyć wkładkę bezpiecznikową do obudowy.
- Podłączyć zasilanie elektryczne do urządzenia.

7.14 Wymiana bezpiecznika wtyczki prądu stałego

- Odkręcić obudowę kołka wtykowego (rys. **9** 3, strona 5) od wtyczki (rys. **9** 1, strona 5).
- Wymienić uszkodzony bezpiecznik (rys. **9** 2, strona 5) na nowy bezpiecznik tego samego typu i o tej samej wartości (3 AG, Fast Acting, 15 A).
- Złożyć wtyczkę w odwrotnej do podanej powyżej kolejności.

7.15 Wymiana płytki drukowanej

- Odłączyć lodówkę od zasilania.
- Otworzyć przezroczystą pokrywę za pomocą wkrętaka (rys. **10** 1, strona 5).
- Odkręcić śruby montażowe płytki drukowanej (rys. **10** 2, strona 5).
- Wyciągnąć wtyczkę z płytki drukowanej (rys. **10** 3, strona 5).
- Wymienić uszkodzoną płytkę drukowaną na nową.
- Wstawić nową płytkę drukowaną, postępując w kolejności odwrotnej niż podana w instrukcji dotyczącej usuwania płytki drukowanej.
- Ponownie umieścić przezroczystą osłonę w obudowie.
- Podłączyć zasilanie elektryczne do urządzenia.

8 Czyszczenie



OSTRZEŻENIE!

Przed każdym czyszczeniem należy odłączyć urządzenie od sieci.



UWAGA! Niebezpieczeństwo uszkodzenia!

- Przenośnej lodówki nie wolno nigdy czyścić pod bieżącą wodą ani zamaczać w wodzie.
- Do czyszczenia nie należy używać agresywnych środków czyszczących ani twardych przedmiotów, gdyż mogą uszkodzić lodówkę.

- Obudowę należy czyścić od czasu do czasu wilgotną ściereczką od wewnątrz i na zewnątrz.
- Należy upewnić się, że otwory wentylacyjne urządzenia nie są zabrudzone ani zakurzone, aby możliwe było odprowadzanie ciepła podczas pracy urządzenia, co pozwoli uniknąć uszkodzenia urządzenia.

9 Gwarancja

Warunki gwarancji zostały opisane w Karcie Gwarancyjnej dołączonej do produktu.

W celu naprawy lub rozpatrzenia gwarancji konieczne jest przesłanie:

- kopii rachunku z datą zakupu,
- informacji o przyczynie reklamacji lub opisu wady.

10 Usuwanie usterek

Usterka	Możliwa przyczyna	Proponowane rozwiązanie
Urządzenie nie działa, nie świeci się dioda LED	Brak napięcia w gnieździe samochodowym.	W większości pojazdów konieczne jest włączenie zapłonu, aby w gnieździe prądu stałego było napięcie.
	W gnieździe prądu przemiennego nie ma napięcia.	Należy spróbować podłączyć urządzenie do innego gniazda wtykowego.
	Bezpiecznik urządzenia jest uszkodzony.	Wymienić bezpiecznik urządzenia, patrz rozdz. „Wymiana bezpiecznika prądu przemiennego” na stronie 314.
	Zintegrowany zasilacz jest uszkodzony.	Naprawę może wykonać tylko odpowiedni zakład serwisowy.
Urządzenie nie chłodzi (wtyczka jest włożona, świeci się dioda LED „POWER”).	Uszkodzona sprężarka.	Naprawę może wykonać tylko odpowiedni zakład serwisowy.
Urządzenie nie chłodzi (wtyczka jest włożona, dioda LED „POWER” miga pomarańczowym światłem, wyświetlacz jest wyłączony).	Za wysoki tryb układu monitorowania stanu akumulatora	Ustawić układ monitorowania stanu akumulatora na niższy tryb.
	Napięcie akumulatora jest niewystarczające.	Należy również naładować akumulator.
Podczas zasilania z gniazda prądu stałego: Zapłon jest włączony, urządzenie nie działa, nie świeci się dioda LED.	Gniazdo prądu stałego jest zabrudzone. Powoduje to nieprawidłowy styk elektryczny.	Gdy wtyczka w gnieździe prądu stałego jest zbyt ciepła, należy oczyścić gniazdo. Innym powodem może być nieprawidłowo zmontowana wtyczka.
	Bezpiecznik wtyczki prądu stałego jest przepalony.	Wymienić bezpiecznik wtyczki prądu stałego, patrz rozdz. „Wymiana bezpiecznika wtyczki prądu stałego” na stronie 314
	Bezpiecznik pojazdu jest przepalony.	Wymienić bezpiecznik samochodowy gniazda prądu stałego, uwzględniając przy tym informacje zawarte w instrukcji obsługi pojazdu.

Usterka	Możliwa przyczyna	Proponowane rozwiązanie
Na wyświetlaczu pojawia się komunikat o błędzie (np. „Err1”) i urządzenie nie chłodzi.	Usterka spowodowała wyłączenie urządzenia	Naprawę może wykonać tylko odpowiedni zakład serwisowy.
Miga oświetlenie wewnętrzne przegrody.	Pokrywą szuflady pozostawiono otwartą na ponad trzy minuty.	Zamkną pokrywą przegrody.

11 Utylizacja

- ▶ Opakowanie należy wyrzucić do odpowiedniego pojemnika na śmieci do recyklingu.



Jeżeli produkt nie będzie dłużej eksploatowany, koniecznie dowiedz się w najbliższym zakładzie recyklingu lub w specjalistycznym sklepie, jakie są aktualnie obowiązujące przepisy dotyczące utylizacji.

12 Dane techniczne

	CFX28	CFX35W	CFX40W
Nr wyrobu:	9600000468 9600000469	9600000470 9600000471	9600000472 9600000473
Napięcie przyłączeniowe:	12/24 V \equiv i 100 – 240 V \sim		
Prąd znamionowy:	12 V \equiv : 6,5 A 24 V \equiv : 3,2 A 100 V \sim : 0,75 A 240 V \sim : 0,32 A	12 V \equiv : 7,0 A 24 V \equiv : 3,2 A 100 V \sim : 0,86 A 240 V \sim : 0,42 A	
Zakres temperatury chłodzenia:	od +10 °C do –22 °C (od +50 °F do –8 °F)		
Kategoria:	1		
Klasa efektywności energetycznej:	A++		
Zużycie energii:	61 kWh/rok	62 kWh/rok	64 kWh/rok
Pojemność brutto:	28 l	34,5 l	41 l
Pojemność użytkowa:	26 l	32 l	38 l
Klasa klimatyczna:	N, T		
Temperatura otoczenia:	od +16 °C do +43 °C (od +61 °F do +110 °F)		
Emisja hałasu:	34 dB(A)	42 dB(A)	
Przyłącze USB:	5 V \equiv , 500 mA		
Pasma częstotliwości (WiFi):	2,4 GHz (moduł radiowy)	2,4 GHz	
Moc wysokiej częstotliwości (WiFi):	11 – 0 dBm (moduł radiowy)	16 \pm 1,5 dBm (802.11b CCK, 11 MBit/s) 12 \pm 1,5 dBm (802.11g OFDM, 54 MBit/s) 11 \pm 1,5 dBm (802.11n HT20, MCS7)	
Ilość czynnika chłodzącego:	38 g	33 g	38 g
Ekwiwalent CO ₂ :	0,054 t	0,047 t	0,054 t
Potencjał tworzenia efektu cieplarnianego (GWP):	1430		

	CFX28	CFX35W	CFX40W
Wymiary (szer. x wys. x gł.) w mm (z uchwytami):	342 x 425 x 620	398 x 411 x 692	398 x 461 x 692
Waga:	13 kg	17,5 kg	18,5 kg
	CFX50W	CFX65W	CFX65DZ
Nr wyrobu:	9600000474 9600000475	9600000476 9600000477	9600000478 9600000479
Napięcie przyłączeniowe:	12/24 V \equiv i 100 – 240 V \sim		
Prąd znamionowy:	12 V \equiv : 7,8 A 24 V \equiv : 3,6 A 100 V \sim : 0,95 A 240 V \sim : 0,46 A	12 V \equiv : 8,2 A 24 V \equiv : 3,8 A 100 V \sim : 1,0 A 240 V \sim : 0,48 A	12 V \equiv : 5,5 A 24 V \equiv : 2,6 A 100 V \sim : 0,75 A 240 V \sim : 0,37 A
Zakres temperatury chłodzenia:	od +10 °C do -22 °C (od +50 °F do -8 °F)		
Kategoria:	1		
Klasa efektywności energetycznej:	A++		A+
Zużycie energii:	66 kWh/rok	69 kWh/rok	115 kWh/rok
Pojemność brutto:	50 l	65 l	z rozdzielaczem: 61 l bez rozdzielacza: 65 l
Pojemność użytkowa:	46 l	60 l	53 l
Klasa klimatyczna:	N, T		
Temperatura otoczenia:	od +16 °C do +43 °C (od +61 °F do +110 °F)		
Emisja hałasu:	42 dB(A)		
Przyłącze USB:	5 V \equiv , 500 mA		
Pasma częstotliwości (WiFi):	2,4 GHz		–
Moc wysokiej częstotliwości (WiFi):	16 \pm 1,5 dBm (802.11b CCK, 11 MBit/s) 12 \pm 1,5 dBm (802.11g OFDM, 54 MBit/s) 11 \pm 1,5 dBm (802.11n HT20, MCS7)		–

	CFX50W	CFX65W	CFX65DZ
Ilość czynnika chłodzącego:	43 g	57 g	31 g
Ekwiwalent CO ₂ :	0,062 t	0,082 t	0,044 t
Potencjał tworzenia efektu cieplarnianego (GWP):	1430		
Wymiary (szer. x wys. x gł.) w mm (z uchwytemi):	725 x 471 x 455	725 x 561 x 455	725 x 561 x 455
Waga:	20,4 kg	22,3 kg	23,2 kg

**WSKAZÓWKA**

Przy temperaturze otoczenia wynoszącej powyżej 32°C (90°F) nie można osiągnąć minimalnej temperatury.

Kontrola/certyfikaty:



Obieg chłodzący zawiera R134a.

Zawiera fluorowane gazy cieplarniane

Hermetycznie zamknięte urządzenie

Nie ma żadnych ograniczeń w zakresie używania funkcji WiFi urządzenia na terenie krajów UE.

Pred uvedením zariadenia do prevádzky si prosím pozorne prečítajte tento návod a odložte si ho. V prípade odovzdania zariadenia ďalšiemu používateľovi mu odovzdajte aj tento návod.

Výrobca neručí za škody, ktoré vzniknú používaním, ktoré **nie je v súlade s určeným použitím** alebo boli spôsobené **nesprávnou obsluhou**.

Obsah

1	Vysvetlenie symbolov	322
2	Bezpečnostné pokyny	322
2.1	Všeobecná bezpečnosť	322
2.2	Bezpečnosť pri prevádzke zariadenia	324
3	Rozsah dodávky	325
4	Príslušenstvo	325
5	Zamýšľané použitie	326
6	Opis činnosti	327
6.1	Rozsah funkcií	327
6.2	Ovládacie a indikačné prvky	328
7	Obsluha	329
7.1	Pred prvým použitím	329
7.2	Tipy na úsporu energie	330
7.3	Pripojenie chladiaceho boxu	330
7.4	Použitie snímača stavu nabitia batérie	332
7.5	Používanie chladiaceho boxu	333
7.6	Nastavenie teploty	334
7.7	Aktivácia WLAN signálu pre voliteľnú aplikáciu (všetky modely okrem CFX28 a CFX65DZ)	335
7.8	Nastaviť jas displeja	336
7.9	Použitie núdzového vypínača (ak je súčasťou výbavy)	336
7.10	USB pripojenie pre napájanie	337
7.11	Vypnutie chladiaceho boxu	337
7.12	Odmrazenie chladiaceho boxu	337
7.13	Výmena poistky striedavého prúdu	338
7.14	Výmena konektorovej poistky pre jednosmerný prúd	338
7.15	Výmena dosky optických vodičov	338
8	Čistenie a starostlivosť	339

9	Záruka	339
10	Odstraňovanie porúch	340
11	Likvidácia	341
12	Technické údaje	342

1 Vysvetlenie symbolov



VÝSTRAHA!

Bezpečnostný pokyn: Nerešpektovanie môže viesť k smrti alebo k ťažkému zraneniu.



UPOZORNENIE!

Bezpečnostný pokyn: Nerešpektovanie môže viesť k zraneniam.



POZOR!

Nerešpektovanie môže viesť k materiálnym škodám a môže ovplyvniť funkciu zariadenia.



POZNÁMKA

Doplňujúce informácie k obsluhu výrobku.

2 Bezpečnostné pokyny

2.1 Všeobecná bezpečnosť



VÝSTRAHA!

- Ak zariadenie vykazuje očividné poškodenia, nesmiete ho uviesť do prevádzky.
- Ak sa poškodí pripojovací kábel tohoto zariadenia, musí ho vymeniť výrobca, služba zákazníkom alebo podobne kvalifikovaná osoba, aby sa zabránilo ohrozeniu.
- Opravy tohoto zariadenia smú robiť len odborníci. Neodbornými opravami môžu vzniknúť značné nebezpečenstvá.

- Prístroj smú používať deti od 8 rokov a osoby so zníženými psychickými, zmyslovými alebo mentálnymi schopnosťami a vedomosťami, keď sú pod dozorom alebo keď boli poučené o bezpečnom používaní prístroja a keď chápu, aké riziká z toho vyplývajú.
- Čistenie a bežnú údržbu nesmú deti vykonávať bez dozoru.
- Deti sa nesmú hrať s prístrojom.
- Deti musia byť pod dozorom, aby bolo zabezpečené, že sa so zariadením nebudú hrať.
- Prístroj odkladajte a používajte mimo dosahu detí mladších ako 8 rokov.
- V prístroji neuskladňujte látky, pri ktorých hrozí nebezpečenstvo výbuchu, napr. sprejové nádoby s hnacím plynom.



UPOZORNENIE!

- Odpojte zariadenie z el. siete
 - pred každým čistením a ošetrovaním
 - po každom použití
- Potraviny sa smú uskladniť len v originálnom balení alebo vo vhodných nádobách.



POZOR!

- Porovnajzte údaj o napätí na typovom štítku s prívodom el. energie, ktorý máte k dispozícii.
- Chladiace zariadenie pripájajte iba nasledovne:
 - pripájacím káblom na jednosmerný prúd palubnej zásuvke jednosmerného prúdu vo vozidle
 - alebo pripájacím káblom na striedavý prúd k sieti striedavého napätia
- Nikdy nevyt'ahujte zástrčku zo zásuvky za pripojovací kábel.
- Keď je chladiace zariadenie pripojené na zásuvku jednosmerného prúdu: Odpojte vaše chladiace zariadenie a ostatné spotrebiče od batérie skôr než pripojíte rýchlonabíjačku.
- Keď je chladiace zariadenie pripojené na zásuvku jednosmerného prúdu: Rozpojte spojenie alebo vypnite chladiace zariadenie, keď vypnete motor. V opačnom prípade sa môže vybit' batéria.
- Chladiace zariadenie nie je vhodné na prepravu dráždivých alebo rozpúšť'adlá obsahujúcich látok.

- Toto chladiace zariadenie obsahuje v izolácii horľavý cyklopentan. Plyny v izolačných materiáloch vyžadujú špeciálnu metódu na likvidáciu. Chladiace zariadenie na konci životnosti odovzdajte k riadnej likvidácii.

2.2 Bezpečnosť pri prevádzke zariadenia



UPOZORNENIE!

- Pred uvedením do prevádzky dbajte, aby boli prívod a zástrčka suché.



POZOR!

- Nepoužívajte žiadne elektrické prístroje vo vnútri chladiaceho zariadenia, okrem prístrojov, ktoré sú na to doporučené výrobcom zariadenia.
- Nepostavte zariadenie v blízkosti otvoreného ohňa alebo iných zdrojov tepla (kúrenie, slnečné žiarenie, plynové kachle atď.).
- **Nebezpečenstvo prehriatia!**
Vždy dbajte, aby teplo, ktoré pri prevádzke vzniká, bolo možné dostatočne odvádzať. Postarajte sa, aby zariadenie stálo v dostatočnej vzdialenosti od stien alebo predmetov, aby mohol vzduch cirkulovať.
- Dbajte, aby nedošlo k zakrytiu vetracích otvorov.
- Do vnútornej nádoby nedávajte žiadne kvapaliny alebo ľad.
- Nikdy neponorte zariadenie do vody.
- Chráňte zariadenie a káble pred horúčavou a vlhkom.

3 Rozsah dodávky

Pozri obr. 1, strane 2

Poz.	Množstvo	Označenie
1	1	Chladiaci box
2	1	Prípájací kábel pre prípojku s jednosmerným prúdom
3	1	Prípájací kábel pre prípojku so striedavým prúdom
–	1	Návod na obsluhu

4 Príslušenstvo

Dostupné ako príslušenstvo (nie je súčasťou dodávky):

Označenie	Č. výrobku	Model
Univerzálna upevňovacia súprava (systém pásov) CFX-UFK	9108300002	vhodná pre všetky modely
Upevňovacia súprava pre rýchle rozpojenie (Quick Release) CFX-QFK	9600000166	pre CFX28
Bezdrôtový displej CFX-WD	9600000164	vhodné pre modely CFX 28, CFX 65DZ a staršie modely bez funkcie WLAN aplikácie

Na webovej stránke Dometic (pozri zadnú stranu) nájdete informácie o WLAN aplikácii s kontrolnými, zobrazovacími a poplašnými funkciami (**všetky modely okrem CFX28 a CFX65DZ**). Aplikácia nemusí byť vo vašej krajine k dispozícii.

5 Zamýšľané použitie

Chladiaci box je vhodný na chladenie a udržiavanie potravín v chlade.

Chladiaci box je dimenzovaný pre prevádzku prostredníctvom:

- siete jednosmerného napätia vozidla, člna alebo obytného vozidla
- batérie s jednosmerným napätím
- siete striedavého napätia

Chladiaci prístroj je určený na domáce použitie a podobné oblasti použitia, ako napríklad

- v kuchyniach pre personál v obchodoch, úradoch a iných pracovných oblastiach
- v poľnohospodárstve
- pre hostí v hoteloch, motelloch a iných ubytovacích zariadeniach
- v penziónoch s raňajkami
- na cateringoch a na podobne účely



UPOZORNENIE! Nebezpečenstvo ohrozenia zdravia!

Skontrolujte, či chladiaci výkon zariadenia zodpovedá požiadavkám potravín alebo liekov, ktoré chcete chladiť.

6 Opis činnosti

Chladiaci box môže schladíť potraviny, udržiavať ich v chlade alebo ich hlboko zmraziť. Chladenie sa uskutočňuje prostredníctvom bezúdržbového chladiaceho okruhu s kompresorom. Mimoriadne silná izolácia a výkonný kompresor zabezpečia zvlášť rýchle chladenie.

Chladiaci box je určený na mobilné použitie.

Chladiaci box môže byť vystavený krátkodobému nakloneniu 30°, napr. pri použití na lodiach a člnoch.

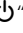
6.1 Rozsah funkcií

- Sieťová časť s prioritným spínaním na pripojenie na striedavé napätie
- Trojstupňový kontrolný snímač stavu batérie na ochranu batérie vozidla
- Displej so zobrazením teploty v °C a °F sa pri nízkom napätí batérie automaticky vypne.
- Nastavenie teploty: Dvomi tlačidlami v krokoch po 1 °C (a 2 °F)
- Integrovaný WLAN vysielateľ, ktorý umožňuje ovládanie pomocou aplikácie (**všetky modely okrem CFX28 a CFX65DZ**)
- Sklopné prenosné rukoväte
- USB pripojenie pre napájanie
- Núdzový vypínač (ak je súčasťou výbavy)
- Vyberateľný vkladací kôš

6.2 Ovládacie a indikačné prvky

Zaistenie veka: obr. 2, strane 2

Ovládací panel (obr. 3, strane 3)

Poz.	Označenie	Vysvetlenie
1	ON OFF	Zapne a vypne chladiaci box, keď sa tlačidlo podrží stlačené jednu až dve sekundy
2	POWER „  “	Prevádzková indikácia LED svieti zeleno: Kompresor je zapnutý LED svieti oranžovo: Kompresor je vypnutý LED bliká oranžovo: Displej sa automaticky vypol, lebo napätie batérie je nízke
3	ERROR	LED bliká červeno: Zapnuté zariadenie nie je pripravené na prevádzku
4	SET	Zvolí režim zadávania: <ul style="list-style-type: none"> Nastavenie teploty Údaje v °Celsius alebo °Fahrenheit Nastavenie kontrolného snímača stavu batérie Nastavenie jasu displeja Zapnutie alebo vypnutie WLAN (všetky modely okrem CFX28 a CFX65DZ)
5	–	Displej, zobrazuje hodnoty
6	DOWN –	Jedno stlačenie zníži zvolenú hodnotu zadania
7	UP +	Jedno stlačenie zvýši zvolenú hodnotu zadania

Prípojné zásuvky (obr. 4, strane 3)

Poz.	Označenie
1	Prípojná zásuvka napájania striedavým napätím
2	Spínač poistky
3	Prípojná zásuvka napájania jednosmerným napätím

Núdzový spínač (ak je k dispozícii) a USB pripojenie (obr. 5, strane 3):

Poz.	Označenie
1	Núdzový spínač
2	Napájanie pre USB zariadenia

7 Obsluha

7.1 Pred prvým použitím

**POZNÁMKA**

Pred uvedením nového chladiaceho boxu do prevádzky by ste ho z hygienických dôvodov mali vyčistiť zvonku a zvnútra vlhkou handričkou (pozri kap. „Čistenie a starostlivosť“ na strane 339).

Pretočenie dorazu veka (pre CFX50W, CFX65W, CFX65DZ)

Doraz veka môžete pretočiť, ak chcete, aby sa veko otváralo na druhú stranu. Postupujte takto:

- Otvorte veko a odoberte ho (obr. 6 A, strane 4).
- Odmontujte po tri skrutky závesov (obr. 6 B, strane 4) a závesy odoberte.
- Odstráňte plastové kryty z nových pozícií závesov pomocou malého skrutkovača a nasadte ich späť na staré pozície pántov.
- Nasadte bočné závesy na nové pozície.
- Nasadte veko do závesov na protiahlejšej strane (obr. 6 C, strane 4).

Výber jednotky teploty

Môžete si zvoliť zobrazenie teploty v °Celsius a °Fahrenheit. Postupujte takto:

- Zapnite chladiaci box.
- Stlačte tlačidlo „SET“ (obr. **3** 4, strane 3) dvakrát.
- Pomocou tlačidla „UP +“ (obr. **3** 7, strane 3) alebo „DOWN –“ (obr. **3** 6, strane 3) nastavte jednotku teploty °Celsius alebo °Fahrenheit.
- ✓ Displej zobrazí na niekoľko sekúnd nastavenú jednotku teploty. Displej niekoľkokrát zabliká, kým sa vráti zobrazenie aktuálnej teploty.

7.2 Tipy na úsporu energie

- Zvoľte dobre odvetrané a pred slnečným žiarením chránené miesto osadenia.
- Teplé jedlá nechajte najprv ochladiť, pokým ich budete v zariadení udržiavať studené.
- Neotvárajte chladiace zariadenia častejšie než je to potrebné.
- Nenechávajte chladiace zariadenie otvorené dlhšie než je to potrebné.
- Odmrazte chladiaci box hneď, ako sa vytvorí vrstva námrazy.
- Zabráňte tak nepotrebné nízkej vnútornej teplote.

7.3 Pripojenie chladiaceho boxu

Pripojenie k batérii (vozidlo alebo čln)

Chladiaci box možno prevádzkovať s napätím 12 V⁼⁼⁼ alebo 24 V⁼⁼⁼.



POZOR! Nebezpečenstvo poškodenia!

Pred nabíjaním batérie rýchlonabíjacím prístrojom odpojte chladiaci box a iné spotrebiče od batérie.

Nadmerné napätie môže poškodiť elektroniku prístrojov.

Kvôli bezpečnosti je chladiaci box vybavený elektronickou ochranou proti prepólovaniu, ktorá chráni chladiaci box pred prepólovaním pri pripojení batérie a pred skratom.

Použitie pripájacieho kábla na jednosmerný prúd



POZOR! Nebezpečenstvo poškodenia!

Pre ochranu zariadenia je zástrčka dodaného pripájacieho kábla na jednosmerný prúd vybavená poistkou. Zástrčku na jednosmerný prúd istenú poistkou **neodstraňujte**.

Používajte výlučne dodaný pripájací kábel na jednosmerný prúd.

- ▶ Zapojte pripájací kábel na jednosmerný prúd (obr. **1** 2, strane 2) do zdierky pre jednosmerné napätie na chladiacom boxe (obr. **4** 5, strane 3).
- ▶ Pripojte pripájací kábel do zásuvky s jednosmerným prúdom.

Prípojenie k sieti so striedavým prúdom (napr. doma alebo v kancelárii)



NEBZPEČENSTVO! Ohrozenie života zasiahnutím elektrickým prúdom!

- Nikdy nemanipulujte s konektormi a spínačmi, keď máte mokré ruky alebo stojíte vo vode.
- Ak prevádzkujete váš chladiaci box na palube člna cez brehovú prípojku so striedavým prúdom, v každom prípade musíte zapojiť prúdový chránič medzi sieť striedavého napätia a chladiaci box. Poradte sa s odborníkom.

Chladiace boxy majú integrovaný sieťový adaptér pre viacero napätí s prioritným obvodom pre pripojenie na striedavý prúd. Vďaka prioritnému obvodu sa automaticky prepne na prevádzku so striedavým prúdom, keď je zariadenie pripojené k sieti so striedavým napätím, aj keď je pripájací kábel na jednosmerný prúd ešte pripojený.

Keď sa chladiaci box z napájania sieťou striedavého napätia prepne na napájanie z batérie na jednosmerný prúd, červená LED sa môže krátko rozsvietiť.

- ▶ Zapojte pripájací kábel na striedavý prúd (obr. **1** 3, strane 2) do zdierky pre striedavé napätie na chladiacom boxe (obr. **4** 1, strane 3).
- ▶ Pripojte pripájací kábel do zásuvky so striedavým prúdom.

7.4 Použitie snímača stavu nabitia batérie

Zariadenie je vybavené viacstupňovým kontrolným snímačom stavu batérie, ktorý chráni vašu batériu vozidla pred hlbokým vybitím pri pripojení na palubnú sieť na jednosmerný prúd.

Ak sa chladiaci box používa pri vypnutom zapalovaní vozidla, kontajner sa samočinne vypne hneď, ako napájacie napätie klesne pod nastavenú hodnotu. Chladiaci box sa znova zapne hneď, ako sa nabitím batérie dosiahne znovuzapínacie napätie.



POZOR! Nebezpečenstvo poškodenia!

Batéria nemá pri vypnutí kontrolným snímačom svoju plnú nabíjajúcu kapacitu. Vyhnite sa viacnásobnému štartovaniu alebo prevádzke prúdových spotrebičov bez dlhších fáz nabíjania. Postarajte sa, aby sa batéria opäť nabila.

V režime „HIGH“ reaguje kontrolný snímač stavu batérie rýchlejšie ako v stupňoch „LOW“ a „MED“ (pozri nasledovnú tabuľku).

Režim so snímačom stavu batérie	LOW	MED	HIGH
Vypínacie napätie 12 V	10,1 V	11,4 V	11,8 V
Znovuzapínacie napätie 12 V	11,1 V	12,2 V	12,6 V
Vypínacie napätie 24 V	21,5 V	24,1 V	24,6 V
Znovuzapínacie napätie 24 V	23,0 V	25,3 V	26,2 V

Keď chcete zmeniť režim snímača stavu batérie, postupujte nasledovne:

- ▶ Zapnite chladiaci box.
- ▶ Stlačte tlačidlo „SET“ (obr. **3** 4, strane 3) trikrát.
- ▶ Pomocou tlačidla „UP +“ (obr. **3** 7, strane 3) alebo „DOWN –“ (obr. **3** 6, strane 3) nastavte režim snímača stavu nabitia batérie.
- ✓ Na displeji sa zobrazí nasledovné:
Lo (NÍZKE), Pd (STREDNÉ), Hi (VYSOKÉ)
- ✓ Displej zobrazí na niekoľko sekúnd nastavený režim. Displej niekoľkokrát zabliká, kým sa vráti zobrazenie aktuálnej teploty.

**POZNÁMKA**

Keď sa chladiaci box napája štartovacou batériou, zvolte režim kontrolného snímania stavu batérie „HIGH“. Keď je chladiaci box pripojený k napájacej batérii, stačí režim kontrolného snímania stavu batérie „LOW“.

7.5 Používanie chladiaceho boxu**POZOR! Nebezpečenstvo prehriatia!**

Dbajte na to, aby sa teplo, ktoré vzniká pri prevádzke, mohlo dostatočne odvádzať. Dbajte na to, aby vetracie otvory neboli zakryté. Zabezpečte, aby zariadenie bolo v dostatočnej vzdialenosti od stien alebo predmetov, aby bola umožnená cirkulácia vzduchu.

- Postavte chladiaci box na pevný podklad. Dbajte na to, aby vetracie otvory neboli zakryté a aby sa teplo mohlo dobre odvádzať.

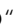
**POZNÁMKA**

Chladiaci box nainštalujte podľa vyobrazenia (obr. **1**, strane 2). Ak sa box prevádzkuje v inej polohe, môže sa poškodiť.

- Chladiaci box pripojte, pozri kap. „Pripojenie chladiaceho boxu“ na strane 330.

**POZOR! Nebezpečenstvo následkom príliš nízkej teploty!**

Dbajte na to, aby sa v chladiacom boxe nachádzali len predmety, príp. tovar, ktorý sa môže chladiť na zvolenú teplotu.

- Stlačte tlačidlo „ON/OFF“ (obr. **3** 1, strane 3) na jednu až tri sekundy.
- ✓ LED „“ svieti.
- ✓ Displej (obr. **3** 5, strane 3) sa zapne a zobrazí aktuálnu teplotu chladenia.

**UPOZORNENIE! Nebezpečenstvo ohrozenia zdravia!
CFX65DZ:**

Ak je teplota v mraziacom priečinku (obr. **8** 1, strane 5) nastavená na príliš nízku hodnotu (napr. $-22\text{ }^{\circ}\text{C}$), môže aj rozsah teploty v strednom chladiacom priečinku (obr. **8** 2, strane 5) vykazovať mínusové teploty.

**POZNÁMKA****Zobrazená teplota**

- **CFX28, CFX35W, CFX40W, CFX50W, CFX65W:**

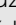
Zobrazená teplota sa vzťahuje na veľký chladiaci a mraziaci priečinok (napr. CFX50W, CFX65W): obr. **7** 1, strane 4).

- **CFX65DZ:**

- S deliacou stenou v chladiacom a mraziacom priečinku: Zobrazená teplota sa vzťahuje na mraziaci priečinok (obr. **8** 1, strane 5).
- Bez deliacej steny v chladiacom a mraziacom priečinku: Skutočná teplota vo vnútri sa môže o niečo líšiť od zobrazenej teploty.

- ✓ Chladiaci box začne s chladením vnútorného priestoru.

**POZNÁMKA**

Pri prevádzke na batériu sa displej automaticky vypne, keď je napätie batérie nízke. LED „“ bliká oranžovo.

Zaistenie chladiaceho boxu

- Zatvorte veko.
- Zatláčte zaistenie (obr. **2** 1, strane 2) nadol tak, aby zapadlo.

**POZNÁMKA – Alarm „Otvorené veko“**

Keď necháte veko otvorené dlhšie ako tri minúty pri zapnutom zariadení, začne blikáť vnútorné osvetlenie, pokým veko nezatvoríte.

7.6 Nastavenie teploty

- Jedenkrát stlačte tlačidlo „SET“ (obr. **3** 4, strane 3).
- Pomocou tlačidla „UP +“ (obr. **3** 7, strane 3) alebo „DOWN –“ (obr. **3** 6, strane 3) nastavte teplotu chladenia.
- ✓ Displej zobrazí na niekoľko sekúnd požadovanú teplotu chladenia. Displej niekoľkokrát zabliká, kým sa vráti zobrazenie aktuálnej teploty.

**POZNÁMKA**

Teplota každého chladiaceho priečinku sa dá nastaviť až na -22°C . Výrobca aj napriek tomu odporúča teplotu od -15°C do -18°C pre normálnu prevádzku a optimálnu spotrebu energie.

7.7 Aktivácia WLAN signálu pre voliteľnú aplikáciu (všetky modely okrem CFX28 a CFX65DZ)

Chladiace zariadenie sa dá ovládať prostredníctvom WLAN pomocou aplikácie, ktorú môžete nainštalovať na kompatibilné zariadenie. Aplikácia je vybavená kontrolnou, zobrazovacou a poplašnou funkciou.

Blížšie informácie nájdete na webovej stránke Dometic pre vašu krajinu (pozri zadnú stranu). Upozorňujeme vás, že aplikácia nemusí byť vo vašej krajine k dispozícii.

Názov WLAN siete kompresorového chladiaceho boxu začína s „CFX“. Prednastavené heslo je „00000000“. Názov siete WLAN a heslo je možné zmeniť samostatne.

Zapnutie/vypnutie WLAN signálu

- Stlačte tlačidlo „SET“ (obr. **3** 4, strane 3) päťkrát.
- Tlačidlami „UP +“ (obr. **3** 7, strane 3) alebo „DOWN –“ (obr. **3** 6, strane 3) zapnite alebo vypnite WLAN signál.
- ✓ Displej zobrazí na niekoľko sekúnd želané nastavenie. Displej niekoľkokrát zabliká, kým sa vráti zobrazenie aktuálnej teploty.



POZNÁMKA

- V továrenských nastaveniach je vysielateľ WLAN vypnutý. Počas prvého uvedenia do prevádzky a po každom prerušení prívodu elektrickej energie musíte zapnúť vysielateľ WLAN, aby ste mohli používať aplikáciu.
- Vysielateľ WLAN využíva veľmi malé množstvo prúdu. Pre dosiahnutie optimálneho využitia energie WLAN vysielateľ vypnite, keď sa nepoužíva.

Obnovenie WLAN nastavení z výroby

Ak ste si nastavenia WLAN chladiaceho zariadenia personalizovali prostredníctvom WLAN aplikácie a zabudli ste svoje heslo, môžete chladiace zariadenie vynulovať na pôvodné nastavenia z výroby nasledovne:

- Stlačte tlačidlo „SET“ (obr. **3** 4, strane 3) päťkrát.
- Stlačte tlačidlo „UP +“ (obr. **3** 7, strane 3) minimálne na päť sekúnd.
- ✓ Na displeji niekoľkokrát zabliká „rES“ a následne sa vráti na pôvodné zobrazenie.
- ✓ Nastavenia WLAN sa vynulovali na nastavenia z výroby.

Pre ďalšie informácie navštívte webovú stránku Dometic, z ktorej ste si aplikáciu stiahli.

7.8 Nastaviť jas displeja

V tmavom prostredí môže byť jas displeja stlmený. Pre nastavenie jasu displeja postupujte nasledovne:

- ▶ Zapnite chladiaci box.
- ▶ Štyrikrát stlačte tlačidlo „SET“ (obr. 3 4, strane 3).
- ▶ Pomocou tlačidla „UP +“ (obr. 3 7, strane 3) alebo „DOWN –“ (obr. 3 6, strane 3) nastavte jas displeja.
- ✓ Na displeji sa zobrazí nasledovné:
d0 (prednastavený), d1 (stredný jas), d2 (tmavý)
- ✓ Displej zobrazí na niekoľko sekúnd nastavený režim. Displej niekoľkokrát zabliká, kým sa vráti k zobrazeniu aktuálneho jasu.



POZNÁMKA

- Továrenské nastavenie pre jas displeja je d0 (prednastavený).
- Ak sa vyskytne porucha, jas displeja je automaticky d0 (prednastavený). Po odstránení poruchy sa znovu aktivuje nastavený jas.

7.9 Použitie núdzového vypínača (ak je súčasťou výbavy)

Núdzový vypínač (obr. 4 3, strane 3) sa u všetkých modelov okrem modelu CFX28 nachádza pod ovládacím panelom. U modelu CFX28 je núdzový vypínač nad pripájacími konektormi. Pre normálnu prevádzku je vypínač v polohe „NORMAL USE“ (normálne použitie).

- ▶ Ak sa vyskytne porucha ovládacej elektroniky, posuňte vypínač do polohy „EMERGENCY OVERRIDE“ (núdzové aktivovanie).



POZNÁMKA

Aj je vypínač v polohe „EMERGENCY OVERRIDE“ (núdzové aktivovanie), chladiaci box pracuje s plným chladiacim výkonom a obsah je možné hlboko zmraziť.

7.10 USB pripojenie pre napájanie

USB pripojenie môžete použiť na nabíjanie malých prístrojov (napr. mobilné telefóny a MP3 prehrávače).

Keď chcete svoj chladiaci box používať s USB zariadením, k zariadeniu jednoducho pripojte USB kábel (nie je súčasťou rozsahu dodávky).



POZNÁMKA

Uistite sa, že drobný spotrebič pripojený k USB pripojeniu, je vhodný na prevádzku s 5 V/500 mA.

7.11 Vypnutie chladiaceho boxu

- ▶ Vyprázdňte chladiaci box.
- ▶ Vypnite chladiaci box.
- ▶ Vytiahnite prípojný kábel.

Ak chladiaci box dlhší čas nebudete používať:

- ▶ Nechajte veko pootvorené. Zabráňte tak tvorbe zápachu.

7.12 Odmrazenie chladiaceho boxu

Vlhký vzduch sa môže zrážať na odparovači alebo vnútri chladiaceho boxu ako srieň, čím sa znižuje chladiaci výkon. Zariadenie včas odmrázte.



POZOR! Nebezpečenstvo poškodenia!

Na odstránenie vrstvy námrazy alebo uvoľnenie primrzených predmetov nepoužívajte tvrdé alebo špicaté nástroje.

Pri odmrázaní chladiaceho boxu postupujte nasledovne:

- ▶ Chladené potraviny vyberte.
- ▶ V prípade potreby ich uskladnite v inom chladiacom zariadení, aby zostali schladené.
- ▶ Zariadenie vypnite.
- ▶ Nechajte veko otvorené.
- ▶ Rozmrazenú vodu poutierajte.

7.13 Výmena poistky striedavého prúdu



NEBZPEČENSTVO! Ohrozenie života zasiahnutím elektrickým prúdom!

Pred výmenou poistky zariadenia vypnite napájanie elektrickým prúdom a pripájací kábel.

- Vypnite napájanie elektrickým prúdom zariadenia.
- Vytiahnite pripájací kábel.
- Vyberte von poistkovú vložku (obr. **4** 2, strane 3), napr. skrutkovačom.
- Vymeňte poškodenú sklenenú poistku za novú sklenenú poistku rovnakého typu s rovnakou hodnotou (4 A, 250 V).
- Zatlačte poistkovú vložku znova naspäť do krytu.
- Zapnite napájanie elektrickým prúdom zariadenia.

7.14 Výmena konektorovej poistky pre jednosmerný prúd

- Odskrutkujte teleso dotykového kolíka (obr. **9** 3, strane 5) z konektora (obr. **9** 1, strane 5).
- Vymeňte poškodenú poistku (obr. **9** 2, strane 5) za novú poistku rovnakého typu a s rovnakou hodnotou (3AG, rýchla, 15 A).
- Zložte konektor naspäť v opačnom poradí.

7.15 Výmena dosky optických vodičov

- Vypnite napájanie elektrickým prúdom zariadenia.
- Otvorte priehľadný kryt pomocou skrutkovača (obr. **10** 1, strane 5).
- Uvoľnite montážne skrutky dosky vodičov (obr. **10** 2, strane 5).
- Vytiahnite konektor z dosky vodičov (obr. **10** 3, strane 5).
- Vymeňte chybnú dosku optických vodičov za novú.
- Vložte novú dosku optických vodičov tak, že vykonáte postup odstránenie svetelnej dosky v opačnom poradí.
- Vložte priehľadný kryt opäť do telesa.
- Zapnite napájanie elektrickým prúdom zariadenia.

8 Čistenie a starostlivosť



VÝSTRAHA!

Pred každým čistením a ošetrovaním odpojte zariadenie od siete.



POZOR! Nebezpečenstvo poškodenia!

- Nikdy nečistite chladiace zariadenie pod tečúcou vodou alebo dokonca v preplachovacej vode.
- Nepoužívajte na čistenie žiadne ostré alebo tvrdé predmety, lebo tieto by mohli chladiace zariadenie poškodiť.

- Príležitostne vyčistíte zariadenie zvnútra aj zvonku s vlhkou utierkou.
- Zabezpečte, aby vetracie a odvzdušňovacie otvory prístroja boli bez prachu a nečistôt, aby sa teplo vznikajúce pri prevádzke mohlo odvádzať a aby sa prístroj nepoškodil.

9 Záruka

Platí zákonom stanovená záručná lehota. Ak by bol výrobok chybný, obráťte sa na pobočku vo vašej krajine (adresy pozri na zadnej strane návodu) alebo na vášho špecializovaného predajcu.

Ak žiadate o vybavenie opravy alebo nárokov vyplývajúcich zo záruky, musíte priložiť nasledovné podklady:

- kópiu faktúry s dátumom kúpy,
- dôvod reklamácie alebo opis chyby.

10 Odstraňovanie porúch

Porucha	Možná príčina	Návrh riešenia
Chladiace zariadenie nefunguje, LED nesvieti.	Na konektore s jednosmerným prúdom vo vozidle nie je žiadne napätie.	Vo väčšine vozidiel sa musí zapnúť zapalovanie, aby mala zásuvka s jednosmerným prúdom napätie.
	Zásuvka so striedavým prúdom nevedie napätie.	Vyskúšajte inú zásuvku.
	Poistka zariadenia je chybná.	Vymeňte poistku zariadenia, pozri kap. „Výmena poistky striedavého prúdu“ na strane 338.
Chladiace zariadenie nechladí (konektor je zasunutý, LED „POWER“ svieti).	Integrovaná sieťová časť je chybná.	Opravu môže vykonať iba autorizovaný zákaznícky servis.
	Kompresor je chybný.	Opravu môže vykonať iba autorizovaný zákaznícky servis.
Chladiace zariadenie nechladí (konektor je zasunutý, LED „POWER“ bliká oranžovo, displej je vypnutý).	Režim indikátora batérie je príliš vysoký.	Nastavte indikátor batérie na nižší režim.
	Napätie batérie nie je dostatočné.	Nabite batériu.
Pri prevádzke v zásuvke na jednosmerný prúd. Zapalovanie je zapnuté, prístroj nefunguje a LED nesvieti.	Objímka konektora s jednosmerným prúdom je znečistená. To má za následok zlý elektrický kontakt.	Keď sa konektor chladiaceho boxu v zásuvke s jednosmerným prúdom veľmi zohreje, musí sa buď vyčistiť objímka zásuvky s jednosmerným prúdom alebo konektor pravdepodobne nie je správne zostavený.
	Poistka konektora na jednosmerný prúd je prepálená.	Vymeňte poistku konektora na jednosmerný prúd, pozri kap. „Výmena konektorovej poistky pre jednosmerný prúd“ na strane 338
	Poistka vozidla je prepálená.	Vymeňte poistku zásuvky s jednosmerným prúdom vo vozidle (dodržiavajte návod na použitie vášho vozidla).

Porucha	Možná príčina	Návrh riešenia
Na displeji sa zobrazuje hlásenie o chybe (napr. „Err1“) a chladiace zariadenie nechladí.	Interná prevádzková porucha vypla chladiace zariadenie.	Opravu môže vykonať iba autorizovaný zákaznícky servis.
Vnútorne osvetlenie priečinku bliká.	Veko priečinku zostalo otvorené dlhšie ako tri minúty.	Zatvorte kryt priečinku.

11 Likvidácia

- Obalový materiál podľa možnosti odovzdajte do príslušného odpadu na recykláciu.



Keď výrobok definitívne vyradíte z prevádzky, informujte sa v najbližšom recyklačnom stredisku alebo u vášho špecializovaného predajcu o príslušných predpisoch týkajúcich sa likvidácie.

12 Technické údaje

	CFX28	CFX35W	CFX40W
Č. výrobku:	9600000468 9600000469	9600000470 9600000471	9600000472 9600000473
Pripájacie napätie:	12/24 V \equiv a 100 – 240 V \sim		
Menovitý prúd:	12 V \equiv : 6,5 A 24 V \equiv : 3,2 A 100 V \sim : 0,75 A 240 V \sim : 0,32 A	12 V \equiv : 7,0 A 24 V \equiv : 3,2 A 100 V \sim : 0,86 A 240 V \sim : 0,42 A	
Chladiaci výkon:	+10 °C až –22 °C (+50 °F až –8 °F)		
Kategória:	1		
Trieda energetickej účinnosti:	A++		
Energetická spotreba:	61 kWh/rok	62 kWh/rok	64 kWh/rok
Hrubý objem:	28 l	34,5 l	41 l
Užitočný obsah:	26 l	32 l	38 l
Klimatická trieda:	N, T		
Teplota prostredia:	+16 °C až +43 °C (+61 °F až +110 °F)		
Emisie hluku:	34 dB(A)	42 dB(A)	
USB pripojenie:	5 V \equiv , 500 mA		
Frekvenčné pásmo (WiFi):	2,4 GHz (rádiový modul)	2,4 GHz	
Vysokofrekvenčný výkon (WiFi):	11 – 0 dBm (rádiový modul)	16 ± 1,5 dBm (802.11b CCK, 11 MBit/s) 12 ± 1,5 dBm (802.11g OFDM, 54 MBit/s) 11 ± 1,5 dBm (802.11n HT20, MCS7)	
Množstvo chladiaceho prostriedku:	38 g	33 g	38 g
Ekvivalent CO ₂ :	0,054 t	0,047 t	0,054 t
Potenciál globálneho otepľovania (GWP):	1430		

	CFX28	CFX35W	CFX40W
Rozmery (Š × V × H) v mm (s rukoväťami):	342 x 425 x 620	398 x 411 x 692	398 x 461 x 692
Hmotnosť:	13 kg	17,5 kg	18,5 kg

	CFX50W	CFX65W	CFX65DZ
Č. výrobku:	9600000474 9600000475	9600000476 9600000477	9600000478 9600000479
Pripájacie napätie:	12/24 V $\overline{=}$ a 100 – 240 V \sim		
Menovitý prúd:	12 V $\overline{=}$: 7,8 A 24 V $\overline{=}$: 3,6 A 100 V \sim : 0,95 A 240 V \sim : 0,46 A	12 V $\overline{=}$: 8,2 A 24 V $\overline{=}$: 3,8 A 100 V \sim : 1,0 A 240 V \sim : 0,48 A	12 V $\overline{=}$: 5,5 A 24 V $\overline{=}$: 2,6 A 100 V \sim : 0,75 A 240 V \sim : 0,37 A
Chladiaci výkon:	+10 °C až -22 °C (+50 °F až -8 °F)		
Kategória:	1		
Trieda energetickej účinnosti:	A++		A+
Energetická spotreba:	66 kWh/rok	69 kWh/rok	115 kWh/rok
Hrubý objem:	50 l	65 l	s predelom: 61 l bez predelu: 65 l
Užitočný obsah:	46 l	60 l	53 l
Klimatická trieda:	N, T		
Teplota prostredia:	+16 °C až +43 °C (+61 °F až +110 °F)		
Emisie hluku:	42 dB(A)		
USB pripojenie:	5 V $\overline{=}$, 500 mA		
Frekvenčné pásmo (WiFi):	2,4 GHz		–
Vysokofrekvenčný výkon (WiFi):	16 ± 1,5 dBm (802.11b CCK, 11 MBit/s) 12 ± 1,5 dBm (802.11g OFDM, 54 MBit/s) 11 ± 1,5 dBm (802.11n HT20, MCS7)		–
Množstvo chladiaceho prostriedku:	43 g	57 g	31 g
Ekvivalent CO ₂ :	0,062 t	0,082 t	0,044 t

	CFX50W	CFX65W	CFX65DZ
Potenciál globálneho otepľovania (GWP):	1430		
Rozmery (Š x V x H) v mm (s rukoväťami):	725 x 471 x 455	725 x 561 x 455	725 x 561 x 455
Hmotnosť:	20,4 kg	22,3 kg	23,2 kg

**POZNÁMKA**

Od teploty okolia 32 °C (90 °F) sa už nedá dosiahnuť minimálna teplota.

Kontrola/Certifikáty:



Chladiaci obvod obsahuje R134a.

Obsahuje fluórované skleníkové plyny

Hermeticky uzavreté zariadenie

Pre používanie funkcie WiFi zariadenie neexistujú v členských štátoch EÚ žiadne obmedzenia.

Před uvedením do provozu si pečlivě přečtěte tento návod k obsluze a uschovejte jej. V případě dalšího prodeje přístroje předejte návod novému uživateli.

Výrobce neručí za škody, které vzniknou **nesprávným použitím** nebo **nesprávnou obsluhou**.

Obsah

1	Vysvětlení symbolů	346
2	Bezpečnostní pokyny	346
2.1	Obecná bezpečnost	346
2.2	Bezpečnost za provozu přístroje	348
3	Obsah dodávky	348
4	Příslušenství	349
5	Použití v souladu se stanoveným účelem	349
6	Popis funkce	350
6.1	Funkce zařízení	350
6.2	Ovládací a indikační prvky	351
7	Obsluha	352
7.1	Před prvním použitím	352
7.2	Tipy k úspoře energie	353
7.3	Připojení chladicího boxu	353
7.4	Použití snímače stavu baterie	354
7.5	Používání chladicího boxu	355
7.6	Nastavení teploty	357
7.7	Aktivace signálu WLAN pro volitelnou aplikaci (vše kromě CFX28 a CFX65DZ)	357
7.8	Nastavení jasu displeje	358
7.9	Použití nouzového vypínače (pokud je instalován)	359
7.10	Přípojka USB k zajištění napájení	359
7.11	Vypnutí chladicího boxu	359
7.12	Rozmrazování chladicího boxu	360
7.13	Výměna pojistky na střídavý proud	360
7.14	Výměna pojistek zástrčky na stejnosměrný proud	360
7.15	Výměna desky s optickými vodiči	361
8	Čištění a péče	361

9	Záruka	362
10	Odstraňování poruch a závad	362
11	Likvidace	363
12	Technické údaje	364

1 Vysvětlení symbolů



VÝSTRAHA!

Bezpečnostní pokyny: Následkem nedodržení pokynů mohou být smrtelná nebo vážná zranění.



UPOZORNĚNÍ!

Bezpečnostní pokyny: Následkem nedodržení mohou být úrazy.



POZOR!

Nedodržení pokynů může mít za následek hmotné škody a narušení funkce výrobku.



POZNÁMKA

Doplňující informace týkající se obsluhy výrobku.

2 Bezpečnostní pokyny

2.1 Obecná bezpečnost



VÝSTRAHA!

- V případě, že je přístroj viditelně poškozen, nesmíte jej používat.
- Pokud je přívodní kabel přístroje poškozen, musíte jej nechat vyměnit výrobcem, jeho servisním centrem nebo jinou kvalifikovanou osobou tak, aby nemohlo dojít k jakémukoliv ohrožení.
- Opravy tohoto přístroje smí provádět pouze odborníci. Nesprávně provedené opravy mohou způsobit značné škody.

- Tento přístroj mohou používat děti od 8 let a osoby se sníženými fyzickými, sensorickými nebo mentálními schopnostmi, nebo osoby s nedostatkem zkušeností a/nebo znalostí, pokud budou pod dozorem nebo pokud byly poučeny o bezpečném použití přístroje a porozuměly nebezpečím, která z použití výrobku vyplývají.
- Čištění a užitvatelem prováděnou údržbu nesmějí provádět děti bez dozoru.
- Nenechávejte děti, aby si s přístrojem hrály!
- Děti musejí být pod dohledem tak, aby si s výrobkem nehrály.
- Přístroj používejte a skladujte mimo dosah dětí mladších 8 let.
- Neskladujte v přístroji výbušné látky, jako např. spreje s hořlavým hnacím plynem.



UPOZORNĚNÍ!

- Přístroj odpojte od sítě:
 - Před každým čištěním a údržbou
 - Po každém použití
- Skladujte potraviny pouze v originálním balení nebo ve vhodných nádobách.



POZOR!

- Porovnejte údaj o napětí na typovém štítku se stávajícím zdrojem napájení.
- Ledničku připojte pouze následujícím způsobem:
 - Přívodním kabelem na stejnosměrný proud k palubní zásuvce stejnosměrného proudu ve vozidle
 - Nebo přívodním kabelem na střídavý proud k síti střídavého proudu
- Nikdy nevytahujte zástrčku ze zásuvky tahem za přívodní kabel.
- Pokud je chladnička připojena k zásuvce stejnosměrného proudu: Odpojte chladničku a jiné spotřebiče od baterie dříve, než je připojíte k rychlonabíječce.
- Pokud je chladnička připojena k zásuvce stejnosměrného proudu: Po vypnutí motoru přerušte spojení nebo vypněte chladničku. V opačném případě může dojít k vybití baterie.
- Chladnička není vhodná k přepravě lepkavých látek nebo látek obsahujících rozpouštědla.

- V izolaci této ledničky je hořlavý cyklopentan. Plyny v izolačním materiálu vyžadují speciální metodu likvidace. Po ukončení životnosti ledničku odevzdejte k řádné likvidaci.

2.2 Bezpečnost za provozu přístroje



UPOZORNĚNÍ!

- Před uvedením do provozu zkontrolujte, zda jsou přívodní kabel a zástrčka suché.



POZOR!

- Nepoužívejte uvnitř chladničky žádné elektrické přístroje, pouze pokud jsou k tomu takové přístroje doporučeny výrobcem.
- Neinstalujte přístroj v blízkosti otevřeného ohně nebo jiných tepelných zdrojů (topení, přímé sluneční záření, plynová kamna apod.).
- **Nebezpečí přehřátí!**
Vždy dbejte, aby bylo teplo, vznikající za provozu zařízení, dostatečně odváděno. Zajistěte, aby byl přístroj postaven v dostatečné vzdálenosti od stěn nebo předmětů tak, aby mohl vzduch cirkulovat.
- Pamatujte, že nesmějí být zakryty větrací otvory.
- Do vnitřní nádoby nelijte žádné kapaliny ani do ní nedávejte led.
- Nikdy neponořujte přístroj do vody.
- Chraňte přístroje a kabely před horkem a vlhkem.

3 Obsah dodávky

Viz obr. **1**, strana 2

Poz.	Množství	Název
1	1	Chladicí box
2	1	Přívodní kabel pro přípojku stejnosměrného proudu
3	1	Přívodní kabel pro přípojku střídavého proudu
–	1	Návod k obsluze

4 Příslušenství

Dostupné jako příslušenství (není součástí dodávky):

Název	Č. výrobku	Model
Univerzální upevňovací souprava (systém popruhů) CFX-UFK	9108300002	Vhodné pro všechny modely
Rychloupevňovací sada CFX-QFK	9600000166	pro CFX28
Rádiový displej CFX-WD	9600000164	vhodné pro CFX28, CFX65DZ a starší modely bez funkce aplikace WLAN

Na webové stránce Dometic (viz zadní strana) naleznete informace o aplikaci WLAN s kontrolními, zobrazovacími a poplašnými funkcemi (**vše kromě** CFX28 a CFX65DZ). Aplikace nemusí být ve vaší zemi dostupná.

5 Použití v souladu se stanoveným účelem

Chladicí box je vhodný ke chlazení a hlubokému chlazení potravin.

Chladicí box je konstruován k použití v následujících provozních podmínkách:

- síť na stejnosměrný proud vozidla, lodi nebo obytného automobilu
- napájecí baterie na stejnosměrný proud
- síť na střídavý proud

Chladnička je určena k použití v domácnostech a v podobných oblastech používání – například:

- v kuchyních personálu v obchodech, kancelářích a dalších pracovních oblastech;
- v zemědělství;
- pro hosty v hotelech, motelech a dalších ubytovacích zařízeních;
- v penzionech se snídaní;
- ve stravovacích a podobných velkoobchodních aplikacích.



UPOZORNĚNÍ! Nebezpečí ohrožení zdraví!

Zkontrolujte, zda chladicí výkon přístroje odpovídá požadavkům potravin nebo léčiv, které chcete skladovat.

6 Popis funkce

Chladicí box umožňuje chladit výrobky, udržovat je chladné a umožňuje také jejich hluboké chlazení. Chlazení je provedeno pomocí bezúdržbového chladicího okruhu s kompresorem. Extra silná izolace a výkonný kompresor zaručují mimořádně rychlé chlazení.

Chladicí box je určen k mobilnímu použití.

Chladicí box může být vystaven krátkodobému náklonu 30°, např. na lodích.

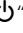
6.1 Funkce zařízení

- Síťový zdroj k prioritnímu spínání k připojení ke střídavému napětí
- Třístupňový snímač baterie k ochraně baterie vozidla
- Displej se zobrazováním teploty ve °C a °F
Při nízkém napětí baterie se automaticky vypíná
- Nastavení teploty: Pomocí dvou tlačítek v krocích po 1 °C (nebo 2 °F)
- Integrovaný vysílač WLAN, tím ovladatelný pomocí aplikace (**vše kromě** CFX28 a CFX65DZ)
- Sklopné rukojeti
- Přípojka USB k zajištění napájení
- Nouzový vypínač (pokud je instalován)
- Odnímatelný vnitřní koš

6.2 Ovládací a indikační prvky

Zámek víka: obr. 2 1, strana 2

Ovládací panel (obr. 3, strana 3)

Poz.	Název	Vysvětlení
1	ON OFF	Zapnutí nebo vypnutí chladicího boxu, pokud tlačítko podržíte jednu až dvě vteřiny stisknuté
2	POWER „  “	Provozní kontrolka LED svítí zeleně: Kompresor je zapnutý LED svítí oranžově: Kompresor je vypnutý LED bliká oranžově: Byl automaticky vypnut displej, protože napětí baterie je příliš nízké
3	ERROR	LED bliká červeně: Zapnutý přístroj není připraven k provozu
4	SET	Výběr režimu zadávání: <ul style="list-style-type: none"> • nastavení teploty • údaj ve °Celsia nebo ve °Fahrenheita • nastavení snímače baterie • nastavení jasu displeje • zapojení nebo odpojení WLAN (vše kromě CFX28 a CFX65DZ)
5	–	Displej, zobrazuje hodnoty
6	DOWN –	Jedním klepnutím snížíte zadávanou hodnotu
7	UP +	Jedním klepnutím zvýšíte zadávanou hodnotu

Přívodní zdířky (obr. 4, strana 3)

Poz.	Název
1	Přívodní zdířka napájení střídavým napětím
2	Držák pojistek
3	Přívodní zdířka napájení stejnosměrným napětím

Nouzový vypínač (pokud je instalován) a přípojka USB (obr. 5, strana 3)

Poz.	Název
1	Nouzový vypínač
2	Napájení pro přístroje USB

7 Obsluha

7.1 Před prvním použitím

**POZNÁMKA**

Dříve než uvedete nový chladicí box do provozu, musíte jej z hygienických důvodů očistit vlhkou utěrkou jak zevnitř, tak zevně (viz též kap. „Čištění a péče“ na straně 361).

Změna strany otevírání víka (pro CFX50W, CFX65W, CFX65DZ)

Uchycení víka můžete otočit v případě, že si přejete, aby se víko otevíralo na druhou stranu. Postupujte takto:

- ▶ Otevřete víko a sejměte je (obr. 6 A, strana 4).
- ▶ Odšroubujte vždy tři šrouby závěsů (obr. 6 B, strana 4) a závěsy odstraňte.
- ▶ Odstraňte plastová víčka z nového umístění závěsů pomocí malého šroubováku a instalujte je do otvorů pro závěsy na druhé straně.
- ▶ Instalujte závěsy do nového umístění.
- ▶ Nasadte víko do závěsů na protilehlé straně (obr. 6 C, strana 4).

Výběr jednotek pro zobrazení teploty

K zobrazování teploty můžete vybírat mezi °Celsia a °Fahrenheita. Postupujte takto:

- ▶ Zapněte chladicí box.
 - ▶ Stiskněte dvakrát tlačítko „SET“ (obr. 3 4, strana 3).
 - ▶ Nastavte pomocí tlačítek „UP +“ (obr. 3 7, strana 3) nebo „DOWN –“ (obr. 3 6, strana 3) jednotky °Celsia nebo °Fahrenheita.
- ✓ Displej zobrazuje na několik sekund nastavené jednotky teploty. Displej několikrát zabliká dříve, než se vrátí k aktuální teplotě.

7.2 Tipy k úspoře energie

- K používání vyberte dobře větrané místo chráněné před slunečním zářením.
- Teplé pokrmy nechejte před uložením do chladničky vychladnout.
- Neotevírejte chladničku častěji, než je nezbytně nutné.
- Nenechávejte chladničku otevřenou déle, než je nezbytně nutné.
- Odmrazte ledničku, jakmile se vytvoří vrstva ledu.
- Zabraňte vzniku zbytečně nízkých vnitřních teplot.

7.3 Připojení chladicího boxu

Připojení k baterii (vozidla nebo lodi)

Chladicí box můžete provozovat na napětí 12 V \equiv nebo 24 V \equiv .



POZOR! Nebezpečí poškození!

Odpojte chladicí box a jiné spotřebiče od baterie dříve, než připojíte baterii k rychlonabíječce.

Přepětí může poškodit elektronické systémy přístrojů.

Z bezpečnostních důvodů je chladicí box vybaven elektronickou ochranou proti přepólování, která chrání chladicí box před přepólováním při připojování baterie a před zkratem.

Použití připojovacího kabelu na stejnosměrný proud s pojistkou



POZOR! Nebezpečí poškození!

K ochraně přístroje je zástrčka dodaného přívodního kabelu na stejnosměrný proud vybavena pojistkou. **Neodstraňujte** jištěnou zástrčku na stejnosměrný proud.

Používejte výhradně dodaný přívodní kabel na stejnosměrný proud.

- Zapojte přívodní kabel na stejnosměrný proud (obr. **1** 2, strana 2) do zdířky stejnosměrného napětí chladicího boxu (obr. **4** 5, strana 3).
- Připojte přívodní kabel k zásuvce na stejnosměrný proud.

Připojení k síti střídavého proudu (např. doma nebo v kanceláři)



NEBEZPEČÍ! Ohrožení života elektrickým proudem!

- Nikdy nemanipulujte se zástrčkami a spínači s mokřýma rukama nebo pokud stojíte v mokru.
- Pokud používáte chladicí box na palubě lodi, která je připojena ke střídavému proudu na souši, musíte vždy instalovat proudový chránič mezi síť na střídavý proud a chladicí box. Poradte se s odborníkem.

Chladicí boxy jsou vybaveny integrovaným multinaapěťovým síťovým zdrojem s prioritním spínáním k připojení ke střídavému proudu. Použitím prioritního spínání je provedeno automatické přepnutí na provoz na střídavý proud, jakmile je přístroj připojen k síti na střídavý proud, i když je doposud připojen přívodní kabel stejnosměrného proudu.

Pokud se chladicí box přepne ze síťového napájení střídavým proudem na napájení baterií na stejnosměrný proud, může se červená LED krátce rozsvítit.

- Zapojte přívodní kabel na střídavý proud (obr. **1** 3, strana 2) do zdířky střídavého napětí chladicího boxu (obr. **4** 1, strana 3).
- Připojte přívodní kabel k zásuvce na střídavý proud.

7.4 Použití snímače stavu baterie

Přístroj je vybaven několikastupňovým snímačem baterie, který chrání vaši baterii při připojování k palubní síti stejnosměrného proudu před příliš hlubokým vypnutím.

Pokud chladicí kontejner používáte ve vozidle s vypnutým zapalováním, dojde k samočinnému vypnutí boxu, jakmile napájecí napětí poklesne pod předem definovanou hodnotu. Chladicí box se opět zapne, jakmile je nabitím baterie dosaženo napětí k opětovnému zapnutí.



POZOR! Nebezpečí poškození!

Baterie nemá po vypnutí snímačem baterie svou plnou kapacitu. Neopakujte startování ani nepoužívejte elektrické spotřebiče bez delšího nabíjení. Zajistěte nabití baterie.

V režimu „HIGH“ je snímač baterie aktivován rychleji než ve stupních „LOW“ a „MED“ (viz tabulka níže).

Režim snímače baterie	LOW	MED	HIGH
Vypínací napětí při 12 V	10,1 V	11,4 V	11,8 V
Napětí k opětovnému zapnutí při 12 V	11,1 V	12,2 V	12,6 V
Vypínací napětí při 24 V	21,5 V	24,1 V	24,6 V
Napětí k opětovnému zapnutí při 24 V	23,0 V	25,3 V	26,2 V

K provedení změny režimu snímače baterie postupujte takto:

- Zapněte chladicí box.
- Stiskněte třikrát tlačítko „SET“ (obr. **3** 4, strana 3).
- Nastavte pomocí tlačítek „UP +“ (obr. **3** 7, strana 3) nebo „DOWN –“ (obr. **3** 6, strana 3) režim snímače baterie.
- ✓ Na displeji se zobrazí následující hlášení:
Lo (LOW), Md (MED), Hi (HIGH)
- ✓ Displej zobrazuje na několik sekund nastavený režim. Displej několikrát zabliká dříve, než se vrátí k aktuální teplotě.



POZNÁMKA

Pokud je chladicí box napájen ze startovací baterie, vyberte režim snímače baterie „HIGH“. Pokud je chladicí box připojen k napájecí baterii, stačí režim snímače „LOW“.

7.5 Používání chladicího boxu



POZOR! Nebezpečí přehřátí!

Vždy dbejte, aby bylo teplo vznikající za provozu zařízení dostatečně odváděno. Pamatujte, že nesmí být zakryty větrací otvory. Zajistěte, aby byl přístroj postaven v dostatečné vzdálenosti od stěn nebo předmětů tak, aby mohl vzduch cirkulovat.

- Postavte chladicí box na pevnou podložku.
Dbejte na to, aby nebyly nikdy zakryty větrací otvory, které slouží k odvádění zahřátého vzduchu.

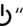
**POZNÁMKA**

Postavte chladicí box tak, jak je vidět na obrázku (obr. **1**, strana 2). Pokud budete box používat v jiných pozicích, může dojít k poškození přístroje.

- ▶ Připojte chladicí box, viz kap. „Připojení chladicího boxu“ na straně 353.

**POZOR! Nebezpečí v případě příliš nízké teploty!**

Dbejte na to, aby byly v chladicím boxu skladovány pouze předměty nebo potraviny, které je přípustné chladit za nastavenou teplotu.

- ▶ Stiskněte tlačítko „ON/OFF“ (obr. **3** 1, strana 3) na jednu až dvě vteřiny.
- ✓ Rozsvítí se LED „“.
- ✓ Zapne se displej (obr. **3** 5, strana 3) a zobrazí aktuální teplotu chlazení.

**UPOZORNĚNÍ! Nebezpečí ohrožení zdraví!****CFX65DZ:**

Pokud je teplota v mrazicím boxu (obr. **8** 1, strana 5) nastavena na příliš nízkou hodnotu (např. -22 °C), může rozsah teplot v prostředním chladicím prostoru (obr. **8** 2, strana 5) dosahovat hodnot pod bodem mrazu.

**POZNÁMKA****Zobrazená teplota**

- **CFX28, CFX35W, CFX40W, CFX50W, CFX65W:**


Zobrazená teplota se vztahuje k velkému chladicímu a mrazicímu boxu (např. CFX50W, CFX65W: obr. **7** 1, strana 4).

- **CFX65DZ:**

- S použitím dělicí příčky v chladicím a mrazicím boxu: Zobrazená teplota se vztahuje k mrazicímu boxu (obr. **8** 1, strana 5).
- Bez dělicí příčky v chladicím a mrazicím boxu: Skutečná vnitřní teplota se může mírně lišit od indikované teploty.

- ✓ Chladicí box zahájí chlazení vnitřního prostoru.

**POZNÁMKA**

Za provozu na baterii se displej automaticky vypne, pokud je napětí baterie příliš nízké. Kontrolka LED „“ bliká oranžově.

Uzamčení chladicího boxu

- Zavřete víko.
- Zatlačte zámek (obr. **2** 1, strana 2) dolů tak, aby slyšitelně zacvakl.



POZNÁMKA – poplach „Otevřené víko“

Pokud necháte víko déle než tři minuty otevřené a přístroj je zapnutý, bliká vnitřní osvětlení, dokud víko nezavřete.

7.6 Nastavení teploty

- Jednou stiskněte tlačítko „SET“ (obr. **3** 4, strana 3).
- Nastavte pomocí tlačítek „UP +“ (obr. **3** 7, strana 3) nebo „DOWN –“ (obr. **3** 6, strana 3) teplotu chlazení.
- ✓ Na displeji se zobrazí na několik sekund nastavená požadovaná teplota chlazení. Displej několikrát zabliká dříve, než se vrátí k aktuální teplotě.



POZNÁMKA

Teplotu každé chladicí přihrádky můžete nastavit na $-22\text{ }^{\circ}\text{C}$. Pro běžný provoz a optimální spotřebu energie doporučuje výrobce teplotu $-15\text{ }^{\circ}\text{C}$ až $-18\text{ }^{\circ}\text{C}$.

7.7 Aktivace signálu WLAN pro volitelnou aplikaci (vše kromě CFX28 a CFX65DZ)

Ledničku můžete ovládat pomocí WLAN a příslušné aplikace, kterou můžete nainstalovat na kompatibilní zařízení. Aplikace je vybavena kontrolními, indikačními a poplašnými funkcemi.

Bližší informace naleznete na domovské stránce společnosti Dometic ve vaší zemi (viz zadní strana). Pamatuje, že aplikace nemusí být ve vaší zemi dostupná.

Název WLAN kompresorového chladicího boxu začíná „CFX“. Přednastavené heslo je „00000000“. Název v síti WLAN a heslo lze individuálně měnit.

Zapnutí a vypnutí signálu WLAN

- Stiskněte pětkrát tlačítko „SET“ (obr. **3** 4, strana 3).
- Zapněte nebo vypněte pomocí tlačítek „UP +“ (obr. **3** 7, strana 3) a „DOWN –“ (obr. **3** 6, strana 3) signál WLAN.
- ✓ Na displeji se zobrazí na několik vteřin požadované nastavení. Displej několikrát zabliká dříve, než se vrátí k aktuální teplotě.

**POZNÁMKA**

- V továrním nastavení je vysílač WLAN vypnutý. Abyste aplikaci mohli používat, během prvního uvedení do provozu a vždy po výpadku proudu je nutné vysílač WLAN zapnout.
- Vysílač WLAN má minimální odběr proudu. K dosažení optimálního energetického výkonu vypněte vysílač WLAN, pokud jej nepoužíváte.

Reset WLAN do nastavení z výroby

Pokud jste provedli personalizaci nastavení WLAN ledničky pomocí aplikace WLAN a zapomněli jste heslo, můžete ledničku následujícím způsobem resetovat do výrobního nastavení:

- ▶ Stiskněte pětkrát tlačítko „SET“ (obr. **3** 4, strana 3).
- ▶ Podržte tlačítko „UP+“ (obr. **3** 7, strana 3) a podržte je minimálně pět vteřin stisknuté.
- ✓ Na displeji několikrát zabliká hlášení „rES“ a poté se vrátí do původního zobrazení.
- ✓ Nastavení WLAN se vrátí do původního nastavení z výroby.

Další informace naleznete na domovské stránce společnosti Dometic, ze které jste si stáhli aplikaci.

7.8 Nastavení jasu displeje

Ve tmavém prostředí lze ztlumit jas displeje. Jas displeje nastavte tímto způsobem:

- ▶ Zapněte chladicí box.
- ▶ Stiskněte čtyřikrát tlačítko „SET“ (obr. **3** 4, strana 3).
- ▶ Nastavte pomocí tlačítek „UP +“ (obr. **3** 7, strana 3) nebo „DOWN –“ (obr. **3** 6, strana 3) jas displeje.
- ✓ Na displeji se zobrazí následující hlášení: d0 (přednastaveno), d1 (středně světlé), d2 (tmavé)
- ✓ Displej zobrazuje na několik sekund nastavený režim. Displej několikrát zabliká dříve, než se vrátí k aktuálnímu jasu.

**POZNÁMKA**

- Tovární nastavení jasu displeje je d0 (přednastaveno).
- Pokud dojde k poruše, je jas automaticky d0 (přednastaveno). Po odstranění poruchy se nastavený jas opět aktivuje.

7.9 Použití nouzového vypínače (pokud je instalován)

Nouzový vypínač (obr. 4 3, strana 3) je u všech modelů mimo CFX 28 umístěn pod ovládacím panelem. U modelu CFX 28 je nouzový vypínač umístěn nad přípojovací zdírkou. Za běžného provozu je spínač v poloze „NORMAL USE“ (běžné použití).

- Pokud dojde k poruše řídicí elektroniky, přepněte přepínač do polohy „EMERGENCY OVERRIDE“ (nouzový režim).

**POZNÁMKA**

Je-li spínač v poloze „EMERGENCY OVERRIDE“, chladicí box pracuje při plném chladicím výkonu a obsah lze hluboce chladit.

7.10 Přípojka USB k zajištění napájení

Přípojku USB můžete použít k nabíjení drobných spotřebičů (např. mobilních telefonů a MP3).

Pokud si přejete chladicí box se zařízením USB, stačí připojit k zařízení kabel USB (není součástí dodávky).

**POZNÁMKA**

Zkontrolujte, zda je drobný spotřebič připojený k přípojce USB vhodný k provozu s napájením 5 V/500 mA.

7.11 Vypnutí chladicího boxu

- Vyprázdněte obsah chladicího boxu.
- Vypněte chladicí box.
- Odpojte přívodní kabel.

Pokud nebudete chladicí box déle používat:

- Nechejte víko pootevřené. Zabráníte tak vzniku zápachů.

7.12 Rozmrazování chladicího boxu

Vzdušná vlhkost se může srážet na výparníku nebo uvnitř chladicího boxu formou jinovatky, která snižuje chladicí výkon. Přístroj včas odmrzte.



POZOR! Nebezpečí poškození!

Nepoužívejte k odstraňování ledu nebo k uvolňování přimrzlých předmětů tvrdé nebo špičaté nástroje.

Při rozmrazování postupujte takto:

- Vyjměte obsah chladicího boxu.
- Uložte jej případně do jiné ledničky, aby zůstal v chladnu.
- Vypněte přístroj.
- Nechejte víko otevřené.
- Vytřete vodní kondenzát.

7.13 Výměna pojistky na střídavý proud



NEBEZPEČÍ! Ohrožení života elektrickým proudem!

Před provedením výměny pojistek odpojte napájení a přívodní kabel.

- Odpojte přístroj od napájení.
- Odpojte přívodní kabel.
- Uvolněte držák pojistek (obr. **4** 2, strana 3) např. šroubovákem.
- Vyměňte vadnou skleněnou pojistku za novou stejného typu a se stejnou hodnotou (4 A, 250 V).
- Zatlačte držák pojistek opět do krytu.
- Připojte k přístroji napájení.

7.14 Výměna pojistek zástrčky na stejnosměrný proud

- Odšroubujte kryt kontaktních kolíků (obr. **9** 3, strana 5) od zástrčky (obr. **9** 1, strana 5).
- Vyměňte vadnou pojistku (obr. **9** 2, strana 5) za novou stejného typu a o stejné hodnotě (3AG, Fast Acting, 15 A).
- Smontujte zástrčku v opačném pořadí.

7.15 Výměna desky s optickými vodiči

- ▶ Odpojte přístroj od napájení.
- ▶ Pomocí šroubováku otevřete průhledný kryt (obr. **10** 1, strana 5).
- ▶ Povolte montážní šrouby desky plošných spojů (obr. **10** 2, strana 5).
- ▶ Vytáhněte zástrčku z desky plošných spojů (obr. **10** 3, strana 5).
- ▶ Vadnou desku vyměňte za novou.
- ▶ Vložte novou desku provedením kroků návodu k odstranění desky v opačném pořadí.
- ▶ Nasadte zpět transparentní kryt do tělesa.
- ▶ Připojte k přístroji napájení.

8 Čištění a péče



VÝSTRAHA!

Před zahájením jakéhokoliv čištění nebo údržby odpojte výrobek od sítě.



POZOR! Nebezpečí poškození!

- Nikdy neumývejte chladničku pod tekoucí vodou nebo ve ve vodě s prostředkem na mytí nádobí.
- Nepoužívejte k čištění ostré čisticí prostředky nebo tvrdé předměty, může dojít k poškození chladničky.

- ▶ Příležitostně očistěte přístroj zevnitř a zvenčí vlhkým hadrem.
- ▶ Zajistěte, aby nebyly větrací a odvětrávací otvory přístroje zaprášené a znečištěné. Tím může být teplo vznikající za provozu odváděno a nedojde k poškození přístroje.

9 Záruka

Na výrobek je poskytována záruka v souladu s platnými zákony. Zjistíte-li, že je výrobek vadný, zašlete jej do pobočky výrobce ve vaší zemi (adresy viz zadní strana tohoto návodu) nebo do specializovanému prodejci.

K vyřízení opravy nebo záruky nezapomeňte odeslat následující dokumenty:

- Kopii účtenky s datem zakoupení,
- Uvedení důvodu reklamace nebo popis vady.

10 Odstraňování poruch a závad

Závada	Možná příčina	Návrh řešení
Lednička nefunguje, LED nesvítí.	Zásuvka se stejnosměrným napětím ve vašem vozidle není pod napětím.	Ve většině automobilů musíte nejprve spustit zapalování, aby byla zásuvka se stejnosměrným proudem pod napětím.
	V zásuvce se střídavým proudem není napětí.	Zkuste to na jiné zásuvce.
	Vadná pojistka přístroje.	Vyměňte pojistku přístroje, viz kap. „Výměna pojistky na střídavý proud“ na straně 360.
	Integrovaný síťový zdroj je vadný.	Opravu smí provést pouze certifikovaná provozovna zákaznického servisu.
Lednička nechladí (zástrčka je připojená, svítí LED „POWER“).	Vadný kompresor.	Opravu smí provést pouze certifikovaná provozovna zákaznického servisu.
Lednička nechladí (zástrčka je připojená, LED „POWER“ bliká oranžově, displej je vypnutý).	Režim snímače baterie je nastaven na příliš vysoký stupeň.	Nastavte na snímači baterie nižší stupeň.
	Nedostatečné napětí baterie.	Případně nabijte baterii.

Závada	Možná příčina	Návrh řešení
V režimu provozu s připojením k zásuvce se stejnosměrným napětím: Zapalování je zapnuto, přístroj nefunguje a LED nesvítí.	Objímka zásuvky stejnosměrného napětí je znečištěná. Následkem je špatný elektrický kontakt. Pojistka zástrčky stejnosměrného napájení je propálená.	Pokud je zástrčka v zásuvce stejnosměrného napájení velmi horká, buď očistěte objímku nebo zkontrolujte, zda je zástrčka správně namontována. Vyměňte pojistku zástrčky na stejnosměrný proud, viz kap. „Výměna pojistek zástrčky na stejnosměrný proud“ na strani 360
	Pojistka vozidla je spalená.	Vyměňte pojistku zásuvky stejnosměrného napájení (viz návod k obsluze vašeho vozidla).
Na displeji se zobrazuje chybové hlášení (např. „Err1“) a lednička nechladí.	Interní provozní porucha vypnula ledničku.	Opravu smí provést pouze certifikovaná provozovna zákaznického servisu.
Vnitřní osvětlení některé z přihrádek neblinká.	Víko přihrádky zůstalo déle než tři minuty otevřené.	Zavřete víko přihrádky.

11 Likvidace

- Obalový materiál likvidujte v odpadu určeném k recyklaci.



Jakmile výrobek zcela vyřadíte z provozu, informujte se v příslušných recyklačních centrech nebo u specializovaného prodejce o příslušných předpisech o likvidaci odpadu.

12 Technické údaje

	CFX28	CFX35W	CFX40W
Výr. č.:	9600000468 9600000469	9600000470 9600000471	9600000472 9600000473
Napájecí napětí:	12/24 V \equiv a 100–240 V \sim		
Jmenovitý proud:	12 V \equiv : 6,5 A 24 V \equiv : 3,2 A 100 V \sim 0,75 A 240 V \sim 0,32 A	12 V \equiv : 7,0 A 24 V \equiv : 3,2 A 100 V \sim 0,86 A 240 V \sim 0,42 A	
Chladicí výkon:	+10 °C až –22 °C (+50 °F až –8 °F)		
Kategorie:	1		
Energetická třída účinnosti:	A++		
Spotřeba energie:	61 kWh/rok	62 kWh/rok	64 kWh/rok
Obsah brutto:	28 l	34,5 l	41 l
Užitečný obsah:	26 l	32 l	38 l
Klimatická třída:	N, T		
Okolní teplota:	+16 °C až +43 °C (+61 °F až +110 °F)		
Hlukové emise:	34 dB(A)	42 dB(A)	
Přípojka USB:	5 V \equiv , 500 mA		
Frekvenční pásmo (WiFi):	2,4 GHz (Rádiový modul)	2,4 GHz	
Vysokofrekvenční výkon (WiFi):	11 – 0 dBm (Rádiový modul)	16 \pm 1,5 dBm (802.11b CCK, 11 MBit/s) 12 \pm 1,5 dBm (802.11g OFDM, 54 MBit/s) 11 \pm 1,5 dBm (802.11n HT20, MCS7)	
Množství chladicího prostředku:	38 g	33 g	38 g
Ekvivalent CO ₂ :	0,054 t	0,047 t	0,054 t
Potenciál skleníkových plynů (GWP):	1430		

	CFX28	CFX35W	CFX40W
Rozměry (Š x V x H) v mm (s madly):	342 x 425 x 620	398 x 411 x 692	398 x 461 x 692
Hmotnost:	13 kg	17,5 kg	18,5 kg

	CFX50W	CFX65W	CFX65DZ
Výr. č.:	9600000474 9600000475	9600000476 9600000477	9600000478 9600000479
Napájecí napětí:	12/24 V $\overline{=}$ a 100–240 V \sim		
Jmenovitý proud:	12 V $\overline{=}$: 7,8 A 24 V $\overline{=}$: 3,6 A 100 V \sim 0,95 A 240 V \sim 0,46 A	12 V $\overline{=}$: 8,2 A 24 V $\overline{=}$: 3,8 A 100 V \sim 1,0 A 240 V \sim 0,48 A	12 V $\overline{=}$: 5,5 A 24 V $\overline{=}$: 2,6 A 100 V \sim 0,75 A 240 V \sim 0,37 A
Chladicí výkon:	+10 °C až –22 °C (+50 °F až –8 °F)		
Kategorie:	1		
Energetická třída účinnosti:	A++		A+
Spotřeba energie:	66 kWh/rok	69 kWh/rok	115 kWh/rok
Obsah brutto:	50 l	65 l	s děličem: 61 l bez děliče: 65 l
Užitečný obsah:	46 l	60 l	53 l
Klimatická třída:	N, T		
Okolní teplota:	+16 °C až +43 °C (+61 °F až +110 °F)		
Hlukové emise:	42 dB(A)		
Přípojka USB:	5 V $\overline{=}$, 500 mA		
Frekvenční pásmo (WiFi):	2,4 GHz		–
Vysokofrekvenční výkon (WiFi):	16 ± 1,5 dBm (802.11b CCK, 11 MBit/s) 12 ± 1,5 dBm (802.11g OFDM, 54 MBit/s) 11 ± 1,5 dBm (802.11n HT20, MCS7)		–
Množství chladicího prostředku:	43 g	57 g	31 g
Ekvivalent CO ₂ :	0,062 t	0,082 t	0,044 t

	CFX50W	CFX65W	CFX65DZ
Potenciál skleníkových plynů (GWP):	1430		
Rozměry (Š x V x H) v mm (s madly):	725 x 471 x 455	725 x 561 x 455	725 x 561 x 455
Hmotnost:	20,4 kg	22,3 kg	23,2 kg

**POZNÁMKA**

Za okolních teplot vyšších než 32 °C (90 °F) již nelze dosáhnout minimální teploty.

Zkouška/certifikáty:



Chladicí okruh obsahuje médium R134a.

Obsahuje fluorované skleníkové plyny

Hermeticky uzavřeným zařízením

V členských státech EU neexistují žádná omezení k používání funkce WiFi přístroje.

A készülék első használata előtt gondosan olvassa el és őrizze meg ezt a használati utasítást. Ha a készüléket továbbadja, mellékelje hozzá a használati utasítást is.

A gyártó nem felelős olyan károkért vagy sérülésekért, amelyeket **nem rendeltetésszerű használat** vagy **hibás kezelés** okozott.

Tartalomjegyzék

1	Szimbólumok magyarázata	368
2	Biztonsági tudnivalók	368
2.1	Általános biztonság	368
2.2	Biztonság a készülék üzemeltetése során	370
3	A csomag tartalma	371
4	Tartozékok	371
5	Rendeltetésszerű használat	372
6	Működési leírás	373
6.1	Jellemzők	373
6.2	Kezelő- és kijelzőelemek	374
7	Kezelés	375
7.1	Az első használat előtt	375
7.2	Energiatakarékossági javaslatok	376
7.3	A hűtőláda csatlakoztatása	376
7.4	Az akkumulátorőr használata	378
7.5	A hűtőláda használata	379
7.6	Hőmérséklet beállítása	380
7.7	WLAN-jel aktiválása az opcionális alkalmazás számára (mindegyiknél, kivéve: CFX28 és CFX65DZ)	381
7.8	A kijelző fényerejének beállítása	382
7.9	A vészkapcsoló használata (ha van)	383
7.10	USB csatlakozó feszültségellátáshoz	383
7.11	A hűtőláda kikapcsolása	383
7.12	A hűtőláda leolvasztása	384
7.13	A váltakozó áramú biztosíték cserélje	384
7.14	Az egyenáramú dugaszolható biztosíték cserélje	385
7.15	A vezetőlemez cseréje	385
8	Tisztítás és ápolás	386

9	Szavatosság	386
10	Üzemzavar-elhárítás	387
11	Leselejtezés	388
12	Műszaki adatok	389

1 Szimbólumok magyarázata



FIGYELMEZTETÉS!

Biztonsági tudnivaló: Az utasítás figyelmen kívül hagyása halált vagy súlyos sérülést okozhat.



VIGYÁZAT!

Biztonsági tudnivaló: Az utasítás figyelmen kívül hagyása sérüléseket okozhat.



FIGYELEM!

Ha nem veszi figyelembe az információt, az anyagkárosodást eredményezhet, és káros kihatással lehet a termék működésére.



MEGJEGYZÉS

Kiegészítő információk a termék kezelésével kapcsolatosan.

2 Biztonsági tudnivalók

2.1 Általános biztonság



FIGYELMEZTETÉS!

- Ha a készüléken sérülések láthatók, akkor azt nem szabad üzembe helyezni.
- Ha a készülék csatlakozókábele megsérül, akkor azt – a veszélyeztetések elkerülése érdekében – a gyártóval, a vevőszolgálattal vagy egy hasonlóan képzett szakemberrel kell kicseréltetni.
- Javításokat csak szakemberek végezhetnek a készüléken. Nem szakszerű javítások jelentős veszélyeket okozhatnak.

- Jelen készüléket 8 év feletti gyermekek, valamint korlátozott fizikai, érzékszervi és szellemi képességű, illetve megfelelő tapasztalattal és/vagy tudással nem rendelkező személyek csak felügyelet mellett, illetve a készülék biztonságos használatát és az abból eredő veszélyeket megértve használhatják.
- A tisztítást és a felhasználói karbantartást gyermekek felügyelet nélkül nem végezhetik.
- A készülékkel gyerekek nem játszhatnak.
- A gyermekekre figyelni kell, hogy a készülékkel ne játszanak.
- A készüléket 8 év alatti gyermekek által nem hozzáférhető módon tárolja és használja.
- Ne tároljon a készülékben robbanékony anyagokat (például éghető hajtógázt tartalmazó permetpalackokat).



VIGYÁZAT!

- Az alábbi esetekben mindig húzza ki a készülék csatlakozódugóját a hálózati aljzathól:
 - minden tisztítás és karbantartás előtt
 - minden használat után.
- Élelmiszert csak eredeti csomagolásban vagy megfelelő tárolókban szabad tárolni.



FIGYELEM!

- Hasonlítsa össze a típustáblán feltüntetett a feszültségadatokot a rendelkezésre álló energiaellátással.
- A hűtőkészüléket a következő módon csatlakoztassa:
 - Az egyenáramú csatlakozókábellel a jármű egyenáramú fedélzeti aljzatához
 - vagy a váltakozó áramú csatlakozókábellel a váltakozó áramú hálózathoz.
- Soha ne húzza ki a csatlakozódugót a csatlakozókábelnél fogva az aljzathól.
- Ha a hűtőkészülék az egyenáramú aljzathoz van csatlakoztatva: Kösse le a hűtőkészüléket és más fogyasztókat az akkumulátorról, mielőtt gyorstöltő berendezést csatlakoztatna rá.
- Ha a hűtőkészülék az egyenáramú aljzathoz van csatlakoztatva: Húzza ki a csatlakozódugót vagy kapcsolja ki a hűtőkészüléket, ha a jármű motorját kikapcsolja. Ellenkező esetben az akkumulátor lemerülhet.
- A hűtőkészülék nem alkalmas maró hatású vagy oldószert tartalmazó anyagok szállítására.

- A hűtőegység szigetelése gyúlékony ciklopentánt tartalmaz. A szigetelőanyagban található gázok miatt különleges ártalmatlanítási eljárásra van szükség. A hűtőegységet az élettartama végén a szabályozásoknak megfelelően ártalmatlaníttassa.

2.2 Biztonság a készülék üzemeltetése során



VIGYÁZAT!

- Üzembe helyezés előtt ügyeljen arra, hogy a vezeték és a dugasz száraz legyen.



FIGYELEM!

- Ne használjon elektromos készülékeket a hűtőkészüléken belül, kivéve ha ezeket a készülékeket a gyártó erre a célra javasolja.
- Ne helyezze a készüléket nyílt láng vagy más hőforrás közelébe (fűtés, erős napsugárzás, gázkályha stb.).
- **Tűlforrósodás veszélye!**
Mindig ügyeljen arra, hogy az üzemeltetés során keletkező hő kielégítően eltávozhasson. A levegő keringetése érdekében gondoskodjon arról, hogy a készülék kielégítő távolságban álljon a faltól vagy tárgyaktól.
- Ügyeljen arra, hogy a szellőzőnyílások ne legyenek lefedve.
- Ne töltsön folyadékot vagy jeget a belső tartályba.
- Soha ne merítse vízbe a készüléket.
- Védje a készüléket és a kábeleket a hőtől és a nedvességtől.

3 A csomag tartalma

Lásd: **1.** ábra, **2.** oldal

Tétel	Mennyiség	Megnevezés
1	1	Hűtőláda
2	1	Csatlakozókábel egyenáramú csatlakozáshoz
3	1	Csatlakozókábel váltakozó áramú csatlakozáshoz
–	1	Kezelési útmutató

4 Tartozékok

Tartozékként kapható (nincs mellékelve):

Megnevezés	Cikkszám	Modell
CFX-UFK univerzális rögzítőkészlet (hevederrendszer)	9108300002	Minden modell-hez megfelelő
Quick-Release-rögzítőkészlet CFX-QFK	9600000166	a CFX 28 típushoz
CFX-WD vezeték nélküli kijelző	9600000164	a CFX 28, CFX 65DZ és a WLAN alkalmazás funkció nélküli régebbi modellekhez alkalmas

A Dometic honlapján (lásd a hátoldalon) részletes információkat talál egy olyan WLAN alkalmazásról, mely vezérlési-, kijelzései-, és riasztási funkciókat kínál (**mind-egyiknél, kivéve:** CFX 28 és CFX 65DZ). Lehetséges, hogy az Ön országában ez az alkalmazás nem elérhető.

5 Rendeltetésszerű használat

A hűtőláda élelmiszerek hűtésére és fagyasztására alkalmas.

A hűtőláda a következőkről üzemeltethető:

- jármű, hajó, vagy lakóautó egyenáramú hálózata
- egyenáramú tápakkumulátor
- váltakozó áramú hálózat

A hűtőkészülék háztartási és hasonló területeken használható, például

- boltok, irodák és más munkaterületek konyháin
- a mezőgazdaságban
- hotelek, motelek vagy más szálláshelyek vendégei által
- panziókban
- vendéglátási és hasonló nagykereskedelmi területeken



VIGYÁZAT! Egészségkárosodás veszélye!

Ellenőrizze, hogy a készülék hűtőtéljesítménye megfelel-e a hűteni kívánt élelmiszerek vagy gyógyszerek követelményeinek.

6 Működési leírás

A hűtőláda áruk lehűtésére, hidegen tartására, illetve mélyhűtésére alkalmas. A hűtést karbantartást nem igénylő, kompresszorral ellátott hűtőkör teszi lehetővé. A különösen hatékony szigetelés és az erőteljes kompresszor különösen gyors hűtést biztosít.

A hűtőláda mobil használatra alkalmas.

A hűtőláda rövid ideig kitehető 30°-os dőlésnek, pl. hajókon történő használat során.

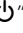
6.1 Jellemzők

- Elsőbbségi kapcsolást biztosító hálózati tápegység váltófeszültségre való csatlakozáshoz
- Háromfokozatú akkumulátorór a jármű akkumulátorának védelmére
- Kijelző °C vagy °F egységű hőmérséklet-megjelenítéssel
Automatikus kikapcsolás alacsony akkumulátorfeszültség esetén
- Hőmérséklet-beállítás: Két gombbal 1 °C-os (2 °F-es) lépésekben
- Integrált WLAN jeladó, így mobil alkalmazásról is kezelhető (**mindegyiknél, kivéve**: CFX28 és CFX65DZ)
- Billenthető hordozófogantyú
- USB csatlakozó a feszültségellátáshoz
- Vészkapcsoló (ha van)
- Kivehető kosárbetét

6.2 Kezelő- és kijelzőelemek

A fedél reteszelése: 2. ábra 1, 2. oldal

Kezelőpanel (3. ábra, 3. oldal)

Tétel	Megnevezés	Magyarázat
1	ON OFF	A gombot egy-két másodpercig megnyomva a készülék ki- vagy bekapcsolására szolgál
2	POWER „  ”	Az üzemelés kijelzése A LED zölden világít: A kompresszor be van kapcsolva A LED narancssárgán világít: A kompresszor ki van kapcsolva A LED narancssárgán villog: A kijelző alacsony akkumulátorfeszültség miatt automatikusan kikapcsolt
3	ERROR	A LED pirosan villog: A bekapcsolt készülék nem üzemkés
4	SET	Meghatározza a beviteli módot: <ul style="list-style-type: none"> • Hőmérséklet-beállítás • °C vagy °F fok megjelenítése • Akkumulátorór beállítása • A kijelző fényerejének beállítása • WLAN be-, vagy kikapcsolása (mindegyiknél, kivéve: CFX28 és CFX65DZ)
5	–	Kijelző az értékek megjelenítéséhez
6	DOWN –	Egyszeri megnyomása csökkenti a kiválasztott beviteli értéket
7	UP +	Egyszeri megnyomása növeli a kiválasztott beviteli értéket

Csatlakozóaljzatok (4. ábra, 3. oldal)

Tétel	Megnevezés
1	Csatlakozóaljzat váltakozó feszültségű tápellátáshoz
2	Biztosítéktartó
3	Csatlakozóaljzat egyenfeszültségű tápellátáshoz

Vészkapcsoló (ha van) és USB csatlakozó (5. ábra, 3. oldal)**Tétel Megnevezés**

- | | |
|---|------------------------------------|
| 1 | Vészkapcsoló |
| 2 | Áramellátás USB készülékek számára |

7 Kezelés

7.1 Az első használat előtt

**MEGJEGYZÉS**

Mielőtt az új hűtőládát üzembe helyezné, higiéniai okokból tisztítsa meg belül és kívül nedves ruhával (lásd „Tisztítás és ápolás” fejr., 386. oldal).

Fedélütköző megfordítása (ezeknél: CFX 50W, CFX 65W, CFX 65DZ)

Ha a fedelet a mások oldalról szeretné kinyitni, lehetősége van a fedélpánt megfordítására. Ehhez a következő módon járjon el:

- ▶ Nyissa fel és vegye le a fedelet (6. ábra A, 4. oldal).
- ▶ Távolítsa el a csuklópántot tartó három csavart (6. ábra B, 4. oldal), majd vegye le a csuklópántot.
- ▶ Kis csavarhúzó segítségével távolítsa el a csuklópántok új helyéről a műanyag burkolóelemeket, és helyezze át azokat a csuklópántok régi helyére.
- ▶ Helyezze el új helyükön a csuklópántokat.
- ▶ Helyezze fel a fedelet a szemközti oldalon lévő csuklópántokra (6. ábra C, 4. oldal).

A hőmérséklet mértékegységének kiválasztása

A hőmérséklet értékeinek megjelenítése Celsius-fokban vagy Fahrenheit-fokban választható meg. Ehhez a következő módon járjon el:

- ▶ Kapcsolja be a hűtőládát.
 - ▶ Nyomja meg a „SET” gombot (3. ábra 4, 3. oldal) kétszer.
 - ▶ A hőmérséklet mértékegységét az „UP +” (3. ábra 7, 3. oldal) vagy a „DOWN –” (3. ábra 6, 3. oldal) gombbal állíthatja be Celsius vagy Fahrenheit fokra.
- ✓ A kijelző néhány másodpercig mutatja a beállított hőmérsékletet. A kijelző néhányszor villog, mielőtt az aktuális hőmérséklet kijelzéséhez visszatér.

7.2 Energiatakarékosági javaslatok

- A készülék működtetéséhez válasszon jól szellőző és napfénytől védett helyet.
- Hagyja lehűlni a meleg ételeket, mielőtt azokat hidegen tartaná a készülékben.
- Ne nyissa ki a hűtőkészüléket a szükségesnél gyakrabban.
- Ne hagyja nyitva a hűtőkészüléket a szükségesnél hosszabban.
- Ha a hűtőkészülékben jég réteg alakult ki, olvassza le.
- Kerülje a fölöslegesen alacsony belső hőmérsékletet.

7.3 A hűtőláda csatlakoztatása

Csatlakoztatás akkumulátorra (jármű vagy hajó)

A hűtőláda 12 V_{DC} vagy 24 V_{DC} egyenfeszültséggel üzemeltethető.



FIGYELEM! Sérülésveszély!

Kösse le a hűtőládát és más fogyasztókat az akkumulátorról, mielőtt az akkumulátort gyorstöltő készülékkel töltené fel.

A készülékek elektronikáját a túlfeszültség károsíthatja.

A biztonság érdekében a hűtőláda elektronikus polaritásvédelemmel rendelkezik, amely a hűtőládát az akkumulátorhoz való csatlakoztatásnál fordított polaritás és rövidzárlat ellen védi.

A biztosítékkal rendelkező egyenáramú csatlakozókábel használata



FIGYELEM! Sérülésveszély!

A készülék védelme érdekében a melléklet egyenáramú csatlakozókábel dugasza el van látva egy biztosítékkal. A biztosítékkal ellátott egyenáramú dugaszt **tilos** eltávolítani.

Kizárólag a mellékelt egyenáramú csatlakozókábelt használja.

- ▶ Illessze be az egyenáramú csatlakozókábelt (**1**. ábra 2, 2. oldal) a hűtőláda egyenáramú aljzatába (**4**. ábra 5, 3. oldal).
- ▶ Csatlakoztassa a csatlakozókábelt egy egyenáramú aljzathoz.

Csatlakoztatás egyenáramú hálózathoz (pl. otthon, vagy irodában)



VESZÉLY! Áramütés miatti életveszély!

- Soha ne dolgozzon dugócsatlakozókkal és kapcsolókkal, ha nedves a keze vagy nedves helyen áll.
- Ha hűtőládát egy hajó fedélzetén száraz helyiségekben használatos csatlakozóval kell üzemeltetnie a váltakozó áramú hálózatról, akkor minden esetben hibaáram védőkapcsolót kell a hálózat és a hűtőláda közé kapcsolni.
Ilyen esetben kérje szakember tanácsát.

A hűtőládák többféle feszültséggel kompatibilis, váltakozó áramra való csatlakozáshoz elsőbbségi kapcsolást biztosító integrált hálózati tápegység rendelkeznek. A hűtőkészülék váltakozó áramú hálózathoz történő csatlakoztatása esetén ez biztosítja az automatikusan átkapcsolást váltakozó áramú üzemmódra még akkor is, ha az egyenáramú csatlakozókábel még csatlakoztatva van.

Ha a hűtőláda váltakozó áramú hálózati tápellátásról egyenáramú akkumulátor tápellátásra kapcsol át, akkor rövid ideig világíthat a piros LED.

- ▶ Illessze be a váltakozó áramú csatlakozókábelt (**1**. ábra 3, 2. oldal) a hűtőláda váltakozó áramú aljzatába (**4**. ábra 1,3. oldal).
- ▶ Csatlakoztassa a csatlakozókábelt egy váltakozó áramú aljzathoz.

7.4 Az akkumulátorőr használata

A készülék többfokozatú akkumulátorőrrel van ellátva, amely a jármű egyenáramú fedélzeti hálózatára való csatlakozás esetén védi járműve akkumulátorát a túlzott lemerüléstől.

Ha a hűtőládát kikapcsolt gyújtás mellett a járműben használja, akkor a hűtőláda automatikusan kikapcsol, amint a tápfeszültség egy beállítható érték alá csökken. A hűtőkészülék ismét bekapcsol, amint az akkumulátor a feltöltés során eléri az visszakapcsolási feszültséget.



FIGYELEM! Sérülésveszély!

Az akkumulátor az akkumulátorőr általi lekapcsolás esetén már nem rendelkezik teljes kapacitással. Kerülje járműve többszöri indítását vagy áramfogyasztók üzemeltetését feltöltés nélküli hosszabb időszakokban. Gondoskodjon az akkumulátor újratöltéséről.

„HIGH” üzemmódban az akkumulátorőr hamarabb jelez, mint „LOW” és „MED” üzemmód esetén (lásd a következő táblázatot).

Akkuőr-üzemmód	LOW	MED	HIGH
Visszakapcsolási feszültség 12 V esetén	10,1 V	11,4 V	11,8 V
Visszakapcsolási feszültség 12 V esetén	11,1 V	12,2 V	12,6 V
Visszakapcsolási feszültség 24 V esetén	21,5 V	24,1 V	24,6 V
Visszakapcsolási feszültség 24 V esetén	23,0 V	25,3 V	26,2 V

Az akkumulátorfigyelő üzemmódjának módosításához tegye a következőket:

- ▶ Kapcsolja be a hűtőládát.
- ▶ Nyomja meg a „SET” gombot (**3** . ábra 4, 3. oldal) háromszor.
- ▶ Az „UP +” (**3** . ábra 7, 3. oldal) vagy a „DOWN –” (**3** . ábra 6, 3. oldal) gombokkal állítsa be az akkumulátorfigyelő üzemmódját.
- ✓ A kijelzőn a következő jelenik meg:
Lo (LOW), Md (MED), Hi (HIGH)
- ✓ A kijelző néhány másodpercig a kiválasztott üzemmódot mutatja. A kijelző néhányszor villog, mielőtt az aktuális hőmérséklet kijelzéséhez visszatér.

**MEGJEGYZÉS**

Ha a hűtőládát indítóakkumulátorról használja, akkor válassza a „HIGH” akkuőr-üzemmódot. Ha a hűtőládát valamelyik indítóakkumulátorról használja, akkor elegendő a „LOW” akkuőr-üzemmód.

7.5 A hűtőláda használata**FIGYELEM! Túlmelegedés miatti veszély!**

Mindig figyeljen arra, hogy az üzemeltetés során keletkező hő kielégítően eltávozhasson. Figyeljen arra, hogy a szellőzőnyílások ne legyenek lefedve. A levegő keringtetése érdekében gondoskodjon arról, hogy a készülék kielégítő távolságban álljon a faltól vagy tárgyaktól.

- ▶ A hűtőládát szilárd aljzatra állítsa. Figyeljen arra, hogy a szellőzőnyílások ne legyenek lefedve és a meleg levegő megfelelően távozhasson.


**MEGJEGYZÉS**

A hűtőládát az ábrázolt módon állítsa fel (1. ábra, 2. oldal). Ha a hűtőládát másik helyzetben üzemelteti, akkor a készülék károsodhat.

- ▶ Csatlakoztassa a hűtőládát, lásd „A hűtőláda csatlakoztatása” fejr., 376. oldal.

**FIGYELEM! Túl alacsony hőmérséklet miatti veszély!**

Figyeljen arra, hogy csak olyan tárgyak, ill. áruk legyenek a hűtőládában, amelyek lehűthetők a kiválasztott hőmérsékletre.

- ▶ Tartsa nyomva az „ON/OFF” gombot (3. ábra 1, 3. oldal) egy-két másodpercig.
- ✓ A „” LED világít.
- ✓ A kijelző (3. ábra 5, 3. oldal) bekapcsol és mutatja az aktuális hűtési hőmérsékletet.

**VIGYÁZAT! Egészségkárosodás veszélye!****CFX65DZ:**

Ha a fagyasztórekeszben (8. ábra 1, 5. oldal) a hőmérséklet nagyon alacsonyra lett állítva (pl. -22 °C), a hőmérséklet a középső hűtörekeszben (8. ábra 2, 5. oldal) nulla fok alá is süllyedhet.



MEGJEGYZÉS

Kijelzett hőmérséklet

- **CFX28, CFX35W, CFX40W, CFX50W, CFX65W:**

A megjelenített hőmérséklet a legnagyobb hűtő-, és fagyasztórekeszre vonatkozik (pl. CFX50W, CFX65W: **7.** ábra 1, 4. oldal).

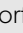
- **CFX65DZ:**

- Ha van elválasztófal a hűtő- és fagyasztórekeszben: A megjelenített hőmérséklet a fagyasztórekeszre vonatkozik (**8.** ábra 1, 5. oldal).
- Ha nincs elválasztófal a hűtő- és fagyasztórekeszben: A belső térben lévő tényleges hőmérséklet egy kissé eltérhet a kijelzett hőmérséklettől.

- ✓ A hűtláda a belső tér hűtésével kezdi a működést.



MEGJEGYZÉS

akkumulátorról történő használat esetén a kijelző automatikusan kikapcsol, ha az akkumulátorfeszültség alacsony. A „” LED narancssárgán villog.

A hűtláda reteszelése

- Zárja le a fedelet.
- Nyomja le a reteszt (**2.** ábra 1, 2. oldal) addig, hogy az hallhatóan bekattanjon.



MEGJEGYZÉS – „Fedél nyitva” riasztás

Ha három percnél hosszabb ideig nyitva hagyja a fedelet és a készülék be van kapcsolva, akkor mindaddig villog a belső lámpa, amíg le nem zárja a fedelet.

7.6 Hőmérséklet beállítása

- Nyomja meg a „SET” (**3.** ábra 4, 3. oldal) gombot egyszer.
- A hűtési hőmérséklet az „UP +” (**3.** ábra 7, 3. oldal) vagy a „DOWN –” (**3.** ábra 6, 3. oldal) gombokkal állítható be.
- ✓ A kijelző néhány másodpercig a beállított kívánt hőmérsékletet mutatja. A kijelző néhányszor villog, mielőtt az aktuális hőmérséklet kijelzéséhez visszatér.



MEGJEGYZÉS

A hűtőrekeszek hőmérséklete akár -22 °C -ra is beállítható. Ennek ellenére a gyártó az optimális energiafogyasztás érdekében normál üzemhez a -15 °C és -18 °C közötti hőmérsékleteket javasolja.

7.7 WLAN-jel aktiválása az opcionális alkalmazás számára (mindegyiknél, kivéve: CFX 28 és CFX 65DZ)

A hűtőberendezés WLAN hálózaton keresztül vezérelhető egy olyan alkalmazásról, melyet egy feltelepíthet egy kompatibilis készülékre. Az alkalmazás vezérlési-, kijelzési-, és riasztási funkciókkal rendelkezik.

További információkat országa Dometic honlapján találhat (lásd a hátoldalon). Kérjük vegye figyelembe, lehetséges, hogy az Ön országában az alkalmazás nem elérhető.

A kompresszoros hűtőláda WLAN neve a „CFX” betűkkel kezdődik. Az előre beállított jelszó: „00000000”. A WLAN nevet és a jelszót is személyre szabhatja.

WLAN-jel be-/kikapcsolása

- ▶ Nyomja meg ötször a „SET” (3. ábra 4, 3. oldal) gombot.
- ▶ Az „UP +” (3. ábra 7, 3. oldal) vagy a „DOWN -” (3. ábra 6, 3. oldal) gombokkal kapcsolhatja be, vagy ki a WLAN-jelét.
- ✓ A kijelző néhány másodpercig megjeleníti a kívánt beállítást. A kijelző néhányszor villog, mielőtt az aktuális hőmérséklet kijelzéséhez visszatér.



MEGJEGYZÉS

- A WLAN jeladó gyári beállítása a kikapcsolt állapot. Az alkalmazás használatához az első üzembe helyezés előtt és minden áramszünet után be kell kapcsolni a WLAN jeladót.
- A WLAN-jeladó csupán kis mennyiségű áramot fogyaszt. Az optimális energiahatékonyság érdekében, ha nem használja, kapcsolja ki a WLAN-jeladót.

A WLAN gyári beállításainak visszaállítása

Amennyiben hűtőkészüléke WLAN-beállításait a WLAN-alkalmazással személyre szabta és elfelejtette jelszavát, akkor a következő módon állíthatja vissza hűtőkészüléke gyári beállításait:

- Nyomja meg ötször a „SET” (**3** . ábra 4, 3. oldal) gombot.
- Legalább öt másodpercig tartsa lenyomva az „UP +” gombot (**3** . ábra 7, 3. oldal).
- ✓ Mielőtt visszatér a korábbi megjelenéshez, a kijelzón párszor felvillan a „rES” üzenet.
- ✓ Ezzel a WLAN-beállításokat visszaállította a gyári értékekre.

További információk érdekében látogasson el arra a Dometic honlapra, melyről letöltötte az alkalmazást.

7.8 A kijelző fényerejének beállítása

Sötét környezetben a kijelző fényereje csökkenthető. A kijelző fényerejének beállításához a következőképpen járjon el:

- Kapcsolja be a hűtőládát.
- Nyomja meg négyszer a „SET” (**3** . ábra 4, 3. oldal) gombot.
- Az „UP +” (**3** . ábra 7, 3. oldal) vagy a „DOWN –” (**3** . ábra 6, 3. oldal) gombokkal állítsa be a kijelző fényerejét.
- ✓ A kijelzón a következő jelenik meg:
d0 (előre beállított), d1 (közepes fényerő), d2 (sötét)
- ✓ A kijelző néhány másodpercig a kiválasztott üzemmódot mutatja. A kijelző néhányszor villog, mielőtt visszatér az aktuális fényerőhöz.



MEGJEGYZÉS

- A kijelző fényerejének gyári beállítása d0 (előre beállított).
- Üzemzavar esetén a fényerő automatikusan visszaáll a d0 értékre (előre beállított). Az üzemzavar elhárítását követően ismét aktiválódik a beállított fényerő.

7.9 A vészkapcsoló használata (ha van)

A vészkapcsoló (4. ábra 3, 3. oldal) minden modellnél a kezelőpult alatt található, kivéve a CFX28 esetében. A CFX28 esetében a vészkapcsoló a csatlakozópersely felett található. Normál üzem során a kapcsoló a „NORMAL USE” (szokásos használat) helyzetben áll.

- ▶ Ha a vezérlőelektronika meghibásodik, tolja a kapcsolót „EMERGENCY OVERRIDE” (vészhelyzeti működtetés) helyzetbe.



MEGJEGYZÉS

Ha a kapcsoló „EMERGENCY OVERRIDE” helyzetben van, a hűtőláda a teljes hűtőteljesítménnyel működik és a tartalom mélyhűthető.

7.10 USB csatlakozó feszültségellátáshoz

Az USB csatlakozó kisebb készülékek (például mobiltelefonok és MP3 lejátszók) töltéséhez használható.

Ha a hűtőládát egy USB készülékkel szeretné működtetni, egyszerűen csatlakoztasson egy USB kábelt (külön beszerezendő) a készülékre.



MEGJEGYZÉS

Győződjön meg róla, hogy az USB csatlakozásra csatlakoztatott kisebb készülék alkalmas legyen 5 V / 500 mA tápellátású üzemelésre.

7.11 A hűtőláda kikapcsolása

- ▶ Ürítse ki a hűtőládát.
- ▶ Kapcsolja ki a hűtőládát.
- ▶ Húzza ki a csatlakozókábelt.

Ha a hűtőládát hosszabb ideig nem fogja használni:

- ▶ Hagyja a fedelet kissé nyitva. Így megakadályozhatja szagok képződését.

7.12 A hűtőláda leolvasztása

A levegő nedvességtartalma a párologtatónál vagy a hűtőláda belső terében deret képezve csökkenti a hűtőteltjesítményt. Olvassza le időben a készüléket.



FIGYELEM! Sérülésveszély!

A jégretegek eltávolítására vagy odafagyott tárgyak leválasztására soha ne használjon kemény vagy hegyes szerszámokat.

A hűtőláda leolvasztásához a következő módon járjon el:

- Vegye ki a hűtött árukat.
- Tárolja azokat adott esetben egy másik hűtőkészülékben, hogy hidegen maradjanak.
- Kapcsolja ki a készüléket.
- Hagyja nyitva a fedelet.
- Törölje fel az olvadékvizet.

7.13 A váltakozó áramú biztosíték cserélje



VESZÉLY! Áramütés miatti életveszély!

Mielőtt kicseréli a készülék biztosítékát, válassza le a feszültségellátást és húzza ki a csatlakozókábelt.

- Válassza le a készülék feszültségellátását.
- Húzza ki a csatlakozókábeleket.
- Pattintsa ki a biztosítékbetétet (4. ábra 2, 3. oldal) például egy csavarhúzó segítségével.
- Cserélje ki a meghibásodott üvegbiztosítékot egy ugyanolyan típusú és paraméterekkel rendelkező (4 A, 250 V) üvegbiztosítékra.
- Pattintsa vissza a biztosítékbetétet a készülékbe.
- Csatlakoztassa a készülék feszültségellátását.

7.14 Az egyenáramú dugaszolható biztosíték cserélje

- ▶ Csavarozza le az érintkezőstift házát (9. ábra 3, 5. oldal) a dugaszról (9. ábra 1, 5. oldal).
- ▶ Cserélje ki a meghibásodott biztosítékot (9. ábra 2, 5. oldal) egy ugyanolyan típusú, és paraméterekkel rendelkező (3AG, Fast Acting, 15 A) biztosítékra.
- ▶ Fordított sorrendben szerelje össze a dugócsatlakozót.

7.15 A vezetőlemez cseréje

- ▶ Válassza le a készülék feszültségellátását.
- ▶ Csavarhúzó segítségével nyissa fel az átlátszó borítást (10. ábra 1, 5. oldal).
- ▶ Oldja le a panel rögzítőcsavarjait (10. ábra 2, 5. oldal).
- ▶ Húzza ki a dugaszt a panelből (10. ábra 3, 5. oldal).
- ▶ Cserélje ki a hibás vezetőlemezt újra.
- ▶ Helyezze be az új vezetőlemezt úgy, hogy a régi áramkör eltávolítása közben végzett műveleteket fordított sorrendben hajtsa végre.
- ▶ Helyezze vissza az átlátszó burkolatot a házba.
- ▶ Csatlakoztassa a készülék feszültségellátását.

8 Tisztítás és ápolás



FIGYELMEZTETÉS!

A készüléket minden tisztítás és karbantartás előtt válassza le a hálózatról.



FIGYELEM! Sérülés veszélye!

- Soha ne tisztítsa a hűtőkészüléket folyó víz alatt vagy mosogatóvízben.
- Ne használjon a tisztításhoz éles tisztítóeszközöket vagy kemény tárgyakat, mert azok a hűtőkészüléket megsérthetik.

- Alkalmanként tisztítsa meg a készüléket kívül-belül nedves ruhával.
- Biztosítsa, hogy a készülék szellőztető és légtelenítő nyílásai por- és szennyeződésmentesek legyenek, mert így az üzem közben létrejövő hő távozhat és a készülék nem károsodik.

9 Szavatosság

A termékre a törvény szerinti szavatossági időszak érvényes. A termék meghibásodása esetén forduljon a gyártói lerakathoz (a címeket lásd jelen útmutató hátoldalán), illetve az illetékes szakkereskedőhöz.

A javításhoz, illetve a szavatossági adminisztrációhoz a következő dokumentumokat kell mellékelnie:

- a számla vásárlási dátummal rendelkező másolatát,
- a reklamáció okát vagy a hibát tartalmazó leírást.

10 Üzemzavar-elhárítás

Hiba	Lehetséges ok	Megoldási javaslat
A hűtőkészülék nem működik, az állapotjelző LED nem világít.	A jármű egyenáramú csatlakozóaljzatában nincs feszültség.	A legtöbb járműben be kell kapcsolni a gyújtást ahhoz, hogy feszültség legyen az egyenáramú csatlakozóaljzatban.
	A váltakozó áramú aljzatban nincs feszültség.	Próbáljon egy másik aljzatot használni.
	A készülékbiztosíték meghibásodott.	Cserélje ki a készülékbiztosítékot, lásd „A váltakozó áramú biztosíték cserélje” fej., 384. oldal.
	A beépített hálózati tápegység hibás.	A javítást csak hivatalos vevőszolgálat végezheti el.
A hűtőkészülék nem hűt (a dugasz be van illesztve, a „POWER” LED világít).	A kompresszor meghibásodott.	A javítást csak hivatalos vevőszolgálat végezheti el.
A hűtőkészülék nem hűt (a dugós csatlakozó be van dugva, a „POWER” LED narancssárgán villog, a kijelző ki van kapcsolva).	Az akkumulátorfigyelő üzemmódja túl magas szintű.	Állítsa az akkumulátorfigyelő üzemmódját alacsonyabb szintre.
	Az akkumulátorfeszültség túl alacsony.	Szükség esetén töltsse fel az akkumulátort.
Egyenáramú csatlakozóaljzatról való üzemeltetéskor: A gyújtás be van kapcsolva, a készülék nem működik és a LED nem világít.	Elszennyeződött az egyenáramú csatlakozóaljzat foglalatja. Emiatt rossz az elektromos érintkezés.	Ha a hűtőkészülék dugasza nagyon felmelegszik az egyenáramú csatlakozóaljzat foglalatában, akkor vagy a foglalatot kell megtisztítani, vagy esetleg a dugasz van hibásan összeszerelve.
	Kiégett az egyenáramú dugasz biztosítóka.	Cserélje ki az egyenáramú dugasz biztosítékát, lásd: „Az egyenáramú dugaszolható biztosíték cserélje” fej., 385. oldal
	Kiégett a jármű biztosítóka.	Cserélje ki a jármű egyenáramú csatlakozóaljzatának biztosítékát (ennek során vegye figyelembe járműve üzemeltetési útmutatásait).

Hiba	Lehetséges ok	Megoldási javaslat
A kijelzőn hibaüzenet jelenik meg (pl. „Err1”) és a hűtőkészülék nem hűt.	Belső üzemzavar miatt a hűtőkészülék kikapcsolt.	A javítást csak hivatalos vevőszolgálat végezheti el.
Az egyik rekesz belső világítása villog.	A rekesz fedelét három percnél hosszabb ideig nyitva hagyták.	Zárja le a rekesz fedelét.

11 Leselejtezés

- A csomagolóanyagot lehetőleg a megfelelő újrahasznosítható hulladék közé tegye.



Ha a terméket véglegesen kivonja a forgalomból, kérjük, tájékozódjon a legközelebbi hulladékártalmatlanító központnál vagy a szakkereskedőjénél az idevonatkozó ártalmatlanítási előírásokkal kapcsolatosan.

12 Műszaki adatok

	CFX28	CFX35W	CFX40W
Cikkszám:	9600000468 9600000469	9600000470 9600000471	9600000472 9600000473
Csatlakozási feszültség:	12/24 V \equiv és 100 – 240 V \sim		
Névleges áram:	12 V \equiv : 6,5 A 24 V \equiv : 3,2 A 100 V \sim : 0,75 A 240 V \sim : 0,32 A	12 V \equiv : 7,0 A 24 V \equiv : 3,2 A 100 V \sim : 0,86 A 240 V \sim : 0,42 A	
Hűtési teljesítmény:	+10 °C és –22 °C között (+50 °F és –8 °F között)		
Kategória:	1		
Energiahatékonysági osztály:	A++		
Energiafogyasztás:	61 kWh/év	62 kWh/év	64 kWh/év
Bruttó úrtartalom:	28 l	34,5 l	41 l
Hasznos térfogat:	26 l	32 l	38 l
Klímaosztály:	N, T		
Környezeti hőmérséklet:	+16 °C és +43 °C között (+61 °F és +110 °F között)		
Zajkibocsátás:	34 dB (A)	42 dB (A)	
USB csatlakozó:	5 V \equiv , 500 mA		
Frekvenciasáv (WiFi):	2,4 GHz (rádiófrekvenciás modul)	2,4 GHz	
Nagyfrekvenciás teljesítmény (WiFi):	11 – 0 dBm (rádiófrekvenciás modul)	16 ± 1,5 dBm (802.11b CCK, 11 MBit/s) 12 ± 1,5 dBm (802.11g OFDM, 54 MBit/s) 11 ± 1,5 dBm (802.11n HT20, MCS7)	
Hűtőközeg mennyisége:	38 g	33 g	38 g
CO ₂ -egyenérték:	0,054 t	0,047 t	0,054 t
Üvegházpotenciál (GWP):	1430		

	CFX28	CFX35W	CFX40W
Méretek (szélesség x magasság x mélység) mm-ben (fogantyúkkal):	342 x 425 x 620	398 x 411 x 692	398 x 461 x 692
Súly:	13 kg	17,5 kg	18,5 kg

	CFX50W	CFX65W	CFX65DZ
Cikkszám:	9600000474 9600000475	9600000476 9600000477	9600000478 9600000479
Csatlakozási feszültség:	12/24 V \equiv és 100 – 240 V \sim		
Névleges áram:	12 V \equiv : 7,8 A 24 V \equiv : 3,6 A 100 V \sim : 0,95 A 240 V \sim : 0,46 A	12 V \equiv : 8,2 A 24 V \equiv : 3,8 A 100 V \sim : 1,0 A 240 V \sim : 0,48 A	12 V \equiv : 5,5 A 24 V \equiv : 2,6 A 100 V \sim : 0,75 A 240 V \sim : 0,37 A
Hűtési teljesítmény:	+10 °C és –22 °C között (+50 °F és –8 °F között)		
Kategória:	1		
Energiahatékonysági osztály:	A++		A+
Energiafogyasztás:	66 kWh/év	69 kWh/év	115 kWh/év
Bruttó űrtartalom:	50 l	65 l	Térosztóval: 61 l Térosztó nélkül: 65 l
Hasznos térfogat:	46 l	60 l	53 l
Klímaosztály:	N, T		
Környezeti hőmérséklet:	+16 °C és +43 °C között (+61 °F és +110 °F között)		
Zajkibocsátás:	42 dB (A)		
USB csatlakozó:	5 V \equiv , 500 mA		
Frekvenciasáv (WiFi):	2,4 GHz		–
Nagyfrekvenciás teljesítmény (WiFi):	16 \pm 1,5 dBm (802.11b CCK, 11 MBit/s) 12 \pm 1,5 dBm (802.11g OFDM, 54 MBit/s) 11 \pm 1,5 dBm (802.11n HT20, MCS7)		–

	CFX50W	CFX65W	CFX65DZ
Hűtőközeg mennyisége:	43 g	57 g	31 g
CO ₂ -egyenérték:	0,062 t	0,082 t	0,044 t
Üvegházipotenciál (GWP):	1430		
Méreték (szélesség x magasság x mélység) mm-ben (fogantyúkkal):	725 x 471 x 455	725 x 561 x 455	725 x 561 x 455
Súly:	20,4 kg	22,3 kg	23,2 kg

**MEGJEGYZÉS**

32 °C (90 °F) fölötti környezeti hőmérséklet esetén a minimális hőmérséklet már nem érhető el.

Vizsgálat / tanúsítványok:



A hűtőkör R134a közeget tartalmaz.

Fluorozott üvegházgázokat tartalmaz

Hermetikusan zárt berendezés

A készülék WiFi funkciójának használata az EU tagországokban nincs korlátozva.

AUSTRALIA**Dometic Australia Pty. Ltd.**1 John Duncan Court
Varsity Lakes QLD 4227
☎ 1800 212121
📠 +61 7 55076001
Mail: sales@dometic.com.au**AUSTRIA****Dometic Austria GmbH**Neudorferstraße 108
A-2353 Guntramsdorf
☎ +43 2236 908070
📠 +43 2236 90807060
Mail: info@dometic.at**BENELUX****Dometic Branch Office Belgium**Zincstraat 3
B-1500 Halle
☎ +32 2 3598040
📠 +32 2 3598050
Mail: info@dometic.be**BRAZIL****Dometic DO Brasil LTDA**Avenida Paulista 1754, conj. 111
SP 01310-920 Sao Paulo
☎ +55 11 3251 3352
📠 +55 11 3251 3362
Mail: info@dometic.com.br**DENMARK****Dometic Denmark A/S**Nordensvej 15, Taulov
DK-7000 Fredericia
☎ +45 75585966
📠 +45 75586307
Mail: info@dometic.dk**FINLAND****Dometic Finland OY**Mestariitie 4
FIN-01730 Vantaa
☎ +358 20 7413220
📠 +358 9 7593700
Mail: info@dometic.fi**FRANCE****Dometic SAS**ZA du Pré de la Dame Jeanne
B.P. 5
F-60128 Pleilly
☎ +33 3 44633525
📠 +33 3 44633518
Mail: vehiculesdeloisirs@dometic.fr**HONG KONG****Dometic Group Asia Pacific**Suites 2207-11 / 22/F - Tower 1
The Gateway - 25 Canton Road,
Tsim Sha Tsui - Kowloon
☎ +852 2 4611386
📠 +852 2 4665553
Mail: info@waeco.com.hk**HUNGARY****Dometic Zrt. Sales Office**Kerekgyártó u. 5.
H-1147 Budapest
☎ +36 1 468 4400
📠 +36 1 468 4401
Mail: budapest@dometic.hu**ITALY****Dometic Italy S.r.l.**Via Virgilio, 3
I-47122 Forlì (FC)
☎ +39 0543 754901
📠 +39 0543 754983
Mail: vendite@dometic.it**JAPAN****Dometic KK**Maekawa-Shibaura, Bldg. 2
2-13-9 Shibaura Minato-ku
Tokyo 108-0023
☎ +81 3 5445 3333
📠 +81 3 5445 3339
Mail: info@dometic.jp**MEXICO****Dometic Mx, S. de R. L. de C. V.**Circuito Médicos No. 6 Local 1
Colonia Ciudad Satélite
CP 53100 Naucalpan de Juárez
Estado de México
☎ +52 55 5374 4108
📠 +52 55 5393 4683
Mail: info@dometic.com.mx**NETHERLANDS****Dometic Benelux B.V.**Ecustraat 3
NL-4879 NP Etten-Leur
☎ +31 76 5029000
📠 +31 76 5029019
Mail: info@dometic.nl**NEW ZEALAND****Dometic New Zealand Ltd.**PO Box 12011
Penrose
Auckland 1642
☎ +64 9 622 1490
📠 +64 9 622 1573
Mail: customerservices@dometic.co.nz**NORWAY****Dometic Norway AS**Østerøyveien 46
N-3232 Sandefjord
☎ +47 33428450
📠 +47 33428459
Mail: firmapost@dometic.no**POLAND****Dometic Poland Sp. z o.o.**Ul. Rulawska 435A
Pl-02-801 Warszawa
☎ +48 22 414 3200
📠 +48 22 414 3201
Mail: info@dometic.pl**PORTUGAL****Dometic Spain, S.L.**Branch Office em Portugal
Rot. de São Gonçalo nº 1 – Esc. 12
2775-399 Carcavelos
☎ +351 219 244 173
📠 +351 219 243 206
Mail: info@dometic.pt**RUSSIA****Dometic RUS LLC**Komsomolskaya square 6-1
RU-107140 Moscow
☎ +7 495 780 79 39
📠 +7 495 916 56 53
Mail: info@dometic.ru**SINGAPORE****Dometic Pte Ltd**18 Boon Lay Way 06-140 Trade Hub 21
Singapore 609966
☎ +65 6795 3177
📠 +65 6862 6620
Mail: dometic@dometic.com.sg**SLOVAKIA****Dometic Slovakia s.r.o. Sales Office Bratislava**Nádražná 34/A
900 28 Ivanka pri Dunaji
☎ / 📠 +421 2 45 529 680
Mail: bratislava@dometic.com**SOUTH AFRICA****Dometic (Pty) Ltd.****Regional Office****South Africa & Sub-Saharan Africa**2 Avalon Road
West Lake View Ext 11
Modderfontein 1645
Johannesburg
☎ +27 11 4504978
📠 +27 11 4504976
Mail: info@dometic.co.za**SPAIN****Dometic Spain S.L.**Avda. Sierra del Guadarrama, 16
E-28691 Villanueva de la Cañada
Madrid
☎ +34 91 833 60 89
📠 +34 900 100 245
Mail: info@dometic.es**SWEDEN****Dometic Scandinavia AB**Gustaf Melins gata 7
S-42131 Västra Frölunda
☎ +46 31 7341100
📠 +46 31 7341101
Mail: info@dometicgroup.se**SWITZERLAND****Dometic Switzerland AG**Riedackerstrasse 7a
CH-8153 Rümlang
☎ +41 44 8187171
📠 +41 44 8187191
Mail: info@dometic.ch**UNITED ARAB EMIRATES****Dometic Middle East FZCO**P. O. Box 17860
S-D 6, Jebel Ali Freezone
Dubai
☎ +971 4 883 3858
📠 +971 4 883 3868
Mail: info@dometic.ae**UNITED KINGDOM****Dometic UK Ltd.**Dometic House, The Brewery
Blandford St. Mary
Dorset DT11 9LS
☎ +44 344 626 0133
📠 +44 344 626 0143
Mail: customerservices@dometic.co.uk**USA****Dometic RV Division**1120 North Main Street
Elkhart, IN 46515
☎ +1 574-264-2131