



PHONES

(044) 338-0-130
(050) 332-0-130
(063) 577-0-130
(067) 353-0-130

130
COM.UA

Internet store of
autogoods



SKYPE
km-130

CAR RECEIVERS — Receivers • Media receivers and stations • Native receivers • CD/DVD changers • FM-modulators/USB adapters • Flash memory • Facia plates and adapters • Antennas • Accessories |
CAR AUDIO — Car audio speakers • Amplifiers • Subwoofers • Processors • Crossovers • Headphones • Accessories | TRIP COMPUTERS — Universal computers • Model computers • Accessories |
GPS NAVIGATORS — Portable GPS • Built-in GPS • GPS modules • GPS trackers • Antennas for GPS navigators • Accessories | VIDEO — DVR • TV sets and monitors • Car TV tuners • Cameras • Videomodules
• Transcoders • Car TV antennas • Accessories | SECURITY SYSTEMS — Car alarms • Bike alarms • Mechanical blockers • Immobilizers • Sensors • Accessories | OPTIC AND LIGHT — Xenon • Bixenon • Lamps
• LED • Stroboscopes • Optic and Headlights • Washers • Light, rain sensors • Accessories | PARKTRONICS AND MIRRORS — Rear parktronic • Front parktronic • Combined parktronic • Rear-view mirrors
• Accessories | HEATING AND COOLING — Seat heaters • Mirrors heaters • Screen-wipers heaters • Engine heaters • Auto-refrigerators • Air conditioning units • Accessories | TUNING — Vibro-isolation
• Noise-isolation • Tint films • Accessories | ACCESSORIES — Radar-detectors • Handsfree, Bluetooth • Windowlifters • Compressors • Beeps, loudspeakers • Measuring instruments • Cleaners • Carsits
• Miscellaneous | MOUNTING — Installation kits • Upholstery • Grilles • Tubes • Cable and wire • Tools • Miscellaneous | POWER — Batteries • Converters • Start-charging equipment • Capacitors
• Accessories | MARINE AUDIO AND ELECTRONICS — Marine receivers • Marine audio speakers • Marine subwoofers • Marine amplifiers • Accessories | CAR CARE PRODUCTS — Additives • Washer fluid •
Care accessories • Car polish • Flavors • Adhesives and sealants | LIQUID AND OIL — Motor oil • Transmission oil • Brake fluid • Antifreeze • Technical lubricant



In store "130" you can find and buy almost all necessary goods for your auto in Kyiv and other cities, delivery by ground and postal services. Our experienced consultants will provide you with exhaustive information and help you to chose the very particular thing. We are waiting for you at the address

<http://130.com.ua>



CF11



CF16

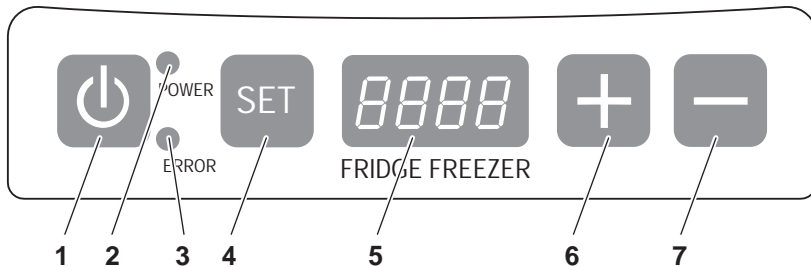


CF26

CoolFreeze CF 11, CF 16, CF 26

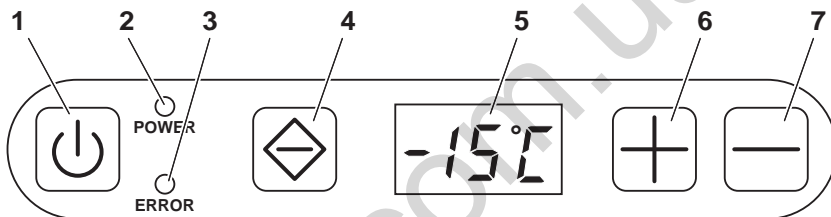
EN 21 Compressor Cooler
Operating manual

1



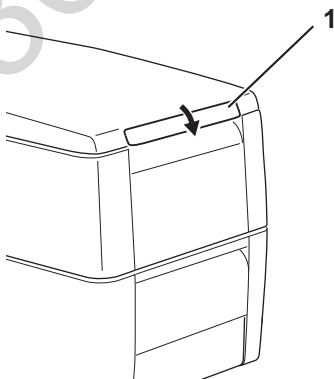
CF11

2

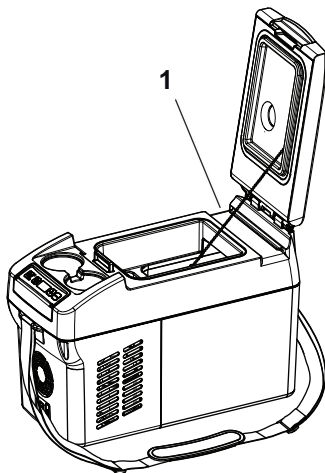


CF16, CF26

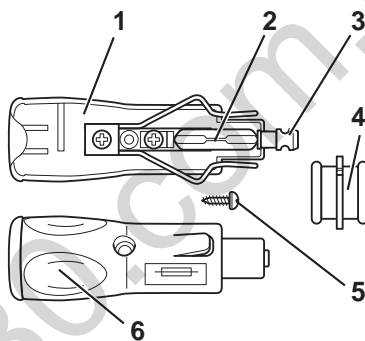
3



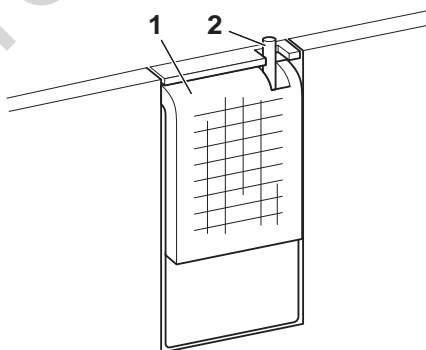
4



5



6



Please read this operating manual carefully before starting the device. Keep it in a safe place for future reference. If the device is passed on to another person, this operating manual must be handed over to the user along with it.

The manufacturer cannot be held liable for damage resulting from **improper usage** or **incorrect operation**.

Table of contents

1	Explanation of symbols	21
2	Safety instructions	22
3	Scope of delivery	24
4	Intended use	24
5	Technical description	25
6	Operation	26
8	Cleaning and maintenance	33
9	Troubleshooting	34
10	Disposal	35
11	Technical data	36

1 Explanation of symbols



WARNING!

Safety instruction: Failure to observe this instruction can cause fatal or serious injury.



CAUTION!

Safety instruction: Failure to observe this instruction can lead to injury.



NOTICE!

Failure to observe this instruction can cause material damage and impair the function of the product.

**NOTE**

Supplementary information for operating the product.

- ▶ **Action:** This symbol indicates that action is required on your part. The required action is described step-by-step.
- ✓ This symbol describes the result of an action.

Fig. 1 5, page 3: This refers to an element in an illustration. In this case, item 5 in figure 1 on page 3.

2 Safety instructions

2.1 General safety

**WARNING!**

- Do not operate the device if it is visibly damaged.
- If this device's power cable is damaged, it must be replaced by the manufacturer, customer service or a similarly qualified person in order to prevent safety hazards.
- This device may only be repaired by qualified personnel. Improper repairs can lead to considerable hazards.
- This device can be used by children aged 8 years or over, as well as by persons with diminished physical, sensory or mental capacities or a lack of experience and/or knowledge, providing they are supervised or have been taught how to use the device safely and are aware of the resulting risks.
- Cleaning and user maintenance must not be carried out by children without supervision.
- Children must not play with the device.
- Children must be supervised to ensure that they do not play with the device.
- Always keep and use the device out of the reach of children under the age of 8 years.
- Do not store any explosive substances such as spray cans with a flammable propellant in the device.

**CAUTION!**

- Disconnect the device from the power supply
 - before each cleaning and maintenance
 - after every use
- Food may only be stored in its original packaging or in suitable containers.

**NOTICE!**

- Check that the voltage specification on the type plate corresponds to that of the energy supply.
- Only connect the device to a DC plug socket in the vehicle (e. g. cigarette lighter) with the DC cable.
- Only connect the device as follows:
 - With the DC cable to a DC plug socket in the vehicle (e. g. cigarette lighter)
 - Or with the 230 V connection cable to the 230 V AC mains supply
- Connect the device with the 230 V connection cable to the 230 V AC mains supply.
- Never pull the plug out of the socket by the cable.
- If the cooler is connected to the DC socket: Disconnect the cooler and other power consuming devices from the battery before connecting the quick charging device.
- If the cooler is connected to the DC socket: Disconnect the cooler or switch it off when you turn off the engine. Otherwise you may discharge the battery.
- The cooling device is not suitable for transporting caustic materials or materials containing solvents.
- The cooling device contains inflammable cyclopentane in the insulation. The gases in the insulation material require special disposal procedures. Deliver the device at the end of its life-cycle to an appropriate recycling.

2.2 Operating the device safely

**CAUTION!**

- Before starting the device, ensure that the power supply line and the plug are dry.

**NOTICE!**

- Do not use electrical devices inside the cooler unless they are recommended by the manufacturer for the purpose.
- Do not place the device near naked flames or other heat sources (heaters, direct sunlight, gas ovens etc.).
- **Danger of overheating!**
Ensure at all times that there is sufficient ventilation so that the heat that arises during operation does not build up. Make sure that the device is sufficiently far away from walls and other objects so that the air can circulate.
- Ensure that the ventilation openings are not covered.
- Do not fill the inner container with ice or fluid.
- Never immerse the device in water.
- Protect the device and the cable against heat and moisture.

3 Scope of delivery

- Compressor cooler
- Connection cable for DC connection
- Connection cable for AC connection
- Operating manual
- Shoulder strap (CF 11)

4 Intended use

The compressor cooler CF 11 (item no. 9105330183), CF 16 (item no. 9105330184), CF 26 (item no. 9105330185) is suitable for refrigerating and freezing foodstuffs.

The compressor cooler has been designed for operation using a 12/24 V on-board socket of a car (DC socket) or caravan as well as an AC mains supply.

The compressor cooler can also be used for camping. The compressor cooler may not be exposed to rain.



CAUTION! Health hazard!

Please check if the cooling capacity of the compressor cooler is suitable for storing the food or medicine you wish to cool.

5 Technical description

The cooler can chill products, keep them cool as well as freeze them. A maintenance-free refrigerant circuit with compressor provides the cooling.

The cooler is portable.

For use in vehicles, the cooling device can be secured with a safety belt (CF11).

When used on boats, the cooler can withstand a constant heel (inclination) of 30°.

An integrated battery monitor can be switched on to protect your vehicle battery from discharging to dangerously low levels (see chapter "Using the battery monitor" on page 30).

5.1 Operating and display elements

Control panel (fig. **1**, page 3, fig. **2**, page 3)

Item	Description	Explanation	
1	ON/OFF button	Switches the cooling device on or off when the button is pressed for between one and two seconds	
2	POWER	Operating display	
		LED lights up green	Compressor is on; set temperature not yet reached
		LED lights up orange	Set temperature has been reached
		LED flashes orange	Voltage is too low
3	ERROR	LED flashes red: Device is switched on but not ready for operation	

Item	Description	Explanation
4	SET	Selects the input mode <ul style="list-style-type: none"> – Setting the temperature – Set temperature unit (°Celsius or °Fahrenheit) – Set the battery monitor
5	Display	Displays the temperature in the refrigerator compartment The first three digits of the four-digit display show the temperature, the fourth digit indicates the temperature unit (°C or °F). When an error occurs, the display shows “Err1” or “Err2”.
6	+	Press once to increase the selected value
7	–	Press once to decrease the selected value

6 Operation

The cooling device is equipped with an LED interior light that remains on when the voltage is applied. The energy consumption of the LED interior light is extremely low and is negligible compared to the total energy consumption of the device.

6.1 Before initial use



NOTE

Before starting your new cooler for the first time, you should clean it inside and outside with a damp cloth for hygienic reasons (see also chapter “Cleaning and maintenance” on page 33).

6.2 Energy saving tips

- Choose a well ventilated location which is protected from direct sunlight.
- Allow warm food to cool down first before placing it in the device to keep cool.
- Do not open the cooling device more often than necessary.
- Do not leave the lid open for longer than necessary.
- Defrost the cooling device as soon as a layer of ice forms.
- Avoid unnecessarily low temperature settings.

6.3 Locking the cooling device

- Close the lid.
- Press the latch (fig. **3** 7, page 3) down, until it latches in place audibly.

6.4 Connecting the cooling device

Connection to the DC socket

**NOTE**

If you connect the cooler to the DC socket, remember that the ignition must be turned on to supply it with power.

- Place the cooler on a firm base.
Make sure that the ventilation slots are not covered and that the heated air can be dissipated.
- Connect the 12/24 V connection cable to the DC socket in the vehicle.

Connecting to a 100–240 V AC mains (e.g. at home or in the office)



DANGER! Danger of electrocution

- Never handle plugs and switches with wet hands or if you are standing on a wet surface.
- If you are operating your cooler on board a boat with an AC mains connection of 100-240 V from the land, you must install a residual current circuit breaker between the 100-240 V AC mains supply and the cooler.
Seek advice from a trained technician.

The cooling device has a built-in multi-voltage mains adapter with a priority circuit for connecting to a 100-240 V AC supply. The priority circuit automatically switches to mains operation if the appliance is connected to a 100–240 V AC supply, even if the 12/24 V cable is still connected.

- Plug the 100–240-V connection cable into the device AC voltage socket and connect it to the 100–240 V AC voltage mains.

6.5 Secure the cooling device in the vehicle (CF11)

- Open the lid of the cooling device.
- Place the safety strap into the guide (fig. **4** 1, page 4) of the cooling device.
- Close the lid.
- Engage the safety strap and tighten it.

6.6 Switch on the cooling device (fig. **1**, page 3, fig. **2**, page 3)



NOTICE! Risk of damage!

- Always ensure sufficient ventilation so that the heat generated during operation can dissipate. Ensure that the ventilation slots are not covered. Make sure that the device is sufficiently far away from walls and other objects so that the air can circulate.
- Ensure that the items placed in the cooler are suitable for cooling to the selected temperature.
- Disconnect the cooler and other electric consumers from the battery before you connect the battery to a quick charging device. Overvoltage can damage the electronics of the device.

For safety reasons, the cooler is equipped with an electronic system to prevent the polarity being reversed. This protects the cooler against reversed polarity when connecting to a battery and against short circuiting.

- Press the ON/OFF button (**1**) for three seconds.
- ✓ The “POWER” LED (**2**) is lit green.
Once the cooling device has reached the saved temperature, the LED lights up orange.
- ✓ The display (**5**) switches on and shows the current cooling temperature.
- ✓ The cooler starts cooling the interior.

6.7 Setting the temperature (fig. 1, page 3, fig. 2, page 3)

- ▶ Press the “SET” (4) button once.
- ▶ Use the “+” (6) and “-” (7) buttons to set the cooling temperature.
- ✓ The set cooling temperature then appears in the display for a few seconds. The display flashes several times before it returns to the current temperature.

6.8 Selecting the temperature unit (fig. 1, page 3, fig. 2, page 3)

You can switch the temperature display between Celsius and Fahrenheit. To do this, proceed as follows:

- ▶ Switch on the cooler.
- ▶ Press the “SET” button (4,) twice.
- ▶ Use the “+” (6) or “-” (7) buttons to set the temperature unit °Celsius or °Fahrenheit.
- ✓ The selected temperature units then appear in the display for a few seconds. The display flashes several times before it returns to the current temperature.

6.9 Using the battery monitor



NOTICE! Beware of damage

When switched off by the battery monitor, the battery will no longer be fully charged. Avoid starting repeatedly or operating electric consumers without longer charging phases. Make sure that the battery is recharged.

The cooling device is equipped with a multi-level battery monitor that protects your vehicle battery against excessive discharging when the device is connected to the 12 V vehicle electrics.

If the cooler is operated when the vehicle ignition is switched off, the cooler switches off automatically as soon as the supply voltage falls below a set level. The cooler will switch back on once the battery has been recharged to the restart voltage level.

**NOTE**

When the cooling device is switched off by the battery monitor due to low voltage, the display (fig. **2** 5, page 3) switches off and the “Power” LED (fig. **2** 2, page 3) flashes orange.

In HIGH mode, the battery monitor responds faster than at the levels “LOW” and “MED” (see the following table).

CF11, CF16, CF26:

Battery monitor mode	LOW	MED	HIGH
Cut-off voltage at 12 V	10.1 V	11.4 V	11.8 V
Cut-in voltage at 12 V	11.1 V	12.2 V	12.6 V
Cut-off voltage at 24 V	21.5 V	24.1 V	24.6 V
Cut-in voltage at 24 V	23.0 V	25.3 V	26.2 V

This is how to select the battery monitor mode (fig. **1**, page 3, fig. **2**, page 3):

- Switch on the cooler.
- Press the “SET” button (**4**) three times.
- Use the “+” (**6**) and “-” (**7**) buttons to select the battery monitor mode..
- ✓ The selected mode then appears in the display for a few seconds. The display flashes several times before it returns to the current temperature.

**NOTE**

When the cooler is supplied by the starter battery, select the battery monitor mode HIGH. When the cooler is connected to a supply battery, the battery monitor mode LOW will suffice.
If you wish to operate the cooling device from the AC mains, set the battery monitor to LOW.

6.10 Switching off the cooling device (fig. **1**, page 3, fig. **2**, page 3)

- Empty the cooling device.
- Switch the cooling device off: Press the ON/OFF button (**1**) for three seconds.
- Disconnect the plug.

If you do not want to use the cooling device for a longer period of time:

- Leave the lid slightly open. This prevents smells from building up.

6.11 Defrosting the cooling device

Humidity can form frost in the interior of the cooling device or on the vaporiser. This reduces the cooling capacity.

Defrost the device in good time to avoid this.



NOTICE! Risk of damage to the device!

Never use hard or sharp tools to remove ice or to free objects frozen onto the device.

To defrost the cooling device, proceed as follows:

- Empty the contents.
- If necessary, put them in another cooling device to keep them chilled.
- Switch off the device.
- Leave the lid open.
- Wipe off the condensate.

7 Replacing the plug fuse (12/24 V) (fig. **5**, page 4)

- Pull the adapter sleeve (**4**) off of the plug.
- Unscrew the screw (**5**) out of the upper half of the housing (**6**).
- Carefully lift the upper half of the housing off the lower half (**1**).
- Take out the contact pin (**3**).

- Replace the defective fuse **(2)** with a new one that has the same rating (T8A 32V).
- Re-assemble the plug in the reverse order.

7.1 Replacing the bulb (CF16, CF26)

- Press the switch pin (fig. **6** 2, page 4) downwards so that the transparent part (fig. **6** 1, page 4) of the lamp can be removed at the front.
- Replace the light bulb.
- Press the lamp back into the housing.

8 Cleaning and maintenance



WARNING!

Always disconnect the device from the power supply before you clean and service it.



NOTICE! Risk of damage

- Never clean the cooler under running water or in dish water.
- Do not use abrasive cleaning agents or hard objects during cleaning as these can damage the cooler.

- Occasionally clean the device interior and exterior with a damp cloth.
- Make sure that the air inlet and outlet vents on the device are free of any dust and dirt, so that heat can be released and the device is not damaged.

9 Troubleshooting

Problem	Possible cause	Suggested remedy
Device does not function, "POWER" LED does not light up.	No voltage is flowing from the DC power socket in your vehicle.	The ignition must be switched on in most vehicles to supply current to the on-board power socket.
	No voltage present in the AC voltage socket.	Try using another plug socket.
CF11, CF26: The device does not cool (plug is inserted, "POWER" LED is lit).	Defective compressor.	This can only be repaired by an authorised repair centre.
CF11, CF16: The device does not cool (plug is inserted, "POWER" LED flashes, display is empty).	The voltage is too low at the 12/24 V socket.	Check the battery and charge if necessary. Check the cables and connections.
When operating from the 12/24 V socket (DC socket): The ignition is on, the device is not working and the "POWER" LED is not lit. Pull the plug out of the socket and make the following checks.	The DC socket is dirty. This results in a poor electrical contact.	If the plug of your cooler becomes very warm in the DC socket, either the socket must be cleaned or the plug has not been assembled correctly.
	The fuse of the 12/24 V plug has blown.	Replace the fuse of the 12/24-V plug (fig. 5 2, page 4).
	The vehicle fuse has blown.	Replace the vehicle's 12/24 V socket fuse (usually 15 A). Please refer to the operating manual of your vehicle.
CF11: The "ERROR" LED flashes and the display shows "ERR1" or "ERR2".	Defective device.	This can only be repaired by an authorised repair centre.
CF16: The display shows an error message (e.g. "Err1") and the device does not cool.	The appliance has switched off due to an internal fault.	This can only be repaired by an authorised customer service centre.
CF26: "ERROR" LED flashes for longer than 2 minutes, as follows: 3 flashes, pause, 3 flashes, pause, ...	Defective device.	This can only be repaired by an authorised repair centre.

10 Disposal





- Place the packaging material in the appropriate recycling waste bins wherever possible.



If you wish to finally dispose of the product, ask your local recycling centre or specialist dealer for details about how to do this in accordance with the applicable disposal regulations.

130.com.ua

11 Technical data

	CF 11	CF 16	CF 26
Item no.:	9105330183	9105330184	9105330185
Voltage:	12/24 V \equiv and 100–240 V \sim		
Power consumption:	30 W	35 W	35 W
Rated current:			
100 V \sim :	0.5 A	0.5 A	0.5 A
100–240 V \sim :	0.1 A	0.1 A	0.1 A
12 V \equiv :	2.2 A	2.9 A	2.9 A
24 V \equiv :	1.3 A	1.7 A	1.7 A
Cooling range:	+10 °C to –18 °C		
Energy efficiency class:	A++	A++	A++
Category:	Category 1 (refrigerator with one or more fresh-food storage compartments)		
Climate class:	N or T		
Ambient temperature:	+16 °C – +43 °C		
Noise emission:	46 dB (A)	48 dB (A)	48 dB (A)
Gross capacity:	11 l	16 l	23 l
Capacity:	10,5 l	15 l	21 l
Dimensions (W x H x D):	540 x 352 x 235 mm	549,5 x 366 x 260 mm	550 x 425 x 260 mm
Weight	9.2 kg	10.2 kg	12.7 kg
Inspection/certification:	   		



NOTE

With ambient temperatures above +32°C (90 °F), the minimum temperature can no longer be reached.

The refrigerant circuit contains R134a.