



PHONES

(044) 338-0-130  
(050) 332-0-130  
(063) 577-0-130  
(067) 353-0-130

130  
COM.UA

Internet store of  
autogoods



SKYPE  
km-130

CAR RECEIVERS — Receivers • Media receivers and stations • Native receivers • CD/DVD changers • FM-modulators/USB adapters • Flash memory • Facia plates and adapters • Antennas • Accessories |  
CAR AUDIO — Car audio speakers • Amplifiers • Subwoofers • Processors • Crossovers • Headphones • Accessories | TRIP COMPUTERS — Universal computers • Model computers • Accessories |  
GPS NAVIGATORS — Portable GPS • Built-in GPS • GPS modules • GPS trackers • Antennas for GPS navigators • Accessories | VIDEO — DVR • TV sets and monitors • Car TV tuners • Cameras • Videomodules  
• Transcoders • Car TV antennas • Accessories | SECURITY SYSTEMS — Car alarms • Bike alarms • Mechanical blockers • Immobilizers • Sensors • Accessories | OPTIC AND LIGHT — Xenon • Bixenon • Lamps  
• LED • Stroboscopes • Optic and Headlights • Washers • Light, rain sensors • Accessories | PARKTRONICS AND MIRRORS — Rear parktronic • Front parktronic • Combined parktronic • Rear-view mirrors  
• Accessories | HEATING AND COOLING — Seat heaters • Mirrors heaters • Screen-wipers heaters • Engine heaters • Auto-refrigerators • Air conditioning units • Accessories | TUNING — Vibro-isolation  
• Noise-isolation • Tint films • Accessories | ACCESSORIES — Radar-detectors • Handsfree, Bluetooth • Windowlifters • Compressors • Measuring instruments • Cleaners • Carsits  
• Miscellaneous | MOUNTING — Installation kits • Upholstery • Grilles • Tubes • Cable and wire • Tools • Miscellaneous | POWER — Batteries • Converters • Start-charging equipment • Capacitors  
• Accessories | MARINE AUDIO AND ELECTRONICS — Marine receivers • Marine audio speakers • Marine subwoofers • Marine amplifiers • Accessories | CAR CARE PRODUCTS — Additives • Washer fluid •  
Care accessories • Car polish • Flavors • Adhesives and sealants | LIQUID AND OIL — Motor oil • Transmission oil • Brake fluid • Antifreeze • Technical lubricant



In store "130" you can find and buy almost all necessary goods for your auto in Kyiv and other cities, delivery by ground and postal services. Our experienced consultants will provide you with exhaustive information and help you to chose the very particular thing. We are waiting for you at the address

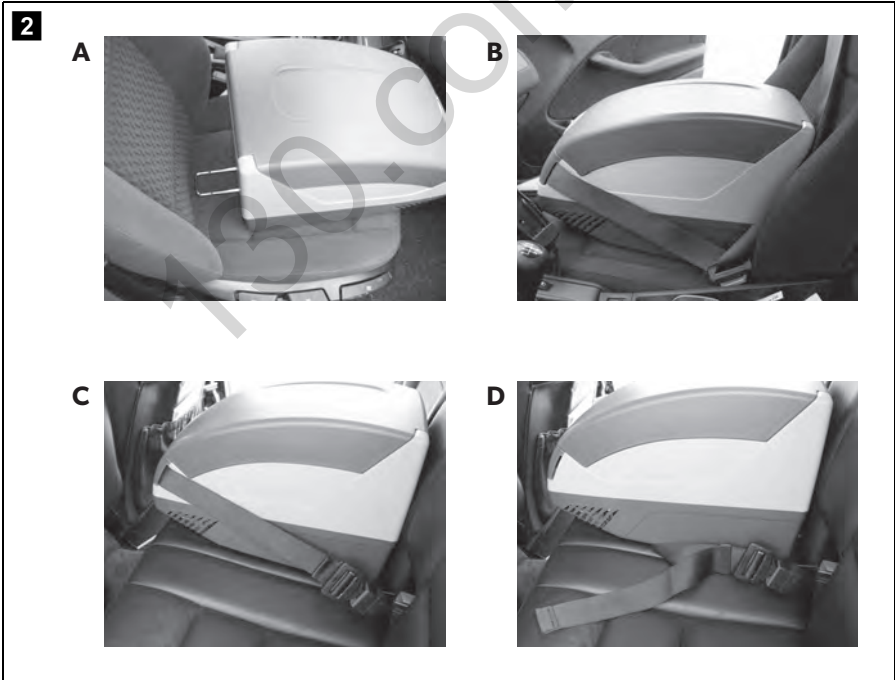
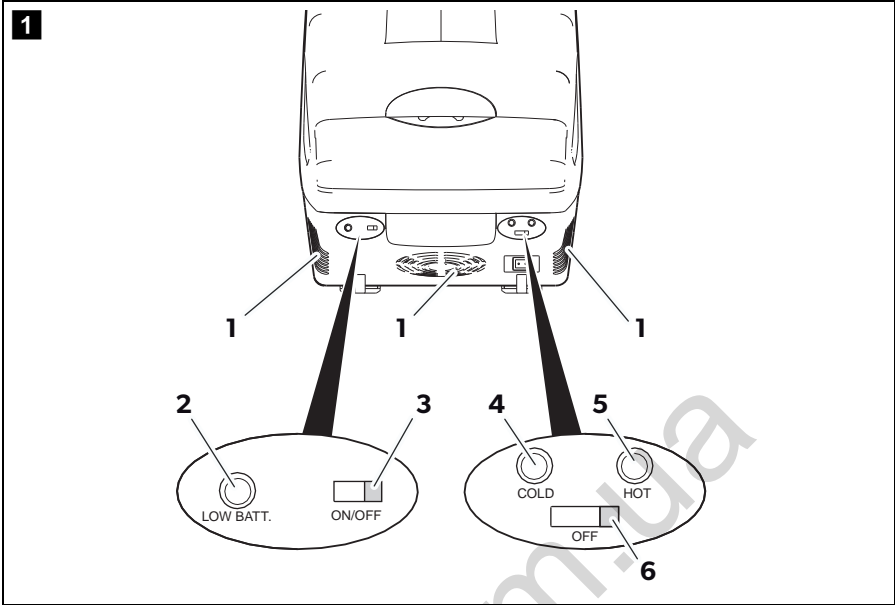
<http://130.com.ua>

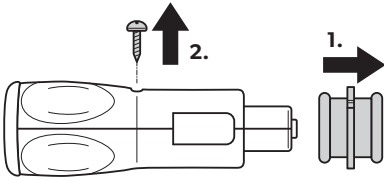
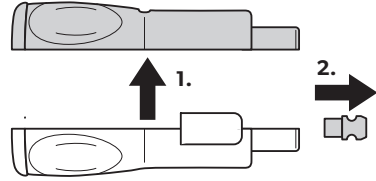
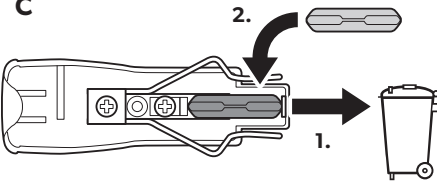
# ↗ DOMETIC COOLING BOXES BORDBAR



TB15

<b>EN</b>	<b>Thermoelectric cooler</b>	
	Operating manual .....	5



**3****A****B****C**

**Please read this operating manual carefully before starting the device. Keep it in a safe place for future reference. If the device is passed on to another person, this operating manual must be handed over to the user along with it.**

The manufacturer cannot be held liable for damage resulting from **improper usage** or **incorrect operation**.

## Contents

1	Explanation of symbols . . . . .	6
2	Safety instructions . . . . .	6
3	Intended use . . . . .	8
4	Scope of delivery . . . . .	8
5	Accessories . . . . .	8
6	Technical description . . . . .	9
7	Operation . . . . .	10
8	Cleaning and maintenance . . . . .	11
9	Guarantee . . . . .	11
10	Troubleshooting . . . . .	12
11	Disposal . . . . .	12
12	Technical data . . . . .	13

# 1 Explanation of symbols

**WARNING!**

**Safety instruction:** Failure to observe this instruction can cause fatal or serious injury.

**CAUTION!**

**Safety instruction:** Failure to observe this instruction can lead to injury.

**NOTICE!**

Failure to observe this instruction can cause material damage and impair the function of the product.

**NOTE**

Supplementary information for operating the product.

## 2 Safety instructions

### 2.1 General safety

**WARNING!**

- Do not operate the device if it is visibly damaged.
- If this device's power cable is damaged, it must be replaced by the manufacturer, customer service or a similarly qualified person in order to prevent safety hazards.
- This device may only be repaired by qualified personnel. Improper repairs can lead to considerable hazards.
- This device can be used by children aged 8 years or over, as well as by persons with diminished physical, sensory or mental capacities or a lack of experience and/or knowledge, providing they are supervised or have been taught how to use the device safely and are aware of the resulting risks.
- Cleaning and user maintenance must not be carried out by children without supervision.
- Children must not play with the device.

- Children must be supervised to ensure that they do not play with the device.
- Always keep and use the device out of the reach of children under the age of 8 years.
- Do not store any explosive substances such as spray cans with a flammable propellant in the device.

**CAUTION!**

- Disconnect the device from the power supply
  - before each cleaning and maintenance
  - after every use
- Food may only be stored in its original packaging or in suitable containers.

**NOTICE!**

- Check that the voltage specification on the type plate corresponds to that of the energy supply.
- Only connect the device to a DC plug socket in the vehicle (e. g. cigarette lighter) with the DC cable.
- Never pull the plug out of the socket by the cable.
- Disconnect the cooler and other power consuming devices from the battery before connecting the quick charging device.
- Disconnect the cooler or switch it off when you turn off the engine. Otherwise you may discharge the battery.
- The cooling device is not suitable for transporting caustic materials or materials containing solvents.
- The cooling device contains inflammable cyclopentane in the insulation. The gases in the insulation material require special disposal procedures. Deliver the device at the end of its life-cycle to an appropriate recycling.

## 2.2 Operating the device safely

**CAUTION!**

- Before starting the device, ensure that the power supply line and the plug are dry.

**NOTICE!**

- Do not use electrical devices inside the cooler unless they are recommended by the manufacturer for the purpose.

- Do not place the device near naked flames or other heat sources (heaters, direct sunlight, gas ovens etc.).
- **Danger of overheating!**  
Ensure at all times that there is sufficient ventilation so that the heat that arises during operation does not build up. Make sure that the device is sufficiently far away from walls and other objects so that the air can circulate.
- Ensure that the ventilation openings are not covered.
- Do not fill the inner container with ice or fluid.
- Never immerse the device in water.
- Protect the device and the cable against heat and moisture.

### 3 Intended use

The cooler is portable. It can chill products as well as keep them cool or warm.

The device is designed for use with a 12 V $\equiv$  on-board supply of a car (cigarette lighter), boat or caravan.



#### **CAUTION! Health hazard!**

Please check if the cooling capacity of the device is suitable for storing the food or medicine you wish to cool.

### 4 Scope of delivery

- BordBar TB15 cooler
- Cable for 12V  $\equiv$  connection

### 5 Accessories

To operate the device using an AC power supply, we recommend using the following mains rectifier.

Available as accessories (not included in the scope of delivery)

- 220 – 240 V $\sim$ : CoolPower EPS817



## 6 Technical description

The cooler can chill products to a maximum of 20 °C below the ambient temperature as well as cool or keep them warm up to a maximum of 65 °C.

An integrated battery monitor can be switched on to protect your vehicle battery against excessive discharging.

### Control elements

No. in fig. 1, page 3	Description
1	Ventilation grilles
2	LED LOW BATT flashes when the battery monitor has switched off the device due to low voltage lights up when the battery monitor is switched on and the device is operating
3	Slide switch for the battery monitor ON: Battery monitor is switched on OFF: Battery monitor is switched off
4	LED COLD lights up green when the device is cooling
5	LED HOT lights up red when the device is warming
6	Slide switch for the operating mode COLD: The device is cooling OFF: The device is switched off HOT: The device is warming

## 7 Operation



### NOTICE!

- Ensure that the objects placed in the cooler are suitable for cooling to the selected temperature.
- Ensure that food or liquids in glass containers are not excessively refrigerated. Liquids expand when they freeze and can therefore destroy glass containers



### NOTE

Before starting your new cooling device for the first time, you should clean it inside and outside with a damp cloth for hygienic reasons (please also refer to the chapter "Cleaning and maintenance" on page 11).

### Fastening the device on the seat

- Pull out the fastening rail on the rear of the device until it clicks (fig. **2** A, page 3).
- Place the device on a seat (passenger seat or the middle seat in the back).
- Push the device back against the backrest so that the fastening rail is inserted between the seat surface and backrest.
- Thread the seat belt into one of the belt holders and fasten the device:
  - front belt holder (fig. **2** B or C, page 3)
  - bottom belt holder (fig. **2** D, page 3)



### NOTE

Press the release button on the bottom of the device to insert the fastening rail.

### Switching the device on and off

- Plug the 12 V connection cable into the cigarette lighter socket or a 12 V socket in the vehicle.
- Push the slide switch into the required position.
- ✓ The cooler is switched on and starts cooling or heating the interior.
- ✓ The respective LED lights up.
- When you want to switch off the cooler, disconnect the plug.

### Using the battery monitor

- Switch on the battery monitor if you are operating the device with a 12 V on-board supply.
- Switch off the battery monitor if you are operating the device with a mains rectifier (accessory) using an AC power supply.

## 8 Cleaning and maintenance

**WARNING!**

Always disconnect the device from the power supply before you clean and service it.

**NOTICE! Risk of damage**

- Never clean the cooler under running water or in dish water.
- Do not use abrasive cleaning agents or hard objects during cleaning as these can damage the cooler.

- Occasionally clean the device interior and exterior with a damp cloth.
- Make sure that the air inlet and outlet vents on the device are free of any dust and dirt, so that heat can be released and the device is not damaged.

## 9 Guarantee

The statutory warranty period applies. If the product is defective, please contact the manufacturer's branch in your country (see the back of the instruction manual for the addresses) or your retailer.

For repair and guarantee processing, please include the following documents when you send in the device:

- A copy of the receipt with purchasing date
- A reason for the claim or description of the fault

# 10 Troubleshooting

Fault	Possible cause	Suggested remedy
Your cooler does not work (plug is inserted).	There is no voltage flowing from the 12 V socket in your vehicle.	The ignition must be switched on in most vehicles for voltage to flow at the cigarette lighter.
The cooler does not cool (plug is inserted).	The inner fan or the cooling element is defective.	This can only be repaired by an authorised customer services unit.
Operation with a 12 V socket: The ignition is on and the cooler is not working.	The cigarette lighter socket is dirty. This results in a poor electrical contact.	If the plug of your cooler becomes very warm in the cigarette lighter socket, either the socket must be cleaned or the plug has not been assembled correctly.
	The fuse of the 12 V plug has blown.	Replace the fuse (5 A) in the 12 V plug (fig. <b>3</b> , page 4).
	The vehicle fuse has blown.	Replace the vehicle's 12 V socket fuse (usually 15 A). (Please refer to the operating manual of your vehicle.)

# 11 Disposal

- Place the packaging material in the appropriate recycling waste bins wherever possible.



If you wish to finally dispose of the product, ask your local recycling centre or specialist dealer for details about how to do this in accordance with the applicable disposal regulations.

## 12 Technical data

	<b>BordBar TB15</b>
Ref. no.:	9600000489
Connection voltage:	12 V $\overline{=}$
Power consumption:	40 W
Battery monitor	
Cut-off voltage:	11.7 V
Cut-in voltage:	13.1 V
Cooling capacity:	max. 20 °C below ambient temperature
Heating capacity:	65 °C (interior temperature)
Gross capacity:	15 l
Climate class:	N, T
Weight:	5.2 kg
Testing/certification:	