



PHONES

(044) 338-0-130
(050) 332-0-130
(063) 577-0-130
(067) 353-0-130

130
COM.UA

Internet store of
autogoods



SKYPE
km-130

CAR RECEIVERS — Receivers • Media receivers and stations • Native receivers • CD/DVD changers • FM-modulators/USB adapters • Flash memory • Facia plates and adapters • Antennas • Accessories |
CAR AUDIO — Car audio speakers • Amplifiers • Subwoofers • Processors • Crossovers • Headphones • Accessories | TRIP COMPUTERS — Universal computers • Model computers • Accessories |
GPS NAVIGATORS — Portable GPS • Built-in GPS • GPS modules • GPS trackers • Antennas for GPS navigators • Accessories | VIDEO — DVR • TV sets and monitors • Car TV tuners • Cameras • Videomodules
• Transcoders • Car TV antennas • Accessories | SECURITY SYSTEMS — Car alarms • Bike alarms • Mechanical blockers • Immobilizers • Sensors • Accessories | OPTIC AND LIGHT — Xenon • Bixenon • Lamps
• LED • Stroboscopes • Optic and Headlights • Washers • Light, rain sensors • Accessories | PARKTRONICS AND MIRRORS — Rear parktronic • Front parktronic • Combined parktronic • Rear-view mirrors
• Accessories | HEATING AND COOLING — Seat heaters • Mirrors heaters • Screen-wipers heaters • Engine heaters • Auto-refrigerators • Air conditioning units • Accessories | TUNING — Vibro-isolation
• Noise-isolation • Tint films • Accessories | ACCESSORIES — Radar-detectors • Handsfree, Bluetooth • Windowlifters • Compressors • Measuring instruments • Cleaners • Carsits
• Miscellaneous | MOUNTING — Installation kits • Upholstery • Grilles • Tubes • Cable and wire • Tools • Miscellaneous | POWER — Batteries • Converters • Start-charging equipment • Capacitors
• Accessories | MARINE AUDIO AND ELECTRONICS — Marine receivers • Marine audio speakers • Marine subwoofers • Marine amplifiers • Accessories | CAR CARE PRODUCTS — Additives • Washer fluid •
Care accessories • Car polish • Flavors • Adhesives and sealants | LIQUID AND OIL — Motor oil • Transmission oil • Brake fluid • Antifreeze • Technical lubricant



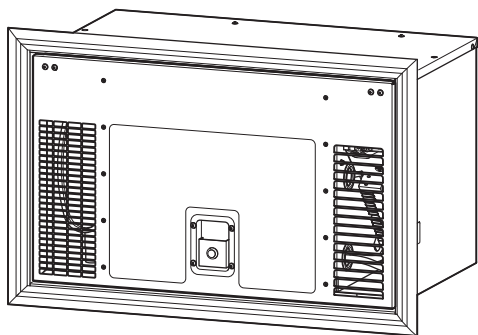
In store "130" you can find and buy almost all necessary goods for your auto in Kyiv and other cities, delivery by ground and postal services. Our experienced consultants will provide you with exhaustive information and help you to chose the very particular thing. We are waiting for you at the address

<http://130.com.ua>

↗ DOMETIC

ENERGY & LIGHTING

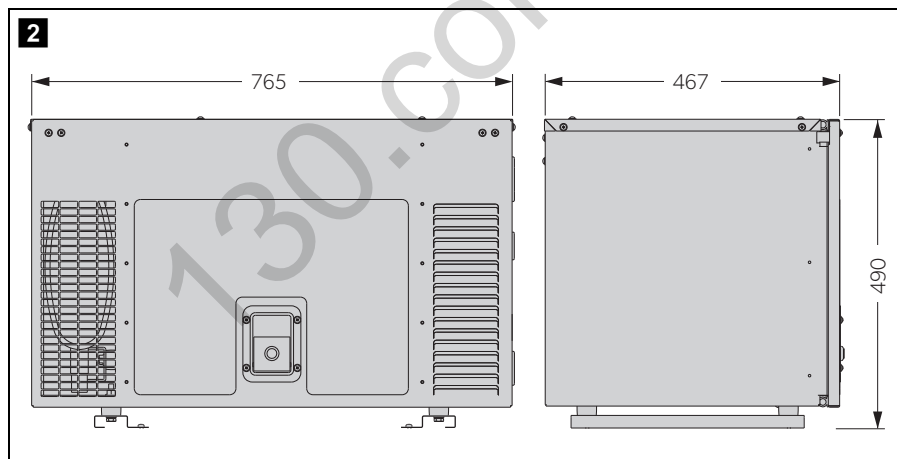
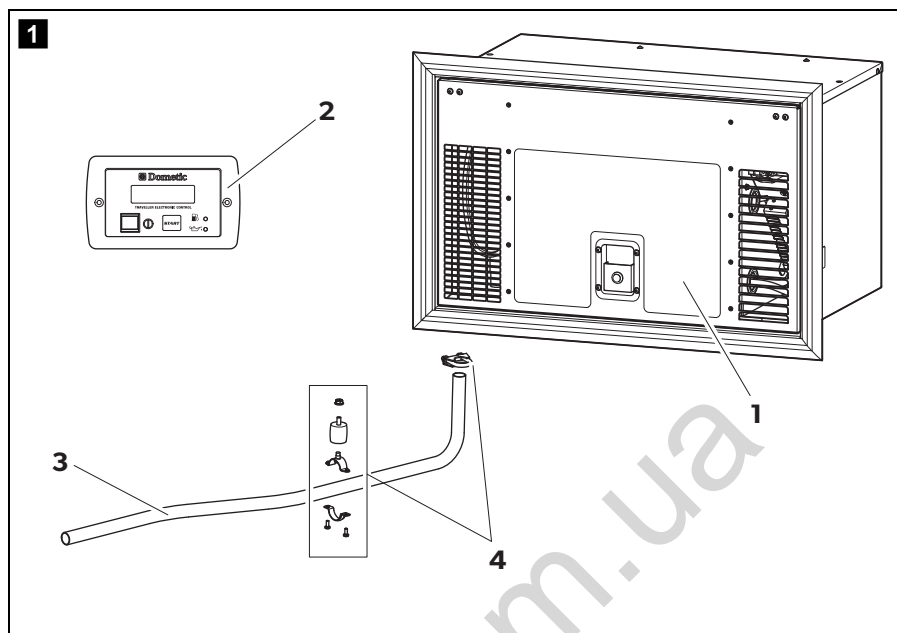
TEC

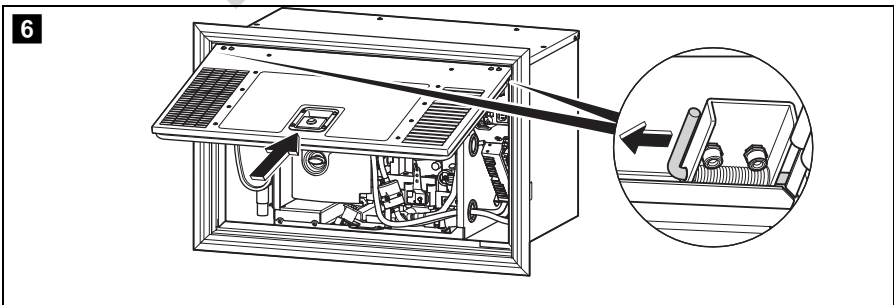
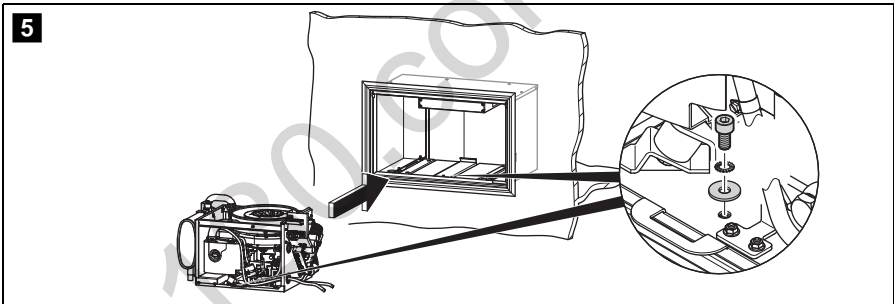
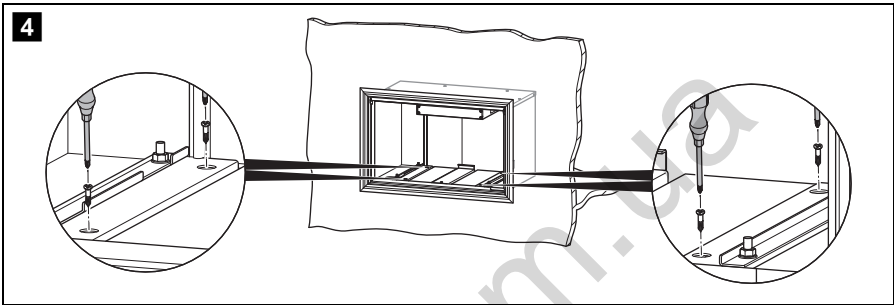
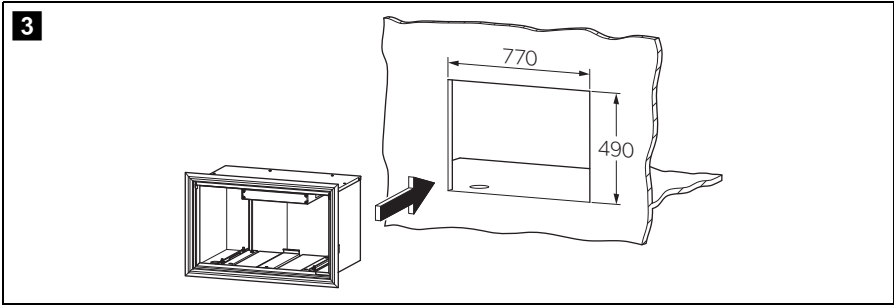


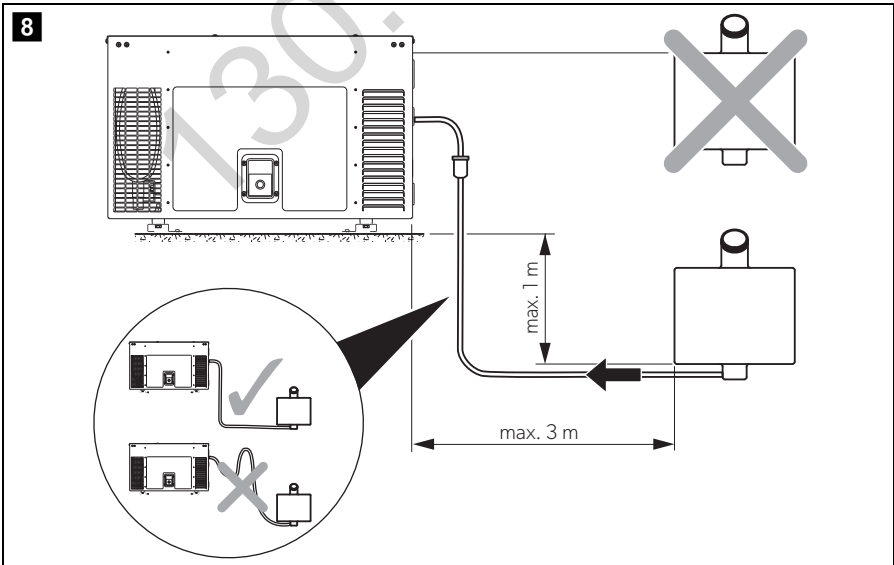
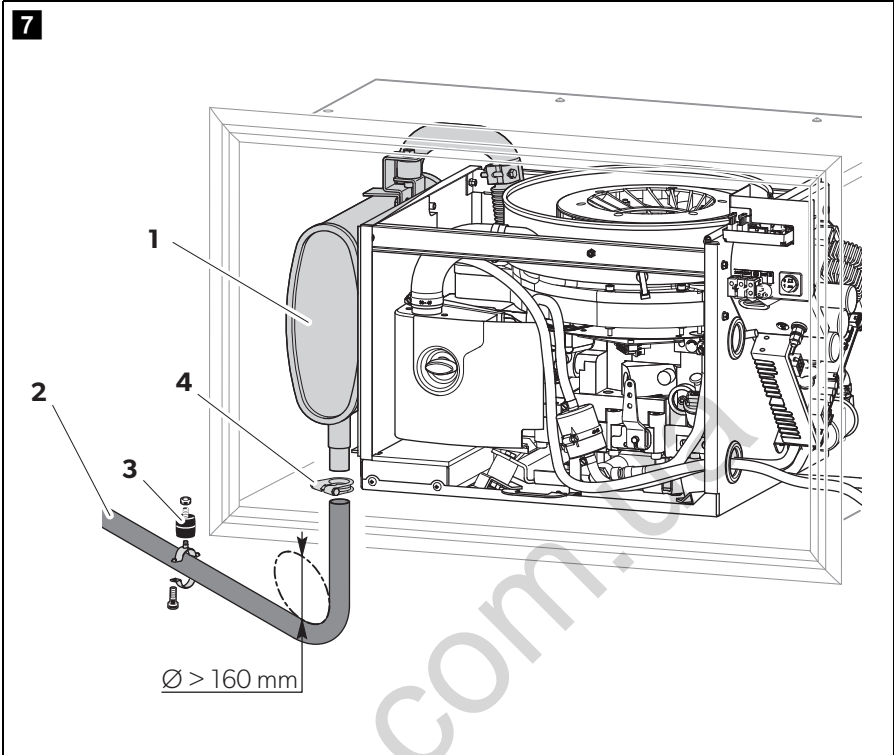
TEC40D

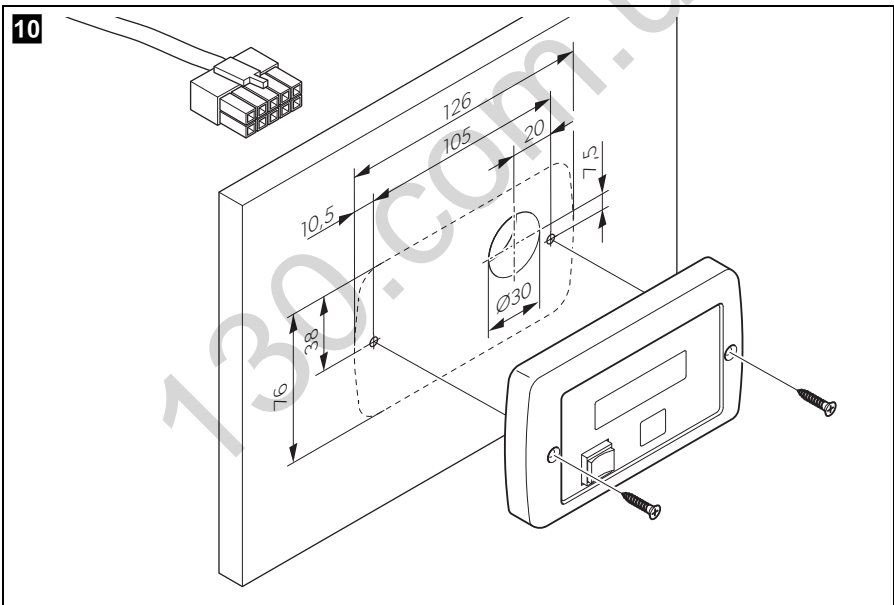
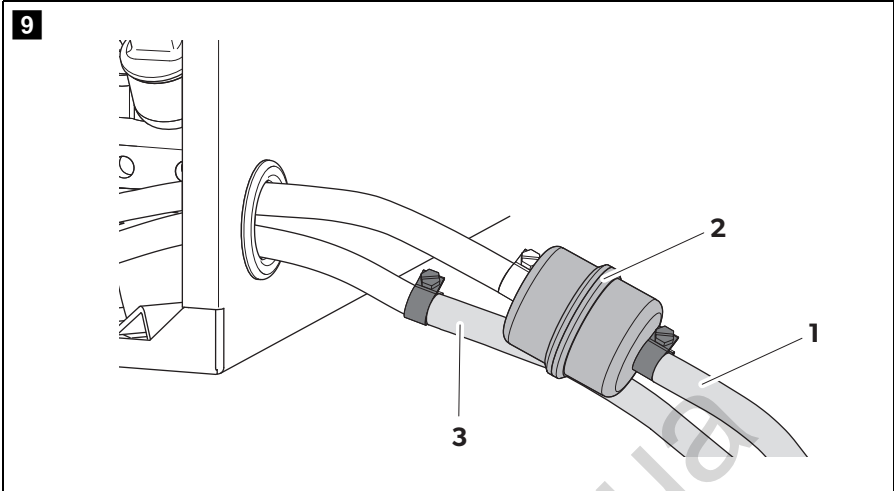
EN	Generator Installation Manual.....	11
DE	Generator Montageanleitung.....	23
FR	Générateur Instructions de montage.....	36
ES	Generador Instrucciones de montaje.....	49
PT	Gerador Instruções de montagem.....	62
IT	Generatore Indicazioni di montaggio.....	75
NL	Generator Montagehandleiding.....	89
DA	Generator Monteringsvejledning.....	103
SV	Generator Monteringsanvisning.....	116
NO	Generator Monteringsanvisning.....	129
FI	Generaattori Asennusohje.....	142
RU	Генератор Инструкция по монтажу.....	155
PL	Generator Instrukcja montażu.....	169
SK	Generátor Návod na montáž.....	182
CS	Generátor Návod k montáži.....	195
HU	Generátor Szereelési útmutató.....	207

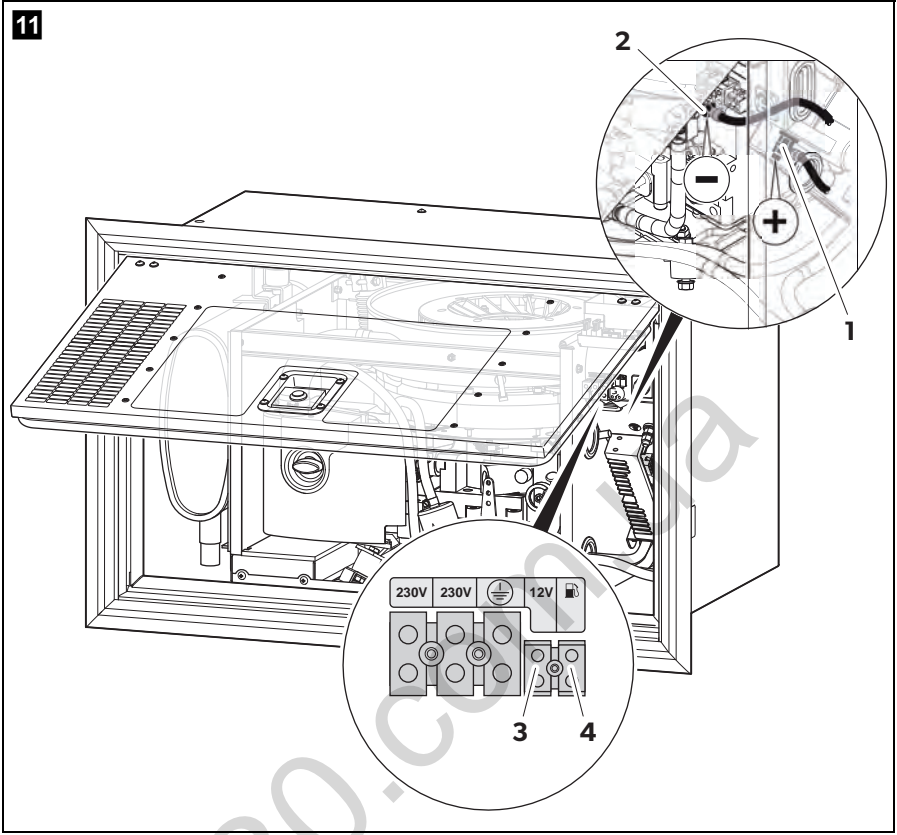
130.com.ua





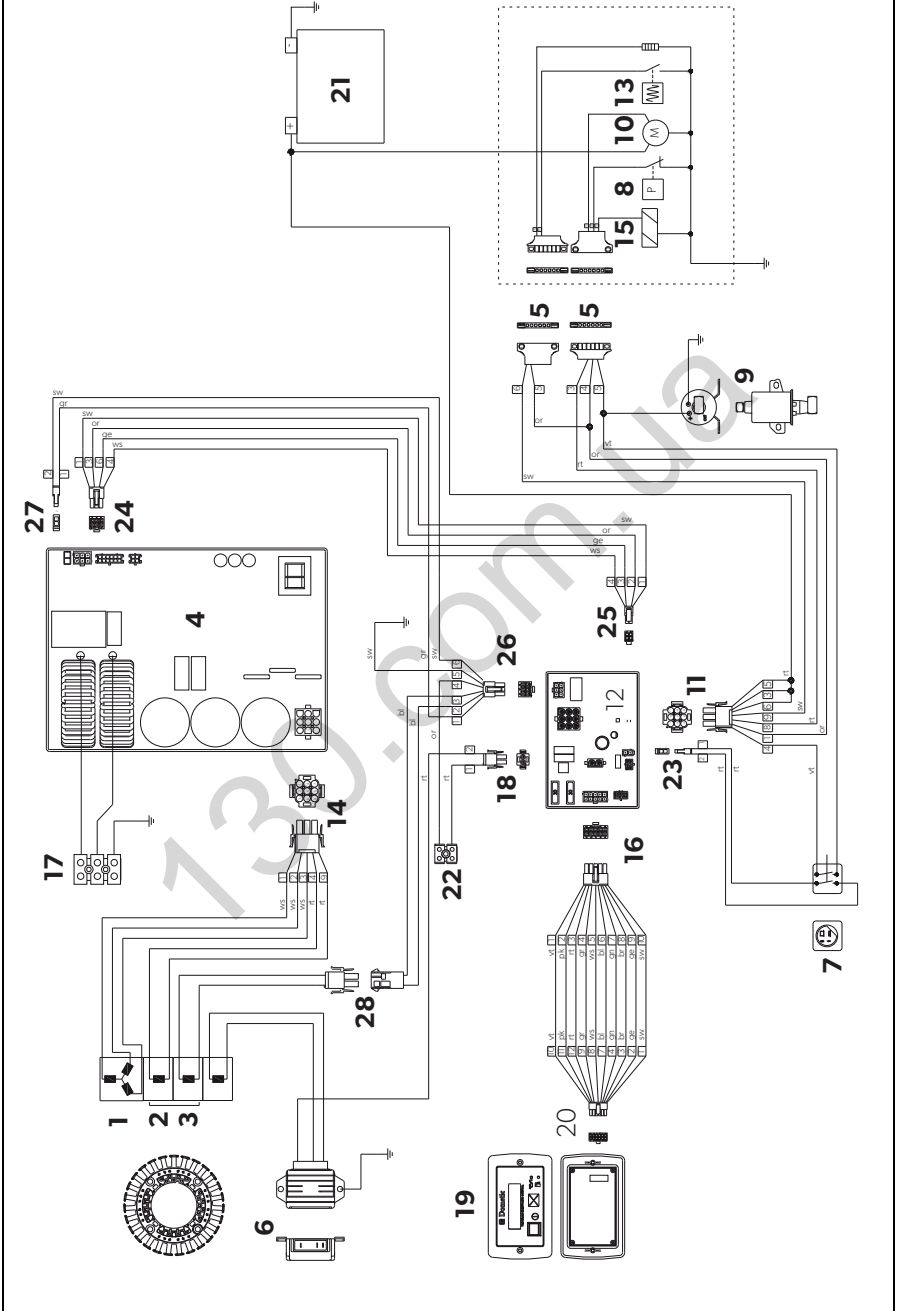






130.C

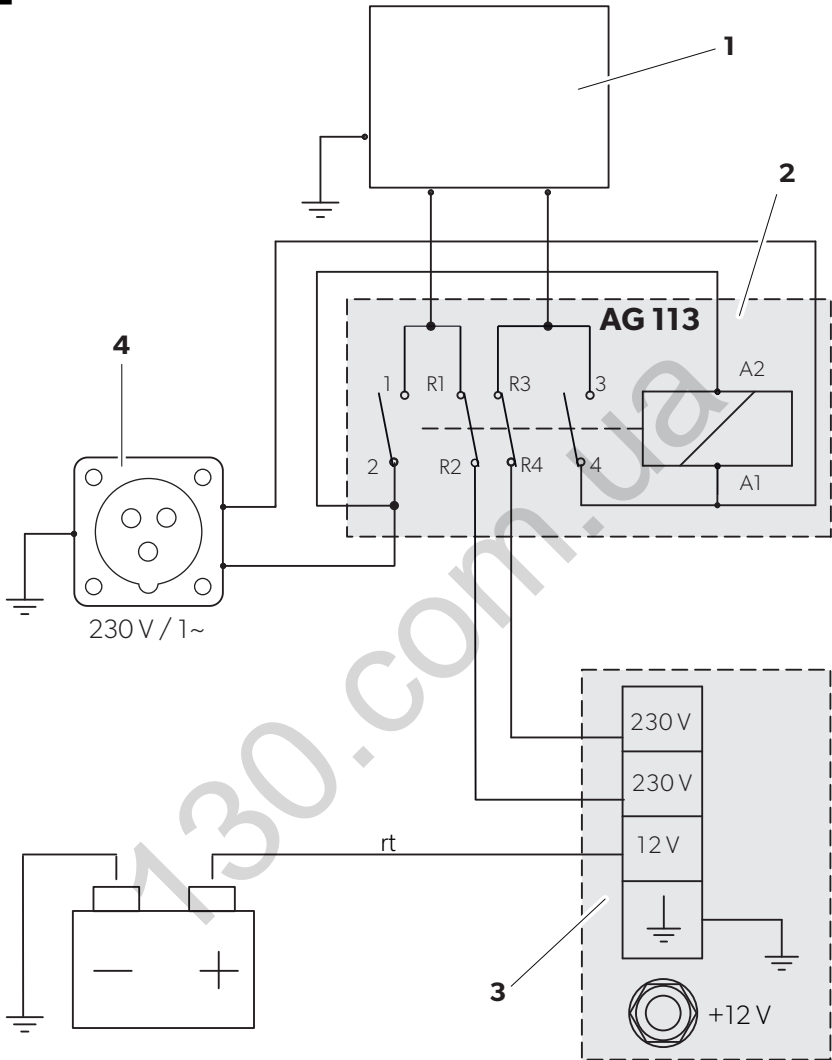
12



	bl	br	cy	ge	gn	gr
EN	Blue	Brown	Cyan	Yellow	Green	Grey
DE	Blau	Braun	Cyan	Gelb	Grün	Grau
FR	Bleu	Marron	Cyan	Jaune	Vert	Gris
ES	Azul	Marrón	Cian	Amarillo	Verde	Gris
PT	Azul	Castanho	Ciano	Amarelo	Verde	Cinzentos
IT	Blu	Marrone	Cyan	Giallo	Verde	Grigio
NL	Blauw	Bruin	Cyaan	Geel	Groen	Grijs
DA	Blå	Brun	Cyan	Gul	Grøn	Grå
SV	Blå	Brun	Cyan	Gul	Grön	Grå
NO	Blå	Brun	Cyan	Gul	Grønn	Grå
FI	Sininen	Ruskea	Syaani	Keltainen	Vihreä	Harmaa
RU	Синий	Коричневый	Голубой	Желтый	Зеленый	Серый
PL	Niebieski	Brązowy	Cyjan	Żółty	Zielony	Szary
SK	Modrá	Hnedá	Azúrová	Žltá	Zelená	Sivá
CS	Modrá	Hnědá	Azurová	Žlutá	Zelená	Šedá
HU	Kék	Barna	Cián	Sárga	Zöld	Szürke

	or	pk	rt	sw	vt	ws
EN	Orange	Pink	Red	Black	Violet	White
DE	Orange	Pink	Rot	Schwarz	Violett	Weiß
FR	Orange	Rosa	Rouge	Noir	Violeta	Blanc
ES	Naranja	Rose	Rojo	Negro	Lila	Blanco
PT	Cor de laranja	Cor de rosa	Vermelho	Preto	Violeta	Branco
IT	Arancione	Rosa	Rosso	Nero	Violetto	Bianco
NL	Oranje	Roze	Rood	Zwart	Paars	Wit
DA	Orange	Lyserøde	Rød	Sort	Violet	Hvid
SV	Orange	Rosa	Röd	Svart	Violett	Vit
NO	Oransje	Rosa	Rød	Svart	Fiolett	Hvit
FI	Oranssi	Pinkki	Punainen	Musta	Violetti	Valkoinen
RU	Оранжевый	Розовый	Красный	Черный	Фиолетовый	Белый
PL	Pomarańczowy	Różowy	Czerwony	Czarny	Fioletowy	Biały
SK	Oranžová	Ružová	Červená	Čierna	Fialová	Biela
CS	Oranžová	Růžová	Červená	Černá	Fialová	Bílá
HU	Narancs	Rózsaszín	Piros	Fekete	Ibolya	Fehér

13



Please read this instruction manual carefully before installation and first use, and store it in a safe place. If you pass on the product to another person, hand over this instruction manual along with it.

Table of contents

1	Explanation of symbols	12
2	Safety and installation instructions	12
3	Target group for this manual.	14
4	Scope of delivery	14
5	Accessories	15
6	Intended use	15
7	Labels.	15
8	Technical description	15
9	Installation	16
10	Connecting the electrical power to the generator	18
11	Disposal.	22
12	Technical data	22

1 Explanation of symbols

**DANGER!**

Safety instruction: Failure to observe this instruction will cause fatal or serious injury.

**WARNING!**

Safety instruction: Failure to observe this instruction can cause fatal or serious injury.

**CAUTION!**

Safety instruction: Failure to observe this instruction can lead to injury.

**NOTICE!**

Failure to observe this instruction can cause material damage and impair the function of the product.

**NOTE**

Supplementary information for operating the product.

2 Safety and installation instructions

Please observe the prescribed safety instructions and stipulations from the vehicle manufacturer and service workshops.

The manufacturer accepts no liability for damage in the following cases:

- Faulty assembly or connection
- Damage to the product resulting from mechanical influences and excess voltage
- Alterations to the product without express permission from the manufacturer
- Use for purposes other than those described in the operating manual

Note the following basic safety information when using electrical devices to protect against:

- Electric shock
- Fire hazards
- Injury

2.1 Using the device



WARNING!

- Installing and repairing the device may only be carried out by qualified personnel who are familiar with the risks involved and the relevant regulations. Inadequate repairs may cause serious hazards. For repair service, please contact the service centre in your country (addresses on the back page).
- **Electrical devices are not toys**
Keep electrical devices out of reach of children or infirm persons. Do not allow them to use electrical devices without supervision.
- This device can be used by children aged 8 years or over, as well as by persons with diminished physical, sensory or mental capacities or a lack of experience and/or knowledge, providing they are supervised or have been taught how to use the device safely and are aware of the resulting risks.
- Exhaust fumes contain carbon monoxide which is a highly toxic, odourless and colourless gas. Do not inhale any exhaust fumes. Do not leave the generator motor running in a closed garage or in a room without windows.



CAUTION!

- **Fire hazards**
Do **not** install the generator in a box or room without any openings, but in well-ventilated spaces instead.
- Only operate the generator if you are certain that the housing and the cables are undamaged.
- Install the generator on a stable surface.
- Do not tilt the generator more than 20° from the vertical position.



NOTICE!

- Only use the device as intended.
- The generator is not suitable for use in water vessels.
- Do not make any alterations or conversions to the device.

2.2 Handling electrical cables



WARNING!

- The electrical power supply may only be connected by a qualified electrician (e.g. according to VDE 0100, Part 721 in Germany).



CAUTION!

- Attach and lay the cables so that they cannot be tripped over or damaged.



NOTICE!

- Use cable ducts to lay cables through walls with sharp edges.
- Do not lay loose or bent cables next to electrically conductive materials (metal).
- Do not pull on the cables.

3 Target group for this manual

The instructions in this manual are intended for qualified personnel at workshops who are familiar with the guidelines and safety precautions to be applied.

4 Scope of delivery

No. in fig. 1, page 3	Number	Description
1	1	Generator
2	1	Remote control
3	1	Exhaust pipe, 2 m
4	1 set	Fastening material for silencer
–	1 set	Connection cable
–		AG 102, changeover relay for making priority circuits
–		Mounting material
–		Installation manual
–		Operating manual

5 Accessories

Available as accessories (not included in the scope of delivery):

Part designation	Item number
PR 25044, external sealing kit	9102900174

6 Intended use

The TEC40D generator (ref. no. 9600000116) is designed for use in motor homes, camper vans and vehicles for commercial use.

The generator is **not** suitable for installation in water vessels.

The generator produces a pure sine wave voltage of 230 V/50 Hz which can be connected to the consumer with a total continuous load of 3500 W. The power quality is also suitable for sensitive consumers (such as PCs).

The generator can charge a 12 V battery.

7 Labels

A label is attached to the generator. This label provides the user and fitter with information on the device specifications.

8 Technical description

Installing the generator must be configured according to the following option:

Priority circuit which prioritises the 230 V external voltage over the voltage produced by the generator, see chapter "Creating a priority circuit" on page 21.

9 Installation



CAUTION! Beware of injury

The generator may only be installed by qualified personnel from a specialist company. The following information is intended for technicians who are familiar with the guidelines and safety precautions to be applied.

9.1 Note on installation

Read the installation manual carefully before you install the generator.

When installing the generator, note the following:



DANGER! Danger of electrocution

Disconnect all power supplies when working on the generator.



CAUTION! Beware of injury

- Improper installation of the generator can result in irreparable damage to the device and put the safety of the user at risk.
- Always wear the recommended protective clothing (e.g. protective goggles, gloves).

9.2 Securing the generator

Note on installation location

- Make sure that no combustible objects are stored or installed near the air outlet or the ventilation slots. A distance of at least 70 cm should be kept.
- For safety reasons, note the location of existing wiring harnesses, wires and other components within the installation area, in particular those which are not visible, when installing the generator (when drilling or screwing etc.).
- Leave a space of at least 70 mm between the generator hood and surrounding parts so that sufficient space remains for cooling air to pass through.
- For internal installation, you need to prepare a sealed compartment against the vehicle interior which can also be insulated against sound.

Attach exhaust openings to the floor.

- Mount the gaskets (available as accessory) to the casing and fix them with the screws (fig. **3**, page 4).
- Position the casing in the desired area and attach it with the appropriate screws (fig. **4**, page 4).
- Insert the engine plate into the casing and screw it into place (fig. **5**, page 4).
- Mount the casing cover and attach it with the pins (fig. **6**, page 4).

9.3 Attaching the exhaust pipe

Observe the following instructions when installing the exhaust pipe:

- Do not create any sharp bends which will inhibit the flow of exhaust fumes.
- Connect the hose (fig. **7** 2, page 5) to the muffler (fig. **7** 1, page 5) and attach it with the clamps (fig. **7** 4, page 5)
- Secure the exhaust pipe extension to the vehicle floor (fig. **7** 3, page 5).

9.4 Installing the tank and fuel supply line

Please observe the following instructions for the installation location:

- The tank bottom must be positioned at a maximum of 1 m below the bottom of the generator.
- The top of the tank must not be higher than the top of the generator.
- The maximum horizontal distance between generator and fuel tank is 3 m.
- Lay the fuel hoses as straight as possible (fig. **8**, page 5).
- Secure the tank, see fig. **8**, page 5 and chapter "Connecting the float" on page 21.
- Connect the fuel hose (fig. **9** 1, page 6) to the fuel filter (fig. **9** 2, page 6).
- Connect the hose to the fuel return (fig. **9** 3, page 6).
- Secure the hoses with clamps.

9.5 Mounting the control panel

Please observe the following instructions for the installation location:

- Observe the length of the extension cable from the control panel to the generator.
- Drill the holes as shown in fig. **10**, page 6.
- Insert the plug into the control panel.
- Screw on the control panel.

10 Connecting the electrical power to the generator



DANGER! Danger of electrocution

Make sure there is no voltage at electrically operated components before carrying out work on them!



NOTE

Observe the applicable guidelines in the country of the consumer.

10.1 Important notes on the electrical connection

- Only a qualified electrician should connect the generator to the electrical power.
- Check that the voltage specification on the type plate is the same as that of the power supply.
- Do not lay the 230 V~ mains cable and the 12 V=== cable together in the same cable duct.
- Do not lay cables which are loose or bent next to electrically conductive material (metal).
- Connect the generator to a power circuit which can supply the necessary current (see chapter "Technical data" on page 22).

- Select the cross-section of the cable as follows:
 - 230 V: 4 mm²
 - Battery charger: 2.5 mm²
 - Starter battery connection (length < 6 m): 16 mm²
 - Starter battery connection (length > 6 m): 25 mm²
- Install a manual main switch which can disconnect all the consumers from the generator with the exception of the battery.

10.2 Connecting the generator



NOTICE!

- Connect a relay or a switch to the vehicle's electrical system so that the generator is not damaged when the power supply is switched on.
- Connect the generator so that it takes priority over the power supply.

- Connect the generator in accordance with the circuit diagrams (fig. **11**, page 7) and (fig. **12**, page 8).

Key for circuit diagram (fig. **11**, page 7)

Item	Description
1	Battery positive terminal
2	Battery negative terminal
3	Battery charger connection
4	Fuel gauge connection

Key for circuit diagram (fig. 12, page 8)

Item	Description
1	3-phase winding
2 + 3	Auxiliary windings
4	Inverter
5	6-pin plug
6	Battery charger
7	Main switch
8	Pressure monitor
9	Fuel pump
10	Starter motor
11	9-pin plug
12	Control PCB
13	Circuit breaker
14	9-pin plug
15	Thermal switch
16	10-pin plug
17	Terminal strip
18	2-pin plug
19	Remote control
20	10-pin plug
21	Battery
22	Terminal strip
23	2-pin plug
24	Auxiliary windings
25	4-pin plug
26	6-pin plug
27	2-pin plug
28	2-pin plug

10.3 Creating a priority circuit

You can create a priority circuit using a changeover relay whereby the external voltage supply has priority over the generator, see circuit diagram (fig. **13**, page 10):

Item	Description
1	Load
2	AG113 changeover relay
3	Generator
4	External power supply

- ▶ Mount the changeover relay in a suitable position.
- ▶ Connect the wires following the circuit diagram (fig. **13**, page 10).

10.4 Connecting the starter battery



NOTICE!

The starter battery must have 12 V and a capacity of at least 60 Ah.

- ▶ Connect the positive terminal of the battery (fig. **11** 1, page 7) with the positive battery terminal connection using a suitable cable:
 - Cable lengths < 6 m: Cross-section of 16 mm²
 - Cable lengths < 6 m: Cross-section of 25 mm²
- ▶ Connect the negative terminal of the battery (fig. **11** 2, page 7) with a suitable cross-section (see above) as follows:
- ▶ Connect the earth connection of the generator with the vehicle chassis.
- ▶ Remove any paint or rust from the chassis if necessary to ensure good contact.
- ▶ Protect the connections with an anti-corrosive agent (e.g. lubricating grease, lubricant/protective spray).

10.5 Connecting the control panel

- ▶ Connect the control panel to the connection box using the extension cable provided on the plug for the control panel (fig. **10**, page 6).

10.6 Connecting the float

- ▶ Connect the float from the tank to the float connection (fig. **11** 4, page 7).



11 Disposal

- Place the packaging material in the appropriate recycling waste bins wherever possible.



If you wish to finally dispose of the product, ask your local recycling centre or specialist dealer for details about how to do this in accordance with the applicable disposal regulations.

12 Technical data

	Dometic TEC40D
Ref. no.:	9600000116
Rated output voltage:	230 V~ / 50 Hz
Max. constant output (at 25 °C at sea level):	3500 W
Battery charger output voltage:	12 V===
Battery charger max. output current:	10 A
Operating temperature range:	-15 °C to +50 °C
Fuel:	Diesel fuel according to EN 590
Engine:	Hatz (1 B 30V)
Consumption:	max. 1.4 l/h
Motor output:	4.7 kW (6.4 PS)
Max. speed:	3300 min ⁻¹
Motor oil:	1.1 l
Sound level:	89 dB(A)
Sound level at distance of 7 m:	64 dB(A)
Dimensions:	see fig. 2 , page 3
Weight:	96.5 kg
Inspection/certification:	 

Bitte lesen Sie diese Anleitung vor Einbau und Inbetriebnahme sorgfältig durch und bewahren Sie sie auf. Geben Sie sie im Falle einer Weitergabe des Produktes an den Nutzer weiter.

Inhaltsverzeichnis

1	Erklärung der Symbole	24
2	Sicherheits- und Einbauhinweise	24
3	Zielgruppe dieser Anleitung	26
4	Lieferumfang	27
5	Zubehör	27
6	Bestimmungsgemäßer Gebrauch	27
7	Kennzeichnungsschilder	28
8	Technische Beschreibung	28
9	Montage	28
10	Generator elektrisch anschließen	31
11	Entsorgung	34
12	Technische Daten	35

1 Erklärung der Symbole



GEFAHR!

Sicherheitshinweis: Nichtbeachtung führt zu Tod oder schwerer Verletzung.



WARNUNG!

Sicherheitshinweis: Nichtbeachtung kann zu Tod oder schwerer Verletzung führen.



VORSICHT!

Sicherheitshinweis: Nichtbeachtung kann zu Verletzungen führen.



ACHTUNG!

Nichtbeachtung kann zu Materialschäden führen und die Funktion des Produktes beeinträchtigen.



HINWEIS

Ergänzende Informationen zur Bedienung des Produktes.

2 Sicherheits- und Einbauhinweise

Beachten Sie die vom Fahrzeughersteller und vom Kfz-Handwerk vorgeschriebenen Sicherheitshinweise und Auflagen!

Der Hersteller übernimmt in folgenden Fällen keine Haftung für Schäden:

- Montage- oder Anschlussfehler
- Beschädigungen am Produkt durch mechanische Einflüsse und Überspannungen
- Veränderungen am Produkt ohne ausdrückliche Genehmigung vom Hersteller
- Verwendung für andere als die in der Anleitung beschriebenen Zwecke

Beachten Sie folgende grundsätzliche Sicherheitsmaßnahmen beim Gebrauch von elektrischen Geräten zum Schutz vor:

- elektrischem Schlag
- Brandgefahr
- Verletzungen

2.1 Umgang mit dem Gerät



WARNUNG!

- Die Montage und Reparaturen des Generators dürfen nur von Fachkräften durchgeführt werden, die mit den verbundenen Gefahren bzw. den einschlägigen Vorschriften vertraut sind. Durch unsachgemäße Reparaturen können erhebliche Gefahren entstehen. Wenden Sie sich im Reparaturfall an den Service-Stützpunkt in Ihrem Land (Adressen auf der Rückseite).
- **Elektrogeräte sind kein Kinderspielzeug!**
Kinder können Gefahren, die von elektrischen Geräten ausgehen, nicht richtig einschätzen. Lassen Sie Kinder nicht ohne Aufsicht elektrische Geräte benutzen.
- Dieses Gerät kann von Kindern ab 8 Jahren und darüber sowie von Personen mit verringerten physischen, sensorischen oder mentalen Fähigkeiten oder Mangel an Erfahrung und Wissen benutzt werden, wenn sie beaufsichtigt oder bezüglich des sicheren Gebrauchs des Gerätes unterwiesen wurden und die daraus resultierenden Gefahren verstehen.
- Die Abgase enthalten Kohlenmonoxid, ein äußerst giftiges, geruchloses und farbloses Gas. Atmen Sie die Abgase nicht ein. Lassen Sie den Motor des Generators nicht in einer geschlossenen Garage oder in einem fensterlosen Raum laufen.



VORSICHT!

- **Brandgefahr!**
Montieren Sie den Generator **nicht** in Kisten oder Räumen ohne Öffnungen, sondern in ausreichend belüfteten Bereichen oder Räumen.
- Betreiben Sie den Generator nur, wenn das Gehäuse und die Leitungen unbeschädigt sind.
- Montieren Sie den Generator auf stabilem Untergrund.
- Neigen Sie den Generator nicht um mehr als 20° gegen die Senkrechte.



ACHTUNG!

- Benutzen Sie das Gerät nur zu seinem bestimmungsgemäßen Gebrauch.
- Der Generator ist nicht für den Betrieb in Wasserfahrzeugen geeignet.
- Führen Sie keine Änderungen oder Umbauten am Gerät durch.

2.2 Umgang mit elektrischen Leitungen



WARNUNG!

- Der elektrische Anschluss darf nur von einem Fachbetrieb durchgeführt werden (z. B. in Deutschland nach VDE 0100, Teil 721).



VORSICHT!

- Befestigen und verlegen Sie Leitungen so, dass keine Stolpergefahr entsteht und eine Beschädigung des Kabels ausgeschlossen ist.



ACHTUNG!

- Müssen Leitungen durch scharfkantige Wände geführt werden, so verwenden Sie Leerrohre bzw. Leitungsdurchführungen.
- Verlegen Sie keine losen oder scharf abgeknickten Leitungen an elektrisch leitenden Materialien (Metall).
- Ziehen Sie nicht an Leitungen.

3 Zielgruppe dieser Anleitung

Diese Anleitung richtet sich an Facharbeiter in Werkstätten, die mit den anzuwendenden Richtlinien und Sicherheitsvorkehrungen vertraut sind.

4 Lieferumfang

Pos. in Abb. 1 , Seite 3	Anzahl	Bezeichnung
1	1	Generator
2	1	Fernbedienung
3	1	Abgasleitung, 2 m
4	1 Satz	Befestigungsmaterial für den Schalldämpfer
-	1 Satz	Anschlusskabel
-		AG 102, Umschaltrelais zur Realisierung einer Vorrangschaltung
-		Befestigungsmaterial
-		Installationsanleitung
-		Bedienungsanleitung

5 Zubehör

Als Zubehör erhältlich (nicht im Lieferumfang enthalten):

Teilebezeichnung	Artikelnummer
PR 25044, externer Dichtungssatz	9102900174

6 Bestimmungsgemäßer Gebrauch

Der Generator TEC40D (Art.-Nr. 9600000116) ist ausgelegt für die Verwendung in Wohnwagen, Wohnmobilen und kommerziell genutzten Fahrzeugen.

Der Generator ist **nicht** für die Installation in Wasserfahrzeugen geeignet.

Der Generator erzeugt eine reine Sinus-Wechselspannung von 230 V/50 Hz, an die Verbraucher mit einer Gesamtdauerlast von 3500 W angeschlossen werden können. Die Stromqualität ist auch für empfindliche Verbraucher (z. B. PCs) geeignet.

Der Generator kann eine 12-V-Batterie aufladen.

7 Kennzeichnungsschilder

Am Generator ist ein Kennzeichnungsschild angebracht. Dieses Kennzeichnungsschild informiert den Anwender und den Installateur über Gerätespezifikationen.

8 Technische Beschreibung

Der Generator bietet folgende Möglichkeit, die beim Einbau entsprechend konfiguriert werden muss:

Vorrangschaltung, mit der die externe 230-V-Spannung Vorrang vor der durch den Generator erzeugten Spannung hat, siehe Kapitel „Vorrangschaltung realisieren“ auf Seite 33.

9 Montage



VORSICHT! Verletzungsgefahr!

Die Montage des Generators darf ausschließlich von entsprechend ausgebildeten Fachbetrieben durchgeführt werden. Die nachfolgenden Informationen richten sich an Fachkräfte, die mit den anzuwendenden Richtlinien und Sicherheitsvorkehrungen vertraut sind.

9.1 Hinweise zur Montage

Lesen Sie diese Montageanleitung vor der Montage des Generators vollständig.

Beachten Sie bei der Montage des Generators folgende Hinweise:



GEFAHR! Lebensgefahr durch Stromschlag!

Unterbrechen Sie bei Arbeiten am Generator alle Spannungsversorgungen.



VORSICHT! Verletzungsgefahr!

- Eine falsche Montage des Generators kann zu irreparablen Schäden am Gerät führen und die Sicherheit des Benutzers beeinträchtigen.
- Tragen Sie bei allen Arbeiten die vorgeschriebene Schutzkleidung (z. B. Schutzbrille, Schutzhandschuhe).

9.2 Generator befestigen

Hinweise zum Montageort

- Achten Sie darauf, dass keine brennbaren Gegenstände im Bereich des Auspuffs oder der Lüftungslamellen gelagert oder montiert sind. Der Abstand sollte mindestens 70 cm betragen.
- Achten Sie aus Sicherheitsgründen beim Einbau des Generators (beim Bohren und Schrauben usw.) auf den Verlauf von vorhandenen, insbesondere nicht sichtbaren Kabelsträngen, Leitungen und anderen Komponenten, die sich im Montagebereich befinden!
- Sehen Sie mindestens 70 mm freien Platz zwischen der Haube des Generators und den umgebenden Teilen vor, so dass genügend Platz für das Durchströmen der Kühlungsluft bleibt.
- Für die Montage müssen Sie einen gegen das Fahrzeuginnere abgedichteten Raum vorbereiten, den Sie zusätzlich gegen Schall isolieren können.
Bringen Sie auf dem Boden und vor der Generatorklappe Auspufföffnungen an (siehe Montageschablone).
- Bringen Sie die Dichtungen (als Zubehör erhältlich) an und schrauben Sie sie am Gehäuse fest (Abb. **3**, Seite 4).
- Positionieren Sie das Gehäuse im festgelegten Bereich und schrauben Sie es fest (Abb. **4**, Seite 4).
- Setzen Sie den Generator in das Gehäuse ein und schrauben Sie ihn fest (Abb. **5**, Seite 4).
- Montieren Sie die Klappe und befestigen Sie sie mit den Stiften (Abb. **6**, Seite 4).

9.3 Abgasleitung befestigen

Beachten Sie folgende Hinweise beim Verlegen der Abgasleitung:

- Erzeugen Sie keine scharfen Kurven, die den Strom der Abgase behindern.
- Verbinden Sie den Schlauch (Abb. **7** 2, Seite 5) mit dem Schalldämpfer (Abb. **7** 1, Seite 5) und befestigen Sie ihn mit Schellen (Abb. **7** 4, Seite 5)
- Befestigen Sie die Verlängerung der Abgasleitung (Abb. **7** 3, Seite 5).

9.4 Tank und Kraftstoffleitung montieren

Beachten Sie folgende Hinweise zum Montageort:

- Der Tankboden darf sich maximal 1 m unterhalb des Bodens des Generators befinden.
- Die Tankoberkante darf nicht über der Oberkante des Generators liegen.
- Der maximale horizontale Abstand zwischen Generator und Tank beträgt 3 m.
- Verlegen Sie die Kraftstoffleitungen möglichst gerade (Abb. **8**, Seite 5).
- Befestigen Sie den Tank, siehe Abb. **8**, Seite 5 und Kapitel „Schwimmer anschließen“ auf Seite 34.
- Schließen Sie die Kraftstoffzuleitung (Abb. **9** 1, Seite 6) an den Kraftstofffilter (Abb. **9** 2, Seite 6) an.
- Schließen Sie die Leitung zur Kraftstoffrückführung (Abb. **9** 3, Seite 6) an.
- Sichern Sie die Schläuche mit Schellen.

9.5 Bedienpanel montieren

Beachten Sie folgenden Hinweis zum Montageort:

- Beachten Sie die Länge des Verlängerungskabels vom Bedienpanel zum Generator.
- Bohren Sie die Löcher wie in Abb. **10**, Seite 6 gezeigt.
- Stecken Sie den Stecker in das Bedienpanel ein.
- Schrauben Sie das Bedienpanel an.

10 Generator elektrisch anschließen



GEFAHR! Lebensgefahr durch Stromschlag!

Vor Arbeiten an elektrisch betriebenen Komponenten ist sicherzustellen, dass keine Spannung mehr anliegt!



HINWEIS

Beachten Sie die geltenden Richtlinien im Land des Verbrauchers.

10.1 Wichtige Hinweise zum elektrischen Anschluss

- Lassen Sie den Generator nur von einer Fachkraft elektrisch anschließen.
- Vergleichen Sie die Spannungsangabe auf dem Typenschild mit der vorhandenen Energieversorgung.
- Verlegen Sie 230-V~ -Leitungen und 12-V=== -Leitungen nicht zusammen im gleichen Leitungskanal (Leerrohr).
- Verlegen Sie Leitungen nicht lose oder scharf abgeknickt an elektrisch leitenden Materialien (Metall).
- Schließen Sie den Generator an einen Stromkreis an, der in der Lage ist, den erforderlichen Strom zu liefern (siehe Kapitel „Technische Daten“ auf Seite 35).
- Wählen Sie den Leitungsquerschnitt wie folgt:
 - 230 V: 4 mm²
 - Batterielader: 2,5 mm²
 - Starterbatterieanschluss (Länge < 6 m): 16 mm²
 - Starterbatterieanschluss (Länge > 6 m): 25 mm²
- Installieren Sie einen manuellen Hauptschalter, mit dem alle eingeschalteten Verbraucher mit Ausnahme der Batterie vom Generator getrennt werden können.

10.2 Generator anschließen



ACHTUNG!

- Schließen Sie an der Elektroanlage des Fahrzeugs ein Relais oder einen Umschalter an, damit der Generator nicht beschädigt wird, wenn das Stromnetz zugeschaltet wird.
- Schließen Sie den Generator möglichst so an, dass er Priorität gegenüber dem Stromnetz besitzt.

- Schließen Sie den Generator gemäß Anschlusschema (Abb. **11**, Seite 7) und Schaltplan (Abb. **12**, Seite 8) an.

Legende zum Anschlusschema (Abb. **11**, Seite 7)

Pos.	Beschreibung
1	Anschlussklemme Batterie-Pluspol
2	Anschlussklemme Batterie-Minuspol
3	Anschluss für Batterielader
4	Anschluss für Kraftstoffanzeige

Legende zum Schaltplan (Abb. **12**, Seite 8)

Pos.	Beschreibung
1	3-Phasen-Wicklung
2 + 3	Hilfswicklungen
4	Wechselrichter
5	6-poliger Stecker
6	Batterielader
7	Hauptschalter
8	Druckwächter
9	Treibstoffpumpe
10	Anlassermotor
11	9-poliger Stecker
12	Steuerplatine
13	Schutzschalter

Pos.	Beschreibung
14	9-poliger Stecker
15	Thermoschalter
16	10-poliger Stecker
17	Klemmenleiste
18	2-poliger Stecker
19	Fernbedienung
20	10-poliger Stecker
21	Batterie
22	Klemmenleiste
23	2-poliger Stecker
24	Hilfswicklungen
25	4-poliger Stecker
26	6-poliger Stecker
27	2-poliger Stecker
28	2-poliger Stecker

10.3 Vorrangschaltung realisieren

Mit einem Umschaltrelais können Sie eine Vorrangschaltung realisieren, mit der die externe Spannungsversorgung Priorität gegenüber dem Generator besitzt, siehe Schaltplan (Abb. **13**, Seite 10):

Pos.	Beschreibung
1	Last
2	AG113 Umschaltrelais
3	Generator
4	Stromnetz

- Montieren Sie das Umschaltrelais an einer geeigneten Position.
- Verbinden Sie die Kabel gemäß Schaltplan (Abb. **13**, Seite 10).

10.4 Starterbatterie anschließen



ACHTUNG!

Die Starterbatterie muss eine Spannung von 12 V und eine Kapazität von mindestens eine 60 Ah haben.

- Verbinden Sie den Pluspol der Batterie (Abb. **11** 1, Seite 7) mit einem geeigneten Kabel mit der Anschlussklemme Batterie-Pluspol:
 - Kabellänge < 6 m: Querschnitt von 16 mm²
 - Kabellänge > 6 m: Querschnitt von 25 mm²
- Schließen Sie den Minuspol der Batterie (Abb. **11** 2, Seite 7) mit einem Kabel mit passendem Querschnitt (siehe oben) an:
- Verbinden Sie den Masseanschluss des Generators mit dem Chassis des Fahrzeugs.
- Entfernen Sie ggf. Lack oder Rost vom Chassis, um einen guten Kontakt sicherzustellen.
- Schützen Sie die Verbindungen mit einem Antikorrosionsmittel (z. B. Schmierfett, Schmier-/Schutzspray).

10.5 Bedienpanel anschließen

- Verbinden Sie das Bedienpanel über das mitgelieferte Verlängerungskabel am Stecker für das Bedienpanel (Abb. **10**, Seite 6).

10.6 Schwimmer anschließen

- Verbinden Sie den Schwimmer vom Tank mit dem Schwimmeranschluss (Abb. **11** 4, Seite 7).

11 Entsorgung

- Geben Sie das Verpackungsmaterial möglichst in den entsprechenden Recycling-Müll.



Wenn Sie das Produkt endgültig außer Betrieb nehmen, informieren Sie sich bitte beim nächsten Recyclingcenter oder bei Ihrem Fachhändler über die zutreffenden Entsorgungsvorschriften.

12 Technische Daten

	Dometic TEC40D
Art.-Nr.:	9600000116
Ausgangsnennspannung:	230 V~ / 50 Hz
Max. Dauerleistung (bei 25 °C auf Meereshöhe):	3500 W
Ausgangsspannung Batterielader:	12 V===
Max. Ausgangsstrom Batterielader:	10 A
Betriebstemperaturbereich:	-15 °C bis +50 °C
Kraftstoff:	Dieseldieselkraftstoff nach EN 590
Motor:	Hatz (1 B 30V)
Verbrauch:	max. 1,4l/h
Motorleistung:	4,7 kW (6,4 PS)
Max. Drehzahl:	3300 min ⁻¹
Motoröl:	1,1l
Schallpegel:	89 dB(A)
Schallpegel in 7 m Abstand:	64 dB(A)
Abmessungen:	siehe Abb. 2 , Seite 3
Gewicht:	96,5 kg
Prüfung/Zertifikat:	 

Veillez lire attentivement cette notice avant le montage et la mise en service. Veillez ensuite la conserver. En cas de passer le produit, veuillez le transmettre au nouvel acquéreur.

Sommaire

1	Explication des symboles	37
2	Consignes de sécurité et instructions de montage	37
3	Groupe cible de cette notice	39
4	Contenu de la livraison	40
5	Accessoires	40
6	Usage conforme	40
7	Plaquettes de spécifications	41
8	Description technique	41
9	Montage	41
10	Raccordement électrique du générateur	44
11	Élimination	47
12	Caractéristiques techniques	48

1 Explication des symboles

**DANGER !**

Consigne de sécurité : le non-respect de ces consignes entraîne la mort ou de graves blessures.

**AVERTISSEMENT !**

Consigne de sécurité : le non-respect de ces consignes peut entraîner la mort ou de graves blessures.

**ATTENTION !**

Consigne de sécurité : le non-respect de ces consignes peut entraîner des blessures.

**AVIS !**

Le non-respect de ces consignes peut entraîner des dommages matériels et des dysfonctionnements du produit.

**REMARQUE**

Informations complémentaires sur l'utilisation du produit.

2 Consignes de sécurité et instructions de montage

Respectez les consignes de sécurité et autres prescriptions imposées par le fabricant du véhicule et par les professionnels de l'automobile !

Le fabricant décline toute responsabilité pour des dommages dans les cas suivants :

- des défauts de montage ou de raccordement
- des influences mécaniques et des surtensions ayant endommagé le matériel
- des modifications apportées au produit sans autorisation explicite de la part du fabricant
- une utilisation différente de celle décrite dans la notice

Lors de l'utilisation d'appareils électriques, les consignes générales de sécurité suivantes doivent être respectées afin d'éviter

- une décharge électrique,
- un incendie,
- des blessures.

2.1 Précautions d'usage



AVERTISSEMENT !

- Le montage et les réparations du générateur doivent être effectuées par un personnel qualifié et parfaitement informé des dangers et règlements spécifiques à ces manipulations. Toute réparation mal effectuée risquerait d'entraîner de graves dangers. Si des réparations sont nécessaires, adressez-vous à la filiale chargée du service après-vente dans votre pays (adresses au dos de la notice).
- **Les appareils électriques ne sont pas des jouets pour enfants !**
Les enfants ne peuvent pas estimer correctement les dangers éventuels des appareils électriques. Ne laissez pas les enfants utiliser des appareils électriques sans surveillance.
- Les enfants âgés de 8 ans et plus ainsi que les personnes ayant des déficiences physiques, sensorielles ou mentales ou un manque d'expérience ou de connaissances peuvent utiliser ce produit à condition d'être sous surveillance ou d'avoir reçu des instructions concernant l'utilisation de l'appareil en toute sécurité et de comprendre les dangers qui en résultent.
- Les gaz d'échappement contiennent du monoxyde de carbone, un gaz incolore et inodore, extrêmement toxique. Ne respirez pas les gaz d'échappement. Ne faites pas tourner le moteur du générateur dans un garage fermé ou dans une pièce sans fenêtres.



ATTENTION !

- **Risque d'incendie !**
Ne montez **pas** le générateur dans des caisses ou des pièces sans ouvertures, mais dans des zones ou des pièces suffisamment aérées.
- Faites fonctionner le générateur uniquement si le boîtier et les conduites sont intacts.
- Montez le générateur sur un sol stable.
- N'inclinez pas le générateur à plus de 20° par rapport à la verticale.

**AVIS !**

- N'utilisez l'appareil que conformément à l'usage pour lequel il a été conçu.
- Le générateur n'est pas conçu pour une utilisation dans les bateaux.
- Ne procédez à aucune modification ni transformation de l'appareil.

2.2 Précautions concernant les lignes électriques

**AVERTISSEMENT !**

- Seule une entreprise qualifiée est autorisée à effectuer le raccordement électrique conformément aux normes correspondantes (p. ex. dans le cas de l'Allemagne, il s'agit de la norme VDE 0100 Teil 721).

**ATTENTION !**

- Posez et fixez les lignes électriques de manière à ce que les câbles ne puissent pas être endommagés et à ce que personne ne risque de trébucher dessus.

**AVIS !**

- Si les lignes électriques doivent traverser des parois à arêtes vives, utilisez des tubes vides ou des passe-câbles.
- Ne faites passer aucune ligne électrique non fixée ou fortement coudee sur des matériaux conducteurs (métal).
- Ne tirez pas sur les lignes électriques.

3 Groupe cible de cette notice

Cette notice s'adresse à un personnel qualifié, travaillant dans des ateliers, informé des directives et des consignes de sécurité à appliquer.

4 Contenu de la livraison

Pos. dans fig. 1, page 3	Quantité	Désignation
1	1	Générateur TEC40D
2	1	Télécommande
3	1	Conduite de gaz d'échappement, 2 m
4	1 jeu	Matériel de fixation pour le silencieux
-	1 jeu	Câble de raccordement
-		AG 102, relais de commutation pour la réalisation d'un raccordement prioritaire
-		Matériel de fixation
-		Manuel de montage
-		Manuel d'utilisation

5 Accessoires

Disponibles en accessoires (non compris dans la livraison) :

Désignation des pièces	Numéro de produit
PR 25044, kit de joints externes	9102900174

6 Usage conforme

Le générateur TEC40D (numéro d'article 9600000116) est conçu pour une utilisation dans les caravanes, campings-cars et véhicules commerciaux.

Le générateur n'est **pas** conçu pour une utilisation dans les bateaux.

Le générateur crée une tension alternative sinusoïdale pure de 230 V / 50 Hz à laquelle les consommateurs d'énergie peuvent être reliés avec une charge continue totale de 3500 W. La qualité du courant est également adaptée aux consommateurs d'énergie de forte sensibilité (p. ex. PC).

Le générateur peut charger une batterie de 12 V.

7 Plaquettes de spécifications

Une plaquette de spécification est montée sur le générateur. Elle informe l'installateur et l'utilisateur des spécifications de l'appareil.

8 Description technique

Le générateur offre la possibilité suivante qui doit être configurée en conséquence lors du montage :

Raccordement prioritaire, avec lequel la tension externe de 230 V a la priorité sur la tension créée par le générateur, voir chapitre « Réalisation d'un raccordement prioritaire », page 46.

9 Montage



ATTENTION ! Risque de blessures !

Seule une entreprise spécialisée possédant le savoir-faire nécessaire est habilitée à effectuer le montage du générateur. Les informations suivantes sont destinées à un personnel qualifié, informé des directives et des consignes de sécurité à appliquer.

9.1 Consignes concernant le montage

Lisez les instructions de montage dans leur intégralité avant de procéder au montage du générateur.

Tenez compte des remarques suivantes lors du montage du générateur :



DANGER ! Danger de mort par électrocution

Coupez toutes les tensions électriques pendant les travaux sur le générateur.



ATTENTION ! Risque de blessures !

- Un montage non conforme du générateur peut endommager l'appareil de manière irréversible et compromettre la sécurité de l'utilisateur.
- Pour tous les travaux, vous devez porter les vêtements de protection obligatoires (p. ex. lunettes de protection, gants de protection).

9.2 Fixation du générateur

Consignes relatives au lieu de montage

- Veillez à ce qu'aucun objet inflammable ne soit entreposé ni monté dans le tuyau d'échappement ou dans les lamelles du ventilateur. Une distance de 70 cm minimum doit être respectée.
- Pour des raisons de sécurité, faites attention lors de l'installation du générateur (opérations de perçage, de vissage, etc.) à la position des faisceaux de câbles, conduites et autres éléments, éventuellement encastrés et invisibles, qui se trouvent dans la zone de montage !
- Prévoyez au moins 70 mm d'espace libre entre le capot du générateur et les pièces environnantes, afin qu'il reste suffisamment de place pour les flux d'air de refroidissement.
- Pour le montage, un espace étanche doit être préparé à l'intérieur du véhicule, celui-ci doit également être isolé contre le bruit.

Installez des orifices d'échappement au sol et devant la trappe du générateur (voir gabarit de montage).

- Posez les joints (disponibles en accessoires) et vissez-les sur le bâti (fig. **3**, page 4).
- Positionnez le bâti dans la zone déterminée et vissez-le (fig. **4**, page 4).
- Placez le générateur dans le bâti et vissez-le (fig. **5**, page 4).
- Montez la trappe et fixez-la avec les chevilles (fig. **5**, page 4).

9.3 Fixation de la conduite des gaz d'échappement

Lors de la pose de la conduite des gaz d'échappement, tenez compte des remarques suivantes :

- Évitez la formation de coudes risquant d'empêcher la circulation des gaz d'échappement.
- Raccordez le flexible (fig. **7** 2, page 5) au silencieux (fig. **7** 1, page 5) et fixez-le avec des colliers (fig. **7** 4, page 5)
- Fixez la rallonge de la conduite de gaz d'échappement (fig. **7** 3, page 5).

9.4 Montage du réservoir et de la conduite de carburant

Veillez respecter les remarques suivantes sur l'emplacement de montage :

- Le fond du réservoir doit se trouver au max. 1 m sous le fond du générateur.
 - La partie supérieure du réservoir ne doit pas se trouver au-dessus de la partie supérieure du générateur.
 - La distance horizontale maximale entre le générateur et le réservoir est de 3 m.
 - Dans la mesure du possible, posez les conduites de carburant en ligne droite (fig. **8**, page 5).
- Fixez le réservoir, voir fig. **8**, page 5 et chapitre « Raccordement du flotteur », page 47.
- Raccordez la ligne d'alimentation en carburant (fig. **9** 1, page 6) au filtre à carburant (fig. **9** 2, page 6).
- Raccordez la conduite du retour de carburant (fig. **9** 3, page 6).
- Sécurisez les flexibles avec des colliers.

9.5 Montage du panneau de commande

Veillez respecter les remarques suivantes sur l'emplacement de montage :

- Tenez compte de la longueur du câble de rallonge du panneau de commande vers le générateur.
- Percez les trous comme indiqué à la fig. **10**, page 6.
- Insérez les connecteurs dans le panneau de commande.
- Vissez le panneau de commande.

10 Raccordement électrique du générateur



DANGER ! Danger de mort par électrocution

Avant tout travail sur les éléments fonctionnant à l'électricité, assurez-vous qu'ils ne sont plus sous tension !



REMARQUE

Respectez les directives en vigueur dans le pays d'exploitation.

10.1 Remarques importantes concernant le raccordement électrique

- Faites effectuer le raccordement électrique du générateur par un spécialiste.
- Vérifiez que la tension indiquée sur la plaque signalétique correspond à l'alimentation électrique dont vous disposez.
- Ne placez pas de câbles 230 V~ et de câbles 12 V== dans le même conduit (tube vide).
- Ne faites pas passer de lignes électriques non fixées ou fortement coudées sur des matériaux conducteurs (métal).
- Reliez le générateur à un circuit électrique en mesure de fournir le courant nécessaire (voir chapitre « Caractéristiques techniques », page 48).
- Sélectionnez la section de conduite comme suit :
 - 230 V : 4 mm²
 - Chargeur de batterie : 2,5 mm²
 - raccordement de la batterie de démarrage (longueur < 6 m) : 16 mm²
 - raccordement de la batterie de démarrage (longueur > 6 m) : 25 mm²
- Installez un commutateur principal manuel permettant de déconnecter du générateur tous les consommateurs d'énergie, à l'exception de la batterie.

10.2 Raccordement du générateur



AVIS !

- Reliez un relais ou un commutateur à l'installation électrique afin que le générateur ne soit pas endommagé lorsque le réseau électrique est activé.
- Dans la mesure du possible, raccordez le générateur de sorte qu'il soit prioritaire sur le réseau électrique.

- Raccordez le générateur selon le schéma de raccordement (fig. **11**, page 7) et le schéma du circuit (fig. **12**, page 8).

Légende schéma de raccordement (fig. **11**, page 7)

Pos.	Description
1	Borne de raccordement, pôle positif de la batterie
2	Borne de raccordement, pôle négatif de la batterie
3	Raccordement pour chargeur de batterie
4	Raccordement pour affichage du carburant

Légende schéma du circuit (fig. **12**, page 8)

Pos.	Description
1	Enroulement triphasé
2 + 3	Enroulements auxiliaires
4	Onduleur
5	Connecteur à 6 pôles
6	Chargeur de batterie
7	Commutateur principal
8	Pressostat
9	Pompe à carburant
10	Moteur du démarreur
11	Connecteur à 9 pôles
12	Platine de commande
13	Disjoncteur

Pos.	Description
14	Connecteur à 9 pôles
15	Thermo-rupteur
16	Connecteur à 10 pôles
17	Bornier
18	Connecteur à 2 pôles
19	Télécommande
20	Connecteur à 10 pôles
21	Batterie
22	Bornier
23	Connecteur à 2 pôles
24	Enroulements auxiliaires
25	Connecteur à 4 pôles
26	Connecteur à 6 pôles
27	Connecteur à 2 pôles
28	Connecteur à 2 pôles

10.3 Réalisation d'un raccordement prioritaire

Un relais de commutation permet de réaliser un raccordement prioritaire, avec lequel la tension d'alimentation externe est prioritaire sur le générateur, voir le schéma du circuit (fig. **13**, page 10):

Pos.	Description
1	Charge
2	Relais de commutation AG113
3	Générateur
4	Réseau électrique

- ▶ Montez le relais de commutation à un endroit adéquat.
- ▶ Raccordez le câble selon le schéma du circuit (fig. **13**, page 10).

10.4 Raccordement de la batterie de démarreur



AVIS !

La batterie du démarreur doit présenter une tension de 12 V et une capacité minimale de 60 Ah.

- Raccordez le pôle positif de la batterie (fig. **11** 1, page 7) à la borne de raccordement du pôle positif de la batterie à l'aide d'un câble adapté :
 - Longueur du câble < 6 m : section de 16 mm²
 - Longueur du câble < 6 m : section de 25 mm²
- Raccordez le pôle négatif de la batterie (fig. **11** 2, page 7) avec un câble de section adaptée (voir plus haut) de la manière suivante :
- Reliez le raccord de masse du générateur au châssis du véhicule.
- Éliminez les cas échéant la peinture ou la rouille présente sur le châssis, afin de garantir un bon contact.
- Protégez les raccordements avec un produit contre la corrosion (p. ex. graisse lubrifiante, spray lubrifiant/protecteur).

10.5 Raccordement du panneau de commande

- Raccordez le panneau de commande à l'aide du câble de rallonge fourni, en le branchant dans le connecteur pour le panneau de commande (fig. **10**, page 6).

10.6 Raccordement du flotteur

- Reliez le flotteur du réservoir au raccord prévu à cet effet (fig. **11** 4, page 7).

11 Élimination

- Jetez les emballages dans les conteneurs de déchets recyclables prévus à cet effet.



Lorsque vous mettez votre produit définitivement hors service, informez-vous auprès du centre de recyclage le plus proche ou auprès de votre revendeur spécialisé sur les prescriptions relatives au retraitement des déchets.

12 Caractéristiques techniques

	Dometic TEC40D
N° de produit :	9600000116
Tension nominale de sortie :	230 V~ / 50 Hz
Puissance continue max. (à 25 °C au niveau de la mer) :	3500 W
Tension de sortie du chargeur de batterie :	12 V===
Courant de sortie max. du chargeur de batterie :	10 A
Plage de température de fonctionnement :	-15 °C à +50 °C
Carburant :	diesel selon EN 590
Moteur :	Hatz (I B 30V)
Consommation :	max. 1,4 l/h
Puissance du moteur :	4,7 kW (6,4 CV)
Régime max. :	3 300 tr/min
Huile de moteur :	1,1 l
Niveau sonore :	89 dB(A)
Niveau sonore à 7 m :	64 dB(A)
Dimensions :	voir fig. 2 , page 3
Poids :	96,5 kg
Contrôle/certificat :	 

Lea detenidamente estas instrucciones antes de llevar a cabo la instalación y puesta en funcionamiento, y consérvelas en un lugar seguro. En caso de vender o entregar el producto a otra persona, entregue también estas instrucciones.

Índice

1	Explicación de los símbolos	50
2	Indicaciones de seguridad y para el montaje	50
3	Destinatarios de estas instrucciones	52
4	Volumen de entrega	53
5	Accesorios	53
6	Uso adecuado	53
7	Placas de identificación	54
8	Descripción técnica	54
9	Montaje	54
10	Conexión eléctrica del generador	57
11	Gestión de residuos	60
12	Datos técnicos	61

1 Explicación de los símbolos

**¡PELIGRO!**

Indicación de seguridad: su incumplimiento acarrea la muerte o graves lesiones.

**¡ADVERTENCIA!**

Indicación de seguridad: su incumplimiento puede acarrear la muerte o graves lesiones.

**¡ATENCIÓN!**

Indicación de seguridad: su incumplimiento puede acarrear lesiones.

**¡AVISO!**

Su incumplimiento puede acarrear daños materiales y perjudicar el correcto funcionamiento del producto.

**NOTA**

Información adicional para el manejo del producto.

2 Indicaciones de seguridad y para el montaje

Tenga en cuenta las indicaciones de seguridad y la documentación suministrada por el fabricante y el taller del vehículo.

El fabricante declina toda responsabilidad ante daños ocurridos en los siguientes casos:

- errores de montaje o de conexión
- daños en el producto debido a influencias mecánicas y sobretensiones
- modificaciones realizadas en el producto sin el expreso consentimiento del fabricante
- utilización del aparato para fines distintos a los descritos en las instrucciones

Al utilizar los aparatos eléctricos, respete las siguientes normas básicas de seguridad para protegerse de:

- descargas eléctricas
- peligro de incendio
- lesiones

2.1 Manejo del aparato



¡ADVERTENCIA!

- Solo personal técnico que conozca los posibles peligros y las normas correspondientes tiene autorización para realizar las tareas de instalación y la reparación del generador. Las reparaciones que se realicen incorrectamente pueden dar lugar a situaciones de considerable peligro. En caso de reparaciones, diríjase al punto de atención al cliente de su país (direcciones al dorso).
- **¡Los aparatos eléctricos no son juguetes!**
Los niños no tienen capacidad de percibir los peligros que representan los aparatos eléctricos. No deje que los niños usen aparatos eléctricos sin estar bajo su vigilancia.
- Los niños mayores de 8 años y las personas de capacidad física, sensorial o mental disminuida, así como aquellas personas con falta de experiencia y/o conocimientos suficientes solo podrán utilizar este aparato si están vigilados o han sido instruidos respecto al uso seguro del aparato y a los posibles peligros que pueden emanar de él.
- Los gases de escape contienen monóxido de carbono, un gas tóxico inoloro e incoloro. No inhale los gases de escape. No deje el motor del generador en un garaje cerrado ni en un recinto sin ventanas.



¡ATENCIÓN!

- **¡Peligro de incendio!**
No monte el generador en cajas ni en recintos sin aberturas, sino en áreas o espacios suficientemente ventilados.
- Utilice el generador solo cuando la carcasa y los cables no presenten daños.
- Monte el generador sobre una superficie estable.
- No incline el generador más de 20° respecto al plano vertical.

**¡AVISO!**

- Utilice el aparato solo conforme a su uso adecuado.
- El generador no se ha concebido para ser utilizado en embarcaciones.
- No realice cambios o modificaciones en el aparato.

2.2 Manipulación de los cables eléctricos

**¡ADVERTENCIA!**

- La conexión eléctrica solo la puede realizar un taller especializado (en Alemania, por ejemplo, VDE 0100, parte 721).

**¡ATENCIÓN!**

- Fije y tienda los cables de forma que no supongan un peligro de tropiezo ni puedan resultar dañados.

**¡AVISO!**

- Si los cables atraviesan paredes con bordes afilados, utilice conductos para cables o guías de cable.
- No coloque cables sueltos ni doblados en extremo sobre materiales conductores de electricidad (metales).
- No tire de los cables.

3 Destinatarios de estas instrucciones

Estas instrucciones van dirigidas al personal técnico de talleres familiarizado con las directivas y medidas de seguridad que se hayan de aplicar.

4 Volumen de entrega

Pos. en fig. 1, página 3	Cantidad	Denominación
1	1	Generador TEC40D
2	1	Control remoto
3	1	Conducto de gases de escape, 2 m
4	1 juego	Material de fijación para el silenciador
-	1 juego	Cable de conexión
-		AG 102, relé de conmutación para establecer una conexión de prioridad
-		Material de fijación
-		Instrucciones de montaje
-		Instrucciones de uso

5 Accesorios

Disponibles como accesorios (no incluidos en el volumen de entrega):

Nombre de las piezas	Número de artículo
PR 25044, juego de juntas externas	9102900174

6 Uso adecuado

El generador TEC40D (n.º de art. 9600000116) está concebido para su uso en autocaravanas, caravanas y vehículos de uso comercial.

El generador **no** se ha concebido para ser instalado en embarcaciones.

El generador genera una tensión alterna senoidal de 230 V/50 Hz a la que se pueden conectar consumidores con una carga total constante de 3500 W. La calidad de la corriente también resulta adecuada para consumidores sensibles (por ejemplo, PCs).

El generador puede cargar una batería de 12 V.

7 Placas de identificación

En el generador hay una placa de identificación. Esta placa de identificación informa al usuario y al instalador sobre las especificaciones del aparato.

8 Descripción técnica

El generador ofrece la siguiente posibilidad que se ha de configurar al momento del montaje:

Conexión de prioridad por la que la tensión externa de 230 V tiene prioridad respecto a la tensión generada por el generador, véase capítulo “Efectuar la conexión de prioridad” en la página 59.

9 Montaje



¡ATENCIÓN! ¡Peligro de sufrir lesiones!

Solo personal técnico debidamente cualificado tiene permitido realizar el montaje del generador. La siguiente información va dirigida a personal técnico familiarizado con las directivas y normativas de seguridad que se han de aplicar.

9.1 Indicaciones para el montaje

Antes de instalar el generador, lea todas las instrucciones de montaje.

Durante el montaje del generador, tenga en cuenta las siguientes indicaciones:



¡PELIGRO! ¡Peligro de muerte por descarga eléctrica!

Desconecte siempre todas las alimentaciones de tensión mientras esté trabajando en el generador.



¡ATENCIÓN! ¡Peligro de sufrir lesiones!

- Una instalación incorrecta del generador puede provocar daños irreparables en el aparato y limitar la seguridad del usuario.
- Al realizar cualquier tarea, utilice el equipo de protección personal prescrito (p.ej. gafas de protección, guantes de protección).

9.2 Fijar el generador

Indicaciones relativas al lugar de montaje

- Asegúrese de que no haya objetos inflamables situados o instalados en el área del escape o de las láminas de ventilación. La distancia debe ser como mínimo de 70 cm.
 - Por motivos de seguridad, al montar el generador (al realizar perforaciones, al atornillar, etc.) preste atención al recorrido de los mazos de cables, conducciones y otros componentes, especialmente cuando no estén a la vista, y a que se encuentren en la zona de montaje.
 - Deje por lo menos 70 mm de huelgo entre la cubierta del generador y las piezas circundantes, de modo que quede suficiente espacio para que pueda circular el aire de refrigeración.
 - Para el montaje se debe preparar una cavidad hermetizada respecto al interior del vehículo que además se puede aislar acústicamente.
Perfore orificios de escape en el suelo y delante de la tapa del generador (véase la plantilla de montaje).
- ▶ Coloque las juntas (disponibles como accesorios) y atorníllelas firmemente a la carcasa (fig. **3**, página 4).
 - ▶ Coloque la carcasa en el área fijada y atorníllela firmemente (fig. **4**, página 4).
 - ▶ Coloque el generador en la carcasa y atorníllelo firmemente (fig. **5**, página 4).
 - ▶ Monte la tapa y fjela con los pasadores (fig. **6**, página 4).

9.3 Fijación del conducto de gases de escape

Tenga en cuenta las siguientes indicaciones al tender el conducto de gases de escape:

- No tome curvas muy cerradas que impidan la circulación de los gases de escape.
- ▶ Conecte la manguera (fig. **7** 2, página 5) al silenciador (fig. **7** 1, página 5) y sujétela con abrazaderas (fig. **7** 4, página 5).
 - ▶ Fije la prolongación del conducto de gases de escape (fig. **7** 3, página 5).

9.4 Montar el depósito y el conducto de combustible

Tenga en cuenta las siguientes indicaciones respecto al lugar de montaje:

- El suelo del depósito no puede estar más de 1 m por debajo del suelo del generador.
 - El borde superior del depósito no debe quedar por encima del borde superior del generador.
 - La distancia horizontal máxima entre el generador y el depósito es de 3 m.
 - Procure que los conductos de combustible queden lo más rectos posible (fig. **8**, página 5).
- Fije el depósito. Consulte para ello fig. **8**, página 5 y capítulo “Conectar flotador” en la página 60.
- Conecte la línea de alimentación de combustible (fig. **9** 1, página 6) al filtro de combustible (fig. **9** 2, página 6).
- Conecte el conducto de retorno de combustible (fig. **9** 3, página 6).
- Fije las mangueras con abrazaderas.

9.5 Montaje del panel de mando

Tenga en cuenta la siguiente indicación respecto al lugar de montaje:

- Tenga en cuenta la longitud del cable alargador desde el panel de control hasta el generador.
- Perfore los agujeros como se indica en fig. **10**, página 6.
- Inserte el enchufe en el panel de control.
- Atornille el panel de control.

10 Conexión eléctrica del generador



¡PELIGRO! ¡Peligro de muerte por descarga eléctrica!

Antes de realizar trabajos en componentes que funcionan con electricidad, asegúrese de que no haya tensión eléctrica.



NOTA

Respete las directivas que rijan en su país.

10.1 Indicaciones importantes relativas a la conexión eléctrica

- La conexión eléctrica del generador solo la puede realizar un técnico.
- Compare el valor de tensión indicado en la placa de características con el suministro de energía existente.
- No tienda en el mismo canal (tubo vacío) cables de 230 V \sim y cables de 12 V \equiv .
- Los cables no deben quedar sueltos ni muy doblados al colocarlos en materiales conductores de electricidad (metales).
- El generador debe conectarse a un circuito eléctrico capaz de suministrar la corriente necesaria (véase capítulo "Datos técnicos" en la página 61).
- Seleccione la sección de cable como se indica a continuación:
 - 230 V: 4 mm²
 - Cargador de batería: 2,5 mm²
 - Conexión de batería de arranque (longitud < 6 m): 16 mm²
 - Conexión de batería de arranque (longitud > 6 m): 25 mm²
- Instale un interruptor principal manual para poder desconectar del generador de todos los consumidores, con excepción de la batería.

10.2 Conexión del generador



¡AVISO!

- Conecte un relé o un conmutador a la instalación eléctrica del vehículo para que no se dañe el generador cuando se conecta la red eléctrica.
- En la medida de lo posible, conecte el generador de tal forma que tenga prioridad respecto a la red eléctrica.

- Conecte el generador conforme al esquema de conexiones (fig. 11, página 7) y al esquema eléctrico (fig. 12, página 8).

Legenda para el esquema eléctrico (fig. 11, página 7)

Pos.	Descripción
1	Terminal de conexión polo positivo de la batería
2	Terminal de conexión polo negativo de la batería
3	Conexión para cargador de batería
4	Conexión para indicación de combustible

Legenda para el esquema de conexiones (fig. 12, página 8)

Pos.	Descripción
1	Bobinado trifásico
2 + 3	Bobinado auxiliar
4	Inversor
5	Clavija de 6 polos
6	Cargador de batería
7	Interruptor principal
8	Presostato
9	Bomba de combustible
10	Motor de arranque
11	Clavija de 9 polos
12	Placa de control
13	Interruptor de protección

Pos.	Descripción
14	Clavija de 9 polos
15	Interruptor térmico
16	Clavija de 10 polos
17	Regleta de bornes
18	Clavija de 2 polos
19	Control remoto
20	Clavija de 10 polos
21	Batería
22	Regleta de bornes
23	Clavija de 2 polos
24	Bobinados auxiliares
25	Clavija de 4 polos
26	Clavija de 6 polos
27	Clavija de 2 polos
28	Clavija de 2 polos

10.3 Efectuar la conexión de prioridad

Con el relé de conmutación se puede llevar a cabo una conexión de prioridad por la que se prioriza la alimentación de tensión externa con respecto a la proveniente del generador; véase el esquema de conexiones (fig. 13, página 10):

Pos.	Descripción
1	Carga
2	Relé de conmutación AG113
3	Generador
4	Red eléctrica

- ▶ Monte el relé de conmutación en una posición adecuada.
- ▶ Conecte los cables conforme al esquema de conexiones (fig. 13, página 10).

10.4 Conectar la batería de arranque



¡AVISO!

La batería de arranque debe tener una tensión de 12 V y una capacidad de por lo menos 60 Ah.

- ▶ Conecte el polo positivo de la batería (fig. **11** 1, página 7) con un cable adecuado al borne de conexión del polo positivo de la batería:
 - Longitud del cable < 6 m: sección de 16 mm²
 - Longitud del cable > 6 m: sección de 25 mm²
- ▶ Conecte el polo negativo de la batería (fig. **11** 2, página 7) a un cable con una sección adecuada (ver más arriba):
- ▶ Conecte la conexión a masa del generador con el chasis del vehículo.
- ▶ Elimine la pintura o el óxido del chasis para garantizar un buen contacto.
- ▶ Proteja las conexiones con un agente anticorrosivo (por ejemplo, grasa lubricante, spray de engrase/protección)

10.5 Conexión del panel de mando

- ▶ Con el cable alargador suministrado, conecte el panel de control a la clavija para el panel de control (fig. **11** 3, página 7).

10.6 Conectar flotador

- ▶ Conecte el flotador del depósito con la conexión del flotador (fig. **10**, página 6).



11 Gestión de residuos

- ▶ Deseche el material de embalaje en el contenedor de reciclaje correspondiente.



Cuando vaya a desechar definitivamente el producto, infórmese en el centro de reciclaje más cercano o en un comercio especializado sobre las normas pertinentes de eliminación de materiales.

12 Datos técnicos

	Dometic TEC40D
N.º de art.:	9600000116
Tensión nominal de salida:	230 V~ / 50 Hz
Potencia constante máxima (a 25 °C a la altura del nivel del mar):	3500 W
Tensión de salida del cargador de batería:	12 V===
Corriente máx. de salida del cargador de batería:	10 A
Rango de temperatura de funcionamiento:	de -15 °C a +50 °C
Combustible:	combustible diésel conforme a EN 590
Motor:	Hatz (1 B 30V)
Consumo:	máx. 1,4 l/h
Potencia del motor:	4,7 kW (6,4 PS)
Velocidad máx.:	3300 rpm
Aceite del motor:	1,1 l
Nivel de ruido:	89 dB(A)
Nivel de ruido a 7 m:	64 dB(A)
Dimensiones:	véase fig. 2 , página 3
Peso:	96,5 kg
Homologación/certificados:	 

Por favor, leia atentamente este manual antes da montagem e colocação em funcionamento do aparelho e guarde-o em local seguro. Em caso de transmissão do produto, entregue o manual ao novo utilizador.

Índice

1	Explicação dos símbolos	63
2	Indicações de segurança e de montagem	63
3	Destinatários do presente manual	65
4	Material fornecido.	66
5	Acessórios	66
6	Utilização adequada	66
7	Chapas de características.	67
8	Descrição técnica	67
9	Montagem.	67
10	Ligar o gerador à eletricidade	70
11	Eliminação	73
12	Dados técnicos	74

1 Explicação dos símbolos

**PERIGO!**

Indicação de segurança: o incumprimento causa a morte ou ferimentos graves.

**AVISO!**

Indicação de segurança: o incumprimento pode provocar a morte ou ferimentos graves.

**PRECAUÇÃO!**

Indicação de segurança: o incumprimento pode provocar ferimentos.

**NOTA!**

O incumprimento pode causar danos materiais e pode prejudicar o funcionamento do produto.

**OBSERVAÇÃO**

Informações suplementares sobre a operação do produto.

2 Indicações de segurança e de montagem

Cumpra as indicações de segurança e o especificado na literatura do fabricante automóvel e das associações profissionais!

O fabricante não se responsabiliza por danos nos seguintes casos:

- Erros de montagem ou de conexão
- Danos no produto resultantes de influências mecânicas e sobretensões
- Alterações ao produto sem autorização expressa do fabricante
- Utilização para outras finalidades que não as descritas no manual de instruções

Tenha em atenção as seguintes medidas de segurança fundamentais na utilização de aparelhos elétricos para a proteção contra:

- choque elétrico
- perigo de incêndio
- ferimentos

2.1 Manuseamento do aparelho



AVISO!

- A manutenção e as reparações do gerador apenas devem ser realizadas por técnicos especializados que estão familiarizados com os perigos inerentes ou com as normas em vigor. As reparações inadequadas podem levar a perigos graves. Em caso de reparação, entre em contacto com o centro de assistência técnica do seu país (endereços no verso).
- **Os aparelhos elétricos não são brinquedos!**
As crianças não conseguem avaliar adequadamente os perigo decorrentes dos equipamentos elétricos. Não permita que as crianças utilizem equipamentos elétricos sem supervisão.
- Este aparelho pode ser utilizado por crianças a partir dos 8 anos, assim como por pessoas com capacidades físicas, sensoriais ou mentais reduzidas e/ou com insuficiente experiência e conhecimento, quando supervisionadas ou quando tenham recebido informação acerca da utilização segura do aparelho e tenham compreendido os perigos dele resultantes.
- Os gases de escape contêm monóxido de carbono, um gás extremamente tóxico, incolor e inodoro. Os gases de escape não devem ser inalados. Não deixe o motor do gerador a trabalhar numa garagem fechada ou numa sala sem janelas.



PRECAUÇÃO!

- **Perigo de incêndio!**
O gerador **não** deve ser montado em caixas ou salas sem aberturas, mas sim em espaços ou salas suficientemente ventilados.
- Utilize o gerador apenas quando o corpo e os cabos não apresentam danos.
- Monte o gerador sobre uma base estável.
- Não incline o gerador mais do que 20° em relação à perpendicular.

**NOTA!**

- Utilize o aparelho apenas para a utilização adequada.
- O gerador não é adequado para ser utilizado em veículos aquáticos.
- Não deve executar quaisquer alterações ou modificações no aparelho.

2.2 Manuseamento dos cabos elétricos

**AVISO!**

- A ligação elétrica apenas pode ser realizada por uma empresa especializada (p.ex. na Alemanha conforme VDE 0100, parte 721).

**PRECAUÇÃO!**

- Fixe os cabos e coloque-os de modo a que não exista perigo de tropeçar e que sejam excluídos danos nos cabos.

**NOTA!**

- Se os cabos têm de ser passados por paredes com arestas afiadas, então utilize tubos vazios ou tubos de passar cabos.
- Não coloque os cabos soltos ou muito dobrados em materiais eletrocondutores (metal).
- Não puxe pelos cabos.

3 Destinatários do presente manual

Este manual está dirigido aos trabalhadores especializados em oficinas, que estão familiarizados com as diretivas a aplicar e medidas de segurança.

4 Material fornecido

Pos. na fig. 1, página 3	Quant.	Designação
1	1	Gerador TEC40D
2	1	Controlo remoto
3	1	Conduta de gases de escape, 2 m
4	1 conjunto	Material de fixação para o silenciador
-	1 conjunto	Cabo de conexão
-		AG 102, relé de comutação para estabelecer uma ligação de prioridade
-		Material de fixação
-		Manual de montagem
-		Manual de instruções

5 Acessórios

Disponível como acessório (não incluído no material fornecido):

Designação das peças	Número de artigo
PR 25044, conjunto de vedações externas	9102900174

6 Utilização adequada

O gerador TEC40D (n.º art. 9600000116) está concebido para uso em caravanas, auto-caravanas e veículos comerciais.

O gerador **não** é adequado para ser instalado em embarcações.

O gerador produz uma tensão alternada sinusoidal pura de 230 V/50 Hz, à qual se podem conectar consumidores com uma carga total constante de 3500 W. A qualidade da corrente também é apropriada para consumidores sensíveis (p.ex. PC).

O gerador pode carregar uma bateria de 12 V.

7 Chapas de características

No gerador está afixada uma chapa de características. Esta chapa de características informa o utilizador e o técnico de instalação sobre as especificações do aparelho.

8 Descrição técnica

O gerador oferece a seguinte possibilidade que deve ser configurada em função do tipo de montagem:

Ligação de prioridade através da qual a tensão externa de 230 V tem prioridade sobre a tensão gerada pelo gerador, ver capítulo “Realizar a ligação de prioridade” na página 72.

9 Montagem



PRECAUÇÃO! Perigo de ferimentos!

A montagem do gerador apenas pode ser efetuada por empresas especializadas. As seguintes informações destinam-se a técnicos, devidamente familiarizados com as diretivas e medidas de segurança a aplicar.

9.1 Indicações sobre a montagem

Leia atentamente o presente manual de montagem antes de instalar o gerador.

Durante a montagem do gerador, tenha em conta as seguintes indicações:



PERIGO! Perigo de morte devido a choque elétrico!

Durante os trabalhos no gerador, interrompa todas as alimentações de tensão.



PRECAUÇÃO! Perigo de ferimentos!

- Uma montagem incorreta do gerador pode conduzir a danos irreparáveis no aparelho e comprometer a segurança do utilizador.
- Utilize o vestuário de proteção prescrito durante todos os trabalhos (p.ex. óculos de proteção, luvas de proteção).

9.2 Fixar o gerador

Indicações sobre o local de montagem

- Certifique-se de que não existem objetos inflamáveis posicionados ou instalados na área do escape ou das lâminas de ventilação. A distância deve ser de, pelo menos, 70 cm.
- Por motivos de segurança, durante a instalação do gerador (ao furar e aparafusar, etc.), preste atenção à condução dos chicotes de cabos existentes, em especial, à condução dos chicotes de cabos não visíveis, cabos e outros componentes localizados na área de montagem.
- Preveja um espaço vazio de, pelo menos, 70 mm entre a cobertura do gerador e as peças circundantes, de modo a permanecer espaço suficiente para que o ar de refrigeração possa circular.
- Para a montagem no interior do veículo deve ser preparado um espaço selado, que também pode ser isolado acusticamente.

Realize furos de escape no chão e à frente da tampa do gerador (ver modelo de montagem).

- ▶ Coloque as vedações (disponível como acessório) e aparafuse-as ao corpo (fig. **3**, página 4).
- ▶ Posicione o corpo na área prevista para o efeito e aparafuse-o (fig. **4**, página 4).
- ▶ Coloque o gerador dentro do corpo e aparafuse-o (fig. **5**, página 4).
- ▶ Monte a tampa e fixe-a com os pinos (fig. **6**, página 4).

9.3 Fixar a conduta de gases de escape

Durante a instalação da conduta de gases de escape, tenha em atenção as seguintes indicações:

- Não crie curvas acentuadas que dificultam a circulação dos gases de escape.
- ▶ Ligue o tubo (fig. **7** 2, página 5) ao silenciador (fig. **7** 1, página 5) e fixe-o com braçadeiras (fig. **7** 4, página 5)
- ▶ Fixe a extensão do tubo de escape (fig. **7** 3, página 5).

9.4 Montar o depósito e a conduta de combustível

Tenha em conta as seguintes indicações em relação ao local de montagem:

- a base do depósito só pode estar, no máximo, 1 m por baixo da base do gerador.
 - A margem superior do depósito não deve ficar acima da margem superior do gerador.
 - A distância horizontal máxima entre o gerador e o depósito é de 3 m.
 - Conduza as condutas de combustível o mais reto possível (fig. **8**, página 5).
- Fixe o depósito, ver fig. **8**, página 5 e capítulo “Conetar o flutuador” na página 73.
- Conete a conduta de combustível (fig. **9** 1, página 6) ao filtro de combustível (fig. **9** 2, página 6).
- Conete a conduta do sistema de retorno do combustível (fig. **9** 3, página 6).
- Proteja os tubos com amortecedores.

9.5 Montar o painel de comando

Tenha em conta a seguinte indicação em relação ao local de montagem:

- Tenha em conta o comprimento da extensão desde o painel de comando até ao gerador.
- Faça os furos tal como indicado na fig. **10**, página 6.
- Insira a ficha no painel de comando.
- Aparafuse o painel de comando.

10 Ligar o gerador à eletricidade



PERIGO! Perigo de morte devido a choque elétrico!

Antes de trabalhos em componentes operados eletricamente, certifique-se de que não existe mais tensão!



OBSERVAÇÃO

Respeite as diretivas válidas no seu país.

10.1 Indicações importantes sobre a ligação elétrica

- A ligação elétrica do gerador apenas deve ser efetuada por um eletricista qualificado.
- Compare a indicação da tensão na placa de características com a alimentação de energia existente.
- Não passe os cabos de 230 V~ e os cabos de 12 V=== pelo mesmo canal (tubo vazio).
- Não coloque os cabos soltos ou muito dobrados em materiais eletro-condutores (metal).
- O gerador deve ser ligado a um circuito de corrente capaz de fornecer a corrente necessária (ver capítulo “Dados técnicos” na página 74).
- Selecione a secção transversal dos cabos como indicado a seguir:
 - 230 V: 4 mm²
 - Carregador de bateria: 2,5 mm²
 - Conexão de bateria de arranque (comprimento < 6 m): 16 mm²
 - Conexão de bateria de arranque (comprimento > 6 m): 25 mm²
- Instale um botão principal manual para poder desconetar do gerador todos os consumidores, com exceção da bateria.

10.2 Conetar o gerador



NOTA!

- Conete um relé ou um comutador à instalação elétrica do veículo para que o gerador não fique danificado quando a rede elétrica é ligada.
- Se possível, conete o gerador de forma a este ter prioridade em relação à rede elétrica.

- Ligue o gerador de acordo com o esquema de ligações (fig. **11**, página 7) e esquema elétrico (fig. **12**, página 8).

Legenda do esquema de conexões (fig. **11**, página 7)

Pos.	Descrição
1	Terminal de conexão para polo positivo da bateria
2	Terminal de conexão para polo negativo da bateria
3	Conexão para carregador de bateria
4	Conexão para indicador de combustível

Legenda do esquema de ligações (fig. **12**, página 8)

Pos.	Descrição
1	Enrolamento trifásico
2 + 3	Enrolamentos auxiliares
4	Conversor
5	Ficha de 6 polos
6	Carregador da bateria
7	Botão principal
8	Controlador de pressão
9	Bomba de combustível
10	Motor de arranque
11	Ficha de 9 polos
12	Placa de comando
13	Interruptor de proteção

Pos.	Descrição
14	Ficha de 9 polos
15	Interruptor térmico
16	Ficha de 10 polos
17	Barra de terminais
18	Ficha de 2 polos
19	Controlo remoto
20	Ficha de 10 polos
21	Bateria
22	Barra de terminais
23	Ficha de 2 polos
24	Enrolamentos auxiliares
25	Ficha de 4 polos
26	Ficha de 6 polos
27	Ficha de 2 polos
28	Ficha de 2 polos

10.3 Realizar a ligação de prioridade

Com o relé de comutação pode ser realizada uma ligação de prioridade, através da qual a alimentação de tensão externa tem prioridade em relação à do gerador, ver esquema de conexões (fig. 13, página 10):

Pos.	Descrição
1	Carga
2	Relé de comutação AG113
3	Gerador
4	Rede elétrica

- ▶ Monte o relé de comutação numa posição apropriada.
- ▶ Ligue os cabos de acordo com o esquema de ligações (fig. 13, página 10).

10.4 Conetar a bateria de arranque



NOTA!

A bateria de arranque tem de ter uma tensão de 12 V e uma capacidade de, pelo menos, 60 Ah.

- Ligue o polo positivo da bateria (fig. **11** 1, página 7) com um cabo adequado ao terminal de ligação do polo positivo da bateria:
 - Comprimento do cabo < 6 m: Diâmetro de 16 mm²
 - Comprimento do cabo > 6 m: Diâmetro de 25 mm²
- Ligue o polo negativo da bateria (fig. **11** 2, página 7) com um cabo com o diâmetro adequado (ver acima) da seguinte forma:
- Conete a ligação à terra do gerador com o chassis do veículo.
- Se necessário, remova verniz ou ferrugem do chassis de forma a garantir um bom contacto.
- Proteja as uniões com um produto anticorrosivo (por ex. massa lubrificante, spray lubrificante/de protecção).

10.5 Conetar o painel de comando

- Através da extensão juntamente fornecida, conete o painel de comando (fig. **10**, página 6).

10.6 Conetar o flutuador

- Conete o flutuador do depósito à conexão do flutuador (fig. **11** 4, página 7).

11 Eliminação

- Sempre que possível, coloque o material de embalagem no respectivo contentor de reciclagem.



Para colocar o aparelho definitivamente fora de funcionamento, por favor, informe-se junto do centro de reciclagem mais próximo ou revendedor sobre as disposições de eliminação aplicáveis.

12 Dados técnicos

	Dometic TEC40D
N.º art.:	9600000116
Tensão de saída nominal:	230 V~/50 Hz
Potência contínua máx. (a 25 °C ao nível do mar):	3500 W
Tensão de saída do carregador de baterias:	12 V===
Corrente de saída máx. do carregador de baterias:	10 A
Intervalo de temperatura de funcionamento:	-15 °C a +50 °C
Combustível:	gasóleo conforme EN 590
Motor:	Hatz (1 B 30V)
Consumo:	máx. 1,4 l/h
Potência do motor:	4,7 kW (6,4 PS)
Rotação máx.:	3300 rpm
Óleo do motor:	1,1 l
Nível acústico:	89 dB(A)
Nível acústico a uma distância de 7 m:	64 dB(A)
Dimensões:	ver fig. 2 , página 3
Peso:	96,5 kg
Verificação/certificado:	 

Prima di effettuare il montaggio e la messa in funzione leggere accuratamente questo manuale di istruzioni, conservarlo e in caso di trasmissione del prodotto, consegnarlo all'utente successivo.

Indice

1	Spiegazione dei simboli	76
2	Indicazioni per la sicurezza e il montaggio	76
3	Destinatari del presente manuale di istruzioni	78
4	Dotazione	79
5	Accessori	79
6	Conformità d'uso	79
7	Targhette di identificazione	80
8	Descrizione tecnica.	80
9	Montaggio	80
10	Allacciamento elettrico del generatore	83
11	Smaltimento	87
12	Specifiche tecniche.	88

1 Spiegazione dei simboli

**PERICOLO!**

Avviso di sicurezza: la mancata osservanza di questo avviso comporta ferite gravi anche mortali.

**AVVERTENZA!**

Avviso di sicurezza: la mancata osservanza di questo avviso può causare ferite gravi anche mortali.

**ATTENZIONE!**

Avviso di sicurezza: la mancata osservanza di questo avviso può essere causa di lesioni.

**AVVISO!**

La mancata osservanza di questa nota può causare danni materiali e compromettere il funzionamento del prodotto.

**NOTA**

Informazioni integranti relative all'impiego del prodotto.

2 Indicazioni per la sicurezza e il montaggio

Osservare le indicazioni di sicurezza e le direttive previste dal produttore del veicolo e dagli specialisti del settore!

Il produttore non si assume nessuna responsabilità per danni nei seguenti casi:

- errori di montaggio o di allacciamento
- danni al prodotto dovuti a influenze meccaniche o a sovratensioni
- modifiche al prodotto senza esplicita autorizzazione del produttore
- impiego per altri fini rispetto a quelli descritti nel manuale di istruzioni

Durante l'uso di apparecchi elettrici attenersi alle misure di sicurezza descritte qui di seguito per proteggersi da:

- scosse elettriche
- pericolo di incendio
- lesioni

2.1 Utilizzo del dispositivo



AVVERTENZA!

- I lavori di montaggio e riparazione del generatore devono essere effettuati solo da personale specializzato, informato sui pericoli connessi e sulle relative prescrizioni. Le riparazioni effettuate in modo scorretto potrebbero causare rischi enormi. In caso di riparazioni, rivolgersi al Centro di assistenza del proprio Paese (l'indirizzo si trova sul retro di questo manuale).
- **Gli elettrodomestici non sono giocattoli!**
I bambini non sono in grado di valutare correttamente i pericoli connessi con gli apparecchi elettrici. Non permettere l'uso di apparecchi elettrici ai bambini se non in presenza di adulti.
- Il presente apparecchio può essere usato da bambini a partire dagli 8 anni e da utenti con ridotte capacità fisiche, sensoriali o mentali o inesperti e/o con conoscenze insufficienti, se non sono lasciati soli o se sono stati istruiti sull'utilizzo sicuro dell'apparecchio e hanno compreso i pericoli che possono insorgere.
- I gas di scarico contengono monossido di carbonio, un gas inodore e incolore altamente tossico. Non respirare i gas di scarico. Non far funzionare il motore del generatore in un garage chiuso o in un ambiente senza finestre.



ATTENZIONE!

- **Pericolo di incendio!**
Non montare il generatore in scatole o in ambienti senza aperture, ma in vani o ambienti sufficientemente aerati.
- Azionare il generatore solamente se l'alloggiamento e i cavi non sono danneggiati.
- Montare il generatore su una base di appoggio stabile.
- Non inclinare il generatore più di 20° rispetto alla perpendicolare.

**AVVISO!**

- Utilizzare l'apparecchio soltanto in conformità all'uso previsto.
- Il generatore non è adatto per il funzionamento su natanti.
- Non eseguire alcuna modifica al dispositivo.

2.2 Uso dei cavi elettrici

**AVVERTENZA!**

- L'allacciamento elettrico può essere eseguito solo da un tecnico specializzato (ad es. in Germania in conformità di VDE 0100, parte 721).

**ATTENZIONE!**

- Posare e fissare i cavi in modo tale che non sussista pericolo di inciampamento e di danni al cavo.

**AVVISO!**

- Se i cavi devono passare attraverso pareti con spigoli vivi, utilizzare tubi vuoti o canaline passacavi.
- Non posare i cavi in modo malfermo o con forti pieghe sui materiali che conducono elettricità (metalli).
- Non tirare i cavi.

3 Destinatari del presente manuale di istruzioni

Questo manuale di istruzioni si rivolge ai tecnici specializzati delle officine a conoscenza delle direttive da adottare e dei dispositivi di sicurezza.

4 Dotazione

N. in fig. 1, pagina 3	Quantità	Denominazione
1	1	Generatore TEC40D
2	1	Telecomando
3	1	Tubazione di scarico, 2 m
4	1 set	Materiale di fissaggio per il silenziatore
-	1 set	Cavo di allacciamento
-		AG 102, relè di commutazione per la creazione di un circuito prioritario
-		Materiale di fissaggio
-		Istruzioni di montaggio
-		Manuale di istruzioni

5 Accessori

Disponibili come accessori (non in dotazione):

Denominazione pezzi	Numero articolo
PR 25044, mastice esterno	9102900174

6 Conformità d'uso

Il generatore TEC40D (n. art. 9600000116) è ideato per l'impiego in caravan, camper e in veicoli per uso commerciale.

Il generatore **non** è adatto per l'installazione in natanti.

Il generatore produce una pura tensione alternata sinusoidale di 230 V/50 Hz alla quale possono essere collegate utenze con un carico di durata complessiva di 3500 W. La qualità della corrente è adatta anche per utenze sensibili (ad es. PC).

Il generatore può caricare una batteria da 12 V.

7 Targhette di identificazione

Sul generatore è applicata una targhetta di identificazione. Questa targhetta di identificazione informa l'utente e l'installatore sulle specifiche dell'apparecchio.

8 Descrizione tecnica

Il generatore offre la seguente opzione che deve essere configurata in modo corrispondente al momento del montaggio:

per il circuito prioritario con il quale la tensione esterna di 230 V ha priorità rispetto alla tensione creata dal generatore, vedi capitolo "Creazione del circuito di priorità" a pagina 86.

9 Montaggio



ATTENZIONE! Rischio di lesioni!

Il montaggio del generatore può essere eseguito solo da tecnici specializzati e formati. Le seguenti informazioni si rivolgono a personale specializzato a conoscenza delle direttive da adottare e dei dispositivi di sicurezza.

9.1 Indicazioni di montaggio

Prima di montare il generatore, leggere per intero le presenti istruzioni di montaggio.

Durante il montaggio del generatore, prestare attenzione alle seguenti indicazioni:



PERICOLO! Pericolo di morte a causa di scossa elettrica!

Quando si opera sul generatore, interrompere tutte le alimentazioni di tensione.



ATTENZIONE! Rischio di lesioni!

- Un montaggio non corretto del generatore può provocare danni irreparabili all'apparecchio e compromettere la sicurezza dell'utente.
- Per l'esecuzione di tutti i lavori, indossare l'abbigliamento di protezione previsto (ad es. occhiali e guanti di protezione).

9.2 Fissaggio del generatore

Indicazioni per il luogo di montaggio

- Assicurarsi che nella zona di scarico o delle lamelle di aerazione non siano alloggiati o montati oggetti infiammabili. La distanza deve essere almeno 70 cm.
- Per motivi di sicurezza, accertarsi che il montaggio del generatore (in caso di perforazioni ed avvitature ecc.) non avvenga lungo la posa dei cablaggi preesistenti, in particolare di quelli non a vista, delle linee e di altri componenti situati nell'area di montaggio!
- Predisporre uno spazio libero di almeno 70 mm fra la calotta del generatore e i pezzi circostanti, in modo che rimanga sufficiente spazio per la circolazione dell'aria di raffreddamento.
- Per il montaggio è necessario predisporre un ambiente isolato all'interno del veicolo che a sua volta deve essere isolato acusticamente.

Applicare sul fondo e davanti allo sportello del generatore aperture per lo scarico dell'aria (vedi dima per il montaggio).

- Applicare le guarnizioni (disponibili come accessori) e serrarle sull'alloggiamento (fig. **3**, pagina 4).
- Posizionare l'alloggiamento nella zona predeterminata e serrare (fig. **4**, pagina 4).
- Inserire il generatore nell'alloggiamento e serrarlo (fig. **5**, pagina 4).
- Montare il coperchio e fissare con le spine (fig. **6**, pagina 4).

9.3 Fissaggio della tubazione di scarico

Durante la posa della tubazione di scarico osservare le seguenti indicazioni:

- non creare curve strette che possano ostruire il passaggio dei gas di scarico.
- Collegare il tubo flessibile (fig. **7** 2, pagina 5) al silenziatore (fig. **7** 1, pagina 5) e fissarlo con le fascette (fig. **7** 4, pagina 5)
- Fissare la prolunga al tubo di scappamento (fig. **7** 3, pagina 5).

9.4 Montaggio del serbatoio e della tubazione del carburante

Osservare le seguenti indicazioni relative al luogo di montaggio:

- il fondo del serbatoio può trovarsi al massimo a 1 m al di sotto del fondo del generatore.
 - Il bordo superiore del serbatoio non può trovarsi sopra il bordo superiore del generatore.
 - La distanza massima orizzontale tra il generatore e il serbatoio è di 3 m.
 - Posare le tubazioni del carburante dritte il più possibile (fig. **8**, pagina 5).
- Per fissare il serbatoio, vedi fig. **8**, pagina 5 e capitolo “Collegamento del galleggiante” a pagina 87.
- Collegare la tubazione del carburante (fig. **9** 1, pagina 6) al filtro del carburante (fig. **9** 2, pagina 6).
- Collegare il cavo al condotto di ritorno del carburante (fig. **9** 3, pagina 6).
- Assicurare i tubi flessibili con le fascette.

9.5 Montaggio del pannello di controllo

Osservare la seguente indicazione relativa al luogo di montaggio:

- Osservare la lunghezza del cavo di prolunga dal pannello di controllo al generatore.
- Effettuare i fori come indicato nella fig. **10**, pagina 6.
- Inserire la spina del pannello di controllo.
- Avvitare il pannello di controllo.

10 Allacciamento elettrico del generatore



PERICOLO! Pericolo di morte a causa di scossa elettrica!

Prima di eseguire i lavori sui componenti elettrici azionati, assicurarsi che non vi sia tensione!



NOTA

Osservare le direttive vigenti nel Paese dove si trova l'utenza.

10.1 Indicazioni importanti per l'allacciamento elettrico

- Far eseguire il collegamento elettrico del generatore solamente da uno specialista.
- Confrontare i dati della tensione riportati sulla targhetta con quelli dell'alimentatore.
- Non posare i cavi da 230 V~ e 12 V== nella stessa canalina per cavi (tubo vuoto).
- Posare i cavi in modo che non siano allentati o notevolmente piegati in corrispondenza dei materiali che conducono elettricità (metalli).
- Collegare il generatore a un circuito elettrico in grado di fornire la corrente richiesta (vedi capitolo "Specifiche tecniche" a pagina 88).
- Scegliere la sezione del cavo sulla base dei seguenti dati:
 - 230 V: 4 mm²
 - Caricabatterie: 2,5 mm²
 - collegamento batteria di avviamento (lunghezza < 6 m): 16 mm²
 - collegamento batteria di avviamento (lunghezza > 6 m): 25 mm²
- Installare un interruttore principale manuale con il quale possono essere staccate dal generatore tutte le utenze inserite ad eccezione della batteria.

10.2 Collegamento del generatore



AVVISO!

- Collegare all'impianto elettrico del veicolo un relè o un commutatore per non danneggiare il generatore, se la rete elettrica viene inserita.
- Collegare il generatore in modo che sia di priorità il più possibile nei confronti della rete elettrica.

- Collegare il generatore secondo lo schema di collegamento (fig. **11**, pagina 7) e lo schema elettrico (fig. **12**, pagina 8).

Legenda dello schema di collegamento (fig. **11**, pagina 7)

Pos.	Descrizione
1	Morsetto polo positivo batteria
2	Morsetto polo negativo batteria
3	Collegamento per caricabatterie
4	Collegamento per spia di livello del carburante

Legenda dello schema elettrico (fig. 12, pagina 8)

Pos.	Descrizione
1	Avvolgimento trifase
2 + 3	Avvolgimenti ausiliari
4	Inverter
5	Spina a 6 poli
6	Caricabatterie
7	Interruttore principale
8	Pressostato
9	Pompa del carburante
10	Motorino avviamento
11	Spina a 9 poli
12	Scheda di controllo
13	Interruttore di protezione
14	Spina a 9 poli
15	Interruttore termico
16	Spina a 10 poli
17	Morsettiera
18	Spina a 2 poli
19	Telecomando
20	Spina a 10 poli
21	Batteria
22	Morsettiera
23	Spina a 2 poli
24	Avvolgimenti ausiliari
25	Spina a 4 poli
26	Spina a 6 poli
27	Spina a 2 poli
28	Spina a 2 poli

10.3 Creazione del circuito di priorità

Con il relè di commutazione è possibile creare un circuito di priorità con la priorità dell'alimentazione di tensione esterna rispetto al generatore, vedi schema elettrico (fig. **13**, pagina 10):

Pos.	Descrizione
1	Carico
2	Relè di commutazione AG113
3	Generatore
4	Rete elettrica

- Montare il relè di commutazione nella posizione giusta.
- Collegare il cavo secondo lo schema elettrico (fig. **13**, pagina 10).

10.4 Collegamento della batteria di avviamento



AVVISO!

La batteria di avviamento deve avere una tensione di 12 V e una capacità di almeno 60 Ah.

- Collegare il polo positivo della batteria (fig. **11** 1, pagina 7) con un cavo adeguato al morsetto di collegamento del polo positivo della batteria:
 - Lunghezza cavo < 6 m: Sezione di 16 mm²
 - Lunghezza cavo > 6 m: Sezione di 25 mm²
- Collegare il polo negativo della batteria (fig. **11** 2, pagina 7) con un cavo con sezione adeguata (vedi sopra):
- Allacciare il collegamento di massa del generatore al telaio del veicolo.
- Per assicurare un buon contatto, rimuovere l'eventuale vernice o ruggine dal telaio.
- Proteggere i collegamenti con un prodotto anticorrosivo (es. grasso lubrificante, spray lubrificante/protettivo).

10.5 Collegamento del pannello di controllo

- Collegare il pannello di controllo attraverso il cavo di prolunga in dotazione alla spina del pannello di controllo (fig. **10**, pagina 6).

10.6 Collegamento del galleggiante

- ▶ Collegare il galleggiante del serbatoio al raccordo del galleggiante (fig. **11** 4, pagina 7).



11 Smaltimento

- ▶ Raccogliere il materiale di imballaggio possibilmente negli appositi contenitori di riciclaggio.



Quando il prodotto viene messo fuori servizio definitivamente, informarsi al centro di riciclaggio più vicino, oppure presso il proprio rivenditore specializzato, sulle prescrizioni adeguate concernenti lo smaltimento.

12 Specifiche tecniche

	Dometic TEC40D
N. art.:	9600000116
Tensione nominale in uscita:	230 V~ / 50 Hz
Potenza continua max (a 25 °C sul livello del mare):	3500 W
Tensione di uscita del caricabatterie:	12 V===
Corrente di uscita max del caricabatterie:	10 A
Intervallo della temperatura di esercizio:	da -15 °C a +50 °C
Carburante:	gasolio secondo EN 590
Motore:	Hatz (1 B 30V)
Consumo:	max 1,4 l/h
Potenza motore:	4,7 kW (6,4 CV)
Numero di giri massimo:	3300 giri/min.
Olio motore:	1,1 l
Livello sonoro:	89 dB(A)
Livello sonoro a una distanza di 7 m:	64 dB(A)
Dimensioni:	vedi fig. 2 , pagina 3
Peso:	96,5 kg
Certificati di controllo:	 

Lees deze handleiding voor de montage en de ingebruikname zorgvuldig door en bewaar hem. Geef de handleiding bij het doorgeven van het product aan de gebruiker.

Inhoudsopgave

1	Verklaring van de symbolen	90
2	Veiligheids- en montage-instructies	90
3	Doelgroep van deze handleiding	92
4	Omvang van de levering	93
5	Toebehoren	93
6	Gebruik volgens de voorschriften	93
7	Identificatieplaatjes	94
8	Technische beschrijving	94
9	Montage	94
10	Generator elektrisch aansluiten	97
11	Afvoer	101
12	Technische gegevens	102

1 Verklaring van de symbolen

**GEVAAR!**

Veiligheidsaanwijzing: Het niet naleven leidt tot overlijden of ernstig letsel.

**WAARSCHUWING!**

Veiligheidsaanwijzing: Het niet naleven kan leiden tot overlijden of ernstig letsel.

**VOORZICHTIG!**

Veiligheidsaanwijzing: Het niet naleven kan leiden tot letsel.

**LET OP!**

Het niet naleven ervan kan leiden tot materiële schade en de werking van het product beperken.

**INSTRUCTIE**

Aanvullende informatie voor het bedienen van het product.

2 Veiligheids- en montage-instructies

Neem de veiligheidsinstructies en voorschriften van de fabrikant van het voertuig en het garagebedrijf in acht!

De fabrikant kan in de volgende gevallen niet aansprakelijk worden gesteld voor schade:

- montage- of aansluitfouten
- beschadiging van het product door mechanische invloeden en overspanningen
- veranderingen aan het product zonder uitdrukkelijke toestemming van de fabrikant
- gebruik voor andere dan de in de handleiding beschreven toepassingen

Neem onderstaande fundamentele veiligheidsmaatregelen in acht bij het gebruik van elektrische toestellen ter bescherming tegen:

- elektrische schokken
- brandgevaar
- verwondingen

2.1 Omgang met het toestel



WAARSCHUWING!

- De montage en reparaties aan de generator mogen alleen door vakmensen worden uitgevoerd die bekend zijn met de betreffende gevaren en voorschriften. Door ondeskundige reparaties kunnen grote gevaren ontstaan. Neem bij reparaties contact op met het servicepunt in uw land (adressen aan de achterzijde).
- **Elektrische toestellen zijn geen speelgoed!**
Kinderen kunnen de gevaren die van elektrische toestellen uitgaan niet goed inschatten. Laat kinderen niet zonder toezicht elektrische toestellen gebruiken.
- Dit toestel kan door kinderen vanaf 8 jaar en ouder evenals door personen met verminderde fysieke, zintuiglijke of geestelijke vermogens of tekortschietende ervaring en/of kennis gebruikt worden, als ze worden begeleid of hun is uitgelegd hoe ze het toestel veilig kunnen gebruiken. Ook dienen ze inzicht te hebben in de gevaren die het gebruik van het toestel met zich meebrengt.
- De uitlaatgassen bevatten koolmonoxide, een uiterst giftig, reukloos en kleurloos gas. Adem de uitlaatgassen niet in. Laat de motor van de generator niet draaien in een afgesloten garage of in een ruimte zonder vensters.



VOORZICHTIG!

- **Brandgevaar!**
Monteer de generator **niet** in kisten of ruimtes zonder openingen, maar in voldoende geventileerde bereiken of ruimtes.
- Gebruik de generator alleen als de behuizing en de leidingen onbeschadigd zijn.
- Monteer de generator op stabiele ondergrond.
- Kantel de generator niet met meer dan 20° ten opzichte van verticaal.

**LET OP!**

- Gebruik het toestel alleen volgens de voorschriften.
- De generator is niet voor gebruik onder water geschikt.
- Voer geen wijzigingen of verbouwingen aan het toestel uit.

2.2 Elektrische leidingen hanteren

**WAARSCHUWING!**

- De elektrische aansluiting mag alleen door een gespecialiseerde firma uitgevoerd worden (bijvoorbeeld in Duitsland VDE 0100, deel 721).

**VOORZICHTIG!**

- Bevestig en installeer de leidingen zodanig dat geen struikelgevaar ontstaat en beschadiging van de kabel uitgesloten is.


**LET OP!**

- Als leidingen door wanden met scherpe randen geleid moeten worden, gebruikt u holle buizen of leidingdoorvoeren.
- Installeer geen losse of scherp geknikte leidingen op elektrisch geleidend materiaal (metaal).
- Trek niet aan leidingen.

3 Doelgroep van deze handleiding

Deze handleiding is bestemd voor vakmensen in werkplaatsen die bekend zijn met de toe te passen richtlijnen en veiligheidsmaatregelen.

4 Omvang van de levering

Pos. in afb.  , pagina 3	Aantal	Omschrijving
1	1	Generator TEC40D
2	1	Afstandbediening
3	1	Uitlaatgasleiding, 2 m
4	1 set	Bevestigingsmateriaal voor de geluiddemper
-	1 set	Aansluitkabel
-		AG 102, omschakelrelais voor het realiseren van een voorrangschakelaar
-		Bevestigingsmateriaal
-		Montagehandleiding
-		Gebruiksaanwijzing

5 Toebehoren

Als toebehoren verkrijgbaar (niet bij de levering inbegrepen):

Onderdeelnaam	Artikelnummer
PR 25044, externe afdichtingsset	9102900174

6 Gebruik volgens de voorschriften

De generator TEC40D (artikelnr. 9600000116) is geconstrueerd voor gebruik in caravans, campers en commercieel gebruikte voertuigen.

De generator is **niet** geschikt voor installatie in watervoertuigen.

De generator produceert een zuivere sinus-wisselspanning van 230 V/50 Hz, waarop de verbruikers met een totale continulast van 3500 W kunnen worden aangesloten. De stroomkwaliteit is ook voor gevoelige verbruikers (bijvoorbeeld pc's) geschikt.

De generator kan een accu van 12-V-accu opladen.

7 Identificatieplaatjes

Op de generator is een identificatieplaatje aangebracht. Dit identificatieplaatje informeert de gebruiker en de installateur over toestel specificaties.

8 Technische beschrijving

De generator biedt volgende mogelijkheid die overeenkomstig de inbouw moet worden geconfigureerd:

Voorrangschakeling waarmee de externe 230 V spanning voorrang heeft voor de door de generator geproduceerde spanning, zie hoofdstuk „Voorrangschakeling realiseren” op pagina 100.

9 Montage



VOORZICHTIG! Verwondingsgevaar!

De montage van de generator mag uitsluitend door daarvoor opgeleide vakmensen uitgevoerd worden. De volgende informatie is bestemd voor vakmensen die vertrouwd zijn met de toe te passen richtlijnen en veiligheidsmaatregelen.

9.1 Instructies voor montage

Lees deze montagehandleiding voor montage van de generator volledig door.

Neem bij de montage van de generator volgende aanwijzingen in acht:



GEVAAR! Levensgevaar door stroomschok!

Onderbreek bij werkzaamheden aan de generator alle spanningsvoorzieningen.



VOORZICHTIG! Verwondingsgevaar!

- Een verkeerde montage van de generator kan tot onherstelbare schade aan het toestel leiden en de veiligheid van de gebruiker in gevaar brengen.
- Draag bij alle werkzaamheden de voorgeschreven veiligheidskleding (bijv. veiligheidsbril, veiligheidshandschoenen).

9.2 Generator bevestigen

Instructies voor de montageplaats

- Zorg ervoor dat geen brandbare voorwerpen in de buurt van de uitlaatpijp of de ventilatielamellen zijn opgeslagen of gemonteerd. De afstand dient minstens 70 cm te bedragen.
- Let om veiligheidsredenen bij de montage van de generator (bij het boren en schroeven enz.) op het verloop van aanwezige, met name onzichtbare kabelstrengen, leidingen en andere componenten die zich in het montagebereik bevinden!
- Laat minstens 70 mm vrij tussen de kap van de generator en de omliggende delen zodat voldoende plaats voor het doorstromen van de koellucht blijft.
- Voor de montage moet u een tegen het voertuiginterieur afgedichte ruimte voorbereiden die u ook tegen geluid kunt isoleren.
Breng op de bodem en voor de generatorklep uitlaatopeningen aan (zie montagesjabloon).

- Breng de afdichtingen (als toebehoren verkrijgbaar) aan en schroef deze vast op de behuizing (afb. **3**, pagina 4).
- Positioneer de behuizing in het vastgelegde bereik en schroef deze vast (afb. **4**, pagina 4).
- Zet de generator in de behuizing en schroef deze vast (afb. **5**, pagina 4).
- Monteer de klep en bevestig deze met de stiften (afb. **6**, pagina 4).

9.3 Uitlaatgasleiding bevestigen

Neem de volgende aanwijzingen bij het plaatsen van de uitlaatgasleidingen in acht:

- Vermijd scherpe bochten die de stroom van de uitlaatgassen hinderen.
- Verbind de slang (afb. **7** 2, pagina 5) met de geluiddemper (afb. **7** 1, pagina 5) en bevestig deze met klemmen (afb. **7** 4, pagina 5)
- Bevestig de verlenging van de afvoergasleiding (afb. **7** 3, pagina 5).

9.4 Tank en brandstofleiding monteren

Neem de volgende instructies voor de montageplaats in acht:

- De tankbodem mag zich maximaal 1 m onder de bodem van de generator bevinden.
 - De tankbovenrand mag niet boven de bovenrand van de generator liggen.
 - De maximale horizontale afstand tussen generator en tank bedraagt 3 m.
 - Monteer de brandstofleidingen zo recht mogelijk (afb. **8**, pagina 5).
- Bevestig de tank, zie afb. **8**, pagina 5 en hoofdstuk „Niveauschakelaar aansluiten” op pagina 101.
- Sluit de brandstoftoevoerleiding (afb. **9** 1, pagina 6) aan op het brandstoffilter (afb. **9** 2, pagina 6).
- Sluit de leiding voor de brandstofretour (afb. **9** 3, pagina 6) aan.
- Borg de slangen met klemmen.

9.5 Bedieningspaneel monteren

Neem de volgende instructie voor de montageplaats in acht:

- Neem de lengte van de verlengkabel van het bedieningspaneel naar de generator in acht.
- Boor de openingen zoals in afb. **10**, pagina 6 afgebeeld.
- Steek de stekker in het bedieningspaneel.
- Schroef het bedieningspaneel vast.

10 Generator elektrisch aansluiten



GEVAAR! Levensgevaar door stroomschok!

Voor werkzaamheden aan elektrische componenten moet ervoor gezorgd worden dat ze niet meer onder spanning staan!



INSTRUCTIE

Neem de geldende richtlijnen in het land van de gebruiker in acht.

10.1 Algemene instructies voor de elektrische aansluiting

- Laat de generator door een vakman elektrisch aansluiten.
- Vergelijk de spanning op het typeplaatje met de aanwezige energievoorziening.
- Installeer 230-V~ -leidingen en 12-V===-leidingen niet samen in dezelfde kabelgoot (holle buis).
- Installeer de leidingen niet los of scherp geknikt op elektrisch geleidend materiaal (metaal).
- Sluit de generator op een stroomkring aan, die in staat is om de nodige stroom te leveren (zie hoofdstuk „Technische gegevens” op pagina 102).
- Kies de leidingdoorsnede als volgt:
 - 230 V: 4 mm²
 - Acculader: 2,5 mm²
 - Startaccuaansluiting (lengte < 6 m): 16 mm²
 - Startaccuaansluiting (lengte > 6 m): 25 mm²
- Installeer een handmatige hoofdschakelaar, waarmee alle ingeschakelde gebruikers met uitzondering van de accu van de generator kunnen worden gescheiden.

10.2 Generator aansluiten



LET OP!

- Sluit op de elektrische installatie van het voertuig een relais of een omschakelaar aan, zodat de generator niet wordt beschadigd, als het stroomnet wordt ingeschakeld.
- Sluit de generator mogelijk zodanig aan dat deze prioriteit heeft tegenover het stroomnet.

- Sluit de generator aan conform het aansluitschema (afb. **11**, pagina 7) en het schakelschema (afb. **12**, pagina 8).

Legenda bij het aansluitschema (afb. **11**, pagina 7)

Pos.	Beschrijving
1	Aansluitklem accupluspool
2	Aansluitklem accuminpool
3	Aansluiting voor acculader
4	Aansluiting voor brandstofweergave

Legenda bij het schakelschema (afb. 12, pagina 8)

Pos.	Beschrijving
1	3-fasen-wikkeling
2 + 3	Hulpwikkelingen
4	Omvormer
5	6-polige stekker
6	Acculader
7	Hoofdschakelaar
8	Drukschakelaar
9	Brandstofpomp
10	Startmotor
11	9-polige stekker
12	Printplaat
13	Veiligheidsschakelaar
14	9-polige stekker
15	Thermoschakelaar
16	10-polige stekker
17	Klemmenlijst
18	2-polige stekker
19	Afstandsbediening
20	10-polige stekker
21	Accu
22	Klemmenlijst
23	2-polige stekker
24	Hulpwikkelingen
25	4-polige stekker
26	6-polige stekker
27	2-polige stekker
28	2-polige stekker

10.3 Voorrangschakeling realiseren

Met een omschakelrelais kunt u een voorrangschakeling realiseren, waarmee de externe spanningsvoorziening prioriteit ten opzichte van de generator heeft, zie schakelschema (afb. **13**, pagina 10):

Pos.	Beschrijving
1	Last
2	AG113 omschakelrelais
3	Generator
4	Stroomnet

- Monteer het omschakelrelais op een geschikte positie.
- Verbind de kabel volgens het schakelschema (afb. **13**, pagina 10).

10.4 Starteraccu aansluiten



LET OP!

De starteraccu moet een spanning van 12 V en een capaciteit van minstens 60 Ah hebben.

- Verbind de pluspool van de accu (afb. **11** 1, pagina 7) middels een geschikte kabel met de aansluitklem accupluspool:
 - Kabellengte < 6 m: Doorsnede van 16 mm²
 - Kabellengte > 6 m: Doorsnede van 25 mm²
- Sluit de minpool van de accu (afb. **11** 2, pagina 7) met een kabel met passende doorsnede (zie boven) als volgt aan:
- Verbind de massa-aansluiting van de generator met het voertuigchassis.
- Verwijder voor een goed contact eventueel lak of roest van het chassis.
- Bescherm de verbindingen met een antiroestmiddel (bijvoorbeeld smeervet, smeer-/beschermingspray).

10.5 Bedieningspaneel aansluiten

- Verbind het bedieningspaneel via de meegeleverde verlengkabel met de stekker voor het bedieningspaneel (afb. **10**, pagina 6).

10.6 Niveauschakelaar aansluiten

- Verbind de niveauschakelaar van de tank met de niveauschakelaaraan sluiting (afb. **11** 4, pagina 7).

11 Afvoer

- Laat het verpakkingsmateriaal indien mogelijk recylen.



Als u het product definitief buiten bedrijf stelt, informeer dan bij het dichtstbijzijnde recyclingcentrum of uw speciaalzaak naar de betreffende afvoervorschriften.

12 Technische gegevens

	Dometic TEC40D
Artikelnr.:	9600000116
Nominale uitgangsspanning:	230 V~ / 50 Hz
Max. continuvermogen (bij 25 °C op zeeniveau):	3500 W
Uitgangsspanning acculader:	12 V===
Max. uitgangsstroom acculader:	10 A
Bedrijfstemperatuur:	-15 °C tot +50 °C
Brandstof:	Dieselbrandstof conform EN 590
Motor:	Hatz (1 B 30V)
Verbruik:	max. 1,4 l/h
Motorvermogen:	4,7 kW (6,4 PS)
Max. toerental:	3300 min ⁻¹
Motorolie:	1,1 l
Geluidsniveau:	89 dB(A)
Geluidsniveau op 7 m afstand:	64 dB(A)
Afmetingen:	zie afb. 2 , pagina 3
Gewicht:	96,5 kg
Keurmerk/certificaat:	 

Læs denne vejledning omhyggeligt igennem før installation og ibrugtagning, og opbevar den. Giv den til brugeren, hvis du giver produktet videre.

Indholdsfortegnelse

1	Forklaring af symbolerne	104
2	Sikkerheds- og installationshenvisninger	104
3	Målgruppe for denne vejledning	106
4	Leveringsomfang	107
5	Tilbehør	107
6	Korrekt brug	107
7	Identifikationskilte	108
8	Teknisk beskrivelse	108
9	Montering	108
10	Elektrisk tilslutning af generatoren	111
11	Bortskaffelse	114
12	Tekniske data	115

1 Forklaring af symbolerne

**FARE!**

Sikkerhedshenvisning: Manglende overholdelse medfører død eller alvorlig kvæstelse.

**ADVARSEL!**

Sikkerhedshenvisning: Manglende overholdelse kan medføre død eller alvorlig kvæstelse.

**FORSIGTIG!**

Sikkerhedshenvisning: Manglende overholdelse kan medføre kvæstelser.

**VIGTIGT!**

Manglende overholdelse kan medføre materielle skader og begrænse produktets funktion.

**BEMÆRK**

Supplerende informationer om betjening af produktet.

2 Sikkerheds- og installations-henvisninger

Overhold sikkerhedshenvisningerne og pålæggene, der er foreskrevet af køretøjsproducenten og af automobilbranchen!

Producenten påtager sig intet ansvar for skader i følgende tilfælde:

- Monterings- eller tilslutningsfejl
- Beskadigelser på produktet på grund af mekanisk påvirkning og overspænding
- Ændringer på produktet uden udtrykkelig tilladelse fra producenten
- Anvendelse til andre formål end dem, der er beskrevet i vejledningen

Overhold følgende grundlæggende sikkerhedsforanstaltninger ved brug af elektriske apparater for at beskytte mod:

- Elektrisk stød
- Brandfare
- Kvæstelser

2.1 Omgang med apparatet



ADVARSEL!

- Montering af og reparationer på generatoren må kun foretages af fagfolk, der kender farerne, der er forbundet hermed, og de pågældende forskrifter. Ved ukorrekte reparationer kan der opstå betydelige farer. Ved reparationer skal du henvende dig til serviceafdelingen i dit land (adresser på bagsiden).
- **El-apparater er ikke legetøj!**
Børn er ikke i stand til at vurdere farer, der udgår fra elektriske apparater. Lad ikke børn benytte elektriske apparater uden opsyn.
- Dette apparat kan anvendes af børn over 8 år og derudover af personer med begrænsede fysiske, sanse- eller mentale evner eller uden erfaring og/eller viden, hvis de er under opsyn eller blev instrueret i sikker brug af apparatet og forstår farerne, der følger heraf.
- Udstødningsgasserne indeholder kulmonoxid, en yderst giftig, lugtløs og farveløs gas. Indånd ikke udstødningsgasserne. Lad ikke generatorens motor køre i en lukket garage eller i et rum uden vinduer.



FORSIGTIG!

- **Brandfare!**
Monter **ikke** generatoren i kister eller rum uden åbninger, men i tilstrækkeligt ventilerede områder eller rum.
- Anvend kun generatoren, hvis kabinettet og ledningerne er ubeskadigede.
- Monter generatoren på stabil undergrund.
- Vip ikke generatoren mere end 20° i forhold til lodret.



VIGTIGT!

- Anvend kun apparatet til det formål, som det er bestemt til.
- Generatoren er ikke egnet til anvendelse i både.
- Foretag ikke ændringer af apparatet eller ombygninger på det.

2.2 Omgang med elektriske ledninger



ADVARSEL!

- Den elektriske tilslutning må kun foretages af fagfolk (f.eks. i Tyskland iht. VDE 0100, del 721).



FORSIGTIG!

- Fastgør og træk ledningerne, så der ikke er fare for at falde over dem og en beskadigelse af kablet er udelukket.



VIGTIGT!

- Hvis ledninger skal føres gennem vægge med skarpe kanter, skal du anvende tomme rør eller ledningsgennemføringer.
- Træk ikke ledninger løst eller med skarpe knæk ved elektrisk ledende materialer (metal).
- Træk ikke i ledninger.

3 Målgruppe for denne vejledning

Denne vejledning henvender sig til fagfolk i værksteder, der kender forskrifterne og sikkerhedsforanstaltningerne, der skal anvendes.

4 Leveringsomfang

Pos. på fig. 1, side 3	Antal	Betegnelse
1	1	Generator TEC40D
2	1	Fjernbetjening
3	1	Udstødningsgasledning, 2 m
4	1 sæt	Fastgørelsesmateriale til lyddæmperen
-	1 sæt	Tilslutningskabel
-		AG 102, omkoblingsrelæ til realisering af en prioritetskobling
-		Fastgørelsesmateriale
-		Installationsvejledning
-		Betjeningsvejledning

5 Tilbehør

Kan fås som tilbehør (ikke indeholdt i leveringsomfanget):

Delenes betegnelse	Artikelnummer
PR 25044, eksternt tætningssæt	9102900174

6 Korrekt brug

Generatoren TEC40D (art.nr. 9600000116) er beregnet til anvendelse campingvogne, autocampere og erhvervskøretøjer.

Generatoren er **ikke** egnet til installation i både.

Generatoren skaber en ren sinus-vekselspænding på 230 V/50 Hz, som forbrugere med en samlet konstant belastning på 3500 W kan tilsluttes til. Strømkvaliteten er også egnet til følsomme forbrugere (f.eks. pc'er).

Generatoren kan oplade et 12 V-batteri.

7 Identifikationsskilte

På generatoren er der placeret et identifikationsskilt. Dette identifikationsskilt informerer brugeren og installatøren om apparatets specifikationer.

8 Teknisk beskrivelse

Generator giver følgende mulighed, som skal konfigureres i overensstemmelse med monteringen:

Prioritetskobling, hvormed den eksterne 230 V-spænding har forrang for spændingen, der skabes af generatoren, se kapitlet „Realisering af prioritetskoblingen“ på side 113.

9 Montering



FORSIGTIG! Fare for kvæstelser!

Generatoren må udelukkende monteres af fagfolk med tilsvarende uddannelse. De efterfølgende informationer henvender sig til fagfolk, der kender forskrifterne og sikkerhedsforanstaltningerne, der skal anvendes.

9.1 Henvisninger vedr. monteringen

Læs denne monteringsvejledningen fuldstændigt, før generatoren monteres.

Vær opmærksom på følgende henvisninger ved montering af generatoren:



FARE! Livsfare på grund af elektrisk stød!

Afbryd alle spændingsforsyninger, når der arbejdes på generatoren.



FORSIGTIG! Fare for kvæstelser!

- En forkert montering af generatoren kan føre til skader på apparatet, der ikke kan repareres, og kan reducere brugerens sikkerhed.
- Bær den foreskrevne beskyttelsesbeklædning (f.eks. beskyttelsesbriller, beskyttelsehandsker) ved alle arbejder.

9.2 Fastgørelse af generatoren

Henvisninger vedr. monteringsstedet

- Brændbare genstande må ikke placeres eller monteres i nærheden af udstødningsrør og ventilationslameller. Afstanden bør være på min. 70 cm.
- Når generatoren installeres (når der bores, skrues osv.), skal det af sikkerhedsmæssige årsager kontrolleres, at der ikke befinder sig kabelbundter, ledninger og andre komponenter, der ikke kan ses, i monteringsområdet!
- Planlæg mindst 70 mm fri plads mellem generatorens hjelm og de omgivende dele, så der er tilstrækkeligt plads til, at kølingsluften strømmer igennem.
- Til monteringen skal du forberede et rum, som er tætnet i forhold til køretøjets indre, og som du derudover kan isolere mod lyd.

Placér udstødningsåbninger på gulvet og foran generatorklappen (se monteringskabelon).

- Placér tætningerne (kan fås som tilbehør), og skru dem fast på huset (fig. **3**, side 4).
- Positionér huset i det fastlagte område, og skru det fast (fig. **4**, side 4).
- Sæt generatoren ind i huset, og skru den fast (fig. **5**, side 4).
- Montér klappen, og fastgør den med stifterne (fig. **6**, side 4).

9.3 Fastgørelse af udstødningsgasledningen

Overhold følgende henvisninger, når udstødningsgasledningerne trækkes:

- Lav ikke skarpe kurver, der hindrer udstødningsgastrømmen.
- Forbind slangen (fig. **7** 2, side 5) med lyddæmperen (fig. **7** 1, side 5), og fastgør den med spændebånd (fig. **7** 4, side 5)
- Fastgør udstødningsgasledningens forlænger (fig. **7** 3, side 5).

9.4 Montering af tanken og brændstofledningen

Overhold følgende henvisninger vedrørende monteringsstedet:

- Tankens bund må maks. befinde sig 1 m under generatorens bund.
 - Tankens overkant må ikke ligge over generatorens overkant.
 - Den maksimale horisontale afstand mellem generator og tank er 3 m.
 - Træk brændstofledningerne så lige som muligt (fig. **8**, side 5).
- Fastgør tanken, se fig. **8**, side 5 og kapitlet „Tilslutning af svømmeren“ på side 114.
- Tilslut brændstofføførselsledningen (fig. **9** 1, side 6) til brændstoffilteret (fig. **9** 2, side 6).
- Tilslut ledningen til brændstofføførslingen (fig. **9** 3, side 6).
- Sørg for at sikre slangerne med spændebånd.

9.5 Montering af betjeningspanelet

Overhold følgende henvisning vedrørende monteringsstedet:

- Vær opmærksom på forlængerkablets længde fra betjeningspanelet til generatoren.
- Bor hullerne som vist på fig. **10**, side 6.
- Sæt stikket i betjeningspanelet.
- Skru betjeningspanelet på.

10 Elektrisk tilslutning af generatoren



FARE! Livsfare på grund af elektrisk stød!

Før arbejder på elektrisk drevne komponenter skal det kontrolleres, at der ikke længere er tilsluttet spænding!



BEMÆRK

Overhold de gældende forskrifter i forbrugers land.

10.1 Vigtige henvisninger til den elektriske tilslutning

- Lad kun en elektriker tilslutte generatoren elektrisk.
- Sammenlign spændingsangivelsen på typeskiltet med energiforsyningen, der er til rådighed.
- Træk ikke 230 V~ -ledningerne og 12 V===-ledningerne sammen i den samme ledningskanal (tomt rør).
- Træk ikke ledninger løst eller med skarpe knæk ved elektrisk ledende materialer (metal).
- Tilslut generatoren til en strømkreds, der kan levere den påkrævede strøm (se kapitlet „Tekniske data“ på side 115).
- Vælg ledningstværsnittet på følgende måde:
 - 230 V: 4 mm²
 - Batterilader: 2,5 mm²
 - Startbatteritilslutning (længde < 6 m): 16 mm²
 - Startbatteritilslutning (længde > 6 m): 25 mm²
- Installér en manuel hovedafbryder, hvormed alle tilsluttede forbrugere bortset fra batteriet kan afbrydes fra generatoren.

10.2 Tilslutning af generatoren



VIGTIGT!

- Tilslut et relæ eller en omskifter til køretøjets elektroanlæg, så generatoren ikke beskadiges, når strømnettet tilkobles.
- Tilslut så vidt muligt generatoren, så den har prioritet i forhold til strømnettet.

- Tilslut generatoren iht. tilslutningsskemaet (fig. **11**, side 7) og strømskemaet (fig. **12**, side 8).

Forklaring til tilslutningsskemaet (fig. **11**, side 7)

Pos.	Beskrivelse
1	Tilslutningsklemme batteri-pluspol
2	Tilslutningsklemme batteri-minuspol
3	Tilslutning til batterilader
4	Tilslutning til brændstofvisning

Forklaring til strømskemaet (fig. **12**, side 8)

Pos.	Beskrivelse
1	3-fase-vikling
2 + 3	Hjælpeviklinger
4	Inverter
5	Stik med 6 ledere
6	Batterilader
7	Hovedafbryder
8	Pressostat
9	Brændstofpumpe
10	Startmotor
11	Stik med 9 ledere
12	Styreprintplade
13	Sikkerhedsafbryder

Pos.	Beskrivelse
14	Stik med 9 ledere
15	Termoafbryder
16	Stik med 10 ledere
17	Klemrække
18	Stik med 2 ledere
19	Fjernbetjening
20	Stik med 10 ledere
21	Batteri
22	Klemrække
23	Stik med 2 ledere
24	Hjælpeviklinger
25	Stik med 4 ledere
26	Stik med 6 ledere
27	Stik med 2 ledere
28	Stik med 2 ledere

10.3 Realisering af prioritetskoblingen

Med et omkoblingsrelæ kan du realisere prioritetskoblingen, hvor den eksterne spændingsforsyning har prioritet i forhold til generatoren, se strømskema (fig. 13, side 10):

Pos.	Beskrivelse
1	Belastning
2	AG113 omkoblingsrelæ
3	Generator
4	Strømnet

- Montér omkoblingsrelæet på en egnet position.
- Forbind kablerne iht. strømskemaet (fig. 13, side 10).

10.4 Tilslutning af startbatteriet



VIGTIGT!

Startbatteriet skal have en spænding på 12 V og en kapacitet på mindst 60 Ah.

- Forbind pluspolen på batteriet (fig. **11** 1, side 7) med et egnet kabel med tilslutningsklemmen til batteriets pluspol:
 - Kabellængde < 6 m: Tværsnit på 16 mm²
 - Kabellængde > 6 m: Tværsnit på 25 mm²
- Tilslut minuspolen på batteriet (fig. **11** 2, side 7) med et kabel med passende tværsnit (se foroven) på følgende måde:
- Forbind generatorens stieltilslutning med køretøjets chassis.
- Fjern evt. lak eller rust fra chassiset for at sikre en god kontakt.
- Beskyt forbindelserne med et antikorrosionsmiddel (f.eks. smørefedt, smøre-/beskyttelsesspray).

10.5 Tilslutning af betjeningspanelet

- Forbind betjeningspanelet med stikket på betjeningspanelet med det medfølgende forlænger-kabel (fig. **10**, side 6).

10.6 Tilslutning af svømmeren

- Forbind svømmeren i tanken med svømmertilslutningen (fig. **11** 4, side 7).



11 Bortskaffelse

- Bortskaf så vidt muligt emballagen sammen med det tilsvarende genbrugsaffald.



Hvis du tager produktet endegyldigt ud af drift, skal du kontakte det nærmeste recyclingcenter eller din faghandel for at få de pågældende forskrifter om bortskaffelse.

12 Tekniske data

	Dometic TEC40D
Art.nr.:	9600000116
Nominel udgangsspænding:	230 V~/50 Hz
Maks. konstant effekt (ved 25 °C på havets overflade):	3500 W
Udgangsspænding batterilader:	12 V===
Maks. udgangsstrøm batterilader:	10 A
Driftstemperaturområde:	-15 °C til +50 °C
Brændstof:	Dieselbrændstof iht. EN 590
Motor:	Hatz (1 B 30V)
Forbrug:	maks. 1,4 l/h
Motoreffekt:	4,7 kW (6,4 hk)
Maks. omdrejningstal:	3300 o/min
Motorolie:	1,1 l
Lydniveau:	89 dB(A)
Lydniveau på 7 m afstand:	64 dB(A)
Mål:	se fig. 2 , side 3
Vægt:	96,5 kg
Godkendelse/certifikat:	 

Läs igenom anvisningarna noga innan produkten monteras och används. Spara monterings- och bruksanvisningen för senare bruk. Överlämna bruksanvisningen till den nya ägaren vid ev. vidareförsäljning.

Innehållsförteckning

1	Förklaring av symboler	117
2	Säkerhets- och installationsanvisningar	117
3	Målgrupp	119
4	Leveransomfattning	120
5	Tillbehör	120
6	Ändamålsenlig användning	120
7	Typskyltar	121
8	Teknisk beskrivning	121
9	Montering	121
10	Elektrisk anslutning av generator	124
11	Avfallshantering	127
12	Tekniska data	128

1 Förklaring av symboler

**FARA!**

Observera: Beaktas anvisningen ej leder det till dödsfara eller svåra skador.

**VARNING!**

Observera: Beaktas anvisningen ej kan det leda till dödsfara eller svåra skador.

**AKTA!**

Observera: Beaktas anvisningen ej kan det leda till kroppsskador.

**OBSERVERA!**

Om anvisningarna inte beaktas kan det leda till materialskador och produktens funktion kan påverkas negativt.

**ANVISNING**

Kompletterande information om användning av produkten.

2 Säkerhets- och installationsanvisningar

Följ säkerhetsanvisningarna och riktlinjerna från fordonstillverkaren samt reglerna för bilmekaniska arbeten!

Tillverkaren övertar inget ansvar för skador i följande fall:

- monterings- eller anslutningsfel
- skador på produkten, orsakade av mekanisk påverkan eller överspänning
- ändringar som utförts utan uttryckligt medgivande från tillverkaren
- ej ändamålsenlig användning

Beakta nedanstående grundläggande säkerhetsanvisningar för elapparater för att förhindra:

- elstötar
- brandfara
- skador.

2.1 Handhavande



WARNING!

- Montering och reparation av generatoren får endast genomföras av här för utbildad personal, som är förtrogen med riskerna och de gällande föreskrifterna. Icke fackmässiga reparationer kan medföra allvarliga risker. Vänd dig till ett servicekontor när det gäller reparationer (adresser finns på baksidan).
- **Elapparater är inga leksaker!**
I samband med elektriska apparater kan det uppstå farliga situationer som barn är ovetande om. Låt inte barn använda elektriska apparater utan uppsikt.
- Denna apparat kan användas av barn från 8 år samt personer med fysiska, sensoriska eller mentala funktionshinder eller oerfarenhet och/eller ovetande under uppsikt av en ansvarig person eller om de har undervisats hur apparaten används på ett säkert sätt utan att faror uppstår.
- Avgaserna innehåller kolmonoxid, som är ett luktlöst, färglöst och mycket giftigt ämne. Andas inte in avgaserna. Låt inte generatorns motor vara igång i ett slutet utrymme som t.ex. ett garage eller ett rum utan fönster.



AKTA!

- **Brandrisk!**
Montera **inte** generatoren i lådor eller utrymmen utan öppningar. Generatoren ska monteras i utrymmen med tillräcklig ventilation.
- Använd endast generatoren när höljet och kablarna är oskadade.
- Montera generatoren på ett stabilt underlag.
- Luta inte generatoren mer än 20° lodrätt.



OBSERVERA!

- Använd endast apparaten för angivna ändamål.
- Generatoren får inte användas på vattenfordon.
- Gör inga ändringar eller ombyggnader på apparaten.

2.2 Elledningar



VARNING!

- Elanslutningarna får bara utföras av behörig elektriker (t.ex. Tyskland: VDE 0100, Teil 721).



AKTA!

- Dra och fäst kablarna så att man inte kan snubbla över dem och så att de inte kan skadas.



OBSERVERA!

- Använd tomma rör eller kabelgenomföringar om kablarna ska dras genom väggar med vassa kanter.
- Lägg inte kablarna löst eller med skarpa böjar på elektriskt ledande material (metall).
- Dra inte i kablarna.

3 Målgrupp

Den här monteringsanvisningen riktar sig till behöriga installatörer i verkstäder som har kännedom om gällande direktiv/föreskrifter och säkerhetsåtgärder.

4 Leveransomfattning

Pos. på bild 1, sida 3	Antal	Beteckning
1	1	Generator TEC40D
2	1	Fjärrkontroll
3	1	Avgasrör, 2 m
4	1 Sats	Fastsättningsmaterial för ljuddämpare
-	1 Sats	Anslutningskabel
-		AG 102, Omkopplingsrelä för prioritetskoppling
-		Fastsättningsmaterial
-		Monteringsanvisning
-		Bruksanvisning

5 Tillbehör

Följande tillbehör finns tillgängliga (ingår inte i leveransen):

Komponent	Artikelnummer
PR 250116, extern tätningssats	9102900244

6 Ändamålsenlig användning

Generatorm TEC40D (art.nr 9600000116) har tagits fram för användning i husvagnar, husbilar och kommersiella transportfordon.

Generatorm får **inte** monteras i vattenfordon.

Generatorm alstrar en ren sinusformad växelspanning på 230 V/50 Hz. Till denna kan förbrukare med en total kontinuerlig effekt på 3500 W anslutas. Ström kvaliteten passar även för känsliga förbrukare (t.ex. hemdatorer).

Generatorm kan användas för att ladda upp ett 12 V-batteri.

7 Typskyltar

En typskylt har fästs på generatorm. Typskylten innehåller information för användare och installatörer om anläggnings-specifikationerna.

8 Teknisk beskrivning

Generatorm erbjuder följande möjlighet som måste konfigureras på motsvarande sätt vid monteringen:

Prioritetskoppling med vilken den externa 230 V-spänningen prioriteras framför spänningen som skapats av generatorm, se kapitel "Inrätta prioritetskoppling" på sidan 126.

9 Montering



AKTA! Risk för skador!

Generatorm får endast monteras av behöriga installatörer. Informationen nedan riktar sig till installatörer som har kännedom om gällande direktiv/föreskrifter och säkerhetsåtgärder.

9.1 Anvisningar om monteringen

Läs noggrant genom denna monteringsanvisning innan du monterar generatorm.

Beakta följande anvisningar vid montering av generatorm:



FARA! Livsfara p.g.a. elektriska stötar!

Stäng alltid av hela strömförsörjningen innan arbeten utförs på generatorm.



AKTA! Risk för skador!

- Om generatorm monteras på ett felaktigt sätt kan det leda till att anläggningen förstörs och/eller det kan påverka säkerheten.
- Använd föreskriven skyddsutrustning vid alla arbeten (t.ex. skyddsglasögon, skyddshandskar).

9.2 Fästa generatoren

Information om monteringsplatsen

- Se till att inga brännbara föremål är monterade eller finns i närheten av avgasröret eller ventilationslamellerna. Avståndet bör vara minst 70 cm.
 - Var, av säkerhetsskäl, uppmärksam på existerande kablar, ledningar och andra komponenter (speciellt sådana som inte syns utifrån) vid monteringen av generatoren (borrning, skruvning etc)!
 - Se till att utrymmet mellan generatorns huv och de omgivande komponenterna är minst 70 mm så att det finns tillräckligt med plats för den genomströmmande kylluften.
 - Vid monteringen måste du förbereda ett utrymme som är avskärmat från fordons inre och som du dessutom kan ljudisolera.
Montera avgasrörsöppningar på golvet och framför generatorluckan (se monteringsmall).
- Sätt dit tätningarna (finns som tillbehör) och skruva fast dem på höljet (bild **3**, sida 4).
- Placera höljet i på dess förutbestämda plats och skruva fast det (bild **4**, sida 4).
- Sätt i generatoren i höljet och skruva fast den (bild **5**, sida 4).
- Montera locket och fäst det med stiften (bild **6**, sida 4).

9.3 Fästa avgasröret

Beakta följande anvisningar när avgasröret dras:

- Böj inte röret kraftigt eftersom avgaserna riskerar att blockeras.
- Koppla slangen (bild **7** 2, sida 5) till ljuddämparen (bild **7** 1, sida 5) och fäst med klämmor (bild **7** 4, sida 5)
- Sätt fast förlängningen till avgasledningen (bild **7** 3, sida 5).

9.4 Montering av tank och bränsleledning

Beakta följande anvisningar gällande monteringsplatsen:

- Tankens undersida får vara max. 1 m under generatorns undersida.
 - Tankens övre kant får inte ligga över generatorns övre kant.
 - Max. horisontellt avstånd mellan generator och tank är 3 m.
 - Lägg ut bränsleledningen så rakt som möjligt (bild **8**, sida 5).
- Fäst tanken, se bild **8**, sida 5 och kapitel "Anslutning av flottör" på sidan 127.
- Anslut bränsletillloppsledningen (bild **9** 1, sida 6) till bränslefiltret (bild **9** 2, sida 6).
- Anslut ledningen till bränslereturordningen (bild **9** 3, sida 6).
- Säkra slangarna med klämmor.

9.5 Montera kontrollpanelen

Beakta följande anvisning gällande monteringsplatsen:

- Observera längden på förlängningskabeln från kontrollpanelen till generatorm.
- Borra hålen enligt bild **10**, sida 6.
- Anslut kontakten till kontrollpanelen.
- Skruva fast kontrollpanelen.

10 Elektrisk anslutning av generator



FARA! Livsfara p.g.a. elektriska stötar!

Kontrollera att alla komponenter är spänningslösa innan några arbeten utförs på elinstallationen!



ANVISNING

Observera de gällande riktlinjerna i förbrukarens land.

10.1 Viktiga anvisningar gällande elanslutning

- Låt en elektriker ansluta elen till generatorm.
- Jämför spänningsuppgifterna på typskylten med elförsörjningen på plats.
- Lägg inte 230 V~-kablar och 12 V===-kablar i samma kabelkanal (tomt rör).
- Lägg inte kablarna löst eller med skarpa böjar på elektriskt ledande material (metall).
- Generatorm måste anslutas till en strömkrets som kan leverera den ström som krävs (se kapitel "Tekniska data" på sidan 128).
- Välj kabelarea enligt följande:
 - 230 V: 4 mm²
 - Batteriladdare: 2,5 mm²
 - Startbatterianslutning (längd < 6 m): 16 mm²
 - Startbatterianslutning (längd < 6 m): 25 mm²
- Installera en manuell huvudbrytare med vilken alla inkopplade förbrukare, förutom batteriet, kan skiljas från generatorm.

10.2 Anslutning av generator



OBSERVERA!

- Anslut ett relä eller en omkopplare till fordonets elektriska anläggning så att generatoren inte skadas när elnätet kopplas till.
- Anslut helst generatoren så att den har prioritet framför elnätet.

- Anslut generatoren enligt anslutningsschema (bild **11**, sida 7) och kopplingschema (bild **12**, sida 8).

Teckenförklaring till kopplingschema (bild **11**, sida 7)

Pos.	Beskrivning
1	Anslutningsklämma, batteriets pluspol
2	Anslutningsklämma, batteriets pluspol
3	Anslutning för batteriladdare
4	Anslutning för bränsleindikator

Teckenförklaring till kopplingschema (bild **12**, sida 8)

Pos.	Beskrivning
1	3-faslindning
2 + 3	Hjälplindningar
4	Växelriktare
5	6-polig kontakt
6	Batteriladdare
7	Huvudbrytare
8	Tryckvakt
9	Bränslepump
10	Startmotor
11	9-polig kontakt
12	Styrkretskort
13	Skydds brytare
14	9-polig kontakt

Pos.	Beskrivning
15	Termobrytare
16	10-polig kontakt
17	Klämlist
18	2-polig kontakt
19	Fjärrkontroll
20	10-polig kontakt
21	Batteri
22	Klämlist
23	2-polig kontakt
24	Hjälplindningar
25	4-polig kontakt
26	6-polig kontakt
27	2-polig kontakt
28	2-polig kontakt

10.3 Inrätta prioritetsskoppling

Med ett omkopplingsrelä kan man inrätta en prioritetsskoppling med vilken den externa spänningskällan ges prioritet framför generatorn, se kopplingsschema (bild **13**, sida 10):

Pos.	Beskrivning
1	Last
2	AG113 omkopplingsrelä
3	Generator
4	Elnät

- ▶ Montera omkopplingsreläet på en lämplig position.
- ▶ Anslut kabeln enligt kopplingsschema (bild **13**, sida 10).

10.4 Anslutning av startbatteri



OBSERVERA!

Startbatteriet måste ha en spänning på 12 V och en kapacitet på minst 60 Ah.

- Anslut batteriets pluspol (bild **11** 1, sida 7) med en lämplig kabel med anslutningsklämman batteri-pluspol:
 - Kabellängd < 6 m: Kabelarea från 16 mm²
 - Kabellängd < 6 m: Kabelarea från 25 mm²
- Anslut enligt följande batteriets minuspol (bild **11** 2, sida 7) med en kabel med passande diameter (se ovan):
- Anslut generatorns jordanslutning med fordonets chassi.
- Avlägsna vid behov lack eller rost från chassit för att säkerställa god ledningsförmåga.
- Skydda anslutningarna med ett antikorrosionsmedel (t.ex. smörjfett/-spray).

10.5 Ansluta kontrollpanelen

- Anslut kontrollpanelen via den medföljande förlängningskabeln till kontakten för kontrollpanelen (bild **10**, sida 6).

10.6 Anslutning av flottör

- Anslut flottören från tanken med flottöranslutningen (bild **11** 4, sida 7).



11 Avfallshantering

- Lämna om möjligt förpackningsmaterialet till återvinning.



När produkten slutgiltigt tas ur bruk: informera dig om gällande bestämmelser hos närmaste återvinningscentral eller hos återförsäljaren.

12 Tekniska data

	Dometic TEC40D
Art.nr:	9600000116
Nominell utgångsspänning:	230 V~ / 50 Hz
Max. kontinuerlig effekt (25 °C vid havsytan):	3500 W
Utgångsspänning, batteriladdare:	12 V===
Max. utström, batteriladdare:	10 A
Temperaturområde:	-15 °C till +50 °C
Bränsle:	Diesel i enlighet med EN 590
Motor:	Hatz (1 B 30 V)
Förbrukning:	max. 1,4l/h
Motoreffekt:	4,7 kW (6,4 HK)
Max. varvtal:	3 300 min ⁻¹
Motorolja:	1,1 l
Ljudnivå:	89 dB (A)
Ljudnivå på 7 m avstånd:	64 dB (A)
Mått:	Se bild 2 , sida 3
Vikt:	96,5 kg
Provning/certifikat:	 

Les bruksanvisningen nøye før du monterer og tar apparatet i bruk, og ta vare på den. Hvis produktet selges videre, må du sørge for å gi bruksanvisningen videre også.

Innhold

1	Symbolforklaringer	130
2	Råd om sikkerhet og montering	130
3	Målgruppen for denne veiledningen	132
4	Leveransen omfatter	133
5	Tilbehør	133
6	Tiltent bruk	133
7	Merkeskilt	134
8	Teknisk beskrivelse	134
9	Montasje	134
10	Elektrisk tilkobling av generatoren	137
11	Deponering	140
12	Tekniske spesifikasjoner	141

1 Symbolforklaringer

**FARE!**

Sikkerhetsregel: Hvis man ikke overholder denne regelen, fører det til død eller alvorlig skade.

**ADVARSEL!**

Sikkerhetsregel: Hvis man ikke overholder denne regelen, kan det føre til død eller alvorlig skade.

**FORSIKTIG!**

Sikkerhetsregel: Hvis man ikke overholder denne regelen, kan det føre til personskader.

**PASS PÅ!**

Hvis man ikke overholder denne regelen, kan det føre til materielle skader og skade funksjonen til produktet.

**MERK**

Utfyllende informasjon om bruk av produktet.

2 Råd om sikkerhet og montering

Følg rådene og betingelsene som kjøretøyprodusenten og motorvognprodusenten har bestemt!

Produsenten tar i følgende tilfeller intet ansvar for skader:

- Montasje- eller tilkoblingsfeil
- Skader på produktet på grunn av mekanisk påvirkning og overspenninger
- Endringer på produktet uten at det er gitt uttrykkelig godkjenning av produsenten
- Bruk til andre formål enn det som er beskrevet i veiledningen

Overhold følgende grunnleggende sikkerhetsregler ved bruk av elektriske apparater for å beskytte mot:

- Elektrisk støt
- Brannfare
- Skader

2.1 Behandling av apparatet



ADVARSEL!

- Montering og reparasjon av generatoren må kun utføres av fagfolk som kjenner til farene og gjeldende forskrifter. Feil reparasjoner kan føre til betydelige skader. Ved behov for reparasjon kontakter du servicestedene i ditt land (adresse på baksiden).
- **Elektriske apparater er ikke beregnet for barn!**
Barn er ikke i stand til å bedømme farer forbundet med elektriske apparater. La ikke barn bruke elektriske apparater uten tilsyn.
- Dette apparatet kan brukes av barn fra 8 år og oppover, og av personer med nedsatte fysiske, sensoriske eller mentale evner eller manglende erfaring og/eller kunnskap, når de er under oppsikt eller har fått opplæring i sikker bruk av apparatet og hvilke farer som er forbundet med det.
- Avgassene inneholder karbonmonoksid, en meget giftig, luktfri og fargeløs gass. Ikke pust inn avgassene! Ikke la generatorens motor gå i en lukket garasje eller i et rom uten vindu.



FORSIKTIG!

- **Brannfare!**
Ikke monter generatoren i kasser eller rom uten åpninger, men derimot på steder eller i rom med tilstrekkelig ventilasjon.
- Bruk generatoren kun når kapslingen og ledningene er uskadd!
- Monter generatoren på et stødig underlag.
- Generatoren skal ikke ha mer enn 20° helling.



PASS PÅ!

- Bruk apparatet kun til det det er beregnet for.
- Generatoren er ikke egnet for bruk i båter.
- Ikke foreta endringer eller ombygging av apparatet.

2.2 Håndtering av elektriske ledninger



ADVARSEL!

- Den elektriske tilkoblingen må kun gjøres av fagfolk (f.eks. i Tyskland iht. VDE 0100, del 721).



FORSIKTIG!

- Fest og legg ledningene slik at man ikke snubler i dem og slik at man unngår å skade kabelen.



PASS PÅ!

- Hvis ledninger føres gjennom vegger med skarpe kanter, bruker du kabelrør hhv. ledningsgjennomføringer.
- Ikke legg ledninger løst eller skarpt bøyd på materiell som leder elektrisk strøm (metall).
- Ikke trekk i ledninger.

3 Målgruppen for denne veiledningen

Denne veiledningen er beregnet på fagfolk i verksteder som er fortrolig med retningslinjene og sikkerhetsforanstaltningene.

4 Leveransen omfatter

Pos. i fig. 1, side 3	Antall	Beskrivelse
1	1	Generator TEC40D
2	1	Fjernkontroll
3	1	Avgassledning, 2 m
4	1 sett	Festemateriell for lydtemper
-	1 sett	Tilkoblingskabel
-		AG 102, omkoblingsrelé for å realisere en prioritetskobling
-		Festemateriell
-		Montasjeveiledning
-		Bruksanvisning

5 Tilbehør

Tilgjengelig som tilbehør (ikke inkludert i leveransen):

Delebeskrivelse	Artikkelnummer
PR 25044, eksternt tetningssett	9102900174

6 Tiltentkt bruk

Generatoren TEC40D (art.nr. 9600000116) er beregnet for bruk i campingvogner, bobiler og kommersielle kjøretøy.

Generatoren er **ikke** egnet for installasjon i båter.

Generatoren genererer en sinus-vekselspenning på 230 V/50 Hz, som forbrukerne kan kobles til med en samlet permanent belastning på 3500 W. Strømkvaliteten er også egnet for følsomme forbrukere(f.eks. PC-er).

Generatoren kan lade opp et 12 V-batteri.

7 Merkeskilt

På generatoren er det plassert et merkeskilt. Dette merkeskiltet gir brukeren og installatøren informasjon om spesifikasjonene til apparatet.

8 Teknisk beskrivelse

Generatoren har følgende muligheter som må konfigureres tilsvarende ved monteringen:

Prioritetskobling som den eksterne 230 V spenningen har prioritet foran på grunn av spenningen som generatoren genererer, se kapittel «Realisere prioritetskobling» på side 139.

9 Montasje



FORSIKTIG! Fare for personskader!

Montasjen av generatoren må kun gjøres av fagfolk. Den følgende informasjonen er beregnet på fagfolk som er fortrolig med retningslinjene og sikkerhetsforanstaltningene som gjelder.

9.1 Monteringsanvisninger

Les monteringsanvisningen før montering av generatoren.

Vær oppmerksom på følgende ved montering av generatoren:



FARE! Livsfare ved strømstøt!

Ved arbeid på generatoren må alle spenningsforsyninger frakobles.



FORSIKTIG! Fare for personskader!

- Feil montering av generatoren kan føre til skader på apparatet som ikke lar seg reparere, og det kan gå ut over sikkerheten til brukeren.
- Ved alt arbeid må man bruke foreskrevne verneklær (f.eks. vernebriller, vernehansker).

9.2 Feste generatoren

Tips for monteringsstedet

- Påse at brennbare gjenstander ikke lagres eller monteres i nærheten av eksosrøret. Avstanden må være minst 70 cm.
- Ved montasje av generatoren må man av sikkerhetsmessige grunner passe på (ved boring og skruing osv.) føringene av kabler og andre komponenter som ikke er synlige, og som befinner seg i montasjeområdet!
- La det være minst 70 mm ledig plass mellom panseret til generatoren og delene rundt, slik at det er nok plass for gjennomstrømming av kjøleluften.
- For montasjen må du klargjøre et rom mot innsiden av kjøretøyet, du kan i tillegg isolere mot støy.

Du må sørge for eksosåpninger på gulvet og foran generatordekslet (se montasjemaler) .

- Plasser tettingene (tilgjengelig som tilbehør) og skru dem fast på kapslingen (fig. **3**, side 4).
- Plasser kapslingen i det fastsatte området og skru den fast (fig. **4**, side 4).
- Sett generatoren inn i kapslingen og skru den fast (fig. **5**, side 4).
- Monter dekslet og fest det med stiftene (fig. **6**, side 4).

9.3 Feste avgassledning

Vær oppmerksom på følgende ved legging av avgassledningen:

- Unngå skarpe kurver som hindrer avgasstrømmen.
- Koble slangen (fig. **7** 2, side 5) til lyddemperen (fig. **7** 1, side 5) og fest den med klemmer (fig. **7** 4, side 5)
- Sett fast forlengelsen for avgassledningen (fig. **7** 3, side 5).

9.4 Montere tank og drivstoffslange

Følg disse rådene når det gjelder montasjestedet:

- Tankbunnen må befinne seg maks. 1 m nedenfor gulvet til generatoren.
 - Overkanten av tanken må ikke ligge over overkanten av generatoren.
 - Maksimal horisontal avstand mellom generator og tank er 3 m.
 - Legg drivstoffledningen så rett som mulig (fig. **8**, side 5).
- Fest tanken, se fig. **8**, side 5 og kapittel «Koble til flottør» på side 140.
- Koble drivstoffrørledningen (fig. **9** 1, side 6) til drivstofffilteret (fig. **9** 2, side 6).
- Steng ledningen til drivstoffreturen (fig. **9** 3, side 6).
- Fest slangene med slangeklemmer.

9.5 Montere betjeningspanelet

Følg disse rådene når det gjelder montasjestedet:

- Vær oppmerksom på lengden til forlengelseskabelen fra betjeningspanelet til generatoren.
- Bor hullene som vist i fig. **10**, side 6.
- Plugg støpslet inn i betjeningspanelet.
- Skru på betjeningspanelet.

10 Elektrisk tilkobling av generatoren



FARE! Livsfare ved strømstøt!

Før man utfører arbeid på elektrisk drevne komponenter, må man forsikre seg om at alt er spenningsløst!



MERK

Følg gjeldende retningslinjer i landet til forbrukeren.

10.1 Viktige råd om elektrisk tilkobling

- Generatoren må kun kobles til elektrisk av elektriker.
- Sammenlign spenningsspesifikasjonene på merkeskiltet med tilgjengelig strømtilførsel.
- Ikke legg 230 V~ ledninger og 12 V=== ledninger i samme ledningskanal (tomt rør).
- Ikke legg ledninger løst eller skarpt bøyd på materiell som leder elektrisk strøm (metall).
- Koble generatoren til en strømkurs som er i stand til å levere den nødvendige strømmen (se kapittel «Tekniske spesifikasjoner» på side 141).
- Velg ledningstverrsnittet som følger:
 - 230 V: 4 mm²
 - Batterilader 2,5 mm²
 - Startbatteritilkobling (lengde < 6 m): 16 mm²
 - Startbatteritilkobling (lengde > 6 m): 25 mm²
- Installer en manuell hovedbryter som alle innkoblede forbrukere med unntak av batteriet kan kobles fra generatoren med.

10.2 Koble til generator



PASS PÅ!

- Koble et relé eller en omkobler til kjøretøyets elektriske anlegg, slik at generatoren ikke blir skadet når strømmettet kobles inn.
- Om mulig kobles generatoren til slik at den har prioritet i forhold til strømmettet.

- Koble til generatoren iht. koblingsskjemaet (fig. **11**, side 7) og koblingsskjema (fig. **12**, side 8).

Forklaring til koblingsskjemaet (fig. **11**, side 7)

Pos.	Beskrivelse
1	Tilkoblingsklemme batteri-plusspol
2	Tilkoblingsklemme batteri-minuspol
3	Tilkobling for batterilader
4	Tilkobling for drivstoffindikator

Forklaring til koblingsskjemaet (fig. **12**, side 8 og)

Pos.	Beskrivelse
1	3-fas vikling
2 + 3	Hjelpeviklinger
4	Vekselretter
5	6-polet plugg
6	Batterilader
7	Hovedbryter
8	Trykkvakt
9	Drivstoffpumpe
10	Startmotor
11	9-polet plugg
12	Styrekort
13	Vernebryter

Pos.	Beskrivelse
14	9-polet plugg
15	Termobryter
16	10-polet plugg
17	Klemmeliste
18	2-polet plugg
19	Fjernkontroll
20	10-polet plugg
21	Batteri
22	Klemmeliste
23	2-polet plugg
24	Hjelpeviklinger
25	4-polet plugg
26	6-polet plugg
27	2-polet plugg
28	2-polet plugg

10.3 Realisere prioritetskobling

Med et omkoblingsrelé kan du realisere en prioritetskobling hvor den eksterne spenningsforsyningen har prioritet i forhold til generatoren, se koblingsskjema (fig. 13, side 10):

Pos.	Beskrivelse
1	Last
2	AG113 omkoblingsrelé
3	Generator
4	Strømnett

- Monter omkoblingsreleet på en egnet posisjon.
- Koble til kablene iht. koblingsskjemaet (fig. 13, side 10).

10.4 Koble til starterbatteriet



PASS PÅ!

Starterbatteriet må ha en spenning på 12 V og en kapasitet på minimum 60 Ah.

- Koble plusspolen til batteriet (fig. **11** 1, side 7) til tilkoblingsklemmen batteri-plusspol med en egnet kabel:
 - Kabellengde < 6 m: Diameter på 16 mm²
 - Kabellengde > 6 m: Diameter på 25 mm²
- Koble til minuspolen til batteriet (fig. **11** 2, side 7) med en kabel med passe tverrsnitt (se ovenfor) som følger:
- Koble jordtilkoblingen til generatoren til kjøretøyets ramme.
- Fjern evt. lakk eller rust fra rammen for å få god kontakt.
- Beskytt forbindelsen med et antikorrosjonsmiddel (f.eks. smørefett smøre-/beskyttelsesspray).

10.5 Koble til betjeningspanelet

- Koble betjeningspanelet til støpslet for betjeningspanelet ved hjelp av den medfølgende forlengelseskabelen (fig. **10**, side 6) .

10.6 Koble til flottør

- Koble flottøren fra tanken med flottørtilkoblingen (fig. **11** 4, side 7).

11 Deponering

- Lever emballasje til resirkulering så langt det er mulig.



Når du tar produktet ut av drift for siste gang, må du sørge for å få informasjon om deponeringsforskrifter hos nærmeste resirkuleringsstasjon eller hos din faghandler.

12 Tekniske spesifikasjoner

	Dometic TEC40D
Art.nr.:	9600000116
Nominell utgangsspenning:	230 V~ / 50 Hz
Maks. permanent effekt (ved 25 °C ved havnivå):	3500 W
Utgangsspenning batterilader:	12 V===
Maks. utgangsstrøm batterilader:	10 A
Driftstemperaturområde:	-15 °C til +50 °C
Drivstoff:	Diesel etter EN 590
Motor:	Hatz (1 B 30 V)
Forbruk:	maks. 1,4 l/h
Motoreffekt:	4,7 kW (6,4 PS)
Maks. turtall:	3300 min ⁻¹
Motorolje:	1,1 l
Lydtrykknivå:	89 dB(A)
Lydtrykknivå på 7 m avstand:	64 dB(A)
Mål:	Se fig. 2 , side 3
Vekt:	96,5 kg
Test/sertifikat:	 

Lue tämä ohje huolellisesti läpi ennen asennusta ja käyttöönottoa ja säilytä ohje hyvin. Jos myyt tuotteen eteenpäin, anna ohje tällöin edelleen uudelle käyttäjälle.

Sisällysluettelo

1	Symbolien selitykset	143
2	Turvallisuus- ja kiinnitysohjeita	143
3	Tämän käyttöohjeen kohderyhmä	145
4	Toimituskokonaisuus.	146
5	Lisävarusteet	146
6	Tarkoituksenmukainen käyttö	146
7	Merkkilivet	147
8	Tekninen kuvaus	147
9	Asennus	147
10	Generaattorin sähköinen liittäminen	150
11	Hävittäminen	153
12	Tekniset tiedot.	154

1 Symbolien selitykset



VAARA!

Turvallisuusohje: Huomiotta jättäminen aiheuttaa hengenvaaran tai vakavan loukkaantumisen.



VAROITUS!

Turvallisuusohje: Huomiotta jättäminen voi aiheuttaa hengenvaaran tai vakavan loukkaantumisen.



HUOMIO!

Turvallisuusohje: Huomiotta jättäminen voi johtaa loukkaantumiseen.



HUOMAUTUS!

Huomiotta jättäminen voi johtaa materiaalivaurioihin ja haitata tuotteen toimintaa.



OHJE

Tuotteen käyttöä koskevia lisätietoja.

2 Turvallisuus- ja kiinnitysohjeita

Noudata ajoneuvovalmistajan ja autoalan ammattiipiirien antamia turvallisuusohjeita ja vaatimuksia!

Valmistaja ei ota mitään vastuuta vahingoista seuraavissa tapauksissa:

- asennus- tai liitännävirheet
- tuotteeseen mekaanisen vaikutuksen tai ylijännitteiden takia syntyneet vauriot
- tuotteeseen ilman valmistajan nimenomaista lupaa tehdyt muutokset
- käyttö muuhun kuin käyttöohjeessa ilmoitettuun tarkoitukseen

Noudata seuraavia perustavia turvatoimenpiteitä käyttäessäsi sähköllä toimivia laitteita. Tämä suojelee sinua:

- sähköiskulta
- palovaaralta
- loukkaantumiselta

2.1 Laitteen käsittely



VAROITUS!

- Generaattorin saavat asentaa ja sitä saavat korjata vain ammattimiehet, jotka tuntevat töihin liittyvät vaarat sekä niitä koskevat määräykset. Epäasianmukaisista korjauksista saattaa aiheutua huomattavia vaaroja. Käännä oman maasi huoltokililiikkeen puoleen, jos laite tarvitsee korjausta (osoitteet takasivulla).
- **Sähkölaitteet eivät ole lasten leluja!**
Lapset eivät osaa arvioida sähkölaitteista aiheutuvia vaaroja oikein. Älä anna lasten käyttää sähkölaitteita ilman valvontaa.
- 8-vuotiaat tai sitä vanhemmat lapset sekä henkilöt, joiden fyysiset, sensoriset tai psyykkiset kyvyt ovat rajoittuneita tai jotka ovat kokemattomia ja/tai tietämättömiä, voivat käyttää tätä laitetta valvonnan alaisina tai kun heille on opetettu laitteen turvallinen käyttö ja he ovat ymmärtäneet siitä aiheutuvat vaarat.
- Pakokaasut sisältävät hiilimonoksidia, joka erittäin myrkyllinen, hajuton ja väritön kaasu. Älä hengitä pakokaasuja. Älä anna generaattorin moottorin käydä suljetussa autotallissa tai ikkunattomassa tilassa.



HUOMIO!

- **Palovaara!**
Älä asenna generaattoria laatikkoon tai aukottomaan tilaan vaan riittävästi tuuletettavaan paikkaan tai tilaan.
- Käytä generaattoria vain, kun kotelossa ja johtimissa ei ole vaurioita.
- Asenna generaattori tukevalle alustalle.
- Älä kallista generaattoria pystysuoraan nähden enempää kuin 20°.



HUOMAUTUS!

- Käytä laitetta ainoastaan sen määräysten mukaiseen tarkoitukseen.
- Generaattori ei sovi käytettäväksi vesikulkuneuvoissa.
- Älä tee laitteeseen mitään muutoksia.

2.2 Sähköjohtimien käsitteleminen



VAROITUS!

- Sähköisen liitännän saa tehdä vain ammattiliike (esim. Saksassa VDE 0100:n osaa 721 vastaava).



HUOMIO!

- Vedä ja kiinnitä johtimet siten, että niihin ei voi kompastua ja että johdon vaurioitumisen mahdollisuus on pois suljettu.



HUOMAUTUS!

- Jos johtimet täytyy viedä teräväreunaisten seinien läpi, käytä putkitusta tai läpivientikappaleita.
- Älä aseta irrallisia tai teräville taitteille asetettuja johtimia sähköä johtavien materiaalien (metalli) päälle.
- Älä kisko johtimista.

3 Tämän käyttöohjeen kohderyhmä

Tämä käyttöohje on tarkoitettu korjaamoiden ammattihenkilökunnalle, joka tuntee sovellettavat direktiivit ja turvajärjestelyt.

4 Toimituskokonaisuus

Kohta – kuva 1, sivulla 3	Määrä	Nimitys
1	1	Käyttöpaneeli
2	1	Kaukosäädin
3	1	Pakokaasujohdin, 2 m
4	1 sarja	Äänenvaimentimen kiinnitysmateriaali
–	1 sarja	Liitäntäjohto
–		AG 102, vaihtorele prioriteettikytkennän toteuttamista varten
–		Asennusohje
–		Käyttöohje
–		Käyttöpaneeli

5 Lisävarusteet

Saatavissa lisävarusteena (ei sisälly toimituskokonaisuuteen):

Osan nimitys	Tuotenumero
PR 25044, ulkoinen tiivistesarja	9102900174

6 Tarkoituksenmukainen käyttö

Generaattori TEC40D (tuotenro 9600000116) on suunniteltu käytettäväksi asuntovaunuissa, matkailuautoissa ja kaupallisessa käytössä olevissa ajoneuvoissa.

Generaattori **ei** sovi asennettavaksi vesikulkuneuvoihin.

Generaattori synnyttää puhdasta sinimuotoista 230 V/50 Hz -vaihtojännitettä, johon voidaan liittää sähkölaitteita, joiden jatkuva kokonaiskuorma on 3500 W. Laadultaan virta sopii myös herkille sähkölaitteille (esim. PC-tietokoneet).

Generaattori kykenee lataamaan 12 V -akun.

7 Merkkikilvet

Generaattorissa on merkkikilpi. Tämä merkkikilpi ilmaisee käyttäjälle ja asentajalle laitteen spesifikaatiot.

8 Tekninen kuvaus

Generaattori tarjoaa seuraavan mahdollisuuden, joka täytyy konfiguroida asennusta vastaavalla tavalla:

Ensisijaisuuskytkentä, joka asettaa ulkoisen 230 V -jännitteen etusijalle generaattorin synnyttämään jännitteeseen nähden, katso kap. "Prioriteettikytkennän toteuttaminen" sivulla 152.

9 Asennus



HUOMIO! Loukkaantumisvaara!

Generaattorin saavat asentaa yksinomaan vastaavan koulutuksen omaavat ammattiliikkeet. Seuraavat tiedot on suunnattu ammattilaisille, jotka tuntevat sovellettavat direktiivit ja turvajärjestelyt.

9.1 Asennusta koskevia ohjeita

Lue tämä asennusohje kokonaan läpi ennen generaattorin asentamista.

Noudata generaattoria asentaessasi seuraavia ohjeita:



VAARA! Sähköiskusta johtuva hengenvaara!

Katkaise kaikki jännitteensyötöt generaattoria koskevien töiden ajaksi.



HUOMIO! Loukkaantumisvaara!

- Generaattorin väärä asentaminen voi johtaa laitteen korjaamattomissa olevaan vahingoittumiseen ja heikentää käyttäjän turvallisuutta.
- Käytä kaikissa töissä määrättyä suojaruustusta (esim. suojalaseja, suojakäsineitä).

9.2 Generaattorin kiinnittäminen

Asennuspaikkaa koskevia ohjeita

- Huolehdi siitä, että pakoputken tai tuuletuslamellien alueelle ei ole varastoitu tai asennettu mitään syttyviä esineitä. Etäisyyden tulisi olla vähintään 70 cm.
- Kiinnitä ennen generaattorin asentamista (porattaessa ja ruuvattaessa jne.) turvallisuussyistä huomiota asennuspaikassa valmiina olevien, erityisesti näkymättömissä olevien johtonippujen, johdinten ja muiden osien kulkuun!
- Jätä generaattorin kotelon ja ympäröivien osien väliin vähintään 70 mm vapaata tilaa, jotta jäähditysilmän läpivirtaukselle jää riittävästi tilaa.
- Asennusta varten täytyy luoda etukäteen ajoneuvon sisäosasta ilmatiiviisti eristetty tila, johon voit laittaa lisäksi äänieristyksen.
Tee lattiaan ja generaattorin luukun eteen pakoputkiakot (katso asennussapluunaa).
- Aseta tiivisteet (saatavissa lisävarusteena) paikoilleen ja ruuvaa ne kiinni koteloon (kuva **3**, sivulla 4).
- Aseta kotelo valittuun paikkaan ja ruuvaa se kiinni (kuva **4**, sivulla 4).
- Aseta generaattori koteloon ja ruuvaa se kiinni (kuva **5**, sivulla 4).
- Asenna luukku ja kiinnitä se tapeilla (kuva **6**, sivulla 4).

9.3 Pakokaasuputkien kiinnitys

Noudata pakokaasuputkien asentamisen yhteydessä seuraavia ohjeita:

- Älä asenna pakoputkia siten, että putkistoon muodostuu pakokaasun virtausta haittaavia jyrkkiä mutkia.
- Yhdistä letku (kuva **7** 2, sivulla 5) äänenvaimentimeen (kuva **7** 1, sivulla 5) ja kiinnitä se letkunkiristimillä (kuva **7** 4, sivulla 5)
- Kiinnitä jatke pakokaasuputkeen (kuva **7** 3, sivulla 5).

9.4 Säiliön ja polttoaineputken asentaminen

Noudata seuraavia asennuspaikkaa koskevia ohjeita:

- Säiliön pohja saa olla enintään 1 m generaattorin pohjan alapuolella.
 - Säiliön yläreuna ei saa olla generaattorin yläreunan yläpuolella.
 - Generaattorin ja säiliön välinen maksimietäisyys vaakasuunnassa on 3 m.
 - Asenna polttoaineputket niin suoraan kuin mahdollista (kuva **8**, sivulla 5).
- Kiinnitä säiliö, katso kuvia kuva **8**, sivulla 5 ja kap. "Uimurin liittäminen" sivulla 153.
- Yhdistä polttoaineen syöttöputki (kuva **9** 1, sivulla 6) polttoainesuodattimeen (kuva **9** 2, sivulla 6).
- Yhdistä polttoaineen paluuputki (kuva **9** 3, sivulla 6).
- Kiinnitä letkut kiristimillä.

9.5 Käyttöpaneelin asennus

Noudata seuraavaa asennuspaikkaa koskevaa ohjetta:

- Ota käyttöpaneelin ja generaattorin välisen jatkojohdon pituus huomioon.
- Pora reiät kuten kuva **10**, sivulla 6 osoittaa.
- Työnnä pistoke kiinni käyttöpaneeliin.
- Ruuvaa käyttöpaneeli kiinni.

10 Generaattorin sähköinen liittäminen



VAARA! Sähköiskusta johtuva hengenvaara!

Ennen kaikkia sähköisesti toimiviin osiin liittyviä töitä täytyy varmistaa, että osat ovat jännitteettömiä!



OHJE

Noudata käyttömaassa voimassa olevia määräyksiä.

10.1 Tärkeitä ohjeita sähköistä liittämistä varten

- Anna generaattorin sähköinen liittäminen aina alan ammattilaisen tehtäväksi.
- Vertaa tyyppikilven jännitetietoja käytettävissä olevaan energiansyöttöön.
- Älä vedä 230 V~ -johtimia ja 12 V=== -johtimia yhdessä samaan kanavaan (putki).
- Älä aseta johtimia löysälle tai teräville taitteille sähköä johtavien materiaalien (metalli) päälle.
- Yhdistä generaattori virtapiiriin, joka kykenee antamaan tarvittavan virran (katso kap. "Tekniset tiedot" sivulla 154).
- Valitse johtimen paksuus seuraavasti:
 - 230 V: 4 mm²
 - Akkulaturi: 2,5 mm²
 - Käynnistysakkuliitäntä (pituus < 6 m): 16 mm²
 - Käynnistysakkuliitäntä (pituus > 6 m): 25 mm²
- Asenna manuaalinen pääkytkin, jonka avulla kaikki päälle kytketyt sähkölaitteet akkua lukuun ottamatta voidaan kytkeä irti generaattorista.

10.2 Generaattorin liittäminen



HUOMAUTUS!

- Liitä ajoneuvon sähköjärjestelmään rele tai vaihtokytkin, jotta generaattori ei vahingoitu, kun sähköverkko kytketään käyttöön.
- Liitä generaattori mahdollisuuksien mukaan niin, että se on ensisijainen sähköverkkoon nähden.

- Liitä generaattori liitäntäkaavion (kuva **11**, sivulla 7) ja kytkentäkaavion (kuva **12**, sivulla 8) mukaisesti.

Selitys liitäntäkaavioon (kuva 11, sivulla 7)

Kohde	Kuvaus
1	Akkukenkä akun plusnapaa varten
2	Akkukenkä akun miinusnapaa varten
3	Akkulaturin liitäntä
4	Polttoaineen näytön liitäntä

Selitys kytkentäkaavioon (kuva 12, sivulla 8)

Kohde	Kuvaus
1	3-vaihekäämitys
2 + 3	Apukäämitykset
4	Vaihtosuuntaaja
5	6-napainen pistoke
6	Akkulaturi
7	Pääkytkin
8	Painevahti
9	Polttoainepumppu
10	Starttimoottori
11	9-napainen pistoke
12	Ohjauspiirilevy
13	Suojakytkin
14	9-napainen pistoke
15	Lämpökytkin
16	10-napainen pistoke
17	Riviliitin
18	2-napainen pistoke

Kohde	Kuvaus
19	Kaukosäädin
20	10-napainen pistoke
21	Akku
22	Riviliitin
23	2-napainen pistoke
24	Apukäämitykset
25	4-napainen pistoke
26	6-napainen pistoke
27	2-napainen pistoke
28	2-napainen pistoke

10.3 Prioriteettikytkennän toteuttaminen

Vaihtokytkentäreleen avulla voit toteuttaa ensisijaiskytkennän, jonka avulla ulkoinen virransyöttö on etusijalla generaattoriin nähden, katso kytkentäkaaviota (kuva 13, sivulla 10):

Kohde	Kuvaus
1	Kuorma
2	Vaihtokytkentärele AG113
3	Generaattori
4	Sähköverkko

- Asenna vaihtokytkentärele sopivaan paikkaan.
- Liitä johto kytkentäkaavion (kuva 13, sivulla 10) mukaisesti.

10.4 Käynnistysakun liittäminen



HUOMAUTUS!

Käynnistysakun jännitteen täytyy olla 12 V ja kapasiteetin vähintään 60 Ah.

- Yhdistä akun (kuva **11** 1, sivulla 7) plusnapa sopivalla kaapelilla akun plusnavan liittimeen:
 - Johdon pituus < 6 m: Poikkipinta-ala 16 mm²
 - Johdon pituus > 6 m: Poikkipinta-ala 25 mm²
- Liitä akun miinusnapa (kuva **11** 2, sivulla 7) paksuudeltaan sopivalla kaapelilla (katso edellä):
- Liitä generaattorin maadoitusliitäntä ajoneuvon runkoon.
- Poista rungosta mahdollinen maali tai ruoste hyvän kontaktin varmistamiseksi.
- Suojaa liitokset korroosionestoaineella (esim. voitelurasva, voitelu-/suojasuihke).

10.5 Käyttöpaneelin liittäminen

- Liitä käyttöpaneeli mukana toimitetun jatkoakaapelin avulla käyttöpaneelin pistokkeeseen (kuva **10**, sivulla 6).

10.6 Uimurin liittäminen

- Liitä säiliön uimuri uimuriliitäntään (kuva **11** 4, sivulla 7).

11 Hävittäminen

- Vie pakkausmateriaali mahdollisuuksien mukaan vastaavan kierrätysjätteen joukkoon.



Jos poistat tuotteen lopullisesti käytöstä, pyydä tietoa sen hävittämistä koskevista määräyksistä lähimmästä kierrätyskeskuksesta tai ammattiliikkeestäsi.

12 Tekniset tiedot

	Dometic TEC40D
Tuotenro:	9600000116
Lähtönimellisjännite:	230 V~ / 50 Hz
Maks. jatkuva teho (kun 25 °C merenpinnan tasolla):	3500 W
Akkulaturin lähtöjännite:	12 V===
Akkulaturin maks. lähtövirta:	10 A
Käyttölämpötila-alue:	-15 °C ... +50 °C
Polttoaine:	standardin EN 590 mukainen dieselpolttoaine
Moottori:	Hatz (1 B 30V)
Kulutus:	maks. 1,4l/h
Moottorin teho:	4,7 kW (6,4 hv)
Maks. kierrosluku:	3300 min ⁻¹
Moottoriöljy:	1,1l
Melutaso:	89 dB(A)
Melutaso 7 m etäisyydellä:	64 dB(A)
Mitat:	ks. kuva 2 , sivulla 3
Paino:	96,5 kg
Tarkastus/sertifikaatti:	 

Прочтите данную инструкцию перед монтажом и вводом в эксплуатацию и сохраните ее. В случае передачи продукта передайте инструкцию следующему пользователю.

Оглавление

1	Пояснение символов	156
2	Указания по безопасности и монтажу	156
3	Целевая группа данной инструкции	158
4	Объем поставки	159
5	Принадлежности	159
6	Использование по назначению	159
7	Заводские таблички	160
8	Техническое описание	160
9	Монтаж	160
10	Присоединение генератора к электрической цепи	163
11	Утилизация	167
12	Технические данные	168

1 Пояснение символов

**ОПАСНОСТЬ!**

Указания по технике безопасности: Несоблюдение ведет к смертельному исходу или тяжелым травмам.

**ПРЕДУПРЕЖДЕНИЕ!**

Указания по технике безопасности: Несоблюдение может привести к смертельному исходу или тяжелым травмам.

**ОСТОРОЖНО!**

Указания по технике безопасности: Несоблюдение может привести к травмам.

**ВНИМАНИЕ!**

Несоблюдение может привести к повреждениям и нарушить работу продукта.

**УКАЗАНИЕ**

Дополнительная информация по управлению продуктом.

2 Указания по безопасности и монтажу

Соблюдайте указания по технике безопасности и требования, предписанные изготовителем автомобиля и автомастерской!

Изготовитель не несет никакой ответственности за ущерб в следующих случаях:

- Ошибки монтажа или подключения
- Повреждения продукта из-за механических воздействий и перенапряжений
- Изменения в продукте, выполненные без однозначного разрешения изготовителя
- Использование в целях, отличных от указанных в данной инструкции

Соблюдайте следующие основные предписания по технике безопасности при пользовании электроприборами для защиты от:

- поражения электрическим током
- опасности возникновения пожара
- травм

2.1 Обращение с прибором



ПРЕДУПРЕЖДЕНИЕ!

- Монтаж и ремонт генератора разрешается выполнять только специалистам, знакомым с возможными опасностями и с соответствующими стандартами и предписаниями. Неправильно выполненный ремонт может приводить к серьезным опасностям. При необходимости ремонта обратитесь в сервисный центр в Вашей стране (адреса указаны на обороте).
- **Электроприборы не являются детскими игрушками!**
Дети не в состоянии правильно оценить опасности, исходящие от электроприборов. Не оставляйте детей пользоваться электроприборами без присмотра.
- Этот прибор может использоваться детьми с 8-ми лет и старше, а также лицами с ограниченными физическими, сенсорными и умственными способностями или при недостатке необходимого опыта и/или знаний только под присмотром или после прохождения инструктажа по безопасному использованию прибора, если они поняли опасности, которые при этом могут возникнуть.
- Продукты сгорания содержат окись углерода, предельно ядовитый, не имеющий запаха и бесцветный газ. Не вдыхайте продукты сгорания. Не оставляйте двигатель генератора работать в закрытом гараже или помещении, не имеющем окон.



ОСТОРОЖНО!

- **Опасность возникновения пожара!**
Не устанавливайте генератор в ящиках или помещениях без проемов и окон, а только в хорошо вентилируемых зонах или помещениях.
- Эксплуатируйте генератор только в том случае, если корпус и провода не имеют повреждений!
- Устанавливайте генератор на прочную опору.
- Не наклоняйте генератор более чем на 20° от вертикального положения.

**ВНИМАНИЕ!**

- Используйте прибор только по назначению.
- Генератор не пригоден для работы на плавсредствах.
- Не выполняйте никаких изменений и переделок на приборе.

2.2 Обращение с электрическими проводами

**ПРЕДУПРЕЖДЕНИЕ!**

- Подключение к электрической сети разрешается выполнять только специализированной организации (например, в Германии согласно VDE 0100, часть 721).

**ОСТОРОЖНО!**

- Крепите и прокладывайте провода так, чтобы исключить опасность спотыкания и повреждения кабеля.

**ВНИМАНИЕ!**

- Если необходимо провести электрические провода через стенки с острыми краями, то используйте металлорукава или кабельные вводы.
- Не прокладывайте незакрепленные или сильно изогнутые провода по электропроводящим материалам (металлу).
- Не тяните за провода.

3 Целевая группа данной инструкции

Данная инструкция предназначена для сотрудников мастерских, которые знакомы с применяемыми директивами и мерами безопасности.

4 Объем поставки

Поз. на рис. 1 , стр. 3	Количество	Наименование
1	1	Генератор TEC40D
2	1	Пульт дистанционного управления
3	1	Выхлопной трубопровод, 2 м
4	1 комплект	Крепежный материал для глушителя
–	1 комплект	Питающий кабель
–		AG 102, переключающее реле для реализации приоритетной схемы
–		Крепежный материал
–		Инструкция по монтажу
–		Инструкция по эксплуатации

5 Принадлежности

Продается в качестве принадлежности (не входит в объем поставки):

Наименование деталей	Арт. №
PR 25044, внешний комплект уплотнений.	9102900174

6 Использование по назначению

Генератор TEC40D (арт. № 9600000116) предназначен для использования в жилых прицепах, кемперах и коммерческих автомобилях.

Генератор **не** пригоден для монтажа на плавсредствах.

Генератор создает чистое синусоидальное переменное напряжение 230 В/50 Гц, к которому могут быть присоединены потребители с общей продолжительной нагрузкой 3500 Вт. Качество тока пригодно даже для чувствительных потребителей (например, ПК).

Генератор может заряжать аккумуляторную батарею с напряжением 12 В.

7 Заводские таблички

На генераторе установлена заводская табличка. Эта табличка информирует пользователя и монтажника о технических характеристиках прибора.

8 Техническое описание

Генератор предлагает следующую возможность, которая должна быть сконфигурирована соответствующим образом при монтаже:

приоритетная схема, благодаря которой напряжение 230 В от внешнего источника имеет приоритет перед напряжением, создаваемым генератором, см. гл. «Реализация приоритетной схемы» на стр. 166.

9 Монтаж



ОСТОРОЖНО! Опасность травмирования!

Монтаж генератора разрешается выполнять только обученным этому специалистам. Последующая информация предназначена для специалистов, которые знакомы с применяемыми директивами и мерами безопасности.

9.1 Указания по монтажу

Перед монтажом генератора полностью прочтите данную инструкцию по монтажу.

При монтаже генератора соблюдайте следующие указания:



ОПАСНОСТЬ! Опасность для жизни из-за поражения электрическим током!

При работах на генераторе всегда прерывайте электропитание.



ОСТОРОЖНО! Опасность травмирования!

- Неправильный монтаж генератора может приводить к непоправимым повреждениям прибора и отрицательно сказываться на безопасности пользователя.
- При всех работах носите предписанную защитную одежду (например, защитные очки, защитные рукавицы).

9.2 Крепление генератора

Указания о месте монтажа

- Следите за тем, чтобы горючие предметы не складировались и не устанавливались в зоне выхлопной трубы или вентиляционных панелей. Расстояние должно составлять не менее 70 см.
- В целях обеспечения безопасности учитывайте при монтаже генератора (при сверлении, установке винтов и т. п.) прохождение имеющихся, особенно не видимых кабелей, проводов и других компонентов, которые находятся в зоне монтажа.
- Оставьте не менее 70 мм свободного пространства между кожухом генератора и соседними частями, чтобы осталось достаточно места для протекания охлаждающего воздуха.
- Для монтажа необходимо подготовить отсек, уплотненный относительно салона автомобиля, который Вы можете дополнительно снабдить звукоизоляцией.

В полу и перед заслонкой генератора выполните выхлопные отверстия (см. монтажные шаблоны).

- Разместите уплотнения (продается в качестве принадлежности) и привинтите их к корпусу (рис. **3**, стр. 4).
- Расположите корпус в заданной области и привинтите его (рис. **4**, стр. 4).
- Установите генератор в корпус и привинтите его (рис. **5**, стр. 4).
- Смонтируйте заслонку и закрепите ее штифтами (рис. **6**, стр. 4).

9.3 Крепление выхлопного трубопровода

При прокладке выхлопного трубопровода соблюдайте следующие указания:

- Не допускайте образования резких изгибов, препятствующих потоку продуктов сгорания.
- Соедините шланг (рис. **7** 2, стр. 5) с глушителем (рис. **7** 1, стр. 5) и закрепите его зажимами (рис. **7** 4, стр. 5)
- Закрепите удлинитель выхлопного трубопровода (рис. **7** 3, стр. 5).

9.4 Монтаж бака и топливопровода

Соблюдайте следующие указания в отношении места монтажа:

- Днище бака должно находиться не более чем на 1 м ниже днища генератора.
- Верхний край бака не должен находиться выше верхнего края генератора.
- Максимальное расстояние по горизонтали между генератором и баком составляет 3 м.
- Проложите топливопроводы как можно ровнее (рис. **8**, стр. 5).
- Закрепите бак, см. рис. **8**, стр. 5 и гл. «Присоединение поплавка» на стр. 167.
- Присоедините топливопровод (рис. **9** 1, стр. 6) к топливному фильтру (рис. **9** 2, стр. 6)
- Присоедините возвратный топливопровод (рис. **9** 3, стр. 6).
- Закрепите шланги зажимами.

9.5 Монтаж панели управления

Соблюдайте следующее указание в отношении места монтажа:

- Учитывайте длину удлинительного кабеля от панели управления к генератору.
- Просверлите отверстия, как показано на рис. **10**, стр. 6.
- Вставьте штекер в панель управления.
- Привинтите панель управления.

10 Присоединение генератора к электрической цепи



ОПАСНОСТЬ! Опасность для жизни из-за поражения электрическим током!

Перед работами на работающих от электрического тока узлах убедиться в отсутствии напряжения!



УКАЗАНИЕ

Соблюдайте правила, действующие в стране потребителя.

10.1 Важные указания по присоединению к электрической сети

- Доверяйте выполнение электрического подключения генератора только специалисту.
- Сравните значения напряжения, указанные на заводской табличке, с характеристиками имеющегося источника питания.
- Не прокладывайте провода с 230 В~ и провода с 12 В=== совместно с одним и тем же кабельным каналом (металлорукаве).
- Не прокладывайте провода незакрепленными или сильно изогнутыми по электропроводящим материалам (металлу).
- Генератор должен быть присоединен к электрической цепи, которая в состоянии подавать ток требуемой силы (см. гл. «Технические данные» на стр. 168).

- Выберите поперечное сечение проводов следующим образом:
 - 230 В: 4 мм²
 - Устройство для заряда аккумуляторных батарей: 2,5 мм²
 - Присоединение к стартерная батарея (длина < 6 м): 16 мм²
 - Присоединение к стартерная батарея (длина > 6 м): 25 мм²
- Установите ручной главный выключателем, которым можно отсоединить от генератора все включенные потребители, за исключением батареи.

10.2 Присоединение генератора



ВНИМАНИЕ!

- Присоедините к электрической системе автомобиля реле или переключатель, чтобы генератор не получал повреждения при подключении электрической сети.
- По возможности, присоедините генератор так, чтобы он имел приоритет перед электрической сетью.

- Присоедините генератор согласно принципиальной схеме (рис. **11**, стр. 7) и схеме подключения (рис. **12**, стр. 8).

Пояснения к схеме подключения (рис. **11**, стр. 7)

Поз.	Описание
1	Присоединительный зажим положительного полюса батареи
2	Присоединительный зажим отрицательного полюса батареи
3	Подключение для устройства для заряда аккумуляторных батарей
4	Разъем для датчика уровня топлива

Пояснения к схеме соединений (рис. 12, стр. 8)

Поз.	Описание
1	3-фазная обмотка
2 + 3	Вспомогательные обмотки
4	Инвертор
5	6-конт. штекер
6	Устройство для заряда аккумуляторных батарей
7	Главный выключатель
8	Реле давления
9	Топливный насос
10	Пусковой двигатель
11	9-конт. штекер
12	Блок управления
13	Защитный автомат
14	9-конт. штекер
15	Термовыключатель
16	10-конт. штекер
17	Клеммная колодка
18	2-конт. штекер
19	Пульт дистанционного управления
20	10-конт. штекер
21	Аккумуляторная батарея
22	Клеммная колодка
23	2-конт. штекер
24	Вспомогательные обмотки
25	4-конт. штекер
26	6-конт. штекер
27	2-конт. штекер
28	2-конт. штекер

10.3 Реализация приоритетной схемы

С помощью переключающего реле можно реализовать приоритетную схему, при которой внешний источник напряжения имеет приоритет перед генератором, см. схему соединений (рис. **13**, стр. 10):

Поз.	Описание
1	Нагрузка
2	AG113 переключающее реле
3	Генератор
4	Электрическая сеть

- Установите переключающее реле в подходящем месте.
- Соедините кабели согласно принципиальной схеме (рис. **13**, стр. 10).

10.4 Присоединение стартерной батареи



ВНИМАНИЕ!

Стартерная батарея должна иметь напряжение 12 В и емкость не менее 60 Ач.

- Соедините положительный полюс батареи (рис. **11** 1, стр. 7) подходящим кабелем с зажимом для присоединения положительного полюса батареи:
 - Длина кабеля ≤ 6 м: поперечное сечение 16 мм²
 - Длина кабеля > 6 м: поперечное сечение 25 мм²
- Соедините отрицательный полюс батареи (рис. **11** 2, стр. 7) кабелем с подходящим поперечным сечением (см. выше):
- Соедините зажим соединения с корпусом генератора с рамой автомобиля.
- Для обеспечения хорошего контакта необходимо удалить с рамы лак или ржавчину.
- Защитите соединения антикоррозионным средством (например, консистентной смазкой, аэрозольной/защитной смазкой).

10.5 Присоединение панели управления

- Соедините панель управления входящим в объем поставки удлинительным кабелем со штекером для панели управления (рис. **10**, стр. 6).

10.6 Присоединение поплавка

- Соедините поплавок бака с разъемом для поплавка (рис. **11** 4, стр. 7).



11 Утилизация

- По возможности, выкидывайте упаковочный материал в мусор, подлежащий вторичной переработке.



Если Вы окончательно выводите продукт из эксплуатации, то получите информацию в ближайшем центре по вторичной переработке или в торговой сети о соответствующих предписаниях по утилизации.

12 Технические данные

	Domestic TEC40D
Арт. №:	9600000116
Номинальное выходное напряжение:	230 В~ / 50 Гц
Макс. длительная мощность (при 25 °С на уровне моря):	3500 Вт
Выходное напряжение устройства для заряда аккумулятора:	12 В===
Макс. выходной ток устройства для заряда аккумулятора:	10 А
Диапазон рабочих температур:	от -15 °С до +50 °С
Топливо:	Дизельное топливо согласно EN 590
Двигатель:	Hatz (1 В 30V)
Расход:	макс. 1,4 л/ч
Мощность двигателя:	4,7 кВт (6,4 л. с.)
Макс. частота вращения:	3300 мин ⁻¹
Моторное масло:	1,1 л
Уровень шума:	89 дБ (А)
Уровень шума на расстоянии 7 м:	64 дБ (А)
Размеры:	см. рис. 2 , стр. 3
Вес:	96,5 кг
Испытания/сертификат:	 

Przed instalacją i uruchomieniem urządzenia należy uważnie przeczytać niniejszą instrukcję. Instrukcję należy zachować. W razie przekazywania urządzenia należy ją udostępnić kolejnemu nabywcy.

Spis treści

1	Objaśnienie symboli	170
2	Uwagi dotyczące bezpieczeństwa i montażu	170
3	Odbiorcy instrukcji	172
4	Zakres dostawy	173
5	Osprzęt	173
6	Użytkowanie zgodne z przeznaczeniem	173
7	Tabliczki informacyjne	174
8	Opis techniczny	174
9	Montaż	174
10	Podłączenie elektryczne generatora	177
11	Utylizacja	180
12	Dane techniczne	181

1 Objąśnienie symboli

**NIEBEZPIECZEŃSTWO!**

Wskazówka dot. bezpieczeństwa: Nieprzestrzeganie powoduje śmierć lub ciężkie obrażenia ciała.

**OSTRZEŻENIE!**

Wskazówka dot. bezpieczeństwa: Nieprzestrzeganie może prowadzić do śmierci lub ciężkich obrażeń ciała.

**OSTROŻNIE!**

Wskazówka dot. bezpieczeństwa: Nieprzestrzeganie może prowadzić do obrażeń ciała.

**UWAGA!**

Nieprzestrzeganie może prowadzić do powstania szkód materialnych i zakłóceń w działaniu produktu.

**WSKAZÓWKA**

Informacje uzupełniające dot. obsługi produktu.

2 Uwagi dotyczące bezpieczeństwa i montażu

Należy stosować się do zasad bezpieczeństwa i dokumentacji udostępnianych przez producenta i warsztaty serwisowe!

Producent nie odpowiada za szkody spowodowane:

- błędami powstałymi w trakcie montażu lub podłączenia
- uszkodzeniem produktu w sposób mechaniczny lub spowodowany przeciążeniami elektrycznymi
- zmianami dokonanyymi w produkcie bez wyraźnej zgody producenta
- użytkowaniem w celach innych niż opisane w niniejszej instrukcji

Należy przestrzegać podstawowych zasad bezpieczeństwa obowiązujących przy używaniu urządzeń elektrycznych w celu ochrony przed:

- porażeniem prądem
- pożarem
- obrażeniami ciała

2.1 Korzystanie z urządzenia



OSTRZEŻENIE!

- Montażu i napraw generatora mogą dokonywać tylko specjaliści, którzy zapoznali się ze związanymi z tym zagrożeniami i stosownymi przepisami. Niefachowe naprawy mogą spowodować poważne niebezpieczeństwo. W celu przeprowadzenia naprawy należy zwrócić się do punktu serwisowego działającego w danym kraju (adresy na odwrocie).
- **Urządzenia elektryczne nie są zabawkami dla dzieci!**
Dzieci nie są w stanie ocenić zagrożeń, które mogą one powodować. Nie należy pozwalać dzieciom na korzystanie z urządzeń elektrycznych bez nadzoru.
- Dzieci od 8 roku życia i osoby o ograniczonych możliwościach fizycznych, sensorycznych lub umysłowych oraz/lub osoby niedysponujące stosowną wiedzą i doświadczeniem mogą użytkować to urządzenie, o ile osoby te znajdują się pod nadzorem lub zostały poinstruowane w zakresie bezpiecznego użytkowania urządzenia i zrozumiały ewentualne zagrożenia wynikające z niewłaściwego użytkowania.
- Spaliny zawierają tlenek węgla, który jest bardzo trującym, bezzapachowym oraz bezbarwnym gazem. Nie wolno wdychać spalin. Pracującego silnika generatora nie wolno pozostawiać w zamkniętym garażu lub pomieszczeniu bez okien.



OSTROŻNIE!

- **Niebezpieczeństwo pożaru!**
Generatora **nie należy montować** w skrzyniach lub pomieszczeniach bez otworów. Można montować go na obszarach lub w pomieszczeniach o odpowiedniej wentylacji.
- Nie wolno używać generatora wówczas, gdy ma uszkodzoną obudowę lub przewody.
- Generator należy zamontować na stabilnym podłożu.
- Nie należy odchyłać generatora o więcej niż 20° w stosunku do pionu.

**UWAGA!**

- Urządzenie należy wykorzystywać zgodnie z jego przeznaczeniem.
- Generator nie nadaje się do zastosowania w pojazdach wodnych.
- Nie wolno dokonywać żadnych modyfikacji ani przebrojeń urządzenia.

2.2 Obchodzenie się z przewodami elektrycznymi

**OSTRZEŻENIE!**

- Podłączenie elektryczne może wykonać tylko specjalistyczna firma (np. w Niemczech obowiązują w tym zakresie przepisy VDE 0100, część 721).

**OSTROŻNIE!**

- Przewody należy układać i mocować w taki sposób, aby uniknąć potykania się o nie i ich uszkodzenia.

**UWAGA!**

- Jeżeli przewody są przeprowadzane przez ściany o ostrych krawędziach, należy użyć pustych rurek lub przepustów przewodów.
- Nie należy układać luźnych albo mocno zgiętych przewodów na materiałach przewodzących prąd (metal).
- Nie należy ciągnąć za przewody.

3 Odbiorcy instrukcji

Instrukcja jest skierowana do specjalistów, którzy zapoznali się z zasadami i środkami bezpieczeństwa.

4 Zakres dostawy

Poz. na rys. 1, strona 3	Liczba	Nazwa
1	1	Generator TEC40D
2	1	Pilot
3	1	Przewód odprowadzający gazy spalinowe, 2 m
4	1 zestaw	Materiał do mocowania tłumika
-	1 zestaw	Przewód przyłączeniowy
-		AG 102, Przełącznik przełączeniowy do aktywacji przełącznika pierwszeństwa
-		Materiał mocujący
-		Instrukcja montażu
-		Instrukcja obsługi

5 Osprzęt

Elementy dostępne jako akcesoria (nieobjęte zakresem dostawy):

Nazwa części	Numer produktu
PR 25044, zewnętrzny zestaw uszczelek	9102900174

6 Użytkowanie zgodne z przeznaczeniem

Generator TEC40D (nr produktu 9600000116) zaprojektowano do zastosowania w przyczepach i samochodach kempingowych oraz pojazdach wykorzystywanych komercyjnie.

Generator **nie nadaje się** do zastosowania w pojazdach wodnych.

Generator wytwarza czyste zmienne napięcie sinusoidalne 230 V/50 Hz, do którego można podłączyć odbiorniki o łącznym obciążeniu stałym 3500 W. Jakość prądu nadaje się także dla czułych odbiorników (np. komputerów).

Generator może ładować akumulator 12 V.

7 Tabliczki informacyjne

Na generatorze umieszczona jest tabliczka informacyjna. Informuje ona użytkownika i instalatora o specyfice urządzenia.

8 Opis techniczny

Generator oferuje następującą możliwość, która musi zostać odpowiednio skonfigurowana podczas montażu:

Przełącznik pierwszeństwa, za pomocą którego można ustawić pierwszeństwo wykorzystywania zewnętrznego napięcia 230 V przed napięciem generowanym przez generator, patrz rozdz. „Aktywacja przełącznika pierwszeństwa” na stronie 179.

9 Montaż



OSTROŻNIE! Ryzyko obrażeń!

Montaż generatora może być wykonywany wyłącznie przez odpowiednio wykwalifikowanych pracowników zakładów specjalistycznych. Poniższe informacje są skierowane do specjalistów, którzy zapoznali się z odpowiednimi wytycznymi i środkami bezpieczeństwa.

9.1 Wskazówki dot. montażu

Przed montażem generatora należy zapoznać się z instrukcją montażu.

Przy montażu generatora należy uwzględnić następujące uwagi:



NIEBEZPIECZEŃSTWO! Zagrożenie życia w wyniku porażenia prądem!

Podczas prac przy generatorze należy odłączyć wszystkie źródła napięcia.



OSTROŻNIE! Ryzyko obrażeń!

- Nieprawidłowy montaż generatora może spowodować nieodwracalne szkody w urządzeniu i stwarzać zagrożenie bezpieczeństwa użytkownika.
- Podczas wszystkich prac należy nosić wymaganą odzież ochronną (np. okulary ochronne, rękawice ochronne).

9.2 Mocowanie generatora

Uwagi dotyczące miejsca montażu

- Należy uważać, aby nie składować ani nie montować łatwopalnych przedmiotów w pobliżu wydechu lub komór wentylacyjnych. Odstęp musi wynosić co najmniej 70 cm.
- Ze względów bezpieczeństwa podczas montażu generatora (podczas wiercenia lub przykręcania) należy uważać na położenie przebiegających, w szczególności niewidocznych przewodów i innych części znajdujących się w obszarze montażu!
- Pomiędzy pokrywą generatora oraz otaczającymi go częściami należy zachować przynajmniej 70 mm wolnego miejsca, aby umożliwić swobodny przepływ powietrza chłodzącego.
- W celu montażu należy przygotować miejsce ściśle odgródzone od wnętrza pojazdu, które można dodatkowo zabezpieczyć izolacją przeciwdźwiękową. Na dnie oraz przed klapą generatora należy umieścić otwory wydechowe (patrz szablon montażowy).
- Należy wstawić uszczelki (dostępne jako osprzęt) i przymocować je do obudowy (rys. **3**, strona 4).
- Należy umieścić obudowę w zdefiniowanym obszarze, a następnie ją przymocować śrubami (rys. **4**, strona 4).
- Następnie należy wstawić generator do obudowy i przykręcić go śrubami (rys. **5**, strona 4).
- Należy zamontować klapę i przymocować ją kołkami (rys. **6**, strona 4).

9.3 Mocowanie przewodu spalinowego

Podczas układania przewodu spalinowego należy stosować się do następujących wskazówek:

- Nie zaginać przewodów w taki sposób, iż przepływ spalin mógłby zostać utrudniony.
- Połączyć wąż (rys. **7** 2, strona 5) z tłumikiem (rys. **7** 1, strona 5) i przymocować go obejmami (rys. **7** 4, strona 5)
- Przymocować przedłużenie przewodu odprowadzającego gazy spalinowe (rys. **7** 3, strona 5).

9.4 Montaż zbiornika i przewodów paliwowych

Należy stosować się do następujących wskazówek:

- Podłoże zbiornika może znajdować się maksymalnie 1 m poniżej podłoża generatora.
- Górna krawędź zbiornika nie może wystawać powyżej górnej krawędzi generatora.
- Maksymalny poziomy odstęp pomiędzy generatorem a zbiornikiem wynosi 3 m.
- Przewody paliwowe należy ułożyć możliwie prosto (rys. **8**, strona 5).
- Należy zamontować zbiornik, patrz rys. **8**, strona 5 oraz rozdz. „Podłączanie pływaków” na stronie 180.
- Przewód paliwowy (rys. **9** 1, strona 6) podłączyć do filtra paliwa (rys. **9** 2, strona 6).
- Podłączyć przewód do powrotu paliwa (rys. **9** 3, strona 6).
- Należy zabezpieczyć węże osłonami.

9.5 Montaż panelu sterowania

Należy stosować się do następujących wskazówek dotyczących miejsca montażu:

- Należy zwrócić uwagę na długość kabla przedłużającego od panelu sterowania do generatora.
- Należy wywiercić otwory zgodnie z rysunkiem rys. **10**, strona 6.
- Należy włożyć wtyczkę do panelu sterowania.
- Panel sterowania należy przykręcić.

10 Podłączenie elektryczne generatora



NIEBEZPIECZEŃSTWO! Zagrożenie życia w wyniku porażenia prądem!

Przed rozpoczęciem prac nad częściami zasilanymi prądem elektrycznym należy upewnić się, że nie są one już podłączone do napięcia!



WSKAZÓWKA

Należy przestrzegać wytycznych obowiązujących w kraju użytkownika.

10.1 Istotne wskazówki dot. podłączenia elektrycznego

- Podłączenie elektryczne generatora należy zlecić wykwalifikowanej osobie.
- Należy porównać dane dotyczące napięcia na tabliczce znamionowej z dostępnym źródłem zasilania.
- Nie należy układać przewodów 230 V~ oraz przewodu 12 V=== razem w tym samym kanale przewodzącym (pusta rurka).
- Nie wolno układać luźnych albo mocno zgiętych przewodów na materiałach przewodzących prąd (metal).
- Generator wymaga podłączenia do obwodu elektrycznego, który może dostarczyć odpowiednie zasilanie (patrz rozdz. „Dane techniczne” na stronie 181).
- Średnicę przewodu należy wybrać w następujący sposób:
 - 230 V: 4 mm²
 - Ładowarka akumulatora: 2,5 mm²
 - Podłączenie akumulatora rozruchowego (długość < 6 m): 16 mm²
 - Podłączenie akumulatora rozruchowego (długość > 6 m): 25 mm²
- Należy zainstalować ręczny przełącznik główny, za pomocą którego można odłączyć wszystkie podłączone odbiorniki z wyjątkiem akumulatora generatora.

10.2 Podłączanie generatora



UWAGA!

- Do instalacji elektrycznej pojazdu należy podłączyć przełącznik lub przelącznik, aby nie uszkodzić generatora przy podłączeniu do sieci zasilania.
- W miarę możliwości generator należy zamontować w taki sposób, aby miał on priorytet w stosunku do sieci zasilania.

- Generator należy podłączać zgodnie ze schematem połączeń (rys. **11**, strona 7) i schematem ideowym (rys. **12**, strona 8).

Legenda schematu połączeń (rys. **11**, strona 7)

Poz.	Opis
1	Zacisk przyłączeniowy bieguna dodatniego akumulatora
2	Zacisk przyłączeniowy bieguna ujemnego akumulatora
3	Przyłącze do ładowarki akumulatora
4	Przyłącze do wskaźnika paliwa

Legenda schematu ideowego (rys. **12**, strona 8)

Poz.	Opis
1	Uzwojenie trójfazowe
2 + 3	Uzwojenia pomocnicze
4	Falownik
5	6-biegunowa wtyczka
6	Ładowarka akumulatora
7	Wyłącznik główny
8	Czujnik ciśnieniowy
9	Pompa paliwowa
10	Silnik rozruchowy
11	9-biegunowa wtyczka
12	Płytką sterującą
13	Przełącznik ochronny

Poz.	Opis
14	9-biegunowa wtyczka
15	Termoprzełącznik
16	10-biegunowa wtyczka
17	Listwa zaciskowa
18	2-biegunowa wtyczka
19	Pilot
20	10-biegunowa wtyczka
21	Akumulator
22	Listwa zaciskowa
23	2-biegunowa wtyczka
24	Uzwojenia pomocnicze
25	4-biegunowa wtyczka
26	6-biegunowa wtyczka
27	2-biegunowa wtyczka
28	2-biegunowa wtyczka

10.3 Aktywacja przełącznika pierwszeństwa

Za pomocą przekaźnika przełączeniowego można aktywować przełącznik pierwszeństwa, dzięki któremu można ustawić priorytet zewnętrznego zasilania elektrycznego w stosunku do generatora, patrz schemat (rys. 13, strona 10):

Poz.	Opis
1	Obciążenie
2	AG113 przekaźnik przełączeniowy
3	Generator
4	Sieć elektryczna

- ▶ Należy zamontować przekaźnik przełączeniowy w odpowiedniej pozycji.
- ▶ Należy połączyć kable zgodnie ze schematem ideowym (rys. 13, strona 10).

10.4 Podłączanie akumulatora rozruchowego



UWAGA!

Akumulator rozruchowy musi mieć napięcie wynoszące 12 V oraz pojemność przynajmniej 60 Ah.

- Połączyć biegun dodatni akumulatora (rys. **11** 1, strona 7) z odpowiednim przewodem za pomocą zacisku przyłączeniowego bieguna dodatniego akumulatora:
 - Długość kabla < 6 m: Średnica 16 mm²
 - Długość kabla > 6 m: Średnica 25 mm²
- Podłączyć biegun ujemny akumulatora (rys. **11** 2, strona 7) z przewodem o odpowiedniej średnicy (patrz wyżej):
- Przyłącze masy należy połączyć z podwoziem pojazdu.
- W razie potrzeby z podwozia należy usunąć lakier lub rdzę, aby zapewnić dobry kontakt.
- Zabezpieczyć połączenia środkiem antykorozyjnym (np. smarem, sprejem smarującym/ochronnym).

10.5 Podłączanie panelu sterowania

- Panel sterowania za pomocą dostarczonego przewodu przedłużającego do wtyczki panelu sterowania (rys. **10**, strona 6).

10.6 Podłączanie pływaka

- Należy połączyć pływak ze zbiornika z przyłączem pływaka (rys. **11** 4, strona 7).

11 Utylizacja

- Opakowanie należy wyrzucić do odpowiedniego pojemnika na śmieci do recyklingu.



Jeżeli produkt nie będzie dłużej eksploatowany, koniecznie dowiedz się w najbliższym zakładzie recyklingu lub w specjalistycznym sklepie, jakie są aktualnie obowiązujące przepisy dotyczące utylizacji.

12 Dane techniczne

	Dometic TEC40D
Nr art.:	9600000116
Napięcie znamionowe wyjściowe:	230 V~ / 50 Hz
Maksymalna moc ciągła (przy 25 °C na wysokości morza):	3500 W
Napięcie wyjściowe ładowarki akumulatora:	12 V===
Maks. prąd wyjściowy ładowarki akumulatora:	10 A
Zakres temperatury roboczej:	od -15 °C do +50 °C
Paliwo:	Olej napędowy wg EN 590
Silnik:	Hatz (1 B 30V)
Zużycie:	maks. 1,4 l/h
Moc silnika:	4,7 kW (6,4 KM)
Maks. prędkość obrotowa:	3300 min ⁻¹
Olej silnikowy:	1,1 l
Poziom hałasu:	89 dB(A)
Poziom hałasu w odległości 7 m:	64 dB(A)
Wymiary:	patrz rys. 2 , strona 3
Waga:	96,5 kg
Kontrola/certyfikat:	 

Pred montážou a uvedením do prevádzky si prosím pozorne prečítajte tento návod a odložte si ho. V prípade odovzdania výrobku ďalšiemu používateľovi mu odovzdajte aj tento návod.

Obsah

1	Vysvetlenie symbolov	183
2	Pokyny týkajúce sa bezpečnosti a montáže	183
3	Cieľová skupina tohto návodu	185
4	Obsah dodávky	186
5	Príslušenstvo	186
6	Použitie v súlade s určením	186
7	Označovacie štítky	187
8	Technický opis	187
9	Montáž	187
10	Elektrické zapojenie generátora	190
11	Likvidácia	193
12	Technické údaje	194

1 Vysvetlenie symbolov



NEBZPEČENSTVO!

Bezpečnostný pokyn: Nerešpektovanie vedie k smrti alebo k ťažkému zraneniu.



VÝSTRAHA!

Bezpečnostný pokyn: Nerešpektovanie môže viesť k smrti alebo k ťažkému zraneniu.



UPOZORNENIE!

Bezpečnostný pokyn: Nerešpektovanie môže viesť k zraneniam.



POZOR!

Nerešpektovanie môže viesť k materiálnym škodám a môže ovplyvniť funkciu zariadenia.



POZNÁMKA

Doplňujúce informácie k obsluhu výrobku.

2 Pokyny týkajúce sa bezpečnosti a montáže

Dodržiavajte bezpečnostné pokyny a podmienky predpísané výrobcom vozidla a združením automobilového priemyslu!

Výrobca v nasledujúcich prípadoch nepreberá za škody žiadnu záruku:

- Chyby montáže alebo pripojenia
- Poškodenia produktu mechanickými vplyvmi a prepätiami
- Zmeny produktu bez vyjadreného povolenia výrobcu
- Použitie na iné účely ako sú účely uvedené v návode

Dodržiavajte nasledovné základné bezpečnostné pokyny pri používaní elektrických zariadení na ochranu pred:

- úrazom elektrickým prúdom,
- nebezpečenstvom požiaru,
- poraneniami.

2.1 Manipulácia s prístrojom



VÝSTRAHA!

- Montáž a opravy generátora smú uskutočňovať len odborníci s príslušnou kvalifikáciou, ktorí sú oboznámení s rizikami s tým spojenými, príp. s príslušnými predpismi. Neodbornými opravami môžu vzniknúť značné nebezpečenstvá. V prípade opravy sa obráťte na servisné centrum vo vašej krajine (adresy na opačnej strane).
- **Elektrické prístroje nie sú hračkou pre deti!**
Deti nedokážu správne posúdiť riziká, ktoré predstavujú elektrické prístroje. Nenechávajte deti, aby používali elektrické prístroje bez dozoru.
- Prístroj smú používať deti od 8 rokov a osoby so zníženými psychickými, zmyslovými alebo mentálnymi schopnosťami a vedomosťami, keď sú pod dozorom alebo keď boli poučené o bezpečnom používaní prístroja a keď chápu, aké riziká z toho vyplývajú.
- Odpadové plyny obsahujú oxid uhoľnatý, mimoriadne toxický, bezfarebný plyn bez zápachu. Výpary nevdychujte. Nenechávajte motor bežať v zatvorenej garáži alebo v miestnosti bez okien.



UPOZORNENIE!

- **Nebezpečenstvo požiaru!**
Generátor **nemontujte** do skrine alebo priestoru bez otvorov, ale len do dostatočne vetraných oblastí alebo priestorov.
- Generátor používajte len vtedy, keď kryt a vedenia nie sú poškodené.
- Generátor namontujte na stabilný podklad.
- Nenakláňajte generátor o viac ako 20° voči vertikále.



POZOR!

- Prístroj používajte len v súlade s jeho určeným používaním.
- Generátor nie je vhodný na prevádzku v plavidlách.
- Na prístroji neuskutočňujte žiadne zmeny alebo prestavby.

2.2 Manipulácia s elektrickými vedeniami



VÝSTRAHA!

- Elektrické pripojenie smie vykonať len špecializovaná firma (napr. v Nemecku VDE 0100, časť 721).



UPOZORNENIE!

- Vedenia upevnite a položte tak, aby nehrozilo nebezpečenstvo zakopnutia a aby bolo vylúčené poškodenie kábla.



POZOR!

- Ak sa vedenia musia viesť cez steny s ostrými hranami, použite ochranné rúrky, príp. priechodky.
- Na elektricky vodivé materiály (kovy) neumiestňujte voľné alebo ostro lomené vedenia.
- Neťahajte vodiče.

3 Cieľová skupina tohto návodu

Tento návod je adresovaný odborným pracovníkom dielní, ktorí sú oboznámení s príslušnými smernicami a bezpečnostnými opatreniami.

4 Obsah dodávky

Pol. na obr. 1, strane 3	Počet	Označenie
1	1	Generátor TEC40D
2	1	Diaľkové ovládanie
3	1	Potrúbie na odpadové plyny, 2 m
4	1 súprava	Upevňovací materiál na tlmič
-	1 súprava	Pripájací kábel
-		AG 102, prepínacie relé na realizáciu prioritného spínania
-		Upevňovací materiál
-		Montážny návod
-		Návod na obsluhu

5 Príslušenstvo

Dostupné ako príslušenstvo (nie je súčasťou dodávky):

Označenie dielcov	Číslo výrobku
PR 25044, externá tesniaca súprava	9102900174

6 Použitie v súlade s určením

Generátor TEC40D (tov. č. 9600000116) je určený na použitie v obytných vozidlách, karavanoch a v komerčne používaných vozidlách.

Generátor **nie** je vhodný na prevádzku v plavidlách.

Generátor vyrába čisté striedavé sínusové napätie 230 V/50 Hz, na ktoré možno pripojiť spotrebiče s celkovým stálym zaťažením 3500 W. Kvalita prúdu je vhodná aj pre citlivé spotrebiče (napr. PC).

Generátor môže nabíjať batériu 12 V.

7 Označovacie štítky

Na generátore je umiestnený označovací štítok. Tento označovací štítok informuje používateľa a inštalatéra o špecifikáciách zariadenia.

8 Technický opis

Generátor ponúka nasledovné možnosti, ktoré sa pri zabudovaní musia príslušne nakonfigurovať:

prioritné spínanie, s ktorým má externé napätie 230 V prioritu pred napätím vygenerovaným generátorom, pozri kap. „Realizácia prioritného spínania“ na strane 192.

9 Montáž



UPOZORNENIE! Nebezpečenstvo poranenia!

Montáž generátora smú vykonávať len odborné firmy s príslušným osvedčením. Nasledovné informácie sú adresované odborným pracovníkom, ktorí sú oboznámení s príslušnými smernicami a bezpečnostnými opatreniami.

9.1 Upozornenia pre montáž

Pred montážou generátora si kompletne prečítajte návod na montáž.

Pri montáži generátora dodržiavajte nasledovné inštrukcie:



NEBZPEČENSTVO! Ohrozenie života zasiahnutím elektrickým prúdom!

Pri prácach na generátore prerušte všetky privody elektrického prúdu.



UPOZORNENIE! Nebezpečenstvo poranenia!

- Nesprávna montáž generátora môže viesť k neopraviteľným škodám zariadenia a nepriaznivo ovplyvniť bezpečnosť používateľa.
- Pri všetkých prácach používajte predpísaný ochranný odev (napr. ochranné okuliare, ochranné rukavice).

9.2 Upevnenie generátora

Pokyny týkajúce sa miesta montáže

- Dbajte na to, aby sa horľavé predmety neuskladňovali alebo nemontovali v oblasti výfuku alebo vetracích lamiel. Mala by sa dodržiavať vzdialenosť 70 cm.
- Z bezpečnostných dôvodov dávajte pozor pri montáži generátora (pri vŕtaní, skrutkovaní atď.) na priebeh existujúcich, predovšetkým neviditeľných zväzkov káblov, vedení a iných komponentov, ktoré sa nachádzajú v oblasti montáže!
- Medzi krytom generátora a okolitými časťami nechajte minimálne 70 mm voľného miesta na prúdenie chladiaceho vzduchu.
- Pred montážou musíte pripraviť priestor izolovaný od vnútra vozidla, ktorý dodatočne zaizolujete proti huku.

Na podlahu a pred klapku generátora umiestnite výfukové a nasávacie vzduchové otvory (pozri montážnu šablónu).

- Umiestnite tesnenia (dostupné ako príslušenstvo) a priskrutkujte ich na kryt (obr. **3**, strane 4).
- Umiestnite kryt do stanovenej oblasti a priskrutkujte ho (obr. **4**, strane 4).
- Vložte generátor do krytu a priskrutkujte ho (obr. **5**, strane 4).
- Namontujte klapku a upevnite ju kolíkmi (obr. **6**, strane 4).

9.3 Upevnenie vedenia spalín

Pri ukladaní vedenia odpadových plynov dodržiavajte nasledovné pokyny:

- Nevytvárajte žiadne ostré oblúky, ktoré by bránili prúdeniu spalín.
- Spojte hadicu (obr. **7** 2, strane 5) s tlmičom hluku (obr. **7** 1, strane 5) a upevnite objímkami (obr. **7** 4, strane 5)
- Upevnite predĺženie odvodu spalín (obr. **7** 3, strane 5).

9.4 Montáž nádrže a palivového vedenia

Rešpektujte nasledovné upozornenia týkajúce sa miesta montáže:

- Dno nádrže sa smie nachádzať maximálne 1 m pod dnom generátora.
 - Horná hrana nádrže nesmie byť na hornou hranou generátora.
 - Maximálna horizontálna vzdialenosť medzi generátorom a nádržou činí 3 m.
 - Palivové vedenie uložte čo možno najpriamejšie (obr. **8**, strane 5).
- Upevnite nádrž, pozri obr. **8**, strane 5 a kap. „Pripojenie plaváka“ na strane 193.
- Pripojte prírodné vedenie paliva (obr. **9** 1, strane 6) palivovému filteru (obr. **9** 2, strane 6).
- Pripojte vedenie k spätnému vedeniu paliva (obr. **9** 3, strane 6).
- Hadice zaistite objímkami.

9.5 Montáž ovládacieho panela

Rešpektujte nasledovné upozornenie týkajúce sa miesta montáže:

- Dbajte na dostatočnú dĺžku predlžovacieho kábla od ovládacieho panela ku generátoru.
- Otvory vyvrtajte podľa znázornenia na obr. **10**, strane 6.
- Zasuňte konektor do ovládacieho panela.
- Naskrutkujte ovládací panel.

10 Elektrické zapojenie generátora



NEBZPEČENSTVO! Ohrozenie života zasiahnutím elektrickým prúdom!

Pred začatím prác na elektricky ovládaných komponentoch zabezpečte, aby neboli pod napätím!



POZNÁMKA

Dodržiavajte platné smernice krajiny spotrebiteľa.

10.1 Dôležité upozornenia a pokyny týkajúce sa elektrického zapojenia

- Elektrické zapojenie generátora dajte uskutočniť len odborníkovi.
- Porovnajte údaje o napätí na typovom štítku s existujúcim zdrojom napätia.
- Neved'te vedenia 230 V~ a 12 V=== spoločne v jednom kanáli (ochranná rúrka).
- Nepokladajte uvoľnené alebo ostro lomené vedenia k elektricky vodivým materiálom (kovy).
- Generátor musí byť pripojený do elektrického obvodu, ktorý je schopný zabezpečovať potrebný prúd (pozri kap. „Technické údaje“ na strane 194).
- Zvoľte prierez vodičov nasledovne:
 - 230 V: 4 mm²
 - Nabíjačka batérie: 2,5 mm²
 - Zapojenie batérie štartéra (dĺžka < 6 m): 16 mm²
 - Zapojenie batérie štartéra (dĺžka > 6 m): 25 mm²
- Nainštalujte manuálny hlavný vypínač, s ktorým bude možné odpojiť od generátora všetky zapnuté spotrebiče s výnimkou batérie.

10.2 Pripojenie generátora



POZOR!

- K elektrickému zariadeniu vozidla pripojte relé alebo prepínač, aby sa generátor nepoškodil, keď sa elektrická sieť zapne.
- Generátor podľa možnosti zapojte tak, aby mal prioritu pred elektrickou sieťou.

- Generátor pripojte podľa schémy zapojenia (obr. **11**, strane 7) a elektrickej schémy (obr. **12**, strane 8).

Legenda k schéme pripojenia (obr. **11**, strane 7)

Poz.	Popis
1	Prípojná svorka – kladný pól batérie
2	Prípojná svorka – záporný pól batérie
3	Pripojenie nabíjačky batérie
4	Pripojenie pre indikátor paliva

Legenda k plánu zapojenia (obr. **12**, strane 8)

Poz.	Popis
1	3-fázové vinutie
2 + 3	Pomocné vinutia
4	Menič napätia
5	6-pólový konektor
6	Nabíjačka batérií
7	Hlavný vypínač
8	Tlakový snímač
9	Palivové čerpadlo
10	Štartér
11	9-pólový konektor
12	Základná doska
13	Ochranný spínač

Poz.	Popis
14	9-pólový konektor
15	Tepelný spínač
16	10-pólový konektor
17	Svorkovnica
18	2-pólový konektor
19	Diaľkové ovládanie
20	10-pólový konektor
21	Batéria
22	Svorkovnica
23	2-pólový konektor
24	Pomocné vinutia
25	4-pólový konektor
26	6-pólový konektor
27	2-pólový konektor
28	2-pólový konektor

10.3 Realizácia prioritného spínania

Prepínacím relé môžete uskutočniť prioritné spínanie, pričom externé napájanie napätím bude mať prioritu pred generátorom, pozri plán zapojenia (obr. **13**, strane 10):

Pol.	Popis
1	Zaťaženie
2	AG113 prepínacie relé
3	Invertor
4	Elektrická sieť

- ▶ Namontujte prepínacie relé do vhodnej polohy.
- ▶ Spojte káble podľa plánu zapojenia (obr. **13**, strane 10).

10.4 Zapojenie batérie štartéra



POZOR!

Štartovacia batéria musí mať napätie 12 V a kapacitu minimálne 60 Ah.

- Pripojte kladný pól batérie (obr. **11** 1, strane 7) vhodným káblom s pripojovacou svorkou kladného pólu batérie:
 - Dĺžka kábla < 6 m: Prierez 16 mm²
 - Dĺžka kábla > 6 m: Prierez 25 mm²
- Pripojte záporný pól batérie (obr. **11** 2, strane 7) káblom s vhodným priemerom (pozri vyššie):
- Spojte kostru generátora s rámom vozidla.
- V prípade potreby odstráňte lak a hrdzu z rámu, aby ste zabezpečili dobrý kontakt.
- Spojenia ošetríte antikoróznym prostriedkom (napr. mazivo, mazací/ochranný sprej).

10.5 Zapojenie ovládacieho panela

- Pripojte ovládací panel prostredníctvom dodaného predlžovacieho kábla ku konektoru ovládacieho panelu (obr. **10**, strane 6).

10.6 Pripojenie plaváka

- Spojte plavák nádrže s plavákovou prípojkou (obr. **11** 4, strane 7).



11 Likvidácia

- Obalový materiál podľa možnosti odovzdajte do príslušného odpadu na recykláciu.



Keď výrobok definitívne vyradíte z prevádzky, informujte sa v najbližšom recyklačnom stredisku alebo u vášho špecializovaného predajcu o príslušných predpisoch týkajúcich sa likvidácie.

12 Technické údaje

	Dometic TEC40D
Tov. č.:	9600000116
Výstupné menovité napätie:	230 V~ / 50 Hz
Max. trvalý výkon (pri 25 °C na úrovni mora):	3500 W
Výstupné napätie nabíjačky batérie:	12 V===
Max. výstupný prúd nabíjačky batérie:	10 A
Rozsah prevádzkovej teploty:	-15 °C až +50 °C
Palivo:	Motorová nafta podľa EN 590
Motor:	Hatz (1 B 30V)
Spotreba:	max. 1,4 l/h
Výkon motora:	4,7 kW (6,4 KS)
Max. otáčky:	3300 min ⁻¹
Motorový olej:	1,1 l
Hladina zvuku:	89 dB(A)
Hladina zvuku vo vzdialenosti 7 m:	64 dB(A)
Rozmery:	pozri obr. 2 , strane 3
Hmotnosť:	96,5 kg
Skúška/certifikát:	 

Před zahájením instalace a uvedením do provozu si pečlivě přečtěte tento návod a uschovejte jej. V případě dalšího prodeje výrobku předejte návod novému uživateli.

Obsah

1	Vysvětlení symbolů	196
2	Bezpečnostní pokyny a pokyny k instalaci	196
3	Cílová skupina tohoto návodu	198
4	Rozsah dodávky	198
5	Příslušenství	199
6	Použití v souladu s určením	199
7	Štítky s označením	199
8	Technický popis	199
9	Montáž	200
10	Elektrické připojení generátoru	202
11	Likvidace	205
12	Technické údaje	206

1 Vysvětlení symbolů

**NEBEZPEČÍ!**

Bezpečnostní pokyny: Následkem nedodržení pokynů jsou smrtelná nebo vážná zranění.

**VÝSTRAHA!**

Bezpečnostní pokyny: Následkem nedodržení pokynů mohou být smrtelná nebo vážná zranění.

**UPOZORNĚNÍ!**

Bezpečnostní pokyny: Následkem nedodržení mohou být úrazy.

**POZOR!**

Nedodržení pokynů může mít za následek hmotné škody a narušení funkce výrobku.

**POZNÁMKA**

Doplňující informace týkající se obsluhy výrobku.

2 Bezpečnostní pokyny a pokyny k instalaci

Dodržte předepsané bezpečnostní pokyny a předpisy vydané výrobcem vozidla a autoservisem!

V následujících případech nepřebírá výrobce žádné záruky za škody:

- Chybná montáž nebo chybné připojení
- Poškození výrobku působením mechanických vlivů a přepětí
- Změna výrobku bez výslovného souhlasu výrobce
- Použití k jiným účelům, než jsou popsány v tomto návodu

Při použití elektrických přístrojů dodržujte následující zásadní bezpečnostní opatření k ochraně před těmito nebezpečími:

- úraz elektrickým proudem
- nebezpečí požáru
- úrazy

2.1 Manipulace s přístrojem



VÝSTRAHA!

- Montáž a opravy přístroje směřují provádět pouze odborníci, kteří jsou seznámeni s hrozícími nebezpečími a s příslušnými předpisy. Nesprávně provedené opravy mohou být zdrojem značných rizik. V případě oprav kontaktujte servisní středisko ve vaší zemi (adresy jsou uvedeny na zadní straně).
- **Elektrické přístroje nejsou hračky pro děti!**
Děti nedokážou správně posoudit nebezpečí, která jsou spojena s elektrickými přístroji. Děti nenechávejte bez dozoru používat elektrické přístroje.
- Tento přístroj mohou používat děti od 8 let a osoby se sníženými fyzickými, sensorickými nebo mentálními schopnostmi, nebo osoby s nedostatkem zkušeností a/nebo znalostí, pokud budou pod dozorem nebo pokud byly poučeny o bezpečném použití přístroje a porozuměly nebezpečím, která z použití výrobku vyplývají.
- Odpadní plyny obsahují oxid uhelnatý. Jedná se o mimořádně toxický plyn bez barvy a zápachu. Nevdechujte odpadní plyny. Motor generátoru nenechávejte běžet v uzavřené garáži nebo v místnosti bez oken.



UPOZORNĚNÍ!

- **Nebezpečí požáru!**
Nemontujte generátor do beden nebo prostor bez otvorů, ale do dostatečně větraných prostor nebo místností.
- Používejte generátor pouze za předpokladu, že jsou kryt přístroje a rozvody nepoškozené.
- Namontujte generátor na stabilní podložku.
- Nenaklánějte generátor o více než 20° vůči svislici.



POZOR!

- Používejte přístroj pouze v souladu s jeho určením.
- Generátor není určen k provozu v plavidlech.
- Neprovádějte žádné úpravy nebo změny přístroje.

2.2 Manipulace s elektrickými rozvody



VÝSTRAHA!

- Připojení ke zdroji elektrického proudu smí provést pouze specializovaná provozovna (v Německu např. podle VDE 0100, část 721).



UPOZORNĚNÍ!

- Upevněte a instalujte rozvody tak, aby nehrozilo nebezpečí zakopnutí a nemohlo dojít k poškození kabelů.



POZOR!

- Pokud musejí být rozvody vedeny kolem stěn s ostrými úhly, použijte chráničky nebo průchodky.
- Nepokládejte volné nebo ostře zalomené vodiče na elektricky vodivé materiály (kov).
- Netahejte za rozvody.

3 Cílová skupina tohoto návodu

Tento návod je určen pracovníkům servisů, kteří jsou seznámeni s příslušnými platnými směrnici a bezpečnostními předpisy.

4 Rozsah dodávky

Poz. na obr. 1 , strana 3	Počet	Název
1	1	Generátor TEC 40D
2	1	Dálkový ovladač
3	1	Odvod spalin, 2 m
4	1 sada	Upevňovací materiál pro tlumič hluku
–	1 sada	Přívodní kabel
–		AG 102, přepínací relé k realizaci prioritního spínání
–		Upevňovací materiál
–		Návod k instalaci
–		Návod k obsluze

5 Příslušenství

Dodávané příslušenství (není součástí dodávky):

Název součásti	Číslo výrobku
PR 25044, externí sada těsnění	9102900174

6 Použití v souladu s určením

Generátor TEC40D (výr. č. 9600000116) je konstruován k použití v obytných vozech, obytných automobilech a v komerčně využívaných vozidlech.

Generátor **není** určen k instalaci v plavidlech.

Generátor generuje čistě sinusové střídavé napětí 230 V/50 Hz, ke kterému mohou být připojeny spotřebiče o celkovém trvalém zatížení 3500 W. Kvalita proudu je odpovídající i pro citlivé spotřebiče (např. počítače).

Generátor může být využit k nabíjení baterie 12 V.

7 Štítky s označením

Na generátoru je umístěn štítek s označením. Tento štítek s označením informuje uživatele a instalatéra o specifikacích přístroje.

8 Technický popis

Generátor nabízí následující možnosti, které musejí být nakonfigurovány při instalaci:

Prioritní spínání, při kterém má externí napětí 230 V prioritu před napětím, které generuje generátor, viz kap. „Realizace prioritního spínání“ na straně 204.

9 Montáž



UPOZORNĚNÍ! Nebezpečí úrazu!

Montáž generátoru smí provést výhradně specializovaná firma s potřebnými znalostmi. Následující informace jsou určeny odborníkům, kteří jsou seznámeni s příslušnými platnými směrnicemi a bezpečnostními předpisy.

9.1 Pokyny k montáži

Před montáží generátoru si pečlivě přečtěte tento návod k montáži.

Při montáži generátoru dodržujte následující pokyny:



NEBEZPEČÍ! Ohrožení života elektrickým proudem!

Při práci na generátoru odpojte veškerá napájení elektrickým proudem.



UPOZORNĚNÍ! Nebezpečí úrazu!

- Nesprávně provedená montáž generátoru může mít za následek nevratné poškození přístroje a ohrožení bezpečnosti uživatele.
- Při všech činnostech používejte předepsané ochranné prostředky (např. ochranné brýle, bezpečnostní obuv).

9.2 Upevnění generátoru

Pokyny k místu montáže

- Pamatujte, že v oblasti výfuku nebo ventilačních lamel nesmějí být uloženy ani namontovány žádné hořlavé předměty. Vzdálenost musí být minimálně 70 cm.
- Z bezpečnostních důvodů pamatujte při instalaci generátoru (při vrtání, šroubování apod.) na umístění stávajících, a především pak skrytých kabelů, rozvodů a dalších součástí, které mohou být v místě montáže!
- Mezi krytem generátoru a okolními díly ponechte volné místo minimálně 70 mm tak, aby bylo dostatek místa k proudění chladicího vzduchu.
- K provedení montáže musíte připravit prostor utěsněný vůči interiéru vozidla, který můžete následně zvukově izolovat.

Na podlaze a před víkem generátoru musíte umístit výfukové otvory (viz montážní šablona).

- Instalujte těsnění (k dispozici jako příslušenství) a přišroubujte je ke skříni (obr. **3**, strana 4).

- Umístěte skříň na určeném místě a přišroubujte ji (obr. **4**, strana 4).
- Umístěte generátor do skříňe a přišroubujte je (obr. **5**, strana 4).
- Namontujte víko a upevněte je kolíky (obr. **6**, strana 4).

9.3 Upevnění výfuku

Při instalaci odvodu spalin dodržujte následující pokyny:

- Nevytvářejte žádné ostré ohyby, které zabraňují proudění spalin.
- Spojte hadici (obr. **7** 2, strana 5) s tlumičem hluku (obr. **7** 1, strana 5) a upevněte ji svorkami (obr. **7** 4, strana 5)
- Upevněte prodloužení výfukového vedení (obr. **7** 3, strana 5).

9.4 Montáž nádrže a rozvodu paliva

Dodržujte následující pokyny, týkající se místa montáže:

- Dno nádrže musí být maximálně 1 m pod dnem generátoru.
- Horní okraj nádrže nesmí být nad horním okrajem generátoru.
- Maximální horizontální vzdálenost mezi generátorem a nádrží je 3 m.
- Rozvod paliva instalujte co nejdříve rovně (obr. **8**, strana 5).
- Upevněte nádrž, viz obr. **8**, strana 5 a kap. „Připojení plováku“ na straně 205.
- Připojte přívod paliva (obr. **9** 1, strana 6) k palivovému filtru (obr. **9** 2, strana 6).
- Připojte rozvod ke zpětnému vedení paliva (obr. **9** 3, strana 6).
- Zajistěte hadice sponami.

9.5 Montáž ovládacího panelu

Dodržujte následující pokyny, týkající se místa montáže:

- Respektujte délku prodlužovacího kabelu z ovládacího panelu do generátoru.
- Vyvrtejte otvory podle obr. **10**, strana 6.
- Zapojte zástrčku do ovládacího panelu.
- Přišroubujte ovládací panel.

10 Elektrické připojení generátoru



NEBEZPEČÍ! Ohrožení života elektrickým proudem!

Před zahájením prací na elektricky poháněných součástech zajistěte, aby nebylo připojeno žádné napětí!



POZNÁMKA

Dodržujte místní platné směrnice k instalaci spotřebiče.

10.1 Důležité pokyny k elektrickému připojení

- Nechejte provést elektrické připojení generátoru výhradně odborníkem.
- Porovnejte údaj o napětí na typovém štítku se stávajícím zdrojem napájení.
- Nepokládejte rozvody 230 V~ a 12 V=== společně ve stejném kabelovém žlabu (průchodce).
- Nepokládejte rozvody volně nebo ostře zalomené na elektricky vodivé materiály (kov).
- Generátor připojte k proudovému obvodu, který je konstruován tak, aby dodával potřebný proud (viz kap. „Technické údaje“ na straně 206).
- Vyberte průřez vodiče takto:
 - 230 V: 4 mm²
 - Nabíječka baterie: 2,5 mm²
 - Přípojka baterie startéru (délka < 6 m): 16 mm²
 - Přípojka baterie startéru (délka > 6 m): 25 mm²
- Instalujte ruční hlavní vypínač, který umožní odpojit všechny zapnuté spotřebiče od generátoru (s výjimkou baterie).

10.2 Připojení generátoru



POZOR!

- K elektrickému systému vozidla připojte relé nebo přepínač tak, aby nedošlo k poškození generátoru, jakmile bude zapojena elektrická síť.
- Generátor připojte pokud možno tak, aby měl prioritu před elektrickou sítí.

- Generátor připojte podle schématu připojení (obr. **11**, strana 7) a schématu zapojení (obr. **12**, strana 8).

Legenda ke schématu zapojení (obr. 11, strana 7)

Poz.	Popis
1	Připojovací svorka kladného pólu baterie
2	Připojovací svorka záporného pólu baterie
3	Přípojka nabíječky baterie
4	Přípojka ukazatele stavu paliva

Legenda ke schématu zapojení (obr. 12, strana 8)

Poz.	Popis
1	3fázové vinutí
2 + 3	Pomocné vinutí
4	Měnič
5	6pólová zástrčka
6	Nabíječka baterií
7	Hlavní vypínač
8	Snímač tlaku
9	Palivové čerpadlo
10	Motor startéru
11	9pólová zástrčka
12	Řídicí deska
13	Ochranný vypínač
14	9pólová zástrčka
15	Tepelný spínač
16	10pólová zástrčka
17	Svorkovnice
18	2pólová zástrčka

Poz.	Popis
19	Dálkový ovladač
20	10pólová zástrčka
21	Baterie
22	Svorkovnice
23	2pólová zástrčka
24	Pomocné vinutí
25	4pólová zástrčka
26	6pólová zástrčka
27	2pólová zástrčka
28	2pólová zástrčka

10.3 Realizace prioritního spínání

Pomocí přepínacího relé můžete realizovat prioritní spínání, ve kterém má externí napěťové napájení prioritu oproti generátoru, viz schéma zapojení (obr. 13, strana 10):

Poz.	Popis
1	Zatížení
2	Přepínací relé AG113
3	Invertor
4	Elektrická síť

- Namontujte přepínací relé na vhodné místo.
- Připojte kabel podle schématu zapojení (obr. 13, strana 10).

10.4 Připojení baterie startéru



POZOR!

Baterie startéru musí mít napětí 12 V a kapacitu minimálně 60 Ah.

- Kladný pól baterie (obr. **11** 1, strana 7) propojte vhodným kabelem s připojovací svorkou kladného pólu baterie:
 - Délka kabelu < 6 m: Průřez 16 mm²
 - Délka kabelu > 6 m: Průřez 25 mm²
- Připojte záporný pól (obr. **11** 2, strana 7) baterie kabelem o vhodném průřezu (viz výše) takto:
- Připojte přípojku kostry generátoru k šasi vozidla.
- Odstraňte případně ze šasi lak nebo rez, vytvoříte tak dobrý kontakt.
- Spojte chraňte antikoročním prostředkem (např. mazací tuk, mazivo/ochranný prostředek ve spreji).

10.5 Připojení ovládacího panelu

- Ovládací panel připojte pomocí dodaného prodlužovacího kabelu k zástrčce pro ovládací panel (obr. **10**, strana 6).

10.6 Připojení plováku

- Připojte plovák nádrže k přípojce plováku (obr. **11** 4, strana 7)

11 Likvidace

- Obalový materiál likvidujte v odpadu určeném k recyklaci.



Jakmile výrobek zcela vyřadíte z provozu, informujte se v příslušných recyklačních centrech nebo u specializovaného prodejce o příslušných předpisech o likvidaci odpadu.

12 Technické údaje

	Dometic TEC40D
Výr. č.:	9600000116
Výstupní jmenovité napětí:	230 V~ / 50 Hz
Max. trvalý výkon (při 25 °C v úrovni moře):	3500 W
Výstupní napětí nabíječky baterie:	12 V===
Max. výstupní proud nabíječky baterie:	10 A
Rozsah provozních teplot:	-15 °C až +50 °C
Palivo:	Nafta podle EN 590
Motor:	Hatz (1 B 30V)
Spotřeba:	max. 1,4 l/h
Výkon motoru:	4,7 kW (6,4 PS)
Max. otáčky:	3300 min ⁻¹
Motorový olej:	1,1 l
Hlučnost:	89 dB(A)
Hladina hluku ve vzdálenosti 7 m:	64 dB(A)
Rozměry:	viz obr. 2 , strana 3
Hmotnost:	96,5 kg
Zkouška/certifikát:	 

Beépítés és üzembe vétel előtt gondosan olvassa el és őrizze meg ezt a használati útmutatót. Ha a terméket továbbadja, mellékelje hozzá a használati útmutatót is.

Tartalomjegyzék

1	A szimbólumok magyarázata	208
2	Biztonsági és beszerelési megjegyzések	208
3	Az útmutató célcsoportja	210
4	Szállítási terjedelem	211
5	Tartozékok	211
6	Rendeltetésszerű használat	211
7	Jelölőmatricák	212
8	Műszaki leírás	212
9	Szerelés	212
10	A generátor csatlakoztatása	215
11	Ártalmatlanítás	218
12	Műszaki adatok	219

1 A szimbólumok magyarázata

**VESZÉLY!**

Biztonsági tudnivaló: Az utasítás figyelmen kívül hagyása halált vagy súlyos sérülést okoz.

**FIGYELMEZTETÉS!**

Biztonsági tudnivaló: Az utasítás figyelmen kívül hagyása halált vagy súlyos sérülést okozhat.

**VIGYÁZAT!**

Biztonsági tudnivaló: Az utasítás figyelmen kívül hagyása sérüléseket okozhat.

**FIGYELEM!**

Ha nem veszi figyelembe az információt, az anyagkárosodást eredményezhet, és káros kihatással lehet a termék működésére.

**MEGJEGYZÉS**

Kiegészítő információk a termék kezelésével kapcsolatosan.

2 Biztonsági és beszerelési megjegyzések

Vegye figyelembe a járműgyártó és a gépjármű-szakma által előírt biztonsági megjegyzéseket és előírásokat!

A gyártó a bekövetkező károkért a következő esetekben nem vállal felelősséget:

- szerelési vagy csatlakozási hiba
- a termék mechanikai behatások és túlfeszültségek miatti sérülése
- a termék kifejezett gyártói engedély nélküli módosítása
- az útmutatóban leírt céloktól eltérő felhasználás

Elektromos készülékek használata előtt vegye figyelembe az alábbi alapvető biztonsági intézkedéseket az alábbi veszélyek elleni védelem érdekében:

- áramütés
- tűzveszély
- sérülések

2.1 A készülék kezelése



FIGYELMEZTETÉS!

- A generátor szerelését és javítását csak a kapcsolódó veszélyeket, illetve a vonatkozó előírásokat ismerő szakemberek végezhetik. A szakszerűtlen javítások jelentős veszélyeket okozhatnak. Javítás esetén forduljon az illetékes szervizhez (a címek a hátoldalon találhatóak).
- **Az elektromos berendezések nem játékok!**
A gyermekek az elektromos készülékekből eredő veszélyeket nem tudják ténylegesen felmérni. Soha ne hagyja, hogy gyermekek felügyelet nélkül elektromos készülékeket használjanak.
- Jelen készüléket 8 év feletti gyermekek, valamint korlátozott fizikai, érzékszervi és szellemi képességű, illetve megfelelő tapasztalattal és/vagy tudással nem rendelkező személyek csak felügyelet mellett, illetve a készülék biztonságos használatát és az abból eredő veszélyeket megértve használhatják.
- A kipufogógázok szénmonoxidot (különösen mérgező, szag- és szímentes) gázt tartalmaznak. Ne lélegezze be a kipufogógázokat. Ne járassa a generátor motorját zárt garázsban vagy ablak nélküli helyiségben.



VIGYÁZAT!

- **Tűzveszély!**
Ne szerelje a generátort dobozokba vagy nyílás nélküli helyiségekbe, hanem kellően szellőző helyeken vagy helyiségekben helyezze el azt.
- A generátort csak akkor üzemeltesse, ha a ház és a vezetékek sérülésmentesek.
- A generátort stabil padlózatra szerelje.
- Ne billentse el a generátort a függőlegestől 20°-nál nagyobb mértékben.



FIGYELEM!

- A készüléket csak rendeltetésszerűen használja.
- A generátor nem alkalmas vízi járműveken való üzemeltetésre.
- Ne végezzen módosításokat vagy átépítéseket a készüléken.

2.2 Az elektromos vezetékek kezelése



FIGYELMEZTETÉS!

- Az elektromos csatlakoztatást csak jogosult szakcég (például Németországban a VDE 0100, 721. rész szerint) végezheti.



VIGYÁZAT!

- A vezetékeket úgy rögzítse és úgy vezesse, hogy ne keletkezzen botlásveszély és a kábel ne sérülhessen meg.



FIGYELEM!

- Ha vezetékeket éles peremű falakon kell átvezetnie, akkor használjon üres csöveket, illetve vezetékátvezetőket!
- Ne vezessen laza vagy élesen megtört vezetékeket elektromosan vezető anyagokon (fém)!
- A vezetékekre ne fejtse ki húzóerőt.

3 Az útmutató célcsoportja

Jelen útmutató műhelyek azon szakembereinek szól, akik ismerik az alkalmazandó irányelveket és biztonsági óvintézkedéseket.

4 Szállítási terjedelem

Tétel helye: 1. ábra, 3. oldal		
	Mennyiség	Megnevezés
1	1	TEC40D generátor
2	1	Távírányító
3	1	Kipufogóvezeték, 2 m
4	1 készlet	Rögzítőanyag a hangtompítóhoz
-	1 készlet	Csatlakozókábel
-		AG 102, átkapcsolórelé elsőbbségi kapcsolás megvalósításához
-		Rögzítőanyag
-		Beszereleési útmutató
-		Kezelési útmutató

5 Tartozékok

Tartozékként kapható (nincs mellékelve):

Alkatrész-megnevezés	Cikkszám
PR 25044, külső tömítőkészlet	9102900174

6 Rendeltetészerű használat

A TEC40D (cikkszám: 9600000116) generátor lakóautókban, lakókocsikban és kereskedelmi használatú járművekben használható.

A generátor **nem** alkalmas vízi járművekbe való beszerelésre.

A generátor 230 V / 50 Hz tiszta szinuszos váltakozó feszültséget generál, amelyre 3500 W tartós összterhelésű fogyasztók csatlakoztathatók. Az áramminőség érzékeny fogyasztók (például számítógépek) ellátására is alkalmas.

A generátor 12 V-os akkumulátort is tölthet.

7 Jelölőmatricák

A generátoron jelölőmatrica van elhelyezve. Ez a jelölőmatrica a felhasználót és a szerelőt tájékoztatja a készülékspecifikációkról.

8 Műszaki leírás

A generátor a következő lehetőséget nyújtja, amelyet a beszerelés során megfelelően kell kialakítani:

Elsőbbségi kapcsolás, amellyel a külső 230 V-os feszültség elsőbbséggel bír a generátor által generált feszültséggel szemben, lásd: „Az elsőbbségi kapcsolás megvalósítása” fejj., 217. oldal.

9 Szerelés



VIGYÁZAT! Sérülésveszély!

A generátor beszerelését kizárólag megfelelően képzett szakcégek végezhetik. A következő információk olyan szakembereknek szólnak, akik az alkalmazandó irányelveket és a biztonsági óvintézkedéseket ismerik.

9.1 Megjegyzések a szereléshez

Olvassa el végig ezt a szerelési útmutatót a generátor beszerelése előtt.

A generátor beszerelése során vegye figyelembe a következő megjegyzéseket:



VESZÉLY! Áramütés miatti életveszély!

A generátoron végzendő munkák előtt szakítsa meg az összes feszültségellátást.



VIGYÁZAT! Sérülésveszély!

- A generátor hibás szerelése a készülék javíthatatlan károsodását okozhatja és a felhasználó biztonságát veszélyeztetheti.
- Valamennyi munkánál viselje az előírt védőruházatot (például védőszemüveget, védőkesztyűt).

9.2 A generátor rögzítése

Megjegyzések a szerelési helyhez

- Ügyeljen arra, hogy a kipufogó vagy a szellőzőlamellák tartományában ne legyenek éghető tárgyak tárolva vagy felszerelve. A távolság legalább 70 cm legyen.
- Biztonsági okok miatt a generátor beszerelése során (fúrásnál, csavarozásnál stb.) ügyeljen a meglévő – különösen a nem látható – kábelkötegek, vezetékek és a szerelési tartományban lévő más részegységek elhelyezkedésére!
- Hagyon legalább 70 mm szabad helyet a generátor burkolata és a környezetében lévő tárgyak között, hogy a hűtőlevegő átáramlásához elegendő hely álljon rendelkezésre.
- A szereléshez készítsen elő egy, a jármű belsejétől elszigetelt területet, amelyet emellett zaj ellen is szigetelni tud.

Helyezzen el kipufogónyílásokat a padlón és a generátor fedele előtt helyezzen el (lásd az összeszerelési sablont).

- Helyezze fel a tömitéseket (tartozékként kapható), és csavarral rögzítse őket a házra (3. ábra, 4. oldal).
- Helyezze a házat a meghatározott tartományba, és csavarral rögzítse (4. ábra, 4. oldal).
- Helyezze a generátort a házba, és csavarral rögzítse azt (5. ábra, 4. oldal).
- Szerelje fel a fedelet, és a csapokkal rögzítse azt (6. ábra, 4. oldal).

9.3 Kipufogóvezeték rögzítése

A kipufogóvezeték vezetése során vegye figyelembe a következő megjegyzéseket:

- Ne legyenek a kipufogógázok áramlását akadályozó éles görbületek.
- Csatlakoztassa a tömlőt (7. ábra 2, 5. oldal) a hangtompítóhoz (7. ábra 1, 5. oldal) és bilincsekkel (7. ábra 4, 5. oldal) rögzítse a tömlőt
- Rögzítse a kifúvóvezeték hosszabbítását (7. ábra 3, 5. oldal).

9.4 A tartály és az üzemanyag-vezeték felszerelése

A szerelési helyre vonatkozóan vegye figyelembe az alábbi megjegyzéseket:

- A tartály fenéke legfeljebb 1 m-rel lehet a generátor fenéke alatt.
 - A tartály felső pereme nem lehet magasabban a generátor felső pereme fölött.
 - A generátor és a tartály közötti maximális vízszintes távolság 3 m lehet.
 - Lehetőleg egyenes vonalban vezesse az üzemanyag-vezetéseket (8. ábra, 5. oldal).
- Rögzítse a tartályt, lásd: 8. ábra, 5. oldal és „Az úszó csatlakoztatása” fejj., 218. oldal.
- Csatlakoztassa az üzemanyag-vezeték (9. ábra 1, 6. oldal) az üzemanyagsűrítőhöz (9. ábra 2, 6. oldal).
- Csatlakoztassa az üzemanyag-visszavezető vezeték (9. ábra 3, 6. oldal).
- Biztosítsa a tömlőket bilincsekkel.

9.5 A kezelőpanel felszerelése

A szerelési helyre vonatkozóan vegye figyelembe az alábbi megjegyzést:

- Vegye figyelembe a kezelőpaneltől a generátorhoz vezető hosszabbítókábel hosszát.
- A lyukakat az ábrán (10. ábra, 6. oldal) látható módon fúrja ki.
- Dugja be a dugaszcsatlakozót a kezelőpanelbe.
- Csavarozza fel a kezelőpanelt.

10 A generátor csatlakoztatása



VESZÉLY! Áramütés miatti életveszély!

Elektromos hajtású komponenseken végzendő munkák előtt biztosítani kell, hogy azok már ne álljanak feszültség alatt!



MEGJEGYZÉS

Vegye figyelembe az érvényes irányelveket.

10.1 Fontos megjegyzések az elektromos csatlakoztatáshoz

- A generátor elektromos csatlakoztatását csak szakember végezheti.
- Hasonlítsa össze a feszültségadatokat a típustáblán a rendelkezésre álló energia-ellátással.
- Ne vezessen 230 V~ vezetékeket 12 V== vezetékekkel együtt azonos vezeték-csatornában (üres cső).
- Ne vezesse a vezetékeket lazán, vagy elektromosan vezető anyagokon (fém) élesen megtörve.
- A generátort csak olyan áramkörre csatlakoztassa, amely képes a szükséges áram biztosítására (lásd: „Műszaki adatok” fejr., 219. oldal).
- A vezeték-keresztmetszeteket a következő módon válassza ki:
 - 230 V: 4 mm²
 - Akkumulátortöltő: 2,5 mm²
 - Indítóakkumulátorcsatlakozás (hossz < 6 m): 16 mm²
 - Indítóakkumulátorcsatlakozás (hossz > 6 m): 25 mm²
- Szereljen be egy kézi főkapcsolót, amellyel az összes bekapcsolt fogyasztó – az akkumulátor kivételével – a generátorról leválasztható.

10.2 Generátor csatlakoztatása



FIGYELEM!

- Csatlakoztasson a jármű elektromos berendezésére egy relét vagy egy átkapcsolót, amellyel megakadályozható a generátor sérülése az áramhálózat rácsatlakoztatásakor.
- A generátort lehetőleg úgy csatlakoztassa, hogy az elsőbbséget élvezzen az áramhálózattal szemben.

- A csatlakozási vázlat (11. ábra, 7. oldal) és a kapcsolási rajz (12. ábra, 8. oldal) alapján csatlakoztassa a generátort.

Jelmagyarázat a csatlakoztatási vázlathoz (11. ábra, 7. oldal)

Szám	Leírás
1	Akkumulátor plusz pólusának csatlakozókapcsa
2	Akkumulátor mínusz pólusának csatlakozókapcsa
3	Akkumulátortöltő csatlakozója
4	Üzemanyagjelző csatlakozója

A kapcsolási rajz jelmagyarázata (12. ábra, 8. oldal)

Szám	Leírás
1	Háromfázisú tekercs
2 + 3	Segédtekercsek
4	Inverter
5	6 pólusú DIN-csatlakozó
6	Akkumulátortöltő
7	Főkapcsoló
8	Nyomásfelügyelő
9	Üzemanyag-szivattyú
10	Indítómotor
11	9 pólusú DIN-csatlakozó
12	Vezérlőkártya
13	Védőkapcsoló

Szám	Leírás
14	9 pólusú DIN-csatlakozó
15	Motorvédő kapcsoló
16	10 pólusú DIN-csatlakozó
17	Sorkapocs
18	2 pólusú DIN-csatlakozó
19	Távírányító
20	10 pólusú DIN-csatlakozó
21	Akkumulátor
22	Sorkapocs
23	2 pólusú DIN-csatlakozó
24	Segédtekercesek
25	4 pólusú DIN-csatlakozó
26	6 pólusú DIN-csatlakozó
27	2 pólusú DIN-csatlakozó
28	2 pólusú DIN-csatlakozó

10.3 Az elsőbbségi kapcsolás megvalósítása

Egy átkapcsolórelével olyan elsőbbségi kapcsolás valósítható meg, amellyel a külső feszültségellátás elsőbbséget élvez a generátorral szemben – lásd a kapcsolási rajzot (13. ábra, 10. oldal):

Szám	Leírás
1	Terhelés
2	AG113 átkapcsoló relé
3	Inverter
4	Áramhálózat

- Szerelje fel az átkapcsolórelét egy megfelelő helyre.
- A kapcsolási rajznak megfelelően csatlakoztassa a kábelt (13. ábra, 10. oldal).

10.4 Az indítóakkumulátor csatlakoztatása



FIGYELEM!

Az indítóakkumulátornak 12 V-os feszültséggel és legalább 60 Ah-s kapacitással kell rendelkeznie.

- Csatlakoztassa az akkumulátor plusz pólusát (11. ábra 1, 7. oldal) egy megfelelő kábel használatával az akkumulátor plusz pólusának csatlakozókapcsához:
 - Kábelhossz < 6 m: 16 mm²-es keresztmetszet
 - Kábelhossz > 6 m: 25 mm²-es keresztmetszet
- Az akkumulátor mínusz pólusát (11. ábra 2, 7. oldal) egy megfelelő keresztmetszetű kábellel (lásd fent) az alábbiak szerint csatlakoztassa:
- Kösse össze a generátor testcsatlakozóját a jármű karosszériájával.
- A jó érintkezés biztosítása érdekében távolítsa el az esetleges lakkot vagy rozsdát a karosszériáról.
- Védje a csatlakozásokat korrózió elleni anyaggal (pl. kenőzsírral, kenő-/védőspray-vel).

10.5 A kezelőpanel csatlakoztatása

- A mellékelt hosszabbítókábelrel kösse össze a kezelőpanelt az inverter kezelőpanelén lévő dugasszal (10. ábra, 6. oldal).

10.6 Az úszó csatlakoztatása

- Kösse össze a tartály úszóját az úszó csatlakozójával (11. ábra 4, 7. oldal).



11 Ártalmatlanítás

- A csomagolóanyagot lehetőleg a megfelelő újrahasznosítható hulladék közé tegye.



Ha a terméket véglegesen kivonja a forgalomból, kérjük, tájékozódjon a legközelebbi hulladékártalmatlanító központnál vagy a szakkereskedőjénél az idevonatkozó ártalmatlanítási előírásokkal kapcsolatban.

12 Műszaki adatok

	Dometic TEC40D
Cikkszám:	9600000116
Névleges kimeneti feszültség:	230 V~ / 50 Hz
Legnagyobb tartós teljesítmény (25 °C-on, tengersizten):	3500 W
Akkumulátortöltő kimeneti feszültsége:	12 V===
Akkumulátortöltő legnagyobb kimeneti árama:	10 A
Üzemelési hőmérséklet-tartomány:	-15 °C ... +50 °C
Üzemanyag:	gázolaj az EN 590 szerint
Motor:	Hatz (1 B 30V)
Fogyasztás:	max. 1,4 l/h
Motorteljesítmény:	4,7 kW (6,4 LE)
Max. fordulatszám:	3300 min ⁻¹
Motorolaj:	1,1 l
Zajszint:	89 dB (A)
Zajszint 7 m-es távolságban:	64 dB (A)
Méretek:	lásd: 2. ábra, 3. oldal
Súly:	96,5 kg
Vizsgálat / tanúsítvány:	 

GERMANY**Dometic WAECO International GmbH**

Hollefeldstraße 63 · D-48282 Emsdetten
 ☎ +49 (0) 2572 879-195 · 📠 +49 (0) 2572 879-322
 Mail: info@dometic-waeco.de

www.dometic.com
service-location.dometic.com

**AUSTRALIA****Dometic Australia Pty. Ltd.**

1 John Duncan Court
 Varsity Lakes QLD 4227
 ☎ 1800 212121
 📠 +61 7 55076001
 Mail: sales@dometic.com.au

AUSTRIA**Dometic Austria GmbH**

Neudorferstraße 108
 A-2353 Guntramsdorf
 ☎ +43 2236 908070
 📠 +43 2236 90807060
 Mail: info@dometic.at

BENELUX**Dometic Branch Office Belgium**

Zincstraat 3
 B-1500 Halle
 ☎ +32 2 3598040
 📠 +32 2 3598050
 Mail: info@dometic.be

BRAZIL**Dometic DO Brasil LTDA**

Avenida Paulista 1754, conj. 111
 SP 01310-920 Sao Paulo
 ☎ +55 11 3251 3352
 📠 +55 11 3251 3362
 Mail: info@dometic.com.br

DENMARK**Dometic Denmark A/S**

Nordensvej 15, Taulov
 DK-7000 Fredericia
 ☎ +45 75585966
 📠 +45 75586307
 Mail: info@dometic.dk

FINLAND**Dometic Finland OY**

Mestariitie 4
 FIN-01730 Vantaa
 ☎ +358 20 7413220
 📠 +358 9 7593700
 Mail: info@dometic.fi

FRANCE**Dometic SAS**

ZA du Pré de la Dame Jeanne
 B.P. 5
 F-60128 Pleilly
 ☎ +33 3 44633525
 📠 +33 3 44633518
 Mail: vehiculesdeloisirs@dometic.fr

HONG KONG**Dometic Group Asia Pacific**

Suites 2207-11 / 22/F - Tower 1
 The Gateway - 25 Canton Road,
 Tsim Sha Tsui - Kowloon
 ☎ +852 2 4611386
 📠 +852 2 4665553
 Mail: info@waeco.com.hk

HUNGARY**Dometic Zrt. Sales Office**

Kerekgyártó u. 5.
 H-1147 Budapest
 ☎ +36 1 468 4400
 📠 +36 1 468 4401
 Mail: budapest@dometic.hu

ITALY**Dometic Italy S.r.l.**

Via Virgilio, 3
 I-47122 Forlì (FC)
 ☎ +39 0543 754901
 📠 +39 0543 754983
 Mail: vendite@dometic.it

JAPAN**Dometic KK**

Maekawa-Shibaura, Bldg. 2
 2-13-9 Shibaura Minato-ku
 Tokyo 108-0023
 ☎ +81 3 5445 3333
 📠 +81 3 5445 3339
 Mail: info@dometic.jp

MEXICO**Dometic Mx, S. de R. L. de C. V.**

Circuito Médicos No. 6 Local 1
 Colonia Ciudad Satélite
 CP 53100 Naucalpan de Juárez
 Estado de México
 ☎ +52 55 5374 4108
 📠 +52 55 5393 4683
 Mail: info@dometic.com.mx

NETHERLANDS**Dometic Benelux B.V.**

Ecustraat 3
 NL-4879 NP Etten-Leur
 ☎ +31 76 5029000
 📠 +31 76 5029019
 Mail: info@dometic.nl

NEW ZEALAND**Dometic New Zealand Ltd.**

Unite E, The Gate
 373 Neilson Street
 Penrose 1, Auckland
 ☎ +64 9 622 1490
 📠 +64 9 622 1573
 Mail: customerservices@dometic.co.nz

NORWAY**Dometic Norway AS**

Østerøyveien 46
 N-3232 Sandefjord
 ☎ +47 33428450
 📠 +47 33428459
 Mail: firmapost@dometic.no

POLAND**Dometic Poland Sp. z o.o.**

Ul. Różawska 435A
 PL-02-801 Warszawa
 ☎ +48 22 414 3200
 📠 +48 22 414 3201
 Mail: info@dometic.pl

PORTUGAL**Dometic Spain, S.L.**

Branch Office em Portugal
 Rot. de São Gonçalo nº 1 – Esc. 12
 2775-399 Carcavelos
 ☎ +351 219 244 173
 📠 +351 219 243 206
 Mail: info@dometic.pt

RUSSIA**Dometic RUS LLC**

Komsomolskaya square 6-1
 RU-107140 Moscow
 ☎ +7 495 780 79 39
 📠 +7 495 916 56 53
 Mail: info@dometic.ru

SINGAPORE**Dometic Pte Ltd**

18 Boon Lay Way 06-140 Trade Hub 21
 Singapore 609966
 ☎ +65 6795 3177
 📠 +65 6862 6620
 Mail: dometic@dometic.com.sg

SLOVAKIA**Dometic Slovakia s.r.o. Sales Office Bratislava**

Nádražná 34/A
 900 28 Ivanka pri Dunaji
 ☎/📠 +421 2 45 529 680
 Mail: bratislava@dometic.com

SOUTH AFRICA**Dometic (Pty) Ltd.****Regional Office****South Africa & Sub-Saharan Africa**

2 Avalon Road
 West Lake View Ext 11
 Modderfontein 1645
 Johannesburg
 ☎ +27 11 4504978
 📠 +27 11 4504976
 Mail: info@dometic.co.za

SPAIN**Dometic Spain S.L.**

Avda. Sierra del Guadarrama, 16
 E-28691 Villanueva de la Cañada
 Madrid
 ☎ +34 902 111 042
 📠 +34 900 100 245
 Mail: info@dometic.es

SWEDEN**Dometic Scandinavia AB**

Gustaf Melins gata 7
 S-42131 Västra Frölunda
 ☎ +46 31 7341100
 📠 +46 31 7341101
 Mail: info@dometicgroup.se

SWITZERLAND**Dometic Switzerland AG**

Riedackerstrasse 7a
 CH-8153 Rümlang
 ☎ +41 44 8187171
 📠 +41 44 8187191
 Mail: info@dometic.ch

UNITED ARAB EMIRATES**Dometic Middle East FZCO**

P. O. Box 17860
 S-D 6, Jebel Ali Freezone
 Dubai
 ☎ +971 4 883 3858
 📠 +971 4 883 3868
 Mail: info@dometic.ae

UNITED KINGDOM**Dometic UK Ltd.**

Dometic House, The Brewery
 Blandford St. Mary
 Dorset DT11 9LS
 ☎ +44 344 626 0133
 📠 +44 344 626 0143
 Mail: customerservices@dometic.co.uk

USA**Dometic RV Division**

1120 North Main Street
 Elkhart, IN 46515
 ☎ +1 574-264-2131