



PHONES

0 (800) 800 130  
(050) 462 0 130  
(063) 462 0 130  
(067) 462 0 130

130  
COM.UA

Internet store of  
autogoods



SKYPE

km-130

CAR RECEIVERS — Receivers • Media receivers and stations • Native receivers • CD/DVD changers • FM-modulators/USB adapters • Flash memory • Facia plates and adapters • Antennas • Accessories |  
CAR AUDIO — Car audio speakers • Amplifiers • Subwoofers • Processors • Crossovers • Headphones • Accessories | TRIP COMPUTERS — Universal computers • Model computers • Accessories |  
GPS NAVIGATORS — Portable GPS • Built-in GPS • GPS modules • GPS trackers • Antennas for GPS navigators • Accessories | VIDEO — DVR • TV sets and monitors • Car TV tuners • Cameras • Videomodules  
• Transcoders • Car TV antennas • Accessories | SECURITY SYSTEMS — Car alarms • Bike alarms • Mechanical blockers • Immobilizers • Sensors • Accessories | OPTIC AND LIGHT — Xenon • Bixenon • Lamps  
• LED • Stroboscopes • Optic and Headlights • Washers • Light, rain sensors • Accessories | PARKTRONICS AND MIRRORS — Rear parktronic • Front parktronic • Combined parktronic • Rear-view mirrors  
• Accessories | HEATING AND COOLING — Seat heaters • Mirrors heaters • Screen-wipers heaters • Engine heaters • Auto-refrigerators • Air conditioning units • Accessories | TUNING — Vibro-isolation  
• Noise-isolation • Tint films • Accessories | ACCESSORIES — Radar-detectors • Handsfree, Bluetooth • Windowlifters • Compressors • Beeps, loudspeakers • Measuring instruments • Cleaners • Car seats  
• Miscellaneous | MOUNTING — Installation kits • Upholstery • Grilles • Tubes • Cable and wire • Tools • Miscellaneous | POWER — Batteries • Converters • Start-charging equipment • Capacitors  
• Accessories | MARINE AUDIO AND ELECTRONICS — Marine receivers • Marine audio speakers • Marine subwoofers • Marine amplifiers • Accessories | CAR CARE PRODUCTS — Additives • Washer fluid •  
Care accessories • Car polish • Flavors • Adhesives and sealants | LIQUID AND OIL — Motor oil • Transmission oil • Brake fluid • Antifreeze • Technical lubricant



In store "130" you can find and buy almost all necessary goods for your auto in Kyiv and other cities, delivery by ground and postal services. Our experienced consultants will provide you with exhaustive information and help you to choose the very particular thing. We are waiting for you at the address

<https://130.com.ua>

D.

DEFINITIVE TECHNOLOGY

DEMAND™ SERIES

Owner's Manual

D15 & D17 Tower speakers

Autogoods "130"

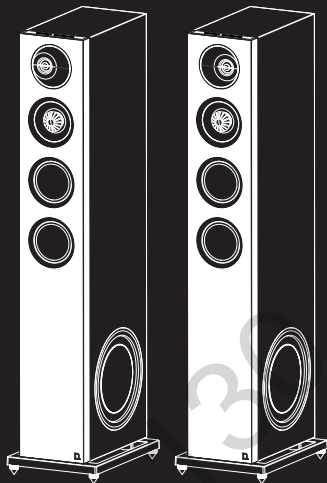
# DEFINITIVE TECHNOLOGY

---

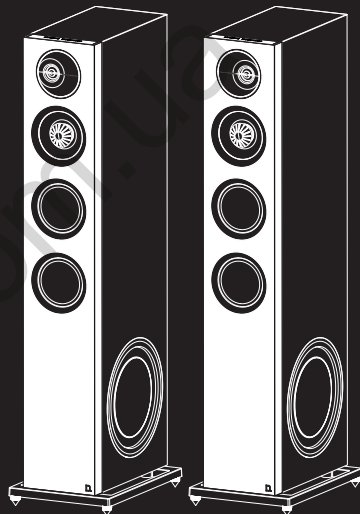
## WHAT OBSESSION SOUNDS LIKE™

Thank you for choosing the Definitive Technology Demand Series tower speakers. The Definitive Technology Demand Series high-performance tower speakers deliver full-range, room-filling sound and precise imaging in a modern, elegant styling. The Demand Series offers the most cutting-edge audio technologies, including a Balanced Double Surround System (BDSS) high output mid-bass drivers, a Linear Response Waveguide, dual side-firing bass radiators, carbon fiber woofers, and annealed aluminum dome tweeters with our 20/20 wave alignment lens and laterally offset tweeters.

Our engineers have spent many years developing this product. In order to ensure that you experience the finest performance possible-one we've continued to perfect since 1990-we encourage you to take a moment to fully read this owner's manual and familiarize yourself with the proper installation and set-up procedures for your Demand Series tower speakers.



D15



D17

# Safety Instructions

## SAFETY PRECAUTIONS



### CAUTION:

TO REDUCE THE RISK OF ELECTRIC SHOCK, DO NOT REMOVE COVER (OR BACK). NO USER-SERVICEABLE PARTS INSIDE. REFER SERVICING TO QUALIFIED SERVICE PERSONNEL.



The lightning flash with arrowhead symbol, within an equilateral triangle, is intended to alert the user to the presence of uninsulated "dangerous voltage" within the product's enclosure that may be of sufficient magnitude to constitute a risk of electric shock to persons.




The exclamation point within an equilateral triangle is intended to alert the user to the presence of important operating and maintenance (servicing) instructions in the literature accompanying the appliance.

### WARNING:

TO REDUCE THE RISK OF FIRE OR ELECTRIC SHOCK, DO NOT EXPOSE THIS APPLIANCE TO RAIN OR MOISTURE.

## IMPORTANT SAFETY INSTRUCTIONS

1. Read these instructions.
2. Keep these instructions.
3. Heed all warnings.
4. Follow all instructions.
5. Do not use this apparatus near water.
6. Clean only with dry cloth.
7. Do not block any ventilation openings. Install in accordance with the manufacturer's instructions.
8. Do not install near any heat sources such as radiators, heat registers, stoves, or other apparatus (including amplifiers) that produce heat.
9. Only use attachments/accessories specified by the manufacturer.
10. Use only with the cart, stand, tripod, bracket, or table specified by the manufacturer, or sold with the apparatus. When a cart is used, use caution when moving the cart/apparatus combination to avoid injury from tip-over. 
11. Refer all servicing to qualified service personnel. Servicing is required when the apparatus has been damaged in any way, such as power supply cord or plug is damaged, liquid has been spilled or objects have fallen into the apparatus, the apparatus has been exposed to rain or moisture, does not operate normally, or has been dropped.

## NOTES ON USE

### WARNINGS

- Avoid high temperatures.  
Allow for sufficient heat dispersion when installed in a rack.
- Keep the unit free from moisture, water, and dust.
- Do not obstruct the ventilation holes.
- Do not let foreign objects into the unit.
- Do not let insecticides, benzene, and thinner come in contact with the unit.
- Never disassemble or modify the unit in any way.
- Ventilation should not be impeded by covering the ventilation openings with items, such as newspapers, tablecloths or curtains.
- Naked flame sources such as lighted candles should not be placed on the unit.
- Do not expose the unit to dripping or splashing fluids.
- Do not place objects filled with liquids, such as vases, on the unit.

## A NOTE ABOUT RECYCLING:

This product's packaging materials are recyclable and can be reused. Please dispose of any materials in accordance with the local recycling regulations.  
When discarding the unit, comply with local rules or regulations.



## EU Declaration of Conformity

Hereby, [Sound United, LLC] declares that our product is in compliance with following EU/EC Directives. The full text of the EU declaration of conformity is available at the following internet address:

<EU/EC Directives>

RoHS: 2011/65/EU, and amendment directive (EU) 2015/863

Sound United, LLC

1 Viper Way Vista, CA 92081 USA

EU contact : Sound United Europe, A division of D&M Europe B.V.  
Beemdstraat 11, 5653 MA Eindhoven, The Netherlands

EU declaration of conformity URL:

<https://www.definitivetechology.com/declarations-of-conformity>



# We're delighted that you're part of our Definitive Technology family.

Please take a few minutes to register your product\* so we have a complete record of your purchase. Doing so helps us serve you the best we can now and in the future. It also lets us contact you for any service or warranty alerts (if required).

Register here: <http://www.definitivetechology.com/product-registration>

Note: the data we gather during online registration is never sold or distributed to third parties.

\* Serial number can be found at the back of the manual

**STAY VIGILANT ON ALL THINGS DEFINITIVE TECHNOLOGY**

 @DefinitiveTech  @DefinitiveTech  @definitivetechology

130.com

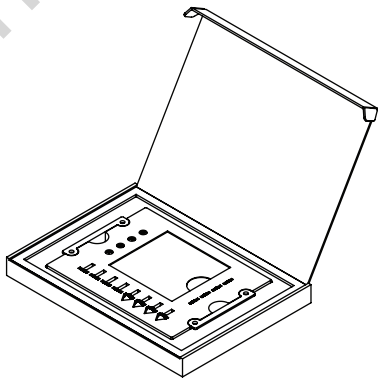
## Unpacking Your Demand Series Speakers

Please unpack your system carefully. We recommend saving all cartons and packing materials in case you move or need to ship your system.

Your serial number can be found in this booklet and on the speaker itself, on the input cup. Each loudspeaker leaves our factory in perfect condition. Any visible or concealed damage most likely occurred in handling after it left our factory. If you discover any shipping damage, please report this to your Definitive Technology dealer or the company that delivered your loudspeakers.

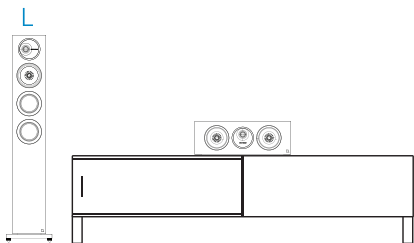
### What's in the box:

- 1 pair of Demand Series speakers with magnetic grilles
- Accessory box
  - Owner's Manual
  - Aluminum stabilizer base
  - 4 x carpet spikes
  - 4 x hard floor glide
  - 4 x Lock ring
  - 4 x Screws
  - Cleaning Cloth

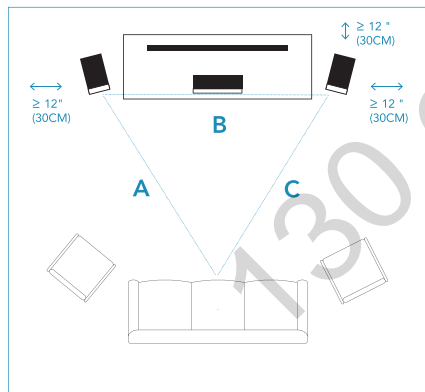




## Positioning the Speakers in Your Room

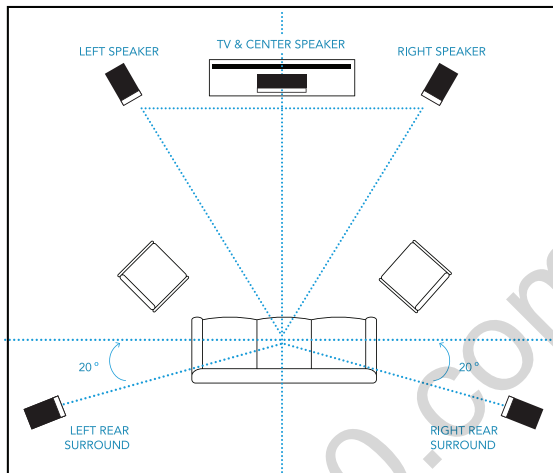


**R** Your Demand Series speakers are very flexible in terms of positioning, however each pair of speakers is designed with dedicated left and right speakers. Position the pair so that the tweeters are on the outside, as pictured here. To optimize their performance, please follow these simple guidelines. Although the following recommendations will usually yield the best results, all rooms and listening setups are different, so do not be afraid to experiment with the speaker placement. Whatever sounds best to you is likely correct.



We recommend setting up the speakers and listening position in an equilateral triangle as illustrated in Figure. You will also get good results if the listeners are a bit farther away. For example, if line A and C are each 10' long then line B could be between 7' and 10' wide. Toeing the speakers in slightly, toward your listening area will also provide a stronger center image. Feel free to contact Definitive Technology for additional guidance or questions about speaker placement.

## 5.1 Home Theater Configuration



Five Demand Series speakers will make an astounding 5.1 home theater. When used as left and right surrounds, locate the speakers behind the main listening position. If you use the towers as left and right rear surrounds, position them wide apart if possible. (For instance, if there is a couch in the center of the rear wall, position the speakers wider apart than the couch). Definitive Technology also offers a center channel (Demand D5c) and surround loudspeakers (Demand D7/9/11), any of which will blend with your Demand Series front stage.

Note: When using Demand Series as rear speakers position the speakers so that the tweeters are on the outside, closest to the outside walls.

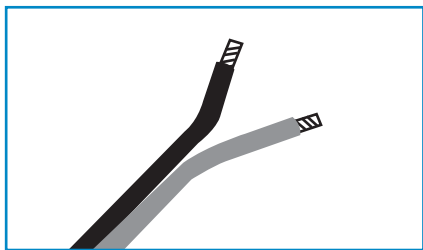
## Room Acoustics

Ideally, the speakers should be placed one to two feet from room boundaries, such as large pieces of furniture, walls and especially corners. Placing a speaker closer to room boundaries increases bass, but may result in a “boomy” or bass-heavy sound and degradation of stereo imaging. Try varying the speaker’s distance from the rear walls, side walls, and corners until the best balance between low frequency extension and clarity is achieved. If you cannot get the speakers at least one foot from the room boundary, treat the adjacent room boundaries with absorbing or diffusing material to improve performance.

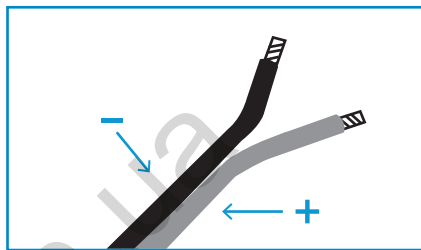
## Adding an External Subwoofer to your Demand Series Towers

Although the Demand Series delivers superb low frequency response, some listeners go for the ultimate performance and add an additional powered subwoofer to their system. If you choose to do so, we strongly suggest using the Supercube8000 (<https://www.definitivetech.com/products/supercube-8000>) in order to achieve the highest level of sound quality possible. This should be driven with an RCA low-level cable connected to the subwoofer output of your receiver or processor. Your receiver's Speaker configuration should be set to “Small” for the front left and right speakers and select “Yes” for a Subwoofer.

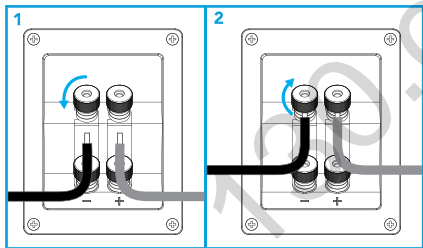
## Connecting Your Loudspeakers



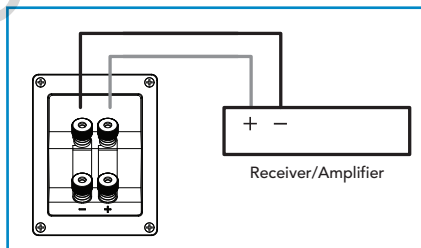
STRIP 1/4" (6MM) WIRE



1. IDENTIFY MARKINGS ON WIRE AND ASSIGN +/-
2. APPLY BANANA PLUGS OR SPADES AT THIS POINT IF APPLICABLE



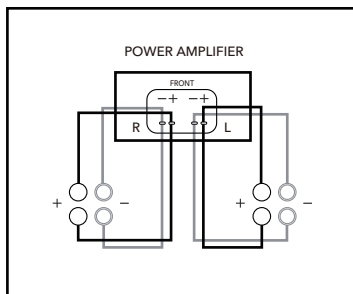
1. UNSCREW A SET OF BINDING POSTS AND INSERT THE BARE WIRE INTO THE CENTER HOLE
2. TIGHTEN UNTIL SECURE



ENSURE PROPER POLARITY BETWEEN THE AMPLIFIER AND SPEAKER BY CONNECTING + TO + AND - TO - TERMINALS

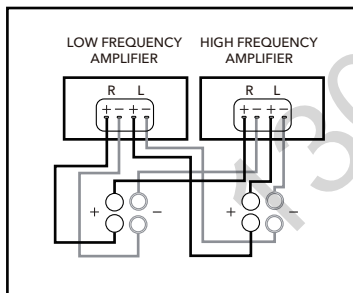
## Bi-Wiring & Bi-Amping

If you decide to bi-wire or bi-amp, you must remove the flat metal jumpers between terminal posts. Failure to do this could result in damage to your amplifier and loudspeakers.



Bi-wiring, or using separate speaker wire connections for high and low frequency sections.

Bi-wiring can provide noticeable improvements in the overall transparency of your loudspeakers by running separate speaker wires to further enhance its low and high frequencies. After removing the jumpers, connect one set of speaker wires to the upper binding post terminals on each speaker and one set of (usually heavier gauge) wires to the lower binding post terminals. Connect the other ends of both wire sets to the corresponding amplifier outputs.



Bi-amping, or using separate amplifiers for the low and high frequency sections of your speakers.

Bi-amping allows you to use separate amplifiers for the high and low frequency sections of your loudspeaker for greater dynamic range and lower distortion. After removing the jumpers, connect the speaker wires from the high frequency amplifier outputs to the upper set of terminal posts on each speaker. Follow the same procedure for connecting the low frequency amplifier outputs to the lower set of terminals. Remember to maintain correct wiring polarity (+ to +, - to -) in all connections.

Ensure the sensitivity of each amplifier is the same to avoid poor sound quality.

MODEL	D15	D17
<b>SPECIFICATIONS</b>		
DIMENSIONS (CABINET ONLY NO BASE)	39.08" H x 6.50" W x 11.95" D (99.26 cm H x 16.51 cm W x 30.35 cm D)	41.58" H x 7.25" W x 13.82" D (105.61 cm H x 18.41 cm W x 30.40 cm D)
DIMENSIONS WITH BASE	40.78" H x 9.05" W x 12.86" D (103.58 cm H x 22.99 cm W x 32.67 cm D)	43.25" H x 10.17" W x 14.72" D (109.85 cm H x 25.84 cm x 37.39 cm D)
PRODUCT WEIGHT	52 lbs (23.59 kg)	64 lbs (29.03 kg)
DRIVER COMPLEMENT	5.25" (13.5 cm) midrange x 1 1" (2.5 cm) aluminum dome tweeter x 1 5.25" (13.5 cm) woofers x 2 8" (20 cm) side firing bass radiators x 2	6.50" (16.5 cm) midrange x 1 1" (2.5 cm) aluminum dome tweeter x 1 6.50" (16.5 cm) woofers x 2 10" (25 cm) side firing bass radiators x 2
FREQUENCY RESPONSE	39 Hz - 24 kHz	38 Hz - 24 kHz
SENSITIVITY	85.5 dB SPL	87 dB SPL
NOMINAL IMPEDANCE	Compatible with 8 ohm outputs	Compatible with 8 ohm outputs
RECOMMENDED POWER INPUT	30 - 300 W	30 - 300 W

## Technical Assistance

It is our pleasure to offer assistance if you have any questions regarding your Demand Series Towers or its setup. Please contact your nearest Definitive Technology dealer or call us directly at (800) 228-7148 (US & Canada), 01 363-7148 (all other countries) or e-mail [info@definitivetech.com](mailto:info@definitivetech.com). Technical support is offered in English only.

## Troubleshooting

If you experience any difficulties with your Demand Series speakers, try the suggestions below. If you still have problems, contact your Definitive Technology Authorized Dealer for assistance.

1. Audible distortion when the speakers are playing at loud levels is caused by turning up your receiver or amplifier louder than the receiver or the speakers are capable of playing. Most receivers and amplifiers put out their full-rated power well before the volume control is turned all the way up, so the position of the volume control is a poor indicator of its power limit. If your speakers distort when you play them loud, turn the volume down!
2. If you experience a lack of bass, it is likely that one speaker is out of phase (polarity) with the other and needs to be rewired with closer attention to connecting positive to positive and negative to negative on both channels. Most speaker wire has some indicator (such as color-coding, ribbing or writing) on one of the two conductors to help you maintain consistency. It is essential to connect both speakers to the amplifier in the same way (in phase). You may also experience lack of bass if the bass volume knob is turned down or not on.
3. Make sure all your system interconnects and power cords are solidly in place.
4. Check that no foreign objects or liquid has entered the speaker cabinet.

## Service

Service and warranty work on your Definitive loudspeakers will normally be performed by your local Definitive Technology dealer. If, however, you wish to return the speaker to us, please contact us first (<https://www.definitivetechnology.com/contact-us>), describing the problem and requesting authorization as well as the location of the nearest factory service center. Please note that the address given in this booklet is the address of our offices only. Under no circumstances should loudspeakers be shipped to our offices or returned without contacting us first and obtaining return authorization.

## Limited Warranty

### 5-Years for Drivers and Cabinets, 5-Years for Electronic Components

DEI Sales Co., dba Definitive Technology (herein "Definitive") warrants to the original retail purchaser only that this Definitive loudspeaker product (the "Product") will be free from defects in material and workmanship for a period of five (5) years covering the drivers and cabinets, and five (5) years for the electronic components from the date of the original purchase from a Definitive Authorized Dealer. If the Product is defective in material or workmanship, Definitive or its Authorized Dealer will, at its option, repair or replace the warranted product at no additional charge, except as set forth below. All replaced parts and Product(s) become the property of Definitive. Product that is repaired or replaced under this warranty will be returned to you, within a reasonable time, freight collect. This warranty is non-transferrable and is automatically void if the original purchaser sells or otherwise transfers the Product to any other party.

This Warranty does not include service or parts to repair damage caused by accident, misuse, abuse, negligence, inadequate packing or shipping procedures, commercial use, voltage in excess of the rated maximum of the unit, cosmetic appearance of cabinetry not directly attributable to defects in material or workmanship. This warranty does not cover the elimination of externally generated static or noise, or the correction of antenna problems or weak reception. This warranty does not cover labor costs or damage to the Product caused by installation or removal of the Product. Definitive Technology makes no warranty with respect to its products purchased from dealers or outlets other than Definitive Technology Authorized Dealer.



THE WARRANTY IS AUTOMATICALLY VOID IF:

- 1) The product has been damaged, altered in any way, mishandled during transportation, or tampered with.
- 2) The product is damaged due to accident, fire, flood, unreasonable use, misuse, abuse, customer applied cleaners, failure to observe manufacturers warnings, neglect or related events.
- 3) Repair or modification of the Product has not been made or authorized by Definitive Technology.
- 4) The product has been improperly installed or used.

Product must be returned (insured and prepaid), together with the original dated proof of purchase to the Authorized Dealer from whom the Product was purchased, or to the nearest Definitive factory service center. Product must be shipped in the original shipping container or its equivalent. Definitive is not responsible or liable for loss or damage to Product in transit.

THIS LIMITED WARRANTY IS THE ONLY EXPRESS WARRANTY THAT APPLIES TO YOUR PRODUCT. DEFINITIVE NEITHER ASSUMES NOR AUTHORIZES ANY PERSON OR ENTITY TO ASSUME FOR IT ANY OTHER OBLIGATION OR LIABILITY IN CONNECTION WITH YOUR PRODUCT OR THIS WARRANTY. ALL OTHER WARRANTIES, INCLUDING BUT NOT LIMITED TO EXPRESS, IMPLIED, WARRANTY OF MERCHANTABILITY OR FITNESS FOR A PARTICULAR PURPOSE, ARE EXPRESSLY EXCLUDED AND DISCLAIMED TO THE MAXIMUM EXTENT ALLOWED BY LAW. ALL IMPLIED WARRANTIES ON PRODUCT ARE LIMITED TO THE DURATION OF THIS EXPRESSED WARRANTY. DEFINITIVE HAS NO LIABILITY FOR ACTS OF THIRD PARTIES. DEFINITIVE'S LIABILITY, WHETHER BASED ON CONTRACT, TORT, STRICT LIABILITY, OR ANY OTHER THEORY, SHALL NOT EXCEED THE PURCHASE PRICE OF THE PRODUCT FOR WHICH A CLAIM HAS BEEN MADE. UNDER NO CIRCUMSTANCE WILL DEFINITIVE BEAR ANY LIABILITY FOR INCIDENTAL, CONSEQUENTIAL OR SPECIAL DAMAGES. THE CONSUMER AGREES AND CONSENTS THAT ALL DISPUTES BETWEEN THE CONSUMER AND DEFINITIVE SHALL BE RESOLVED IN ACCORDANCE WITH CALIFORNIA LAWS IN SAN DIEGO COUNTY, CALIFORNIA. DEFINITIVE RESERVES THE RIGHT TO MODIFY THIS WARRANTY STATEMENT AT ANY TIME.

Some states do not allow the exclusion or limitation of consequential or incidental damages, or implied warranties, so the above limitations may not apply to you. This warranty gives you specific legal rights, and you may also have other rights which vary from state to state.

130.0

130.com.ua

