



PHONES

0 (800) 800 130
(050) 462 0 130
(063) 462 0 130
(067) 462 0 130

130
COM.UA

Internet store of
autogoods



SKYPE

km-130

CAR RECEIVERS — Receivers • Media receivers and stations • Native receivers • CD/DVD changers • FM-modulators/USB adapters • Flash memory • Facia plates and adapters • Antennas • Accessories |
CAR AUDIO — Car audio speakers • Amplifiers • Subwoofers • Processors • Crossovers • Headphones • Accessories | TRIP COMPUTERS — Universal computers • Model computers • Accessories |
GPS NAVIGATORS — Portable GPS • Built-in GPS • GPS modules • GPS trackers • Antennas for GPS navigators • Accessories | VIDEO — DVR • TV sets and monitors • Car TV tuners • Cameras • Videomodules
• Transcoders • Car TV antennas • Accessories | SECURITY SYSTEMS — Car alarms • Bike alarms • Mechanical blockers • Immobilizers • Sensors • Accessories | OPTIC AND LIGHT — Xenon • Bixenon • Lamps
• LED • Stroboscopes • Optic and Headlights • Washers • Light, rain sensors • Accessories | PARKTRONICS AND MIRRORS — Rear parktronic • Front parktronic • Combined parktronic • Rear-view mirrors
• Accessories | HEATING AND COOLING — Seat heaters • Mirrors heaters • Screen-wipers heaters • Engine heaters • Auto-refrigerators • Air conditioning units • Accessories | TUNING — Vibro-isolation
• Noise-isolation • Tint films • Accessories | ACCESSORIES — Radar-detectors • Handsfree, Bluetooth • Windowlifters • Compressors • Beeps, loudspeakers • Measuring instruments • Cleaners • Carsits
• Miscellaneous | MOUNTING — Installation kits • Upholstery • Grilles • Tubes • Cable and wire • Tools • Miscellaneous | POWER — Batteries • Converters • Start-charging equipment • Capacitors
• Accessories | MARINE AUDIO AND ELECTRONICS — Marine receivers • Marine audio speakers • Marine subwoofers • Marine amplifiers • Accessories | CAR CARE PRODUCTS — Additives • Washer fluid •
Care accessories • Car polish • Flavors • Adhesives and sealants | LIQUID AND OIL — Motor oil • Transmission oil • Brake fluid • Antifreeze • Technical lubricant



In store "130" you can find and buy almost all necessary goods for your auto in Kyiv and other cities, delivery by ground and postal services. Our experienced consultants will provide you with exhaustive information and help you to chose the very particular thing. We are waiting for you at the address

<https://130.com.ua>

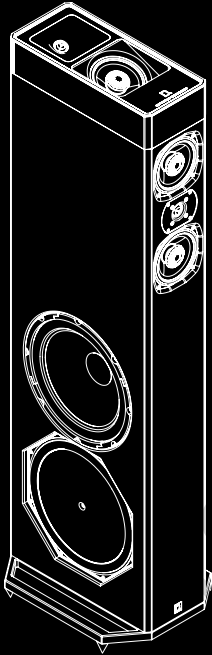


DEFINITIVE TECHNOLOGY™

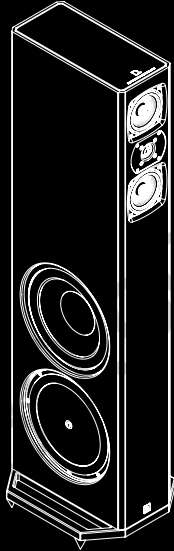
BP9000 | SERIES

Owner's Manual

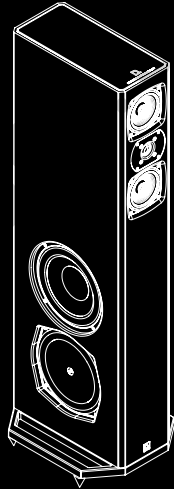
BP9080x, BP9060, BP9040, BP9020



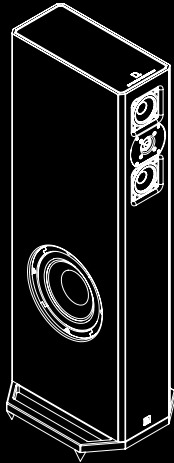
BP9080x



BP9060



BP9040



BP9020

DEFINITIVE TECHNOLOGY

WHAT OBSESSION SOUNDS LIKE™

Thank you for choosing the Definitive Technology BP9000 loudspeaker system. The BP9000 range offers the most cutting-edge audio technologies, including Forward-Focused Bipolar array technology, integrated powered subwoofers, Intelligent Bass Control™ and Dolby Atmos® and DTS: X™ compatibility. This extraordinary speaker is truly state-of-the-art in both music and home theater sound reproduction. We expect you will enjoy the full-range sonic signature of Definitive Technology.

Our engineers have spent many years developing this product. In order to ensure that you experience the finest performance possible, we encourage you to take a moment to fully read this owner's manual and familiarize yourself with the proper installation and set-up procedures for your BP9000 speakers.

SAFETY PRECAUTIONS



CAUTION! To reduce the risk of electric shock and fire, do not remove the cover or back plate of this device. There are no user serviceable parts inside. Please refer all servicing to licensed service technicians. Avis: Risque de choc électrique, ne pas ouvrir.

CAUTION! The international symbol of a lightning bolt inside of a triangle is intended to alert the user to uninsulated “dangerous voltage” within the device’s enclosure. The international symbol of an exclamation point inside of a triangle is intended to alert the user to the presence of important operating, maintenance and servicing information in the manual accompanying the device.

CAUTION! To prevent electrical shock, match wide blade of plug to wide slot, fully insert. Attention: Pour éviter les chocs électriques, introduire la lame la plus large de la fiche dans la borne correspondante de la prise et pousser jusqu’au fond.

CAUTION! To reduce the risk of electrical shock, do not expose this equipment to rain or moisture.

1. **READ INSTRUCTIONS**—All safety and operating instructions should be read before operating the device.
2. **RETAIN INSTRUCTIONS**—The safety and operating instructions should be retained for future reference.
3. **HEED WARNINGS**—All warnings on the device and in the operating instructions should be adhered to.
4. **FOLLOW INSTRUCTIONS**—All operating and safety instructions should be followed.
5. **WATER & MOISTURE**—The device should never be used in, on or near water for risk of fatal shock.
6. **VENTILATION**—The device should always be located in such a way that it maintains proper ventilation. It should never be placed in a built-in installation or anywhere that may impede the flow of air through its heat sink.
7. **HEAT**—Never locate the device near heat sources such as radiators, floor registers, stoves or other heat-generating devices.
8. **POWER SUPPLY**—The device should only be connected to a power supply of the type described in the operating instructions or as marked on the device.
9. **POWER CORD PROTECTION**—Power cables should be routed so they are not likely to be stepped on or crushed by items placed on them or against them. Special attention should be paid to areas

where the plug enters a socket or fused strip and where the cord exits the device.

10. **CLEANING**—The device should be cleaned in accordance with manufacturer’s instructions. We recommend using a lint roller or household duster for the grille cloth.
11. **PERIODS OF NON-USE**—The device should be unplugged when not being used for extended periods of time.
12. **DANGEROUS ENTRY**—Care should be taken that no foreign objects or liquids fall or are spilled inside the device.
13. **DAMAGE REQUIRING SERVICE**—The device should be serviced by licensed technicians when:
 - The plug or power supply cord has been damaged.
 - Objects have fallen on or liquid has spilled inside the device.
 - The device has been exposed to moisture.
 - The device does not appear to be operating properly or exhibits a marked change in performance.
 - The device has been dropped or the cabinet becomes damaged.
14. **SERVICE**—The device should always be serviced by licensed technicians. Only replacement parts specified by the manufacturer should be used. The use of unauthorized substitutions may result in fire, shock, or other hazards.

CAUTION: IMPORTANT SAFETY INSTRUCTIONS

WARNING: DO NOT OPERATE SPEAKER WITHOUT STABILIZER BASE INSTALLED

Power Supply

1. The fuse and power disconnect device are located on the back of the speaker.
2. The disconnect device is the power cord, detachable at either the speaker or the wall.
3. The power cord must be disconnected from the speaker before servicing.

This symbol on our electrical products or their packaging indicates that it is forbidden in Europe to discard the product in question as domestic waste. In order to ensure that you dispose of the products correctly, please dispose of the products according to local laws and regulations on the disposal of electrical and electronic equipment. In doing so you are contributing to the retention of natural resources and to the promotion of environmental protection by the treatment and disposal of electronic waste.



We're delighted that you're part of our Definitive Technology family.

Please take a few minutes to register your product* so we have a complete record of your purchase. Doing so helps us serve you the best we can now and in the future. It also lets us contact you for any service or warranty alerts (*if required*).

Register here: <http://www.definitivetechnology.com/registration>

No internet? Call Customer Service

M-F 9:30 a.m. - 6 p.m. US ET
at (800) 228-7148 (US & Canada), 01 (410) 363-7148 (all other countries)

Note: the data we gather during online registration is never sold or distributed to third parties.

**Serial number can be found at the back of the manual*

Unpacking Your BP9000 Speakers

Please unpack your system carefully. We recommend saving all cartons and packing materials in case you move or need to ship your system. It is important to save this booklet, as it contains the serial number for your product. You can also find the serial number on the back of your BP9000 speaker. Each loudspeaker leaves our factory in perfect condition. Any visible or concealed damage most likely occurred in handling after it left our factory. If you discover any shipping damage, please report this to your Definitive Technology dealer or the company that delivered your loudspeakers.

Accessories Included in Your BP9000 Accessory Kit:

1. Aluminum stabilizer base: Qty (1) all models
2. Phillips head screws: Qty (4) all models
3. Screw locks for spikes/glides: Qty (4)
4. Hard floor glides (for solid floor surfaces like hardwood or cement): Qty (4) all models
5. Carpet spikes (for carpet floors): Qty (4) all models
6. Power cord: Qty (1) all US models;
Qty (2) all EU and UK models

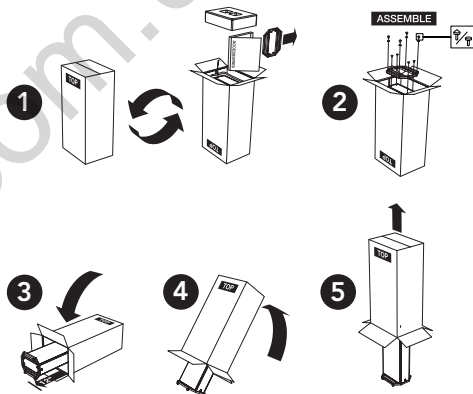


FIGURE 1 | Base Installation

**Definitive Technology is not responsible for damage to floors caused by misuse of the provided accessories.*

Positioning the Speakers in Your Room

Your BP9000 speakers are very flexible in terms of positioning and placement. To optimize their performance, please follow these simple guidelines. Although the following recommendations will usually yield the best results, all rooms and listening setups are different, so do not be afraid to experiment with the speaker placement. Whatever sounds best to you is likely correct.

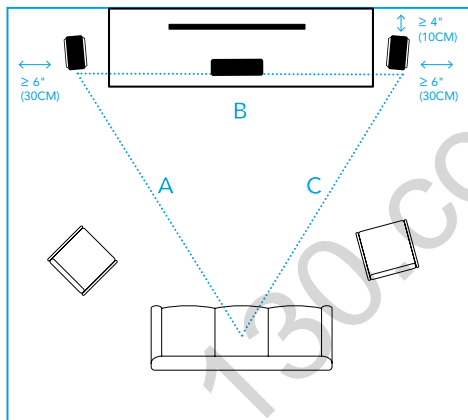
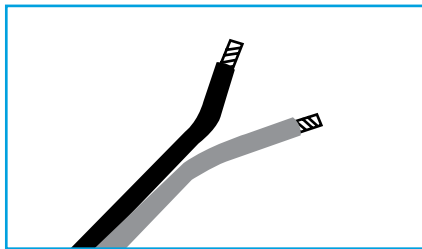


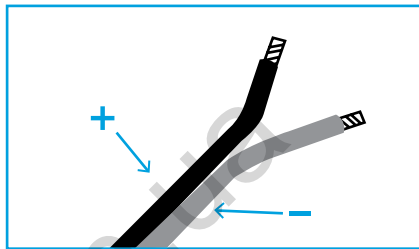
FIGURE 2 | Positioning BP9000 as Left/Right

We recommend setting up the speakers and listening position in an equilateral triangle as illustrated in [Figure 2](#). You will also get good results if the listeners are a bit farther away. For example, if line **A** and **C** are each 10' long then line **B** could be between 7' and 10' wide. The BP9000 speakers offer bipolar sound, meaning they will reflect sound off the back and side walls to create an incredibly broad and engaging soundstage no matter where you sit. As such, we recommend placing your BP9000 speakers at least 4" away from your back wall to maximize this feature. Toeing the speakers in slightly, if possible, toward your viewing area will also provide a stronger center image. Once you've found the right location, feel free to contact Definitive Technology or your place of purchase for additional guidance on speaker positioning.

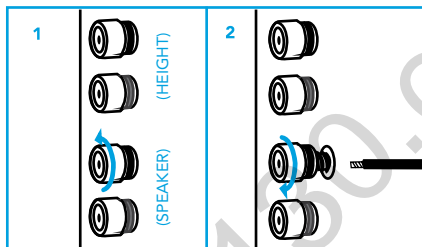
Connecting Your Loudspeakers



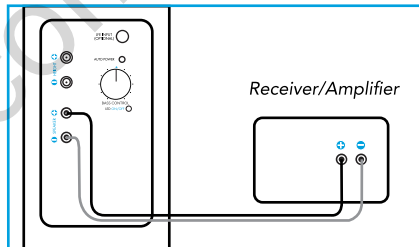
STRIP 1/4" (6MM) WIRE



1. IDENTIFY MARKINGS ON WIRE AND ASSIGN +/-
2. APPLY BANANA PLUGS OR SPADES AT THIS POINT IF APPLICABLE



1. UNSCREW BOTTOM SET OF BINDING POST AND CONNECT WIRE
2. TIGHTEN UNTIL SECURE



- ENSURE THAT THE SPEAKER IS ALWAYS CONNECTED TO THE RECEIVER OR AMPLIFIER TO + AND - TO -

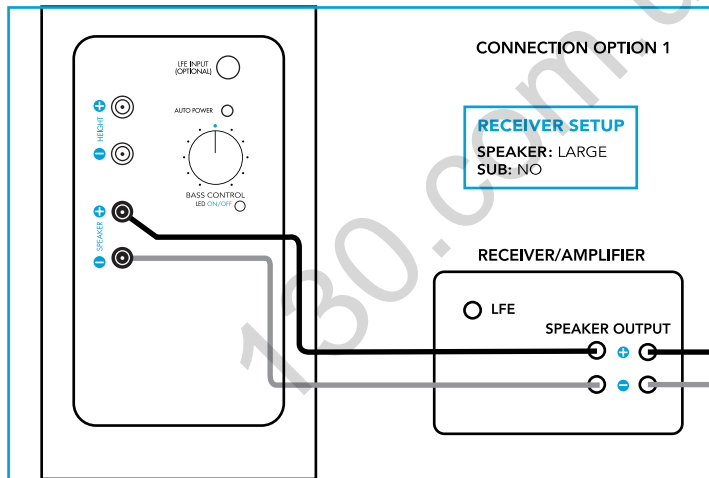
FIGURE 3 – Wiring and Polarity

Connection Options: Speaker-Level Only or Speaker-Level + LFE w/ "Y" Connector

Use the manual speaker setup functions in your receiver or processor to set speaker configuration, speaker distance and channel balance. Consult your receiver/processor manual to learn how to access and use the setup menus. We recommend that you use the settings called for in Figure 4/5.

Note: We recommend that you do not use your receiver's auto setup functions as they can be ineffective in setting up and adjusting speakers with integrated powered subwoofers.

Connection Option 1: Speaker-Level Only (recommended)



Option 1 offers an incredibly precise, full-range sound. The internal cross-over network distributes all frequencies to their intended drivers, and the integrated powered subwoofer works harmoniously with the mid-range array.

Directions:

- Connect speaker wire from receiver/amplifier to speaker level input on the back of the speaker
- Adjust receiver/processor settings to: Speaker (Large); Subwoofer (No)

FIGURE 4 – Speaker Level Only Connection Diagram

Important: Setting subwoofer to no simply means NO additional subwoofer is needed.

Powering the Active Subwoofer

Your BP9000 speakers contain built-in powered subwoofers that must be plugged into an electrical socket. The BP9000 has a signal detection feature that only turns the amplifier on when a signal is present. The LED on the back will turn from Red to Blue when a signal is sensed. The "D." LED logo on the front will also turn on if enabled (see Definitive Technology "D." LED Logo section for more information). After the cessation of a signal, it may take up to 20 minutes for the amplifier to standby. Do not be concerned, the amplifiers draw little power when they are idle.

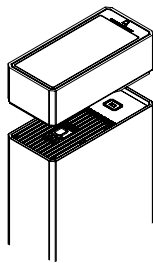
Intelligent Bass Control™

Definitive Technology has long believed that the best loudspeaker is one that reproduces the full-range audio signal as precisely as possible. Our sonic signature allows you to not just hear what is on the screen, but to feel it as well. Intelligent Bass Control™ is our latest advancement that gives you the ability to modulate deep bass up or down in level while simultaneously maintaining optimal mid-range clarity regardless of where the bass control is set. Simply rotate the dial on the back of the loudspeaker to your preferred bass setting and the speaker will do the rest of the work. That's it. We recommend starting at the mid-point and adjust to your preference from there.

For advanced instructions on Intelligent Bass Control™ including integrating with room correction software (ex. Audyssey), please visit our website or give us a call.

Dolby Atmos® and DTS:X® Compatibility

All BP9000 floor speakers offer Dolby Atmos or DTS:X compatibility. The BP9080x integrates a height speaker module into the loudspeaker, whereas the BP9060, BP9040, and BP9020 offer a hidden, dedicated connector port (fits A90 speaker module—sold separately) that can be accessed by gently pushing down on the back of the magnetically-sealed, acoustically-treated aluminum top panel. Regardless of your setup, simply run additional speaker wire to the height channel binding posts on the back of the loudspeaker from any Dolby Atmos or DTS:X compatible set-up.



A90 Placement diagram

Definitive Technology “D.” LED Logo

To highlight the integrated powered subwoofers, you will note an LED logo at the bottom front panel of each BP9000 tower speaker. This logo will default to “on” but can be completely disabled by simply pressing the LED ON/OFF button on the back of the loudspeaker. When enabled, the LED logo will engage only once it’s receiving an active signal from your receiver/processor. It will automatically turn off/standby after 20 minutes of no active signal.

Complete Home Theater System

We strongly suggest that you use the timbre-matched BP9000 Definitive Technology center channel and rear/surround speakers to complete your home theater system. Please note that you can use Definitive Technology towers as rear or side surround speakers with excellent results for both music and movies.

Technical Assistance

It is our pleasure to offer assistance if you have any questions regarding your BP9000 or its setup. Please contact your nearest Definitive Technology dealer or call us directly at (800) 228-7148 (US & Canada), 01 (410) 363-7148 (all other countries) or e-mail info@definitivetech.com. Technical support is offered in English only.

	BP9020	BP9040	BP9060	BP9080x
SPECIFICATIONS				
DIMENSIONS (CABINET ONLY, NO BASE)	34.75" H x 6" W x 13" D (88.3cm H x 15.3 cm W x 33 cm D)	38.25" H x 6" W x 13" D (97.0 cm H x 15.3 cm W x 33 cm D)	43.75" H x 6" W : 13" D (111.1cm H x 15.3 cm W x 33 cm D)	50.5" H x 7" W x 16" D (128.7cm H x 17.8 cm W x 40.6 cm D)
DIMENSIONS (WITH BASE)	35.5" H x 11" W x 13" D (88.3cm H x 27.9 cm W x 33 cm D)	39" H x 11" W x 13" D (99.0cm H x 27.9 cm W x 33 cm D)	44.5" H x 11" W x 13" D (113.1cm H x 15.3 cm W x 33 cm D)	51.5" H x 12" W x 16" D (130.8cm H x 30.5 cm W x 40.6 cm D)
PRODUCT WEIGHT	30 lbs.	36 lbs.	50 lbs.	62 lbs.
FRONT ARRAY DRIVER COMPLEMENT	(2) 3.5" (8.9 cm) drivers, (1) 1" (2.5 cm) aluminum dome tweeter	(2) 4.5" (11.4 cm) drivers, (1) 1" (2.5 cm) aluminum dome tweeter	(2) 4.5" (11.4 cm) drivers, (1) 1" (2.5 cm) aluminum dome tweeter	(2) 5.25" (13.3 cm) drivers, (1) 1" (2.5 cm) aluminum dome tweeter
REAR ARRAY DRIVER COMPLEMENT	(1) 3.5" (8.9 cm) driver	(1) 4.5" (11.4 cm) driver, (1) 1" (2.5 cm) aluminum dome tweeter	(1) 4.5" (11.4 cm) driver, (1) 1" (2.5 cm) aluminum dome tweeter	(2) 5.25" (13.3 cm) drivers, (1) 1" (2.5 cm) aluminum dome tweeter
SUBWOOFER SYSTEM DRIVER COMPLEMENT	(1) 8" (20.3 cm) woofer	(1) 8" (20.3 cm) woofer, (2) 8" (20.3 cm) bass radiators	(1) 10" (25.4 cm) woofer, (2) 10" (25.4 cm) bass radiators	(1) 12" (30.5 cm) woofer, (2) 12" (30.5 cm) bass radiators
FREQUENCY RESPONSE	28Hz-40kHz	22Hz-40kHz	18Hz-40kHz	16Hz-40kHz
SENSITIVITY	92dB SPL	92dB SPL	92dB SPL	92dB SPL
IMPEDANCE	8 ohms	8 ohms	8 ohms	8 ohms
RECOMMENDED INPUT POWER	50-200W	50-300W	50-300W	50-300W
NOMINAL POWER (1% THD, 5SEC.)	150W	300W	300W	455W
ELEVATION MODULE DRIVER COMPLEMENT	none	none	none	(1) 5.25" (13.3 cm) drivers, (1) 1" (2.5 cm) aluminum dome tweeters

Troubleshooting

If you experience any difficulties with your BP9000 speakers, try the suggestions below. If you still have problems, contact your Definitive Technology Authorized Dealer for assistance.

1. Audible distortion when the speakers are playing at loud levels is caused by turning up your receiver or amplifier louder than the receiver or the speakers are capable of playing. Most receivers and amplifiers put out their full-rated power well before the volume control is turned all the way up, so the position of the volume control is a poor indicator of its power limit. If your speakers distort when you play them loud, turn the volume down!
2. If you experience a lack of bass, it is likely that one speaker is out of phase (polarity) with the other and needs to be rewired with closer attention to connecting positive to positive and negative to negative on both channels. Most speaker wire has some indicator (such as color-coding, ribbing or writing) on one of the two conductors to help you maintain consistency. It is essential to connect both speakers to the amplifier in the same way (in phase). You may also experience lack of bass if the bass volume knob is turned down or not on.
3. Make sure all your system interconnects and power cords are solidly in place.
4. Should you hear hum or noise coming from your speakers, try plugging the speakers' power cords into a different AC circuit.
5. The system has sophisticated internal protection circuitry. If for some reason the protection circuitry trips, turn off your system and wait five minutes before trying the system again. If the speakers' built-in amplifier should overheat, the system will turn off until the amplifier cools down and resets.
6. Check to be sure that your power cord has not been damaged.
7. Check that no foreign objects or liquid has entered the speaker cabinet.
8. If you cannot get the subwoofer driver to turn on or if no sound comes out and you are sure the system is set up properly, please bring the loudspeaker to your Definitive Technology Authorized Dealer for assistance; call first

Service

Service and warranty work on your Definitive loudspeakers will normally be performed by your local Definitive Technology dealer. If, however, you wish to return the speaker to us, please contact us first, describing the problem and requesting authorization as well as the location of the nearest factory service center. Please note that the address given in this booklet is the address of our offices only. Under no circumstances should loudspeakers be shipped to our offices or returned without contacting us first and obtaining return authorization.

Definitive Technology Offices

1 Viper Way, Vista, CA 92081

Phone: (800) 228-7148 (US & Canada), 01 (410) 363-7148 (all other countries)

Limited Warranty:

5-Years for Drivers and Cabinets, 3-Years for Electronic Components

DEI Sales Co., dba Definitive Technology (herein "Definitive") warrants to the original retail purchaser only that this Definitive loudspeaker product (the "Product") will be free from defects in material and workmanship for a period of five (5) years covering the drivers and cabinets, and three (3) years for the electronic components from the date of the original purchase from a Definitive Authorized Dealer. If the Product is defective in material or workmanship, Definitive or its Authorized Dealer will, at its option, repair or replace the warranted product at no additional charge, except as set forth below. All replaced parts and Product(s) become the property of Definitive. Product that is repaired or replaced under this warranty will be returned to you, within a reasonable time, freight collect. This warranty is non-transferrable and is automatically void if the original purchaser sells or otherwise transfers the Product to any other party.

This Warranty does not include service or parts to repair damage caused by accident, misuse, abuse, negligence, inadequate packing or shipping procedures, commercial use, voltage in excess of the rated maximum of the unit, cosmetic appearance of cabinetry not directly attributable to defects in material or workmanship. This warranty does not cover the elimination of externally generated static or noise, or the correction of antenna problems or weak reception. This warranty does not cover labor costs or damage to the Product caused by installation or removal of the Product. Definitive Technology makes no warranty with respect to its products purchased from dealers or outlets other than Definitive Technology Authorized Dealer.

THE WARRANTY IS AUTOMATICALLY VOID IF:

- 1) The product has been damaged, altered in any way, mishandled during transportation, or tampered with.
- 2) The product is damaged due to accident, fire, flood, unreasonable use, misuse, abuse, customer applied cleaners, failure to observe manufacturers warnings, neglect or related events.
- 3) Repair or modification of the Product has not been made or authorized by Definitive Technology.
- 4) The product has been improperly installed or used.

Product must be returned (insured and prepaid), together with the original dated proof of purchase to the Authorized Dealer from whom the Product was purchased, or to the nearest Definitive factory service center. Product must be shipped in the original shipping container or its equivalent. Definitive is not responsible or liable for loss or damage to Product in transit.

THIS LIMITED WARRANTY IS THE ONLY EXPRESS WARRANTY THAT APPLIES TO YOUR PRODUCT. DEFINITIVE NEITHER ASSUMES NOR AUTHORIZES ANY PERSON OR ENTITY TO ASSUME FOR IT ANY OTHER OBLIGATION OR LIABILITY IN CONNECTION WITH YOUR PRODUCT OR THIS WARRANTY. ALL OTHER WARRANTIES, INCLUDING BUT NOT LIMITED TO EXPRESS, IMPLIED, WARRANTY OF MERCHANTABILITY OR FITNESS FOR A PARTICULAR PURPOSE, ARE EXPRESSLY EXCLUDED AND DISCLAIMED TO THE MAXIMUM EXTENT ALLOWED BY LAW. ALL IMPLIED WARRANTIES ON PRODUCT ARE LIMITED TO THE DURATION OF THIS EXPRESSED WARRANTY. DEFINITIVE HAS NO LIABILITY FOR ACTS OF THIRD PARTIES. DEFINITIVE'S LIABILITY, WHETHER BASED ON CONTRACT, TORT, STRICT LIABILITY, OR ANY OTHER THEORY, SHALL NOT EXCEED THE PURCHASE PRICE OF THE PRODUCT FOR WHICH A CLAIM HAS BEEN MADE. UNDER NO CIRCUMSTANCE WILL DEFINITIVE BEAR ANY LIABILITY FOR INCIDENTAL, CONSEQUENTIAL OR SPECIAL DAMAGES. THE CONSUMER AGREES AND CONSENTS THAT ALL DISPUTES BETWEEN THE CONSUMER AND DEFINITIVE SHALL BE RESOLVED IN ACCORDANCE WITH CALIFORNIA LAWS IN SAN DIEGO COUNTY, CALIFORNIA. DEFINITIVE RESERVES THE RIGHT TO MODIFY THIS WARRANTY STATEMENT AT ANY TIME.

Some states do not allow the exclusion or limitation of consequential or incidental damages, or implied warranties, so the above limitations may not apply to you. This warranty gives you specific legal rights, and you may also have other rights which vary from state to state.

©2016 DEI Sales Co. All rights reserved.

AVERTISSEMENTS DE SÉCURITÉ



CAUTION! AVERTISSEMENT! Pour réduire le risque de choc électrique et de feu, n'enlevez pas le couvercle ou la plaque arrière de cet appareil. Il n'y a pas de pièce utilisable par l'utilisateur à l'intérieur. Veuillez consulter un technicien accrédité pour toute réparation. Avis: Risque de choc électrique, ne pas ouvrir.

AVERTISSEMENT! Le symbole international d'un éclair à l'intérieur d'un triangle est conçu pour alerter l'utilisateur d'une tension dangereuse non isolée à l'intérieur du caisson de l'appareil. Le symbole international d'un point d'exclamation à l'intérieur d'un triangle est conçu pour aviser l'utilisateur de la présence d'une information importante d'opération, de maintenance et de réparation dans le manuel qui accompagne l'appareil.

AVERTISSEMENT! Pour éviter les risques de chocs électriques, introduisez la lame la plus large de la fiche dans la fente la plus large de la prise et poussez jusqu'au fond.

AVERTISSEMENT! Pour éviter les risques de chocs électriques, n'exposez pas cet équipement à la pluie ou à l'humidité.

1. LISEZ LES INSTRUCTIONS — Toutes les instructions de sécurité et d'opération doivent être lues avant d'utiliser l'appareil.
2. CONSERVEZ LES INSTRUCTIONS — Les instructions de sécurité et d'opération doivent être conservées pour référence ultérieure.
3. TENEZ COMPTE DES AVERTISSEMENTS — Tous les avertissements sur cet appareil et dans les instructions d'opération doivent être suivis.
4. SUIVEZ LES INSTRUCTIONS — Toutes les instructions d'opération et de sécurité doivent être suivies.
5. EAU ET HUMIDITÉ — L'appareil ne doit jamais être utilisé dans ou près de l'eau car il y a risque de choc fatal.
6. AÉRATION — L'appareil doit toujours être placé de manière à être bien aéré. Il ne doit jamais être placé dans une installation intégrée ou dans tout endroit qui peut entraver le flux d'air à travers ses puits thermique.
7. CHALEUR — Ne placez jamais l'appareil près de toute source de chaleur telle des appareils de chauffage, des grilles de soufflage, des poêles ou tout autre appareil produisant de la chaleur.
8. ALIMENTATION — L'appareil doit être connecté uniquement à une alimentation du type décrit dans les instructions d'opération ou tel qu'indiqué sur l'appareil.
9. PROTECTION DU CORDON D'ALIMENTATION — Les cordons d'alimentation doivent être acheminés de manière à ne pas être

piétinés ou écrasés par des objets placés sur eux ou contre eux. Une attention spéciale doit être apportée aux endroits où la fiche entre dans une prise ou une bande dénudée et où le cordon sort de l'appareil.

10. NETTOYAGE — Nous recommandons l'utilisation d'un rouleau adhésif ou d'un plumeau pour nettoyer le tissu protecteur.
11. PÉRIODES DE NON UTILISATION — L'appareil devrait être débranché lorsqu'il n'est pas utilisé pour une longue durée.
12. ENTRÉE DANGEREUSE — Portez attention à ce qu'aucun objet ou liquide ne tombe ou soit renversé à l'intérieur de l'appareil.
13. DOMMAGE NÉCESSITANT UNE RÉPARATION — L'appareil doit être réparé par un technicien agréé lorsque :
 - La fiche ou le cordon d'alimentation a été endommagé.
 - Des objets sont tombés ou un liquide a été renversé à l'intérieur de l'appareil.
 - L'appareil a été exposé à l'humidité.
 - L'appareil ne semble pas fonctionner correctement ou a un changement de performance.
 - L'appareil a été échappé ou le caisson est endommagé.
14. RÉPARATION — L'appareil doit toujours être réparé par un technicien agréé. Uniquement les pièces spécifiées par le fabricant doivent être utilisées. L'utilisation de pièces de substitutions non

AVERTISSEMENT : INSTRUCTIONS DE SÉCURITÉ IMPORTANTES

AVERTISSEMENT : NE PAS UTILISER LE HAUT-PARLEUR SANS INSTALLER UNE BASE STABILISATRICE

Bloc d'alimentation

1. Le coupe-circuit à fusible et le dispositif d'interruption d'alimentation sont situés à l'arrière du haut-parleur.
2. Le dispositif de déconnexion est le cordon d'alimentation, détachable soit au haut-parleur, soit au mur.
3. Le cordon d'alimentation doit être déconnecté du haut-parleur avant les réparations.

Ce symbole sur nos produits électriques ou leur emballage indique qu'il est interdit en Europe de jeter le produit en question avec les déchets domestiques. Afin de vous assurer d'éliminer les produits correctement, veuillez le faire conformément aux lois et réglementations locales relatives à l'élimination de l'équipement électrique et électronique. En ce faisant, vous contribuez à la conservation des ressources naturelles et à la promotion de la protection de l'environnement par le traitement et l'élimination des déchets électroniques.

Nous sommes heureux que vous fassiez partie de notre famille Definitive Technology.

Veillez prendre quelques minutes pour enregistrer votre produit* afin que nous ayons un dossier complet de votre achat. Ainsi, nous pourrions mieux vous servir dans le futur. Cela nous permet également de vous contacter pour toute question de réparation ou de garantie (si nécessaire)

Enregistrez le produit à : <http://www.definitivetechology.com/registration>

Vous n'avez pas Internet? Téléphonez au service à la clientèle

Lundi au vendredi 9:h30 à 18 h É.-U. HE au 800-228-7148 (É.-U. et Canada), 01-410-363-7148 (et tous les autres pays)

Note: tles données que nous recueillons lors de l'enregistrement en ligne ne sont jamais vendues ou partagées à des tierces parties.

**Le numéro de série se retrouve à l'endos du manuel*

Déballage de vos haut-parleurs BP9000

Veillez déballer votre système soigneusement. Nous recommandons de conserver tous les emballages de carton et matériaux d'emballage pour l'éventualité où vous déménagez ou vous auriez à expédier votre système. Il est important de conserver ce livret puisqu'il contient le numéro de série de votre produit. Vous pouvez aussi trouver le numéro de série à l'arrière de votre haut-parleur BP9000. Chaque haut-parleur quitte notre usine en parfaite condition. Tout dommage visible ou dissimulé a fort probablement été produit dans la manutention après avoir quitté notre usine. Si vous découvrez tout dommage dû à l'expédition, veuillez le signaler à votre détaillant Definitive Technology ou à l'entreprise qui a effectué la livraison de vos haut-parleurs.

Accessoires inclus dans votre kit d'accessoires BP9000:

(Installation des accessoires, voir Figure 1)

1. Base stabilisatrice en aluminium : Qté (1) tous les modèles
2. Vis Phillips : Qté (4) tous les modèles
3. Articulations à vis pour les crampons/glisseurs : Qté (4)
4. Glisseurs pour planchers durs (pour les surfaces de planchers durs comme le bois franc ou le béton) : Qté (4) tous les modèles
5. Crampons pour tapis : Qté (4) tous les modèles
6. Cordon d'alimentation : Qté (1) tous les modèles des États-Unis; Qté (2) tous les modèles des États-Unis et du Royaume-Uni

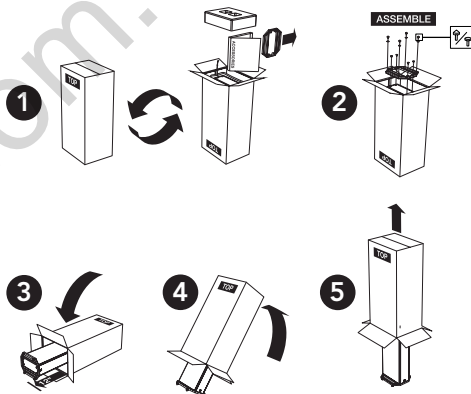


FIGURE 1 | Installation de la Base

**Definitive Technology n'est pas responsable des dommages aux planchers causés par une mauvaise utilisation des accessoires fournis.*

Positionnement des haut-parleurs dans votre pièce

Vos haut-parleurs BP9000 sont très flexibles en terme de positionnement. Afin d'optimiser leur rendement, veuillez suivre ces simples lignes directrices. Même si les recommandations suivantes donneront habituellement les meilleurs résultats, toutes les pièces et installations d'écoute sont différentes, n'hésitez donc pas à expérimenter avec le positionnement du haut-parleur. Le positionnement qui vous donne le meilleur son selon vous est probablement la bonne option.

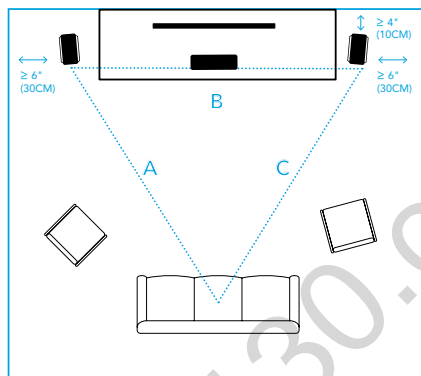
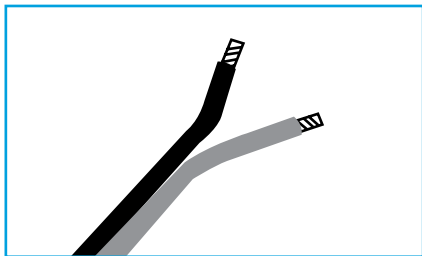


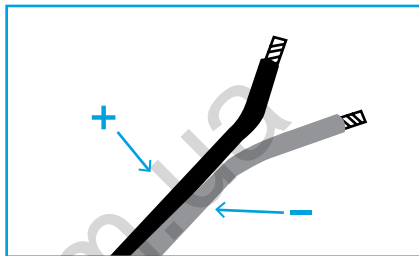
FIGURE 2 | Positionnement gauche/droite du BP9000

Nous recommandons d'installer les haut-parleurs et la position d'écoute dans un positionnement formant un triangle équilatéral, comme l'indique la Figure 2. Vous obtiendrez aussi de bons résultats si l'auditeur est un peu plus loin. Par exemple, si la ligne A et la ligne C sont de 10 pi chacune, alors la ligne B peut avoir une largeur entre 7 pi et 10 pi. Les haut-parleurs BP9000 offrent un son bipolaire, ce qui signifie qu'ils redirigeront le son sur le mur arrière et les murs latéraux pour créer une scène sonore incroyablement étendue et stimulante, peu importe où vous êtes assis. À ce titre, nous recommandons de placer vos haut-parleurs BP9000 à un minimum de 4 po de votre mur arrière pour maximiser cette caractéristique. Pointez légèrement les haut-parleurs, si possible, en direction de votre zone de visionnement vous offrira aussi une image centrale plus forte. Une fois que vous avez trouvé le bon emplacement, n'hésitez pas à contacter Definitive Technology ou l'endroit où vous avez acheté votre système pour obtenir plus de conseils sur le positionnement de vos haut-parleurs.

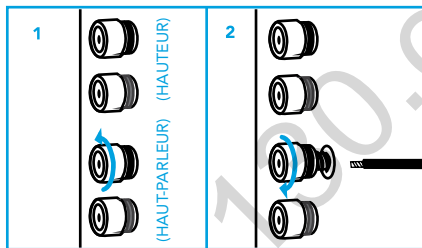
Branchement de vos haut-parleurs



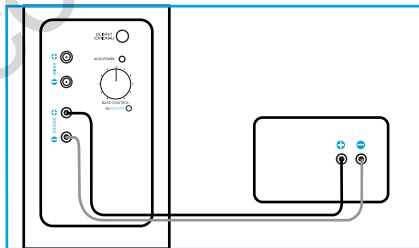
DÉNUDEZ LE CÂBLE DE 1/4 PO (6 MM)



1. MARQUEZ LE CÂBLE AVEC DES SIGNES +/-
2. APPLIQUEZ LES FICHES BANANES ET LES COSSES RECTANGULAIRES À CE MOMENT, SI APPLICABLE



1. DÉVISSEZ LE JEU DU BAS DE LA BORNE DE RACCORDEMENT ET CONNECTEZ LE CÂBLE
2. SERREZ JUSQU'À CE QUE FIXÉ



ASSUREZ-VOUS QUE LE HAUT-PARLEUR SOIT TOUJOURS CONNECTÉ AU RÉCEPTEUR OU AMPLIFICATEUR + À+ ET- À -

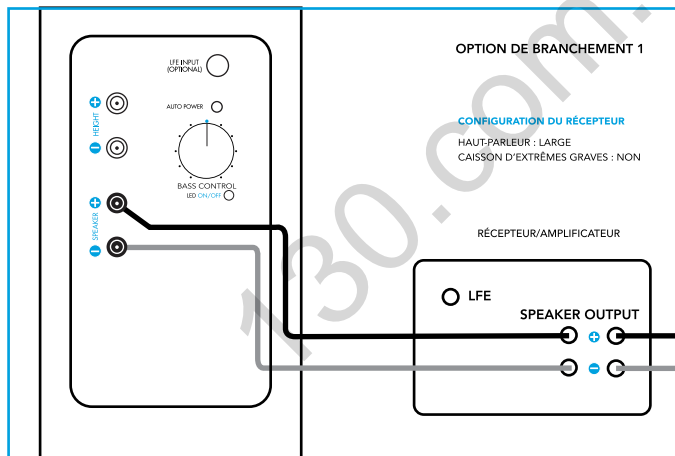
FIGURE 3 – Câblage et polarité

Options de branchement : niveau du haut-parleur seulement ou niveau du haut-parleur + LFE avec connecteur « Y »

Utilisez les fonctions manuelles de configuration du haut-parleur de votre récepteur ou processeur pour configurer les haut-parleurs, la distance entre ceux-ci et la balance des canaux. Consultez le manuel de votre récepteur ou processeur pour savoir comment accéder aux menus de configuration et savoir comment les utiliser. Nous vous recommandons d'utiliser les réglages spécifiés à la Figure 4/5.

Note: Nous recommandons de ne pas utiliser les fonctions de configuration automatiques de votre récepteur puisqu'ils peuvent être inefficaces pour configurer et ajuster vos haut-parleurs avec les caissons d'extrêmes graves actifs intégrés.

Option de branchement 1 : niveau du haut-parleur seulement (recommandé)



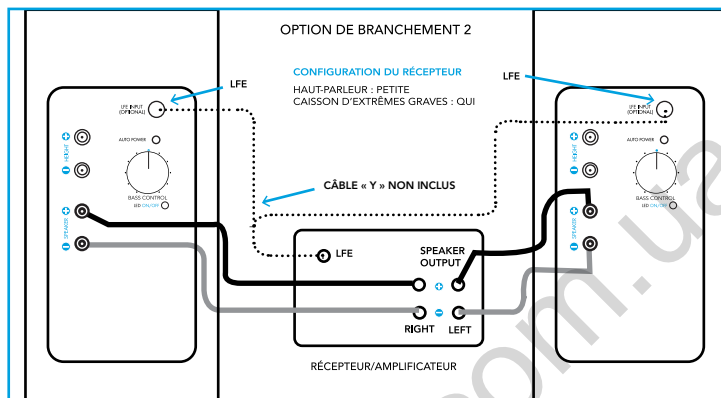
L'option 1 procure un son à gamme complète incroyablement précis. Le réseau de « crossover » interne distribue toutes les fréquences aux moteurs de haut-parleurs appropriés et le caisson d'extrêmes graves intégré fonctionne en harmonie avec la gamme moyenne.

Instructions:

- Brancher le fil du haut-parleur du récepteur/amplicateur à l'entrée du niveau du haut-parleur
- Ajuster les réglages du récepteur ou processeur à : Speaker (Large); Subwoofer (No)

FIGURE 4 – Schéma du branchement niveau du haut-parleur seulement
Important : Régler le caisson d'extrêmes graves à « No » signifie simplement qu'AUCUN caisson d'extrêmes graves n'est requis.

Option de branchement 2 : niveau du haut-parleur + LFE avec connecteur « Y »



Pour connaître des méthodes de branchement avancées additionnelles, veuillez visiter le site web de Definitive Technology ou nous appeler.

FIGURE 5 – Schéma du branchement niveau du haut-parleur seulement + avec connecteur « Y »

Pour ceux qui souhaitent avoir un plus haut degré de personnalisation, l'Option 2 vous donne la possibilité de contrôler la quantité de basses fréquences (celles sous le point du « crossover » réglé dans votre récepteur ou processeur). Si vous préférez l'Option 2, nous recommandons fortement de régler le point du « crossover » dans votre récepteur ou processeur à 80 Hz ou moins pour éviter de perturber le délicat mélange entre le caisson d'extrêmes graves et le milieu de gamme. De plus, un équilibre minutieux entre la sortie du caisson d'extrêmes graves de votre récepteur et le contrôle des basses à l'arrière de votre haut-parleur doit être envisagé. Nous recommandons de commencer avec un contrôle des basses à midi (comme illustré à la Figure 5)

Instructions :

- Brancher le fil du haut-parleur du récepteur/amplificateur à l'entrée du niveau du haut-parleur
- Brancher le câble RCA Y du LFE ou Sub-out du récepteur/processeur à l'entrée LFE aux haut-parleurs BP9000 gauche et droite.
- Ajuster le réglage du récepteur ou processeur à : Speaker (Small); Subwoofer (Yes)

Mise sous tension du caisson d'extrêmes graves actif

Vos haut-parleurs BP9000 contiennent des caissons d'extrêmes graves intégrés qui doivent être branchés dans une prise électrique. Le BP9000 comporte une fonction de détection de signal qui permet d'allumer l'amplificateur seulement lorsqu'un signal est présent. L'indicateur à DEL à l'arrière passera du rouge au bleu lorsqu'un signal est détecté. Le logo à DEL « D » à l'avant s'allumera (voir la section Logo à DEL « D » de Definitive Technology pour plus d'information). Après l'arrêt du signal, cela peut prendre jusqu'à 20 minutes avant que l'amplificateur passe en mode veille. Soyez sans crainte, les amplificateurs consomment peu d'alimentation lorsqu'ils sont en veille.

Intelligent Bass Control™

Definitive Technology croit depuis longtemps que le meilleur haut-parleur est celui qui reproduit la gamme complète du signal audio de la façon la plus précise que possible. Notre signature sonore vous permet d'entendre non seulement ce qui est à l'écran, mais aussi de le sentir. Intelligent Bass Control™ est notre dernière avancée qui vous donne la possibilité de moduler le niveau des basses profondes vers le haut ou le bas tout en maintenant simultanément une clarté optimale du milieu de gamme, peu importe le réglage choisi pour le niveau de basse. Vous n'avez qu'à tourner le cadran à l'arrière du haut-parleur à votre réglage de basse favori et le haut-parleur se chargera du reste. C'est tout. Nous recommandons de commencer au point central et d'ajuster à partir de ce point selon votre préférence.

Pour des instructions avancées sur l'Intelligent Bass Control™ dont l'intégration à un logiciel de correction sonore pour la pièce (ex. : Audyssey), veuillez visiter notre site web ou nous appeler.

Compatibilité Dolby Atmos® et DTS :X®

Tous les haut-parleurs de sol BP9000 offrent la compatibilité Dolby Atmos ou DTS :X. Le BP9080x intègre un module de hauteur pour haut-parleur dans celui-ci, alors que le BP9060, le BP9040 et le BP9020 offrent un port pour connecteur dédié et caché (convient au module de haut-parleur A90, vendu séparément) auquel on peut accéder en appuyant doucement vers le bas sur le panneau supérieur scellé de façon magnétique fabriqué en aluminium et traité pour l'acoustique. Peu importe votre installation, vous n'avez qu'à passer un fil de haut-parleur additionnel dans les bornes de raccordement du canal de hauteur situées à l'arrière du haut-parleur de tout système compatible Dolby Atmos ou DTS :X.

Logo à DEL « D » de Definitive Technology

Pour indiquer l'activité des caissons d'extrêmes graves alimentés intégrés, vous remarquerez un logo à DEL dans le bas du panneau avant de chaque haut-parleur tour BP9000. Ce logo sera sur « On » par défaut mais peut être complètement désactivé simplement en appuyant sur le bouton à DEL « ON/OFF » à l'arrière du haut-parleur. Lorsqu'il est activé, le logo à DEL sera allumé seulement lorsqu'un signal est reçu par votre récepteur/processeur. Il se mettra automatiquement en mode inactif/veille après 20 minutes sans signal actif.

Système complet de cinéma maison

Nous recommandons fortement d'utiliser les haut-parleurs BP9000 de Definitive Technology à timbre correspondant pour le canal central et les canaux arrière et ambiophoniques pour compléter votre système de cinéma maison. Veuillez prendre note que vous pouvez utiliser les tours Definitive Technology comme haut-parleurs ambiophoniques arrière ou latéraux avec d'excellents résultats autant pour la musique que les films.

Assistance technique

Il nous fera plaisir de vous offrir de l'aide pour toute question au sujet du BP9000 ou de ses réglages. Veuillez contacter le marchand Definitive Technology, le plus près de chez-vous, ou téléphonez-nous directement au : 800-228-7148 (É.-U. et Canada), 01-410-363-7148 (pour tous les autres pays) ou par courriel : info@definitivetech.com. Le support technique est offert uniquement en anglais.

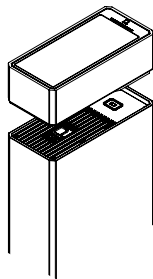


Diagramme de positionnement A90

BP9020

BP9040

BP9060

BP9080x

SPÉCIFICATIONS

DIMENSIONS

(CABINET SEULEMENT, SANS BASE)

34.75" H x 6" W
x 13" D (88.3cm
H x 15.3 cm W x
33 cm D)38.25" H x 6" W >
13" D (97.0 cm H
x 15.3 cm W x 33
cm D)43.75" H x 6" W x
13" D (111.1cm H
x 15.3 cm W x 33
cm D)50.5" H x 7" W x
16" D (128.7cm H
x 17.8 cm W x 40.6
cm D)

DIMENSIONS (AVEC BASE)

35.5" H x 11" W
x 13" D (88.3cm
H x 27.9 cm W x
33 cm D)39" H x 11" W
x 13" D (99.0cm
H x 27.9 cm W x
33 cm D)44.5" H x 11" W
x 13" D (113.1cm
H x 15.3 cm W x
33 cm D)51.5" H x 11" W
x 13" D (130.6cm
H x 27.9 cm W x
33 cm D)

POIDS DU PRODUIT

30 lbs.

26 lbs.

50 lbs.

62 lbs.

COMPLÉMENT DE MOTEUR DE HAUT-
PARLEUR POUR LA GAMME AVANT(2) 3.5" (8.9
cm) moteurs de ,
(1) 1" (2.5 cm)
aluminum dome
tweeter(2) 4.5" (11.4 cm)
moteurs de (1)
1" (2.5
cm) aluminum
dome tweeter(2) 4.5" (11.4 cm)
moteurs de (1)
1" (2.5
cm) aluminum
dome tweeter(2) 5.25" (13.3
cm) moteurs de , (1) 1"
(2.5 cm) haut-parleur d'aigus
à dôme en aluminiumCOMPLÉMENT DE MOTEUR DE HAUT-
PARLEUR POUR LA GAMME AVANT(1) 3.5"
(8.9 cm) moteurs
de(1) 4.5" (11.4 cm)
moteurs de , (1)
1" (2.5
cm) haut-parleur
d'aigus à dôme en
aluminium(1) 4.5" (11.4 cm)
moteurs de (1)
1" (2.5
cm) haut-parleur
d'aigus à dôme en
aluminium(2) 5.25" (13.3
cm) moteurs de (1) 1"
(2.5 cm) aluminum
dome tweeterCOMPLÉMENT DE MOTEUR DE
HAUT-PARLEUR POUR LE SYSTÈME DE
CAISSON D'EXTRÊMES GRAVES(1) 8" (20.3 cm)
caisson
d'extrêmes graves(1) 8" (20.3 cm)
caisson d'extrêmes
graves , (2) 8" (20.3
cm) radiateurs de
basses fréquences(1) 10" (25.4 cm)
caisson d'extrêmes
graves (2) 10"
(25.4 cm) radiateurs
de basses
fréquences(1) 12" (30.5 cm)
caisson d'extrêmes graves
(2) 12"
(30.5 cm) radiateurs de basses
fréquences

RÉPONSE DE FRÉQUENCE

28Hz-40kHz

22Hz-40kHz

18Hz-40kHz

16Hz-40kHz

SENSIBILITÉ

92dB SPL

92dB SPL

92dB SPL

92dB SPL

IMPÉDANCE NOMINALE

8 ohms

8 ohms

8 ohms

8 ohms

PUISSANCE D'ENTRÉE RECOMMANDÉE

50-200W

50-300W

50-300W

50-300W

PUISSANCE DE L'AMPLIFICATEUR
INTERNE

150W

300W

300W

455W

COMPLÉMENT DU MOTEUR DE
MODULE D'ÉLÉVATION

none

none

none

(1) 5.25" (13.3 cm)
moteurs de , (1) 1"
(2.5 cm) haut-parleur d'aigus
à dôme en aluminium

Autogoods "130"

Dépannage

Si vous éprouvez des difficultés avec vos enceintes centrales BP9000, essayez les suggestions cidessous. Si vous éprouvez toujours des problèmes, contactez votre marchand autorisé Definitive Technology pour obtenir de l'aide.

1. La distorsion audible, lorsque les haut-parleurs sont à volume élevé, est causée parce que vous placez votre récepteur ou amplificateur plus fort que le récepteur ou que ce que les haut-parleurs sont capables de jouer. La plupart des récepteurs et des amplificateurs sortent leur puissance maximale avant que le contrôle du volume ne soit placé au plus haut, alors la position du contrôle du volume est un faible indicateur de sa limite de puissance. Si vos haut-parleurs font de la distorsion lorsque vous les faites jouer fort, baissez le volume!
2. Si vous éprouvez un manque des basses, c'est probablement qu'un haut-parleur est déphasé (polarité) avec l'autre et il doit être câblé de nouveau, avec plus d'attention, pour connecter le positif et le positif, le négatif et le négatif, sur les deux canaux. La plupart des câbles de haut-parleurs possèdent quelques indicateurs tels que: code de couleur, friction ou écrit) sur un des deux conducteurs, pour vous aider à maintenir la consistance. Il est essentiel de connecter de la même manière, les deux haut-parleurs à l'amplificateur (en phase). Vous pourriez également éprouver un manque de basse si le bouton du volume des basses est placé bas ou n'est pas allumé.
3. Assurez-vous que tout votre système soit interconnecté et que vos cordons d'alimentation soient solidement en place.
4. Si vous entendez un hum ou un bruit venant de vos haut-parleurs, tentez de connecter les câbles d'alimentation des haut-parleurs dans un autre circuit CA.
5. Le système possède un circuit de protection interne sophistiqué. Si, pour toute raison, le circuit de protection fait défaut, éteignez votre système et attendez cinq minutes avant de le rallumer. Si l'amplificateur intégré des haut-parleurs surchauffe, le système s'éteindra jusqu'à ce que l'amplificateur refroidisse et se réinitialise.
6. Vérifiez pour vous assurer que le cordon d'alimentation n'est pas endommagé.
7. Vérifiez qu'il n'y a pas d'objet étranger ou de liquide, à l'intérieur du caisson du haut-parleur.
8. Si vous ne pouvez allumer le pilote du caisson des graves ou si aucun son ne sort et que vous êtes certain que votre système est réglé adéquatement, veuillez apporter votre haut-parleur à votre marchand autorisé Definitive Technology pour obtenir de l'aide; veuillez téléphoner d'abord.

Réparation

La réparation et la garantie de vos haut-parleurs Definitive seront normalement traités par votre marchand local Definitive Technology. Cependant, si vous voulez nous retourner le haut-parleur, veuillez d'abord nous téléphoner pour nous décrire le problème, pour demander une autorisation, et l'emplacement du centre de service de l'usine le plus près. Veuillez noter que l'adresse inscrite dans ce livret est uniquement l'adresse de nos bureaux. Les haut-parleurs ne doivent, en aucun cas, être expédiés à nos bureaux ou retournés sans d'abord nous contacter pour obtenir une autorisation de retour.

Bureaux de Definitive Technology

1 Viper Way, Vista, CA 92081

Téléphone : 800-228-7148 (É.-U. et Canada), 01-410-363-7148 (pour tous les autres pays)

Garantie limitée

5 ans pour les pilotes et les caissons, 3 ans pour les composants électroniques

DEI Sales Co., dba Definitive Technology (aux présentes, Definitive) garantit à l'acheteur original uniquement, que ce hautparleur Definitive (le Produit) sera sans défaut de matériau et de fabrication, pendant une période de cinq (5) ans couvrant les pilotes et les caissons, et trois (3) ans pour les composants électroniques, à compter de la date d'achat originale, d'un marchand Definitive autorisé. Si le Produit est défectueux de matériau ou de fabrication, Definitive ou son marchand autorisé, fera, à sa discrétion, réparer ou remplacer le Produit garanti, sans frais supplémentaire, sauf pour les raisons mentionnées ci-dessous. Toutes les pièces remplacées et les Produits deviennent la propriété de Definitive. Le Produit qui est réparé ou remplacé sous cette garantie vous sera retourné, dans un délai raisonnable, port dû. Cette garantie est non transférable et est annulée automatiquement si l'acheteur original vend, ou autrement, transfère le Produit à une autre partie. Cette garantie n'inclut pas la réparation ou les pièces pour réparer les dommages causés par accident, mauvaise utilisation, abus, négligence, emballage inadéquat ou mauvais moyen d'expédition, utilisation commerciale, tension excessive de la tension maximale évaluée pour l'appareil, apparence cosmétique du caisson non attribuable directement aux défauts de matériau ou de fabrication. Cette garantie ne couvre pas l'élimination de la statique ou du bruit générés extérieurement, la correction de problèmes d'antenne ou une faible réception. Cette garantie ne couvre pas les coûts de la main-d'oeuvre ou les dommages au Produit causés par l'installation ou le retrait du Produit. Definitive Technology ne garantit pas les Produits achetés des marchands ou des points de vente, autres que les marchands autorisés Definitive Technology.

CETTE GARANTIE EST AUTOMATIQUEMENT ANNULÉE SI:

- 1) Le Produit a été endommagé, altéré de toute manière, mal manipulé pendant le transport ou trafiqué.
- 2) Le Produit est endommagé dû à un accident, un feu, une inondation, une utilisation déraisonnable, une mauvaise utilisation, un abus, des produits nettoyeurs appliqués par le client, le défaut d'observer les avertissements des fabricants, la négligence ou des événements liés.
- 3) La réparation ou la modification du Produit n'a pas été faite ou autorisée par Definitive Technology.
- 4) Le Produit n'a pas été installé ou utilisé correctement.

Le produit doit être retourné (assuré et prépayé) avec la preuve d'achat original datée au détaillant autorisé où le Produit a été acheté ou au centre de service Definitive le plus près. Le Produit doit être expédié dans le contenant d'expédition original ou un équivalent. Definitive n'est pas responsable de toute perte ou de tout dommage causé au Produit en transit.

LA GARANTIE LIMITÉE EST LA SEULE GARANTIE EXPRESSE QUI S'APPLIQUE À VOTRE PRODUIT. DEFINITIVE N'ASSUME NI N'AUTORISE TOUTE PERSONNE OU ENTITÉ À ASSUMER EN SON NOM TOUTE OBLIGATION OU RESPONSABILITÉ EN LIEN AVEC VOTRE PRODUIT OU CETTE GARANTIE. TOUTE AUTRE GARANTIE, INCLUANT MAIS NE S'Y LIMITANT PAS, EXPRESSE, IMPLICITE, GARANTIE DE COMMERCIALISATION OU D'ADAPTATION À UNE FIN PARTICULIÈRE, SONT EXPRESSEMENT EXCLUES DANS LES LIMITES MAXIMALES PERMISES PAR LA LOI. TOUTES LES GARANTIES TACITES DU PRODUIT SONT LIMITÉES À LA DURÉE DE CETTE GARANTIE EXPRESSE. DEFINITIVE N'A AUCUNE RESPONSABILITÉ POUR LES ACTES DES TIÈRCES PARTIE. LA RESPONSABILITÉ DE DEFINITIVE, QU'ELLE SOIT BASÉE SUR UN CONTRAT, UN DÉLIT, UNE RESPONSABILITÉ STRICTE, OU TOUTE AUTRE THÉORIE, NE DOIT PAS DÉPASSER LE PRIX D'ACHAT DU PRODUIT QUI FAIT L'OBJET D'UNE RÉCLAMATION. EN AUCUN CAS, DEFINITIVE N'ASSUME LA RESPONSABILITÉ ACCESSOIRE, CONSÉCUTIVE OU LES DOMMAGES SPÉCIAUX. LE CLIENT ACCEPTE ET CONSENTE QUE TOUTE DISPUTE ENTRE LE CLIENT ET DEFINITIVE SERA RÉGLÉ SELON LES LOIS DE LA CALIFORNIE, DANS LE COMTÉ DE SAN DIEGO, EN CALIFORNIE. DEFINITIVE SE RÉSERVE LE DROIT DE MODIFIER CETTE DÉCLARATION DE GARANTIE EN TOUT TEMPS.

Certains États ne permettent pas l'exclusion ou la limitation de dommages accessoires ou consécutifs, ou les garanties tacites, alors les limites ci-dessous peuvent ne pas s'appliquer à vous. Cette garantie vous accorde des droits juridiques et il est possible que vous ayez également d'autres droits qui varient d'un État à un autre.

©2016 DEI Sales Co. Tous droits réservés

PRECAUCIONES DE SEGURIDAD



¡PRECAUCIÓN! Para reducir el riesgo de choque eléctrico e incendio, no retire la cubierta ni la placa posterior de este dispositivo. No hay piezas que el usuario pueda reparar. Consulte todas las reparaciones a efectuar con técnicos de servicio autorizados. Aviso: Riesgo de choc electrico, ne pas ouvrir.

¡PRECAUCIÓN! El símbolo internacional de un rayo dentro de un triángulo pretende alertar al usuario de que existe un "voltaje peligroso" en el interior del dispositivo. El símbolo internacional de un signo de exclamación dentro de un triángulo pretende alertar al usuario de la presencia de información importante sobre el funcionamiento, mantenimiento y reparación en el manual que acompaña al dispositivo.

¡PRECAUCIÓN! Para evitar descargas eléctricas, haga coincidir la pala ancha del enchufe con la ranura más amplia e introduzcala hasta el fondo. Attention: Pour éviter les chocs électriques, introduire la lame la plus large de la fiche dans la borne correspondante de la prise et pousser jusqu'au fond.

¡PRECAUCIÓN! Para reducir el riesgo de descarga eléctrica, no exponga este equipo a la lluvia o la humedad.

1. LEA LAS INSTRUCCIONES—Debería leer todas las instrucciones de seguridad y funcionamiento antes de utilizar el dispositivo.
2. GUARDE LAS INSTRUCCIONES—Las instrucciones de seguridad y operación deben conservarse para futuras referencias.
3. ADVERTENCIAS—Debería hacer caso de todas las advertencias sobre el aparato presentes en las instrucciones de seguridad.
4. SIGA LAS INSTRUCCIONES—Se deben seguir todas las instrucciones de funcionamiento y seguridad.
5. AGUA Y HUMEDAD—El dispositivo no debe usarse nunca en, sobre o cerca del agua para evitar el riesgo de una descarga fatal.
6. VENTILACIÓN—El dispositivo siempre se debe colocar de tal manera que mantenga una ventilación adecuada. Nunca debe colocarse en una instalación integrada o en cualquier otro lugar que impida el flujo de aire a través de su disipador de calor.
7. CALOR—Nunca coloque el aparato cerca de fuentes de calor tales como radiadores, suelo radiante, estufas u otros aparatos generadores de calor.
8. FUENTE DE ALIMENTACIÓN—El aparato sólo se debe conectar a una fuente de alimentación del tipo descrito en las instrucciones de funcionamiento o como se indica en el dispositivo.
9. PROTECCIÓN DEL CABLE DE ALIMENTACIÓN—Los cables de alimentación deben colocarse de forma que reduzcan la posibilidad de ser pisados o aplastados por objetos colocados sobre ellos o contra ellos. Se debe prestar especial atención a las zonas donde el

enchufe entra en una toma de corriente o empalme y donde el cable salga del aparato.

10. LIMPIEZA—El dispositivo debe limpiarse de acuerdo con las instrucciones del fabricante.
11. PERIODOS DE NO USO—El dispositivo se debe desconectar cuando no se vaya a utilizar durante períodos de tiempo prolongados.
12. ACCESOS PELIGROSOS—Se debe tener cuidado de que no se caigan o derramen objetos extraños o líquidos en el interior del dispositivo.
13. DAÑOS QUE REQUIERAN SERVICIO TÉCNICO—El dispositivo debe ser reparado por técnicos autorizados cuando:
 - El cable de corriente o la fuente de alimentación hayan sido dañados.
 - Se hayan caído objetos o se haya derramado líquido en el interior del dispositivo.
 - El dispositivo haya sido expuesto a la humedad.
 - El dispositivo parezca no funcionar correctamente o muestre un acusado cambio de rendimiento.
 - El dispositivo se haya caído o su exterior esté dañado.
14. SERVICIO TÉCNICO—El dispositivo siempre debe ser reparado por técnicos autorizados. Sólo se deben usar las piezas de repuesto especificadas por el fabricante. El uso de repuestos no autorizados puede provocar incendios, descargas eléctricas u otros peligros.

PRECAUCIÓN: INSTRUCCIONES IMPORTANTES DE SEGURIDAD

ADVERTENCIA: NO HAGA FUNCIONAR EL ALTAVOZ SIN LA BASE DE ESTABILIZACIÓN INSTALADA

Fuente de alimentación

1. El fusible y el dispositivo de desconexión de alimentación se encuentran en la parte posterior del altavoz.
2. El dispositivo de desconexión es el cable de alimentación, que se puede desconectar del altavoz o de la pared.
3. El cable de alimentación se debe desconectar del altavoz antes de realizar operaciones de servicio técnico.

Este símbolo en nuestros productos eléctricos o en su embalaje indica que en Europa está prohibido desechar el producto como basura doméstica. Con fin de garantizar que se deshaga de los productos correctamente, le rogamos que los trate de acuerdo con las leyes y reglamentos locales sobre la eliminación de equipos eléctricos y electrónicos. Al hacerlo, usted estará contribuyendo a la conservación de los recursos naturales y a la promoción de la protección del medio ambiente a través del tratamiento y eliminación de residuos electrónicos.



Nos complace que ya forme parte de nuestra familia Definitive Technology.

Por favor, tómese unos minutos para registrar su producto* de modo que dispongamos de un registro completo de su compra. Hacerlo nos ayuda a servirle

lo mejor que podemos, tanto ahora como en el futuro. También nos permite contactar con usted para cualquier reparación o alerta de garantía (si es necesario).

Regístrese aquí: <http://www.definitivetechology.com/registration>

¿No tiene internet? Llame a Atención al Cliente

M-F 9:30 a.m. - 6 p.m. ET EE. UU. al (800) 228-7148 (EE. UU. y Canadá), 01 (410) 363-7148 (resto de países)

Nota: los datos que recopilamos durante el registro en línea no se venden ni se distribuyen a terceros.

** El numero de serie se puede encontrar en la parte posterior del manual*

Desembalaje de los altavoces BP9000

Por favor, desembale su sistema con cuidado. Recomendamos guardar todos los envases de cartón y materiales de embalaje para tenerlos disponibles en caso de que se mude o necesite empaquetar su producto. Es importante guardar este manual, ya que contiene el número de serie de su producto. También puede encontrar el número de serie en la parte posterior de su altavoz BP9000. Cada altavoz sale de nuestra fábrica en perfecto estado. Es probable que cualquier daño visible o encubierto se haya producido durante la manipulación y envío tras salir de nuestra fábrica. Si usted descubre cualquier daño a causa del envío, por favor, comuníquese a su distribuidor de Definitive Technology o a la empresa que le entregó sus altavoces.

Accesorios incluidos en su kit de accesorios BP9000:

(Instalación del accesorio, vea la Figura 1)

1. Base estabilizadora de aluminio: ctidad (1) todos los modelos.
2. Tornillos con cabeza en cruz: ctidad (4) todos los modelos.
3. Tornillos de sujeción para las patas/deslizaderas: ctidad (4).
4. Deslizaderas de suelo duro (para superficies duras como el parqué o el cemento): ctidad (4) todos los modelos.
5. Patas de alfombra: ctidad (4) todos los modelos.
6. Cable de alimentación: ctidad (1) todos los modelos de E.E. U.U., ctidad (2) para todos los modelos de la Unión Europea y Reino Unido.

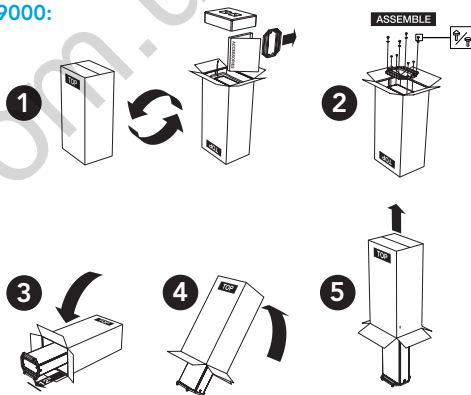


FIGURA 1 | INSTALACIÓN DE LA BASE

*Definitive Technology no se hace responsable de los daños en el suelo ocasionados por un uso inadecuado de los accesorios proporcionados.

Posición de los altavoces en su habitación

Sus altavoces BP9000 son muy versátiles en términos de ubicación y posicionamiento. Para optimizar su rendimiento, por favor, siga estas sencillas instrucciones. Aunque las recomendaciones adjuntas suelen proporcionar los mejores resultados, cada habitación es un mundo, por lo que no tenga miedo de experimentar con la posición de sus altavoces. La configuración que mejor le suene será probablemente la correcta.

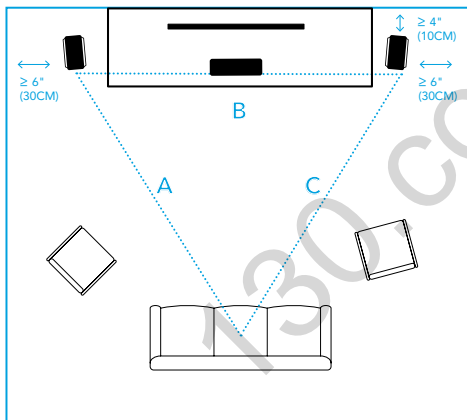
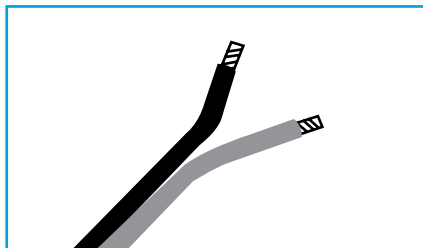


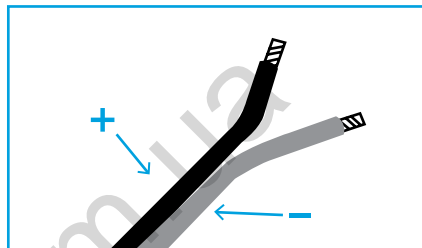
FIGURA 2 | POSICIONANDO LOS BP9000 COMO DERECHA/IZQUIERDA

Recomendamos situar los altavoces y al oyente formando un triángulo equilátero tal y como se muestra en la Figura 2. También obtendrá un buen resultado si los oyentes están algo más lejos del vértice inferior. Por ejemplo, si las líneas A y C tienen 10 pies de largo, entonces la línea B podrá tener de 7 a 10 pies. Los altavoces BP9000 ofrecen sonido bipolar, lo que quiere decir que reflejarán el sonido hacia las paredes laterales y trasera creando una atmósfera de sonido envolvente independientemente de donde se siente. Por tanto, para maximizar este efecto le recomendamos situar sus altavoces BP9000 al menos a 4 pulgadas de distancia de la pared de atrás. Girar ligeramente los altavoces hacia su posición también proporcionará un sonido más envolvente. Una vez que haya encontrado la ubicación correcta, siéntase libre de contactar con nosotros o con el establecimiento en el que haya comprado el equipo para obtener asesoramiento adicional sobre cómo posicionar sus altavoces.

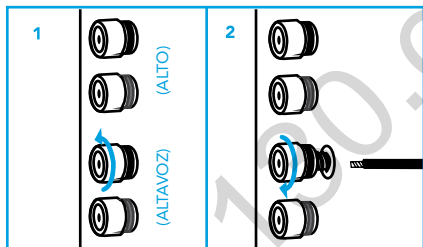
Conexión de sus altavoces



DIVIDA SU CABLE DE 1/4" (6 MM.)

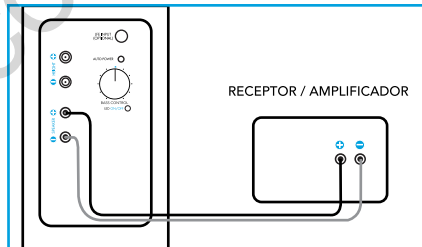


1. IDENTIFIQUE LAS MARCAS EN EL CABLE Y ASIGNE +/-
2. APLIQUE CONECTORES BANANA O DE PALA EN ESTE PUNTO SI PROCEDE



1. DEENROSQUE LA PARTE INFERIOR DEL CONECTOR Y CONECTE EL CABLE

2. APRIETE HASTA ASEGURAR



ENSURE THAT THE SPEAKER IS ALWAYS CONNECTED TO THE RECEIVER OR AMPLIFIER + TO + AND - TO -

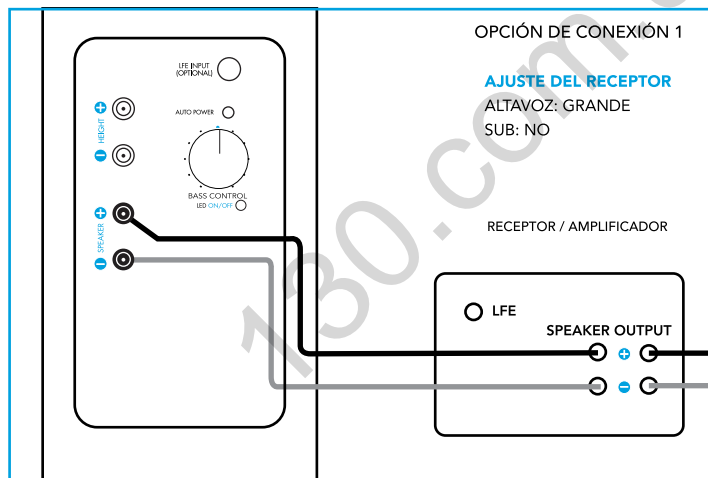
FIGURA 3 – CABLEADO Y POLARIDAD

Opciones de conexión: Solo a nivel de altavoz o a nivel de altavoz + conector LFE con conector "Y"

Utilice las funciones de configuración manual de los altavoces en su receptor o amplificador para establecer la configuración de altavoces, la distancia de los mismos y el balance de canal. Consulte el manual del receptor/ amplificador para aprender cómo acceder y utilizar los menús de configuración. Le recomendamos que utilice la configuración representada en las Figuras 4 y 5.

Nota: Le recomendamos que no utilice las funciones de configuración automática de su receptor, ya que pueden ser ineficaces a la hora de crear y ajustar los altavoces con subwoofers activos integrados.

Opción de conexión 1: Solo a nivel de altavoz (recomendado)



La Opción 1 ofrece un sonido increíblemente preciso de rango completo. La red cruzada interna distribuye todas las frecuencias a sus transductores destinados, y el subwoofer activo integrado funciona en armonía con el rango de frecuencias medio.

Instrucciones:

- Conecte el cable del altavoz del receptor/amplificador a la entrada de nivel de altavoz.
- Ajuste la configuración del receptor/amplificador a: Altavoz (grande); Subwoofer (no)

FIGURA 4 – DIAGRAMA DE CONEXIÓN SOLO A NIVEL DE ALTAVOZ

Importante: Configurar el subwoofer en modo "no" significa que no es necesario utilizar ningún amplificador adicional

Alimentación del subwoofer activo

Sus altavoces BP9000 integran unos subwoofers activos que deben ser enchufados a una toma eléctrica. El BP9000 tiene un sistema de detección de señal que enciende el amplificador solo cuando se detecta una señal de entrada. El LED de la parte de atrás pasará de rojo a azul cuando se detecte una señal. El logotipo "D." iluminado con LEDs se encenderá (consulte la sección del logotipo LED "D." de Definitive Technology para obtener más información). Cuando cese la señal, pueden pasar hasta 20 minutos hasta que el amplificador entre en modo de espera. No se preocupe, los amplificadores consumen muy poca energía cuando están inactivos.

Intelligent Bass Control™

Durante mucho tiempo, Definitive Technology ha creído que el mejor altavoz es aquel que reproduce una señal de audio de rango completo con la mayor precisión posible. Nuestros sistemas de sonido le permiten no solo escuchar lo que hay en la pantalla sino que también sentirlo. Intelligent Bass Control™ es nuestra última innovación, le permite modular los graves profundos mientras mantiene al mismo tiempo una claridad óptima de rango medio con independencia del nivel de graves configurado. Simplemente gire el dial en la parte posterior del altavoz hasta su ajuste de graves preferido y el altavoz se encargará del resto. Eso es todo. Se recomienda comenzar en el punto medio y ajustarlo a su gusto a partir de ahí.

Para obtener instrucciones avanzadas sobre Intelligent Bass Control™, incluyendo la integración con el software de corrección de la sala (p. ej. Audyssey), por favor, visite nuestra página web o llámenos.

Compatibilidad con Dolby Atmos® y DTS:X®

Todos los altavoces de suelo BP9000 son compatibles con Dolby Atmos y DTS:X. El BP9080x integra a un altavoz frontal de altura en el propio baffle, mientras que los BP9060, BP9040, y BP9020 ofrecen un conector trasero dedicado (compatible con el módulo de altavoz A90 que se vende por separado) al que se puede acceder presionando suavemente hacia abajo en la parte posterior del panel superior de aluminio sellado magnéticamente y tratado para mejorar la acústica. Con independencia de su configuración, conecte un cable de audio al canal de entrada de altavoces de altura de la parte trasera del baffle desde cualquier sistema compatible con Dolby Atmos o DTS:X.

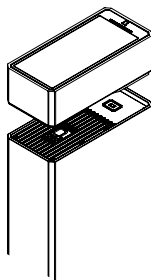


Diagrama de colocación del A90

	BP9020	BP9040	BP9060	BP9080x
ESPECIFICACIONES				
DIMENSIONES (SOLO EL ENCAPSULADO, SIN BASE)	34.75" H x 6" W x 13" D (88.3cm H x 15.3 cm W x 33 cm D)	38.25" H x 6" W x 13" D (97.0 cm H x 15.3 cm W x 33 cm D))	43.75" H x 6" W x 13" D (111.1cm H x 15.3 cm W x 33 cm D)	50.5" H x 7" W x 16" D (128.7cm H x 17.8 cm W x 40.6 cm D)
DIMENSIONES (CON BASE)	35.5" H x 11" W x 13" D (88.3cm H x 27.9 cm W x 33 cm D)	39" H x 11" W x 13" D (99.0cm H x 27.9 cm W x 33 cm D)	44.5" H x 11" W x 13" D (113.1cm H x 15.3 cm W x 33 cm D)	51.5" H x 11" W x 13" D (130.6cm H x 27.9 cm W x 33 cm D)
PESO DEL PRODUCTO	30 lbs.	26 lbs.	50 lbs.	62 lbs.
HILERA COMPLEMENTARIA DE TRANSDUCTORES FRONTALES	(2) 3.5" (8.9 cm) transductores, (1) 1" (2.5 cm) tweeter de cúpula de aluminio	(2) 4.5" (11.4 cm) transductores, (1) 1" (2.5 cm) tweeter de cúpula de aluminio	(2) 4.5" (11.4 cm) transductores, (1) 1" (2.5 cm) tweeter de cúpula de aluminio	(2) 5.25" (13.3 cm) transductores, (1) 1" (2.5 cm) tweeter de cúpula de aluminio
HILERA COMPLEMENTARIA DE TRANSDUCTORES TRASEROS	(1) 3.5" (8.9 cm) driver	(1) 4.5" (11.4 cm) driver, (1) 1" (2.5 cm) tweeter de cúpula de aluminio	(1) 4.5" (11.4 cm) driver, (1) 1" (2.5 cm) tweeter de cúpula de aluminio	(1) 5.25" (13.3 cm) driver, (1) 1" (2.5 cm) tweeter de cúpula de aluminio
TRANSDUCTOR COMPLEMENTARIO DEL SISTEMA DE SUBWOOFER	(1) 8" (20.3 cm) woofer	(1) 8" (20.3 cm) woofer, (2) 8" (20.3 cm) radiadores de graves	(1) 10" (25.4 cm) woofer, (2) 10" (25.4 cm) radiadores de graves	(1) 12" (30.5 cm) woofer, (2) 12" (30.5 cm) radiadores de graves
RESPUESTA EN FRECUENCIA	28Hz-40kHz	22Hz-40kHz	18Hz-40kHz	16Hz-40kHz
SENSIBILIDAD	92dB SPL	92dB SPL	92dB SPL	92dB SPL
IMPEDANCIA NOMINAL	8 ohms	8 ohms	8 ohms	8 ohms
TENSIÓN DE ENTRADA RECOMENDADA	50-200W	50-300W	50-300W	50-300W
POTENCIA DEL AMPLIFICADOR INTERNO	150W	300W	300W	455W
TRANSDUCTOR COMPLEMENTARIO DE PROYECCIÓAFÍN VERTICAL	ninguno	ninguno	ninguno	(1) 5.25" (13.3 cm) transductores, (1) 1" (2.5 cm) tweeter de cúpula de aluminio

Logotipo LED "D." de Definitive Technology

Para poner de manifiesto los subwoofers activos integrados, podrá ver un logotipo iluminado con LED en la parte frontal inferior de cada torre de altavoces BP9000. Este logotipo está encendido por defecto, pero puede desactivarse por completo simplemente pulsando el botón LED ON/OFF en la parte posterior del altavoz. Cuando está activado, el logotipo LED solo se iluminará al recibir una señal activa de su receptor/amplificador. Se apagará/suspenderá automáticamente después de 20 minutos sin señal activa.

Sistema completo de cine en casa

Le recomendamos encarecidamente que use el canal central y los altavoces traseros o de sonido envolvente de timbre emparejado BP9000 Definitive Technology para completar su sistema de cine en casa. Por favor, tenga en cuenta que puede utilizar las torres Definitive Technology como altavoces envolventes traseros o laterales u obtener unos resultados óptimos cuando reproduzca su música y películas.

Asistencia técnica

Es un placer para nosotros poder ofrecerle ayuda si tiene alguna pregunta con respecto a su BP9000 o su configuración. Le rogamos que se ponga en contacto con su distribuidor Definitive Technology más cercano o se ponga en contacto con nosotros directamente al (800) 228-7148 (EE. UU. y Canadá), 01 (410) 363-7148 (resto de países) o por correo electrónico en info@definitivetech.com. La asistencia técnica se ofrece sólo en inglés.

Oficinas de Definitive Technology

1 Viper Way, Vista, CA 92081

Teléfono: (800) 228-7148 (EE. UU. y Canadá), 01 (410) 363-7148 (resto de países)

Servicio técnico

El trabajo de servicio técnico y garantía en sus altavoces Definitive normalmente son llevados a cabo por su distribuidor Definitive Technology local. Sin embargo, si usted desea devolvernos el altavoz, por favor póngase en contacto con nosotros primero, describiendo el problema y solicitando una autorización, así como la ubicación del centro de servicio de fábrica más cercano. Tenga en cuenta que la dirección indicada en este folleto es únicamente la dirección de nuestras oficinas.

Bajo ninguna circunstancia debe enviarnos los altavoces a nuestras oficinas o devolverlos sin antes haberse puesto en contacto con nosotros y obtener la autorización de devolución.

Resolución de problemas

Si tiene algún problema con sus altavoces de canal central BP9000, pruebe las siguientes sugerencias. Si todavía tiene problemas, póngase en contacto con su distribuidor autorizado Definitive Technology para obtener ayuda.

1. Se puede producir una distorsión audible cuando los altavoces reproducen a niveles altos al ajustar su receptor o amplificador más fuerte que la capacidad de reproducción máxima del receptor o los altavoces. La mayoría de receptores y amplificadores llegan al tope de su potencia nominal mucho antes de llegar al máximo en el control de volumen, por lo que la posición del control de volumen es un mal indicador de su límite máximo de potencia. Si sus altavoces distorsionan al reproducir a un volumen alto, ¡baje el volumen!
2. Si nota una ausencia de graves, es probable que uno de los altavoces esté fuera de fase (polaridad) con respecto al otro y deba ser reconectado prestando más atención a la conexión de positivo a positivo y negativo a negativo en ambos canales. La mayoría de cables de altavoces tiene algún indicador (como una codificación por colores, relieves o texto) sobre uno de los dos conductores para ayudarle a mantener la consistencia. Es esencial conectar ambos altavoces al amplificador de la misma manera (en fase). También puede experimentar ausencia de graves si el control de volumen está muy bajo o no activo. 3. Assurez-vous que tout votre système soit interconnecté et que vos cordons d'alimentation soient solidement en place.
3. Asegúrese de que todas las conexiones de su sistema sean firmes y los cables de alimentación estén firmemente en su lugar.
4. En caso de que escuche un zumbido o ruido procedente de los altavoces, intente conectar los cables de alimentación de los altavoces en un circuito de CA diferente al de su amplificador.
5. El sistema cuenta con sofisticados circuitos de protección interna. Si, por alguna razón, se dispara la circuitería de protección, apague el sistema y espere cinco minutos antes de volver a probarlo. Si el amplificador incorporado de los altavoces se sobrecalienta, el sistema se apagará hasta que el amplificador se enfríe.
6. Asegúrese de que su cable de alimentación no haya sido dañado.
7. Compruebe que no hayan entrado objetos extraños o líquido en el altavoz.
8. Si no puede encender el driver del subwoofer o si no sale ningún sonido, y tiene total seguridad de que el sistema está configurado correctamente, por favor, remita el altavoz a su distribuidor autorizado de Definitive Technology para más asistencia; se ruega llamar primero.

Limited Warranty:

5-Years for Drivers and Cabinets, 3-Years for Electronic Components

DEI Sales Co., dba Definitive Technology (herein "Definitive") warrants to the original retail purchaser only that this Definitive loudspeaker product (the "Product") will be free from defects in material and workmanship for a period of five (5) years covering the drivers and cabinets, and three (3) years for the electronic components from the date of the original purchase from a Definitive Authorized Dealer. If the Product is defective in material or workmanship, Definitive or its Authorized Dealer will, at its option, repair or replace the warranted product at no additional charge, except as set forth below. All replaced parts and Product(s) become the property of Definitive. Product that is repaired or replaced under this warranty will be returned to you, within a reasonable time, freight collect. This warranty is non-transferable and is automatically void if the original purchaser sells or otherwise transfers the Product to any other party.

This Warranty does not include service or parts to repair damage caused by accident, misuse, abuse, negligence, inadequate packing or shipping procedures, commercial use, voltage in excess of the rated maximum of the unit, cosmetic appearance of cabinetry not directly attributable to defects in material or workmanship. This warranty does not cover the elimination of externally generated static or noise, or the correction of antenna problems or weak reception. This warranty does not cover labor costs or damage to the Product caused by installation or removal of the Product. Definitive Technology makes no warranty with respect to its products purchased from dealers or outlets other than Definitive Technology Authorized Dealer.

THE WARRANTY IS AUTOMATICALLY VOID IF:

- 1) The product has been damaged, altered in any way, mishandled during transportation, or tampered with.
- 2) The product is damaged due to accident, fire, flood, unreasonable use, misuse, abuse, customer applied cleaners, failure to observe manufacturers warnings, neglect or related events.
- 3) Repair or modification of the Product has not been made or authorized by Definitive Technology.
- 4) The product has been improperly installed or used.

Product must be returned (insured and prepaid), together with the original dated proof of purchase to the Authorized Dealer from whom the Product was purchased, or to the nearest Definitive factory service center. Product must be shipped in the original shipping container or its equivalent. Definitive is not responsible or liable for loss or damage to Product in transit.

THIS LIMITED WARRANTY IS THE ONLY EXPRESS WARRANTY THAT APPLIES TO YOUR PRODUCT. DEFINITIVE NEITHER ASSUMES NOR AUTHORIZES ANY PERSON OR ENTITY TO ASSUME FOR IT ANY OTHER OBLIGATION OR LIABILITY IN CONNECTION WITH YOUR PRODUCT OR THIS WARRANTY. ALL OTHER WARRANTIES, INCLUDING BUT NOT LIMITED TO EXPRESS, IMPLIED, WARRANTY OF MERCHANTABILITY OR FITNESS FOR A PARTICULAR PURPOSE, ARE EXPRESSLY EXCLUDED AND DISCLAIMED TO THE MAXIMUM EXTENT ALLOWED BY LAW. ALL IMPLIED WARRANTIES ON PRODUCT ARE LIMITED TO THE DURATION OF THIS EXPRESSED WARRANTY. DEFINITIVE HAS NO LIABILITY FOR ACTS OF THIRD PARTIES. DEFINITIVE'S LIABILITY, WHETHER BASED ON CONTRACT, TORT, STRICT LIABILITY, OR ANY OTHER THEORY, SHALL NOT EXCEED THE PURCHASE PRICE OF THE PRODUCT FOR WHICH A CLAIM HAS BEEN MADE. UNDER NO CIRCUMSTANCE WILL DEFINITIVE BEAR ANY LIABILITY FOR INCIDENTAL, CONSEQUENTIAL OR SPECIAL DAMAGES. THE CONSUMER AGREES AND CONSENTS THAT ALL DISPUTES BETWEEN THE CONSUMER AND DEFINITIVE SHALL BE RESOLVED IN ACCORDANCE WITH CALIFORNIA LAWS IN SAN DIEGO COUNTY, CALIFORNIA. DEFINITIVE RESERVES THE RIGHT TO MODIFY THIS WARRANTY STATEMENT AT ANY TIME.

Some states do not allow the exclusion or limitation of consequential or incidental damages, or implied warranties, so the above limitations may not apply to you. This warranty gives you specific legal rights, and you may also have other rights which vary from state to state.

SICHERHEITSVORKEHRUNGEN



CHTUNG! Um eine Gefährdung durch elektrischen Schlag und Brand auszuschließen, entfernen Sie weder die Abdeckung noch die Hinterplatte dieses Gerätes. Im Inneren befinden sich keine durch den Benutzer zu wartenden Teile. Überlassen Sie die Wartung aller Teile qualifiziertem Servicepersonal. Hinweis: Nicht öffnen - Stromschlaggefahr! **ACHTUNG!** Das internationale elektrische Gefahrensymbol, dargestellt durch einen Blitz in einem ausgefüllten Dreieck, warnt den Anwender vor nicht isolierter, gefährlicher Spannung innerhalb des Systemgehäuses. Das internationale Symbol, dargestellt durch ein Ausrufezeichen in einem ausgefüllten Dreieck, weist den Benutzer auf wichtige Bedienungs- und Wartungsanleitungen im begleitenden Benutzerhandbuch hin.

ACHTUNG! Um einen elektrischen Schlag zu vermeiden, stecken Sie den breiten Kontakt des Steckers vollständig in den breiten Schlitz.

ACHTUNG! Um einen elektrischen Schlag zu vermeiden, setzen Sie das Gerät weder Regen noch Feuchtigkeit aus.

1. **ANLEITUNGEN LESEN** - Vor der Geräteinbetriebnahme müssen alle Sicherheits- und Betriebsanleitungen gelesen werden.
2. **ANLEITUNGEN AUFBEWAHREN** - Die Sicherheits- und Betriebsanleitungen müssen für späteren Gebrauch gut aufbewahrt werden.
3. **WARNHINWEISE BEACHTEN** - Alle Warnhinweise auf dem
4. **ANWEISUNGEN BEFOLGEN** - Alle Sicherheits- und Betriebsanleitungen müssen befolgt werden.
5. **WASSER & FEUCHTIGKEIT** - Das Gerät darf nicht in oder in der Nähe von Wasser benutzt werden - es besteht Stromschlaggefahr mit tödlichen Folgen.
6. **BELÜFTUNG** - Das Gerät muss sich an einem gut belüfteten Ort befinden. Es darf nicht in Einbaustationen oder Orten benutzt werden, die den Luftstrom durch seinen Kühlkörper behindern.
7. **HITZE** - Stellen Sie das Gerät niemals in der Nähe von Wärmequellen wie Heizkörpern, Wärmespeichern, Öfen oder anderen Wärme erzeugenden Geräten auf.
8. **STROMVERSORGUNG** - Das Gerät darf nur mit dem dafür vorgesehenen Netzteil betrieben werden - siehe Betriebsanleitung und Typenschild.
9. **NETZKABELSCHUTZ** - Stromkabel müssen so verlegt werden, dass sie nicht betreten oder durch Gegenstände eingeklemmt werden können. Besondere Aufmerksamkeit erfordern Bereiche, in welchen der Stecker mit einer Steckdose oder Sicherungsleiste verbunden

ist sowie Kabelaustrittsstellen am Gerät.

10. **REINIGUNG** - Das Gerät muss gemäß Herstellerangaben gereinigt werden.
11. **NICHTNUTZUNGSZEITEN** - Das Gerät muss vom Netz getrennt werden, wenn es über längere Zeit nicht verwendet wird.
12. **FREMDKÖRPERSCHADEN** - Es dürfen keine Fremdkörper oder Flüssigkeiten in das Gerät gelangen.
13. **REPARATURBEDÜRFTIGE SCHÄDEN** - Das Gerät muss von Fachpersonal repariert werden, wenn:
 - der Stecker oder das Netzkabel beschädigt ist.
 - Gegenstände oder Flüssigkeit ins Geräteinnere gelangt sind.
 - das Gerät Feuchtigkeit ausgesetzt wurde.
 - das Gerät nicht ordnungsgemäß zu funktionieren scheint oder Gerät und in der Betriebsanleitung müssen eingehalten werden. eine deutliche Betriebsänderung aufweist.
 - das Gerät fallengelassen wurde oder das Gehäuse beschädigt ist.
14. **WARTUNG** - Die Gerätewartung darf ausschließlich von qualifiziertem Fachpersonal durchgeführt werden. Verwendete Ersatzteile müssen den Herstellerangaben entsprechen. Der Einsatz nicht zugelassener Ersatzteile kann zu Brand, Stromschlag und anderen Gefahren führen.

VORSICHT: WICHTIGE SICHERHEITSHINWEISE

WARNUNG: DEN LAUTSPRECHER NICHT OHNE INSTALLIERTE STABILISATORBASIS BEDIENEN

Stromversorgung

1. Die Sicherung und Stromtrennvorrichtung befinden sich auf der Rückseite des Lautsprechers.
2. Die Trennvorrichtung ist das Netzkabel, und entweder vom Lautsprecher oder der Wand abnehmbar.
3. Das Netzkabel muss vor Wartungsarbeiten vom Lautsprecher getrennt werden.

Dieses Symbol auf unseren elektrischen Produkten oder deren Verpackung gibt an, dass es in Europa verboten ist, das besagte Produkt über den Hausmüll zu entsorgen. Um sicherzustellen, dass Sie dieses Produkt richtig entsorgen, bitte machen Sie sich mit den lokalen Gesetzen und Regelungen zur Entsorgung von Elektro- und Elektronikgeräten vertraut und entsorgen Sie das Produkt entsprechend. Durch die sachgemäße Entsorgung von Elektronikschrott, unterstützen Sie die Erhaltung natürlicher Ressourcen und tragen zur Förderung des Umweltschutzes bei.



Wir freuen uns, dass Sie ein Mitglied unserer Definitive-Technology-Familie geworden sind.

Bitte nehmen Sie sich einige Minuten Zeit und registrieren Sie Ihr Produkt*, damit wir Ihren Kauf in unsere Kundendatei aufnehmen. Dadurch können wir Ihnen jederzeit den besten Service zukommen lassen und Sie, falls erforderlich, über wichtige Wartungs- oder Garantiehinweise benachrichtigen.

Registrieren Sie sich hier: <http://www.definitivetechnology.com/registration>

Kein Internet? Rufen Sie den Kundendienst an!

Mo - Fr 09:30 - 18:00 US ET unter (800) 228-7148 (USA & Kanada), 01 (410) 363-7148 (alle anderen Länder)

Nota: Daten, die wir während der Online-Registrierung erfassen, werden niemals an Dritte verkauft oder weitergegeben.

* Die Seriennummer finden Sie auf der Rückseite des Handbuchs

Unpacking Your BP9000 Speakers

Bitte packen Sie Ihr System vorsichtig aus. Wir empfehlen Ihnen alle Kartons und Verpackungsmaterialien aufzubewahren für den Fall, dass Sie umziehen oder Ihr System verschicken müssen. Zudem ist es wichtig, diese Gebrauchsanleitung aufzubewahren, da sie die Seriennummer Ihres Produkts enthält. Die Seriennummer finden Sie auch auf der Rückseite des BP 9000 Lautsprechers. Jeder Lautsprecher verlässt unser Werk in einwandfreiem Zustand. Jeder sichtbare oder verdeckte Schaden ist wahrscheinlich bei der Handhabung aufgetreten, nachdem das Produkt unser Werk verlassen hat. Wenn Sie Transportschäden feststellen, melden Sie dies bitte Ihrem Definitive Technology Händler oder der Firma, welche Ihre Lautsprecher geliefert hat.

In Ihrem BP9000 Zubehörsatz enthaltenes Zubehör:

(Für die Installation von Zubehörteilen, siehe Abb.1)

1. Stabilisatorbasis aus Aluminium: Anz. (1) alle Modelle
2. Kreuzschlitzschraubenzieher: Anz. (4) alle Modelle
3. Schraubensicherungen für Spikes / Gleiter: Anz. (4)
4. Hartbodengleiter (für feste Bodenflächen wie Hartholz oder Zement): Anz. (4) alle Modelle
5. Teppichstifte: Anz. (4) alle Modelle
6. Stromkabel: Anz. (1) alle U.S. Modelle; Anz. (2) alle EU und UK Modelle

*Definitive Technology haftet nicht für Schäden an Böden, welche durch Missbrauch des zur Verfügung gestellten Zubehörs verursacht werden.

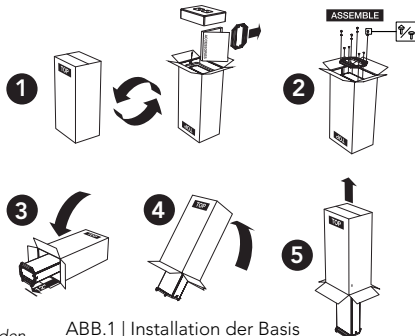


ABB.1 | Installation der Basis

Positionierung der Lautsprecher im Raum

Ihre BP9000-Lautsprecher sind sehr flexibel in Bezug auf deren Positionierung und Platzierung. Um ihre Leistung zu optimieren, folgen Sie bitte diesen einfachen Richtlinien. Obwohl die folgenden Empfehlungen in der Regel die besten Ergebnisse erzielen, sind alle Zimmer und Hör-Einstellungen unterschiedlich. Haben Sie also keine Angst mit der Aufstellung der Lautsprecher zu experimentieren. Was am Ende in Ihren Ohren am besten klingt, ist wahrscheinlich auch richtig.

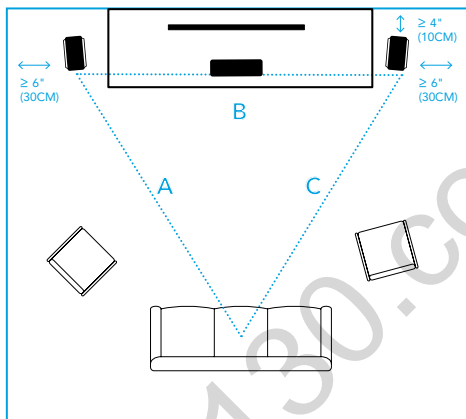
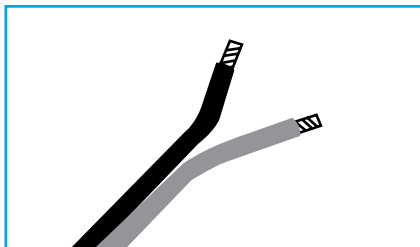


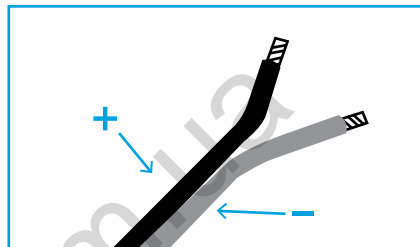
ABB. 2 | Positionierung BP9000 als Links/ Rechts

Wir empfehlen die Einrichtung der Lautsprecher und der Hörposition in einem gleichseitigen Dreieck, wie in **Abbildung 2** dargestellt. Sie erhalten auch gute Ergebnisse, wenn die Zuhörer ein bisschen weiter entfernt sind. Wenn beispielsweise Linie **A** und **C** jeweils 3 Meter lang sind, dann könnte Linie **B** zwischen 2 und 3 Metern breit sein. Die BP 9000 Lautsprecher bieten bipolaren Klang und reflektieren so den Klang von den Rück- und Seitenwänden, um ein unglaublich breites und ansprechendes Klangbild zu erstellen, egal wo Sie sitzen. Daher empfehlen wir die Platzierung Ihrer BP 9000 Lautsprecher mindestens 10 cm von Ihrer Rückwand entfernt, um diese Funktion zu maximieren. Durch das leichte Drehen der Lautsprecher nach innen, und wenn möglich, in Richtung Ihres Betrachtungsbereiches, wird auch eine stärkere Bildmitte erzeugt. Sobald Sie die richtige Position gefunden haben, zögern Sie nicht Definitive Technology oder Ihren Händler für zusätzliche Hinweise zur Positionierung der Lautsprecher zu kontaktieren.

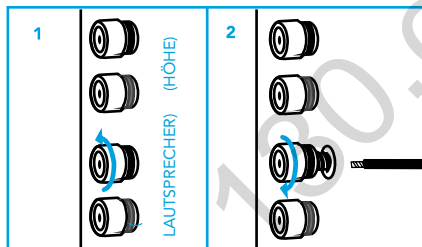
Anschließen der Lautsprecher



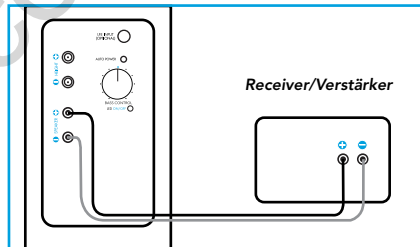
1/4" (6MM) DRAHT ABISOLIEREN



1. IDENTIFIZIEREN SIE DIE KENNZEICHNUNGEN AUF DEM DRAHT UND WEISEN SIE +/- ZU
2. TRAGEN SIE AN DIESER STELLE GGF. BANANENSTECKER ODER SPADES AUF



1. SCHRAUBEN SIE DIE UNTERSEITE DER POTKLEMMLE AB UND VERBINDEN SIE DEN DRAHT
2. FESTZIEHEN; BIS ER SICHER SITZT



STELLEN SIE SICHER, DASS DER LAUTSPRECHER IMMER + AN + UND - AN - AN DEN RECEIVER ODER DEN VERSTÄRKER ANGESCHLOSSEN IST

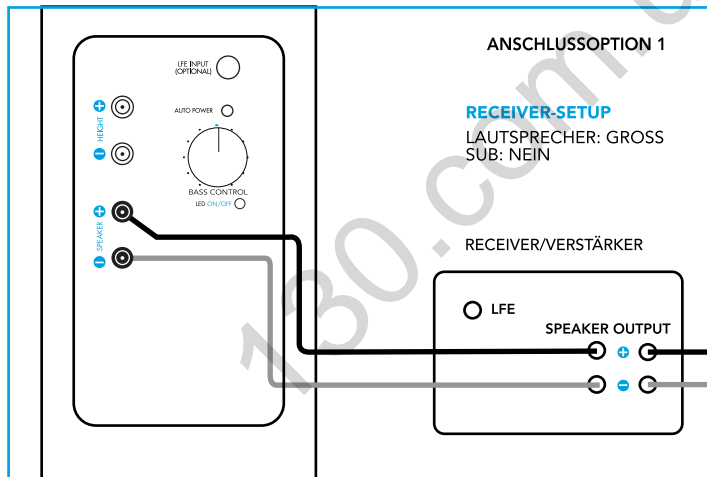
ABB. 3 | Verdrahtung und Polarität

Anschlussvarianten: Nur Lautsprecherpegel oder Lautsprecherpegel + LFE mit „Y“ Anschluss

Verwenden Sie die manuellen Lautsprecher-Setup-Funktionen Ihres Receivers oder Prozessors, um die Lautsprecherkonfiguration, Lautsprecherentfernung und den Kanalabgleich einzustellen. Das Handbuch Ihres Receivers / Prozessors erklärt Ihnen, wie man die Setup-Menüs öffnet und verwendet. Wir empfehlen Ihnen, die in Abbildung 5.4 genannten Einstellungen zu verwenden.

Hinweis: Wir empfehlen Ihnen die Auto-Setup-Funktionen Ihres Receivers nicht zu verwenden, da diese bei der Einrichtung und Anpassung von Lautsprechern mit integrierten aktiven Subwoofern ineffektiv sein können.

Anschlussvariante 1: Nur Lautsprecherpegel (empfohlen)



Variante 1 bietet einen unglaublich präzisen Fullrange-Sound. Die internen Frequenzweichen verteilen alle Frequenzen zu ihren beabsichtigten Lautsprechertreibern und der integrierte Subwoofer arbeitet harmonisch mit dem Mid-Range-Array.

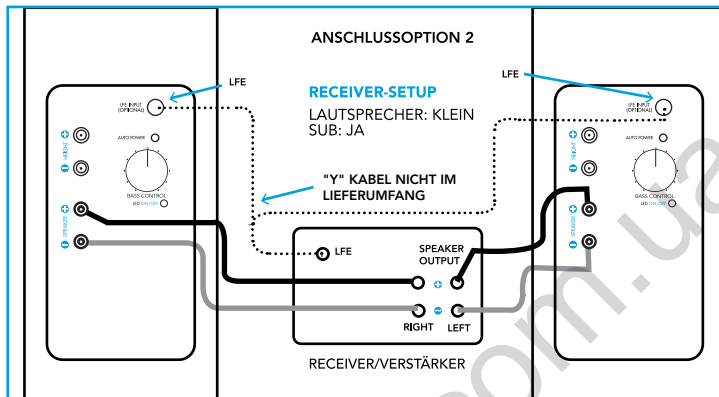
Anleitung:

- Verbinden Sie das Lautsprecherkabel vom Receiver / Verstärker zum Lautsprecherpegel-Eingang
- Stellen Sie die Receiver- / Prozessor-Einstellungen auf: Lautsprecher (Large);

ABB. 4 – Nur Lautsprecherpegel Diagramm

Important: Die Einstellung der Subwoofer auf „nein“ bedeutet einfach, dass KEIN zusätzlicher Subwoofer benötigt wird.

Anschlussvariante 2: Lautsprecherpegel + LFE mit „Y“ Anschluss



Weitere erweiterte Verbindungsmethoden finden Sie auf der Definitive Technology Website oder rufen Sie uns an.

ABB. 5 | Lautsprecherpegel + LFE mit "Y" Anschluss Diagramm

Diejenigen, die eine individuellere Anpassung wünschen, erhalten mit Option 2 die Möglichkeit, die Höhe der niedrigen Frequenzen (die unterhalb des Frequenzweichen-Sets Ihres Receivers / Prozessors) zu kontrollieren, welche zum Subwoofer gesendet werden. Sollten Sie Option 2 bevorzugen, empfehlen wir die Einstellung der Frequenzweiche Ihres Receivers / Prozessors auf 80 Hz oder niedriger, um zu vermeiden, dass die empfindliche Vermischung zwischen Subwoofer und Mitteltönen gestört wird. Darüber hinaus sollte eine sorgfältige Balance zwischen dem Subwoofer-Ausgangspegel des Receivers und dem Bass-Regler auf der Rückseite des Lautsprechers berücksichtigt werden. Wir empfehlen, mit dem Bass-Regler auf 12 Uhr zu beginnen (wie in Abb. 5 gezeigt).

Anleitung:

- Schließen Sie die Lautsprecherkabel vom Receiver / Verstärker zum Lautsprecherpegel-Eingang.
- Schließen Sie das RCA Y-Kabel vom LFE oder Sub-Out des Receivers / Prozessors zum LFE-Eingang vom linken und rechten BP9000 Lautsprecher.
- Justieren Sie die Receiver- oder Prozessor-Einstellungen: Lautsprecher (Small); Subwoofer (Yes)

Stromversorgung des Aktiv-Subwoofers

Ihre BP9000 Lautsprecher beinhalten eingebaute aktive Subwoofer, welche an eine Steckdose angeschlossen sein müssen. Der BP9000 verfügt über Signalerkennung, welche den Verstärker nur dann einschaltet, wenn ein Signal vorhanden ist. Sobald ein Signal wahrgenommen wird, schaltet das LED-Licht auf der Rückseite von Rot auf Blau um. Das "D." LED-Logo auf der Vorderseite wird sich einschalten (siehe Definitive Technology "D." LED-Logo Abschnitt für weitere Informationen). Nach Ende eines Signals, kann es bis zu 20 Minuten dauern, bis der Verstärker in den Standby-Modus umschaltet. Da die Verstärker im Ruhemodus nur wenig Strom verbrauchen, brauchen Sie sich darüber keine Gedanken zu machen.

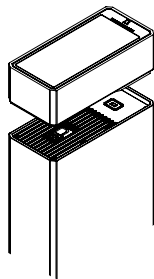
Intelligent Bass Control™

Definitive Technology hat lange geglaubt, dass die besten Lautsprecher Vollbereichsaudiosignale so genau wie möglich wiedergeben. Unsere Klang-Signatur ermöglicht es Ihnen, nicht nur hören, was sich auf dem Bildschirm befindet, sondern es auch zu fühlen. Intelligent Bass Control™ ist unsere neueste Entwicklung, welche es Ihnen ermöglicht, tiefen Bass in Stufen nach oben oder unten abzustimmen, während gleichzeitig eine optimale Mid-Range-Klarheit, unabhängig davon, wie der Bass-Regler eingestellt ist, beibehalten wird. Drehen Sie einfach den Regler auf der Rückseite des Lautsprechers auf Ihre bevorzugte Tiefen-Einstellung und der Lautsprecher erledigt den Rest der Arbeit. Das ist auch schon alles. Wir empfehlen, vom Mittelpunkt aus zu beginnen und ihn von dort aus an Ihre Wünsche anzupassen.

Für erweiterte Anleitungen zur Intelligent Bass Control™, einschließlich der Integration mit Raumkorrektursoftware (ex. Audyssey), besuchen Sie bitte unsere Website oder rufen Sie uns an.

Dolby Atmos® und DTS:X® Kompatibilität

Alle BP9000 Standlautsprecher bieten Dolby Atmos oder DTS:X-Kompatibilität. Der BP9080x integriert ein Höhenlautsprecher-Modul in den Lautsprecher ein, während BP9060, BP9040 und BP9020 einen versteckten, dedizierten Connector-Port haben (passend für das A90 Lautsprechermodul-separat erhältlich), welcher durch leichtes Drücken auf die Rückseite des magnetisch versiegelten und akustisch behandelten oberen Aluminiumblende erreicht werden kann. Unabhängig von Ihrer Einstellung, führen Sie einfach zusätzliches Lautsprecherkabel bis an die Höhe der Kanalklemmen auf der Rückseite des Lautsprechers von jedem Dolby Atmos oder mit DTS:X kompatibelem Set-Up.



A90 Bestückungsplan

Definitive Technology „D.“ LED - Logo

Um die integrierten aktiven Subwoofer hervorheben, sehen Sie ein LED-Logo auf der unteren Frontplatte jedes BP9000 Standlautsprechers. Dieses Logo wird standardmäßig auf "on" eingestellt sein, kann aber ganz einfach durch Drücken der LED ON- / OFF-Taste auf der Rückseite des Lautsprechers deaktiviert werden. Wenn aktiviert, wird das LED-Logo nur anstellen, sobald es ein aktives Signal von Ihrem Receiver / Prozessor erhält. Es schaltet sich automatisch aus bzw. auf Standby, nachdem 20 Minuten ohne aktives Signal vergangen sind.

Komplettes Heimkinosystem

Wir empfehlen dringend, dass Sie den Klangfarben-abgestimmten BP9000 Definitive Technology Centerkanal und die hinteren / Surround-Lautsprecher verwenden, um Ihre Heimkinoanlage zu vervollständigen. Bitte beachten Sie, dass Sie Definitive Technology Türme als Rück- oder Seiten-Surround-Lautsprecher mit hervorragenden Ergebnissen für Musik und Filme verwenden können.

Technische Unterstützung

Bei Fragen zu Ihrem BP9000 (z.B. Einrichtung) sind wir Ihnen gerne behilflich. Bitte wenden Sie sich an einen Definitive-Technology-Händler in Ihrer Nähe oder rufen Sie uns direkt an: (800) 228-7148 (USA & Kanada), 01 (410) 363-7148 (alle anderen Länder). Sie können uns auch per E-Mail erreichen: info@definitivetech.com. Technische Unterstützung wird nur in englischer Sprache angeboten.

BP9020

BP9040

BP9060

BP9080x

TECHNISCHE DATEN

DIMENSIONEN

(NÜR GEHÄUSE, OHNE BASIS)

34.75" H x 6" W
x 13" D (88.3cm
H x 15.3 cm W
x 33 cm D)38.25" H x 6" W x
13" D (97.0 cm H
x 15.3 cm W x 33
cm D))43.75" H x 6" W ;
13" D (111.1cm F
x 15.3 cm W x 33
cm D)50.5" H x 7" W x
16" D (128.7cm H
x 17.8 cm W x 40.6
cm D)

DIMENSIONEN (MIT BASIS)

35.5" H x 11" W
x 13" D (88.3cm
H x 27.9 cm W x
33 cm D)39" H x 11" W
x 13" D (99.0cm
H x 27.9 cm W x
33 cm D)44.5" H x 11" W
x 13" D (113.1cm
H x 15.3 cm W x
33 cm D)51.5" H x 11" W
x 13" D (130.6cm
H x 27.9 cm W x
33 cm D)

PRODUKTGEWICHT

30 lbs.

26 lbs.

50 lbs.

62 lbs.

FRONT ARRAY

LAUTSPRECHERBESTÜCKUNG

(2) 3.5" (8.9
cm) Treiber,
(1) 1" (2.5 cm)
Aluminum
Hochtöner(2) 4.5" (11.4 cm)
Treiber, (1) 1" (2.5
cm) Aluminum
Hochtöner(2) 4.5" (11.4 cm)
Treiber, (1) 1" (2.5
cm) Aluminum
Hochtöner(2) 5.25" (13.3
cm) Treiber, (1) 1"
(2.5 cm) Aluminum
Hochtöner

RÜCK-ARRAY

LAUTSPRECHERBESTÜCKUNG

(1) 3.5"
(8.9 cm) Treiber(1) 4.5" (11.4 cm)
Treiber, (1) 1" (2.5
cm) Aluminum
Hochtöner(1) 4.5" (11.4 cm)
Treiber, (1) 1" (2.5
cm) Aluminum
Hochtöner(2) 5.25" (13.3
cm) Treiber, (1) 1"
(2.5 cm) Aluminum
Hochtöner

SUBWOOFER

LAUTSPRECHERBESTÜCKUNG

(1) 8" (20.3 cm)
woofer(1) 8" (20.3 cm)
woofer, (2) 8" (20.3
cm) Bassstrahler(1) 10" (25.4 cm)
woofer, (2) 10"
(25.4 cm)
Bassstrahler(1) 12" (30.5 cm)
woofer, (2) 12"
(30.5 cm)
Bassstrahler

FREQUENZGANG

28Hz-40kHz

22Hz-40kHz

18Hz-40kHz

16Hz-40kHz

SENSITIVITÄT

92dB SPL

92dB SPL

92dB SPL

92dB SPL

NOMINALE IMPEDANZ

8 ohms

8 ohms

8 ohms

8 ohms

EMPFOHLENE

EINGANGSLEISTUNG

50-200W

50-300W

50-300W

50-300W

INTERNE VERSTÄKERLEISTUNG

150W

300W

300W

455W

EVELATION MODULE DRIVEE
COMPLEMENT

Keine

Keine

Keine

(1) 5.25" (13.3 cm)
Treiber, (1) 1"
(2.5 cm) Aluminum
Hochtöner

Fehlerbehebung

Sollten Probleme bei Ihrem B9000 Center-Lautsprecher auftreten, versuchen Sie, diese mit Hilfe der nachfolgenden Vorschläge zu beheben. Sollten die Probleme weiterhin bestehen, kontaktieren Sie bitte Ihren Definitive-Technology-Vertragshändler, wo man Ihnen gerne weiterhilft.

1. Hörbare Verzerrungen können auftreten, wenn die Lautsprecher mit hoher Lautstärke betrieben werden. Dies wird dadurch verursacht, dass der Receiver oder Verstärker lauter eingestellt wird, als die Lautsprecher wiedergeben imstande sind. Die meisten Receiver und Verstärker laufen auf voller Nennleistung, noch weit bevor der Lautstärkepegel das Maximum erreicht. Die Position des Lautstärkereglers ist also kein zuverlässiger Indikator für die Leistungsgrenze. Wenn Ihre Lautsprecher bei hoher Lautstärke den Klang verzerren, reduzieren Sie die Lautstärke!
2. Wird kein Bass wiedergegeben, ist wahrscheinlich ein Lautsprecher nicht mehr in Phase (Polarität) mit dem anderen. Es ist eine erneute Verkabelung notwendig, wobei bei beiden Kanälen zu beachten ist, Plus mit Plus und Minus mit Minus zu verbinden. Die meisten Lautsprecherkabel verfügen auf einer Leitung über eine entsprechende Kennzeichnung (Farbkodierung, Rippung, Beschriftung). Es ist wichtig, beide Lautsprecher in gleicher Weise (in Phase) mit dem Verstärker zu verbinden. Zu einem Bassmangel kann es auch dann kommen, wenn der Bassregler komplett heruntergedreht oder ausgeschaltet ist.
3. Vergewissern Sie sich, dass all Ihre Systemverbindungen und Stromkabel fest in ihren jeweiligen Anschlussstellen sitzen.
4. Kommt es zu einem Brummen oder Rauschen aus den Lautsprechern, verbinden Sie die Netzkabel Ihres Lautsprechers mit einem anderen Wechselstrom-Schaltkreis als Ihren Verstärker.
5. Das System verfügt über hochentwickelte integrierte Schutzschaltungen. Sollte die Schutzschaltung ausgelöst werden, schalten Sie das System aus und warten Sie 5 Minuten, bevor Sie es wieder anschalten. Sollte der eingebaute Verstärker des Lautsprechers überhitzen, schaltet sich das System aus. Wenn der Verstärker abgekühlt ist, schaltet sich das System erneut ein.
6. Überprüfen Sie, ob das Stromkabel beschädigt ist.
7. Vergewissern Sie sich, dass keine Fremdobjekte oder Flüssigkeit in das Lautsprechergehäuse gelangt sind.
8. Wenn Sie den Subwoofer-Treiber nicht zum Laufen bringen oder es keine Tonwiedergabe gibt und Sie sicher sind, dass das System ordnungsgemäß eingerichtet wurde, bringen Sie Ihren Lautsprecher bitte zu Ihrem Definitive-Technology-Vertragshändler für weitere Hilfe. Rufen Sie vorher bitte an.

Service

Inspektionen und Garantiewerke an Ihren Definitive-Lautsprechern werden üblicherweise von Ihrem lokalen Definitive-Technology-Händler durchgeführt. Wenn Sie Ihre Lautsprecher wieder zurückbringen möchten, kontaktieren Sie uns bitte vorher, um das Problem zu beschreiben, eine Rücksendegenehmigung einzuholen und sich nach der richtigen Adresse des nächstgelegenen Werkskundendienstes zu erkundigen. Beachten Sie, dass die in diesem Handbuch aufgeführte Adresse lediglich unseren Geschäftssitz angibt. Lautsprecher dürfen unter keinen Umständen an unseren Geschäftssitz versandt werden. Die Geräte dürfen nicht retourniert werden, ohne dass wir vorher kontaktiert worden sind und eine Rücksendegenehmigung erteilt haben.

Definitive Technology Niederlassungen

1 Viper Way, Vista, CA 92081

Telefon: (800) 228-7148 (USA & Kanada), 01 (410) 363-7148 (alle anderen Länder)

Beschränkte Garantie:

5 Jahre für Treiber und Gehäuse, 3 Jahre für elektronische Komponenten

DEI Sales Co., dba Definitive Technology (hier „Definitive“) garantiert nur dem Erstkäufer, dass dieser Definitive-Lautsprecher (das „Produkt“) ab dem Datum des Kaufs bei einem Definitive-Vertragshändler frei von Material- und Verarbeitungsfehlern ist. Diese Garantie beläuft sich bei Treibern und Gehäuse des Produktes auf fünf (5) Jahre, bei elektronischen Komponenten auf drei (3) Jahre. Falls das Produkt Material- oder Verarbeitungsfehler aufweist, wird Definitive oder sein Vertragshändler das Produkt nach eigenem Ermessen kostenlos reparieren oder ersetzen, soweit im Folgenden nicht anders angegeben. Alle ersetzten Teile und das Produkt werden zum Eigentum von Definitive. Das im Rahmen dieser Garantie reparierte oder ersetzte Produkt wird nach angemessener Zeit an Sie zurückgesandt, wobei die Versandkosten von Ihnen übernommen werden. Diese Garantie ist nicht übertragbar und verliert automatisch ihre Gültigkeit, wenn der Erstkäufer das Produkt verkauft oder es anderweitig an Dritte übergibt. Diese Garantie umfasst keine Reparatur von Teilen, die durch Unfall, falsche Benutzung, Missbrauch, Nachlässigkeit, ungeeignete Verpackung und Versandverfahren, kommerzielle Nutzung, Überspannung beschädigt wurden oder deren Außenbild nicht direkt auf Material- oder Verarbeitungsfehler zurückzuführen ist. Diese Garantie deckt weder die Beseitigung von extern erzeugter Statik oder Geräuschen noch die Korrektur von Antennenproblemen oder Empfangsschwäche. Diese Garantie deckt weder Arbeitskosten noch durch Installation/Deinstallation entstandene Produktschäden. Von der Garantie ausgeschlossen sind Produkte, die bei anderen als den von Definitive Technology autorisierten Fachhändlern erworben wurden.

DIE GARANTIE ERLISCHT IN FOLGENDEN FÄLLEN:

- 1) Das Produkt wurde beschädigt, modifiziert, beim Transport falsch gehandhabt oder manipuliert.
- 2) Das Produkt wurde durch Unfall, Brand, Überschwemmung, unangemessenen Gebrauch, Missbrauch, Reinigung durch den Kunden, Missachtung von Herstellerhinweisen und ähnliche Ereignisse beschädigt.
- 3) Die Produktreparatur/-modifikation wurde nicht durch Definitive Technology autorisiert oder durchgeführt.
- 4) Das Produkt wurde nicht ordnungsgemäß installiert oder verwendet. Das Produkt muss (versichert und frachtfrei) zusammen mit der datierten

Das Produkt muss (versichert und frachtfrei) zusammen mit der datierten Originalrechnung an den Fachhändler zurückgesandt werden, bei welchem das Produkt erworben wurde, oder an den nächsten Definitive- Werkskundendienst. Das Produkt muss in der Originalverpackung oder einer gleichwertigen Verpackung verschickt werden. Definitive haftet nicht für einen Verlust oder Schäden des Produktes während des Transportes.

DIESE GARANTIE IST DIE EINZIGE AUSDRÜCKLICHE GARANTIE FÜR IHR PRODUKT. DEFINITIVE ÜBERNIMMT KEINERLEI VERPFLICHTUNGEN ODER VERANTWORTLICHKEITEN UND AUTORISIERT KEINE DRITTEN ZUR ÜBERNAHME SOLCHER VERPFLICHTUNGEN IM ZUSAMMENHANG MIT IHREM PRODUKT ODER DIESER GARANTIE. ALLE ANDEREN GARANTIEEN, EINSCHLIESSLICH, ABER NICHT BESCHRÄNKT AUF, AUSDRÜCKLICHE ODER STILLSCHWEIGENDE GEWÄHRLEISTUNG BEZÜGLICH MARKTGÄNGIGKEIT SOWIE EIGNUNG FÜR EINEN BESTIMMTEN ZWECK, SIND AUSDRÜCKLICH AUSGESCHLOSSEN UND WERDEN IN VOLLEM GESETZLICH ZULÄSSIGEN UMFANG ABGELEHNT. ALLE STILLSCHWEIGENDEN GARANTIEEN FÜR DAS PRODUKT BESCHRÄNKEN SICH AUF DIE DAUER DIESER AUSDRÜCKLICHEN GARANTIE. DEFINITIVE HAFTET NICHT FÜR DIE HANDLUNGEN DRITTER. DIE HAFTUNG VON DEFINITIVE, OB BASIEREND AUF EINEM VERTRAG, UNERLAUBTER HANDLUNG, KAUSALHAFTUNG ODER ANDERER GRUNDLAGE, ÜBERSTEIGT NICHT DEN KAUFPREIS DES PRODUKTES, FÜR WELCHES ANSPRÜCHE ERHOHEN WERDEN. UNTER KEINEN UMSTÄNDEN ÜBERNIMMT DEFINITIVE HAFTUNG FÜR ZUFÄLLIGE, SPEZIELLE ODER FOLGESCHÄDEN. DER VERBRAUCHER STIMMT ZU, DASS ALLE STREITIGKEITEN ZWISCHEN DEM VERBRAUCHER UND DEFINITIVE GEMÄSS DEN IN KALIFORNIEN GELTENDEN GESETZEN IN SAN DIEGO COUNTY, KALIFORNIEN, BEIGLEGT WERDEN. DEFINITIVE BEHÄLT SICH DAS RECHT VOR, DIESE GARANTIERKLÄRUNG JEDERZEIT ZU ÄNDERN.

Da einige Staaten den Ausschluss oder die Beschränkung von Folge- und Nebenschäden sowie stillschweigenden Garantien verbieten, treffen die oben genannten Beschränkungen ggf. nicht auf Sie zu. Mit dieser Garantie erhalten Sie bestimmte Rechtsansprüche. Abhängig vom Staat könnten Ihnen noch anderweitige Rechte zustehen.

©2016 DEI Sales Co. Alle Rechte vorbehalten.

MISURE DI SICUREZZA



ATTENZIONE! Per ridurre il rischio di scosse elettriche e incendio, non fare rimuovere la copertura o la piastra posteriore del dispositivo. Non ci sono parti riparabili dall'utente all'interno. Per la manutenzione rivolgersi tecnici certificati per l'assistenza. Avviso: Pericolo di scossa elettrica. Non aprire.

ATTENZIONE! Il simbolo internazionale di un fulmine all'interno di un triangolo ha lo scopo di avvisare l'utente di una "tensione pericolosa" non isolata all'interno del dispositivo. Il simbolo internazionale di un punto esclamativo all'interno di un triangolo ha lo scopo di allertare l'utente della presenza di importanti istruzioni operative, di manutenzione e controllo nel manuale che accompagna il dispositivo.

ATTENZIONE! Per evitare le scosse elettriche, far corrispondere la lama grande della spina a più ampia, inserendola completamente.

ATTENZIONE! Per ridurre il rischio di scosse elettriche, non esporre questa apparecchiatura alla pioggia o all'umidità.

1. LEGGERE LE ISTRUZIONI – Tutte le istruzioni di sicurezza e di funzionamento devono essere lette prima di utilizzare il dispositivo.
2. CONSERVARE LE ISTRUZIONI – Le istruzioni di sicurezza e operative devono essere conservate per riferimento futuro.
3. RISPETTARE LE AVVERTENZE – Tutte le avvertenze sull'apparecchio e nelle istruzioni di funzionamento devono essere seguite fedelmente.
4. SEGUIRE LE ISTRUZIONI – Tutte le istruzioni operative e di sicurezza devono essere seguite.
5. ACQUA E UMIDITÀ – Il dispositivo non deve mai essere usato in, sopra o in prossimità di acqua per il rischio di scosse mortali.
6. VENTILAZIONE – Il dispositivo deve sempre essere situato in un modo tale da mantenere la corretta ventilazione. Non deve mai essere collocato in un'installazione interna o in qualunque posto in cui ci sia un impedimento al flusso di aria attraverso il suo dissipatore di calore.
7. CALORE – Non mettere mai il dispositivo in prossimità di fonti di calore come radiatori, sfitti nel pavimento, stufe o altri dispositivi che generano calore.
8. ALIMENTAZIONE – Il dispositivo deve essere collegato solo ad un alimentatore del tipo descritto nelle istruzioni operative o come indicato sul dispositivo.
9. PROTEZIONE DEL CAVO DI ALIMENTAZIONE – I cavi di alimentazione devono essere messi in modo che non siano

suscettibili di essere calpestati o schiacciati da oggetti posti su di loro o contro di loro. Attenzione speciale deve essere prestata alle zone in cui la spina entra in una presa di corrente o in un connettore a striscia e in cui il cavo esce dal dispositivo.

10. PULIZIA – Il dispositivo deve essere pulito secondo le istruzioni del produttore.
11. PERIODI DI NON UTILIZZO – Il dispositivo deve essere staccato quando non viene utilizzato per lunghi periodi.
12. INGRESSO PERICOLOSO – Si deve prestare attenzione affinché oggetti estranei o liquidi non cadano o penetrino all'interno del dispositivo.
13. DANNI CHE RICHIEDONO RIPARAZIONE – Il dispositivo deve essere riparato da tecnici certificati quando:
 - Il cavo di collegamento o di alimentazione è stato danneggiato.
 - Degli oggetti sono caduti o del liquido è stato versato all'interno del dispositivo.
 - Il dispositivo è stato esposto all'umidità.
 - Il dispositivo non sembra funzionare correttamente o presenta un evidente cambiamento nelle prestazioni.
 - Il dispositivo è caduto o il contenitore si è danneggiato.
14. ASSISTENZA – Il dispositivo deve sempre essere riparato da tecnici certificati. Devono essere usate solo parti di ricambio specificate dal produttore. L'uso non autorizzato di parti sostitutive può provocare incendi, urti o altri pericoli.

ATTENZIONE: IMPORTANTI ISTRUZIONI SULLA SICUREZZA AVVERTENZA: NON UTILIZZARE IL DIFFUSORE SE NON È STATA INSTALLATA UNA BASE PER LA STABILIZZAZIONE

Alimentazione

1. Il fusibile e il dispositivo di scollegamento dell'alimentazione si trovano sul retro del diffusore.
2. Il dispositivo di scollegamento è rappresentato dal cavo di alimentazione, che può essere scollegato sia dal diffusore che dalla parete.
3. Prima di eseguire qualsiasi riparazione, scollegare il cavo di alimentazione dal diffusore.

Questo simbolo sui nostri prodotti elettrici o la loro confezione indica che è vietato in Europa eliminare il prodotto in questione come rifiuto domestico. Per garantire che i prodotti siano smaltiti correttamente, disporre dei prodotti secondo le leggi e normative locali relative allo smaltimento di apparecchiature elettriche ed elettroniche attrezzature. In tal modo si fornisce un contributo alla conservazione delle risorse naturali e alla promozione della tutela ambientale col trattamento e lo smaltimento dei rifiuti elettronici.



Nos complace que ya forme parte de nuestra familia Definitive Technology.

Dedica qualche minuto per registrare il prodotto* in modo che abbiamo un registro completo del tuo acquisto. Facendolo ci aiuti a servirti al meglio possibile ora e in futuro. Inoltre, ci permette di contattarci per qualsiasi manutenzione o avviso di garanzia (se richiesto).

Registrali qui: <http://www.definitivetechology.com/registration>

Non hai internet? Chiama il Servizio Clienti

L-V 9:30-18:00 US ET allo (800) 228-7148 (USA e Canada), oppure 01 (410) 363-7148 (tutti gli altri paesi)

Nota: i dati che raccogliamo durante la registrazione online non sono mai venduti o distribuiti a terze parti.

**Il numero di serie si trova sul retro del manuale*

Unpacking Your BP9000 Speakers

Bitte packen Sie Ihr System vorsichtig aus. Wir empfehlen Ihnen alle Kartons und Verpackungsmaterialien aufzubewahren für den Fall, dass Sie umziehen oder Ihr System verschicken müssen. Zudem ist es wichtig, diese Gebrauchsanleitung aufzubewahren, da sie die Seriennummer Ihres Produkts enthält. Die Seriennummer finden Sie auch auf der Rückseite des BP 9000 Lautsprechers. Jeder Lautsprecher verlässt unser Werk in einwandfreiem Zustand. Jeder sichtbare oder verdeckte Schaden ist wahrscheinlich bei der Handhabung aufgetreten, nachdem das Produkt unser Werk verlassen hat. Wenn Sie Transportschäden feststellen, melden Sie dies bitte Ihrem Definitive Technology Händler oder der Firma, welche Ihre Lautsprecher geliefert hat.

In Ihrem BP9000 Zubehörsatz enthaltenes Zubehör:

(Für die Installation von Zubehörteilen, siehe Abb.1)

1. Stabilisatorbasis aus Aluminium: Anz. (1) alle Modelle
2. Kreuzschlitzschraubenzieher: Anz. (4) alle Modelle
3. Schraubensicherungen für Spikes / Gleiter: Anz. (4)
4. Hartbodengleiter (für feste Bodenflächen wie Hartholz oder Zement): Anz. (4) alle Modelle
5. Teppichstifte: Anz. (4) alle Modelle
6. Stromkabel: Anz. (1) alle U.S. Modelle; Anz. (2) alle EU und UK Modelle

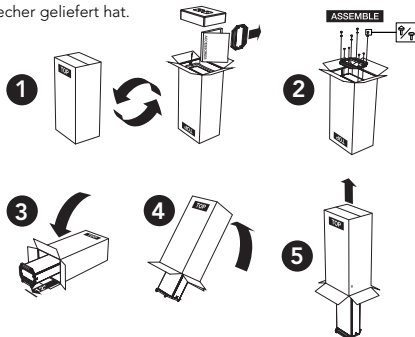


FIGURA 1 | Installazione della base

*Definitive Technology haftet nicht für Schäden an Böden, welche durch Missbrauch des zur Verfügung gestellten Zubehörs verursacht werden.

Autogoods "130"

Posizionamento dei diffusori nella stanza

I diffusori BP9000 sono molto flessibili in termini di posizionamento. Per ottimizzare le loro prestazioni, vi consigliamo di seguire queste semplici linee guida. Anche se le seguenti raccomandazioni permettono in genere di ottenere i migliori risultati, dovete considerare che ogni camera e ogni ambiente d'ascolto è diverso, quindi non temete di sperimentare con la posizione dei vostri diffusori. La posizione corretta è quella che vi garantisce il suono migliore.

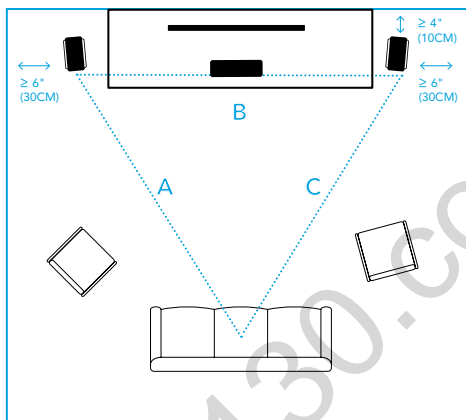
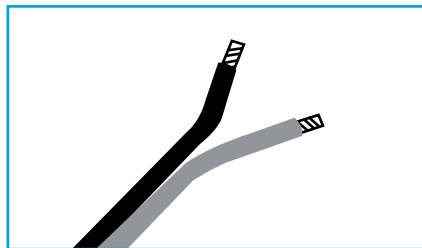


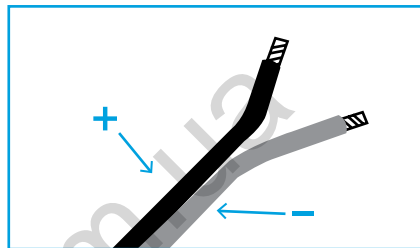
FIGURA 2 – Posizionamento del BP9000 a sinistra/destra

Vi consigliamo di creare un triangolo equilatero tra i diffusori e la posizione di ascolto, come illustrato nella [Figura 2](#). Otterrete risultati migliori se la posizione di ascolto è ancora più lontana. Ad esempio, se la linea A e la linea C sono lunghe 10', allora la linea B può avere un'ampiezza compresa tra 7' e 10'. I diffusori BP9000 offrono un suono bipolare, il che significa che creano un suono riflesso dalle pareti posteriori e laterali, garantendo un'esperienza audio completa e avvolgente indipendentemente da dove si ascolta il suono. Pertanto, consigliamo di posizionare i diffusori BP9000 ad almeno 4" dalla vostra parete posteriore, in modo da ottimizzare questa funzione. Dare leggermente un colpo con la punta del piede ai diffusori, se possibile, spingendoli verso l'area di visione, consentirà di percepire meglio l'immagine sonora. Una volta trovata la giusta posizione, sentitevi liberi di contattare Definitive Technology oppure il vostro punto vendita per ulteriori consigli sul posizionamento dei diffusori.

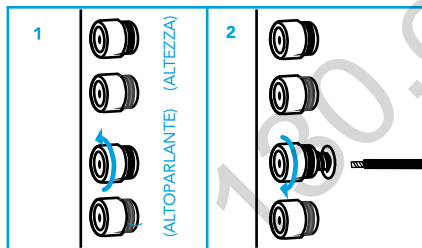
Connetti i tuoi diffusori



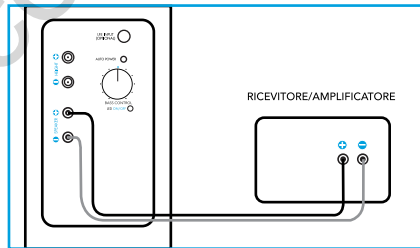
STACCA I FILI DA 1/4" (6MM)



1. IDENTIFICA I SEGNI SUI FILI E ASSEGNA IL +/-
2. INSERISCI GLI SPINOTTI A BANANA O I CONNETTORI IN QUESTO PUNTO SE DEL CASO



1. SVITA UN SET DI CONNETTORI E CONNETTI I FILI
2. STRINGI FINO AD ESSERE STRETTI



ASSICURATI CHE I DIFFUSORI SIANO SEMPRE CONNESSI AL RICEVITORE O AMPLIFICATORE + AL + E IL - A -

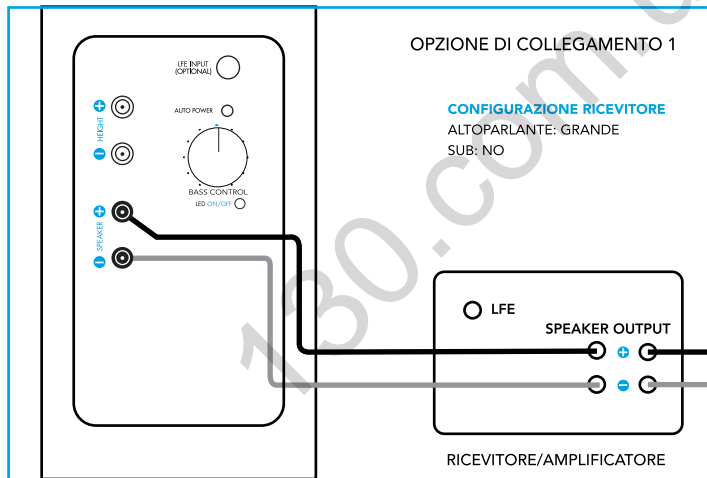
FIGURA 3 – Connessione e Polarità

Opzioni di collegamento: solo a livello di diffusore oppure a livello di diffusore + LFE con connettore a "Y"

Utilizzare le funzioni di configurazione manuale del ricevitore o processore per configurare il diffusore, la distanza del diffusore e il bilanciamento dei canali. Consultare il manuale del ricevitore/processore per sapere come accedere e utilizzare il menu di configurazione. Vi consigliamo di utilizzare le impostazioni richiamate nella Figura 4/5.

Nota: vi sconsigliamo di utilizzare le funzioni di configurazione automatiche del ricevitore in quanto possono non essere efficaci per la configurazione e la regolazione di subwoofer amplificati.

Opzione di collegamento 1: solo a livello di diffusore (opzione consigliata)



L'opzione 1 garantisce una gamma sonora incredibilmente completa e precisa. La rete di di cross-over interna distribuisce tutte le frequenze ai relativi driver, e il subwoofer amplificato integrato si combina armoniosamente con l'array mid-range.

Direzioni:

- Collegare il cavo dell'altoparlante dal ricevitore/amplificatore all'ingresso a livello dell'altoparlante
- Regolare le impostazioni del ricevitore/processore su: Diffusore (Large); Subwoofer (No)

FIGURA 4 – Speaker livello Solo Diagramma

Importante: impostare l'opzione subwoofer su NO significa semplicemente che Non sono necessari subwoofer aggiuntivi.

Alimentazione del subwoofer attivo

I diffusori BP9000 includono dei subwoofer amplificati integrati che devono essere collegati alla presa elettrica. Il diffusore BP9000 vanta una funzione di rilevamento del segnale che attiva l'amplificatore solo se è presente un segnale. Quando viene rilevato un segnale, il LED sul retro passa da Rosso ad Azzurro. Il logo LED "D." sulla parte anteriore si accende (per maggiori informazioni, consultate la sezione Logo LED "D." di Definitive Technology). Dopo la cessazione del segnale, potrebbero volerci fino a 20 minuti prima che l'amplificatore torni in modalità standby. Non preoccupatevi, gli amplificatori consumano pochissima corrente quando non sono attivi.

Intelligent Bass Control™

Definitive Technology crede da sempre che il migliore altoparlante sia quello che riproduce il segnale audio più completo e preciso possibile. Le nostre tecnologie audio consentono non solo di ascoltare quello che c'è sullo schermo, ma anche di sentirlo. Intelligent Bass Control™ è la nostra invenzione tecnologia più recente, che vi permette di modulare i livelli dei bassi conservando, nel frattempo, un'ottima chiarezza in gamma media, indipendentemente dall'impostazione del controllo dei bassi. È sufficiente ruotare la manopola posta sul retro del diffusore sull'impostazione preferita per i bassi, e il diffusore farà il resto del lavoro. È tutto. Vi consigliamo di iniziare da un livello medio, e da lì regolare via via la vostra preferenza.

Per istruzioni avanzate sulla tecnologia Intelligent Bass Control™, incluso il software di correzione della stanza (es. Audyssey), visitate il nostro sito Web oppure chiamateci.

Compatibilità Dolby Atmos® e DTS:X®

Tutti i diffusori da pavimento BP9000 sono compatibili con i sistemi Dolby Atmos o DTS:X. Il modello BP9080x integra un modulo altoparlante ad altezza, mentre i modelli BP9060, BP9040 e BP9020 presentano una porta connettore dedicata e nascosta (adatta per il modulo altoparlante A90, venduto separatamente) alla quale si accede premendo delicatamente sul retro del pannello superiore trattato acusticamente e sigillato magneticamente. Indipendentemente dalla configurazione scelta, è sufficiente far passare un filo aggiuntivo dell'altoparlante fino ai morsetti del canale di altezza sul retro dell'altoparlante da qualsiasi set compatibile con la tecnologia Dolby Atmos o DTS:X.

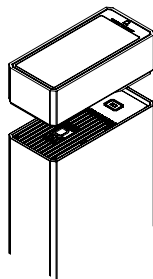


Diagramma di
posizionamento
dell'A90

Logo LED Definitive Technology "D."

Per sottolineare i subwoofer amplificati integrati, è presente un logo LED nella parte inferiore del pannello frontale di ogni altoparlante a torre BP9000. Questo logo è "acceso" per impostazione predefinita ma può essere disattivato premendo semplicemente il pulsante LED ON/OFF sul retro dell'altoparlante. Se attivato, il logo LED si accende solo quando si riceve un segnale attivo dal ricevitore/processore. Si spegne o entra automaticamente in stand-by dopo 20 minuti di assenza di segnale attivo.

Sistema Home Theater completo

Per completare il vostro sistema home theater, vi consigliamo di utilizzare i diffusori del canale centrale e Surround (posteriore) BP9000 Definitive Technology, con timbrica sincronizzata. Potete utilizzare le torri Definitive Technology come altoparlanti surround posteriori o laterali con risultati eccellenti, sia per la musica che per i film.

Assistenza tecnica

Siamo lieti di fornirvi assistenza in caso di domande riguardo al diffusore BP9000 o alla sua configurazione. Siete pregati di contattare il rivenditore Definitive Technology più vicino oppure di chiamarci direttamente al numero (800) 228- 7148 (da USA e Canada) o al numero 01 (410) 363-7148 (da tutti gli altri paesi) oppure di contattarci tramite e-mail all'indirizzo info@definitivetech.com. L'assistenza tecnica è disponibile solo in inglese.

BP9020

BP9040

BP9060

BP9080x

CARATTERISTICHE TECNICHE

DIMENSIONI (SOLO CABINET, SENZA BASE)	34.75" H x 6" W x 13" D (88.3cm H x 15.3 cm W x 33 cm D)	38.25" H x 6" W x 13" D (97.0 cm H x 15.3 cm W x 33 cm D))	43.75" H x 6" W : 13" D (111.1cm H x 15.3 cm W x 33 cm D)	50.5" H x 7" W x 16" D (128.7cm H x 17.8 cm W x 40.6 cm D)
DIMENSIONI (CON BASE)	35.5" H x 11" W x 13" D (88.3cm H x 27.9 cm W x 33 cm D)	39" H x 11" W x 13" D (99.0cm H x 27.9 cm W x 33 cm D)	44.5" H x 11" W x 13" D (113.1cm H x 15.3 cm W x 33 cm D)	51.5" H x 11" W x 13" D (130.6cm H x 27.9 cm W x 33 cm D)
PESO DEL PRODOTTO	30 libbre	26 libbre	50 libbre	62 libbre
DRIVER ARRAY POSTERIORE	(2) 3.5" (8.9 cm) Driver, (1) 1" (2.5 cm) tweeter a cupola in alluminio	(2) 4.5" (11.4 cm) Driver, (1) 1" (2.5 cm) tweeter a cupola in alluminio	(2) 4.5" (11.4 cm) Driver, (1) 1" (2.5 cm) tweeter a cupola in alluminio	(2) 5.25" (13.3 cm) Driver, (1) 1" (2.5 cm) tweeter a cupola in alluminio
RÜCK-ARRAY LAUTSPRECHERBESTÜCKUNG	(1) 3.5" (8.9 cm) Treiber	(1) 4.5" (11.4 cm) Driver, (1) 1" (2.5 cm) tweeter a cupola in alluminio	(1) 4.5" (11.4 cm) Driver, (1) 1" (2.5 cm) tweeter a cupola in alluminio	(2) 5.25" (13.3 cm) Driver, (1) 1" (2.5 cm) tweeter a cupola in alluminio
DRIVE SUBWOOFER	(1) 8" (20.3 cm) woofer	(1) 8" (20.3 cm) woofer, (2) 8" (20.3 cm) radiatori bassi	(1) 10" (25.4 cm) woofer, (2) 10" (25.4 cm) radiatori bassi	(1) 12" (30.5 cm) woofer, (2) 12" (30.5 cm) radiatori bassi
RISPOSTA IN FREQUENZA	28Hz-40kHz	22Hz-40kHz	18Hz-40kHz	16Hz-40kHz
SENSIBILITÀ	92dB SPL	92dB SPL	92dB SPL	92dB SPL
IMPEDENZA NOMINALE	8 ohms	8 ohms	8 ohms	8 ohms
POTENZA DI INGRESSO RACCOMANDATA	50-200W	50-300W	50-300W	50-300W
POTENZA DELL'AMPLIFICATORE INTERNO	150W	300W	300W	455W
DRIVER DEL MODULO DI ELEVAZIONE COMPLEMENT	nessuno	nessuno	nessuno	(1) 5.25" (13.3 cm) Driver, (1) 1" (2.5 cm) tweeter a cupola in alluminio

Risoluzione dei problemi

In caso di problemi con i diffusori BP9000, provate i seguenti suggerimenti. Se avete ancora problemi, contattate il vostro rivenditore Definitive Technology autorizzato per richiedere assistenza.

1. La distorsione che si sente quando gli altoparlanti vengono utilizzati a volumi elevati è provocata dal fatto che il ricevitore o l'amplificatore sono utilizzati ad un volume più elevato di quello consentito. La maggior parte dei ricevitori e amplificatori lavora alla massima potenza nominale ben prima che il volume sia impostato al massimo, pertanto la posizione del controllo del volume è uno scarso indicatore del limite di potenza. Se sentite delle distorsioni quando aumentate al massimo gli altoparlanti, abbassate il volume!
2. Se riscontrate una perdita dei bassi, è probabile che un altoparlante sia fuori fase (polarità) con l'altro e che debba essere ricollegato prestando maggiore attenzione al collegare positivo con positivo e negativo con negativo su entrambi i canali. La maggior parte dei cavi degli altoparlanti presentano una qualche indicazione (ad esempio un codice di colori, una rigatura o una scritta) su uno dei due conduttori, per aiutare a mantenere la coerenza. È essenziale collegare entrambi i diffusori all'amplificatore nello stesso modo (in fase). Si può riscontrare una perdita di bassi anche se la manopola del volume dei bassi è disattivata.
3. Assicuratevi che tutte le interconnessioni del sistema e i cavi di alimentazione siano saldamente al loro posto.
4. Se doveste sentire dei ronzii o dei rumori provenire dai diffusori, provate a collegare i cavi di alimentazione a un circuito CA diverso.
5. Il sistema dispone di una sofisticata circuiteria di protezione interna. Se per qualche ragione si attiva tale protezione, spegnere il sistema e attendere cinque minuti prima di riaccenderlo. In caso di surriscaldamento dell'amplificatore integrato, il sistema si spegnerà finché l'amplificatore non si sarà raffreddato e ripristinato.
6. Assicurarsi che il cavo di alimentazione non sia stato danneggiato.
7. Verificare che non siano penetrati corpi estranei o liquidi del cabinet del diffusore.
8. Se il driver del subwoofer non si attiva o non fuoriesce alcun suono, e si è sicuri che il sistema sia configurato correttamente, portare l'altoparlante da un rivenditore Definitive Technology autorizzato per ottenere assistenza; chiamare prima.

Riparazione

Le riparazioni sugli altoparlanti Definitive vengono effettuate solitamente da rivenditori Definitive Technology locali. Tuttavia, se desiderate restituirvi il diffusore, siete pregati di contattarci descrivendo il problema e richiedendo l'autorizzazione e il centro assistenza a voi più vicino. Tenete presente che l'indirizzo presente su questo opuscolo è quello dei nostri uffici. In nessuna circostanza dovete inviare i diffusori ai nostri uffici oppure restituirli senza prima averci contattato e ottenuto l'autorizzazione.

Definitive Technology Niederlassungen

1 Viper Way, Vista, CA 92081

Telefono: (800) 228-7148 (USA e Canada), 01 (410) 363-7148 (tutti gli altri paesi)

Garanzia limitata:

5 anni per driver e cabinet, 3 anni per i componenti elettronici

DEI Sales Co., dba Definitive Technology (hier „Definitive“) garantiert nur dem Erstkäufer, dass dieser Definitive-Lautsprecher (das „Produkt“) ab dem Datum des Kaufs bei einem Definitive-Vertragshändler frei von Material- und Verarbeitungsfehlern ist. Diese Garantie beläuft sich bei Treibern und Gehäuse des Produktes auf fünf (5) Jahre, bei elektronischen Komponenten auf drei (3) Jahre. Falls das Produkt Material- oder Verarbeitungsfehler aufweist, wird Definitive oder sein Vertragshändler das Produkt nach eigenem Ermessen kostenlos reparieren oder ersetzen, soweit im Folgenden nicht anders angegeben. Alle ersetzten Teile und das Produkt werden zum Eigentum von Definitive. Das im Rahmen dieser Garantie reparierte oder ersetzte Produkt wird nach angemessener Zeit an Sie zurückgesandt, wobei die Versandkosten von Ihnen übernommen werden. Diese Garantie ist nicht übertragbar und verliert automatisch ihre Gültigkeit, wenn der Erstkäufer das Produkt verkauft oder es anderweitig an Dritte übergibt. Diese Garantie umfasst keine Reparatur von Teilen, die durch Unfall, falsche Benutzung, Missbrauch, Nachlässigkeit, ungeeignete Verpackung und Versandverfahren, kommerzielle Nutzung, Überspannung beschädigt wurden oder deren Außenbild nicht direkt auf Material- oder Verarbeitungsfehler zurückzuführen ist. Diese Garantie deckt weder die Beseitigung von extern erzeugter Statik und Geräuschen noch die Korrektur von Antennenproblemen oder Empfangsschwäche. Diese Garantie deckt weder Arbeitskosten noch durch Installation/Deinstallation entstandene Produktschäden. Von der Garantie ausgeschlossen sind Produkte, die bei anderen als den von Definitive Technology autorisierten Fachhändlern erworben wurden.

LA GARANZIA DECADRÀ AUTOMATICAMENTE SE:

- 1) Il prodotto è stato danneggiato, in qualche modo alterato, manipolato in modo non corretto durante il trasporto, o manomesso.
- 2) Il prodotto è danneggiato a causa di incidenti, incendi, inondazioni, utilizzo non ragionevole, utilizzo errato, abuso, detergenti applicati dal cliente, mancata osservanza delle avvertenze da parte del produttore, negligenza o eventi correlati.
- 3) Al Prodotto sono state apportate riparazioni o modifiche non effettuato o autorizzate da Definitive Technology.
- 4) Il prodotto è stato utilizzato e installato in modo improprio.

Il prodotto deve essere restituito (assicurato e prepagato), together with the original dated proof of purchase to the Authorized Dealer from whom the Product was purchased, or to the nearest Definitive factory service center. Il prodotto deve essere spedito nella sua confezione originale, o in una confezione equivalente. Definitive non è responsabile per lo smarrimento o per eventuali danni al prodotto durante il trasporto.

LA PRESENTE GARANZIA LIMITATA È L'UNICA GARANZIA ESPLICITA CHE SI APPLICA A QUESTO PRODOTTO. DEFINITIVE NON SI ASSUME, E NON AUTORIZZA NESSUNA PERSONA O ENTITÀ AD ASSUMERSI DA PARTE SUA, ALTRI OBBLIGHI O ALTRE RESPONSABILITÀ IN RELAZIONE CON IL PRODOTTO O LA PRESENTE GARANZIA. SI ESCLUDONO TUTTE LE ALTRE GARANZIE, ESPLICITE O IMPLICITE, IVI COMPRESSE MA NON LIMITATAMENTE A, GARANZIE DI COMMERCIALITÀ O IDONEITÀ PER SCOPI SPECIFICI, E VENGONO ESPRESSAMENTE RIFIutate NEI TERMINI CONSENTITI DALLA LEGGE. TUTTE LE GARANZIE IMPLICITE SUL PRODOTTO SONO LIMITATE ALLA DURATA ESPRESSA DALLA GARANZIA STESSA. DEFINITIVE NON SI ASSUME ALCUNA RESPONSABILITÀ PER AZIONI DI TERZE PARTI. LA RESPONSABILITÀ DI DEFINITIVE, BASATA SU CONTRATTO, INFRAZIONE, RESPONSABILITÀ OGGETTIVA O ALTRO, NON PUÒ SUPERARE IL PREZZO DI ACQUISTO DEL PRODOTTO PER IL QUALE È STATO EMESSO UN RECLAMO. IN NESSUNA CIRCOSTANZA DEFINITIVE SARÀ RITENUTA RESPONSABILE PER DANNI INCIDENTALI, CONSEGUENZIALI O SPECIALI. IL CONSUMATORE ACCETTA E ACCONSENTE CHE TUTTE LE DISPUTE TRA LUI E DEFINITIVE VERRANNO RISOLTE IN ACCORDO CON LE LEGGI DELLA CALIFORNIA, NELLA CONTEA DI SAN DIEGO, CALIFORNIA. DEFINITIVE SI RISERVA IL DIRITTO DI MODIFICARE IL TESTO DELLA PRESENTE GARANZIA IN QUALSIASI MOMENTO.

Alcuni stati non consentono l'esclusione o la limitazione di danni consequenziali o incidentali, o di garanzie implicite, pertanto le limitazioni sopra citate potrebbero non applicarsi a tutti i casi. La presente garanzia assicura al consumatore specifici diritti legali, tuttavia il consumatore potrebbe aver altri diritti che variano da stato a stato. ©2016 DEI Sales Co. Tutti i diritti riservati.

SERIAL NUMBER



Definitive Technology
1 Viper Way
Vista, CA 92081
(800) 228-7148

www.definitivetechology.com

HBP3620E